





2-4. Central remote controller (UTY-DCG*Z1)

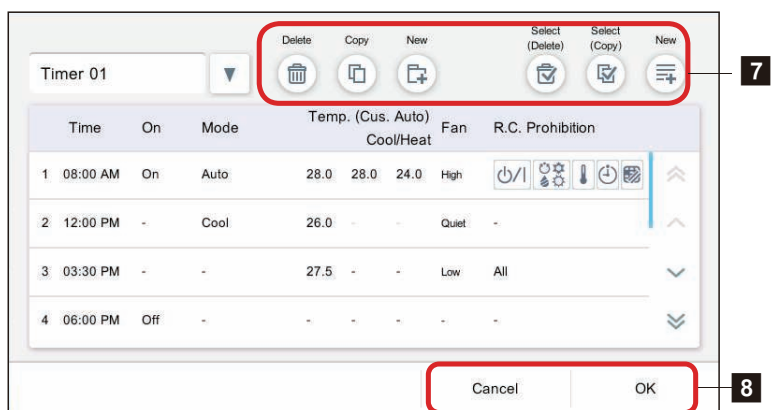
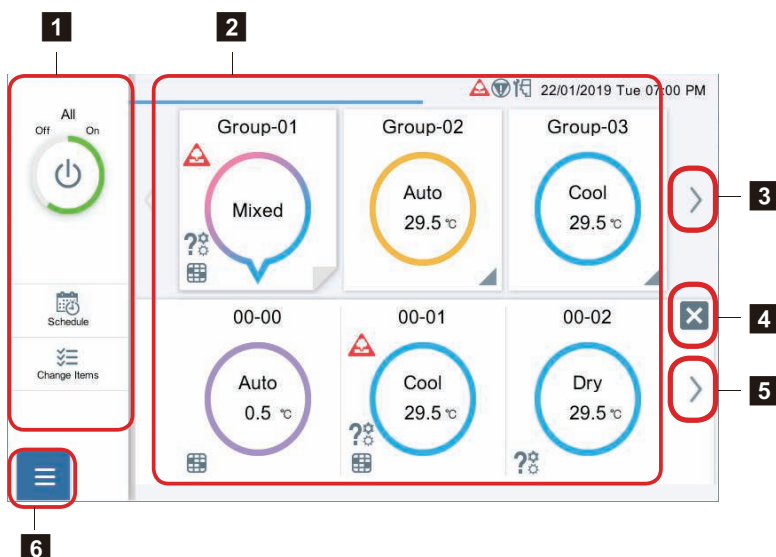


- Individual control and monitor of 100 indoor units
- 7-inch TFT color screen
- High visibility and easy operation
- External input/output contact
- Corresponds to 12 different languages. (English, Spanish, German, French, Italian, Russian, Portuguese, Turkish, Polish, Greek, Dutch, and Chinese)

■ Accessory

Name and shape	Q'ty	Application
 Installation manual	1	
 Operating manual	1	
 Screw (M4 × 16 mm)	4	For installing
 Cable tie	4	For binding power supply cable and transmission cable

Overview



1 Left menu (Always display)

2 Group or R.C.G. button

3 Group scroll button

4 Group expansion cancel button

5 R.C.G. scroll button

6 Menu button

7 Icon

- Delete
Deletes the currently displayed setting.
- Copy
Copies the currently displayed setting.
- New
Adds the new timer. However, when the number of settings reaches the upper limit, this button is disabled.
- Select (Delete)
Deletes the selected line.
- Select (Copy)
Copies the selected line.
- New
Adds the new line. However, when the number of setting reaches upper limit, this button is disabled.

8 Button

- **OK button**
Continues the appropriate process.
- **Cancel button**
Cancels the process and closes the current screen.
- **Reset button**
Returns the changed item to initial value.
- **Close button**
Closes the current screen.
- **End button**
Ends the process and closes the pop-up screen.

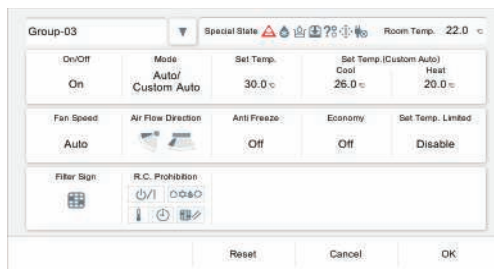
CONTROL SYSTEM

CONTROL SYSTEM

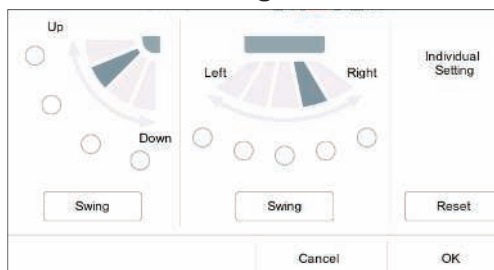
■ Main functions and screen examples

- **Individual control**

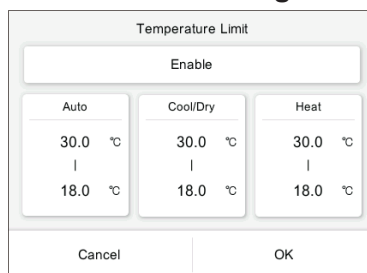
On/Off, Mode, Set temp., Fan speed, Airflow direction, Anti freeze, and Economy.



- **Vertical and Horizontal airflow direction setting**



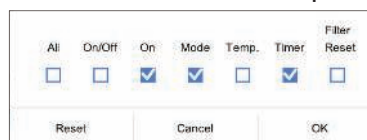
- **Room temperature upper and lower limitation setting**



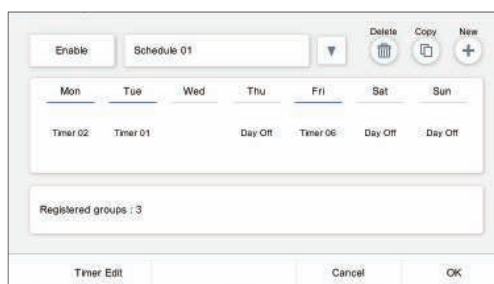
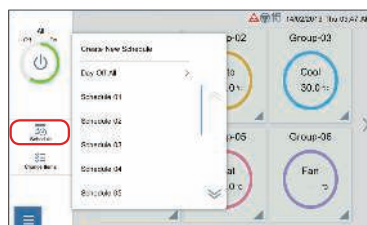
- **Remote controller prohibition**

All, On/Off, Mode, Temp., Timer, and Filter.

R.C prohibition setting prohibits individual remote control operation.



- **Schedule setting timer**

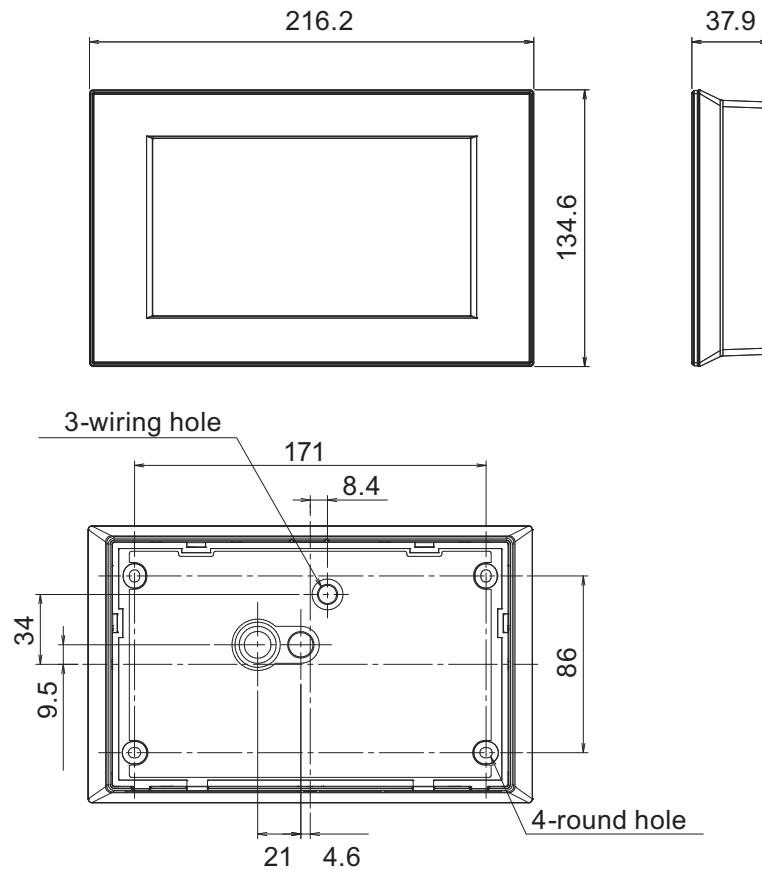


- **Error history**
 - Able to memorize max. 200 errors.
 - Suitable maintenance is possible by analysis of the error history data.

No.	Date/Time	Model	Address	Main Alarm	Err. Code
001	2018/02/13 21:11	HC-01	02-01-01	ABN15L.BTH	32.1
002	2018/02/13 20:49	01-01	01-01-02	ABN15L.BTH	32.1
003	2018/02/13 20:45	Client Unit	01-02	ABN15L.BTH	32.1
004	2018/02/13 20:45	Central Controller	200-03	UTY-DCG*Z1	16.1
005	2018/02/13 20:40	01-03	01-03-11	ABN15L.BTH	32.1
006	2018/02/13 20:35	02-02	02-02-03	ABN15L.BTH	32.1
007	2018/02/13 20:20	03-01	03-01-01	ABN15L.BTH	32.1
008	2018/02/13 20:15	01-01	01-01-02	ABN15L.BTH	32.1
009	2018/02/13 20:10	05-04	05-04-01	ABN15L.BTH	32.1
010	2018/02/13 20:02	02-01	02-01-02	ABN15L.BTH	32.2

■ Dimensions

Unit: mm

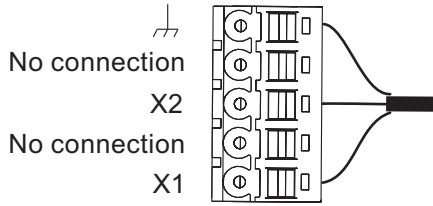


CONTROL SYSTEM

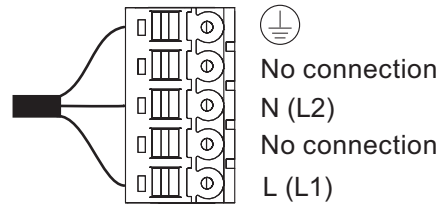
CONTROL SYSTEM

Terminal names

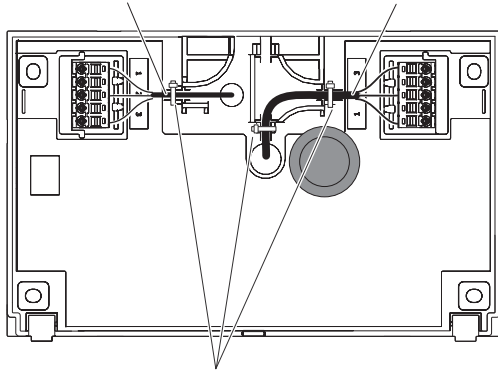
Transmission line terminal name



Power supply line terminal name

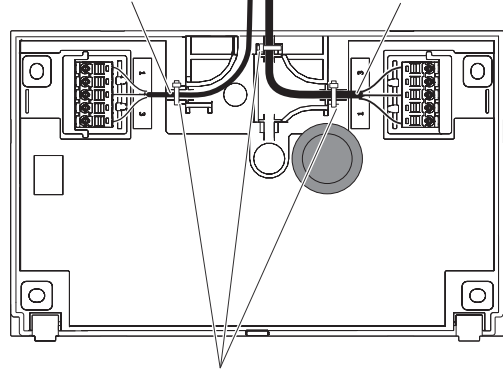


Transmission cable Power supply cable



Cable tie

Transmission cable Power supply cable

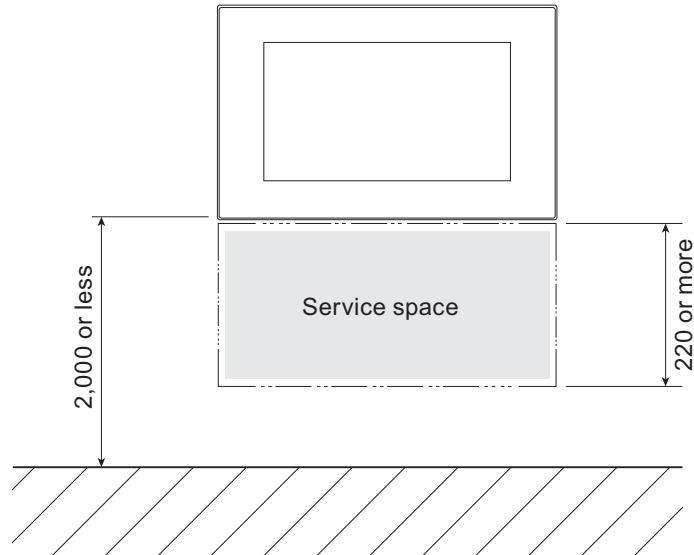


Cable tie

Installation space

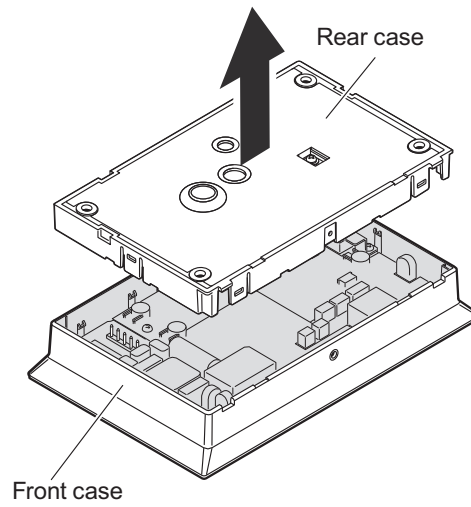
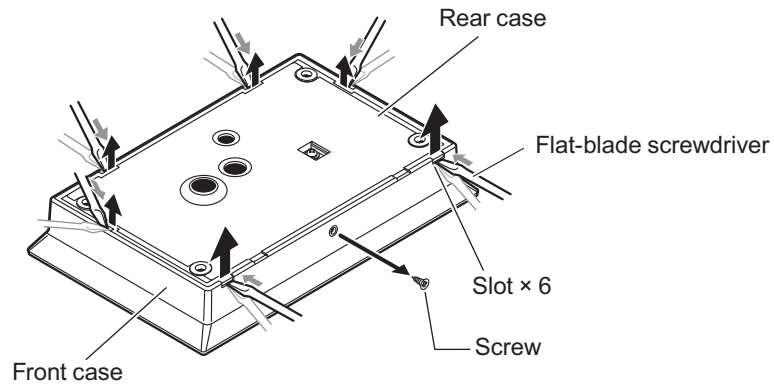
Make a service space to perform installation work.

Unit: mm



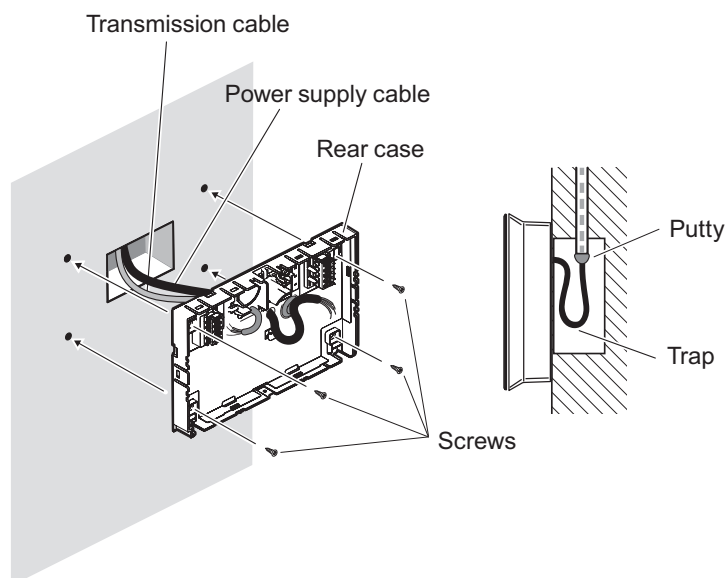
■ Installation

1. Separate the rear case from the front case.

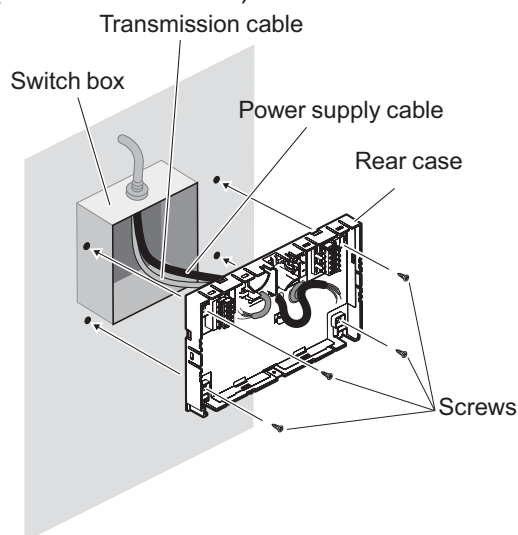


2. Install the rear case.

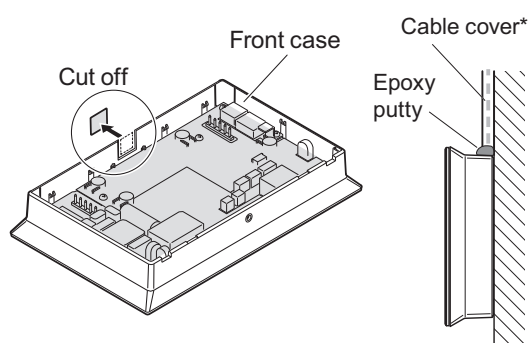
- When cable is in the wall:



- When cable is in the wall (switch box is used):



- When cable is along the wall:

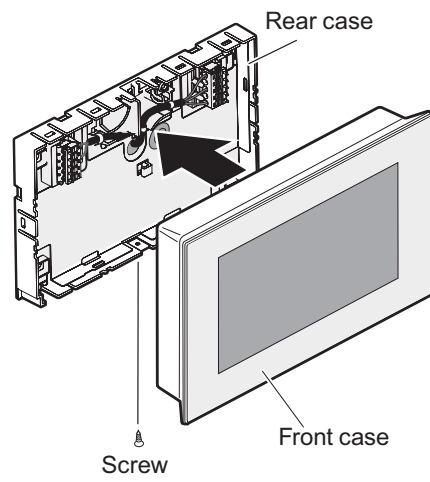


*: More than 1 mm thick

NOTES:

- When central remote controller (UTY-DCG*Z1) is installed at the wall directly, install at a flat wall so that small animals do not enter from the rear side.
- When central remote controller (UTY-DCG*Z1) is installed at the wall directly, remove the rubber bush at the rear side.

3. Install the front case to the rear case.



NOTE: For details, refer to the installation manual of the central remote controller.

■ Specifications

Power source voltage	V	1 Ø AC 100—240
Power source frequency	Hz	50/60
Input power	W	7
Display		7.0-inch TFT color LCD panel (WVGA)
LED indicator		Power LED (Green)
External interface		Transmission line
		External input: Either emergency stop, batch operation/stop, electricity meter (Either Dry contact or apply voltage can be selected.)
		External output: Operation state, error state
		Wired LAN (100 BASE-TX)
Usage temperature range	°C	0 to 40
Usage humidity range	%	0 to 85 (no condensation)
Storage temperature range	°C	-20 to 70
Storage humidity range	%	0 to 85 (no condensation)
Dimensions (H × W × D)	mm	134.6 × 216.2 × 37.9
Weight	g	800
Fuse capacity	A	5

● Wiring specifications

Use	Cable size	Wire type	Remarks
Power supply cable (for stranded wire)	0.8—1.25 mm ² (18—16 AWG)	60245 IEC 57 or equivalent	1 Ø AC 100—240 V 50/60 Hz, 2-wire + ground (Always ground the unit)
Power supply cable (for solid wire)	0.8—2.0 mm ² (18—14 AWG)	—	1 Ø AC 100—240 V 50/60 Hz, 2-wire + ground (Always ground the unit)
Transmission cable	0.33 mm ² (22 AWG)	LEVEL4 (NEMA) non-polar 2-core, twisted pair solid core diameter 0.65 mm, shielded type	LonWorks compatible cable
External input/output cable	0.33 mm ² (22 AWG)	Polar 2-core, twisted pair Max cable length: 25 m	Use cable in accordance with local rules for cable.
LAN cable	—	Category 5 or more straight cable	100 BASE-TX support