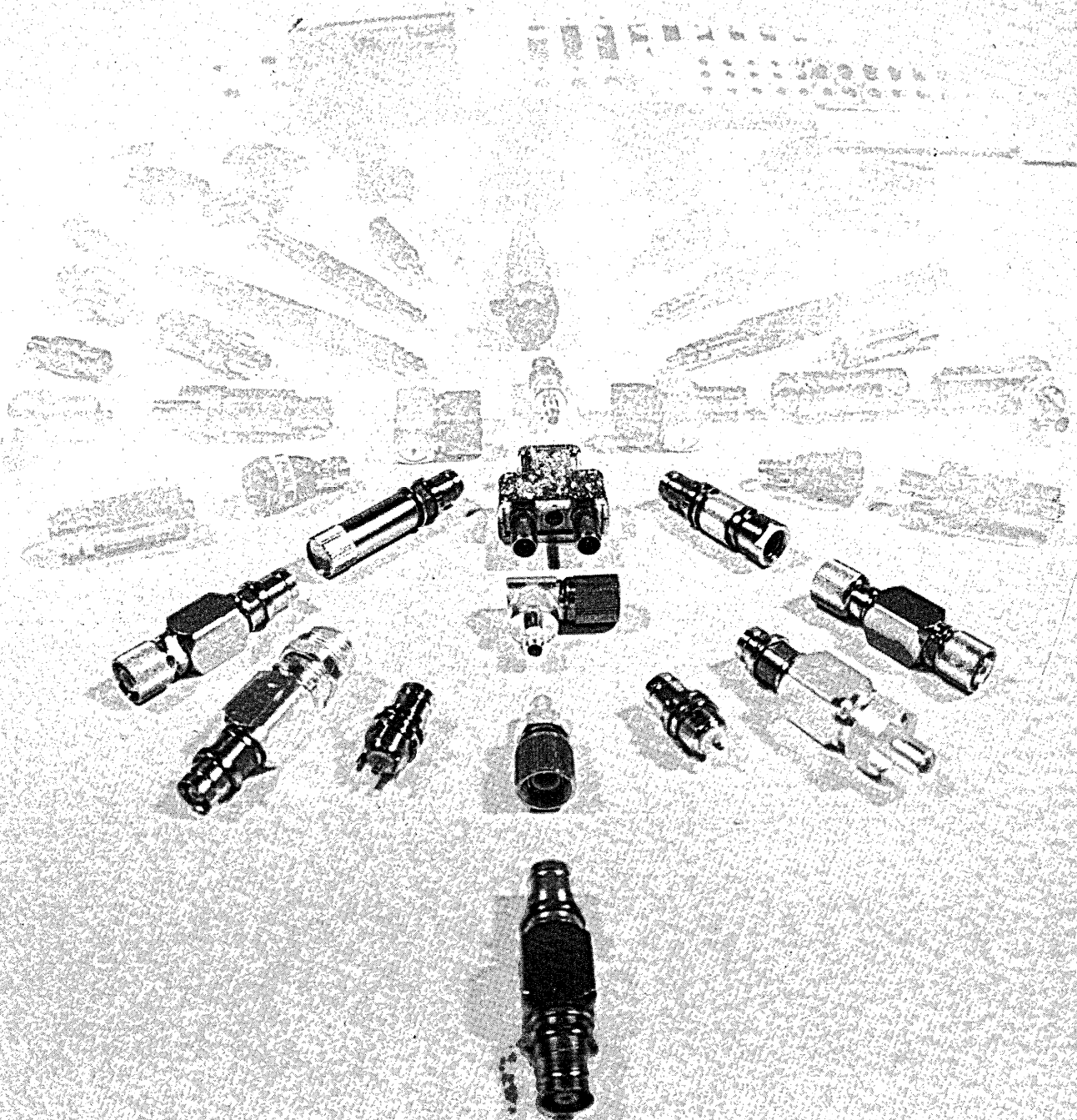


1.6/5.6 CONNECTORS



A. C. N. 001 863 387

SYDNEY

54 Blackwall Pt Rd
Chiswick
NSW 2046
Tel: (02) 712 3555
Fax: (02) 719 8548

MELBOURNE

5-7 Napoleon St
Collingwood
Vic. 3066
Tel: (03) 417 3622
Fax: (03) 416 0750

CANBERRA

Rowland Chambers
10 Thesiger Court
Deakin ACT 2600
Tel: (06) 285 1035
Fax: (06) 285 1528

AUCKLAND

300 Richmond Rd
Grey Lynn, Auckland
New Zealand
Tel: (09) 787 478
Fax: (09) 360 2180

TG 1.6/5.6 CONNECTORS – DIN 47295 TYPE

CONNECTOR TYPES	
FORM	VERSION
1	SCREW
2	SNAP
3	PUSH ON

MECHANICAL	
INSULATORS	PTFE
OUTER CONDUCTORS } INNER CONDUCTORS }	Cu Zn 40
FEMALE CONTACTS	Cu Be 2
SPRING LOADED BODY CONTACTS	Cu Be 2

CABLE INDEX	CABLE TYPES
B	2YCCY 0.7/4.4 - 7.4
D	2YC(mS)CY 0.5/3.0 - 6.0
E	2YC(mS)CY 0.4/2.4 - 4.8
F	2YCCY 0.4/2.4 - 4.5
H	RG 59
H ₁₂	UR 70
H ₂₁	75 DS
H ₂₂	75 DM

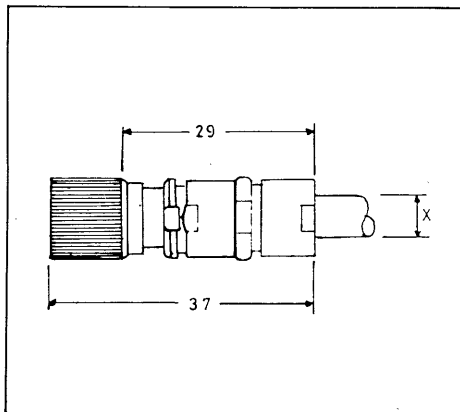
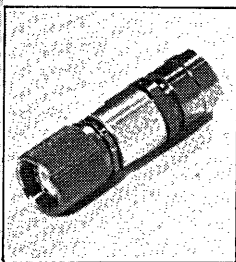
ELECTRICAL AND MECHANICAL FEATURES	
DIMENSIONS	AFTER DIN 47295
PUSH AND PULL POWER	AFTER DIN 47295
IMPEDANCE	Z = 75 Ohm
FREQUENCY RANGE	≤ 1 GHz
REFLECTION CO-EFFICIENT	0.1 AT 1 GHz
CONTACT RESISTANCE PLUG/SOCKET	
CENTRE CONTACT	≤ 4m Ohm
OUTER CONTACT	≤ 2m Ohm
INSULATION RESISTANCE	≤ 10 ⁶ M Ohm
TEST VOLTAGE	1 KV eff / 50 Hz
VOLTAGE	500 V eff / 50 Hz peak

PLUGS

SUITABLE FOR CORD CONNECTING

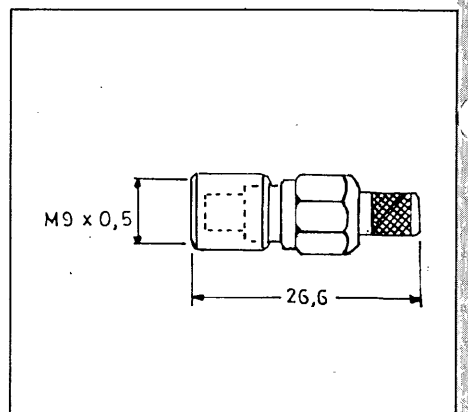
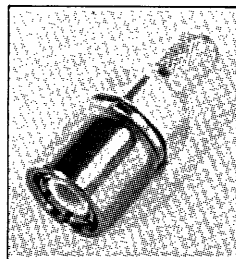
IN-LINE PLUG, CLAMP

SCREW FITTING – TG 1701
SNAP FITTING – TG 1709



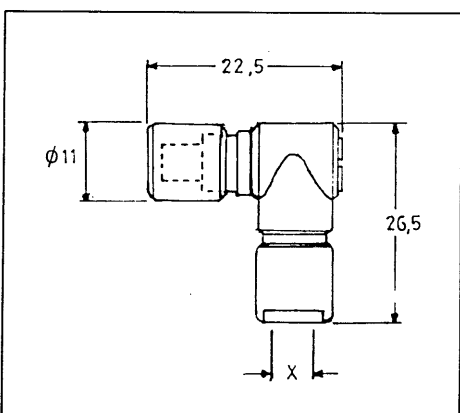
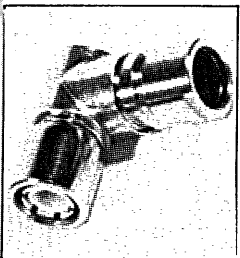
IN-LINE PLUG, CRIMP

SCREW FITTING – TG 1710
SNAP FITTING – TG 1711



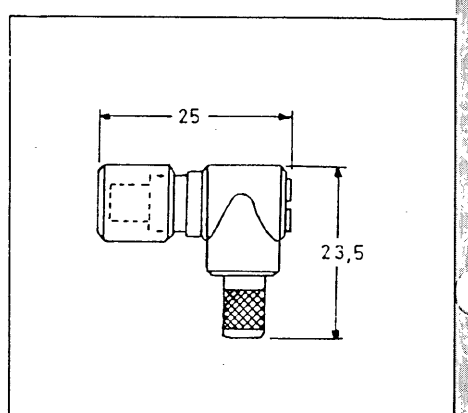
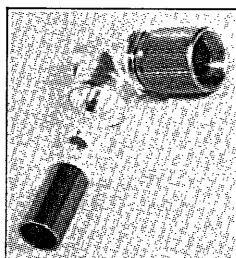
RT. ANGLE PLUG, CLAMP

SCREW FITTING – TG 1707 / 1
SNAP FITTING – TG 1707 / 2



RT. ANGLE PLUG, CRIMP

SCREW FITTING – TG 1713
SNAP FITTING – TG 1714

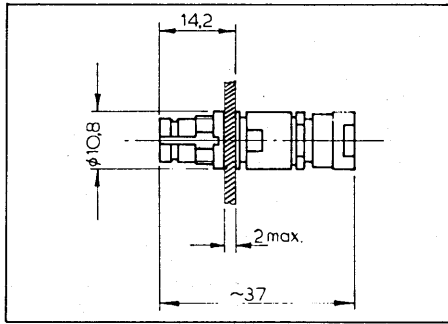
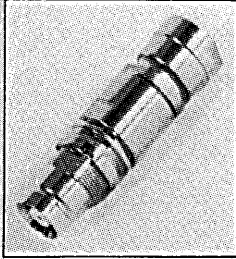


NOTE: WHEN ORDERING PLEASE SPECIFY (1) PLUG TYPE (2) CABLE INDEX

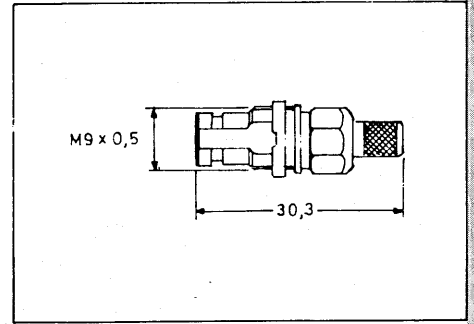
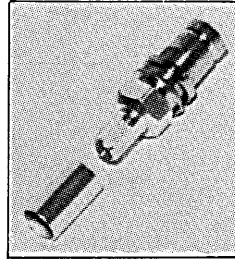
SOCKETS

SUITABLE FOR CORD CONNECTING OR PANEL MOUNTING

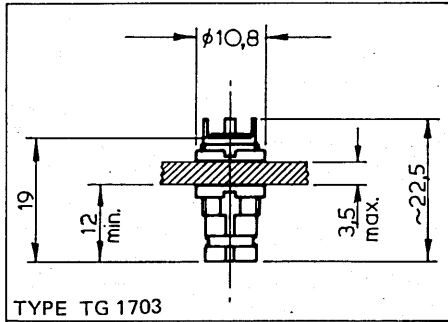
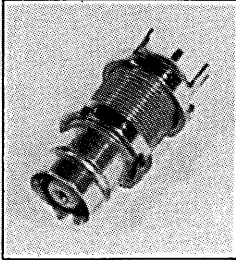
SOCKET, CLAMP,
PANEL MOUNTING
TYPE TG 1700



SOCKET, CRIMP,
PANEL MOUNTING
TYPE TG 1712

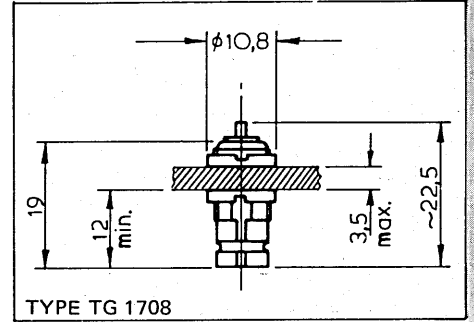
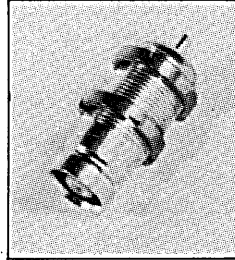


SOCKET, PANEL
MOUNTING
WITH SOLDER LUGS



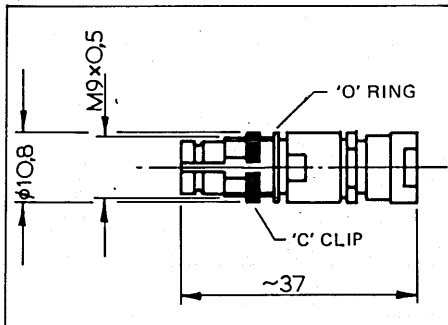
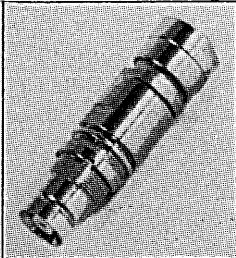
TYPE TG 1703

SOCKET, PANEL
MOUNTING
WITHOUT SOLDER LUGS



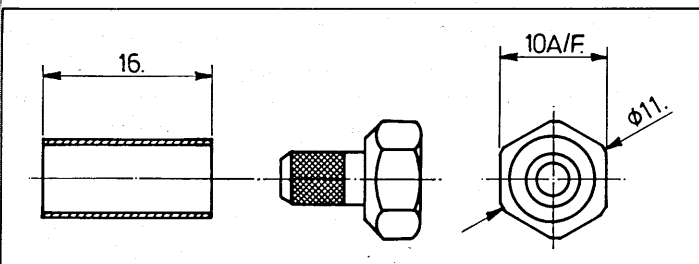
TYPE TG 1708

SOCKET, CLAMP,
PANEL MOUNTING
TYPE TG 1706



FOR A SUITABLE RANGE OF PRE-PUNCHED 19" RACK MOUNTED PANELS PLEASE ASK FOR DETAILS OF THE A.C.&E. JACKSTRIP RANGE

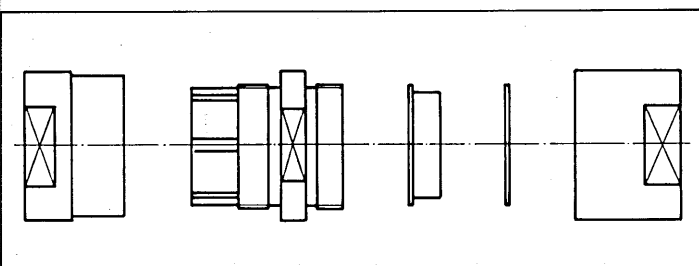
CRIMP PARTS



CRIMP TUBE AND CRIMP GLAND

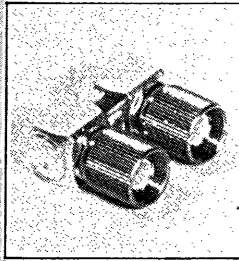
CABLE INDEX	CABLE TYPE
B	2YCCY 0.7/4.4 - 7.4
D	2YC(mS)CY 0.5/3.0-6.0
H	RG59
H ₁₂	UR70
H ₂₁	75DS
H ₂₂	75DM

CLAMP PARTS



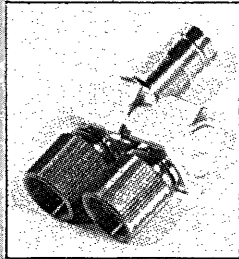
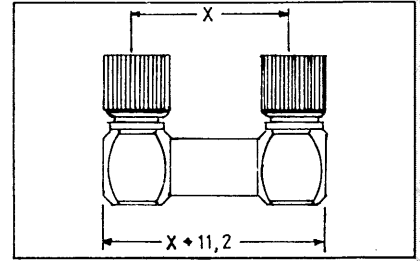
CABLE INDEX	CABLE TYPE
B	2YCCY 0.7/4.4 - 7.4
D	2YC(mS)CY 0.5/3.0-6.0
E	2YC(mS)CY 0.4/2.4-4.8
F	2YCCY 0.4/2.4 - 4.5
H	RG59
H ₁₂	UR70
H ₂₁	75DS
H ₂₂	75DM

U LINKS



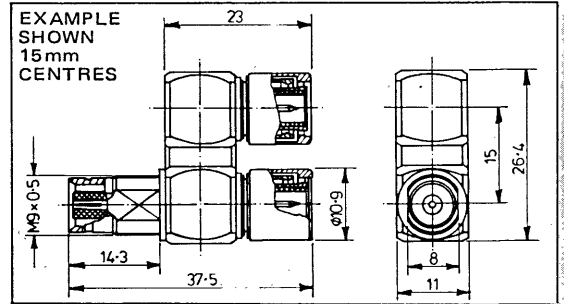
U LINK: WITHOUT MONITOR.
 MOST COMMON SPACINGS ARE X = 15 OR 30 mm

DESCRIPTION	X VALUE	TYPE
SCREW	15-44 mm	TG1702/15 44/1
SNAP	15-44 mm	TG1702/15 44/2
PUSH ON	15-44 mm	TG1702/15 44/3

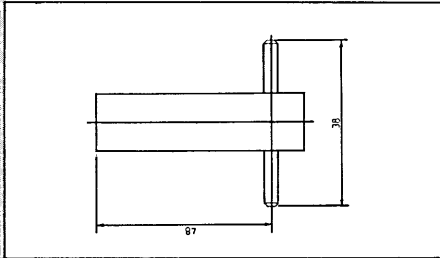


U LINK WITH MONITOR
 MOST COMMON SPACINGS ARE X = 15 OR 30 mm

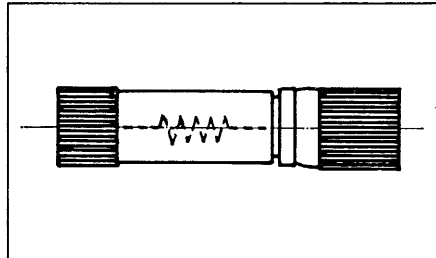
SCREW — TG 1715/15 — 44/1	X = 15 — 44 mm
SNAP — TG 1715/15 — 44/2	X = 15 — 44 mm
PUSH ON — TG 1715/15 — 44/3	X = 15 — 44 mm



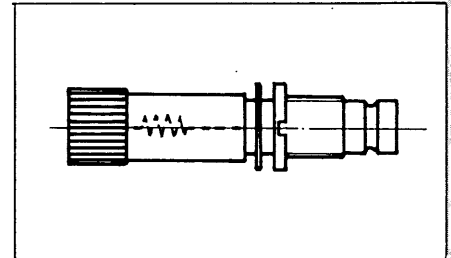
SIGNAL TERMINATORS AND ACCESSORIES



MOUNTING TOOL



TERMINATION PLUG — 75 OHM
 TYPE : 341 A



TERMINATION SOCKET — 75 OHM
 TYPE : 341 B

ADAPTORS

TYPE	DESCRIPTION
321	1.0 / 2.3 M — 1.6 / 5.6 M
322	1.0 / 2.3 M — 1.6 / 5.6 F
393	3001 M — 1.6 / 5.6 F
810	BNC M — 1.6 / 5.6 M
811	BNC F — 1.6 / 5.6 F
812	BNC F — 1.6 / 5.6 M
813	BNC M — 1.6 / 5.6 F

TYPE	DESCRIPTION
814	2.5 / 6 M — 1.6 / 5.6 M
815	2.5 / 6 F — 1.6 / 5.6 F
816	2.5 / 6 F — 1.6 / 5.6 M
817	2.5 / 6 M — 1.6 / 5.6 F
1704	1.6 / 5.6 M — 1.6 / 5.6 M
1705	1.6 / 5.6 F — 1.6 / 5.6 F

A. C. & E. SALES PTY. LTD. MANUFACTURES, DISTRIBUTES AND ALSO IMPORTS A WIDE RANGE OF SPECIALISED CONNECTORS, ADAPTORS, PATCHCORDS, PATCHPANELS AND ANCILLARY EQUIPMENT FOR THE TELECOMMUNICATIONS, DATA AND AUDIO-VISUAL INDUSTRIES:

- MAJOR PRODUCT RANGES INCLUDE —
- * AUDIO CONNECTORS
 - * DATA CONNECTORS
 - * 2.5/6 (DIN 47296 TYPE)
 - * PATCHPANELS
 - * COAXIAL CONNECTORS
 - * 1.6/5.6 (DIN 47295 TYPE)
 - * PATCHCORDS
 - * ADAPTORS

A. C. & E. SALES PTY. LTD.
 A.C.N. 001 863 387



54 Blackwall Point Road (Cnr. Bibby St) Chiswick NSW 2046
 Telephone: (02) 712 3555 Fax: (02) 719 8548

Distributed by: