



Turn to the experts



VRF System

Your VRF System of Choice

Contact us today for more information
or to talk to a distributor

www.carrier.com

Carrier is committed to continuously improving its products to ensure the highest quality and reliability standards, and to meet local regulations and market requirements. All features and specifications are subject to change without prior notice.

02/2021

1-C-VRF-021921-EN-3-SAP

©2021 Carrier. All Rights Reserved.

Asia
Catalogue





OUR LEGACY 003

VRF SYSTEMS 011

PRODUCT LINEUP 015

OUTDOOR UNITS LINEUP 015

INDOOR UNITS LINEUP 017

CONTROLLER UNITS LINEUP 019

OUTDOOR UNITS 021

TOP DISCHARGE 023

SIDE DISCHARGE 041

INDOOR UNITS 059

ONE-WAY CASSETTE 065

TWO-WAY CASSETTE 069

COMPACT FOUR-WAY CASSETTE 073

FOUR-WAY CASSETTE 077

ROUND-WAY CASSETTE 081

SLIM DUCT 087

STANDARD STATIC DUCT (50/100PA) 091

STANDARD STATIC DUCT (20/200PA) 095

MEDIUM STATIC DUCT (50/120PA) 099

HIGH STATIC DUCT(100/196PA) 103

HIGH STATIC DUCT(0/200PA) 107

HIGH WALL 113

TWO-WAY CONSOLE 117

CONSOLE-RECESSED 121

FLEX CEILING FLOOR (AC MOTOR) 123

FLEX CEILING FLOOR (DC MOTOR) 127

OUTSIDE AIR UNIT 133

HRV 137

AHU DX KITS CONNECTION..... 141

TA CONTROL TYPE 143

DDC CONTROL TYPE..... 145

UNIT STRUCTURE..... 147

CONTROLLER 149

INDIVIDUAL CONTROLLER 155

CENTRALIZED CONTROLLER 157

BMS 161

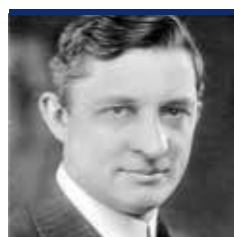
ACCESSORIES 173

HEAT PUMP - ODU PIPING 175
CONNECTION ACCESSORIES

HEAT PUMP - IDU PIPING 176
CONNECTION ACCESSORIES

CARRIER'S HERITAGE: THE INVENTION THAT CHANGED THE WORLD

On July 17, 1902, Willis Carrier designed the first modern air-conditioning system to solve a production problem at the Sackett & Wilhelms printing plant in Brooklyn, New York, launching an industry that would fundamentally improve the way we live, work and play.



Willis Carrier applied for a patent on his invention, an "Apparatus for Treating Air." He had invented the world's first spray-type air conditioning equipment, able to both wash and humidify or dehumidify air. Modern air conditioning now had its fundamental building block.



Carrier hires America's first woman air-conditioning engineer, right around the time that the decision to allow U.S. women the right to vote was being debated by lawmakers.

1904

1917

1926

1998

1911

1922

1931

2016

Willis Carrier's Rational Psychrometric Formulae brought science to what had been the often hit-or-miss design of air-conditioning systems, and in the process made Carrier an international name.



Carrier unveiled the first centrifugal chiller, which opened the door to large-scale comfort air-conditioning.



Carrier introduces the first home air conditioner.

Willis Carrier is named one of Time magazine's "100 Most Influential People of the Century."

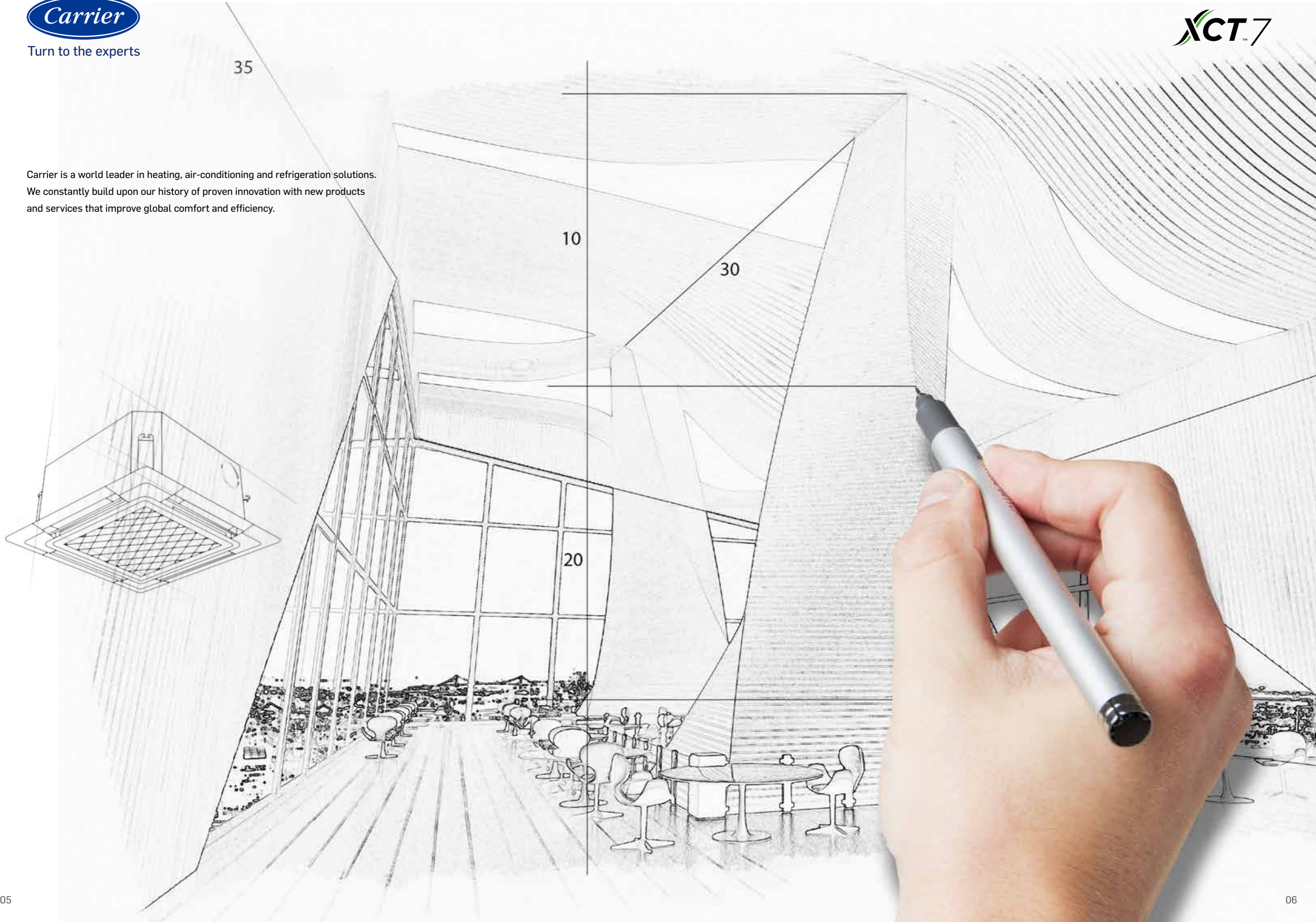
The M.V. Victoria became the first vessel to make its maiden voyage equipped with Carrier air conditioning.



Construction began on the Center for Intelligent Buildings Carrier Global Corporation Headquarters.

35

Carrier is a world leader in heating, air-conditioning and refrigeration solutions. We constantly build upon our history of proven innovation with new products and services that improve global comfort and efficiency.



Understanding VRF Systems

SETTING THE STANDARD FOR FLEXIBILITY, EFFICIENCY & PERFORMANCE

Variable Refrigerant Flow (VRF) systems are large-scale ductless HVAC systems performing at high capacity. VRF technology has the unmatched ability for multiple indoor units or zones to operate on the same outdoor system.

It is a multi-outdoor-units solution that carefully computes the precise amount of refrigerant required by each indoor unit to achieve individualized temperature control for each comfort zone.

Because of its flexibility, VRF systems can be customized to meet the specific demands of any project. It controls the refrigerant flow according to the heat load requirement to avoid over cooling or heating effectively.

Why Choose VRF Systems?



FLEXIBILITY

Whether you're looking to maximize comfort in a new building or retrofit an existing one, VRF systems join design flexibility with potential energy savings.



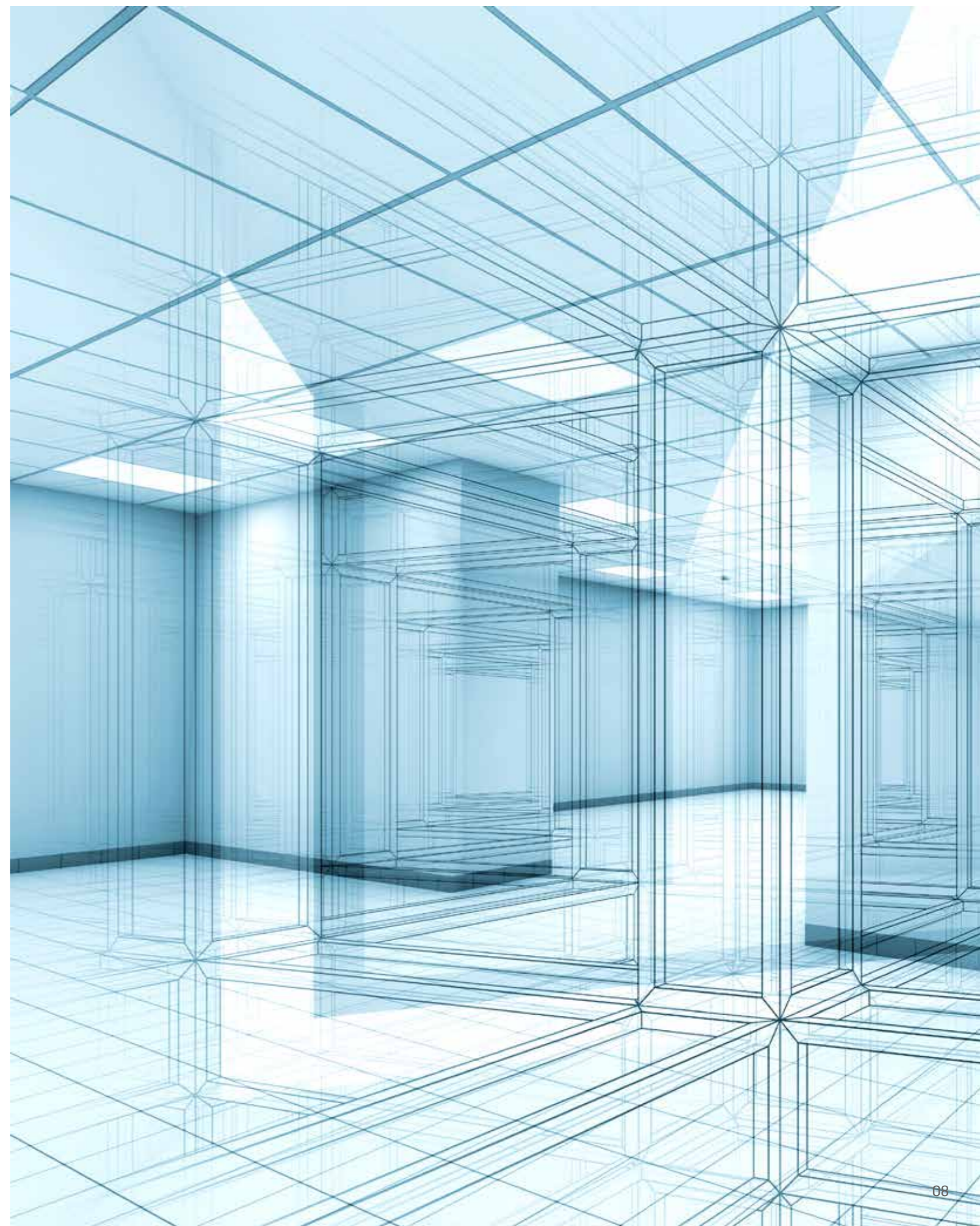
EFFICIENCY

VRF systems use minimal ductwork, and sometimes none at all (depending on the application). This makes installation and maintenance easier, and also precisely matches power requirements to eliminate any energy waste associated with central duct systems.



PERFORMANCE

System performance is significantly enhanced because of the heat transfer properties of refrigerant over other mediums, while the zone temperature control brings ideal comfort.





Turn to the experts

What is Carrier XCT7

The new XCT7, Variable (X) Comfort Technology, is the 7th generation of our VRF system that proudly represents Carrier's world leading innovation, technology and unyielding commitment to energy saving.

Carrying forth the legacy that shaped the climate control industry, Carrier's VRF systems have always delivered optimal comfort and performance that can be scaled to meet climate control needs, all the way from a small single-family residence to a commercial high-rise building. We're determined to make global impacts again with the XCT7 – a VRF system that provides unmatched advantages of high reliability, peak performance, enhanced efficiency, longer lifespan, optimal user experience and easy operation.



Ultimate Reliability



Enhanced System Performance



High-Efficiency



Large Operating Range



Easy Installation

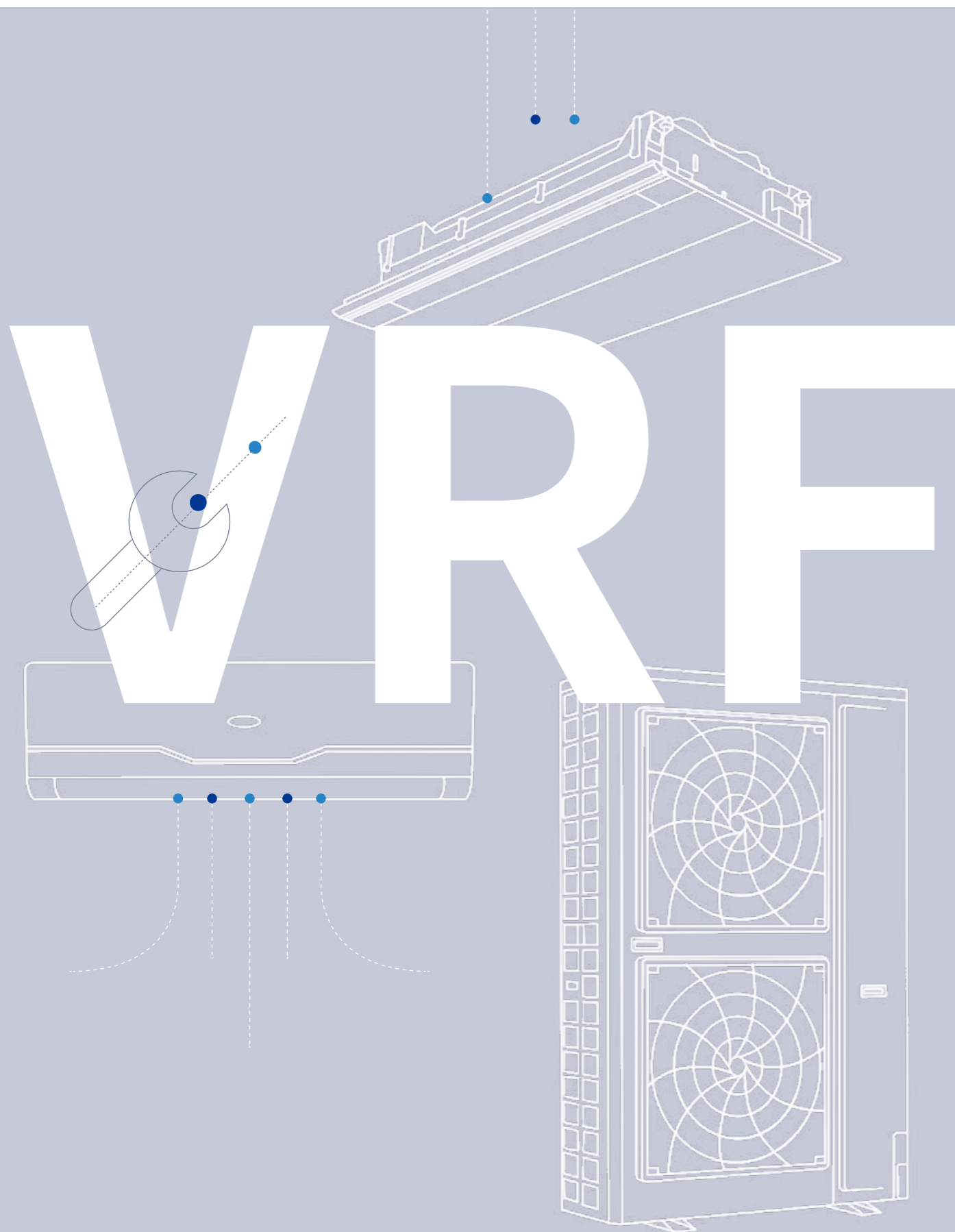


Incredible Flexibility



Wide Range of Options





Why Choose Carrier VRF?

Your choice of VRF system makes a difference. When you invest in Carrier VRF, you create a system that delivers on the promise of comfort, performance and reliability - the backbone of Carrier confidence.



Ultimate Reliability

Security is at the heart of XCT7 conception which brings customers a total peace of mind.

- Outdoor condenser with advanced black fin technology for enhanced corrosion resistance
- Reduced liquid shock failure rate thanks to the anti-liquid shock technology of the compressor



Enhanced System Performance

The enhanced system efficiency relies on the combination of the following advanced features:

- Improved refrigerant distribution balance thanks to the centrifugal oil separator
- Smooth supply of lubricant with 10-stage oil return technology which protects the compressor and the system



High-Efficiency

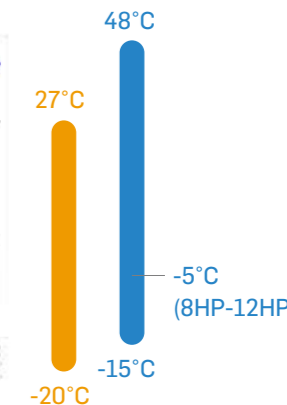
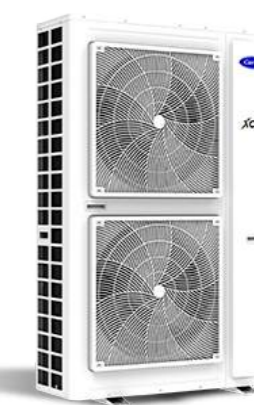
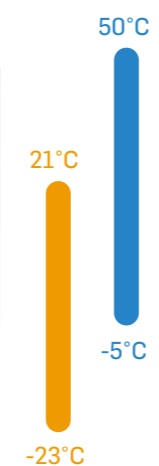
Carrier VRF achieves high-efficiency in cooling and heating by utilizing:

- High-efficient DC fan
- Advanced DC compressor



Large Operating Range

XCT7 delivers comfort solutions for any indoor space, anytime of the year.



HEATING COOLING

Why Choose Carrier VRF?



Easy Installation

By design, Carrier VRF systems are user-friendly, providing easy installation and maintenance.

- Easy to open the front panel
- Easy access to the internal system components
- Branching kit designed to fit your requirements
- One button trial operation :
 - Saves 10% of test operation time
 - Tests all units in one go



Incredible Flexibility

XCT7 units provide flexibility to accommodate almost any building requirement.

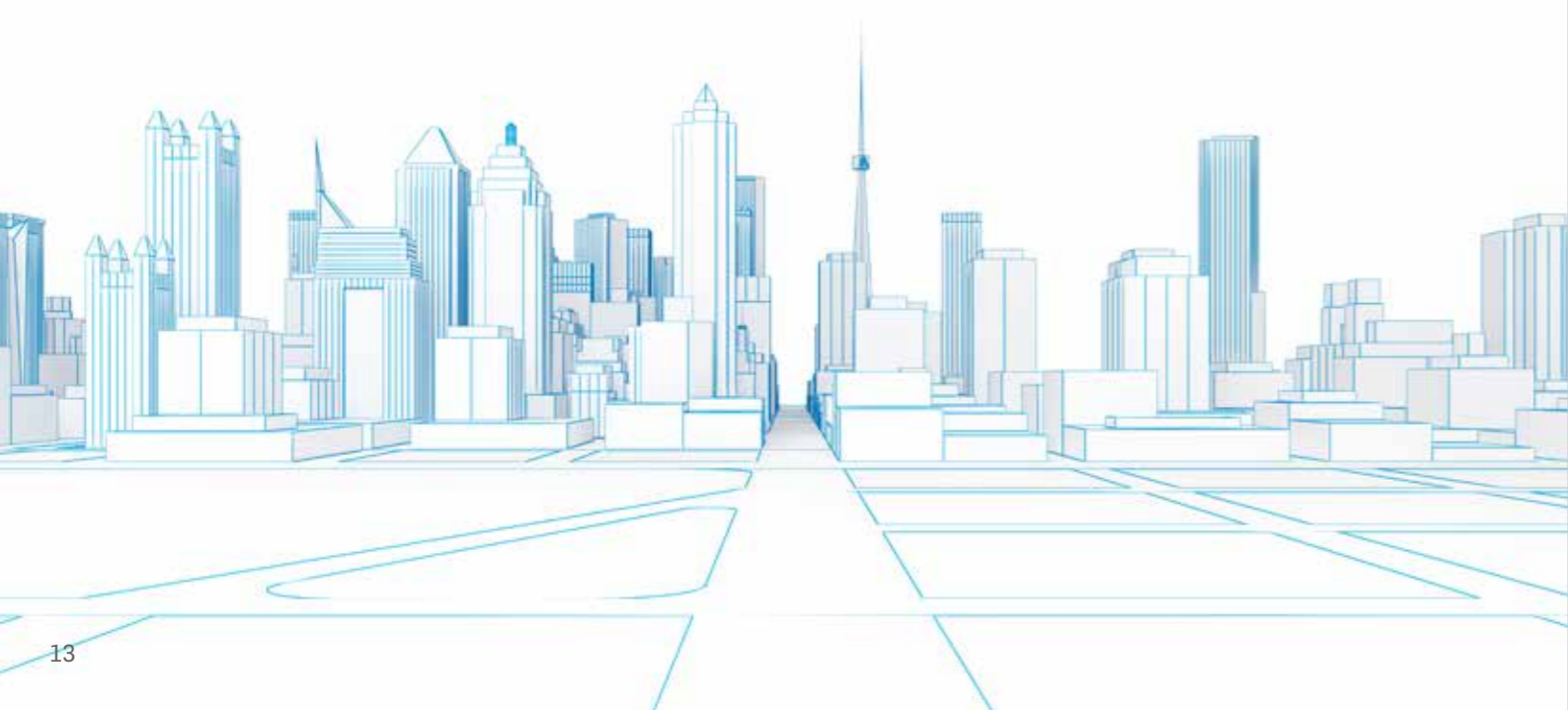
- Compact solution, perfect for limited space applications
- Up to 110 Pa of the external static pressure available
- Easily serves high-rise buildings up to 110m
- Flexible piping layout






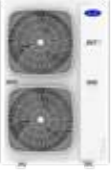







Wide Range of Options



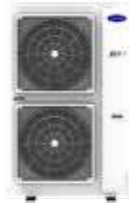
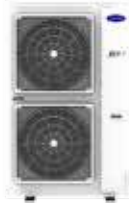


XCT7 units have been designed to satisfy your needs. No matter the building, application or project specifications, Carrier has a VRF solution for you.

- Single module from 4 to 26 HP
- 4 modules combination, up to 104 HP
- IDU solutions for every scenario
- Up to 64 indoor units per outdoor system
- User friendly controller solutions



Outdoor Units Lineup

| Lineup | 3 HP | | | | | | | | | | 5 HP | | | | | | | | | | | | | | |
|----------------------------------|---|-------|-------|-------|-------|---|-------|-------|-------|-------|---|-------|-------|-------|-------|---|-------|-------|-------|-------|---|-------|-------|--|--|
| kW | 8 | | | | | | | | | | 14 | | | | | | | | | | | | | | |
| Compact Side-Discharge | 1 Ph  | | | | | | | | | | 1&3 Ph  | | | | | | | | | | | | | | |
| | | | | | | | | | | | | | | | | | | | | | | | | | |
| Lineup | 4 HP | | | | | 5 HP | | | | | 6 HP | | | | | | | | | | | | | | |
| kW | 12.1 | | | | | 14 | | | | | 15.5 | | | | | | | | | | | | | | |
| Side Discharge | 1 Ph  | | | | | 1&3 Ph  | | | | | 1 Ph  | | | | | 1&3 Ph  | | | | | | | | | |
| | | | | | | | | | | | | | | | | | | | | | | | | | |
| Lineup | 8 HP | 10 HP | 12 HP | 14 HP | 16 HP | 18 HP | 20 HP | 22 HP | 24 HP | 26 HP | 28 HP | 30 HP | 32 HP | 34 HP | 36 HP | 38 HP | 40 HP | 42 HP | 44 HP | 46 HP | 48 HP | 50 HP | 52 HP | | |
| kW | 25.2 | 28 | 33.5 | 40 | 45 | 50.4 | 56 | 61.5 | 68 | 73.5 | 80 | 85 | 90 | 95.4 | 100.8 | 106.4 | 112 | 117.5 | 123 | 129.5 | 136 | 141.5 | 147 | | |
| HP(CO) Top-discharge Up to 104HP |  | | | | |  | | | | |  | | | | |  | | | | |  | | | | |
| | | | | | | | | | | | | | | | | | | | | | | | | | |

| 7 HP | | | | | | | | | | | | | | | | | | | | | | | | | |
|---|-------|-------|-------|---|-------|-------|-------|---|-------|-------|-------|---|-------|-------|-------|-------|-------|-------|-------|-------|-------|-------|--------|--------|--------|
| 18 | | | | | | | | | | | | | | | | | | | | | | | | | |
| 1&3 Ph  | | | | | | | | | | | | | | | | | | | | | | | | | |
| | | | | | | | | | | | | | | | | | | | | | | | | | |
| 8 HP | | | | 10 HP | | | | 12 HP | | | | | | | | | | | | | | | | | |
| 22.6 | | | | 28 | | | | 31.5 | | | | | | | | | | | | | | | | | |
| 3 Ph  | | | | 3 Ph  | | | | 3 Ph  | | | | | | | | | | | | | | | | | |
| | | | | | | | | | | | | | | | | | | | | | | | | | |
| 54 HP | 56 HP | 58 HP | 60 HP | 62 HP | 64 HP | 66 HP | 68 HP | 70 HP | 72 HP | 74 HP | 76 HP | 78 HP | 80 HP | 82 HP | 84 HP | 86 HP | 88 HP | 90 HP | 92 HP | 94 HP | 96 HP | 98 HP | 100 HP | 102 HP | 104 HP |
| 151.2 | 156.8 | 162.4 | 168 | 173.5 | 179 | 184.5 | 191 | 197.5 | 204 | 209.5 | 215 | 220.5 | 224 | 229.5 | 235 | 240.5 | 246 | 252.5 | 259 | 265.5 | 272 | 277.5 | 283 | 288.5 | 294 |
|  | | | | | | | | | | | |  | | | | | | | | | | | | | |
| | | | | | | | | | | | | | | | | | | | | | | | | | |

Indoor Units Lineup

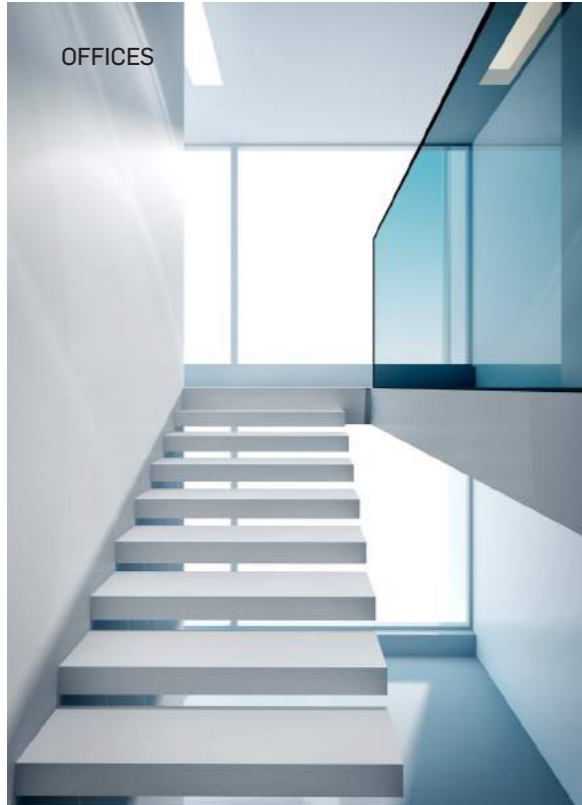
| Capacity kW/kBTU/h | ONE-WAY CASSETTE | TWO-WAY CASSETTE | COMPACT FOUR-WAY CASSETTE | FOUR-WAY CASSETTE | ROUND-WAY CASSETTE | SLIM DUCT | STANDARD STATIC DUCT 50/100 PA | STANDARD STATIC DUCT 20/200 Pa |
|-----------------------|---------------------|---------------------|---------------------------------|----------------------|-----------------------|-----------|--------------------------------------|--------------------------------------|
| Fan Motor Type | DC | AC | DC | AC | DC | DC | AC | DC |
| 1.5/5 | ● | | ● | ● | | ● | ● | ● |
| 2.2/7 | ● | ● | ● | ● | ● | ● | ● | ● |
| 2.8/9 | ● | ● | ● | ● | ● | ● | ● | ● |
| 3.6/12 | ● | ● | ● | ● | ● | ● | ● | ● |
| 4.5/16 | | ● | ● | ● | ● | ● | ● | ● |
| 5.6/18 | | ● | ● | ● | ● | ● | ● | ● |
| 7.1/24 | | | | ● | ● | ● | ● | ● |
| 8.0/28 | | | | ● | ● | | ● | ● |
| 9.0/30 | | | | ● | ● | | ● | ● |
| 11.2/38 | | | | ● | ● | | ● | ● |
| 14.0/48 | | | | ● | ● | | ● | ● |
| 16.0/54 | | | | | ● | | ● | ● |
| 22.6/72 | | | | | | | | |
| 28.0/96 | | | | | | | | |

| MEDIUM STATIC DUCT 50/120 PA | HIGH STATIC DUCT 100/196 PA | HIGH STATIC DUCT 0/200 PA | HIGH WALL | TWO-WAY CONSOLE | CONSOLE - RECESSED | FLEX CEILING FLOOR | FLEX CEILING FLOOR | OUTSIDE AIR UNIT |
|------------------------------------|-----------------------------------|---------------------------------|-----------|--------------------|-----------------------|-----------------------|-----------------------|---------------------|
| AC | AC | DC | DC | DC | AC | AC | DC | AC |
| | | | ● | ● | | | | |
| | | ● | ● | ● | ● | | | |
| | | ● | ● | ● | ● | ● | ● | |
| | | ● | ● | ● | ● | ● | ● | |
| | ● | ● | ● | ● | ● | ● | ● | |
| | ● | ● | ● | | ● | ● | ● | |
| ● | ● | ● | ● | | | ● | ● | |
| ● | ● | ● | | | | ● | ● | |
| ● | ● | ● | | | | ● | ● | ● |
| | | ● | | | | | ● | |
| | ● | | | | | | | ● |
| | ● | | | | | | | ● |

Controller Units Lineup

| | | | | | |
|------------------------|----------------------------------|--|----------------------------------|-------------------------|-----------------|
| Individual Controller | Remote Controller | IR RC (For Heat Pump) | IR RC (For Cooling Only) | Receiver (Duct unit) | |
| | Wired Controller | Simple RC | Wired RC 86x86 | Wired Weekly Timer | |
| Centralized Controller | Group Controller up to 32 IDU | Touchscreen up to 256 IDU | Touchscreen up to 800 IDU | | |
| Adapter | Protocol Adapter Modbus to RS485 | Protocol Adapter & Electricity Data Collection | Protocol Adapter for Touchscreen | | |
| BMS | Remote Monitoring | Local Control RS485 to USB | Lonworks™ Gateway | KNX®-8,16,64IDU Gateway | BACnet® Gateway |





OFFICES



OFFICES



RETAIL



OFFICES



ADMINISTRATION

OUTDOOR UNITS

023 TOP DISCHARGE

041 SIDE DISCHARGE



OFFICES



RETAIL



ADMINISTRATIONS



Outdoor



Outdoor

TOP DISCHARGE

Handles heating and cooling with incredible efficiency and ensures continuous comfort indoors



XCT7 Unit Special Features



One Button Trial Operation

You only need to press the outdoor PCB button once to initiate the trial operation mode instead of starting indoor units one by one.

Save up to 10% of trial operation time with this unique function for both cooling/heating modes.

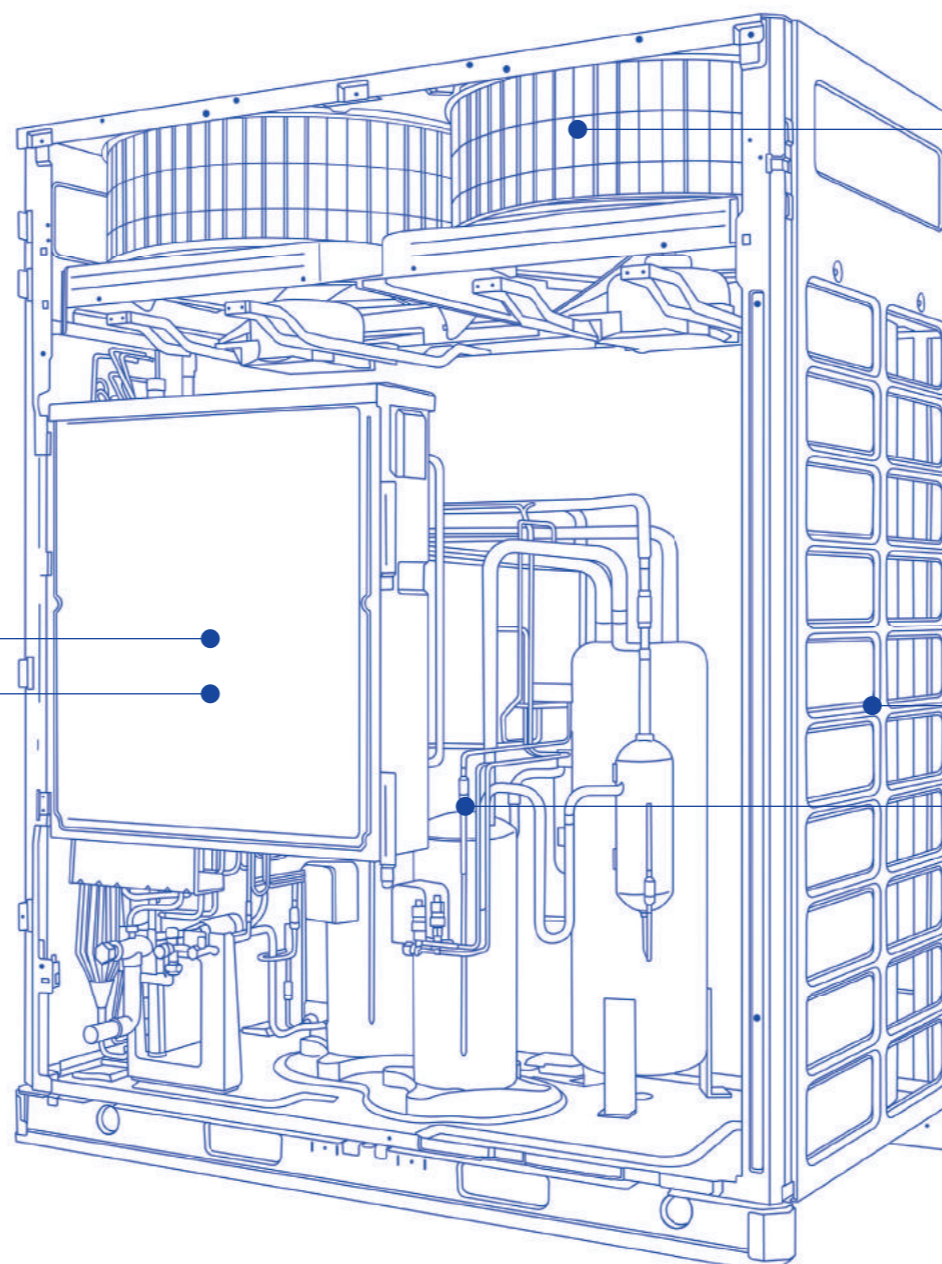
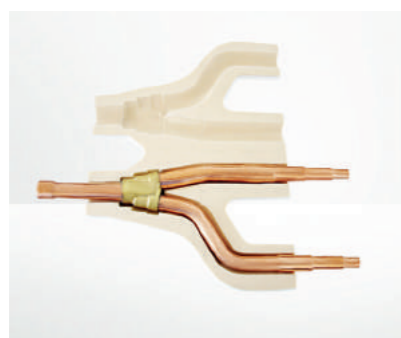


Outdoor



Less Brazing Refrigerant Accessories

The refrigerant piping accessories are pre-fitted with multiple diameters for you to simply cut depending on your needs.



High-Efficiency Outdoor Fan & Dc Inverter Stepless Fan Motor

The fan adopts an aerodynamic design for low noise and high efficiency.

The outdoor fan motor adopts unique stepless inverter regulation technology, which coordinates with the stepless inverter compressor.



Advanced Black Fin Technology

The unique advanced black-coated fin technology on the outdoor condenser enhances corrosion resistance and provides stronger protection from air pollution and salt contamination to achieve maximum system reliability.



Advanced Separator

Our advanced separator enhances heat exchanger performance, improves refrigerant distribution balance, and increases overall system efficiency.



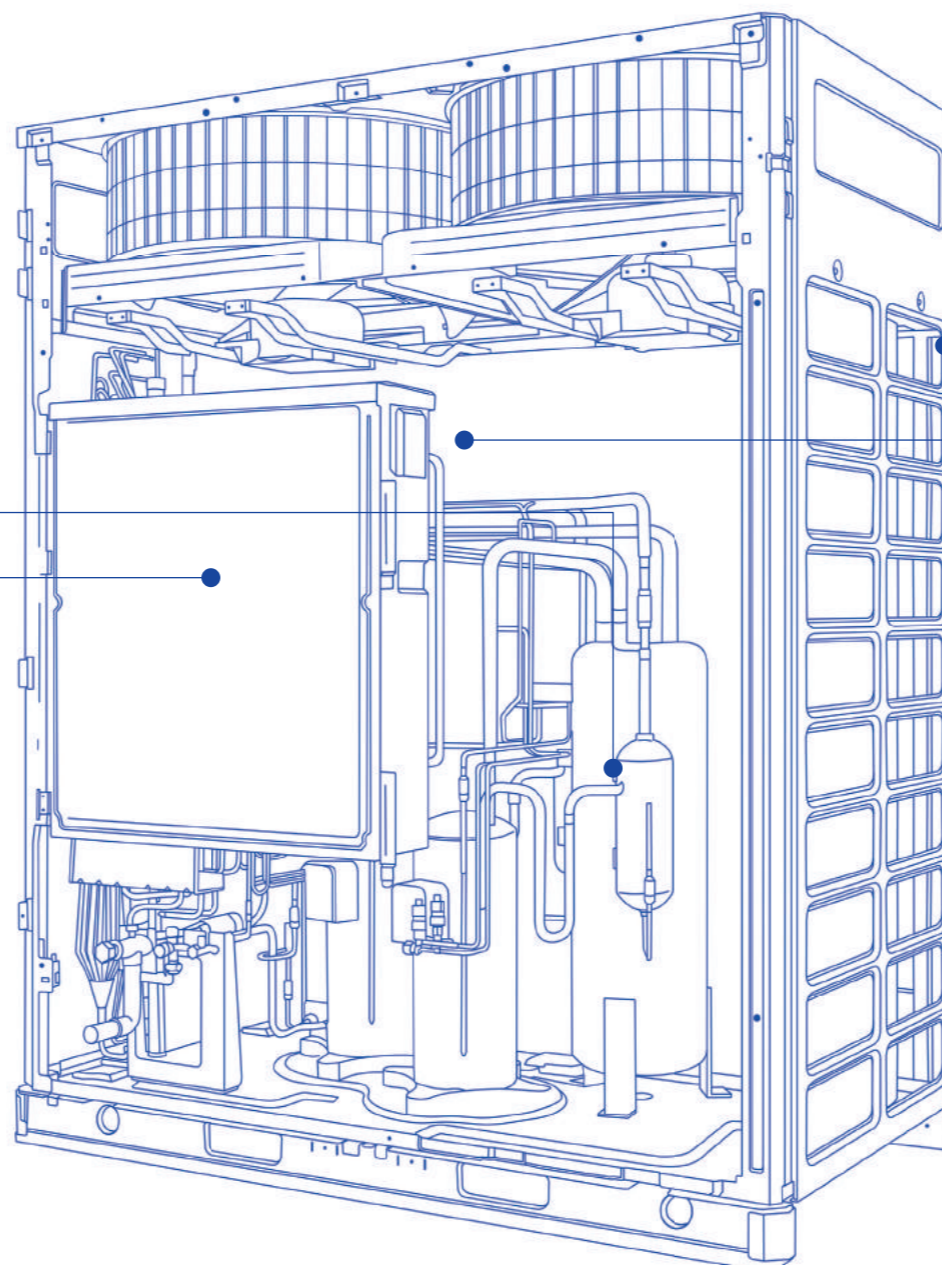
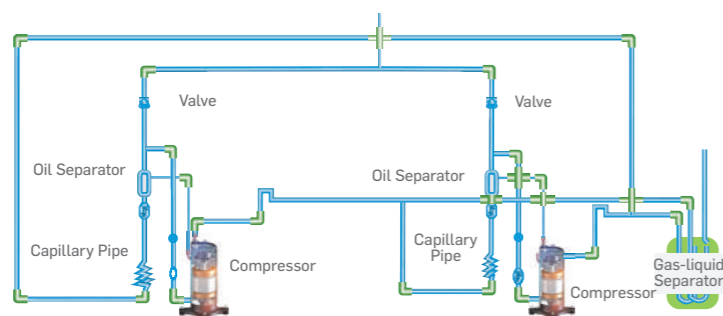


XCT7 Unit Special Features



Reliable Multi-layer Oil Return Technology

Our 10-stage oil return technology, as compared to the industry average of 5, ensures smooth lubricant oil supply to protect the compressor and system.



Easy Access

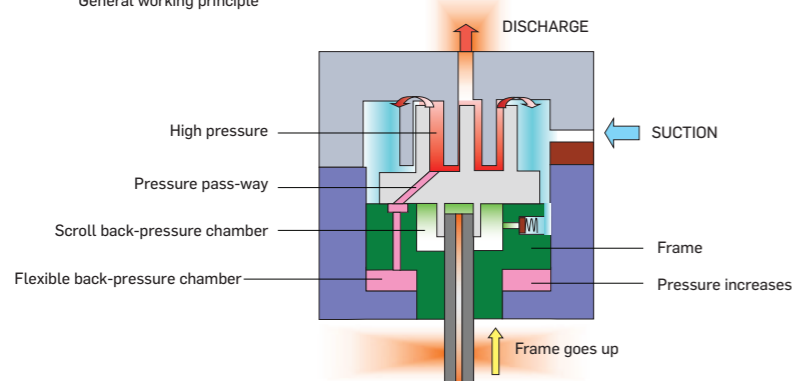
The design of the ODU is optimized to open to 120°, allowing complete access to internal system components.



Advanced Compressor Anti-liquid-shock Technology

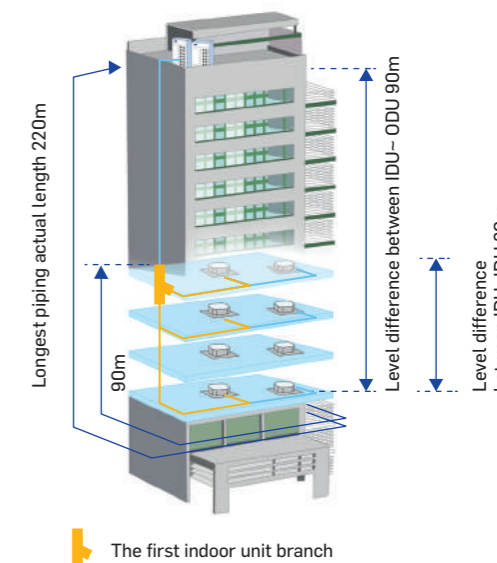
With a soft scroll design, the anti-liquid shock technology ensures an effective unloading when the compressor's internal pressure is too large. It also assures reliable and efficient operation of the compressor by reducing friction and leakage loss and halving the liquid shock failure rate.

General working principle



Flexible Long Piping Length

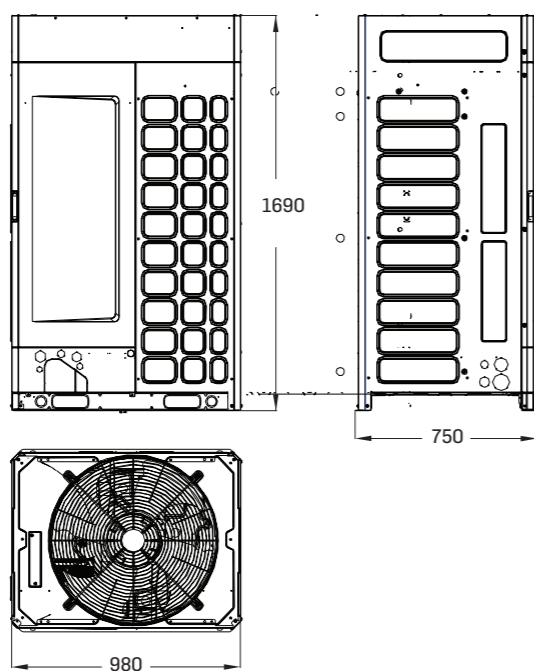
The piping can go up to 1000 m in length and a maximum of 110 m in height, thereby allowing you to easily serve in high rise buildings.



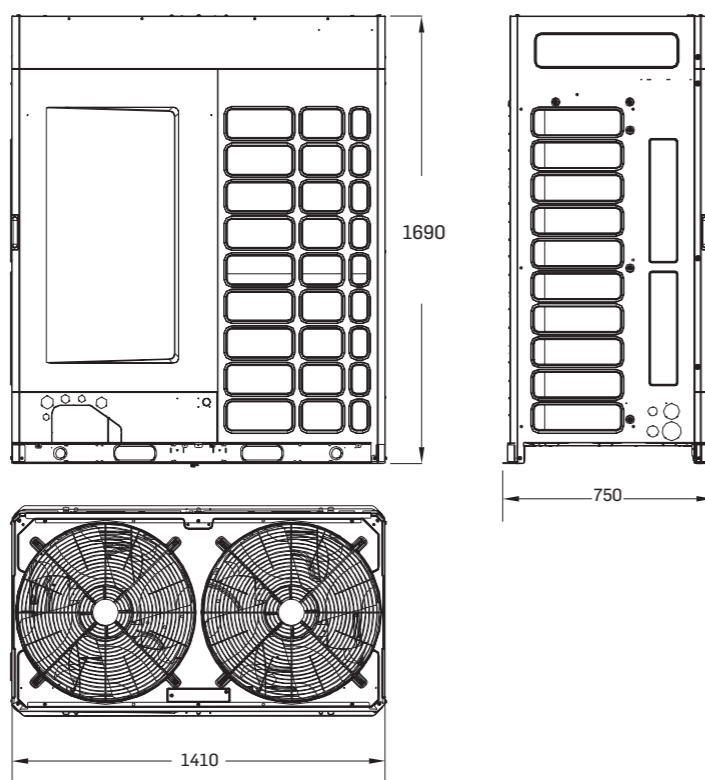


Dimensions

Single Fan (8-16HP)



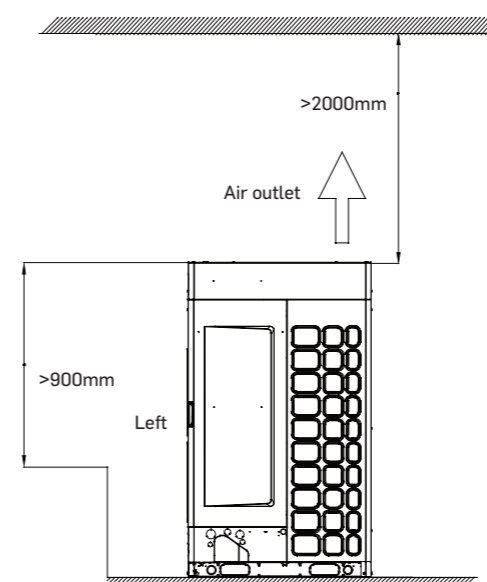
Dual Fan (18-26HP)



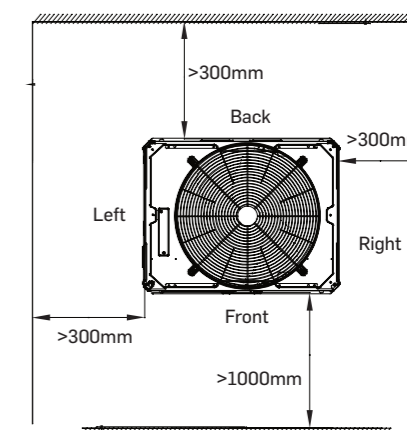
Combination Installation Dimensions

- There should be no obstacles within 2000 mm above the outdoor unit.
- Obstacles around the outdoor unit should be less than 900 mm to the bottom of unit.
- When multiple modules are installed, the outdoor unit should be ranked according to capacity, with the larger capacity closer to the main pipe.

Single Installation

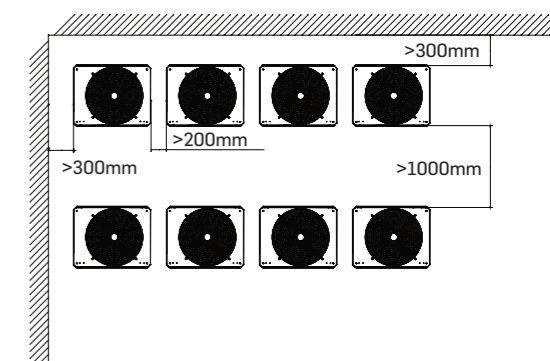
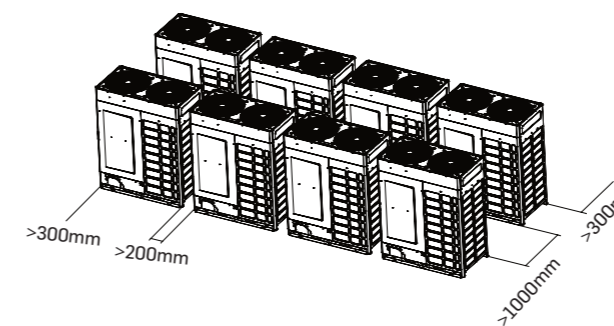


Single Fan Top Discharge



Combination Installation

Unit can be installed facing the same or opposite direction

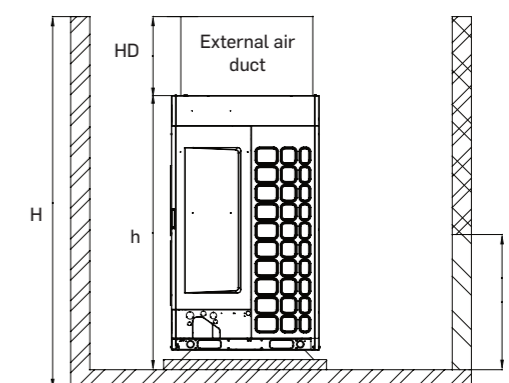


Wall Higher Than The Outdoor Condensers

Place with air inlet hole

Notes:

- Fan speed V_s at air inlet is 1.5 m/s or below.
- Air outlet height $HD = H - h$ and below 1 m.



Outdoor



Specifications

TD HP 8-26 HP



| Model code | Heat Pump | | 38VT008173HQSS | 38VT010173HQSS | 38VT012173HQSS | 38VT014173HQSS | 38VT016173HQSS | |
|-----------------------|---|-------------------|-------------------|-----------------|-----------------|-----------------|-----------------|-----------------|
| | Cooling only | | 38VT008173CQSS | 38VT010173CQSS | 38VT012173CQSS | 38VT014173CQSS | 38VT016173CQSS | |
| Capacity | Capacity Range | HP | 8.0 | 10 | 12 | 14 | 16 | |
| | Cooling | kW | 25.2 | 28.0 | 33.5 | 40.0 | 45.0 | |
| | Heating*2 | kW | 27.0 | 31.5 | 37.5 | 45.0 | 50.0 | |
| Electrical Parameters | Power Supply | | PH/V/Hz | 3/380-415/50/60 | 3/380-415/50/60 | 3/380-415/50/60 | 3/380-415/50/60 | 3/380-415/50/60 |
| | Cooling | Rated Power Input | kW | 5.60 | 6.80 | 8.40 | 10.90 | 11.80 |
| | | Max Power Input | kW | 12.0 | 12.9 | 13.8 | 16.4 | 19.2 |
| | | Rated Current | A | 9.45 | 11.48 | 14.18 | 18.40 | 19.92 |
| | | Max Current | A | 20.26 | 21.78 | 23.30 | 27.69 | 32.41 |
| | Heating*2 | Rated Power Input | kW | 5.20 | 6.30 | 8.00 | 10.30 | 11.20 |
| | | Max Power Input | kW | 10.90 | 12.20 | 12.50 | 15.10 | 18.40 |
| | | Rated Current | A | 8.78 | 10.64 | 13.51 | 17.39 | 18.91 |
| | | Max Current | A | 18.40 | 20.60 | 21.10 | 25.49 | 31.06 |
| | EER | | | 4.50 | 4.12 | 3.99 | 3.67 | 3.81 |
| | COP | | | 5.19 | 5.00 | 4.69 | 4.37 | 4.46 |
| Performance | Air Flow (H) | m³/h | 11000 | 11000 | 12000 | 13500 | 13500 | |
| | Sound Pressure Level (H) | dB(A) | 56 | 56 | 59 | 59 | 60 | |
| | Sound Power Level (H) | dB(A) | 67 | 67 | 70 | 70 | 71 | |
| Installation | External Dimensions (W x D x H) | mm | 980 x 750 x 1690 | | | | | |
| | Shipping Dimensions (W x D x H) | mm | 1070 x 850 x 1838 | | | | | |
| | Net/Shipping Weight | kg | 224/250 | | 224/270 | | | |
| | Compressor Type | | DC INV. SCROLL | DC INV. SCROLL | DC INV. SCROLL | DC INV. SCROLL | DC INV. SCROLL | |
| | Compressor Quantity | | 1INV | 1INV | 1INV | 1INV | 1INV | |
| | Compressor Power Input | kW | 6.5 | 6.5 | 6.5 | 6.5 | 7.64 | |
| | Refrigerant Type | | R410A | R410A | R410A | R410A | R410A | |
| | Refrigerant Charge | kg | 8.5 | 8.5 | 8.5 | 10 | 10 | |
| | Refrigerant Liquid Pipe | mm | 9.52 | 9.52 | 12.7 | 12.7 | 12.7 | |
| | Refrigerant Gas Pipe | mm | 19.05 | 22.22 | 25.4 | 25.4 | 28.58 | |
| | Max. Total Pipe Length | m | 1000 | 1000 | 1000 | 1000 | 1000 | |
| | Max. Pipe Length (Equivalent/Actual) | m | 260/220 | 260/220 | 260/220 | 260/220 | 260/220 | |
| | Max Height Difference Between I.U. & O.U. (O.U. down/up) *1 | m | 110/90 | 110/90 | 110/90 | 110/90 | 110/90 | |
| | Max Height Difference Between I.U *1 | m | 30 | 30 | 30 | 30 | 30 | |
| | External Static Pressure | Pa | 110 | 110 | 110 | 110 | 110 | |
| Connection Ratio | Connectable Indoor Unit Ratio | % | 50-130 | 50-130 | 50-130 | 50-130 | 50-130 | |
| | Maximum Number Of Indoor Units | | 13 | 16 | 20 | 24 | 27 | |
| Working Temp. | Cooling | °C | -5-50 | | | | | |
| | Heating*2 | °C | -23-21 | | | | | |

Max drop between I.U.&O.U *1
 •When max Height difference between outdoor and indoor units is greater than 50m (ODU below), the main liquid size pipe must be enlarged by one size & setting made to long piping installation.
 •Review with a Carrier representative if height difference ODU to IDU is greater than 70m and/or total piping length is greater than 500m AND height difference between highest & lowest IDU greater than 18m with IDU combination ratio over 100%.

| Model | Heat Pump | | 38VT018173HQSS | 38VT020173HQSS | 38VT022173HQSS | 38VT024173HQSS | 38VT026173HQSS | |
|-----------------------|---|-------------------|-------------------|-----------------|-----------------|-----------------|-----------------|-----------------|
| | Cooling only | | 38VT018173CQSS | 38VT020173CQSS | 38VT022173CQSS | 38VT024173CQSS | 38VT026173CQSS | |
| Capacity | Capacity Range | HP | 18 | 20 | 22 | 24 | 26 | |
| | Cooling | kW | 50.4 | 56.0 | 61.5 | 68.0 | 73.5 | |
| | Heating*2 | kW | 56.5 | 61.5 | 69.0 | 73.0 | 82.5 | |
| Electrical Parameters | Power Supply | | PH/V/Hz | 3/380-415/50/60 | 3/380-415/50/60 | 3/380-415/50/60 | 3/380-415/50/60 | 3/380-415/50/60 |
| | Cooling | Rated Power Input | kW | 14.30 | 15.10 | 16.50 | 17.60 | 18.80 |
| | | Max Power Input | kW | 21.4 | 25.1 | 28.5 | 29.1 | 33.0 |
| | | Rated Current | A | 24.14 | 25.49 | 27.86 | 29.71 | 31.74 |
| | | Max Current | A | 36.13 | 42.37 | 48.11 | 49.13 | 55.80 |
| | Heating*2 | Rated Power Input | kW | 13.40 | 14.60 | 15.40 | 16.80 | 17.70 |
| | | Max Power Input | kW | 17.70 | 22.70 | 25.50 | 26.50 | 30.40 |
| | | Rated Current | A | 22.62 | 24.65 | 26.00 | 28.36 | 29.88 |
| | | Max Current | A | 29.88 | 38.32 | 43.05 | 44.74 | 51.32 |
| | EER | | | 3.52 | 3.71 | 3.73 | 3.86 | 3.91 |
| | COP | | | 4.22 | 4.21 | 4.48 | 4.35 | 4.66 |
| Performance | Air Flow (H) | m³/h | 17000 | 17000 | 18000 | 18000 | 19000 | |
| | Sound Pressure Level (H) | dB(A) | 61 | 61 | 61 | 62 | 62 | |
| | Sound Power Level (H) | dB(A) | 72 | 72 | 72 | 73 | 73 | |
| Installation | External Dimensions (W x D x H) | mm | 1410 x 750 x 1690 | | | | | |
| | Shipping Dimensions (W x D x H) | mm | 1515 x 850 x 1838 | | | | | |
| | Net/Shipping Weight | kg | 287/317 | 370/400 | | | | |
| | Compressor Type | | DC INV. SCROLL | DC INV. SCROLL | DC INV. SCROLL | DC INV. SCROLL | DC INV. SCROLL | |
| | Compressor Quantity | | 1INV | 2INV | 2INV | 2INV | 2INV | |
| | Compressor Power Input | kW | 8.5 | 10.50 | 13.00 | 13.00 | 15.28 | |
| | Refrigerant Type | | R410A | R410A | R410A | R410A | R410A | |
| | Refrigerant Charge | kg | 10 | 10 | 10 | 10 | 10 | |
| | Refrigerant Liquid Pipe | mm | 15.88 | 15.88 | 15.88 | 15.88 | 15.88 | |
| | Refrigerant Gas Pipe | mm | 28.58 | 28.58 | 28.58 | 28.58 | 28.58 | |
| | Max. Total Pipe Length | m | 1000 | 1000 | 1000 | 1000 | 1000 | |
| | Max. Pipe Length (Equivalent/Actual) | m | 260/220 | 260/220 | 260/220 | 260/220 | 260/220 | |
| | Max Height Difference Between I.U. & O.U. (O.U. down/up) *1 | m | 110/90 | 110/90 | 110/90 | 110/90 | 110/90 | |
| | Max Height Difference Between I.U *1 | m | 30 | 30 | 30 | 30 | 30 | |
| | External Static Pressure | Pa | 110 | 110 | 110 | 110 | 110 | |
| Connection Ratio | Connectable Indoor Unit Ratio | % | 50-130 | 50-130 | 50-130 | 50-130 | 50-130 | |
| | Maximum Number Of Indoor Units | | 30 | 33 | 36 | 40 | 43 | |
| Working Temp. | Cooling | °C | -5-50 | | | | | |
| | Heating*2 | °C | -23-21 | | | | | |

Heating*2
 • Heating Data is invalid for cooling only products.
 • All the specifications are tested under nominal condition (in cooling, indoor temp. is 27°C DB/19°C WB; Outdoor temp 35°C DB/24WB; in heating, indoor temp. is 20°C DB, in heating, outdoor temp. is 7°C DB/6°C WB)



TD HP 28-46 HP

Specifications



| Model Code | | | 38VT028S73H(C)QSS | 38VT030S73H(C)QSS | 38VT032S73H(C)QSS | 38VT034S73H(C)QSS | 38VT036S73H(C)QSS | |
|---|--|-------------------|---------------------------------------|-------------------|-------------------|---|---|-------|
| Combination Model Code (C):for cooling only product | | | 38VT014173H(C)QSS | 38VT014173H(C)QSS | 38VT016173H(C)QSS | 38VT016173H(C)QSS | 38VT018173H(C)QSS | |
| Combination Model Code (C):for cooling only product | | | 38VT014173H(C)QSS | 38VT016173H(C)QSS | 38VT016173H(C)QSS | 38VT018173H(C)QSS | 38VT018173H(C)QSS | |
| | | | / | / | / | / | / | |
| | | | / | / | / | / | / | |
| Capacity | Capacity Range | HP | 28 | 30 | 32 | 34 | 36 | |
| | Cooling | kW | 80.0 | 85.0 | 90.0 | 95.4 | 100.8 | |
| | Heating*2 | kW | 90.0 | 95.0 | 100.0 | 106.5 | 113.0 | |
| Electrical Parameters | Power Supply | PH/V/Hz | 3/380-415/50/60 | 3/380-415/50/60 | 3/380-415/50/60 | 3/380-415/50/60/2 | 3/380-415/50/60 | |
| | Cooling | Rated Power Input | kW | 21.80 | 22.70 | 23.60 | 26.10 | 28.6 |
| | | Max Power Input | kW | 32.8 | 35.6 | 38.4 | 40.6 | 42.8 |
| | | Rated Current | A | 36.80 | 38.32 | 39.84 | 44.06 | 48.28 |
| | | Max Current | A | 55.37 | 60.10 | 64.83 | 68.54 | 72.26 |
| | Heating*2 | Rated Power Input | kW | 20.60 | 21.50 | 22.40 | 24.60 | 26.80 |
| | | Max Power Input | kW | 30.20 | 33.50 | 36.80 | 36.10 | 35.40 |
| | | Rated Current | A | 34.78 | 36.30 | 37.82 | 41.53 | 45.24 |
| | | Max Current | A | 50.98 | 56.55 | 62.13 | 60.94 | 59.76 |
| | EER | | | 3.67 | 3.74 | 3.81 | 3.66 | 3.52 |
| | COP | | | 4.37 | 4.42 | 4.46 | 4.33 | 4.22 |
| Performance | Air Flow (H) | m³/h | 27000 | 27000 | 27000 | 30500 | 34000 | |
| | Sound Pressure Level (H) | dB(A) | 62 | 62.5 | 63 | 63.5 | 64 | |
| | Sound Power Level (H) | dB(A) | 73 | 73.5 | 74 | 74.5 | 75 | |
| Installation | External Dimensions (W x D x H) | mm | 980 x 750 x 1690 + 980 x 750 x 1690 | | | 980 x 750 x 1690+ 1410 x 750 x 1690 | 1410 x 750 x 1690+ 1410 x 750 x 1690 | |
| | Shipping Dimensions (W x D x H) | mm | 1070 x 850 x 1838 + 1070 x 850 x 1838 | | | 1070 x 850 x 1838+ 1515 x 850 x 1838 | 1515 x 850 x 1838+ 1515 x 850 x 1838 | |
| | Net/Shipping Weight | kg | 224/250 + 224/250 | | | 224/250 + 287/317 | 287/317 + 287/317 | |
| | Compressor Type | | DC INV. SCROLL | DC INV. SCROLL | DC INV. SCROLL | DC INV. SCROLL | DC INV. SCROLL | |
| | Compressor Quantity | | 2INV | 2INV | 2INV | 2INV | 2INV | |
| | Compressor Power Input | kW | 6.5+6.5 | 6.5+7.64 | 7.64+7.64 | 7.64+8.5 | 8.5+8.5 | |
| | Refrigerant Type | | R410A | R410A | R410A | R410A | R410A | |
| | Refrigerant Charge | kg | 20 | 20 | 20 | 20 | 20 | |
| | Refrigerant Liquid Pipe | mm | 15.88 | 19.05 | 19.05 | 19.05 | 19.05 | |
| | Refrigerant Gas Pipe | mm | 28.58 | 31.8 | 31.8 | 31.8 | 38.1 | |
| | Max. Total Pipe Length | m | 1000 | 1000 | 1000 | 1000 | 1000 | |
| | Max. Pipe Length (Equivalent/Actual) | m | 260/220 | 260/220 | 260/220 | 260/220 | 260/220 | |
| | Max Height Difference Between I.U. & O.U (O.U. down/up) *1 | m | 110/90 | 110/90 | 110/90 | 110/90 | 110/90 | |
| | Max Height Difference Between I.U *1 | m | 30 | 30 | 30 | 30 | 30 | |
| External Static Pressure | Pa | 110 | 110 | 110 | 110 | 110 | | |
| Connection Ratio | Connectable Indoor Unit Ratio | % | 50-130 | 50-130 | 50-130 | 50-130 | 50-130 | |
| | Maximum Number Of Indoor Units | | 47 | 50 | 53 | 56 | 59 | |
| Working Temp. | Cooling | °C | -5-50 | | | | | |
| | Heating*2 | °C | -23-21 | | | | | |

Max drop between I.U.&O.U *1
 •When max Height difference between outdoor and indoor units is greater than 50m (ODU below), the main liquid size pipe must be enlarged by one size & setting made to long piping installation.
 •Review with a Carrier representative if height difference ODU to IDU is greater than 70m and/or total piping length is greater than 500m AND height difference between highest & lowest IDU greater than 18m with IDU combination ratio over 100%.

| Model Code | | | 38VT038S73H(C)QSS | 38VT040S73H(C)QSS | 38VT042S73H(C)QSS | 38VT044S73H(C)QSS | 38VT046S73H(C)QSS | |
|---|--|-------------------|---------------------------------------|-------------------|-------------------|-------------------|-------------------|-------|
| Combination Model Code (C):for cooling only product | | | 38VT018173H(C)QSS | 38VT020173H(C)QSS | 38VT020173H(C)QSS | 38VT022173H(C)QSS | 38VT022173H(C)QSS | |
| Combination Model Code (C):for cooling only product | | | 38VT020173H(C)QSS | 38VT020173H(C)QSS | 38VT022173H(C)QSS | 38VT022173H(C)QSS | 38VT024173H(C)QSS | |
| | | | / | / | / | / | / | |
| | | | / | / | / | / | / | |
| Capacity | Capacity Range | HP | 38 | 40 | 42 | 44 | 46 | |
| | Cooling | kW | 106.4 | 112.0 | 117.5 | 123.0 | 129.5 | |
| | Heating*2 | kW | 118.0 | 123.0 | 130.5 | 138.0 | 142.0 | |
| Electrical Parameters | Power Supply | PH/V/Hz | 3/380-415/50/60 | 3/380-415/50/60 | 3/380-415/50/60 | 3/380-415/50/60 | 3/380-415/50/60 | |
| | Cooling | Rated Power Input | kW | 29.40 | 30.20 | 31.60 | 33.00 | 34.10 |
| | | Max Power Input | kW | 46.5 | 50.2 | 53.6 | 57.0 | 57.6 |
| | | Rated Current | A | 49.63 | 50.98 | 53.35 | 55.71 | 57.57 |
| | | Max Current | A | 78.50 | 84.75 | 90.49 | 96.23 | 97.24 |
| | Heating*2 | Rated Power Input | kW | 28.00 | 29.20 | 30.00 | 30.80 | 32.20 |
| | | Max Power Input | kW | 40.40 | 45.40 | 48.20 | 51.00 | 52.00 |
| | | Rated Current | A | 47.27 | 49.30 | 50.65 | 52.00 | 54.36 |
| | | Max Current | A | 68.20 | 76.64 | 81.37 | 86.10 | 87.79 |
| | EER | | | 3.62 | 3.71 | 3.72 | 3.73 | 3.80 |
| | COP | | | 4.21 | 4.21 | 4.35 | 4.48 | 4.41 |
| Performance | Air Flow (H) | m³/h | 34000 | 34000 | 35000 | 36000 | 36000 | |
| | Sound Pressure Level (H) | dB(A) | 64 | 64 | 64 | 64 | 64.5 | |
| | Sound Power Level (H) | dB(A) | 75 | 75 | 75 | 75 | 75 | |
| Installation | External Dimensions (W x D x H) | mm | 1410 x 750 x 1690 + 1410 x 750 x 1690 | | | | | |
| | Shipping Dimensions (W x D x H) | mm | 1515 x 850 x 1838 + 1515 x 850 x 1838 | | | | | |
| | Net/Shipping Weight | kg | 287/317+370/400 | 370/400+370/400 | | | | |
| | Compressor Type | | DC INV. SCROLL | DC INV. SCROLL | DC INV. SCROLL | DC INV. SCROLL | DC INV. SCROLL | |
| | Compressor Quantity | | 3INV | 4INV | 4INV | 4INV | 4INV | |
| | Compressor Power Input | kW | 8.5+10.5 | 10.5+10.5 | 10.5+13 | 13+13 | 13+13 | |
| | Refrigerant Type | | R410A | R410A | R410A | R410A | R410A | |
| | Refrigerant Charge | kg | 20 | 20 | 20 | 20 | 20 | |
| | Refrigerant Liquid Pipe | mm | 19.05 | 19.05 | 19.05 | 19.05 | 19.05 | |
| | Refrigerant Gas Pipe | mm | 38.1 | 38.1 | 38.1 | 38.1 | 38.1 | |
| | Max. Total Pipe Length | m | 1000 | 1000 | 1000 | 1000 | 1000 | |
| | Max. Pipe Length (Equivalent/Actual) | m | 260/220 | 260/220 | 260/220 | 260/220 | 260/220 | |
| | Max Height Difference Between I.U. & O.U (O.U. down/up) *1 | m | 110/90 | 110/90 | 110/90 | 110/90 | 110/90 | |
| | Max Height Difference Between I.U *1 | m | 30 | 30 | 30 | 30 | 30 | |
| External Static Pressure | Pa | 110 | 110 | 110 | 110 | 110 | | |
| Connection Ratio | Connectable Indoor Unit Ratio | % | 50-130 | 50-130 | 50-130 | 50-130 | 50-130 | |
| | Maximum Number Of Indoor Units | | 63 | 64 | 64 | 64 | 64 | |
| Working Temp. | Cooling | °C | -5-50 | | | | | |
| | Heating*2 | °C | -23-21 | | | | | |

Heating*2
 • Heating Data is invalid for cooling only products.
 • All the specifications are tested under nominal condition (in cooling, indoor temp. is 27°C DB/19°C WB; Outdoor temp 35°C DB/24WB; in heating, indoor temp. is 20°C DB, in heating, outdoor temp. is 7°C DB/6°C WB)



Specifications

TD HP 48-66 HP



| Model Code | | | 38VT048S73H(C)QSS | 38VT050S73H(C)QSS | 38VT052S73H(C)QSS | 38VT054S73H(C)QSS | 38VT056S73H(C)QSS | |
|---|--|-------------------|---------------------------------------|-------------------|-------------------|-------------------|---|--------|
| Combination Model Code (C):for cooling only product | | | 38VT024173H(C)QSS | 38VT024173H(C)QSS | 38VT026173H(C)QSS | 38VT018173H(C)QSS | 38VT018173H(C)QSS | |
| | | | / | / | / | 38VT018173H(C)QSS | 38VT020173H(C)QSS | |
| | | | / | / | / | / | / | |
| Capacity | Capacity Range | HP | 48 | 50 | 52 | 54 | 56 | |
| | Cooling | kW | 136.0 | 141.5 | 147.0 | 151.2 | 156.8 | |
| | Heating*2 | kW | 146.0 | 155.5 | 165.0 | 169.5 | 174.5 | |
| Power Supply | | PH/V/Hz | 3/380-415/50/60 | 3/380-415/50/60 | 3/380-415/50/60 | 3/380-415/50/60 | 3/380-415/50/60 | |
| Electrical Parameters | Cooling | Rated Power Input | kW | 35.20 | 36.40 | 37.60 | 42.90 | 43.70 |
| | | Max Power Input | kW | 58.2 | 62.1 | 66.0 | 64.2 | 67.9 |
| | | Rated Current | A | 59.42 | 61.45 | 63.48 | 72.42 | 73.77 |
| | | Max Current | A | 98.25 | 104.93 | 111.60 | 108.38 | 114.63 |
| | Heating*2 | Rated Power Input | kW | 33.60 | 34.50 | 35.40 | 40.20 | 41.40 |
| | | Max Power Input | kW | 53.00 | 56.90 | 60.80 | 53.10 | 58.10 |
| | | Rated Current | A | 56.72 | 58.24 | 59.76 | 67.87 | 69.89 |
| | | Max Current | A | 89.48 | 96.06 | 102.64 | 89.64 | 98.08 |
| | EER | | | 3.86 | 3.89 | 3.91 | 3.52 | 3.59 |
| | COP | | | 4.35 | 4.51 | 4.66 | 4.22 | 4.21 |
| Performance | Air Flow (H) | m³/h | 36000 | 37000 | 38000 | 51000 | 51000 | |
| | Sound Pressure Level (H) | dB(A) | 65 | 65 | 65 | 65.8 | 65.8 | |
| | Sound Power Level (H) | dB(A) | 76 | 76 | 76 | 76.5 | 76.5 | |
| Installation | External Dimensions (W x D x H) | mm | 1410 x 750 x 1690 + 1410 x 750 x 1690 | | | | 1410 x 750 x 1690+ 1410 x 750 x 1690+ 1410 x 750 x 1690 | |
| | Shipping Dimensions (W x D x H) | mm | 1515 x 850 x 1838 + 1515 x 850 x 1838 | | | | 1515 x 850 x 1838+ 1515 x 850 x 1838+ 1515 x 850 x 1838 | |
| | Net/Shipping Weight | kg | 370/400+370/400 | | | | 287/317+ 287/317+ 287/317 | |
| | Compressor Type | | DC INV. SCROLL | DC INV. SCROLL | DC INV. SCROLL | DC INV. SCROLL | DC INV. SCROLL | |
| | Compressor Quantity | | 4INV | 4INV | 4INV | 3INV | 4INV | |
| | Compressor Power Input | kW | 13+13 | 13+15.28 | 15.28+15.28 | 8.5+8.5+8.5 | 8.5+8.5+10.5 | |
| | Refrigerant Type | | R410A | R410A | R410A | R410A | R410A | |
| | Refrigerant Charge | kg | 20 | 20 | 20 | 30 | 30 | |
| | Refrigerant Liquid Pipe | mm | 19.05 | 19.05 | 19.05 | 19.05 | 19.05 | |
| | Refrigerant Gas Pipe | mm | 38.1 | 38.1 | 38.1 | 38.1 | 38.1 | |
| | Max. Total Pipe Length | m | 1000 | 1000 | 1000 | 1000 | 1000 | |
| | Max. Pipe Length (Equivalent/Actual) | m | 260/220 | 260/220 | 260/220 | 260/220 | 260/220 | |
| | Max Height Difference Between I.U. & O.U (O.U. down/up) *1 | m | 110/90 | 110/90 | 110/90 | 110/90 | 110/90 | |
| | Max Height Difference Between I.U *1 | m | 30 | 30 | 30 | 30 | 30 | |
| | External Static Pressure | Pa | 110 | 110 | 110 | 110 | 110 | |
| Connection Ratio | Connectable Indoor Unit Ratio | % | 50-130 | 50-130 | 50-130 | 50-130 | 50-130 | |
| | Maximum Number Of Indoor Units | | 64 | 64 | 64 | 64 | 64 | |
| Working Temp. | Cooling | °C | -5-50 | | | | | |
| | Heating*2 | °C | -23-21 | | | | | |

Max drop between I.U.&O.U *1
 •When max Height difference between outdoor and indoor units is greater than 50m (ODU below), the main liquid size pipe must be enlarged by one size & setting made to long piping installation.
 •Review with a Carrier representative if height difference ODU to IDU is greater than 70m and/or total piping length is greater than 500m AND height difference between highest & lowest IDU greater than 18m with IDU combination ratio over 100%.

| Model Code | | | 38VT058S73H(C)QSS | 38VT060S73H(C)QSS | 38VT062S73H(C)QSS | 38VT064S73H(C)QSS | 38VT066S73H(C)QSS | |
|---|--|-------------------|---|-------------------|-------------------|-------------------|-------------------|--------|
| Combination Model Code (C):for cooling only product | | | 38VT018173H(C)QSS | 38VT020173H(C)QSS | 38VT022173H(C)QSS | 38VT022173H(C)QSS | 38VT022173H(C)QSS | |
| | | | 38VT020173H(C)QSS | 38VT020173H(C)QSS | 38VT020173H(C)QSS | 38VT022173H(C)QSS | 38VT022173H(C)QSS | |
| | | | 38VT020173H(C)QSS | 38VT020173H(C)QSS | 38VT020173H(C)QSS | 38VT020173H(C)QSS | 38VT022173H(C)QSS | |
| | | | / | / | / | / | / | |
| Capacity | Capacity Range | HP | 58 | 60 | 62 | 64 | 66 | |
| | Cooling | kW | 162.4 | 168.0 | 173.5 | 179.0 | 184.5 | |
| | Heating*2 | kW | 179.5 | 184.5 | 192.0 | 199.5 | 207.0 | |
| Power Supply | | PH/V/Hz | 3/380-415/50/60 | 3/380-415/50/60 | 3/380-415/50/60 | 3/380-415/50/60 | 3/380-415/50/60 | |
| Electrical Parameters | Cooling | Rated Power Input | kW | 44.50 | 45.30 | 46.70 | 48.10 | 49.50 |
| | | Max Power Input | kW | 71.6 | 75.3 | 78.7 | 82.1 | 85.5 |
| | | Rated Current | A | 75.13 | 76.48 | 78.84 | 81.20 | 83.57 |
| | | Max Current | A | 120.88 | 127.12 | 132.86 | 138.60 | 144.34 |
| | Heating*2 | Rated Power Input | kW | 42.60 | 43.80 | 44.60 | 45.40 | 46.20 |
| | | Max Power Input | kW | 63.10 | 68.10 | 70.90 | 73.70 | 76.50 |
| | | Rated Current | A | 71.92 | 73.94 | 75.29 | 76.64 | 78.00 |
| | | Max Current | A | 106.53 | 114.97 | 119.69 | 124.42 | 129.15 |
| | EER | | | 3.65 | 3.71 | 3.72 | 3.72 | 3.73 |
| | COP | | | 4.21 | 4.21 | 4.30 | 4.39 | 4.48 |
| Performance | Air Flow (H) | m³/h | 51000 | 51000 | 52000 | 53000 | 54000 | |
| | Sound Pressure Level (H) | dB(A) | 65.8 | 65.8 | 65.8 | 65.8 | 65.8 | |
| | Sound Power Level (H) | dB(A) | 76.5 | 76.5 | 76.5 | 76.5 | 76.5 | |
| Installation | External Dimensions (W x D x H) | mm | 1410 x 750 x 1690 + 1410 x 750 x 1690 + 1410 x 750 x 1690 | | | | | |
| | Shipping Dimensions (W x D x H) | mm | 1515 x 850 x 1838 + 1515 x 850 x 1838 + 1515 x 850 x 1838 | | | | | |
| | Net/Shipping Weight | kg | 370/400 + 370/400 + 370/400 | | | | | |
| | Compressor Type | | DC INV. SCROLL | DC INV. SCROLL | DC INV. SCROLL | DC INV. SCROLL | DC INV. SCROLL | |
| | Compressor Quantity | | 5INV | 6INV | 6INV | 6INV | 6INV | |
| | Compressor Power Input | kW | 8.5+10.5+10.5 | 10.5+10.5+10.5 | 10.5+10.5+13 | 10.5+13+13 | 13+13+13 | |
| | Refrigerant Type | | R410A | R410A | R410A | R410A | R410A | |
| | Refrigerant Charge | kg | 30 | 30 | 30 | 30 | 30 | |
| | Refrigerant Liquid Pipe | mm | 19.05 | 19.05 | 19.05 | 19.05 | 19.05 | |
| | Refrigerant Gas Pipe | mm | 41.3 | 41.3 | 41.3 | 41.3 | 41.3 | |
| | Max. Total Pipe Length | m | 1000 | 1000 | 1000 | 1000 | 1000 | |
| | Max. Pipe Length (Equivalent/Actual) | m | 260/220 | 260/220 | 260/220 | 260/220 | 260/220 | |
| | Max Height Difference Between I.U. & O.U (O.U. down/up) *1 | m | 110/90 | 110/90 | 110/90 | 110/90 | 110/90 | |
| | Max Height Difference Between I.U *1 | m | 30 | 30 | 30 | 30 | 30 | |
| | External Static Pressure | Pa | 110 | 110 | 110 | 110 | 110 | |
| Connection Ratio | Connectable Indoor Unit Ratio | % | 50-130 | 50-130 | 50-130 | 50-130 | 50-130 | |
| | Maximum Number Of Indoor Units | | 64 | 64 | 64 | 64 | 64 | |
| Working Temp. | Cooling | °C | -5-50 | | | | | |
| | Heating*2 | °C | -23-21 | | | | | |

Heating*2
 • Heating Data is invalid for cooling only products.
 • All the specifications are tested under nominal condition (in cooling, indoor temp. is 27°C DB/19°C WB; Outdoor temp 35°C DB/24WB; in heating, indoor temp. is 20°C DB, in heating, outdoor temp. is 7°C DB/6°C WB)



Specifications

TD HP 68-86 HP



| Model Code | | | 38VT068S73H(C)QSS | 38VT070S73H(C)QSS | 38VT072S73H(C)QSS | 38VT074S73H(C)QSS | 38VT076S73H(C)QSS | |
|---|---|-------------------|---|-------------------|-------------------|-------------------|-------------------|-----------------|
| Combination Model Code (C):for cooling only product | | | 38VT022173H(C)QSS | 38VT022173H(C)QSS | 38VT024173H(C)QSS | 38VT026173H(C)QSS | 38VT026173H(C)QSS | |
| Combination Model Code (C):for cooling only product | | | 38VT022173H(C)QSS | 38VT024173H(C)QSS | 38VT024173H(C)QSS | 38VT024173H(C)QSS | 38VT026173H(C)QSS | |
| Combination Model Code (C):for cooling only product | | | 38VT024173H(C)QSS | 38VT024173H(C)QSS | 38VT024173H(C)QSS | 38VT024173H(C)QSS | 38VT024173H(C)QSS | |
| | | | / | / | / | / | / | |
| Capacity | Capacity Range | HP | 68 | 70 | 72 | 74 | 76 | |
| | Cooling | kW | 191.0 | 197.5 | 204.0 | 209.5 | 215.0 | |
| | Heating*2 | kW | 211.0 | 215.0 | 219.0 | 228.0 | 238.0 | |
| Electrical Parameters | Power Supply | | PH/V/Hz | 3/380-415/50/60 | 3/380-415/50/60 | 3/380-415/50/60 | 3/380-415/50/60 | 3/380-415/50/60 |
| | Cooling | Rated Power Input | kW | 50.60 | 51.70 | 52.80 | 54.00 | 55.20 |
| | | Max Power Input | kW | 86.1 | 86.7 | 87.3 | 91.2 | 95.1 |
| | | Rated Current | A | 85.42 | 87.28 | 89.14 | 91.16 | 93.19 |
| | | Max Current | A | 145.35 | 146.37 | 147.38 | 154.05 | 160.73 |
| | Heating*2 | Rated Power Input | kW | 47.60 | 49.00 | 50.40 | 51.30 | 52.20 |
| | | Max Power Input | kW | 77.50 | 78.50 | 79.50 | 83.40 | 87.30 |
| | | Rated Current | A | 80.36 | 82.72 | 85.09 | 86.61 | 88.12 |
| | | Max Current | A | 130.84 | 132.52 | 134.21 | 140.80 | 147.38 |
| | EER | | | 3.77 | 3.82 | 3.86 | 3.88 | 3.89 |
| | COP | | | 4.43 | 4.39 | 4.35 | 4.45 | 4.56 |
| | Performance | Air Flow (H) | m³/h | 54000 | 54000 | 54000 | 55000 | 56000 |
| Sound Pressure Level (H) | | dB(A) | 66 | 66.5 | 66.8 | 66.8 | 66.8 | |
| Sound Power Level (H) | | dB(A) | 77 | 77.5 | 77.8 | 77.8 | 77.8 | |
| Installation | External Dimensions (W x D x H) | mm | 1410 x 750 x 1690 + 1410 x 750 x 1690 + 1410 x 750 x 1690 | | | | | |
| | Shipping Dimensions (W x D x H) | mm | 1515 x 850 x 1838 + 1515 x 850 x 1838 + 1515 x 850 x 1838 | | | | | |
| | Net/Shipping Weight | kg | 370/400 + 370/400 + 370/400 | | | | | |
| | Compressor Type | | DC INV. SCROLL | DC INV. SCROLL | DC INV. SCROLL | DC INV. SCROLL | DC INV. SCROLL | |
| | Compressor Quantity | | 6INV | 6INV | 6INV | 6INV | 6INV | |
| | Compressor Power Input | kW | 13+13+13 | 13+13+13 | 13+13+13 | 13+13+15.28 | 13+15.28+15.28 | |
| | Refrigerant Type | | R410A | R410A | R410A | R410A | R410A | |
| | Refrigerant Charge | kg | 30 | 30 | 30 | 30 | 30 | |
| | Refrigerant Liquid Pipe | mm | 22.2 | 22.2 | 22.2 | 22.2 | 22.2 | |
| | Refrigerant Gas Pipe | mm | 44.5 | 44.5 | 44.5 | 44.5 | 44.5 | |
| | Max. Total Pipe Length | m | 1000 | 1000 | 1000 | 1000 | 1000 | |
| | Max. Pipe Length (Equivalent/Actual) | m | 260/220 | 260/220 | 260/220 | 260/220 | 260/220 | |
| | Max Height Difference Between I.U. & O.U. (O.U. down/up) *1 | m | 110/90 | 110/90 | 110/90 | 110/90 | 110/90 | |
| | Max Height Difference Between I.U. *1 | m | 30 | 30 | 30 | 30 | 30 | |
| | External Static Pressure | Pa | 110 | 110 | 110 | 110 | 110 | |
| Connection Ratio | Connectable Indoor Unit Ratio | % | 50-130 | 50-130 | 50-130 | 50-130 | 50-130 | |
| | Maximum Number Of Indoor Units | | 64 | 64 | 64 | 64 | 64 | |
| Working Temp. | Cooling | °C | -5-50 | | | | | |
| | Heating*2 | °C | -23-21 | | | | | |

Max drop between I.U.&O.U *1

- When max Height difference between outdoor and indoor units is greater than 50m (ODU below), the main liquid size pipe must be enlarged by one size & setting made to long piping installation.
- Review with a Carrier representative if height difference ODU to IDU is greater than 70m and/or total piping length is greater than 500m AND height difference between highest & lowest IDU greater than 18m with IDU combination ratio over 100%.

| Model Code | | | 38VT078S73H(C)QSS | 38VT080S73H(C)QSS | 38VT082S73H(C)QSS | 38VT084S73H(C)QSS | 38VT086S73H(C)QSS | |
|---|---|-------------------|---|---|-------------------|-------------------|-------------------|-----------------|
| Combination Model Code (C):for cooling only product | | | 38VT026173H(C)QSS | 38VT020173H(C)QSS | 38VT020173H(C)QSS | 38VT020173H(C)QSS | 38VT020173H(C)QSS | |
| Combination Model Code (C):for cooling only product | | | 38VT026173H(C)QSS | 38VT020173H(C)QSS | 38VT020173H(C)QSS | 38VT020173H(C)QSS | 38VT022173H(C)QSS | |
| Combination Model Code (C):for cooling only product | | | 38VT026173H(C)QSS | 38VT020173H(C)QSS | 38VT020173H(C)QSS | 38VT022173H(C)QSS | 38VT022173H(C)QSS | |
| | | | / | 38VT020173H(C)QSS | 38VT022173H(C)QSS | 38VT022173H(C)QSS | 38VT022173H(C)QSS | |
| Capacity | Capacity Range | HP | 78 | 80 | 82 | 84 | 86 | |
| | Cooling | kW | 220.5 | 224.0 | 229.5 | 235.0 | 240.5 | |
| | Heating*2 | kW | 247.5 | 246.0 | 253.5 | 261.0 | 268.5 | |
| Electrical Parameters | Power Supply | | PH/V/Hz | 3/380-415/50/60 | 3/380-415/50/60 | 3/380-415/50/60 | 3/380-415/50/60 | 3/380-415/50/60 |
| | Cooling | Rated Power Input | kW | 56.40 | 60.40 | 61.80 | 63.20 | 64.60 |
| | | Max Power Input | kW | 99.0 | 100.4 | 103.8 | 107.2 | 110.6 |
| | | Rated Current | A | 95.21 | 101.97 | 104.33 | 106.69 | 109.06 |
| | | Max Current | A | 167.40 | 169.50 | 175.24 | 180.98 | 186.72 |
| | Heating*2 | Rated Power Input | kW | 53.10 | 58.40 | 59.20 | 60.00 | 60.80 |
| | | Max Power Input | kW | 91.20 | 90.80 | 93.60 | 96.40 | 99.20 |
| | | Rated Current | A | 89.64 | 98.59 | 99.94 | 101.29 | 102.64 |
| | | Max Current | A | 153.96 | 153.29 | 158.02 | 162.74 | 167.47 |
| | EER | | | 3.91 | 3.71 | 3.71 | 3.72 | 3.72 |
| | COP | | | 4.66 | 4.21 | 4.28 | 4.35 | 4.42 |
| | Performance | Air Flow (H) | m³/h | 57000 | 68000 | 69000 | 70000 | 71000 |
| Sound Pressure Level (H) | | dB(A) | 66.8 | 67 | 67 | 67 | 67 | |
| Sound Power Level (H) | | dB(A) | 77.7 | 78 | 78 | 78 | 78 | |
| Installation | External Dimensions (W x D x H) | mm | 1410 x 750 x 1690+ 1410 x 750 x 1690+ 1410 x 750 x 1690 | 1410 x 750 x 1690 + 1410 x 750 x 1690 + 1410 x 750 x 1690 + 1410 x 750 x 1690 | | | | |
| | Shipping Dimensions (W x D x H) | mm | 1515 x 850 x 1838+ 1515 x 850 x 1838+ 1515 x 850 x 1838 | 1515 x 850 x 1838 + 1515 x 850 x 1838 + 1515 x 850 x 1838 + 1515 x 850 x 1838 | | | | |
| | Net/Shipping Weight | kg | 370/400+ 370/400+ 370/400 | 370/400 + 370/400 + 370/400 + 370/400 | | | | |
| | Compressor Type | | DC INV. SCROLL | DC INV. SCROLL | DC INV. SCROLL | DC INV. SCROLL | DC INV. SCROLL | |
| | Compressor Quantity | | 6INV | 8INV | 8INV | 8INV | 8INV | |
| | Compressor Power Input | kW | 15.28+15.28+15.28 | 10.5+10.5+10.5+10.5 | 10.5+10.5+10.5+13 | 10.5+10.5+13+13 | 10.5+13+13+13 | |
| | Refrigerant Type | | R410A | R410A | R410A | R410A | R410A | |
| | Refrigerant Charge | kg | 30 | 40 | 40 | 40 | 40 | |
| | Refrigerant Liquid Pipe | mm | 22.2 | 22.2 | 22.2 | 22.2 | 25.4 | |
| | Refrigerant Gas Pipe | mm | 44.5 | 44.5 | 44.5 | 44.5 | 50.8 | |
| | Max. Total Pipe Length | m | 1000 | 1000 | 1000 | 1000 | 1000 | |
| | Max. Pipe Length (Equivalent/Actual) | m | 260/220 | 260/220 | 260/220 | 260/220 | 260/220 | |
| | Max Height Difference Between I.U. & O.U. (O.U. down/up) *1 | m | 110/90 | 110/90 | 110/90 | 110/90 | 110/90 | |
| | Max Height Difference Between I.U. *1 | m | 30 | 30 | 30 | 30 | 30 | |
| | External Static Pressure | Pa | 110 | 110 | 110 | 110 | 110 | |
| Connection Ratio | Connectable Indoor Unit Ratio | % | 50-130 | 50-130 | 50-130 | 50-130 | 50-130 | |
| | Maximum Number Of Indoor Units | | 64 | 64 | 64 | 64 | 64 | |
| Working Temp. | Cooling | °C | -5-50 | | | | | |
| | Heating*2 | °C | -23-21 | | | | | |

Heating*2

- Heating Data is invalid for cooling only products.
- All the specifications are tested under nominal condition (in cooling, indoor temp. is 27°C DB/19°C WB; Outdoor temp 35°C DB/24WB; in heating, indoor temp. is 20°C DB, in heating, outdoor temp. is 7°C DB/6°CWB)



Specifications

TD HP 88-104HP



| Model Code | | 38VT088S73H(C)QSS | 38VT090S73H(C)QSS | 38VT092S73H(C)QSS | 38VT094S73H(C)QSS | 38VT096S73H(C)QSS | | |
|---|-----------|-------------------|---|-------------------|-------------------|-------------------|-----------------|--------|
| Combination Model Code (C):for cooling only product | | 38VT022173H(C)QSS | 38VT024173H(C)QSS | 38VT024173H(C)QSS | 38VT024173H(C)QSS | 38VT024173H(C)QSS | | |
| Capacity | | HP | 88 | 90 | 92 | 94 | 96 | |
| Cooling | | kW | 246.0 | 252.5 | 259.0 | 265.5 | 272.0 | |
| Heating*2 | | kW | 276.0 | 280.0 | 284.0 | 288.0 | 292.0 | |
| Power Supply | | PH/V/Hz | 3/380-415/50/60 | 3/380-415/50/60 | 3/380-415/50/60 | 3/380-415/50/60 | 3/380-415/50/60 | |
| Electrical Parameters | Cooling | Rated Power Input | kW | 66.00 | 67.10 | 68.20 | 69.30 | 70.40 |
| | | Max Power Input | kW | 114.0 | 114.6 | 115.2 | 115.8 | 116.4 |
| | | Rated Current | A | 111.42 | 113.28 | 115.14 | 116.99 | 118.85 |
| | | Max Current | A | 192.46 | 193.47 | 194.48 | 195.49 | 196.51 |
| | Heating*2 | Rated Power Input | kW | 61.60 | 63.00 | 64.40 | 65.80 | 67.20 |
| | | Max Power Input | kW | 102.00 | 103.00 | 104.00 | 105.00 | 106.00 |
| | | Rated Current | A | 103.99 | 106.36 | 108.72 | 111.08 | 113.45 |
| | | Max Current | A | 172.20 | 173.89 | 175.57 | 177.26 | 178.95 |
| | EER | | | 3.73 | 3.76 | 3.80 | 3.83 | 3.86 |
| | COP | | | 4.48 | 4.44 | 4.41 | 4.38 | 4.35 |
| Air Flow (H) | | m³/h | 72000 | 72000 | 72000 | 72000 | 72000 | |
| Sound Pressure Level (H) | | dB(A) | 67 | 67.5 | 67.5 | 68 | 68 | |
| Sound Power Level (H) | | dB(A) | 78 | 78.5 | 78.5 | 78.8 | 79 | |
| External Dimensions (W x D x H) | | mm | 1410 x 750 x 1690 + 1410 x 750 x 1690 + 1410 x 750 x 1690 + 1410 x 750 x 1690 | | | | | |
| Shipping Dimensions (W x D x H) | | mm | 1515 x 850 x 1838 + 1515 x 850 x 1838 + 1515 x 850 x 1838 + 1515 x 850 x 1838 | | | | | |
| Net/Shipping Weight | | kg | 370/400 + 370/400 + 370/400 + 370/400 | | | | | |
| Compressor Type | | | DC INV. SCROLL | DC INV. SCROLL | DC INV. SCROLL | DC INV. SCROLL | DC INV. SCROLL | |
| Compressor Quantity | | | 8INV | 8INV | 8INV | 8INV | 8INV | |
| Compressor Power Input | | kW | 13+13+13+13 | 13+13+13+13 | 13+13+13+13 | 13+13+13+13 | 13+13+13+13 | |
| Refrigerant Type | | | R410A | R410A | R410A | R410A | R410A | |
| Refrigerant Charge | | kg | 40 | 40 | 40 | 40 | 40 | |
| Refrigerant Liquid Pipe | | mm | 25.4 | 25.4 | 25.4 | 25.4 | 25.4 | |
| Refrigerant Gas Pipe | | mm | 50.8 | 50.8 | 50.8 | 50.8 | 50.8 | |
| Max. Total Pipe Length | | m | 1000 | 1000 | 1000 | 1000 | 1000 | |
| Max. Pipe Length (Equivalent/Actual) | | m | 260/220 | 260/220 | 260/220 | 260/220 | 260/220 | |
| Max Height Difference Between I.U. & O.U. (O.U. down/up) *1 | | m | 110/90 | 110/90 | 110/90 | 110/90 | 110/90 | |
| Max Height Difference Between I.U. *1 | | m | 30 | 30 | 30 | 30 | 30 | |
| External Static Pressure | | Pa | 110 | 110 | 110 | 110 | 110 | |
| Connectable Indoor Unit Ratio | | % | 50-130 | 50-130 | 50-130 | 50-130 | 50-130 | |
| Maximum Number Of Indoor Units | | | 64 | 64 | 64 | 64 | 64 | |
| Working Temp. | | °C | -5-50 | | | | | |
| Heating*2 | | °C | -23-21 | | | | | |

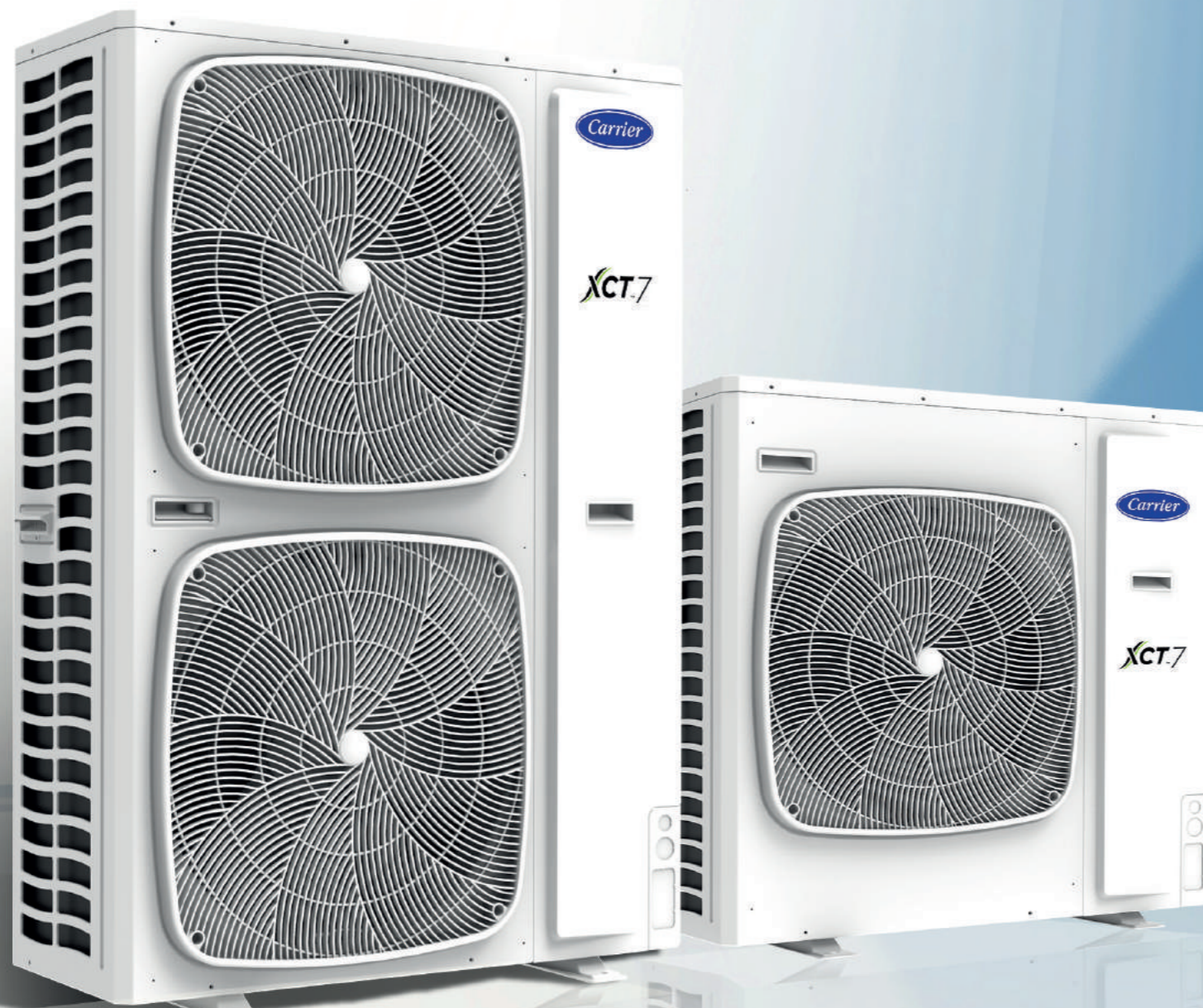
Max drop between I.U.&O.U *1
 •When max Height difference between outdoor and indoor units is greater than 50m (ODU below), the main liquid size pipe must be enlarged by one size & setting made to long piping installation.
 •Review with a Carrier representative if height difference ODU to IDU is greater than 70m and/or total piping length is greater than 500m AND height difference between highest & lowest IDU greater than 18m with IDU combination ratio over 100%.

| Model Code | | 38VT098S73H(C)QSS | 38VT100S73H(C)QSS | 38VT102S73H(C)QSS | 38VT104S73H(C)QSS | | |
|---|-----------|-------------------|---|-------------------|----------------------|-------------------------|--------|
| Combination Model Code (C):for cooling only product | | 38VT026173H(C)QSS | 38VT026173H(C)QSS | 38VT026173H(C)QSS | 38VT026173H(C)QSS | | |
| Capacity | | HP | 98 | 100 | 102 | 104 | |
| Cooling | | kW | 277.5 | 283.0 | 288.5 | 294.0 | |
| Heating*2 | | kW | 301.5 | 311.0 | 320.5 | 330.0 | |
| Power Supply | | PH/V/Hz | 3/380-415/50/60/5 | 3/380-415/50/60 | 3/380-415/50/60 | 3/380-415/50/60 | |
| Electrical Parameters | Cooling | Rated Power Input | kW | 71.60 | 72.80 | 74.00 | 75.20 |
| | | Max Power Input | kW | 120.3 | 124.2 | 128.1 | 132.0 |
| | | Rated Current | A | 120.88 | 122.90 | 124.93 | 126.95 |
| | | Max Current | A | 203.18 | 209.85 | 216.53 | 223.20 |
| | Heating*2 | Rated Power Input | kW | 68.10 | 69.00 | 69.90 | 70.80 |
| | | Max Power Input | kW | 109.90 | 113.80 | 117.70 | 121.60 |
| | | Rated Current | A | 114.97 | 116.49 | 118.01 | 119.53 |
| | | Max Current | A | 185.53 | 192.12 | 198.70 | 205.29 |
| | EER | | | 3.88 | 3.89 | 3.90 | 3.91 |
| | COP | | | 4.43 | 4.51 | 4.59 | 4.66 |
| Air Flow (H) | | m³/h | 73000 | 74000 | 75000 | 76000 | |
| Sound Pressure Level (H) | | dB(A) | 68 | 68 | 68 | 68 | |
| Sound Power Level (H) | | dB(A) | 79 | 79 | 79 | 79 | |
| External Dimensions (W x D x H) | | mm | 1410 x 750 x 1690 + 1410 x 750 x 1690 + 1410 x 750 x 1690 + 1410 x 750 x 1690 | | | | |
| Shipping Dimensions (W x D x H) | | mm | 1515 x 850 x 1838 + 1515 x 850 x 1838 + 1515 x 850 x 1838 + 1515 x 850 x 1838 | | | | |
| Net/Shipping Weight | | kg | 370/400 + 370/400 + 370/400 + 370/400 | | | | |
| Compressor Type | | | DC INV. SCROLL | DC INV. SCROLL | DC INV. SCROLL | DC INV. SCROLL | |
| Compressor Quantity | | | 8INV | 8INV | 8INV | 8INV | |
| Compressor Power Input | | kW | 13+13+13+15.28 | 13+13+15.28+15.28 | 13+15.28+15.28+15.28 | 15.28+15.28+15.28+15.28 | |
| Refrigerant Type | | | R410A | R410A | R410A | R410A | |
| Refrigerant Charge | | kg | 40 | 40 | 40 | 40 | |
| Refrigerant Liquid Pipe | | mm | 25.4 | 25.4 | 25.4 | 25.4 | |
| Refrigerant Gas Pipe | | mm | 54.1 | 54.1 | 54.1 | 54.1 | |
| Max. Total Pipe Length | | m | 1000 | 1000 | 1000 | 1000 | |
| Max. Pipe Length (Equivalent/Actual) | | m | 260/220 | 260/220 | 260/220 | 260/220 | |
| Max Height Difference Between I.U. & O.U. (O.U. down/up) *1 | | m | 110/90 | 110/90 | 110/90 | 110/90 | |
| Max Height Difference Between I.U. *1 | | m | 30 | 30 | 30 | 30 | |
| External Static Pressure | | Pa | 110 | 110 | 110 | 110 | |
| Connectable Indoor Unit Ratio | | % | 50-130 | 50-130 | 50-130 | 50-130 | |
| Maximum Number Of Indoor Units | | | 64 | 64 | 64 | 64 | |
| Working Temp. | | °C | -5-50 | | | | |
| Heating*2 | | °C | -23-21 | | | | |

Heating*2
 • Heating Data is invalid for cooling only products.
 • All the specifications are tested under nominal condition (in cooling, indoor temp. is 27°C DB/19°C WB; Outdoor temp 35°C DB/24WB; in heating, indoor temp. is 20°C DB, in heating, outdoor temp. is 7°C DB/6°C WB)



Outdoor



SIDE DISCHARGE

Compact design for flexible application in small or narrow spaces

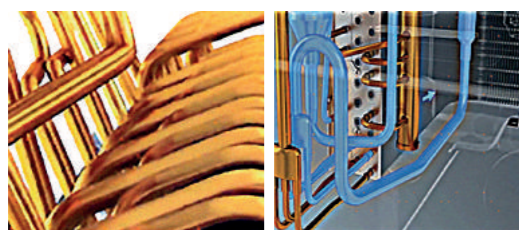


Carrier Product Benefits 4/5/6 HP



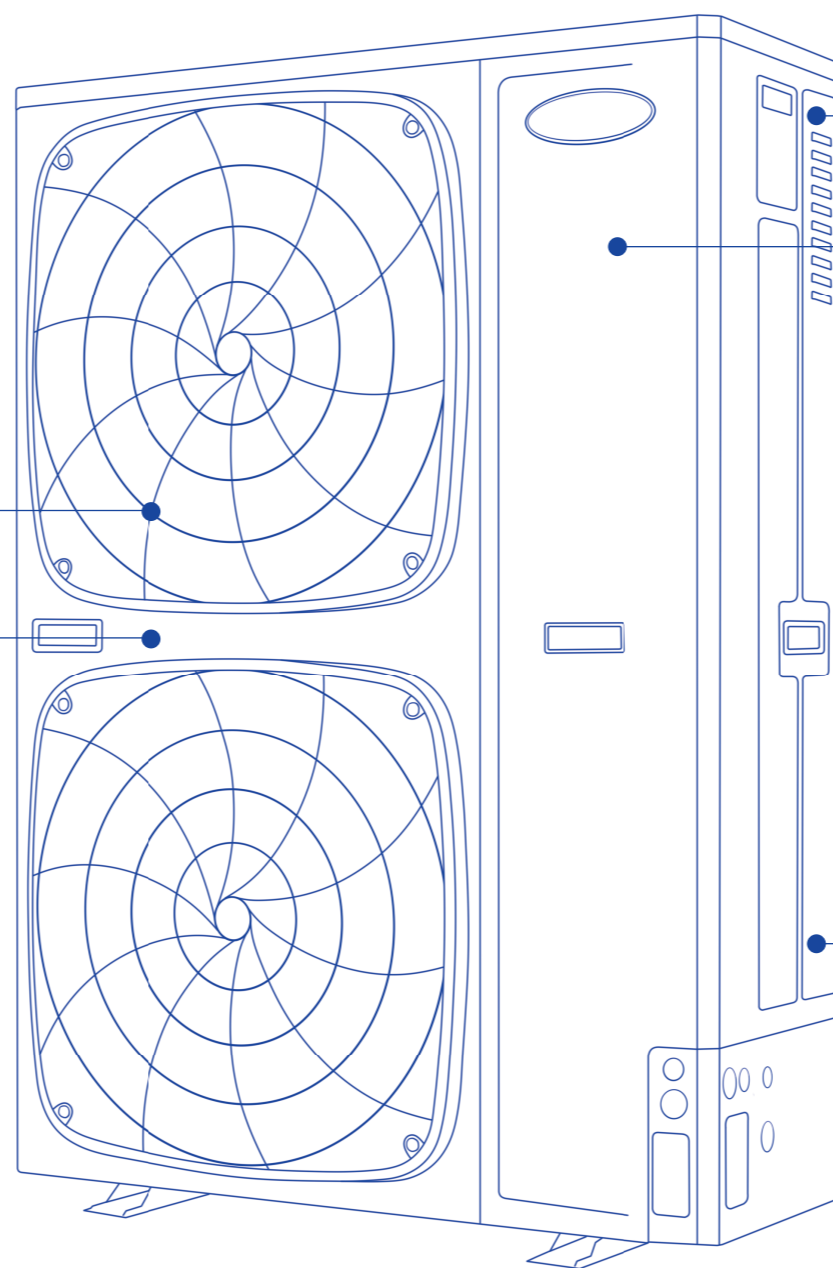
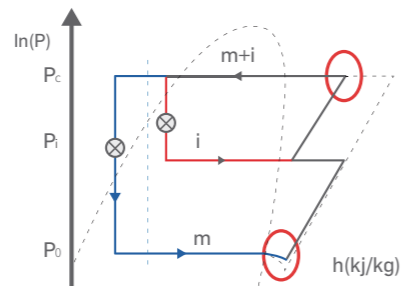
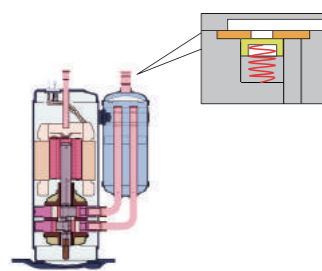
Leadership in Advanced Technology

- **Two-stage Sub-cooling Cycle Technology**
Increases unit efficiency by 9%.
- **Maximizing 30°C Sub-cooling**
Increase unit cooling capacity by 46%
- **Adding of the Sub-cooler at the Bottom of the Outdoor Exchanger**
Increases the efficiency of the sub-cooling in the system to achieve deep sub-cooling



More Powerful Heating Capacity by Enthalpy Injection

In low ambient conditions, condenser heat rejection is weakened. The amount of hot gas returning to the compressor is greatly reduced. However, the Indoor units can receive more heating capacity thanks to residual enthalpy injection from the 2nd stage subcooling.



High-Efficacy

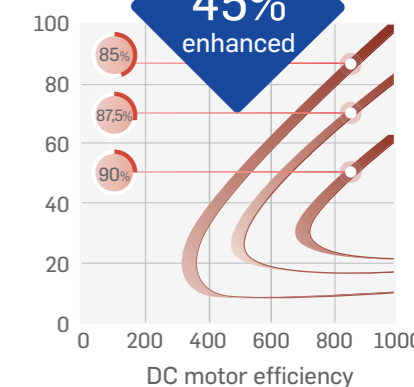
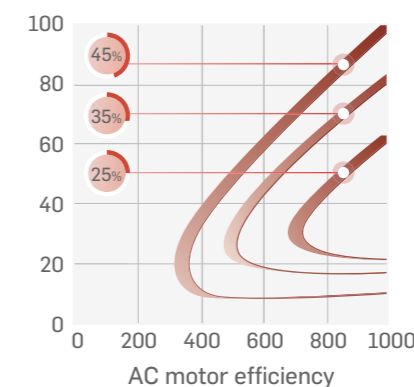
- **DC Inverter Compressor**
Carrier XCT7 unit uses DC inverter compressors, with 5% lower power input (14 kW)
- **Large 550 mm DC powered fan**
38% lower power input, 8% higher airflow
- **Larger heat exchanger**
Heat exchange area increased by 10%
- **Charge valve**
Built-in charge valve enables safer and easier maintenance
- **Low standby power**
New PCB program reduces 20% standby power consumption



DC Fan and Motor

DC power brings higher efficiency to running partial load

- 16-stage speed control; high-efficiency running especially in low speed
- 45% higher efficiency than AC motors
- Lower power input



Large diameter fan

The large fan of 550 mm diameter allows for greater airflow and hence, higher efficiency



Superior Comfort

New aerodynamics fan
550mm super big diameter aerospace helix fan lowers sound level by 3dB(A)





Carrier Product Benefits

4/5/6 HP

8/10/12 HP

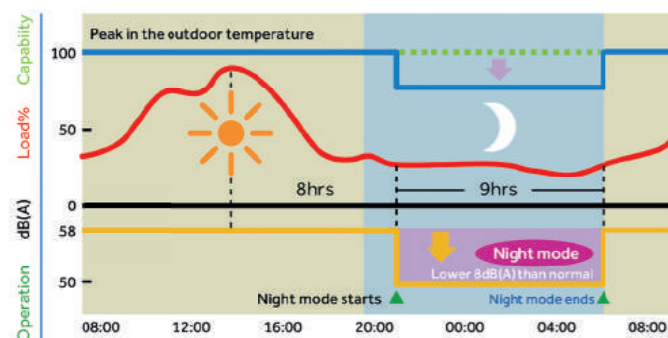


High Efficiency

- **DC Inverter Compressor**
Carrier XCT7 uses DC INV. compressors, with 5% lower power input (14 kW)
- **Larger heat exchanger**
Heat exchange area increased by 10%
- **Charge valve**
Built-in charge valve to enable safer and easier maintenance
- **Low standby power**
New PCB program to reduce 20% standby power consumption

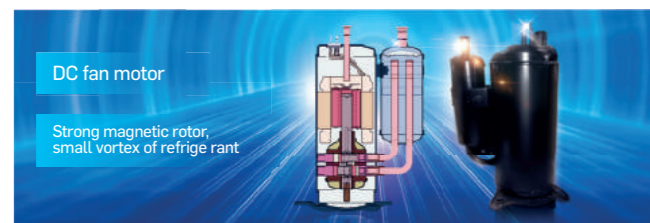
Low Noise Level

- **Night mode operation function**
Quiet Night Mode (-8 dB(A)) is also available by setting PCB
Noise can be reduced to 50 dB(A)



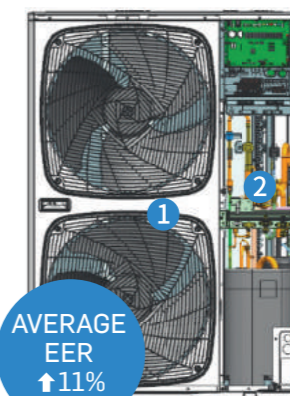
New DC inverter with twin rotary compressor

Small torque changes & good dynamic balance allows the system to run stably, with little vibration, low noise and higher efficiency when running partial load

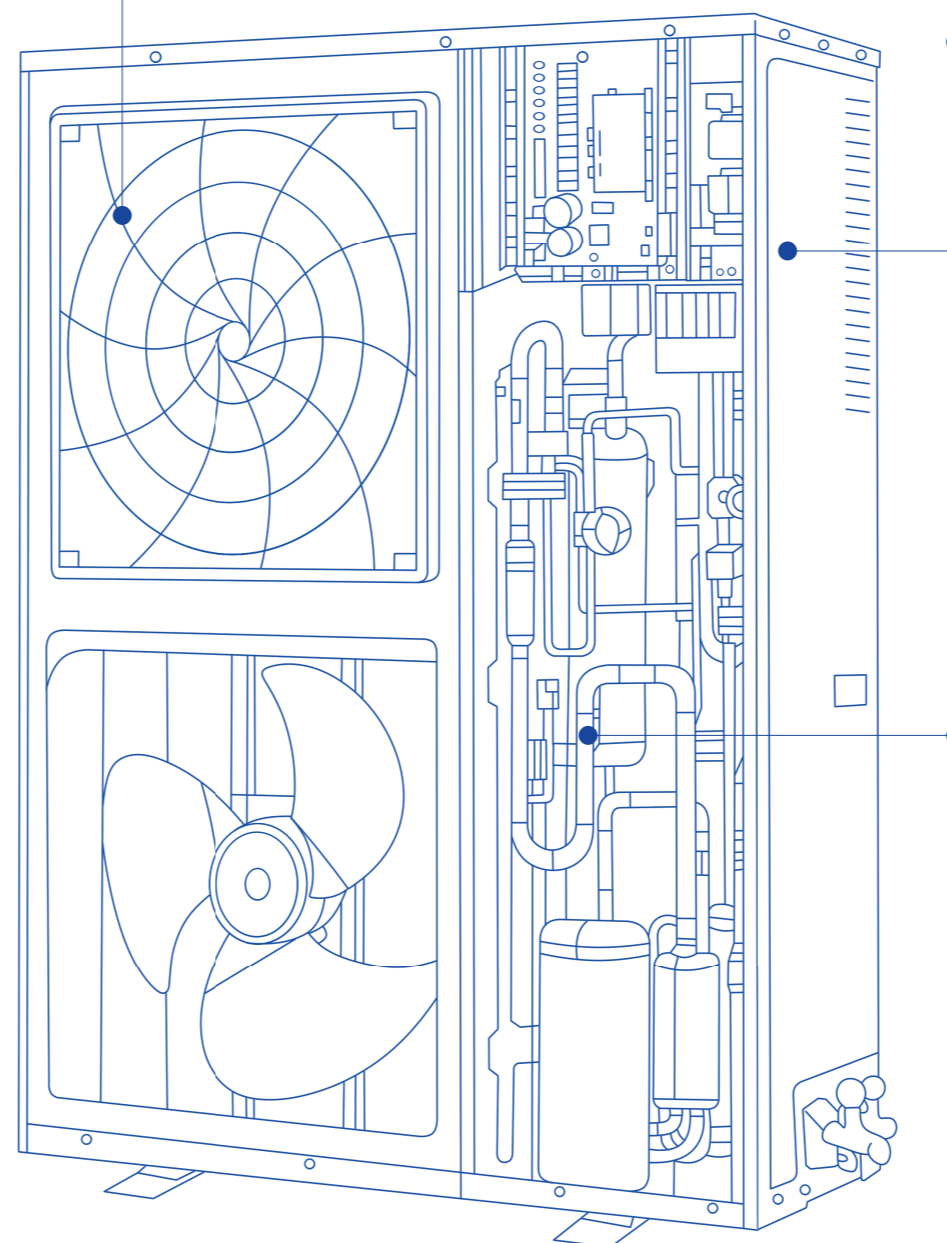


Superior Comfort

- 1 **Enlarged air inlet path and spiral air outlet**
Air flow follows the grill direction to lower sound level by 2-4 dB(A)
- 2 **Automatic sound-lowering program**
Night mode set by PCB to lower sound level by 8dB (A)



- **Vector inverter control - more precise**
- **DC fan motor bracket & non-resonance structure**
Ensures smooth running of the motor to reduce operating noise
- **DC inverter twin rotary compressor**
Smooth operation with no need to frequently start the compressor effectively reduces the outdoor noise
- **Big diameter fan**
Design according to the aviation quieter principle



Outdoor



Carrier Product Benefits

4/5/6 HP

8/10/12 HP



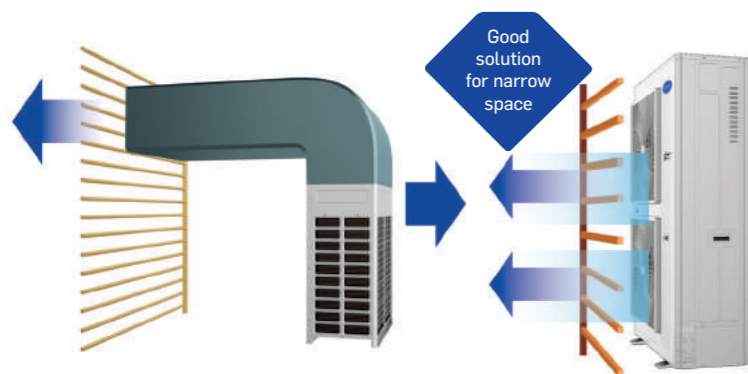
Easy Installation

- 1 **Double side '4' handles**
Easy to carry
- 2 **'888' test panel**
All running data and error codes can be checked from '888' screen, which is easy for installers
- 3 **Four-way pipe connection**
Four-way (front, back, left and right) pipe connection, easy to design and install



Compact Discharge Design

Big capacity, small footprint with only 0.42 m², to reduce floor area by as much as 43%. No need for an additional ventilation hood as compared to the top discharge unit.



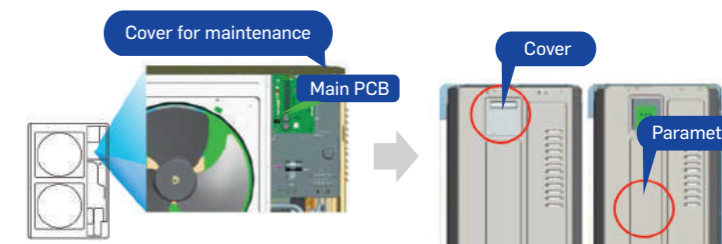
Easy Maintenance for Control

- **Front-facing, hinge design control box**
Reserving space by 108 mm between control box and top panel, the easy-to-open unit allows for maintenance from the top



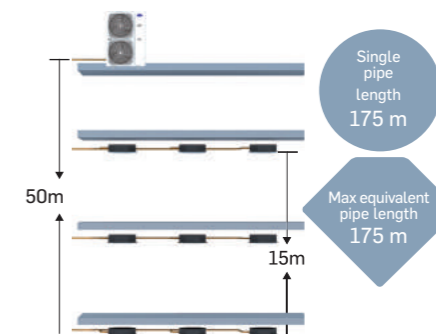
Parameter display panel

- The first original parameter display panel is on the side
The parameter can be observed directly by opening the protective cover
No need to remove the repair board



Long Pipe Length, High Height Drop

- Total pipe length: 300 m
Single pipe length: Max.175 m



Outdoor



Carrier Product Benefits

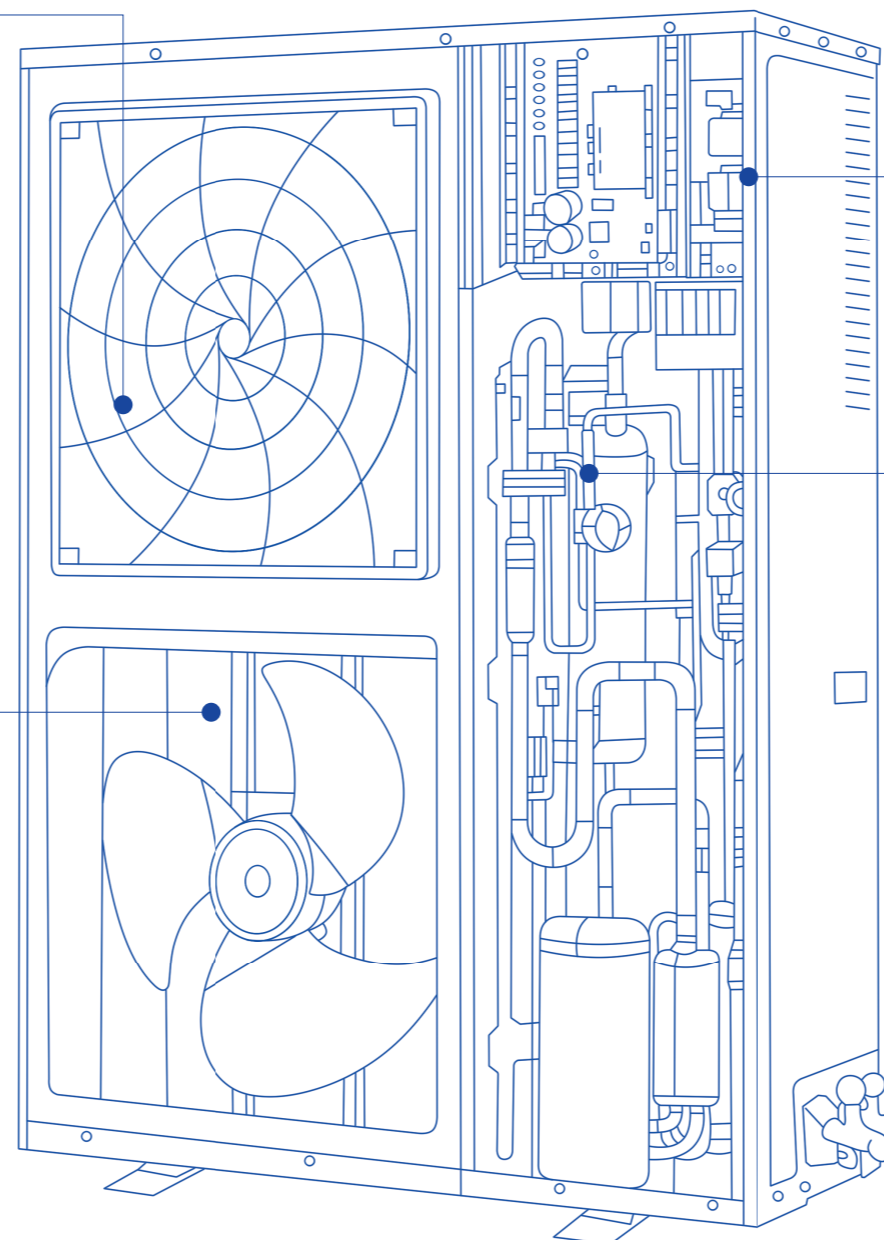
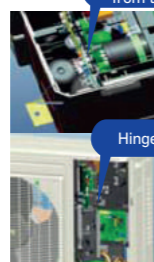
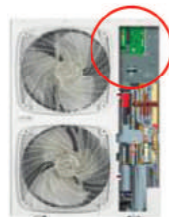
4/5/6 HP

8/10/12 HP



Easy Maintenance for Control

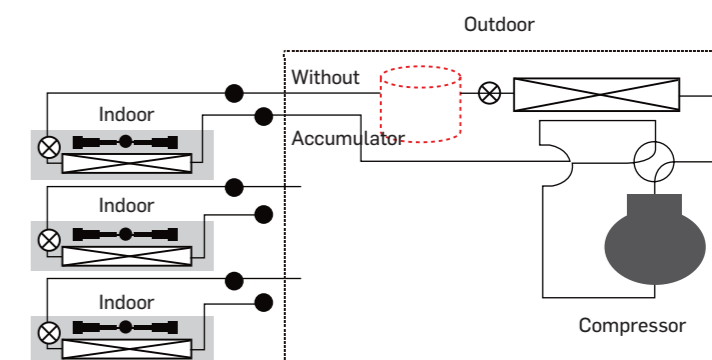
The control box is in front, reserving 108 mm between the control box and top panel, and along with the hinge design, allows for easy maintenance from the top



Ultimate Reliability

• **Refrigerant control technology**

Refrigerant control technology without high pressure accumulator reduces the refrigerant volume and enhances the running efficiency



• **High and low double pressure sensor**

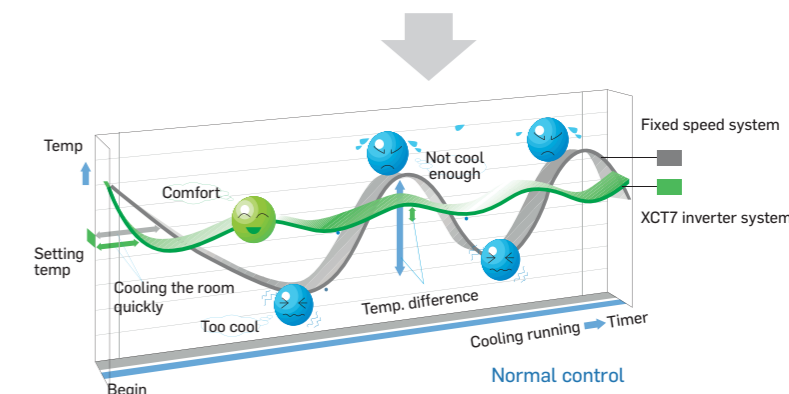
Double pressure sensors with PID control technology together with high speed communication allow quicker start of compressor and the more precise control.

The temperature can be controlled $\pm 0.5^{\circ}C$



• **Air inlet grill design on right side panel**

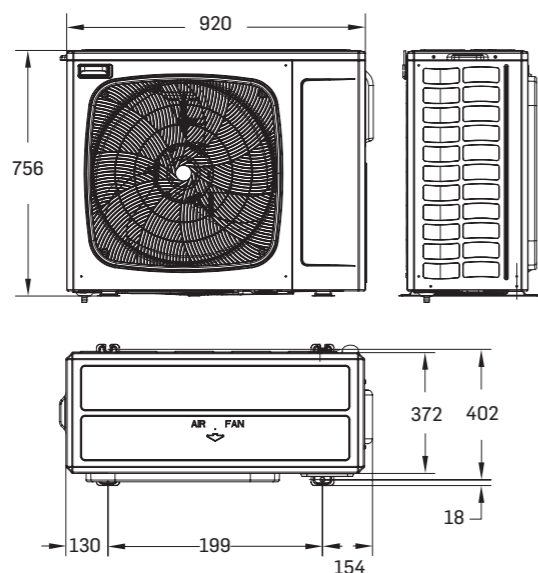
This is to effectively reduce the module temperature and avoid air dust entering the air conditioner



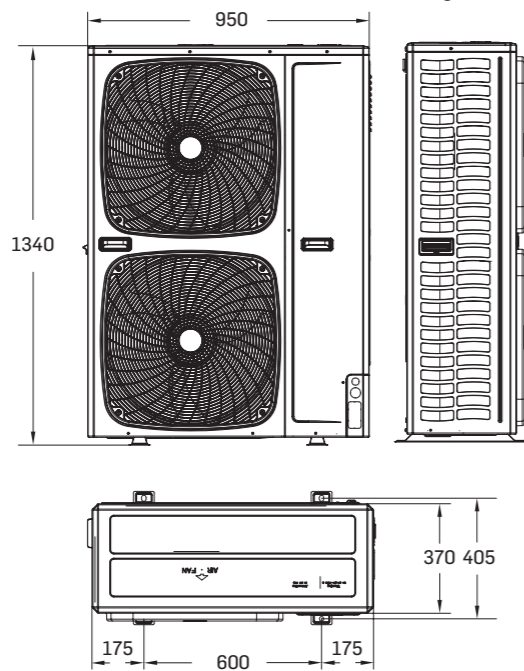


Dimensions (3-7HP Compact Range)

3 HP Single Fan Side Discharge

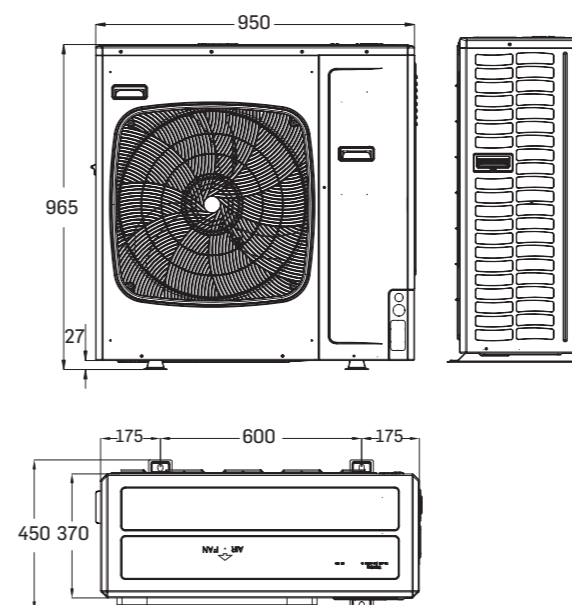


5/7 HP Dual Fan Side Discharge

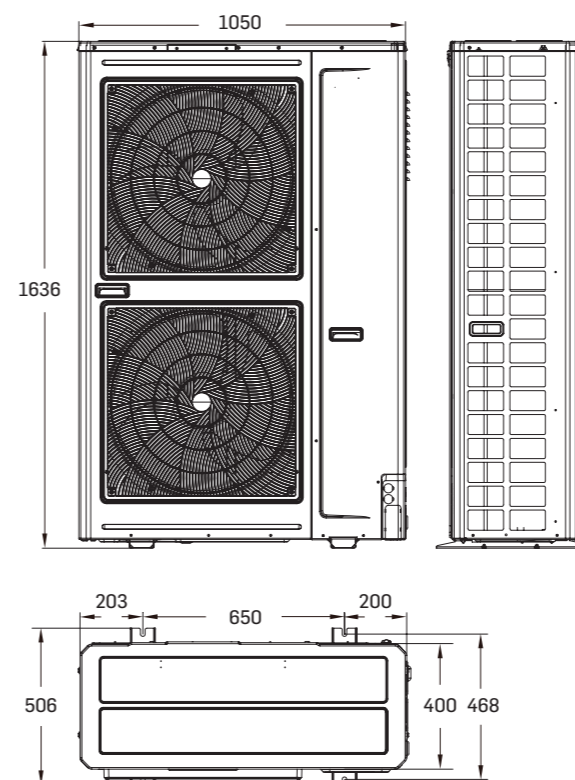


Dimensions (4-12HP)

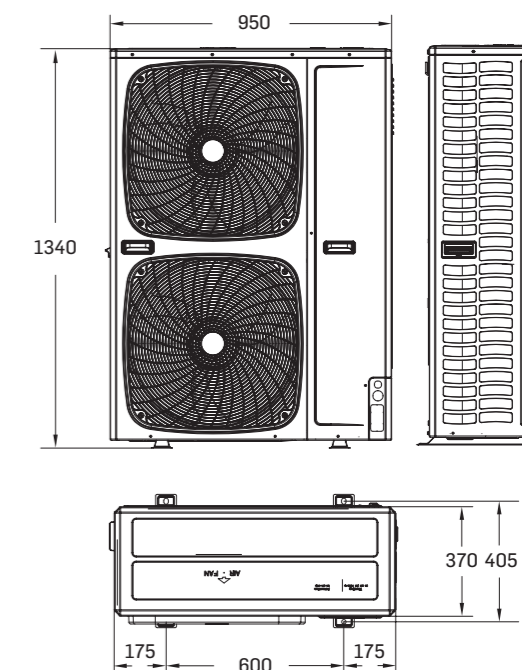
4/5 HP Single Fan Side Discharge



8/10/12 HP Side Discharge



4/5/6 HP Dual Fan Side Discharge



Outdoor



Specifications

SD HP 2 fans 4-5-6 HP



| Model Code | | | 38VS12117SHQSS | 38VS14017SHQSS | 38VS15517SHQSS |
|--|--|-------------------|-------------------|-------------------|-------------------|
| Capacity | Capacity range | HP | 4.0 | 5.0 | 6.0 |
| | Cooling | kW | 12.1 | 14.0 | 15.5 |
| | Heating | kW | 14.2 | 16.0 | 18.0 |
| Electrical Parameters | Power Supply | PH/V/Hz | 1/220-240/50/60 | 1/220-240/50/60 | 1/220-240/50/60 |
| | Power Input (Cooling) | kW | 2.99 | 3.51 | 4.31 |
| | Power Input (Heating) | kW | 3.18 | 3.72 | 4.39 |
| | EER | / | 4.05 | 3.99 | 3.60 |
| | COP | / | 4.47 | 4.30 | 4.10 |
| Performance | Air Flow (H) | m ³ /h | 7200 | 7200 | 7200 |
| | Sound Pressure Level (H) | dB(A) | 57 | 58 | 59 |
| | Sound Power Level (H) | dB(A) | 68 | 69 | 70 |
| Installation | External Dimensions (W x D x H) | mm | 950 x 370 x 1340 | 950 x 370 x 1340 | 950 x 370 x 1340 |
| | Shipping Dimensions (W x D x H) | mm | 1023 x 471 x 1420 | 1023 x 471 x 1420 | 1023 x 471 x 1420 |
| | Net /Shipping Weight | kg | 115/123 | 115/123 | 115/123 |
| | Compressor Type | / | Twin Rotary | Twin Rotary | Twin Rotary |
| | Compressor Quantity | / | 1.0 | 1.0 | 1.0 |
| | Compressor Power Input | kW | 4.13 | 4.13 | 4.13 |
| | Refrigerant Type | / | R410A | R410A | R410A |
| | Refrigerant Charge | kg | 4.0 | 4.0 | 4.0 |
| | Refrigerant Liquid Pipe | mm | 9.52 | 9.52 | 9.52 |
| | Refrigerant Gas Pipe | mm | 15.88 | 15.88 | 15.88 |
| | Total Pipe Length | m | 300 | 300 | 300 |
| | Max. Pipe Length (Equivalent/Actual) | m | 175/150 | 175/150 | 175/150 |
| | Max height difference between I.U. & O.U | m | 50 | 50 | 50 |
| Max height difference between I.U. & I.U | m | 15 | 15 | 15 | |
| Connection Ratio | Connectable Indoor Unit Ratio | % | 50-130 | 50-130 | 50-130 |
| | Maximum Number Of Indoor Units | / | 8.0 | 10 | 13 |
| Working Temp. | Cooling | °C | -15-48 | -15-48 | -15-48 |
| | Heating | °C | -20-27 | -20-27 | -20-27 |

| Model Code | | | 38VS121173HQSS | 38VS140173HQSS | 38VS155173HQSS |
|--|--|-------------------|-------------------|-------------------|-------------------|
| Capacity | Capacity range | HP | 4.0 | 5.0 | 6.0 |
| | Cooling | kW | 12.1 | 14.0 | 15.5 |
| | Heating | kW | 14.2 | 16.0 | 18.0 |
| Electrical Parameters | Power Supply | PH/V/Hz | 3/380-415/50/60 | 3/380-415/50/60 | 3/380-415/50/60 |
| | Power Input (Cooling) | kW | 2.99 | 3.51 | 4.31 |
| | Power Input (Heating) | kW | 3.18 | 3.72 | 4.39 |
| | EER | / | 4.05 | 3.99 | 3.60 |
| | COP | / | 4.47 | 4.30 | 4.10 |
| Performance | Air Flow (H) | m ³ /h | 7200 | 7200 | 7200 |
| | Sound Pressure Level (H) | dB(A) | 57 | 58 | 59 |
| | Sound Power Level (H) | dB(A) | 68 | 69 | 70 |
| Installation | External Dimensions (W x D x H) | mm | 950 x 370 x 1340 | 950 x 370 x 1340 | 950 x 370 x 1340 |
| | Shipping Dimensions (W x D x H) | mm | 1023 x 471 x 1420 | 1023 x 471 x 1420 | 1023 x 471 x 1420 |
| | Net /Shipping Weight | kg | 115/123 | 115/123 | 115/123 |
| | Compressor Type | / | Twin Rotary | Twin Rotary | Twin Rotary |
| | Compressor Quantity | / | 1.0 | 1.0 | 1.0 |
| | Compressor Power Input | kW | 4.06 | 4.06 | 4.06 |
| | Refrigerant Type | / | R410A | R410A | R410A |
| | Refrigerant Charge | kg | 4.0 | 4.0 | 4.0 |
| | Refrigerant Liquid Pipe | mm | 9.52 | 9.52 | 9.52 |
| | Refrigerant Gas Pipe | mm | 15.88 | 15.88 | 15.88 |
| | Total Pipe Length | m | 300 | 300 | 300 |
| | Max. Pipe Length (Equivalent/Actual) | m | 175/150 | 175/150 | 175/150 |
| | Max height difference between I.U. & O.U | m | 50 | 50 | 50 |
| Max height difference between I.U. & I.U | m | 15 | 15 | 15 | |
| Connection Ratio | Connectable Indoor Unit Ratio | % | 50-130 | 50-130 | 50-130 |
| | Maximum Number Of Indoor Units | / | 8.0 | 10 | 13 |
| Working Temp. | Cooling | °C | -15-48 | -15-48 | -15-48 |
| | Heating | °C | -20-27 | -20-27 | -20-27 |

*All the specifications are tested under nominal condition(In cooling, Indoor temp is 27°C DB/19°C WB; Outdoor temp 35°C DB/24°C WB; In heating, Indoor temp is 20°C DB, Outdoor temp is 7°C DB/6°C WB)



SD HP 2 fans 8-10-12 HP



SD HP Single fan 4-5HP

Specifications



| Model Code | | | 38VS226174HQSS | 38VS280174HQSS | 38VS335174HQSS |
|--|--|-------------------|-------------------|-------------------|-------------------|
| Capacity | Capacity range | HP | 8 HP | 10 HP | 12 HP |
| | Cooling | kBtu/h | 77.1 | 95.5 | 114.3 |
| | | kW | 22.6 | 28 | 33.5 |
| | Heating | kW | 85.3 | 107.5 | 128 |
| | | kW | 25 | 31.5 | 37.5 |
| Electrical Parameters | Power Supply | PH/V/Hz | 3/380-400/50/60 | 3/380-400/50/60 | 3/380-400/50/60 |
| | Power Input (Cooling) | kW | 5.79 | 8.0 | 9.75 |
| | Power Input (Heating) | / | 5.43 | 7.5 | 9.62 |
| | EER/COP | / | 3.9/4.6 | 3.5/4.2 | 3.44/3.9 |
| Performance | Air Flow (H) | m ³ /h | 10000 | 10000 | 10000 |
| | Sound Pressure Level (H) | dB(A) | 55 | 58 | 60 |
| | Sound Power Level (H) | dB(A) | 66 | 69 | 71 |
| Installation | External Dimensions (W x D x H) | mm | 1050 x 400 x 1636 | 1050 x 400 x 1636 | 1050 x 400 x 1636 |
| | Shipping Dimensions (W x D x H) | mm | 1150 x 510 x 1790 | 1150 x 510 x 1790 | 1150 x 510 x 1790 |
| | Net /Shipping Weight | kg | 168/183 | 168/183 | 168/183 |
| | Compressor Type | / | Twin Rotary | Twin Rotary | Twin Rotary |
| | Compressor Quantity | / | 1 INV | 1 INV | 1 INV |
| | Compressor Power Input | kW | 5.2 | 5.2 | 5.2 |
| | Refrigerant Type | / | R410A | R410A | R410A |
| | Refrigerant Charge | kg | 6.1 | 6.1 | 6.1 |
| | Refrigerant Liquid Pipe | mm | 9.52 | 12.7 | 12.7 |
| | Refrigerant Gas Pipe | mm | 19.05 | 22.22 | 25.4 |
| | Total Pipe Length | m | 300 | 300 | 300 |
| | Max. Pipe Length (Equivalent/Actual) | m | 175/150 | 175/150 | 175/150 |
| | Max height difference between I.U. & O.U | m | 50 | 50 | 50 |
| Max height difference between I.U. & I.U | m | 15 | 15 | 15 | |
| Connection Ratio | Connectable Indoor Unit Ratio | % | 50-130 | 50-130 | 50-130 |
| | Maximum Number Of Indoor Units | / | 13 | 16 | 16 |
| Working Temp. | Cooling | °C | -5-48 | -5-48 | -5-48 |
| | Heating | °C | -20-27 | -20-27 | -20-27 |

*All the specifications are tested under nominal condition(In cooling, Indoor temp is 27°C DB/19°C WB; Outdoor temp 35°C DB/24°C WB; In heating, Indoor temp is 20°C DB, Outdoor temp is 7°C DB/6°C WB)

| Model Code | | | 38VS125C7SHQSS | 38VS140C7SHQSS |
|--|--|-------------------|------------------|------------------|
| Capacity | Capacity range | HP | 4.0 | 5.0 |
| | Cooling | kW | 12.5 | 14 |
| | Heating | kW | 14 | 16 |
| Electrical Parameters | Power Supply | PH/V/Hz | 1/220-240/50/60 | 1/220-240/50/60 |
| | Power Input (Cooling) | kW | 3.56 | 4.0 |
| | Power Input (Heating) | kW | 3.5 | 3.95 |
| | EER | / | 3.51 | 3.5 |
| | COP | / | 4.0 | 4.05 |
| Performance | Air Flow (H) | m ³ /h | 5400 | 5400 |
| | Sound Pressure Level (H) | dB(A) | 55 | 57 |
| | Sound Power Level (H) | dB(A) | 66 | 68 |
| Installation | External Dimensions (W x D x H) | mm | 950 x 370 x 965 | 950 x 370 x 965 |
| | Shipping Dimensions (W x D x H) | mm | 1010 x 458 x 990 | 1010 x 458 x 990 |
| | Net /Shipping Weight | kg | 90/97 | 90/97 |
| | Compressor Type | / | Twin Rotary | Twin Rotary |
| | Compressor Quantity | / | 1 INV | 1 INV |
| | Compressor Power Input | kW | 4.13 | 4.13 |
| | Refrigerant Type | / | R410A | R410A |
| | Refrigerant Charge | kg | 3.0 | 3.0 |
| | Refrigerant Liquid Pipe | mm | 9.52 | 9.52 |
| | Refrigerant Gas Pipe | mm | 15.88 | 15.88 |
| | Total Pipe Length | m | 120 | 120 |
| | Max. Pipe Length (Equivalent/Actual) | m | 70 | 70 |
| | Max height difference between I.U. & O.U | m | 30/20 | 30/20 |
| Max height difference between I.U. & I.U | m | 10 | 10 | |
| Connection Ratio | Connectable Indoor Unit Ratio | % | 50-150 | 50-150 |
| | Maximum Number Of Indoor Units | / | 8.0 | 10 |
| Working Temp. | Cooling | °C | -5-52 | -5-52 |
| | Heating | °C | -15-21 | -15-21 |



Specifications

SD HP compact 3-5-7HP



| Model Code | | 38VS080L7SHQSS | 38VS140L7SHQSS | 38VS180L7SHQSS | |
|--|--|-------------------|------------------|-------------------|-------------------|
| Capacity | Capacity Range | HP | 3 HP | 5 HP | 7 HP |
| | Cooling | kW | 8.0 | 14.0 | 18.0 |
| | Heating | kW | 9.5 | 16 | 20.0 |
| Electric Parameters | Power Supply | PH/V/Hz | 1/220-240/50/60 | 1/220-240/50/60 | 1/220-240/50/60 |
| | Power Input (Cooling) | kW | 2.2 | 3.7 | 4.75 |
| | Power Input (Heating) | kW | 2.2 | 3.73 | 4.56 |
| | EER | / | 3.64 | 3.78 | 3.79 |
| | COP | / | 4.32 | 4.29 | 4.39 |
| Performance | Air Flow (H) | m ³ /h | 4500 | 7200 | 7200 |
| | Sound Pressure Level (H) | dB(A) | 50 | 52 | 54 |
| | Sound Power Level (H) | dB(A) | 61 | 63 | 65 |
| Installation | External Dimensions (W x D x H) | mm | 920 x 372 x 756 | 950 x 370 x 1340 | 950 x 370 x 1340 |
| | Shipping Dimensions (W x D x H) | mm | 1036 x 478 x 820 | 1023 x 483 x 1492 | 1023 x 483 x 1492 |
| | Net /Shipping Weight | kg | 73/80 | 108/123 | 108/123 |
| | Compressor Type | / | Twin Rotary | Twin Rotary | Twin Rotary |
| | Compressor Quantity | / | 1.0 | 1.0 | 1.0 |
| | Compressor Power Input | kW | 1.96 | 4.02 | 4.02 |
| | Refrigerant Type | / | R410A | | |
| | Refrigerant Charge | kg | 2.1 | 4.0 | 4.0 |
| | Refrigerant Gas Pipe | mm | φ15.88 | φ19.05 | φ19.05 |
| | Refrigerant Liquid Pipe | mm | φ9.52 | φ9.52 | φ9.52 |
| | Total Pipe Length | m | 120 | 150 | 150 |
| | Max. Pipe Length | m | 70 | 70 | 70 |
| | Max height difference between I.U. & O.U | m | 30/20 | 30/20 | 30/20 |
| Max height difference between I.U. & I.U | m | 10 | 10 | 10 | |
| Connection Ratio | Connectable Indoor Unit Ratio | % | 50-150 | | |
| | Maximum Number Of Indoor Units | / | 4.0 | 8.0 | 9.0 |
| Working Temp. | Cooling | °C | -15-50 | | |
| | Heating | °C | -20-27 | | |

* 1 Indoor temperature: 27°CDB, 19°CWB/ outdoor temperature: 35°C DB, 24°C WB/equivalent pipe length: 7.5m, height difference: 0m
 * 2 Indoor temperature: 20°CDB, 14.5°CWB/ outdoor temperature: 7°C DB, 6°C WB/equivalent pipe length: 7.5m, height difference: 0m

| Model Code | | 38VS140L74HQSS | 38VS180L74HQSS | |
|--|--|-------------------|-------------------|-------------------|
| Capacity | Capacity Range | HP | 5 HP | 7 HP |
| | Cooling | kW | 14.0 | 18.0 |
| | Heating | kW | 16.5 | 20.0 |
| Electric Parameters | Power Supply | PH/V/Hz | 3/380-400/50/60 | 3/380-400/50/60 |
| | Power Input (Cooling) | kW | 3.7 | 4.75 |
| | Power Input (Heating) | kW | 4.0 | 4.56 |
| | EER | / | 3.78 | 3.79 |
| | COP | / | 4.13 | 4.39 |
| Performance | Air Flow (H) | m ³ /h | 7200 | 7200 |
| | Sound Pressure Level (H) | dB(A) | 52 | 54 |
| | Sound Power Level (H) | dB(A) | 63 | 65 |
| Installation | External Dimensions (W x D x H) | mm | 950 x 370 x 1340 | 950 x 370 x 1340 |
| | Shipping Dimensions (W x D x H) | mm | 1023 x 483 x 1492 | 1023 x 483 x 1492 |
| | Net /Shipping Weight | kg | 108/123 | 108/123 |
| | Compressor Type | / | Twin Rotary | Twin Rotary |
| | Compressor Quantity | / | 1.0 | 1.0 |
| | Compressor Power Input | kW | 4.06 | 4.06 |
| | Refrigerant Type | / | R410A | R410A |
| | Refrigerant Charge | kg | 4.0 | 4.0 |
| | Refrigerant Gas Pipe | mm | φ15.88 | φ15.88 |
| | Refrigerant Liquid Pipe | mm | φ9.52 | φ9.52 |
| | Total Pipe Length | m | 150 | 150 |
| | Max. Pipe Length | m | 70 | 70 |
| | Max height difference between I.U. & O.U | m | 30/20 | 30/20 |
| Max height difference between I.U. & I.U | m | 10 | 10 | |
| Connection Ratio | Connectable Indoor Unit Ratio | % | / | |
| | Maximum Number Of Indoor Units | / | 8.0 | 9.0 |
| Working Temp. | Cooling | °C | -15-50 | |
| | Heating | °C | -20-27 | |

*3 The noise value is the conversion value of the full anechoic chamber measured in the semi-anechoic chamber. It is generally higher than this noise value due to the influence of ambient noise and reflected sound.



OFFICES



HOTELS



RETAIL



OFFICES



HOTELS

INDOOR UNITS

| | | | |
|-----|---------------------------------|-----|-------------------------------|
| 065 | ONE-WAY CASSETTE | 103 | HIGH STATIC DUCT (100/196PA) |
| 069 | TWO-WAY CASSETTE | 107 | HIGH STATIC DUCT (0/200PA) |
| 073 | COMPACT FOUR-WAY CASSETTE | 113 | HIGH WALL |
| 077 | FOUR-WAY CASSETTE | 117 | TWO-WAY CONSOLE |
| 081 | ROUND-WAY CASSETTE | 121 | CONSOLE-RECESSED |
| 087 | SLIM DUCT | 123 | FLEX CEILING FLOOR (AC MOTOR) |
| 091 | STANDARD STATIC DUCT (50/100PA) | 127 | FLEX CEILING FLOOR (DC MOTOR) |
| 095 | STANDARD STATIC DUCT (20/200PA) | 133 | OUTSIDE AIR UNIT |
| 099 | MEDIUM STATIC DUCT (50/120PA) | 137 | HRV |



OFFICES



HOTELS



RETAIL



ADMINISTRATIONS



Benefits Glance Over

| | | CASSETTE | | | | | DUCT | |
|-------------|--|------------------|------------------|---------------------------|-------------------|--------------------|-----------|---------------------------------|
| Features | | ONE-WAY CASSETTE | TWO-WAY CASSETTE | COMPACT FOUR-WAY CASSETTE | FOUR-WAY CASSETTE | ROUND-WAY CASSETTE | SLIM DUCT | STANDARD STATIC DUCT (50-100PA) |
| | | | | | | | | |
| | | 40VU1 | 40VU2 | 40VUC | 40VUC&S | 40VUR | 40VDL | 40VDS*G |
| Comfortable | Washable filter included: • Ensures clean air • Extends the life of the fan | ● | ● | ● | ● | ● | ● | ● |
| | Independent control of the air flow directions: • Flexible control for different needs • Ensures comfortable environment | | | | | ● | | |
| | Multi-gear air speed selection: • Meet different requirements of installation & usage | ● | ● | ● | ● | ● | ● | ● |
| | Presence sensor (optional): • Automatically switches on & off when people come in & out • Energy conservation | | | | | ● (Optional) | | |
| | • Brushless DC motor: • Operation noise reduced | ● | | ● | | ● | ● | |
| Aesthetic | • Streamlined design • Easily fits in with different interior designs | ● | ● | | | ● | | |
| | • Ultra-thin & compact design • Save ceiling space | ● | ● | ● | | ● | ● | ● |
| Convenient | • Optional location of air return (front air return & back air return) • Friendly Installation | | | | | | ● | ● |
| | Easy disassembly of the maintenance panel | ● | ● | | | ● | | |
| | • Adjustable static pressure • Flexible selection according to the actual installation | | | | | | ● | ● |
| | • Standard drain pump • Drain water discharged easily | ● | ● | ● | ● | ● | ● | ● |
| | Fresh air vent reserved | | | ● | ● | ● | | ● |
| Intelligent | Centralized control compatible | ● | ● | ● | ● | ● | ● | ● |
| | Room card | ● | ● | ● | ● | ● | ● | ● |
| | Cleaning reminder of the washable filter | ● | ● | ● | ● | ● | ● | ● |

| DUCT | | | | WALL MOUNTED UNIT | FLOOR STANDING UNITS | CEILING FLOOR | | VENTILATION | | |
|----------------------------------|--------------------------------|-------------------------------|-----------------------------|-------------------|----------------------|--------------------|---------------------------|---------------------------|------------------|------|
| STANDARD STATIC DUCT (20/200 PA) | MEDIUM STATIC DUCT (50/120 PA) | HIGH STATIC DUCT (100/196 PA) | HIGH STATIC DUCT (0/200 PA) | HIGH WALL | TWO-WAY CONSOLE | CONSOLE - RECESSED | FLEX CEILING FLOOR AC FAN | FLEX CEILING FLOOR DC FAN | OUTSIDE AIR UNIT | HRV |
| | | | | | | | | | | |
| 40VDS*S | 40VDR | 40VDH*G | 40VDH*S | 40VKS | 40VLB | 40VLR | 40VCF*G | 40VCF*S | 40VDA | 40VH |
| ● | ● | ● | ● | ● | ● | ● | ● | ● | ● | ● |
| | | | | ● | | | ● | ● | | |
| ● | ● | ● | ● | ● | ● | ● | ● | ● | ● | ● |
| | | | | | | | | | | |
| ● | | | ● | ● | ● | | | ● | | |
| | | | | ● | ● | | ● | ● | | |
| ● | ● | ● | ● | | | | | | | |
| ● | ● | ● | ● | | | | | | ● | ● |
| ● | (Optional) | (Optional) | ● | | | | | | (Optional) | |
| ● | ● | ● | ● | | | | ● | ● | ● | |
| ● | ● | ● | ● | ● | ● | ● | ● | ● | ● | ● |
| ● | ● | ● | ● | ● | ● | ● | ● | ● | ● | |
| ● | ● | ● | ● | ● | ● | ● | ● | ● | ● | |



Indoor





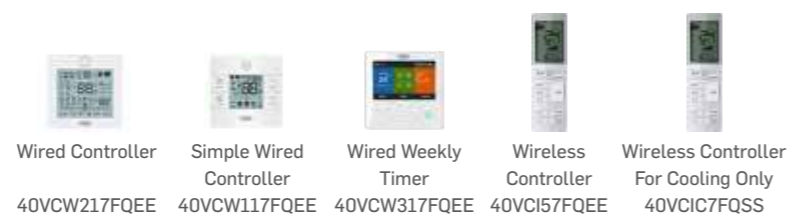
Indoor

ONE-WAY CASSETTE (DC MOTOR) 40VU1



- Slim & elegant design only 185mm in height
- DC powered fan with industry-leading noise levels down to 24dB (A)
- Service port saved by return air panel to conveniently maintain the unit
- Built-in drain pump
- Unique ceiling anti-fouling design

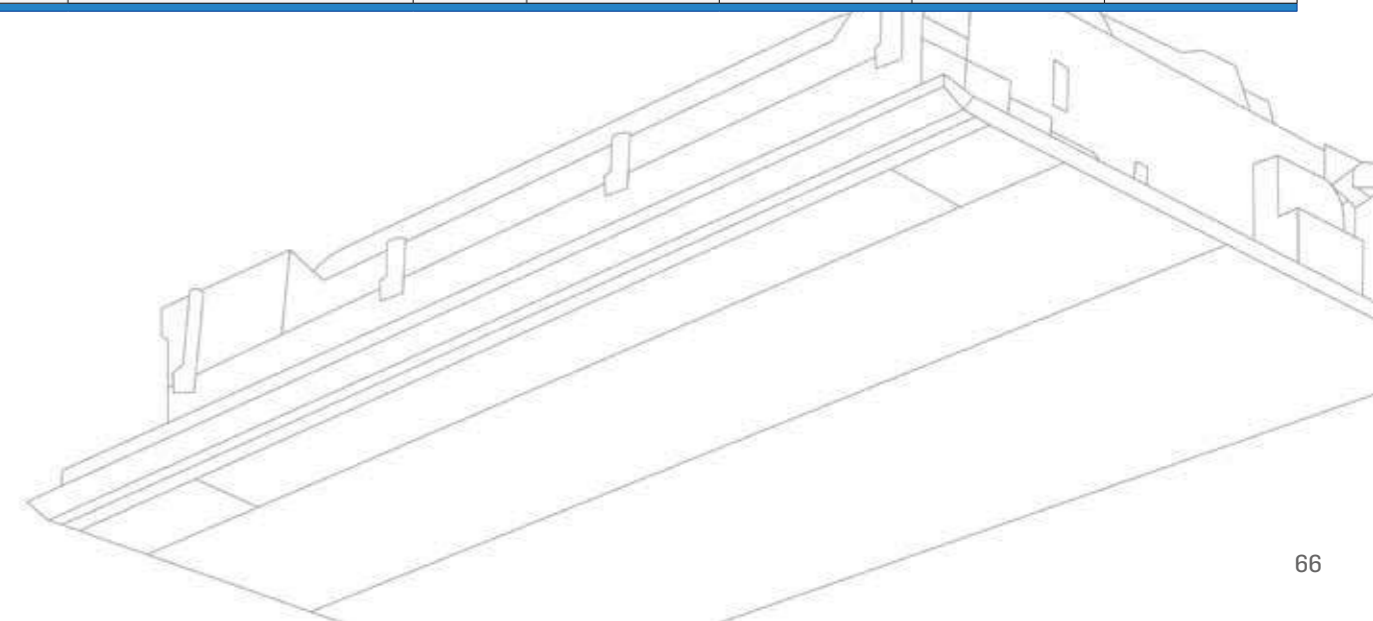
Optional Panel: 40VPU01217EQEE



Specifications



| Model Code | Item | Unit | 40VU0051-7E-QEE | 40VU0071-7E-QEE | 40VU0091-7E-QEE | 40VU0121-7E-QEE |
|-----------------------|--------------------------------|---------|------------------|------------------|------------------|------------------|
| Capacity | Cooling | kBtu/h | 5.1 | 7.5 | 9.6 | 12.3 |
| | | kW | 1.5 | 2.2 | 2.8 | 3.6 |
| | Heating | kBtu/h | 5.8 | 8.5 | 10.9 | 13.6 |
| | | kW | 1.7 | 2.5 | 3.2 | 4.0 |
| Electrical Parameters | Power Supply | Ph/V/Hz | 1/220-230/50/60 | 1/220-230/50/60 | 1/220-230/50/60 | 1/220-230/50/60 |
| | Power Consumption | W | 21 | 21 | 21 | 23 |
| Performance | Air Flow (H/M/L) | m³/h | 530/490/450 | 530/490/450 | 530/490/450 | 550/530/490 |
| | Sound Pressure Level(H/M/L) | dB(A) | 32/29/24 | 32/29/24 | 32/29/24 | 34/30/25 |
| | Sound Power Level(H/M/L) | dB(A) | 46/43/38 | 46/43/38 | 46/43/38 | 48/44/39 |
| Installation | External Dimensions(W x D x H) | mm | 875 x 505 x 185 | 875 x 505 x 185 | 875 x 505 x 185 | 875 x 505 x 185 |
| | Shipping Dimensions(W x D x H) | mm | 1028 x 581 x 270 | 1028 x 581 x 270 | 1028 x 581 x 270 | 1028 x 581 x 270 |
| | Net/Shipping Weight | kg | 15.3/17.9 | 15.3/17.9 | 15.3/17.9 | 15.3/17.9 |
| | Refrigerant Liquid Pipe | mm | 6.35 | 6.35 | 6.35 | 6.35 |
| | Refrigerant Gas Pipe | mm | 9.52 | 9.52 | 9.52 | 12.7 |
| Panel | Model Code | / | 40VPU01217EQEE | 40VPU01217EQEE | 40VPU01217EQEE | 40VPU01217EQEE |
| | External Dimensions(W x D x H) | mm | 1050 x 560 x 122 | 1050 x 560 x 122 | 1050 x 560 x 122 | 1050 x 560 x 122 |
| | Shipping Dimensions(W x D x H) | mm | 1133 x 623 x 197 | 1133 x 623 x 197 | 1133 x 623 x 197 | 1133 x 623 x 197 |
| | Net/shipping Weight | kg | 5.3/8.3 | 5.3/8.3 | 5.3/8.3 | 5.3/8.3 |

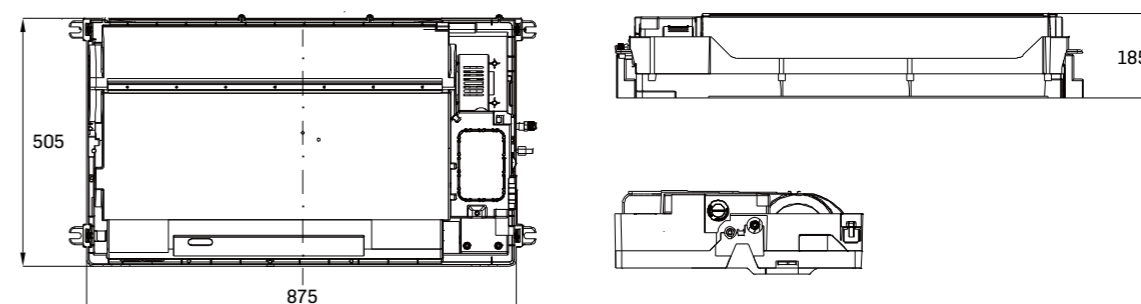




ONE-WAY CASSETTE (DC MOTOR)

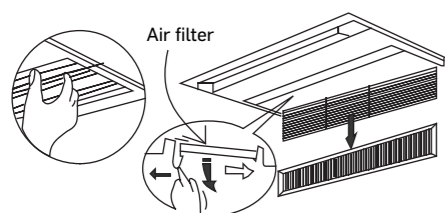


Dimensions



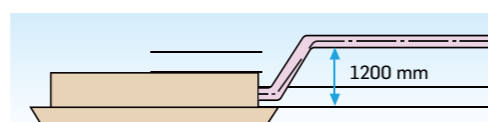
Easy Service & Maintenance

- Easy removal of air filters for cleaning
- Easy access to indoor unit components



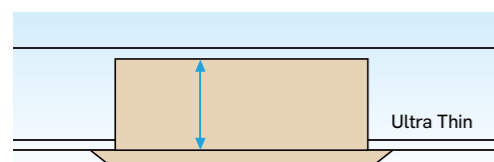
Standard Built-in Drain Pump

Standard built-in drain pump with 1200 mm pumphead and slim body makes the installation free from limitation of story height.

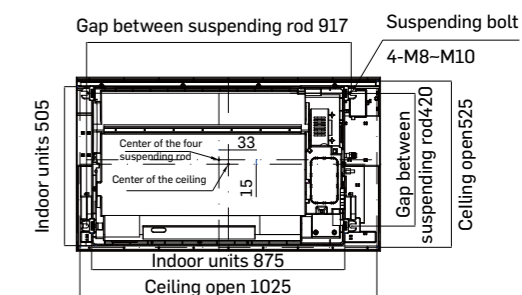
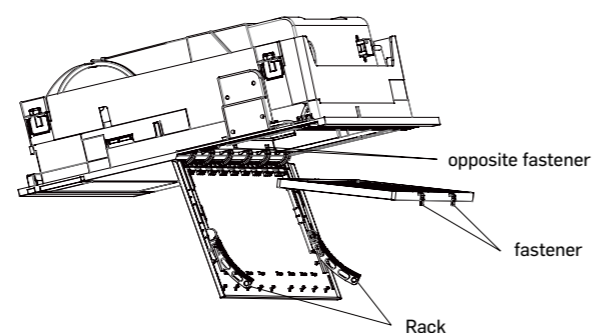
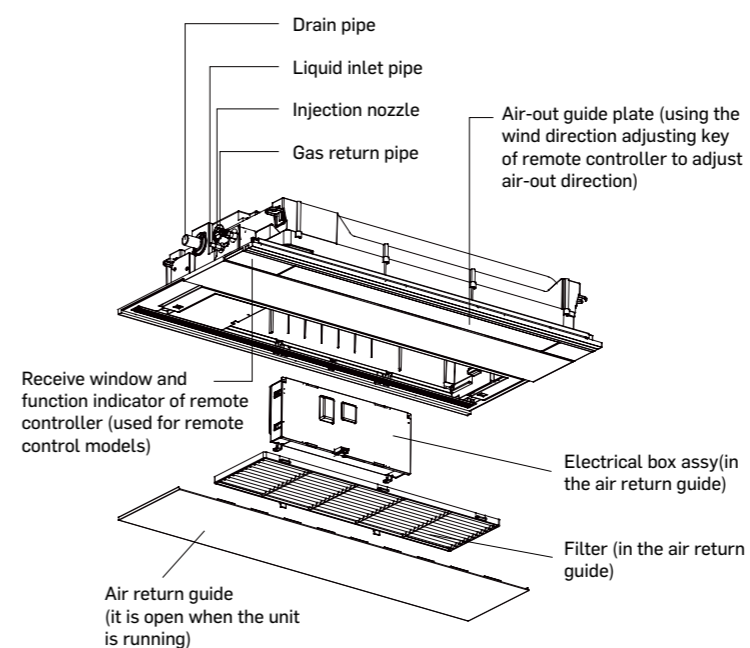


Height 185 mm Only

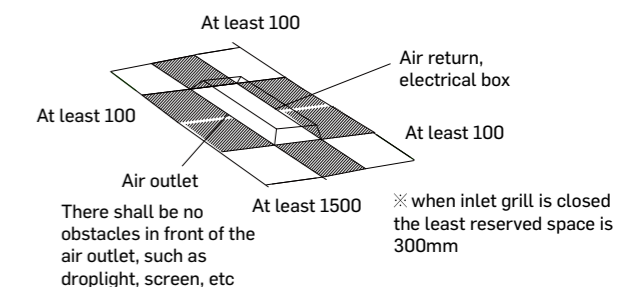
Compact design, slim body with a min. height of 185 mm only, especially suitable for spaces with a narrow ceiling, such as lobbies, small-size meeting room, mansions, restaurant, etc.



Installation & Service



Installation space





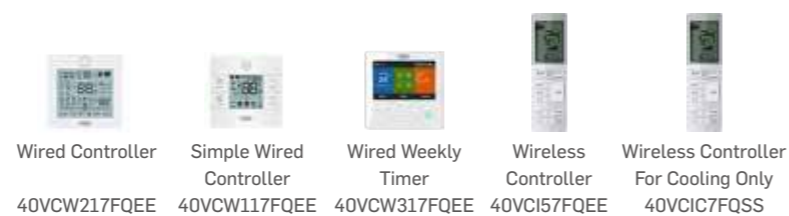
Indoor

TWO-WAY CASSETTE (AC MOTOR) 40VU2



- Compact design: only 220 mm in height
- Built-in drain pump
- Unique ceiling anti-fouling design
- Dual air supply to distribute air in two directions with quiet operation

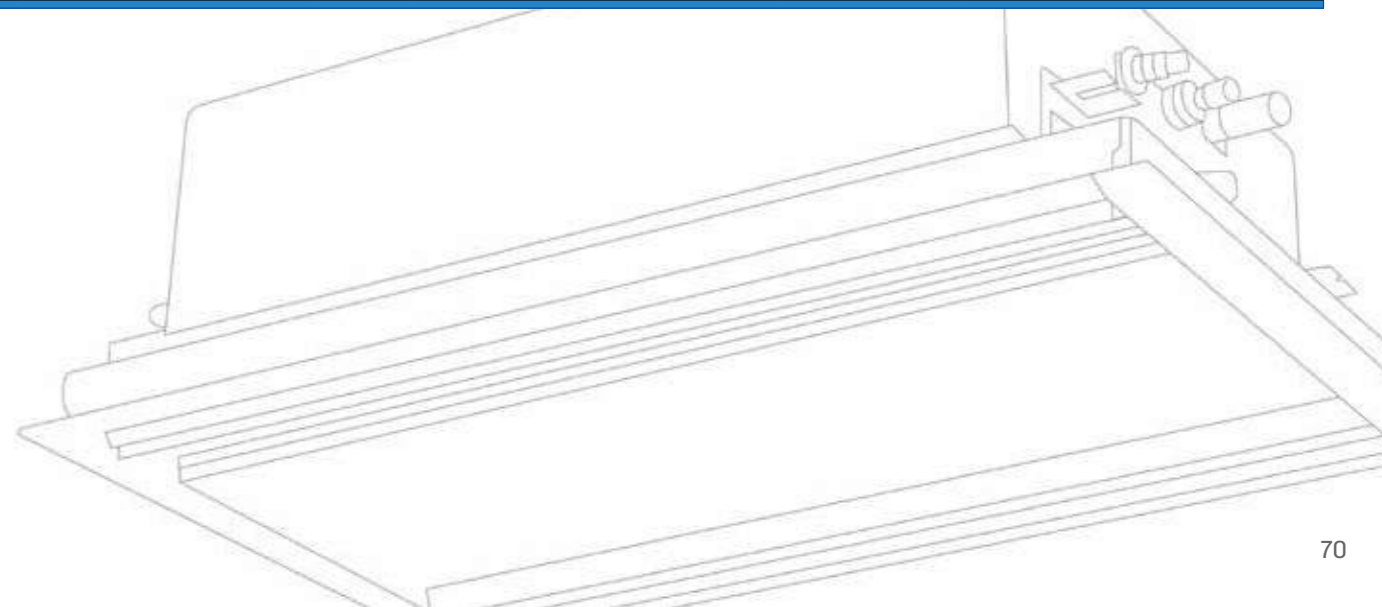
Optional Panel: 40VPU01827GQEE



Specifications



| Model Code | Item | Unit | 40VU0072-7G-QEE | 40VU0092-7G-QEE | 40VU0122-7G-QEE | 40VU0162-7G-QEE | 40VU0182-7G-QEE |
|-----------------------|--------------------------------|---------|------------------|------------------|------------------|------------------|------------------|
| Capacity | Cooling | kBtu/h | 7.5 | 9.6 | 12.3 | 15.4 | 19.1 |
| | | kW | 2.2 | 2.8 | 3.6 | 4.5 | 5.6 |
| | Heating | kBtu/h | 8.5 | 10.9 | 13.6 | 17.1 | 21.5 |
| | | kW | 2.5 | 3.2 | 4.0 | 5.0 | 6.3 |
| Electrical Parameters | Power Supply | Ph/V/Hz | 1/220-230/50/60 | 1/220-230/50/60 | 1/220-230/50/60 | 1/220-230/50/60 | 1/220-230/50/60 |
| | Power Consumption | W | 90 | 90 | 90 | 110 | 110 |
| Performance | Air Flow (H/M/L) | m³/h | 840/700/550 | 840/700/550 | 840/700/550 | 840/700/550 | 840/700/550 |
| | Sound Pressure Level(H/M/L) | dB(A) | 42/37/33 | 42/37/33 | 42/37/33 | 44/39/34 | 44/39/34 |
| | Sound Power Level(H/M/L) | dB(A) | 55/50/46 | 55/50/46 | 55/50/46 | 57/52/47 | 57/52/47 |
| Installation | External Dimensions(W x D x H) | mm | 817 x 620 x 220 | 817 x 620 x 220 | 817 x 620 x 220 | 817 x 620 x 220 | 817 x 620 x 220 |
| | Shipping Dimensions(W x D x H) | mm | 1015 x 695 x 260 | 1015 x 695 x 260 | 1015 x 695 x 260 | 1015 x 695 x 260 | 1015 x 695 x 260 |
| | Net/Shipping Weight | kg | 21/23 | 21/23 | 21/23 | 21/23 | 21/23 |
| | Refrigerant Liquid Pipe | mm | 6.35 | 6.35 | 6.35 | 6.35 | 6.35 |
| | Refrigerant Gas Pipe | mm | 9.52 | 9.52 | 12.7 | 12.7 | 12.7 |
| Panel (optional) | Model Code | / | 40VPU01827GQEE | 40VPU01827GQEE | 40VPU01827GQEE | 40VPU01827GQEE | 40VPU01827GQEE |
| | External Dimensions(W x D x H) | mm | 1055 x 680 x 68 | 1055 x 680 x 68 | 1055 x 680 x 68 | 1055 x 680 x 68 | 1055 x 680 x 68 |
| | Shipping Dimensions(W x D x H) | mm | 1110 x 720 x 160 | 1110 x 720 x 160 | 1110 x 720 x 160 | 1110 x 720 x 160 | 1110 x 720 x 160 |
| | Net/shipping Weight | kg | 7/8 | 7/8 | 7/8 | 7/8 | 7/8 |



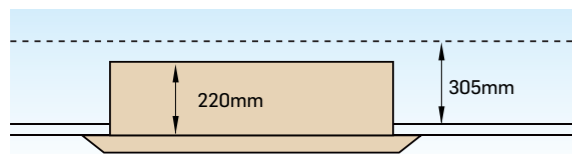


TWO-WAY CASSETTE (AC MOTOR)



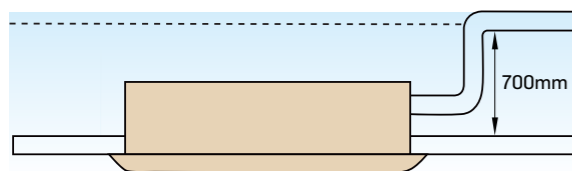
Stylish Design & Slim Body

Thanks to the stylish appearance and slim body, the unit can be harmonious with the room decoration. The sleek body, just 220 mm in height, needs only a small ceiling space to be suspended. Installation is free of story height limitations which makes design and decoration much more flexible.

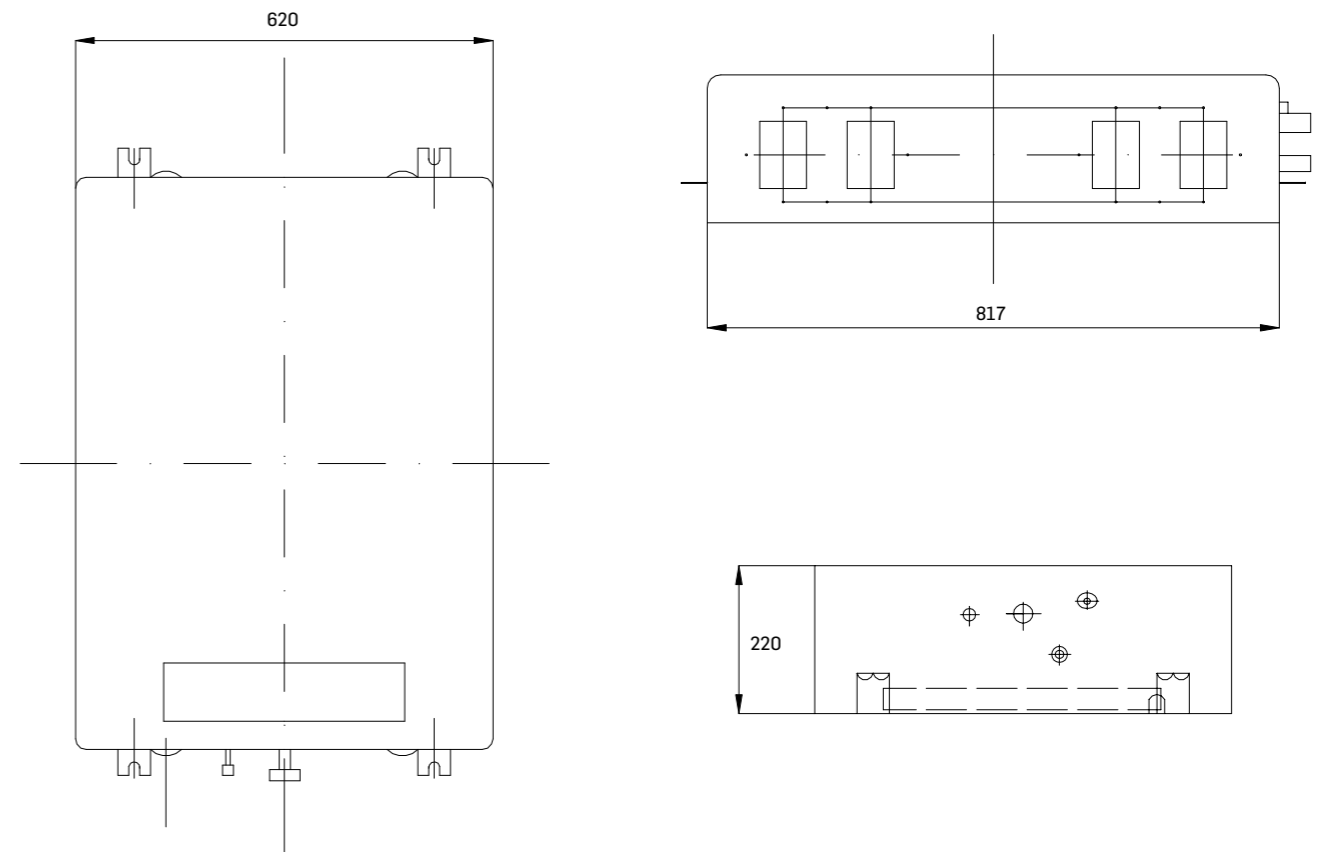


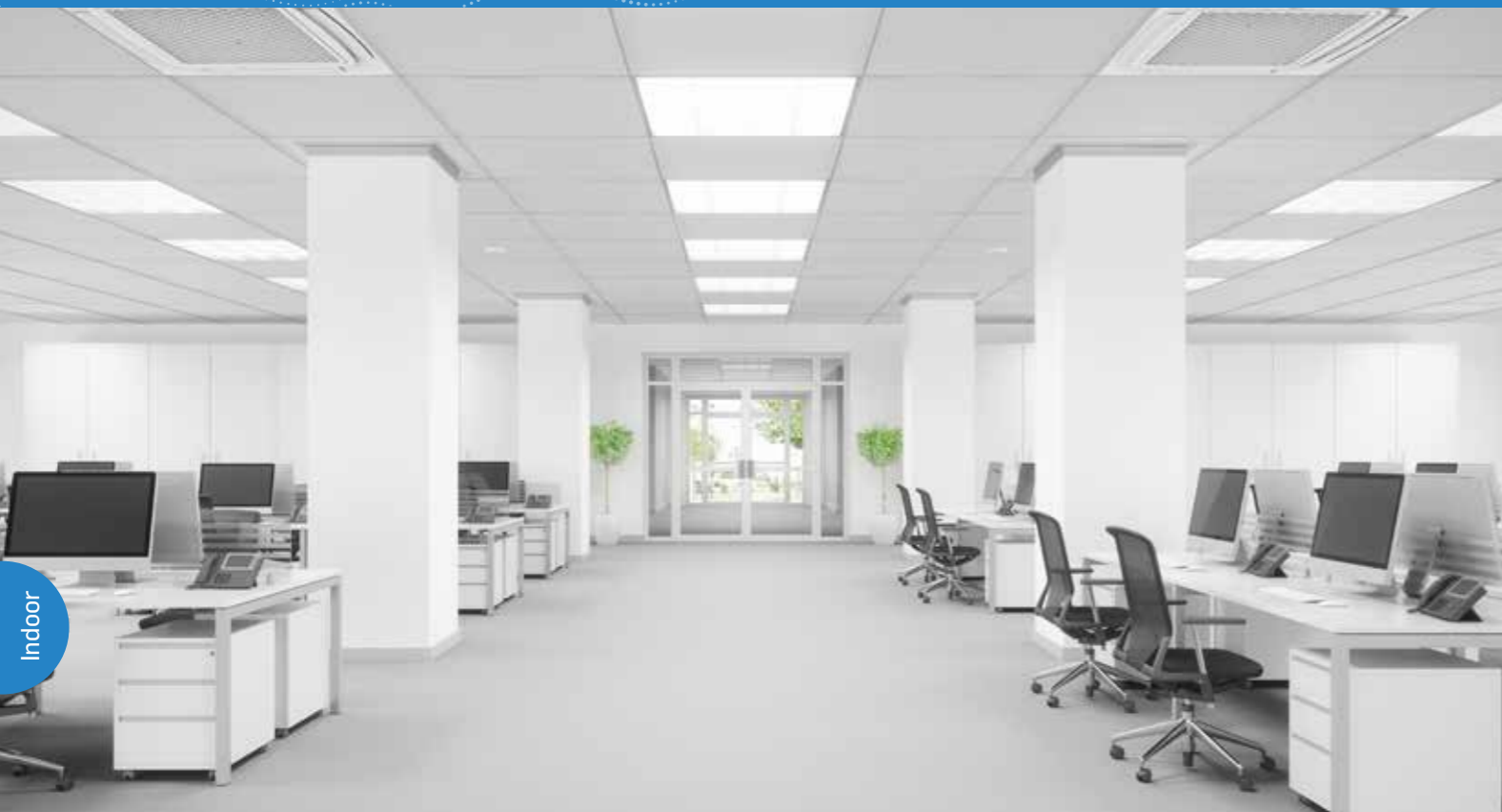
Standard Built-in Drain Pump

Standard built-in drain pump with 700 mm pump head. Flat-type suction grille design makes maintenance work very easy.



Dimensions





Indoor

Specifications



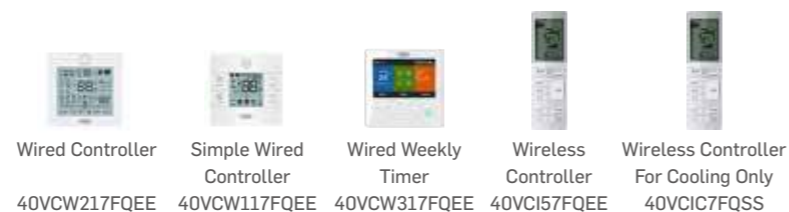
| Model Code | Item | Unit | 40VU005C-7S-QEE | 40VU007C-7S-QEE | 40VU009C-7S-QEE | 40VU012C-7S-QEE | 40VU016C-7S-QEE | 40VU018C-7S-QEE |
|-----------------------|--------------------------------|---------|-----------------|-----------------|-----------------|-----------------|-----------------|-----------------|
| Capacity | Cooling | kBtu/h | 5.1 | 7.5 | 9.5 | 12.3 | 15.3 | 19.1 |
| | | kW | 1.5 | 2.2 | 2.8 | 3.6 | 4.5 | 5.6 |
| | Heating | kBtu/h | 5.8 | 8.5 | 10.9 | 13.6 | 17.1 | 21.5 |
| | | kW | 1.7 | 2.5 | 3.2 | 4.0 | 5.0 | 6.3 |
| Electrical Parameters | Power Supply | Ph/V/Hz | 1/220-240/50/60 | 1/220-240/50/60 | 1/220-240/50/60 | 1/220-240/50/60 | 1/220-240/50/60 | 1/220-240/50/60 |
| | Power Consumption | W | 17 | 17 | 17 | 18 | 26 | 35 |
| Performance | Air Flow (H/M/L) | m³/h | 520/450/400 | 520/450/400 | 520/450/400 | 520/450/400 | 650/520/450 | 760/650/520 |
| | Sound Pressure Level(H/M/L) | dB(A) | 32/30/29 | 32/30/29 | 32/30/29 | 33/30/29 | 33/30/29 | 34/32/30 |
| | Sound Power Level(H/M/L) | dB(A) | 46/44/43 | 46/44/43 | 46/44/43 | 47/44/43 | 47/44/43 | 48/46/44 |
| Installation | External Dimensions(W x D x H) | mm | 570 x 570 x 260 | 570 x 570 x 260 | 570 x 570 x 260 | 570 x 570 x 260 | 570 x 570 x 260 | 570 x 570 x 260 |
| | Shipping Dimensions(W x D x H) | mm | 718 x 680 x 380 | 718 x 680 x 380 | 718 x 680 x 380 | 718 x 680 x 380 | 718 x 680 x 380 | 718 x 680 x 380 |
| | Net/Shipping Weight | kg | 16/19 | 16/19 | 16/19 | 19/22 | 19/22 | 19/22 |
| | Refrigerant Liquid Pipe | mm | 6.35 | 6.35 | 6.35 | 6.35 | 6.35 | 6.35 |
| | Refrigerant Gas Pipe | mm | 9.52 | 9.52 | 9.52 | 12.7 | 12.7 | 12.7 |
| Panel (optional) | Model Code | / | 40VPU018C7SQEE | 40VPU018C7SQEE | 40VPU018C7SQEE | 40VPU018C7SQEE | 40VPU018C7SQEE | 40VPU018C7SQEE |
| | External Dimensions(W x D x H) | mm | 620 x 620 x 60 | 620 x 620 x 60 | 620 x 620 x 60 | 620 x 620 x 60 | 620 x 620 x 60 | 620 x 620 x 60 |
| | Shipping Dimensions(W x D x H) | mm | 660 x 660 x 115 | 660 x 660 x 115 | 660 x 660 x 11 | 660 x 660 x 115 | 660 x 660 x 115 | 660 x 660 x 115 |
| | Net/shipping Weight | kg | 2.8/4.5 | 2.8/4.5 | 2.8/4.55 | 2.8/4.5 | 2.8/4.5 | 2.8/4.5 |

COMPACT FOUR-WAY CASSETTE (DC MOTOR) 40VUC

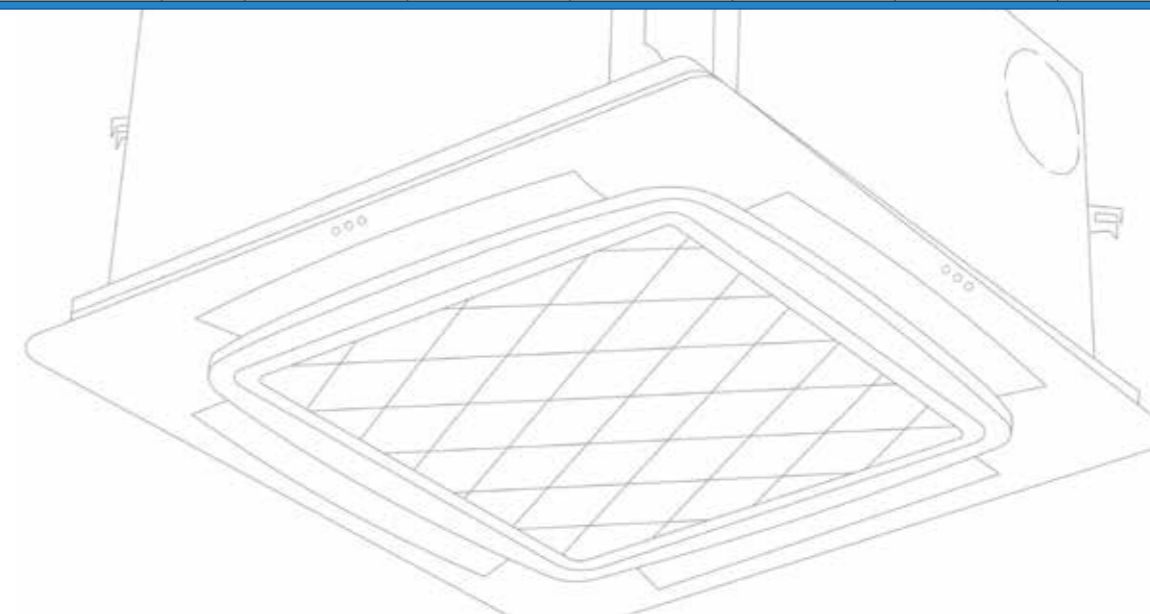


Optional Panel: 40VPU018C7SQEE

- Compact design: installation restrictions reduced to enable high flexibility
- Ideal for standard ceiling tiles and small rooms: 570*570 mm body size and 620*620 mm panel size
- Built-in drain pump
- Independent control of four way air flow
- Low sound level, high efficiency and comfort
- Knockout hole for outside air



Wired Controller 40VCW217FQEE Simple Wired Controller 40VCW117FQEE Wired Weekly Timer 40VCW317FQEE Wireless Controller 40VCI57FQEE Wireless Controller For Cooling Only 40VCIC7FQSS



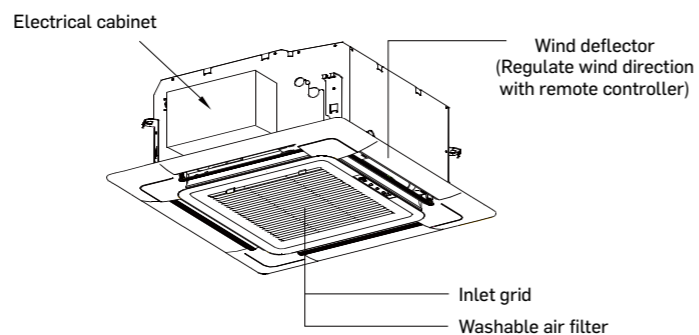
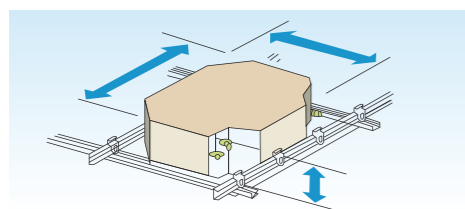


COMPACT FOUR-WAY CASSETTE (DC MOTOR)



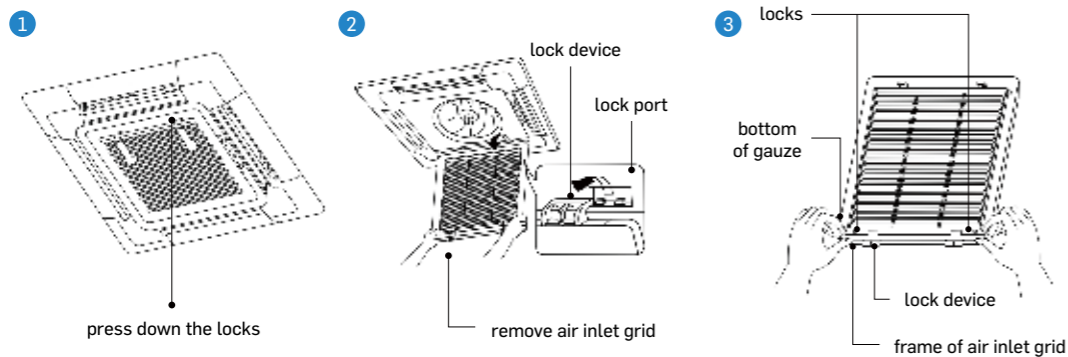
Compact Design, Easy Installation, Service & Maintenance

Extremely compact casing (570 mm in width and 260 mm in depth) makes it match perfectly with the ambient decoration. Little space is required for installation into a shallow ceiling. Due to its compact body and light weight, all models can be installed without a hoist.



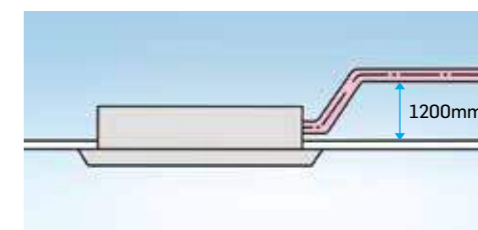
Easy Service & Maintenance

- Easy removal of air filters for cleaning
- Easy access to indoor unit components

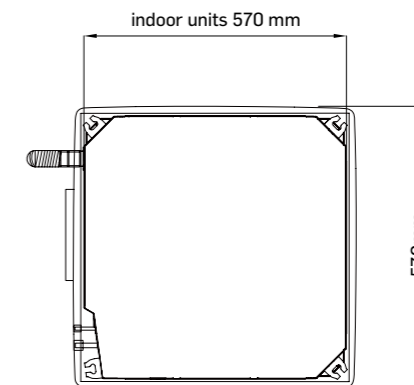
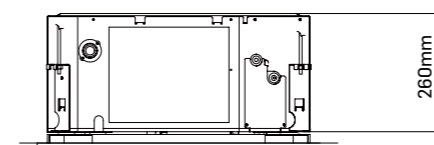
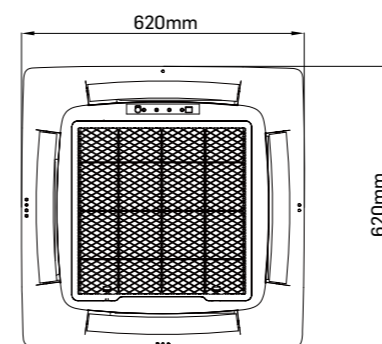


Standard Built-in Drain Pump

Drain pump with 1200 mm pump head as the standard fitting.



Dimensions





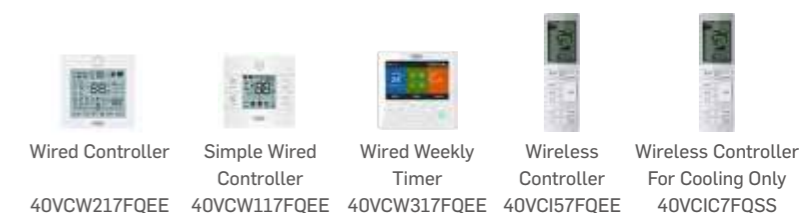
Indoor

FOUR-WAY CASSETTE (AC MOTOR) 40VUC&S

- Hanging installation and compact design to save space
- Knockout hole for outside fresh air
- Built-in drain pump



Optional Panel: 40VPU016C7GQEE/40VPU048S7GQEE



Wired Controller 40VCW217FQEE Simple Wired Controller 40VCW117FQEE Wired Weekly Timer 40VCW317FQEE Wireless Controller 40VCI57FQEE Wireless Controller For Cooling Only 40VIC7FQSS

Specifications

| Model Code | Item | Unit | 40VU005C-7G-QEE | 40VU007C-7G-QEE | 40VU009C-7G-QEE | 40VU012C-7G-QEE | 40VU016C-7G-QEE | 40VU018S-7G-QEE |
|-----------------------|--------------------------------|---------|-----------------|-----------------|-----------------|-----------------|-----------------|-----------------|
| Capacity | Cooling | kBtu/h | 5.1 | 7.5 | 9.5 | 12.3 | 15.3 | 19.1 |
| | | kW | 1.5 | 2.2 | 2.8 | 3.6 | 4.5 | 5.6 |
| | Heating | kBtu/h | 5.8 | 8.5 | 10.9 | 13.6 | 17.1 | 21.5 |
| | | kW | 1.7 | 2.5 | 3.2 | 4.0 | 5.0 | 6.3 |
| Electrical Parameters | Power Supply | Ph/V/Hz | 1/220-230/50/60 | 1/220-230/50/60 | 1/220-230/50/60 | 1/220-230/50/60 | 1/220-230/50/60 | 1/220-230/50/60 |
| | Power Consumption | W | 80 | 80 | 80 | 80 | 80 | 70 |
| Performance | Air Flow (H/M/L) | m³/h | 650/540/430 | 700/590/480 | 700/590/480 | 700/590/480 | 700/590/480 | 1000/810/620 |
| | Sound Pressure Level(H/M/L) | dB(A) | 31/29/28 | 32/30/29 | 32/30/29 | 32/30/29 | 33/30/29 | 33/30/29 |
| | Sound Power Level(H/M/L) | dB(A) | 45/43/42 | 46/44/43 | 46/44/43 | 46/44/43 | 47/44/43 | 47/44/43 |
| Installation | External Dimensions(W x D x H) | mm | 570 x 570 x 260 | 570 x 570 x 260 | 570 x 570 x 260 | 570 x 570 x 260 | 570 x 570 x 260 | 840 x 840 x 183 |
| | Shipping Dimensions(W x D x H) | mm | 718 x 680 x 380 | 718 x 680 x 380 | 718 x 680 x 380 | 718 x 680 x 380 | 718 x 680 x 380 | 983 x 983 x 268 |
| | Net/Shipping Weight | kg | 16/19 | 16/19 | 16/19 | 19/22 | 19/22 | 25/28 |
| | Refrigerant Liquid Pipe | mm | 6.35 | 6.35 | 6.35 | 6.35 | 6.35 | 6.35 |
| | Refrigerant Gas Pipe | mm | 9.52 | 9.52 | 9.52 | 12.7 | 12.7 | 12.7 |
| Panel (optional) | Model Code | / | 40VPU016C7GQEE | 40VPU016C7GQEE | 40VPU016C7GQEE | 40VPU016C7GQEE | 40VPU016C7GQEE | 40VPU048S7GQEE |
| | External Dimensions(W x D x H) | mm | 700 x 700 x 60 | 700 x 700 x 60 | 700 x 700 x 60 | 700 x 700 x 60 | 700 x 700 x 60 | 950 x 950 x 60 |
| | Shipping Dimensions(W x D x H) | mm | 740 x 740 x 115 | 740 x 740 x 115 | 740 x 740 x 115 | 740 x 740 x 115 | 740 x 740 x 115 | 992 x 992 x 115 |
| | Net/shipping Weight | kg | 2.8/4.5 | 2.8/4.5 | 2.8/4.5 | 2.8/4.5 | 2.8/4.5 | 6/7.5 |

Specifications



| Model Code | Item | Unit | 40VU024S-7G-QEE | 40VU028S-7G-QEE | 40VU030S-7G-QEE | 40VU038S-7G-QEE | 40VU048S-7G-QEE |
|-----------------------|--------------------------------|---------|-----------------|-----------------|-----------------|-----------------|-----------------|
| Capacity | Cooling | kBtu/h | 24.2 | 27.3 | 30.7 | 38.2 | 47.8 |
| | | kW | 7.1 | 8.0 | 9.0 | 11.2 | 14 |
| | Heating | kBtu/h | 27.3 | 30.7 | 34.1 | 42.7 | 54.6 |
| | | kW | 8.0 | 9.0 | 10 | 12.5 | 16 |
| Electrical Parameters | Power Supply | Ph/V/Hz | 1/220-230/50/60 | 1/220-230/50/60 | 1/220-230/50/60 | 1/220-230/50/60 | 1/220-230/50/60 |
| | Power Consumption | W | 100 | 100 | 150 | 150 | 170 |
| Performance | Air Flow (H/M/L) | m³/h | 1380/1190/1000 | 1380/1190/1000 | 2050/1860/1670 | 2050/1860/1670 | 2100/1910/1720 |
| | Sound Pressure Level(H/M/L) | dB(A) | 35/34/31 | 37/35/31 | 37/35/31 | 37/35/31 | 44/40/36 |
| | Sound Power Level(H/M/L) | dB(A) | 49/48/45 | 51/49/45 | 51/49/45 | 51/49/45 | 58/54/50 |
| Installation | External Dimensions(W x D x H) | mm | 840 x 840 x 204 | 840 x 840 x 204 | 840 x 840 x 246 | 840 x 840 x 246 | 840 x 840 x 288 |
| | Shipping Dimensions(W x D x H) | mm | 983 x 983 x 290 | 983 x 983 x 290 | 983 x 983 x 331 | 983 x 983 x 331 | 983 x 983 x 373 |
| | Net/Shipping Weight | kg | 27/30 | 27/30 | 31/36 | 31/36 | 33/38 |
| | Refrigerant Liquid Pipe | mm | 9.52 | 9.52 | 9.52 | 9.52 | 9.52 |
| | Refrigerant Gas Pipe | mm | 15.88 | 15.88 | 15.88 | 15.88 | 15.88 |
| Panel (optional) | Model Code | / | 40VPU048S7GQEE | 40VPU048S7GQEE | 40VPU048S7GQEE | 40VPU048S7GQEE | 40VPU048S7GQEE |
| | External Dimensions(W x D x H) | mm | 950 x 950 x 60 | 950 x 950 x 60 | 950 x 950 x 60 | 950 x 950 x 60 | 950 x 950 x 60 |
| | Shipping Dimensions(W x D x H) | mm | 992 x 992 x 115 | 992 x 992 x 115 | 992 x 992 x 115 | 992 x 992 x 115 | 992 x 992 x 115 |
| | Net/shipping Weight | kg | 6/7.5 | 6/7.5 | 6/7.5 | 6/7.5 | 6/7.5 |

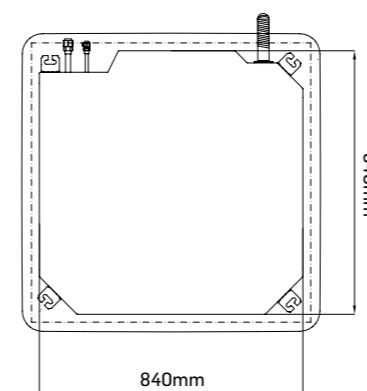
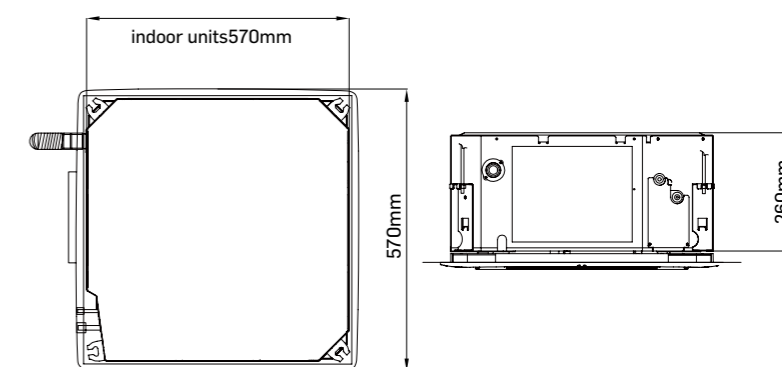
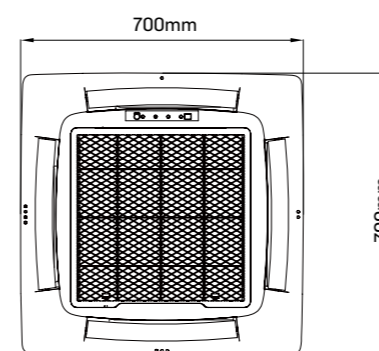


FOUR-WAY CASSETTE (AC MOTOR)

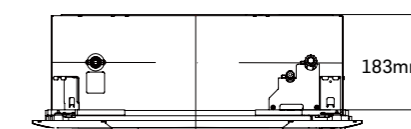


Dimensions

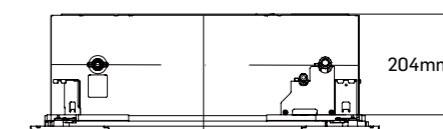
40VU005C-7G-QEE/40VU007C-7G-QEE/40VU009C-7G-QEE/40VU012C-7G-QEE/40VU016C-7G-QEE



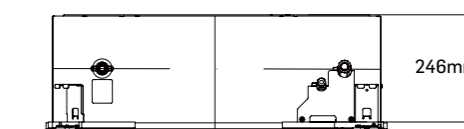
40VU018S-7G-QEE



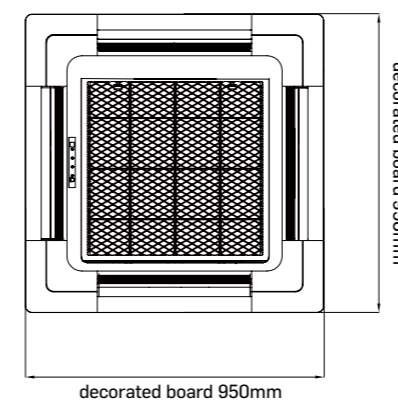
40VU024S-7G-QEE/40VU028S-7G-QEE



40VU030S-7G-QEE/40VU038S-7G-QEE

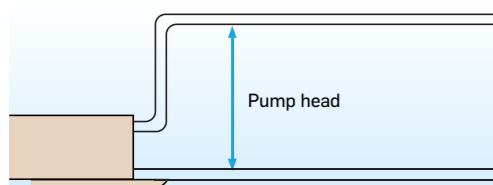


40VU048S-7G-QEE



Standard Built-in Drain Pump

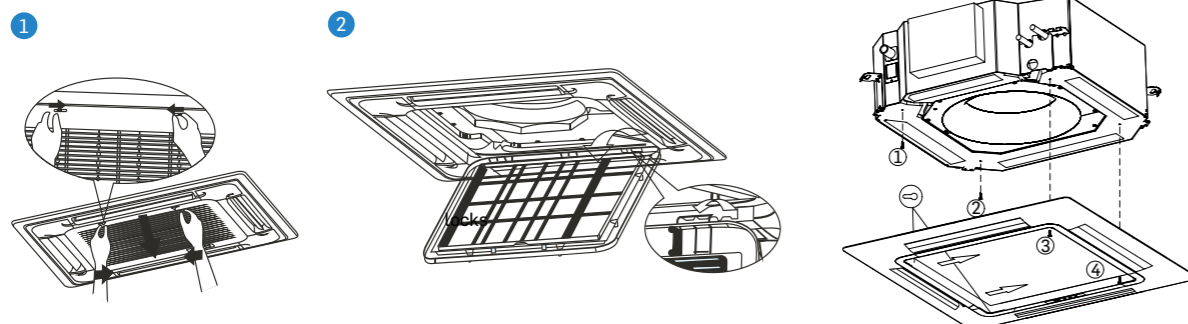
Standard built-in drain pump can lift the condensed water up, for easier installation of the drain piping system.



| | | |
|----------------|---------------------|---------------------|
| | 40VU005-016C-7G-QEE | 40VU018-048S-7G-QEE |
| Pump Head (mm) | 700 | 1200 |

Easy Service & Maintenance

- Easy removal of air filter for cleaning
- Remote on/off function and alarm function
- Easy access to indoor unit components





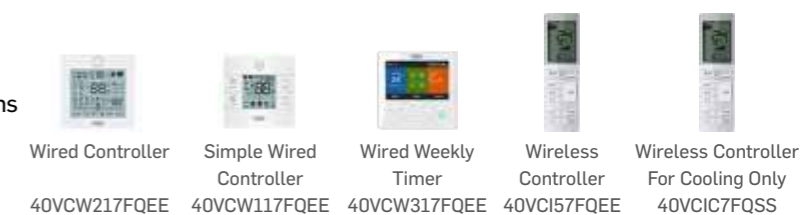
Indoor

ROUND-WAY CASSETTE (DC MOTOR) 40VUR

- Round corner design
- Unique round-way air outlet and air distribution to reduce blind spots
- DC powered fan with low sound level and high efficiency
- Built-in drain pump
- Innovative four-way independent airflow control, 6 adjustable louver positions and 1296 air flow combinations
- Up to 4.2 m ceiling height with a large capacity
- Automatic display of fault codes



Optional Panel: 40VPU054R7EQEE



Specifications

| Model Code | Item | Unit | 40VU007R-7E-QEE | 40VU009R-7E-QEE | 40VU012R-7E-QEE | 40VU016R-7E-QEE | 40VU018R-7E-QEE | 40VU024R-7E-QEE |
|-----------------------|---------------------------------|---------|-------------------|-------------------|-------------------|-------------------|-------------------|-------------------|
| Capacity | Cooling | kBtu/h | 7.5 | 9.5 | 12.3 | 15.3 | 19.1 | 24.2 |
| | | kW | 2.2 | 2.8 | 3.6 | 4.5 | 5.6 | 7.1 |
| | Heating | kBtu/h | 8.5 | 10.9 | 13.6 | 17.1 | 21.5 | 27.3 |
| | | kW | 2.5 | 3.2 | 4.0 | 5.0 | 6.3 | 8.0 |
| Electrical Parameters | Power Supply | Ph/V/Hz | 1/220-230/50/60 | 1/220-230/50/60 | 1/220-230/50/60 | 1/220-230/50/60 | 1/220-230/50/60 | 1/220-230/50/60 |
| | Power Consumption | W | 30 | 30 | 30 | 30 | 30 | 50 |
| Performance | Air Flow (H/M/L) | m³/h | 1000/810/620 | 1000/810/620 | 1000/810/620 | 1000/810/620 | 1000/810/620 | 1380/1190/1000 |
| | Sound Pressure Level(H/M/L) | dB(A) | 30/27/25 | 30/27/25 | 30/27/25 | 32/29/27 | 33/30/29 | 35/34/31 |
| Installation | External Dimensions(W x D x H) | mm | 840 x 840 x 183 | 840 x 840 x 183 | 840 x 840 x 183 | 840 x 840 x 183 | 840 x 840 x 183 | 840 x 840 x 204 |
| | Net/Shipping Weight | kg | 25/28 | 25/28 | 25/28 | 25/28 | 25/28 | 27/30 |
| | Refrigerant Liquid Pipe | mm | 6.35 | 6.35 | 6.35 | 6.35 | 6.35 | 9.52 |
| | Refrigerant Gas Pipe | mm | 9.52 | 9.52 | 12.7 | 12.7 | 12.7 | 15.88 |
| Panel (optional) | Model Name | / | 40VPU054R7EQEE | 40VPU054R7EQEE | 40VPU054R7EQEE | 40VPU054R7EQEE | 40VPU054R7EQEE | 40VPU054R7EQEE |
| | Model Name With Presence Sensor | / | 40VPU054A7EQEE | 40VPU054A7EQEE | 40VPU054A7EQEE | 40VPU054A7EQEE | 40VPU054A7EQEE | 40VPU054A7EQEE |
| | External Dimensions(W x D x H) | mm | 950 x 950 x 50 | 950 x 950 x 50 | 950 x 950 x 50 | 950 x 950 x 50 | 950 x 950 x 50 | 950 x 950 x 50 |
| | Shipping Dimensions(W x D x H) | mm | 1013 x 1025 x 123 | 1013 x 1025 x 123 | 1013 x 1025 x 123 | 1013 x 1025 x 123 | 1013 x 1025 x 123 | 1013 x 1025 x 123 |
| | Net/shipping Weight | kg | 6.5/9 | 6.5/9 | 6.5/9 | 6.5/9 | 6.5/9 | 6.5/9 |

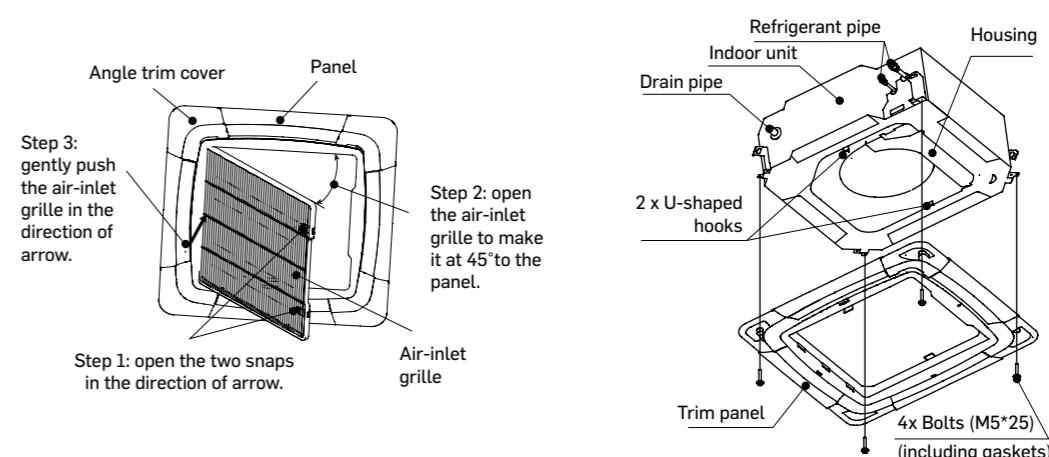
Specifications



| Model Code | Item | Unit | 40VU028R-7E-QEE | 40VU030R-7E-QEE | 40VU038R-7E-QEE | 40VU048R-7E-QEE | 40VU054R-7E-QEE |
|-----------------------|---------------------------------|---------|-------------------|-------------------|-------------------|-------------------|-------------------|
| Capacity | Cooling | kBtu/h | 27.3 | 30.7 | 38.2 | 47.7 | 54.6 |
| | | kW | 8.0 | 9.0 | 11.2 | 14 | 16 |
| | Heating | kBtu/h | 30.7 | 34.1 | 42.6 | 54.6 | 61.2 |
| | | kW | 9.0 | 10 | 12.5 | 16 | 18 |
| Electrical Parameters | Power Supply | Ph/V/Hz | 1/220-230/50/60 | 1/220-230/50/60 | 1/220-230/50/60 | 1/220-230/50/60 | 1/220-230/50/60 |
| | Power Consumption | W | 50 | 90 | 90 | 110 | 110 |
| Performance | Air Flow (H/M/L) | m³/h | 1380/1190/1000 | 2050/1860/1670 | 2050/1860/1670 | 2100/1910/1720 | 2100/1910/1720 |
| | Sound Pressure Level(H/M/L) | dB(A) | 37/35/31 | 37/35/31 | 37/35/31 | 44/40/36 | 44/40/36 |
| Installation | External Dimensions(W x D x H) | mm | 840 x 840 x 204 | 840 x 840 x 246 | 840 x 840 x 246 | 840 x 840 x 288 | 840 x 840 x 288 |
| | Net/Shipping Weight | kg | 27/30 | 31/36 | 31/36 | 33/38 | 33/38 |
| | Refrigerant Liquid Pipe | mm | 9.52 | 9.52 | 9.52 | 9.52 | 9.52 |
| | Refrigerant Gas Pipe | mm | 15.88 | 15.88 | 15.88 | 15.88 | 15.88 |
| Panel (optional) | Model Name | / | 40VPU054R7EQEE | 40VPU054R7EQEE | 40VPU054R7EQEE | 40VPU054R7EQEE | 40VPU054R7EQEE |
| | Model Name With Presence Sensor | / | 40VPU054A7EQEE | 40VPU054A7EQEE | 40VPU054A7EQEE | 40VPU054A7EQEE | 40VPU054A7EQEE |
| | External Dimensions(W x D x H) | mm | 950 x 950 x 50 | 950 x 950 x 50 | 950 x 950 x 50 | 950 x 950 x 50 | 950 x 950 x 50 |
| | Shipping Dimensions(W x D x H) | mm | 1013 x 1025 x 123 | 1013 x 1025 x 123 | 1013 x 1025 x 123 | 1013 x 1025 x 123 | 1013 x 1025 x 123 |
| | Net/shipping Weight | kg | 6.5/9 | 6.5/9 | 6.5/9 | 6.5/9 | 6.5/9 |



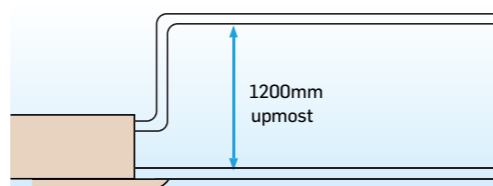
ROUND-WAY CASSETTE (DC MOTOR)



Indoor

Standard Built-in Drain Pump

Standard built-in drain pump can take the condensed water up to 1200 mm which makes easier installation of the drain piping system.



Smart Self Diagnostic Function

By adding digital tube displayer on the display board, the error codes can be displayed directly for trouble shooting.



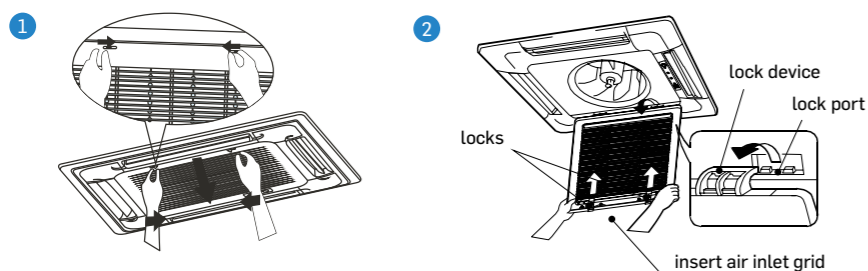
Save Energy

- Optional panel with presence sensor
- In case of detected human, IDU turns on
 - Without movement, IDU goes in off mode

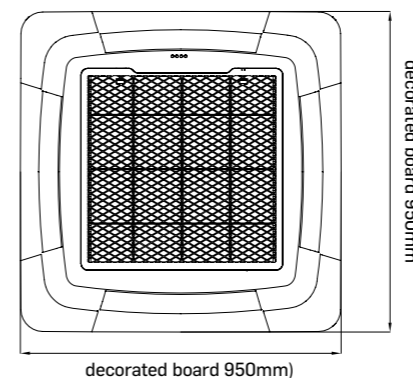
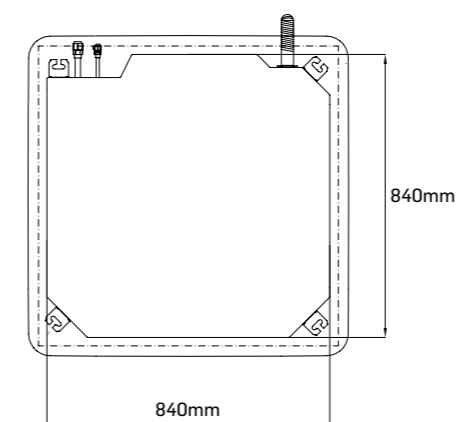


Easy Service & Maintenance

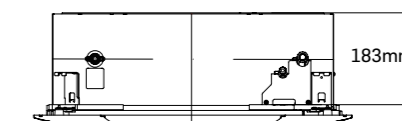
- Easy removal of air filter for cleaning
- Remote on/off function and alarm function
- Easy access to indoor unit components



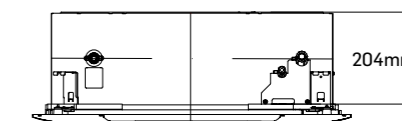
Dimensions



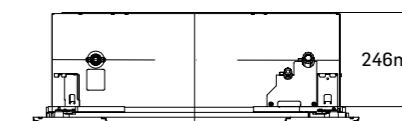
40VU007/009/012/016/018R-7E-QEE



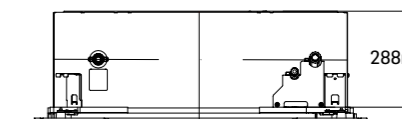
40VU024/028R-7E-QEE



40VU030/038R-7E-QEE



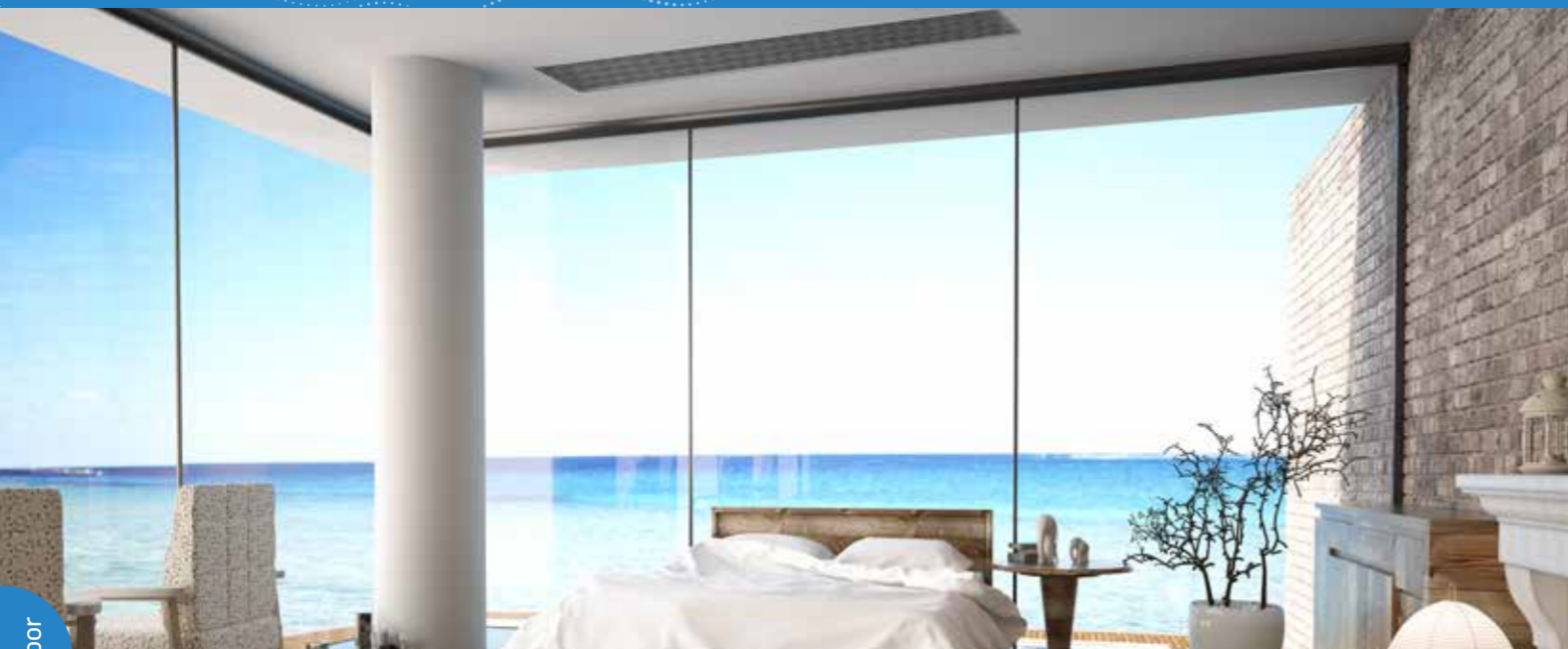
40VU048/054R-7E-QEE





Indoor





Indoor

SLIM DUCT (DC MOTOR 0/15/30 PA)

- Ultra-thin design: 185 mm height to accommodate in limited space
- DC motor with six fan speeds to provide unique and comfort control
- Built-in drain pump
- Bottom or rear air return
- Static pressure setting 0/30 Pa
- Can install with or without discharge & return plenum



Specifications

| Model Code | Item | Unit | 40VD005L-7E-QEE | 40VD007L-7E-QEE | 40VD009L-7E-QEE | 40VD012L-7E-QEE |
|-----------------------|-----------------------------------|-------------------|------------------|------------------|------------------|------------------|
| Capacity | Cooling | kBtu/h | 5.1 | 7.5 | 9.5 | 12.3 |
| | | kW | 1.5 | 2.2 | 2.8 | 3.6 |
| | Heating | kBtu/h | 5.8 | 8.5 | 10.9 | 13.6 |
| | | kW | 1.7 | 2.5 | 3.2 | 4.0 |
| Electrical Parameters | Power Supply | Ph/V/Hz | 1/220-230/50/60 | 1/220-230/50/60 | 1/220-230/50/60 | 1/220-230/50/60 |
| | Power Consumption | W | 18 | 18 | 18 | 31 |
| Performance | Air Flow (H/M/L) | m ³ /h | 430/370/310 | 480/420/360 | 480/420/360 | 550/430/370 |
| | Sound Pressure Level(H/M/L) | dB(A) | 26/22/19 | 27/23/20 | 27/23/20 | 30/27/24 |
| | Sound Power Level(H/m/l) | dB(A) | 40/36/33 | 41/37/34 | 41/37/34 | 44/41/38 |
| Installation | External Dimensions(W x D x H) | mm | 850 x 420 x 185 | 850 x 420 x 185 | 850 x 420 x 185 | 850 x 420 x 185 |
| | Shipping Dimensions(W x D x H) | mm | 1045 x 540 x 270 | 1045 x 540 x 270 | 1045 x 540 x 270 | 1045 x 540 x 270 |
| | Net/Shipping Weight | kg | 16.5/21.5 | 17.5/22.5 | 17.5/22.5 | 17.5/22.5 |
| | Refrigerant Liquid Pipe | mm | 6.35 | 6.35 | 6.35 | 6.35 |
| | Refrigerant Gas Pipe | mm | 9.52 | 9.52 | 9.52 | 12.7 |
| | Static Pressure | Pa | 0/15/30 | 0/15/30 | 0/15/30 | 0/15/30 |
| Drain Pump | O-optional, S-standard, W-without | / | Standard | Standard | Standard | Standard |

Specifications



| Model Code | Item | Unit | 40VD016L-7E-QEE | 40VD018L-7E-QEE | 40VD024L-7E-QEE |
|-----------------------|-----------------------------------|-------------------|------------------|------------------|------------------|
| Capacity | Cooling | kBtu/h | 15.3 | 19.1 | 24.2 |
| | | kW | 4.5 | 5.6 | 7.1 |
| | Heating | kBtu/h | 17.1 | 21.5 | 27.3 |
| | | kW | 5.0 | 6.3 | 8.0 |
| Electrical Parameters | Power Supply | Ph/V/Hz | 1/220-230/50/60 | 1/220-230/50/60 | 1/220-230/50/60 |
| | Power Consumption | W | 35 | 40 | 50 |
| Performance | Air Flow (H/M/L) | m ³ /h | 600/540/460 | 800/690/580 | 930/850/750 |
| | Sound Pressure Level(H/M/L) | dB(A) | 32/29/26 | 33/30/27 | 36/33/30 |
| | Sound Power Level(H/m/l) | dB(A) | 46/43/40 | 47/44/41 | 50/47/43 |
| Installation | External Dimensions(W x D x H) | mm | 850 x 420 x 185 | 1170 x 420 x 185 | 1170 x 420 x 185 |
| | Shipping Dimensions(W x D x H) | mm | 1045 x 540 x 270 | 1365 x 540 x 270 | 1365 x 540 x 270 |
| | Net/Shipping Weight | kg | 18.5/23.5 | 22.2/28.2 | 24/30 |
| | Refrigerant Liquid Pipe | mm | 6.35 | 6.35 | 9.52 |
| | Refrigerant Gas Pipe | mm | 12.7 | 12.7 | 15.88 |
| | Static Pressure | Pa | 0/15/30 | 0/15/30 | 0/15/30 |
| Drain Pump | O-optional, S-standard, W-without | / | Standard | Standard | Standard |

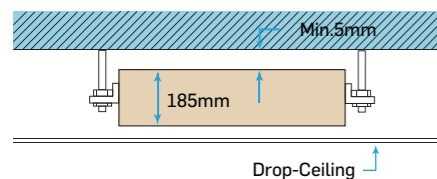


SLIM DUCT (DC MOTOR – 0/15-30 PA)



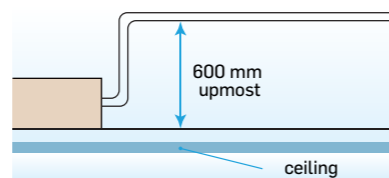
Slim, Light Weight & Compact Design

The compact design is 185mm in height and is ideal for installation where space above ceiling is limited.



Built-in Drain Pump

Built-in drain pump (600 mm pump head)



Easy Installation

Available optional outlet & inlet panels

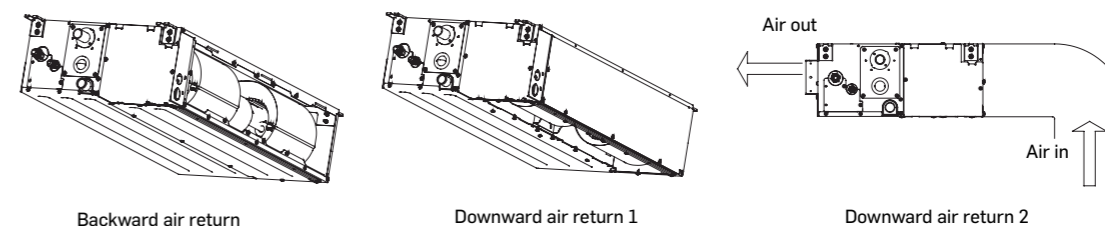


| Model Codes | Outlet Panel Dimensions (WxHxD) | Inlet Panel Dimensions (WxHxD) |
|----------------------|---------------------------------|--------------------------------|
| Up to 40VPD016L7EQEE | 890 x 190 x 100 mm | 890 x 291 x 100 mm |
| 40VPD018-024L7EQEE | 1210 x 190 x 100 mm | 1210 x 291 x 100 mm |

Installation Modes

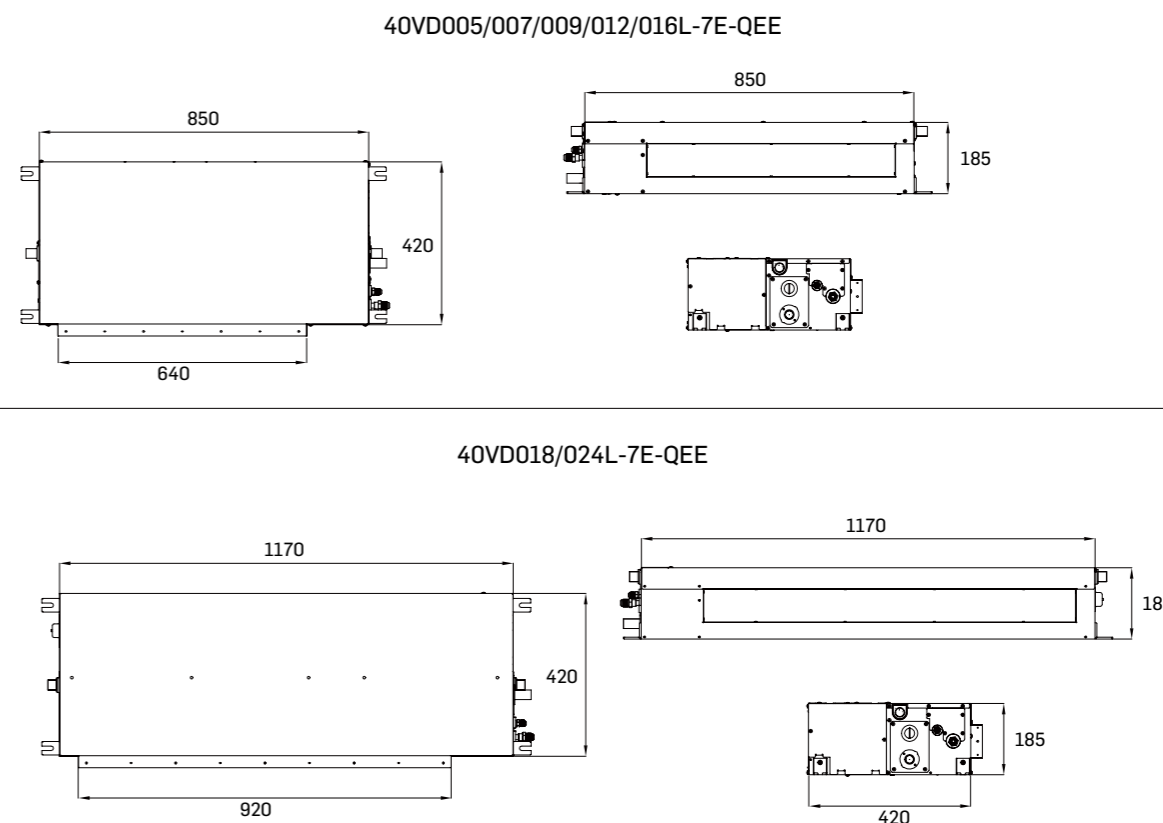
This series of air conditioners can be arranged in two air return modes:

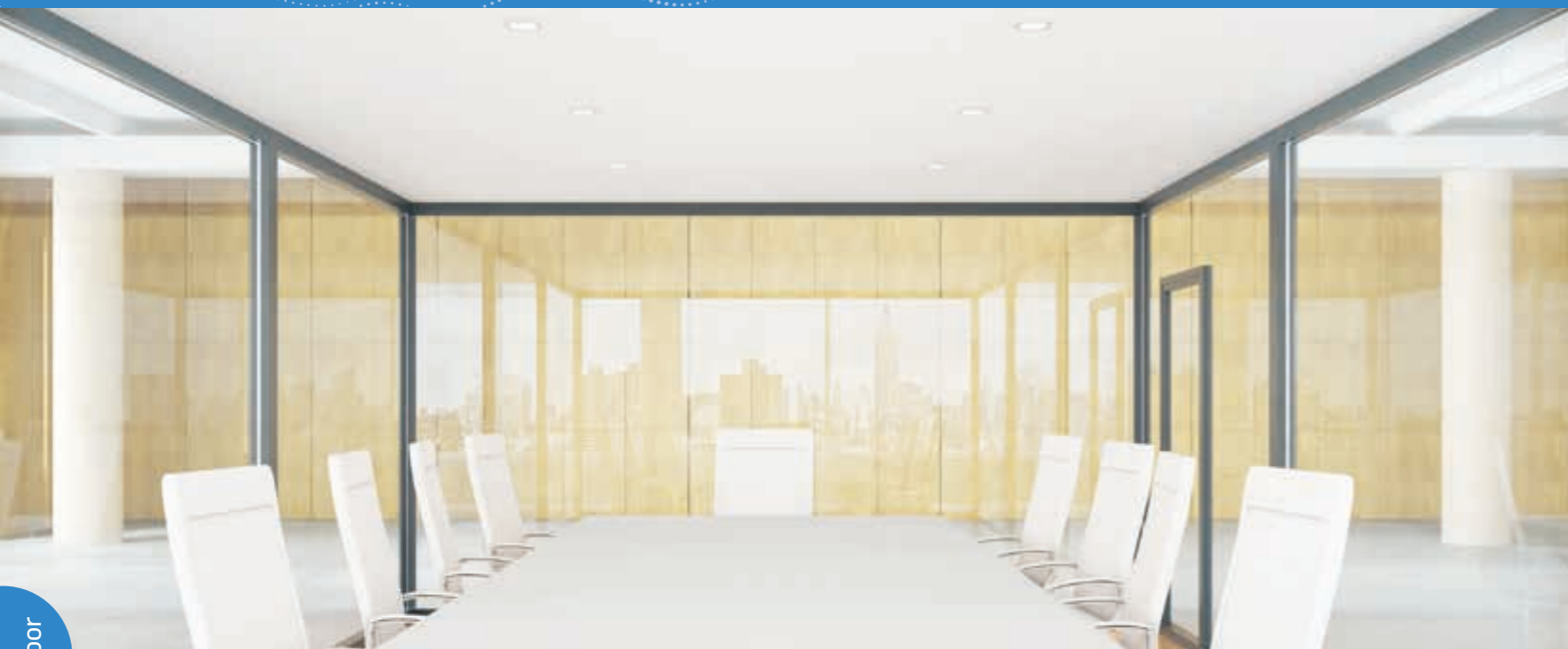
1. Backward air return (factory default);
2. Downward air return (can be adjusted on site. See the following figures.)



Note: the downward air return mode would increase noise 3-5 dB(A). It is recommended to install the air conditioner in downward air return mode 2 if enough space is available.

Dimensions





Indoor

STANDARD STATIC DUCT (AC MOTOR 50/100 PA)

- Elegant slim design with the thinnest shape
- Hidden installation for a clean and sophisticated appearance
- Standard draining pump with maximum 1200 mm lift
- Reserve outside air inlet that helps improve indoor air quality
- T-shaped lifting eye with adjustable width and length direction for your convenience
- Better sealing pipe liner made of heat-retaining EPS material



Wired Controller 40VCW217FQEE Simple Wired Controller 40VCW117FQEE Wired Weekly Timer 40VCW317FQEE Wireless Controller 40VCI57FQEE Wireless Controller For Cooling Only 40VCIC7FQSS Receiver 40VCIR7FQEE

Specifications

| Model Code | Item | Unit | 40VD005S-7G-QEE | 40VD007S-7G-QEE | 40VD009S-7G-QEE | 40VD012S-7G-QEE | 40VD016S-7G-QEE | 40VD018S-7G-QEE |
|-----------------------|---------------------------------|---------|-----------------|-----------------|-----------------|-----------------|-----------------|------------------|
| Capacity | Cooling | kBtu/h | 5.1 | 7.5 | 9.5 | 12.3 | 15.3 | 19.1 |
| | | kW | 1.5 | 2.2 | 2.8 | 3.6 | 4.5 | 5.6 |
| | Heating | kBtu/h | 5.8 | 8.5 | 10.9 | 13.6 | 17.1 | 21.5 |
| | | kW | 1.7 | 2.5 | 3.2 | 4 | 5 | 6.3 |
| Electrical Parameters | Power Supply | Ph/V/Hz | 1/220-230/50/60 | 1/220-230/50/60 | 1/220-230/50/60 | 1/220-230/50/60 | 1/220-230/50/60 | 1/220-230/50/60 |
| | Power Consumption | W | 105 | 105 | 105 | 105 | 125 | 137 |
| Performance | Air Flow (H/M/L) | m³/h | 630/510/424 | 630/510/424 | 630/510/424 | 630/510/424 | 740/550/442 | 980/840/760 |
| | Sound Pressure Level(H/M/L) | dB(A) | 35/33/31 | 35/33/31 | 35/33/31 | 35/33/31 | 35/33/31 | 36/34/32 |
| | Sound Power Level(H/M/L) | dB(A) | 39/37/35 | 39/37/35 | 39/37/35 | 39/37/35 | 39/37/35 | 40/38/36 |
| Installation | External Dimensions(W x D x H) | mm | 700 x 700 x 248 | 700 x 700 x 248 | 700 x 700 x 248 | 700 x 700 x 248 | 700 x 700 x 248 | 1100 x 700 x 248 |
| | Shipping Dimensions(W x D x H) | mm | 932 x 835 x 280 | 932 x 835 x 280 | 932 x 835 x 280 | 932 x 835 x 280 | 932 x 835 x 280 | 1332 x 835 x 280 |
| | Net/Shipping Weight | kg | 27/32 | 27/32 | 27/32 | 27/32 | 28.5/33.5 | 36.8/43.5 |
| | Refrigerant Liquid Pipe | mm | 6.35 | 6.35 | 6.35 | 6.35 | 6.35 | 6.35 |
| | Refrigerant Gas Pipe | mm | 9.52 | 9.52 | 9.52 | 12.7 | 12.7 | 12.7 |
| | Static Pressure(Standard/Max.) | Pa | 50/100 | 50/100 | 50/100 | 50/100 | 50/100 | 50/100 |
| Drain Pump | O-optional,S-standard,W-without | / | Standard | Standard | Standard | Standard | Standard | Standard |

Specifications



| Model Code | Item | Unit | 40VD024S-7G-QEE | 40VU028S-7G-QEE | 40VD030S-7G-QEE | 40VU038S-7G-QEE | 40VD048S-7G-QEE | 40VD054S-7G-QEE |
|-----------------------|---------------------------------|---------|------------------|------------------|------------------|------------------|------------------|------------------|
| Capacity | Cooling | kBtu/h | 24.2 | 27.3 | 30.7 | 38.2 | 47.8 | 54.6 |
| | | kW | 7.1 | 8 | 9 | 11.2 | 14 | 16 |
| | Heating | kBtu/h | 27.3 | 30.7 | 34.1 | 44.4 | 55.6 | 61.4 |
| | | kW | 8 | 9 | 10 | 13 | 16.3 | 18 |
| Electrical Parameters | Power Supply | Ph/V/Hz | 1/220-230/50/60 | 1/220-230/50/60 | 1/220-230/50/60 | 1/220-230/50/60 | 1/220-230/50/60 | 1/220-230/50/60 |
| | Power Consumption | W | 190 | 190 | 230 | 235 | 290 | 290 |
| Performance | Air Flow (H/M/L) | m³/h | 1174/1080/960 | 1174/1080/960 | 1500/1180/930 | 1700/1300/900 | 2000/1700/1250 | 2000/1700/1250 |
| | Sound Pressure Level(H/M/L) | dB(A) | 40/37/34 | 42/38/34 | 42/38/34 | 42/39/35 | 43/40/35 | 43/40/35 |
| | Sound Power Level(H/M/L) | dB(A) | 44/41/38 | 46/42/38 | 46/42/38 | 46/33/39 | 47/44/39 | 47/44/39 |
| Installation | External Dimensions(W x D x H) | mm | 1100 x 700 x 248 | 1100 x 700 x 248 | 1100 x 700 x 248 | 1500 x 700 x 248 | 1500 x 700 x 248 | 1500 x 700 x 248 |
| | Shipping Dimensions(W x D x H) | mm | 1332 x 835 x 280 | 1332 x 835 x 280 | 1332 x 835 x 280 | 1698 x 857 x 305 | 1698 x 857 x 305 | 1698 x 857 x 305 |
| | Net/Shipping Weight | kg | 37/43.4 | 37/43.6 | 39.4/45.4 | 48.3/56.5 | 51.3/59.5 | 51.3/59.5 |
| | Refrigerant Liquid Pipe | mm | 9.52 | 9.52 | 9.52 | 9.52 | 9.52 | 9.52 |
| | Refrigerant Gas Pipe | mm | 15.88 | 15.88 | 15.88 | 15.88 | 15.88 | 15.88 |
| | Static Pressure(Standard/Max.) | Pa | 50/100 | 50/100 | 50/100 | 50/100 | 50/100 | 50/100 |
| Drain Pump | O-optional,S-standard,W-without | / | Standard | Standard | Standard | Standard | Standard | Standard |

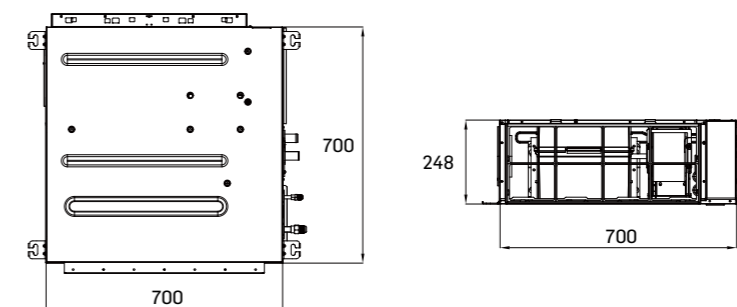


STANDARD STATIC DUCT (AC MOTOR – 50/100 PA)



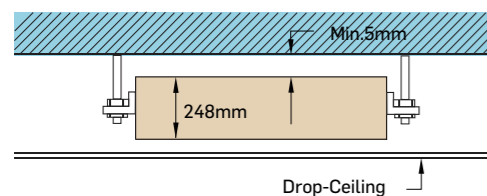
Dimensions

40VD005S-7G-QEE/40VD007S-7G-QEE/40VD009S-7G-QEE/40VD012S-7G-QEE/40VD016S-7G-QEE



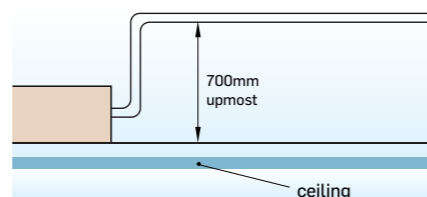
Slim & Compact Design

The compact design is 248mm in height and is ideal for installation where space above ceiling is limited.



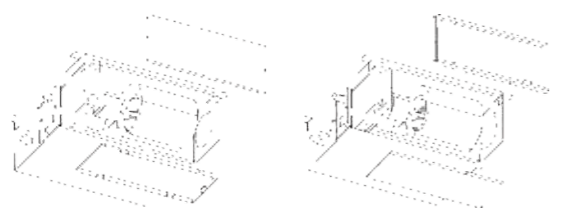
Built-in Drain Pump

Built-in drain pump (700mm pump head)



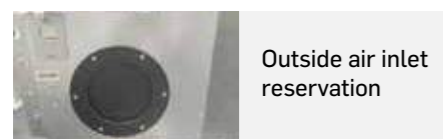
Indoor Unit Line-Up – Standard Static Duct

- Flexible Bottom or Rear Air Return



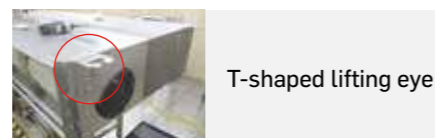
Back air return opening

Below air return opening

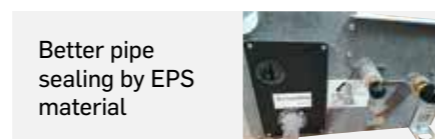


Outside air inlet reservation

- Fixation adjustment
Width and length direction can be adjusted for more convenience

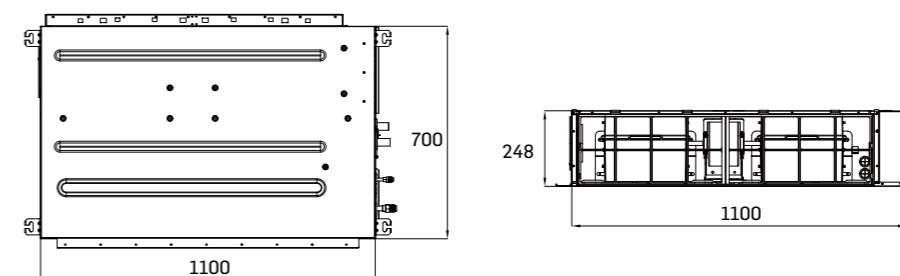


T-shaped lifting eye

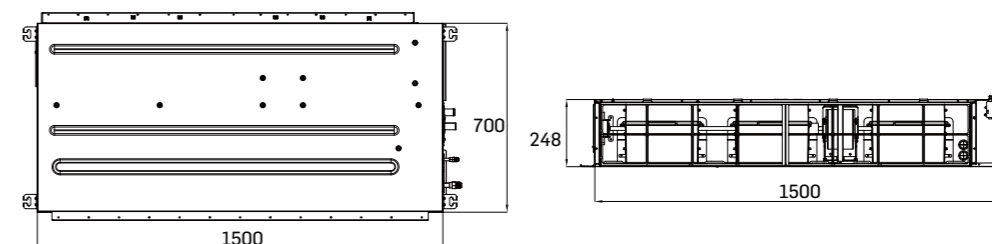


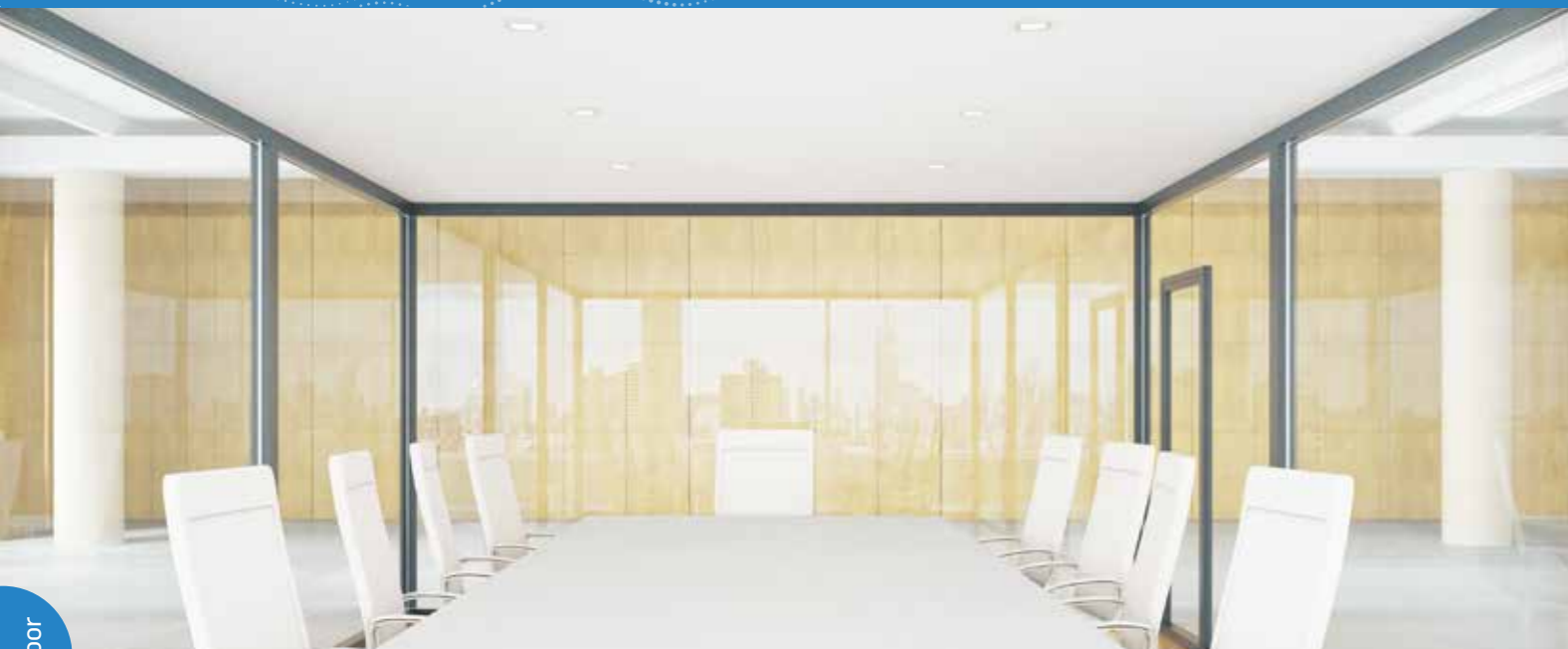
Better pipe sealing by EPS material

40VD018S-7G-QEE/40VD024S-7G-QEE/40VD028S-7G-QEE/40VD030S-7G-QEE



40VD038S-7G-QEE/40VD048S-7G-QEE/40VD054S-7G-QEE





Indoor

STANDARD STATIC DUCT (DC MOTOR 20/200 PA)



- Elegant slim design with T-shaped lifting eye with adjustable width and length direction for your convenience
- Hidden installation for a clean and sophisticated appearance
- Standard draining pump with maximum 1200 mm lift
- Reserve outside air inlet that helps improve indoor air quality
- High-quality sealing pipe liner made of heat-retaining EPS material



Wired Controller 40VCW217FQEE Simple Wired Controller 40VCW117FQEE Wired Weekly Timer 40VCW317FQEE Wireless Controller 40VCI57FQEE Wireless Controller For Cooling Only 40VIC7FQSS Receiver 40VICR7FQEE

Specifications

| Model Code | Item | Unit | 40VD005S-7G-QEE | 40VD007S-7G-QEE | 40VD009S-7G-QEE | 40VD012S-7G-QEE | 40VD016S-7G-QEE | 40VD018S-7G-QEE |
|-----------------------|---------------------------------|---------|-----------------|-----------------|-----------------|-----------------|-----------------|------------------|
| Capacity | Cooling | kBtu/h | 5.1 | 7.5 | 9.5 | 12.3 | 15.3 | 19.1 |
| | | kW | 1.5 | 2.2 | 2.8 | 3.6 | 4.5 | 5.6 |
| | Heating | kBtu/h | 5.8 | 8.5 | 10.9 | 13.6 | 17.1 | 21.5 |
| | | kW | 1.7 | 2.5 | 3.2 | 4.0 | 5.0 | 6.3 |
| Electrical Parameters | Power Supply | Ph/V/Hz | 1/220-240/50/60 | 1/220-240/50/60 | 1/220-240/50/60 | 1/220-240/50/60 | 1/220-240/50/60 | 1/220-240/50/60 |
| | Power Consumption | W | 27 | 27 | 27 | 31 | 39 | 42 |
| Performance | Air Flow (H/M/L) | m³/h | 515/440/390 | 545/470/390 | 545/470/390 | 570/495/420 | 700/625/550 | 915/765/640 |
| | Sound Pressure Level(H/M/L) | dB(A) | 29/27/25 | 30/28/25 | 30/28/25 | 31/29/27 | 32/30/28 | 33/31/29 |
| | Sound Power Level(H/M/L) | dB(A) | 41/39/37 | 42/40/37 | 42/40/37 | 43/41/39 | 44/42/40 | 45/43/41 |
| Installation | External Dimensions(W x D x H) | mm | 700 x 700 x 248 | 700 x 700 x 248 | 700 x 700 x 248 | 700 x 700 x 248 | 700 x 700 x 248 | 1100 x 700 x 248 |
| | Shipping Dimensions(W x D x H) | mm | 932 x 835 x 280 | 932 x 835 x 280 | 932 x 835 x 280 | 932 x 835 x 280 | 932 x 835 x 280 | 1332 x 835 x 280 |
| | Net/Shipping Weight | kg | 27/32 | 27/32 | 27/32 | 27/32 | 28.5/33.5 | 36.8/43.4 |
| | Refrigerant Liquid Pipe | mm | 6.35 | 6.35 | 6.35 | 6.35 | 6.35 | 6.35 |
| | Refrigerant Gas Pipe | mm | 9.52 | 9.52 | 9.52 | 12.7 | 12.7 | 12.7 |
| | Static Pressure(Standard/Max.) | Pa | 20/200 | 20/200 | 20/200 | 20/200 | 20/200 | 20/200 |
| Drain Pump | O-optional,S-standard,W-without | / | Standard | Standard | Standard | Standard | Standard | Standard |

Specifications



| Model Code | Item | Unit | 40VD024S-7G-QEE | 40VU028S-7G-QEE | 40VD030S-7G-QEE | 40VU038S-7G-QEE | 40VD048S-7G-QEE | 40VD054S-7G-QEE |
|-----------------------|---------------------------------|---------|------------------|------------------|------------------|------------------|------------------|------------------|
| Capacity | Cooling | kBtu/h | 24.2 | 27.3 | 30.7 | 38.2 | 47.8 | 54.6 |
| | | kW | 7.1 | 8.0 | 9.0 | 11.2 | 14 | 16 |
| | Heating | kBtu/h | 27.3 | 30.7 | 34.1 | 44.4 | 55.6 | 61.4 |
| | | kW | 8.0 | 9.0 | 10 | 13 | 16.3 | 18 |
| Electrical Parameters | Power Supply | Ph/V/Hz | 1/220-240/50/60 | 1/220-240/50/60 | 1/220-240/50/60 | 1/220-240/50/60 | 1/220-240/50/60 | 1/220-240/50/60 |
| | Power Consumption | W | 71 | 71 | 80 | 80 | 140 | 140 |
| Performance | Air Flow (H/M/L) | m³/h | 1275/1050/875 | 1275/1050/875 | 1450/1200/1000 | 2000/1700/1400 | 2150/1750/1400 | 2350/1950/1600 |
| | Sound Pressure Level(H/M/L) | dB(A) | 34/31/29 | 35/33/30 | 36/33/30 | 38/35/32 | 40/36/32 | 42/38/34 |
| | Sound Power Level(H/M/L) | dB(A) | 46/43/41 | 47/45/42 | 48/45/42 | 50/47/44 | 52/48/44 | 54/50/46 |
| Installation | External Dimensions(W x D x H) | mm | 1100 x 700 x 248 | 1100 x 700 x 248 | 1100 x 700 x 248 | 1500 x 700 x 248 | 1500 x 700 x 248 | 1500 x 700 x 248 |
| | Shipping Dimensions(W x D x H) | mm | 1332 x 835 x 280 | 1332 x 835 x 280 | 1332 x 835 x 280 | 1698 x 857 x 305 | 1698 x 857 x 305 | 1698 x 857 x 305 |
| | Net/Shipping Weight | kg | 36.8/43.4 | 36.8/43.4 | 39.4/45.4 | 48.3/56.5 | 51.3/59.5 | 51.3/59.5 |
| | Refrigerant Liquid Pipe | mm | 9.52 | 9.52 | 9.52 | 9.52 | 9.52 | 9.52 |
| | Refrigerant Gas Pipe | mm | 15.88 | 15.88 | 15.88 | 15.88 | 15.88 | 15.88 |
| | Static Pressure(Standard/Max.) | Pa | 20/200 | 20/200 | 20/200 | 20/200 | 20/200 | 20/200 |
| Drain Pump | O-optional,S-standard,W-without | / | Standard | Standard | Standard | Standard | Standard | Standard |

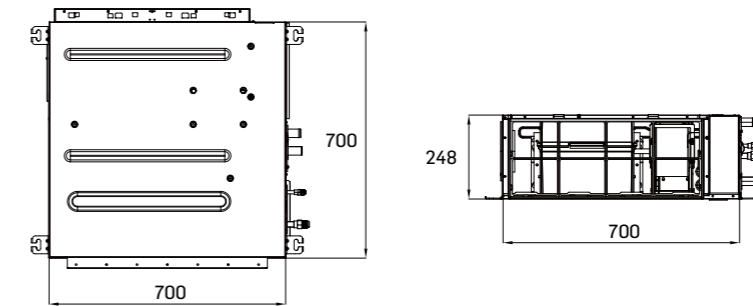


STANDARD STATIC DUCT
(DC MOTOR – 20/200 PA)



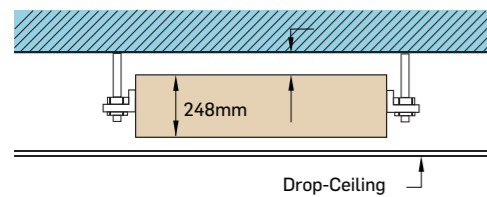
Dimensions

40VD005S-7G-QEE/40VD007S-7G-QEE/40VD009S-7G-QEE/40VD012S-7G-QEE/40VD016S-7G-QEE



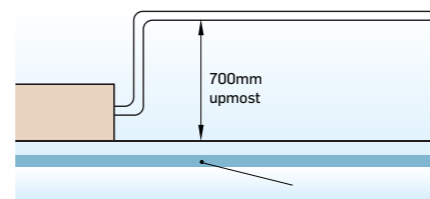
Slim & Compact Design

The compact design is 248mm in height and is ideal for installation where space above ceiling is limited.



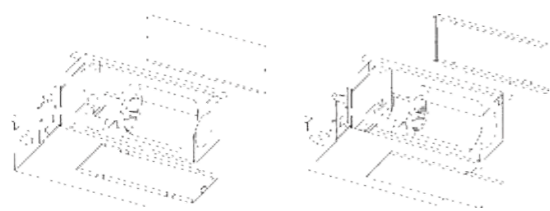
Built-in Drain Pump

Built-in drain pump (700mm / 1200mm pump head)



Standard Static Duct

- Flexible Bottom or Rear Air Return

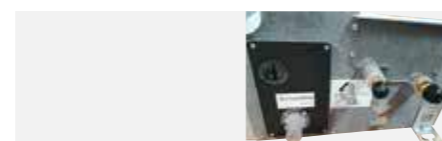
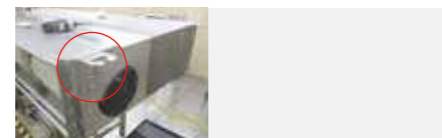


Back air return opening

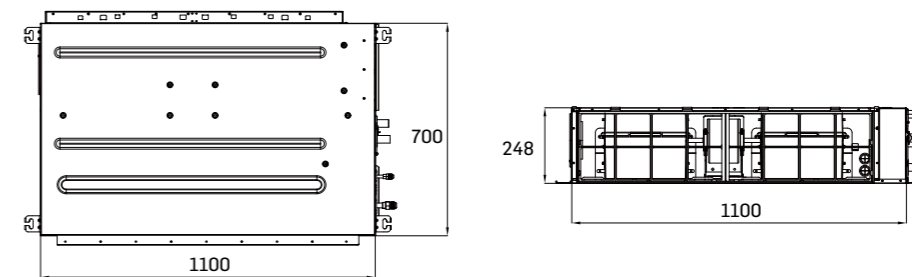
Below air return opening



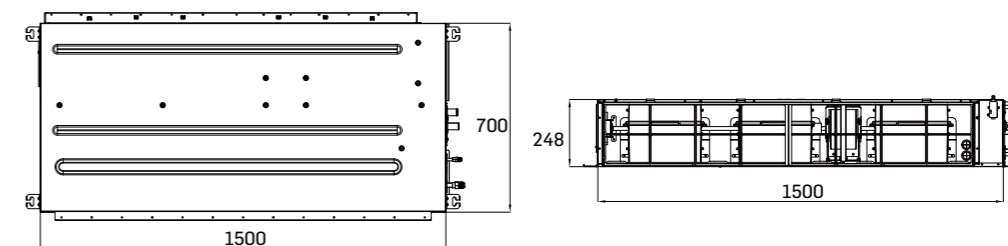
- Fixation adjustment
Width and length direction can be adjusted for more convenience



40VD018S-7G-QEE/40VD024S-7G-QEE/40VD028S-7G-QEE/40VD030S-7G-QEE



40VD038S-7G-QEE/40VD048S-7G-QEE/40VD054S-7G-QEE





Indoor

MEDIUM STATIC DUCT (AC Motor 50/120 PA)



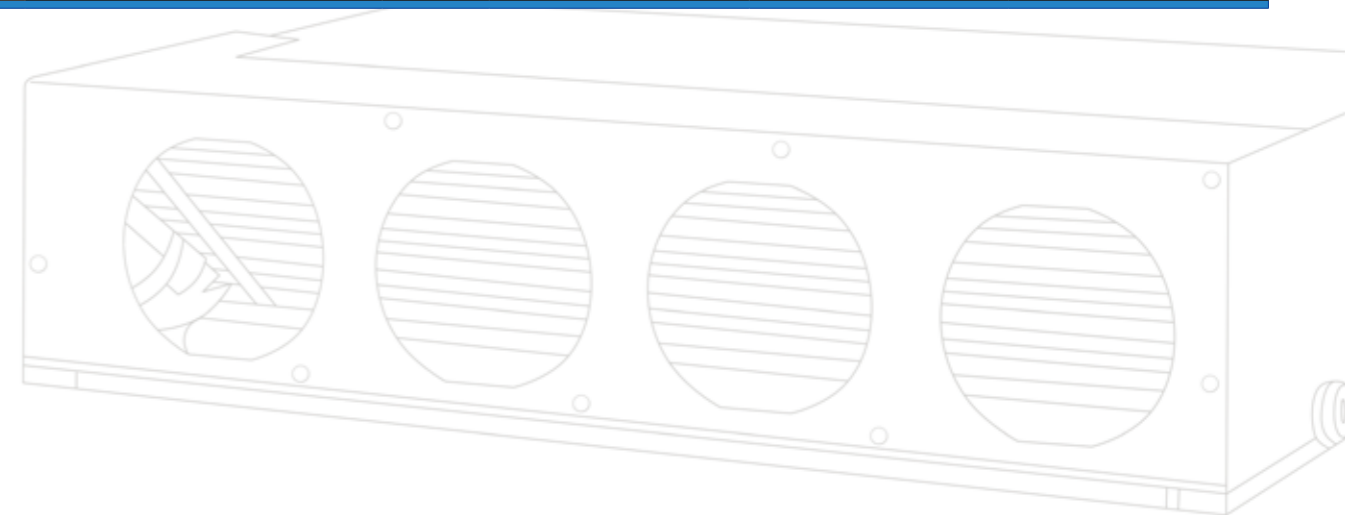
- Available static pressure up to 120 Pa
- Rear & bottom inlet choice
- 4ø205 mm air outlet for spigot connection (3rd party)
- Optional external drain pump available



Specifications



| Model Code | Item | Unit | 40VD030R-7G-QEE | 40VD038R-7G-QEE | 40VD048R-7G-QEE |
|-----------------------|-----------------------------------|-------------------|---------------------------|---------------------------|---------------------------|
| Capacity | Cooling | kBtu/h | 30 | 38 | 48 |
| | | kW | 9.0 | 11.2 | 14 |
| | Heating | kBtu/h | 34 | 43 | 55 |
| | | kW | 10 | 12.5 | 16 |
| Electrical Parameters | Power Supply | Ph/V/Hz | 1/220-230/50/60 | 1/220-230/50/60 | 1/220-230/50/60 |
| | Power consumption | W | 490 | 490 | 490 |
| Performance | Air Flow (H/M/L) | m ³ /h | 2208/1973/1795 | 2208/1973/1795 | 2208/1973/1795 |
| | Sound Pressure Level (H/M/L) | dB(A) | 49/47/43 | 49/47/43 | 49/47/43 |
| | Sound Power Level (H/M/L) | dB(A) | 62/60/56 | 62/60/56 | 62/60/56 |
| Installation | External Dimensions(W x D x H) | mm | 1135 x 742 x 270 | 1135 x 742 x 270 | 1135 x 742 x 270 |
| | Shipping Dimensions(W x D x H) | mm | 1355 x 856 x 380 | 1355 x 856 x 380 | 1355 x 856 x 380 |
| | Net/Shipping Weight | kg | 47/53 | 47/53 | 47/53 |
| | Refrigerant Liquid Pipe | mm | 9.52 | 9.52 | 9.52 |
| | Refrigerant Gas Pipe | mm | 15.88 | 15.88 | 15.88 |
| | Prain Pump | mm | 38 | 38 | 38 |
| | Static Pressure (Standard/max.) | Pa | 50/120 | 80/120 | 80/120 |
| Drain Pump | O-optional, S-standard, W-without | / | 40VAD096P7FQEE (Optional) | 40VAD096P7FQEE (Optional) | 40VAD096P7FQEE (Optional) |



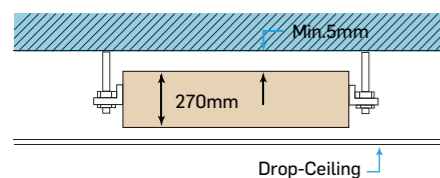


MEDIUM STATIC DUCT (AC MOTOR – 50/120 PA)



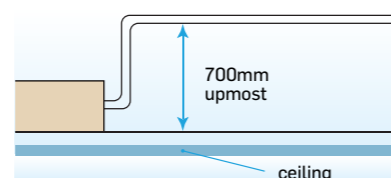
Slim & Compact Design

Uniform 270 mm in height. Compact design for easy installation where space over ceiling is limited, while offering up to 120 Pa ESP.



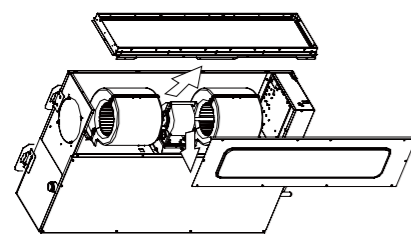
Optional Drain Pump

Optional drain pump (700 mm pump head).

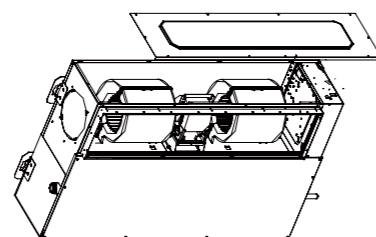


Flexible return air location

Remarks: In during installation, you can select the lower air return or back air return by adjusting the location of air inlet frame.

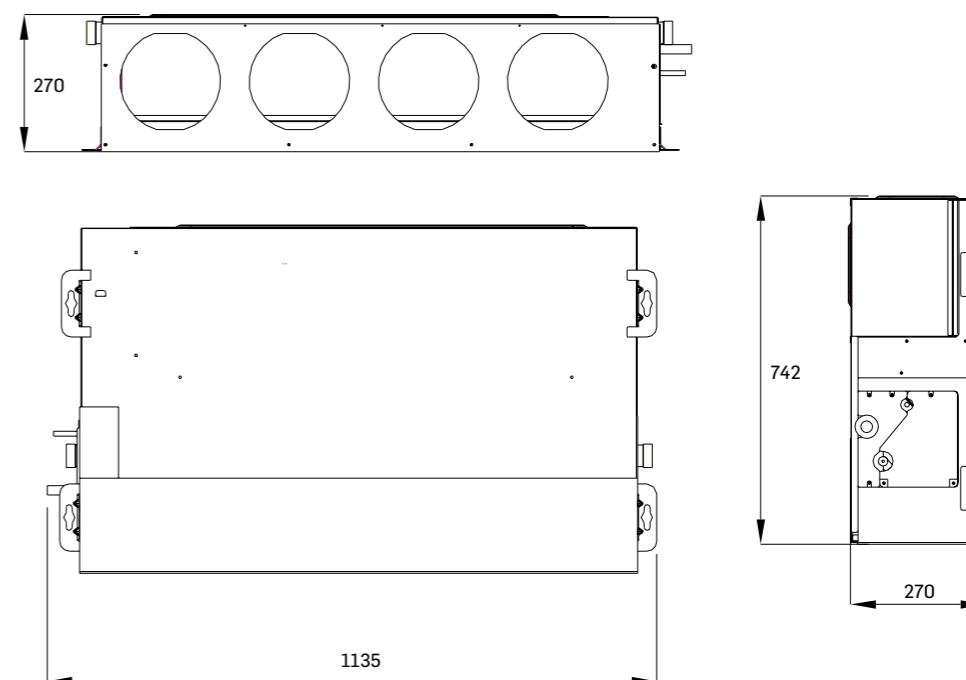


Back air return opening
(factory setting)



Below air return opening

Dimensions





Indoor

HIGH STATIC DUCT (AC MOTOR 100/196 PA)

- Rear air return with plenum
- Flexible discharge duct connection
- Static pressure setting 100-196 Pa
- Eight models ranging from 5.6 kW to 28 kW to meet your consideration
- Optional external drain pump



Wired Controller 40VCW217FQEE Simple Wired Controller 40VCW117FQEE Wired Weekly Timer 40VCW317FQEE Wireless Controller 40VCI57FQEE Wireless Controller For Cooling Only 40VIC7FQSS Receiver 40VICR7FQEE

Specifications

| Model Code | Item | Unit | 40VD018H-7G-QEE | 40VD024H-7G-QEE | 40VD028H-7G-QEE | 40VD030H-7G-QEE |
|-----------------------|-----------------------------------|-------------------|------------------|------------------|------------------|------------------|
| Capacity | Cooling | kBtu/h | 19.1 | 24.2 | 27.3 | 30.7 |
| | | kW | 5.6 | 7.1 | 8.0 | 9.0 |
| | Heating | kBtu/h | 21.5 | 27.3 | 30.73 | 34.1 |
| | | kW | 6.3 | 8.0 | 9.0 | 10 |
| Electrical Parameters | Power Supply | Ph/V/Hz | 1/220-230/50/60 | 1/220-230/50/60 | 1/220-230/50/60 | 1/220-230/50/60 |
| | Power Consumption | W | 450 | 450 | 450 | 560 |
| Performance | Air Flow (H/M/L) | m ³ /h | 1500/1357/1089 | 1500/1357/1089 | 1500/1357/1089 | 1560/1412/1133 |
| | Sound Pressure Level (H/M/L) | dB(A) | 42/40/38 | 42/40/38 | 42/40/38 | 45/43/40 |
| | Sound PowerLevel (H/M/L) | dB(A) | 55/53/51 | 55/53/51 | 55/53/51 | 58/53/50 |
| Installation | External Dimensions(W x D x H) | mm | 975 x 906 x 360 | 975 x 906 x 360 | 975 x 906 x 360 | 1355 x 876 x 360 |
| | Shipping Dimensions(W x D x H) | mm | 1048 x 943 x 413 | 1048 x 943 x 413 | 1048 x 943 x 413 | 1378 x 938 x 405 |
| | Net/Shipping Weight | kg | 54/62 | 54/62 | 54/62 | 66/74 |
| | Refrigerant Liquid Pipe | mm | 6.35 | 9.52 | 9.52 | 9.52 |
| | Refrigerant Gas Pipe | mm | 12.7 | 15.88 | 15.88 | 15.88 |
| | Prain Pump | mm | 32 | 32 | 32 | 32 |
| | Static Pressure (Standard/max.) | Pa | 100/196 | 100/196 | 100/196 | 80/120 |
| Drain Pump | O-optional, S-standard, W-without | / | Optional | Optional | Optional | Optional |

Specifications



| Model Code | Item | Unit | 40VD038H-7G-QEE | 40VD048H-7G-QEE | 40VD072H-7G-QEE | 40VD096H-7G-QEE |
|-----------------------|-----------------------------------|-------------------|------------------|------------------|------------------|------------------|
| Capacity | Cooling | kBtu/h | 38.2 | 47.8 | 77.1 | 95.6 |
| | | kW | 11.2 | 14 | 22.6 | 28 |
| | Heating | kBtu/h | 42.6 | 54.6 | 85.3 | 105.8 |
| | | kW | 12.5 | 16 | 25 | 31 |
| Electrical Parameters | Power Supply | Ph/V/Hz | 1/220-230/50/60 | 1/220-230/50/60 | 1/220-230/50/60 | 1/220-230/50/60 |
| | Power Consumption | W | 560 | 560 | 1110 | 1110 |
| Performance | Air Flow (H/M/L) | m ³ /h | 1600/1448/1162 | 2100/1901/1525 | 4050/3255/2612 | 4050/3255/2612 |
| | Sound Pressure Level (H/M/L) | dB(A) | 45/43/40 | 45/43/40 | 54/51/49 | 54/51/49 |
| | Sound Power Level (H/M/L) | dB(A) | 58/53/50 | 58/53/50 | 67/62/59 | 67/62/59 |
| Installation | External Dimensions(W x D x H) | mm | 1355 x 876 x 360 | 1355 x 876 x 360 | 1725 x 876 x 360 | 1725 x 876 x 360 |
| | Shipping Dimensions(W x D x H) | mm | 1378 x 938 x 405 | 1378 x 938 x 405 | 1830 x 990 x 530 | 1830 x 990 x 530 |
| | Net/Shipping Weight | kg | 66/74 | 66/74 | 100/112 | 100/112 |
| | Refrigerant Liquid Pipe | mm | 9.52 | 9.52 | 9.52 | 9.52 |
| | Refrigerant Gas Pipe | mm | 15.88 | 15.88 | 25.4 | 25.4 |
| | Prain Pump | mm | 32 | 32 | 32 | 32 |
| | Static Pressure (Standard/max.) | Pa | 100/196 | 100/196 | 100/196 | 100/196 |
| Drain Pump | O-optional, S-standard, W-without | / | Optional | Optional | Optional | Optional |



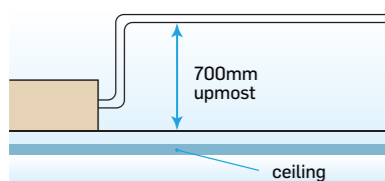
HIGH STATIC DUCT (AC MOTOR – 100/196 PA)



Indoor

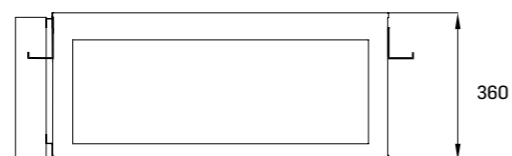
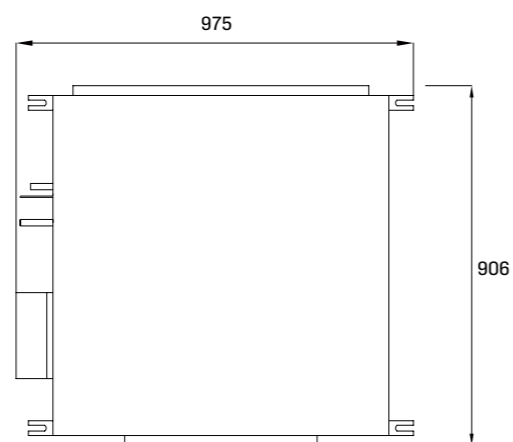
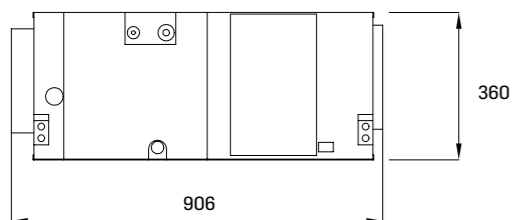
Optional Drain Pump

Optional drain pump
(700 mm pump head).



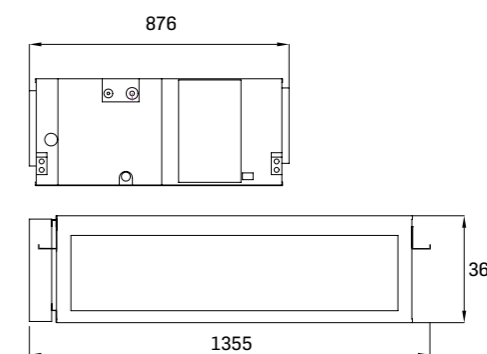
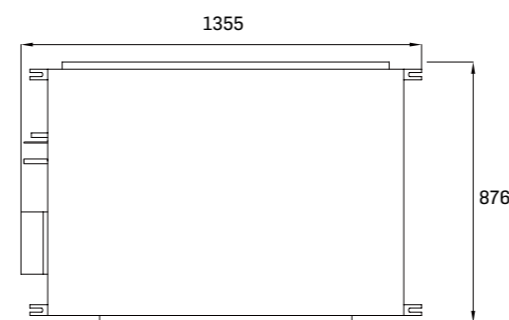
Dimensions

40VD018/024/028H-7G-QEE

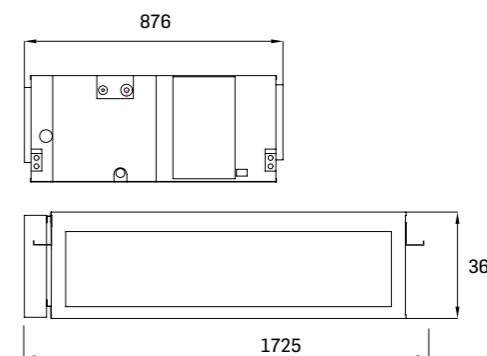
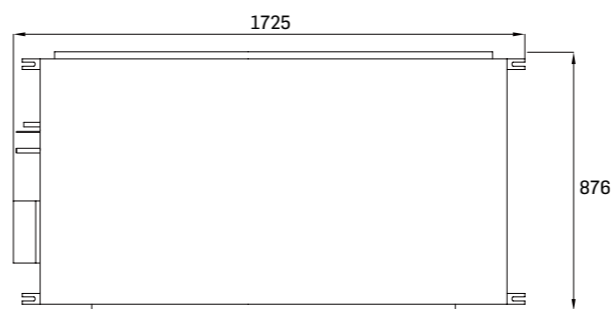


Dimensions

40VD030/038/048H-7G-QEE



40VD072/096H-7G-QEE





Indoor

HIGH STATIC DUCT (DC MOTOR 0 - 200 PA)

- Wide range of capacities covered from 2.2 kW to 16 kW with compact 280 mm height
- High-efficiency, low energy consumption DC motor
- 6.35 mm coil copper pipe to ensure more precise & efficient refrigerant distribution
- Top-performing composite material fan wheel blower with light air resistance
- ESP can be changed according to requirements to minimize the noise
- Installer-friendly buckle design of electric box & pull-out fan motor design
- Built-in drain pump



Wired Controller 40VCW217FQEE Simple Wired Controller 40VCW117FQEE Wired Weekly Timer 40VCW317FQEE Wireless Controller 40VCI57FQEE Wireless Controller For Cooling Only 40VIC7FQSS Receiver 40VICR7FQEE

Specifications

| Model Code | Item | Unit | 40VD007H-7S-QEE | 40VD009H-7S-QEE | 40VD012H-7S-QEE | 40VD015H-7S-QEE | 40VD018H-7S-QEE | 40VD024H-7S-QEE |
|-----------------------|---------------------------------|---------|------------------|------------------|------------------|------------------|------------------|------------------|
| Capacity | Cooling | kBtu/h | 7.6 | 9.6 | 12.1 | 15.1 | 18.2 | 24 |
| | | kW | 2.2 | 2.8 | 3.6 | 4.5 | 5.6 | 7.1 |
| | Heating | kBtu/h | 8.6 | 10.6 | 13.6 | 17 | 20 | 27 |
| | | kW | 2.5 | 3.2 | 4.0 | 5.0 | 6.3 | 8.0 |
| Electrical Parameters | Power Supply | Ph/V/Hz | 1/220-240/50(60) | 1/220-240/50(60) | 1/220-240/50(60) | 1/220-240/50(60) | 1/220-240/50(60) | 1/220-240/50(60) |
| | Power Consumption | W | 120 | 120 | 181 | 181 | 181 | 252.3 |
| Performance | Air Flow (H/M/L) | m³/h | 500/410/360 | 600/510/450 | 700/580/500 | 780/680/600 | 900/780/600 | 1100/1020/920 |
| | Sound Pressure Level (H/M/L) | dB(A) | 30/25/23 | 30/25/23 | 32/29/26 | 32/29/26 | 32/29/26 | 33/29/25 |
| Installation | External Dimensions(W x D x H) | mm | 750 x 635 x 280 | 750 x 635 x 280 | 750 x 635 x 280 | 750 x 635 x 280 | 750 x 635 x 280 | 950 x 635 x 280 |
| | Shipping Dimensions(W x D x H) | mm | 980 x 740 x 335 | 980 x 740 x 335 | 980 x 740 x 335 | 980 x 740 x 335 | 980 x 740 x 335 | 1180 x 740 x 335 |
| | Net/Shipping Weight | kg | 29/35 | 29/35 | 29/35 | 29/35 | 29/35 | 34/41 |
| | Refrigerant Liquid Pipe | mm | 6.35 | 6.35 | 6.35 | 6.35 | 6.35 | 9.52 |
| | Refrigerant Gas Pipe | mm | 9.52 | 9.52 | 12.7 | 12.7 | 12.7 | 15.88 |
| | Static Pressure (Standard/max.) | Pa | 0-200 | 0-200 | 0-200 | 0-200 | 0-200 | 0-200 |
| Drain Pump | O-optional,S-standard,W-without | / | Standard | Standard | Standard | Standard | Standard | Standard |

Specifications



| Model Code | Item | Unit | 40VD028H-7S-QEE | 40VD030H-7S-QEE | 40VD036H-7S-QEE | 40VD048H-7S-QEE | 40VD054H-7S-QEE |
|-----------------------|---------------------------------|---------|------------------|------------------|------------------|------------------|------------------|
| Capacity | Cooling | kBtu/h | 27.3 | 30 | 36 | 48 | 54 |
| | | kW | 8.0 | 9.0 | 11.2 | 14 | 16 |
| | Heating | kBtu/h | 30.7 | 34 | 40 | 54 | 60 |
| | | kW | 9.0 | 10 | 12.5 | 16 | 18 |
| Electrical Parameters | Power Supply | Ph/V/Hz | 1/220-240/50(60) | 1/220-240/50(60) | 1/220-240/50(60) | 1/220-240/50(60) | 1/220-240/50(60) |
| | Power Consumption | W | 259.3 | 259.3 | 315.6 | 366.8 | 366.8 |
| Performance | Air Flow (H/M/L) | m³/h | 1500/1320/1220 | 1500/1320/1220 | 1700/1510/1400 | 2280/1920/1780 | 2280/1920/1780 |
| | Sound Pressure Level (H/M/L) | dB(A) | 33/29/25 | 33/29/25 | 38/36/30 | 40/34/29 | 40/34/29 |
| Installation | External Dimensions(W x D x H) | mm | 950 x 635 x 280 | 950 x 635 x 280 | 1370 x 740 x 280 | 1370 x 740 x 280 | 1370 x 740 x 280 |
| | Shipping Dimensions(W x D x H) | mm | 1180 x 740 x 335 | 1180 x 740 x 335 | 1555 x 839 x 380 | 1555 x 839 x 380 | 1555 x 839 x 380 |
| | Net/Shipping Weight | kg | 34/41 | 34/41 | 54/68 | 54/68 | 54/68 |
| | Refrigerant Liquid Pipe | mm | 9.52 | 9.52 | 9.52 | 9.52 | 9.52 |
| | Refrigerant Gas Pipe | mm | 15.88 | 15.88 | 15.88 | 15.88 | 15.88 |
| | Static Pressure (Standard/max.) | Pa | 0-200 | 0-200 | 0-200 | 0-200 | 0-200 |
| Drain Pump | O-optional,S-standard,W-without | / | Standard | Standard | Standard | Standard | Standard |

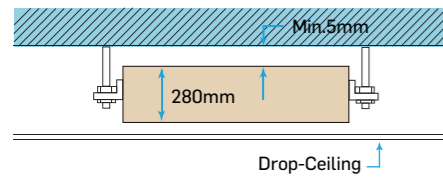


HIGH STATIC DUCT
(DC MOTOR – 0/200 PA)



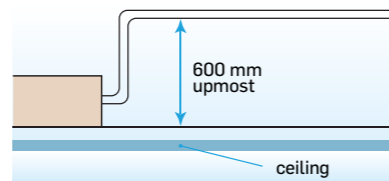
Slim, Light Weight & Compact Design

Uniform 280 mm in height. Compact design for easy installation where space over ceiling is limited.



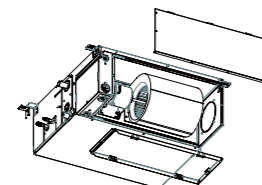
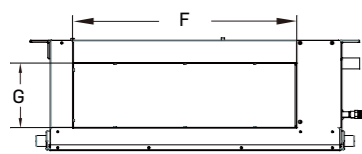
Built-in Drain Pump

Built-in drain pump (600 mm pump head).

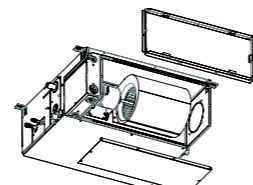


Energy Saving

- High-efficiency DC fan motor
- 6.35mm heat exchange tube ensures more precise refrigerant distribution and higher efficiency
- High performance composite material wind wheel, light and small air resistance



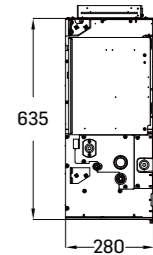
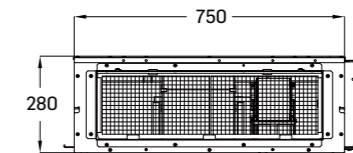
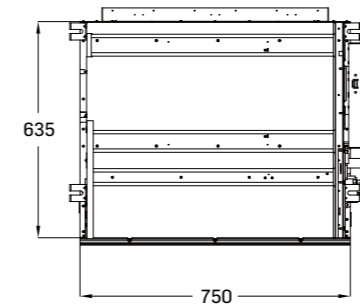
Back air return opening



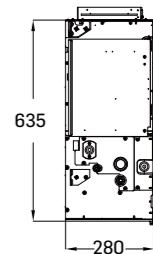
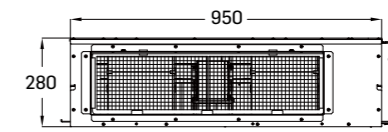
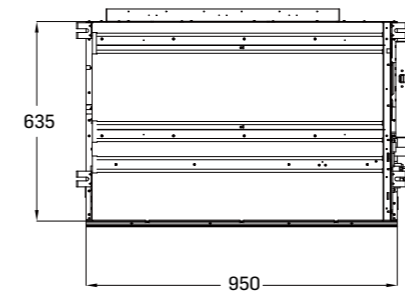
Below air return opening

Dimensions

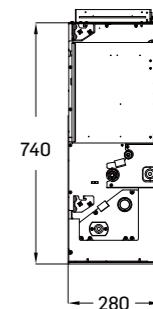
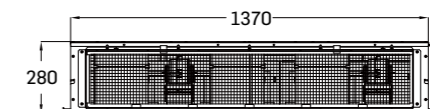
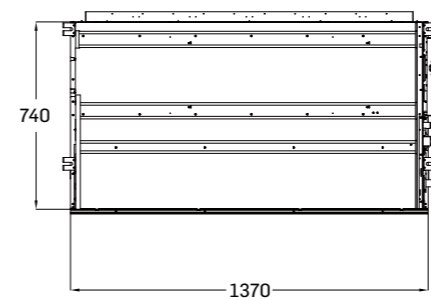
40VD007/009/012/015/018H-7S-QEE



40VD024/028/030H-7S-QEE



40VD036/048/054H-7S-QEE





Indoor

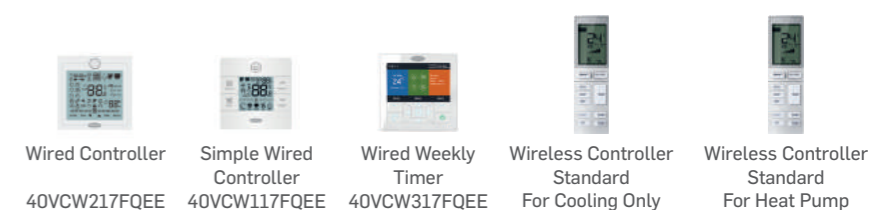




Indoor

HIGH WALL (DC MOTOR)

- Stylish & exclusive design with LED display
- Easy-support clip to enable simple installation
- High efficiency DC powered fan
- Cover panel using ABS-material to improve surface brightness and tenacity
- PCB integrated design, flexible piping direction arrangement
- PM 2.5 filter available (optional)



Wired Controller 40VCW217FQEE Simple Wired Controller 40VCW117FQEE Wired Weekly Timer 40VCW317FQEE Wireless Controller Standard For Cooling Only Wireless Controller Standard For Heat Pump

Specifications

| Model | Cooling Only | | 40VK005S-7S-QSS | 40VK007S-7S-QSS | 40VK009S-7S-QSS | 40VK012S-7S-QSS | 40VK016S-7S-QSS |
|-----------------------|---------------------------------|-------------------|-----------------|-----------------|-----------------|-----------------|------------------|
| | Cooling & Heating | | 40VK005S-7S-QEE | 40VK007S-7S-QEE | 40VK009S-7S-QEE | 40VK012S-7S-QEE | 40VK016S-7S-QEE |
| Capacity | Cooling | kBtu/h | 5.1 | 7.5 | 9.5 | 12.3 | 15.3 |
| | | kW | 1.5 | 2.2 | 2.8 | 3.6 | 4.5 |
| | Heating* | kBtu/h | 5.8 | 8.5 | 10.9 | 13.6 | 17.1 |
| | | kW | 1.7 | 2.5 | 3.2 | 4.0 | 5.0 |
| Electrical Parameters | Power Supply | Ph/V/Hz | 1/220-240/50/60 | 1/220-240/50/60 | 1/220-240/50/60 | 1/220-240/50/60 | 1/220-240/50/60 |
| | Power Consumption | W | 38 | 38 | 38 | 38 | 52 |
| Performance | Air Flow (H/M/L) | m ³ /h | 500/430/370 | 550/480/420 | 600/530/470 | 630/560/500 | 800/720/650 |
| | Sound Pressure Level(H/M/L) | dB(A) | 33/31/29 | 35/31/29 | 36/31/29 | 37/33/29 | 39/36/34 |
| | Sound Power Level(H/M/L) | dB(A) | 49/46/41 | 50/47/42 | 52/48/44 | 54/51/50 | 56/53/51 |
| Installation | External Dimensions(W x D x H) | mm | 855 x 208 x 280 | 855 x 208 x 280 | 855 x 208 x 280 | 855 x 208 x 280 | 1115 x 243 x 336 |
| | Shipping Dimensions(W x D x H) | mm | 954 x 279 x 355 | 954 x 279 x 355 | 954 x 279 x 355 | 954 x 279 x 355 | 1206 x 342 x 418 |
| | Net/Shipping Weight | kg | 9.9/12 | 9.9/12 | 9.9/12 | 9.9/12 | 15.8/18.9 |
| | Refrigerant Liquid Pipe | mm | 6.35 | 6.35 | 6.35 | 6.35 | 6.35 |
| | Refrigerant Gas Pipe | mm | 9.52 | 9.52 | 9.52 | 12.7 | 12.7 |
| Drain Pump | O-optional,S-standard,W-without | / | Optional | Optional | Optional | Optional | Optional |

* Heating Data is invalid for cooling only products.

Specifications



| Model | Cooling Only | | 40VK018S-7S-QSS | 40VK024S-7S-QSS | 40VK028S-7S-QSS | 40VK030S-7S-QSS |
|-----------------------|---------------------------------|-------------------|------------------|------------------|------------------|------------------|
| | Cooling & Heating | | 40VK018S-7S-QEE | 40VK024S-7S-QEE | 40VK028S-7S-QEE | 40VK030S-7S-QEE |
| Capacity | Cooling | kBtu/h | 19.1 | 24.2 | 27.3 | 30.7 |
| | | kW | 5.6 | 7.1 | 8.0 | 9.0 |
| | Heating* | kBtu/h | 21.5 | 27.3 | 30.7 | 34.1 |
| | | kW | 6.3 | 8.0 | 9.0 | 10 |
| Electrical Parameters | Power Supply | Ph/V/Hz | 1/220-240/50/60 | 1/220-240/50/60 | 1/220-240/50/60 | 1/220-240/50/60 |
| | Power Consumption | W | 52 | 52 | 94 | 94 |
| Performance | Air Flow (H/M/L) | m ³ /h | 920/800/720 | 1010/920/800 | 1500/1400/1300 | 1600/1500/1400 |
| | Sound Pressure Level(H/M/L) | dB(A) | 40/39/35 | 44/40/36 | 48/43/40 | 49/44/41 |
| | Sound Power Level(H/M/L) | dB(A) | 57/54/52 | 58/56/54 | 60/57/53 | 61/58/54 |
| Installation | External Dimensions(W x D x H) | mm | 1115 x 243 x 336 | 1115 x 243 x 336 | 1316 x 270 x 365 | 1316 x 270 x 365 |
| | Shipping Dimensions(W x D x H) | mm | 1206 x 342 x 418 | 1206 x 342 x 418 | 1403 x 384x 463 | 1403 x 384x 463 |
| | Net/Shipping Weight | kg | 15.8/18.9 | 15.8/18.9 | 21.8/26.3 | 21.8/26.3 |
| | Refrigerant Liquid Pipe | mm | 6.35 | 9.52 | 9.52 | 9.52 |
| | Refrigerant Gas Pipe | mm | 12.7 | 15.88 | 15.88 | 15.88 |
| Drain Pump | O-optional,S-standard,W-without | / | Optional | Optional | Optional | Optional |

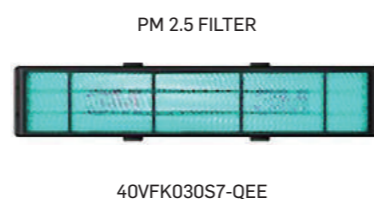
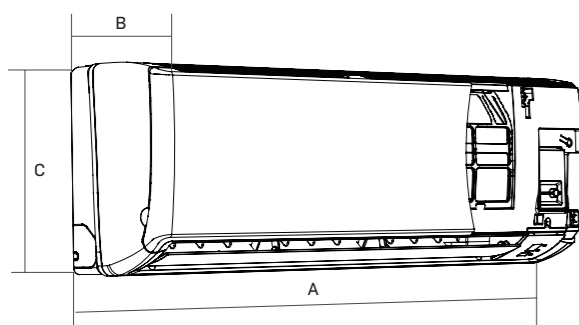


HIGH WALL (DC MOTOR)



Dimensions

| MODEL | A | B | C |
|----------------------------------|------|-----|-----|
| 40VK005/007/009/012S-7S-QEE(QSS) | 855 | 208 | 280 |
| 40VK016/018/024S-7S-QEE(QSS) | 1115 | 243 | 336 |
| 40VK028/030S-7S-QEE(QSS) | 1316 | 270 | 365 |

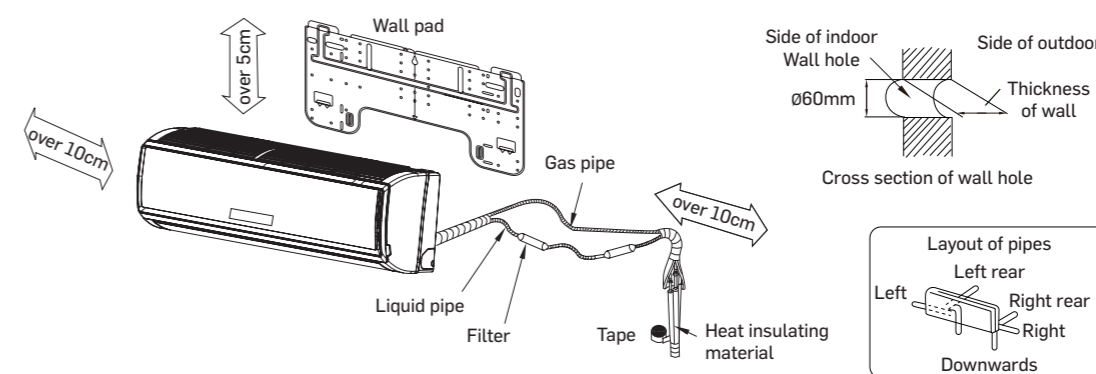
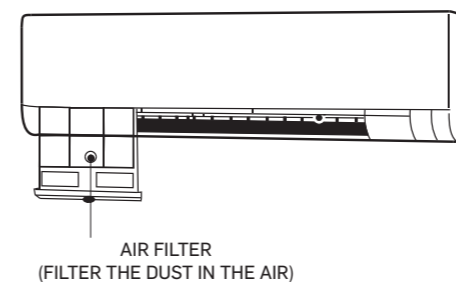


PM 2.5 FILTER (OPTIONAL)

| FILTER CODE | DIMENSIONS |
|----------------|-------------|
| 40VFK030S7-QEE | 225*50*5 MM |

Easy Service & Maintenance

- Easy removal of air filters for cleaning
- Remote on/off function and alarm function
- Easy access to indoor unit components





Indoor

Specifications



| Model Code | Item | Unit | 40VL005B-7E-QEE | 40VL007B-7E-QEE | 40VL009B-7E-QEE | 40VL012B-7E-QEE | 40VL018B-7E-QEE |
|-----------------------|--------------------------------|---------|---------------------|---------------------|---------------------|---------------------|---------------------|
| Capacity | Cooling | kBtu/h | 5.1 | 7.5 | 9.5 | 12.3 | 17 |
| | | kW | 1.5 | 2.2 | 2.8 | 3.6 | 5.0 |
| | Heating* | kBtu/h | 5.8 | 8.5 | 10.9 | 13.6 | 18.5 |
| | | kW | 1.7 | 2.6 | 3.2 | 4.0 | 5.5 |
| Electrical Parameters | Power Supply | Ph/V/Hz | 1,220-230V,50/60 | 1,220-230V,50/60 | 1,220-230V,50/60 | 1,220-230V,50/60 | 1,220-230V,50/60 |
| | Power Consumption | W | 31 | 31 | 31 | 34 | 36 |
| Performance | Air Flow (H/M/L) | m³/h | 540/460/390/310/270 | 540/460/390/310/270 | 540/460/390/310/270 | 580/500/420/350/270 | 620/540/460/390/270 |
| | Sound Pressure Level(H/M/L) | dB(A) | 45/42/38/33/30 | 45/42/38/33/30 | 45/42/38/33/30 | 47/44/40/36/30 | 48/45/42/38/30 |
| | Sound Power Level(H/M/L) | dB(A) | 58/55/52/48/45 | 58/55/52/48/45 | 58/55/52/48/45 | 60/57/54/51/47 | 61/58/55/52/48 |
| Installation | External Dimensions(W x D x H) | mm | 700 x 210 x 600 | 700 x 210 x 600 | 700 x 210 x 600 | 700 x 210 x 600 | 700 x 210 x 600 |
| | Shipping Dimensions(W x D x H) | mm | 783 x 303 x 695 | 783 x 303 x 695 | 783 x 303 x 695 | 783 x 303 x 695 | 783 x 303 x 695 |
| | Net/Shipping Weight | kg | 15.2/18.7 | 15.2/18.7 | 15.2/18.7 | 15.2/18.7 | 15.2/18.7 |
| | Refrigerant Liquid Pipe | mm | 6.35 | 6.35 | 6.35 | 6.35 | 6.35 |
| | Refrigerant Gas Pipe | mm | 12.7 | 12.7 | 12.7 | 12.7 | 12.7 |

TWO-WAY CONSOLE (DC MOTOR)



- ✂ Compact design makes installation flexible and easy on the floor or against the wall
- 🌀 Five fan speeds and two-way airflow modes that automatically adjust for extra comfort and flexibility
- 📶 Automatic adjusting to carpet airflow when switched to two-way airflow mode
- 🎨 Stylish & elegant design



Wired Controller
40VCW217FQEE



Simple Wired Controller
40VCW117FQEE



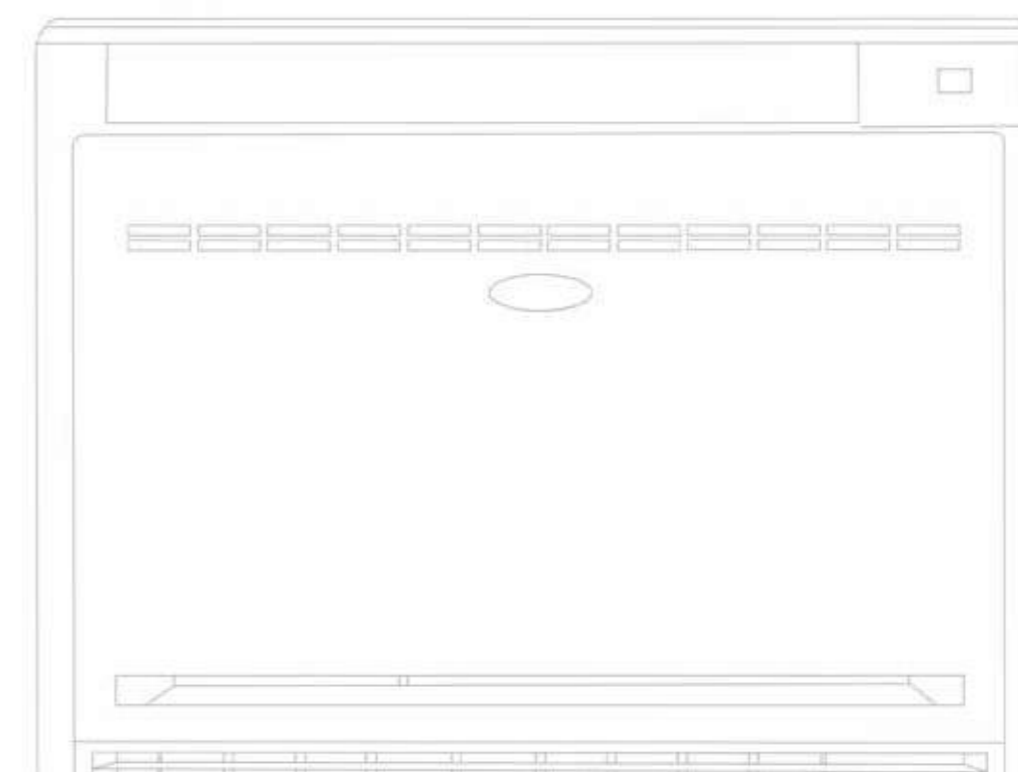
Wired Weekly Timer
40VCW317FQEE



Wireless Controller
40VCI57FQEE



Wireless Controller For Cooling Only
40VIC17FQSS

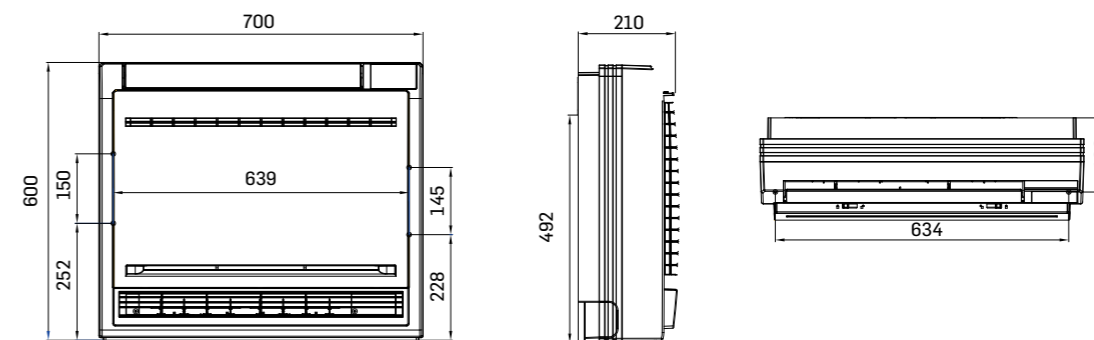




TWO-WAY CONSOLE (DC MOTOR)



Dimensions



Easy Installation

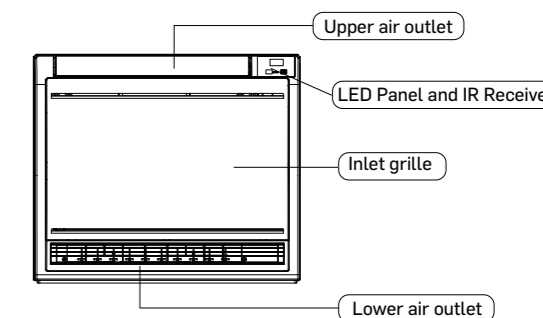
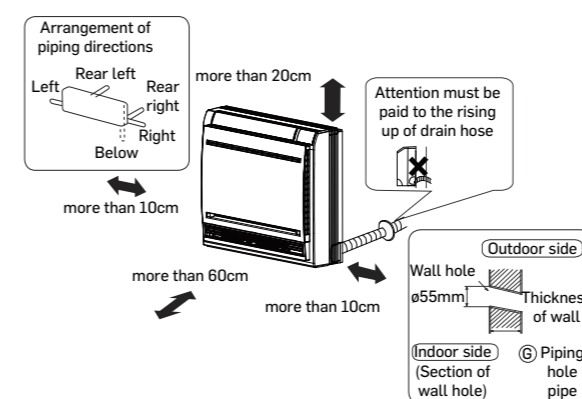
- The indoor units can be installed on the floor or on the wall. It's flexibility allows for easy installation.



Compact Unit, Space Saving

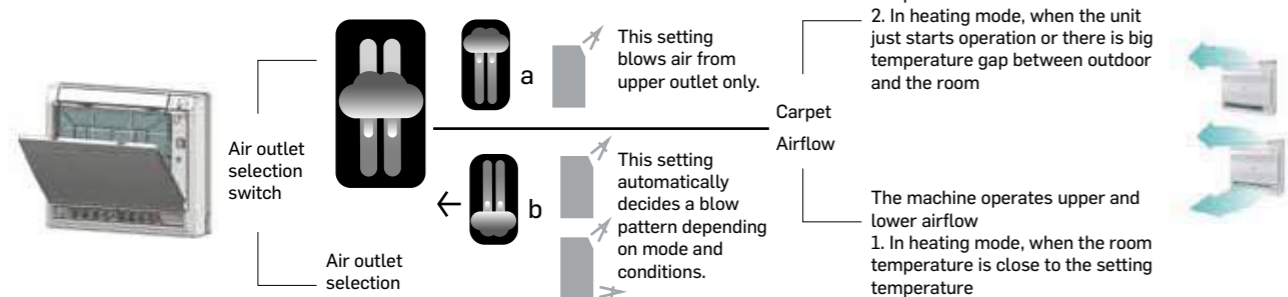
- The console indoor unit is very slim and will be harmonious with any room. It can be placed at the corner, and is very space saving.

Installation & Service

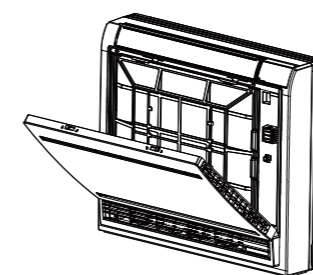


The machine operates upper airflow
 1. In cooling mode, when the room temperature is close to the setting temperature
 2. In heating mode, when the unit just starts operation or there is big temperature gap between outdoor and the room

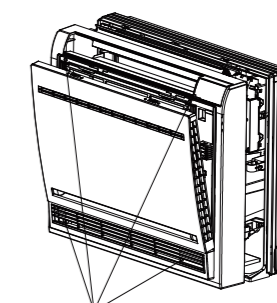
The machine operates upper and lower airflow
 1. In heating mode, when the room temperature is close to the setting temperature
 2. In cooling mode, when the unit just starts operation or there is big temperature gap between outdoor and the room



- Hold the front panel by the tabs on the both sides and lift it until it stops with a click.



- Loosen the marked four screws and open the grille.



Four screws



Indoor

Specifications

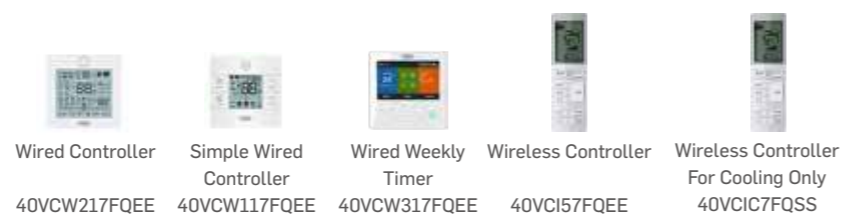


| Model Code | Item | Unit | 40VL007R-7G-QEE | 40VL009R-7G-QEE | 40VL012R-7G-QEE | 40VL016R-7G-QEE | 40VL018R-7G-QEE | 40VL024R-7G-QEE |
|-----------------------|--------------------------------|---------|------------------|------------------|------------------|------------------|------------------|------------------|
| Capacity | Cooling | kBtu/h | 7.5 | 9.5 | 12.3 | 15.3 | 19.1 | 24.2 |
| | | kW | 2.2 | 2.8 | 3.6 | 4.5 | 5.6 | 7.1 |
| | Heating | kBtu/h | 8.5 | 10.9 | 13.6 | 17.1 | 21.5 | 27.3 |
| | | kW | 2.5 | 3.2 | 4.0 | 5.0 | 6.3 | 8.0 |
| Electrical Parameters | Power Supply | Ph/V/Hz | 1/220-230/50/60 | 1/220-230/50/60 | 1/220-230/50/60 | 1/220-230/50/60 | 1/220-230/50/60 | 1/220-230/50/60 |
| | Power Consumption | W | 110 | 110 | 110 | 150 | 150 | 150 |
| Performance | Air Flow (H/M/L) | m³/h | 750/650/550 | 750/650/550 | 750/650/550 | 950/830/720 | 950/830/720 | 950/830/720 |
| | Sound Pressure Level(H/M/L) | dB(A) | 38/35/33 | 38/35/33 | 40/37/35 | 40/37/35 | 42/39/36 | 42/39/36 |
| | Sound Power Level(H/M/L) | dB(A) | 51/48/46 | 51/48/46 | 53/50/48 | 53/50/48 | 55/52/49 | 55/52/49 |
| Installation | External Dimensions(W x D x H) | mm | 1116 x 221 x 624 | 1116 x 221 x 624 | 1116 x 221 x 624 | 1116 x 221 x 624 | 1116 x 221 x 624 | 1116 x 221 x 624 |
| | Shipping Dimensions(W x D x H) | mm | 1198 x 295 x 707 | 1198 x 295 x 707 | 1198 x 295 x 707 | 1198 x 295 x 707 | 1198 x 295 x 707 | 1198 x 295 x 707 |
| | Net/Shipping Weight | kg | 29/37 | 29/37 | 29/37 | 31/39 | 31/39 | 31/39 |
| | Refrigerant Liquid Pipe | mm | 6.35 | 6.35 | 6.35 | 6.35 | 6.35 | 9.52 |
| | Refrigerant Gas Pipe | mm | 9.52 | 9.52 | 12.7 | 12.7 | 12.7 | 15.88 |
| | Static Pressure | Pa | 0/30 | 0/30 | 0/30 | 0/30 | 0/30 | 0/30 |

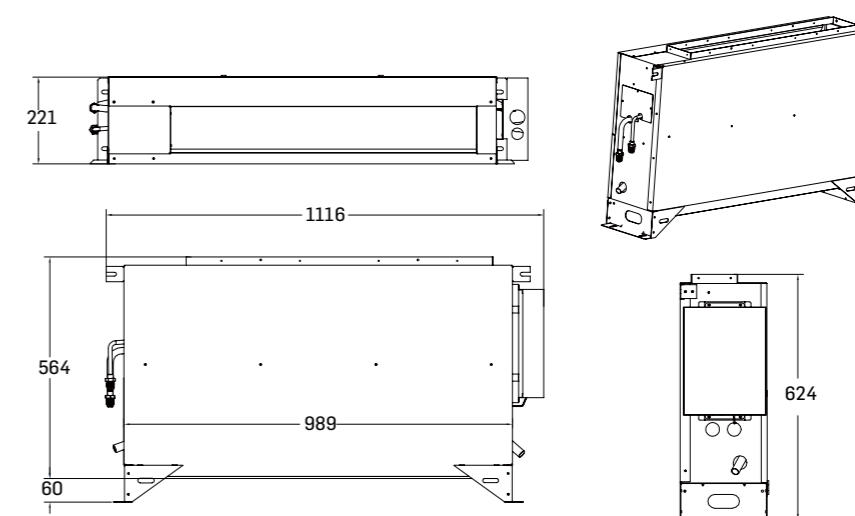
CONSOLE - RECESSED (AC MOTOR)



- Compact design suitable for installation space as little as 221 mm
- Good solution for installation beneath a window
- Washable filter fitted as standard
- 30 Pa available static pressure for small ducting or higher efficiency filter



Dimensions

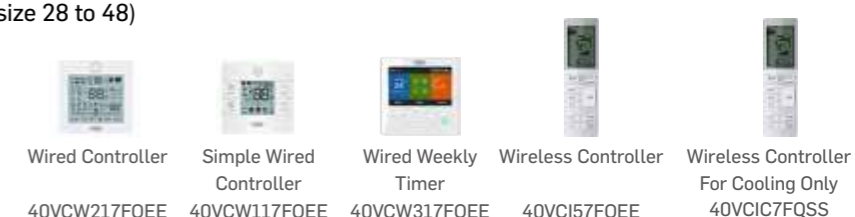




Indoor

FLEX CEILING FLOOR (AC MOTOR)

- Flexible installation, on the floor or under the ceiling
- Slim design – 199mm depth up to 24K
- Multiple direction for connection pipe setting
- Automatic horizontal and vertical louvers swing (size 28 to 48)



Wired Controller 40VCW217FQEE Simple Wired Controller 40VCW117FQEE Wired Weekly Timer 40VCW317FQEE Wireless Controller 40VCI57FQEE Wireless Controller For Cooling Only 40VIC7FQSS

Specifications

| Model Code | Item | Unit | 40VC009F-7G-QEE | 40VC012F-7G-QEE | 40VC016F-7G-QEE | 40VC018F-7G-QEE | 40VC024F-7G-QEE |
|-----------------------|---------------------------------|---------|------------------|------------------|------------------|------------------|------------------|
| Capacity | Cooling | kBtu/h | 9.5 | 12.3 | 15.4 | 19.1 | 24.2 |
| | | kW | 2.8 | 3.6 | 4.5 | 5.6 | 7.1 |
| | Heating | kBtu/h | 10.9 | 13.6 | 17.1 | 21.5 | 27.3 |
| | | kW | 3.2 | 4.0 | 5.0 | 6.3 | 8.0 |
| Electrical Parameters | Power Supply | Ph/V/Hz | 1,220-230,50/60 | 1,220-230,50/60 | 1,220-230,50/60 | 1,220-230,50/60 | 1,220-230,50/60 |
| | Power Consumption | W | 100 | 100 | 100 | 100 | 100 |
| Performance | Air Flow (H/M/L) | m³/h | 800/710/580 | 800/710/580 | 800/710/580 | 800/710/580 | 800/710/580 |
| | Sound Pressure Level(H/M/L) | dB(A) | 38/35/33 | 38/35/33 | 40/37/35 | 40/37/35 | 40/37/35 |
| | Sound Power Level(H/M/L) | dB(A) | 51/48/46 | 51/48/46 | 53/50/48 | 53/50/48 | 53/50/48 |
| Installation | External Dimensions(W x D x H) | mm | 990 x 655 x 199 | 990 x 655 x 199 | 990 x 655 x 199 | 990 x 655 x 199 | 990 x 655 x 199 |
| | Shipping Dimensions(W x D x H) | mm | 1160 x 730 x 280 | 1160 x 730 x 280 | 1160 x 730 x 280 | 1160 x 730 x 280 | 1160 x 730 x 280 |
| | Net/Shipping Weight | kg | 28.3/34.3 | 28.3/36.4 | 28.3/36.4 | 28.3/36.4 | 28.3/36.4 |
| | Refrigerant Liquid Pipe | mm | 6.35 | 6.35 | 6.35 | 6.35 | 9.52 |
| | Refrigerant Gas Pipe | mm | 9.52 | 12.7 | 12.7 | 12.7 | 15.88 |
| Drain Pump | O-optional,S-standard,W-without | / | Optional | Optional | Optional | Optional | Optional |

Specifications



| Model Code | Item | Unit | 40VC028F-7G-QEE | 40VC030F-7G-QEE | 40VC038F-7G-QEE | 40VC048F-7G-QEE |
|-----------------------|---------------------------------|---------|------------------|------------------|------------------|------------------|
| Capacity | Cooling | kBtu/h | 27.3 | 30.7 | 38.2 | 48.0 |
| | | kW | 8.0 | 9.0 | 11.2 | 14.0 |
| | Heating | kBtu/h | 30.7 | 34.1 | 42.6 | 55.0 |
| | | kW | 9.0 | 10 | 12.5 | 16.0 |
| Electrical Parameters | Power Supply | Ph/V/Hz | 1,220-230,50/60 | 1,220-230,50/60 | 1,220-230,50/60 | 1,220-230,50/60 |
| | Power Consumption | W | 200 | 200 | 400 | 400 |
| Performance | Air Flow (H/M/L) | m³/h | 2040/1820/1610 | 2040/1820/1610 | 2040/1820/1610 | 2040/1820/1610 |
| | Sound Pressure Level(H/M/L) | dB(A) | 43/40/38 | 43/40/38 | 46/42/38 | 46/42/38 |
| | Sound Power Level(H/M/L) | dB(A) | 56/53/51 | 56/53/51 | 59/55/51 | 59/55/51 |
| Installation | External Dimensions(W x D x H) | mm | 1580 x 700 x 240 | 1580 x 700 x 240 | 1580 x 700 x 240 | 1580 x 700 x 240 |
| | Shipping Dimensions(W x D x H) | mm | 1720 x 800 x 330 | 1720 x 800 x 330 | 1720 x 800 x 330 | 1720 x 800 x 330 |
| | Net/Shipping Weight | kg | 50/57 | 50/57 | 54/61 | 54/61 |
| | Refrigerant Liquid Pipe | mm | 9.52 | 9.52 | 9.52 | 9.52 |
| | Refrigerant Gas Pipe | mm | 15.88 | 15.88 | 15.88 | 15.88 |
| Drain Pump | O-optional,S-standard,W-without | / | Optional | Optional | Optional | Optional |



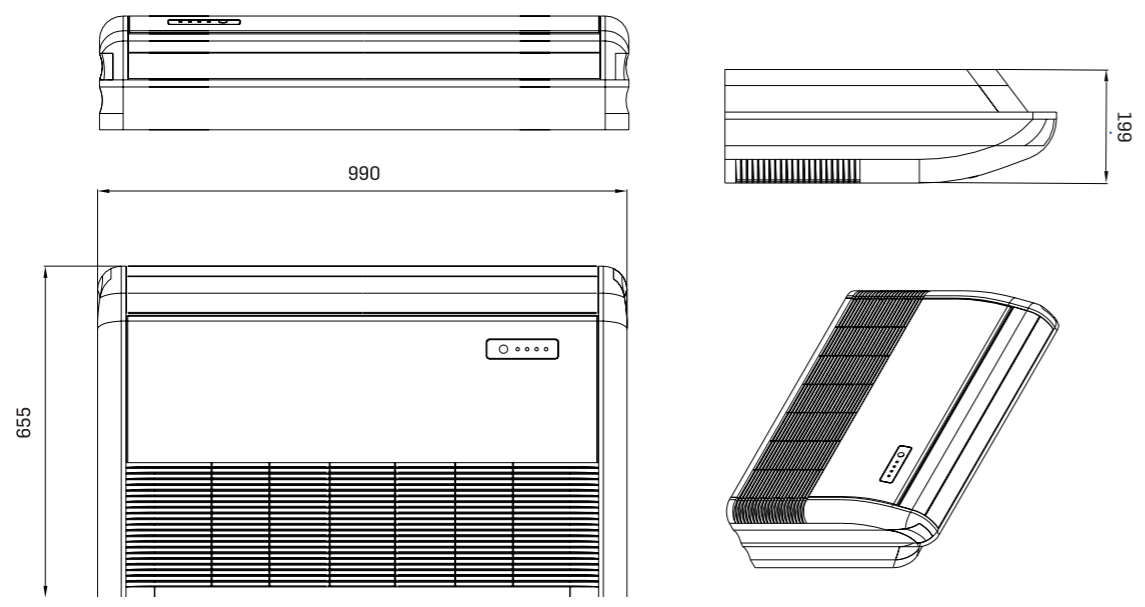
**FLEX CEILING FLOOR
(AC MOTOR)**



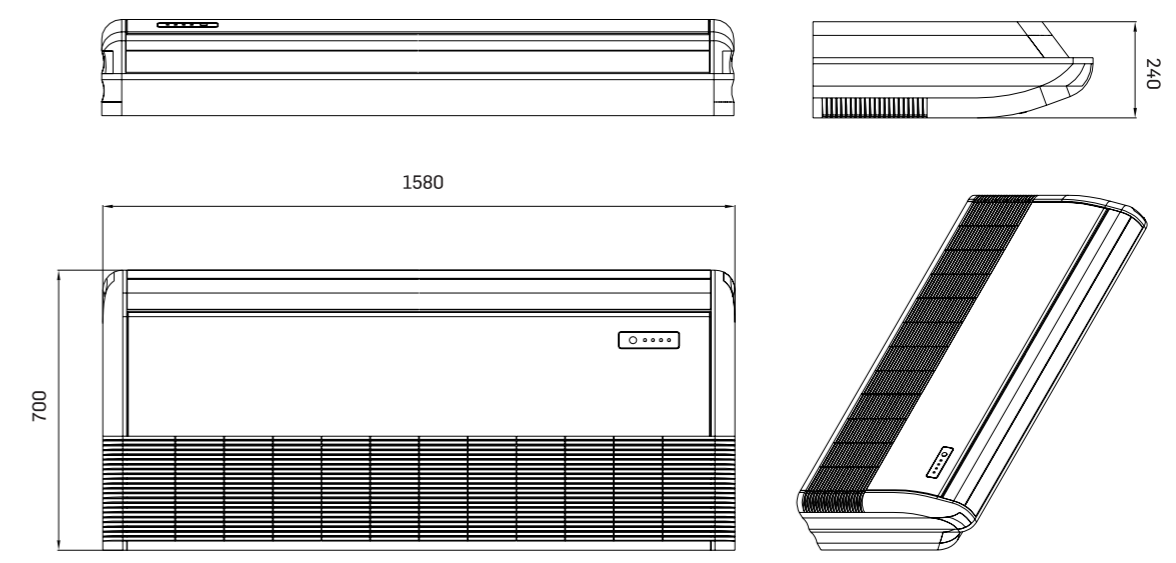
Indoor

Dimensions

40VC009/012/016/018/024F-7G-QEE



40VC028/030/038/048F-7G-QEE

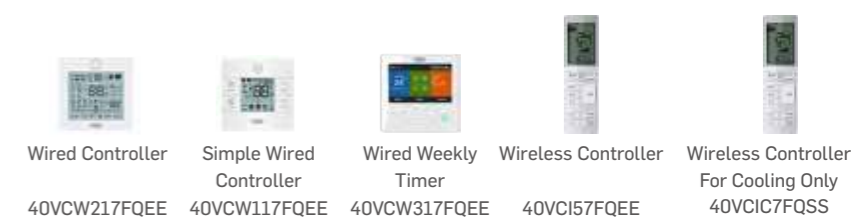




Indoor

FLEX CEILING FLOOR (DC MOTOR)

- Ultra compact design (230 mm), elegant balance of flexibility and simplicity
- Appealing, even without screen cover
- Easy installation and maintenance
- Simultaneous left and right swing control for optional freestyle airflow
- Easy access to PCB
- PM 2.5 filter available (optional)



Specifications

| Model Code | Item | Unit | 40VC009F-7S-QEE | 40VC012F-7S-QEE | 40VC016F-7S-QEE | 40VC018F-7S-QEE | 40VC024F-7S-QEE |
|-----------------------|--------------------------------|-------------------|------------------|------------------|------------------|------------------|------------------|
| Capacity | Cooling | kBtu/h | 9.5 | 12.3 | 15.4 | 19.1 | 24.2 |
| | | kW | 2.8 | 3.6 | 4.5 | 5.6 | 7.1 |
| | Heating | kBtu/h | 10.9 | 13.6 | 17.1 | 21.5 | 27.3 |
| | | kW | 3.2 | 4.0 | 5.0 | 6.3 | 8.0 |
| Electrical Parameters | Power Supply | Ph/V/Hz | 1,220-230,50/60 | 1,220-230,50/60 | 1,220-230,50/60 | 1,220-230,50/60 | 1,220-230,50/60 |
| | Power Consumption | W | 35 | 35 | 45 | 45 | 80 |
| Performance | Air Flow (H/M/L) | m ³ /h | 820/750/690 | 820/750/690 | 950/820/690 | 950/820/690 | 1420/1270/1240 |
| | Sound Pressure Level(H/M/L) | dB(A) | 38/36/34 | 38/36/34 | 42/38/35 | 42/38/35 | 46/44/41 |
| | Sound Power Level(H/M/L) | dB(A) | 52/50/47 | 52/50/47 | 55/51/48 | 55/51/48 | 60/58/54 |
| Installation | External Dimensions(W x D x H) | mm | 1000 x 230 x 680 | 1000 x 230 x 680 | 1000 x 230 x 680 | 1000 x 230 x 680 | 1330 x 230 x 680 |
| | Shipping Dimensions(W x D x H) | mm | 1100 x 305 x 779 | 1100 x 305 x 779 | 1100 x 305 x 779 | 1100 x 305 x 779 | 1425 x 305 x 779 |
| | Net/Shipping Weight | kg | 27.9/33.6 | 27.9/33.6 | 27.9/33.6 | 27.9/33.6 | 35.8/42.1 |
| | Refrigerant Liquid Pipe | mm | 6.35 | 6.35 | 6.35 | 6.35 | 9.52 |
| | Refrigerant Gas Pipe | mm | 9.52 | 12.7 | 12.7 | 12.7 | 15.88 |

Specifications



| Model Code | Item | Unit | 40VC028F-7S-QEE | 40VC030F-7S-QEE | 40VC038F-7S-QEE | 40VC048F-7S-QEE | 40VC054F-7S-QEE |
|-----------------------|--------------------------------|-------------------|------------------|------------------|------------------|------------------|-----------------|
| Capacity | Cooling | kBtu/h | 27.3 | 30.7 | 38.2 | 48.0 | 54 |
| | | kW | 8.0 | 9.0 | 11.2 | 14.0 | 16 |
| | Heating | kBtu/h | 30.7 | 34.1 | 42.6 | 55.0 | 60 |
| | | kW | 9.0 | 10 | 12.5 | 16.0 | 18 |
| Electrical Parameters | Power Supply | Ph/V/Hz | 1,220-230,50/60 | 1,220-230,50/60 | 1,220-230,50/60 | 1,220-230,50/60 | 1,220-230,50/60 |
| | Power Consumption | W | 105 | 105 | 126 | 126 | 126 |
| Performance | Air Flow (H/M/L) | m ³ /h | 1570/1420/1240 | 1570/1420/1240 | 2110/1990/1750 | 2110/1990/1750 | 2110/1990/1750 |
| | Sound Pressure Level(H/M/L) | dB(A) | 47/44/41 | 47/44/41 | 50/46/43 | 50/46/43 | 50/46/43 |
| | Sound Power Level(H/M/L) | dB(A) | 61/58/54 | 61/58/55 | 63/60/57 | 63/60/57 | 63/60/57 |
| Installation | External Dimensions(W x D x H) | mm | 1330 x 230 x 680 | 1330 x 230 x 680 | 1650 x 230 x 680 | 1650 x 230 x 680 | 1650*230*680 |
| | Shipping Dimensions(W x D x H) | mm | 1425 x 305 x 779 | 1425 x 305 x 779 | 1750 x 305 x 779 | 1750 x 305 x 779 | 1750*305*779 |
| | Net/Shipping Weight | kg | 35.8/42.1 | 35.8/42.1 | 43.5/50.5 | 43.5/50.5 | 43.5/50.5 |
| | Refrigerant Liquid Pipe | mm | 9.52 | 9.52 | 9.52 | 9.52 | 9.52 |
| | Refrigerant Gas Pipe | mm | 15.88 | 15.88 | 15.88 | 15.88 | 15.88 |

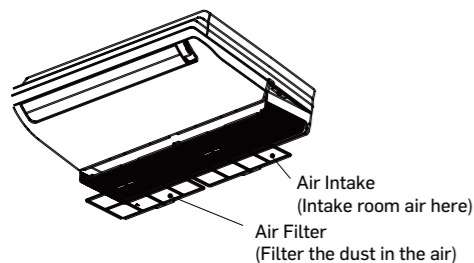


FLEX CEILING FLOOR (DC MOTOR)



Easy Service & Maintenance

- Easy removal of air filters for cleaning
- Easy access to indoor unit components
- Remote on/off function and alarm function



Design Aesthetics

- The visually ultra thin body features wave-shaped vents on both sides that embody multiple levels of design



- Visually screw-free, yet easy to maintain

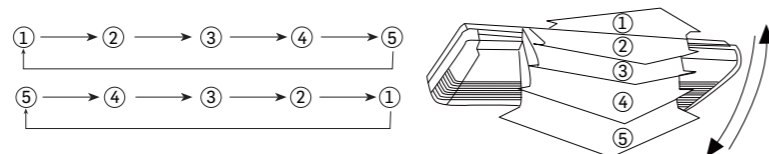


PM 2.5 Filter (Optional)

| UNIT MODEL | FILTER MODEL NAME | FILTER SIZE | FILTER PIC |
|-----------------------------|-------------------|---------------|------------|
| 40VC009/012/016/018F-7S-QEE | 40VFC018F7-QEE | 133*52*10 | |
| 40VC024/028/030F-7S-QEE | 40VFC054F7-QEE | 224*69.3*10 | |
| 40VC038/048/054F-7S-QEE | 2*40VFC054F7-QEE | 2*224*69.3*10 | |

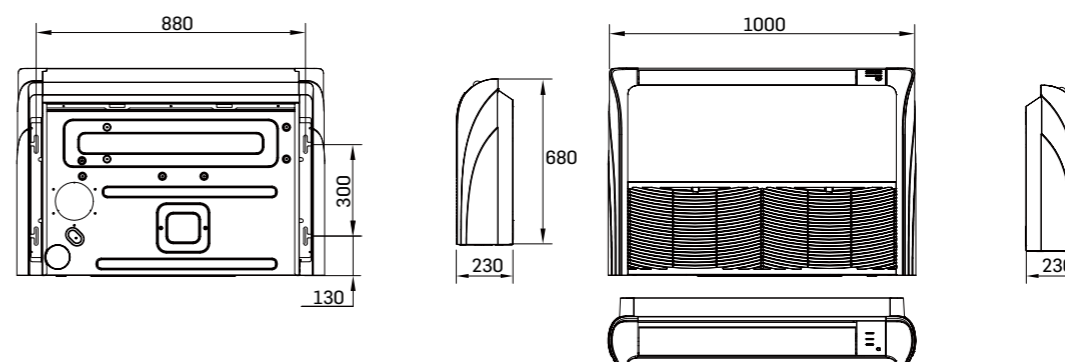
Multiple Air Distribution Directions

On pressing the SWING button, the flap changes between the following positions:

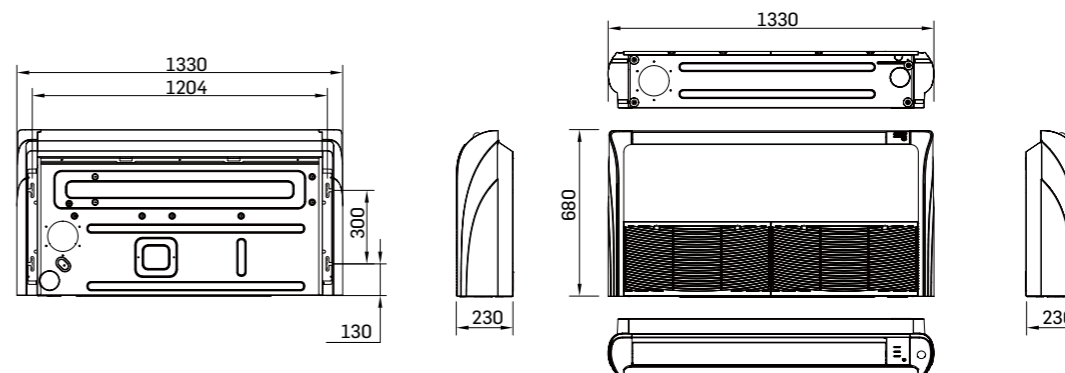


Dimensions

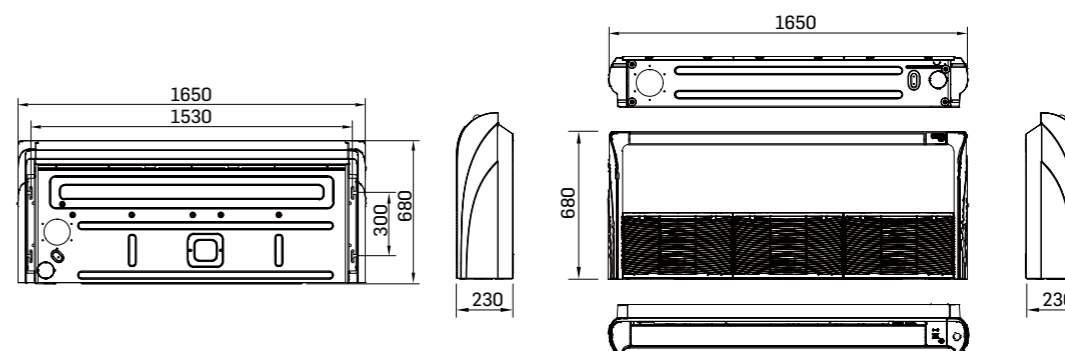
40VC009/012/016/018F-7S-QEE



40VC024/028/030F-7S-QEE



40VC038/048/054F-7S-QEE





Indoor



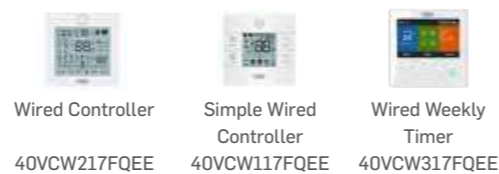


Indoor

OUTSIDE AIR UNIT 40VDA



- AC Motor
- Rear air return with plenum
- Flexible discharge duct connection
- Static pressure setting 100-185 or 200 Pa
- 3 models ranging from 14 kw to 28 kw
- Three models can be installed with indoor unit from 14-28 (kW) to provide 100% outside air or in combination with other VRF indoor units (up to 30% outside air)-connection ratio 80 to 100%
- Optional drain pump 700 mm pump head 40VAD096P7FQEE



Note: Not compatible with SD ODU

Specifications

COOLING HEATING

| Model Code | Item | Unit | 40VD048A-7G-QEE | 40VD072A-7G-QEE | 40VD096A-7G-QEE |
|-----------------------|---------------------------------|---------|------------------|------------------|------------------|
| Capacity | Cooling | kBtu/h | 47.7 | 77.1 | 95.5 |
| | | kW | 14 | 22.6 | 28 |
| | Heating | kBtu/h | 30.4 | 51.8 | 60.8 |
| | | kW | 8.9 | 15.2 | 17.8 |
| Electrical Parameters | Power Supply | Ph/V/Hz | 1/220-230/50/60 | 1/220-230/50/60 | 1/220-230/50/60 |
| | Power Consumption | W | 560 | 730 | 870 |
| Performance | Air Flow (H/M/L) | m³/h | 1600/1460/1070 | 2300/1900/1320 | 2800/2400/1820 |
| | Sound Pressure Level(H/M/L) | dB(A) | 48/47/42 | 55/53/50 | 55/54/52 |
| | Sound Power Level(H/M/L) | dB(A) | 61/60/56 | 68/65/60 | 68/66/62 |
| Installation | External Dimensions(W x D x H) | mm | 1355 x 876 x 360 | 1725 x 876 x 360 | 1725 x 876 x 360 |
| | Shipping Dimensions(W x D x H) | mm | 1386 x 966 x 418 | 1830 x 990 x 530 | 1830 x 990 x 530 |
| | Net/Shipping Weight | kg | 69/74 | 100/127 | 101/128 |
| | Refrigerant Liquid Pipe | mm | 9.52 | 9.52 | 9.52 |
| | Refrigerant Gas Pipe | mm | 15.88 | 25.4 | 25.4 |
| | Static Pressure (Standard/Max.) | Pa | 100/185 | 100/200 | 100/200 |

The Matching Rule of Outside Air Unit

| Duct Fresh Air Unit | Connection Method | Quantity of Outside Air Unit | Outdoor Unit Selection |
|---------------------|--------------------------------|------------------------------|--------------------------------|
| 40VD048A-7G-QEE | Outside air unit only | 2 | 10 HP |
| | Together with VRF indoor units | 1 | Minimum outdoor capacity 18 HP |
| 40VD072A-7G-QEE | Outside air unit only | 1 | 8 HP |
| | Together with VRF indoor units | 1 | Minimum outdoor capacity 28 HP |
| 40VD096A-7G-QEE | Outside air unit only | 1 | 10 HP |
| | Together with VRF indoor units | 1 | Minimum outdoor capacity 34 HP |



OUTSIDE AIR UNIT

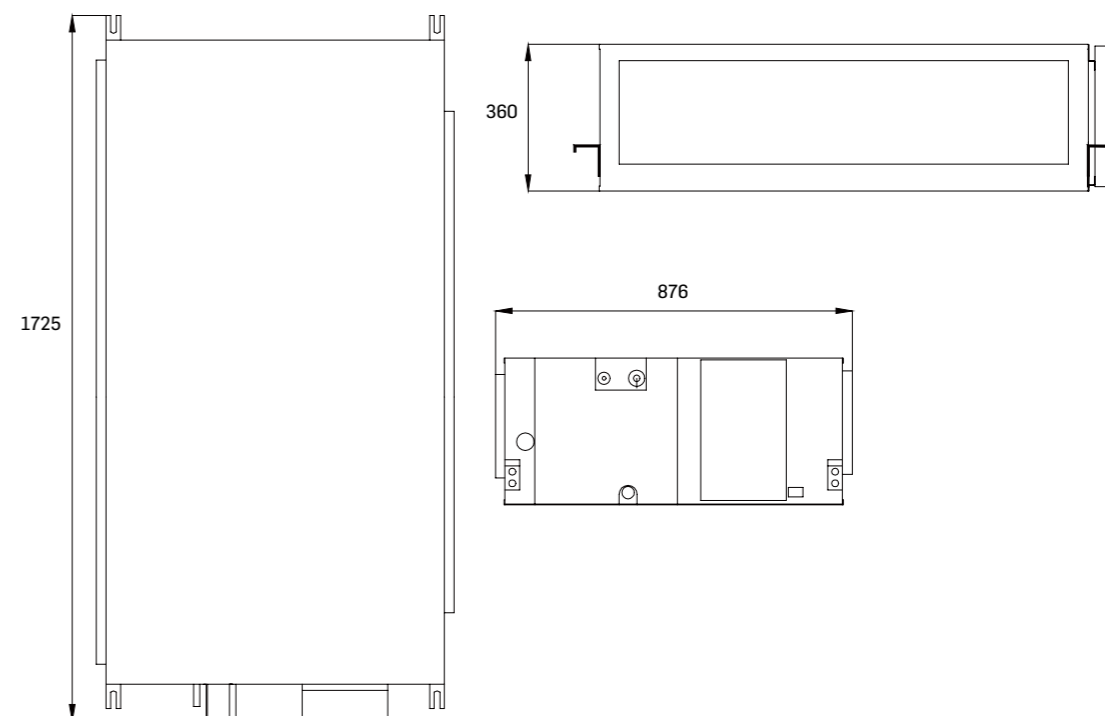
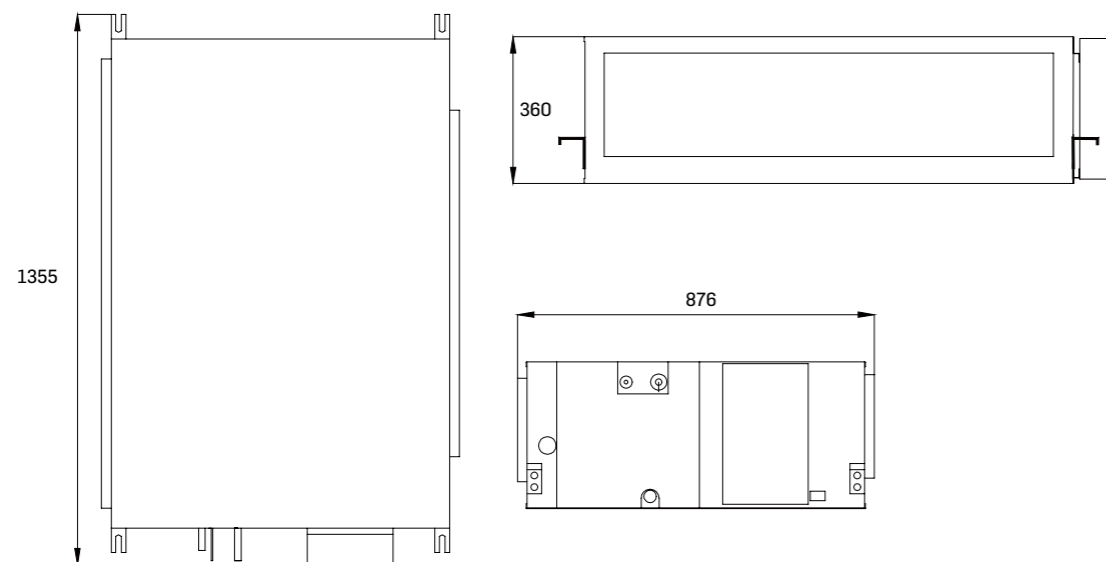


Indoor

Dimensions

40VD048A-7G-QEE

40VD072/096A-7G-QEE





Indoor

Specifications

| Model Code | Item | Unit | 40VH015A-7G-QEE | 40VH026A-7G-QEE | 40VH050A-7G-QEE | 40VH080A-7G-QEE | 40VH100A-7G-QEE |
|-----------------------|--------------------------------|-------------------|------------------|------------------|-------------------|-------------------|-------------------|
| Electrical Parameters | Power Supply | Ph/V/Hz | 1/220-230/50/60 | 1/220-230/50/60 | 1/220-230/50/60 | 1/220-230/50/60 | 1/220-230/50/60 |
| | Rated Power Input | KW | 0.1 | 0.12 | 0.36 | 0.36 | 0.36 |
| | Rated Current | A | 0.55 | 0.55 | 1.65 | 1.65 | 1.65 |
| Performance | Air Flow (H) | m ³ /h | 150 | 260 | 500 | 800 | 1000 |
| | Sound Pressure Level(H/L) | dB(A) | 44/43 | 44/43 | 57/55 | 57/55 | 57/55 |
| | Sound Power Level(H/L) | dB(A) | 55/54 | 55/54 | 68/66 | 68/66 | 68/66 |
| Installation | External Dimensions(W x D x H) | mm | 632 x 553 x 276 | 632 x 553 x 276 | 1227 x 1115 x 387 | 1227 x 1115 x 387 | 1227 x 1115 x 387 |
| | Shipping dimensions(W x D x H) | mm | 1000 x 760 x 320 | 1000 x 760 x 320 | 1452 x 1200 x 410 | 1452 x 1200 x 410 | 1452 x 1200 x 410 |
| | Net/Shipping Weight | kg | 28.7/31.2 | 28.7/31.2 | 85.5/90.6 | 85.5/90.6 | 85.5/90.6 |
| | Static Pressure | Pa | 80 | 60 | 150 | 120 | 100 |

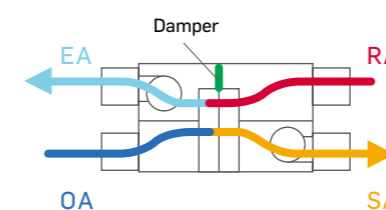
HRV



- Five models ranging from 150 CMH to 1000 CMH
- Efficient heat recovery air processing
- Efficiency up to 78% on temperature exchanger & 65% on enthalpy (cooling)
- Independent 220V power supply
- Can run in slight over-pressure or under-pressure mode

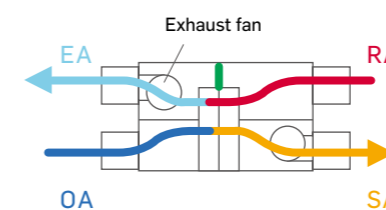
Note: This unit doesn't require refrigerant connection

Air to Air Heat Exchanger Process Patterns



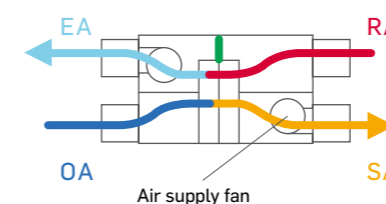
Heating Mode

Outdoor cold air and hot return air cross through the heat recovery element. The unit blows warmer air inside the ducts to the room.



Cooling Mode

Outdoor hot air and cold return air cross through the heat recovery element. The unit blows cooler air inside the ducts to the room.



Free Cooling Mode

Outdoor air passes without heat recovery treatment.



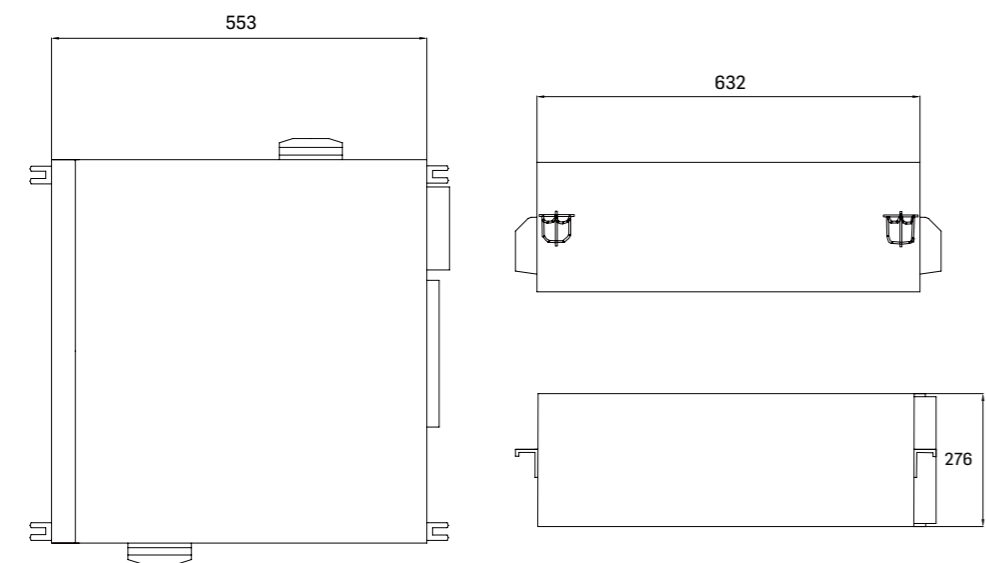
HRV



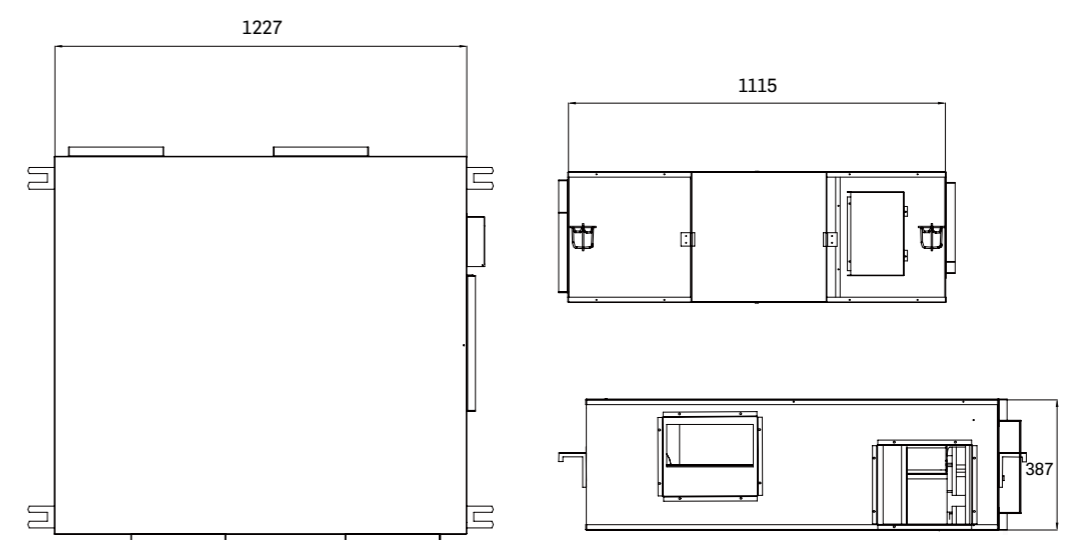
Indoor

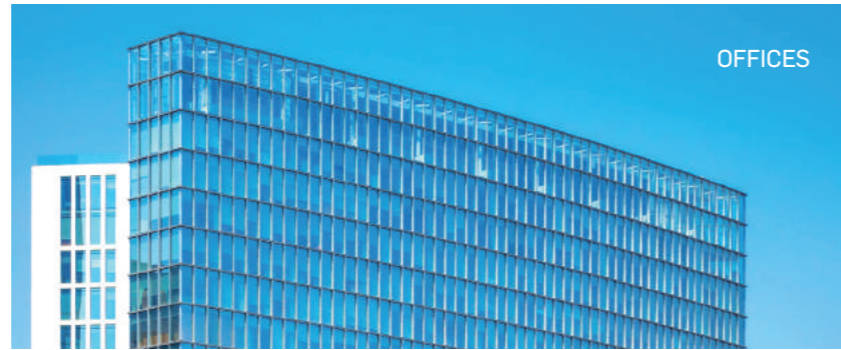
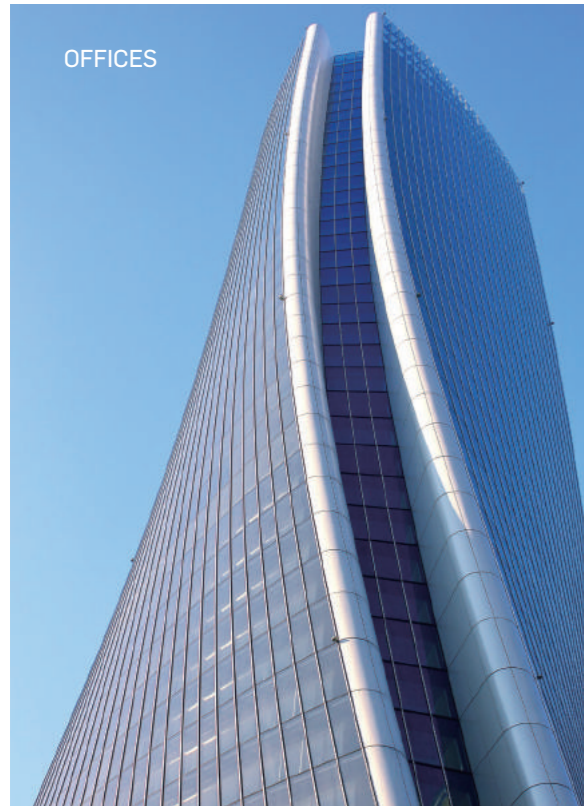
Dimensions

40VH015/026A-7G-QEE



40VH050/080/100A-7G-QEE





AHU DX KITS CONNECTION

- 143 TA CONTROL TYPE
- 145 DDC CONTROL TYPE
- 147 UNIT STRUCTURE



OFFICES



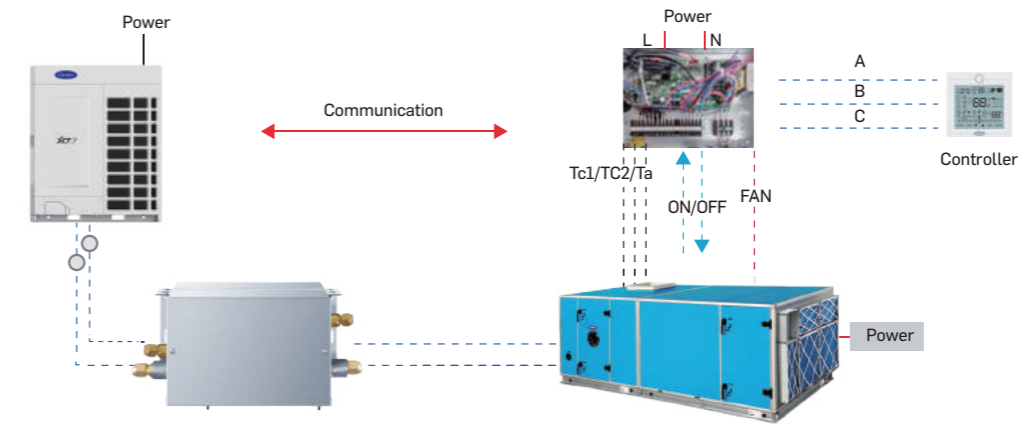
RETAIL



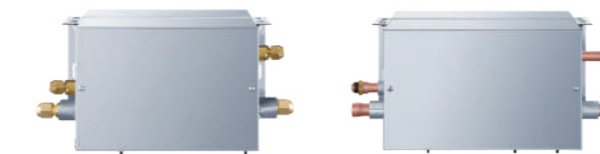
ADMINISTRATIONS



AHU Connection Kit Control



Specifications



| Model | 40VA010T7FAQEE | 40VA020T7FAQEE |
|---|------------------------------|------------------------------|
| Connected AHU Capacity | 14 ≤ x ≤ 28 kW (5-10 HP) | 28 < x ≤ 56kW (10-20 HP) |
| Power Supply (Ph/V/Hz) | 1/220-240/50/60 | 1/220-240/50/60 |
| Dimensions (mm)(L x H x W) | (350 x 226 x 155) | (433 x 296 x 193) |
| Shipping Dimensions (mm)(L x H x W) | (606 x 295 x 209) | (667 x 365 x 249) |
| Material | Galvanized steel | Galvanized steel |
| Weight (kg) | 6 | 8 |
| Shipping Weight (kg) | 10 | 13 |
| Liquid Pipe (mm) | 9.52 (Main) / 12.7 | 12.7 (Main) / 15.88 |
| Gas Pipe (mm) | 25.4 (Main) / 22.2 / 19.05 | 28.58 (Main) / 25.4 / 22.22 |
| Pipe Connection Method | Flare connection and welding | Flare connection and welding |
| AHU Kit - AHU Coil Max Single Pipe Length (m) | 5 | 5 |
| AHU Kit - AHU Coil Max Height Difference (m) | 5 | 5 |

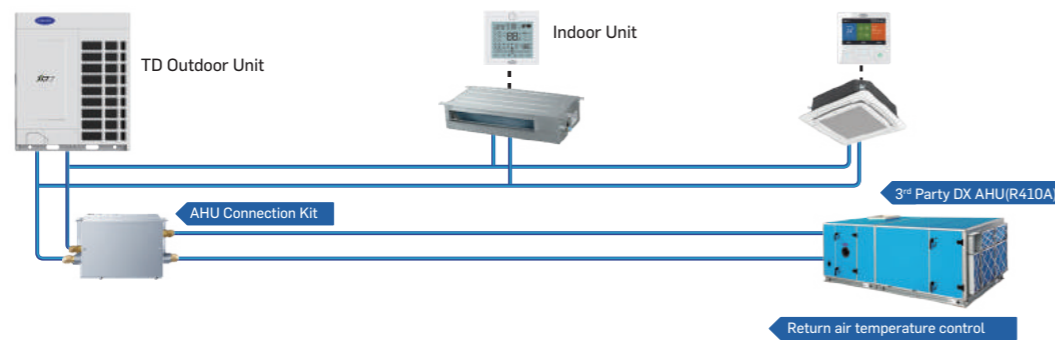


AHU DX Coil kit (TA Control)

Easy Installation

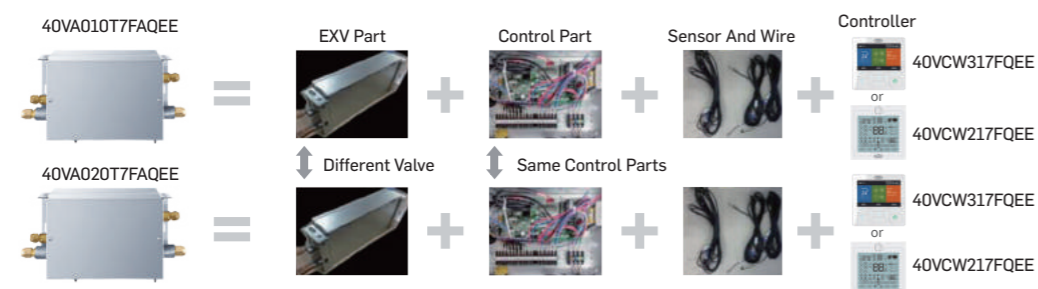
Carrier offers a range of connection kits to connect VRF outdoor units to 3rd party DX AHU (R410A)

- 2 connections are possible:
 - Mixed with VRF indoor units, AHU capacity should less than 30% of total capacity
 - AHU alone
- Combination Ratio between AHU & VRF ODU:
 - 90~110% for AHU alone
 - 50~110% with VRF IDU connection
- Compatible to XCT7 TD up to 60HP (3 kits) & XCT7 SD (8/10/12HP)
- Compatible with all XCT7 VRF control solutions



AHU Kit Configuration

Carrier's AHU connection kit consists the following 4 parts, where controller is optional:





AHU Kit

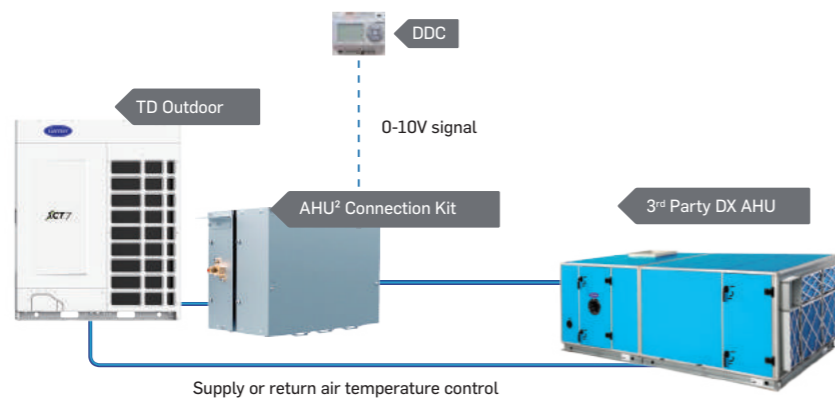


AHU DX Kit (DDC Control)

Easy Installation

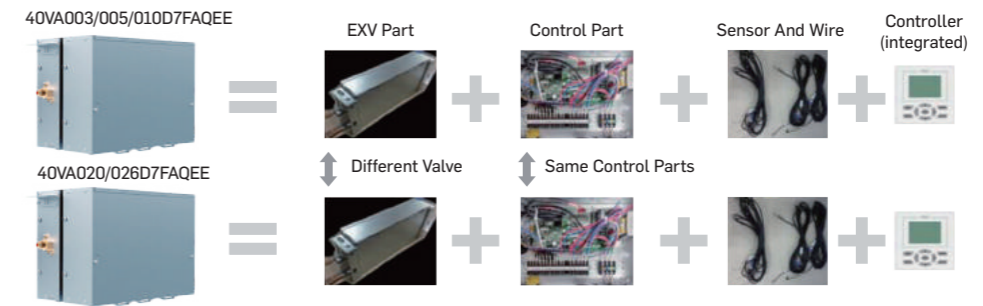
Carrier offers a range of connection kits to connect XCT7 outdoor units to 3rd party DX AHU, with DDC or TA control configuration

- 2 connections are possible:
 - Mixed with VRF indoor units, AHU capacity should less than 30% of total capacity
 - AHU alone
- Combination Ratio between AHU & VRF ODU:
 - 90-110% for AHU alone
 - 50-110% with VRF IDU connection
- Compatible to XCT7 top discharge up to 104HP(4 kits) & XCT7 side discharge (4 to 12 HP)
- Compatible with all XCT7 VRF control solutions



AHU Kit Configuration

Carrier 2nd generation AHU kit also contains the following 4 parts:



Control Solutions

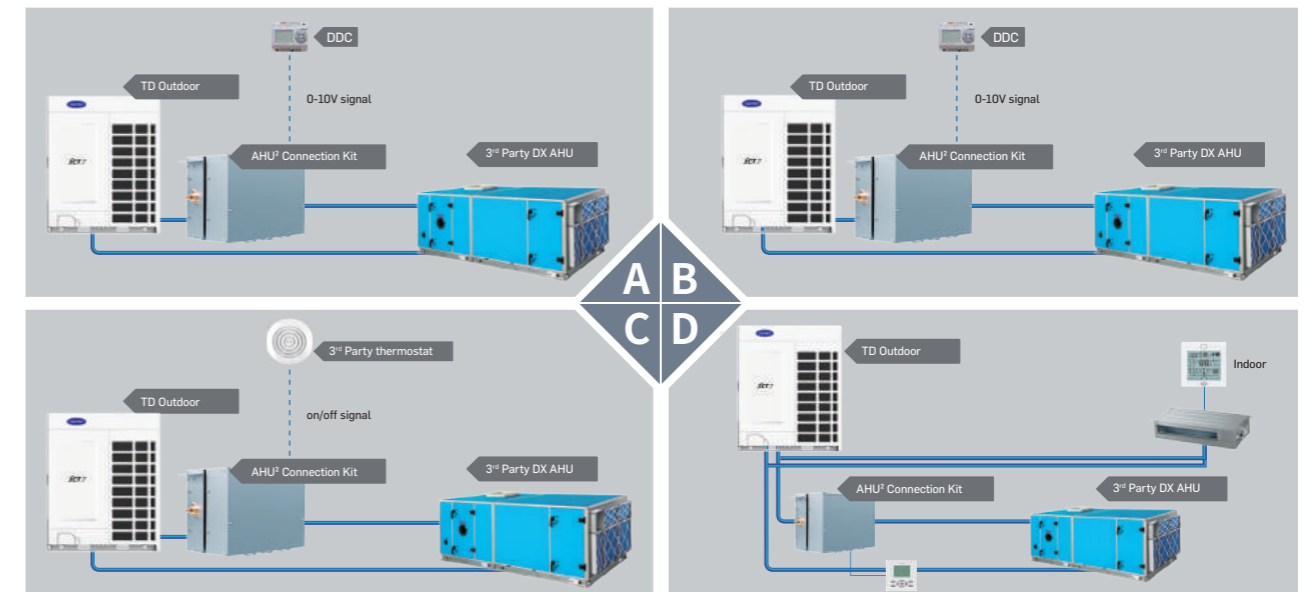
Four control methods can be used, which can be switched by dip switch based on the site scenario

Control solution for application with the 3rd party AHU with DDC controller

- Supply air temperature or return air temperature controllable
- Control AHU by temperature sensors and 0-10 V signal of DDC controller which is supplied locally
- Similar to B control solution, the difference is unproportional 0-10V algorithm for outdoor units capacity control

Control solution: For application with the 3rd party AHU with DDC controller

- Supply air temperature or return air temperature controllable
- Control AHU by temperature sensors and 0-10V signal of DDC controller which are supplied locally
- Similar to A control solution, more accurate temperature control than A



Control solution for application with 3rd party thermostat instead of DDC

- No additional DDC controller required
- Simple and cheap
- Indirect room temperature control

Control solution for system integrating 3rd part AHU with other VRF

- Control the AHU as a VRF indoor units



AHU Kit

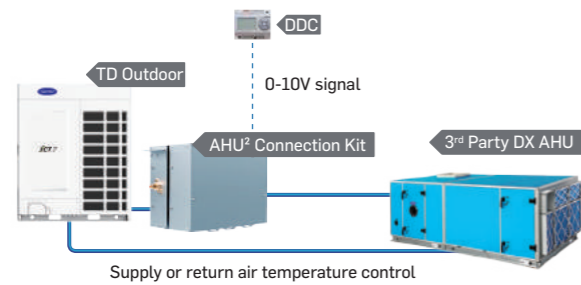
UNIT STRUCTURE

Features

- Extend the AHU connected capacity per kit, ranging from 3.5 kW to 73 kW, which can meet small, medium and large buildings demands
- Add the 0-10V signal control, for DDC configuration
- Supply air temperature or return air temperature controllable
- Remove the gas pipe, more convenient for installation
- Save space through compact design
- Compatible with XCT7 Heat pump TD up to 104 HP (4 kits) & XCT7 SD 4-12 HP (2 fan chassis)

DDC or TA control

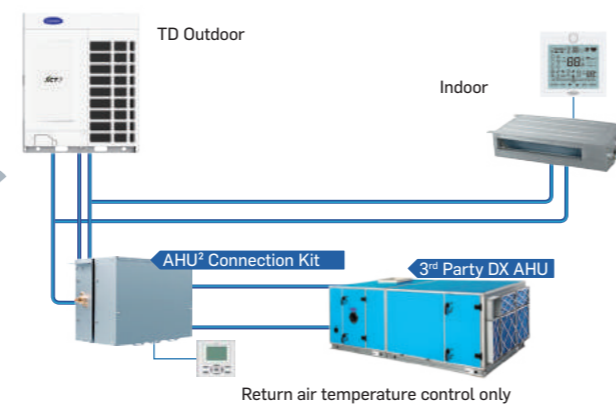
40VA_D7FAQEE



VS

TA control only

40VA_T7FAQEE



Specifications (DDC control)



40VA003D7FAQEE
40VA005D7FAQEE
40VA010D7FAQEE



40VA020D7FAQEE
40VA026D7FAQEE

| Model | 40VA003D7FAQEE | 40VA005D7FAQEE | 40VA010D7FAQEE | 40VA020D7FAQEE | 40VA026D7FAQEE |
|---|------------------------|-----------------------|-------------------------|--------------------------|--------------------------|
| Connected AHU Capacity | 3.5 ≤ x ≤ 7 kW (1-3HP) | 7 < x ≤ 14 kW (3-5HP) | 14 ≤ x ≤ 28 kW (5-10HP) | 28 < x ≤ 56 kW (10-20HP) | 56 < x ≤ 73 kW (20-26HP) |
| Power Supply (Ph/V/Hz) | 1/220-240/50/60 | 1/220-240/50/60 | 1/220-240/50/60 | 1/220-240/50/60 | 1/220-240/50/60 |
| Dimensions (mm)(L x H x W) | (420 x 260 x 165) | (420 x 260 x 165) | (420 x 260 x 165) | (420 x 260 x 215) | (420 x 260 x 215) |
| Shipping Dimensions (mm)(L x H x W) | (520 x 340 x 225) | (520 x 340 x 225) | (520 x 340 x 225) | (520 x 340 x 275) | (520 x 340 x 275) |
| Material | Galvanized Steel | Galvanized Steel | Galvanized Steel | Galvanized Steel | Galvanized Steel |
| Color | Grey | Grey | Grey | Grey | Grey |
| Weight (kg) | 5.5 | 5.5 | 5.5 | 6.5 | 6.5 |
| Shipping Weight (kg) | 8.5 | 8.5 | 8.5 | 10 | 10 |
| Liquid Pipe (mm) | 9.52 | 9.52 | 9.52 (Main) / 12.7 | 12.7 (Main) / 15.88 | 15.88 |
| AHU Kit - Indoor Units Max Single Pipe Length (m) | 5 | 5 | 5 | 5 | 5 |
| AHU Kit - Indoor units Max Drop (m) | 5 | 5 | 5 | 5 | 5 |








CONTROLLER

155 INDIVIDUAL CONTROLLER



157 CENTRALIZED CONTROLLER

161 BMS






Individual Controller Features

| Item | Infrared Controller | Infrared Controller | Wired Controller | Wired Weekly Time Controller | Wired Simple Controller | Remarks |
|----------------------------------|---|---|---|--|---|--|
| Model | 40VIC17FQSS | 40VIC17FQEE | 40VCW217FQEE | 40VCW317FQEE | 40VCW117FQEE | |
| picture |  |  |  |  |  | |
| Dimensions (W*H*D) mm | 180 x 54.3 x 28 | 180 x 54.3 x 28 | 86 x 86 x 13.07 | 120 x 120 x 17.8 | 86 x 86 x 15.8 | |
| Power Supply | Battery | Battery | 12 V AC | 12 V AC | 12 V AC | |
| Connectivity | Max. IDUs Controllable | 1 | 1 | 16 | 16 | 16 |
| | Max. Groups Controllable | 1 | 1 | 1 | 1 | 1 |
| | On/Off | ● | ● | ● | ● | ● |
| Basic Control Function | Mode Setting | Auto-Heat-Cool-Fan-Dry | ● | ● | ● | ● |
| | | Auto-Cool-Fan-Dry | ● | / | / | / |
| | Fan Speed Adjustment | ● | ● | ● | ● | ● |
| | Temperature Setting | ● | ● | ● | ● | ● |
| | Airflow Direction — Up & Down | ● | ● | ● | ● | ● |
| Airflow Direction — Left & Right | ● | ● | ● | ● | ● | Whether the function is available depends on Indoor units. |
| Precise Temp. Control | +/-0.5°C | ● | ● | ● | ● | ● |
| | °F/°C | ● | ● | ● | ● | ● |
| Display | Set-point Temp. Display | ● | ● | ● | ● | ● |
| | Real Time Clock | ● | ● | ● | ● | / |
| | Day | / | / | / | ● | / |
| | IDU Status Display, Including Qty Online, Standby or Running | / | / | / | ● | / |
| | Backlight | / | / | ● | ● | ● |
| Advanced Function | Sleep | ● | ● | ● | ● | / |
| | Child Lock | / | / | ● | ● | ● |
| | Quiet | ● | ● | ● | ● | / |
| | Turbo | ● | ● | ● | ● | / |
| | Round-Way Cassette Blade Adjustment | ● | ● | ● | ● | / |
| | Human Sensor Function | ● | ● | ● | ● | / |
| | Electric Heater | ● | ● | ● | ● | / |
| | Control Lock(Under Central Controller) | / | / | ● | ● | ● |
| | Temp. Range Limitation (For Energy Saving) | / | / | ● | ● | ● |
| | Temp. Compensation | / | / | ● | ● | ● |
| | Forced Cooling/Heating | / | / | ● | / | ● |
| | Screen Saving | / | / | ● | ● | ● |
| | Screen Brightness Adjustment | / | / | / | ● | / |
| | 10°C Heating | / | ● | ● | ● | / |
| | Schedule/Timer | Timer On/Off | ● | ● | ● | ● |
| Weekly Schedule | | / | / | / | ● | / |
| Forced Defrost | | / | / | ● | ● | / |
| Installer Info. | Error Code | / | / | ● | ● | ● |
| | Filter Clean Indicator | / | / | ● | ● | ● |
| | ESP Grades Adjustment | / | / | ● | ● | / |
| | Installer Setting | / | / | ● | ● | / |
| | Service Help | / | / | / | ● | / |
| | Password | / | / | / | ● | / |
| | Parameter Check | / | / | ● | ● | ● |
| | Unit No. Setting | / | / | ● | ● | ● |
| | Non Volatile Memory (Power Off Memory) | / | / | ● | ● | ● |
| | Sensor Error Display | / | / | ● | ● | ● |

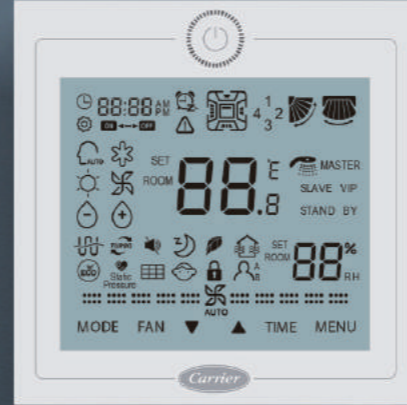
Centralized Controller & Local BMS Features

| Item | Group Controller | Touchscreen Controller | Touchscreen Controller | Local Control | Remote monitoring | |
|-----------------------------|---|---|---|---|---|------------|
| Model | 40VCC317FQEE | 40VCC617FQEE | 40VCC727FQEE | 40VCB117FQEE | 40VCB217FQEE | |
| picture |  |  |  |  |  | |
| Dimensions (W*H*D) mm | 120 x 120 x 17.8 | 190 x 130 x 20 | 302.5 x 187.7 x 25 | | 137.25 x 260.5 x 69.2 | |
| Power Supply | 12 V DC | 12 V DC | 12 V DC | / | AC 110-240 | |
| Connectivity | Max. Controllable IDUs | 32 | 256 | 800 | 400 | |
| | Max. ODUs System (Max. Gateway Qty) | 8 | 32 | 32 x 2 | 32 | 20 x 4 |
| Screen | Screen Type | TFT LCD | TFT LCD | TFT LCD | / | / |
| | Screen Dimension | 4.3 | 7" | 12.5 | / | / |
| | Button Type | Touch Button | Touch Button | Touch Button | / | / |
| | Backlight | ● | ● | ● | / | / |
| | Screen Saver | ● | ● | ● | / | / |
| Display | Screen Brightness Adjustment | ● | ● | ● | / | / |
| | Indoor Temperature | ● | ● | ● | ● | ● |
| | Clock And Day | ● | ● | ● | ● | ● |
| | °C/°F Switch | / | ● | ● | ● | / |
| Standard Control Function | General IDU Status Statistics Display | / | ● | ● | / | / |
| | On/Off | ● | ● | ● | ● | ● |
| | Mode (Auto-Cool-Dry-Heat-Fan-Auto) | ● | ● | ● | ● | ● |
| | Temperature Setting | ● | ● | ● | ● | ● |
| | Precise Temp. Control 1°C/0.5°C | ±1°C | ±1°C | ±1°C/±1°F | ±1°C/±1°F | ±1°C/±1°F |
| Central Control | Fan Speed (Auto-Low-Mid-High) | ● | ● | ● | ● | ● |
| | Group (Zone) Control | ● | ● | ● | ● | ● |
| | One Button For All On/Off | / | ● | ● | ● | ● |
| Shedule | Group (Zone) Name Setting | ● | ● | ● | ● | ● |
| | Group (Zone) Name Display | ● | ● | ● | ● | ● |
| | Daily | ● | ● | ● | ● | ● |
| | Weekly | ● | ● | ● | ● | ● |
| Electricity Data Management | Special Day | / | ● | ● | ● | ● |
| | Schedule Programs Qty | 16 | 32 | 100 | No Limit | No Limit |
| | Electricity Bill | / | / | / | ● | ● |
| | Historical Electricity Data | / | / | / | / | ● |
| | Historical Electricity Data Curve | / | / | / | / | ● |
| Advanced Function | Child Lock | ● | ● | / | / | / |
| | Control Mode (LIFI/Central/Lock) | ● | ● | ● | ● | ● |
| | ECO (Set temp. Range Limit) | ● | ● | ● | ● | / |
| | Unit/Groups Setting | ● | ● | ● | ● | ● |
| | IDU No. Display | ● | ● | ● | ● | ● |
| | Unit Running Time Display | ● | ● | / | ● | ● |
| | Unit Running Curve | / | / | / | / | ● |
| | IDU Parameter Display | ● | ● | ● | ● | ● |
| | Working Mode (Cool Only/Heat Only/No Limit) | / | ● | ● | ● | ● |
| | Floor Layout (Floor Navigation) | / | / | ● | ● | ● |
| HRV Control | HRV ON/OFF | ● | ● | / | / | / |
| | HRV Fan (Low Air Exchange-High Air Exchange-Low-High) | ● | ● | / | / | / |
| Installer Info. | Password | ● | ● | ● | ● | ● |
| | Error Code | ● | ● | ● | ● | ● |
| | Error Record Check | ● | ● | ● | ● | ● |
| | Parameter Inquiry | ● | ● | ● | ● | ● |
| | Reset | ● | ● | ● | ● | ● |
| User Account Management | Detailed IDU Parameters Display | / | / | ● | ● | ● |
| | User Info. | / | / | ● | ● | ● |
| Control Type | User Account Management Level | / | / | ● | ● | ● |
| | Local Control Panel | ● | ● | ● | ● | ● |
| Communication | PC Version | / | / | ● | ● | ● |
| | Input | RS-485 1CH | RS-485 1CH | RS-485 5CH | RS-485 1CH | RS-485 4CH |
| | Output | / | RS-485 1CH | RS-485 1CH | RS-485 1CH | TCP IP |
| Protocol | / | Modbus Rtu | Modbus Rtu | Modbus Rtu | Modbus IP or Bacnet IP | |

Adapters & BMS Gateway Features

| Item | Protocol Adapter & Electricity Data | Protocol Adapter | Lonworks™ Gateway | KNX® Gateway | BACnet® Gateway |
|---------------------------|---|---|---|---|---|
| Model | 40VCBM17FQEE | 40VCCR17FQEE | 40VCBL17FQEE | 40VCBK17FQEE 40VCBK27FQEE 40VCBK37FQEE | 40VCBB17FQEE |
| Protocol | Modbus Rtu | Modbus Rtu | Lonworks™ | KNX® | BACnet® IP |
| Picture |  |  |  |  |  |
| Power Supply | 220 V AC | With 12 V DC trans former | 24 V DC | 29 V DC | AC and DC rated voltage 24 V, working range 12 V to 24 V |
| Dimensions (W*H*D) mm | 200 x 130 x 43 | 125 x 120 x 40 | 90 x 70 x 22 | 70 x 70 x 28 | 142 x 91 x 35 |
| Communication Port-Input | AC Port (PQ Connection) | 1 | 1 | | |
| | RS485 | | 1ch | 1ch | 2ch |
| | Pulse Port | 1 | | | |
| Communication Port-Output | RS485 | 1ch (3 rd party Or 40VCB117FQEE, 40VCB217FQEE) | RS485 2ch (for central controller or 3 rd party 1ch; for 40VCB117FQEE, 40VCB217FQEE) | | |
| | RS485 For Lonworks Protocol Device | | 1ch | | |
| | Bacnet IP | | | | 1 |
| | KNX | | | KNX port plug-in terminal block(2 poles) | |
| Operation Temp. | -30-52°C | -20-70°C | -20-70°C | 0-60°C | -20-70°C |
| Stock Temp. | -30-52°C | -40-85°C | -40-85°C | -20-85°C | -40-85°C |
| Operational Humidity | 10%-85% | 5-90% (non-condensing) | 5-90% (non-condensing) | <90%,RH, non-condensing | 5-90% (non-condensing) |
| Stock Humidity | 10%-85% | 5-95% (non-condensing) | 5-95% (non-condensing) | <90%,RH, non-condensing | 5-95% (non-condensing) |
| Function Description | Converter homebus to Modbus And Electricity collection and distribution function must connect this adapter. | Converter homebus to Modbus For SD ODU | For SD ODU Works with 40VCCR17FQEE to converter Modbus to Lonworks™ | For SD ODU Works with 40VCCR17FQEE to converter Modbus to KNX® | For SD ODU Works with 40VCCR17FQEE to converter Modbus to BACnet® IP |





Controller



INDIVIDUAL CONTROLLER



40VCI57FQEE(40VCIC7FQSS) Wireless Remote Controller

- Basic function: On/off, mode, fan speed, temperature setting, swing
- Turbo, quiet
- Individual louver control for MINI 4-way cassette and Round Flow 4-way cassette
- Clock & timer
- Follow/evade function
- Celsius to fahrenheit



40VCIR7FQEE Infrared Receiver

- For duct units



40VCW117FQEE Simple Wired Controller

- Alternating current
- Basic function: on/off, mode, fan speed, temperature
- Individual & group controller (max 16 indoor units)
- Simple and smart design, 86*86*15.80mm
- Could receive wireless controller signal



40VCW217FQEE Standard Wired Controller

- Basic function: on/off mode, 5 fan speed, temperature setting, swing
- Individual & group control (max. 16 indoor units)
- Simple and smart design, 86*86*13.05 mm
- Touch button with back light
- Timer/clock
- Easy installation
- Individual louver control for Round Flow 4-way cassette



40VCW317FQEE Wired Weekly Timer

- Colorful screen
- Basic function: on/off mode, fan speed, temperature setting, swing
- Individual & group control (max. 16 indoor units)
- Fahrenheit/ Celsius selectable; sensitivity $\pm 0.5^{\circ}\text{C}$ ($\pm 1^{\circ}\text{F}$)
- Weekly timer
- Individual louver control for Round Flow 4-way cassette
- Static pressure setting



Controller



CENTRALIZED CONTROLLER



40VCC317FQEE Simple Group Controller

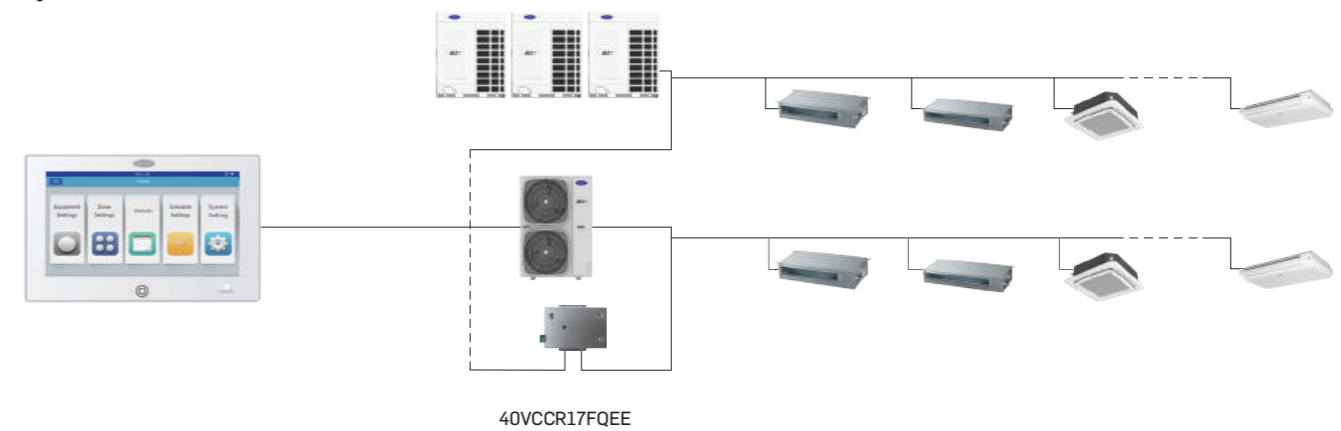
- Individual control, group control & central control (max. 32 indoor units)
- Large touch key
- Weekly timer
- Unit name & group name free setting, four backgrounds available (mall, hotel, office, home)
- Error display
- Must be used in combination with 40VCCR17FQEE for SD ODU

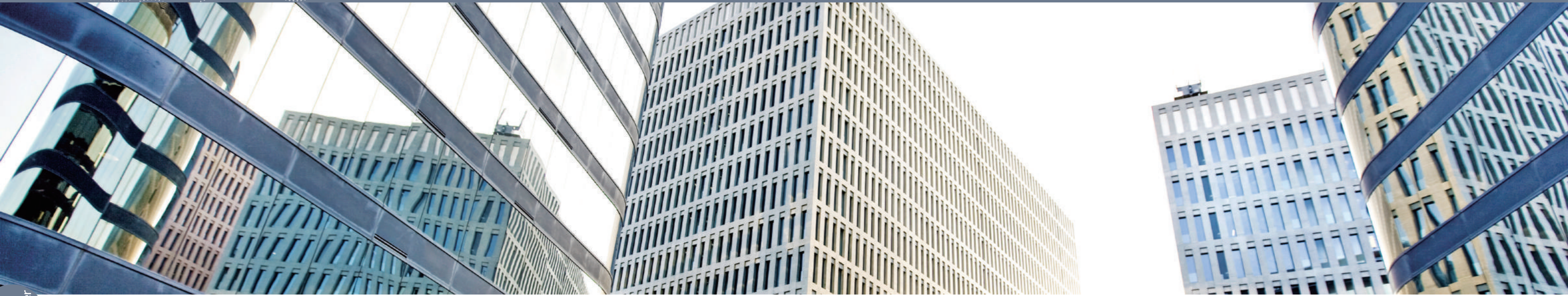


40VCC617FQEE Touchscreen Controller

- Individual control, group control & central control (Max. 256 indoor units)
- 7 inch TFT LCD touch screen with back light
- Weekly timer
- Indoor units' information editable
- Error display
- XCT7 TD system can connect directly; other SD systems require 40VCCR17FQEE

40VCC617FQEE System





Controller



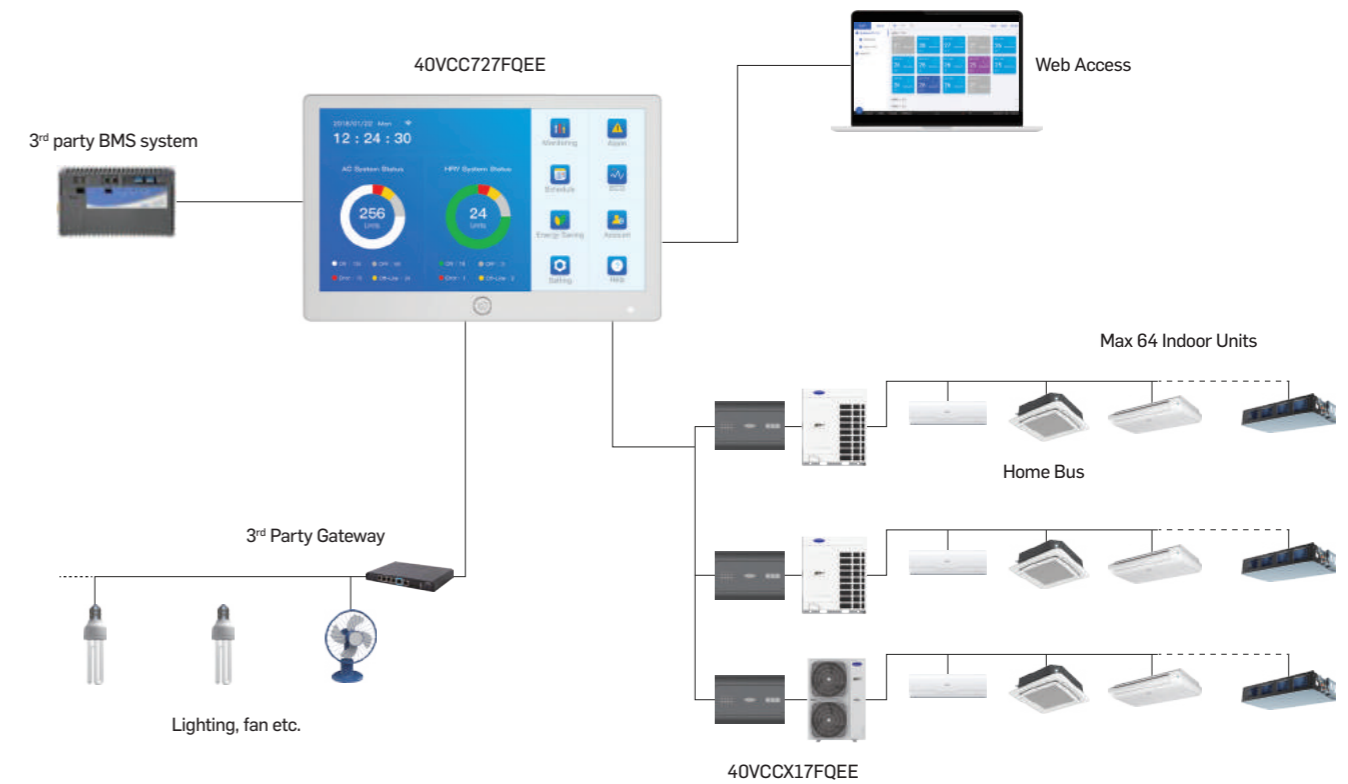
CENTRALIZED CONTROLLER



40VCC727FQEE Touchscreen Controller

- Individual control, group control & central control (Max 800 indoor units)
- 12.5 inch TFT LCD touch screen
- Web access & e-mail alarm
- Weekly schedule & special day setting
- Floor plan layout view
- Can integrate 3rd party devices like fire alarm, fan, lighting, other than XCT7 indoor units
- * Must be used in combination with a 40VCCX17FQEE for each XCT7 system (Max. 64 indoor units)

40VCC727FQEE





Controller

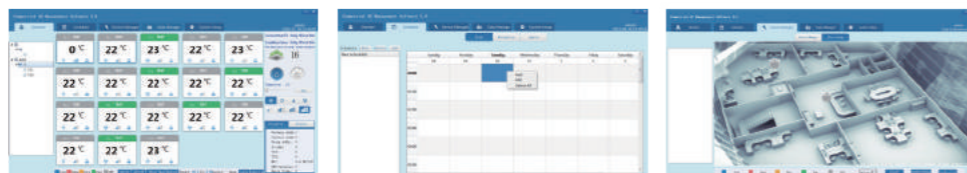
BMS

BMS - LOCAL CONTROL

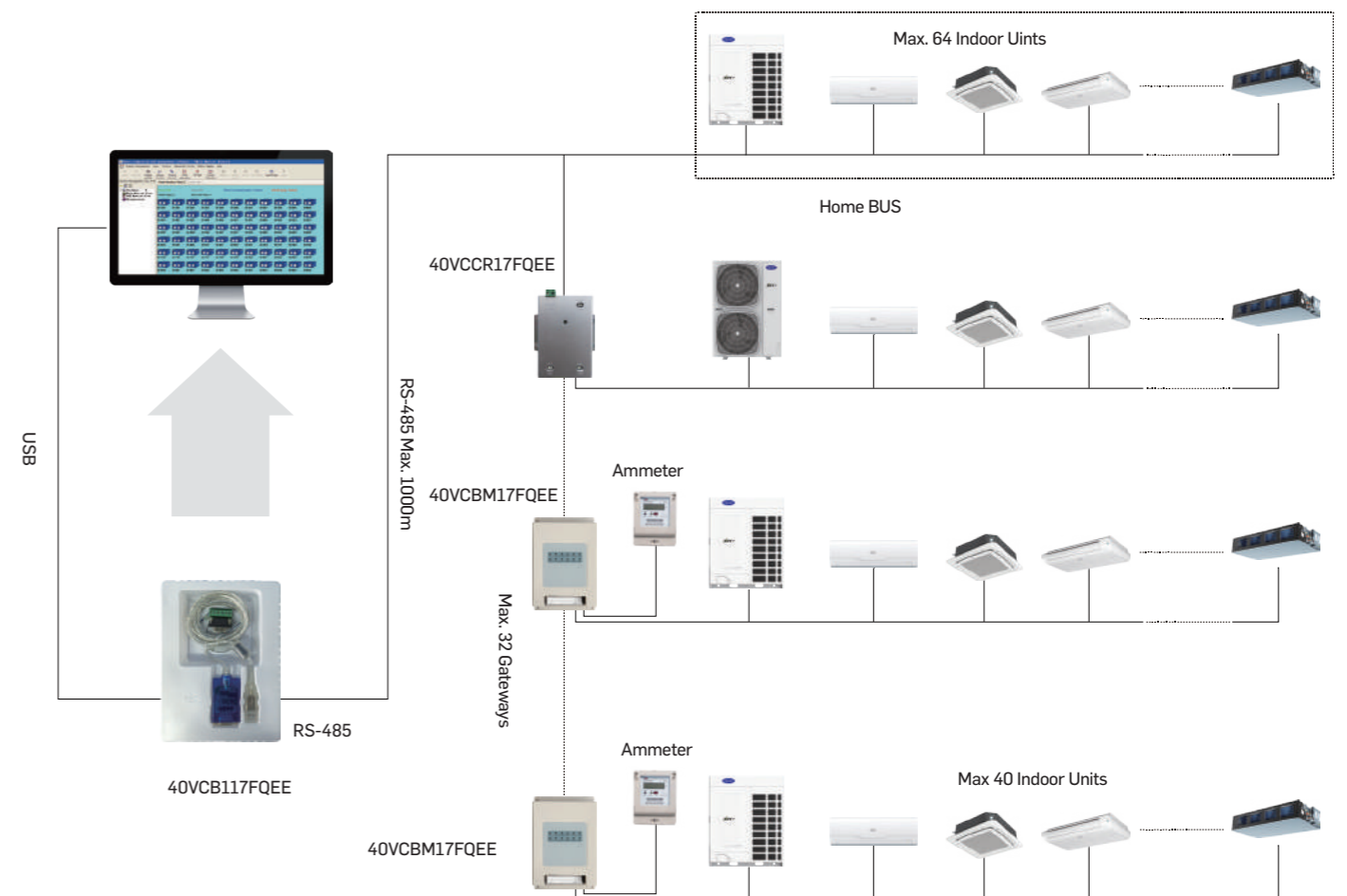


40VCB117FQEE

- Local version or PC version; Convert RS-485 to USB
- Max. 400 indoor units can be controlled
- ModBus RTU interface, also supports 3rd party interface
- Win 7 32bits/64bits, Win 8 Pro, Win 10 Pro
- Max. 32 systems
- Each SD system requires one 40VCCR17FQEE
- Schedule setting
- Power consumption report (must use 40VCBM17FQEE)
- Data monitoring & control function



40VCB117FQEE System





Controller

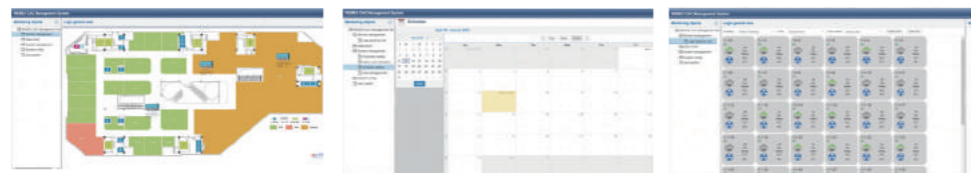
BMS

BMS - REMOTE MONITORING

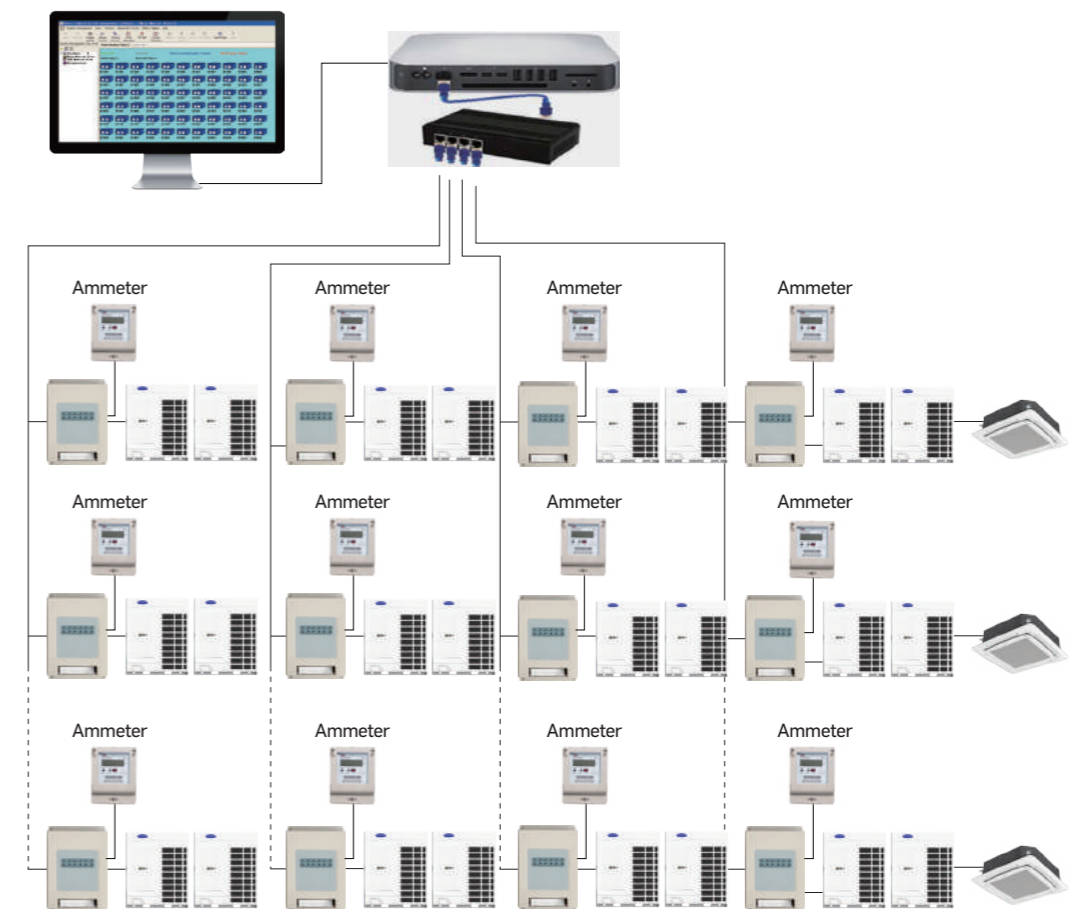


40VCB217FQEE

- Remote monitoring version supports also third party interface: BACnet ip/Modbus ip/Modbus RTU
- Max. 1500 indoor units can be controlled
- Max. 4 groups. each group can connect 20 systems. If TD CDU, additional adapter is not required. If SD ODU, 40VCCR17FQEE is needed.
- Operation status setting & monitoring
- Schedule setting
- Multi-user management with different authorized levels
- Operation and error history log
- Web interface access
- Power consumption data & report only available if using 40VCBM17FQEE + Ammeter

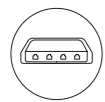


40VCB217FQEE System





Controller



BMS GATEWAYS



40VCBL17FQEE

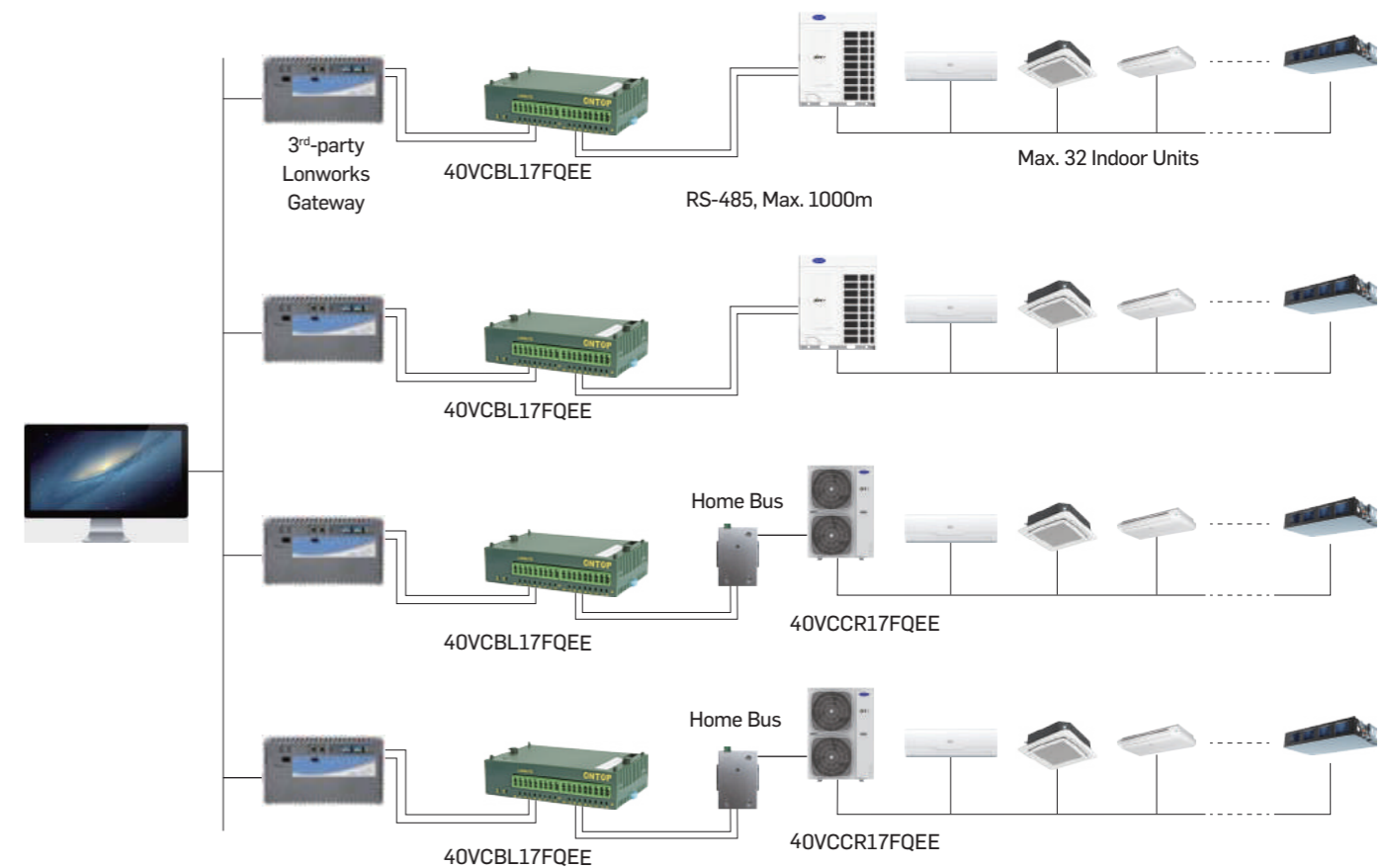
- 40VCBL17FQEE, convert ModBus RTU to Lonworks™
- Each system requires one adapter 40VCBL17FQEE (combine with 40VCCR17FQEE if outdoor unit is XCT7)
- Max. 32 indoor units can be connected in one system
- External 24 V DC power supply is needed



40VCBB17FQEE

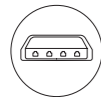
- Protocol adapter, convert Modbus
- Max. 128 indoor units/ 4 systems can be controlled
- Operation status setting & monitoring
- Schedule setting
- Multi-user management
- 40VCCR17FQEE is required for SD outdoor units

LonWorks System





Controller



BMS PROTOCOL ADAPTERS



40VCBK17FQEE (8 IDU) 40VCBK27FQEE (16 IDU)
40VCBK37FQEE (64 IDU)

- KNX gateway
- Convert ModBus RTU to KNX
- Each side discharge ODU requires one KNX gateway + 40VCCR17FQEE
- Max. 8/16/64 indoor units can be connected in one system



40VCCR17FQEE

- Protocol adapter, convert home bus to RS-485
- Gateway: ModBus RTU
- Max. 64 indoor units can be connected with one 40VCCR17FQEE
- Side discharge XCT7 requires one 40VCCR17FQEE when connecting with centralized controller or BMS system

| ModBus model No. | No. of I.U. controllable | Installation Method | Compatible O.U. Type |
|------------------|--------------------------|---------------------|-----------------------------|
| 40VCCR17FQEE | 64 | Outside the O.U. | Side and Top discharge O.U. |



40VCBM17FQEE

- Protocol adapter, convert home bus to ModBus
- Power consumption data collection, and storage (requires 3rd party ammeter)
- Match with local BMS (40VCB117FQEE, 40VCB217FQEE), each system requires one adapter
- Max. 40 indoor units can be connected with one 40VCBM17FQEE Gateway

Controllers Match Table for Indoor Units

| Outlook | Series | 40VCI57FQEE | 40VIC7FQSS | 40VCW217FQEE | 40VCW317FQEE | 40VCW117FQEE |
|---------|--------------------------------|-------------|------------|--------------|--------------|--------------|
| | ONE-WAY CASSETTE | ● | ● | ● | ● | ● |
| | TWO-WAY CASSETTE | ● | ● | ● | ● | ● |
| | COMPACT FOUR-WAY CASSETTE | ● | ● | ● | ● | ● |
| | FOUR-WAY CASSETTE | ● | ● | ● | ● | ● |
| | ROUND-WAY CASSETTE | ● | ● | ● | ● | ● |
| | SLIM DUCT | ● | ● | ● | ● | ● |
| | STANDARD STATIC DUCT 50/100 PA | ● | ● | ● | ● | ● |
| | MEDIUM STATIC DUCT 50/120 PA | ● | ● | ● | ● | ● |
| | HIGH STATIC DUCT 100/196 PA | ● | ● | ● | ● | ● |
| | HIGH STATIC DUCT 0/200 PA | ● | ● | ● | ● | ● |
| | HIGH WALL | ● | ● | ● | ● | ● |
| | TWO-WAY CONSOLE | ● | ● | ● | ● | ● |
| | CONSOLE-RECESSED | ● | ● | ● | ● | ● |
| | FLEX CEILING FLOOR AC | ● | ● | ● | ● | ● |
| | FLEX CEILING FLOOR DC | ● | ● | ● | ● | ● |
| | OUTSIDE AIR UNIT | | | ● | ● | ● |

● Controllers match with the indoor unit



Control Systems

BMS

Centralized Controller

Individual Controller



40VCC317FQEE 40VCC617FQEE 40VCC727FQEE



40VCB117FQEE
40VCB217FQEE



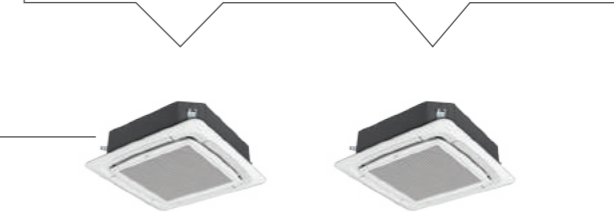
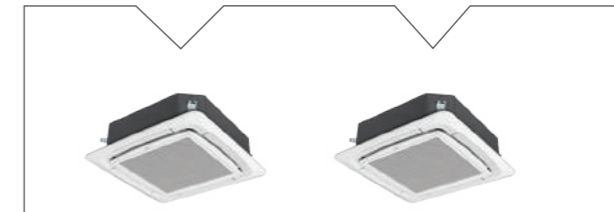
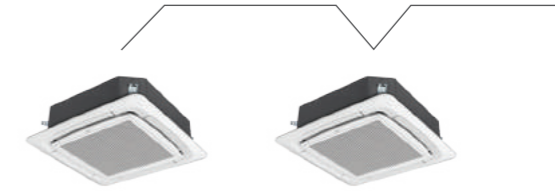
40VCCR17FQEE 40VCBB17FQEE
40VCBK17FQEE 40VCBK27FQEE 40VCBK37FQEE
40VCBL17FQEE



40VCI57FQEE 40VIC7FQSS



40VCW117FQEE
40VCW217FQEE
40VCW317FQEE



Controller



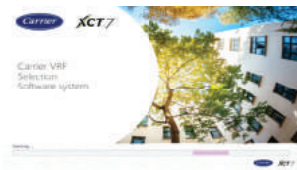
Turn to the experts



Softwares

Carrier Selection Software-Easy to Design and Customization

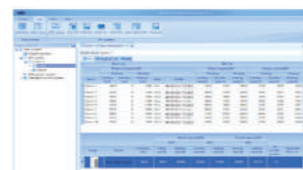
With the Carrier XCT7 Selection software, engineers and consultants can easily design, layout and prepare a full VRF system for quotation in a few steps. It selects the right models to meet your building load requirements and calculates the piping schematic automatically or manually, as well as the wiring. It's possible to import dwg or jpg drawings. The selection software guides you within design rules and offers a comprehensive system design report under pdf, Word or excel format.



Launch Page



System Layout Page



System Configuration Page



Complete Report Page

Carrier Service Tool- Easy to Monitor Your System

Installers and contractors will appreciate the Carrier service tool to monitor the XCT7 VRF systems operation data. Thanks to the 40VCTOOLQEE interface accessory, you can retrieve the VRF system information from the Outdoor Unit. You can then read the running parameters on your computer and analyze them for troubleshooting in the field or save the data for further analysis.



40VCTOOLQEE
Part No. 1148199682



Service, Support & Product Training

Customer Focus

As your preferred partner, Carrier designs tailored Service programs to meet your goals and optimize your business performance.

Proximity & Responsiveness

Carrier expert technicians are there to take action, quickly. The comprehensive and highly efficient maintenance processes mean your equipment will soon be back in action.

Expertise & Consultancy

Your Carrier experts can help you find the right balance between energy efficiency and your investment's optimization with our wide choice of technologies and solutions. Thanks to the expertise of our internal team, we are able to offer the highest level of consultancy.





Software

Accessories



ACCESSORIES

- 175 HEAT PUMP - ODU PIPING CONNECTION ACCESSORIES
- 176 HEAT PUMP - IDU PIPING CONNECTION ACCESSORIES

| Shape | Model | Description |
|---|-----------------------------------|--|
| Piping accessory for ODU connection | | |
|  | 40VJ052G7-HQEE | For two outdoor units combination at installation location |
| | 40VJ078G7-HQEE | For three outdoor units combination at installation location |
|  | 40VJ078G7-HQEE +40VJ072M7-HQEE | For four outdoor units combination at installation location |
| Piping accessory for IDU connection | | |
|  | 40VJ012M7-HQEE | < 33.5 kW |
| | 40VJ018M7-HQEE | 33.5 < < 50.6kW |
| | 40VJ026M7-HQEE | 50.6 < < 73kW |
| | 40VJ048M7-HQEE | 73 < < 135kW |
| | 40VJ072M7-HQEE | 135 < < 204kW |
|  <p style="text-align: center;">Drain Pump</p> | 40VAD096P7FQEE | Compatible with outside air unit (40VD_A-7G-QEE) Compatible with medium static duct AC (40VD_R-7G-QEE) Compatible with high static duct AC (40VD_H-7G-QEE) |

Piping accessory for ODU connection

| Model Name | Side | Gather Pipe | Connection of Gather Pipe |
|----------------|------------------|-------------|---------------------------|
| 40VJ052G7-HQEE | Suction gas side | | |
| | Liquid side | | |
| 40VJ078G7-HQEE | Suction gas side | | |
| | | | |
| | Liquid side | | |
| | | | |

Piping accessory for IDU connection

| Model | Gas Side Branch Pipe | Liquid Side Branch Pipe | Gas Side Connection of Branch Pipe | Liquid Side Connection of Branch Pipe |
|----------------|----------------------|-------------------------|------------------------------------|---------------------------------------|
| 40VJ012M7-HQEE | | | | |
| 40VJ018M7-HQEE | | | | |
| 40VJ026M7-HQEE | | | | |
| 40VJ048M7-HQEE | | | | |
| 40VJ072M7-HQEE | | | | |

PRODUCT OVERVIEW



ICON LIST

- | | | | |
|---|--|--------------------------------------|--|
| Ultimate Reliability | Easy installation & access & fix & maintenance | Advanced technology | AHU DX coil kit (TA Control) |
| Enhanced System Performance | One button trial operation | Less Brazing Refrigerant Accessories | Unit structure |
| High-Efficiency | Powerful heating | Advanced separator | Individual controller |
| Compact design & ultra-thin design & space saving Incredible Flexibility | Knockout hole for outside fresh air | Fan motor | Centralized controller |
| Wide range of capacity | Large operating range | Built-in drain pump | BMS-Local control |
| Wide Range of Options | Bottom or rear air return | Administrations | BMS gateways |
| Superior comfort | Independent or flexible control of the air flow | Offices | Control systems |
| Low sound level | Static pressure setting | Hotels | Can be installed with or without discharge & return plenum |
| Effective control of the temperature | Light air resistance | Retail | Hidden installation for a clean and sophisticated appearance |
| Independent 220v power | PM 2.5 filter available | Healthcare | Flexible discharge duct connection |
| Automatic display of fault codes | Advanced Black Fin Technology | Individual and collective housing | Multiple direction for connection pipe setting |
| Unique design | Reliable multi-layer oil return technology | Pipe liner | Cooling |
| Round corner design | Advanced compressor anti-liquid-shock technology | Rear & bottom inlet | Heating |