



HEYCO[®]

a **PennEngineering[®]** Company



**Cable Tie
& Bundling
Solutions**

“Stay Connected” with

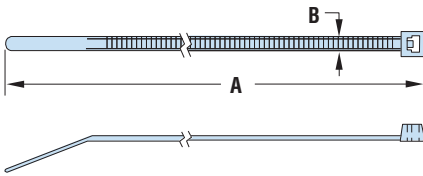


HEYware Products

a PennEngineering® Company



- Smooth, radiused edges ensure that Nytyes won't cut into the cable's insulation—or the installer's hand.
- One-piece design reduces cost and installation time.
- Nytyes feature a bent tip for ease of pickup and insertion around small bundles. V-shaped raised ridges on the tip provide a sure grip.
- Nylon 12 cable ties are weather/UV resistant and suitable for high moisture, corrosive and low temperature indoor or outdoor applications.
- Close, evenly spaced teeth permit fine adjustment—from .025" (0,6 mm) on the smallest Nytyes to .063" (1,6 mm) on the largest.
- Standard UV Black Nytyes are available in 100 packs; add -P to Part No.; eg. 13140B-P
- Compliant with MS3367 and MIL-S-23190E



Heyco® Cable Tie Tensioning Tool



Part No. 0998 (for Nylon) and **0996** (for Stainless Steel) fits all standard duty Nytyes. Metal construction, has three tension settings, and automatically trims excess.

Heyco® Nytye® Nylon Cable Ties

PART SPECIFICATIONS				PART NO.		DESCRIPTION	PART DIMENSIONS			
Tensile Strength		Max. Bundle Diameter		Natural	UV Black		A Length		B Width	
Lbs.	N	in.	mm.			in.	mm.	in.	mm.	
Miniature										
18	80	.63	16,0	13100	13100B	NT-18-031	3.15	80	.10	2,5
		.87	22,0	13102	13102B	NT-18-039	3.94	100		
		1.18	30,0	13105	13105B	NT-18-047	4.72	120		
		1.38	35,0	13107	13107B	NT-18-059	5.91	150		
		1.57	40,0	13108	13108B	NT-18-063	6.30	180		
		2.36	60,0	13111	13111B	NT-18-078	7.87	200		
Intermediate										
40	178	.87	22,0	13120	13120B	NT-40-039	3.94	100	.14	3,6
		1.18	30,0	13121	13121B	NT-40-047	4.72	120		
		1.30	33,0	13122	13122B	NT-40-055	5.51	140		
		1.38	35,0	13123	13123B	NT-40-059	5.91	150		
		1.65	42,0	13124	13124B	NT-40-070	7.09	180		
		1.97	50,0	13126	13126B	NT-40-078	7.87	200		
		2.56	65,0	13128	13128B	NT-40-099	9.92	252		
		3.15	80,0	13129	13129B	NT-40-110	11.02	280		
		3.35	85,0	13130	13130B	NT-40-118	11.81	300		
		4.02	102,0	13134	13134B	NT-40-145	14.57	370		
Standard										
50	222	.94	24,0	13140	13140B	NT-50-047	4.72	120	.19	4,8
		1.57	40,0	13142	13142B	NT-50-063	6.30	160		
		1.65	42,0	13143	13143B	NT-50-072	7.20	183		
		1.97	50,0	13145	13145B	NT-50-078	7.87	200		
		2.56	65,0	13147	13147B	NT-50-098	9.84	250		
		2.76	70,0	13149	13149B	NT-50-110	11.02	280		
		3.23	82,0	13151	13151B	NT-50-118	11.81	300		
		3.54	90,0	13153	13153B	NT-50-137	13.78	350		
		4.02	102,0	13155	13155B	NT-50-145	14.57	370		
		4.13	105,0	13156	13156B	NT-50-157	15.75	400		
		5.12	130,0	13158	13158B	NT-50-177	17.72	450		
		5.91	150,0	13160	13160B	NT-50-196	19.68	500		

Standard colors natural and UV Black. Consult Heyco for heat-stabilized material and colors. Standard UV Black Nytyes available in 100 packs; add -P to Part No.; eg. 13140B-P



Heyco® Nytye® Nylon 12 Cable Ties

PART SPECIFICATIONS				PART NO.		DESCRIPTION	PART DIMENSIONS			
Tensile Strength		Max. Bundle Diameter		UV Black Bulk	UV Black 100 Packs		A Length		B Width	
Lbs.	N	in.	mm.			in.	mm.	in.	mm.	
40	178	1.44	36,6	13340B	13340B-P	NT-40-058-12	5.84	148,3	.14	3,6
50	222	1.87	47,5	13342B	13342B-P	NT-50-076-12	7.56	192,0	.18	4,6
		3.06	77,7	13343B	13343B-P	NT-50-112-12	11.25	285,7		
		4.00	101,6	13344B	13344B-P	NT-50-145-12	14.50	368,3		
100	444	2.06	52,3	13346B	13346B-P	NT-100-087-12	8.70	220,1	.30	7,6

Standard color UV Black.

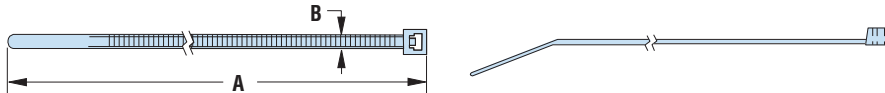
Material	Nylon 6/6 or Nylon 12
Certifications	Certified by UL for Compliance with both Canadian and U.S. requirements under File E54523 (Nylon 6/6 only)
Flammability Rating	94V-2
Temperature Range	-40°F (-40°C) to 185°F (85°C) (Nylon 6/6) -58°F (-50°C) to 302°F (150°C) (Nylon 12)

ALL NEW PRODUCTS!

Heyco® Nytye® Heavy Duty and Extra Heavy Duty/HVAC Nylon Cable Ties

PART SPECIFICATIONS				PART NO.		DESCRIPTION	PART DIMENSIONS			
Tensile Strength		Max. Bundle Diameter		Natural	UV Black		A Length		B Width	
Lbs.	N	in.	mm.			in.	mm.	in.	mm.	
Heavy Duty										
120	534	1.30	33,0	13172	13172B	NT-120-059	5.91	150	.30	7,6
		1.97	50,0	13175	13175B	NT-120-078	7.87	200		
		2.48	63,0	13178	13178B	NT-120-098	9.84	250		
		3.23	82,0	13181	13181B	NT-120-118	11.81	300		
		3.54	90,0	13183	13183B	NT-120-137	13.78	350		
		3.98	101,0	13185	13185B	NT-120-149	14.96	380		
		4.13	105,0	13186	13186B	NT-120-157	15.75	400		
6.10	155,0	13190	13190B	NT-120-216	21.65	550				
Extra Heavy Duty/HVAC										
175	778	7.48	190,0	13208	13208B	NT-175-256	25.59	650	.35	9,0
		9.65	245,0	13215	13215B	NT-175-315	31.50	800		
		10.67	271,0	13217	13217B	NT-175-362	36.22	920		
		11.42	290,0	13218	13218B	NT-175-394	39.37	1000		
		14.49	368,0	13220	13220B	NT-175-482	48.23	1225		

Standard colors natural and UV Black. Consult Heyco for heat-stabilized material and colors.



- Smooth, radiused edges ensure that Nytyes won't cut into the cable's insulation—or the installer's hand.
- One-piece design reduces cost and installation time.
- Nytyes feature a bent tip for ease of pickup and insertion around small bundles. V-shaped raised ridges on the tip provide a sure grip.
- Close, evenly spaced teeth permit fine adjustment—from .025" (0,6 mm) on the smallest Nytyes to .063" (1,6 mm) on the largest.
- Compliant with MS3367 and MIL-S-23190E

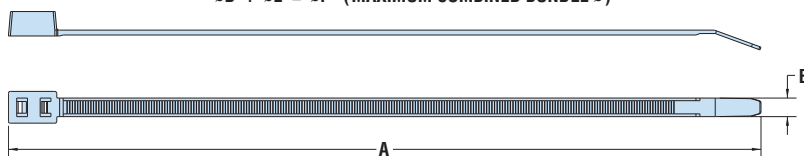
Heyco® Nytye® Double Loop Cable Ties

ALL NEW PRODUCTS!

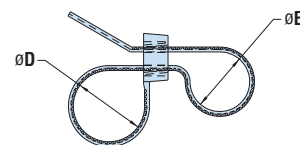
PART SPECIFICATIONS				PART NO.	DESCRIPTION	PART DIMENSIONS			
Tensile Strength		Max. Combined Bundle Diameter F				A Length		B Width	
Lbs.	N	in.	mm.	Natural	in.	mm.	in.	mm.	
50	222	1.77	45,0	13320	NTDL-050-076	7.68	195	.19	4,8
		2.05	52,0	13321	NTDL-050-088	8.86	225		
		2.99	76,0	13323	NTDL-050-118	11.81	300		
		3.86	98,0	13324	NTDL-050-145	14.56	370		

Standard color natural.

$$\varnothing D + \varnothing E = \varnothing F \text{ (MAXIMUM COMBINED BUNDLE } \varnothing \text{)}$$



- Cost-effective way to secure and separate two bundles with one cable tie
- Quickly and easily pulls through increasing productivity
- Single part covers multiple bundle sizes resulting in reduced part number inventory



Material
Certifications

Nylon 6/6
 Certified by UL for Compliance with both Canadian and U.S. requirements under File E54523 (NT parts only)

Flammability Rating
Temperature Range

94V-2
-40°F (-40°C) to 185°F (85°C)

Quick Specs

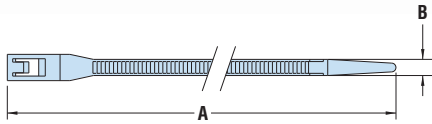
“Stay Connected” with



HEYware Products

a PennEngineering® Company

Heyco® Nytye® Nylon Cable Tie Variations



Low Profile



RELEASABLE TAB

Releasable



PART SPECIFICATIONS				PART NO.		DESCRIPTION	PART DIMENSIONS			
Tensile Strength		Max. Bundle Diameter		Natural	UV Black		A Length		B Width	
Lbs.	N	in.	mm.			in.	mm.	in.	mm.	
Low Profile										
ALL NEW PRODUCT										
18	80	.98	25,0	14110	14110B	LPNT-18-043	4.33	110		
		1.57	40,0	14111	14111B	LPNT-18-061	6.10	155	.10	2,5
		2.00	51,0	14112	14112B	LPNT-18-080	8.07	205		
40	178	1.29	33,0	14113	14113B	LPNT-40-059	5.90	150		
		2.00	51,0	14114	14114B	LPNT-40-080	8.07	205	.14	3,6
		3.03	77,0	14115	14115B	LPNT-40-110	11.02	280		
		4.05	103,0	14116	14116B	LPNT-40-145	14.56	370		
50	222	2.04	52,0	14117	14117B	LPNT-50-080	8.04	205		
		2.67	68,0	14118	14118B	LPNT-50-100	10.04	255	.18	4,6
		2.99	76,0	14119	14119B	LPNT-50-110	11.02	280		
		4.05	103,0	14120	14120B	LPNT-50-145	14.56	370		
120	534	3.03	77,0	14121	14121B	LPNT-120-110	11.02	280	.30	7,6
		4.05	103,0	14122	14122B	LPNT-120-145	14.56	370		

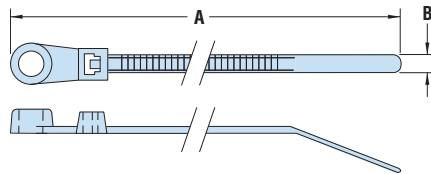
Releasable										
ALL NEW PRODUCT										
40	178	1.38	35,0	13297	13297B	RNT-40-059	5.94	151	.14	3,5
50	222	1.97	50,0	13301	13301B	RNT-50-079	7.95	202	.18	4,5
		3.00	76,0	14000	14000B	RNT-50-110	11.02	280	.19	4,8
		1.18	30,0	14005	14005B	RNT-50-049	4.92	125	.28	7,2
		1.38	35,0	14010	14010B	RNT-50-059	5.90	150		
		1.97	50,0	14011	14011B	RNT-50-079	7.87	200		
		2.60	66,0	14012	14012B	RNT-50-098	9.84	250	.30	7,6
50	222	3.27	83,0	14013	14013B	RNT-50-118	11.81	300		
		3.54	90,0	14014	14014B	RNT-50-137	13.78	350		

Screw Mount											Screw Size	
18	80	.87	22,0	13307	-	MNT-18-044	4.41	112	.10	2,5	#4 screw	
40	178	1.38	35,0	13308	-	MNT-40-067	6.69	170	.14	3,6	#8 screw	
50	222	1.75	44,4	3560*	-	MNT-150	8.00	203	.19	4,8	#10 screw	
		1.97	50,0	13309	-	MNT-50-086	8.66	220	.17	4,3		

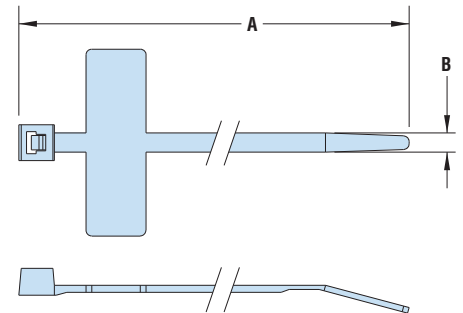
Identification											Marking Area W x L			
											in.	mm.	in.	mm.
18	80	.87	22,0	13316	-	NTID-18-039	3.94	100	.10	2,5	.31	8,0	1.00	25,4
				13317	-	NTID-18-039-1	3.94	100	.10	2,5	.83	21,0	1.10	28,0

Standard color natural and UV Black. Consult Heyco for heat-stabilized material and colors.

*cURus



Screw Mount



Identification

Quick Specs

Material	Nylon 6/6
Certifications	cULus Certified by Underwriters' Laboratories for compliance with both Canadian and US Requirements under File E54523 (Releasable and Screw Mount Nytyes only)
Flammability Rating	94V-2
Temperature Range	32°F (0°C) to 185°F (85°C)



Heyco® Nytye® Push Mount Nylon Cable Ties

PART SPECIFICATIONS					PART NO.		DESCRIPTION	PART DIMENSIONS										STYLE
Tensile Strength		Max. Bundle Diameter		Natural	UV Black	A Length		B Width		C Spacer Height		Max. Panel Thickness		Mounting Hole Dia.				
Lbs.	N	in.	mm.			in.	mm.	in.	mm.	in.	mm.	in.	mm.	in.	mm.			
Tension Wings																		
40	178	1.42	36,0	-	3907†	PWMS-155-HSB	6.23	158	.14	3,5	-	-	.09	2,3	.187	4,7	1	
50	222	1.57	40,0	13254	13254B	PMT-50-070	7.09	180	.19	4,8	-	-	.09	2,4	.187	4,7	2	
		1.75	44,5	3904	3905	PMT 150	8.00	203	.19	4,8	-	-	.13	3,2	.250	6,4	1	
Tension Wings, Standoff																		
18	80	.75	19,1	13262	13262B	PMST-18-050-156	5.04	128	.10	2,5	.24	6,1	.08	2,0	.156	4,0	3	
40	178	1.38	35,0	13267	13267B	PMST-40-066-197	6.69	170	.14	3,6	.51	13,0	.08	2,0	.197	5,0		
		1.25	31,8	13268	13268B	PMST-40-068-187	6.81	173	.14	3,6	.78	19,8	.08	2,0	.187	4,7		
Cupped Base, Standoff, Releasable																		
30	133	1.25	31,8	13273	13273B	PMRS-30-066	6.63	168	.14	3,6	.53	13,5	.023 - .098	0,6 - 2,5	.236 - .255	6,0 - 6,5	4	
Blind Mount - 2PC*																		
Min. Panel																		
50	222	2.13	54,1	13285	13285B	PMBMT-50-079-5	7.87	200	.19	4,8	-	-	.197	5,0	.177 - .197	4,5 - 5,0	5	
				13286	13286B	PMBMT-50-079-7	7.87	200	.19	4,8	-	-	.276	7,0	.256 - .276	6,5 - 7,0		
Blind Mount - 1PC**																		
50	222	1.97	50,0	13288	13288B	PMBMT-50-081-71	8.11	206	.19	4,8	-	-	.281	7,1	.250 - .270	6,4	6	

NEW!

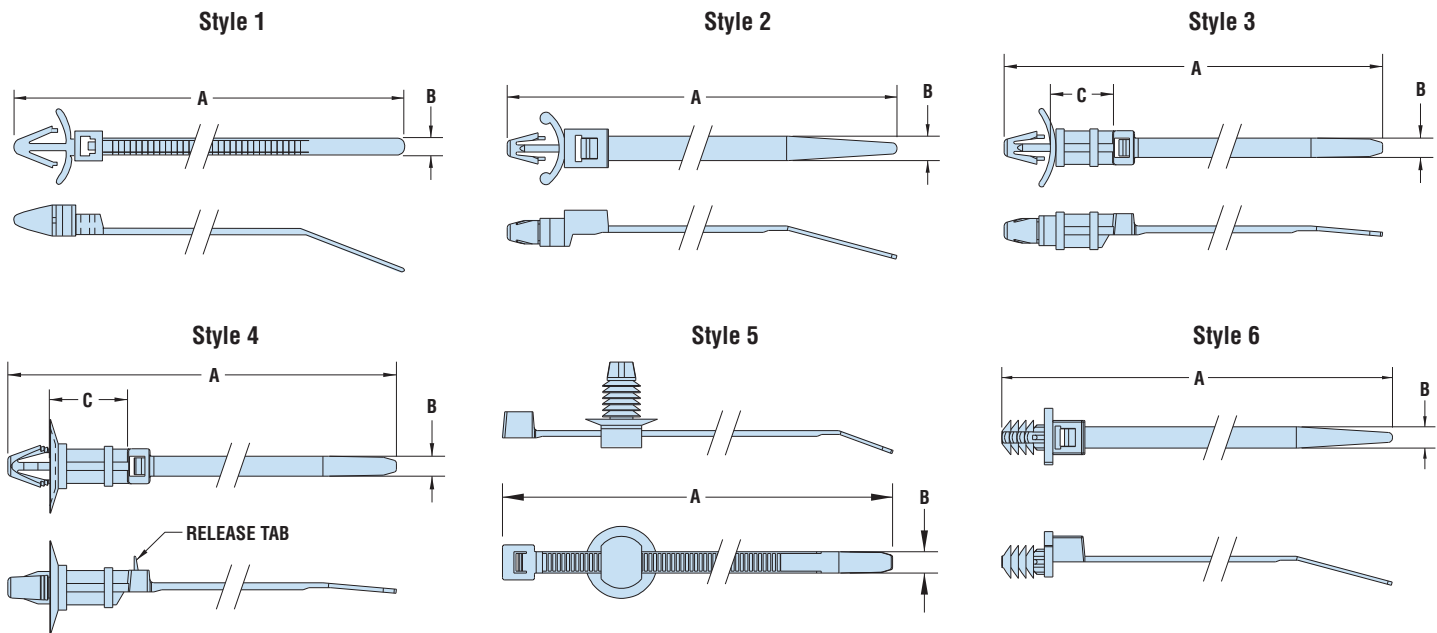
ALL NEW PRODUCT

ALL NEW PRODUCT

Standard color natural and UV Black. Consult Heyco for heat-stabilized material and colors.

† cURus

*Discrete blind mount fastener is pre-assembled to the Nytye. **Constructed so that the discrete blind mount fastener is molded to the Nytye.



Material: Nylon 6/6
 Flammability Rating: 94V-2
 Temperature Range: -40°F (-40°C) to 185°F (85°C)

Quick Specs

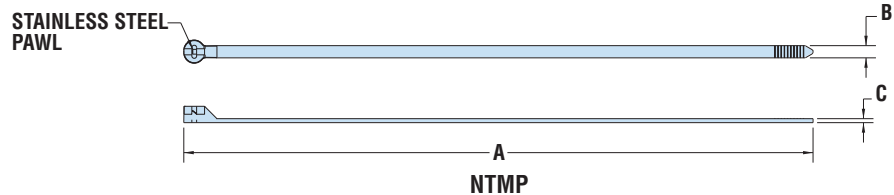


- Non-magnetic stainless steel locking device for maximum strength.
- Notch-free tie design provides for precise locking positions.
- Serrated finger grip tail reduces slippage during installation.
- Stronger and lower profile than notched body ties.
- Rounded edge design protects cable insulation.
- Part Description Key: NTMP-XXX-YYY where XXX = tensile (foot pounds) and YYY = length (inches x 10)

Heyco® Nyties® with Stainless Steel Locking Device

PART SPECIFICATIONS				PART NO.		DESCRIPTION	PART DIMENSIONS					
Tensile Strength		Max. Bundle Diameter		Natural	Black		A Length		B Width		C Thickness	
Lbs.	N	in.	mm.			in.	mm.	in.	mm.	in.	mm.	
18	80	.87	22,0	13000	13000B	NTMP-018-039	3.90	100	.12	3,0	.04	1,1
35	160	1.42	36,0	13001	13001B	NTMP-036-059	5.90	150	.16	4,0	.05	1,2
		2.09	53,0	13002	13002B	NTMP-036-079	7.90	200				
45	200	2.56	65,0	13003	13003B	NTMP-045-098	9.80	250	.20	5,0	.06	1,5
		2.99	76,0	13004	13004B	NTMP-045-118	11.80	300				
56	250	2.09	53,0	13008	13008B	NTMP-056-079	7.90	200	.31	8,0		
		2.60	66,0	13009	13009B	NTMP-056-094	9.40	240				
		2.99	76,0	13010	13010B	NTMP-056-118	11.80	300				
112	500	2.99	76,0	13011	13011B	NTMP-112-118	11.80	300				
		3.74	95,0	13012	13012B	NTMP-112-138	13.80	350				
124	550	4.45	113,0	13013	13013B	NTMP-112-157	15.70	400	.39	10,0	.07	1,7
		4.72	120,0	13014	13014B	NTMP-124-177	17.70	450				
		6.22	158,0	13015	13015B	NTMP-124-197	19.70	500				

Standard colors natural and UV Black.



Material	Nylon 6/6 Wire Tie with a Stainless Steel Locking Pawl
Flammability Rating	94V-2
Temperature Range	-40°F (-40°C) to 185°F (85°C)

Lower Cost Bulk Pack Available!



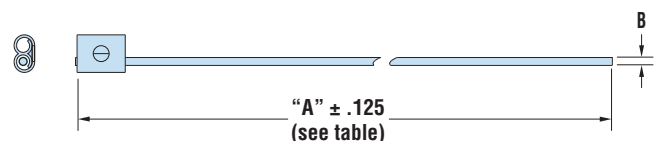
UL APPROVED

Heyco® Heavy Duty Stainless Steel Wire Cable Ties

- **Extremely durable, vinyl jacketed Stainless Steel Cable Tie.**
- Smooth vinyl jacketing prevents damage to installation cable insulation.
- Stainless steel crimp sleeve for easy field installation with electrician linesmen pliers, or wire cutters.
- **Certified by UL Specification 62275 for indoor and outdoor usage.**
- UV protected vinyl jacket is excellent for solar installation where product durability is required.
- Use standard wire cutters to both crimp the sleeve and cut the excess wire.
- Covered by the Heyco Twenty Year Solar Warranty, visit solar power components section at Heyco.com.
- DFARS Compliant

PART SPECIFICATIONS				PART NO.		DESCRIPTION	PART DIMENSIONS			
Max. Tensile Strength		Max. Bundle Diameter		100 Pack	Bulk		A Length		B Diameter	
lbs.	N	in.	mm.			in.	mm.	in.	mm.	
100	440	2.30	58,4	S6408	S6409	SunBundler® 8	8	203	.06	1,6
		2.92	74,2	S6410	S6411	SunBundler® 10	10	254		
		3.88	98,6	S6412	S6413	SunBundler® 12	12	305		
		4.20	106,7	S6414	S6415	SunBundler® 14	14	356		
		6.36	161,5	S6420	S6421	SunBundler® 20	20	508		

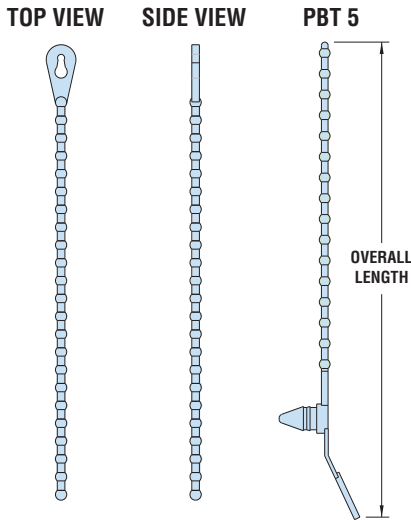
Black vinyl jacketed 302/304 stainless steel wire



Material	Commercial Aircraft Grade 302/304 stainless wire w/UV protected vinyl jacket
Certifications	Certified by Underwriters' Laboratories for Compliance with both Canadian and U.S. Requirements under File E54523
Temperature Range	-40°F (-40°C) to 221°F (105°C)



- **Releasable and reusable** ties for easy bundling, closing, bagging, holding, and tying.
- Polyethylene for high flexibility and moderate strength.
- Multiple sizes for bundles up to 4" (101,6 mm) diameter.



Heyco® Beaded Ties

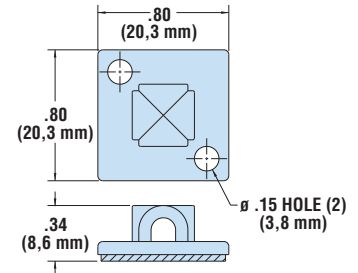
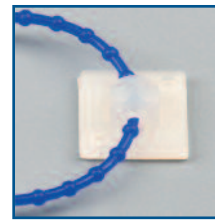
TENSILE STRENGTH		MAXIMUM BUNDLE DIAMETER		DESC.	PART NUMBERS						
					NYLON		POLYETHYLENE				
Lbs.	N	in.	mm.		Black	Natural	Black	Natural	Blue	Red	Yellow
Standard											
10	45	1-1/8	28,6	BT 4	3509	3490	3419	3420	3421	3422	3423
		1-3/8	35,0	BT 5	3519	3491	3424	3425	3426	3427	3428
18	80	1-7/8	48,0	BT 6	3523	3492	3429	3430	3431	3432	3433
		2-1/2	64,0	BT 8	3524	3493	3434	3435	3436	3437	3438
		3	76,0	BT 10	3495	3494	3439	3440	3441	3442	3443
		4	101,6	BT 14	3498	3496	3484	3480	3476	3482	3483
Nylon Push Mount*											
40	180	1-3/8	35,0	PBT 5	3499B	3499					

Standard colors: PE-black, natural, blue, red, and yellow. N-Black and natural.

*Mounts into a .250" (6,4 mm) diameter hole, maximum panel thickness .142" (3,6 mm).

Mounting Platform for Beaded Ties

- Part No. **3750**
- Adhesive backed
- May also be screw mounted
- Molded of natural nylon.
- Consult Heyco for other colors



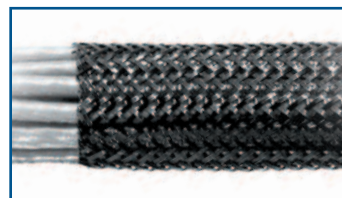
- **Braided sleeve slips on quickly and is self-fitting** over irregular shapes and contours. No wire pulling compounds are required due to its low surface friction. Slight tensioning after application makes for an even tighter fit.
- Expandable up to three times its own diameter, the open-weave construction can fit many applications, simplifying inventory. The open-weave allows for easy inspection of sleeved components and easy break out of individual cables.
- Full cable flexibility is maintained in any direction, even at low temperatures. Wires encased in Heyco Braided Sleeving can flex and bend as readily as if they had no protective oversleeving. Bundles can be flexed repeatedly without damage.
- Tough, cut-resistant sleeving is designed for protecting wire bundles and harnesses, hoses, tubing, and cable assemblies from mechanical damage and environmental hazards.
- Preferred cutting method: hot knife.

Heyco® Braided Sleeving

BUNDLE RANGE				PART NO.		DESCRIPTION	PART DIMENSIONS			
Minimum Diameter		Maximum Diameter		Black	FR Black		Nominal Diameter		Quantity Per Spool	
in.	mm.	in.	mm.			in.	mm.	ft.	mtrs.	
.09	2,3	.25	6,4	8980	8983	BS 125	.13	3,2	1000	305
.13	3,2	.44	11,1	8985	8988	BS 250	.25	6,4		
.25	6,4	.75	19,1	8990	8993	BS 500	.50	12,7	500	152
.50	12,7	1.25	31,8	8995	8998	BS 750	.75	19,1	250	76
.75	19,1	1.75	44,5	9000	9003	BS 1250	1.25	31,8		
1.25	31,8	2.75	69,9	9005	9008	BS 1750	1.75	44,5	200	61
1.50	38,1	3.50	88,9	9010	9013	BS 2.0	2.00	50,8		

Standard color black.

FR sleeving flammability rating-UL VW-1.



Beaded Ties		Braided Sleeving	
Material	Polyethylene or Nylon	Materials	Polyester Monofilament Yarns or Flame Retardant Polyester Yarn
Flammability Rating	94V-2	Certifications	Recognized under the Component Program of Underwriters' Laboratories File E173954
Temperature Range	40°F (0°C) to 221°F (85°C)	Monofilament Dia.	.010"
		Temperature Range	-103°F (-75°C) to 257°F (125°C)



Heyco® Nytye® Mounting Platforms

Flat Platforms – Adhesive Back Mount

	MAX. TENSILE STRENGTH		ADHESIVE	INSERT POINTS	RELEASE TAB?	PART NO.	DESCRIPTION	PART DIMENSIONS					
	Lbs.	N						A		B		C	
NEW!	3	13	Rubber Acrylic	4	yes	3591 3591A	MP-050x050-ABR MP-050x050-ABA	.50	12,7	.50	12,7	.17	4,3
NEW!	15	67	Rubber Acrylic	4	yes	3595 3595A	MP-075x075-ABR MP-075x075-ABA	.75	19,1	.75	19,1	.28	7,0
NEW!			Rubber Acrylic	4	yes	3594 3594A	MP-080x080-ABR MP-080x080-ABA	.80	20,3	.80	20,3	.19	4,8
NEW!	20	89	Rubber Acrylic	4	yes	3599 3599A	MP-100x100-ABR MP-100x100-ABA	1.00	25,4	1.00	25,4	.32	8,1
			Rubber	2 4	yes yes	3590* 3593*	MP-110x110-ABR MP-115x115-ABR	1.10 1.15	27,9 29,2	1.10 1.15	27,9 29,2	.24 .26	6,0 6,6

Standard color natural. *These adhesive-backed parts are also screw mountable.

Flat Platforms – Screw Mount

	MAX. TENSILE STRENGTH		SCREW SIZE		INSERT POINTS	PART NO.	DESCRIPTION	PART DIMENSIONS					
	Lbs.	N	in.	mm.				A		B		C	
	24	105	#6	3,5	4	4264	MP-075x075-S6	.75	19,1	.75	19,1	.24	6,0
	50	222	#8	4,0	4	4265	MP-038x075-S8	.38	9,5	.75	19,1	.20	5,0
	38	170				3589	MP-100x100-S8	1.00	25,4	1.00	25,4	.28	7,1
NEW!	15	68	#6	3,5	2	3580	MP-110x110-S8	1.10	27,9	1.10	27,9	.20	5,1
NEW!	16	70			4	3581	MP-115x115-S6	1.15	29,2	1.15	29,2	.22	5,6

Standard color natural.

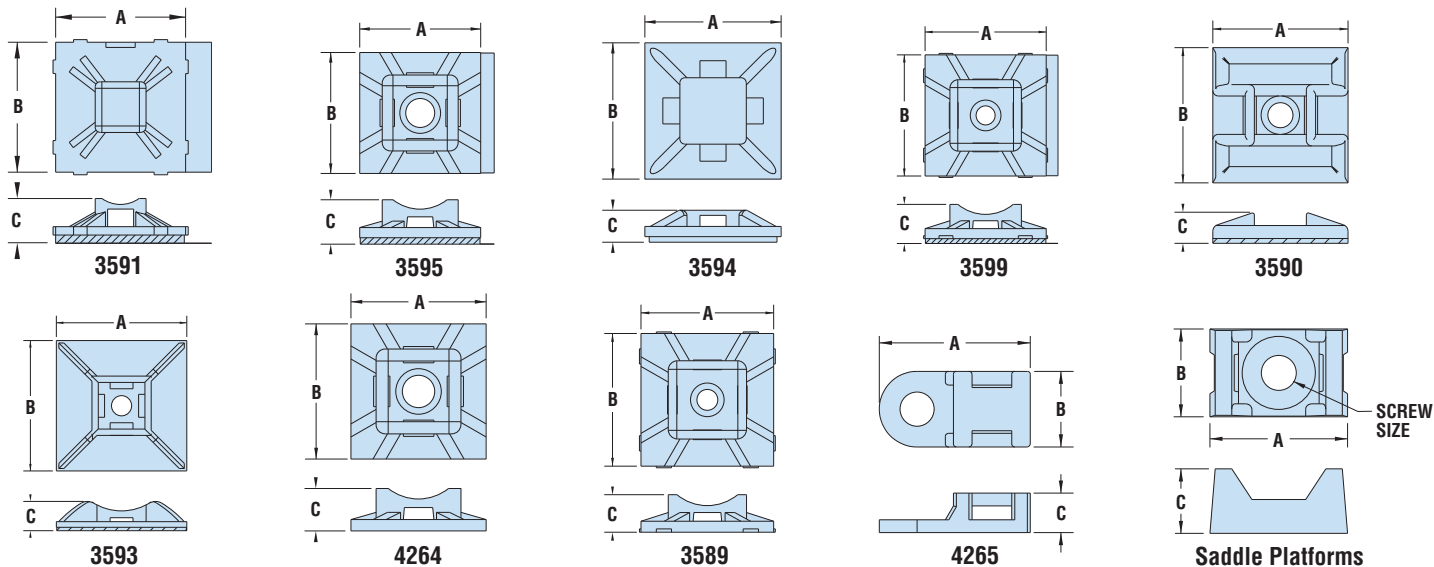
Saddle Platforms – Screw Mount

	MAX. TENSILE STRENGTH		SCREW SIZE		INSERT POINTS	PART NO.	DESCRIPTION	PART DIMENSIONS					
	Lbs.	N	in.	mm.				A		B		C	
	18	80	#4	3,0	2	4269	MP S-4	.51	13,0	.33	8,3	.24	6,1
	50	222	#8	4,0	2	3759	MP S-8	.60	15,2	.38	9,7	.28	7,0
	120	534	#10	5,0	2	3753	MP S-10	.87	22,2	.62	15,7	.39	9,9

Standard color natural.

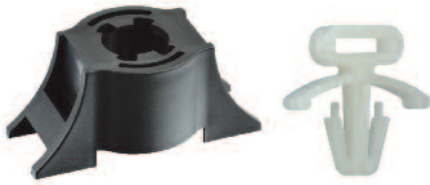
- Multiple sizes, strengths, and mounting options anchor Nytyes® securely.
- Five Types:
 - 1) Flat - Adhesive-Back and Screw Mounts
 - 2) Saddle - Screw Mount only
 - 3) Push Mount - Arrowhead and Blind Mounts
 - 4) Snap Over Bolt
 - 5) Stainless Steel Edge Clip “SunRunner Series”
- Rubber based adhesive effective up to 158°F (70°C).
- Acrylic based adhesive effective up to 167°F (75°C).
- Apply Adhesive-Backed parts to a clean, dry surface.

Tensile Lbs.	Tensile-Width Chart Width	
	in.	mm.
18	.10	2,5
40	.14	3,6
50	.19	4,8
120	.30	7,6



Material	Nylon 6/6
Certifications	Recognized under the Component Program of Underwriters’ Laboratories File E54523 (Adhesive-Back Mount parts only)
Flammability Rating	94V-2
Temperature Range	-32°F (0°C) to 158°F (70°C)

Quick Specs



Heyco® Nytye® Mounting Platforms

Push Mount Platforms

- Multiple sizes, strengths, and mounting options anchor Nytyes® securely.
- Five Types:
 - 1) Flat - Adhesive-Back and Screw Mounts
 - 2) Saddle - Screw Mount only
 - 3) Push Mount - Arrowhead and Blind Mounts
 - 4) Snap Over Bolt
 - 5) Stainless Steel Clip
- Rubber based adhesive effective up to 126°F (52°C).
- Apply Adhesive-Backed parts to a clean, dry surface.
- For Push Mount and Snap Over Bolt Platform Quick Specs, see page 9.

MAX. TENSILE STRENGTH	MOUNTING HOLE DIA.	MAX. PANEL THICKNESS*		INSERT POINTS	PART NO.	DESCRIPTION	PART DIMENSIONS							
		Lbs.	N				in.	mm.	A		B		C	
							in.	mm.	in.	mm.	in.	mm.	in.	mm.
Arrowhead Mount														
50	222	.19	4,8	.08	2,0	2	4266	MP PM-19	.56	14,3	.24	6,1	.63	15,9
		.25	6,4	.11	2,8	2	3762	MP PM-25	.63	15,9	.28	7,1	.69	17,5
		.26	6,7	.35	9,0	2	4267	MP PM-26	.80	20,2	.31	7,9	.82	20,9
Blind Head Mount*														
40	178	.31	7,9	.25	6,4	2	4268	MP PMB-31	.43	11,0	.33	8,3	.52	13,1
Reverse Button Mount														
50	222	.25	6,4	.13	3,2	2	3592	MP R-2	.42	10,7	.15	3,8	.41	10,3

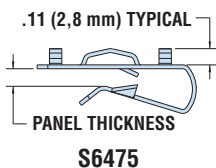
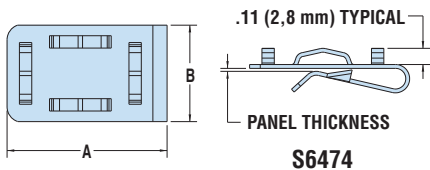
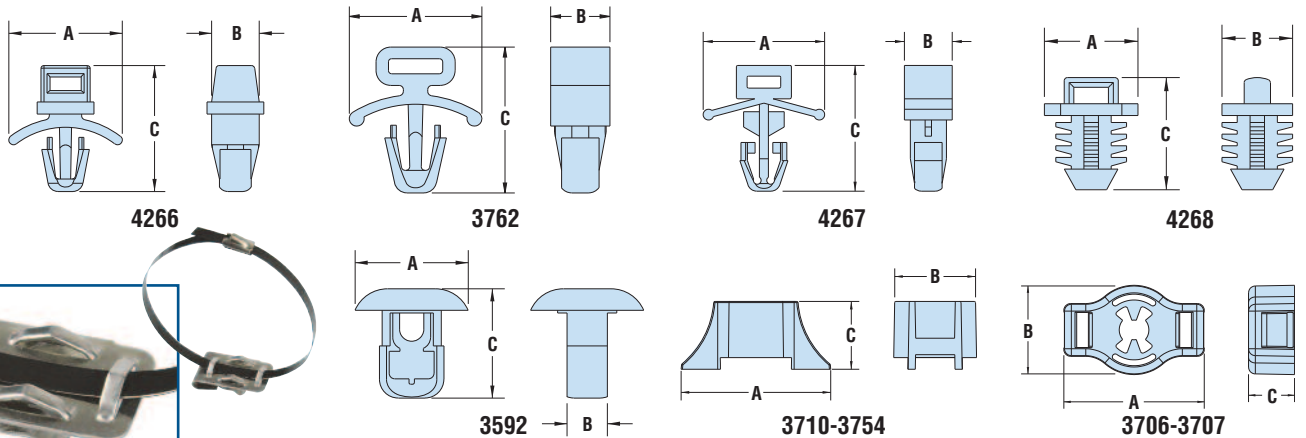
*Minimum Panel Thickness for Blind Mount Platforms

Snap Over Bolt Platforms

MAX. TENSILE STRENGTH	INSERT POINTS	BOLT SIZE		PART NO.	DESCRIPTION	PART DIMENSIONS										
		Lbs.	N			in.	mm.	A		B		C				
						in.	mm.	in.	mm.	in.	mm.	in.	mm.			
50	222	2	#10	5,0	3706	MP S-M5*	.96	24,4	.60	15,2	.32	8,1				
			1/4	6,0											3707	MP S-M6
120	534	2	1/2	12,0	3710	MP S-1/2	2.31	58,7	1.25	31,8	1.05	26,7				
			9/16	14,0											3711	MP S-9/16
			5/8	16,0											3754	MP S-5/8

Standard color black.

*3706 will also work with the PEM X-Press 5 mm stud.




Stainless Steel Edge Clip Platforms

ALL NEW PRODUCTS

MAX. CABLE TIE WIDTH*	PANEL TICKNESS RANGE		INSERT POINTS	PART NO.	DESCRIPTION	PART DIMENSIONS								
	Minimum	Maximm				A		B		C				
in.	mm.	in.	mm.				in.	mm.	in.	mm.	in.	mm.		
.31	8,0	.06	1,5	.12	3,0	4	S6474	SunRunner® CT	1.03	26,2	.63	16,0	.77	19,5
		.12	3,0	.25	6,4									

*Edge Clip Platforms SunRunner® CT and CT-EZ fit all Heyco Stainless Steel Cable Ties, see page 7.

Material .025" Thick 304 stainless steel (CT & CT-EZ)

Certifications  Certified by UL for Compliance with both Canadian and US Requirements under File E54523

...and "Stay Connected with Heyco" Power Components



Solar Power Components
Part No. 3000



Liquid Tight Cordgrips
Part No. 3297



Strain Relief Bushings
Part No. 1999



Bushings
Part No. 2999



Grommets
Part No. 2995



Hole Plugs
Part No. 2997



HEYware
Part No. 3399



PCB Supports & LED Spacers
Part No. 10999

Check out our convenient LabKits!





a **PennEngineering**® Company

“Stay Connected with Heyco” Power Components