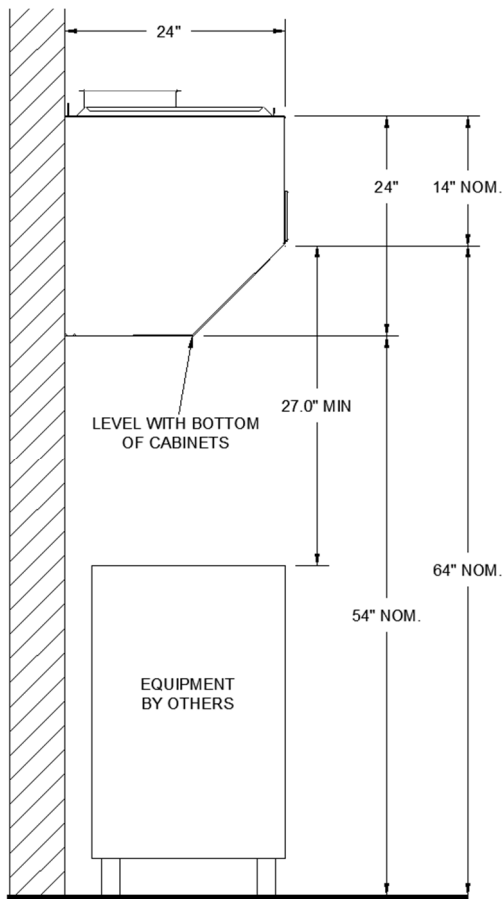


WALL RESIDENTIAL HOOD

MODEL: WRH-XX



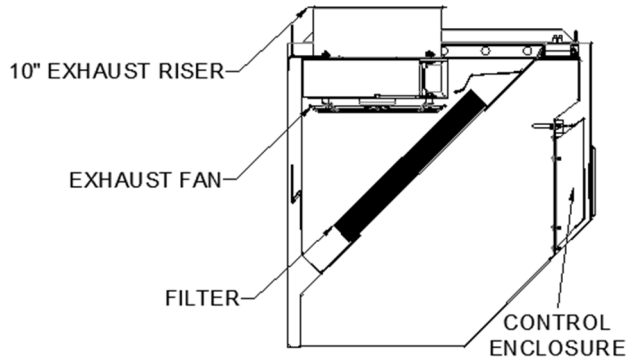
Design Features



Wall Mounted Residential Hood

- Listed to UL507
- For use over residential appliances in commercial settings
 - Senior Living Facilities
 - Religious Institutes
 - Any commercial setting where cooking is not for profit
- Mounting cleats to mount hood directly to wall above appliance
- HMI control panel allows manual modulation of fan speed and dimmable LED lights
- Temperature sensors activate fan when specified temperatures are reached
- Filters are easily removable for cleaning
- Optional straight or decorative wrappers for a finished appearance

WALL RESIDENTIAL HOOD MODEL: WRH-XX



Specifications

Part Number	WRH-30	WRH-36	WRH-48	WRH-60	WRH-72
Hood Length	30 in.	36 in.	48 in.	60 in.	72 in.
Hood Depth	24 in.				
Max/Min CFM	800/250				
Electrical	120 Volt – 1 Phase – 60 Hz – MCA 15 Amps – MOCP 15 Amps				
Duct Diameter	10 in.				
Number of LED Lights	2	2	3	4	4
Filter Type	Captrate Solo Filter or Standard Baffle				
Number of Filters	1	2	2	3	4
Decibels	71 dB @ 790 CFM				
Hood Weight	125 lbs.	135 lbs.	155 lbs.	175 lbs.	195 lbs.

Suggested Specifications

1. Application Constraints:

Ensure the application is within the specified constraints of the hood. **NOTE: Only for use with residential appliances.**

2. Location:

Ensure the location you are installing the hood meets proper clearances.

3. Electrical Specifications:

Specify electrical requirements when ordering the hood if other than noted above.

4. Filters:

Failure to use specified filters will void warranty. See filters listed above.

5. HVAC Loads:

Heat generated by the electric appliance must be included in HVAC load calculations.

6. Applications:

Hood may be installed to cover residential appliances only.



Optional Straight Wrapper



Optional Decorative Wrapper