

## TABLE OF CONTENTS - CHAPTER 2

Main Broom Lever .....	2-4
Main Broom Drive - Battery .....	2-6
Main Broom Lift .....	2-8
Main Broom Driver .....	2-9
Main Broom Idler .....	2-10
Side Broom - Battery .....	2-11
Side Broom .....	2-12
Side Broom Pulley .....	2-13
Side Broom Lever .....	2-14
Side Broom Lift System .....	2-16
Broom Chamber Flaps & Seals .....	2-18
Lower Door .....	2-20
Hopper (Variable Dump) .....	2-22
Hopper (Low Dump) .....	2-26
Hopper Lid/Cover (Variable Dump) .....	2-28
Hopper Lid/Cover (Low Dump) .....	2-29
Hopper Dump Door .....	2-30
Hopper Door Cylinder .....	2-31
Hopper Control Valve - Battery (Variable Dump) .....	2-32
Hopper Control Valve - Gas/Diesel (Variable Dump) .....	2-33
Hopper Control Valve - Battery (Low Dump) .....	2-34
Hopper Control Valve - Gas/Diesel (Low Dump) .....	2-35
Scrub Deck (46") - Battery .....	2-36
Scrub Deck (46") - Gas/Diesel .....	2-39
Scrub Deck & Squeegee (53") - Battery .....	2-42
Scrub Deck & Squeegee (53") - Gas/Diesel .....	2-50
Side Squeegees (46") .....	2-54
Rear Squeegees (46") .....	2-55
Squeegee Lift - Battery .....	2-56
Squeegee Lift - Gas/Diesel .....	2-58
Swing Squeegee Support .....	2-60
Solution Tank .....	2-62
Solution Feed .....	2-64
Recovery Tank .....	2-66
Recovery Drain System .....	2-68
Front Bumper .....	2-69
Front Wheel .....	2-70
Wheel Well Flap .....	2-71
Rear Wheel Assembly .....	2-72
Brake Pedal .....	2-74
Forward/Reverse Control - Battery .....	2-76
Forward/Reverse Control - Gas/Diesel .....	2-78
Frame .....	2-80
Steering Column .....	2-82
Vac Fan - Battery .....	2-84
Vac Fan - Gas/Diesel .....	2-85
Vac Motor Manifold .....	2-86
Filter Shaker .....	2-88
Safety Arm .....	2-90
Safety Arm (Low Dump) .....	2-91
Console .....	2-92
Seat And Floor Assembly .....	2-94
Pump Assembly, Wheel Drive - Battery .....	2-96
Hydraulic Hose Diagram - Gas/Diesel (Variable Dump) .....	2-100
Hydraulic Hose Diagram - Gas/Diesel (Low Dump) .....	2-102
Main Broom Hydraulics .....	2-104
Side Broom Hydraulics .....	2-105

## TABLE OF CONTENTS - CHAPTER 2

Hopper Lift Hydraulics .....	2-106
Hopper Dump Door Hydraulics .....	2-107
Hopper Control Check Valve Hydraulics - Gas/Diesel (Variable Dump) .....	2-108
Scrub Deck Hydraulics .....	2-109
Scrub Deck Lift Hydraulics - Battery .....	2-110
Scrub Deck Lift Hydraulics - Gas/Diesel .....	2-111
Squeegee Lift Hydraulics .....	2-112
Hydraulic Reservoir - Battery .....	2-113
Hydraulic Reservoir (Piston Pump) .....	2-114
Wheel Drive Hydraulics .....	2-116
Hydraulic Forward/Reverse Valve .....	2-117
Hydraulic Pump - Gas/Diesel .....	2-118
Hydraulic Main Control Valve - Gas/Diesel .....	2-120
Hydraulic Cylinder Control Valve - Gas/Diesel .....	2-122
Hydraulic Return Block .....	2-124
Vac Fan Hopper Hydraulics .....	2-126
Steering 90° - 90° Hydraulics .....	2-127
Engine Covers - Battery .....	2-128
Engine Covers - Gas/Diesel .....	2-130
Fuel Tank - Gas .....	2-132
Fuel Tank - Diesel .....	2-133
Fuel System - Diesel .....	2-134
Ford 413 Gas Engine .....	2-136
Perkins 104.19 Diesel Engine .....	2-138
Muffler - Gas .....	2-140
Muffler and Alternator Mounting - Diesel .....	2-142
Radiator and Shroud - Gas .....	2-144
Radiator and Shroud - Diesel .....	2-145
Electrical Assembly - Battery .....	2-146
Battery Electrical Assembly - Gas, LP, Diesel .....	2-148
Instrument Panel - Battery .....	2-150
Electrical Assembly Power Panel - Battery .....	2-152
Power Panel Assembly Connection Drawing - Battery .....	2-154
Electrical Harness Routing - Gas .....	2-155
Electrical Harness Routing - Diesel .....	2-156
Decals .....	2-158
Throttle Control .....	2-160

---

---

## MAIN BROOM LEVER - PARTS LIST

---

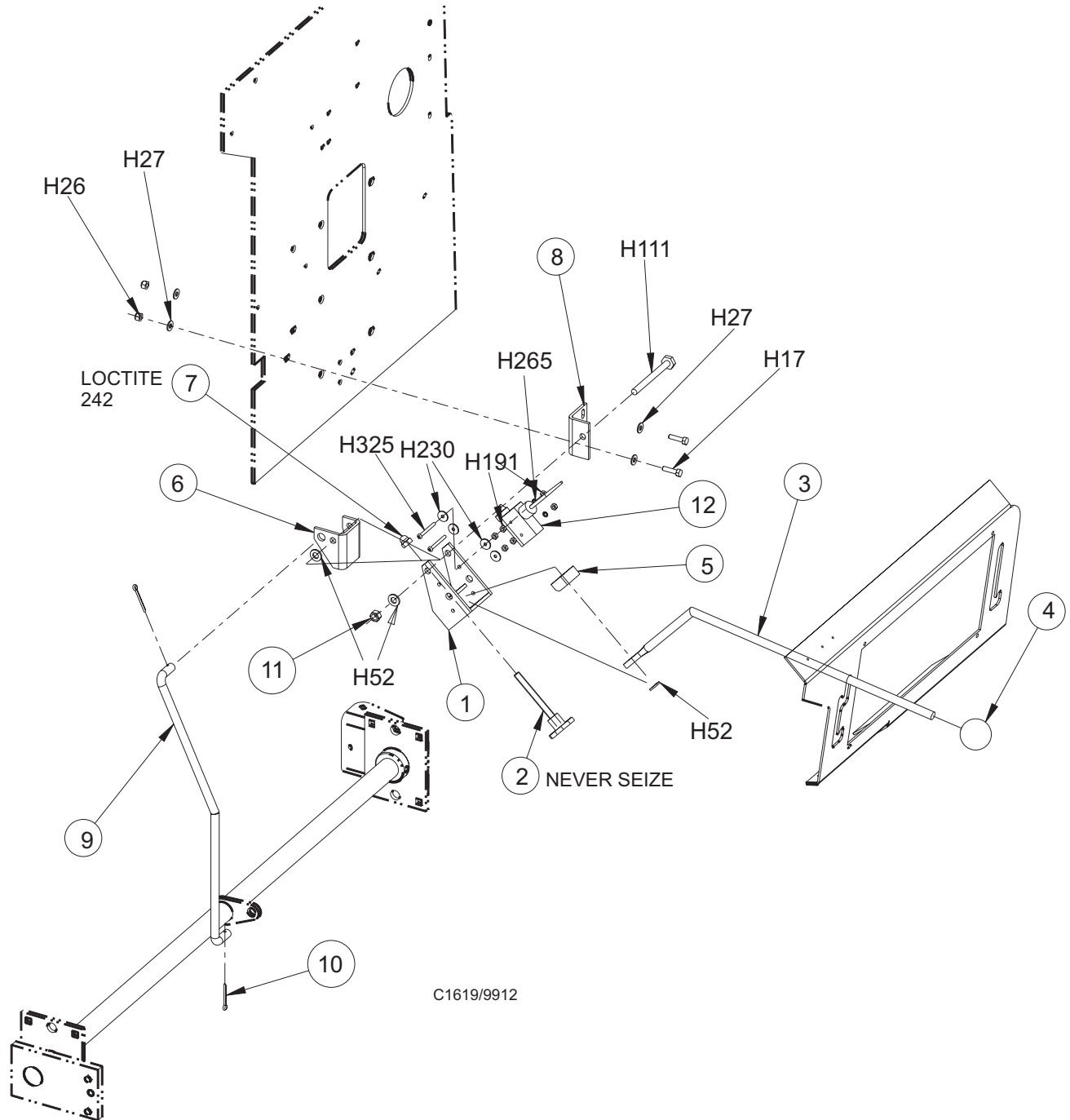
<u>KEY NO.</u>	<u>PART NUMBER</u>	<u>DESCRIPTION</u>	<u>QTY.</u>
1	8-08-00773	Broom Lift MB/SB Weldment	1
2	8-39-00013	Knob Assembly	1
3	7-66-00169	Lever Handle	1
4	8-39-00003	Control Knob Small	1
5	8-50-03002	Broom Adj Block	1
6	7-08-00850	Adj Angle/MB	1
7	2-00-00650	3/8-16 Low Crown Nut	1
8	8-08-00779	Pivot - MB Lift	1
9	7-66-00168	Rod - MB Linkage	1
10	2-00-00776	Cotter Pin	2
11	2-95-04182	Nut - Elastic Stop Nut	1
12	8-82-00058	Switch	1

### HARDWARE USED:

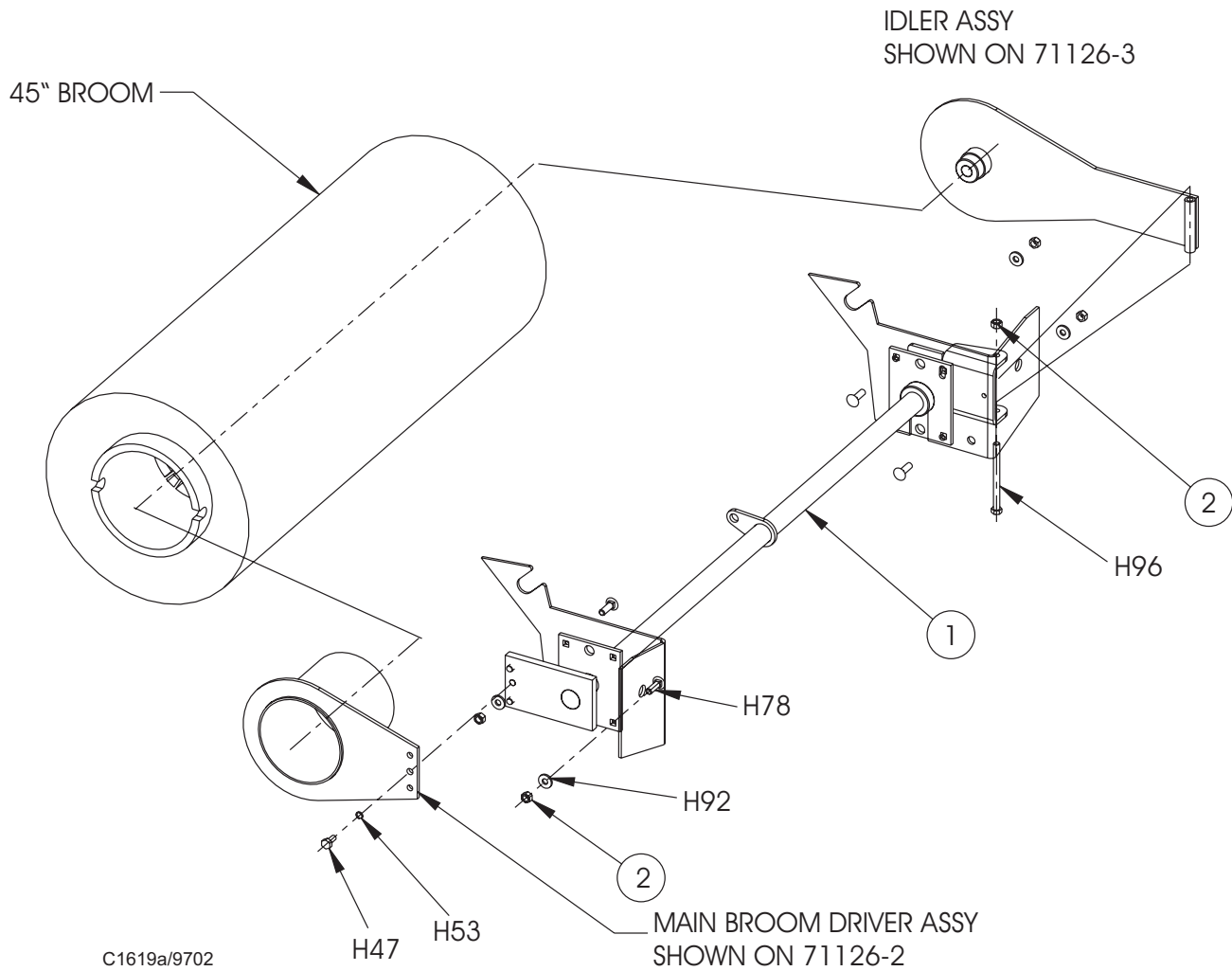
H17	2-00-00205	Screw, 1/4-20 x 1.000 HHC	2
H26	2-00-00641	Nut, 1/4-20 Insert Fiber	2
H27	2-00-03702	Washer, .625 x .281 x .063	4
H52	2-00-00402	Flat Washer, .750 x .390 x .094	3
H111	2-00-03296	Screw, 3/8-16 x 4.000 HHC	1
H191	2-00-00602	Nut, MSCR - Hex. #8-32	6
H230	2-00-00466	Flat Washer, .625 x .203 x .031	4
H265	2-00-00506	Lock Washer, Int Tooth #8 Dia Screw	2
H325	2-00-00092	Screw, Ph. RHM #8-32 x 1.75 Zn.	2

C1619/9912

# MAIN BROOM LEVER - EXPLODED VIEW



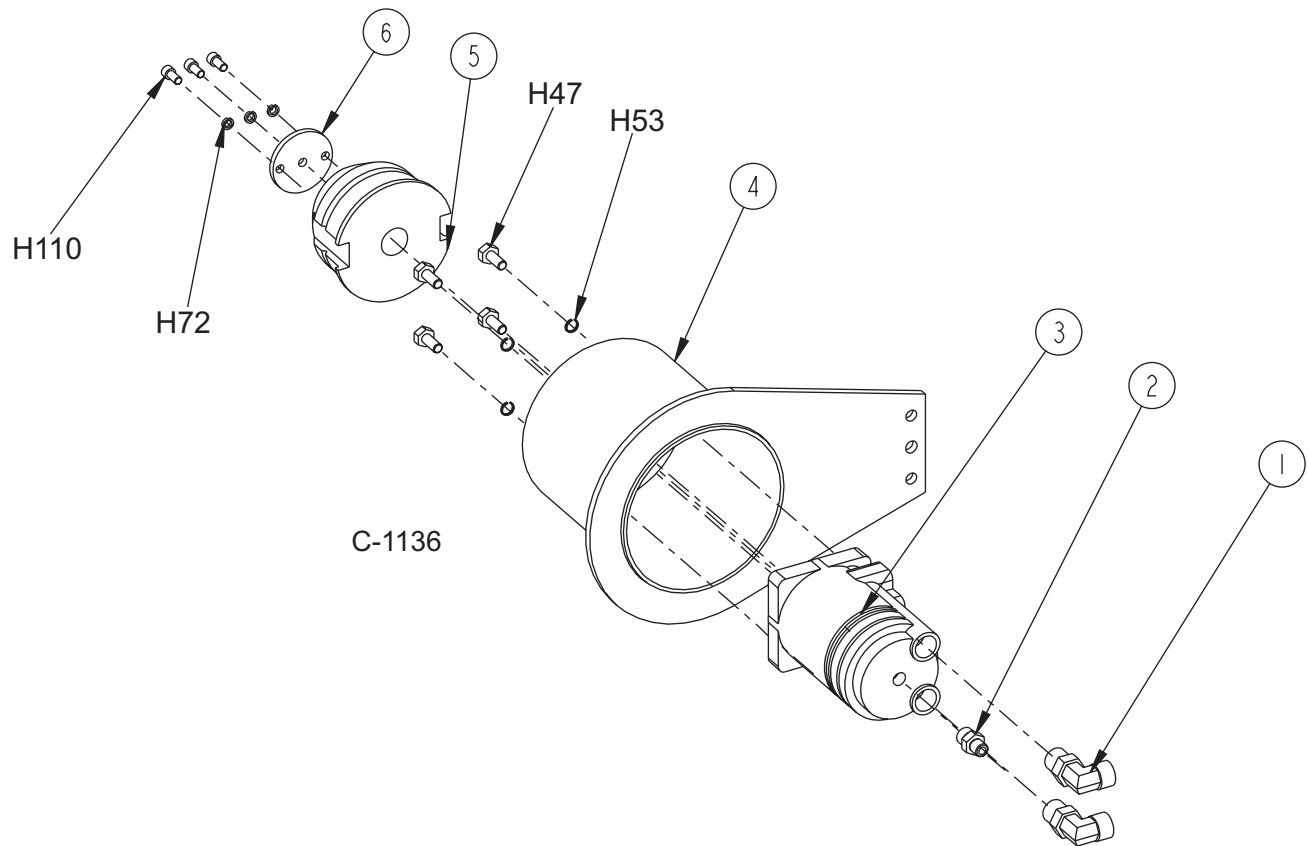
# MAIN BROOM LIFT



<u>KEY NO.</u>	<u>PART NUMBER</u>	<u>DESCRIPTION</u>	<u>QTY.</u>
1	7-03-04155	Main Broom Lift Frame	1
2	2-95-04182	Nut - Elastic Stop	5
<b><u>HARDWARE USED:</u></b>			
H47	2-00-00232	Screw, 3/8-16 x .750 HHC	1
H53	2-00-02310	Lock Washer, Helical Spring 3/8 Med.	1
H78	2-00-05187	Carriage Bolt, 3/8-16 x 1.250	4
H92	2-00-04801	Flat Washer, .875 x .375 x .125	4
H96	2-00-02605	Screw, 3/8-16 x 4.500 HHC Cad Plate	1

C1619a

# MAIN BROOM DRIVER



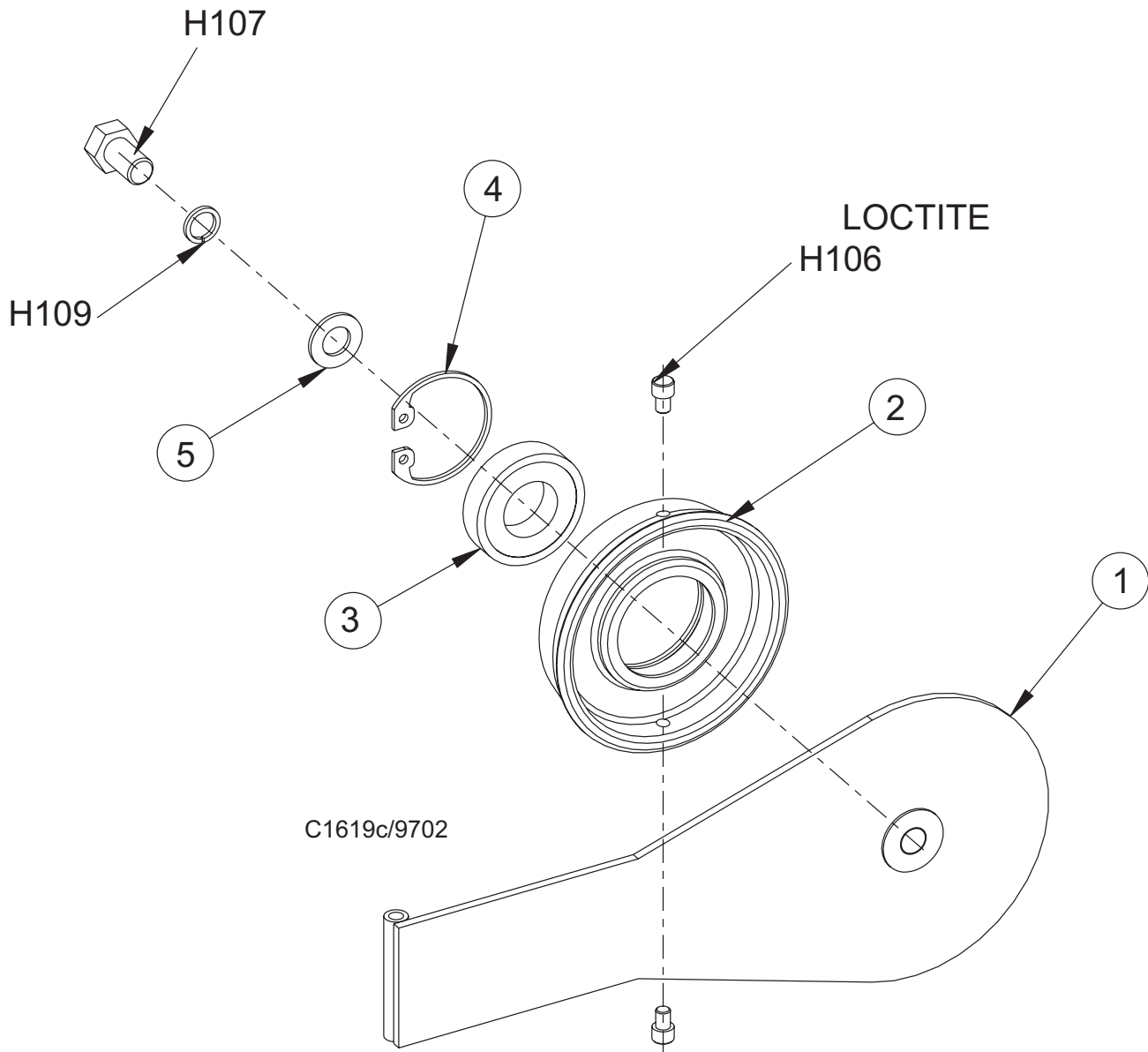
<u>KEY NO.</u>	<u>PART NUMBER</u>	<u>DESCRIPTION</u>	<u>QTY.</u>
1	2-00-04885	Fitting	2
2	2-00-04895	Fitting	1
3	0882-040	Motor	Ref.
4	8-16-00041	Drive Broom Arm	1
5	8-33-09046-1	Driver Hub	1
6	8-58-05160	Hub - Lock Plate	1

**HARDWARE USED:**

H47	2-00-00232	Screw, 3/8-16 x .750 HHC	4
H53	2-00-02310	Lock Washer, Helical Spring 3/8 Med.	4
H72	2-00-00518	Lock Washer, Helical Spring	3
H110	2-00-03039	Screw, 1/4-20 x .625 HSHC	3

C1619b

# MAIN BROOM IDLER



<u>KEY NO.</u>	<u>PART NUMBER</u>	<u>DESCRIPTION</u>	<u>QTY.</u>
1	7-03-04158	Broom Idler Arm - Weldment	1
2	8-33-09090	Idler Machined	1
3	2-00-04889	Bearing	1
4	2-00-04890	Clip - Retainer	1
5	8-75-01157	Washer	1

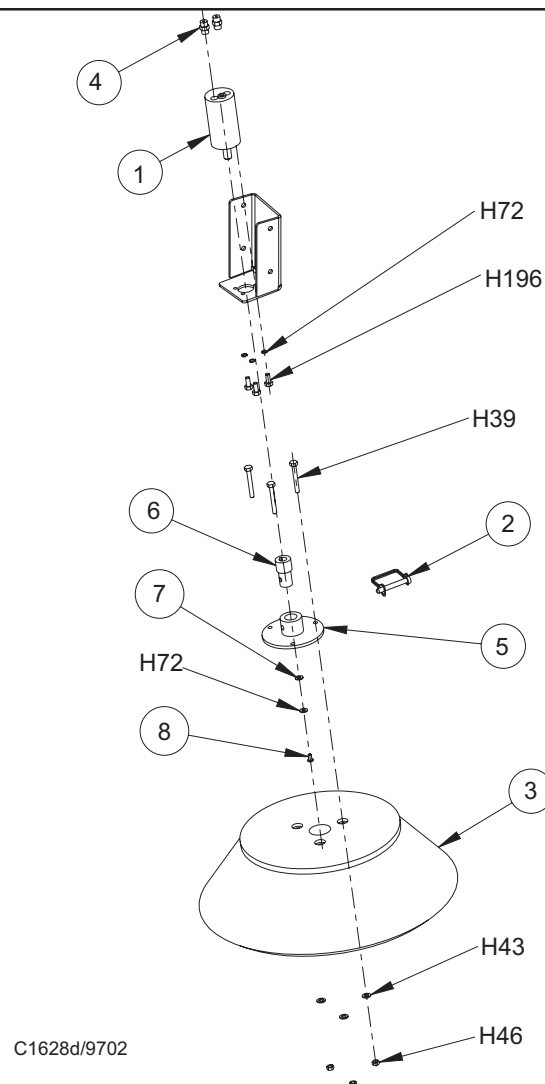
## HARDWARE USED:

H106	2-00-04886	Screw, 3/8-16 x .500 HSHC	2
H107	2-00-04887	Screw	1
H109	2-00-00522	Lock Washer, 3/4 Helical Spring	1

C1619c



# SIDE BROOM - PARTS LIST



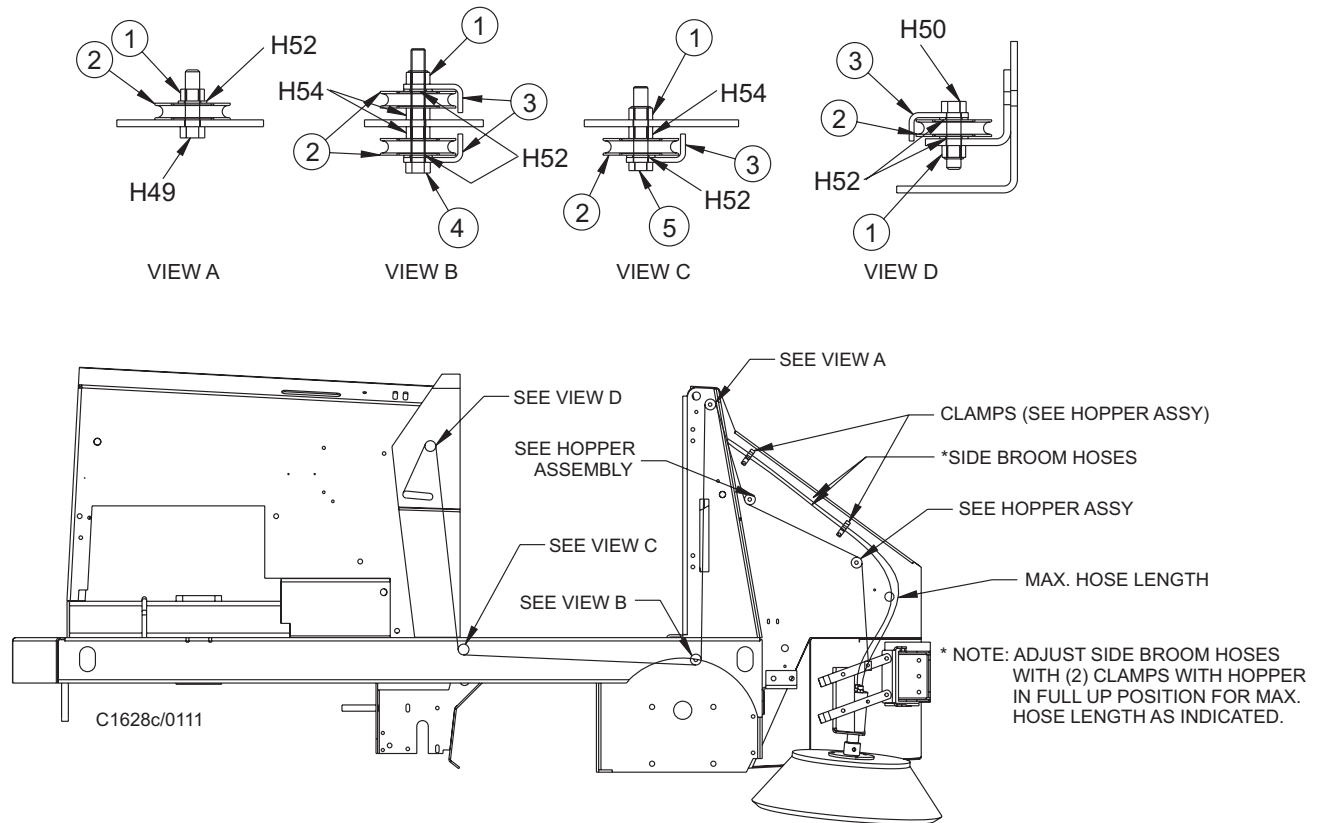
<u>KEY NO.</u>	<u>PART NUMBER</u>	<u>DESCRIPTION</u>	<u>QTY.</u>
1	0885-061	Side Broom Motor	Ref.
2	8-55-08122	Pin - SB - Flange	1
3	8-08-03211	Side Broom	1
4	2-00-04918	Fitting	Ref.
5	8-33-09091	Hub - SB - Weldment	1
6	7-72-03030	Sleeve - SB	1
7	2-00-04689	Washer, 11/16 OD x .260 I.D. x .050	1
8	2-00-04750	Screw, Btn HD Skt.	1

## HARDWARE USED:

H39	2-00-00218	Screw, 5/16-18 x 2.000 HHC	3
H43	2-00-00409	Flat Washer, .687 x .344 x .062	3
H46	2-00-00644	Nut, 5/16-18 Insert Fiber	3
H72	2-00-00518	Lock Washer, Helical Spring	4
H196	2-00-05350	Screw, 1/4-28 x .630 HHC	3

C1628d/9704

# SIDE BROOM PULLEY



<b>KEY NO.</b>	<b>PART NUMBER</b>	<b>DESCRIPTION</b>	<b>QTY.</b>
1	2-95-04182	Fiber Nut	4
2	7-60-00160	Pulley - Cable	Ref.
3	7-13-07130	Clip - Cable Retainer	Ref.
4	2-00-05384	Screw, 3/8-16 x 3.000 HHC	1
5	2-00-00235	Screw, 3/8-16 x 1.750 HHC	1

## **HARDWARE USED:**

H49	2-00-00209	Screw, 3/8-16 x 1.250 HHC	1
H50	2-00-00234	Screw, 3/8-16 x 1.500 HHC	1
H52	2-00-00402	Flat Washer, .750 x .390 x .094	4
H54	2-00-02360	Nut, Hex. 3/8-16	3

C1628c/0111

## SIDE BROOM LEVER - PARTS LIST

---

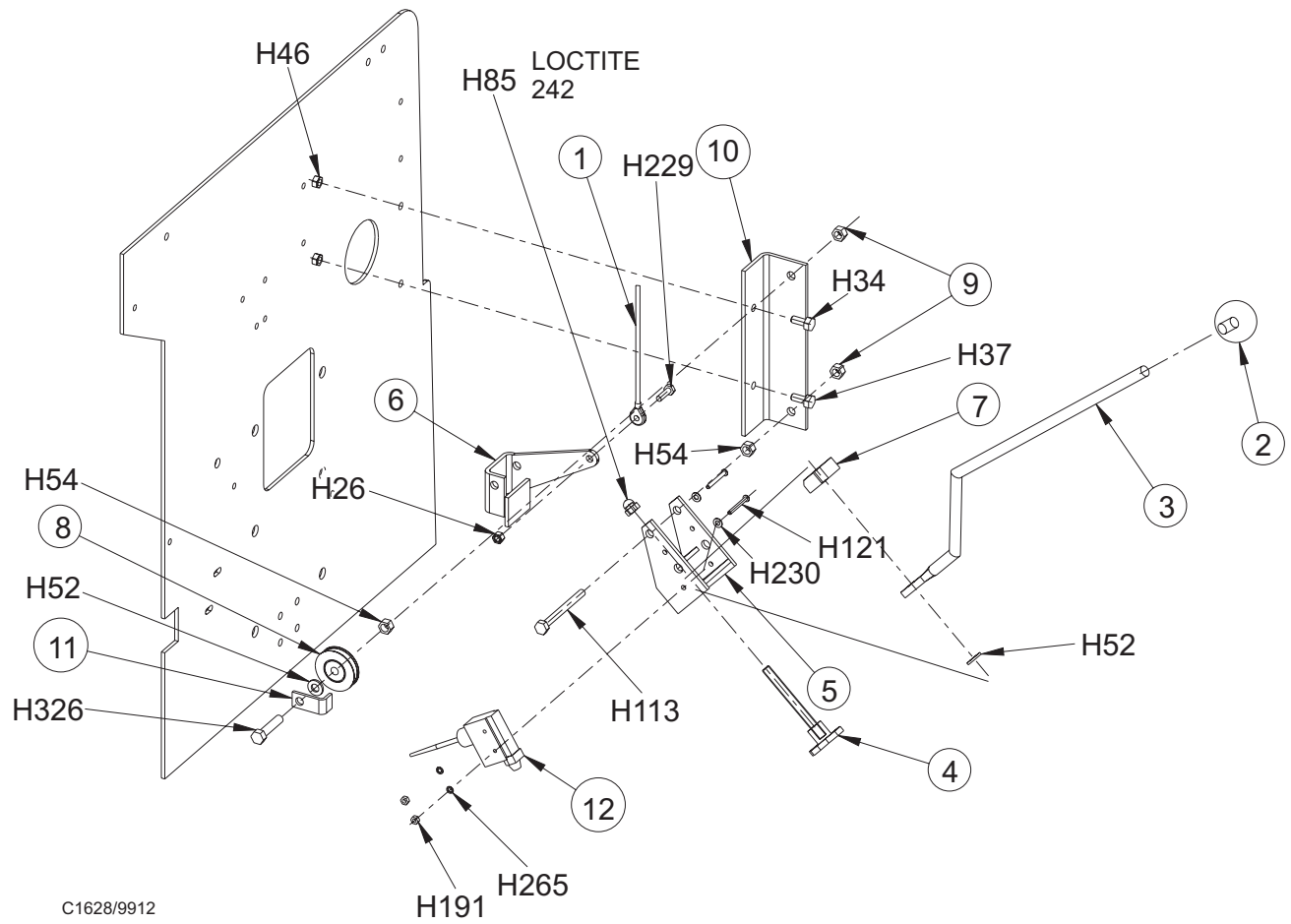
<u>KEY NO.</u>	<u>PART NUMBER</u>	<u>DESCRIPTION</u>	<u>QTY.</u>
1	7-10-00030	Cable	Ref.
2	8-39-00003	Control Knob	1
3	7-66-00170	Lever Handle - SB	1
4	8-39-00013	Knob Assembly	1
5	8-08-00773	Broom Lift - MB-SB Weldment	1
6	8-08-00866	Bracket - Angle Adj.-SB	1
7	8-50-03002	Broom Adj Block	1
8	7-60-00160	Pulley, Cable	4
9	2-95-04182	Fiber Nut	2
10	7-08-00851	Bracket - Angle Adj.-SB	1
11	7-13-07130	Clip - Cable Retainer	4
12	8-82-00058	Switch	1

### HARDWARE USED:

H26	2-00-00641	Nut, 1/4-20 Insert Fiber	1
H34	2-00-00208	Screw, 5/16-18 x .750 HHC	1
H37	2-00-00207	Screw, 5/16-18 x 1.250 HHC	1
H46	2-00-00644	Nut, 5/16-18 Insert Fiber	2
H52	2-00-00402	Flat Washer, .750 x .390 x .094	2
H54	2-00-02360	Nut, Hex. 3/8-16	2
H85	2-00-00650	Nut, Cap 3/8-16 Low Crown	1
H113	2-00-03333	Screw, 3/8-16 x 3.750 HHC	1
H121	2-00-00090	Screw, #8-32 x 1.500 RHM	2
H191	2-00-00602	Nut, MSCA - Hex, 8-32	2
H229	2-00-01490	Screw, .25-20 x .875 HHC STL	2
H230	2-00-00466	Flat Washer, .625 x .203 x .031	2
H265	2-00-00506	Lock Washer, Int Tooth #8 Dia Screw	2
H326	2-00-00325	Screw HHC .375-16 x 1.75	1

C1628/9912

# SIDE BROOM LEVER - EXPLODED VIEW



C1628/9912

## SIDE BROOM LIFT SYSTEM - PARTS LIST

---

<u>KEY NO.</u>	<u>PART NUMBER</u>	<u>DESCRIPTION</u>	<u>QTY.</u>
1	8-08-00790	Bracket - SB	1
2	8-08-00846	Pivot Bracket - SB	1
3	8-42-05136	Link - SB	2
4 *	7-08-00847	Bracket - SB	1
4 #	7-08-00902	Bracket - Side Broom	1
5	2-95-04182	Nut, Elastic Stop	13
6	7-66-00180	Rod - Threaded	1
7	8-14-01006	Clevis	1
8	2-95-01999	Nut-1/4-28 Hex Jam	1
9	7-10-00030	Cable	Ref.
10	7-76-00101	Spring	2

### HARDWARE USED:

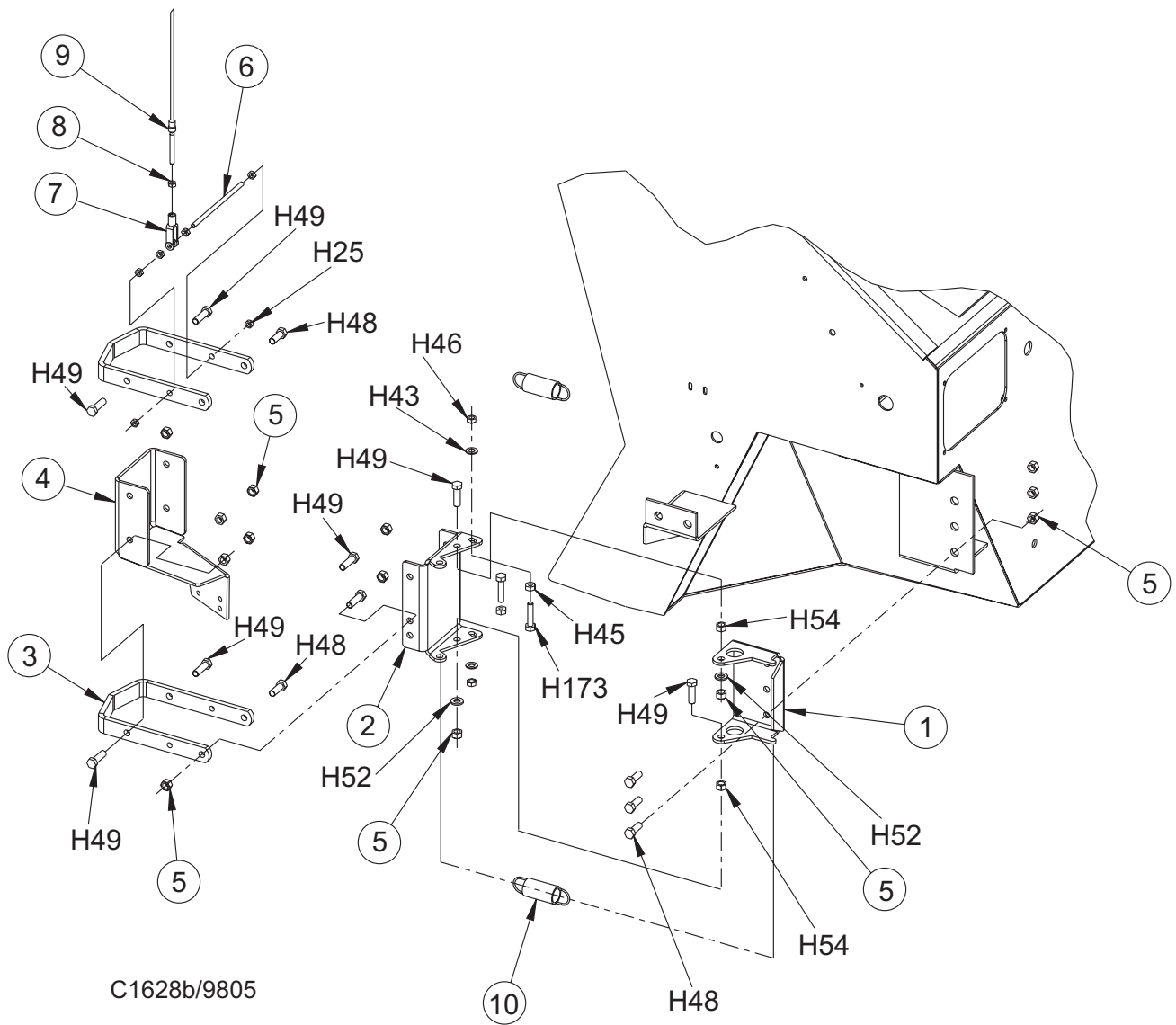
H25	2-00-00594	Nut, Hex, 1/4-20 x .437 x .218	6
H43	2-00-00409	Flat Washer, .687 x .344 x .062	2
H45	2-00-00585	Nut, Hex. 5/16-18 x .503 x .265	2
H46	2-00-00644	Nut, 5/16-18 Insert Fiber	2
H48	2-00-00233	Screw, 3/8-16 x 1.000 HHC	5
H49	2-00-00209	Screw, 3/8-16 x 1.250 HHC	8
H52	2-00-00402	Flat Washer, .750 x .390 x .094	4
H54	2-00-02360	Nut, Hex. 3/8-16	2
H173	2-00-02709	Screw, 5/16-18 x 1.500	2

\* - Gas & Diesel Only

# - Battery Only

C1628b/9704

# SIDE BROOM LIFT SYSTEM - EXPLODED VIEW



## BROOM CHAMBER FLAPS & SEALS - PARTS LIST

<u>KEY NO.</u>	<u>PART NUMBER</u>	<u>DESCRIPTION</u>	<u>QTY.</u>
1 *	7-25-08071	Flap - BC Outer	1
1 #	7-25-08076	Flap - Broom Chamber - Inner	1
2 *	7-13-07167	Clamp - BC Outer	1
2 #	7-13-07180	Clamp - Broom Chamber Flap - Inner	1
3 *	7-25-08072	Flap - BC Inner	1
3 #	7-25-08075	Flap - Broom Chamber - Outer	1
4 *	7-13-07168	Clamp - BC Inner	1
4 #	7-13-07181	Clamp - Broom Chamber Flap - Outer	1
5	8-29-00257	Gasket	1
6	8-29-00234	Gasket	1
7	8-29-00233	Gasket	1
8	7-29-00217	Gasket- Broom Doors	1
9	8-29-00256	Gasket	1
10	8-29-00232	Gasket- Broom Chamber	1
11	8-79-00030	Static Strap	1
12	7-21-03003	Edging	2

### HARDWARE USED:

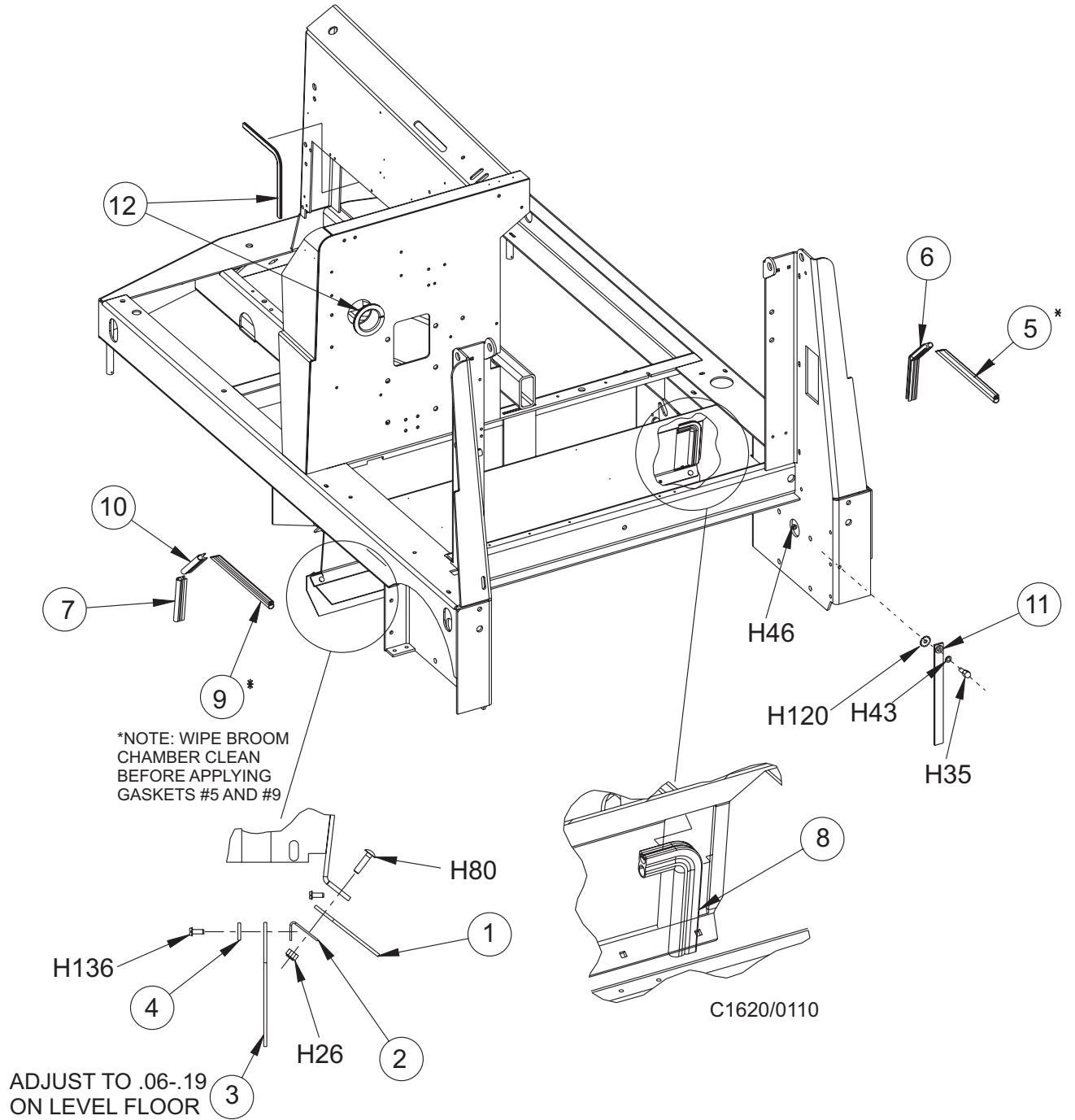
H26	2-00-00641	Nut, 1/4 Fiber Insert	7
H35	2-00-02708	Screw, 5/16-18 X 1.000 HHC	1
H43	2-00-00409	Flat Washer, .687 x .344 x .062	1
H46	2-00-00644	Nut, 5/16-18, Insert Fiber	1
H80	2-00-02196	Carriage Bolt, 1/4-20 X 1.000 HHC	7
H120	2-00-03829	Lock Washer, 3/8 Bolt	1
H136	2-00-03940	Screw, #10-24 x .500T/C HH	7

\* - Gas & Diesel Only

# - Battery Only

C1620/9911

# BROOM CHAMBER FLAPS & SEALS - EXPLODED VIEW





## LOWER DOOR - PARTS LIST

---

<u>KEY NO.</u>	<u>PART NUMBER</u>	<u>DESCRIPTION</u>	<u>QTY.</u>
1 *	7-19-08057	Broom Door Weldment (RH)	1
1	7-89-15418	W/D Door Pivot MTG.	1
2	8-41-00052	Latch	2
3	7-57-05038	Pivot Retainer	2
4	8-39-00015	Latch Knob - Broom door	2
5 *	7-13-07171	Clamp	1
6 *	8-25-08212	Flap	1
7	8-13-07145	Clamp	2
8 *	7-19-08058	Broom Door Weldment (LH)	1
9	8-25-08212	Flap	1
10 #	7-19-08060	Door-Broom (L.H.)	1

### HARDWARE USED:

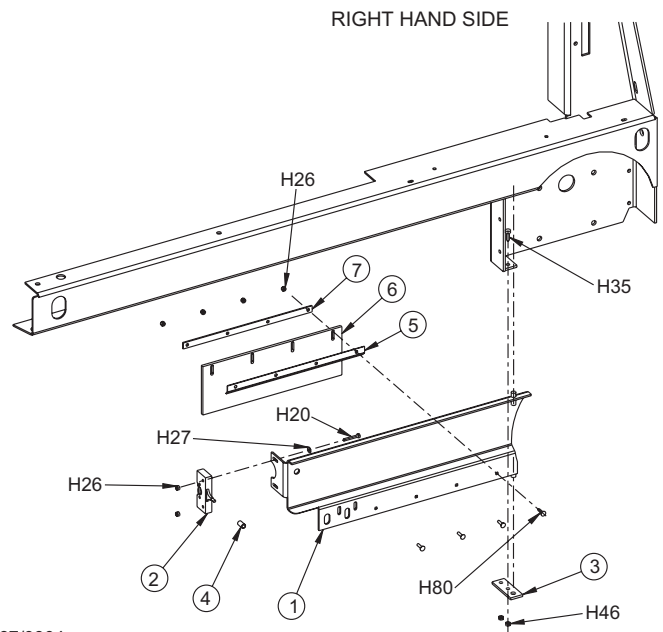
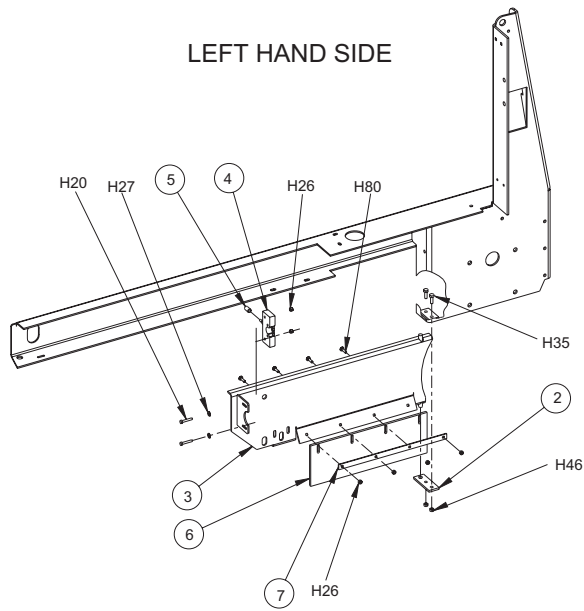
H20	2-00-00203	Screw, 1/4-20 x 1.500 HHC	2
H21	2-00-01769	Screw, 1/4-20 x 1.750	2
H26	2-00-00641	Nut, 1/4-20 Insert Fiber	10
H27	2-00-03702	Washer, .625 x .281 x .063	4
H35	2-00-02708	Screw, 5/16-18 x 1.000 HHM	4
H46	2-00-00644	Nut, 5/16-18 Insert Fiber	4
H80	2-00-02196	Carriage Bolt, 1/4-20 x 1.000 RHM	8

\* - Gas & Diesel Only

# - Battery Only

C1667/9912

# LOWER DOOR - EXPLODED VIEW



C1667/9804

## HOPPER (VARIABLE DUMP) - PARTS LIST

---

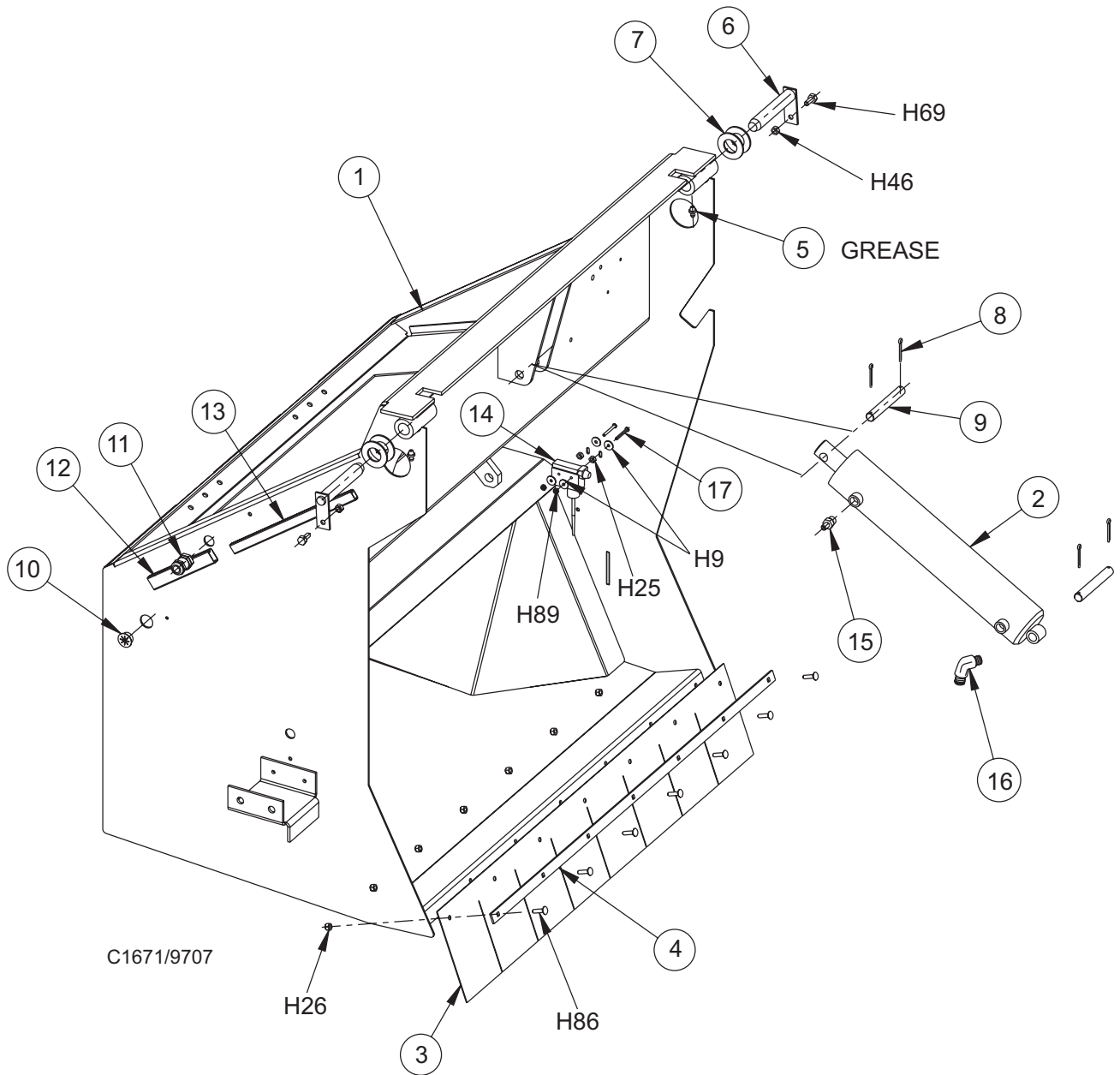
<u>KEY NO.</u>	<u>PART NUMBER</u>	<u>DESCRIPTION</u>	<u>QTY.</u>
1	7-32-06018	Hopper - Variable Dump	1
2	8-17-05022	Lift Cylinder	Ref.
3	7-25-08070	Hopper Flap	1
4	7-13-07173	Clamp - Hopper Flap	1
5	2-00-00566	Grease Zerk	2
6	7-55-08148	Pin - Hopper Pivot	2
7	2-00-05024	Washer	6
8	2-00-00776	Cotter Pin	4
9	8-55-08112	Pin - Cylinder	2
10	8-09-01082	Bushing - Star	1
11	8-09-01083	Bushing - Liq Tight	1
12	7-20-06012	Duct 6"	Ref.
13	8-20-06036	Duct 12"	Ref.
14	8-82-00058	Switch	1
15	2-00-05054	Hyd Fitting	Ref.
16	2-00-04589	Hydraulic Fitting 90°	Ref.
17	2-00-00092	Screw, #8-32 x .175 RHM	2

### HARDWARE USED:

H9	2-00-00426	Flat Washer, .500 x .219 x .063	4
H25	2-00-00594	Nut, Hex. 1/4-20 x .437 x .218	2
H26	2-00-00641	Nut, 1/4-20 Insert Fiber	7
H46	2-00-00644	Nut, 5/16-18 Insert Fiber	2
H69	2-00-01255	Screw, 5/16-18 x .875 HHC	2
H86	2-00-03575	Carriage Bolt, 1/4-20 x .750	7
H89	2-00-01372	Nut, Fiber Insert #8-32 Steel	2

C1671/9707

# HOPPER (VARIABLE DUMP) - EXPLODED VIEW



## HOPPER (VARIABLE DUMP) cont. - PARTS LIST

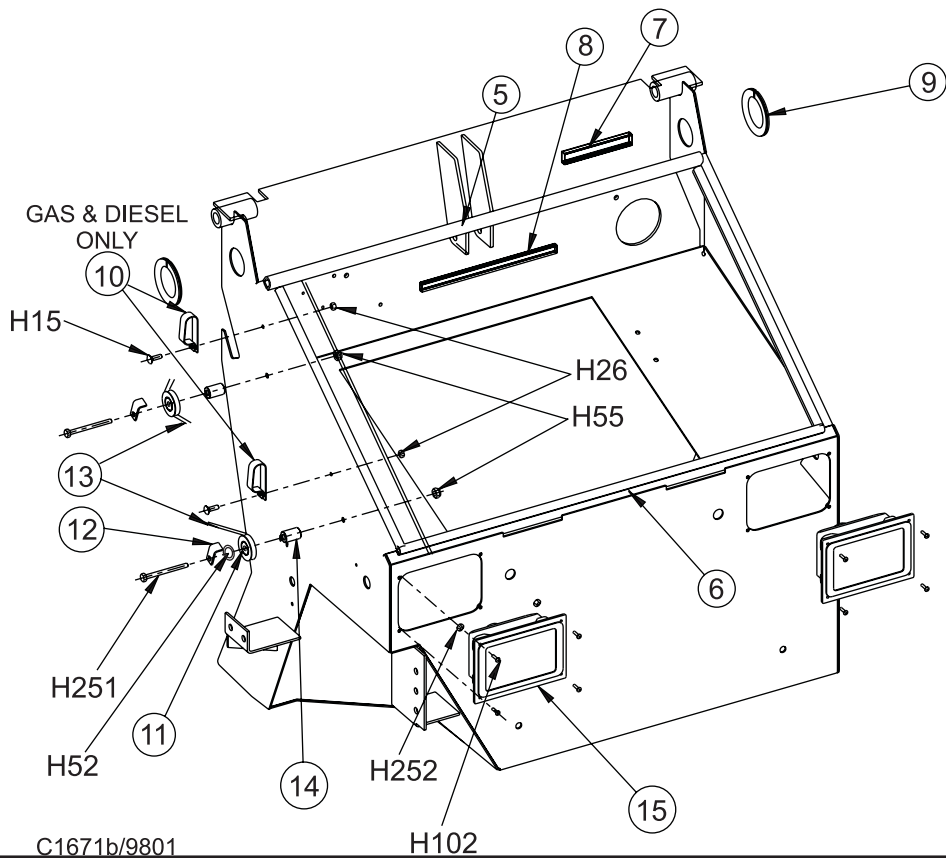
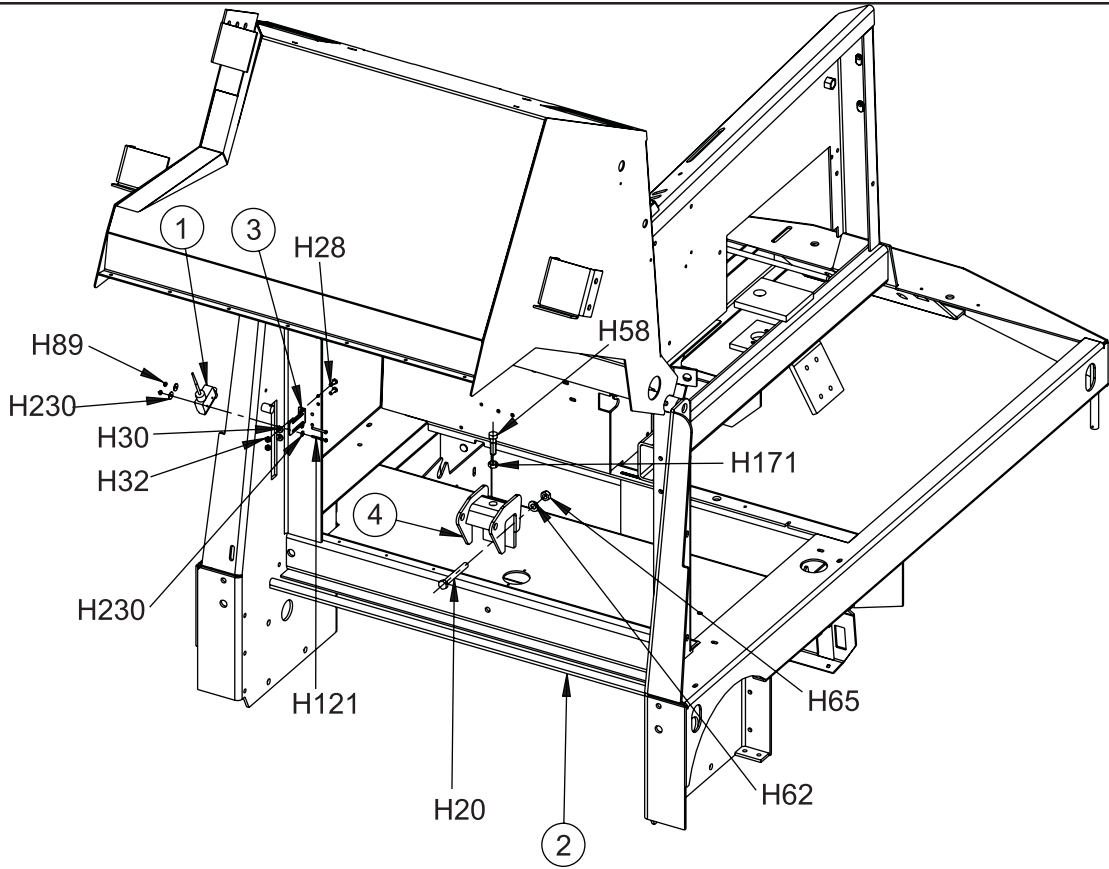
<u>KEY NO.</u>	<u>PART NUMBER</u>	<u>DESCRIPTION</u>	<u>QTY.</u>
1	8-82-00058	Switch	1
2	7-29-00240	Gasket	1
3	7-08-02017	Switch - Bracket	1
4	7-81-00190	Support - Cyl. Welded	1
5	7-32-06018	Hopper-Variable HT Dump	1
6	7-29-00239	Gasket - Hopper 85.0"	1
7	7-20-06012	Duct 6"	Ref.
8	8-20-05036	Duct 12"	Ref.
9	7-21-04022	Edging	2
10	2-00-04603	Clamp	2
11	7-60-00160	Pulley	2
12	7-13-07130	Clip-Cable Retainer	2
13	7-10-00030	Cable-Side Broom	Ref
14	7-75-01066	Spacer	2
15	8-40-05051	Head Light (Gas, Diesel)	2
15	8-40-05052	Head Light (Battery)	2

### HARDWARE USED:

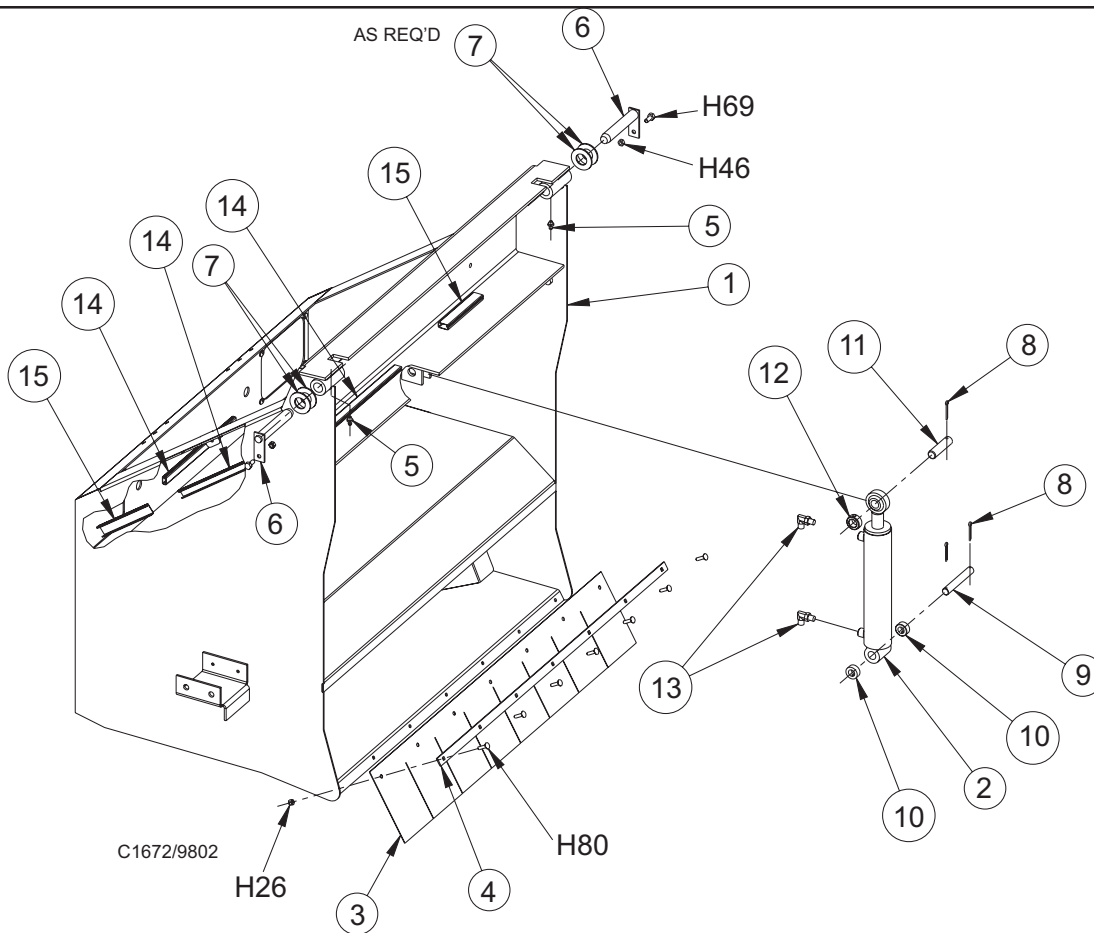
H15	2-00-00221	Screw, 1/4-20 x .750 HHC	2
H23	2-00-01980	Screw, 1/4-20 x 2.500 HHC	1
H25	2-00-00594	Nut, Hex 1/4-20 x .437 x .218	2
H26	2-00-00641	Nut, 1/4-20 Insert Fiber	2
H28	2-00-04685	Screw, 1/4-20 x .750 HHC	2
H30	2-00-04687	Lock Washer, Helical Spring 1/4 Med.	2
H32	2-00-04688	Nut, 1/4-20 Hex.	2
H52	2-00-00402	Flat Washer, .750 x .390 x .094	2
H55	2-00-00643	Nut, 3/8-16 Stop	2
H58	2-00-00241	Screw, 1/2-13 x 1.750 HHC	1
H62	2-00-00405	Flat Washer, 1.063 x .531 x .094	1
H65	2-00-04936	Nut, 1/2-13 Fiber Lock	1
H89	2-00-01372	Nut, Fiber Insert #8-32 Steel	2
H102	2-00-04795	Screw, #10-24 x .750 BHS	8
H121	2-00-00090	Screw, #8-32 x 1.500 RHM	2
H171	2-00-02371	Nut, Hex Jam 1/2-13 Steel	1
H251	2-00-02602	Screw, 3/8-16 x 2.750 HHC CAD. PL	2
H252	2-00-00600	Nut, Hex Heavy 3/8-16	4

C1671b/9805

HOPPER (VARIABLE DUMP) cont. - EXPLODED VIEW



# HOPPER (LOW DUMP)

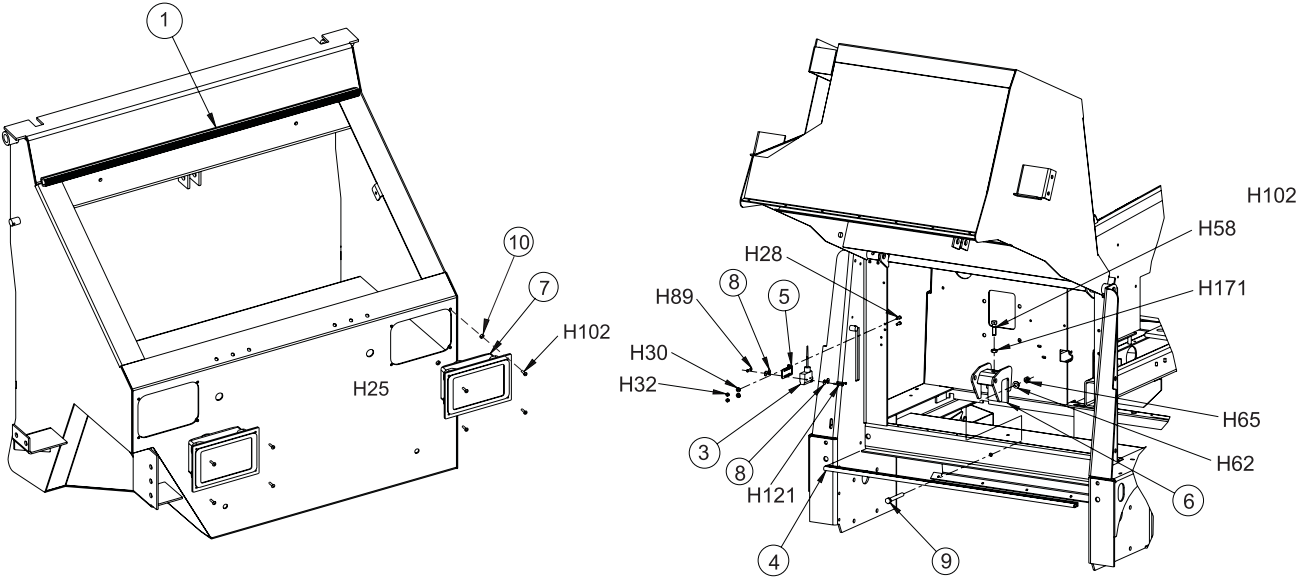


<u>KEY NO.</u>	<u>PART NUMBER</u>	<u>DESCRIPTION</u>	<u>QTY.</u>
1	7-32-06020	Hopper - Low Dump	1
2	8-17-05029	Lift Cylinder	Ref.
3	7-25-08070	Hopper Flap	1
4	7-13-07173	Clamp - Hopper Flap	1
5	2-00-00566	Grease Zerk	2
6	7-55-08148	Pin - Hopper Pivot	2
7	2-00-05024	Washer	4
8	2-00-00776	Cotter Pin	3
9	8-55-08112	Pin - Cylinder	1
10	8-15-01002	Collar - Locking .62 I.D.	2
11	8-55-08103	Pin - Cylinder	1
12	8-15-01003	Collar - Locking 3/4" I.D.	1
13	2-00-04892	Fitting - 90°	Ref.
14	8-20-06036	Duct - 12"	Ref.
15	7-20-06012	Duct - 6"	Ref.

## HARDWARE USED:

H26	2-00-00641	Nut, 1/4-20 Insert Fiber	7
H46	2-00-00644	Nut, 5/16-18 Insert Fiber	2
H69	2-00-01255	Screw, 5/16-18 x .875 HHC	2
H80	2-00-02196	Carriage Bolt, 1/4-20 x 1.000 RHM	7

C1672/9802



C1672b/9802

KEY NO.	PART NUMBER	DESCRIPTION	QTY.
1	7-29-00238	Gasket - 38.5"	1
2			
3	8-82-00058	Switch	1
4	7-29-00241	Gasket	1
5	7-08-02017	Bracket - Switch	1
6	7-81-00190	Support - Cylinder (Welded)	1
7	7-40-05051	Head Light (Gas, Diesel)	2
7	8-40-05052	Head Light (Battery)	2
8	2-00-00466	Flat Washer, .625 x .203 x .031	4
9	2-00-02617	Screw, 1/2-13 x 3.250 Cad. Pl.	1
10	2-00-00600	Nut, Hex Hvy. 3/8-16	4

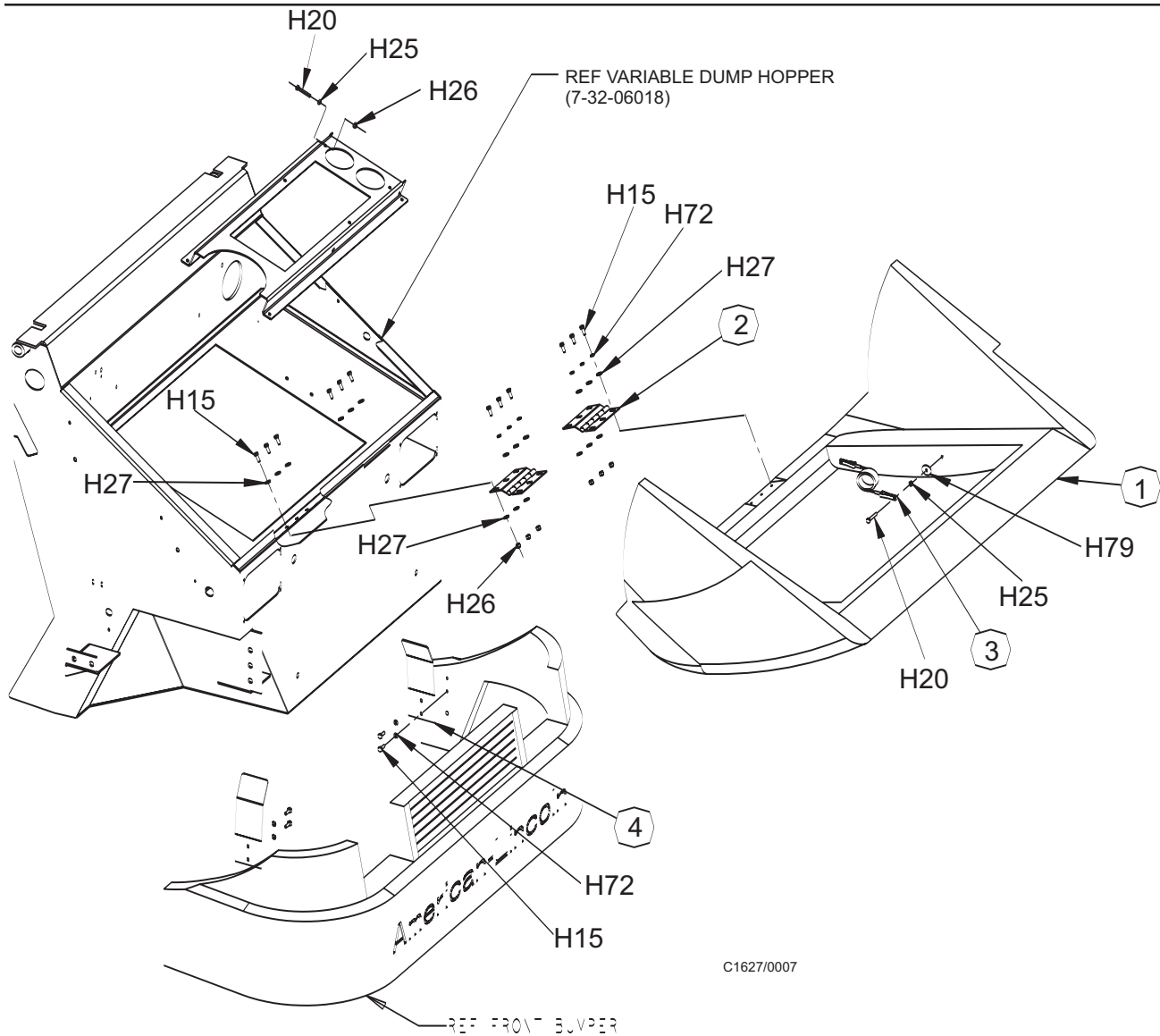
**HARDWARE USED:**

H28	2-00-04685	Screw, 1/4-20 x .750 HHC	2
H30	2-00-04687	Lock Washer, Helical Spring 1/4 Med.	2
H32	2-00-04688	Nut, 1/4-20 Hex	2
H58	2-00-00241	Screw, 1/2-13 x 1.750 BHS	1
H62	2-00-00405	Flat Washer, 1.063 x .531 x .094	1
H65	2-00-04936	Nut, 1/2-13 Fiber Lock	1
H89	2-00-01372	Nut, Fiber Insert #8-32 Steel	2
H102	2-00-04795	Screw, #10-24 x .750 BHS	8
H121	2-00-00090	Screw, #8-32 x 1.500 RHM	2
H171	2-00-02371	Nut, Hex Jam 1/2-13 STL.	1

C1672b/9802



# HOPPER LID/COVER (VARIABLE DUMP)



C1627/0007

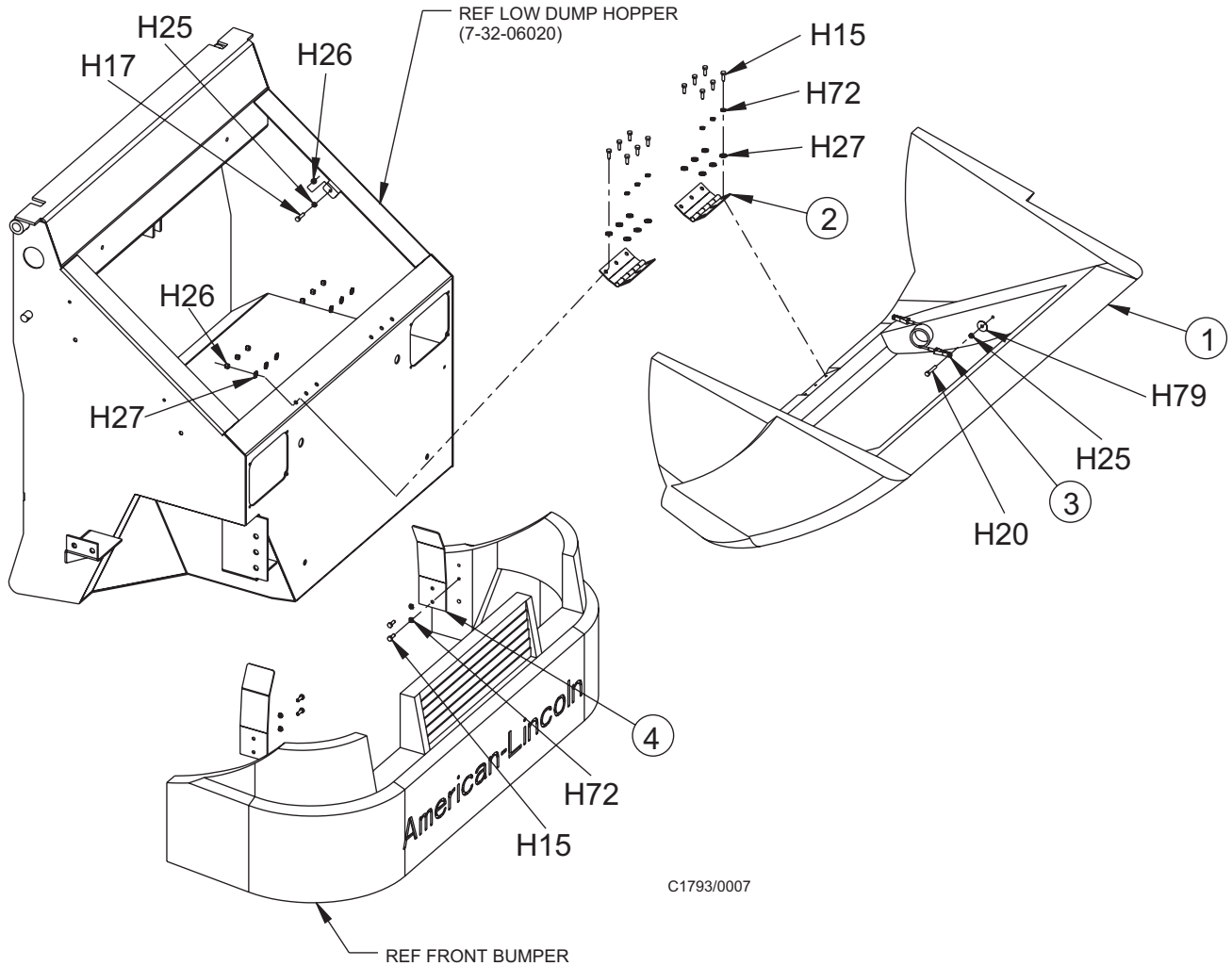
<u>KEY NO.</u>	<u>PART NUMBER</u>	<u>DESCRIPTION</u>	<u>QTY.</u>
1	7-16-07411	Hopper Cover	1
2	7-32-00039	Hinge (Variable Dump)	2
3	8-10-00027	Cable	1
4	7-41-00035	Latch Hopper Cover	2

## HARDWARE USED:

H15	2-00-00221	Screw, 1/4-20 x .750 HHC	16
H20	2-00-00203	Screw, 1/4-20 x 1.500 HHC	2
H25	2-00-00594	Nut, Hex 1/4-20 x .437 x .218	2
H26	2-00-00641	Nut, 1/4-20 Insert Fiber	7
H27	2-00-03702	Washer, .625 x .218 x .063	18
H72	2-00-00518	Lock Washer, Helical Spring	10
H79	2-00-01676	Flat Washer, 1.062 x .265 x .062	1

C1627/0007

## HOPPER LID/COVER (LOW DUMP)



<u>KEY NO.</u>	<u>PART NUMBER</u>	<u>DESCRIPTION</u>	<u>QTY.</u>
1	7-16-07411	Hopper Cover	1
2	7-32-00038	Hinge (Low Dump)	2
3	8-10-00027	Cable	1
4	7-41-00035	Latch Hopper Cover	2

### HARDWARE USED:

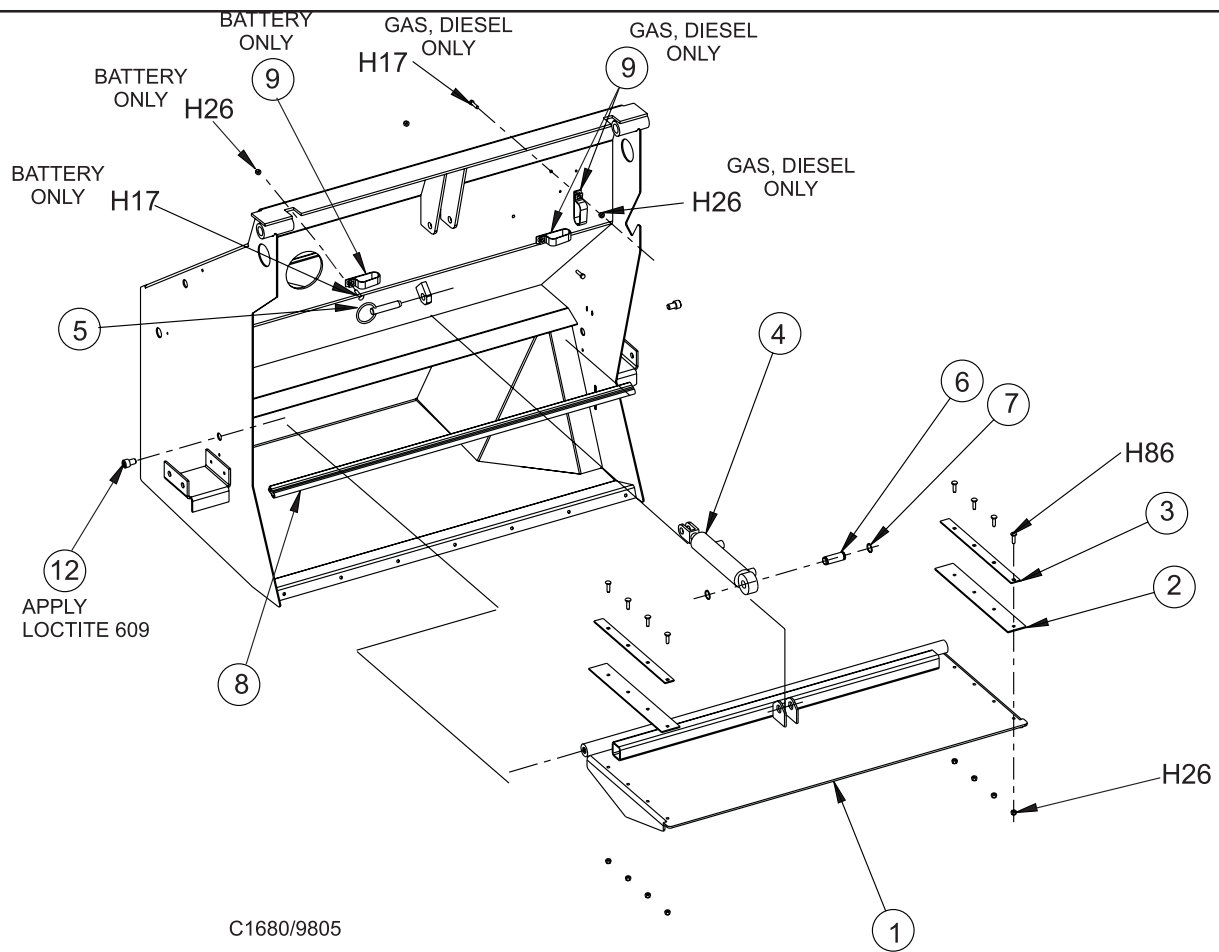
H15	2-00-00221	Screw, 1/4-20 x .750 HHC	16
H17	2-00-00205	Screw, 1/4-20 x 1.000 HHC	1
H20	2-00-00203	Screw, 1/4-20 x 1.500 HHC	1
H25	2-00-00594	Nut, Hex 1/4-20 x .437 x .218	2
H26	2-00-00641	Nut, 1/4-20 Insert Fiber	7
H27	2-00-03702	Washer, .625 x .218 x .063	18
H72	2-00-00518	Lock Washer, Helical Spring	10
H79	2-00-01676	Flat Washer, 1.062 x .265 x .062	1

C1793/0007

American-Lincoln Technology  
ATS 46/53

2-29

# HOPPER DUMP DOOR



C1680/9805

KEY NO.	PART NUMBER	DESCRIPTION	QTY.
1	7-19-08056	Door - Hopper (Welded)	1
2	8-68-05087	Seal - Dump Door	2
3	8-13-07140	Clamp - Door Seal	2
4	7-17-05011	Cylinder	Ref.
5	7-55-08121	Pin - Door Cyl	1
6	8-55-08123	Pin - 3/7 Dia.	1
7	2-00-00540	Retaining Ring - 3/4 Dia.	2
8	7-29-00237	Gasket - Dump Door	1
9	2-00-04603	Clamp	*
10			
11			
12	7-23-03116	Screw, Special	2

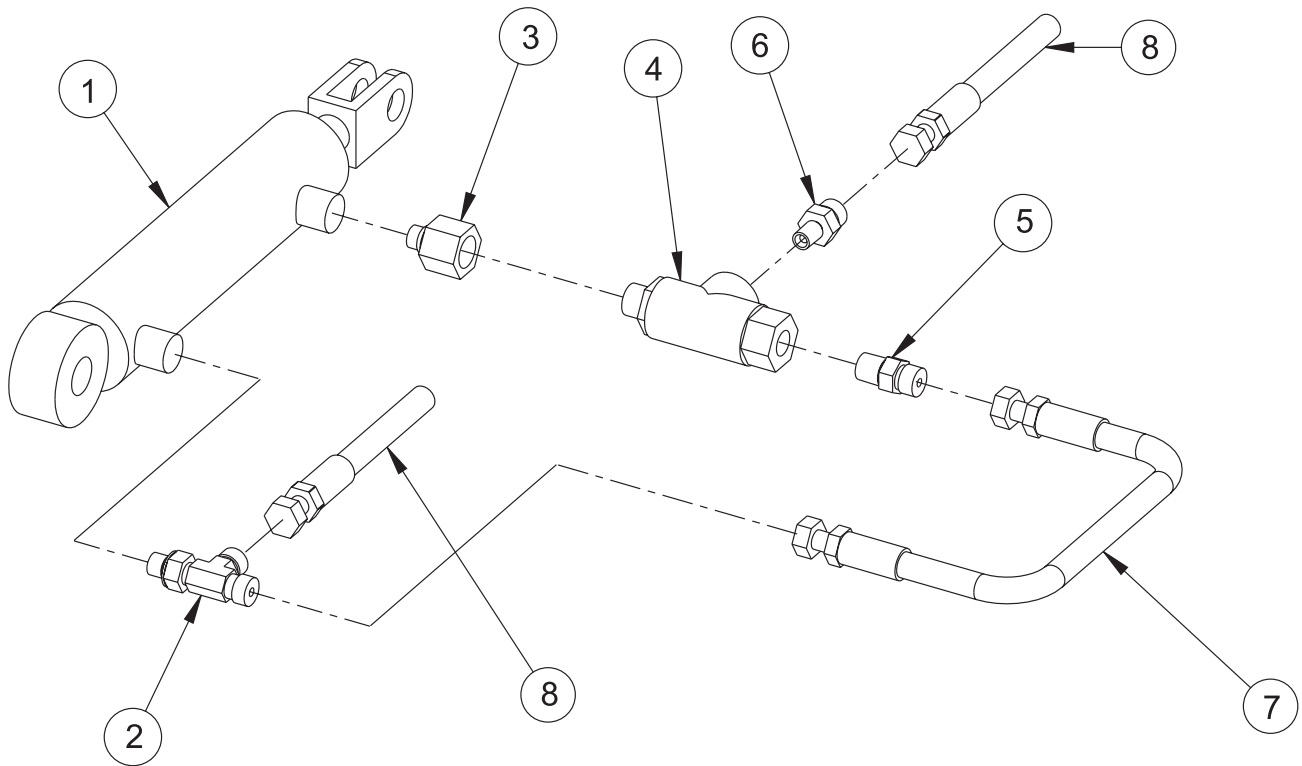
## HARDWARE USED:

H17	2-00-00205	Screw, 1/4-20 x 1.000 HHC	2
H26	2-00-00641	Nut, 1/4-20 Insert Fiber	11
H86	2-00-03575	Carriage Bolt, 1/4-20 x .750	8

\* Gas, Diesel Qty. 2  
Battery Qty 1

C1680/9805

# HOPPER DUMP DOOR CYLINDER

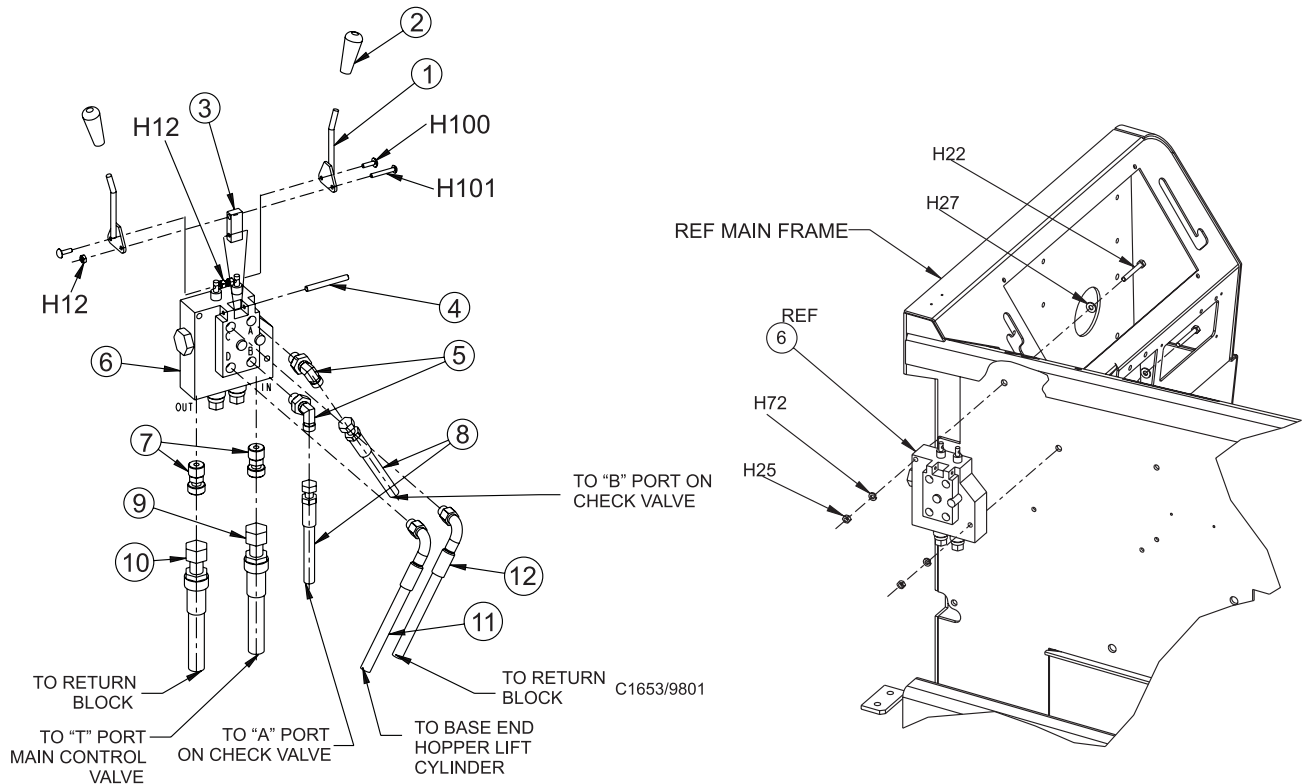


C1655a/9804

<b>KEY NO.</b>	<b>PART NUMBER</b>	<b>DESCRIPTION</b>	<b>QTY.</b>
1	7-17-05011	Cylinder-Lift	1
2	2-00-04927	Fitting-9/16-20 x 9/16-18 Tee	1
3	2-00-04994	Fitting-Male Connector	1
4	8-88-00045	Pilot Check	1
5	2-00-04997	Fitting-ORS NPT Adapter (#4-1/4)	1
6	2-00-05054	Fitting-9/16-18 to 3/8-18 Adapter	1
7	8-33-02178	Hose-#4 ORS STR Ends, 15.0"	Ref.
8	8-33-02278	Hose-#4 ORS STR Ends, 130.0"	

C/1655a/9804

## HOPPER CONTROL VALVE - GAS/DIESEL (VARIABLE DUMP)



KEY NO.	PART NUMBER	DESCRIPTION	QTY.
1	7-41-05105	Lever Assembly	2
2	7-31-06059	Knob	2
3	7-42-05127	Block	1
4	2-00-00868	Roll Pin	1
5	2-00-04926	Fitting	2
6	8-88-00053	Valve	1
7	2-00-04970	Fitting	2
8	7-33-02349	#4 Hose STR - 90° 11.75"	Ref.
9	7-33-02222	#8 Hose STR 26.0"	1
10	7-33-02187	#8 Hose STR 42.0"	1
11	7-33-02352	#4 Hose STR - 90° Swivel 71.0"	1
12	7-33-02350	#4 Hose STR - 90° Swivel 43.0"	1

### HARDWARE USED:

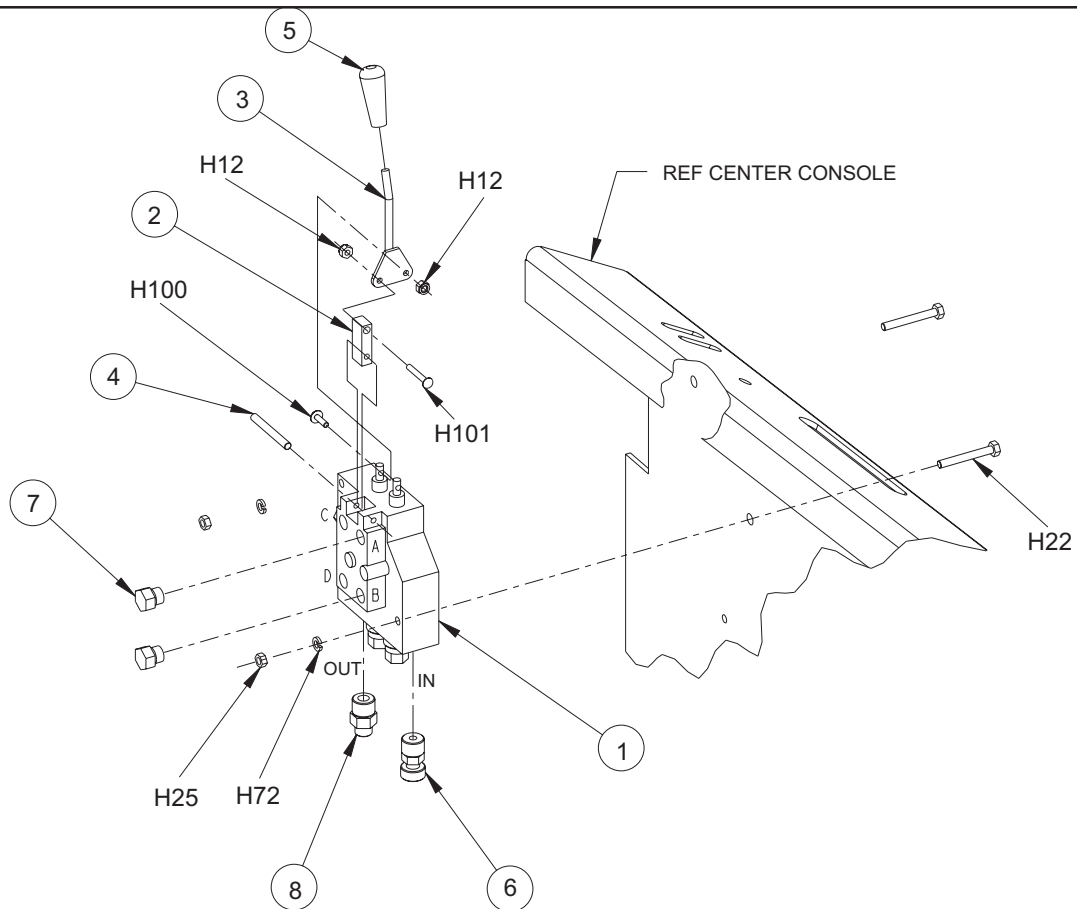
H12	2-00-01246	Nut, Hex Fiber Insert #10-24	3
H22	2-00-02589	Screw, ¼ - 20 x 2.00 HHC	2
H25	2-00-00594	Nut, Hex ¼ -20 x .437 x .218	2
H27	2-00-03702	Washer, .625 x .281 x .063	2
H72	2-00-00518	Lock Washer, Helical Spring	2
H89	2-00-01372	Nut, Fiber Insert #8 - 32 Steel	1
H100	2-00-03062	Screw, #10 - 24 x .625 THM	1
H101	2-00-04897	Screw, #10 - 24 x 1.250 THM	1

C1653/9801

American-Lincoln Technology  
ATS 46/53

2-33

## HOPPER CONTROL VALVE - GAS/DIESEL (LOW DUMP)



C1653B/9912

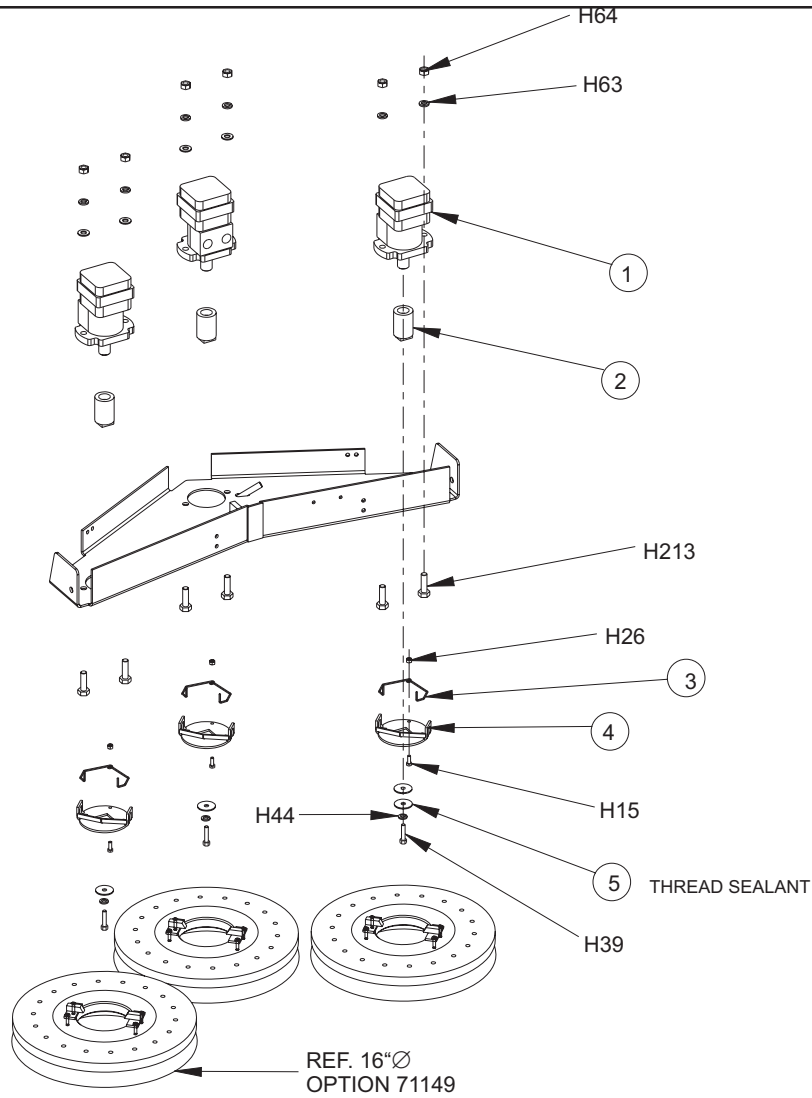
<u>KEY NO.</u>	<u>PART NUMBER</u>	<u>DESCRIPTION</u>	<u>QTY.</u>
1	8-88-00053	Valve	1
2	7-42-05127	Block	1
3	7-41-05105	Lever Assembly	1
4	2-00-00868	Roll Pin	1
5	7-31-06059	Knob	1
6	2-00-04970	Fitting	2
7	2-00-04916	Plug	2
8	2-00-05264	Fitting - Connector #8SAE - #40RS	1

### HARDWARE USED:

H12	2-00-01246	Nut, Hex Fiber Insert #10-24	2
H22	2-00-02589	Screw, 1/4-20 x 2.000 HHC	2
H25	2-00-00594	Nut, Hex 1/4-20 x .437 x .218	2
H72	2-00-00518	Lock Washer, Helical Spring	2
H100	2-00-03062	Screw, #10 - 24 x .625 THM	1
H101	2-00-04897	Screw, #10 - 24 x 1.250 THM	1

C1653b/9912

## SCRUB DECK (46") - GAS/DIESEL



C1629b/9802

<u>KEY NO.</u>	<u>PART NUMBER</u>	<u>DESCRIPTION</u>	<u>QTY.</u>
1	0782-111	Motor - Hyd	Ref.
2	7-33-09031	Hub - Brush Drive	3
3	7-41-00027	Latch - Brush Drive	3
4	7-03-04123	Arm - Brush Drive	3
5	2-00-04851	Washer, Engine Mount	3

### HARDWARE USED:

H15	2-00-00221	Screw, 1/4-20 x .750 HHC	3
H26	2-00-00641	Nut, 1/4-20 Insert Fiber	3
H39	2-00-00218	Screw, 5/16-18 x 2.000 HHC	3
H44	2-00-00530	Lock Washer, 5/16 HS Med.	3
H63	2-00-02312	Lock Washer, 1/2 HS Med.	6
H64	2-00-00596	Nut, Hex. 1/2-13 x .750 x .437	6
H213	2-00-01254	Screw, 1/2-13 x 1.500 HHCS	6

C1629b/9704

## SCRUB DECK (46") - GAS/DIESEL cont. - PARTS LIST

---

<u>KEY NO.</u>	<u>PART NUMBER</u>	<u>DESCRIPTION</u>	<u>QTY.</u>
1	7-27-07176	Brush Deck (Weldment)	1
2	7-42-05129	Link - Brush Drive	2
3	2-00-03407	Clamp	6
4	7-78-05026	Stop - Scrub Frame - RH	1
5	7-78-05025	Stop - Scrub Frame - LH	1
6	7-03-00055	Arm - Side Squeegee Lift - LH	1
7	7-03-00053	Arm - Side Squeegee Lift - RH	1
8	2-00-05378	Fitting - 90° Barb	1
9	7-08-00437	Welded Tee	1
10	7-25-02012	Fitting - Straight Barb	1
11	2-00-04487	Tee	1
12	2-00-05342	Fitting - Straight Barb	2
13	7-33-02339	Hose - 22"	1
14			
15	7-33-02360	Hose - 8"	1
16	7-33-02361	Hose - 17"	1

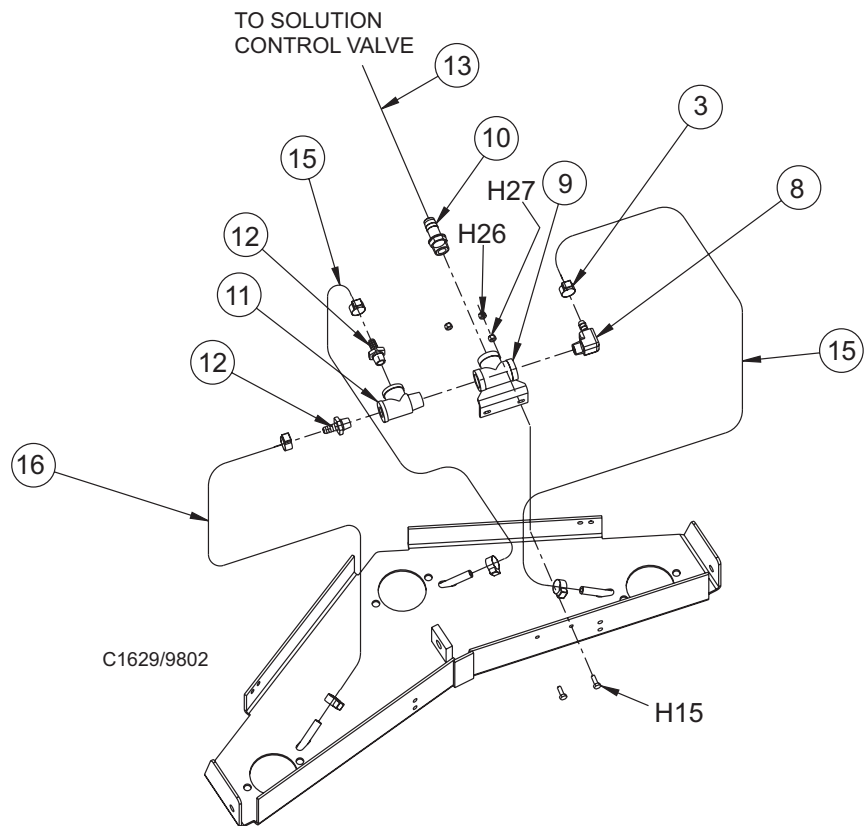
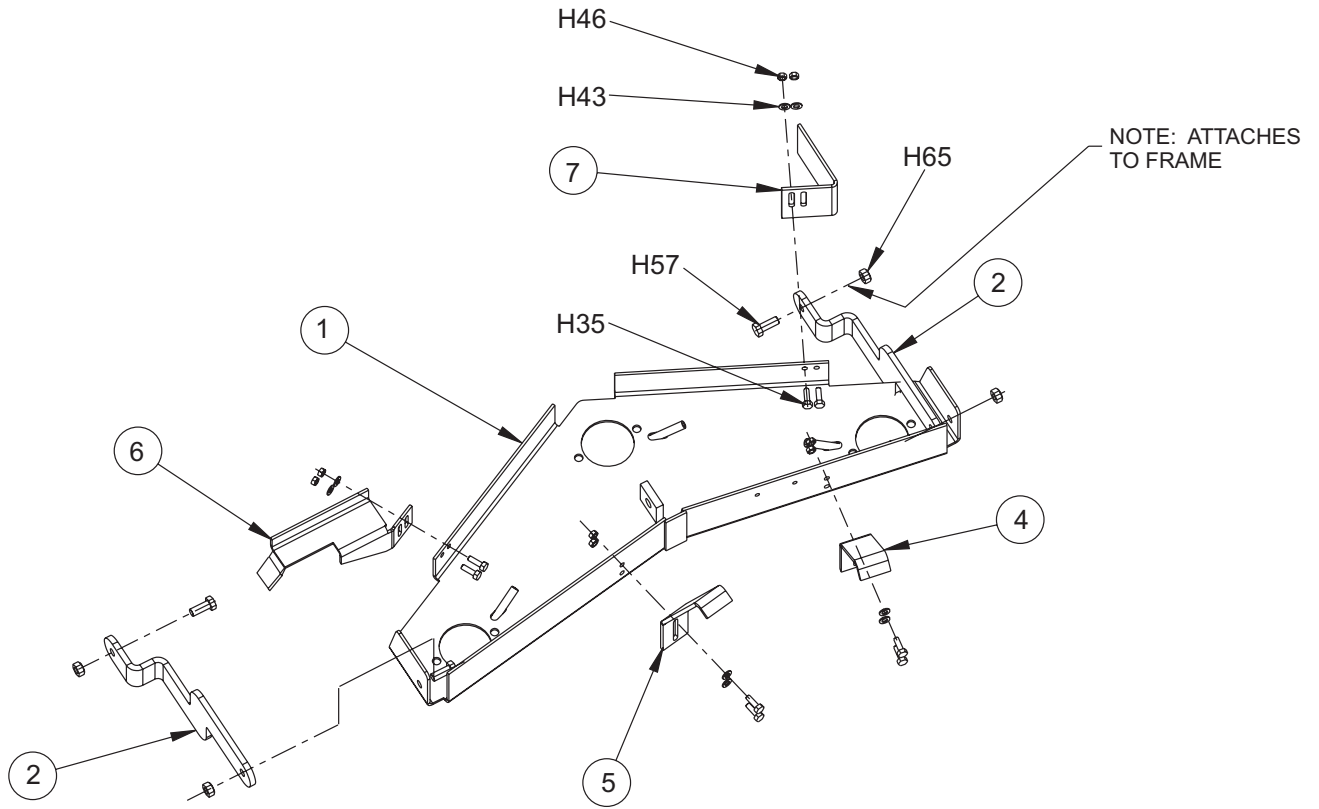
### HARDWARE USED:

H15	2-00-00221	Screw, 1/4-20 x .750 HHC	2
H26	2-00-00641	Nut, 1/4-20 Insert Fiber	2
H27	2-00-03702	Washer, .625 x .281 x .063	2
H35	2-00-02708	Screw, 5/16-18 x 1.000 HHM	8
H43	2-00-00409	Flat Washer, .687 x .344 x .062	10
H46	2-00-00644	Nut, 5/16-18 Insert Fiber	8
H57	2-00-00240	Screw, 1/2-13 x 1.250 HHC	4
H65	2-00-04936	Nut, 1/2-13 Fiber Lock	4

C1629/9802



**SCRUB DECK (46") - GAS/DIESEL cont. - EXPLODED VIEW**



## SCRUB DECK (53") - GAS/DIESEL - PARTS LIST

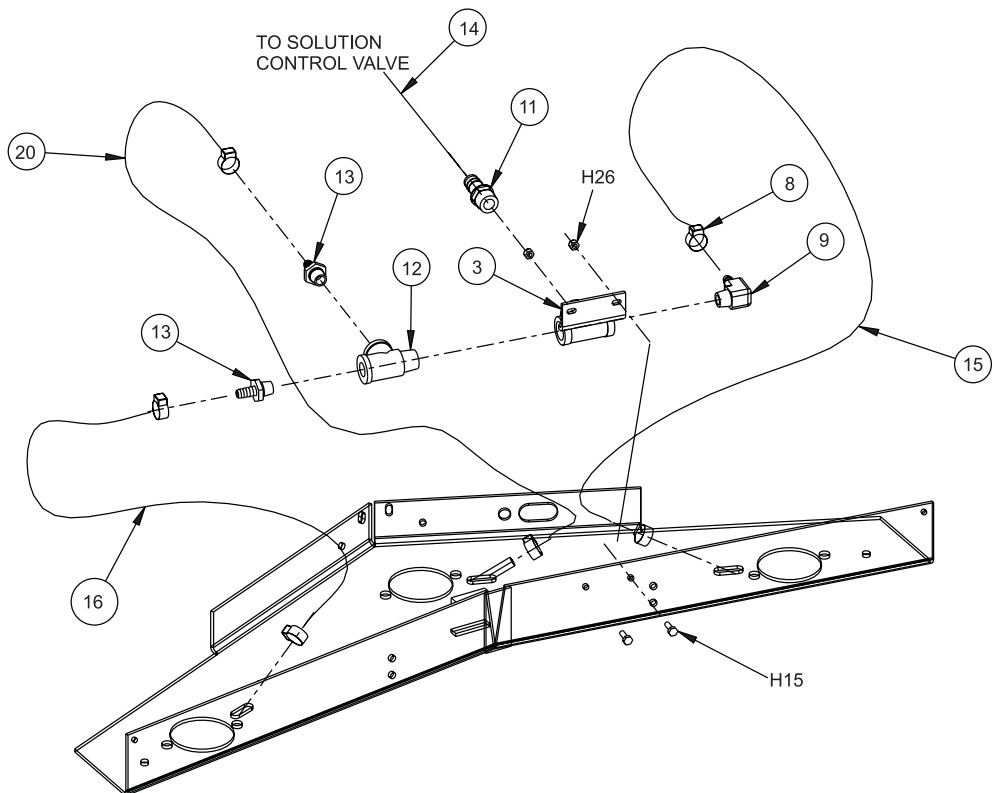
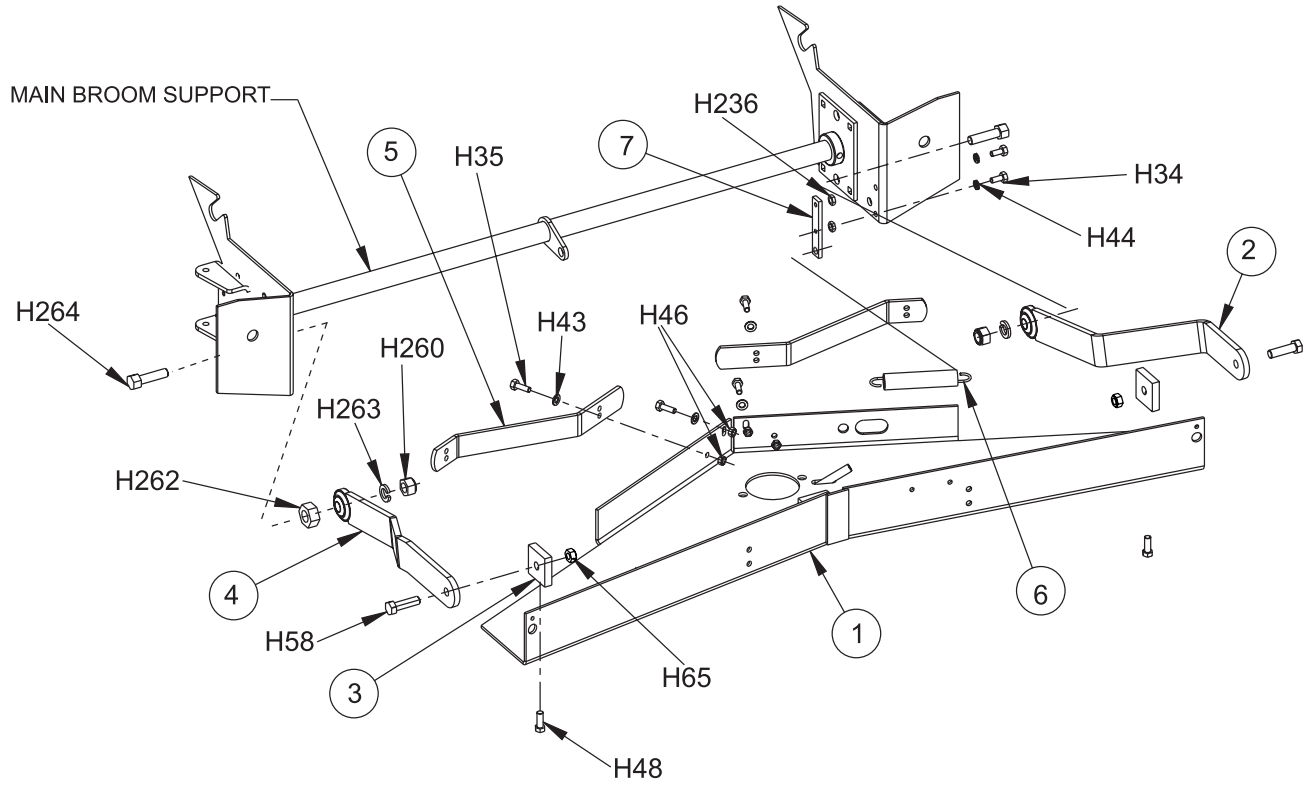
<u>KEY NO.</u>	<u>PART NUMBER</u>	<u>DESCRIPTION</u>	<u>QTY</u>
1	7-27-07181	Brush Deck (Weldment)	1
2	7-42-05135	Link-Brush RH	1
3	7-57-05039	Pivot Brush Drive	2
4	7-42-05134	Link- Brush Frame LH	1
5	7-42-05132	Link- Side Squeegee	2
6	7-76-00114	Spring	1
7	7-30-08016	Guide-Brush Frame Arm	1
8	2-00-03407	Clamp	6
9	2-00-05378	Fitting-90° Barb	1
10	7-08-00437	Welded Tee	1
11	7-25-02012	Fitting-Straight Barb	1
12	2-00-04487	Tee	1
13	2-00-05342	Fitting-Straight Barb	2
14	7-33-02339	Hose-22"	1
15	7-33-00360	Hose- 8"	2
16	7-33-02361	Hose- 17"	1

### HARDWARE USED:

H15	2-00-00221	Screw, 1/4-20 x .750 HHC	2
H26	2-00-00641	Nut, 1/4-20 Insert Fiber	2
H34	2-00-00208	Screw, 5/16-18 x .750 HHC	2
H35	2-00-02708	Screw, 5/16-18 x 1.000 HHM	4
H43	2-00-00409	Flat Washer, .687 x .344 x .062	4
H44	2-00-00530	Lock Washer, 5/16 HS Med	2
H46	2-00-00644	Nut, 5/16-18 Insert Fiber	4
H48	2-00-00233	Screw, 3/8-196 x .750 HHC	2
H58	2-00-00241	Screw, 1/2-13 x 1.750 HHC	2
H65	2-00-04936	Nut, 1/2-13 Fiber Lock	2
H236	2-00-02369	Nut, Hex Jam, .38-16	2
H260	2-00-00615	Nut, Hex Finish .63-22	2
H262	2-00-00617	Nut, Hex Finish .75-16	1
H263	2-00-02313	Lock Washer, Helical Spring .63 Scr Med	2
H264	2-00-02622	Screw-HHC .625-11 x 2.5 Gl 5 Zinc	2

C1602b/9804

# SCRUB DECK & SQUEEGEE (53") - GAS/DIESEL - EXPLODED VIEW



C1602b/9804

## SCRUB DECK & SQUEEGEE (53") - GAS/DIESEL cont. - PARTS LIST

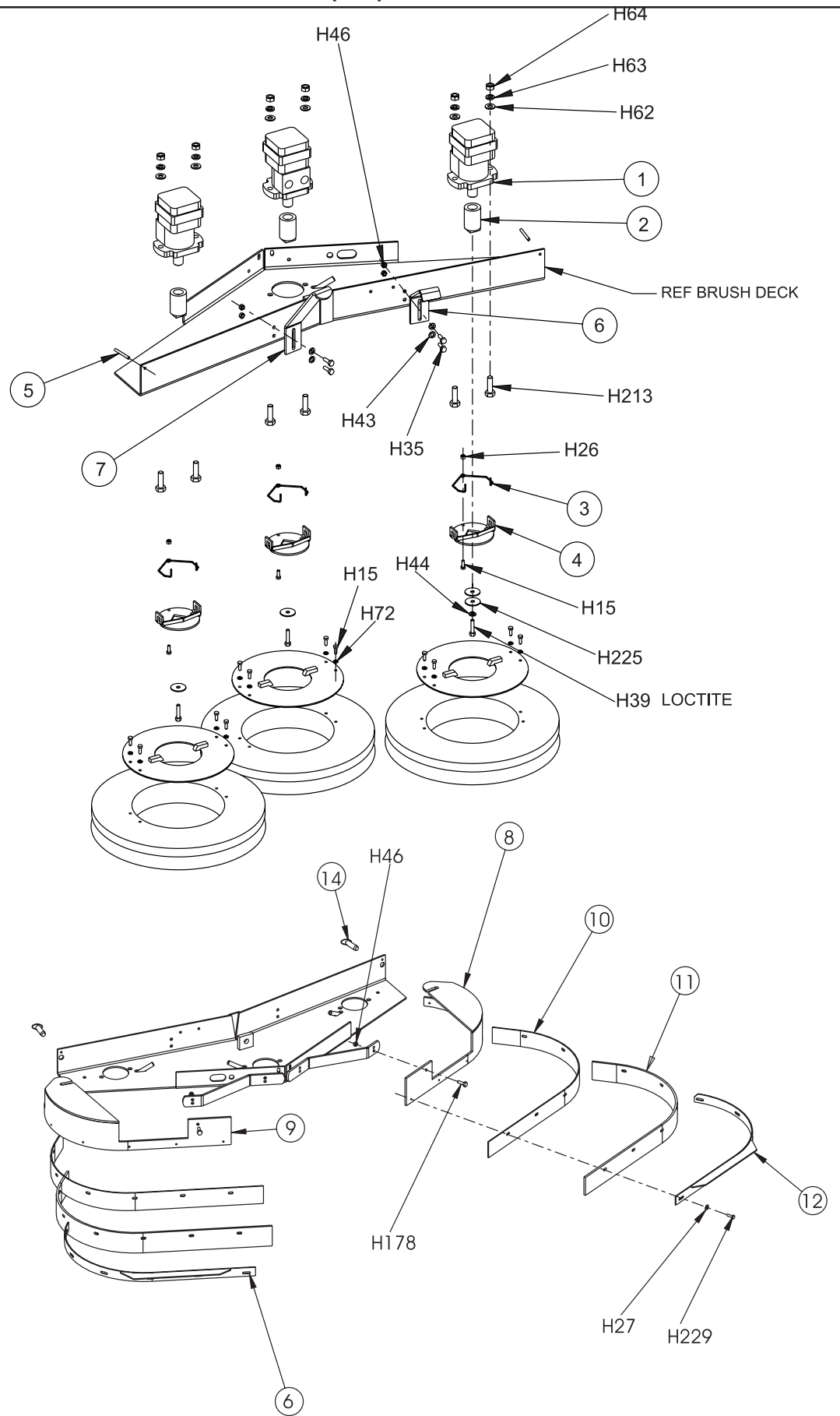
<u>KEY NO.</u>	<u>PART NUMBER</u>	<u>DESCRIPTION</u>	<u>QTY</u>
1	0782-111	Motor-Hydraulic	Ref.
2	7-33-09031	Hub-Brush Drive	3
3	7-41-00027	Latch-Brush Drive	3
4	7-03-04123	Arm-Brush Drive	3
5	2-00-00868	Roll Pin	2
6	7-78-05026	Stop- Scrub Frame-RH	1
7	7-78-05025	Stop- Scrub Frame-LH	1
8	7-86-08042	LH Side Squeegee Tool	1
9	7-86-08043	RH Side Squeegee Tool	1
10	7-77-00113	Rubber Inner Side Squeegee	2
11	7-77-00112	Rubber Outer Side Squeegee	2
12	7-13-07175	Clamp RH Side Squeegee	1
13	7-13-07174	Clamp RH Side Squeegee	1
14	7-55-08151	Pin-Lock	2

### HARDWARE USED:

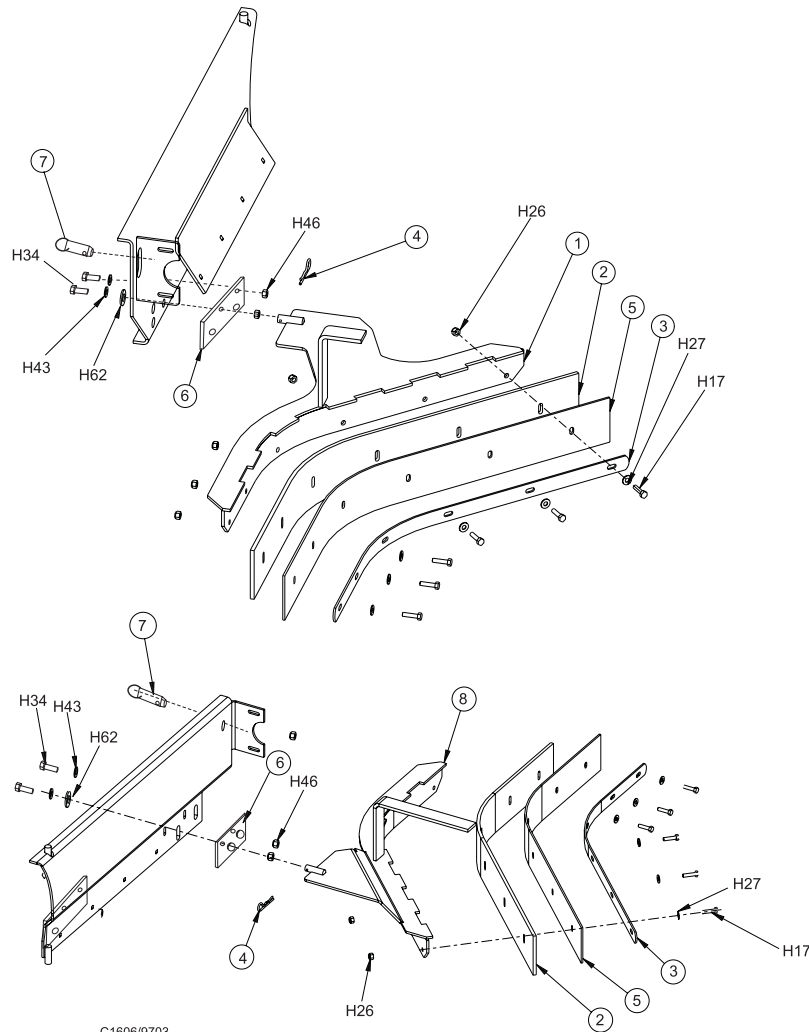
H15	2-00-00221	Screw 1/4-20 x .750 HHC	15
H26	2-00-00641	Screw, 1/4-20 x .750 HHC	3
H27	2-00-03702	Washer, .625 x .281 x .063	12
H38	2-00-00225	Screw, 5/16-18 x 1.500 HHC	3
H44	2-00-00530	Lock Washer, 5/16 HS Med	3
H46	2-00-00644	Nut, 5/16-18 Insert Fiber	2
H63	2-00-02312	Lock Washer, 1/2 HS Med	6
H64	2-00-00596	Nut, Hex 1/2-13 x .750 x .437	6
H72	2-00-00518	Lock Washer, Helical Spring	12
H178	2-00-00206	Screw, 5/16-18 x 1.000 HHC	2
H213	2-00-01254	Screw, 1/2-13 x 1.500 HHCS	6
H229	2-00-01490	Screw, .25-20 x .875 HHC STL	12

C1602c/9804

**SCRUB DECK & SQUEEGEE (53") - GAS/DIESEL cont. - EXPLODED VIEW**



# SIDE SQUEEGEE (46")



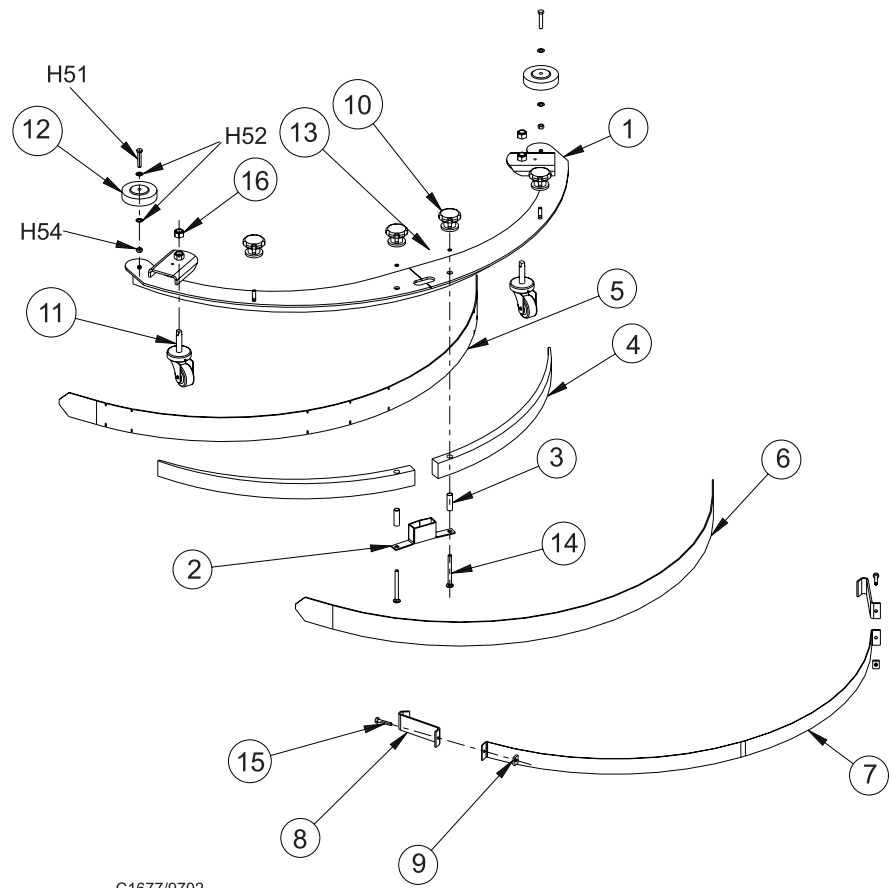
KEY NO.	PART NUMBER	DESCRIPTION	QTY.
1	7-86-08035	Weldment - LH Bracket	1
2	7-77-00111	Squeegee - Rubber - Side	1
3	7-13-07165	Strap	1
4	2-00-05320	Hair Pin	1
5	7-77-00114	Rubber Side Squeegee	1
6	7-57-05042	Pivot, Side Squeegee	2
7	7-55-08151	Lock Up Pin	1
8	7-86-08036	Weldment - RH Bracket	1

## HARDWARE USED:

H17	2-00-00205	Screw, 1/4-20 x 1.000 HHC	12
H26	2-00-00641	Nut, 1/4-20 Insert Fiber	12
H27	2-00-03702	Washer, .625 x .281 x .063	12
H34	2-00-00208	Screw, 5/16 - 18 x .750 HHC	4
H43	2-00-00409	Flat Washer, .687 x .344 x .062	4
H46	2-00-00644	Nut, 5/16 - 18 Insert Fiber	4
H62	2-00-00405	Flat Washer, 1.063 x .531 x .094	2

C1606

**REAR SQUEEGEE (46")**



C1677/9702

<b>KEY NO.</b>	<b>PART NUMBER</b>	<b>DESCRIPTION</b>	<b>QTY.</b>
1	7-86-08038	Squeegee - Weldment	1
2	7-20-06010	Duct - Squeegee Inlet	1
3	7-75-01164	Spacer - Bushing	2
4	7-75-01169	Spacer - Squeegee	2
5	7-77-00110	Squeegee - Rubber - Inner	1
6	7-77-00109	Squeegee - Rubber - Outer	1
7	7-79-00088	Strap - Squeegee Clamp	1
8	7-13-07157	Clamp - End Squeegee	2
9	7-13-07156	Clamp - Nut	2
10	7-39-00026	Knob - Squeegee	4
11	7-89-08073	Wheel - Caster	2
12	2-14-00184	Wheel	2
13	2-00-04962	O-Ring	2
14	2-00-05343	Carriage Bolt, 3/8-16 x 3.000 STL.	2
15	2-00-05344	Hex Tap Bolt, 5/16-18 x 1.750 SS	2
16	2-00-00615	Nut, Hex Finish .625-11	2

**HARDWARE USED:**

H51	2-00-00216	Screw, 3/8-16 x 2.000 HHC	2
H52	2-00-00402	Flat Washer, .750 x .390 x .094	4
H54	2-00-02360	Nut, Hex. 3/4-16 STL.	2

C1677/9802

## SQUEEGEE LIFT - GAS/DIESEL - PARTS LIST

<u>KEY NO.</u>	<u>PART NUMBER</u>	<u>DESCRIPTION</u>	<u>QTY.</u>
1	7-41-05107	Lever - Squeegee Lift	1
2	7-66-00179	Rod	1
3	7-13-05073	Chain-Squeegee Lift	1
4	7-34-09018	Sleeve-Insulating	1
5	7-09-01138	Bushing	1
6	7-17-05019	Hyd Cylinder	Ref.
7	7-33-02386	Hose-Vacuum	2
8	7-15-01022	Locking Collar	2
9	2-00-02216	Hose Clamp	2
10			
11	7-25-02097	Fitting-Vac. Hose Coupling (Welded)	1

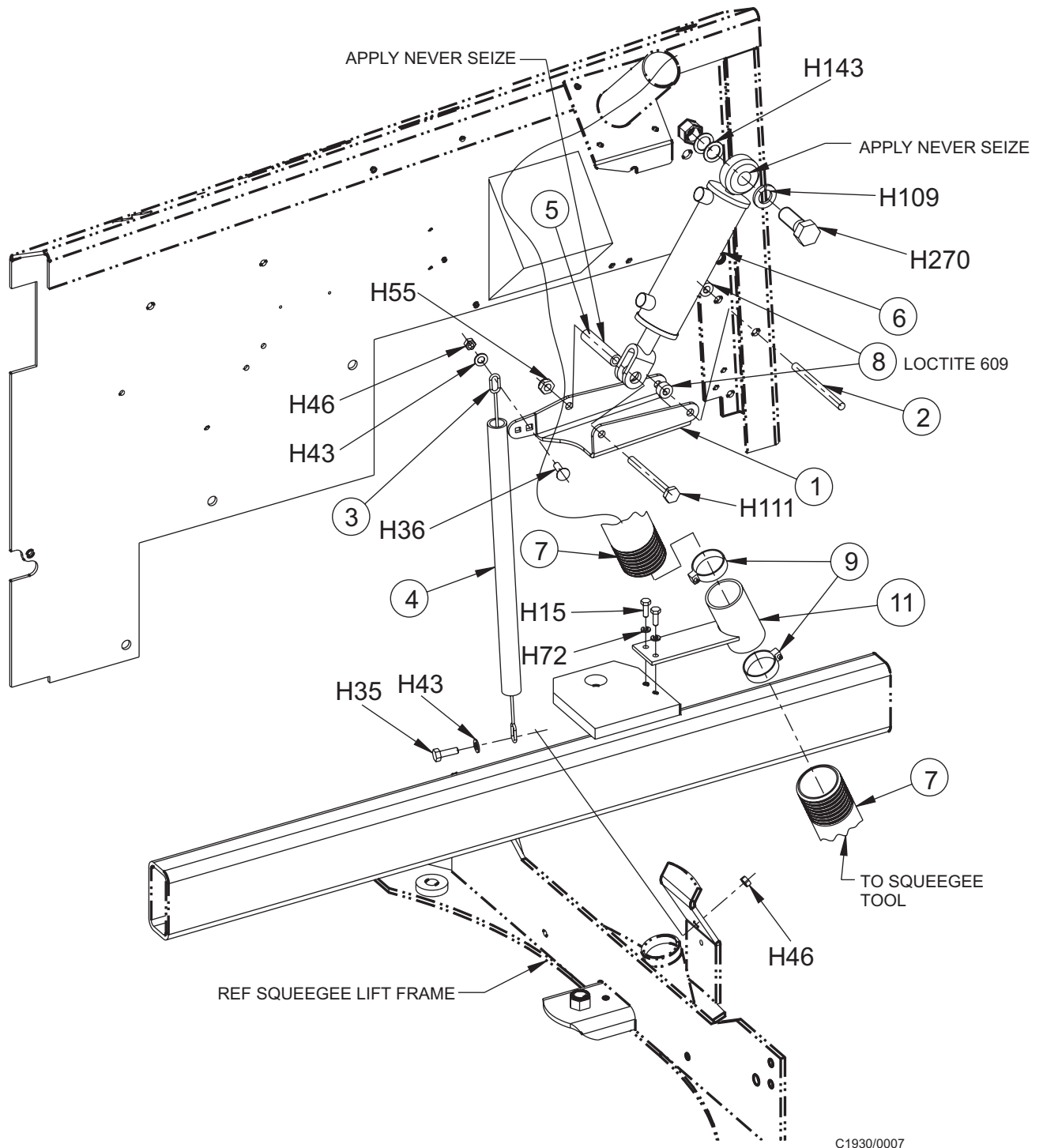
### HARDWARE USED:

H15	2-00-00221	Screw, 1/4-20 x .750 HHC	2
H35	2-00-02708	Screw, 5/16-18 x 1.000 HHM	1
H36	2-00-00196	Carriage Bolt, 5/16-18 x 1.000	1
H43	2-00-00409	Flat Washer, .687 x .344 x .062	2
H46	2-00-00644	Nut, 5/16-18, Insert Fiber	2
H55	2-00-00643	Nut, 3/8-16 Stop	1
H72	2-00-00518	Lock, Washer, Helical Spring	2
H109	2-00-00522	Lock Washer, 3/4 Helical Spring	1
H111	2-00-03296	Screw, 3/8-16 x 4.000 HHC	1
H143	2-00-00432	Flat Washer, 1.125 x .766 x .063	2
H270	2-00-05341	Screw, 3/4-10 x 2.000 HHC	1

C1630/0007



# SQUEEGEE LIFT - GAS/DIESEL - EXPLODED VIEW



## SWING SQUEEGEE SUPPORT - PARTS LIST

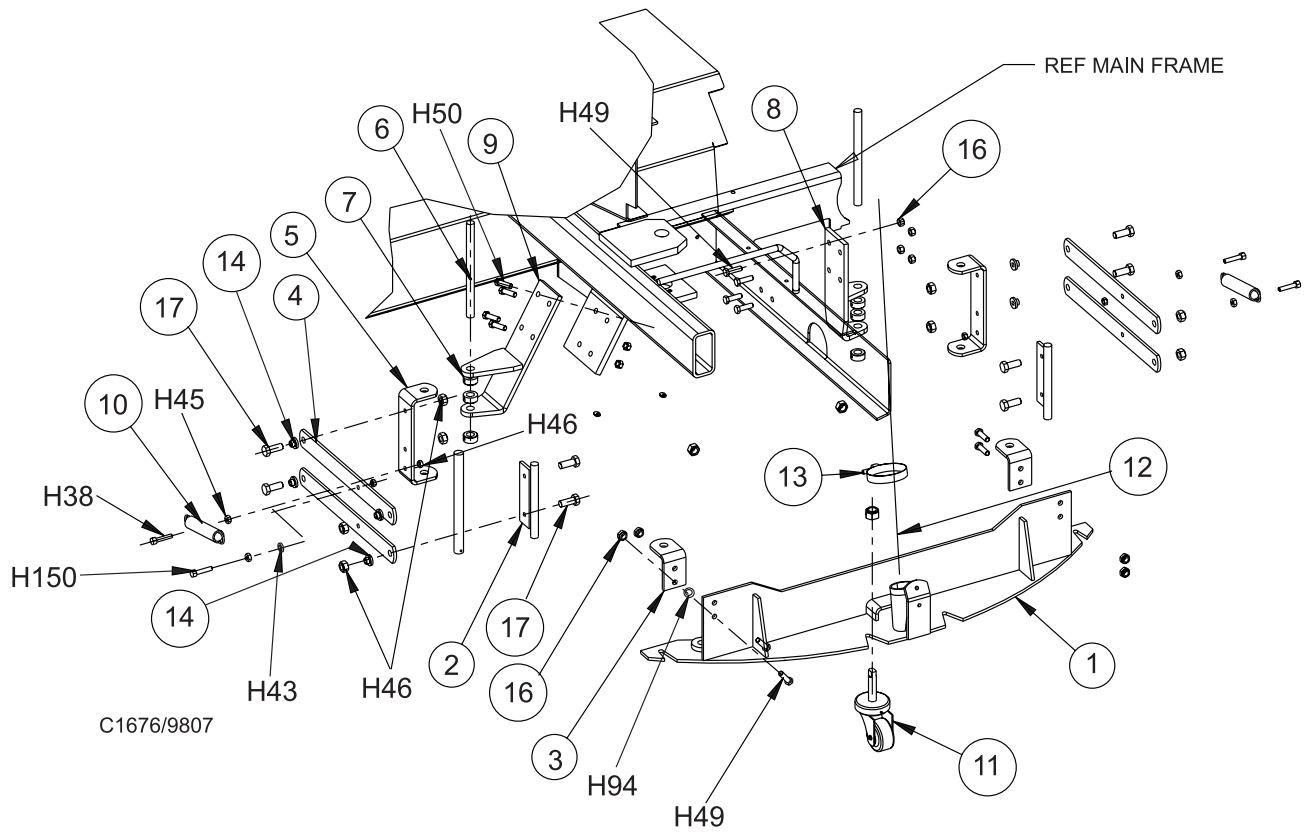
<u>KEY NO.</u>	<u>PART NUMBER</u>	<u>DESCRIPTION</u>	<u>QTY.</u>
1	7-86-08037	Weldment - Squeegee Support	1
2	7-55-08144	Weldment - Pin Assembly	2
3	7-08-00839	Bracket - Angle	2
4	7-03-04156	Arm - Support	4
5	7-81-00185	Support - Squeegee	2
6	7-70-05174	Shaft	2
7	8-15-01002	Locking Collar	6
8	7-08-00853	Weldment - Bracket - RH	1
9	7-08-00852	Weldment - Bracket - LH	1
10	7-76-00114	Spring	2
11	7-89-08073	Wheel - Caster	1
12	7-33-02386	Hose - Vacuum	Ref.
13	2-00-02216	Clamp - Hose	1
14	7-09-01057	Bushing, Brush Lift	8
15			
16	2-95-04182	Nut	12
17	2-00-05356	Screw, 5/16 - 18 x 1.25 Grade 8 HHC	8

### HARDWARE USED:

H38	2-00-00225	Screw, 5/16-18 x 1.500 HHC	2
H43	2-00-00409	Flat Washer, .687 x .344 x .062	4
H45	2-00-00585	Nut, Hex 5/16-18 x .500 x .265	4
H46	2-00-00644	Nut, 5/16-18 Insert Fiber	12
H49	2-00-00209	Screw, 3/8-16 x 1.250 HHC	8
H50	2-00-00234	Screw, 3/8-16 x 1.500 HHC	4
H94	2-00-00410	Flat Washer, .875 x .375 x .060	1
H150	2-00-00211	Screw, 5/16-18 x 1.750 HHC	2

C1676

# SWING SQUEEGEE SUPPORT - EXPLODED VIEW



## SOLUTION TANK - PARTS LIST

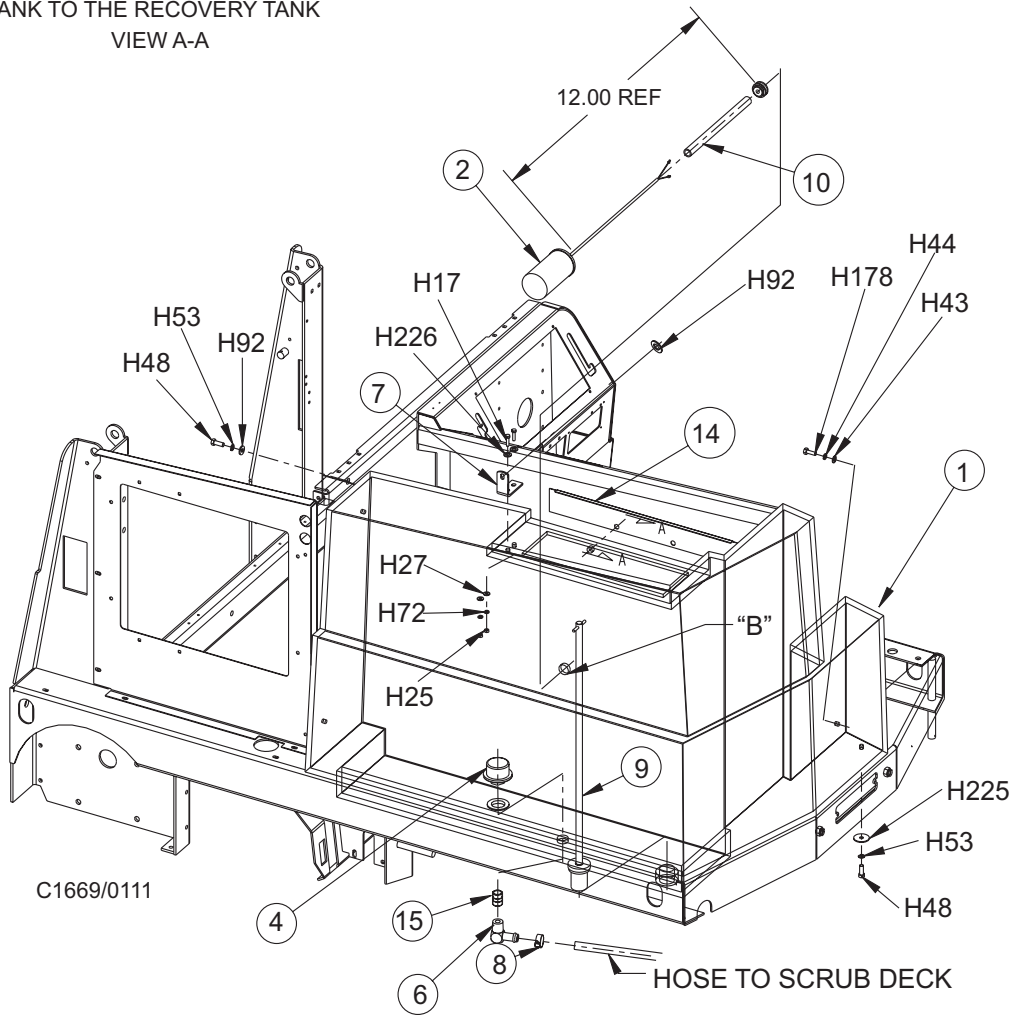
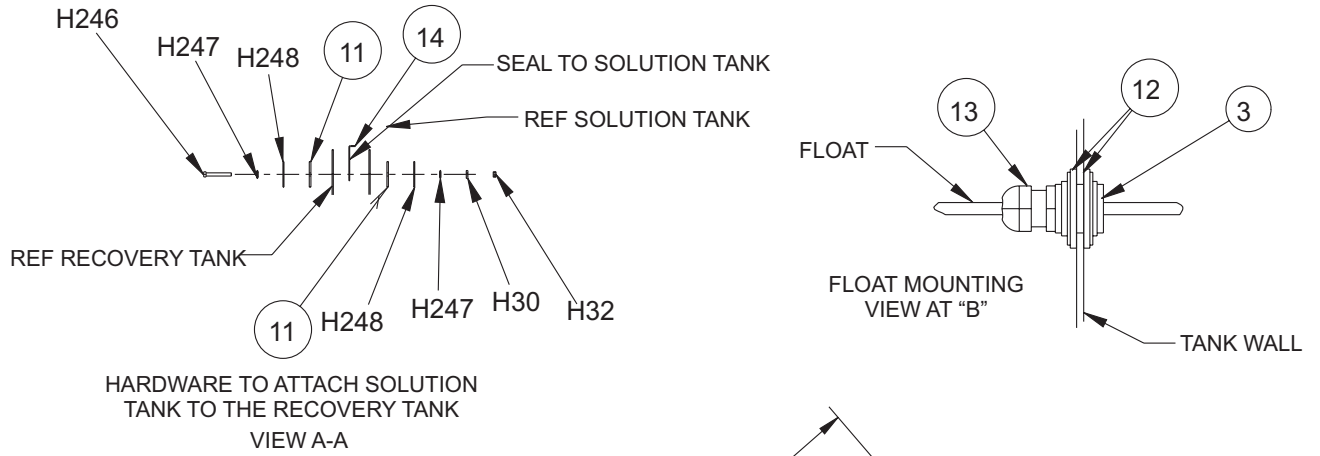
<u>KEY NO.</u>	<u>PART NUMBER</u>	<u>DESCRIPTION</u>	<u>QTY.</u>
1	7-83-04181	Solution Tank	1
2	0775-217	Solution Float (Yellow)	1
3	7-09-01124	Bulk Head Fitting	1
4	7-24-04034	Strainer	1
5	2-95-03047	Washer	1
6	2-00-05132	90° Barb Fitting	1
7	7-57-05037	Bracket	1
8	2-00-02220	Hose Clamp	1
9	7-25-02095	Drain Plug	1
10	7-87-02188	Tube - Float Switch	1
11	2-00-05028	Gasket	2
12	7-29-00225	Gasket	2
13	7-09-01122	Bushing	1
14	7-30-05099	Guard - Solution Tank	1
15	2-95-02518	Pipe Nipple, Close 3/4 NPT	1
16	7-29-00225	Gasket	1

### HARDWARE USED:

H17	2-00-00205	Screw, 1/4-20 x 1.000 HHC	2
H25	2-00-00594	Nut, Hex 1/4-20 x .437 x .218	2
H27	2-00-03702	Washer, .625 x .281 x .063	4
H30	2-00-04687	Lock Washer, Helical Spring ¼ Med.	1
H32	2-00-04688	Nut, 1/4-20 Hex.	1
H43	2-00-00409	Flat Washer, .687 x .344 x .062	1
H44	2-00-00530	Lock Washer, 5/16 HS Med.	1
H48	2-00-00233	Screw, 3/8-16 x 1.000 HHC	2
H53	2-00-02310	Lock Washer, Helical Spring 3/8 Med.	2
H72	2-00-00518	Lock Washer, Helical Spring	2
H92	2-00-04801	Flat Washer, .875 x .375 x .125	1
H178	2-00-00206	Screw, 5/16-18 x 1.000 HHC	1
H225	2-00-04851	Washer, Engine Mount	1
H246	2-00-05122	Screw-HHC, .25-20 x 2.00	1
H247	2-00-04590	Washer	2
H248	2-00-05236	Flat Washer, 2.00 x .281 x .063	2

C1669/0111

# SOLUTION TANK - EXPLODED VIEW



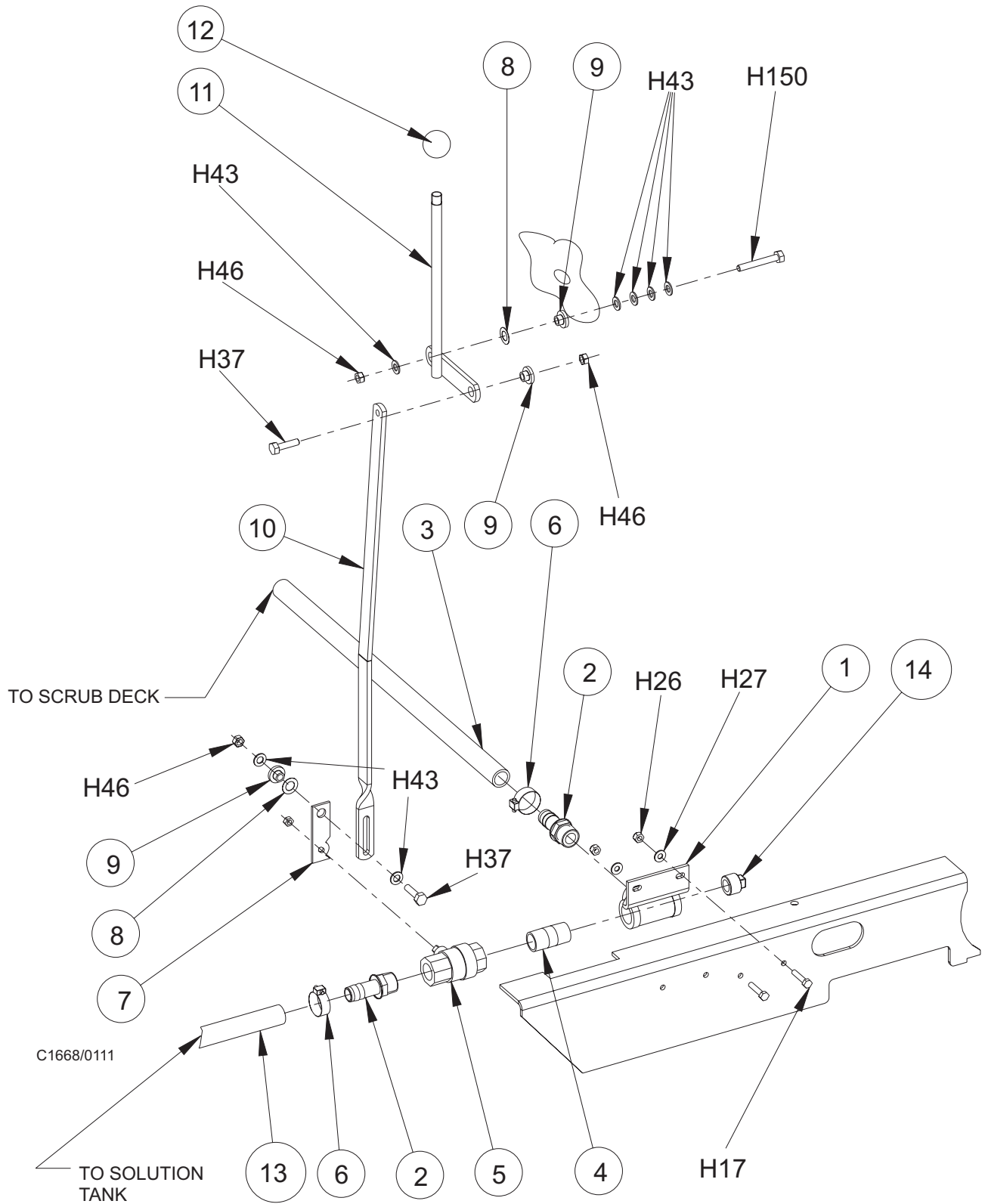
## SOLUTION FEED - PARTS LIST

---

<u>KEY NO.</u>	<u>PART NUMBER</u>	<u>DESCRIPTION</u>	<u>QTY.</u>
1	7-08-00922	Bracket- Solution Pipe	1
2	7-25-02012	Fitting - Hose to ¾ - 14 NPT	2
3	7-33-02339	Hose - Solution Feed (Gas, Diesel)	1
3	7-33-02383	Hose- Solution Feed (Battery)	1
4	2-00-03586	Pipe Nipple ¾ NPT x 2.00	1
5	7-88-00027	Ball Valve	1
6	2-00-02220	Hose Clamp	2
7	7-41-05085	Lever	1
8	2-00-03382	Spring Washer	2
9	7-09-01057	Bushing	3
10	7-42-05128	Link	1
11	7-41-05108	Lever Assembly	1
12	8-39-00002	Knob	1
13	7-33-02339	Hose-Solution Feed	1
14	2-00-02475	Plug	1
<b><u>HARDWARE USED:</u></b>			
H17	2-00-00205	Screw, ¼ - 20 x 1000 HHC	2
H26	2-00-00641	Nut, ¼ -20 Insert Fiber	2
H27	2-00-03702	Washer, .625 x .281 x .063	2
H37	2-00-00207	Screw, 5/16 -18 x 1.250 HHC	2
H43	2-00-00409	Flat Washer, .687 x .344 x .062	7
H46	2-00-00644	Nut, 5/16-18 Insert Fiber	3
H150	2-00-00211	Screw, 5/16 - 20 x 1.750 HHC	1

C1668/0111

# SOLUTION FEED - EXPLODED VIEW



## RECOVERY TANK - PARTS LIST

<u>KEY NO.</u>	<u>PART NUMBER</u>	<u>DESCRIPTION</u>	<u>QTY.</u>
1	7-83-04182	Recovery Tank	1
2	7-57-05037	Pivot - Vac Manifold	1
3	7-25-02081	Fitting - Recovery Vacuum	1
4	7-71-00010	Shim	*
5	0775-164	Float Switch (Rev Gray)	1
6	7-33-02386	Hose Vacuum	Ref.
7	2-00-02216	Hose Clamp	1
8	7-09-01124	Bulk Head Fitting	1
9	7-31-06074	Handle - Sludge Baffle	1
10	7-05-01002	Baffle - Sludge	1
11	7-29-00225	Gasket	2
12	7-09-01122	Bushing	1
13	7-29-00100	Gasket	1

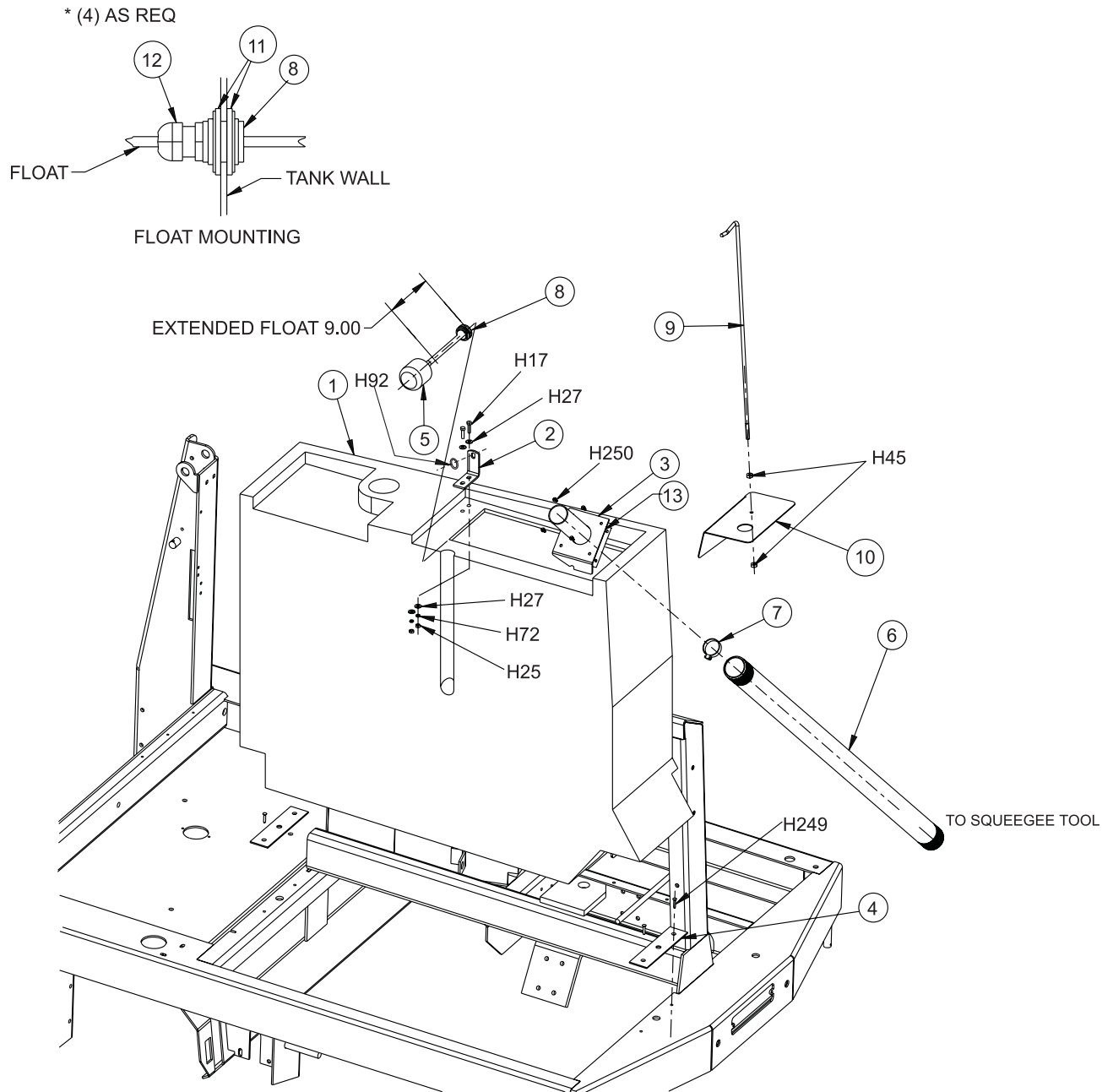
### HARDWARE USED:

H17	2-00-00205	Screw, 1/4-20 x 1.000 HHC	2
H25	2-00-00594	Nut, hex 1/4-20 x .437 x .218	2
H27	2-00-03702	Washer, .625 x .281 x .063	4
H45	2-00-00585	Nut, Hex 5/16-18 x .500 x .265	2
H72	2-00-00518	Lock Washer, Helical Spring	2
H92	2-00-04801	Flat Washer, .875 x .375 x .125	1
H249	2-00-00004	Screw-FHM #10-24 x 1.25	4
H250	2-00-04968	Screw-T/FRH #14-10 x 1.00 Type A	4

C1670/9809

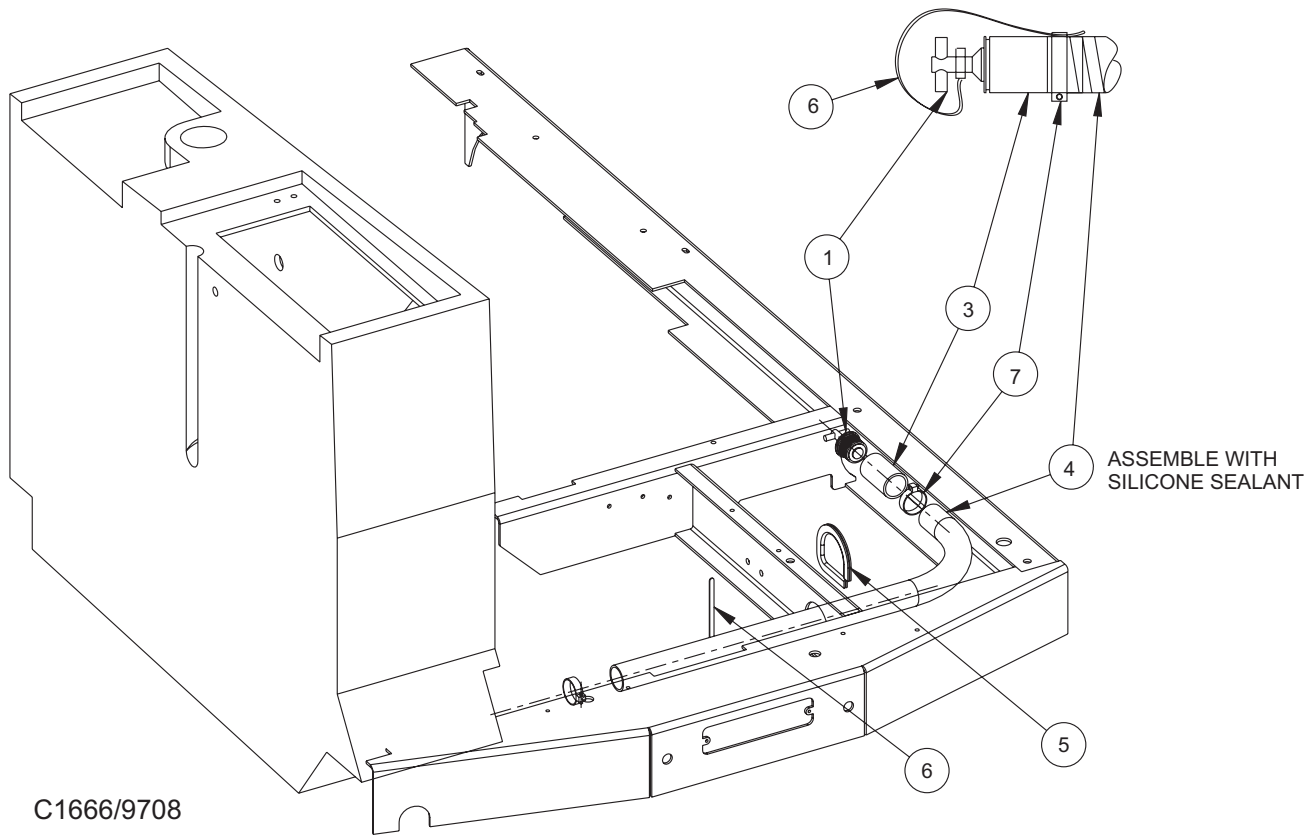


# RECOVERY TANKK - EXPLODED VIEW



C1670/9809

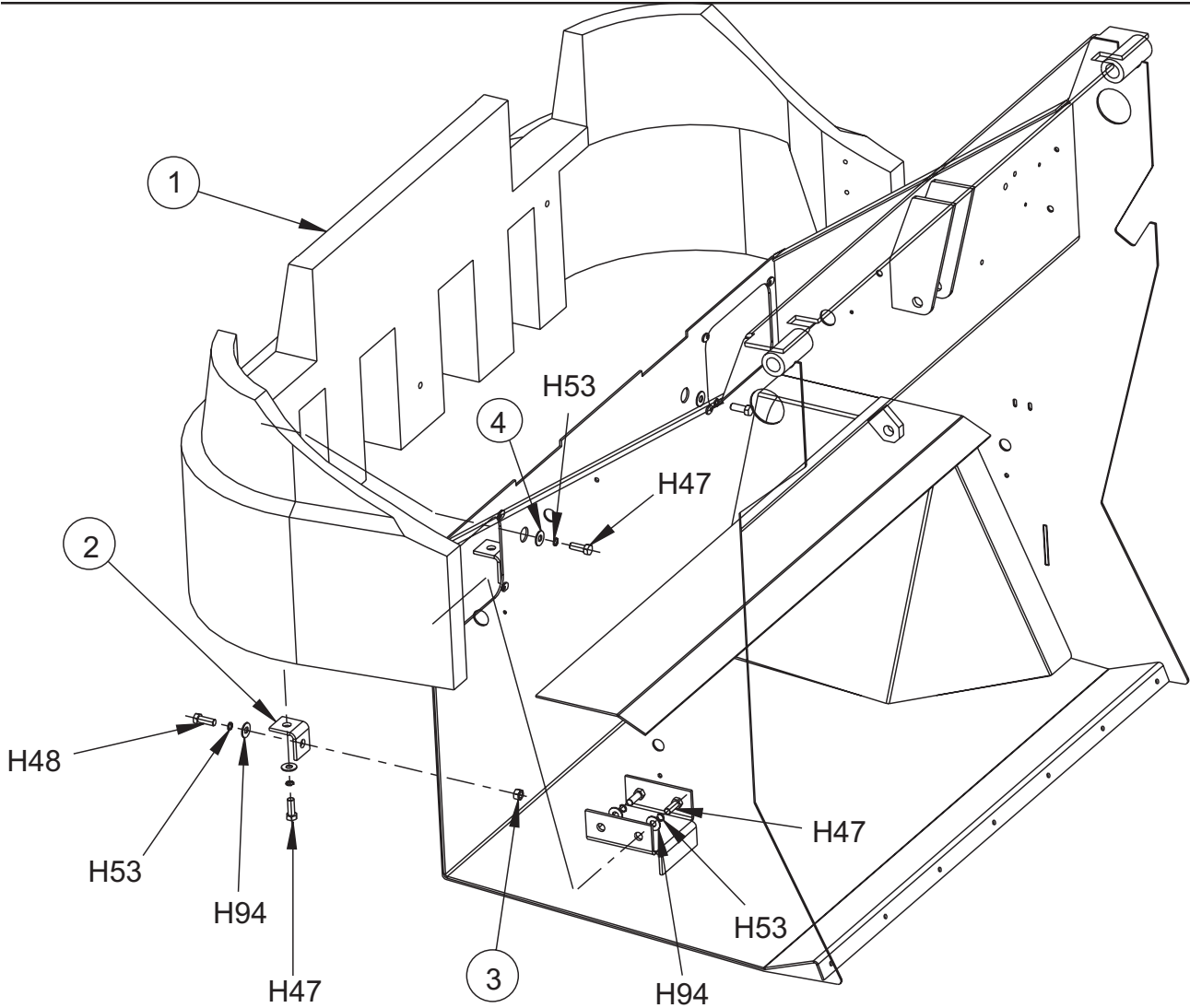
# RECOVERY DRAIN SYSTEM



<u>KEY NO.</u>	<u>PART NUMBER</u>	<u>DESCRIPTION</u>	<u>QTY.</u>
1	7-58-08001	Plug-Drain	1
2			
3	7-87-02186	Tube - PVC 3"	1
4	7-33-02335	Hose, Drain	1
5	7-21-03003	Edging	1
6	2-00-04345	Tye-Rap	2
7	2-00-02216	Clamp	2

C1666/9803

**FRONT BUMPER**

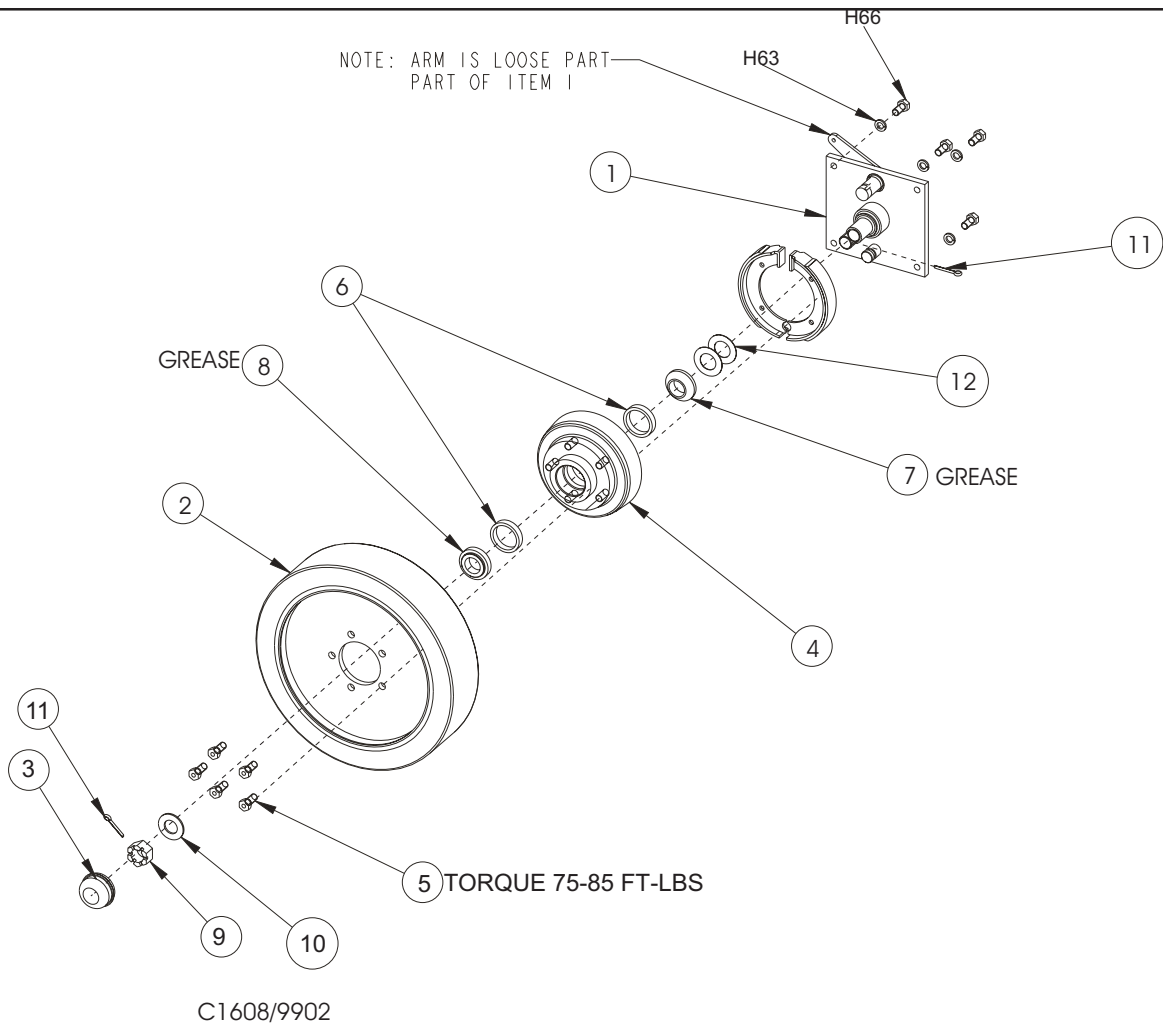


C1675/9702

<b>KEY NO.</b>	<b>PART NUMBER</b>	<b>DESCRIPTION</b>	<b>QTY.</b>
1	7-08-07075	Front Bumper	1
2	7-08-00863	Bracket - Bumper	2
3	2-00-05347	Threaded insert, 3/8 - 16	2
4	2-00-04851	Engine Mount Washer	2
<b>HARDWARE USED:</b>			
H47	2-00-00232	Screw, 3/8 - 16 x .750 HHC	8
H48	2-00-00233	Screw, 3/8-16 x .750 HHC	10
H53	2-00-02310	Lock Washer, Helical Spring 3/8 Med.	10
H94	2-00-00410	Flat Washer, .875 x .375 x .060	12

**C1675/9702**

# FRONT WHEEL



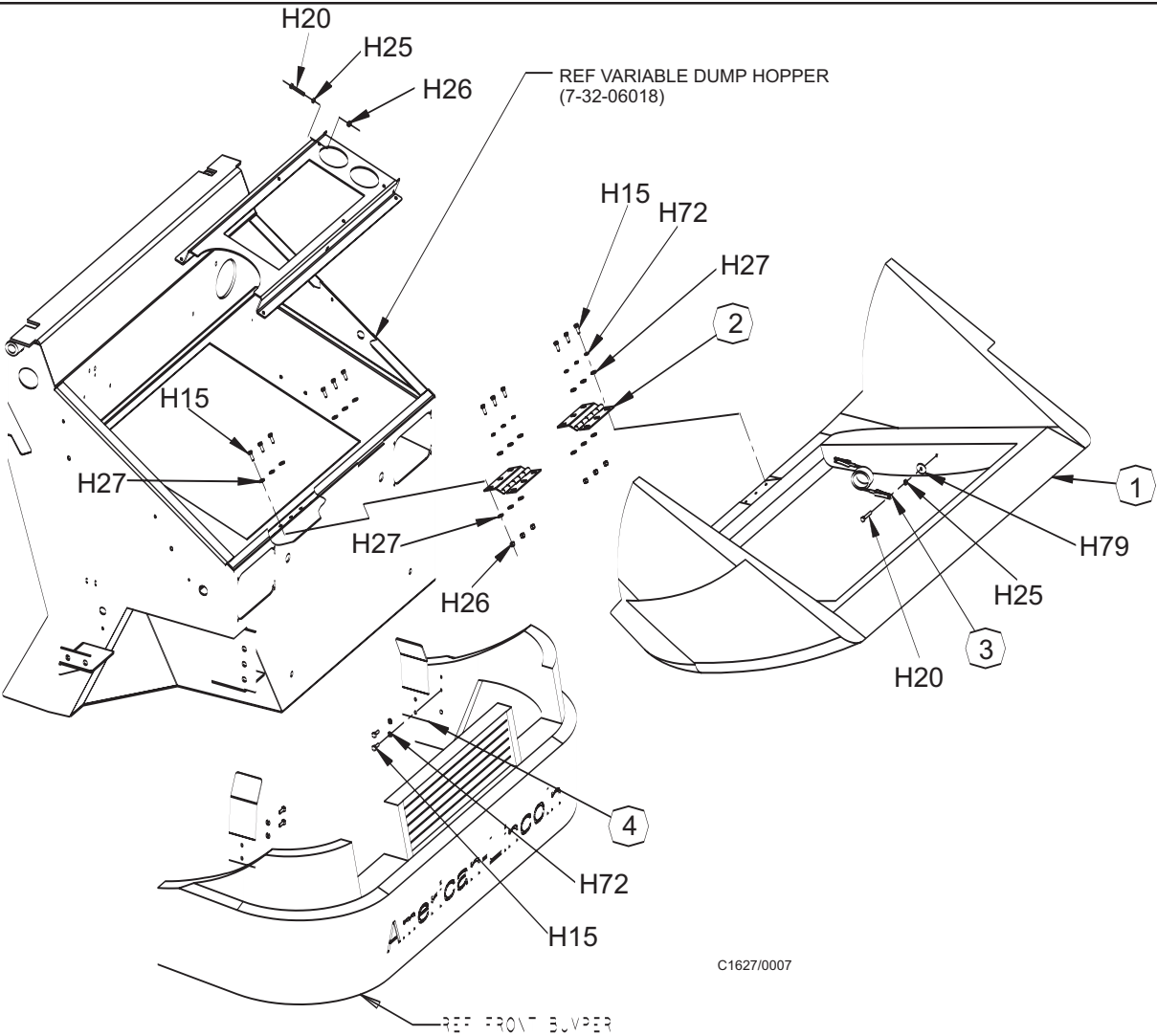
KEY NO.	PART NUMBER	DESCRIPTION	QTY.
1	0860-571	Knott Brake	2
2	7-89-08085	Molded Wheel (Gas, LP, Diesel)	2
2	7-89-08044	Molded Wheel (Battery)	2
3	8-11-00030	Grease Cap	2
4	8-33-09089	Hub and Drum	2
5	8-80-05035	Stud	10
6	2-00-04621	Bearing Cup	4
7	2-00-02079	Bearing Cone (Sealed)	2
8	2-00-04622	Bearing Cone	2
9	2-00-05026	Nut	2
10	2-00-05024	Flat Washer	2
11	2-00-02436	Cotter Pin	2
12	2-00-03797	Flat Washer	4

## HARDWARE USED:

H63	2-00-02312	Lock Washer, 1/2 HS Med.	8
H66	2-00-02689	Screw, 1/2-20 x 1.000 HHC	8

C1608/9801

**WHEEL WELL FLAP**



C1627/0007

<b>KEY NO.</b>	<b>PART NUMBER</b>	<b>DESCRIPTION</b>	<b>QTY.</b>
1	7-16-07411	Hopper Cover	1
2	7-32-00039	Hinge (Variable Dump)	2
3	8-10-00027	Cable	1
4	7-41-00035	Latch Hopper Cover	2

**HARDWARE USED:**

H15	2-00-00221	Screw, 1/4-20 x .750 HHC	16
H20	2-00-00203	Screw, 1/4-20 x 1.500 HHC	2
H25	2-00-00594	Nut, Hex 1/4-20 x .437 x .218	2
H26	2-00-00641	Nut, 1/4-20 Insert Fiber	7
H27	2-00-03702	Washer, .625 x .218 x .063	18
H72	2-00-00518	Lock Washer, Helical Spring	10
H79	2-00-01676	Flat Washer, 1.062 x .265 x .062	1

C1627/0007

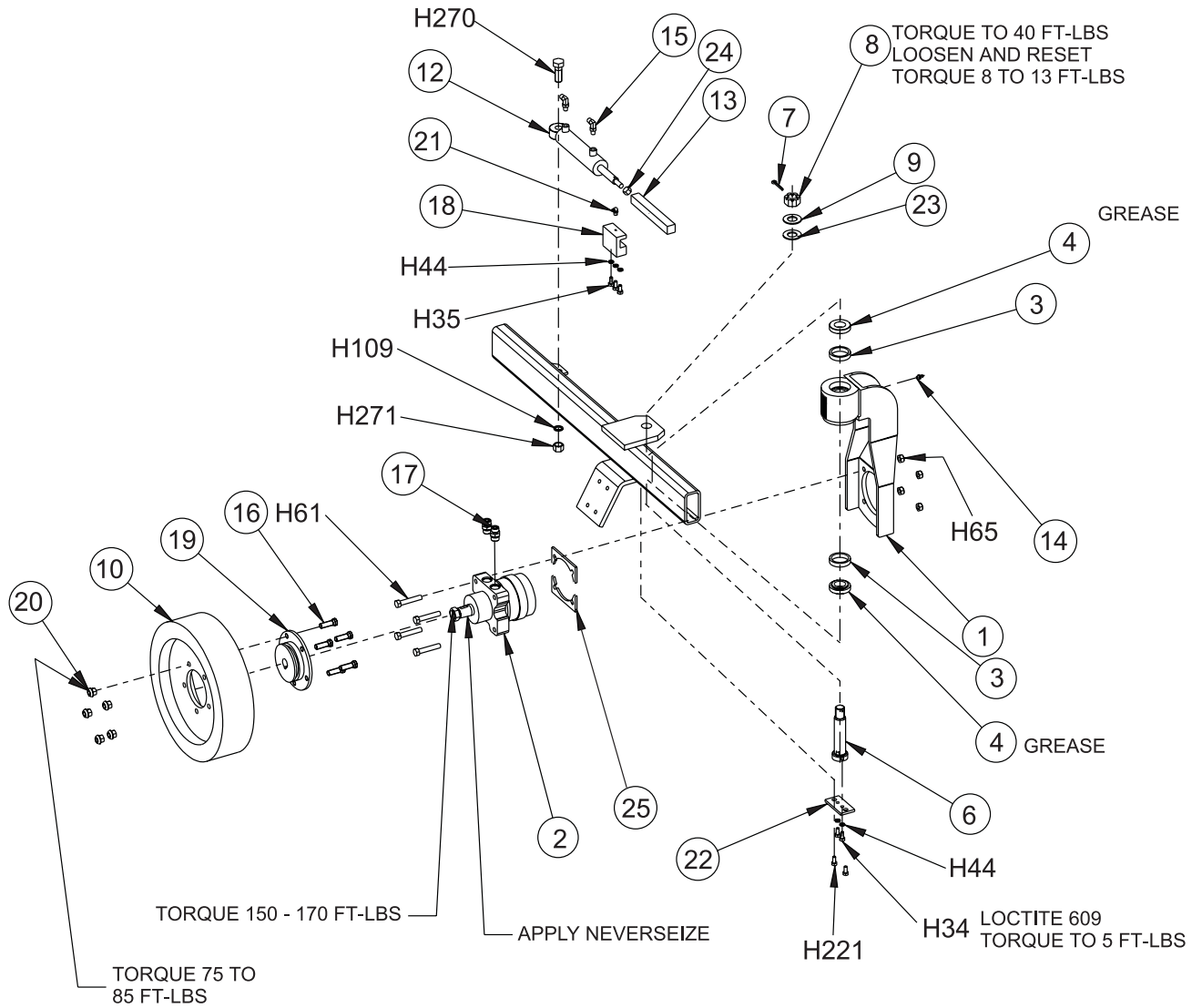
## REAR WHEEL ASSEMBLY - PARTS LIST

<u>KEY NO.</u>	<u>PART NUMBER</u>	<u>DESCRIPTION</u>	<u>QTY.</u>
1	7-81-00212	Support-Wheel	1
2	71124-13	Hydraulic Motor	REF.
3	2-00-04621	Bearing - Outer Race (Cup Only)	2
4	2-00-02079	Roller Bearing	2
5			
6	8-55-08131	Pin - Pivot - Rear Wheel	1
7	2-00-02436	Cotter Pin (.18 Dia.)	1
8	2-00-05026	Nut, (Slotted Head)	1
9	2-00-05024	Flat Washer	1
10	0797-049	Wheel Assembly ( Wet Traction)	1
11			
12	7-17-05010	Hydraulic Cylinder	REF.
13	7-62-00006	Rack	1
14	2-00-00566	Grease Zerk	1
15	2-00-04892	Fitting 90°	REF.
16^	2-00-05227	Stud M14 x 1.500	5
17^	2-00-04974	Straight Fitting	REF.
18	7-30-08015	Slide Rack	1
19	7-33-09028	Hub Drive Wheel	1
20	7-23-03101	Nut, M14 x 1.500	5
21	2-00-02557	Grease Zerk 90°	1
22	7-13-07176	Clamp - Pivot Pin	1
23	8-75-01136	Flat Washer	2
24	2-00-00591	Jam Nut	1
25	7-75-01182	Spacer - Motor	2
<b>HARDWARE USED:</b>			
H34	2-00-00208	Screw, 5/16-18 x .750 HHC	2
H35	2-00-02708	Screw, 5/16 - 18 x 1.000 HHM	3
H44	2-00-00530	Lock Washer, 5/16 HS Med.	5
H61^	2-00-02616	Screw, 1/2-13 x 3.000HHC	4
H65^	2-00-04936	Nut, 1/2-13 Fiber Insert	4
H109	2-00-00522	Lock Washer, 3/4 Helical Spring	1
H221	2-00-03335	Screw, Hex SOC Cap .312-18 x .500	2
H270	2-00-05341	Screw-HHC .75-10 x 2.00	1
H271	2-00-03293	Nut-Hex-Fin .75-10	1

^Gas only

C1609/9902

# REAR WHEEL ASSEMBLY - EXPLODED VIEW



C1609/9707

## BRAKE PEDAL - PARTS LIST

<u>KEY NO.</u>	<u>PART NUMBER</u>	<u>DESCRIPTION</u>	<u>QTY.</u>
1	7-17-00014	Brake Cross Shaft	1
2	7-55-00018	Brake Pedal	1
3	7-42-05126	Link - Brake Pedal	1
4	7-57-05036	Pivot - Brake Pedal	1
5	7-42-05131	Link - L.H. Pedal	1
6	8-10-00043	Cable	2
7	7-41-05083	Parking Brake Lever	1
8	8-10-00038	Cable	1
9	7-75-01163	Spacer - Lever Mounting	2
9	8-75-01181	Spacer-Filter Mount	2
10	7-81-00193	Support	1
11	7-50-05145	Pad - Pedal	1
12	8-66-00162	Rod - Threaded (10")	1
13	8-14-01006	Clevis	2
14	2-95-01999	Jam Nut	2
15	2-95-04182	3/8-16 Elastic Stop Nut	3
16			
17	7-60-00160	Pulley	2
18	7-13-07130	Retainer	2
19	2-00-05169	Clamp	1
20	2-00-05330	Threaded Insert	2
21*	2-00-05384	Screw-HHM .375-16 x 3.00	1
22*	2-00-05385	Screw-HHM .375-16 x 1.75	1

\* Low Dump Only

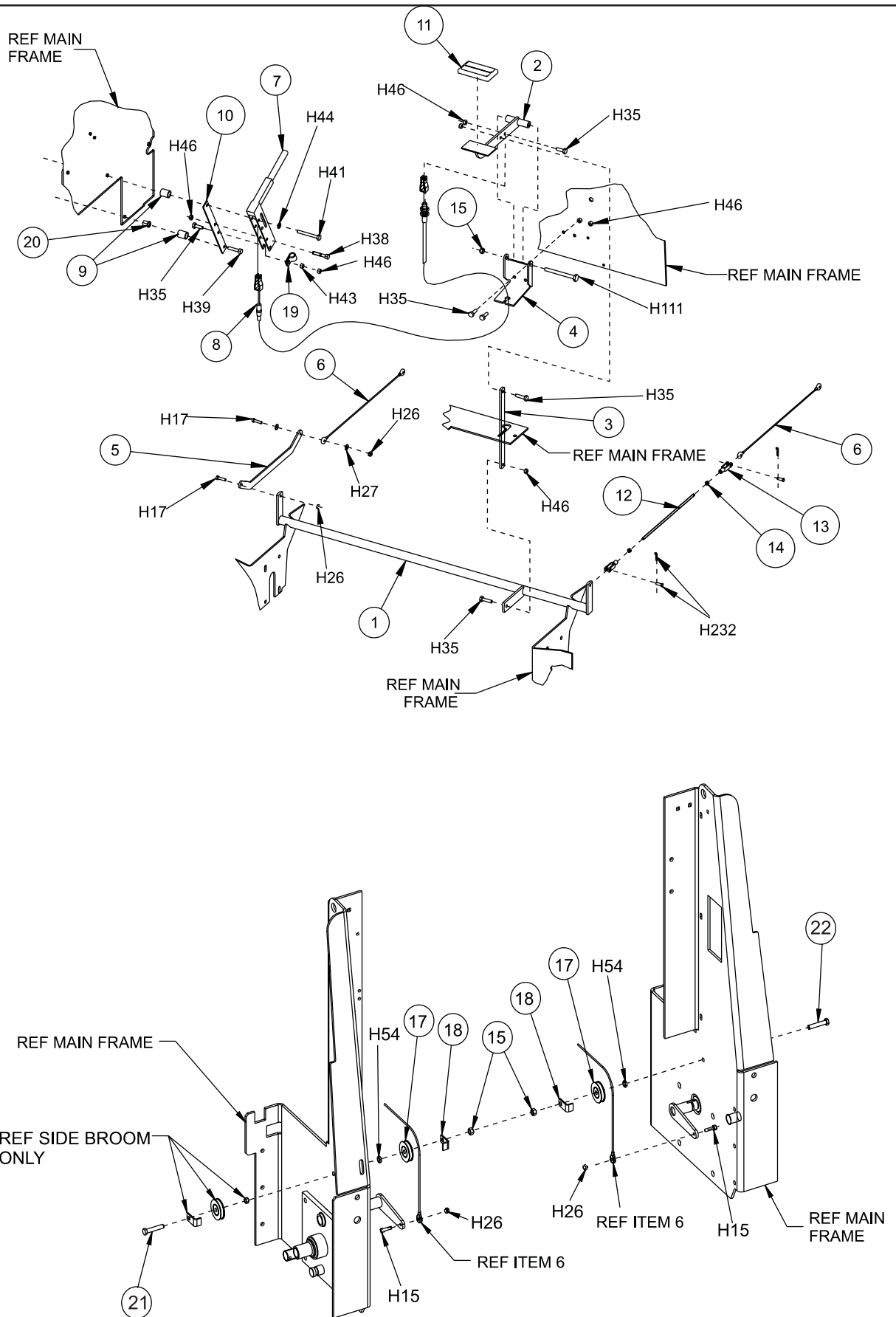
### HARDWARE USED:

H15	2-00-00221	Screw, 1/4-20 x .750 HHC	2
H17	2-00-00205	Screw, 1/4-20 x 1.000 HHC	2
H26	2-00-00641	Nut, 1/4-20 Fiber Insert	4
H27	2-00-03702	Washer, .625 x .281 x .063	2
H35	2-00-02708	Screw, 5/16-18 x 1.000 HHM	6
H38	2-00-00225	Screw, 5/16-18 x 1.500 HHC	1
H39	2-00-00218	Screw, 5/16 - 18 x .063 HHC	1
H41	2-00-02597	Screw, 5/16 - 18 x 3.250 HHC	1
H43	2-00-00409	Flat Washer, .687 x .344 x .062	1
H44	2-00-00530	Lock Washer, 5/16 HS Med.	2
H46	2-00-00644	Nut, 5/16 - 18 Fiber Insert	7
H54	2-00-02360	Nut, 3/8 - 16 Hex	2
H111	2-00-03296	Screw, 3/8-16 x 4.000 HHC	1
H232	2-00-04909	Yoke, Pin Assembly	2

C1610/9902



# BRAKE PEDAL - EXPLODED VIEW



## FORWARD/REVERSE CONTROL-GAS/DIESEL-PARTS VIEW

---

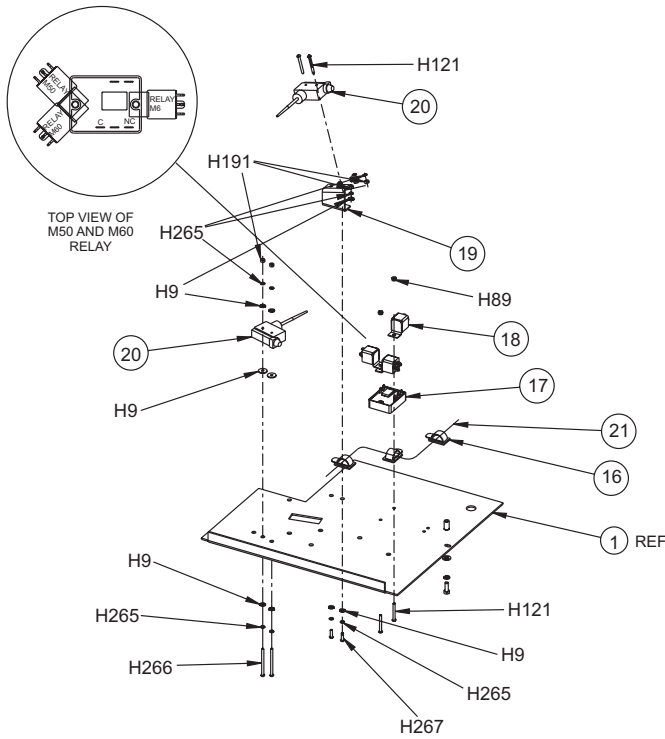
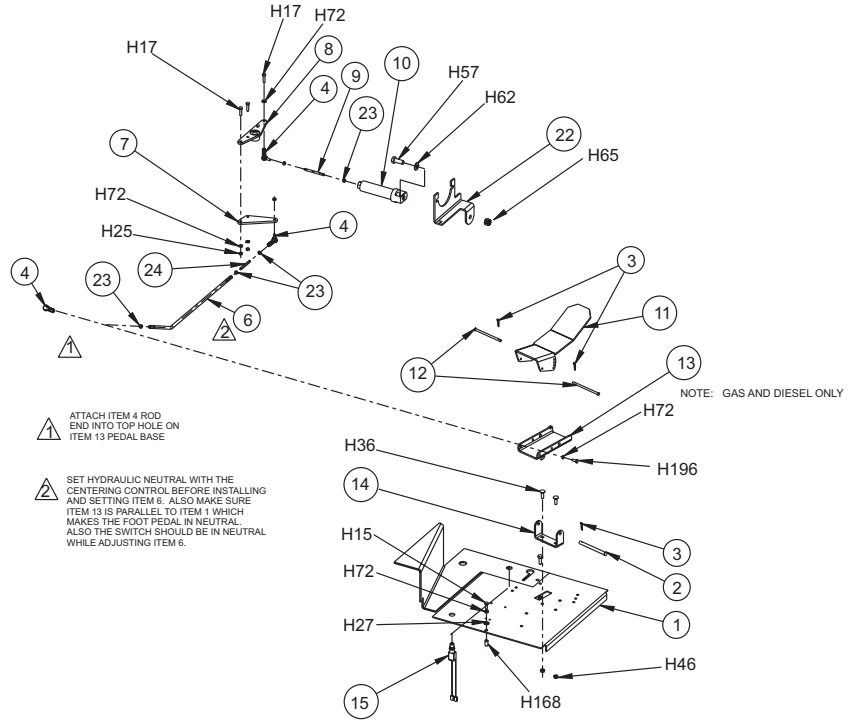
<u>KEY NO.</u>	<u>PART NUMBER</u>	<u>DESCRIPTION</u>	<u>QTY.</u>
1	7-58-05274	Floor Plate	1
2	2-00-05246	Pin-FWD/REV Pedal Pivot	1
3	2-00-05249	Cotter Pin	3
4	7-25-02050	Rod End	1
5	2-95-01999	Jam Nut	1
6	7-42-05136	Link Pedal to Pump	1
7	7-03-04164	Arm, Pump Control Ext.	1
8	8-03-04300	Arm, Pump Control	1
9	8-55-00036	Pedal Base	1
10	8-16-00025	Centering Control	1
11	7-55-00022	Adj. Foot Pedal	1
12	2-00-05247	Pin	2
13	8-55-00036	Pedal Base	1
14	8-08-00782	Bracket	1
15	8-82-00030	Horn Switch	1
16	7-13-07096	Adjustable Clamp	3
17	7-64-00021	Relay	1
18	8-64-05009	Relay	3
19	7-08-00870	Bracket - Switch	1
20	8-82-00058	Switch	2
21	0795-125	Harness - Wire	1
22	8-08-00781	Bracket, Hydroback (Gas)	1
22	7-08-00949	Bracket, Hydroback (Diesel)	1
23	2-95-01999	Jam Nut	5
24	8-66-00196	Threaded Rod	1

### HARDWARE USED:

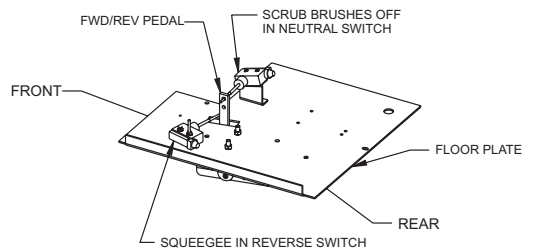
H9	2-00-00426	Flat Washer, .500 x .219 x .063	10
H15	2-00-00221	Screw, 1/4-20 x .750 HHC	2
H17	2-00-00205	Screw, 1/4-20 x 1.000 HHC	3
H25	2-00-00594	Nut, Hex 1/4-20 x .437 x .218	2
H27	2-00-03702	Washer, .625 x .281 x .063	2
H36	2-00-00196	Carriage Bolt, 5/16-18 x 1.000	2
H46	2-00-00644	Nut, 5/16-18, Insert Fiber	2
H57	2-00-00240	Screw, 1/2-13 x 1.250 HHC	1
H62	2-00-00405	Flat Washer, 1.063 x .531 x .094	1
H65	2-00-04936	Nut, 1/2-13 Fibre Lock	1
H72	2-00-00518	Lock Washer, Helical Spring	6
H89	2-00-01372	Nut, Fiber Insert #8-32 Steel	2
H121	2-00-00090	Screw, #8-32 x 1.500 RHM	4
H168	2-00-05261	Insert, 1/4-20	2
H191	2-00-00602	Nut, MSCR - Hex, 8-32	5
H196	2-00-05350	Screw 1/4 - 28 x .63 HHC	1
H265	2-00-00506	Lock Washer, Int Tooth #8 Dia Screw	9
H266	2-00-05371	Screw-RHM #8-32 x 2.38	2
H267	2-00-00068	Screw-RHM #8-32 x .63	2

C1611/0110

# FORWARD/REVERSE CONTROL - GAS/DIESEL - EXPLODED VIEW



C1611/0110



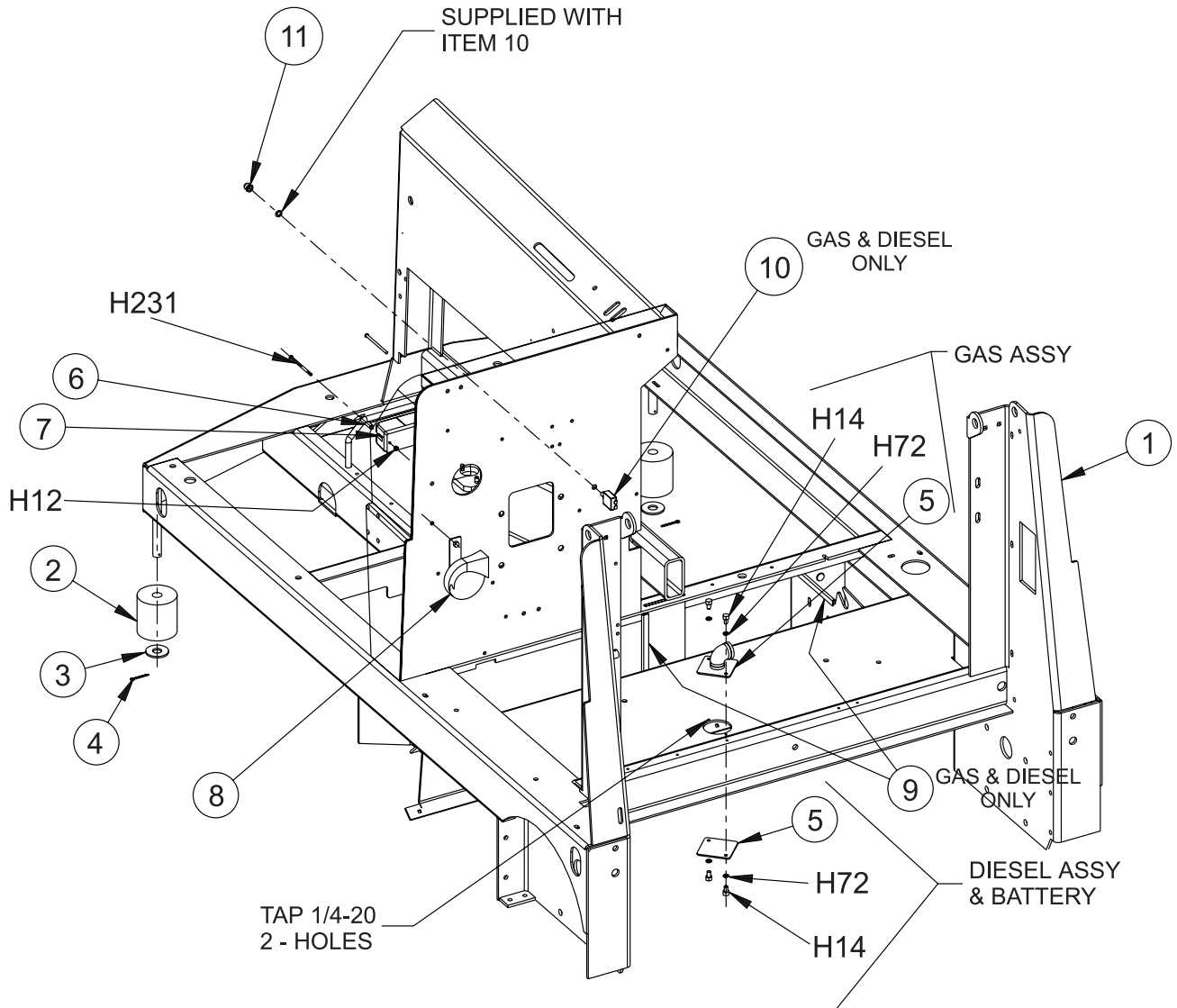
## FRAME-PARTS LIST

---

<u>KEY NO.</u>	<u>PART NUMBER</u>	<u>DESCRIPTION</u>	<u>QTY.</u>
1	7-27-07175	Main Frame(Gas, Diesel)	1
1	7-27-07183-1	Main Frame (Battery)	1
2	7-66-05009	Roller Bumper	2
3	8-75-01157	Washer, (2" x .812 x .157)	2
4	2-00-00776	Cotter Pin (.12 x 1.25)	2
5	7-16-07398	Cover Plate - Weldment (Gas)	Ref.
5	7-16-07390	Cover Plate (Diesel)	1
6	8-75-01207	Spacer	2
7	8-40-05044	Tail Light (Gas, Diesel)	1
7	8-40-05053	Tail Light (Battery)	1
8	8-32-09013	Horn (Gas, Diesel)	1
9	7-21-04031	Edging-Brush Drive Support	2
10	7-64-00032	Circuit Breaker (50 AMP)	1
11	8-11-00051	Boot - Circuit Breaker	1
<b>HARDWARE USED:</b>			
H12	2-00-01246	Nut, Hex. Fiber Insert #10-24	2
H14	2-00-00219	Screw, 1/4-20 x .500 HHC	4
H72	2-00-00518	Lock Washer, Helical Spring	4
H231	2-00-02933	Screw, #10-24 x 3.50	2

C1607/9805

FRAME-EXPLODED VIEW



C1607/9805

## STEERING COLUMN - PARTS LIST

---

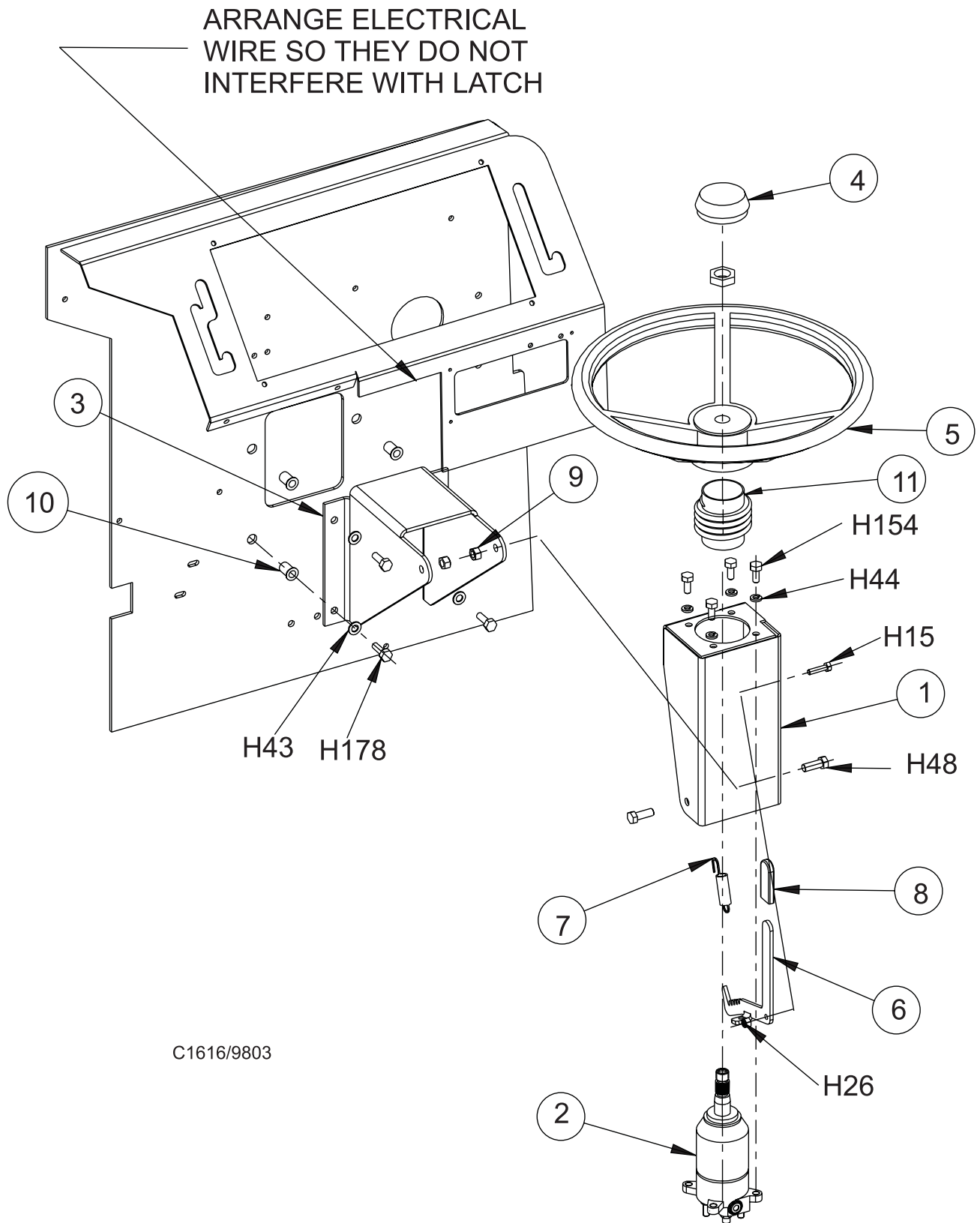
<u>KEY NO.</u>	<u>PART NUMBER</u>	<u>DESCRIPTION</u>	<u>QTY.</u>
1	7-33-05124	Housing Steering Valve	1
2	8-60-05034	Steering Unit 4.88 CIR/1100 PSI	Ref.
3	7-81-00202	Steering Support	1
4	8-11-00022	Cap Steering Wheel	1
5	8-89-08016	Steering Wheel	1
6	7-41-00038	Latch	1
7	7-76-00051	Spring	1
8	8-31-06083	Grip Latch	1
9	2-95-04182	3/8-16 Lock Nut	2
10	2-00-05330	5/16-18 THD Insert	4
11	8-33-02360	Hose, Heat Shield	1

### HARDWARE USED:

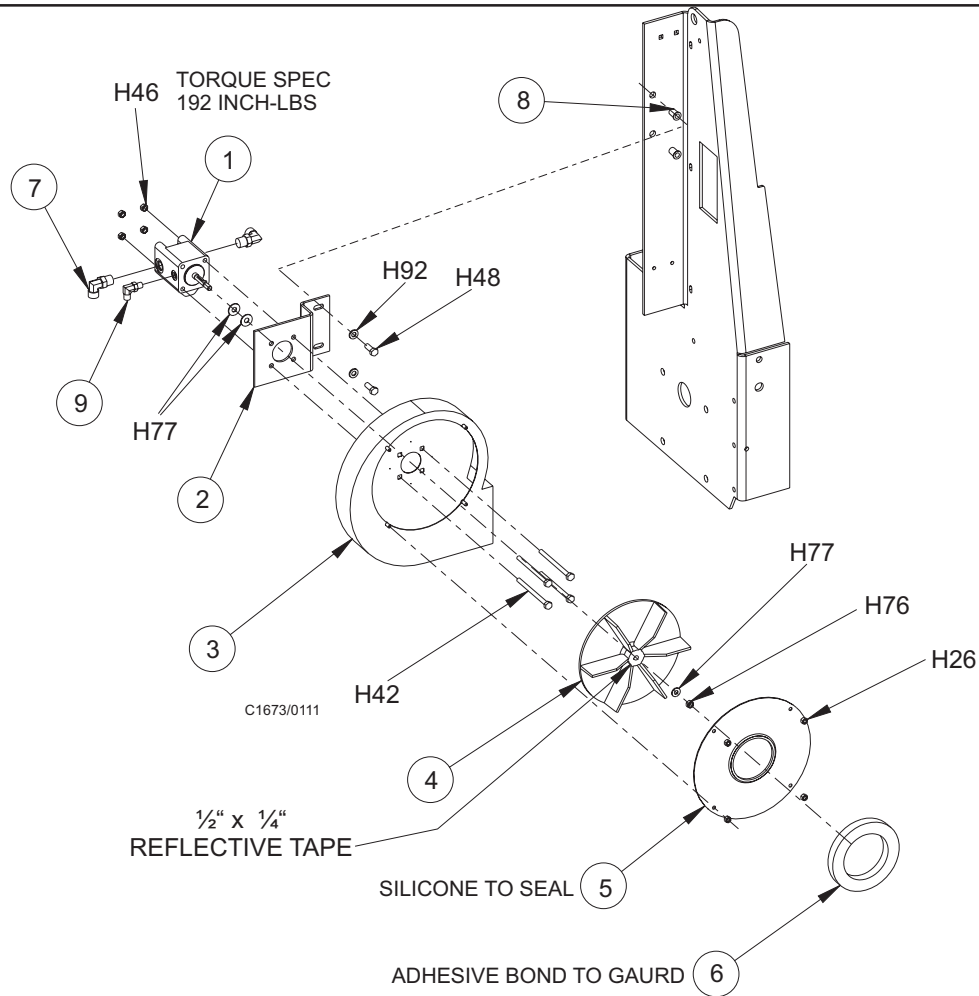
H15	2-00-00221	Screw, 1/4 - 20 x .750 HHC	1
H26	2-00-00641	Nut, 1/4-20 Insert Fiber	1
H44	2-00-00530	Lock Washer, 5/16 Helical Spring Med.	4
H48	2-00-00233	Screw, 3/8-16 x 1.000 HHC	2
H154	2-00-04363	ScrewScrew, M8-1.250 x .750	4
H178	2-00-00206	Screw, 5/16 - 18 x 1.000 HHC	4

C1616

# STEERING COLUMN - EXPLODED VIEW



C1616/9803



<u>KEY NO.</u>	<u>PART NUMBER</u>	<u>DESCRIPTION</u>	<u>QTY.</u>
1	0882-048	Vacuum Motor	1
2	7-08-00848	Bracket - Vac Fan	1
3	8-72-00005	Vacuum Fan Exhaust Duct	1
4	8-23-00012	Fan Impeller	1
5	8-30-05169	Guard - Impeller	1
6	8-29-00183	Gasket - Blower	1
7	2-00-04885	Fitting - 90°	Ref.
8	2-00-05347	Lock Nut	2
9	2-00-04892	Fitting - 90° Elbow (O-Ring)	Ref.

**HARDWARE USED:**

H26	2-00-00641	Nut, 1/4-20 Insert Fiber	4
H42	2-00-02655	Screw, 5/16-18 x 4.500 HHC	4
H46	2-00-00644	Nut, 5/16-18 Insert Fiber	4
H48	2-00-00233	Screw, 3/8-16 x 1.000 HHC	2
H76	2-00-00632	Nut, Fiber Insert 3/8-24 Steel	1
H77	2-00-00484	Flat Washer, .625 x .375 x .046	2
H92	2-00-04801	Flat Washer, .875 x .375 x .125	2

C1673/0111



## VAC MOTOR MANIFOLD - PARTS LIST

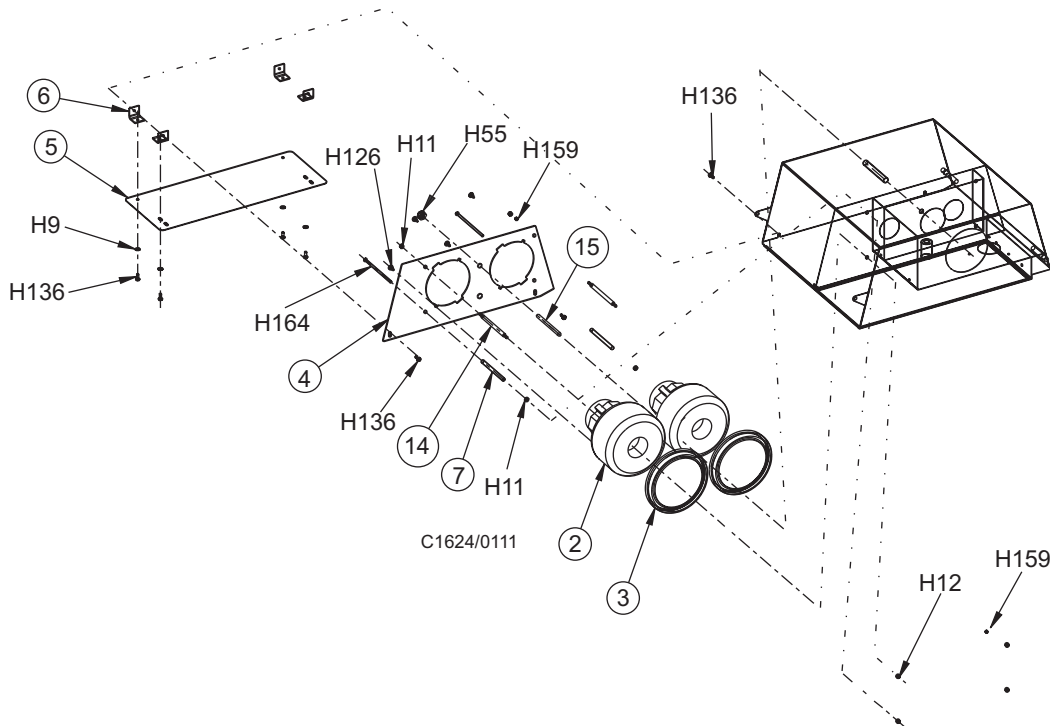
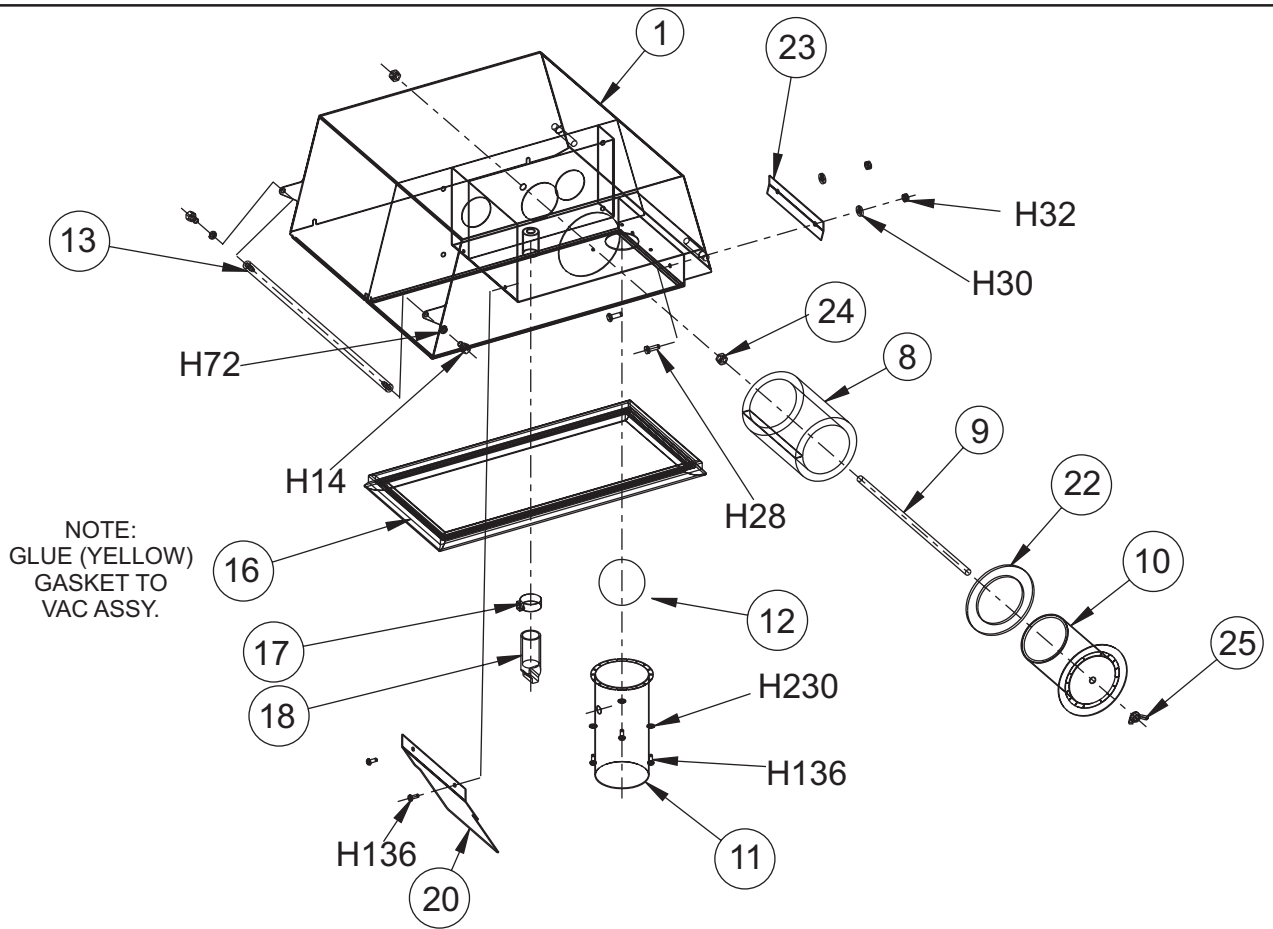
<u>KEY NO.</u>	<u>PART NUMBER</u>	<u>DESCRIPTION</u>	<u>QTY.</u>
1	7-48-00032	Manifold - Vac Motor (Weldment)	1
2	0782-117	Motor - Vacuum (3 Stage) 36V	2
3	2-22-00003	Ring - Motor Mounting	2
4	7-58-05273	Plate - Vac Motor Mounting	1
5	7-05-01000	Baffle - Splash	1
6	7-13-07163	Clip - Baffle Mounting	4
7	7-75-01128	Spacer	4
8	7-24-04050	Filter - Vac Manifold	1
9	7-80-05079	Stud - Vac Motor Mounting	1
10	7-10-04009	Cage - Filter (Weldment)	1
11	7-10-04008	Float Cage	1
12	7-26-04012	Float - Recovery	1
13	8-31-06075	Handle	1
14	7-80-05083	Stud	2
15	7-75-01185	Spacer	1
16	7-29-00236	Gasket	1
17	2-00-02220	Clamp	1
18	8-88-00016	Valve, Rubber	1
19			
20	7-05-01001	Baffle	1
21			
22	7-29-00242	Gasket	1
23	7-13-07178	Clamp - Vac Gasket	1
24	2-00-00593	Nut, 3/8-16 Hex Hvy.	2
25	2-00-00669	Wing Nut, 3/8-16	1

### HARDWARE USED:

H9	2-00-00426	Flat Washer, .500 x .219 x .063	4
H11	2-00-00605	Nut, Hex MS #10-24 x .375 x .125	4
H12	2-00-01246	Nut, Hex Fiber Insert #10-24	4
H14	2-00-00219	Screw, 1/4-20 x .500 HHC	2
H28	2-00-04685	Screw, 1/4-20 x .750 HHC	2
H30	2-00-04687	Lock Washer, Helical Spring ¼ Med.	2
H32	2-00-04688	Nut, 1/4-20 Hex	2
H55	2-00-00643	Nut, 3/8-16 Stop	1
H72	2-00-00518	Lock Washer, Helical Spring	2
H126	2-00-03466	Screw, #10-16 x .500	4
H136	2-00-03940	Screw, #10-24 x .500 T/C HH	13
H159	2-00-00512	Lock Washer	6
H164	2-00-00107	Screw, #10-24 x 4.500 RD HD	2
H230	2-00-00466	Flat Washer, .625 x .203 x .031	3

C1624/0111

# VAC MOTOR MANIFOLD - EXPLODED VIEW



## **FILTER SHAKER - PARTS LIST**

---

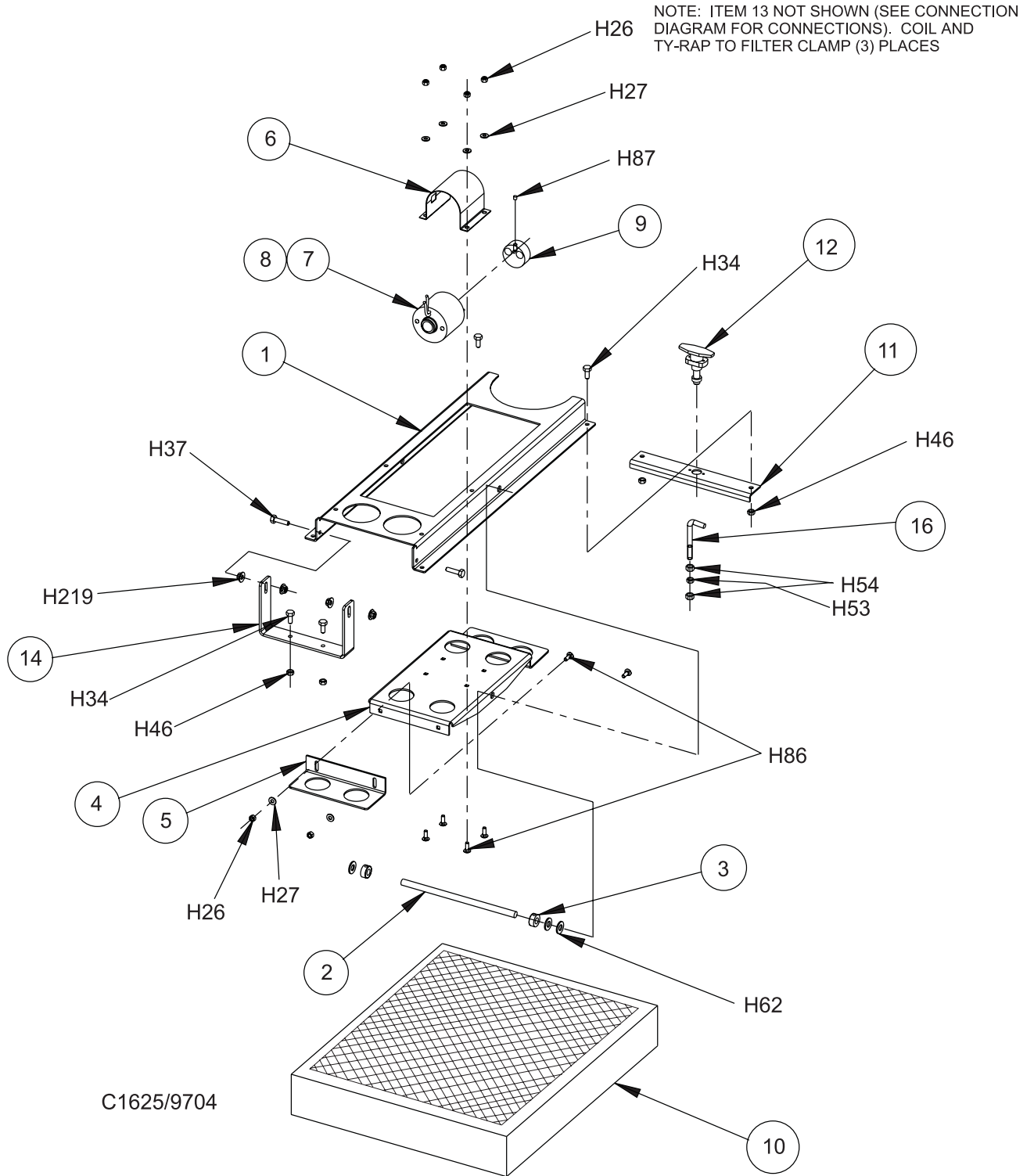
<b><u>KEY NO.</u></b>	<b><u>PART NUMBER</u></b>	<b><u>DESCRIPTION</u></b>	<b><u>QTY.</u></b>
1	8-13-07139	Clamp-Filter	1
2	8-55-08119	Pin-Shaker Pod	1
3	8-15-01016	½" Stop Collar	2
4	8-58-05284	Plate-Shaker	1
5	8-03-04302	Arm-Shaker	1
6	8-16-07406	Filter Shaker Motor Cover	1
7	0860-623	Filter Shaker Motor (12 VDC)	1
8	0860-624	Filter Shaker Motor (36 VDC)	1
9	8-89-04019	Weight (Gas, LP, Diesel)	1
10	8-24-04148	Filter	1
11	8-13-07121	Mounting-Angle-Shaker	1
12	8-41-00053	Latch	1
13	8-90-07433	Wire-Hopper Shaker	1
14	8-08-00826	Mounting-Angle-Shaker	1
15			
16	7-80-05080	Stud-Latch	1

### **HARDWARE USED:**

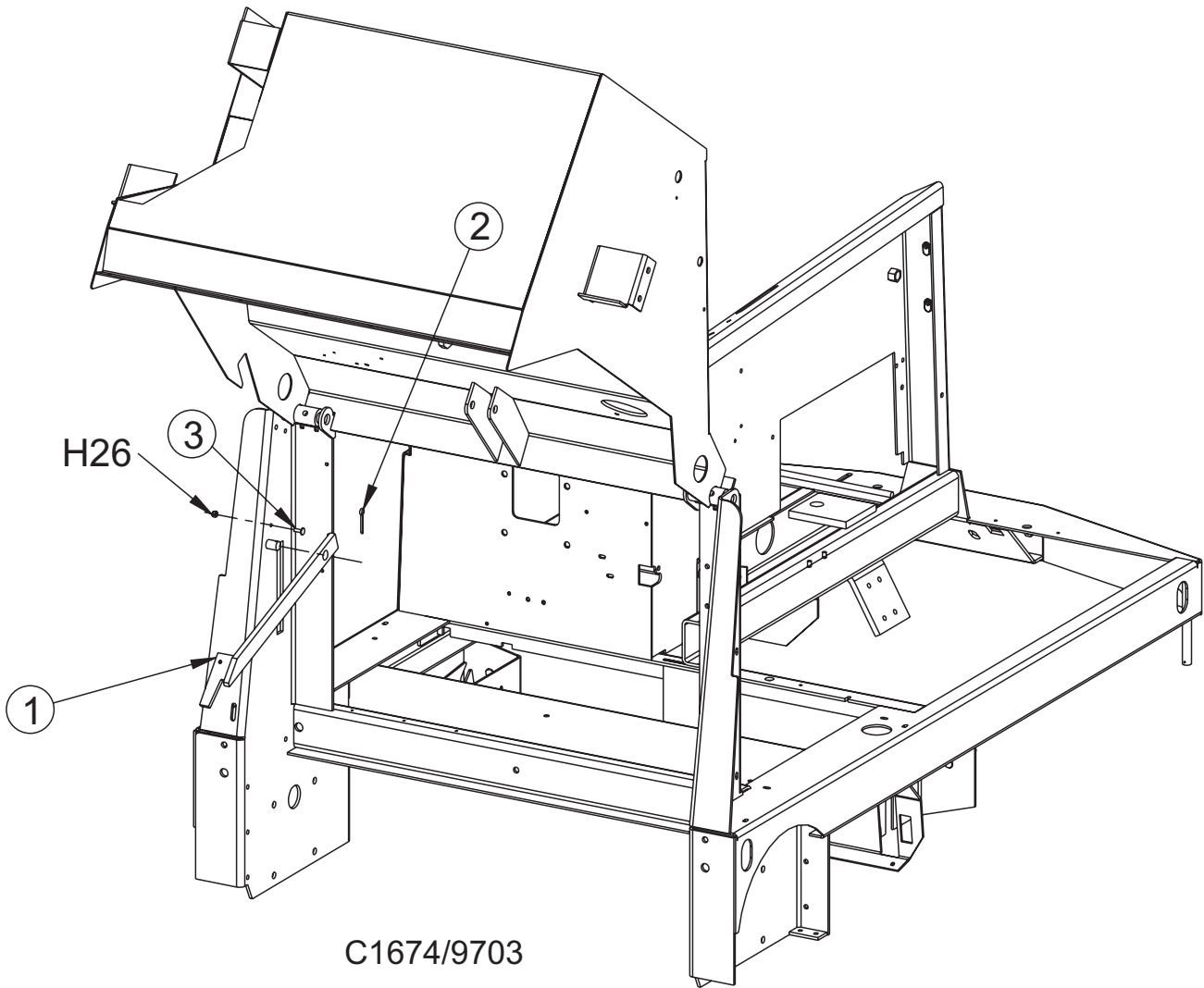
H26	2-00-00641	Nut, 1/4-20 Insert Fiber	6
H27	2-00-03702	Washer, .625 x .281 x .063	6
H34	2-00-00208	Screw, 5-16-18 x .750 HHC	4
H37	2-00-00207	Screw, 5/16-18 x 1.250 HHC	2
H46	2-00-00644	Nut, 5/16-18 Insert Fiber	4
H53	2-00-02310	Lock Washer, Helical Spring 3/8 Med.	1
H54	2-00-02360	Nut, Hex 3/8-16	2
H62	2-00-00405	Flat Washer, 1.063 x .531 x .094	3
H86	2-00-03575	Carriage Bolt, 1/4-20 d .750	6
H87	2-00-00263	Setscrew, 1/4-20 x .250 HSKCP	1
H219	2-00-05359	Nut, Serrated Flange, 5/16-18	4

C1625/9704

# FILTER SHAKER - EXPLODED VIEW



# SAFETY ARM



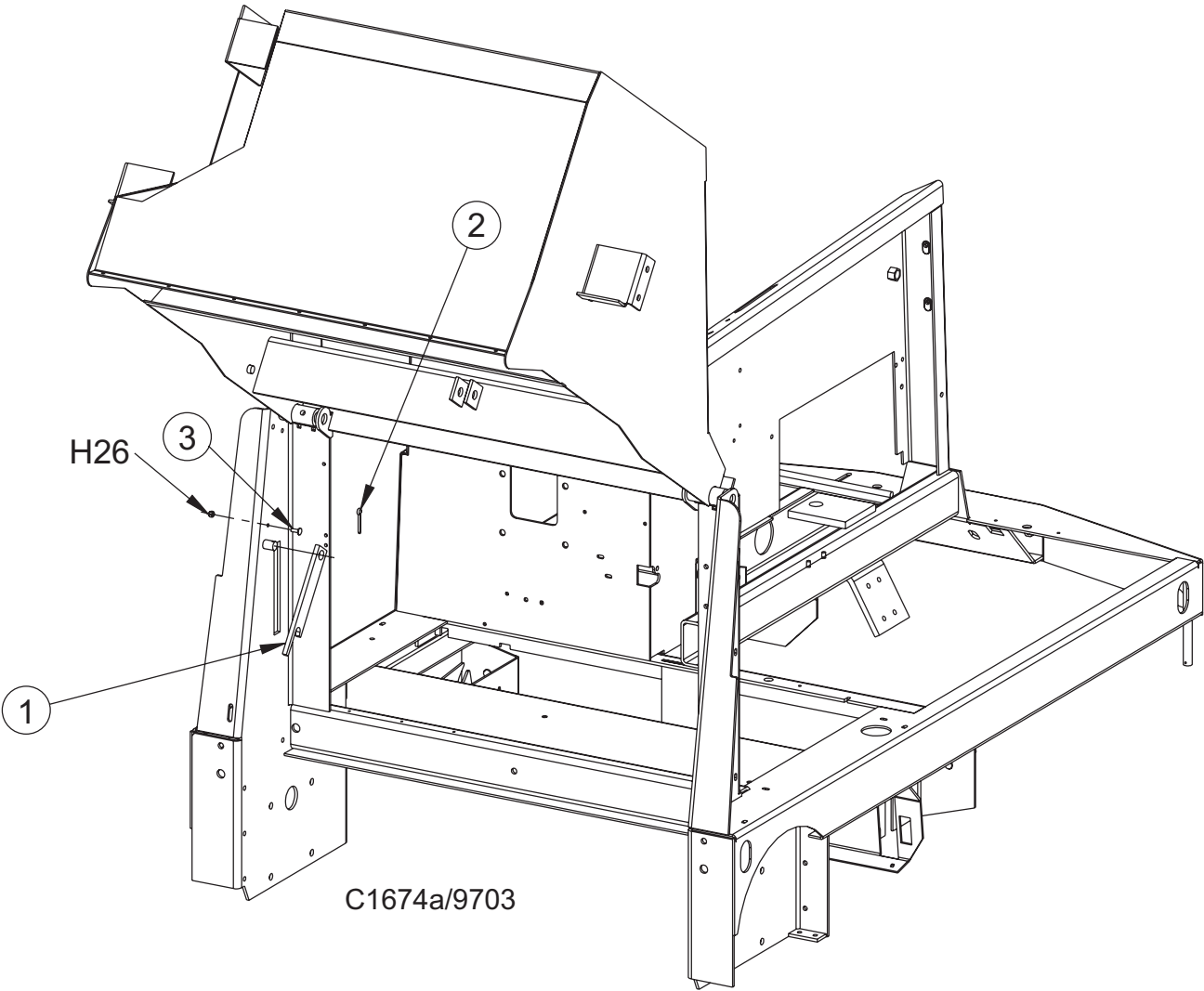
<b>KEY NO.</b>	<b>PART NUMBER</b>	<b>DESCRIPTION</b>	<b>QTY.</b>
1	7-81-00198	Safety Arm Weldment	1
2	2-00-02436	Cotter Pin	1
3	2-00-00051	Screw, 1/4 - 20 x .750 RHM	1

**HARDWARE USED:**

H26	2-00-00641	Nut, 1/4-20 Insert Fiber	1
-----	------------	--------------------------	---

C1674

**SAFETY ARM (LOW DUMP)**



<b>KEY NO.</b>	<b>PART NUMBER</b>	<b>DESCRIPTION</b>	<b>QTY.</b>
1	7-03-04163	Safety Arm	1
2	2-00-02436	Cotter Pin	1
3	2-00-00051	Screw, 1/4 - 20 x .750 RHM	1

**HARDWARE USED:**

H26	2-00-00641	Nut, 1/4-20 Insert Fiber	1
-----	------------	--------------------------	---

C1674a

## CONSOLE - PARTS LIST

---

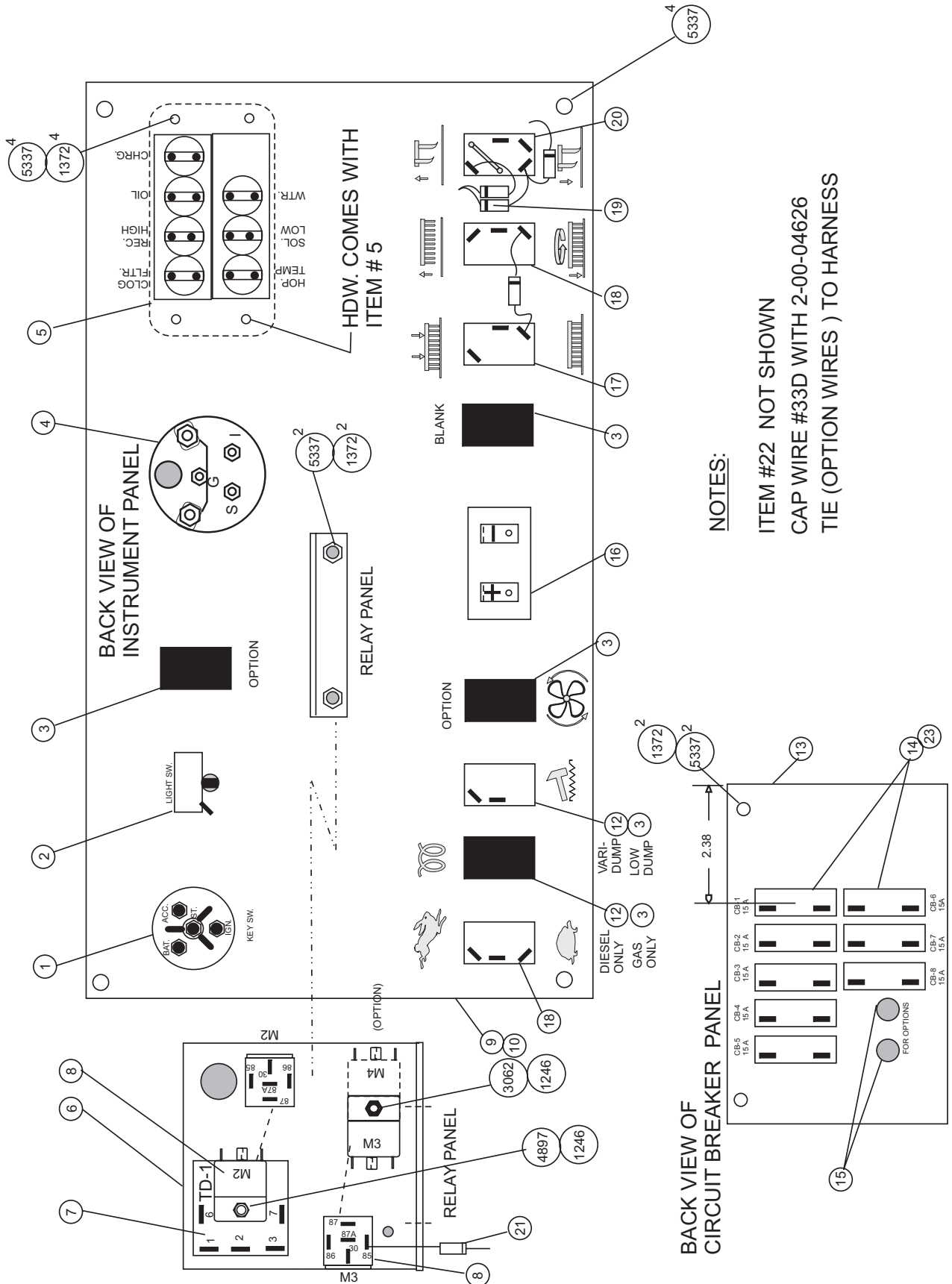
<u>KEY NO.</u>	<u>PART NUMBER</u>	<u>DESCRIPTION</u>	<u>QTY.</u>
1	8-82-00041	Key Switch	1
2	8-82-00027	Light Switch	1
3	2-00-05375	Switch Blank	4
4	8-48-05032	Fuel Gauge	1
5	0760-495	Warning Light Assembly	1
6	8-08-00838	Relay Panel	1
7	8-64-05010	Time Delay Relay	1
8	8-64-05009	Relay	2
9	7-52-00147	Instrument Panel	1
10	7-18-00244	Decal	1
11			
12	8-82-00062	Switch	1
13	7-52-00148	Circuit Breaker Panel	1
14	8-64-00008	Circuit Breaker - 15 AMP	8
15	2-00-04757	Hole Plug	2
16	7-48-05029	Hour Meter	1
17	7-82-00040	Switch	1
18	7-82-00039	Switch	2
19	0775-218	Diode Assembly	1
20	7-82-00041	Switch	1
21	0775-216	Diode Assembly	1
22	0795-115	Harness	1
23	8-11-00044	Switch Boots	8
24	2-00-05337	Screw, #8-32 x .750 BHS Stainless	12

### HARDWARE USED:

H12	2-00-01246	Nut, Hex Fiber Insert #10-24	2
H89	2-00-01372	Nut, Fiber Insert #8-32 Steel	8
H100	2-00-03062	Screw, #10-24 x .625 THM	1
H101	2-00-04897	Screw, #10-24 x 1.250 THM	1

C1690/9706

CONSOLE - EXPLODED VIEW





## SEAT AND FLOOR ASSEMBLY - PARTS LIST

---

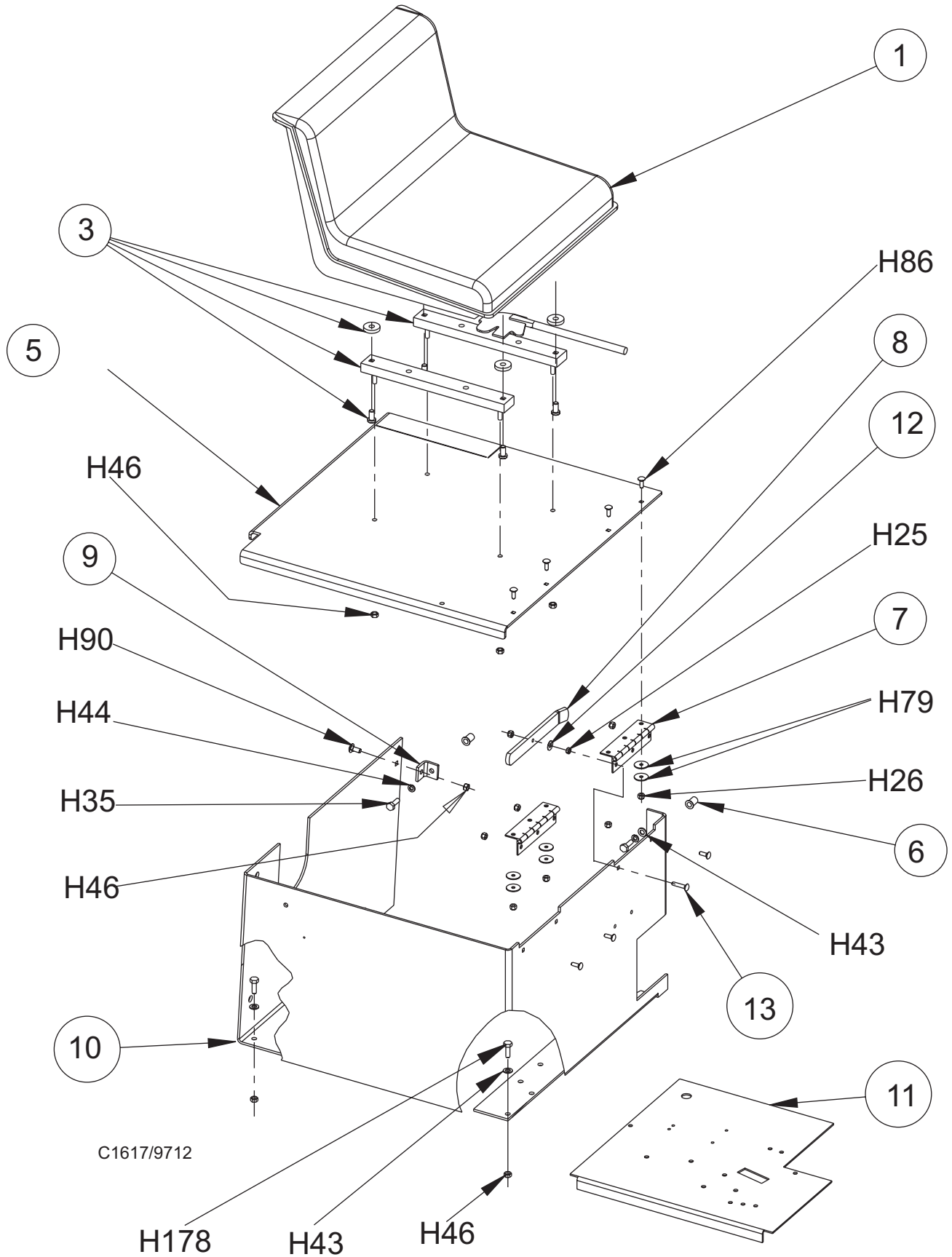
<u>KEY NO.</u>	<u>PART NUMBER</u>	<u>DESCRIPTION</u>	<u>QTY.</u>
1	8-69-00020	Seat	1
2			
3	7-72-05005	Slide - Seat Adjuster	1
4			
5	8-52-00186	Seat Deck	1
6	2-00-05330	Threaded Insert	2
7	8-32-00044	Hinge	2
8	8-41-00064	Stop - Seat Deck	1
9	8-08-00834	Bracket	1
10	8-33-05124	Housing - Seat and Fuel	1
11	7-58-05274	Floor / Kick Panel	Ref.
12	7-23-03048	Spring Washer 5/16	1
13	2-00-01951	Carriage Bolt 1/4-20 x 1.250	1

### HARDWARE USED:

H25	2-00-00594	Nut, Hex 1/4-20 x .437 x .218	1
H26	2-00-00641	Nut, 1/4-20 Insert Fiber	8
H35	2-00-02708	Screw, 5/16 - 18 x 1.000HHC	2
H43	2-00-00409	Flat Washer, .687 x .344 x .062	3
H44	2-00-00530	Lock Washer, 5/16 HS Med.	2
H46	2-00-00644	Nut, 5/16-18 Insert Fiber	7
H47	2-00-00232	Screw, 3/8-16 x .750 HHC	4
H53	2-00-02310	Lock Washer, Helical Spring 3/8 Med.	4
H79	2-00-01676	Flat Washer, 1.062 x .265 x .062	6
H86	2-00-03575	Carriage Bolt, 1/4-20 x .750	7
H90	2-00-03569	Carriage Bolt, 5/16-18 x .750	5
H178	2-00-00206	Screw, 5/16-18 x 1.000 HHC	2

C1617/9712

SEAT AND FLOOR ASSEMBLY - EXPLODED VIEW

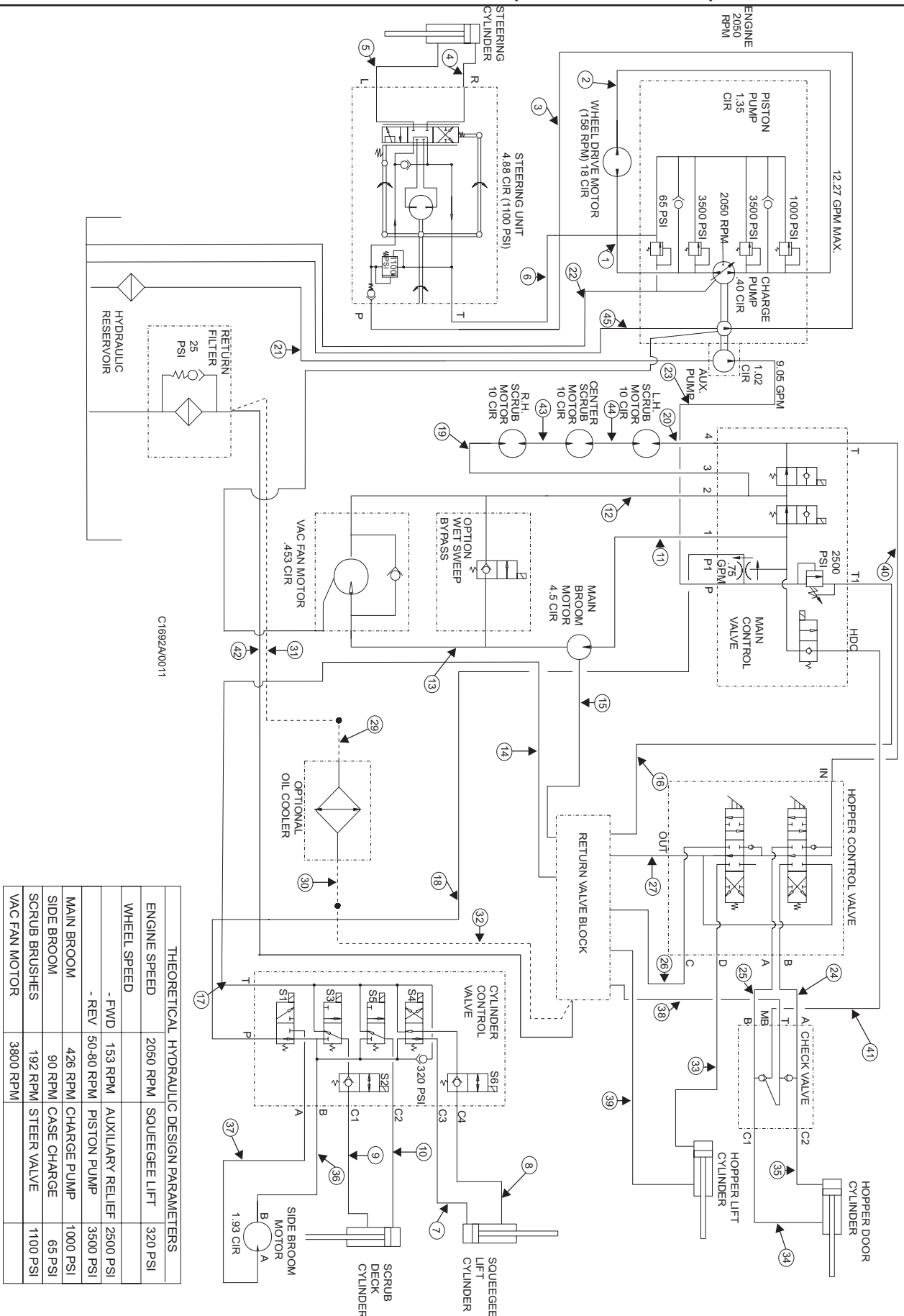


## HYDRAULIC HOSE DIAGRAM - GAS/DIESEL (VARIABLE DUMP) - PARTS LIST

<u>KEY NO.</u>	<u>PART NUMBER</u>	<u>DESCRIPTION</u>	<u>HOSE LENGTH</u>
1	8-33-02196	#8 Hose ORS, Str. Ends	75.5"
2	8-33-02196	#8 Hose ORS, Str. Ends	75.5"
3	7-33-02186	#4 Hose ORS, Str. Ends	30.0"
4	8-33-02185	#4 Hose ORS, Str. Ends	56.0"
5	8-33-02218	#4 Hose ORS, Str. Ends	60.0"
6	7-33-02343	#4 Hose ORS, Str. - 90° Ends	43.5"
7	7-33-02190	#4 Hose ORS, Str. - 90° Ends	67.0"
8	7-33-02190	#4 Hose ORS, Str. - 90° Ends	67.0"
9	7-33-02225	#4 Hose ORS, Str. - 90° Ends	38.0"
10	7-33-02366	#4 Hose ORS, Str. - 90° Ends	34.0"
11	8-33-02325	#8 Hose ORS, Str. Ends	65.0"
12	7-33-02346	#8 Hose ORS, Str. - 90° Ends	72.0"
13	7-33-02192	#8 Hose ORS, Str. - 90° Ends	72.0"
14	7-33-02190	#4 Hose ORS, Str. Ends	66.0"
15	8-33-02200	#4 Hose ORS, Str. - 90° Ends	55.0"
16	8-33-02176	#4 Hose ORS, Str. - 90° Ends	21.0"
17	7-33-02199	#4 Hose ORS, Str. - 90° Ends	24.5"
18	8-33-02176	#4 Hose ORS, Str. - 90° Ends	21.0"
19	8-33-02191	#8 Hose ORS, Str. Ends	56.5"
20	7-33-02191	#8 Hose ORS, Str. - 90° Ends	49.0"
21	7-33-02351	#12 Hose ORS, Str. - 90° Ends	33.0"
22	7-33-02348	#8 Hose ORS, Str. - 90° Ends	32.0"
23	7-33-02348	#8 Hose ORS, Str. Ends	32.0"
24	7-33-02349	#4 Hose ORS, Str. - 90° Ends	11.75"
25	7-33-02349	#4 Hose ORS, Str. - 90° Ends	11.75"
26	7-33-02350	#4 Hose ORS, Str. - 90° Swivel Ends	43.0"
27	7-33-02187	#8 Hose ORS, Str. Ends	42.0"
28			
29	8-33-02353	#12 Hose ORS, Str. - 45° Ends (Option)	12.5"
30	7-33-02203	#12 Hose ORS, Str. - 90° Ends (Option)	20.0"
31	7-33-02221	#12 Hose ORS, Str. Ends (Option)	48.0"
32	7-33-02351	#12 Hose ORS, Str. Ends	33.0"
33	7-33-02352	#4 Hose ORS, Str. - 90° Swivel Ends	71.0"
34	8-33-02216	#4 Hose ORS, Str. Ends	88.0"
35	7-33-02342	#4 Hose ORS, Str. Ends	92.5"
36	7-33-02353	#4 Hose ORS, Str. - 90° Ends	98.5"
37	7-33-02353	#4 Hose ORS, Str. - 90° Ends	98.5"
38	7-33-02191	#4 Hose ORS, Str. - 90° Ends	42.0"
39	7-33-02355	#4 Hose ORS, Str. - 45° Ends	50.5"
40	7-33-02222	#8 Hose ORS, Str. Ends	26.0"
41	8-33-02200	#4 Hose ORS, Str. - 90° Ends	55.0"
42	8-33-02194	#12 Hose ORS, Str. Ends	32.0"
43	7-33-02327	#8 Hose ORS, Str. - 90° Ends (46" Deck)	15.25"
	7-33-02326	#8 Hose ORS, Str. - 90° Ends (53" Deck)	17.0"
44	7-33-02354	#8 Hose ORS, Str. - 90° Ends (46" Deck)	13.5"
	7-33-02327	#8 Hose ORS, Str. - 90° Ends (53" Deck)	15.25"
45	7-33-02365	#8 Hose ORS, Str. - 45° Ends	30.0"

C1692A/0011

# HYDRAULIC HOSE DIAGRAM-GAS/DIESEL(VARIABLE DUMP)-EXPLODED VIEW

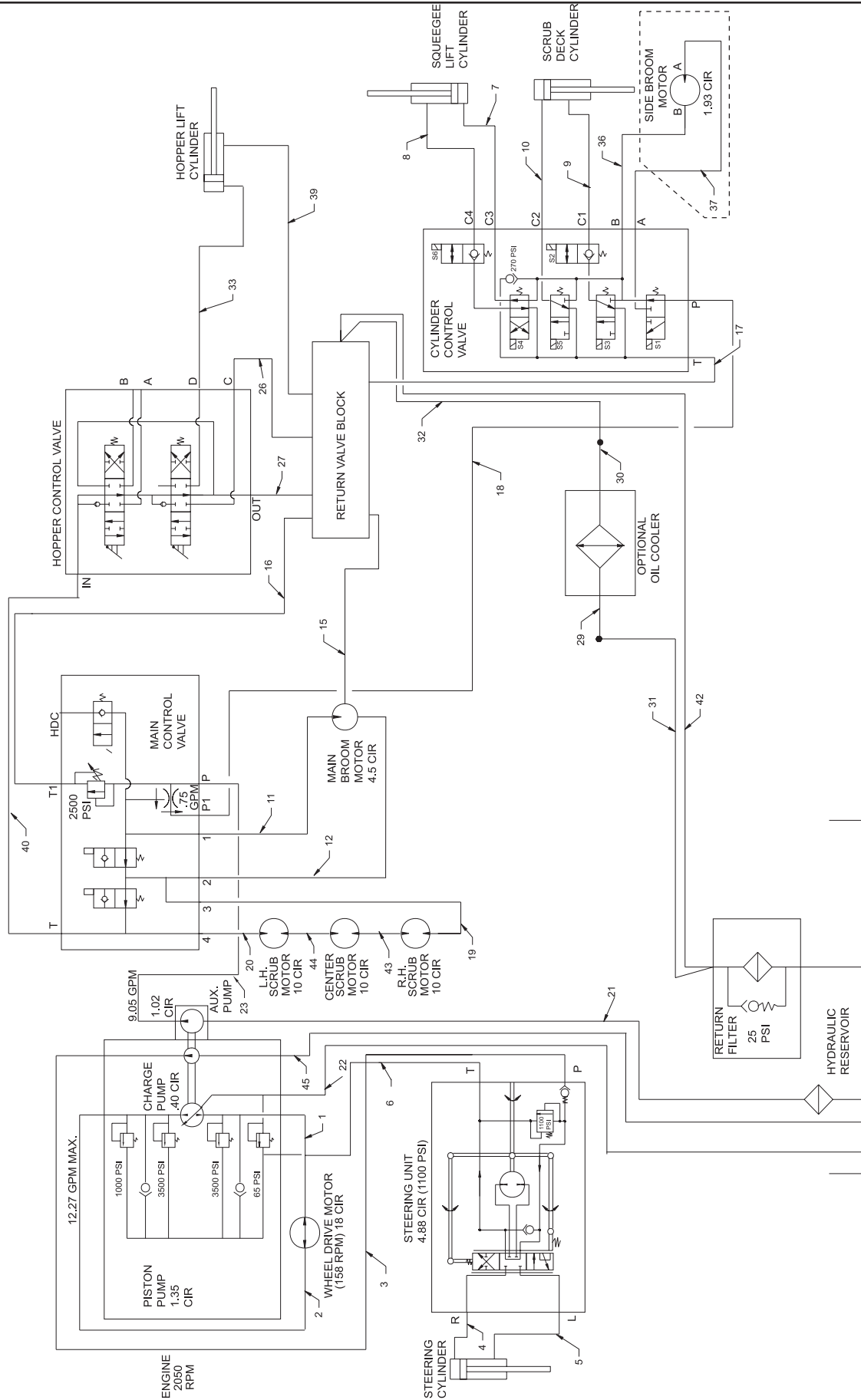


## HYDRAULIC HOSE DIAGRAM - GAS/DIESEL (LOW DUMP) - PARTS LIST

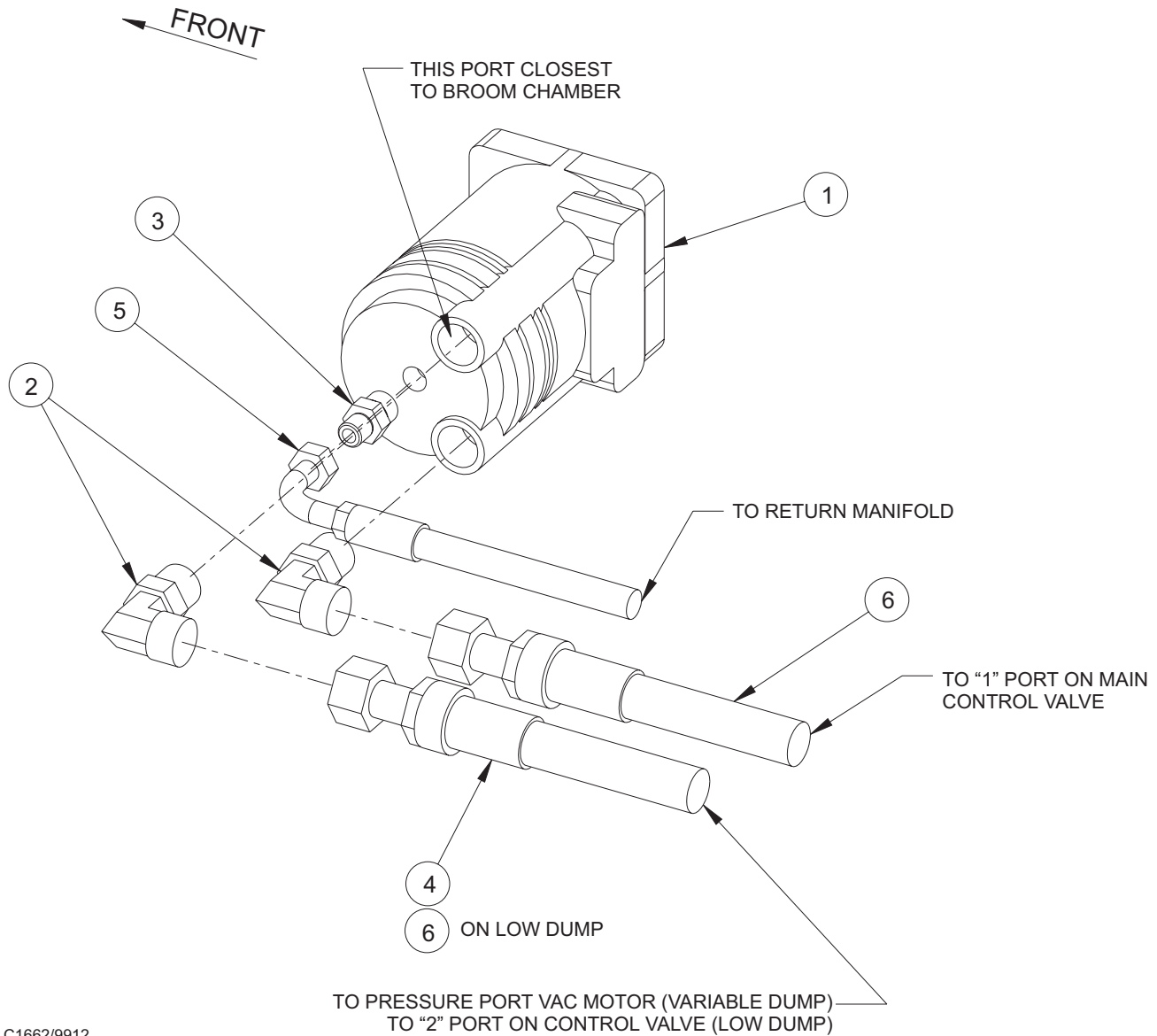
KEY NO.	PART NUMBER	DESCRIPTION	HOSE LENGTH
1	8-33-02196	#8 Hose ORS, Str. Ends	75.5"
2	8-33-02196	#8 Hose ORS, Str. Ends	75.5"
3	7-33-02186	#4 Hose ORS, Str. Ends	30.0"
4	8-33-02185	#4 Hose ORS, Str. Ends	56.0"
5	8-33-02218	#4 Hose ORS, Str. Ends	60.0"
6	7-33-02343	#4 Hose ORS, Str. 90° Ends	43.5"
7	7-33-02190	#4 Hose ORS, Str. 90° Ends	67.0"
8	7-33-02190	#4 Hose ORS, Str. 90° Ends	67.0"
9	7-33-02225	#4 Hose ORS, Str. 90° Ends	38.0"
10	7-33-02366	#4 Hose ORS, Str. 90° Ends	34.0"
11	8-33-02325	#8 Hose ORS, Str. Ends	65.0"
12	8-33-02325	#8 Hose ORS, Str. Ends	72.0"
13	7-33-02346	#8 Hose ORS, Str. 90° Ends	72.0"
14	7-33-02190	#4 Hose ORS, Str. Ends	66.0"
15	8-33-02200	#4 Hose ORS, Str. 90° Ends	55.0"
16	8-33-02176	#4 Hose ORS, Str. 90° Ends	21.0"
17	7-33-02199	#4 Hose ORS, Str. 90° Ends	24.5"
18	8-33-02176	#4 Hose ORS, Str. 90° Ends	21.0"
19	8-33-02191	#8 Hose ORS, Str. Ends	56.5"
20	7-33-02347	#8 Hose ORS, Str. 90° Ends	49.0"
21	7-33-02351	#12 Hose ORS, Str. 90° Ends	33.0"
22	7-33-02348	#8 Hose ORS, Str. 90° Ends	32.0"
23	7-33-02348	#8 Hose ORS, Str. Ends	32.0"
24			
25			
26	7-33-02350	#4 Hose ORS, Str. 90° Swivel Ends	43.0"
27	7-33-02187	#8 Hose ORS, Str. Ends	42.0"
28	8-33-02176	#4 Hose ORS, Str. 90° Ends	21.0"
29	8-33-02353	#12 Hose ORS, Str. 45° Ends (Option)	12.5"
30	7-33-02203	#12 Hose ORS, Str. 90° Ends (Option)	20.0"
31	7-33-02221	#12 Hose ORS, Str. Ends (Option)	48.0"
32	7-33-02351	#12 Hose ORS, Str. 90° Ends (Option)	33.0"
33	7-33-02352	#4 Hose ORS, Str. 90° Swivel Ends	71.0"
34			
35			
36	7-33-02353	#4 Hose ORS, Str. 90° Ends (Option)	98.5"
37	7-33-02353	#4 Hose ORS, Str. 90° Ends (Option)	98.5"
38			
39	7-33-02355	#4 Hose ORS, Str. 45° Ends	50.5"
40	7-33-02222	#8 Hose ORS, Str. Ends	26.0"
41			
42	8-33-02194	#12 Hose ORS, Str. Ends	23.0"
43	7-33-02327	#8 Hose ORS, Str. 90° Ends (46" Deck)	15.25"
	7-33-02326	#8 Hose ORS, Str. 90° Ends (53" Deck)	17.0"
44	7-33-02354	#8 Hose ORS, Str. 90° Ends (46" Deck)	13.5"
	7-33-02327	#8 Hose ORS, Str. 90° Ends (53" Deck)	12.25"
45	7-33-02365	#8 Hose ORS, Str. 45° Ends	30.0"

C1742/9707

# HYDRAULIC HOSE DIAGRAM - GAS/DIESEL (LOW DUMP) - EXPLODED VIEW



# MAIN BROOM HYDRAULICS



C1662/9912

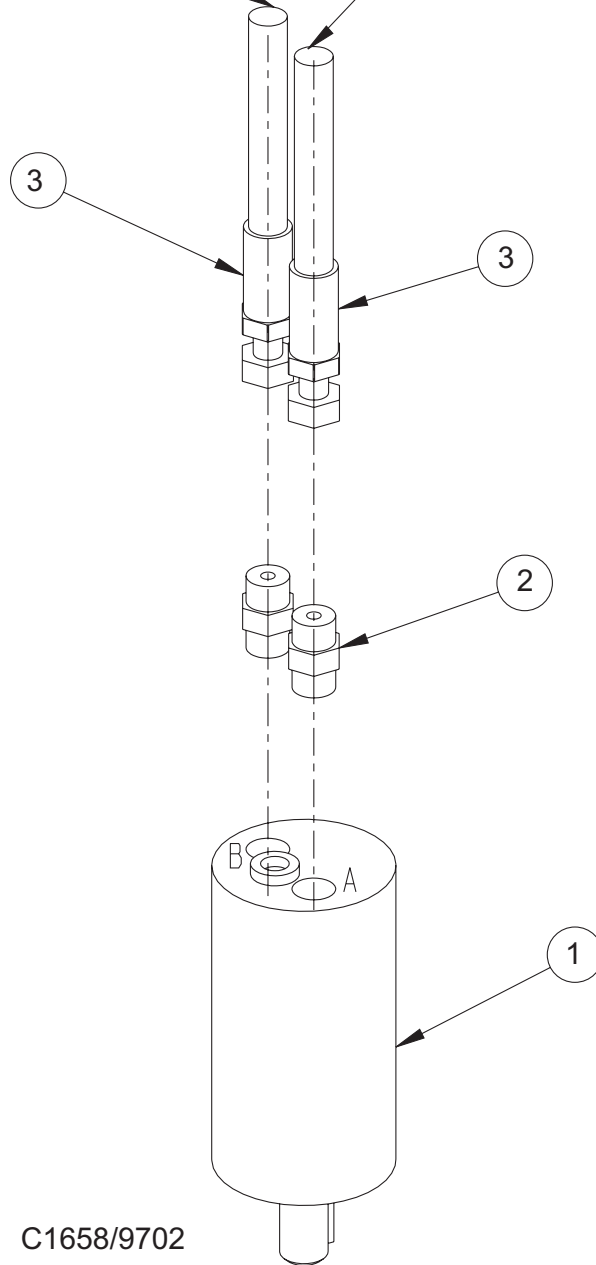
KEY NO.	PART NUMBER	DESCRIPTION	QTY.
1	0882-040	Motor	1
2	2-00-04885	Fitting #8 SAE to #8 ORS 90°	2
3	2-00-04895	Fitting #4 SAE to #4 ORS	1
4	7-33-02192	Hose #8 ORS STR - 90°, 90.0"	Ref.
5	8-33-02200	Hose #4 ORS STR - 90° 55.0"	Ref.
6	8-33-02325	Hose #8 ORS STR Ends 65.0"	Ref.

C1662

**SIDE BROOM HYDRAULICS**

TO PORT "B" ON CYLINDER  
CONTROL VALVE

TO PORT "A" ON CYLINDER  
CONTROL VALVE



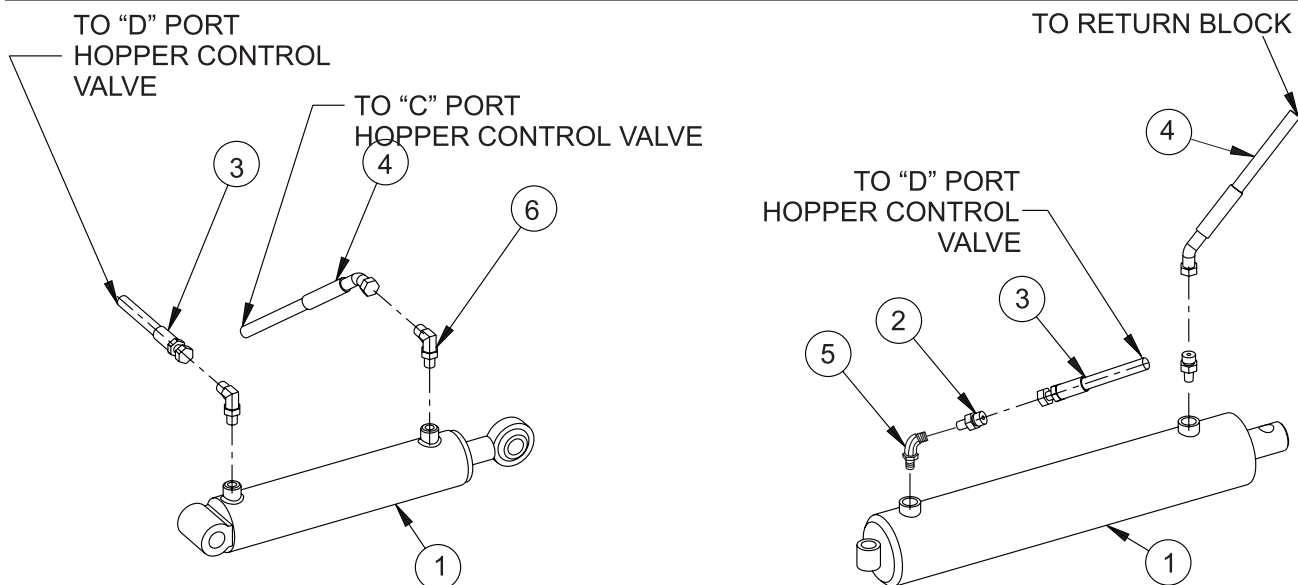
C1658/9702

<u>KEY NO.</u>	<u>PART NUMBER</u>	<u>DESCRIPTION</u>	<u>QTY.</u>
1	0885-061	Motor	1
2	2-00-04918	Straight Fitting	2
3	7-33-02353	Hose 98.5"	Ref.

C1658

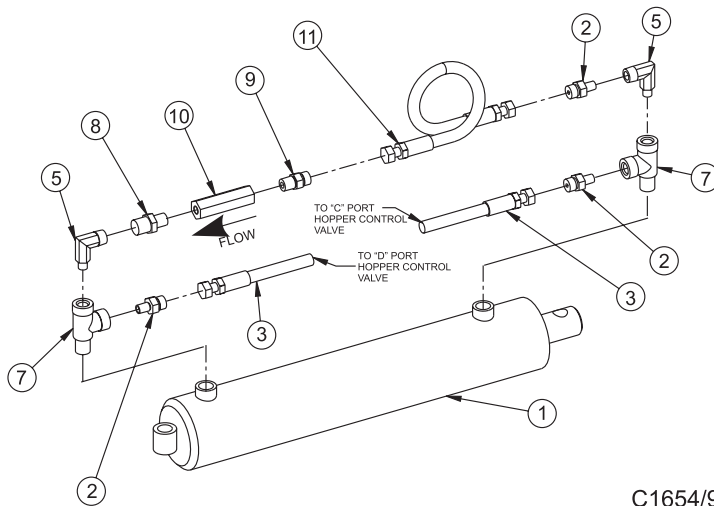


# HOPPER LIFT HYDRAULICS



LOW DUMP (GAS/LP/DIESEL)

VARIABLE DUMP (GAS/LP/DIESEL)



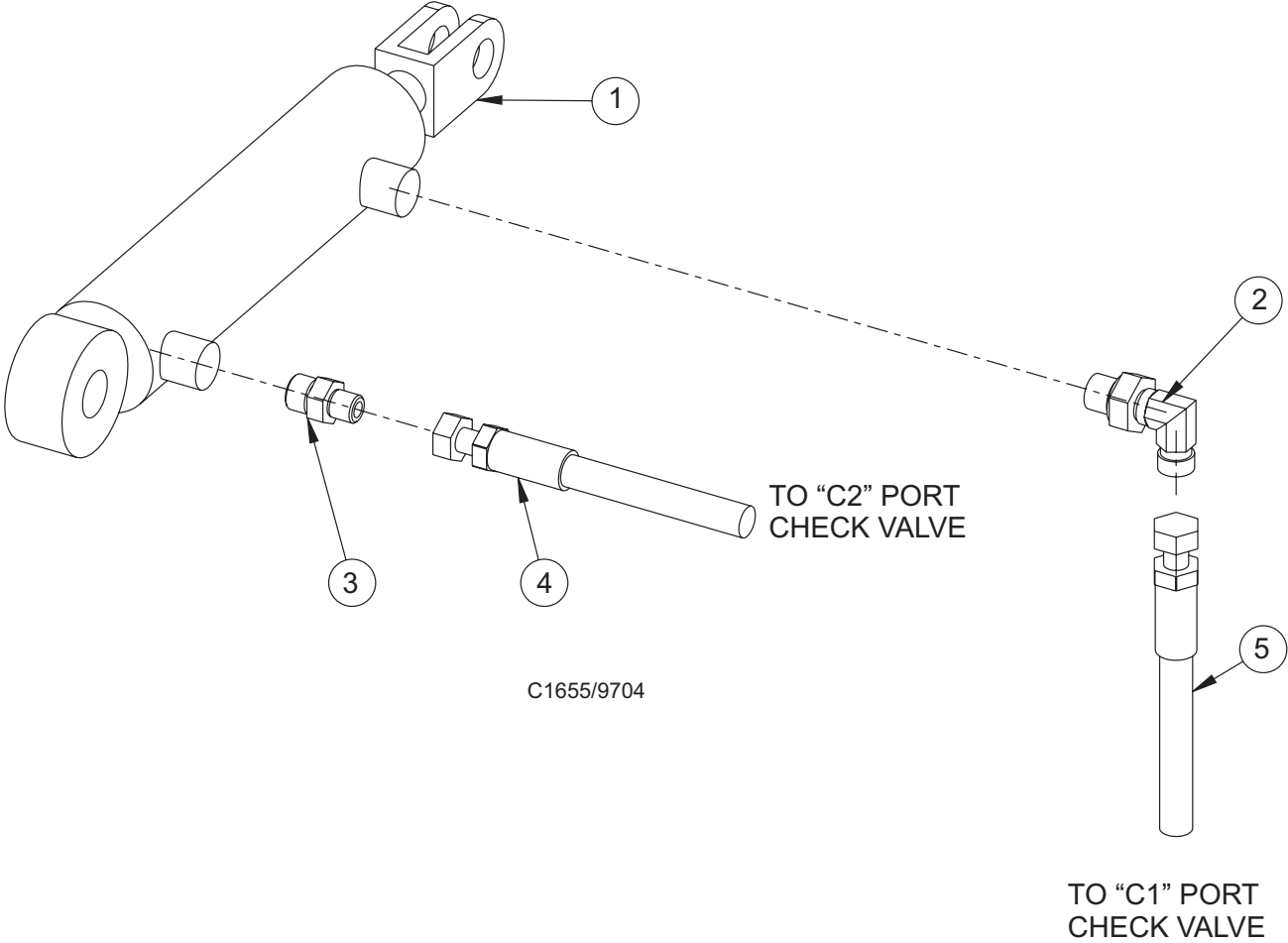
VARIABLE & LOW DUMP  
(BATTERY)

C1654/9809

KEY NO.	PART NUMBER	DESCRIPTION	QTY.
1	8-17-05022	Cylinder (Variable Dump)	1
1	8-17-05029	Cylinder (Low Dump)	1
2	2-00-05054	Fitting	2
3	7-33-02352	#4 Hose ORS 0-90° Swivel 71.0"	Ref.
4	7-33-02355	#4 Hose ORS 0-45° 50.5"	Ref.
5	2-00-04589	Fitting	1
6	2-00-04892	Fitting	2
7	2-00-04462	Fitting-Street Tee (3/8)	2
8	2-00-04628	Fitting-STR. 3/8 to 1/4	2
9	2-00-04997	Fitting-ORS NPT Adapter (#4 - 1/4)	1
10	8-88-00014	Valve-Ball Check	1
11	8-33-02178	Hose- .25" ID, 15.0" LG	1

C1654/9809

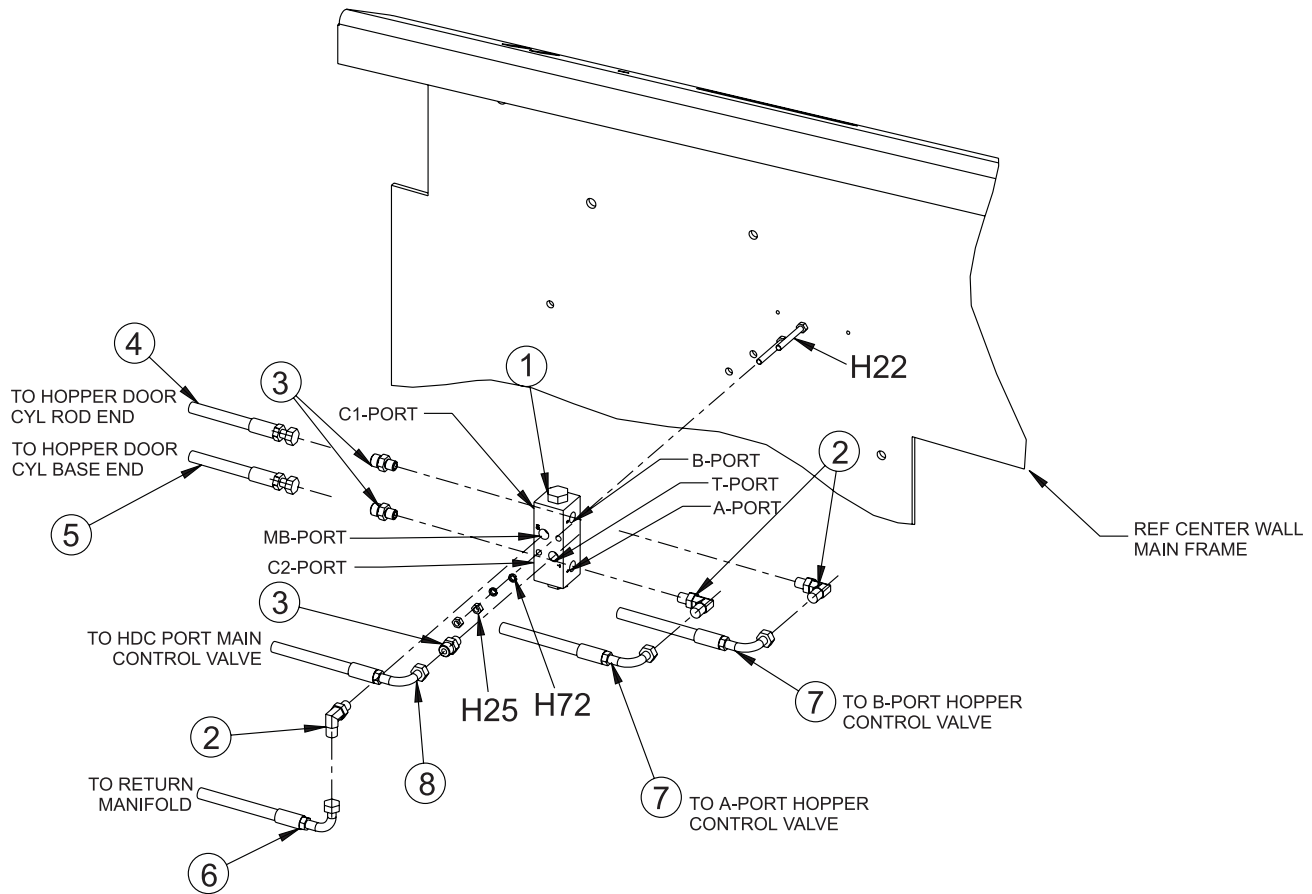
**HOPPER DUMP DOOR HYDRAULICS**



<u>KEY NO.</u>	<u>PART NUMBER</u>	<u>DESCRIPTION</u>	<u>QTY.</u>
1	7-17-05011	Cylinder	1
2	2-00-04926	#4 SAE to #4 ORS 90°	1
3	2-00-04895	#4 SAE to #4 ORS	1
4	7-33-02342	#4 Hose STR 92.5"	Ref.
5	8-33-02216	#4 Hose STR 88.0"	Ref.

C1655/9704

# HOPPER CONTROL CHECK VALVE HYDRAULICS - GAS/DIESEL (VARIABLE DUMP)



C1664/9804

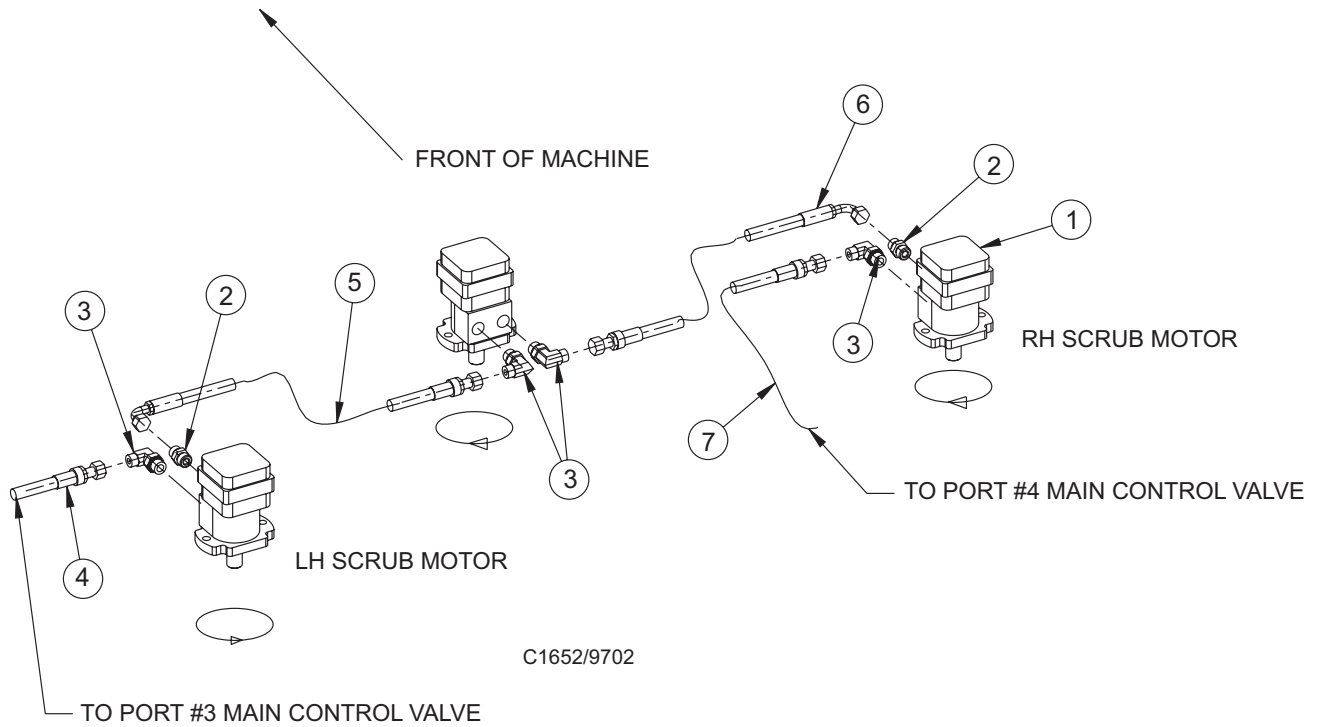
KEY NO.	PART NUMBER	DESCRIPTION	QTY.
1	8-88-00064	Check Valve Assembly	1
2	2-00-04892	Fitting - #4 SAE to #4 ORS 90°	3
3	2-00-04895	Fitting - #4 SAE to #4 ORS	3
4	8-33-02216	Hose - #4 ORS STR Ends, 88.0"	Ref.
5	7-33-02342	Hose #4 ORS STR Ends, 92.5"	Ref.
6	7-33-02191	Hose #4 ORS STR - 90° 42.0"	Ref.
7	7-33-02394	Hose #4 ORS STR - 90° 11.75"	Ref.
8	8-33-02200	Hose #4 ORS STR Ends 55.0"	Ref.

## HARDWARE USED:

H22	2-00-02589	Screw, 1/4-20 x 2.000 HHC	2
H25	2-00-00594	Nut, Hex 1/4-20 x .437 x .218	2
H72	2-00-00518	Lock Washer, Helical Spring	2

C1664/9804

# SCRUB DECK HYDRAULICS

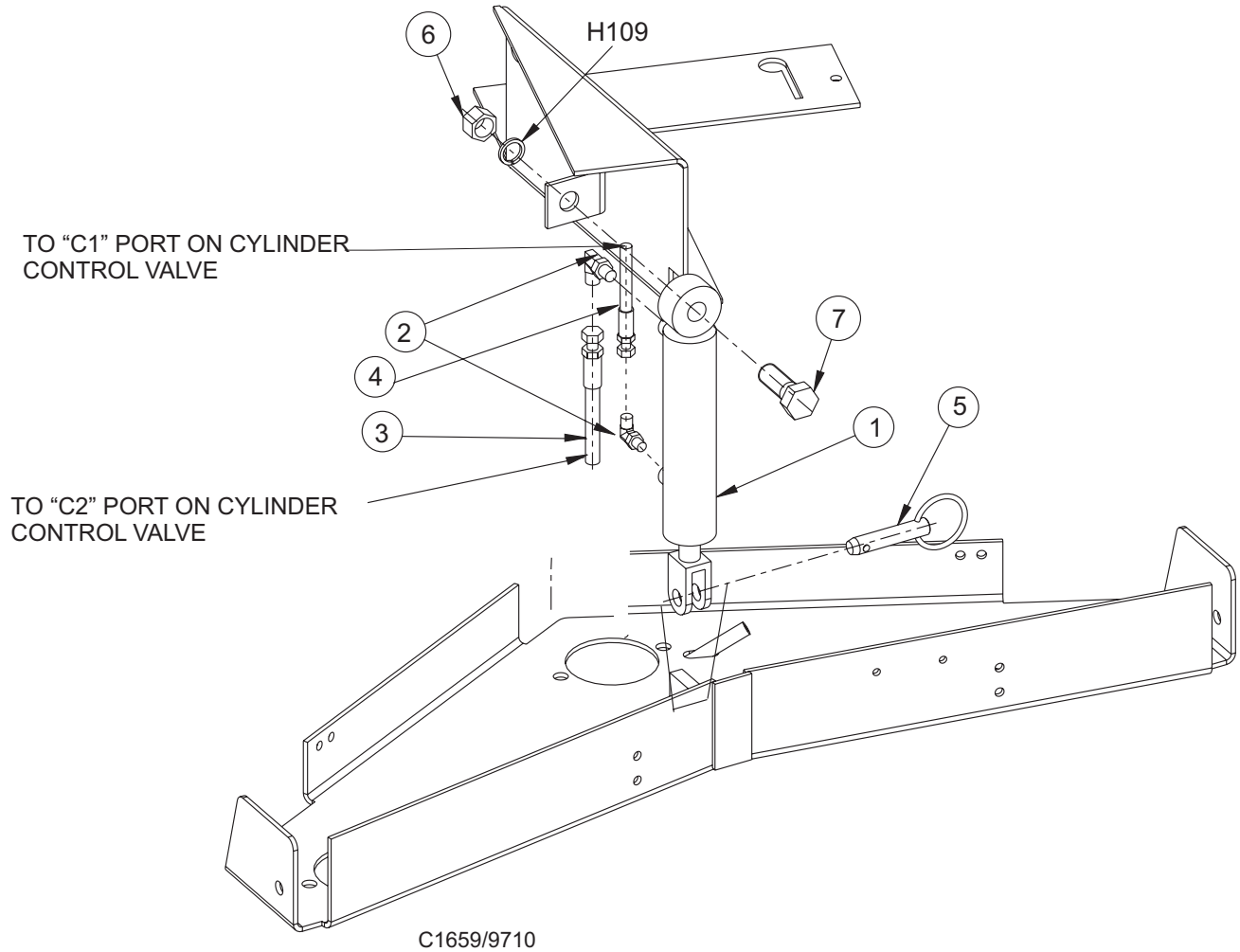


KEY NO.	PART NUMBER	DESCRIPTION	QTY.
1	0782-111	Hydraulic Motor	3
2	2-00-04974	#10 SAE to #8 ORS	2
3	2-00-04921	#10 SAE to #8 ORS, 90°	4
4	7-33-02347	#8 Hose STR - 90° 49.0"	Ref.
5	7-33-02354	#8 Hose STR - 90° 13.5"	Ref.
5*	7-33-02327	#8 Hose STR - 90° 15.25"	Ref.
6	7-33-02327	#8 Hose STR - 90° 15.25"	Ref.
6*	7-33-02326	#8 Hose STR - 90° 15.25"	Ref.
7	8-33-02191	#8 Hose ORS STR 56.5"	Ref.

\* These hoses are for 53" Scrub Deck

C1652

## SCRUB DECK LIFT HYDRAULICS - GAS/DIESEL



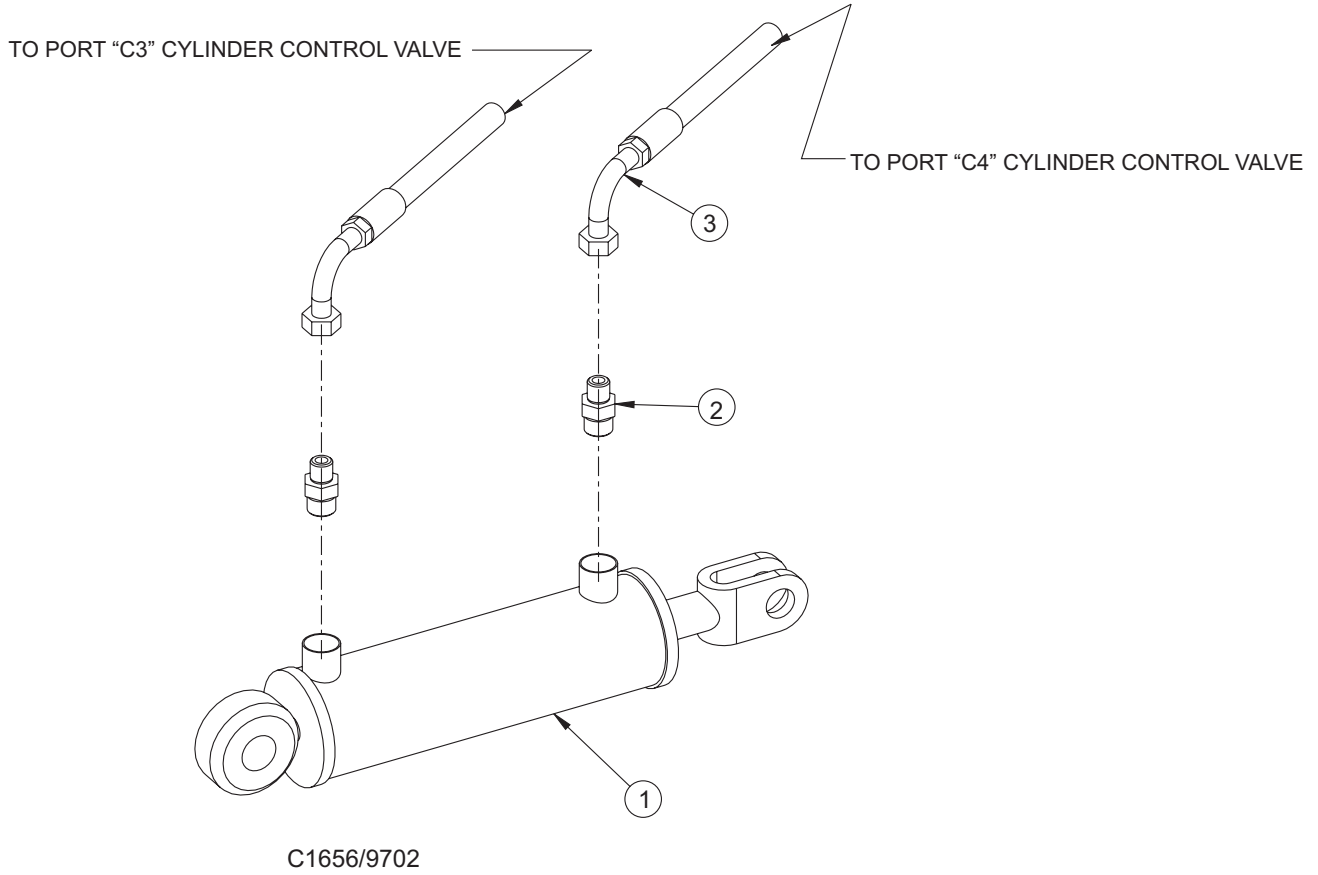
KEY NO.	PART NUMBER	DESCRIPTION	QTY.
1	7-17-05019	Cylinder	1
2	2-00-04892	90° Elbow	2
3	7-33-02366	Hose 34.0"	Ref.
4	7-33-02225	Hose 38.0"	Ref.
5	7-55-08151	Pin	1
6	2-00-03293	Nut, Hex Fin .75-10	1
7	2-00-05341	Screw, 3/4-10 x 2.000 HHC	1

**HARDWARE USED:**

H109	2-00-00522	Lock Washer, 3/4 Helical Spring	1
------	------------	---------------------------------	---

C1659/9812

# SQUEEGEE LIFT HYDRAULICS



<u>KEY NO.</u>	<u>PART NUMBER</u>	<u>DESCRIPTION</u>	<u>QTY.</u>
1	7-17-05019	Cylinder	1
2	2-00-04895	#4 SAE to #4 ORS	2
3	7-33-02190	#4 Hose ORS STR - 90°, 67.0"	Ref.

C1656

## HYDRAULIC RESERVOIR - PISTON PUMP - PARTS LIST

---

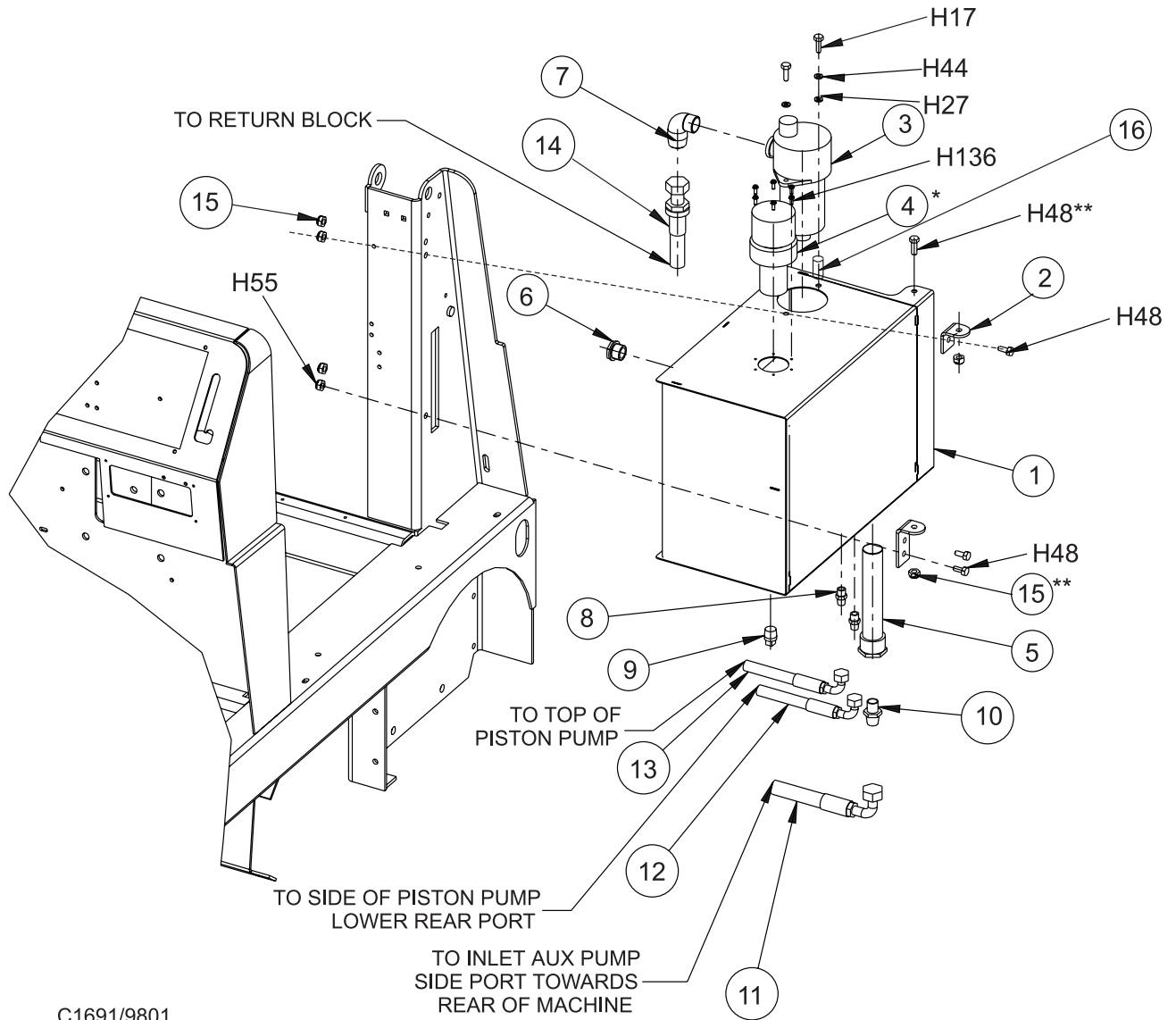
<u>KEY NO.</u>	<u>PART NUMBER</u>	<u>DESCRIPTION</u>	<u>QTY.</u>
1	7-83-04176	Hydraulic Reservoir	1
2	7-08-00878	Bracket, Reservoir Mounting	2
3	7-24-04031	Filter, Return	1
4	8-11-00026	Filter Cap, Reservoir	1
5	8-24-04115	Strainer	1
6	8-48-05033	Sight Gauge	1
7	2-00-05265	90° Fitting	1
8	2-00-05203	Straight Fitting	2
9	2-00-02474	½ NPT Plug	1
10	2-00-05387	#12 ORS - ¾ NPT	1
11	7-33-02351	Hose, #12 ORS STR - 90° 33.0"	Ref.
12	7-33-02348	Hose, #8 ORS STR - 90° 32.0"	Ref.
13	7-33-02365	Hose, #8 ORS STR - 45° 30.0"	Ref.
14	8-33-02194	Hose, #12 ORS STR 32.0"	Ref.
15	2-95-04182	Nut-Elastic Stop Nut	6
16	2-00-05261	Threaded Insert	2

### HARDWARE USED:

H17	2-00-00205	Screw, 1/4-20 x 1.000 HHC	2
H27	2-00-03702	Washer, .625 x .281 x .063	2
H44	2-00-00530	Lock Washer, 5/16 Med. HS	2
H48	2-00-00233	Screw, 3/8 -16 x 1.000 HHC	2
H136	2-00-03940	Screw, #10 - 24 x .500 T/C HH	6

C1691/9801

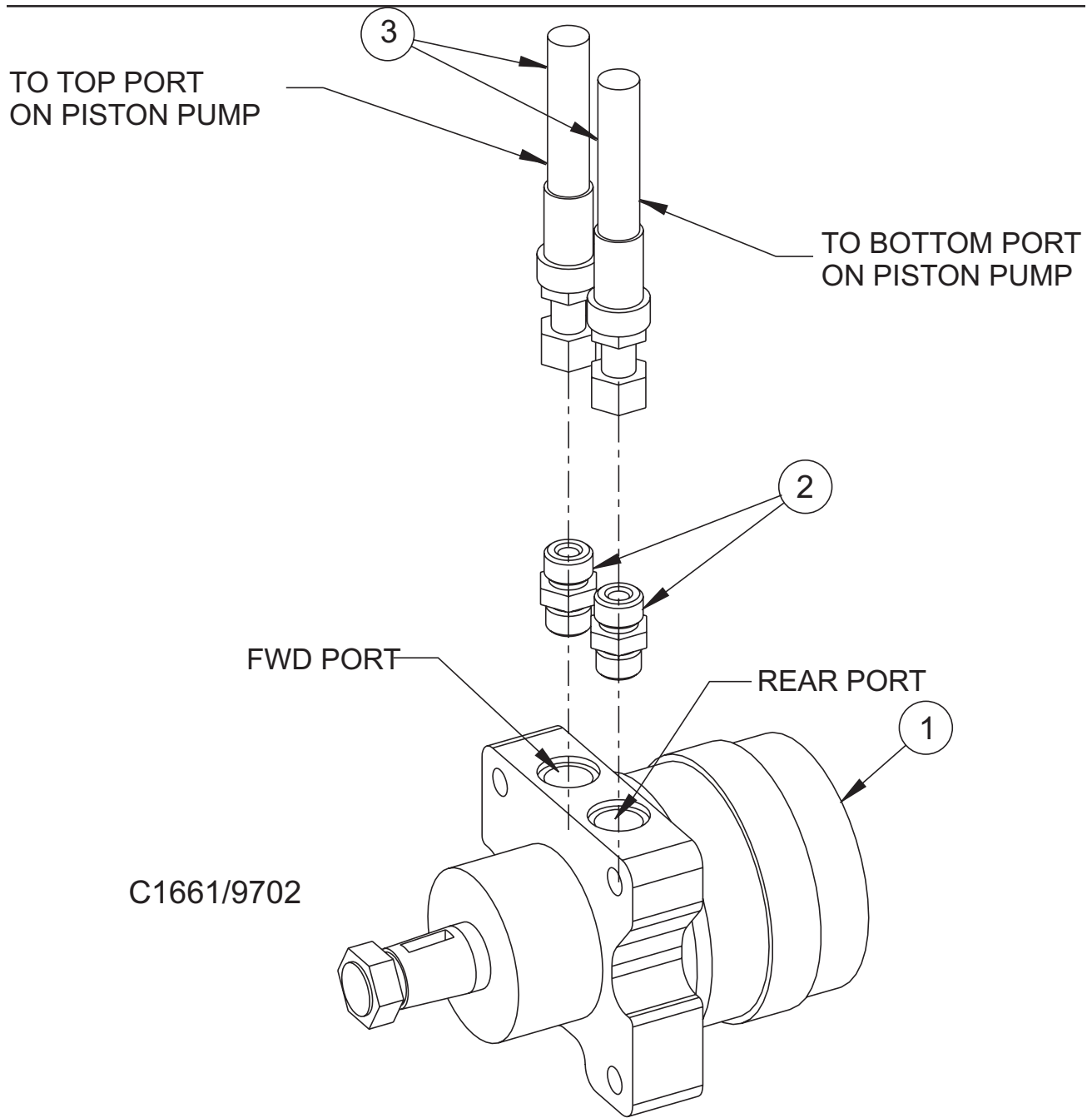
# HYDRAULIC RESERVOIR - PISTON PUMP - EXPLODED VIEW



C1691/9801



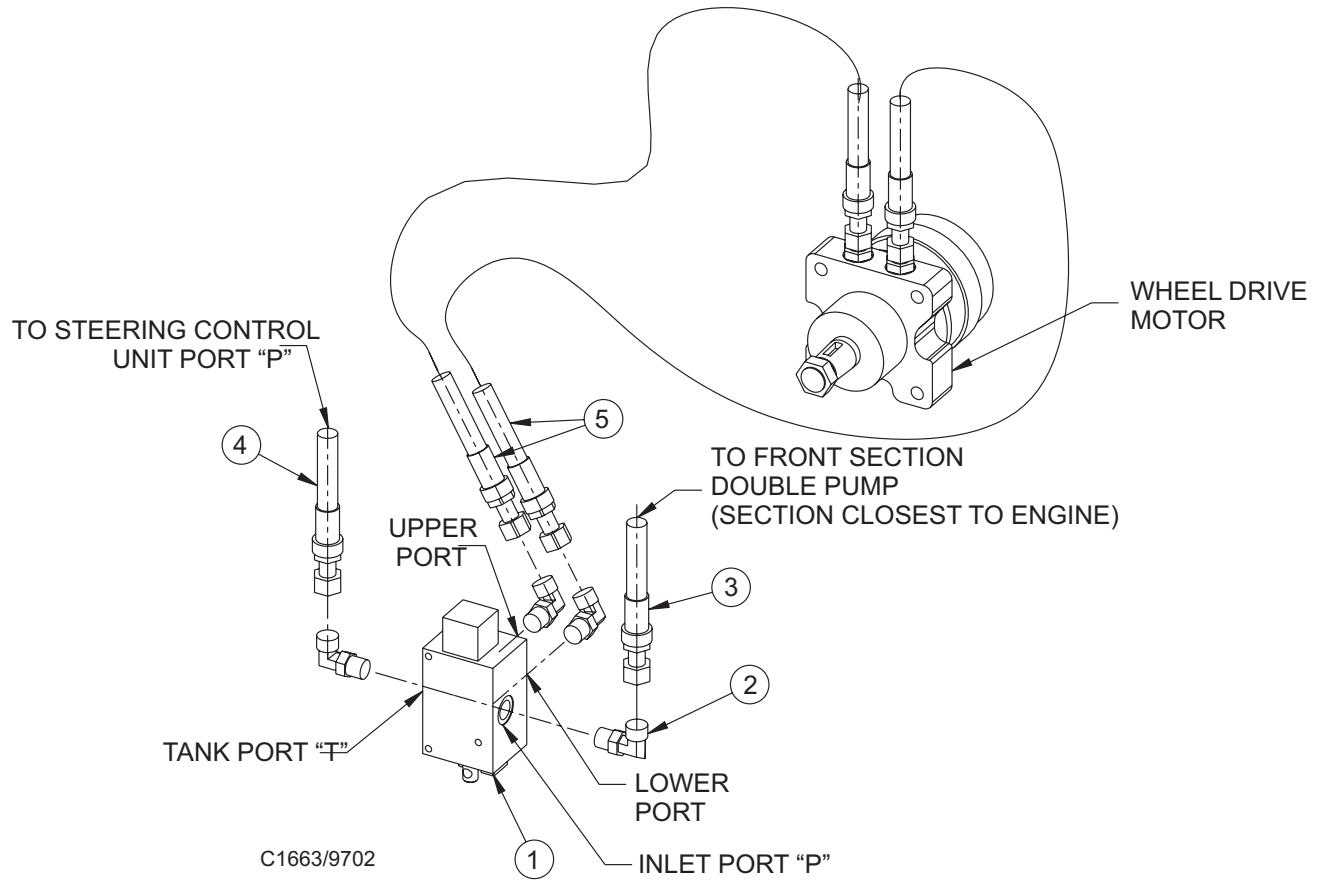
# WHEEL DRIVE HYDRAULICS



<u>KEY NO.</u>	<u>PART NUMBER</u>	<u>DESCRIPTION</u>	<u>QTY.</u>
1	0885-092	Hydraulic Motor (Gas/LP.Diesel)	1
1	0785-087	Hydraulic Motor (Battery)	1
2	2-00-04974	Fitting #8 ORS to #10 SAE Connector	2
3	8-33-02196	Hose - #8 ORS STR Ends 75.5" (Gas/Lp/Diesel)	Ref.
3	7-33-02382	Hose - #8 ORS STR Ends 43.25" (Batt)	Ref.

C1661/9804

# HYDRAULIC FORWARD/REVERSE VALVE



KEY NO.	PART NUMBER	DESCRIPTION	QTY.
1	8-88-00063	Valve - Forward / Reverse	1
2	2-00-04885	Fitting #8 SAE to #8 ORS 90°	4
3	7-33-02348	Hose #8 ORS STR - 90° 32.0"	Ref.
4	8-33-02393	Hose #8 ORS STR Ends 18.0"	Ref.
5	8-33-02195	Hose #8 ORS STR Ends 69.5"	Ref.

C1663

## HYDRAULIC PUMP - GAS/DIESEL - PARTS LIST

---

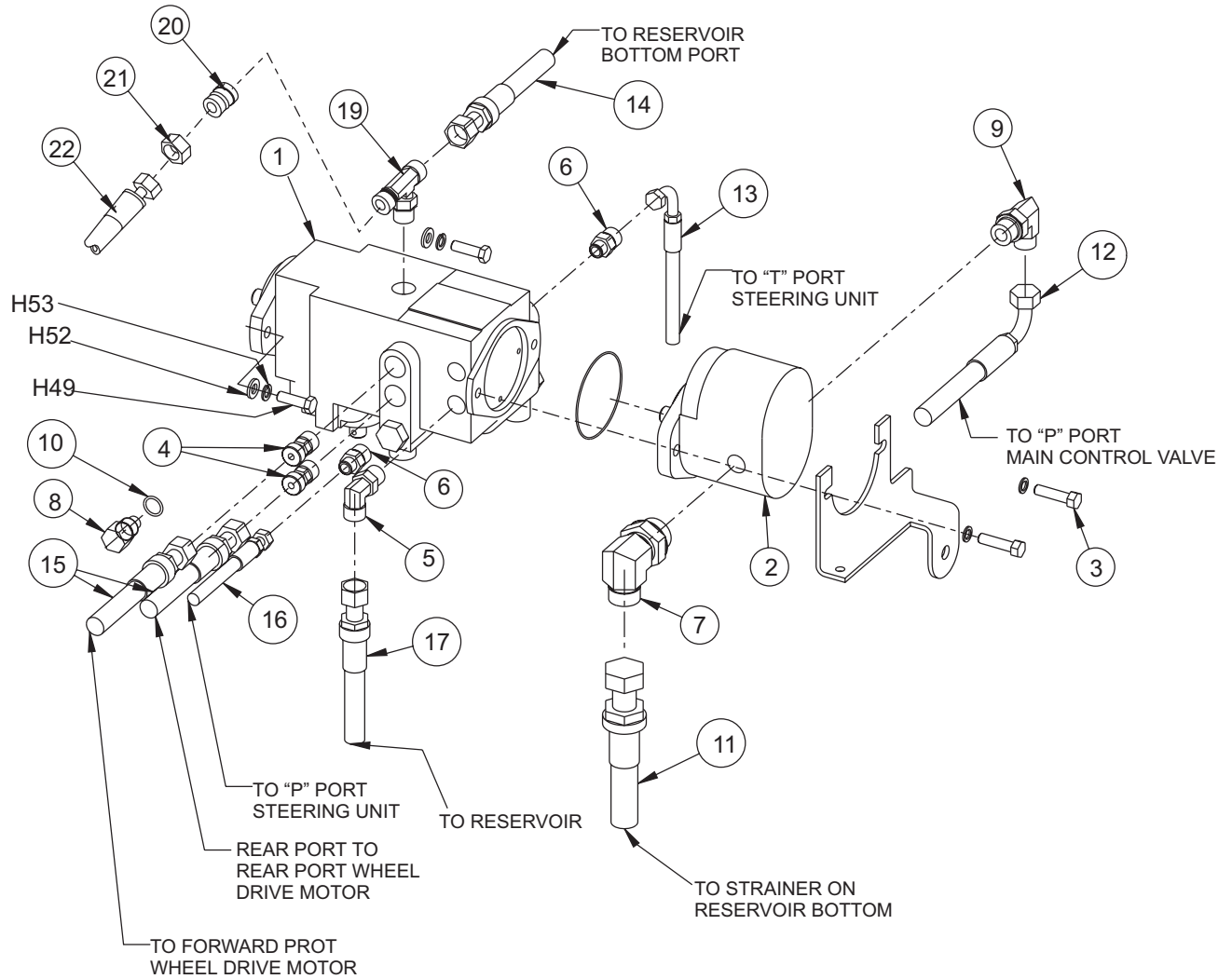
<u>KEY NO.</u>	<u>PART NUMBER</u>	<u>DESCRIPTION</u>	<u>HOSE LENGTH</u>
1	7-60-05023	Piston Pump	1
2	0885-067	Gear Pump	1
3	0885-404	Seal Kit	1
4	2-00-04970	Fitting-Connector	2
5	2-00-04885	Fitting-90° Elbow	1
6	2-00-05264	Fitting-ST-#4-#8	2
7	2-00-04920	Fitting-90° #16 SAE-12 ORS	1
8	7-78-05023	Pump Stop	1
9	2-00-04921	Fitting-#10 SAE to 8 ORS-90°	1
10	2-00-04983	O-Ring	1
11	7-33-02351	Hose #12ORS STR-90° 33"	Ref
12	7-33-02348	Hose #8ORS STR-90° 32"	Ref
13	7-33-02343	Hose #4ORS STR-90° 43.5"	Ref
14	7-33-02365	Hose #8ORS STR-45° 30"	Ref
15	8-33-02196	Hose #8ORS STR ends 75.5"	Ref
16	7-33-02186	Hose #4ORS STR ends 30"	Ref
17	7-33-02348	Hose #8ORS STR-90° 32"	Ref
18			
19	2-00-04978	Fitting-Branch Tee #8ORS	1
20	2-00-04929	Fitting-13/16-16X9/16-18 Reducer	1
21	2-00-04939	Fitting-Reducer Nut	1
22	7-33-02190	Hose-#4ORS STR-90°, 67.0"	Ref

### HARDWARE USED:

H49	2-00-00209	Screw, 3/8-16 x 1.250 HHC	2
H52	2-00-00402	Flat Washer, .750 x .390 x .094	2
H53	2-00-02310	Lock Washer, Helical Spring 3/8 Med.	2

C1649/9907

# HYDRAULIC PUMP - GAS/DIESEL - EXPLODED VIEW



## HYDRAULIC MAIN CONTROL VALVE - GAS/DIESEL - PARTS LIST

---

<u>KEY NO.</u>	<u>PART NUMBER</u>	<u>DESCRIPTION</u>	<u>QTY.</u>
1	7-88-00074	Main Control Valve	1
2	2-00-04885	#8 SAE to #8 ORS, 90°	4
3*	2-00-04970	#8 SAE to #8 ORS	1
4^	2-00-05264	#8 SAE to #4 ORS	1
5	2-00-04975	#8 SAE to #8 ORS, 45°	1
6	2-00-04895	#4 SAE to #4 ORS	1
7	8-33-02176	#4 Hose STR to 90° - 21.0"	Ref.
8	7-33-02348	#8 Hose STR Ends - 32.0"	Ref.
9	8-33-02199	#4 Hose STR to 90° - 21.0"	Ref.
10	8-33-02325	#8 Hose STR Ends - 65.0"	Ref.
11	7-33-02346	#8 Hose STR - 90° - 72.0"	Ref.
12	8-33-02200	#4 Hose STR - 90° - 55.0"	Ref.
13	8-33-02191	#8 Hose STR - Ends - 56.5"	Ref.
14			
15	7-33-02222	#8 Hose STR Ends - 26.0"	Ref.
16			
17	2-00-04986	Tee	1
18	2-00-04957	Cap	1

### HARDWARE USED:

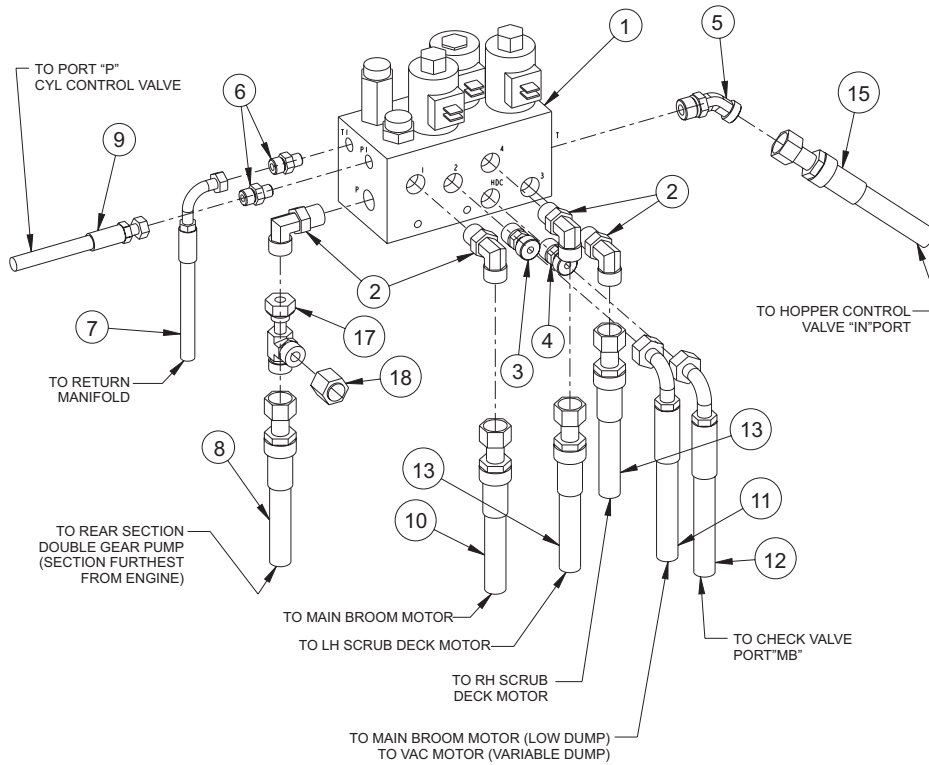
H25	2-00-00594	Nut, Hex 1/4-20 x .437 x .218	2
H72	2-00-00518	Lock Washer, Helical Spring	2
H172	2-00-04986	Screw, 1/4-20 x 4.500	2

\* Item 3 replaces with 2-00-04885 fitting for low dump machines.

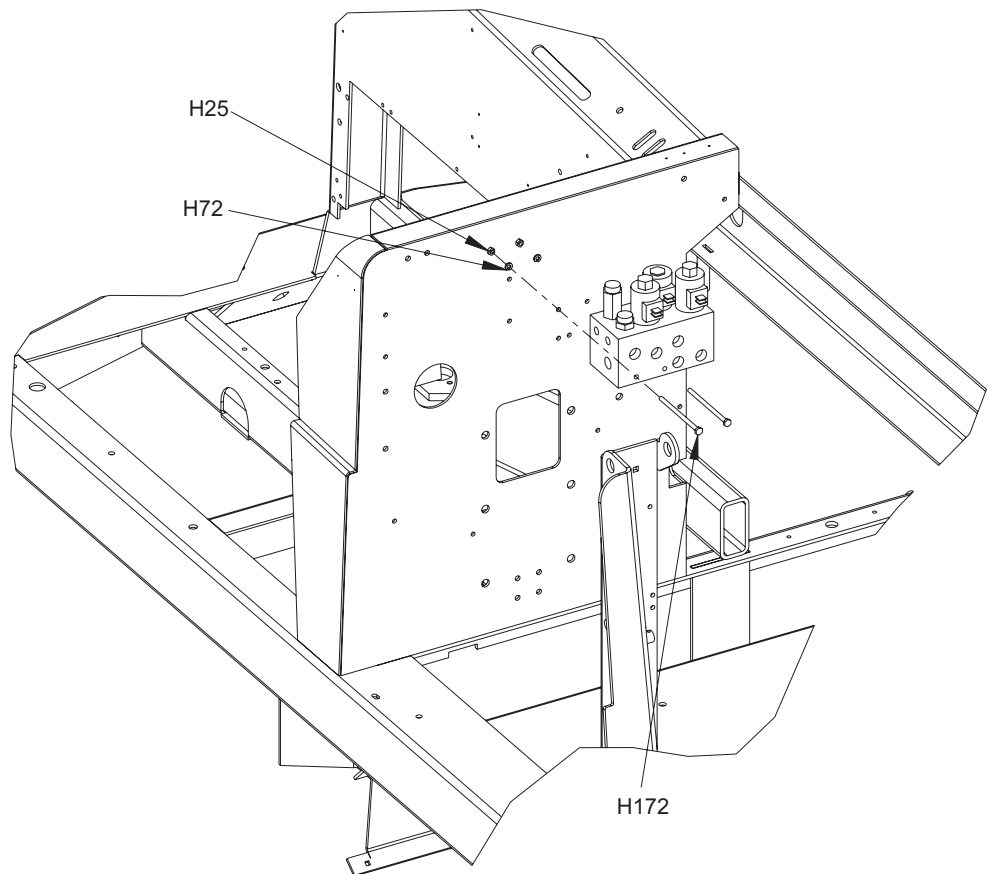
^ Item 4 replaces with 2-00-05196 plug for low dump machines.

C1650/9712

# HYDRAULIC MAIN CONTROL VALVE - GAS/DIESEL - EXPLODED VIEW



C1650/9912



## HYDRAULIC CYLINDER CONTROL VALVE - GAS/DIESEL - PARTS LIST

---

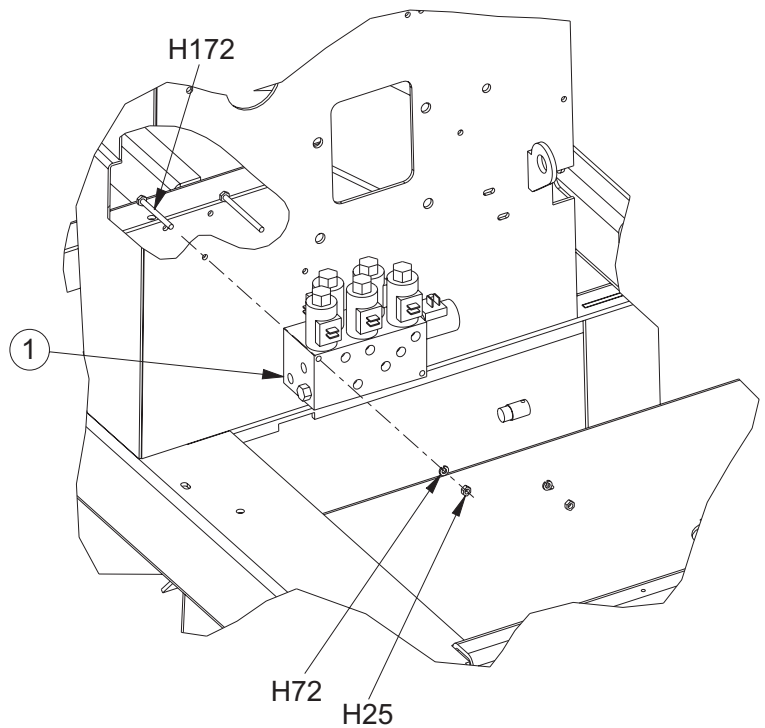
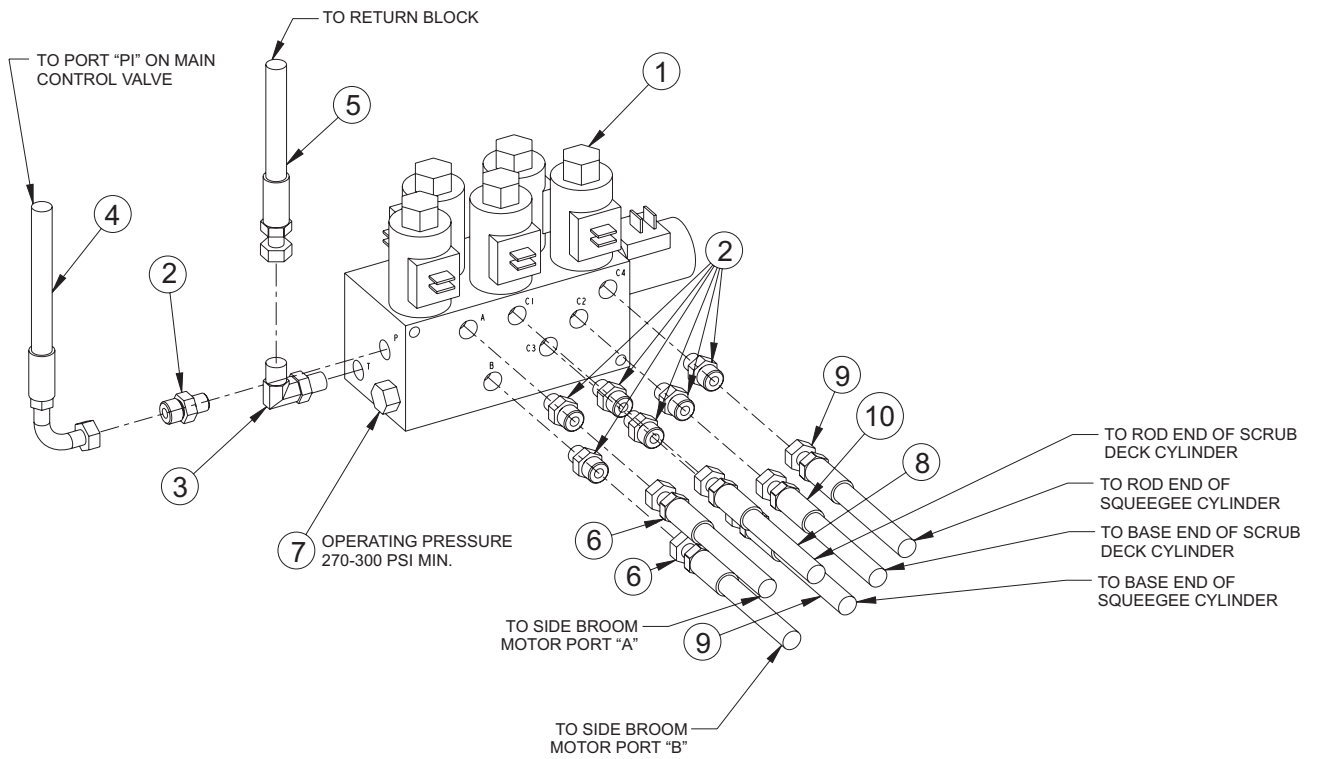
<u>KEY NO.</u>	<u>PART NUMBER</u>	<u>DESCRIPTION</u>	<u>QTY.</u>
1	7-88-00069	Cylinder Control Valve	1
2	2-00-04895	#4 SAE to #4 ORS Fitting	7
3	2-00-04892	#4 SAE to #4 ORS, 90°	1
4	8-33-02199	#4 Hose STR - 90° 24.5"	Ref.
5	8-33-02199	#4 Hose STR - 90° 24.5"	1
6	7-33-02353	#4 Hose STR - 90° 98.5"	Ref.
7	7-12-02034	Relief Valve Cartridge	1
8	7-33-02225	#4 Hose STR- 90° 38.0"	Ref.
9	7-33-02190	#4 Hose STR - 90° 67.0"	Ref.
10	7-33-02366	#4 Hose STR - 90° 34.0"	Ref.

### HARDWARE USED:

H25	2-00-00594	Nut, Hex 1/4-20 x .437 x .218	2
H72	2-00-00518	Lock Washer, helical Spring	2
H172	2-00-04986	Screw, 1/4-20 x 4.500	2

C1651/9905

# HYDRAULIC CYLINDER CONTROL VALVE - GAS/DIESEL - EXPLODED VIEW





## HYDRAULIC RETURN BLOCK - PARTS LIST

---

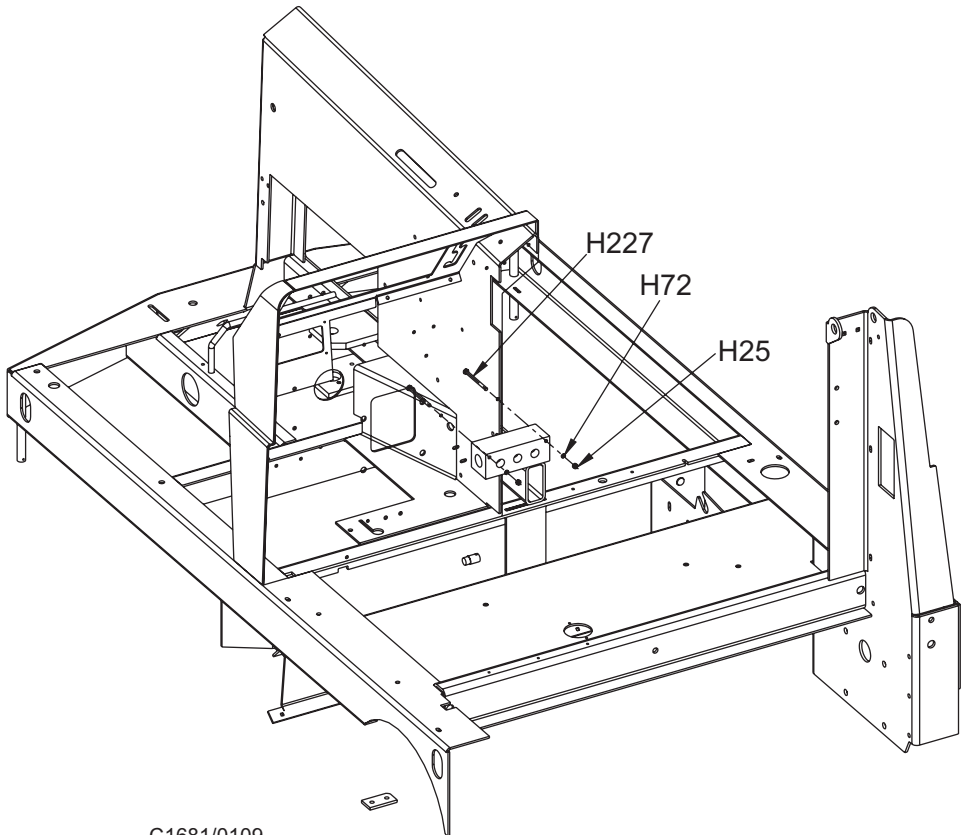
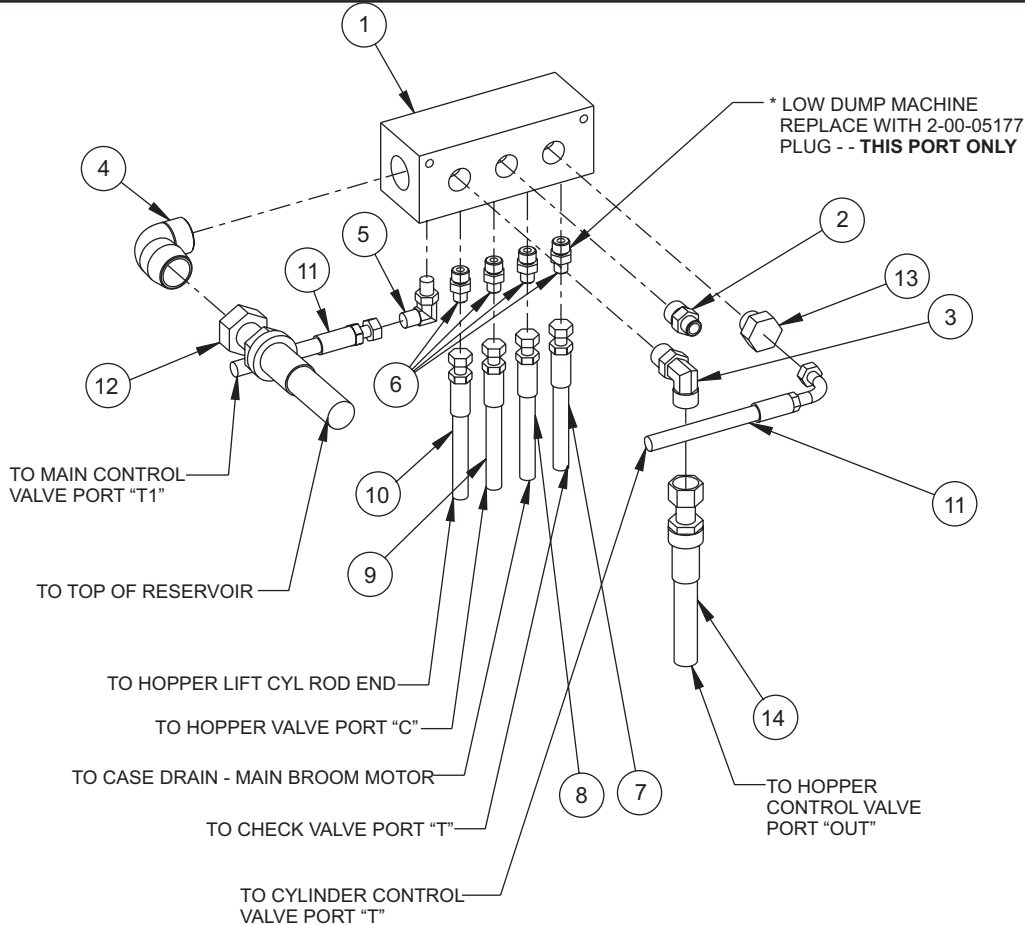
<u>KEY NO.</u>	<u>PART NUMBER</u>	<u>DESCRIPTION</u>	<u>QTY.</u>
1	7-48-00019	Return Block	1
2	2-00-05264	#8 SAE Plug	1
3	2-00-04885	#8 SAE to #8 ORS 90°	1
4	2-00-05265	1" NPT to #12 ORS 90°	1
5	2-00-04892	#4 SAE to #4 ORS 90°	1
6	2-00-04895	#4 SAE to #4 ORS	4
7	7-33-02191	#4 Hose ORS 0-90, 42.0"	Ref.
8	8-33-02200	#4 Hose ORS 0-90, 55.0"	Ref.
9	7-33-02350	#4 Hose ORS 0-90 Swivel, 43.0"	Ref.
10	7-33-02355	#4 Hose ORS 0-45, 50.5"	Ref.
11	8-33-02176	#4 Hose ORS 0-90, 21.0"	Ref.
12	8-33-02194	#12 Hose ORS 0-90, 20.0"	Ref.
13	2-00-05196	Plug 3/4-16 O-Ring Boss	1
14	7-33-02187	#8 Hose ORS STR, 42.0"	Ref.

### HARDWARE USED:

H25	2-00-00594	Nut, Hex 1/4-20 x .437 x .218	2
H72	2-00-00518	Lock Washer, Helical Spring	2
H227	2-00-04596	Screw, Hex HD CAP 1/4-20 x 3.500	2

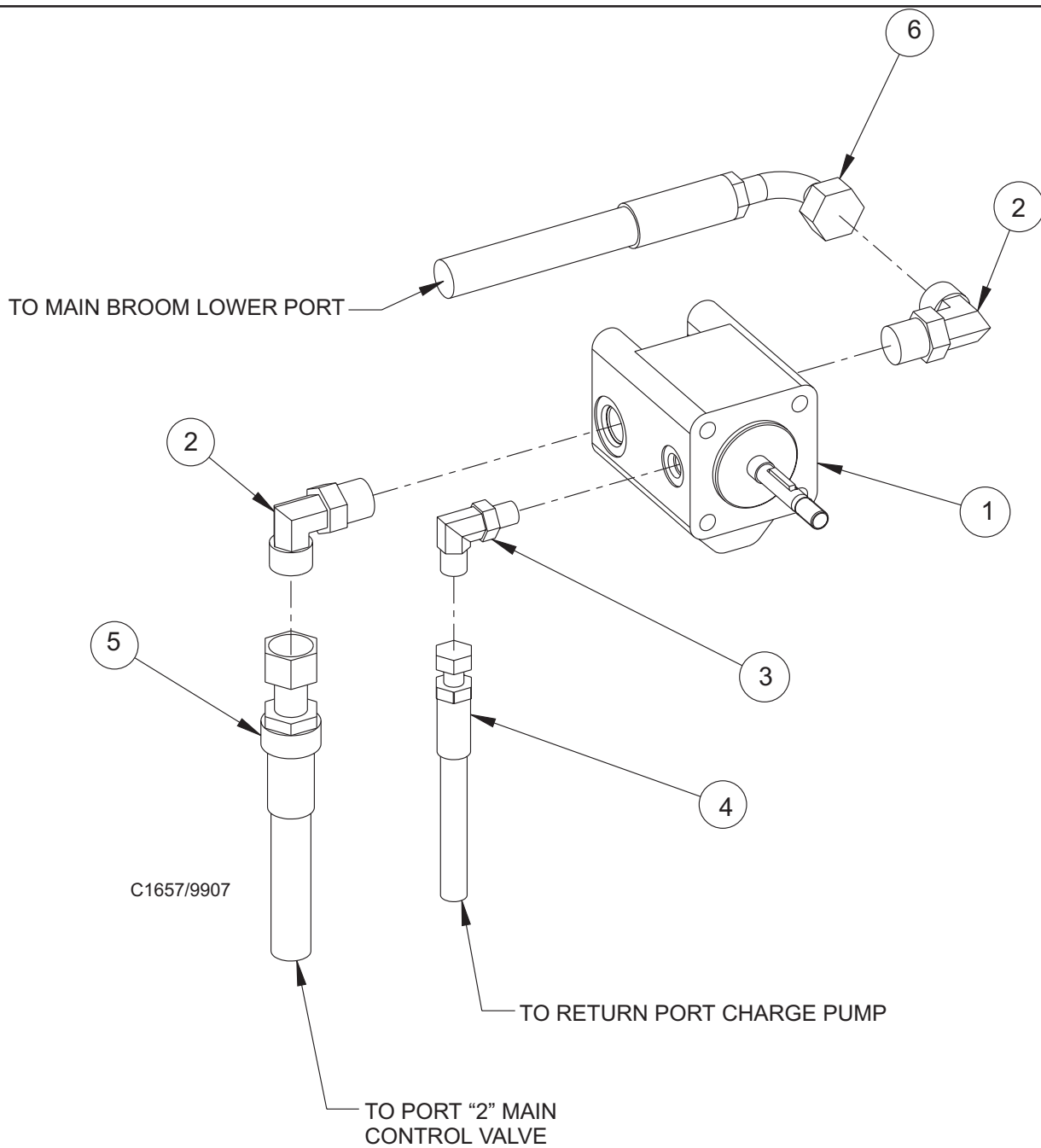
C1681/0109

# HYDRAULIC RETURN BLOCK - EXPLODED VIEW



C1681/0109

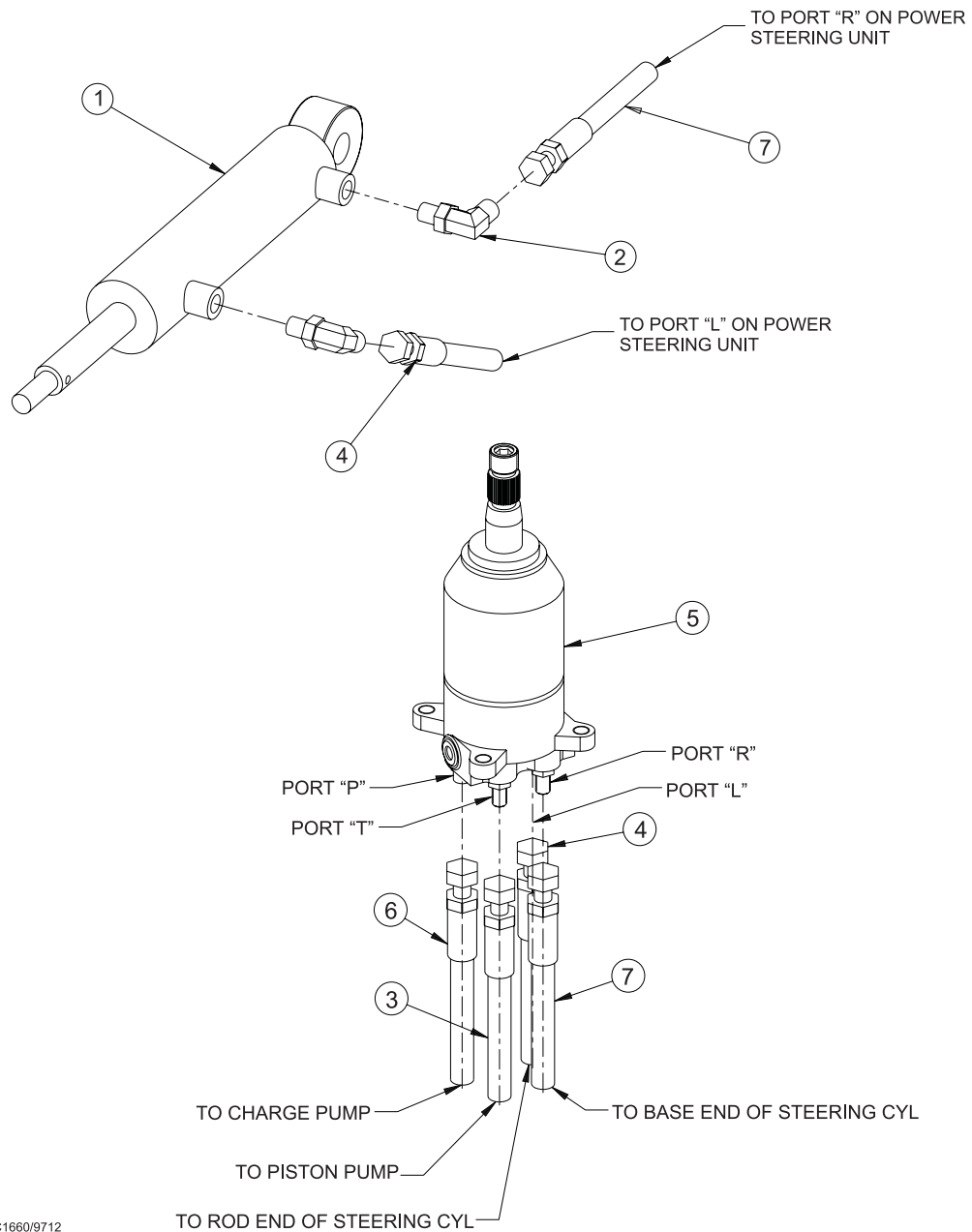
# VAC FAN HOPPER HYDRAULICS



KEY NO.	PART NUMBER	DESCRIPTION	QTY.
1	0882-048	Motor	1
2	2-00-04885	90° Fitting Elbow (O-Ring)	2
3	2-00-04892	90° Fitting Elbow (O-Ring)	1
4	7-33-02190	#4 Hose STR Ends, 66.0"	Ref.
5	7-33-02346	#8 Hose 0-90, 72.0"	Ref.
6	7-33-02192	#8 Hose STR Ends 90.0"	Ref.

C1657/9907

# STEERING 90° - 90° HYDRAULICS



C1660/9712

<u>KEY NO.</u>	<u>PART NUMBER</u>	<u>DESCRIPTION</u>	<u>QTY.</u>
1	7-17-05010	Cylinder	1
2	2-00-04892	90° Fitting	2
3	7-33-02343	Hose #4 STR Ends 43.5"	Ref.
4	8-33-02218	Hose #4 STR Ends 60.0"	Ref.
5	8-60-05034	Steering Unit - 4.88 CIR/100 PSI	1
6	7-33-02186	Hose #4 STR - 90° 30.0"	Ref.
7	8-33-02185	Hose #4 STR Ends 56.0"	Ref.

C1660/9712

## ENGINE COVERS - GAS/DIESEL - PARTS LIST

---

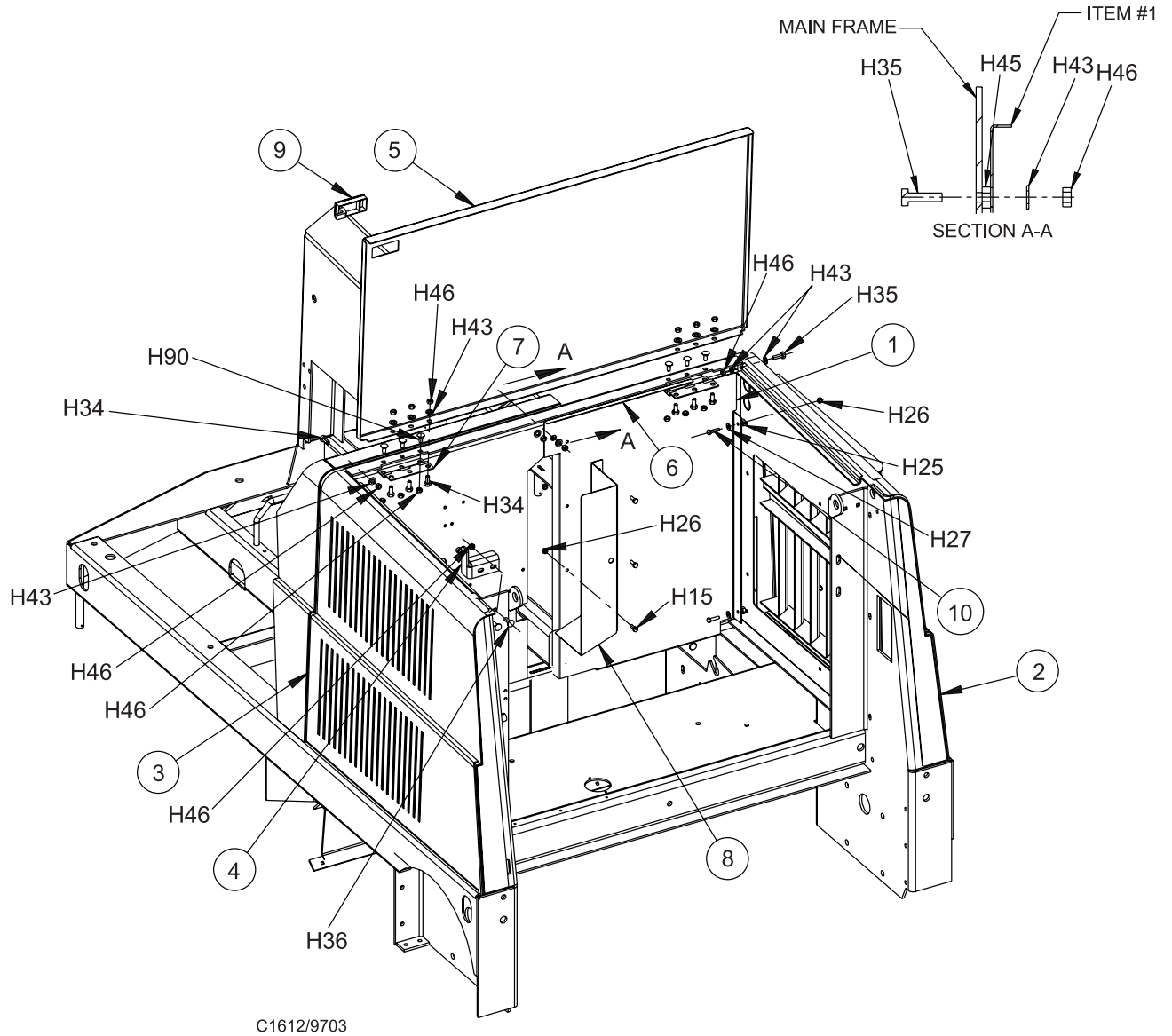
<u>KEY NO.</u>	<u>PART NUMBER</u>	<u>DESCRIPTION</u>	<u>QTY.</u>
1	7-52-00151	Panel - Heat Baffle	1
2	7-16-07396	Cover - LH Side	1
3	7-16-07385	Cover - RH Side	1
4	7-41-00032	Latch - RH Side	1
5	7-16-07383	Cover - Engine	1
6	7-81-00192	Support - Top Cover	1
7	8-32-00046	Hinge	2
8	7-52-00154	Panel - Heat Baffle	1
9	8-41-00040	Latch	1
10	2-00-02706	Screw, ¼ - 20 X 1.000	2

### HARDWARE USED:

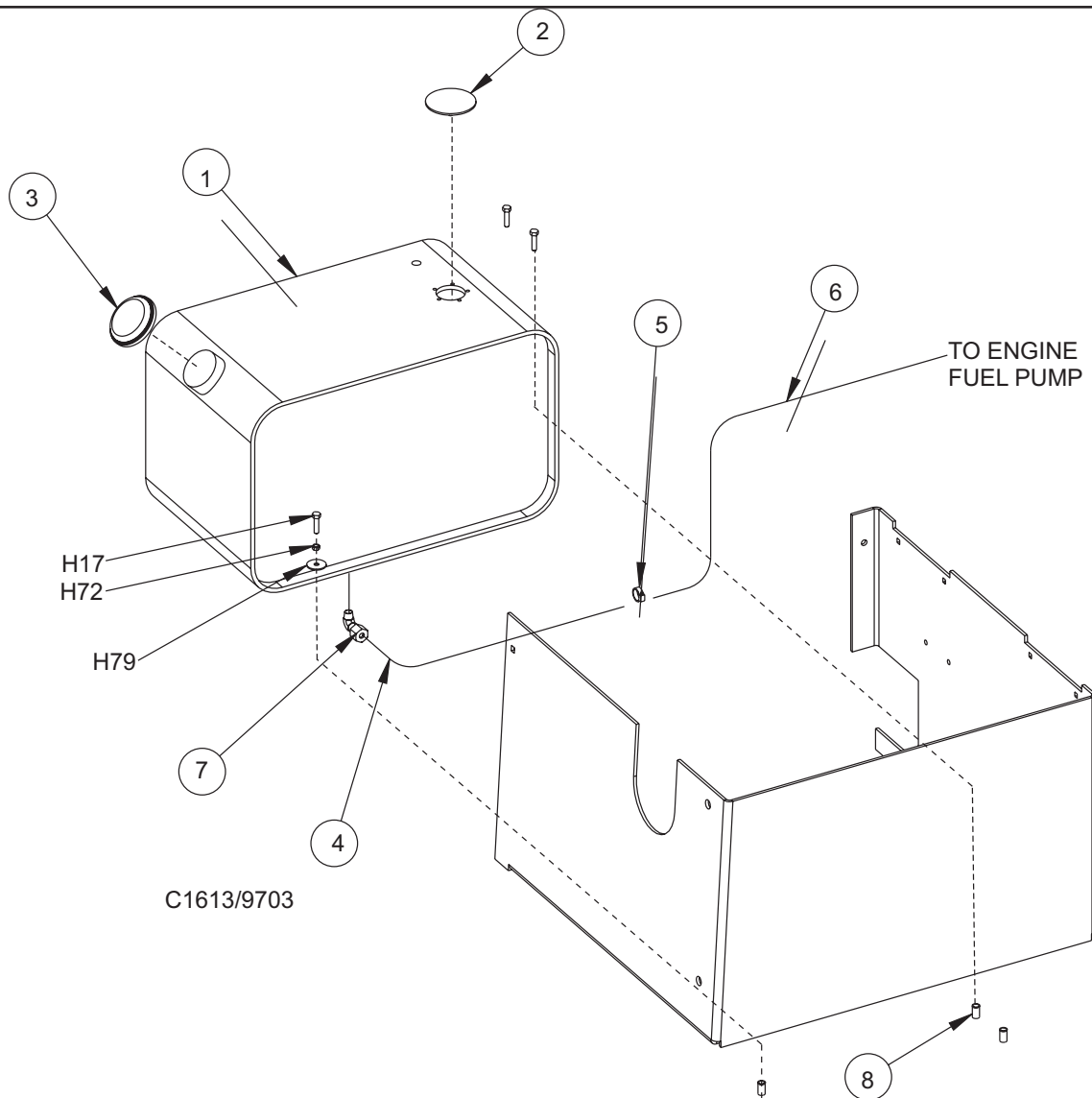
H15	2-00-00221	Screw, ¼ - 20 x .750 HHC	3
H25	2-00-00594	Nut, Hex 1/4-20 x .437 x .218	2
H26	2-00-00641	Nut, 1/4-20 Insert Fiber	2
H27	2-00-03702	Washer, .625 x .281 x .063	2
H34	2-00-00208	Screw, 5/16-18 x .750 HHC	6
H35	2-00-02708	Screw, 5/16-18 x 1.000 HHM	2
H36	2-00-00196	Carriage Bolt, 5/16-18 x 1.000	2
H43	2-00-00409	Flat Washer, .687 x .344 x .062	18
H46	2-00-00644	Nut, 5/16-18, Insert Fiber	17
H90	2-00-03569	Carriage Bolt, 5/16 - 18 x .750	6

C1612

# ENGINE COVERS - GAS/DIESEL - EXPLODED VIEW



# FUEL TANK - GAS



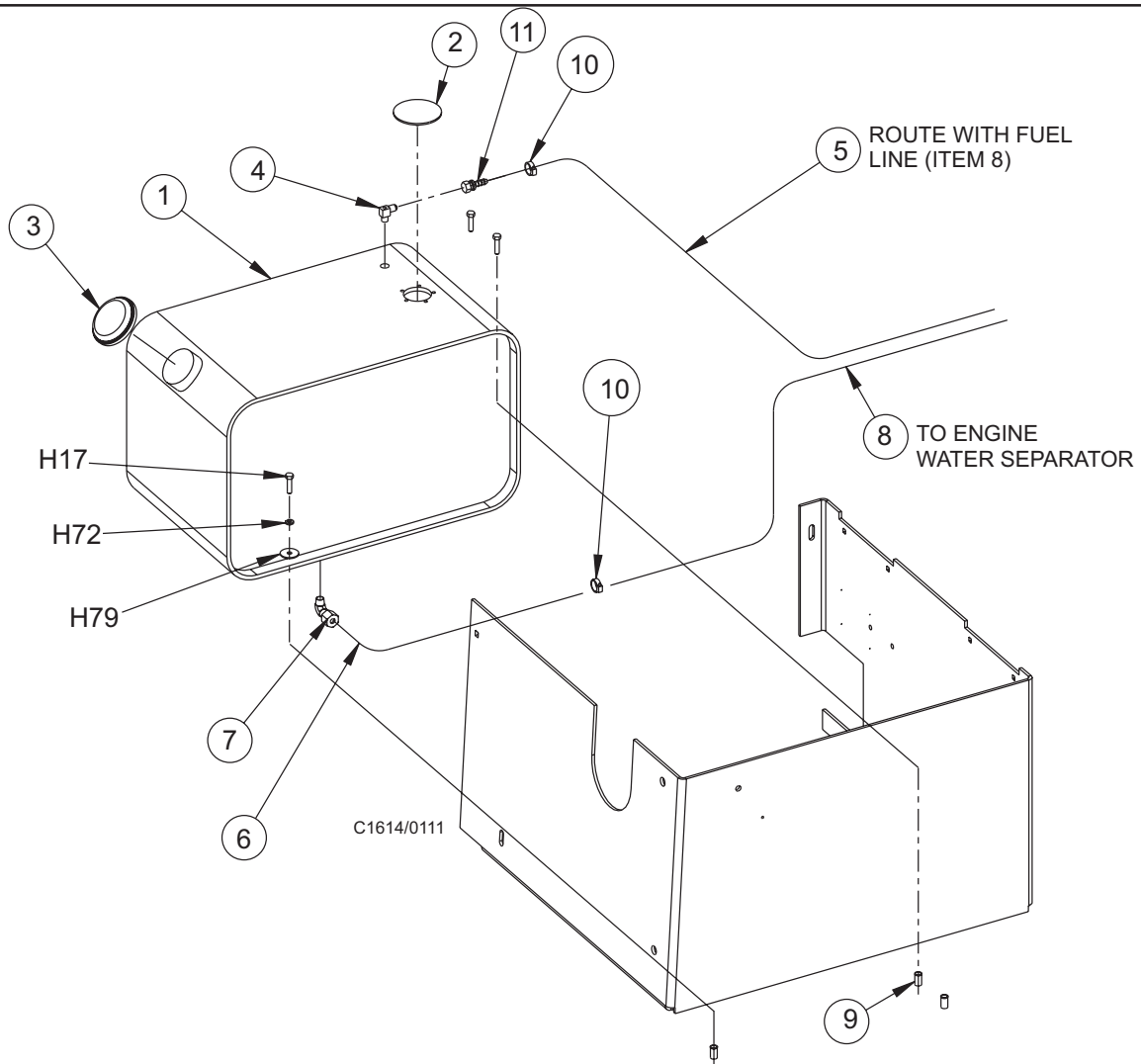
<u>KEY NO.</u>	<u>PART NUMBER</u>	<u>DESCRIPTION</u>	<u>QTY.</u>
1	8-83-04029	Gas Tank	1
2	8-26-04003	Float/Sender	1
3	7-11-00029	Cap	1
4	7-87-02184	Fuel Line	1
5	2-00-05363	Clamp-1/4-5/8	1
6	7-33-02337	Hose-Fuel 64.5"	Ref.
7	2-00-04494	Fitting-90° Elbow	1
8	2-00-05261	THD Insert-1/4-20	4

## HARDWARE USED:

H17	2-00-00205	Screw, 1/4-20 x 1.000 HHC	4
H72	2-00-00518	Lock Washer, Helical Spring	4
H79	2-00-01676	Flat Washer, 1.062 x .265 x .062	4

C1613/9703

# FUEL TANK - DIESEL



KEY NO.	PART NUMBER	DESCRIPTION	QTY.
1	8-83-04029	Gas Tank	1
2	8-26-04003	Float/Sender	1
3	7-11-00029	Cap	1
4	8-56-05021	Fitting - 90°	1
5	7-33-02338	Hose - 95" Fuel Line	Ref.
6	7-87-02184	Fuel Line	1
7	2-00-04618	Fitting	1
8	7-33-02337	Hose - 64.5" Fuel Line	1
9	2-00-05261	THD Insert - 1/4-20	4
10	2-00-05363	Hose Clamp - 1/4 - 5/8	2
11	2-00-04494	Fitting, Fuel line	1

## HARDWARE USED:

H17	2-00-00205	Screw, 1/4-20 x 1.000 HHC	4
H72	2-00-00518	Lock Washer, Helical Spring	4
H79	2-00-01676	Flat Washer, 1.062 x .265 x .062	4

C1614/0111



## FUEL SYSTEM - DIESEL - PARTS LIST

---

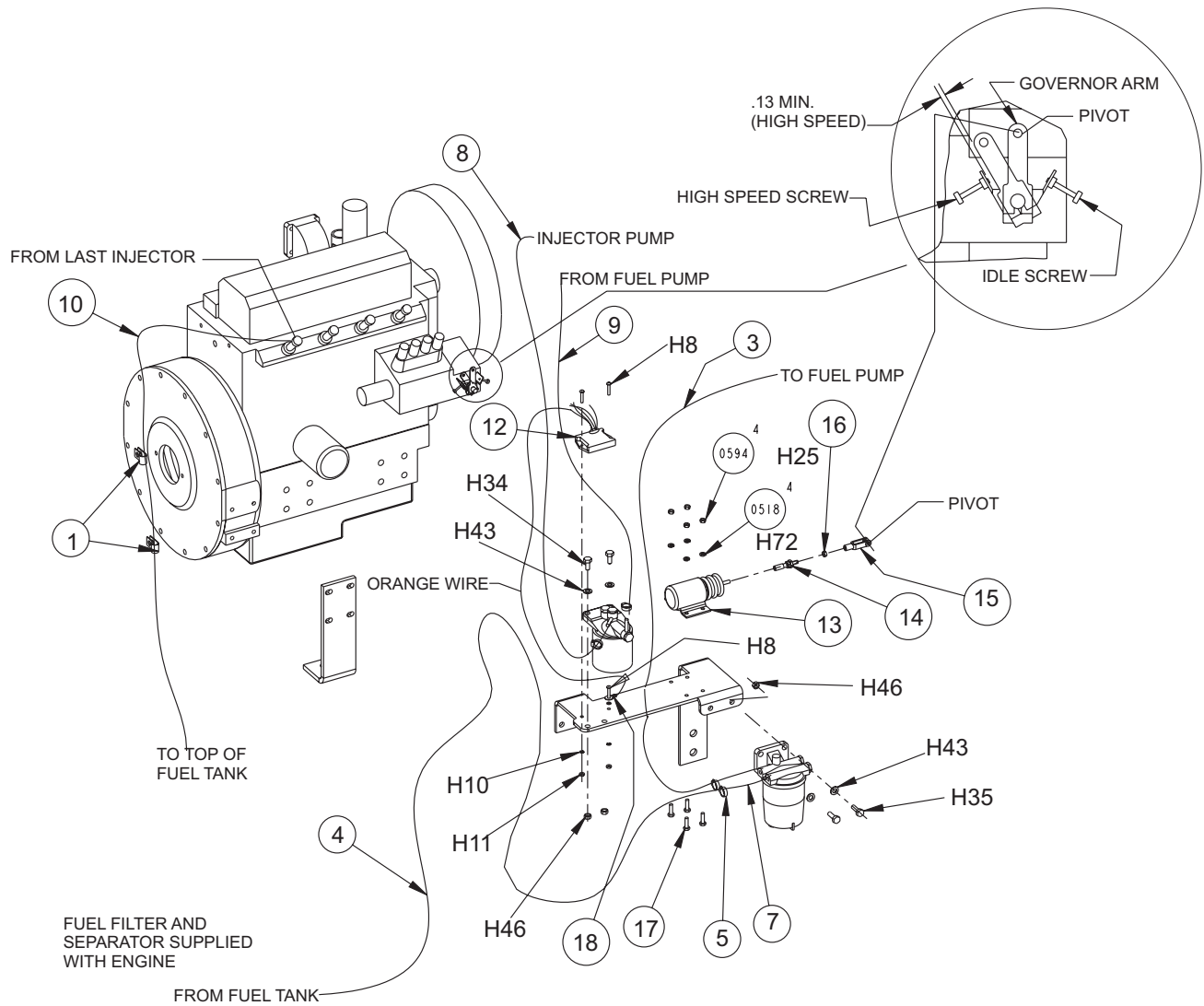
<u>KEY NO.</u>	<u>PART NUMBER</u>	<u>DESCRIPTION</u>	<u>QTY.</u>
1	2-00-04873	Clamp - Hose (Single)	2
2			
3	8-33-02146	Hose 32" Fuel Line	1
4	7-33-02337	Hose 69.5" Fuel Line	1
5	2-00-05363	Hose Clamp	7
6			
7	8-87-02101	Fuel Line	2
8	8-33-02154	Hose 21" Fuel Line	1
9	7-33-02303	Hose 13.2" Fuel Line	1
10	7-33-02338	Hose 95" Fuel Line	1
11			
12	7-64-00031	Timer - Solenoid	1
13	7-74-00006	Solenoid - Throttle	1
14	7-42-05137	Link	1
15	8-14-01006	Clevis	1
16	2-95-01999	Jam Nut- ¼ - 28	1
17			
18	2-00-00838	Ring Terminal	1
19	7-55-08122	Pin	1
20	2-00-02428	Pin	1

### HARDWARE USED:

H8	2-00-00039	Screw, 10-24 x 1.000 RHM	3
H10	2-00-00519	Lockwasher, #10-24 x .375 x .125	2
H11	2-00-00605	Nut, Hex MS #10 Med. HS	2
H25	2-00-00518	Lockwasher, Helical Spring	4
H34	2-00-00208	Screw, 5/16-18 x .750 HHC	2
H35	2-00-02708	Screw, 5/16-18 x 1.000 HHM	2
H43	2-00-00409	Flatwasher, .687 x .344 x .062	4
H46	2-00-00644	Nut, 5/16-18 Insert Fiber	4
H72	2-00-00594	Nut, Hex ¼-20 x .437 x .218	4
H229	2-00-01490	Screw, .25-20 x .875	4

C1647/9712

# FUEL SYSTEM - DIESEL - EXPLODED VIEW



C1647/9709

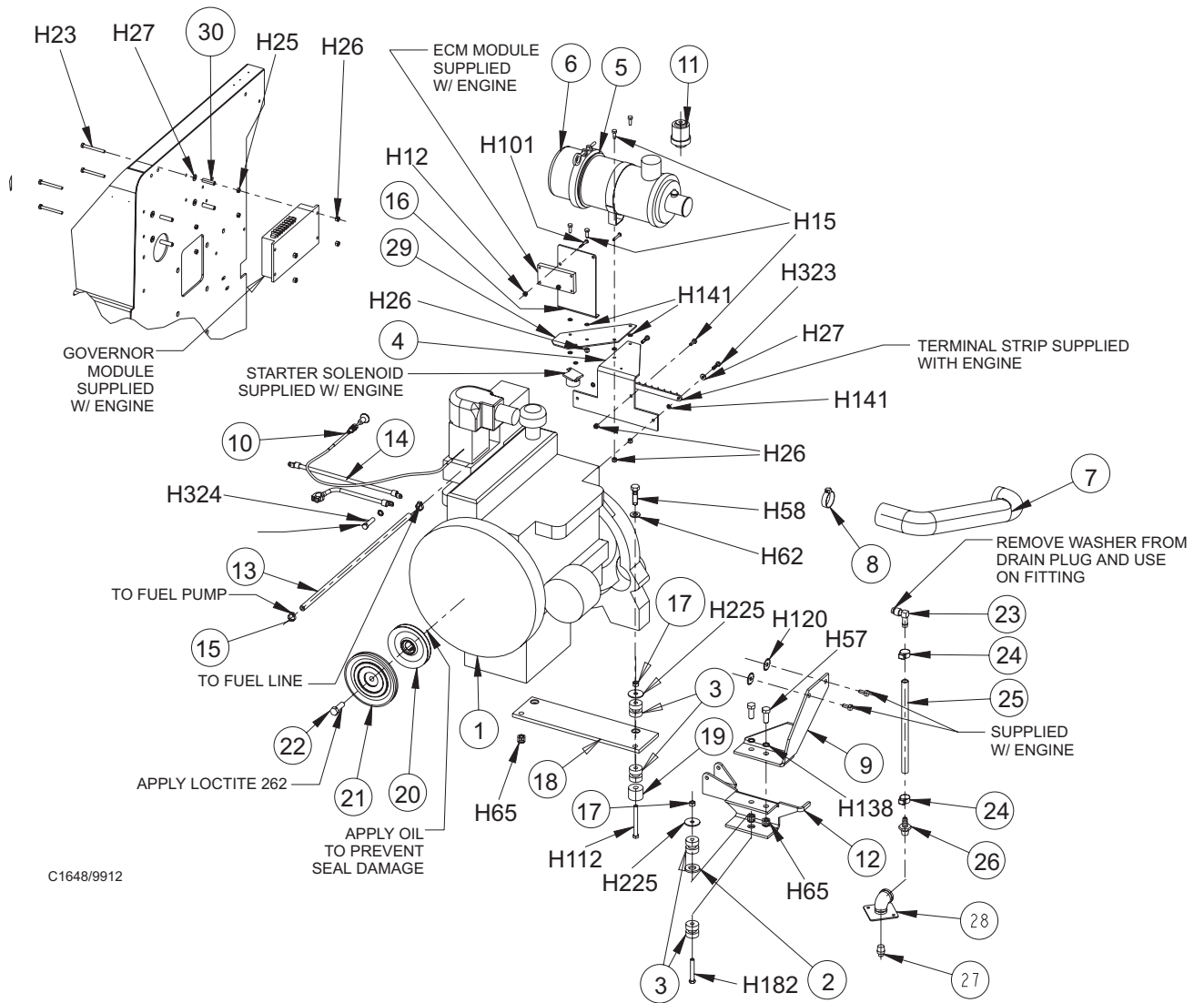
## FORD 413 GAS ENGINE - PARTS LIST

<u>KEY NO.</u>	<u>PART NUMBER</u>	<u>DESCRIPTION</u>	<u>QTY.</u>
1	0877-064	413 Ford Engine	1
2	8-75-01163	Spacer	1
3	8-75-01155	Isolator Mount	3
4	8-08-00783	Air Filter Mounting Bracket	1
5	8-24-04093	Band Assembly	1
6	8-24-04100	Air Cleaner - Donaldson	1
7	8-33-02279	Hose - A/C to Carb	1
8	2-00-02216	Clamps - Hose	2
9	8-08-00778	Engine Mounting Bracket	1
10	8-16-00054	Choke Cable	1
11	8-24-04101	Meter	1
12	7-08-00849	Bracket - Engine / Alt Mount	1
13	7-33-02337	Hose - Fuel 64.5"	1
14	8-90-07328	Cable	1
15	2-95-04388	Clamps	2
16	7-08-00854	Bracket - 413 Engine Sensor Mt	1
17	2-95-04182	Elastic Stop Nut	3
18	7-81-00191	Support - Engine Mount	1
19	7-75-01168	Spacer - Engine Mount	2
20	7-60-00170	Pulley - Crankshaft	1
21	7-60-00172	Pulley - Alternator	1
22	2-00-05373	M12 x 1.50 x 50MM HHCS	1
23	2-00-05377	Valve Oil Drain	1
24	2-00-03407	Clamp	2
25	7-33-02358	Hose	1
26	2-00-05342	Fitting Hose	1
27	2-00-05362	Plug	1
28	7-16-07398	Cover - Oil Drain	1
29	8-08-00879	Bracket - Solenoid Mounting	1
30	8-75-01207	Spacer	4

### HARDWARE USED:

H12	2-00-01246	Nut, Hex Fiber Insert #10-24	2
H15	2-00-00221	Screw, 1/4-20 x .750 HHC	5
H23	2-00-01980	Screw, 1/4-20 x 2.500 HHC	4
H25	2-00-00594	Nut, Hex 1/4-20 x .437 x .218	4
H26	2-00-00641	Nut, 1/4-20 Insert Fiber	6
H27	2-00-03702	Washer, .625 x .281 x .063	2
H57	2-00-00240	Screw, 1/2-13 x 1.750 HHC	2
H58	2-00-00241	Screw, 1/2-13 x 1.750 HHC	2
H62	2-00-00405	Flat Washer, 1.063 x .531 x .094	2
H65	2-00-04936	Nut, 1/2-13 Fiber Lock	4
H101	2-00-04897	Screw, #10-24 x 1.250 THM	2
H112	2-00-02603	Lock Washer, Int.	1
H120	2-00-03829	Lock Washer, 3/8 Bolt	3
H138	2-00-00504	Lock Washer, Int.	1
H141	2-00-00501	Lock Washer, Int.	6
H182	2-00-00236	Screw, 5/8-16 x 2.500 HHC	1
H225	2-00-04851	Washer, Engine Mount	4
H323	2-00-00244	Screw, HHC .25-20 x 1.000	2
H324	2-00-05329	Screw, HHC M10 x 1.50 x 40mm S/S	1

# FORD 413 GAS ENGINE - EXPLODED VIEW



C1648/9912

## PERKINS 104.19 DIESEL ENGINE - PARTS LIST

---

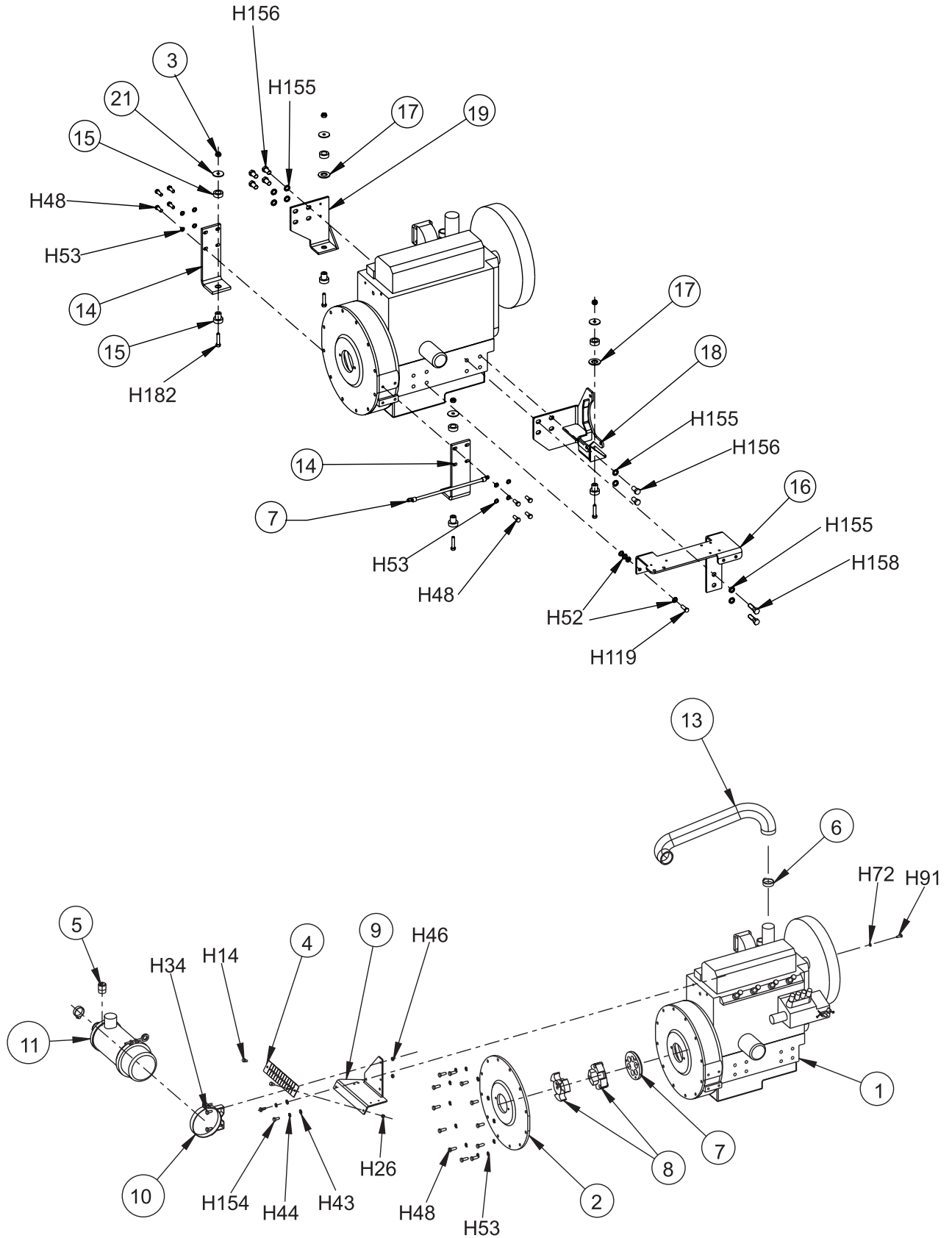
<u>KEY NO.</u>	<u>PART NUMBER</u>	<u>DESCRIPTION</u>	<u>QTY.</u>
1	0777-038-1	Perkins Engine	1
2	8-33-05107	Pump Plate	1
3	2-95-04182	Nut, Fiber Insert, .38-16	4
4	8-06-05007	Terminal Strip	1
5	8-24-04136	Indicator	1
6	2-00-02216	Hose Clamp	2
7	8-90-07328	Ground Cable	1
8	0885-088	Coupling	1
9	7-08-00867	Air Cleaner Mounting Bracket	1
10	8-24-04093	Band Assembly	1
11	8-24-04100	Air Cleaner - Donaldson	1
12			
13	8-33-02332	Hose	1
14	7-08-00857	Bracket - Motor Mounting - Flywheel HSG	2
15	8-75-01155	Isolator Mounting	4
16	7-08-00865	Bracket - Governor Mounting	1
17	7-75-01171	Spacer	2
18	7-08-00855	Bracket - Motor & Alternator	1
19	7-08-00856	Bracket - Motor Mounting	1
20			
21	2-00-04851	Washer, Engine Mount	4

### HARDWARE USED:

H14	2-00-00219	Screw, 1/4-20 x .500 HHC	2
H26	2-00-00641	Nut, 1/4 - 20 Insert Fiber	2
H34	2-00-00208	Screw, 5/16-18 x .750 HHC	2
H43	2-00-00409	Flat Washer, .687 x .344 x .062	2
H44	2-00-00530	Lock Washer, 5/16-18 HS Med.	2
H46	2-00-00644	Nut, 5/16-18, Insert Fiber	2
H48	2-00-00233	Screw, 3/8-16 x 1.000 HHC	8
H52	2-00-00402	Flat Washer, .750 x .390 x .094	4
H53	2-00-02310	Lock Washer, Helical Spring, 3/8 Med.	20
H72	2-00-00518	Lock Washer, Helical Spring	1
H91	2-00-05279	Screw, M6 x 1.000 x 20mm MHHC	1
H119	2-00-05005	Screw, M10 x 1.500 30mm MHHC	1
H154	2-00-04363	Screw, M8 x 1.250 x .750	2
H155	2-00-05044	Lock Washer, M14 Split	8
H156	2-00-05079	Screw, M14 x 1.500 x 25mm HHC	6
H158	2-00-05306	Screw, M14 x 35mm HHC	2
H182	2-00-00236	Screw, 5/8-16 x 2.500 HHC	4

C1647A/9809

PERKINS 104.19 DIESEL ENGINE - EXPLODED VIEW



## MUFFLER - GAS - PARTS LIST

---

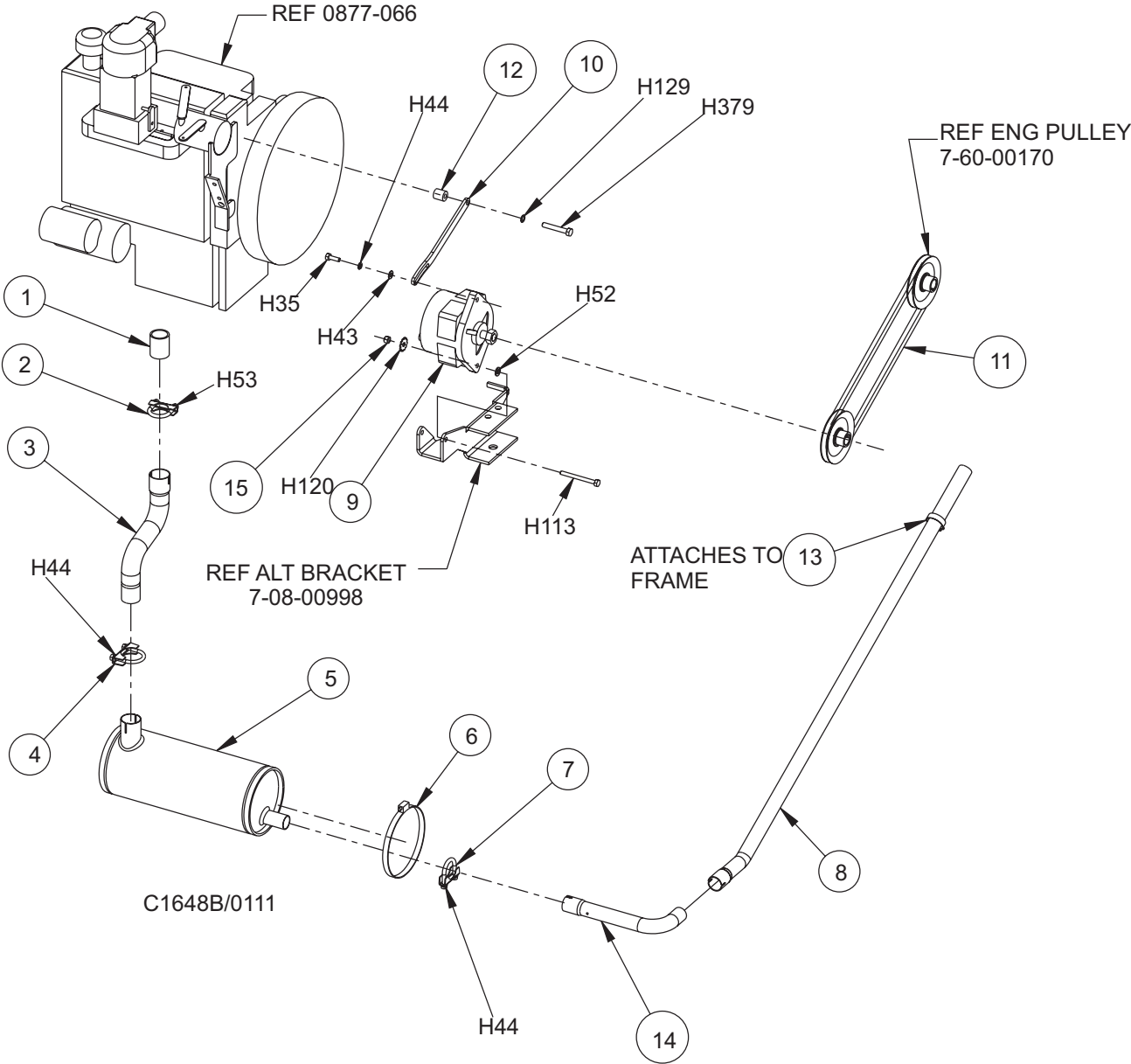
<u>KEY NO.</u>	<u>PART NUMBER</u>	<u>DESCRIPTION</u>	<u>QTY.</u>
1	8-56-05079	Fitting - Pipe Nipple	1
2	2-00-05149	Clamp	1
3	7-56-04058	Exhaust Pipe	1
4	7-13-07075	Muffler Clamp (1 5/8")	1
5	7-49-00036	Muffler	1
6	2-00-04400	Clamp	1
7	7-13-07076	Muffler Clamp 1.38"	1
8	7-56-04061	Tail Pipe Extension	1
9	7-03-03008	Alternator	1
10	7-03-00050	Arm - Alternator Mounting	1
11	2-00-01059	Belt -4L300 - 30" LG	1
12	7-75-01212	Spacer	1
13	2-00-03404	Clamp	1
14	7-56-04057	Tail Pipe	1
15	2-95-04182	Fiber Nut	1

### HARDWARE USED:

H35	2-00-02708	Screw, 5/16 - 18 x 1.000 HHM	1
H43	2-00-00409	Flat Washer, .687 x .344 x .062	1
H44	2-00-00530	Lock Washer, 5/16 - HS Med.	5
H52	2-00-00402	Flat Washer, .750 x .390 x .094	Ref.
H53	2-00-02310	Lock Washer, Helical Spring 3/8 Med.	2
H113	2-00-03333	Screw, 3/8-16 x 3.750 HHC	1
H129	2-00-02311	Lock Washer, .438 Split	1
H182	2-00-00236	Screw, 5/8-16 x 2.500 HHC	1
H379	2-00-05486	SCREW-M10 X 1.5 60MM HHCS	1

C1648b/0111

MUFFLER - GAS - EXPLODED VIEW





## MUFFLER AND ALTERNATOR MOUNTING - DIESEL - PARTS LIST

---

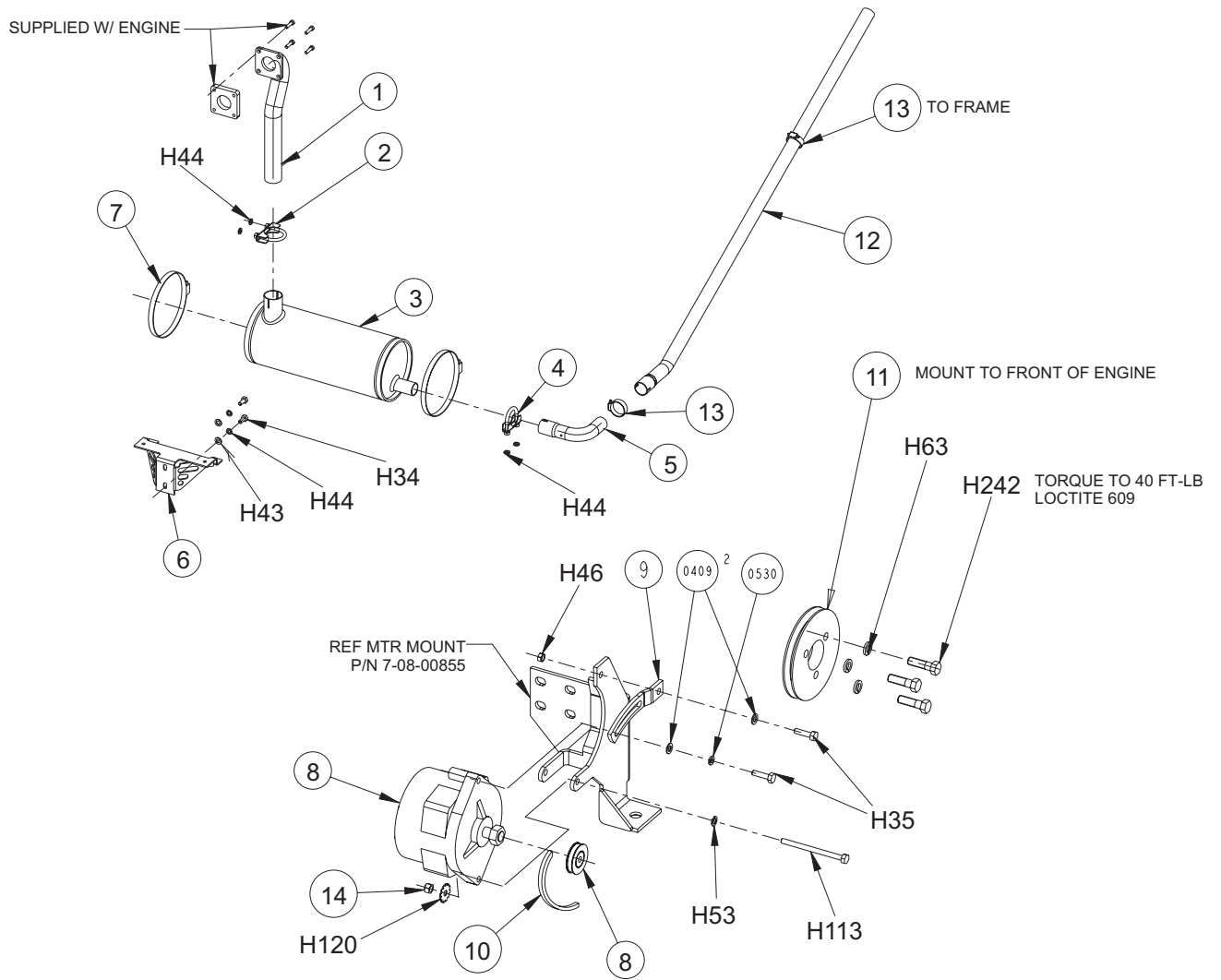
<u>KEY NO.</u>	<u>PART NUMBER</u>	<u>DESCRIPTION</u>	<u>QTY.</u>
1	7-56-04062	Exhaust Pipe - Diesel 104.9	1
2	7-13-07075	Clamp - Muffler 1.75"	1
3	7-49-00036	Muffler	1
4	7-13-07076	Clamp - Muffler 1.38"	1
5	7-56-04060	Tail Pipe	1
6	7-08-00862	Bracket - Muffler Mounting	1
7	2-00-04400	Clamp - Muffler	2
8	7-03-03008	Alternator	1
9	7-03-04157	Arm - Alternator Adjustment	1
10	2-00-01046	Belt - 4L380	1
11	7-60-00171	Pulley	1
12	7-56-04061	Tail Pipe Extension	1
13	2-00-03404	Clamp	2
14	2-95-04182	Fiber Nut	1

### HARDWARE USED:

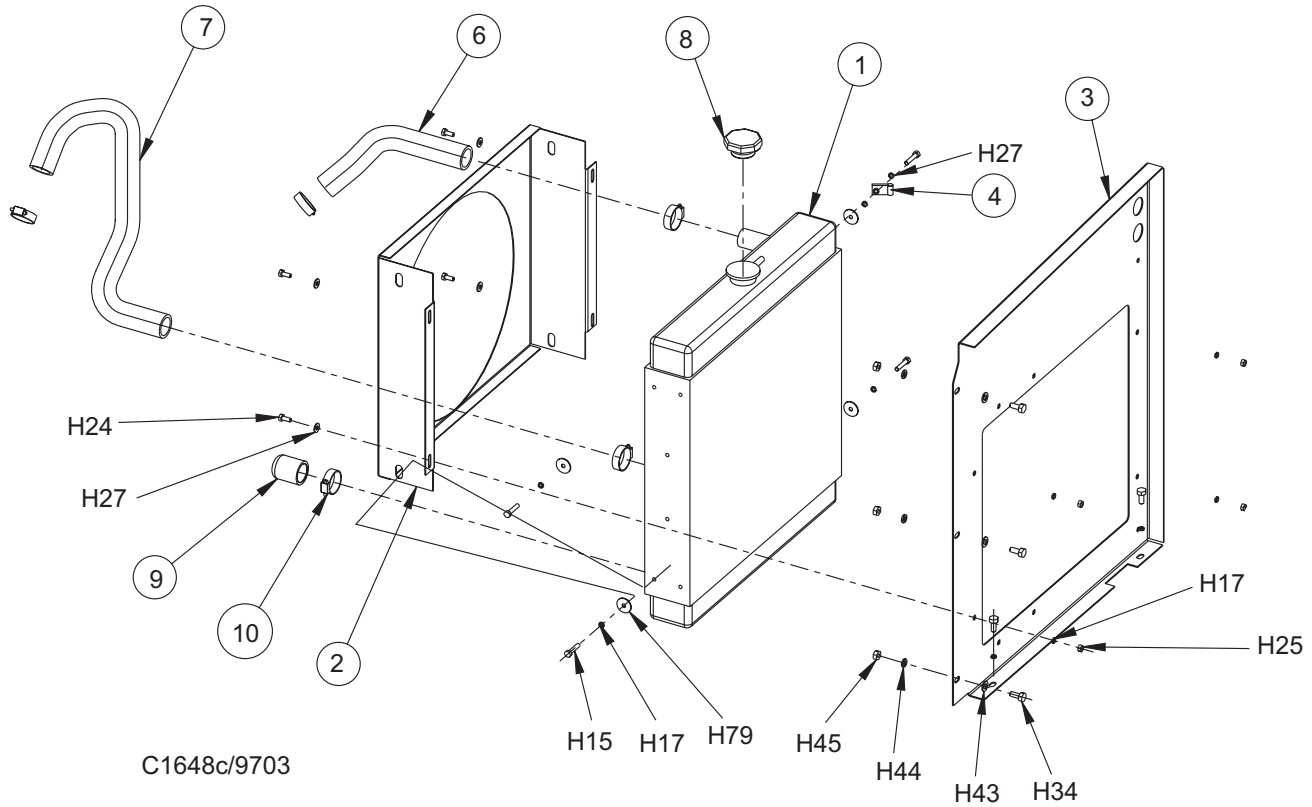
H34	2-00-00208	Screw, 5/16-18 x .750 HHC	2
H35	2-00-02708	Screw, 5/16-18 x 1.000 HHM	2
H43	2-00-00409	Flat Washer, .687 x .344 x .062	4
H44	2-00-00530	Lock Washer, 5/16 HS Med.	6
H46	2-00-00644	Nut, 5/16-18 Insert Fiber	1
H53	2-00-02310	Lock Washer, Helical Spring 3/8 Med.	1
H63	2-00-02312	Lock Washer, 1/2 HS Med.	3
H113	2-00-03333	Screw, 3/8-16 x 3.750 HHC	1
H120	2-00-03829	Lock Washer, 3/8 Bolt	1
H242	2-00-05370	Screw, M12-16 x 1.75 x 40mm HHC	3

C1647c/9912

# MUFFLER AND ALTERNATOR MOUNTING - DIESEL - EXPLODED VIEW



# RADIATOR AND SHROUD - GAS



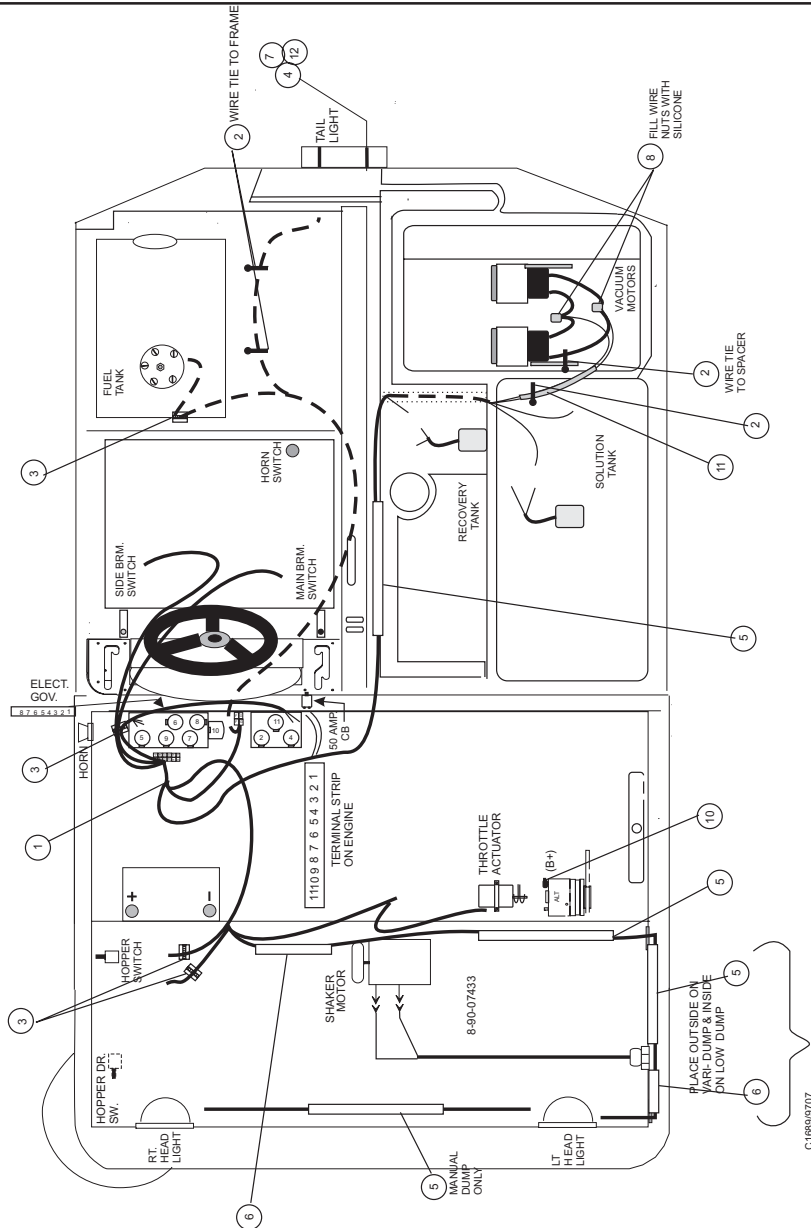
<b>KEY NO.</b>	<b>PART NUMBER</b>	<b>DESCRIPTION</b>	<b>QTY.</b>
1	8-62-01011	Radiator - 4 Core	1
2	7-72-00013	Radiator Shroud	1
3	7-52-00145	Panel - Radiator Mounting	1
4	2-00-04873	Clamp	2
5			
6	8-33-02356	Hose - Radiator Upper	1
7	8-33-02364	Hose - Radiator Lower	1
8	8-11-00045	Cap - Top	1
9	2-00-04913	Cap - Bottom Port	1
10	2-00-03404	Clamp	5

## **HARDWARE USED:**

H15	2-00-00221	Screw, 1/4-20 X .750 HHC	4
H17	2-00-00518	Lock Washer, Helical Spring	8
H24	2-00-00220	Screw, 1/4-20 x .625 HHC	4
H25	2-00-00594	Nut, Hex 1/4-20 x .437 x .218	4
H27	2-00-03702	Washer, .625 x .281 x .063	6
H34	2-00-00208	Screw, 5/16-18 x .750 HHC	4
H43	2-00-00409	Flat Washer, .687 x .344 x .062	7
H44	2-00-00530	Lock Washer, 5/16 HS Med.	5
H45	2-00-00585	Nut, Hex 5/16-18 x .500 x .265	5
H79	2-00-01676	Flat Washer, 1.062 x .265 x .062	4

C1648c

# ELECTRICAL HARNESS ROUTING - GAS



KEY NO.	PART NUMBER	DESCRIPTION	QTY.
1	0795-116	Harness - Machine	1
2	2-00-04345	Tye-Rap	4
3	7-13-07096	Clamp	4
4	2-00-01246	Nut, #10 - 24 Lock	2
5	8-20-06043	Duct 12"	4
6	7-20-06012	Duct 6"	2
7	2-00-02933	Screw, 10 - 24 x 3.50	2
8	2-00-05065	Wire Nut	2
9			
10	2-00-04203	Boot	1
11	8-43-00002	Loom	1
12	8-75-01207	Spacer	2

C1689/9706

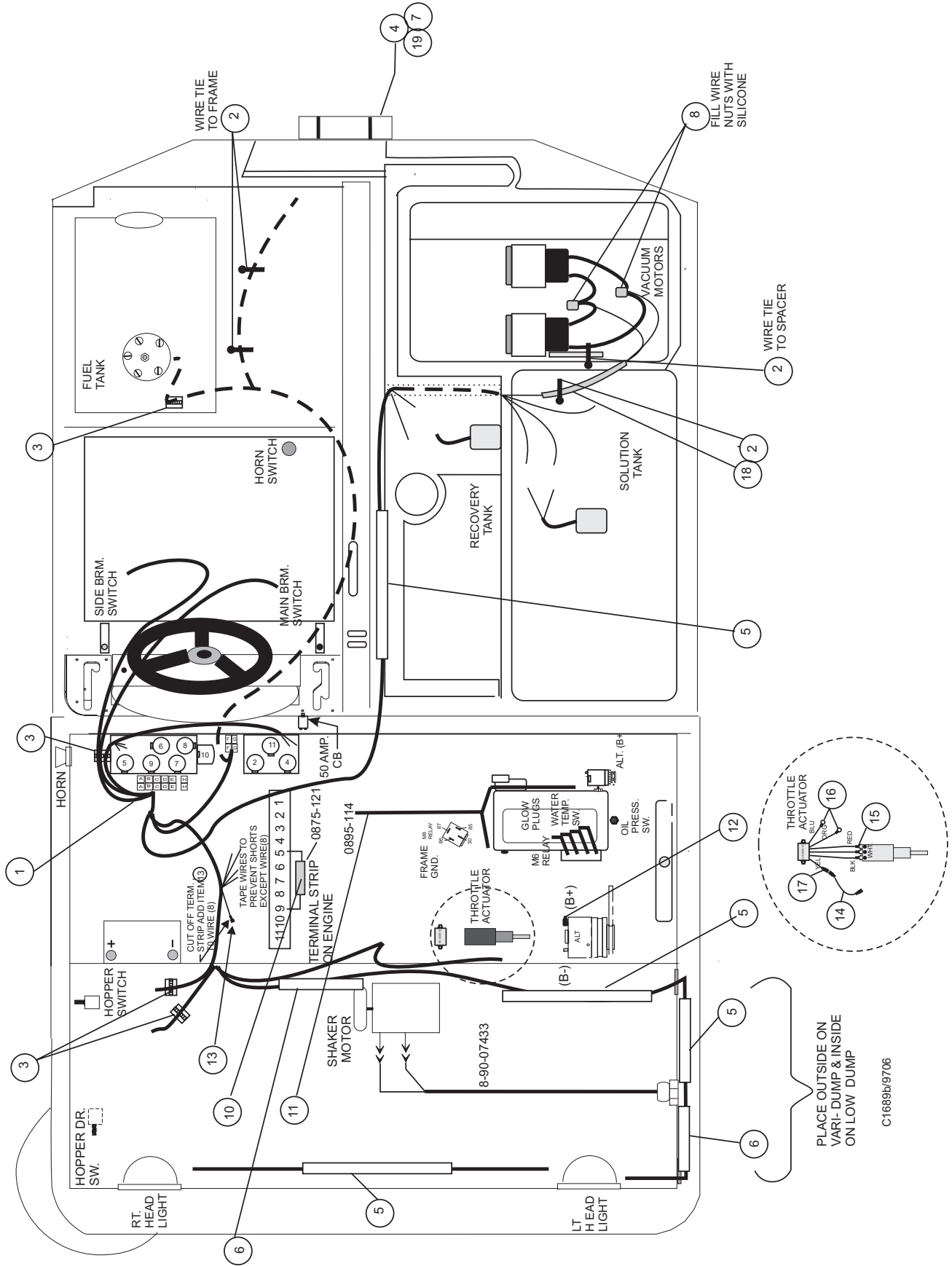
## ELECTRICAL HARNESS ROUTING PARTS LIST - DIESEL

---

<u>KEY NO.</u>	<u>PART NUMBER</u>	<u>DESCRIPTION</u>	<u>QTY.</u>
1	0795-116	Harness- Machine	1
2	2-00-04345	Tye- Rap	4
3	7-13-07096	Clamp	4
4	2-00-01246	Nut, #10-24 Lock	2
5	8-20-06043	Duct 12"	4
6	7-20-06012	Duct 6"	2
7	2-00-02933	Screw, 10-24 x 3.50	2
8	2-00-05065	Wire Nut	2
9			
10	0875-121	Resistor Assembly	1
11	0895-114	Harness- Engine	1
12	2-00-04203	Boot	1
13	2-00-04318	Terminal, .25 Female	1
14	7-90-07420	Wire	1
15	2-00-04716	Terminal, #10 SS	3
16	2-00-03476	Terminal, .31 Ring	2
17	2-00-04708	Terminal, .25 Female	1
18	8-43-00002	Loom	1
19	8-75-01207	Spacer	2

C1689b/9706

# ELECTRICAL HARNESS ROUTING EXPLODED VIEW - DIESEL



## DECALS - PARTS LIST

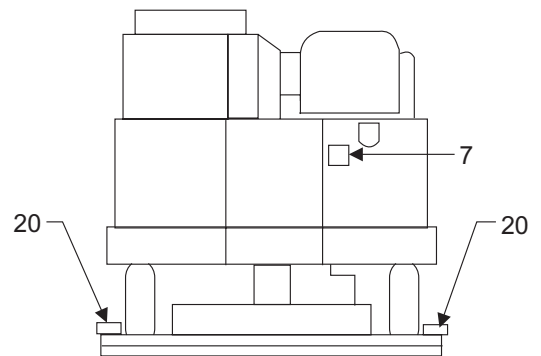
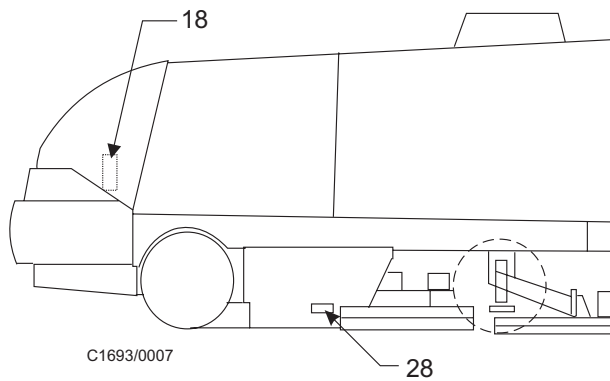
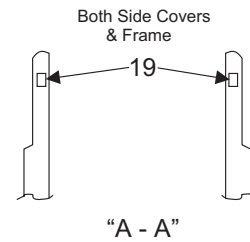
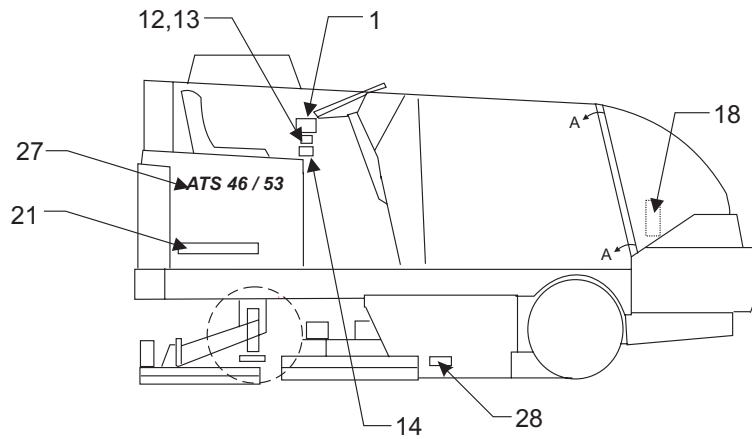
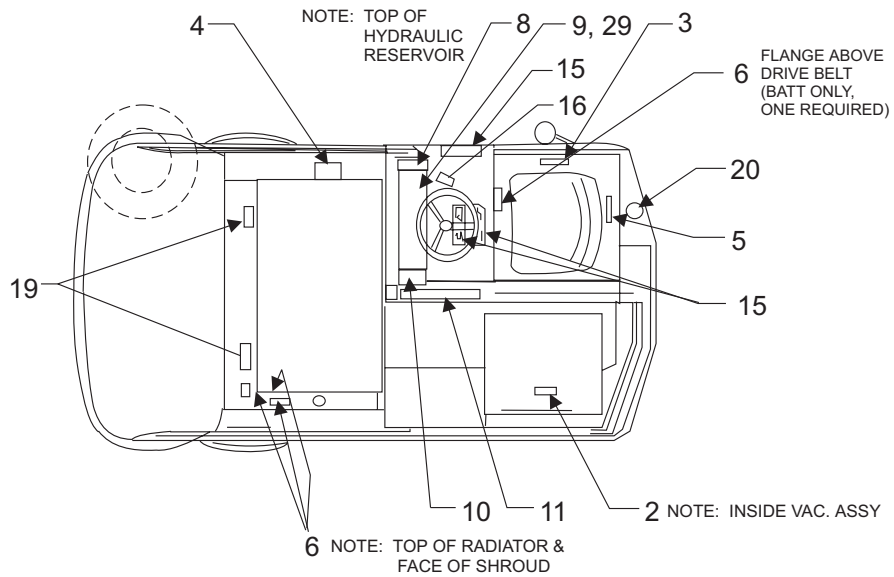
---

<u>KEY NO.</u>	<u>PART NUMBER</u>	<u>DESCRIPTION</u>	<u>QTY.</u>
1	8-18-00396	Warning, General	1
2	7-18-00099	Warning, Combustibles	1
3	8-18-00313	Seat Adjustment	1
4	8-18-00306	Hydraulic Fluid Only	1
5	8-18-00310	Gasoline Only (Gas Machine)	1
5	8-18-00311	Diesel Only (Diesel Machine)	1
6	8-18-00399	Warning, Fan & Belt	Ref.
7	8-18-00085	Warning, Fire Hazard	1
8*	7-18-00246	Decal, Side Broom	1
9	7-18-00244	Instrument Panel (Gas & Diesel)	1
9	7-18-00248-1	Instrument Panel (Battery)	1
10	7-18-00245	Decal, Main Broom	1
11	7-18-00247	Decal, Hopper, Choke & Water Control	1
12	8-50-00014	Serial No. Tag	1
13	2-00-04115	Rivet	2
14	7-18-00228	Decal, Patent	1
15	7-50-05136	Non Skid	3
16	8-50-05055	Non Skid	1
17	8-18-00395	Decal, Key Switch Warning	1
18	8-18-00398	Decal, Hopper Warning	4
19	8-18-00402	Decal, Pinch Point	6
20	7-18-00236	Decal, No Step	3
21	7-18-00252	Decal, Solution Tank	1
22			
23			
24			
25			
26			
27	7-18-00265	Decal, ATS	1
28	7-18-00259	Decal, Broom Door	2
29	8-18-00426	Decal, Diesel Starting	1

\* Low Dump Option

C1693/0007

# DECAL - EXPLODED VIEW





## THROTTLE CONTROL - PARTS LIST

---

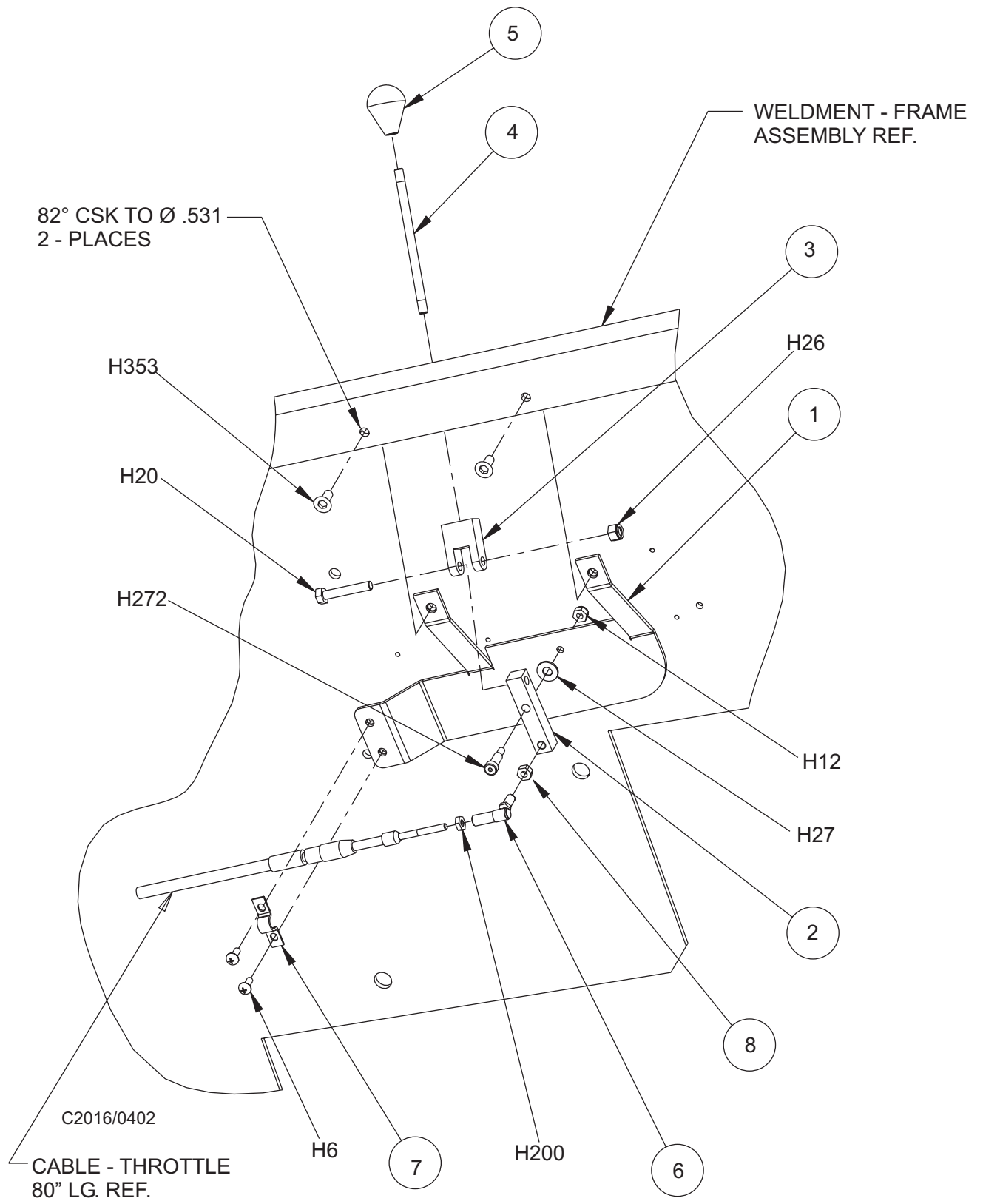
<u>KEY NO.</u>	<u>PART NUMBER</u>	<u>DESCRIPTION</u>	<u>QTY.</u>
1	7-08-00996	Weldment, Bracket - Throttle	1
2	8-92-00046	Pivot Block - Throttle	1
3	8-92-00045	Yoke - Throttle	1
4	7-66-00196	Rod, Control - Throttle	1
5	7-39-00017	Knob-Solution Control	1
6	8-25-02036	Ball Joint Connector	1
7	8-13-07094	Conduit Clamp	1

### HARDWARE USED

H6	2-00-00049	Screw, #10 - 24 x .500 RHM	2
H12	2-00-01246	Nut, Hex Fiber Insert #10-24	1
H20	2-00-00203	Screw, 1/4 - 20 x 1.500 HHC	1
H26	2-00-00641	Nut, 1/4 - 20 Fiber Insert	1
H27	2-00-03702	Washer, .625 x .281 x .063	1
H200	2-00-00626	Nut, Hex MS #10 - 32 x .375 x .125	1
H272	2-00-04563	Screw, Shoulder #10-24	1
H353	2-00-03027	Screw, HSFHC .25 - 20 x .63	2

C2016/0110

# THROTTLE CONTROL - EXPLODED VIEW





## TABLE OF CONTENTS - CHAPTER 3

---

Roll-Out Battery (800 AH Option) .....	3-3
Side Broom Option (Low Dump) .....	3-4
Brushes Option .....	3-10
Hopper Thermo-Sensor Shutdown Option .....	3-12
Back-Up Alarm Option .....	3-14
Rear Work Light Option .....	3-16
Overhead Guard option .....	3-17
Amber Safety Light Option with Overhead Guard .....	3-18
Amber Safety Light Option without Overhead Guard .....	3-19
ESP/Autofil Option .....	3-20
ESP/Autofil Wiring - Battery .....	3-26
ESP/ Autofil Wiring - Gas/Diesel .....	3-28
Fire Extinguisher .....	3-30
Flame Arresting Gas Cap .....	3-31
Heavy Duty Air Cleaner Option .....	3-32
Clogged Filter Option .....	3-33
Spray Wand Option .....	3-34
Wet Sweep Bypass/Thermo Sensor Option .....	3-36
LP Option - Tank Assembly .....	3-38
LP Option - Regulator/Lock-Off Assembly .....	3-40
LP Option - Relief Valve Assembly .....	3-42
LP Option - Carburetor Assembly .....	3-43
Retractable Seatbelt Option .....	3-44
Suspension Seat Option .....	3-45
Seat Switch Kit .....	3-46
Pad Driver option (16") .....	3-47
Pad Driver option (18") .....	3-48
Oil Cooler Option .....	3-49
Vacuum Wand Option .....	3-50
Vac Hose Service Kit .....	3-51
Spare Parts List - ATS 46" Machine .....	3-52
Spare Parts List - ATS 53" Machine .....	3-53
Spare Parts List - ATS 46" Battery Machine .....	3-54
Spare Parts List - ATS 53" Battery Machine .....	3-55
Spare Parts List - Gas/LP/Diesel Machine .....	3-56
Index .....	3-57
Warranty .....	3-63

# SIDE BROOM OPTION (LOW DUMP) - PARTS LIST

## OPTION NO. 0780-420

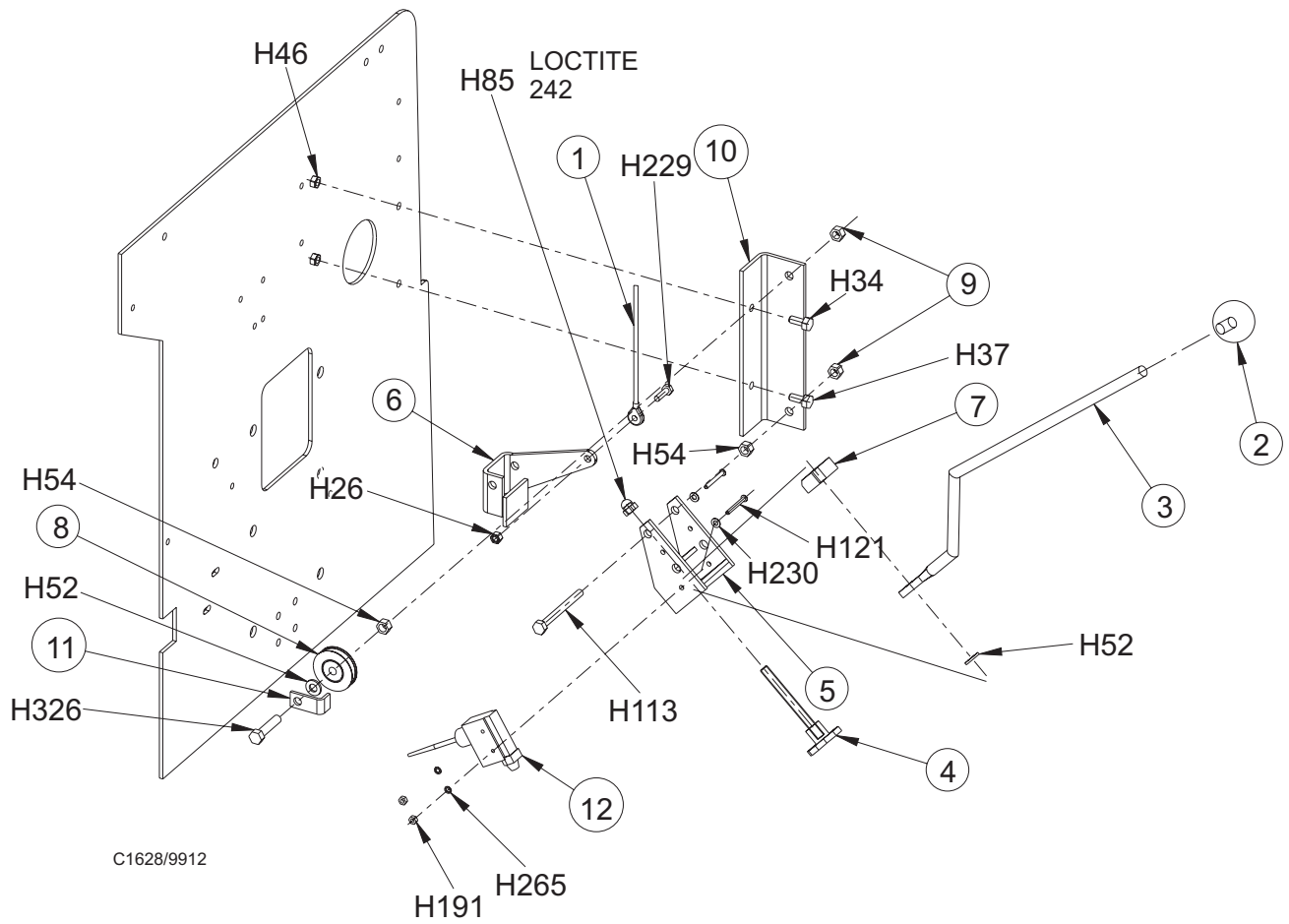
<u>KEY NO.</u>	<u>PART NUMBER</u>	<u>DESCRIPTION</u>	<u>QTY.</u>
1	7-10-00030	Cable	1
2	8-39-00003	Control Knob	1
3	7-66-00170	Lever Handle - SB	1
4	8-39-00013	Knob Assembly	1
5	8-08-00773	Broom Lift - MB - SB Weldment	1
6	8-08-00866	Bracket - Angle Adj. - SB	1
7	8-50-03002	Broom Adj. Block	1
8	7-60-00160	Pulley, Cable	4
9	2-95-04182	Fibre Nut	2
10	7-08-00851	Bracket	1
11	7-13-07130	Clip - Cable Retainer	4
12	8-82-00058	Switch	1
13	2-00-01490	Screw, 1/4-20 x .875 Stl. HHC	1
14	2-00-03757	Washer	2

### HARDWARE USED:

H26	2-00-00641	Nut, 1/4-20 Insert Fiber	1
H34	2-00-00208	Screw, 5/16-18 x .750 HHC	2
H46	2-00-00644	Nut, 5/16-18 Insert Fiber	2
H50	2-00-00234	Screw, 3/8-16 x 1.500 HHC	1
H52	2-00-00402	Flat Washer, .750 x .390 x .094	2
H54	2-00-02360	Nut, 3/8-16 Hex.	1
H85	2-00-00650	Nut, Cap 3/8-16 Low Crown	1
H89	2-00-01372	Nut, Fiber Insert #8-32 Steel	2
H113	2-00-03333	Screw, 3/8-16 x 3.750 HHC	1
H121	2-00-00090	Screw, #8-32 x 1.500 RHM	2

C1628a/9705

**SIDE BROOM OPTION (LOW DUMP) - EXPLODED VIEW**



## SIDE BROOM OPTION (LOW DUMP) cont. - PARTS LIST

---

### OPTION NO. 0780-420

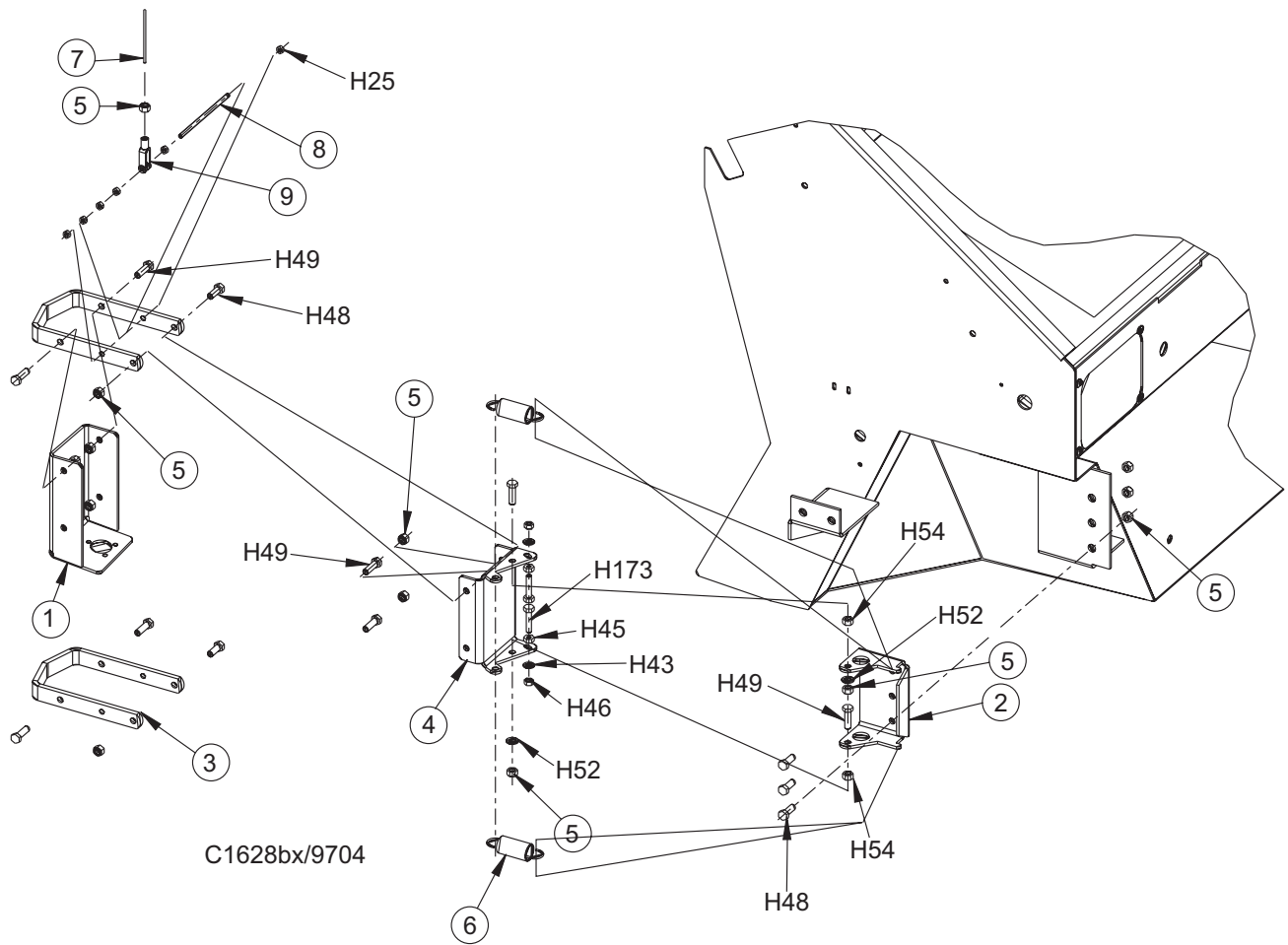
<u>KEY NO.</u>	<u>PART NUMBER</u>	<u>DESCRIPTION</u>	<u>QTY.</u>
1	7-08-00847	Bracket - Side Broom	1
2	8-08-00790	Bracket - Side Broom	1
3	8-42-05136	Link - Side Broom	2
4	8-08-00846	Pivot Bracket - Side Broom	1
5	2-95-04182	Nut, Elastic Stop Nut	14
6	7-76-00101	Spring	2
7	7-10-00030	Cable	Ref.
8	7-66-00180	Rod - Threaded	1
9	8-14-01006	Clevis	1

### HARDWARE USED:

H25	2-00-00594	Nut, Hex 1/4-20 x .437 x .218	6
H43	2-00-00409	Flat Washer, .687 x .344 x .062	2
H44	2-00-00585	Nut, Hex 5/16-18 x .500 x .265	2
H46	2-00-00644	Nut, 5/16-18 Insert Fiber	2
H48	2-00-00233	Screw, 3/8-16 x 1.000 HHC	8
H49	2-00-00209	Screw, 3/8-16 x 1.250 HHC	7
H52	2-00-00402	Flat Washer, .750 x .390 x .094	4
H54	2-00-02360	Nut, 3/8-16 Hex	2
H173	2-00-02709	Screw, 5/16-18 x 1.500	2

C1628bx/9704

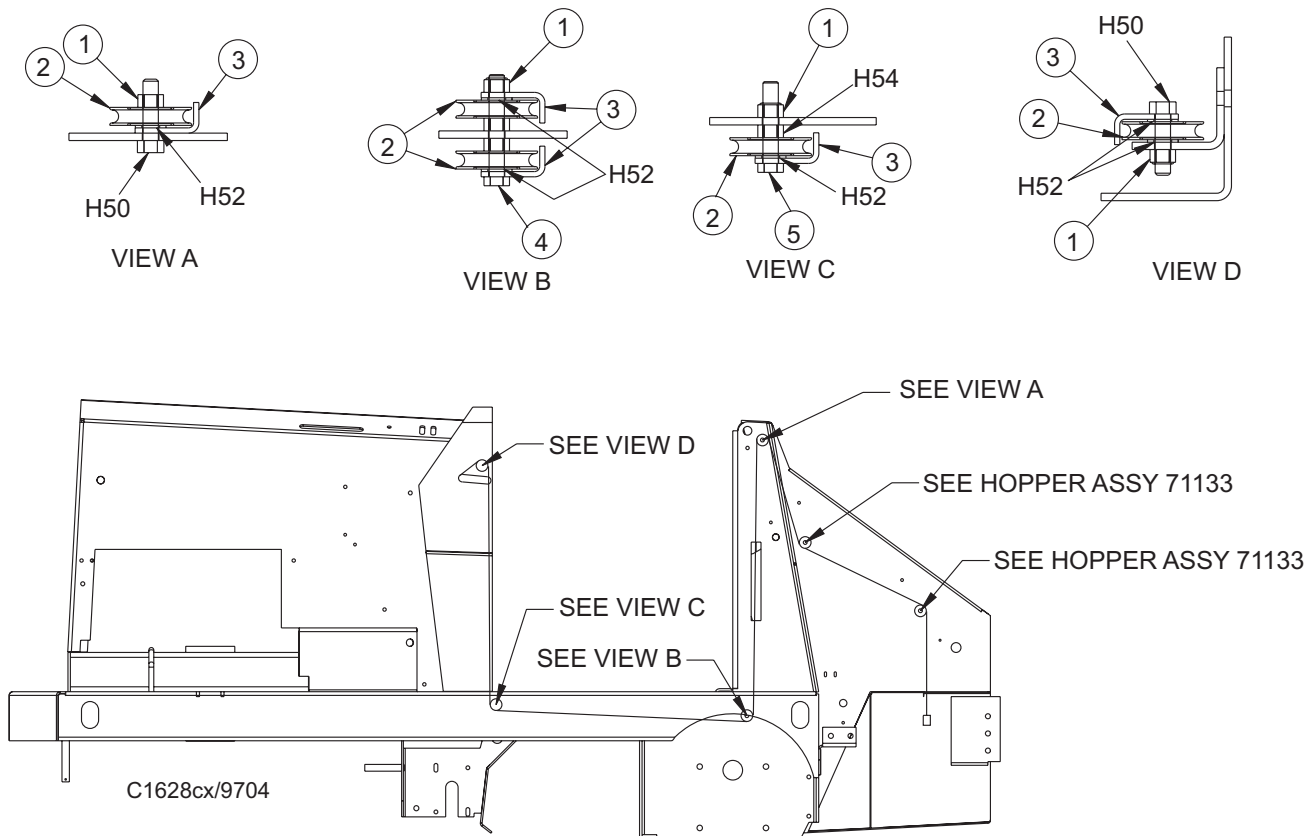
**SIDE BROOM OPTION (LOW DUMP) cont. - EXPLODED VIEW**



C1628bx/9704



**SIDE BROOM OPTION (LOW DUMP) cont.**

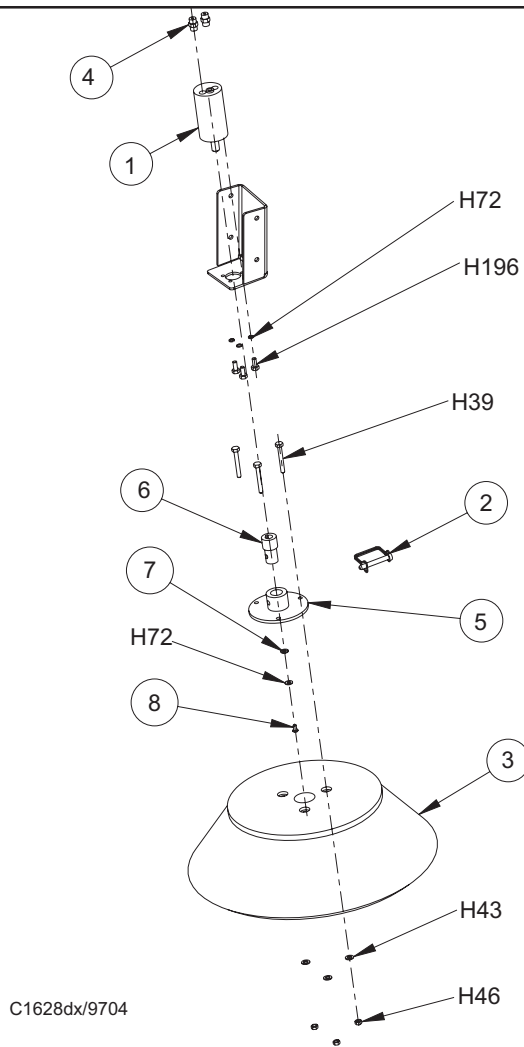


**OPTION NO. 0780-420**

<u>KEY NO.</u>	<u>PART NUMBER</u>	<u>DESCRIPTION</u>	<u>QTY.</u>
1	2-95-04182	Fibre Nut	4
2	7-60-00160	Pulley - Cable	Ref.
3	7-13-07130	Clip - Cable Retainer	Ref.
4	2-00-00237	Screw, 3/8-16 x 3.000 HHC	1
5	2-00-00235	Screw, 3/8-16 x 1.750 HHC	1
<b><u>HARDWARE USED:</u></b>			
H50	2-00-00234	Screw, 3/8-16 x 1.500 HHC	2
H52	2-00-00402	Flat Washer, .750 x .390 x .094	5
H54	2-00-02360	Nut, 3/8-16 Hex	1

C1628cx/9705

**SIDE BROOM OPTION (LOW DUMP) cont.**



**OPTION NO. 0780-420**

<u>KEY NO.</u>	<u>PART NUMBER</u>	<u>DESCRIPTION</u>	<u>QTY.</u>
1	0885-061	Side Broom Motor	Ref.
2	8-55-08122	Pin - Side Broom - Flange	1
3	8-08-03211	Side Broom	1
4	2-00-04918	Fitting	Ref.
5	8-33-09091	Hub - Side Broom - Weldment	1
6	7-72-03030	Sleeve - Side Broom	1
7	2-00-04689	Washer. 11-16 O.D. X .260 I.D. X .050	1
8	2-00-04750	Screw, BTN HD SKT	1

**HARDWARE USED:**

H39	2-00-00218	Screw, 5/16-18 x 2.000 HHC	3
H43	2-00-00409	Flat Washer, .687 x .344 x .062	3
H46	2-00-00644	Nut, 5/16-18 Insert Fiber	3
H72	2-00-00518	Lock Washer, Helical Spring	4
H196	2-00-05350	Screw, 1/4-28 x .630 HHC	3

C1628dx/9704

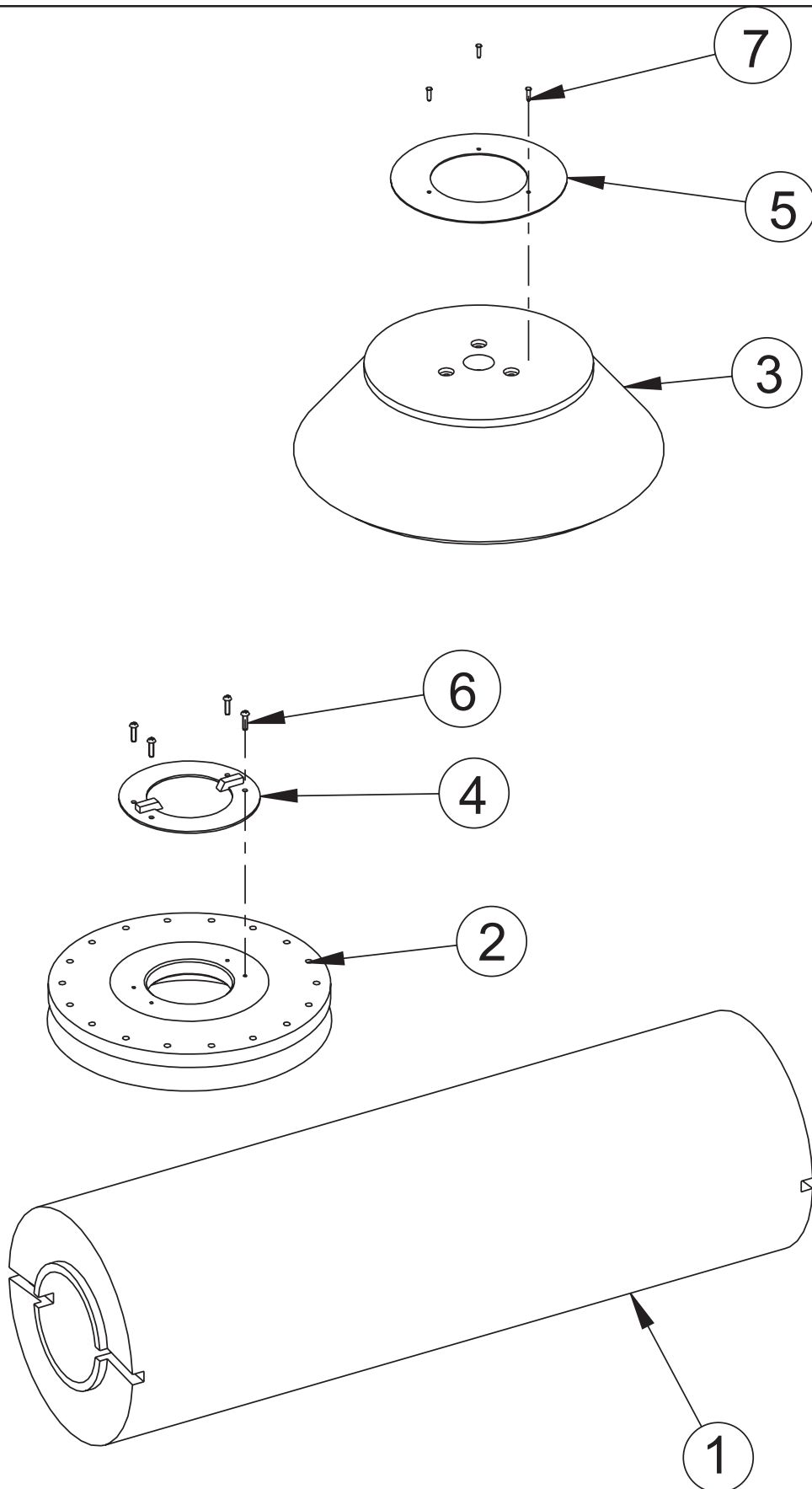
## BRUSHES OPTION - PARTS LIST

---

<u>KEY NO.</u>	<u>PART NUMBER</u>	<u>DESCRIPTION</u>	<u>QTY.</u>
1	8-08-03217	Proex and Wire Main Broom	3
1	8-08-03218	Poly and Wire 8-Row Main Broom	3
1	8-08-03219	Nylon 8-Row Main rom	3
1	8-08-03220	BNylon High Density Main Broom	3
1	8-08-03221	Wire and Fiber High Density Main Broom	3
2	0765-256	Scrub Brush Assembly 16" Black Nylon	3
2	0765-257	Scrub Brush Assembly 16" Amerfil	3
2	0765-258	Scrub Brush Assembly 16" Supergrit	3
2	0765-259	Scrub Brush Assembly 16" Soft Nylon	3
2	0765-260	Scrub Brush- Black Nylon 18"	3
2	0765-265	Scrub Brush Assy 16" Clean Grit	3
2	0765-261	Scrub Brush- Amerfil 18"	3
2	0765-262	Scrub Brush- Supergrit 18"	3
2	0765-263	Scrub Brush- Soft Nylon 18"	3
2	0765-266	Scrub Brush Assy 18" Clean Grit	3
3	0880-439	Wire Side Broom	1
3	8-08-03211	Nylon Side Broom	1
3	8-08-03212	Plypropylene Side Broom	1
3	8-08-03199	Wire Side Broom Only	1
3	8-08-03140	Polypropylene Side Broom (Battery)	1
4	7-19-02034	Disc - Brush Driver 18"	1
4	7-19-02035	Disc - Brush Driver 16" & 18"	1
5	8-58-05248	Plate - Side Broom Retainer	1
6	2-00-00081	Screw, 1/4-20 x 1.000 RHM	4
7	2-00-04121	Screw, 10-13 x .750 Wood, Pan Head	3

C1710/9805

**BRUSHES OPTION - EXPLODED VIEW**



**C1710/9712**

## HOPPER THERMO-SENSOR SHUTDOWN OPTION - PARTS LIST

---

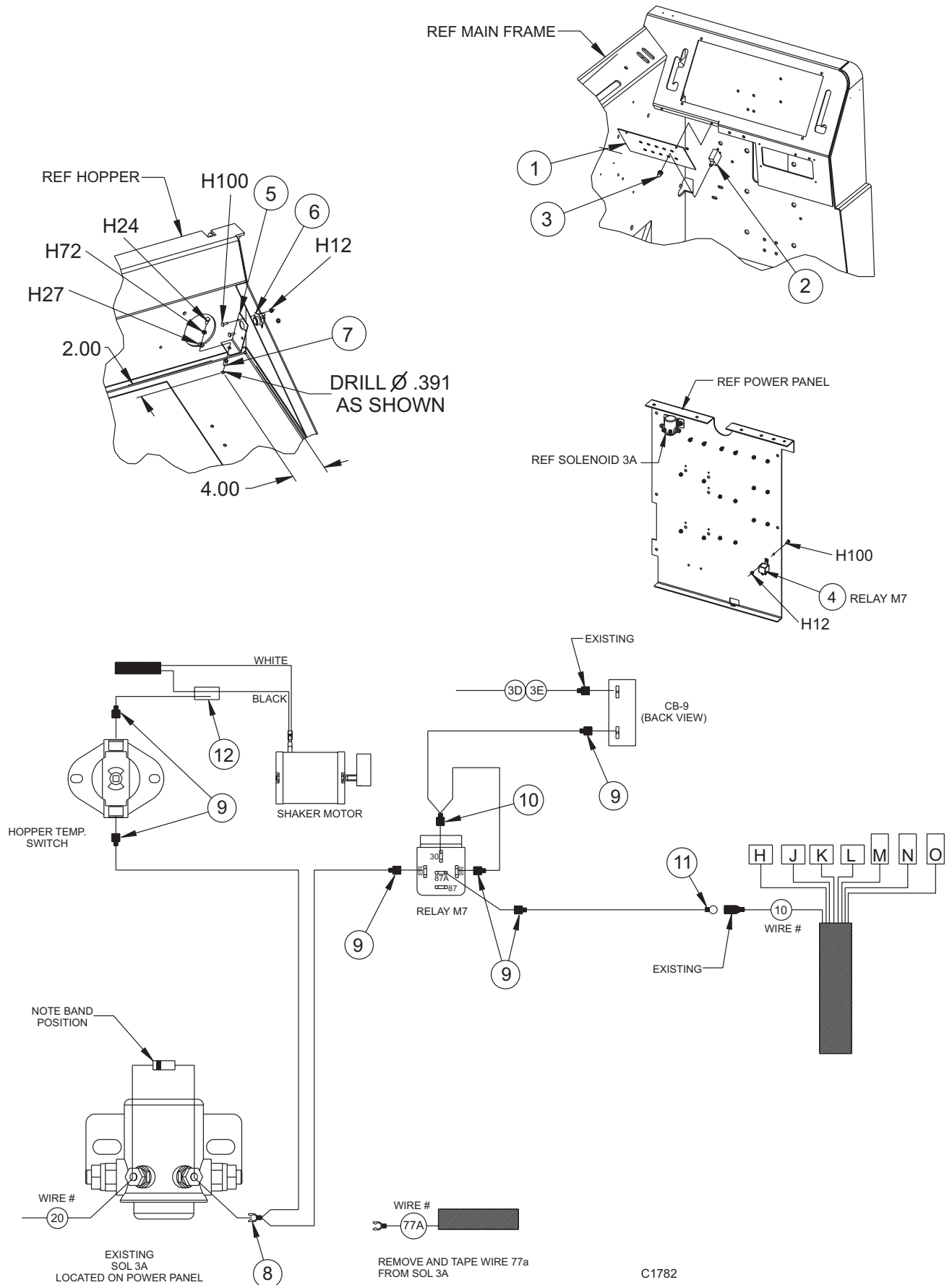
<u>KEY NO.</u>	<u>PART NUMBER</u>	<u>DESCRIPTION</u>	<u>QTY</u>
1	7-52-00148	Panel-Circuit Breaker	Ref.
2	8-64-00008	Circuit Breaker- 15 AMP	1
3	8-11-00044	Boot	1
4	8-64-00019	Relay- 36V	1
5	8-08-00803	Bracket-Temperature Switch	1
6	8-82-00056	Switch-Thermostat	1
7	2-00-05261	Threaded Inset-1/4-20	1
8	2-00-04716	Terminal- #10 SS	1
9	2-00-03418	Terminal- .25 FISO Female	6
10	2-00-04708	Terminal- .25 FISO Female	1
11	2-00-04578	Terminal- .156 Male Bullet	1
12	2-00-04479	Connector- 3 Way	1
13	3-61-00189	Wire- 16 AWG, Black	35'

### HARDWARE USED:

H12	2-00-01246	Nut, Hex Fiber Insert #10-24	3
H24	2-00-00220	Screw, 1/4-20 x .625 HHC	1
H27	2-00-03702	Washer, .625 x .281 x .063	1
H72	2-00-00518	Lock Washer, Helical Spring	1
H100	2-00-03062	Screw, #10-24 x .625 THM	3

C1782/9805

# HOPPER THERMO-SENSOR SHUTDOWN OPTION - EXPLODED VIEW



## BACK-UP ALARM OPTION - PARTS LIST

---

### OPTION NO. 0780-439

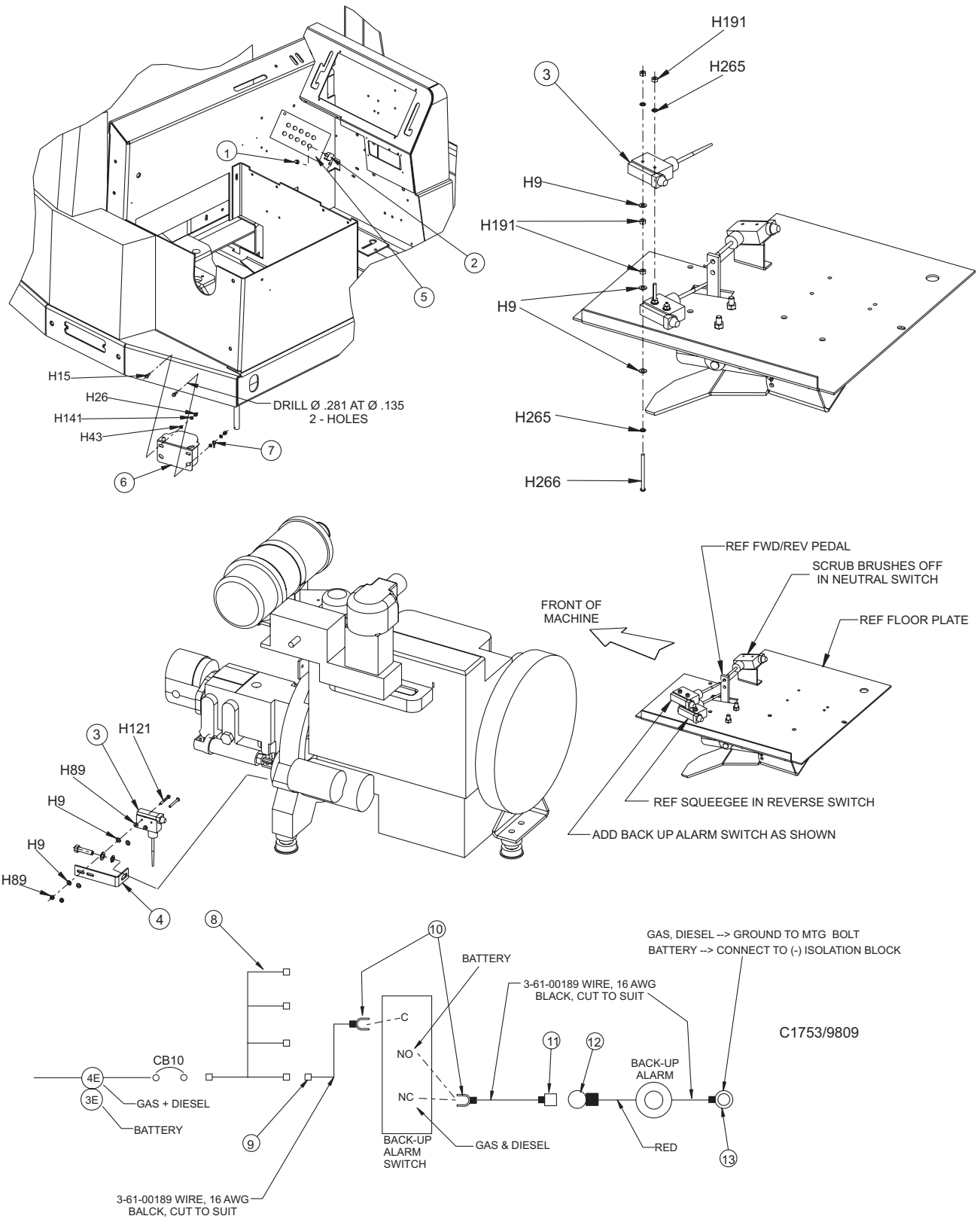
<u>KEY NO.</u>	<u>PART NUMBER</u>	<u>DESCRIPTION</u>	<u>QTY.</u>
1	8-11-00044	Cap, Instrument Panel (Boot)	1
2	8-64-00008	Circuit Breaker 15 Amp, (Gas, LP, Diesel)	1
2	8-64-00007	Circuit Breaker, 10 Amp, (Battery)	1
3	8-82-00058	Switch	2
4	8-08-02040	Bracket	1
5	7-52-00148	Panel-Circuit Breaker	Ref.
6	8-32-09009	Back-Up Alarm	1
7	2-00-00828	Ring Terminal	1
8	8-90-07434	Wing Wire	1
9	8-11-00015	Terminal	1
10	2-00-04742	Terminal	2
11	2-00-04626	Terminal	1
12	2-00-04578	Terminal Male Bullet	1
13	2-00-00828	Ring Terminal	

### HARDWARE USED:

H9	2-00-00426	Flat Washer, .500 x .219 x .063	7
H15	2-00-00221	Screw, 1/4-20 x .750 HHC	2
H26	2-00-00641	Nut, 1/4-20 Insert Fiber	2
H43	2-00-00409	Flat Washer, .687 x .344 x .062	2
H89	2-00-01372	Nut, Insert Fiber, #8-32 Steel	4
H121	2-00-00090	Screw, #8-32 x 1.500 RHM	2
H141	2-00-00501	Washer, Internal Lock	2
H191	2-00-00602	Nut, MSCR-Hex, 8-32	4
H265	2-00-00506	Lock Washer, Int Tooth #8 Dia Screw	3
H266	2-00-05371	Screw-RHM #8-32 x 2.38	1

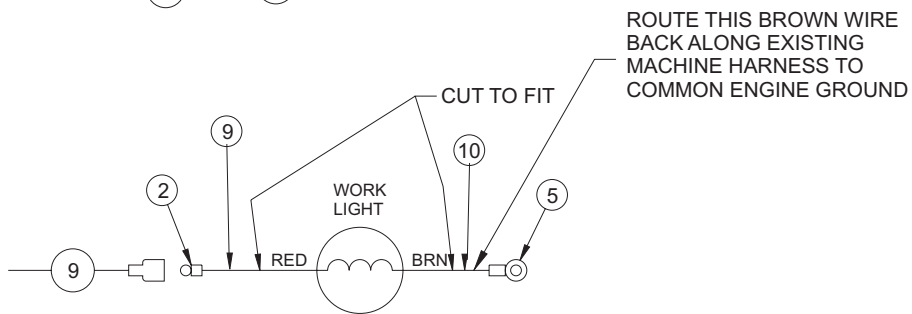
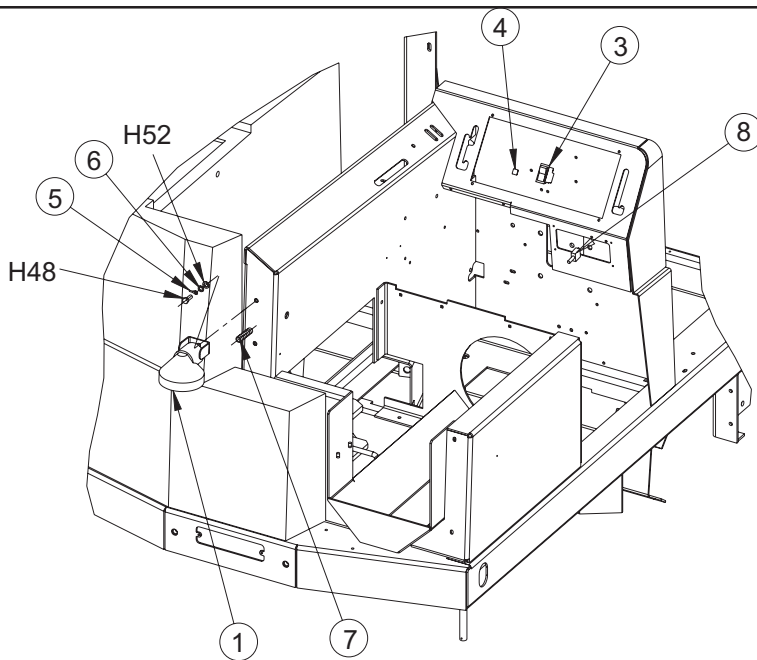
C1753/9805

# BACK-UP ALARM OPTION - EXPLODED VIEW





# REAR WORK LIGHT OPTION



C1744/9709

## OPTION NO. 0780-437

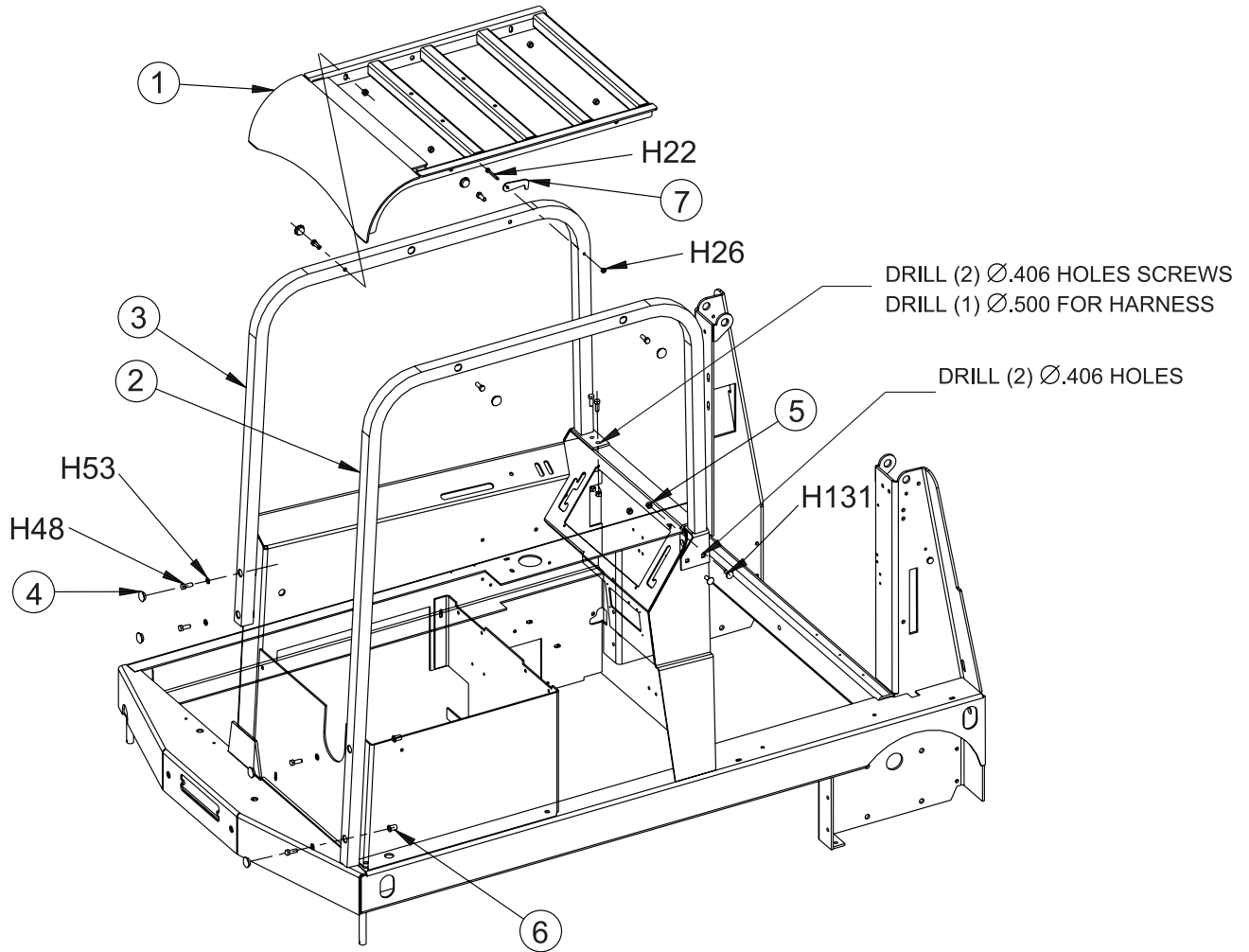
KEY NO.	PART NUMBER	DESCRIPTION	QTY.
1	8-40-05022	Light 12V (Gas, Diesel, LP)	1
1	8-40-05024	Light 36V (Battery)	1
2	2-00-04578	Terminal	1
3	8-82-00059	Switch	1
4	2-00-03418	Terminal- .25 FISO	1
5	2-00-05048	Ring Terminal .38 (Gas, Diesel, LP)	1
5	2-00-00828	Ring Terminal .25 (Battery)	1
6	2-00-02303	Washer, Internal Lock	1
7	2-00-04626	Terminal- .156 Female Bullet	1
9	3-61-00193	Wire, 16 Gauge Red	-
10	3-61-00192	Wire, 16 Gauge Brown	-

### HARDWARE USED:

H48	2-00-00233	Screw, 3/8-16 x 1.000 HHC	1
H52	2-00-00402	Flat Washer, .750 x .390 x .094	1

C1744/9805

# OVERHEAD GUARD OPTION



C1696/9809

## OPTION NO. 0780-417

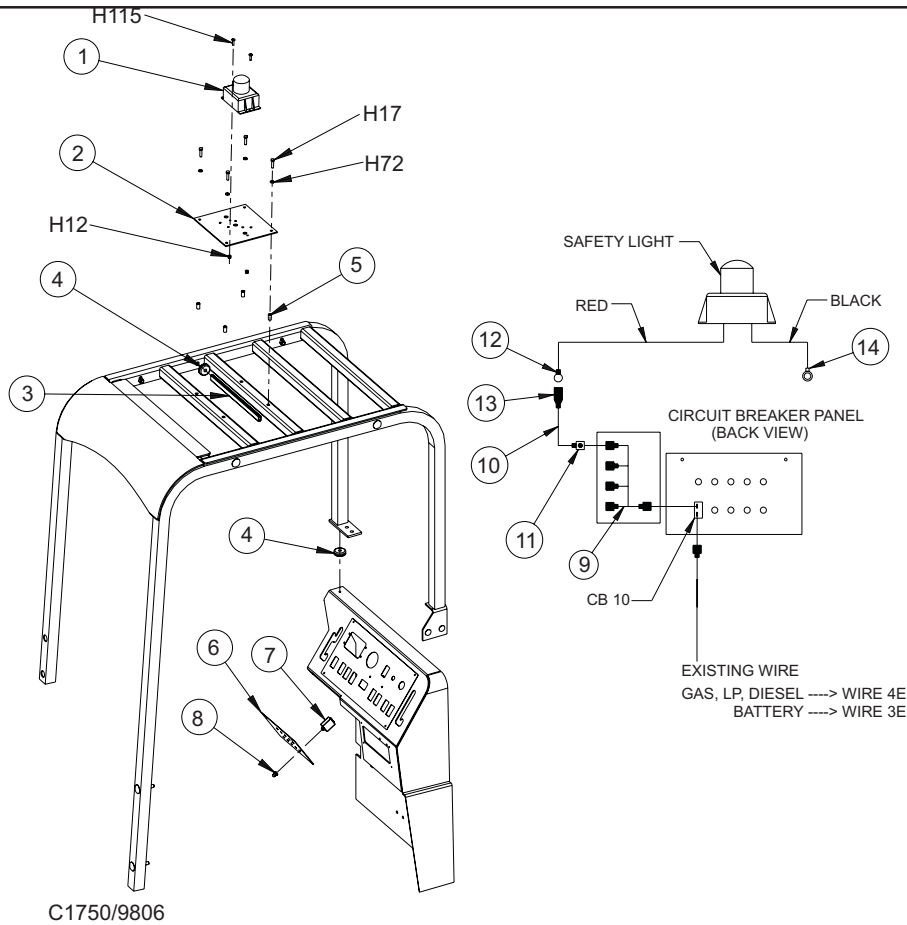
<u>KEY NO.</u>	<u>PART NUMBER</u>	<u>DESCRIPTION</u>	<u>QTY.</u>
1	8-30-05174	Overhead Guard Top Weld	1
2	7-81-00200	Overhead Guard Leg Weld - RH	1
3	7-81-00199	Overhead Guard Leg Weld - LH	1
4	2-00-05134	Plug Button	8
5	2-95-04182	Fibre Nut	8
6	2-00-05347	THD Insert - 3/8	2
7	7-41-00037	Latch - Engine Cover	1

### HARDWARE USED:

H22	2-00-02589	Screw, 1/4-20 x 2.000 HHC	1
H26	2-00-00641	Nut, 1/4-20 Insert Fiber	1
H48	2-00-00233	Screw, 3/8-16 x 1.000 HHC	10
H53	2-00-02310	Lock Washer, Helical Spring 3/8 Med.	4
H131	2-00-03855	Carriage bolt, 3/8-16 x 1.000	2

C1696/9809

# AMBER SAFETY LIGHT OPTION WITH OVERHEAD GUARD

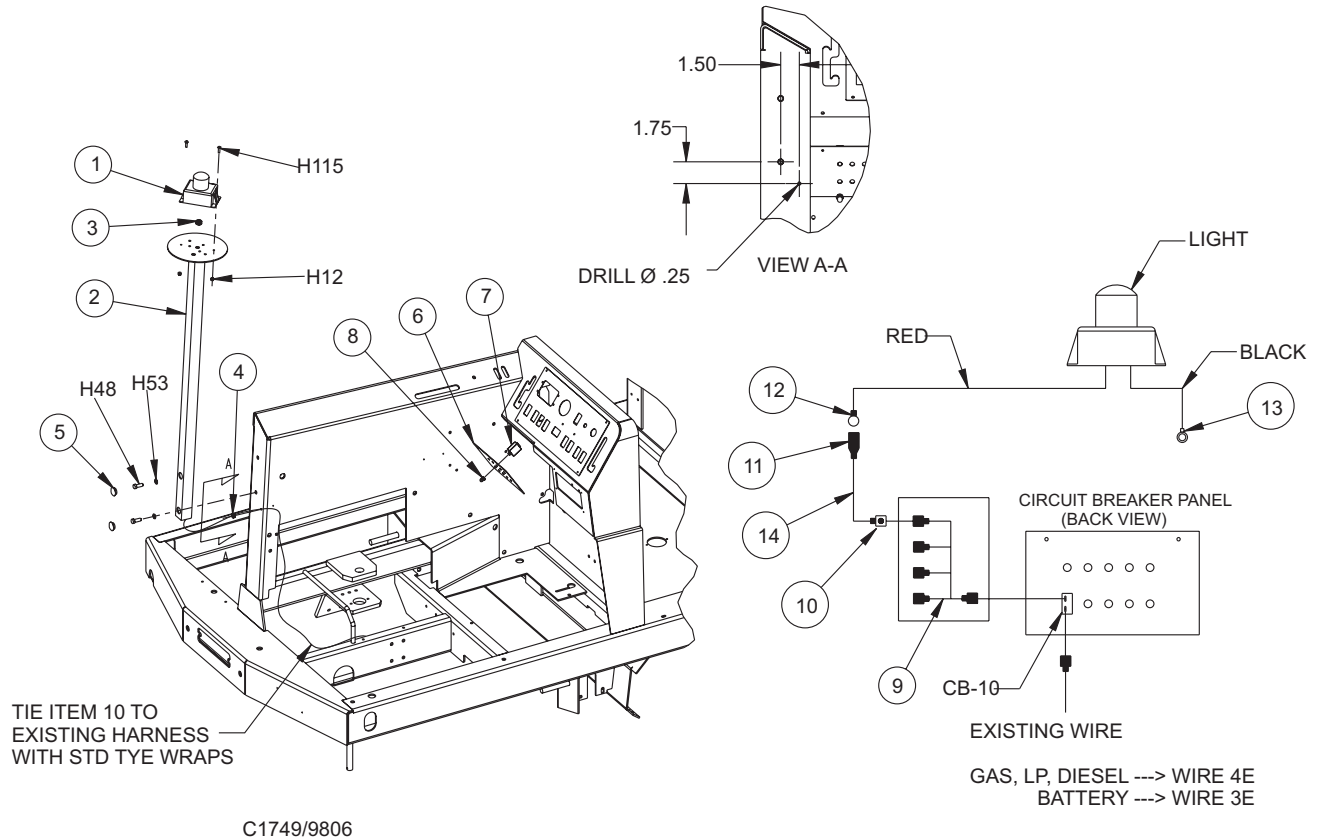


## OPTION NO. 0780-436

<u>KEY NO.</u>	<u>PART NUMBER</u>	<u>DESCRIPTION</u>	<u>QTY.</u>
1	8-40-05036	Amber Strobe	1
	8-40-05020	Red Strobe	1
2	8-58-05228	Panel, Light support	1
3	8-20-06036	Duct, Wire	1
4	2-00-01915	Grommet	2
5	2-00-05261	Threaded Insert	4
6	7-52-00148	Panel, Circuit Breaker	Ref.
7	8-64-00008	Circuit Breaker, 15 AMP	1
8	8-11-00044	Cap, Boot	1
9	8-90-07434	Wing Wire	1
10	3-61-00193	Wire, 16 AWG Red	7.5'
11	8-11-00015	Terminal	2
12	2-00-04578	Terminal	2
13	2-00-04626	Terminal	1
14	2-00-04281	Terminal	1
<b><u>HARDWARE USED:</u></b>			
H12	2-00-01246	Nut, Hex Fiber Insert #10-24	2
H17	2-00-00205	Screw, 1/4-20 x 1.000 HHC	4
H72	2-00-00518	Lock Washer, Helical Spring	4
H115	2-00-03063	Screw, #10-24 x .750 THM	2

C1750/9709

## AMBER SAFETY LIGHT OPTION WITHOUT OVERHEAD GUARD



### OPTION NO. 0780-444

<u>KEY NO.</u>	<u>PART NUMBER</u>	<u>DESCRIPTION</u>	<u>QTY.</u>
1	8-40-05036	Amber Strobe - 12 - 48 VDC	1
2	7-81-00204	Support, Warning Light	1
3	2-00-00491	Grommet	1
4	2-00-04200	Grommet	1
5	2-00-05134	Plug Button	3
6	7-52-00148	Panel, Circuit Breaker	Ref.
7	8-64-00008	Circuit Breaker, 15 AMP	1
8	8-11-00044	Cap, Instrument Panel Boot	1
9	8-90-07434	Wing Wire	1
10	8-11-00015	Terminal	1
11	2-00-04626	Terminal	2
12	2-00-04578	Terminal	2
13	2-00-04281	Terminal #10 Ring	1
14	3-61-00193	Wire, 16 AWG Red.	15'
15	2-00-04345	Tye-Rap	*

\*As Needed

#### HARDWARE USED:

H12	2-00-01246	Nut, Hex Fiber Insert #10-24	2
H48	2-00-00233	Screw, 3/8-15 x 1.000 HHC	2
H53	2-00-02310	Lock Washer, Helical Spring 3/8 Med.	2
H115	2-00-03063	Screw, #10-24 x .750 THM	2

C1749/9709

## ESP/AUTOFIL OPTION - PARTS LIST

---

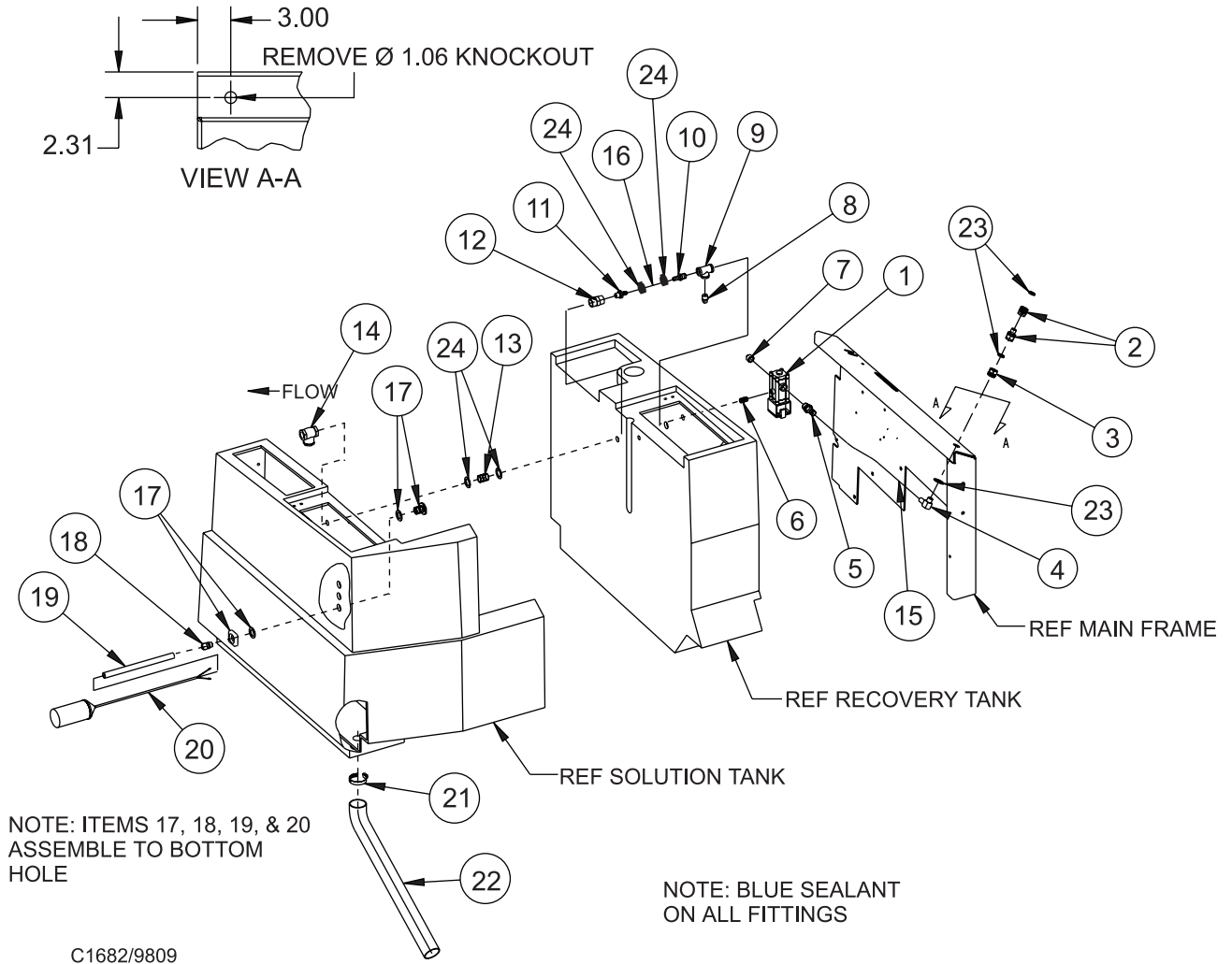
<u>KEY NO.</u>	<u>PART NUMBER</u>	<u>DESCRIPTION</u>	<u>QTY.</u>
1	7-88-00078	Valve - Autofil	1
2	7-25-02087	Connector - Quick Disconnect	1
3	7-25-02088	Coupling	1
4	7-25-02053	Fitting - 90° ¾ Tube	1
5	7-25-02012	Fitting - Hose to ¾-14 NPT	1
6	2-95-02516	Nipple - ½ NPT Close	1
7	2-00-02475	Plug - ¾ NPT	1
8	7-25-02090	Plug - Oriface	1
9	2-95-02537	Fitting - Tee ½ NPT	1
10	2-00-04722	Fitting - ½ NPT - ½ Hose	1
11	2-00-05342	Fitting - ¾ NPT - ½ Hose	1
12	2-00-04736	Coupling - ¾ NPT	1
13	2-95-02518	Nipple - ¾ Close	1
14	7-88-00031	Check Valve	1
15	7-33-02371	Hose - ¾ x 14" LG	1
16	7-33-02360	Hose - ½ x 8" LG	1
17	7-09-01124	Bushing - Bulkhead Fitting	Ref.
18	7-09-01122	Bushing	Ref.
19	7-87-02188	Tube - Float Switch	Ref.
20	0775-217	Solution Float (Yellow)	Ref.
21	2-00-02217	Hose Clamp	1
22	7-87-02153	Drain Tube	1
23	2-95-03047	Washer	3
24	2-00-04345	Ty-Rap	2

### HARDWARE USED:

H308	2-00-05388	Sealing Washer 46/53 ESP OPT	1
------	------------	------------------------------	---

C1682/9907

ESP/AUTOFIL OPTION - EXPLODED VIEW



C1682/9809

## ESP/AUTOFIL OPTION cont. - PARTS LIST

---

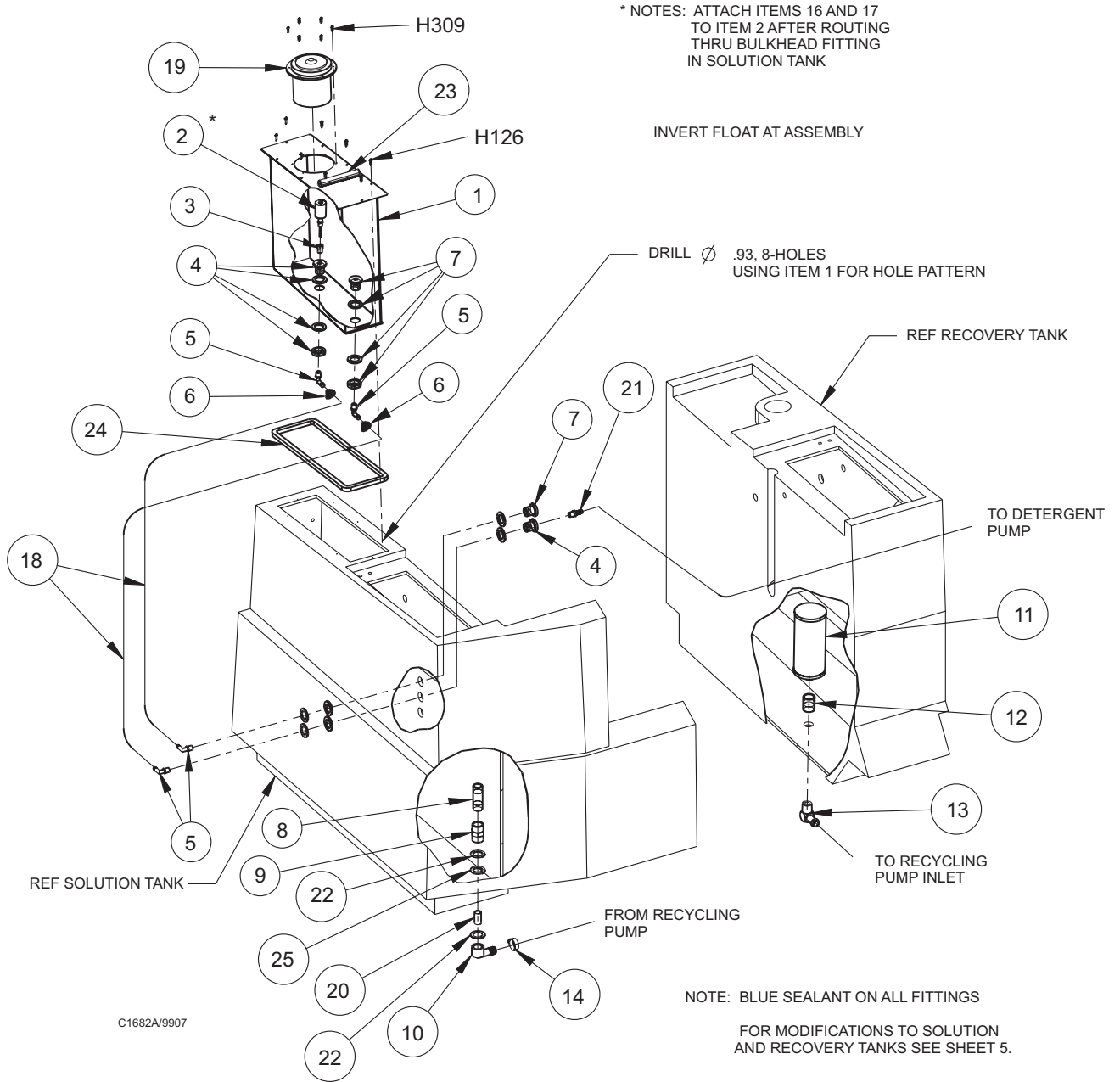
<u>KEY NO.</u>	<u>PART NUMBER</u>	<u>DESCRIPTION</u>	<u>QTY.</u>
1	7-83-04172	Tank, Detergent	1
2	7-82-00017	Float	1
3	2-00-05003	Fitting, Reducer	1
4	7-25-02080	Fitting, Bulkhead (Det. Float)	2
5	2-00-04654	Fitting 90°	4
6	7-13-07084	Clamp, Hose	2
7	2-00-05346	Fitting, Bulkhead (Det. Tank)	2
8	2-95-04267	Nipple, 3/4 NPT x 3.0" LG	1
9	2-00-04736	Coupling, 3/4 NPT	1
10	2-00-05132	Fitting, 90 ° 3/4 NPT 1/4 Tube	1
11	7-24-04027	Filter	1
12	7-25-02089	Coupling, 3/4 NPT (PVC)	1
13	7-25-02038	Fitting, 90°	1
14	2-00-02220	Clamp, Hose	1
15			
16	2-00-04551	Terminal, .156 Male Bullet	1
17	2-00-04584	Terminal, .156 Female Bullet	1
18	7-33-02372	Hose, .25 ID x18" LG	2
19	7-11-00031	Filter Assembly	1
20	2-00-05131	Nipple	1
21	2-74-00001	Fitting - Plastic	1
22	2-95-03047	Washer	1
23	3-73-00060	Bumper	5"

### HARDWARE USED:

H126	2-00-03466	Screw, #10-16 x .500	8
H309	2-00-01081		6

C1682a/9907

# ESP/AUTOFIL OPTION cont. - EXPLODED VIEW





## ESP/AUTOFIL OPTION cont. - PARTS LIST

<u>KEY NO.</u>	<u>PART NUMBER</u>	<u>DESCRIPTION</u>	<u>QTY.</u>
1	7-60-05031	Detergent Pump	1
2	8-75-01207	Spacer	2
3*	7-60-05025	Recycling Pump	1
4			
5			
6	8-08-00845	Bracket	1
7	7-23-03056	Nut, Special	1
8	8-82-00058	Switch	2
9	2-00-05396	Fitting	1
10	2-00-03407	Hose Clamp	2
11	2-00-05412	Reducer Connector	2
12	7-33-02370	Hose - .75 ID x 50" LG	2
13	7-33-02368	Hose - .25 ID x 18" LG	1
14	7-33-02367	Hose - .25 ID x 30" LG	1
15#	7-33-02387	Hose- .75 ID x 72" LG	1

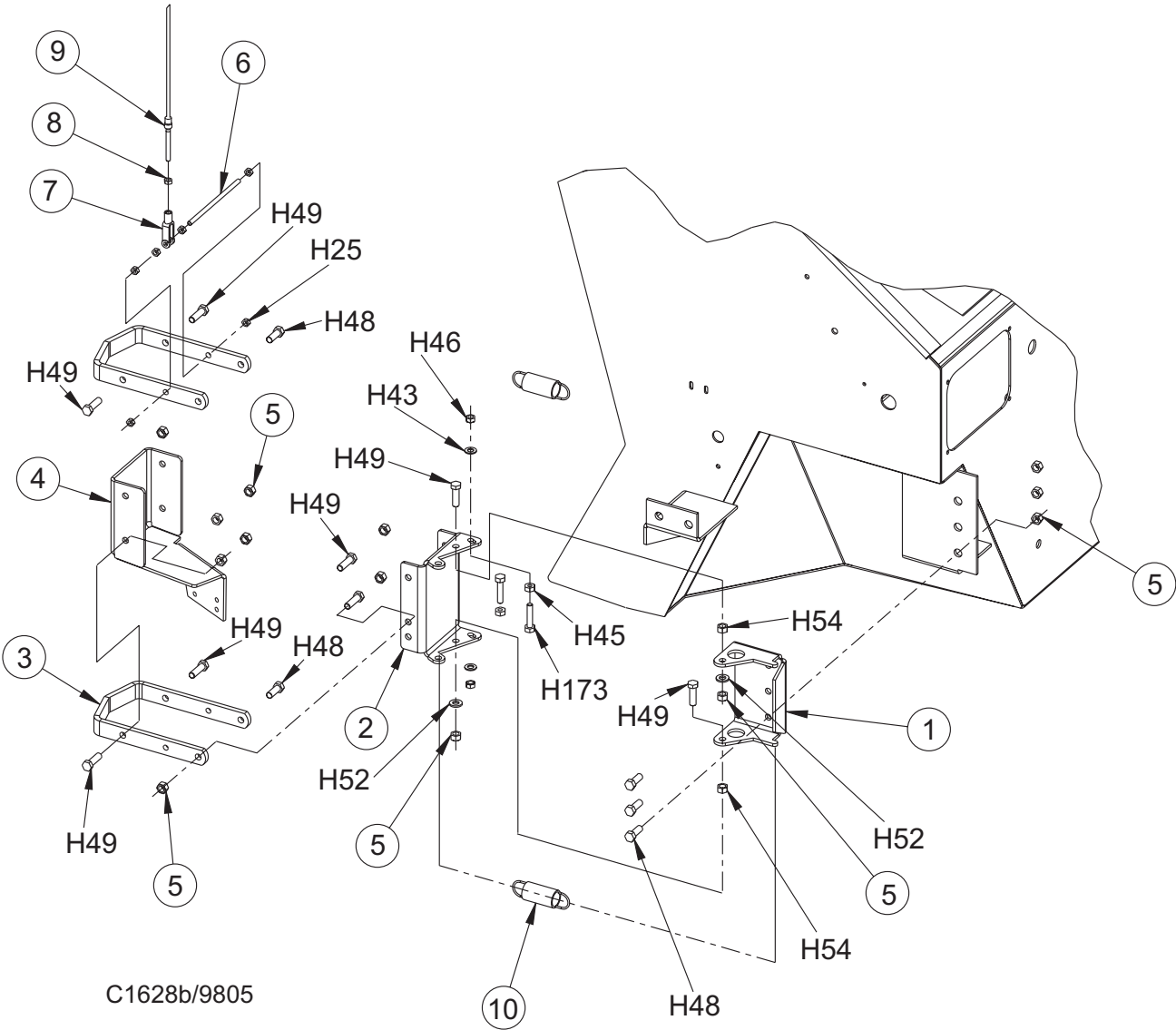
### HARDWARE USED:

H8	2-00-00039	Screw, #10-24 x 1.000 RHM	4
H9	2-00-00426	Flat Washer, .500 x .219 x .063	8
H12	2-00-01246	Nut, Hex Fiber Insert #10-24	6
H15	2-00-00221	Screw, 1/4-20 x .750 HHC	2
H19	2-00-02587	Screw, 1/4-20 x 1.250 HHC	2
H25	2-00-00594	Nut, Hex 1/4-20 x .437 x .218	2
H26	2-00-00641	Nut, 1/4-20 Insert Fiber	4
H27	2-00-03702	Washer, .625 x .281 x .063	2
H45	2-00-00585	Nut, Hex 5/16-18 x .500 x .265	1
H191	2-00-00602	Nut, MSCR - hex 8-32	2
H231#	2-00-02933	Screw, Mach. 10-24 x 3.50	2
H255#	2-00-00227	Screw-HHC .313-18 x 2.25	1
H265#	2-00-00506	Lock Washer, Int Tooth #8 Dia Screw	2
H266#	2-00-05371	Screw-RHM #8-32 x 2.38	2

\* Gas & Diesel Only

# Battery Only

C1682b/9907



C1628b/9805

**ESP/ AUTOFIL WIRING - GAS/DIESEL - PARTS LIST**

---

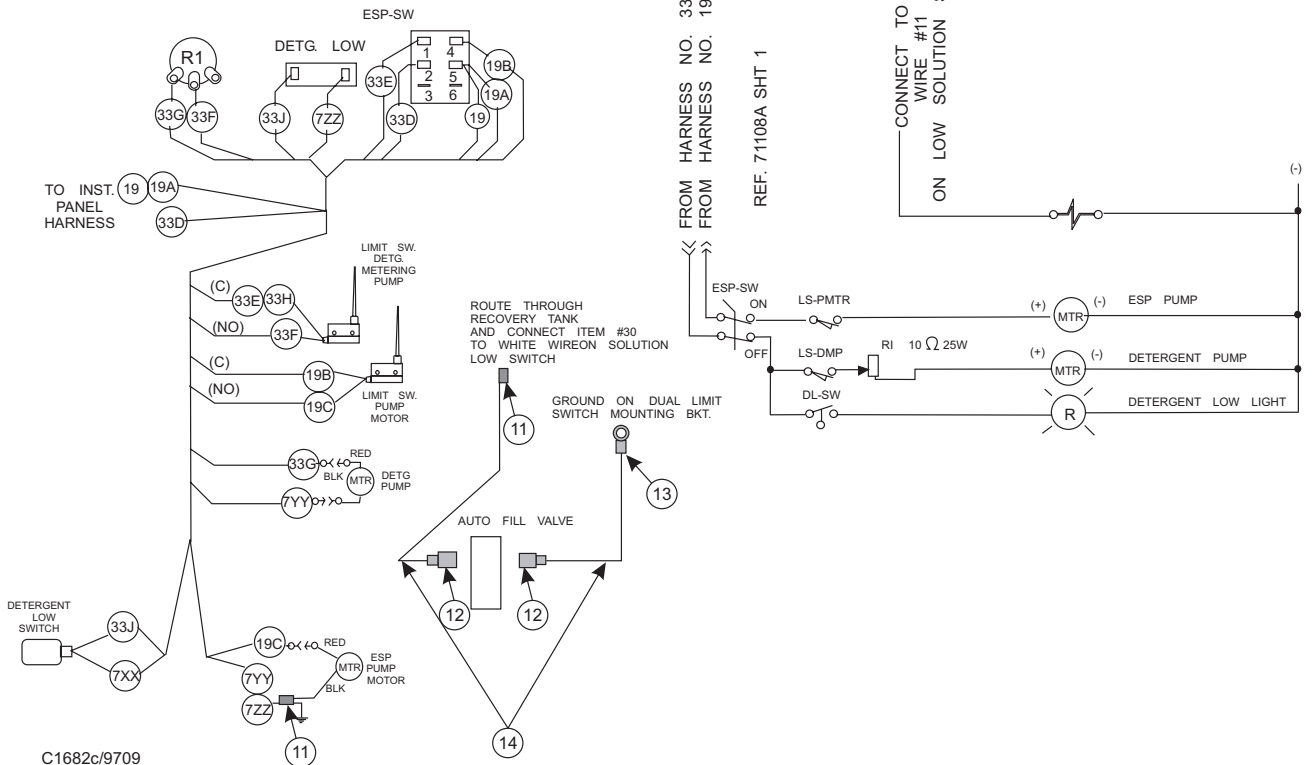
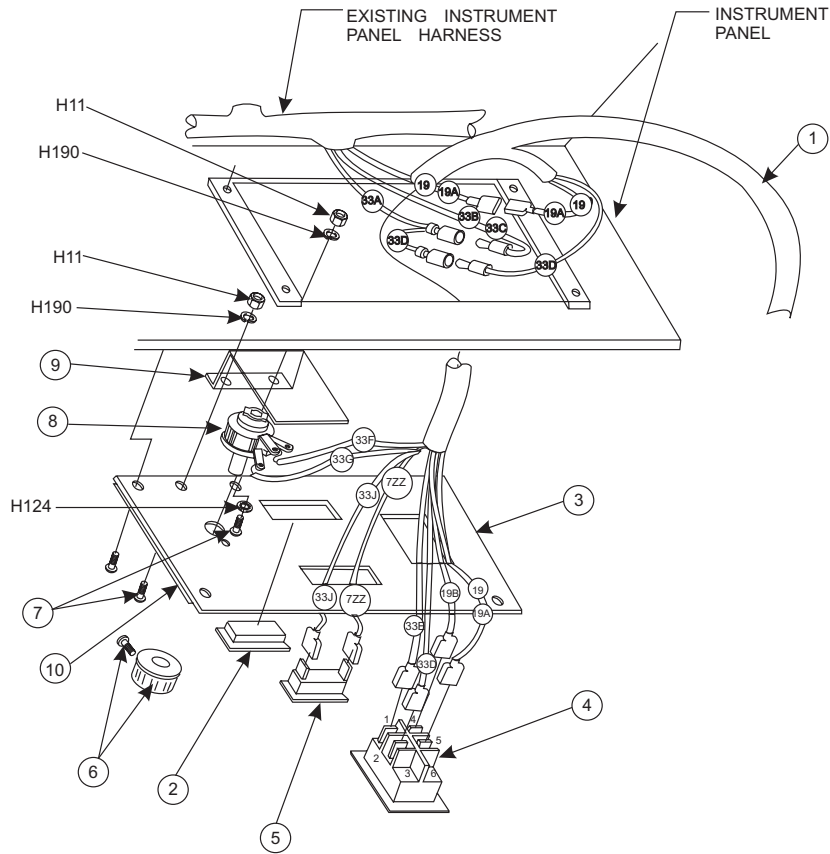
<u>KEY NO.</u>	<u>PART NUMBER</u>	<u>DESCRIPTION</u>	<u>QTY.</u>
1	0795-122	ESP Wiring Harness	1
2		Hole Plug	1
3	7-52-00082	ESP instrument Panel	1
4	7-82-00022	Switch, On/Off DPS	1
5	7-40-05028	Light	2
6	7-39-00021	Knob	1
7	2-00-03059	Screw. #10 - 24 x .375 RHM	2
8	8-11-00015	Terminal, .250 FISO	2
9	7-30-05057	Guard, Rheostat	1
10	7-18-00136	Decall, Detergent Flow	1

**HARDWARE USED:**

H11	2-00-00605	Nut, Hex MS #10 - 24 THDS	2
H124	2-00-02296	Lock Washer, #10 Ext.	2
H190	2-00-00529	Lock Washer, Helical Spring #8 Med.	2

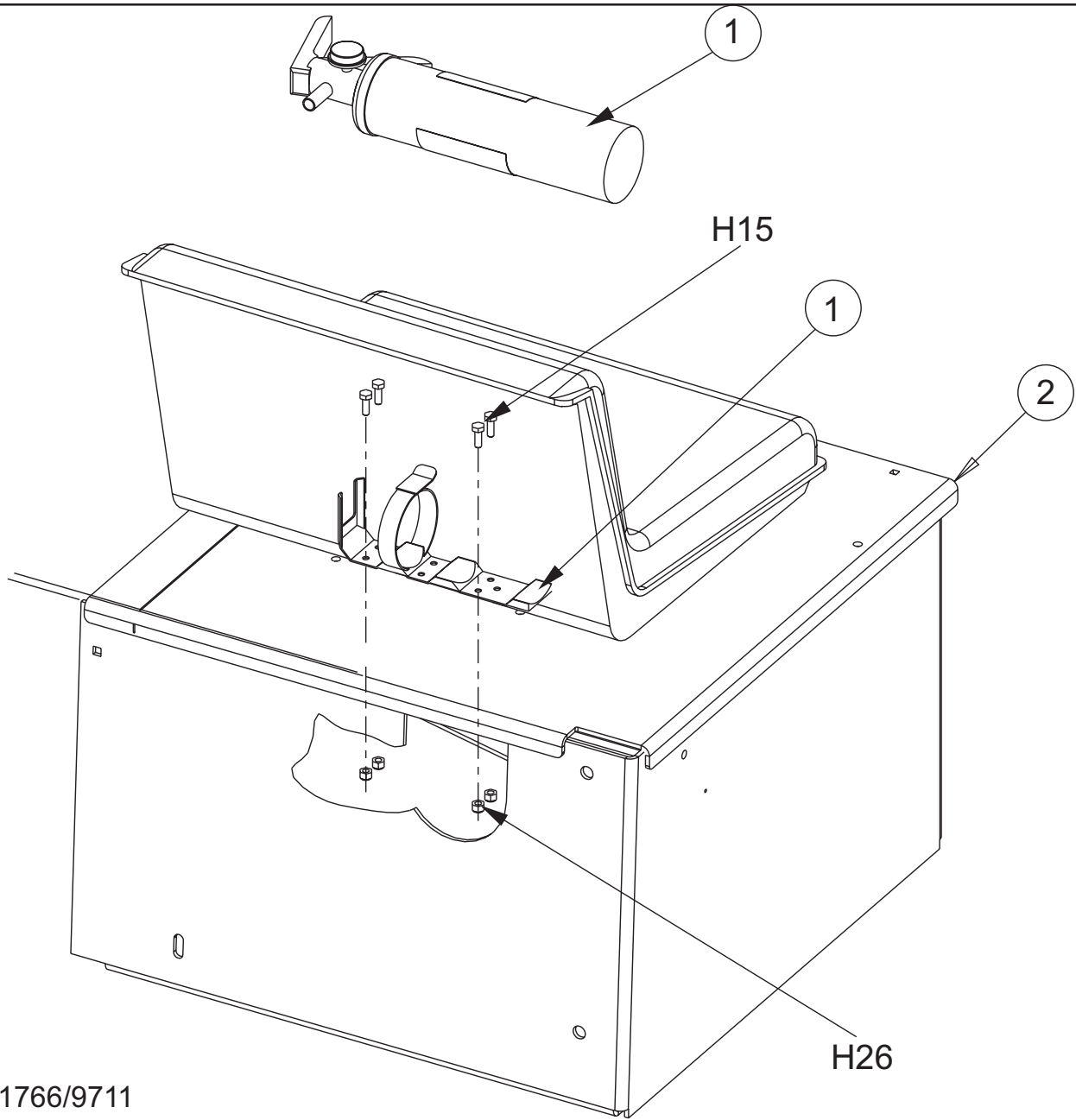
C1682c/9709

# ESP/ AUTOFIL WIRING - GAS/DIESEL - EXPLODED VIEW



C1682c/9709

**FIRE EXTINGUISHER**



C1766/9711

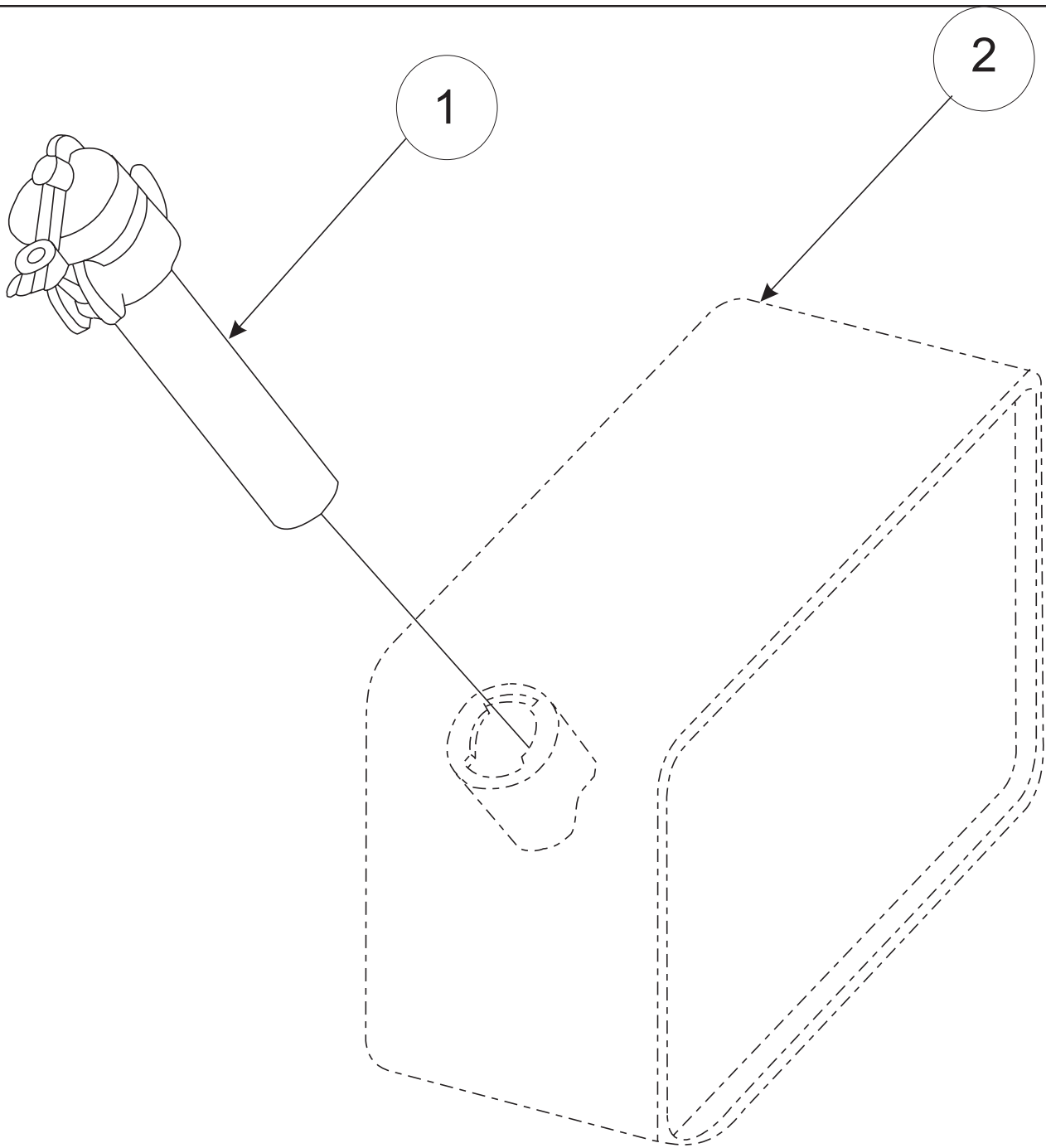
<u>KEY NO.</u>	<u>PART NUMBER</u>	<u>DESCRIPTION</u>	<u>QTY.</u>
1	8-83-04033	Fire Extinguisher	1
2	8-52-00186	Panel-Seat MTG	1

**HARDWARE USED:**

H15	2-00-00221	Screw, 1/4-20 X .750 HHC	4
H26	2-00-00641	Nut, 1/4-20 Insert Fiber	4

C1766/9711

# FLAME ARRESTING GAS CAP



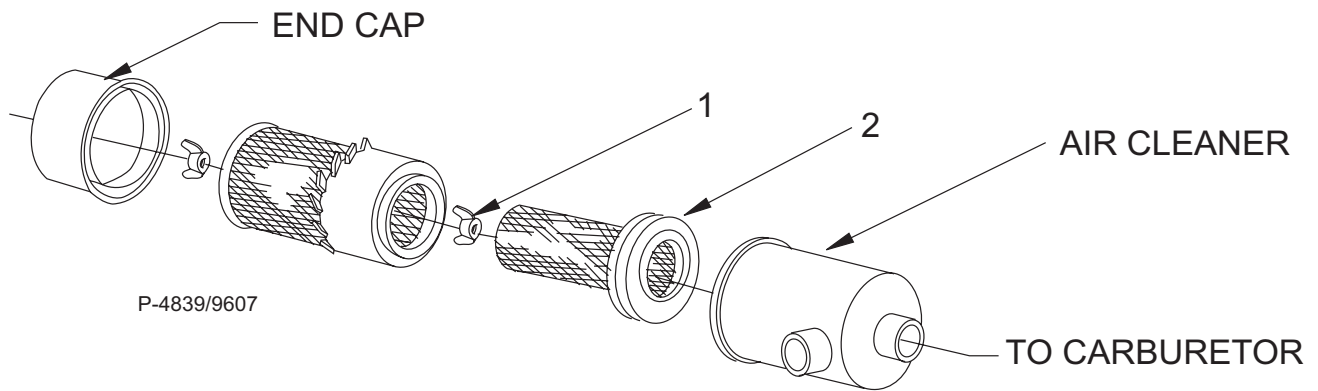
P4875-1/9704

<u>KEY NO.</u>	<u>PART NUMBER</u>	<u>DESCRIPTION</u>	<u>QTY.</u>
1	8-11-00024	Flame Arresting Gas Cap	1
2	8-83-04022	Fuel Tank with Gauge	1

P4875-1/9704

# HEAVY DUTY AIR CLEANER OPTION

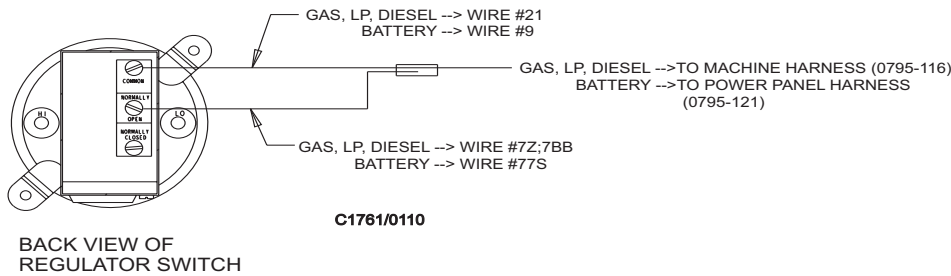
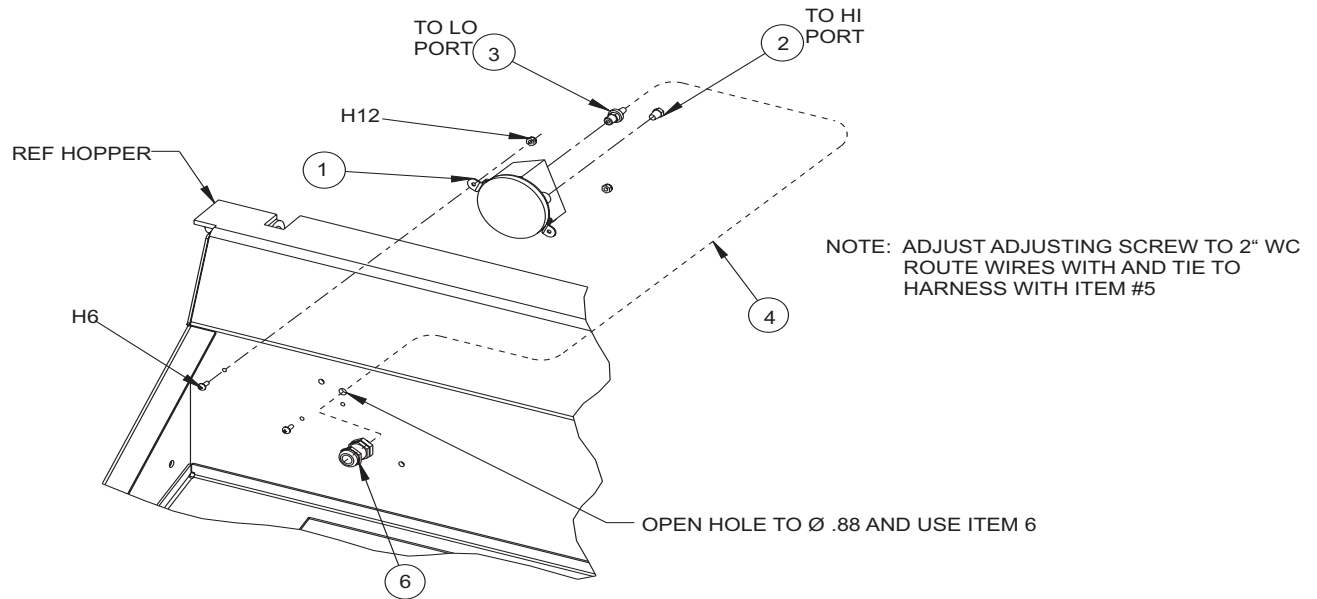
---



<u>KEY NO.</u>	<u>PART NUMBER</u>	<u>DESCRIPTION</u>	<u>QTY.</u>
1	8-23-03064	Wing Nut Assembly	1
2	8-24-04111	Filter Element	1

P4839/9607

# CLOGGED FILTER OPTION



KEY NO.	PART NUMBER	DESCRIPTION	QTY.
1	8-63-05008	Switch, Pressure Dif.	1
2	8-24-04075	Filter Plug	1
3	2-00-04518	Fitting, 1/8 NPT - 1/4 Tube	1
4	7-87-02155	Hose, 3/8 - 9"LG	1
5	2-00-04345	Tye-Raps	10
6	8-09-01083	Grommet	1

### HARDWARE USED:

H6	2-00-00049	Screw, #10-24 x .500 RHM	2
H12	2-00-01246	Nut, Hex Fiber Insert # 10 - 24	2

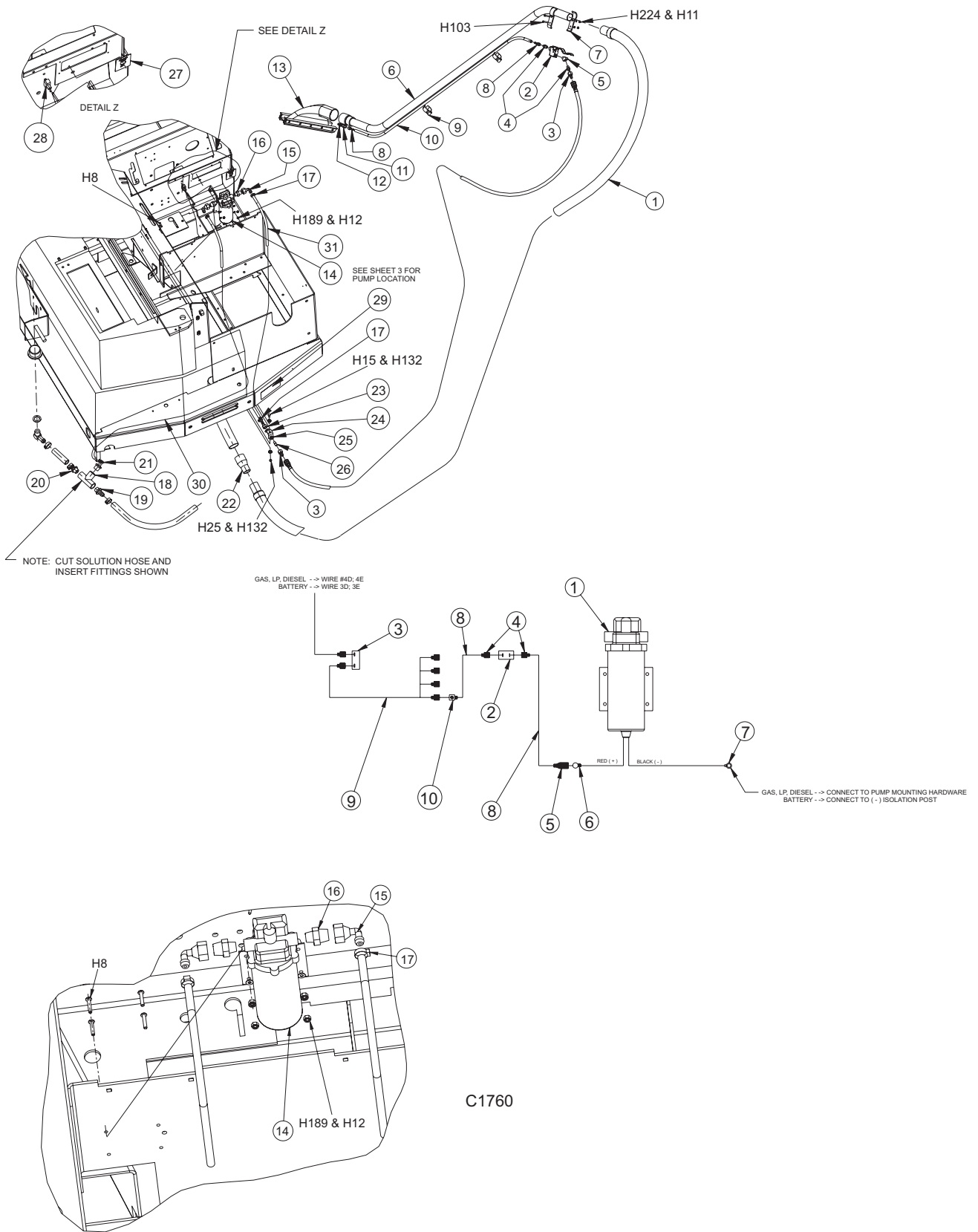
C1761/0111



## SPRAY WAND OPTION - PARTS LIST

<u>KEY NO.</u>	<u>PART NUMBER</u>	<u>DESCRIPTION</u>	<u>QTY.</u>
1	0261-029	Hose Assembly	1
2	7-88-00058	Valve - Solution(1/4 NPT)	1
3	7-16-05028	Coupling, Quick Disconnect	2
4	2-00-05206	Reducer	2
5	8-56-05026	45° Street Elbow	1
6	0261-025	Wand Assembly	1
7	7-13-07139	Clamp Valve	2
8	2-00-05207	Adapter	2
9	7-13-07140	Clamp Hose	5
10	7-33-02306	Solution Feed Hose	1
11	2-00-05208	Adapter	1
12	7-50-01002	Spray Nozzle	1
13	0261-024	Squeegee Toll Assembly	1
14	7-60-05022	Water Pump (12VDC) Gas, LP, Diesel	1
14	7-60-05017	Water Pump (36 VDC) Battery	1
15	7-25-02073	Fitting, 90° Elbow	2
16	7-03-00047	Adapter	2
17	2-95-04388	Hose Clamp	5
18	7-25-02037	Tee (3/4 important)	1
19	7-25-02052	Fitting Straight	2
20	2-00-02037	Hose Clamp	3
21	2-00-04655	Fitting, 90° Elbow	1
22	7-03-00044	Hose Adapter	1
23	2-00-05211	Adapter	1
24	7-08-00769	Bracket, Hose Connection	1
25	2-00-00415	Washer	2
26	2-00-03875	Pipe Nipple, Close	1
27	7-18-00217	Decal	1
28	2-00-03499	Switch	1
29	7-18-00121	Decal - Warning	1
30	3-71-03025	Hose - 3/8" Clear	3'
31	3-71-00081	Hose	5'
32	7-60-05022	Water Pump (12 VDC) Gas, Diesel, LP	Ref.
33	7-60-05017	Pump (36VDC) Battery	Ref.
34	2-00-03499	Switch, Toggle	Ref.
35	8-64-00008	Circuit Breaker	1
36	2-00-03418	Terminal, .25 FISO	3
37	2-00-04626	Terminal, .156 Fem. Bullet	1
38	2-00-04578	Terminal, .156 Male Bullet	1
39	2-00-04281	Terminal, #10 Ring, Gas, Diesel, LP	1
40	2-00-00828	Terminal, .25 Ring, Battery	1
41	3-61-00189	Wire, 16 AWG	-
42	8-90-07434	Wing Wire	1
43	8-11-00015	Terminal-.25 FISO Male	1
<b>HARDWARE USED:</b>			
H8	2-00-00039	Screw, 10-24 x 1.000 RHM	8
H11	2-00-00605	Nut, Hex MS # 10-24 x .375 x .125	2
H12	2-00-01246	Nut, Hex Fiber Insert #10-24	8
H15	2-00-00221	Screw, 1/4-20 x .750 HHC	1
H25	2-00-00594	Nut, Hex 1/4-20 x .437 x .218	1
H103	2-00-00089	Screw, 10-24 x 1.500 RHM	2
H132	2-00-00503	Lock Washer, 1/4 Ext	3
H189	2-00-00460	Flat Washer, .437 x .192 x .031-s	8
H224	2-00-04686	Lock Washer - Helical #10 Scr. Med. SST	2

# SPRAY WAND OPTION - EXPLODED VIEW



## WET SWEEP BYPASS/THERMO SENSOR OPTION - PARTS LIST

### OPTION NO. 0780-435

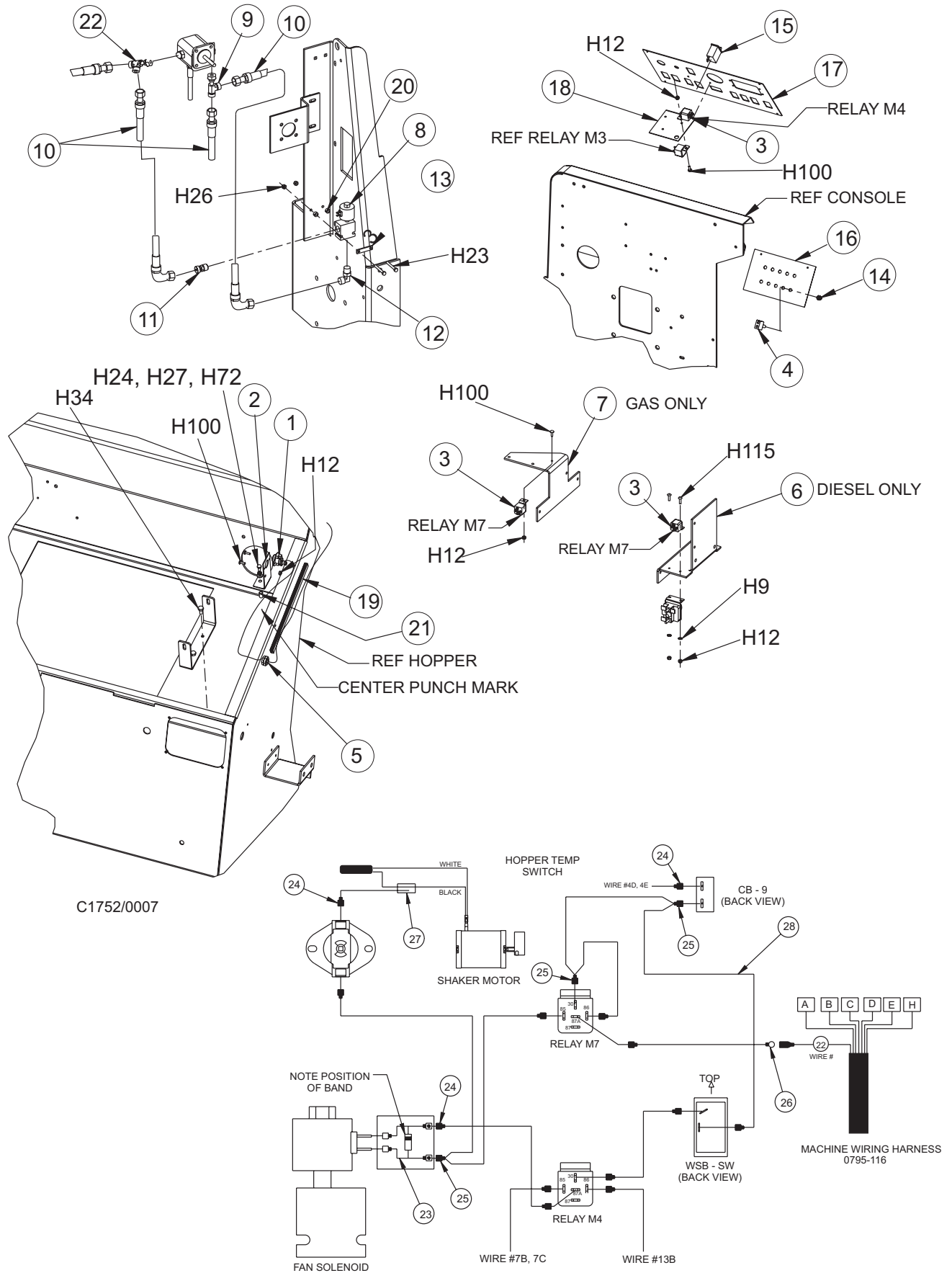
<u>KEY NO.</u>	<u>PART NUMBER</u>	<u>DESCRIPTION</u>	<u>QTY.</u>
1	8-82-00056	Switch - Thermostat	1
2	8-08-00803	Switch - Bracket	1
3	8-64-05009	Relay (M4; M7)	2
4	8-64-00008	Circuit Breaker 15A	1
5	8-09-01083	Bushing - Liq. Tight	Ref.
6	7-08-00823	Bracket - Air Filter	Ref.
7	8-08-00783	Bracket - Air Filter	Ref.
8	8-88-00042	Solenoid Valve	1
9	2-00-04928	Run Tee ORS 8x8x8	1
10	7-33-02327	Hose - #8ORS 0-90°, 15.25"	2
11	2-00-04970	Fitting - 8ORS - 8SAE, Straight	1
12	2-00-04885	Fitting - 90° Elbow, O-Ring	1
13	8-08-00590	Bracket	1
14	8-11-00044	Boot - Switch	1
15	8-82-00059	Switch - On/Off (SPST)	1
16	7-52-00147	Instrument Panel	Ref.
17	7-52-00148	Circuit Breaker Panel	Ref.
18	8-08-00838	Relay Panel	Ref.
19	7-20-06012	Duct - 6"	Ref.
20	7-15-01031	Spacers	2
21	2-00-05261	Threaded Insert	1
22	2-00-04924	Fitting - Tee	1
23	0875-177	Diode Assembly	1
24	2-00-03418	Terminal - .25 FISO	13
25	2-00-04708	Terminal - .25 FISO	3
26	2-00-04578	Terminal - .156 M Bullet	1
27	2-00-04479	Connector - 3-way	1
28	3-61-00189	Wire - 16 AWG, Black	35'

### HARDWARE USED:

H9	2-00-00426	Flat Washer, .500 x .219 x .063	2
H12	2-00-01246	Nut, Hex Fiber Insert #10-24	6
H23	2-00-01980	Screw, 1/4-20 x 2.500 HHC	2
H24	2-00-00220	Screw, 1/4-20 x .625 HHC	1
H26	2-00-00641	Nut, 1/4-20 Insert Fiber	2
H27	2-00-03702	Washer, .625 x .281 x .063	1
H34	2-00-00208	Screw, 5/16-18 x .750 HHC	Ref.
H72	2-00-00518	Lock Washer, Helical Spring	1
H100	2-00-03062	Screw, #10-24 x .625 THM	4
H115	2-00-03063	Screw, #10-24 x .750 THM	2

C1752/0007

# WET SWEEP BYPASS/THERMO SENSOR OPTION - EXPLODED VIEW



**LP OPTION - TANK ASSEMBLY - PARTS LIST**

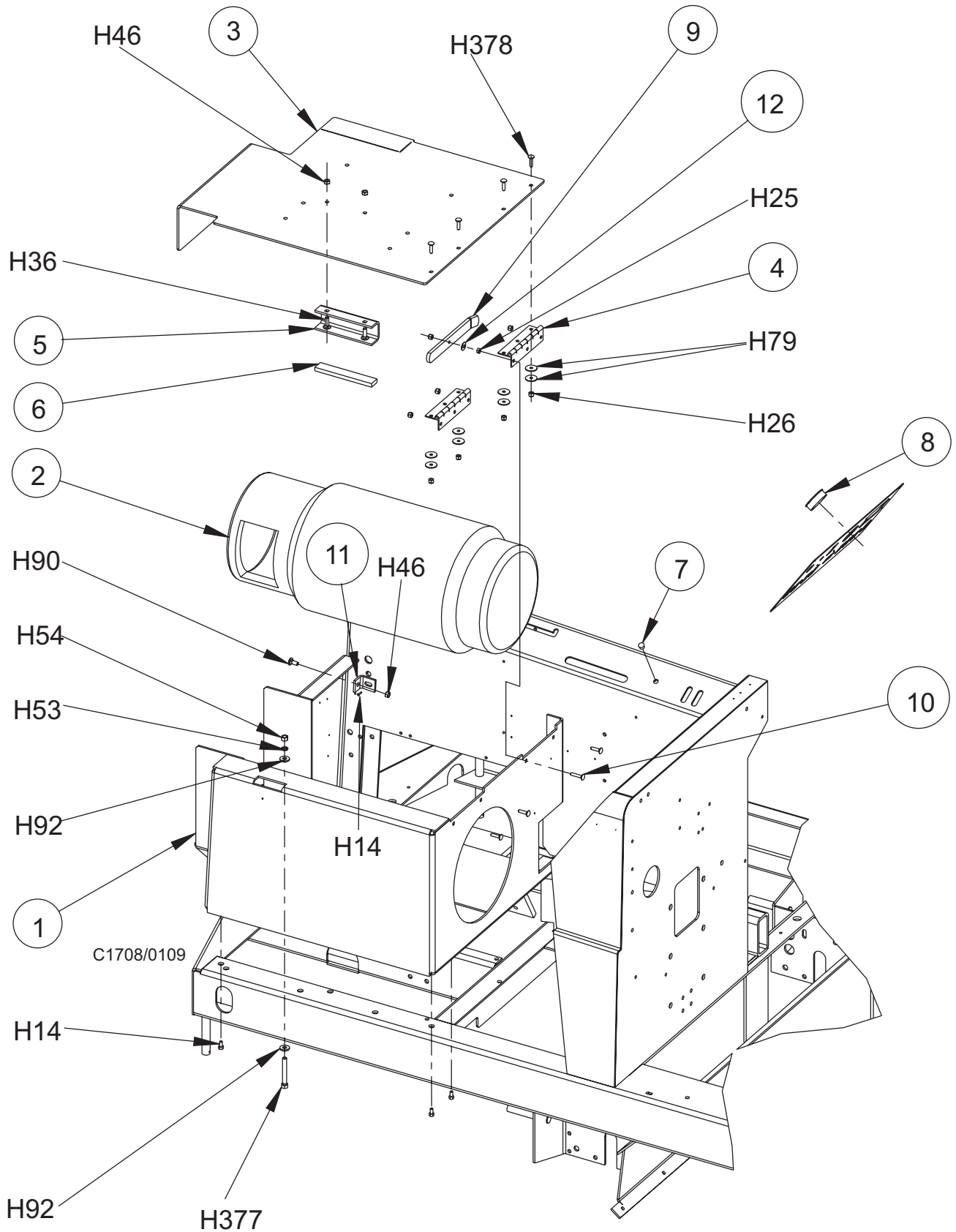
<u>KEY NO.</u>	<u>PART NUMBER</u>	<u>DESCRIPTION</u>	<u>QTY.</u>
1	7-33-05123	Housing, LP Seat	1
2	8-83-04016	LP, Tank	1
3	8-16-07372	Cover, LP Tank	1
4	8-32-00044	Hinge	Ref.
5	8-13-07146	Clamp, LP Tank	1
6	8-50-05061	Pad, LP Tank	1
7	2-00-05283	Plug Button	1
8	2-00-05281	Plug Button	1
9	8-41-00064	Stop, Seat Deck	Ref.
10	2-95-01951	Carriage Blot ¼ - 20 x ¼	1
11	8-08-00834	Bracket	1
12	7-23-03048	Spring Washer 5/16	Ref.

**HARDWARE USED:**

H14	2-00-00219	Screw, ¼ - 20 x .500 HHC	4
H25	2-00-00594	Nut, Hex ¼ - 20 x .437 x .218	Ref.
H26	2-00-00641	Nut Insert-Fibre .25-20	8
H36	2-00-00196	Carriage Bolt, 5/16 - 18 x .750	2
H46	2-00-00644	Nut, 5/16 - 18 Insert Fiber	3
H53	2-00-02310	Lock Washer, Helical Spring 3/8 Med.	1
H54	2-00-02360	Nut, 3/8 - 16 Hex	1
H79	2-00-01676	Flat Washer, 1.062 x .265 x .062'	8
H90	2-00-03569	Carriage Bolt, 5/16 - 18 x .750	1
H92	2-00-04801	Flat Washer, .875 x .375 x .125	2
H377	2-00-02711	Screw, ¾ - 16 x 2.750 HHM	1
H378	2-00-04190	Bolt Carriage .25-20 x .63	7

C1708/0109

LP OPTION - TANK ASSEMBLY - EXPLODED VIEW



**LP OPTION - REGULATOR/LOCK-OFF ASSEMBLY - PARTS LIST**

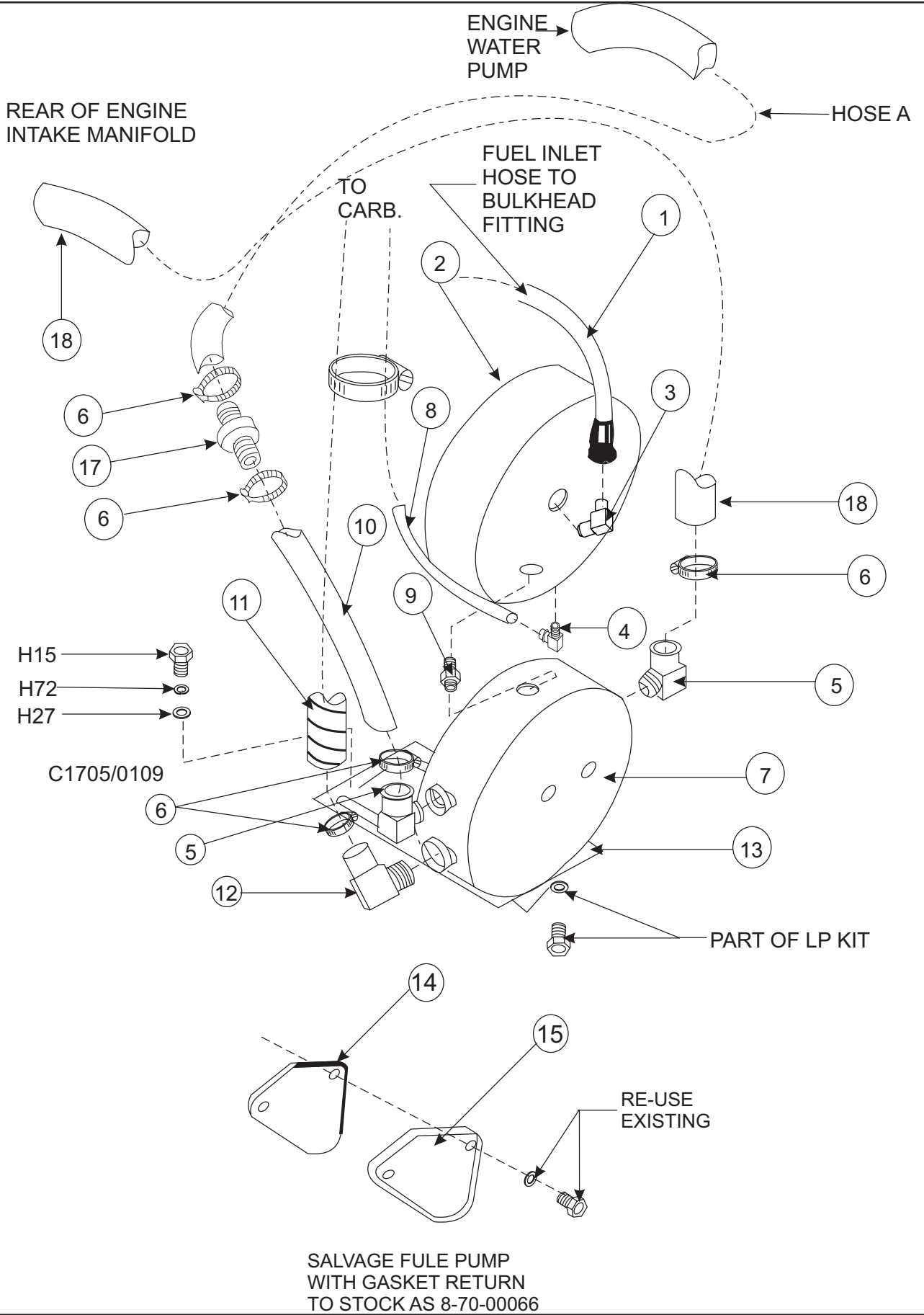
<u>KEY NO.</u>	<u>PART NUMBER</u>	<u>DESCRIPTION</u>	<u>QTY.</u>
1	N30-3001-58	Hose, LP Fuel from Bulkhead 116"Lg	1
2	2-60-02294	Vac. Fuelock Filter (Nolff N-VFF-30-2)	1
3	N2-1107	Fitting ¼ NPT x 3/8 SAE 90°	1
4	N2-1019	Fitting 1/8 NPT x 7/32 Hose 90°	1
5	N2-1306	Fitting 3/8 NPT x 5/8 Hose 90°	2
6	N3-0008	Hose Clamp ½ to 7/8	5
7	2-60-02293	Regulator - Vaporizer N-JB	1
8	N8-0007	Hose Vacuum 7/32 - 21" Lg.	1
9	N2-1109	Fitting ¼ x ¼ Hex NPT Nipple	1
10	N8-2200-1	Hose - Water 17.5" Long	1
11	N8-2200	Hose - Dry Gas 23" Long	1
12	N2-0021	Fitting 1/52 NPT x 5/8 Hose 90°	1
13	N5-0814	Bracket	1
14	N3-0020	Gasket Fuel Pump Cover Plate	1
15	N3-0019	Fuel Pump Cover Plate	1
16	0869-091	LPG Carburetor Assembly	1
17	2-00-05318	Fitting, 5/8 Hose x 5/8 Hose	1
18	N30-1002-1		

**HARDWARE USED:**

H15	2-00-00221	Screw, 1/4-20 x .750 HHC	2
H27	2-00-03702	Flat Washer, .625 x .281 x .063	2
H72	2-00-00518	Lock Washer, ¼ Helical Spring	2

C1705/9705

LP OPTION - REGULATOR/LOCK-OFF ASSEMBLY - EXPLODED VIEW





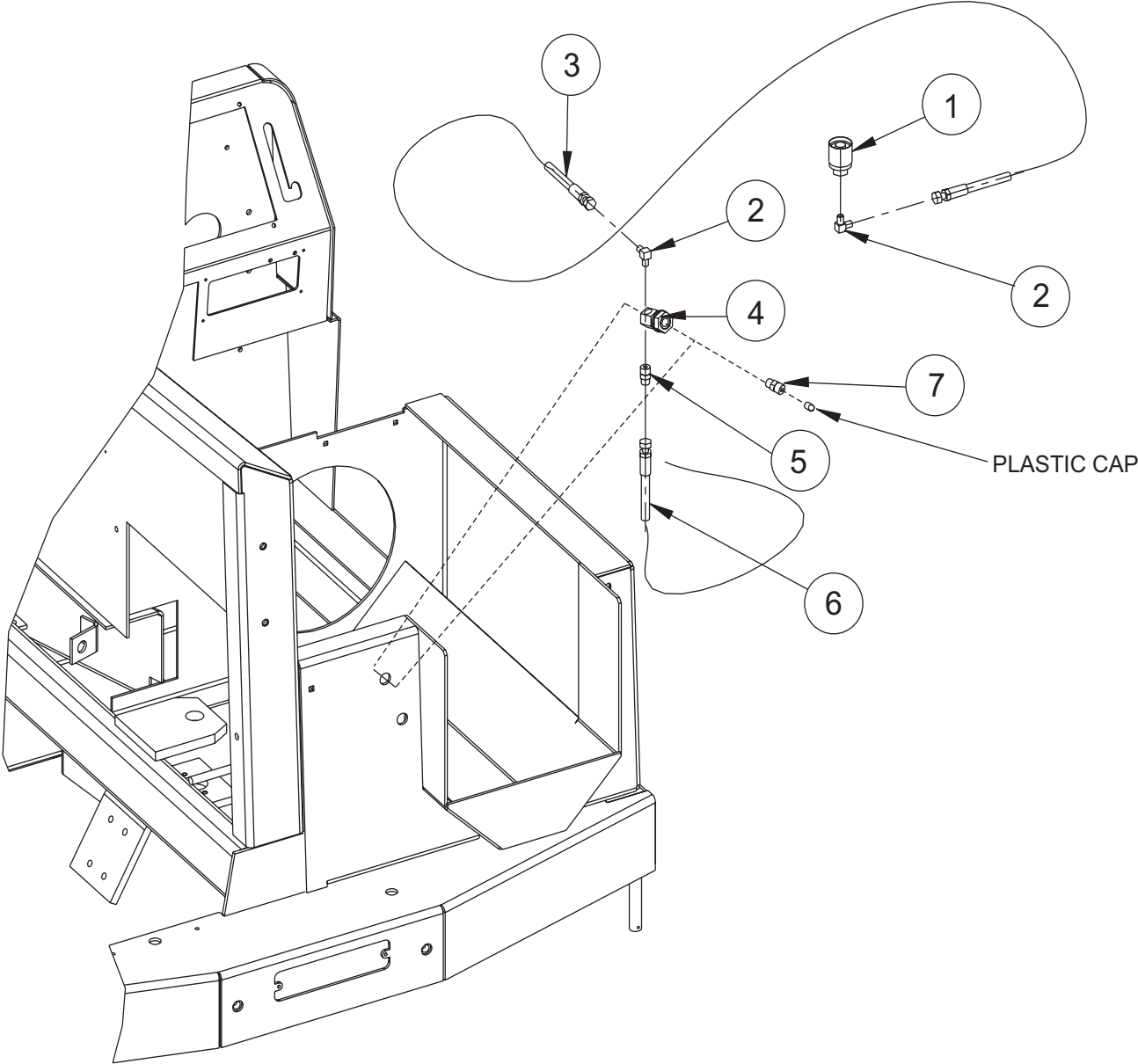
## LP OPTION - RELIEF VALVE ASSEMBLY

---

<u>KEY NO.</u>	<u>PART NUMBER</u>	<u>DESCRIPTION</u>	<u>QTY.</u>
1	N3-0042-1	7141F Female Connector	1
2	N2-1107	Fitting ¼ NPT x 3/8 SAE 90°	2
3	N8-3001	Hose 44.5" + N2-0015 EA End	1
4	N3-0037	Bulkhead Fitting	1
5	N2-1108	Fitting ¼ NPT x 3/8 SAE St.	1
6	2-60-02329	5/16 ID Hose x 116.0" N2-0015 EA End	1
7	2-00-02296	Hydrostatic Relief Valve	1

C1709/0109

LP OPTION - RELIEF VALVE ASSEMBLY



C1709/0109

## LP OPTION - CARBURETOR ASSEMBLY

---

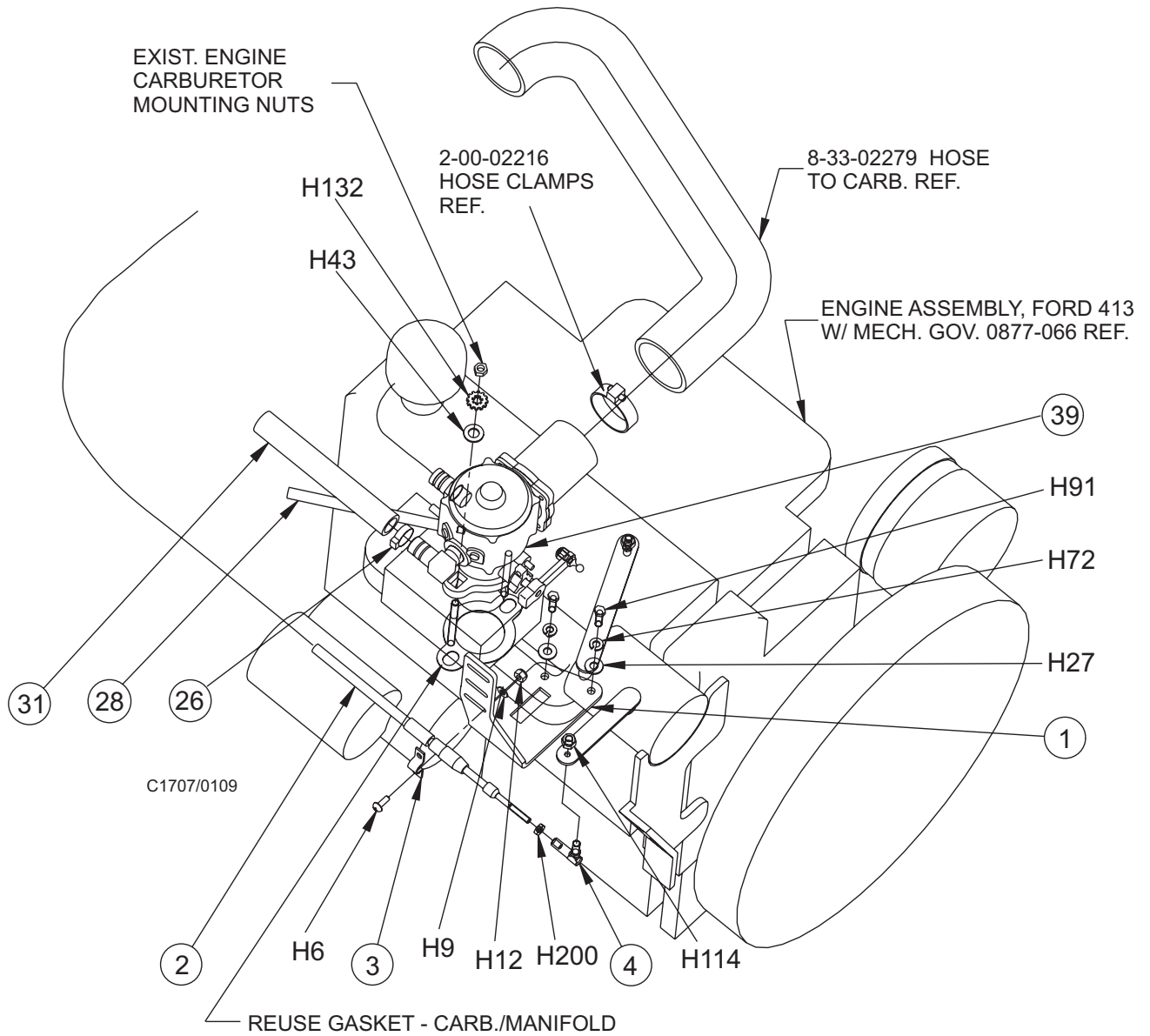
<u>KEY NO.</u>	<u>PART NUMBER</u>	<u>DESCRIPTION</u>	<u>QTY.</u>
1	7-08-00999	Bracket, Mech. Gov. Cable	1
2	7-10-00024	Cable, Throttle	1
3	8-13-07094	Conduit Clamp	1
4	8-25-02036	Ball Joint Connector	1

### HARDWARE USED

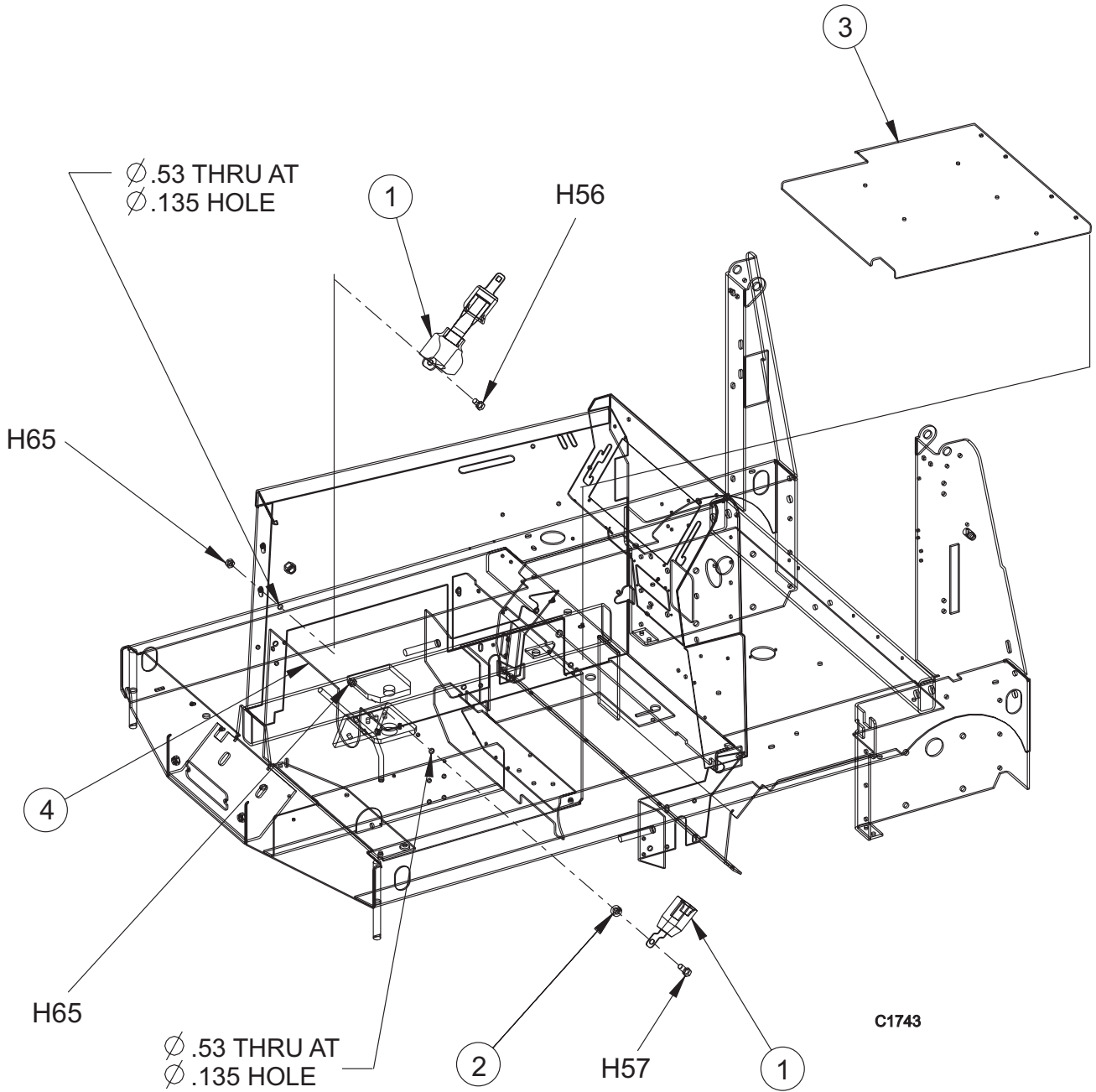
H6	2-00-00049	Screw, #10 - 24 x .500 RHM	2
H9	2-00-00426	Flat Washer, .500 x .219 x .063	2
H12	2-00-01246	Nut, Hex Fiber Insert #10 - 24	2
H27	2-00-03702	Washer, .625 x .281 x .063	2
H43	2-00-00409	Flat Washer, .687 x .344 x .062	2
H72	2-00-00518	Lock Washer, Helical Spring	2
H91	2-00-05279	Screw, M6 x 1.0 x 20mm MHHC	2
H114	2-00-00633	Nut, Fiber 1/4 - 28	1
H132	2-00-00503	Lock Washer, 1/4 Ext.	2
H200	2-00-00626	Nut, Hex MS #10 - 32 x .375 x .125	2

C1707/0109

# LP OPTION - CARBURETOR ASSEMBLY



# RETRACTABLE SEATBELT OPTION



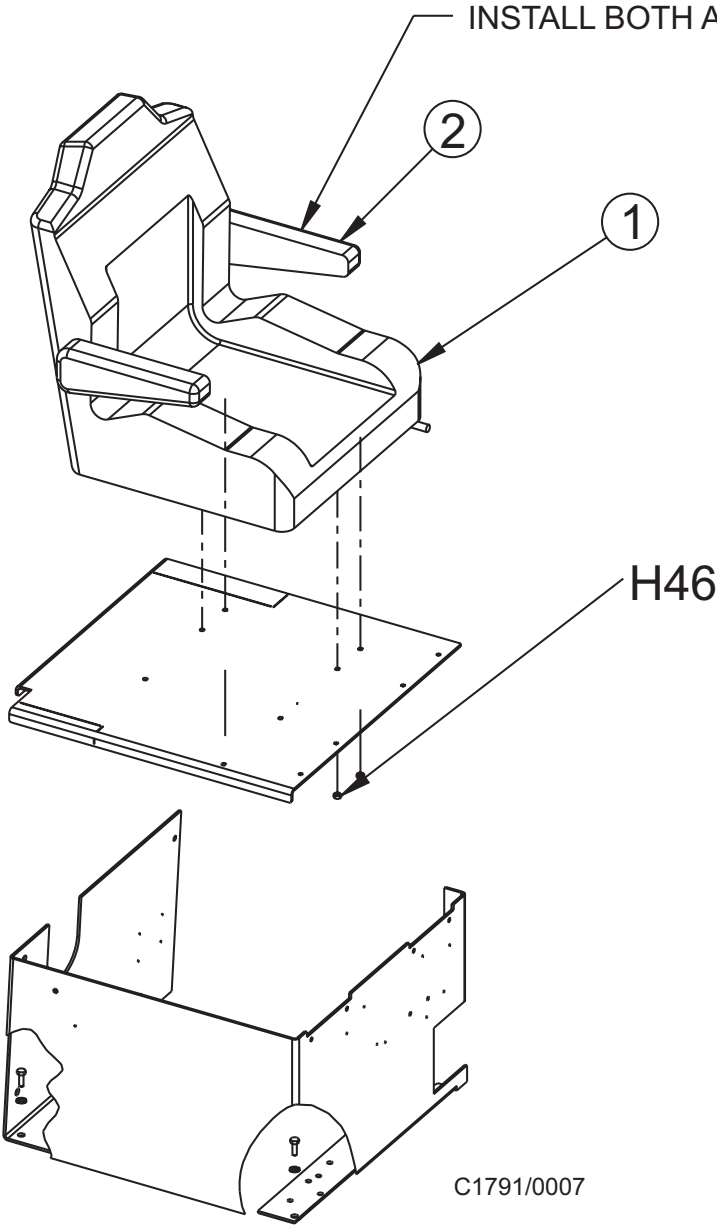
KEY NO.	PART NUMBER	DESCRIPTION	QTY.
1	2-00-05391	Retractable Seat Belt	1
2	2-00-03589	Set Collar	1
3	8-52-00186	Panel - Seat Mounting	Ref.
4	8-33-05124	Housing - Seat and Panel	Ref.

## HARDWARE USED:

H56	2-00-00239	Screw, 1/2-13 x 1.000 HHC	1
H57	2-00-00240	Screw, 1/2-13 x 1.250 HHC	1
H65	2-00-04936	Nut, 1/2-13 Fibre Lock	2

C1743/9707

**SUSPENSION SEAT OPTION**



NOTE: DO NOT USE SEAT MOUNTED SEATBELT ON THIS MACHINE

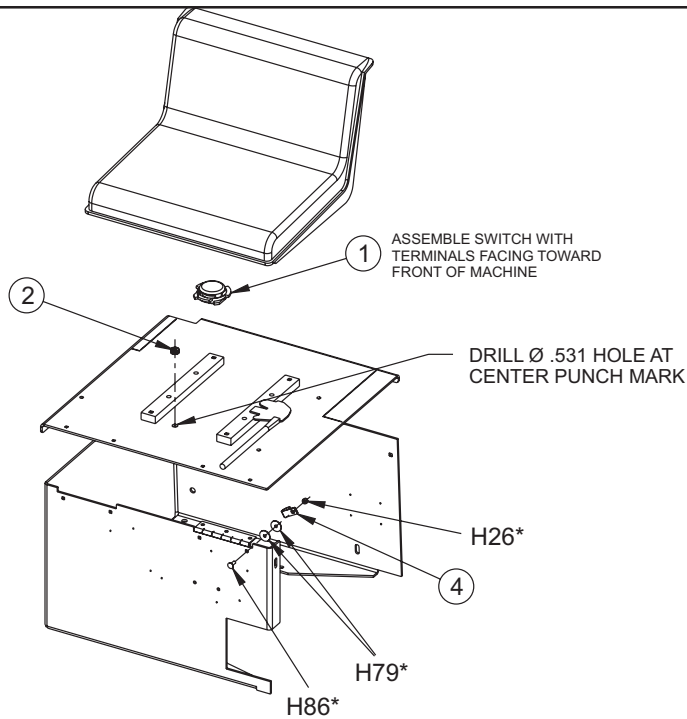
<u>KEY NO.</u>	<u>PART NUMBER</u>	<u>DESCRIPTION</u>	<u>QTY.</u>
1	8-69-00019	Seat - Suspension	1
2	8-03-04320	Kit - Arm Rest	1

**HARDWARE USED:**

H46	2-00-00644	Nut, 5/16-18, Insert Fiber	4
-----	------------	----------------------------	---

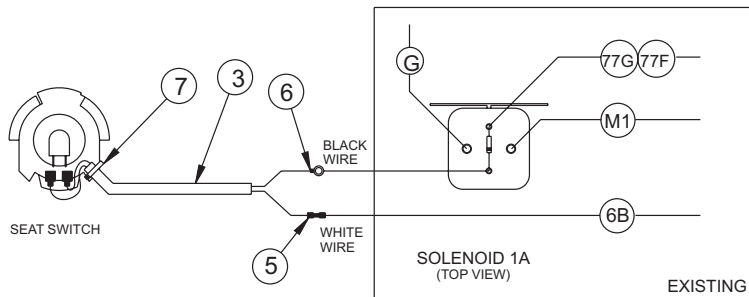
C1791/0007

# SEAT SWITCH KIT



\* USE EXISTING HARDWARE

NOTE: REMOVE EXISTING WIRE 6B FROM SOLENOID 1A AND RECONNECT TO SEAT SWITCH HARNESS WITH BUTT SPLICE. CONNECT OTHER WIRE FROM SEAT SWITCH HARNESS TO SOLENOID 1A AS SHOWN.



C1792/0007

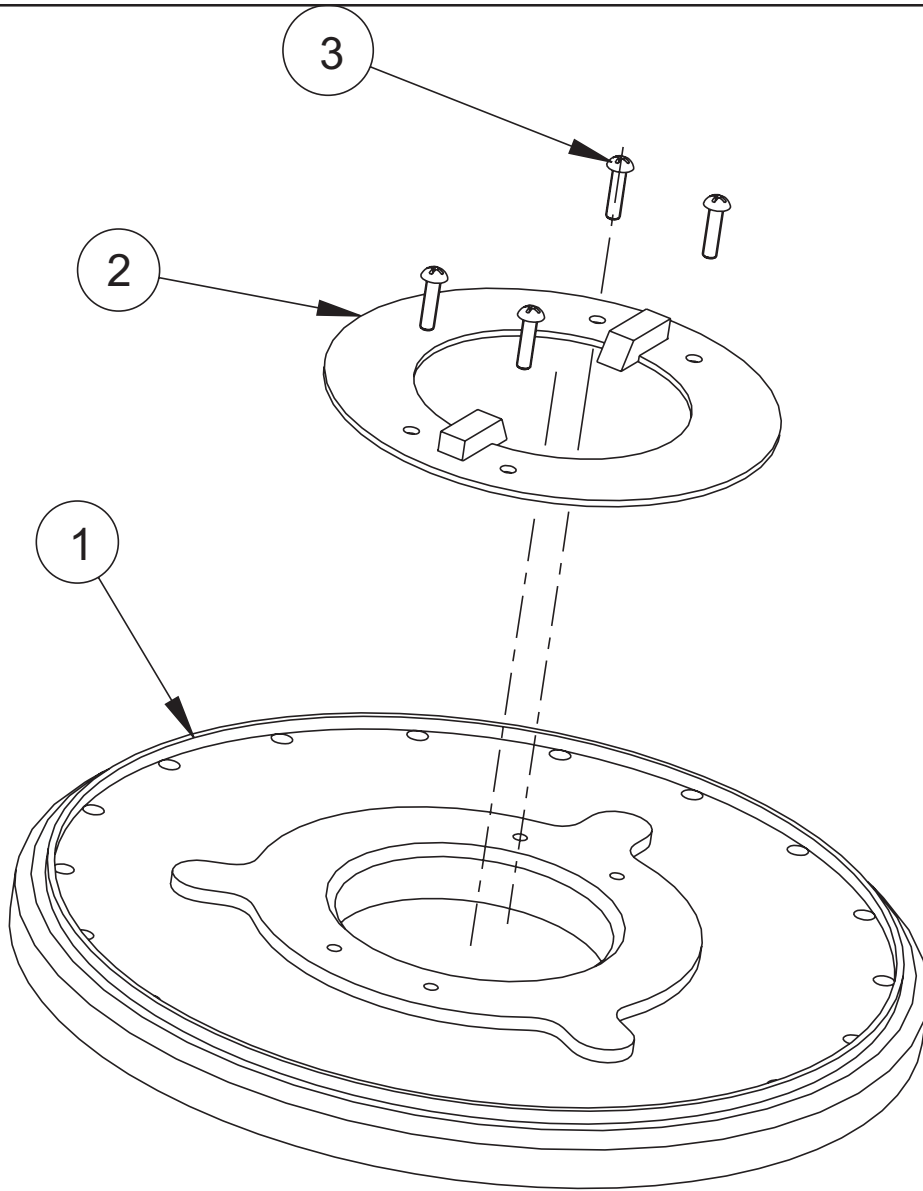
KEY NO.	PART NUMBER	DESCRIPTION	QTY.
1	8-82-00064	Switch - Seat	1
2	2-00-00491	Grommet	1
3	0875-126	Assy-Wire, Seat Switch	1
4	2-00-04564	Clamp	1
5	2-00-01128	Terminal - Butt Splice	1
6	2-00-04281	Terminal - Ring Terminal	1
7	2-00-04345	Ty-raps	10

## SEAT SWITCH HARNESS NOTES:

- 1) After sliding seat all the way to the rear pull seat switch tight through grommet.
- 2) Route seat switch harness under seat, through grommet, and attach to existing machine harness Using ty-raps as needed.
- 3) Coil extra wire from seat switch harness and tie with ty-raps.

C1792/0007

**PAD DRIVER OPTION (16")**



C1741/9707

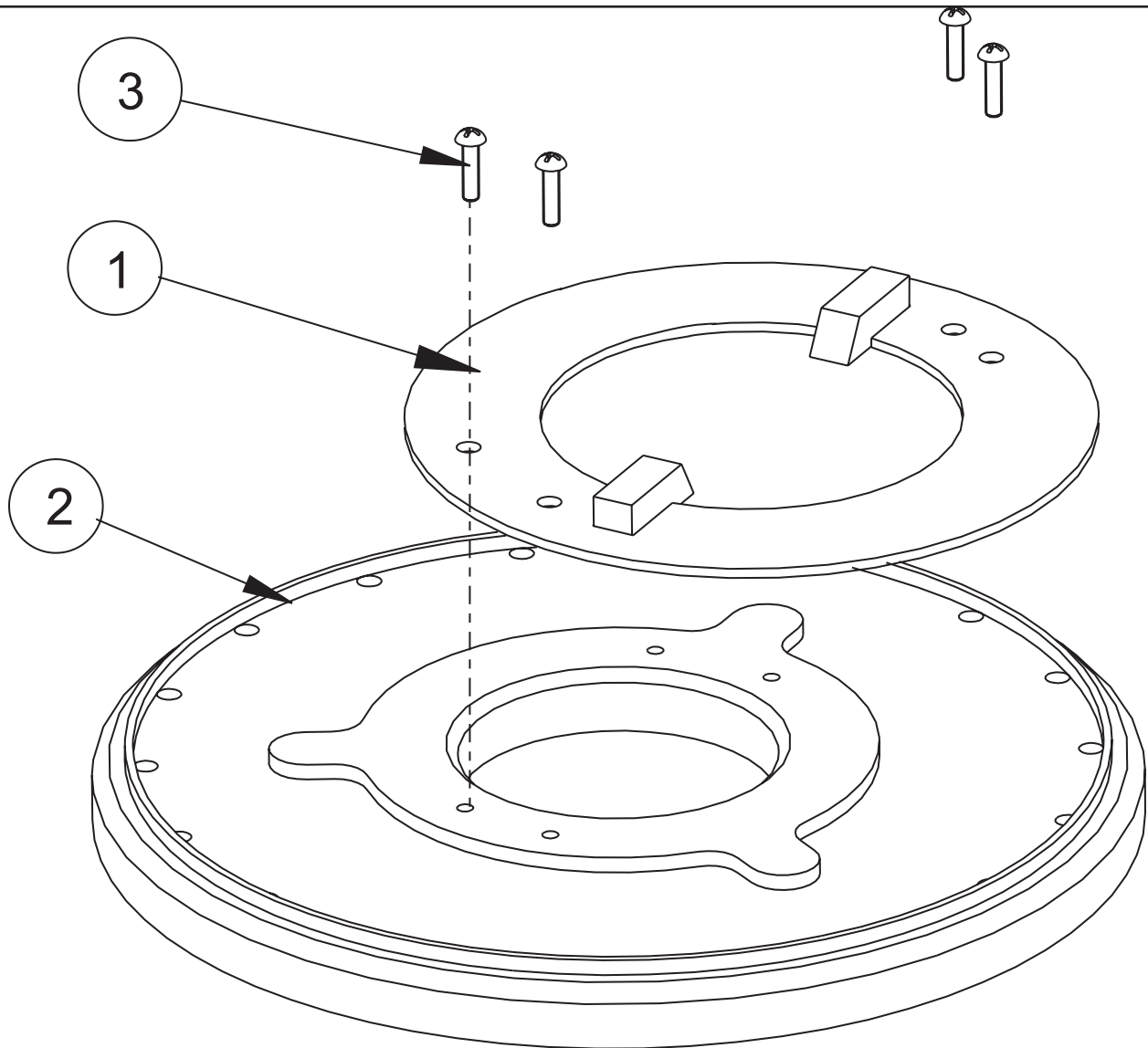
**OPTION NO. 0780-434**

<b>KEY NO.</b>	<b>PART NUMBER</b>	<b>DESCRIPTION</b>	<b>QTY.</b>
1	7-19-02035	Disc - Driver	1
2	7-20-00010	Pad Driver - 16" Diameter	1
3	2-00-00081	Screw, 1/4-20 x 1.000 RHM	4

C1741/9707



**PAD DRIVER OPTION (18")**

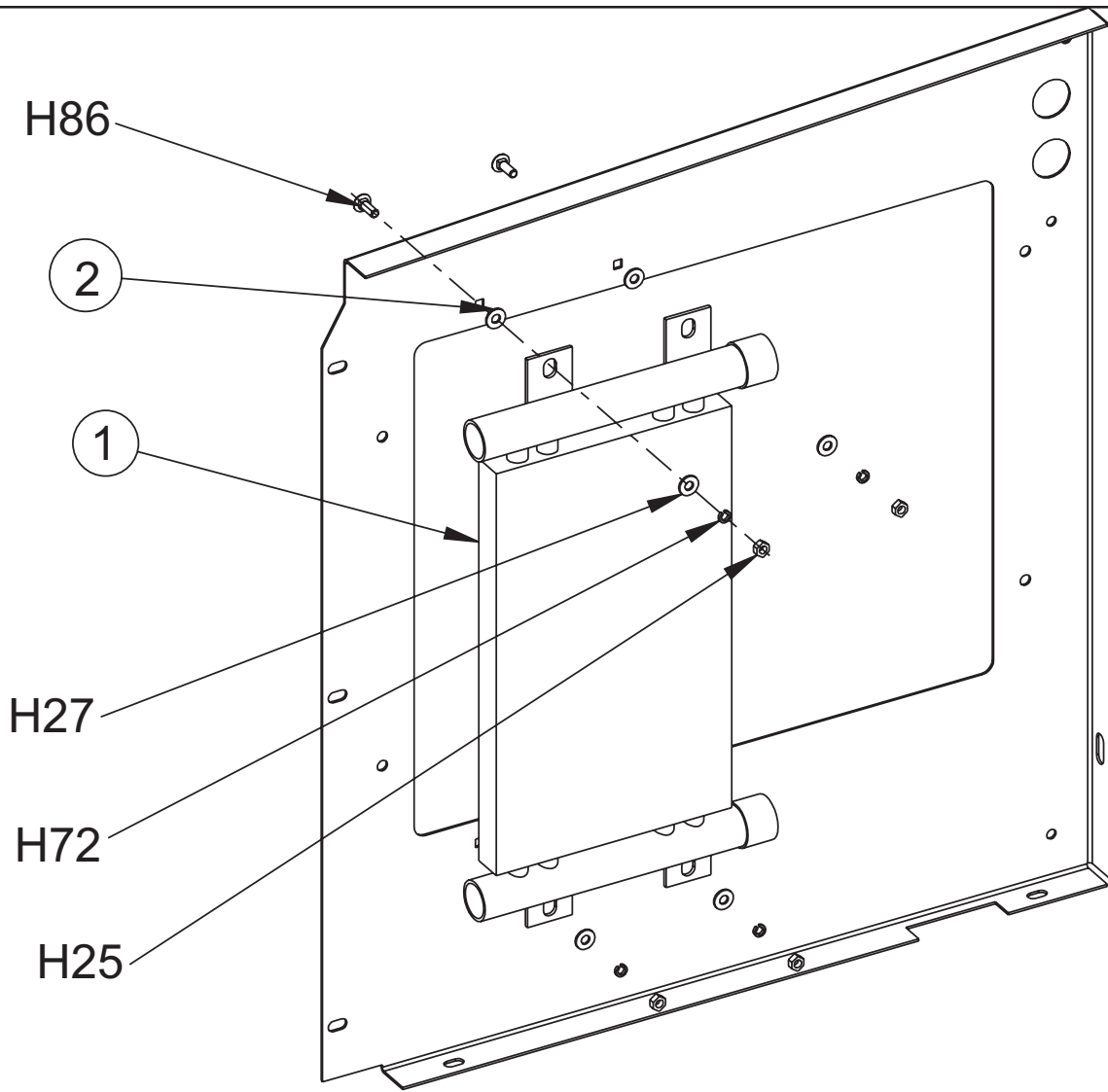


C1741b/9707

**OPTION NO. 0780-445**

<u>KEY NO.</u>	<u>PART NUMBER</u>	<u>DESCRIPTION</u>	<u>QTY.</u>
1	7-19-02035	Disc - Driver 18"	1
2	7-20-00012	Pad Driver - 18"	1
3	2-00-00081	Screw, 1/4-20 x 1.000 HHC	4

C1741b/9712



C1695/9704

**OPTION NO. 0780-416**

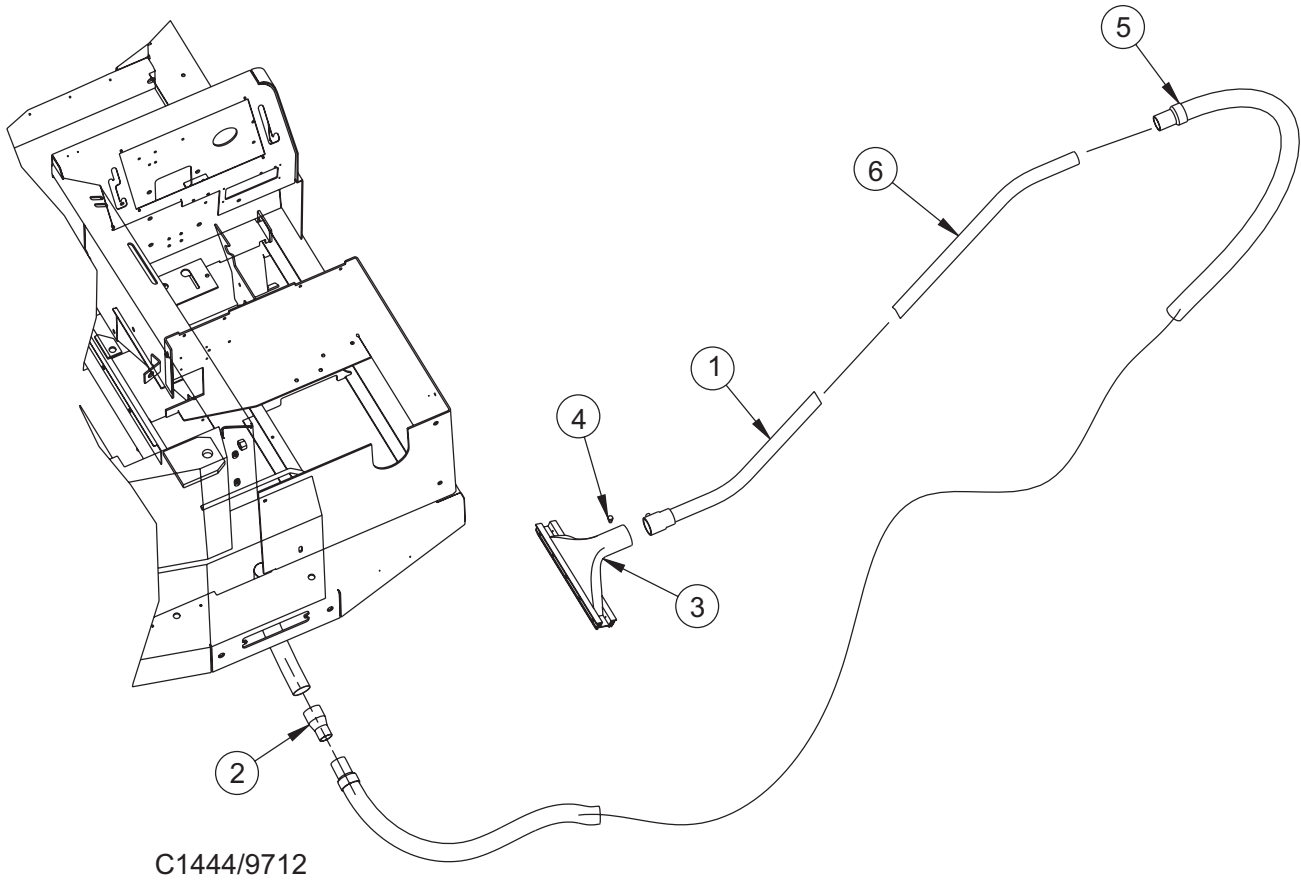
<b>KEY NO.</b>	<b>PART NUMBER</b>	<b>DESCRIPTION</b>	<b>QTY.</b>
1	8-62-01012	Oil cooler	1
2	2-00-05028	Washer, Rubber Seal	4

**HARDWARE USED:**

H25	2-00-00594	Nut, Hex 1/4-20 x .437 x .218	4
H27	2-00-03702	Washer, .625 x .281 x .063	4
H72	2-00-00518	Lock Washer, Helical Spring	4
H86	2-00-05375	Carriage bolt, 1/4-20 x .750	4

C1695/9704

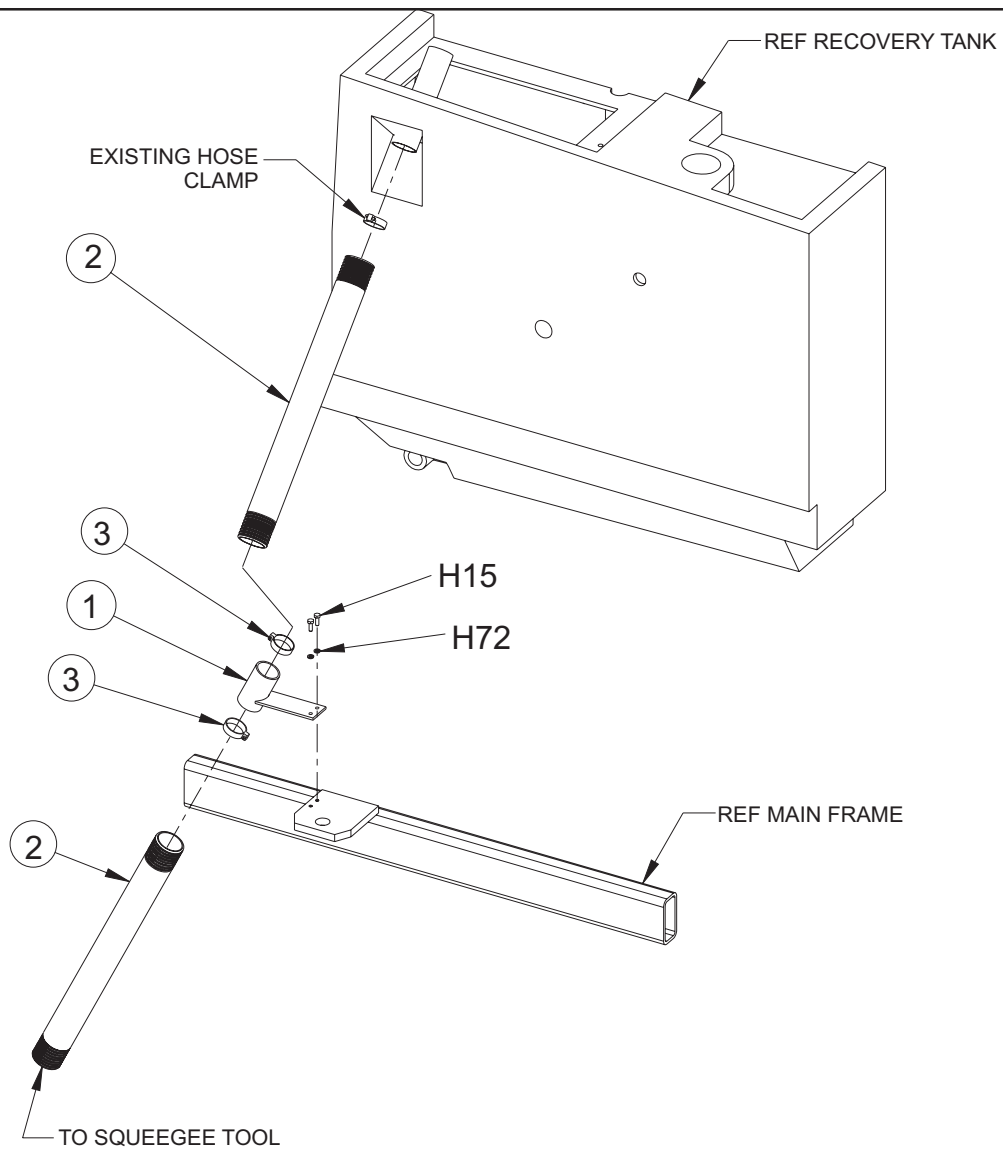
# VACUUM WAND OPTION



<u>KEY NO.</u>	<u>PART NUMBER</u>	<u>DESCRIPTION</u>	<u>QTY.</u>
1	0261-026	Lower Wand (includes Key #6)	1
2	7-03-00044	Hose Adapter	1
3	0261-028	Squeegee Tool	1
4	7-55-08128	Pin	Ref.
5	7-33-02213	Hose, 1 ½ x 15'	1
6	0261-027	Lower Wand	1

C1444/9804

# VAC HOSE SERVICE KIT



C1788/9807

<u>KEY NO.</u>	<u>PART NUMBER</u>	<u>DESCRIPTION</u>	<u>QTY</u>
1	7-25-02097	Fitting-Vac. Hose Coupling (Welded)	1
2	7-33-02386	Hose-Vacuum	2
3	2-00-02216	Hose Clamp	2

**HARDWARE USED:**

H15	2-00-00221	Screw, 1/4-20 x .750 HHC	2
H72	2-00-00518	Lock Washer, Helical Spring	2

C1788/9807

## SPARE PARTS LIST - ATS 46" MACHINE

---

### 46" BROOM and HOPPER CHAMBER COMPONENTS

7-25-08070	Hopper Flap	1
7-25-08071	Flap - BC Outer	1
7-25-08072	Flap - BC Inner	1
8-29-00257	Gasket	1
8-29-00232	Gasket	1
8-29-00234	Gasket	1
8-29-00233	Gasket	3
8-21-04048	Edging	2
8-29-00256	Gasket	1
7-21-03003	Edging	3
7-21-04031	Edging	1
8-25-08212	Flap Door	2
8-24-04148	Dust Filter Element	1

### 46" SQUEEGEE COMPONENTS

7-77-00109	Outer Rubber Squeegee	1
7-77-00110	Inner Rubber Squeegee	1
7-77-00111	Side Squeegee Outer Rubber	2
7-77-00114	Side Squeegee Inner Rubber	2

## SPARE PARTS LIST - ATS 53" MACHINE

### OPTION NO. 0760-515 53" BROOM and HOPPER CHAMBER COMPONENTS

7-25-08070	Hopper Flap	1
7-25-08071	Flap - BC Outer	1
7-25-08072	Flap - BC Inner	1
8-29-00257	Gasket	1
8-29-00232	Gasket	1
8-29-00234	Gasket	1
8-29-00233	Gasket	3
8-21-04048	Edging	2
8-29-00256	Gasket	1
7-21-03003	Edging	3
7-21-04031	Edging	1
8-25-08212	Flap Door	2
8-24-04148	Dust Filter Element	1

### 53" REAR SQUEEGEE COMPONENTS

7-77-00105	Outer Swing Squeegee Rubber	1
7-77-00115	Inner Swing Squeegee Rubber	1
7-77-00112	Outer Side Squeegee Rubber	2
7-77-00113	Inner Side Squeegee Rubber	2

### OPTION 0780-418 53" SCRUB DECK & SQUEEGEE

7-86-08041	Squeegee-Weldment	1	7-33-02359	Hose-6"	1
7-20-06010	Duct-Squeegee Inlet	1	7-33-02361	Hose - 17"	1
7-75-01164	Spacer-Bushing	2	7-42-05132	Link - Side Squeegee	2
7-75-01169	Spacer-Squeegee	2	7-30-08016	Guide - Brush Frame Arm	1
7-77-00110	Squeegee-Rubber-Inner	1	7-76-00114	Spring	1
7-77-00109	Squeegee-Rubber-Outer	1	7-33-00360	Hose - 8"	2
7-79-00088	Strap-Squeegee Clamp	1	7-33-09031	Hub-Brush Drive	3
7-13-07157	Clamp-End Squeegee	2	7-03-04123	Arm-Brush Drive	3
7-13-07156	Clamp-Nut	2	7-78-05026	Stop-Scrub Frame RH	1
7-39-00026	Knob-Squeegee	4	7-78-05025	Stop-Scrub Frame LH	1
7-89-08073	Wheel-Caster	2	7-08-00437	Welding Tee	1
7-27-07181	Brush Deck Weldment	1	7-33-02339	Hose-22"	1
7-42-05135	Link - Brush RH	1	7-86-08042	LH Side Squeegee Tool	1
0782-111	Motor-Hyd	Ref	7-86-08043	RH Side Squeegee Tool	1
7-57-05039	Pivot Brush Drive	2	7-77-00113	Rubber Inner Side Squ.	2
7-42-05134	Link - Brush Frame LH	1	7-77-00112	Rubber Outer Side Squ.	2
7-41-00027	Latch-Brush Drive	3	7-13-07175	Clamp RH Side Squeegee	1
7-25-02012	Fitting - Straight Barb	1	7-13-07174	Clamp RH Side Squeegee	1
7-55-08151	Pin-Lock	2			

## SPARE PARTS LIST - GAS/LP/DIESEL MACHINE

---

**OPTION NO. 0760-516**  
**ENGINE RELATED COMPONENTS**  
**Ford 431 Gas/LP Engine**

2-00-01059	V Belt, Alternator	1
2-00-05248	V Belt, Alternator	1
8-24-04099	Engine Oil Filter	1
8-24-04106	Engine Air Cleaner Element	1
8-24-04138	Fuel Filter	1

**OPTION NO. 0760-517**  
**ENGINE RELATED COMPONENTS**  
**Perkins 104.19 Diesel Engine**

2-00-01046	V Belt, Aux. Alternator	1
2-60-02242	V Belt, Alternator	1
2-60-02240	Engine Oil Filter	1
8-24-04106	Engine Air Cleaner Element	1
2-60-02241	Fuel Filter	

ADJUSTING CASTERS .....	1-51
ADJUSTING THE BRAKE PEDAL .....	1-48
ADJUSTING THE BRAKES .....	1-48
ADJUSTING THE DUST FLAPS .....	1-47
ADJUSTING THE MAIN BROOM HEIGHT .....	1-44
ADJUSTING THE SIDE BROOM HEIGHT .....	1-45
AIR FILTER .....	1-52
AIR INTAKE SYSTEM .....	1-52
AMBER SAFETY LIGHT OPTION WITH OVERHEAD GUARD .....	3-18
AMBER SAFETY LIGHT OPTION WITHOUT OVERHEAD GUARD .....	3-19
BACK-UP ALARM OPTION .....	3-14
BACK-UP ALARM SWITCH .....	1-28
BATTERY .....	1-55
BATTERY CHARGING INSTRUCTIONS .....	1-38
BATTERY CONDITION METER .....	1-28
BATTERY ELECTRICAL ASSEMBLY - GAS, LP, DIESEL .....	2-148
BATTERY POWERED MACHINE PREPARATION .....	1-15
BATTERY POWERED MACHINES .....	1-39
BEFORE STARTING THE ENGINE .....	1-36
BRAKE PEDAL .....	2-74
BRAKES .....	1-48
BROOM CHAMBER FLAPS & SEALS .....	2-18
BRUSHES OPTION .....	3-10
CHANGING THE LP TANKS .....	1-60
CHARGING SYSTEM LIGHT (WARNING LIGHT) .....	1-25
CHECKING THE DUST CONTROL FILTER .....	1-46
CHECKING THE DUST FLAPS .....	1-47
CHECKING THE HOPPER SEALS .....	1-46
CHECKING THE MAIN BROOM SWEEP PATTERN .....	1-44
CHECKING THE SIDE BROOM SWEEP PATTERN .....	1-45
CHOKE .....	1-19
CLEANING THE AIR FILTER ELEMENT .....	1-53
CLEANING THE DUST CONTROL FILTER .....	1-46
CLEANING THE HOPPER .....	1-46
CLEANING THE HYDRAULIC SYSTEM .....	1-49
CLOGGED FILTER LIGHT (WARNING LIGHT) .....	1-25
CLOGGED FILTER OPTION .....	3-33
CONSOLE .....	2-92
COOLANT LEVEL .....	1-54
COOLING SYSTEM .....	1-54
COVERS AND LATCHES .....	1-50
DECALS .....	2-158
DECIMAL - METRIC CONVERSION TABLE .....	1-13
DETERGENT FLOW KNOB .....	1-32
DETERGENT LOW WARNING LIGHT .....	1-32
DRIVE BELTS .....	1-55
DUST CAP .....	1-54
DUST CONTROL .....	1-35
DUST CONTROL FILTER .....	1-46
DUST CONTROL SWITCH .....	1-23
DUST FLAPS .....	1-47



# INDEX

ELECTRICAL ASSEMBLY - BATTERY .....	2-146
ELECTRICAL ASSEMBLY POWER PANEL - BATTERY .....	2-152
ELECTRICAL HARNESS ROUTING - DIESEL .....	2-156
ELECTRICAL HARNESS ROUTING - GAS .....	2-155
ELECTRICAL SCHEMATIC DIAGRAMS .....	1-64
EMPTYING THE DEBRIS HOPPER .....	1-37
ENGINE COMPARTMENT LATCH .....	1-29
ENGINE COVERS - BATTERY .....	2-128
ENGINE COVERS - GAS/DIESEL .....	2-130
ENGINE OIL PRESSURE LIGHT (WARNING LIGHT) .....	1-25
ENGINE SPEED SWITCH .....	1-20
ENGINE TEMPERATURE LIGHT (WARNING LIGHT) .....	1-25
ESP RECYCLING CONTROL PANEL .....	1-32
ESP RECYCLING SYSTEM ON/OFF SWITCH .....	1-32
ESP SYSTEM OPERATING INSTRUCTIONS .....	1-32
ESP/AUTOFIL OPTION .....	3-20
ESP/AUTOFIL WIRING - BATTERY .....	3-26
ESP/AUTOFIL WIRING - GAS/DIESEL .....	3-28
FILLING THE HYDRAULIC RESERVOIR .....	1-49
FILTER PANEL LATCH .....	1-29
FILTER SHAKER .....	2-88
FILTER SHAKER SWITCH .....	1-21
FIRE EXTINGUISHER .....	3-30
FLAME ARRESTING GAS CAP .....	3-31
FOOT BRAKE .....	1-26
FORD 413 GAS ENGINE .....	2-136
FRAME .....	2-80
FRONT BUMPER .....	2-69
FRONT WHEEL .....	2-70
FUEL GAUGE .....	1-20
FUEL SYSTEM - DIESEL .....	2-134
FUEL TANK - DIESEL .....	2-133
FUEL TANK - GAS .....	2-132
FORWARD/REVERSE CONTROL - BATTERY .....	2-78
FORWARD/REVERSE CONTROL - GAS/DIESEL .....	2-76
FORWARD/REVERSE FOOT PEDAL .....	1-26
GAS TANK .....	1-55
GASOLINE POWERED MACHINES .....	1-39
GENERAL MACHINE MAINTENANCE .....	1-49
GENERAL TROUBLESHOOTING .....	1-62
GLOW PLUG SWITCH .....	1-21
HEAVY DUTY AIR CLEANER OPTION .....	3-32
HELPFUL HINTS FOR CLEANING OPERATION .....	1-40
HOPPER .....	1-46
HOPPER (LOW DUMP) .....	2-26
HOPPER (VARIABLE DUMP) .....	2-22
HOPPER CONTROL CHECK VALVE HYD. - GAS/DIESEL (VARIABLE DUMP) .....	2-108
HOPPER CONTROL VALVE - BATTERY (LOW DUMP) .....	2-34
HOPPER CONTROL VALVE - BATTERY (VARIABLE DUMP) .....	2-32
HOPPER CONTROL VALVE - GAS/DIESEL (LOW DUMP) .....	2-35
HOPPER CONTROL VALVE - GAS/DIESEL (VARIABLE DUMP) .....	2-33
HOPPER DOOR CYLINDER .....	2-31
HOPPER DOOR LEVER .....	1-31

HOPPER DUMP DOOR .....	2-30
HOPPER DUMP DOOR HYDRAULICS .....	2-107
HOPPER DUMP DOOR LEVER .....	1-27
HOPPER FILTER COMPARTMENT COVER .....	1-31
HOPPER LID/COVER (LOW DUMP) .....	2-29
HOPPER LID/COVER (VARIABLE DUMP) .....	2-28
HOPPER LIFT HYDRAULICS .....	2-106
HOPPER LIFT LEVER .....	1-31
HOPPER LIFT LEVER .....	1-27
HOPPER SAFETY ARM .....	1-21
HOPPER SAFETY LOCK ARM .....	1-32
HOPPER TEMPERATURE LIGHT (WARNING LIGHT) .....	1-25
HOPPER TEMPERATURE SENSOR .....	1-29
HOPPER THERMO-SENSOR SHUTDOWN OPTION .....	3-12
HORN BUTTON .....	1-19
HOURLY METER .....	1-20
HYDRAULIC CYLINDER CONTROL VALVE - GAS/DIESEL .....	2-122
HYDRAULIC FORWARD/REVERSE VALVE .....	2-117
HYDRAULIC HOSE DIAGRAM - GAS/DIESEL (LOW DUMP) .....	2-102
HYDRAULIC HOSE DIAGRAM - GAS/DIESEL (VARIABLE DUMP) .....	2-100
HYDRAULIC MAIN CONTROL VALVE - GAS/DIESEL .....	2-120
HYDRAULIC PUMP - GAS/DIESEL .....	2-118
HYDRAULIC RESERVOIR - BATTERY .....	2-113
HYDRAULIC RESERVOIR (PISTON PUMP) .....	2-114
HYDRAULIC RESERVOIR LEVEL SIGHT GAUGE .....	1-30
HYDRAULIC RETURN BLOCK .....	2-124
HYDRAULIC SCHEMATICS .....	1-66
HYDRAULIC TORQUE REQUIREMENTS .....	1-12
INDEX .....	3-57
INSPECTING THE AIR FILTER ELEMENT .....	1-54
INSTRUMENT PANEL - BATTERY .....	2-150
KEY SWITCH .....	1-20
LIGHT SWITCH .....	1-19
LOW DUMP HOPPER .....	1-27
LOWER DOOR .....	2-20
LP CHECKLIST .....	1-59
LP FUEL TANK .....	1-56
LP FUEL TANKS .....	1-59
LP GAS COMPONENTS .....	1-58
LP GAS SYSTEM .....	1-56
LP GAS VAPORIZER - REGULATOR QUICK CHECK .....	1-56
LP LIQUID WITHDRAWAL SYSTEM .....	1-58
LP OPTION - CARBURETOR ASSEMBLY .....	3-43
LP OPTION - REGULATOR/LOCK-OFF ASSEMBLY .....	3-40
LP OPTION - RELIEF VALVE ASSEMBLY .....	3-42
LP OPTION - TANK ASSEMBLY .....	3-38
LP SAFETY PRECAUTIONS .....	1-57
LP TANK CARE .....	1-60
MACHINE CONNECTION DIAGRAMS .....	1-65
MACHINE DIMENSIONS .....	1-10
MACHINE PREPARATION .....	1-14

# INDEX

---

MACHINE STORAGE .....	1-39
MAIN BROOM .....	1-44
MAIN BROOM ADJUSTMENT .....	1-22
MAIN BROOM COMPARTMENT DOORS .....	1-30
MAIN BROOM DRIVE - BATTERY .....	2-6
MAIN BROOM DRIVER .....	2-9
MAIN BROOM HYDRAULICS .....	2-104
MAIN BROOM IDLER .....	2-10
MAIN BROOM LEVEL ADJUSTMENT .....	1-44
MAIN BROOM LEVER .....	1-22
MAIN BROOM LEVER ASSEMBLY .....	2-4
MAIN BROOM LIFT .....	2-8
MUFFLER - GAS .....	2-140
MUFFLER AND ALTERNATOR MOUNTING - DIESEL .....	2-142
NEUTRAL ADJUSTMENT .....	1-56
NON-RECYCLING OR STANDARD SCRUBBING SYSTEM, THE - HOW IT WORKS .....	1-33
OIL COOLER OPTION .....	3-49
OPERATING INSTRUCTIONS .....	1-35
OPERATION OF CONTROLS AND GAUGES .....	1-19
OPTIONS .....	
ORDERING PARTS .....	1-67
OVERHEAD GUARD OPTION .....	3-16
PAD DRIVER OPTION, 16" .....	3-47
PAD DRIVER OPTION, 18" .....	3-48
PARKING BRAKE .....	1-26
TABLE OF CONTENTS - CHAPTER TWO .....	2-2
HARDWARE LEGEND .....	1-61
PERKINS 104.19 DIESEL ENGINE .....	2-138
POST-OPERATION CHECKLIST .....	1-37
POWER PANEL ASSEMBLY CONNECTION DRAWING - BATTERY .....	2-154
PREPARING THE MACHINE FOR OPERATION .....	1-14
PRE-START CHECKLIST .....	1-36
PUMP ASSEMBLY, WHEEL DRIVE - BATTERY .....	2-96
RADIATOR .....	1-54
RADIATOR AND SHROUD - DIESEL .....	2-145
RADIATOR AND SHROUD - GAS .....	2-144
REAR SQUEEGEE .....	1-51
REAR SQUEEGEE (46") .....	2-55
REAR WHEEL ASSEMBLY .....	2-72
REAR WORK LIGHT OPTION .....	3-16
RECOVERY DRAIN SYSTEM .....	2-68
RECOVERY HIGH LIGHT (WARNING LIGHT) .....	1-25
RECOVERY HIGH WARNING LIGHT .....	1-50
RECOVERY OR ESP SYSTEM - HOW IT WORKS .....	1-34
RECOVERY TANK .....	2-66
RECYCLING OR ESP/AUTOFIL SYSTEM .....	1-24
RECYCLING PUMP ESP SYSTEM .....	1-51
RECYCLING PUMP STORAGE .....	1-51
REMOVING THE AIR FILTER ELEMENT .....	1-53
REPLACING THE AIR FILTER ELEMENT .....	1-52
REPLACING THE DUST CONTROL FILTER .....	1-47
REPLACING THE MAIN BROOM .....	1-44

---

REPLACING THE RETURN FILTER ELEMENT .....	1-49
REPLACING THE SCRUB BRUSH .....	1-50
REPLACING THE SIDE BROOM .....	1-45
RETRACTABLE SEATBELT OPTION .....	3-43
ROLL-OUT BATTERY (800 AH OPTION) .....	3-3
SAFETY ARM .....	2-90
SAFETY ARM (LOW DUMP) .....	2-91
SAFETY INSTRUCTIONS .....	1-16
SCRUB DECK (46") - BATTERY .....	2-36
SCRUB DECK (46") - GAS/DIESEL .....	2-39
SCRUB DECK & SQUEEGEE (53") - BATTERY .....	2-42
SCRUB DECK & SQUEEGEE (53") - GAS/DIESEL .....	2-50
SCRUB DECK HEAVY PRESSURE SWITCH .....	1-23
SCRUB DECK HYDRAULICS .....	2-109
SCRUB DECK LIFT HYDRAULICS - BATTERY .....	2-110
SCRUB DECK LIFT HYDRAULICS - GAS/DIESEL .....	2-111
SCRUB DECK SWITCH .....	1-23
SCRUBBING SYSTEM, THE - HOW IT WORKS .....	1-33
SEAT AND FLOOR ASSEMBLY .....	2-94
SEAT COMPARTMENT COVER .....	1-30
SEAT COMPARTMENT PROP LATCH .....	1-21
SEAT POSITION ADJUSTMENT .....	1-20
SEAT SWITCH KIT .....	3-46
SERVICE CHART .....	1-41
SERVICE INSTRUCTIONS .....	1-44
SERVICE PRECAUTIONS .....	1-43
SIDE BROOM .....	1-45
SIDE BROOM ASSEMBLY .....	2-12
SIDE BROOM - BATTERY .....	2-11
SIDE BROOM ADJUSTMENT .....	1-22
SIDE BROOM HYDRAULICS .....	2-105
SIDE BROOM LEVER .....	1-22
SIDE BROOM LEVER ASSEMBLY .....	2-14
SIDE BROOM LIFT SYSTEM .....	2-16
SIDE BROOM OPTION (LOW DUMP) .....	3-4
SIDE BROOM PULLEY .....	2-13
SIDE SQUEEGEES (46") .....	2-54
SOLUTION CONTROL .....	1-50
SOLUTION CONTROL .....	1-24
SOLUTION FEED .....	2-64
SOLUTION HIGH WARNING LIGHT .....	1-32
SOLUTION LOW LIGHT (WARNING LIGHT) .....	1-25
SOLUTION LOW WARNING LIGHT .....	1-50
SOLUTION TANK .....	2-62
SPARE PARTS KIT - ATS 46 BATTERY .....	3-52
SPARE PARTS KIT - ATS 46" MACHINE .....	3-54
SPARE PARTS KIT - ATS 53 BATTERY .....	3-55
SPARE PARTS KIT - ATS 53" MACHINE .....	3-53
SPARE PARTS KIT - GAS/LP/DIESEL MACHINE .....	3-56
SPECIFICATIONS .....	1-7
SPRAY WAND OPTION .....	3-34
SQUEEGEE CASTER WHEELS .....	1-51
SQUEEGEE LIFT - BATTERY .....	2-56
SQUEEGEE LIFT - GAS/DIESEL .....	2-58
SQUEEGEE LIFT HYDRAULICS .....	2-112

## INDEX

---

SQUEEGEE SWITCH .....	1-23
STANDARD HARDWARE & TORQUE VALUES .....	1-11
STARTING BATTERY MACHINES .....	1-36
STARTING DIESEL ENGINES .....	1-37
STARTING GAS ENGINES .....	1-36
STARTING PROPANE ENGINES .....	1-36
STEERING 90° - 90° HYDRAULICS .....	2-127
STEERING COLUMN .....	2-82
STORING LP FUEL TANKS .....	1-60
SUSPENSION SEAT OPTION .....	3-45
SWING SQUEEGEE SUPPORT .....	2-60
THROTTLE .....	1-28
TURN SIGNAL .....	1-28
USE AND CARE OF LP TANKS .....	1-60
VAC FAN - BATTERY .....	2-84
VAC FAN - GAS/DIESEL .....	2-85
VAC FAN HOPPER HYDRAULICS .....	2-126
VAC HOSE SERVICE KIT .....	3-51
VAC MOTOR MANIFOLD .....	2-86
VACUUM WAND OPTION .....	3-50
VARIABLE DUMP SWEEPING & DUST CONTROL SYSTEMS, THE - HOW THEY WORK .....	1-34
WARNING BANK .....	1-25
WARRANTY .....	3-63
WET SWEEP BYPASS/THERMO SENSOR OPTION .....	3-36
WHEEL DRIVE HYDRAULICS .....	2-116
WHEEL WELL FLAP .....	2-71

AMERICAN-LINCOLN TECHNOLOGY  
RIDER SWEEPER / SCRUBBER  
"BUMPER-TO-BUMPER" LIMITED WARRANTY

I. COVERAGE

A. Subject to the terms and limitations stated herein, American-Lincoln warrants, to the original purchaser only, to repair or replace, at its option and upon the terms set out below, this product or any parts thereof (excluding normal maintenance items) which are defective in materials or workmanship, for a period of (2) two years or 2,000 hours of normal operation from the date of purchase, whichever comes first, provided that the product is operated and maintained in accordance with American-Lincoln's Maintenance and Operations Instruction.

1. (a) During the first (90) ninety days from the date of purchase, American-Lincoln will provide, without charge, parts and on-site labor (including up to three (3) hours total round-trip travel time) to remedy a defective product or part.

(b) During the next (9) nine months or 1,000 hours (whichever come first) American-Lincoln will provide, without charge, parts and labor to remedy a defective product or part; however all travel time for on-site remedy and all shipping and freight charges for off-site remedy of the product or parts thereof shall be the sole responsibility of the purchaser.

(c) During the next (12) twelve months or a total of 2000 hours (whichever comes first) American Lincoln will provide, without charge, parts to remedy a defective product or part, however all labor, travel time for on-site remedy and all shipping and freight charges for off-site remedy of the product or parts thereof shall be the sole responsibility of the purchaser.

B. In addition to the terms listed above, if applicable, the following additional warranty coverage is applied.

1. (a) American-Lincoln warrants to the original purchaser only, to repair or replace, at its option and upon the terms set out below, the drive line electrical components including the electric drive propulsion motor, electric wheel drive motor and electronic drive controller, and all hydraulic pumps and motors, to provide replacement parts which are defective in material or workmanship, for a period of (3) years or 3000 hours (whichever comes first) provided that the product is operated and maintained in accordance with American-Lincoln's Maintenance and Operations Instruction.

(b) American Lincoln warrants to the original purchaser only, to repair or replace, at its option and upon the terms set out below, the internal combustion liquid cooled engine, to provide replacement parts which are defective in material or workmanship, for a period of (5) five years or unlimited hours of normal operation. All labor, travel time, shipping and freight charges shall be the sole responsibility of the purchaser.

(c) American-Lincoln, warrants to the original purchaser only, to repair or replace, at its option and upon the terms set out below, the main frame, debris hopper, solution tank, and the recovery tank, for the life of the machine against failure caused by defects in workmanship or total rust through. For purposes of this coverage, cosmetic deterioration or surface rust does not constitute a failure.

(d) American-Lincoln, warrants to the original purchaser only, to repair or replace, at its option and upon the terms set out below, the batteries which becomes unserviceable under normal use within a period of ninety (90) days from date of sale to the original user with new batteries of equal value. After expiration of the above ninety (90) day period, any battery which fails under normal use will be adjusted to the original user with a new battery of equal specifications on an eighteen (18) months pro rate basis from the date of purchase. Adjustment will be determined using the then current list price, plus transportation costs. Warranty is rendered NULL and Void if battery is not kept filled to the proper level with DISTILLED WATER.

II. EXCLUSIONS

- This warranty **does not** cover normal maintenance parts and labor, including but not limited to, rubber parts, seals, flaps, brushes, engine maintenance parts, hoses, carbon motor brushes, fluids and routine adjustments.
- This warranty **does not** cover damage or failure of the product or any parts thereof which is the result of misuse, negligent operation, handling or repair, or which is the result of modification by any person other than an authorized American-Lincoln service representative.

III. LIMITATIONS

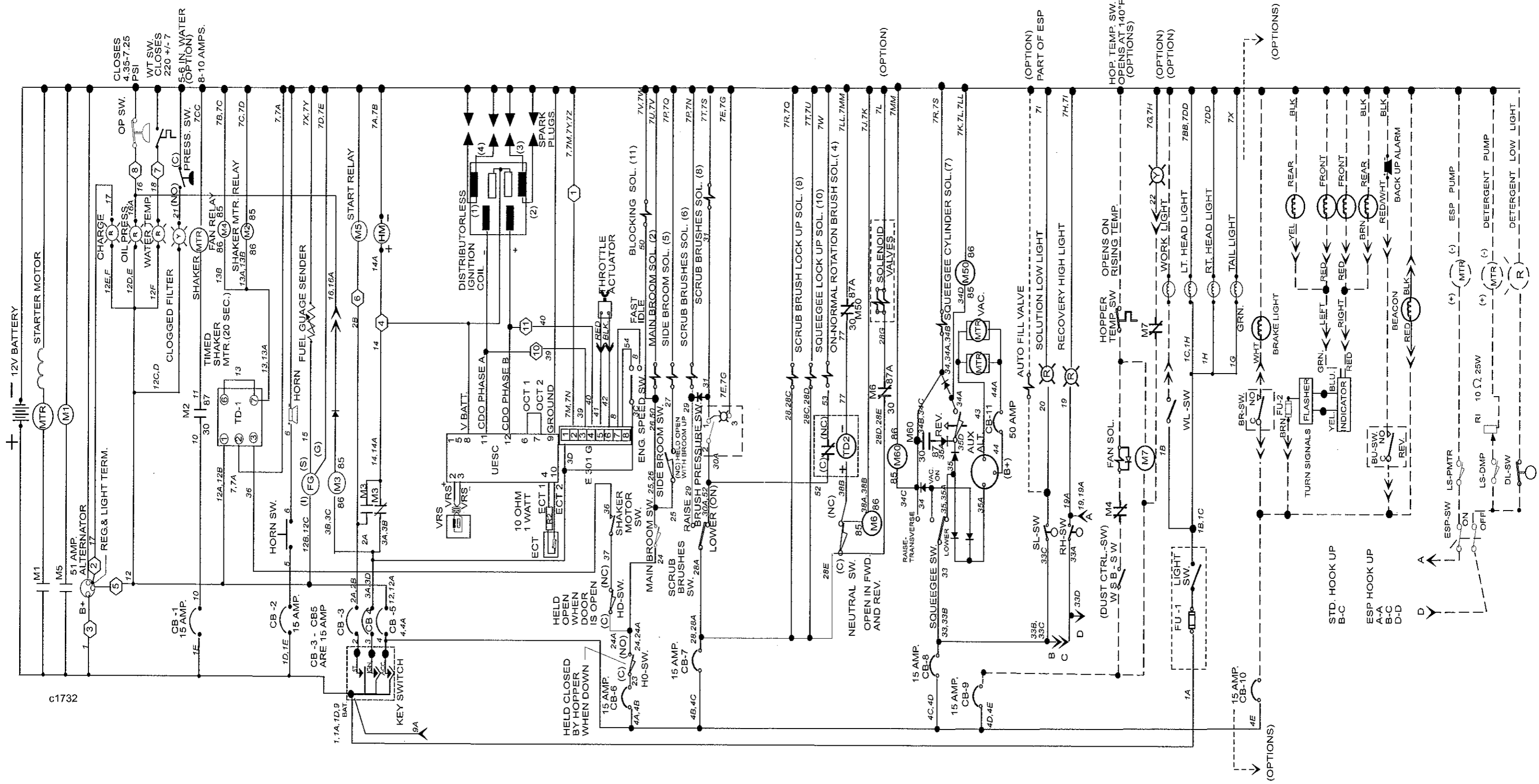
A. AMERICAN-LINCOLN MAKES NO WARRANTIES OTHER THAN THOSE SPECIFIED HEREIN. ALL IMPLIED WARRANTIES OF MERCHANTABILITY AND OF FITNESS FOR A PARTICULAR PURPOSE ARE EXPRESSLY EXCLUDED. AMERICAN-LINCOLN LIABILITY UNDER THIS WARRANTY IS LIMITED TO REPAIR AND/OR REPLACEMENT OF PRODUCTS OR PARTS AS SET OUT HEREIN. AMERICAN-LINCOLN SHALL NOT BE LIABLE FOR ANY INCIDENTAL OR CONSEQUENTIAL DAMAGES WHICH MAY RESULT FROM A PRODUCT OR PART DEFECT OR FAILURE. ANY EXTENSIONS OF OR MODIFICATIONS MADE TO THIS WARRANTY BY A DISTRIBUTOR OF AMERICAN-LINCOLN ARE THE SOLE RESPONSIBILITY OF THE DISTRIBUTOR.

IV. PROCEDURES AND CONDITIONS FOR WARRANTY CLAIMS AMERICAN-LINCOLN SHALL NOT BE LIABLE FOR REPAIR OR REPLACEMENT OF ANY DEFECTIVE PRODUCT OR PART THEREOF UNLESS AND UNTIL THE ORIGINAL PURCHASER FULFILLS THE FOLLOWING CONDITIONS PRECEDENT TO RECOVERY UNDER THIS WARRANTY:

- The original purchaser shall promptly complete and return the warranty and installation registration form included with the product at the time of the purchase;
- Upon product or part failure, the original purchaser shall promptly provide notice thereof to his nearest authorized American-Lincoln Service Representative; and
- The original purchaser shall permit the product or part to be inspected by American-Lincoln or its authorized representatives, as necessary and expenses for shipping or travel time shall be borne by the parties itemized in paragraph I herein above.

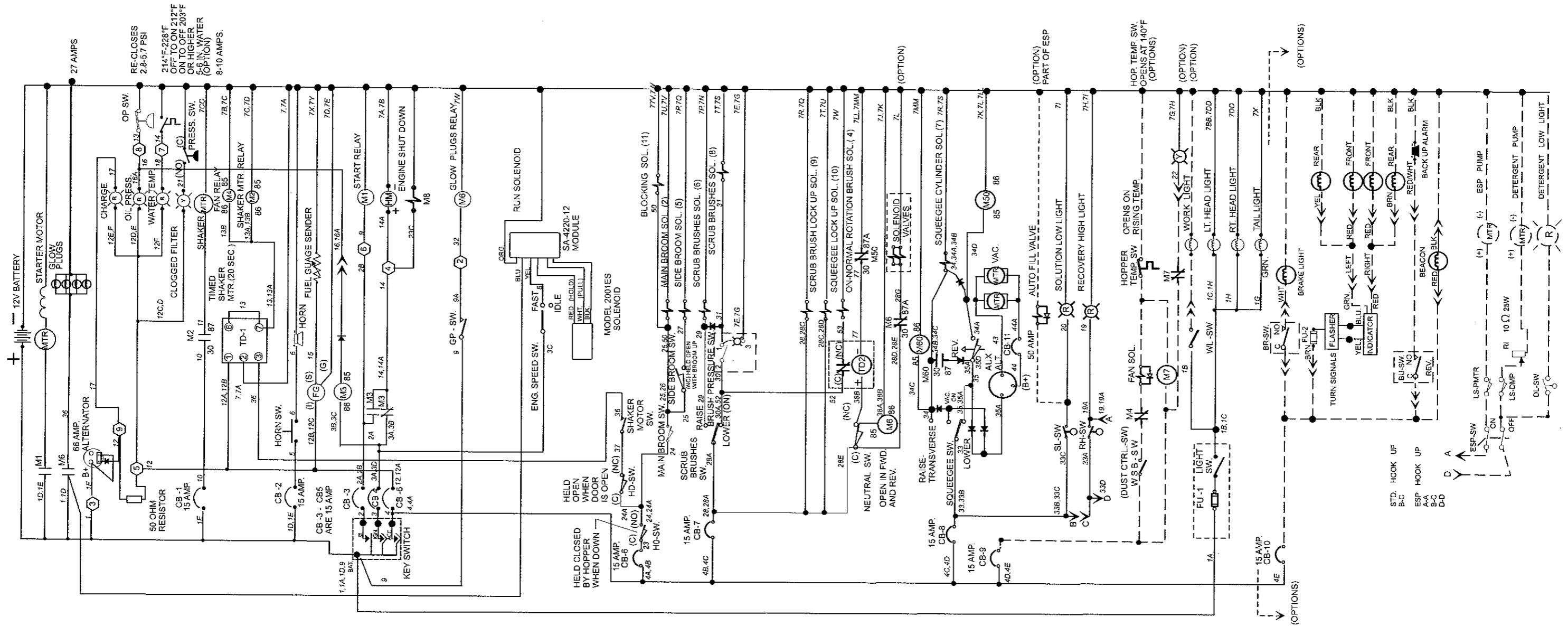
American-Lincoln Technology reserves the right to make changes and improvements to its machines without notice. For best results, use only the correct American-Lincoln Service parts.  
American-Lincoln Technology

ELECTRICAL SCHEMATIC - GAS MACHINE



c1732

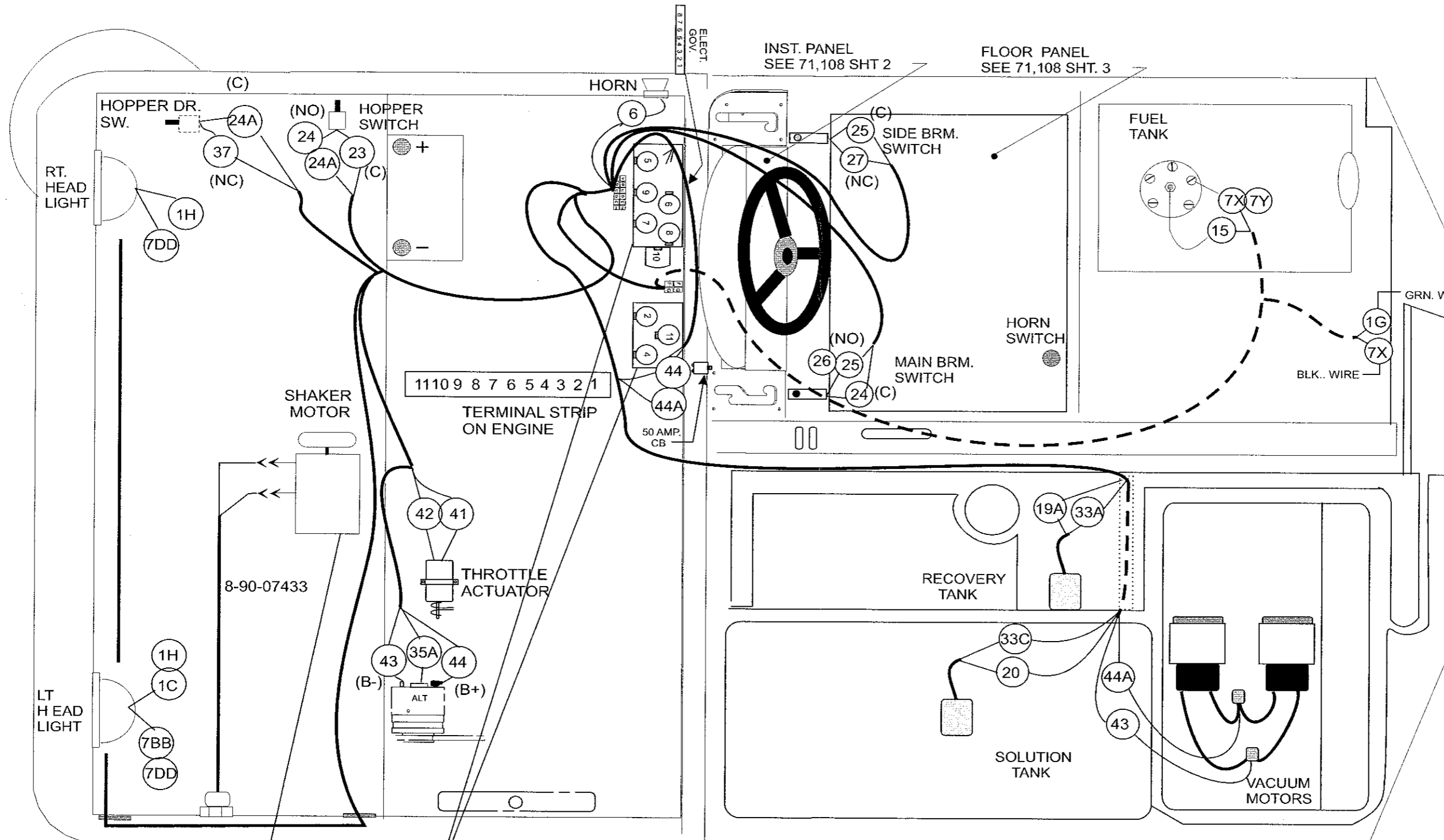
# ELECTRICAL SCHEMATIC - DIESEL MACHINE



C1734/9803



# CONNECTION DRAWING - GAS MACHINE



CONNECTOR A

PIN LETTER	WIRE #
A	2B
B	5
C	7
D	8
E	9A
F	37

CONNECTOR B

PIN LETTER	WIRE #
A	1C
B	11
C	12
D	14
E	15
F	16

CONNECTOR C

PIN LETTER	WIRE #
A	21
B	18
C	17
D	19A
E	20
F	22

CONNECTOR D

PIN LETTER	WIRE #
A	3D
B	28
C	29
D	52
E	54
F	31

CONNECTOR E

PIN LETTER	WIRE #
A	33C
B	33A
C	34
D	23
E	35
F	35A

CONNECTOR H  
WIRE #1

SHAKER MOTOR WIRE #

11
7CC

C1735/9707

SOLENOID #	HOT WIRE #	GND. WIRE #
2	26,50	7U,7V
3		
4	53	7W
5	27	7P,7Q
6	29	7N,7P
7	34	7R,7S
8	31	7T,7S
9	28,28C	7Q,7R
10	28C,28D	7T,7U
11	50	7V,7W

TERMINAL STRIP ON GOVERNOR

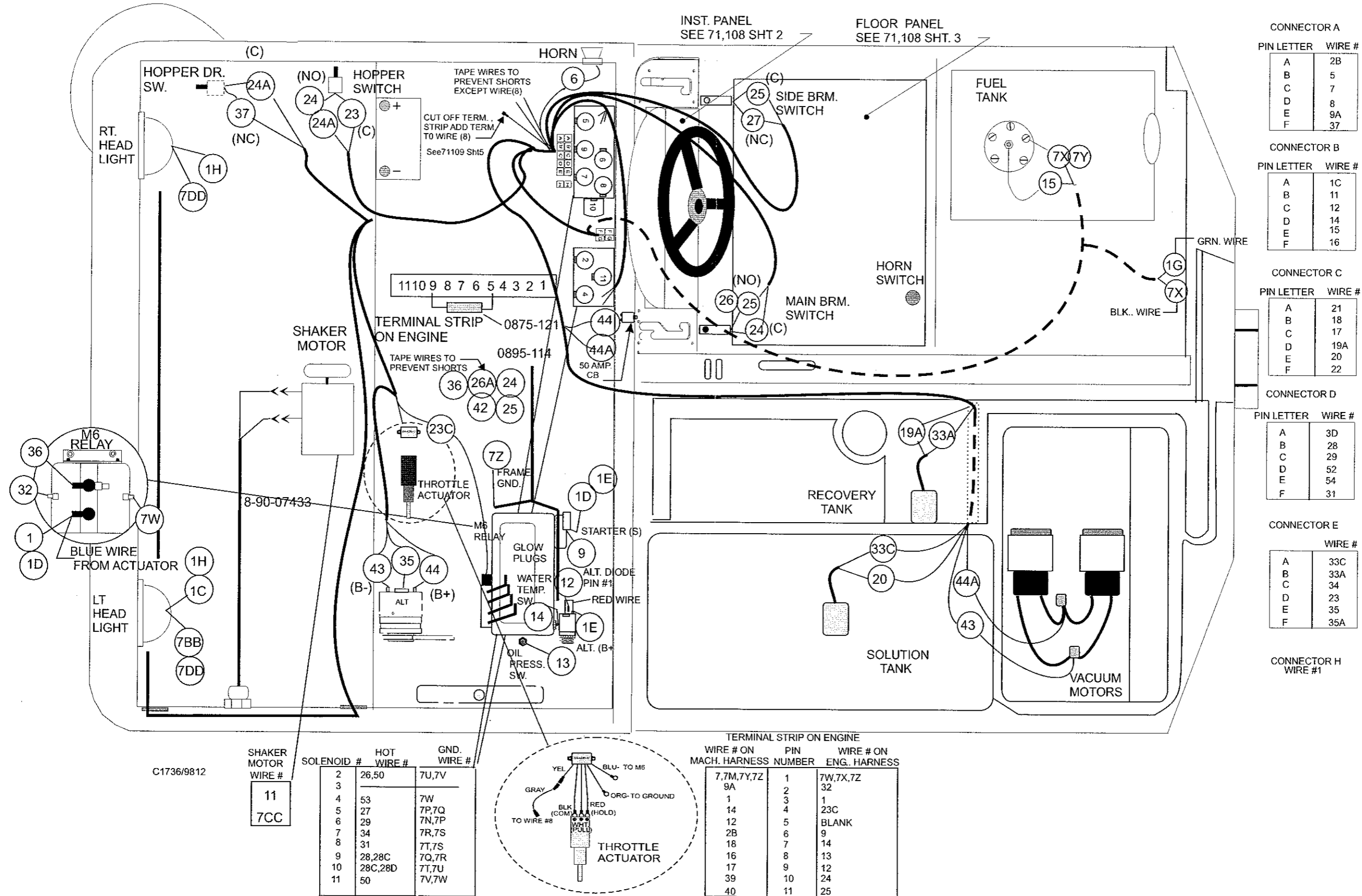
PIN NUMBER	WIRE #
1	3D
2	7M,7N
3	39
4	40
5	41
6	42
7	8
8	54

TERMINAL STRIP ON ENGINE

PIN NUMBER	WIRE #
1	7,7M,7Y,7Z
2	17
3	1
4	14
5	12
6	2B
7	18
8	16
9	BLANK
10	39
11	40

TAPE WIRE #9A ON GAS

# CONNECTION DRAWING - DIESEL MACHINE



**CONNECTOR A**

PIN LETTER	WIRE #
A	2B
B	5
C	7
D	8
E	9A
F	37

**CONNECTOR B**

PIN LETTER	WIRE #
A	1C
B	11
C	12
D	14
E	15
F	16

**CONNECTOR C**

PIN LETTER	WIRE #
A	21
B	18
C	17
D	19A
E	20
F	22

**CONNECTOR D**

PIN LETTER	WIRE #
A	3D
B	28
C	29
D	52
E	54
F	31

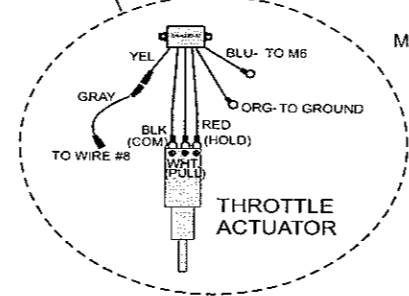
**CONNECTOR E**

PIN LETTER	WIRE #
A	33C
B	33A
C	34
D	23
E	35
F	35A

**CONNECTOR H**  
WIRE #1

**SHAKER MOTOR**  
C1736/9812

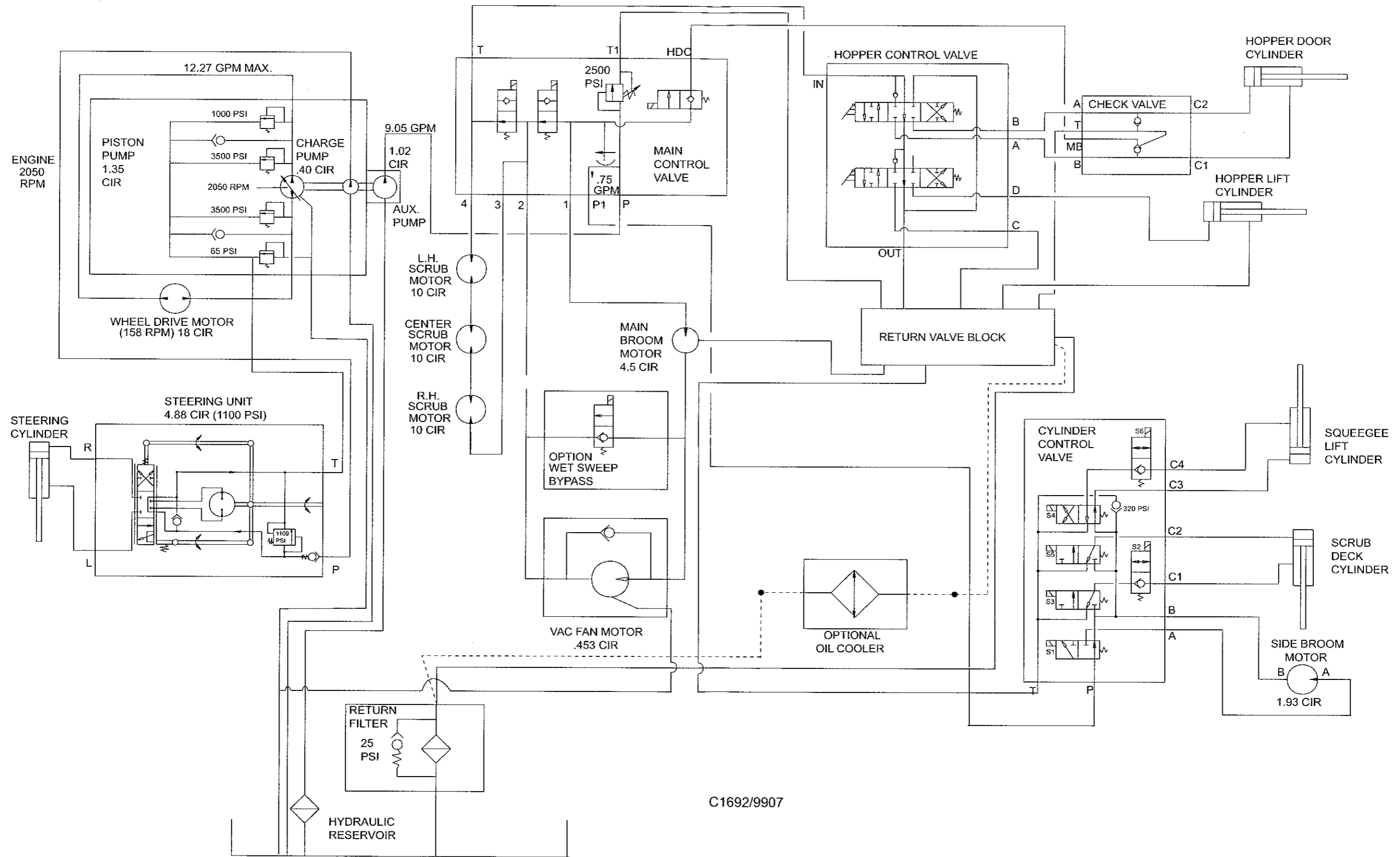
SOLENOID #	HOT WIRE #	GND. WIRE #
2	26,50	7U,7V
3		
4	53	7W
5	27	7P,7Q
6	29	7N,7P
7	34	7R,7S
8	31	7T,7S
9	28,28C	7Q,7R
10	28C,28D	7T,7U
11	50	7V,7W



**TERMINAL STRIP ON ENGINE**

WIRE # ON MACH. HARNESS	PIN NUMBER	WIRE # ON ENG. HARNESS
7,7M,7Y,7Z	1	7W,7X,7Z
9A	2	32
1	3	1
14	4	23C
12	5	BLANK
2B	6	9
18	7	14
16	8	13
17	9	12
39	10	24
40	11	25

**HYDRAULIC SCHEMATIC - GAS & DIESEL (VARI DUMP)**



C1692/9907

**HYDRAULIC SCHEMATIC - GAS & DIESEL (LOW DUMP)**

