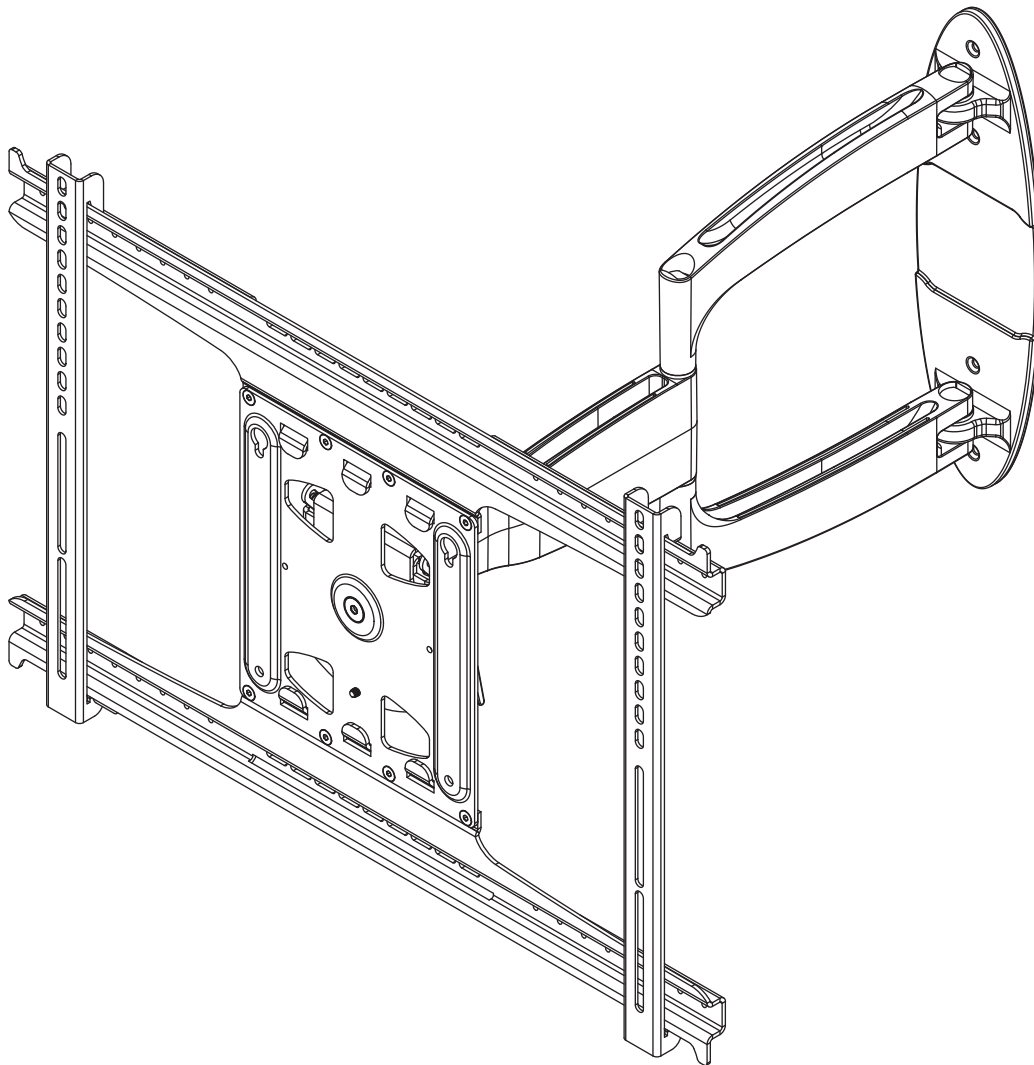




Installation and Assembly:
**Universal Articulating Arm Wall Mount for 37" to 55"
(94 - 140cm) Flat Panel Displays**

Models: SAX755PU



Max UL Load Capacity: 80 lb (36.3 kg)

Note: Read entire instruction sheet before you start installation and assembly.

⚠ WARNING

- Do not begin to install your Peerless product until you have read and understood the instructions and warnings contained in this Installation Sheet. If you have any questions regarding any of the instructions or warnings, for US customers please call Peerless customer care at 1-800-865-2112, for all international customers, please contact your local distributor.
- This product should only be installed by someone of good mechanical aptitude, has experience with basic building construction, and fully understands these instructions.
- Make sure that the supporting surface will safely support the combined load of the equipment and all attached hardware and components.
- Never exceed the Maximum Load Capacity. See page one.
- If mounting to wood wall studs, make sure that mounting screws are anchored into the center of the studs. Use of an "edge to edge" stud finder is highly recommended.
- Always use an assistant or mechanical lifting equipment to safely lift and position equipment.
- Tighten screws firmly, but do not overtighten. Overtightening can damage the items, greatly reducing their holding power.
- This product is intended for indoor use only. Use of this product outdoors could lead to product failure and personal injury.
- This product was designed to be installed on the following wall construction only;

WALL CONSTRUCTION

HARDWARE REQUIRED

- | | |
|--------------------|--|
| • Wood Stud | Included |
| • Wood Beam | Included |
| • Solid Concrete | Included |
| • Cinder Block | Included |
| • Brick | Contact Qualified Professional (not evaluated by UL) |
| • Other or unsure? | Contact Qualified Professional |

Tools Needed for Assembly

- stud finder ("edge to edge" stud finder is recommended)
- phillips screwdriver
- 5/32" (4mm) drill bit for wood studs
- 5/16" (8mm) drill bit for concrete and cinder block
- level

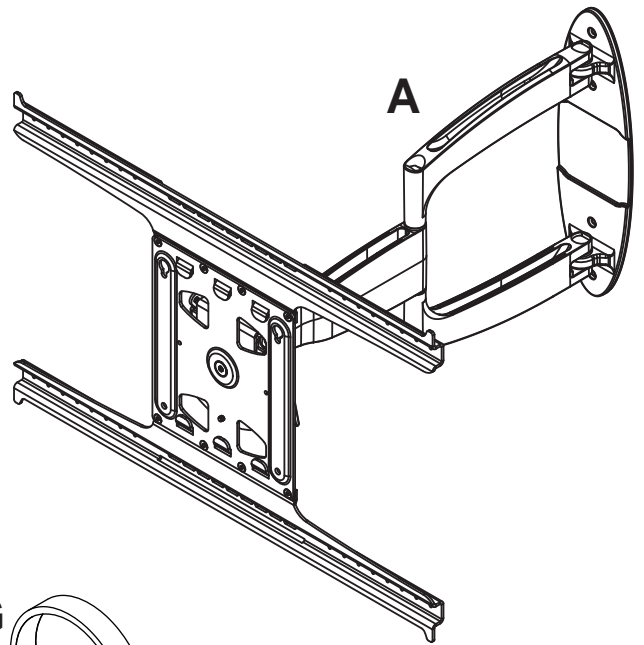
Table of Contents

Parts List.....	3, 4
Installation to Wood Stud.....	5
Installation to Solid Concrete or Cinder Block	6
Installing Adapter Brackets to Display	7
Mounting Flat Panel Display	9
For VESA 200 x 200 mounting pattern	9
Adjustment of Flat Panel Display.....	10
Cable Management	12

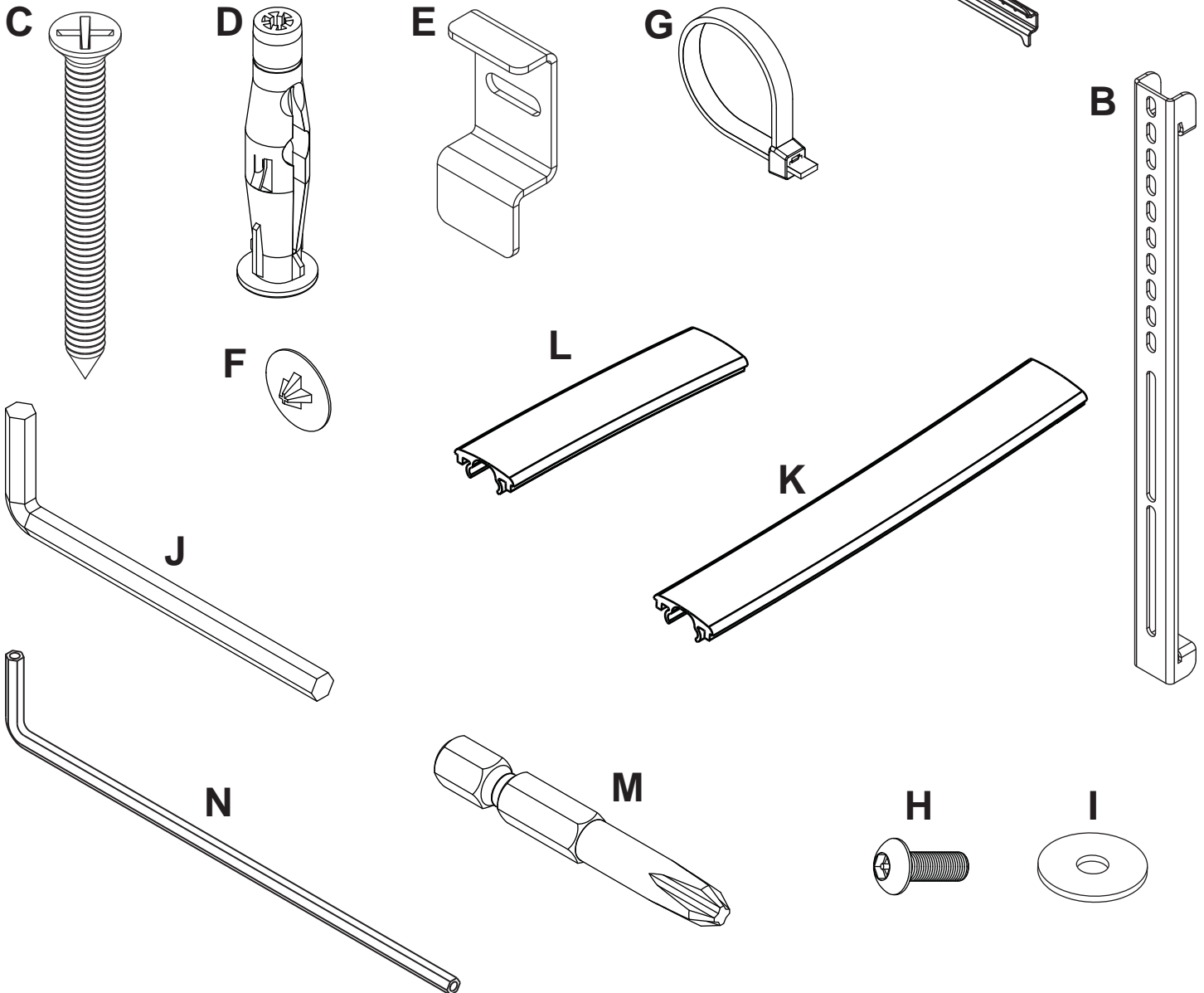
Before you begin, make sure all parts shown are included with your product.

Parts List

Description	Qty.	Part #
A wall arm assembly	1	095-1828
B adapter bracket	2	095-1787
C wood screw	4	520-1202
D concrete anchor	4	590-0320
E portrait lock clip	4	095-1734
F fastener caps	4	590-1324
G cable ties	8	590-1168
H M5 x 13mm self tapping screws	4	520-1616
I M5 flat washers	4	540-1040
J 5 mm allen wrench	1	560-9640
K 6.75" cable cover	2	095-1818
L 4.25" cable cover	2	095-1817
M #3 screwdriver bit	1	560-0209
N 5/32 allen wrench	1	560-9646



Parts may appear slightly different than illustrated.



Non-Security Adapter Bracket Fasteners

O (4)

M4 x 12mm
504-9013



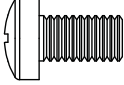
P (4)

M4 x 25mm
504-1015



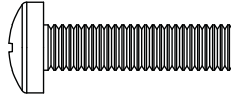
Q (4)

M6 x 12mm
520-1128



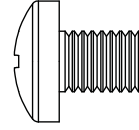
R (4)

M6 x 25mm
520-1208



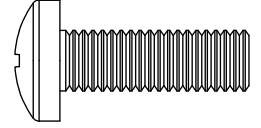
S (4)

M8 x 12mm
520-9571



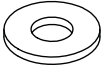
T (4)

M8 x 25mm
520-1031



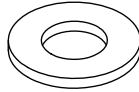
U (4)

M4 washer
540-9400



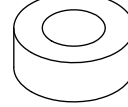
V (8)

M6/M8 washer
540-9406



W (8)

spacer
600-1215



Installation to Single Wood Stud Wall

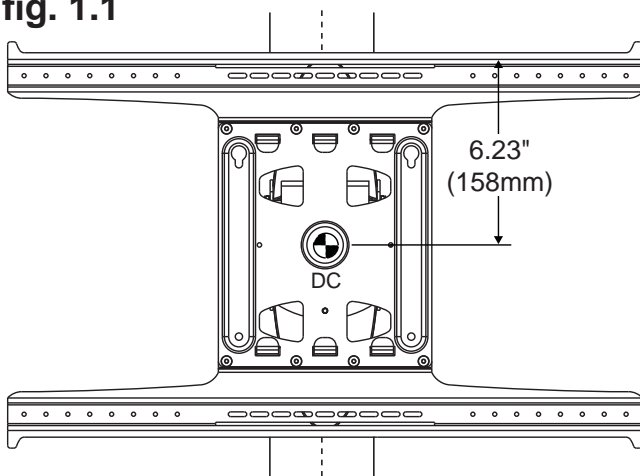
⚠ WARNING

- Installer must verify that the supporting surface will safely support the combined load of the equipment and all attached hardware and components.
- Tighten wood screws so that wall plate is firmly attached, but do not overtighten. Overtightening can damage the screws, greatly reducing their holding power.
- Never tighten in excess of 80 in. • lb (9 N.M.).
- Make sure that mounting screws are anchored into the center of the stud. The use of an "edge to edge" stud finder is highly recommended.
- Hardware provided is for attachment of mount through standard thickness drywall or plaster into wood studs. Installers are responsible to provide hardware for other types of mounting situations (not evaluated by UL).

1 Using a stud finder, locate and mark the edges of the wood stud. Use a level to draw a vertical line down the center of the stud and mark the desired display center. Use wall plate template (wall arm) to mark center of holes along the vertical line. The top mounting hole should be 6.23" (158mm) above the desired display center as shown in figure 1.1. Drill four 5/32" (4mm) dia. holes to a depth of 2.5" (64mm). Attach wall arm (**A**) to wall with four wood screws (**C**) using #3 phillips screwdriver bit (**M**) as shown in fig. 1.2. Level then tighten all fasteners.

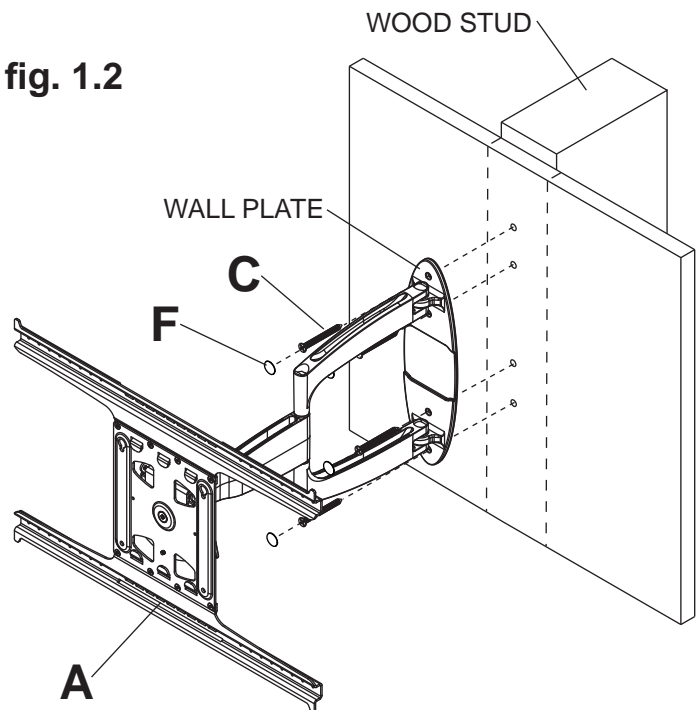
Insert four fastener caps (**F**) into wall plate mounting holes.

fig. 1.1



DC = DISPLAY CENTER

fig. 1.2



Installation to Solid Concrete or Cinder Block

⚠ WARNING

- When installing Peerless wall mounts on cinder block, verify that you have a minimum of 1-3/8" (35mm) of actual concrete thickness in the hole to be used for the concrete anchors. Do not drill into mortar joints! Be sure to mount in a solid part of the block, generally 1" (25mm) minimum from the side of the block. Cinder block must meet ASTM C-90 specifications. It is suggested that a standard electric drill on slow setting is used to drill the hole instead of a hammer drill to avoid breaking out the back of the hole when entering a void or cavity.
- Concrete must be 2000 psi density minimum. Lighter density concrete may not hold concrete anchor.
- Make sure that the supporting surface will safely support the combined load of the equipment and all attached hardware and components.

- 1** Mark the desired display center and use wall plate template (wall plate) to mark mounting holes. Center of display mounting plate will be .25" offset from center of stud (mounting hole) as shown in figure 1.1 on page 5. The top mounting hole should be 6.23" (158mm) above the desired display center as shown in figure 1.1. Drill four 5/16" (8mm) dia. holes 2.5" (64mm) deep as shown in figure 1.3. Insert anchors (D) into holes flush with wall. Place wall arm (A) over anchors and secure with four wood screws (C) using #3 screwdriver bit (M). Level then tighten all fasteners.

Insert four fastener caps (F) into wall plate mounting holes.

⚠ WARNING

- Tighten screws so that wall plate is firmly attached, but do not overtighten. Overtightening can damage screws, greatly reducing their holding power.
- Never tighten in excess of 80 in. • lb (9 N.M.).
- Always attach concrete expansion anchors directly to load-bearing concrete.
- Never attach concrete expansion anchors to concrete covered with plaster, drywall, or other finishing material. If mounting to concrete surfaces covered with a finishing surface is unavoidable (not evaluated by UL), the finishing surface must be counterbored as shown below. Be sure concrete anchors do not pull away from concrete when tightening screws. If plaster/drywall is thicker than 5/8" (16mm), custom fasteners must be supplied by installer (not evaluated by UL).

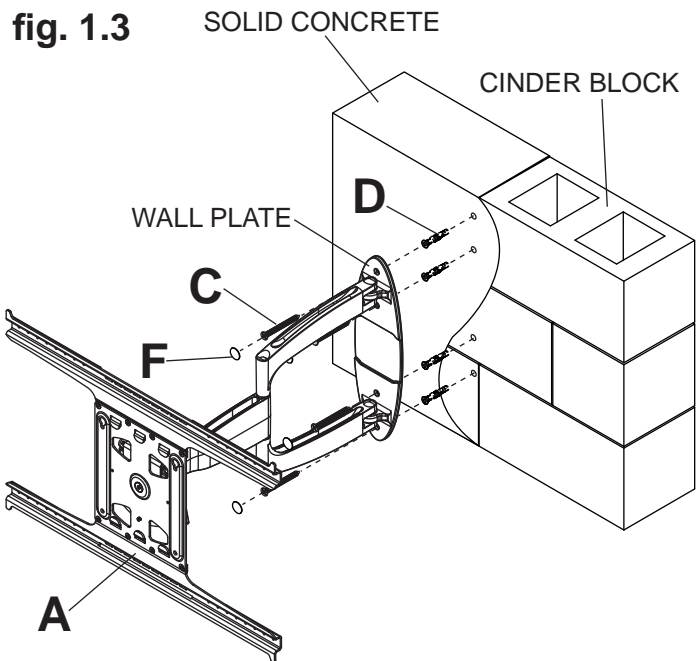
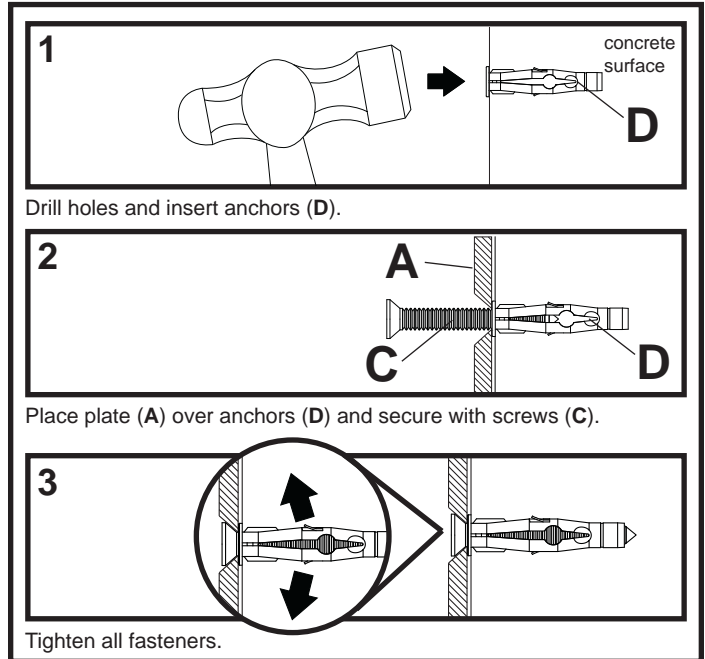
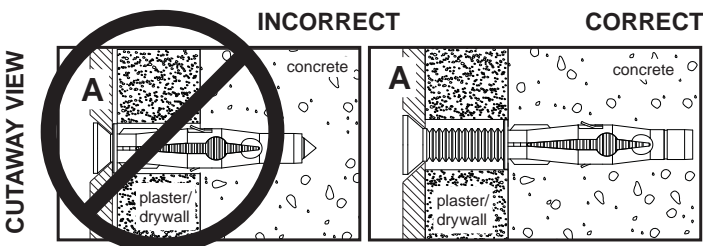


fig. 1.3

Installing Adapter Brackets

⚠ WARNING

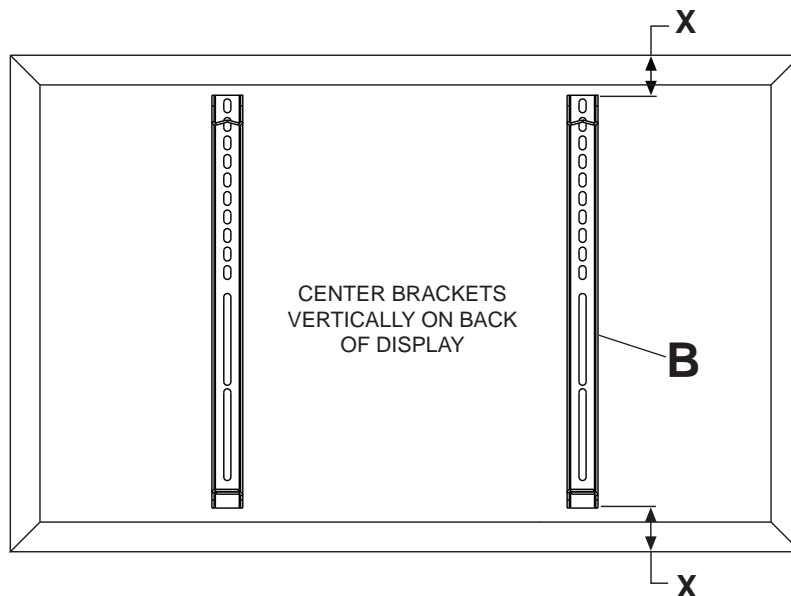
- Tighten screws so adapter brackets are firmly attached. Do not tighten with excessive force. Overtightening can cause stress damage to screws, greatly reducing their holding power and possibly causing screw heads to become detached. Tighten to 40 in. • lb (4.5 N.M.) maximum torque.
- If screws don't get three complete turns in the display inserts or if screws bottom out and bracket is still not tightly secured, damage may occur to display or product may fail.

For VESA 200 x 200 mounting pattern, skip to step 4 on page 9.

- 2** To prevent scratching the display, set a cloth on a flat, level surface that will support the weight of the display. Place display face side down. If display has knobs on the back, remove them to allow the adapter brackets to be attached. Place adapter brackets (**B**) on back of display, align to holes, and center on back of display as shown below. Attach the adapter brackets to the back of the display using the appropriate combination of screws, multi-washers, and spacers as shown in steps 2-1 or 2-2.

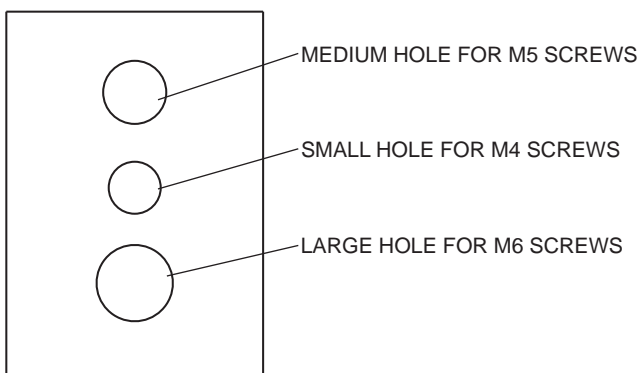
NOTE: Top and bottom mounting holes on display must be used for attaching brackets.

NOTE: Verify that all holes are properly aligned, and then tighten screws using a phillips screwdriver.



NOTE: "X" dimensions should be equal.

MULTI-WASHER



NOTES:

- The number of fasteners used will vary, depending upon the type of display.
- Multi-washers and spacers may not be used, depending upon the type of display.
- Use the corresponding hole in the multi-washer that matches your screw size as shown.

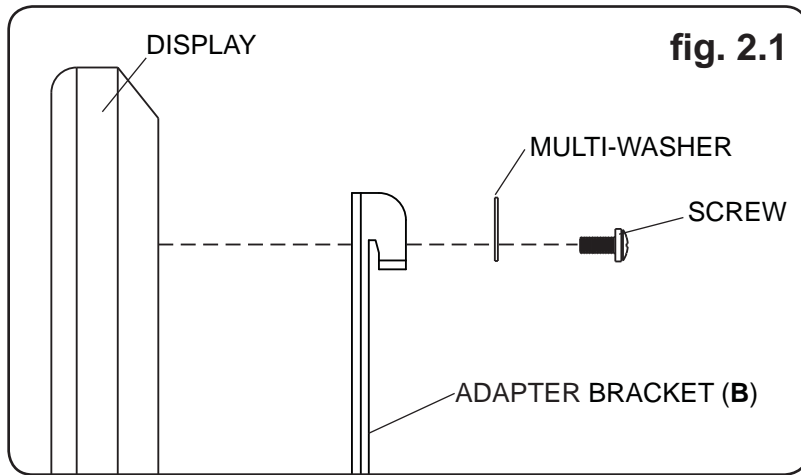
NOTE: For **flat back displays** proceed to step 2-1. For **bump-out or recessed back display** skip to step 2-2.

For Flat Back Display

2-1

Begin with the shortest length screw, hand thread through multi-washer and adapter bracket into display as shown below. Screw must make at least three full turns into the mounting hole and fit snug into place. Do not overtighten. If screw cannot make three full turns into the display, select a longer length screw from the baffled fastener pack. Repeat for remaining mounting holes, level brackets and tighten screws.

NOTE: Spacers may not be used, depending upon the type of display.

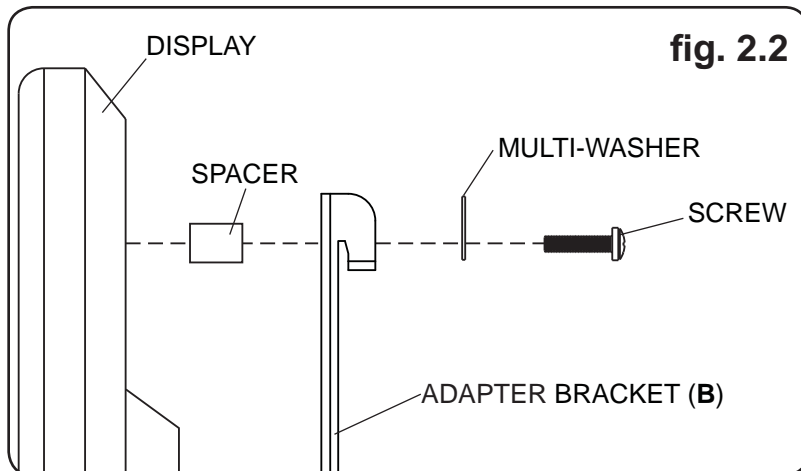


If you have any questions, please call Peerless customer care at 1-800-865-2112.

For Bump-out or Recessed Back Display

2-2

Begin with longer length screw, hand thread through multi-washer, adapter bracket and spacer in that order into display as shown below. Screw must make at least three full turns into the mounting hole and fit snug into place. Do not overtighten. If screw cannot make three full turns into the display, select a longer length screw from the baffled fastener pack. Repeat for remaining mounting holes, level brackets and tighten screws.



If you have any questions, please call Peerless customer care at 1-800-865-2112.

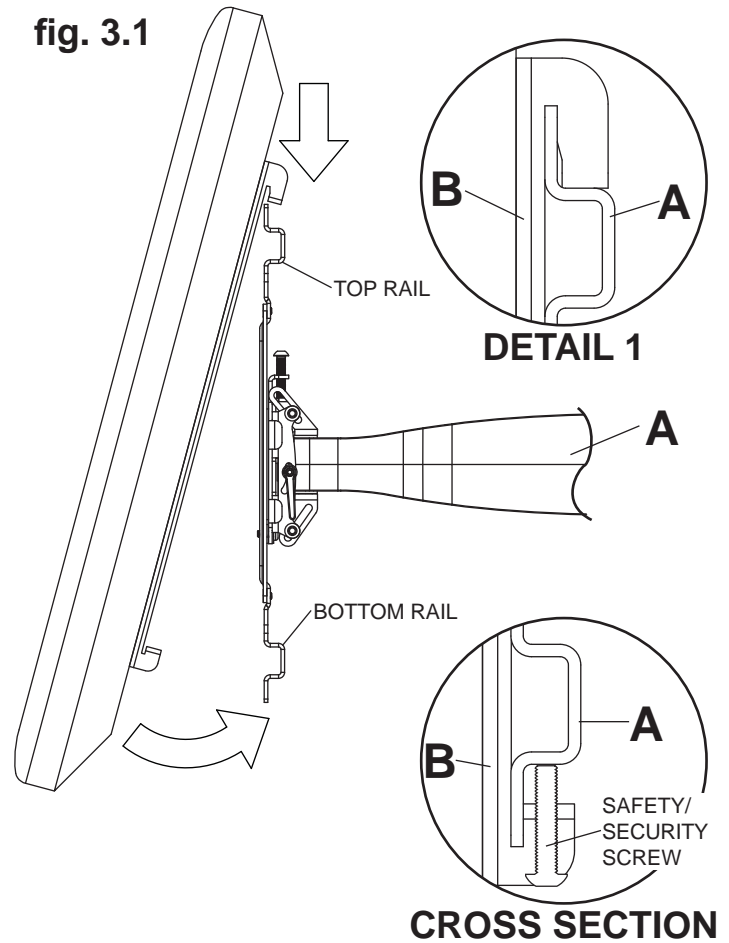
⚠ WARNING

- Always use an assistant or mechanical lifting equipment to safely lift and position the flat panel display.
- Do not tighten screws with excessive force. Overtightening can cause damage to mount. Tighten screws to 40 in. • lb (4.5 N.M.) maximum torque.
- Be careful not to pinch fingers when pushing display from the bottom.

3 Mounting Display: Slowly hook adapter brackets (B) onto top rail of front plate wall arm (A) then swing display down as shown in figure 3.1. Adapter bracket hooks must fully engage adapter plate as shown in detail 1. Using 4mm allen wrench (N), turn safety/security screws on adapter brackets (B) clockwise till screw tip securely contacts adapter plate as shown in cross section.

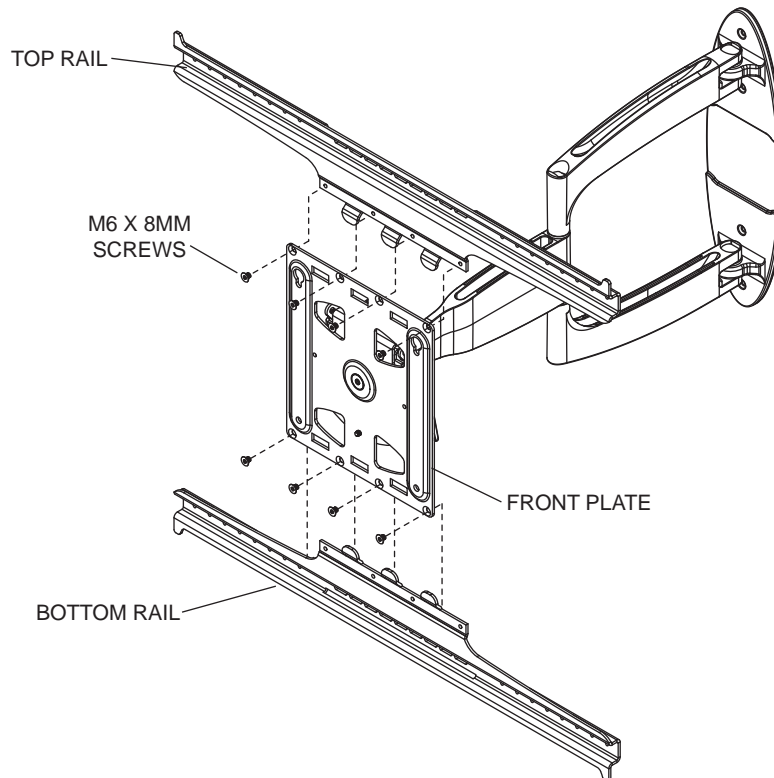
Removing Display: To remove display from mount, loosen safety/security screws, swing display away from mount, and lift display off of mount.

fig. 3.1

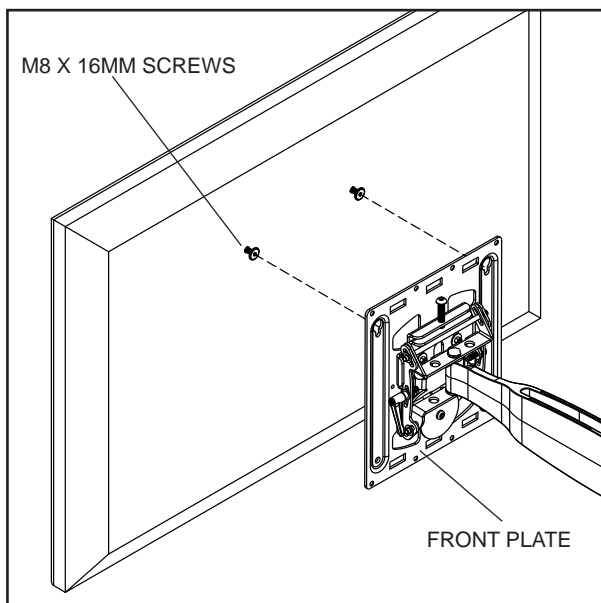


For VESA 200 x 200 Mounting Pattern

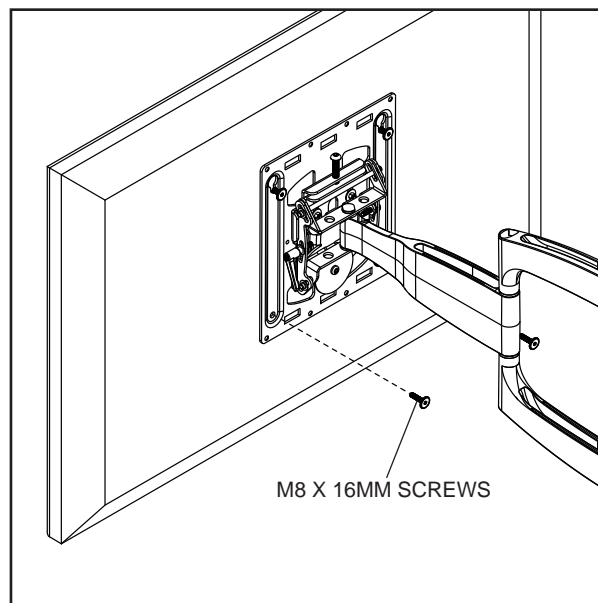
4 Remove eight M6 x 8mm screws and unhook top and bottom rails from front plate.



- 4-1** Insert two M8 x 16mm screws into top two mounting holes of display, leaving approximately 1/4" (6mm) of exposed thread. Hook screws onto keyslots of front plate as shown.



- 4-2** Insert two M8 x 16mm screws into bottom holes of adapter plate as shown, then tighten all fasteners.

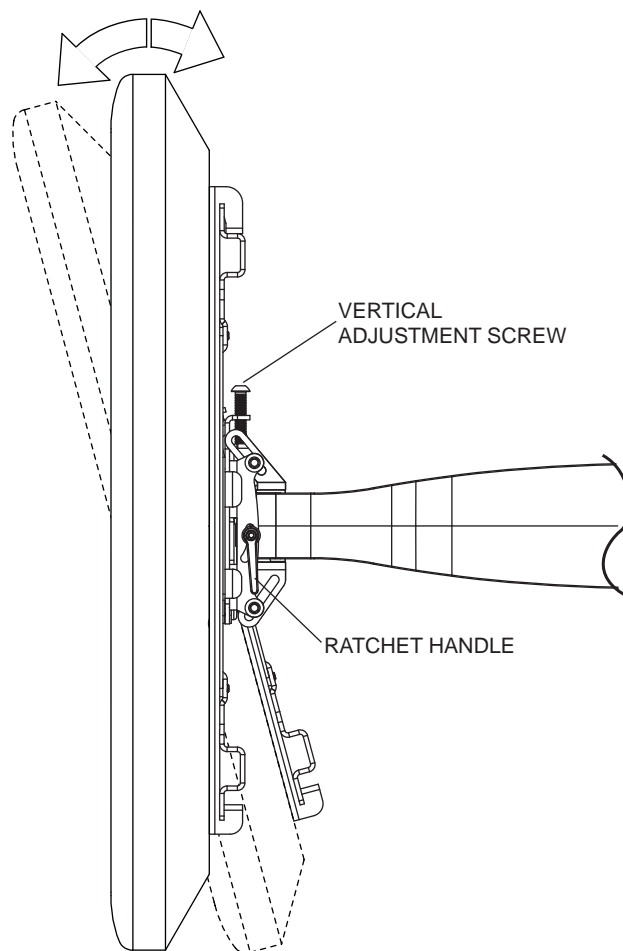


Adjustment of Flat Panel Display

- 5** **Tension Adjustment of Ratchet Handle:** Adjust tension of tilt assembly by rotating ratchet handle. **NOTE:** If obstruction prevents ratchet handle from rotating, pull handle out while turning will allow handle to reposition without tightening. Release and turn handle to tighten or loosen.

Tilt Adjustment: Adjust ratchet handle on side of mount to desired tension to enable tilt adjustment and balance your display size and weight. Push or pull from top or bottom of display to adjust tilt as shown. The tilt can be adjusted to a maximum of 15° forward or 5° backward. Retighten ratchet handle.

Vertical Height Adjustment: Loosen or tighten vertical adjustment screw using 5mm allen wrench (J) to raise or lower position of flat panel display +/- 0.70".



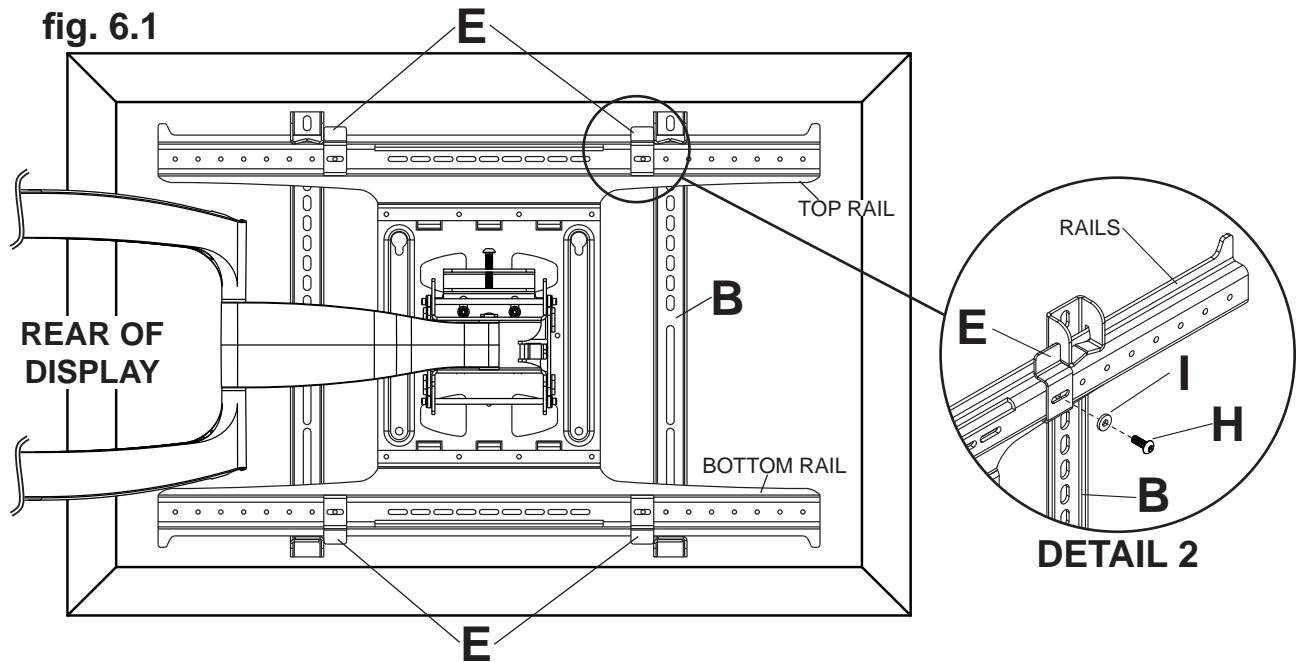
CAUTION

- Do not tighten screws with excessive force.
- Be careful not to pinch fingers when opening and closing mount from the wall.

⚠ WARNING

- Portrait lock clips (**E**) must be securely installed to top and bottom rails against inside of adapter brackets (**B**). Failure to place lock clips in correct location may cause injury.

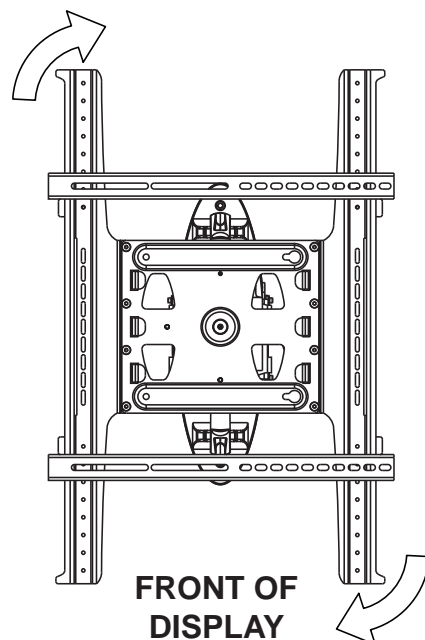
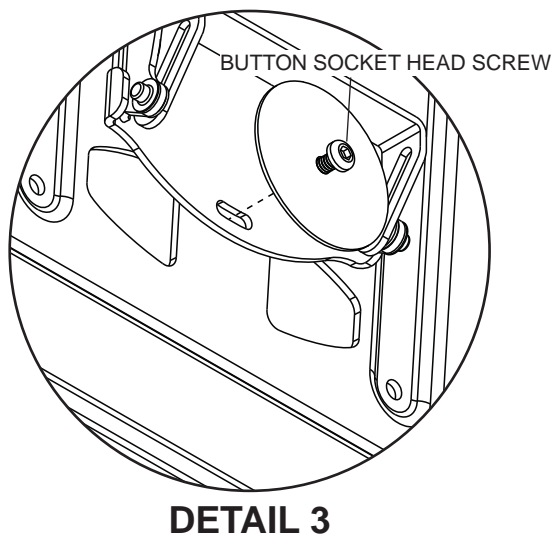
- 6 Install four portrait lock clips (**E**) to top and bottom rails using four M5 x 13mm self tapping screws (**H**) and four flat washers (**I**) as shown in detail 2. Tighten using allen wrench (**N**). Portrait lock clips must fit snug against inside of adapter brackets (**B**) as shown in figure 6.1.



Optional Orientation Adjustment

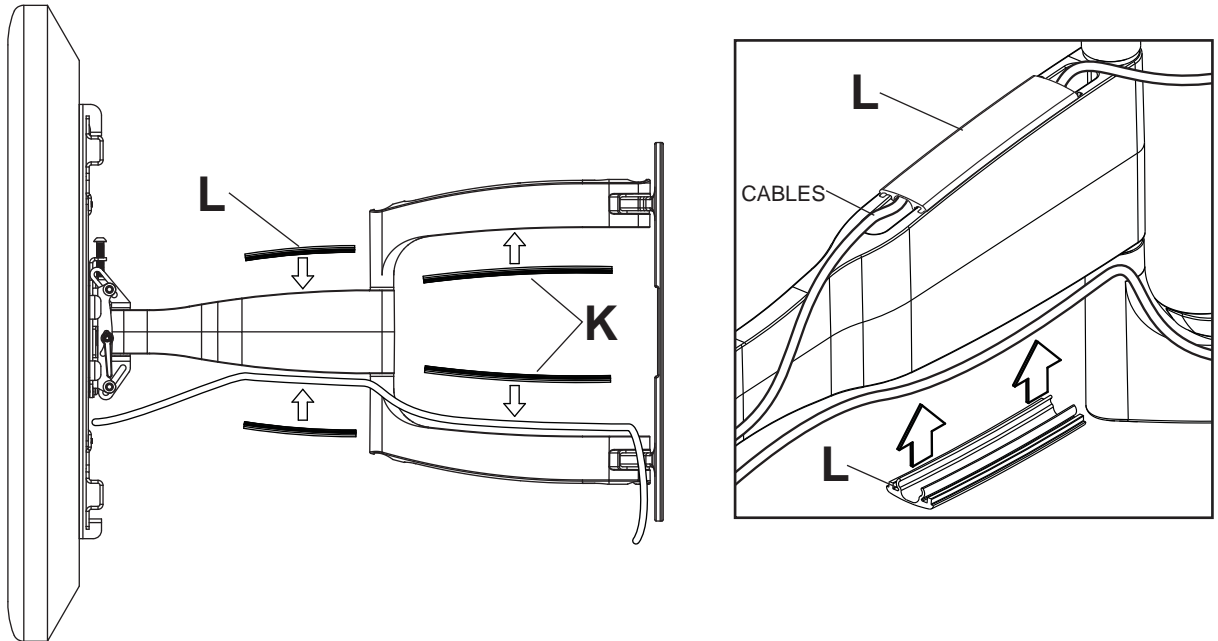
- 7 Remove button socket head screw with round plate as shown in detail 3.

- 7-1 Rotate display clockwise 90°, then reinstall socket head screw with round plate to lock down.



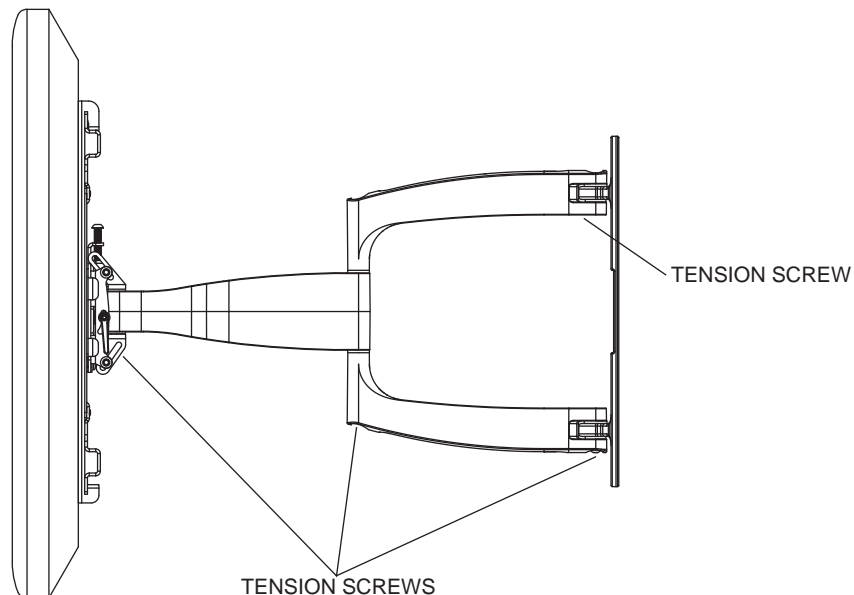
Cable Management

- 8** **NOTE:** Make sure cables have enough slack to allow full movement of the arm.
- Run power cable through top or bottom of wall arm (**A**) and signal cable(s) through other side of arm in order to avoid interference with the signal. Lock cables into place by inserting cable covers (**K, L**) onto mount. Display may have to be moved for easy access.



⚠ WARNING

- Do not remove screw or loosen screw until it is no longer engaged with the mount. Doing so may cause the display to fall.
 - If screws become loose over time, tighten screws as necessary. Tighten screws to 50 in • lbs (5.6 N.m.) maximum torque.
- 9** If more or less tension is desired in the arm pivot points, do the following:
- To increase tension, turn socket screw clockwise with 5mm allen wrench (**J**). **NOTE: Tighten screws to 50 in • lbs (5.6 N.m.) maximum torque.**
 - To reduce tension, turn socket screw counter-clockwise with 5mm allen wrench (**J**). **NOTE: Do not turn more than half a turn.**

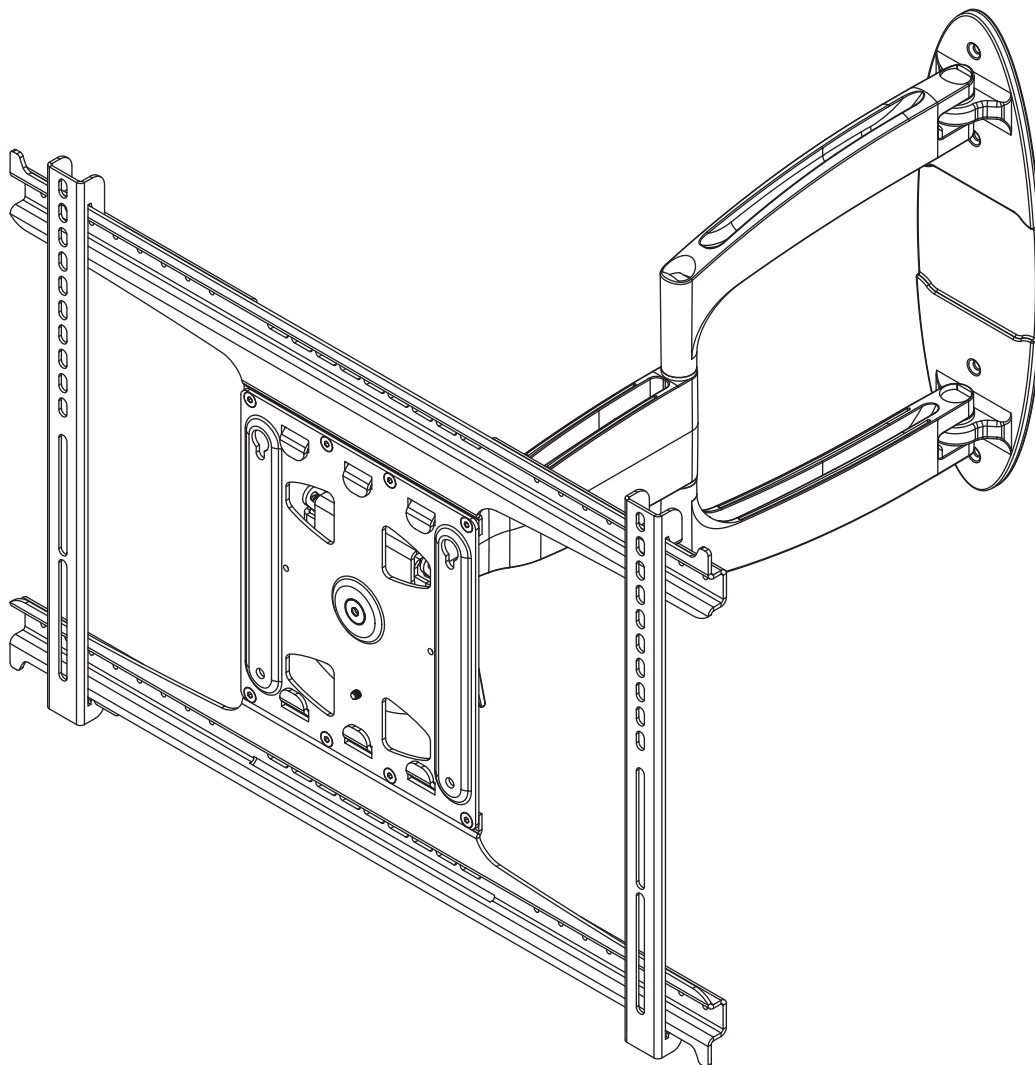




Instalación y montaje:

Soportes de pared de brazo articulador para pantallas planas de 37" a 55" (94 - 140cm)

Modelos: SAX755PU



Máxima capacidad de carga para UL: 80 lb (36.3 kg)

NOTA: Lea la hoja de instrucciones completa antes de comenzar la instalación y el ensamblaje.

⚠ ADVERTENCIA

- No comience a instalar su producto de Peerless hasta haber leído y entendido las instrucciones y las advertencias contenidas en la Hoja de Instalación. Si tiene alguna pregunta acerca de cualquiera de las instrucciones o las advertencias, por favor, llame a Servicio al Cliente de Peerless al 1-800-865-2112 si está en EE. UU. Si es un cliente internacional, por favor, comuníquese con su distribuidor local.
- Este producto sólo debe ser instalado por una persona que tenga una buena aptitud mecánica, que tenga experiencia en construcción básica de edificios y que entienda estas instrucciones en su totalidad.
- Asegúrese de que la superficie de apoyo sostendrá, con seguridad, la carga combinada del equipo y todos los fijadores y componentes.
- Nunca sobrepase la capacidad máxima de soportar carga aceptada por Underwriters Laboratories. Vea la página 13.
- Si va a instalar el producto en una pared con montantes de madera, asegúrese de que los tornillos de montaje estén anclados en el centro de los montantes. Se recomienda utilizar un localizador de montantes de "borde a borde".
- Siempre cuente con la ayuda de un asistente o utilice un equipo mecánico de izar para levantar y colocar el equipo con más seguridad.
- Apriete los tornillos con firmeza, pero no en exceso. Apretarlos en exceso puede dañar los artículos y puede disminuir significativamente su fuerza de fijación.
- Este producto está diseñado para uso en interiores solamente. Utilizar este producto en exteriores podría causar fallas del producto y lesiones a individuos.
- Este producto fue diseñado para ser instalado en paredes con la siguiente construcción solamente:

CONSTRUCCIÓN DE LA PARED

- Montante de madera
- Viga de madera
- Concreto macizo
- Bloque de hormigón de escorias
- Ladrillo
- ¿Otra superficie o no está seguro?

ACCESORIOS NECESARIOS

- Incluido
- Incluido
- Incluido
- Incluido
- Comuníquese con un profesional calificado (no evaluados por UL)
- Comuníquese con un profesional calificado

Herramientas necesarias para el ensamblaje

- localizador de montantes (se recomienda uno de "borde a borde")
- destornillador phillips
- broca de 5/32" (4mm) para paredes con montantes de madera
- broca de 5/16" (8mm) para paredes de concreto y de bloque de hormigón de escorias
- nivel

Tabla de Contenido

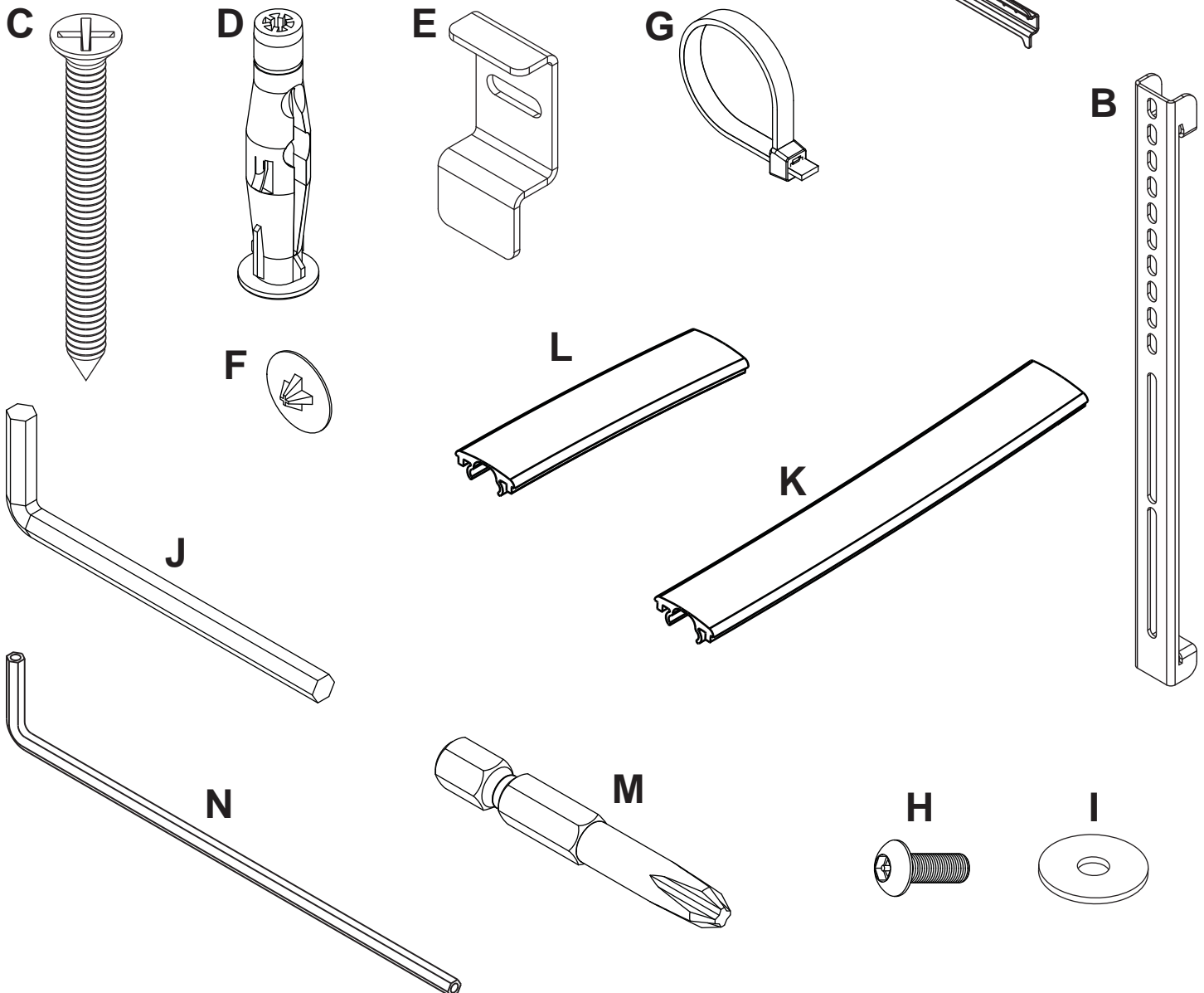
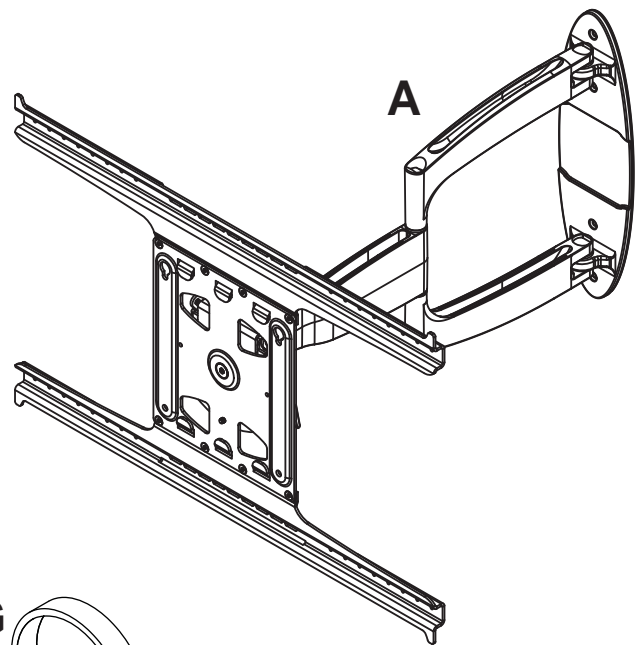
Lista de piezas.....	15, 16
Instalación en una pared con montantes de madera	17
Instalación en una pared de concreto macizo o de bloques de hormigón de escorias.....	18
Instalación del soporte adaptador	19
Instalación de la pantalla plana	21
Por configuración de montaje VESA 200 x 200.....	21
Ajuste de la pantalla plana	22
Manejo de los cables.....	24

Antes de empezar, asegúrese de que todas las piezas que se muestran son incluidos con su producto.

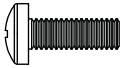
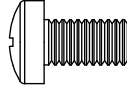
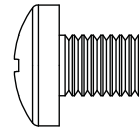
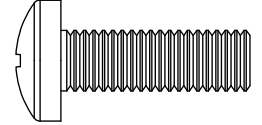
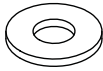
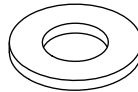
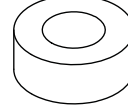
Lista de piezas

Descripción	Cant.	Nº de pieza
A brazo de pared	1	095-1828
B soporte adaptador	2	095-1787
C tornillos para madera	4	520-1202
D concreto de anclajes	4	590-0320
E clip vertical de fijación	4	095-1734
F cubiertas para sujetadores	4	590-1324
G sujetacables	8	590-1168
H tornillo autorroscante de M5 x 13mm	4	520-1616
I arandela plana M5	4	540-1040
J llave allen de 5 mm	1	560-9640
K Cubierta 6.75" para cables	2	095-1818
L Cubierta 4.25" para cables	2	095-1817
M Destornillador de cabeza #3	1	560-0209
N llave allen de 5/32	1	560-9646

Las piezas pueden verse un poco distintas a la ilustración.



Fijaciones para los soportes adaptadores

O (4)M4 x 12mm
504-9013**P (4)**M4 x 25mm
504-1015**Q (4)**M6 x 12mm
520-1128**R (4)**M6 x 25mm
520-1208**S (4)**M8 x 12mm
520-9571**T (4)**M8 x 25mm
520-1031**U (4)**M4 washer
540-9400**V (8)**M6/M8 washer
540-9406**W (8)**spacer
600-1215

Instalación en una pared con montante de madera único

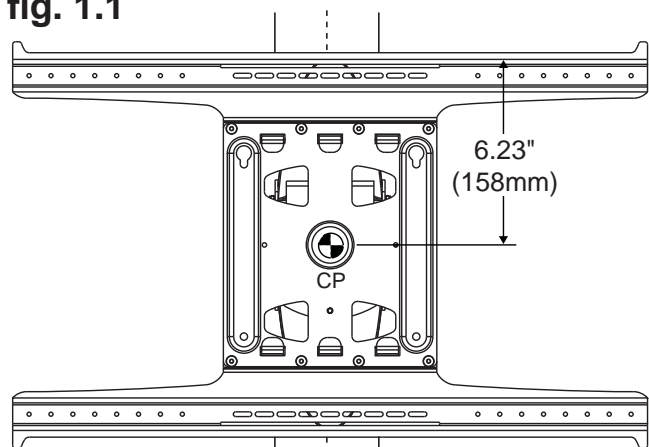
⚠ ADVERTENCIA

- El instalador debe verificar que la superficie de apoyo sea capaz de soportar firmemente la carga combinada del equipo y todos los herrajes y componentes.
- Apriete los tornillos para madera de tal modo que la placa de apoyo quede firmemente sujeta, pero no apriete en exceso. El apriete excesivo puede dañar los tornillos, reduciendo enormemente su fuerza de fijación.
- Nunca apriete más de 80 pulg-lb (9 N•m).
- Asegúrese de que los tornillos de montaje queden bien fijos en el centro del montante. Se recomienda usar un localizador de montantes de "borde a borde".
- Los herrajes suministrados son para fijar el soporte a través de tabique de yeso-cartón o yeso de espesor estándar a los montantes de madera. Los instaladores son responsables de suministrar los herrajes para otros tipos de situaciones de montaje (no evaluados por UL).

1 Utilizando un localizador de montantes, localice y marque los bordes del montante. Se recomienda utilizar un localizador de montantes de "borde a borde". Utilice un nivel para trazar una línea vertical por el centro del montante y utilice la plantilla placa pared (brazo de pared) para marcar el centro de los agujeros sobre la línea vertical. Los agujeros de montaje superiores deben estar ubicados a 6.23" (158mm) sobre el punto donde quiere que quede el centro de la pantalla, como se muestra en la figura 1.1. Taladre cuatro agujeros de 5/32" (4mm) de diámetro con una profundidad de 2.5" (64mm). Fije el brazo de pared (**A**) en la pared usando cuatro tornillos para madera (**C**) con Phillips broca #3 (**M**), como se muestra en la figura 1.2. Nivele la placa y apriete todos los sujetadores.

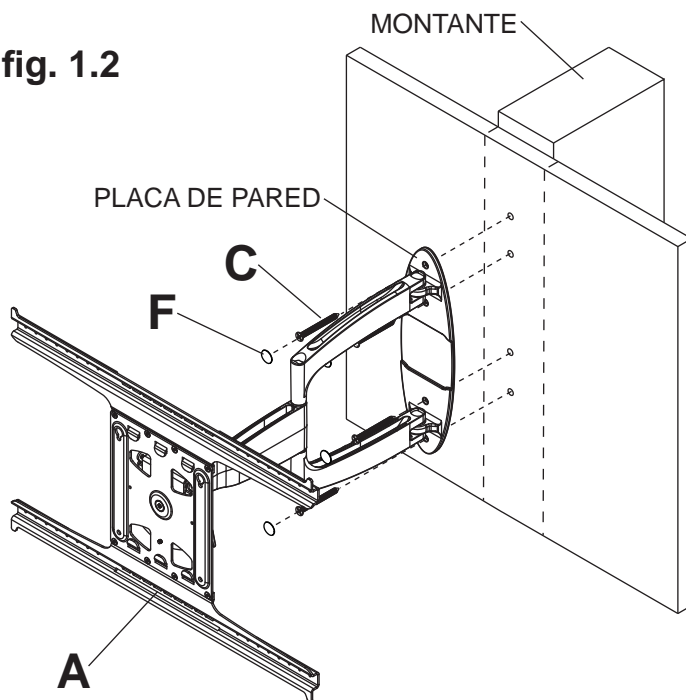
Inserte cuatro cubiertas para sujetadores (**F**) en los agujeros de montaje de la placa de pared.

fig. 1.1



CP = CENTRO DE LA PANTALLA

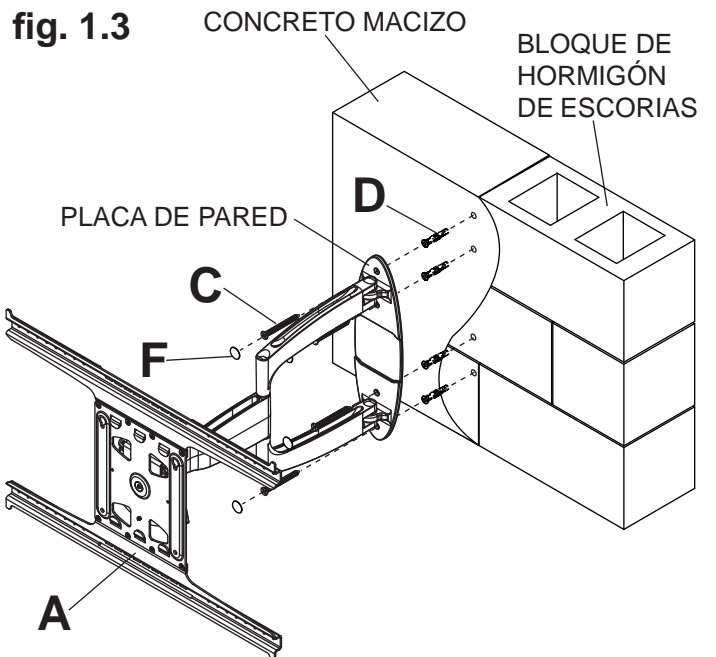
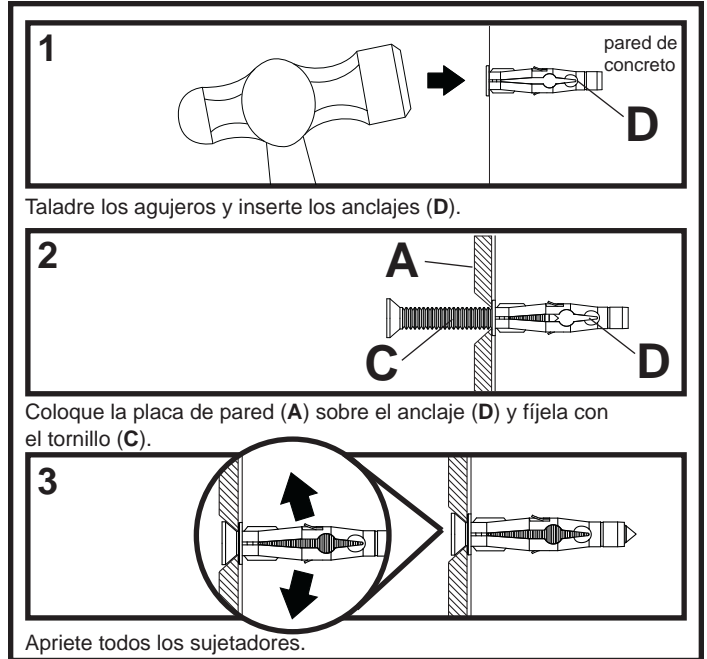
fig. 1.2



⚠ ADVERTENCIA

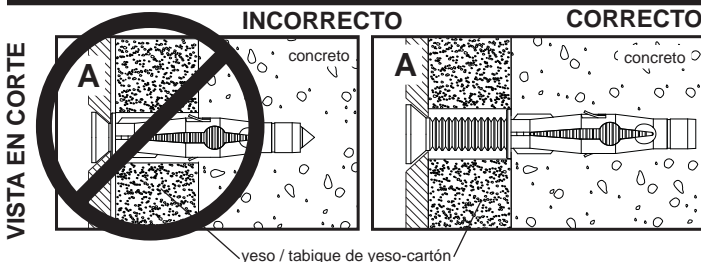
- Cuando instale soportes de pared Peerless en bloques de hormigón de escorias, verifique que tengan un mínimo de 1-3/8" (35mm) de superficie efectiva de concreto en el agujero que va a utilizar para los anclajes de concreto. ¡No perforo en las juntas de mortero! Asegúrese de instalar el soporte en una parte sólida del bloque, generalmente a un mínimo de 1" (25mm) del costado del bloque. El bloque de hormigón de escorias debe ser de conformidad con las especificaciones C-90 de ASTM. Se sugiere taladrar el agujero con un taladro eléctrico normal en velocidad lenta en vez de un taladro percutor para evitar romper la parte trasera del agujero al entrar en un espacio o cavidad.
- El concreto debe tener una densidad mínima de 2000 psi. Un concreto menos denso podría no ser capaz de sujetar el anclaje para concreto.
- El instalador debe verificar que la superficie de apoyo sea capaz de soportar firmemente la carga combinada del equipo y todos los herrajes y componentes.

1 Utilice la plantilla placa pared (brazo de pared) para marcar los puntos de los agujeros de montaje. Centro de la pantalla de la placa de montaje es de .25" el desplazamiento del centro de la orificio de montaje como se muestra en la figura 1.1. de la página 17. El agujero de montaje superior debe estar ubicado a 6.23" (158mm) sobre el punto donde quiere que quede el centro de la pantalla, como se muestra en la figura 1.1. Taladre cuatro agujeros de 5/16" (8mm) de diámetro y 2.5" (64mm) de profundidad, como se muestra en la figura 1.3. Inserte los anclajes (D) en los agujeros a ras con la pared, como se muestra (a la derecha). Coloque el brazo de pared sobre los anclajes y fíjelo con cuatro tornillos para madera (C) con Phillips broca #3 (M). Nivele y apriete todos los sujetadores. Inserte cuatro cubiertas para sujetadores (F) en los agujeros de montaje de la placa de pared.



⚠ ADVERTENCIA

- Apriete los tornillos de tal modo que la placa de apoyo quede firmemente sujeta, pero no los apriete en exceso. El apriete excesivo puede dañar los tornillos, reduciendo enormemente su fuerza de fijación.
- Nunca apriete más de 80 pulg-lb (9 N•m).
- Siempre fije los anclajes de expansión directamente al concreto que soporta carga.
- Nunca fije los anclajes de expansión a una pared de concreto recubierta con yeso, tabiques de yeso-cartón u otro material de acabado. Si el montaje a superficies de concreto recubiertas con una superficie de acabado es inevitable (no evaluados por UL), será necesario escariar el acabado, como se muestra más abajo. Asegúrese de que los anclajes de concreto no se alejen del concreto al apretar los tornillos. Si el grosor de la pared de yeso/tabique de yeso-cartón es mayor que 5/8" (16mm), el instalador deberá suministrar fijaciones especiales (no evaluados por UL).



Instalación de los Soportes Adaptadores

⚠ ADVERTENCIA

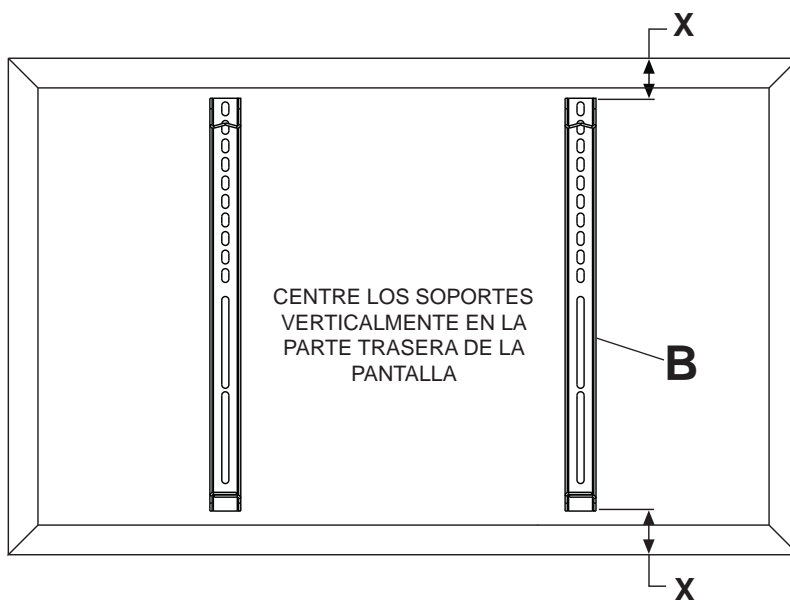
- Apriete los tornillos de tal modo que los soportes adaptadores queden firmemente sujetos. No apriete aplicando demasiada fuerza. El apriete excesivo puede causar daño por esfuerzo a los tornillos, reduciendo enormemente su fuerza de fijación y causando el posible desprendimiento de sus cabezas. Apriete los tornillos a 40 pulg-lb (4.5 N•m) de par torsor máximo.
- Si los tornillos no pueden atornillarse con tres vueltas completas en los insertos de la pantalla, o si los tornillos topan fondo y la placa todavía no está firmemente sujeta, se podría dañar la pantalla o causar la falla del producto.

2 En el caso de la configuración de montaje VESA 200 x 200, proceda al paso 4 en la página 21.

Para no rayar la pantalla, coloque un trapo sobre una superficie plana y nivelada que sostenga el peso de la pantalla. Coloque la pantalla boca abajo. Si la pantalla tiene perillas en la parte trasera, quíteselas para poder fijar los soportes adaptadores. Fije los soportes adaptadores (**B**) en la parte trasera de la pantalla utilizando la combinación adecuada de tornillos, arandelas múltiples y espaciadores, como se muestra en el paso 2-1 y 2-2.

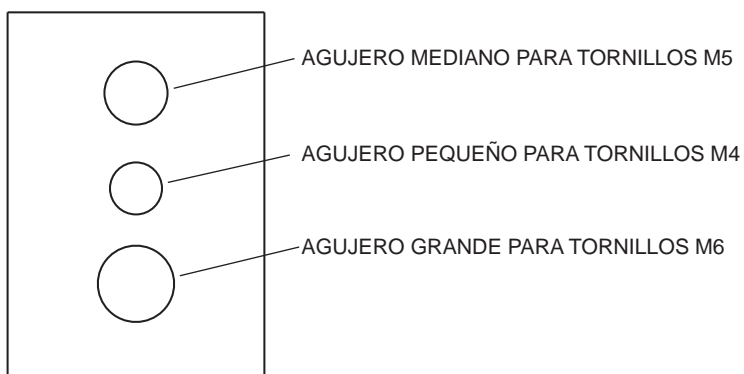
NOTA: Siempre se tienen que usar los agujeros superiores y los inferiores.

NOTA: Verifique que todos los agujeros estén debidamente alineados y luego apriete los tornillos usando un destornillador phillips.



Nota: Las dimensiones "X" deben ser iguales.

ARANDELA MÚLTIPLE



Notas:

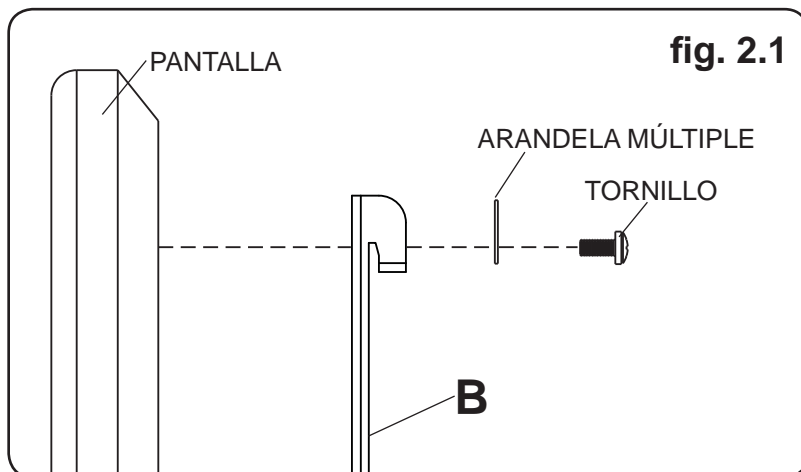
- La cantidad de fijaciones utilizada variará según el tipo de pantalla.
- Es posible que no tenga que usar las arandelas múltiples y los espaciadores, dependiendo del tipo de pantalla.
- Use el agujero correspondiente en la arandela múltiple que coincida con el tamaño de su tornillo, como se muestra.

NOTA: En el caso de los televisores que tienen la **parte posterior plana**, pase al paso 2-1. En el caso de los televisores que tienen la **parte posterior abultada o empotrada**, pase al paso 2-2.

Instalación de un televisor que tiene la parte posterior plana

- 2-1** Comience con uno de los tornillos más cortos, enrósquelo, con la mano, a través de la arandela múltiple y el soportes adaptadores (**B**) a la parte posterior de la pantalla, como se muestra abajo. El tornillo tiene que dar, por lo menos, tres vueltas completas dentro del agujero de montaje y debe quedar ajustado en su lugar. No apriete los tornillos en exceso. Si el tornillo no puede dar tres vueltas completas al entrar en la parte posterior de la pantalla, seleccione un tornillo más largo de los sujetadores identificados y clasificados en las divisiones del empaque plástico. Siga el mismo procedimiento con los agujeros de montaje restantes, nivele los soportes de la pantalla y apriete los tornillos.

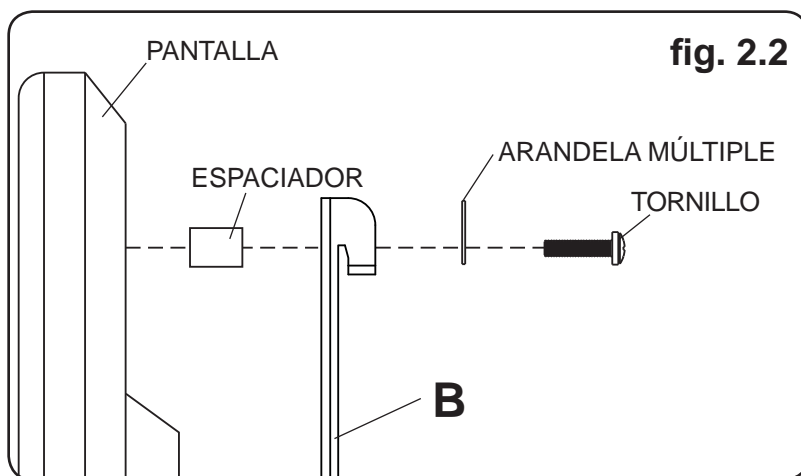
NOTA: Es posible que no necesite usar los espaciadores, dependiendo del tipo de pantalla.



Si tiene alguna pregunta, por favor, llame a servicio al cliente de Peerless al 1-800-865-2112.

Instalación de un televisor que tiene la parte posterior abultada o empotrada

- 2-2** Comience con uno de los tornillos más largos, enrósquelo, con la mano, a través de la arandela múltiple, los soportes adaptadores (**B**) y el espaciador, en ese orden, a la parte posterior de la pantalla, como se muestra abajo. El tornillo tiene que dar, por lo menos, tres vueltas completas dentro del agujero de montaje y debe quedar ajustado en su lugar. No apriete los tornillos en exceso. Si el tornillo no puede dar tres vueltas completas al entrar en la parte posterior de la pantalla, seleccione un tornillo más largo de los sujetadores identificados y clasificados en las divisiones del empaque plástico. Siga el mismo procedimiento con los agujeros de montaje restantes, nivele los soportes de la pantalla y apriete los tornillos.



Si tiene alguna pregunta, por favor, llame a servicio al cliente de Peerless al 1-800-865-2112.

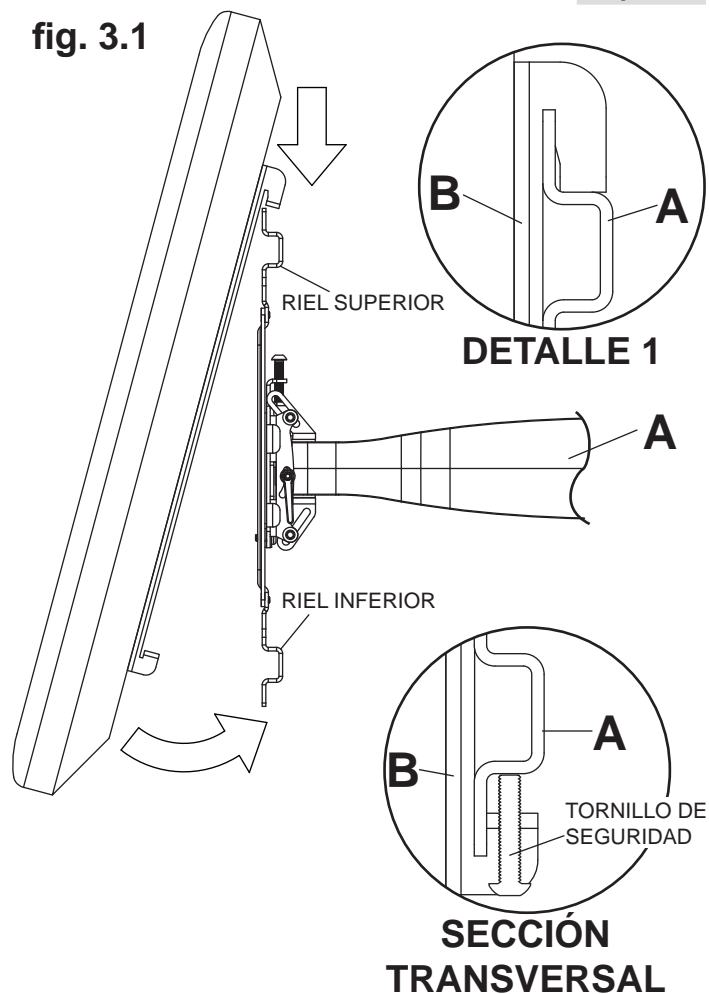
⚠ ADVERTENCIA

- Siempre cuente con un asistente o con un equipo mecánico de izar para levantar y colocar los televisores de pantalla plana con más seguridad.
- No apriete los tornillos con fuerza excesiva. Apretarlos en exceso puede dañar el soporte. Apriete los tornillos a un máximo de 40 pulg-lb (4.5 N•m) de par torsor.
- Tenga cuidado de no pincharse los dedos cuando empuje palanca de la pantalla por la parte inferior.

3 Instalar la pantalla: Enganche los soportes adaptadores (B) lentamente a la placa de pared (A) y gire la pantalla hacia abajo, como se muestra en la figura 3.1. Los ganchos de los soportes inclinables tienen que entrar completamente en la placa de pared, como se muestra en el detalle 1. Usando un destornillador phillips o una llave allen de seguridad (N), déles vuelta los tornillos de seguridad de los soportes adaptadores (B) en el sentido de las manecillas del reloj hasta que la punta del tornillo toque firmemente la placa de pared, como se muestra en la sección transversal.

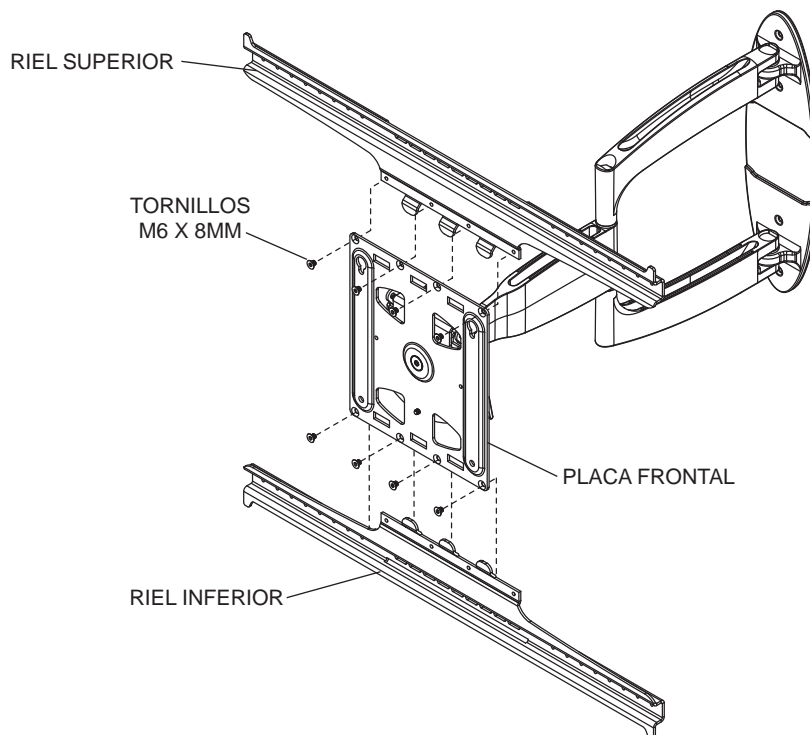
Quitar la pantalla: Para quitar la pantalla del soporte, afloje los tornillos de seguridad, gire la pantalla retirándola del soporte y levántela para sacarla del soporte.

fig. 3.1

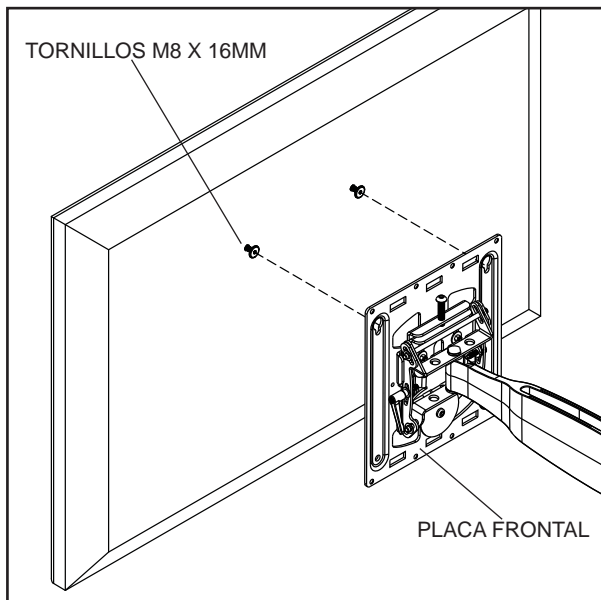


En el caso de la configuración de montaje VESA 200 x 200

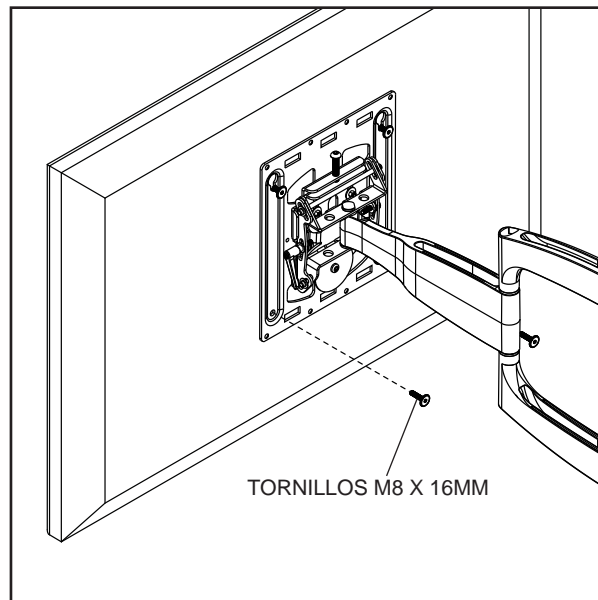
4 Quite los ocho tornillos de M6 x 8mm y desenganche el riel superior y el riel inferior de la placa.



- 4-1** Inserte dos tornillos de M8 x 16mm en los dos agujeros de montaje superiores de la pantalla; deje aproximadamente 1/4" (6mm) de la rosca expuesta. Enganche los tornillos en las ranuras de la placa frontal, como se muestra.



- 4-2** Inserte dos tornillos de M8 x 16mm en los agujeros inferiores de la placa adaptadora, como se muestra; luego, apriete todos los fijadores.

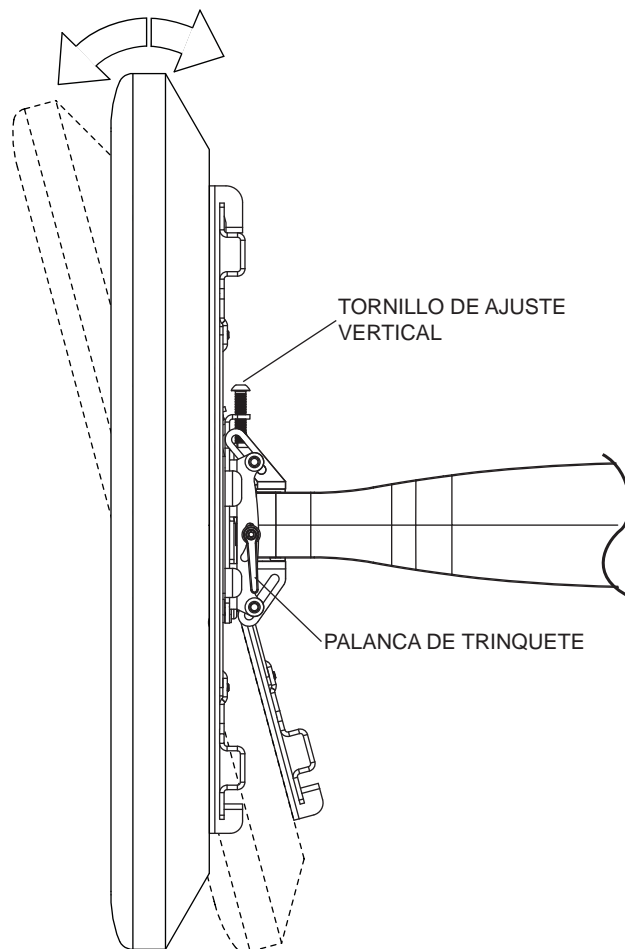


Ajuste de la Pantalla Plana

- 5** **Ajuste tensor de la palanca de trinquete:** Ajuste la tensión de la unidad de inclinación rotando la palanca de trinquete. **NOTA:** Si una obstrucción le impide rotar la palanca de trinquete, tire de la palanca hacia fuera a la vez que le da vuelta para colocarla en otra posición sin apretar los soportes. Desenganche la palanca y dele vuelta para apretar o aflojar los soportes.

Ajuste de la inclinación: Ajuste la palanca de trinquete que se encuentra en el lado del soporte al grado de tensión deseado para poder ajustar la inclinación y balancear el tamaño y el peso de la pantalla. Mueva la parte superior o la parte inferior de la pantalla tirando de la misma o empujándola para ajustar la inclinación como se muestra. La inclinación se puede ajustar hasta un máximo de 15° hacia delante o de 5° hacia atrás. Vuelva a apretar la palanca de trinquete.

Ajuste vertical de la altura: Afloje o apriete el tornillo de ajuste vertical utilizando una llave allen 5mm (J) para subir o bajar la posición de la pantalla plana +/- 0.70".



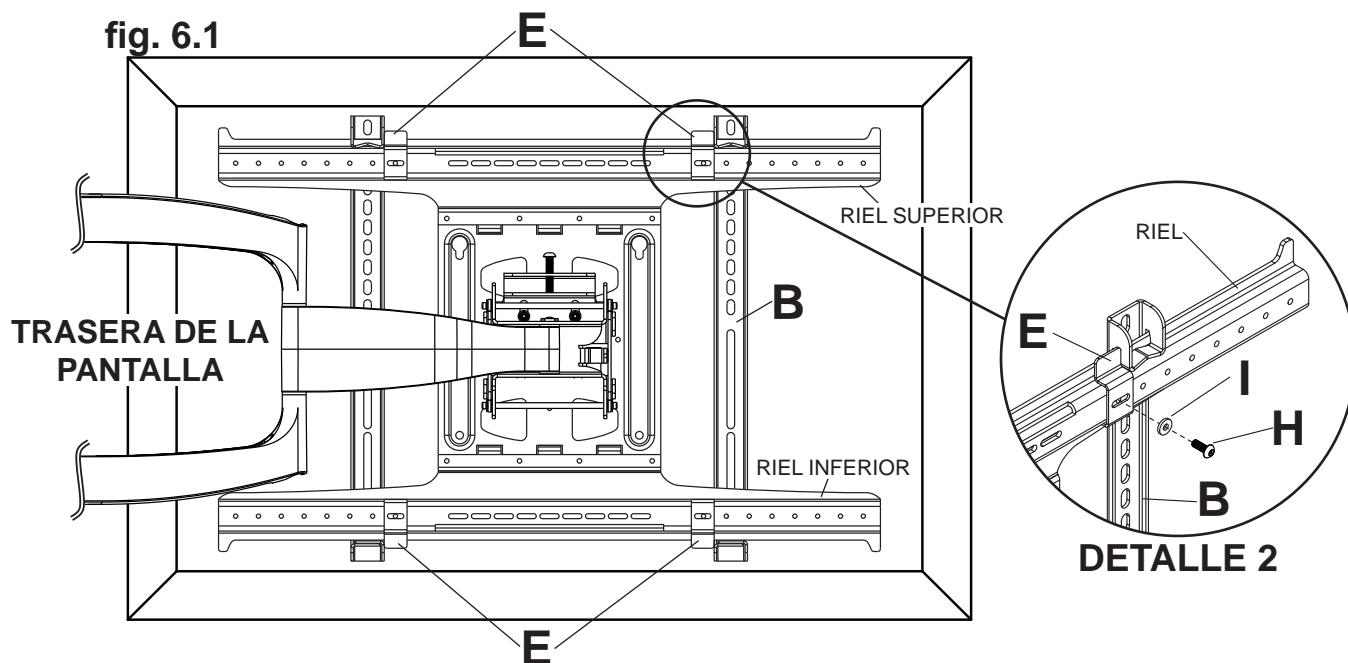
PRECAUCIÓN

- No apriete los tornillos con fuerza excesiva.
- Tenga cuidado de no pincharse los dedos cuando extienda y recoja el soporte contra la pared.

⚠ ADVERTENCIA

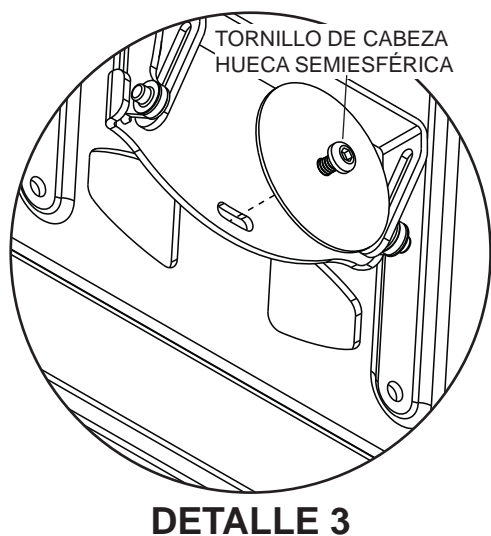
- Los clips verticales de fijación (E) se tienen que instalar fijamente en el riel superior y el riel inferior contra el interior del los soportes adaptadores (B). No colocar los clips verticales de fijación en la posición correcta puede causar lesiones.

- 6 Instale cuatro clips verticales de fijación (E) en el riel superior y el riel inferior con cuatro tornillos autorroscantes de M5 x 13mm (H) y cuatro arandelas planas (I), como se muestra en el detalle 2. Los clips verticales de fijación tienen que quedar ajustados entre los soportes adaptadores (B), como se muestra en las figura 6.1.

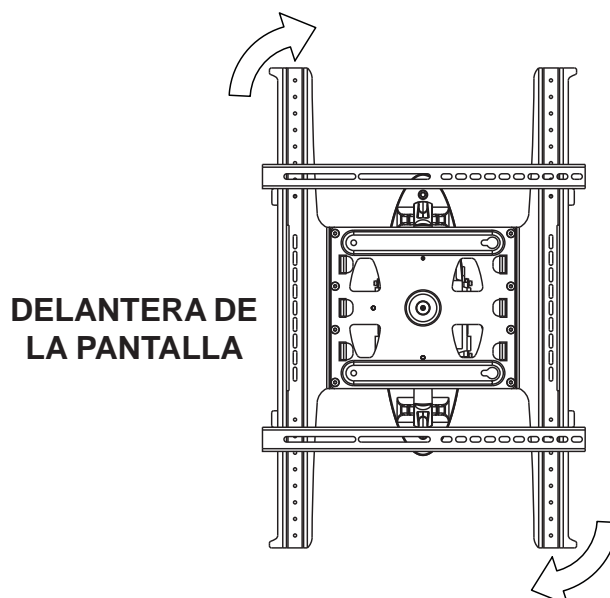


Opcional Ajuste de la Orientación

- 7 Quite el tornillo de cabeza hueca semiesférica con plato redondo, como se muestra en el detalle 3.



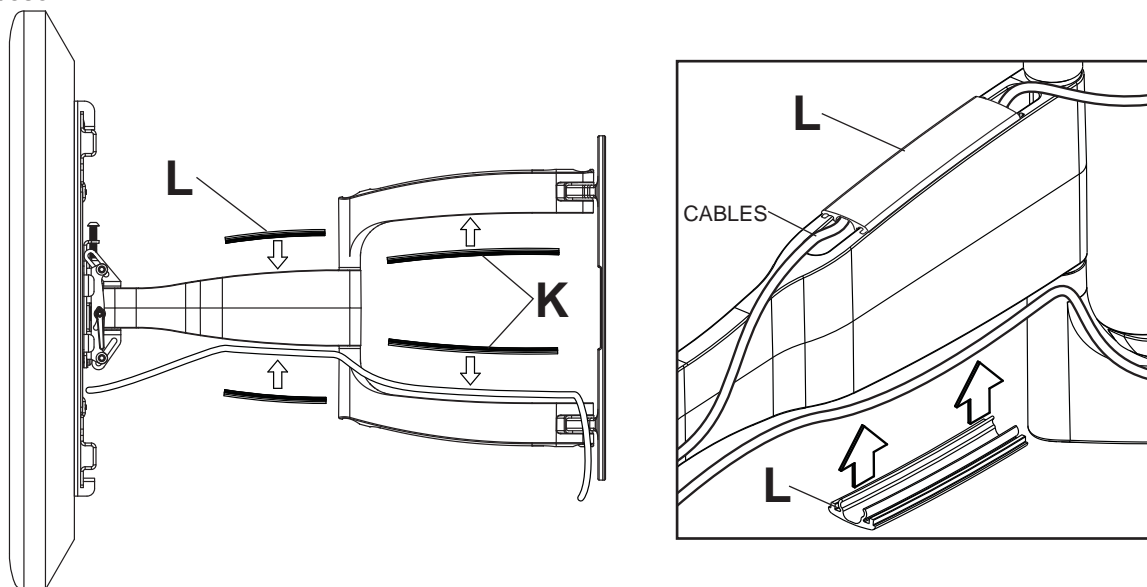
- 7-1 Rote la pantalla a la posición deseada; luego, vuelva a instalar el tornillo de cabeza hueca semiesférica con plato redondo para trabajar.



Manejo de los Cables

8 **NOTA:** Asegúrese de que los cordones de la electricidad no queden muy cortos para que el brazo se pueda mover completamente.

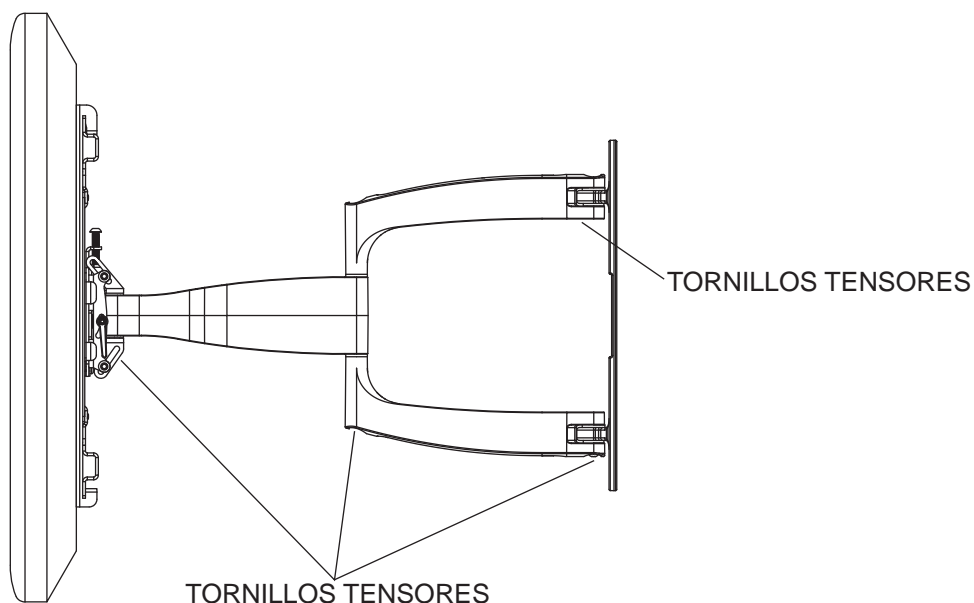
Pase el cordón de la electricidad por la parte superior o la parte inferior del brazo de pared (A) y el cable o los cables de la señal por el otro lado del brazo para evitar que haya interferencia con la señal. Fije los cables en su lugar con dos juegos de cubiertas para cables (K, L) en cada brazo. Es posible que necesite mover la pantalla para tener acceso.



⚠ ADVERTENCIA

- No retire el tornillo ni lo afloje hasta que se haya desenganchado del soporte. Se podría caer la pantalla.
- Si los tornillos se aflojan con el tiempo, apriételos según sea necesario. Apriete los tornillos a un máximo de 50 pulg-lb (5.6 N•m) de par torsor.

- 9** Si desea aumentar o disminuir la tensión en los puntos de articulación del brazo, haga lo siguiente:
- Para aumentarla, gire el tornillo de cabeza hueca en sentido horario con la llave allen de 5mm (J). **NOTA: Apriete los tornillos a un máximo de 50 pulg-lb (5.6 N•m) de par torsor.**
 - Para reducirla, gire el tornillo de cabeza hueca en sentido contrahorario con la llave allen de 5mm (J).
- NOTA: No lo gire más de media vuelta.**

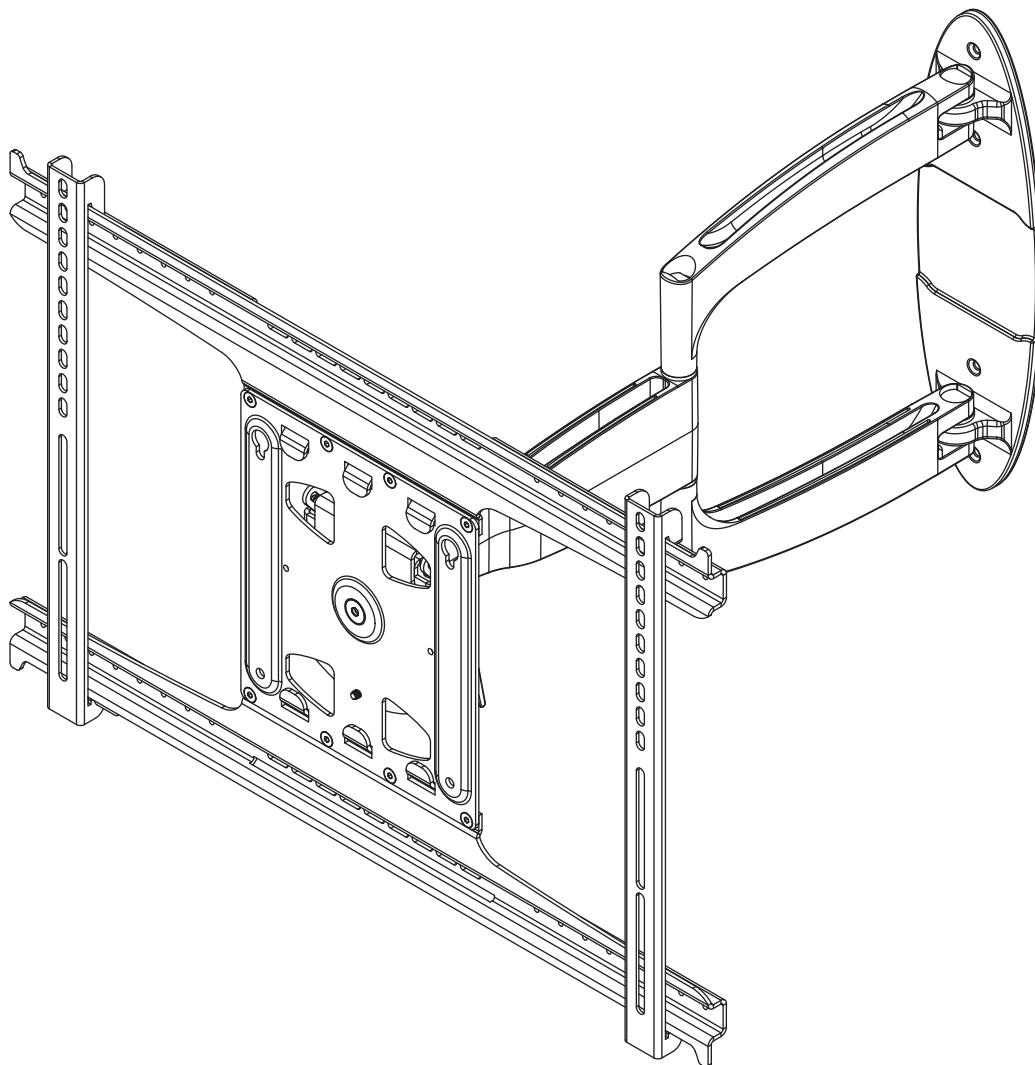




Installation et montage :

Montants muraux pour écrans plats articulés pour écrans de 37 à 55 pouces (94 - 140cm)

Modèles: SAX755PU



Capacité de charge UL maximale: 80 lb (36.3 kg)

REMARQUE: lisez entièrement la fiche d'instructions avant de commencer l'installation et l'assemblage.

▲ AVERTISSEMENT

- Ne commencez pas à installer votre produit Peerless avant d'avoir lu et assimilé les instructions et les avertissements contenus dans cette fiche d'installation. Pour toute question concernant les instructions ou les avertissements, veuillez appeler le service à la clientèle de Peerless au 1-800-865-2112; tous les clients internationaux sont priés de contacter leur distributeur local.
- Ce produit doit être installé uniquement par quelqu'un possédant une bonne aptitude à la mécanique, une expérience de la construction immobilière et ayant bien compris ces instructions.
- Assurez-vous que la surface de support puisse soutenir sans danger la charge totale de l'équipement ainsi que des pièces et composants qui y sont attachés.
- Ne dépassez jamais la capacité de charge maximum établie par l'UL. Reportez-vous à la page 25.
- Lors d'une installation sur un mur à montants en bois, assurez-vous que les vis de montage sont ancrées au centre des montants. L'utilisation d'un localisateur de montants « bord à bord » est fortement recommandée.
- Pour lever et positionner l'équipement en toute sécurité, faites-vous toujours aider par une autre personne ou utilisez un dispositif de levage mécanique.
- Serrez fermement les vis, mais sans excès. Un serrage excessif peut endommager les composants et en réduire considérablement la capacité de support.
- Ce produit est conçu uniquement pour un usage intérieur. L'utilisation de ce produit à l'extérieur peut causer une défaillance du produit et des blessures corporelles.
- Ce produit a été conçu uniquement pour une installation sur les types de murs ci-dessous :

TYPE DE MUR	PIÈCES DE FIXATION REQUISES
• Montant en bois	Incluses
• Poutre en bois	Incluses
• Béton plein	Incluses
• Bloc de béton de mâchefer	Incluses
• Brique	Contacteur un professionnel qualifié (non évalué UL)
• Autre, ou vous n'êtes pas sûr ?	Contacteur un professionnel qualifié

Outils nécessaires au montage

- localisateur de montants (un localisateur de montants « bord à bord » est recommandé)
- tournevis phillips
- foret de 5/32 po (4mm) pour les murs à montants en bois
- foret de 5/16 po (8mm) pour les murs à block de béton
- niveau

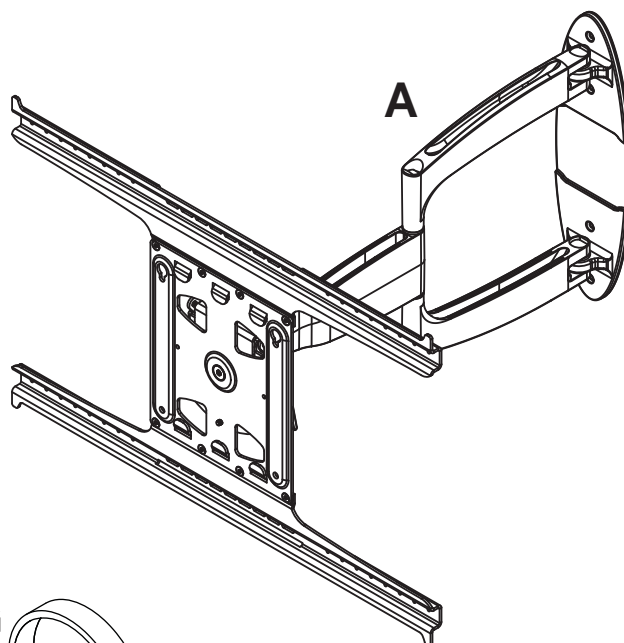
Table des Matières

Liste des Pièces	27, 28
Installation sur un mur à montant en bois.....	29
Installation sur du béton plein ou un bloc de béton de mâchefer	30
D'Installation du Support Adaptateur	31
Installation de l'écran plat.....	33
Configuration de montage VESA 200 x 200	33
Réglage d'un écran plat.....	34
Gestion des câbles	36

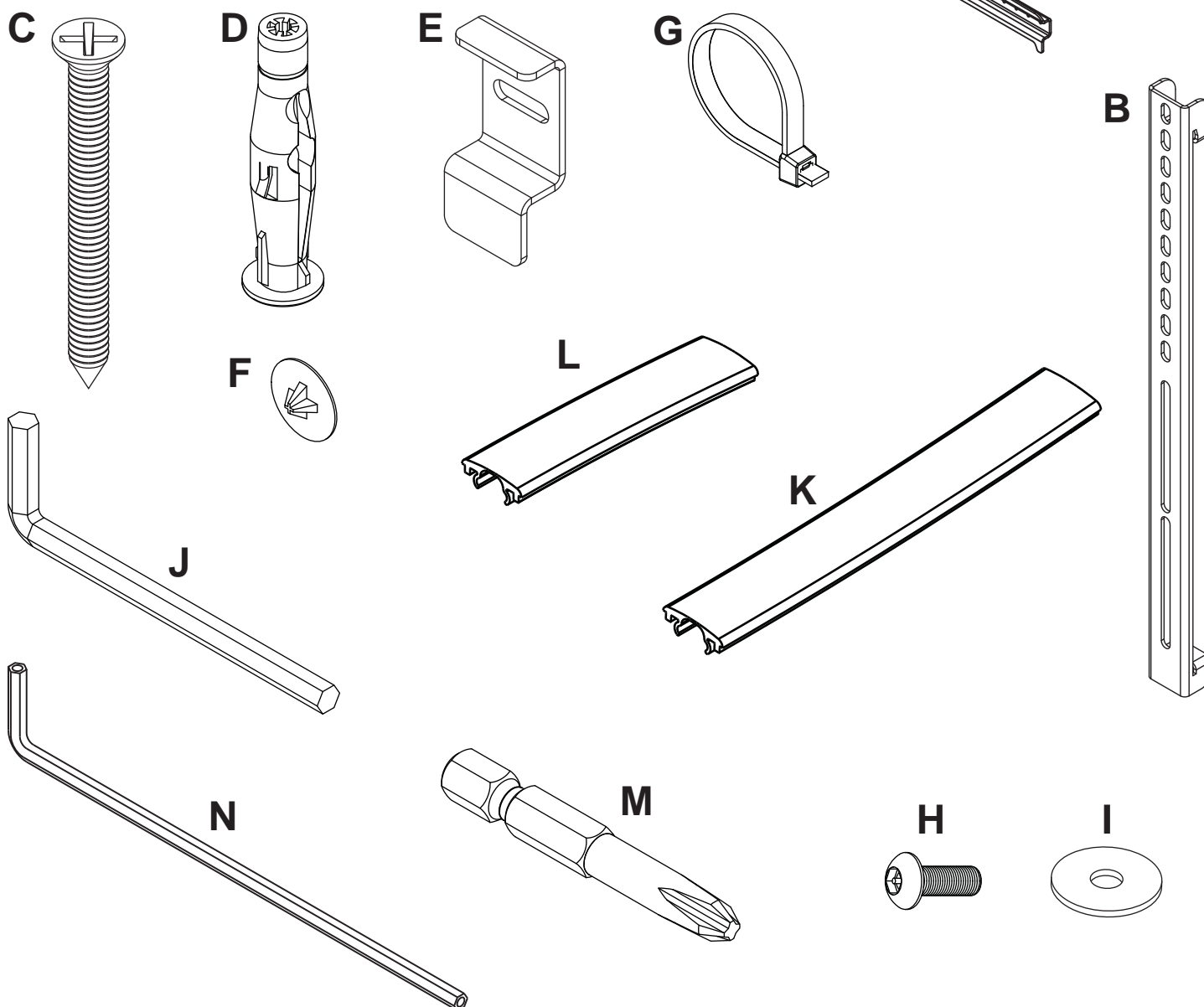
Avant de commencer, s'assurer que toutes les pièces indiquées sont incluses avec le produit.

Liste des pièces

Description	Qté	Pièce n°
A bras mural	1	095-1828
B adaptateurs universels	2	095-1787
C vis à bois	4	520-1202
D concreto d'ancrage	4	590-0320
E bride de verrouillage vertical	4	095-1734
F embouts de fixation	4	590-1324
G attaches de câble	8	590-1168
H vis autotaraudeuse M5 x 13mm	4	520-1616
I rondelle plate M5	4	540-1040
J hexagonale de 5 mm	1	560-9640
K Gaine de câble 6.75 po	2	095-1818
L Gaine de câble 4.25 po	2	095-1817
M Tournevis à tête de #3	1	560-0209
N hexagonale de 5/32	1	560-9646



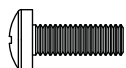
Les pièces semblent légèrement différentes de celles illustrées.



Fixations du support adaptateur

O (4)

M4 x 12mm
504-9013



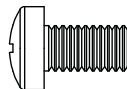
P (4)

M4 x 25mm
504-1015



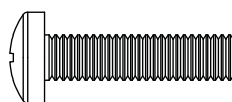
Q (4)

M6 x 12mm
520-1128



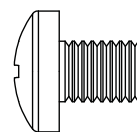
R (4)

M6 x 25mm
520-1208



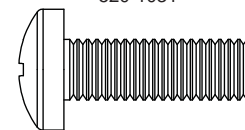
S (4)

M8 x 12mm
520-9571



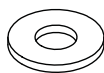
T (4)

M8 x 25mm
520-1031



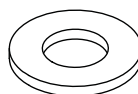
U (4)

M4 washer
540-9400



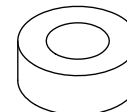
V (8)

M6/M8 washer
540-9406



W (8)

spacer
600-1215



Installation sur un mur à montant en bois

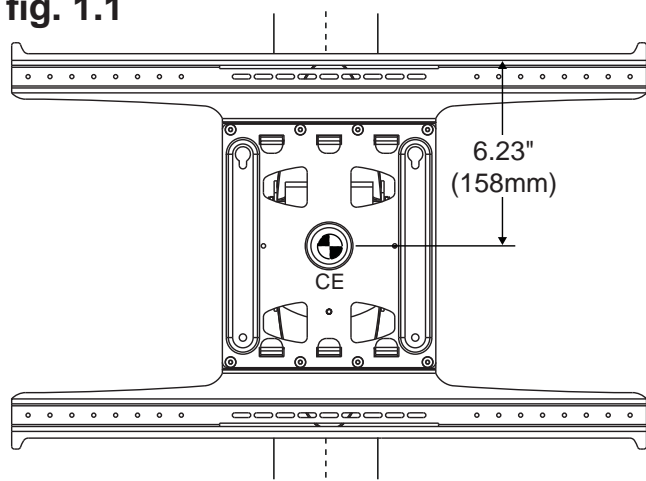
⚠ AVERTISSEMENT

- L'installateur doit s'assurer que la surface de support pourra soutenir sans danger la charge combinée de l'équipement, de toute sa visserie et de tous ses composants.
- Serrez les vis à bois de manière que la plaque murale soit fermement fixée, mais sans excès. Un serrage excessif peut endommager les vis et en réduire considérablement le pouvoir de maintien.
- Ne serrez jamais à plus de 9 Nm (80 po-lb).
- Assurez-vous que les vis de montage sont ancrées au centre des montants. L'usage d'un localisateur de montants « bord à bord » est fortement conseillé.
- La visserie est fournie pour fixer la monture à travers une cloison sèche ou du plâtre d'épaisseur standard et dans des montants en bois. Il appartient aux installateurs de fournir la visserie nécessaire pour d'autres types de situations (non évalué UL).

1 À l'aide d'un localisateur de montants, repérez et marquez les bords du montant en bois. L'utilisation d'un localisateur de montants « bord à bord » est fortement recommandée. À l'aide d'un niveau, tracez une ligne verticale le long du centre du montant et utilisez la modèle de plaque murale (bras mural) comme gabarit pour marquer le centre des trous le long de la ligne verticale. Les trous de fixation supérieurs doivent être situés à 6,23 po (158mm) au-dessus de l'endroit souhaité pour le centre de l'écran comme illustré à la figure 1.1. Percez quatre trous de 5/32 po (4mm) de dia. à une profondeur de 2,5 po (64mm). Fixez le bras mural (**A**) au mur à l'aide de quatre vis à bois (**C**) avec Phillips foret #3 (**M**), comme illustré à la figure 1.2. Mettez la plaque à niveau, puis serrez toutes les fixations.

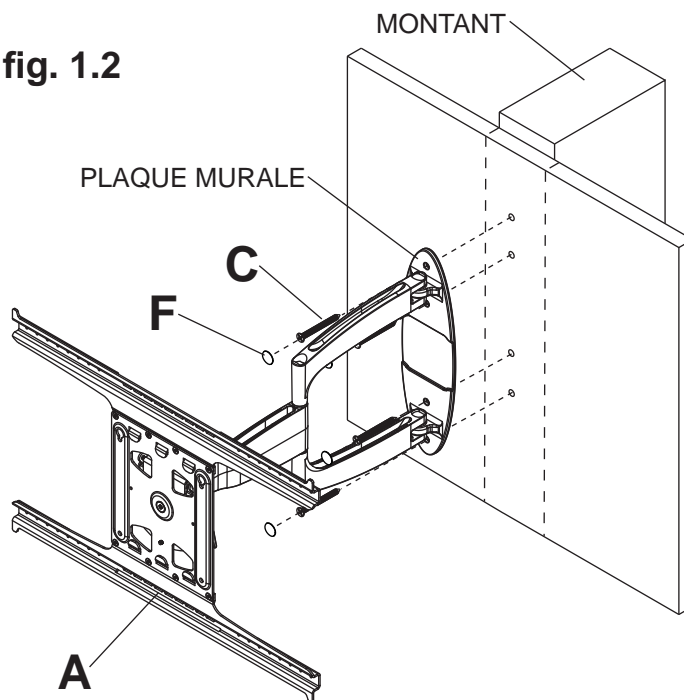
Insérez quatre embouts de fixation (**F**) dans les trous de fixation de la plaque murale.

fig. 1.1



CE = LE CENTRE DE L'ÉCRAN

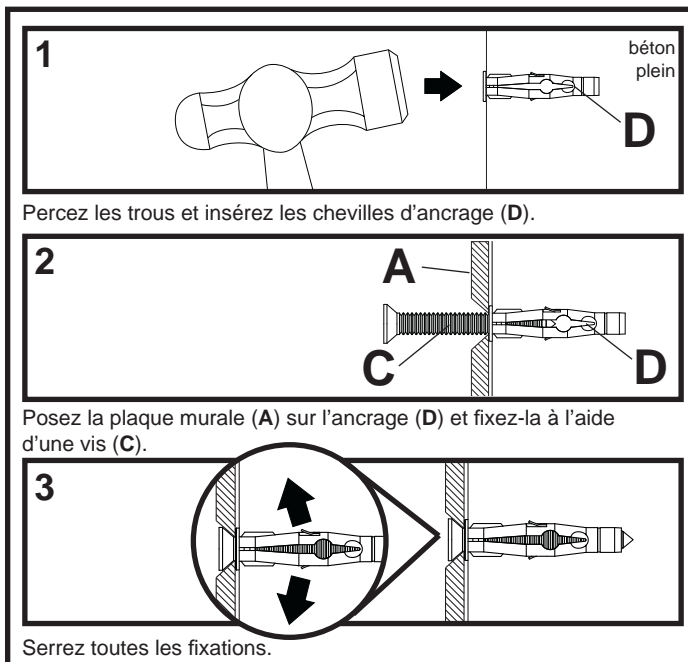
fig. 1.2



⚠ AVERTISSEMENT

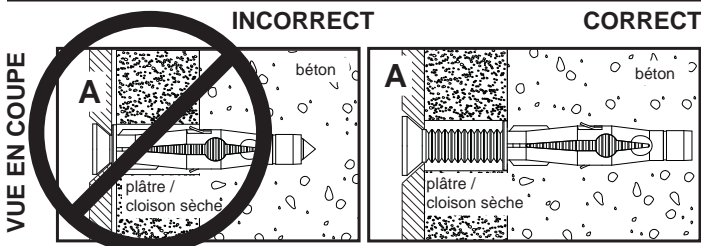
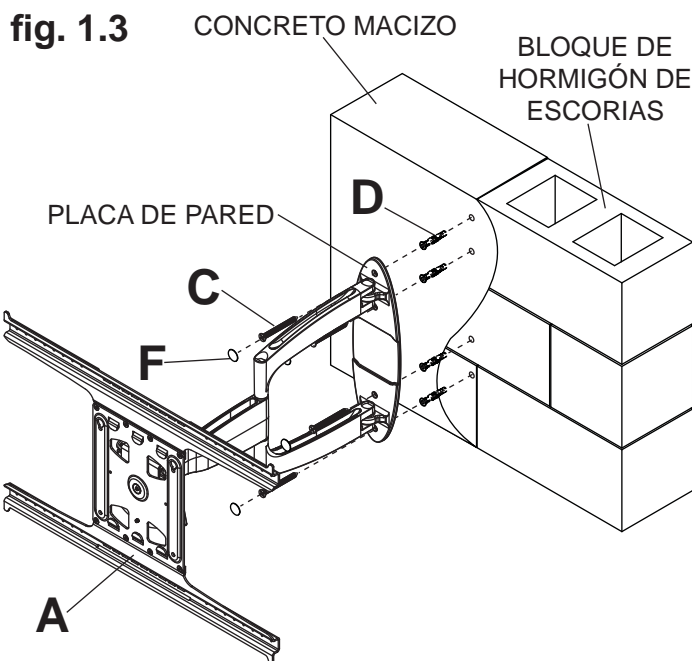
- Si vous installez des montures murales Peerless sur un bloc de béton de mâchefer, vérifiez que vous disposez d'une épaisseur de béton d'au moins 35mm (1 3/8 po) dans le trou destiné aux ancrages de béton. Ne percez pas dans les joints de mortier ! Veillez à effectuer le montage dans une partie pleine du bloc, généralement à au moins 25mm (1 po) du côté du bloc. Le bloc de béton de mâchefer doit être conforme aux spécifications de l'ASTM C-90. Pour percer le trou, il est conseillé d'utiliser une perceuse électrique standard sur un réglage bas au lieu d'un marteau perforateur, afin d'éviter de briser la partie arrière du trou lorsque vous pénétrez un vide ou une cavité.
- Le béton doit avoir une densité minimum de 2 000 psi. Un béton de densité moindre risquerait de ne pas retenir un ancrage de béton.
- Assurez-vous que la surface de support pourra soutenir sans danger la charge combinée de l'équipement, de toute sa visserie et de tous ses composants.

1 utilisez la modèle de plaque murale (bras mural) comme gabarit pour marquer l'emplacement des trous de fixation. Centre de la plaque support de l'écran sera de ,25 po décalage du centre de la trou de montage comme le montre la figure 1.1 en page 29. Le trou de montage supérieur doit être situé à 6,23 po (158mm) au-dessus de l'endroit souhaité pour le centre de l'écran comme illustré à la figure 1.1. Percez quatre trous de 5/16 po (8mm) de dia. à une profondeur de 2,5 po (64mm) comme illustré à la figure 1.3. Insérez les chevilles d'ancrage (D) dans les trous au ras du mur comme illustré (à droite). Posez le bras mural sur les chevilles d'ancrage et attachez-le à l'aide de vis à bois (C) avec Phillips foret #3 (M). Assurez-vous qu'il est de niveau, puis serrez toutes les fixations. Insérez quatre embouts de fixation (F) dans les trous de fixation de la plaque murale.



⚠ AVERTISSEMENT

- Serrez les vis de manière que la plaque murale soit fermement fixée, mais sans excès. Un serrage excessif peut endommager les vis et en réduire considérablement le pouvoir de maintien.
- Ne serrez jamais à plus de 9 Nm (80 po-lb).
- Fixez toujours des ancrages de béton directement sur du béton porteur.
- Ne fixez jamais d'ancrages sur du béton recouvert de plâtre, une cloison sèche ou autre matériau de finition. Si vous ne pouvez pas éviter d'effectuer le montage sur du béton recouvert d'une surface de finition, celle-ci doit être chambrée (non évalué UL), comme indiqué cidessous. Assurez-vous que les ancrages de béton ne se séparent pas du béton lorsque vous serrez les vis. Si l'épaisseur du plâtre / de la cloison sèche dépasse 16mm (5/8 po), des fixations adaptées devront être fournies par l'installateur (non évalué UL).



Installation des Support Adaptateur

⚠ AVERTISSEMENT

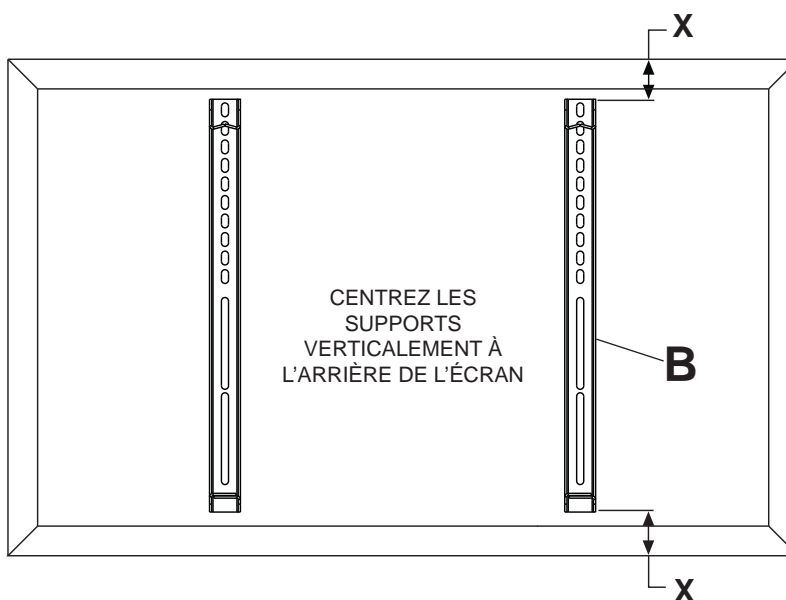
- Serrez les vis de manière à ce que les support adaptateurs tiennent solidement en place. N'exercez pas une force excessive pour serrer. Un serrage excessif peut endommager les vis, réduire considérablement leur capacité de support et, éventuellement, faire tomber les têtes de vis. Serrez à un couple maximal de 40 po-lb (4,5 Nm).
- Si les vis ne sont pas enfoncées de trois tours complets dans les inserts ou si elles sont serrées au maximum sans parvenir à fixer solidement le support, l'écran peut être abîmé ou le produit détérioré.

Pour la configuration de montage VESA 200 x 200, passer à l'étape 4 en page 33.

- 2** Afin d'éviter de rayer l'écran, posez un morceau de tissu sur une surface plane et de niveau qui peut supporter le poids de l'écran. Déposez l'écran à plat, tourné vers le bas. Si l'écran possède des boutons à l'arrière, enlevez-les pour pouvoir attacher les supports adaptateurs. Fixez les support adaptateur (**B**) à l'arrière de l'écran à l'aide des vis, rondelles universelles et entretoises appropriées, comme illustré sur l'étape 2-1 et 2-2.

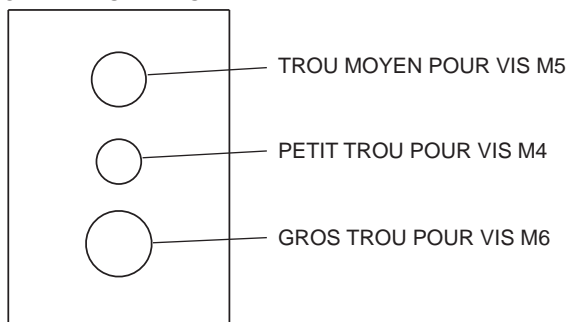
REMARQUE: Les trous supérieurs et inférieurs doivent toujours être utilisés.

REMARQUE: Veillez à ce que tous les trous soient bien alignés, puis serrez les vis à l'aide d'un tournevis cruciforme.



REMARQUE: Les dimensions " X " doivent être égales.

RONDELLE UNIVERSELLE



REMARQUES:

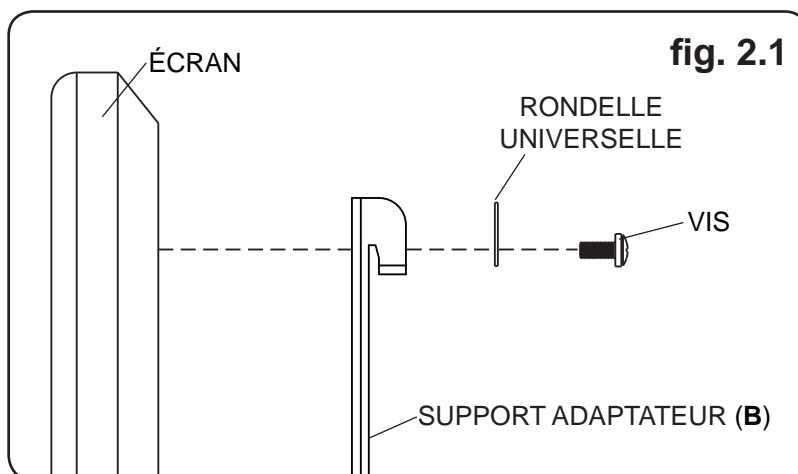
- Le nombre de fixations utilisées varie suivant le type d'écran.
- Il est possible que les rondelles universelles et les entretoises ne soient pas utilisées, suivant le type d'écran.
- Utilisez le trou correspondant dans la rondelle universelle adaptée à la taille de l'écran, comme illustré.

REMARQUE: Pour les écrans à dos plat, exécutez l'étape 2-1. Pour les écrans à dos convexes ou concaves, passez à l'étape 2-2.

Pour les écrans à dos plat

- 2-1** Commencez par la vis la plus courte et vissez-la manuellement à l'écran en la faisant passer à travers la rondelle universelle et le support adaptateur (B), comme indiqué ci-dessous. La vis doit effectuer au moins trois tours complets dans le trou de fixation et tenir solidement en place. Ne pas trop serrer. S'il est impossible d'effectuer trois tours de vis complets, choisissez une vis plus longue dans le jeu de fixations à compartiments. Répétez pour le reste des trous de fixations, mettez les supports à niveau et resserrez les vis.

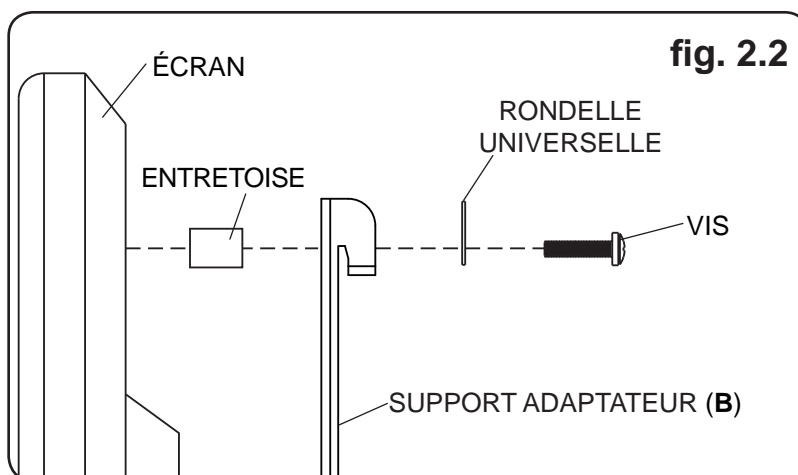
REMARQUE: Il n'est pas toujours nécessaire d'utiliser des entretoises, selon le type d'écran.



Pour toute question, veuillez appeler le service à la clientèle de Peerless au **1-800-865-2112**.

Pour un écran à dos convexe ou concave

- 2-2** Commencez par la vis la plus longue et vissez-la manuellement à l'écran en la faisant passer à travers la rondelle universelle, le support adaptateur (B) et l'entretoise comme indiqué ci-dessous. La vis doit effectuer au moins trois tours complets dans le trou de fixation et tenir solidement en place. Ne pas trop serrer. S'il est impossible d'effectuer trois tours de vis complets, choisissez une vis plus longue dans le jeu de fixations à compartiments. Répétez pour le reste des trous de fixations, mettez les supports à niveau et resserrez les vis.



Pour toute question, veuillez appeler le service à la clientèle de Peerless au **1-800-865-2112**.

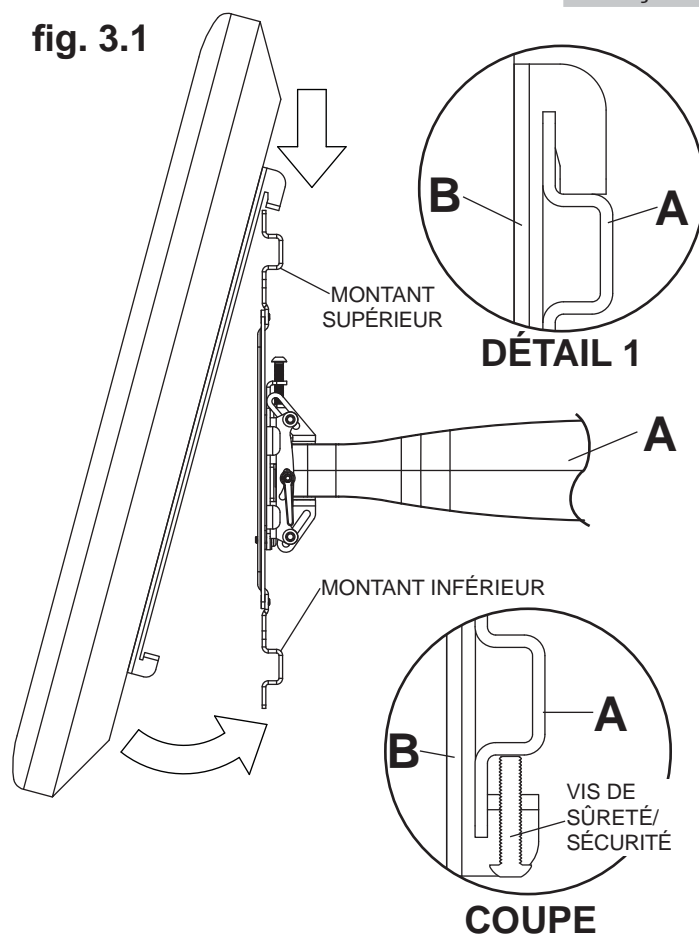
⚠ AVERTISSEMENT

- Pour lever et positionner l'écran plat en toute sécurité, faites-vous toujours aider par une autre personne ou utilisez un dispositif de levage mécanique.
- N'exercez pas une force excessive sur les vis. Un serrage excessif peut endommager le support. Serrez les vis à un couple maximal de 40 po-lb (4,5 Nm).
- Veillez à ne pas vous pincer les doigts lorsque vous poussez l'écran par le bas.

3 Montage de l'écran: Accrochez lentement les support adaptateur (B) sur la plaque murale (A) et faites basculer l'écran vers le bas comme illustré à la fig. 3.1. Les crochets des supports inclinables doivent s'enclencher complètement dans la plaque murale comme illustré dans le détail 1. À l'aide d'un tournevis cruciforme ou d'une clé hexagonale (N), tournez le vis de sûreté/sécurité sur le support adaptateur (B) dans le sens horaire jusqu'à ce que l'extrémité de la vis entre bien en contact avec la plaque murale comme illustré dans la vue en coupe.

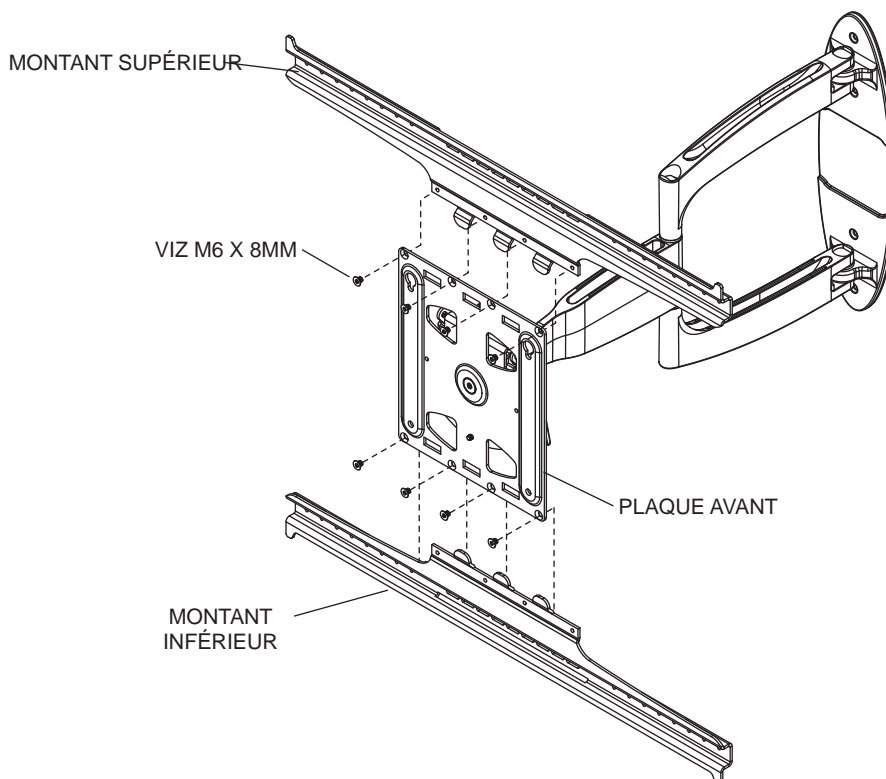
Retrait de l'écran: Pour retirer l'écran du support, desserrez les vis de sûreté, faites pivoter l'écran à l'écart du support et soulevez-le.

fig. 3.1

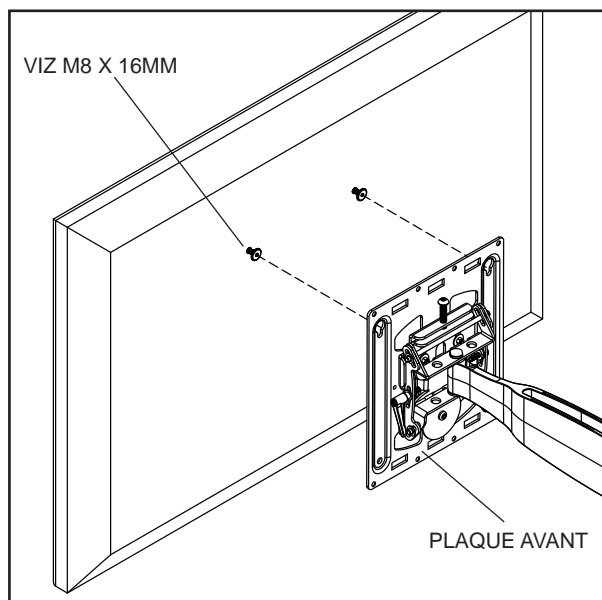


Configuration de montage VESA 200 x 200

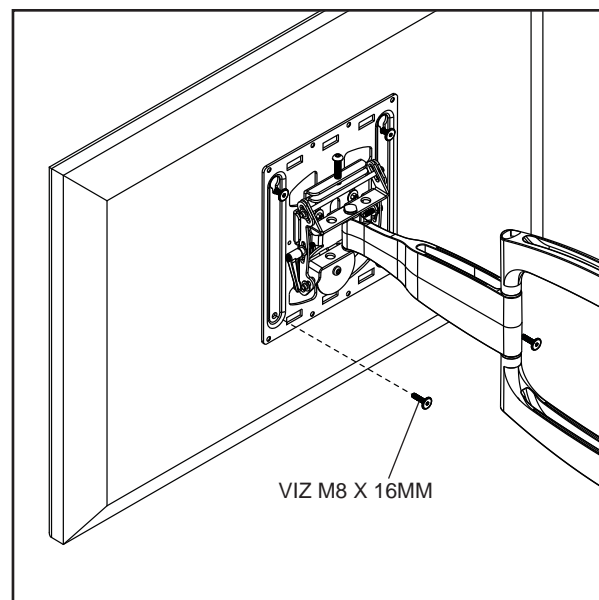
4 Retirez les vis M6 x 8mm et décrochez les montants supérieur et inférieur de la plaque avant.



- 4-1** Insérez deux vis M8 x 16mm dans les deux trous de montage supérieurs de l'écran, en laissant environ 1/4 po (6mm) de filetage exposé. Accrochez les vis aux trous en forme de serrure de la plaque avant comme illustré.



- 4-2** Insérez deux vis M8 x 16mm dans les trous inférieurs de la plaque d'adaptation comme illustré, puis serrez toutes les fixations.

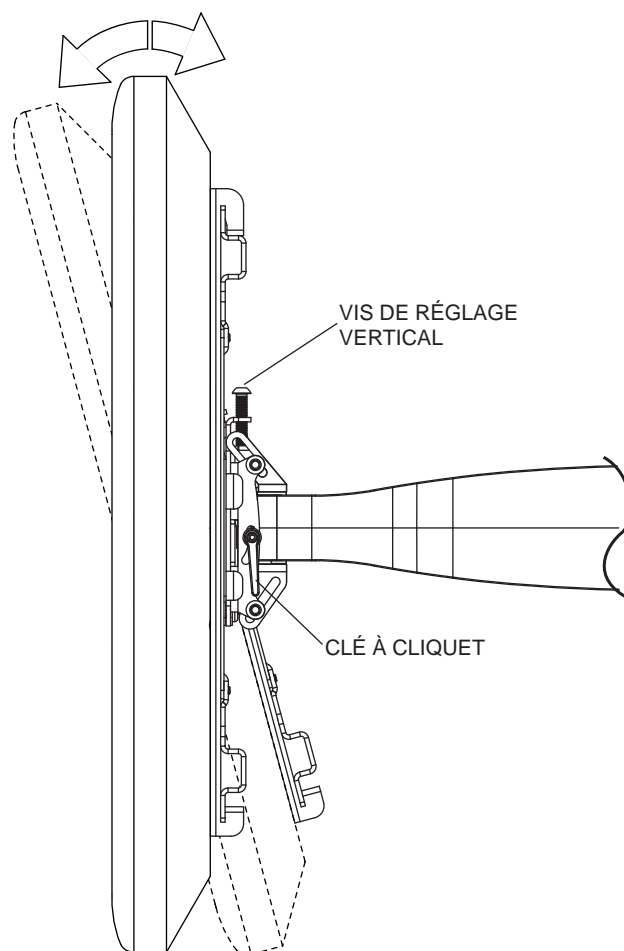


Réglage d'un écran plat

- 5** **Réglage de la tension de la clé à cliquet :** Réglez la tension du support inclinable en faisant tourner la clé à cliquet. **REMARQUE :** Si une obstruction empêche la clé à cliquet de tourner, tirez la poignée vers l'extérieur tout en tournant afin de repositionner la poignée sans la serrer. Relâchez la poignée puis faites-la tourner pour la serrer ou la desserrer.

Réglage de l'inclinaison : Réglez la clé à cliquet située sur le côté du support à la tension souhaitée pour permettre le réglage l'inclinaison et équilibrer la taille et le poids de l'écran. Poussez ou tirez depuis le haut ou le bas de l'écran pour régler l'inclinaison comme illustré. L'inclinaison peut être réglée à un maximum de 15° vers l'avant ou 5° vers l'arrière. Resserrez la clé à cliquet.

Réglage de la hauteur : desserrez ou serrez la vis de réglage vertical à l'aide d'une clé hexagonale de 5mm (J) pour remonter ou baisser l'écran plat de +/- 0,70 po.



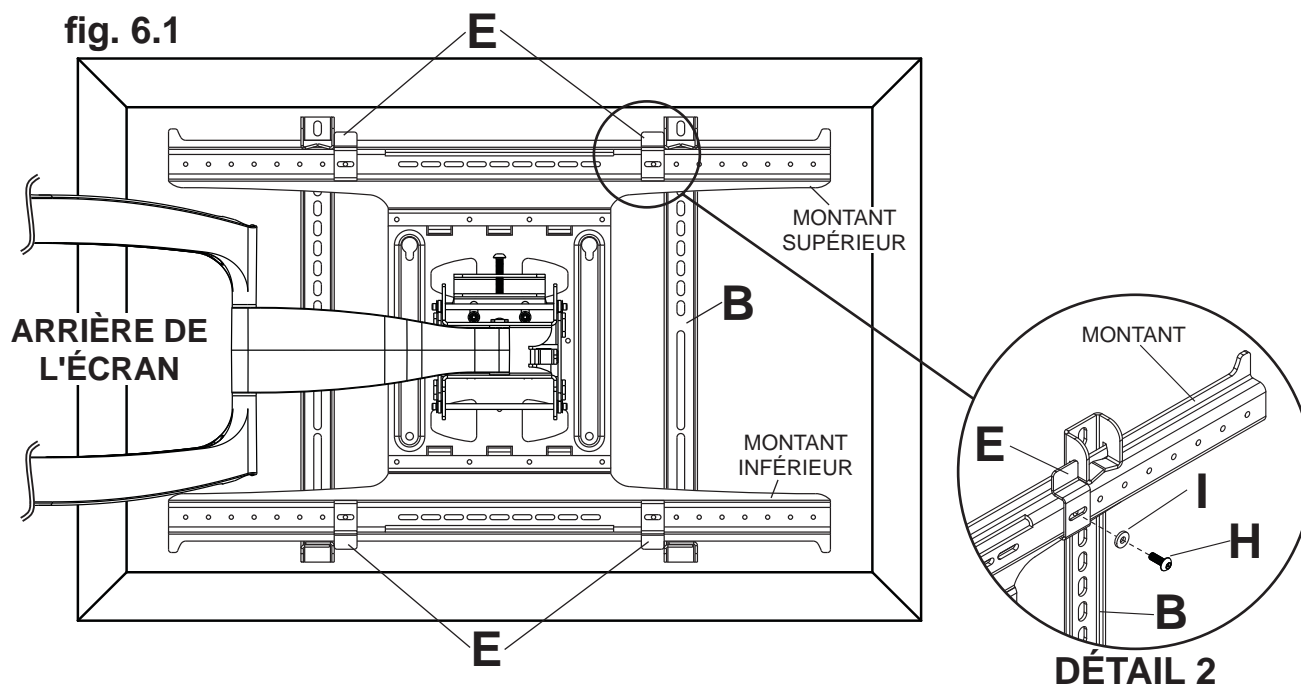
PRUDENCE

- Ne serrez pas les vis de façon excessive.
- Veillez à ne pas vous pincer les doigts lors de l'ouverture et de la fermeture du montant sur le mur.

⚠ AVERTISSEMENT

- Les brides de verrouillage vertical (E) doivent être solidement fixées aux montants supérieur et inférieur contre l'intérieur de les supports adaptateurs (B). Le fait de ne pas fixer les brides de verrouillage au bon endroit peut causer des blessures.

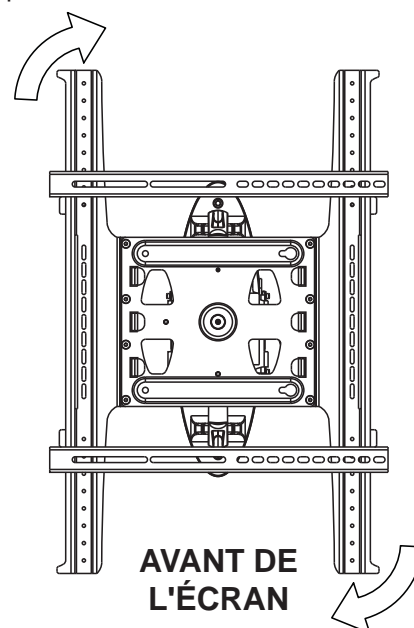
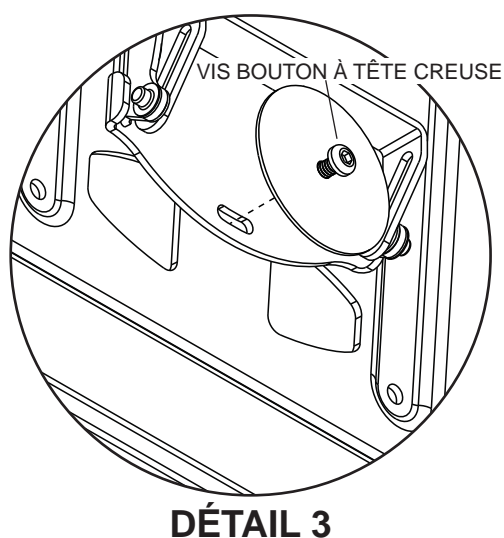
- 6 Fixez quatre brides de verrouillage vertical (E) aux montants supérieur et inférieur à l'aide de quatre vis autotaraudeuses M5 x 13mm (H) et de quatre rondelles (I) plates comme illustré dans le dessin de détail 2. Les brides de verrouillage vertical doivent tenir solidement en place entre les supports adaptateurs (B) comme illustré aux figure 6.1.



Optionnel Réglage de l'Orientation

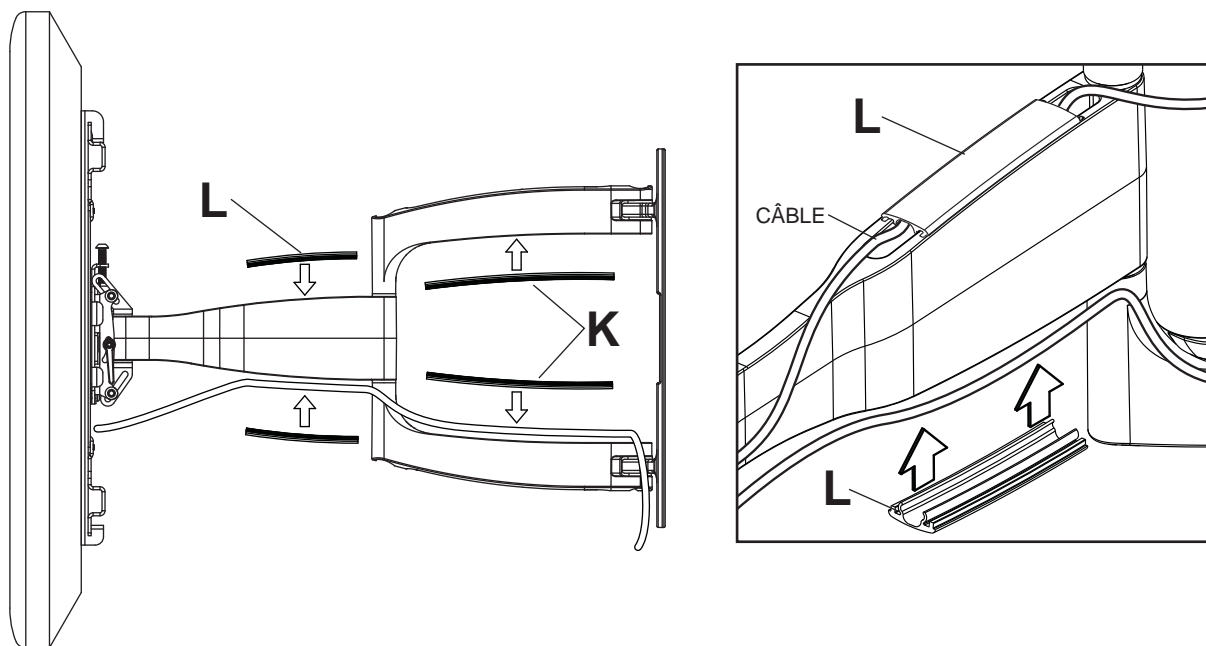
- 7 Retirez la vis bouton à tête creuse avec plaque ronde, comme illustré dans le dessin de détail 3.

- 7-1 Faites pivoter l'écran dans la position souhaitée, puis réinstallez la vis à tête creuse en la bloquant avec plaque ronde.



Gestion des câbles

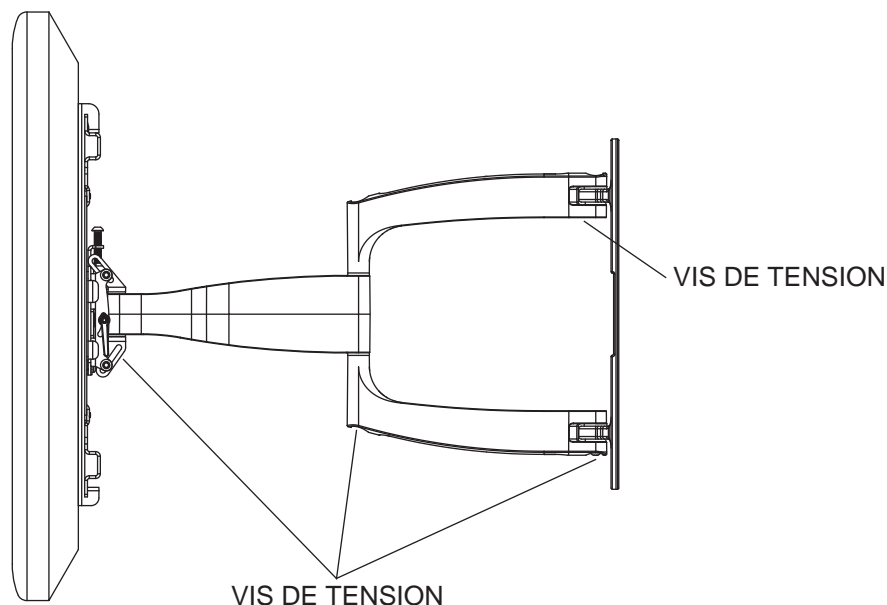
- 8 **REMARQUE :** Veillez à ce que les câbles aient assez de jeu pour permettre au bras de bouger librement. Acheminez le câble d'alimentation dans le haut ou le bas du bras mural (A) et le(s) câble(s) d'interconnexion dans l'autre côté du bras afin d'éviter de brouiller le signal. Fixez les câbles en place sur chaque bras à l'aide des deux ensembles de gaines de câble (K,L). Il se peut que vous deviez déplacer l'écran pour faciliter l'accès.



⚠ AVERTISSEMENT

- Ne pas retirer ni desserrer la vis avant qu'elle ne soit complètement dégagée du support. Cela risquerait de faire tomber l'écran.
- Si les vis se desserrent au fil du temps, resserrez-les au besoin. Serrez les vis à un couple maximal de 50 po-lb (5,6 Nm).

- 9 Procédez comme suit pour augmenter ou diminuer la tension des points de pivotement du bras :
- Pour augmenter la tension, tournez la ou les vis de tension dans le sens horaire avec la clé hexagonale de 5mm (J). **REMARQUE : Serrez les vis à un couple maximum de 5,6 Nm (50 po-lb).**
 - Pour diminuer la tension, tournez la ou les vis de tension dans le sens antihoraire avec la clé hexagonale de 5mm (J). **REMARQUE : Ne tournez pas de plus d'un demi-tour.**



LIMITED FIVE-YEAR WARRANTY

Peerless Industries, Inc. ("Peerless") warrants to original end-users of Peerless® products will be free from defects in material and workmanship, under normal use, for a period of five years from the date of purchase by the original end-user (but in no case longer than six years after the date of the product's manufacture). At its option, Peerless will repair or replace, or refund the purchase price of, any product which fails to conform with this warranty.

In no event shall the duration of any implied warranty of merchantability or fitness for a particular purpose be longer than the period of the applicable express warranty set forth above. Some states do not allow limitations on how long an implied warranty lasts, so the above limitation may not apply to you.

This warranty does not cover damage caused by (a) service or repairs by the customer or a person who is not authorized for such service or repairs by Peerless, (b) the failure to utilize proper packing when returning the product, (c) incorrect installation or the failure to follow Peerless' instructions or warnings when installing, using or storing the product, or (d) misuse or accident, in transit or otherwise, including in cases of third party actions and force majeure.

In no event shall Peerless be liable for incidental or consequential damages or damages arising from the theft of any product, whether or not secured by a security device which may be included with the Peerless® product. Some states do not allow the exclusion or limitation of incidental or consequential damages, so the above limitation or exclusion may not apply to you.

This warranty is in lieu of all other warranties, expressed or implied, and is the sole remedy with respect to product defects. No dealer, distributor, installer or other person is authorized to modify or extend this Limited Warranty or impose any obligation on Peerless in connection with the sale of any Peerless® product.

This warranty gives specific legal rights, and you may also have other rights which vary from state to state.

peerless-AV®

www.peerless-av.com

© 2013 Peerless Industries, Inc.

Español

GARANTÍA LIMITADA DE CINCO AÑOS

Peerless Industries, Inc. (Peerless) les garantiza a los usuarios finales originales de los productos Peerless® que los productos Peerless® estarán libres de defectos de materiales o de manufactura, en condiciones de uso normal, durante un periodo de cinco (5) años a partir de la fecha en la que el usuario final original compre cualquier producto (pero, en ningún caso, durante un periodo mayor de 6 años después de la fecha de manufactura del producto). Queda a la discreción de Peerless, reparar, reemplazar o rembolsar el precio de compra de cualquier producto que no cumpla esta garantía.

La duración de toda garantía implícita de comerciabilidad o de idoneidad para un propósito en particular no sobrepasará en caso alguno el periodo de vigencia de la garantía explícita correspondiente indica en lo anterior. Algunos Estados no permiten que se establezcan limitaciones en relación con el periodo de duración de una garantía implícita, de manera que es posible que la limitación expuesta en lo anterior no sea pertinente a usted.

Esta garantía no cubre daños causados por (a) trabajos de mantenimiento o de reparación hechos por el cliente o alguna persona que no esté autorizada por Peerless para realizar dichos trabajos de mantenimiento o de reparación, (b) no empacar el producto como es debido si lo devuelve, (c) hacer una instalación incorrecta o no seguir las instrucciones o las advertencias de Peerless al instalar, utilizar o guardar el producto o (d) el mal uso o los accidentes, en tránsito o en otras circunstancias, incluidos los casos relacionados con las acciones de terceros o una fuerza mayor.

Peerless no tendrá responsabilidad en ningún caso de daños y perjuicios incidentales o indirectos o de daños y perjuicios que surjan por el robo de cualquier producto, ya sea que el mismo esté o no esté asegurado con un dispositivo de seguridad que se haya incluido con el producto de Peerless®. Algunos Estados no permiten que se excluyan o se establezcan limitaciones en relación con los daños y perjuicios incidentales o indirectos, de manera que es posible que la limitación o la exclusión expuesta en lo anterior no sea pertinente a usted.

Esta garantía reemplaza toda otra garantía, expresa o implícita, y es el único recurso en lo que respecta a los defectos del producto. Ningún concesionario, distribuidor, instalador ni ninguna otra persona está autorizada a modificar o extender esta Garantía Limitada ni a imponer obligación alguna a Peerless en relación con la venta de cualquier producto de Peerless®.

Esta garantía concede derechos específicos creados por ley y es posible que usted, además, tenga otros derechos que varían de acuerdo con el Estado donde se encuentre.

peerless-AV®

www.peerless-av.com

© 2013 Peerless Industries, Inc.

GARANTIE DE CINQ ANS

Peerless Industries, Inc. (« Peerless ») garantit aux utilisateurs finaux d'origine des produits Peerless^{MD} que lesdits produits ne présenteront aucun défaut de matériau ou de main-d'œuvre, dans la mesure où ils sont utilisés normalement, pendant une période de cinq ans à compter de la date d'achat par l'utilisateur final d'origine (mais en aucun cas plus de six ans après la date de fabrication du produit). Peerless, à sa discrétion, réparera ou remplacera tout produit non conforme aux termes de cette garantie, ou en remboursera le prix d'achat.

La durée de toute garantie implicite de qualité commerciale ou d'application à un usage particulier n'excédera en aucun cas la durée de la garantie applicable expressément stipulée plus haut. Certains états ou provinces n'autorisent pas la limitation de la durée d'une garantie implicite, et la limitation ci-dessus peut donc ne pas vous être applicable.

Cette garantie ne couvre pas les dommages causés par (a) un entretien ou des réparations effectués par l'acheteur ou une personne non autorisée par Peerless à effectuer un tel entretien ou de telles réparations, (b) un emballage inadéquat lors de l'expédition d'un produit retourné, (c) une installation incorrecte ou le non-respect des instructions ou mises en garde de Peerless lors de l'installation, l'utilisation ou le rangement du produit, ou (d) une mauvaise utilisation ou un accident survenu lors d'un transport ou autrement, y compris l'intervention de tiers et les cas de force majeure.

Peerless ne peut en aucun cas être tenu responsable de quelque dommage accessoire ou indirect que ce soit ni de dommages résultant du vol d'un quelconque produit, que celui-ci ait été ou non protégé par un dispositif de sécurité intégré à un produit Peerless^{MD}. Certains états ou provinces n'autorisent pas l'exclusion ou la restriction des dommages accessoires ou indirects, et il est possible que les restrictions ou exclusions ci-dessus ne s'appliquent pas à votre cas.

Les dispositions de cette garantie remplacent toute autre garantie expresse ou implicite et constituent le seul recours possible en cas de défectuosité d'un produit. Aucun marchand, distributeur, installateur ou autre personne n'est autorisé à modifier ou étendre la portée de cette garantie limitée, ni à imposer quelque obligation ce que soit à Peerless en ce qui concerne la vente de tout produit Peerless^{MD}.

Cette garantie offre des droits juridiques particuliers auxquels peuvent s'ajouter d'autres droits, susceptibles de varier d'une province ou d'un état à l'autre.

peerless-AV[®]

www.peerless-av.com

© 2013 Peerless Industries, Inc.