

SUBMITTAL: CLEAR VU FIRE-FX2™ FIRE-RATED FIRE EXTINGUISHER CABINETS

Door and Trim Construction: US10 satin bronze, US3 polished brass, clear anodized aluminum, #4 stainless steel or CRS with white powder coat finish. Flush cabinet doors with a 5/8" door stop are attached by a continuous hinge and equipped with zinc-plated handle and roller catch.

Bubble: Acrylic bubble allows 180° extinguisher visibility. 2 1/2" projection for 1500 series, 3 1/2" projection for 2500 series.

Trim Style and Depth: Recessed - 3/8" flat trim, Semi-Recessed - 1 1/4", 1 1/2" Square Edge or 2 1/2", 3", Rolled Edge. All models have 1-3/4" wide trim on frame and 1-1/4" trim on doors.

Tub: Constructed of cold rolled steel with white powder-coat finish standard. Non-steel surface-mount cabinet tubs constructed of same material as trim. Fire-resistant material is attached to the exterior of the tub.

Fire Rating: Fire-FX2™ cabinets are UL listed and labeled as an approved membrane penetration firestop system for up to 2 hours in accordance with UL 1479 (ASTM-E814) and CAN/ULC-S115, when properly installed in a wall assembly according to installation instructions.



1517F25FX2

1537G25/FFX2

STEP 1: SELECT MODEL NUMBER, MATERIAL AND QUANTITY ON CHART (refer to chart below)

A. Determine Trim Style according to wall depth.

STEP 2: SELECT 1 DOOR STYLE F or G & 1 GLAZING STYLE

- F Full Acrylic Glazing
- G Full Acrylic Glazing & Saf-Lok™
- 25 Clear Acrylic Bubble
- 26 Red Acrylic Bubble for 15xx Models Only
- 27 Bronze Acrylic Bubble

STEP 3: OPTIONAL FEATURES AT ADDED COST (SELECT ANY)

- Black Vertical FE Letters LDCVBE
- Red Vertical FE Letters LDCVRE
- White Vertical FE Letters LDCVWE
- Futura Embossed "Fire" Handle in ___ Mill ___ White ___ Red
- Stainless Steel Tub #4 Satin Finish (Stainless Models)
- Custom Stainless Finishes # 6, #7, #8 View Online
- Bronze: ___ US9 Bright Polished, ___ US10B Oil-rubbed Finishes
- Brass: US4 Satin Brass Finish View Bronze & Brass Finishes Online
- Dark Bronze Anodized Aluminum Finish (pull to match) Pt # changes from "2" to "9"
- Commander Alarm CA
- Optional Color Door/Trim/Tub View Cabinet Colors Online. Color Code:

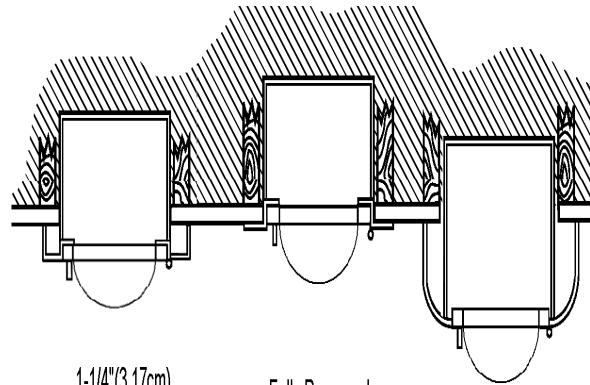
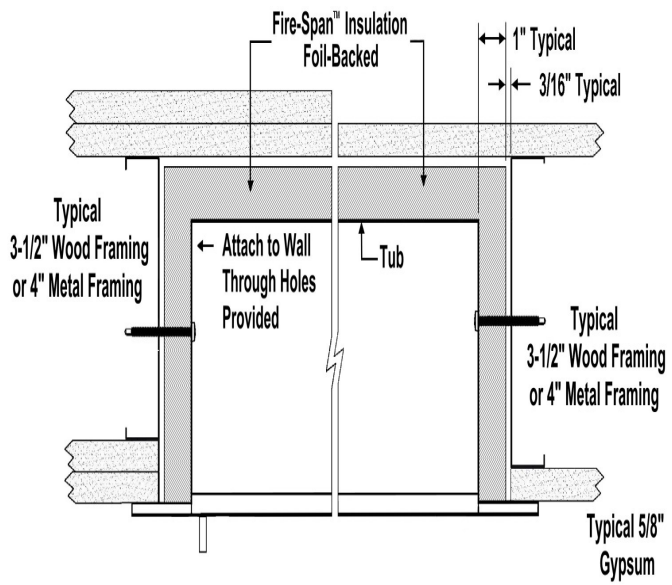
Door Material and Series						Tub ID			Frame OD		FX Wall Opening			Accommodates Following Extinguishers Mounted on the Tub
Steel	Aluminum	Stainless Steel	Bronze US10	Brass US3	Trim Style	A	B	C	E	F	W	H	D	
1515	1525	1535	1545	1555	Flat trim	10 1/2	24	4	13 7/8	27 3/8	12 13/16	26 5/16	4 15/16	Cosmic & Galaxy 2.5-10, Mercury 2.5-5, Sentinel 5
1516	1526	1536	1546	1556	1 1/2" Square	10 1/2	24	4	13 7/8	27 3/8	12 13/16	26 5/16	3 11/16	
1517	1527	1537	1547	1557	3" Rolled	10 1/2	24	4	13 7/8	27 3/8	12 13/16	26 5/16	2 3/16	
2515	2525	2535	2545	2555	Flat trim	14	30	4	17 3/8	33 3/8	16 5/16	32 5/16	4 15/16	Cosmic & Galaxy 2.5-10, Cosmic FE20A, Mercury 2.5-15 (FM11A & FM15A), Sentinel 5, Saturn 15 & 25, Grenadier P, Nebula 270 & 272
2516	2526	2536	2546	2556	1 1/4" Square	14	30	4	17 3/8	33 3/8	16 5/16	32 5/16	3 15/16	
2517	*2527	2537	--	--	2 1/2" Rolled *	14	30	*4	17 3/8	33 3/8	16 5/16	32 5/16	*2 11/16	

*Add 5/8" to wall depth for a cabinet with an aluminum frame. Models indicated in blue meet ADA 4" projection standards.

<p>JL INDUSTRIES</p> <p>CLEAR VU AND FIRE-FX2 ARE TRADEMARKS OF ACPG</p>	Distributor:	Quantity:
	Contractor:	Approved By:
	Model #:	Architect:
	Project:	Date:
© 2022 Activar Construction Products Inc		

MANUFACTURING: BLOOMINGTON, MN & COMMERCE, CA WAREHOUSES: SEE WEBSITE FOR LOCATIONS 1/24/22

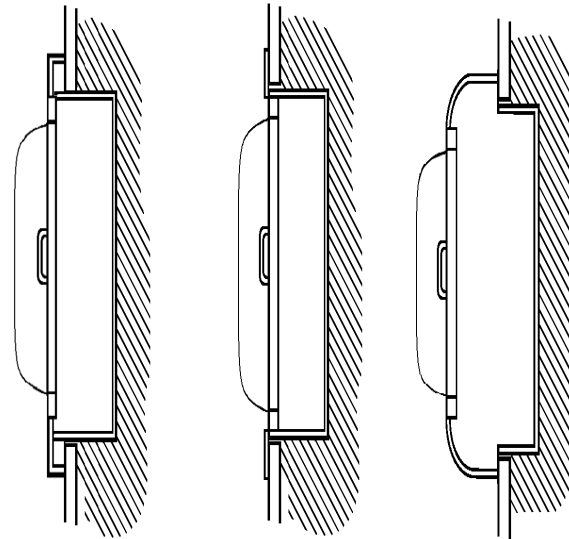
SUBMITTAL: CLEAR VU FIRE-FX FIRE-RATED FIRE EXTINGUISHER CABINETS



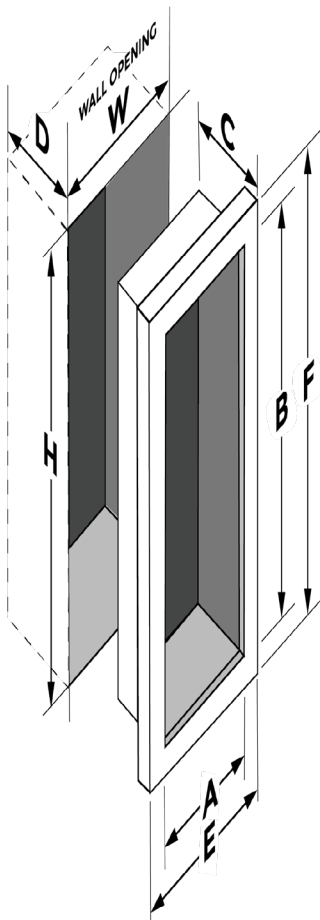
1-1/4" (3.17cm)
or 1-1/2" (3.8cm)
Return Trim

Fully Recessed
3/8" Flat Trim

3" (7.65cm) or
2-1/2" (6.4cm)
Rolled Edge Trim



CABINET DIMENSIONS



1555F27 FX



2515F25FX



2527G25FX



1536F25FX



1545G26FX