

SELF-PRIMING CENTRIFUGAL SOLIDS HANDLING PUMP

Series: SH3-U

Suction: 3"

Discharge: 3"

Spherical solids handling: 2½"



SIZE

3" x 3", 125 lb

LIQUID TEMPERATURE

160°F (71 °C)

CASING

Cast iron ASTM A-48 class 30. Maximum operating pressure 87 psi (600 KPa).

IMPELLER

Design: 2 vane, open.

Material: ductile iron no. 65-45-12

SHAFT

Alloy steel no. 4140

SHAFT SLEEVE

316 series stainless steel

REPLACEABLE WEAR PLATE

Carbon steel no. 1015

REMOVABLE COVER PLATE

Cast iron ASTM A-48 class 30, weight 30 lb.

FLAP VALVE

Neoprene with steel reinforcing

BEARING HOUSING

Cast iron ASTM A-48 class 30

SEAL PLATE

Cast iron ASTM A-48 class 30

BEARING - PUMP END

Open single ball, radial load.

BEARING - DRIVE END

Open double ball, thrust load.

SEAL CAVITY AND BEARING LUBRICATION

SAE no. 30 non detergent oil, pump includes oil level sight gauges.

GASKETS

Buna-N, compressed synthetic fibers, PTFE, vegetable fiber, cork and rubber.

O-RINGS

Buna-N

HARDWARE

Standard plated steel

PAINT

Air dry enamel, water based.

PRESSURE RELIEF VALVE

Brass

SEAL

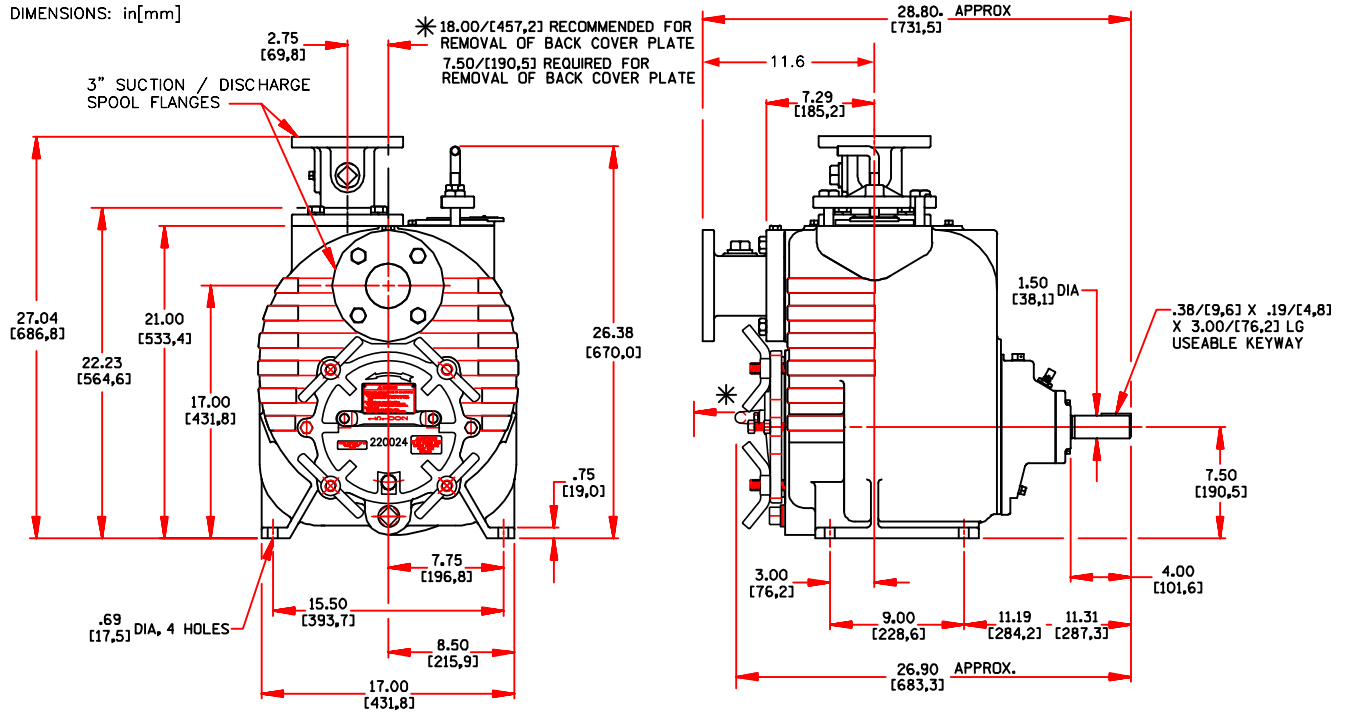
Design: type 21, mechanical, oil lubricated, double floating, self aligning.

Material: silicon carbide rotating and stationary faces, fluorocarbon elastomers (Viton® or equivalent). 316 stainless steel cage and spring.

OPTIONAL EQUIPMENT

Flexible coupled assy, with base OSHA guard and electric motor.

DIMENSIONS: in[mm]



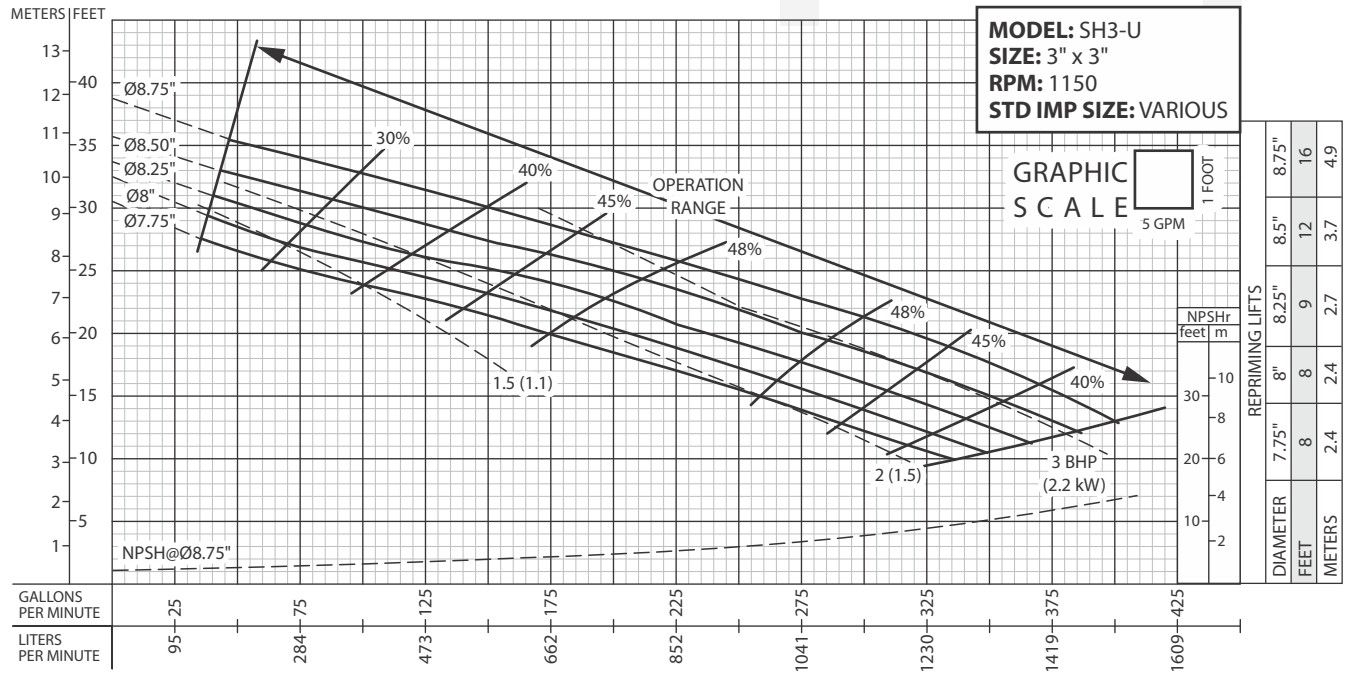
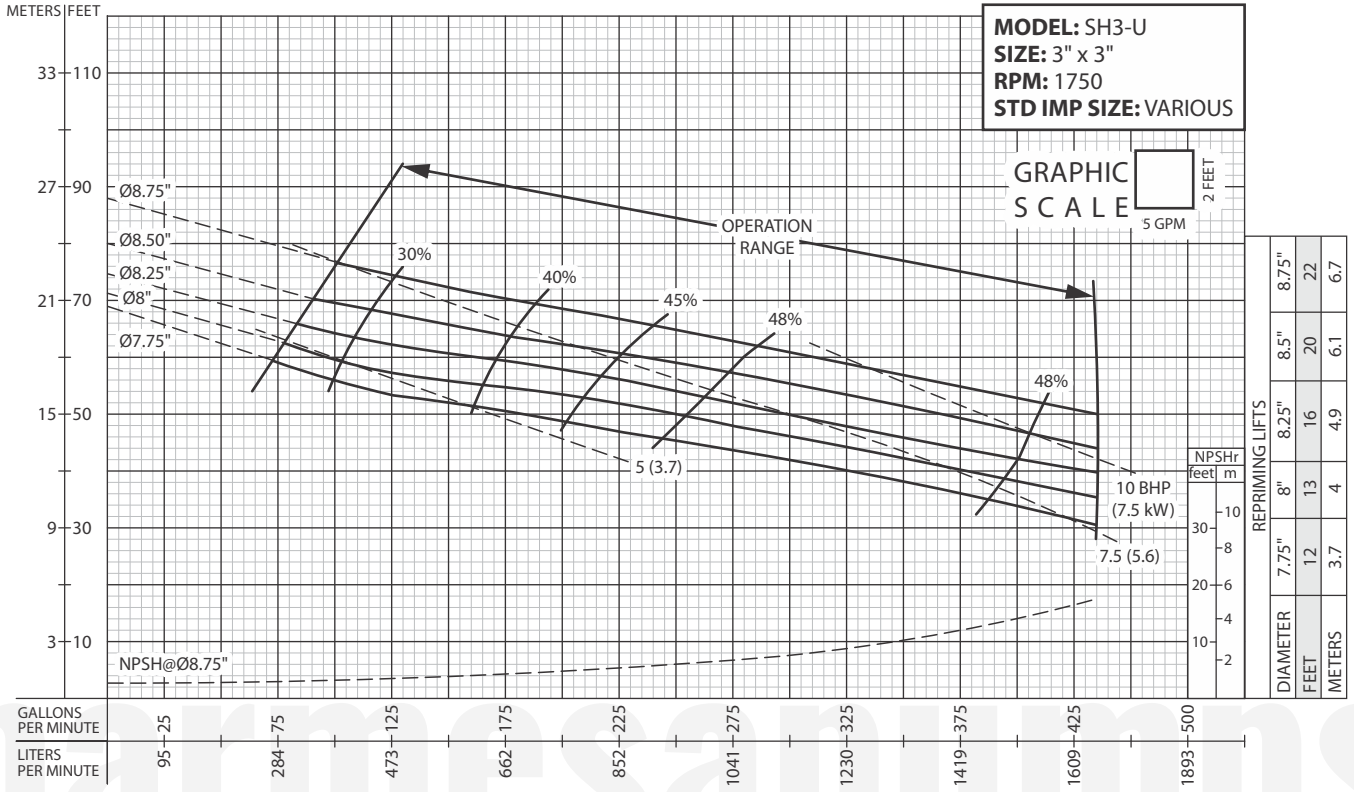
IMPORTANT! - Do not use in explosive atmosphere or for pumping volatile flammable liquids.

barmesapumps

IMPORTANT!

1. Never use this pump to handle explosive liquids.
2. This pump is not approved to be used in swimming pools, recreational installations or any application where human contact may be common.

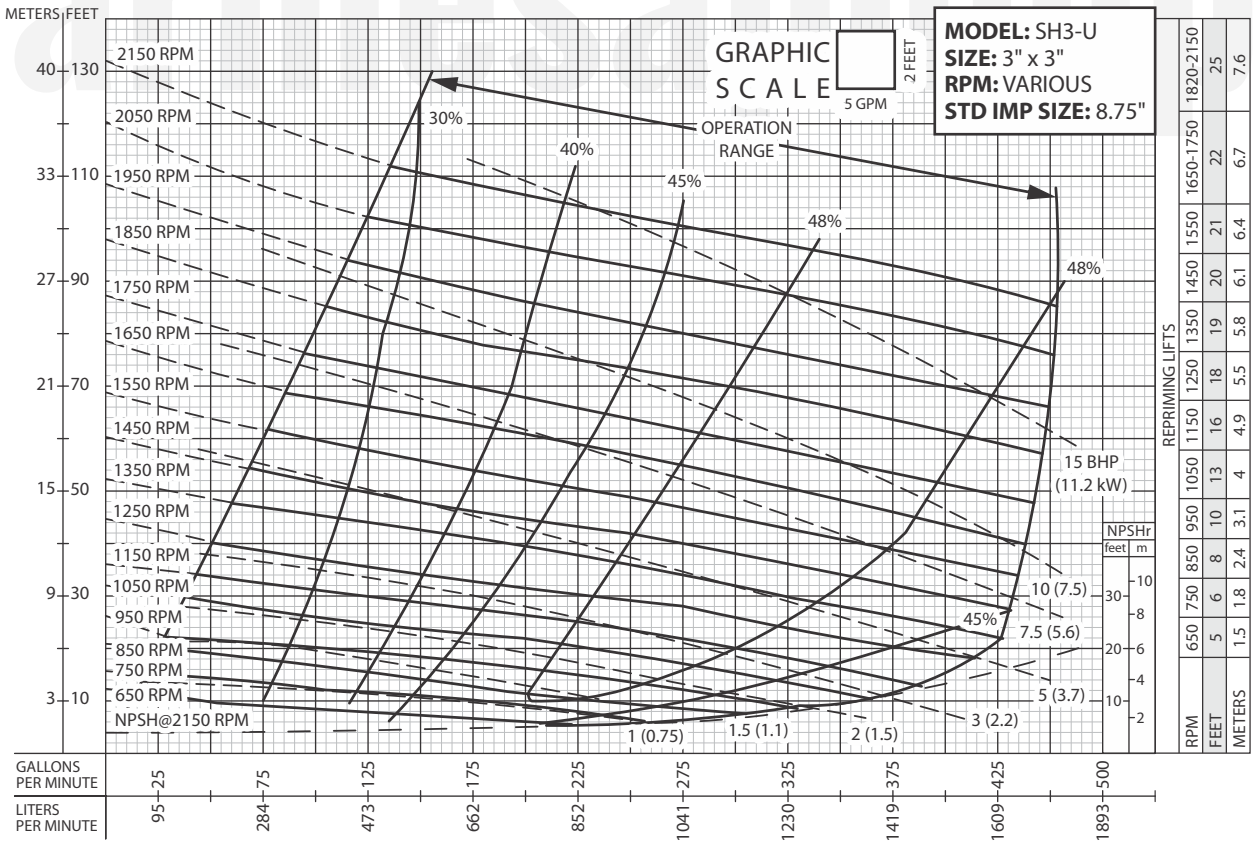
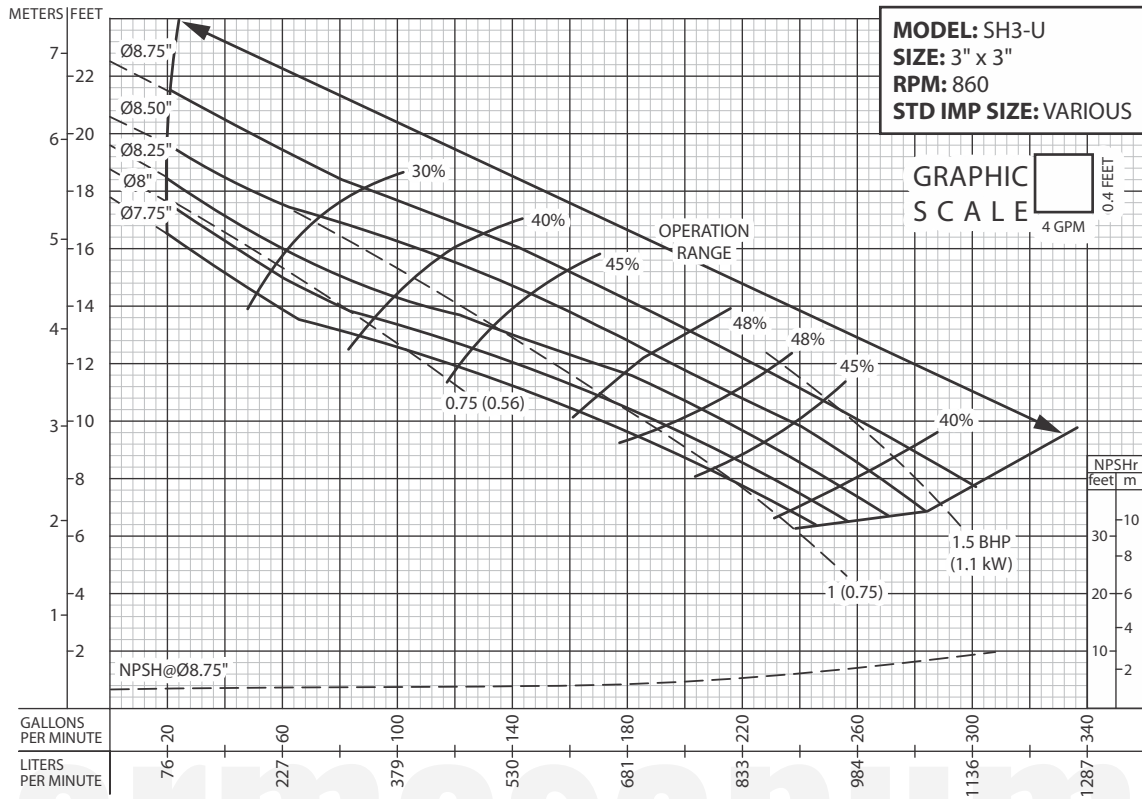
PERFORMANCE CURVES



IMPORTANT!

1. Testing is performed with water specific gravity of 1.0 @ 68 °F (20 °C); other fluids may vary performance.

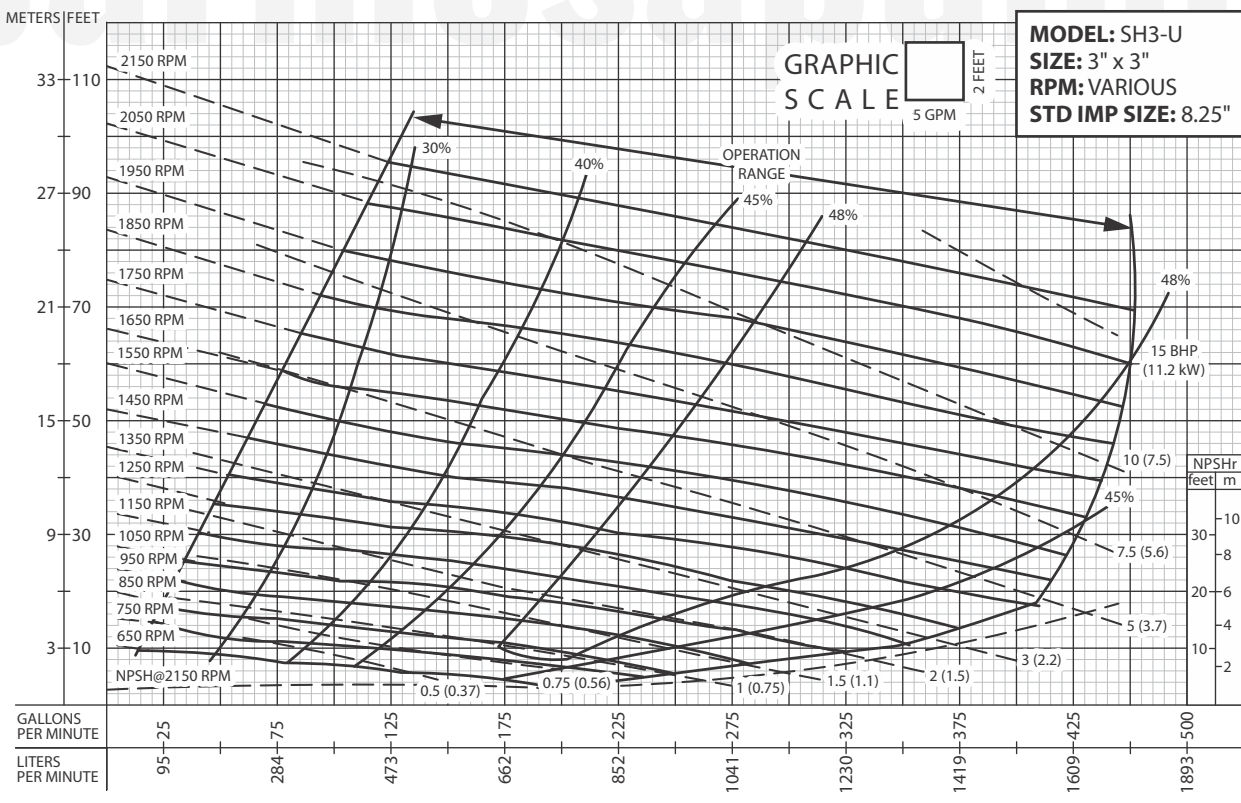
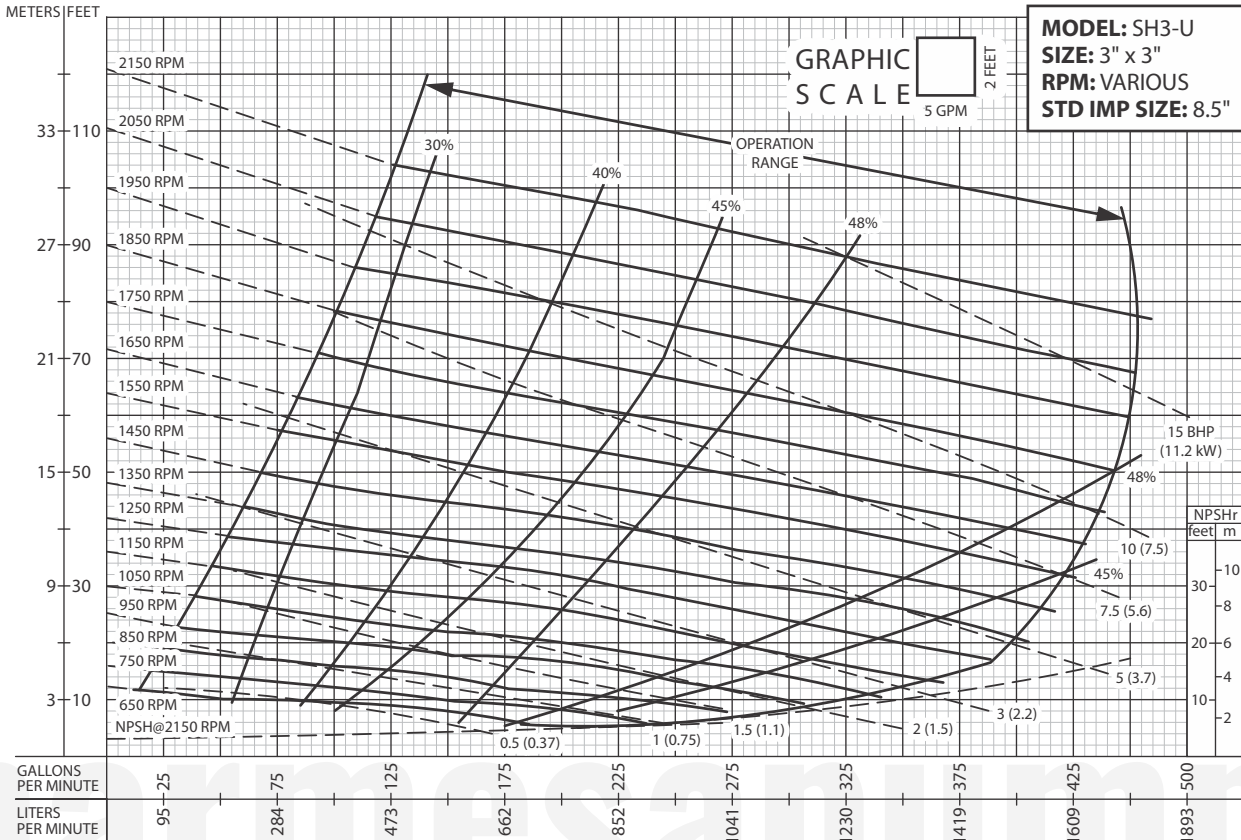
PERFORMANCE CURVES



IMPORTANT!

1. Testing is performed with water specific gravity of 1.0 @ 68 °F (20 °C); other fluids may vary performance.

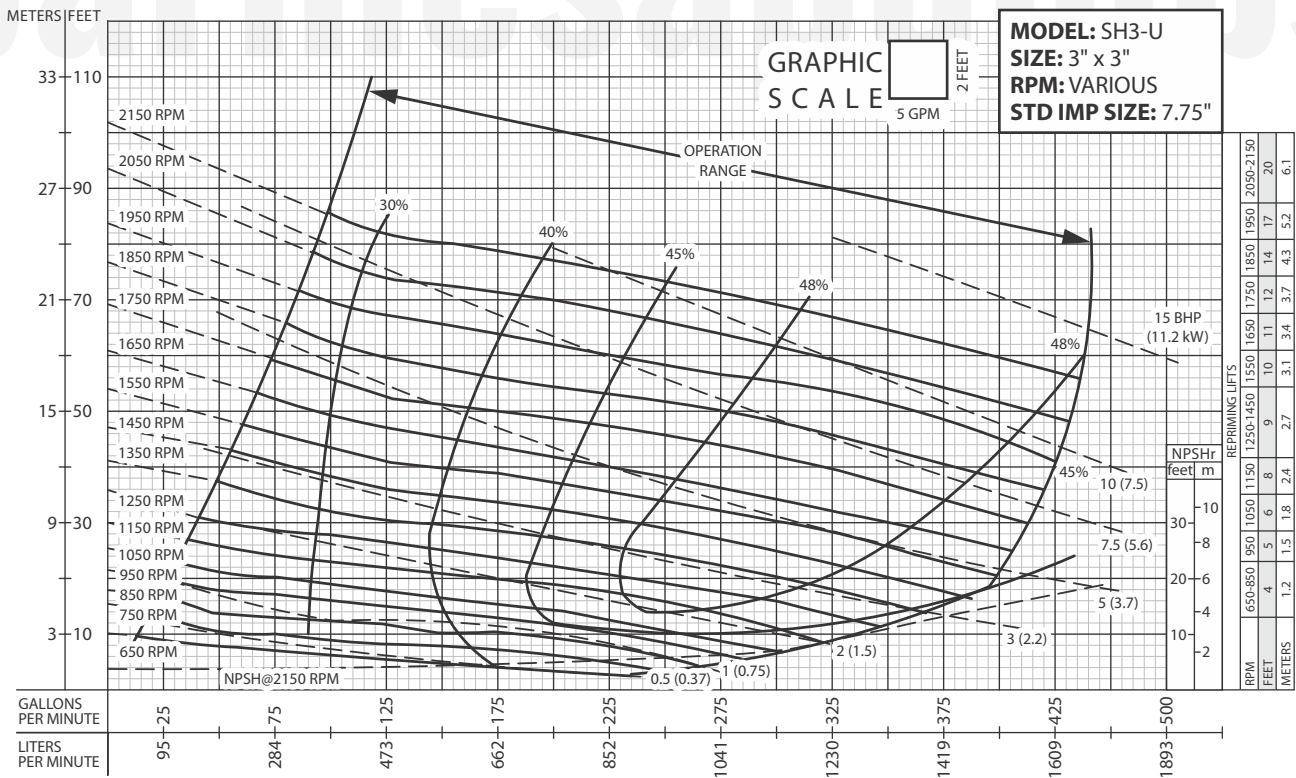
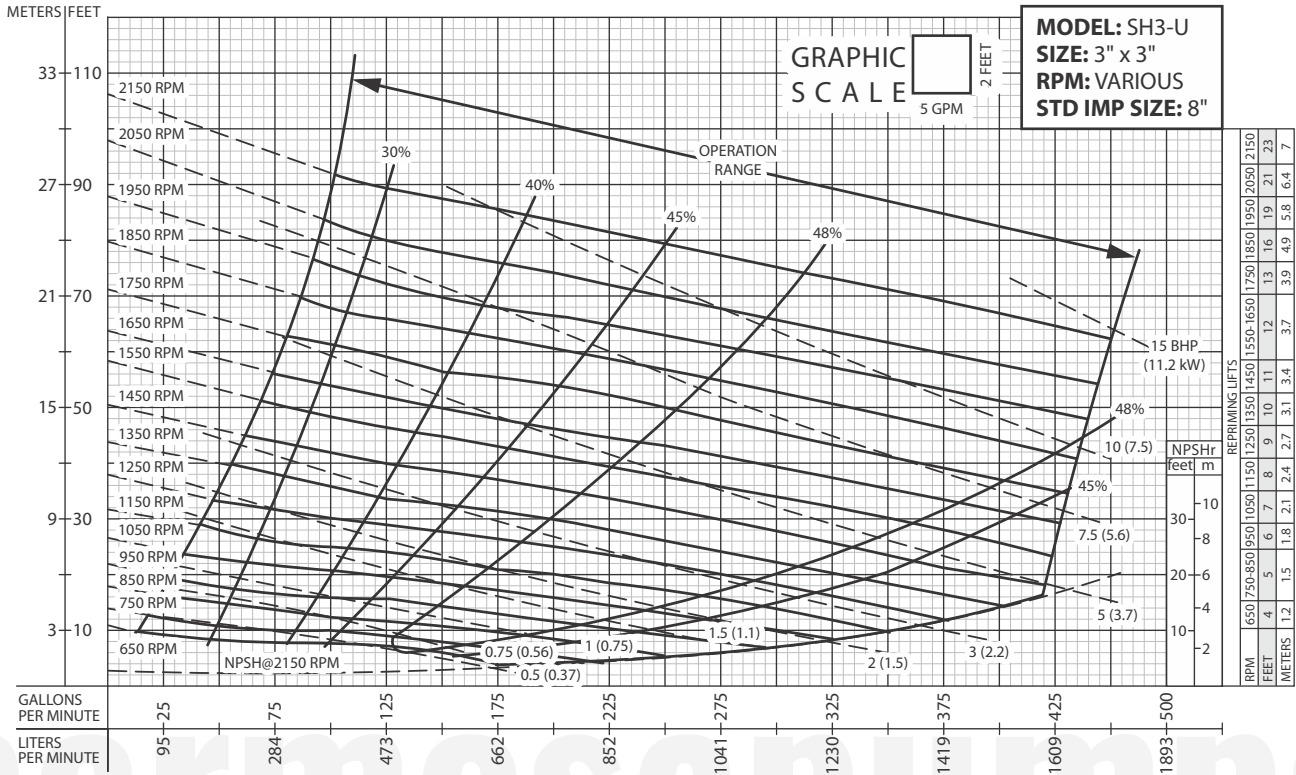
PERFORMANCE CURVES



IMPORTANT!

1. Testing is performed with water specific gravity of 1.0 @ 68°F (20°C); other fluids may vary performance.

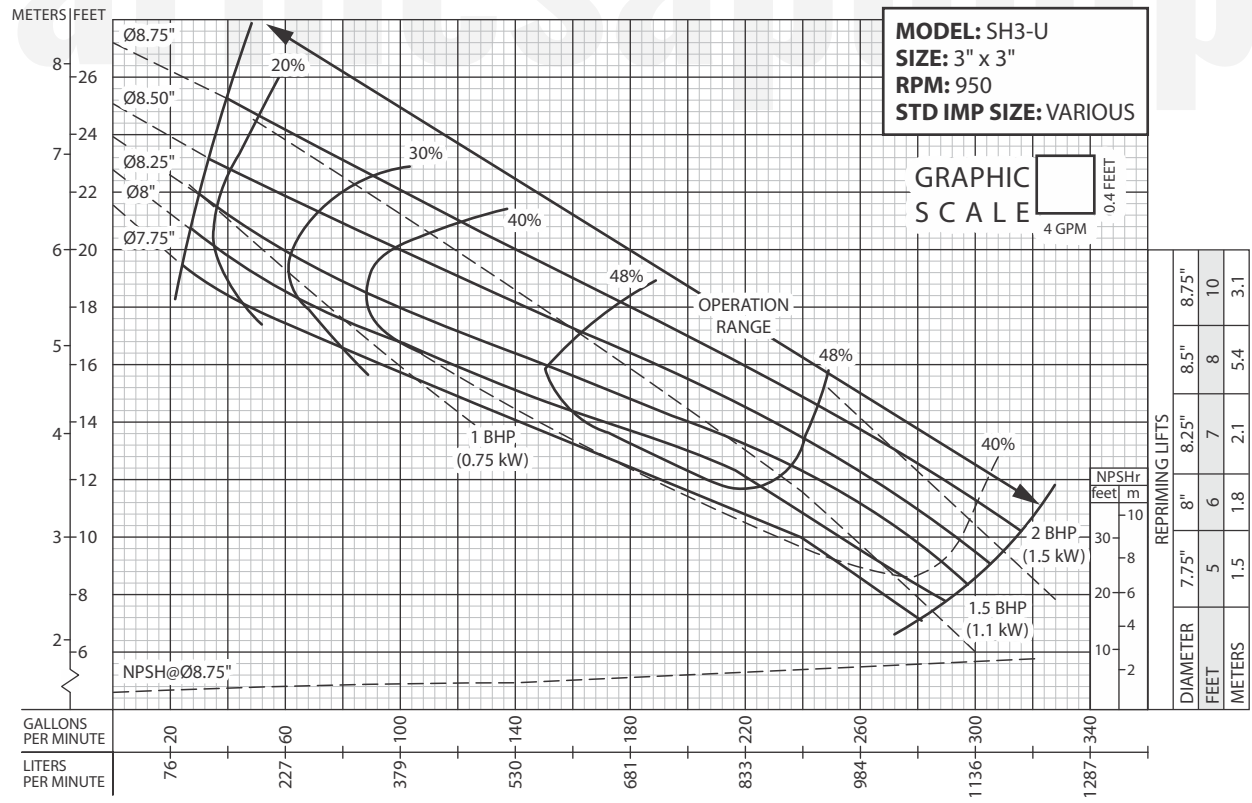
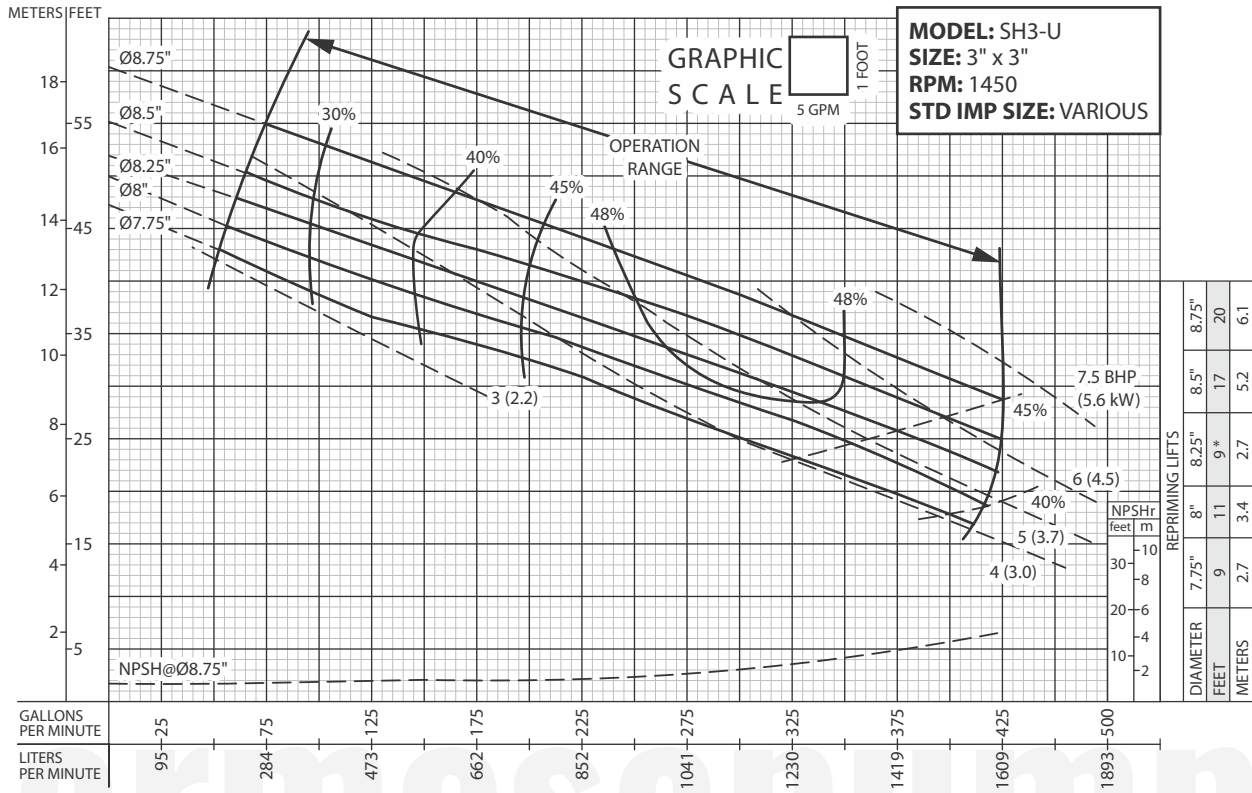
PERFORMANCE CURVES



IMPORTANT!

1. Testing is performed with water specific gravity of 1.0 @ 68 °F (20 °C); other fluids may vary performance.

PERFORMANCE CURVES



IMPORTANT!

1. Testing is performed with water specific gravity of 1.0 @ 68°F (20°C); other fluids may vary performance.