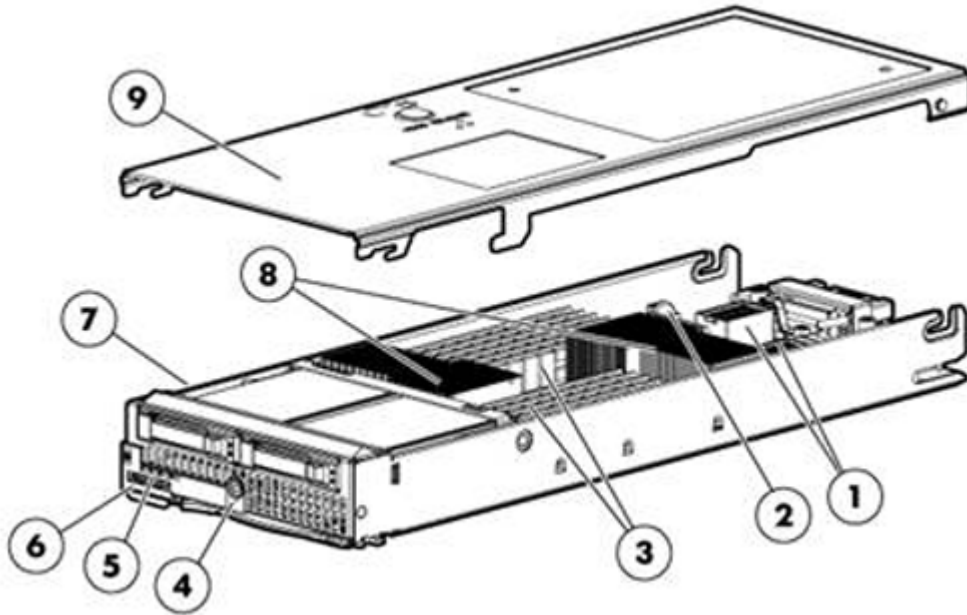


Overview



HP ProLiant BL460c G7 Server Blade

- | | |
|--|--|
| 1. Two (2) mezzanine I/O expansion slots | 5. Two (2) small form factor (SFF) hot-plug drive bays |
| 2. Internal USB connector | 6. Local I/O Connector |
| 3. Twelve (12) DDR3 Registered or Unbuffered DIMM Memory Slots | 7. Internal SD card slot |
| 4. HP Smart Array P410i Controller (under drive bays) | 8. Up to two (2) Intel® Xeon® 5600 series processors |
| | 9. Access Panel |

What's New

- Support for HP BLc NC360m NIC Adapter Opt Kit

At A Glance

This document covers the HP ProLiant BL460c G7 server blade only. For more information on HP BladeSystems c-Class Enclosures and HP BladeSystem c-Class Interconnect and Mezzanine Components, please see the following:

HP BladeSystem c-Class Enclosures QuickSpecs:

HP BladeSystem c3000 Enclosure QuickSpecs:

http://h18000.www1.hp.com/products/quickspecs/12790_div/12790_div.html

HP BladeSystem c7000 Enclosure QuickSpecs:

http://h18000.www1.hp.com/products/quickspecs/12810_div/12810_div.html

Overview

HP BladeSystem c-Class Interconnect and Mezzanine Components:

<http://h18004.www1.hp.com/products/blades/components/c-class-interconnects.html>

<http://h18004.www1.hp.com/products/blades/components/c-class-adapters.html>

The HP ProLiant BL460c G7 provides greater 2P x86 server blade density without compromise and maximum power-efficiency with flexibility and choice.

HP ProLiant BL460c G7 server blade includes:

- **Processor:**
 - Up to two (2) Intel® Xeon® 5600 series processors
 - Intel® 5520 Chipset
- **Memory:**
 - Twelve (12) DIMM slots
 - Up to 384GB, using PC3-10600 DDR3 registered (RDIMM) memory, operating at 800MHz when fully populated at 2 DIMMs per channel in 12 slots
 - Up to 48GB, using PC3-10600 DDR3 unbuffered (UDIMM) memory, operating at 1333MHz when fully populated at 2 DIMMs per channel in 12 slots
- **Storage Controller:**
 - HP Smart Array P410i Controller with no cache supporting RAID 0 and 1
- **Internal Drive Support:**
 - Two (2) hot-plug small form factor (SFF) drive bays
 - Support for SAS, SATA, and SSD hot-plug hard drives
 - NOTE: SAS, SATA, and/or SSD drives cannot be mixed within the server.
- **Network Controller:**
 - Integrated NC553i Dual Port FlexFabric 10Gb Adapter supporting autosensing 10Gb/1Gb Ethernet, FCoE, Flex-10, TCP/IP offload engine, hardware-based accelerated iSCSI, and iSCSI boot.
 - NOTE: Fibre Channel over Ethernet (FCoE) capability requires the use of an HP Virtual Connect FlexFabric 10Gb/24-port Module or HP 10GbE Pass-Thru Module. Learn more at: www.hp.com/go/virtualconnect.
 - NOTE: Each port is autosensing 1 Gb / 10 Gb, and can interoperate with 1 Gb HP BladeSystem c-Class interconnect components. Both ports will operate at the same speed.
 - One (1) additional 10/100 server adapter dedicated to iLO 3 Management
- **Mezzanine Support:**
 - Two (2) I/O expansion mezzanine slots
 - Supports up to two (2) mezzanine cards
 - Dual-port FlexFabric adapter mezzanine options
 - Dual-port Fibre Channel mezzanine (4 Gb or 8 Gb) options for SAN connectivity
 - Multi-port 1Gb and 10Gb Ethernet server adapter mezzanine options for additional network ports
 - InfiniBand (IB) mezzanine options for low latency and high bandwidth server interconnectivity
 - I/O accelerator mezzanine options for high transaction rate local storage
 - Smart Array SAS RAID controller mezzanine options for external direct attach and shared SAS storage
- **Expansion Blade Support:**
 - Supports one (1) optional storage, tape, or PCI expansion blade
- **Internal Media Support:**
 - One (1) internal USB 2.0 connector for USB flash media drive keys
 - One (1) internal secure digital (SD) card slot
- **Trusted Platform Module:**
 - One (1) internal TPM 1.2 module connector
- **Form Factor:**
 - HP ProLiant BL460c G7 is a half-height server blade that plugs into the HP BladeSystem c3000 and c7000 enclosures

Overview

- **Infrastructure Management:**

- This server blade requires the latest version of the Onboard Administrator firmware. This firmware release may also require other subsystem firmware upgrades. For information on the latest firmware versions, please see the Blades Firmware Maintenance website at: <http://h18004.www1.hp.com/products/blades/components/c-class-compmatrix.html>
- HP Integrated Lights-Out 3 (iLO 3) management processor for simplified server setup, health monitoring and recovery, power and thermal control, and lights-out remote administration.
- HP Insight Control, a product option, delivers essential infrastructure management that can help save time and money by making it easy to deploy, migrate, monitor, control and optimize your IT infrastructure through a single, simple management console. Insight Control supports Windows-based central management servers
- HP Matrix Operating Environment, a product option, is an integrated command center that enables IT Staff personnel to continuously analyze and optimize a converged infrastructure, while automating and reducing the cost of common data center tasks by as much as 40 percent. This ultimately enables them to dynamically keep pace with the organization's changing business requirements.

- **Operating Systems and Virtualization Software:**

- Supports Windows, RHEL, SLES, Oracle Solaris, VMware, and Citrix XenServer
NOTE: For more information on HP's Certified and Supported ProLiant Servers for OS and Virtualization Software and latest listing of software drivers available for your server, please visit our Operating System Support Matrix at: <http://www.hp.com/go/ossupport>

- **Enclosures:**

- HP offers two different c-Class server blade enclosures to meet your individual needs:
 - The HP BladeSystem c7000 rack enclosure is 10U high and holds up to sixteen (16) ProLiant BL460c G7 servers plugged vertically.
 - The HP BladeSystem c3000 rack enclosure is 6U high and holds up to eight (8) HP ProLiant BL460c G7 servers plugged horizontally.
- Server blades, storage blades, interconnect modules, power supplies, fans, and redundant Onboard Administrator modules are all designed to fit into the c3000 and c7000 enclosures.
- For additional enclosure information, please see: <http://h18004.www1.hp.com/products/blades/components/enclosures/c-class/index.html>.

- **Warranty:**

- This product is covered by a global limited warranty and supported by HP Services and a worldwide network of HP Authorized Channel Partners. Hardware diagnostic support and repair is available for three years from date of purchase. Support for software and initial setup is available for 90 days from date of purchase. Enhancements to warranty services are available through HP Care Pack services or customized service agreements. Certain restrictions and exclusions apply. Hard drives have either a one year or three year warranty; refer to specific hard drive QuickSpecs for details.
NOTE: Server warranty includes 3 year Parts, 3 year Labor, 3-year on-site support. Warranty repairs may be accomplished through the use of Customer Self Repair (CSR) parts. These parts fall into two categories: 1) Mandatory CSR parts are designed for easy replacement. A travel and labor charge will result when customers decline to replace a Mandatory CSR part; 2) Optional CSR parts are also designed for easy replacement but may involve added complexity. Customers may choose to have HP replace Optional CSR parts at no charge. Additional information regarding worldwide limited warranty and technical support is available at: <http://h18004.www1.hp.com/products/servers/platforms/warranty/index.html>

Standard Features

Processor

One of the following depending on model

Six-Core Processors

Intel® Xeon® X5675 (3.06GHz/6-core/12MB/95W, DDR3-1333, HT, Turbo 2/2/2/2/3/3) Processor

Intel® Xeon® Processor X5670 (2.93GHz/6-core/12MB/95W, DDR3-1333, HT, Turbo 2/2/2/2/3/3) Processor

Intel® Xeon® Processor X5660 (2.80GHz/6-core/12MB/95W, DDR3-1333, HT, Turbo 2/2/2/2/3/3) Processor

Intel® Xeon® Processor X5650 (2.66GHz/6-core/12MB/95W, DDR3-1333, HT, Turbo 2/2/2/2/3/3) Processor

Intel® Xeon® Processor E5649 (2.53GHz/6-core/12MB/80W, DDR3-1333, HT, Turbo 1/1/1/1/2/2) Processor

Intel® Xeon® Processor E5645 (2.40GHz/6-core/12MB/80W, DDR3-1333, HT, Turbo 1/1/1/1/2/2) Processor

Intel® Xeon® Processor L5640 (2.26GHz/6-core/12MB/60W, DDR3-1333, HT, Turbo 2/2/3/3/4/4) Processor

Four-Core Processors

Intel® Xeon® Processor X5672 (3.20GHz/4-core/12MB/95W, DDR3-1333, HT, Turbo 2/2/3/3) Processor

Intel® Xeon® Processor X5667 (3.06GHz/4-core/12MB/95W, DDR3-1333, HT, Turbo 1/1/2/2) Processor

Intel® Xeon® Processor L5630 (2.13GHz/4-core/12MB/40W, DDR3-1066, HT, Turbo 1/1/2/2)

Intel® Xeon® Processor E5640 (2.66GHz/4-core/12MB/80W, DDR3-1066, HT, Turbo 1/1/2/2) Processor

Intel® Xeon® Processor E5620 (2.40GHz/4-core/12MB/80W, DDR3-1066, HT, Turbo 1/1/2/2) Processor

Intel® Xeon® Processor E5607 (2.26GHz/4-core/8MB/80W, DDR3-1066) Processor

NOTE: HT indicates that the processor model supports Intel® Hyper-Threading Technology.

NOTE: Turbo indicates the maximum potential frequency increment when using Intel® Turbo Boost Technology, with 4, 3, 2, and 1 cores active (on four-core processors) or with 6, 5, 4, 3, 2, and 1 cores active (on six-core processors).

NOTE: DDR3 speed is the maximum memory speed of the processor. Actual memory speed may depend on the quantity and type of DIMMs installed.

NOTE: For the Intel Xeon 5600 Series, the letter preceding the model number indicates the performance/wattage of the processor. "X" denotes High Performance/Wattage; "E" denotes Enterprise Performance/Wattage (Mainstream); and "L" denotes Lower Wattage.

Upgradeability

Upgradeable to two (2) processors

Cache Memory

One of the following depending on model

8MB shared L3 cache

12MB shared L3 cache

Chipset

Intel® 5520 Chipset

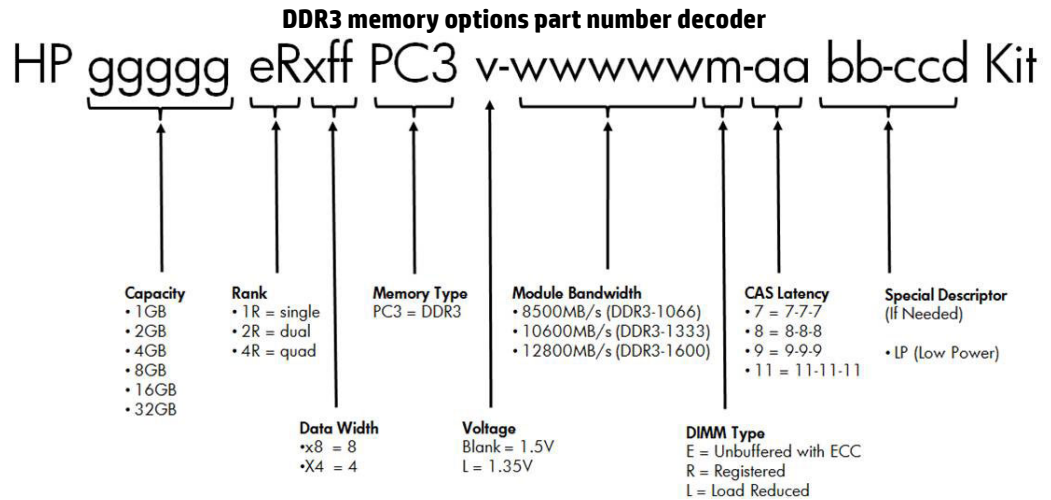
Standard Features

Memory

Type	DDR3 Registered (RDIMM) or Unbuffered (UDIMM)
Standard	6 GB (3 x 2GB) RDIMM
Maximum (RDIMM)	384GB (12 x 32 GB) for registered memory configurations
Maximum (UDIMM)	48 GB (12 x 4 GB) for unbuffered memory configurations

NOTE: A minimum of 2GB of memory must be installed.

NOTE: Depending on the memory configuration and processor model the memory speed may operate at 1333MHz, 1066MHz or 800MHz. Please see the Online Memory Configuration Tool for details: www.hp.com/go/ddr3memory-configurator.



Memory Protection

Advanced ECC (multi-bit error protection)
 Memory Mirroring Mode
 Memory Lock-Step Mode
 Memory Online Spare Mode supported on Intel Xeon 5600 Series processors

Network Controller

Integrated NC553i Dual Port FlexFabric 10Gb Adapter
NOTE: FlexFabric capability requires the use of an HP Virtual Connect FlexFabric module or HP 10GbE Pass-Thru Module. Learn more at: www.hp.com/go/virtualconnect.
 One (1) additional 10/100 NIC dedicated to iLO 3 Management

I/O Expansion Slots

Two (2) I/O expansion mezzanine slots (x8 PCI Express)

Integrated Manageability

HP Integrated Lights-Out 3 (iLO 3) management processor

Standard Features

Storage Controller Type HP Smart Array P410i Controller with no cache supporting RAID 0 and 1
Available Options: 256MB cache, 1G and 512MB Flash Backed Write Cache (FBWC), and Smart Array Advanced Pack.

NOTE: Supports two (2) small form factor (SFF) hot plug drive bays.

Maximum Internal Storage One of the following depending on model	Hot-plug SAS	2.0TB	2 x 1.0TB drives
	Hot-plug SATA	2.0TB	2 x 1.0TB drives
	Hot-plug SAS SSD	1.6TB	2 x 800GB drives
	Hot-plug SATA SSD	800GB	2 x 400GB drives

NOTE: SAS, SATA, and/or SSD drives cannot be mixed within the server.

Graphics Integrated Matrox G200
Resolution Color Depths 1600 x 1200, 64K, 256, 16
1280 x 1024, 16.7M, 64k, 256, 16
1024 x 768, 16.7M, 64k, 256, 16
800 x 600, 16.7M, 64k, 256, 16
640 x 480, 16.7M, 64k, 256, 16

NOTE: Maximum resolution available via HP Integrated Lights-Out 3 (iLO 3) remote console is 1280 x 1024.

Fibre Channel Support Two (2) optional Fibre Channel HBAs are supported by the HP ProLiant BL460c G7. Both mezzanine circuit boards connect directly to the server blade system board. These Fibre Channel HBAs are available via option kits and must be ordered separately.

HBA mezzanine card option kits:

Emulex LPe1105 4Gb Fibre Channel Host Bus Adapter for c-Class BladeSystem (403621-B21)

- Based on the same field-proven ASIC, firmware, and driver technology as Emulex's renowned LPe1150 HBA, the Emulex LPe1105-HP is fully driver compatible with all Emulex HBAs

Emulex LPe1205 8Gb Fibre Channel Host Bus Adapter for c-Class BladeSystem (456972-B21)

- Exceptional performance, enhanced security, and scalable management for virtual server and enterprise-class applications

QLogic QMH2462 4Gb Fibre Channel Host Bus Adapter for c-Class BladeSystem (403619-B21)

- Uses common drivers which means that customers can standardize on one QLogic driver whether they are using the QMH2462 or other HBAs powered by QLogic

QLogic QMH2562 8Gb Fibre Channel Host Bus Adapter for c-Class BladeSystem (451871-B21)

- Provides a first step into the 8Gb future, advanced, embedded support for virtualized environments and reduced power consumption

HP BLc Brocade 804 8Gb Fibre Channel Host Bus Adapter (590647-B21)

- Application oriented quality of service (AQoS) providing the ability to configure, prioritize, and

Standard Features

optimize traffic flows from virtual machines and/or applications to the target port

Brocade, Emulex and QLogic Fibre Channel HBAs for HP BladeSystem c-Class feature:

- Optimal performance utilizing PCI Express
- 4/2/1Gb/s auto negotiating speeds (4Gb HBAs)
- 8/4/2Gb/s auto negotiation speeds (8Gb HBAs)
- Dual-ports for redundant path connections
- Up to two Fibre Channel (FC) HBAs per server blade providing redundant FC HBA support
- Optimized for HP Storage products and supported by third party SAN vendors
- Support for Microsoft® Windows® and Linux operating system environments

Compatible SAN

HP ProLiant BL460c G7 server blades are optimized for HP MSA, EVA and XP.

HP ProLiant BL460c G7 server blades are compatible with select 3rd party SANs (please see blade storage page for more details: <http://h18004.www1.hp.com/products/blades/components/c-class-sans.html>)

HP Virtual Connect

HP Virtual Connect is an interconnect option for BladeSystem c-Class that simplifies server connectivity to data and storage networks, and reduces costs. Unique HP Flex-10 technology makes maximum use of network bandwidths, provide dynamic tuning and enable extreme flexibility to meet individual server and infrastructure requirements by allocating up to 4 network connections per server port. Virtual Connect FlexFabric modules extend those capabilities to allocate one function per port to storage connections. HP Virtual Connect Enterprise Manager (VCEM) provides server management software with a central console to administer network connections and workloads for thousands of servers. For more information on Virtual Connect Enterprise Manager see: www.hp.com/go/vcem. For more information on Virtual Connect Ethernet, Fibre Channel, Converged Network and management options see: www.hp.com/go/virtualconnect

HP Insight management software

HP Service Pack for ProLiant

HP Service Pack for ProLiant (SPP) and HP Smart Update Manager (HP SUM) version 5 provide a new, comprehensive approach to firmware and system software maintenance. Together they provide better operating stability and ensure maximum uptime. The SPP will be updated at a predictable cadence, typically coinciding with new HP server hardware launches. By enabling firmware to be updated online and integrating firmware and system software updates in one operation HP SUM and the SPP offer faster updates of individual servers and dramatically faster updates of entire BladeSystem enclosures. Further improving system uptime and stability is the fact that HP provides 12 months of support on each Service Pack for ProLiant.

The user experience around HP SUM and the SPP has been improved in several ways, starting with the web download. A single web page provides access to a single download containing both the latest version of HP SUM version 5 and the latest SPP. Optional smaller subsets with only specific types of servers or specific operating systems are offered to save on download time. The HP SUM application has been re-written to provide a more straightforward, intuitive user interface that guides the user through the steps of discovery, analyses and update, providing comprehensive information on available updates, criticality and interdependencies. This information is also available in reports.

Standard Features

By providing the option of multiple local or shared repositories which can be easily updated from hp.com, HP SUM provides the tools to optimize stability and consistency throughout the company. While HP SUM and the SPP will recommend the combinations of firmware and system software that HP has found to be the best practice, the application gives customers the flexibility to set their own specific baseline.

The Service Pack for ProLiant has been rigorously tested with specific attention for interaction between firmware, drivers and agents both within the server as well as in interaction with the BladeSystem enclosure components (Onboard Administrator and Virtual Connect). This testing ensures the highest quality as well as providing the input for HP SUM to deploy updates taking into account all interdependencies, when determining the correct updates and order of update deployment.

The Service Pack for ProLiant (which includes HP SUM 5) can be downloaded from www.hp.com/go/spp/download. More information can be found: www.hp.com/go/spp and <http://www.hp.com/go/hpsum>

HP Insight Foundation

Insight Foundation is being baselined at version v8.70 which means the following:

- Its Media Kit (contains 2 SmartStart CDs, the Firmware DVD, and the Management DVD) will continue to ship with all supported ProLiant G7 or earlier BTO servers until the last supported server is no longer shipping.
- The Media Kit will not be updated past version 8.70.
- ProLiant G7 or earlier CTO servers are able to order the Media Kit with the understanding that the media is not updated. Please check specific server QuickSpecs for availability of CTO Kit.
- PSP and Firmware DVD downloads will be updated through 2Q 2012 at the HP Insight Foundation Suite for ProLiant downloads tab: <http://www.hp.com/go/foundation>

Customers are urged to use the replacement product, HP Service Pack for ProLiant, instead of Insight Foundation Suite which is found at these location:

- www.hp.com/go/spp
- www.hp.com/go/spp/download

HP Integrated Lights-Out (iLO)

HP Integrated Lights-Out (iLO) simplifies server setup, health monitoring, power and thermal control, and lights-out remote administration of ProLiant ML, DL, and BL servers. HP iLO functions without additional software and can be accessed from any location via a web browser. HP iLO works hand-in-hand with HP Systems Insight Manager, Insight Control suites, and HP Matrix Operating Environment for ProLiant, helping customers unleash the value of the ProLiant platform and deliver the highest possible quality of IT service. For more information, visit: www.hp.com/go/iLO

HP Insight Control

HP Insight Control, a product option, delivers essential infrastructure management that can help save time and money by making it easy to deploy, migrate, monitor, remote control, and optimize your IT infrastructure through a single, simple management console. For more information, see <http://www.hp.com/go/insightcontrol>.

Standard Features

HP Matrix Operating Environment	<p>HP Insight Control includes one year of 24 x 7 HP Software Technical Support and Update Service ensuring rapid access to HP support staff and proactive delivery of software updates. For more information about this service, please visit: http://www.hp.com/services/insight.</p> <p>The HP Matrix Operating Environment (Matrix OE) for ProLiant and Integrity servers is an integrated command center that helps you instantly adjust to dynamic business demands. This advanced infrastructure management software lets you reduce the cost of common data center tasks by up to 40 percent while keeping pace with your changing business.</p> <p>The HP Matrix OE includes the automated provisioning, optimization, and recovery management capabilities for HP CloudSystem Matrix, the ideal platform for private cloud and Infrastructure as a Service (IaaS).</p>
---------------------------------	---

NOTE: For more information, visit: <http://www.hp.com/go/matrixoe>

High Performance Clusters

HP Cluster Platforms	<p>HP Cluster Platforms are specifically engineered, factory-integrated large-scale ProLiant clusters optimized for High Performance Computing, with a choice of servers, networks and software. Operating system options include specially priced offerings for Red Hat Enterprise Linux and SUSE Linux Enterprise Server, as well as Microsoft Windows HPC Server. A Cluster Platform Configurator simplifies ordering. http://www.hp.com/go/clusters</p>
HP HPC Interconnects	<p>High Performance Computing (HPC) interconnect technologies are available for this server as part of the HP Cluster Platform portfolio. These high-speed InfiniBand and Gigabit interconnects are fully supported by HP when integrated within an HP cluster. Flexible, validated solutions can be defined with the help of configuration tools.</p> <p>http://www.hp.com/techservers/clusters/ucp/index.html</p>
HP Insight Cluster Management Utility	<p>HP Insight Cluster Management Utility (CMU) is an HP-licensed and HP-supported suite of tools that are used for lifecycle management of hyperscale clusters of Linux ProLiant systems. CMU includes software for the centralized provisioning, management and monitoring of nodes. CMU makes the administration of clusters user friendly, efficient, and effective.</p> <p>http://www.hp.com/go/cmu</p>
HP HPC Linux Value Pack	<p>HP HPC Linux Value Pack (Value Pack) is an HP-licensed and HP-supported option to HP Insight CMU, for the development and deployment of applications on HPC Cluster Platforms. Value Pack includes the Platform LSF workload scheduler and Platform Application Center, as well as the HP-MPI parallelization library. HP HPC Linux Value Pack</p>

Standard Features

Operating Systems and Virtualization Software Support for ProLiant Servers

[Microsoft Windows Server](#)
[Red Hat Enterprise Linux \(RHEL\)](#)
[SUSE Linux Enterprise Server \(SLES\)](#)
[Oracle Solaris](#)
[VMware](#)
[Citrix XenServer](#)

NOTE: For more information on HP's Certified and Supported ProLiant Servers for OS and Virtualization Software and latest listing of software drivers available for your server, please visit our Support Matrix at: <http://www.hp.com/go/ossupport>

Availability

- Dual-Port Fibre Channel Mezzanine Card options for redundant SAN connection
 - Dual-port embedded 10 Gigabit Ethernet adapters for redundant LAN connections
 - Two (2) hot-plug SAS/SATA hard drive bays and integrated RAID (HP Smart Array P410i Controller)
 - Optional Battery-backed and Flash-backed write cache module for integrated RAID controller
 - Redundant ROM
 - Advanced ECC Memory
 - Support for Memory Mirroring Mode and Memory Lock-Step Mode
 - Support for Memory Online Spare Mode with Xeon 5600 Series processors
 - Network adapter teaming (network fault tolerance, transmit load balancing, switch-assisted load balancing)
-

Industry Standard Compliance

ACPI 2.0 Compliant
PCI 2.2 Compliant
WOL Support
Microsoft® Logo certifications
USB 2.0 Support
IMPI 2.0 Compliant
SMASH CLP Compliant

Security

- Power-on password
 - Administrator's password
 - Keyboard password (QuickLock)
 - Integrated Lights-Out 3 with:
 - 12 customizable user accounts
 - SSL encryption
 - Secure Shell version 2
 - Advanced Encryption Standard (AES) and Triple Data Encryption Standard (3DES) on browser, CLP and XML scripting interface
 - AES and RC4 encryption of video
 - Disable via a global setting
 - Keyboard password
 - External USB port enable/disable
 - Network server mode
 - Serial interface control
 - TPM (Trusted Platform Module) 1.2 option
 - Intel® Advanced Encryption Standard-New Instructions (AES-NI) (Intel Xeon 5600 series processors)
-

Standard Features

HP Proactive Insight experience

Prevent problems with innovative, automated monitoring tools and proactive services. The HP Proactive Insight experience consist of using Insight Online, Insight Remote Support, and Proactive Care Support Service as one integrated solution. The Proactive Insight experience provides you with expert advice and personalized, cloud-based automated IT support, helping to prevent unplanned down time and solve problems quickly. For more information, visit: www.hp.com/go/proactiveinsightexperience

Factory Express Portfolio for Servers and Storage

HP Factory Express offers configuration, customization, integration and deployment services for HP servers and storage products. Customers can choose how their factory solutions are built, tested, integrated, shipped and deployed.

Factory Express offers service packages for simple configuration, racking, installation, complex configuration and design services as well as individual factory services, such as image loading, asset tagging, and custom packaging. HP products supported through Factory Express include a wide array of servers and storage: HP Integrity, HP ProLiant, HP ProLiant Server Blades, HP BladeSystem, HP 9000 servers as well as the MSAxxxx, VA7xxx, EVA, XP, rackable tape libraries and configurable network switches.

For more information on Factory Express services on your specific server model please contact your sales representative or go to: <http://www.hp.com/go/factory-express.html>

HP Simple Configurator

SCE is a guided self service tool to help sales and non technical people provide customers with initial configurations in 3 to 5 minutes. You may then send the configuration on for configuration help, or use in your existing ordering processes. If you require "custom" rack configuration or configuration for products not available in SCE, please contact HP's Customer Business Center or an Authorized Partner for assistance. <http://www.hp.com/products/configurator>

Service and Support

Service and Support

HP Technology Services for Industry Standard Servers and BladeSystem

Capitalizing on HP ProLiant server and HP BladeSystem capabilities requires a service partner who understands your increasingly complex business technology environment. That's why it makes sense to team up with the people who know HP infrastructure hardware and software best - the experienced professionals at HP Services.

Protect your business beyond warranty with HP Care Pack Services

HP Care Pack services offer complete care and support expertise with committed response choices designed to meet your IT and business needs.

HP Foundation Care services offer scalable reactive support-packages for HP industry-standard servers and software. You can choose the type and level of service that is most suitable for your IT and business needs. HP Proactive Care delivers high levels of system availability through proactive service management and advanced technical response.

Recommended HP Care Pack Services for your HP product

Optimized Care

3-Year HP 6 hour Call to Repair Response, Proactive Care

Combined reactive and proactive support for hardware and software helping optimize your systems and delivering high levels of availability through proactive service management and advanced technical response. Hardware problem resolution to return the hardware in operating condition within 6 hours of the initial service request. A Technical Account Manager, as your single point of contact, will own your call or issue end to end until resolved.

<http://h20195.www2.hp.com/v2/GetPDF.aspx/4AA3-8855EEE.pdf>

HP Install c-Class Server Blade Service

This easy-to-buy, easy-to-use HP Care Pack service helps ensure that your new HP hardware is installed smoothly, efficiently, and with minimal disruption of your IT and business operations.

Standard Care

3-Year HP 24x7 4 hour response, Proactive Care Service

This service gives you combined reactive and proactive support including rapid access to our Advanced Solution Center to manage and prevent problems and a Technical Support Specialist with a broad level of technical knowledge that will engage with additional technical expertise as needed from HP's vast global resources.

<http://h20195.www2.hp.com/v2/GetPDF.aspx/4AA3-8855EEE.pdf>

HP Install c-Class Server Blade Service

This easy-to-buy, easy-to-use HP Care Pack service helps ensure that your new HP hardware is installed smoothly, efficiently, and with minimal disruption of your IT and business operations.

Service and Support

Related Services

HP Proactive Care Personalized Support - Environmental Option

The Personalized Support option provides an assigned Account Support Manager who can bring best practices from across the industry plus extra technical skills to your IT team. This option is only available as an add-on to HP Proactive Care Support.

HP Proactive Select Service

Provides a flexible way to purchase HP best-in-class consultancy and technical services. You can buy Proactive Select Service Credits when you purchase your hardware and then use the credits over the next 12 months. <http://h20195.www2.hp.com/V2/GetPDF.aspx/4AA2-3842ENN.pdf>

Additional HP Care Pack services can be found at:

<http://www.hp.com/go/cpc>

Insight Online/Insight Remote Support

HP Insight Remote Support provides 24 X 7 remote monitoring, proactive notifications, and problem resolution. This comes at no additional cost with your HP solution. Learn more about Insight Remote Support <http://www.hp.com/go/insightremotesupport> and Insight Online <http://www.hp.com/go/insightonline>

NOTE: Insight Remote Support is a prerequisite for Proactive Care. All blades within a single HP BladeSystem enclosure must be at the same service level

HP Support Center

Personalized online support portal with access to information, tools and experts to support HP business products. Submit support cases online, chat with HP experts, access support resources or collaborate with peers. Learn more <http://www.hp.com/go/hpsc>

HP's Support Center Mobile App allows you to resolve issues yourself or quickly connect to an agent for live support. Now, you can get access to personalized IT support anywhere, anytime.

HP Insight Remote Support and HP Support Center are available at no additional cost with a HP warranty, HP Care Pack or HP contractual support agreement.

NOTE: HP Support Center Mobile App is subject to local availability.

Parts and Materials

HP will provide HP-supported replacement parts and materials necessary to maintain the covered hardware product in operating condition, including parts and materials for available and recommended engineering improvements.

Parts and components that have reached their maximum supported lifetime and/or the maximum usage limitations as set forth in the manufacturer's operating manual, product quick-specs, or the technical product data sheet will not be provided, repaired, or replaced as part of these services.

The defective media retention service feature option applies only to Disk or eligible SSD/Flash Drives replaced by HP due to malfunction.

For more information

To learn more on HP ProLiant servers and HP BladeSystem servers, please contact your HP sales representative or HP Authorized ServiceOne Channel Partner. Or visit: www.hp.com/services/bladestystem

Models

NOTE: Not all models are available in all regions. Check with your local country HP offices for availability.

<p>HP ProLiant BL460c G7 X5675 1P 12GB-R Server 637390-B21</p>	<p>Processor(s) One of the following depending on model</p>	<p>(1) Intel® Xeon® X5675 (3.06GHz/6-core/12MB/95W, DDR3-1333, HT, Turbo 2/2/2/2/3/3) Processor (1) Intel® Xeon® X5670 (2.93GHz/6-core/12MB/95W, DDR3-1333, HT, Turbo 2/2/2/2/3/3) Processor (1) Intel® Xeon® X5650 (2.66GHz/6-core/12MB/95W, DDR3-1333, HT, Turbo 2/2/2/2/3/3) Processor (1) Intel® Xeon® E5649 (2.53GHz/6-core/12MB/80W, DDR3-1333, HT, Turbo1/1/1/1/2/2) Processor (1) Intel® Xeon® E5640 (2.66GHz/4-core/12MB/80W, DDR3-1066, HT, Turbo 1/1/2/2) Processor (1) Intel® Xeon® E5620 (2.40GHz/4-core/12MB/80W, DDR3-1066, HT, Turbo 1/1/2/2) Processor (1) Intel® Xeon® L5640 (2.26GHz/6-core/12MB/60W, DDR3-1333, HT, Turbo 2/2/3/3/4/4) Processor</p>
<p>HP ProLiant BL460c G7 X5670 1P 12GB-R P410i Server 603251-B21</p>	<p>Cache Memory</p>	<p>4MB or 12MB shared L3 cache</p>
<p>HP ProLiant BL460c G7 E5649 1P 6GB-R Server 637391-B21</p>	<p>Memory One of the following depending on model</p>	<p>12 GB (3 x 4 GB) PC3-10600 (DDR3-1333) Registered DIMMs 6 GB (3 x 2 GB) PC3-10600 (DDR3-1333) Registered DIMMs 12GB (3 x 4 GB) PC3L-10600 (DDR3-1333) Low Voltage Registered DIMMs</p>
<p>HP ProLiant BL460c G7 E5640 1P 6GB-R P410i Server 603569-B21</p>	<p>Network Adapter</p>	<p>Embedded NC553i Dual Port FlexFabric 10Gb Adapter and one (1) additional 10/100 server adapter dedicated to iLO 3 Management</p>
<p>HP ProLiant BL460c G7 E5620 1P 6GB-R P410i Server 603588-B21</p>	<p>Storage Controller</p>	<p>HP Smart Array P410i Controller with no cache supporting RAID 0 and 1</p>
<p>HP ProLiant BL460c G7 L5640 1P 12GB-L P410i Server 603256-B21</p>	<p>Hard Drives Internal Storage Optical Drive Form Factor</p>	<p>None ship standard Two hot plug SFF drive bays None Up to eight (8) half-height blades supported in the HP BladeSystem c3000 Enclosure Up to sixteen (16) half-height blades supported in HP BladeSystem c7000 Enclosure</p>

Country Code	xx = B2	Worldwide
	xx = 20	Brazil

Configuration Information - Factory Integrated Models

NOTE: This section lists some of the steps required to configure a Factory Integrated Model. To ensure only valid configurations are ordered, HP recommends the use of an HP approved configurator. Contact your local sales representative for information on CTO product offerings and requirements.

NOTE: HP does not allow factory integration of options into standard models listed above.

Configure-to-order server blades must start with a CTO Blade.

NOTE: FIO indicates that this option is a Factory Installable Option.

Step 1: Base Server Blade Configuration (Select a configurable Blade)

Models	HP ProLiant BL460c G7 Configure-to-order Server	603718-B21
	Configurable Model ships with:	
	Integrated NC553i Dual Port FlexFabric 10Gb Adapter and one (1) additional 10/100 server adapter dedicated to iLO 3 management	
	Smart Array P410i Controller with no cache supporting RAID 0 and 1	
	Integrated Lights-Out 3 Standard Blade Edition	

Step 2: Choose Required Options (one of the following from each list unless otherwise noted)

HP Processors

For single processor configuration choose:

Six-Core Processor Option Kits

NOTE: If two processors are desired, select one xxxxxx-L21 and one xxxxxx-B21.

HP BL460c G7 Intel® Xeon® X5675 (3.06GHz/6-core/12MB/95W) FIO Processor Kit	637406-L21
HP BL460c G7 Intel® Xeon® X5670 (2.93GHz/6-core/12MB/95W) FIO Processor Kit	610859-L21
HP BL460c G7 Intel® Xeon® X5660 (2.80GHz/6-core/12MB/95W) FIO Processor Kit	603254-L21
HP BL460c G7 Intel® Xeon® X5650 (2.66GHz/6-core/12MB/95W) FIO Processor Kit	610860-L21
HP BL460c G7 Intel® Xeon® E5649 (2.53GHz/6-core/12MB/80W) FIO Processor Kit	637410-L21
HP BL460c G7 Intel® Xeon® E5645 (2.40GHz/6-core/12MB/80W) FIO Processor Kit	637412-L21
HP BL460c G7 Intel® Xeon® L5640 (2.26GHz/6-core/12MB/60W) FIO Processor Kit	610863-L21

Four-Core Processor Option Kits

HP BL460c G7 Intel® Xeon® X5672 (3.20GHz/4-core/12MB/95W) FIO Processor Kit	637408-L21
HP BL460c G7 Intel® Xeon® L5630 (2.13GHz/4-core/12MB/40W) FIO Processor Kit	603574-L21
HP BL460c G7 Intel® Xeon® E5640 (2.66GHz/4-core/12MB/80W) FIO Processor Kit	610861-L21
HP BL460c G7 Intel® Xeon® E5620 (2.40GHz/4-core/12MB/80W) FIO Processor Kit	612127-L21
HP BL460c G7 Intel® Xeon® E5607 (2.26GHz/4-core/8MB/80W) FIO Processor Kit	637414-L21

HP Memory

Registered DIMMS (RDIMMs)

HP 2GB (1x2GB) Dual Rank x8 PC3-10600 (DDR3-1333) Registered CAS-9 Memory Kit	500656-B21
HP 4GB (1x4GB) Dual Rank x4 PC3-10600 (DDR3-1333) Registered CAS-9 Memory Kit	500658-B21
HP 4GB (1x4GB) Single Rank x4 PC3-10600 (DDR3-1333) Registered CAS-9 Memory Kit	593339-B21
HP 4GB (1x4GB) Single Rank x4 PC3L-10600 (DDR3-1333) Registered CAS-9 Low Power Memory Kit	604504-B21
HP 8GB (1x8GB) Dual Rank x4 PC3-10600 (DDR3-1333) Registered CAS-9 Memory Kit	500662-B21

Configuration Information - Factory Integrated Models

HP 8GB (1x8GB) Dual Rank x4 PC3L-10600 (DDR3-1333) Registered CAS-9 Low Power Memory Kit	604506-B21
HP 16GB (1x16GB) Quad Rank x4 PC3-8500 (DDR3-1066) Registered CAS-7 Memory Kit	500666-B21
HP 16GB (1x16GB) Dual Rank x4 PC3L-10600 (DDR3-1333) Registered CAS-9 LP Memory Kit	627812-B21
HP 32GB (1x32GB) Quad Rank x4 PC3L-8500 (DDR3-1066) Registered CAS-7 LP Memory Kit	627814-B21
Unbuffered with ECC DIMMs (UDIMMs)	
HP 1GB (1x1GB) Single Rank x8 PC3-10600 (DDR3-1333) Unbuffered CAS-9 Memory Kit	500668-B21
HP 2GB (1x2GB) Dual Rank x8 PC3-10600 (DDR3-1333) Unbuffered CAS-9 Memory Kit	500670-B21
HP 4GB (1x4GB) Dual Rank x8 PC3-10600 (DDR3-1333) Unbuffered CAS-9 Memory Kit	500672-B21
NOTE: All DDR3 memory option kits consist of one DIMM per kit. For detailed memory configuration rules and guidelines, please use the Online DDR3 Memory Configuration Tool: www.hp.com/go/ddr3memory-configurator .	
NOTE: PC3L is low voltage memory.	

Step 3: Choose Additional Factory Integratable Options

HP Insight Software	HP Insight Control including 1yr 24x7 Support ProLiant ML/DL/BL-bundle Single Server FIO License	582765-B21
----------------------------	--	------------

Step 4: Choose Additional Options for Factory Integration

NOTE: For additional options, please refer to the "Core Options" and "Additional Options" section below. For additional options, including server blade enclosures interconnect, mezzanine options and power subsystem options; please see the Core Options and Additional sections below; or the following:

HP BladeSystem c-Class Enclosures QuickSpecs:

HP BladeSystem c3000 Enclosure QuickSpecs:

http://h18000.www1.hp.com/products/quickspecs/12790_div/12790_div.html

HP BladeSystem c7000 Enclosure QuickSpecs:

http://h18000.www1.hp.com/products/quickspecs/12810_div/12810_div.html

and HP BladeSystem c-Class Interconnect and Mezzanine Components:

<http://h18004.www1.hp.com/products/blades/components/c-class-interconnects.html>

<http://h18004.www1.hp.com/products/blades/components/c-class-adapters.html>

Core Options

HP Ethernet Mezzanine Options	Gigabit Ethernet Mezzanines	
	HP NC325m PCI Express Quad Port Gigabit Server Adapter	416585-B21
	NOTE: If the NC325m is installed in mezzanine slot 1 of a half-height server, connectivity will be provided on 2 of the 4 ports.	
	HP NC360m Dual Port 1GbE BL-c Adapter	445978-B21
	HP NC364m Quad Port 1GbE BL-c Adapter	447883-B21
	NOTE: If the NC364m is installed in mezzanine slot 1 of a half-height server, connectivity will be provided on only 2 of the 4 ports.	
	HP NC382m PCI Express Dual Port Multifunction Gigabit Server Adapter	453246-B21
	NOTE: The Gigabit Ethernet adapters above transmit from the server at 2000 Mbps, full duplex per port only. For more information, see the "Network Controller" segment in the Standards Features section.	
	10 Gigabit Ethernet Mezzanines	
	NOTE: A 10 Gigabit Ethernet adapter is required for each server blade connecting to a 10Gb interconnect in bays 3-8 (HP BladeSystem c7000 Enclosure) or bays 2-4 (HP BladeSystem c3000 Enclosure).	
NOTE: Each 10 Gigabit Ethernet adapter requires a minimum of 2GB of server memory.		
NOTE: Each 10 Gigabit Ethernet adapter supports linking at 1000Mbps or 10000Mbps when not connected to a Flex-10 enabled module and will link with all current 1Gb switches at 1Gb.		
NOTE: The ROM Based Setup Utility (RBSU) feature allows for the configuring of a FlexFabric Adapter to any of the supported protocols. For example iSCSI to FCoE (Fibre Channel over Ethernet). Note that a HP Virtual Connect profile takes precedence over the setting in this menu. Also, some FlexFabric Adapters may require that network boot be enabled in order to configure the protocol. If the protocol is configured without enabling network boot with certain FlexFabric Adapters, the protocol may not take effect. Once the protocol has taken effect on the first boot after configuring this option, network boot may be disabled if desired.		
HP NC532m Dual Port 10GbE Multifunction BL-c Adapter	467799-B21	
HP NC542m Dual Port Flex-10 10GbE BL-c Adapter	539857-B21	
HP NC552m 10Gb 2-port Flex-10 Ethernet Adapter	610609-B21	
HP NC553m 10Gb 2-port FlexFabric Adapter	613431-B21	
<hr/>		
HP Fiber Channel Mezzanine Options	HP BLc Brocade 804 8Gb Fibre Channel Host Bus Adapter	590647-B21
	Emulex LPe1205 8Gb Fibre Channel Host Bus Adapter for c-Class BladeSystem	456972-B21
	Emulex LPe1105 4Gb Fibre Channel Host Bus Adapter for c-Class BladeSystem	403621-B21
	QLogic QMH2562 8Gb Fibre Channel Host Bus Adapter for c-Class BladeSystem	451871-B21
	QLogic QMH2462 4Gb Fibre Channel Host Bus Adapter for c-Class BladeSystem	403619-B21
<hr/>		

Core Options

HP Processors

Six-Core Processor Option Kits

HP BL460c G7 Intel® Xeon® X5675 (3.06GHz/6-core/12MB/95W) Processor Kit	637406-B21
HP BL460c G7 Intel® Xeon® X5670 (2.93GHz/6-core/12MB/95W) Processor Kit	610859-B21
HP BL460c G7 Intel® Xeon® X5660 (2.80GHz/6-core/12MB/95W) Processor Kit	603254-B21
HP BL460c G7 Intel® Xeon® X5650 (2.66GHz/6-core/12MB/95W) Processor Kit	610860-B21
HP BL460c G7 Intel® Xeon® E5649 (2.53GHz/6-core/12MB/80W) Processor Kit	637410-B21
HP BL460c G7 Intel® Xeon® E5645 (2.40GHz/6-core/12MB/80W) Processor Kit	637412-B21
HP BL460c G7 Intel® Xeon® L5640 (2.26GHz/6-core/12MB/60W) Processor Kit	610863-B21

Four-Core Processor Option Kits

HP BL460c G7 Intel® Xeon® X5672 (3.20GHz/4-core/12MB/95W) Processor Kit	637408-B21
HP BL460c G7 Intel® Xeon® L5630 (2.13GHz/4-core/12MB/40W) Processor Kit	603574-B21
HP BL460c G7 Intel® Xeon® E5640 (2.66GHz/4-core/12MB/80W) Processor Kit	610861-B21
HP BL460c G7 Intel® Xeon® E5620 (2.40GHz/4-core/12MB/80W) Processor Kit	612127-B21
HP BL460c G7 Intel® Xeon® E5607 (2.26GHz/4-core/8MB/80W) Processor Kit	637414-B21

HP Memory

Registered DIMMS (RDIMMs)

HP 2GB (1x2GB) Dual Rank x8 PC3-10600 (DDR3-1333) Registered CAS-9 Memory Kit	500656-B21
HP 4GB (1x4GB) Dual Rank x4 PC3-10600 (DDR3-1333) Registered CAS-9 Memory Kit	500658-B21
HP 4GB (1x4GB) Single Rank x4 PC3-10600 (DDR3-1333) Registered CAS-9 Memory Kit	593339-B21
HP 4GB (1x4GB) Single Rank x4 PC3L-10600 (DDR3-1333) Registered CAS-9 Low Power Memory Kit	604504-B21
HP 8GB (1x8GB) Dual Rank x4 PC3-10600 (DDR3-1333) Registered CAS-9 Memory Kit	500662-B21
HP 8GB (1x8GB) Dual Rank x4 PC3L-10600 (DDR3-1333) Registered CAS-9 Low Power Memory Kit	604506-B21
HP 16GB (1x16GB) Dual Rank x4 PC3L-10600 (DDR3-1333) Registered CAS-9 LP Memory Kit	627812-B21
HP 16GB (1x16GB) Quad Rank x4 PC3-8500 (DDR3-1066) Registered CAS-7 Memory Kit	500666-B21
HP 32GB (1x32GB) Quad Rank x4 PC3L-8500 (DDR3-1066) Registered CAS-7 LP Memory Kit	627814-B21

Unbuffered with ECC DIMMs (UDIMMs)

HP 1GB (1x1GB) Single Rank x8 PC3-10600 (DDR3-1333) Unbuffered CAS-9 Memory Kit	500668-B21
HP 2GB (1x2GB) Dual Rank x8 PC3-10600 (DDR3-1333) Unbuffered CAS-9 Memory Kit	500670-B21
HP 4GB (1x4GB) Dual Rank x8 PC3-10600 (DDR3-1333) Unbuffered CAS-9 Memory Kit	500672-B21

NOTE: All DDR3 memory option kits consist of one DIMM per kit. For detailed memory configuration rules and guidelines, please use the Online DDR3 Memory Configuration Tool: www.hp.com/go/ddr3memory-configurator.

NOTE: Kits described as LP include Low Power DIMMs. For more information on ProLiant Energy Efficient Features, see:

<http://h18004.www1.hp.com/products/servers/platforms/energyefficient/>

NOTE: PC3L is a low voltage memory.

Core Options

HP Hard Drives

NOTE: The components of a storage subsystem (e.g. the drive, the HBA/controller, firmware, and the server backplane) should operate at the same data transfer rate or the system bandwidth will be negotiated down to an acceptable level for all components.

NOTE: Hard drives have either a one year or three year warranty; refer to the specific hard drive QuickSpecs for details.

NOTE: SAS, SATA, and/or SSD drives cannot be mixed within the server.

SAS Hot Plug SFF (2.5-inch) Enterprise (ENT) Drives

HP 900GB 6G SAS 10K rpm SFF (2.5-inch) Dual Port Enterprise 3yr Warranty Hard Drive	619291-B21
HP 600GB 6G SAS 10K rpm SFF (2.5-inch) Dual Port Enterprise 3yr Warranty Hard Drive	581286-B21
HP 450GB 6G SAS 10K rpm SFF (2.5-inch) Dual Port Enterprise 3yr Warranty Hard Drive	581284-B21
HP 300GB 6G SAS 10K rpm SFF (2.5-inch) Dual Port Enterprise 3yr Warranty Hard Drive	507127-B21
HP 300GB 6G SAS 15K rpm SFF (2.5-inch) Hot Plug Enterprise 3 yr Warranty Hard Drive	627117-B21
HP 146GB 6G SAS 15K rpm SFF (2.5-inch) Dual Port Enterprise 3yr Warranty Hard Drive	512547-B21

SAS Hot Plug SFF (2.5-inch) Midline (MDL) Drives

HP 1TB 6G SAS 7.2K rpm SFF (2.5-inch) Dual Port Midline 1yr Warranty Hard Drive	605835-B21
HP 500GB 6G SAS 7.2K rpm SFF (2.5-inch) Dual Port Midline 1yr Warranty Hard Drive	507610-B21

NOTE: Please see QuickSpecs for Technical Specifications and additional information: http://h18000.www1.hp.com/products/quickspecs/12244_div/12244_div.html (Worldwide)

NOTE: The hard drive options are not required when configuring a Drive-less Model.

SATA Hot Plug SFF (2.5-inch) Midline (MDL) Drives

HP 1TB 3G SATA 7.2K rpm SFF (2.5-inch) Hot Plug Midline 1yr Warranty Hard Drive	625609-B21
HP 500GB 3G SATA 7.2K rpm SFF (2.5-inch) Midline 1yr Warranty Hard Drive	507750-B21

NOTE: Please see the QuickSpecs for Technical Specifications and additional information:

http://h18000.www1.hp.com/products/quickspecs/13121_div/13121_div.html (Worldwide)

SATA Hot Plug 2.5" Enterprise Mainstream Solid State Drives

HP 400GB 3G SATA MLC SFF (2.5-inch) Enterprise Mainstream 3yr Warranty Solid State Drive	636597-B21
HP 200GB 3G SATA MLC SFF (2.5-inch) Enterprise Mainstream 3yr Warranty Solid State Drive	636595-B21
HP 100GB 3G SATA MLC SFF (2.5-inch) Enterprise Mainstream 3yr Warranty Solid State Drive	636593-B21

NOTE: Please see the QuickSpecs for Technical Specifications and additional information:

http://h18000.www1.hp.com/products/quickspecs/13145_div/13145_div.html (Worldwide)

6G SAS Hot Plug Enterprise Performance Solid State Drives

HP 400GB 6G SAS SLC SFF (2.5-inch) Enterprise Performance 3yr Warranty Solid State Drive	632494-B21
HP 200GB 6G SAS SLC SFF (2.5-inch) Enterprise Performance 3yr Warranty Solid State Drive	632492-B21

Core Options

6G SAS ME Hot Plug SFF (2.5-inch) Enterprise Mainstream Solid State Drives

HP 800GB 6G SAS Mainstream Endurance SFF 2.5-in Enterprise Mainstream 3yr Warranty Solid State Drive 690823-B21

HP 400GB 6G SAS Mainstream Endurance SFF 2.5-in ENT Mainstream 3yr Warranty Solid State Drive 690821-B21

HP 200GB 6G SAS Mainstream Endurance SFF 2.5-in Enterprise Mainstream 3yr Warranty Solid State Drive 690819-B21

NOTE: Please see the QuickSpecs for Technical Specifications and additional information:

http://h18000.www1.hp.com/products/quickspecs/13121_div/13121_div.html
(Worldwide)

Additional Options

HP Insight software

HP Insight Control

HP iLO Advanced Blade Electronic License with 3yr 24x7 Tech Support and Updates BD503AAE

HP iLO Advanced Blade 1 Server License with 3yr 24x7 Tech Support and Updates BD502A

HP Insight Control including 1yr 24x7 Technical Support and Updates Electronic License T9074BAE

HP Insight Control including 1yr 24x7 Technical Support and Updates Single Server License 452148-B21

HP Insight Management Media Kit 436222-B21

NOTE: HP Insight Management Media Kit contains DVDs without licenses. Contains HP Systems Insight Manager, HP Insight Control, HP Matrix Operating Environment, and Virtual Connect Enterprise Manager software. Uses an integrated installer to perform quick and accurate software installation and updates.

NOTE: Licenses ship without media. The HP Insight Control Media Kit can be ordered separately, or can be downloaded at: <http://www.hp.com/go/insightupdates>.

NOTE: Customer will receive a license entitlement certificate, which must be redeemed online or via fax in order to obtain the license activation key(s). Includes one year of 24 x 7 HP Software Technical Support & Update Service.

HP Insight Control server deployment

HP Insight Control Server Deployment including 1yr 24x7 Support Electronic License T9082AAE

HP Insight Control Server Deployment including 1yr 24x7 Support Single Server License 452151-B21

NOTE: For additional license kits, including bundles with HP BladeSystem enclosures, please see the Insight Control QuickSpecs at: http://h18004.www1.hp.com/products/quickspecs/12631_div/12631_div.html (Worldwide)

HP Integrated Lights-Out (iLO) Advanced for ProLiant BladeSystem Remote Management

HP iLO Advanced for BladeSystem including 1yr 24x7 Support Electronic License TA851AAE

HP iLO Advanced for BladeSystem including 1yr 24x7 Support Single Server License 512488-B21

NOTE: Electronic licenses can be used to purchase multiple licenses with a single activation key, and is available in all countries except China and Japan. Customers in China and Japan should order the physical equivalent.

NOTE: Customer will receive a license entitlement certificate, which must be redeemed online or via fax in order to obtain the license activation key(s). Includes one year of 24 x 7 HP Software Technical Support Service.

NOTE: For additional license kits, including bundles with HP BladeSystem enclosures, please see the Insight Control QuickSpecs at: http://h18004.www1.hp.com/products/quickspecs/14276_div/14276_div.html (Worldwide)

Additional Options

High Performance Clusters

HP Cluster Management Utility

HP Insight Cluster Management Utility 1yr 24x7 Flexible License

QL803B

NOTE: This part number can be used to purchase one certificate for multiple licenses with a single activation key. Each license is for one node (server). Customer will receive a printed end user license agreement and license entitlement certificate via physical shipment. The license entitlement certificate must be redeemed online in order to obtain a license key.

HP Insight Cluster Management Utility 3yr 24x7 Flexible License

BD476A

NOTE: These part numbers can be used to purchase one certificate for multiple licenses and support with a single activation key. Each license is for one node (server). Customer will receive a printed end user license agreement and license entitlement certificate via physical shipment. The license entitlement certificate must be redeemed online in order to obtain a license key. Customer also will receive a support agreement.

HP Insight Cluster Management Utility Media

BD477A

NOTE: Order a minimum of one license per cluster to purchase media including software and documentation, which will be delivered to the customer, and also licenses CMU management. No license key is delivered or required.

NOTE: For additional license kits please see the QuickSpecs at:

http://h18004.www1.hp.com/products/quickspecs/12612_div/12612_div.html
(Worldwide)

HP HPC Linux Value Pack

HP High Performance Computing Linux Value Pack 1 Processor Flexible License for ProLiant Servers

TC293B

NOTE: This part number can be used to purchase one certificate for multiple licenses with a single activation key. Each license is for one socket (a.k.a. processor). Customer will receive a printed end user license agreement and license entitlement certificate via physical shipment. The license entitlement certificate must be redeemed online in order to obtain a license key.

HP High Performance Computing Linux Value Pack Media Kit for ProLiant Servers

TC294A

NOTE: This part number can be used to purchase media including software and documentation, which will be delivered to the customer.

NOTE: For additional license kits please see the QuickSpecs at:

http://h18004.www1.hp.com/products/quickspecs/13485_div/13485_div.html
(Worldwide)

Additional Options

HP Security

HP Trusted Platform Module Option

488069-B21

NOTE: The TPM (Trusted Platform Module) is a microcontroller chip that can securely store artifacts used to authenticate the server platform. These artifacts can include passwords, certificates and encryption keys. Windows® BitLocker™ Drive Encryption (BitLocker) is a data protection feature available in Windows Server® 2008. BitLocker leverages the enhanced security capabilities of a Trusted Platform Module (TPM) version 1.2. The TPM works with BitLocker to help protect user data and to ensure that a server running Windows Server 2008 has not been tampered with while the system was offline.

NOTE: For more information about TPM, including a white paper, go to:

<http://www.hp.com/go/TPM>

NOTE: ProLiant OS pre-installed units will come with the partition required for TPM deployment.

NOTE: The TPM key is unique to every TPM deployed server and must be retained. Misplacing or losing the key could result in data loss.

HP Storage Controllers

HP Smart Array P700m Controller

HP Smart Array P700m/512 4-ports Ext PCIe x8 SAS Controller

508226-B21

NOTE: Please see the QuickSpecs for Technical Specifications and additional information:

http://h18000.www1.hp.com/products/quickspecs/13175_div/13175_div.html
(Worldwide)

HP Smart Array P711m Controller

HP Smart Array P711m/1G 6Gb FBWC 4-ports Ext Mezzanine SAS Controller

513778-B21

NOTE: Please see the QuickSpecs for Technical Specifications and additional information:

http://h18004.www1.hp.com/products/quickspecs/14035_div/14035_div.html
(Worldwide)

HP Smart Array P712M Controller

HP Smart Array P712m/256 6Gb 2-ports Int/2-ports Ext Mezzanine SAS Controller

488348-B21

NOTE: Please see the QuickSpecs for Technical Specifications and additional information:

http://h18000.www1.hp.com/products/quickspecs/13296_div/13296_div.html
(Worldwide)

Optional Upgrades

HP Smart Array P-Series Low Profile Battery

452348-B21

NOTE: The Smart Array Low Profile Battery supports the HP Smart Array P700m Controller.

NOTE: The Smart Array battery option kit is required to enable battery-backed write cache (BBWC).

NOTE: The options listed below supports the integrated HP Smart Array P410i.

HP 256MB P-series Cache Upgrade

462968-B21

HP 512MB Flash Backed Write Cache

534916-B21

HP 1GB Flash Backed Cache

534562-B21

Additional Options

HP Smart Array Advanced Pack including 1yr 24x7 Technical Support and Updates Single Server License 516471-B21

NOTE: A license key, a minimum of 256MB cache, and battery kit is required to enable Smart Array Advanced Pack features. For more information go to:
<http://www.hp.com/go/saap>

NOTE: Please see the QuickSpecs for Technical Specifications and additional information:
http://h18000.www1.hp.com/products/quickspecs/13201_div/13201_div.html
(Worldwide)

HP I/O Expansion Options HP 320GB IO Accelerator for BladeSystem c-Class AJ878B
HP 640GB IO Accelerator for BladeSystem c-Class BK836A

NOTE: Please see the QuickSpecs for Technical Specifications and additional information:
http://h18000.www1.hp.com/products/quickspecs/13220_div/13220_div.html
(Worldwide)

HP c-Class Mezzanine Options HP 4X QDR QLogic InfiniBand Dual Port Mezzanine HCA for c-Class BladeSystem 583210-B21
HP 4X QDR InfiniBand ConnectX-2 Dual Port Mezzanine HCA for c-Class BladeSystem 592519-B21

NOTE: Please see the QuickSpecs for Technical Specifications and additional information:
http://h18000.www1.hp.com/products/quickspecs/12586_div/12586_div.html
(Worldwide)

HP Ultrium Tape Blades HP LTO-4 SB1760c Tape Blade AQ697A

NOTE: LTO-4 Ultrium tape technology.

NOTE: Please see the QuickSpecs for Technical Specifications and additional information:
http://h18000.www1.hp.com/products/quickspecs/12729_div/12729_div.html
(Worldwide)

HP Storage Blades HP LTO-5 SB3000c Tape Blade BS580B

NOTE: Please see the for Technical Specifications and additional information at:
http://h18000.www1.hp.com/products/quickspecs/12729_div/12729_div.html
(Worldwide)

HP D2200sb Storage Blade AP880A

NOTE: Please see the HP D2200sb PCIe Storage Blade QuickSpecs for technical specifications and additional information at:
<http://h18006.www1.hp.com/storage/bladesystem/index.html>.

Additional Options

HP Expansion Blade	<p>HP BLc PCI Expansion Blade 448018-B21</p> <p>NOTE: Ships with one pre-installed PCI-X connect board. Also includes one PCIe connect board which requires installation.</p> <p>NOTE: Please see the QuickSpecs for Technical Specifications and additional information: http://h18000.www1.hp.com/products/quickspecs/12753_div/12753_div.html (Worldwide)</p>
---------------------------	--

HP USB and SD Options	HP USB 2-Button Optical Scroll Mouse DC172B
	HP USB Standard Keyboard DT528A#ABA
	<p>HP 2GB USB Flash Media Drive Key Kit 608447-B21</p> <p>NOTE: HP qualified blank USB key for use with HP ProLiant servers that support the VMware virtualization environment. HP recommends this industry standard USB flash device for use with VMware ESXi. USB device must be installed in the internal slot of the ProLiant server for use with VMware ESXi. Refer to HP VMware Getting Started Guide for installation instructions.</p>
	<p>HP 4GB Secure Digital High Capacity Flash Media Kit 580387-B21</p> <p>NOTE: Blank SD media devices are supported for use with VMware and Citrix. SD media must be installed in the internal slot of the ProLiant server. Learn more at: http://www.hp.com/go/proliantvirtualization</p>

HP Care Pack Services

Proactive Care - Collaborative Support plus Proactive services delivered by the on shore/near shore Advanced Solution Center (ASC) and backed by the global delivery organization, end-to-end case ownership from a Technical Solution Specialists and Technical Account Manager who remotely delivers firmware/software revision management, proactive scans and incident trend reports. Recommended for customers running a virtualized infrastructure and/or customers who desire an enhanced call support experience.

HP 3 year 4 hour 24x7 ProLiant BL4xxc Proactive Care Service	U3B14E
HP 3 year 4 hour 24x7 with Defective Media Retention ProLiant BL4xxc Proactive Care Service	U3B17E
HP 3 year 6 hour Call To Repair 24x7 ProLiant BL4xxc Proactive Care Service	U3B20E
HP 3 year 6hr Call To Repair 24x7 with Defective Media Retention ProLiant BL4xxc Proactive Care SVC	U3B23E

Proactive Care Personalized Support Environmental Option - to add an onsite Account Support Manager (ASM) to Proactive Care. ASM is an assigned resource who delivers support planning and brings technical expertise and best practices advice for the customer's environment.

HP 3yr Provides annual personalized proactive supp for existing Proactive Care ISS centric environmt	U6W98E
--	--------

Installation Services - reduce the time required to get your system up and running and help minimize disruptions to your business.

HP Install c-Class Server Blade Service	UE493E
HP Installation during Non Standard Hours c-Class Server Blade Service	UG869E

Additional Options

Additional HP Care Pack services can be found at:
<http://www.hp.com/go/cpc>

Memory

NOTE: Memory configurations listed do not apply to "Factory Integrated Models".

Memory Population Guidelines

For detailed memory configuration rules and guidelines, please use the Online DDR3 Memory Configuration Tool:

www.hp.com/go/ddr3memory-configurator

Some DIMM installation guidelines are summarized below:

- For the HP ProLiant BL460c G7 server with twelve (12) memory slots:
 - There are three (3) channels per processor; six (6) channels per server
 - There are two (2) DIMM slots for each memory channel; twelve (12) total slots.
 - Memory channel 1 consists of the two (2) DIMMs that are closest to the processor
 - Memory channel 3 consists of the two (2) DIMMs that are furthest from the processor
- DIMM slots that are white should be populated first
- Do not mix unbuffered memory (UDIMMs) with registered memory (RDIMMs).
- Do not install DIMMs if the corresponding processor is not installed
- If only one processor is installed in a two processor system, only half of the DIMM slots are available
- To maximize performance, balance the total memory capacity between all installed processors
- It is not required, but it is recommended to load the channels similarly if possible
- Populate DIMMs from heaviest load (quad-rank) to lightest load (single-rank) within a channel
- Heaviest load (DIMM with most ranks) within a channel goes furthest from the processor
- For memory mirroring mode, channel 3 must be unpopulated. Channels 1 and 2 are populated identically
- For lock-step mode, channel 3 must be unpopulated. DIMMs in channels 1 and 2 will be installed in pairs. The paired slots will be 1,4; 2,5 on the BL460c G7
- Low Voltage DIMMs can only be used with Intel Xeon 5600 series processors.
- If mixing DIMM voltage is a requirement, please note that the DIMMs will run at 1.5V since all 1.35V are capable of supporting 1.5V operations

DIMM slot/capacity/populated speed table										
DIMM Type	Registered DIMMS (RDIMMs)						Unbuffered with ECC DIMMs (UDIMMs)			
	Single Rank (1R)	Dual Rank (2R)			Quad Rank (4R)		Single Rank (1R)	Dual Rank (2R)		
DIMM Rank										
DIMM Capacity	4GB	2GB	4GB	8GB	16GB	16GB	32 GB	1GB	2GB	4GB
DIMM Native Speed (MHz)	1333	1333	1333	1333	1333	1066	1066	1333	1333	1333
DIMM Voltage	LV/Std	Std	Std	LV/Std	LV/Std	Std	LV/Std	Std	Std	Std
SLOTS THAT CAN BE POPULATED										
12 slot servers	12	12	12	12	12	12	12	12	12	12
MAXIMUM CAPACITY (GB)										
	48	24	48	96	192	192	384	12	24	48
POPULATED DIMM SPEED (MHz)										
1 DIMM Per Channel	1333	1333	1333	1333	1333	1066	1066	1333	1333	1333
2 DIMM Per Channel	1066/ 1333	1333	1333	1066/ 1333*	1066/ 1333*	800	800	1333	1333	1333

Memory

NOTE: *By default, low voltage (LV) DIMMs will operate at standard voltage (1.5V) and operate at 1333MHz in a 2 DIMM per channel configuration. For power savings, this behavior can be changed in RBSU to operate at low voltage (1.35V) and 1066MHz.

NOTES:

- PC3-10600 DIMMs have a maximum speed of 1333MHz.
- PC3-8500 DIMMs have a maximum speed of 1066MHz.
- Mixing DIMM speeds is allowed, but the system processor speed rules always override the DIMM capabilities
- If you do mix DIMM speeds, the memory bus will default to the minimum clock rate of all DIMMs in the system - even if the slower DIMM is on the other processor
- If you install 1x 1066MHz DIMM in channel 1 and 1x 1333MHz DIMM in channel 2, the maximum speed will be 1066MHz
- If you install 1x 1066MHz DIMM in channel 1 and 5x 1333MHz DIMMs with 1 DIMM per channel in each of the other channels, the maximum speed will be 1066MHz
- Maximum memory speed will also depend on the processor installed
- References to the above MHz speeds are for the various speeds of DDR3 DIMMs; 1333 refers to DDR3-1333, etc.

HP ProLiant BL460c G7 Server Blade DIMM slot and configuration diagrams

Basic memory slot and population diagram

- Population order; start with "A" first, "B" second, "C" third, etc.

12 DIMM SLOTS (6 per CPU node)					
	CPU1		CPU2		
	slot #	population order	slot #	population order	
Channel 1	1	D	1	D	Channel 1
	2	A	2	A	
Channel 2	3	E	3	E	Channel 2
	4	B	4	B	
Channel 3	5	F	5	F	Channel 3
	6	C	6	C	

HP ProLiant BL460c G7 Server Blade (1P Model)

Standard memory configuration (1 CPU model)

- 6GB (3 x 2GB) of PC3-10600 (DDR3-1333) RDIMMs

	CPU1		CPU2		
	slot #	population order	slot #	population order	
Channel 1	1	D: empty	1	D: empty	Channel 1
	2	A: 2GB DIMM	2	A: empty	
Channel 2	3	E: empty	3	E: empty	Channel 2
	4	B: 2GB DIMM	4	B: empty	
Channel 3	5	F: empty	5	F: empty	Channel 3
	6	C: 2GB DIMM	6	C: empty	

Memory

Standard Memory Plus Optional Memory (1 CPU model)

- 30 GB of PC3-10600 (DDR3-1333) RDIMMs (3 x 2GB plus 3 x 8GB)

	CPU1		CPU2		
	slot #	population order	slot #	population order	
Channel 1	1	D: 2GB DIMM	1	D: empty	Channel 1
	2	A: 8GB DIMM	2	A: empty	
Channel 2	3	E: 2GB DIMM	3	E: empty	Channel 2
	4	B: 8GB DIMM	4	B: empty	
Channel 3	5	F: 2GB DIMM	5	F: empty	Channel 3
	6	C: 8GB DIMM	6	C: empty	

Standard Memory Replaced with Optional Memory (1 CPU model)

- 96GB of PC3-8500 Quad-Rank RDIMMs (6 x 16GB)

	CPU1		CPU2		
	slot #	population order	slot #	population order	
Channel 1	1	D: 16GB DIMM	1	D: empty	Channel 1
	2	A: 16GB DIMM	2	A: empty	
Channel 2	3	E: 16GB DIMM	3	E: empty	Channel 2
	4	B: 16GB DIMM	4	B: empty	
Channel 3	5	F: 16GB DIMM	5	F: empty	Channel 3
	6	C: 16GB DIMM	6	C: empty	

UDIMM maximum configuration (1 CPU model)

- 24GB, consisting of six (6) 4GB dual-rank PC3-10600 UDIMMs

	CPU1		CPU2		
	slot #	population order	slot #	population order	
Channel 1	1	D: 4GB DIMM	1	D: empty	Channel 1
	2	A: 4GB DIMM	2	A: empty	
Channel 2	3	E: 4GB DIMM	3	E: empty	Channel 2
	4	B: 4GB DIMM	4	B: empty	
Channel 3	5	F: 4GB DIMM	5	F: empty	Channel 3
	6	C: 4GB DIMM	6	C: empty	

Memory

Standard Memory Replaced with Optional Memory (2 CPU Model) RDIMM maximum configuration

- 384GB, consisting of twelve (12) 32GB quad-rank PC3-8500 RDIMMs

	CPU1		CPU2		
	slot #	population order	slot #	population order	
Channel 1	1	D: 32GB DIMM	1	D: 32GB DIMM	Channel 1
	2	A: 32GB DIMM	2	A: 32GB DIMM	
Channel 2	3	E: 32GB DIMM	3	E: 32GB DIMM	Channel 2
	4	B: 32GB DIMM	4	B: 32GB DIMM	
Channel 3	5	F: 32GB DIMM	5	F: 32GB DIMM	Channel 3
	6	C: 32GB DIMM	6	C: 32GB DIMM	

UDIMM maximum configuration (2 CPU model)

- 48GB, consisting of twelve (12) 4GB dual-rank PC3-10600 UDIMMs

	CPU1		CPU2		
	slot #	population order	slot #	population order	
Channel 1	1	D: 4GB DIMM	1	D: 4GB DIMM	Channel 1
	2	A: 4GB DIMM	2	A: 4GB DIMM	
Channel 2	3	E: 4GB DIMM	3	E: 4GB DIMM	Channel 2
	4	B: 4GB DIMM	4	B: 4GB DIMM	
Channel 3	5	F: 4GB DIMM	5	F: 4GB DIMM	Channel 3
	6	C: 4GB DIMM	6	C: 4GB DIMM	

NOTE: Capacity references are rounded to the common Gigabyte values.

- 1GB = 1024MB
- 2GB = 2048MB
- 4GB = 4096MB
- 8GB = 8192MB
- 16GB = 16384MB
- 32GB = 32768MB

Memory

Following are memory options available from HP:

HP Memory

Registered DIMMs (RDIMMs)

HP 2GB (1x2GB) Dual Rank x8 PC3-10600 (DDR3-1333) Registered CAS-9 Memory Kit	500656-B21
HP 4GB (1x4GB) Dual Rank x4 PC3-10600 (DDR3-1333) Registered CAS-9 Memory Kit	500658-B21
HP 4GB (1x4GB) Single Rank x4 PC3-10600 (DDR3-1333) Registered CAS-9 Memory Kit	593339-B21
HP 4GB (1x4GB) Single Rank x4 PC3L-10600 (DDR3-1333) Registered CAS-9 Low Power Memory Kit	604504-B21
HP 8GB (1x8GB) Dual Rank x4 PC3-10600 (DDR3-1333) Registered CAS-9 Memory Kit	500662-B21
HP 8GB (1x8GB) Dual Rank x4 PC3L-10600 (DDR3-1333) Registered CAS-9 Low Power Memory Kit	604506-B21
HP 16GB (1x16GB) Dual Rank x4 PC3L-10600 (DDR3-1333) Registered CAS-9 LP Memory Kit	627812-B21
HP 16GB (1x16GB) Quad Rank x4 PC3-8500 (DDR3-1066) Registered CAS-7 Memory Kit	500666-B21
HP 32GB (1x32GB) Quad Rank x4 PC3L-8500 (DDR3-1066) Registered CAS-7 LP Memory Kit	627814-B21

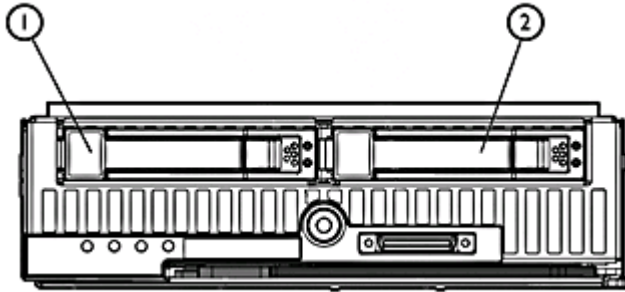
Unbuffered with ECC DIMMs (UDIMMs)

HP 1GB (1x1GB) Single Rank x8 PC3-10600 (DDR3-1333) Unbuffered CAS-9 Memory Kit	500668-B21
HP 2GB (1x2GB) Dual Rank x8 PC3-10600 (DDR3-1333) Unbuffered CAS-9 Memory Kit	500670-B21
HP 4GB (1x4GB) Dual Rank x8 PC3-10600 (DDR3-1333) Unbuffered CAS-9 Memory Kit	500672-B21

NOTE: All DDR3 memory option kits consist of one DIMM per kit. For detailed memory configuration rules and guidelines, please use the Online DDR3 Memory Configuration Tool: www.hp.com/go/ddr3memory-configurator.

NOTE: PC3L is a low voltage memory.

Storage



1-2 2 x SFF hot-plug SAS, SATA, SAS SDD, and SATA SSD hard drives

Hard Drives

NOTE: The components of a storage subsystem (e.g. the drive, the HBA/controller, firmware, and the server backplane) should operate at the same data transfer rate or the system bandwidth will be negotiated down to an acceptable level for all components.

NOTE: Hard drives have either a one year or three year warranty; refer to the specific hard drive QuickSpecs for details.

NOTE: SAS, SATA, and/or SSD drives cannot be mixed within the server.

SAS Hot Plug SFF (2.5-inch) Enterprise (ENT) Drives

	Quantity Supported	Position Supported	Controller
900GB 6G SAS 10K	2	1-2	HP Smart Array P410i Controller
600GB 6G SAS 10K			
450GB 6G SAS 10K			
300GB 6G SAS 10K			
300GB 6G SAS 15K			
146GB 6G SAS 15K			

SAS Hot Plug SFF (2.5-inch) Midline (MDL) Drives

	Quantity Supported	Position Supported	Controller
1TB 6G SAS 7.2K	2	1-2	HP Smart Array P410i Controller
500GB 3G SAS 7.2K			

SATA Hot Plug SFF (2.5-inch) Midline (MDL) Drives

	Quantity Supported	Position Supported	Controller
1TB 3G SATA 7.2K	2	1-2	HP Smart Array P410i Controller
500GB 3G SATA 7.2K			

SAS Hot Plug Enterprise Performance Solid State Drives

	Quantity Supported	Position Supported	Controller
400GB 6G SAS SLC	2	1-2	HP Smart Array P410i Controller
200GB 6G SAS SLC			

Storage

6G SAS ME Hot Plug SFF (2.5-inch) Enterprise Mainstream Solid State Drives

	Quantity Supported	Position Supported	Controller
800GB 6G SAS ME	2	1-2	HP Smart Array P410i Controller
400GB 6G SAS ME			
200GB 6G SAS ME			

SATA Hot Plug 2.5" Enterprise Mainstream Solid State Drives

	Quantity Supported	Position Supported	Controller
400GB 3G SATA MLC SFF	2	1-2	HP Smart Array P410i Controller
200GB 3G SATA MLC SFF			
100GB 3G SATA MLC SFF			

Technical Specifications

System Unit	Dimensions (H x W x D) (with bezel)	7.154 x 2.19 x 20.058 in (18.17 x 5.56 x 50.95 cm)	
	Weight (approximate)	Maximum (all hard drives and processors installed)	16.5 lb (7.5 kg)
		Minimum (one hard drive and processor installed)	11.50 lb (5.22 kg)
	Power Specifications	<p>For power specifications including Input Requirements, BTU Rating, and Power Supply Output, please see the HP BladeSystem c-Class Enclosures QuickSpecs located at URL: HP BladeSystem c3000 Enclosure QuickSpecs: http://h18000.www1.hp.com/products/quickspecs/12790_div/12790_div.html HP BladeSystem c7000 Enclosure QuickSpecs: http://h18000.www1.hp.com/products/quickspecs/12810_div/12810_div.html</p> <p>To review typical system power ratings use the HP BladeSystem Power Sizer which is available via the online tool located at URL: http://www.hp.com/go/ bladesystem/powercalculator</p>	
	System Inlet Temperature	Operating	10° to 35°C (50° to 95°F) at sea level with an altitude derating of 1.0°C per every 305 m (1.8°F per every 1000 ft) above sea level to a maximum of 3050 m (10,000 ft), no direct sustained sunlight. Maximum rate of change is 10°C/hr (18°F/hr). The upper limit may be limited by the type and number of options installed.
		Non-operating	System performance may be reduced if operating with a fan fault or above 30°C (86°F). -30° to 60°C (-22° to 140°F). Maximum rate of change is 20°C/hr (36°F/hr).
	Relative Humidity (non-condensing)	Operating	10 to 90% relative humidity (Rh), 28°C (82.4°F) maximum wet bulb temperature, non-condensing.
		Non-operating	5 to 95% relative humidity (Rh), 38.7°C (101.7°F) maximum wet bulb temperature, non-condensing.
	Altitude	Operating	3050 m (10,000 ft). This value may be limited by the type and number of options installed. Maximum allowable altitude change rate is 457 m/min (1500 ft/min).
		Non-operating	9144 m (30,000 ft). Maximum allowable altitude change rate is 457 m/min (1500 ft/min).
	Acoustic Noise	For acoustic noise specifications, please see the HP BladeSystem c-Class Enclosures QuickSpecs located at URL:	

Technical Specifications

HP BladeSystem c3000 Enclosure QuickSpecs:

http://h18000.www1.hp.com/products/quickspecs/12790_div/12790_div.html

HP BladeSystem c7000 Enclosure QuickSpecs:

http://h18000.www1.hp.com/products/quickspecs/12810_div/12810_div.html

HP Smart Array P410i Controller	Disk Drive Interface	6Gb/s SAS (Serial Attached SCSI) 3Gb/s SATA (Serial ATA)
	Server Interface	x4 PCI Express host interface
	Cache Memory	0 MB (none) standard Optional 256MB, 512MB, or 1GB cache memory
	Logical Drives Supported	2 (with standard 0MB cache)
	Maximum Logical Drive Capacity	32 (with optional 256MB cache) 64 (with optional 512MB cache)
	Host Memory Addressing	64-bit, supporting servers memory space greater than 4 GB
	RAID Support	RAID 1 (Mirroring) RAID 0 (Striping)
	Upgradeable Firmware	Controller: Upgradeable Firmware with Recovery ROM feature Online Drive Flash (with SAS drives) requires 256MB, 512MB, or 1GB cache module

Embedded HP NC553i Dual Type Port FlexFabric 10Gb Adapter	Network Processor	Integrated dual-port KR 10Gb with FlexFabric (FCoE or iSCSI) capability ServerEngines BE3
	Data Transfer Method	x8 PCI Express 2.0
	Network Transfer Rate	Two ports, each at 20 Gbps full duplex; 40 Gbps aggregate full duplex theoretical bandwidth NOTE: Each port is autosensing 1 Gb / 10 Gb, and can interoperate with 1 Gb HP BladeSystem c-Class interconnect components. Both ports will operate at the same speed. NOTE: Each port on the NC553i adapter transmits from the server at 20 Gbps (theoretical) full duplex.
	IEEE Compliance	802.1p QoS, 802.1Q VLAN tagging, 802.3ad link aggregation, 802.3ap 10GBase-KR, and 802.3x flow control
	Standard Features	<ul style="list-style-type: none"> ProLiant Teaming including Network Fault Tolerance, Transmit Load Balancing, and Switch-Assisted Load Balancing 9K Jumbo frames (4K Jumbo frames when in FCoE mode) Microsoft Windows Receive Side Scaling (RSS) Accelerated iSCSI

HP Integrated Lights-Out 3 (iLO 3) integrated on system board	Architecture	PCI Express based health and remote management ASIC
	Processor	PCI Express RISC processor core running at 250MHz
	Upgradeability	Option firmware upgradeable via Flash ROM

Technical Specifications

uuuu

Video Support	1600 x 1200 DVR max resolution
Interfaces	One Ethernet Sideband connection (10/100/1000 Mb/s) One Ethernet network connection (10/100Mb/s)
Memory	128 MB DDR with ECC
Operating System Support	Microsoft Windows 2008 R2 Microsoft Windows 2008 (32 bit and 64 bit) Microsoft Windows Server 2008 Standard Edition (32bit and 64bit) Microsoft Windows Server 2008 Enterprise Edition (32bit and 64bit) Microsoft Windows Server 2003 and Windows Server 2003 R2, and Windows Server 2003 for Extended Systems Standard Edition, Enterprise Edition Red Hat Enterprise Linux 5.4 (32 bit and 64 bit) SUSE LINUX Enterprise Server 11 (32bit and 64bit) SUSE LINUX Enterprise Server 10 (32bit and 64bit) VMware ESX 4.0 VMware ESX 3.5.0
Client System Support	Microsoft Windows 7 Microsoft Windows XP Professional Edition Microsoft Windows Vista Business and Ultimate Editions Red Hat Enterprise Desktop 5.00 SUSE Linux Enterprise Desktop 11 SUSE Linux Enterprise Desktop 10
Client Browser Support	Microsoft Internet Explorer 8 Microsoft Internet Explorer 7 Microsoft Internet Explorer 6 Firefox 3.5 (on supported Windows and Linux systems) Firefox 3.0 (on supported Windows and Linux systems)
Command Line Support	Secure Shell and serial port access Secure Socket Layer Secure Shell version 2
Security	Advanced Encryption Standard (AES) and Triple Data Encryption Standard (3DES) on browser, CLP and XML scripting interface AES encryption of video RC4 encryption of video
Directory Support Services	Active Directory v1.0 (Windows 2003)
Driver Support	HP ProLiant iLO3 Management Controller Driver Package
Management protocols supported	SNMP, IPMI 2.0 (system and LAN interface), DMTF Systems Management Architecture for Server Hardware Command Line Protocol (SMASH CLP), HP RIBCL XML

Technical Specifications

**Environment-friendly
Products and Approach**

**End-of-life Management
and Recycling**

Hewlett-Packard offers end-of-life HP product return, trade-in, and recycling programs in many geographic areas. For trade-in information, please go to: <http://www.hp.com/go/green>. To recycle your product, please go to: <http://www.hp.com/go/green> or contact your nearest HP sales office. Products returned to HP will be recycled, recovered or disposed of in a responsible manner.

The EU WEEE directive (2002/95/EC) requires manufacturers to provide treatment information for each product type for use by treatment facilities. This information (product disassembly instructions) is posted on the Hewlett Packard web site at: <http://www.hp.com/go/green>. These instructions may be used by recyclers and other WEEE treatment facilities as well as HP OEM customers who integrate and re-sell HP equipment.

© Copyright 2012 Hewlett-Packard Development Company, L.P.

The information contained herein is subject to change without notice.

Microsoft and Windows NT are US registered trademarks of Microsoft Corporation. Intel, the Intel logo, Xeon and Xeon Inside are trademarks of Intel Corporation in the U.S. and other countries.

The only warranties for HP products and services are set forth in the express warranty statements accompanying such products and services. Nothing herein should be construed as constituting an additional warranty. HP shall not be liable for technical or editorial errors or omissions contained herein.

For hard drives, 1GB = 1 billion bytes. Actual formatted capacity is less.