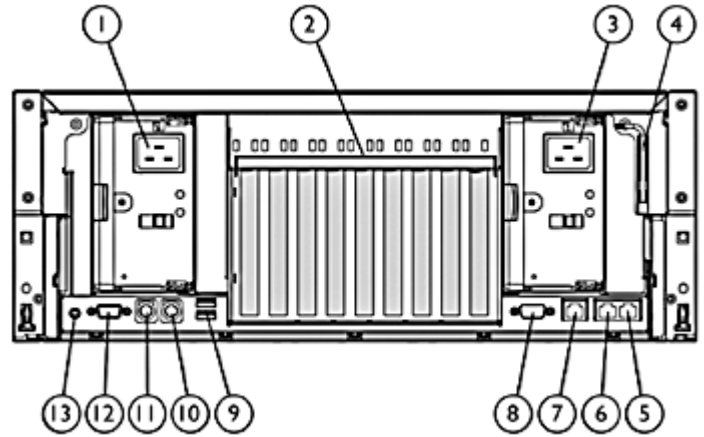
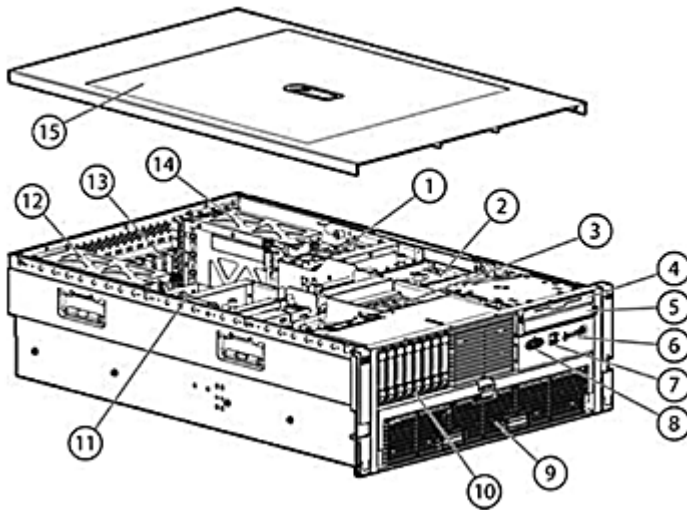


### Overview



#### Front View:

1. Hot Plug Redundant Fans (standard)
2. System Insight Display
3. Hot Plug Redundant Fans (standard)
4. 1.44 MB Diskette Drive (optional)
5. DVD/CD-RW drive (standard)
6. Front Panel LED Display (internal and external health, Unit ID light) and Power Button
7. Two USB ports
8. One video port
9. Front accessible processor / memory cage
10. Eight bay Small Form Factor (SFF) Serial Attached SCSI (SAS) drive cage
11. 4U (7" Height) Rack Form Factor
12. Hot Plug Redundant Power Supply
13. Nine PCI I/O Slots (2 64-bit/100MHz PCI-X, 4 PCI-Express x4, 3 PCI-Express x8)
14. Hot Plug Redundant Power Supply
15. Removable Top Access Panel

#### Rear View:

1. Redundant hot-plug power supply (optional)
2. PCI Express and PCI-X expansion slots
3. Hot-plug power supply (primary)
4. T-15 Torx screwdriver
5. NIC connector 2
6. NIC connector 1
7. Integrated Lights-Out 2 (iLO 2) connector
8. Serial connector
9. USB connectors (two)
10. Mouse connector
11. Keyboard connector
12. Video connector
13. Rear UID button and LED

### What's New

- Upgrade options now available for Quad-Core 8300 series AMD processors

### At A Glance

The HP ProLiant DL585 G2 supports the AMD 8000 processors, enabling a huge boost in performance over single-core processors. The G2 follows the award winning legacy of the HP ProLiant DL585 by offering exceptional price/performance and price per watt

### Overview

metrics. The 128 GB memory footprint enables most applications to run faster or support more users than other systems and with the inclusion of Rev F processors the ProLiant DL585 G2 has now been optimized for virtualization. The ProLiant DL585 G2 combines AMD Opteron™ processor technology, best-in-class management and outstanding uptime features in an enterprise-class system ideal for large data center deployments.

- **Processors:**
  - Dual-Core AMD 8200 Series Processors
- **Memory:**
  - Up to 128 GB of memory, supported by (32) slots of PC2-5300 Registered DIMMs at 667MHz
- **Storage Controller:**
  - HP Smart Array P400/256MB Controller (optional 512MB battery backed write cache)
  - HP Smart Array P400/512MB BBWC Controller standard on some models
- **Internal Drive Support:**
  - Up to 1.168TB (8 x 146GB SFF SAS hot plug drives)
  - Slimline floppy (optional) and slimline DVD/CD-RW (standard) drives
- **Network Controller:**
  - Two embedded NC371i Multifunction Gigabit Network Adapters with TCP/IP Offload Engine, including support for Accelerated iSCSI through an optional Licensing Kit
- **Expansion Slots:**
  - 9 total slots: (3) x8 PCI-Express; (4) x4 PCI-Express; (2) PCI-X (100MHz)
  - One slot populated with the Smart Array P400 Controller
- **Video Ports:**
  - One front and one rear video ports
- **Integrated Hypervisors (Optional):**
  - VMware 3i virtualization technology
  - Citrix XenServer virtualization technology
- **USB Ports:**
  - (5) Total USB 2.0 Ports: (2) front; (2) rear; (1) internal
- **Redundancy:**
  - Redundant hot plug power supplies and fans
- **Management:**
  - Integrated Lights-Out 2 featuring Integrated Remote Console with KVM over IP performance over shared network access
  - Innovative diagnostic lighting (System Insight Display) for rapid response to service events
- **Form Factor:**
  - Delivering maximum performance in a versatile, rack optimized form factor
- **Deployment/Serviceability:**
  - Tool-less and virtually cable-less internal design
  - Rapid Deployment racking solution (rack rails and cable management)
  - Customer Self Repair (CSR): HP products are designed with many CSR parts to minimize repair time and allow for greater flexibility in performing defective parts replacement
- **Warranty:**
  - This product is covered by a global limited warranty and supported by HP Services and a worldwide network of HP Authorized Channel Partners resellers. Hardware diagnostic support and repair is available for three years from date of purchase. Support for software and initial setup is available for 90 days from date of purchase. Enhancements to warranty services are available through HP Care Pack services or customized service agreements. SATA hard drives have a one-year warranty.  
**NOTE:** Server Warranty includes 3-Year Parts, 3-Year Labor, 3-Year Onsite support with next business day response. Warranty repairs may be accomplished through the use of Customer Self Repair (CSR) parts. These parts fall into two categories: 1) Mandatory CSR parts are designed for easy replacement. A travel and labor charge will result when customers decline to replace a Mandatory CSR part; 2) Optional CSR parts are also designed for easy replacement but may involve added complexity. Customers may choose to have HP replace Optional CSR parts at no charge.

## Overview

Additional information regarding worldwide limited warranty and technical support is available at:  
<http://h18004.www1.hp.com/products/servers/platforms/warranty/index.html>

### Standard Features

**NOTE:** For a brief, printer friendly data sheet that describes this product and informs you of the essential capabilities and specifications, please visit: <http://h71028.www7.hp.com/ERC/downloads/4AA0-7461ENW.pdf>.

**Processor**  
Two or four of the following supported depending on Model

AMD Opteron™ Processor 8224SE, Dual-Core (3.2 GHz, 120 Watts)  
AMD Opteron™ Processor 8222, Dual-Core (3.0 GHz, 95 Watts)  
AMD Opteron™ Processor 8222SE, Dual-Core (3.0 GHz, 120 Watts)  
AMD Opteron™ Processor 8220, Dual-Core (2.8 GHz, 95 Watts)  
AMD Opteron™ Processor 8220SE, Dual-Core (2.8 GHz, 120 Watts)  
AMD Opteron™ Processor 8218, Dual-Core (2.6 GHz, 95 Watts)  
AMD Opteron™ Processor 8216, Dual-Core (2.4 GHz, 95 Watts)  
AMD Opteron™ Processor 8214, Dual-Core (2.2 GHz, 95 Watts)  
AMD Opteron™ Processor 8212, Dual-Core (2.0 GHz, 95 Watts)

---

**Cache Memory** 1MB Integrated Level 2 Cache memory per core

---

**Upgradeability** HP ProLiant DL585 G2 servers can support up to 4 processors.  
Upgradeable to quad-core processors (when available)

---

**Chipset** nVidia NForce Professional 2200 and 2050 chipsets, and AMD-8132 chipset

---

**Memory Protection & Functionality** Advanced ECC

---

**Memory**

Type	PC2-5300 Registered DIMMs at 667 MHz
Standard	2 GB (4 x 512 MB)
One of the following depending on Model	4 GB (4 x 1 GB)
	8 GB (8 x 1 GB)
Maximum	128 GB (32 x 4 GB)

---

**Network Controller** Two embedded NC371i Multifunction Gigabit Network Adapters with TCP/IP Offload Engine, including support for Accelerated iSCSI through an optional Licensing Kit

---

### Standard Features

Expansion Slots							
Expansion Slot #	Technology	Width	Connector Width*	Bus Number**	Form Factor	Notes	
1	PCI-X	64-bit	N/A	42h	FH/HL	100MHz	
2	PCI-X	64-bit	N/A	42h	FH/FL	100MHz	
3	PCI Express	x4	x8	49h	FH/FL		
4	PCI Express	x4	x8	4Ch	FH/FL		
5	PCI Express	x8	x16	46h	FH/FL		
6	PCI Express	x4	x8	4Fh	FH/FL		
7	PCI Express	x8	x16	02h	FH/FL		
8	PCI Express	x8	x16	05h	FH/FL		
9	PCI Express	x4	x8	08h	FH/HL	Reserved for storage controller	

\* Default bus assignment. Inserting cards with PCI bridges may alter the actual bus assignment number.  
 \*\* Slots are enumerated differently based on OS. MS OS's enumerate from lowest to highest Device ID by bus (starting with the lowest bus).  
 FH = Full height; FL = Full length; HL = half-length; LP = Low profile.

### Manageability

Integrated Lights-Out 2 (iLO 2) Standard Management (ASIC on the System Board)

### Storage Controllers

One of the following depending on Model

HP Smart Array P400/256MB Controller (in a PCI-Express slot)

**NOTE:** Standard on 2.0GHz and 2.2GHz models.

HP Smart Array P400/512MB BBWC Controller (in a PCI-Express slot)

**NOTE:** Standard on 2.4GHz, 2.6GHz, 2.8GHz, and 3.0GHz models.

### Storage Data Protection

The Battery-Backed Write Cache (BBWC) Enabler for the Smart Array P400 Controller protects up to 512-MB write cache memory from hard boot, power, controller, or system board failures.

- Standard on all HP ProLiant DL585 G2 Models
- Battery charge/life: Up to 72 hours/3 years
- Transportable data protection
- Increases overall controller performance

**NOTE:** Safely transport your write cache data to another HP ProLiant DL585 G2 in the data center by removing the BBWC Enabler and Smart Array P400 Controller Memory Module simultaneously (connected by short cable).

### Standard Features

<b>Storage</b>	Diskette Drive	Optional 1.44 MB Diskette Drive (slimline) - ejectable for security and serviceability
	Optical Drive	Slimline DVD/CD-RW Drive Standard on all models - ejectable for security and serviceability
	Hard Drives	None ship standard
	Hard Disk Drive Backplane	Internal SAS backplane supports up to eight SFF hard disk drives

<b>Maximum Internal Storage Type</b>	Hot Plug SAS	1.168TB	8 x 146GB SFF SAS drives (internal hot plug)
	Hot Plug SATA	960GB	8 x 120GB SFF SATA (internal hot plug)

<b>Interfaces</b>	Serial	1
	Pointing Device (Mouse)	1
	Video	1 front, 1 rear
	Keyboard	1
	USB 2.0 Ports	2 front, 2 rear, 1 internal
	iLO 2 Remote Management	1
	Network RJ-45	2

<b>Graphics</b>	Integrated ATI-RN50 with 32MB DDR memory
-----------------	--

<b>Form Factor</b>	Rack (4U = 7 inches), ships with sliding rails and cable management system Space saving form factor (4U) provides space efficiencies while providing maximum deployment flexibility
--------------------	--

<b>HP Insight Control Environment Management Suite</b>	HP Insight Control Environment delivers foundation management, including remote monitoring, hardware resource deployment, health monitoring, software version control, performance monitoring, vulnerability scanning and patch management, and power management. HP Insight Control Environment installs and licenses the following components by default using a wizard-based integrated installer:
--	--

- HP Systems Insight Manager
- HP iLO Advanced Pack
- HP Insight Power Manager
- HP Rapid Deployment Pack
- HP Performance Management Pack
- HP Vulnerability and Patch Management Pack
- HP Virtual Machine Management Pack

Additional ProLiant Essentials software and management tools included on the Insight Control Management kit can be installed manually

- HP Server Migration Pack - Universal Edition  
**NOTE:** HP Server Migration Pack - Universal Edition is licensed separately from the Insight

### Standard Features

#### Control Environment Suite.

- HP Open Service Event Manager
- HP Service Essentials Remote Support Pack

**NOTE:** Server Migration Pack - Universal Edition can be installed from the SMP Universal CD included in the Insight Control Management media kit.

**NOTE:** For additional product and licensing information about HP Insight Control Environment, visit: <http://www.hp.com/go/ice>.

HP Insight Control Environment for Linux (ICE-Linux) provides comprehensive discovery, imaging & deployment, monitoring, and management for Linux-based ProLiant server platforms. Built on the industry-leading HP Systems Insight Manager framework, this solution integrates open source technology with experience leveraged from HP's Linux products in HP ICLE and HP XC Clusters, while providing paths to the future with developing management technologies.

HP Insight Control management suites and most HP ProLiant Essentials include a one year of 24 x 7 HP Software Technical Support and Update Service ensuring rapid access to HP support staff and proactive delivery of software updates. For more information about this service, please visit:

<http://www.hp.com/services/insight>.

---

#### Server Management Stand Alone Software Product - ProLiant Essentials

HP Systems Insight Manager

HP Systems Insight Manager (HP SIM) provides a unified, secure and extensible standards-based environment to centrally manage servers, storage and other infrastructure devices, (both HP and non-HP) across multiple operating system platforms.

HP ProLiant Essentials Server Migration Pack - Universal Edition

Upgrading, replacing, or virtualizing your existing server? Effortlessly transition to new virtual or physical HP ProLiant servers or BladeSystem with automated, accurate and affordable migration of OS, application and data. SMP Universal automates the manual processes required for migrating servers between physical or virtual platforms, whether migrating to VMware or Microsoft virtual machines. SMP Universal allows all of the following migrations:

- physical to ProLiant
- physical to virtual
- virtual to virtual
- virtual to ProLiant

**NOTE:** For more information, visit: <http://www.hp.com/go/migrate>.

HP ProLiant Essentials Performance Management Pack

Performance Management Pack (offered exclusively through the Insight Control suites) - a performance management solution that identifies and explains hardware performance bottlenecks on ProLiant servers and attached options enabling users to better utilize their valuable resources

HP ProLiant Essentials Integrated Lights-Out (iLO 2) Advanced Pack

Upgrades the iLO 2 processor with comprehensive remote control including Virtual KVM remote graphical console, enhanced console sharing and replay, virtual media (floppy, CD/DVD, USB key), virtual folders, and enterprise security (directory services and two-factor authentication).

HP ProLiant Essentials Accelerated iSCSI Pack

Enables the embedded Multifunction network controller to serve as both a NIC and an iSCSI HBA providing access to SAN storage over the same connection used for networking. Processing of the protocol stack is offloaded to the NIC reducing CPU utilization and greatly improving the speed with which the requests are processed and sent to the network.

### Standard Features

**NOTE:** Flexible and volume quantity license kits are available for ProLiant Essentials Value Packs. Refer to: <http://www.hp.com/servers/proliantessentials> or the various ProLiant Essentials Value Pack product QuickSpecs for more information.

#### Core Infrastructure Management

##### SmartStart

SmartStart is a tool that simplifies server setup, providing a rapid way to deploy reliable and consistent server configurations. For more information, please visit the SmartStart Web site at:

<http://www.hp.com/servers/smartstart>.

SmartStart version supported (minimum): SmartStart 7.60.

##### Insight Management Agents

The Insight Management Agents should be installed on all HP servers to present system instrumentation, health and configuration information into HP Systems Insight Manager and the HP System Management Homepage. The HP System Management Homepage aggregates systems data from Insight Management Agents and other HP management tools, providing a consolidated browser-based interface for managing individual servers.

Insight Management Agents and The HP System Management Homepage are included on ProLiant Support Packs, and can also be installed using the server profiles provided with the ProLiant Essentials Rapid Deployment Pack.

For additional information about the Management Agents and the HP System Management Homepage please visit the management Web site at:

<http://www.hp.com/servers/manage>.

##### Subscriber's Choice

Subscriber's Choice Driver and Support Alerts/Notifications is a web-based email subscription service that provides software and driver change notifications for ProLiant products. Sign up at:

<http://www.hp.com/go/subscriberschoice>

and customize your profile to receive various new alerts as they become available, on a weekly or monthly basis.

##### ProLiant Support Packs and ROMPaq, software

The latest software, drivers, and firmware fully optimized and tested for your ProLiant server and options, available through ProLiant Support Packs the ProLiant Essentials Rapid Deployment Pack, SmartStart or downloaded from software and drivers download pages website at:

<http://www.hp.com/go/support>.

#### HP Serviceguard for Linux (SGLX)

HP Serviceguard for Linux is a high availability clustering solution designed to protect applications and services from a wide variety of software and hardware failures, monitoring the health of each server (node) and quickly responding to failures such as those that affect system processes, system memory, LAN media and adapters, and application processes.

The following is a quick summary of HP Serviceguard for Linux features and support. For the most recent list of Linux distributions & kernels, servers and storage supported with Serviceguard for Linux, see the Serviceguard for Linux Datasheet, available at: <http://www.hp.com/go/sglx/info>.

- Supported Linux Distributions:
  - Red Hat EL 4
  - Red Hat EL 5
  - SUSE SLES10
- Supported Server Platforms
  - HP Integrity BladeSystem to Superdome



### Standard Features

- HP ProLiant BladeSystem p-Class & c-Class
- HP ProLiant DL
- HP ProLiant ML
- IBM System x
- Dell PowerEdge
- Sun x64
- Fujitsu Siemens PRIMERGY
- Hypervisors
  - HP Integrity Virtual Machines
  - VMware ESX
- Application Integration Toolkits
  - HP Serviceguard for Linux Oracle Database Toolkit
  - HP Serviceguard Extension for SAP on Linux (SGeSAP/LX)
  - Free Application Integration Toolkits:
    - Apache
    - MySQL
    - NFS
    - PostgreSQL
    - Samba
    - Tomcat
    - Sendmail
    - Disaster Tolerant Solutions
  - HP Serviceguard for Linux Extended Distance Cluster (XDC) extends cluster distances up to 100 km, utilizes software RAID mirroring for data replication and is storage array independent
    - HP StorageWorks XP/EVA Cluster Extension Software for Linux (CLX) works seamlessly with HP Serviceguard for Linux, HP StorageWorks Continuous Access, and HP Disk Arrays to automate failover and failback between sites
- Software updates are distributed by HP Services to customers with support contracts

**NOTE:** For additional information on HP Serviceguard for Linux, visit: <http://www.hp.com/go/sglx> or see the HP Serviceguard for Linux QuickSpecs.

**NOTE:** HP Serviceguard for Linux products for HP ProLiant and select 3rd party x86 class servers include one year of 24 x 7 HP Software Technical Support and Update Service ensuring rapid access to HP support staff and proactive delivery of software updates. For more information about this service, please visit: <http://www.hp.com/services/swsupport>.

---

#### Industry Standard Compliance

ACPI 1.0a. Compliant  
PCI 2.2 Compliant  
PXE Support  
WOL Support (with embedded NC371i Multifunction Gigabit Network Adapters)  
Physical Address Extension (PAE) Support  
Microsoft® Logo certifications  
USB 2.0 Support

---

### Standard Features

#### Remote Management

Integrated Lights-Out 2 (iLO 2) Standard Management

- Virtual Text Remote Console (pre OS-only)
- Remote Serial Console
- Virtual Power Button Control
- Virtual Unit ID control
- Integrated Remote Console (ActiveX Control client)
- Dedicated & full function shared network connectivity with VLAN
- Embedded system health
- Browser, command line and scripted access
- Automatic IP Configuration via DHCP/DNS/WINS
- Industry Standard 128-bit Secure Sockets Layer (SSL) and Secure Shell security (SSH)
- Advanced Encryption Standard (AES) / Triple Data Encryption Standard (3DES)
- OS independent hardware health status
- IML and iLO Event Logging
- Support for 12 user accounts with customizable access privilege

#### Intelligent Manageability

HP Systems Insight Manager

SmartStart

Redundant ROM

Remote Flash ROM

Management Agents

Integrated Management Log (IML)

Automatic Server Recovery-2 (ASR-2)

ROM-Based Setup Utility (RBSU)

Dynamic Sector Repairing (with Smart Array Controllers)

Drive Parameter Tracking (with Smart Array Controllers)

Pre-Failure Warranty (covers processors, SAS hard drives and memory)

Redundant/adaptive load balancing NIC Support

#### Availability

- Smart Array P400 Controller with standard Battery Backed Write Cache (BBWC) Enabler provides transportable data protection and increases overall controller performance. Up to 512MB Battery Backed Write Cache protection available on all HP ProLiant DL585 G2 models.
- Up to eight hot-plug SFF SAS Hard Drives
- Dual Hot-Plug Redundant Power Supplies
- Hot-Plug Redundant Fans (standard)

Fans are N+1 hot plug redundant and individually removable.

### Standard Features

#### Serviceability

- System Insight Display - precisely depicts all major subsystems of the server (PCI I/O, Memory, CPU, Redundant Cooling, Interlock, Thermtrip) and gives instant visual indication of fault status. Located on top front of server, beneath lid.
- Tool-less, virtually cable-less interior design
  - Tool-less access to interior of server
  - Two ejectable, slimline Media Bay media drives (DVD/CD-RW standard with support for optional floppy or optical drives) are removable without the use of tools
  - Front accessible processors and memory
  - PCI Card Guides locks full length PCI cards in place during transit
  - Six individually removable fans connect without cables to the system board
  - Tool-less removal of system board
- Quick Deploy Rails
- Tool-less design "snap in" rail

#### Security

Power-on password  
Keyboard password  
Diskette drive control enable/disable  
Diskette boot control enable/disable  
External USB port enable/disable  
Network Server Mode  
Serial interface control  
Administrator's password  
Removable Diskette drive (optional)  
Removable optical drive

#### Power Supply

910W (low line), 1300W (high line) with 12V main output. Size is 2.8"(H) X 4.9"(W) X 7.5"(L).  
**NOTE:** One Hot Plug Power Supply ships standard with 2.0GHz and 2.2GHz models (optional Redundant Hot Plug Power Supply Option Kit).  
**NOTE:** Two Hot Plug Power Supplies ship standard with 2.4GHz, 2.6GHz, 2.8GHz, and 3.0GHz models.

#### UPS and PDU Power Cord Matrix

Please see the UPS and PDU cable matrix that lists cable descriptions, requirements, and specifications for UPS and PDU units:  
<http://h18004.www1.hp.com/products/servers/proliantstorage/power-protection/index.html>.

#### Server Power Cords

IEC320-C14 to IEC320-C19 Jumper Cord  
**NOTE:** The HP ProLiant DL585 G2 servers ship standard worldwide with a 6-foot IEC 320-C14 to IEC320-C19 jumper cord. If you require a local power cord, please check the Power Specifications below for the appropriate country-specific power cord, or consult the Power Cord Matrix:  
<http://www.hp.com/go/powercordmatrix>.

#### System Fans

Standard	6 Hot plug, redundant fans (individually removable)
Maximum	6 Hot plug, redundant fans (individually removable)

### Standard Features

**Required Cabling** For required cabling information, refer to the HP Web site at: [www.hp.com/servers/dl585-g2](http://www.hp.com/servers/dl585-g2)

---

**OS Support**

Microsoft Windows Server 2003  
Microsoft Windows Server 2008  
Red Hat Enterprise Linux  
SUSE Linux Enterprise Server  
Sun Solaris  
VMware Virtualization Software

**NOTE:** For a more complete and up-to-date listing of supported OSs and versions, please visit our OS Support Matrix at: <http://www.hp.com/go/supportos>.

**NOTE:** For an up-to-date listing of the latest software and drivers available for your server, please select your server: [www.hp.com/servers/dl585-g2](http://www.hp.com/servers/dl585-g2).

**NOTE:** For more Linux OS support & certification information, please visit our the ProLiant & BladeSystem Server Linux matrix at:  
<http://h18004.www1.hp.com/products/servers/linux/hpLinuxcert.html>

**NOTE:** For more information on HP's Certified and Supported ProLiant Servers, please visit the VMware Server Support Matrix at:  
<http://h18004.www1.hp.com/products/servers/software/vmware/hpvmwarecert.html>

**NOTE:** For more complete and up-to-date information on how to buy server operating systems from HP please visit the OS product site at: <http://h18004.www1.hp.com/products/servers/software/OEM.html>

---

### Rack Airflow Requirements

#### Rack 10000 series Cabinets

The increasing power of new high-performance processor technology requires increased cooling efficiency for rack-mounted servers. The 10000 Series Racks provide enhanced airflow for maximum cooling, allowing these racks to be fully loaded with servers using the latest processors.

**CAUTION:** If a third-party rack is used, observe the following additional requirements to ensure adequate airflow and to prevent damage to the equipment:

- **Front and rear doors:** If your 42U server rack includes closing front and rear doors, you must allow 5,350 sq cm (830 square inches) of hole evenly distributed from top to bottom to permit adequate airflow (equivalent to the required 64 percent open area for ventilation).
- **Side:** The clearance between the installed rack component and the side panels of the rack must be a minimum of 7 cm (2.75 inches).

**CAUTION:** Always use blanking panels to fill all remaining empty front panel U-spaces in the rack. This arrangement ensures proper airflow. Using a rack without blanking panels results in improper cooling that can lead to thermal damage.

**NOTE:** For additional information, refer to the Setup and Installation Guide or the Documentation CD provided with the server, or to the server documentation located in the Support section at the following URL: [www.hp.com/servers/dl585-g2](http://www.hp.com/servers/dl585-g2).

---

### Standard Features

#### Rack Mounting Requirements

HP ProLiant DL585 G2 rack models provide tool-free support for racks with square or round mounting holes (including Compaq/HP 7000, 9000, 10000, HP/E series, H9 series and third party racks) with an adjustment range from 24" – 36" in depth. The ambidextrous cable management arm can be mounted on either the left or right side for improved cable management.

HP ProLiant DL585 G2 in Telco Racks Support for all 2-post Telco racks requires the use of the standard rack kit and an additional option kit from Rack Solutions (<http://www.racksolutions.com/hp/>)

#### Factory Express Portfolio for Servers and Storage

HP Factory Express offers configuration, customization, integration and deployment services for HP servers and storage products. Customers can choose how their factory solutions are built, tested, integrated, shipped and deployed.

Factory Express offers service packages for simple configuration, racking, installation, complex configuration and design services as well as individual factory services, such as image loading, asset tagging, and custom packaging. HP products supported through Factory Express include a wide array of servers and storage: HP Integrity, HP ProLiant, HP ProLiant Server Blades, HP BladeSystem, HP 9000 servers as well as the MSAxxx, VA7xxx, EVA, XP, rackable tape libraries and configurable network switches.

For more information on Factory Express services for your specific server model, please contact your sales representative or go to: <http://www.hp.com/go/factory-express>.

#### HP Enterprise Configurator

The HP eCo-Enterprise Configurator now provides factory default racking for our HP hardware portfolio. This approach is aligned with our strategic direction to meet the needs and expectations of our valued customers. If you require "custom" rack configuration, please contact HP's Customer Business Center or an Authorized Partner for assistance.

#### Service and Support

HP Care Pack services provide total care and support expertise with committed response designed to meet your IT and business needs.

HP Care Pack services include coverage for the HP branded hardware options qualified for the server and purchased at the same time or afterward that are internal to the enclosure. This also includes the 22" and smaller external monitors and tower UPS options up to 3kVA. These items will be covered at the same service level and for the same coverage period as the server. Coverage of UPS Battery is not included, and standard warranty terms & conditions apply. For servers or storage systems installed within a rack, service also covers all HP qualified rack options installed within the same rack.

To fully capitalizing on your HP ProLiant servers' capabilities requires a service partner who thoroughly understands your server technology and systems environment. HP Services, an industry leader in provision of multi vender support solutions, provides a range of support services designed to meet the varying needs of your business. Whether an SMB, or large global corporation, HP has a ProLiant server support offer to help you speedily deploy and maximize system uptime.

**Recommended Service** - simplify ProLiant solution implementation, maintenance, and management.

- Support: 3-Year 4-Hour response 24x7 Same Business Day Coverage only
- Deployment Service: Installation and Start up only

**Enhanced Service** - optimize service level to increase IT performance and availability.

## Standard Features

- Support: 3-Year Support Plus 24 only

Refer to the information on "Installation & Start-Up" for service on ProLiant server and Microsoft or Linux O/S per the Customer Description and/or Data Sheet; to be delivered on a scheduled basis 8am-5pm, M-F, excluding HP holidays.

**NOTE:** For a complete listing of service offerings and information visit:

<http://www.hp.com/services/proliantservices>

<http://www.hp.com/go/proliant/carepack>

### Solutions

#### Solutions

Designed for enterprise customers with growing data centers and application and Internet service providers that require a rack optimized 4-processor server that delivers maximum performance and high availability for highly complex, business critical applications. Specifically, the HP ProLiant DL585 G2 would be excellent for running the following types of applications:

#### Typical Usage:

- High Performance Computing (HPC)
- Electronic Design Automation (EDA)/Semiconductor
- Financial
- Large database applications
- ERP / CRM
- Petrochemical
- Life Science and Material Science
- Video Rendering

### Models

#### Models

<b>DL585R02 O3.0GHz-1 MB, 8 GB, 120W</b> (4P Dual-Core) 448183-001	<b>Processor(s)</b>	(4) AMD Opteron™ Processor 8222SE, Dual-Core (3.0 GHz, 120 Watts)
	<b>Cache Memory</b>	1-MB Integrated Level 2 Cache
	<b>Memory</b>	8 x 1 GB of PC2-5300 DDR SDRAM (Standard) to 128 GB, running at 667 MHz
	<b>Network Controller</b>	Two embedded NC371i Multifunction Gigabit Network Adapters
	<b>Storage Controller</b>	HP Smart Array P400/512MB BBWC Controller
	<b>Manageability</b>	Integrated Lights-Out 2 (iLO 2) Standard management (integrated on system board)
	<b>Hard Drives</b>	None ship standard
	<b>Internal Storage</b>	1.168TB max (with optional 146GB SFF SAS Hot Plug hard drives)
	<b>Power Supply</b>	Two 910W/1300W Power Supplies standard (second power supply for redundancy)
	<b>Optical Drive</b>	Slimline DVD/CD-RW Drive (8X/24X) (ejectable)
<b>Form Factor</b>	Rack 4U	

---

<b>DL585R02 O2.8GHz-1 MB, 8 GB, 95W</b> (4P Dual-Core) 439727-001	<b>Processor(s)</b>	(4) AMD Opteron™ Processor 8220, Dual-Core (2.8 GHz, 95 Watts)
	<b>Cache Memory</b>	1-MB Integrated Level 2 Cache
	<b>Memory</b>	8 x 1 GB of PC2-5300 DDR SDRAM (Standard) to 128 GB, running at 667 MHz
	<b>Network Controller</b>	Two embedded NC371i Multifunction Gigabit Network Adapters
	<b>Storage Controller</b>	HP Smart Array P400/512MB BBWC Controller
	<b>Manageability</b>	Integrated Lights-Out 2 (iLO 2) Standard management (integrated on system board)
	<b>Hard Drives</b>	None ship standard
	<b>Internal Storage</b>	1.168TB max (with optional 146GB SFF SAS Hot Plug hard drives)
	<b>Power Supply</b>	Two 910W/1300W Power Supplies standard (second power supply for redundancy)
	<b>Optical Drive</b>	Slimline DVD/CD-RW Drive (8X/24X) (ejectable)
<b>Form Factor</b>	Rack 4U	

---



### Models

<b>DL585R02 O2.6GHz-1 MB, 4 GB, 95W</b> (2P Dual-Core) 413929-001	<b>Processor(s)</b>	(2) AMD Opteron™ Processor 8218, Dual-Core (2.6 GHz, 95 Watts) (2 or 4 supported)
	<b>Cache Memory</b>	1-MB Integrated Level 2 Cache
	<b>Memory</b>	4 x 1 GB of PC2-5300 DDR SDRAM (Standard) to 128 GB, running at 667 MHz
	<b>Network Controller</b>	Two embedded NC371i Multifunction Gigabit Network Adapters
	<b>Storage Controller</b>	HP Smart Array P400/512MB BBWC Controller
	<b>Manageability</b>	Integrated Lights-Out 2 (iLO 2) Standard management (integrated on system board)
	<b>Hard Drives</b>	None ship standard
	<b>Internal Storage</b>	1.168TB max (with optional 146GB SFF SAS Hot Plug hard drives)
	<b>Power Supply</b>	Two 910W/1300W Power Supplies standard (second power supply for redundancy)
	<b>Optical Drive</b>	Slimline DVD/CD-RW Drive (8X/24X) (ejectable)
<b>Form Factor</b>	Rack 4U	

---

<b>DL585R02 O2.4 GHz-1 MB, 2 GB, 95W</b> (2P Dual-core) 413928-001	<b>Processor(s)</b>	(2) AMD Opteron™ Processor 8216, Dual-Core (2.4 GHz, 95 Watts) (2 or 4 supported)
	<b>Cache Memory</b>	1-MB Integrated Level 2 Cache
	<b>Memory</b>	4 x 512 MB of PC2-5300 DDR SDRAM (Standard) to 128 GB, running at 667 MHz
	<b>Network Controller</b>	Two embedded NC371i Multifunction Gigabit Network Adapters
	<b>Storage Controller</b>	HP Smart Array P400/512MB BBWC Controller
	<b>Manageability</b>	Integrated Lights-Out 2 (iLO 2) Standard management (integrated on system board)
	<b>Hard Drives</b>	None ship standard
	<b>Internal Storage</b>	1.168GB max (with optional 146GB SFF SAS Hot Plug hard drives)
	<b>Power Supply</b>	Two 910W/1300W Power Supplies standard (second power supply for redundancy)
	<b>Optical Drive</b>	Slimline DVD/CD-RW Drive (8X/24X) (ejectable)
<b>Form Factor</b>	Rack 4U	

---

### Models

<b>DL585R02 O2.2 GHz-1 MB, 2 GB, 95W</b> (2P Dual-Core) 418550-001	<b>Processor(s)</b> <a href="#">One of the following depending on Model</a>	(2) AMD Opteron™ Processor 8214, Dual-Core (2.2 GHz, 95 Watts) (2 or 4 supported)
	<b>Cache Memory</b>	1 MB Integrated Level 2 Cache
	<b>Memory</b>	4 x 512 MB of PC2-5300 DDR SDRAM (Standard) to 128 GB, running at 667 MHz
	<b>Network Controller</b>	Two embedded NC371i Multifunction Gigabit Network Adapters
	<b>Storage Controller</b>	HP Smart Array P400/256MB Controller
	<b>Manageability</b>	Integrated Lights-Out 2 (iLO 2) Standard management (integrated on system board)
	<b>Hard Drives</b>	None ship standard
	<b>Internal Storage</b>	1.168TB max (with optional 146GB SFF SAS Hot Plug hard drives)
	<b>Power Supply</b>	One 910W/1300W Power Supply standard (second power supply for redundancy is optional)
	<b>Optical Drive</b>	Slimline DVD/CD-RW Drive (8X/24X) (ejectable)
	<b>Form Factor</b>	Rack 4U

### Configuration Information - Factory Integrated Models

**NOTE:** This section lists some of the steps required to configure a Factory Integrated Model. To ensure only valid configurations are ordered, HP recommends the use of an HP approved configurator. Contact your local sales representative for information on CTO product offerings and requirements.

**NOTE:** HP does not allow factory integration of options into standard models listed above. Configure-to-order servers must start with a CTO Chassis.

**NOTE:** This product offering does not support HP Factory Express Server Configuration Level 1.

**NOTE:** FIO indicates that this option only available as a Factory Installable Option.

### Step 1: Base Configuration

<b>Models</b>	HP ProLiant DL585 G2 Rack CTO Chassis	418633-B21
	<b>Factory Integrated Models ship with:</b>	
	Two embedded NC371i Multifunction Gigabit Network Adapters	
	Integrated Lights-Out 2 (iLO 2) Standard management	
	Six (6) Redundant Hot Plug Fans	
	One Hot Plug Power Supply	
	Rack 4U Form Factor	

### Step 2: Choose Required Options (only one of the following from each list unless otherwise noted)

<b>Processors</b>	AMD Opteron™ 8224SE 3.2 GHz-1 MB Dual-Core Processor (120W) 2P Option Kit	458932-L21
	<b>NOTE:</b> If four processors are desired, select one 458932-L21 and one 458932-B21.	
	AMD Opteron™ 8222 3.0 GHz-1 MB Dual-Core Processor (95W) 2P Option Kit	458933-L21
	<b>NOTE:</b> If four processors are desired, select one 458933-L21 and one 458933-B21.	
	AMD Opteron™ 8222SE 3.0 GHz-1 MB Dual-Core Processor (120W) 2P Option Kit	448184-L21
	<b>NOTE:</b> If four processors are desired, select one 448184-L21 and one 448184-B21.	
	AMD Opteron™ 8220 2.8 GHz-1 MB Dual-Core Processor (95W) 2P Option Kit	439728-L21
	<b>NOTE:</b> If four processors are desired, select one 439728-L21 and one 439728-B21.	
	AMD Opteron™ 8218 2.6 GHz-1 MB Dual-Core Processor 2P Option Kit	413933-L21
	<b>NOTE:</b> If four processors are desired, select one 413933-L21 and one 413933-B21.	
	AMD Opteron™ 8216 2.4 GHz-1 MB Dual-Core Processor 2P Option Kit	413932-L21
	<b>NOTE:</b> If four processors are desired, select one 413932-L21 and one 413932-B21.	
	AMD Opteron™ 8214 2.2 GHz-1 MB Dual-Core Processor 2P Option Kit	416734-L21
	<b>NOTE:</b> If four processors are desired, select one 416734-L21 and one 416734-B21.	

<b>Base Memory</b>	1 GB REG PC2-5300 2 x 512 MB Single Rank Kit	408850-B21
	2 GB REG PC2-5300 2 x 1 GB Single Rank Kit	408851-B21
	4 GB REG PC2-5300 2 x 2 GB Dual Rank Kit	408853-B21
	8 GB REG PC2-5300 2 x 4 GB Dual Rank Kit	408854-B21
	<b>NOTE:</b> Memory must be ordered in like-pairs, i.e. two of the same size.	
	<b>NOTE:</b> If all four banks on a memory node are populated, the maximum memory clock speed will be 533 MHz. If two or fewer banks on a memory node are populated, the maximum memory clock speed will be 667 MHz.	

### Configuration Information - Factory Integrated Models

Storage Controllers	HP Smart Array P800/512 BBWC Controller	381513-B21
	HP Smart Array P600/256 BBWC Controller	337972-B21
	HP Smart Array P600/512 BBWC Controller, Factory Integrated Only	432103-B21
	HP Smart Array P400/256MB Controller	405132-B21
	HP Smart Array P400/512MB BBWC Controller	411064-B21
	HP 8 Internal Port SAS HBA with RAID	347786-B21
	HP Smart Array 6404/512 FIO CNTRLR	452240-B21

---

Optical Drives	<b>NOTE:</b> Optical drives are ejectable.	
	Slimline CD-RW/DVD-ROM 24X Combo Drive Option Kit	331903-B21
	Slimline DVD-ROM Drive (8X/24X) Option Kit (Servers)	264007-B21
	HP DVD±R/RW 8X Slim	383975-B21

---

### Step 3: Choose Additional Factory Integratable Options

Integrated hypervisor (iHV)	VMware ESX Server 3i integrated hypervisor	
	integrated VMware ESX Server 3i 4P FIO	480100-B21
	integrated VMware ESX Server 3i Enterprise 4P FIO	464670-B21
	<b>NOTE:</b> For additional information and option kits, please see the QuickSpecs at: <a href="http://h18000.www1.hp.com/products/quickspecs/12307_na/12307_na.html">http://h18000.www1.hp.com/products/quickspecs/12307_na/12307_na.html</a>	
	Citrix XenServer integrated hypervisor	
	integrated XenServer HP Select Edition 2P/4P	464673-B21
integrated XenServer HP Enterprise Edition 2P/4P	464674-B21	
	<b>NOTE:</b> For additional information and option kits, please see the QuickSpecs at: <a href="http://h18000.www1.hp.com/products/quickspecs/13018_na/13018_na.html">http://h18000.www1.hp.com/products/quickspecs/13018_na/13018_na.html</a>	

---

### Step 4: Choose Additional Options for Factory Integration

**NOTE:** For additional options, please refer to the "Options" section below.

### Options

**NOTE:** Some options may not be factory integratable. Please contact your local sales representative for additional information.

<b>HP ProLiant DL585 G2 Unique Options</b>	AMD Opteron™ 8224SE Dual-Core Processor (3.2 GHz, 120 Watts) 2P Option Kit	458932-B21
	AMD Opteron™ 8222 Dual-Core Processor (3.0 GHz, 95 Watts) 2P Option Kit	458933-B21
	AMD Opteron™ 8222SE Dual-Core Processor (3.0 GHz, 120 Watts) 2P Option Kit	448184-B21
	AMD Opteron™ 8220, Dual-Core Processor (2.8 GHz, 95 Watts) 2P Option Kit	439728-B21
	AMD Opteron™ 8220SE, Dual-Core Processor (2.8 GHz, 120 Watts) 2P Option Kit	413934-B21
	AMD Opteron™ 8218 Dual-Core Processor (2.6 GHz, 95 Watts) 2P Option Kit	413933-B21
	AMD Opteron™ 8216 Dual-Core Processor (2.4 GHz, 95 Watts) 2P Option Kit	413932-B21
	AMD Opteron™ 8214 Dual-Core Processor (2.2 GHz, 95 Watts) 2P Option Kit	416734-B21
	AMD Opteron™ 8212 Dual-Core Processor (2.0 GHz, 95 Watts) 2P Option Kit	413931-B21

### HP Insight Control Environment Management Suite

**NOTE:** Electronic licensing options are available for Insight Control suites software products. Please see the appropriate Insight Control QuickSpecs for additional information.

#### HP Insight Control Environment

HP Insight Control Environment, No Media 1-Server License including 1 year of 24x7 Technical Support and Updates 452148-B22

**NOTE:** This part number can be purchased as a single license or as multiple licenses with a single activation key. Customer will receive a license entitlement certificate via e-mail. The license entitlement certificate must be redeemed online or via fax in order to obtain the license activation key(s). Includes one year of 24 x 7 HP Software Technical Support and Update Service. Only available directly from HP and select resellers in the Americas region.

HP Insight Control Management Software Media Kit 436222-B21

**NOTE:** Insight Control Management DVD media without licenses. Contains Insight Manager and Essentials software products and components licensed by Insight Control Management suites. Uses an integrated installer to perform quick and accurate software installation and updates.

**NOTE:** For additional License Kits, please see the QuickSpecs at:  
[http://h18000.www1.hp.com/products/quickspecs/12631\\_na/12631\\_na.html](http://h18000.www1.hp.com/products/quickspecs/12631_na/12631_na.html)

#### HP Insight Control Linux Edition

HP Insight Control Environment for Linux v2.0, Media pack (CD) - No licenses included 464422-B21

**NOTE:** This optional Media pack CD contains the ISO image for HP Insight Control Environment for Linux, HP System Insight Manager, and an integrated installer. Servers must be acquired separately. This Media pack is optional because the latest ISO image and latest updates may be downloaded at no cost from:

<http://www.hp.com/go/ice-linux> (click on Download button).

HP Insight Control Environment for Linux v2.0, No Media, 1-Server license, including One year of 24x7 Technical Support and Updates 464423-B21

**NOTE:** This part number can be used to purchase one (1) license with a single activation key. Customer will receive a printed license entitlement certificate via physical shipment. The license entitlement certificate must be redeemed online or via fax in order to obtain the license activation key(s). Includes one year of 24 x 7 HP Software Technical Support and Update Service. One certificate is shipped for each

### Options

license.

**NOTE:** For additional License Kits, please see the QuickSpecs at:  
[http://h18000.www1.hp.com/products/quickspecs/13019\\_na/13019\\_na.html](http://h18000.www1.hp.com/products/quickspecs/13019_na/13019_na.html)

#### Server Management Stand Alone Software Product - ProLiant Essentials

**NOTE:** Electronic licensing options are available for select ProLiant Essentials software products. Please see the appropriate ProLiant Essentials QuickSpecs for additional information.

#### Deploy

##### HP Server Migration Pack - Universal Edition

HP Server Migration Pack - Universal Edition, No Media, Physical / Virtual to ProLiant Single Migration License, including 1 year of 24x7 Technical Support and Updates 460750-B21

**NOTE:** This license allows 1 physical to ProLiant or virtual to ProLiant migration. Customer will receive a printed license entitlement certificate and documentation via physical shipment. The license entitlement certificate must be redeemed online or via fax in order to obtain the license activation key(s). Includes one year of 24 x 7 HP Software Technical Support and Update Service.

HP Server Migration Pack - Universal Edition, No Media, Physical / Virtual to Virtual Single Migration License, including 1 year of 24x7 Technical Support and Updates 460753-B21

**NOTE:** This license allows 1 physical to virtual or virtual to virtual migration. Customer will receive a printed license entitlement certificate and documentation via physical shipment. The license entitlement certificate must be redeemed online or via fax in order to obtain the license activation key(s). Includes one year of 24 x 7 HP Software Technical Support and Update Service.

HP Server Migration Pack - Universal Edition, No Media, 1-Year Unlimited Migration License, including 1 year of 24x7 Technical Support 460756-B21

**NOTE:** This license allows unlimited migrations (physical to ProLiant, physical to virtual, virtual to virtual, and virtual to ProLiant) for one year. Customer will receive a printed license entitlement certificate and documentation via physical shipment. The license entitlement certificate must be redeemed online or via fax in order to obtain the license activation key(s). Includes one year of 24 x 7 HP Software Technical Support Service

**NOTE:** For additional License Kits, please see the QuickSpecs at:  
[http://h18000.www1.hp.com/products/quickspecs/12855\\_na/12855\\_na.html](http://h18000.www1.hp.com/products/quickspecs/12855_na/12855_na.html)

#### Control

##### HP Integrated Lights-Out Select Pack

HP ProLiant Essentials Integrated Lights-Out Select Pack, No Media, 1-Server License 452158-B21

**NOTE:** For additional License Kits, please see the QuickSpecs at:  
[http://h18000.www1.hp.com/products/quickspecs/12362\\_na/12362\\_na.html](http://h18000.www1.hp.com/products/quickspecs/12362_na/12362_na.html)

##### HP Integrated Lights-Out Advanced Pack

HP Integrated Lights-Out Advanced Pack, No Media, 1 Server License 452141-B21

**NOTE:** For additional License Kits, please see the QuickSpecs at:  
[http://h18000.www1.hp.com/products/quickspecs/10861\\_na/10861\\_na.html](http://h18000.www1.hp.com/products/quickspecs/10861_na/10861_na.html)

#### Optimize

##### HP Accelerated iSCSI Pack

HP ProLiant Essentials Accelerated iSCSI Pack, No Media, Single License 452679-B21

**NOTE:** For use with a single NIC port. Contains one license with a unique license activation key and documentation.

### Options

**NOTE:** For additional License Kits, please see the QuickSpecs at:

[http://h18000.www1.hp.com/products/quickspecs/12466\\_na/12466\\_na.html](http://h18000.www1.hp.com/products/quickspecs/12466_na/12466_na.html)

**NOTE:** Flexible and volume quantity license kits are available for ProLiant Essentials Value Packs. Refer to: <http://www.hp.com/servers/proliantessentials> or the various ProLiant Essentials QuickSpecs for more information.

<b>Processors</b>	AMD Opteron™ 8356, Quad-Core Processor (2.3 GHz, 75W ACP) 2P Option Kit	448193-B21
	<b>NOTE:</b> Upgrading to 8300 series processors requires that all processors in the system be matched. The VRMs included in this kit are not used on the G2; however, existing system VRMs are compatible and additional compatible VRM kits may be ordered. See the 'VRM Kit' section of the QuickSpecs for details.	
	AMD Opteron™ 8354, Quad-Core Processor (2.2 GHz, 75W ACP) 2P Option Kit	448192-B21
	<b>NOTE:</b> Upgrading to 8300 series processors requires that all processors in the system be matched. The VRMs included in this kit are not used on the G2; however, existing system VRMs are compatible and additional compatible VRM kits may be ordered. See the 'VRM Kit' section of the QuickSpecs for details.	
	AMD Opteron™ 8224SE Dual-Core Processor (3.2 GHz, 120 Watts) 2P Option Kit	458932-B21
	AMD Opteron™ 8222 Dual-Core Processor (3.0 GHz, 95 Watts) 2P Option Kit	458933-B21
	AMD Opteron™ 8222SE Dual-Core Processor (3.0 GHz, 120 Watts) 2P Option Kit	448184-B21
	AMD Opteron™ 8220 Dual-Core Processor (2.8 GHz, 95 Watts) 2P Option Kit	439728-B21
	AMD Opteron™ 8220SE Dual-Core Processor (2.8 GHz, 120 Watts) 2P Option Kit	413934-B21
	AMD Opteron™ 8218 Dual-Core Processor (2.6 GHz, 95 Watts) 2P Option Kit	413933-B21
AMD Opteron™ 8216 Dual-Core Processor (2.4 GHz, 95 Watts) 2P Option Kit	413932-B21	
AMD Opteron™ 8214 Dual-Core Processor (2.2 GHz, 95 Watts) 2P Option Kit	416734-B21	
AMD Opteron™ 8212 Dual-Core Processor (2.0 GHz, 95 Watts) 2P Option Kit	413931-B21	
<b>Memory (DIMMs)</b>	1 GB REG PC2-5300 2 x 512 MB Single Rank Kit	408850-B21
	2 GB REG PC2-5300 2 x 1 GB Single Rank Kit	408851-B21
	4 GB REG PC2-5300 2 x 2 GB Dual Rank Kit	408853-B21
	8 GB REG PC2-5300 2 x 4 GB Dual Rank Kit	408854-B21
<b>Diskette Drive</b>	Slimline Floppy Diskette Drive Option Kit	390164-B21
<b>NOTE:</b> Ejectable drive.		
<b>Optical Drives</b>	Slimline CD-RW/DVD-ROM Combo Drive Option Kit	331903-B21
	Slimline DVD-ROM Drive (8X/24X) Option Kit (Servers)	264007-B21
	HP DVD±R/RW 8X Slim	383975-B21

### Options

VRM Kit	<p>HP DL385G2/DL585G2 VRM Kit</p> <p><b>NOTE:</b> This kit is only required when purchasing 8300 series upgrade kits for systems where existing VRMs are not installed. Two VRM kits are necessary for each 2P option kit.</p>	453059-B21
---------	--	------------

Hard Drives	<p><b>SFF SATA Hard Disk Drives – Hot Plug</b></p> <p>HP 120 GB 1.5G SATA 5.4K SFF HDD <span style="float: right;">431786-B21</span></p> <p>HP 60 GB 1.5G SATA 5.4K SFF HDD <span style="float: right;">379306-B21</span></p> <p><b>NOTE:</b> SATA drives have a 1 year warranty. Please see the SATA Hard Drive QuickSpecs for Technical Specifications such as capacity, height, width, interface, transfer rate, seek time, physical configuration, and operating temperature:  <a href="http://h18000.www1.hp.com/products/quickspecs/11940_na/11940_na.html">http://h18000.www1.hp.com/products/quickspecs/11940_na/11940_na.html</a></p> <p><b>SFF SAS Hard Disk Drives – Hot Plug</b></p> <p>HP 146 GB 3G SAS 10K SFF SP HDD <span style="float: right;">431958-B21</span></p> <p>HP 72 GB 3G SAS 10K SFF SP HDD <span style="float: right;">375861-B21</span></p> <p>HP 72 GB 3G SAS 15K SFF SP HDD <span style="float: right;">431935-B21</span></p> <p>HP 36 GB 3G SAS 10K SFF SP HDD <span style="float: right;">375859-B21</span></p> <p>HP 36 GB 3G SAS 15K SFF SP HDD <span style="float: right;">431933-B21</span></p> <p><b>NOTE:</b> Please see the QuickSpecs for Technical Specifications such as capacity, height, width, interface, transfer rate, seek time, physical configuration, and operating temperature:  <a href="http://h18000.www1.hp.com/products/quickspecs/12244_na/12244_na.html">http://h18000.www1.hp.com/products/quickspecs/12244_na/12244_na.html</a></p> <p><b>SATA Hot Plug Entry (ETY) Drives</b></p> <p>HP 120 GB 1.5 G SATA 5.4K SFF ETY HDD <span style="float: right;">458924-B21</span></p> <p><b>NOTE:</b> SATA drives have a 1 year warranty. Please see the QuickSpecs for Technical Specifications such as capacity, height, width, interface, transfer rate, seek time, physical configuration, and operating temperature:  <a href="http://h18000.www1.hp.com/products/quickspecs/13021_na/13021_na.html">http://h18000.www1.hp.com/products/quickspecs/13021_na/13021_na.html</a></p> <p><b>SFF SATA Hot Plug</b></p> <p>HP 120GB 1.5G SATA 5.4K SFF HDD <span style="float: right;">431786-B21</span></p> <p><b>NOTE:</b> SATA drives have a 1 year warranty. Please see the SATA Hard Drive QuickSpecs for Technical Specifications such as capacity, height, width, interface, transfer rate, seek time, physical configuration, and operating temperature:  <a href="http://h18000.www1.hp.com/products/quickspecs/11940_na/11940_na.html">http://h18000.www1.hp.com/products/quickspecs/11940_na/11940_na.html</a></p>
-------------	---

Storage Controllers	<p><b>SCSI Controllers for External Drive/Storage Support</b></p> <p>Smart Array 6402/128 Controller <span style="float: right;">273915-B21</span></p> <p>Smart Array 6404/256 Controller <span style="float: right;">273914-B21</span></p> <p>Smart Array 642 Controller <span style="float: right;">291967-B21</span></p> <p>128-MB BBWC (Battery-Backed Write Cache) Enabler <span style="float: right;">351580-B21</span></p> <p><b>NOTE:</b> This 128MB BBWC supports the Smart Array 642 Controller.</p> <p>64-Bit/133-MHz Single Channel Ultra320 SCSI HBA G2 <span style="float: right;">374654-B21</span></p> <p><b>SCSI HBA</b></p> <p>HP SC11Xe Host Bus Adapter <span style="float: right;">412911-B21</span></p>
---------------------	---



### Options

**NOTE:** Please see the following QuickSpecs for Technical Specifications and additional information:

[http://h18000.www1.hp.com/products/quickspecs/11587\\_na/11587\\_na.html](http://h18000.www1.hp.com/products/quickspecs/11587_na/11587_na.html)  
(Smart Array 6400 Series)

[http://h18000.www1.hp.com/products/quickspecs/12069\\_na/12069\\_na.html](http://h18000.www1.hp.com/products/quickspecs/12069_na/12069_na.html)  
(Smart Array 642)

[http://h18000.www1.hp.com/products/quickspecs/11943\\_na/11943\\_na.html](http://h18000.www1.hp.com/products/quickspecs/11943_na/11943_na.html)  
(U320 SCSI G2 HBA)

[http://h18000.www1.hp.com/products/quickspecs/12566\\_na/12566\\_na.html](http://h18000.www1.hp.com/products/quickspecs/12566_na/12566_na.html)  
(SC11Xe HBA)

#### SAS Controller

##### Smart Array E500 Controller

HP Smart Array E500/256 MB Controller 435129-B21

HP SA-P400 and SA-E500 24 In Battery Cable Kit 417836-B21

**NOTE:** This option kit contains a 24" battery cable and adhesive material for installing a batter into the server if a Smart Array E500 is integrated outside of the factory. For all solutions, please refer to the server QuickSpecs and User's Manual for detailed installation instructions.

##### Smart Array P400 Controller

HP Smart Array P400/256 MB Controller 405132-B21

**NOTE:** The Smart Array P400 Controller supports internal Serial Attached SCSI and Serial ATA drives. It is supported in all HP ProLiant DL585 G2 Models.

HP Smart Array P400/512 MB BBWC Controller 411064-B21

**NOTE:** The Smart Array P400 Controller supports internal Serial Attached SCSI and Serial ATA drives. It is supported in all HP ProLiant DL585 G2 Models.

512 MB DDR BBWC Upgrade 405148-B21

**NOTE:** For Smart Array P400 Controller only.

**NOTE:** If you install the 512MB DDR BBWC as an upgrade to a Smart Array P400/256MB Controller, you must also order part 417836-B21 (HP SA-P400 and SA-E500 24 In Battery Cable Kit).

Battery-backed write cache upgrade 383280-B21

**NOTE:** For Smart Array P400 Controller only.

**NOTE:** If you install the Battery-backed write cache as an upgrade to a Smart Array P400/256MB Controller, you must also order part 417836-B21 (HP SA-P400 and SA-E500 24 In Battery Cable Kit).

HP SA-P400 and SA-E500 24 In Battery Cable Kit 417836-B21

**NOTE:** This option kit contains a 24" battery cable and adhesive material for installing a batter into the server if a Smart Array P400 is integrated outside of the factory. For all solutions, please refer to the server QuickSpecs and User's Manual for detailed installation instructions.

##### Smart Array P600 Controller

HP Smart Array P600/256 BBWC Controller 337972-B21

**NOTE:** The Smart Array P600 Controller supports internal and external Serial Attached SCSI and Serial ATA drives. It is supported in all HP ProLiant DL585 G2 Models.

512 MB DDR BBWC Upgrade 372538-B21

**NOTE:** For Smart Array P600 Controller only.

##### Smart Array P800 Controller

### Options

HP Smart Array P800/512 BBWC Controller 381513-B21

**NOTE:** Please see the following Controller QuickSpecs for Technical Specifications and additional information:

[http://h18000.www1.hp.com/products/quickspecs/12700\\_na/12700\\_na.html](http://h18000.www1.hp.com/products/quickspecs/12700_na/12700_na.html)  
(Smart Array E500 Controller)

[http://h18000.www1.hp.com/products/quickspecs/12400\\_na/12400\\_na.html](http://h18000.www1.hp.com/products/quickspecs/12400_na/12400_na.html)  
(Smart Array P400 Controller)

[http://h18000.www1.hp.com/products/quickspecs/12247\\_na/12247\\_na.html](http://h18000.www1.hp.com/products/quickspecs/12247_na/12247_na.html)  
(Smart Array P600 Controller)

[http://h18000.www1.hp.com/products/quickspecs/12616\\_na/12616\\_na.html](http://h18000.www1.hp.com/products/quickspecs/12616_na/12616_na.html)  
(Smart Array P800 Controller)

#### SAS HBA

HP SC44Ge Host Bus Adapter 416096-B21

HP 8 Internal Port SAS HBA with RAID 347786-B21

**NOTE:** Please see the following QuickSpecs for additional information:

[http://h18004.www1.hp.com/products/quickspecs/12617\\_na/12617\\_na.html](http://h18004.www1.hp.com/products/quickspecs/12617_na/12617_na.html)  
(SC44Ge HBA)

[http://h18004.www1.hp.com/products/quickspecs/12332\\_na/12332\\_na.html](http://h18004.www1.hp.com/products/quickspecs/12332_na/12332_na.html)  
(SAS HBA)

### Communications

HP NC110T PCI Express Gigabit Server Adapter 434905-B21

HP NC360T PCI Express Dual Port Gigabit Server Adapter 412648-B21

HP NC364T PCI Express Quad Port Gigabit Server Adapter 435508-B21

**NOTE:** There is a maximum of five NC364T PCI Express Quad Port Gigabit Server Adapter NICs allowed in this server.

HP NC373F PCI Express Multifunction Gigabit Server Adapter 394793-B21

HP NC373T PCI Express Multifunction Gigabit Server Adapter 394791-B21

HP NC380T PCI Express Dual Port Multifunction Gigabit Server Adapter 394795-B21

**NOTE:** Supported on a full length-full height slot only.

HP NC510C PCIe 10 Gigabit Server Adapter 414129-B21

**NOTE:** A minimum of 1 gigabyte (1 GB) of server memory is required per each NC510C adapter.

HP NC510F PCIe 10 Gigabit Server Adapter 414126-B21

**NOTE:** A minimum of 1 gigabyte (1 GB) of server memory is required per each NC510F adapter.

HP NC7170 PCI-X Dual Port 1000T Gigabit Server Adapter 313881-B21

### HPC Specific Options

HP IB 4X SDR PCI-e single PORT HCA 431038-B21

HP IB 4X DDR PCI-e Single PORT HCA 431039-B21

HP IB 4X DDR PCI-e Dual Port HCA 409376-B21

HP IB 4X DDR Conn-X PCI-e Dual Port HCA 448397-B21

HP IB 4X DDR PCI-e DUAL PORT 0 mem HCA 483513-B21

### Options

<b>Redundant Options</b>	910W (low line), 1300W (high line) Hot Plug Redundant Power Supply US - includes Nema 5-15P to IEC320-C19 power cord	348114-001
	910W (low line), 1300W (high line) Hot Plug Redundant Power Supply - includes C14 to C19 IEC power jumper cable	348114-B21
	<b>NOTE:</b> If you require a local power cord, please check the Power Specifications below for the appropriate country-specific power cord, or consult the Power Cord Matrix: <a href="http://www.hp.com/go/powercordmatrix">http://www.hp.com/go/powercordmatrix</a> .	

### Tape Drives

**NOTE:** For the complete listing of Tape Drive offerings, please see: <http://www.hp.com/products1/storage/compatibility/tapebackup/ISS/index.html>

For recommended tape drive offerings for this ProLiant server see the following:

#### USB Tape Drives

HP StorageWorks 1U USB Rack-Mount Kit with one DAT 160 USB drive AG703A

#### SAS Tape Drives

**NOTE:** For the DL585 G2, HP recommends purchasing the HP SC44Ge HBA (416096-B21) for a dedicated SAS HBA for tape.

HP StorageWorks LTO-2 Ultrium 448 SAS Internal Tape Drive DW085A

**NOTE:** HP recommends combining this tape drive with the 1U SAS Rack-Mount kit (AE459A) for a complete rack-mount solution.

HP StorageWorks LTO-3 Ultrium 920 SAS Internal Tape Drive EH847A

**NOTE:** HP recommends combining this tape drive with the 1U SAS Rack-Mount kit (AE459A) for a complete rack-mount solution.

HP StorageWorks 1U SAS Rack-mount kit with one LTO-4 Ultrium 1760 EH946A

**NOTE:** Please refer to the "Tape Drives, Tape Autoloaders & Tape Libraries" table in the Storage section of this document for a list of SAS controllers with tape support.

#### SCSI Tape Drives

**NOTE:** For the DL585 G2, HP recommends purchasing the HP SC11Xe HBA (412911-B21) for a dedicated SCSI HBA for tape.

HP StorageWorks 1U SCSI Rack-mount kit with one LTO-2 Ultrium 448 (Carbonite) DW028B

HP StorageWorks 1U SCSI Rack-mount kit with one LTO-3 Ultrium 920 EH903A

HP StorageWorks 3U SCSI Rack-Mount with 1 LTO-4 Ultrium 1840 Tape Drive EH926A

**NOTE:** Please see the HP StorageWorks Ultrium Tape Drive QuickSpecs for additional options such as controllers, media, and other related items:

[http://h18006.www1.hp.com/products/quickspecs/11739\\_na/11739\\_na.html](http://h18006.www1.hp.com/products/quickspecs/11739_na/11739_na.html)

[http://h18006.www1.hp.com/products/quickspecs/12128\\_na/12128\\_na.html](http://h18006.www1.hp.com/products/quickspecs/12128_na/12128_na.html)

For an up-to-date listing of the latest O/S and software support details for HP Ultrium tape drives, please visit: <http://www.hp.com/go/connect>

#### Rack-Mount Tape Drive Enclosures

HP StorageWorks 1U SCSI Rack-Mount kit A7445B

**NOTE:** The 1U Rack-Mount Kit can support up to (2) half-height tape drives and is compatible with multiple Single-Ended and LVD SCSI tape drives including the DAT 40, DAT 72, DAT 160, DLT VS160, LTO-1 Ultrium 232, LTO-2 Ultrium 448, LTO-3 Ultrium 920 and LTO-4 Ultrium 1760 tape drives.

### Options

HP StorageWorks 1U USB Rack-Mount Kit	A8007A
<b>NOTE:</b> The 1U USB Rack-Mount Kit can support up to (2) half-height tape drives and is compatible with the DAT 40 USB, DAT 72 USB and DAT 160 tape drives.	
HP StorageWorks 1U SAS Rack-Mount Kit	AE459A
<b>NOTE:</b> The 1U SAS Rack-Mount Kit can support up to (2) half-height tape drives and is compatible with the DAT 160 SAS, LTO-2 Ultrium 448 SAS, LTO-3 Ultrium 920 SAS and LTO-4 Ultrium 1760 SAS tape drives.	
HP StorageWorks 3U Rack-mount kit	274338-B22
<b>NOTE:</b> The 3U Rack-mount Kit can support up to (2) full-height or (4) half-height tape drives and compatible with multiple LVD SCSI tape drives including DAT 40, DAT 72, DLT VS160, SDLT 600, LTO-1 Ultrium 232, LTO-2 Ultrium 448, LTO-3 Ultrium 920, LTO-3 Ultrium 960, LTO-4 Ultrium 1760 and LTO-4 Ultrium 1840 tape drives.	
HP StorageWorks 3U SAS Rack-mount Kit	AG576A
<b>NOTE:</b> The 3U Rack-mount Kit can support up to (2) full-height or (4) half-height tape drives and compatible with multiple SAS tape drives including DAT 160 SAS, LTO-2 Ultrium 448 SAS, LTO-3 Ultrium 920 SAS, LTO-4 Ultrium 1760 SAS and LTO-4 Ultrium 1840 SAS tape drives.	
<b>NOTE:</b> Please see the Rack-Mount Tape Drive Kits QuickSpecs for additional information regarding these kits: <a href="http://h18000.www1.hp.com/products/quickspecs/10854_na/10854_na.html">http://h18000.www1.hp.com/products/quickspecs/10854_na/10854_na.html</a>	

### Disk-Based Backup

#### RDX Removable Disk Backup

HP StorageWorks RDX160 External Removable Disk Backup System	AJ766A
<b>NOTE:</b> 160GB of Disk Storage.	
HP StorageWorks RDX320 External Removable Disk Backup System	AJ768A
<b>NOTE:</b> 320GB of Disk Storage.	
<b>NOTE:</b> Please see the HP RDX Removable Disk Backup System QuickSpecs for additional information: <a href="http://h18000.www1.hp.com/products/quickspecs/13036_na/13036_na.html">http://h18000.www1.hp.com/products/quickspecs/13036_na/13036_na.html</a>	

#### D2D Backup

HP StorageWorks D2D120 Backup System	EH884A
<b>NOTE:</b> 2TB of Disk Storage.	
HP StorageWorks D2D120 Backup System with Data Protector Express Software Kit	EH924A
<b>NOTE:</b> 2TB of Disk Storage.	
HP StorageWorks D2D130 Backup System	EH950A
<b>NOTE:</b> 3TB of Disk Storage.	
HP StorageWorks D2D130 Backup System with Data Protector Express Software Kit	EH951A
<b>NOTE:</b> 3TB of Disk Storage.	
HP StorageWorks D2D130 Backup System with LTO-3 Ultrium 920 SAS Tape Drive	EH952A
<b>NOTE:</b> 3TB of Disk Storage.	
HP StorageWorks D2D2503i Backup System	
<b>NOTE:</b> 3TB of Disk Storage.	
HP StorageWorks D2D4004i Backup System	
<b>NOTE:</b> 4.5TB of Disk Storage.	
<b>NOTE:</b> Please see the HP D2D Backup Systems QuickSpecs for additional information: <a href="http://www.hp.com/go/d2d">http://www.hp.com/go/d2d</a> .	

### Options

---

<b>Tape Autoloaders</b>	<b>HP StorageWorks DAT Autoloader</b>	
	HP StorageWorks DAT 72x10 tape autoloader	AE313B
	<b>HP StorageWorks 1/8 G2 Tape Autoloader</b>	
	HP StorageWorks 1/8 G2 LTO-4 Ultrium 1760 SAS Tape Autoloader	AK377A
	HP StorageWorks 1/8 G2 LTO-4 Ultrium 1760 SCSI Tape Autoloader	AJ816A
	HP StorageWorks 1/8 G2 LTO-3 Ultrium 920 Tape Autoloader	AH165A
	HP StorageWorks 1/8 G2 LTO-3 Ultrium 920 SAS Autoloader	AH558A
	HP StorageWorks 1/8 G2 LTO-2 Ultrium 448 Tape Autoloader	AH164A
	HP StorageWorks 1/8 G2 Tape Autoloader Rack Kit	AH166A
	<p><b>NOTE:</b> Required to install the 1/8 G2 Autoloaders in a standard 19-inch rack; includes rails and rackmount instructions</p> <p><b>NOTE:</b> Please reference the Tape Autoloader QuickSpecs at: <a href="http://www.hp.com/go/automation">http://www.hp.com/go/automation</a> for additional information needed to create a complete solution.</p>	

---

<b>Tape Libraries</b>	<b>HP StorageWorks MSL2024 Tape Library</b>		
	HP StorageWorks MSL2024 1 LTO-4 Ultrium 1840 SCSI Drive Library	AJ033A	
	HP StorageWorks MSL2024 1 LTO-4 Ultrium 1840 4GB FC Library	AJ034A	
	HP StorageWorks MSL2024 1 LTO-4 Ultrium 1760 SAS Drive Library	AK378A	
	HP StorageWorks MSL4048 2 LTO-4 Ultrium 1760 SCSI Drive Library	AJ818A	
	HP StorageWorks MSL2024 1 LTO-3 Ultrium 960 SCSI Drive Library	AG115A	
	HP StorageWorks MSL2024 1 LTO-3 Ultrium 960 4GB FC Library	AG326B	
	HP StorageWorks MSL2024 1 LTO-3 Ultrium 920 SAS Drive Library	AH559A	
	HP StorageWorks MSL2024 1 LTO-3 Ultrium 920 SCSI Drive Library	AH169A	
	HP StorageWorks MSL2024 1 LTO-2 Ultrium 448 SCSI Drive Library	AG116A	
	<b>HP StorageWorks MSL4048 Tape Library</b>		
	HP StorageWorks MSL4048 1 LTO-4 Ultrium 1840 SCSI Drive Library	AJ035A	
	HP StorageWorks MSL4048 1 LTO-4 Ultrium 1840 4GB FC Library	AJ036A	
	HP StorageWorks MSL4048 2 LTO-4 Ultrium 1760 SAS Drive Library	AK380A	
	HP StorageWorks MSL2024 1 LTO-4 Ultrium 1760 SCSI Drive Library	AJ817A	
	HP StorageWorks MSL4048 1 LTO-3 Ultrium 960 SCSI Drive Library	AG322A	
	HP StorageWorks MSL4048 1 LTO-3 Ultrium 960 4GB FC Library	AG324B	
	HP StorageWorks MSL4048 1 LTO-3 Ultrium 920 SAS Drive Library	AH560A	
	HP StorageWorks MSL4048 1 LTO-3 Ultrium 920 SCSI Drive Library	AH171A	
	<p><b>NOTE:</b> Please reference the MSL Tape Library QuickSpecs at: <a href="http://www.hp.com/go/automation">http://www.hp.com/go/automation</a> for additional information needed to create a complete solution; reference current compatibility information at: <a href="http://www.hp.com/go/ebs">http://www.hp.com/go/ebs</a>.</p>		

---

### Options

High Availability Cluster Options	HP Serviceguard for Linux	
	HP Serviceguard Linux for HP ProLiant/x86 Servers	463831-B21
	Licensed per physical server	
	Includes media and One Year 24x7 Software Support & Updates	
	HP Serviceguard Linux Oracle Database Toolkit for HP ProLiant/x86 Servers	463833-B21
Licensed per cluster		
Includes media and One Year 24x7 Software Support & Updates		
HP Serviceguard Extension for SAP on Linux for HP ProLiant/x86 Servers	463834-B21	
Licensed per physical server		
Includes media and One Year 24x7 Software Support & Updates		
HP Serviceguard Linux Extended Distance Cluster (XDC) for HP ProLiant/x86 Servers	463835-B21	
Licensed per physical server		
Includes media and One Year 24x7 Software Support & Updates		

**NOTE:** For a detailed list of supported configuration/certification options for HP Serviceguard for Linux please refer to the HP Serviceguard for Linux Certification Matrix at: <http://www.hp.com/go/sglx/info>

**NOTE:** HP Serviceguard for Linux products running on x86 platforms now include one year of 24 x 7 Software Technical Support and Updates. Please see the Support Information section of the HP Serviceguard for Linux QuickSpecs for details.

**NOTE:** For additional information including a complete list of Product Numbers for HP Serviceguard for Linux, please see the following QuickSpecs at: [http://h18000.www1.hp.com/products/quickspecs/11518\\_na/11518\\_na.html](http://h18000.www1.hp.com/products/quickspecs/11518_na/11518_na.html)

StorageWorks Options	<b>NOTE:</b> The following is a list of all Fibre Channel Host Bus Adapters for Windows and Linux. For detailed compatibility information please see: <a href="http://h18006.www1.hp.com/storage/saninfrastructure/hba.html">http://h18006.www1.hp.com/storage/saninfrastructure/hba.html</a>	
	HP StorageWorks FC2142SR 4Gb PCI-e HBA	A8002A
	HP StorageWorks FC2242SR Dual Channel 4 Gb PCI-e HBA	A8003A
	HP StorageWorks FC1142SR 4Gb PCI-e HBA	AE311A
	HP StorageWorks FC1242SR Dual Channel 4 Gb PCI-e HBA	AE312A
	HP StorageWorks FC2143 4Gb PCI-X 2.0 -to-Fibre Channel HBA	AD167A
	HP StorageWorks FC2243 Dual Channel 4Gb PCI-X 2.0 HBA	AD168A
	HP StorageWorks FC1143 4Gb PCI-X 2.0 HBA	AB429A
	HP StorageWorks FC1243 Dual Channel 4Gb PCI-X 2.0 HBA	AE369A
	HP StorageWorks 81Q PCI-e FC HBA	AK344A
	HP StorageWorks 8Gb Simple SAN Connection Kit	AK241A

HP StorageWorks Modular Smart Array 30	HP StorageWorks Modular Smart Array 30 SB	302969-B21
	<b>NOTE:</b> Rack-mountable 14 drive enclosure with single bus, redundant power supplies	
	HP StorageWorks Modular Smart Array 30 DB	302970-B21
	<b>NOTE:</b> Rack-mountable 14 drive enclosure with dual bus, redundant power supplies	
	<b>NOTE:</b> Please see the Modular Smart Array 30 QuickSpecs for additional information including configuration steps and additional options needed for a complete solution at: <a href="http://h18000.www1.hp.com/products/quickspecs/11738_na/11738_na.html">http://h18000.www1.hp.com/products/quickspecs/11738_na/11738_na.html</a>	

### Options

<b>HP StorageWorks Modular Smart Array 50</b>	HP StorageWorks Modular Smart Array 50 Enclosure <b>NOTE:</b> Please see the <a href="http://h18000.www1.hp.com/products/quickspecs/12245_na/12245_na.html">Modular Smart Array 50 QuickSpecs</a> for additional information including configuration steps and additional options needed for a complete solution at: <a href="http://h18000.www1.hp.com/products/quickspecs/12245_na/12245_na.html">http://h18000.www1.hp.com/products/quickspecs/12245_na/12245_na.html</a>	364430-B21
<b>HP StorageWorks Modular Smart Array 500</b>	HP StorageWorks Modular Smart Array 500 Generation 2 <b>NOTE:</b> Please see the <a href="http://h18000.www1.hp.com/products/quickspecs/11956_na/11956_na.html">Modular Smart Array 500 Generation 2 QuickSpecs</a> for additional information including configuration steps and additional options needed for a complete solution at: <a href="http://h18000.www1.hp.com/products/quickspecs/11956_na/11956_na.html">http://h18000.www1.hp.com/products/quickspecs/11956_na/11956_na.html</a>	335880-B21
<b>Uninterruptible Power Systems – Rack</b>	HP, R1.5kVA UPS, 1U HP R3000 VA UPS, 2U, L5-30 HP R3000 VA UPS, 2U, L6-20 HP R5500 VA UPS	AF419A AF422A AF423A AF426A
<b>HP Monitored Power Distribution Unit (PDU)</b>	<b>HP Monitored Power Distribution Unit: Full Rack Version</b> HP 17.3 kVA S2324 Monitored PDU – dual input, 3U, 24A HP 8.3 kVA S1324 Monitored PDU – single input, 3U, 24A HP 16.6 kVA S2140 Monitored PDU – dual input, 1U, 40A HP 8.6 S1140 Monitored PDU – single input, 1U, 40A <b>HP Monitored Power Distribution Unit: Half Rack Version</b> HP 17.3 kVA S348 Monitored PDU- single input, 3Ø, 48A HP 4.9kVA S124 Monitored PDU – single input, 1U, 24A	AF503A AF504A AF505A AF506A AF916A AF914A
<b>Modular Power Distribution Units 1U/0U (Up to 32 outlets)</b> <b>NOTE:</b> 1U/0U mounting brackets shipped with the unit (optimized for 10000 and 9000 series racks).	HP Modular Power Distribution Units (mPDU), Low Volt Model, 24A (100-127 VAC) <b>NOTE:</b> This mPDU (252663-D71) may also be used to connect the low volt model of the UPS R3000 XR. HP Modular Power Distribution Units (mPDU), High Volt Model, 24A (200-240 VAC) HP Modular Power Distribution Units (mPDU), High Volt Model, 40A (200-240 VAC) <b>NOTE:</b> This mPDU (252663-B21), 40A model has a hardwired input. HP Modular Power Distribution Units (mPDU), High Volt Model, 16A (200-240 VAC) <b>NOTE:</b> This PDU has a detachable input power cord and allows for adaptability to country specific power requirements. This model may also be used with the high volt UPS R3000 XR. Need to order cable PN 340653-001. <b>NOTE:</b> Please see the following <a href="http://h18000.www1.hp.com/products/quickspecs/11041_na/11041_na.html">Modular Power Distribution Unit (Zero-U/1U Modular PDUs) QuickSpecs</a> for additional options including shorter jumper cables and country specific power cords: <a href="http://h18000.www1.hp.com/products/quickspecs/11041_na/11041_na.html">http://h18000.www1.hp.com/products/quickspecs/11041_na/11041_na.html</a>	252663-D71 252663-D72 252663-B21 252663-B24

### Options

USB Options	HP USB 2-Button Optical Scroll Mouse (Carbonite/Silver)	DC172B
	HP USB 04 Standard Keyboard	DT528A#ABA
	HP 1GB USB 2.0 Floppy Drive Key	442085-B21
	HP 256MB USB 2.0 Floppy Drive Key	442084-B21

HP Rack 5000 Series (Graphite Metallic)	HP 5642 Rack-Unassembled	358254-B21
	<p><b>NOTE:</b> Please see the <a href="#">HP Rack 5642 QuickSpecs</a> for additional part numbers and Technical Specifications such as height, width, depth, weight, and color:  <a href="http://h18000.www1.hp.com/products/quickspecs/12074_na/12074_na.html">http://h18000.www1.hp.com/products/quickspecs/12074_na/12074_na.html</a></p> <p><b>NOTE:</b> For additional information regarding Rack Cabinets, please see the following URL: <a href="http://www.hp.com/go/rackandpower">http://www.hp.com/go/rackandpower</a>.</p>	

HP Rack 10000 G2 Series (Carbon/Graphite Metallic)	10642 G2 (42U) Rack Cabinet – Pallet	AF001A
	10642 G2 (42U) Rack Cabinet – Shock Pallet	AF002A
	10642 G2 (42U) Rack Cabinet – Crated	AF003A
	10642 G2 (42U) Rack Cabinet, with Extension – Shock Pallet	AF004A
	10636 G2 (36U) Rack Cabinet – Pallet	AF011A
	10636 G2 (36U) Rack Cabinet – Shock Pallet	AF012A
	10636 G2 (36U) Rack Cabinet – Crated	AF013A
	10636 G2 (36U) Rack Cabinet, with Extension – Shock Pallet	AF014A
	10622 G2 (22U) Rack Cabinet - Pallet	AF021A
	10622 G2 (22U) Rack Cabinet - Shock Pallet	AF022A
	10842 G2 (42U) 800mm Wide Rack Cabinet - Pallet	AF041A
	10842 G2 (42U) 800mm Wide Rack Cabinet - Shock Pallet	AF042A
	10647 G2 (47U) Rack Cabinet - Pallet	AF031A
	<p><b>NOTE:</b> It is mandatory to use a shock pallet when shipping racks with equipment installed.</p> <p><b>NOTE:</b> Please see the <a href="#">Rack 10000 G2 QuickSpecs</a> for Technical Specifications such as height, width, depth, weight, and color:  <a href="http://h18000.www1.hp.com/products/quickspecs/12402_na/12402_na.html">http://h18000.www1.hp.com/products/quickspecs/12402_na/12402_na.html</a></p> <p><b>NOTE:</b> For additional information regarding Rack Cabinets, please see the following URL: <a href="http://www.hp.com/go/rackandpower">http://www.hp.com/go/rackandpower</a>.</p>	

HP Rack 10000 Series (Graphite Metallic)	HP Rack S10614 (14U) Rack Cabinet – Shock Pallet	292302-B22
	<p><b>NOTE:</b> xxxxx-B22 (shock pallet) used to ship racks with equipment installed (by custom systems, VARs and Channels).</p> <p><b>NOTE:</b> Please see the <a href="#">Rack 10000 QuickSpecs</a> for Technical Specifications such as height, width, depth, weight, and color:  <a href="http://h18000.www1.hp.com/products/quickspecs/10995_na/10995_na.html">http://h18000.www1.hp.com/products/quickspecs/10995_na/10995_na.html</a></p> <p><b>NOTE:</b> For additional information regarding Rack Cabinets, please see the following URL: <a href="http://www.hp.com/go/rackandpower">http://www.hp.com/go/rackandpower</a>.</p>	



### Options

Keyboards and Monitors	TFT7600 Rackmount Keyboard Monitor	AG052A
	1U Rackmount Keyboard with USB	AG072A

**NOTE:** For additional information regarding Rack Options, please see the following URL: <http://www.hp.com/go/rackandpower>.

---

HP KVM Switch Options	2x1x16 IP Console Switch with Virtual Media	AF601A
	4x1x16 IP Console Switch with Virtual Media	AF602A
	2x16 Server Console Switch with Virtual Media	AF600A
	PS/2 Virtual Media Interface Adapter, 1 pack	AF604A
	<b>NOTE:</b> Requires PS/2 and one USB port on server.	
	Server Console Switch (KVM), 0 x 1 x 8 port	336044-B21
	Server Console Switch (KVM), 0 x 2 x 16 port	336045-B21
	PS/2 Interface Adapter, 1 pack	262588-B21

PS/2 Interface Adapter, 8 pack 262587-B21  
**NOTE:** Cat5e cables are required to connect Interface Adapters to Console Switches. Cat5e cables can be found at the following URL: <http://www.hp.com/go/kvm>.

HP 1x4 Server Switch	AF611A
PS2 Server Console Cable, 6 ft, 2 pack	AF612A
USB Server Console Cable, 6 ft, 2 pack	AF613A

**NOTE:** For additional information regarding KVM switches, Serial Console servers, rack mount monitors, keyboards and all related options please see the following URL: <http://www.hp.com/go/kvm>.

---

HP Serial Console Server Options	HP 16 Port Serial Console Server	AF101A
	HP 48 Port Serial Console Server	AF102A
	Serial Adapter, RJ45-DB9 DCE Female, 1 Pack	AF103A
	Serial Adapter, RJ45-DB9 DCE Female, 8 Pack	AF110A

**NOTE:** Cat5e cables are required to connect Serial Adapters to Serial Console Servers. Additional Serial Adapters and Cat5e cables can be found at the following URL: <http://www.hp.com/go/kvm>.

**NOTE:** For additional information regarding KVM switches, Serial Console servers, rack mount monitors, keyboards and all related options please see the following URL: <http://www.hp.com/go/kvm>.

### Options

<b>Service and Support Offerings</b> (HP Care Pack Services)	<b>Hardware Services On-site Service</b>	
	4-Hour On-site Service, 5-Day x 13-Hour Coverage, 3 Years, Electronic	U4607E
	4-Hour On-site Service, 7-Day x 24-Hour Coverage, 3 Years, Electronic	U4608E
	<b>Hardware Services 6-Hour Call to Repair On-site Service</b>	
	6-Hour Call to Repair, On-site Service, 7-Day x 24-Hour Coverage, 3 Years, Electronic	U4609E
	<b>Installation &amp; Start-up Services</b>	
	Hardware Installation, Electronic	U4617E
	Installation & Start-Up of a ProLiant server and Microsoft or Linux O/S per the Customer Description and/or Data Sheet. To be delivered on a scheduled basis 8am-5pm, M-F, excl. HP holidays, Electronic	U4618E
	<b>Support Plus</b>	
	Onsite HW support, 8am-9pm, M-F, 4hr response and Microsoft O/S SW Tech support offsite, onsite at HP's discretion, 8am-9pm, M-F 2hr response time excl. HP holidays, Electronic	U4619E
<b>Support Plus 24</b>		
Onsite HW support 24x7, 4hr response and Microsoft O/S SW Tech support offsite, onsite at HP's discretion, 24x7 2hr response time incl. HP holidays, Electronic	U4620E	
Onsite HW support 24x7, 4hr response and SuSE Linux SW Tech support offsite, onsite at HP's discretion, 24x7 2hr response time incl. HP holidays, Electronic	U6316E	
Onsite HW support 24x7, 4hr response and Red Hat AS Linux SW Tech support offsite, onsite at HP's discretion, 24x7 2hr response time incl. HP holidays, Electronic	U9239E	

**NOTE:** For more information, customer/resellers can contact:  
<http://www.hp.com/services/carepack>.

### Memory

**NOTE:** Memory configurations listed do not apply to "Factory Integrated Models."

#### HP ProLiant DL585 G2 2P Models

##### Standard Memory

4 GB PC2-5300 Double Data Rate 2 (DDR2) SDRAM (Registered SDRAM) memory running at 667 MHz or  
2 GB PC2-5300 Double Data Rate 2 (DDR2) SDRAM (Registered SDRAM) memory running at 667 MHz with Advanced ECC

At least one pair of DIMMs must be installed in slots 1A and 2A to operate the server. Observe the following DIMM installation guidelines to add additional memory to the server:

- DIMMs must be installed in pairs.
- DIMM installed on the same memory bank must have the same part number.
- DIMMs installed in different banks can be of different sizes.
- DIMMs must be installed in decreasing capacity with the largest DIMMs installed in the banks furthest away from each processor.
- DIMM banks are active only when the corresponding processor socket is populated.

**NOTE:** If all four banks on a memory node are populated, the maximum memory clock speed will be 533 MHz. If two or fewer banks on a memory node are populated, the maximum memory clock speed will be 667 MHz.

The following memory options are available from HP:

1 GB REG PC2-5300 2 x 512 MB Single Rank Kit	408850-B21
2 GB REG PC2-5300 2 x 1 GB Single Rank Kit	408851-B21
4 GB REG PC2-5300 2 x 2 GB Dual Rank Kit	408853-B21
8 GB REG PC2-5300 2 x 4 GB Dual Rank Kit	408854-B21

Standard Memory Configuration (2.0GHz, 2.2GHz and 2.4GHz models)								
Total Memory = 2 GB								
	1 (Slot furthest from processor)	2	3	4	5	6	7	8 (Slot closest to processor)
Processor 1 Memory Bus	512 MB	512 MB	Empty	Empty	Empty	Empty	Empty	Empty
Processor 2 Memory Bus	512 MB	512 MB	Empty	Empty	Empty	Empty	Empty	Empty
Processor 3 Memory Bus	Empty	Empty	Empty	Empty	Empty	Empty	Empty	Empty
Processor 4 Memory Bus	Empty	Empty	Empty	Empty	Empty	Empty	Empty	Empty
Standard Memory Configuration (2.6GHz model)								
Total Memory = 4 GB								
	1 (Slot furthest from processor)	2	3	4	5	6	7	8 (Slot closest to processor)
Processor 1 Memory Bus	1 GB	1 GB	Empty	Empty	Empty	Empty	Empty	Empty
Processor 2 Memory Bus	1 GB	1 GB	Empty	Empty	Empty	Empty	Empty	Empty
Processor 3 Memory Bus	Empty	Empty	Empty	Empty	Empty	Empty	Empty	Empty
Processor 4 Memory Bus	Empty	Empty	Empty	Empty	Empty	Empty	Empty	Empty

## Memory

Standard Memory Configuration (2.8GHz models)  
Total Memory = 8 GB

	1 (Slot furthest from processor)	2	3	4	5	6	7	8 (Slot closest to processor)
Processor 1 Memory Bus	1 GB	1 GB	Empty	Empty	Empty	Empty	Empty	Empty
Processor 2 Memory Bus	1 GB	1 GB	Empty	Empty	Empty	Empty	Empty	Empty
Processor 3 Memory Bus	1 GB	1 GB	Empty	Empty	Empty	Empty	Empty	Empty
Processor 4 Memory Bus	1 GB	1 GB	Empty	Empty	Empty	Empty	Empty	Empty

Examples of other optional configurations include, but are not limited to:

Example #1: Optional Memory Configuration with DIMM mixing  
Standard Memory plus Optional Memory and Processors  
Total Memory = 34 GB

	1	2	3	4	5	6	7	8
Processor 1 Memory Bus	2 GB	2 GB	1 GB	1 GB	512 MB	512 MB	512 MB	512 MB
Processor 2 Memory Bus	2 GB	2 GB	1 GB	1 GB	512 MB	512 MB	512 MB	512 MB
Processor 3 Memory Bus	2 GB	2 GB	2 GB	2 GB	1 GB	1 GB	512 MB	512 MB
Processor 4 Memory Bus	1 GB	1 GB	1 GB	1 GB	1 GB	1 GB	512 MB	512 MB

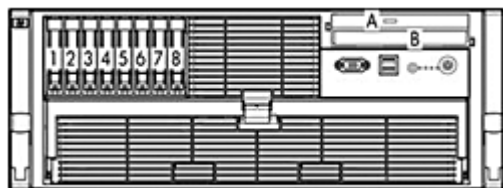
Example #2: Optional Memory Configuration with Partial Bus Population  
Standard Memory plus Optional Memory and Processors  
Total Memory = 8 GB

	1	2	3	4	5	6	7	8
Processor 1 Memory Bus	512 MB	512 MB	512 MB	512 MB	Empty	Empty	Empty	Empty
Processor 2 Memory Bus	512 MB	512 MB	512 MB	512 MB	Empty	Empty	Empty	Empty
Processor 3 Memory Bus	512 MB	512 MB	512 MB	512 MB	Empty	Empty	Empty	Empty
Processor 4 Memory Bus	512 MB	512 MB	512 MB	512 MB	Empty	Empty	Empty	Empty

Example #3: Maximum Memory Configuration  
Maximum Memory (Standard replaced with Optional Memory)  
Total Memory = 128 GB

	1	2	3	4	5	6	7	8
Processor 1 Memory Bus	4 GB	4 GB	4 GB	4 GB	4 GB	4 GB	4 GB	4 GB
Processor 2 Memory Bus	4 GB	4 GB	4 GB	4 GB	4 GB	4 GB	4 GB	4 GB
Processor 3 Memory Bus	4 GB	4 GB	4 GB	4 GB	4 GB	4 GB	4 GB	4 GB
Processor 4 Memory Bus	4 GB	4 GB	4 GB	4 GB	4 GB	4 GB	4 GB	4 GB

### Storage



- A Ejectable: Slimline Diskette or Optical Drive (Optional)
- B Ejectable: Slimline Optical Drive (DVD/CD-RW Standard)
- 1-8 SFF SAS Internal Drive cage

### Drive Support

	Quantity Supported	Position Supported	Controller
<b>Ejectable Slimline Drives</b>			
1.44-MB slimline Diskette Drive	Up to 1	A or B Based on Boot Device Selector Switch	Integrated
IDE slimline CD-ROM Drive	Up to 2	A or B	Integrated IDE
IDE Slimline DVD-ROM Drive (8X/24X)	Up to 2	A or B	Integrated IDE
IDE Slimline CD-RW/DVD-ROM Combo Drive	Up to 2	A or B	Integrated IDE
IDE DVD±R/RW 8X Drive	Up to 2	A or B	Integrated IDE

### Hard Drives

#### SFF SAS – Hot Plug Drives

	Quantity Supported	Position Supported	Controller
146GB 3G SAS 10K SP	Up to 8	1-8	HP Smart Array E500/256MB Controller
72GB 3G SAS 10K SP			HP Smart Array P400/256MB Controller
72GB 3G SAS 15K SP			HP Smart Array P400/512MB BBWC Controller
36GB 3G SAS 15K SP			HP Smart Array P600/256 BBWC Controller
			HP Smart Array P800/512 BBWC Controller

### Storage

#### SFF SATA Hot Plug Entry (ETY) Drives

	Quantity Supported	Position Supported	Controller
120GB 1.5G SATA 5.4K	Up to 8	1-8	HP Smart Array E500/256MB Controller HP Smart Array P400/256MB Controller HP Smart Array P400/512MB BBWC Controller HP Smart Array P600/256 BBWC Controller HP Smart Array P800/512 BBWC Controller

#### SFF SATA Hot Plug

	Quantity Supported	Position Supported	Controller
120GB 1.5G 5.4K	Up to 8	1-8	HP Smart Array E500/256MB Controller HP Smart Array P400/256MB Controller HP Smart Array P400/512MB BBWC Controller HP Smart Array P600/256 BBWC Controller HP Smart Array P800/512 BBWC Controller

#### External Storage

	Quantity Supported	Position Supported	Host Controller or Adapter
Modular Smart Array 30 Family	Up to 13	External	Smart Array 6402/128 Controller Smart Array 6404/256 Controller Smart Array 642 Controller
Modular Smart Array 50 Enclosure	2 per connector (supports 1+1 cascading)	External	HP Smart Array P600/256 BBWC Controller

#### Maximum Storage Capacity – (External Enclosures Attached)

Internal	1.168TB (8 x 146 GB SFF SAS Drives)
External	504TB (56 MSA60 enclosures @ 12 drives per enclosure x 750 GB SATA Drives)

#### Tape and Disk-Based Backup

**NOTE:** For an up-to-date listing of the latest O/S Support details for each of the Tape Drives listed below, please see the following: [http://h18000.www1.hp.com/products/quickspecs/north\\_america/10233.html](http://h18000.www1.hp.com/products/quickspecs/north_america/10233.html)

**NOTE:** For an up-to-date listing of the latest O/S Support details for each of the Tape Autoloaders and Tape Libraries listed below, please see the following: [http://h18000.www1.hp.com/products/quickspecs/north\\_america/10809.html](http://h18000.www1.hp.com/products/quickspecs/north_america/10809.html)

**NOTE:** For complete listing of tape drive offerings see: <http://www.hp.com/products1/storage/compatibility/tapebackup/ISS/index.html>

**NOTE:** SAS Tape Drives: Connecting hard drive cage and SAS tape to the same SAS Controller using split cable (supplied with tape drive) deactivates 1 of the hard drive bays. Actual hard drive bay deactivated depends on where split cable plugs into SAS drive connector. Example: 3x SAS cable connector plugged into SAS drive connector (5-8) on the back of the hard drive cage would mean drive bay 8 is deactivated.

### Storage

	Position Supported	Controller	Controller Part Number
<b>HP StorageWorks SCSI Tape Drives, External</b> LTO-1 Ultrium 232 LTO-2 Ultrium 448 LTO-3 Ultrium 960 LTO-3 Ultrium 920 LTO-4 Ultrium 1760 LTO-4 Ultrium 1840 DAT 40 DAT 72 DAT 160 DLT VS160 SDLT 600 1U Rack-Mount Kit 3U Rack-Mount Kit	External	HP SC11Xe Host Bus Adapter	412911-B21
<b>HP StorageWorks USB Tape Drives, External</b> DAT 40 USB DAT 72 USB DAT 160 USB 1U Rack-Mount Kit	External	USB 2.0 Port	N/A
<b>HP StorageWorks SAS Tape Drives, External</b> DAT 160 SAS LTO-2 Ultrium 448 SAS LTO-3 Ultrium 920 SAS LTO-4 Ultrium 1760 SAS LTO-4 Ultrium 1840 SAS 1U Rack-Mount Kit 3U Rack-Mount Kit	External	HP SC44Ge Host Bus Adapter	416096-B21
<b>HP StorageWorks SCSI Tape Automation, External</b> DAT 72x10 Autoloader 1/8 G2 Autoloader MSL2024 MSL4048 MSL8096 MSL6000	External	HP SC11Xe Host Bus Adapter  HP U320e SCSI Host Bus Adapter <b>NOTE:</b> Recommended for MSL tape libraries.	412911-B21  AH627A
<b>HP StorageWorks SAS Tape Automation, External</b> 1/8 G2 Autoloader MSL2024	External	HP SC44Ge Host Bus Adapter <b>NOTE:</b> Please visit <a href="http://www.hp.com/go/connect">http://www.hp.com/go/connect</a> for details about minimum SAS controller firmware version and SAS cabling requirements.	416096-B21



### Storage

MSL4048  
MSL8096

<b>HP StorageWorks Fibre Tape Automation, External</b>	External	Please consult the EBS connectivity matrix at <a href="http://www.hp.com/go/ebs">http://www.hp.com/go/ebs</a> for detailed connectivity information.	N/A
--	----------	--	-----

MSL2024  
MSL4048  
MSL8096  
MSL6000

<b>HP StorageWorks RDX Removable Disk Backup System, External</b>	External	USB 2.0 Port	N/A
---	----------	--------------	-----

RDX160  
RDX320

<b>HP StorageWorks D2D Backup Systems</b>	External	Embedded Network Controller	N/A
---	----------	-----------------------------	-----

D2D120  
D2D130  
D2D2503i  
D2D4004i



### Power Specifications

Part number	348114-001
Operational Input Voltage Range (Vrms)	90 to 264
Frequency Range (Nominal) (Hz)	47 to 63 (50/60)

Nominal Input Voltage (Vrms)	100	115	208	220	230	240
Max Rated Output Wattage Rating	910	910	1300	1300	1300	1300
Nominal Input Current (A rms)	11.9	10.2	7.7	7.3	6.9	6.6
Max Rated Input Wattage Rating (Watts)	1163	1148	1566	1566	1548	1548
Max. Rated VA (Volt-Amp)	1186	1172	1598	1598	1579	1579
Efficiency (%)	80	81	83	83	84	84
Power Factor	0.98		0.98			
Leakage Current (mA)	0.43	0.50	0.90	0.96	1.00	1.04
Max. Inrush Current (A peak)	100	100	100	100	100	100
Max. Inrush Current duration (mS)	10					

**NOTE:** – To review typical system power ratings use the Active Answers Power Calculator which is available via the online tool located at url: <http://h30099.www3.hp.com/configurator/powercalcs.asp>

To drill down to calculators:

- Click on: "ProLiant Servers"
- Click on the Server of interest. Example: DL585 G2
- Click on: "Power Calculator" link. (You may need to scroll down to see it)
- There are certain Dual-core, lowline, max configurations that are not supported. All highline configurations are supported. Consult the Power Calculator to determine if your lowline configuration is supported.

Standard Rack Model	Description
Power Cords / Jumper Cords	IEC320-C14 to IEC320-C19 Jumper Cord

Optional Country Power Cords and Jumper Cords	Description	Option Kit Part Number
	Nema 5-15P to IEC320-C19	235603-001
	Nema 6-20P to IEC320-C19	235604-001
	Nema L6-20P to IEC320-C19, 20A, 250V	340653-001
	IEC320-C19 to IEC320-C14 Jumper (10A, IEC, 6 ft/2.0m)	313227-B21
	IEC320-C19 to IEC320-C14 Jumper (10A, IEC, 8 ft/2.5m)	291034-B21
	IEC320-C19 to IEC320-C14 Jumper (10A, IEC, 10 ft/3.0m)	310927-B21
	IEC320-C19 to IEC320-C14 Jumper (10A, IEC, 12ft/3.7m)	313228-B21
	IEC320-C19 to IEC320-C20 Jumper (16A, IEC, 8ft/2.5m)	295633-B22

### Technical Specifications

<b>System Unit</b>	<b>Dimensions</b> (H x W x D) (with bezel)	6.94 x 19 x 26.5 in (17.6 x 48.3 x 67.3 cm)	
	<b>Weight</b> (approximate)	Maximum	95 lb (43 kg)
		(all hard drives, power supplies, and processors installed)	
	<b>Input Requirements</b> (per power supply)	Minimum	79 lb (36 kg)
		(one hard drive, power supply, and processor installed)	
		Rated Line Voltage	90 - 132 VAC, 180 - 264 VAC
		Rated Input Current	12 A (at 100 VAC), 8 A (at 200 VAC)
	<b>BTU Rating</b>	Rated Input Frequency	47 to 63 Hz
		Rated Input Power	1161 W (at 100 VAC), 1598 W (at 200 VAC)
		Maximum	3985 BTU/hr (at 100 VAC), 5457 BTU/hr (at 200 VAC)
<b>Power Specifications</b>	To review typical system power ratings use the Power Calculator which is available via the online tool located at URL: <a href="http://h30099.www3.hp.com/configurator/powercalcs.asp">http://h30099.www3.hp.com/configurator/powercalcs.asp</a>		
		<ul style="list-style-type: none"> <li>● Click on the system of interest. Example: DL585 G2</li> <li>● Follow the instructions of the next screens</li> </ul>	
<b>Power Supply Output</b> (per power supply)	Rated Steady-State Power	910 W (at 100 VAC), 1300 W (at 200 VAC)	
	Maximum Peak Power	960 W (at 100 VAC), 1420 W (at 200 VAC)	
<b>System Inlet Temperature</b>	Operating	10° to 35°C (50° to 95°F) at sea level with an altitude derating of 1.0°C per every 305 m (1.8°F per every 1000 ft) above sea level to a maximum of 3050 m (10,000 ft), no direct sustained sunlight. Maximum rate of change is 10°C/hr (18°F/hr). The upper limit may be limited by the type and number of options installed. System performance may be reduced if operating with a fan fault or above 30°C (86°F).	
	Non-operating	-30° to 60°C (-22° to 140°F). Maximum rate of change is 20°C/hr (36°F/hr).	
<b>Relative Humidity</b> (non-condensing)	Operating	10 to 90% relative humidity (Rh), 28°C (82.4°F) maximum wet bulb temperature, non-condensing.	
	Non-operating	5 to 95% relative humidity (Rh), 38.7°C (101.7°F) maximum wet bulb temperature, non-condensing.	

### Technical Specifications

<b>Altitude</b>	Operating	3050 m (10,000 ft). This value may be limited by the type and number of options installed. Maximum allowable altitude change rate is 457 m/min (1500 ft/min).
	Non-operating	9144 m (30,000 ft). Maximum allowable altitude change rate is 457 m/min (1500 ft/min).
<b>Acoustic Noise</b>	Listed are the declared A-Weighted sound power levels (LWAd) and declared average bystander position A-Weighted sound pressure levels (LpAm) when the product is operating in a 23°C ambient environment. Noise emissions were measured in accordance with ISO 7779 (ECMA 74) and declared in accordance with ISO 9296 (ECMA 109).	
	Idle	
	L WAd	7.7 B
	L pAm	58 dBA
	Operating	
L WAd	7.7 B	
L pAm	58 dBA	

<b>24X Max (or higher) IDE CD-ROM Drive Slim Line</b>	<b>Disk</b>	Applicable Disk	CD-DA, CD-ROM (Mode 1 and 2) CD-XA, CD-I (Mode 2, Form 1 and 2) Photo CD (Single and Multi-session) Mixed Mode (Audio and Data combined)
		Capacity	540 MB (Mode 1, 12 cm) 650 MB (Mode 2, 12 cm)
		Diameter	4.7 x 3.15 in (12 x 8 cm)
		Rotational Speed	4200 rpm maximum
		Center Hole	0.6 in/15 mm diameter
		Thickness	1.2 mm
		Track Pitch	1.6 μm
	<b>Block Size</b>	Mode 1	2,048
		Mode 2	2,340, 2,336, 1,024 bytes
		CD-DA	2,352 bytes
		CD-XA	2,328 bytes
	<b>Interface</b>	IDE (ATAPI)	
	<b>Access Times (typical)</b>	Random	100 ms
		Full-Stroke	2000 ms
	<b>Audio Output Level</b>	Line-Out	0.7 Vrms at 47 kOhms
		Headphone	0.6 Vrms at 32 kOhms (maximum volume)
<b>Data Transfer Rate</b>	Sustained	150 KB/s (sustained 1X)	
	Burst	2100 to 3600 KB/s	
<b>Cache Buffer</b>	128 KB		
<b>Start-up Time (typical)</b>	< 7seconds		

### Technical Specifications

<b>Stop Time</b>	< 4seconds	
<b>Laser Parameters</b>	Type	Semiconductor Laser GaAlAs
	Wave Length	780 ± 25 nm
	Divergence Angle	53.5° ± 1.5°
	Output Power	0.14 mW
<b>Operating Conditions</b>	Temperature	41° to 113° F (5° to 45° C)
	Humidity	10% to 80%
<b>Dimensions</b>	(HxWxD, maximum)	1.69 x 5.75 x 8.19 in (4.29 x 15 x 20.8 cm)
	Weight	2.66 lb (1.2 kg)

<b>Slimline CD-RW/DVD-ROM 24X Combo Drive</b>	<b>Shipping Dimensions</b>	13.88 x 11.38 x 9.25 in (35.26 x 28.91 x 23.50 cm)			
	<b>Shipping Weight</b>	5 lb (2.27 kg)			
<b>Disk</b>	<b>Applicable Disk</b>	DVD-ROM			
		DVD-R (Read Only)			
		2.6 GB/side DVD-RAM (Read Only)			
		5.2 GB/side DVD-RAM (Read Only)			
		CD-ROM Mode-1 data disc			
		CD-ROM Mode-2 data disc			
		CD Audio disc			
		CD-Extra			
		CD-RW			
		CD-R			
		CD Text			
		PhotoCD			
<b>Capacity</b>	<b>Block Size</b>	<b>DVD-ROM</b>	DVD-SL	4.7 GB/side	
			DVD-DL	8.5 GB/side	
			Double Sided	9.40 GB/side	
			<b>DVD-R</b>	3.95 GB/side	
				2.6 GB/side and 5.2 GB/	
			<b>DVD-RAM</b>	2.6 GB/side and 5.2 GB/	
				Mode-1	650 MB (550 MB)
			<b>CD-ROM</b>	Mode-2	742 MB (640 MB)
				2,048 bytes	
			<b>DVD</b>	2,352 (Mode-0)	
				2352, 2340, 2336, 2048 bytes	
				(Mode-1)	

### Technical Specifications

			2352, 2340, 2336, 2048 bytes (Mode-2)
	Diameter	120 mm, 80 mm (with adapter at vertical mounting mode)	
<b>Loading Mechanism</b>	Tray type		
<b>Interface</b>	EIDE (ATAPI)		
<b>Access Times</b> (typical)	Random	DVD-ROM < 120 ms, CD-ROM < 110 ms	
	Full-Stroke	DVD-ROM < 240 ms, CD-ROM < 160 ms	
<b>Audio Output Level</b> (typical)	Line-out	CD 0.7 Vrms at 47 Kohms Load	
<b>Data Transfer Rate</b> (sustained)	DVD-ROM	Single Layer	10.8 MB/sec. Max.
	DVD-RAM	2.77 MB/sec. Max	
	CD-ROM	7.2 MB/sec. Max.	
<b>Cache Buffer</b>	2 MB		
<b>Spin-up Time</b> (typical)	less than 10 seconds		
<b>MTBF</b>	120,000 Power On Hours (POH)		
<b>Ambient Temperature</b>	Operating	-22° to 140° F (-30° to 60° C)	
<b>Relative Humidity</b>	Operating	10% to 80%	
	Storage/Transportation	5% to 95%	
<b>Dimensions</b>	(HxWxD, maximum)	0.5 x 5.04 x 5.1 in (12.7 x 128 x 129.4 mm)	
<b>Option Kit Contents</b>	DVD-ROM drive with installation guide, warranty card, registration card		

### Integrated Lights-Out 2 Standard (integrated on system board)

<b>Architecture</b>	32-bit PCI-based health and remote management ASIC (Application Specific Integrated Circuit)
<b>Processor</b>	32-bit RISC processor core running at 66 MHz
<b>Upgradeability</b>	Option firmware upgradeable via flash ROM
<b>Video Support</b>	Utilizes the host server's embedded video chip. Supports VGA/SVGA, 640 x 480 (256 to 16.7M colors), 800 x 600 (256 to 16.7M colors), 1024 x 768 (256 to 65K colors), 1280 x 1024 (256 colors)
<b>Interfaces</b>	One Ethernet network connection (10/100 Mb/s)
<b>Memory</b>	2-MB Flash ROM
	8-MB SDRAM
<b>Operating System Support</b>	Windows 2000 Server
	Windows 2000 Advanced Server
	Red Hat 7.x
	SuSE 7.0
<b>Client Browser Support</b>	Microsoft Internet Explorer 5.5 or later.
<b>iLO 2 Standard Features</b>	Virtual Text Remote Console
	Virtual KVM
	Virtual Power Button Control
	Virtual UID Control

### Technical Specifications

	Power Regulator Control
	Dedicated LAN Connectivity
	Secure access using web browser
	Secure access using Secure Shell (SSH) client
	Serial connectivity
	Automatic IP Configuration via DHCP/DNS/WINS
	Industry Standard 128-bit Secure Sockets Layer (SSL) Security
	IML and iLO2 Event Logging
	Support for up to 12 user accounts with customizable access privileges
<b>iLO Advanced Features</b> (optional)	Virtual Graphical Remote Console
	Virtual Floppy/USB Key drive
	Virtual CD-ROM drive
	Directory Services Integration
	Processor States Reporting
	Terminal Services Integration

---

<b>Smart Array P400 Controller</b>	<b>Disk Drive and Enclosure Interface</b>	3G SAS (Serial Attached SCSI) 1.5G SATA (Serial Advanced Technology Attachment)
	<b>SAS Connectors</b>	2 internal (SFF8484) x4 wide port connectors
	<b>Cache Memory Speed</b>	DDR2-533MHz with 40 or 72-bit wide bus provides up to 4.2 GB/s maximum bandwidth.
	<b>Server Interface</b>	x8 2.5G PCIe provides 2GB/s maximum bandwidth.
	<b>SAS Speed</b>	x8 3G SAS provides 2.4GB/s maximum bandwidth.
	<b>Cache Memory</b>	40-bit 256MB cache (72-bit 512MB module upgrades available); ECC protection, battery-backed, and transportable
	<b>Logical Drives Supported</b>	Up to 32 logical drives
	<b>Maximum Logical Drive Capacity</b>	2TB
	<b>Host Memory Addressing</b>	64-bit, supporting greater than 4GB server memory space
	<b>RAID Support</b>	RAID 6 with ADG (Advanced Data Guarding) requires Battery Backed Write Cache Upgrade RAID 5 (Distributed Data Guarding) RAID 1, 1+0 (Striping & Mirroring) RAID 0 (Striping)
	<b>Upgradeable Firmware</b>	Upgradeable Firmware with recovery ROM feature

---

### Technical Specifications

Two embedded NC371i Multifunction Gigabit Server Adapters	<b>Network Interface</b>	10/100/1000-T		
	<b>Compatibility</b>	IEEE 802.3 10Base-T		
		IEEE 802.3ab 1000Base-T		
		IEEE 802.3u 100Base-TX		
	<b>Data Transfer Method</b>	PCI Express, four lanes (x4)		
	<b>Network Transfer Rate</b>	10Base-T (Half-Duplex)	10 Mb/s	
		10Base-T (Full-Duplex)	20 Mb/s	
		100Base-TX (Half-Duplex)	100 Mb/s	
		100Base-TX (Full-Duplex)	200 Mb/s	
		1000Base-TX (Half and Full-Duplex)	2000 Mb/s	
<b>Connector</b>	RJ-45			
<b>Cable Support</b>	10Base-T	Categories 3, 4, or 5 UTP; up to 328 ft (100 m)		
	10/100/1000 Base-TX	Category 5 UTP up to 328 ft (100 m)		

**Environment-friendly Products and Approach**      **End-of-life Management and Recycling**      Hewlett-Packard offers end-of-life HP product return, trade-in, and recycling programs in many geographic areas. For trade-in information, please go to: <http://www.hp.com/go/green>. To recycle your product, please go to: <http://www.hp.com/go/green> or contact your nearest HP sales office. Products returned to HP will be recycled, recovered or disposed of in a responsible manner.

The EU WEEE directive (2002/95/EC) requires manufacturers to provide treatment information for each product type for use by treatment facilities. This information (product disassembly instructions) is posted on the Hewlett Packard web site at: <http://www.hp.com/go/green>. These instructions may be used by recyclers and other WEEE treatment facilities as well as HP OEM customers who integrate and re-sell HP equipment.

© Copyright 2008 Hewlett-Packard Development Company, L.P.

The information contained herein is subject to change without notice.  
Microsoft and Windows are US registered trademarks of Microsoft Corporation.

AMD, the AMD Arrow logo, AMD Opteron™, and combinations thereof, are trademarks of Advanced Micro Devices, Inc.

Unix is a registered trademark of The Open Group.

The only warranties for HP products and services are set forth in the express warranty statements accompanying such products and services. Nothing herein should be construed as constituting an additional warranty. HP shall not be liable for technical or editorial errors or omissions contained herein.

For hard drives, 1GB = 1 billion bytes. Actual formatted capacity is less.