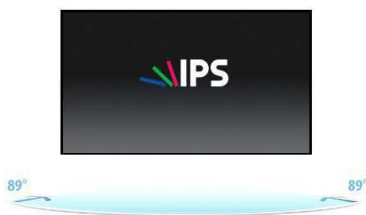




ProLite LE3240S - a 32" Full HD professional large format display with USB media playback

ProLite LE3240S is a 32" Full HD, professional and fan-less LED-backlit display. Incorporating the latest Commercial Grade IPS panel technology, the display guarantees great viewing from all angles, high brightness and exceptional colour clarity. A wide range of video and audio inputs ensures compatibility with multiple platforms. ProLite LE3240S is prepared for easy installation using the VESA wall mount. This display will suit a massive range of applications including public signage, retail, exhibitions and conference centres, POS/POI, control rooms and production facilities.



IPS

IPS technology offers higher contrast, darker blacks and much better viewing angles than standard TN technology. The screen will look good no matter what angle you look at it.



USB PLAYBACK

The monitor supports playback of presentations, video and almost any type of content stored on the USB device or internal memory.

1. DISPLAY CHARACTERISTICS

DIAGONAL	31.5"; 80cm
ASPECT RATIO	16 : 9

PANEL	IPS Direct LED, matte finish
NATIVE RESOLUTION	Full HD 1080p, 1920 x 1080 (2.1 megapixel)
BRIGHTNESS	350 cd/m ² typical
CONTRAST	1 400 : 1 typical
RESPONSE TIME	8 ms
VIEWING ZONE	horizontal/vertical: 178° / 178° ; right/left: 89° / 89° ; up/down: 89° / 89°
DISPLAY COLOUR	16.7 million
PIXEL PITCH H X V	0.364 x 0.364 mm
HORIZONTAL SYNC	30 - 83 KHz
VERTICAL SYNC	50 - 76 Hz
SYNCHRONIZATION	Separate Sync
MAX. NON-STOP OPERATING TIME	12 hours/day

2. INTERFACES & CONNECTORS

HDCP	yes;
VIDEO IN	VGA, DVI, HDMI, Comp. (RCA)
VIDEO OUT	Comp. (RCA)
AUDION IN	RCA (L/R), MiniJack
AUDIO OUT	RCA (L/R), speakers
CONTROLS	RS232C (IN/OUT), RJ45 (LAN), IR (IN/OUT)
USB MEDIA PLAYER	yes
INPUTS	USB 2.0 (media playback / peripherals)

3. FEATURES

PLUG & PLAY	VESA DDC2B™
CONTROLS	On-Screen-Display in 9 languages (EN, FR, IT, ES, NL, DE, PL, RU, CZ) controlled by back controls or a remote control
USER CONTROLS	picture (picture mode, reset, backlight, contrast, brightness, hue, colour, sharpness, advanced, format and edges), sound (sound mode, reset, bass, treble, Audio out, advanced), general settings (language, monitor ID, ECO mode, auto search, clock, scheduling, sleep timer, auto switch off, auto adjust, pixel shift, control settings, opening logo, factory settings), network settings (view network settings, network settings, static IP configuration, digital media renderer, wake on LAN, network name)
SPEAKERS	2 x 10 W (Stereo)
REGULATIONS	CE, CB, TÜV-Bauart, CU
VESA MOUNTING	100 x 100, 200 x 200 mm
COLOUR	Black
EXTERNAL CONTROLS	remote control
ORIENTATION	landscape
FANLESS DESIGN	yes

4. ACCESSORIES

INCLUDED ACCESSORIES	power cable, VGA signal cable, DVI signal cable, RS-232C signal cable, remote control, quick start guide, safety guide
----------------------	--

5. POWER MANAGEMENT

POWER SUPPLY	AC 100 - 240 V, 50 / 60 Hz
POWER SUPPLY UNIT	internal
POWER USAGE	42 W typical; max. 0.5 W in Power management mode
POWER MANAGEMENT	VESA DPMS

6. EU ENERGY EFFICIENCY LABEL

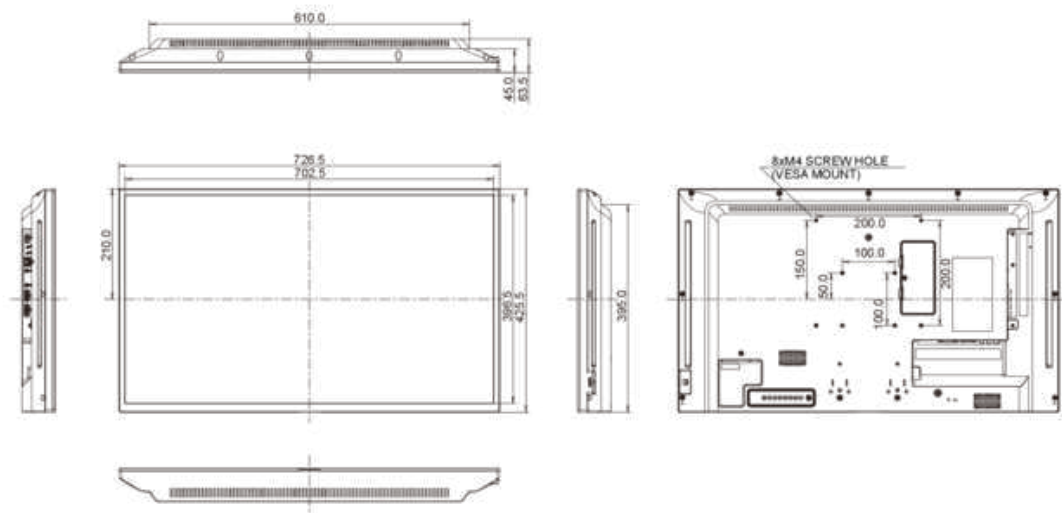
ENERGY EFFICIENCY CLASS	B
-------------------------	---

This is information under Regulation (EU) No 1062/2010.

**Based on the power consumption of the television operating 4 hours per day for 365 days. The actual energy consumption will depend on how the television is used.*

7. DIMENSIONS & WEIGHT

DIMENSIONS W X H X D	726.5 x 425.2 x 63.5 mm
WEIGHT	5.2 kg



All trademarks and registered trademarks acknowledged. E & O E. Specification subject to change without notice. All LCD's comply with ISO-9241-307:2008 in connection with pixel defects.



40" 4K monitor with high contrast, MVA panel and robust metal bezel

The ProLite LE4041UHS is an excellent 4K (3840 x 2160) monitor, offering a gigantic viewable area with 4 times more information and work space than a Full HD screen. Due to the high DPI (dots per inch) the monitor displays an incredibly sharp and crisp image. The VA panel technology offers exceptional colour performance, high contrast (5000:1) and wide viewing angles. The display supports PIP function, which allows users to watch images coming from different sources. The OSD can be controlled with both control buttons and an included remote control. The ProLite LE4041UHS suits a massive range of applications including public signage, retail, photographic and web design, and gaming.



4K

UHD resolution (3840x2160), better known as 4K, offers a gigantic viewable area with 4 times more information and work space than a Full HD screen. Due to the high DPI (dots per inch), it displays an incredibly sharp and crisp image.



MVA

MVA technology offers higher contrast, darker blacks and much better viewing angles than standard TN technology. The screen will look good no matter what angle you look at it.

1. DISPLAY CHARACTERISTICS

DIAGONAL	39.5"; 100.3cm
PANEL	MVA LED-Backlit
DISPLAY AREA H X W	485.35 x 878.11 mm; 19.1" x 34.6"
RESPONSE TIME	4 ms
CONTRAST	5000 : 1 typical
CONTRAST	12 000 000 : 1 ACR
BRIGHTNESS	350 cd/m ² typical
VIEWING ZONE	horizontal/vertical: 178° / 178° ; right/left: 89° / 89° ; up/down: 89° / 89°
PIXEL PITCH H X V	0.229 x 0.225 mm
NATIVE RESOLUTION	4K 3840 x 2160 (8.3 megapixel)
RESOLUTIONS	VGA (max. 1920 x1080), DVI-D (max. 3840x2160 @30Hz, max. 2560 x1440 @60Hz), HDMI (max. 3840 x 2160 @30Hz, max. 2560 x1440 @60Hz), DP v1.2 (max. 3840 x 2160 @60Hz)
HORIZONTAL SYNC	30 - 135 KHz
VERTICAL SYNC	24 - 75 Hz
SYNCHRONIZATION	Separate Sync
ASPECT RATIO	16 : 9
DISPLAY COLOURS	1,07G colours (10-bit)
PIP (PICTURE IN PICTURE)	PiP, PbP
MAX. NON-STOP OPERATING TIME	12 hours/day

2. INTERFACES & CONNECTORS

ANALOG INPUT CONNECTOR	VGA
DIGITAL INPUT CONNECTOR	DVI-D, 2xHDMI, DisplayPort
AUDIO-SIGNAL-INPUT	mini Jack
HEADPHONE CONNECTOR	Yes
OUTPUT CONNECTOR	Audio, RS232C, DP
INPUTS	RS232C

3. SPECIAL FEATURES

PLUG & PLAY	VESA DDC2B™
CONTROLS	On-Screen-Display in 10 languages (EN, FR, DE, PL, NL, CZ, IT, RU, JP, Chinese (simplified and traditional)) controlled by side controls or a remote control.
USER CONTROLS	input select, picture (picture format, contrast, brightness, sharpness, OD, ACR, ECO mode), PiP/PbP (PiP/PbP mode, sub win inputs, PiP size, PiP position, swap), audio (volume, mute, audio input), colour, language, OSD setting (OSD H. position, OSD V. position, OSD background, OSD time out, opening logo, OSD rotate, monitor ID), setup menu (auto image adjust, H. position, V. position, phase, clock, DisplayPort, blue light reducer, scheduling, memory recall, information)
SPEAKERS	2 x 6 W (Stereo)

SAFETY	CE, TÜV-Bauart, CU, VCCI-B, PSE
VESA MOUNTING	200:400 x mm
COLOUR	Black
EXTERNAL CONTROLS	yes
ORIENTATION	landscape

4. ACCESSORIES

DRIVER	Windows XP / Vista / 7 / 8
INCLUDED ACCESSORIES	2 power cables, VGA signal cable, DVI-D signal cable, HDMI cable, mDP-DP cable, RS232C cable, audio cable, remote control, quick start guide, safety guide

5. POWER MANAGEMENT

POWER SUPPLY	AC 100 - 240 V, 50 / 60 Hz
POWER SUPPLY UNIT	internal
POWER USAGE	61 W typical; max. W in Power management mode
POWER MANAGEMENT	VESA DPMS

6. EU ENERGY EFFICIENCY LABEL

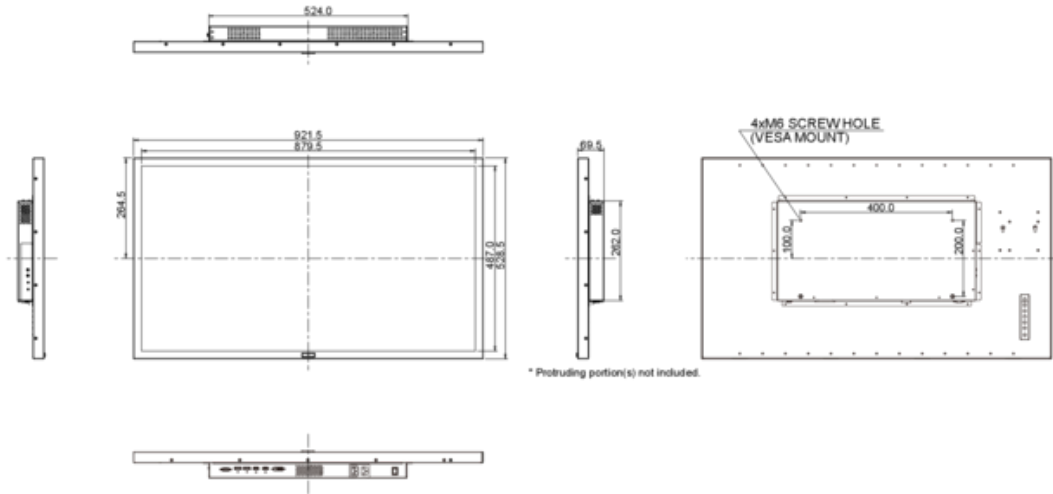
ENERGY EFFICIENCY CLASS	B
ON MODE POWER CONSUMPTION	64.4W
ANNUAL ENERGY CONSUMPTION	94 kWh/annum*
VISIBLE SCREEN DIAGONAL	100 cm; 39.5"; (40" segment)

This is information under Regulation (EU) No 1062/2010.

**Based on the power consumption of the television operating 4 hours per day for 365 days. The actual energy consumption will depend on how the television is used.*

7. DIMENSIONS & WEIGHT

DIMENSIONS W X H X D	921.5 x 528.5 x 69.5 mm
WEIGHT	15.6 kg



All trademarks and registered trademarks acknowledged. E & O E. Specification subject to change without notice. All LCD's comply with ISO-9241-307:2008 in connection with pixel defects.

© IIYAMA CORPORATION (). ALL RIGHTS RESERVED.



42" large format display, 24/7 operation and OPS PC slot

The professional appearance of the ProLite LH4281S incorporates a slim design featuring a sleek bezel. Featuring IPS panel technology this elegant display ensures exceptional colour accuracy and vivid, life-like quality from all angles. The LED-backlit technology guarantees low power consumption and reliable long-term operation. Built in expansion slot supports the Open Pluggable Specification (OPS) standard; it simplifies the installation of a plug-in PC for digital signage applications. Landscape and Portrait friendly, ProLite LH4281S is designed for a continues operation. Perfect for true impact in Digital Signage and an ideal solution for a video wall set-up.



IPS

IPS technology offers higher contrast, darker blacks and much better viewing angles than standard TN technology. The screen will look good no matter what angle you look at it.



OPS PC SLOT

Built in expansion slot supports the Open Pluggable Specification (OPS) standard; it simplifies the installation of a plug-in PC for digital signage applications.

1. DISPLAY CHARACTERISTICS

DIAGONAL	41.9"; 106.5cm
PANEL	IPS LED
DISPLAY AREA H X W	521.96 x 927.94 mm; 20.5" x 36.5"
RESPONSE TIME	8 ms
CONTRAST	1 300 : 1 typical
BRIGHTNESS	500 cd/m ² typical
VIEWING ZONE	horizontal/vertical: 178° / 178° ; right/left: 89° / 89° ; up/down: 89° / 89°
PIXEL PITCH H X V	0.4833 x 0.4833 mm
NATIVE RESOLUTION	Full HD 1080p, 1920 x 1080 (2.1 megapixel)
HORIZONTAL SYNC	30 - 83 KHz
VERTICAL SYNC	50 - 76 Hz
SYNCHRONIZATION	Separate Sync
ASPECT RATIO	16 : 9
DISPLAY COLOURS	1.07 billion
MAX. NON-STOP OPERATING TIME	24 hours/day

2. INTERFACES & CONNECTORS

HDCP	yes;
EXPANSION SOLUTION	OPS slot
VIDEO IN	VGA, DVI-D, 2xHDMI, DisplayPort, Component Video
VIDEO OUT	DVI-D, DisplayPort 1.2 (daisy-chain function)
AUDION IN	RCA (L/R), mini Jack
AUDIO OUT	RCA (L/R), mini Jack, speakers
CONTROLS	LAN RJ-45, RS232, IR Extender

3. SPECIAL FEATURES

PLUG & PLAY	VESA DDC2B™
CONTROLS	On-Screen-Display in 14 languages (EN, DE, NL, FR, IT, ES, RU, PL, CZ, TU, Chinese, PT, Arabic, JP) controlled by back controls or a remote control
USER CONTROLS	picture (picture style, restore style, backlight, colour, sharpness, noise reduction, MPEG artifact reduction, digital crystal clear, advanced, game or computer, format and edges) sound (sound style, restore style, bass, treble, balance, surround mode, audio out, advanced) tiling (enable, H. monitors, V. monitors, position, frame comp.) general settings (menu language, monitor ID, auto search, clock, scheduling, sleep timer, easylink, auto adjust, local KB lock, RC lock, pixel shift, smart power, wake on lan, switch on state, LED, switch delay, logo, APM, information OSD, displayport ver. network control port, factory settings) network settings (view network settings, network configuration, static IP configuration, digital media renderer-DMR, network name)
SPEAKERS	2 x 10 W (Stereo)
SAFETY	CB, CE, CU, TÜV-Bauart

VESA MOUNTING	200 x 200 mm
COLOUR	Black
EXTERNAL CONTROLS	yes
ORIENTATION	landscape / portait
FANLESS DESIGN	yes
METAL BEZEL	yes

4. ACCESSORIES

INCLUDED ACCESSORIES	power cable, DVI-D signal cable, HDMI signal cable, mDP-DP signal cable, DisplayPort signal cable, RS232C cable, remote control, 2x battery, POP-label, EU Energy label, iiyama logo sticker, quick start guide, safety guide
----------------------	---

5. POWER MANAGEMENT

POWER SUPPLY	AC 100 - 240 V, 50 / 60 Hz, 2.5A
POWER SUPPLY UNIT	internal
POWER USAGE	110 W typical; max. 0.5 W in Power management mode
POWER MANAGEMENT	VESA DPMS

6. EU ENERGY EFFICIENCY LABEL

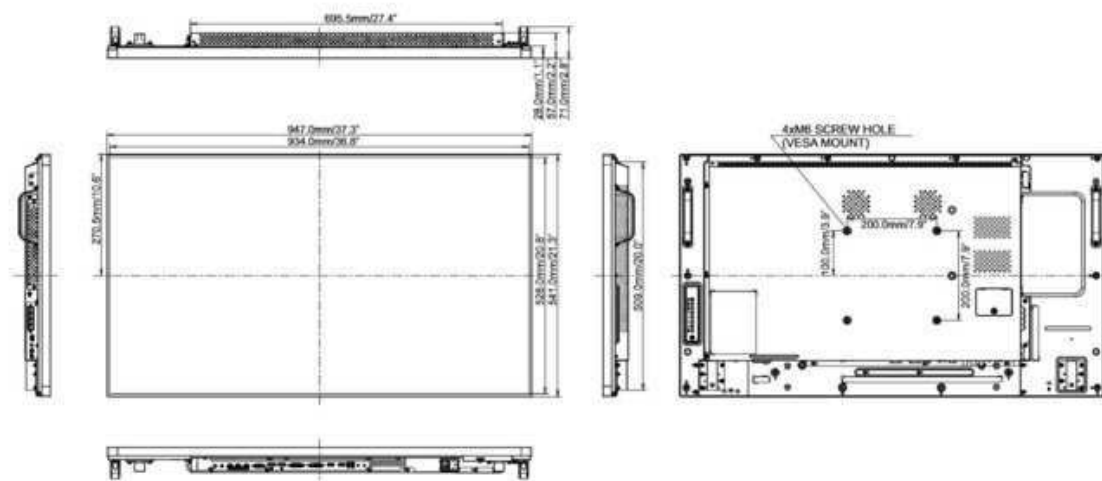
ENERGY EFFICIENCY CLASS	C
-------------------------	---

This is information under Regulation (EU) No 1062/2010.

**Based on the power consumption of the television operating 4 hours per day for 365 days. The actual energy consumption will depend on how the television is used.*

7. DIMENSIONS & WEIGHT

DIMENSIONS W X H X D	947 x 541 x 71 mm
WEIGHT	15.3 kg



All trademarks and registered trademarks acknowledged. E & O E. Specification subject to change without notice. All LCD's comply with ISO-9241-307:2008 in connection with pixel defects.



ProLite LH4264S-B1

ProLite LH4264S - a 42" Full HD professional large format display

Incorporating IPS panel technology the LH4264S guarantees great viewing from all angles, high brightness and exceptional colour clarity. It features an ambient light sensor delivering exceptional performance with the added benefit of saving on power. Features include PIP and PBP perfect for Video Conferencing or handing multi-input content in many environments. Landscape and Portrait friendly, the display can be mounted according to the application for true impact in Digital Signage.

DISPLAY CHARACTERISTICS

Diagonal	42"; 106.5 cm
Panel	IPS, LED-Backlit
Display area h x w	522 x 927.9 mm; 20.6" x 36.5"
Response time	9 ms
Static contrast	1 000 : 1 typical
Brightness	400 cd/m ² typical
Viewing zone	horizontal/vertical: 178° / 178°; right/left: 89° / 89°; up/down: 89° / 89°
Display colour	16.7 million
Pixel pitch h x v	0.4833 x 0.4833 mm
Native resolution	Full HD 1080p, 1920 x 1080 (2.1 megapixel)
Horizontal sync	30 - 83 KHz
Vertical sync	50 - 76 Hz
Synchronization	Separate Sync
Aspect ratio	16 : 9
PIP (Picture in Picture)	PIP, PBP
Max. non-stop operating time	18 hours/day (IRFM on)

POWER MANAGEMENT

Power supply	AC 100 - 240 V, 50 / 60 Hz
Power Supply Unit	internal
Power usage	119 W typical; max. 0.5 W in Power management mode
Power management	VESA DPMS

EU ENERGY EFFICIENCY LABEL

Energy efficiency class	C
On Mode Power Consumption	100W
Annual Energy Consumption	146 kW/annum*
Visible Screen Diagonal	107 cm; 42"

This is information under Regulation (EU) No 1062/2010.

*Based on the power consumption of the television operating 4 hours per day for 365 days. The actual energy consumption will depend on how the television is used.

DIMENSIONS / WEIGHT

Dimensions w x h x d	980.5 x 570 x 105 mm
Weight	18 kg

INTERFACES / CONNECTORS / CONTROLLERS

Analog input connector	VGA, RCA (VIDEO), S-Video, BNC jack, mini jack
Digital input connector	DVI-D, HDMI, DisplayPort
HDCP	yes
Audio-signal-input	mini jack, RCA L/R(2x)
Output connector	RS232C, RCA (L/R), VGA (D-Sub), BNC jack (VIDEO)
Inputs	RS232C, RCA (L/R), mini jack, BNC jack, S-Video, RJ45 (for LAN control)

SPECIAL FEATURES

Plug & Play	VESA DDC2B™
Controls	On-Screen-Display in 7 languages (EN, FR, ES, NL, DE, PL, RU) controlled by back controls or a remote control
User controls	picture (picture mode, backlight, contrast, brightness, chroma, phase, sharpness, colour temp., noise reduction, film mode, rest), sound (sound mode, treble, bass, balance, surround, speaker, audio source, reset), screen (PAP setting, display wall, aspect, adjust screen, freeze), setting (language, schedule, power save, control setting, network settings, set monitor ID, HDMI control, advanced, information, reset all)
Speakers	2 x 12 W (Stereo)
Safety	CE, TÜV-Bauart, CB, CU
VESA mounting	400 x 200 mm
Colour	Black
Remote control	yes
Orientation	portrait/landscape

ACCESSORIES

Driver	Windows 95 / 98 / 2000 / ME / XP / Vista / 7 / 8
Included accessories	power cable, VGA signal cable, DVI-D signal cable, remote control, iiyama logo sticker, quick start guide, safety guide

ProLite LH4664S-B1

ProLite LH4664S - a 46" Full HD professional large format display

Incorporating AMVA3 panel technology the LH4664S guarantees great viewing from all angles, high brightness and perfect colour clarity. It features an ambient light sensor delivering exceptional performance with the added benefit of saving on power. Features include PIP and PBP perfect for Video Conferencing or handing multi-input content in many environments. Landscape and Portrait friendly, the display can be mounted according to the application for true impact in Digital Signage.

DISPLAY CHARACTERISTICS

Diagonal	46"; 116.8cm
Panel	AMVA3 LED
Display area h x w	572.67 x 1018.08 mm; 22.5" x 40.1"
Response time	6.5 ms
Static contrast	4 000 : 1 typical
Brightness	500 cd/m ² typical
Viewing zone	horizontal/vertical: 178° / 178°; right/left: 89° / 89°; up/down: 89° / 89°
Display colour	16.7 million
Pixel pitch h x v	0.53025 x 0.53025 mm
Native resolution	Full HD 1080p, 1920 x 1080 (2.1 megapixel)
Horizontal sync	30 - 83 KHz
Vertical sync	50 - 76 Hz
Synchronization	Separate Sync
Aspect ratio	16 : 9
PIP (Picture in Picture)	PIP, PBP
Max. non-stop operating time	18 hours/day (IRFM on)

POWER MANAGEMENT

Power supply	AC 100 - 240 V, 50 / 60 Hz
Power Supply Unit	internal
Power usage	132 W typical; max. 0.5 W in Power management mode
Power management	VESA DPMS

EU ENERGY EFFICIENCY LABEL

Energy efficiency class	B
On Mode Power Consumption	94.3W
Annual Energy Consumption	138 kW/annum*
Visible Screen Diagonal	117 cm; 46"

This is information under Regulation (EU) No 1062/2010.
*Based on the power consumption of the television operating 4 hours per day for 365 days. The actual energy consumption will depend on how the television is used.

DIMENSIONS / WEIGHT

Dimensions w x h x d	1051 x 605.5 x 84 mm
Weight	22 kg

INTERFACES / CONNECTORS / CONTROLLERS

Analog input connector	VGA (D-Sub), RCA (VIDEO), S-Video, BNC jack, mini jack
Digital input connector	DVI-D, HDMI, DisplayPort
HDCP	yes
Audio-signal-input	mini jack, RCA L/R(2x)
Output connector	RS232C, RCA (L/R), VGA (D-Sub), BNC jack (VIDEO)
Inputs	RS232C, RCA (L/R), mini jack, BNC jack, S-Video, RJ45 (for LAN control)

SPECIAL FEATURES

Plug & Play	VESA DDC2B™
Controls	On-Screen-Display in 7 languages (EN, FR, ES, NL, DE, PL, RU) controlled by back controls or a remote control
User controls	picture (picture mode, backlight, contrast, brightness, chroma, phase, sharpness, colour temp., noise reduction, film mode, rest), sound (sound mode, treble, bass, balance, surround, speaker, audio source, reset), screen (PAP setting, display wall, aspect, adjust screen, freeze), setting (language, schedule, power save, control setting, network settings, set monitor ID, HDMI control, advanced, information, reset all)
Speakers	2 x 12 W (Stereo)
Safety	CE, TÜV-Bauart, CB, GOST-R
VESA mounting	400 x 200 mm
Colour	Black
Remote control	yes
Orientation	portrait/landscape

ACCESSORIES

Driver	Windows 95 / 98 / 2000 / ME / XP / Vista / 7 / 8
Included accessories	power cable, VGA (D-Sub) signal cable, DVI-D signal cable, remote control, iiyama logo sticker, quick start guide, safety guide

ProLite LH4780SB-B1
47" large format display, 24/7 operation and high brightness


Incorporating IPS panel technology the LH4780SB guarantees great viewing from all angles and perfect colour clarity. The higher brightness ensures crispy and clear image, resulting in outstanding information transmission performance, even in bright environment. Features include PIP and PBP perfect for Video Conferencing or handling multi-input content. Build in expansion slot supports the Open Pluggable Specification (OPS) standard; it simplifies the installation of a plug-in PC for digital signage applications. Landscape and Portrait friendly, ProLite LH4780SB is designed for a continuous operation. Perfect for true impact in Digital Signage.

DISPLAY CHARACTERISTICS

Diagonal	47"; 119.3cm
Panel	IPS LED
Display area h x w	584.8 x 1039.7 mm; 23" x 40.9"
Response time	12 ms
Static contrast	1 300 : 1 typical
Brightness	700 cd/m ² typical
Viewing zone	horizontal/vertical: 178° / 178°; right/left: 89° / 89°; up/down: 89° / 89°
Pixel pitch h x v	0.542 x 0.542 mm
Native resolution	Full HD 1080p, 1920 x 1080 (2.1 megapixel)
Horizontal sync	31.5 - 91.1 KHz
Vertical sync	50 - 85 Hz
Synchronization	Separate Sync
Aspect ratio	16 : 9
Display colours	1.06 billion
PIP (Picture in Picture)	PIP, PBP
Max. non-stop operating time	24 hours/day (Screen Saver - Motion mode set on)

POWER MANAGEMENT

Power supply	AC 100 - 240 V, 50 / 60 Hz
Power Supply Unit	internal
Power usage	140 W typical; max. 0.8 W in Power management mode
Power management	VESA DPMS, ENERGY STAR®

EU ENERGY EFFICIENCY LABEL

Energy efficiency class	B
On Mode Power Consumption	85.4W
Annual Energy Consumption	125 kW/annum*
Visible Screen Diagonal	119 cm; 47"

This is information under Regulation (EU) No 1062/2010.

*Based on the power consumption of the television operating 4 hours per day for 365 days. The actual energy consumption will depend on how the television is used.

DIMENSIONS / WEIGHT

Dimensions w x h x d	1080 x 624.5 x 46.5 mm
Weight	17 kg

INTERFACES / CONNECTORS / CONTROLLERS

Analog input connector	VGA (D-Sub), S-Video, BNC jack, mini jack
Digital input connector	DVI-D, 2 x HDMI, DisplayPort
HDCP	yes
Audio-signal-input	mini jack
Output connector	RS232C, VGA (D-Sub), BNC jack (VIDEO)
Expansion solution	OPS slot
Inputs	RS232C, mini jack, BNC jack, S-Video, RJ45 (for LAN control)

SPECIAL FEATURES

Plug & Play	VESA DDC2B™
Controls	On-Screen-Display in 6 languages (EN, FR, NL, DE, PL, RU) controlled by back controls or a remote control
User controls	picture (brightness, contrast, sharpness, black level, noise reduction, tint, colour, colour temperature, colour control, gamma, auto brightness, picture reset), screen (H. position, V. position, clock, phase, zoom mode, custom zoom, H. resolution, V. resolution, screen reset), audio (balance, treble, bass, speaker, audio reset), PIP (PIP mode, PIP size, PIP audio, PIP H. position, PIP V. position, sub input, PIP reset), configuration 1(auto setup, auto adjust, power save, language, screen saver, colour system, side border colour, configuration reset, factory reset), configuration 2(serial control, LAN setting, controller setting, control time out, monitor ID, OSD turn off, OSD H. position, OSD V. position, OSD rotation, information OSD, off timer, schedule, date and time, monitor information), advanced option (input resolution, black level expansion, input change, input detect, scan mode, scan conversion, film mode, smooth motion mode, IR control, tiling, hat status, power on delay, terminal setting, closed caption, USB upstream
Speakers	2 x 10 W (Stereo)
Safety	CB, CE, EAC, TÜV-Bauart
VESA mounting	400 x 400 mm
Colour	Black
Remote control	yes
Orientation	portrait/landscape/face up

ACCESSORIES

Driver	Windows XP / Vista / 7 / 8
Included accessories	power cable, VGA (D-Sub) signal cable, DVI-D signal cable, remote control, iiyama logo sticker, quick start guide, safety guide

All trademarks and registered trademarks acknowledged. E & O E. Specification subject to change without notice. All LCD's comply with ISO-9241-307:2008 in connection with pixel defects.



49" large format display, 24/7 operation and OPS PC slot

The professional appearance of the ProLite LH4981S incorporates a slim design featuring a sleek bezel. Featuring IPS panel technology this elegant display ensures exceptional colour accuracy and vivid, life-like quality from all angles. The LED-backlit technology guarantees low power consumption and reliable long-term operation. Built in expansion slot supports the Open Pluggable Specification (OPS) standard; it simplifies the installation of a plug-in PC for digital signage applications. Landscape and Portrait friendly, ProLite LH4981S is designed for a continues operation. Perfect for true impact in Digital Signage and an ideal solution for a video wall set-up.



IPS

IPS technology offers higher contrast, darker blacks and much better viewing angles than standard TN technology. The screen will look good no matter what angle you look at it.



OPS PC SLOT

Built in expansion slot supports the Open Pluggable Specification (OPS) standard; it simplifies the installation of a plug-in PC for digital signage applications.

1. DISPLAY CHARACTERISTICS

DIAGONAL	48.5"; 123.2cm
PANEL	IPS LED
DISPLAY AREA H X W	604 x 1073.8 mm; 23.8" x 42.3"
RESPONSE TIME	8 ms
CONTRAST	1 300 : 1 typical
BRIGHTNESS	500 cd/m ² typical
VIEWING ZONE	horizontal/vertical: 178° / 178° ; right/left: 89° / 89° ; up/down: 89° / 89°
PIXEL PITCH H X V	0.55926 x 0.55926 mm
NATIVE RESOLUTION	Full HD 1080p, 1920 x 1080 (2.1 megapixel)
HORIZONTAL SYNC	30.0 - 83 KHz
VERTICAL SYNC	50 - 76 Hz
SYNCHRONIZATION	Separate Sync
ASPECT RATIO	16 : 9
DISPLAY COLOURS	1.07 billion
MAX. NON-STOP OPERATING TIME	24 hours/day

2. INTERFACES & CONNECTORS

HDCP	yes;
EXPANSION SOLUTION	OPS slot
VIDEO IN	VGA, DVI-D, 2xHDMI, DisplayPort, Component Video
VIDEO OUT	DVI-D, DisplayPort 1.2 (daisy-chain function)
AUDION IN	RCA(L/R), mini Jack
AUDIO OUT	RCA(L/R), mini Jack, speakers
CONTROLS	LAN RJ-45, RS232, IR Extender

3. SPECIAL FEATURES

PLUG & PLAY	VESA DDC2B™
CONTROLS	On-Screen-Display in 14 languages (EN, DE, NL, FR, IT, ES, RU, PL, CZ, TU, Chinese, PT, Arabic, JP) controlled by back controls or a remote control
USER CONTROLS	picture (picture style, restore style, backlight, colour, sharpness, noise reduction, MPEG artifact reduction, digital crystal clear, advanced, game or computer, format and edges) sound (sound style, restore style, bass, treble, balance, surround mode, audio out, advanced) tiling (enable, H. monitors, V. monitors, position, frame comp.) general settings (menu language, monitor ID, auto search, clock, scheduling, sleep timer, easylink, auto adjust, local KB lock, RC lock, pixel shift, smart power, wake on lan, switch on state, LED, switch delay, logo, APM, information OSD, displayport ver. network control port, factory settings) network settings (view network settings, network configuration, static IP configuration, digital media renderer-DMR, network name)
SPEAKERS	2 x 10 W (Stereo)
SAFETY	CB, CE, CU, TÜV-Bauart

VESA MOUNTING	400 x 400 mm
COLOUR	Black
EXTERNAL CONTROLS	yes
ORIENTATION	landscape / portrait
FANLESS DESIGN	yes
METAL BEZEL	yes

4. ACCESSORIES

INCLUDED ACCESSORIES	power cable, DVI-D signal cable, HDMI signal cable, mDP-DP signal cable, DisplayPort signal cable, RS232C cable, remote control, 2x battery, POP-label, EU Energy label, iiyama logo sticker, quick start guide, safety guide
----------------------	---

5. POWER MANAGEMENT

POWER SUPPLY	AC 100 - 240 V, 50 / 60 Hz, 2,5A
POWER SUPPLY UNIT	internal
POWER USAGE	135 W typical; max. 0.5 W in Power management mode
POWER MANAGEMENT	VESA DPMS

6. EU ENERGY EFFICIENCY LABEL

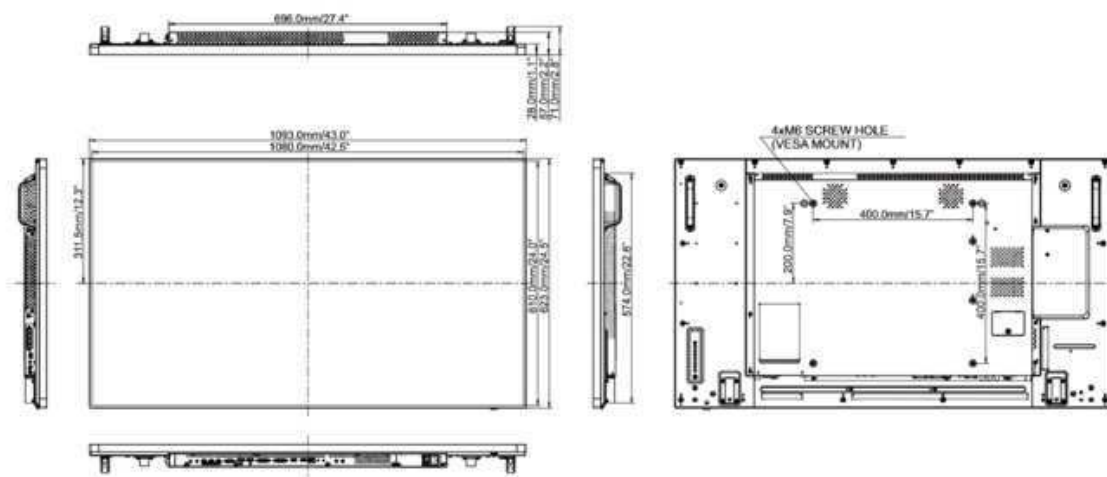
ENERGY EFFICIENCY CLASS	C
-------------------------	---

This is information under Regulation (EU) No 1062/2010.

**Based on the power consumption of the television operating 4 hours per day for 365 days. The actual energy consumption will depend on how the television is used.*

7. DIMENSIONS & WEIGHT

DIMENSIONS W X H X D	1093 x 623.0 x 71 mm
WEIGHT	19 kg



All trademarks and registered trademarks acknowledged. E & O E. Specification subject to change without notice. All LCD's comply with ISO-9241-307:2008 in connection with pixel defects.



55" large format display, 24/7 operation and OPS PC slot

The professional appearance of the ProLite LH5581S incorporates a slim design featuring a sleek bezel. Featuring IPS panel technology this elegant display ensures exceptional colour accuracy and vivid, life-like quality from all angles. The LED-backlit technology guarantees low power consumption and reliable long-term operation. Built in expansion slot supports the Open Pluggable Specification (OPS) standard; it simplifies the installation of a plug-in PC for digital signage applications. Landscape and Portrait friendly, ProLite LH5581S is designed for a continues operation. Perfect for true impact in Digital Signage and an ideal solution for a video wall set-up.



IPS

IPS technology offers higher contrast, darker blacks and much better viewing angles than standard TN technology. The screen will look good no matter what angle you look at it.



OPS PC SLOT

Built in expansion slot supports the Open Pluggable Specification (OPS) standard; it simplifies the installation of a plug-in PC for digital signage applications.

1. DISPLAY CHARACTERISTICS

DIAGONAL	54.6"; 138.8cm
PANEL	IPS LED
DISPLAY AREA H X W	680.4 x 1209.6 mm; 26.8" x 47.6"
RESPONSE TIME	8 ms
CONTRAST	1 300 : 1 typical
BRIGHTNESS	500 cd/m ² typical
VIEWING ZONE	horizontal/vertical: 178° / 178° ; right/left: 89° / 89° ; up/down: 89° / 89°
PIXEL PITCH H X V	0.63 x 0.63 mm
NATIVE RESOLUTION	Full HD 1080p, 1920 x 1080 (2.1 megapixel)
HORIZONTAL SYNC	30 - 83 KHz
VERTICAL SYNC	50 - 76 Hz
SYNCHRONIZATION	Separate Sync
ASPECT RATIO	16 : 9
DISPLAY COLOURS	1.07 billion
MAX. NON-STOP OPERATING TIME	24 hours/day

2. INTERFACES & CONNECTORS

HDCP	yes;
EXPANSION SOLUTION	OPS slot
VIDEO IN	VGA, DVI-D, 2xHDMI, DisplayPort, Component Video
VIDEO OUT	DVI-D, DisplayPort 1.2 (daisy chain function)
AUDION IN	RCA(L/R), mini Jack
AUDIO OUT	RCA(L/R), mini Jack, speakers
CONTROLS	LAN RJ-45, RS232, IR control

3. SPECIAL FEATURES

PLUG & PLAY	VESA DDC2B™
CONTROLS	On-Screen-Display in 14 languages (EN, DE, NL, FR, IT, ES, RU, PL, CZ, TU, Chinese, PT, Arabic, JP) controlled by back controls or a remote control
USER CONTROLS	picture (picture style, restore style, backlight, colour, sharpness, noise reduction, MPEG artifact reduction, digital crystal clear, advanced, game or computer, format and edges) sound (sound style, restore style, bass, treble, balance, surround mode, audio out, advanced) tiling (enable, H. monitors, V. monitors, position, frame comp.) general settings (menu language, monitor ID, auto search, clock, scheduling, sleep timer, easylink, auto adjust, local KB lock, RC lock, pixel shift, smart power, wake on lan, switch on state, LED, switch delay, logo, APM, information OSD, displayport ver. network control port, factory settings) network settings (view network settings, network configuration, static IP configuration, digital media renderer-DMR, network name)
SPEAKERS	2 x 10 W (Stereo)
SAFETY	CB, CE, CU, TÜV-Bauart

VESA MOUNTING	400 x 400 mm
COLOUR	Black
EXTERNAL CONTROLS	yes
ORIENTATION	landscape / portrait
FANLESS DESIGN	yes
METAL BEZEL	yes

4. ACCESSORIES

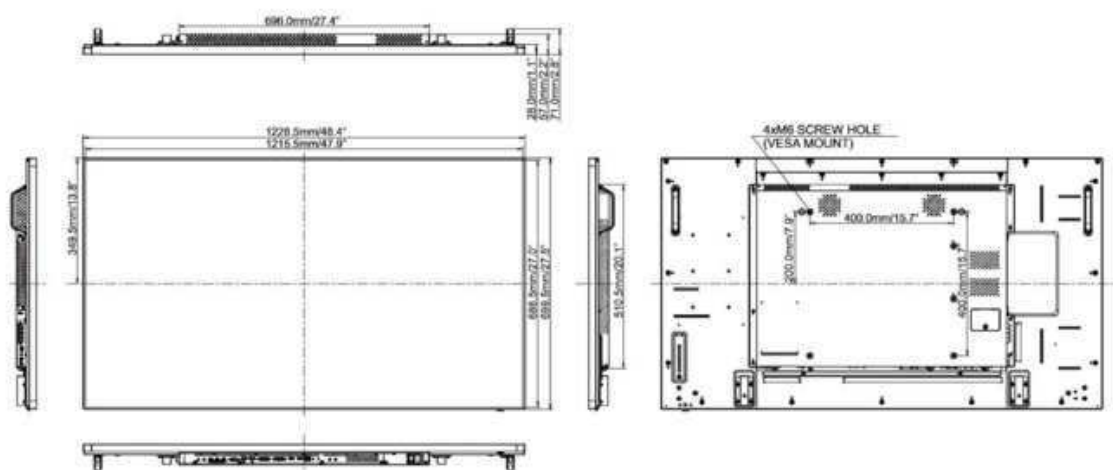
INCLUDED ACCESSORIES	power cable, DVI-D signal cable, HDMI signal cable, mDP-DP signal cable, DisplayPort signal cable, RS232C cable, remote control, 2x battery, POP-label, EU Energy label, iiyama logo sticker, quick start guide, safety guide
----------------------	---

5. POWER MANAGEMENT

POWER SUPPLY	AC 100 - 240 V, 50 / 60 Hz, 2.5 A
POWER SUPPLY UNIT	internal
POWER USAGE	145 W typical; max. 0.5 W in Power management mode
POWER MANAGEMENT	VESA DPMS

6. DIMENSIONS & WEIGHT

DIMENSIONS W X H X D	1228.5 x 699.5 x 71.0 mm
WEIGHT	24.7 kg



All trademarks and registered trademarks acknowledged. E & O E. Specification subject to change without notice. All LCD's comply with ISO-9241-307:2008 in connection with pixel defects.



ProLite LH5580S-B1

55" large format display with 24/7 operation and OPS slot

Incorporating AMVA3 panel technology the LH5580S guarantees great viewing from all angles and perfect colour clarity. Features include PIP and PBP perfect for Video Conferencing or handling multi-input content. Built in expansion slot supports the Open Pluggable Specification (OPS) standard; it simplifies the installation of a plug-in PC for digital signage applications. Landscape and Portrait friendly, ProLite LH5580S is designed for a continues operation. Perfect for true impact in Digital Signage.

DISPLAY CHARACTERISTICS

Diagonal	55"; 138.8cm
Panel	AMVA3 LED
Display area h x w	680.4 x 1209.6 mm; 26.8" x 47.6"
Response time	6.5 ms
Static contrast	4 000 : 1 typical
Brightness	450 cd/m ² typical
Viewing zone	horizontal/vertical: 178° / 178°; right/left: 89° / 89°; up/down: 89° / 89°
Pixel pitch h x v	0.630 0.630 x mm
Native resolution	Full HD 1080p, 1920 x 1080 (2.1 megapixel)
Horizontal sync	31.5 - 91.1 KHz
Vertical sync	50 - 85 Hz
Synchronization	Separate Sync
Aspect ratio	16 : 9
Display colours	1.06 billion
PIP (Picture in Picture)	PIP, PBP
Max. non-stop operating time	24 hours/day (Screen Saver - Motion mode set on)

POWER MANAGEMENT

Power supply	AC 100 - 240 V, 50 / 60 Hz
Power Supply Unit	internal
Power usage	133 W typical; max. 1 W in Power management mode
Power management	VESA DPMS, ENERGY STAR®

EU ENERGY EFFICIENCY LABEL

Energy efficiency class	A
On Mode Power Consumption	102.6W
Annual Energy Consumption	150 kW/annum*
Visible Screen Diagonal	139 cm; 55"

This is information under Regulation (EU) No 1062/2010.
*Based on the power consumption of the television operating 4 hours per day for 365 days. The actual energy consumption will depend on how the television is used.

DIMENSIONS / WEIGHT

Dimensions w x h x d	1247 x 718 x 66.5 mm
Weight	28.5 kg

INTERFACES / CONNECTORS / CONTROLLERS

Analog input connector	VGA, S-Video, BNC jack, mini jack
Digital input connector	DVI-D, 2 x HDMI, DisplayPort
HDCP	yes
Audio-signal-input	mini jack
Output connector	RS232C, VGA (D-Sub), BNC jack (VIDEO)
Expansion solution	OPS slot
Inputs	RS232C, mini jack, BNC jack, S-Video, RJ45 (for LAN control)

SPECIAL FEATURES

Plug & Play	VESA DDC2B™
Controls	On-Screen-Display in 6 languages (EN, FR, NL, DE, PL, RU) controlled by back controls or a remote control
User controls	picture (brightness, contrast, sharpness, black level, noise reduction, tint, colour, colour temperature, colour control, gamma, auto brightness, picture reset), screen (H. position, V. position, clock, phase, zoom mode, custom zoom, H. resolution, V. resolution, screen reset), audio (balance, treble, bass, speaker, audio reset), PIP (PIP mode, PIP size, PIP audio, PIP H. position, PIP V. position, sub input, PIP reset), configuration 1 (auto setup, auto adjust, power save, language, screen saver, colour system, side border colour, configuration reset, factory reset), configuration 2 (serial control, LAN setting, controller setting, control time out, monitor ID, OSD turn off, OSD H. position, OSD V. position, OSD rotation, information OSD, off timer, schedule, date and time, monitor information), advanced option (input resolution, black level expansion, input change, input detect, scan mode, scan conversion, film mode, IR control, tiling, heat status, power on delay, terminal setting, closed caption, USB upstream
Speakers	2 x 10 W (Stereo)
Safety	CB, CE, EAC, TÜV-Bauart
VESA mounting	400 x 400 mm
Colour	Black
Remote control	yes
Orientation	portrait/landscape/face up

ACCESSORIES

Driver	Windows XP / Vista / 7 / 8
Included accessories	power cable, VGA signal cable, DVI-D signal cable, remote control, iiyama logo sticker, quick start guide, safety guide

All trademarks and registered trademarks acknowledged. E & O E. Specification subject to change without notice. All LCD's comply with ISO-9241-307:2008 in connection with pixel defects.



ProLite LE4340S - a 43" Full HD professional large format display with USB media playback

ProLite LE4340S is a 43" Full HD, professional and fan-less LED-backlit display. Incorporating the latest Commercial Grade AMVA panel technology, the display guarantees great viewing from all angles, high brightness and exceptional colour clarity. A wide range of video and audio inputs ensures compatibility with multiple platforms. ProLite LE4340S is prepared for easy installation using the VESA wall mount. This display will suit a massive range of applications including public signage, retail, exhibitions and conference centres, POS/POI, control rooms and production facilities.



AMVA3

AMVA3 technology offers higher contrast, darker blacks and much better viewing angles than standard TN technology. The screen will look good no matter what angle you look at it.



USB PLAYBACK

The monitor supports playback of presentations, video and almost any type of content stored on the USB device or internal memory.

1. DISPLAY CHARACTERISTICS

DIAGONAL	43"; 108cm
ASPECT RATIO	16 : 9

PANEL	AMVA3 LED, matte finish
NATIVE RESOLUTION	Full HD 1080p, 1920 x 1080 (2.1 megapixel)
BRIGHTNESS	350 cd/m ² typical
CONTRAST	3 000 : 1 typical
RESPONSE TIME	8 ms
VIEWING ZONE	horizontal/vertical: 178° / 178°; right/left: 89° / 89°; up/down: 89° / 89°
DISPLAY COLOUR	16.7 million
PIXEL PITCH H X V	0.49 x 0.49 mm
HORIZONTAL SYNC	30 - 83kHz
VERTICAL SYNC	50 - 76Hz
SYNCHRONIZATION	Separate Sync
MAX. NON-STOP OPERATING TIME	12 hours/day

2. INTERFACES & CONNECTORS

HDCP	yes;
VIDEO IN	VGA, DVI, HDMI, Comp. (RCA)
VIDEO OUT	Comp. (RCA)
AUDION IN	RCA (L/R), MiniJack
AUDIO OUT	RCA (L/R), speakers
CONTROLS	RS232C (IN/OUT), RJ45 (LAN), IR (IN/OUT)
USB MEDIA PLAYER	yes
INPUTS	USB 2.0 (media playback / peripherals)

3. FEATURES

PLUG & PLAY	VESA DDC2B™
CONTROLS	On-Screen-Display in 9 languages (EN, FR, IT, ES, NL, DE, PL, RU, CZ) controlled by a remote control or back controls
USER CONTROLS	picture (picture mode, reset, backlight, contrast, brightness, hue, colour, sharpness, advanced, format and edges), sound (sound mode, reset, bass, treble, Audio out, advanced), general settings (language, monitor ID, ECO mode, auto search, clock, scheduling, sleep timer, auto switch off, auto adjust, pixel shift, control settings, opening logo, factory settings), network settings (view network settings, network settings, static IP configuration, digital media renderer, wake on LAN, network name)
SPEAKERS	2 x 10 W (Stereo)
REGULATIONS	CE, CB, TÜV-Bauart, CU
VESA MOUNTING	200 x 200, 400 x 400 mm
COLOUR	Black
EXTERNAL CONTROLS	remote control
ORIENTATION	landscape
FANLESS DESIGN	yes

4. ACCESSORIES

INCLUDED ACCESSORIES	power cable, VGA signal cable, DVI signal cable, RS-232C signal cable, remote control, quick start guide, safety guide
----------------------	--

5. POWER MANAGEMENT

POWER SUPPLY	AC 100 - 240 V, 50 / 60 Hz
POWER SUPPLY UNIT	internal
POWER USAGE	73 W typical; max. 0.5 W in Power management mode
POWER MANAGEMENT	VESA DPMS

6. EU ENERGY EFFICIENCY LABEL

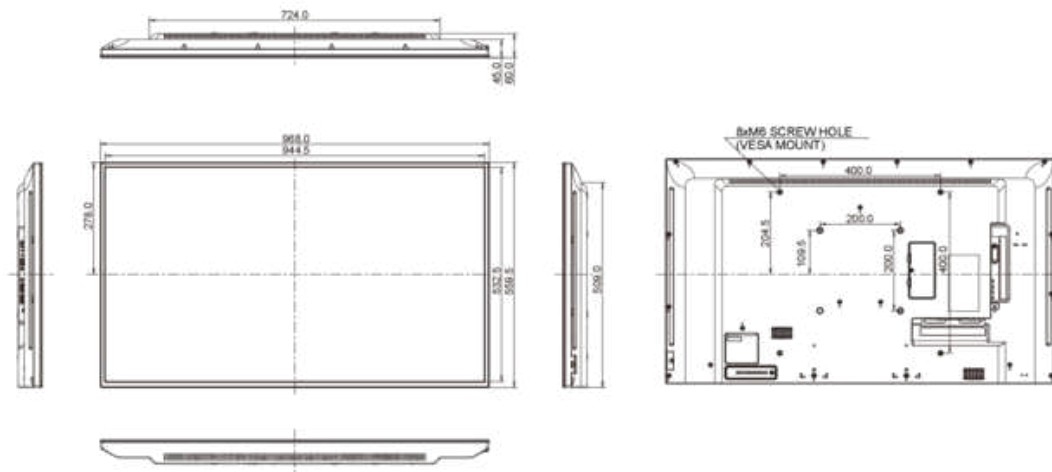
ENERGY EFFICIENCY CLASS	B
-------------------------	---

This is information under Regulation (EU) No 1062/2010.

**Based on the power consumption of the television operating 4 hours per day for 365 days. The actual energy consumption will depend on how the television is used.*

7. DIMENSIONS & WEIGHT

DIMENSIONS W X H X D	968 x 559.5 x 61 mm
WEIGHT	8.7 kg



All trademarks and registered trademarks acknowledged. E & O E. Specification subject to change without notice. All LCD's comply with ISO-9241-307:2008 in connection with pixel defects.



ProLite LE4840S - a 48" large format display with USB media playback

ProLite LE4840S is a 48" Full HD, professional and fan-less LED-backlit display. Incorporating the latest Commercial Grade SVA panel technology, the display guarantees great viewing from all angles, high brightness and exceptional colour clarity. A wide range of video and audio inputs ensures compatibility with multiple platforms. ProLite LE4840S is prepared for easy installation using the VESA wall mount. This display will suit a massive range of applications including public signage, retail, exhibitions and conference centres, POS/POI, control rooms and production facilities.



SVA MATRIX

SVA panel technology offers higher contrast, darker blacks and much better viewing angles than standard TN technology. The screen will look good no matter what angle you look at it.



USB PLAYBACK

The monitor supports playback of presentations, video and almost any type of content stored on the USB device or internal memory.

1. DISPLAY CHARACTERISTICS

DIAGONAL 48"; 121cm

ASPECT RATIO 16 : 9

PANEL	SVA LED, matte finish
NATIVE RESOLUTION	Full HD 1080p, 1920 x 1080 (2.1 megapixel)
BRIGHTNESS	350 cd/m ² typical
CONTRAST	4 000 : 1 typical
RESPONSE TIME	8 ms
VIEWING ZONE	horizontal/vertical: 178° / 178°; right/left: 89° / 89°; up/down: 89° / 89°
HORIZONTAL SYNC	30 - 83kHz
VERTICAL SYNC	50 - 76Hz
SYNCHRONIZATION	Separate Sync
DISPLAY COLOURS	10.6 Billion (10bit)
MAX. NON-STOP OPERATING TIME	12 hours/day

2. INTERFACES & CONNECTORS

HDCP	yes;
VIDEO IN	VGA, DVI, HDMI, Comp. (RCA)
VIDEO OUT	Comp. (RCA)
AUDION IN	RCA (L/R), MiniJack
AUDIO OUT	RCA (L/R), speakers
CONTROLS	RS232C (IN/OUT), RJ45 (LAN), IR (IN/OUT)
USB MEDIA PLAYER	yes
INPUTS	USB 2.0 (media playback / peripherals)

3. FEATURES

PLUG & PLAY	VESA DDC2B™
CONTROLS	On-Screen-Display in 9 languages (EN, FR, IT, ES, NL, DE, PL, RU, CZ) controlled by a remote control or back controls
USER CONTROLS	picture (picture mode, reset, backlight, contrast, brightness, hue, colour, sharpness, advanced, format and edges), sound (sound mode, reset, bass, treble, Audio out, advanced), general settings (language, monitor ID, ECO mode, auto search, clock, scheduling, sleep timer, auto switch off, auto adjust, pixel shift, control settings, opening logo, factory settings), network settings (view network settings, network settings, static IP configuration, digital media renderer, wake on LAN, network name)
SPEAKERS	2 x 10 W (Stereo)
REGULATIONS	CE, CB, TÜV-Bauart, CU
VESA MOUNTING	200 x 200, 400 x 400 mm
COLOUR	Black
EXTERNAL CONTROLS	remote control
ORIENTATION	landscape
FANLESS DESIGN	yes

4. ACCESSORIES

INCLUDED ACCESSORIES	power cable, VGA signal cable, DVI signal cable, RS-232C signal cable, remote control, quick start guide, safety guide
----------------------	--

5. POWER MANAGEMENT

POWER SUPPLY	AC 100 - 240 V, 50 / 60 Hz
POWER SUPPLY UNIT	internal
POWER USAGE	89 W typical; max. 0.5 W in Power management mode
POWER MANAGEMENT	VESA DPMS

6. EU ENERGY EFFICIENCY LABEL

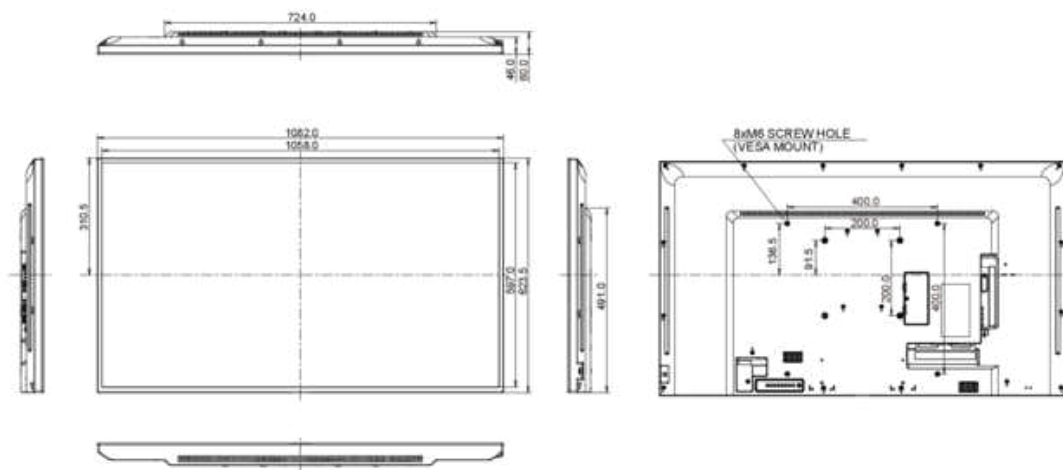
ENERGY EFFICIENCY CLASS	B
-------------------------	---

This is information under Regulation (EU) No 1062/2010.

**Based on the power consumption of the television operating 4 hours per day for 365 days. The actual energy consumption will depend on how the television is used.*

7. DIMENSIONS & WEIGHT

DIMENSIONS W X H X D	1082 x 623.5 x 61 mm
WEIGHT	11.5 kg



All trademarks and registered trademarks acknowledged. E & O E. Specification subject to change without notice. All LCD's comply with ISO-9241-307:2008 in connection with pixel defects.



65" Professional Digital Signage display with an 18/7 operating time, 4K UHD resolution and an OPS slot

See the difference with the ProLite LE6540UHS. A professional digital signage display with 4K graphics, 18/7 operating time and an OPS slot. Featuring a slim bezel, an AMVA3 LED panel for exceptional color and image performance and iiSignage, iiyama's free signage content creation and management software, the LE6540UHS offers businesses an easy and effective solution to successfully help them get their message across to the clients.

Also available in 43 inch: [LE4340UHS-B1](#), 55 inch: [LE5540UHS-B1](#), 75 inch: [LE7540UHS-B1](#), and 86 inch: [LE8640UHS-B1](#)



iiSignage

With iiSignage, you can easily create, publish and manage your own digital signage content on any iiyama 40-series display from a desktop PC in the same network. Use rich content like video's and widgets to create highly impactful advertising in minutes and schedule your content across multiple displays to best match your customers' behavior.



4K

UHD resolution (3840x2160), better known as 4K, offers a gigantic viewable area with 4 times more information and work space than a Full HD screen. Due to the high DPI (dots per inch), it displays an incredibly sharp and crisp image.

01 DISPLAY CHARACTERISTICS

Design	Thin bezel
Diagonal	64.6", 164cm
Panel	AMVA3 LED, matte finish
Native resolution	3840 x 2160 @60Hz (8.3 megapixel 4K UHD)
Aspect ratio	16:9
Brightness	350 cd/m ² typical
Static contrast	4000:1 typical
Response time	8ms
Viewing zone	horizontal/vertical: 178°/178°, right/left: 89°/89°, up/down: 89°/89°
Colour support	1.07B (8 bit + A-FRC)
Bezel width (sides, top, bottom)	13.9mm, 13.9mm, 14.9mm
Pixel pitch	0.372mm
Bezel colour and finish	black, matte

02 INTERFACES / CONNECTORS / CONTROLS

Analog signal input	VGA x1
Digital signal input	HDMI x4 DisplayPort x1 (v.1.2)
Audio input	Mini jack x1
Monitor control input	RS232 x1 RJ45 (LAN) x1 IR x1
Audio output	RCA (L/R) x1 Speakers 2 x 10W
Monitor control output	RS232 x1 IR loop through x1 OPS Slot x1
HDCP	yes
USB ports	x1 (v.2.0)

03 FEATURES

Extra	handles
Max. non-stop operating time	18/7
Anti image retention	yes
Media playback	yes
Housing (bezel)	plastic
Integrated software	Android OS, iiSignage

04 GENERAL

OSD languages	EN, DE, FR, ES, IT, CN, RU, JP, CZ, NL, PL
Control buttons	Power, Mute, Input, Plus, Minus, Up, Down, Menu
Plug&Play	DDC2B, Mac OSX

05 MECHANICAL

Orientation	landscape
-------------	-----------

Fanless design	yes
VESA mounting	400 x 400mm
Operation temperature range	0°C - 40°C
Storage temperature range	- 20°C - 60°C
MTBF	50.000 hours (excluding backlight)

06 ACCESSORIES INCLUDED

Cables	power, HDMI, mDP - DP, DP, RS232
Guides	quick start guide, safety guide
Remote control	yes (batteries included)

07 POWER MANAGEMENT

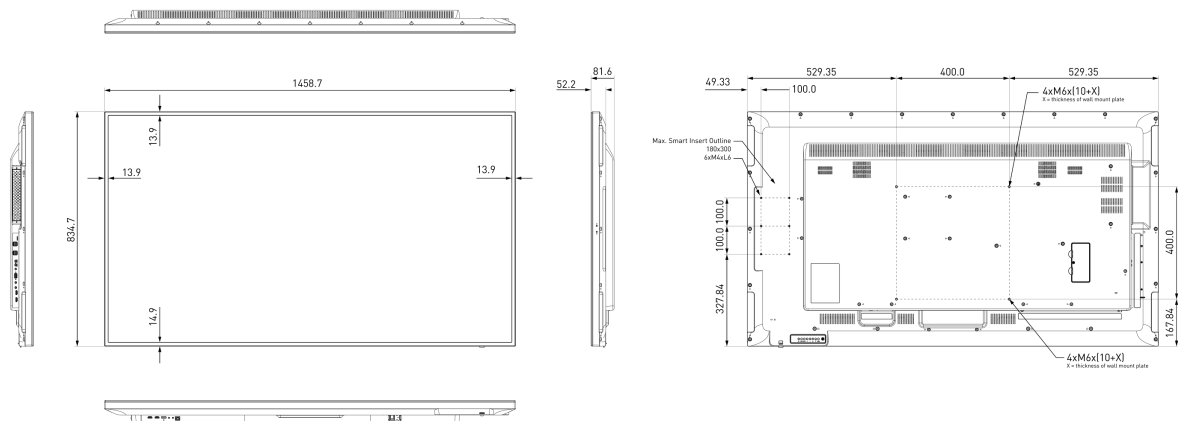
Power supply unit	internal
Power supply	AC 100 - 240V, 50/60Hz
Power usage	110W typical, 0.5W stand by

08 SUSTAINABILITY

Regulations	CB, CE, TÜV-Bauart, CU
Energy efficiency class	B

09 DIMENSIONS / WEIGHT

Product dimensions W x H x D	1458.7 x 834.7 x 81.6mm
Box dimensions W x H x D	1655 x 1078 x 280mm
Pallet volume	6pcs
Weight (without box)	24.8kg
EAN code	4948570116348



All trademarks and registered trademarks acknowledged. E & O E. Specification subject to change without notice. All LCD's comply with ISO-9241-307:2008 in connection with pixel defects.



75" Professional Digital Signage display with an 18/7 operating time, 4K UHD resolution and an OPS slot

See the difference with the ProLite LE7540UHS. A professional digital signage display with 4K graphics, 18/7 operating time and an OPS slot. Featuring a slim bezel, an IPS LED panel for exceptional color and image performance and iiSignage, iiyama's free signage content creation and management software, the LE7540UHS offers businesses an easy and effective solution to successfully help them get their message across to the clients.

Also available in 43 inch: [LE4340UHS-B1](#), 55 inch: [LE5540UHS-B1](#), 65 inch: [LE6540UHS-B1](#), and 86 inch: [LE8640UHS-B1](#)



iiSignage

With iiSignage, you can easily create, publish and manage your own digital signage content on any iiyama 40-series display from a desktop PC in the same network. Use rich content like video's and widgets to create highly impactful advertising in minutes and schedule your content across multiple displays to best match your customers' behavior.



4K

UHD resolution (3840x2160), better known as 4K, offers a gigantic viewable area with 4 times more information and work space than a Full HD screen. Due to the high DPI (dots per inch), it displays an incredibly sharp and crisp image.

01 DISPLAY CHARACTERISTICS

Design	Thin bezel
Diagonal	74.52", 189.28cm
Panel	IPS LED, matte finish
Native resolution	3840 x 2160 @60Hz (8.3 megapixel 4K UHD)
Aspect ratio	16:9
Brightness	410 cd/m ² typical
Static contrast	1200:1 typical
Response time	8ms
Viewing zone	horizontal/vertical: 178°/178°, right/left: 89°/89°, up/down: 89°/89°
Colour support	1.07B (8 bit + A-FRC)
Bezel width (sides, top, bottom)	12.5mm, 12.5mm, 12.5mm
Pixel pitch	0.429mm
Bezel colour and finish	black, matte

02 INTERFACES / CONNECTORS / CONTROLS

Analog signal input	VGA x1
Digital signal input	HDMI x4 DisplayPort x1 (v.1.2)
Audio input	Mini jack x1
Monitor control input	RS232 x1 RJ45 (LAN) x1 IR x1
Audio output	RCA (L/R) x1 Speakers 2 x 10W
Monitor control output	RS232 x1 IR loop through x1 OPS Slot x1
HDCP	yes
USB ports	x1 (v.2.0)

03 FEATURES

Extra	handles
Max. non-stop operating time	18/7
Anti image retention	yes
Media playback	yes
Housing (bezel)	metal
Integrated software	Android OS, iiSignage

04 GENERAL

OSD languages	EN, DE, FR, ES, IT, CN, RU, JP, CZ, NL, PL
Control buttons	Power, Mute, Input, Plus, Minus, Up, Down, Menu
Plug&Play	DDC2B, Mac OSX

05 MECHANICAL

Orientation	landscape
-------------	-----------

Fanless design	yes
VESA mounting	600 x 400mm
Operation temperature range	0°C - 40°C
Storage temperature range	- 20°C - 60°C
MTBF	50.000 hours (excluding backlight)

06 ACCESSORIES INCLUDED

Cables	power, HDMI, mDP - DP, DP, RS232
Guides	quick start guide, safety guide
Remote control	yes (batteries included)

07 POWER MANAGEMENT

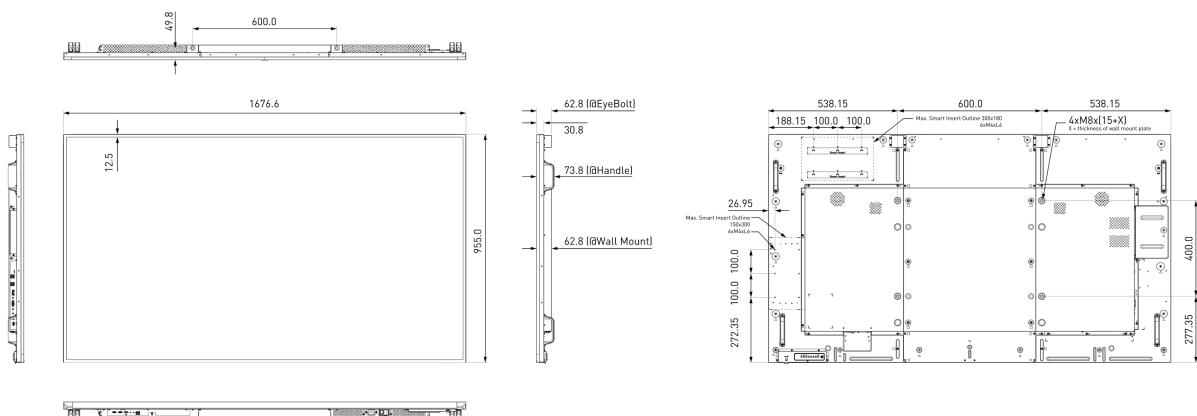
Power supply unit	internal
Power supply	AC 100 - 240V, 50/60Hz
Power usage	237W typical, 0.5W stand by

08 SUSTAINABILITY

Regulations	CB, CE, TÜV-Bauart, CU
Energy efficiency class	B

09 DIMENSIONS / WEIGHT

Product dimensions W x H x D	1676.6 x 955 x 73.8mm
Box dimensions W x H x D	1832 x 1283 x 280mm
Pallet volume	4pcs
Weight (without box)	53.3kg
EAN code	4948570116355



All trademarks and registered trademarks acknowledged. E & O E. Specification subject to change without notice. All LCD's comply with ISO-9241-307:2008 in connection with pixel defects.



86" Professional Digital Signage display with an 18/7 operating time, 4K UHD resolution and an OPS slot

See the difference with the ProLite LE8640UHS. A professional digital signage display with 4K graphics, 18/7 operating time and an OPS slot. Featuring a slim bezel, an IPS LED panel for exceptional color and image performance and iiSignage, iiyama's free signage content creation and management software, the LE8640UHS offers businesses an easy and effective solution to successfully help them get their message across to the clients.

Also available in 43 inch: [LE4340UHS-B1](#), 55 inch: [LE5540UHS-B1](#), 65 inch: [LE6540UHS-B1](#), and 75 inch: [LE7540UHS-B1](#)



iiSignage

With iiSignage, you can easily create, publish and manage your own digital signage content on any iiyama 40-series display from a desktop PC in the same network. Use rich content like video's and widgets to create highly impactful advertising in minutes and schedule your content across multiple displays to best match your customers' behavior.



4K

UHD resolution (3840x2160), better known as 4K, offers a gigantic viewable area with 4 times more information and work space than a Full HD screen. Due to the high DPI (dots per inch), it displays an incredibly sharp and crisp image.

01 DISPLAY CHARACTERISTICS

Design	Thin bezel
Diagonal	85.6", 217.4cm
Panel	IPS LED, matte finish
Native resolution	3840 x 2160 @60Hz (8.3 megapixel 4K UHD)
Aspect ratio	16:9
Brightness	410 cd/m ² typical
Static contrast	1200:1 typical
Response time	8ms
Viewing zone	horizontal/vertical: 178°/178°, right/left: 89°/89°, up/down: 89°/89°
Colour support	1.07B (8 bit + A-FRC)
Bezel width (sides, top, bottom)	15.2mm, 15.2mm, 15.2mm
Pixel pitch	0.4935mm
Bezel colour and finish	black, matte

02 INTERFACES / CONNECTORS / CONTROLS

Analog signal input	VGA x1
Digital signal input	HDMI x4 DisplayPort x1 (v.1.2)
Audio input	Mini jack x1
Monitor control input	RS232 x1 RJ45 (LAN) x1 IR x1
Audio output	RCA (L/R) x1 Speakers 2 x 10W
Monitor control output	RS232 x1 IR loop through x1 OPS Slot x1
HDCP	yes
USB ports	x1 (v.2.0)

03 FEATURES

Extra	handles
Max. non-stop operating time	18/7
Anti image retention	yes
Media playback	yes
Housing (bezel)	metal
Integrated software	Android OS, iiSignage

04 GENERAL

OSD languages	EN, DE, FR, ES, IT, CN, RU, JP, CZ, NL, PL
Control buttons	Power, Mute, Input, Plus, Minus, Up, Down, Menu
Plug&Play	DDC2B, Mac OSX

05 MECHANICAL

Orientation	landscape
-------------	-----------

Fanless design	yes
VESA mounting	600 x 400mm
Operation temperature range	0°C - 40°C
Storage temperature range	- 20°C - 60°C
MTBF	50.000 hours (excluding backlight)

06 ACCESSORIES INCLUDED

Cables	power, HDMI, mDP - DP, DP, RS232
Guides	quick start guide, safety guide
Remote control	yes (batteries included)

07 POWER MANAGEMENT

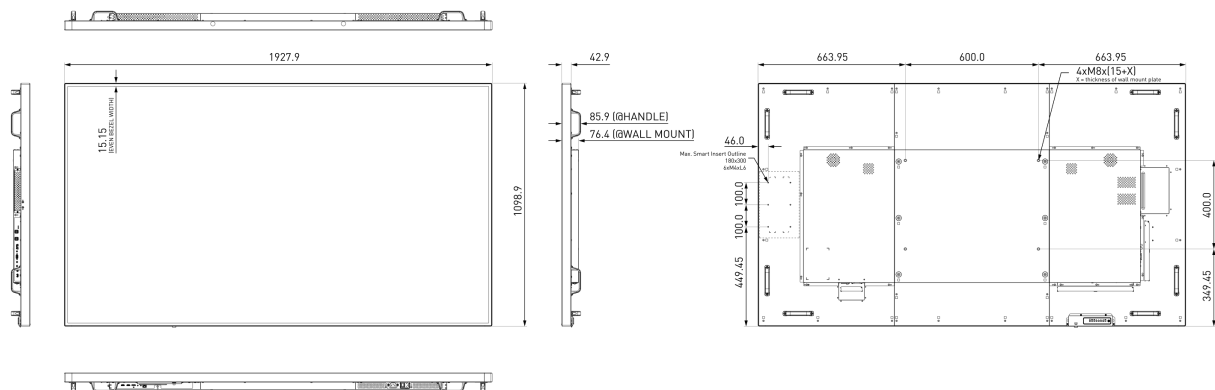
Power supply unit	internal
Power supply	AC 100 - 240V, 50/60Hz
Power usage	302W typical, 0.5W stand by

08 SUSTAINABILITY

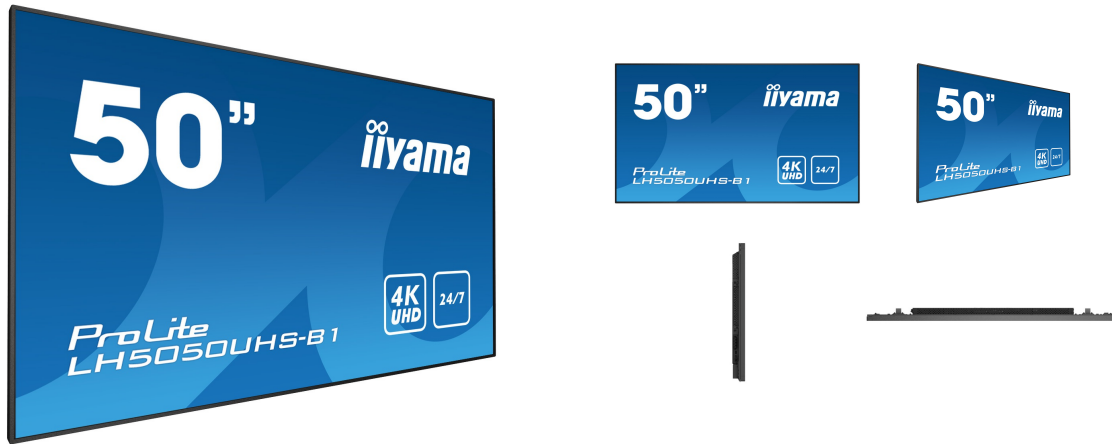
Regulations	CB, CE, TÜV-Bauart, CU
Energy efficiency class	B

09 DIMENSIONS / WEIGHT

Product dimensions W x H x D	1927.9 x 1098.9 x 85.9mm
Box dimensions W x H x D	2224 x 1427 x 373mm
Pallet volume	3pcs
Weight (without box)	63.8kg
EAN code	4948570116362



All trademarks and registered trademarks acknowledged. E & O E. Specification subject to change without notice. All LCD's comply with ISO-9241-307:2008 in connection with pixel defects.



50" Professional Digital Signage display with a 24/7 operating time, 4K UHD resolution and a landscape/portrait orientation

See the difference with the ProLite LH5050UHS. A professional digital signage display with 4K graphics, continuous operating time (24/7) and landscape/portrait orientation. Featuring a slim bezel, ambient light sensor and an AMVA3 panel for exceptional color and image performance, the LH5050UHS offers businesses a versatile and effective solution to present their message in an innovative and engaging manner.

Also available in 55 inch: [LH5550UHS-B1](#) and 65 inch: [LH6550UHS-B1](#)



LAN Control

LAN control enables making adjustments in the display OSD menu through your network (software not included).



AMVA3

AMVA3 technology offers higher contrast, darker blacks and much better viewing angles than standard TN technology. The screen will look good no matter what angle you look at it.

01 DISPLAY CHARACTERISTICS

Design	Thin bezel
Diagonal	50", 126cm
Panel	AMVA3 LED, matte finish
Native resolution	3840 x 2160 @60Hz (8.3 megapixel 4K UHD)
Aspect ratio	16:9
Brightness	450 cd/m ² typical
Static contrast	4000:1 typical
Response time	8ms
Viewing zone	horizontal/vertical: 178°/178°, right/left: 89°/89°, up/down: 89°/89°
Colour support	1.07B (8 bit + A-FRC)
Horizontal Sync	30 - 83KHz
Vertical Sync	50 - 76Hz
Viewable area W x H	1095.84 x 616.41mm, 43.1 x 24.3"
Bezel width (sides, top, bottom)	17mm, 16.9mm, 19.4mm
Pixel pitch	0.2854mm
Bezel colour and finish	black, matte

02 INTERFACES / CONNECTORS / CONTROLS

Analog signal input	Component video x1 (Y/Pb/Pr)
Digital signal input	HDMI x3 (v.2.0) DisplayPort x1
Audio input	Mini jack x1
Monitor control input	RS232 x1 RJ45 (LAN) x1 IR x1
Digital signal output	DisplayPort x1 (v.1.2 Daisy Chain)
Audio output	Mini jack x1 RCA (L/R) x1 Speakers 2 x 10W
Monitor control output	RS232 x1
HDCP	yes
USB ports	x3 (v.3.0 x1, v.2.0 x2)

03 FEATURES

Extra	Scheduler (7 positions), DisplayWall, MediaPlayer
Max. non-stop operating time	24/7
Anti image retention	yes
Video wall / daisy chain	yes
Media playback	yes
Housing (bezel)	plastic
Brightness sensor	yes
HDR	yes (HDMI)

04 GENERAL

OSD languages	EN, DE, FR, ES, IT, RU, JP, CZ, NL, PL
---------------	--

Control buttons	Menu, Source, Plus, Minus, Up, Down, Power
User controls	picture (picture settings (picture mode, backlight, contrast, brightness, saturation, hue, sharpness, color temperature, noise reduction, reset), advanced color settings, base colour adjustment, adaptive contrast, ambient light sensor), Sound (balance, advanced sound settings, audio source), applications (media player, schedule, display wall), settings (language, network settings, control setting, set monitor ID, energy saving settings, aspect, freeze, anti-image retention, OSD rotation, OSD info box, DP 1.2, LED, opening logo, information, reset all)
Plug&Play	DDC2B, Mac OSX

05 MECHANICAL

Orientation	landscape, portrait
Fanless design	yes
VESA mounting	400 x 400mm
Mini PC mount	VESA 75 x 75, VESA 100 x 100
Operation temperature range	0°C - 40°C
Storage temperature range	- 20°C - 60°C

06 ACCESSORIES INCLUDED

Cables	power, HDMI (1.8m), DP (1.8m)
Guides	quick start guide, safety guide
Other	Mini-PC bracket, 4x screws
Remote control	yes (batteries included)

07 POWER MANAGEMENT

Power supply unit	internal
Power supply	AC 100 - 240V, 50/60Hz
Power usage	140W typical, 0.5W stand by

08 SUSTAINABILITY

Regulations	CB, CE, TÜV-Bauart, CU
Energy efficiency class	C

09 DIMENSIONS / WEIGHT

Product dimensions W x H x D	1132.5 x 656.0 x 70mm
Box dimensions W x H x D	1310 x 800 x 226mm
Pallet volume	6pcs
Weight (without box)	14.3kg
Weight (with box)	20.6kg
EAN code	4948570116256

All trademarks and registered trademarks acknowledged. E & O E. Specification subject to change without notice. All LCD's comply with ISO-9241-307:2008 in connection with pixel defects.



55" Professional Digital Signage display with a 24/7 operating time, 4K UHD resolution and a portrait/landscape orientation

See the difference with the ProLite LH5550UHS. A professional digital signage display with 4K graphics, continuous operating time (24/7) and landscape/portrait orientation. Featuring a slim bezel, ambient light sensor and an AMVA3 panel for exceptional color and image performance, the LH5550UHS offers businesses a versatile and effective solution to present their message in an innovative and engaging manner.

Also available in 50 inch: [LH5050UHS-B1](#) and 65 inch: [LH6550UHS-B1](#)



LAN Control

LAN control enables making adjustments in the display OSD menu through your network (software not included).



AMVA3

AMVA3 technology offers higher contrast, darker blacks and much better viewing angles than standard TN technology. The screen will look good no matter what angle you look at it.

01 DISPLAY CHARACTERISTICS

Design	Thin bezel
Diagonal	55", 139cm
Panel	AMVA3 LED, matte finish
Native resolution	3840 x 2160 @60Hz (8.3 megapixel 4K UHD)
Aspect ratio	16:9
Brightness	450 cd/m ² typical
Static contrast	4000:1 typical
Response time	8ms
Viewing zone	horizontal/vertical: 178°/178°, right/left: 89°/89°, up/down: 89°/89°
Horizontal Sync	30 - 83KHz
Vertical Sync	50 - 76Hz
Viewable area W x H	1209.6 x 680.4mm, 47.6 x 26.8"
Bezel width (sides, top, bottom)	16.6mm, 16.6mm, 19.1mm
Pixel pitch	0.315mm
Bezel colour and finish	black, matte

02 INTERFACES / CONNECTORS / CONTROLS

Analog signal input	Component video x1 (Y/Pb/Pr)
Digital signal input	HDMI x3 (v.2.0) DisplayPort x1
Audio input	Mini jack x1
Monitor control input	RS232 x1 RJ45 (LAN) x1 IR x1
Digital signal output	DisplayPort x1 (v.1.2 Daisy Chain)
Audio output	Mini jack x1 RCA (L/R) x1 Speakers 2 x 10W
Monitor control output	RS232 x1
HDCP	yes
USB ports	x3 (v.3.0 x1, v.2.0 x2)

03 FEATURES

Extra	Scheduler (7 positions), DisplayWall, MediaPlayer
Max. non-stop operating time	24/7
Anti image retention	yes
Video wall / daisy chain	yes
Media playback	yes
Housing (bezel)	plastic
Brightness sensor	yes
HDR	yes (HDMI)

04 GENERAL

OSD languages	EN, DE, FR, ES, IT, RU, CZ, NL, PL, JP
Control buttons	Menu, Source, Plus, Minus, Up, Down, Power

User controls	picture (picture settings (picture mode, backlight, contrast, brightness, saturation, hue, sharpness, color temperature, noise reduction, reset), advanced color settings, base colour adjustment, adaptive contrast, ambient light sensor), Sound (balance, advanced sound settings, audio source), applications (media player, schedule, display wall), settings (language, network settings, control setting, set monitor ID, energy saving settings, aspect, freeze, anti-image retention, OSD rotation, OSD info box, DP 1.2, LED, opening logo, information, reset all)
Plug&Play	DDC2B, Mac OSX

05 MECHANICAL

Orientation	landscape, portrait
Fanless design	yes
VESA mounting	400 x 400mm
Mini PC mount	VESA 100 x 100, VESA 75 x 75
Operation temperature range	0°C - 40°C
Storage temperature range	- 20°C - 60°C

06 ACCESSORIES INCLUDED

Cables	power, HDMI (1.8m), DP (1.8m)
Guides	quick start guide, safety guide
Other	Mini-PC bracket, 4x screws
Remote control	yes (batteries included)

07 POWER MANAGEMENT

Power supply unit	internal
Power supply	AC 100 - 240V, 50/60Hz
Power usage	160W typical, 0.5W stand by

08 SUSTAINABILITY

Regulations	CB, CE, TÜV-Bauart, CU
Energy efficiency class	C

09 DIMENSIONS / WEIGHT

Product dimensions W x H x D	1245.0 x 718.5 x 69mm
Box dimensions W x H x D	1423 x 863 x 226mm
Pallet volume	8pcs
Weight (without box)	16.8kg
Weight (with box)	23.7kg
EAN code	4948570116263

All trademarks and registered trademarks acknowledged. E & O E. Specification subject to change without notice. All LCD's comply with ISO-9241-307:2008 in connection with pixel defects.



65" Professional Digital Signage display with a 24/7 operation, 4K UHD resolution and a portrait/landscape orientation

See the difference with the ProLite LH6550UHS. A professional digital signage display with 4K graphics, continuous operating time (24/7) and landscape/portrait orientation. Featuring a slim bezel, ambient light sensor and an AMVA3 panel for exceptional color and image performance, the LH6550UHS offers businesses a versatile and effective solution to present their message in an innovative and engaging manner.

Also available in 50 inch: [LH5050UHS-B1](#) and 55 inch: [LH5550UHS-B1](#)



LAN Control

LAN control enables making adjustments in the display OSD menu through your network (software not included).



4K

UHD resolution (3840x2160), better known as 4K, offers a gigantic viewable area with 4 times more information and work space than a Full HD screen. Due to the high DPI (dots per inch), it displays an incredibly sharp and crisp image.

01 DISPLAY CHARACTERISTICS

Design	Thin bezel
Diagonal	65", 164cm
Panel	AMVA3 LED, matte finish
Native resolution	3840 x 2160 @60Hz (8.3 megapixel 4K UHD)
Aspect ratio	16:9
Brightness	450 cd/m ² typical
Static contrast	4000:1 typical
Response time	8ms
Viewing zone	horizontal/vertical: 178°/178°, right/left: 89°/89°, up/down: 89°/89°
Colour support	1.07B (8 bit + A-FRC)
Horizontal Sync	30 - 83KHz
Vertical Sync	50 - 76Hz
Viewable area W x H	1428.48 x 843.33mm, 56.2 x 33.2"
Bezel width (sides, top, bottom)	16mm, 16mm, 21.8mm
Pixel pitch	0.372mm
Bezel colour and finish	black, matte

02 INTERFACES / CONNECTORS / CONTROLS

Analog signal input	Component video x1 (Y/Pb/Pr)
Digital signal input	HDMI x3 (v.2.0) DisplayPort x1
Audio input	Mini jack x1
Monitor control input	RS232 x1 RJ45 (LAN) x1 IR x1
Digital signal output	DisplayPort x1 (v.1.2 Daisy Chain)
Audio output	Mini jack x1 RCA (L/R) x1 Speakers 2 x 10W
Monitor control output	RS232 x1
HDCP	yes
USB ports	x3 (v.3.0 x1, v.2.0 x2)

03 FEATURES

Extra	Scheduler (7 positions), DisplayWall, MediaPlayer
Max. non-stop operating time	24/7
Anti image retention	yes
Video wall / daisy chain	yes
Media playback	yes
Housing (bezel)	plastic
Brightness sensor	yes
HDR	yes (HDMI)

04 GENERAL

OSD languages	EN, DE, FR, ES, IT, RU, JP, CZ, NL, PL
---------------	--

Control buttons	Menu, Source, Plus, Minus, Up, Down, Power
User controls	picture (picture settings (picture mode, backlight, contrast, brightness, saturation, hue, sharpness, color temperature, noise reduction, reset), advanced color settings, base colour adjustment, adaptive contrast, ambient light sensor), Sound (balance, advanced sound settings, audio source), applications (media player, schedule, display wall), settings (language, network settings, control setting, set monitor ID, energy saving settings, aspect, freeze, anti-image retention, OSD rotation, OSD info box, DP 1.2, LED, opening logo, information, reset all)
Plug&Play	DDC2B, Mac OSX

05 MECHANICAL

Orientation	landscape, portrait
Fanless design	yes
VESA mounting	400 x 400mm
Mini PC mount	VESA 100 x 100, VESA 75 x 75
Operation temperature range	0°C - 40°C
Storage temperature range	- 20°C - 60°C

06 ACCESSORIES INCLUDED

Cables	power, HDMI (1.8m), DP (1.8m)
Guides	quick start guide, safety guide
Other	Mini-PC bracket, 4x screws
Remote control	yes (batteries included)

07 POWER MANAGEMENT

Power supply unit	internal
Power supply	AC 100 - 240V, 50/60Hz
Power usage	150W typical, 0.5W stand by

08 SUSTAINABILITY

Regulations	CB, CE, TÜV-Bauart, CU
Energy efficiency class	C

09 DIMENSIONS / WEIGHT

Product dimensions W x H x D	1462.5 x 843.33 x 70mm
Box dimensions W x H x D	1640 x 986 x 226mm
Pallet volume	8pcs
Weight (without box)	22.8kg
Weight (with box)	31.1kg
EAN code	4948570116270

All trademarks and registered trademarks acknowledged. E & O E. Specification subject to change without notice. All LCD's comply with ISO-9241-307:2008 in connection with pixel defects.

