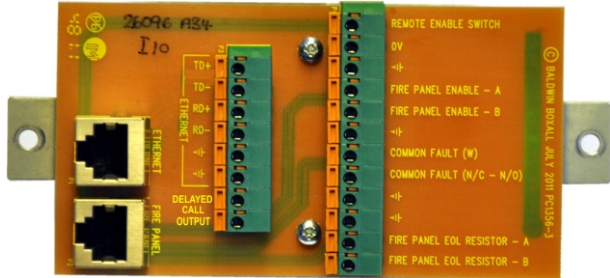


C2CFPE Care2 Fire Panel & Delayed Call Interface Card



C2CFPE Care2 Fire Panel & Delayed Call Interface Fitting Details

The kit comprises of the C2CFPE interface card and a yellow RJ45 link lead.

Before attempting to fit this component ensure the Mains Power and Battery Backup have been disconnected.

- 1) Remove the 4 screws securing the Front Panel.



Installation Instructions

BALDWIN BOX▲LL

- 2) Open the Control Panel door to view the internal components.
- 3) Disconnect the black 0V connection from the battery to isolate the 24V supply.

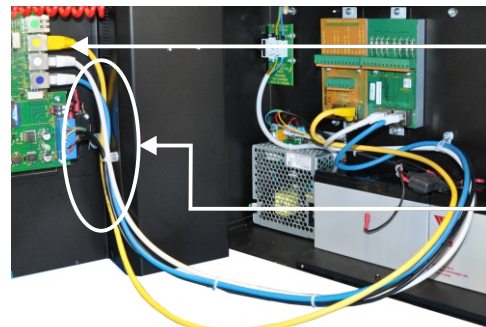
Fitting Instructions continued

4)



C2CFPE Unit
mounted in position
to the left
of the Line Card

6)



Plug the
YELLOW
RJ45 cable into
the FIRE PANEL
connection

Ensure the new
cable is fitted
behind the existing
RJ45 cables &
connectors

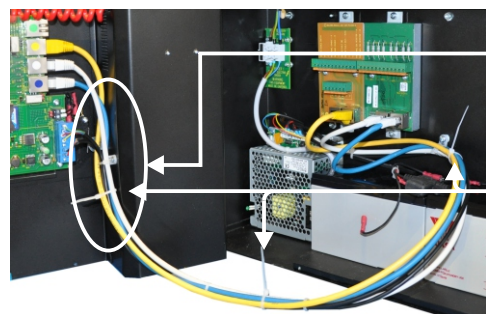
NOTE: Do NOT connect the Blue, Yellow or White cables to the ETHERNET connector or the equipment may be damaged.

5)



Plug the YELLOW
RJ45 cable into
the FIRE PANEL
connection

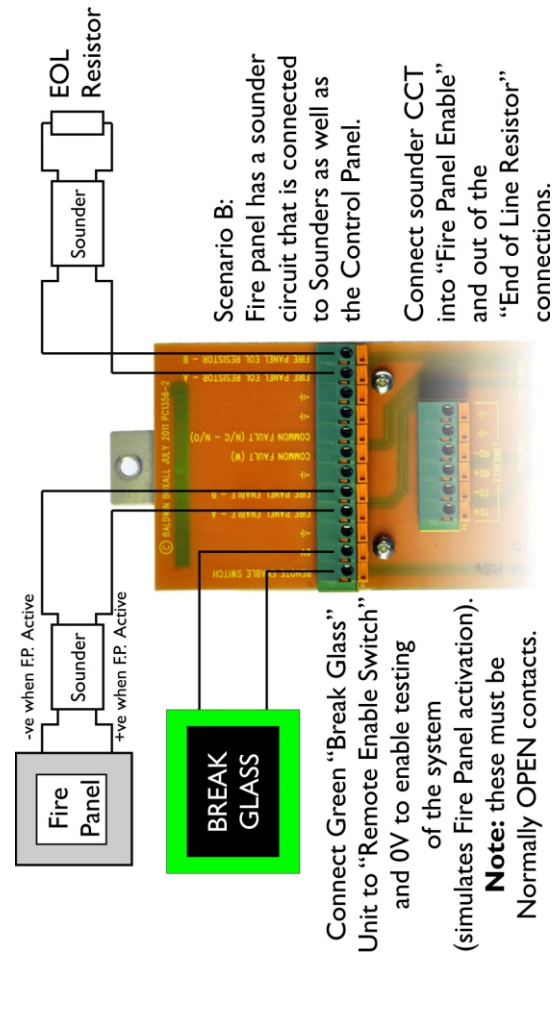
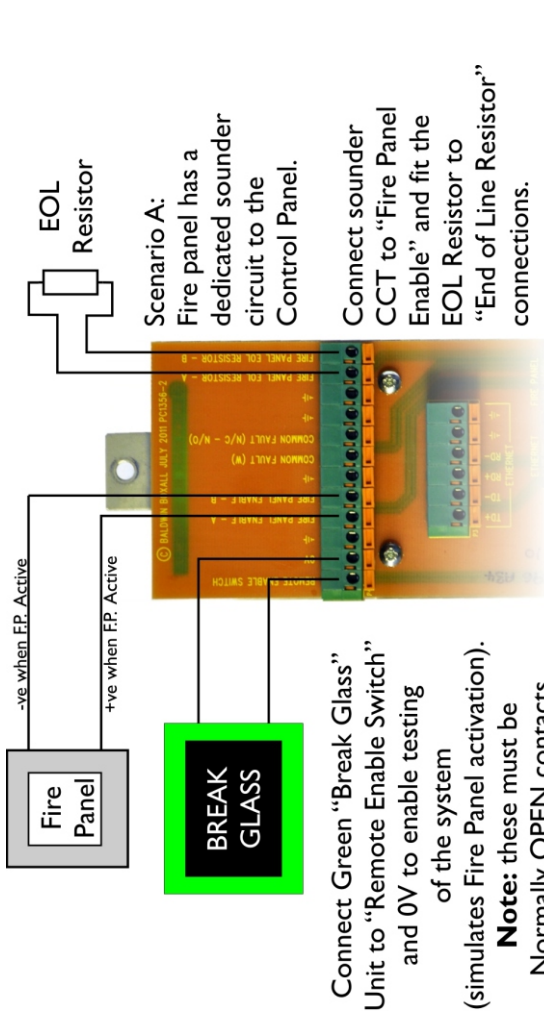
7)



Ensure the new
cable is fitted
behind the existing
RJ45 cables &
connectors

Secure the new
cable to the
existing loom using
the 3 cable
ties supplied

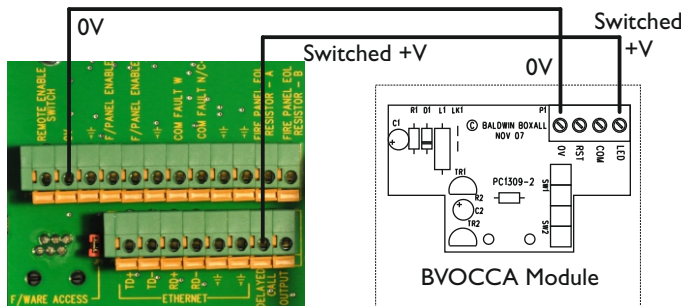
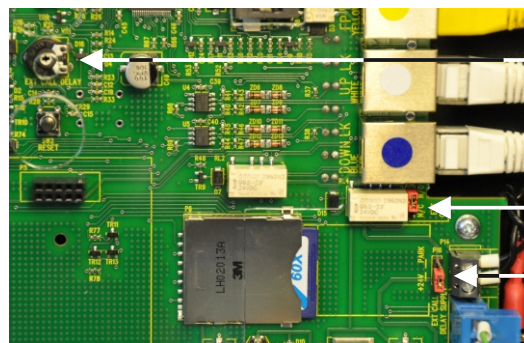
Fire Panel Connections



External Delayed Call Connections for BVOCCA

Delayed Call Control Panel Controls and Settings

For Volt Free Contacts:
Set P15 to N/O or N/C as required
Set P16 to PARK
Connect to "DELAYED CALL OUTPUT" terminals as shown below



BVOCCA Connections for Delayed Call

For BVOCCA:
Set P15 to N/O
Set P16 to +24V