

UEB1-70 SERIES

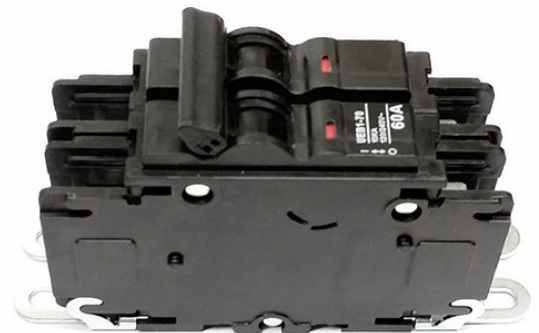
MINIATURE CIRCUIT BREAKER

DESCRIPTION

UEB1-70 series Miniature Circuit Breaker provides excellent over-current protection and control of on/off operation in AC electrical systems. It has a voltage rating of up to 240 VAC and current up to 60 A.

FEATURES

- New terminal design to allow multiple quick connect terminations.
- Removable metal brackets allow the breaker to be flush mounted/ surface mounted, or totally removed for din rail mounting.
- Mechanical switch for manual circuit disconnection.
- On/Off display indicator
- Performance unaffected by position mounting
- Salt Spray tested to ASTM B117-500hr.
- UL 489 #E355778



GENERAL DATA

Rated Insulation Voltage	690 VAC
Agency Approvals	UL489
Operating Altitude	≤ 2000 meters (6562 feet)
Ambient Temperature	Operating: -10°C to 60°C (-14°F to 140°F)
	Storage: -40°C to 70°C (-40°F to 158°F)
Relative Humidity	90-95% RH (below 40°C / 104°F)
Torque	M8 Screw (Box terminal - Lead wire) 35 to 44 in-lbs
QC Wiring	The female connector should meet IEC 60760, necessary to ensure the reliability of connection between female connectors and QC terminals

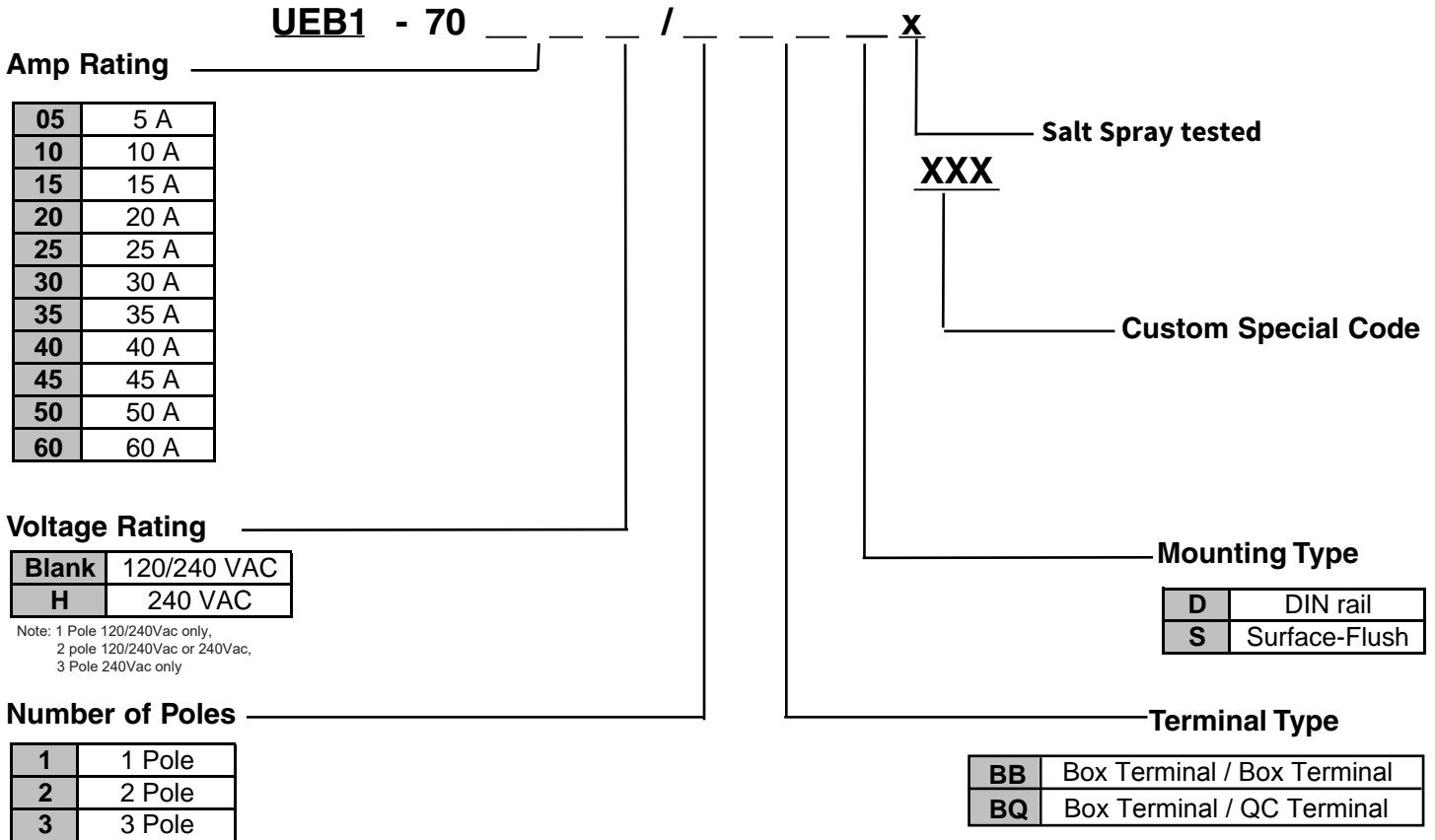
ELECTRICAL DATA

Rated Voltage	120/240 VAC, 240 VAC
Rated Frequency	50/60 Hz
Interrupting Capacity	10 KA
Electrical Endurance	6000 cycles
Mechanical Endurance	10000 cycles

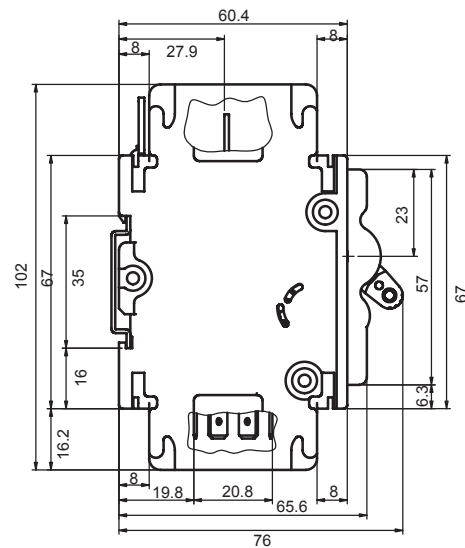
UEB1-70 SERIES

MINIATURE CIRCUIT BREAKER

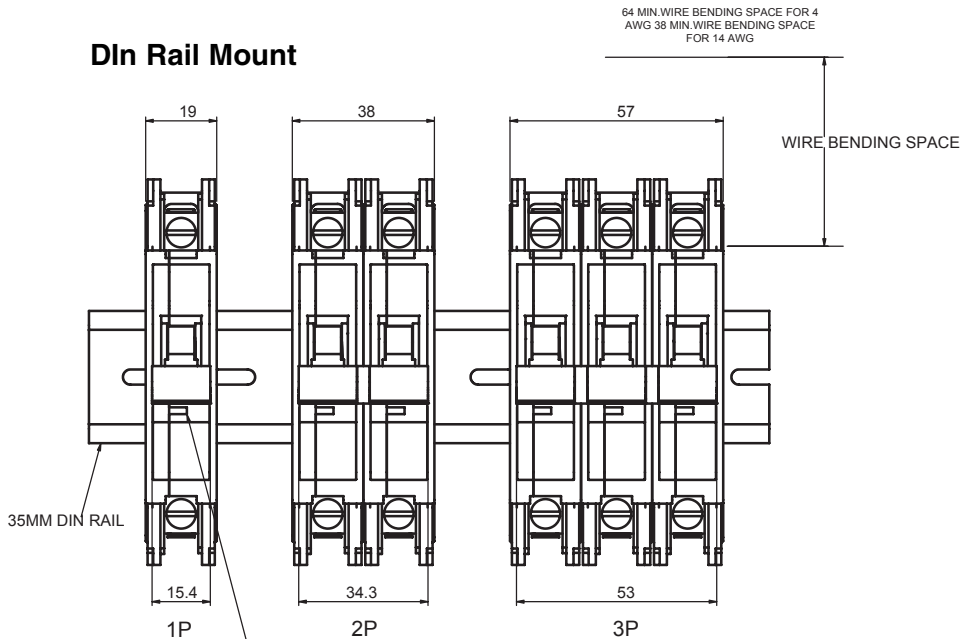
PART NUMBERING SYSTEM



MECHANICAL DATA



Din Rail Mount

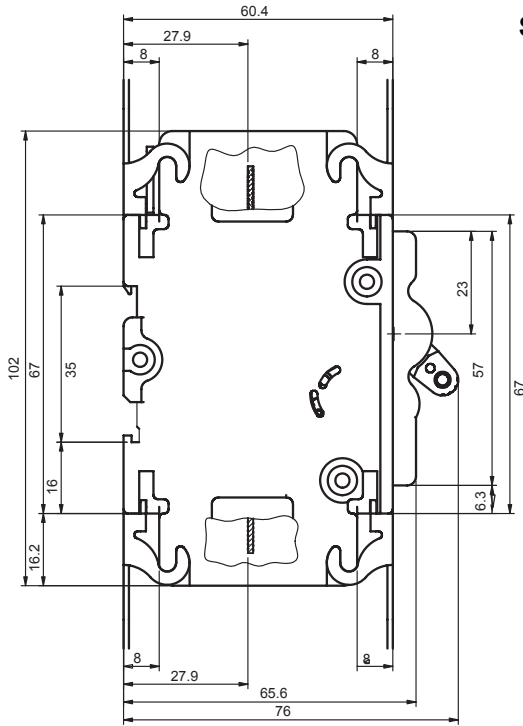


VISI-ON/OFF WINDOW:
SIMULTANEOUS OPENING OF ALL POLES TO HAVE THE GREEN LIGHT ON
AND CLOSING OF ALL POLES TO HAVE THE RED LIGHT ON.

UEB1-70 SERIES

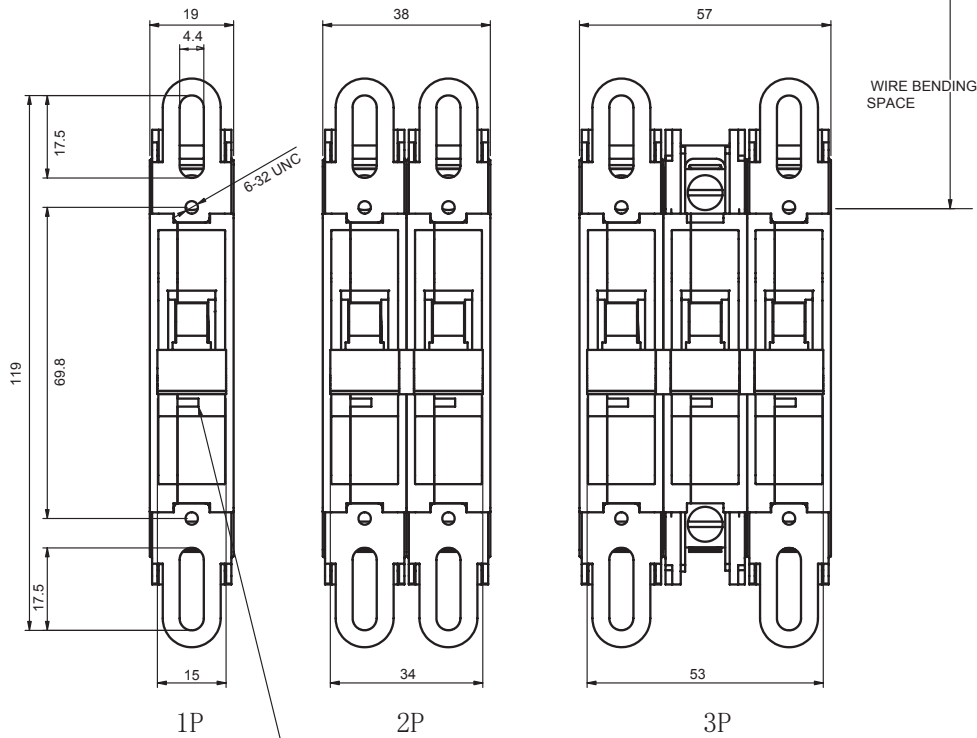
MINIATURE CIRCUIT BREAKER

SURFACE MOUNT / FLUSH MOUNT OPTION



**Metal
Bracket**

64 MIN. WIRE BENDING SPACE
FOR 4 AWG 38 MIN. WIRE
BENDING SPACE FOR 14 AWG



VISI-ON/OFF WINDOW:
SIMULTANEOUS OPENING OF ALL POLES TO HAVE THE GREEN
LIGHT ON AND CLOSING OF ALL POLES TO HAVE THE RED
LIGHT ON.

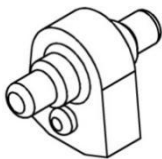
AMERICAN ZETTLER, INC.

4/1/21

UEB1-70 SERIES

ACCESSORY SELECTION TABLE

Accessory	Description	Catalog Number
Handle Tie	Tie two circuit breakers together.	UEB1-70HT
Mounting Feet	For mounting 1,2, 3-pole circuit breakers	UEB1-70MF1
	For mounting 2-pole circuit breakers(two mounting feet required per circuit breakers)	UEB1-70MF2
Quick Connectors	For forward or reverse wiring circuit breakers	UEB1-70QC1
	For end connection wiring circuit breakers	UEB1-70QC2
Ring Tongue Terminal Adapter	For ring tongue terminal wiring circuit breakers	UEB1-70QC3
Jumper Bar for 2-pole Low Ampere UEB1-70	4-pole, 100 A jumper bar base with front wiring	UEB1-701004BJPF
	4-pole, 100 A jumper bar base with left-side wiring	UEB1-701004BJPL
	4-pole, 100 A jumper bar base with right-side wiring	UEB1-701004BJPR
	4-pole, 100 A jumper bar cover	UEB1-701004CJP
	4-pole, 100 A jumper bar with front wiring, base, cover, and screw	UEB1-701004JPF
	4-pole, 100 A jumper bar with wiring, base, cover, and screw to left	UEB1-701004JPL
	4-pole, 100 A jumper bar with wiring, base, cover, and screw to right	UEB1-701004JPR
	6-pole, 150 A jumper bar base with front wiring	UEB1-701506BJPF
	6-pole, 150 A jumper bar base with left-side wiring	UEB1-701506BJPL
	6-pole, 150 A jumper bar base with right-side wiring	UEB1-701506BJPR
	6-pole, 150 A jumper bar cover	UEB1-701506CJP
	6-pole, 150 A jumper bar with wiring, base, cover, and screw to front	UEB1-701506JPF
	6-pole, 150 A jumper bar with wiring, base, cover, and screw to left	UEB1-701506JPL
	6-pole, 150 A jumper bar with wiring, base, cover, and screw to right	UEB1-701506JPR
Safe Cover	For 1-, 2-, and 3-pole circuit breakers (Two covers required per pole	UEB1-70SC
Filler Plate	For load center cover	UEB1-70BC



UEB1-70HT
Handle Tie

Handle Tie

The handle tie accessory converts any adjacent 1-pole UEB1-70 circuit breaker to one independent multi-pole circuit breaker.



UEB1-70MF1
Mounting Feet



UEB1-70MF2
Mounting Feet

Mounting Feet

Mounting feet are available to mount 1-, 2-, and 3-pole circuit breakers.

AMERICAN ZETTLER, INC.

4/1/21