

Mediant™ 9000 SBC

Session Border Controller

High-Availability System

# Hardware Installation Manual



Version 6.8





---

## Table of Contents

---

<b>1</b>	<b>Introduction.....</b>	<b>9</b>
1.1	Specifications .....	9
<b>2</b>	<b>Physical Description .....</b>	<b>11</b>
2.1	Physical Dimensions .....	11
2.2	Front Panel.....	11
2.2.1	Front Panel LEDs.....	12
2.3	Rear Panel .....	13
2.3.1	Rear Panel LEDs .....	14
<b>3</b>	<b>Deploying the Device .....</b>	<b>15</b>
3.1	Hardware Kit Contents .....	15
3.2	Overview .....	16
3.3	Rack Identification Legend.....	16
3.4	Installing the Rail Kit into a Rack.....	16
3.5	Removing the Rail .....	19
3.6	Securing the Cables .....	19
3.7	Connecting the Power Cords .....	20
3.8	Preparing the Product for Integrated Shipping in a Rack .....	20
3.9	Loosening the Shipping Screws .....	20
<b>4</b>	<b>Cabling .....</b>	<b>21</b>
4.1	Grounding.....	21
4.2	Connecting to Power .....	22
4.2.1	AC Power Supply .....	23
4.2.2	DC Power Supply.....	23
4.3	Connecting Display and Keyboard .....	25
4.4	Connecting the Device to the IP Network.....	25
4.4.1	Identifying Network Ports .....	26
<b>5</b>	<b>Initial Configuration.....</b>	<b>27</b>
5.1	Reconfiguring Default IP Address to Match Customer Network Settings.....	27
5.2	Licensing the Mediant 9000 .....	29
5.2.1	Upgrading your Software License Key.....	29
5.2.2	Installing your Upgraded Software License Key .....	30
5.3	Installing an HA System .....	31
5.4	Upgrading .....	31
<b>6</b>	<b>Hardware Maintenance .....</b>	<b>33</b>
6.1	Prerequisites .....	33
6.1.1	Grounding the Device .....	33
6.1.2	Preventing Electrostatic Discharge Damage .....	33
6.2	Replacing Power Supply Modules.....	34
6.2.1	Replacing AC Power Supply.....	34
6.2.2	Replacing 48V DC Power Supply .....	34
6.3	Troubleshooting Device Failures.....	40

<b>A</b>	<b>Rescue Options .....</b>	<b>41</b>
A.1	Taking a Snapshot .....	41
A.2	Viewing Available Snapshots .....	42
A.3	Changing the Default Snapshot .....	42
A.4	Deleting a Snapshot .....	42
A.5	Manual Recovery .....	42
A.5.1	Returning to the Default Snapshot.....	43
A.5.2	Fixing the Current Installation .....	44
A.5.3	Returning to an Arbitrary Snapshot.....	44
A.5.4	Returning to a Factory Snapshot .....	44
A.6	Automatic Recovery .....	45

---

## List of Figures

---

Figure 2-1: Front Panel.....	11
Figure 2-2: Front Panel LEDs.....	12
Figure 2-3: Rear Panel.....	13
Figure 2-4: Rear Panel LEDs.....	14
Figure 4-1: Connecting AC Power Cords to AC Electrical Outlets.....	22
Figure 4-2: Connecting the Device to the IP Network.....	25
Figure 4-3: Identifying Network Ports.....	26
Figure 5-1: CLI Management Interface.....	27
Figure 5-2: Web Interface.....	28
Figure 5-3: Software License Key File with S/N Line.....	29
Figure 5-4: Software Upgrade Key Status Page.....	30
Figure A-1: CLI Management Interface.....	41
Figure A-2: Main GRUB Menu.....	43
Figure A-3: Rescue Options Menu.....	43
Figure A-4: <b>System Returning to Snapshot State</b> .....	43
Figure A-5: Selecting a Snapshot.....	44

---

## List of Tables

---

Table 1-1: Mediant 9000 SBC Specifications .....	9
Table 2-1: Physical Dimensions .....	11
Table 2-2: Front Panel .....	11
Table 2-3: Front-Panel LEDs .....	12
Table 2-4: Rear Panel.....	13
Table 2-5: Rear Panel LEDs.....	14
Table 4-1: AC Power Supply Specifications .....	23
Table 4-2: DC Power Supply Specifications.....	23
Table 5-1: Default IP Address.....	27

## Notice

This Installation Manual describes the hardware installation of AudioCodes Mediant 9000 Session Border Controller (SBC).

Information contained in this document is believed to be accurate and reliable at the time of printing. However, due to ongoing product improvements and revisions, AudioCodes cannot guarantee accuracy of printed material after the Date Published nor can it accept responsibility for errors or omissions. Before consulting this document, check the corresponding Release Notes regarding feature preconditions and/or specific support in this release. In cases where there are discrepancies between this document and the Release Notes, the information in the Release Notes supersedes that in this document. Updates to this document and other documents as well as software files can be downloaded by registered customers at <http://www.audiocodes.com/downloads>.

© Copyright 2014 AudioCodes Ltd. All rights reserved.

This document is subject to change without notice.

Date Published: August-15-2016

## Trademarks

AudioCodes, AC, HD VoIP, HD VoIP Sounds Better, IPmedia, Mediant, MediaPack, What's Inside Matters, OSN, SmartTAP, VMAS, VoIPerfect, VoIPerfectHD, Your Gateway To VoIP, 3GX, VocaNOM and CloudBond 365 are trademarks or registered trademarks of AudioCodes Limited All other products or trademarks are property of their respective owners. Product specifications are subject to change without notice.

## WEEE EU Directive

Pursuant to the WEEE EU Directive, electronic and electrical waste must not be disposed of with unsorted waste. Please contact your local recycling authority for disposal of this product.

## Customer Support

Customer technical support and services are provided by AudioCodes or by an authorized AudioCodes Service Partner. For more information on how to buy technical support for AudioCodes products and for contact information, please visit our Web site at [www.audiocodes.com/support](http://www.audiocodes.com/support).

## Abbreviations and Terminology

Each abbreviation, unless widely used, is spelled out in full when first used.

Throughout this manual and unless otherwise specified, the term *device* refers to the Mediant 9000 SBC.

## Related Documentation

Manual Name
SIP Release Notes
Mediant 9000 SBC User's Manual

## Document Revision Record

LTRT	Description
41651	Initial document release for Version 6.8
41660	AC power cable warning (Japanese).

## Documentation Feedback

AudioCodes continually strives to produce high quality documentation. If you have any comments (suggestions or errors) regarding this document, please fill out the Documentation Feedback form on our Web site at <http://www.audiocodes.com/downloads>.



# 1 Introduction

This document provides a hardware description and step-by-step cabling procedures for AudioCodes' carrier-grade Mediant 9000 SBC.

## 1.1 Specifications

The table below shows the Mediant 9000 SBC specifications.

**Table 1-1: Mediant 9000 SBC Specifications**

Resource	Specification
<b>Chassis Type</b>	1RU system
<b>CPU</b>	2 x 10 cores, 2.8 GHz, 25M Cache
<b>Memory</b>	64 GHz, DDR3-1866/PC3-14900
<b>Network</b>	12 x 1 GbE ports
<b>Disk</b>	Mechanical hard drive, SAS 300 GB
<b>CD/DVD</b>	SATA CD/DVD R/W
<b>Installation Interface</b>	VGA Monitor and Keyboard

**This page is intentionally left blank.**

## 2 Physical Description

This section provides a physical description of the device.

### 2.1 Physical Dimensions

The device's physical dimensions are listed in the table below.

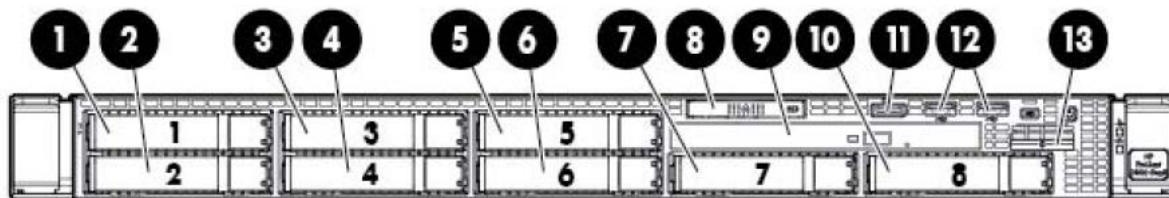
**Table 2-1: Physical Dimensions**

Item	Description
<b>Physical Dimensions</b>	1U x 320 mm x 345 mm (HxWxD)
<b>Weight</b>	19.2 kg (42.3 lb)
<b>Environmental</b>	Operational: 10 to 35°C

### 2.2 Front Panel

The Mediant 9000 features an 8-SFF (Small Form Factor) cage for standard internal storage hard drives. The device's front panel is shown in the figures below and described in the subsequent table.

**Figure 2-1: Front Panel**



**Table 2-2: Front Panel**

Item #	Description
1	SAS/SATA/SSD drive bay 1
2	SAS/SATA/SSD drive bay 2
3	SAS/SATA/SSD drive bay 3
4	SAS/SATA/SSD drive bay 4
5	SAS/SATA/SSD drive bay 5
6	SAS/SATA/SSD drive bay 6
7	SAS/SATA/SSD drive bay 7
8	Systems Insight Display
9	DVD-ROM drive (optional)
10	SAS/SATA/SSD drive bay 8 (optional)
11	Front video connector (front video port adapter required)

Item #	Description
12	USB connectors (2)
13	Serial number tab

### 2.2.1 Front Panel LEDs

The front panel LEDs are shown in the figure below and described in the subsequent table.

Figure 2-2: Front Panel LEDs



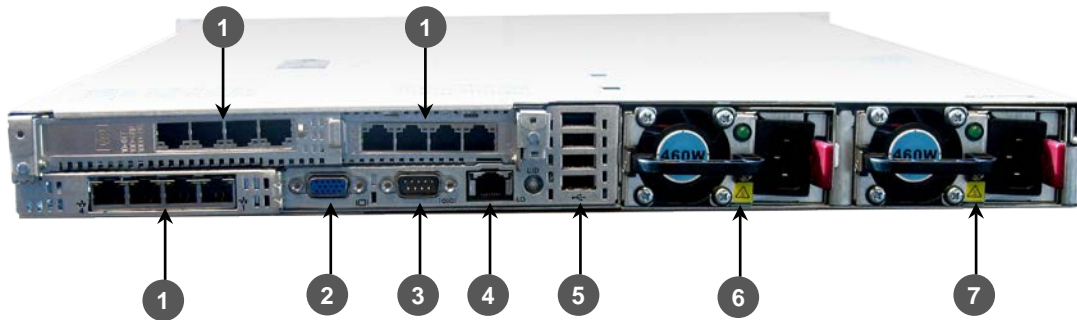
Table 2-3: Front-Panel LEDs

Item #	Description	Status
1	UID LED/button	<ul style="list-style-type: none"> <li>• Solid blue = Identification is activated.</li> <li>• Flashing blue = System is being managed remotely.</li> <li>• Off = Identification is deactivated.</li> </ul>
2	Power On/Standby button/LED	<ul style="list-style-type: none"> <li>• Solid green = System is On.</li> <li>• Flashing green = Waiting for server power sequence.</li> <li>• Solid amber = System is in standby, but power is still applied.</li> <li>• Off = Power cord is not attached, power supply failure has occurred, no power supplies are installed, facility power is not available, or the power button cable is disconnected</li> </ul>
3	Health LED	<ul style="list-style-type: none"> <li>• Solid green = System health is normal.</li> <li>• Flashing amber = System health is degraded.</li> <li>• Flashing red = System health is critical.</li> <li>• Fast flashing red = Power fault (check system and devices).</li> </ul>
4	Aggregate network LED	<ul style="list-style-type: none"> <li>• Solid green = Link to network.</li> <li>• Flashing green = Network activity.</li> <li>• Off = No network connection.</li> </ul>

## 2.3 Rear Panel

The rear panel is displayed in the figure below and described in the subsequent table.

**Figure 2-3: Rear Panel**



**Table 2-4: Rear Panel**

Item #	Description
1	12 GbE ports
2	Video connector
3	Serial connector
4	Management port
5	USB connectors (4)
6	Power supply bay 1 (primary and redundant power supply supported)
7	Power supply bay 2 (primary and redundant power supply supported)

### 2.3.1 Rear Panel LEDs

The rear panel LEDs are shown in the figure below and described in the subsequent table.

Figure 2-4: Rear Panel LEDs

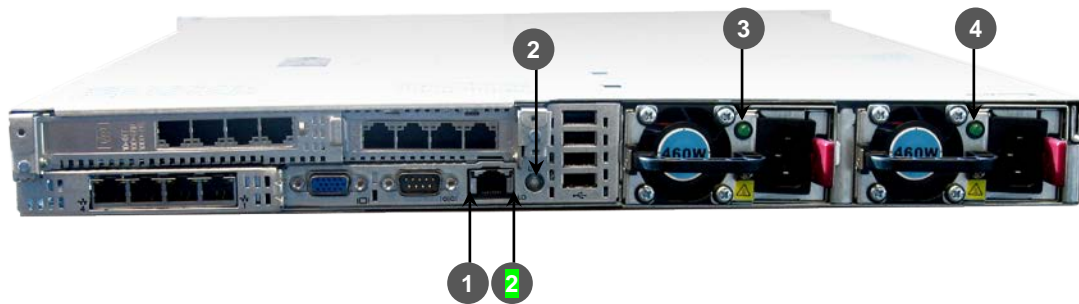


Table 2-5: Rear Panel LEDs

Item #	Description	Status
1	Standard NIC activity LED	<ul style="list-style-type: none"> <li>• Solid green = Activity exists.</li> <li>• Flashing green = Activity exists.</li> <li>• Off = No activity exists.</li> </ul>
2	Standard NIC link LED	<ul style="list-style-type: none"> <li>• Solid green = Link exists.</li> <li>• Off = No link exists.</li> </ul>
2	UID button/LED	<ul style="list-style-type: none"> <li>• Solid blue = Identification is activated.</li> <li>• Flashing blue = System is being managed remotely.</li> <li>• Off = Identification is deactivated.</li> </ul>
3	Power Supply 2 LED	<ul style="list-style-type: none"> <li>• Solid green = Normal.</li> <li>• Off = One or more of the following conditions exists:                             <ul style="list-style-type: none"> <li>✓ AC power unavailable.</li> <li>✓ Power supply failed.</li> <li>✓ Power supply in standby mode.</li> <li>✓ Power supply exceeded current limit.</li> </ul> </li> </ul>
4	Power Supply 1 LED	<ul style="list-style-type: none"> <li>• Solid green = Normal.</li> <li>• Off = One or more of the following conditions exists:                             <ul style="list-style-type: none"> <li>✓ AC power unavailable.</li> <li>✓ Power supply failed.</li> <li>✓ Power supply in standby mode.</li> <li>✓ Power supply exceeded current limit.</li> </ul> </li> </ul>

## 3 Deploying the Device

This section shows how to deploy the device in a commercial rack mount kit.

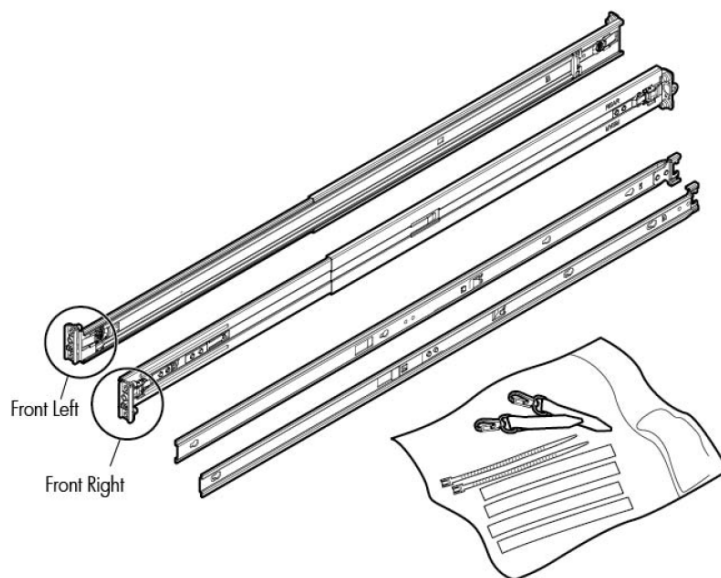
### 3.1 Hardware Kit Contents



**Warning:** To reduce the risk of personal injury or damage to the equipment, at least two people are required to lift the server during installation or removal.



**Note:** When installing the rack rails, be sure they are oriented Front Left and Front Right, as indicated on the rails.



You must provide:

- Screws to secure the slide mounting bracket assemblies in a threaded-hole rack
- Cage nuts for a round-hole rack
- Screws that fit a threaded-hole rack
- The appropriate screwdriver for the screws

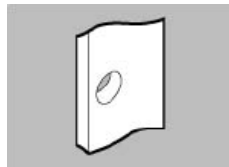
### 3.2 Overview

This rack hardware kit supports a variety of products in round-, square-, or threaded-hole racks. Use the legend to identify installation steps appropriate to the type of rack.

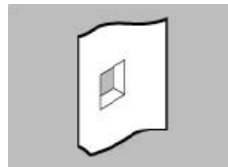


**Note:** If you are shipping the server installed in a rack, see the additional instructions located in "Preparing the product for integrated shipping in a rack" before proceeding.

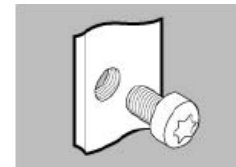
### 3.3 Rack Identification Legend



Round-hole racks  
No tools required

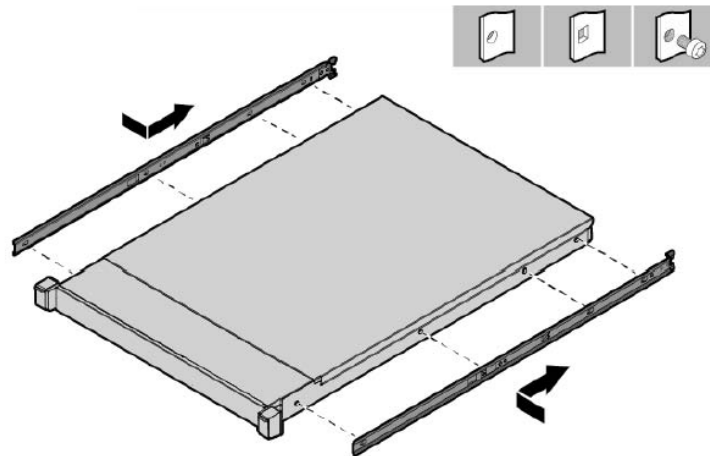


Square-hole racks  
No tools required



Threaded-hole racks  
-

### 3.4 Installing the Rail Kit into a Rack

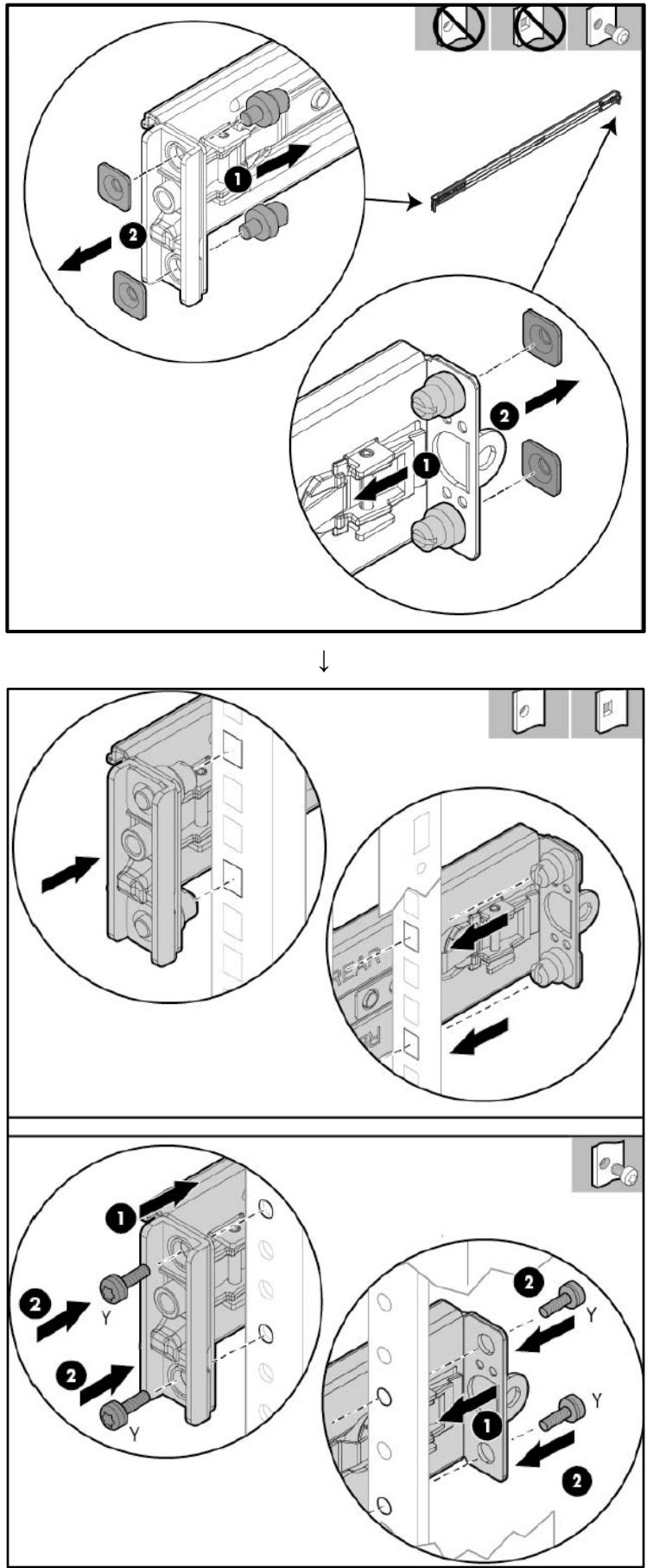


**Warning:** To avoid risk of personal injury or damage to the equipment, do not stack anything on top of rail-mounted equipment or use it as a work surface when extended from the rack.



**Caution:** Always plan the rack installation so that the heaviest item is on the bottom of the rack. Install the heaviest item first, and continue to populate the rack from the bottom to the top.







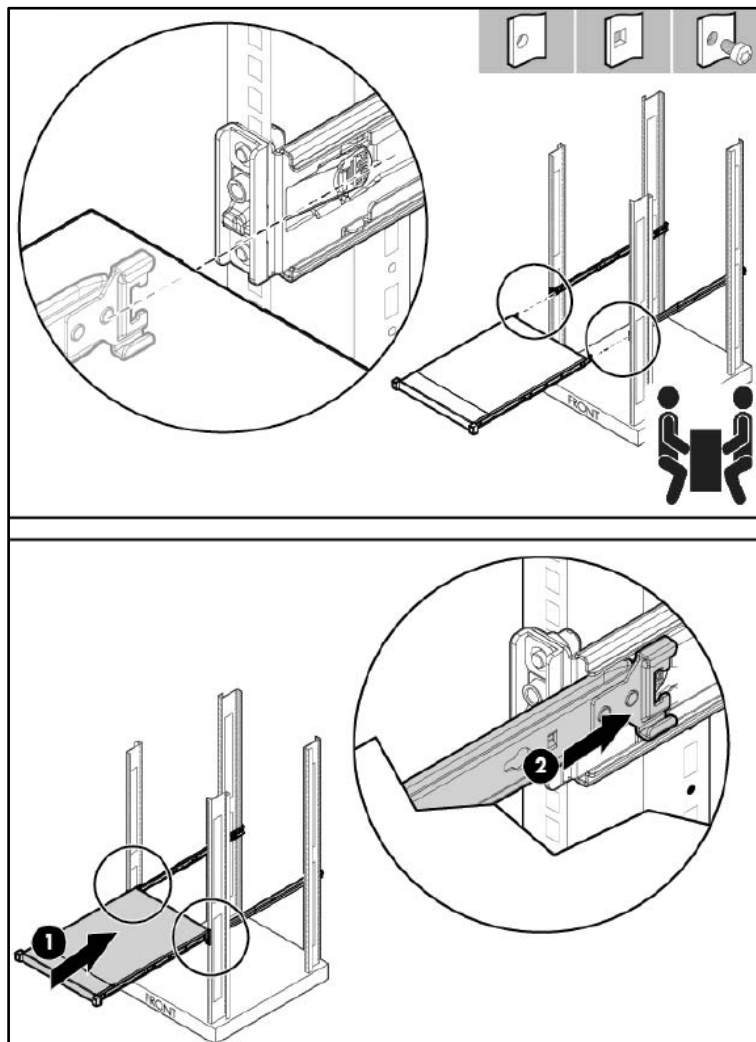
**Warning:** To reduce the risk of personal injury or equipment damage, be sure that the rack is adequately stabilized before sliding the inner slides into the slide mounting bracket assemblies.



**Warning:** To reduce the risk of personal injury or damage to the equipment, at least two people are required to lift the server during installation or removal.

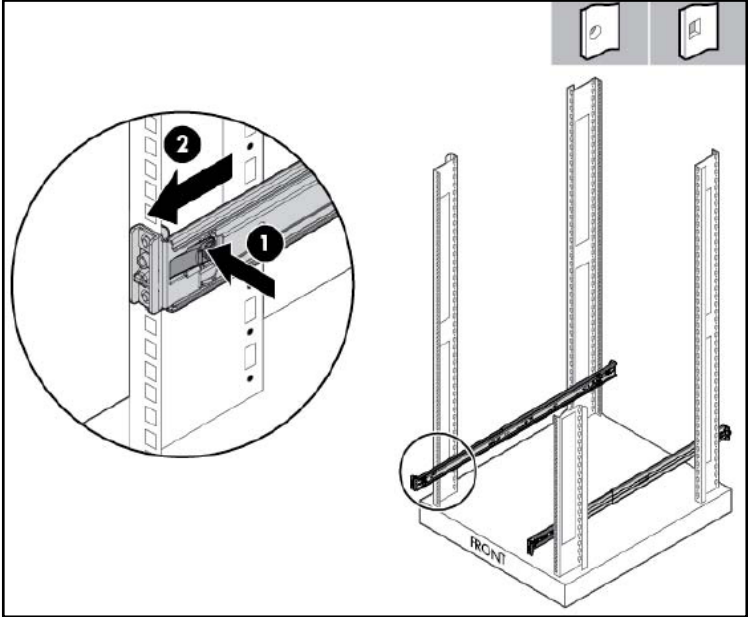


**Caution:** Be sure to keep the product parallel to the floor when sliding the inner slides into the slide mounting bracket. Tilting the product up or down could result in damage to the slides.

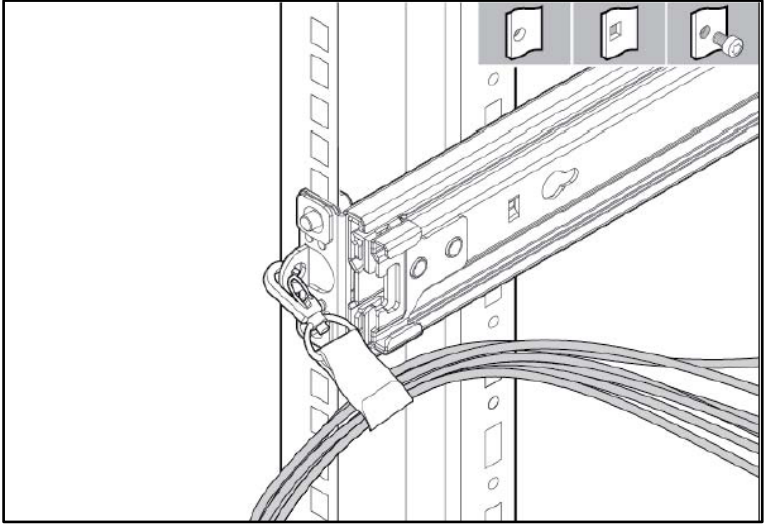


### 3.5 Removing the Rail

When removing the rail from the rack, always remove the front of the rail first.



### 3.6 Securing the Cables



### 3.7 Connecting the Power Cords

After completing all installation and cable management procedures, you can connect the power cords to the facility power source. See Section 4.2 on page 22 for detailed information. The installation is complete.

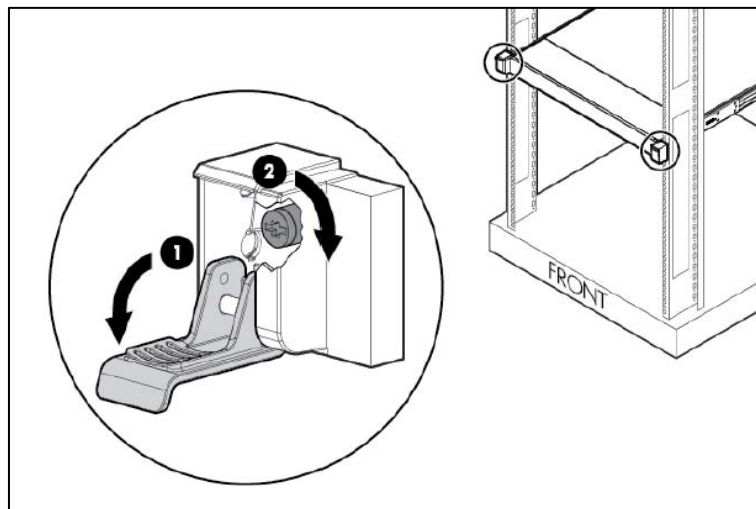
### 3.8 Preparing the Product for Integrated Shipping in a Rack



**Note:** You must provide screws to secure the slide mounting bracket assemblies in a threaded-hole rack.

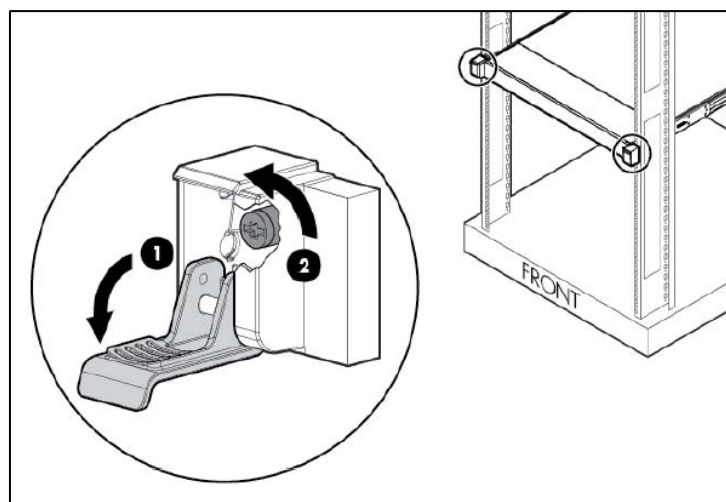


**Note:** Use the integrated shipping hardware included with this kit to prepare a square-hole rack for integrated shipping.



### 3.9 Loosening the Shipping Screws

To slide the server out of the rack, open the latches and loosen the shipping screws.



## 4 Cabling

This section shows how to cable the device. Intra-building connections of the device require the use of shielded cables grounded at both ends.



**Caution:** The intra-building ports of the equipment are suitable for connection to intra-building or unexposed wiring or cabling only. The intra-building ports of the equipment must not be metallically connected to interfaces that connect to the Outside Plant (OSP) or its wiring. These interfaces are designed for use as intra-building interfaces only (Type 2 or Type 4 ports, as described in GR-1089–CORE, Issue 4) and requires isolation from the exposed OSP cabling. The addition of primary protectors is not sufficient protection to connect these interfaces metallically to OSP wiring.

### 4.1 Grounding

The device is intended for use in both common bonding networks and isolated bonding networks. Grounding must comply with local, national, and other applicable government codes and regulations. Dedicated safety grounds are implemented on both the AC and DC versions of the product. The AC product uses a standard three wire cord that includes a safety ground for each power supply. The DC product has a dedicated ground screw on each power supply.



**Warning:** To ensure the safety ground, at least one power supply with an appropriately terminated ground lead must be installed at all times.



**Tip:** To ensure the safety ground, at least one power supply with an appropriately terminated ground lead must be installed at all times.

## 4.2 Connecting to Power

This section shows how to connect the device to the power supply.

**Notes:**

- You can connect both Power Supply modules (1 and 2), for 1+1 power load-sharing and redundancy. Each module provides an AC power socket on the device's rear panel. If both power modules are used, ensure that you connect each one to a different AC supply socket.
- The two AC power sources must have the same ground potential.

**Warning:**

- The device must be connected (by service personnel) to a socket-outlet with a protective earthing connection.
- Use only the AC power cord supplied with the device.

**Caution:** To reduce the risk of electric shock or damage to the equipment:

- Do not disable the power cord grounding plug. The grounding plug is an important safety feature.
- Plug the power cord into a grounded (earthed) electrical outlet that is easily accessible at all times.
- Unplug the power cord from the power supply to disconnect power to the equipment.
- Do not route the power cord where it can be walked on or pinched by items placed against it. Pay particular attention to the plug, electrical outlet, and the point where the cord extends from the server.

➤ **To connect the device to the power supply:**

1. Connect the AC power cord (supplied) to one of the power sockets located on the rear panel.

**Figure 4-1: Connecting AC Power Cords to AC Electrical Outlets**



2. Connect the other end of the power cord to a standard AC electrical outlet (100-240V~50-60 Hz).

3. For load sharing and power redundancy, repeat steps 1 through 2, but using the power socket of the second Power Supply module and connecting this to a different supply circuit.
4. Turn on the power at the power source (if required).
5. Check that the **POWER** LED on each Power Supply module (front panel) is lit green. This indicates that the device is receiving power.

## 4.2.1 AC Power Supply

This section shows the AC power supply specifications.

**Table 4-1: AC Power Supply Specifications**

Specification	Value
<b>Input requirements</b>	-
Rated input voltage	100 V AC–240 V AC
Rated input frequency	50 Hz or 60 Hz
Rated input current	3.5 - 8.5A
Rated input power	<ul style="list-style-type: none"> <li>▪ 843 W at 100 V AC input</li> <li>▪ 811 W at 200 V AC input</li> </ul>
Btus per hour	<ul style="list-style-type: none"> <li>▪ 2878 at 100 V AC input</li> <li>▪ 2769 at 200 V AC input</li> </ul>
<b>Power supply output</b>	-
Rated steady-state power	<ul style="list-style-type: none"> <li>▪ 750 W at 100 V to 120 V AC input</li> <li>▪ 750W at 200 V to 240 V AC input</li> </ul>
Maximum peak power	<ul style="list-style-type: none"> <li>▪ 750W at 100 V to 120 V AC input</li> <li>▪ 750W at 200 V to 240 V AC input</li> </ul>



### ご注意

本製品に添付の電源ケーブルは、Mediant 9000 に専用設計されているため、汎用性がありません。本電源ケーブルを他の機器に使用されないよう、ご注意ください。



### Note:

- This equipment is intended for installation where the NEC (National Electrical Code) applies.
- The safety ground of the AC power cord must terminate the chassis to the interior equipment grounding system.

## 4.2.2 DC Power Supply

This section shows the DC power supply specifications.

**Table 4-2: DC Power Supply Specifications**

Specification	Value
<b>Input requirements</b>	-
Rated input voltage	<ul style="list-style-type: none"> <li>▪ -36 V DC to -72 V DC</li> <li>▪ -48 V DC nominal input</li> </ul>

Specification	Value
Rated input current	<ul style="list-style-type: none"> <li>▪ 23 A at -36 V DC input</li> <li>▪ 17 A at -48 V DC input, nominal input</li> <li>▪ 12 A at -72 V DC input</li> </ul>
Rated input power (W)	<ul style="list-style-type: none"> <li>▪ 840 W at -36 V DC input</li> <li>▪ 820 W at -48 V DC input, nominal input</li> <li>▪ 830 W at -72 V DC input</li> </ul>
Rated input power (Btus per hour)	<ul style="list-style-type: none"> <li>▪ 2865 at -36 V DC input</li> <li>▪ 2796 at -48 V DC input, nominal input</li> <li>▪ 2830 at -72 V DC input</li> </ul>
<b>Power supply output</b>	-
Rated steady-state power (W)	750 W
Maximum peak power (W)	750 W

**Caution:**

This equipment is designed to permit the connection of the earthed conductor of the DC supply circuit to the earthing conductor at the equipment. If this connection is made, all of the following must be met:



- This equipment must be connected directly to the DC supply system earthing electrode conductor or to a bonding jumper from an earthing terminal bar or bus to which the DC supply system earthing electrode conductor is connected.
- This equipment must be located in the same immediate area (such as adjacent cabinets) as any other equipment that has a connection between the earthed conductor of the same DC supply circuit and the earthing conductor, and also the point of earthing of the DC system. The DC system must be earthed elsewhere.
- The DC supply source is to be located within the same premises as the equipment.
- Switching or disconnecting devices must not be in the earthed circuit conductor between the DC source and the point of connection of the earthing electrode conductor.

**Caution:**

To reduce the risk of electric shock or energy hazards:



- This equipment must be installed by trained service personnel, as defined by the NEC and IEC 60950-1, Second Edition, the standard for Safety of Information Technology Equipment.
- Connect the equipment to a reliably grounded SELV source. An SELV source is a secondary circuit that is designed so normal and single fault conditions do not cause the voltages to exceed a safe level (60 V DC).
- The branch circuit overcurrent protection must be rated 24 A.



## 4.3 Connecting Display and Keyboard

To perform initial configuration, display and keyboard are required.

- Connect the display to the 15-pin HD D-Sub (HD-15) VGA port on the Mediant 9000.
- Connect the keyboard to the USB port.

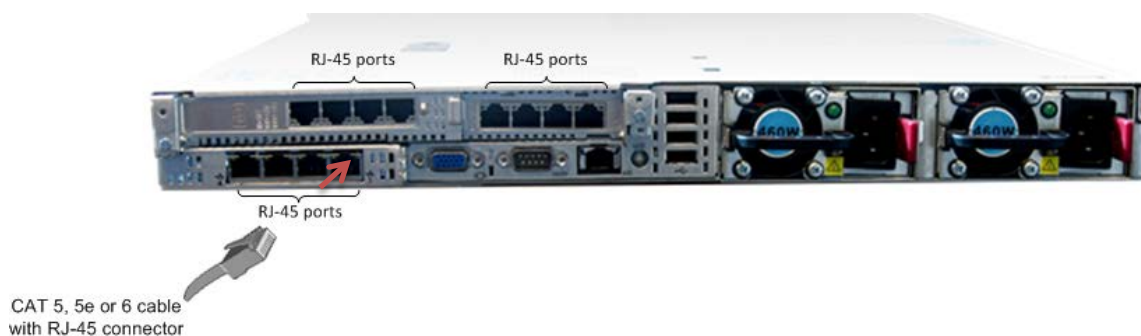
## 4.4 Connecting the Device to the IP Network

This section shows how to connect the device to the IP network.

➤ **To connect the device to the IP network:**

- Use an Ethernet cable to connect an RJ-45 network port on the server's rear panel to the LAN.

**Figure 4-2: Connecting the Device to the IP Network**



**Note:** The Mediant 9000 orders available network ports in two groups: the first group containing on-board ports (included in basic server assembly) and the second group containing ports on the add-on PCIe cards. Ports within each group are sorted alphabetically by their MAC addresses, which typically match corresponding labels imprinted on the server rear's panel – NIC1, NIC2. If labels are missing or duplicated, see the section below for identifying network ports.

## 4.4.1 Identifying Network Ports

Use the `show voip ports` CLI command to identify network ports (1, 2, 3, etc.) by their MAC address and port status (up/down).

➤ **To identify network ports:**

- Disconnect Ethernet cables from all network ports.
- Connect the first port via the Ethernet cable to a switch or router. The first port is located on the right side of the lower row, as indicated in [Figure 4-2](#) by the red arrow. Verify that port status is "up", typically indicated by green LEDs on the port itself and/or by the port status on the connected switch/router. Run the `show voip ports` command and identify the corresponding port number, by noting the port with Link Status 'UP'.
- Repeat the sequence for the rest of the ports.

**Figure 4-3: Identifying Network Ports**

```
Mediant SW# show voip ports
```

Port Num	Port Name	MAC Address	Speed	Duplexity	Link Status	Native VLAN	Driver Info
1	GE_1	f4:ce:46:a5:3f:98			UP	1	igb rx-zc
2	GE_2	f4:ce:46:a5:3f:99			DOWN	1	igb rx-zc
3	GE_3	f4:ce:46:a5:3f:9a			DOWN	1	igb rx-zc
4	GE_4	f4:ce:46:a5:3f:9b			DOWN	1	igb rx-zc
5	GE_5	f4:ce:46:a5:4f:98			DOWN	1	igb rx-zc
6	GE_6	f4:ce:46:a5:4f:99			DOWN	1	igb rx-zc
7	GE_7	f4:ce:46:a5:4f:9a			DOWN	1	igb rx-zc
8	GE_8	f4:ce:46:a5:4f:9b			DOWN	1	igb rx-zc
9	GE_9	f4:ce:46:a5:a4:40			DOWN	1	igb rx-zc
10	GE_10	f4:ce:46:a5:a4:41			DOWN	1	igb rx-zc
11	GE_11	f4:ce:46:a5:a4:42			DOWN	1	igb rx-zc
12	GE_12	f4:ce:46:a5:a4:43			DOWN	1	igb rx-zc

## 5 Initial Configuration

### 5.1 Reconfiguring Default IP Address to Match Customer Network Settings

The Mediant 9000 is supplied with software preinstalled. By default, the device is assigned with a default IP address that will most likely be inaccessible from the customer's network.

**Table 5-1: Default IP Address**

Parameter	Value
IP Address	192.168.0.1
Subnet Mask	255.255.255.0

Reconfigure the IP address in order to connect to the Mediant 9000's Web-based management tool (hereafter referred to as 'Web interface').

➤ **To reconfigure the IP address using CLI:**

1. Use the VGA monitor and keyboard to connect to the CLI management interface.
2. At the prompt, type the username (default is **Admin** - case sensitive), and then press ENTER:

```
Username: Admin
```

3. At the prompt, type the password (default is **Admin** - case sensitive), and then press ENTER:

```
Password: Admin
```

**Figure 5-1: CLI Management Interface**

```
Welcome to AudioCodes CLI

Username: Admin
Password:
Mediant SW> █
```

4. At the prompt, type **enable** and press ENTER:  

```
> enable
```
5. At the prompt, type the password again and press ENTER:  

```
Password: Admin
```
6. At the prompt, type the following commands to access the network interface configuration:  

```
# configure voip
(config-voip)# interface network-if 0
(network-if-0)#
```



**Note:** Use the Tab key to auto-complete partially entered commands.

- At the prompt, type the following commands to configure the IP address, prefix length and default gateway:

```
(network-if-0)# ip-address 10.4.212.155
(network-if-0)# prefix-length 16
(network-if-0)# gateway 10.4.0.1
(network-if-0)# exit
(config-voip)#
```

- At the prompt, type **exit** to complete the **network-if** configuration:

```
(network-if-0)# exit
```

- If Mediant 9000 is connected to the IP network that uses VLAN ID, type the following commands to configure it (otherwise skip to step 10):

```
(config-voip)# interface network-dev 0
(network-dev-0)# vlan-id 10
(network-dev-0)# exit
```

- At the prompt, type **exit** to complete the configuration:

```
(config-voip)# exit
```

- At the prompt, make sure that port #1 is connected (Link is UP) using the **show voip ports** CLI command as described in Section 4.4.1 on page 26. Port #1 is mapped to network-if-0 by default.

- At the prompt, type **reload now** to reset the product and activate the new configuration:

```
# reload now
```

After the Mediant 9000 restarts, connect to its Web interface to continue the provisioning. See the *Mediant 9000 User's Manual* for details.

**Figure 5-2: Web Interface**

General Information	
IP Address	10.4.5.177
Subnet Mask	255.255.0.0
Default Gateway	10.4.0.1
Product Type	Mediant Software E-SBC
Firmware Version	6.80A.000.002
Protocol Type	SIP
Operational State	UNLOCKED
High Availability	Not Operational

## 5.2 Licensing the Mediant 9000

The Mediant 9000 is supplied with software and Software License Key preinstalled. Use the preinstalled Software License Key to enable the call capacity and features that you ordered.

### 5.2.1 Upgrading your Software License Key

The procedure below describes how to upgrade your Software License Key.

➤ **To upgrade your Software License Key:**

1. Make a note of the product's serial number:
  - a. In the Web interface open the Device Information page (**Status & Diagnostics** tab > **System Status** menu > **Device Information**).
  - b. The serial number is displayed in the 'Serial Number' field.
2. Send the serial number to your AudioCodes representative when requesting the upgraded Software License Key.
3. When you receive the new Software License Key file, check it as follows:
  - a. Open the file with any text-based program such as Notepad.
  - b. Verify that the first line displays "[LicenseKeys]".
  - c. Verify that the file contains a line in the following format:  
 "S/N<serial number of the device> = <Software Upgrade Key string>".

**Figure 5-3: Software License Key File with S/N Line**

```
[LicenseKeys]
;Board Type 29
S/N241182 =
okRTr5topwYmblZd4NN2a3Qhm4NjfiidaagUyehso94APbBF85hF4by0cmQZif2B8bMcze7JQ9kMSa5h641R1aOkeEb9AddF894Zx
S/N242519 = trmxTr5to0mlMblZdoPd2a3Qh9zJlfidafilyehsogOQPbBF8pj4by0c9paf2B8eOoze7JQgywSa5h6o391aOkeTlIAddF8c6Fx
S/N226403 = trmxTr5to0lsMblZdoOB2a3Qh9yJlfidafilyehsogN4PbBF8piZ4by0c9ixdf2B8eOoze7JQgvgSa5h6o2x1aOkeTJIAddF8c6Fx
S/N226417 = r6xTr5to25sMblZdfB2a3Qh5OJlfiida92yehsoix4PbBF8eOZ4by0c52xif2B88yoze7JQINgSa5h6Vx1aOkeXZIAddF8amFx
```

- d. Verify that the "S/N" value reflects the serial number of your product.



**Warning:** Do not modify the contents of the Software License Key file.

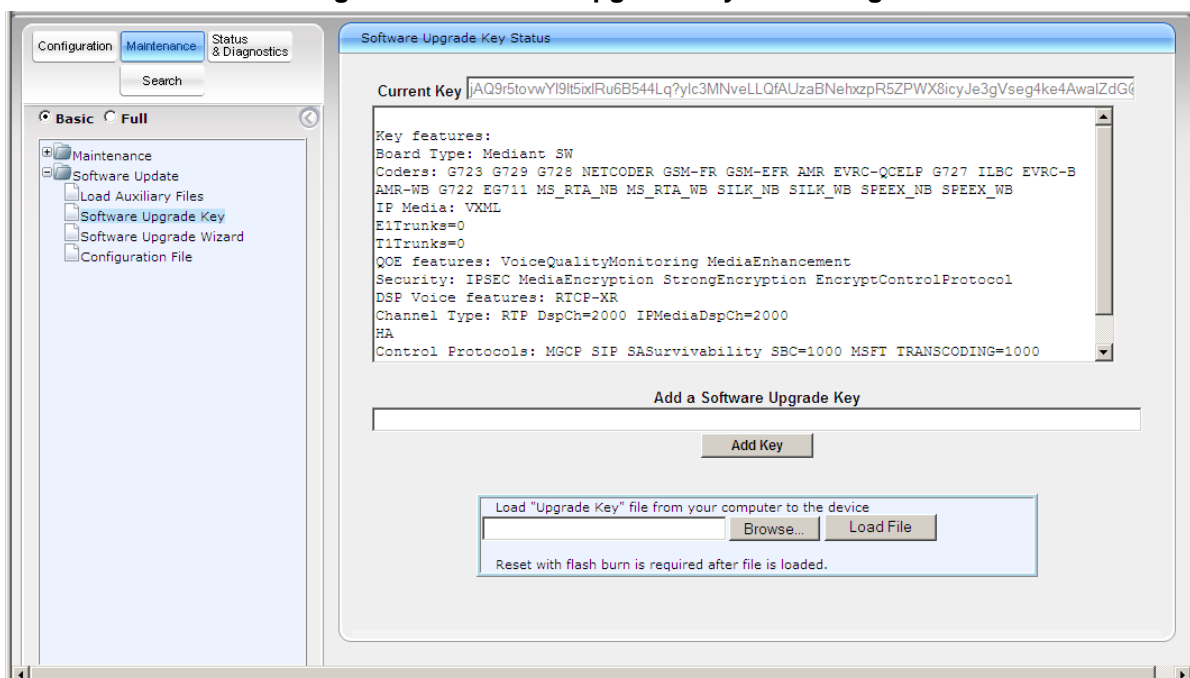
## 5.2.2 Installing your Upgraded Software License Key

The procedure below describes how to install the newly obtained upgraded Software License Key.

➤ **To install the Software License Key:**

1. Open the Software Upgrade Key Status page (**Maintenance** tab > **Software Update** menu > **Software Upgrade Key**):

**Figure 5-4: Software Upgrade Key Status Page**



2. Back up the Software License Key currently installed on the product, as a precaution. You can reload this backup to restore the product's original capabilities if the key does not comply with your requirements.
  - a. In the 'Current Key' field, select the entire text string and copy it to any standard text file (e.g., Notepad).
  - b. Save the text file with any file name and file extension (e.g., key.txt) to a folder on your computer.
3. Open the Software License Key file using a text-based program such as Notepad.
4. Copy-and-paste the string from the file to the 'Add a Software Upgrade Key' field.
5. Click the **Add Key** button; the key is installed on the product and displayed in the 'Current Key' field.
6. Verify that the key was successfully installed:
  - In the Software Upgrade Key Status page, check that the listed features and capabilities activated by the installed key match those that were ordered.
7. Reset the product; the new capabilities and resources enabled by the key are activated.

## 5.3 Installing an HA System

Users can configure two Mediant 9000 devices to work in a High Availability (HA) configuration.

➤ **To configure an HA system:**

- Reconfigure a temporary IP address for each, as described in Section 4.2.
- Follow the instructions described under the section 'High Availability System' in the *User's Manual* document to set network topology correctly, and configure each accordingly using the Web interface.

## 5.4 Upgrading

Users can update the Mediant 9000 in order to (for example) implement software fixes. For detailed information, see the *User's Manual*.

**This page is intentionally left blank.**



## 6 Hardware Maintenance

The device is designed as a modular chassis and allows you to order any module as a Field Replacement Unit (FRU). This section describes the procedures for installing or replacing modules.



**Warning:** Maintenance service of this device must be made only by qualified service personnel in restricted access locations and connected to an earthed power socket.



**Note:** Ensure that all unoccupied module chassis slots are covered with blank panels. This allows optimal internal airflow pressure within the chassis.

### 6.1 Prerequisites

Before performing any maintenance procedures, read this section.

#### 6.1.1 Grounding the Device

Before performing any maintenance procedures, ensure that your device is properly grounded.

#### 6.1.2 Preventing Electrostatic Discharge Damage

Electrostatic discharge (ESD) due to improper handling of the device's modules and components can cause irreversible damage to the equipment. Adhere to the following guidelines for preventing ESD:

- When handling modules, always wear a grounded ESD wrist strap or ankle strap at a grounded work area to prevent ESD. Connect the equipment end of the strap to a grounded workstation or computer chassis.
  - To prevent static electrical damage to the module, do not touch the electrical components of the module. Instead, hold the module only on the edges where no electrical components are located.
  - Ensure that the modules are securely installed in the chassis.
- **To attach an ESD wrist strap to the chassis:**
1. Attach the ESD wrist strap to your body (typically, the wrist) so that it is in direct contact with your skin.
  2. Attach the other end of the wrist strap (e.g., an alligator clip) to a grounded workstation or computer chassis.

## 6.2 Replacing Power Supply Modules

This section shows how to replace the power supply modules.

### 6.2.1 Replacing AC Power Supply



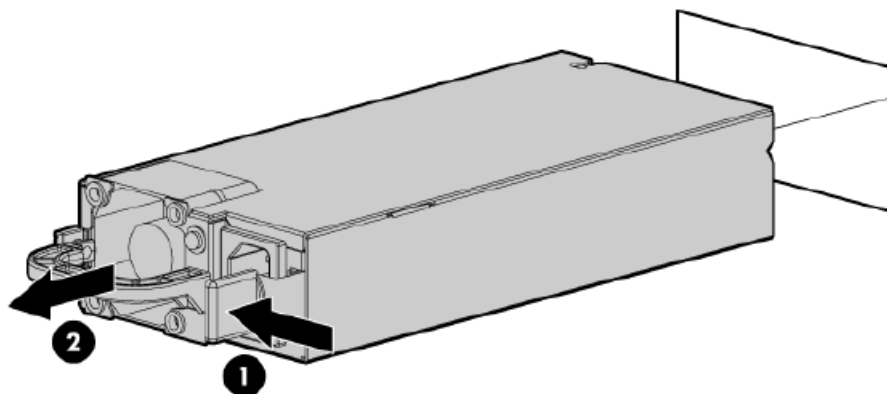
**Caution:** To prevent improper cooling and thermal damage, do not operate the server unless all bays are populated with either a component or a blank.

➤ **To remove the component:**

1. Power down the server.
2. Remove all power:
  - a. Disconnect each power cord from the power source.
  - b. Disconnect each power cord from the server.
3. Access the product rear panel.
4. Remove the power supply.



**Warning:** To reduce the risk of personal injury from hot surfaces, allow the power supply or power supply blank to cool before touching it.



To replace the component, reverse the removal procedure.

### 6.2.2 Replacing 48V DC Power Supply

One of the following optional HP input cables with pre-fastened ring tongues may be purchased from HP or an authorized reseller:

- A5S97A—1.3-m (7.55-ft) 48V DC Power Cable Kit
- A5S98A—2.5-m (3.94-ft) 48V DC Power Cable Kit

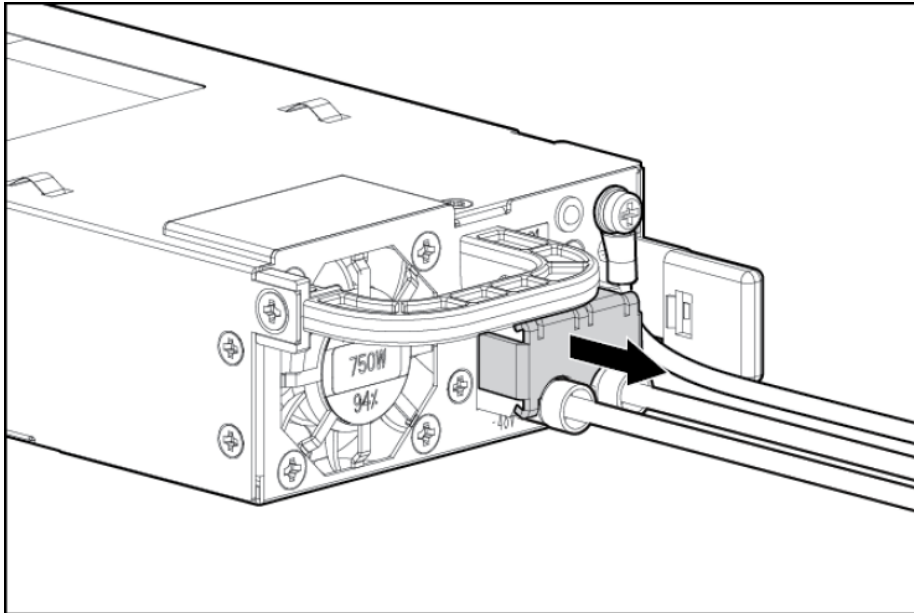
If you are not using an optional HP input cable, use an HP-approved 10 or 12 AWG green and yellow ground cable, no shorter than 150 cm (59.06 in), and 10 or 12 AWG power cables.



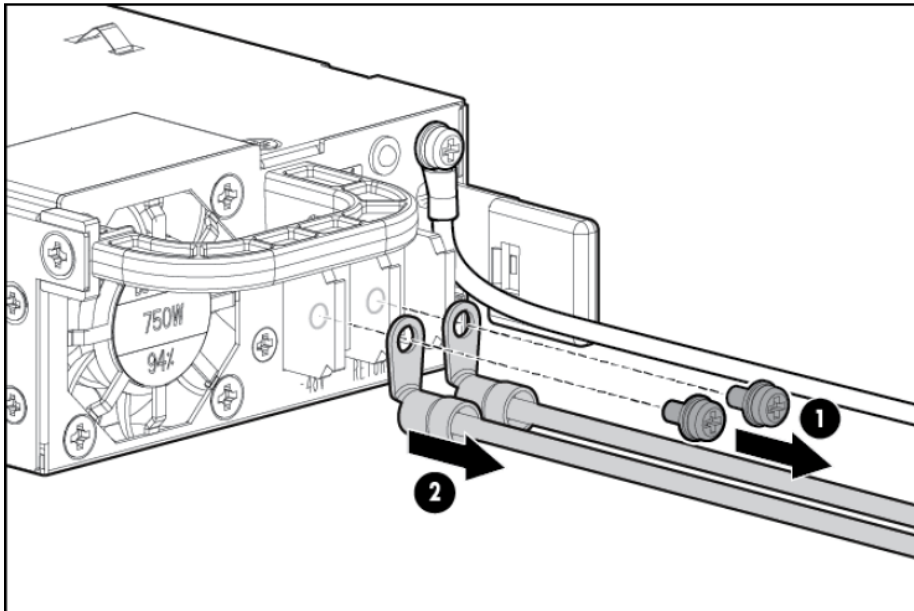
**Caution:** Use only the ring terminals provided with the power supply for customer-built power connections. Be sure no wire protrudes from the bottom of the ring terminal barrels.

➤ **To remove the component:**

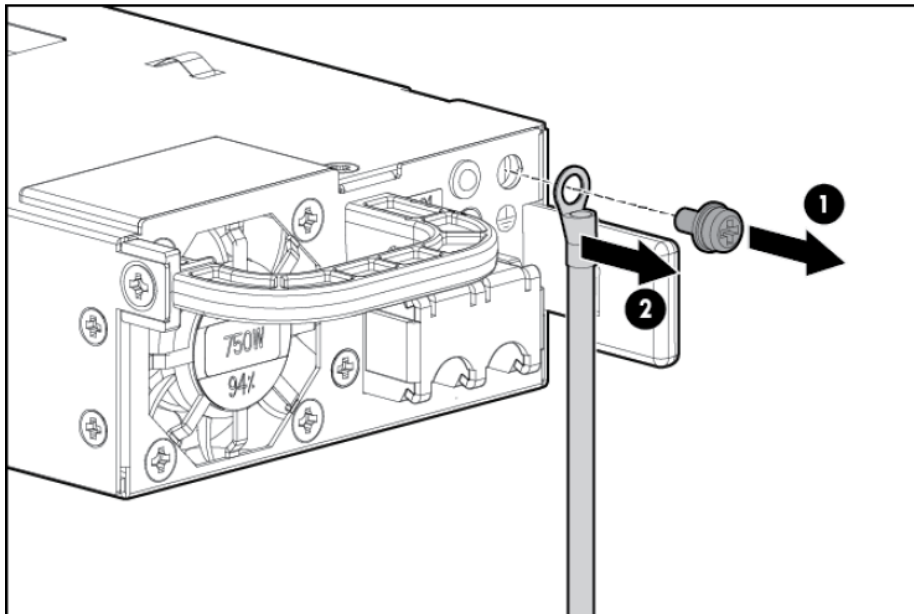
1. Make sure the 48V DC power source is off or the PDU breaker is in the off position, and then disconnect the power cord from the 48V DC power source or PDU.
2. Remove the power cord from the cable management arm, if installed.
3. Remove the safety cover.



4. Remove the power ring tongues from the terminal block.



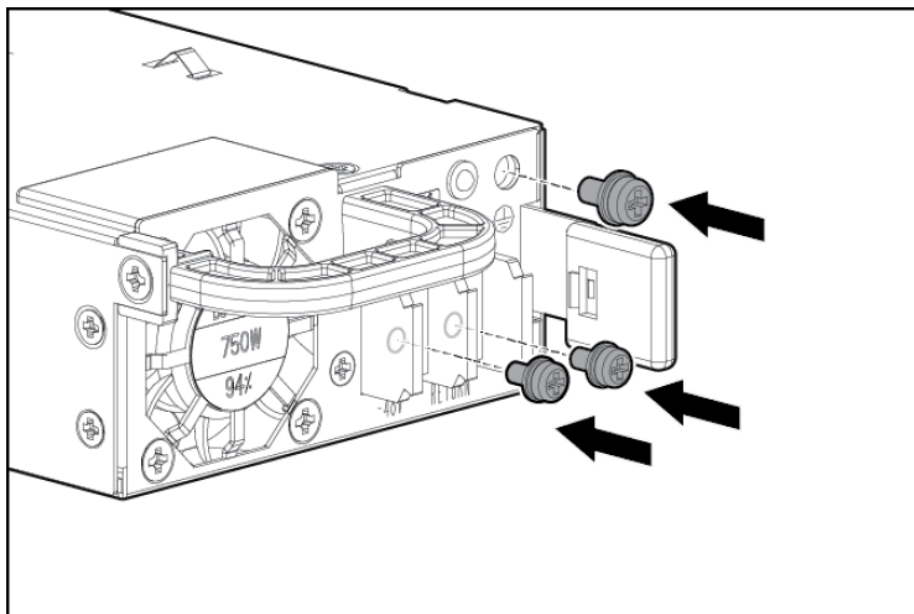
5. Remove the ground (earthed) wire from the ground screw and washer.



6. Attach the screws to the terminal block.



**Note:** The minimum nominal thread diameter of a pillar or stud type terminal must be 3.5 mm (0.138 in); the diameter of a screw type terminal must be 4.0 mm (0.157 in).



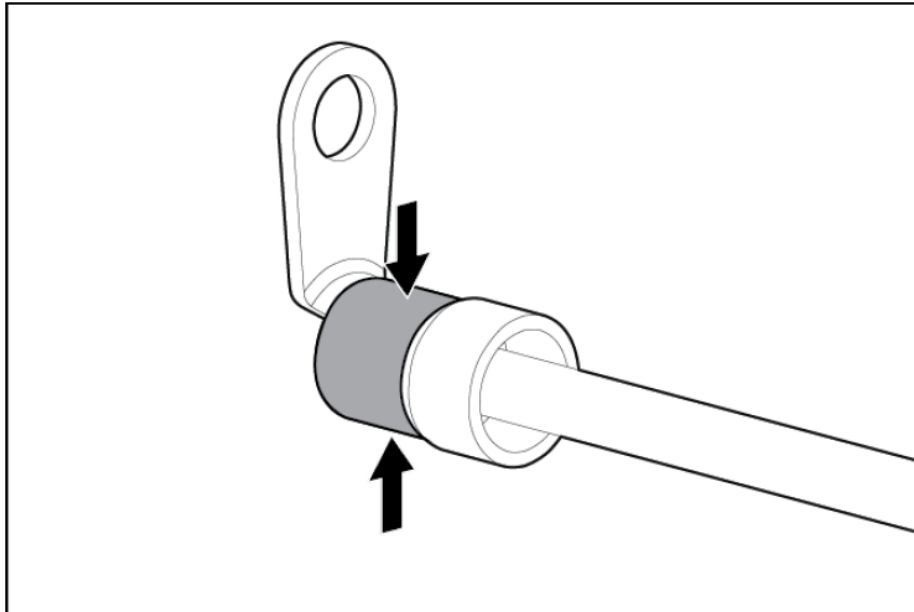
7. Remove the power supply from the power supply bay.
8. If you are not immediately replacing the power supply, install the safety cover.

➤ **To replace the component:**

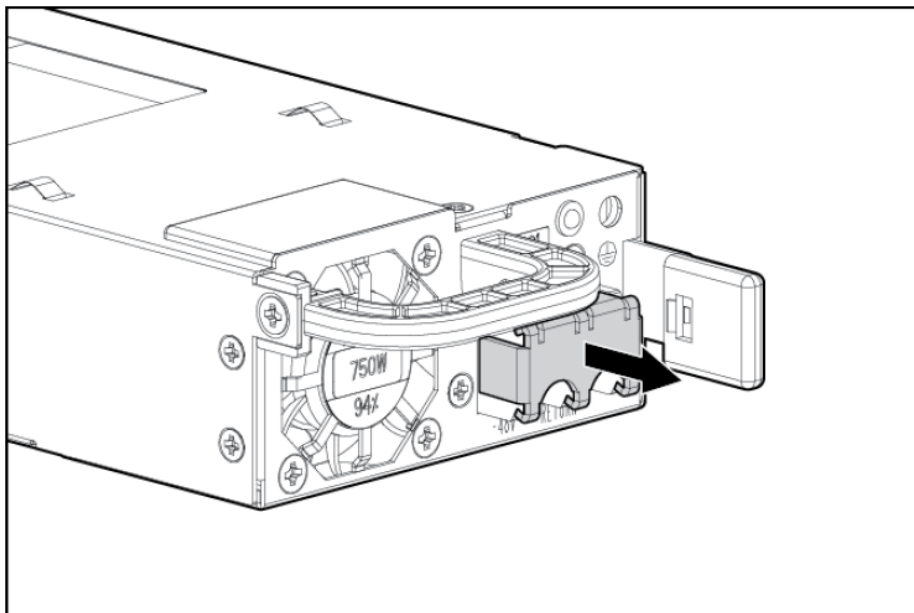
1. If you are not using an optional HP input cable or the ring tongues you crimped previously, with the ground cable disconnected from the 48V power source, crimp the ring tongues to the power and ground cables coming from the 48V source.



**Note:** The power supply uses two power ring tongues and one ground ring tongue. They are not interchangeable.



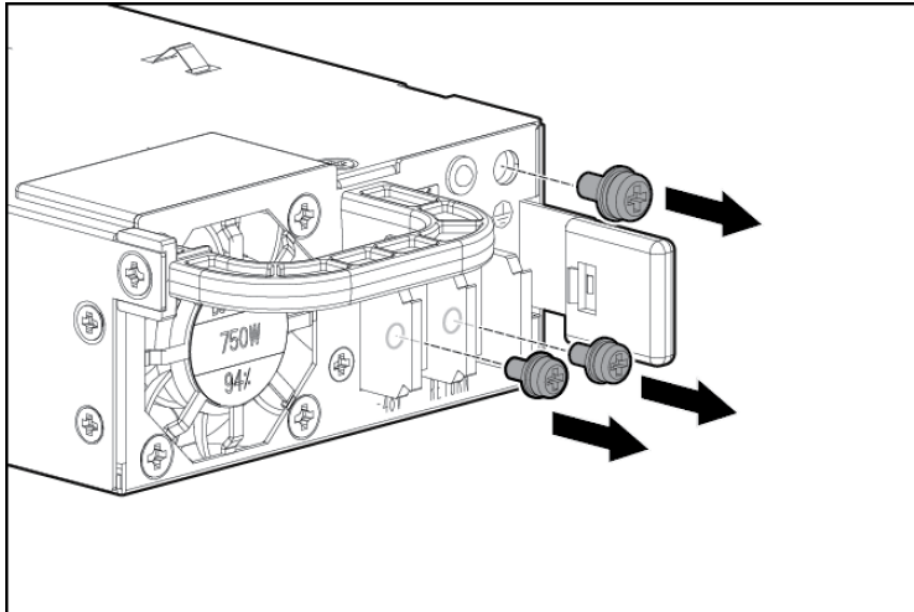
2. Remove the safety cover from the terminal block on the front of the power supply.



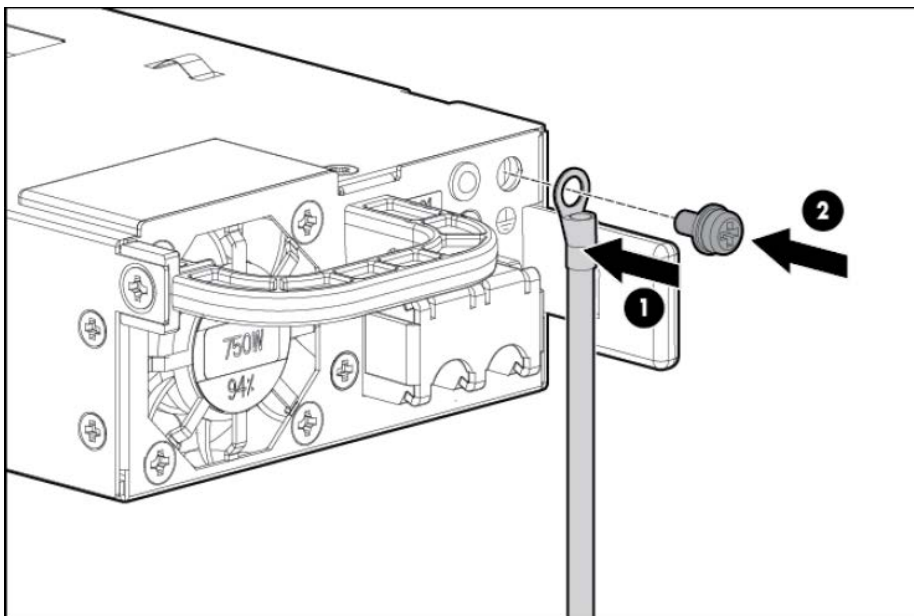
3. Remove the screws from the terminal block.



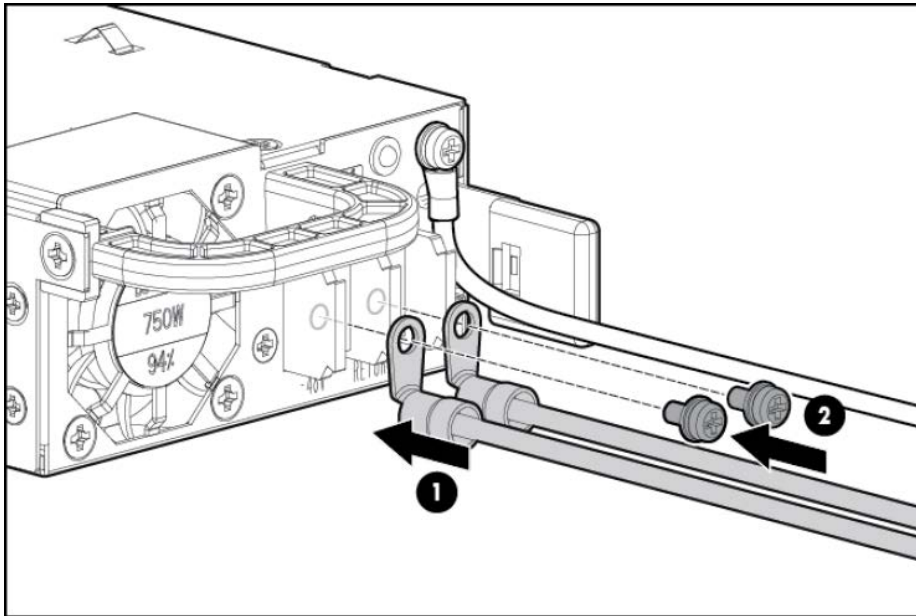
**Note:** The minimum nominal thread diameter of a pillar or stud type terminal must be 3.5 mm (0.138 in); the diameter of a screw type terminal must be 4.0 mm (0.157 in).



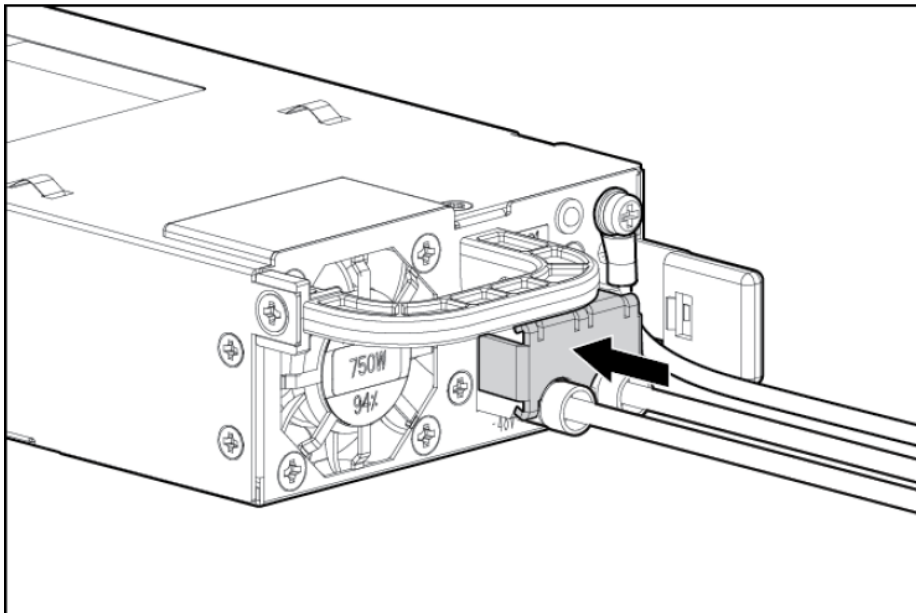
4. Attach the ground (earthed) wire to the ground screw and washer and tighten to 1.47 N m (13 lb-in) of torque. The ground wire must be connected before the positive or negative lead wires.



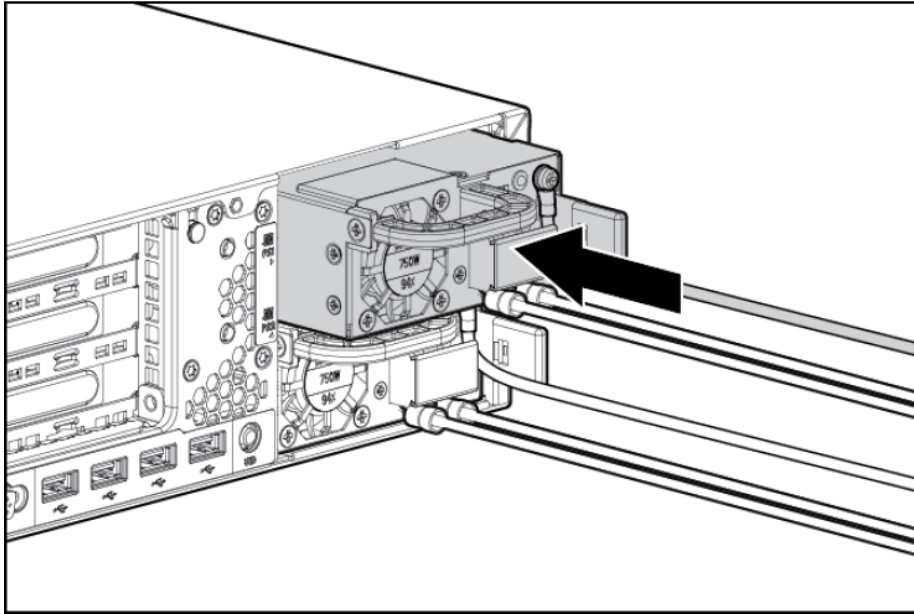
5. Attach the power ring tongues to the terminal block, following the polarity label below the terminal block, and then tighten the screws to 1.47 N m (13 lb-in) of torque.



6. Replace the safety cover.



7. Insert the power supply into the power supply bay until it clicks into place.



8. Route the power cord. Use best practices when routing power cords and other cables. A cable management arm is available to help with routing. To obtain a cable management arm, contact an HP authorized reseller.
9. Make sure the 48V DC power source is off or the PDU breaker is in the off position, and then connect the power cord to the 48V DC power source or PDU.
10. Turn on the 48V power source or switch the PDU breaker to the on position to supply 48V to the power supply.
11. Be sure that the green power supply LED is on.

## 6.3 Troubleshooting Device Failures

Contact AudioCodes RMA at [www.audiocodes.com/support](http://www.audiocodes.com/support) to troubleshoot device failures (such as fan alarms).



# A Rescue Options

The Mediant 9000 SBC features a System Snapshots mechanism that provides the capability of returning the system to a previous state. The mechanism may be used as a rescue option if a system malfunction occurs.

## A.1 Taking a Snapshot

Taking a System Snapshot captures a complete state of the Mediant 9000 SBC, including:

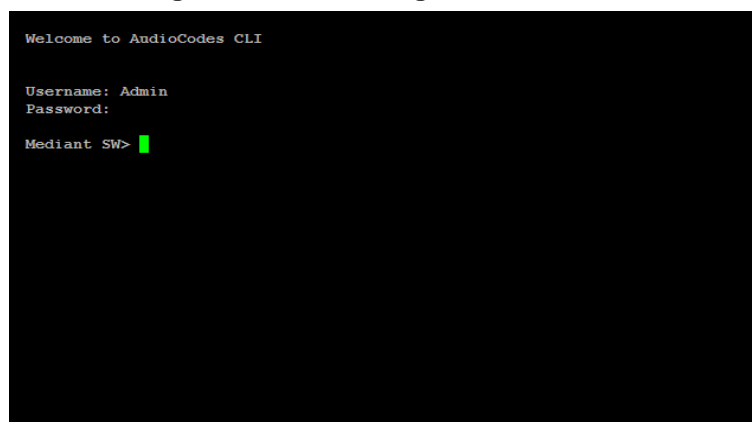
- installed Mediant 9000 SBC software
- the current configuration
- auxiliary files
- the Software License Key

The first 'factory' snapshot is automatically taken when initial installation is performed. Additional snapshots (up to 10) may be taken. The Mediant 9000 SBC can be returned to a snapshot, as described below.

➤ **To take a snapshot using the CLI:**

1. Connect to the CLI interface as described under Section 4.2.

**Figure A-1: CLI Management Interface**

A screenshot of a terminal window with a black background and white text. The text reads: 'Welcome to AudioCodes CLI', followed by 'Username: Admin', 'Password:', and 'Mediant SW>' with a green cursor. The terminal shows the initial login prompt and the user's input.

2. At the prompt, type **enable** and press ENTER:  
Mediant SW> **enable**
3. At the prompt, type the password and press ENTER:  
Password: **Admin**
4. At the prompt, save the current configuration (burn) before creating a snapshot:  
Mediant SW# **write**
5. Type the following commands to take a snapshot:  
Mediant SW# **configure system**  
Mediant SW# **startup-n-recovery**  
Mediant SW (startup-n-recovery)# **create-system-snapshot <name>**

## A.2 Viewing Available Snapshots

Currently available system snapshots can be viewed by using the **show-system-snapshots** command. The 'default' snapshot is indicated by asterisk.

```
Mediant SW(startup-n-recovery)# show-system-snapshots
first-install-2010-01-01_03-18-29
pre-production-6.70.037.010-2010-01-08_00-39-58
*production-6.70.037.010-2010-01-08_00-41-30
```

## A.3 Changing the Default Snapshot

The 'default' snapshot indicates a restore point that is used by Automatic Recovery in the case of software malfunction (see Section A.6) and/or Manual Recovery (see Section A.5). The last user-created snapshot is automatically set as 'default' though it can be changed using the **set-default-snapshot** command.

```
Mediant SW(startup-n-recovery)# set-default-snapshot pre-
production-6.70.037.010-2010-01-08_00-40-27
```

## A.4 Deleting a Snapshot

To delete a snapshot, use the **delete-system-snapshot** command:

```
Mediant SW(startup-n-recovery)# delete-system-snapshot pre-
production-6.70.037.010-2010-01-08_00-39-58
```

## A.5 Manual Recovery

Manual recovery is performed on user request. When the Mediant 9000 SBC reboots, a GRUB menu is displayed that allows users to select one of the following rescue options:

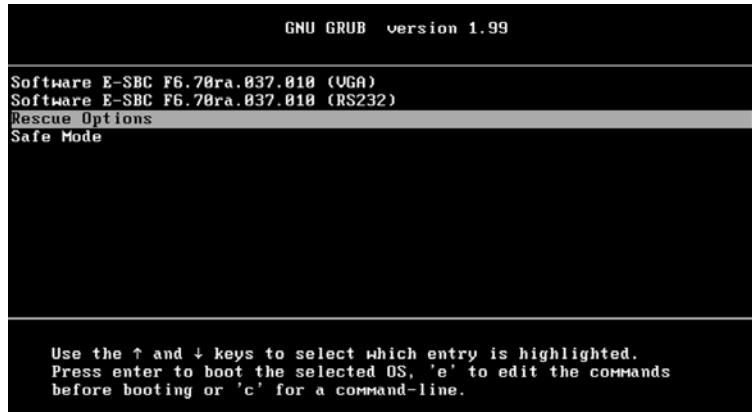
- Return to default snapshot
- Fix current installation
- Browse available system snapshots
- Return to factory snapshot (after install from CD)

## A.5.1 Returning to the Default Snapshot

➤ **To return to the default snapshot:**

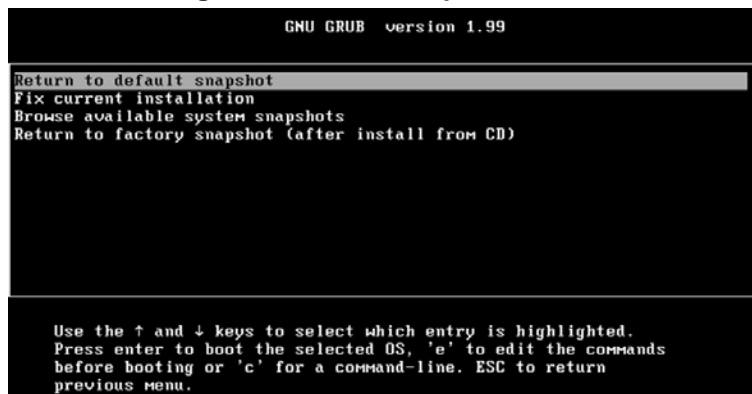
1. Reboot the server.
2. In the GRUB menu that's displayed for 5 seconds during the server start-up, press the Down ↓ key, select **Rescue option**, and press **Enter**.

**Figure A-2: Main GRUB Menu**



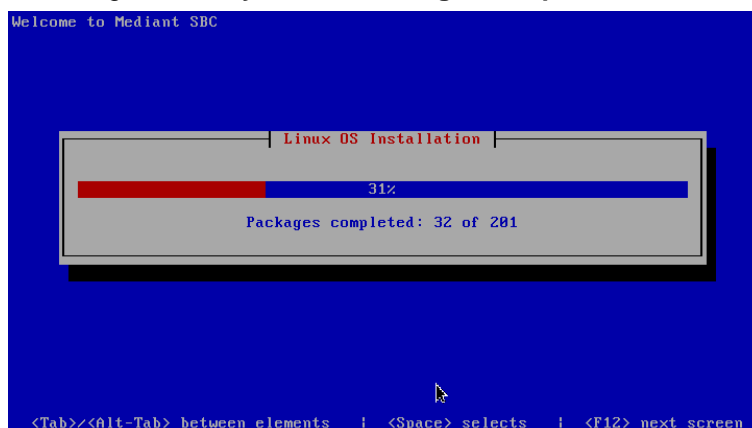
3. In the Rescue Options menu, select **Return to default snapshot** and press **Enter**.

**Figure A-3: Rescue Options Menu**



The system returns to the default snapshot, restoring the software version and the full configuration (see Section A.3). The process can take up to 10 minutes to complete.

**Figure A-4: System Returning to Snapshot State**



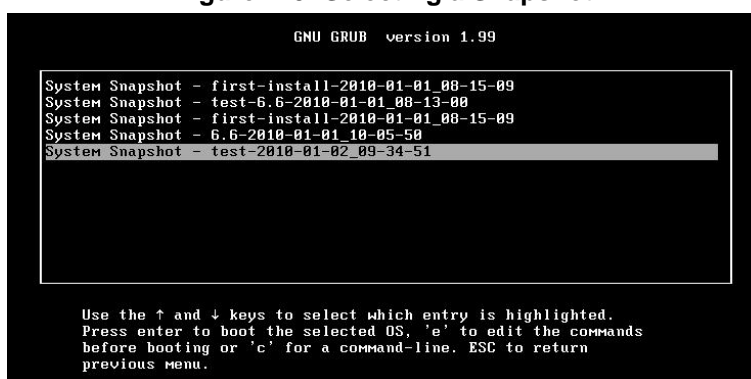
## A.5.2 Fixing the Current Installation

- **To fix the current installation:**
  - In the GRUB menu, select **Fix current installation** and press **Enter**; the system is repaired while the currently installed software version and its configuration are preserved. The process can take up to 10 minutes to complete.

## A.5.3 Returning to an Arbitrary Snapshot

- **To return to an arbitrary (non-default) system snapshot:**
  1. In the GRUB menu, select **Browse available system snapshots** and press **Enter**; you're prompted to select a snapshot.

Figure A-5: Selecting a Snapshot



2. Select a snapshot and press **Enter**; the system returns to the selected snapshot, restores the software version and the full configuration. The process may take up to 10 minutes to complete.

## A.5.4 Returning to a Factory Snapshot

- **To return to a factory snapshot (after install from CD):**
  - In the GRUB menu, select **Return to factory snapshot (after install from CD)** and press **Enter**; the system returns to the first snapshot automatically taken when initial installation from CD was performed. The process can take up to 10 minutes to complete.

## A.6 Automatic Recovery

The Mediant 9000 SBC activates Automatic Recovery when it encounters a severe software malfunction that prevents it from successfully booting for three subsequent attempts. Automatic Recovery returns the system to the 'default' snapshot and may take up to 10 minutes to complete.



# Hardware Installation Manual



[www.audiocodes.com](http://www.audiocodes.com)