

# Day-Brite

## CFI

by Signify

### Recessed

### FluxPanel LED gen 2 2x2

Up to 4500 lumens



Day-Brite/CFI FluxPanel LED gen 2 recessed is a highly versatile luminaire designed to provide smooth lighting gradient on the lens surface and ease of installation. Available for use in recessed, suspended, and surface mount orientation, FluxPanel is ideal for general lighting applications such as open office, schools, healthcare, and retail.

Project: \_\_\_\_\_  
 Location: \_\_\_\_\_  
 Cat.No: \_\_\_\_\_  
 Type: \_\_\_\_\_  
 Lamps: \_\_\_\_\_ Qty: \_\_\_\_\_  
 Notes: \_\_\_\_\_

### Ordering guide – Standard configurations available with all choices, unless otherwise noted.

Base configurations selections indicated by blue.

Example: 2FPZ38L840-2-DS-UNV-DIM-BSL6LST

Width	Family	Lumens	Color	Length	Diffuser	Voltage	Driver	Options <sup>2</sup>
2	FPZ		-	2	DS	-	-	
2 2'	FPZ FluxPanel	<b>Standard configurations</b> 20L <sup>4</sup> 2000 nominal delivered lumens 30L 3000 nominal delivered lumens 38L 3800 nominal delivered lumens 45L 4500 nominal delivered lumens <b>Base configuration<sup>4</sup></b> 38B 3800 nominal delivered lumens	835 80 CRI, 3500K 840 80 CRI, 4000K 850 80 CRI, 5000K	2 2'	DS Diffuse (smooth)	UNV Universal Voltage, 120-277 volt 120 <sup>3</sup> 120V 277 <sup>3</sup> 277V 347 347V	DIM <sup>1</sup> 0-10V dimming SDIM Step dimming to 40% input power XDIM <sup>3</sup> MarkX phase dimming	F1 3/8" flex, 3 wire 18 gauge 6' F2 3/8" flex, 4 wire 18 gauge 6' F1/D 3/8" twin flex, 3 wire 18 gauge 6' for dimmable luminaires F2/5W 3/8" single flex, 5 wire 18 gauge 6' for dimmable luminaires F2/6W 3/8" single flex, 6 wire 18 gauge 6' or dimmable and emergency luminaires GLR Fusing, fast blow BSL10LST <sup>6</sup> Bodine 10W battery pack BSL6LST <sup>6</sup> Bodine 6W battery pack DSC Quick driver disconnect CHIC Chicago Plenum rated IAP <sup>4,5,7</sup> Integral Interact Pro RF sensor, enables network lighting control SWZDTRM <sup>4,7</sup> Remote sensor, daylighting and occupancy, advanced grouping with dwell time

### Footnotes:

- 1 0-10v dimming to 1% for Standard, and 5% for Base configurations
- 2 All options available with Standard configurations only
- 3 XDIM requires 120V or 277V specification
- 4 Specify DIM driver option only
- 5 Integral IAP option dimmable to 5% via wireless wall switch. See page 2.
- 6 Not available with 347V option
- 7 Not available with surface or suspended accessories
- 8 Maximum of 4 luminaires per controller

### Accessories (order separately)

- FMA22 – 2'x2' "F" mounting frame for NEMA "F" mounting
- FSK22 – 2'x2' surface mount field installation kit (factory welded seams)
- FSF22 – 2'x2' surface mount field assembly kit (field assembled)
- FPZCH48-1D-SC – adjustable cable hanger kit with straight white 18/5 cord for dimming (two-1 powered, 1 non-powered)
- SWZDT<sup>4,7,8</sup> – SpaceWise wireless controller with daylighting and occupancy, advanced grouping with dwell time functionality (compatible with all 0-10V options, see SWZDT spec sheet)

## Light to go

Compatible configurations

Luminaire

- 2FPZ38B840-2-DS-UNV-DIM
- 2FPZ38B835-2-DS-UNV-DIM



interact ready.

# 2FPZ FluxPanel LED recessed 2x2

Up to 4500 lumens

## Application

- Base configurations are 1 9/16". Standard configurations are 3" Dimensions stated for overall depth, including driver box.
- Even distribution of light on the lens provides exceptionally low glare gradient minimizing distractions at the ceiling plane.
- General light distribution creates uniform horizontal and vertical illuminance on the work plane and limits scalloping on the walls.
- Excellent consistency of correlated color temperature (CCT) per ANSI C78.377.
- CRI 80 minimum color rendering with balanced spectrum.
- Designed for use with standard Grid (NEMA "G") or Narrow Grid (NEMA "NFG") ceiling T-bars. Drywall or plaster application require use with the FMA22 "F" mounting frame accessory (sold and shipped separately).
- Accessory field install kits available for surface (FSK22) and suspended (FPZCH48) mounting.

## Construction/Finish

- Die formed galvanized steel housing.
- Extruded aluminum frame post painted with gloss white enamel finish. Corners are precision welded for seamless aesthetic.
- Emergency options available with factory installed battery pack and remote field installed test switch/light with cover plate.

- Die formed driver box with standard access plate for ease of wiring, provides tool-free access to driver(s) from above.
- Back lit LED arrays with optics provide highly efficient and unpixilated transfer of light to the diffuser.
- Integral clips accommodate definitive attachment to T-bar grid for recessed applications.
- Die formed surface box accessory kit post painted gloss white enamel.

## Enclosure

- Diffuser provides visual comfort and high efficiency.
- Flat opal lens is easy to clean and provides a uniform aesthetic on the ceiling plane.
- Tight enclosure assembly impedes ingress of dust and insects.

## Electrical

- Up to 130 lm/W efficacy.
- High efficiency Advance driver featuring high power factor (>0.90), 120-277V 60/50Hz, and less than 15% THD.
- Minimum start temperature -20°C (-4°F).
- Standard configurations are 0-10V dimming to 1%. Base configurations are to 5%.
- To predict lumen output in emergency mode, multiply emergency pack wattage by luminaire efficacy, then by 1.10. Typical lumen output is 1200lm for BSL10LST, and 850lm for BSL6LST.

- Electromagnetic interference (EMI) compliant to FCC Title 47 Part 15 class A.
- Flicker and stroboscopic effect compliant to NEMA 77-2017.
- TM-21 predicted L70 lumen maintenance up to 90,000 hours per LED manufacturer LM-80 report.
- cULus (Base) or cETLus (Standard) listed to UL and CSA standards, suitable for damp locations.
- Base and Standard configurations are IC rated.
- FluxPanel luminaires are Designlights Consortium® Standard and Premium qualified. Please see the DLC QPL list for exact catalog numbers ([www.designlights.org/QPL](http://www.designlights.org/QPL)).

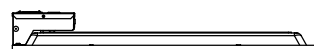
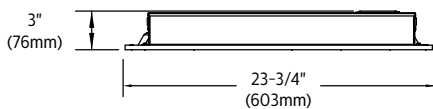
## General Notes

- All options factory installed.
- All accessories are field installed.
- Many luminaire components, such as reflectors, refractors, lenses, sockets, lampholders, and LEDs are made from various types of plastics which can be adversely affected by airborne contaminants. If sulfur based chemicals, petroleum based products, cleaning solutions, or other contaminants are expected in the intended area of use, consult factory for compatibility.
- Five year limited luminaire warranty includes LED boards and driver. Visit [www.signify.com/warranties](http://www.signify.com/warranties) for complete warranty information.

## Energy data

Luminaire	Catalog Number	Input Power	Efficacy	DLC
2x2 Standard	2FPZ20L840	16	127	Premium
	2FPZ30L840	23	129	Premium
	2FPZ38L840	34	132	Premium
	2FPZ45L840	36	128	Premium
2x2 Base	2FPZ38B840	33	119	Standard

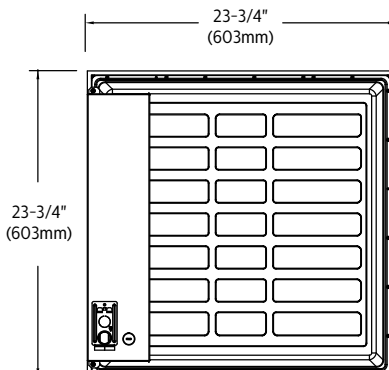
## Dimensions



**Note:** Base configurations are 1-9/16" deep. Standard configurations are 3" deep.

Emergency driver box shown is 20.5" (521mm) long.

Standard non-EM driver box is 10.5" (267mm) long oriented 90° in tabs shown.



# 2FPZ FluxPanel LED recessed 2x2

Up to 4500 lumens

## Wireless Controls Options

### SpaceWise DT (SWZDT)

- Standalone daylight and occupancy sensing with advanced grouping and dwell time
- Commissioning via compatible Android phone and Philips Field App
- Dimming via compatible Zigbee wireless wall switch only (see link below for details)
- Register for the commissioning app at [www.componentcloud.philips.com/#/register;first=true](http://www.componentcloud.philips.com/#/register;first=true)
- Integral sensing options may not be combined
- For more information including recommended switches, refer to the following: –

**SWZDT** – [www.usa.lighting.philips.com/systems/lighting-systems/spacewise](http://www.usa.lighting.philips.com/systems/lighting-systems/spacewise)

### Interact Pro (IAP)

- Interact Pro brings the power of connected lighting to **small and medium businesses** without the complexity usually associated with connected lighting.
- Interact Pro includes an app, a portal and a broad portfolio of wireless Luminaires, lamps and retrofit kits all working on the same system.
- Commissioning via Interact Pro App (Android or iPhone)
- Prepare commissioning remotely via Interact Pro portal
- Requires compatible Interact Pro Gateway and internet connectivity for commissioning
- Compatible with UID8451/10 ZigBee Greenpower wireless dimmer switch
- Compatible with wireless Occ sensor (OCC SENSOR IA CM IP42 WH 10/1) or wireless Day/Occ sensor (OCC MULTI SENSOR IA CM WH 10/1)
- Interact Pro sensor attaches to adjacent t-bar, signal propagation from above ceiling
- For more information on Interact Pro visit: [www.interact-lighting.com/pro](http://www.interact-lighting.com/pro)
- For more information on Interact Ready visit: [www.philips.com/interact-ready](http://www.philips.com/interact-ready)

# 2FPZ FluxPanel LED recessed 2x2

Up to 4500 lumens

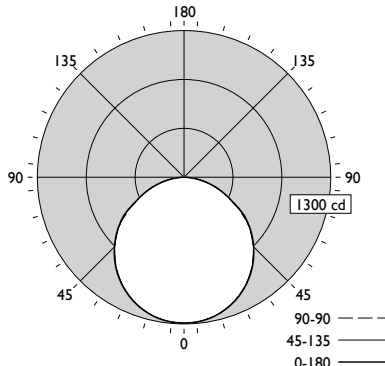
## 2FPZ38L835-2-DS-UNV-DIM

Luminaire Lumens	3710
Luminaire Efficacy Rating (LER)	125
Total Luminaire Watts	29.8
Spacing Criterion (0-180)	1.26

Candela Distribution					Flux	
	0	22.5	45	67.5	90	Lumens
0	1293	1293	1293	1293	1293	
5	1288	1287	1288	1287	1288	122
15	1245	1244	1244	1244	1245	351
25	1159	1156	1155	1156	1159	533
35	1034	1030	1028	1030	1034	644
45	873	869	866	869	873	671
55	686	681	677	681	686	607
65	445	441	439	441	445	442
75	248	244	244	244	248	259
85	69	67	71	67	69	79
90	4	8	24	8	4	

Zonal Lumen Summary			
Zone	Lumens	%Fixture	%Lamp
0-30	1007	27.1%	27.1%
0-40	1651	44.5%	44.5%
0-60	2928	78.9%	78.9%
0-90	3709	100.0%	100.0%
0-180	3710	100.0%	100.0%

Avg. Luminance (cd/m <sup>2</sup> )			
	0	90	180
0	4247	4247	4247
5	4247	4246	4247
15	4234	4230	4234
25	4199	4185	4199
35	4145	4120	4145
45	4056	4023	4056
55	3930	3879	3930
65	3461	3414	3461
75	3146	3096	3146
85	2604	2657	2604



Coefficients of Utilization %											
Pc---	80				70			50		0	
Pw---	70	50	30	10	70	50	30	50	30	10	0
RCR											
0	119	119	119	119	116	116	116	111	111	111	100
1	109	104	99	96	106	101	98	97	94	91	83
2	99	90	83	78	96	88	82	85	80	75	69
3	90	79	71	65	87	78	70	75	68	63	58
4	82	70	61	55	80	69	61	66	59	53	50
5	76	63	54	47	74	62	53	59	52	46	43
6	70	56	47	41	68	55	47	54	46	40	38
7	65	51	42	36	63	50	42	49	41	36	33
8	60	47	38	32	59	46	38	45	37	32	30
9	56	43	35	29	55	42	34	41	34	29	27
10	53	39	32	26	51	39	31	38	31	26	24

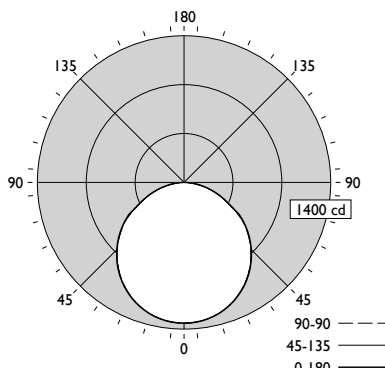
## 2FPZ38L840-2-DS-UNV-DIM

Luminaire Lumens	3857
Luminaire Efficacy Rating (LER)	129
Total Luminaire Watts	29.8
Spacing Criterion (0-180)	1.27

Candela Distribution					Flux	
	0	22.5	45	67.5	90	Lumens
0	1344	1344	1344	1344	1344	
5	1339	1337	1339	1337	1339	127
15	1294	1292	1293	1292	1294	365
25	1204	1202	1201	1202	1204	554
35	1074	1071	1068	1071	1074	670
45	908	904	901	904	908	697
55	713	708	705	708	713	632
65	463	459	456	459	463	461
75	257	253	252	253	257	269
85	71	69	71	69	71	81
90	4	8	22	8	4	

Zonal Lumen Summary			
Zone	Lumens	%Fixture	%Lamp
0-30	1046	27.1%	27.1%
0-40	1716	44.5%	44.5%
0-60	3045	78.9%	78.9%
0-90	3856	100.0%	100.0%
0-180	3857	100.0%	100.0%

Avg. Luminance (cd/m <sup>2</sup> )			
	0	90	180
0	4413	4413	4413
5	4415	4413	4415
15	4400	4397	4400
25	4363	4351	4363
35	4307	4283	4307
45	4216	4185	4216
55	4084	4035	4084
65	3594	3543	3594
75	3256	3203	3256
85	2676	2679	2676



Coefficients of Utilization %											
Pc---	80				70			50		0	
Pw---	70	50	30	10	70	50	30	50	30	10	0
RCR											
0	119	119	119	119	116	116	116	111	111	111	100
1	109	104	99	96	106	102	98	97	94	91	83
2	99	90	83	78	96	88	82	85	80	75	69
3	90	79	71	65	87	78	70	75	68	63	58
4	82	70	61	55	80	69	61	66	59	53	50
5	76	63	54	47	74	62	53	59	52	46	43
6	70	56	47	41	68	55	47	54	46	40	38
7	65	51	42	36	63	50	42	49	41	36	33
8	60	47	38	32	59	46	38	45	37	32	30
9	56	43	35	29	55	42	34	41	34	29	27
10	53	39	32	26	51	39	31	38	31	26	24



© 2020 Signify Holding. All rights reserved. The information provided herein is subject to change, without notice. Signify does not give any representation or warranty as to the accuracy or completeness of the information included herein and shall not be liable for any action in reliance thereon. The information presented in this document is not intended as any commercial offer and does not form part of any quotation or contract, unless otherwise agreed by Signify.

Signify North America Corporation  
200 Franklin Square Drive,  
Somerset, NJ 08873  
Telephone 855-486-2216

Signify Canada Ltd.  
281 Hillmount Road,  
Markham, ON, Canada L6C 2S3  
Telephone 800-668-9008

All trademarks are owned by Signify Holding or their respective owners.