

Day-Brite

CFI

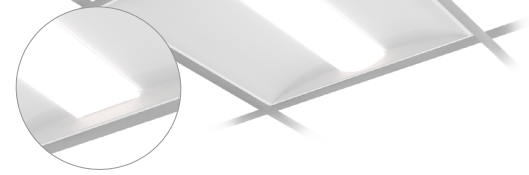
by Signify

Recessed

FluxGrid gen 2 2x2

2FGX up to 6000 lumens

RS diffuse round smooth



FS diffuse flat smooth

Day-Brite / CFI FluxGrid gen 2 LED recessed offers architectural appeal with “must have” features. Two different lens styles, discrete air return, integral emergency, and access to the boards and driver from below make FluxGrid gen 2 an ideal solution for a wide range of applications.

Project: _____
 Location: _____
 Cat.No: _____
 Type: _____
 Lamps: _____ Qty: _____
 Notes: _____

Ordering guide - standard & wireless controls

Standard configurations available with all choices, unless otherwise noted. Base configurations selections indicated by blue.

example: 2FGXG38B840-2-RS-UNV-DIM

| Width | Family | Ceiling Type | Air Function | Lumens (nominal delivered) | Color | Length | Center Diffuser | Voltage | Driver | Options |
|-------|--------------|--------------|------------------------------|--|---|--------|---|--|--|---|
| 2 | FGX | G | | | | 2 | | | | |
| 2 2' | FGX FluxGrid | G Grid | Blank Static H Air return | Base Configurations 38B 3800 Standard Configurations 15L 1500 20L 2000 30L 3000 38L 3800 45L 4500 54L 5400 60L 6000 Standard configuration lumen packages may be ordered in increments of 100lms from the lowest to highest lumen package | 830 80 CRI, 3000K 835 80 CRI, 3500K 840 80 CRI, 4000K 850 80 CRI, 5000K 935 ⁵ 90 CRI, 3500K 940 ⁵ 90 CRI, 4000K 950 ⁵ 90 CRI, 5000K | 2 2' | FS Diffuse flat smooth RS Diffuse round smooth | UNV Universal voltage 120-277V 347 347V | DIM ¹ Dimming SDIM Step dimming to 40% input power XDIM ^{9,10} MarkX phase dimming LDE ⁵ Lutron LDE5 5% dimming DALI | F1 3/8" flex, 3 wire 18 gauge 6' F2 3/8" flex, 4 wire 18 gauge 6' F1/D 3/8" twin flex, 3 wire 18 gauge 6' for dimmable luminaires F2/5W 3/8" single flex, 5 wire 18 gauge 6' for dimmable luminaires F2/6W 3/8" single flex, 6 wire 18 gauge 6' for dimmable and EMLED luminaires GLR Fusing, fast blow BSL10LST ⁴ Bodine 10W self-testing battery pack BSL6LST ⁴ Bodine 6W self-testing battery pack DSC Quick driver disconnect CHIC ³ Chicago Plenum rated ER100 ^{6,7} UL924 listed sensor bypass relay, factory installed between driver & sensor GTD/E ^{4,6} UL924 listed Bodine GTD factory installed on driver input GTD/SNSR ^{4,6,7} UL924 listed Bodine GTD factory installed between driver and sensor SWZCS ^{2,8} Interact Pro scalable sensor with integral daylight & occupancy sensing, advanced grouping with dwell time SWZDT ² SpaceWise only sensor, daylighting and occupancy, advanced grouping with dwell time RADIO ² Interact Pro RF sensor, enables wireless connected lighting control IAOSB ^{2,8} Interact Office advanced wireless sensor bundle, integral SC1500 w/loT capabilities for enterprise scale projects AG Antimicrobial finish BAC ¹¹ Meets the requirements of the Buy American Act of 1933 (BAA) |

- Integral controls options dimmable to 5% via wireless wall switch. Non-controls options are 0-10v dimmable to 1% for Standard configurations, and to 10% for Base configurations.
- Specify only with -DIM driver option.
- CHIC option not provided with air return functionality.
- Not available with 347V.
- Option is qualified as Engineered-to-Order (ETO) ready. Lead times and minimum order quantities may vary, please consult factory.
- Must be installed in conjunction with a UL1008 device.
- Must be ordered with an integral sensing option.
- Must order IRT9015 Interact commissioning remote with each system order.
- XDIM requires 120V or 277V specification
- Only available in lumen package range from 45L-60L
- Failure to properly select the "BAC" suffix could result in you receiving product that is not BAA compliant product with no recourse for an RMA or refund. This BAC designation hereunder does not address (i) the applicability of, or availability of a waiver under, the Trade Agreements Act, or (ii) the "Buy America" domestic content requirements imposed on states, localities, and other non-federal entities as a condition of receiving funds administered by the Department of Transportation or other federal agencies.
- Consult Signify to confirm whether specific accessories are BAA-compliant.

Accessories¹² (order separately)

- **FSF22** - 2'x2' surface mount field installation kit (field assembled)
- **FMA22** - 2'x2' "F" mounting frame for NEMA "F" ceiling
- **FSK22** - 2'x2' surface mount field installation kit (factory welded seams)

SWZCS accessories¹⁰ (order separately)

- **IRT9015** - handheld remote for grouping and configuration (at least one remote required for any SWZCS installation).
- **UID8451/10** - Wireless Dimmer Switch Selector
- **UID8461/10** - Wireless Scene Selector



2FGX FluxGrid gen 2 recessed 2x2

up to 6000 lumens

Application

- 3-1/8" deep low profile configuration provides minimal penetration into the plenum space.
- Acrylic diffusers available in round and flat smooth configurations which provides even illumination with comfortable appeal.
- Standard and base configurations available in multiple lumen packages to suit the needs of various applications.
- Lambertian distribution creates uniform horizontal and vertical illuminance on the work plane and reduces scalloping on the walls.
- CRI 80 minimum color rendering with balanced spectrum.
- LEDs coupled with standard dimming provide prolonged lumen maintenance. Optional integral sensors contribute further to LED lumen maintenance.
- Designed for use with standard Grid (NEMA "G") or Narrow Grid (NEMA "NFG") ceiling T-bars. Drywall or plaster requirements can be accommodated by using an FMA22 "F" mounting frame (sold separately).
- Continuous row mounting is possible with a 1" gap between fixtures accommodated by others.

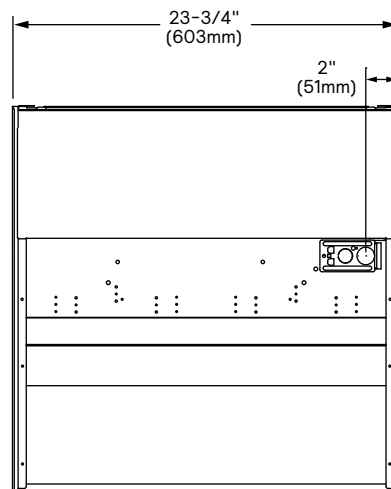
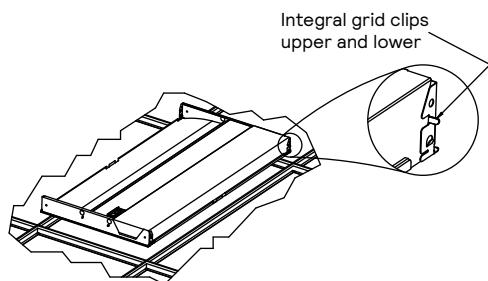
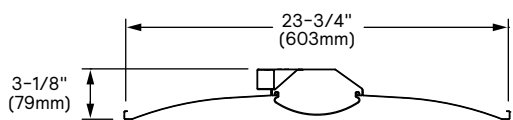
Enclosure

- Opal acrylic diffuser provides visually comfortable lumenance without compromise to luminaire efficacy.
- Diffuser requires no frames or fasteners and can be easily removed from below.

Construction/Finish

- Uncomplicated design is 3-1/8" deep with minimal material overlap creating several benefits:
 - Less material required
 - Less packaging required
 - Reduced weight for ease of handling and transit
 - Less energy required for construction and assembly
 - More luminaires can be shipped per truck to reduce fuel consumption
- Metal side covers are die formed with a conical shape to enhance light distribution and visual aesthetic.

Dimensions



- Luminaire finish is matte white polyester powder coat for high quality, durable finish.
- T-bar grid clips are integral to the body.
- Air return option provides air flow through architectural forms located at each end of the lens. Air passes through these forms and through the end plates of the luminaire. A cover plate is provided to control air flow through the luminaire, or make it static as required.
- Integral controls options include sensor mounted architectural form at one end of the lens.
- Bodine BSL10LST and BSL6LST options require the emergency battery pack be installed with a top side cover. Access from above.
- To estimate lumen output in emergency mode, multiply emergency pack wattage by efficacy, then by 1.10.
- Other driver options including step dimming (SDIM, 100%/40%), DALI, phase dimming (XDIM), and Lutron are available.
- 5 year manufacturer's limited warranty. Visit signify.com/warranties for complete warranty information.
- TM-21 predicted L70 lumen maintenance up to 85,000 hours.
- cETLus listed to UL and CSA standards, suitable for damp locations.

General notes

- All options are factory installed.
- All accessories are field installed.
- Many luminaire components, such as reflectors, refractors, lenses, sockets, lampholders, and LEDs are made from various types of plastics which can be adversely affected by airborne contaminants. If sulfur based chemicals, petroleum based products, cleaning solutions, or other contaminants are expected in the intended area of use, consult factory for compatibility.

Electrical

- Integral sensor options for occupancy sensing and/or daylight harvesting are available for additional energy savings with no reduction of life or increase in installation labor.
- Standard configurations provide up to 142 lumens per watt and are available with multiple lumen packages and 3000, 3500, 4000, and 5000K color temperatures.
- Base configuration provides up to 120 lumens per watt and are available in 3800 lumen flux and 3500K and 4000K color temperatures.
- LED boards are accessible from below by removal of the lens.
- LED driver is accessible from below by removal of the lens and integral wireway cover.

Energy data

| Luminaire | Catalog Number | Input Power | Efficacy |
|--------------|----------------------|-------------|----------|
| 2x2 Standard | 2FGXG15L840-2-RS-UNV | 11 | 141 |
| | 2FGXG20L840-2-RS-UNV | 14 | 142 |
| | 2FGXG30L840-2-RS-UNV | 22 | 139 |
| | 2FGXG38L840-2-RS-UNV | 28 | 136 |
| | 2FGXG45L840-2-RS-UNV | 34 | 133 |
| | 2FGXG54L840-2-RS-UNV | 43 | 128 |
| 2x2 Base | 2FGXG38B840-2-RS-UNV | 36 | 120 |

2FGX FluxGrid gen 2 recessed 2x2

up to 6000 lumens

Wireless Controls Options

SpaceWise DT (SWZDT)

- Standalone daylight and occupancy sensing with advanced grouping, wireless mesh networking and dwell time.
- Commissioning via compatible Android phone and Philips Field App
- Dimming via compatible Zigbee wireless wall switch only (see link below for details)
- Register for the commissioning app at <http://registration.componentcloud.philips.com/appregistration/>
- Integral sensing options may not be combined
- For more information including recommended switches, refer to the following: -

SWZDT - www.usa.lighting.philips.com/systems/lighting-systems/spacewise

Emergency Options (ER100)

- Power Sensing (Factory default) - Recommended UL924 option requires unswitched power sense line, absence of voltage on the normal circuit triggers luminaire to 100% output
- Power Interruption Detection (Field option) - Detects AC power interruption >30ms triggers 90 minute emergency mode with luminaire at 100% output

FluxGrid shown with integral sensor



Interact Pro scalable sensor for Foundation, Advanced & Enterprise tiers (SWZCS and an evolution of SpaceWise)

- SWZCS is a connected sensor with integral occupancy and daylight sensing and supports wireless mesh connectivity.
- The sensor works in the Foundation mode (similar to SpaceWise) when configured without a gateway or in an Interact Pro Advanced or Enterprise mode if a compatible gateway is used.
- Interact Pro includes an App, a portal and a broad portfolio of wireless luminaires, lamps and retrofit kits all working on the same system.
- Startup is implemented via Interact Pro App (Android or iPhone) & BlueTooth connectivity. The App provides flexibility to choose between a gateway or non gateway mode for setup.
- Setup with the gateway requires wired internet access to the gateway. It is possible to add a gateway at a later point.
- Prepare project configuration steps remotely and use IRT9015 remote onsite to identify and group devices together.
- Compatible with:
 - UID8451/10 wireless dimmer switch
 - SWS200 wireless scene switch
 - Battery powered IP42 presence sensor OCC sensor IA CM WH 10/1
 - Battery powered IP42 presence & daylight sensor OCC-DL sensor IA CM IP42 WH
 - Battery powered IP65 presence sensor OCC sensor IA CM IP65 WH
 - Battery powered IP65 presence & daylight sensor OCC-DL sensor IA CM IP65 WH
- For more information on Interact Pro visit: www.interact-lighting.com/interactproscalablesystem

Radio only sensor (RADIO)

- Integral RADIO only sensor simply enables wireless mesh connectivity to the luminaire without any occupancy or daylight sensing.
- Ideal for applications where sensing functionality is managed by other Interact devices and the luminaire only needs to have wireless connectivity.

Interact Pro scalable sensor bundles for Enterprise tier

- IAOSB option in addition to occupancy and daylight sensing supports advanced IoT capabilities such as people estimation analysis, desk level temperature & humidity sensing, noise classification, and BLE beacon.
- Compatible with UID8451/10 wireless dimmer switch, SWS200 wireless scene switch, wireless Occ sensor (OCC SENSOR IA CM IP42 WH 10/1) and wireless Day/Occ sensor (OCC MULTI SENSOR IA CM WH 10/1) and wireless Occupancy or Daylight & Occupancy sensors available.
- Use Interact software and insights to increase building efficiency, achieve building wide integration and optimize space through occupancy analytics.
- Requires compatible Gateway and internet connectivity for commissioning.
- For more information, visit: www.interact-lighting.com/office or www.usa.lighting.philips.com/systems/system-areas/offices

2FGX FluxGrid gen 2 recessed 2x2

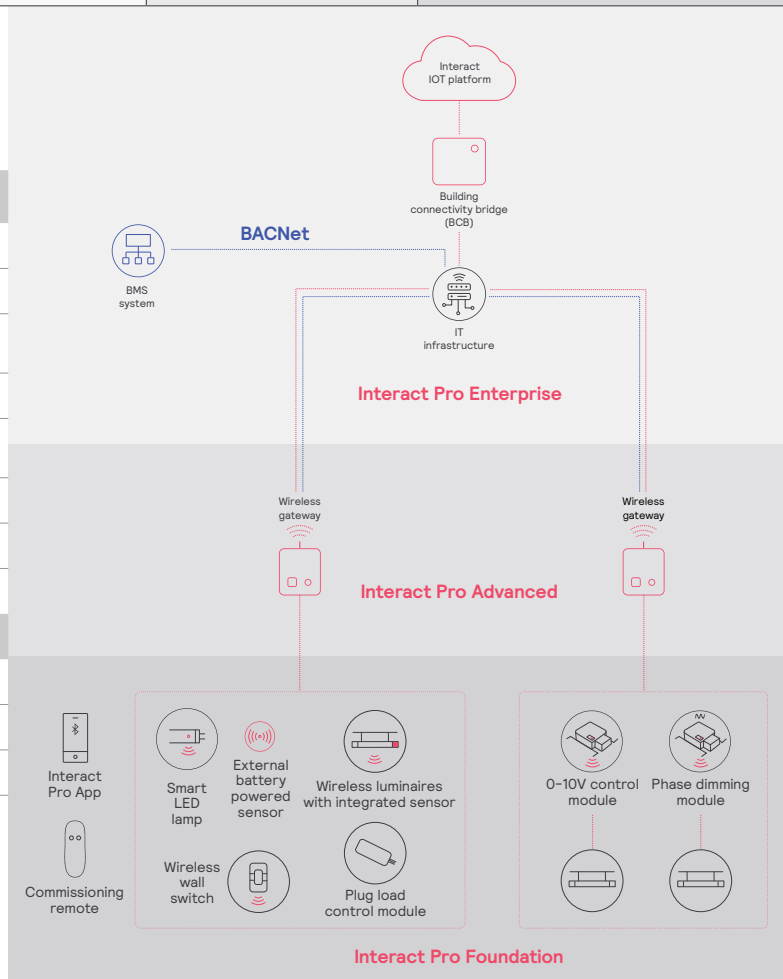
up to 6000 lumens

| Interact Pro scalable system | | | |
|---|------------|----------|------------|
| | Foundation | Advanced | Enterprise |
| Dimming, grouping, and zoning | ✓ | ✓ | ✓ |
| Bluetooth and ZigBee enabled | ✓ | ✓ | ✓ |
| Motion sensing and daylight harvesting | ✓ | ✓ | ✓ |
| Integration with 0-10V and phase dimming fixtures | ✓ | ✓ | ✓ |
| Code compliance | ✓ | ✓ | ✓ |
| Granular dimming and dwell time | ✓ | ✓ | ✓ |
| Energy reporting and monitoring | | ✓ | ✓ |
| Scheduling | | ✓ | ✓ |
| Demand response | | ✓ | ✓ |
| BMS integration (BACnet) | | | ✓ |
| Floor plan visualization | | | ✓ |
| IoT sensors for wellness | | | ✓ |
| IoT Apps for productivity | | | ✓ |

Currently supported maximum system size

To be able to design the lighting system correctly for the customer, it is important to know the prime characteristics of the system, its possibilities and limitations.

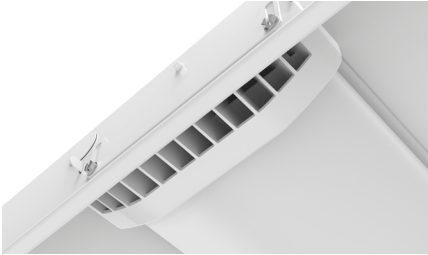
| System level | |
|--|---------------------|
| Total number of gateways | Unlimited |
| Total number of devices | 200 per network |
| • luminaires with integrated sensors | 150 |
| • smart TLEDs | 150 |
| Total number of ZGP devices (sensors and switches) | 50 |
| • sensors | 30 |
| • switches | 50 |
| • zones and groups | 64 |
| Group level | |
| Recommended number of lights | 40 (recommended 25) |
| Number of ZGP devices | 5 |
| Number of scenes | 16 |



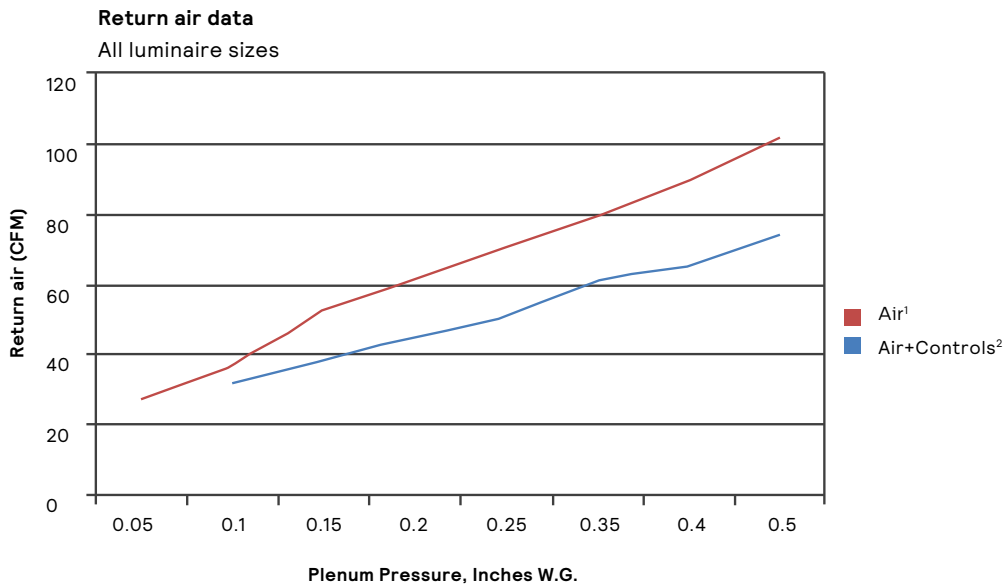
2FGX FluxGrid gen 2 recessed 2x2

up to 6000 lumens

Air return option



Allows air to flow through vents in the architectural forms located at both ends of the lens. Air blades are provided on each end of the luminaire to control air flow to the plenum.



Return air - noise criteria

All luminaire sizes

| | | CFM | | | | | | | |
|------------------|---------|-----|----|----|----|----|----|----|-----|
| Mode | | 27 | 37 | 53 | 62 | 71 | 80 | 90 | 102 |
| Air ¹ | NC (dB) | <15 | 24 | 25 | 29 | 33 | 35 | 38 | 40 |

| | | CFM | | | | | | | |
|---------------------------|---------|-----|-----|----|----|----|----|----|----|
| Mode | | | 31 | 38 | 45 | 51 | 61 | 65 | 74 |
| Air+Controls ² | NC (dB) | | <15 | 19 | 21 | 25 | 28 | 30 | 34 |

1. Air-only option includes air return forms and pattern control blades on both ends of luminaire.
 2. Air+Controls includes the air return form and pattern control blade on one end of the luminaire. Control form on the other with matching width.

2FGX FluxGrid gen 2 recessed 2x2

up to 6000 lumens

Photometry

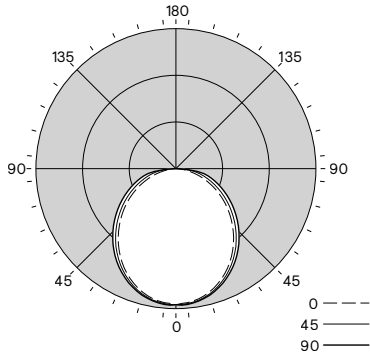
2FGXG38B840-2-RS-UNV

| | |
|---------------------------------|------|
| Luminaire Lumens | 3787 |
| Luminaire Efficacy Rating (LER) | 120 |
| Total Luminaire Watts | 31.5 |
| Spacing Criterion (0-180) | 1.24 |

| | Candela Distribution | | | | | Flux |
|----|----------------------|------|------|------|------|--------|
| | 0 | 22.5 | 45 | 67.5 | 90 | Lumens |
| 0 | 1361 | 1361 | 1361 | 1361 | 1361 | |
| 5 | 1345 | 1346 | 1354 | 1361 | 1363 | 129 |
| 15 | 1280 | 1285 | 1298 | 1306 | 1310 | 365 |
| 25 | 1157 | 1164 | 1183 | 1200 | 1204 | 544 |
| 35 | 991 | 1001 | 1027 | 1053 | 1062 | 642 |
| 45 | 799 | 811 | 844 | 879 | 892 | 652 |
| 55 | 599 | 613 | 653 | 694 | 710 | 585 |
| 65 | 396 | 413 | 464 | 512 | 531 | 459 |
| 75 | 203 | 228 | 291 | 343 | 366 | 304 |
| 85 | 48 | 72 | 105 | 122 | 127 | 106 |
| 90 | 2 | 3 | 3 | 3 | 2 | |

| Zonal Lumen Summary | | | |
|---------------------|--------|----------|--------|
| Zone | Lumens | %Fixture | %Lamp |
| 0-30 | 1038 | 27.4% | 27.4% |
| 0-40 | 1680 | 44.4% | 44.4% |
| 0-60 | 2917 | 77.0% | 77.0% |
| 0-90 | 3786 | 100.0% | 100.0% |
| 0-180 | 3787 | 100.0% | 100.0% |

| Avg. Luminance (cd/m ²) | | | |
|-------------------------------------|------|------|------|
| | 0 | 90 | 180 |
| 0 | 3994 | 3994 | 3994 |
| 5 | 3961 | 3989 | 4014 |
| 15 | 3887 | 3943 | 3980 |
| 25 | 3746 | 3830 | 3899 |
| 35 | 3550 | 3677 | 3804 |
| 45 | 3315 | 3504 | 3700 |
| 55 | 3065 | 3343 | 3632 |
| 65 | 2748 | 3218 | 3684 |
| 75 | 2301 | 3299 | 4148 |
| 85 | 1611 | 3543 | 4257 |



| Coefficients of Utilization % | | | | | | | | | | | | | |
|-------------------------------|----|-----|-----|-----|-----|-----|-----|-----|-----|-----|-----|----|---|
| Pc--- | 80 | | | | 70 | | | | 50 | | | | 0 |
| Pw--- | 70 | 50 | 30 | 10 | 70 | 50 | 30 | 50 | 30 | 10 | 0 | 0 | |
| RCR | 0 | 119 | 119 | 119 | 116 | 116 | 116 | 111 | 111 | 111 | 100 | | |
| | 1 | 108 | 103 | 99 | 95 | 105 | 101 | 97 | 97 | 93 | 90 | 83 | |
| | 2 | 98 | 90 | 83 | 77 | 96 | 88 | 81 | 84 | 79 | 74 | 68 | |
| | 3 | 89 | 79 | 70 | 64 | 87 | 77 | 69 | 74 | 67 | 62 | 58 | |
| | 4 | 82 | 70 | 61 | 54 | 80 | 68 | 60 | 66 | 59 | 53 | 49 | |
| | 5 | 75 | 62 | 53 | 46 | 73 | 61 | 53 | 59 | 51 | 46 | 42 | |
| | 6 | 70 | 56 | 47 | 41 | 68 | 55 | 47 | 53 | 46 | 40 | 37 | |
| | 7 | 65 | 51 | 42 | 36 | 63 | 50 | 42 | 49 | 41 | 35 | 33 | |
| | 8 | 60 | 46 | 38 | 32 | 59 | 46 | 38 | 44 | 37 | 32 | 29 | |
| | 9 | 56 | 43 | 34 | 29 | 55 | 42 | 34 | 41 | 34 | 29 | 26 | |
| | 10 | 53 | 39 | 31 | 26 | 51 | 39 | 31 | 38 | 31 | 26 | 24 | |

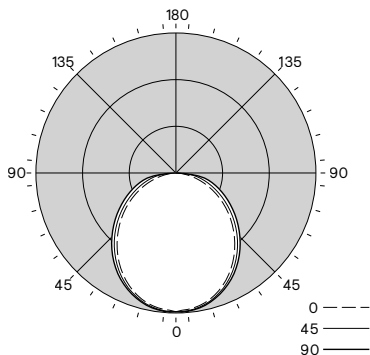
2FGXG30L840-2-RS-UNV

| | |
|---------------------------------|------|
| Luminaire Lumens | 3040 |
| Luminaire Efficacy Rating (LER) | 139 |
| Total Luminaire Watts | 21.8 |
| Spacing Criterion (0-180) | 1.24 |

| | Candela Distribution | | | | | Flux |
|----|----------------------|------|------|------|------|--------|
| | 0 | 22.5 | 45 | 67.5 | 90 | Lumens |
| 0 | 1090 | 1090 | 1090 | 1090 | 1090 | |
| 5 | 1076 | 1079 | 1086 | 1091 | 1091 | 103 |
| 15 | 1028 | 1031 | 1041 | 1049 | 1050 | 293 |
| 25 | 930 | 935 | 950 | 963 | 966 | 437 |
| 35 | 795 | 803 | 825 | 845 | 851 | 515 |
| 45 | 640 | 651 | 678 | 703 | 711 | 522 |
| 55 | 479 | 491 | 522 | 554 | 565 | 467 |
| 65 | 316 | 332 | 371 | 409 | 424 | 367 |
| 75 | 163 | 184 | 234 | 277 | 295 | 244 |
| 85 | 38 | 60 | 88 | 104 | 110 | 89 |
| 90 | 2 | 3 | 5 | 7 | 8 | |

| Zonal Lumen Summary | | | |
|---------------------|--------|----------|--------|
| Zone | Lumens | %Fixture | %Lamp |
| 0-30 | 834 | 27.4% | 27.4% |
| 0-40 | 1349 | 44.4% | 44.4% |
| 0-60 | 2339 | 76.9% | 76.9% |
| 0-90 | 3039 | 100.0% | 100.0% |
| 0-180 | 3040 | 100.0% | 100.0% |

| Avg. Luminance (cd/m ²) | | | |
|-------------------------------------|------|------|------|
| | 0 | 90 | 180 |
| 0 | 3199 | 3199 | 3199 |
| 5 | 3169 | 3199 | 3213 |
| 15 | 3123 | 3163 | 3188 |
| 25 | 3010 | 3076 | 3129 |
| 35 | 2848 | 2955 | 3047 |
| 45 | 2656 | 2813 | 2951 |
| 55 | 2451 | 2671 | 2891 |
| 65 | 2196 | 2572 | 2944 |
| 75 | 1851 | 2648 | 3343 |
| 85 | 1261 | 2960 | 3698 |



| Coefficients of Utilization % | | | | | | | | | | | | | |
|-------------------------------|----|-----|-----|-----|-----|-----|-----|-----|-----|-----|-----|----|---|
| Pc--- | 80 | | | | 70 | | | | 50 | | | | 0 |
| Pw--- | 70 | 50 | 30 | 10 | 70 | 50 | 30 | 50 | 30 | 10 | 0 | 0 | |
| RCR | 0 | 119 | 119 | 119 | 116 | 116 | 116 | 111 | 111 | 111 | 100 | | |
| | 1 | 108 | 103 | 99 | 95 | 105 | 101 | 97 | 97 | 93 | 90 | 83 | |
| | 2 | 98 | 90 | 83 | 77 | 96 | 88 | 81 | 84 | 79 | 74 | 68 | |
| | 3 | 89 | 79 | 70 | 64 | 87 | 77 | 69 | 74 | 67 | 62 | 57 | |
| | 4 | 82 | 70 | 61 | 54 | 80 | 68 | 60 | 66 | 58 | 53 | 49 | |
| | 5 | 75 | 62 | 53 | 46 | 73 | 61 | 53 | 59 | 51 | 46 | 42 | |
| | 6 | 70 | 56 | 47 | 41 | 68 | 55 | 47 | 53 | 46 | 40 | 37 | |
| | 7 | 65 | 51 | 42 | 36 | 63 | 50 | 42 | 49 | 41 | 35 | 33 | |
| | 8 | 60 | 46 | 38 | 32 | 59 | 46 | 38 | 44 | 37 | 32 | 29 | |
| | 9 | 56 | 43 | 34 | 29 | 55 | 42 | 34 | 41 | 34 | 29 | 26 | |
| | 10 | 53 | 39 | 31 | 26 | 51 | 39 | 31 | 38 | 31 | 26 | 24 | |

2FGX FluxGrid gen 2 recessed 2x2

up to 6000 lumens

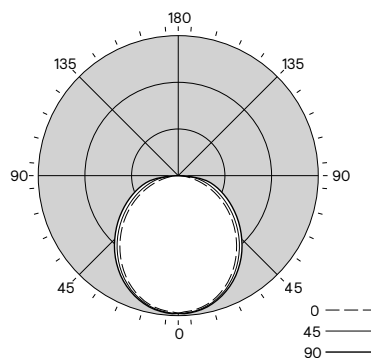
2FGXG38L840-2-RS-UNV

Luminaire Lumens 3839
 Luminaire Efficacy Rating (LER) 136
 Total Luminaire Watts 28.2
 Spacing Criterion (0-180) 1.24

| | Candela Distribution | | | | | Flux |
|----|----------------------|------|------|------|------|--------|
| | 0 | 22.5 | 45 | 67.5 | 90 | Lumens |
| 0 | 1377 | 1377 | 1377 | 1377 | 1377 | |
| 5 | 1359 | 1362 | 1371 | 1378 | 1377 | 130 |
| 15 | 1299 | 1302 | 1314 | 1324 | 1325 | 370 |
| 25 | 1174 | 1180 | 1199 | 1216 | 1221 | 552 |
| 35 | 1003 | 1015 | 1042 | 1066 | 1074 | 651 |
| 45 | 809 | 823 | 856 | 887 | 898 | 660 |
| 55 | 605 | 621 | 659 | 699 | 714 | 590 |
| 65 | 400 | 419 | 468 | 517 | 536 | 464 |
| 75 | 204 | 233 | 295 | 350 | 372 | 309 |
| 85 | 47 | 76 | 111 | 131 | 138 | 113 |
| 90 | 3 | 5 | 8 | 12 | 13 | |

| Zonal Lumen Summary | | | |
|---------------------|--------|----------|--------|
| Zone | Lumens | %Fixture | %Lamp |
| 0-30 | 1052 | 27.4% | 27.4% |
| 0-40 | 1703 | 44.4% | 44.4% |
| 0-60 | 2953 | 76.9% | 76.9% |
| 0-90 | 3838 | 100.0% | 100.0% |
| 0-180 | 3839 | 100.0% | 100.0% |

| Avg. Luminance (cd/m ²) | | | |
|-------------------------------------|------|------|------|
| | 0 | 90 | 180 |
| 0 | 4039 | 4039 | 4039 |
| 5 | 4002 | 4037 | 4056 |
| 15 | 3946 | 3992 | 4025 |
| 25 | 3801 | 3883 | 3951 |
| 35 | 3594 | 3731 | 3847 |
| 45 | 3357 | 3551 | 3727 |
| 55 | 3096 | 3370 | 3654 |
| 65 | 2777 | 3246 | 3721 |
| 75 | 2318 | 3347 | 4222 |
| 85 | 1596 | 3726 | 4628 |



| Coefficients of Utilization % | | | | | | | | | | | | | |
|-------------------------------|-----|-----|-----|-----|-----|-----|-----|-----|-----|-----|-----|--|---|
| Pc--- | 80 | | | | 70 | | | | 50 | | | | 0 |
| Pw--- | 70 | 50 | 30 | 10 | 70 | 50 | 30 | 50 | 30 | 10 | 0 | | |
| RCR | | | | | | | | | | | | | |
| 0 | 119 | 119 | 119 | 119 | 116 | 116 | 116 | 111 | 111 | 111 | 100 | | |
| 1 | 108 | 103 | 99 | 95 | 105 | 101 | 97 | 97 | 93 | 90 | 83 | | |
| 2 | 98 | 90 | 83 | 77 | 95 | 88 | 81 | 84 | 79 | 74 | 68 | | |
| 3 | 89 | 79 | 70 | 64 | 87 | 77 | 69 | 74 | 67 | 62 | 57 | | |
| 4 | 82 | 70 | 61 | 54 | 80 | 68 | 60 | 66 | 58 | 53 | 49 | | |
| 5 | 75 | 62 | 53 | 46 | 73 | 61 | 53 | 59 | 51 | 46 | 42 | | |
| 6 | 70 | 56 | 47 | 41 | 68 | 55 | 47 | 53 | 46 | 40 | 37 | | |
| 7 | 65 | 51 | 42 | 36 | 63 | 50 | 42 | 49 | 41 | 35 | 33 | | |
| 8 | 60 | 46 | 38 | 32 | 59 | 46 | 38 | 44 | 37 | 32 | 29 | | |
| 9 | 56 | 43 | 34 | 29 | 55 | 42 | 34 | 41 | 34 | 29 | 26 | | |
| 10 | 53 | 39 | 31 | 26 | 51 | 39 | 31 | 38 | 31 | 26 | 24 | | |

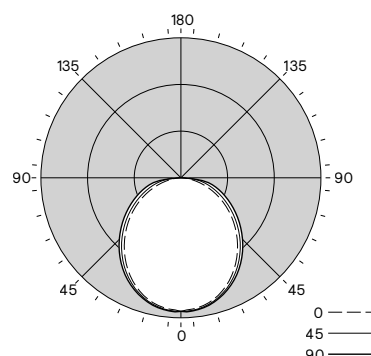
2FGXG45L840-2-RS-UNV

Luminaire Lumens 4522
 Luminaire Efficacy Rating (LER) 133
 Total Luminaire Watts 34.1
 Spacing Criterion (0-180) 1.24

| | Candela Distribution | | | | | Flux |
|----|----------------------|------|------|------|------|--------|
| | 0 | 22.5 | 45 | 67.5 | 90 | Lumens |
| 0 | 1622 | 1622 | 1622 | 1622 | 1622 | |
| 5 | 1600 | 1605 | 1616 | 1624 | 1623 | 153 |
| 15 | 1529 | 1534 | 1549 | 1560 | 1562 | 436 |
| 25 | 1383 | 1390 | 1414 | 1433 | 1438 | 650 |
| 35 | 1183 | 1194 | 1228 | 1257 | 1265 | 767 |
| 45 | 953 | 968 | 1009 | 1047 | 1058 | 777 |
| 55 | 713 | 731 | 777 | 824 | 841 | 696 |
| 65 | 471 | 494 | 552 | 609 | 631 | 547 |
| 75 | 241 | 274 | 348 | 414 | 439 | 364 |
| 85 | 56 | 89 | 132 | 156 | 160 | 132 |
| 90 | 2 | 3 | 4 | 6 | 6 | |

| Zonal Lumen Summary | | | |
|---------------------|--------|----------|--------|
| Zone | Lumens | %Fixture | %Lamp |
| 0-30 | 1240 | 27.4% | 27.4% |
| 0-40 | 2007 | 44.4% | 44.4% |
| 0-60 | 3479 | 76.9% | 76.9% |
| 0-90 | 4522 | 100.0% | 100.0% |
| 0-180 | 4522 | 100.0% | 100.0% |

| Avg. Luminance (cd/m ²) | | | |
|-------------------------------------|------|------|------|
| | 0 | 90 | 180 |
| 0 | 4759 | 4759 | 4759 |
| 5 | 4713 | 4758 | 4781 |
| 15 | 4645 | 4705 | 4744 |
| 25 | 4478 | 4577 | 4654 |
| 35 | 4236 | 4398 | 4532 |
| 45 | 3954 | 4187 | 4390 |
| 55 | 3646 | 3976 | 4301 |
| 65 | 3273 | 3830 | 4379 |
| 75 | 2733 | 3949 | 4971 |
| 85 | 1885 | 4426 | 5392 |



| Coefficients of Utilization % | | | | | | | | | | | | | |
|-------------------------------|-----|-----|-----|-----|-----|-----|-----|-----|-----|-----|-----|--|---|
| Pc--- | 80 | | | | 70 | | | | 50 | | | | 0 |
| Pw--- | 70 | 50 | 30 | 10 | 70 | 50 | 30 | 50 | 30 | 10 | 0 | | |
| RCR | | | | | | | | | | | | | |
| 0 | 119 | 119 | 119 | 119 | 116 | 116 | 116 | 111 | 111 | 111 | 100 | | |
| 1 | 108 | 103 | 99 | 95 | 105 | 101 | 97 | 97 | 93 | 90 | 83 | | |
| 2 | 98 | 90 | 83 | 77 | 96 | 88 | 81 | 84 | 79 | 74 | 68 | | |
| 3 | 89 | 79 | 70 | 64 | 87 | 77 | 69 | 74 | 67 | 62 | 57 | | |
| 4 | 82 | 70 | 61 | 54 | 80 | 68 | 60 | 66 | 58 | 53 | 49 | | |
| 5 | 75 | 62 | 53 | 46 | 73 | 61 | 53 | 59 | 51 | 46 | 42 | | |
| 6 | 70 | 56 | 47 | 41 | 68 | 55 | 47 | 53 | 46 | 40 | 37 | | |
| 7 | 65 | 51 | 42 | 36 | 63 | 50 | 42 | 49 | 41 | 35 | 33 | | |
| 8 | 60 | 46 | 38 | 32 | 59 | 46 | 38 | 44 | 37 | 32 | 29 | | |
| 9 | 56 | 43 | 34 | 29 | 55 | 42 | 34 | 41 | 34 | 29 | 26 | | |
| 10 | 53 | 39 | 31 | 26 | 51 | 39 | 31 | 38 | 31 | 26 | 24 | | |



© 2021 Signify Holding. All rights reserved. The information provided herein is subject to change, without notice. Signify does not give any representation or warranty as to the accuracy or completeness of the information included herein and shall not be liable for any action in reliance thereon. The information presented in this document is not intended as any commercial offer and does not form part of any quotation or contract, unless otherwise agreed by Signify.

Signify North America Corporation
 200 Franklin Square Drive,
 Somerset, NJ 08873
 Telephone 855-486-2216

Signify Canada Ltd.
 281 Hillmount Road,
 Markham, ON, Canada L6C 2S3
 Telephone 800-668-9008

All trademarks are owned by Signify Holding or their respective owners.