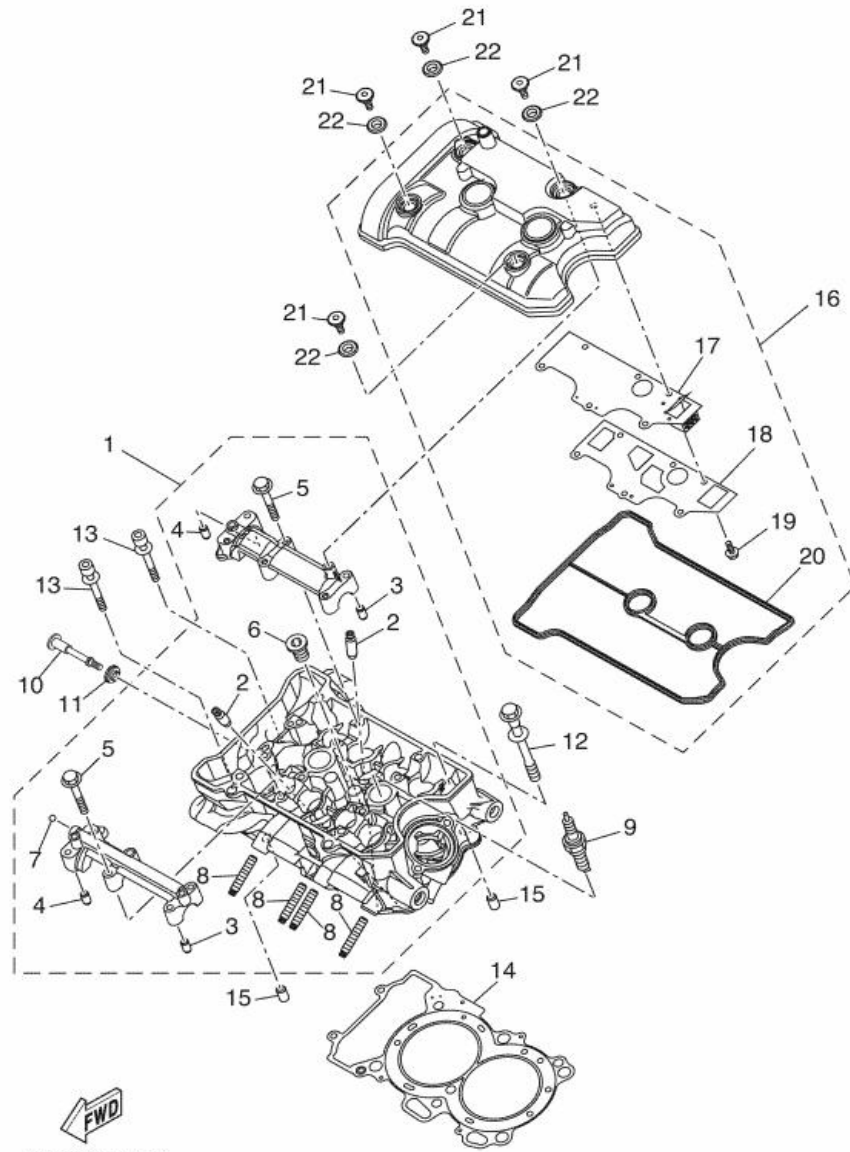
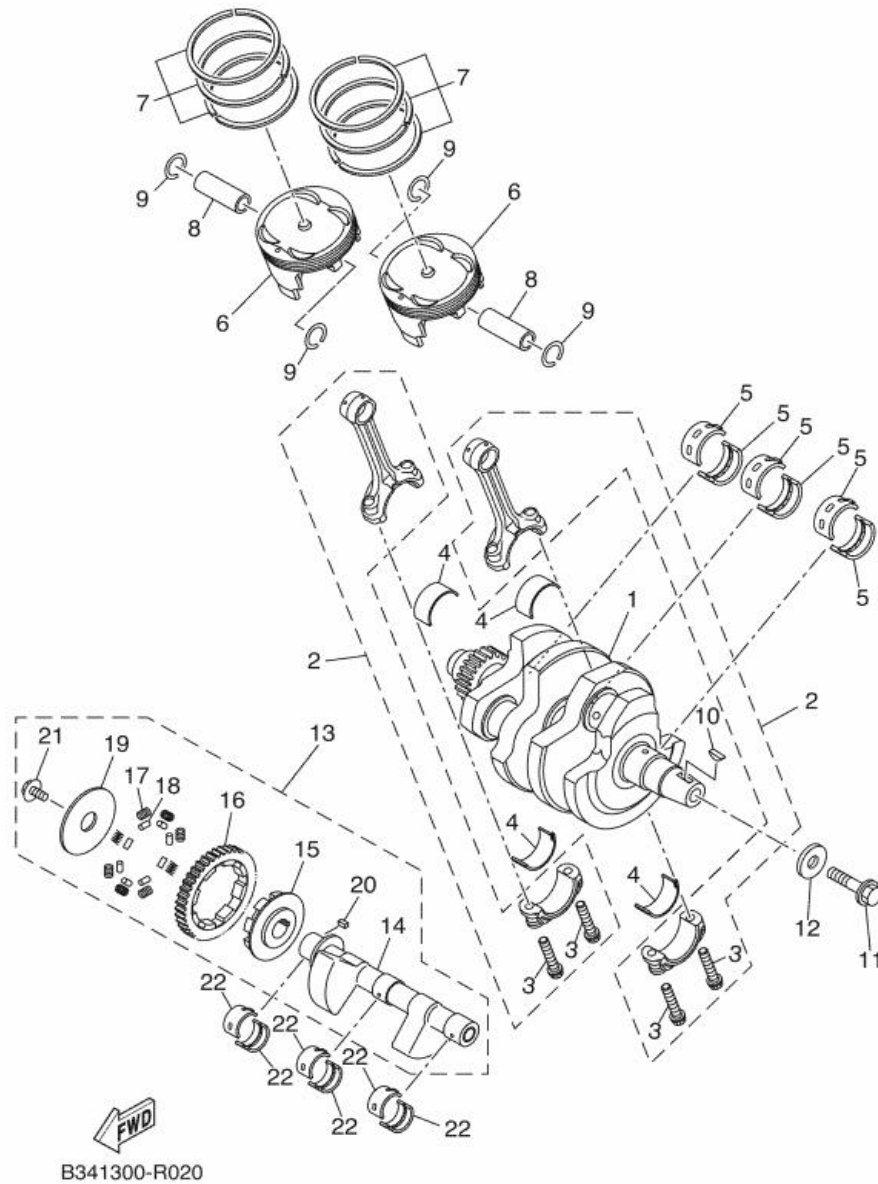


Fig. 01 CYLINDER HEAD



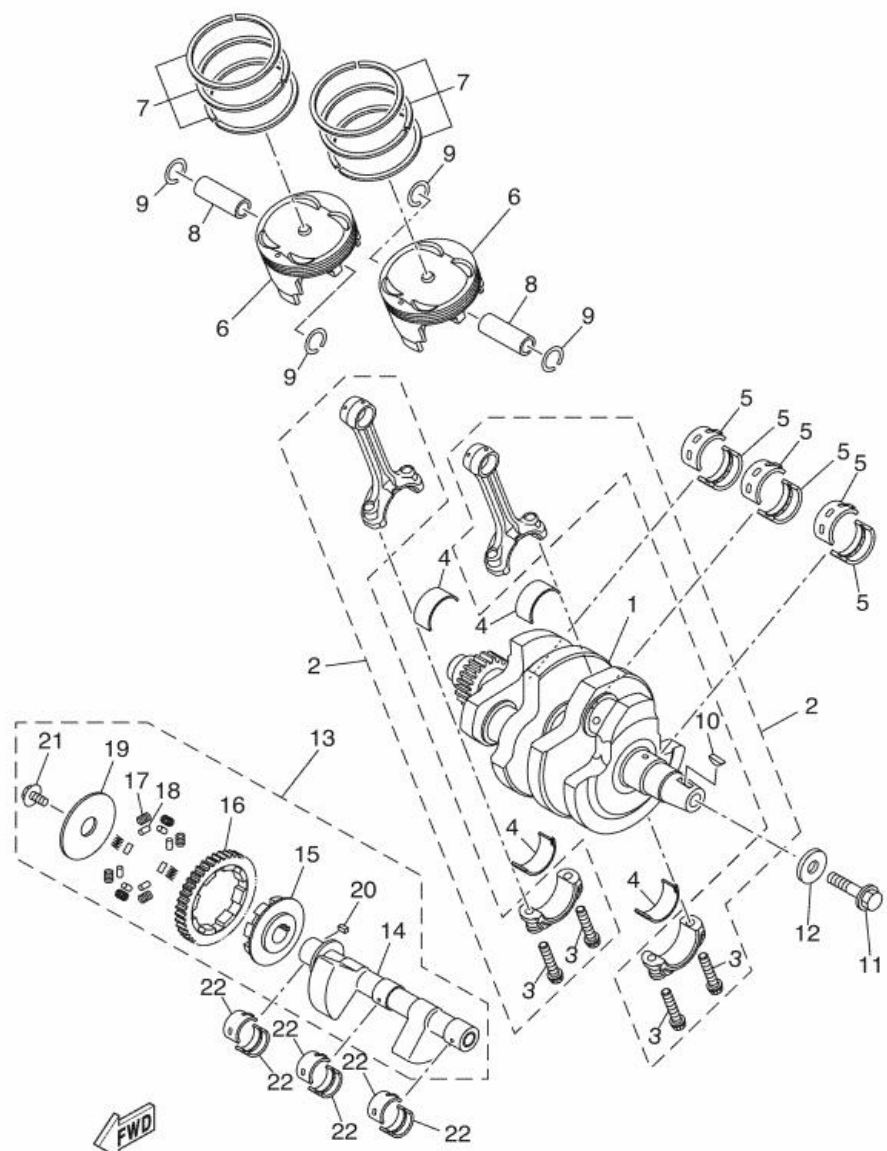
Ref. No.	Part No.	Description		Remarks
1	B4T-E1102-00	CYLINDER HEAD ASSY	1	
2	4D9-11133-10	. GUIDE, VALVE 1	8	
3	91808-16023	. PIN, DOWEL	2	
4	91808-16023	. PIN, DOWEL	2	
5	90105-06027	. BOLT, FLANGE	12	
6	90340-18002	. PLUG, STRAIGHT SCREW	1	
7	93501-04011	. BALL	1	
8	90116-08087	. BOLT, STUD	4	
9	94700-00436	PLUG, SPARK (NGK LMAR8A-9)	2	
10	90109-06293	BOLT	1	
11	5VY-1111G-00	RUBBER, MOUNT 1	1	
12	90119-10056	BOLT, WITH WASHER	6	
13	90110-06081	BOLT, HEXAGON SOCKET HEAD	2	
14	1WS-11181-00	GASKET, CYLINDER HEAD 1	1	
15	99530-10114	PIN, DOWEL	2	
16	BU3-E1190-01	COVER, CYLINDER HEAD 1	1	
17	BU3-E1165-00	. PLATE, BREATHER	1	
18	BU3-E1169-01	. GASKET, BREATHER COVER	1	
19	90105-05024	. BOLT, FLANGE	6	
20	1WS-11193-01	. GASKET, HEAD COVER 1	1	
21	90109-066F0	BOLT	4	
22	5VY-1111G-00	RUBBER, MOUNT 1	4	

Fig. 02 CRANKSHAFT & PISTON



Ref. No.	Part No.	Description	Remarks
1	1WS-11400-00	CRANKSHAFT ASSY	1
2	1WS-11650-00	CONNECTING ROD ASSY	2
3	1RC-11654-00	. BOLT, CONNECTING ROD	2
4	1RC-11656-00	PLANE BEARING, CONNECTING ROD	4 UR BLUE
	1RC-11656-10	PLANE BEARING, CONNECTING ROD	4 UR BLACK
	1RC-11656-20	PLANE BEARING, CONNECTING ROD	4 UR BROWN
	1RC-11656-30	PLANE BEARING, CONNECTING ROD	4 UR GREEN
5	3GM-11416-B0	PLANE BEARING, CRANKSHAFT 1	6 UR PURPLE
	3GM-11416-A0	PLANE BEARING, CRANKSHAFT 1	6 UR WHITE
	3GM-11416-00	PLANE BEARING, CRANKSHAFT 1	6 UR BLUE
	3GM-11416-10	PLANE BEARING, CRANKSHAFT 1	6 UR BLACK
	3GM-11416-20	PLANE BEARING, CRANKSHAFT 1	6 UR BROWN
6	BU3-E1631-00	PISTON (STD)	2
7	BU3-E1603-00	PISTON RING SET (STD)	2
8	BU3-E1633-00	PIN, PISTON	2
9	93450-19052	CIRCLIP	4
10	90280-05029	KEY, WOODRUFF	1
11	90105-126A8	BOLT, FLANGE	1
12	90201-12008	WASHER, PLATE	1
13	BU3-E1500-00	BALANCER ASSY	1
14	BU3-E1454-00	. WEIGHT 1	1
15	BU3-E1496-00	. BOSS, BUFFER	1
16	BU3-E1531-00	. GEAR, BALANCE WEIGHT	1
17	90501-22800	. SPRING, COMPRESSION	8
18	93605-10090	. PIN, DOWEL	8
19	1WS-11533-00	. PLATE, ABSORBER	1
20	90282-04036	. KEY, STRAIGHT	1

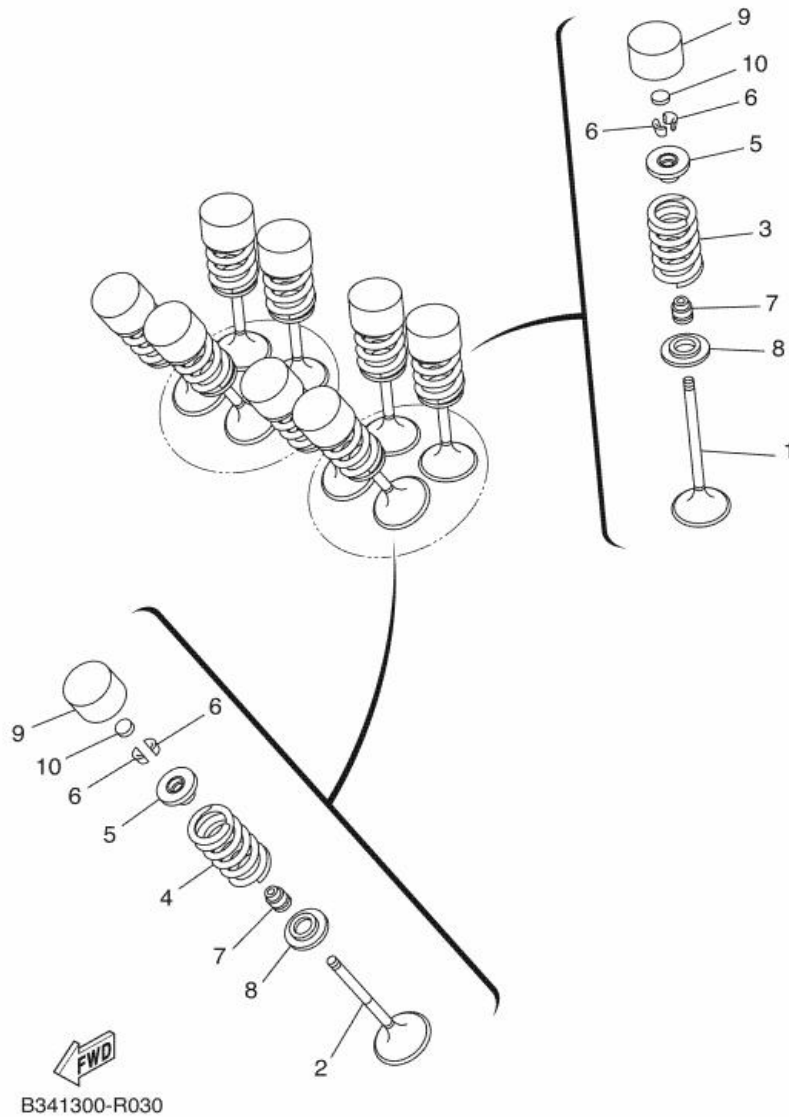
Fig. 02 CRANKSHAFT & PISTON



B341300-R020

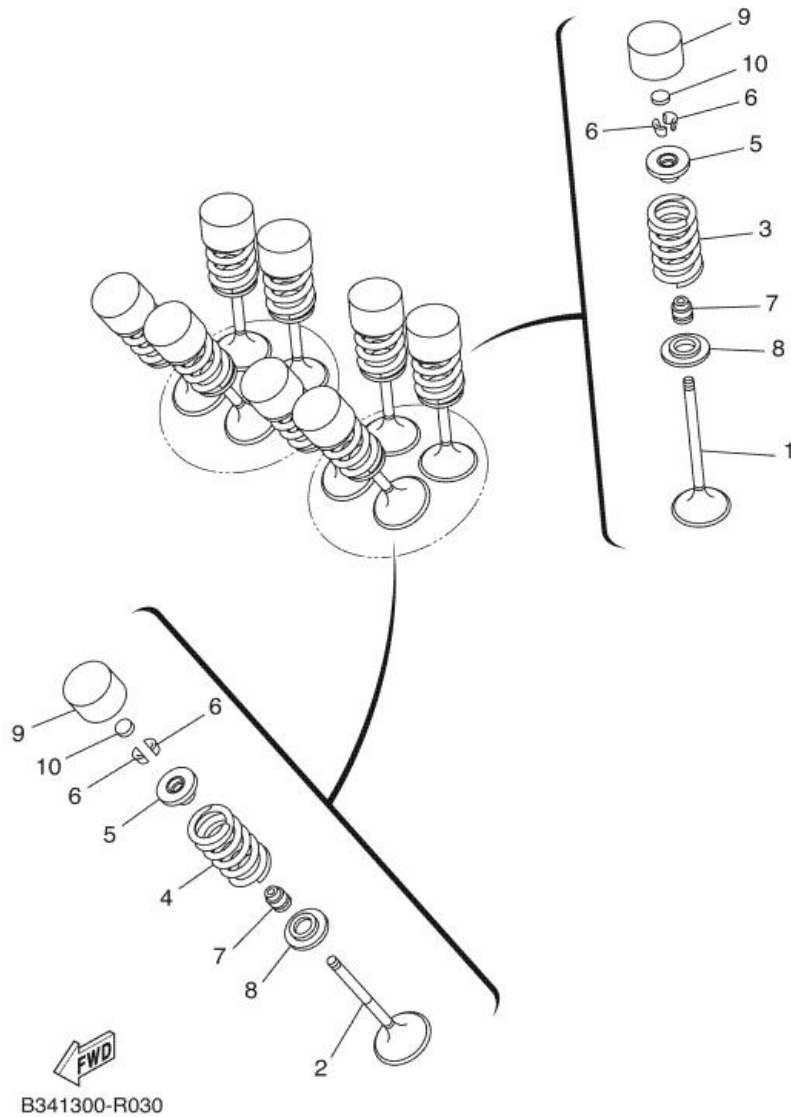
Ref. No.	Part No.	Description	Remarks
21	90105-10445	. BOLT, FLANGE	1
22	2S3-11413-00	METAL, BALANCE WEIGHT	6 UR BLUE
	2S3-11413-10	METAL, BALANCE WEIGHT	6 UR BLACK
	2S3-11413-20	METAL, BALANCE WEIGHT	6 UR BROWN
	2S3-11413-30	METAL, BALANCE WEIGHT	6 UR GREEN
	2S3-11413-40	METAL, BALANCE WEIGHT	6 UR YELLOW

Fig. 03 VALVE



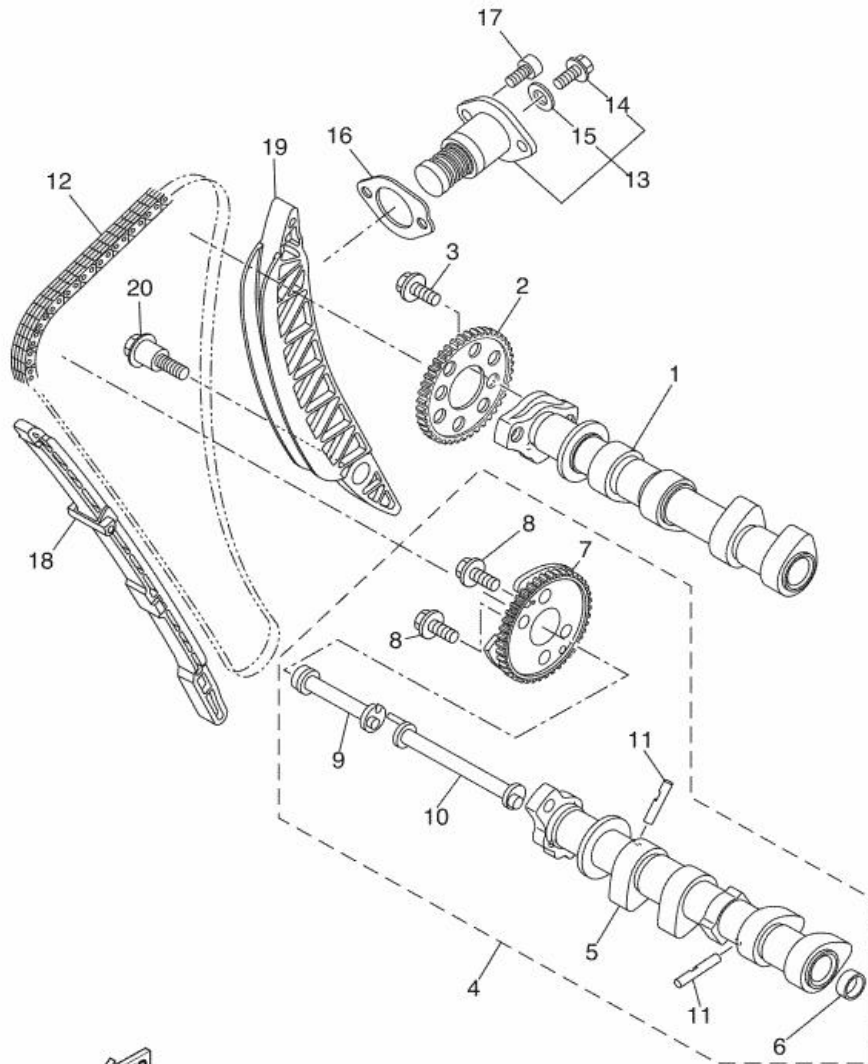
Ref. No.	Part No.	Description		Remarks
1	BU3-E2111-00	VALVE, INTAKE	4	
2	BU3-E2121-00	VALVE, EXHAUST	4	
3	1WS-12113-01	SPRING, VALVE INNER	4	
4	1WS-12114-00	SPRING, VALVE OUTER	4	
5	BU3-E2117-00	RETAINER, VALVE SPRING	8	
<hr/>				
6	3S0-E2118-00	LOCK, VALVE SPRING RETAINER	16	
7	1PA-E2119-00	SEAL, VALVE STEM	8	
8	1WS-12116-00	SEAT, VALVE SPRING	8	
9	B4T-12153-00	LIFTER, VALVE	8	
10	1HX-12168-F0	PAD, ADJUSTING 2 (1.50)	8	UR
<hr/>				
	1HX-12168-H1	PAD, ADJUSTING 2 (1.55)	8	UR
	1HX-12168-K1	PAD, ADJUSTING 2 (1.60)	8	UR
	1HX-12168-M1	PAD, ADJUSTING 2 (1.65)	8	UR
	1HX-12168-R1	PAD, ADJUSTING 2 (1.70)	8	UR
	1HX-12168-U1	PAD, ADJUSTING 2 (1.75)	8	UR
<hr/>				
	1HX-12168-W1	PAD, ADJUSTING 2 (1.80)	8	UR
	1HX-12168-Y1	PAD, ADJUSTING 2 (1.85)	8	UR
	1HX-12169-11	PAD, ADJUSTING 2 (1.90)	8	UR
	1HX-12169-31	PAD, ADJUSTING 2 (1.95)	8	UR
	1HX-12169-50	PAD, ADJUSTING 2 (2.00)	8	UR
<hr/>				
	1HX-12169-70	PAD, ADJUSTING 2 (2.05)	8	UR
	1HX-12169-90	PAD, ADJUSTING 2 (2.10)	8	UR
	1HX-12169-E0	PAD, ADJUSTING 2 (2.15)	8	UR
	1HX-12169-G0	PAD, ADJUSTING 2 (2.20)	8	UR
	1HX-12169-J0	PAD, ADJUSTING 2 (2.25)	8	UR
<hr/>				
	1HX-12169-L0	PAD, ADJUSTING 2 (2.30)	8	UR
	1HX-12169-N0	PAD, ADJUSTING 2 (2.35)	8	UR

Fig. 03 VALVE



Ref. No.	Part No.	Description	Quantity	Remarks
	1HX-12169-T0	PAD, ADJUSTING 2 (2.40)	8	UR
<hr/>				
<hr/>				
<hr/>				
<hr/>				
<hr/>				
<hr/>				
<hr/>				
<hr/>				
<hr/>				
<hr/>				

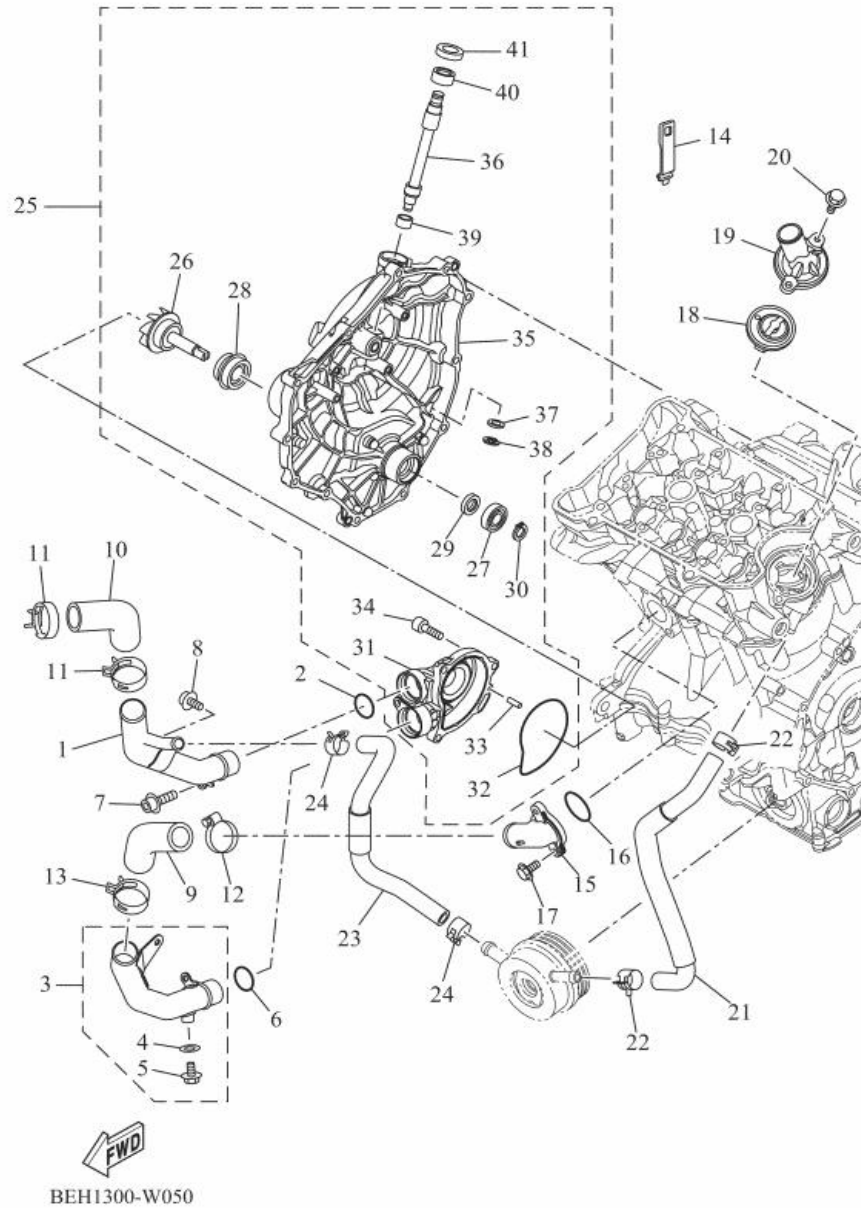
Fig. 04 CAMSHAFT & CHAIN



B341300-R040

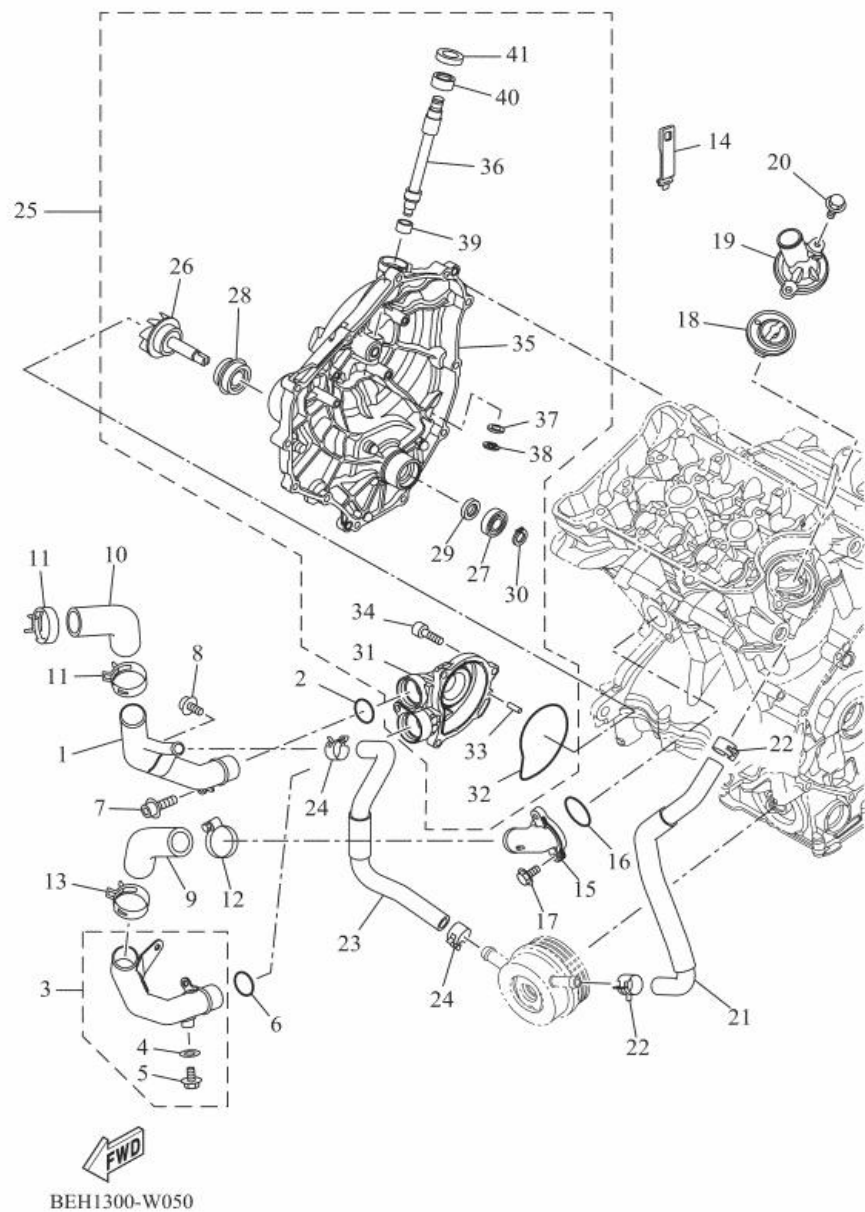
Ref. No.	Part No.	Description		Remarks
1	B4T-E2170-00	CAMSHAFT ASSY 1	1	
2	BU3-E2176-00	SPROCKET, CAM CHAIN	1	
3	90105-07006	BOLT, FLANGE	2	
4	B4T-E2180-00	CAMSHAFT ASSY 2	1	
5	BU3-E2181-10	. CAMSHAFT 2	1	
<hr/>				
6	90331-16001	. PLUG	1	
7	BU3-E2280-00	. DECOMPRESSION ASSY	1	
8	90105-07006	. BOLT, FLANGE	2	
9	1WS-12247-00	. SHAFT, TENSIONER	1	
10	1WS-12257-00	. SHAFT 2	1	
<hr/>				
11	BU3-E2288-00	. CAM, DECOMPRESSION	2	
12	94568-K0134	CHAIN	1	
13	1WS-12210-02	TENSIONER ASSY, CAM CHAIN	1	
14	5EL-12228-00	. BOLT	1	
15	5SL-12214-00	. GASKET	1	
<hr/>				
16	1WS-12213-00	GASKET, TENSIONER CASE	1	
17	90110-06396	BOLT, HEXAGON SOCKET HEAD	2	
18	BU3-E2251-00	DAMPER, CHAIN 1	1	
19	1WS-12252-00	DAMPER, CHAIN 2	1	
20	90109-06295	BOLT	1	
<hr/>				
<hr/>				

Fig. 05 WATER PUMP



Ref. No.	Part No.	Description		Remarks
1	BU3-E2481-00	PIPE 1	1	
2	93210-23802	O-RING	1	
3	BU3-E2482-00	PIPE 2	1	
4	90430-06014	. GASKET	1	
5	95022-06010	. BOLT, FLANGE	1	
6	93210-23802	O-RING	1	
7	91314-06014	BOLT, HEXAGON SOCKET HEAD	1	
8	90110-06152	BOLT, HEXAGON SOCKET HEAD	1	
9	BU3-E2576-00	HOSE 1	1	
10	BW3-12577-00	HOSE 2	1	AP
	BW3-E2577-00	HOSE 2	1	AP
11	90467-290A0	CLIP	2	
12	90450-35001	HOSE CLAMP ASSY	1	
13	90467-290A0	CLIP	1	
14	BEH-1246A-00	COVER 1	1	
15	BU3-E2469-00	JOINT 1	1	
16	93210-33006	O-RING	1	
17	95812-06020	BOLT, FLANGE	2	
18	1WS-12410-01	THERMOSTAT ASSY	1	
19	BU3-E2413-00	COVER, THERMOSTAT	1	
20	95817-06020	BOLT, FLANGE	2	
21	BU3-E2588-00	HOSE 5	1	
22	90467-170A6	CLIP	2	
23	BU3-E2589-00	HOSE 6	1	
24	90467-170A6	CLIP	2	
25	BU3-E2420-00	WATER PUMP ASSY	1	
26	1WS-12450-00	. IMPELLER SHAFT ASSY	1	

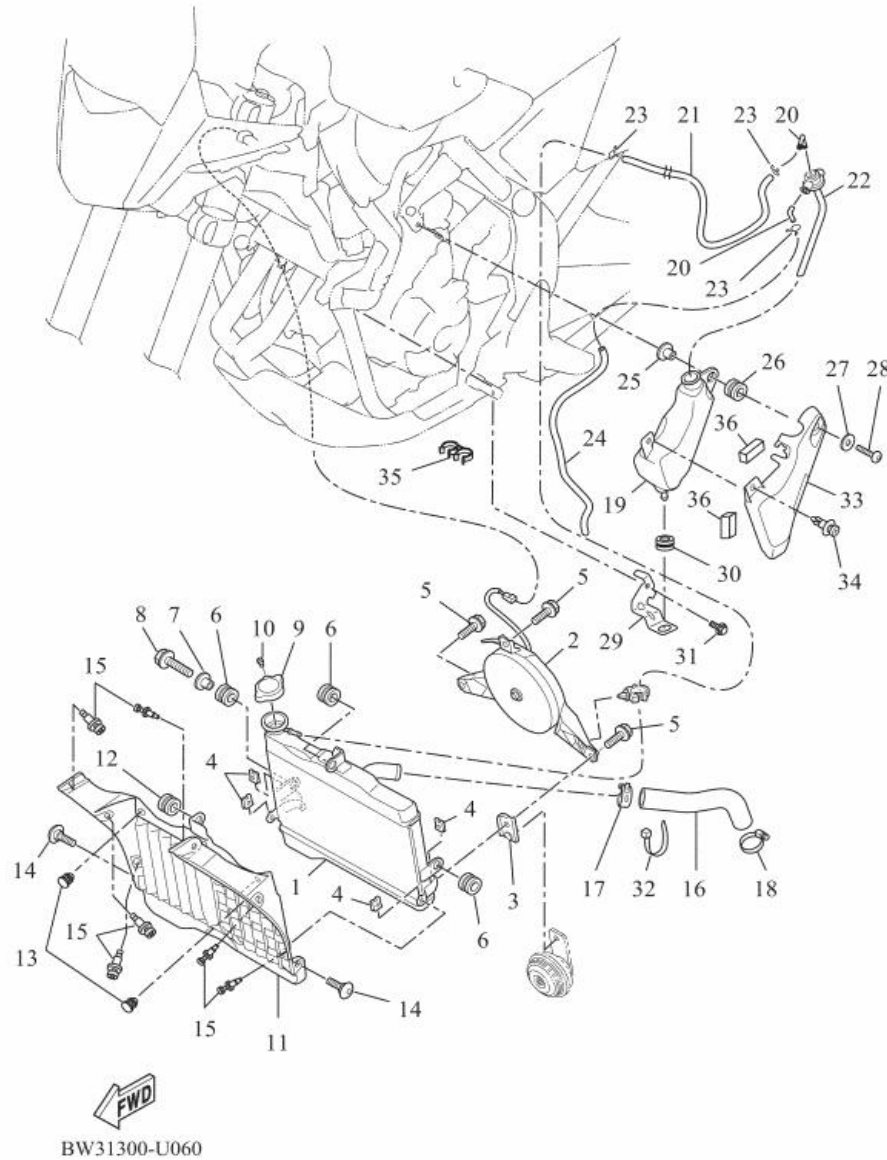
Fig. 05 WATER PUMP



Ref. No.	Part No.	Description		Remarks
	27	93306-00106 . BEARING	1	
	28	5VK-12438-00 . SEAL, MECHANICAL	1	
	29	2CR-13338-00 . SEAL	1	
	30	99009-12400 . CIRCLIP	1	
	31	1WS-12422-00 . COVER, HOUSING	1	
	32	1WS-12439-00 . O-RING	1	
	33	93603-12007 . PIN, DOWEL	1	
	34	90110-06274 . BOLT, HEXAGON SOCKET HEAD	3	
	35	BU3-E5421-00 . COVER, CRANKCASE 2	1	
	36	2D1-16382-00 . AXLE, PUSH LEVER	1	
	37	92907-08600 . WASHER, PLATE	1	
	38	99001-07600 . CIRCLIP	1	
	39	93317-11096 . BEARING	1	
	40	93315-21570 . BEARING	1	
	41	93102-15801 . OIL SEAL	1	

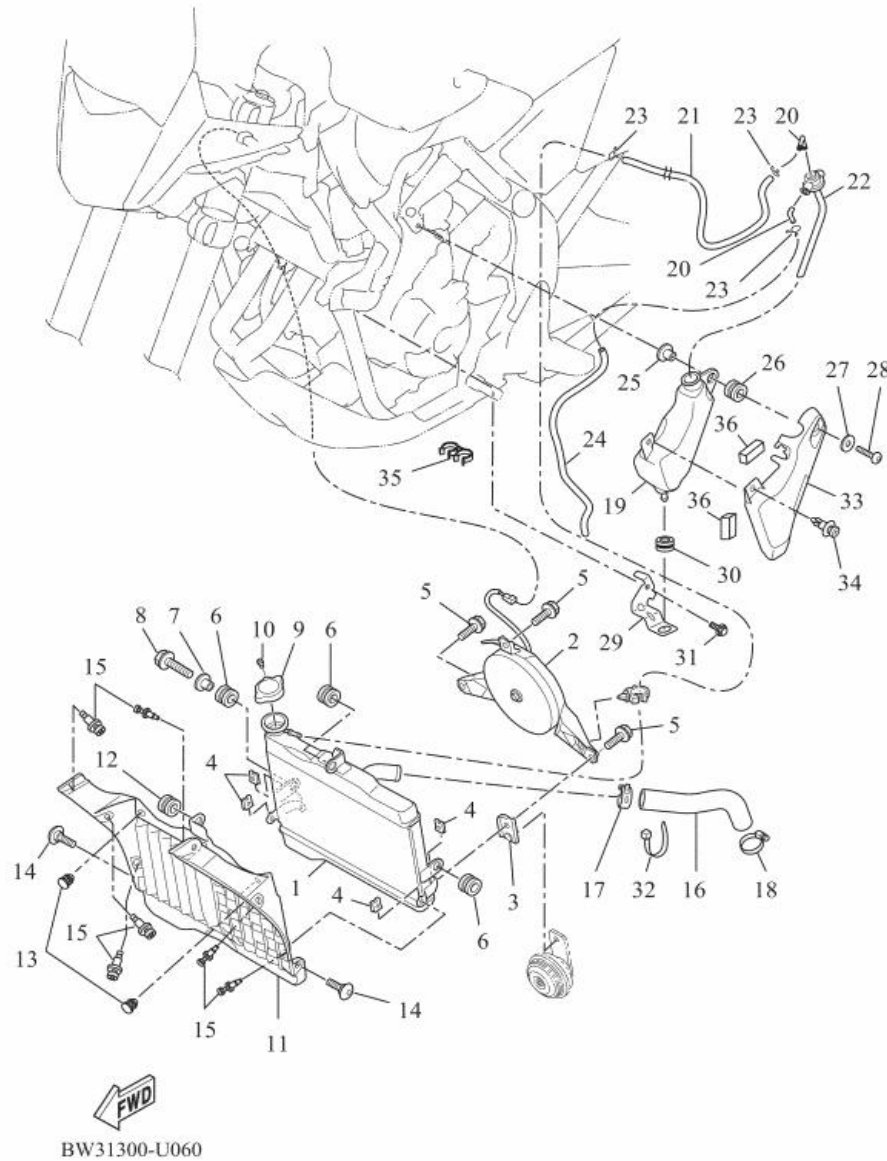


Fig. 06 RADIATOR & HOSE



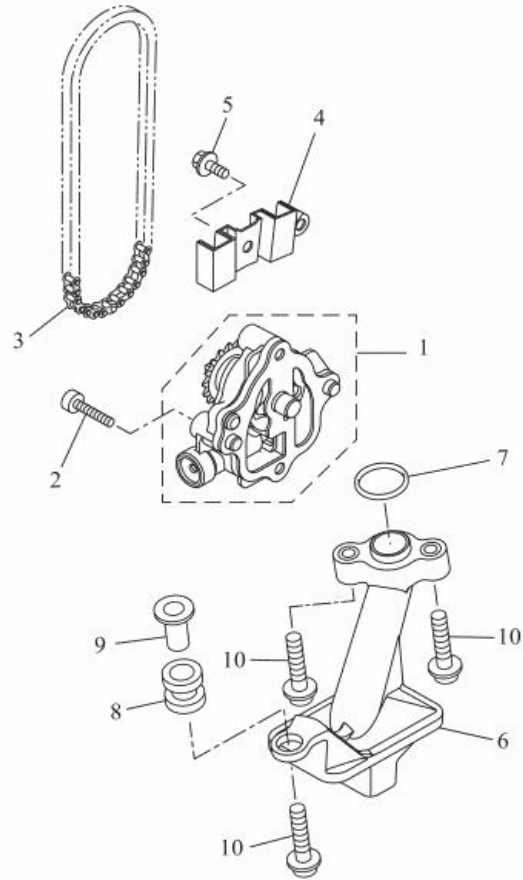
Ref. No.	Part No.	Description		Remarks
1	BW3-12461-00	RADIATOR COMP	1	
2	BW3-12405-00	BLOWER ASSY	1	
3	BW3-21343-00	BRACKET, HORN	1	
4	1WS-12671-00	NUT 1	4	
5	2S3-12675-00	BOLT, BLOWER HOLDING	3	
<hr/>				
6	90480-15363	GROMMET	3	
7	90387-07391	COLLAR	1	
8	95802-06025	BOLT, FLANGE	1	
9	B67-12462-10	CAP, RADIATOR	1	
10	91317-03006	BOLT,HEX.SOCKET HEAD	1	
<hr/>				
11	BW3-E2498-00	PROTECTOR	1	
12	90480-15363	GROMMET	1	
13	90338-07043	PLUG	2	
14	90109-06320	BOLT	2	
15	90269-08010	RIVET	6	
<hr/>				
16	BW3-12578-00	HOSE 3	1	
17	90467-290A0	CLIP	1	
18	90450-35001	HOSE CLAMP ASSY	1	
19	BW3-F1871-10	TANK, RECOVERY	1	
20	26H-21828-00	ELBOW	2	
<hr/>				
21	90445-08X13	HOSE	1	
22	2C0-21875-00	CAP	1	
23	90467-08075	CLIP	3	
24	90445-08X12	HOSE	1	
25	90387-06236	COLLAR	1	
<hr/>				
26	90480-18411	GROMMET	1	
27	90201-06029	WASHER, PLATE	1	

Fig. 06 RADIATOR & HOSE



Ref. No.	Part No.	Description		Remarks
	28 90111-06068	BOLT,HEX. SOCKET BUTTON	1	
	29 BW3-21873-00	BRACKET, RECOVERY TANK	1	
	30 90480-01559	GROMMET	1	
	31 90110-06341	BOLT, HEXAGON SOCKET HEAD	1	
	32 90464-07M40	CLAMP	1	
<hr/>				
	33 BW3-F172W-00	COVER	1	
	34 90269-08010	RIVET	1	
	35 90464-06008	CLAMP	1	
	36 90520-05018	DAMPER, PLATE	2	
<hr/>				
<hr/>				
<hr/>				
<hr/>				
<hr/>				
<hr/>				
<hr/>				
<hr/>				
<hr/>				
<hr/>				

Fig. 07 OIL PUMP

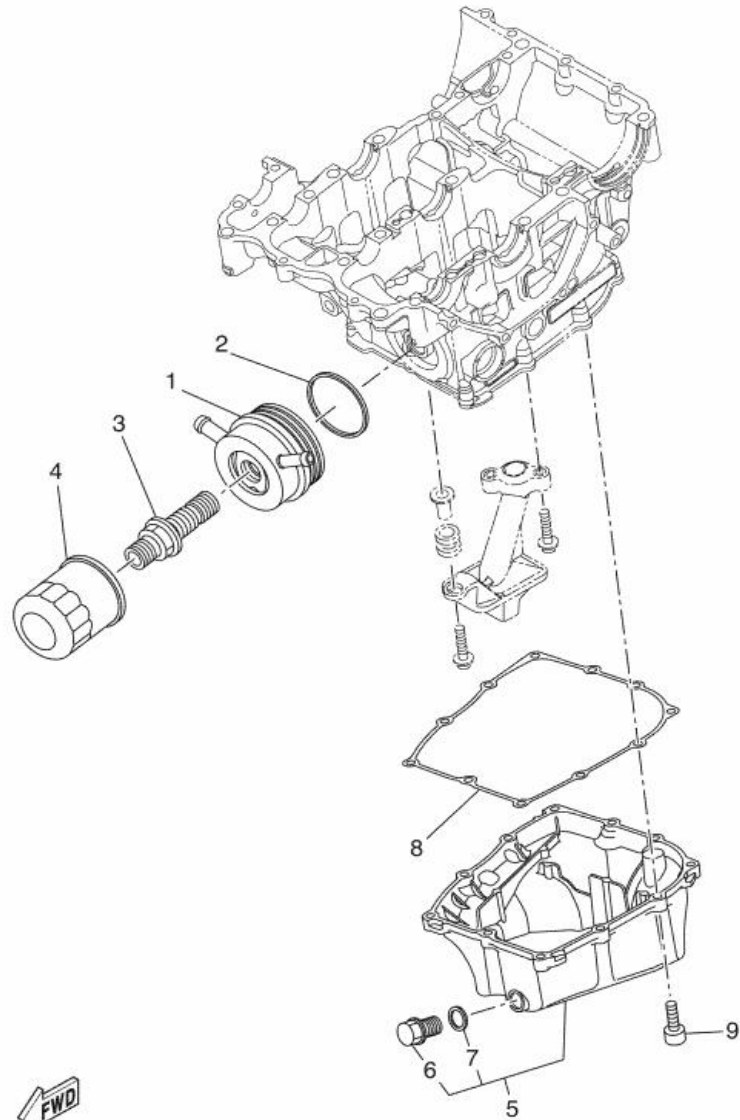


Ref. No.	Part No.	Description		Remarks
	1 BU3-E3300-00	OIL PUMP ASSY	1	
	2 95812-06040	BOLT, FLANGE	4	
	3 94581-79060	CHAIN (DID25H-60LE)	1	
	4 BU3-E3898-00	HOLDER	1	
	5 90110-06168	BOLT, HEXAGON SOCKET HEAD	2	
	6 1WS-13410-00	STRAINER HOUSING ASSY	1	
	7 93210-20802	O-RING	1	
	8 90480-13010	GROMMET	1	
	9 BU3-E3117-00	COLLAR, DISTANCE	1	
	10 90110-06173	BOLT, HEXAGON SOCKET HEAD	3	



BU31300-T070

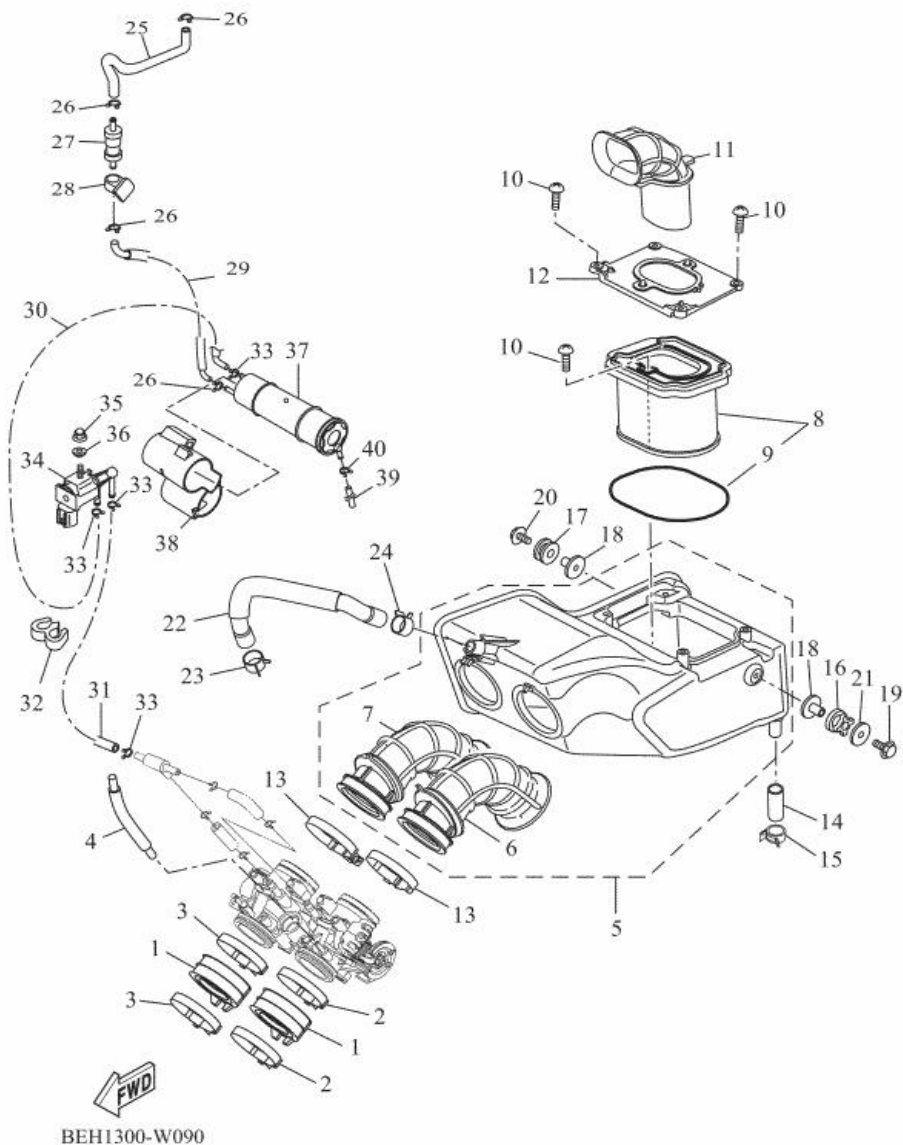
Fig. 08 OIL CLEANER



B341300-R080

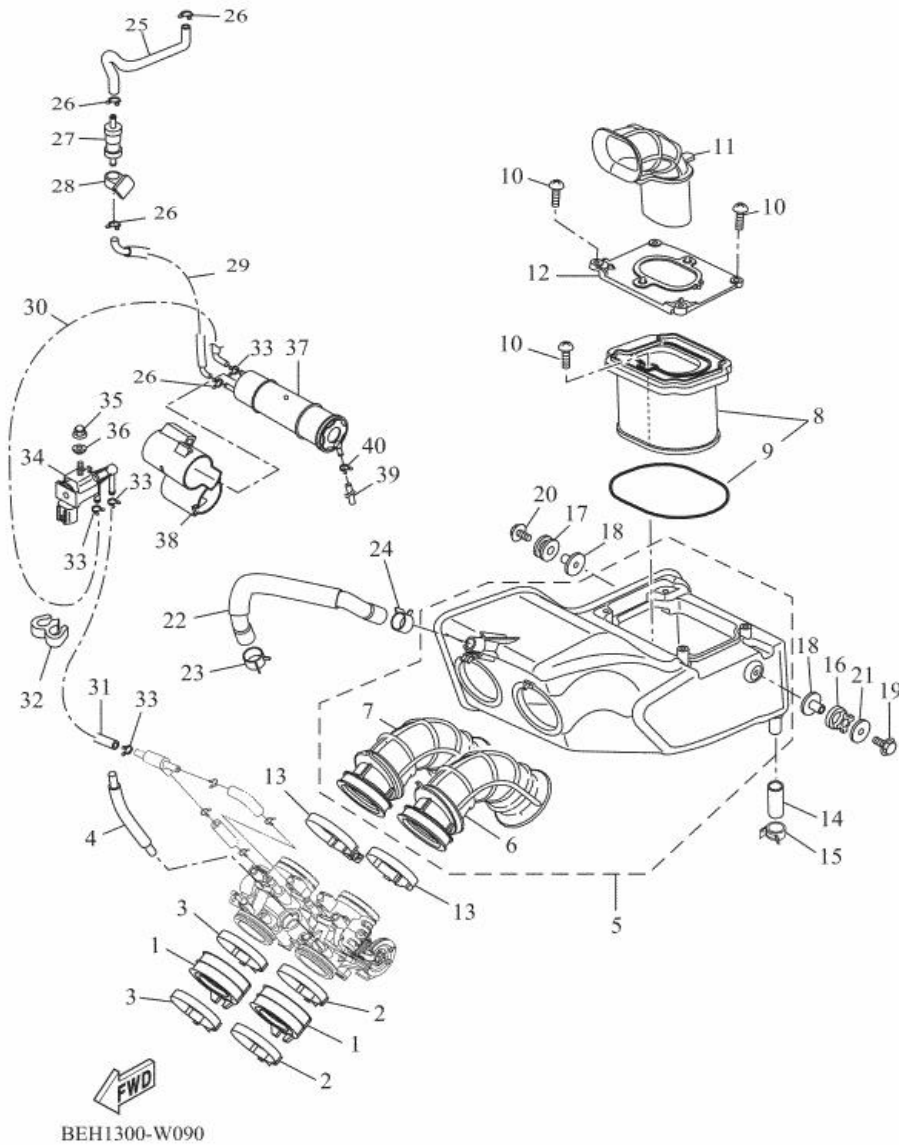
Ref. No.	Part No.	Description		Remarks
1	1WS-13470-00	OIL COOLER ASSY	1	
2	1XD-13475-00	GASKET	1	
3	90401-20009	BOLT, UNION	1	
4	1WD-E3440-10	ELEMENT ASSY, OIL CLEANER	1	
5	BU3-E3400-01	STRAINER COVER ASSY	1	
6	90340-14132	. PLUG, STRAIGHT SCREW	1	
7	214-11198-01	. GASKET	1	
8	BU3-E3414-00	GASKET, STRAINER COVER	1	
9	91312-06030	BOLT, HEXAGON SOCKET HEAD	11	
-----				
-----				
-----				
-----				
-----				
-----				
-----				
-----				
-----				
-----				

Fig. 09 INTAKE



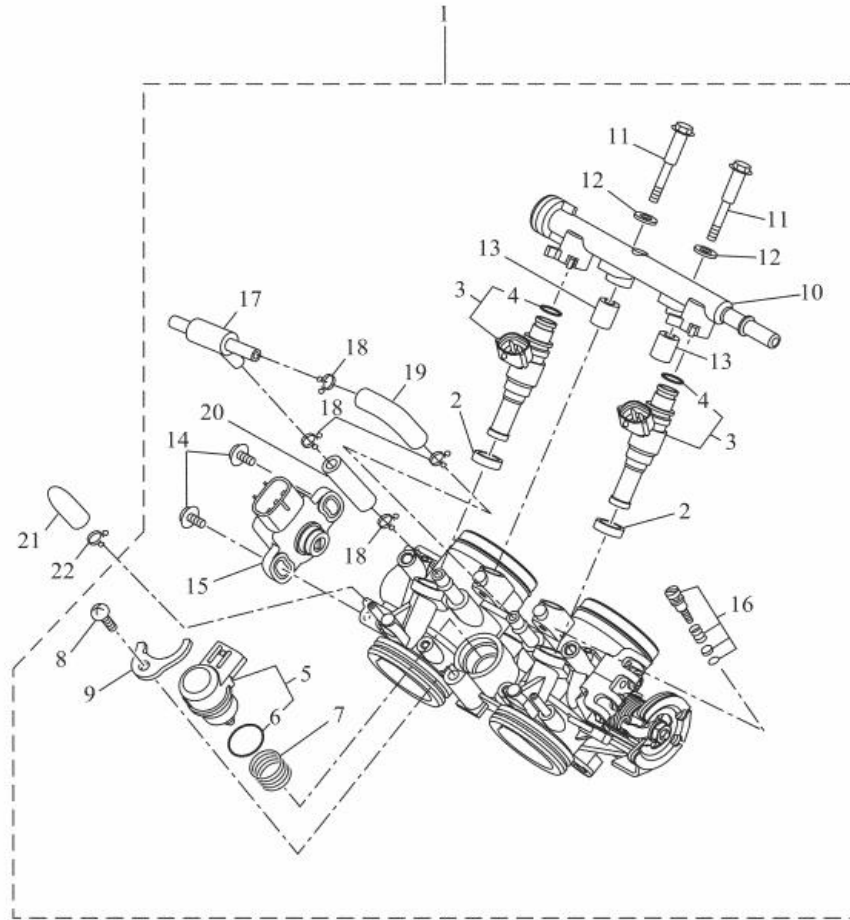
Ref. No.	Part No.	Description		Remarks
	1 BU3-E3635-00	JOINT, INTAKE 1	2	
	2 90450-56011	HOSE CLAMP ASSY	2	
	3 90450-56012	HOSE CLAMP ASSY	2	
	4 BEH-13542-00	HOSE, VACUUM SENSING 1	1	
	5 BW3-14401-01	AIR CLEANER CASE ASSY	1	
<hr/>				
	6 BW3-14469-01	FUNNEL, AIR	1	
	7 BW3-1446C-01	FUNNEL 2	1	
	8 1WS-14450-00	ELEMENT ASSY, AIR CLEANER	1	
	9 1WS-14452-00	. SEAL	1	
	10 90160-05013	SCREW, ROUND TAPPING	5	
<hr/>				
	11 BW3-14437-01	DUCT	1	
	12 BW3-14468-01	PLATE,ELEMENT FITTING	1	
	13 90450-56011	HOSE CLAMP ASSY	2	
	14 1WS-1443E-00	PIPE, DRAIN	1	
	15 90467-13083	CLIP	1	
<hr/>				
	16 90480-15001	GROMMET	1	
	17 90480-15014	GROMMET	1	
	18 90387-06300	COLLAR	2	
	19 95817-06025	BOLT, FLANGE	1	
	20 90149-06039	SCREW	1	
<hr/>				
	21 90201-064K6	WASHER, PLATE	1	
	22 BW3-E1166-00	PIPE, BREATHER 1	1	
	23 90467-17128	CLIP	1	
	24 90467-160A2	CLIP	1	
	25 BW3-24321-00	PIPE 10	1	
<hr/>				
	26 90467-090A2	CLIP	4	
	27 5PX-24180-00	ROLL OVER VALVE ASSY	1	

Fig. 09 INTAKE



Ref. No.	Part No.	Description		Remarks
	28 4S0-F4135-00	CLAMP 1	1	
	29 2RC-24322-00	PIPE 11	1	
	30 BEH-243A1-00	PIPE 15	1	
	31 BEH-243A2-00	PIPE 16	1	
	32 90464-09M31	CLAMP	1	
<hr/>				
	33 90467-090A2	CLIP	4	
	34 BG4-86120-00	SOLENOID VALVE ASSY	1	
	35 90176-06008	NUT, CROWN	1	
	36 90387-06130	COLLAR	1	
	37 BW3-F4170-00	CANISTER ASSY	1	
<hr/>				
	38 2RC-24182-00	DAMPER, LOCATING 2	1	
	39 BW3-24324-00	PIPE 13	1	
	40 90467-090A2	CLIP	1	
<hr/>				
<hr/>				
<hr/>				
<hr/>				
<hr/>				

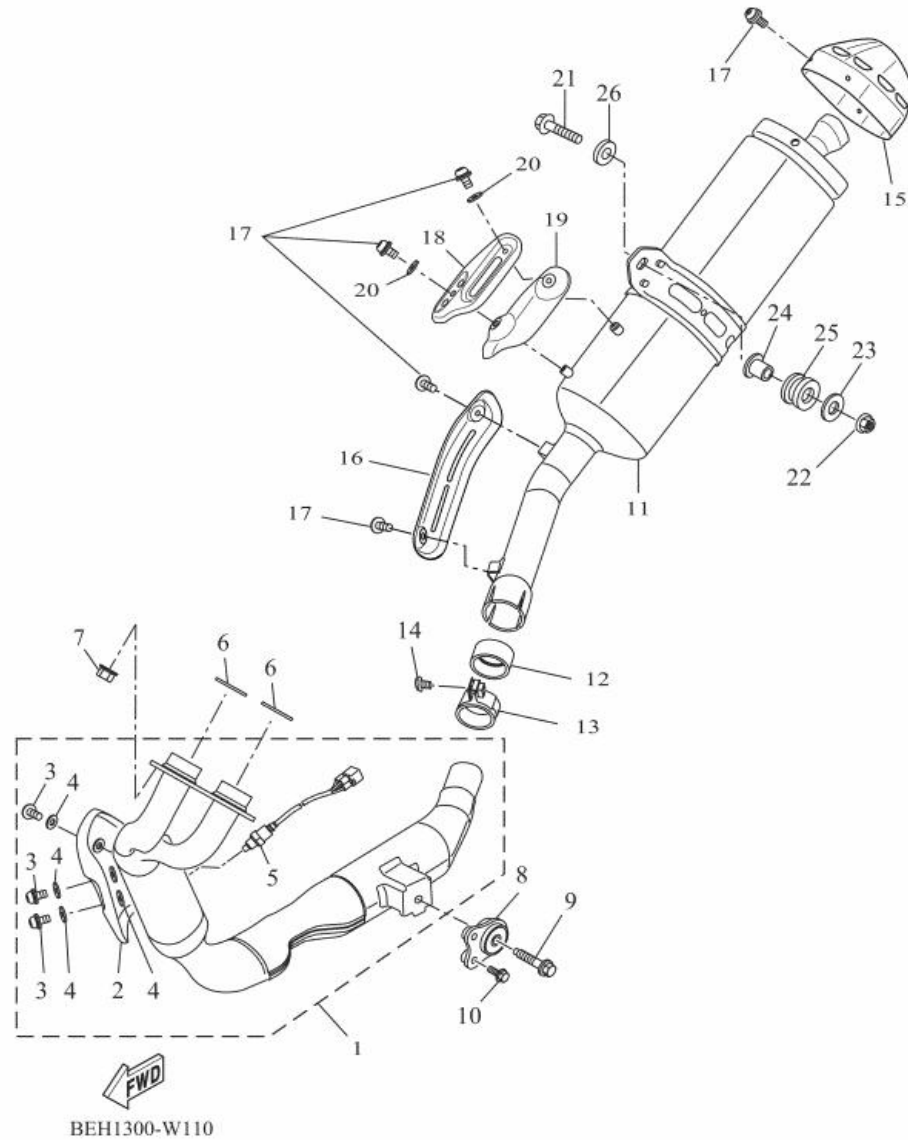
Fig. 10 INTAKE 2



 BEH1300-W100

Ref. No.	Part No.	Description		Remarks
1	1WS-13750-50	THROTTLE BODY ASSY	1	
2	8FP-13556-00	. RUBBER, INJECTOR	2	
3	1WS-13761-10	. INJECTOR	2	
4	5PS-14147-00	. . O-RING	1	
5	1WS-85801-00	. STEPPING MOTOR	1	
6	54P-E416A-00	. . O-RING	1	
7	1WS-14335-00	. SPRING, PLUNGER	1	
8	98502-06012	. SCREW, PAN HEAD	1	
9	54P-14243-00	. PLATE	1	
10	1WS-13938-10	. PIPE	1	
11	8HG-13573-00	. BOLT 1	2	
12	8GL-13571-00	. WASHER	2	
13	8HG-14534-00	. COLLAR	2	
14	8CC-14216-10	. SCREW	2	
15	3B4-85885-00	. THROTTLE SENSOR ASSY	1	
16	2C0-14105-00	. PILOT SCREW SET	2	
17	90413-06031	. WAY 3	1	
18	90467-090A2	. CLIP	4	
19	1WS-14465-00	. PIPE	1	
20	14B-14466-00	. PIPE	1	
21	895-14169-00	CAP	1	
22	8A7-14139-00	CLIP, PIPE	1	

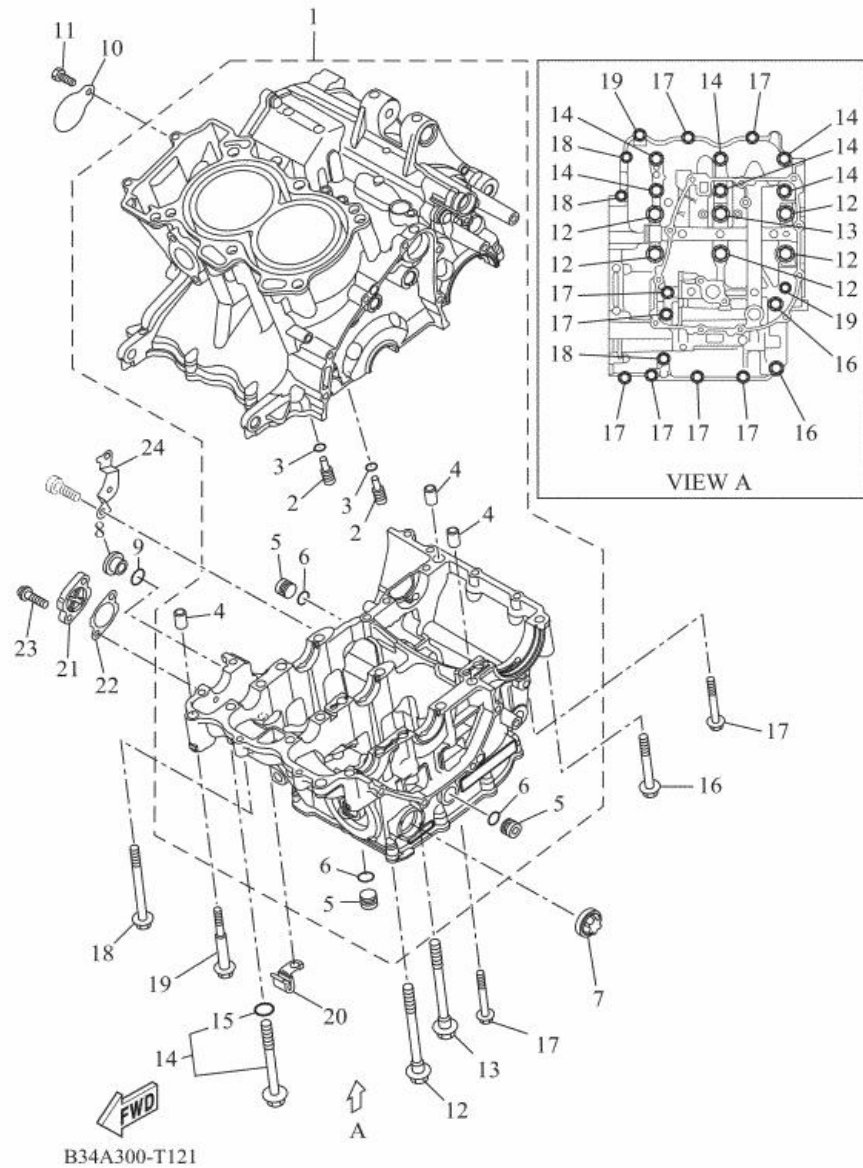
Fig. 11 EXHAUST



Ref. No.	Part No.	Description		Remarks
1	BEH-E4610-00	EXHAUST PIPE ASSY 1	1	
2	BEH-E460B-00	. PROTECTOR, MUFFLER	1	
3	90111-06187	. BOLT,HEX. SOCKET BUTTON	3	
4	4BD-14766-00	. WASHER, PROTECTOR	6	
5	2CR-8592A-20	. SENSOR, OXYGEN	1	
6	3YF-14613-01	GASKET, EXHAUST PIPE	2	
7	90179-08410	NUT	4	
8	BW3-21445-00	STAY, MUFFLER 1	1	
9	90105-08164	BOLT, FLANGE	1	
10	95814-06020	BOLT, FLANGE	2	
11	BEH-E4711-00	MUFFLER 1	1	
12	B71-14755-00	GASKET, SILENCER	1	
13	5S7-14715-00	BAND, MUFFLER	1	
14	91314-08035	BOLT, HEXAGON SOCKET HEAD	1	
15	BW3-E4799-00	CAP	1	
16	BW3-E471C-00	PROTECTOR ASSY 1	1	
17	90111-06060	BOLT HEX. SOCKET BUTTON	8	
18	BW3-E472C-00	PROTECTOR ASSY., 2	1	
19	BW3-E4738-00	PROTECTOR, MUFFLER 3	1	
20	4BD-14766-00	WASHER, PROTECTOR	2	
21	90111-10007	BOLT,HEX. SOCKET BUTTON	1	
22	95604-10200	NUT, SELF-LOCKING	1	
23	90201-10043	WASHER, PLATE	1	
24	90387-10636	COLLAR	1	
25	36Y-27424-01	DAMPER, FOOTREST 2	1	
26	BW3-14779-00	COLLAR	1	

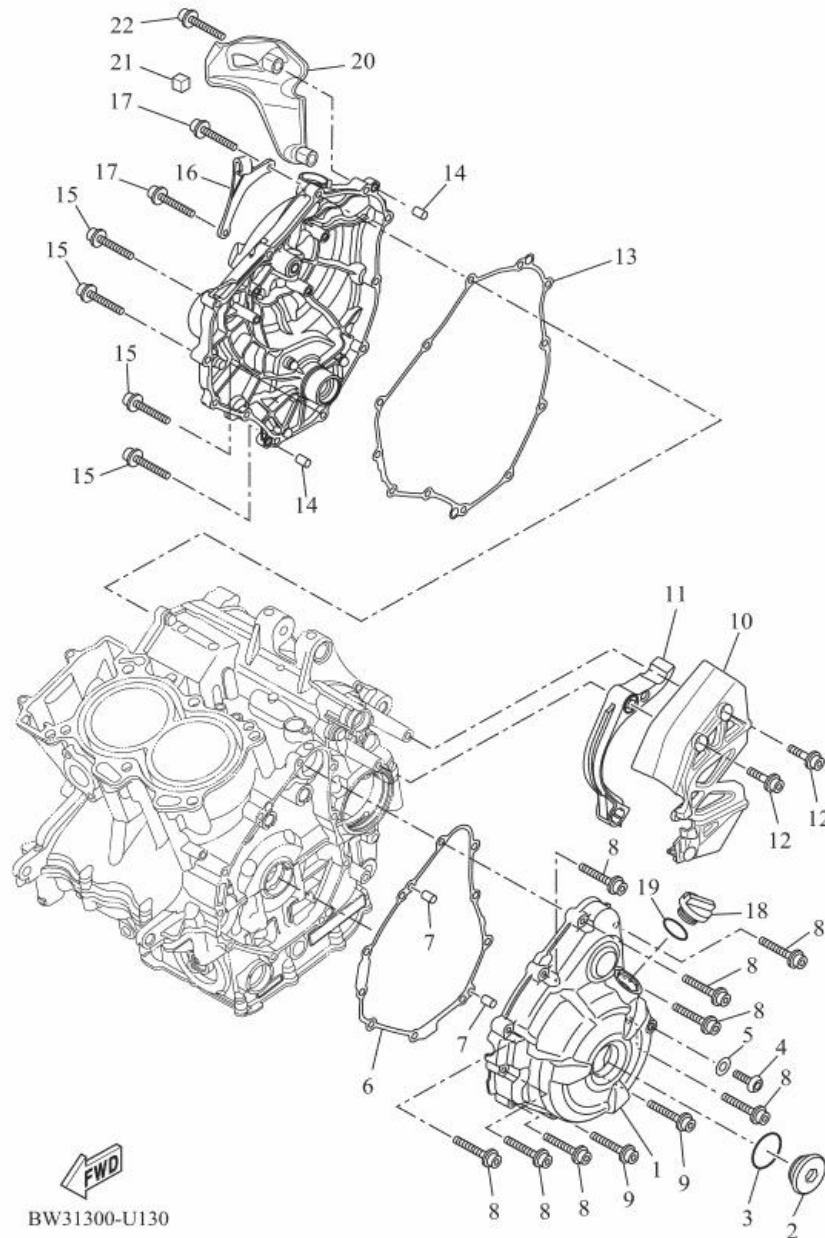


Fig. 12 CRANKCASE



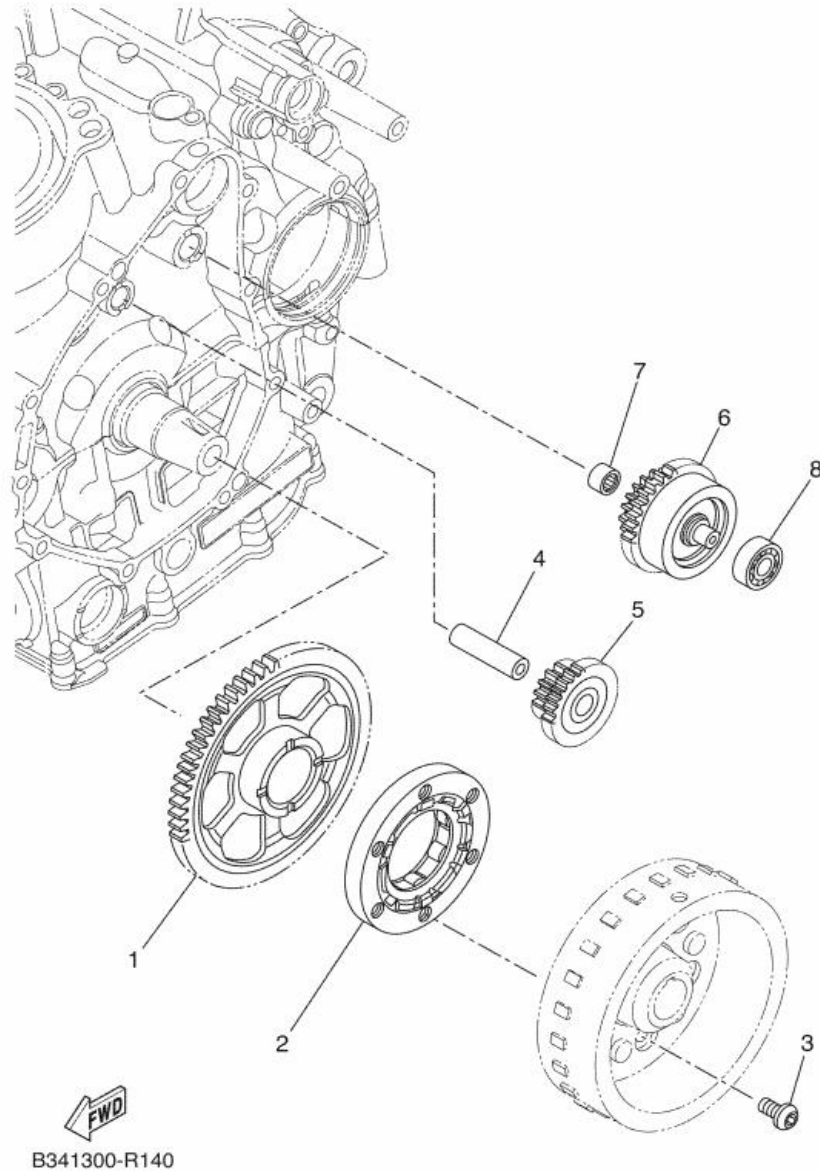
Ref. No.	Part No.	Description	Remarks
1	BU3-E5100-09	CRANKCASE ASSY	1 AP
	1WS-15100-08	CRANKCASE ASSY	1 AP MBL2
2	5EB-15155-00	. NOZZLE 3	2
3	93210-04092	. O-RING	2
4	99530-10014	. PIN, DOWEL	3
-----			
5	90338-16262	. PLUG	3
6	93210-12790	. O-RING	3
7	2H7-15361-00	GAUGE, LEVEL	1
8	36Y-15189-00	PLUG	1
9	93210-16325	O-RING	1
-----			
10	BU3-E5167-00	PLUG, BLIND 1	1
11	90101-06043	BOLT	1
12	90119-09014	BOLT, WITH WASHER	5 (M9X1.25 - 80mm)
13	90119-09018	BOLT, WITH WASHER	1 (M9X1.25 - 90mm)
14	1WS-15156-00	BOLT, CRANKCASE JOURNAL	6
-----			
15	93210-07540	. O-RING	1
16	95812-08065	BOLT, FLANGE	2
17	95812-06040	BOLT, FLANGE	8
18	95812-06060	BOLT, FLANGE	3
19	90109-06100	BOLT	2
-----			
20	90462-08102	CLAMP	1
21	BU3-E5416-00	COVER, OIL PUMP	1
22	BU3-E5456-01	GASKET, OIL PUMP COVER 1	1
23	90110-06395	BOLT, HEXAGON SOCKET HEAD	2
24	BU3-E5128-00	HOLDER	1
-----			

Fig. 13 CRANKCASE COVER 1



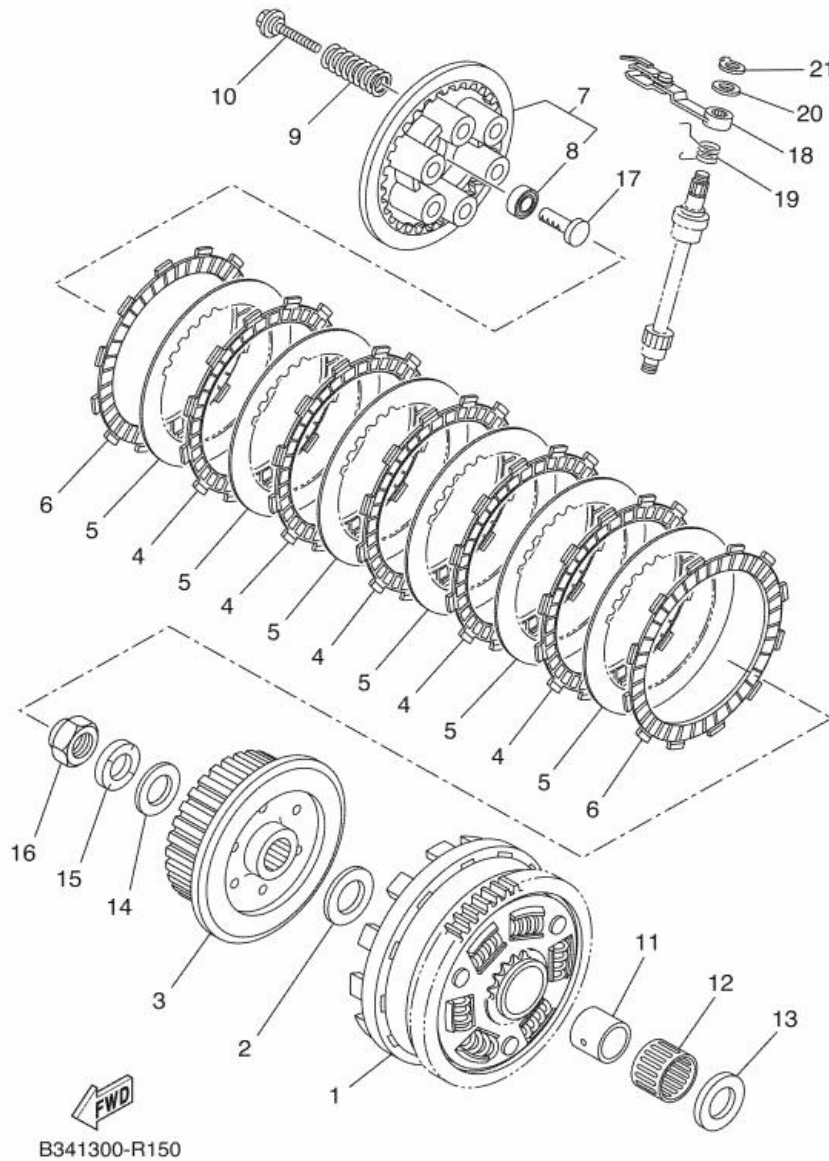
Ref. No.	Part No.	Description		Remarks
	1 BU3-E5411-00	COVER, CRANKCASE 1	1	
	2 90340-36005	PLUG, STRAIGHT SCREW	1	
	3 93210-35804	O-RING	1	
	4 92017-08012	BOLT, BUTTON HEAD	1	
	5 90430-08143	GASKET	1	
	6 BU3-E5451-00	GASKET, CRANKCASE COVER 1	1	
	7 99530-08012	PIN, DOWEL	2	
	8 90110-06388	BOLT, HEXAGON SOCKET HEAD	8	
	9 90110-06389	BOLT, HEXAGON SOCKET HEAD	2	
	10 BW3-E5418-00	COVER, CHAIN CASE	1	
	11 1WS-15377-00	GUIDE, INLET	1	
	12 90110-06395	BOLT, HEXAGON SOCKET HEAD	3	
	13 BU3-E5461-00	GASKET, CRANKCASE COVER 2	1	
	14 99530-08012	PIN, DOWEL	2	
	15 90110-06388	BOLT, HEXAGON SOCKET HEAD	8	
	16 BU3-E5441-00	HOLDER, CLUTCH CABLE	1	
	17 90110-06389	BOLT, HEXAGON SOCKET HEAD	2	
	18 1WD-E5362-00	PLUG, OIL LEVEL	1	
	19 93210-27807	O-RING	1	
	20 BW3-15499-00	PROTECTOR, COVER	1	
	21 90520-10010	DAMPER, PLATE	1	
	22 90110-06049	BOLT, HEXAGON SOCKET HEAD	2	

Fig. 14 STARTER



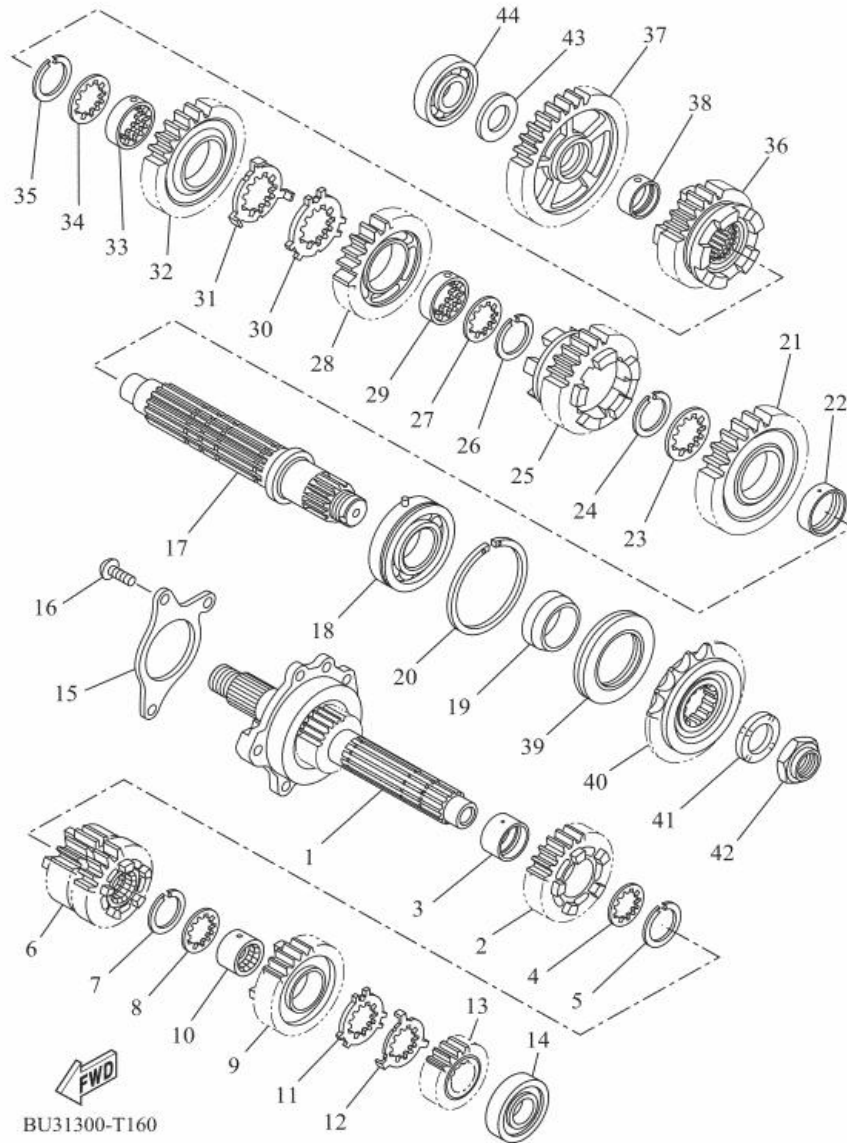
Ref. No.	Part No.	Description		Remarks
1	BU3-E5515-00	GEAR 3	1	
2	BU3-E5590-00	STARTER ONE-WAY ASSY	1	
3	90149-08030	SCREW	3	
4	BU3-E5521-00	SHAFT 1	1	
5	BU3-E5512-00	GEAR, IDLER 1	1	
<hr/>				
6	1WS-15560-00	DAMPER ASSY	1	
7	93317-110X1	BEARING	1	
8	93306-000Y3	BEARING	1	
<hr/>				
<hr/>				
<hr/>				
<hr/>				
<hr/>				
<hr/>				
<hr/>				
<hr/>				

Fig. 15 CLUTCH



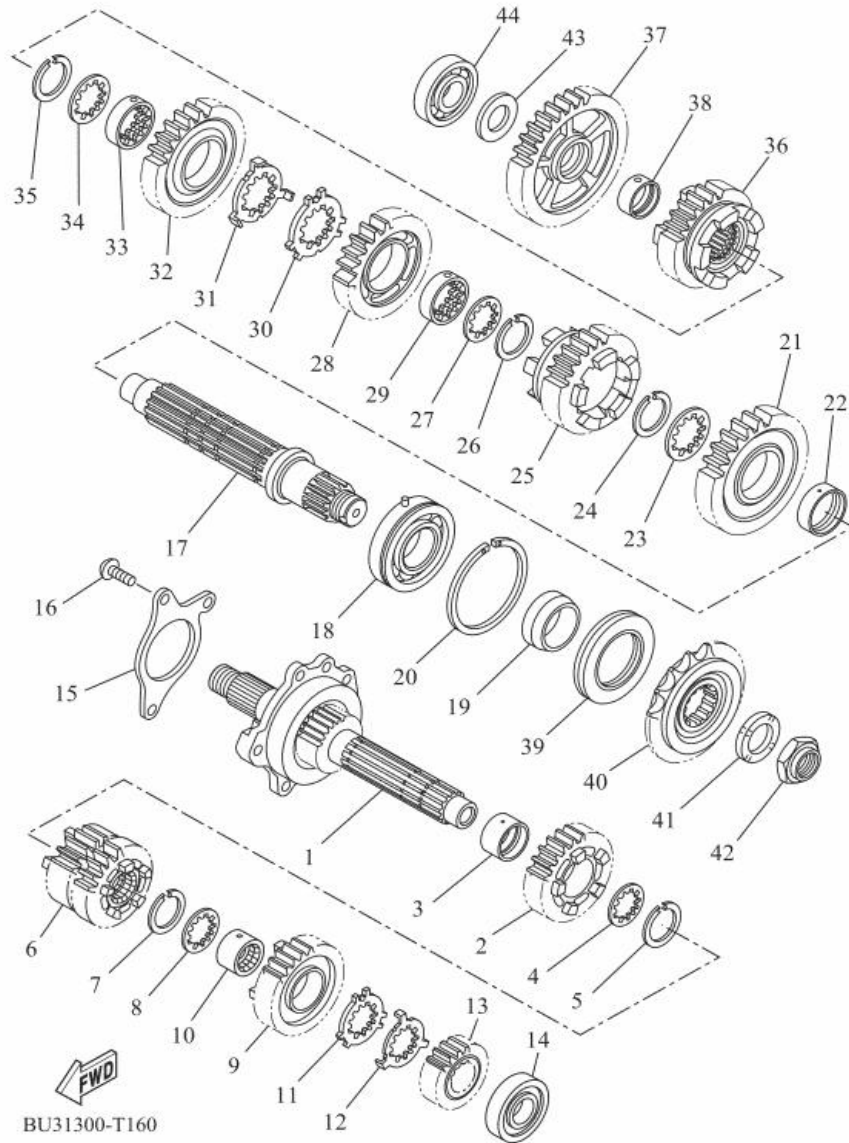
Ref. No.	Part No.	Description		Remarks
1	1WS-16150-00	PRIMARY DRIVEN GEAR COMP.	1	
2	363-16154-00	PLATE, THRUST 1	1	
3	1WS-16371-01	BOSS, CLUTCH	1	
4	5VY-16321-00	PLATE, FRICTION	5	
5	5VY-16325-00	PLATE, CLUTCH 2	6	(T2.0)
6	5TG-16321-00	PLATE, FRICTION	2	
7	1WS-16350-00	PRESSURE PLATE ASSY	1	
8	93306-00106	. BEARING	1	
9	90501-230E4	SPRING, COMPRESSION	6	
10	90119-06263	BOLT, WITH WASHER	6	
11	BU3-E6181-00	SPACER 1	1	
12	93310-332X9	BEARING	1	
13	363-16154-00	PLATE, THRUST 1	1	
14	90201-20030	WASHER, PLATE	1	
15	90208-20001	WASHER, CONICAL SPRING	1	
16	90179-20007	NUT	1	
17	1WD-E6356-00	ROD, PUSH 1	1	
18	BU3-E6340-00	PUSH LEVER ASSY	1	
19	90508-18132	SPRING, TORSION	1	
20	90201-10029	WASHER, PLATE	1	
21	99009-10400	CIRCLIP	1	

Fig. 16 TRANSMISSION



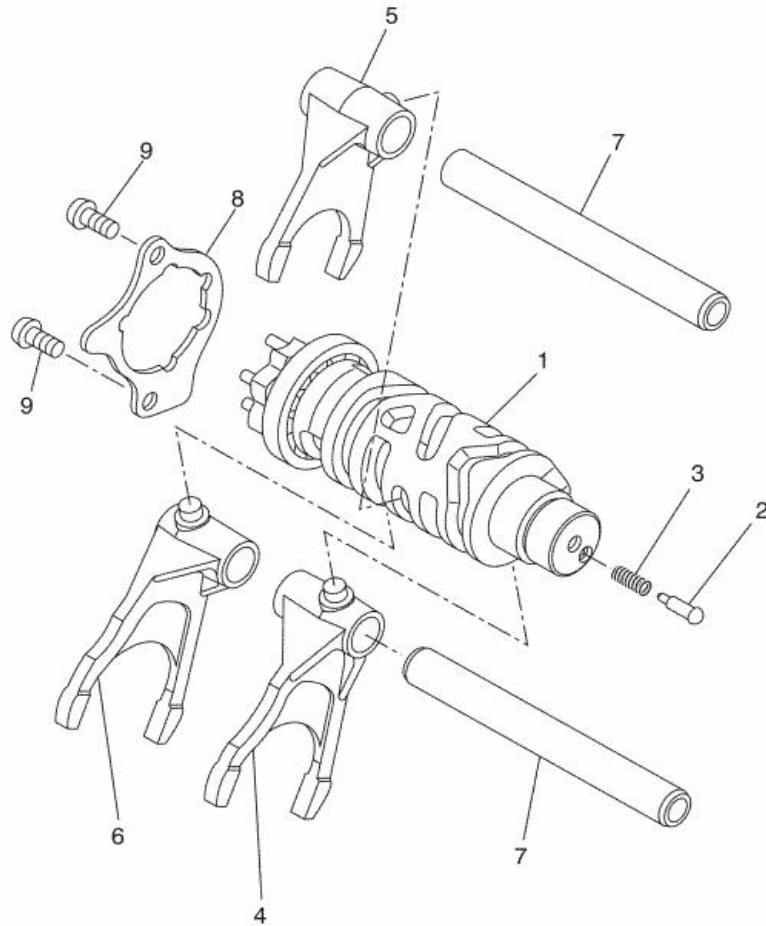
Ref. No.	Part No.	Description		Remarks
1	BU3-E7401-00	MAIN AXLE ASSY	1	
2	BU3-E7151-00	GEAR, 5TH PINION	1	
3	90387-250R3	COLLAR	1	
4	90209-21332	WASHER	1	
5	93440-25186	CIRCLIP	1	
6	BU3-E7131-00	GEAR, 3RD PINION	1	
7	93440-25186	CIRCLIP	1	
8	90209-21332	WASHER	1	
9	BU3-E7161-10	GEAR, 6TH PINION	1	
10	90387-21003	COLLAR	1	
11	90209-22352	WASHER	1	
12	90209-21351	WASHER	1	
13	BU3-E7121-00	GEAR, 2ND PINION	1	
14	93306-254Y0	BEARING	1	
15	1WS-17446-00	PLATE	1	
16	90149-06189	SCREW	3	
17	BU3-E7421-00	AXLE, DRIVE	1	
18	93306-206Y6	BEARING	1	
19	90387-30012	COLLAR	1	
20	93440-64199	CIRCLIP	1	
21	BU3-E7221-00	GEAR, 2ND WHEEL	1	
22	90387-31003	COLLAR	1	
23	90209-28008	WASHER	1	
24	93440-31187	CIRCLIP	1	
25	B4T-E7261-00	GEAR, 6TH WHEEL	1	
26	93440-31187	CIRCLIP	1	
27	90209-28008	WASHER	1	

Fig. 16 TRANSMISSION



Ref. No.	Part No.	Description		Remarks
	28 BU3-E7241-00	GEAR, 4TH WHEEL	1	
	29 90387-28004	COLLAR	1	
	30 90214-29002	WASHER, CLAW	1	
	31 90214-28002	WASHER, CLAW	1	
	32 BU3-E7231-00	GEAR, 3RD WHEEL	1	
	33 90387-28004	COLLAR	1	
	34 90209-28008	WASHER	1	
	35 93440-31187	CIRCLIP	1	
	36 B4T-E7251-00	GEAR, 5TH WHEEL	1	
	37 BU3-E7211-00	GEAR, 1ST WHEEL	1	
	38 90387-25008	COLLAR	1	
	39 93102-40030	OIL SEAL	1	
	40 BW3-17460-00	SPROCKET, DRIVE (15T)	1	
	41 90208-22002	WASHER, CONICAL SPRING	1	
	42 90179-22018	NUT	1	
	43 90201-20008	WASHER, PLATE	1	
	44 93306-254Y0	BEARING	1	

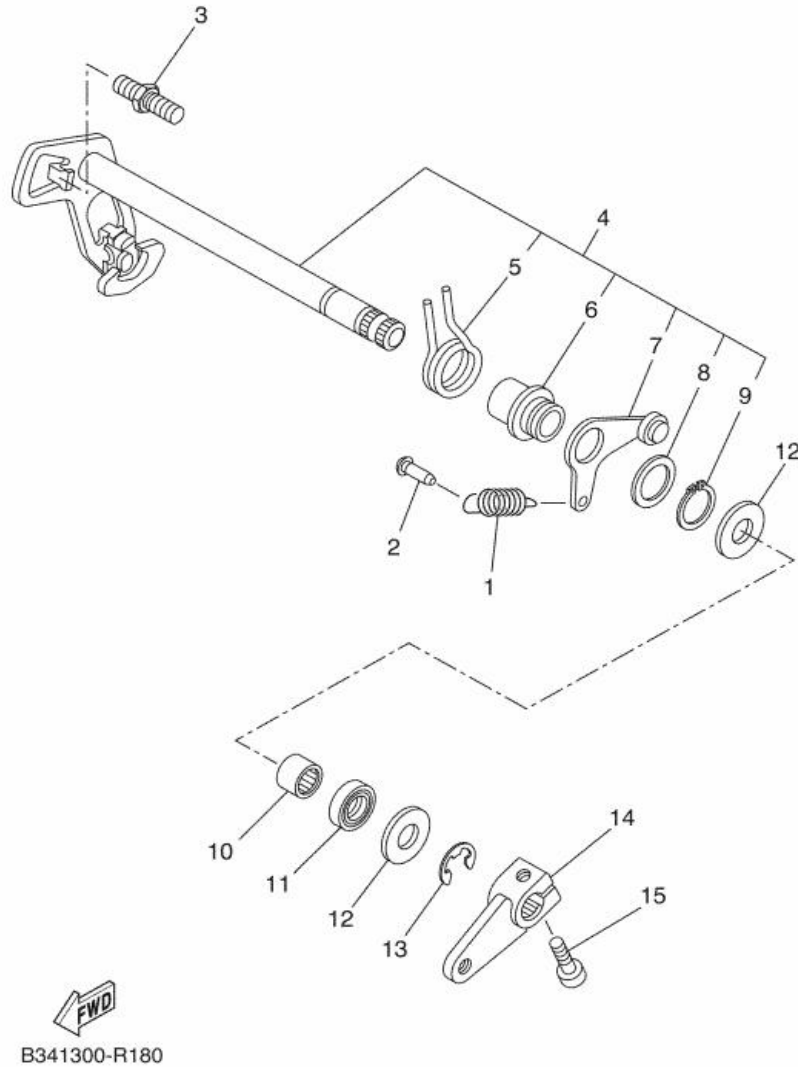
Fig. 17 SHIFT CAM & FORK



 B341300-R170

Ref. No.	Part No.	Description		Remarks
1	BU3-E8540-00	SHIFT CAM ASSY	1	
2	BU3-E8542-00	POINT, NEUTRAL	1	
3	90501-06022	SPRING, COMPRESSION	1	
4	BU3-E8511-00	FORK, SHIFT 1	1	
5	BU3-E8512-00	FORK, SHIFT 2	1	
6	BU3-E8513-00	FORK, SHIFT 3	1	
7	BU3-E8535-00	BAR, SHIFT FORK GUIDE 2	2	
8	1WS-18536-00	STOPPER, SHIFT BAR	1	
9	90149-06158	SCREW	2	

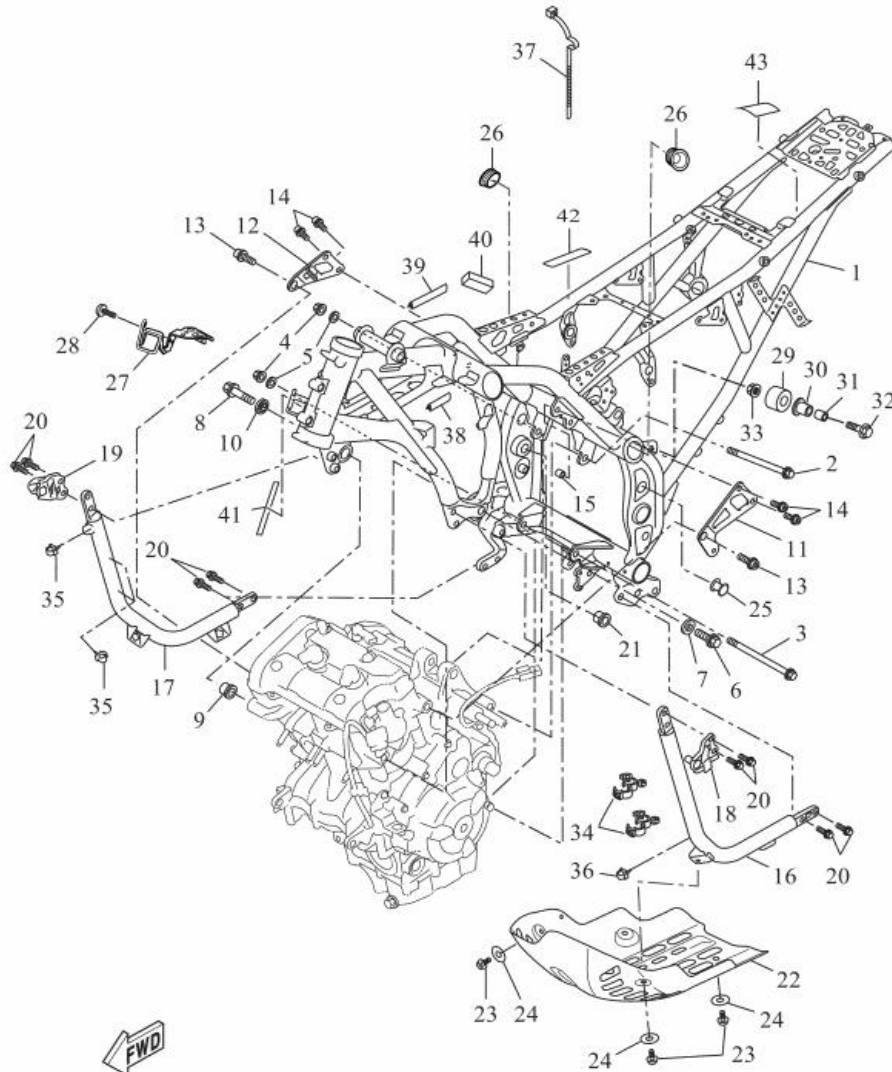
Fig. 18 SHIFT SHAFT



Ref. No.	Part No.	Description		Remarks
1	90506-18021	SPRING, TENSION	1	
2	5HV-E6346-00	HOOK, SPRING	1	
3	BU3-E8127-10	STOPPER, SCREW	1	
4	BU3-E8101-00	SHIFT SHAFT ASSY	1	
5	90508-29040	. SPRING, TORSION	1	
<hr/>				
6	BU3-E8175-00	. SPACER	1	
7	BU3-E8140-00	. STOPPER LEVER ASSY	1	
8	90201-177G4	. WASHER, PLATE	1	
9	99009-17400	. CIRCLIP	1	
10	93317-11295	BEARING	1	
<hr/>				
11	93102-12891	OIL SEAL	1	
12	90201-12575	WASHER, PLATE	2	
13	99002-10600	CIRCLIP	1	
14	1WS-18112-00	ARM, SHIFT	1	
15	91317-06020	BOLT,HEX.SOCKET HEAD	1	
<hr/>				
<hr/>				
<hr/>				
<hr/>				



Fig. 19 FRAME

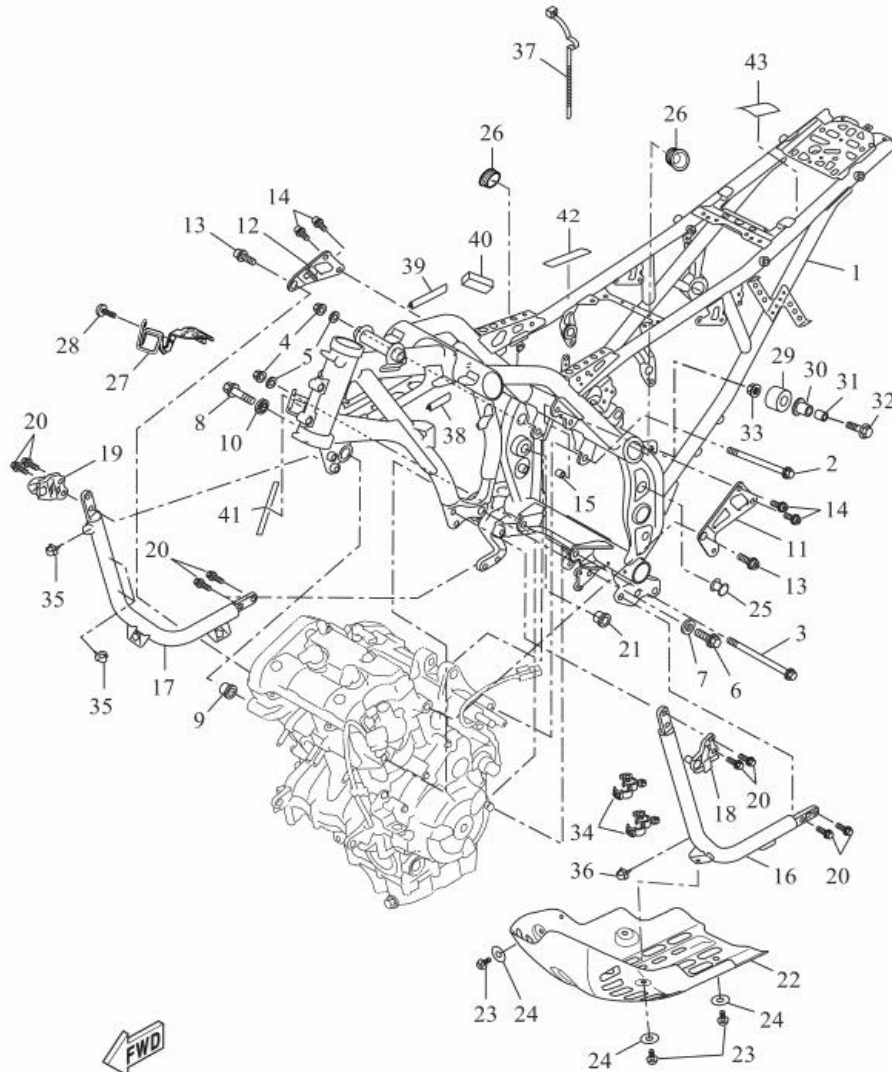


BEH1300-W190

Ref. No.	Part No.	Description		Remarks
	1 BW3-F1110-00	FRAME COMP.	1	
	2 90105-10219	BOLT, FLANGE	1	
	3 90105-10349	BOLT, FLANGE	1	
	4 90179-10024	NUT	2	
	5 90201-10035	WASHER, PLATE	2	
	6 90105-12092	BOLT, FLANGE	1	
	7 90201-13020	WASHER, PLATE	1	
	8 90105-12104	BOLT, FLANGE	1	
	9 BW3-F1495-00	BOLT, ENGINE ADJUSTING	1	
	10 90387-14X00	COLLAR	1	
	11 BW3-21315-00	STAY, ENGINE 1	1	
	12 BW3-21316-00	STAY, ENGINE 2	1	
	13 90110-10012	BOLT, HEXAGON SOCKET HEAD	2	
	14 90110-08111	BOLT, HEXAGON SOCKET HEAD	4	
	15 90445-11M08	HOSE (L10)	2	
	16 BW3-21102-00	SIDE MEMBER SUB-ASSY 1	1	
	17 BW3-21103-00	SIDE MEMBER SUB-ASSY 2	1	
	18 BW3-F142L-00	BRACKET, RADIATOR 2	1	
	19 BW3-F142M-00	BRACKET, RADIATOR 3	1	
	20 90105-08X23	BOLT, FLANGE	8	
	21 11D-F1494-00	NUT	1	
	22 BEH-F1471-00	PROTECTOR, ENGINE	1	
	23 90105-06064	BOLT, FLANGE	4	
	24 90201-06X00	WASHER, PLATE	4	
	25 90338-15803	PLUG	4	
	26 BW3-F1399-10	CAP	2	
	27 BEH-F1288-00	GUIDE, CABLE	1	

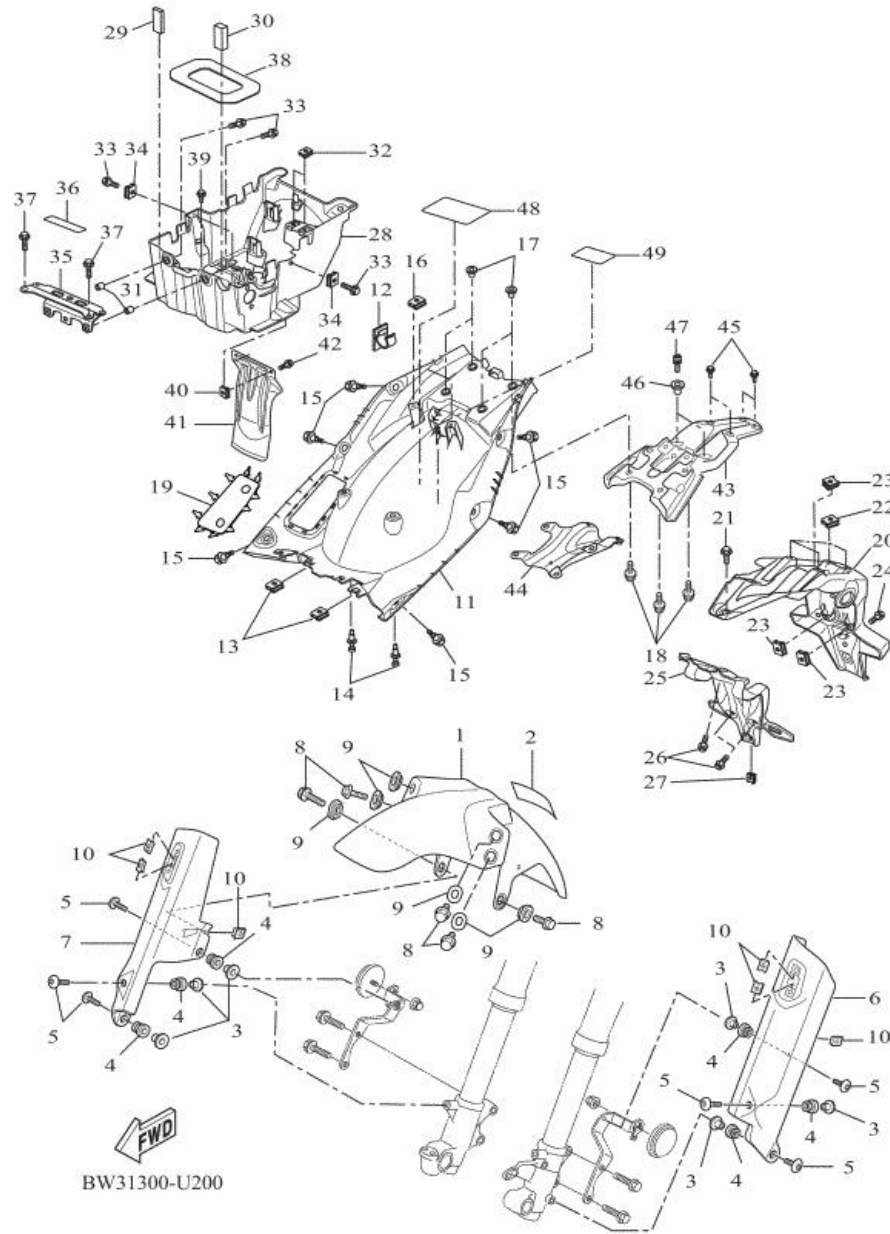
Fig. 19 FRAME

Ref. No.	Part No.	Description		Remarks
	28 90111-06864	BOLT,HEX. SOCKET BUTTON	1	
	29 30X-22178-00	TENSIONER	1	
	30 10V-22184-00	BUSH	1	
	31 90387-08120	COLLAR	1	
	32 95814-08045	BOLT, FLANGE	1	
<hr/>				
	33 95602-08200	NUT, U FLANGE	1	
	34 90464-18246	CLAMP	2	
	35 90464-10800	CLAMP	3	
	36 90464-10800	CLAMP	1	
	37 90464-07M40	CLAMP	1	
<hr/>				
	38 31A-24188-01	MOLD, FUEL TANK	2	
	39 2D1-24785-00	MOLE, SEAT	1	
	40 90520-02837	DAMPER, PLATE	1	
	41 BW3-F117G-00	PROTECTOR	2	
	42 BW3-F117G-10	PROTECTOR	2	
<hr/>				
	43 3HA-24141-00	PROTECTOR, FUEL TANK	1	
<hr/>				
<hr/>				
<hr/>				



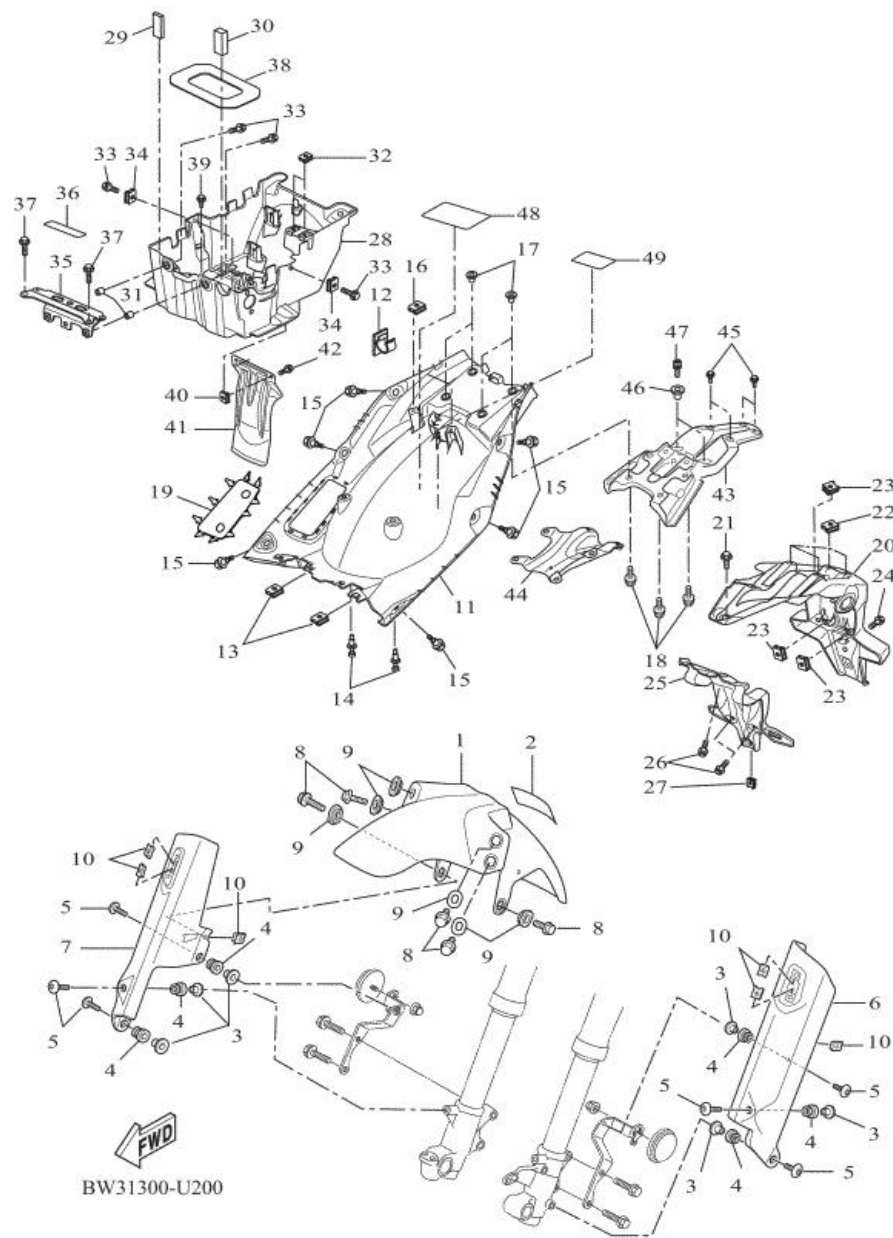
BEH1300-W190

Fig. 20 FENDER



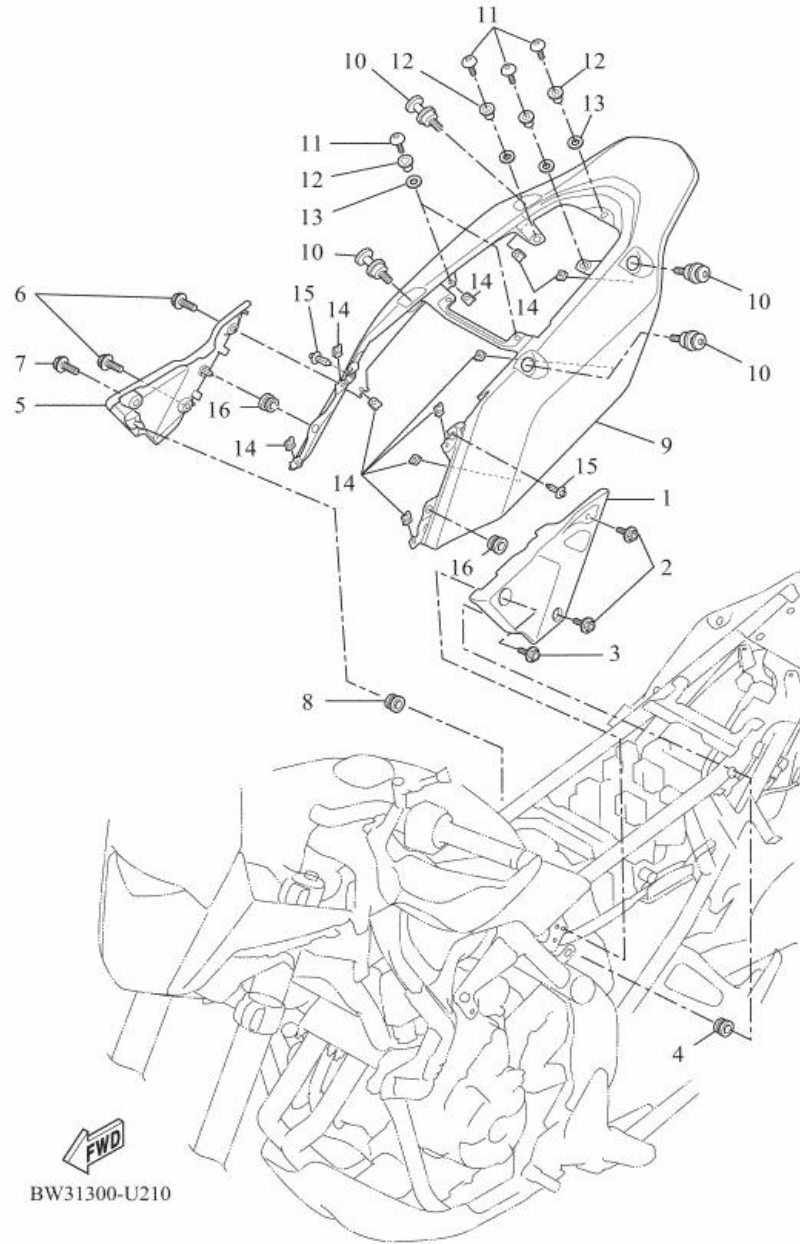
Ref. No.	Part No.	Description	Quantity	Remarks
	1 BW3-F1511-00-P0	FENDER, FRONT	1	FOR MDNM6,BWCM...
	2 BL1-F414G-00	SEAL	1	
	3 90387-06265	COLLAR	6	
	4 90480-12072	GROMMET	6	
	5 90111-06155	BOLT,HEX. SOCKET BUTTON	6	
	6 BW3-F315H-00	PROTECTOR 1	1	
	7 BW3-F315J-00	PROTECTOR 2	1	
	8 90105-06170	BOLT, FLANGE	6	
	9 17D-21749-00	COLLAR	6	
	10 90183-060A6	NUT, SPRING	6	
	11 BW3-F1629-00	GUARD, MUD	1	
	12 90464-13185	CLAMP	1	
	13 90183-05076	NUT, SPRING	2	
	14 90269-08010	RIVET	2	
	15 90149-05042	SCREW	6	
	16 90183-05076	NUT, SPRING	2	
	17 90387-08073	COLLAR	4	
	18 90119-06179	BOLT, WITH WASHER	4	
	19 BW3-F1669-00	SEAL	1	
	20 BW3-F1685-00	BRACKET, LICENSE	1	
	21 90149-05042	SCREW	1	
	22 90183-05076	NUT, SPRING	4	
	23 90183-05076	NUT, SPRING	3	
	24 90149-05042	SCREW	1	
	25 BW3-F163A-00	COVER, REAR FENDER 1	1	
	26 90149-05042	SCREW	3	
	27 90183-05076	NUT, SPRING	1	

Fig. 20 FENDER



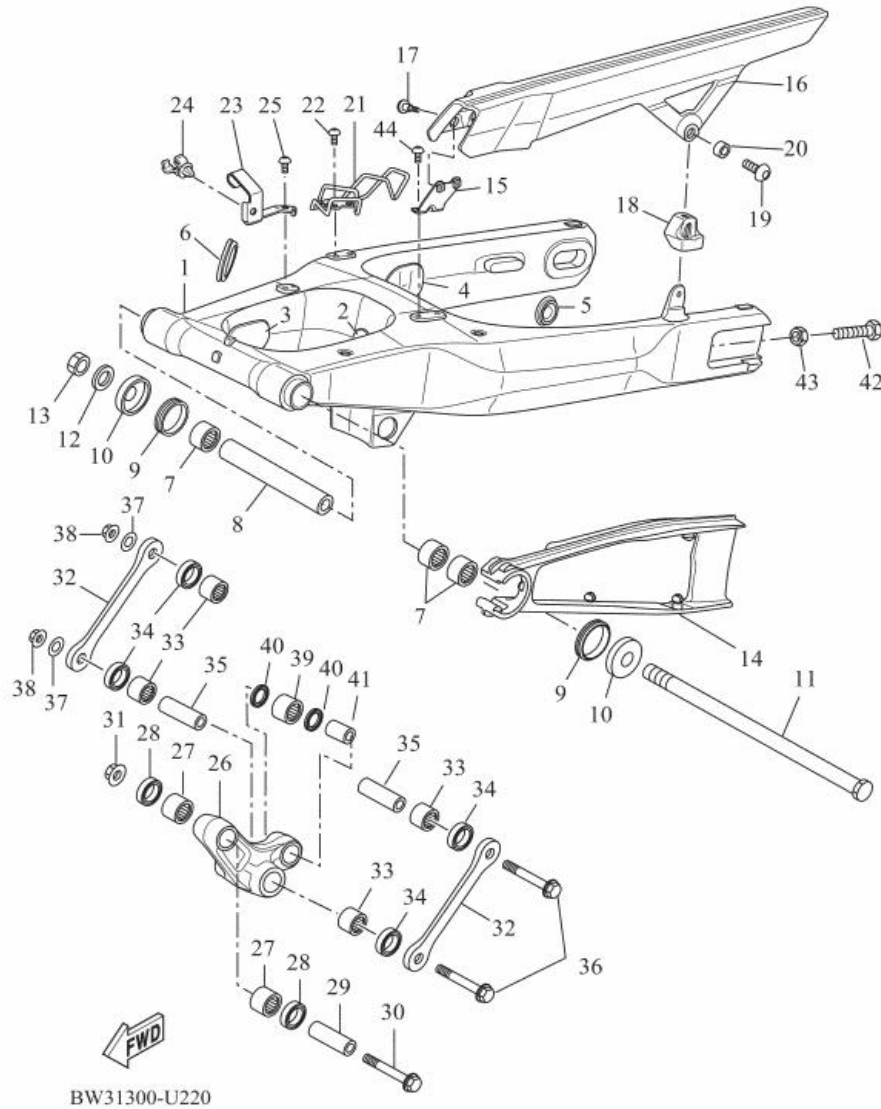
Ref. No.	Part No.	Description		Remarks
	28 BW3-H212B-01	BOX, BATTERY 1	1	
	29 90520-06X02	DAMPER, PLATE	1	
	30 90520-10X06	DAMPER, PLATE	1	
	31 90387-07015	COLLAR	2	
	32 90183-04039	NUT, SPRING	2	
	33 90105-06080	BOLT, FLANGE	4	
	34 90183-060A6	NUT, SPRING	2	
	35 BEH-F1617-00	BRACKET, FENDER	1	
	36 3HA-24141-00	PROTECTOR, FUEL TANK	1	
	37 95827-06012	BOLT, FLANGE	4	
	38 BW3-21639-00	DAMPER 2	1	
	39 90149-05042	SCREW	2	
	40 90183-05076	NUT, SPRING	2	
	41 BW3-F1642-00	GUARD, FLAP	1	
	42 90149-05045	SCREW	2	
	43 BW3-F1613-00	STAY, FENDER 1	1	
	44 BW3-21671-00	REINF., REAR FENDER	1	
	45 90149-05042	SCREW	4	
	46 90387-06X68	COLLAR	2	
	47 90110-06340	BOLT, HEXAGON SOCKET HEAD	2	
	48 BW3-F815P-00	LABEL, NOTICE 1	1	
	49 BW3-F1668-00	LABEL, TIRE	1	

Fig. 21 SIDE COVER



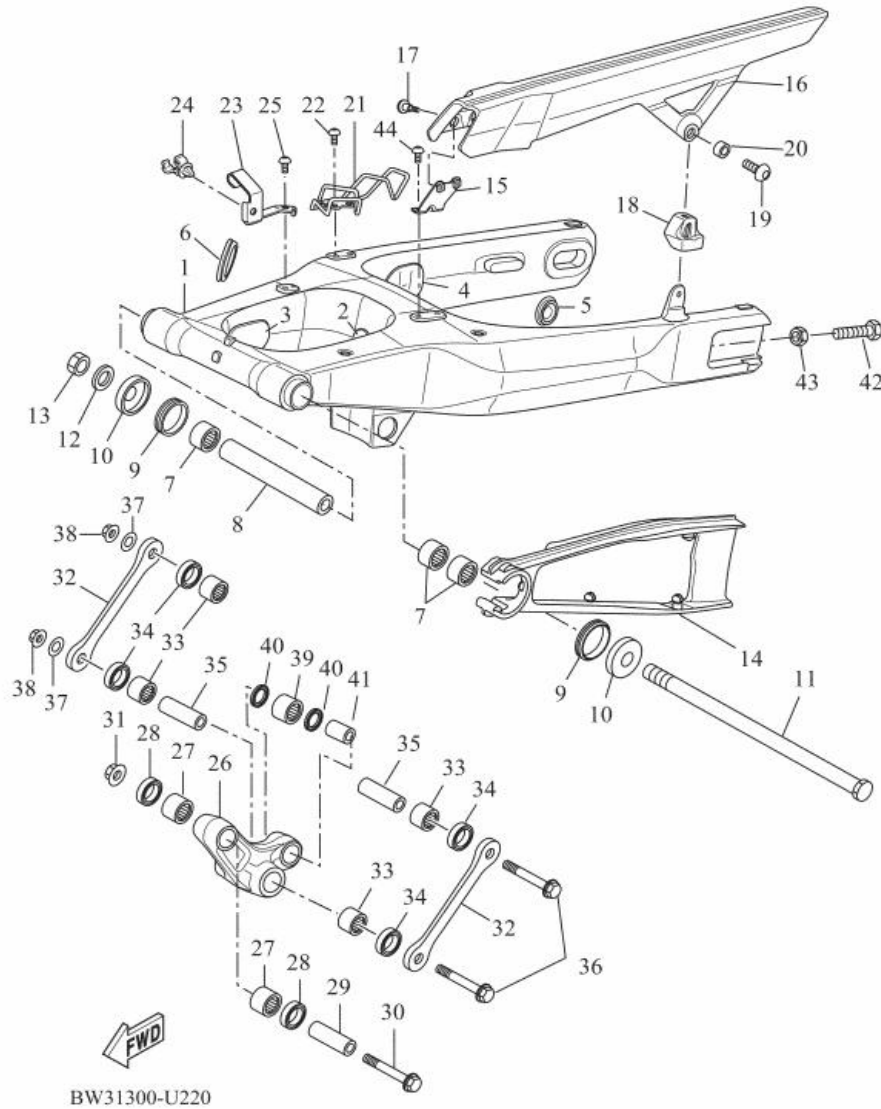
Ref. No.	Part No.	Description		Remarks
	1 BW3-F1711-00	COVER, SIDE 1	1	
	2 90149-05042	SCREW	2	
	3 90149-05045	SCREW	1	
	4 90480-01558	GROMMET	1	
	5 BW3-F1721-00	COVER, SIDE 2	1	
	6 90149-05042	SCREW	2	
	7 90149-05045	SCREW	1	
	8 90480-01558	GROMMET	1	
	9 BW3-F1731-00-P1	COVER, SIDE 3	1	VYR1 FOR BWCM
	10 BEH-F162A-00	HOOK	4	
	11 90111-05002	BOLT,HEX. SOCKET BUTTON	5	
	12 90387-06255	COLLAR	5	
	13 90202-08006	WASHER, PLATE	5	
	14 90183-05076	NUT, SPRING	10	
	15 90269-06019	RIVET	2	
	16 90480-13567	GROMMET	2	

Fig. 22 REAR ARM



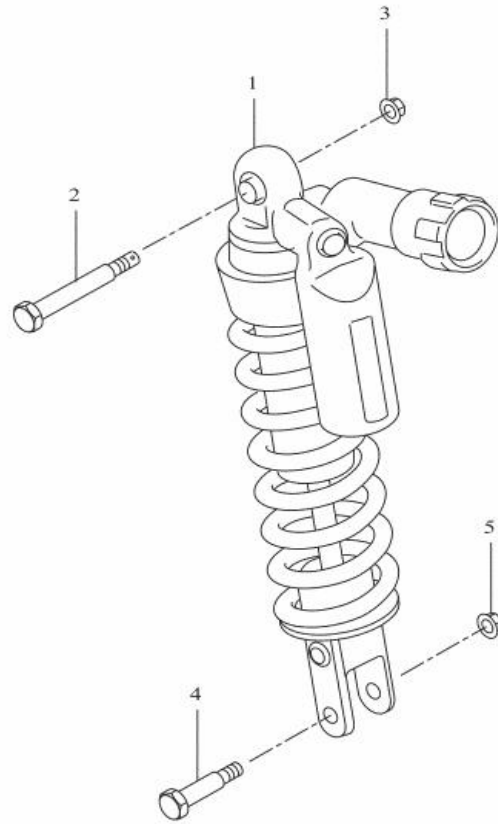
Ref. No.	Part No.	Description		Remarks
1	BEH-F2100-00	REAR ARM ASSY	1	
2	90338-19800	PLUG	1	
3	90338-01800	PLUG	2	
4	90338-01801	PLUG	2	
5	90338-29801	PLUG	1	
6	BEH-F2417-00	PLUG	1	
7	93317-22262	BEARING	3	
8	90387-16034	COLLAR	1	
9	93108-35004	OIL SEAL (35-41-8)	2	
10	30X-2219X-00	COVER	2	
11	BW3-22141-00	SHAFT, PIVOT	1	
12	90201-16021	WASHER, PLATE	1	
13	90185-16002	NUT, SELF-LOCKING	1	
14	BW3-F2151-00	SEAL, GUARD	1	
15	BW3-F2131-00	STAY, CHAIH CASE 1	1	
16	11D-F2311-00	CASE, CHAIN	1	
17	1C3-22969-10	SCREW, 1	2	
18	BW3-F2313-00	RUBBER, CHAIN CASE	1	
19	90111-05014	BOLT,HEX. SOCKET BUTTON	1	
20	90560-05001	SPACER	1	
21	BEH-F5886-00	HOLDER, BRAKE HOSE	1	
22	90111-06864	BOLT,HEX. SOCKET BUTTON	2	
23	BW3-F216A-00	STAY 4	1	
24	90464-14013	CLAMP	1	
25	90111-06864	BOLT,HEX. SOCKET BUTTON	1	
26	BW3-2217A-00	ARM, RELAY	1	
27	93315-31758	BEARING	2	

Fig. 22 REAR ARM



Ref. No.	Part No.	Description		Remarks
	28 93109-17071	OIL SEAL	2	
	29 90387-124V0	COLLAR	1	
	30 90101-12058	BOLT	1	
	31 95607-12200	NUT, SELF-LOCKING	1	
	32 BW3-2217M-00	ARM 1	2	
	33 93317-21746	BEARING	4	
	34 93109-17071	OIL SEAL	4	
	35 90387-126Y1	COLLAR	2	
	36 90101-12059	BOLT	2	
	37 90201-124G9	WASHER, PLATE	2	
	38 90185-12119	NUT, SELF-LOCKING	2	
	39 93317-31771	BEARING	1	
	40 93109-17071	OIL SEAL	2	
	41 90387-127W0	COLLAR	1	
	42 90101-08006	BOLT	2	
	43 95302-08600	NUT, HEXAGON	2	
	44 90111-06864	BOLT, HEX. SOCKET BUTTON	2	

Fig. 23 REAR SUSPENSION



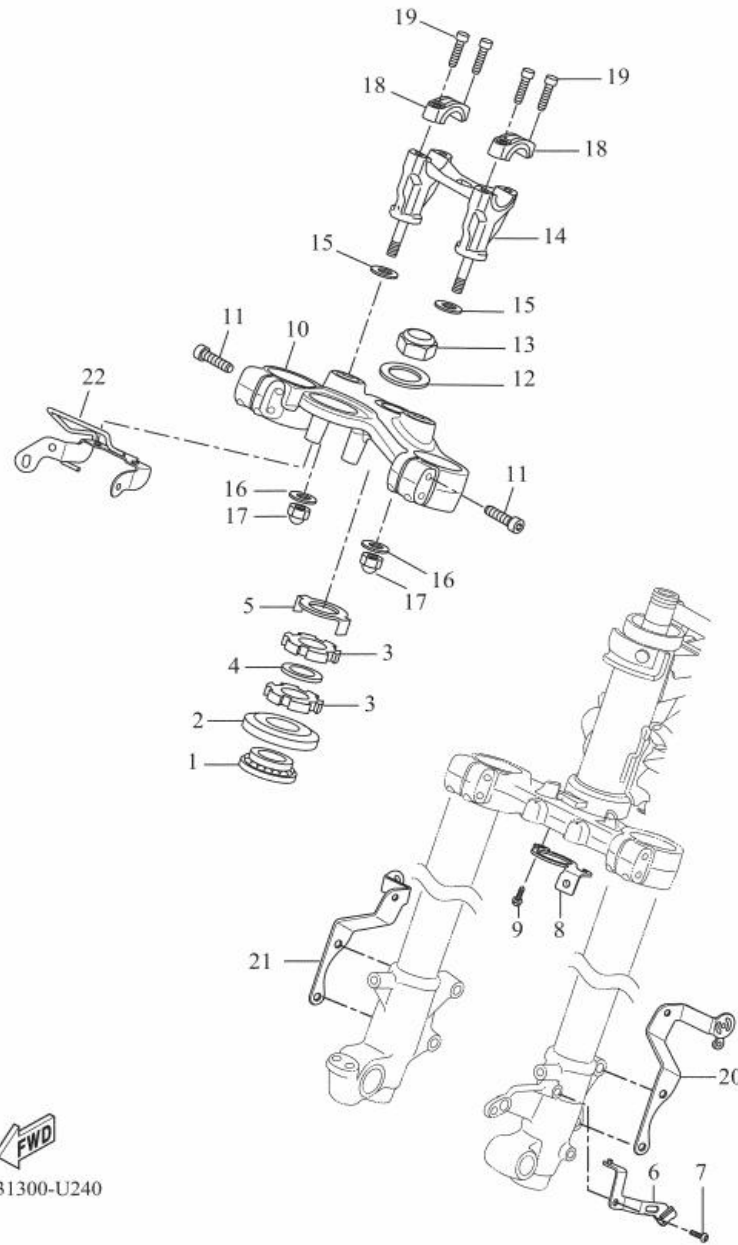
Ref. No.	Part No.	Description		Remarks
1	BW3-22210-01	SHOCK ABSORBER ASSY, REAR	1	
2	90102-12080	BOLT, WITH HOLE	1	
3	95607-12200	NUT, SELF-LOCKING	1	
4	90101-10659	BOLT	1	
5	95607-10200	NUT, U FLANGE	1	
-----				
-----				
-----				
-----				
-----				
-----				
-----				
-----				
-----				



BW31300-U230



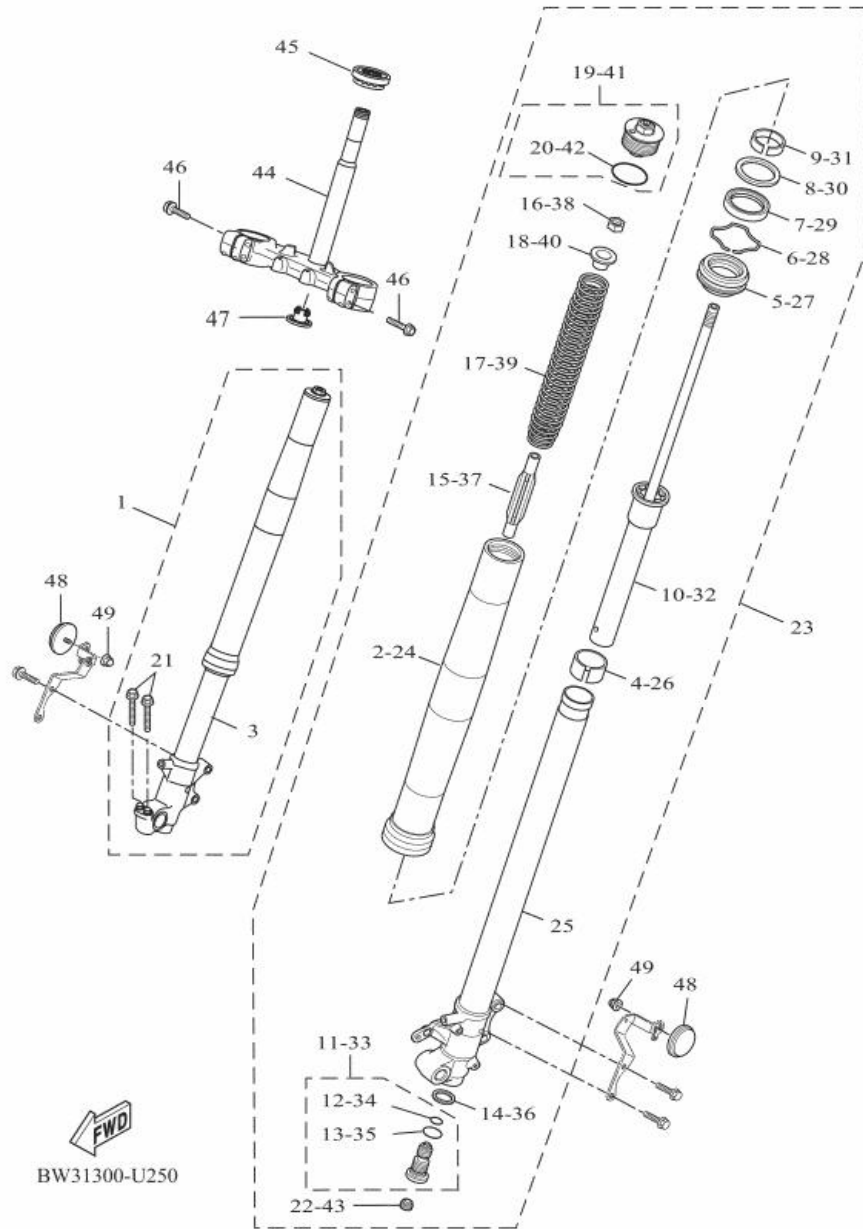
Fig. 24 STEERING



BW31300-U240

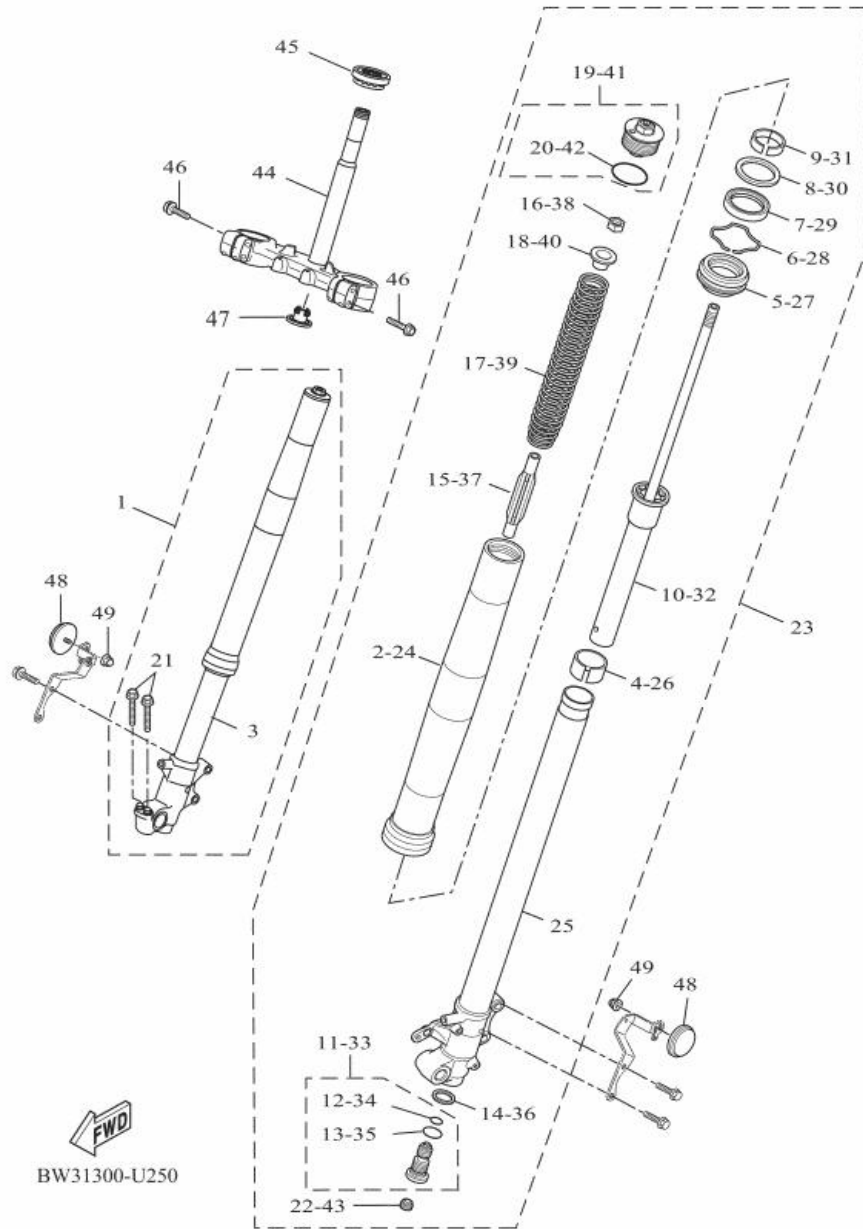
Ref. No.	Part No.	Description		Remarks
1	93332-00079	BEARING	1	
2	1W1-23416-00	COVER, BALL RACE 2	1	
3	90179-25615	NUT	2	
4	90202-26142	WASHER, PLATE	1	
5	3YF-23418-00	WASHER, SPECIAL	1	
6	BW3-23318-00	WIRE, HOLDER 1	1	
7	92017-06012	BOLT, BUTTON HEAD	1	
8	BW3-F334G-00	BRACKET 1	1	
9	95027-06012	BOLT, FLANGE	2	
10	BW3-23430-00	HANDLE CROWN COMP.	1	
11	90105-08134	BOLT, FLANGE	4	
12	90201-220T0	WASHER, PLATE	1	
13	1RC-23393-00	NUT, SPECIAL	1	
14	BW3-F3442-10	HOLDER, HANDLE LOWER	1	
15	92902-10200	WASHER	2	
16	90201-10043	WASHER, PLATE	2	
17	90176-10003	NUT, CROWN	2	
18	BW3-F3441-00	HOLDER, HANDLE UPPER	2	
19	91317-08030	BOLT,HEX.SOCKET HEAD	4	
20	BEH-F317E-00	STAY 1	1	
21	BEH-F317F-00	STAY 2	1	
22	BEH-F334H-00	BRACKET 2	1	

Fig. 25 FRONT FORK



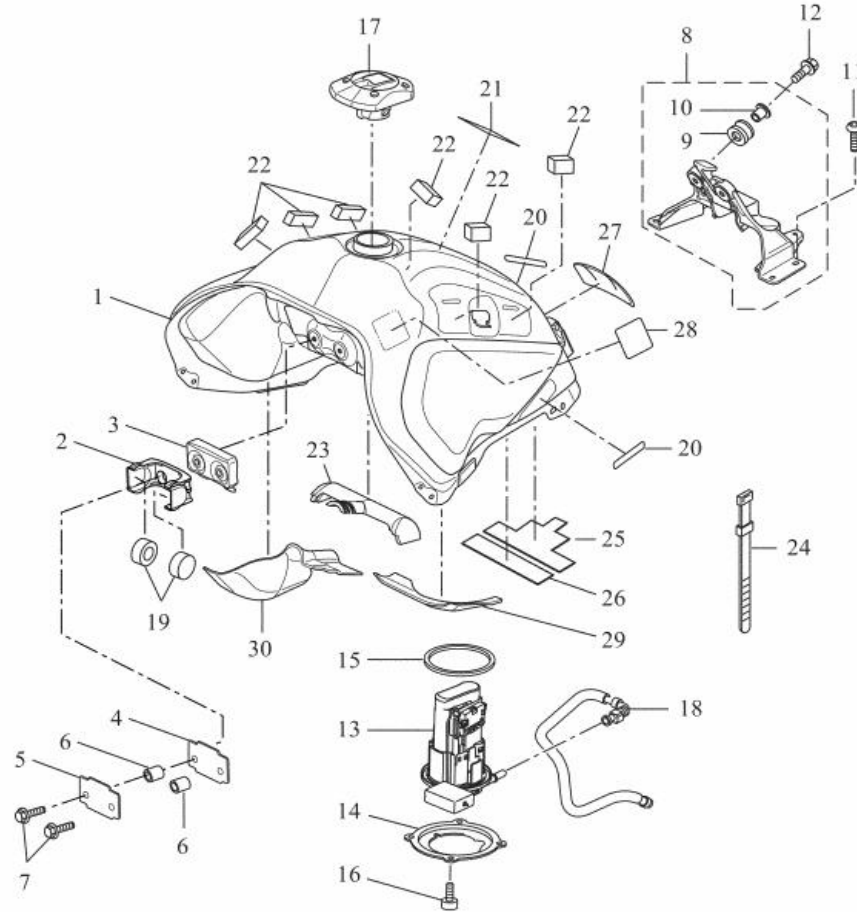
Ref. No.	Part No.	Description	Remarks
1	BW3-23103-01	FRONT FORK ASSY (R.H)	1
2	BW3-23126-00	. TUBE, OUTER (L.H)	1
3	BW3-23120-01	. INNER TUBE COMP.2	1
4	5EB-23171-00	. PISTON, FRONT FORK	1
5	4PU-23144-00	. SEAL, DUST	1
6	4V4-23153-L0	. RING, SNAP	1 (KYB)
7	4PU-23145-01	. OIL SEAL	1
8	4V4-23146-L0	. WASHER, OIL SEAL	1 (KYB)
9	2CR-23125-00	. METAL, SLIDE 1	1
10	BW3-23170-01	. CYLINDER COMP., FRONT FORK	1
11	BW3-2330H-01	. VALVE ASSY	1
12	4DA-23147-L1	. . O-RING	1
13	276-23114-01	. . GASKET	1
14	2HH-23158-L0	. GASKET	1
15	23P-23117-00	. GUIDE, SPRING	1
16	3XJ-23357-L0	. NUT	1
17	BW3-23141-00	. SPRING, FRONT FORK	1
18	BW3-23117-00	. GUIDE, SPRING	1
19	BW3-23111-01	. BOLT, CAP	1
20	3XJ-23147-L1	. . O-RING	1
21	90105-08134	. BOLT, FLANGE	2
22	3JD-2312G-L0	. PLUG, HOLE	1
23	BW3-23102-01	FRONT FORK ASSY (L.H)	1
24	BW3-23126-00	. TUBE, OUTER (L.H)	1
25	BW3-23110-01	. INNER TUBE COMP.1	1
26	5EB-23171-00	. PISTON, FRONT FORK	1
27	4PU-23144-00	. SEAL, DUST	1

Fig. 25 FRONT FORK



Ref. No.	Part No.	Description	Remarks
28	4V4-23153-L0	. RING, SNAP	1 (KYB)
29	4PU-23145-01	. OIL SEAL	1
30	4V4-23146-L0	. WASHER, OIL SEAL	1 (KYB)
31	2CR-23125-00	. METAL, SLIDE 1	1
32	BW3-23170-01	. CYLINDER COMP., FRONT FORK	1
33	BW3-2330H-01	. VALVE ASSY	1
34	4DA-23147-L1	. O-RING	1
35	276-23114-01	. GASKET	1
36	2HH-23158-L0	. GASKET	1
37	23P-23117-00	. GUIDE, SPRING	1
38	3XJ-23357-L0	. NUT	1
39	BW3-23141-00	. SPRING, FRONT FORK	1
40	BW3-23117-00	. GUIDE, SPRING	1
41	BW3-23111-01	. BOLT, CAP	1
42	3XJ-23147-L1	. O-RING	1
43	3JD-2312G-L0	. PLUG, HOLE	1
44	BW3-23340-00	UNDER BRACKET COMP.	1
45	93332-00008	BEARING	1
46	90105-08134	BOLT, FLANGE	4
47	4KM-23123-01	COVER, UNDER 1	1
48	2FC-H5111-00	REFLECTOR, 1	2
49	90176-05802	NUT, CROWN	2

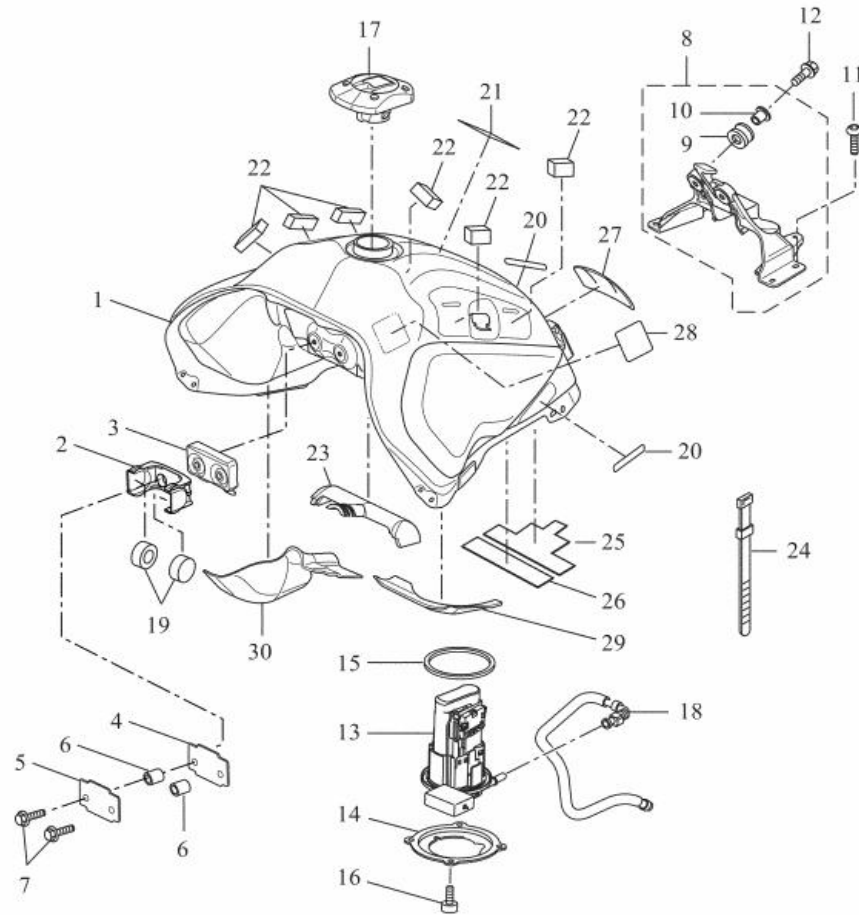
Fig. 26 FUEL TANK



**FWD**  
BW31300-U260

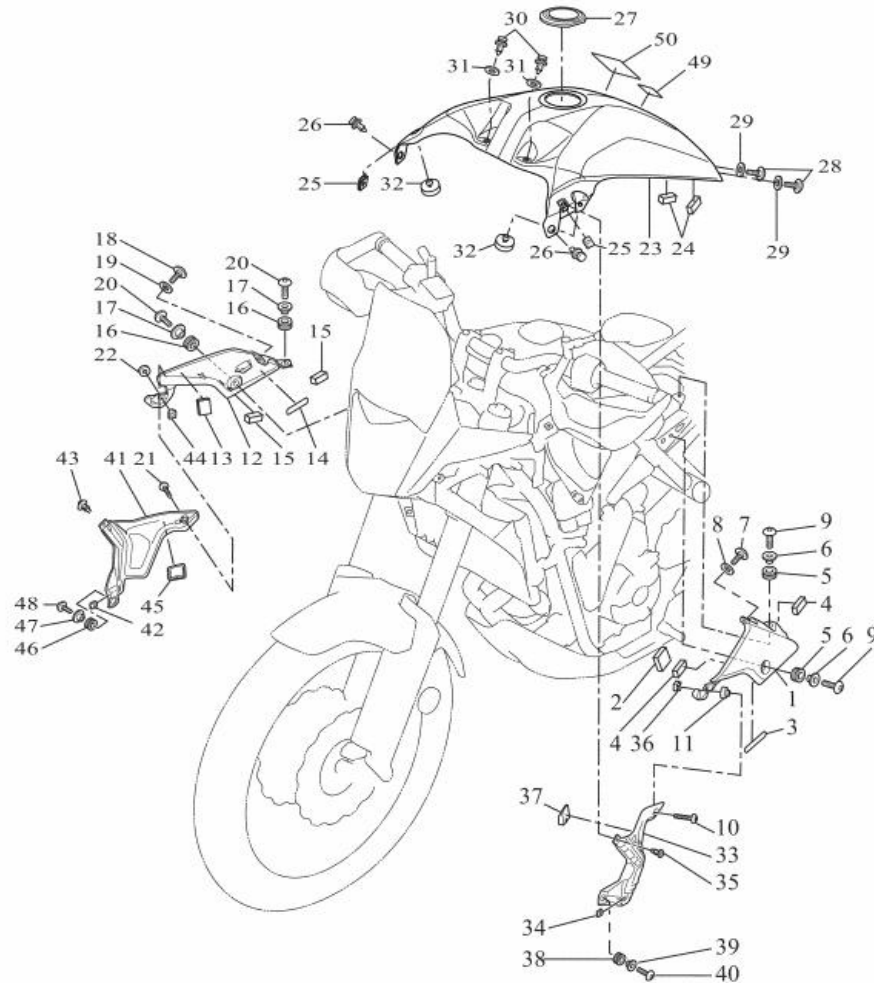
Ref. No.	Part No.	Description	Remarks
1	BW3-24110-01-P1	FUEL TANK COMP.	1 MDNM6 FOR BWCM...
2	BW3-2412Y-00	BRACKET, TANK FITTING	1
3	BW3-24181-00	DAMPER, LOCATING 1	1
4	BW3-24182-00	DAMPER, LOCATING 2	1
5	BW3-24186-00	WASHER, SPECIAL	1
6	90387-06553	COLLAR	2
7	95812-06025	BOLT, FLANGE	2
8	BW3-24105-01	TANK BRACKET ASSY 2	1
9	90480-18018	. GROMMET	2
10	90387-06136	. COLLAR	2
11	90111-06051	BOLT,HEX. SOCKET BUTTON	4
12	95812-06025	BOLT, FLANGE	2
13	BW3-13907-01	FUEL PUMP COMP.	1
14	BW3-24491-00	BRACKET, FUEL PUMP	1
15	1RC-24486-00	O-RING	1
16	91312-05010	BOLT, HEXAGON SOCKET HEAD	4
17	BW3-24602-00	CAP ASSY	1
18	BW3-13971-01	PIPE, FUEL 1	1
19	3TB-24181-00	DAMPER, LOCATING 1	2
20	BW3-2411G-00	HOOK, SIDE COVER 1	2
21	5UM-21717-E0	DAMPER	1
22	90520-05025	DAMPER, PLATE	6
23	BW3-24184-00	DAMPER, LOCATING 4	1
24	4KH-H3936-01	BAND, SWITCH CORD	1 (249X4.80)
25	BW3-24595-00	PROTECTOR	1
26	BW3-24595-10	PROTECTOR	1
27	BW3-24141-00	PROTECTOR, FUEL TANK	1

Fig. 26 FUEL TANK



Ref. No.	Part No.	Description		Remarks
	28 3FY-21575-01	SEAL 1	2	
	29 BEH-24141-00	PROTECTOR, FUEL TANK	1	
	30 BEH-24141-10	PROTECTOR, FUEL TANK	1	
<hr/>				
<hr/>				
<hr/>				
<hr/>				
<hr/>				
<hr/>				
<hr/>				
<hr/>				
<hr/>				
<hr/>				

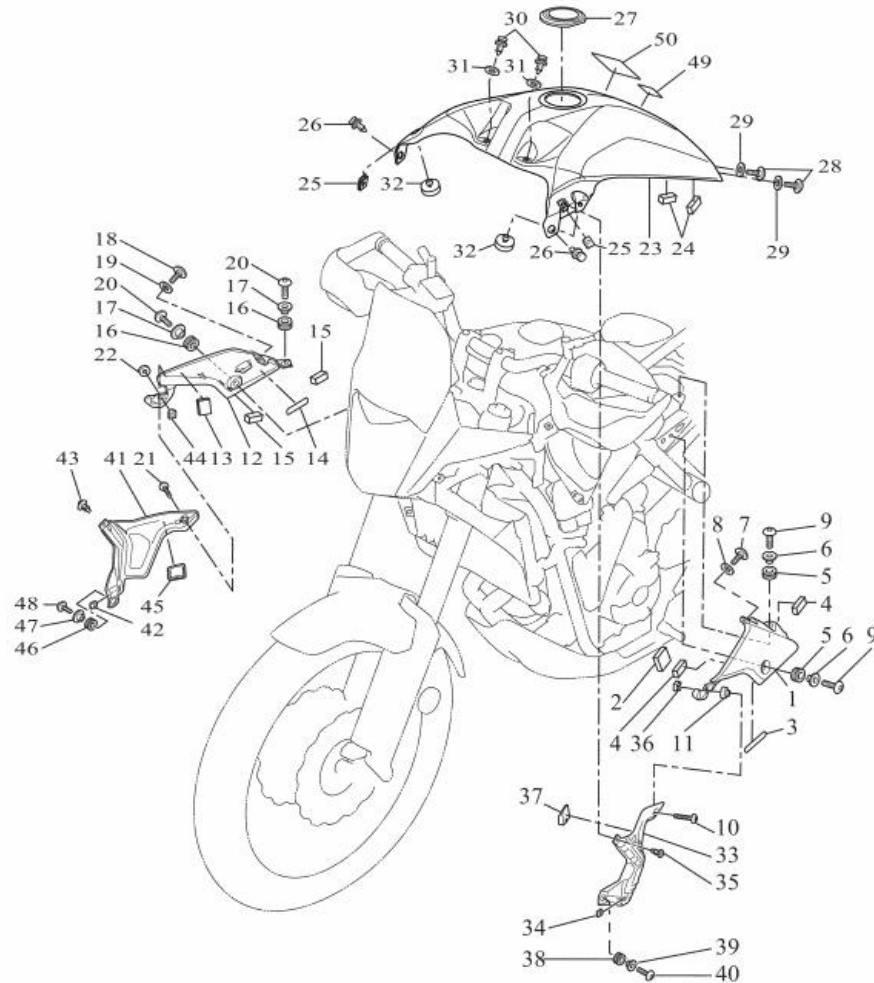
Fig. 27 FUEL TANK 2



  
BW31300-U270

Ref. No.	Part No.	Description	Quantity	Remarks	
	1	BW3-F4129-00-P1	COVER, SIDE 1	1	MDNM6 FOR BWCM...
	2	5SL-21649-00	DAMPER	2	
	3	BW3-2411G-00	HOOK, SIDE COVER 1	1	
	4	90520-05018	DAMPER, PLATE	2	
	5	90480-13032	GROMMET	2	
<hr/>					
	6	90387-06089	COLLAR	2	
	7	90111-05011	BOLT,HEX. SOCKET BUTTON	1	
	8	90202-08006	WASHER, PLATE	1	
	9	90111-06151	BOLT,HEX. SOCKET BUTTON	2	
	10	90111-05014	BOLT,HEX. SOCKET BUTTON	1	
<hr/>					
	11	90387-05068	COLLAR	1	
	12	BW3-F4139-00-P1	COVER, SIDE 2	1	MDNM6 FOR BWCM...
	13	5SL-21649-00	DAMPER	2	
	14	BW3-2411G-00	HOOK, SIDE COVER 1	1	
	15	90520-05018	DAMPER, PLATE	2	
<hr/>					
	16	90480-13032	GROMMET	2	
	17	90387-06089	COLLAR	2	
	18	90111-05011	BOLT,HEX. SOCKET BUTTON	1	
	19	90202-08006	WASHER, PLATE	1	
	20	90111-06151	BOLT,HEX. SOCKET BUTTON	2	
<hr/>					
	21	90111-05014	BOLT,HEX. SOCKET BUTTON	1	
	22	90387-05068	COLLAR	1	
	23	BW3-F41B1-00-P1	COVER, TANK	1	FOR BWCM
	24	90520-04812	DAMPER, PLATE	2	
	25	90183-05076	NUT, SPRING	2	
<hr/>					
	26	90269-07077	RIVET	2	
	27	BW3-F414G-00	SEAL	1	

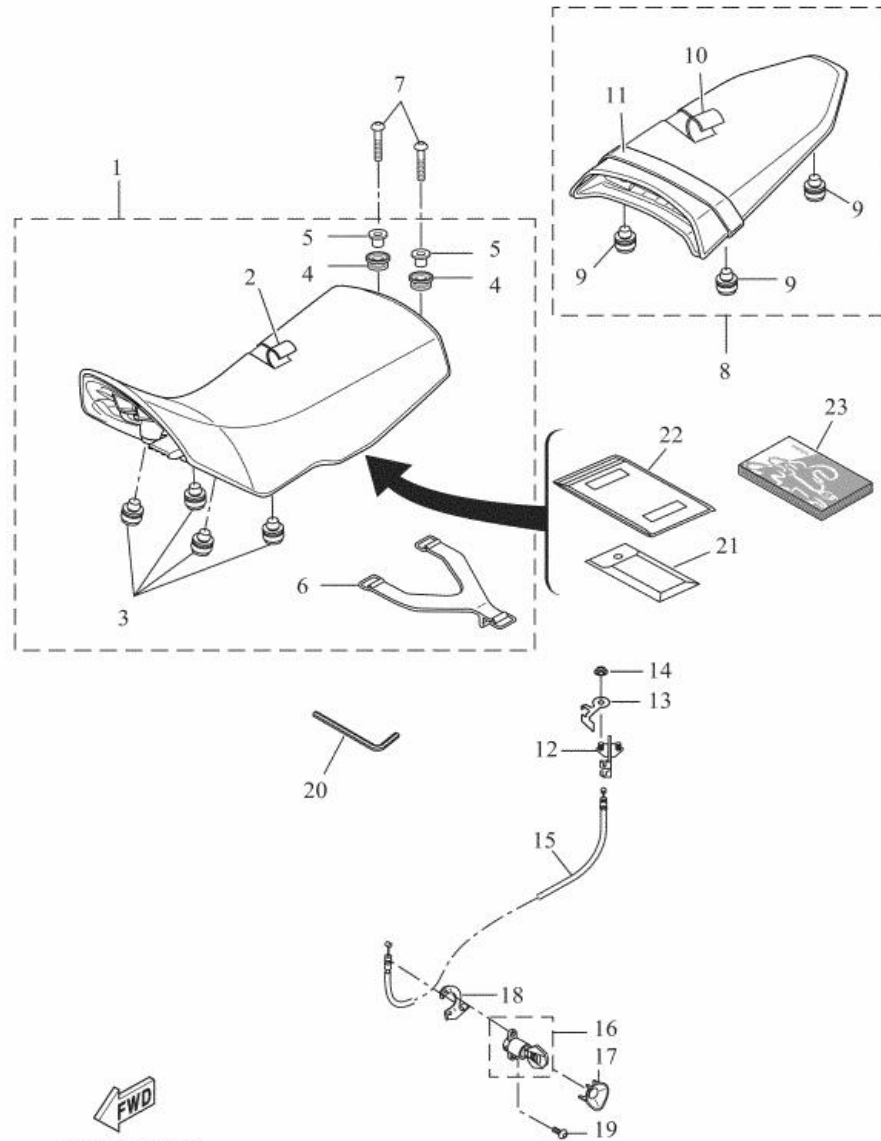
Fig. 27 FUEL TANK 2



BW31300-U270

Ref. No.	Part No.	Description		Remarks
28	90111-05011	BOLT,HEX. SOCKET BUTTON	2	
29	90202-08006	WASHER, PLATE	2	
30	90269-07077	RIVET	2	
31	5SL-84753-00	DAMPER	2	
32	90338-06010	PLUG	2	
<hr style="border-top: 1px dashed black;"/>				
33	BW3-F8229-00	COVER 2	1	
34	90183-05076	NUT, SPRING	1	
35	90269-06008	RIVET	1	
36	90183-05X08	NUT, SPRING	1	
37	BW3-F414J-00	DAMPER, PLATE 2	1	
<hr style="border-top: 1px dashed black;"/>				
38	90480-17213	GROMMET	1	
39	90387-06146	COLLAR	1	
40	90111-05039	BOLT,HEX. SOCKET BUTTON	1	
41	BW3-F8239-00	COVER 3	1	
42	90183-05076	NUT, SPRING	1	
<hr style="border-top: 1px dashed black;"/>				
43	90269-06008	RIVET	1	
44	90183-05X08	NUT, SPRING	1	
45	BW3-F414K-00	DAMPER, PLATE 3	1	
46	90480-17213	GROMMET	1	
47	90387-06146	COLLAR	1	
<hr style="border-top: 1px dashed black;"/>				
48	90111-05039	BOLT,HEX. SOCKET BUTTON	1	
49	B34-F1568-01	LABEL, WARNING	1	
50	BU3-F817K-00	LABEL, FUEL	1	
<hr style="border-top: 1px dashed black;"/>				

Fig. 28 SEAT

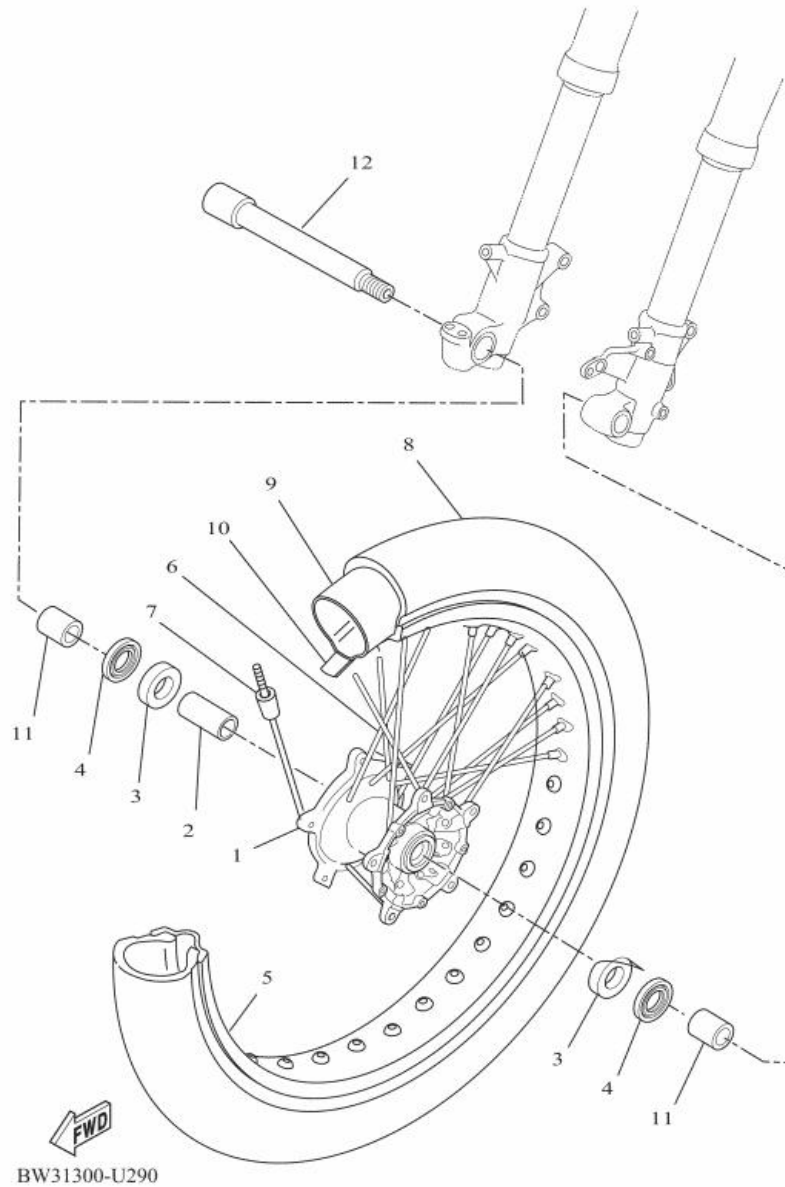


  
BW31300-U280

Ref. No.	Part No.	Description		Remarks
1	BW3-F4710-00	SINGLE SEAT ASSY	1	
2	BW3-F470F-00	. SEAT COVER COMP.	1	
3	1SD-F4723-00	. DAMPER, SEAT	4	
4	90480-14X03	. GROMMET	2	
5	90387-07X09	. COLLAR	2	
6	11D-F483H-00	. BAND	1	
7	92012-06025	BOLT, BUTTON HEAD	2	
8	BW3-F4750-00	TANDEM SEAT ASSY	1	
9	1SD-F4723-00	. DAMPER, SEAT	4	
10	BW3-F470H-00	. SEAT COVER COMP. ,2	1	
11	BW3-F4734-00	. BAND, SEAT	1	
12	1WD-F4780-00	SEAT LOCK ASSY	1	
13	BW3-F479K-00	PLATE, LOCK	1	
14	4XV-8182A-00	NUT	2	
15	BW3-F478E-00	CABLE, SEAT LOCK	1	
16	2TV-W2470-00	ROTOR SET	1	
17	BW3-F4796-00	COVER	1	
18	23P-2117K-00	STAY, LOCK	1	
19	90149-06018	SCREW	2	
20	5SE-F8137-00	SPRING SEAT WRENCH	1	
21	BW3-F8100-01	TOOL KIT	1	
22	4KG-28186-11	POUCH	1	
23	BEH-F8199-E0	MANUAL, OWNER'S	1	UR ENGLISH

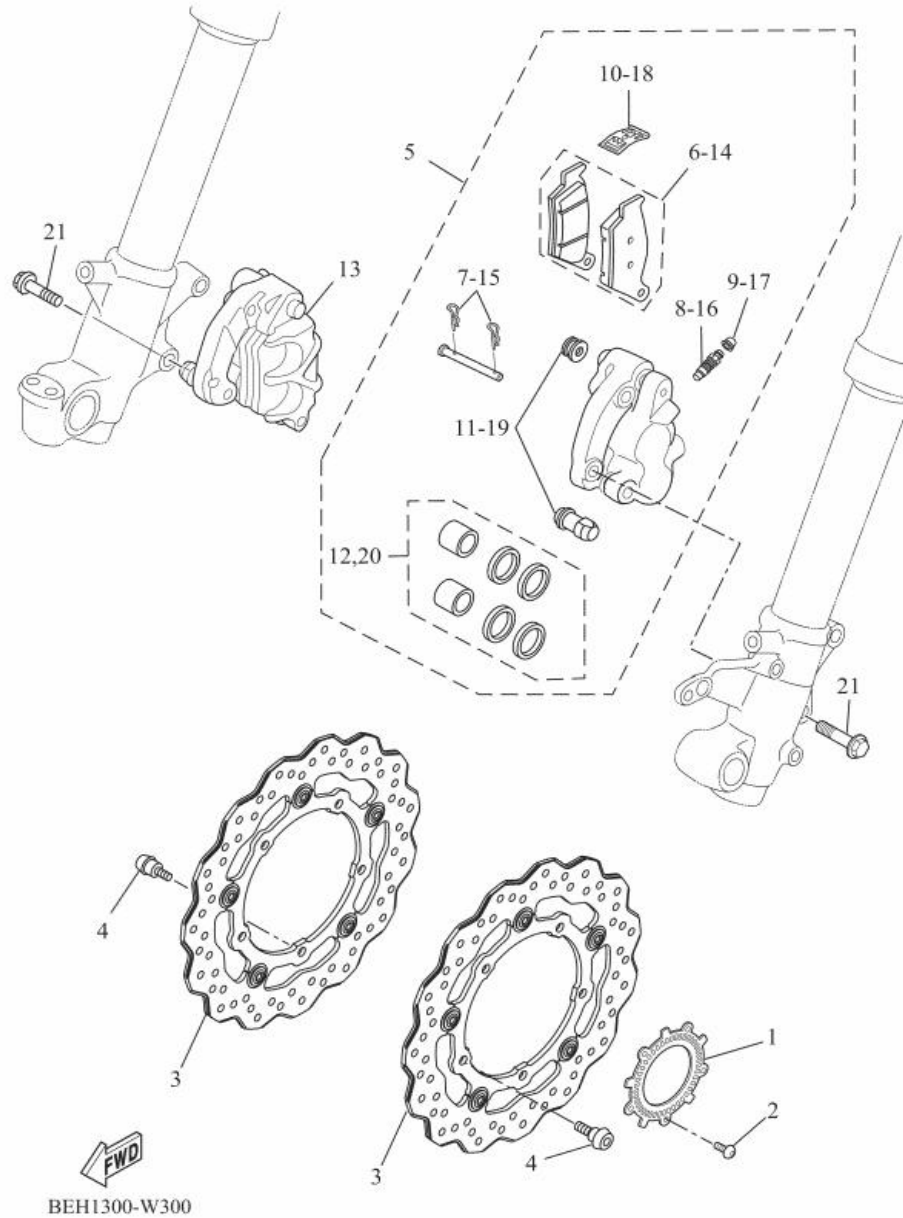


Fig. 29 FRONT WHEEL



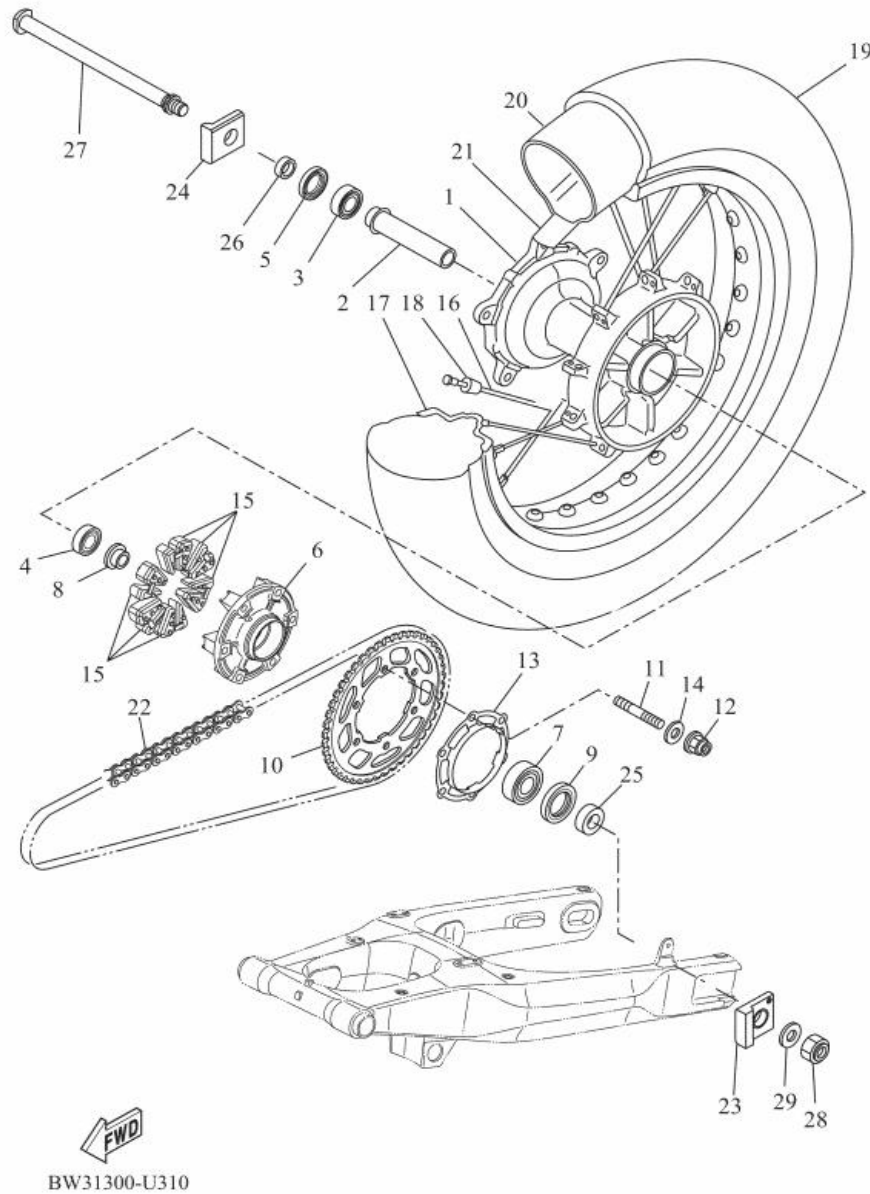
Ref. No.	Part No.	Description		Remarks
1	BEH-F5111-00	HUB, FRONT	1	
2	BEH-F5117-00	SPACER, BEARING	1	
3	93306-072Y5	BEARING	2	
4	93106-30045	OIL SEAL	2	
5	94418-21003	RIM (1.85-21)	1	UR FOR BWCM,MBL2
6	BW3-F5104-00	SPOKE SET, FRONT	1	
7	BW3-25398-00	BALANCER, WHEEL	1	UN
8 *		TIRE (90/90-21 M/C 54V M+S)	1	LM PIRELLI
9 *		TUBE (MA-21 M/C)	1	LM PIRELLI
10	94309-21800	BAND, RIM (21)	1	HERRMANS
11	BW3-F5183-00	COLLAR, WHEEL	2	
12	BW3-25181-00	AXLE, WHEEL	1	

Fig. 30 FRONT BRAKE CALIPER



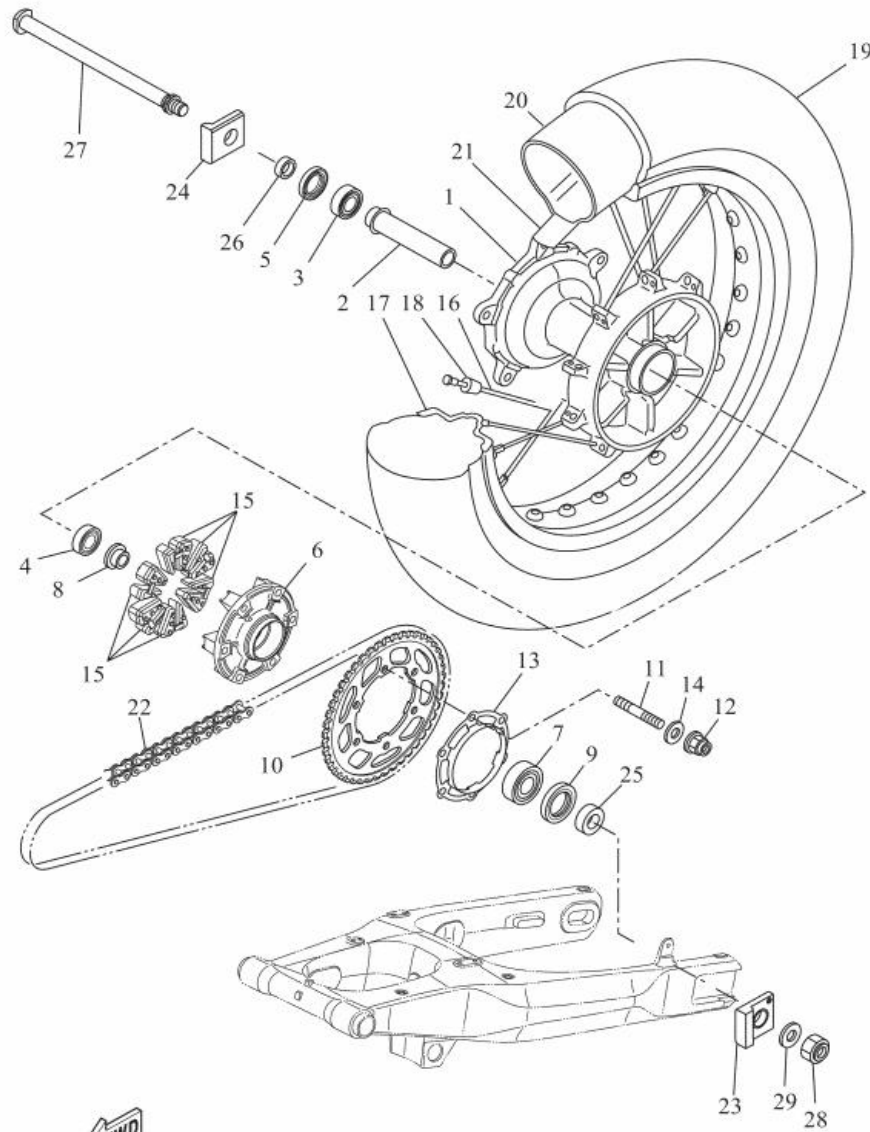
Ref. No.	Part No.	Description		Remarks
1	BW3-F517G-00	ROTOR, SENSOR	1	
2	90149-05029	SCREW	5	
3	1WS-2581T-01	DISK BRAKE ASSY	2	
4	90109-06328	BOLT	10	
5	BW3-F580T-00	CALIPER ASSY (LEFT)	1	
<hr/>				
6	BW3-F5805-00	. BRAKE PAD KIT	1	
7	5D7-F5924-10	. PIN, PAD	1	(BREMBO)
8	56P-F5824-00	. SCREW, BLEED	1	
9	4CU-F5825-00	. CAP	1	(BREMBO)
10	5DS-F5919-00	. SUPPORT, PAD	1	(BREMBO)
<hr/>				
11	5DS-F5917-00	. BOOT, CALIPER	1	(BREMBO)
12	BW3-F5802-00	. PISTON ASSY, CALIPER	1	
13	BW3-F580U-00	CALIPER ASSY (RIGHT)	1	
14	BW3-F5805-00	. BRAKE PAD KIT	1	
15	5D7-F5924-10	. PIN, PAD	1	(BREMBO)
<hr/>				
16	56P-F5824-00	. SCREW, BLEED	1	
17	4CU-F5825-00	. CAP	1	(BREMBO)
18	5DS-F5919-00	. SUPPORT, PAD	1	(BREMBO)
19	5DS-F5917-00	. BOOT, CALIPER	1	(BREMBO)
20	BW3-F5802-00	. PISTON ASSY, CALIPER	1	
<hr/>				
21	90105-10778	BOLT, FLANGE	4	
<hr/>				

Fig. 31 REAR WHEEL



Ref. No.	Part No.	Description		Remarks
1	BEH-F5311-00	HUB, REAR	1	
2	BEH-F5317-00	SPACER, BEARING	1	
3	93306-254Y7	BEARING	1	
4	93306-054XL	BEARING	1	
5	93102-28022	OIL SEAL	1	
6	5JJ-25366-00	CLUTCH, HUB	1	
7	93306-205B5	BEARING	1	
8	1RC-25383-00	COLLAR, WHEEL	1	
9	93106-40013	OIL SEAL	1	
10	BW3-F5446-00	SPROCKET, DRIVEN (46T)	1	
11	90116-10048	BOLT, STUD	6	
12	90185-10011	NUT, SELF-LOCKING	6	
13	1WS-2537W-00	BRACKET 1	1	
14	90201-10045	WASHER, PLATE	6	
15	5SL-25364-00	DAMPER	6	
16	BW3-F5304-00	SPOKE SET, REAR	1	
17	94440-18002	RIM	1	UR FOR BWCM,MBL2
18	BW3-25398-00	BALANCER, WHEEL	1	
19	94115-18X00	TIRE (150/70 R18 M/C 70V M+S)	1	PIRELLI
20	94210-18X00	TUBE (MD-18 M/C)	1	PIRELLI
21	94315-18X00	BAND, RIM (18-19)	1	HERRMANS
22	94582-49122	CHAIN (DID525V11 122LE)	1	AP
	9458X-17122	CHAIN	1	AP
23	3SP-25388-00	PULLER, CHAIN 1	1	
24	1RC-25389-00	PULLER, CHAIN 2	1	
25	90387-20036	COLLAR	1	
26	90387-20035	COLLAR	1	

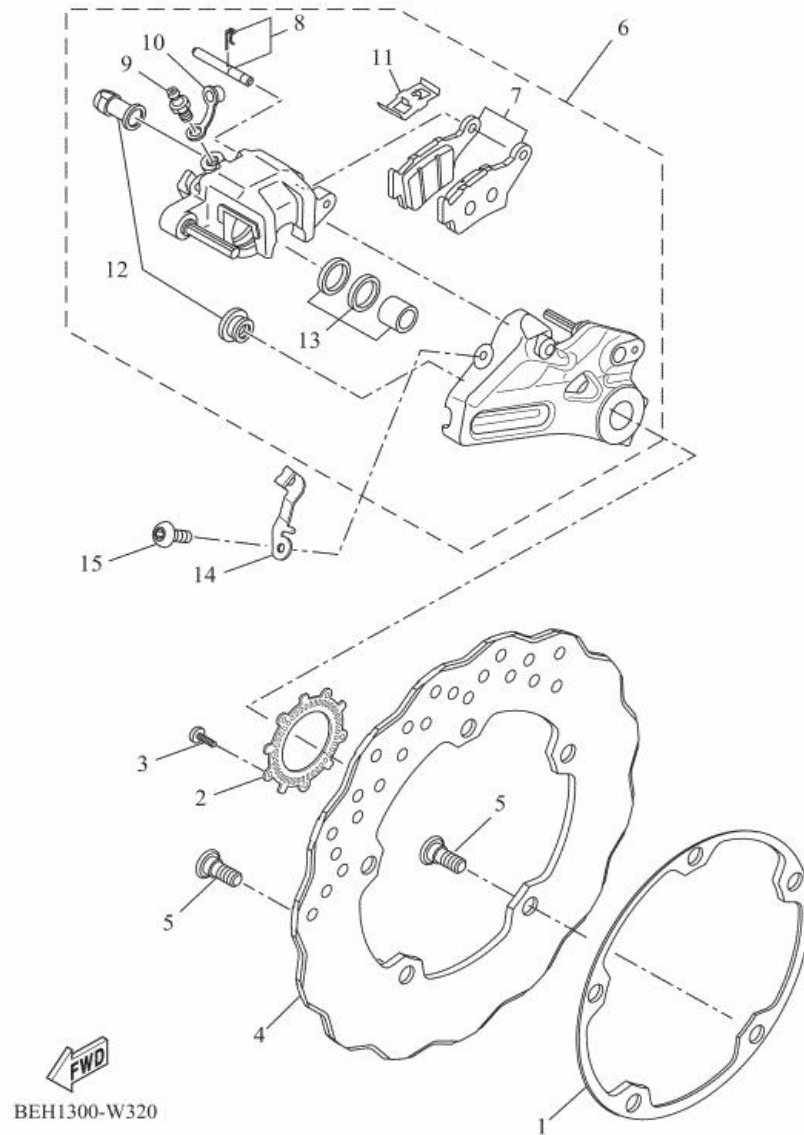
Fig. 31 REAR WHEEL



BW31300-U310

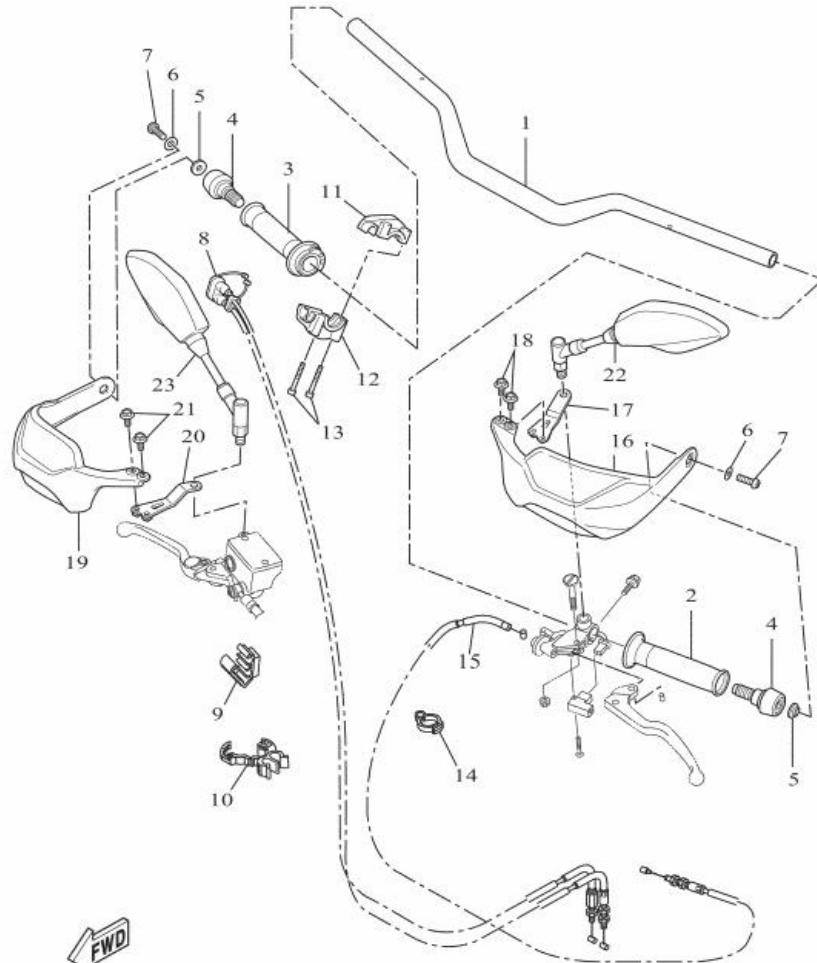
Ref. No.	Part No.	Description		Remarks
	27 4FN-22141-00	SHAFT, PIVOT	1	
	28 90185-18009	NUT, SELF-LOCKING	1	
	29 90201-18013	WASHER, PLATE	1	
<hr style="border-top: 1px dashed black;"/>				
<hr style="border-top: 1px dashed black;"/>				
<hr style="border-top: 1px dashed black;"/>				
<hr style="border-top: 1px dashed black;"/>				
<hr style="border-top: 1px dashed black;"/>				
<hr style="border-top: 1px dashed black;"/>				
<hr style="border-top: 1px dashed black;"/>				
<hr style="border-top: 1px dashed black;"/>				
<hr style="border-top: 1px dashed black;"/>				

Fig. 32 REAR BRAKE CALIPER



Ref. No.	Part No.	Description		Remarks
	1 BW3-2518A-01	PLATE, FITTING	1	
	2 BW3-F517G-00	ROTOR, SENSOR	1	
	3 90149-05029	SCREW	5	
	4 BW3-2582W-01	DISK, REAR BRAKE 2	1	
	5 90109-08045	BOLT	5	
<hr/>				
	6 BW3-F580W-00	CALIPER ASSY, REAR 2	1	
	7 BW3-F5806-00	. BRAKE PAD KIT 2	1	
	8 5VK-F5924-10	. PIN, PAD	1	(BREMBO)
	9 56P-F5824-00	. SCREW, BLEED	1	
	10 4CU-F5825-00	. CAP	1	(BREMBO)
<hr/>				
	11 5VK-F5919-20	. SUPPORT, PAD	1	
	12 5DS-F5917-00	. BOOT, CALIPER	1	(BREMBO)
	13 BW3-F5802-10	. PISTON ASSY, CALIPER	1	
	14 BW3-F538L-00	HOLDER, BRACKET	1	
	15 90119-06109	BOLT, WITH WASHER	1	
<hr/>				
<hr/>				
<hr/>				
<hr/>				
<hr/>				

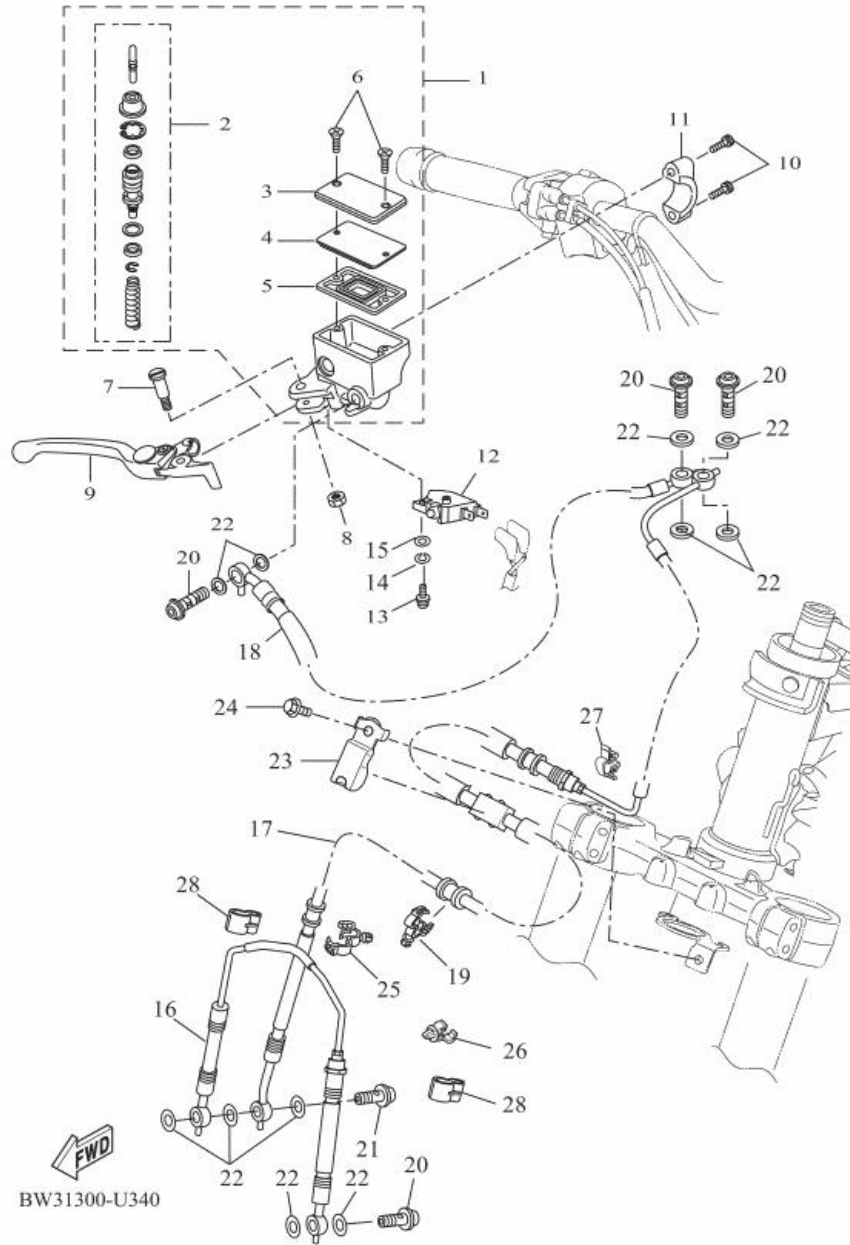
Fig. 33 STEERING HANDLE & CABLE



BW31300-U330

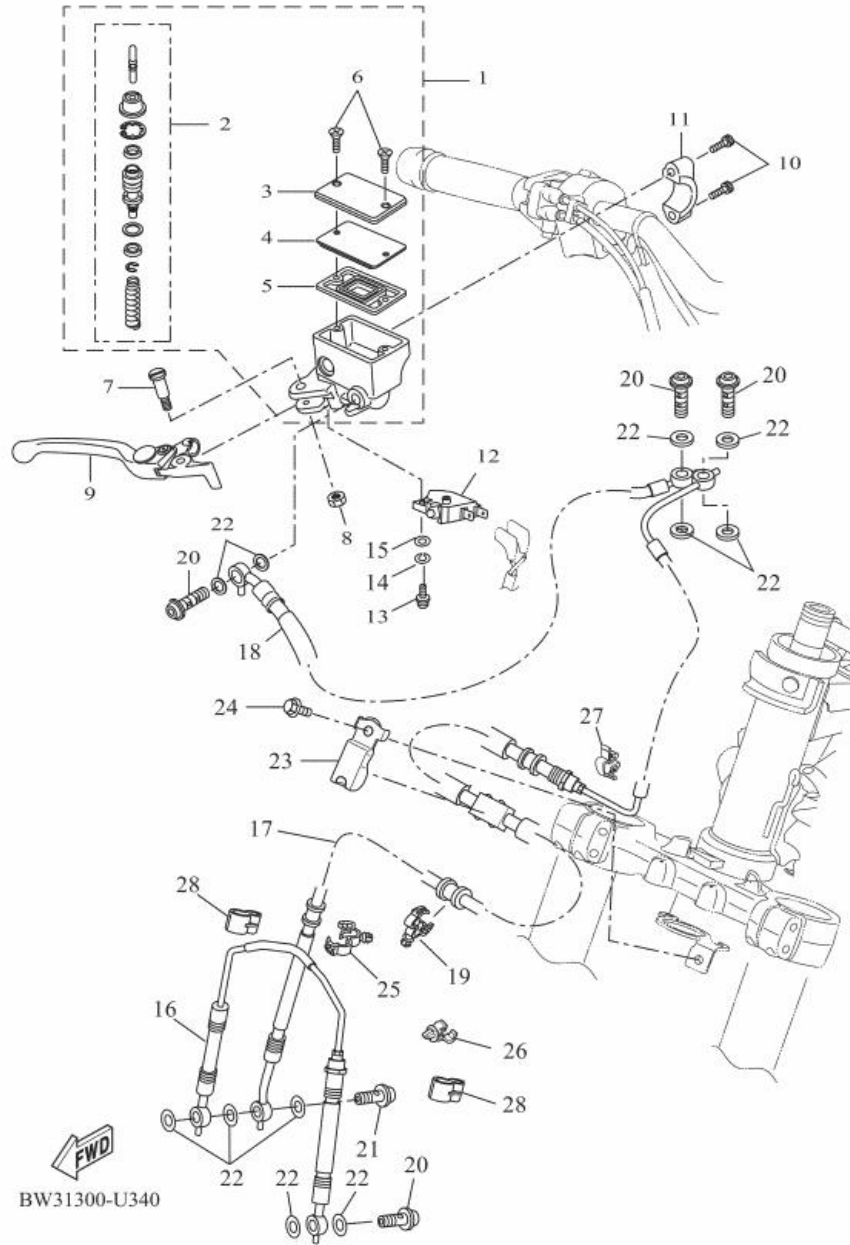
Ref. No.	Part No.	Description		Remarks
	1 BW3-F6111-00	HANDLEBAR	1	
	2 BEH-F6241-00	GRIP	1	
	3 BEH-F6240-00	GRIP ASSY	1	
	4 2BS-26246-00	END, GRIP	2	
	5 90387-08089	COLLAR	2	
<hr/>				
	6 90201-086P8	WASHER, PLATE	2	
	7 92012-08025	BOLT, BUTTON HEAD	2	
	8 BW3-F6301-00	THROTTLE CABLE ASSY	1	
	9 39P-2627E-00	CLAMP, WIRE	1	
	10 90464-16023	CLAMP	1	
<hr/>				
	11 1WS-26281-00	CAP, GRIP UPPER	1	
	12 1WS-26282-00	CAP, GRIP LOWER	1	
	13 91317-05040	BOLT, HEX. SOCKET HEAD	2	
	14 90464-18004	CLAMP	2	
	15 BW3-F6335-00	WIRE, CLUTCH	1	
<hr/>				
	16 BW3-F6141-00	GUARD, BRUSH 1	1	
	17 BW3-F6223-00	BRACKET, HANDLE 1	1	
	18 90149-05045	SCREW	2	
	19 BW3-F6142-00	GUARD, BRUSH 2	1	
	20 BW3-F622A-00	BRACKET, HANDLE 3	1	
<hr/>				
	21 90149-05045	SCREW	2	
	22 BW3-F6280-00	REAR VIEW MIRROR ASSY (LEFT)	1	
	23 BW3-F6290-00	REAR VIEW MIRROR ASSY (RIGHT)	1	
<hr/>				

Fig. 34 FRONT MASTER CYLINDER



Ref. No.	Part No.	Description		Remarks
1	2B0-2580A-00	MASTER CYLINDER SUB ASSY 2	1	
2	2D1-25807-00	. CYLINDER KIT, MASTER	1	
3	5VS-25852-00	. CAP, RESERVOIR	1	
4	5VS-25855-00	. BUSH,DIAPHRAGM	1	
5	20S-25854-00	. DIAPHRAGM, RESERVOIR	1	
6	5VS-2589H-00	. SCREW	2	
7	5VS-2589F-00	BOLT, LEVER	1	
8	95617-06100	NUT, SELF-LOCKING	1	
9	5VS-83922-00	LEVER 2	1	
10	5VS-26332-00	BOLT	2	
11	5VS-25867-00	BRACKET, MASTER CYLINDER	1	
12	1HP-83980-03	FRONT STOP SWITCH ASSY	1	
13	98502-04012	SCREW, PAN HEAD	1	
14	92902-04100	WASHER, SPRING	1	
15	92902-04600	WASHER, PLATE	1	
16	BW3-25872-00	HOSE, BRAKE 1	1	
17	BW3-25873-10	HOSE, BRAKE 2	1	
18	BW3-25874-00	HOSE, BRAKE 3	1	
19	90464-14013	CLAMP	3	
20	90401-10172	BOLT, UNION	4	
21	90401-10042	BOLT, UNION	1	
22	90430-10005	GASKET	11	
23	BEH-F5876-00	HOLDER, BRAKE HOSE 2	1	
24	92017-06014	BOLT, BUTTON HEAD	1	
25	90464-18002	CLAMP	2	
26	90464-08012	CLAMP	2	
27	90464-48174	CLAMP	1	

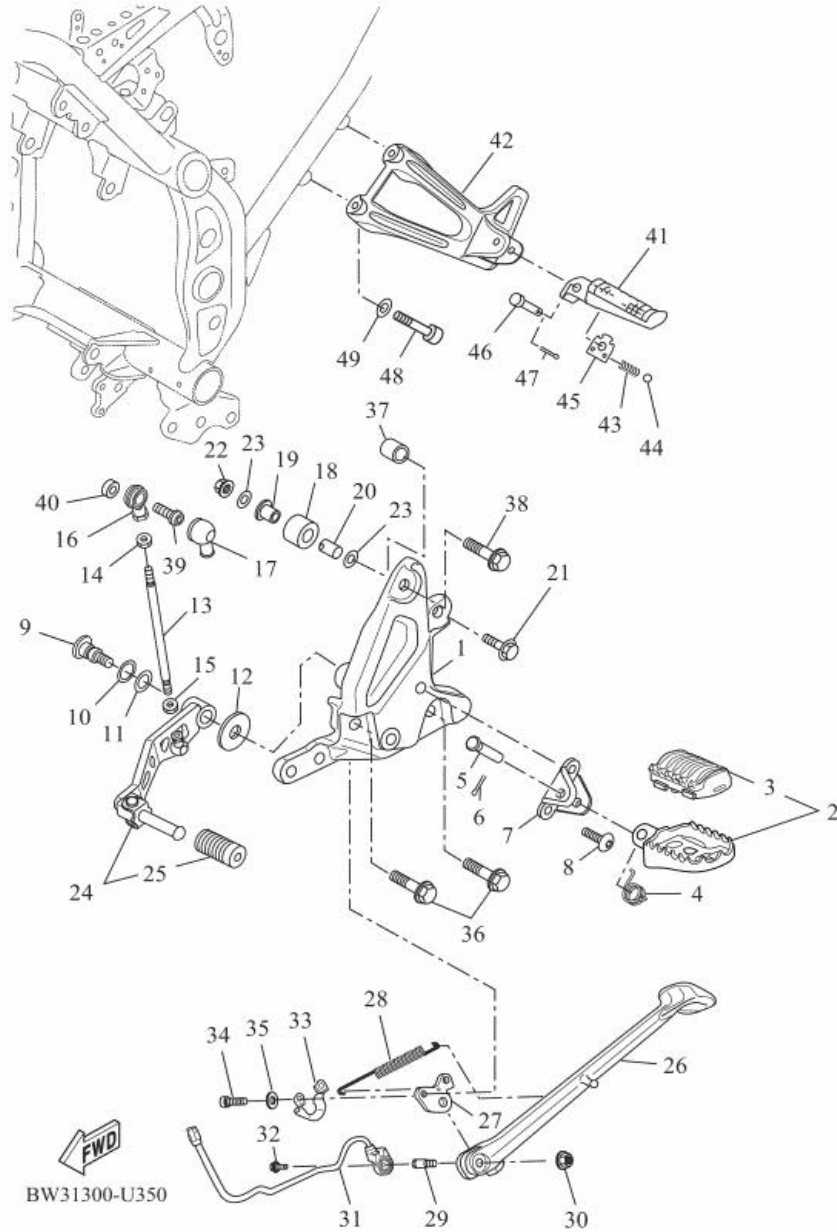
Fig. 34 FRONT MASTER CYLINDER



Ref. No.	Part No.	Description		Remarks
	28 90464-10233	CLAMP	2	
<hr/>				
<hr/>				
<hr/>				
<hr/>				
<hr/>				
<hr/>				
<hr/>				
<hr/>				
<hr/>				
<hr/>				

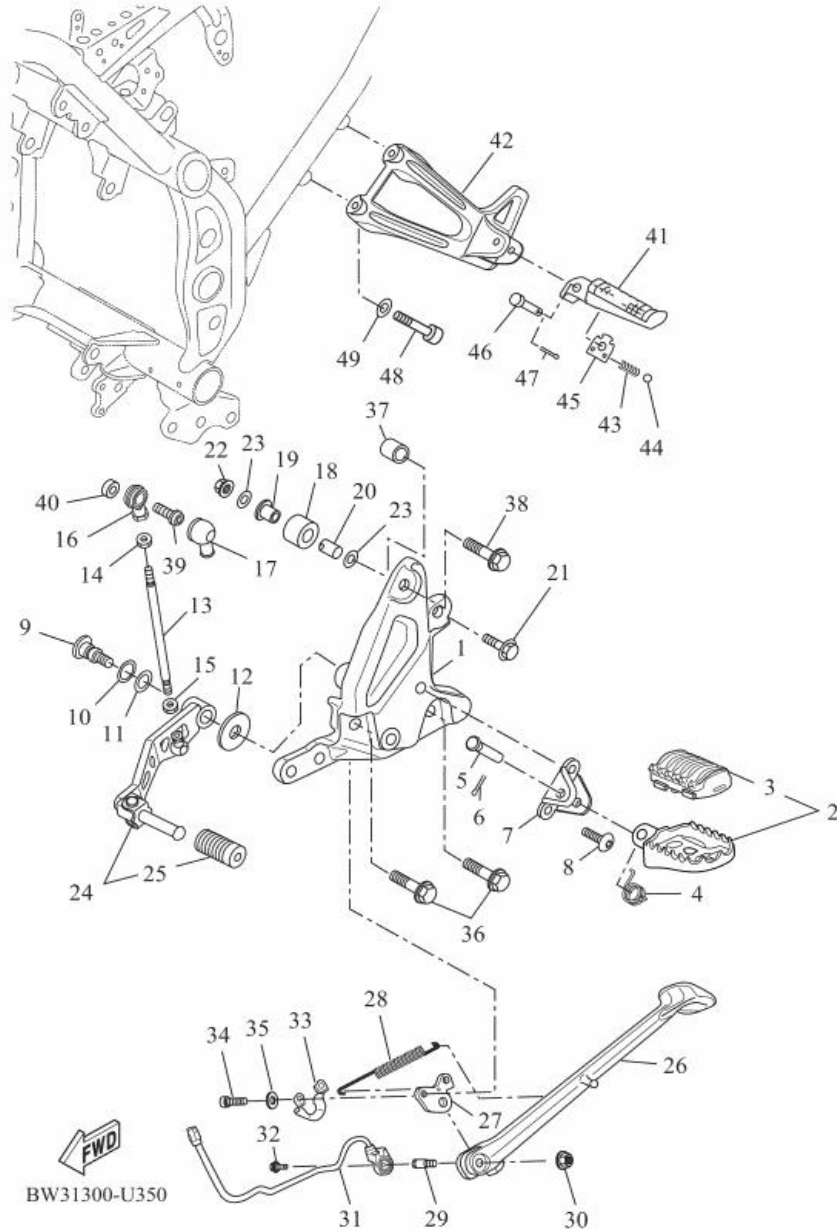


Fig. 35 STAND & FOOTREST



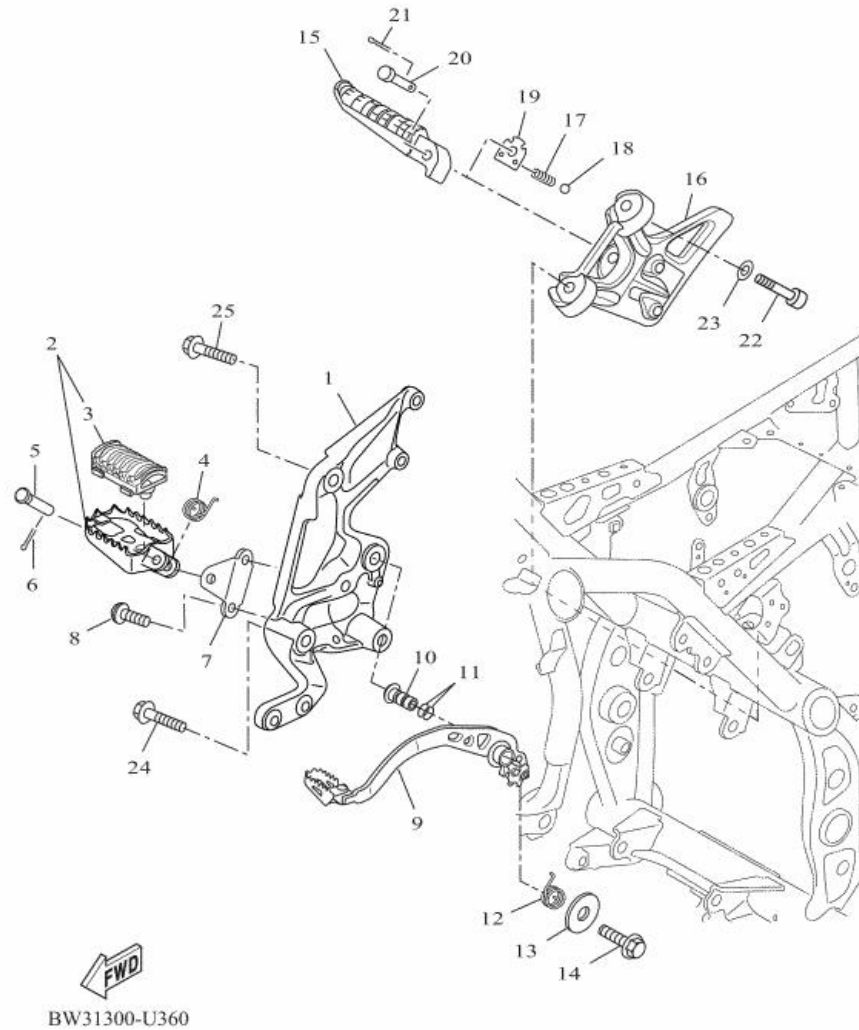
Ref. No.	Part No.	Description		Remarks
	1 BW3-F7442-00	BRACKET 2	1	
	2 BW3-F7400-00	FOOTREST ASSY	1	
	3 BW3-F7413-00	. COVER, FOOTREST	1	
	4 90508-20061	SPRING, TORSION	1	
	5 91702-10045	PIN, CLEVIS	1	
<hr/>				
	6 91402-25015	PIN, COTTER	1	
	7 3D7-21447-00	BRACKET, FOOTREST	1	
	8 90149-10031	SCREW	2	
	9 4BP-27434-01	BOLT	1	
	10 90206-12074	WASHER, WAVE	1	
<hr/>				
	11 90201-12051	WASHER, PLATE	1	
	12 90201-08053	WASHER, PLATE	1	
	13 BW3-18115-00	ROD, SHIFT	1	
	14 90170-06026	NUT	1	
	15 95314-06700	NUT	1	
<hr/>				
	16 5VX-18116-00	JOINT, ROD 1	1	
	17 5VX-18154-00	COVER, DUST	1	
	18 30X-22178-00	TENSIONER	1	
	19 10V-22184-00	BUSH	1	
	20 90387-08120	COLLAR	1	
<hr/>				
	21 95814-08050	BOLT, FLANGE	1	
	22 95602-08200	NUT, U FLANGE	1	
	23 90201-087H6	WASHER, PLATE	2	
	24 BW3-18110-10	SHIFT PEDAL ASSY	1	
	25 1WS-18113-00	COVER, SHIFT PEDAL	1	
<hr/>				
	26 BW3-27311-00	STAND, SIDE	1	
	27 BW3-27321-00	BRACKET, SIDE STAND	1	

Fig. 35 STAND & FOOTREST



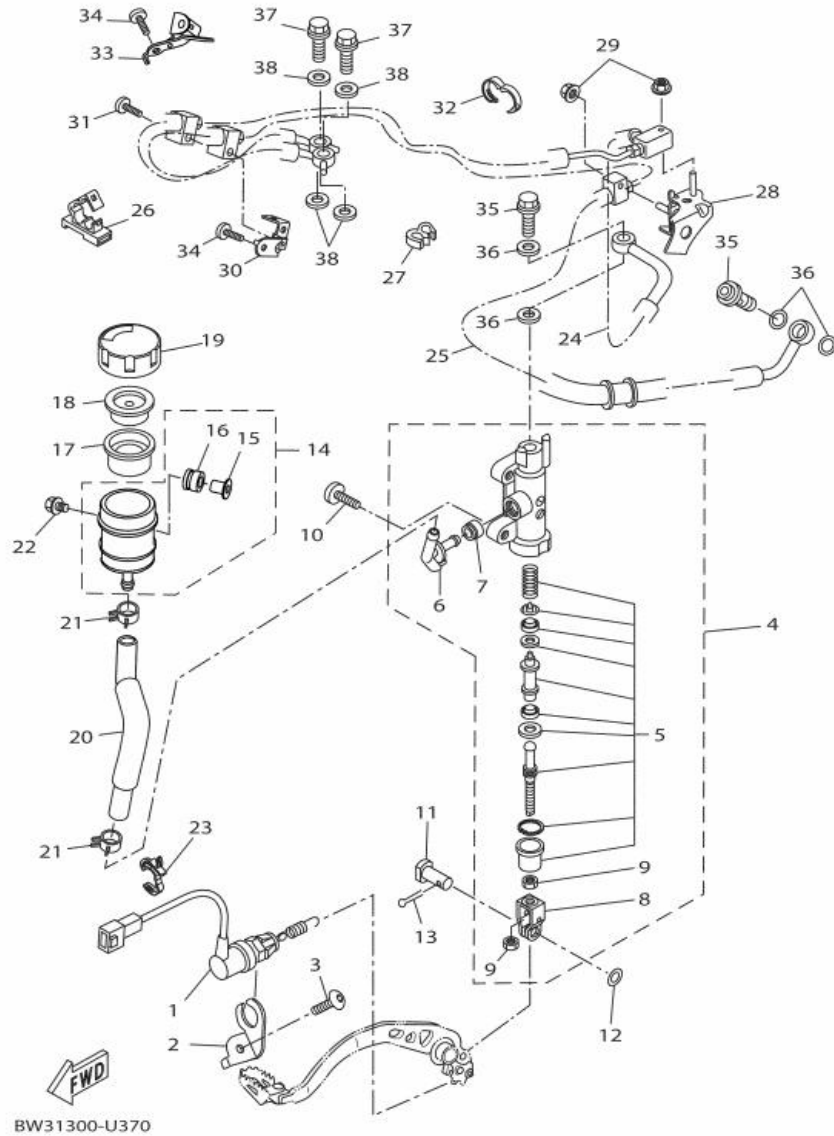
Ref. No.	Part No.	Description		Remarks
	28 BW3-27316-00	SPRING, SIDE STAND	1	
	29 90109-10063	BOLT	1	
	30 95602-10200	NUT, S/L FLANGE	1	
	31 BW3-82566-00	SWITCH, SIDE STAND	1	
	32 90119-06193	BOLT, WITH WASHER	1	
<hr/>				
	33 BW3-F7453-00	COVER 1	1	
	34 90110-12011	BOLT, HEXAGON SOCKET HEAD	2	
	35 90201-12068	WASHER, PLATE	2	
	36 90105-10485	BOLT, FLANGE	2	
	37 90445-14M39	HOSE (L10)	1	
<hr/>				
	38 90105-08063	BOLT, FLANGE	1	
	39 90111-06098	BOLT, HEX. SOCKET BUTTON	1	
	40 90387-06372	COLLAR	1	
	41 BW3-F7431-00	FOOTREST, REAR 1	1	
	42 BW3-F741L-00	BRACKET 4	1	
<hr/>				
	43 90501-12743	SPRING, COMPRESSION	1	
	44 93501-04011	BALL	1	
	45 5VX-27437-00	WASHER, SPECIAL	1	
	46 91702-08040	PIN, CLEVIS	1	
	47 91401-25015	PIN, COTTER	1	
<hr/>				
	48 91312-08040	BOLT, HEXAGON SOCKET HEAD	2	
	49 92902-08600	WASHER, PLATE	2	
<hr/>				

Fig. 36 STAND & FOOTREST 2



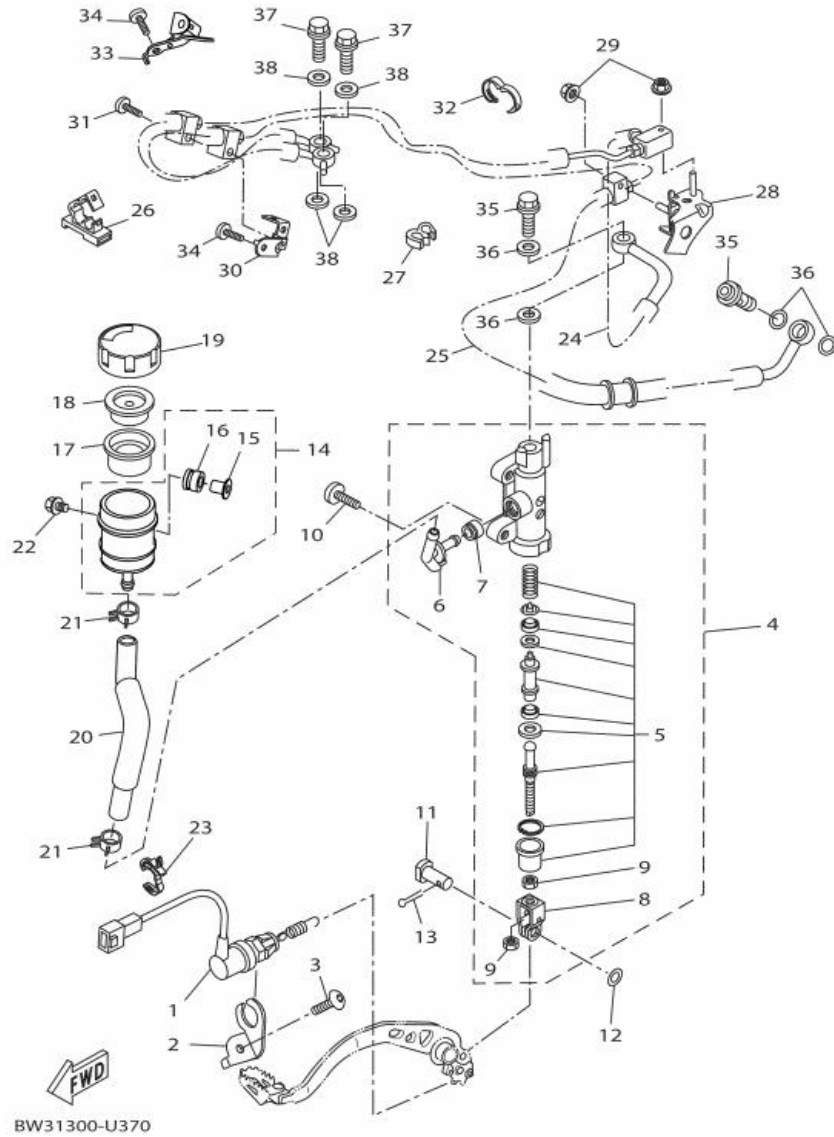
Ref. No.	Part No.	Description		Remarks
	1 BW3-F7443-00	BRACKET 3	1	
	2 BW3-F7404-00	FOOTREST ASSY 2	1	
	3 BW3-F7413-00	. COVER, FOOTREST	1	
	4 90508-20080	SPRING, TORSION	1	
	5 91702-10045	PIN, CLEVIS	1	
	6 91402-25015	PIN, COTTER	1	
	7 3D7-21447-00	BRACKET, FOOTREST	1	
	8 90149-10031	SCREW	2	
	9 BW3-27200-01	PEDAL, BRAKE	1	
	10 5YK-F7213-00	COLLAR	1	
	11 93210-15414	O-RING	2	
	12 5EL-27216-00	SPRING, RETURN	1	
	13 90201-10028	WASHER, PLATE	1	
	14 90105-10292	BOLT, FLANGE	1	
	15 BW3-F7441-00	FOOTREST, REAR 2	1	
	16 BW3-F742L-00	BRACKET 5	1	
	17 90501-12743	SPRING, COMPRESSION	1	
	18 93501-04011	BALL	1	
	19 5VX-27437-00	WASHER, SPECIAL	1	
	20 91702-08040	PIN, CLEVIS	1	
	21 91401-25015	PIN, COTTER	1	
	22 91312-08040	BOLT, HEXAGON SOCKET HEAD	2	
	23 92902-08600	WASHER, PLATE	2	
	24 95024-10045	BOLT, FLANGE (SMALL HEAD)	2	
	25 90105-08063	BOLT, FLANGE	1	

Fig. 37 REAR MASTER CYLINDER



Ref. No.	Part No.	Description		Remarks
1	BW3-82530-00	STOP SWITCH ASSY	1	
2	5PS-2144G-00	STAY, STOP SWITCH	1	
3	92017-06012	BOLT, BUTTON HEAD	1	
4	4P5-2583V-00	RR. MASTER CYLINDER ASSY.	1	
5	5VX-W0042-51	. CYLINDER KIT, MASTER	1	
6	2D1-2582A-00	. JOINT	1	
7	4BP-2585F-01	. O-RING	1	
8	4BP-27222-02	. JOINT	1	
9	90170-08010	. NUT	2	
10	92014-08025	BOLT, BUTTON HEAD	2	
11	90240-08005	PIN, CLEVIS	1	
12	90201-08070	WASHER, PLATE	1	
13	91401-20012	PIN, COTTER	1	
14	2D1-25894-00	TANK, RESERVOIR	1	
15	5SL-26277-00	. COLLAR	1	
16	5SL-26326-00	. GROMMET	1	
17	5SL-25854-00	DIAPHRAGM, RESERVOIR	1	
18	5SL-25855-00	BUSH,DIAPHRAGM	1	
19	5SL-25852-00	CAP, RESERVOIR	1	
20	BW3-25895-00	HOSE, RESERVOIR	1	
21	90467-120A3	CLIP	2	
22	90119-05021	BOLT, WITH WASHER	1	
23	90464-08012	CLAMP	2	
24	BW3-2584D-00	HOSE, BRAKE	1	
25	BW3-2584E-00	BRAKE HOSE ASSY 5	1	
26	90464-07014	CLAMP	1	
27	90464-04001	CLAMP	2	

Fig. 37 REAR MASTER CYLINDER



Ref. No.	Part No.	Description		Remarks
	28 BW3-2588F-00	HOLDER, BRAKE HOSE 5	1	
	29 95707-06500	NUT, FLANGE	2	
	30 1XB-2175T-00	BRACKET 1	1	
	31 92012-06040	BOLT, BUTTON HEAD	1	
	32 90464-18004	CLAMP	1	
<hr/>				
	33 BW3-F175U-00	BRACKET 2	1	
	34 92017-06012	BOLT, BUTTON HEAD	2	
	35 90401-10020	BOLT, UNION	2	
	36 90430-10005	GASKET	4	
	37 90401-10172	BOLT, UNION	2	
<hr/>				
	38 90430-10005	GASKET	4	
<hr/>				
<hr/>				
<hr/>				
<hr/>				
<hr/>				

Fig. 38 COWLING 1

Ref. No.	Part No.	Description		Remarks
	1 5VN-24188-00	MOLD, FUEL TANK	2	
	2 BEH-F831V-00	STAY, HEAD LIGHT 1	1	
	3 BW3-28336-00	PLATE	2	
	4 90176-08009	NUT, CROWN	2	
	5 BW3-F8321-00	STAY 1	1	
<hr/>				
	6 5D7-F2869-00	MOLE	1	
	7 90520-15X02	DAMPER, PLATE	1	
	8 90387-08115	COLLAR	4	
	9 92017-08050	BOLT, BUTTON HEAD	2	
	10 90176-08009	NUT, CROWN	2	
<hr/>				
	11 BW3-F836K-00	PANEL, INNER 1	1	
	12 90387-06142	COLLAR	3	
	13 90111-06038	BOLT,HEX. SOCKET BUTTON	3	
	14 90183-050A6	NUT, SPRING	1	
	15 90183-062A1	NUT, SPRING	2	
<hr/>				
	16 90338-06018	PLUG	3	
	17 90338-06018	PLUG	4	
	18 BW3-F836L-00	PANEL, INNER 2	1	
	19 90387-06142	COLLAR	3	
	20 90111-06038	BOLT,HEX. SOCKET BUTTON	3	
<hr/>				
	21 90183-050A6	NUT, SPRING	1	
	22 90183-062A1	NUT, SPRING	2	
	23 90338-06018	PLUG	3	
	24 90338-06018	PLUG	4	
	25 BW3-F831T-00	STAY, SUPPORT 1	1	
<hr/>				
	26 90387-06255	COLLAR	2	
	27 90110-06110	BOLT, HEXAGON SOCKET HEAD	2	

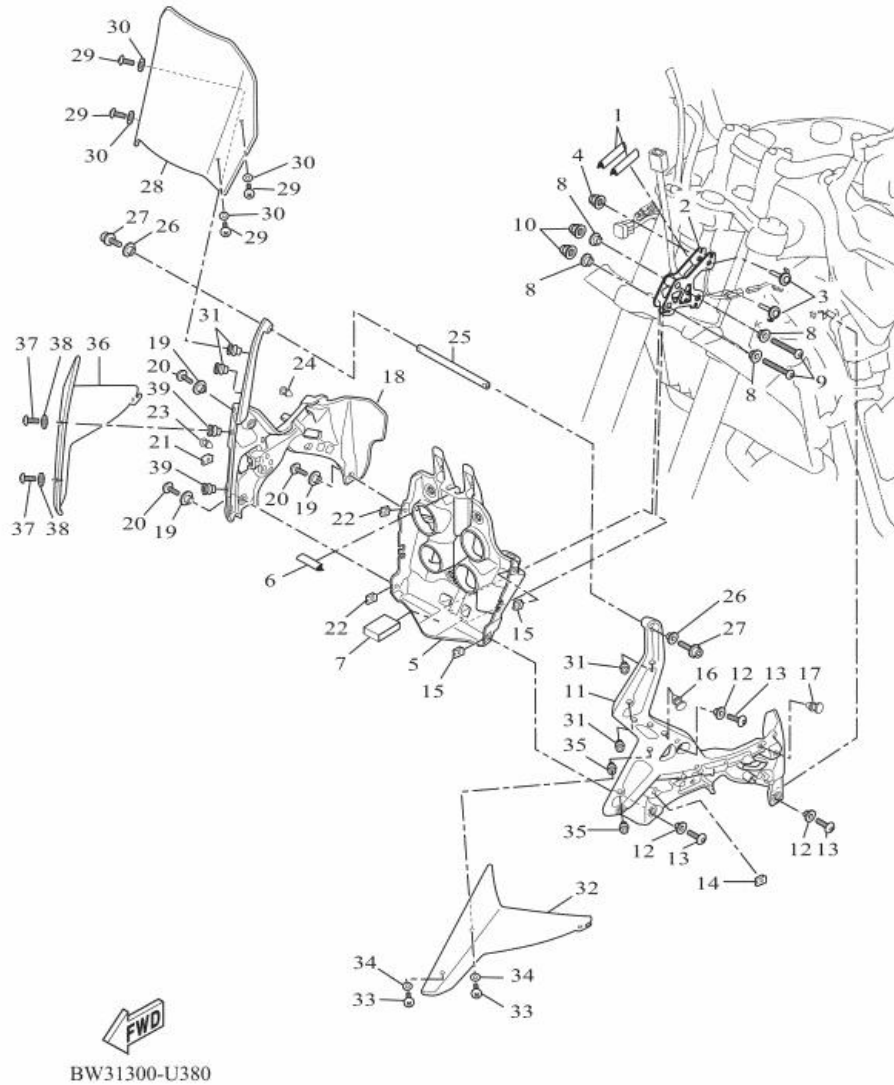
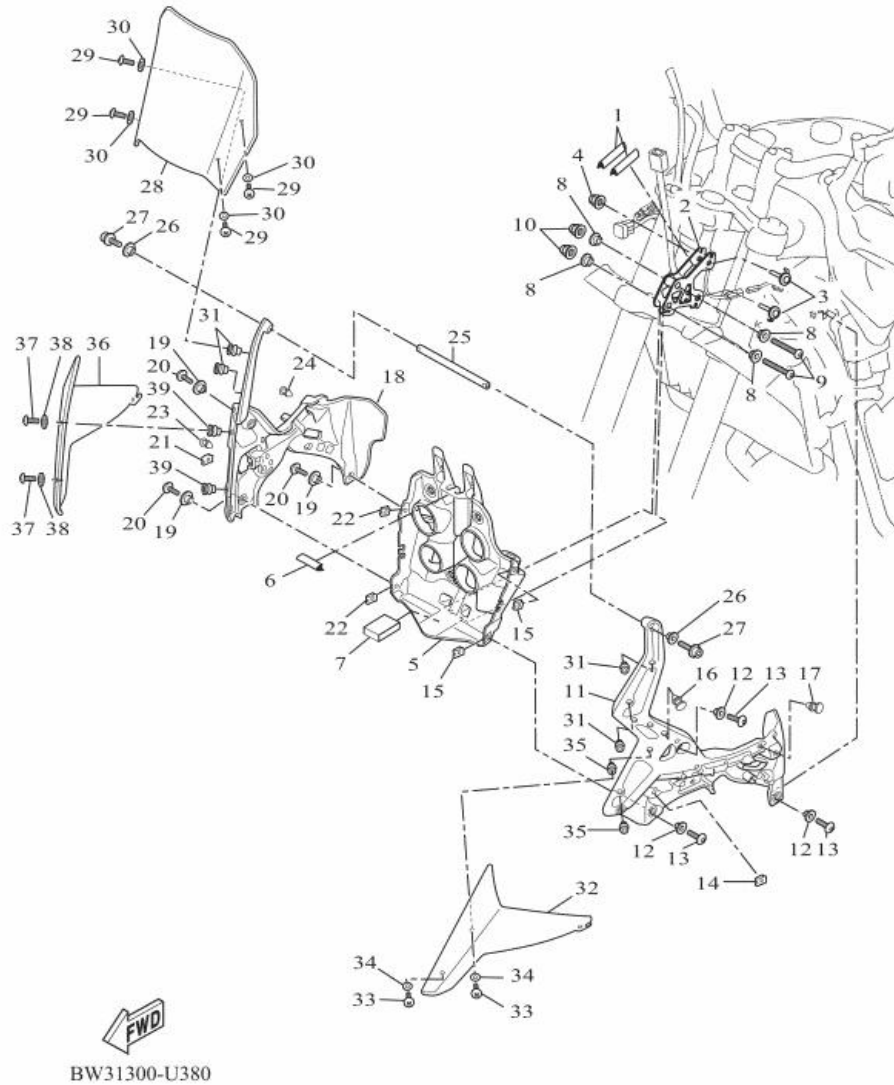
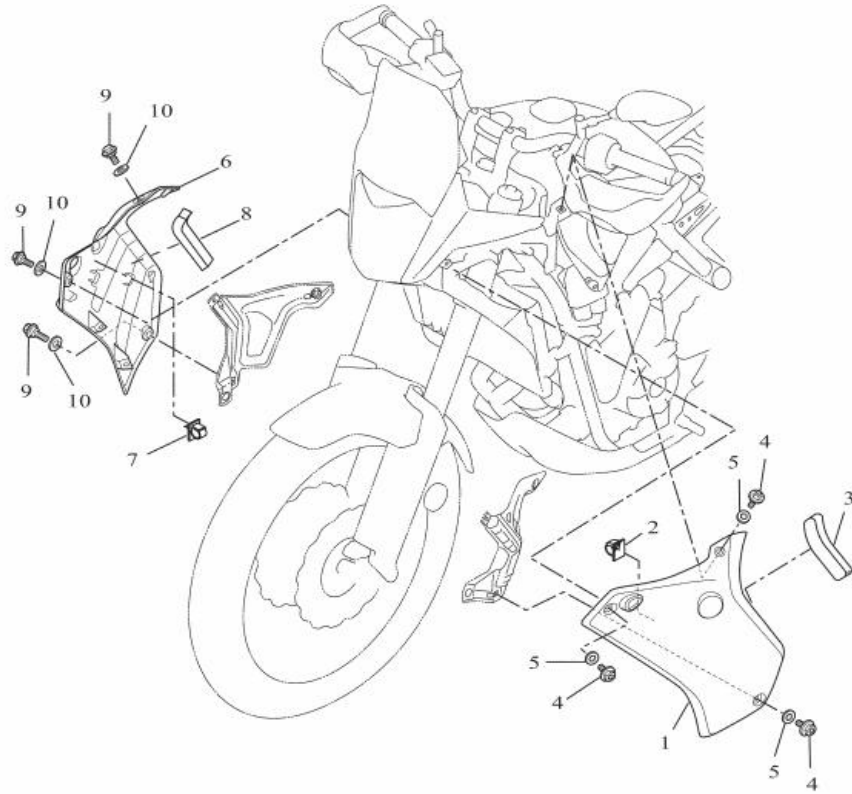


Fig. 38 COWLING 1



Ref. No.	Part No.	Description		Remarks
	28 BW3-F8381-00	WINDSHIELD	1	
	29 90111-05017	BOLT,HEX. SOCKET BUTTON	4	
	30 90202-05X00	WASHER, PLATE	4	
	31 90179-05523	NUT	4	
	32 BW3-F83M3-00	DEFLECTOR	1	
<hr/>				
	33 90111-05017	BOLT,HEX. SOCKET BUTTON	2	
	34 90202-05X00	WASHER, PLATE	2	
	35 90179-05523	NUT	2	
	36 BW3-F83M4-00	DEFLECTOR 2	1	
	37 90111-05017	BOLT,HEX. SOCKET BUTTON	2	
	38 90202-05X00	WASHER, PLATE	2	
	39 90179-05523	NUT	2	
<hr/>				
<hr/>				
<hr/>				
<hr/>				
<hr/>				
<hr/>				
<hr/>				
<hr/>				
<hr/>				
<hr/>				

Fig. 39 COWLING 2

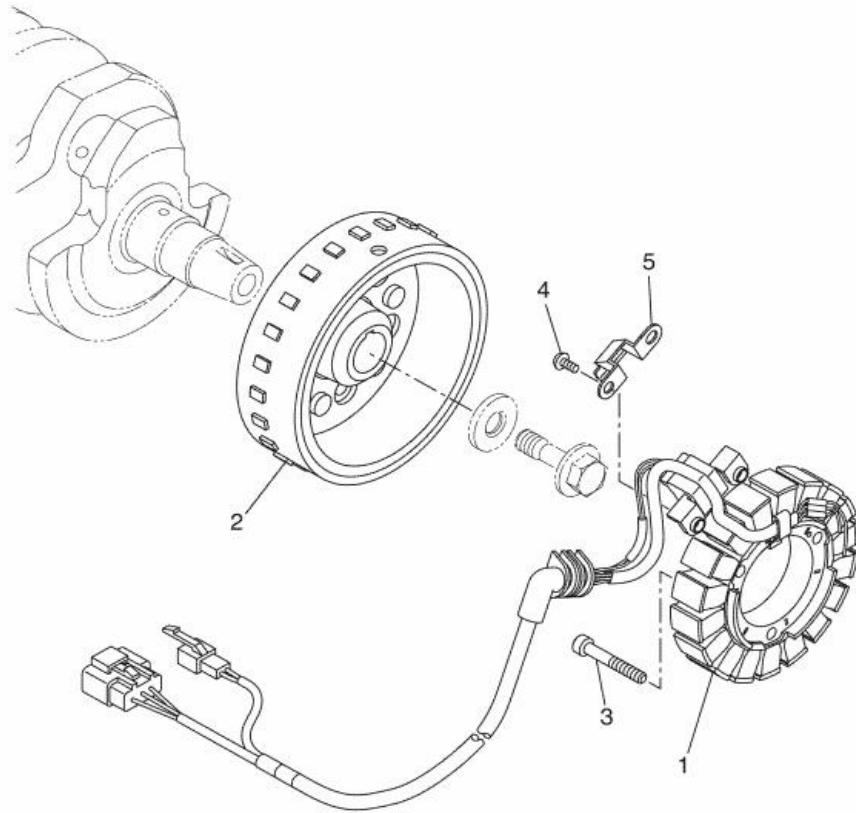


  
BW31300-U390

Ref. No.	Part No.	Description	Quantity	Remarks
	1 BW3-F835U-00-P1	PANEL 1	1	FOR BWCM
	2 90464-62085	CLAMP	1	
	3 90520-15X01	DAMPER, PLATE	1	
	4 90149-05042	SCREW	3	
	5 90202-08006	WASHER, PLATE	3	
	6 BW3-F835V-00-P1	PANEL 2	1	FOR BWCM
	7 90464-62085	CLAMP	1	
	8 90520-15X01	DAMPER, PLATE	1	
	9 90149-05042	SCREW	3	
	10 90202-08006	WASHER, PLATE	3	



Fig. 40 GENERATOR

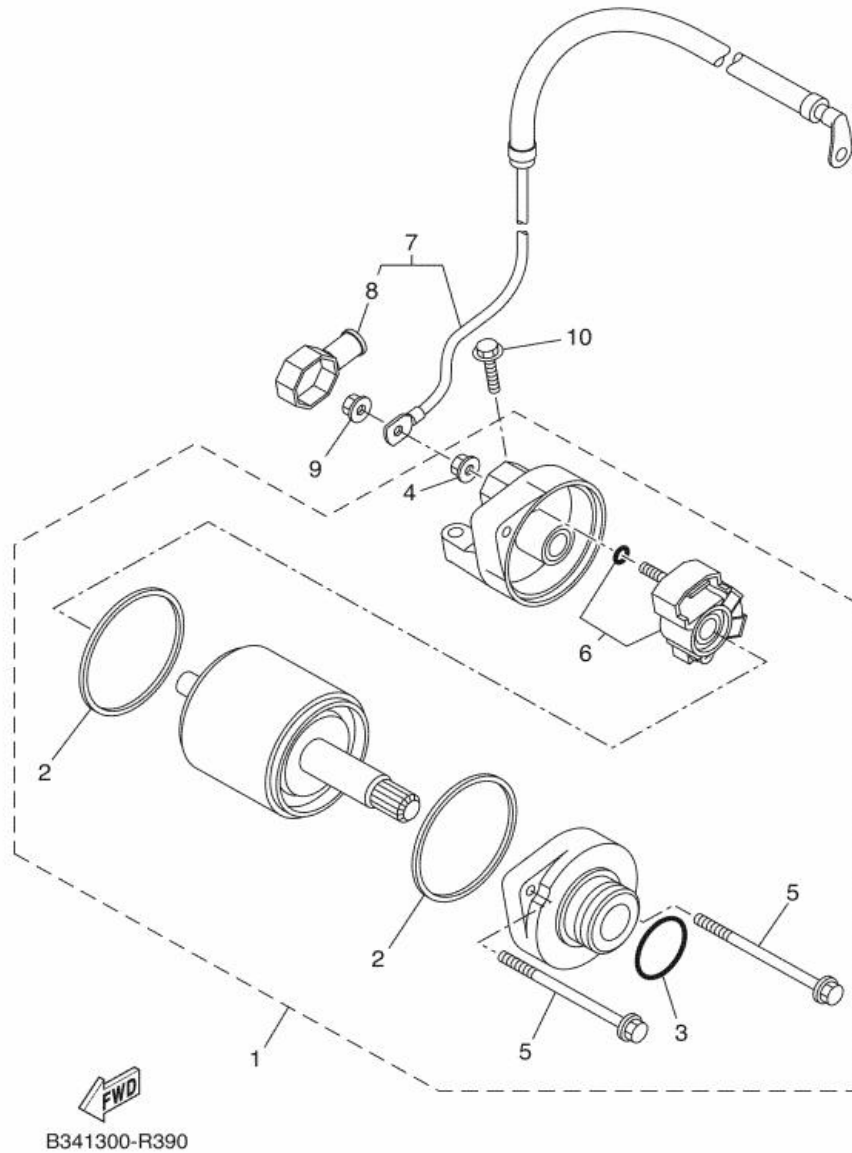


Ref. No.	Part No.	Description		Remarks
	1 BU3-H1410-01	STATOR ASSY	1	
	2 B4T-H1450-01	ROTOR ASSY	1	
	3 90110-06177	BOLT, HEXAGON SOCKET HEAD	3	
	4 90149-06109	SCREW	2	
	5 1WS-15484-00	CLAMP 2	1	
<hr/>				
<hr/>				
<hr/>				
<hr/>				
<hr/>				
<hr/>				
<hr/>				
<hr/>				
<hr/>				
<hr/>				



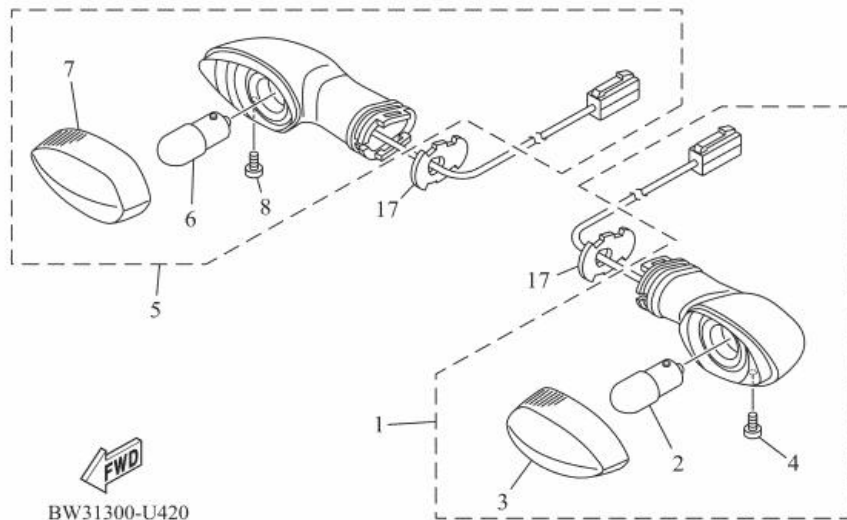
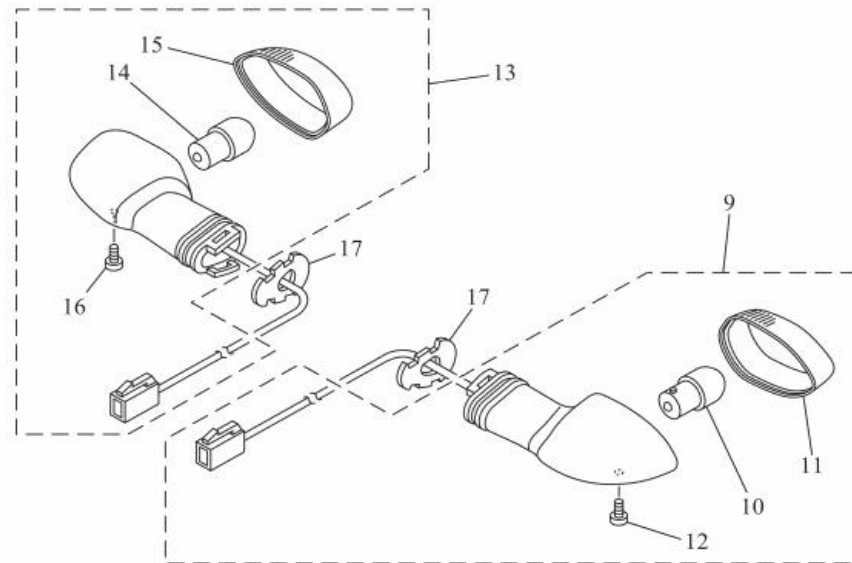
B341300-R380

Fig. 41 STARTING MOTOR



Ref. No.	Part No.	Description		Remarks
1	1WS-81890-00	MOTOR ASSY	1	
2	4B5-81844-00	. GASKET	2	
3	1FK-81847-00	. O-RING	1	
4	4XV-8182A-00	. NUT	1	
5	18P-81826-00	. BOLT	2	
6	18P-81801-00	. BRUSH SET	1	
7	BW3-81815-00	CORD, STARTER MOTOR	1	
8	4B5-81871-00	. CAP	1	
9	4XV-8182A-00	NUT	1	
10	91312-06025	BOLT, HEXAGON SOCKET HEAD	2	

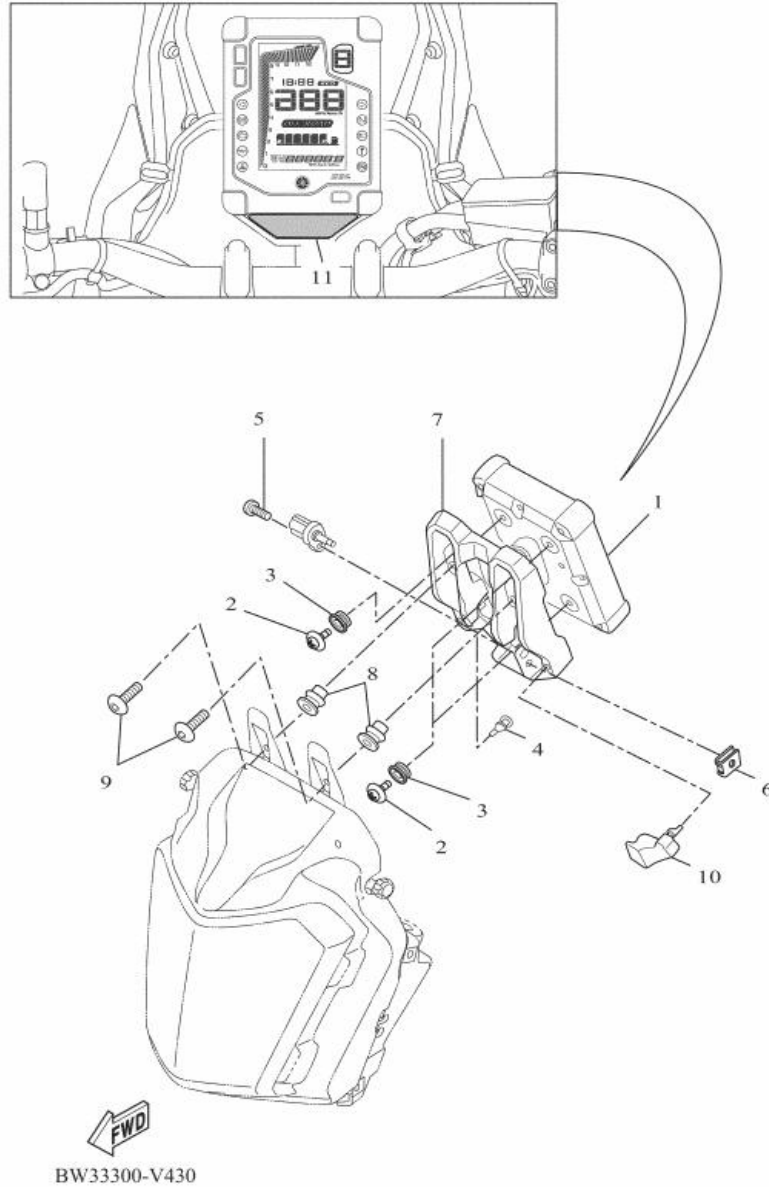
Fig. 42 FLASHER LIGHT



BW31300-U420

Ref. No.	Part No.	Description		Remarks
1	BW3-H3310-00	FRONT FLASHER LIGHT ASSY 1	1	
2	B50-H3311-00	. BULB, FLASHER (12V-10W)	1	
3	1KB-8333A-00	. LENS COMP 1	1	
4	3D9-H3333-10	. SCREW, LENS FITTING	1	
5	BW3-H3320-00	FRONT FLASHER LIGHT ASSY 2	1	
6	B50-H3311-00	. BULB, FLASHER (12V-10W)	1	
7	1KB-8334A-00	. LENS COMP 2	1	
8	3D9-H3333-10	. SCREW, LENS FITTING	1	
9	2SN-H3330-00	REAR FLASHER LIGHT ASSY 1	1	
10	B50-H3311-00	. BULB, FLASHER (12V-10W)	1	
11	1KB-8334A-00	. LENS COMP 2	1	
12	3D9-H3333-10	. SCREW, LENS FITTING	1	
13	2SN-H3340-00	REAR FLASHER LIGHT ASSY 2	1	
14	B50-H3311-00	. BULB, FLASHER (12V-10W)	1	
15	1KB-8333A-00	. LENS COMP 1	1	
16	3D9-H3333-10	. SCREW, LENS FITTING	1	
17	BD6-H3318-10	STAY, FLASHER 1	4	

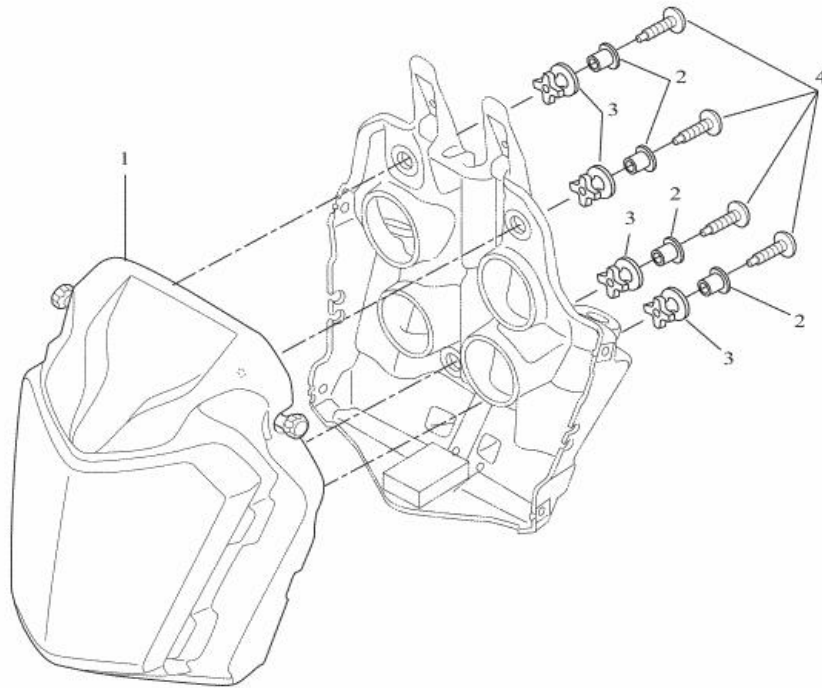
Fig. 43 METER



Ref. No.	Part No.	Description	Remarks
1	BEH-83500-10	METER ASSY	1 UR MPH MODEL
2	90164-05001	SCREW, TAPPING	3
3	5PS-83513-00	DAMPER	3
4	90338-05009	PLUG	1
5	91317-05014	BOLT,HEX.SOCKET HEAD	1
6	90183-050A6	NUT, SPRING	1
7	BW3-F834L-00	BRKT., METER	1
8	90179-06520	NUT	2
9	90149-06104	SCREW	2
10	BW3-H6016-00	COVER, SENSOR	1
11	BW3-F815R-00	LABEL, NOTICE 2	1

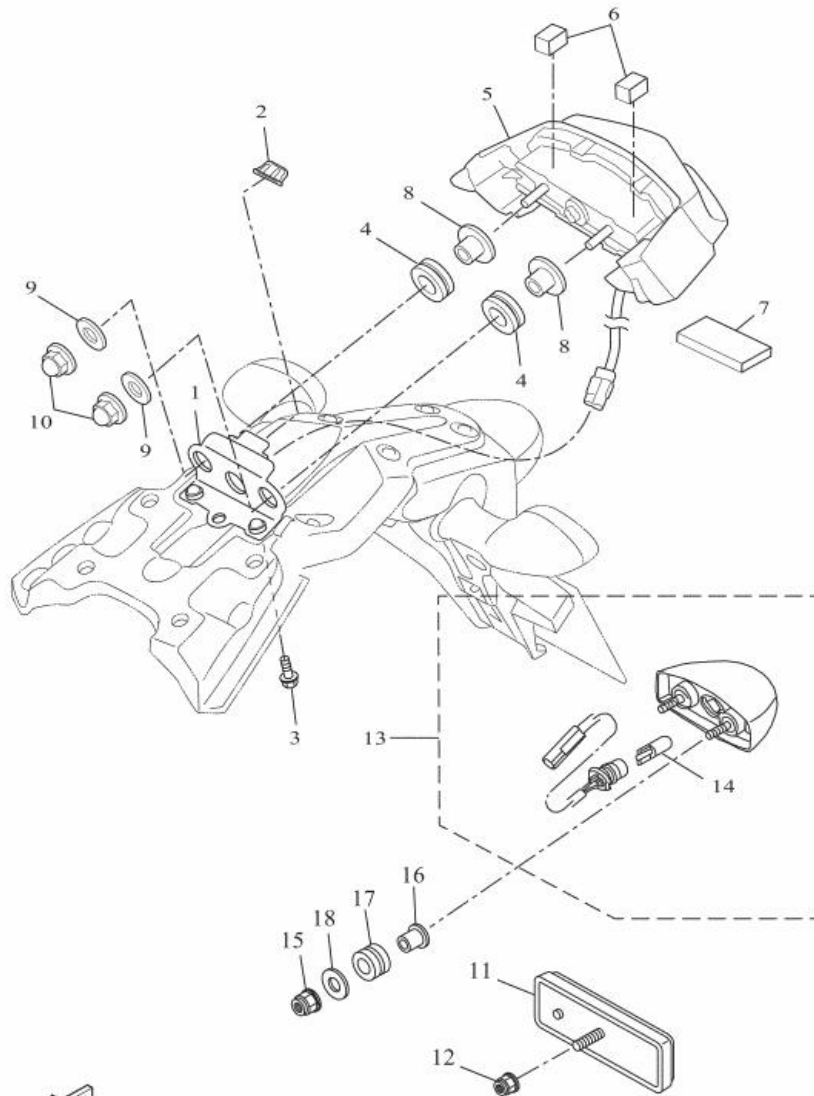
Fig. 44 HEADLIGHT

Ref. No.	Part No.	Description		Remarks
1	BW3-H4300-00	HEADLIGHT ASSY	1	
2	90387-06300	COLLAR	4	
3	90480-15001	GROMMET	4	
4	90111-06179	BOLT,HEX. SOCKET BUTTON	4	



BW31300-U440

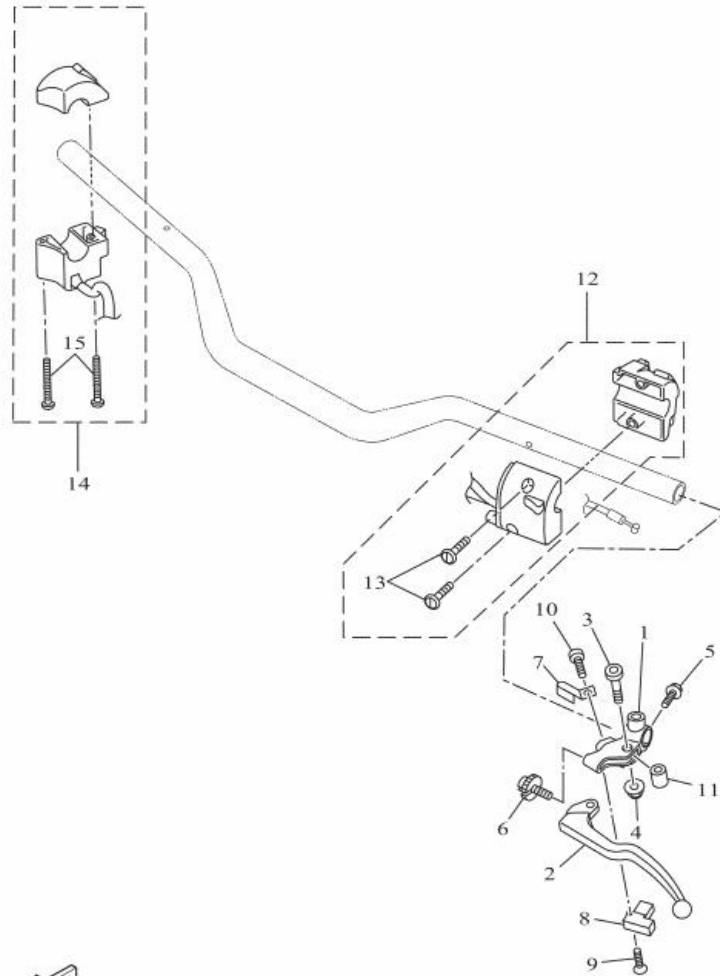
Fig. 45 TAILLIGHT



BW31300-U450

Ref. No.	Part No.	Description		Remarks
	1 BW3-F117E-00	BRACKET, TAILLIGHT	1	
	2 2N4-21717-00	DAMPER	1	
	3 90149-05042	SCREW	2	
	4 90480-18276	GROMMET	2	
	5 BW3-H4700-00	TAILLIGHT ASSY	1	
	6 90520-15X03	DAMPER, PLATE	2	
	7 90520-07X00	DAMPER, PLATE	1	
	8 90387-06150	COLLAR	2	
	9 90201-06023	WASHER, PLATE	2	
	10 90176-06008	NUT, CROWN	2	
	11 3C1-H5130-00	REAR REFLECTOR ASSY	1	
	12 95602-05200	NUT, SELF-LOCKING	1	
	13 BW3-H4740-00	LICENCE LIGHT ASSY	1	
	14 1TP-84347-00	. BULB (12V-5W)	1	
	15 95602-05200	NUT, SELF-LOCKING	2	
	16 90387-05042	COLLAR	2	
	17 90480-12023	GROMMET	2	
	18 90201-054K4	WASHER, PLATE	2	

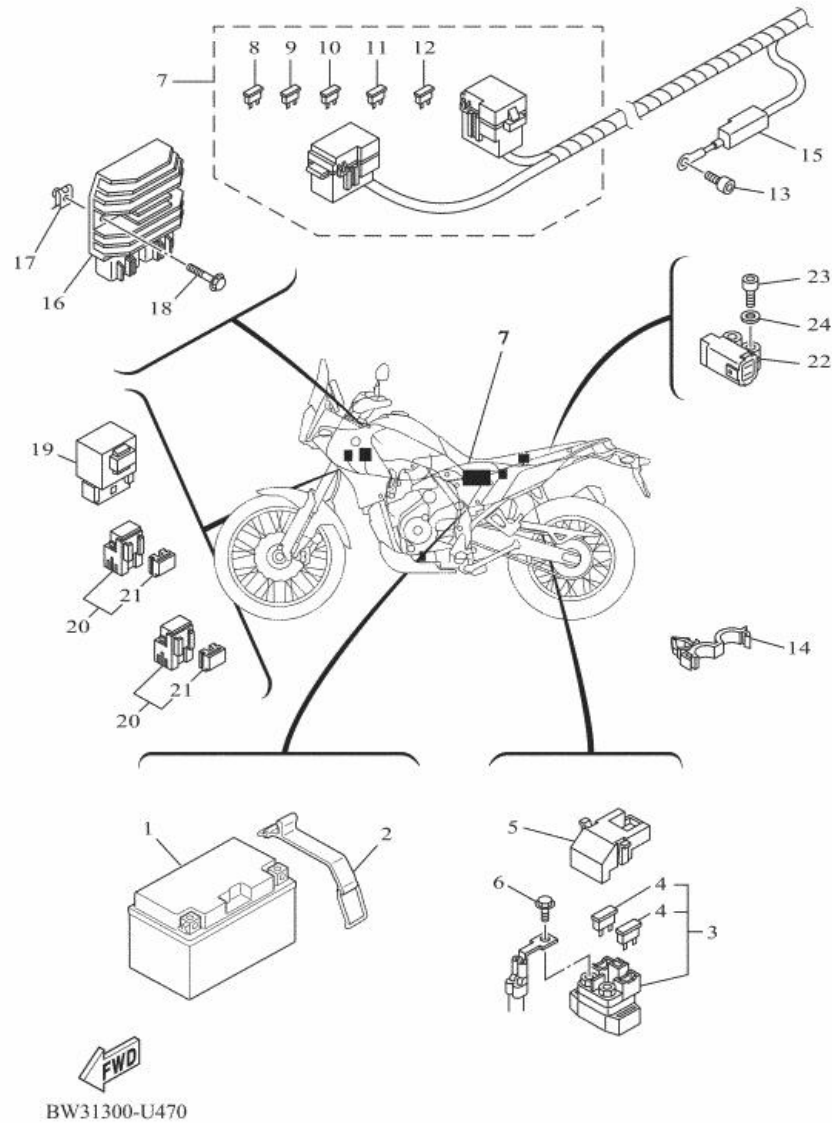
Fig. 46 HANDLE SWITCH & LEVER



BW31300-U460

Ref. No.	Part No.	Description		Remarks
1	1B3-82911-00	HOLDER, LEVER 1	1	
2	5EB-83912-03	LEVER 1	1	
3	2C0-83945-00	BOLT, LEVER	1	
4	95607-06200	NUT, SELF U-FLANGE	1	
5	95027-06020	BOLT, FLANGE	1	
6	5LV-83951-00	BOLT, CABLE ADJUSTING	1	
7	4XV-83929-00	PLATE, SPRING	1	
8	3YX-82917-01	SWITCH	1	
9	98704-03020	SCREW, FLAT HEAD	1	
10	98507-04010	SCREW, PAN HEAD	1	
11	5JJ-83913-00	COLLAR, LEVER 1	1	
12	BW3-83969-00	SWITCH, HANDLE 5	1	
13	98507-05025	. SCREW, PAN HEAD	2	
14	BW3-83963-00	SWITCH, HANDLE 3	1	
15	98507-05045	. SCREW, PAN HEAD	2	

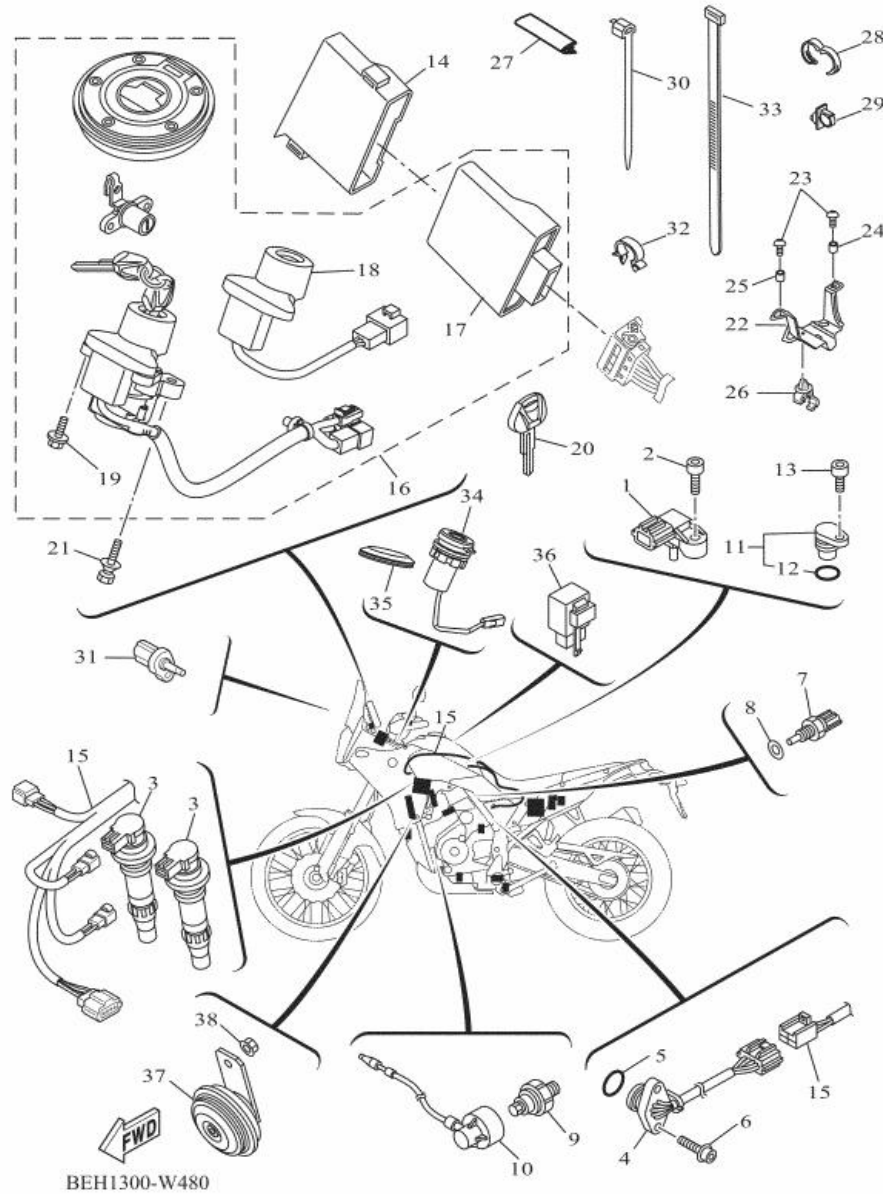
Fig. 47 ELECTRICAL 1



Ref. No.	Part No.	Description		Remarks
	1	5VY-82100-00	BATTERY ASSY (YUASA YTZ10S)	1
	2	4BP-82131-00	BAND, BATTERY	1
	3	1XC-81940-00	STARTER RELAY ASSY (RC19-089B)	1
	4	1AE-82151-00	. FUSE (30A-BL)	2
	5	5SL-82119-10	COVER, LEAD WIRE	1
	6	95022-06008	BOLT, FLANGE	2
	7	BEH-H2590-01	WIRE HARNESS ASSY	1
	8	5JJ-82151-80	. FUSE (2A-BL)	2
	9	5JJ-82151-00	. FUSE (7.5A-BL)	5
	10	5JJ-82151-30	. FUSE (10A-BL)	7
	11	5JJ-82151-20	. FUSE (20A-BL)	2
	12	5JJ-82151-60	. FUSE (30A-BL)	2
	13	91380-06012	BOLT	1
	14	90464-17003	CLAMP	1
	15	1WS-81916-00	COVER, TERMINAL	1
	16	1D7-81960-10	RECTIFIER & REGULATOR ASSY	1
	17	90183-060A6	NUT, SPRING	2
	18	95027-06025	BOLT, FLANGE	2
	19	5VK-81950-31	RELAY ASSY (G8R-30Y-V3)	1
	20	1TP-81950-00	RELAY ASSY (1TP-00)	2
	21	5EA-81952-00	. HOLDER, RELAY	1
	22	5PS-82576-01	SENSOR, LEAN ANGLE	1
	23	91312-04025	BOLT, HEXAGON SOCKET HEAD	2
	24	90201-04030	WASHER, PLATE	2



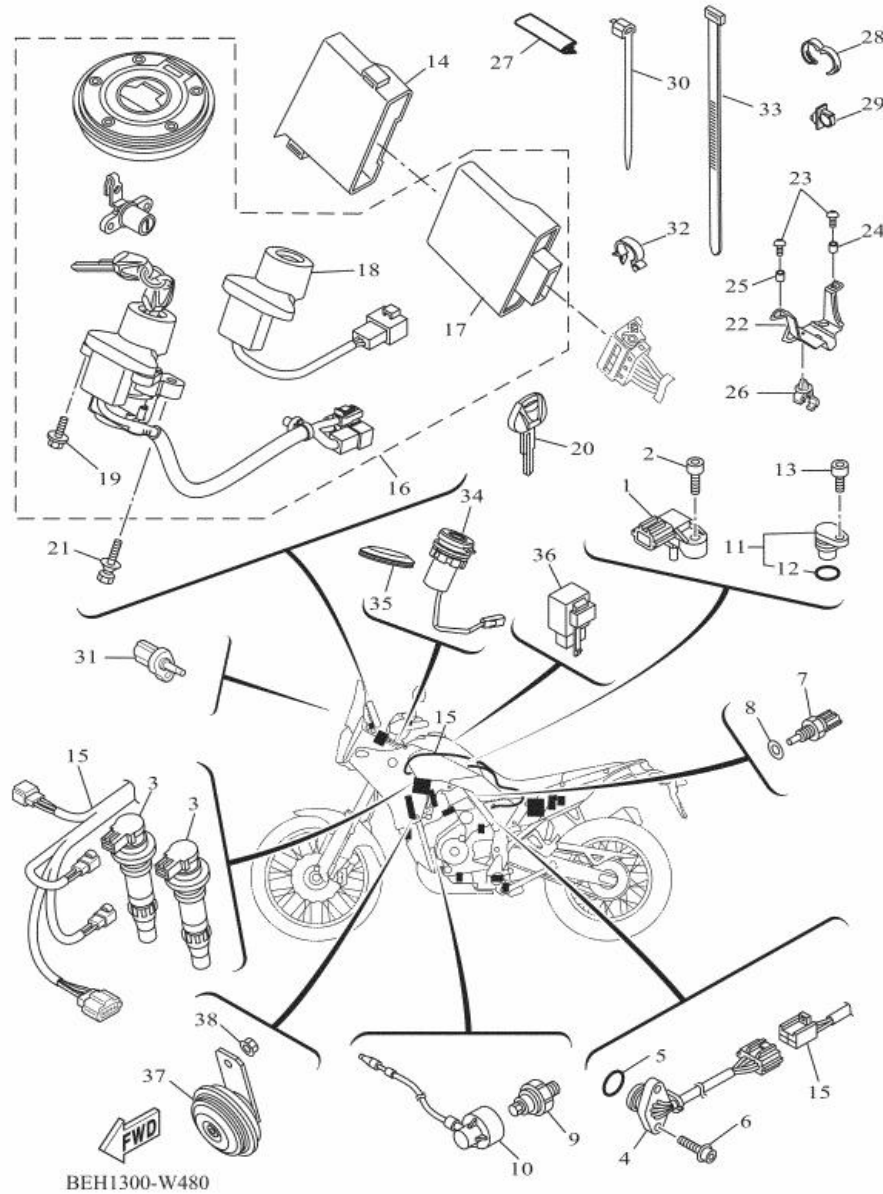
Fig. 48 ELECTRICAL 2



BEH1300-W480

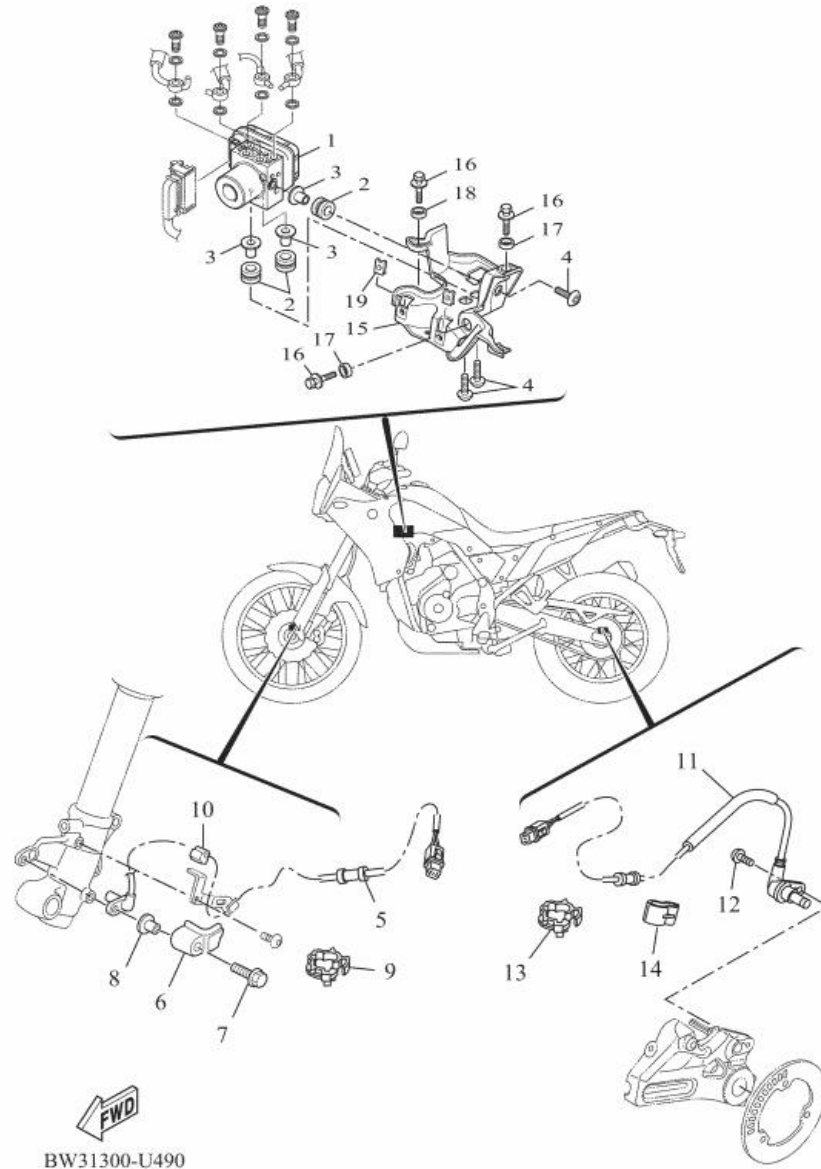
Ref. No.	Part No.	Description	Quantity	Remarks
1	1WS-82380-00	SENSOR, PRESSURE	1	
2	91312-05020	BOLT, HEXAGON SOCKET HEAD	1	
3	1WS-82310-00	IGNITION COIL ASSY	2	
4	BU3-H2540-00	NEUTRAL SWITCH ASSY	1	
5	93210-21801	O-RING	1	
6	90110-05067	BOLT, HEXAGON SOCKET HEAD	2	
7	54P-H3591-00	THERMO UNIT	1	
8	90430-10004	GASKET	1	
9	1WS-82504-00	OIL PRESSURE SWITCH ASSY	1	
10	1WS-81315-00	LEAD WIRE ASSY	1	
11	BU3-E5399-00	PLUG, BLIND	1	
12	93210-15566	. O-RING	1	
13	91312-06016	BOLT, HEXAGON SOCKET HEAD	1	
14	B34-H5546-00	BAND	1	
15	BW3-H2309-00	WIRE, SUB LEAD	1	
16	BEH-W8250-00	MAIN SW. IMMOBILIZER KIT	1	
17	BEH-8591A-00	. ENGINE CONTROL UNIT ASSY	1	
18	BEH-8255P-00	. IMMOBILIZER. UNIT COMP.	1	
19	5SL-82113-01	. SCREW	2	
20	BW3-82511-09	BLANK KEY	1	AP
21	90109-08195	BOLT	2	
22	BW3-H8195-01	HOLDER, CONNECTOR	1	
23	90119-06209	BOLT, WITH WASHER	2	
24	90387-1001B	COLLAR	1	
25	90387-06372	COLLAR	1	
26	90464-10800	CLAMP	1	
27	31A-24188-01	MOLD, FUEL TANK	1	

Fig. 48 ELECTRICAL 2



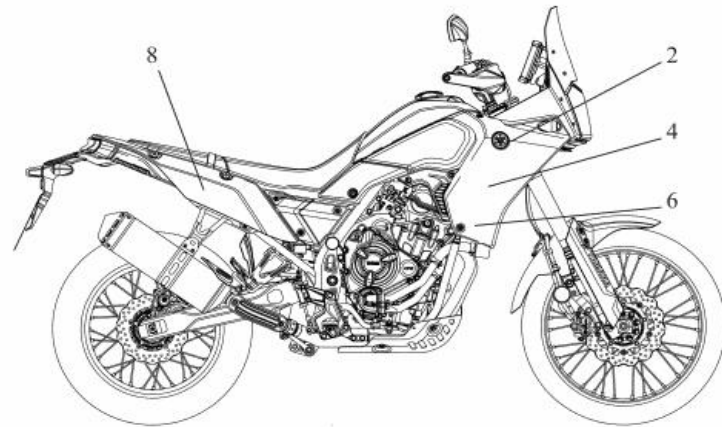
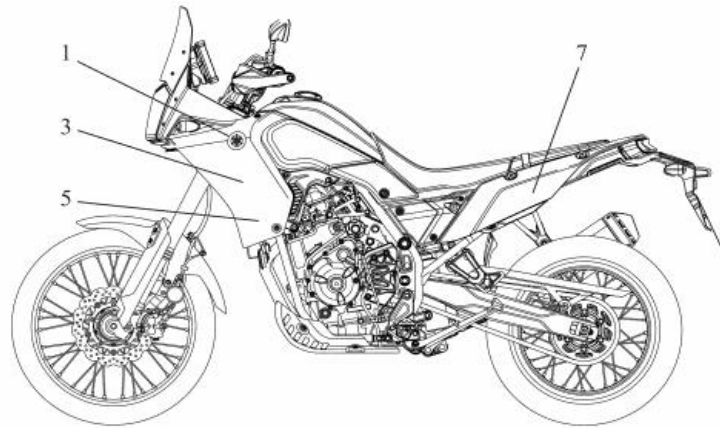
Ref. No.	Part No.	Description		Remarks
28	90464-14010	CLAMP	3	
29	90464-30009	CLAMP	2	
30	90464-13073	CLAMP	4	(125.0x7.0)
31	5YU-85886-00	SENSOR, AIR TEMPERATURE	1	
32	90464-24230	CLAMP	1	
33	4KH-H3936-01	BAND, SWITCH CORD	13	(249X4.80)
34	B56-8254B-01	TERMINAL COMP.	1	
35	2BS-24747-00	DAMPER, SEAT	1	
36	3XV-83350-22	FLASHER RELAY ASSY	1	
37	1WS-83371-00	HORN	1	
38	90179-06018	NUT	1	

Fig. 49 ELECTRICAL 3



Ref. No.	Part No.	Description		Remarks
1	BW3-85930-09	HYDRAULIC UNIT ASSY	1	
2	90480-14229	GROMMET	3	
3	90387-06313	COLLAR	3	
4	90111-06051	BOLT,HEX. SOCKET BUTTON	3	
5	BW3-H5970-02	WHEEL SENSOR ASSY, FRONT	1	
6	BW3-F517A-00	HOUSING, SENSOR FRONT	1	
7	95824-06030	BOLT, FLANGE	1	
8	90387-06221	COLLAR	1	
9	90464-12013	CLAMP	3	
10	90464-05188	CLAMP	1	
11	BW3-H5980-01	WHEEL SENSOR ASSY, REAR	1	
12	95802-06016	BOLT, FLANGE	1	
13	90464-12013	CLAMP	1	
14	90464-10233	CLAMP	4	
15	BW3-H5991-01	BRACKET, UNIT	1	
16	90119-06209	BOLT, WITH WASHER	3	
17	90387-1001B	COLLAR	2	
18	90387-06372	COLLAR	1	
19	90183-05076	NUT, SPRING	1	

Fig. 50 GRAPHIC & EMBLEM



BW31300-U500

Ref. No.	Part No.	Description	Remarks
1	1RC-2413B-01	EMBLEM	1
2	1RC-2413B-01	EMBLEM	1
3	BW3-F8391-00	GRAPHIC 1	1 UR FOR BWCM
4	BW3-F8392-00	GRAPHIC 2	1 UR FOR BWCM
5	BW3-F8393-00	GRAPHIC 3	1 UR FOR BWCM
6	BW3-F8394-00	GRAPHIC 4	1 UR FOR BWCM
7	BW3-F173E-00	GRAPHIC 1	1 UR FOR BWCM
8	BW3-F173F-00	GRAPHIC 2	1 UR FOR BWCM
-----			
-----			
-----			
-----			
-----			
-----			
-----			
-----			