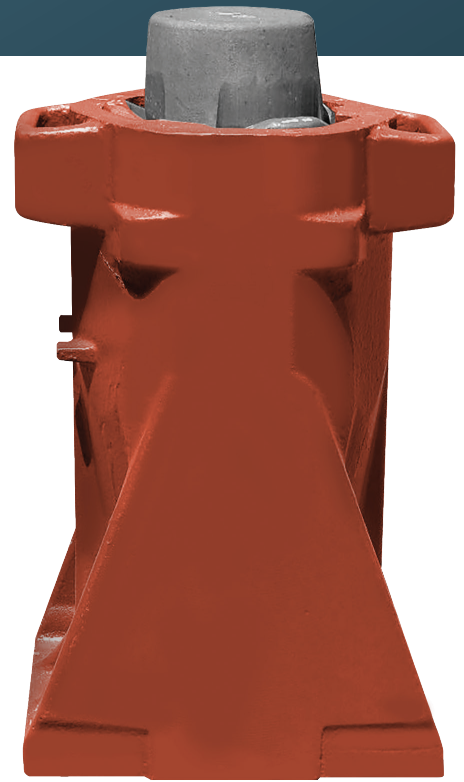


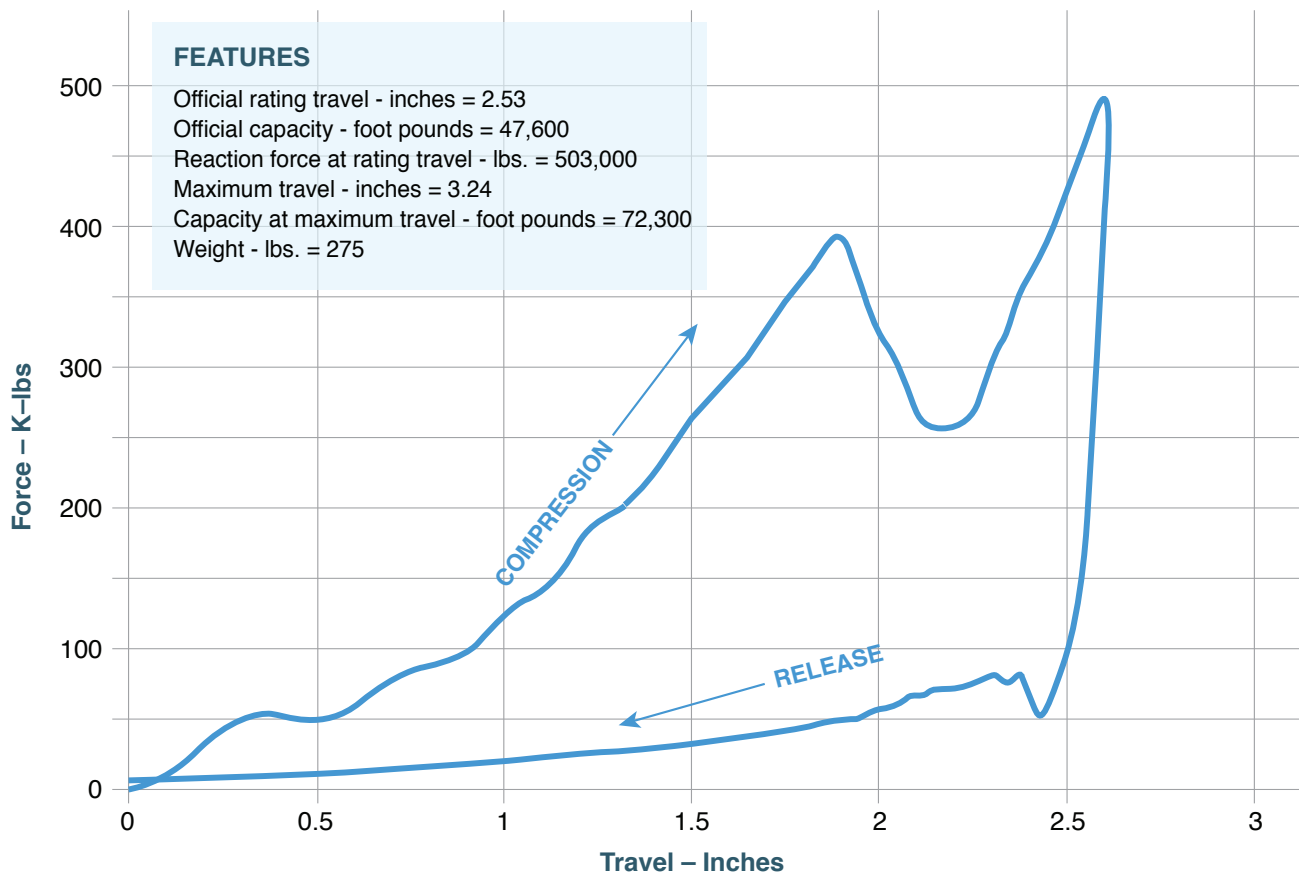
Endurance 325™ Friction Draft Gear

Protection, performance and durability
in one lightweight package

- Lightweight, high-performance gear
- AAR M90IE unconditionally approved
- Offers 3-1/4" of travel in both the buff and draft direction
- Delivers 80 lb. weight savings over comparable 90IE gears
- Fits a standard 24-5/8" draft gear pocket
- Utilizes the AAR Standard Yoke and Follower
- Optimized housing design for longer life (lower stresses)



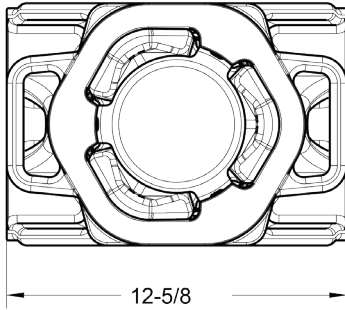
Endurance 325 Typical Drop Hammer Performance Graph



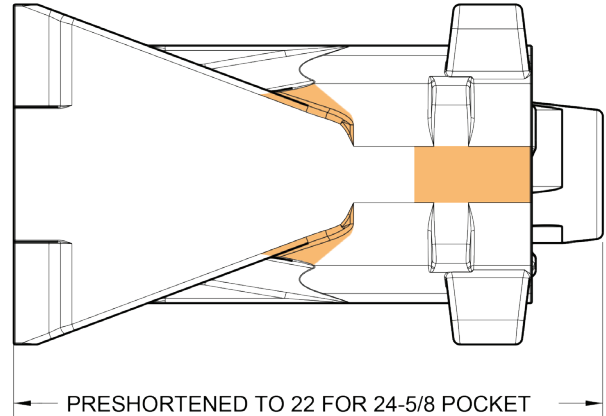
A world apart in reliability **Amsted Rail**®

Endurance 325 Design Configurations

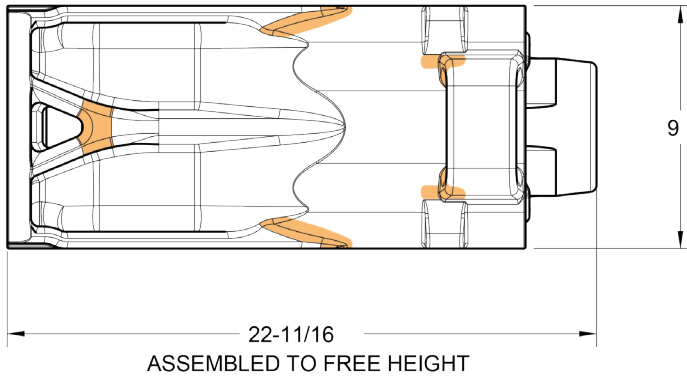
Right View



Bottom View

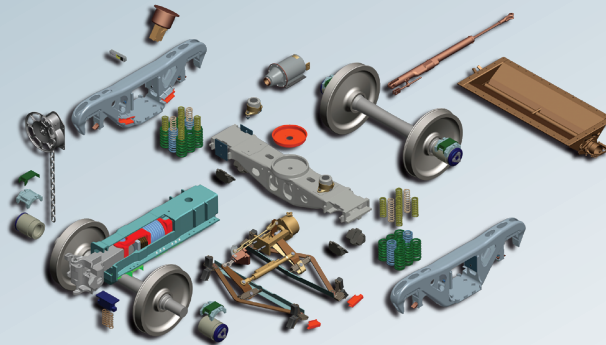


Side View



 Areas of optimized housing design

Amsted Rail, the global leader in fully integrated freight car systems for the heavy haul rail market.



Amsted Rail has been an industry leader in freight railroading for more than 100 years. Our experience, dedication and efficiency in servicing today's demanding heavy haul operations is unequalled as we keep railcars rolling in some of the world's toughest railroad environments. To learn more, visit www.amstedrail.com.

A world apart in reliability **Amsted Rail**[®]