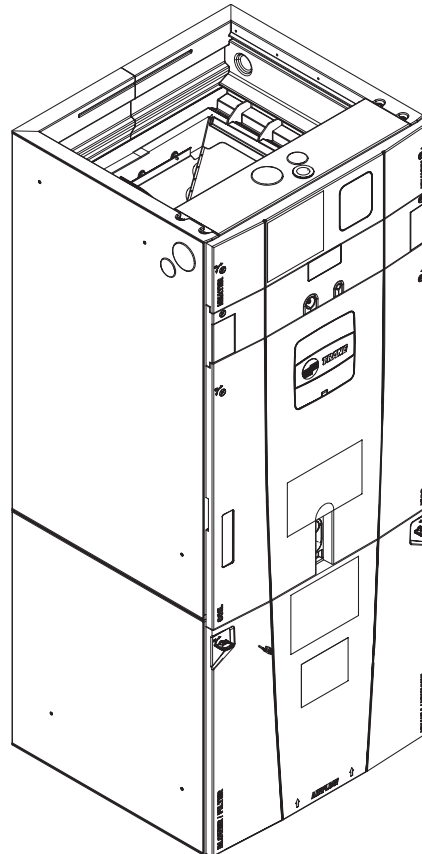




TRANE®

Modular Multi-position Air Handlers

TAM4A0A18S11SA
TAM4A0A24S21SA
TAM4A0A30S21SA
TAM4A0A36S31SA
TAM4A0B42S31SA
TAM4A0C48S41SA
TAM4A0C60S51SA



PUB. NO. 22-1848-02



Features and Benefits

- Unique Cabinet Design
 - Double Wall Foamed and Formed Cabinet System
 - Water Proof Cabinet Design
 - > R-4.2 Insulating Value (Avg Insulating Value R-8.2)
 - Composite Foamed Cabinet Doors
 - Sweat Eliminating Cabinet Design
 - Loose Fiber Eliminating Cabinet Design
 - Smooth Cleanable Cabinet Design
 - 2% or Less air leakage
 - Precision Durable Door Seals
 - 5/16" Allen Wrench "Quick Latch" Modular Cabinet
- Multi-Position UP/Down Flow Horizontal Left /Right
- Side Return Option
- Braze in Refrigerant Connection
- Primary/Secondary Condensate Connections
- Conduit Connection with Easy Removal Plugs
- Alert Port to view Codes without door removal
- Vortica Blower with Integrated Slide Deck for Easy Removal
- Polarized Plug connections on Blower
- Control Protection Pocket
- Aluminum Coil with Integrated Slide Deck for Easy Removal
- Polarized Plug connections on Coil EEV
- Slide in Electric Heaters
- Polarized Plug connections for Electric Heater
- Labeled Panels and connections
- 1-1/4" to 1" And 3/4" to 1/2" Conduit connection on Left, Right and Top
- Molded in 1" Standard Filter rail
- Electronic Expansion Valve (EEV) With Low Ambient and Low Superheat Protection
- Dual Refrigerant Compatible as Shipped
- Low Voltage Terminal Connection Point
- 8 Alert Codes
- Enhanced Coil Fin Patented
- Blow Through Design
- PSC 3 Speed Motor (1-1/2 to 4 ton)
- High Efficiency ECM Motor (5 ton)
- Maximum Width of 23.5"
- Compact 20.8" depth with doors removed
- Integrated Horizontal Drain pans
- Single Color
- Fused 24V Power
- Safety Door Switch
- 1 Year Warranty
- 10 Year Warranty Registered
- Warranty Mirrors Outdoor
- Optional extended warranty available



Contents

Features and Benefits	2
Optional Equipment	4
Unique Cabinet Design Features and Benefits	5
General Data	6
TAM4A0A18S11SA	6
TAM4A0A24S21SA	6
TAM4A0A30S21SA	6
TAM4A0A36S31SA	6
TAM4A0B42S31SA	6
TAM4A0C48S41SA	7
TAM4A0C60S51SA	7
Performance Data	8
Electrical Data	15
Field Wiring	22
Convertibility	24
Dimensions	25

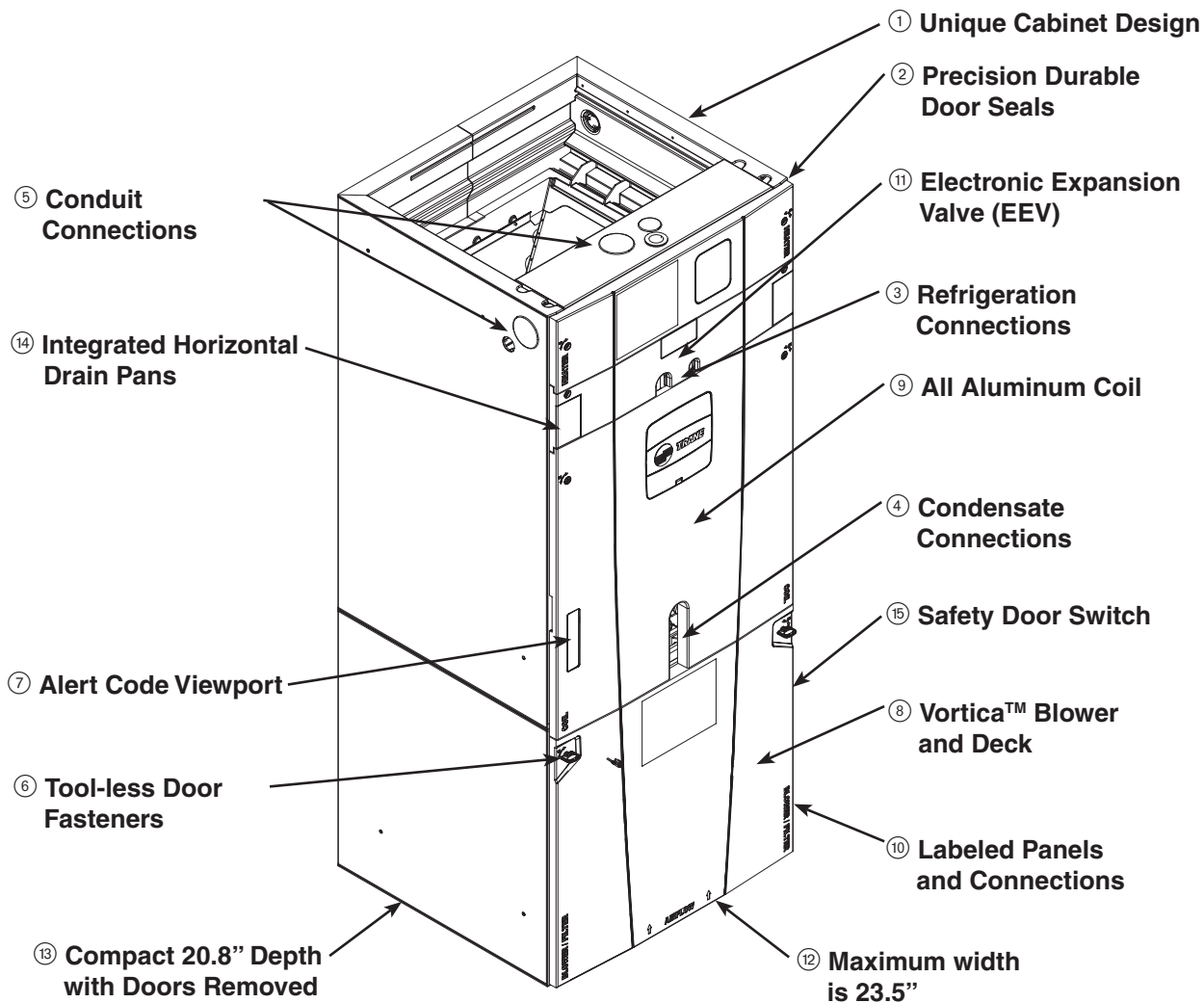


Optional Equipment

OPTIONAL EQUIPMENT FOR AIR HANDLERS

Accessory Number	Description	Fits Cabinet Size
BAYEAAC05BK1A	Electric Heater, 5kW, Breaker, 24V Control, 1 Ph	A to C
BAYEAAC05LG1A	Electric Heater, 5kW, Lugs, 24V Control, 1 Ph	A to C
BAYEAAC08BK1A	Electric Heater, 8kW, Breaker, 24V Control, 1 Ph	A to C
BAYEAAC08LG1A	Electric Heater, 8kW, Lugs, 24V Control, 1 Ph	A to C
BAYEAAC10BK1A	Electric Heater, 10kW, Breaker, 24V Control, 1 Ph	A to C
BAYEAAC10LG1A	Electric Heater, 10kW, Lugs, 24V Control, 1 Ph	A to C
BAYEAAC10LG3A	Electric Heater, 10kW, Lugs, 24V Control, 3 Ph	A to C
BAYEABC15BK1A	Electric Heater, 15kW, Breaker, 24V Control, 1 Ph	A to C
BAYEABC15LG3A	Electric Heater, 15kW, Lugs, 24V Control, 3 Ph	A to C
BAYEABC20BK1A	Electric Heater, 20kW, Breaker, 24V Control, 1 Ph	B to C
BAYEACC25BK1A	Electric Heater, 25kW, Breaker, 24V Control, 1 Ph	C
BAYSUPFLGAA	Supply Duct Flange A	A
BAYSUPFLGBA	Supply Duct Flange B	B
BAYSUPFLGCA	Supply Duct Flange C	C
BAYRETFLGAA	Return Duct Flange A	A
BAYRETFLGB	Return Duct Flange B	B
BAYRETFLGCA	Return Duct Flange C	C
TASB175	Plenum Stand A	A
TASB215	Plenum Stand B	B
TASB235	Plenum Stand C	C
BAYSRKIT100A	Side Return Kit	A to C
BAYICSKIT01A	Internal Condensate Switch Kit	A to C
BAYHHKIT001A	Horizontal Hanger Kit	A to C
BAYUVCLK001A	UVC Lights	A to C
BAYLVKIT100A	Low Voltage Conduit Entry Kit	A to C
BAYSPEKT200A	Single Point Power Entry Kit	B to C

Unique Cabinet Design Features and Benefits



- ① **Unique Cabinet Design**
 - Double wall foamed cabinet system
 - Waterproof Cabinet Design
 - R-4.2 Insulating Value
 - Composite Foamed Cabinet Doors
 - Sweat Eliminating Cabinet Design
 - Loose Fiber Eliminating Design
 - Smooth Cleanable Cabinet Design

- ② **Precision Durable Door Seals**
- ③ **Brazed Refrigeration Connections**

- ④ **Primary/Secondary Condensate Connections**

- ⑤ **Conduit Connections** - Conduit Connections on Left, Right, and Top

- ⑥ **Tool-less Door Fasteners**

- ⑦ **Alert Code Viewport**

- Alert Codes can be Viewed Without Door Removal
- Control Protection Pocket

- ⑧ **Vortica™ Blower and Deck** - Polarized Plug on Blower

- ⑨ **All Aluminum Coil**
 - Integrated Slide Deck for Easy Removal
 - Polarized Plug connections on Coil EEV
 - Patented Enhanced Coil Fin

- ⑩ **Labeled Panels and Connections**

- ⑪ **Electronic Expansion Valve (EEV)**
 - Low Ambient and Low Superheat Protection
 - Dual Refrigerant Compatible as Shipped

- ⑫ **Maximum width is 23.5"**

- ⑬ **Compact 20.8" Depth with Doors Removed**

- ⑭ **Integrated Horizontal Drain Pans**

- ⑮ **Safety Door Switch** - Fused 24V Power

- ⑯ **5/16" Allen Wrench "Quick Latch" Modular Cabinet**



TRANE®

General Data

PRODUCT SPECIFICATIONS

MODEL	TAM4A0A18S11SA	TAM4A0A24S21SA	TAM4A0A30S21SA
RATED VOLTS/PH/HZ.	208-230/1/60	208-230/1/60	208-230/1/60
RATINGS ①	See O.D. Specifications	See O.D. Specifications	See O.D. Specifications
INDOOR COIL — Type	Plate Fin	Plate Fin	Plate Fin
Rows — F.P.I.	3 - 14	3 - 14	3 - 14
Face Area (sq. ft.)	3.21	3.21	3.21
Tube Size (in.)	3/8	3/8	3/8
Refrigerant Control	EEV	EEV	EEV
Drain Conn. Size (in.) ②	3/4 NPT	3/4 NPT	3/4 NPT
DUCT CONNECTIONS	See Outline Drawing	See Outline Drawing	See Outline Drawing
INDOOR FAN — Type	Centrifugal	Centrifugal	Centrifugal
Diameter-Width (In.)	11 X 8	10 X 8	10 X 10
No. Used	1	1	1
Drive - No. Speeds	Direct - 3	Direct - 3	Direct - 5
CFM vs. in. w.g.	See Fan Performance Table	See Fan Performance Table	See Fan Performance Table
No. Motors — H.P.	1 - 1/3	1 - 1/4	1 - 1/3
Motor Speed R.P.M.	825	1075	1075
Volts/Ph/Hz	208-230/1/60	208-230/1/60	208-230/1/60
F.L. Amps - L.R. Amps	2.0 - 4.1	1.3 - 2.6	1.7 - 3.5
FILTER			
Filter Furnished?	No	No	No
Type Recommended	Throwaway	Throwaway	Throwaway
No.-Size-Thickness	1 - 16 X 20 - 1 in.	1 - 16 X 20 - 1 in.	1 - 16 X 20 - 1 in.
REFRIGERANT	R-410A	R-410A	R-410A
Ref. Line Connections	Brazed	Brazed	Brazed
Coupling or Conn. Size — in. Gas	3/4	3/4	3/4
Coupling or Conn. Size — in. Liq.	3/8	3/8	3/8
DIMENSIONS			
	H x W x D	H x W x D	H x W x D
Crated (In.)	51 x 20 x 24-1/2	51 x 20 x 24-1/2	51 x 20 x 24-1/2
Uncrated	49-15/16 x 17-1/2 x 21-13/16	49-15/16 x 17-1/2 x 21-13/16	49-15/16 x 17-1/2 x 21-13/16
WEIGHT			
Shipping (Lbs.)/Net (Lbs.)	123/113	126/116	127/117

PRODUCT SPECIFICATIONS

MODEL	TAM4A0A36S31SA	TAM4A0B42S31SA
RATED VOLTS/PH/HZ.	208-230/1/60	208-230/1/60
RATINGS ①	See O.D. Specifications	See O.D. Specifications
INDOOR COIL — Type	Plate Fin	Plate Fin
Rows — F.P.I.	3 - 14	3 - 14
Face Area (sq. ft.)	3.67	5.04
Tube (in.)	3/8	3/8
Refrigerant Control	EEV	EEV
Drain Conn. Size (in.) ②	3/4 NPT	3/4 NPT
DUCT CONNECTIONS	See Outline Drawing	See Outline Drawing
INDOOR FAN — Type	Centrifugal	Centrifugal
Diameter-Width (In.)	11 X 8	10 X 10
No. Used	1	1
Drive - No. Speeds	Direct - 3	Direct - 3
CFM vs. in. w.g.	See Fan Performance Table	See Fan Performance Table
No. Motors — H.P.	1 - 1/2	1 - 1/2
Motor Speed R.P.M.	1075	1075
Volts/Ph/Hz	208-230/1/60	208-230/1/60
F.L. Amps	2.4 - 3.8	2.7 - 5.0
FILTER		
Filter Furnished?	No	No
Type Recommended	Throwaway	Throwaway
No.-Size-Thickness	1 - 16 X 20 - 1 in.	1 - 20 X 20 - 1 in.
REFRIGERANT	R-410A	R-410A
Ref. Line Connections	Brazed	Brazed
Coupling or Conn. Size — in. Gas	3/4	7/8
Coupling or Conn. Size — in. Liq.	3/8	3/8
DIMENSIONS		
	H x W x D	H x W x D
Crated (In.)	51 x 20 x 24-1/2	56-13/16 x 23-1/2 x 24-1/2
Uncrated	49-15/16 x 17-1/2 x 21-13/16	55-23/32 x 21-5/16 x 21-13/16
WEIGHT		
Shipping (Lbs.)/Net (Lbs.)	131/120	144/133

**TRANE®**

General Data

PRODUCT SPECIFICATIONS

MODEL	TAM4A0C48S41SA	TAM4A0C60S51SA
RATED VOLTS/PH/HZ.	208-230/1/60	208-230/1/60
RATINGS ①	See O.D. Specifications	See O.D. Specifications
INDOOR COIL — Type	Plate Fin	Plate Fin
Rows — F.P.I.	3 - 14	4 - 14
Face Area (sq. ft.)	5.50	5.50
Tube Size (in.)	3/8	3/8
Refrigerant Control	EEV	EEV
Drain Conn. Size (in.) ②	3/4 NPT	3/4 NPT
DUCT CONNECTIONS	See Outline Drawing	See Outline Drawing
INDOOR FAN — Type	Centrifugal	Centrifugal
Diameter-Width (In.)	11 X 10	11 X 10
No. Used	1	1
Drive - No. Speeds	Direct - 3	Direct - 5 ③
CFM vs. in. w.g.	See Fan Performance Table	See Fan Performance Table
No. Motors — H.P.	1 - 1/2	1 - 1
Motor Speed R.P.M.	1075	1050
Volts/Ph/Hz	208-230/1/60	208-230/1/60
F.L. Amps	3.1 - 5.5	7.6
FILTER		
Filter Furnished?	No	No
Type Recommended	Throwaway	Throwaway
No.-Size-Thickness	1 - 22 X 20 - 1 in.	1 - 22 X 20 - 1 in.
REFRIGERANT	R-410A	R-410A
Ref. Line Connections	Brazed	Brazed
Coupling or Conn. Size — in. Gas	7/8	7/8
Coupling or Conn. Size — in. Liq.	3/8	3/8
DIMENSIONS		
Crated (In.)	H x W x D 58 x 25-1/2 x 24-1/2	H x W x D 62-13/16 x 25-1/2 x 24-1/2
Uncrated	56-15/16 x 23-1/2 x 21-13/16	61-23/32 x 23-1/2 x 21-13/16
WEIGHT		
Shipping (Lbs.)/Net (Lbs.)	155/143	171/159

① These Air Handlers are A.H.R.I. certified with various Split System Air Conditioners and Heat Pumps (AHRI STANDARD 210/240). Refer to the Split System Outdoor Unit Product Data Guides for performance data.

② 3/4" Male Plastic Pipe (Ref.: ASTM 1785-76)

③ Constant torque motor



Performance Data

TAM4A0A18 AIRFLOW PERFORMANCE TABLE

AIRFLOW PERFORMANCE						
*AM4A0A18S11SA						
EXTERNAL STATIC (in w.g)	AIRFLOW (CFM)					
	Speed Taps - 230 VOLTS			Speed Taps - 208 VOLTS		
	3	2 †	1	3	2 †	1
0	1091	743	677	1065	621	561
0.1	1024	719	659	999	606	544
0.2	952	690	635	929	583	524
0.3	875	651	598	852	551	492
0.4	799	601	553	782	510	451
0.5	726	536	488	706	453	390
0.6	621	431	390	604	369	315
0.7	500	320	N/A	474	225	N/A
0.8	321	N/A	N/A	302	N/A	N/A
0.9	N/A	N/A	N/A	N/A	N/A	N/A

NOTES:
 1. Values are with wet coil and without filters.
 2. Contact your particular filter manufacturer for pressure drop data.
 3. Electric heater pressure drop is negligible and is included within the airflow data.
 4. † Factory Setting
 * May be "A" or "T"

*AM4A0A18S11SA MINIMUM HEATER AIRFLOW CFM		
Heater	Minimum Air Speed Tap	
	With Heat Pump	Without Heat Pump
BAYEAAC05BK1AA BAYEAAC05LG1AA	Tap 1	Tap 1
BAYEAAC08BK1AA BAYEAAC08LG1AA	Tap 2	Tap 1
BAYEAAC10BK1AA BAYEAAC10LG1AA	Tap 3	Tap 2
BAYEABC15BK1AA	-	-
BAYEABC20BK1AA	-	-

SEE AIR HANDLER NAMEPLATE OR PRODUCT DATA FOR EXCEPTIONS
 * May be "A" or "T"

Note: Heating and cooling speeds are the same, factory set at Speed Tap #2.



Performance Data

TAM4A0A24 AIRFLOW PERFORMANCE TABLE

AIRFLOW PERFORMANCE						
*AM4A0A24S21SA						
EXTERNAL STATIC (in w.g)	AIRFLOW (CFM)					
	Speed Taps - 230 VOLTS			Speed Taps - 208 VOLTS		
	3	2 †	1	3	2 †	1
0	1036	871	774	929	746	663
0.1	1008	838	747	890	720	636
0.2	965	806	712	856	686	605
0.3	922	767	676	815	654	564
0.4	875	726	638	777	618	518
0.5	823	681	591	733	568	464
0.6	769	608	505	675	479	398
0.7	673	498	422	572	393	N/A
0.8	515	402	322	436	303	N/A
0.9	339	242	N/A	279	N/A	N/A

NOTES:
 1. Values are with wet coil and without filters.
 2. Contact your particular filter manufacturer for pressure drop data.
 3. Electric heater pressure drop is negligible and is included within the airflow data.
 4. † Factory Setting
 * May be "A" or "T"

*AM4A0A24S21SA MINIMUM HEATER AIRFLOW CFM		
Heater	Minimum Air Speed Tap	
	With Heat Pump	Without Heat Pump
BAYEAAC05BK1AA BAYEAAC05LG1AA	Tap 1	Tap 1
BAYEAAC08BK1AA BAYEAAC08LG1AA	Tap 1	Tap 1
BAYEAAC10BK1AA BAYEAAC10LG1AA	Tap 2	Tap 1 ①
BAYEABC15BK1AA	-	-
BAYEABC20BK1AA	-	-

SEE AIR HANDLER NAMEPLATE OR PRODUCT DATA FOR EXCEPTIONS
 * May be "A" or "T"
 ① Minimum Speed Tap is 3 for Horizontal Left only.

Note: Heating and cooling speeds are the same, factory set at Speed Tap #2.



Performance Data

TAM4A0B30 AIRFLOW PERFORMANCE TABLE

AIRFLOW PERFORMANCE						
*AM4A0A30S21SA						
EXTERNAL STATIC (in w.g)	AIRFLOW (CFM)					
	Speed Taps - 230 VOLTS			Speed Taps - 208 VOLTS		
	3	2 †	1	3	2 †	1
0	1202	1013	944	1145	867	798
0.1	1156	985	922	1102	847	779
0.2	1102	947	892	1059	838	774
0.3	1049	909	859	1006	795	733
0.4	1000	867	822	958	774	714
0.5	943	823	783	900	726	672
0.6	883	767	738	843	681	621
0.7	822	709	658	778	601	542
0.8	749	583	542	697	492	441
0.9	684	440	N/A	628	N/A	N/A
1.0	613	N/A	N/A	549	N/A	N/A

NOTES:
 1. Values are with wet coil and without filters.
 2. Contact your particular filter manufacturer for pressure drop data.
 3. Electric heater pressure drop is negligible and is included within the airflow data.
 4. † Factory Setting
 * May be "A" or "T"

*AM4A0A30S21SA MINIMUM HEATER AIRFLOW CFM		
Heater	Minimum Air Speed Tap	
	With Heat Pump	Without Heat Pump
BAYEAAC05BK1AA BAYEAAC05LG1AA	Tap 1	Tap 1
BAYEAAC08BK1AA BAYEAAC08LG1AA	Tap 2	Tap 1
BAYEAAC10BK1AA BAYEAAC10LG1AA	Tap 2	Tap 1
BAYEABC15BK1AA	Tap 3	Tap 2
BAYEABC20BK1AA	-	-

SEE AIR HANDLER NAMEPLATE OR PRODUCT DATA FOR EXCEPTIONS
 * May be "A" or "T"

Note: Heating and cooling speeds are the same, factory set at Speed Tap #2.



Performance Data

TAM4A0B36 AIRFLOW PERFORMANCE TABLE

AIRFLOW PERFORMANCE						
*AM4A0A36S31SA						
EXTERNAL STATIC (in w.g)	AIRFLOW (CFM)					
	Speed Taps - 230 VOLTS			Speed Taps - 208 VOLTS		
	3	2 †	1	3	2 †	1
0	1456	1322	1170	1351	1189	1015
0.1	1417	1288	1140	1316	1164	990
0.2	1375	1254	1107	1279	1131	963
0.3	1328	1214	1075	1236	1100	938
0.4	1278	1179	1045	1197	1056	916
0.5	1239	1150	1018	1171	1030	888
0.6	1212	1117	983	1137	991	852
0.7	1164	1071	936	1092	948	807
0.8	1107	1017	877	1036	895	748
0.9	1040	942	799	967	828	688
1.0	953	843	724	882	753	608

NOTES:
 1. Values are with wet coil and without filters.
 2. Contact your particular filter manufacturer for pressure drop data.
 3. Electric heater pressure drop is negligible and is included within the airflow data.
 4. † Factory Setting
 * May be "A" or "T"

*AM4A0A36S31SA MINIMUM HEATER AIRFLOW CFM		
Heater	Minimum Air Speed Tap	
	With Heat Pump	Without Heat Pump
BAYEAAC05BK1AA BAYEAAC05LG1AA	Tap 1	Tap 1
BAYEAAC08BK1AA BAYEAAC08LG1AA	Tap 2 ①	Tap 2 ①
BAYEAAC10BK1AA BAYEAAC10LG1AA	Tap 3 ②	Tap 2 ②
BAYEABC15BK1AA	Tap 3	Tap 2
BAYEABC20BK1AA	-	-

SEE AIR HANDLER NAMEPLATE OR PRODUCT DATA FOR EXCEPTIONS
 * May be "A" or "T"
 ① Heater not approved for Horizontal Left installations. Upflow installation approved for 240 Volts only.
 ② Approved for 240 Volts only. Approved for Upflow only.

Note: Heating and cooling speeds are the same, factory set at Speed Tap #2.



TRANE®

Performance Data

TAM4A0C42 AIRFLOW PERFORMANCE TABLE

AIRFLOW PERFORMANCE						
*AM4A0B42S31SA						
EXTERNAL STATIC (in w.g.)	AIRFLOW (CFM)					
	Speed Taps - 230 VOLTS			Speed Taps - 208 VOLTS		
	3	2 †	1	3	2 †	1
0	1646	1495	1358	1522	1298	1138
0.1	1599	1464	1335	1489	1285	1137
0.2	1546	1421	1313	1449	1260	1120
0.3	1488	1380	1280	1401	1233	1099
0.4	1425	1329	1233	1348	1193	1065
0.5	1353	1264	1178	1281	1140	1023
0.6	1259	1182	1108	1202	1075	958
0.7	1145	1081	995	1102	965	868
0.8	982	909	839	926	817	753
0.9	788	759	731	761	713	N/A
1.0	563	N/A	N/A	538	N/A	N/A

NOTES:
 1. Values are with wet coil and without filters.
 2. Contact your particular filter manufacturer for pressure drop data.
 3. Electric heater pressure drop is negligible and is included within the airflow data.
 4. † Factory Setting
 * May be "A" or "T"

*AM4A0B42S31SA MINIMUM HEATER AIRFLOW CFM		
Heater	Minimum Air Speed Tap	
	With Heat Pump	Without Heat Pump
BAYEAAC05BK1AA BAYEAAC05LG1AA	Tap 1	Tap 1
BAYEAAC08BK1AA BAYEAAC08LG1AA	Tap 1	Tap 1
BAYEAAC10BK1AA BAYEAAC10LG1AA	Tap 1	Tap 1
BAYEABC15BK1AA	Tap 1	Tap 1
BAYEABC20BK1AA	Tap 3	Tap 1

SEE AIR HANDLER NAMEPLATE OR PRODUCT DATA FOR EXCEPTIONS
 * May be "A" or "T"

Note: Heating and cooling speeds are the same, factory set at Speed Tap #2.



Performance Data

TAM4A0C48 AIRFLOW PERFORMANCE TABLE

AIRFLOW PERFORMANCE						
*AM4A0C48S41SA						
EXTERNAL STATIC (in w.g)	AIRFLOW (CFM)					
	Speed Taps - 230 VOLTS			Speed Taps - 208 VOLTS		
	3	2 †	1	3	2 †	1
0	1904	1711	1541	1652	1455	1305
0.1	1881	1687	1529	1640	1450	1288
0.2	1844	1666	1511	1619	1425	1271
0.3	1806	1637	1485	1592	1410	1249
0.4	1766	1602	1454	1559	1381	1231
0.5	1716	1560	1420	1524	1351	1198
0.6	1659	1513	1380	1484	1321	1165
0.7	1594	1458	1333	1434	1283	1127
0.8	1525	1395	1277	1376	1229	1067
0.9	1442	1310	1194	1304	1149	N/A
1.0	1345	N/A	N/A	1194	N/A	N/A

NOTES:

1. Values are with wet coil and without filters.
 2. Contact your particular filter manufacturer for pressure drop data.
 3. Electric heater pressure drop is negligible and is included within the airflow data.
 4. † Factory Setting
- * May be "A" or "T"

*AM4A0C48S41SA MINIMUM HEATER AIRFLOW CFM		
Heater	Minimum Air Speed Tap	
	With Heat Pump	Without Heat Pump
BAYEAAC05BK1AA BAYEAAC05LG1AA	Tap 1	Tap 1
BAYEAAC08BK1AA BAYEAAC08LG1AA	Tap 1	Tap 1
BAYEAAC10BK1AA BAYEAAC10LG1AA	Tap 1	Tap 1
BAYEABC15BK1AA	Tap 1	Tap 1
BAYEABC20BK1AA	Tap 1	Tap 1
BAYEACC25BK1AA	Tap 3	Tap 2 ①

SEE AIR HANDLER NAMEPLATE OR PRODUCT DATA FOR EXCEPTIONS
 * May be "A" or "T"
 ① Not approved for 208 Volt without Heat Pump

Note: Heating and cooling speeds are the same, factory set at Speed Tap #2.



Performance Data

TAM4A0C60 AIRFLOW PERFORMANCE TABLE

AIRFLOW PERFORMANCE										
*AM4A0C60S51SA										
EXTERNAL STATIC (in w.g)	AIRFLOW (CFM)									
	Speed Taps - 230 VOLTS					Speed Taps - 208 VOLTS				
	5	4 †	3	2	1	5	4 †	3	2	1
0	2169	1956	1874	1739	1633	2165	2033	1871	1736	1629
0.1	2161	1916	1839	1696	1588	2155	1990	1833	1690	1582
0.2	2130	1889	1803	1667	1554	2121	1961	1795	1659	1545
0.3	2102	1850	1774	1628	1523	2090	1919	1763	1617	1511
0.4	2066	1818	1741	1596	1491	2052	1884	1727	1582	1477
0.5	2015	1785	1707	1564	1457	1998	1848	1690	1547	1440
0.6	1959	1754	1673	1520	1408	1939	1814	1653	1500	1389
0.7	1888	1716	1638	1477	1372	1880	1774	1615	1455	1349
0.8	1811	1680	1605	1440	1323	1820	1735	1580	1415	1298
0.9	1750	1628	1561	1403	1291	1770	1680	1533	1376	1263
1.0	1680	1604	1533	1368	1256	1725	1654	1503	1337	1226

NOTES:

1. Values are with wet coil and without filters.
 2. Contact your particular filter manufacturer for pressure drop data.
 3. Electric heater pressure drop is negligible and is included within the airflow data.
 4. † Factory Setting
- * May be "A" or "T"

*AM4A0C60S51SA MINIMUM HEATER AIRFLOW CFM		
Heater	Minimum Air Speed Tap	
	With Heat Pump	Without Heat Pump
BAYEAAC05BK1AA BAYEAAC05LG1AA	Tap 2	Tap 2
BAYEAAC08BK1AA BAYEAAC08LG1AA	Tap 3	Tap 2
BAYEAAC10BK1AA BAYEAAC10LG1AA	Tap 3	Tap 2
BAYEABC15BK1AA	Tap 4	Tap 3
BAYEABC20BK1AA	Tap 4	Tap 3
BAYEACC25BK1AA	Tap 5	Tap 4

SEE AIR HANDLER NAMEPLATE OR PRODUCT DATA FOR EXCEPTIONS
* May be "A" or "T"

Note: Heating and cooling speeds are the same, factory set at Speed Tap #4 for the CTM motor.



Electrical Data

WIRING DATA											
TAM4A0A18S11SA											
Heater Model No.	No. of Circuits	240 VOLT					208 VOLT				
		Capacity		Heater Amps per Circuit	Minimum Circuit Ampacity	Maximum Overload Protection	Capacity		Heater Amps per Circuit	Minimum Circuit Ampacity	Maximum Overload Protection
		kW	BTUH				kW	BTUH			
No Heater	-	-	-	2.0**	3	15	-	-	2.0**	3	15
BAYEAAC05++	1	4.80	16400	20	28	30	3.60	12300	17.30	24	25
BAYEAAC08++	1	7.68	26200	32	43	45	5.76	19700	27.70	37	40
BAYEAAC10++	1	9.60	32800	40	53	60	7.20	24600	34.60	46	50

Note: ** Motor Amps

WIRING DATA											
TAM4A0A24S21SA											
Heater Model No.	No. of Circuits	240 VOLT					208 VOLT				
		Capacity		Heater Amps per Circuit	Minimum Circuit Ampacity	Maximum Overload Protection	Capacity		Heater Amps per Circuit	Minimum Circuit Ampacity	Maximum Overload Protection
		kW	BTUH				kW	BTUH			
No Heater	-	-	-	1.3**	2	15	-	-	1.3**	2	15
BAYEAAC05++	1	4.80	16400	20	27	30	3.60	12300	17.30	23	25
BAYEAAC08++	1	7.68	26200	32	42	45	5.76	19700	27.70	36	40
BAYEAAC10++	1	9.60	32800	40	52	60	7.20	24600	34.60	45	45

Note: ** Motor Amps

WIRING DATA											
TAM4A0A30S21SA											
Heater Model No.	No. of Circuits	240 VOLT					208 VOLT				
		Capacity		Heater Amps per Circuit	Minimum Circuit Ampacity	Maximum Overload Protection	Capacity		Heater Amps per Circuit	Minimum Circuit Ampacity	Maximum Overload Protection
		kW	BTUH				kW	BTUH			
No Heater	-	-	-	1.7**	2	15	-	-	1.7**	2	15
BAYEAAC05++	1	4.80	16400	20	27	30	3.60	12300	17.3	24	25
BAYEAAC08++	1	7.68	26200	32	42	45	5.76	19700	27.7	37	40
BAYEAAC10++	1	9.60	32800	40	52	60	7.20	24600	34.6	45	45
BAYEABC15++											
circuit 1		9.60	32800	40	52	60	7.20	24600	34.6	45	45
circuit 2		4.80	16400	20	25	25	3.60	12300	17.3	22	25

Note: ** Motor Amps



TRANE®

Electrical Data

WIRING DATA											
*AM4A0A36S31SA											
Heater Model No.	No. of Circuits	240 VOLT					208 VOLT				
		Capacity		Heater Amps per Circuit	Minimum Circuit Ampacity	Maximum Overload Protection	Capacity		Heater Amps per Circuit	Minimum Circuit Ampacity	Maximum Overload Protection
		kW	BTUH				kW	BTUH			
No Heater	-	-	-	2.4**	3	15	-	-	2.4**	3	15
BAYEAAC05++	1	4.80	16400	20	28	30	3.60	12300	17.3	25	25
BAYEAAC08++ ①	1	7.68	26200	32	43	45	5.76	19700	27.7	38	40
BAYEAAC10++ ②	1	9.60	32800	40	53	60	N/A ②	N/A ②	N/A ②	N/A ②	N/A ②
BAYEABC15++											
circuit 1		9.60	32800	40	53	60	7.20	24600	34.6	46	50
circuit 2		4.80	16400	20	25	25	3.60	12300	17.3	22	25

Note: ** Motor Amps
 * May be "A" or "T"
 ① Heater not approved for Horizontal Left installations. Upflow Installation approved for 240 Volts only.
 ② Approved for 240 Volts only. Approved for Upflow only.

WIRING DATA											
TAM4A0B42S31SA											
Heater Model No.	No. of Circuits	240 VOLT					208 VOLT				
		Capacity		Heater Amps per Circuit	Minimum Circuit Ampacity	Maximum Overload Protection	Capacity		Heater Amps per Circuit	Minimum Circuit Ampacity	Maximum Overload Protection
		kW	BTUH				kW	BTUH			
No Heater	-	-	-	2.7**	3	15	-	-	2.7**	3	15
BAYEAAC05++	1	4.80	16400	20	28	30	3.60	12300	17.3	25	25
BAYEAAC08++	1	7.68	26200	32	43	45	5.76	19700	27.7	38	40
BAYEAAC10++	1	9.60	32800	40	53	60	7.20	24600	34.6	47	50
BAYEABC15++											
circuit 1		9.60	32800	40	53	60	7.20	24600	34.6	47	50
circuit 2		4.80	16400	20	25	25	3.60	12300	17.3	22	25
BAYEABC20++											
circuit 1		9.60	32800	40	53	60	7.20	24600	34.6	53	60
circuit 2		9.60	32800	40	50	50	7.20	24600	34.6	43	45

Note: ** Motor Amps

Notes:
 1. See Air Handler Nameplate for approved combinations of Air Handlers and Heaters.
 2. Heater model number may have additional suffix digits.



Electrical Data

WIRING DATA											
*AM4A0C48S41SA											
Heater Model No.	No. of Circuits	240 VOLT					208 VOLT				
		Capacity		Heater Amps per Circuit	Minimum Circuit Ampacity	Maximum Overload Protection	Capacity		Heater Amps per Circuit	Minimum Circuit Ampacity	Maximum Overload Protection
		kW	BTUH				kW	BTUH			
No Heater	-	-	-	3.1**	4	15	-	-	3.1**	4	15
BAYEAAC05++	1	4.80	16400	20.0	29	30	3.60	12300	17.3	26	30
BAYEAAC08++	1	7.68	26200	32.0	44	45	5.76	19700	27.7	38	40
BAYEAAC10++	1	9.60	32800	40.0	54	60	7.20	24600	34.6	47	50
BAYEABC15++											
circuit 1		9.60	32800	40.0	54	60	7.20	24600	34.6	47	50
circuit 2		4.80	16400	20.0	25	25	3.60	12300	17.3	22	25
BAYEABC20++											
circuit 1		9.60	32800	40.0	54	60	7.20	24600	34.6	53	60
circuit 2		9.60	32800	40.0	50	50	7.20	24600	34.6	43	45
BAYEABC25++ ①											
circuit 1		9.60	32800	40.0	54	60	7.20	24600	34.6	47	50
circuit 2		9.60	32800	40.0	50	50	7.20	24600	34.6	43	45
circuit 3		4.80	16400	20.0	25	25	3.60	12300	17.3	22	25

Note: ** Motor Amps
* May be "A" or "T"
① Not approved for 208 Volt without Heat Pump

- Notes:
1. See Air Handler Nameplate for approved combinations of Air Handlers and Heaters.
2. Heater model number may have additional suffix digits.



TRANE®

Electrical Data

WIRING DATA											
TAM4A0C60S51SA											
Heater Model No.	No. of Circuits	240 VOLT					208 VOLT				
		Capacity		Heater Amps per Circuit	Minimum Circuit Ampacity	Maximum Overload Protection	Capacity		Heater Amps per Circuit	Minimum Circuit Ampacity	Maximum Overload Protection
		kW	BTUH				kW	BTUH			
No Heater	-	-	-	7.6**	10	15	-	-	7.6**	10	15
BAYEAC05++	1	4.80	16400	20.0	35	35	3.60	12300	17.3	31	35
BAYEAC08++	1	7.68	26200	32.0	50	50	5.76	19700	27.7	44	45
BAYEAC10++	1	9.60	32800	40.0	60	60	7.20	24600	34.6	53	60
BAYEABC15++											
circuit 1		9.60	32800	40.0	60	60	7.20	24600	34.6	53	60
circuit 2		4.80	16400	20.0	25	25	3.60	12300	17.3	22	25
BAYEABC20++											
circuit 1		9.60	32800	40.0	60	60	7.20	24600	34.6	53	60
circuit 2		9.60	32800	40.0	50	50	7.20	24600	34.6	43	45
BAYEABC25++											
circuit 1		9.60	32800	40.0	60	60	7.20	24600	34.6	53	60
circuit 2		9.60	32800	40.0	50	50	7.20	24600	34.6	43	45
circuit 3		4.80	16400	20.0	25	25	3.60	12300	17.3	22	25

Note: ** Motor Amps

- Notes:
1. See Air Handler Nameplate for approved combinations of Air Handlers and Heaters.
 2. Heater model number may have additional suffix digits.

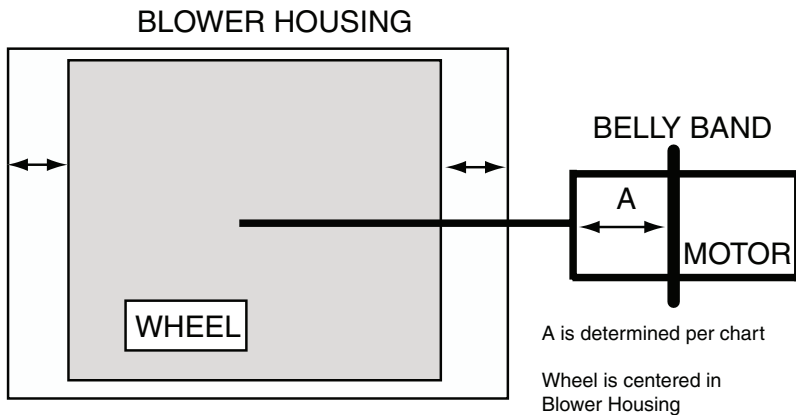


Electrical Data

TAM4 AIR HANDLER AND HEATER MATRIX - ALLOWBLE COMBINATIONS

APPROVED AIR HANDLER - HEATER COMBINATIONS									
AIR HANDLER	HEATER MODEL NUMBER								
MODEL NUMBER	BAYEAAC05BK 4.80 kW BK	BAYEAAC05LG 4.80 kW LG	BAYEAAC08BK 7.68 kW BK	BAYEAAC08LG 7.68 kW LG	BAYEAAC10BK 9.60 kW BK	BAYEAAC10LG 9.60 kW LG	BAYEABC15BK 14.40 kW BK	BAYEABC20BK 19.20 kW BK	BAYEACC25BK 24.00 BK
TAM4A0A18S11SA	Y	Y	Y	Y	Y	Y	-	-	-
TAM4A0A24S21SA	Y	Y	Y	Y	Y	Y	-	-	-
TAM4A0A30S21SA	Y	Y	Y	Y	Y	Y	Y	-	-
TAM4A0A36S31SA	Y	Y	Y	Y	Y	Y	Y	-	-
TAM4A0B42S31SA	Y	Y	Y	Y	Y	Y	Y	Y	-
TAM4A0C48S41SA	Y	Y	Y	Y	Y	Y	Y	Y	Y
TAM4A0C60S51SA	Y	Y	Y	Y	Y	Y	Y	Y	Y

DISTANCE FROM BELLY BAND TO SHAFT FACE OF MOTOR FOR MINIMUM VIBRATION



MODEL	DIM "A"
*AM4A0A18S11SA	1-1/8
*AM4A0A24S21SA	2-11/16
*AM4A0A30S21SA	1-9/16
*AM4A0A36S31SA	1-11/16
*AM4A0B42S31SA	3
*AM4A0C48S41SA	2-13/16
*AM4A0C60S51SA	2-1/4
* May be "A" or "T" For factory OEM motors	

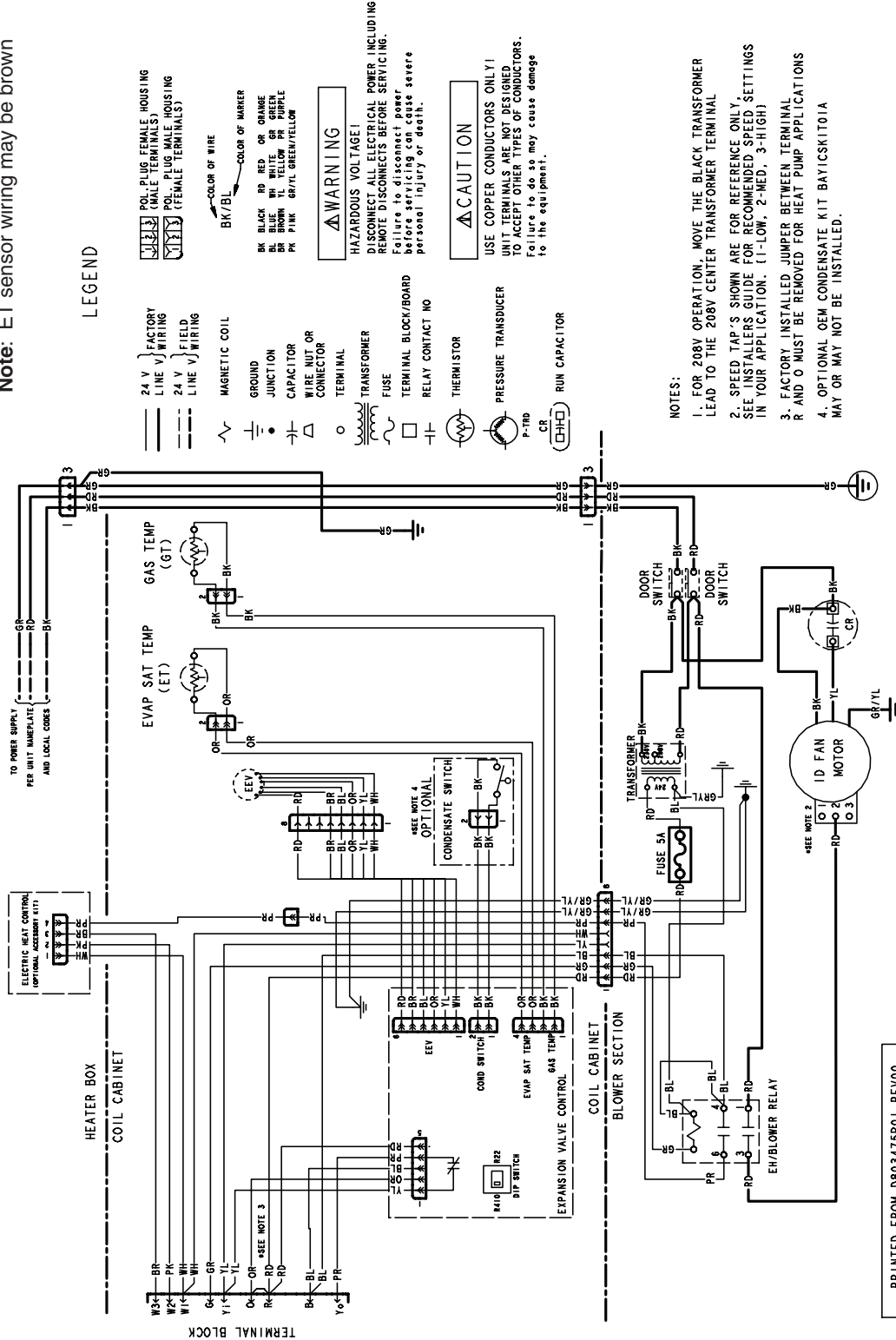


TRANE®

Electrical Data

WIRING DIAGRAM FOR TAM4A0A18 THROUGH TAM4A0C48 AIR HANDLERS (1.5 - 4 TON)

Note: ET sensor wiring may be brown



PRINTED FROM D803475P01 REV00

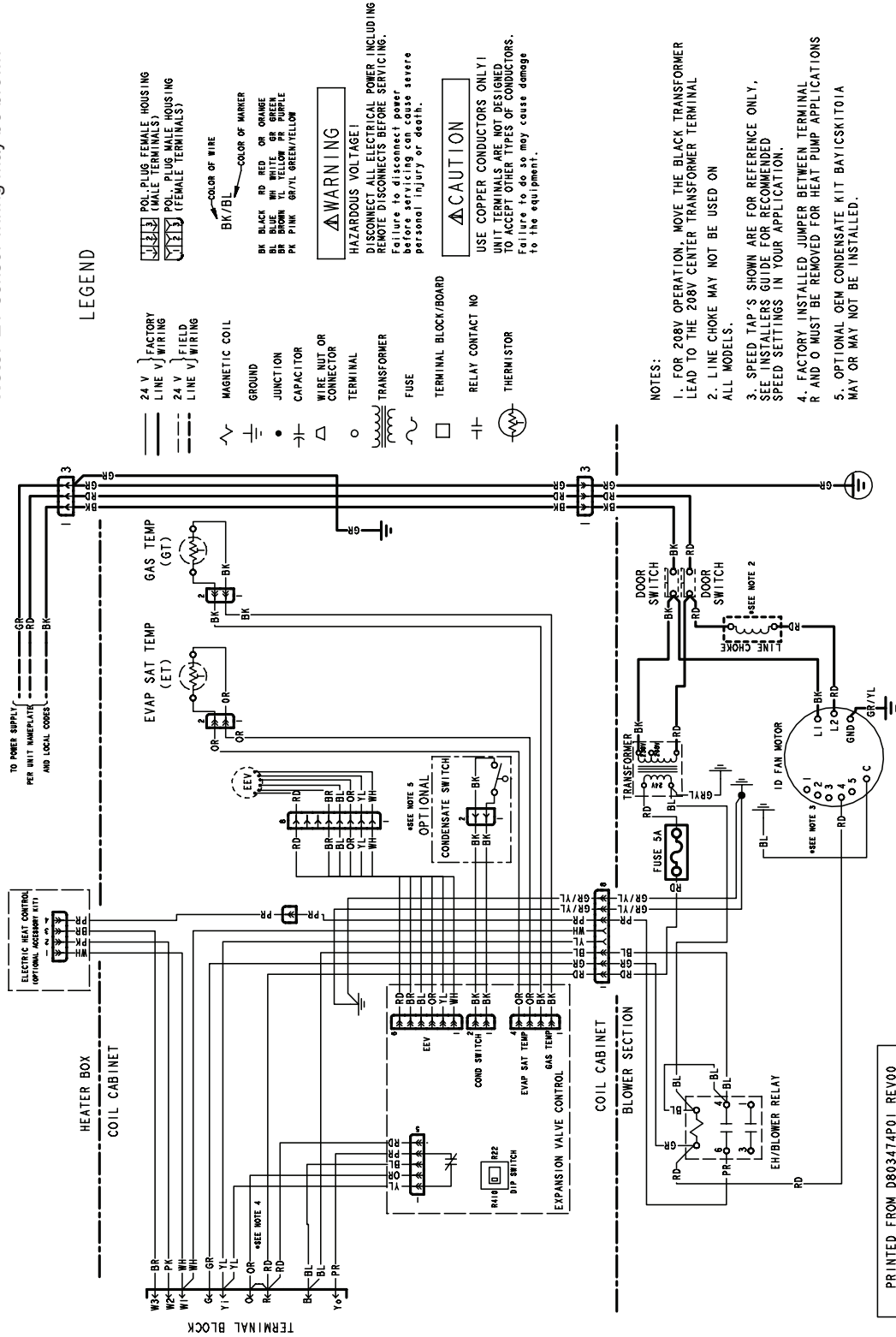


TRANE®

Electrical Data

WIRING DIAGRAM FOR TAM4A0C60S51SAS AIR HANDLER (5 TON)

Note: ET sensor wiring may be brown



LEGEND

- 24 V LINE V WIRING (POL. PLUG FEMALE HOUSING)
 - 24 V LINE V WIRING (POL. PLUG MALE HOUSING)
 - 24 V FIELD WIRING (POL. PLUG FEMALE HOUSING)
 - 24 V FIELD WIRING (POL. PLUG MALE HOUSING)
 - MAGNETIC COIL
 - GROUND
 - JUNCTION
 - CAPACITOR
 - WIRE NUT OR CONNECTOR
 - TERMINAL
 - TRANSFORMER
 - FUSE
 - TERMINAL BLOCK/BOARD
 - RELAY CONTACT NO
 - THERMISTOR
- BK BLACK RD RED OR ORANGE
 BL BLUE WH WHITE OR GREY
 BK/PK BRN BRN PINK GR/YL GRN/YEL
 PK PINK GR/YL GRN/YEL
- BK/BL — COLOR OF WIRE
 BK/BL — COLOR OF MARKER
- WARNING**
 HAZARDOUS VOLTAGE!
 DISCONNECT ALL ELECTRICAL POWER INCLUDING REMOTE DISCONNECTS BEFORE SERVICING. Failure to disconnect power before servicing can cause severe personal injury or death.
- CAUTION**
 USE COPPER CONDUCTORS ONLY!
 UNIT TERMINALS ARE NOT DESIGNED TO ACCEPT OTHER TYPES OF CONDUCTORS. Failure to do so may cause damage to the equipment.

- NOTES:
- FOR 208V OPERATION, MOVE THE BLACK TRANSFORMER LEAD TO THE 208V CENTER TRANSFORMER TERMINAL ALL MODELS.
 - LINE CHOKE MAY NOT BE USED ON ALL MODELS.
 - SPEED TAP'S SHOWN ARE FOR REFERENCE ONLY. SEE INSTALLERS GUIDE FOR RECOMMENDED SPEED SETTINGS IN YOUR APPLICATION.
 - FACTORY INSTALLED JUMPER BETWEEN TERMINAL R AND O MUST BE REMOVED FOR HEAT PUMP APPLICATIONS
 - OPTIONAL OEM CONDENSATE KIT BAY1CSKIT01A MAY OR MAY NOT BE INSTALLED.

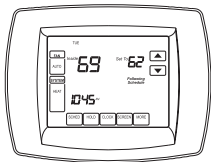
PRINTED FROM D803474P01 REV00



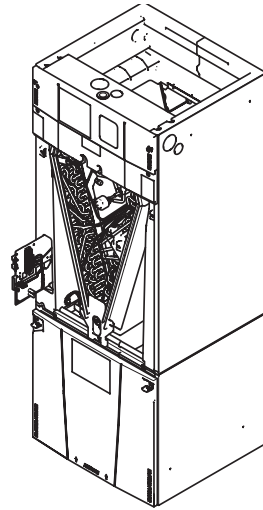
Field Wiring

TAM4 AIR HANDLERS WITH SINGLE SPEED COOLING

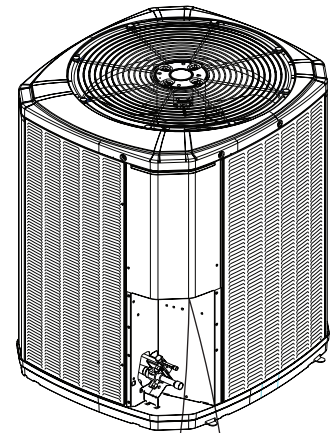
Air Handler Hook-up Diagram
Cooling



Comfort Control



Air Handler



Air Conditioner

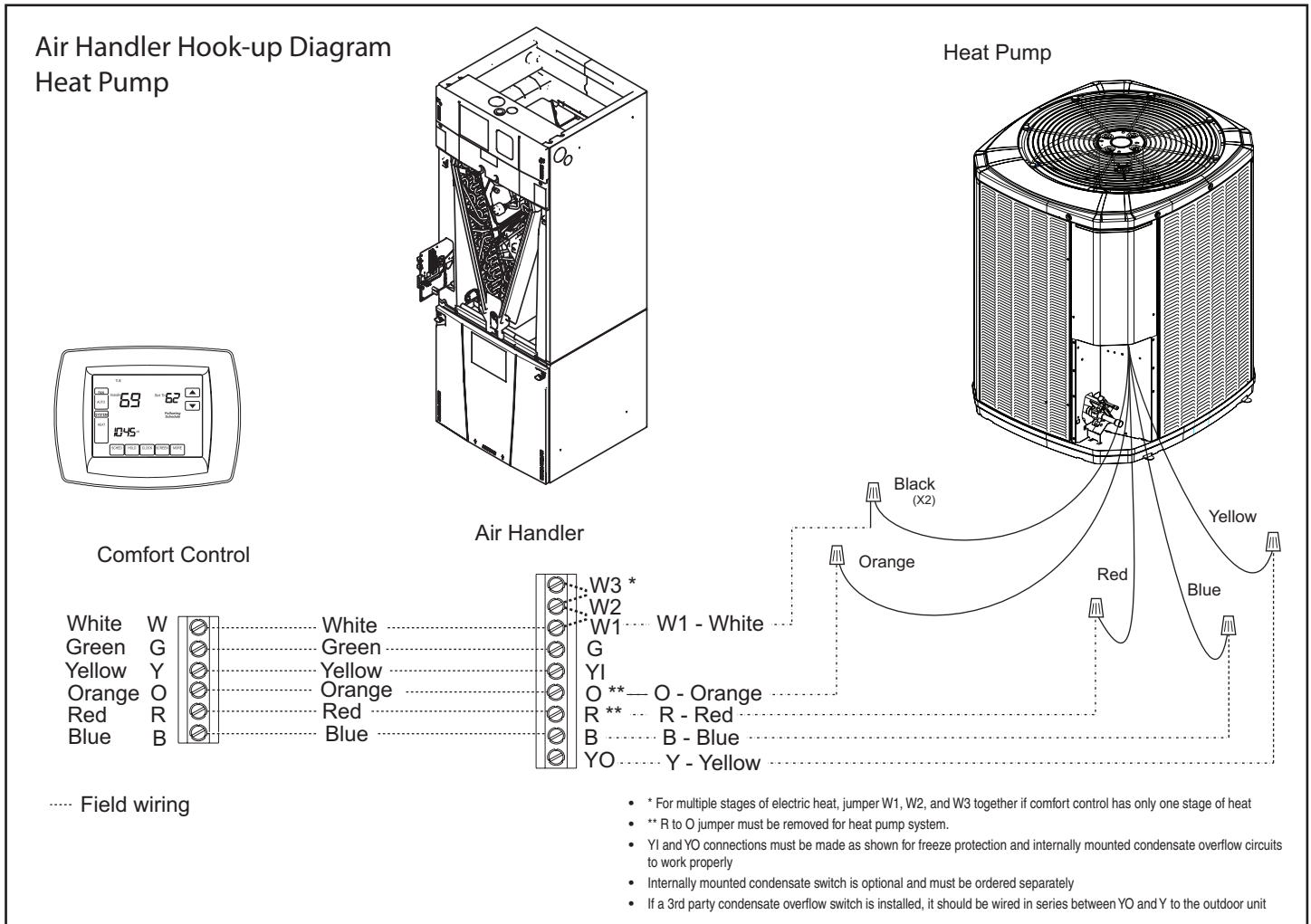


..... Field wiring

- * For multiple stages of electric heat, jumper W1, W2, and W3 together if comfort control has only one stage of heat.
- ** R to O jumper must be in place as shown for cooling only, non-heat pump systems for proper operation.
- Y1 and YO connections must be made as shown for freeze protection and internally mounted condensate overflow circuits to work properly.
- Internally mounted condensate switch is optional and must be ordered separately.
- If 3rd party condensate overflow switches are installed, they should be wired in series between YO and Y to the outdoor unit.

Field Wiring

TAM4 AIR HANDLERS WITH SINGLE SPEED HEAT PUMP



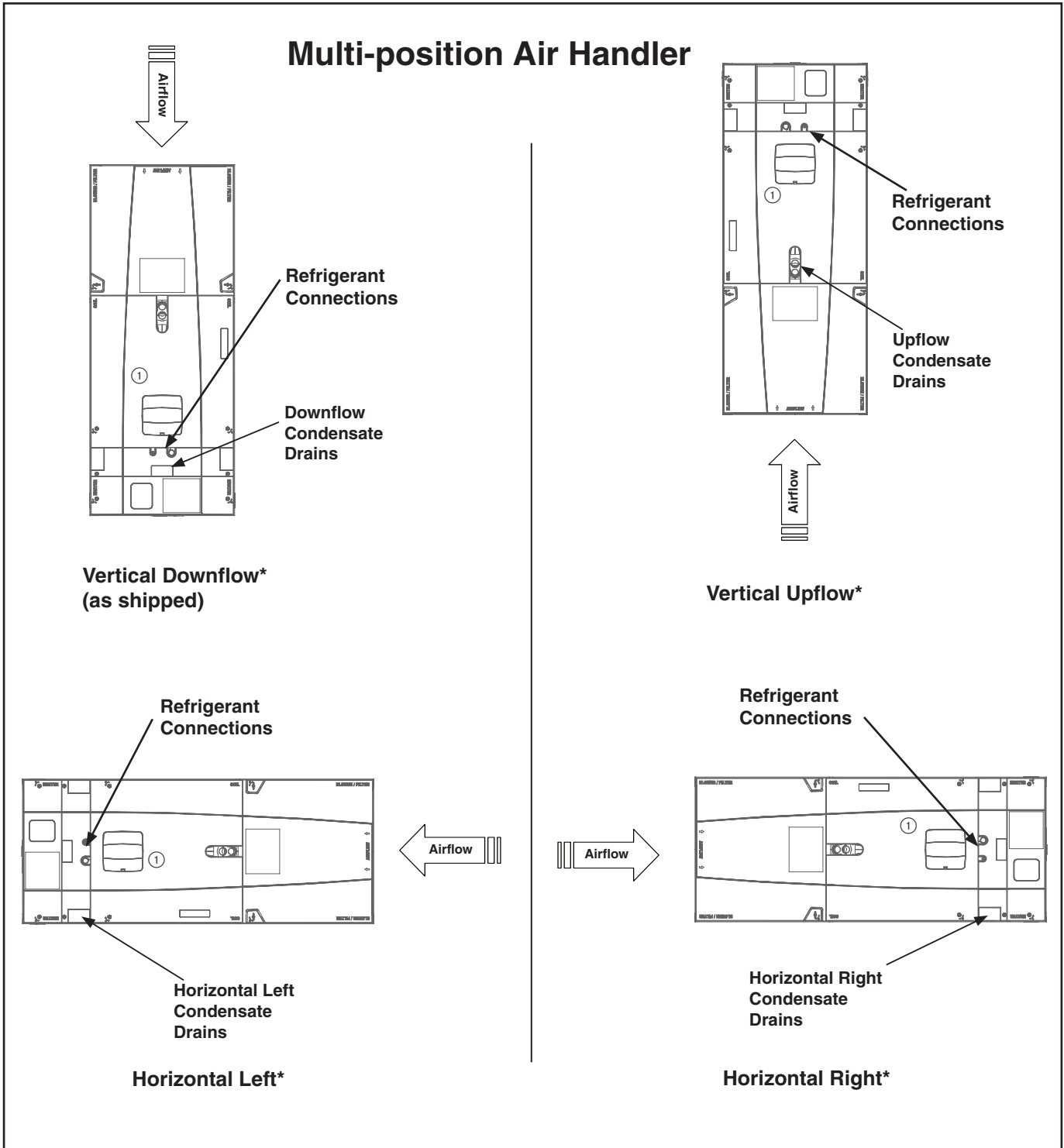


TRANE®

TAM4 Convertibility

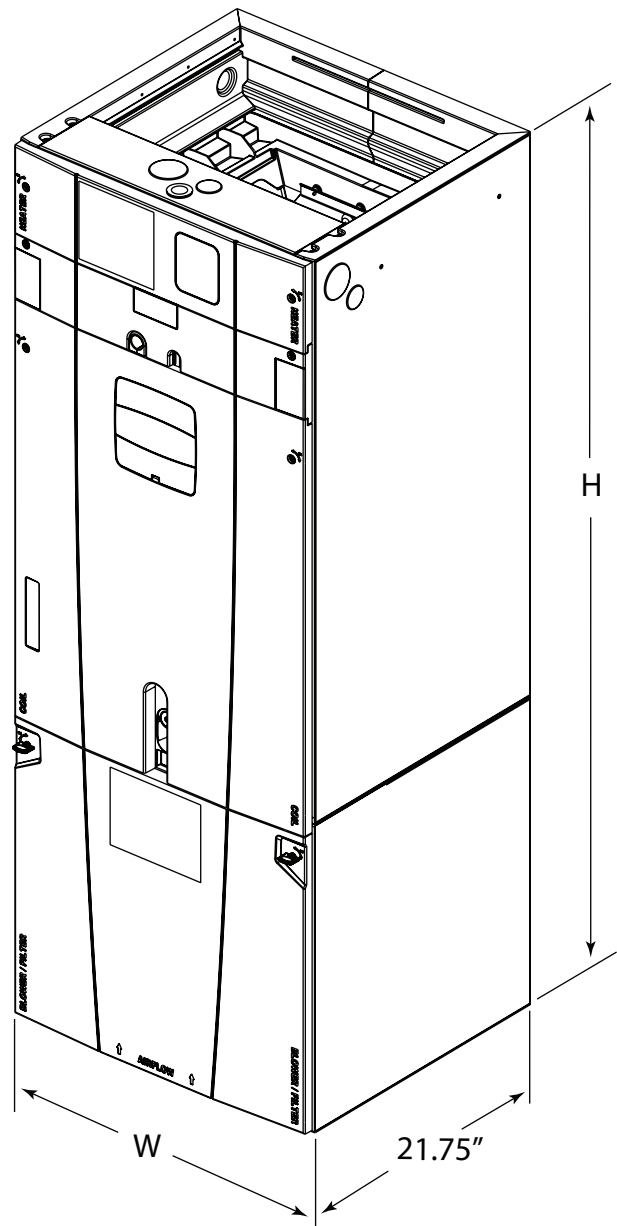
* Note: No internal modifications required for any position.

① Badge rotation will keep brand in correct position



Dimensions

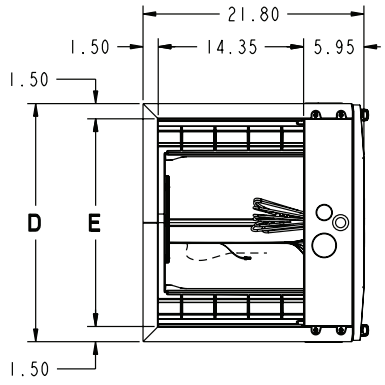
TAM4 AIR HANDLER DIMENSIONAL DATA



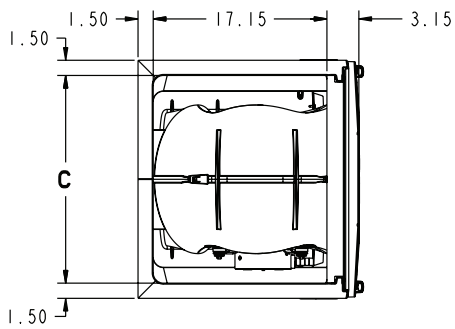
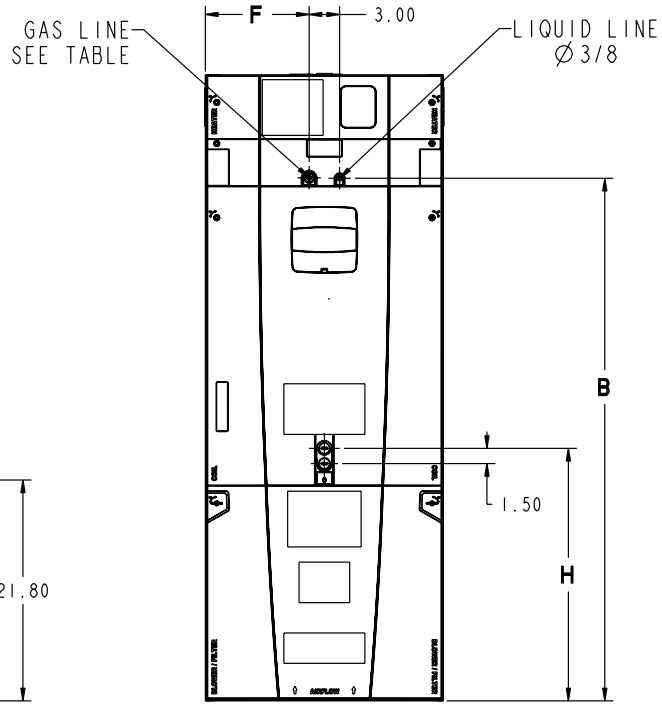
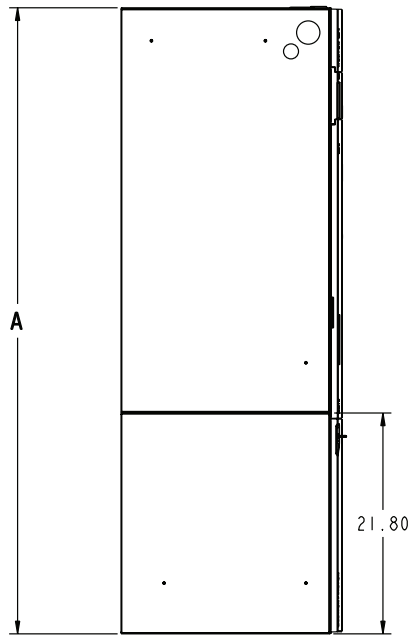
Model No.	H	W
TAM4A0A18	49.9	17.5
TAM4A0A24	49.9	17.5
TAM4A0A30	49.9	17.5
TAM4A0A36	49.9	17.5
TAM4A0B42	55.7	21.3
TAM4A0C48	56.9	23.5
TAM4A0C60	61.7	23.5

TAM4 AIR HANDLERS ARE ALL TWO
PIECE CABINETS.

TAM4 OUTLINE DRAWING



MINIMUM UNIT CLEARANCE TABLE		
	TO COMBUSTIBLE MATERIAL (REQUIRED)	SERVICE CLEARANCE (RECOMMENDED)
SIDES	0"	2"
FRONT	0"	21"
BACK	0"	0"
INLET DUCT	0"	
OUTLET DUCT	0"	



MODEL NO.	A	B	C	D	E	F	H	FLOW CONTROL	GAS LINE BRAZE
TAM4A0A18	49.9	39.6	14.5	17.5	14.5	7.3	26.7	EEV/24V	3/4
TAM4A0A24	49.9	39.6	14.5	17.5	14.5	7.3	26.7	EEV/24V	3/4
TAM4A0A30	49.9	39.6	14.5	17.5	14.5	7.3	26.7	EEV/24V	3/4
TAM4A0A36	49.9	39.6	14.5	17.5	14.5	7.3	24.4	EEV/24V	3/4
TAM4A0B42	55.7	45.5	18.4	21.3	18.4	9.2	24.8	EEV/24V	7/8
TAM4A0C48	56.9	46.7	20.5	23.5	20.5	10.3	24.2	EEV/24V	7/8
TAM4A0C60	61.7	51.5	20.5	23.5	20.5	10.3	27.0	EEV/24V	7/8





09/11

Trane
6200 Troup Highway
Tyler, TX 75707
www.trane.com

The manufacturer has a policy of continuous product and product data improvement and it reserves the right to change design and specifications without notice.