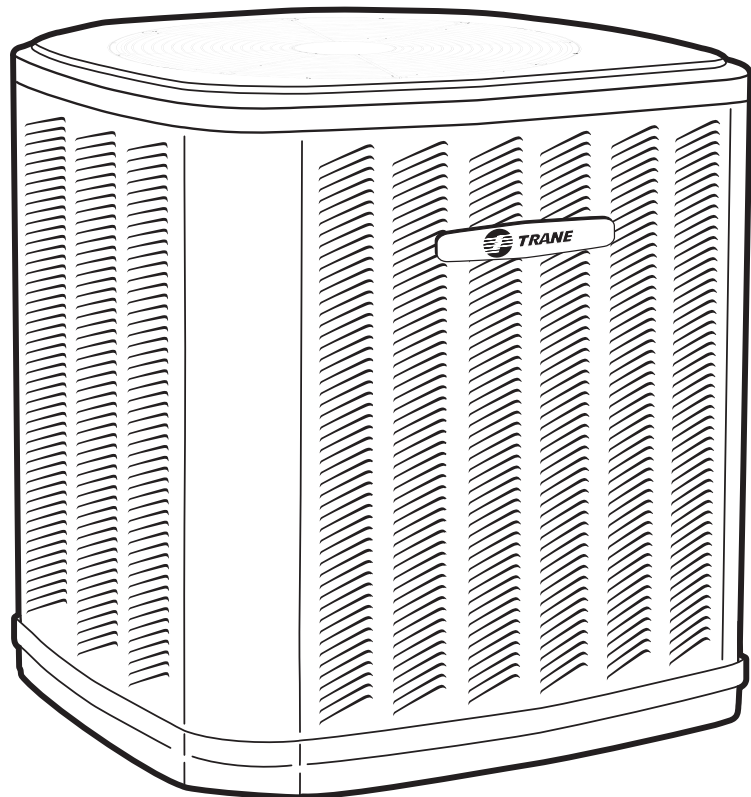




Split System Cooling Product Data

XB14 4TTB4

1 1/2 - 5 Tons (018E - 061E)



PUB. NO. 22-1833-09



Features and Benefits

- **CLIMATUFF®** compressor
- Efficiency up to **16.0 SEER**
- All aluminum **SPINE FIN™** coil
- **WEATHERGUARD™** fasteners
- **QUICK-SESS™** cabinet, service access and refrigerant connections with full coil protection
- **DURATUFF™** base, fast complete drain, weatherproof
- **COMFORT-R™** mode approved
- Glossy corrosion resistant finish
- Internal compressor high/low pressure & temperature protection
- 018, 024 & 030 ship with start kit
- Liquid line filter/drier
- Polyslate gray cabinet with anthracite gray badge and cap
- High pressure switch
- Service valve cover
- R-410A refrigerant
- S.E.E.T. design testing
- 100% line run test
- Low ambient cooling to 30°F with AY28X079
- Low ambient cooling to 55°F as shipped
- **Extended warranties available**

Features and Benefits	2
General Data	4
Product Specifications	4
A-Weighted Sound Power Level [dB(A)]	4
Accessory Description and Usage	6
AHRI Standard Capacity Rating Conditions	6
Model Nomenclature	7
Electrical Data	8
Dimensions	13
Mechanical Specification Options	16



General Data

Product Specifications

Model No. ①	4TTB4018E1	4TTB4024E1	4TTB4030E1	4TTB4036E1
Electrical Data V/Ph/Hz ②	208/230/1/60	208/230/1/60	208/230/1/60	208/230/1/60
Min Cir Ampacity	9	9	12	19
Max Fuse Size (Amps)	15	15	20	30
Compressors	CLIMATUFF®	CLIMATUFF®	CLIMATUFF®	CLIMATUFF® · SCROLL
No. Used - No. Stages	1-1	1-1	1-1	1-1
RL AMPS - LR AMPS	6.4 - 38.6	6.8 - 38.6	9.1 - 57.8	14.1 - 77
Outdoor Fan FL Amps	0.74	0.74	0.93	0.93
Fan HP	1/8	1/8	1/5	1/5
Fan Dia (inches)	23	23	27.6	27.6
Coil	Spine Fin™	Spine Fin™	Spine Fin™	Spine Fin™
Refrigerant R-410A	5/2-LB/OZ	6/3-LB/OZ	7/0-LB/OZ	7/4-LB/OZ
Line Size - (in.) O.D. Gas ③	5/8	3/4	3/4	3/4
Line Size - (in.) O.D. Liquid ③	3/8	3/8	3/8	3/8
Dimensions H x W x D (Crated)	34 x 30.1 x 33	34 x 30.1 x 33	38.4 x 35.1 x 38.7	42.4 x 35.1 x 38.7
Weight - Shipping	200	201	234	228
Weight - Net	173	174	201	193
Start Components	YES	YES	YES	NO
Sound Enclosure	YES	YES	YES	NO
Compressor Sump Heat	NO	NO	NO	NO
Optional Accessories: ④				
Anti-short Cycle Timer	TAYASCT501A	TAYASCT501A	TAYASCT501A	TAYASCT501A
Evaporator Defrost Control A/C	AY28X079	AY28X079	AY28X079	AY28X079
Rubber Isolator Kit	BAYISLT101	BAYISLT101	BAYISLT101	BAYISLT101
Crank Case Heater Kit	BAYCCHT300	BAYCCHT300	BAYCCHT300	BAYCCHT302
Hard Start Kit Scroll				BAYKSKT260
Extreme Condition Mounting Kit	BAYECMT023	BAYECMT023	BAYECMT004	BAYECMT004
Snow Leg - Base & Cap 4" High	BAYLEGS002	BAYLEGS002	BAYLEGS002	BAYLEGS002
Snow Leg - 4" Extension	BAYLEGS003	BAYLEGS003	BAYLEGS003	BAYLEGS003
Seacoast Kit	BAYSEAC001	BAYSEAC001	BAYSEAC001	BAYSEAC001
Refrigerant Lineset ⑤	TAYREFLN950	TAYREFLN7*	TAYREFLN7*	TAYREFLN7*

① Certified in accordance with the Air-Source Unitary Heat Pump Equipment certification program which is based on AHRI Standard 210/240.

② Calculated in accordance with N.E.C. Only use HACR circuit breakers or fuses.

③ Standard line lengths - 80'. Standard lift - 60' Suction and Liquid line.

For Greater lengths and lifts refer to refrigerant piping software Pub# 32-3312-0*. (*denotes latest revision)

④ For accessory description and usage, see pages 5 and 6.

⑤ * = 15, 20, 25, 30, 40 and 50 foot lineset available.

A-Weighted Sound Power Level [dB(A)]

MODEL	SOUND POWER LEVEL [dB(A)]	A_WEIGHTED FULL OVTAVE SOUND POWER LEVEL dB - [dB(A)]							
		63	125	250	500	1000	2000	4000	8000
4TTB4018E	79	24.9	44.9	56.7	71.1	74.1	72.7	62.2	49.9
4TTB4024E	79	23	45.4	57	70.9	74.2	70.5	62.9	52.6
4TTB4030E	80	27.9	52.9	62.9	74.3	76.2	73	64.7	52.5
4TTB4036E	78	23.2	51.7	64.2	72.3	74.1	71.3	62.7	49.5
4TTB4042E	80	22.8	52.8	65.6	73.3	75.1	75.1	62.8	50
4TTB4048E	80	22.8	52.8	65.6	73.3	75.1	75.1	62.8	50
4TTB4049E	76	44.3	53.8	56.6	63.6	34.6	59.9	52.7	43.7
4TTB4060E	80	22.8	52.8	65.6	73.3	75.1	71.5	62.8	50
4TTB4061E	76	42.2	53.8	57.8	66	65.7	57.7	58.4	51.7

Note: Rated in accordance with AHRI Standard 270-2008



General Data

Product Specifications

Model No. ①	4TTB4042E1	4TTB4048E1	4TTB4049E1	4TTB4060E1	4TTB4061E1
Electrical Data V/Ph/Hz ②	208/230/1/60	208/230/1/60	208/230/1/60	208/230/1/60	230/1/60
Min Cir Ampacity	23	26	26	34	45
Max Fuse Size (Amps)	40	45	45	60	60
Compressors	CLIMATUFF® · SCROLL	CLIMATUFF® · SCROLL	CLIMATUFF® · SCROLL	CLIMATUFF® · SCROLL	CLIMATUFF® · SCROLL
No. Used - No. Stages	1-1	1-1	1-1	1-1	1-2
RL AMPS - LR AMPS	17.9 - 112	19.9 - 109	19.9 - 109	26.4 - 134	32.1 - 152.9
Outdoor Fan FL Amps	0.93	0.93	1.0	0.93	2.80
Fan HP	1/5	1/5	1/5	1/5	1/3
Fan Dia (inches)	27.6	27.6	27.6	27.6	27.6
Coil	Spine Fin™	Spine Fin™	Spine Fin™	Spine Fin™	Spine Fin™
Refrigerant R-410A	8/4-LB/OZ	8/5-LB/OZ	11/9-LB/OZ	8/8-LB/OZ	12/9-LB/OZ
Line Size - (in.) O.D. Gas ③	7/8	7/8	7/8	7/8	1-1/8
Line Size - (in.) O.D. Liquid ③	3/8	3/8	3/8	3/8	3/8
Dimensions H x W x D (Crated)	46.4 x 35.1 x 38.7	51 x 35.1 x 38.7	51 x 35.1 x 38.7	51 x 35.1 x 38.7	51 x 35.1 x 38.7
Weight - Shipping	272	282	304	285	312
Weight - Net	235	245	267	248	275
Start Components	NO	NO	NO	NO	NO
Sound Enclosure	NO	NO	NO	NO	NO
Compressor Sump Heat	NO	NO	NO	NO	NO
Optional Accessories: ④					
Anti-short Cycle Timer	TAYASCT501A	TAYASCT501A	TAYASCT501A	TAYASCT501A	TAYASCT501A
Evaporator Defrost Control A/C	AY28X079	AY28X079	AY28X079	AY28X079	AY28X079
Rubber Isolator Kit	BAYISLT101	BAYISLT101	BAYISLT101	BAYISLT101	BAYISLT101
Crank Case Heater Kit	BAYCCHT301	BAYCCHT301	BAYCCHT301	BAYCCHT301	BAYCCHT301
Hard Start Kit Scroll	BAYKSKT260	BAYKSKT260	BAYKSKT260	BAYKSKT260	BAYKSKT260
Extreme Condition Mounting Kit	BAYECMT004	BAYECMT004	BAYECMT004	BAYECMT004	BAYECMT004
Snow Leg - Base & Cap 4" High	BAYLEGS002	BAYLEGS002	BAYLEGS002	BAYLEGS002	BAYLEGS002
Snow Leg - 4" Extension	BAYLEGS003	BAYLEGS003	BAYLEGS003	BAYLEGS003	BAYLEGS003
Seacoast Kit	BAYSEAC001	BAYSEAC001	BAYSEAC001	BAYSEAC001	BAYSEAC001
Refrigerant Lineset ⑤	TAYREFLN3*	TAYREFLN3*	TAYREFLN3*	TAYREFLN3*	TAYREFLN*4

① Certified in accordance with the Air-Source Unitary Heat Pump Equipment certification program which is based on AHRI Standard 210/240.

② Calculated in accordance with N.E.C. Only use HACR circuit breakers or fuses.

③ Standard line lengths - 60'. Standard lift - 60' Suction and Liquid line. For 061 units, Max. linear length 60 ft.; Max. lift - Suction 25 ft.; Max lift - Liquid 25 ft.
For Greater lengths and lifts refer to refrigerant piping software Pub# 32-3312-01. (*denotes latest revision)

④ For accessory description and usage, see pages 5 and 6.

⑤ * = 15, 20, 25, 30, 40 and 50 foot lineset available.



General Data

Accessory Description and Usage

Anti-Short Cycle Timer — Solid state timing device that prevents compressor recycling until 5 minutes have elapsed after satisfying call or power interruptions. Use in area with questionable power delivery, commercial applications, long lineset, etc.

Evaporator Defrost Control — SPST Temperature actuated switch that cycles the condenser off as indoor coil reaches freeze-up conditions. Used for low ambient cooling to 30°F with TXV.

Rubber Isolators — 5 large rubber donuts to isolate condensing unit from transmitting energy into mounting frame or pad. Use on any application where sound transmission needs to be minimized.

Hard Start kit — Start capacitor and relay to assist compressor motor startup. Use in areas with marginal power supply, on long linesets, low ambient conditions, etc.

Extreme Condition Mount Kit — Bracket kits to securely mount condensing unit to a frame or pad without removing any panels. Use in areas with high winds, or on commercial roof tops, etc.

AHRI Standard Capacity Rating Conditions

AHRI STANDARD 210/240 RATING CONDITIONS —

(A) Cooling 80°F DB, 67°F WB air entering indoor coil, 95°F DB air entering outdoor coil.

AHRI STANDARD 270 RATING CONDITIONS —

(Noise rating numbers are determined with the unit in cooling operation.) Standard Noise Rating number is at 95°F outdoor air.





Model Nomenclature

Outdoor Units

4 T T B 4 0 3 6 E 1 0 0 0 A A

- Refrigerant Type**
 - 2 = R-22
 - 4 = R-410A
- TRANE**
- Product Type**
 - W = Split Heat Pump
 - T = Split Cooling
- Product Family**
 - Z = Leadership – Two Stage
 - X = Leadership
 - R = Replacement/Retail
 - B = Basic
 - A = Light Commercial
- Family SEER**
 - 0 = 10 3 = 13 6 = 16
 - 1 = 11 4 = 14 8 = 18
 - 2 = 12 5 = 15 9 = 19
- Split System Connections 1-6 Tons**
 - 0 = Brazed
- Nominal Capacity in 000s of BTUs**
- Major Design Modifications**
- Power Supply**
 - 1 = 200-230/1/60 or 208-230/1/60
 - 3 = 200-230/3/60
 - 4 = 460/3/60
- Secondary Function**
- Minor Design Modifications**
- Unit Parts Identifier**

Gas Furnaces

T U D 2 B 0 8 0 A C V 3 2 A A

- Furnace Configuration**
 - TU = Upflow/Horizontal
 - TD = Downflow/Horizontal
- Type**
 - E = 80% Induced Draft Standard
 - D = 80% Induced Draft Premium
 - C = 90% Condensing Standard
 - X = 90% Condensing Premium
 - H = 95% Condensing Premium
- Number of Heating Stages**
 - 1 = Single Stage
 - 2 = Two Stage
 - 3 = Three Stage
- Cabinet Width**
 - A = 14.5" Cabinet Width
 - B = 17.5" Cabinet Width
 - C = 21.0" Cabinet Width
 - D = 24.5" Cabinet Width
- Heating Input**
 - 080 = 80,000 MBTUH
- Major Design Change**
- Voltage**
 - 9 = 115 Volts / 60 Hertz / Natural Gas
 - A = 115 Volts / 50 Hertz / Natural Gas
 - C = 115 Volts / Natural Gas with Communicating System Control
 - F = 115 Volts / Natural Gas with Integrated Electronic Filter
 - D = 115 Volts / Natural Gas with Communicating System Control and Integrated Electronic Filter
- Air Capacity for Cooling**
 - 36 = 3 Ton Standard PSC Motor
 - H3 = 3 Ton High Efficiency Motor
 - V3 = 3 Ton Variable Speed Motor
- Draft Inducer Speeds**
 - 1 = Single Speed
 - 2 = Two Speed
 - V = Variable Speed
- Minor Design Change**
- Service Digit - Not Orderable**

Air Handlers – Residential

4 T E E 3 F 3 6 A 1 0 0 0 A A

- Refrigerant Type**
 - 4 = R-410A
- Application**
 - TE = Fully Convertible
 - TG = Semi Convertible
 - TF = Front Return
- Product Family**
 - E = Leadership – Variable Speed
 - P = Leadership
 - C = Replacement/Retail
 - B = Basic
- Flow Control**
 - 0 = No Flow Control
 - 3 = Nonbleed TXV
- Feature Identifier**
 - 0 = Standard Unit
 - F = Air-Tite™
- Nominal Capacity in 1000's (BTUH)**
- Major Design Change**
- Power Supply**
 - 1 = Single Phase
- Electrical Connection**
 - 0 = Pig Tails
 - B = Circuit Breaker
 - D = Pull Disconnect
- Future Option – Factory Installed Heater Nominal KW Value**
- Minor Design Modifications**
- Unit Parts Identifier**

NOTE: There will be a phase-in of new model numbers for new air handlers over next 2 years.

Coils – Residential

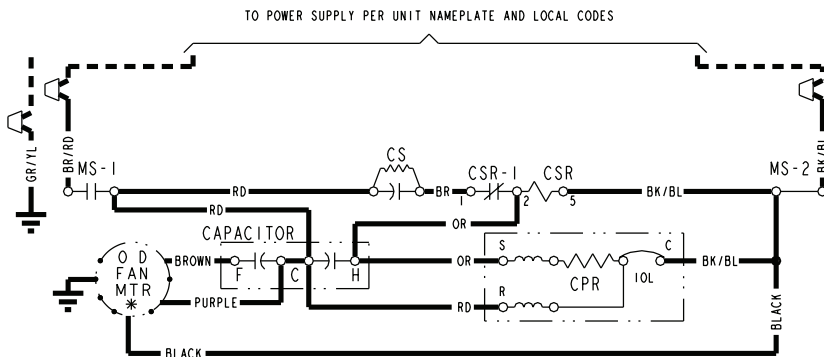
4 T X C B 0 0 1 C C 3 H C A A

- Refrigerant Type**
 - 4 - R410A
- Product Family**
 - T - Premium (Heat Pump or Convertible Coil)
 - X - Direct Expansion Evaporator Coil
- Product Family**
 - C - Cased A Coil
 - A - Uncased A Coil
 - F - Cased Horizontal Flat Coil
- Coil Width (Cased/Uncased)**
 - A - 14.5" / 13.3"
 - B - 17.5" / 16.3"
 - C - 21.0" / 19.8"
 - D - 24.5" / 23.3"
 - H - 10.5"
- Refrigerant Line Coupling**
 - 0 - Brazed
- Model Number Distinguisher**
- Major Design Change**
- Efficiency**
 - C - Standard
 - S - Hi Efficiency (Derived from 10 SEER products)
- Refrigerant Control**
 - 3 - TXV - Non-Bleed
- Coil Circuitry**
 - H - Heat Pump
- Airflow Configuration**
 - A - Upflow Only
 - U - Upflow / Downflow
 - H - Horizontal Only
 - C - Convertible - Upflow, Downflow, Left or Right Airflow
- Minor Design Change**
- Unit Parts Identifier**

Electrical Data

Schematic Diagrams

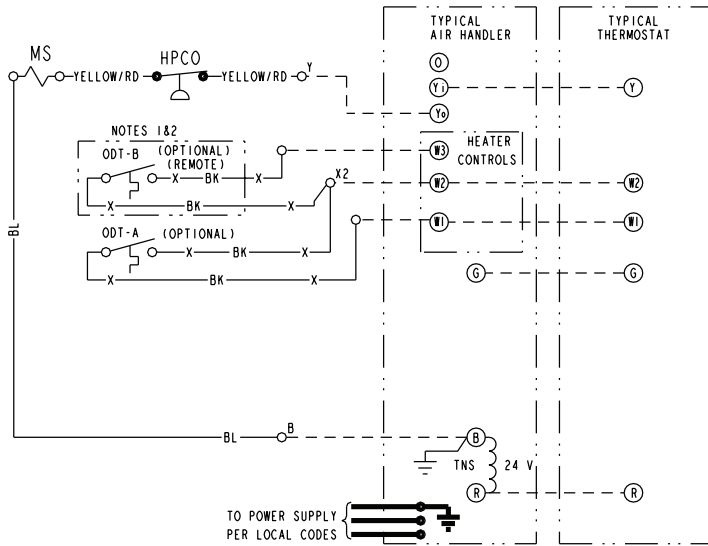
4TTB4018, 4TTB4024, 4TTB4030



* THERMALLY PROTECTED INTERNALLY

CA	COOLING ANTICIPATOR	LPCO	LOW PRESSURE CUTOFF SW.
CBS	COIL BOTTOM SENSOR	MS	COMPRESSOR MOTOR CONTACTOR
CF	FAN CAPACITOR	ODA	OUTDOOR ANTICIPATOR
CN	WIRE CONNECTOR	OFT	OUTDOOR FAN THERMOSTAT
CPR	COMPRESSOR	ODS	OUTDOOR TEMPERATURE SENSOR
CR	RUN CAPACITOR	ODT	OUTDOOR THERMOSTAT
CS	STARTING CAPACITOR	RHS	RESISTANCE HEAT SWITCH
CSR	CAPACITOR SWITCHING RELAY	SC	SWITCHOVER VALVE SOLENOID
DFC	DEFROST CONTROL	SM	SYSTEM "ON-OFF" SWITCH
F	INDOOR FAN RELAY	TDL	DISCHARGE LINE THERMOSTAT
HA	HEATING ANTICIPATOR	TNS	TRANSFORMER
HPCO	HIGH PRESSURE CUTOFF SW.	TS	HEATING-COOLING THERMOSTAT
IOI	INTERNAL OVERLOAD PROTECTOR	TSH	HEATING THERMOSTAT

COLOR OF WIRE	
BK/BL	BLACK WIRE WITH BLUE MARKER
COLOR OF MARKER	
BK	BLACK
OR	ORANGE
BL	BLUE
RD	RED
BR	BROWN
WH	WHITE
YL	YELLOW
GR	GREEN
PR	PURPLE



<p>⚠ WARNING HAZARDOUS VOLTAGE! DISCONNECT ALL ELECTRIC POWER INCLUDING REMOTE DISCONNECTS BEFORE SERVICING. FAILURE TO DISCONNECT POWER BEFORE SERVICING CAN CAUSE SEVERE PERSONAL INJURY OR DEATH!</p>	<p>⚠ CAUTION USE COPPER CONDUCTORS ONLY! UNIT TERMINALS ARE NOT DESIGNED TO ACCEPT OTHER TYPES OF CONDUCTORS. FAILURE TO DO SO MAY CAUSE DAMAGE TO THE EQUIPMENT!</p>
---	--

NOTES:

- IF ODT-B IS NOT USED, ADD JUMPER BETWEEN W2 & W3 AT AIR HANDLER.
IF USED, ODT-B MUST BE MOUNTED REMOTE OF CONTROL BOX IN AN APPROVED WEATHER PROOF ENCLOSURE.
- IF ODT-A IS NOT USED, ADD JUMPER BETWEEN W1 & W2 AT AIR HANDLER.
- LOW VOLTAGE (24 V.) FIELD WIRING MUST BE 18 AWG MIN.

FOR CANADIAN INSTALLATIONS
POUR INSTALLATIONS CANADIENNES

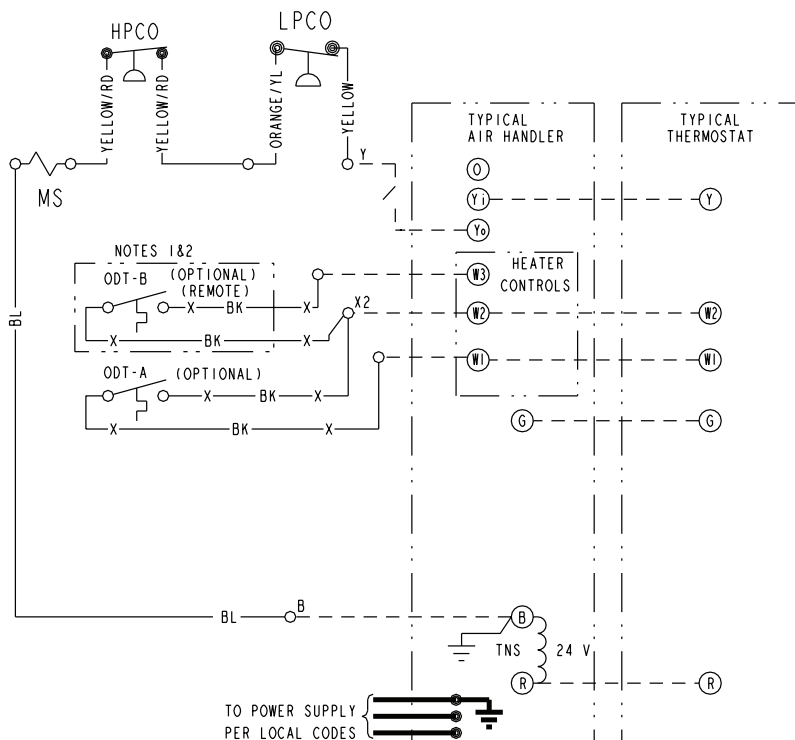
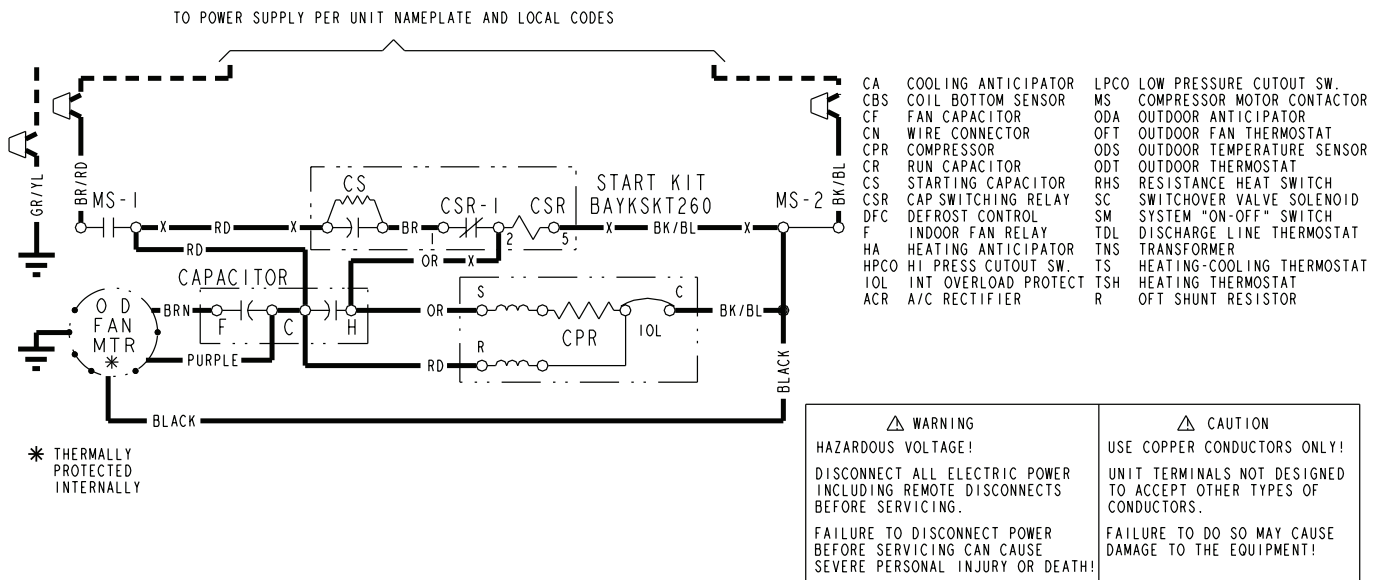
CAUTION: NOT SUITABLE FOR USE ON SYSTEMS EXCEEDING 150V-TO-GROUND.
ATTENTION: NE CONVIENT PAS AUX INSTALLATIONS DE PLUS DE 150 V A LA TERRE.

From Drawing D157123P01REV0

Electrical Data

Schematic Diagrams

4TTB4036, 4TTB4042



COLOR OF WIRE

BK/BL BLACK WIRE WITH BLUE MARKER

COLOR OF MARKER

BK	BLACK	OR	ORANGE	YL	YELLOW
BL	BLUE	RD	RED	GR	GREEN
BR	BROWN	WH	WHITE	PR	PURPLE

NOTES:

- IF ODT-B IS NOT USED, ADD JUMPER BETWEEN W2 & W3 AT AIR HANDLER. IF USED, ODT-B MUST BE MOUNTED REMOTE OF CONTROL BOX IN AN APPROVED WEATHER PROOF ENCLOSURE.
- IF ODT-A IS NOT USED, ADD JUMPER BETWEEN W1 & W2 AT AIR HANDLER.
- LOW VOLTAGE (24 V.) FIELD WIRING MUST BE 18 AWG MIN.

FOR CANADIAN INSTALLATIONS
POUR INSTALLATIONS CANADIENNES

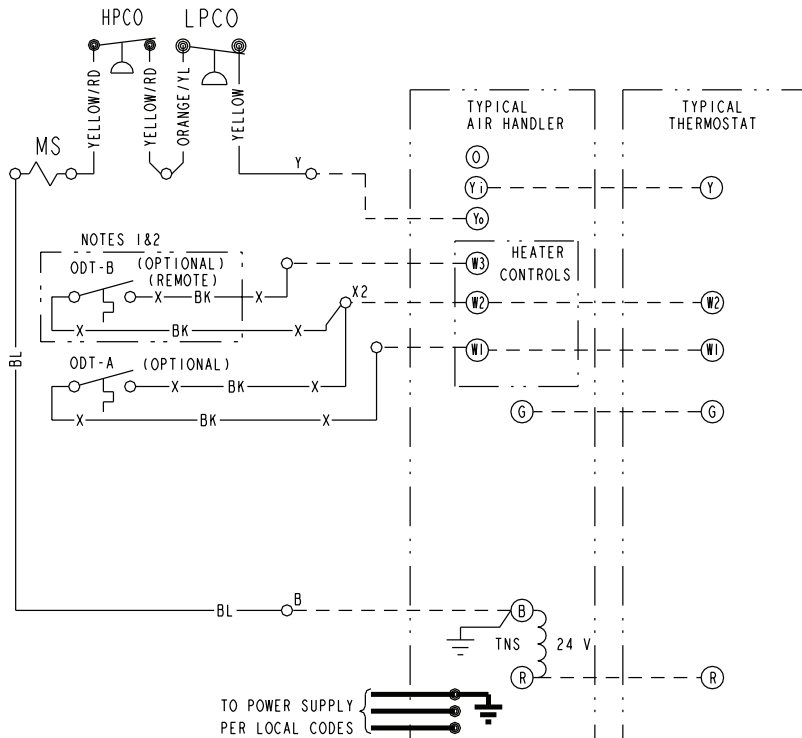
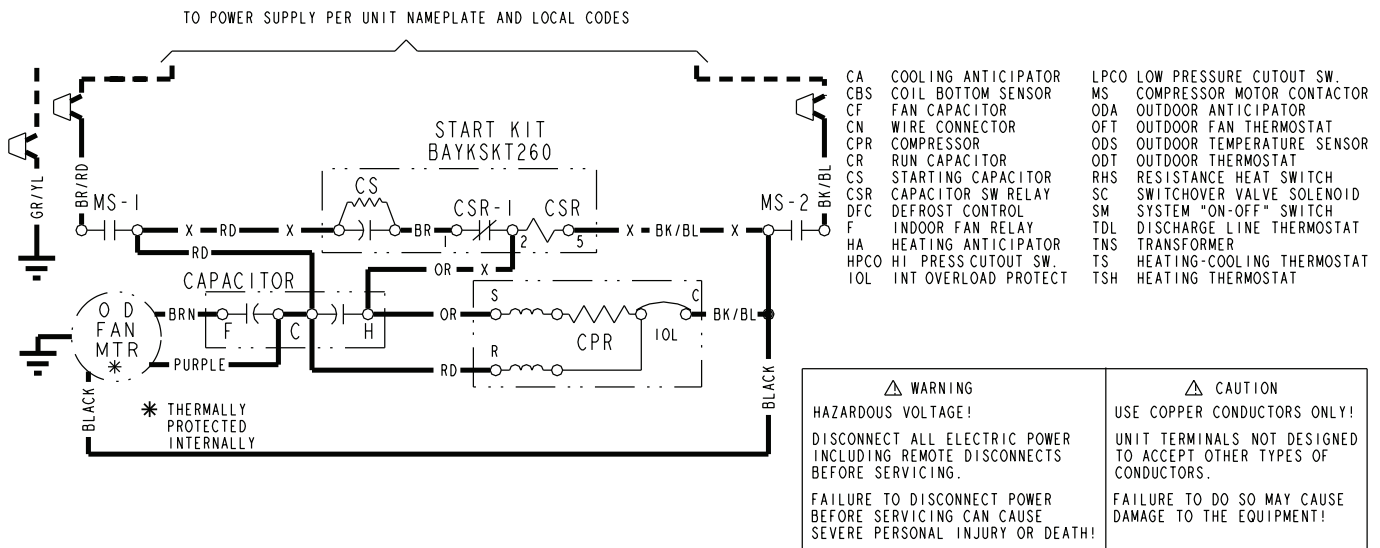
CAUTION: NOT SUITABLE FOR USE ON SYSTEMS EXCEEDING 150V-TO-GROUND.
ATTENTION: NE CONVIENT PAS AUX INSTALLATIONS DE PLUS DE 150 V A LA TERRE.



Electrical Data

Schematic Diagrams

4TTB4048, 4TTB4049



COLOR OF WIRE

BK/BL BLACK WIRE WITH BLUE MARKER

COLOR OF MARKER

BK	BLACK	OR	ORANGE	YL	YELLOW
BL	BLUE	RD	RED	GR	GREEN
BR	BROWN	WH	WHITE	PR	PURPLE

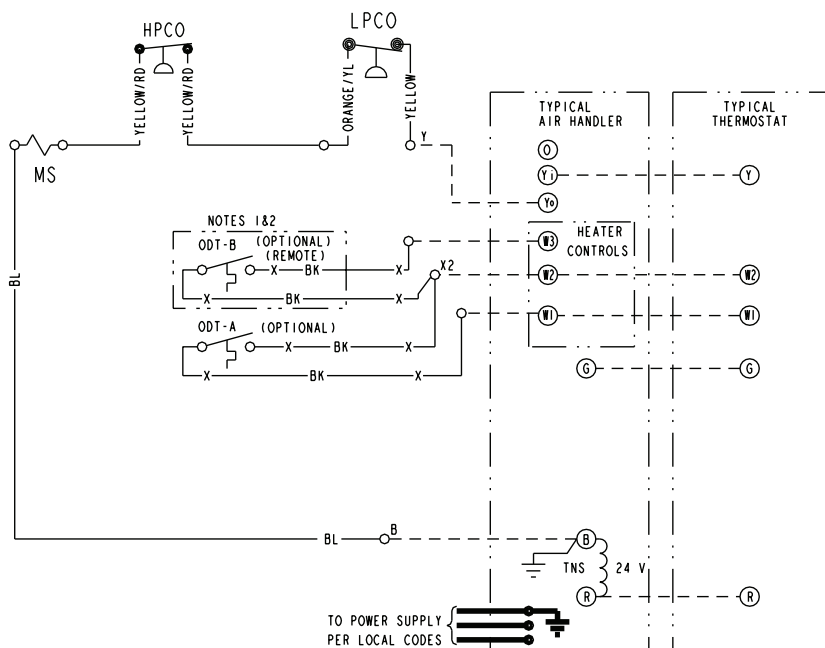
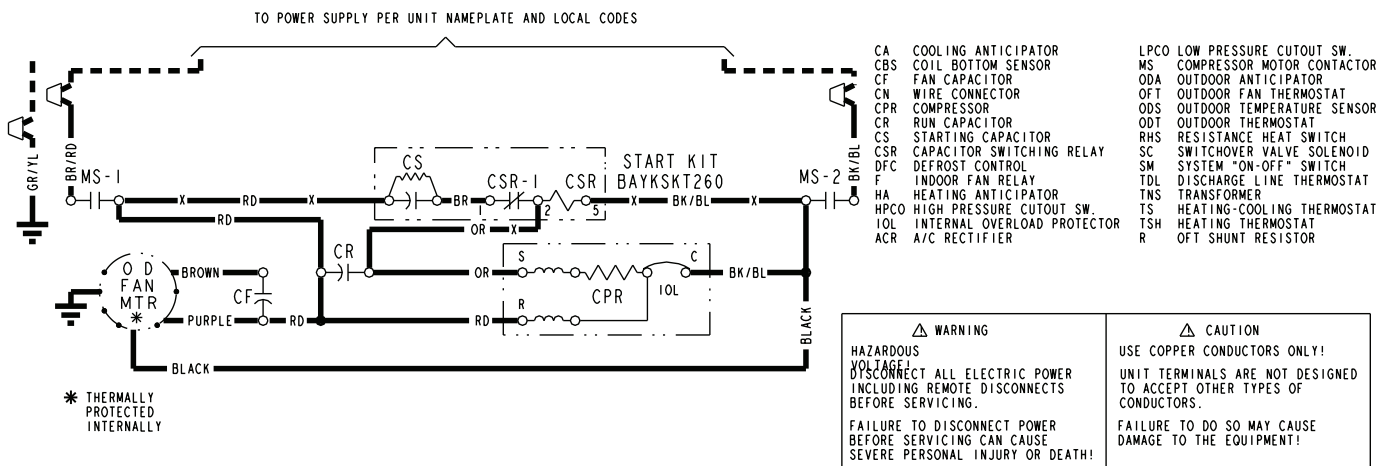
FOR CANADIAN INSTALLATIONS
POUR INSTALLATIONS CANADIENNES

CAUTION: NOT SUITABLE FOR USE ON SYSTEMS EXCEEDING 150V-TO-GROUND.
ATTENTION: NE CONVIENT PAS AUX INSTALLATIONS DE PLUS DE 150 V A LA TERRE.

Electrical Data

Schematic Diagrams

4TTB4060



COLOR OF WIRE
BK/BL BLACK WIRE WITH BLUE MARKER
COLOR OF MARKER
BK BLACK OR ORANGE YL YELLOW
BL BLUE RD RED GR GREEN
BR BROWN WH WHITE PR PURPLE

NOTES:

- IF ODT-B IS NOT USED, ADD JUMPER BETWEEN W2 & W3 AT AIR HANDLER.
IF USED, ODT-B MUST BE MOUNTED REMOTE OF CONTROL BOX IN AN APPROVED WEATHER PROOF ENCLOSURE.
- IF ODT-A IS NOT USED, ADD JUMPER BETWEEN W1 & W2 AT AIR HANDLER.
- LOW VOLTAGE (24 V.) FIELD WIRING MUST BE 18 AWG MIN.

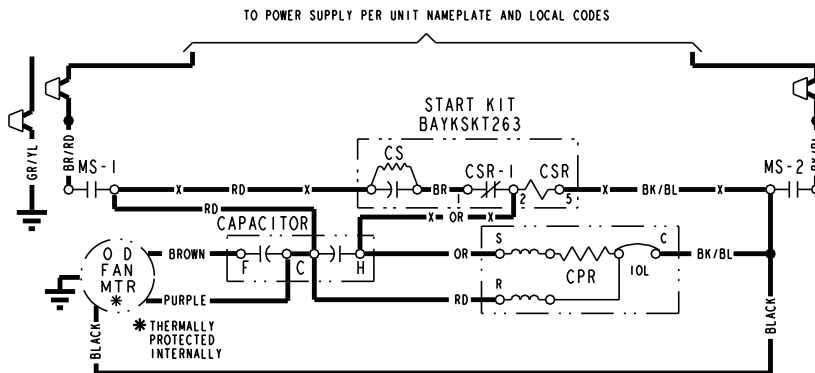
FOR CANADIAN INSTALLATIONS
POUR INSTALLATIONS CANADIENNES

CAUTION: NOT SUITABLE FOR USE ON SYSTEMS EXCEEDING 150V-TO-GROUND.
ATTENTION: NE CONVIENT PAS AUX INSTALLATIONS DE PLUS DE 150 V A LA TERRE.

From Drawing D157126P01

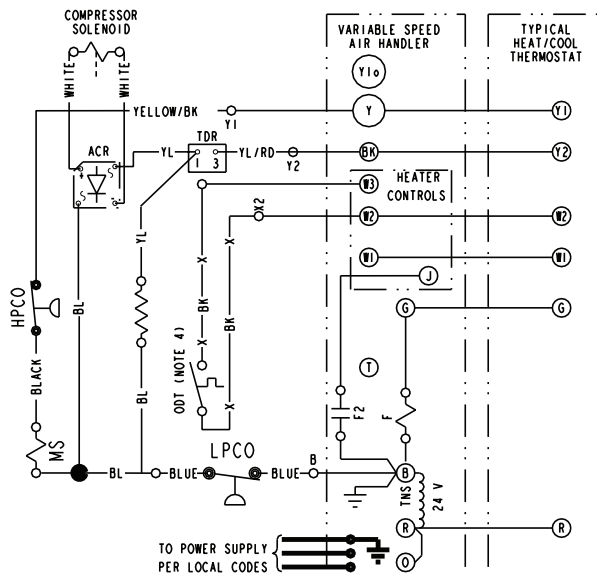
Electrical Data

Schematic Diagrams 4TTB4061



CA COOLING ANTICIPATOR	LPCO LOW PRESSURE CUTOFF SW.
CBS COIL BOTTOM SENSOR	MS COMPRESSOR MOTOR CONTACTOR
CF FAN CAPACITOR	ODA OUTDOOR ANTICIPATOR
CW WIRE CONNECTOR	OFT OUTDOOR FAN THERMOSTAT
CPR COMPRESSOR	ODS OUTDOOR TEMPERATURE SENSOR
CR RUN CAPACITOR	ODT OUTDOOR THERMOSTAT
CS STARTING CAPACITOR	RHS RESISTANCE HEAT SWITCH
CSR CAPACITOR SWITCHING RELAY	SC SWITCHOVER VALVE SOLENOID
DFC DEFROST CONTROL	SM SYSTEM "ON-OFF" SWITCH
F INDOOR FAN RELAY	TDL DISCHARGE LINE THERMOSTAT
HA HEATING ANTICIPATOR	TDR TIME DELAY RELAY (5 SEC DELAY ON)
HPCO HIGH PRESSURE CUTOFF SW.	TMS TRANSFORMER
IOL INTERNAL OVERLOAD PROTECTOR	TS HEATING-COOLING THERMOSTAT
ACR A/C RECTIFIER	TSH HEATING THERMOSTAT

<p>⚠ WARNING HAZARDOUS VOLTAGE! DISCONNECT ALL ELECTRIC POWER INCLUDING REMOTE DISCONNECTS BEFORE SERVICING. FAILURE TO DISCONNECT POWER BEFORE SERVICING CAN CAUSE SEVERE PERSONAL INJURY OR DEATH!</p>	<p>⚠ CAUTION USE COPPER CONDUCTORS ONLY! UNIT TERMINALS ARE NOT DESIGNED TO ACCEPT OTHER TYPES OF CONDUCTORS. FAILURE TO DO SO MAY CAUSE DAMAGE TO THE EQUIPMENT!</p>
---	--



COLOR OF WIRE
BK/BL BLACK WIRE WITH BLUE MARKER
COLOR OF MARKER

BK BLACK	OR ORANGE	YL YELLOW
BL BLUE	RD RED	GR GREEN
BR BROWN	WH WHITE	PR PURPLE

NOTES:

1. BE SURE POWER SUPPLY AGREES WITH EQUIPMENT NAMEPLATE.
2. POWER WIRING AND GROUNDING OF EQUIPMENT MUST COMPLY WITH LOCAL CODES.
3. LOW VOLTAGE WIRING TO BE NO. 18 AWG MINIMUM CONDUCTOR.
4. IF OUTDOOR THERMOSTAT (ODT) IS NOT USED, CONNECT W2 TO W3.
5. BE SURE THE JUMPER BETWEEN R AND BK IS CUT OR REMOVED.
6. WITH O AND Y/Y2 ENERGIZED, INDOOR FAN IS AT 80% AIRFLOW.
7. WITH O, Y/Y2 AND BK ENERGIZED, INDOOR FAN IS AT 100% AIRFLOW.

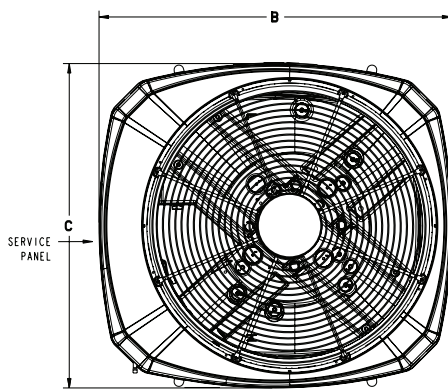
**FOR CANADIAN INSTALLATIONS
POUR INSTALLATIONS CANADIENNES**
**CAUTION: NOT SUITABLE FOR USE ON SYSTEMS EXCEEDING 150V-TO-GROUND.
ATTENTION: NE CONVIENT PAS AUX INSTALLATIONS DE PLUS DE 150 V A LA TERRE.**

From Drawing D156975p01

Dimensions

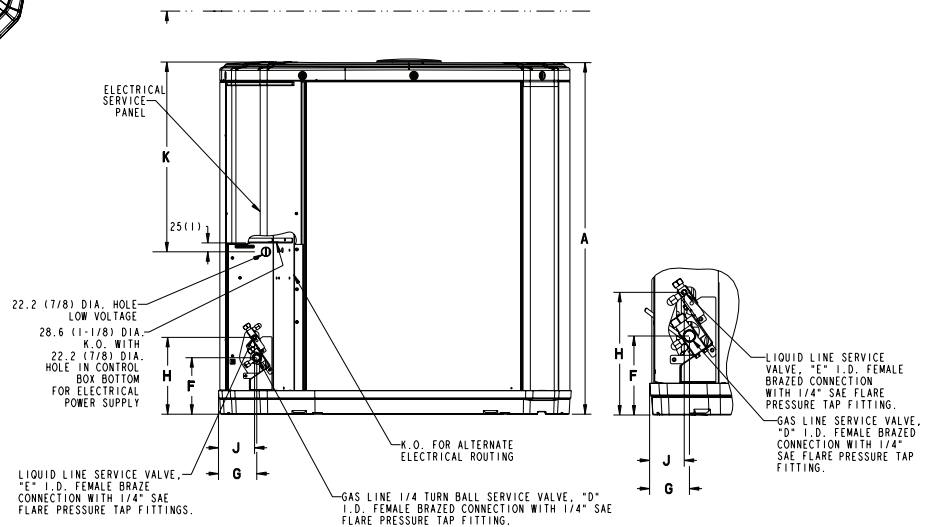
4TTB4 Outline Drawing

Note: All dimensions are in MM (Inches).



ELECTRICAL AND REFRIGERANT COMPONENT CLEARANCES PER PREVAILING CODES.

TOP DISCHARGE AREA SHOULD BE UNRESTRICTED FOR AT LEAST 1524 (5 FEET) ABOVE UNIT. UNIT SHOULD BE PLACED SO ROOF RUN-OFF WATER DOES NOT POUR DIRECTLY ON UNIT, AND SHOULD BE AT LEAST 305 (12") FROM WALL AND ALL SURROUNDING SHRUBBERY ON TWO SIDES. OTHER TWO SIDES UNRESTRICTED.



MODELS	BASE	A	B	C	D	E	F	G	H	J	K
4TTB4018E	3	730 (28-3/4)	829 (32-5/8)	756 (29-3/4)	5/8	3/8	127 (5)	76 (3)	197 (7-3/4)	57 (2-1/4)	508 (20)
4TTB4024E	3	730 (28-3/4)	829 (32-5/8)	756 (29-3/4)	3/4	3/8	127 (5)	76 (3)	197 (7-3/4)	57 (2-1/4)	508 (20)
4TTB4030E	4	841 (33-1/8)	946 (37-1/4)	870 (34-1/4)	3/4	3/8	152 (6)	98 (3-7/8)	219 (8-5/8)	86 (3-3/8)	508 (20)
4TTB4036E	4	943 (37-1/8)	946 (37-1/4)	870 (34-1/4)	3/4	3/8	152 (6)	98 (3-7/8)	219 (8-5/8)	86 (3-3/8)	508 (20)
4TTB4042E	4	1045 (41 1/8)	946 (37-1/4)	870 (34-1/4)	7/8	3/8	152 (6)	98 (3-7/8)	219 (8-5/8)	86 (3-3/8)	508 (20)
4TTB4048E	4	1147 (45 1/8)	946 (37-1/4)	870 (34-1/4)	7/8	3/8	152 (6)	98 (3-7/8)	219 (8-5/8)	86 (3-3/8)	508 (20)
4TTB4049E	4	1147 (45 1/8)	946 (37-1/4)	870 (34-1/4)	7/8	3/8	152 (6)	98 (3-7/8)	219 (8-5/8)	86 (3-3/8)	508 (20)
4TTB4060E	4	1147 (45 1/8)	946 (37-1/4)	870 (34-1/4)	7/8	3/8	152 (6)	98 (3-7/8)	219 (8-5/8)	86 (3-3/8)	508 (20)
4TTB4061E	4	1147 (45 1/8)	946 (37-1/4)	870 (34-1/4)	1-1/8	3/8	152 (6)	98 (3-7/8)	219 (8-5/8)	86 (3-3/8)	508 (20)



Notes



Notes

Mechanical Specification Options

General

The 4TTB4 is fully charged from the factory for up to 15 feet of piping. This unit is designed to operate at outdoor ambient temperatures as high as 115°F. Cooling capacities are matched with a wide selection of air handlers and furnace coils that are AHRI certified. The unit is certified to UL 1995. Exterior is designed for outdoor application.

Casing

Unit casing is constructed of heavy gauge, G90 galvanized steel and painted with a weather-resistant powder paint on all louvers, panels, prepaint on all other panels. Corrosion and weatherproof CMBP-G30 DuraTuff™ base.

Refrigerant Controls

Refrigeration system controls include condenser fan and compressor contactor. High and low pressure controls are inherent to the compressor. A factory installed liquid line drier is standard.

Compressor

The Climatuff® compressor features internal over temperature and pressure protection and total dipped hermetic motor. Other features include: roto lock suction and discharge refrigerant connections, centrifugal oil pump and low vibration and noise.

Condenser Coil

The outdoor coil provides low airflow resistance and efficient heat transfer. The coil is protected on all four sides by louvered panels.

Low Ambient Cooling

As manufactured, this unit has a cooling capability to 55°F. The addition of an evaporator defrost control with TXV permits low ambient cooling to 30° F.

Accessories

Thermostats — Cooling only and heat/cooling (manual and automatic changeover). Sub-base to match thermostat and locking thermostat cover.

