

Lexmark @productguide

13/10/2009



The greatest environmental impacts are generated when printing⁽¹⁾

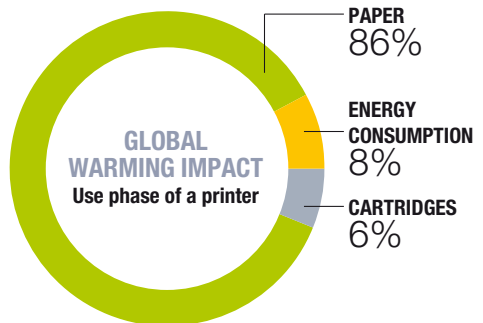
print

This is why LEXMARK encourages you to PRINT LESS!

At Lexmark, we are determined to lead the industry by helping our customers use our products more effectively. More than two-thirds of a laser printer's environmental impact is generated during the use phase – and most of that is caused by the paper!

Eliminating unnecessary output is a priority in terms of reducing business costs and environmental impact.

Using a Lexmark multifunctional printer and combining multi up and duplex can decrease up to 45% CO2 emissions⁽¹⁾



(1) : Study performed by Bio intelligence according to ISO 14040 and 14044 standards. X646dte MFP - Edition May 2008

PRINT LESS. SAVE MORE.



We recycle your cartridges at no cost... to you or the environment

less

Whatever your business, Lexmark provides you with **FREE & EASY** cartridge collection and recycling. As a leading provider of printing solutions, we are committed to zero waste to landfill - So you can be too!

100% of our collected printers and cartridges are reused or recycled. Over 90% of a cartridge's weight and 99% of a printer's components are re-used as new materials for other industries.⁽¹⁾

We help to give your products a new lease of life!

reduce

Use less material and energy

- Reduce the use of resources to prevent waste production
- Establish efficient and effective waste management techniques

recover

Collect empty cartridges and end-life printers

- Multiple collection programmes including prepaid & pick-up services
- Simple and free-of-charge for customers

reuse

Put product back in service with the same function

- Revitalise the product to function in its original capacity (remanufacturing)
- Preferable to recycling

recycle

Put product back in service with a different function

- Manufacture new products from used materials: glass, paper, aluminium, iron and other materials

(1) : European data

**Multifunction
printers can reduce
energy consumption
by up to 68%⁽¹⁾**

save

**More and more companies are replacing copiers, printers
and fax machines with multifunction printers**



Providing energy efficient products is a core priority at Lexmark. To ensure our printers manage power consumption effectively, they are designed to meet Energy Star standards whenever possible.

Compared to separate devices, All-In-One products require fewer materials in manufacturing and use less packaging. They also consume less energy during their lifetime and generate less waste when disposed of appropriately.

(1) : Energy Star new Version 1.1 criteria requires qualified products to be 14 percent more efficient than products qualified under Version 1.0

Lexmark internal testing shows that replacing four laser devices (Printer, Copier, Scanner and Fax) with one Laser Multifunction device saves 55% in energy use. Replacing four Inkjet products with one Inkjet multifunction can save up to 68% in energy use.

PRINT LESS. SAVE MORE.



**As many as
1 page in 5 end
up directly in
the waste bin⁽¹⁾**

more

Print Less. Save more. Save the environment

LEXMARK tips for daily SUSTAINABLE printing

Print LESS

- Only print the pages you need, and avoid printing emails & drafts
- Archive your documents using “scan to email” instead of printing
- Use print preview to avoid wasteful mistakes
- Use duplex and multi-up printing to halve your paper use

Reduce consumption

- Use the draft mode to save ink and toner, and reduce cartridge waste
- Favour high-yield cartridges to reduce plastic usage and shipping
- Use workgroup printers to streamline equipment and save power
- Use wireless (Wi-Fi) printing at home to reduce hardware units

Recycle

- Reuse paper for draft work whenever possible
- Provide separate recycling bins for paper and cartridges
- Use Lexmark cartridges collection programmes for free and responsible reuse and recycling
- Return end-of-life printers to appropriate disposal units

(1) : Source: Ipsos/Lexmark research “the state of printing” December 2007.

Table of contents

ENVIRONMENT	
Lexmark Environmental Programme	2
PRODUCT OVERVIEW	
Monochrome	8
Colour	14
MONO LASER	
Lexmark E120	20
Lexmark E120n	22
Lexmark E260	24
Lexmark E260d	26
Lexmark E260dn	28
Lexmark E360d	30
Lexmark E360dn	32
Lexmark E460dn	34
Lexmark E460dw	36
Lexmark E462dtn	38
Lexmark T650n	40
Lexmark T650dn	42
Lexmark T650dtn	44
Lexmark T652n	46
Lexmark T652dn	48
Lexmark T652dtn	50
Lexmark T654n	52
Lexmark T654dn	54
Lexmark T654dtn	56
Lexmark T656dne	58
Lexmark W850n	60
Lexmark W850dn	62
COLOUR LASER	
Lexmark C540n	64
Lexmark C543dn	66
Lexmark C544n	68
Lexmark C544dn	70
Lexmark C544dw	72
Lexmark C544dtn	74
Lexmark C546dtn	76
Lexmark C734n	78
Lexmark C734dn	80
Lexmark C734dtn	82
Lexmark C734dw	84
Lexmark C736n	86
Lexmark C736dn	88
Lexmark C736dtn	90
Lexmark C782n	92
Lexmark C782dn	94
Lexmark C782dtn	96
Lexmark C935dn	98
Lexmark C935dtn	100
Lexmark C935dttn	102
Lexmark C935hdn	104
3-IN-1	
Lexmark X2670	106
Lexmark Impact S305	108
Lexmark Intuition S505	110
Lexmark Interact S605	112
Lexmark Prestige Pro805	114
4-IN-1	
Lexmark Interpret S405	116
Lexmark Prospect Pro205	118
Lexmark Prevail Pro705	120
Lexmark Platinum Pro905	122
MULTIFUNCTION MONO LASER	
Lexmark X203n	124
Lexmark X204n	126
Lexmark X264dn	128
Lexmark X363dn	130
Lexmark X364dn	132
Lexmark X364dw	134
Lexmark X463de	136
Lexmark X464de	138
Lexmark X466de	140

Lexmark X466dte	142
Lexmark X466dwe	144
Lexmark X651de	146
Lexmark X652de	148
Lexmark X654de	150
Lexmark X656de MFP	152
Lexmark X656dte	154
Lexmark X658dfe	156
Lexmark X658dtfe	158
Lexmark X658dme	160
Lexmark X658dtme	162
Lexmark X860de 3	164
Lexmark X860de 4	166
Lexmark X862de 3	168
Lexmark X862de 4	170
Lexmark X864de 3	172
Lexmark X864de 4	174

MULTIFUNCTION COLOR LASER

Lexmark X543dn	176
Lexmark X544n	178
Lexmark X544dn	180
Lexmark X544dw	182
Lexmark X544dtn	184
Lexmark X546dtn	186
Lexmark X560n	188
Lexmark X560dn	190
Lexmark X734de	192
Lexmark X736de	194
Lexmark X738de	196
Lexmark X738dte	198
Lexmark X782e	200
Lexmark X940e	202
Lexmark X945e	204

MFP OPTIONS

Lexmark 4600 MFP Option, T642n/T644n	206
Lexmark 4600 MFP Option (C772n)	208
Lexmark 4600 MFP Option (C782n)	210

DOT MATRIX

Lexmark Forms Printer 2580	212
Lexmark Forms Printer 2580n	214
Lexmark Forms Printer 2581	216
Lexmark Forms Printer 2581n	218
Lexmark Forms Printer 2590	220
Lexmark Forms Printer 2590n	222
Lexmark Forms Printer 2591	224
Lexmark Forms Printer 2591n	226
Lexmark Forms Printer 4227 plus	228

CONNECTIVITY - APPLICATION SOLUTIONS

Forms and Bar Code Card	230
PrintCryption™ Application Solution	234
IPDS and SCS / TNe Application Solution	236
Lexmark Print Servers	238
MarkVision Professional	242

COMPATIBILITY

Lexmark Compatibility Table and Options	244
---	-----

SUPPLIES

Lexmark Supplies Compatibility Table	254
Lexmark Supplies Compatibility Table	256

SERVICES

Lexmark Standard Service Offerings	278
Lexmark Maintenance Kit	280
Lexmark Authorized Parts Distributors	296

CONTACTS

Contacts	298
----------	-----

Monochrome



MONO LASER



Lexmark E120

■ ■ ■ Up to 19 ppm



Lexmark E120n

■ ■ ■ Up to 19 ppm



Lexmark E260

■ ■ ■ Up to 33 ppm



Lexmark E260d

■ ■ ■ Up to 33 ppm



Lexmark E260dn

■ ■ ■ Up to 33 ppm



Lexmark T650n

■ ■ ■ Up to 43 ppm



Lexmark T650dn

■ ■ ■ Up to 43 ppm



Lexmark T650dtn

■ ■ ■ Up to 43 ppm



Lexmark T652n

■ ■ ■ Up to 48 ppm



Lexmark T652dn

■ ■ ■ Up to 48 ppm



Lexmark W850n

■ ■ ■ Up to 50 ppm



Lexmark W850dn

■ ■ ■ Up to 50 ppm



Lexmark E360d

■ ■ ■ Up to 38 ppm



Lexmark E360dn

■ ■ ■ Up to 38 ppm



Lexmark E460dn

■ ■ ■ Up to 38 ppm



Lexmark E460dw

■ ■ ■ Up to 38 ppm



Lexmark E462dtn

■ ■ ■ Up to 38 ppm



Lexmark T652dtn

■ ■ ■ Up to 48 ppm



Lexmark T654n

■ ■ ■ Up to 53 ppm



Lexmark T654dn

■ ■ ■ Up to 53 ppm



Lexmark T654dtn

■ ■ ■ Up to 53 ppm



Lexmark T656dne

■ ■ ■ Up to 53 ppm

Monochrome



MULTIFUNCTION



Lexmark X203n

■ ■ ■ Up to 23 ppm



Lexmark X204n

■ ■ ■ Up to 23 ppm



Lexmark X264dn

■ ■ ■ Up to 28 ppm



Lexmark X363dn

■ ■ ■ Up to 33 ppm



Lexmark X364dn

■ ■ ■ Up to 33 ppm



Lexmark X466dwe

■ ■ ■ Up to 38 ppm



Lexmark X651de

■ ■ ■ Up to 43 ppm



Lexmark X652de

■ ■ ■ Up to 43 ppm



Lexmark X654de

■ ■ ■ Up to 53 ppm



Lexmark X656de MFP

■ ■ ■ Up to 53 ppm



Lexmark X860de 3

■ ■ ■ Up to 35 ppm



Lexmark X860de 4

■ ■ ■ Up to 35 ppm



Lexmark X862de 3

■ ■ ■ Up to 45 ppm



Lexmark X862de 4

■ ■ ■ Up to 45 ppm



Lexmark X864de 3

■ ■ ■ Up to 55 ppm



Lexmark X364dw

■ ■ ■ Up to 33 ppm



Lexmark X463de

■ ■ ■ Up to 38 ppm



Lexmark X464de

■ ■ ■ Up to 38 ppm



Lexmark X466de

■ ■ ■ Up to 38 ppm



Lexmark X466de

■ ■ ■ Up to 38 ppm



Lexmark X656dte

■ ■ ■ Up to 53 ppm



Lexmark X658dfe

■ ■ ■ Up to 53 ppm



Lexmark X658dte

■ ■ ■ Up to 53 ppm



Lexmark X658dme

■ ■ ■ Up to 53 ppm



Lexmark X658dme

■ ■ ■ Up to 53 ppm



Lexmark X864de 4

■ ■ ■ Up to 55 ppm

Monochrome



DOT MATRIX



**Lexmark Forms
Printer 2580**

■ 9-Pin Dot Matrix



**Lexmark Forms
Printer 2580n**

■ 9-Pin Dot Matrix



**Lexmark Forms
Printer 2581**

■ 9-Pin Dot Matrix



**Lexmark Forms
Printer 2581n**

■ 9-Pin Dot Matrix



**Lexmark Forms
Printer 2590**

■ 24-Pin Dot Matrix



**Lexmark Forms
Printer 2590n**

■ 24-Pin Dot Matrix



**Lexmark Forms
Printer 2591**

■ 24-Pin Dot Matrix



**Lexmark Forms
Printer 2591n**

■ 24-Pin Dot Matrix



**Lexmark Forms
Printer 4227 plus**

■ Dual 9-Pin Dot Matrix

Colour



COLOUR LASER



Lexmark C540n

■ ■ ■ Up to 20 ppm

■ ■ ■ Up to 20 ppm



Lexmark C543dn

■ ■ ■ Up to 20 ppm

■ ■ ■ Up to 20 ppm



Lexmark C544n

■ ■ ■ Up to 23 ppm

■ ■ ■ Up to 23 ppm



Lexmark C544dn

■ ■ ■ Up to 23 ppm

■ ■ ■ Up to 23 ppm



Lexmark C544dw

■ ■ ■ Up to 23 ppm

■ ■ ■ Up to 23 ppm



Lexmark C734dw

■ ■ ■ Up to 28 ppm

■ ■ ■ Up to 28 ppm



Lexmark C736n

■ ■ ■ Up to 33 ppm

■ ■ ■ Up to 33 ppm



Lexmark C736dn

■ ■ ■ Up to 33 ppm

■ ■ ■ Up to 33 ppm



Lexmark C736dtn

■ ■ ■ Up to 33 ppm

■ ■ ■ Up to 33 ppm



Lexmark C782n

■ ■ ■ Up to 38 ppm

■ ■ ■ Up to 33 ppm



Lexmark C935hdn

■ ■ ■ Up to 45 ppm

■ ■ ■ Up to 40 ppm



Lexmark C544dtn

■ ■ ■ Up to 23 ppm

■ ■ ■ Up to 23 ppm



Lexmark C546dtn

■ ■ ■ Up to 23 ppm

■ ■ ■ Up to 23 ppm



Lexmark C734n

■ ■ ■ Up to 28 ppm

■ ■ ■ Up to 28 ppm



Lexmark C734dn

■ ■ ■ Up to 28 ppm

■ ■ ■ Up to 28 ppm



Lexmark C734dtn

■ ■ ■ Up to 28 ppm

■ ■ ■ Up to 28 ppm



Lexmark C782dn

■ ■ ■ Up to 38 ppm

■ ■ ■ Up to 33 ppm



Lexmark C782dtn

■ ■ ■ Up to 38 ppm

■ ■ ■ Up to 33 ppm



Lexmark C935dn

■ ■ ■ Up to 45 ppm

■ ■ ■ Up to 40 ppm



Lexmark C935dtn

■ ■ ■ Up to 45 ppm

■ ■ ■ Up to 40 ppm



Lexmark C935dtttn

■ ■ ■ Up to 45 ppm

■ ■ ■ Up to 40 ppm

Colour



MULTIFUNCTION



Lexmark X543dn

■ ■ ■ Up to 20 ppm

■ ■ ■ Up to 20 ppm



Lexmark X544n

■ ■ ■ Up to 23 ppm

■ ■ ■ Up to 23 ppm



Lexmark X544dn

■ ■ ■ Up to 23 ppm

■ ■ ■ Up to 23 ppm



Lexmark X544dw

■ ■ ■ Up to 23 ppm

■ ■ ■ Up to 23 ppm



Lexmark X544dtn

■ ■ ■ Up to 23 ppm

■ ■ ■ Up to 23 ppm



Lexmark X738de

■ ■ ■ Up to 33 ppm

■ ■ ■ Up to 33 ppm



Lexmark X738dte

■ ■ ■ Up to 33 ppm

■ ■ ■ Up to 33 ppm



Lexmark X782e

■ ■ ■ Up to 38 ppm

■ ■ ■ Up to 33 ppm



A3

Lexmark X940e

■ ■ ■ Up to 40 ppm

■ ■ ■ Up to 30 ppm



A3

Lexmark X945e

■ ■ ■ Up to 45 ppm

■ ■ ■ Up to 40 ppm

MFP OPTIONS



**Lexmark 4600 MFP
Option, T642n/T644n**

■ ■ ■ Up to 33 / 35 sides
per minute

■ ■ ■ Up to 17 / 18 sides
per minute



**Lexmark 4600 MFP
Option (C772n)**

■ ■ ■ Up to 33 / 35 sides
per minute

■ ■ ■ Up to 17 / 18 sides
per minute



**Lexmark 4600 MFP
Option (C782n)**

■ ■ ■ Up to 33 / 35 sides
per minute

■ ■ ■ Up to 17 / 18 sides
per minute



Lexmark X546dtn

■ ■ ■ Up to 23 ppm

■ ■ ■ Up to 23 ppm



Lexmark X560n

■ ■ ■ Up to 30 ppm

■ ■ ■ Up to 20 ppm



Lexmark X560dn

■ ■ ■ Up to 30 ppm

■ ■ ■ Up to 20 ppm



Lexmark X734de

■ ■ ■ Up to 28 ppm

■ ■ ■ Up to 28 ppm



Lexmark X736de

■ ■ ■ Up to 33 ppm

■ ■ ■ Up to 33 ppm

Colour



ALL-IN-ONE



Lexmark X2670

■ ■ ■ Up to 26 ppm

■ ■ ■ Up to 19 ppm



**Lexmark
Impact S305**

■ ■ ■ Up to 33 ppm

■ ■ ■ Up to 30 ppm



**Lexmark
Intuition S505**

■ ■ ■ Up to 33 ppm

■ ■ ■ Up to 30 ppm



**Lexmark
Interact S605**

■ ■ ■ Up to 33 ppm

■ ■ ■ Up to 30 ppm



**Lexmark
Prestige Pro805**

■ ■ ■ Up to 33 ppm

■ ■ ■ Up to 30 ppm





Lexmark
Interpret S405

■ ■ ■ Up to 33 ppm

■ ■ ■ Up to 30 ppm



Lexmark
Prospect Pro205

■ ■ ■ Up to 33 ppm

■ ■ ■ Up to 30 ppm



Lexmark
Prevail Pro705

■ ■ ■ Up to 33 ppm

■ ■ ■ Up to 30 ppm



Lexmark
Platinum Pro905

■ ■ ■ Up to 33 ppm

■ ■ ■ Up to 30 ppm

Lexmark E120



High-quality laser printing without the high-quality price!

Print Technology

Laser, Monochrome

Print Speed (A4 mono)

Up to 19 ppm

Time to First Page (Black)

As fast as 8 seconds

Print Resolution, Black

1200 Image Quality, 600 x 600 dpi

Processor

183 MHz

Memory, standard

8 MB

Memory, maximum

8 MB

Expandable Memory Options

No

Citrix MetaFrame

Citrix, MetaFrame and MetaFrame XP are registered trademarks or trademarks of Citrix Systems, Inc. in the U.S. and other countries., Microsoft Windows 2000 Server running Terminal Services with Citrix MetaFrame XP Presentation Server or Citrix MetaFrame Presentation Server 3.0., Microsoft Windows Server 2003 running Terminal Services with Citrix MetaFrame XP Presentation Server or Citrix MetaFrame Presentation Server 3.0., Microsoft Windows 2000 Server running Terminal Services with Citrix Presentation Server 4.0., Microsoft Windows Server 2003 running Terminal Services with Citrix Presentation Server 4.0

Microsoft Windows Operating Systems Supported

2000, XP, Server 2003, XP x64, Server 2003 running Terminal Services, 2000 Server running Terminal Services, Server 2003 x64, Server 2003 x64 running Terminal Services, Vista, Vista x64, 7

Paper Handling Standard

150-Sheet Input Tray, 50-Sheet Output Bin, 15-Sheet Priority Feeder

Paper Input Capacity, Standard: Up to

150 + 15 pages 75 gsm bond

Paper Input Capacity, Maximum: Up to

150 + 15 pages 75 gsm bond

Paper Output Capacity, Standard: Up to

50 pages 75 gsm bond

Paper Output Capacity, Maximum: Up to

50 pages 75 gsm bond

Envelope Capacity

Up to 5

Finishing Option

No

Number of Paper Inputs, Standard

2

Number of Paper Inputs, Maximum

2

Media Types Supported

Card Stock, Envelopes, Paper Labels, Plain Paper, Transparencies, Refer to the Card Stock & Label Guide

Media Sizes Supported

10 Envelope, 7 3/4 Envelope, 9 Envelope, A4, A5, B5 Envelope, C5 Envelope, DL Envelope, A6 Card, Executive, Folio, JIS-B5, Legal, Letter, Statement

Standard Ports

USB Compatible with USB 2.0 Specification (Type B)

Optional Network Ports

Lexmark N4000e Fast Ethernet (Print Only), Lexmark N4050e 802.11g Wireless Print Server (Print Only), External MarkNet™ N7020e Gigabit Ethernet, External MarkNet™ N7000e Fast Ethernet (USB)

Printable Area

4 mm of the top, bottom, right and left edges (within)

Printer Languages (Standard)

Host-Based Printing

Supplies Yield

Average standard page yield value declared in accordance with ISO/IEC 19752, 2,000-page Toner Cartridge, Ships with 500*-page Starter Return Program Toner Cartridge, 25,000*-page Photoconductor Kit

Packaged Size (mm - H x W x D)

325 x 485 x 292 mm

Size (mm - H x W x D)

250 x 388 x 370 mm

Weight (kg)

6.9 kg

Noise Level, Idle

26 dBA

Print Noise Level, Operating

49 dBA

Product Guarantee

One Year Return to Base, 5-7 business days Response time

Product Certifications

FCC Class B, UL 60950-1, U.S. FDA, IEC 60320-1, CSA 60950-1-03, ICES Class B, CE Class B, CB IEC 60950-1, IEC 60825-1, GS (TÜV), SEMKO, UL AR, CS, TÜV Rh, N Mark, ACA C-tick Class B, CCC Class B, BSMI Class B, VCCI Class B, MIC, EK Mark, PSB

Maximum Monthly Duty Cycle

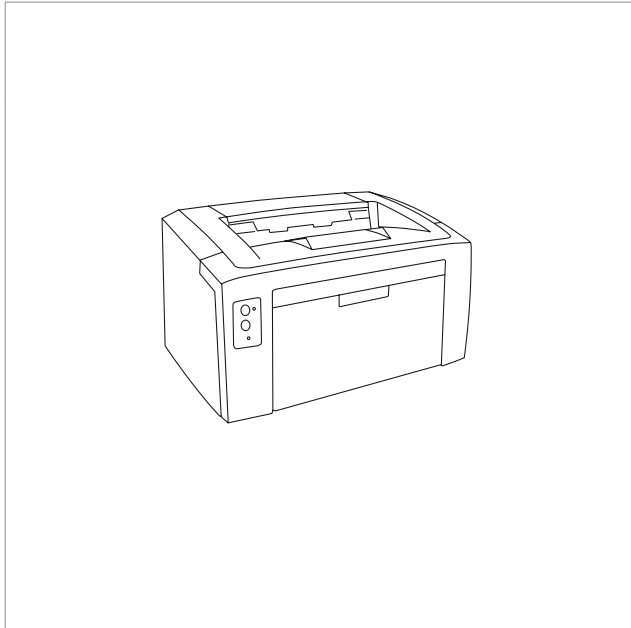
Up to 8000 pages per month

Recommended Monthly Page Volume

250 - 2000 Pages

Specified Operating Environment

Temperature: 16 to 32°C (60 to 90°F), Altitude: 0 - 2500 Meters (8,200 Feet), Humidity: 8 to 80% Relative Humidity for Temperatures less than 25.5°C (78°F)



■ Paper Handling Standard

Part #	Model
23S0110	Lexmark E120
Part #	Laser Toner/Print Cartridge
12016SE	E120 Return Programme Toner Cartridge (2K)
12036SE	E120 Toner Cartridge (2K)
12026XW	E120 Photoconductor Kit (25K)
Part #	Paper & Transparencies
12A5010	Laser Printers - A4 Transparency
Part #	Connectivity
1021294	USB (2 Meter) Cable
14T0185	Lexmark N4050e 802.11g Wireless Print Server
14T0050	Lexmark N4000e Fast Ethernet Print Server
14T0230	MarkNet N7000e Fast Ethernet Print Server - USB
14T0220	MarkNet N7020e Gigabit Ethernet Print Server
Part #	Extended Warranties
2348361P	E120 2-Years Total (1+1) Onsite Service Guarantee
2348362P	E120 3-Years Total (1+2) Onsite Service Guarantee
2348363P	E120 4-Years Total (1+3) Onsite Service Guarantee
2348370P	E120 1-Year Renewal Onsite Service Guarantee
2348374P	E120 2-Years Total (1+1) Return-to-Base Guarantee
2348375P	E120 3-Years Total (1+2) Return-to-Base Guarantee
2348376P	E120 4-Years Total (1+3) Return-to-Base Guarantee
2348386P	E120 1-Year Return-to-Base Renewal Guarantee

Lexmark E120n



High-quality laser printing without the high-quality price!

Print Technology

Laser, Monochrome

Print Speed (A4 mono)

Up to 19 ppm

Time to First Page (Black)

As fast as 8 seconds

Print Resolution, Black

1200 Image Quality, 600 x 600 dpi

Processor

183 MHz

Memory, standard

16 MB

Memory, maximum

16 MB

Expandable Memory Options

No

Apple Macintosh Operating Systems Supported

Mac OS X

Citrix MetaFrame

Citrix, MetaFrame and MetaFrame XP are registered trademarks or trademarks of Citrix Systems, Inc. in the U.S. and other countries. Microsoft Windows 2000 Server running Terminal Services with Citrix MetaFrame XP Presentation Server or Citrix MetaFrame Presentation Server 3.0., Microsoft Windows Server 2003 running Terminal Services with Citrix MetaFrame XP Presentation Server or Citrix MetaFrame Presentation Server 3.0, Microsoft Windows 2000 Server running Terminal Services with Citrix Presentation Server 4.0, Microsoft Windows Server 2003 running Terminal Services with Citrix Presentation Server 4.0

Microsoft Windows Operating Systems Supported

2000, XP, Server 2003, XP x64, Server 2003 running Terminal Services, 2000 Server running Terminal Services, Server 2003 x64, Server 2003 x64 running Terminal Services, Vista, Vista x64, 7

Paper Handling Tray

150-Sheet Input Tray, 50-Sheet Output Bin, 15-Sheet Priority Feeder

Paper Input Capacity, Standard: Up to

150 + 15 pages 75 gsm bond

Paper Input Capacity, Maximum: Up to

150 + 15 pages 75 gsm bond

Paper Output Capacity, Standard: Up to

50 pages 75 gsm bond

Paper Output Capacity, Maximum: Up to

50 pages 75 gsm bond

Envelope Capacity

Up to 5

Finishing Option

No

Number of Paper Inputs, Standard

2

Number of Paper Inputs, Maximum

2

Media Types Supported

Card Stock, Envelopes, Paper Labels, Plain Paper, Transparencies, Refer to the Card Stock & Label Guide

Media Sizes Supported

10 Envelope, 7 3/4 Envelope, 9 Envelope, A4, A5, B5 Envelope, C5 Envelope, DL Envelope, A6 Card, Executive, Folio, JIS-B5, Legal, Letter, Statement

Standard Ports

Fast Ethernet, USB Compatible with USB 2.0 Specification (Type B)

Optional Network Ports

Lexmark N4050e 802.11g Wireless Print Server (Print Only), External MarkNet™ N7020e Gigabit Ethernet

Network Printing Methods

LPR/LPD, Direct IP (Port 9100), IPP (Internet Printing Protocol), HTTP, Enhanced IP (Port 9400), FTP, TFTP

Network Protocol Support

TCP/IP IPv4

Printable Area

4 mm of the top, bottom, right and left edges (within)

Printer Languages (Standard)

PCL 5e Emulation, PCL 6 Emulation

Supplies Yield

Average standard page yield value declared in accordance with ISO/IEC 19752, 2,000-page Toner Cartridge, Ships with 500*-page Starter Return Program Toner Cartridge, 25,000*-page Photoconductor Kit

Packaged Size (mm - H x W x D)

325 x 485 x 292 mm

Size (mm - H x W x D)

250 x 388 x 370 mm

Weight (kg)

6.9 kg

Noise Level, Idle

26 dBA

Print Noise Level, Operating

49 dBA

Product Guarantee

One year Return to base, 5-7 Business Days Response time.

Product Certifications

FCC Class B, UL 60950-1, U.S. FDA, IEC 60320-1, CSA 60950-1-03, ICES Class B, CE Class B, CB IEC 60950-1, IEC 60825-1, GS (TÜV), SEMKO, UL AR, CS, TÜV Rh, N Mark, ACA C-tick Class B, CCC Class B, BSMI Class B, VCCI Class B, MIC, EK Mark, PSB

Maximum Monthly Duty Cycle

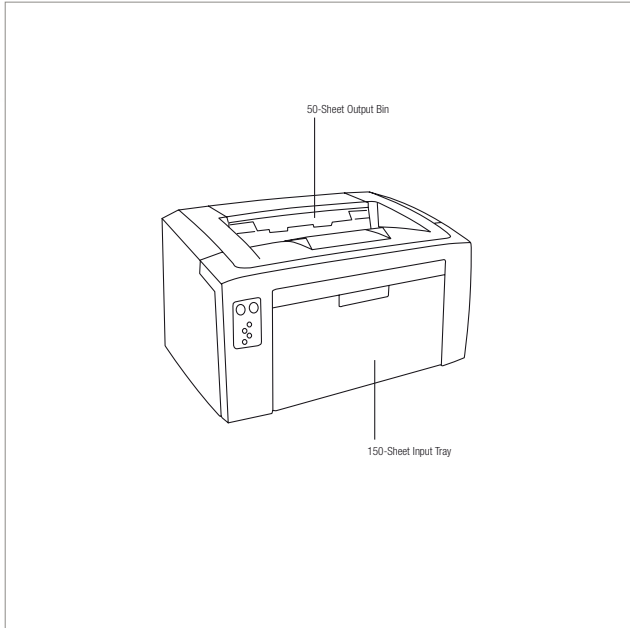
Up to 10000 pages per month

Recommended Monthly Page Volume

250 - 2000 Pages

Specified Operating Environment

Temperature: 16 to 32°C (60 to 90°F), Altitude: 0 - 2500 Meters (8,200 Feet), Humidity: 8 to 80% Relative Humidity for Temperatures less than 25.5°C (78°F)



■ Paper Handling Standard

Part #	Model
23S0310	Lexmark E120n
Part #	Laser Toner/Print Cartridge
12016SE	E120 Return Programme Toner Cartridge (2K)
12036SE	E120 Toner Cartridge (2K)
12026XW	E120 Photoconductor Kit (25K)
Part #	Paper & Transparencies
12A5010	Laser Printers - A4 Transparency
Part #	Connectivity
1021294	USB (2 Meter) Cable
14T0165	Lexmark N4050e 802.11g Wireless Print Server
14T0220	MarkNet N7020e Gigabit Ethernet Print Server
Part #	Extended Warranties
2348361P	E120 2-Years Total (1+1) Onsite Service Guarantee
2348362P	E120 3-Years Total (1+2) Onsite Service Guarantee
2348363P	E120 4-Years Total (1+3) Onsite Service Guarantee
2348370P	E120 1-Year Renewal Onsite Service Guarantee
2348374P	E120 2-Years Total (1+1) Return-to-Base Guarantee
2348375P	E120 3-Years Total (1+2) Return-to-Base Guarantee
2348376P	E120 4-Years Total (1+3) Return-to-Base Guarantee
2348386P	E120 1-Year Return-to-Base Renewal Guarantee

Lexmark E260



Enjoy big benefits in a desktop printer!

Print Technology

Laser, Monochrome

Print Speed (A4 mono)

Up to 33 ppm

Time to First Page (Black)

As fast as 6.5 seconds

Print Resolution, Black

1200 Image Quality, 1200 x 1200 dpi, 2400 Image Quality, 600 x 600 dpi

Processor

400 MHz

Memory, standard

32 MB

Memory, maximum

160 MB

Expandable Memory Options

Yes

Apple Macintosh Operating Systems Supported

Mac OS X (10.2 or later), Mac OS 9.2

Citrix MetaFrame

Microsoft Windows 2000 Server running Terminal Services with Citrix Presentation Server 3.0, 4.0, Microsoft Windows Server 2003 running Terminal Services with Citrix Presentation Server 3.0, 4.0, 4.5, Microsoft Windows Server 2003 x64 running Terminal Services with Citrix Presentation Server 4.0 x64, 4.5 x64

Linux Operating Systems Supported

Linpus Linux Desktop 9.2, 9.3, Red Hat Enterprise Linux WS 3.0, 4.0, 5.0, SUSE Linux Enterprise Server 8.0, 9.0, 10, 11, SUSE Linux Enterprise Desktop 10, openSUSE 10.2, 10.3, 11.0, 11.1, Linspire Linux 6.0, Debian GNU/Linux 4.0, Red Flag Linux Desktop 5.0, 6.0, Ubuntu 7.10, Ubuntu 8.04 LTS, SUSE Linux Enterprise Desktop 11, Debian GNU/Linux 5.0, Ubuntu 8.10, 9.04

Microsoft Windows Operating Systems Supported

2000, XP, Server 2003, XP x64, Server 2003 running Terminal Services, 2000 Server running Terminal Services, Server 2003 x64, Server 2003 x64 running Terminal Services, Vista, Vista x64, Server 2008, Server 2008 x64, Server 2008 running Terminal Services, Server 2008 x64 running Terminal Services, 7

Paper Handling Standard

150-Sheet Output Bin, Single Sheet Exit, Single Sheet Manual Feed, 250-Sheet Input Tray

Paper Handling Optional

550-Sheet Drawer, Only one drawer may be installed at a time, 250-Sheet Drawer

Paper Input Capacity, Standard: Up to

250 + 1 pages 75 gsm bond

Paper Input Capacity, Maximum: Up to

800 + 1 pages 75 gsm bond

Paper Output Capacity, Standard: Up to

150 pages 75 gsm bond

Paper Output Capacity, Maximum: Up to

150 pages 75 gsm bond

Envelope Capacity

1

Finishing Option

No

Number of Paper Inputs, Standard

2

Number of Paper Inputs, Maximum

3

Media Types Supported

Card Stock, Envelopes, Paper Labels, Plain Paper, Transparencies, Refer to the Card Stock & Label Guide

Media Sizes Supported

10 Envelope, 7 3/4 Envelope, 9 Envelope, A4, A5, B5 Envelope, C5 Envelope, DL Envelope, A6 Card, Executive, Folio, JIS-B5, Legal, Letter, Statement, Universal, Oficio

Standard Ports

Centronics IEEE 1284 Bidirectional Parallel, USB 2.0 Specification Hi-Speed Certified (Type B)

Optional Network Ports

Lexmark N4000e Fast Ethernet (Print Only), Lexmark N4050e 802.11g Wireless Print Server (Print Only), External MarkNet™ N7020e Gigabit Ethernet, External MarkNet™ N7000e Fast Ethernet (USB), External MarkNet™ N7002e Fast Ethernet (parallel)

Printable Area

4 mm of the top, bottom, right and left edges (within)

Printer Languages (Standard)

PCL 5e Emulation, PCL 6 Emulation, PPDS, PostScript 3 Emulation

Supplies Yield

Average standard page yield value declared in accordance with ISO/IEC 19752, 3,500-page Toner Cartridge

Cartridge(s) Shipping with Product

1,000*-page Starter Return Program Toner Cartridge

Packaged Size (mm - H x W x D)

355 x 460 x 420 mm

Size (mm - H x W x D)

260 x 406 x 370 mm

Weight (kg)

13.53 kg

Noise Level, Idle

inaudible dBA

Print Noise Level, Operating

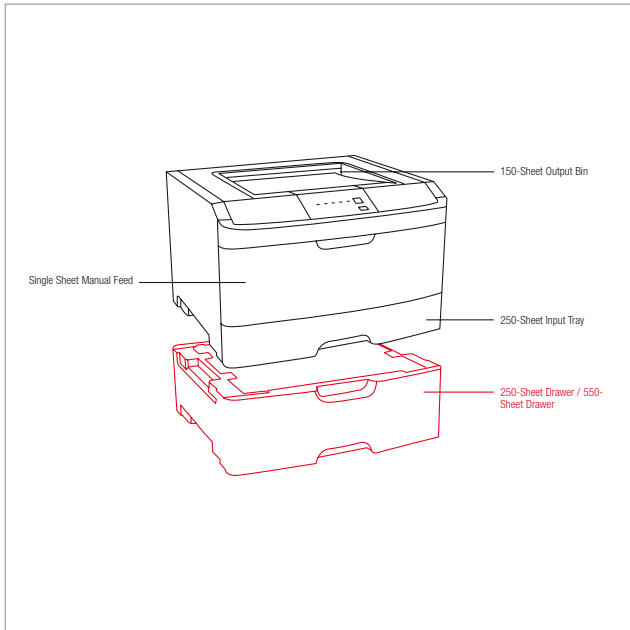
53 dBA

Product Guarantee

3 Year on-site repair, next business day response time

Product Certifications

FCC Class B, UL 60950-1 3rd Edition, U.S. FDA, IEC 320-1, CSA, ICES Class B, CE Class B, CB IEC 60950-1, IEC 60825-1, GS (TÜV), SEMKO, UL AR, CS, TÜV rh, N Mark, ACA C-tick Class B, CCC Class B, BSMI Class B, MIC, EK Mark, PSB



Paper Handling Standard
 Paper Handling Optional

Part #	Model
8049338	Lexmark E260

Part #	Laser Toner/Print Cartridge
E260A11E	E260, E360, E460 Return Programme Toner Cartridge (3.5K)
E260A21E	E260, E360, E460 Toner Cartridge (3.5K)
E260X22G	E260, E360, E460, X264, X36x, X46x Photoconductor Kit (30K)

Part #	Paper & Transparencies
12A5010	Laser Printers - A4 Transparency

Part #	Paper Handling
34S0550	550-Sheet Drawer
34S0250	250-Sheet Drawer

Part #	Memory Options
1022298	128MB DDR1-DRAM

Part #	Connectivity
1021231	Parallel (10') Cable
1021294	USB (2 Meter) Cable
14T0050	Lexmark N4000e Fast Ethernet Print Server
14T0165	Lexmark N4050e 802.11g Wireless Print Server
14T0230	MarkNet N7000e Fast Ethernet Print Server - USB
14T0240	MarkNet N7002e Fast Ethernet Print Server - Parallel
14T0220	MarkNet N7020e Gigabit Ethernet Print Server

Part #	Extended Warranties
2350174P	E260 2-Years Total (1+1) Onsite Service Guarantee
2350175P	E260 3-Years Total (1+2) Onsite Service Guarantee
2350178P	E260 1-Year Renewal Onsite Service Guarantee
2350194P	E260 2-Years Total (1+1) Return-to-Base Guarantee
2350195P	E260 3-Years Total (1+2) Return-to-Base Guarantee
2350198P	E260 1-Year Return-to-Base Renewal Guarantee

Lexmark E260d



Enjoy big benefits in a desktop printer!

Print Technology

Laser, Monochrome

Print Speed (A4 mono)

Up to 33 ppm

Print Speed (A4 mono) Duplex

Up to 17 spm

Time to First Page (Black)

As fast as 6.5 seconds

Print Resolution, Black

1200 Image Quality, 1200 x 1200 dpi, 2400 Image Quality, 600 x 600 dpi

Processor

400 MHz

Memory, standard

32 MB

Memory, maximum

160 MB

Expandable Memory Options

Yes

Apple Macintosh Operating Systems Supported

Mac OS X (10.2 or later), Mac OS 9.2

Citrix MetaFrame

Microsoft Windows 2000 Server running Terminal Services with Citrix Presentation Server 3.0, 4.0, Microsoft Windows Server 2003 running Terminal Services with Citrix Presentation Server 3.0, 4.0, 4.5, Microsoft Windows Server 2003 x64 running Terminal Services with Citrix Presentation Server 4.0 x64, 4.5 x64

Linux Operating Systems Supported

Linpus Linux Desktop 9.2, 9.3, Red Hat Enterprise Linux WS 3.0, 4.0, 5.0, SUSE Linux Enterprise Server 8.0, 9.0, 10, 11, SUSE Linux Enterprise Desktop 10, openSUSE 10.2, 10.3, 11.0, 11.1, Linspire Linux 6.0, Debian GNU/Linux 4.0, Red Flag Linux Desktop 5.0, 6.0, Ubuntu 7.10, Ubuntu 8.04 LTS, SUSE Linux Enterprise Desktop 11, Debian GNU/Linux 5.0, Ubuntu 8.10, 9.04

Microsoft Windows Operating Systems Supported

2000, XP, Server 2003, XP x64, Server 2003 running Terminal Services, 2000 Server running Terminal Services, Server 2003 x64, Server 2003 x64 running Terminal Services, Vista, Vista x64, Server 2008, Server 2008 x64, Server 2008 running Terminal Services, Server 2008 x64 running Terminal Services, 7

Paper Handling Standard

150-Sheet Output Bin, Integrated Duplex, Single Sheet Exit, Single Sheet Manual Feed, 250-Sheet Input Tray

Paper Handling Optional

550-Sheet Drawer, Only one drawer may be installed at a time, 250-Sheet Drawer

Paper Input Capacity, Standard: Up to

250+1 pages 75 gsm bond

Paper Input Capacity, Maximum: Up to

800+1 pages 75 gsm bond

Paper Output Capacity, Standard: Up to

150 pages 75 gsm bond

Paper Output Capacity, Maximum: Up to

150 pages 75 gsm bond

Envelope Capacity

1

Finishing Option

No

Number of Paper Inputs, Standard

2

Number of Paper Inputs, Maximum

3

Media Types Supported

Card Stock, Envelopes, Paper Labels, Plain Paper, Transparencies, Refer to the Card Stock & Label Guide

Media Sizes Supported

10 Envelope, 7 3/4 Envelope, 9 Envelope, A4, A5, B5 Envelope, C5 Envelope, DL Envelope, A6 Card, Executive, Folio, JIS-B5, Legal, Letter, Statement, Universal, Oficio

Standard Ports

Centronics IEEE 1284 Bidirectional Parallel, USB 2.0 Specification Hi-Speed Certified (Type B)

Optional Network Ports

Lexmark N4000e Fast Ethernet (Print Only), Lexmark N4050e 802.11g Wireless Print Server (Print Only), External MarkNet™ N7020e Gigabit Ethernet, External MarkNet™ N7000e Fast Ethernet (USB), External MarkNet™ N7002e Fast Ethernet (parallel)

Printable Area

4 mm of the top, bottom, right and left edges (within)

Printer Languages (Standard)

PCL 5e Emulation, PCL 6 Emulation, PPDS, PostScript 3 Emulation

Supplies Yield

Average standard page yield value declared in accordance with ISO/IEC 19752, 3,500-page Toner Cartridge

Cartridge(s) Shipping with Product

1,000*-page Starter Return Program Toner Cartridge

Packaged Size (mm - H x W x D)

355 x 460 x 420 mm

Size (mm - H x W x D)

260 x 406 x 370 mm

Weight (kg)

13.53 kg

Noise Level, Idle

inaudible dBA

Print Noise Level, Operating

53 dBA

Product Guarantee

3 Year on-site repair, next business day response time

Product Certifications

FCC Class B, UL 60950-1 3rd Edition, U.S. FDA, IEC 320-1, CSA, ICES Class B, Energy Star, CE Class B, CB IEC 60950-1, IEC 60825-1, GS (TÜV), SEMKO, UL AR, CS, TÜV Rh, N Mark, ACA C-tick Class B, CCC Class B,

BSMI Class B, MIC, EK Mark, PSB

Maximum Monthly Duty Cycle

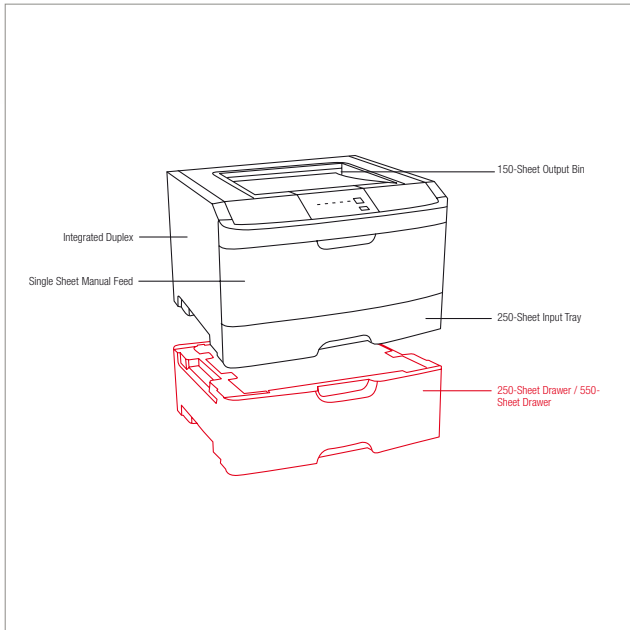
Up to 50000 pages per month

Recommended Monthly Page Volume

250 - 2500 Pages

Specified Operating Environment

Temperature: 16 to 32°C (60 to 90°F), Altitude: 0 - 2500 Meters (8,200 Feet), Humidity: 8 to 80% Relative Humidity for Temperatures less than 25.5°C (78°F)



■ Paper Handling Standard
■ Paper Handling Optional

Part #	Model
8049339	Lexmark E260d
Part #	Laser Toner/Print Cartridge
E260A11E	E260, E360, E460 Return Programme Toner Cartridge (3.5K)
E260A21E	E260, E360, E460 Toner Cartridge (3.5K)
E260X22G	E260, E360, E460, X264, X36x, X46x Photoconductor Kit (30K)
Part #	Paper & Transparencies
12A5010	Laser Printers - A4 Transparency
Part #	Paper Handling
34S0550	550-Sheet Drawer
34S0250	250-Sheet Drawer
Part #	Memory Options
1022298	128MB DDR1-DRAM
Part #	Connectivity
1021231	Parallel (10') Cable
1021294	USB (2 Meter) Cable
14T0050	Lexmark N4000e Fast Ethernet Print Server
14T0165	Lexmark N4050e 802.11g Wireless Print Server
14T0230	MarkNet N7000e Fast Ethernet Print Server - USB
14T0240	MarkNet N7002e Fast Ethernet Print Server - Parallel
14T0220	MarkNet N7020e Gigabit Ethernet Print Server
Part #	Extended Warranties
2350174P	E260 2-Years Total (1+1) Onsite Service Guarantee
2350175P	E260 3-Years Total (1+2) Onsite Service Guarantee
2350178P	E260 1-Year Renewal Onsite Service Guarantee
2350194P	E260 2-Years Total (1+1) Return-to-Base Guarantee
2350195P	E260 3-Years Total (1+2) Return-to-Base Guarantee
2350198P	E260 1-Year Return-to-Base Renewal Guarantee

Lexmark E260dn



Enjoy big benefits in a desktop printer!

Print Technology

Laser, Monochrome

Print Speed (A4 mono)

Up to 33 ppm

Print Speed (A4 mono) Duplex

Up to 17 spm

Time to First Page (Black)

As fast as 6.5 seconds

Print Resolution, Black

1200 Image Quality, 1200 x 1200 dpi, 2400 Image Quality, 600 x 600 dpi

Processor

400 MHz

Memory, standard

32 MB

Memory, maximum

160 MB

Expandable Memory Options

Yes

Apple Macintosh Operating Systems Supported

Mac OS X (10.2 or later), Mac OS 9.2

Citrix MetaFrame

Microsoft Windows 2000 Server running Terminal Services with Citrix Presentation Server 3.0, 4.0, Microsoft Windows Server 2003 running Terminal Services with Citrix Presentation Server 3.0, 4.0, 4.5, Microsoft Windows Server 2003 x64 running Terminal Services with Citrix Presentation Server 4.0 x64, 4.5 x64

Linux Operating Systems Supported

Linpus Linux Desktop 9.2, 9.3, Red Hat Enterprise Linux WS 3.0, 4.0, 5.0, SUSE Linux Enterprise Server 8.0, 9.0, 10, 11, SUSE Linux Enterprise Desktop 10, openSUSE 10.2, 10.3, 11.0, 11.1, Linspire Linux 6.0, Debian GNU/Linux 4.0, Red Flag Linux Desktop 5.0, 6.0, Ubuntu 7.10, Ubuntu 8.04 LTS, SUSE Linux Enterprise Desktop 11, Debian GNU/Linux 5.0, Ubuntu 8.10, 9.04

Microsoft Windows Operating Systems Supported

2000, XP, Server 2003, XP x64, Server 2003 running Terminal Services, 2000 Server running Terminal Services, Server 2003 x64, Server 2003 x64 running Terminal Services, Vista, Vista x64, Server 2008, Server 2008 x64, Server 2008 running Terminal Services, Server 2008 x64 running Terminal Services, 7

Novell Operating Systems Supported

Open Enterprise Server for Netware with NDS, iPrint or Novell Distributed Print Services (NDPS), NetWare 5.x, 6.x with iPrint or Novell Distributed Print Services (NDPS)

UNIX Operating Systems Supported

Sun Solaris SPARC 8, 9, 10, Sun Solaris x86 10, HP-UX 11.11, 11.23, 11.31, IBM AIX 5.2, 5.3, 6.1

Other Operating Systems Supported

IBM iSeries or IBM AS/400® Systems with TCP/IP with OS/400® V3R1 or later using OS/400 Host Print Transform, Virtually any platform supporting TCP/IP

Paper Handling Standard

150-Sheet Output Bin, Integrated Duplex, Single Sheet

Exit, Single Sheet Manual Feed, 250-Sheet Input Tray

Paper Handling Optional

550-Sheet Drawer, Only one drawer may be installed at a time, 250-Sheet Drawer

Paper Input Capacity, Standard: Up to

250+1 pages 75 gsm bond

Paper Input Capacity, Maximum: Up to

800+1 pages 75 gsm bond

Paper Output Capacity, Standard: Up to

150 pages 75 gsm bond

Paper Output Capacity, Maximum: Up to

150 pages 75 gsm bond

Envelope Capacity

1

Finishing Option

No

Number of Paper Inputs, Standard

2

Number of Paper Inputs, Maximum

3

Media Types Supported

Card Stock, Envelopes, Paper Labels, Plain Paper, Transparencies, Refer to the Card Stock & Label Guide

Media Sizes Supported

10 Envelope, 7 3/4 Envelope, 9 Envelope, A4, A5, B5 Envelope, C5 Envelope, DL Envelope, A6 Card, Executive, Folio, JIS-B5, Legal, Letter, Statement, Universal, Oficio

Standard Ports

Centronics IEEE 1284 Bidirectional Parallel, Fast Ethernet, USB 2.0 Specification Hi-Speed Certified (Type B)

Optional Network Ports

Lexmark N4050e 802.11g Wireless Print Server (Print Only), External MarkNet™ N7020e Gigabit Ethernet

Network Printing Methods

LPR/LPD, Direct IP (Port 9100), HTTP, Enhanced IP (Port 9400), FTP, TFTP, IPP 1.1 (Internet Printing Protocol)

Network Protocol Support

TCP/IP IPv4, TCP/IP IPv6, TCP, UDP

Printable Area

4 mm of the top, bottom, right and left edges (within)

Printer Languages (Standard)

PCL 5e Emulation, PCL 6 Emulation, PPDS, PostScript 3 Emulation

Supplies Yield

Average standard page yield value declared in accordance with ISO/IEC 19752, 3,500-page Toner Cartridge

Cartridge(s) Shipping with Product

1,000*-page Starter Return Program Toner Cartridge

Packaged Size (mm - H x W x D)

355 x 460 x 420 mm

Size (mm - H x W x D)

260 x 406 x 370 mm

Weight (kg)

13.53 kg

Noise Level, Idle

inaudible dBA

Print Noise Level, Operating

53 dBA

Product Guarantee

3 Year on-site repair, next business day response time

Product Certifications

FCC Class B, UL 60950-1 3rd Edition, U.S. FDA, IEC 320-1, CSA, ICES Class B, Energy Star, CE Class B, CB IEC 60950-1, IEC 60825-1, GS (TUV), SEMKO, UL AR, CS, TÜV Rh, N Mark, ACA C-tick Class B, CCC Class B, BSMI Class B, MIC, EK Mark, PSB

Maximum Monthly Duty Cycle

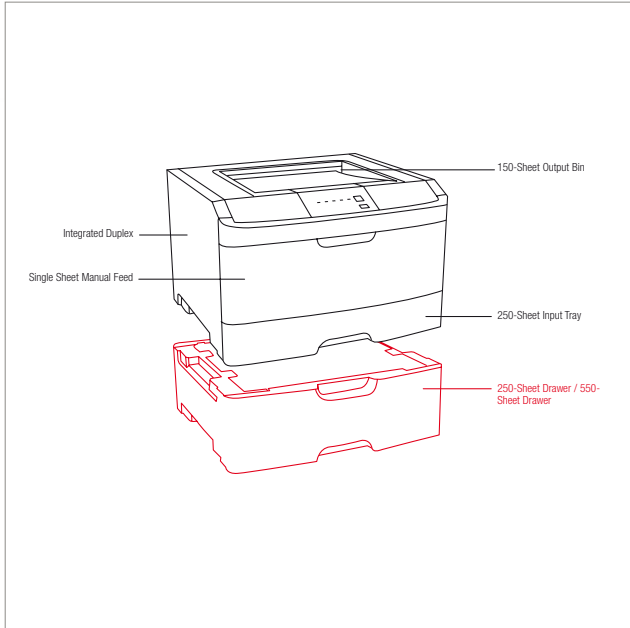
Up to 50000 pages per month

Recommended Monthly Page Volume

250 - 2500 Pages

Specified Operating Environment

Temperature: 16 to 32°C (60 to 90°F), Altitude: 0 - 2500 Meters (8,200 Feet), Humidity: 8 to 80% Relative Humidity for temperatures less than 25.5°C (78°F)



Paper Handling Standard
 Paper Handling Optional

Part #	Model
8049340	Lexmark E260dn

Part #	Laser Toner/Print Cartridge
E260A11E	E260, E360, E460 Return Programme Toner Cartridge (3.5K)
E260A21E	E260, E360, E460 Toner Cartridge (3.5K)
E260X22G	E260, E360, E460, X264, X36x, X46x Photoconductor Kit (30K)

Part #	Paper & Transparencies
12A5010	Laser Printers - A4 Transparency

Part #	Paper Handling
34S0550	550-Sheet Drawer
34S0250	250-Sheet Drawer

Part #	Memory Options
1022298	128MB DDR1-DRAM

Part #	Connectivity
1021231	Parallel (10') Cable
1021294	USB (2 Meter) Cable
14T0165	Lexmark N405De 802.11g Wireless Print Server
14T0220	MarkNet N7020e Gigabit Ethernet Print Server

Part #	Extended Warranties
2350174P	E260 2-Years Total (1+1) Onsite Service Guarantee
2350175P	E260 3-Years Total (1+2) Onsite Service Guarantee
2350178P	E260 1-Year Renewal Onsite Service Guarantee
2350194P	E260 2-Years Total (1+1) Return-to-Base Guarantee
2350195P	E260 3-Years Total (1+2) Return-to-Base Guarantee
2350198P	E260 1-Year Return-to-Base Renewal Guarantee



Lexmark E360d

Accelerated performance for demanding small workgroups

Print Technology

Laser, Monochrome

Print Speed (A4 mono)

Up to 38 ppm

Print Speed (A4 mono) Duplex

Up to 18 spm

Time to First Page (Black)

As fast as 6.5 seconds

Print Resolution, Black

1200 Image Quality, 1200 x 1200 dpi, 2400 Image Quality, 600 x 600 dpi

Processor

400 MHz

Memory, standard

32 MB

Memory, maximum

288 MB

Expandable Memory Options

Yes

Apple Macintosh Operating Systems Supported

Mac OS X (10.2 or later), Mac OS 9.2

Citrix MetaFrame

Microsoft Windows 2000 Server running Terminal Services with Citrix Presentation Server 3.0, 4.0, Microsoft Windows Server 2003 running Terminal Services with Citrix Presentation Server 3.0, 4.0, 4.5, Microsoft Windows Server 2003 x64 running Terminal Services with Citrix Presentation Server 4.0 x64, 4.5 x64

Linux Operating Systems Supported

Linpus Linux Desktop 9.2, 9.3, Red Hat Enterprise Linux WS 3.0, 4.0, 5.0, SUSE Linux Enterprise Server 8.0, 9.0, 10, 11, SUSE Linux Enterprise Desktop 10, openSUSE 10.2, 10.3, 11.0, 11.1, Linspire Linux 6.0, Debian GNU/Linux 4.0, Red Flag Linux Desktop 5.0, 6.0, Ubuntu 7.10, Ubuntu 8.04 LTS, SUSE Linux Enterprise Desktop 11, Debian GNU/Linux 5.0, Ubuntu 8.10, 9.04

Microsoft Windows Operating Systems Supported

2000, XP, Server 2003, XP x64, Server 2003 running Terminal Services, 2000 Server running Terminal Services, Server 2003 x64, Server 2003 x64 running Terminal Services, Vista, Vista x64, Server 2008, Server 2008 x64, Server 2008 running Terminal Services, Server 2008 x64 running Terminal Services, 7

Paper Handling Standard

150-Sheet Output Bin, Integrated Duplex, Single Sheet Exit, 250-Sheet Input Tray, 50-Sheet Multipurpose Feeder

Paper Handling Optional

550-Sheet Drawer, Only one drawer may be installed at a time, 250-Sheet Drawer

Paper Input Capacity, Standard: Up to

300 pages 75 gsm bond

Paper Input Capacity, Maximum: Up to

850 pages 75 gsm bond

Paper Output Capacity, Standard: Up to

150 pages 75 gsm bond

Paper Output Capacity, Maximum: Up to

150 pages 75 gsm bond

Envelope Capacity

7

Finishing Option

No

Number of Paper Inputs, Standard

2

Number of Paper Inputs, Maximum

3

Media Types Supported

Card Stock, Envelopes, Paper Labels, Plain Paper, Transparencies, Refer to the Card Stock & Label Guide

Media Sizes Supported

10 Envelope, 7 3/4 Envelope, 9 Envelope, A4, A5, B5 Envelope, C5 Envelope, DL Envelope, A6 Card, Executive, Folio, JIS-B5, Legal, Letter, Statement, Universal, Oficio

Standard Ports

Centronics IEEE 1284 Bidirectional Parallel, USB 2.0 Specification Hi-Speed Certified (Type B)

Optional Network Ports

Lexmark N4000e Fast Ethernet (Print Only), Lexmark N4050e 802.11g Wireless Print Server (Print Only), External MarkNet™ N7020e Gigabit Ethernet, External MarkNet™ N7000e Fast Ethernet (USB), External MarkNet™ N7002e Fast Ethernet (parallel)

Printable Area

4 mm of the top, bottom, right and left edges (within)

Printer Languages (Standard)

PCL 5e Emulation, PCL 6 Emulation, PPDS, PostScript 3 Emulation

Supplies Yield

Average standard page yield value declared in accordance with ISO/IEC 19752, 9,000-page High Yield Toner Cartridge, 3,500*-page Toner Cartridge

Cartridge(s) Shipping with Product

2,300*-page Starter Return Program Toner Cartridge

Packaged Size (mm - H x W x D)

355 x 460 x 420 mm

Size (mm - H x W x D)

260 x 406 x 370 mm

Weight (kg)

13.83 kg

Noise Level, Idle

inAudiible dBA

Print Noise Level, Operating

53 dBA

Product Guarantee

3 Year on-site repair, next business day response time

Product Certifications

FCC Class B, UL 60950-1 3rd Edition, U.S. FDA, IEC 320-1, CSA, ICES Class B, Energy Star, CE Class B, CB IEC 60950-1, IEC 60825-1, GS (TÜV), SEMKO, UL AR, CS, TÜV Rh, N Mark, ACA C-tick Class B, CCC Class B,

BSMI Class B, MIC, EK Mark, PSB

Maximum Monthly Duty Cycle

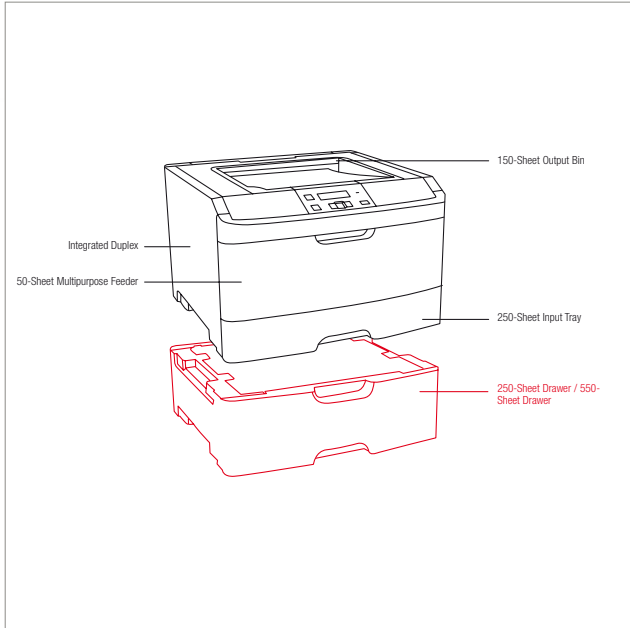
Up to 80000 pages per month

Recommended Monthly Page Volume

740 - 6000 Pages

Specified Operating Environment

Temperature: 16 to 32°C (60 to 90°F), Altitude: 0 - 2500 Meters (8,200 Feet), Humidity: 8 to 80% Relative Humidity for Temperatures less than 25.5°C (78°F)



Paper Handling Standard
 Paper Handling Optional

Part #	Model
8049341	Lexmark E360d

Part #	Laser Toner/Print Cartridge
E360H11E	E360, E460 High Yield Return Programme Toner Cartridge (9K)
E260A11E	E260, E360, E460 Return Programme Toner Cartridge (3.5K)
E360H21E	E360, E460 High Yield Toner Cartridge (9K)
E260A21E	E260, E360, E460 Toner Cartridge (3.5K)
E260X22G	E260, E360, E460, X264, X36x, X46x Photoconductor Kit (30K)

Part #	Paper & Transparencies
12A5010	Laser Printers - A4 Transparency

Part #	Paper Handling
34S0550	550-Sheet Drawer
34S0250	250-Sheet Drawer

Part #	Memory Options
1022298	128MB DDR1-DRAM
1022299	256MB DDR1-DRAM
1021209	64MB Flash Card

Part #	Connectivity
1021231	Parallel (10') Cable
1021294	USB (2 Meters) Cable
14T0050	Lexmark N4000e Fast Ethernet Print Server
14T0165	Lexmark N4050e 802.11g Wireless Print Server
14T0230	MarkNet N7000e Fast Ethernet Print Server - USB
14T0240	MarkNet N7002e Fast Ethernet Print Server - Parallel
14T0220	MarkNet N7020e Gigabit Ethernet Print Server

Part #	Extended Warranties
2350216P	E360 2-Years Total (1+1) Onsite Service Guarantee
2350217P	E360 3-Years Total (1+2) Onsite Service Guarantee
2350220P	E360 1-Year Renewal Onsite Service Guarantee
2350236P	E360 2-Years Total (1+1) Return-to-Base Guarantee
2350237P	E360 3-Years Total (1+2) Return-to-Base Guarantee
2350240P	E360 1-Year Return-to-Base Renewal Guarantee

Lexmark E360dn



Efficient network printing for demanding small workgroups

Print Technology

Laser, Monochrome

Print Speed (A4 mono)

Up to 38 ppm

Print Speed (A4 mono) Duplex

Up to 18 ppm

Time to First Page (Black)

As fast as 6.5 seconds

Print Resolution, Black

1200 Image Quality, 1200 x 1200 dpi, 2400 Image Quality, 600 x 600 dpi

Processor

400 MHz

Memory, standard

32 MB

Memory, maximum

288 MB

Expandable Memory Options

Yes

Apple Macintosh Operating Systems Supported

Mac OS X (10.2 or later), Mac OS 9.2

Citrix MetaFrame

Microsoft Windows 2000 Server running Terminal Services with Citrix Presentation Server 3.0, 4.0, Microsoft Windows Server 2003 running Terminal Services with Citrix Presentation Server 3.0, 4.0, 4.5, Microsoft Windows Server 2003 x64 running Terminal Services with Citrix Presentation Server 4.0 x64, 4.5 x64

Linux Operating Systems Supported

Linpus Linux Desktop 9.2, 9.3, Red Hat Enterprise Linux WS 3.0, 4.0, 5.0, SUSE Linux Enterprise Server 8.0, 9.0, 10, 11, SUSE Linux Enterprise Desktop 10, openSUSE 10.2, 10.3, 11.0, 11.1, Linspire Linux 6.0, Debian GNU/Linux 4.0, Red Flag Linux Desktop 5.0, 6.0, Ubuntu 7.10, Ubuntu 8.04 LTS, SUSE Linux Enterprise Desktop 11, Debian GNU/Linux 5.0, Ubuntu 8.10, 9.04

Microsoft Windows Operating Systems Supported

2000, XP, Server 2003, XP x64, Server 2003 running Terminal Services, 2000 Server running Terminal Services, Server 2003 x64, Server 2003 x64 running Terminal Services, Vista, Vista x64, Server 2008, Server 2008 x64, Server 2008 running Terminal Services, Server 2008 x64 running Terminal Services, 7

Novell Operating Systems Supported

Open Enterprise Server for Netware with NDS, iPrint or Novell Distributed Print Services (NDPS), NetWare 5.x, 6.x with iPrint or Novell Distributed Print Services (NDPS)

UNIX Operating Systems Supported

Sun Solaris SPARC 8, 9, 10, Sun Solaris x86 10, HP-UX 11.11, 11.23, 11.31, IBM AIX 5.2, 5.3, 6.1

Other Operating Systems Supported

IBM iSeries or IBM AS/400® Systems with TCP/IP with OS/400® V3R1 or later using OS/400 Host Print Transform, Virtually any platform supporting TCP/IP

Paper Handling Standard

150-Sheet Output Bin, Integrated Duplex, Single Sheet

Exit, 250-Sheet Input Tray, 50-Sheet Multipurpose Feeder

Paper Handling Optional

550-Sheet Drawer, Only one drawer may be installed at a time, 250-Sheet Drawer

Paper Input Capacity, Standard: Up to

300 pages 75 gsm bond

Paper Input Capacity, Maximum: Up to

850 pages 75 gsm bond

Paper Output Capacity, Standard: Up to

150 pages 75 gsm bond

Paper Output Capacity, Maximum: Up to

150 pages 75 gsm bond

Envelope Capacity

7

Finishing Option

No

Number of Paper Inputs, Standard

2

Number of Paper Inputs, Maximum

3

Media Types Supported

Card Stock, Envelopes, Paper Labels, Plain Paper, Transparencies, Refer to the Card Stock & Label Guide

Media Sizes Supported

10 Envelope, 7 3/4 Envelope, 9 Envelope, A4, A5, B5 Envelope, C5 Envelope, DL Envelope, A6 Card, Executive, Folio, JIS-B5, Legal, Letter, Statement, Universal, Oficio

Standard Ports

Centronics IEEE 1284 Bidirectional Parallel, Fast Ethernet, USB 2.0 Specification Hi-Speed Certified (Type B)

Optional Network Ports

Lexmark N4050e 802.11g Wireless Print Server (Print Only), External MarkNet™ N7020e Gigabit Ethernet

Network Printing Methods

LPR/LPD, Direct IP (Port 9100), HTTP, Enhanced IP (Port 9400), FTP, TFTP, IPP 1.1 (Internet Printing Protocol)

Network Protocol Support

TCP/IP IPv4, AppleTalk™, TCP/IP IPv6, TCP, UDP

Printable Area

4 mm of the top, bottom, right and left edges (within)

Printer Languages (Standard)

PCL 5e Emulation, PCL 6 Emulation, PPDS, PostScript 3 Emulation

Supplies Yield

Average standard page yield value declared in accordance with ISO/IEC 19752, 9,000-page High Yield Toner Cartridge, 3,500*-page Toner Cartridge

Cartridge(s) Shipping with Product

2,300*-page Starter Return Program Toner Cartridge

Packaged Size (mm - H x W x D)

355 x 460 x 420 mm

Size (mm - H x W x D)

260 x 406 x 370 mm

Weight (kg)

13.83 kg

Noise Level, Idle

inaudible dBA

Print Noise Level, Operating

53 dBA

Product Guarantee

3 Year on-site repair, next business day response time

Product Certifications

FCC Class B, UL 60950-1 3rd Edition, U.S. FDA, IEC 320-1, CSA, ICES Class B, Energy Star, CE Class B, CB IEC 60950-1, IEC 60825-1, GS (TUV), SEMKO, UL AR, CS, TÜV Rh, N Mark, ACA C-tick Class B, CCC Class B, BSMI Class B, MIC, EK Mark, PSB

Maximum Monthly Duty Cycle

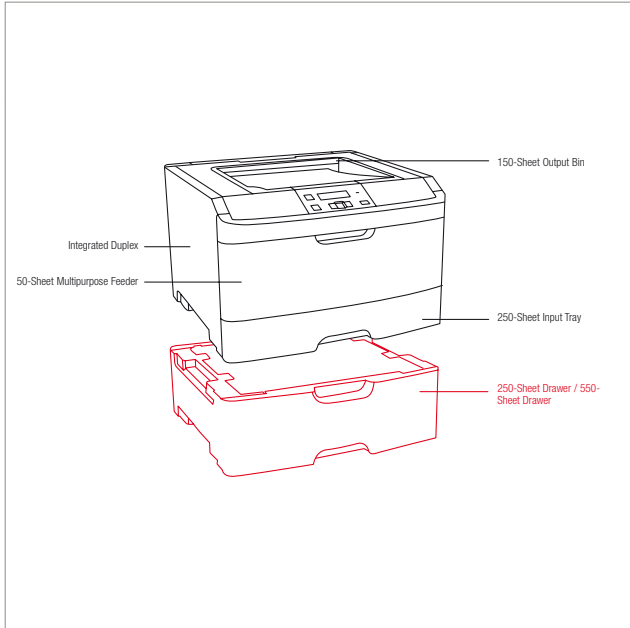
Up to 80000 pages per month

Recommended Monthly Page Volume

740 - 6000 Pages

Specified Operating Environment

Temperature: 16 to 32°C (60 to 90°F), Altitude: 0 - 2500 Meters (8,200 Feet), Humidity: 8 to 80% Relative Humidity for temperatures less than 25.5°C (78°F)



Paper Handling Standard
 Paper Handling Optional

Part #	Model
8049342	Lexmark E360dn

Part #	Laser Toner/Print Cartridge
E360H11E	E360, E460 High Yield Return Programme Toner Cartridge (9K)
E260A11E	E260, E360, E460 Return Programme Toner Cartridge (3.5K)
E360H21E	E360, E460 High Yield Toner Cartridge (9K)
E260A21E	E260, E360, E460 Toner Cartridge (3.5K)
E260X22G	E260, E360, E460, X264, X36x, X46x Photoconductor Kit (30K)

Part #	Paper & Transparencies
12A5010	Laser Printers - A4 Transparency

Part #	Paper Handling
34S0550	550-Sheet Drawer
34S0250	250-Sheet Drawer

Part #	Memory Options
1022298	128MB DDR1-DRAM
1022299	256MB DDR1-DRAM
1021209	64MB Flash Card

Part #	Connectivity
1021231	Parallel (10') Cable
1021294	USB (2 Meters) Cable
14T0165	Lexmark N4050e 802.11g Wireless Print Server
14T0220	MarkNet N7020e Gigabit Ethernet Print Server

Part #	Extended Warranties
2350216P	E360 2-Years Total (1+1) Onsite Service Guarantee
2350217P	E360 3-Years Total (1+2) Onsite Service Guarantee
2350220P	E360 1-Year Renewal Onsite Service Guarantee
2350236P	E360 2-Years Total (1+1) Return-to-Base Guarantee
2350237P	E360 3-Years Total (1+2) Return-to-Base Guarantee
2350240P	E360 1-Year Return-to-Base Renewal Guarantee

Lexmark E460dn



A compact, high-endurance printer for small- and mid-sized workgroups

Print Technology

Laser, Monochrome

Print Speed (A4 mono)

Up to 38 ppm

Print Speed (A4 mono) Duplex

Up to 18 ppm

Time to First Page (Black)

As fast as 6.5 seconds

Print Resolution, Black

1200 Image Quality, 1200 x 1200 dpi, 2400 Image Quality, 600 x 600 dpi

Processor

466 MHz

Memory, standard

64 MB

Memory, maximum

576 MB

Expandable Memory Options

Yes

Apple Macintosh Operating Systems Supported

Mac OS X (10.2 or later), Mac OS 9.2

Citrix MetaFrame

Microsoft Windows 2000 Server running Terminal Services with Citrix Presentation Server 3.0, 4.0, Microsoft Windows Server 2003 running Terminal Services with Citrix Presentation Server 3.0, 4.0, 4.5, Microsoft Windows Server 2003 x64 running Terminal Services with Citrix Presentation Server 4.0 x64, 4.5 x64

Linux Operating Systems Supported

Linpus Linux Desktop 9.2, 9.3, Red Hat Enterprise Linux WS 3.0, 4.0, 5.0, SUSE Linux Enterprise Server 8.0, 9.0, 10, 11, SUSE Linux Enterprise Desktop 10, openSUSE 10.2, 10.3, 11.0, 11.1, Linspire Linux 6.0, Debian GNU/Linux 4.0, Red Flag Linux Desktop 5.0, 6.0, Ubuntu 7.10, Ubuntu 8.04 LTS, SUSE Linux Enterprise Desktop 11, Debian GNU/Linux 5.0, Ubuntu 8.10, 9.04

Microsoft Windows Operating Systems Supported

2000, XP, Server 2003, XP x64, Server 2003 running Terminal Services, 2000 Server running Terminal Services, Server 2003 x64, Server 2003 x64 running Terminal Services, Vista, Vista x64, Server 2008, Server 2008 x64, Server 2008 running Terminal Services, Server 2008 x64 running Terminal Services, 7

Novell Operating Systems Supported

Open Enterprise Server for Netware with NDS, iPrint or Novell Distributed Print Services (NDPS), NetWare 5.x, 6.x with iPrint or Novell Distributed Print Services (NDPS)

UNIX Operating Systems Supported

Sun Solaris SPARC 8, 9, 10, Sun Solaris x86 10, HP-UX 11.11, 11.23, 11.31, IBM AIX 5.2, 5.3, 6.1

Other Operating Systems Supported

IBM iSeries or IBM AS/400® Systems with TCP/IP with OS/400® V3R1 or later using OS/400 Host Print Transform, Virtually any platform supporting TCP/IP

Paper Handling Standard

150-Sheet Output Bin, Integrated Duplex, Single Sheet

Exit, 250-Sheet Input Tray, 50-Sheet Multipurpose Feeder

Paper Handling Optional

550-Sheet Drawer, Only one drawer may be installed at a time, 250-Sheet Drawer

Paper Input Capacity, Standard: Up to

300 pages 75 gsm bond

Paper Input Capacity, Maximum: Up to

850 pages 75 gsm bond

Paper Output Capacity, Standard: Up to

150 pages 75 gsm bond

Paper Output Capacity, Maximum: Up to

150 pages 75 gsm bond

Envelope Capacity

7

Finishing Option

No

Number of Paper Inputs, Standard

2

Number of Paper Inputs, Maximum

3

Media Types Supported

Card Stock, Envelopes, Paper Labels, Plain Paper, Transparencies, Refer to the Card Stock & Label Guide

Media Sizes Supported

10 Envelope, 7 3/4 Envelope, 9 Envelope, A4, A5, B5 Envelope, C5 Envelope, DL Envelope, A6 Card, Executive, Folio, JIS-B5, Legal, Letter, Statement, Universal, Oficio

Standard Ports

Centronics IEEE 1284 Bidirectional Parallel, Fast Ethernet, USB 2.0 Specification Hi-Speed Certified (Type B)

Optional Network Ports

Lexmark N4050e 802.11g Wireless Print Server (Print Only), External MarkNet™ N7020e Gigabit Ethernet

Network Printing Methods

LPR/LPD, Direct IP (Port 9100), HTTP, Enhanced IP (Port 9400), FTP, TFTP, IPP 1.1 (Internet Printing Protocol), ThinPrint .print integration

Network Protocol Support

TCP/IP IPv4, IPX/SPX, AppleTalk™, LexLink (DLC), TCP/IP IPv6, TCP, UDP

Network Security

SNMPv3, 802.1x Authentication: MD5, MSCHAPv2, LEAP, PEAR, TLS, TTLS

Printable Area

4 mm of the top, bottom, right and left edges (within)

Printer Languages (Standard)

PCL 5e Emulation, PCL 6 Emulation, PPDS, PostScript 3 Emulation, xHTML, PDF 1.6, Direct Image, Microsoft XPS (XML Paper Specification)

Supplies Yield

Average standard page yield value declared in accordance with ISO/IEC 19752, 9,000-page High Yield Toner Cartridge, 3,500*-page Toner Cartridge, 15,000*-page Extra High Yield Toner Cartridge

Cartridge(s) Shipping with Product

7,000*-page Starter Return Program Toner Cartridge

Packaged Size (mm - H x W x D)

355 x 460 x 420 mm

Size (mm - H x W x D)

260 x 406 x 370 mm

Size, Trays Extended (mm - H x W x D)

260 x 406 x 585 mm

Weight (kg)

14.03 kg

Noise Level, Idle

inaudible dBA

Print Noise Level, Operating

53 dBA

Product Guarantee

1 Year return to base, 5-7 business days response time

Product Certifications

FCC Class B, UL 60950-1 3rd Edition, U.S. FDA, IEC 320-1, CSA, ICES Class B, Energy Star, CE Class B, CB IEC 60950-1, IEC 60825-1, GS (TÜV), SEMKO, UL AR, CS, TÜV Rh, N Mark, ACA C-tick Class B, CCC Class B, BSMI Class B, MIC, EK Mark, PSB

Maximum Monthly Duty Cycle

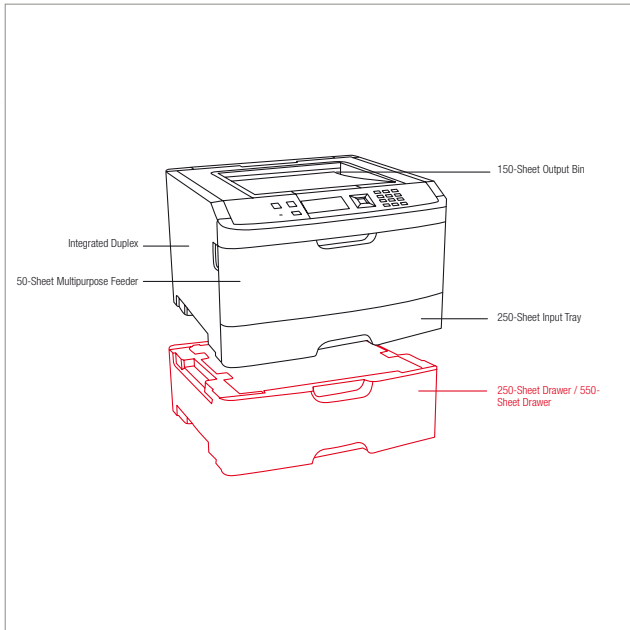
Up to 80000 pages per month

Recommended Monthly Page Volume

1500 - 10000 Pages

Specified Operating Environment

Temperature: 16 to 32°C (60 to 90°F), Altitude: 0 - 2500 Meters (8,200 Feet), Humidity: 8 to 80% Relative Humidity for Temperatures less than 25.5°C (78°F)



Paper Handling Standard
 Paper Handling Optional

Part #	Model
34S0715	Lexmark E460dn

Part #	Laser Toner/Print Cartridge
E460X11E	E460 Extra High Yield Return Programme Toner Cartridge (15K)
E360H11E	E360, E460 High Yield Return Programme Toner Cartridge (9K)
E260A11E	E260, E360, E460 Return Programme Toner Cartridge (3.5K)
E460X21E	E460 Extra High Yield Toner Cartridge (15K)
E360H21E	E360, E460 High Yield Toner Cartridge (9K)
E260A21E	E260, E360, E460 Toner Cartridge (3.5K)
E260X22G	E260, E360, E460, X264, X36x, X46x Photoconductor Kit (30K)

Part #	Paper & Transparencies
12A5010	Laser Printers - A4 Transparency

Part #	Paper Handling
34S0550	550-Sheet Drawer
34S0250	250-Sheet Drawer

Part #	Memory Options
1022298	128MB DDR1-DRAM
1022299	256MB DDR1-DRAM
1022301	512MB DDR1-DRAM
14F0245	256MB Flash Card

Part #	Application Solutions
30G0829	Lexmark PrintCryption Card
34S0975	E460 Forms and Bar Code Card
34S0073	E460, E462 Card for PRESCRIBE Emulation
34S0074	E460, E462 Card for IPDS/SCS/TNe

Part #	Connectivity
1021231	Parallel (10') Cable
1021294	USB (2 Meter) Cable
14T0165	Lexmark N4050e 802.11g Wireless Print Server
14T0220	MarkNet N7020e Gigabit Ethernet Print Server

Part #	Extended Warranties
2350258P	E460 2-Years Total (1+1) Onsite Service Guarantee
2350259P	E460 3-Years Total (1+2) Onsite Service Guarantee
2350262P	E460 1-Year Renewal Onsite Service Guarantee
2350279P	E460 2-Years Total (1+1) Return-to-Base Guarantee
2350280P	E460 3-Years Total (1+2) Return-to-Base Guarantee
2350283P	E460 1-Year Return-to-Base Renewal Guarantee

Part #	Service Parts
40X5401	E460, X46x Fuser Maintenance Kit 220-240V



Lexmark E460dw

Fast wireless business printing for small- and mid-sized workgroups

Print Technology

Laser, Monochrome

Print Speed (A4 mono)

Up to 38 ppm

Print Speed (A4 mono) Duplex

Up to 18 ppm

Time to First Page (Black)

As fast as 6.5 seconds

Print Resolution, Black

1200 Image Quality, 1200 x 1200 dpi, 2400 Image

Quality, 600 x 600 dpi

Processor

466 MHz

Memory, standard

64 MB

Memory, maximum

576 MB

Expandable Memory Options

Yes

Apple Macintosh Operating Systems Supported

Mac OS X (10.2 or later), Mac OS 9.2

Citrix MetaFrame

Microsoft Windows 2000 Server running Terminal Services with Citrix Presentation Server 3.0, 4.0, Microsoft Windows Server 2003 running Terminal Services with Citrix Presentation Server 3.0, 4.0, 4.5, Microsoft Windows Server 2003 x64 running Terminal Services with Citrix Presentation Server 4.0 x64, 4.5 x64

Linux Operating Systems Supported

Linpus Linux Desktop 9.2, 9.3, Red Hat Enterprise Linux WS 3.0, 4.0, 5.0, SUSE Linux Enterprise Server 8.0, 9.0, 10, 11, SUSE Linux Enterprise Desktop 10, openSUSE 10.2, 10.3, 11.0, 11.1, Linspire Linux 6.0, Debian GNU/Linux 4.0, Red Flag Linux Desktop 5.0, 6.0, Ubuntu 7.10, Ubuntu 8.04 LTS, SUSE Linux Enterprise Desktop 11, Debian GNU/Linux 5.0, Ubuntu 8.10, 9.04

Microsoft Windows Operating Systems Supported

2000, XP, Server 2003, XP x64, Server 2003 running Terminal Services, 2000 Server running Terminal Services, Server 2003 x64, Server 2003 x64 running Terminal Services, Vista, Vista x64, Server 2008, Server 2008 x64, Server 2008 running Terminal Services, Server 2008 x64 running Terminal Services, 7

Novell Operating Systems Supported

Open Enterprise Server for Netware with NDS, iPrint or Novell Distributed Print Services (NDPS), NetWare 5.x, 6.x with iPrint or Novell Distributed Print Services (NDPS)

UNIX Operating Systems Supported

Sun Solaris SPARC 8, 9, 10, Sun Solaris x86 10, HP-UX 11.11, 11.23, 11.31, IBM AIX 5.2, 5.3, 6.1

Other Operating Systems Supported

IBM iSeries or IBM AS/400® Systems with TCP/IP with OS/400® V3R1 or later using OS/400 Host Print Transform, Virtually any platform supporting TCP/IP

Paper Handling Standard

150-Sheet Output Bin, Integrated Duplex, Single Sheet

Exit, 250-Sheet Input Tray, 50-Sheet Multipurpose Feeder

Paper Handling Optional

550-Sheet Drawer, Only one drawer may be installed at a time, 250-Sheet Drawer

Paper Input Capacity, Standard: Up to

300 pages 75 gsm bond

Paper Input Capacity, Maximum: Up to

850 pages 75 gsm bond

Paper Output Capacity, Standard: Up to

150 pages 75 gsm bond

Paper Output Capacity, Maximum: Up to

150 pages 75 gsm bond

Envelope Capacity

7

Finishing Option

No

Number of Paper Inputs, Standard

2

Number of Paper Inputs, Maximum

3

Media Types Supported

Card Stock, Envelopes, Paper Labels, Plain Paper, Transparencies, Refer to the Card Stock & Label Guide

Media Sizes Supported

10 Envelope, 7 3/4 Envelope, 9 Envelope, A4, A5, B5 Envelope, C5 Envelope, DL Envelope, A6 Card, Executive, Folio, JIS-B5, Legal, Letter, Statement, Universal, Oficio

Standard Ports

Fast Ethernet, USB 2.0 Specification Hi-Speed Certified (Type B), 802.11b/g/n Wireless

Optional Network Ports

External MarkNet™ N7020e Gigabit Ethernet

Network Printing Methods

LPR/LPD, Direct IP (Port 9100), HTTP, Enhanced IP (Port 9400), FTP, TFTP, IPP 1.1 (Internet Printing Protocol), ThinPrint print integration

Network Protocol Support

TCP/IP IPv4, IPX/SPX, AppleTalk™, LexLink (DLC), TCP/IP IPv6, TCP, UDP

Network Security

SNMPv3, 802.1x Authentication: MD5, MSCHAPv2, LEAP, PEAP, TLS, TTLS

Printable Area

4 mm of the top, bottom, right and left edges (within)

Printer Languages (Standard)

PCL 5e Emulation, PCL 6 Emulation, PPDS, PostScript 3 Emulation, xHTML, PDF 1.6, Direct Image, Microsoft XPS (XML Paper Specification)

Supplies Yield

Average standard page yield value declared in accordance with ISO/IEC 19752, 9,000-page High Yield Toner Cartridge, 3,500*-page Toner Cartridge, 15,000*-page Extra High Yield Toner Cartridge

Cartridge(s) Shipping with Product

7,000*-page Starter Return Program Toner Cartridge

Packaged Size (mm - H x W x D)

355 x 480 x 430 mm

Size (mm - H x W x D)

260 x 406 x 370 mm

Size, Trays Extended (mm - H x W x D)

260 x 406 x 585 mm

Weight (kg)

14.05 kg

Noise Level, Idle

inaudible dBA

Print Noise Level, Operating

53 dBA

Product Guarantee

1 Year return to base, 5-7 business days response time

Product Certifications

FCC Class B, UL 60950-1 3rd Edition, U.S. FDA, IEC 320-1, CSA, IECES Class B, Energy Star, CE Class B, CB IEC 60950-1, IEC 60825-1, GS (TÜV), SEMKO, UL AR, CS, TÜV Rh, N Mark, ACA C-tick Class B, CCC Class B, BSMI Class B, MIC, EK Mark, PSB

Maximum Monthly Duty Cycle

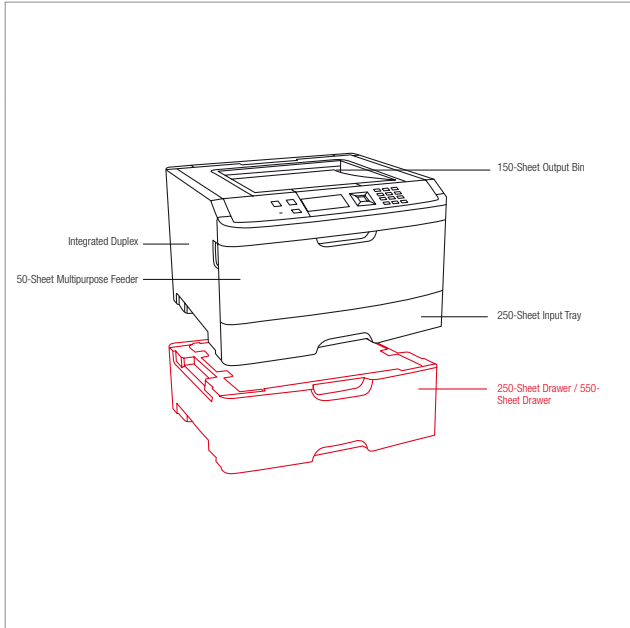
Up to 80000 pages per month

Recommended Monthly Page Volume

1500 - 10000 Pages

Specified Operating Environment

Temperature: 16 to 32°C (60 to 90°F), Altitude: 0 - 2500 Meters (8,200 Feet), Humidity: 8 to 80% Relative Humidity for Temperatures less than 25.5°C (78°F)



Paper Handling Standard
 Paper Handling Optional

Part #	Model
34S0615	Lexmark E460dw

Part #	Laser Toner/Print Cartridge
E460X11E	E460 Extra High Yield Return Programme Toner Cartridge (15K)
E360H11E	E360, E460 High Yield Return Programme Toner Cartridge (9K)
E260A11E	E260, E360, E460 Return Programme Toner Cartridge (3.5K)
E460X21E	E460 Extra High Yield Toner Cartridge (15K)
E360H21E	E360, E460 High Yield Toner Cartridge (9K)
E260A21E	E260, E360, E460 Toner Cartridge (3.5K)
E260X22G	E260, E360, E460, X264, X36x, X46x Photoconductor Kit (30K)

Part #	Paper & Transparencies
12A5010	Laser Printers - A4 Transparency

Part #	Paper Handling
34S0550	550-Sheet Drawer
34S0250	250-Sheet Drawer

Part #	Memory Options
1022298	128MB DDR1-DRAM
1022299	256MB DDR1-DRAM
1022301	512MB DDR1-DRAM
14F0245	256MB Flash Card

Part #	Application Solutions
30G0829	Lexmark PrintCrypton Card
34S0975	E460 Forms and Bar Code Card
34S0073	E460, E462 Card for PRESCRIBE Emulation
34S0074	E460, E462 Card for IPDS/SCS/TNe

Part #	Connectivity
1021294	USB (2 Meter) Cable
14T0220	MarkNet N7020e Gigabit Ethernet Print Server

Part #	Extended Warranties
2350258P	E460 2-Years Total (1+1) Onsite Service Guarantee
2350259P	E460 3-Years Total (1+2) Onsite Service Guarantee
2350262P	E460 1-Year Renewal Onsite Service Guarantee
2350279P	E460 2-Years Total (1+1) Return-to-Base Guarantee
2350280P	E460 3-Years Total (1+2) Return-to-Base Guarantee
2350283P	E460 1-Year Return-to-Base Renewal Guarantee

Part #	Service Parts
40X5401	E460, X46x Fuser Maintenance Kit 220-240V



Lexmark E462dtn

High-endurance printing for busy workgroups – in a compact size!

Print Technology

Laser, Monochrome

Print Speed (A4 mono)

Up to 38 ppm

Print Speed (A4 mono) Duplex

Up to 18 ppm

Time to First Page (Black)

As fast as 6.5 seconds

Print Resolution, Black

1200 Image Quality, 1200 x 1200 dpi, 2400 Image Quality, 600 x 600 dpi

Processor

466 MHz

Memory, standard

64 MB

Memory, maximum

576 MB

Hard Disk

Not Available

Expandable Memory Options

Yes

Apple Macintosh Operating Systems Supported

Mac OS X (10.2 or later), Mac OS 9.2

Citrix MetaFrame

Microsoft Windows 2000 Server running Terminal Services with Citrix Presentation Server 3.0, 4.0, Microsoft Windows Server 2003 running Terminal Services with Citrix Presentation Server 3.0, 4.0, 4.5, Microsoft Windows Server 2003 x64 running Terminal Services with Citrix Presentation Server 4.0 x64, 4.5 x64

Linux Operating Systems Supported

Linpus Linux Desktop 9.2, 9.3, Red Hat Enterprise Linux WS 3.0, 4.0, 5.0, SUSE Linux Enterprise Server 8.0, 9.0, 10, 11, SUSE Linux Enterprise Desktop 10, openSUSE 10.2, 10.3, 11.0, 11.1, Linspire Linux 6.0, Debian GNU/Linux 4.0, Red Flag Linux Desktop 5.0, 6.0, Ubuntu 7.10, Ubuntu 8.04 LTS, SUSE Linux Enterprise Desktop 11, Debian GNU/Linux 5.0, Ubuntu 8.10, 9.04

Microsoft Windows Operating Systems Supported

2000, XP, Server 2003, XP x64, Server 2003 running Terminal Services, 2000 Server running Terminal Services, Server 2003 x64, Server 2003 x64 running Terminal Services, Vista, Vista x64, Server 2008, Server 2008 x64, Server 2008 running Terminal Services, Server 2008 x64 running Terminal Services, 7

Novell Operating Systems Supported

Open Enterprise Server for Netware with NDS, iPrint or Novell Distributed Print Services (NDPS), NetWare 5.x, 6.x with iPrint or Novell Distributed Print Services (NDPS)

UNIX Operating Systems Supported

Sun Solaris SPARC 8, 9, 10, Sun Solaris x86 10, HP-UX 11.11, 11.23, 11.31, IBM AIX 5.2, 5.3, 6.1

Other Operating Systems Supported

IBM iSeries or IBM AS/400® Systems with TCP/IP with OS/400® V3R1 or later using OS/400 Host Print Transform, Virtually any platform supporting TCP/IP

Paper Handling Standard

150-Sheet Output Bin, 250-Sheet Drawer, Integrated Duplex, Single Sheet Exit, 250-Sheet Input Tray, 50-Sheet Multipurpose Feeder

Paper Input Capacity, Standard: Up to

550 pages 75 gsm bond

Paper Input Capacity, Maximum: Up to

550 pages 75 gsm bond

Paper Output Capacity, Standard: Up to

150+1 pages 75 gsm bond

Paper Output Capacity, Maximum: Up to

150+1 pages 75 gsm bond

Envelope Capacity

7

Finishing Option

No

Number of Paper Inputs, Standard

3

Number of Paper Inputs, Maximum

3

Media Types Supported

Card Stock, Envelopes, Paper Labels, Plain Paper, Transparencies, Refer to the Card Stock & Label Guide

Media Sizes Supported

10 Envelope, 7 3/4 Envelope, 9 Envelope, A4, A5, B5 Envelope, C5 Envelope, DL Envelope, A6 Card, Executive, Folio, JIS-B5, Legal, Letter, Statement, Universal, Oficio

Standard Ports

Centronics IEEE 1284 Bidirectional Parallel, Fast Ethernet, USB 2.0 Specification Hi-Speed Certified (Type B)

Optional Network Ports

Lexmark N4050e 802.11g Wireless Print Server (Print Only), External MarkNet™ N7020e Gigabit Ethernet

Network Printing Methods

LPR/LPD, Direct IP (Port 9100), HTTP, Enhanced IP (Port 9400), FTP, TFTP, IPP 1.1 (Internet Printing Protocol), ThinPrint .print integration

Network Protocol Support

TCP/IP IPv4, IPX/SPX, AppleTalk™, LexLink (DLC), TCP/IP IPv6, TCP, UDP

Network Security

SNMPv3, 802.1x Authentication: MD5, MSCHAPv2, LEAP, PEAP, TLS, TTLS

Printable Area

4 mm of the top, bottom, right and left edges (within)

Printer Languages (Standard)

PCL 5e Emulation, PCL 6 Emulation, PPDS, PostScript 3 Emulation, xHTML, PDF 1.6, Direct Image, Microsoft XPS (XML Paper Specification)

Supplies Yield

Average standard page yield value declared in accordance with ISO/IEC 19752, 9,000-page High Yield Toner Cartridge, 3,500*-page Toner Cartridge, 18,000*-page Extra High Yield Toner Cartridge

Cartridge(s) Shipping with Product

7,000*-page Starter Return Program Toner Cartridge

Packaged Size (mm - H x W x D)

575 x 460 x 420 mm

Size (mm - H x W x D)

347 x 406 x 369.5 mm

Weight (kg)

16.6 kg

Noise Level, Idle

inaudible dBA

Print Noise Level, Operating

55 dBA

Product Guarantee

1-Year Return-to-base.

Product Certifications

FCC Class B, UL 60950-1 3rd Edition, U.S. FDA, IEC 320-1, CSA, ICES Class B, Energy Star, CE Class B, CB IEC 60950-1, IEC 60825-1, GS (TÜV), SEMKO, UL AR, CS, TÜV Rh, N Mark, ACA C-tick Class B, CCC Class B, BSMI Class B, MIC, EK Mark, PSB

Maximum Monthly Duty Cycle

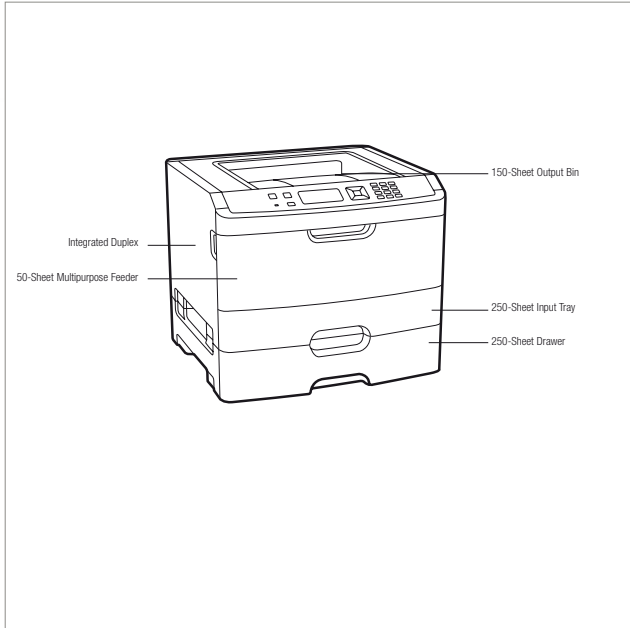
Up to 80000 pages per month

Recommended Monthly Page Volume

1500 - 10000 Pages

Specified Operating Environment

Temperature: 16 to 32°C (60 to 90°F), Altitude: 0 - 2500 Meters (8,200 Feet), Humidity: 8 to 80% Relative Humidity for Temperatures less than 25.5°C (78°F)



■ Paper Handling Standard

Part #	Model
34S0815	Lexmark E462dtn

Part #	Laser Toner/Print Cartridge
E462U11E	E462 Extra High Yield Return Program Toner Cartridge
E360H11E	E360, E460 High Yield Return Programme Toner Cartridge (9K)
E260A11E	E260, E360, E460 Return Programme Toner Cartridge (3.5K)
E462U21G	E462 Extra High Yield Toner Cartridge
E360H21E	E360, E460 High Yield Toner Cartridge (9K)
E260A21E	E260, E360, E460 Toner Cartridge (3.5K)
E260X22G	E260, E360, E460, X264, X36x, X46x Photoconductor Kit (30K)

Part #	Paper & Transparencies
12A5010	Laser Printers - A4 Transparency

Part #	Memory Options
1022298	128MB DDR1-DRAM
1022299	256MB DDR1-DRAM
1022301	512MB DDR1-DRAM
14F0245	256MB Flash Card

Part #	Application Solutions
30G0829	Lexmark PrintCryption Card
34S0975	E460 Forms and Bar Code Card
34S0073	E460, E462 Card for PRESCRIBE Emulation
34S0074	E460, E462 Card for IPDS/SCS/TNE

Part #	Connectivity
1021231	Parallel (10') Cable
1021294	USB (2 Meter) Cable
14T0165	Lexmark N4050e 802.11g Wireless Print Server
14T0220	MarkNet N7020e Gigabit Ethernet Print Server

Part #	Extended Warranties
2350258P	E460 2-Years Total (1+1) Onsite Service Guarantee
2350259P	E460 3-Years Total (1+2) Onsite Service Guarantee
2350262P	E460 1-Year Renewal Onsite Service Guarantee
2350279P	E460 2-Years Total (1+1) Return-to-Base Guarantee
2350280P	E460 3-Years Total (1+2) Return-to-Base Guarantee
2350283P	E460 1-Year Return-to-Base Renewal Guarantee

Part #	Service Parts
40X5401	E460, X46x Fuser Maintenance Kit 220-240V



Lexmark T650n

Great value for your performance-seeking business!

Print Technology

Laser, Monochrome

Print Speed (A4 mono)

Up to 43 ppm

Time to First Page (Black)

As fast as 7.5 seconds

Print Resolution, Black

1200 Image Quality, 1200 x 1200 dpi, 2400 Image

Quality, 600 x 600 dpi

Processor

500 Mhz

Memory, standard

128 MB

Memory, maximum

640 MB

Hard Disk

Option available

Expandable Memory Options

Yes

Apple Macintosh Operating Systems Supported

Mac OS X, Mac OS 9.2

Citrix MetaFrame

Microsoft Windows 2000 Server running Terminal Services with Citrix Presentation Server 3.0, 4.0, Microsoft Windows Server 2003 running Terminal Services with Citrix Presentation Server 3.0, 4.0, 4.5, Microsoft Windows Server 2003 x64 running Terminal Services with Citrix Presentation Server 4.0 x64, 4.5 x64

Linux Operating Systems Supported

Linpus Linux Desktop 9.2, 9.3, Red Hat Enterprise Linux WS 3.0, 4.0, 5.0, SUSE Linux Enterprise Server 8.0, 9.0, 10, 11, SUSE Linux Enterprise Desktop 10, openSUSE 10.2, 10.3, 11.0, 11.1, Linspire Linux 6.0, Debian GNU/Linux 4.0, Red Flag Linux Desktop 5.0, 6.0, Ubuntu 7.10, Ubuntu 8.04 LTS, SUSE Linux Enterprise Desktop 11, Debian GNU/Linux 5.0, Ubuntu 8.10, 9.04

Microsoft Windows Operating Systems Supported

2000, XP, Server 2003, XP x64, Server 2003 running Terminal Services, 2000 Server running Terminal Services, Server 2003 x64, Server 2003 x64 running Terminal Services, Vista, Vista x64, Server 2008, Server 2008 x64, Server 2008 running Terminal Services, Server 2008 x64 running Terminal Services, 7

Novell Operating Systems Supported

Open Enterprise Server for Netware with NDS, iPrint or Novell Distributed Print Services (NDPS), NetWare® 3.2, 4.2 (bindery), NetWare 4.2, 5.x and 6.x (NDS), NetWare 5.x, 6.x with iPrint or Novell Distributed Print Services (NDPS)

UNIX Operating Systems Supported

Sun Solaris SPARC 8, 9, 10, Sun Solaris x86 10, HP-UX 11.11, 11.23, 11.31, IBM AIX 5.2, 5.3, 6.1

Other Operating Systems Supported

IBM iSeries or IBM AS/400® Systems with TCP/IP with OS/400® V3R1 or later using OS/400 Host Print Transform, Virtually any platform supporting TCP/IP

Paper Handling Standard

100-Sheet Multipurpose Feeder, 250-Sheet Input Tray, 350-Sheet Output Bin

Paper Handling Optional

1,850-Sheet High-capacity Output Stacker, 200-Sheet Universally Adjustable Tray with Drawer, 400-Sheet Universally Adjustable Tray with Drawer, 5-bin Mailbox, 550-Sheet Drawer, Envelope Feeder, 250-Sheet Drawer, 250-Sheet Duplex Unit, Optional furniture required., 2,000-Sheet High-capacity Feeder, 550-Sheet Output Expander, StapleSmart II Finisher

Paper Input Capacity, Standard: Up to

350 pages 75 gsm bond

Paper Input Capacity, Maximum: Up to

4000 pages 75 gsm bond

Paper Output Capacity, Standard: Up to

350 pages 75 gsm bond

Paper Output Capacity, Maximum: Up to

2750 pages 75 gsm bond

Envelope Capacity

85

Finishing Option

Yes

Number of Paper Inputs, Standard

2

Number of Paper Inputs, Maximum

6

Media Types Supported

Card Stock, Dual Web Labels, Envelopes, Integrated Labels, Paper Labels, Plain Paper, Polyester Labels, Transparencies, Vinyl Labels, Refer to the Card Stock & Label Guide

Media Sizes Supported

10 Envelope, 7 3/4 Envelope, 9 Envelope, A4, A5, DL Envelope, A6 Card, Executive, Folio, JIS-B5, Legal, Letter, Statement, Universal

Standard Ports

Fast Ethernet, One Internal Card Slot, USB 2.0 Specification Hi-Speed Certified (Type B), Front USB port Compatible with USB 2.0 Specification (Type A)

Optional Network Ports

Lexmark N4050e 802.11g Wireless Print Server (Print Only), External MarkNet™ N7020e Gigabit Ethernet, Internal MarkNet™ N8120 Gigabit Ethernet, Internal MarkNet™ N8130 Fiber Fast Ethernet, Internal MarkNet™ N8150 802.11b/g/n Wireless

Network Printing Methods

LPR/LPD, Direct IP (Port 9100), Socket (Raw TCP/IP), HTTP, NDS Queue-based Printing, NDPS/NEPS (Novell Distributed Print Services, Novell Network Enterprise Print Services), Enhanced IP (Port 9400), FTP, TFTP, IPP 1.1 (Internet Printing Protocol), ThinPrint .print integration

Network Protocol Support

TCP/IP IPv4, IPX/SPX, AppleTalk™, LexLink (DLC), TCP/IP IPv6, TCP, UDP

Network Security

SNMPv3, 802.1x Authentication: MD5, MSCHAPv2, LEAP, PEAP, TLS, TTLS, IPSec

Printable Area

4.2 mm of the top, bottom, right and left edges (within)

Printer Languages (Standard)

PCL 5e Emulation, PCL 6 Emulation, PPDS, PostScript 3 Emulation, xHTML, PDF 1.6, Direct Image, Microsoft XPS (XML Paper Specification)

Supplies Yield

25,000*-page High Yield Print Cartridge, *Average standard page yield value declared in accordance with ISO/IEC 19752, 7,000*-page Print Cartridge

Cartridge(s) Shipping with Product

7,000*-page Return Program Print Cartridge

Packaged Size (mm - H x W x D)

475 x 590 x 520 mm

Size (mm - H x W x D)

348.5 x 425 x 493 mm

Weight (kg)

18.4 kg

Noise Level, Idle

26 dBA

Print Noise Level, Operating

53 dBA

Product Guarantee

1-Year Onsite Service, Next Business Day

Product Certifications

CAN/CSA-C22.2 60950-1, CSA E60825-1, ICES-003 Class B, BSMI Class B, CNS 13438, VCCI Class B, US FDA, FCC Class B, UL 60950-1, IEC 320-1, EN/IEC 60320-1, CE Class B, CB IEC 60950-1, EN 60950-1, EN/IEC 61000-3, EN 55022 Class B, EN 55024, EN/IEC 60825-1, GS (TÜV), SEMKO, UL AR, CS, TÜV Rh, SMA C-tick mark Class B, CCC Class B, CISPR 22 Class B, EK Mark, N Mark

Maximum Monthly Duty Cycle

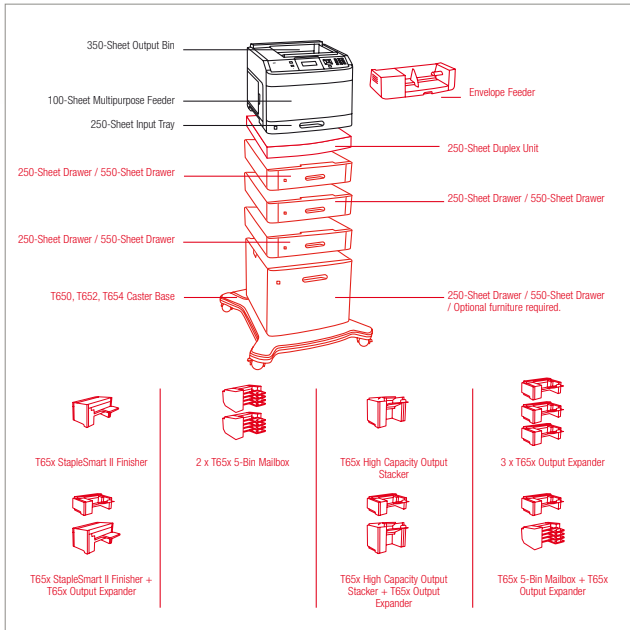
Up to 200000 pages per month

Recommended Monthly Page Volume

3000 - 20000 Pages

Specified Operating Environment

Temperature: 16 to 32°C (60 to 90°F), Humidity: 8 to 80% Relative Humidity, Altitude: 0 - 3048 Meters (10,000 Feet)



 Paper Handling Standard
 Paper Handling Optional

Part #	Model
30G0125	Lexmark T650n

Part #	Laser Toner/Print Cartridge
T650H11E	T650, T652, T654 High Yield Return Programme Print Cartridge (25K)
T650A11E	T650, T652, T654 Return Programme Print Cartridge (7K)
T650H04E	T650, T652, T654 High Yield Return Programme Print Cartridge for Label Applications (25K)

T650H21E	T650, T652, T654 High Yield Print Cartridge (25K)
T650A21E	T650, T652, T654 Print Cartridge (7K)
25A0013	Staple Cartridges (3 pack)

Part #	Paper & Transparencies
12A5010	Laser Printers - A4 Transparency

Part #	Paper Handling
30G0806	T650 250-Sheet Duplex Unit
30G0804	2000-Sheet High Capacity Feeder
30G0854	5 inch (12.7 cm) Spacer
30G0802	550-Sheet Drawer
30G0800	250-Sheet Drawer
30G0853	T65x High Capacity Output Stacker
30G0851	T65x Output Expander
30G0852	T65x 5-Bin Mailbox
30G0807	T65x, X658 Envelope Feeder
30G0860	400-Sheet Universally Adjustable Tray with Drawer
30G0880	T65x Kiosk Presenter
30G0850	T65x StapleSmart II Finisher
30G0871	200-Sheet Universally Adjustable Tray with Drawer

Part #	Furniture
16M1207	T650, T652, T654 Caster Base
3052765	Swivel Cabinet

Part #	Memory Options
1022298	128MB DDR1-DRAM
1022299	256MB DDR1-DRAM
1022301	512MB DDR1-DRAM
14F0245	256MB Flash Card
14F0102	Hard Disk (80+GB)

Part #	Application Solutions
30G0829	Lexmark PrintCrypton Card
30G0830	T650, T652 Forms and Bar Code Card
30G0831	T650, T652 Card for IPDS/SCS/TNe
30G2030	T650, T652 Card for PRESCRIBE Emulation

Part #	Connectivity
1021294	USB (2 Meter) Cable
14F0000	Parallel 1284-B Interface Card

1021231	Parallel (10') Cable
14F0100	RS-232C Serial Interface Card
14F0037	MarkNet N8120 Gigabit Ethernet Print Server
14F0042	MarkNet N8130 Fiber Ethernet 100BaseFX, 10BaseFL Print Server
14F0045	MarkNet N8150 802.11b/g/n Wireless Print Server
14T0165	Lexmark N4050e 802.11g Wireless Print Server
14T0220	MarkNet N7020e Gigabit Ethernet Print Server

Part #	Extended Warranties
2350302P	T650 2-Years Total (1+1) Onsite Service Guarantee
2350303P	T650 3-Years Total (1+2) Onsite Service Guarantee
2350304P	T650 4-Years Total (1+3) Onsite Service Guarantee
2350306P	T650 1-Year Renewal Onsite Service Guarantee

Part #	User Replaceable Parts
40X4765	T65x, X654e, X656e, X658e Fuser Maintenance Kit 220-240V
40X5852	Dual Charge Roll Assembly
40X1886	Transfer Roll Assembly
40X4308	Pick Roll Assembly

Part #	Installation
2350326	T650 Installation



Lexmark T650dn

Great value and duplex printing for your performance-seeking business

Print Technology

Laser, Monochrome

Print Speed (A4 mono)

Up to 43 ppm

Print Speed (A4 mono) Duplex

Up to 35 ppm

Time to First Page (Black)

As fast as 7.5 seconds

Print Resolution, Black

1200 Image Quality, 1200 x 1200 dpi, 2400 Image Quality, 600 x 600 dpi

Processor

500 MHz

Memory, standard

128 MB

Memory, maximum

640 MB

Hard Disk

Option available

Expandable Memory Options

Yes

Apple Macintosh Operating Systems Supported

Mac OS X, Mac OS 9.2

Citrix MetaFrame

Microsoft Windows 2000 Server running Terminal Services with Citrix Presentation Server 3.0, 4.0, Microsoft Windows Server 2003 running Terminal Services with Citrix Presentation Server 3.0, 4.0, 4.5, Microsoft Windows Server 2003 x64 running Terminal Services with Citrix Presentation Server 4.0 x64, 4.5 x64

Linux Operating Systems Supported

Linpus Linux Desktop 9.2, 9.3, Red Hat Enterprise Linux WS 3.0, 4.0, 5.0, SUSE Linux Enterprise Server 8.0, 9.0, 10, 11, SUSE Linux Enterprise Desktop 10, openSUSE 10.2, 10.3, 11.0, 11.1, Linspire Linux 6.0, Debian GNU/Linux 4.0, Red Flag Linux Desktop 5.0, 6.0, Ubuntu 7.10, Ubuntu 8.04 LTS, SUSE Linux Enterprise Desktop 11, Debian GNU/Linux 5.0, Ubuntu 8.10, 9.04

Microsoft Windows Operating Systems Supported

2000, XP, Server 2003, XP x64, Server 2003 running Terminal Services, 2000 Server running Terminal Services, Server 2003 x64, Server 2003 x64 running Terminal Services, Vista, Vista x64, Server 2008, Server 2008 x64, Server 2008 running Terminal Services, Server 2008 x64 running Terminal Services, 7

Novell Operating Systems Supported

Open Enterprise Server for Netware with NDS, iPrint or Novell Distributed Print Services (NDPS), NetWare® 3.2, 4.2 (bindery), NetWare 4.2, 5.x and 6.x (NDS), NetWare 5.x, 6.x with iPrint or Novell Distributed Print Services (NDPS)

UNIX Operating Systems Supported

Sun Solaris SPARC 8, 9, 10, Sun Solaris x86 10, HP-UX 11.11, 11.23, 11.31, IBM AIX 5.2, 5.3, 6.1

Other Operating Systems Supported

IBM iSeries or IBM AS/400® Systems with TCP/IP with OS/400® V3R1 or later using OS/400 Host Print Transform, Virtually any platform supporting TCP/IP

Paper Handling Standard

250-Sheet Duplex Unit, 100-Sheet Multipurpose Feeder, 250-Sheet Input Tray, 350-Sheet Output Bin

Paper Handling Optional

1,850-Sheet High-capacity Output Stacker, 200-Sheet Universally Adjustable Tray with Drawer, 400-Sheet Universally Adjustable Tray with Drawer, 5-bin Mailbox, 550-Sheet Drawer, Envelope Feeder, 250-Sheet Drawer, Optional furniture required., 2,000-Sheet High-capacity Feeder, 550-Sheet Output Expander, StapleSmart II Finisher

Paper Input Capacity, Standard: Up to

350 pages 75 gsm bond

Paper Input Capacity, Maximum: Up to

4000 pages 75 gsm bond

Paper Output Capacity, Standard: Up to

350 pages 75 gsm bond

Paper Output Capacity, Maximum: Up to

2750 pages 75 gsm bond

Envelope Capacity

85

Finishing Option

Yes

Number of Paper Inputs, Standard

2

Number of Paper Inputs, Maximum

6

Media Types Supported

Card Stock, Dual Web Labels, Envelopes, Integrated Labels, Paper Labels, Plain Paper, Polyester Labels, Transparencies, Vinyl Labels, Refer to the Card Stock & Label Guide

Media Sizes Supported

10 Envelope, 7 3/4 Envelope, 9 Envelope, A4, A5, DL Envelope, Executive, Folio, JIS-B5, Legal, Letter, Statement, Universal, A6

Standard Ports

Fast Ethernet, One Internal Card Slot, USB 2.0 Specification Hi-Speed Certified (Type B), Front USB port Compatible with USB 2.0 Specification (Type A)

Optional Network Ports

Lexmark N4050e 802.11g Wireless Print Server (Print Only), External MarkNet™ N7020e Gigabit Ethernet, Internal MarkNet™ N8120 Gigabit Ethernet, Internal MarkNet™ N8130 Fiber Fast Ethernet, Internal MarkNet™ N8150 802.11b/g/n Wireless

Network Printing Methods

LPR/LPD, Direct IP (Port 9100), Socket (Raw TCP/IP), HTTP, NDS Queue-based Printing, NDPS/NEPS (Novell Distributed Print Services, Novell Network Enterprise Print Services), Enhanced IP (Port 9400), FTP, TFTP, IPP 1.1 (Internet Printing Protocol), ThinPrint .print integration

Network Protocol Support

TCP/IP IPv4, IPX/SPX, AppleTalk™, LexLink (DLC), TCP/IP

IPv6, TCP, UDP

Network Security

SNMPv3, 802.1x Authentication: MD5, MSCHAPv2, LEAP, PEAP, TLS, TTLS, IPsec

Printable Area

4.2 mm of the top, bottom, right and left edges (within)

Printer Languages (Standard)

PCL 5e Emulation, PCL 6 Emulation, PPDS, PostScript 3 Emulation, xHTML, PDF 1.6, Direct Image, Microsoft XPS (XML Paper Specification)

Supplies Yield

25,000*-page High Yield Print Cartridge, *Average standard page yield value declared in accordance with ISO/IEC 19752, 7,000*-page Print Cartridge

Cartridge(s) Shipping with Product

7,000*-page Return Program Print Cartridge

Packaged Size (mm - H x W x D)

804 x 695 x 535 mm

Size (mm - H x W x D)

402.5 x 425 x 640 mm

Weight (kg)

23.4 kg

Noise Level, Idle

26 dBA

Print Noise Level, Operating

53 dBA

Product Guarantee

1 Year Onsite, Next Business Day

Product Certifications

Energy Star, CAN/CSA-C22.2 60950-1, CSA E60825-1, ICES-003 Class B, BSMI Class B, CNS 13438, VCCI Class B, US FDA, FCC Class B, UL 60950-1, IEC 320-1, EN/IEC 60320-1, CE Class B, GB IEC 60950-1, EN 60950-1, EN/IEC 61000-3, EN 55022 Class B, EN 55024, EN/IEC 60825-1, GS (TUV), SEMKO, UL AR, CS, TÜV Rh, SMA C-tick mark Class B, CCC Class B, CISPIR 22 Class B, EK Mark, N Mark

Maximum Monthly Duty Cycle

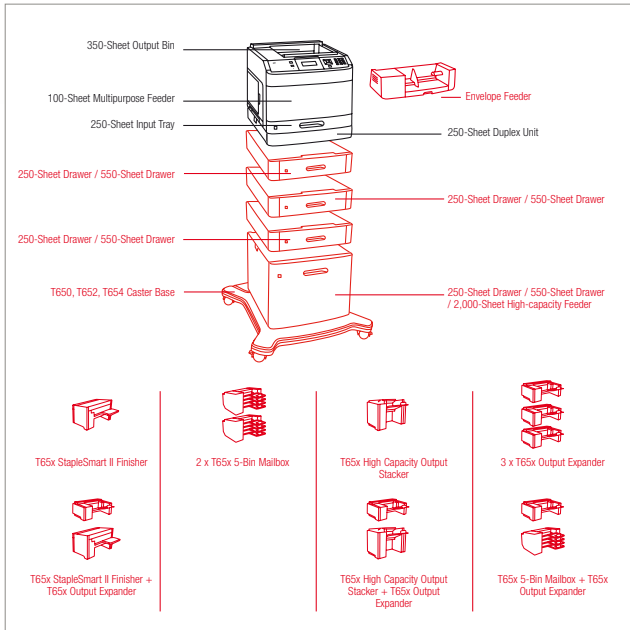
Up to 200,000 pages per month

Recommended Monthly Page Volume

3000 - 20,000 Pages

Specified Operating Environment

Temperature: 16 to 32°C (60 to 90°F), Humidity: 8 to 80% Relative Humidity, Altitude: 0 - 3048 Meters (10,000 Feet)



 Paper Handling Standard
 Paper Handling Optional

Part #	Model
30G0135	Lexmark T650dn

Part #	Laser Toner/Print Cartridge
T650H11E	T650, T652, T654 High Yield Return Programme Print Cartridge (25K)
T650A11E	T650, T652, T654 Return Programme Print Cartridge (7K)
T650H04E	T650, T652, T654 High Yield Return Programme Print Cartridge for Label Applications (25K)

T650H21E	T650, T652, T654 High Yield Print Cartridge (25K)
T650A21E	T650, T652, T654 Print Cartridge (7K)
25A0013	Staple Cartridges (3 pack)

Part #	Paper & Transparencies
12A5010	Laser Printers - A4 Transparency

Part #	Paper Handling
30G0804	2000-Sheet High Capacity Feeder
30G0802	550-Sheet Drawer
30G0854	5 inch (12.7 cm) Spacer
30G0800	250-Sheet Drawer
30G0853	T65x High Capacity Output Stacker
30G0851	T65x Output Expander
30G0852	T65x 5-Bin Mailbox
30G0807	T65x, X658 Envelope Feeder
30G0860	400-Sheet Universally Adjustable Tray with Drawer
30G0880	T65x Kiosk Presenter
30G0850	T65x StapleSmart II Finisher
30G0871	200-Sheet Universally Adjustable Tray with Drawer

Part #	Furniture
16M1207	T650, T652, T654 Caster Base
3052765	Swivel Cabinet

Part #	Memory Options
1022298	128MB DDR1-DRAM
1022299	256MB DDR1-DRAM
1022301	512MB DDR1-DRAM
14F0245	256MB Flash Card
14F0102	Hard Disk (80+GB)

Part #	Application Solutions
30G0829	Lexmark PrintCryption Card
30G0830	T650, T652 Forms and Bar Code Card
30G0831	T650, T652 Card for IPDS/SCS/TNe
30G2030	T650, T652 Card for PRESCRIBE Emulation

Part #	Connectivity
1021294	USB (2 Meter) Cable
14F0000	Parallel 1284-B Interface Card
1021231	Parallel (10') Cable

14F0100	RS-232C Serial Interface Card
14F0037	MarkNet N8120 Gigabit Ethernet Print Server
14F0042	MarkNet N8130 Fiber Ethernet 100BaseFX, 10BaseFL Print Server
14F0045	MarkNet N8150 802.11b/g/n Wireless Print Server
14T0165	Lexmark M4050e 802.11g Wireless Print Server
14T0220	MarkNet N7020e Gigabit Ethernet Print Server

Part #	Extended Warranties
2350302P	T650 2-Years Total (1+1) Onsite Service Guarantee
2350303P	T650 3-Years Total (1+2) Onsite Service Guarantee
2350304P	T650 4-Years Total (1+3) Onsite Service Guarantee
2350306P	T650 1-Year Renewal Onsite Service Guarantee

Part #	User Replaceable Parts
40X4765	T65x, X654e, X656e, X658e Fuser Maintenance Kit 220-240V
40X5852	Dual Charge Roll Assembly
40X1886	Transfer Roll Assembly
40X4308	Pick Roll Assembly

Part #	Installation
2350326	T650 Installation



Lexmark T650dtn

Duplex printing and extra input drawer for your performance-seeking business

Print Technology

Laser, Monochrome

Print Speed (A4 mono)

Up to 43 ppm

Print Speed (A4 mono) Duplex

Up to 35 ppm

Time to First Page (Black)

As fast as 7.5 seconds

Print Resolution, Black

1200 Image Quality, 1200 x 1200 dpi, 2400 Image Quality, 600 x 600 dpi

Processor

500 Mhz

Memory, standard

128 MB

Memory, maximum

640 MB

Hard Disk

Option available

Expandable Memory Options

Yes

Apple Macintosh Operating Systems Supported

Mac OS X, Mac OS 9.2

Citrix MetaFrame

Microsoft Windows 2000 Server running Terminal Services with Citrix Presentation Server 3.0, 4.0, Microsoft Windows Server 2003 running Terminal Services with Citrix Presentation Server 3.0, 4.0, 4.5, Microsoft Windows Server 2003 x64 running Terminal Services with Citrix Presentation Server 4.0 x64, 4.5 x64

Linux Operating Systems Supported

Linpus Linux Desktop 9.2, 9.3, Red Hat Enterprise Linux WS 3.0, 4.0, 5.0, SUSE Linux Enterprise Server 8.0, 9.0, 10, 11, SUSE Linux Enterprise Desktop 10, openSUSE 10.2, 10.3, 11.0, 11.1, Linspire Linux 6.0, Debian GNU/Linux 4.0, Red Flag Linux Desktop 5.0, 6.0, Ubuntu 7.10, Ubuntu 8.04 LTS, SUSE Linux Enterprise Desktop 11, Debian GNU/Linux 5.0, Ubuntu 8.10, 9.04

Microsoft Windows Operating Systems Supported

2000, XP, Server 2003, XP x64, Server 2003 running Terminal Services, 2000 Server running Terminal Services, Server 2003 x64, Server 2003 x64 running Terminal Services, Vista, Vista x64, Server 2008, Server 2008 x64, Server 2008 running Terminal Services, Server 2008 x64 running Terminal Services, 7

Novell Operating Systems Supported

Open Enterprise Server for Netware with NDS, iPrint or Novell Distributed Print Services (NDPS), NetWare® 3.2, 4.2 (bindery), NetWare 4.2, 5.x and 6.x (NDS), NetWare 5.x, 6.x with iPrint or Novell Distributed Print Services (NDPS)

UNIX Operating Systems Supported

Sun Solaris SPARC 8, 9, 10, Sun Solaris x86 10, HP-UX 11.11, 11.23, 11.31, IBM AIX 5.2, 5.3, 6.1

Other Operating Systems Supported

IBM iSeries or IBM AS/400® Systems with TCP/IP with OS/400® V3R1 or later using OS/400 Host Print Transform, Virtually any platform supporting TCP/IP

Paper Handling Standard

250-Sheet Duplex Unit, 100-Sheet Multipurpose Feeder, 250-Sheet Input Tray, 550-Sheet Drawer, 350-Sheet Output Bin

Paper Handling Optional

1,850-Sheet High-capacity Output Stacker, 200-Sheet Universally Adjustable Tray with Drawer, 400-Sheet Universally Adjustable Tray with Drawer, 5-bin Mailbox, 550-Sheet Drawer, Envelope Feeder, 250-Sheet Drawer, Optional furniture required., 2,000-Sheet High-capacity Feeder, 550-Sheet Output Expander, StapleSmart II Finisher

Paper Input Capacity, Standard: Up to

900 pages 75 gsm bond

Paper Input Capacity, Maximum: Up to

4000 pages 75 gsm bond

Paper Output Capacity, Standard: Up to

350 pages 75 gsm bond

Paper Output Capacity, Maximum: Up to

2750 pages 75 gsm bond

Envelope Capacity

85

Finishing Option

Yes

Number of Paper Inputs, Standard

3

Number of Paper Inputs, Maximum

6

Media Types Supported

Card Stock, Dual Web Labels, Envelopes, Integrated Labels, Paper Labels, Plain Paper, Polyester Labels, Transparencies, Vinyl Labels, Refer to the Card Stock & Label Guide

Media Sizes Supported

10 Envelope, 7 3/4 Envelope, 9 Envelope, A4, A5, DL Envelope, A6 Card, Executive, Folio, JIS-B5, Legal, Letter, Statement, Universal

Standard Ports

Fast Ethernet, One Internal Card Slot, USB 2.0 Specification Hi-Speed Certified (Type B), Front USB port Compatible with USB 2.0 Specification (Type A)

Optional Network Ports

Lexmark N4050e 802.11g Wireless Print Server (Print Only), External MarkNet™ N7020e Gigabit Ethernet, Internal MarkNet™ N8120 Gigabit Ethernet, Internal MarkNet™ N8130 Fiber Fast Ethernet, Internal MarkNet™ N8150 802.11b/g/n Wireless

Network Printing Methods

LPR/LPD, Direct IP (Port 9100), Socket (Raw TCP/IP), HTTP, NDS Queue-based Printing, NDPS/NEPS (Novell Distributed Print Services, Novell Netware Enterprise Print Services), Enhanced IP (Port 9400), FTP, TFTP, IPP 1.1 (Internet Printing Protocol), ThinPrint .print integration

Network Protocol Support

TCP/IP IPv4, IPX/SPX, AppleTalk™, LexLink (DLC), TCP/IP IPv6, TCP, UDP

Network Security

SNMPv3, 802.1x Authentication: MD5, MSCHAPv2, LEAP, PEAP, TLS, TTLS, IPsec

Printable Area

4.2 mm of the top, bottom, right and left edges (within)

Printer Languages (Standard)

PCL 5e Emulation, PCL 6 Emulation, PPDS, PostScript 3 Emulation, xHTML, PDF 1.6, Direct Image, Microsoft XPS (XML Paper Specification)

Supplies Yield

25,000*-page High Yield Print Cartridge, *Average standard page yield value declared in accordance with ISO/IEC 19752, 7,000*-page Print Cartridge

Cartridge(s) Shipping with Product

7,000*-page Return Program Print Cartridge

Packaged Size (mm - H x W x D)

770 x 940 x 535 mm

Size (mm - H x W x D)

533 x 425 x 640 mm

Weight (kg)

27.4 kg

Noise Level, Idle

26 dBA

Print Noise Level, Operating

53 dBA

Product Guarantee

1-Year Onsite Service, Next Business Day

Product Certifications

Energy Star, CAN/CSA-C22.2 60950-1, CSA E60825-1, ICES-003 Class B, BSMI Class B, CNS 13438, VCCI Class B, US FDA, FCC Class B, UL 60950-1, IEC 320-1, EN/IEC 60320-1, CE Class B, CB IEC 60950-1, EN 60950-1, EN/IEC 61000-3, EN 55022 Class B, EN 55024, EN/IEC 60825-1, GS (TUV), SEMKO, UL AR, CS, TÜV Rh, SMA C-tick mark Class B, CCC Class B, CISPR 22 Class B, EK Mark, N Mark

Maximum Monthly Duty Cycle

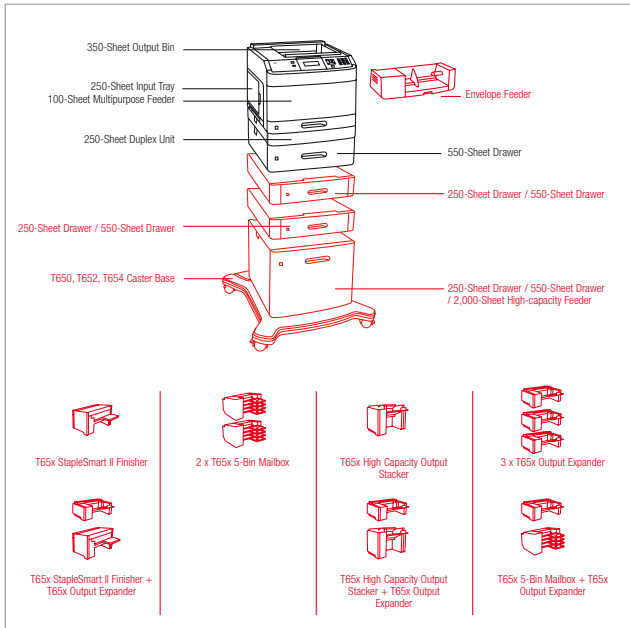
Up to 200,000 pages per month

Recommended Monthly Page Volume

3000 - 20,000 Pages

Specified Operating Environment

Temperature: 16 to 32°C (60 to 90°F), Humidity: 8 to 80% Relative Humidity, Altitude: 0 - 3048 Meters (10,000 Feet)



Paper Handling Standard
 Paper Handling Optional

Part #	Model
30G0145	Lexmark T650dtn

Part #	Laser Toner/Print Cartridge
T650H11E	T650, T652, T654 High Yield Return Programme Print Cartridge (25K)
T650A11E	T650, T652, T654 Return Programme Print Cartridge (7K)
T650H04E	T650, T652, T654 High Yield Return Programme Print Cartridge for Label Applications (25K)

T650H21E	T650, T652, T654 High Yield Print Cartridge (25K)
T650A21E	T650, T652, T654 Print Cartridge (7K)
25A0013	Staple Cartridges (3 pack)

Part #	Paper & Transparencies
12A5010	Laser Printers - A4 Transparency

Part #	Paper Handling
30G0804	2000-Sheet High Capacity Feeder
30G0802	550-Sheet Drawer
30G0854	5 inch (12.7 cm) Spacer
30G0800	250-Sheet Drawer
30G0853	T65x High Capacity Output Stacker
30G0851	T65x Output Expander
30G0852	T65x 5-Bin Mailbox
30G0807	T65x, X658 Envelope Feeder
30G0860	400-Sheet Universally Adjustable Tray with Drawer
30G0880	T65x Kiosk Presenter
30G0850	T65x StapleSmart II Finisher
30G0871	200-Sheet Universally Adjustable Tray with Drawer

Part #	Furniture
16M1207	T650, T652, T654 Caster Base
3052765	Swivel Cabinet

Part #	Memory Options
1022298	128MB DDR1-DRAM
1022299	256MB DDR1-DRAM
1022301	512MB DDR1-DRAM
14F0245	256MB Flash Card
14F0102	Hard Disk (80+GB)

Part #	Application Solutions
30G0829	Lexmark PrintCryption Card
30G0830	T650, T652 Forms and Bar Code Card
30G0831	T650, T652 Card for IPDS/SCS/TNe
30G2030	T650, T652 Card for PRESCRIBE Emulation

Part #	Connectivity
1021294	USB (2 Meter) Cable
14F0000	Parallel 1284-B Interface Card
1021231	Parallel (10') Cable

14F0100	RS-232C Serial Interface Card
14F0037	MarkNet N8120 Gigabit Ethernet Print Server
14F0042	MarkNet N8130 Fiber Ethernet 100BaseFX, 10BaseFL Print Server
14F0045	MarkNet N8150 802.11b/g/n Wireless Print Server
14T0165	Lexmark M4050e 802.11g Wireless Print Server
14T0220	MarkNet N7020e Gigabit Ethernet Print Server

Part #	Extended Warranties
2350302P	T650 2-Years Total (1+1) Onsite Service Guarantee
2350303P	T650 3-Years Total (1+2) Onsite Service Guarantee
2350304P	T650 4-Years Total (1+3) Onsite Service Guarantee
2350306P	T650 1-Year Renewal Onsite Service Guarantee

Part #	User Replaceable Parts
40X4765	T65x, X654e, X656e, X658e Fuser Maintenance Kit 220-240V
40X5852	Dual Charge Roll Assembly
40X1886	Transfer Roll Assembly
40X4308	Pick Roll Assembly

Part #	Installation
2350326	T650 Installation



Lexmark T652n

Ultra-fast, versatile monochrome printing for busy workgroups

Print Technology

Laser, Monochrome

Print Speed (A4 mono)

Up to 48 ppm

Time to First Page (Black)

As fast as 7.5 seconds

Print Resolution, Black

1200 Image Quality, 1200 x 1200 dpi, 2400 Image

Quality, 600 x 600 dpi

Processor

500 Mhz

Memory, standard

128 MB

Memory, maximum

640 MB

Hard Disk

Option available

Expandable Memory Options

Yes

Apple Macintosh Operating Systems Supported

Mac OS X, Mac OS 9.2

Citrix MetaFrame

Microsoft Windows 2000 Server running Terminal Services with Citrix Presentation Server 3.0, 4.0, Microsoft Windows Server 2003 running Terminal Services with Citrix Presentation Server 3.0, 4.0, 4.5, Microsoft Windows Server 2003 x64 running Terminal Services with Citrix Presentation Server 4.0 x64, 4.5 x64

Linux Operating Systems Supported

Linpus Linux Desktop 9.2, 9.3, Red Hat Enterprise Linux WS 3.0, 4.0, 5.0, SUSE Linux Enterprise Server 8.0, 9.0, 10, 11, SUSE Linux Enterprise Desktop 10, openSUSE 10.2, 10.3, 11.0, 11.1, Linspire Linux 6.0, Debian GNU/Linux 4.0, Red Flag Linux Desktop 5.0, 6.0, Ubuntu 7.10, Ubuntu 8.04 LTS, SUSE Linux Enterprise Desktop 11, Debian GNU/Linux 5.0, Ubuntu 8.10, 9.04

Microsoft Windows Operating Systems Supported

2000, XP, Server 2003, XP x64, Server 2003 running Terminal Services, 2000 Server running Terminal Services, Server 2003 x64, Server 2003 x64 running Terminal Services, Vista, Vista x64, Server 2008, Server 2008 x64, Server 2008 running Terminal Services, Server 2008 x64 running Terminal Services, 7

Novell Operating Systems Supported

Open Enterprise Server for Netware with NDS, iPrint or Novell Distributed Print Services (NDPS), NetWare® 3.2, 4.2 (bindery), NetWare 4.2, 5.x and 6.x (NDS), NetWare 5.x, 6.x with iPrint or Novell Distributed Print Services (NDPS)

UNIX Operating Systems Supported

Sun Solaris SPARC 8, 9, 10, Sun Solaris x86 10, HP-UX 11.11, 11.23, 11.31, IBM AIX 5.2, 5.3, 6.1

Other Operating Systems Supported

IBM iSeries or IBM AS/400® Systems with TCP/IP with OS/400® V3R1 or later using OS/400 Host Print Transform, Virtually any platform supporting TCP/IP

Paper Handling Standard

100-Sheet Multipurpose Feeder, 550-Sheet Input Tray, 350-Sheet Output Bin

Paper Handling Optional

1,850-Sheet High-capacity Output Stacker, 200-Sheet Universally Adjustable Tray with Drawer, 400-Sheet Universally Adjustable Tray with Drawer, 5-bin Mailbox, 550-Sheet Drawer, Envelope Feeder, 250-Sheet Drawer, Optional furniture required, 2,000-Sheet High-capacity Feeder, 550-Sheet Output Expander, StapleSmart II Finisher

Paper Input Capacity, Standard: Up to

650 pages 75 gsm bond

Paper Input Capacity, Maximum: Up to

4300 pages 75 gsm bond

Paper Output Capacity, Standard: Up to

350 pages 75 gsm bond

Paper Output Capacity, Maximum: Up to

2750 pages 75 gsm bond

Envelope Capacity

85

Finishing Option

Yes

Number of Paper Inputs, Standard

2

Number of Paper Inputs, Maximum

6

Media Types Supported

Card Stock, Dual Web Labels, Envelopes, Integrated Labels, Paper Labels, Plain Paper, Polyester Labels, Transparencies, Vinyl Labels, Refer to the Card Stock & Label Guide

Media Sizes Supported

10 Envelope, 7 3/4 Envelope, 9 Envelope, A4, A5, DL Envelope, A6 Card, Executive, Folio, JIS-B5, Legal, Letter, Statement, Universal

Standard Ports

Fast Ethernet, One Internal Card Slot, USB 2.0 Specification Hi-Speed Certified (Type B), Front USB port Compatible with USB 2.0 Specification (Type A)

Optional Network Ports

Lexmark N4050e 802.11g Wireless Print Server (Print Only), External MarkNet™ N7020e Gigabit Ethernet, Internal MarkNet™ N8120 Gigabit Ethernet, Internal MarkNet™ N8130 Fiber Fast Ethernet, Internal MarkNet™ N8150 802.11b/g/n Wireless

Network Printing Methods

LPR/LPD, Direct IP (Port 9100), Socket (Raw TCP/IP), HTTP, NDS Queue-based Printing, NDPS/NEPS (Novell Distributed Print Services, Novell Network Enterprise Print Services), Enhanced IP (Port 9400), FTP, TFTP, IPP 1.1 (Internet Printing Protocol), ThinPrint .print integration

Network Protocol Support

TCP/IP IPv4, IPX/SPX, AppleTalk™, LexLink (DLC), TCP/IP IPv6, TCP, UDP

Network Security

SNMPv3, 802.1x Authentication: MD5, MSCHAPv2, LEAP, PEAP, TLS, TTLS, IPSec

Printable Area

4.2 mm of the top, bottom, right and left edges (within)

Printer Languages (Standard)

PCL 5e Emulation, PCL 6 Emulation, PPDS, PostScript 3 Emulation, xHTML, PDF 1.6, Direct Image, Microsoft XPS (XML Paper Specification)

Supplies Yield

25,000*-page High Yield Print Cartridge, *Average standard page yield value declared in accordance with ISO/IEC 19752, 7,000*-page Print Cartridge

Cartridge(s) Shipping with Product

10,000*-page Starter Return Program Print Cartridge

Packaged Size (mm - H x W x D)

550 x 625 x 545 mm

Size (mm - H x W x D)

427 x 425 x 510 mm

Weight (kg)

23 kg

Noise Level, Idle

30 dBA

Print Noise Level, Operating

54 dBA

Product Guarantee

1-Year Onsite Service, Next Business Day

Product Certifications

CAN/CSA-C22.2 60950-1, CSA E60825-1, ICES-003 Class B, BSMI Class B, CNS 13438, VCCI Class B, US FDA, FCC Class B, UL 60950-1, IEC 320-1, ENIEC 60320-1, CE Class B, CB IEC 60950-1, EN 60950-1, ENIEC 61000-3, EN 55022 Class B, EN 55024, ENIEC 60825-1, GS (TÜV), SEMKO, UL AR, CS, TÜV Rh, SMA C-tick mark Class B, CCC Class B, CISPR 22 Class B, EK Mark, N Mark

Maximum Monthly Duty Cycle

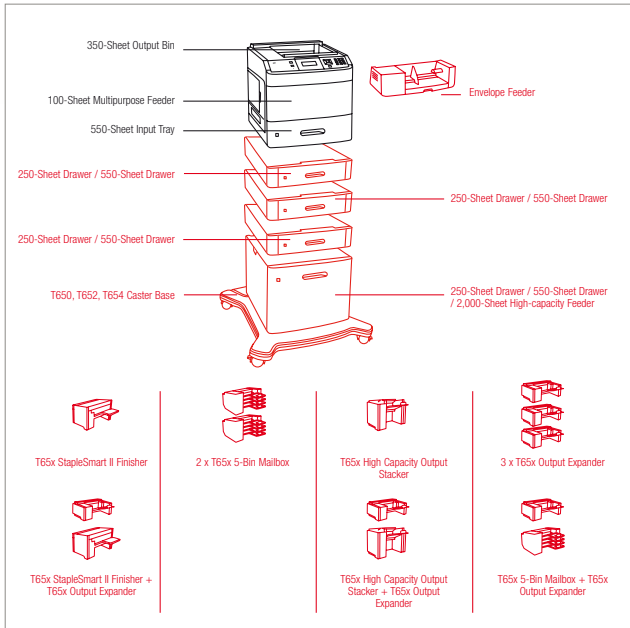
Up to 225000 pages per month

Recommended Monthly Page Volume

3000 - 30000 Pages

Specified Operating Environment

Temperature: 16 to 32°C (60 to 90°F), Humidity: 8 to 80% Relative Humidity, Altitude: 0 - 3048 Meters (10,000 Feet)



Paper Handling Standard
 Paper Handling Optional

Part #	Model
30G0225	Lexmark T652n

Part #	Laser Toner/Print Cartridge
T650H11E	T650, T652, T654 High Yield Return Programme Print Cartridge (25K)
T650A11E	T650, T652, T654 Return Programme Print Cartridge (7K)
T650H04E	T650, T652, T654 High Yield Return Programme Print Cartridge for Label Applications (25K)

T650H21E	T650, T652, T654 High Yield Print Cartridge (25K)
T650A21E	T650, T652, T654 Print Cartridge (7K)
25A0013	Staple Cartridges (3 pack)

Part #	Paper & Transparencies
12A5010	Laser Printers - A4 Transparency

Part #	Paper Handling
30G0852	T65x 5-Bin Mailbox
30G0804	2000-Sheet High Capacity Feeder
30G0854	5 inch (12.7 cm) Spacer
30G0802	550-Sheet Drawer
30G0800	250-Sheet Drawer
30G0807	T65x, X658 Envelope Feeder
30G0851	T65x Output Expander
30G0853	T65x High Capacity Output Stacker
30G0860	400-Sheet Universally Adjustable Tray with Drawer
30G0880	T65x Kiosk Presenter
30G0850	T65x StapleSmart II Finisher
30G0871	200-Sheet Universally Adjustable Tray with Drawer

Part #	Furniture
16M1207	T650, T652, T654 Caster Base
3052765	Swivel Cabinet

Part #	Memory Options
1022298	128MB DDR1-DRAM
1022299	256MB DDR1-DRAM
1022301	512MB DDR1-DRAM
14F0245	256MB Flash Card
14F0102	Hard Disk (80+GB)

Part #	Application Solutions
30G0829	Lexmark PrintCryption Card
30G0830	T650, T652 Forms and Bar Code Card
30G0831	T650, T652 Card for IPDS/SCS/TNe
30G2030	T650, T652 Card for PRESCRIBE Emulation

Part #	Connectivity
1021294	USB (2 Meter) Cable
14F0000	Parallel 1284-B Interface Card
1021231	Parallel (10') Cable

14F0100	RS-232C Serial Interface Card
14F0037	MarkNet N8120 Gigabit Ethernet Print Server
14F0042	MarkNet N8130 Fiber Ethernet 100BaseFX, 10BaseFL Print Server
14F0045	MarkNet N8150 802.11b/g/n Wireless Print Server
14T0165	Lexmark M4050e 802.11g Wireless Print Server
14T0220	MarkNet N7020e Gigabit Ethernet Print Server

Part #	Extended Warranties
2350337P	T652 2-Years Total (1+1) Onsite Service Guarantee
2350338P	T652 3-Years Total (1+2) Onsite Service Guarantee
2350339P	T652 4-Years Total (1+3) Onsite Service Guarantee
2350341P	T652 1-Year Renewal Onsite Service Guarantee

Part #	User Replaceable Parts
40X4765	T65x, X654e, X656e, X658e Fuser Maintenance Kit 220-240V
40X5852	Dual Charge Roll Assembly
40X1886	Transfer Roll Assembly
40X4308	Pick Roll Assembly

Part #	Installation
2350361	T652 Installation



Lexmark T652dn

Ultra-fast, versatile monochrome printer with integrated duplex for busy workgroups

Print Technology

Laser, Monochrome

Print Speed (A4 mono)

Up to 48 ppm

Print Speed (A4 mono) Duplex

Up to 32 spm

Time to First Page (Black)

As fast as 7.5 seconds

Print Resolution, Black

1200 Image Quality, 1200 x 1200 dpi, 2400 Image Quality, 600 x 600 dpi

Processor

500 MHz

Memory, standard

128 MB

Memory, maximum

640 MB

Hard Disk

Option available

Expandable Memory Options

Yes

Apple Macintosh Operating Systems Supported

Mac OS X, Mac OS 9.2

Citrix MetaFrame

Microsoft Windows 2000 Server running Terminal Services with Citrix Presentation Server 3.0, 4.0, Microsoft Windows Server 2003 running Terminal Services with Citrix Presentation Server 3.0, 4.0, 4.5, Microsoft Windows Server 2003 x64 running Terminal Services with Citrix Presentation Server 4.0 x64, 4.5 x64

Linux Operating Systems Supported

Linpus Linux Desktop 9.2, 9.3, Red Hat Enterprise Linux WS 3.0, 4.0, 5.0, SUSE Linux Enterprise Server 8.0, 9.0, 10, 11, SUSE Linux Enterprise Desktop 10, openSUSE 10.2, 10.3, 11.0, 11.1, Linspire Linux 6.0, Debian GNU/Linux 4.0, Red Flag Linux Desktop 5.0, 6.0, Ubuntu 7.10, Ubuntu 8.04 LTS, SUSE Linux Enterprise Desktop 11, Debian GNU/Linux 5.0, Ubuntu 8.10, 9.04

Microsoft Windows Operating Systems Supported

2000, XP, Server 2003, XP x64, Server 2003 running Terminal Services, 2000 Server running Terminal Services, Server 2003 x64, Server 2003 x64 running Terminal Services, Vista, Vista x64, Server 2008, Server 2008 x64, Server 2008 running Terminal Services, Server 2008 x64 running Terminal Services, 7

Novell Operating Systems Supported

Open Enterprise Server for Netware with NDS, iPrint or Novell Distributed Print Services (NDPS), NetWare® 3.2, 4.2 (bindery), NetWare 4.2, 5.x and 6.x (NDS), NetWare 5.x, 6.x with iPrint or Novell Distributed Print Services (NDPS)

UNIX Operating Systems Supported

Sun Solaris SPARC 8, 9, 10, Sun Solaris x86 10, HP-UX 11.11, 11.23, 11.31, IBM AIX 5.2, 5.3, 6.1

Other Operating Systems Supported

IBM iSeries or IBM AS/400® Systems with TCP/IP with OS/400® V3R1 or later using OS/400 Host Print Transform, Virtually any platform supporting TCP/IP

Paper Handling Standard

Integrated Duplex, 100-Sheet Multipurpose Feeder, 550-Sheet Input Tray, 350-Sheet Output Bin

Paper Handling Optional

1,850-Sheet High-capacity Output Stacker, 200-Sheet Universally Adjustable Tray with Drawer, 400-Sheet Universally Adjustable Tray with Drawer, 5-bin Mailbox, 550-Sheet Drawer, Envelope Feeder, 250-Sheet Drawer, Optional furniture required., 2,000-Sheet High-capacity Feeder, 550-Sheet Output Expander, StapleSmart II Finisher

Paper Input Capacity, Standard: Up to

650 pages 75 gsm bond

Paper Input Capacity, Maximum: Up to

4300 pages 75 gsm bond

Paper Output Capacity, Standard: Up to

350 pages 75 gsm bond

Paper Output Capacity, Maximum: Up to

2750 pages 75 gsm bond

Envelope Capacity

85

Finishing Option

Yes

Number of Paper Inputs, Standard

2

Number of Paper Inputs, Maximum

6

Media Types Supported

Card Stock, Dual Web Labels, Envelopes, Integrated Labels, Paper Labels, Plain Paper, Polyester Labels, Transparencies, Vinyl Labels, Refer to the Card Stock & Label Guide

Media Sizes Supported

10 Envelope, 7 3/4 Envelope, 9 Envelope, A4, A5, DL Envelope, A6 Card, Executive, Folio, JIS-B5, Legal, Letter, Statement, Universal

Standard Ports

Fast Ethernet, One Internal Card Slot, USB 2.0 Specification Hi-Speed Certified (Type B), Front USB port Compatible with USB 2.0 Specification (Type A)

Optional Network Ports

Lexmark N4050e 802.11g Wireless Print Server (Print Only), External MarkNet™ N7020e Gigabit Ethernet, Internal MarkNet™ N8120 Gigabit Ethernet, Internal MarkNet™ N8130 Fiber Fast Ethernet, Internal MarkNet™ N8150 802.11b/g/n Wireless

Network Printing Methods

LPR/LPD, Direct IP (Port 9100), Socket (Raw TCP/IP), HTTP, NDS Queue-based Printing, NDPS/NEPS (Novell Distributed Print Services, Novell Netware Enterprise Print Services), Enhanced IP (Port 9400), FTP, TFTP, IPP 1.1 (Internet Printing Protocol), ThinPrint .print integration

Network Protocol Support

TCP/IP IPv4, IPX/SPX, AppleTalk™, LexLink (DLC), TCP/IP

IPv6, TCP, UDP

Network Security

SNMPv3, 802.1x Authentication: MD5, MSCHAPv2, LEAP, PEAP, TLS, TTLS, IPsec

Printable Area

4.2 mm of the top, bottom, right and left edges (within)

Printer Languages (Standard)

PCL 5e Emulation, PCL 6 Emulation, PPDS, PostScript 3 Emulation, xHTML, PDF 1.6, Direct Image, Microsoft XPS (XML Paper Specification)

Supplies Yield

25,000*-page High Yield Print Cartridge, *Average standard page yield value declared in accordance with ISO/IEC 19752, 7,000*-page Print Cartridge

Cartridge(s) Shipping with Product

10,000*-page Starter Return Program Print Cartridge

Packaged Size (mm - H x W x D)

550 x 625 x 545 mm

Size (mm - H x W x D)

427 x 425 x 510 mm

Weight (kg)

23 kg

Noise Level, Idle

30 dBA

Print Noise Level, Operating

54 dBA

Product Guarantee

1-Year Onsite Service, Next Business Day

Product Certifications

Energy Star, CAN/CSA-C22.2 60950-1, CSA E60825-1, ICES-003 Class B, BSMI Class B, CNS 13438, VCCI Class B, US FDA, FCC Class B, UL 60950-1, IEC 320-1, EN/IEC 60320-1, CE Class B, GB IEC 60950-1, EN 60950-1, EN/IEC 61000-3, EN 55022 Class B, EN 55024, EN/IEC 60825-1, GS (TÜV), SEMKO, UL AR, CS, TÜV Rh, SMA C-tick mark Class B, CCC Class B, CISPIR 22 Class B, EK Mark, N Mark

Maximum Monthly Duty Cycle

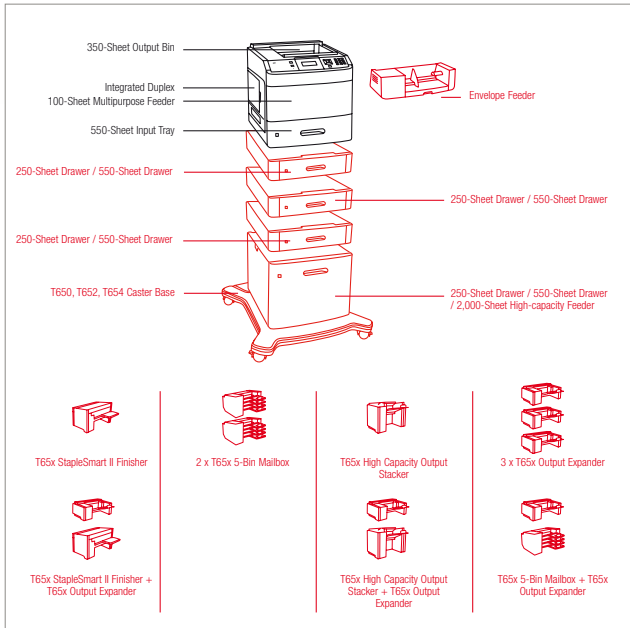
Up to 225000 pages per month

Recommended Monthly Page Volume

3000 - 30000 Pages

Specified Operating Environment

Temperature: 16 to 32°C (60 to 90°F), Humidity: 8 to 80% Relative Humidity, Altitude: 0 - 3048 Meters (10,000 Feet)



Paper Handling Standard
 Paper Handling Optional

Part #	Model
30G0235	Lexmark T652dn

Part #	Laser Toner/Print Cartridge
T650H11E	T650, T652, T654 High Yield Return Programme Print Cartridge (25K)
T650A11E	T650, T652, T654 Return Programme Print Cartridge (7K)
T650H04E	T650, T652, T654 High Yield Return Programme Print Cartridge for Label Applications (25K)
T650H21E	T650, T652, T654 High Yield Print Cartridge (25K)
T650A21E	T650, T652, T654 Print Cartridge (7K)
25A0013	Staple Cartridges (3 pack)

Part #	Paper & Transparencies
12A5010	Laser Printers - A4 Transparency

Part #	Paper Handling
30G0852	T65x 5-Bin Mailbox
30G0804	2000-Sheet High Capacity Feeder
30G0854	5 inch (12.7 cm) Spacer
30G0802	550-Sheet Drawer
30G0800	250-Sheet Drawer
30G0807	T65x, X658 Envelope Feeder
30G0851	T65x Output Expander
30G0853	T65x High Capacity Output Stacker
30G0860	400-Sheet Universally Adjustable Tray with Drawer
30G0880	T65x Kiosk Presenter
30G0850	T65x StapleSmart II Finisher
30G0871	200-Sheet Universally Adjustable Tray with Drawer

Part #	Furniture
16M1207	T650, T652, T654 Caster Base
3052765	Swivel Cabinet

Part #	Memory Options
1022298	128MB DDR1-DRAM
1022299	256MB DDR1-DRAM
1022301	512MB DDR1-DRAM
14F0245	256MB Flash Card
14F0102	Hard Disk (80+GB)

Part #	Application Solutions
30G0829	Lexmark PrintCryption Card
30G0830	T650, T652 Forms and Bar Code Card
30G0831	T650, T652 Card for IPDS/SCS/TNe
30G2030	T650, T652 Card for PRESCRIBE Emulation

Part #	Connectivity
1021294	USB (2 Meter) Cable
14F0000	Parallel 1284-B Interface Card
1021231	Parallel (10') Cable

14F0100	RS-232C Serial Interface Card
14F0037	MarkNet N8120 Gigabit Ethernet Print Server
14F0042	MarkNet N8130 Fiber Ethernet 100BaseFX, 10BaseFL Print Server
14F0045	MarkNet N8150 802.11b/g/n Wireless Print Server
14T0165	Lexmark M4050e 802.11g Wireless Print Server
14T0220	MarkNet N7020e Gigabit Ethernet Print Server

Part #	Extended Warranties
2350337P	T652 2-Years Total (1+1) Onsite Service Guarantee
2350338P	T652 3-Years Total (1+2) Onsite Service Guarantee
2350339P	T652 4-Years Total (1+3) Onsite Service Guarantee
2350341P	T652 1-Year Renewal Onsite Service Guarantee

Part #	User Replaceable Parts
40X4765	T65x, X654e, X656e, X658e Fuser Maintenance Kit 220-240V
40X5852	Dual Charge Roll Assembly
40X1886	Transfer Roll Assembly
40X4308	Pick Roll Assembly

Part #	Installation
2350361	T652 Installation



Lexmark T652dtn

Ultra-fast, versatile monochrome printer with integrated duplex and extra input drawer

Print Technology

Laser, Monochrome

Print Speed (A4 mono)

Up to 48 ppm

Print Speed (A4 mono) Duplex

Up to 32 ppm

Time to First Page (Black)

As fast as 7.5 seconds

Print Resolution, Black

1200 Image Quality, 1200 x 1200 dpi, 2400 Image Quality, 600 x 600 dpi

Processor

500 MHz

Memory, standard

128 MB

Memory, maximum

640 MB

Hard Disk

Option available

Expandable Memory Options

Yes

Apple Macintosh Operating Systems Supported

Mac OS X, Mac OS 9.2

Citrix MetaFrame

Microsoft Windows 2000 Server running Terminal Services with Citrix Presentation Server 3.0, 4.0, Microsoft Windows Server 2003 running Terminal Services with Citrix Presentation Server 3.0, 4.0, 4.5, Microsoft Windows Server 2003 x64 running Terminal Services with Citrix Presentation Server 4.0 x64, 4.5 x64

Linux Operating Systems Supported

Linpus Linux Desktop 9.2, 9.3, Red Hat Enterprise Linux WS 3.0, 4.0, 5.0, SUSE Linux Enterprise Server 8.0, 9.0, 10, 11, SUSE Linux Enterprise Desktop 10, openSUSE 10.2, 10.3, 11.0, 11.1, Linspire Linux 6.0, Debian GNU/Linux 4.0, Red Flag Linux Desktop 5.0, 6.0, Ubuntu 7.10, Ubuntu 8.04 LTS, SUSE Linux Enterprise Desktop 11, Debian GNU/Linux 5.0, Ubuntu 8.10, 9.04

Microsoft Windows Operating Systems Supported

2000, XP, Server 2003, XP x64, Server 2003 running Terminal Services, 2000 Server running Terminal Services, Server 2003 x64, Server 2003 x64 running Terminal Services, Vista, Vista x64, Server 2008, Server 2008 x64, Server 2008 running Terminal Services, Server 2008 x64 running Terminal Services, 7

Novell Operating Systems Supported

Open Enterprise Server for Netware with NDS, iPrint or Novell Distributed Print Services (NDPS), NetWare® 3.2, 4.2 (bindery), NetWare 4.2, 5.x and 6.x (NDS), NetWare 5.x, 6.x with iPrint or Novell Distributed Print Services (NDPS)

UNIX Operating Systems Supported

Sun Solaris SPARC 8, 9, 10, Sun Solaris x86 10, HP-UX 11.11, 11.23, 11.31, IBM AIX 5.2, 5.3, 6.1

Other Operating Systems Supported

IBM iSeries or IBM AS/400® Systems with TCP/IP with OS/400® V3R1 or later using OS/400 Host Print Transform, Virtually any platform supporting TCP/IP

Paper Handling Standard

Integrated Duplex, 100-Sheet Multipurpose Feeder, 550-Sheet Drawer, 550-Sheet Input Tray, 350-Sheet Output Bin

Paper Handling Optional

1,850-Sheet High-capacity Output Stacker, 200-Sheet Universally Adjustable Tray with Drawer, 400-Sheet Universally Adjustable Tray with Drawer, 5-bin Mailbox, 550-Sheet Drawer, Envelope Feeder, 250-Sheet Drawer, Optional furniture required., 2,000-Sheet High-capacity Feeder, 550-Sheet Output Expander, StapleSmart II Finisher

Paper Input Capacity, Standard: Up to

1200 pages 75 gsm bond

Paper Input Capacity, Maximum: Up to

4300 pages 75 gsm bond

Paper Output Capacity, Standard: Up to

350 pages 75 gsm bond

Paper Output Capacity, Maximum: Up to

2750 pages 75 gsm bond

Envelope Capacity

85

Finishing Option

Yes

Number of Paper Inputs, Standard

3

Number of Paper Inputs, Maximum

6

Media Types Supported

Card Stock, Dual Web Labels, Envelopes, Integrated Labels, Paper Labels, Plain Paper, Polyester Labels, Transparencies, Vinyl Labels, Refer to the Card Stock & Label Guide

Media Sizes Supported

10 Envelope, 7 3/4 Envelope, 9 Envelope, A4, A5, DL Envelope, A6 Card, Executive, Folio, JIS-B5, Legal, Letter, Statement, Universal

Standard Ports

Fast Ethernet, One Internal Card Slot, USB 2.0 Specification Hi-Speed Certified (Type B), Front USB port Compatible with USB 2.0 Specification (Type A)

Optional Network Ports

Lexmark N4050e 802.11g Wireless Print Server (Print Only), External MarkNet™ N7020e Gigabit Ethernet, Internal MarkNet™ N8120 Gigabit Ethernet, Internal MarkNet™ N8130 Fiber Fast Ethernet, Internal MarkNet™ N8150 802.11b/g/n Wireless

Network Printing Methods

LPR/LPD, Direct IP (Port 9100), Socket (Raw TCP/IP), HTTP, NDS Queue-based Printing, NDPS/NEPS (Novell Distributed Print Services, Novell Netware Enterprise Print Services), Enhanced IP (Port 9400), FTP, TFTP, IPP 1.1 (Internet Printing Protocol), ThinPrint .print integration

Network Protocol Support

TCP/IP IPv4, IPX/SPX, AppleTalk™, LexLink (DLC), TCP/IP IPv6, TCP, UDP

Network Security

SNMPv3, 802.1x Authentication: MD5, MSCHAPv2, LEAP, PEAP, TLS, TTLS, IPsec

Printable Area

4.2 mm of the top, bottom, right and left edges (within)

Printer Languages (Standard)

PCL 5e Emulation, PCL 6 Emulation, PPDS, PostScript 3 Emulation, xHTML, PDF 1.6, Direct Image, Microsoft XPS (XML Paper Specification)

Supplies Yield

25,000*-page High Yield Print Cartridge, *Average standard page yield value declared in accordance with ISO/IEC 19752, 7,000*-page Print Cartridge

Cartridge(s) Shipping with Product

10,000*-page Starter Return Program Print Cartridge

Packaged Size (mm - H x W x D)

690 x 625 x 545 mm

Size (mm - H x W x D)

557 x 425 x 510 mm

Weight (kg)

27 kg

Noise Level, Idle

30 dBA

Print Noise Level, Operating

54 dBA

Product Guarantee

1-Year Onsite Service, Next Business Day

Product Certifications

Energy Star, CAN/CSA-C22.2 60950-1, CSA E60825-1, ICES-003 Class B, BSMI Class B, CNS 13438, VCCI Class B, US FDA, FCC Class B, UL 60950-1, IEC 320-1, EN/IEC 60320-1, CE Class B, CB IEC 60950-1, EN 60950-1, EN/IEC 61000-3, EN 55022 Class B, EN 55024, EN/IEC 60825-1, GS (TUV), SEMKO, UL AR, CS, TÜV Rh, SMA C-tick mark Class B, CCC Class B, CISPR 22 Class B, EK Mark, N Mark

Maximum Monthly Duty Cycle

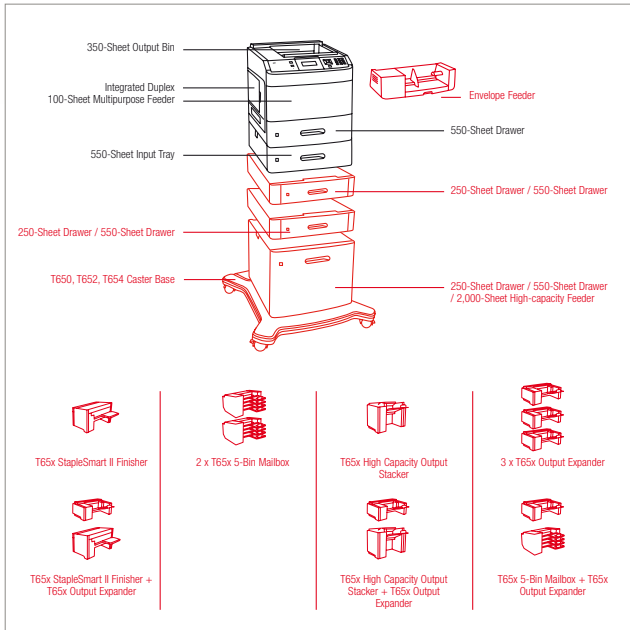
Up to 225000 pages per month

Recommended Monthly Page Volume

3000 - 30000 Pages

Specified Operating Environment

Temperature: 16 to 32°C (60 to 90°F), Humidity: 8 to 80% Relative Humidity, Altitude: 0 - 3048 Meters (10,000 Feet)



Paper Handling Standard
 Paper Handling Optional

Part #	Model
30G0245	Lexmark T652dtn

Part #	Laser Toner/Print Cartridge
T650H11E	T650, T652, T654 High Yield Return Programme Print Cartridge (25K)
T650A11E	T650, T652, T654 Return Programme Print Cartridge (7K)
T650H04E	T650, T652, T654 High Yield Return Programme Print Cartridge for Label Applications (25K)

T650H21E	T650, T652, T654 High Yield Print Cartridge (25K)
T650A21E	T650, T652, T654 Print Cartridge (7K)
25A0013	Staple Cartridges (3 pack)

Part #	Paper & Transparencies
12A5010	Laser Printers - A4 Transparency

Part #	Paper Handling
30G0852	T65x 5-Bin Mailbox
30G0804	2000-Sheet High Capacity Feeder
30G0854	5 inch (12.7 cm) Spacer
30G0802	550-Sheet Drawer
30G0800	250-Sheet Drawer
30G0807	T65x, X658 Envelope Feeder
30G0851	T65x Output Expander
30G0853	T65x High Capacity Output Stacker
30G0860	400-Sheet Universally Adjustable Tray with Drawer
30G0880	T65x Kiosk Presenter
30G0850	T65x StapleSmart II Finisher
30G0871	200-Sheet Universally Adjustable Tray with Drawer

Part #	Furniture
16M1207	T650, T652, T654 Caster Base
3052765	Swivel Cabinet

Part #	Memory Options
1022298	128MB DDR1-DRAM
1022299	256MB DDR1-DRAM
1022301	512MB DDR1-DRAM
14F0245	256MB Flash Card
14F0102	Hard Disk (80+GB)

Part #	Application Solutions
30G0829	Lexmark PrintCryption Card
30G0830	T650, T652 Forms and Bar Code Card
30G0831	T650, T652 Card for IPDS/SCS/TNe
30G2030	T650, T652 Card for PRESCRIBE Emulation

Part #	Connectivity
1021294	USB (2 Meter) Cable
14F0000	Parallel 1284-B Interface Card
1021231	Parallel (10') Cable

14F0100	RS-232C Serial Interface Card
14F0037	MarkNet N8120 Gigabit Ethernet Print Server
14F0042	MarkNet N8130 Fiber Ethernet 100BaseFX, 10BaseFL Print Server
14F0045	MarkNet N8150 802.11b/g/n Wireless Print Server
14T0165	Lexmark M4050e 802.11g Wireless Print Server
14T0220	MarkNet N7020e Gigabit Ethernet Print Server

Part #	Extended Warranties
2350337P	T652 2-Years Total (1+1) Onsite Service Guarantee
2350338P	T652 3-Years Total (1+2) Onsite Service Guarantee
2350339P	T652 4-Years Total (1+3) Onsite Service Guarantee
2350341P	T652 1-Year Renewal Onsite Service Guarantee

Part #	User Replaceable Parts
40X4765	T65x, X654e, X656e, X658e Fuser Maintenance Kit 220-240V
40X5852	Dual Charge Roll Assembly
40X1886	Transfer Roll Assembly
40X4308	Pick Roll Assembly

Part #	Installation
2350361	T652 Installation



Lexmark T654n

Ultimate departmental workhorse offering best-in-series total cost of ownership

Print Technology

Laser, Monochrome

Print Speed (A4 mono)

Up to 53 ppm

Time to First Page (Black)

As fast as 7.5 seconds

Print Resolution, Black

1200 Image Quality, 1200 x 1200 dpi, 2400 Image

Quality, 600 x 600 dpi

Processor

600 MHz

Memory, standard

256 MB

Memory, maximum

1280 MB

Hard Disk

Option available

Expandable Memory Options

Yes

Apple Macintosh Operating Systems Supported

Mac OS X, Mac OS 9.2

Citrix MetaFrame

Microsoft Windows 2000 Server running Terminal Services with Citrix Presentation Server 3.0, 4.0, Microsoft Windows Server 2003 running Terminal Services with Citrix Presentation Server 3.0, 4.0, 4.5, Microsoft Windows Server 2003 x64 running Terminal Services with Citrix Presentation Server 4.0 x64, 4.5 x64

Linux Operating Systems Supported

Linpus Linux Desktop 9.2, 9.3, Red Hat Enterprise Linux WS 3.0, 4.0, 5.0, SUSE Linux Enterprise Server 8.0, 9.0, 10, 11, SUSE Linux Enterprise Desktop 10, openSUSE 10.2, 10.3, 11.0, 11.1, Linspire Linux 6.0, Debian GNU/Linux 4.0, Red Flag Linux Desktop 5.0, 6.0, Ubuntu 7.10, Ubuntu 8.04 LTS, SUSE Linux Enterprise Desktop 11, Debian GNU/Linux 5.0, Ubuntu 8.10, 9.04

Microsoft Windows Operating Systems Supported

2000, XP, Server 2003, XP x64, Server 2003 running Terminal Services, 2000 Server running Terminal Services, Server 2003 x64, Server 2003 x64 running Terminal Services, Vista, Vista x64, Server 2008, Server 2008 x64, Server 2008 running Terminal Services, Server 2008 x64 running Terminal Services, 7

Novell Operating Systems Supported

Open Enterprise Server for Netware with NDS, iPrint or Novell Distributed Print Services (NDPS), NetWare 5.x, 6.x with iPrint or Novell Distributed Print Services (NDPS)

UNIX Operating Systems Supported

Sun Solaris SPARC 8, 9, 10, Sun Solaris x86 10, HP-UX 11.11, 11.23, 11.31, IBM AIX 5.2, 5.3, 6.1

Other Operating Systems Supported

IBM iSeries or IBM AS/400® Systems with TCP/IP with OS/400® V3R1 or later using OS/400 Host Print Transform, Virtually any platform supporting TCP/IP

Paper Handling Standard

100-Sheet Multipurpose Feeder, 550-Sheet Input Tray,

550-Sheet Output Bin

Paper Handling Optional

1,850-Sheet High-capacity Output Stacker, 200-Sheet Universally Adjustable Tray with Drawer, 400-Sheet Universally Adjustable Tray with Drawer, 5-bin Mailbox, 550-Sheet Drawer, Envelope Feeder, 250-Sheet Drawer, Optional furniture required., 2,000-Sheet High-capacity Feeder, 550-Sheet Output Expander, StapleSmart II Finisher

Paper Input Capacity, Standard: Up to

650 pages 75 gsm bond

Paper Input Capacity, Maximum: Up to

4300 pages 75 gsm bond

Paper Output Capacity, Standard: Up to

550 pages 75 gsm bond

Paper Output Capacity, Maximum: Up to

2950 pages 75 gsm bond

Envelope Capacity

85

Finishing Option

Yes

Number of Paper Inputs, Standard

2

Number of Paper Inputs, Maximum

6

Media Types Supported

Card Stock, Dual Web Labels, Envelopes, Integrated Labels, Paper Labels, Plain Paper, Polyester Labels, Transparencies, Vinyl Labels, Refer to the Card Stock & Label Guide

Media Sizes Supported

10 Envelope, 7 3/4 Envelope, 9 Envelope, A4, A5, DL Envelope, A6 Card, Executive, Folio, JIS-B5, Legal, Letter, Statement, Universal

Standard Ports

Fast Ethernet, One Internal Card Slot, USB 2.0 Specification Hi-Speed Certified (Type B), Front USB 2.0 Specification Hi-Speed Certified port (Type A), Rear USB 2.0 Specification Hi-Speed Certified port (Type A)

Optional Network Ports

Lexmark N4050e 802.11g Wireless Print Server (Print Only), External MarkNet™ N7020e Gigabit Ethernet, Internal MarkNet™ N8120 Gigabit Ethernet, Internal MarkNet™ N8130 Fiber Fast Ethernet, Internal MarkNet™ N8150 802.11b/g/n Wireless

Network Printing Methods

LPR/LPD, Direct IP (Port 9100), Socket (Raw TCP/IP), HTTP, NDS Queue-based Printing, NDPS/NEPS (Novell Distributed Print Services, Novell Netware Enterprise Print Services), Enhanced IP (Port 9400), FTP, TFTP, IPP 1.1 (Internet Printing Protocol), ThinPrint .print integration

Network Protocol Support

TCP/IP IPv4, IPX/SPX, AppleTalk™, LexLink (DLC), TCP/IP IPv6, TCP, UDP

Network Security

SNMPv3, 802.1x Authentication: MD5, MSCHAPv2, LEAP,

PEAP, TLS, TTLS, IPsec

Printable Area

4.2 mm of the top, bottom, right and left edges (within)

Printer Languages (Standard)

PCL 5e Emulation, PCL 6 Emulation, PPDS, PostScript 3 Emulation, xHTML, PDF 1.6, Direct Image, Microsoft XPS (XML Paper Specification)

Supplies Yield

25,000*-page High Yield Print Cartridge, *Average standard page yield value declared in accordance with ISO/IEC 19752, 7,000*-page Print Cartridge, 36,000*-page Extra High Yield Print Cartridge

Cartridge(s) Shipping with Product

10,000*-page Starter Return Program Print Cartridge

Packaged Size (mm - H x W x D)

550 x 625 x 545 mm

Size (mm - H x W x D)

438 x 425 x 510 mm

Weight (kg)

23.4 kg

Noise Level, Idle

30 dBA

Print Noise Level, Operating

55 dBA

Product Guarantee

1-Year Onsite Service, Next Business Day

Product Certifications

CAN/CSA-C22.2 60950-1, CSA E60825-1, ICES-003 Class B, BSMI Class B, CNS 13438, VCCI Class B, US FDA, FCC Class B, UL 60950-1, IEC 320-1, EN/IEC 60320-1, CE Class B, CB IEC 60950-1, EN 60950-1, EN/IEC 61000-3, EN 55022 Class B, EN 55024, EN/IEC 60825-1, GS (TÜV), SEMKO, UL AR, CS, TÜV Rh, SMA C-tick mark Class B, CCC Class B, CISPR 22 Class B, EK Mark, N Mark

Maximum Monthly Duty Cycle

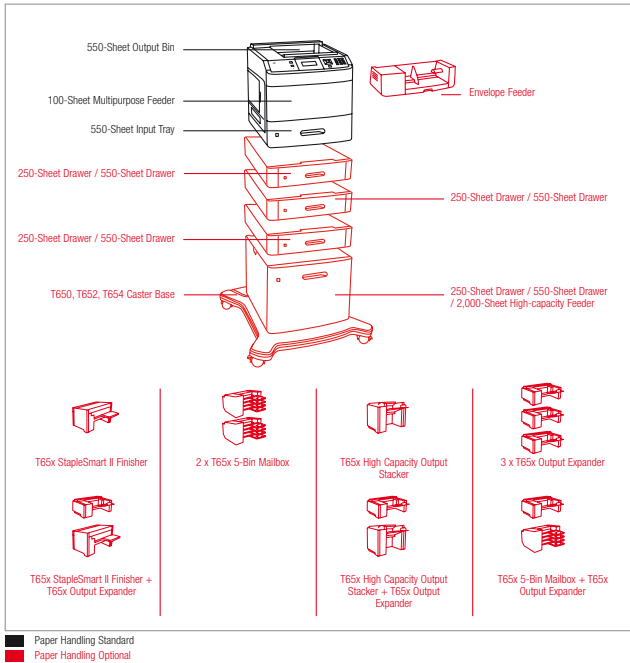
Up to 275000 pages per month

Recommended Monthly Page Volume

5000 - 35000 Pages

Specified Operating Environment

Temperature: 16 to 32°C (60 to 90°F), Humidity: 8 to 80% Relative Humidity, Altitude: 0 - 3048 Meters (10,000 Feet)



Part #	Model
30G0325	Lexmark T654n

Part #	Laser Toner/Print Cartridge
T654X11E	T654 Extra High Yield Return Programme Print Cartridge (36K)
T650H11E	T650, T652, T654 High Yield Return Programme Print Cartridge (25K)
T650A11E	T650, T652, T654 Return Programme Print Cartridge (7K)
T654X04E	T654 Extra High Yield Return Programme Print Cartridge for Label Applications (36K)
T650H04E	T650, T652, T654 High Yield Return Programme Print Cartridge for Label Applications (25K)
T654X21E	T654 Extra High Yield Print Cartridge (36K)
T650H21E	T650, T652, T654 High Yield Print Cartridge (25K)
T650A21E	T650, T652, T654 Print Cartridge (7K)
25A0013	Staple Cartridges (3 pack)

Part #	Paper & Transparencies
12A5010	Laser Printers - A4 Transparency

Part #	Paper Handling
30G0804	2000-Sheet High Capacity Feeder
30G0802	550-Sheet Drawer
30G0854	5 inch (12.7 cm) Spacer
30G0800	250-Sheet Drawer
30G0807	T65x, X658 Envelope Feeder
30G0852	T65x 5-Bin Mailbox
30G0851	T65x Output Expander
30G0853	T65x High Capacity Output Stacker
30G0850	T65x StapleSmart II Finisher
30G0860	400-Sheet Universally Adjustable Tray with Drawer
30G0890	T65x Kiosk Presenter
30G0871	200-Sheet Universally Adjustable Tray with Drawer

Part #	Furniture
16M1207	T650, T652, T654 Caster Base
3052765	Swivel Cabinet

Part #	Memory Options
1025041	256MB DDR2-DRAM
1025042	512MB DDR2-DRAM
1025043	1024MB DDR2-DRAM
14F0245	256MB Flash Card
14F0102	Hard Disk (80+GB)

Part #	Application Solutions
30G0829	Lexmark PrintEncryption Card
30G0835	T654 Card for IPDS and SCS/TNE
30G0834	T654 Forms and Bar Code Card
30G0955	T654 RFID UHF Option
30G2031	T654 Card for PRESCRIBE Emulation

Part #	Connectivity
1021294	USB (2 Meter) Cable
14F0000	Parallel 1284-B Interface Card
1021231	Parallel (10') Cable
14F0100	RS-232C Serial Interface Card
14F0037	MarkNet N8120 Gigabit Ethernet Print Server
14F0042	MarkNet N8130 Fiber Ethernet 100BaseFX, 10BaseFL Print Server
14F0045	MarkNet N8150 802.11b/g/n Wireless Print Server
14T0165	Lexmark N4050e 802.11g Wireless Print Server
14T0220	MarkNet N7020e Gigabit Ethernet Print Server

Part #	Extended Warranties
2350372P	T654 2-Years Total (1+1) Onsite Service Guarantee
2350373P	T654 3-Years Total (1+2) Onsite Service Guarantee
2350374P	T654 4-Years Total (1+3) Onsite Service Guarantee
2350376P	T654 1-Year Renewal Onsite Service Guarantee

Part #	User Replaceable Parts
40X4765	T65x, X654e, X656e, X658e Fuser Maintenance Kit 220-240V
40X5852	Dual Charge Roll Assembly
40X1886	Transfer Roll Assembly
40X4308	Pick Roll Assembly

Part #	Installation
2350396	T654 Installation



Lexmark T654dn

Ultimate departmental workhorse with integrated duplex

Print Technology

Laser, Monochrome

Print Speed (A4 mono)

Up to 53 ppm

Print Speed (A4 mono) Duplex

Up to 36 ppm

Time to First Page (Black)

As fast as 7.5 seconds

Print Resolution, Black

1200 Image Quality, 1200 x 1200 dpi, 2400 Image Quality, 600 x 600 dpi

Processor

600 Mhz

Memory, standard

256 MB

Memory, maximum

1280 MB

Hard Disk

Option available

Expandable Memory Options

Yes

Apple Macintosh Operating Systems Supported

Mac OS X, Mac OS 9.2

Citrix MetaFrame

Microsoft Windows 2000 Server running Terminal Services with Citrix Presentation Server 3.0, 4.0, Microsoft Windows Server 2003 running Terminal Services with Citrix Presentation Server 3.0, 4.0, 4.5, Microsoft Windows Server 2003 x64 running Terminal Services with Citrix Presentation Server 4.0 x64, 4.5 x64

Linux Operating Systems Supported

Linpus Linux Desktop 9.2, 9.3, Red Hat Enterprise Linux WS 3.0, 4.0, 5.0, SUSE Linux Enterprise Server 8.0, 9.0, 10, 11, SUSE Linux Enterprise Desktop 10, openSUSE 10.2, 10.3, 11.0, 11.1, Linspire Linux 6.0, Debian GNU/Linux 4.0, Red Flag Linux Desktop 5.0, 6.0, Ubuntu 7.10, Ubuntu 8.04 LTS, SUSE Linux Enterprise Desktop 11, Debian GNU/Linux 5.0, Ubuntu 8.10, 9.04

Microsoft Windows Operating Systems Supported

2000, XP, Server 2003, XP x64, Server 2003 running Terminal Services, 2000 Server running Terminal Services, Server 2003 x64, Server 2003 x64 running Terminal Services, Vista, Vista x64, Server 2008, Server 2008 x64, Server 2008 running Terminal Services, Server 2008 x64 running Terminal Services, 7

Novell Operating Systems Supported

Open Enterprise Server for Netware with NDS, iPrint or Novell Distributed Print Services (NDPS), NetWare 5.x, 6.x with iPrint or Novell Distributed Print Services (NDPS)

UNIX Operating Systems Supported

Sun Solaris SPARC 8, 9, 10, Sun Solaris x86 10, HP-UX 11.11, 11.23, 11.31, IBM AIX 5.2, 5.3, 6.1

Other Operating Systems Supported

IBM iSeries or IBM AS/400® Systems with TCP/IP with OS/400® V3R1 or later using OS/400 Host Print Transform, Virtually any platform supporting TCP/IP

Paper Handling Standard

Integrated Duplex, 100-Sheet Multipurpose Feeder, 550-Sheet Input Tray, 550-Sheet Output Bin

Paper Handling Optional

1,850-Sheet High-capacity Output Stacker, 200-Sheet Universally Adjustable Tray with Drawer, 400-Sheet Universally Adjustable Tray with Drawer, 5-bin Mailbox, 550-Sheet Drawer, Envelope Feeder, 250-Sheet Drawer, Optional furniture required, 2,000-Sheet High-capacity Feeder, 550-Sheet Output Expander, StapleSmart II Finisher

Paper Input Capacity, Standard: Up to

650 pages 75 gsm bond

Paper Input Capacity, Maximum: Up to

4300 pages 75 gsm bond

Paper Output Capacity, Standard: Up to

550 pages 75 gsm bond

Paper Output Capacity, Maximum: Up to

2950 pages 75 gsm bond

Envelope Capacity

85

Finishing Option

Yes

Number of Paper Inputs, Standard

2

Number of Paper Inputs, Maximum

6

Media Types Supported

Card Stock, Dual Web Labels, Envelopes, Integrated Labels, Paper Labels, Plain Paper, Polyester Labels, Transparencies, Vinyl Labels, Refer to the Card Stock & Label Guide

Media Sizes Supported

10 Envelope, 7 3/4 Envelope, 9 Envelope, A4, A5, DL Envelope, A6 Card, Executive, Folio, JIS-B5, Legal, Letter, Statement, Universal

Standard Ports

Fast Ethernet, One Internal Card Slot, USB 2.0 Specification Hi-Speed Certified (Type B), Front USB 2.0 Specification Hi-Speed Certified port (Type A), Rear USB 2.0 Specification Hi-Speed Certified port (Type A)

Optional Network Ports

Lexmark M4050e 802.11g Wireless Print Server (Print Only), External MarkNet™ N7020e Gigabit Ethernet, Internal MarkNet™ N8120 Gigabit Ethernet, Internal MarkNet™ N8130 Fiber Fast Ethernet, Internal MarkNet™ N8150 802.11b/g/n Wireless

Network Printing Methods

LPR/LPD, Direct IP (Port 9100), Socket (Raw TCP/IP), HTTP, NDS Queue-based Printing, NDPS/NEPS (Novell Distributed Print Services, Novell Netware Enterprise Print Services), Enhanced IP (Port 9400), FTP, TFTP, IPP 1.1 (Internet Printing Protocol), ThinPrint .print integration

Network Protocol Support

TCP/IP IPv4, IPX/SPX, AppleTalk™, LexLink (DLC), TCP/IP IPv6, TCP, UDP

Network Security

SNMPv3, 802.1x Authentication: MD5, MSCHAPv2, LEAP, PEAP, TLS, TTLS, IPSec

Printable Area

4.2 mm of the top, bottom, right and left edges (within)

Printer Languages (Standard)

PCL 5e Emulation, PCL 6 Emulation, PPDS, PostScript 3 Emulation, xHTML, PDF 1.6, Direct Image, Microsoft XPS (XML Paper Specification)

Supplies Yield

25,000*-page High Yield Print Cartridge, *Average standard page yield value declared in accordance with ISO/IEC 19752, 7,000*-page Print Cartridge, 36,000*-page Extra High Yield Print Cartridge

Cartridge(s) Shipping with Product

10,000*-page Starter Return Program Print Cartridge

Packaged Size (mm - H x W x D)

550 x 625 x 545 mm

Size (mm - H x W x D)

438 x 425 x 510 mm

Weight (kg)

23.4 kg

Noise Level, Idle

30 dBA

Print Noise Level, Operating

55 dBA

Product Guarantee

1-Year Onsite Service, Next Business Day

Product Certifications

Energy Star, CAN/CSA-C22.2 60950-1, CSA E60825-1, ICES-003 Class B, BSMI Class B, CNS 13438, VCCI Class B, US FDA, FCC Class B, UL 60950-1, IEC 320-1, EN/IEC 60320-1, CE Class B, GB IEC 60950-1, EN 60950-1, EN/IEC 61000-3, EN 55022 Class B, EN 55024, EN/IEC 60825-1, GS (TÜV), SEMKO, UL AR, CS, TÜV Rh, SMA C-tick mark Class B, CCC Class B, CISPIR 22 Class B, EK Mark, N Mark

Maximum Monthly Duty Cycle

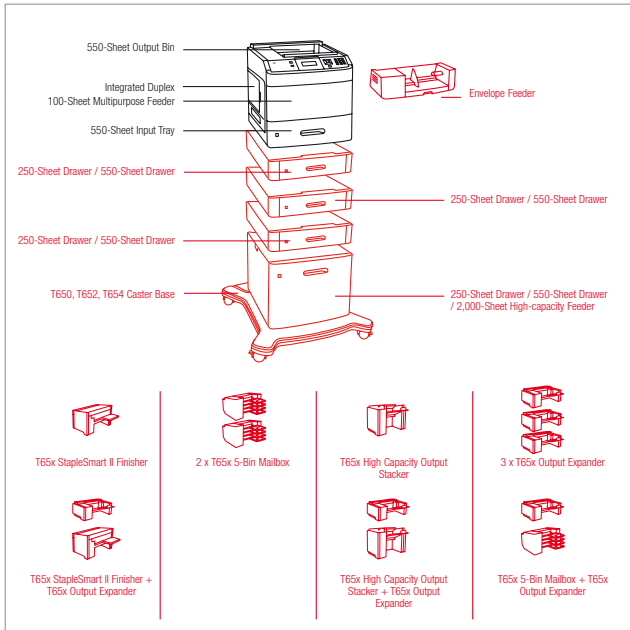
Up to 275000 pages per month

Recommended Monthly Page Volume

5000 - 35000 Pages

Specified Operating Environment

Temperature: 16 to 32°C (60 to 90°F), Humidity: 8 to 80% Relative Humidity, Altitude: 0 - 3048 Meters (10,000 Feet)



Paper Handling Standard
 Paper Handling Optional

Part #	Model
30G0335	Lexmark T654dn

Part #	Laser Toner/Print Cartridge
T654X11E	T654 Extra High Yield Return Programme Print Cartridge (36K)
T650H11E	T650, T652, T654 High Yield Return Programme Print Cartridge (25K)
T650A11E	T650, T652, T654 Return Programme Print Cartridge (7K)
T654X04E	T654 Extra High Yield Return Programme Print Cartridge for Label Applications (36K)
T650H04E	T650, T652, T654 High Yield Return Programme Print Cartridge for Label Applications (25K)
T654X21E	T654 Extra High Yield Print Cartridge (36K)
T650H21E	T650, T652, T654 High Yield Print Cartridge (25K)
T650A21E	T650, T652, T654 Print Cartridge (7K)
25A0013	Staple Cartridges (3 pack)

Part #	Paper & Transparencies
12A5010	Laser Printers - A4 Transparency

Part #	Paper Handling
30G0852	T65x 5-Bin Mailbox
30G0804	2000-Sheet High Capacity Feeder
30G0854	5 inch (12.7 cm) Spacer
30G0802	550-Sheet Drawer
30G0800	250-Sheet Drawer
30G0807	T65x, X658 Envelope Feeder
30G0851	T65x Output Expander
30G0853	T65x High Capacity Output Stacker
30G0860	400-Sheet Universally Adjustable Tray with Drawer
30G0880	T65x Kiosk Presenter
30G0850	T65x StapleSmart II Finisher
30G0871	200-Sheet Universally Adjustable Tray with Drawer

Part #	Furniture
16M1207	T650, T652, T654 Caster Base
3052765	Swivel Cabinet

Part #	Memory Options
1025041	256MB DDR2-DRAM
1025042	512MB DDR2-DRAM
1025043	1024MB DDR2-DRAM
14F0245	256MB Flash Card
14F0102	Hard Disk (80+GB)

Part #	Application Solutions
30G0829	Lexmark PrintCryption Card
30G0835	T654 Card for IPDS and SCS/TNE
30G0834	T654 Forms and Bar Code Card
30G0955	T654 RFID UHF Option
30G2031	T654 Card for PRESCRIBE Emulation

Part #	Connectivity
1021294	USB (2 Meter) Cable
14F0000	Parallel 1284-B Interface Card
1021231	Parallel (10') Cable
14F0100	RS-232C Serial Interface Card
14F0037	MarkNet N8120 Gigabit Ethernet Print Server
14F0042	MarkNet N8130 Fiber Ethernet 100BaseFX, 10BaseFL Print Server
14F0045	MarkNet N8150 802.11b/g/n Wireless Print Server
14T0165	Lexmark N4050e 802.11g Wireless Print Server
14T0220	MarkNet N7020e Gigabit Ethernet Print Server

Part #	Extended Warranties
2350372P	T654 2-Years Total (1+1) Onsite Service Guarantee
2350373P	T654 3-Years Total (1+2) Onsite Service Guarantee
2350374P	T654 4-Years Total (1+3) Onsite Service Guarantee
2350376P	T654 1-Year Renewal Onsite Service Guarantee

Part #	User Replaceable Parts
40X4765	T65x, X654e, X656e, X658e Fuser Maintenance Kit 220-240V
40X5852	Dual Charge Roll Assembly
40X1886	Transfer Roll Assembly
40X4308	Pick Roll Assembly

Part #	Installation
2350396	T654 Installation



Lexmark T654dtn

Ultimate departmental workhorse with integrated duplex and extra input drawer

Print Technology

Laser, Monochrome

Print Speed (A4 mono)

Up to 53 ppm

Print Speed (A4 mono) Duplex

Up to 36 ppm

Time to First Page (Black)

As fast as 7.5 seconds

Print Resolution, Black

1200 Image Quality, 1200 x 1200 dpi, 2400 Image Quality, 600 x 600 dpi

Processor

600 MHz

Memory, standard

256 MB

Memory, maximum

1280 MB

Hard Disk

Option available

Expandable Memory Options

Yes

Apple Macintosh Operating Systems Supported

Mac OS X, Mac OS 9.2

Citrix MetaFrame

Microsoft Windows 2000 Server running Terminal Services with Citrix Presentation Server 3.0, 4.0, Microsoft Windows Server 2003 running Terminal Services with Citrix Presentation Server 3.0, 4.0, 4.5, Microsoft Windows Server 2003 x64 running Terminal Services with Citrix Presentation Server 4.0 x64, 4.5 x64

Linux Operating Systems Supported

Linpus Linux Desktop 9.2, 9.3, Red Hat Enterprise Linux WS 3.0, 4.0, 5.0, SUSE Linux Enterprise Server 8.0, 9.0, 10, 11, SUSE Linux Enterprise Desktop 10, openSUSE 10.2, 10.3, 11.0, 11.1, Linspire Linux 6.0, Debian GNU/Linux 4.0, Red Flag Linux Desktop 5.0, 6.0, Ubuntu 7.10, Ubuntu 8.04 LTS, SUSE Linux Enterprise Desktop 11, Debian GNU/Linux 5.0, Ubuntu 8.10, 9.04

Microsoft Windows Operating Systems Supported

2000, XP, Server 2003, XP x64, Server 2003 running Terminal Services, 2000 Server running Terminal Services, Server 2003 x64, Server 2003 x64 running Terminal Services, Vista, Vista x64, Server 2008, Server 2008 x64, Server 2008 running Terminal Services, Server 2008 x64 running Terminal Services, 7

Novell Operating Systems Supported

Open Enterprise Server for Netware with NDS, iPrint or Novell Distributed Print Services (NDPS), NetWare 5.x, 6.x with iPrint or Novell Distributed Print Services (NDPS)

UNIX Operating Systems Supported

Sun Solaris SPARC 8, 9, 10, Sun Solaris x86 10, HP-UX 11.11, 11.23, 11.31, IBM AIX 5.2, 5.3, 6.1

Other Operating Systems Supported

IBM iSeries or IBM AS/400® Systems with TCP/IP with OS/400® V3R1 or later using OS/400 Host Print Transform, Virtually any platform supporting TCP/IP

Paper Handling Standard

Integrated Duplex, 100-Sheet Multipurpose Feeder, 550-Sheet Drawer, 550-Sheet Input Tray, 550-Sheet Output Bin

Paper Handling Optional

1,850-Sheet High-capacity Output Stacker, 200-Sheet Universally Adjustable Tray with Drawer, 400-Sheet Universally Adjustable Tray with Drawer, 5-bin Mailbox, 550-Sheet Drawer, Envelope Feeder, 250-Sheet Drawer, Optional furniture required, 2,000-Sheet High-capacity Feeder, 550-Sheet Output Expander, StapleSmart II Finisher

Paper Input Capacity, Standard: Up to

1200 pages 75 gsm bond

Paper Input Capacity, Maximum: Up to

4300 pages 75 gsm bond

Paper Output Capacity, Standard: Up to

550 pages 75 gsm bond

Paper Output Capacity, Maximum: Up to

2950 pages 75 gsm bond

Envelope Capacity

85

Finishing Option

Yes

Number of Paper Inputs, Standard

3

Number of Paper Inputs, Maximum

6

Media Types Supported

Card Stock, Dual Web Labels, Envelopes, Integrated Labels, Paper Labels, Plain Paper, Polyester Labels, Transparencies, Vinyl Labels, Refer to the Card Stock & Label Guide

Media Sizes Supported

10 Envelope, 7 3/4 Envelope, 9 Envelope, A4, A5, D5 Envelope, A6 Card, Executive, Folio, JIS-B5, Legal, Letter, Statement, Universal

Standard Ports

Fast Ethernet, One Internal Card Slot, USB 2.0 Specification Hi-Speed Certified (Type B), Front USB 2.0 Specification Hi-Speed Certified port (Type A), Rear USB 2.0 Specification Hi-Speed Certified port (Type A)

Optional Network Ports

Lexmark N4050e 802.11g Wireless Print Server (Print Only), External MarkNet™ N7020e Gigabit Ethernet, Internal MarkNet™ N8120 Gigabit Ethernet, Internal MarkNet™ N8130 Fiber Fast Ethernet, Internal MarkNet™ N8150 802.11b/g/n Wireless

Network Printing Methods

LPR/LPD, Direct IP (Port 9100), Socket (Raw TCP/IP), HTTP, NDS Queue-based Printing, NDPS/NEPS (Novell Distributed Print Services), Novell Network Enterprise Print Services, Enhanced IP (Port 9400), FTP, FTTP, IPP 1.1 (Internet Printing Protocol), ThinPrint .print integration

Network Protocol Support

TCP/IP IPv4, IPX/SPX, AppleTalk™, LexLink (DLC), TCP/IP

IPv6, TCP, UDP

Network Security

SNMPv3, 802.1x Authentication: MD5, MSCHAPv2, LEAP, PEAP, TLS, TTLS, IPsec

Printable Area

4.2 mm of the top, bottom, right and left edges (within)

Printer Languages (Standard)

PCL 5e Emulation, PCL 6 Emulation, PPDS, PostScript 3 Emulation, xHTML, PDF 1.6, Direct Image, Microsoft XPS (XML Paper Specification)

Supplies Yield

25,000*-page High Yield Print Cartridge, *Average standard page yield value declared in accordance with ISO/IEC 19752, 7,000*-page Print Cartridge, 36,000*-page Extra High Yield Print Cartridge

Cartridge(s) Shipping with Product

10,000*-page Starter Return Program Print Cartridge

Packaged Size (mm - H x W x D)

690 x 625 x 545 mm

Size (mm - H x W x D)

568 x 425 x 510 mm

Weight (kg)

27.4 kg

Noise Level, Idle

30 dBA

Print Noise Level, Operating

55 dBA

Product Guarantee

1-Year Onsite Service, Next Business Day

Product Certifications

Energy Star, CAN/CSA-C22.2 60950-1, CSA E60825-1, ICES-003 Class B, BSMI Class B, CNS 13438, VCCI Class B, US FDA, FCC Class B, UL 60950-1, IEC 320-1, EN/IEC 60320-1, CE Class B, CB IEC 60950-1, EN 60950-1, EN/IEC 61000-3, EN 55022 Class B, EN 55024, EN/IEC 60825-1, GS (TÜV), SEMKO, UL AR, CS, TÜV Rh, SMA C-tick mark Class B, CCC Class B, CISPR 22 Class B, EK Mark, N Mark

Maximum Monthly Duty Cycle

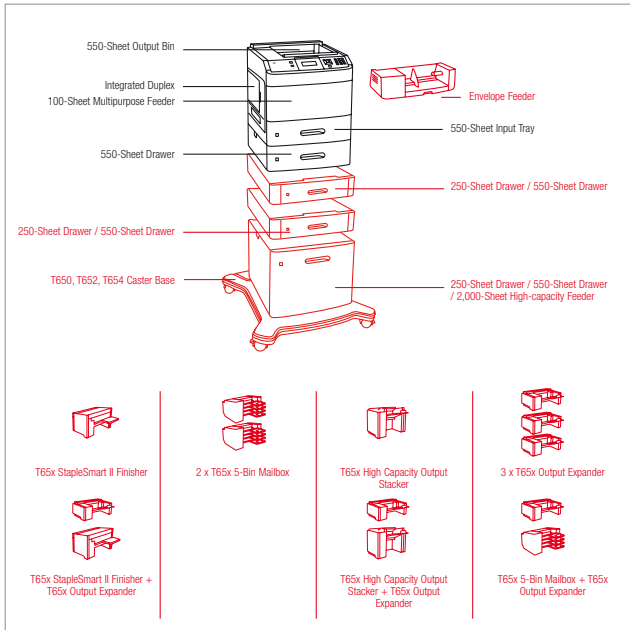
Up to 275000 pages per month

Recommended Monthly Page Volume

5000 - 35000 Pages

Specified Operating Environment

Temperature: 16 to 32°C (60 to 90°F), Humidity: 8 to 80% Relative Humidity, Altitude: 0 - 3048 Meters (10,000 Feet)



Paper Handling Standard
 Paper Handling Optional

Part #	Model
30G0345	Lexmark T654dtn

Part #	Laser Toner/Print Cartridge
T654X11E	T654 Extra High Yield Return Programme Print Cartridge (36K)
T650H11E	T650, T652, T654 High Yield Return Programme Print Cartridge (25K)
T650A11E	T650, T652, T654 Return Programme Print Cartridge (7K)
T654X04E	T654 Extra High Yield Return Programme Print Cartridge for Label Applications (36K)
T650H04E	T650, T652, T654 High Yield Return Programme Print Cartridge for Label Applications (25K)
T654X21E	T654 Extra High Yield Print Cartridge (36K)
T650H21E	T650, T652, T654 High Yield Print Cartridge (25K)
T650A21E	T650, T652, T654 Print Cartridge (7K)
25A0013	Staple Cartridges (3 pack)

Part #	Paper & Transparencies
12A5010	Laser Printers - A4 Transparency

Part #	Paper Handling
30G0804	2000-Sheet High Capacity Feeder
30G0802	550-Sheet Drawer
30G0854	5 inch (12.7 cm) Spacer
30G0800	250-Sheet Drawer
30G0807	T65x, X658 Envelope Feeder
30G0852	T65x 5-Bin Mailbox
30G0851	T65x Output Expander
30G0853	T65x High Capacity Output Stacker
30G0860	400-Sheet Universally Adjustable Tray with Drawer
30G0880	T65x Kiosk Presenter
30G0850	T65x StapleSmart II Finisher
30G0871	200-Sheet Universally Adjustable Tray with Drawer

Part #	Furniture
16M1207	T650, T652, T654 Caster Base
3052765	Swivel Cabinet

Part #	Memory Options
1025041	256MB DDR2-DRAM
1025042	512MB DDR2-DRAM
1025043	1024MB DDR2-DRAM
14F0245	256MB Flash Card
14F0102	Hard Disk (80+GB)

Part #	Application Solutions
30G0829	Lexmark PrintCryption Card
30G0835	T654 Card for IPDS and SCS/TNE
30G0834	T654 Forms and Bar Code Card
30G0955	T654 RFID UHF Option
30G2031	T654 Card for PRESCRIBE Emulation

Part #	Connectivity
1021294	USB (2 Meter) Cable
14F0000	Parallel 1284-B Interface Card
1021231	Parallel (10") Cable
14F0100	RS-232C Serial Interface Card
14F0037	MarkNet N8120 Gigabit Ethernet Print Server
14F0042	MarkNet N8130 Fiber Ethernet 100BaseFX, 10BaseFL Print Server
14F0045	MarkNet N8150 802.11b/g/n Wireless Print Server
14T0165	Lexmark N4050e 802.11g Wireless Print Server
14T0220	MarkNet N7020e Gigabit Ethernet Print Server

Part #	Extended Warranties
2350372P	T654 2-Years Total (1+1) Onsite Service Guarantee
2350373P	T654 3-Years Total (1+2) Onsite Service Guarantee
2350374P	T654 4-Years Total (1+3) Onsite Service Guarantee
2350376P	T654 1-Year Renewal Onsite Service Guarantee

Part #	User Replaceable Parts
40X4765	T65x, X654e, X656e, X658e Fuser Maintenance Kit 220-240V
40X5852	Dual Charge Roll Assembly
40X1886	Transfer Roll Assembly
40X4308	Pick Roll Assembly

Part #	Installation
2350396	T654 Installation



Lexmark T656dne

A serious performer for high-volume duplex printing with an innovative twist -- a large touch screen that lets you launch amazing Lexmark solution applications.

Print Technology

Laser, Monochrome

Print Speed (A4 mono)

Up to 53 ppm

Print Speed (A4 mono) Duplex

Up to 36 ppm

Time to First Page (Black)

As fast as 7.5 seconds

Print Resolution, Black

1200 Image Quality, 1200 x 1200 dpi, 2400 Image Quality, 600 x 600 dpi

Processor

600 Mhz

Memory, standard

256 MB

Memory, maximum

1280 MB

Hard Disk

as standard

Expandable Memory Options

Yes

Apple Macintosh Operating Systems Supported

Mac OS X, Mac OS 9.2

Citrix MetaFrame

Microsoft Windows 2000 Server running Terminal Services with Citrix Presentation Server 3.0, 4.0, Microsoft Windows Server 2003 running Terminal Services with Citrix Presentation Server 3.0, 4.0, 4.5, Microsoft Windows Server 2003 x64 running Terminal Services with Citrix Presentation Server 4.0 x64, 4.5 x64

Linux Operating Systems Supported

Linpus Linux Desktop 9.2, 9.3, Red Hat Enterprise Linux WS 3.0, 4.0, 5.0, SUSE Linux Enterprise Server 8.0, 9.0, 10, 11, SUSE Linux Enterprise Desktop 10, openSUSE 10.2, 10.3, 11.0, 11.1, Linspire Linux 5.0, Debian GNU/Linux 4.0, Red Flag Linux Desktop 5.0, 6.0, Ubuntu 7.10, Ubuntu 8.04 LTS, SUSE Linux Enterprise Desktop 11, Debian GNU/Linux 5.0, Ubuntu 8.10, 9.04

Microsoft Windows Operating Systems Supported

2000, XP, Server 2003, XP x64, Server 2003 running Terminal Services, 2000 Server running Terminal Services, Server 2003 x64, Server 2003 x64 running Terminal Services, Vista, Vista x64, Server 2008, Server 2008 x64, Server 2008 running Terminal Services, Server 2008 x64 running Terminal Services, 7

Novell Operating Systems Supported

Open Enterprise Server for Netware with NDS, iPrint or Novell Distributed Print Services (NDPS), NetWare 5.x, 6.x with iPrint or Novell Distributed Print Services (NDPS)

UNIX Operating Systems Supported

Sun Solaris SPARC 8, 9, 10, Sun Solaris x86 10, HP-UX 11.11, 11.23, 11.31, IBM AIX 5.2, 5.3, 6.1

Other Operating Systems Supported

IBM iSeries or IBM AS/400® Systems with TCP/IP with OS/400® V3R1 or later using OS/400 Host Print Transform, Virtually any platform supporting TCP/IP

Paper Handling Standard

Integrated Duplex, 100-Sheet Multipurpose Feeder, 550-Sheet Input Tray, 550-Sheet Output Bin

Paper Handling Optional

1,850-Sheet High-capacity Output Stacker, 200-Sheet Universally Adjustable Tray with Drawer, 400-Sheet Universally Adjustable Tray with Drawer, 5-bin Mailbox, 550-Sheet Drawer, 250-Sheet Drawer, Optional furniture required., 550-Sheet Output Expander, StapleSmart II Finisher, 2,000-Sheet High-capacity Feeder (Caster Base required)

Paper Input Capacity, Standard: Up to

650 pages 75 gsm bond

Paper Input Capacity, Maximum: Up to

4300 pages 75 gsm bond

Paper Output Capacity, Standard: Up to

550 pages 75 gsm bond

Paper Output Capacity, Maximum: Up to

2950 pages 75 gsm bond

Envelope Capacity

10

Finishing Option

Yes

Number of Paper Inputs, Standard

2

Number of Paper Inputs, Maximum

6

Media Types Supported

Card Stock, Dual Web Labels, Envelopes, Integrated Labels, Paper Labels, Plain Paper, Polyester Labels, Transparencies, Vinyl Labels, Refer to the Card Stock & Label Guide

Media Sizes Supported

10 Envelope, 7 3/4 Envelope, 9 Envelope, A4, A5, DL Envelope, A6 Card, Executive, Folio, JIS-B5, Legal, Letter, Statement, Universal

Standard Ports

One Internal Card Slot, USB 2.0 Specification Hi-Speed Certified (Type B), Gigabit Ethernet (10/100/1000), Front USB 2.0 Specification Hi-Speed Certified port (Type A), Rear USB 2.0 Specification Hi-Speed Certified port (Type A)

Optional Network Ports

Lexmark N4050e 802.11g Wireless Print Server (Print Only), Internal MarkNet™ N8130 Fiber Fast Ethernet, Internal MarkNet™ N8150 802.11b/g/n Wireless

Network Printing Methods

LPR/LPD, Direct IP (Port 9100), Socket (Raw TCP/IP), HTTP, NDS Queue-based Printing, NDPS/NEPS (Novell Distributed Print Services, Novell Network Enterprise Print Services), Enhanced IP (Port 9400), FTP, TFTP, IPP 1.1 (Internet Printing Protocol), ThinPrint .print integration

Network Protocol Support

TCP/IP IPv4, IPX/SPX, AppleTalk™, LexLink (DLC), TCP/IP IPv6, TCP, UDP

Network Security

SNMPv3, 802.1x Authentication: MD5, MSCHAPv2, LEAP, PEAP, TLS, TTLS, IPSec

Printable Area

4.2 mm of the top, bottom, right and left edges (within)

Printer Languages (Standard)

PCL 5e Emulation, PCL 6 Emulation, PPDS, PostScript 3 Emulation, xHTML, PDF 1.6, Direct Image, Microsoft XPS (XML Paper Specification)

Supplies Yield

25,000*-page High Yield Print Cartridge, *Average standard page yield value declared in accordance with ISO/IEC 19752, 7,000*-page Print Cartridge, 36,000*-page Extra High Yield Print Cartridge

Cartridge(s) Shipping with Product

10,000*-page Starter Return Program Print Cartridge

Packaged Size (mm - H x W x D)

550 x 625 x 545 mm

Size (mm - H x W x D)

438 x 425 x 526 mm

Weight (kg)

24 kg

Noise Level, Idle

27 dBA

Print Noise Level, Operating

56 dBA

Product Guarantee

1-Year Onsite Service, Next Business Day

Product Certifications

Energy Star, CAN/CSA-C22.2 60950-1, CSA E60825-1, ICES-003 Class B, BSMI Class B, CNS 13438, VCCI Class B, US FDA, FCC Class B, UL IEC 60950-1, IEC 320-1, EN/IEC 60320-1, CE Class B, GB IEC 60950-1, EN 60950-1, EN/IEC 61000-3, EN 55022 Class B, EN 55024, EN/IEC 60825-1, GS (TÜV), SEMKO, UL AR, CS, TÜV Rh, SMA C-tick mark Class B, CCC Class B, CISPIR 22 Class B, EK Mark, N Mark

Maximum Monthly Duty Cycle

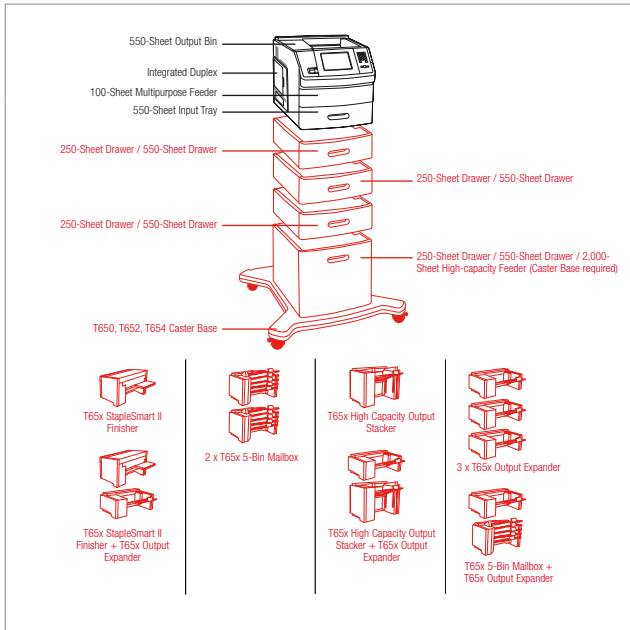
Up to 275,000 pages per month

Recommended Monthly Page Volume

5000 - 35,000 Pages

Specified Operating Environment

Temperature: 16 to 32°C (60 to 90°F), Humidity: 8 to 80% Relative Humidity, Altitude: 0 - 3048 Meters (10,000 Feet)



Paper Handling Standard
 Paper Handling Optional

Part #	Model
30G0435	Lexmark T656dne

Part #	Laser Toner/Print Cartridge
T654X11E	T654 Extra High Yield Return Programme Print Cartridge (36K)
T650H11E	T650, T652, T654 High Yield Return Programme Print Cartridge (25K)
T650A11E	T650, T652, T654 Return Programme Print Cartridge (7K)
T654X04E	T654 Extra High Yield Return Programme Print Cartridge for Label Applications (36K)
T650H04E	T650, T652, T654 High Yield Return Programme Print Cartridge for Label Applications (25K)

T654X21E	T654 Extra High Yield Print Cartridge (36K)
T650H21E	T650, T652, T654 High Yield Print Cartridge (25K)
T650A21E	T650, T652, T654 Print Cartridge (7K)
25A0013	Staple Cartridges (3 pack)

Part #	Paper & Transparencies
12A5010	Laser Printers - A4 Transparency

Part #	Paper Handling
30G0852	T65x 5-Bin Mailbox
30G0804	2000-Sheet High Capacity Feeder
30G0854	5 inch (12.7 cm) Spacer
30G0802	550-Sheet Drawer
30G0800	250-Sheet Drawer
30G0851	T65x Output Expander
30G0853	T65x High Capacity Output Stacker
30G0860	400-Sheet Universally Adjustable Tray with Drawer
30G0880	T65x Kiosk Presenter
30G0850	T65x StapleSmart II Finisher
30G0871	200-Sheet Universally Adjustable Tray with Drawer

Part #	Furniture
16M1207	T650, T652, T654 Caster Base
3052765	Swivel Cabinet

Part #	Memory Options
1025041	256MB DDR2-DRAM
1025042	512MB DDR2-DRAM
1025043	1024MB DDR2-DRAM
14F0245	256MB Flash Card

Part #	Application Solutions
30G0829	Lexmark PrintCrypton Card
30G0232	T656 Card for IPDS and SCS/TNE
30G0238	T656 Forms and Bar Code Card
30G0228	T656 Card for PRESCRIBE Emulation

Part #	Connectivity
1021294	USB (2 Meter) Cable

14F0000	Parallel 1284-B Interface Card
1021231	Parallel (10') Cable
14F0100	RS-232C Serial Interface Card
14F0042	MarkNet N8130 Fiber Ethernet 100BaseFX, 10BaseFL Print Server
14F0045	MarkNet N8150 802.11b/g/n Wireless Print Server
14T0165	Lexmark N4050e 802.11g Wireless Print Server

Part #	Extended Warranties
2352727P	T656 2-Years Total (1+1) Onsite Service Guarantee
2352728P	T656 3-Years Total (1+2) Onsite Service Guarantee
2352729P	T656 4-Years Total (1+3) Onsite Service Guarantee
2352731P	T656 1-Year Renewal Onsite Service Guarantee

Part #	User Replaceable Parts
40X4765	T65x, X654e, X656e, X658e Fuser Maintenance Kit 220-240V
40X5852	Dual Charge Roll Assembly
40X1886	Transfer Roll Assembly
40X4308	Pick Roll Assembly

Part #	Installation
2352752	T656 Install, De-Install Service



Lexmark W850n

High-speed monochrome laser printer for high-volume printing, including media sizes up to A3 and optional finishing

Print Technology

Laser, Monochrome

Print Speed (A4 mono)

Up to 50 ppm

Print Speed (A4 mono) Duplex

Up to 50 ppm

Time to First Page (Black)

As fast as 6 seconds

Print Resolution, Black

1200 x 1200 dpi, 2400 Image Quality, 600 x 600 dpi

Processor

800 MHz

Memory, standard

256 MB

Memory, maximum

1280 MB

Hard Disk

Option available

Expandable Memory Options

Yes

Apple Macintosh Operating Systems Supported

Mac OS X, Mac OS 9.2

Citrix MetaFrame

Microsoft Windows 2000 Server running Terminal Services with Citrix Presentation Server 3.0, 4.0, Microsoft Windows Server 2003 running Terminal Services with Citrix Presentation Server 3.0, 4.0, 4.5, Microsoft Windows Server 2003 x64 running Terminal Services with Citrix Presentation Server 4.0 x64, 4.5 x64

Linux Operating Systems Supported

Linux Linux Desktop 9.2, 9.3, Red Hat Enterprise Linux WS 3.0, 4.0, 5.0, SUSE Linux Enterprise Server 8.0, 9.0, 10, 11, SUSE Linux Enterprise Desktop 10, openSUSE 10.2, 10.3, 11.0, 11.1, Linspire Linux 6.0, Debian GNU/Linux 4.0, Red Flag Linux Desktop 5.0, 6.0, Ubuntu 7, 10, Ubuntu 8.04 LTS, SUSE Linux Enterprise Desktop 11, Debian GNU/Linux 5.0, Ubuntu 8.10, 9.04

Microsoft Windows Operating Systems Supported

2000, XP, Server 2003, XP x64, Server 2003 running Terminal Services, 2000 Server running Terminal Services, Server 2003 x64, Server 2003 x64 running Terminal Services, Vista, Vista x64, Server 2008, Server 2008 x64, Server 2008 running Terminal Services, Server 2008 x64 running Terminal Services, 7

Novell Operating Systems Supported

Open Enterprise Server for Netware with NDS, iPrint or Novell Distributed Print Services (NDPS), NetWare 5.x, 6.x with iPrint or Novell Distributed Print Services (NDPS)

UNIX Operating Systems Supported

Sun Solaris SPARC 8, 9, 10, Sun Solaris x86 10, HP-UX 11.11, 11.23, 11.31, IBM AIX 5.2, 5.3, 6.1

Other Operating Systems Supported

IBM iSeries or IBM AS/400® Systems with TCP/IP with OS/400® V3R1 or later using OS/400 Host Print Transform, Virtually any platform supporting TCP/IP

Paper Handling Standard

500-Sheet Output Bin, Two 500-Sheet Trays, 100-Sheet Multipurpose Feeder

Paper Handling Optional

Duplex Unit, 2,000-Sheet High-capacity Feeder, 2,000-Sheet Dual Input, 2x 500 Sheet Drawers, 3,500-Sheet Finisher

Paper Input Capacity, Standard: Up to

1100 pages 75 gsm bond

Paper Input Capacity, Maximum: Up to

5100 pages 75 gsm bond

Paper Output Capacity, Standard: Up to

500 pages 75 gsm bond

Paper Output Capacity, Maximum: Up to

3800 pages 75 gsm bond

Envelope Capacity

10

Finishing Option

Yes

Number of Paper Inputs, Standard

3

Number of Paper Inputs, Maximum

6

Media Types Supported

Card Stock, Envelopes, Paper Labels, Plain Paper, Transparencies, Refer to the Card Stock & Label Guide

Media Sizes Supported

10 Envelope, 7 3/4 Envelope, A3, A4, A5, C5 Envelope, DL Envelope, Executive, Folio, JIS-B4, JIS-B5, Ledger, Legal, Letter, Statement, Universal

Standard Ports

One Internal Card Slot, Gigabit Ethernet (10/100/1000), Hi-Speed USB port Compatible with USB 2.0 Specification (Type B), Front Hi-Speed USB port Compatible with USB 2.0 Specification (Type A), Rear Hi-Speed USB port Compatible with USB 2.0 Specification (Type A)

Optional Network Ports

Lexmark N4050e 802.11g Wireless Print Server (Print Only), Internal MarkNet™ N8130 Fiber Fast Ethernet, Internal MarkNet™ N8150 802.11b/g/n Wireless

Network Printing Methods

LPR/LPD, Direct IP (Port 9100), Socket (Raw TCP/IP), HTTP, NDS Queue-based Printing, NDPS/NEPS (Novell Distributed Print Services, Novell Network Enterprise Print Services), Enhanced IP (Port 9400), FTP, TFTP, IPP 1.1 (Internet Printing Protocol), ThinPrint .print integration

Network Protocol Support

TCP/IP v4, IPX/SPX, AppleTalk™, LexLink (DLC), TCP/IP IPv6, TCP, UDP

Network Security

SNMPv3, 802.1x Authentication: MD5, MSCHAPv2, LEAP, PEAP, TLS, IPsec

Printable Area

4 mm of the top, bottom, right and left edges (within)

Printer Languages (Standard)

PCL 5e Emulation, PCL 6 Emulation, PPDS, PostScript 3

Emulation, xHTML, PDF 1.6, Direct Image, Microsoft XPS (XML Paper Specification)

Supplies Yield

Average standard page yield value declared in accordance with ISO/IEC 19752, 60,000 page Photoconductor Unit, 35,000*-page High Yield Toner Cartridge

Cartridge(s) Shipping with Product

35,000*-page High Yield Toner Cartridge

Packaged Size (mm - H x W x D)

620 x 800 x 770 mm

Size (mm - H x W x D)

508 x 641 x 520 mm

Size, Trays Extended (mm - H x W x D)

508 x 971 x 520 mm

Weight (Kg)

45.6 kg

Noise Level, Idle

22 dBA

Print Noise Level, Operating

55 dBA

Product Guarantee

1-Year Onsite Service, Next Business Day

Product Certifications

CSA, ICES Class A, BSMI Class A, VCCI Class A, FCC Class A, UL 60950 3rd Edition, IEC 320-1, CE Class A, CB IEC 60950, IEC 60825-1, GS (TÜV), SEMKO, UL AR, CS, TÜV Rh, N Mark, C-tick Class ACCC Class A

Maximum Monthly Duty Cycle

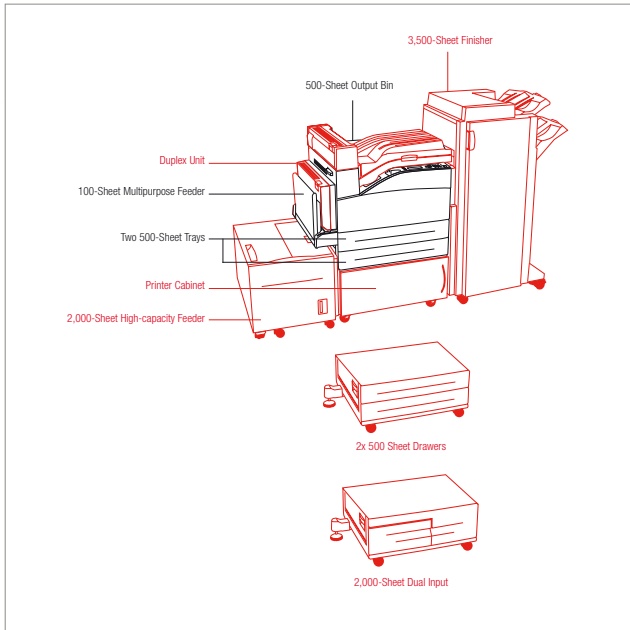
Up to 300000 pages per month

Recommended Monthly Page Volume

15000 - 59000 Pages

Specified Operating Environment

Temperature: 16 to 32°C (60 to 90°F), Humidity: 8 to 80% Relative Humidity, Altitude: 0 - 3048 Meters (10,000 Feet)



Paper Handling Standard
 Paper Handling Optional

Part #	Model
1920320	Lexmark W850n

Part #	Laser Toner/Print Cartridge
W850H21G	W850 High Yield Toner Cartridge
W850H22G	W850 Photoconductor Kit
25A0013	Staple Cartridges (3 pack)

Part #	Paper & Transparencies
12A5010	Laser Printers - A4 Transparency

Part #	Paper Handling
25A0015	Duplex Unit
15R0120	2000-Sheet Dual Input
15R0146	2 x 500-Sheet Drawer
15R0145	X85xe, W840 High Capacity Feeder
15R0144	X85xe, W840 Finisher (2 / 3-Hole)
15R0143	X85xe W840 Finisher (2 / 4-Hole)

Part #	Furniture
15R0140	Printer Cabinet

Part #	Memory Options
1025041	256MB DDR2-DRAM
1025042	512MB DDR2-DRAM
1025043	1024MB DDR2-DRAM
14F0245	256MB Flash Card
14F0102	Hard Disk (80+GB)

Part #	Application Solutions
30G0829	Lexmark PrintCrypton Card
1920033	W850 Card for IPDS/SCS/TNe
1920032	W850 Forms and Bar Code Card

Part #	Connectivity
1021294	USB (2 Meter) Cable
14F0042	MarkNet N8130 Fiber Ethernet 100BaseFX, 10BaseFL Print Server
14F0045	MarkNet N8150 802.11b/g/n Wireless Print Server
14T0165	Lexmark N4050e 802.11g Wireless Print Server
14F0000	Parallel 1284-B Interface Card
1021231	Parallel (10') Cable
14F0100	RS-232C Serial Interface Card

Part #	Extended Warranties
2351516P	W850 2-Years Total (1+1) Onsite Service Guarantee
2351517P	W850 3-Years Total (1+2) Onsite Service Guarantee
2351518P	W850 4-Years Total (1+3) Onsite Service Guarantee
2351520P	W850 1-Year Renewal Onsite Service Guarantee

Part #	User Replaceable Parts
40X0957	W840 Fuser Maintenance Kit 220-240V

Part #	Installation
2351541	W850 Installation



Lexmark W850dn

High-speed monochrome laser printer with built-in duplex for high-volume printing, including media sizes up to A3 and optional finishing

Print Technology

Laser, Monochrome

Print Speed (A4 mono)

Up to 50 ppm

Print Speed (A4 mono) Duplex

Up to 50 ppm

Time to First Page (Black)

As fast as 6 seconds

Print Resolution, Black

1200 x 1200 dpi, 2400 Image Quality, 600 x 600 dpi

Processor

800 Mhz

Memory, standard

256 MB

Memory, maximum

1280 MB

Hard Disk

Option available

Expandable Memory Options

Yes

Apple Macintosh Operating Systems Supported

Mac OS X, Mac OS 9.2

Citrix MetaFrame

Microsoft Windows 2000 Server running Terminal Services with Citrix Presentation Server 3.0, 4.0, Microsoft Windows Server 2003 running Terminal Services with Citrix Presentation Server 3.0, 4.0, 4.5, Microsoft Windows Server 2003 x64 running Terminal Services with Citrix Presentation Server 4.0 x64, 4.5 x64

Linux Operating Systems Supported

Linpus Linux Desktop 9.2, 9.3, Red Hat Enterprise Linux WS 3.0, 4.0, 5.0, SUSE Linux Enterprise Server 8.0, 9.0, 10, 11, SUSE Linux Enterprise Desktop 10, openSUSE 10.2, 10.3, 11.0, 11.1, Linspire Linux 6.0, Debian GNU/Linux 4.0, Red Flag Linux Desktop 5.0, 6.0, Ubuntu 7, 10, Ubuntu 8.04 LTS, SUSE Linux Enterprise Desktop 11, Debian GNU/Linux 5.0, Ubuntu 8.10, 9.04

Microsoft Windows Operating Systems Supported

2000, XP, Server 2003, XP x64, Server 2003 running Terminal Services, 2000 Server running Terminal Services, Server 2003 x64, Server 2003 x64 running Terminal Services, Vista, Vista x64, Server 2008, Server 2008 x64, Server 2008 running Terminal Services, Server 2008 x64 running Terminal Services, 7

Novell Operating Systems Supported

Open Enterprise Server for Netware with NDS, iPrint or Novell Distributed Print Services (NDPS), NetWare 5.x, 6.x with iPrint or Novell Distributed Print Services (NDPS)

UNIX Operating Systems Supported

Sun Solaris SPARC 8, 9, 10, Sun Solaris x86 10, HP-UX 11.11, 11.23, 11.31, IBM AIX 5.2, 5.3, 6.1

Other Operating Systems Supported

IBM iSeries or IBM AS/400® Systems with TCP/IP with OS/400® V3R1 or later using OS/400 Host Print Transform, Virtually any platform supporting TCP/IP

Paper Handling Standard

500-Sheet Output Bin, Duplex Unit, Two 500-Sheet Trays, 100-Sheet Multipurpose Feeder

Paper Handling Optional

2,000-Sheet High-capacity Feeder, 2,000-Sheet Dual Input, 2x 500 Sheet Drawers, 3,500-Sheet Finisher

Paper Input Capacity, Standard: Up to

1100 pages 75 gsm bond

Paper Input Capacity, Maximum: Up to

5100 pages 75 gsm bond

Paper Output Capacity, Standard: Up to

500 pages 75 gsm bond

Paper Output Capacity, Maximum: Up to

3800 pages 75 gsm bond

Envelope Capacity

10

Finishing Option

Yes

Number of Paper Inputs, Standard

3

Number of Paper Inputs, Maximum

6

Media Types Supported

Card Stock, Envelopes, Paper Labels, Plain Paper, Transparencies, Refer to the Card Stock & Label Guide
Media Sizes Supported
 10 Envelope, 7 3/4 Envelope, A3, A4, A5, C5 Envelope, DL Envelope, Executive, Folio, JIS-B4, JIS-B5, Ledger, Legal, Letter, Statement, Universal

Standard Ports

One Internal Card Slot, Gigabit Ethernet (10/100/1000), Hi-Speed USB port Compatible with USB 2.0 Specification (Type B), Front Hi-Speed USB port Compatible with USB 2.0 Specification (Type A), Rear Hi-Speed USB port Compatible with USB 2.0 Specification (Type A)

Optional Network Ports

Lexmark N4050e 802.11g Wireless Print Server (Print Only), Internal MarkNet™ N8130 Fiber Fast Ethernet, Internal MarkNet™ N8150 802.11b/g/n Wireless

Network Printing Methods

LPR/LPD, Direct IP (Port 9100), Socket (Raw TCP/IP), HTTP, NDS Queue-based Printing, NDPS/NEPS (Novell Distributed Print Services, Novell Netware Enterprise Print Services), Enhanced IP (Port 9400), FTP, TFTP, IPP 1.1 (Internet Printing Protocol), ThinPrint .print integration

Network Protocol Support

TCP/IP IPv4, IPX/SPX, AppleTalk™, LexLink (DLC), TCP/IP IPv6, TCP, UDP

Network Security

SNMPv3, 802.1x Authentication: MD5, MSCHAPv2, LEAP, PEAP, TLS, TTLS, IPsec

Printable Area

4 mm of the top, bottom, right and left edges (within)

Printer Languages (Standard)

PCL 5e Emulation, PCL 6 Emulation, PPDS, PostScript 3 Emulation, xHTML, PDF 1.6, Direct Image, Microsoft XPS

(XML Paper Specification)

Supplies Yield

Average standard page yield value declared in accordance with ISO/IEC 19752, 60,000 page Photoconductor Unit, 35,000*-page High Yield Toner Cartridge

Cartridge(s) Shipping with Product

35,000*-page High Yield Toner Cartridge

Packaged Size (mm - H x W x D)

1115 x 830 x 830 mm

Size (mm - H x W x D)

578 x 641 x 520 mm

Size, Trays Extended (mm - H x W x D)

578 x 971 x 520 mm

Weight (kg)

49.4 kg

Noise Level, Idle

22 dBA

Print Noise Level, Operating

55 dBA

Product Guarantee

1-Year Onsite Service, Next Business Day

Product Certifications

Energy Star, CSA, ICES Class A, BSMI Class A, VCCI Class A, FCC Class A, UL 60950 3rd Edition, IEC 320-1, CE Class A, CB IEC 60950, IEC 60825-1, GS (TÜV), SEMKO, UL AR, CS, TÜV Rh, N Mark, C-tick Class ACCC Class A

Maximum Monthly Duty Cycle

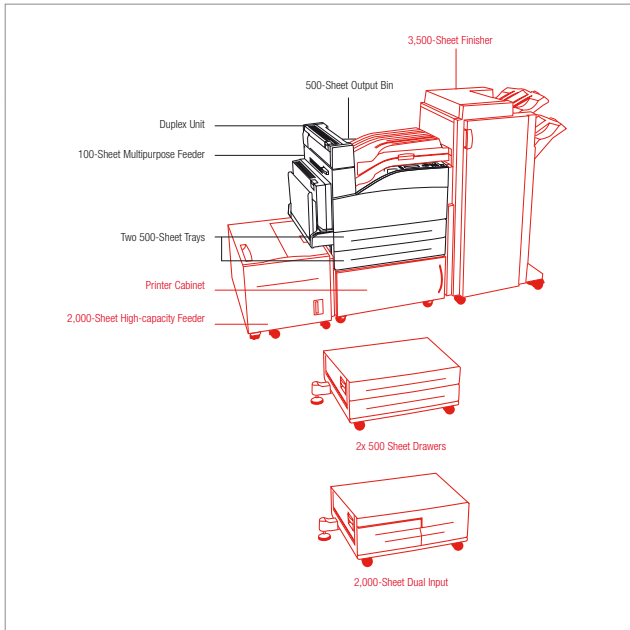
Up to 300000 pages per month

Recommended Monthly Page Volume

15000 - 59000 Pages

Specified Operating Environment

Temperature: 16 to 32°C (60 to 90°F), Humidity: 8 to 80% Relative Humidity, Altitude: 0 - 3048 Meters (10,000 Feet)



Paper Handling Standard
 Paper Handling Optional

Part #	Model
1920321	Lexmark W850dn

Part #	Laser Toner/Print Cartridge
W850H21G	W850 High Yield Toner Cartridge
W850H22G	W850 Photoconductor Kit
25A0013	Staple Cartridges (3 pack)

Part #	Paper & Transparencies
12A5010	Laser Printers - A4 Transparency

Part #	Paper Handling
15R0120	2000-Sheet Dual Input
15R0146	2 x 500-Sheet Drawer
15R0145	X85xe, W840 High Capacity Feeder
15R0144	X85xe, W840 Finisher (2 / 3-Hole)
15R0143	X85xe W840 Finisher (2 / 4-Hole)

Part #	Furniture
15R0140	Printer Cabinet

Part #	Memory Options
1025041	256MB DDR2-DRAM
1025042	512MB DDR2-DRAM
1025043	1024MB DDR2-DRAM
14F0245	256MB Flash Card
14F0102	Hard Disk (80+GB)

Part #	Application Solutions
30G0829	Lexmark PrintCrypton Card
1920033	W850 Card for IPDS/SCS/TNe
1920032	W850 Forms and Bar Code Card

Part #	Connectivity
1021294	USB (2 Meter) Cable
14F0042	MarkNet N8130 Fiber Ethernet 100BaseFX, 10BaseFL Print Server
14F0045	MarkNet N8150 802.11b/g/n Wireless Print Server
14T0165	Lexmark N4050e 802.11g Wireless Print Server
14F0000	Parallel 1284-B Interface Card
1021231	Parallel (10') Cable
14F0100	RS-232C Serial Interface Card

Part #	Extended Warranties
2351516P	W850 2-Years Total (1+1) Onsite Service Guarantee
2351517P	W850 3-Years Total (1+2) Onsite Service Guarantee
2351518P	W850 4-Years Total (1+3) Onsite Service Guarantee
2351520P	W850 1-Year Renewal Onsite Service Guarantee

Part #	User Replaceable Parts
40X0957	W840 Fuser Maintenance Kit 220-240V

Part #	Installation
2351541	W850 Installation



Lexmark C540n

A great colour-laser value and compact fit for your desktop

Print Technology

Color Laser

Print Speed (A4 mono)

Up to 20 ppm

Print Speed (A4 colour)

Up to 20 ppm

Time to First Page (Black)

As fast as 12 seconds

Time to First Page (Colour)

as fast as 13 seconds

Print Resolution, Black

1200 x 1200 dpi, 4800 Color Quality (1200 x 600 dpi)

Print Resolution, Colour

1200 x 1200 dpi, 4800 Colour Quality (1200 x 600 dpi)

Processor

417 MHz

Memory, standard

128 MB

Memory, maximum

640 MB

Expandable Memory Options

Yes

Apple Macintosh Operating Systems Supported

Mac OS X, Mac OS 9.2

Citrix MetaFrame

Microsoft Windows 2000 Server running Terminal Services with Citrix Presentation Server 3.0, 4.0, Microsoft Windows Server 2003 running Terminal Services with Citrix Presentation Server 3.0, 4.0, 4.5, Microsoft Windows Server 2003 x64 running Terminal Services with Citrix Presentation Server 4.0 x64, 4.5 x64

Linux Operating Systems Supported

Linpus Linux Desktop 9.2, 9.3, Red Hat Enterprise Linux WS 3.0, 4.0, 5.0, SUSE Linux Enterprise Server 8.0, 9.0, 10, 11, SUSE Linux Enterprise Desktop 10, opensUSE 10.2, 10.3, 11.0, 11.1, Linspire Linux 6.0, Debian GNU/Linux 4.0, Red Flag Linux Desktop 5.0, 6.0, Ubuntu 7, 10, Ubuntu 8.04 LTS, SUSE Linux Enterprise Desktop 11, Debian GNU/Linux 5.0, Ubuntu 8.10, 9.04

Microsoft Windows Operating Systems Supported

2000, XP, Server 2003, XP x64, Server 2003 running Terminal Services, 2000 Server running Terminal Services, Server 2003 x64, Server 2003 x64 running Terminal Services, Vista, Vista x64, Server 2008, Server 2008 x64, Server 2008 running Terminal Services, Server 2008 x64 running Terminal Services, 7

Novell Operating Systems Supported

Open Enterprise Server for Netware with NDS, iPrint or Novell Distributed Print Services (NDPS), NetWare 5.x, 6.x with iPrint or Novell Distributed Print Services (NDPS)

UNIX Operating Systems Supported

Sun Solaris SPARC 8, 9, 10, Sun Solaris x86 10, HP-LX 11.11, 11.23, 11.31, IBM AIX 5.2, 5.3, 6.1

Paper Handling Standard

100-Sheet Output Bin, Single Sheet Manual Feed, 250-Sheet Input Tray

Paper Handling Optional

550-Sheet Duo Drawer with 100-Sheet Feeder

Paper Input Capacity, Standard: Up to

250 + 1 pages 75 gsm bond

Paper Input Capacity, Maximum: Up to

900 + 1 pages 75 gsm bond

Paper Output Capacity, Standard: Up to

100 pages 75 gsm bond

Paper Output Capacity, Maximum: Up to

100 pages 75 gsm bond

Envelope Capacity

1

Finishing Option

No

Number of Paper Inputs, Standard

2

Number of Paper Inputs, Maximum

4

Media Types Supported

Card Stock, Paper Labels, Plain Paper, Transparencies, Refer to the Card Stock & Label Guide

Media Sizes Supported

A4, A5, Executive, Folio, JIS-B5, Legal, Letter, Universal, Oficio, A6

Standard Ports

Fast Ethernet, USB 2.0 Specification Hi-Speed Certified (Type B)

Optional Network Ports

Lexmark N4050e 802.11g Wireless Print Server (Print Only), External MarkNet™ N7020e Gigabit Ethernet

Network Printing Methods

LPR/LPD, Direct IP (Port 9100), Enhanced IP (Port 9400), FTP, TFTP, IPP 1.1 (Internet Printing Protocol)

Network Protocol Support

TCP/IP IPv4, TCP/IP IPv6, TCP, UDP

Printable Area

4.2 mm of the top, bottom, right and left edges (within)

Printer Languages (Standard)

PCL 5c Emulation, PCL 6 Emulation, PostScript 3 Emulation

Supplies Yield

Average continuous black or continuous composite CMY declared cartridge yield up to this number of standard pages in accordance with ISO/IEC 19798., 1,000*-page Colour Toner Cartridges (CMY), 2,000*-page Colour High Yield Toner Cartridges (CMY), 2,500*-page Black High Yield Toner Cartridge, 1,000*-page Black Toner Cartridge

Cartridge(s) Shipping with Product

1,000*-page Black Return Program Toner Cartridge, 1,000*-page Colour (CMY) Return Program Toner Cartridges

Packaged Size (mm - H x W x D)

402 x 595 x 495 mm

Size (mm - H x W x D)

292 x 424 x 400 mm

Weight (kg)

21 kg

Noise Level, Idle

inaudible dBA

Print Noise Level, Operating

47 dBA

Product Guarantee

1 Year Onsite, Next Business Day

Product Certifications

CAN/CSA-C22.2 60950-1, CSA E60825-1, ICES-003 Class B, BSMI Class B, VCCI Class B, US FDA, FCC Class B, UL 60950-1, EN/IEC 60320-1, CE Class B, CB IEC 60950-1, EN 60950-1, EN/IEC 61000-3, EN 55022 Class B, EN 55024, EN/IEC 60825-1, UL/DEMKO GS, AR S, SMA C-tick mark Class B, CCC Class B, CISPR122 Class B, MIC Mark, EK Mark

Maximum Monthly Duty Cycle

Up to 35000 pages per month

Recommended Monthly Page Volume

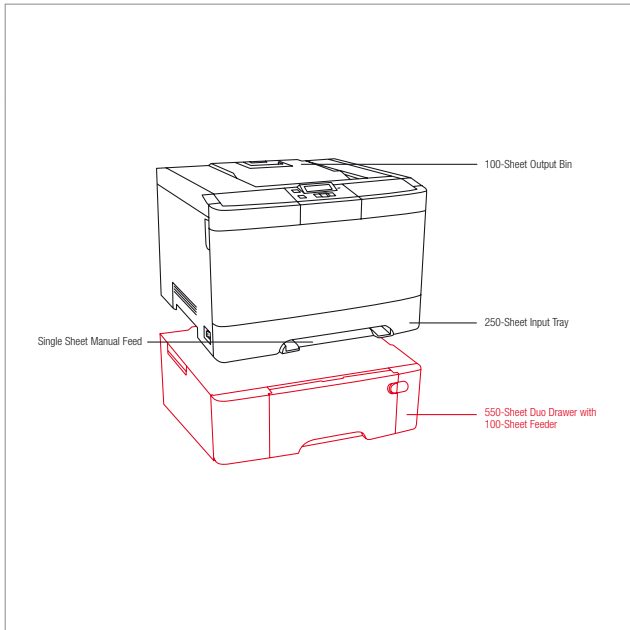
500 - 1500 Pages

Specified Operating Environment

Temperature: 16 to 32°C (60 to 90°F), Humidity: 8 to 80% Relative Humidity, Altitude: 0 - 3048 Meters (10,000 Feet)

License/Agreement Terms

Printers are sold subject to certain license/agreement conditions. See www.lexmark.com/printerlicense for details.



Part #	Model
26A0035	Lexmark C540n

Part #	Laser Toner/Print Cartridge
C540H1KG	C54x, X54x Black High Yield Return Programme Toner Cartridge (2.5K)
C540H1CG	C54x, X54x Cyan High Yield Return Programme Toner Cartridge (2K)
C540H1MG	C54x, X54x Magenta High Yield Return Programme Toner Cartridge (2K)
C540H1YG	C54x, X54x Yellow High Yield Return Programme Toner Cartridge (2K)
C540A1KG	C54x, X54x Black Return Programme Toner Cartridge (1K)
C540A1CG	C54x, X54x Cyan Return Programme Toner Cartridge (1K)
C540A1MG	C54x, X54x Magenta Return Programme Toner Cartridge (1K)
C540A1YG	C54x, X54x Yellow Return Programme Toner Cartridge (1K)
C540H2KG	C54x, X54x Black High Yield Toner Cartridge (2.5K)
C540H2CG	C54x, X54x Cyan High Yield Toner Cartridge (2K)
C540H2MG	C54x, X54x Magenta High Yield Toner Cartridge (2K)
C540H2YG	C54x, X54x Yellow High Yield Toner Cartridge (2K)
C540X75G	C54x, X54x Waste Toner Bottle (18K)
C540X71G	C54x, X54x Black Imaging Kit (30K)
C540X74G	C54x, X54x Black and Colour Imaging Kit (30K)

Part #	Paper & Transparencies
12A8241	Professional Colour Laser Transparencies, A4

Part #	Paper Handling
3000551	550-Sheet Duo Drawer with 100-Sheet MPF

Part #	Memory Options
1022298	128MB DDR1-DRAM
1022299	256MB DDR1-DRAM
1022301	512MB DDR1-DRAM

Part #	Connectivity
1021294	USB (2 Meter) Cable
14T0165	Lexmark N4050e 802.11g Wireless Print Server
14T0220	MarkNet N7020e Gigabit Ethernet Print Server

Part #	Extended Warranties
2350407P	C540 2-Years Total (1+1) Onsite Service Guarantee
2350408P	C540 3-Years Total (1+2) Onsite Service Guarantee
2350411P	C540 1-Year Renewal Onsite Service Guarantee

Part #	User Replaceable Parts
3049484	C540, C543, C544 Relocation Kit



Lexmark C543dn

Professional colour with duplex printing for small workgroups

Print Technology

Color Laser

Print Speed (A4 mono)

Up to 20 ppm

Print Speed (A4 colour)

Up to 20 ppm

Print Speed (A4 mono) Duplex

Up to 10 spm

Time to First Page (Black)

As fast as 12 seconds

Time to First Page (Colour)

As fast as 13 seconds

Print Resolution, Black

1200 x 1200 dpi, 4800 Colour Quality (1200 x 600 dpi)

Print Resolution, Colour

1200 x 1200 dpi, 4800 Colour Quality (1200 x 600 dpi)

Processor

417 Mhz

Memory, standard

128 MB

Memory, maximum

640 MB

Expandable Memory Options

Yes

Apple Macintosh Operating Systems Supported

Mac OS X, Mac OS 9.2

Citrix MetaFrame

Microsoft Windows 2000 Server running Terminal Services with Citrix Presentation Server 3.0, 4.0, Microsoft Windows Server 2003 running Terminal Services with Citrix Presentation Server 3.0, 4.0, 4.5, Microsoft Windows Server 2003 x64 running Terminal Services with Citrix Presentation Server 4.0 x64, 4.5 x64

Linux Operating Systems Supported

Linux Linux Desktop 9.2, 9.3, Red Hat Enterprise Linux WS 3.0, 4.0, 5.0, SUSE Linux Enterprise Server 8.0, 9.0, 10, 11, SUSE Linux Enterprise Desktop 10, openSUSE 10.2, 10.3, 11.0, 11.1, Linspire Linux 6.0, Debian GNU/Linux 4.0, Red Flag Linux Desktop 5.0, 6.0, Ubuntu 7.10, Ubuntu 8.04 LTS, SUSE Linux Enterprise Desktop 11, Debian GNU/Linux 5.0, Ubuntu 8.10, 9.04

Microsoft Windows Operating Systems Supported

2000, XP, Server 2003, XP x64, Server 2003 running Terminal Services, 2000 Server running Terminal Services, Server 2003 x64, Server 2003 x64 running Terminal Services, Vista, Vista x64, Server 2008, Server 2008 x64, Server 2008 running Terminal Services, Server 2008 x64 running Terminal Services, 7

Novell Operating Systems Supported

Open Enterprise Server for Netware with NDS, iPrint or Novell Distributed Print Services (NDPS), NetWare 5.x, 6.x with iPrint or Novell Distributed Print Services (NDPS)

UNIX Operating Systems Supported

Sun Solaris SPARC 8, 9, 10, Sun Solaris x86 10, HP-UX 11.11, 11.23, 11.31, IBM AIX 5.2, 5.3, 6.1

Paper Handling Standard

100-Sheet Output Bin, Integrated Duplex, Single Sheet Manual Feed, 250-Sheet Input Tray

Paper Handling Optional

550-Sheet Duo Drawer with 100-Sheet Feeder

Paper Input Capacity, Standard: Up to

250 + 1 pages 75 gsm bond

Paper Input Capacity, Maximum: Up to

900 + 1 pages 75 gsm bond

Paper Output Capacity, Standard: Up to

100 pages 75 gsm bond

Paper Output Capacity, Maximum: Up to

100 pages 75 gsm bond

Envelope Capacity

1

Finishing Option

No

Number of Paper Inputs, Standard

2

Number of Paper Inputs, Maximum

4

Media Types Supported

Card Stock, Paper Labels, Plain Paper, Transparencies, Refer to the Card Stock & Label Guide

Media Sizes Supported

A4, A5, Executive, Folio, JIS-B5, Legal, Letter, Universal, Oficio, A6

Standard Ports

Fast Ethernet, USB 2.0 Specification Hi-Speed Certified (Type B)

Optional Network Ports

Lexmark N4050e 802.11g Wireless Print Server (Print Only), External MarkNet™ N7020e Gigabit Ethernet

Network Printing Methods

LPR/LPD, Direct IP (Port 9100), Enhanced IP (Port 9400), FTP, TFTP, IPP 1.1 (Internet Printing Protocol)

Network Protocol Support

TCP/IP IPv4, TCP/IP IPv6, TCP, UDP

Printable Area

4.2 mm of the top, bottom, right and left edges (within)

Printer Languages (Standard)

PCL 5c Emulation, PCL 6 Emulation, PostScript 3 Emulation

Supplies Yield

Average continuous black or continuous composite CMY declared cartridge yield up to this number of standard pages in accordance with ISO/IEC 19798, 1,000*-page Colour Toner Cartridges (CMY), 2,000*-page Colour High Yield Toner Cartridges (CMY), 2,500*-page Black High Yield Toner Cartridge, 1,000*-page Black Toner Cartridge

Cartridge(s) Shipping with Product

2,500*-page Black Return Program Toner Cartridge, 2,000*-page Colour (CMY) Return Program Toner Cartridges

Packaged Size (mm - H x W x D)

402 x 595 x 495 mm

Size (mm - H x W x D)

292 x 424 x 400 mm

Weight (Kg)

21 kg

Noise Level, Idle

inaudible dBA

Print Noise Level, Operating

47 dBA

Product Guarantee

1 Year Onsite, Next Business Day

Product Certifications

Energy Star, CAN/CSA-C22.2 60950-1, CSA E60825-1, ICES-003 Class B, BSMI Class B, VCCI Class B, US FDA, FCC Class B, UL 60950-1, EN/IEC 60320-1, CE Class B, CB IEC 60950-1, EN 60950-1, EN/IEC 61000-3, EN 55022 Class B, EN 55024, EN/IEC 60825-1, UL/DEMKO GS, AR S, SMA C-tick mark Class B, CCC Class B, CISPIR 22 Class B, MIC Mark, EK Mark

Maximum Monthly Duty Cycle

Up to 35000 pages per month

Recommended Monthly Page Volume

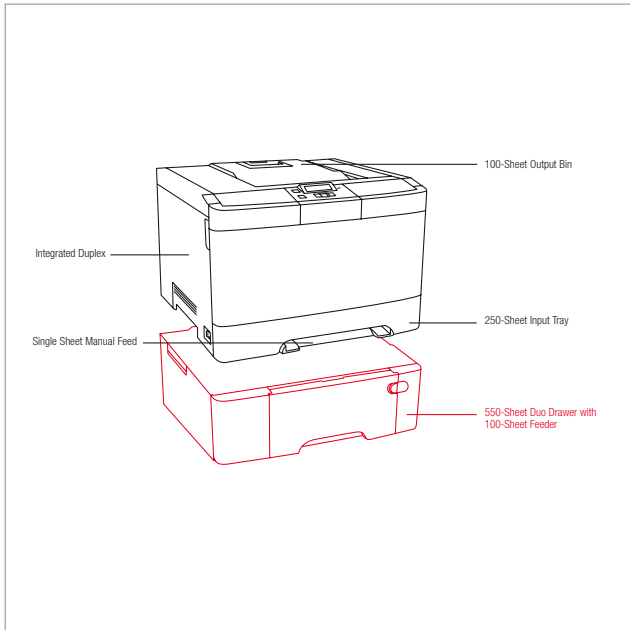
500 - 1500 Pages

Specified Operating Environment

Temperature: 16 to 32°C (60 to 90°F), Humidity: 8 to 80% Relative Humidity, Altitude: 0 - 3048 Meters (10,000 Feet)

License/Agreement Terms

Printers are sold subject to certain license/agreement conditions. See www.lexmark.com/printerlicense for details.



Paper Handling Standard
 Paper Handling Optional

Part #	Model
26B0035	Lexmark C543dn
Part #	Laser Toner/Print Cartridge
C540H1KG	C54x, X54x Black High Yield Return Programme Toner Cartridge (2.5K)
C540H1CG	C54x, X54x Cyan High Yield Return Programme Toner Cartridge (2K)
C540H1MG	C54x, X54x Magenta High Yield Return Programme Toner Cartridge (2K)
C540H1YG	C54x, X54x Yellow High Yield Return Programme Toner Cartridge (2K)
C540A1KG	C54x, X54x Black Return Programme Toner Cartridge (1K)
C540A1CG	C54x, X54x Cyan Return Programme Toner Cartridge (1K)
C540A1MG	C54x, X54x Magenta Return Programme Toner Cartridge (1K)
C540A1YG	C54x, X54x Yellow Return Programme Toner Cartridge (1K)
C540H2KG	C54x, X54x Black High Yield Toner Cartridge (2.5K)
C540H2CG	C54x, X54x Cyan High Yield Toner Cartridge (2K)
C540H2MG	C54x, X54x Magenta High Yield Toner Cartridge (2K)
C540H2YG	C54x, X54x Yellow High Yield Toner Cartridge (2K)
C540X75G	C54x, X54x Waste Toner Bottle (18K)
C540X71G	C54x, X54x Black Imaging Kit (30K)
C540X74G	C54x, X54x Black and Colour Imaging Kit (30K)
Part #	Paper & Transparencies
12A8241	Professional Colour Laser Transparencies, A4
Part #	Paper Handling
3000551	550-Sheet Duo Drawer with 100-Sheet MPF
Part #	Memory Options
1022298	128MB DDR1-DRAM
1022299	256MB DDR1-DRAM
1022301	512MB DDR1-DRAM
Part #	Connectivity
1021294	USB (2 Meter) Cable
14T0165	Lexmark N4050e 802.11g Wireless Print Server
14T0220	MarkNet N7020e Gigabit Ethernet Print Server
Part #	Extended Warranties
2350442P	C543 2-Years Total (1+1) Onsite Service Guarantee
2350443P	C543 3-Years Total (1+2) Onsite Service Guarantee
2350446P	C543 1-Year Renewal Onsite Service Guarantee
Part #	User Replaceable Parts
3049484	C540, C543, C544 Relocation Kit



Lexmark C544n

Exceptional colour performance for small to mid-sized workgroups

Print Technology

Color Laser

Print Speed (A4 mono)

Up to 23 ppm

Print Speed (A4 colour)

Up to 23 ppm

Time to First Page (Black)

As fast as 11 seconds

Time to First Page (Colour)

as fast as 12 seconds

Print Resolution, Black

1200 x 1200 dpi, 4800 Color Quality (1200 x 600 dpi)

Print Resolution, Colour

1200 x 1200 dpi, 4800 Colour Quality (1200 x 600 dpi)

Processor

500 MHz

Memory, standard

128 MB

Memory, maximum

640 MB

Expandable Memory Options

Yes

Apple Macintosh Operating Systems Supported

Mac OS X, Mac OS 9.2

Citrix MetaFrame

Microsoft Windows 2000 Server running Terminal Services with Citrix Presentation Server 3.0, 4.0, Microsoft Windows Server 2003 running Terminal Services with Citrix Presentation Server 3.0, 4.0, 4.5, Microsoft Windows Server 2003 x64 running Terminal Services with Citrix Presentation Server 4.0 x64, 4.5 x64

Linux Operating Systems Supported

Linpus Linux Desktop 9.2, 9.3, Red Hat Enterprise Linux WS 3.0, 4.0, 5.0, SUSE Linux Enterprise Server 8.0, 9.0, 10, 11, SUSE Linux Enterprise Desktop 10, opensUSE 10.2, 10.3, 11.0, 11.1, Linspire Linux 6.0, Debian GNU/Linux 4.0, Red Flag Linux Desktop 5.0, 6.0, Ubuntu 7.10, Ubuntu 8.04 LTS, SUSE Linux Enterprise Desktop 11, Debian GNU/Linux 5.0, Ubuntu 8.10, 9.04

Microsoft Windows Operating Systems Supported

2000, XP, Server 2003, XP x64, Server 2003 running Terminal Services, 2000 Server running Terminal Services, Server 2003 x64, Server 2003 x64 running Terminal Services, Vista, Vista x64, Server 2008, Server 2008 x64, Server 2008 running Terminal Services, Server 2008 x64 running Terminal Services, 7

Novell Operating Systems Supported

Open Enterprise Server for Netware with NDS, iPrint or Novell Distributed Print Services (NDPS), NetWare 5.x, 6.x with iPrint or Novell Distributed Print Services (NDPS)

UNIX Operating Systems Supported

Sun Solaris SPARC 8, 9, 10, Sun Solaris x86 10, HP-LUX 11.11, 11.23, 11.31, IBM AIX 5.2, 5.3, 6.1

Paper Handling Standard

100-Sheet Output Bin, Single Sheet Manual Feed, 250-Sheet Input Tray

Paper Handling Optional

550-Sheet Duo Drawer with 100-Sheet Feeder

Paper Input Capacity, Standard: Up to

250 + 1 pages 75 gsm bond

Paper Input Capacity, Maximum: Up to

900 + 1 pages 75 gsm bond

Paper Output Capacity, Standard: Up to

100 pages 75 gsm bond

Paper Output Capacity, Maximum: Up to

100 pages 75 gsm bond

Envelope Capacity

1

Finishing Option

No

Number of Paper Inputs, Standard

2

Number of Paper Inputs, Maximum

4

Media Types Supported

Card Stock, Paper Labels, Plain Paper, Transparencies, Refer to the Card Stock & Label Guide

Media Sizes Supported

A4, A5, Executive, Folio, JIS-B5, Legal, Letter, Universal, Oficio, A6

Standard Ports

Fast Ethernet, USB 2.0 Specification Hi-Speed Certified (Type B), PictBridge Certified Port, Front USB port Compatible with USB 2.0 Specification (Type A)

Optional Network Ports

Lexmark N4050e 802.11g Wireless Print Server (Print Only), External MarkNet™ N7020e Gigabit Ethernet

Network Printing Methods

LPR/LPD, Direct IP (Port 9100), Enhanced IP (Port 9400), FTP, TFTP, IPP 1.1 (Internet Printing Protocol)

Network Protocol Support

TCP/IP IPv4, AppleTalk™, TCP/IP IPv6, TCP, UDP

Printable Area

4.2 mm of the top, bottom, right and left edges (within)

Printer Languages (Standard)

PCL 5c Emulation, PCL 6 Emulation, PPDS, PostScript 3 Emulation, PDF 1.6, Direct Image

Supplies Yield

Average continuous black or continuous composite CMY declared cartridge yield up to this number of standard pages in accordance with ISO/IEC 19798., 1,000*-page Colour Toner Cartridges (CMY), 2,000*-page Colour High Yield Toner Cartridges (CMY), 4,000*-page Colour Extra High Yield Toner Cartridges (CMY), 2,500*-page Black High Yield Toner Cartridge, 6,000*-page Black Extra High Yield Toner Cartridge, 1,000*-page Black Toner Cartridge

Cartridge(s) Shipping with Product

2,500*-page Black Return Program Toner Cartridge, 2,000*-page Colour (CMY) Return Program Toner Cartridges

Packaged Size (mm - H x W x D)

402 x 595 x 495 mm

Size (mm - H x W x D)

292 x 424 x 400 mm

Weight (kg)

21 kg

Noise Level, Idle

inaudible dBA

Print Noise Level, Operating

49 dBA

Product Guarantee

1 Year Onsite, Next Business Day

Product Certifications

CAN/CSA-C22.2 60950-1, CSA E60825-1, ICES-003 Class B, BSMI Class B, VCCI Class B, US FDA, FCC Class B, UL 60950-1, EN/IEC 60320-1, CE Class B, CB IEC 60950-1, EN 60950-1, EN/IEC 61000-3, EN 55022 Class B, EN 55024, EN/IEC 60825-1, UL/DEMCO GS, AR S, SMA C-tick mark Class B, CCC Class B, CISPIR 22 Class B, MIC Mark, EK Mark

Maximum Monthly Duty Cycle

Up to 55000 pages per month

Recommended Monthly Page Volume

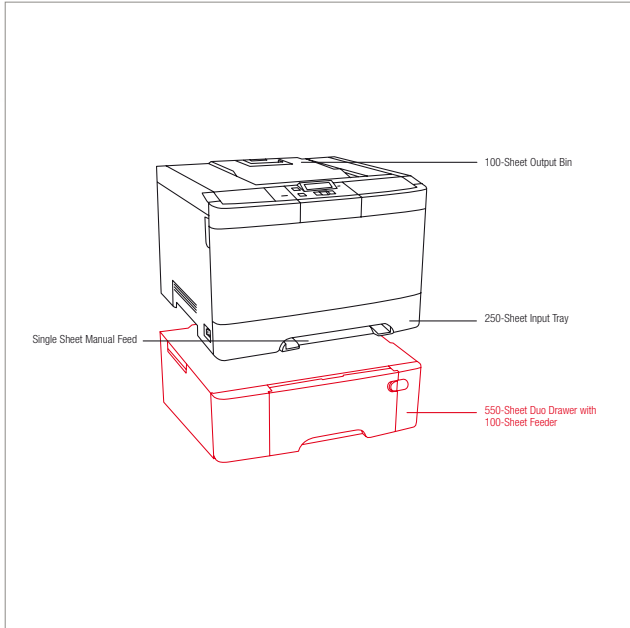
800 - 3000 Pages

Specified Operating Environment

Temperature: 16 to 32°C (60 to 90°F), Humidity: 8 to 80% Relative Humidity, Altitude: 0 - 3048 Meters (10,000 Feet)

License/Agreement Terms

Printers are sold subject to certain license/agreement conditions. See www.lexmark.com/printerlicense for details.



Paper Handling Standard
 Paper Handling Optional

Part #	Model
26C0085	Lexmark C544n

Part #	Laser Toner/Print Cartridge
C544X1KG	C544, X544 Black Extra High Yield Return Programme Toner Cartridge (6K)
C544X1CG	C544, X544 Cyan Extra High Yield Return Programme Toner Cartridge (4K)
C544X1MG	C544, X544 Magenta Extra High Yield Return Programme Toner Cartridge (4K)
C544X1YG	C544, X544 Yellow Extra High Yield Return Programme Toner Cartridge (4K)
C540H1KG	C54x, X54x Black High Yield Return Programme Toner Cartridge (2.5K)
C540H1CG	C54x, X54x Cyan High Yield Return Programme Toner Cartridge (2K)
C540H1MG	C54x, X54x Magenta High Yield Return Programme Toner Cartridge (2K)
C540H1YG	C54x, X54x Yellow High Yield Return Programme Toner Cartridge (2K)
C540A1KG	C54x, X54x Black Return Programme Toner Cartridge (1K)
C540A1CG	C54x, X54x Cyan Return Programme Toner Cartridge (1K)
C540A1MG	C54x, X54x Magenta Return Programme Toner Cartridge (1K)
C540A1YG	C54x, X54x Yellow Return Programme Toner Cartridge (1K)
C544X2KG	C544, X544 Black Extra High Yield Toner Cartridge (6K)
C544X2CG	C544, X544 Cyan Extra High Yield Toner Cartridge (4K)
C544X2MG	C544, X544 Magenta Extra High Yield Toner Cartridge (4K)
C544X2YG	C544, X544 Yellow Extra High Yield Toner Cartridge (4K)
C540H2KG	C54x, X54x Black High Yield Toner Cartridge (2.5K)
C540H2CG	C54x, X54x Cyan High Yield Toner Cartridge (2K)
C540H2MG	C54x, X54x Magenta High Yield Toner Cartridge (2K)
C540H2YG	C54x, X54x Yellow High Yield Toner Cartridge (2K)
C540X75G	C54x, X54x Waste Toner Bottle (18K)
C540X71G	C54x, X54x Black Imaging Kit (30K)
C540X74G	C54x, X54x Black and Colour Imaging Kit (30K)

Part #	Paper & Transparencies
12A8241	Professional Colour Laser Transparencies, A4

Part #	Paper Handling
3000551	550-Sheet Duo Drawer with 100-Sheet MPF

Part #	Memory Options
1022298	128MB DDR1-DRAM
1022299	256MB DDR1-DRAM
1022301	512MB DDR1-DRAM
1021209	64MB Flash Card

Part #	Connectivity
1021294	USB (2 Meter) Cable
14T0165	Lexmark N4050e 802.11g Wireless Print Server
14T0220	MarkNet N7020e Gigabit Ethernet Print Server

Part #	Extended Warranties
2350477P	C544 2-Years Total (1+1) Onsite Service Guarantee
2350478P	C544 3-Years Total (1+2) Onsite Service Guarantee

2350481P	C544 1-Year Renewal Onsite Service Guarantee
----------	--

Part #	User Replaceable Parts
3049484	C540, C543, C544 Relocation Kit



Lexmark C544dn

Outstanding colour and duplex printing for mid-sized workgroups

Print Technology

Color Laser

Print Speed (A4 mono)

Up to 23 ppm

Print Speed (A4 colour)

Up to 23 ppm

Print Speed (A4 mono) Duplex

Up to 12 ppm

Time to First Page (Black)

As fast as 11 seconds

Time to First Page (Colour)

as fast as 12 seconds

Print Resolution, Black

1200 x 1200 dpi, 4800 Colour Quality (1200 x 600 dpi)

Print Resolution, Colour

1200 x 1200 dpi, 4800 Colour Quality (1200 x 600 dpi)

Processor

500 Mhz

Memory, standard

128 MB

Memory, maximum

640 MB

Expandable Memory Options

Yes

Apple Macintosh Operating Systems Supported

Mac OS X, Mac OS 9.2

Citrix MetaFrame

Microsoft Windows 2000 Server running Terminal Services with Citrix Presentation Server 3.0, 4.0, Microsoft Windows Server 2003 running Terminal Services with Citrix Presentation Server 3.0, 4.0, 4.5, Microsoft Windows Server 2003 x64 running Terminal Services with Citrix Presentation Server 4.0 x64, 4.5 x64

Linux Operating Systems Supported

Linpus Linux Desktop 9.2, 9.3, Red Hat Enterprise Linux WS 3.0, 4.0, 5.0, SUSE Linux Enterprise Server 8.0, 9.0, 10, 11, SUSE Linux Enterprise Desktop 10, openSUSE 10.2, 10.3, 11.0, 11.1, Linspire Linux 6.0, Debian GNU/Linux 4.0, Red Flag Linux Desktop 5.0, 6.0, Ubuntu 7.10, Ubuntu 8.04 LTS, SUSE Linux Enterprise Desktop 11, Debian GNU/Linux 5.0, Ubuntu 8.10, 9.04

Microsoft Windows Operating Systems Supported

2000, XP, Server 2003, XP x64, Server 2003 running Terminal Services, 2000 Server running Terminal Services, Server 2003 x64, Server 2003 x64 running Terminal Services, Vista, Vista x64, Server 2008, Server 2008 x64, Server 2008 running Terminal Services, Server 2008 x64 running Terminal Services, 7

Novell Operating Systems Supported

Open Enterprise Server for Netware with NDS, iPrint or Novell Distributed Print Services (NDPS), NetWare 5.x, 6.x with iPrint or Novell Distributed Print Services (NDPS)

UNIX Operating Systems Supported

Sun Solaris SPARC 8, 9, 10, Sun Solaris x86 10, HP-UX 11.11, 11.23, 11.31, IBM AIX 5.2, 5.3, 6.1

Paper Handling Standard

100-Sheet Output Bin, Integrated Duplex, Single Sheet Manual Feed, 250-Sheet Input Tray

Paper Handling Optional

550-Sheet Duo Drawer with 100-Sheet Feeder

Paper Input Capacity, Standard: Up to

250+1 pages 75 gsm bond

Paper Input Capacity, Maximum: Up to

900 +1 pages 75 gsm bond

Paper Output Capacity, Standard: Up to

100 pages 75 gsm bond

Paper Output Capacity, Maximum: Up to

100 pages 75 gsm bond

Envelope Capacity

1

Finishing Option

No

Number of Paper Inputs, Standard

2

Number of Paper Inputs, Maximum

4

Media Types Supported

Card Stock, Paper Labels, Plain Paper, Transparencies, Refer to the Card Stock & Label Guide

Media Sizes Supported

A4, A5, Executive, Folio, JIS-B5, Legal, Letter, Universal, Oficio, A6

Standard Ports

Fast Ethernet, USB 2.0 Specification Hi-Speed Certified (Type B), PictBridge Certified Port, Front USB port

Compatible with USB 2.0 Specification (Type A)

Optional Network Ports

Lexmark N4050e 802.11g Wireless Print Server (Print Only), External MarkNet™ N7020e Gigabit Ethernet

Network Printing Methods

LPR/LPD, Direct IP (Port 9100), Enhanced IP (Port 9400), FTP, TFTP, IPP 1.1 (Internet Printing Protocol)

Network Protocol Support

TCP/IP IPv4, AppleTalk™, TCP/IP IPv6, TCP, UDP

Printable Area

4.2 mm of the top, bottom, right and left edges (within)

Printer Languages (Standard)

PCL 5c Emulation, PCL 6 Emulation, PPDS, PostScript 3 Emulation, PDF 1.6, Direct Image

Supplies Yield

Average continuous black or continuous composite CMY declared cartridge yield up to this number of standard pages in accordance with ISO/IEC 19798, 1,000*-page Colour Toner Cartridges (CMY), 2,000*-page Colour High Yield Toner Cartridges (CMY), 4,000*-page Colour Extra High Yield Toner Cartridges (CMY), 2,500*-page Black High Yield Toner Cartridge, 6,000*-page Black Extra High Yield Toner Cartridge, 1,000*-page Black Toner Cartridge

Cartridge(s) Shipping with Product

2,500*-page Black Return Toner Cartridge, 2,000*-page Colour (CMY) Return Program Toner Cartridges

Packaged Size (mm - H x W x D)

402 x 595 x 495 mm

Size (mm - H x W x D)

292 x 424 x 400 mm

Weight (kg)

21 kg

Noise Level, Idle

inaudible dBA

Print Noise Level, Operating

49 dBA

Product Guarantee

1 Year Onsite, Next Business Day

Product Certifications

Energy Star, CAN/CSA-C22.2 60950-1, CSA E60825-1, ICES-003 Class B, BSMI Class B, VCCI Class B, US FDA, FCC Class B, UL 60950-1, EN/IEC 60320-1, CE Class B, CB IEC 60950-1, EN 60950-1, EN/IEC 61000-3, EN 55022 Class B, EN 55024, EN/IEC 60825-1, UL/DENKMO GS, AR S, SMA C-tick mark, Class B, CCC Class B, CISPIR 22 Class B, MIC Mark, EK Mark

Maximum Monthly Duty Cycle

Up to 55,000 pages per month

Recommended Monthly Page Volume

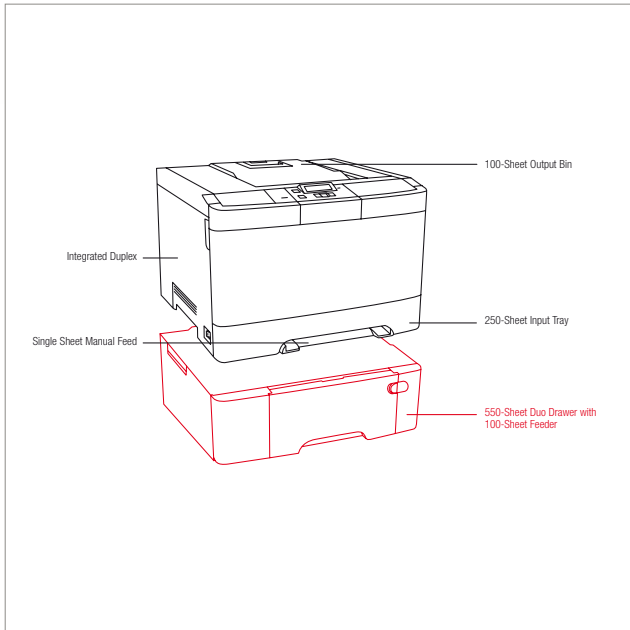
800 - 3000 Pages

Specified Operating Environment

Temperature: 16 to 32°C (60 to 90°F), Humidity: 8 to 80% Relative Humidity, Altitude: 0 - 3048 Meters (10,000 Feet)

License/Agreement Terms

Printers are sold subject to certain license/agreement conditions. See www.lexmark.com/printlicense for details.



Paper Handling Standard
 Paper Handling Optional

Part #	Model
26C0035	Lexmark C544dn

Part #	Laser Toner/Print Cartridge
C544X1KG	C544, X544 Black Extra High Yield Return Programme Toner Cartridge (6K)
C544X1CG	C544, X544 Cyan Extra High Yield Return Programme Toner Cartridge (4K)
C544X1MG	C544, X544 Magenta Extra High Yield Return Programme Toner Cartridge (4K)
C544X1YG	C544, X544 Yellow Extra High Yield Return Programme Toner Cartridge (4K)
C540H1KG	C54x, X54x Black High Yield Return Programme Toner Cartridge (2.5K)
C540H1CG	C54x, X54x Cyan High Yield Return Programme Toner Cartridge (2K)
C540H1MG	C54x, X54x Magenta High Yield Return Programme Toner Cartridge (2K)
C540H1YG	C54x, X54x Yellow High Yield Return Programme Toner Cartridge (2K)
C540A1KG	C54x, X54x Black Return Programme Toner Cartridge (1K)
C540A1CG	C54x, X54x Cyan Return Programme Toner Cartridge (1K)
C540A1MG	C54x, X54x Magenta Return Programme Toner Cartridge (1K)
C540A1YG	C54x, X54x Yellow Return Programme Toner Cartridge (1K)
C544X2KG	C544, X544 Black Extra High Yield Toner Cartridge (6K)
C544X2CG	C544, X544 Cyan Extra High Yield Toner Cartridge (4K)
C544X2MG	C544, X544 Magenta Extra High Yield Toner Cartridge (4K)
C544X2YG	C544, X544 Yellow Extra High Yield Toner Cartridge (4K)
C540H2KG	C54x, X54x Black High Yield Toner Cartridge (2.5K)
C540H2CG	C54x, X54x Cyan High Yield Toner Cartridge (2K)
C540H2MG	C54x, X54x Magenta High Yield Toner Cartridge (2K)
C540H2YG	C54x, X54x Yellow High Yield Toner Cartridge (2K)
C540X75G	C54x, X54x Waste Toner Bottle (18K)
C540X71G	C54x, X54x Black Imaging Kit (30K)
C540X74G	C54x, X54x Black and Colour Imaging Kit (30K)

Part #	Paper & Transparencies
12A8241	Professional Colour Laser Transparencies, A4

Part #	Paper Handling
3000551	550-Sheet Duo Drawer with 100-Sheet MPF

Part #	Memory Options
1022298	128MB DDR1-DRAM
1022299	256MB DDR1-DRAM
1022301	512MB DDR1-DRAM
1021209	64MB Flash Card

Part #	Connectivity
1021294	USB (2 Meter) Cable
14T0165	Lexmark N4050e 802.11g Wireless Print Server
14T0220	MarkNet N7020e Gigabit Ethernet Print Server

Part #	Extended Warranties
2350477P	C544 2-Years Total (1+1) Onsite Service Guarantee
2350478P	C544 3-Years Total (1+2) Onsite Service Guarantee

2350481P	C544 1-Year Renewal Onsite Service Guarantee
----------	--

Part #	User Replaceable Parts
3049484	C540, C543, C544 Relocation Kit



Lexmark C544dw

Work colourfully and efficiently with built-in business Wi-Fi

Print Technology

Color Laser

Print Speed (A4 mono)

Up to 23 ppm

Print Speed (A4 colour)

Up to 23 ppm

Print Speed (A4 mono) Duplex

Up to 12 ppm

Time to First Page (Black)

As fast as 11 seconds

Time to First Page (Colour)

as fast as 12 seconds

Print Resolution, Black

1200 x 1200 dpi, 4800 Colour Quality (1200 x 600 dpi)

Print Resolution, Colour

1200 x 1200 dpi, 4800 Colour Quality (1200 x 600 dpi)

Processor

500 Mhz

Memory, standard

128 MB

Memory, maximum

640 MB

Expandable Memory Options

Yes

Apple Macintosh Operating Systems Supported

Mac OS X, Mac OS 9.2

Citrix MetaFrame

Microsoft Windows 2000 Server running Terminal Services with Citrix Presentation Server 3.0, 4.0, Microsoft Windows Server 2003 running Terminal Services with Citrix Presentation Server 3.0, 4.0, 4.5, Microsoft Windows Server 2003 x64 running Terminal Services with Citrix Presentation Server 4.0 x64, 4.5 x64

Linux Operating Systems Supported

Linpus Linux Desktop 9.2, 9.3, Red Hat Enterprise Linux WS 3.0, 4.0, 5.0, SUSE Linux Enterprise Server 8.0, 9.0, 10, 11, SUSE Linux Enterprise Desktop 10, openSUSE 10.2, 10.3, 11.0, 11.1, Linspire Linux 6.0, Debian GNU/Linux 4.0, Red Flag Linux Desktop 5.0, 6.0, Ubuntu 7.10, Ubuntu 8.04 LTS, SUSE Linux Enterprise Desktop 11, Debian GNU/Linux 5.0, Ubuntu 8.10, 9.04

Microsoft Windows Operating Systems Supported

2000, XP, Server 2003, XP x64, Server 2003 running Terminal Services, 2000 Server running Terminal Services, Server 2003 x64, Server 2003 x64 running Terminal Services, Vista, Vista x64, Server 2008, Server 2008 x64, Server 2008 running Terminal Services, Server 2008 x64 running Terminal Services, 7

Novell Operating Systems Supported

Open Enterprise Server for Netware with NDS, iPrint or Novell Distributed Print Services (NDPS), NetWare 5.x, 6.x with iPrint or Novell Distributed Print Services (NDPS)

UNIX Operating Systems Supported

Sun Solaris SPARC 8, 9, 10, Sun Solaris x86 10, HP-UX 11.11, 11.23, 11.31, IBM AIX 5.2, 5.3, 6.1

Paper Handling Standard

100-Sheet Output Bin, Integrated Duplex, Single Sheet Manual Feed, 250-Sheet Input Tray

Paper Handling Optional

550-Sheet Duo Drawer with 100-Sheet Feeder

Paper Input Capacity, Standard: Up to

250+1 pages 75 gsm bond

Paper Input Capacity, Maximum: Up to

900 +1 pages 75 gsm bond

Paper Output Capacity, Standard: Up to

100 pages 75 gsm bond

Paper Output Capacity, Maximum: Up to

100 pages 75 gsm bond

Envelope Capacity

1

Finishing Option

No

Number of Paper Inputs, Standard

2

Number of Paper Inputs, Maximum

4

Media Types Supported

Card Stock, Paper Labels, Plain Paper, Transparencies, Refer to the Card Stock & Label Guide

Media Sizes Supported

A4, A5, Executive, Folio, JIS-B5, Legal, Letter, Universal, Oficio, A6

Standard Ports

Fast Ethernet, USB 2.0 Specification Hi-Speed Certified (Type B), PictBridge Certified Port, 802.11b/g/n Wireless, Front USB port Compatible with USB 2.0 Specification (Type A)

Optional Network Ports

External MarkNet™ N7020e Gigabit Ethernet

Network Printing Methods

LPR/LPD, Direct IP (Port 9100), Enhanced IP (Port 9400), FTP, TFTP, IPP 1.1 (Internet Printing Protocol)

Network Protocol Support

TCP/IP IPv4, AppleTalk™, TCP/IP IPv6, TCP, UDP

Printable Area

4.2 mm of the top, bottom, right and left edges (within)

Printer Languages (Standard)

PCL 5c Emulation, PCL 6 Emulation, PPDS, PostScript 3 Emulation, PDF 1.6, Direct Image

Supplies Yield

Average continuous black or continuous composite CMY declared cartridge yield up to this number of standard pages in accordance with ISO/IEC 19798., 1,000*-page Colour Toner Cartridges (CMY), 2,000*-page Colour High Yield Toner Cartridges (CMY), 4,000*-page Colour Extra High Yield Toner Cartridges (CMY), 2,500*-page Black High Yield Toner Cartridge, 6,000*-page Black Extra High Yield Toner Cartridge, 1,000*-page Black Toner Cartridge

Cartridge(s) Shipping with Product

2,500*-page Black Return Program Toner Cartridge, 2,000*-page Colour (CMY) Return Program Toner Cartridges

Packaged Size (mm - H x W x D)

402 x 595 x 495 mm

Size (mm - H x W x D)

292 x 424 x 400 mm

Weight (kg)

21 kg

Noise Level, Idle

inaudible dBA

Print Noise Level, Operating

49 dBA

Product Guarantee

1 Year Onsite, Next Business Day

Product Certifications

Energy Star, CAN/CSA-C22.2 60950-1, CSA E60825-1, ICES-003 Class B, BSMI Class B, VCCI Class B, US FDA, FCC Class B, UL 60950-1, EN/IEC 60320-1, CE Class B, CB IEC 60950-1, EN 60950-1, EN/IEC 61000-3, EN 55022 Class B, EN 55024, EN/IEC 60825-1, UL/DENKMO GS, AR S, SMA C-tick mark, Class B, CCC Class B, CISPIR 22 Class B, MIC Mark, EK Mark

Maximum Monthly Duty Cycle

Up to 55,000 pages per month

Recommended Monthly Page Volume

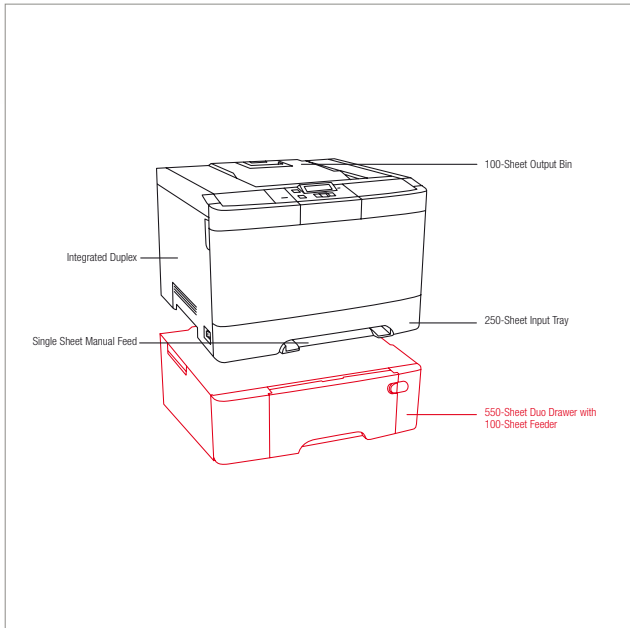
800 - 3000 Pages

Specified Operating Environment

Temperature: 16 to 32°C (60 to 90°F), Humidity: 8 to 80% Relative Humidity, Altitude: 0 - 3048 Meters (10,000 Feet)

License/Agreement Terms

Printers are sold subject to certain license/agreement conditions. See www.lexmark.com/printerlicense for details.



Paper Handling Standard
 Paper Handling Optional

Part #	Model
26C0185	Lexmark C544dw

Part #	Laser Toner/Print Cartridge
C544X1KG	C544, X544 Black Extra High Yield Return Programme Toner Cartridge (6K)
C544X1CG	C544, X544 Cyan Extra High Yield Return Programme Toner Cartridge (4K)
C544X1MG	C544, X544 Magenta Extra High Yield Return Programme Toner Cartridge (4K)
C544X1YG	C544, X544 Yellow Extra High Yield Return Programme Toner Cartridge (4K)
C540H1KG	C54x, X54x Black High Yield Return Programme Toner Cartridge (2.5K)
C540H1CG	C54x, X54x Cyan High Yield Return Programme Toner Cartridge (2K)
C540H1MG	C54x, X54x Magenta High Yield Return Programme Toner Cartridge (2K)
C540H1YG	C54x, X54x Yellow High Yield Return Programme Toner Cartridge (2K)
C540A1KG	C54x, X54x Black Return Programme Toner Cartridge (1K)
C540A1CG	C54x, X54x Cyan Return Programme Toner Cartridge (1K)
C540A1MG	C54x, X54x Magenta Return Programme Toner Cartridge (1K)
C540A1YG	C54x, X54x Yellow Return Programme Toner Cartridge (1K)
C544X2KG	C544, X544 Black Extra High Yield Toner Cartridge (6K)
C544X2CG	C544, X544 Cyan Extra High Yield Toner Cartridge (4K)
C544X2MG	C544, X544 Magenta Extra High Yield Toner Cartridge (4K)
C544X2YG	C544, X544 Yellow Extra High Yield Toner Cartridge (4K)
C540H2KG	C54x, X54x Black High Yield Toner Cartridge (2.5K)
C540H2CG	C54x, X54x Cyan High Yield Toner Cartridge (2K)
C540H2MG	C54x, X54x Magenta High Yield Toner Cartridge (2K)
C540H2YG	C54x, X54x Yellow High Yield Toner Cartridge (2K)
C540X75G	C54x, X54x Waste Toner Bottle (18K)
C540X71G	C54x, X54x Black Imaging Kit (30K)
C540X74G	C54x, X54x Black and Colour Imaging Kit (30K)

Part #	Paper & Transparencies
12A8241	Professional Colour Laser Transparencies, A4

Part #	Paper Handling
3000551	550-Sheet Duo Drawer with 100-Sheet MPF

Part #	Memory Options
1022298	128MB DDR1-DRAM
1022299	256MB DDR1-DRAM
1022301	512MB DDR1-DRAM
1021209	64MB Flash Card

Part #	Connectivity
1021294	USB (2 Meter) Cable
14T0220	MarkNet N7020e Gigabit Ethernet Print Server

Part #	Extended Warranties
2350477P	C544 2-Years Total (1+1) Onsite Service Guarantee
2350478P	C544 3-Years Total (1+2) Onsite Service Guarantee
2350481P	C544 1-Year Renewal Onsite Service Guarantee

Part #	User Replaceable Parts
3049484	C540, C543, C544 Relocation Kit



Lexmark C544dtn

Duplex colour printing and extra input to expand your possibilities

Print Technology

Color Laser

Print Speed (A4 mono)

Up to 23 ppm

Print Speed (A4 colour)

Up to 23 ppm

Print Speed (A4 mono) Duplex

Up to 12 spm

Time to First Page (Black)

As fast as 11 seconds

Time to First Page (Colour)

as fast as 12 seconds

Print Resolution, Black

1200 x 1200 dpi, 4800 Colour Quality (1200 x 600 dpi)

Print Resolution, Colour

1200 x 1200 dpi, 4800 Colour Quality (1200 x 600 dpi)

Processor

500 MHz

Memory, standard

128 MB

Memory, maximum

640 MB

Expandable Memory Options

Yes

Apple Macintosh Operating Systems Supported

Mac OS X, Mac OS 9.2

Citrix MetaFrame

Microsoft Windows 2000 Server running Terminal Services with Citrix Presentation Server 3.0, 4.0, Microsoft Windows Server 2003 running Terminal Services with Citrix Presentation Server 3.0, 4.0, 4.5, Microsoft Windows Server 2003 x64 running Terminal Services with Citrix Presentation Server 4.0 x64, 4.5 x64

Linux Operating Systems Supported

Linpus Linux Desktop 9.2, 9.3, Red Hat Enterprise Linux WS 3.0, 4.0, 5.0, SUSE Linux Enterprise Server 8.0, 9.0, 10, 11, SUSE Linux Enterprise Desktop 10, openSUSE 10.2, 10.3, 11.0, 11.1, Linspire Linux 6.0, Debian GNU/Linux 4.0, Red Flag Linux Desktop 5.0, 6.0, Ubuntu 7.10, Ubuntu 8.04 LTS, SUSE Linux Enterprise Desktop 11, Debian GNU/Linux 5.0, Ubuntu 8.10, 9.04

Microsoft Windows Operating Systems Supported

2000, XP, Server 2003, XP x64, Server 2003 running Terminal Services, 2000 Server running Terminal Services, Server 2003 x64, Server 2003 x64 running Terminal Services, Vista, Vista x64, Server 2008, Server 2008 x64, Server 2008 running Terminal Services, Server 2008 x64 running Terminal Services, 7

Novell Operating Systems Supported

Open Enterprise Server for Netware with NDS, iPrint or Novell Distributed Print Services (NDPS), NetWare 5.x, 6.x with iPrint or Novell Distributed Print Services (NDPS)

UNIX Operating Systems Supported

Sun Solaris SPARC 8, 9, 10, Sun Solaris x86 10, HP-UX 11.11, 11.23, 11.31, IBM AIX 5.2, 5.3, 6.1

Paper Handling Standard

100-Sheet Output Bin, Integrated Duplex, Single Sheet Manual Feed, 250-Sheet Input Tray, 550-Sheet Duo Drawer with 100-Sheet Feeder

Paper Input Capacity, Standard: Up to

900+1 pages 75 gsm bond

Paper Input Capacity, Maximum: Up to

900+1 pages 75 gsm bond

Paper Output Capacity, Standard: Up to

100 pages 75 gsm bond

Paper Output Capacity, Maximum: Up to

100 pages 75 gsm bond

Envelope Capacity

10

Finishing Option

No

Number of Paper Inputs, Standard

4

Number of Paper Inputs, Maximum

4

Media Types Supported

Card Stock, Paper Labels, Plain Paper, Transparencies, Refer to the Card Stock & Label Guide

Media Sizes Supported

A4, A5, Executive, Folio, JIS-B5, Legal, Letter, Statement, Universal, Oficio, A6

Standard Ports

Fast Ethernet, USB 2.0 Specification Hi-Speed Certified (Type B), PictBridge Certified Port, Front USB port Compatible with USB 2.0 Specification (Type A)

Optional Network Ports

Lexmark N4050e 802.11g Wireless Print Server (Print Only), External MarkNet™ N7020e Gigabit Ethernet

Network Printing Methods

LPR/LPD, Direct IP (Port 9100), Enhanced IP (Port 9400), FTP, TFTP, IPP 1.1 (Internet Printing Protocol)

Network Protocol Support

TCP/IP IPv4, AppleTalk™, TCP/IP IPv6, TCP, UDP

Printable Area

4.2 mm of the top, bottom, right and left edges (within)

Printer Languages (Standard)

PCL 5c Emulation, PCL 6 Emulation, PPDS, PostScript 3 Emulation, PDF-1.6, Direct Image

Supplies Yield

Average continuous black or continuous composite CMY declared cartridge yield up to this number of standard pages in accordance with ISO/IEC 19798, 1,000*-page Colour Toner Cartridges (CMY), 2,000*-page Colour High Yield Toner Cartridges (CMY), 4,000*-page Colour Extra High Yield Toner Cartridges (CMY), 2,500*-page Black High Yield Toner Cartridge, 6,000*-page Black Extra High Yield Toner Cartridge, 1,000*-page Black Toner Cartridge

Cartridge(s) Shipping with Product

2,500*-page Black Return Program Toner Cartridge,

2,000*-page Colour (CMY) Return Program Toner Cartridges

Packaged Size (mm - H x W x D)

668 x 625 x 532 mm

Size (mm - H x W x D)

422 x 424 x 416 mm

Weight (kg)

25 kg

Noise Level, Idle

inaudible dBA

Print Noise Level, Operating

48 dBA

Product Guarantee

1 Year Onsite, Next Business Day

Product Certifications

Energy Star, CAN/CSA-C22.2 60950-1, CSA E60825-1, ICES-003 Class B, BSMI Class B, VCCI Class B, US FDA, FCC Class B, UL 60950-1, EN/IEC 60320-1, CE Class B, CB IEC 60950-1, EN 60950-1, EN/IEC 61000-3, EN 55022 Class B, EN 55024, EN/IEC 60825-1, UL/DEMKO GS, AR S, SMA C-tick mark Class B, CCC Class B, CISPIR 22 Class B, MIC Mark, EK Mark

Maximum Monthly Duty Cycle

Up to 55000 pages per month

Recommended Monthly Page Volume

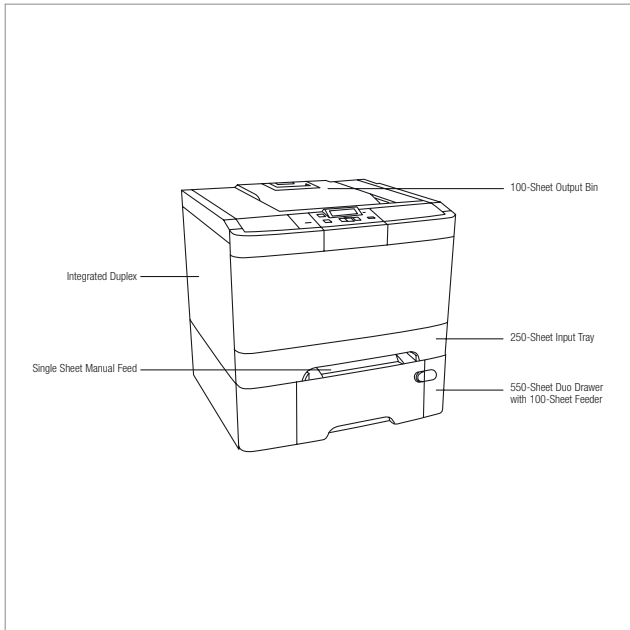
800 - 3000 Pages

Specified Operating Environment

Temperature: 16 to 32°C (60 to 90°F), Humidity: 8 to 80% Relative Humidity, Altitude: 0 - 3048 Meters (10,000 Feet)

License/Agreement Terms

Printers are sold subject to certain license/agreement conditions. See www.lexmark.com/printerlicense for details.



■ Paper Handling Standard

Part #	Model
26C0135	Lexmark C544dtn

Part #	Laser Toner/Print Cartridge
C544X1KG	C544, X544 Black Extra High Yield Return Programme Toner Cartridge (6K)
C544X1CG	C544, X544 Cyan Extra High Yield Return Programme Toner Cartridge (4K)
C544X1MG	C544, X544 Magenta Extra High Yield Return Programme Toner Cartridge (4K)
C544X1YG	C544, X544 Yellow Extra High Yield Return Programme Toner Cartridge (4K)
C540H1KG	C54x, X54x Black High Yield Return Programme Toner Cartridge (2.5K)
C540H1CG	C54x, X54x Cyan High Yield Return Programme Toner Cartridge (2K)
C540H1MG	C54x, X54x Magenta High Yield Return Programme Toner Cartridge (2K)
C540H1YG	C54x, X54x Yellow High Yield Return Programme Toner Cartridge (2K)
C540A1KG	C54x, X54x Black Return Programme Toner Cartridge (1K)
C540A1CG	C54x, X54x Cyan Return Programme Toner Cartridge (1K)
C540A1MG	C54x, X54x Magenta Return Programme Toner Cartridge (1K)
C540A1YG	C54x, X54x Yellow Return Programme Toner Cartridge (1K)
C544X2KG	C544, X544 Black Extra High Yield Toner Cartridge (6K)
C544X2CG	C544, X544 Cyan Extra High Yield Toner Cartridge (4K)
C544X2MG	C544, X544 Magenta Extra High Yield Toner Cartridge (4K)
C544X2YG	C544, X544 Yellow Extra High Yield Toner Cartridge (4K)
C540H2KG	C54x, X54x Black High Yield Toner Cartridge (2.5K)
C540H2CG	C54x, X54x Cyan High Yield Toner Cartridge (2K)
C540H2MG	C54x, X54x Magenta High Yield Toner Cartridge (2K)
C540H2YG	C54x, X54x Yellow High Yield Toner Cartridge (2K)
C540X75G	C54x, X54x Waste Toner Bottle (18K)
C540X71G	C54x, X54x Black Imaging Kit (30K)
C540X74G	C54x, X54x Black and Colour Imaging Kit (30K)

Part #	Paper & Transparencies
12A8241	Professional Colour Laser Transparencies, A4

Part #	Memory Options
1022298	128MB DDR1-DRAM
1022299	256MB DDR1-DRAM
1022301	512MB DDR1-DRAM
1021209	64MB Flash Card

Part #	Connectivity
1021294	USB (2 Meter) Cable
14T0165	Lexmark N405De 802.11g Wireless Print Server
14T0220	MarkNet N7020e Gigabit Ethernet Print Server

Part #	Extended Warranties
2350477P	C544 2-Years Total (1+1) Onsite Service Guarantee
2350478P	C544 3-Years Total (1+2) Onsite Service Guarantee
2350481P	C544 1-Year Renewal Onsite Service Guarantee

Part #	User Replaceable Parts
3049484	C540, C543, C544 Relocation Kit



Lexmark C546dtn

Small and smart design, big-business colour!

Print Technology

Color Laser

Print Speed (A4 mono)

Up to 23 ppm

Print Speed (A4 colour)

Up to 23 ppm

Print Speed (A4 mono) Duplex

Up to 12 ppm

Time to First Page (Black)

As fast as 11 seconds

Time to First Page (Colour)

As fast as 12 seconds

Print Resolution, Black

1200 x 1200 dpi, 4800 Colour Quality (1200 x 600 dpi)

Print Resolution, Colour

1200 x 1200 dpi, 4800 Colour Quality (1200 x 600 dpi)

Processor

500 MHz

Memory, standard

256 MB

Memory, maximum

640MB (Replacement required)

Hard Disk

Not Available

Expandable Memory Options

Yes

Apple Macintosh Operating Systems Supported

Mac OS X, Mac OS 9.2

Citrix MetaFrame

Microsoft Windows 2000 Server running Terminal

Services with Citrix Presentation Server 3.0, 4.0,

Microsoft Windows Server 2003 running Terminal

Services with Citrix Presentation Server 3.0, 4.0, 4.5,

Microsoft Windows Server 2003 x64 running Terminal

Services with Citrix Presentation Server 4.0 x64, 4.5 x64

Linux Operating Systems Supported

Linpus Linux Desktop 9.2, 9.3, Red Hat Enterprise Linux

WS 3.0, 4.0, 5.0, SUSE Linux Enterprise Server 8.0, 9.0,

10, 11, SUSE Linux Enterprise Desktop 10, openSUSE

10.2, 10.3, 11.0, 11.1, Linspire Linux 6.0, Debian GNU/

Linux 4.0, Red Flag Linux Desktop 5.0, 6.0, Ubuntu 7.10,

Ubuntu 8.04 LTS, SUSE Linux Enterprise Desktop 11,

Debian GNU/Linux 5.0, Ubuntu 8.10, 9.04

Microsoft Windows Operating Systems Supported

2000, XP, Server 2003, XP x64, Server 2003 running

Terminal Services, 2000 Server running Terminal

Services, Server 2003 x64, Server 2003 x64 running

Terminal Services, Vista, Vista x64, Server 2008, Server

2008 x64, Server 2008 running Terminal Services, Server

2008 x64 running Terminal Services, 7

Novell Operating Systems Supported

Open Enterprise Server for Netware with NDS, iPrint or

Novell Distributed Print Services (NDPS), NetWare 5.x, 6.x

with iPrint or Novell Distributed Print Services (NDPS)

UNIX Operating Systems Supported

Sun Solaris SPARC 8, 9, 10, Sun Solaris x86 10, HP-UX

11.11, 11.23, 11.31, IBM AIX 5.2, 5.3, 6.1

Paper Handling Standard

100-Sheet Output Bin, Integrated Duplex, Single Sheet

Manual Feed, 250-Sheet Input Tray, 550-Sheet Duo

Drawer with 100-Sheet Feeder

Paper Handling Optional

550-Sheet Drawer

Paper Input Capacity, Standard: Up to

900+1 pages 75 gsm bond

Paper Input Capacity, Maximum: Up to

1450+1 pages 75 gsm bond

Paper Output Capacity, Standard: Up to

100 pages 75 gsm bond

Paper Output Capacity, Maximum: Up to

100 pages 75 gsm bond

Envelope Capacity

10

Finishing Option

No

Number of Paper Inputs, Standard

4

Number of Paper Inputs, Maximum

5

Media Types Supported

Card Stock, Envelopes, Paper Labels, Plain Paper,

Transparencies, Refer to the Card Stock & Label Guide

Media Sizes Supported

10 Envelope, 7 3/4 Envelope, 9 Envelope, A4, A5, B5

Envelope, C5 Envelope, DL Envelope, Executive, Folio,

JIS-B5, Legal, Letter, Statement, Universal, Oficio, A6

Standard Ports

Fast Ethernet, USB 2.0 Specification Hi-Speed Certified

(Type B), PictBridge Certified Port, Front USB port

Compatible with USB 2.0 Specification (Type A)

Optional Network Ports

Lexmark N4050e 802.11g Wireless Print Server (Print

Only), External MarkNet™ N7020e Gigabit Ethernet

Network Printing Methods

LPR/LPD, Direct IP (Port 9100), Enhanced IP (Port 9400),

FTP, TFTP, IPP 1.1 (Internet Printing Protocol)

Network Protocol Support

TCP/IP IPv4, AppleTalk™, TCP/IP IPv6, TCP, UDP

Printable Area

4.2 mm of the top, bottom, right and left edges (within)

Printer Languages (Standard)

PCL 5c Emulation, PCL 6 Emulation, PPDS, PostScript 3

Emulation, PDF 1.6, Direct Image

Supplies Yield

Average continuous black or continuous composite CMY

declared cartridge yield up to this number of standard

pages in accordance with ISO/IEC 19798., 1,000*-page

Colour Toner Cartridges (CMY), 2,000*-page Colour

High Yield Toner Cartridges (CMY), 4,000*-page Colour

Extra High Yield Toner Cartridges (CMY), 2,500*-page

Black High Yield Toner Cartridge, 1,000*-page Black
Toner Cartridge, 8,000*-page Black Extra High Yield
Toner Cartridge

Cartridge(s) Shipping with Product

4,000*-page Black Starter Return Program Toner

Cartridge, 4,000*-page Colour (CMY) Extra High Yield

Return Program Toner Cartridges

Packaged Size (mm - H x W x D)

626 x 610 x 510 mm

Size (mm - H x W x D)

422 x 424 x 416 mm

Weight (kg)

25 kg

Noise Level, Idle

inaudible dBA

Print Noise Level, Operating

49 dBA

Product Guarantee

1-Year Onsite Service, Next Business Day

Product Certifications

Energy Star, CAN/CSA-C22.2 60950-1, CSA E60825-1,

ICES-003 Class B, BSMI Class B, VCCI Class B, US FDA,

FCC Class B, UL 60950-1, EN/IEC 60320-1, CE Class

B, CB IEC 60950-1, EN 60950-1, EN/IEC 61000-3, EN

55022 Class B, EN 55024, EN/IEC 60825-1, UL/DEMCO

GS, AR S, SMA C-tick mark Class B, CCC Class B, CISPIR

22 Class B, MIC Mark, EK Mark

Maximum Monthly Duty Cycle

Up to 55000 pages per month

Recommended Monthly Page Volume

1000 - 4000 Pages

Specified Operating Environment

Temperature: 16 to 32°C (60 to 90°F), Humidity: 8

to 80% Relative Humidity, Altitude: 0 - 3048 Meters

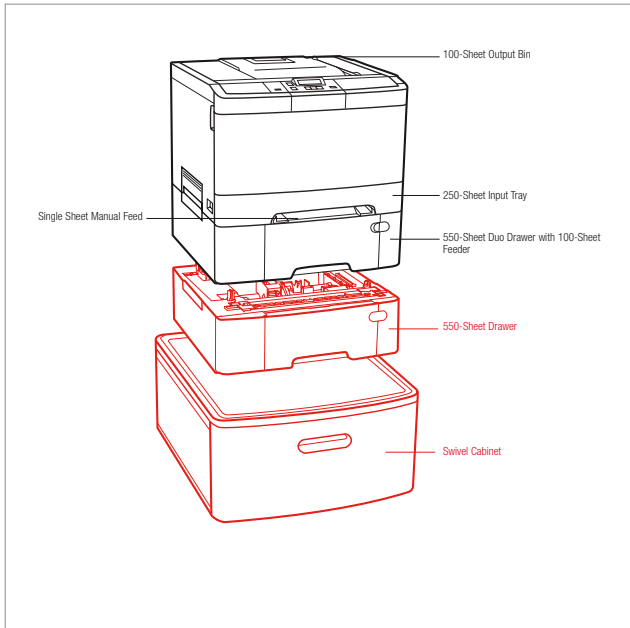
(10,000 Feet)

License/Agreement Terms

Printers are sold subject to certain license/agreement

conditions. See www.lexmark.com/printerlicense for

details.



Paper Handling Standard
 Paper Handling Optional

Part #	Model
26C0141	Lexmark C546dtn

Part #	Laser Toner/Print Cartridge
C546U1KG	C546, X546 Black Extra High Yield Return Program Toner Cartridge
C544X1CG	C544, X544 Cyan Extra High Yield Return Programme Toner Cartridge (4K)
C544X1MG	C544, X544 Magenta Extra High Yield Return Programme Toner Cartridge (4K)
C544X1YG	C544, X544 Yellow Extra High Yield Return Programme Toner Cartridge (4K)
C540H1KG	C54x, X54x Black High Yield Return Programme Toner Cartridge (2.5K)
C540H1CG	C54x, X54x Cyan High Yield Return Programme Toner Cartridge (2K)
C540H1MG	C54x, X54x Magenta High Yield Return Programme Toner Cartridge (2K)
C540H1YG	C54x, X54x Yellow High Yield Return Programme Toner Cartridge (2K)
C540A1KG	C54x, X54x Black Return Programme Toner Cartridge (1K)
C540A1CG	C54x, X54x Cyan Return Programme Toner Cartridge (1K)
C540A1MG	C54x, X54x Magenta Return Programme Toner Cartridge (1K)
C540A1YG	C54x, X54x Yellow Return Programme Toner Cartridge (1K)
C546U2KCG	C546, X546 Black Extra High Yield Toner Cartridge
C544X2CCG	C544, X544 Cyan Extra High Yield Toner Cartridge (4K)
C544X2MCG	C544, X544 Magenta Extra High Yield Toner Cartridge (4K)
C544X2YCG	C544, X544 Yellow Extra High Yield Toner Cartridge (4K)
C540H2KCG	C54x, X54x Black High Yield Toner Cartridge (2.5K)
C540H2CCG	C54x, X54x Cyan High Yield Toner Cartridge (2K)
C540H2MCG	C54x, X54x Magenta High Yield Toner Cartridge (2K)
C540H2YCG	C54x, X54x Yellow High Yield Toner Cartridge (2K)
C540X75G	C54x, X54x Waste Toner Bottle (18K)
C540X71G	C54x, X54x Black Imaging Kit (30K)
C540X74G	C54x, X54x Black and Colour Imaging Kit (30K)

Part #	Paper & Transparencies
12A8241	Professional Colour Laser Transparencies, A4

Part #	Paper Handling
3051710	C546, X546 550-Sheet Drawer

Part #	Furniture
3052765	Swivel Cabinet

Part #	Memory Options
1022299	256MB DDR1-DRAM
1022301	512MB DDR1-DRAM
1021209	64MB Flash Card

Part #	Connectivity
1021294	USB (2 Meter) Cable
14T0165	Lexmark N4050e 802.11g Wireless Print Server
14T0220	MarkNet N7020e Gigabit Ethernet Print Server

Part #	Extended Warranties
2352700P	C546 2-Years Total (1+1) Onsite Service Guarantee

2352701P	C546 3-Years Total (1+2) Onsite Service Guarantee
2352704P	C546 1-Year Renewal Onsite Service Guarantee

Part #	User Replaceable Parts
3049484	C540, C543, C544 Relocation Kit

Part #	Installation
2352725	C546 Installation



Lexmark C734n

Reliable, business-class colour for large and mid-sized workgroups

Print Technology

Color Laser

Print Speed (A4 mono)

Up to 28 ppm

Print Speed (A4 colour)

Up to 28 ppm

Time to First Page (Black)

As fast as 9.5 seconds

Time to First Page (Colour)

as fast as 9.5 seconds

Print Resolution, Black

1200 x 1200 dpi, 4800 Color Quality (2400 x 600 dpi)

Print Resolution, Colour

1200 x 1200 dpi, 4800 Colour Quality (2400 x 600 dpi)

Processor

600 MHz

Memory, standard

256 MB

Memory, maximum

1280 MB

Expandable Memory Options

Yes

Apple Macintosh Operating Systems Supported

Mac OS X, Mac OS 9.2

Citrix MetaFrame

Microsoft Windows 2000 Server running Terminal Services with Citrix Presentation Server 3.0, 4.0, Microsoft Windows Server 2003 running Terminal Services with Citrix Presentation Server 3.0, 4.0, 4.5, Microsoft Windows Server 2003 x64 running Terminal Services with Citrix Presentation Server 4.0 x64, 4.5 x64

Linux Operating Systems Supported

Linpus Linux Desktop 9.2, 9.3, Red Hat Enterprise Linux WS 3.0, 4.0, 5.0, SUSE Linux Enterprise Server 8.0, 9.0, 10, 11, SUSE Linux Enterprise Desktop 10, openSUSE 10.2, 10.3, 11.0, 11.1, Linspire Linux 6.0, Debian GNU/Linux 4.0, Red Flag Linux Desktop 5.0, 6.0, Ubuntu 7.10, Ubuntu 8.04 LTS, SUSE Linux Enterprise Desktop 11, Debian GNU/Linux 5.0, Ubuntu 8.10, 9.04

Microsoft Windows Operating Systems Supported

2000, XP, Server 2003, XP x64, Server 2003 running Terminal Services, 2000 Server running Terminal Services, Server 2003 x64, Server 2003 x64 running Terminal Services, Vista, Vista x64, Server 2008, Server 2008 x64, Server 2008 running Terminal Services, Server 2008 x64 running Terminal Services, 7

Novell Operating Systems Supported

Open Enterprise Server for Netware with NDS, iPrint or Novell Distributed Print Services (NDPS), NetWare 5.x, 6.x with iPrint or Novell Distributed Print Services (NDPS)

UNIX Operating Systems Supported

Sun Solaris SPARC 8, 9, 10, Sun Solaris x86 10, HP-LX 11.11, 11.23, 11.31, IBM AIX 5.2, 5.3, 6.1

Paper Handling Standard

300-Sheet Output Bin, 100-Sheet Multipurpose Feeder, 550-Sheet Input Tray

Paper Handling Optional

550-Sheet Drawer, 2,000-Sheet High-capacity Feeder,

550-Sheet Specialty Media Drawer

Paper Input Capacity, Standard: Up to

650 pages 75 gsm bond

Paper Input Capacity, Maximum: Up to

3750 pages 75 gsm bond

Paper Output Capacity, Standard: Up to

300 pages 75 gsm bond

Paper Output Capacity, Maximum: Up to

300 pages 75 gsm bond

Envelope Capacity

85 x 3 = 255

Finishing Option

No

Number of Paper Inputs, Standard

2

Number of Paper Inputs, Maximum

5

Media Types Supported

Card Stock, Envelopes, Glossy paper, Paper Labels, Plain Paper, Transparencies, Vinyl Labels, Refer to the Card Stock & Label Guide

Media Sizes Supported

10 Envelope, 7 3/4 Envelope, 9 Envelope, A4, A5, B5 Envelope, C5 Envelope, DL Envelope, B5, Executive, Folio, JIS-B5, Legal, Letter, Statement, Universal, Office

Standard Ports

Fast Ethernet, USB 2.0 Specification Hi-Speed Certified (Type B), PicBridge Certified Port, Front USB 2.0 Specification Hi-Speed Certified port (Type A)

Optional Network Ports

Lexmark N4050e 802.11g Wireless Print Server (Print Only), External MarkNet™ N7020e Gigabit Ethernet, Internal MarkNet™ N8120 Gigabit Ethernet, Internal MarkNet™ N8130 Fiber Fast Ethernet, Internal MarkNet™ N8150 802.11b/g/n Wireless

Network Printing Methods

LPR/LPD, Direct IP (Port 9100), HTTP, NDS Queue-based Printing, NDPS/NEPS (Novell Distributed Print Services, Novell Network Enterprise Print Services), Enhanced IP (Port 9400), FTP, TFTP, IPP 1.1 (Internet Printing Protocol), ThinPrint .print integration

Network Protocol Support

TCP/IP IPv4, IPX/SPX, AppleTalk™, LexLink (DLC), TCP/IP IPv6, TCP, UDP

Network Security

SNMPv3, 802.1x Authentication: MD5, MSCHAPv2, LEAP, PEAP, TLS, TTLS, IPsec

Printable Area

4.2 mm of the top, bottom, right and left edges (within)

Printer Languages (Standard)

PCL 5c Emulation, PCL 6 Emulation, PPDS, PostScript 3 Emulation, xHTML, PDF 1.6, Direct Image, Microsoft XPS (XML Paper Specification)

Supplies Yield

Average continuous black or continuous composite CMY declared cartridge yield up to this number of standard pages in accordance with ISO/IEC 19798 - 6,000*-page Colour Toner Cartridges (CMY), 8,000*-page Black Toner Cartridge

Cartridge(s) Shipping with Product

4,000*-page Black Starter Return Program Toner Cartridge, 4,000*-page Colour (CMY) Starter Return Program Toner Cartridges

Packaged Size (mm - H x W x D)

545 x 588 x 553 mm

Size (mm - H x W x D)

450 x 435 x 470 mm

Size, Trays Extended (mm - H x W x D)

450 x 435 x 527 mm

Weight (kg)

25.7 kg

Noise Level, Idle

33 dBA

Print Noise Level, Operating

54 dBA

Product Guarantee

1-Year Onsite Service, Next Business Day

Product Certifications

CAN/CSA-C22.2 60950-1, CSA E60825-1, ICES-003 Class B, BSMI Class B, VCCI Class B, US FDA, FCC Class B, UL 60950-1, EN/IEC 60320-1, CE Class B, CB IEC 60950-1, EN 60950-1, EN/IEC 61000-3, EN 55022 Class B, EN 55024, EN/IEC 60825-1, GS (TÜV), AR S

Maximum Monthly Duty Cycle

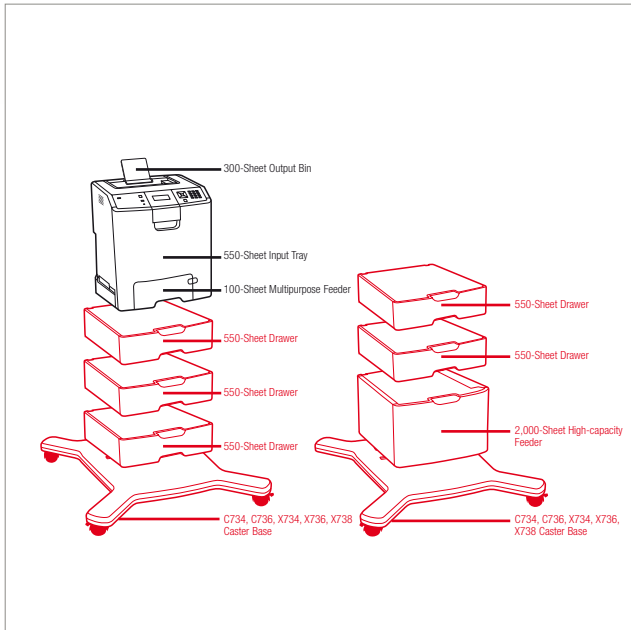
Up to 85000 pages per month

Recommended Monthly Page Volume

1500 - 9200 Pages

Specified Operating Environment

Temperature: 16 to 32°C (60 to 90°F), Humidity: 8 to 80% Relative Humidity, Altitude: 0 - 3048 Meters (10,000 Feet)



Paper Handling Standard
 Paper Handling Optional

Part #	Model
25C0380	Lexmark C734n

Part # Laser Toner/Print Cartridge

C734A1KG	C734, C736, X734, X736, X738 Black Return Programme Toner Cartridge (8K)
C734A1CG	C734, C736, X734, X736, X738 Cyan Return Programme Toner Cartridge
C734A1MG	C734, C736, X734, X736, X738 Magenta Return Programme Toner Cartridge (6K)
C734A1YG	C734, C736, X734, X736, X738 Yellow Return Programme Toner Cartridge (6K)
C734A2KG	C734, C736, X734, X736, X738 Black Toner Cartridge (8K)
C734A2CG	C734, C736, X734, X736, X738 Cyan Toner Cartridge (6K)
C734A2MG	C734, C736, X734, X736, X738 Magenta Toner Cartridge (6K)
C734A2YG	C734, C736, X734, X736, X738 Yellow Toner Cartridge (6K)
C734X77G	C73x, X73x Waste Toner Box (25K)
C734X20G	C734, C736, X734, X736, X738 Photoconductor Unit (20K)
C734X24G	C734, C736, X734, X736, X738 Photoconductor Unit, 4-Pack (20K each)

Part #	Paper & Transparencies
12A8241	Professional Colour Laser Transparencies, A4

Part #	Paper Handling
27S2100	C734, C736, X734e, X736e, X738e 550-Sheet Drawer
27S2400	2000-Sheet High Capacity Feeder
27S2650	C734, C736, X734e, X736e, X738e 550-Sheet Speciality Media Drawer
27S2190	4.8 inch (12.2 cm) Spacer

Part #	Furniture
16M1210	C734, C736, X734, X736, X738 Caster Base
30S2765	Swivel Cabinet

Part #	Memory Options
1025041	256MB DDR2-DRAM
1025042	512MB DDR2-DRAM
1025043	1024MB DDR2-DRAM
14F0245	256MB Flash Card
14F0102	Hard Disk (80+GB)

Part #	Application Solutions
30G0829	Lexmark PrintCrypton Card
25C0434	C734, C736 Card for IPDS/SCS/TNe
25C0433	C734, C736 Forms and Bar Code Card

Part #	Connectivity
14F0037	MarkNet N8120 Gigabit Ethernet Print Server
14F0042	MarkNet N8130 Fiber Ethernet 100BaseFX, 10BaseFL Print Server
14F0045	MarkNet N8150 802.11b/g/n Wireless Print Server
14T0165	Lexmark N4050e 802.11g Wireless Print Server
14T0220	MarkNet N7020e Gigabit Ethernet Print Server

14F0000	Parallel 1284-B Interface Card
1021294	USB (2 Meter) Cable
1021231	Parallel (10') Cable
14F0100	RS-232C Serial Interface Card

Part #	Extended Warranties
2350780P	C734 2-Years Total (1+1) Onsite Service Guarantee
2350781P	C734 3-Years Total (1+2) Onsite Service Guarantee
2350782P	C734 4-Years Total (1+3) Onsite Service Guarantee
2350784P	C734 1-Year Renewal Onsite Service Guarantee

Part #	User Replaceable Parts
40X5094	C73x, X73x Fuser Maintenance 220-240V
40X5096	C73x, X73x Transfer Belt Maintenance
40X5152	Pick Tire, Special Media Drawer

Part #	Installation
2350796	C734 Installation



Lexmark C734dn

Reliable, business-class colour for large and mid-sized workgroups

Print Technology

Color Laser

Print Speed (A4 mono)

Up to 28 ppm

Print Speed (A4 colour)

Up to 28 ppm

Print Speed (A4 mono) Duplex

Up to 19 spm

Time to First Page (Black)

As fast as 9.5 seconds

Time to First Page (Colour)

as fast as 9.5 seconds

Print Resolution, Black

1200 x 1200 dpi, 4800 Colour Quality (2400 x 600 dpi)

Print Resolution, Colour

1200 x 1200 dpi, 4800 Colour Quality (2400 x 600 dpi)

Processor

600 MHz

Memory, standard

256 MB

Memory, maximum

1280 MB

Expandable Memory Options

Yes

Apple Macintosh Operating Systems Supported

Mac OS X, Mac OS 9.2

Citrix MetaFrame

Microsoft Windows 2000 Server running Terminal Services with Citrix Presentation Server 3.0, 4.0, Microsoft Windows Server 2003 running Terminal Services with Citrix Presentation Server 3.0, 4.0, 4.5, Microsoft Windows Server 2003 x64 running Terminal Services with Citrix Presentation Server 4.0 x64, 4.5 x64

Linux Operating Systems Supported

Linux Linux Desktop 9.2, 9.3, Red Hat Enterprise Linux WS 3.0, 4.0, 5.0, SUSE Linux Enterprise Server 8.0, 9.0, 10, 11, SUSE Linux Enterprise Desktop 10, openSUSE 10.2, 10.3, 11.0, 11.1, Linspire Linux 6.0, Debian GNU/Linux 4.0, Red Flag Linux Desktop 5.0, 6.0, Ubuntu 7.10, Ubuntu 8.04 LTS, SUSE Linux Enterprise Desktop 11, Debian GNU/Linux 5.0, Ubuntu 8.10, 9.04

Microsoft Windows Operating Systems Supported

2000, XP, Server 2003, XP x64, Server 2003 running Terminal Services, 2000 Server running Terminal Services, Server 2003 x64, Server 2003 x64 running Terminal Services, Vista, Vista x64, Server 2008, Server 2008 x64, Server 2008 running Terminal Services, Server 2008 x64 running Terminal Services, 7

Novell Operating Systems Supported

Open Enterprise Server for Netware with NDS, iPrint or Novell Distributed Print Services (NDPS), NetWare 5.x, 6.x with iPrint or Novell Distributed Print Services (NDPS)

UNIX Operating Systems Supported

Sun Solaris SPARC 8, 9, 10, Sun Solaris x86 10, HP-UX 11.11, 11.23, 11.31, IBM AIX 5.2, 5.3, 6.1

Paper Handling Standard

300-Sheet Output Bin, Integrated Duplex, 100-Sheet Multipurpose Feeder, 550-Sheet Input Tray

Paper Handling Optional

550-Sheet Drawer, 2,000-Sheet High-capacity Feeder, 550-Sheet Specialty Media Drawer

Paper Input Capacity, Standard: Up to

650 pages 75 gsm bond

Paper Input Capacity, Maximum: Up to

3750 pages 75 gsm bond

Paper Output Capacity, Standard: Up to

300 pages 75 gsm bond

Paper Output Capacity, Maximum: Up to

300 pages 75 gsm bond

Envelope Capacity

85 x 3 = 255

Finishing Option

No

Number of Paper Inputs, Standard

2

Number of Paper Inputs, Maximum

5

Media Types Supported

Card Stock, Envelopes, Glossy paper, Paper Labels, Plain Paper, Transparencies, Vinyl Labels, Refer to the Card Stock & Label Guide

Media Sizes Supported

10 Envelope, 7 3/4 Envelope, 9 Envelope, A4, A5, B5 Envelope, C5 Envelope, DL Envelope, B5, Executive, Folio, JIS-B5, Legal, Letter, Statement, Universal, Oficio

Standard Ports

Fast Ethernet, USB 2.0 Specification Hi-Speed Certified (Type B), PictBridge Certified Port, Front USB 2.0 Specification Hi-Speed Certified port (Type A)

Optional Network Ports

Lexmark N4050e 802.11g Wireless Print Server (Print Only), External MarkNet™ N7020e Gigabit Ethernet, Internal MarkNet™ N8120 Gigabit Ethernet, Internal MarkNet™ N8130 Fiber Fast Ethernet, Internal MarkNet™ N8150 802.11b/g/n Wireless

Network Printing Methods

LPR/LPD, Direct IP (Port 9100), HTTP, NDS Queue-based Printing, NDPS/NEPS (Novell Distributed Print Services), Novell Netware Enterprise Print Services, Enhanced IP (Port 9400), FTP, TFTP, IPP 1.1 (Internet Printing Protocol), ThinPrint .print integration

Network Protocol Support

TCP/IP IPv4, IPX/SPX, AppleTalk™, LexLink (DLC), TCP/IP IPv6, TCP, UDP

Network Security

SNMPv3, 802.1x Authentication: MD5, MSCHAPv2, LEAP, PEAP, TLS, IPsec

Printable Area

4.2 mm of the top, bottom, right and left edges (within)

Printer Languages (Standard)

PCL 5c Emulation, PCL 6 Emulation, PPDS, PostScript 3

Emulation, xHTML, PDF 1.6, Direct Image, Microsoft XPS (XML Paper Specification)

Supplies Yield

Average continuous black or continuous composite CMY declared cartridge yield up to this number of standard pages in accordance with ISO/IEC 19798., 6,000*-page Colour Toner Cartridges (CMY), 8,000*-page Black Toner Cartridge

Cartridge(s) Shipping with Product

4,000*-page Black Starter Return Program Toner Cartridge, 4,000*-page Colour (CMY) Starter Return Program Toner Cartridges

Packaged Size (mm - H x W x D)

570 x 633 x 553 mm

Size (mm - H x W x D)

450 x 435 x 470 mm

Size, Trays Extended (mm - H x W x D)

450 x 435 x 527 mm

Weight (kg)

25.7 kg

Noise Level, Idle

33 dBA

Print Noise Level, Operating

54 dBA

Product Guarantee

1-Year Onsite Service, Next Business Day

Product Certifications

Energy Star, CAN/CSA-C22.2 60950-1, CSA E60825-1, ICES-003 Class B, BSMI Class B, VCCI Class B, US FDA, FCC Class B, UL 60950-1, EN/IEC 60320-1, CE Class B, CB IEC 60950-1, EN 60950-1, EN/IEC 61000-3, EN 55022 Class B, EN 55024, EN/IEC 60825-1, GS (TÜV), AR S

Maximum Monthly Duty Cycle

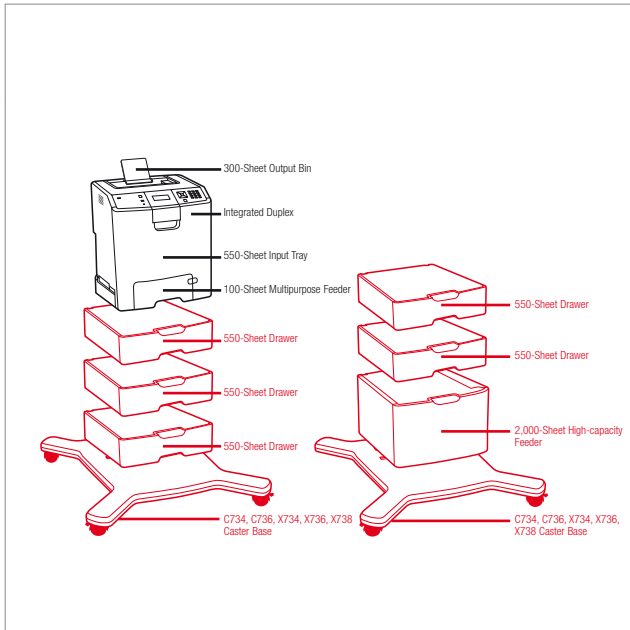
Up to 85000 pages per month

Recommended Monthly Page Volume

1500 - 9200 Pages

Specified Operating Environment

Temperature: 16 to 32°C (60 to 90°F), Humidity: 8 to 80% Relative Humidity, Altitude: 0 - 3048 Meters (10,000 Feet)



Paper Handling Standard
 Paper Handling Optional

Part #	Model
25C0381	Lexmark C734dn

Part #	Laser Toner/Print Cartridge
C734A1KG	C734, C736, X734, X736, X738 Black Return Programme Toner Cartridge (8K)
C734A1CG	C734, C736, X734, X736, X738 Cyan Return Programme Toner Cartridge
C734A1MG	C734, C736, X734, X736, X738 Magenta Return Programme Toner Cartridge (6K)
C734A1YG	C734, C736, X734, X736, X738 Yellow Return Programme Toner Cartridge (6K)

C734A2KG	C734, C736, X734, X736, X738 Black Toner Cartridge (8K)
C734A2CG	C734, C736, X734, X736, X738 Cyan Toner Cartridge (6K)
C734A2MG	C734, C736, X734, X736, X738 Magenta Toner Cartridge (6K)
C734A2YG	C734, C736, X734, X736, X738 Yellow Toner Cartridge (6K)
C734X77G	C73x, X73x Waste Toner Box (25K)
C734X20G	C734, C736, X734, X736, X738 Photoconductor Unit (20K)
C734X24G	C734, C736, X734, X736, X738 Photoconductor Unit, 4-Pack (20K each)

Part #	Paper & Transparencies
12A8241	Professional Colour Laser Transparencies, A4

Part #	Paper Handling
27S2100	C734, C736, X734e, X736e, X738e 550-Sheet Drawer
27S2400	2000-Sheet High Capacity Feeder
27S2650	C734, C736, X734e, X736e, X738e 550-Sheet Speciality Media Drawer
27S2190	4.8 inch (12.2 cm) Spacer

Part #	Furniture
16M1210	C734, C736, X734, X736, X738 Caster Base
3052765	Swivel Cabinet

Part #	Memory Options
1025041	256MB DDR2-DRAM
1025042	512MB DDR2-DRAM
1025043	1024MB DDR2-DRAM
14F0245	256MB Flash Card
14F0102	Hard Disk (80+GB)

Part #	Application Solutions
30G0829	Lexmark PrintCrypton Card
25C0434	C734, C736 Card for IPDS/SCS/TNe
25C0433	C734, C736 Forms and Bar Code Card

Part #	Connectivity
14F0037	MarkNet N8120 Gigabit Ethernet Print Server
14F0042	MarkNet N8130 Fiber Ethernet 100BaseFX, 10BaseFL Print Server
14F0045	MarkNet N8150 802.11b/g/n Wireless Print Server
14T0165	Lexmark N4050e 802.11g Wireless Print Server
14T0220	MarkNet N7020e Gigabit Ethernet Print Server

14F0000	Parallel 1284-B Interface Card
1021294	USB (2 Meter) Cable
1021231	Parallel (10') Cable
14F0100	RS-232C Serial Interface Card

Part #	Extended Warranties
2350780P	C734 2-Years Total (1+1) Onsite Service Guarantee
2350781P	C734 3-Years Total (1+2) Onsite Service Guarantee
2350782P	C734 4-Years Total (1+3) Onsite Service Guarantee
2350784P	C734 1-Year Renewal Onsite Service Guarantee

Part #	User Replaceable Parts
40X5094	C73x, X73x Fuser Maintenance 220-240V
40X5096	C73x, X73x Transfer Belt Maintenance
40X5152	Pick Tire, Special Media Drawer

Part #	Installation
2350796	C734 Installation



Lexmark C734dtn

Reliable, business-class colour for large and mid-sized workgroups

Print Technology

Color Laser

Print Speed (A4 mono)

Up to 28 ppm

Print Speed (A4 colour)

Up to 28 ppm

Print Speed (A4 mono) Duplex

Up to 19 ppm

Time to First Page (Black)

As fast as 9.5 seconds

Time to First Page (Colour)

as fast as 9.5 seconds

Print Resolution, Black

1200 x 1200 dpi, 4800 Colour Quality (2400 x 600 dpi)

Print Resolution, Colour

1200 x 1200 dpi, 4800 Colour Quality (2400 x 600 dpi)

Processor

600 MHz

Memory, standard

256 MB

Memory, maximum

1280 MB

Expandable Memory Options

Yes

Apple Macintosh Operating Systems Supported

Mac OS X, Mac OS 9.2

Citrix MetaFrame

Microsoft Windows 2000 Server running Terminal Services with Citrix Presentation Server 3.0, 4.0, Microsoft Windows Server 2003 running Terminal Services with Citrix Presentation Server 3.0, 4.0, 4.5, Microsoft Windows Server 2003 x64 running Terminal Services with Citrix Presentation Server 4.0 x64, 4.5 x64

Linux Operating Systems Supported

Linux Linux Desktop 9.2, 9.3, Red Hat Enterprise Linux WS 3.0, 4.0, 5.0, SUSE Linux Enterprise Server 8.0, 9.0, 10, 11, SUSE Linux Enterprise Desktop 10, openSUSE 10.2, 10.3, 11.0, 11.1, Linspire Linux 6.0, Debian GNU/Linux 4.0, Red Flag Linux Desktop 5.0, 6.0, Ubuntu 7.10, Ubuntu 8.04 LTS, SUSE Linux Enterprise Desktop 11, Debian GNU/Linux 5.0, Ubuntu 8.10, 9.04

Microsoft Windows Operating Systems Supported

2000, XP, Server 2003, XP x64, Server 2003 running Terminal Services, 2000 Server running Terminal Services, Server 2003 x64, Server 2003 x64 running Terminal Services, Vista, Vista x64, Server 2008, Server 2008 x64, Server 2008 running Terminal Services, Server 2008 x64 running Terminal Services, 7

Novell Operating Systems Supported

Open Enterprise Server for Netware with NDS, iPrint or Novell Distributed Print Services (NDPS), NetWare 5.x, 6.x with iPrint or Novell Distributed Print Services (NDPS)

UNIX Operating Systems Supported

Sun Solaris SPARC 8, 9, 10, Sun Solaris x86 10, HP-UX 11.11, 11.23, 11.31, IBM AIX 5.2, 5.3, 6.1

Paper Handling Standard

300-Sheet Output Bin, Integrated Duplex, 100-Sheet Multipurpose Feeder, 550-Sheet Drawer, 550-Sheet Input Tray

Paper Handling Optional

550-Sheet Drawer, 2,000-Sheet High-capacity Feeder, 550-Sheet Specialty Media Drawer

Paper Input Capacity, Standard: Up to

1200 pages 75 gsm bond

Paper Input Capacity, Maximum: Up to

3750 pages 75 gsm bond

Paper Output Capacity, Standard: Up to

300 pages 75 gsm bond

Paper Output Capacity, Maximum: Up to

300 pages 75 gsm bond

Envelope Capacity

85 x 3 = 255

Finishing Option

No

Number of Paper Inputs, Standard

3

Number of Paper Inputs, Maximum

5

Media Types Supported

Card Stock, Envelopes, Glossy paper, Paper Labels, Plain Paper, Transparencies, Vinyl Labels, Refer to the Card Stock & Label Guide

Media Sizes Supported

10 Envelope, 7 3/4 Envelope, 9 Envelope, A4, A5, B5 Envelope, C5 Envelope, DL Envelope, B5, Executive, Folio, JIS-B5, Legal, Letter, Statement, Universal, Oficio

Standard Ports

Fast Ethernet, USB 2.0 Specification Hi-Speed Certified (Type B), PictBridge Certified Port, Front USB 2.0 Specification Hi-Speed Certified port (Type A)

Optional Network Ports

Lexmark N4050e 802.11g Wireless Print Server (Print Only), External MarkNet™ N7020e Gigabit Ethernet, Internal MarkNet™ N8120 Gigabit Ethernet, Internal MarkNet™ N8130 Fiber Fast Ethernet, Internal MarkNet™ N8150 802.11b/g/n Wireless

Network Printing Methods

LPR/LPD, Direct IP (Port 9100), HTTP, NDS Queue-based Printing, NDPS/NEPS (Novell Distributed Print Services), Novell Netware Enterprise Print Services, Enhanced IP (Port 9400), FTP, TFTP, IPP 1.1 (Internet Printing Protocol), ThinPrint. print integration

Network Protocol Support

TCP/IP IPv4, IPX/SPX, AppleTalk™, LexLink (DLC), TCP/IP IPv6, TCP, UDP

Network Security

SNMPv3, 802.1x Authentication: MD5, MSCHAPv2, LEAP, PEAP, TLS, TTLS, IPsec

Printable Area

4.2 mm of the top, bottom, right and left edges (within)

Printer Languages (Standard)

PCL 5c Emulation, PCL 6 Emulation, PPDS, PostScript 3 Emulation, xHTML, PDF 1.6, Direct Image, Microsoft XPS (XML Paper Specification)

Supplies Yield

Average continuous black or continuous composite CMY declared cartridge yield up to this number of standard pages in accordance with ISO/IEC 19798., 6,000*-page Colour Toner Cartridges (CMY), 8,000*-page Black Toner Cartridge

Cartridge(s) Shipping with Product

4,000*-page Black Starter Return Program Toner Cartridge, 4,000*-page Colour (CMY) Starter Return Program Toner Cartridges

Packaged Size (mm - H x W x D)

570 x 633 x 553 mm

Size (mm - H x W x D)

576 x 435 x 545 mm

Weight (kg)

29.7 kg

Noise Level, Idle

33 dBA

Print Noise Level, Operating

54 dBA

Product Guarantee

1-Year Onsite Service, Next Business Day

Product Certifications

Energy Star, CAN/CSA-C22.2 60950-1, CSA E60825-1, ICES-003 Class B, BSMI Class B, VCCI Class B, US FDA, FCC Class B, UL 60950-1, EN/IEC 60320-1, CE Class B, CB IEC 60950-1, EN 60950-1, EN/IEC 61000-3, EN 55022 Class B, EN 55024, EN/IEC 60825-1, GS (TÜV), AR S

Maximum Monthly Duty Cycle

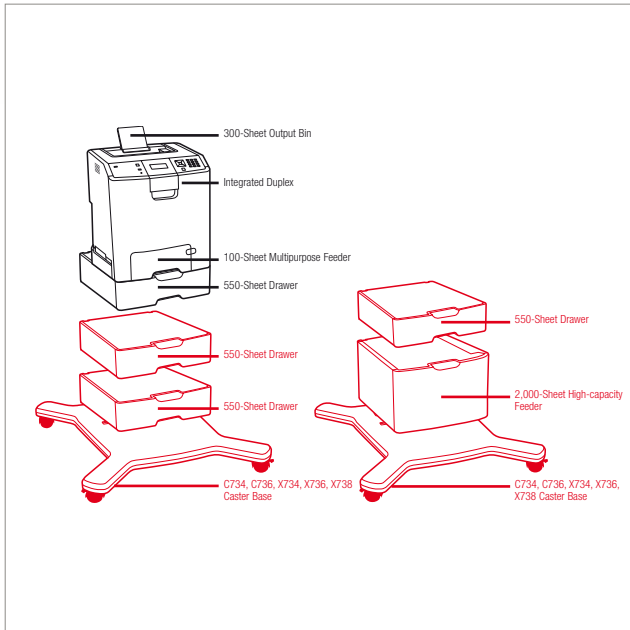
Up to 85000 pages per month

Recommended Monthly Page Volume

1500 - 9200 Pages

Specified Operating Environment

Temperature: 16 to 32°C (60 to 90°F), Humidity: 8 to 80% Relative Humidity, Altitude: 0 - 3048 Meters (10,000 Feet)



Paper Handling Standard
 Paper Handling Optional

Part #	Model
25C0382	Lexmark C734dtn

Part # Laser Toner/Print Cartridge

C734A1KG	C734, C736, X734, X736, X738 Black Return Programme Toner Cartridge (8K)
C734A1CG	C734, C736, X734, X736, X738 Cyan Return Programme Toner Cartridge
C734A1MG	C734, C736, X734, X736, X738 Magenta Return Programme Toner Cartridge (6K)
C734A1YG	C734, C736, X734, X736, X738 Yellow Return Programme Toner Cartridge (6K)
C734A2KG	C734, C736, X734, X736, X738 Black Toner Cartridge (8K)
C734A2CG	C734, C736, X734, X736, X738 Cyan Toner Cartridge (6K)
C734A2MG	C734, C736, X734, X736, X738 Magenta Toner Cartridge (6K)
C734A2YG	C734, C736, X734, X736, X738 Yellow Toner Cartridge (6K)
C734X77G	C73x, X73x Waste Toner Box (25K)
C734X20G	C734, C736, X734, X736, X738 Photoconductor Unit (20K)
C734X24G	C734, C736, X734, X736, X738 Photoconductor Unit, 4-Pack (20K each)

Part #	Paper & Transparencies
12A8241	Professional Colour Laser transparencies, A4

Part #	Paper Handling
27S2100	C734, C736, X734e, X736e, X738e 550-Sheet Drawer
27S2400	2000-Sheet High Capacity Feeder
27S2650	C734, C736, X734e, X736e, X738e 550-Sheet Speciality Media Drawer
27S2190	4.8 inch (12.2 cm) Spacer

Part #	Furniture
16M1210	C734, C736, X734, X736, X738 Caster Base
30S2765	Swivel Cabinet

Part #	Memory Options
1025041	256MB DDR2-DRAM
1025042	512MB DDR2-DRAM
1025043	1024MB DDR2-DRAM
14F0245	256MB Flash Card
14F0102	Hard Disk (80+GB)

Part #	Application Solutions
30G0829	Lexmark PrintCryption Card
25C0434	C734, C736 Card for IPDS/SCS/TNe
25C0433	C734, C736 Forms and Bar Code Card

Part #	Connectivity
14F0037	MarkNet N8120 Gigabit Ethernet Print Server
14F0042	MarkNet N8130 Fiber Ethernet 100BaseFX, 10BaseFL Print Server
14F0045	MarkNet N8150 802.11b/g/n Wireless Print Server
14T0165	Lexmark N4050e 802.11g Wireless Print Server
14T0220	MarkNet N7020e Gigabit Ethernet Print Server

14F0000	Parallel 1284-B Interface Card
1021294	USB (2 Meter) Cable
1021231	Parallel (10') Cable
14F0100	RS-232C Serial Interface Card

Part #	Extended Warranties
2350780P	C734 2-Years Total (1+1) Onsite Service Guarantee
2350781P	C734 3-Years Total (1+2) Onsite Service Guarantee
2350782P	C734 4-Years Total (1+3) Onsite Service Guarantee
2350784P	C734 1-Year Renewal Onsite Service Guarantee

Part #	User Replaceable Parts
40X5094	C73x, X73x Fuser Maintenance 220-240V
40X5096	C73x, X73x Transfer Belt Maintenance
40X5152	Pick Tire, Special Media Drawer

Part #	Installation
2350796	C734 Installation



Lexmark C734dw

Reliable, business-class colour for large and mid-sized workgroups

Print Technology

Color Laser

Print Speed (A4 mono)

Up to 28 ppm

Print Speed (A4 colour)

Up to 28 ppm

Print Speed (A4 mono) Duplex

Up to 19 spm

Time to First Page (Black)

As fast as 9.5 seconds

Time to First Page (Colour)

as fast as 9.5 seconds

Print Resolution, Black

1200 x 1200 dpi, 4800 Colour Quality (2400 x 600 dpi)

Print Resolution, Colour

1200 x 1200 dpi, 4800 Colour Quality (2400 x 600 dpi)

Processor

600 MHz

Memory, standard

256 MB

Memory, maximum

1280 MB

Expandable Memory Options

Yes

Apple Macintosh Operating Systems Supported

Mac OS X, Mac OS 9.2

Citrix MetaFrame

Microsoft Windows 2000 Server running Terminal Services with Citrix Presentation Server 3.0, 4.0, Microsoft Windows Server 2003 running Terminal Services with Citrix Presentation Server 3.0, 4.0, 4.5, Microsoft Windows Server 2003 x64 running Terminal Services with Citrix Presentation Server 4.0 x64, 4.5 x64

Linux Operating Systems Supported

Linux Linux Desktop 9.2, 9.3, Red Hat Enterprise Linux WS 3.0, 4.0, 5.0, SUSE Linux Enterprise Server 8.0, 9.0, 10, 11, SUSE Linux Enterprise Desktop 10, openSUSE 10.2, 10.3, 11.0, 11.1, Linspire Linux 6.0, Debian GNU/Linux 4.0, Red Flag Linux Desktop 5.0, 6.0, Ubuntu 7.10, Ubuntu 8.04 LTS, SUSE Linux Enterprise Desktop 11, Debian GNU/Linux 5.0, Ubuntu 8.10, 9.04

Microsoft Windows Operating Systems Supported

2000, XP, Server 2003, XP x64, Server 2003 running Terminal Services, 2000 Server running Terminal Services, Server 2003 x64, Server 2003 x64 running Terminal Services, Vista, Vista x64, Server 2008, Server 2008 x64, Server 2008 running Terminal Services, Server 2008 x64 running Terminal Services, 7

Novell Operating Systems Supported

Open Enterprise Server for Netware with NDS, iPrint or Novell Distributed Print Services (NDPS), NetWare 5.x, 6.x with iPrint or Novell Distributed Print Services (NDPS)

UNIX Operating Systems Supported

Sun Solaris SPARC 8, 9, 10, Sun Solaris x86 10, HP-UX 11.11, 11.23, 11.31, IBM AIX 5.2, 5.3, 6.1

Paper Handling Standard

300-Sheet Output Bin, Integrated Duplex, 100-Sheet Multipurpose Feeder, 550-Sheet Input Tray

Paper Handling Optional

550-Sheet Drawer, 2,000-Sheet High-capacity Feeder, 550-Sheet Specialty Media Drawer

Paper Input Capacity, Standard: Up to

650 pages 75 gsm bond

Paper Input Capacity, Maximum: Up to

3750 pages 75 gsm bond

Paper Output Capacity, Standard: Up to

300 pages 75 gsm bond

Paper Output Capacity, Maximum: Up to

300 pages 75 gsm bond

Envelope Capacity

85 x 3 = 255

Finishing Option

No

Number of Paper Inputs, Standard

2

Number of Paper Inputs, Maximum

5

Media Types Supported

Card Stock, Envelopes, Glossy paper, Paper Labels, Plain Paper, Transparencies, Vinyl Labels, Refer to the Card Stock & Label Guide

Media Sizes Supported

10 Envelope, 7 3/4 Envelope, 9 Envelope, A4, A5, B5 Envelope, C5 Envelope, DL Envelope, B5, Executive, Folio, JIS-B5, Legal, Letter, Statement, Universal, Oficio

Standard Ports

Fast Ethernet, USB 2.0 Specification Hi-Speed Certified (Type B), PictBridge Certified Port, 802.11b/g/n Wireless, Front USB 2.0 Specification Hi-Speed Certified port (Type A)

Optional Network Ports

Lexmark N4050e 802.11g Wireless Print Server (Print Only), External MarkNet™ N7020e Gigabit Ethernet

Network Printing Methods

LPR/LPD, Direct IP (Port 9100), HTTP, NDS Queue-based Printing, NDPS/NEPS (Novell Distributed Print Services, Novell Netware Enterprise Print Services), Enhanced IP (Port 9400), FTP, TFTP, IPP 1.1 (Internet Printing Protocol), ThinPrint, print integration

Network Protocol Support

TCP/IP IPv4, IPX/SPX, AppleTalk™, LexLink (DLC), TCP/IP IPv6, TCP, UDP

Network Security

SNMPv3, 802.1x Authentication: MD5, MSCHAPv2, LEAP, PEAP, TLS, TLS, IPsec

Printable Area

4.2 mm of the top, bottom, right and left edges (within)

Printer Languages (Standard)

PCL 5c Emulation, PCL 6 Emulation, PPDS, PostScript 3 Emulation, xHTML, PDF 1.6, Direct Image, Microsoft XPS (XML Paper Specification)

Supplies Yield

Average continuous black or continuous composite CMY declared cartridge yield up to this number of standard pages in accordance with ISO/IEC 19798, 6,000*-page Colour Toner Cartridges (CMY), 8,000*-page Black Toner Cartridge

Cartridge(s) Shipping with Product

4,000*-page Black Starter Return Program Toner Cartridge, 4,000*-page Colour (CMY) Starter Return Program Toner Cartridges

Packaged Size (mm - H x W x D)

570 x 633 x 553 mm

Size (mm - H x W x D)

450 x 435 x 470 mm

Size, Trays Extended (mm - H x W x D)

450 x 435 x 526 mm

Weight (kg)

25.7 kg

Noise Level, Idle

33 dBA

Print Noise Level, Operating

54 dBA

Product Guarantee

1-Year Onsite Service, Next Business Day

Product Certifications

Energy Star, CAN/CSA-C22.2 60950-1, CSA E60825-1, ICES-003 Class B, BSMI Class B, VCCI Class B, US FDA, FCC Class B, UL 60950-1, EN/IEC 60320-1, CE Class B, CB IEC 60950-1, EN 60950-1, EN/IEC 61000-3, EN 55022 Class B, EN 55024, EN/IEC 60825-1, GS (TÜV), AR S

Maximum Monthly Duty Cycle

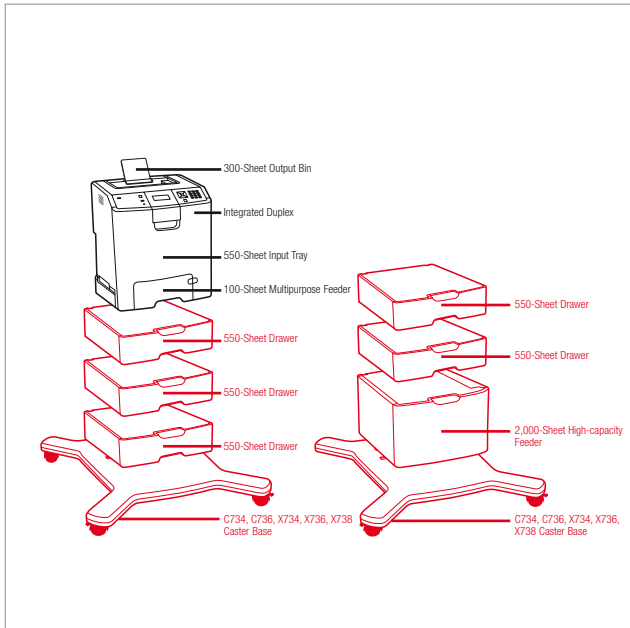
Up to 85000 pages per month

Recommended Monthly Page Volume

1500 - 9200 Pages

Specified Operating Environment

Temperature: 16 to 32°C (60 to 90°F), Humidity: 8 to 80% Relative Humidity, Altitude: 0 - 3048 Meters (10,000 Feet)



Paper Handling Standard
 Paper Handling Optional

Part #	Model
25C0383	Lexmark C734dw
Part #	Laser Toner/Print Cartridge
C734A1KG	C734, C736, X734, X736, X738 Black Return Programme Toner Cartridge (8K)
C734A1CG	C734, C736, X734, X736, X738 Cyan Return Programme Toner Cartridge
C734A1MG	C734, C736, X734, X736, X738 Magenta Return Programme Toner Cartridge (6K)
C734A1YG	C734, C736, X734, X736, X738 Yellow Return Programme Toner Cartridge (6K)
C734A2KG	C734, C736, X734, X736, X738 Black Toner Cartridge (8K)
C734A2CG	C734, C736, X734, X736, X738 Cyan Toner Cartridge (6K)
C734A2MG	C734, C736, X734, X736, X738 Magenta Toner Cartridge (6K)
C734A2YG	C734, C736, X734, X736, X738 Yellow Toner Cartridge (6K)
C734X77G	C73x, X73x Waste Toner Box (25K)
C734X20G	C734, C736, X734, X736, X738 Photoconductor Unit (20K)
C734X24G	C734, C736, X734, X736, X738 Photoconductor Unit, 4-Pack (20K each)
Part #	Paper & Transparencies
12A8241	Professional Colour Laser Transparencies, A4
Part #	Paper Handling
27S2100	C734, C736, X734e, X736e, X738e 550-Sheet Drawer
27S2400	2000-Sheet High Capacity Feeder
27S2650	C734, C736, X734e, X736e, X738e 550-Sheet Speciality Media Drawer
27S2190	4.8 inch (12.2 cm) Spacer
Part #	Furniture
16M1210	C734, C736, X734, X736, X738 Caster Base
3052765	Swivel Cabinet
Part #	Memory Options
1025041	256MB DDR2-DRAM
1025042	512MB DDR2-DRAM
1025043	1024MB DDR2-DRAM
14F0245	256MB Flash Card
14F0102	Hard Disk (80+GB)
Part #	Application Solutions
30G0829	Lexmark PrintCrypton Card
25C0434	C734, C736 Card for IPDS/SCS/TNe
25C0433	C734, C736 Forms and Bar Code Card
Part #	Connectivity
14T0165	Lexmark N4050e 802.11g Wireless Print Server
14T0220	MarkNet N7020e Gigabit Ethernet Print Server
14F0000	Parallel 1284-B Interface Card
1021294	USB (2 Meter) Cable
1021231	Parallel (10') Cable

14F0100 RS-232C Serial Interface Card

Part # Extended Warranties

2350780P C734 2-Years Total (1+1) Onsite Service Guarantee
 2350781P C734 3-Years Total (1+2) Onsite Service Guarantee
 2350782P C734 4-Years Total (1+3) Onsite Service Guarantee
 2350784P C734 1-Year Renewal Onsite Service Guarantee

Part # User Replaceable Parts

40X5094 C73x, X73x Fuser Maintenance 220-240V
 40X5096 C73x, X73x Transfer Belt Maintenance
 40X5152 Pick Tire, Special Media Drawer

Part # Installation

2350796 C734 Installation



Lexmark C736n

Efficient, high-speed colour printing for large and mid-sized workgroups

Print Technology

Color Laser

Print Speed (A4 mono)

Up to 33 ppm

Print Speed (A4 colour)

Up to 33 ppm

Time to First Page (Black)

As fast as 9 seconds

Time to First Page (Colour)

as fast as 9 seconds

Print Resolution, Black

1200 x 1200 dpi, 4800 Color Quality (2400 x 600 dpi)

Print Resolution, Colour

1200 x 1200 dpi, 4800 Colour Quality (2400 x 600 dpi)

Processor

900 MHz

Memory, standard

256 MB

Memory, maximum

1280 MB

Hard Disk

Option available

Expandable Memory Options

Yes

Apple Macintosh Operating Systems Supported

Mac OS X, Mac OS 9.2

Citrix MetaFrame

Microsoft Windows 2000 Server running Terminal Services with Citrix Presentation Server 3.0, 4.0, Microsoft Windows Server 2003 running Terminal Services with Citrix Presentation Server 3.0, 4.0, 4.5, Microsoft Windows Server 2003 x64 running Terminal Services with Citrix Presentation Server 4.0 x64, 4.5 x64

Linux Operating Systems Supported

Linpus Linux Desktop 9.2, 9.3, Red Hat Enterprise Linux WS 3.0, 4.0, 5.0, SUSE Linux Enterprise Server 8.0, 9.0, 10, 11, SUSE Linux Enterprise Desktop 10, openSUSE 10.2, 10.3, 11.0, 11.1, Linspire Linux 6.0, Debian GNU/Linux 4.0, Red Flag Linux Desktop 5.0, 6.0, Ubuntu 7.10, Ubuntu 8.04 LTS, SUSE Linux Enterprise Desktop 11, Debian GNU/Linux 5.0, Ubuntu 8.10, 9.04

Microsoft Windows Operating Systems Supported

2000, XP, Server 2003, XP x64, Server 2003 running Terminal Services, 2000 Server running Terminal Services, Server 2003 x64, Server 2003 x64 running Terminal Services, Vista, Vista x64, Server 2008, Server 2008 x64, Server 2008 running Terminal Services, Server 2008 x64 running Terminal Services, 7

Novell Operating Systems Supported

Open Enterprise Server for Netware with NDS, iPrint or Novell Distributed Print Services (NDPS), NetWare 5.x, 6.x with iPrint or Novell Distributed Print Services (NDPS)

UNIX Operating Systems Supported

Sun Solaris SPARC 8, 9, 10, Sun Solaris x86 10, HP-UX 11.11, 11.23, 11.31, IBM AIX 5.2, 5.3, 6.1

Paper Handling Standard

300-Sheet Output Bin, 100-Sheet Multipurpose Feeder,

550-Sheet Input Tray

Paper Handling Optional

550-Sheet Drawer, 2,000-Sheet High-capacity Feeder,

550-Sheet Specialty Media Drawer

Paper Input Capacity, Standard: Up to

650 pages 75 gsm bond

Paper Input Capacity, Maximum: Up to

4300 pages 75 gsm bond

Paper Output Capacity, Standard: Up to

300 pages 75 gsm bond

Paper Output Capacity, Maximum: Up to

300 pages 75 gsm bond

Envelope Capacity

85 x 3 = 255

Finishing Option

No

Number of Paper Inputs, Standard

2

Number of Paper Inputs, Maximum

6

Media Types Supported

Card Stock, Envelopes, Glossy paper, Paper Labels, Plain Paper, Transparencies, Vinyl Labels, Refer to the Card Stock & Label Guide

Media Sizes Supported

10 Envelope, 7 3/4 Envelope, 9 Envelope, A4, A5, B5 Envelope, C5 Envelope, DL Envelope, B5, Executive, Folio, JIS-B5, Legal, Letter, Statement, Universal, Oficio

Standard Ports

Fast Ethernet, USB 2.0 Specification Hi-Speed Certified

(Type B), PictBridge Certified Port, Front USB 2.0

Specification Hi-Speed Certified port (Type A)

Optional Network Ports

Lexmark N4050e 802.11g Wireless Print Server (Print Only), External MarkNet™ N7020e Gigabit Ethernet, Internal MarkNet™ N8120 Gigabit Ethernet, Internal MarkNet™ N8130 Fiber Fast Ethernet, Internal MarkNet™ N8150 802.11b/g/n Wireless

Network Printing Methods

LPR/LPD, Direct IP (Port 9100), HTTP, NDS Queue-based Printing, NDPS/NEPS (Novell Distributed Print Services), Novell Netware Enterprise Print Services, Enhanced IP (Port 9400), FTP, TFTP, IPP 1.1 (Internet Printing Protocol), ThinPrint .print integration

Network Protocol Support

TCP/IP IPv4, IPX/SPX, AppleTalk™, LexLink (DLC), TCP/IP IPv6, TCP, UDP

Network Security

SNMPv3, 802.1x Authentication: MD5, MSCHAPv2, LEAP, PEAP, TLS, TLS, IPsec

Printable Area

4.2 mm of the top, bottom, right and left edges (within)

Printer Languages (Standard)

PCL 5c Emulation, PCL 6 Emulation, PPDS, PostScript 3

Emulation, xHTML, PDF 1.6, Direct Image, Microsoft XPS (XML Paper Specification)

Supplies Yield

Average continuous black or continuous composite CMY declared cartridge yield up to this number of standard pages in accordance with ISO/IEC 19798., 6,000*-page Colour Toner Cartridges (CMY), 8,000*-page Black Toner Cartridge, 10,000*-page Colour High Yield Toner Cartridges (CMY), 12,000*-page Black High Yield Toner Cartridge

Cartridge(s) Shipping with Product

6,000*-page Colour (CMY) Starter Return Program Toner Cartridges, 6,000*-page Black Starter Return Program Toner Cartridge

Packaged Size (mm - H x W x D)

545 x 588 x 553 mm

Size (mm - H x W x D)

450 x 435 x 470 mm

Size, Trays Extended (mm - H x W x D)

450 x 435 x 527 mm

Weight (kg)

25.7 kg

Noise Level, Idle

33 dBA

Print Noise Level, Operating

54 dBA

Product Guarantee

1-Year Onsite Service, Next Business Day

Product Certifications

CAN/CSA-C22.2 60950-1, CSA E60825-1, ICES-003 Class B, BSMI Class B, VCCI Class B, US FDA, FCC Class B, UL 60950-1, EN/IEC 60320-1, CE Class B, CB IEC 60950-1, EN 60950-1, EN/IEC 61000-3, EN 55022 Class B, EN 55024, EN/IEC 60825-1, GS (TUV), AR S

Maximum Monthly Duty Cycle

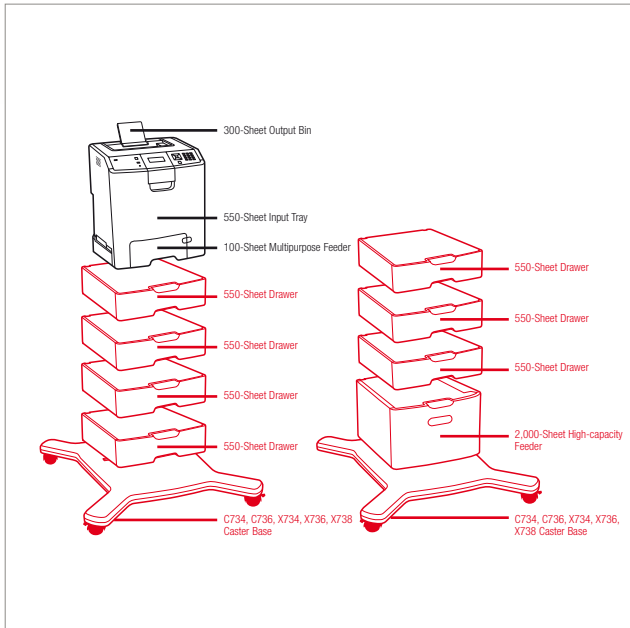
Up to 100000 pages per month

Recommended Monthly Page Volume

2500 - 10000 Pages

Specified Operating Environment

Temperature: 16 to 32°C (60 to 90°F), Humidity: 8 to 80% Relative Humidity, Altitude: 0 - 3048 Meters (10,000 Feet)



Paper Handling Standard
 Paper Handling Optional

Part #	Model
25A0480	Lexmark C736n

Part #	Laser Toner/Print Cartridge
C736H1KG	C736, X736, X738 Black High Yield Return Programme Toner Cartridge (12K)
C734A1KG	C734, C736, X734, X736, X738 Black Return Programme Toner Cartridge (8K)
C736H1CG	C736, X736, X738 Cyan High Yield Return Programme Toner Cartridge
C734A1CG	C734, C736, X734, X736, X738 Cyan Return Programme Toner Cartridge
C736H1MG	C736, X736, X738 Magenta High Yield Return Programme Toner Cartridge (10K)
C734A1MG	C734, C736, X734, X736, X738 Magenta Return Programme Toner Cartridge (6K)
C736H1YG	C736, X736, X738 Yellow High Yield Return Programme Toner Cartridge (10K)
C734A1YG	C734, C736, X734, X736, X738 Yellow Return Programme Toner Cartridge (6K)
C736H2KG	C736, X736, X738 Black High Yield Toner Cartridge (12K)
C734A2KG	C734, C736, X734, X736, X738 Black Toner Cartridge (8K)
C736H2CG	C736, X736, X738 Cyan High Yield Toner Cartridge (10K)
C734A2CG	C734, C736, X734, X736, X738 Cyan Toner Cartridge (6K)
C736H2MG	C736, X736, X738 Magenta High Yield Toner Cartridge (10K)
C734A2MG	C734, C736, X734, X736, X738 Magenta Toner Cartridge (6K)
C736H2YG	C736, X736, X738 Yellow High Yield Toner Cartridge (10K)
C734A2YG	C734, C736, X734, X736, X738 Yellow Toner Cartridge (6K)
C734X77G	C73x, X73x Waste Toner Box (25K)
C734X20G	C734, C736, X734, X736, X738 Photoconductor Unit (20K)
C734X24G	C734, C736, X734, X736, X738 Photoconductor Unit, 4-Pack (20K each)

Part #	Paper & Transparencies
12A8241	Professional Colour Laser Transparencies, A4

Part #	Paper Handling
27S2100	C734, C736, X734e, X736e, X738e 550-Sheet Drawer
27S2190	4.8 inch (12.2 cm) Spacer
27S2400	2000-Sheet High Capacity Feeder
27S2650	C734, C736, X734e, X736e, X738e 550-Sheet Specialty Media Drawer

Part #	Furniture
16M1210	C734, C736, X734, X736, X738 Caster Base
30S2765	Swivel Cabinet

Part #	Memory Options
1025041	256MB DDR2-DRAM
1025042	512MB DDR2-DRAM
1025043	1024MB DDR2-DRAM
14F0245	256MB Flash Card
14F0102	Hard Disk (80+GB)

Part #	Application Solutions
30G0829	Lexmark PrintCryption Card

25C0434	C734, C736 Card for IPDS/SCS/TNe
25C0433	C734, C736 Forms and Bar Code Card

Part #	Connectivity
14F0037	MarkNet N8130 Gigabit Ethernet Print Server
14F0042	MarkNet N8130 Fiber Ethernet 100BaseFX, 10BaseFL Print Server
14F0045	MarkNet N8150 802.11b/g/n Wireless Print Server
14T0165	Lexmark N4050e 802.11g Wireless Print Server
14T0220	MarkNet N7020e Gigabit Ethernet Print Server
1021294	USB (2 Meter) Cable
14F0000	Parallel 1284-B Interface Card
1021231	Parallel (10") Cable
14F0100	RS-232C Serial Interface Card

Part #	Extended Warranties
2350798P	C736 2-Years Total (1+1) Onsite Service Guarantee
2350799P	C736 3-Years Total (1+2) Onsite Service Guarantee
2350800P	C736 4-Years Total (1+3) Onsite Service Guarantee
2350802P	C736 1-Year Renewal Onsite Service Guarantee

Part #	User Replaceable Parts
40X5094	C73x, X73x Fuser Maintenance 220-240V
40X5096	C73x, X73x Transfer Belt Maintenance
40X5152	Pick Tire, Special Media Drawer

Part #	Installation
2350814	C736 Installation



Lexmark C736dn

Efficient, high-speed colour printing for large and mid-sized workgroups

Print Technology

Color Laser

Print Speed (A4 mono)

Up to 33 ppm

Print Speed (A4 colour)

Up to 33 ppm

Print Speed (A4 mono) Duplex

Up to 22 spm

Time to First Page (Black)

As fast as 9 seconds

Time to First Page (Colour)

as fast as 9 seconds

Print Resolution, Black

1200 x 1200 dpi, 4800 Color Quality (2400 x 600 dpi)

Print Resolution, Colour

1200 x 1200 dpi, 4800 Colour Quality (2400 x 600 dpi)

Processor

900 MHz

Memory, standard

256 MB

Memory, maximum

1280 MB

Hard Disk

Option available

Expandable Memory Options

Yes

Apple Macintosh Operating Systems Supported

Mac OS X, Mac OS 9.2

Citrix MetaFrame

Microsoft Windows 2000 Server running Terminal Services with Citrix Presentation Server 3.0, 4.0, Microsoft Windows Server 2003 running Terminal Services with Citrix Presentation Server 4.0 x64, 4.5 x64, Services with Citrix Presentation Server 3.0, 4.0, 4.5, Microsoft Windows Server 2003 x64 running Terminal Services with Citrix Presentation Server 4.0 x64, 4.5 x64

Linux Operating Systems Supported

Linpus Linux Desktop 9.2, 9.3, Red Hat Enterprise Linux WS 3.0, 4.0, 5.0, SUSE Linux Enterprise Server 8.0, 9.0, 10, 11, SUSE Linux Enterprise Desktop 10, openSUSE 10.2, 10.3, 11.0, 11.1, Linspire Linux 6.0, Debian GNU/Linux 4.0, Red Flag Linux Desktop 5.0, 6.0, Ubuntu 7.10, Ubuntu 8.04 LTS, SUSE Linux Enterprise Desktop 11, Debian GNU/Linux 5.0, Ubuntu 8.10, 9.04

Microsoft Windows Operating Systems Supported

2000, XP, Server 2003, XP x64, Server 2003 running Terminal Services, 2000 Server running Terminal Services, Server 2003 x64, Server 2003 x64 running Terminal Services, Vista, Vista x64, Server 2008, Server 2008 x64, Server 2008 running Terminal Services, Server 2008 x64 running Terminal Services, 7

Novell Operating Systems Supported

Open Enterprise Server for Netware with NDS, iPrint or Novell Distributed Print Services (NDPS), NetWare 5.x, 6.x with iPrint or Novell Distributed Print Services (NDPS)

UNIX Operating Systems Supported

Sun Solaris SPARC 8, 9, 10, Sun Solaris x86 10, HP-UX 11.11, 11.23, 11.31, IBM AIX 5.2, 5.3, 6.1

Paper Handling Standard

300-Sheet Output Bin, Integrated Duplex, 100-Sheet Multipurpose Feeder, 550-Sheet Input Tray

Paper Handling Optional

550-Sheet Drawer, 2,000-Sheet High-capacity Feeder, 550-Sheet Specialty Media Drawer

Paper Input Capacity, Standard: Up to

650 pages 75 gsm bond

Paper Input Capacity, Maximum: Up to

4300 pages 75 gsm bond

Paper Output Capacity, Standard: Up to

300 pages 75 gsm bond

Paper Output Capacity, Maximum: Up to

300 pages 75 gsm bond

Envelope Capacity

85 x 3 = 255

Finishing Option

No

Number of Paper Inputs, Standard

2

Number of Paper Inputs, Maximum

6

Media Types Supported

Card Stock, Envelopes, Glossy paper, Paper Labels, Plain Paper, Transparencies, Vinyl Labels, Refer to the Card Stock & Label Guide

Media Sizes Supported

10 Envelope, 7 3/4 Envelope, 9 Envelope, A4, A5, B5 Envelope, C5 Envelope, DL Envelope, B5, Executive, Folio, JIS-B5, Legal, Letter, Statement, Universal, Oficio

Standard Ports

Fast Ethernet, USB 2.0 Specification Hi-Speed Certified (Type B), PictBridge Certified Port, Front USB 2.0 Specification Hi-Speed Certified port (Type A)

Optional Network Ports

Lexmark N4050e 802.11g Wireless Print Server (Print Only), External MarkNet™ N7020e Gigabit Ethernet, Internal MarkNet™ N8120 Gigabit Ethernet, Internal MarkNet™ N8130 Fiber Fast Ethernet, Internal MarkNet™ N8150 802.11b/g/n Wireless

Network Printing Methods

LPR/LPD, Direct IP (Port 9100), HTTP, NDS Queue-based Printing, NDPS/NEPS (Novell Distributed Print Services, Novell Netware Enterprise Print Services), Enhanced IP (Port 9400), FTP, TFTP, IPP 1.1 (Internet Printing Protocol), ThinPrint, print integration

Network Protocol Support

TCP/IP IPv4, IPX/SPX, AppleTalk™, LexLink (DLC), TCP/IP IPv6, TCP, UDP

Network Security

SNMPv3, 802.1x Authentication: MD5, MSCHAPv2, LEAP, PEAP, TLS, TLS, IPsec

Printable Area

4.2 mm of the top, bottom, right and left edges (within)

Printer Languages (Standard)

PCL 5c Emulation, PCL 6 Emulation, PPDS, PostScript 3 Emulation, xHTML, PDF 1.6, Direct Image, Microsoft XPS (XML Paper Specification)

Supplies Yield

Average continuous black or continuous composite CMY declared cartridge yield up to this number of standard pages in accordance with ISO/IEC 19798., 6,000*-page Colour Toner Cartridges (CMY), 8,000*-page Black Toner Cartridge, 10,000*-page Colour High Yield Toner Cartridges (CMY), 12,000*-page Black High Yield Toner Cartridge

Cartridge(s) Shipping with Product

6,000*-page Colour (CMY) Starter Return Program Toner Cartridges, 6,000*-page Black Starter Return Program Toner Cartridge

Packaged Size (mm - H x W x D)

570 x 633 x 553 mm

Size (mm - H x W x D)

450 x 435 x 470 mm

Size, Trays Extended (mm - H x W x D)

450 x 435 x 527 mm

Weight (kg)

25.7 kg

Noise Level, Idle

33 dBA

Print Noise Level, Operating

54 dBA

Product Guarantee

1-Year Onsite Service, Next Business Day

Product Certifications

Energy Star, CAN/CSA-C22.2 60950-1, CSA E60825-1, ICES-003 Class B, BSMI Class B, VCCI Class B, US FDA, FCC Class B, UL 60950-1, EN/IEC 60320-1, CE Class B, CB IEC 60950-1, EN 60950-1, EN/IEC 61000-3, EN 55022 Class B, EN 55024, EN/IEC 60825-1, GS (TÜV), AR S

Maximum Monthly Duty Cycle

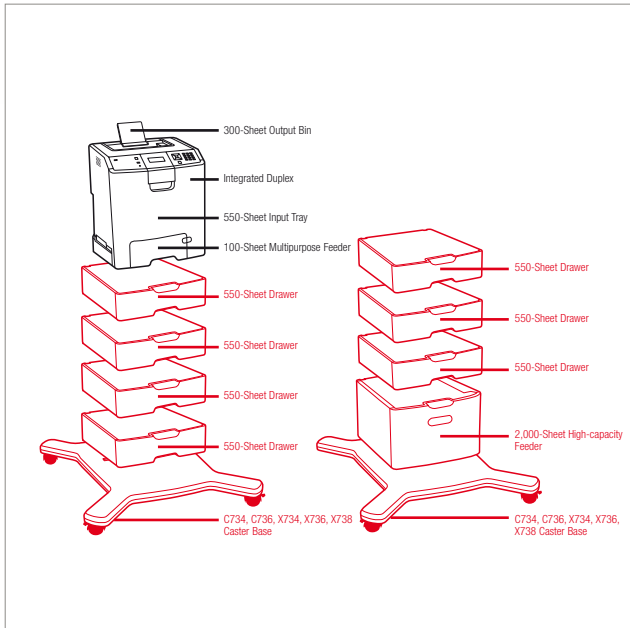
Up to 100,000 pages per month

Recommended Monthly Page Volume

2500 - 10,000 Pages

Specified Operating Environment

Temperature: 16 to 32°C (60 to 90°F), Humidity: 8 to 80% Relative Humidity, Altitude: 0 - 3048 Meters (10,000 Feet)



Paper Handling Standard
 Paper Handling Optional

Part #	Model
25A0481	Lexmark C736dn

Part #	Laser Toner/Print Cartridge
C736H1KG	C736, X736, X738 Black High Yield Return Programme Toner Cartridge (12K)
C734A1KG	C734, C736, X734, X736, X738 Black Return Programme Toner Cartridge (8K)
C736H1CG	C736, X736, X738 Cyan High Yield Return Programme Toner Cartridge
C734A1CG	C734, C736, X734, X736, X738 Cyan Return Programme Toner Cartridge
C736H1MG	C736, X736, X738 Magenta High Yield Return Programme Toner Cartridge (10K)
C734A1MG	C734, C736, X734, X736, X738 Magenta Return Programme Toner Cartridge (6K)
C736H1YG	C736, X736, X738 Yellow High Yield Return Programme Toner Cartridge (10K)
C734A1YG	C734, C736, X734, X736, X738 Yellow Return Programme Toner Cartridge (6K)
C736H2KG	C736, X736, X738 Black High Yield Toner Cartridge (12K)
C734A2KG	C734, C736, X734, X736, X738 Black Toner Cartridge (8K)
C736H2CG	C736, X736, X738 Cyan High Yield Toner Cartridge (10K)
C734A2CG	C734, C736, X734, X736, X738 Cyan Toner Cartridge (6K)
C736H2MG	C736, X736, X738 Magenta High Yield Toner Cartridge (10K)
C734A2MG	C734, C736, X734, X736, X738 Magenta Toner Cartridge (6K)
C736H2YG	C736, X736, X738 Yellow High Yield Toner Cartridge (10K)
C734A2YG	C734, C736, X734, X736, X738 Yellow Toner Cartridge (6K)
C734X77G	C73x, X73x Waste Toner Box (25K)
C734X20G	C734, C736, X734, X736, X738 Photoconductor Unit (20K)
C734X24G	C734, C736, X734, X736, X738 Photoconductor Unit, 4-Pack (20K each)

Part #	Paper & Transparencies
12A8241	Professional Colour Laser Transparencies, A4

Part #	Paper Handling
27S2100	C734, C736, X734e, X736e, X738e 550-Sheet Drawer
27S2400	2000-Sheet High Capacity Feeder
27S2650	C734, C736, X734e, X736e, X738e 550-Sheet Specialty Media Drawer
27S2190	4.8 inch (12.2 cm) Spacer

Part #	Furniture
16M1210	C734, C736, X734, X736, X738 Caster Base
3052765	Swivel Cabinet

Part #	Memory Options
1025041	256MB DDR2-DRAM
1025042	512MB DDR2-DRAM
1025043	1024MB DDR2-DRAM
14F0245	256MB Flash Card
14F0102	Hard Disk (80+GB)

Part #	Application Solutions
30G0829	Lexmark PrintCryption Card

25C0434	C734, C736 Card for IPDS/SCS/TNe
25C0433	C734, C736 Forms and Bar Code Card

Part #	Connectivity
14F0037	MarkNet N8130 Gigabit Ethernet Print Server
14F0042	MarkNet N8130 Fiber Ethernet 100BaseFX, 10BaseFL Print Server
14F0045	MarkNet N8150 802.11b/g/n Wireless Print Server
14T0165	Lexmark N4050e 802.11g Wireless Print Server
14T0220	MarkNet N7020e Gigabit Ethernet Print Server
1021294	USB (2 Meter) Cable
14F0000	Parallel 1284-B Interface Card
1021231	Parallel (10") Cable
14F0100	RS-232C Serial Interface Card

Part #	Extended Warranties
2350798P	C736 2-Years Total (1+1) Onsite Service Guarantee
2350799P	C736 3-Years Total (1+2) Onsite Service Guarantee
2350800P	C736 4-Years Total (1+3) Onsite Service Guarantee
2350802P	C736 1-Year Renewal Onsite Service Guarantee

Part #	User Replaceable Parts
40X5094	C73x, X73x Fuser Maintenance 220-240V
40X5096	C73x, X73x Transfer Belt Maintenance
40X5152	Pick Tire, Special Media Drawer

Part #	Installation
2350814	C736 Installation



Lexmark C736dtn

Efficient, high-speed colour printing for large and mid-sized workgroups

Print Technology

Color Laser

Print Speed (A4 mono)

Up to 33 ppm

Print Speed (A4 colour)

Up to 33 ppm

Print Speed (A4 mono) Duplex

Up to 22 spm

Time to First Page (Black)

As fast as 9 seconds

Time to First Page (Colour)

as fast as 9 seconds

Print Resolution, Black

1200 x 1200 dpi, 4800 Colour Quality (2400 x 600 dpi)

Print Resolution, Colour

1200 x 1200 dpi, 4800 Colour Quality (2400 x 600 dpi)

Processor

900 MHz

Memory, standard

256 MB

Memory, maximum

1280 MB

Hard Disk

Option available

Expandable Memory Options

Yes

Apple Macintosh Operating Systems Supported

Mac OS X, Mac OS 9.2

Citrix MetaFrame

Microsoft Windows 2000 Server running Terminal Services with Citrix Presentation Server 3.0, 4.0, Microsoft Windows Server 2003 running Terminal Services with Citrix Presentation Server 3.0, 4.0, 4.5, Microsoft Windows Server 2003 x64 running Terminal Services with Citrix Presentation Server 4.0 x64, 4.5 x64

Linux Operating Systems Supported

Linpus Linux Desktop 9.2, 9.3, Red Hat Enterprise Linux WS 3.0, 4.0, 5.0, SUSE Linux Enterprise Server 8.0, 9.0, 10, 11, SUSE Linux Enterprise Desktop 10, openSUSE 10.2, 10.3, 11.0, 11.1, Linspire Linux 6.0, Debian GNU/Linux 4.0, Red Flag Linux Desktop 5.0, 6.0, Ubuntu 7.10, Ubuntu 8.04 LTS, SUSE Linux Enterprise Desktop 11, Debian GNU/Linux 5.0, Ubuntu 8.10, 9.04

Microsoft Windows Operating Systems Supported

2000, XP, Server 2003, XP x64, Server 2003 running Terminal Services, 2000 Server running Terminal Services, Server 2003 x64, Server 2003 x64 running Terminal Services, Vista, Vista x64, Server 2008, Server 2008 x64, Server 2008 running Terminal Services, Server 2008 x64 running Terminal Services, 7

Novell Operating Systems Supported

Open Enterprise Server for Netware with NDS, iPrint or Novell Distributed Print Services (NDPS), NetWare 5.x, 6.x with iPrint or Novell Distributed Print Services (NDPS)

UNIX Operating Systems Supported

Sun Solaris SPARC 8, 9, 10, Sun Solaris x86 10, HP-UX 11.11, 11.23, 11.31, IBM AIX 5.2, 5.3, 6.1

Paper Handling Standard

300-Sheet Output Bin, Integrated Duplex, 100-Sheet Multipurpose Feeder, 550-Sheet Drawer, 550-Sheet Input Tray

Paper Handling Optional

550-Sheet Drawer, 2,000-Sheet High-capacity Feeder, 550-Sheet Specialty Media Drawer

Paper Input Capacity, Standard: Up to

1200 pages 75 gsm bond

Paper Input Capacity, Maximum: Up to

4300 pages 75 gsm bond

Paper Output Capacity, Standard: Up to

300 pages 75 gsm bond

Paper Output Capacity, Maximum: Up to

300 pages 75 gsm bond

Envelope Capacity

85 x 3 = 255

Finishing Option

No

Number of Paper Inputs, Standard

3

Number of Paper Inputs, Maximum

6

Media Types Supported

Card Stock, Envelopes, Glossy paper, Paper Labels, Plain Paper, Transparencies, Vinyl Labels, Refer to the Card Stock & Label Guide

Media Sizes Supported

10 Envelope, 7 3/4 Envelope, 9 Envelope, A4, A5, B5 Envelope, C5 Envelope, DL Envelope, B5, Executive, Folio, JIS-B5, Legal, Letter, Statement, Universal, Oficio

Standard Ports

Fast Ethernet, USB 2.0 Specification Hi-Speed Certified (Type B), Pic/Bridge Certified Port, Front USB 2.0 Specification Hi-Speed Certified port (Type A)

Optional Network Ports

Lexmark N4050e 802.11g Wireless Print Server (Print Only), External MarkNet™ N7020e Gigabit Ethernet, Internal MarkNet™ N8120 Gigabit Ethernet, Internal MarkNet™ N8130 Fiber Fast Ethernet, Internal MarkNet™ N8150 802.11b/g/n Wireless

Network Printing Methods

LPR/LPD, Direct IP (Port 9100), HTTP, NDS Queue-based Printing, NDPS/NEPS (Novell Distributed Print Services), Novell Netware Enterprise Print Services, Enhanced IP (Port 9400), FTP, TFTP, IPP 1.1 (Internet Printing Protocol), ThinPrint, print integration

Network Protocol Support

TCP/IP IPv4, IPX/SPX, AppleTalk™, LexLink (DLC), TCP/IP IPv6, TCP, UDP

Network Security

SNMPv3, 802.1x Authentication: MD5, MSCHAPv2, LEAP, PEAP, TLS, TTLS, IPsec

Printable Area

4.2 mm of the top, bottom, right and left edges (within)

Printer Languages (Standard)

PCL 5c Emulation, PCL 6 Emulation, PPDS, PostScript 3 Emulation, xHTML, PDF 1.6, Direct Image, Microsoft XPS (XML Paper Specification)

Supplies Yield

Average continuous black or continuous composite CMY declared cartridge yield up to this number of standard pages in accordance with ISO/IEC 19798, 6,000*-page Colour Toner Cartridges (CMY), 8,000*-page Black Toner Cartridge, 10,000*-page Colour High Yield Toner Cartridges (CMY), 12,000*-page Black High Yield Toner Cartridge

Cartridge(s) Shipping with Product

6,000*-page Colour (CMY) Starter Return Program Toner Cartridges, 6,000*-page Black Starter Return Program Toner Cartridge

Packaged Size (mm - H x W x D)

760 x 595 x 553 mm

Size (mm - H x W x D)

576 x 435 x 545 mm

Weight (kg)

29.7 kg

Noise Level, Idle

33 dBA

Print Noise Level, Operating

54 dBA

Product Guarantee

1-Year Onsite Service, Next Business Day

Product Certifications

Energy Star, CAN/CSA-C22.2 60950-1, CSA E60825-1, ICES-003 Class B, BSMI Class B, VCCI Class B, US FDA, FCC Class B, UL 60950-1, EN/IEC 60320-1, CE Class B, CB IEC 60950-1, EN 60950-1, EN/IEC 61000-3, EN 55022 Class B, EN 55024, EN/IEC 60825-1, GS (TÜV), AR S

Maximum Monthly Duty Cycle

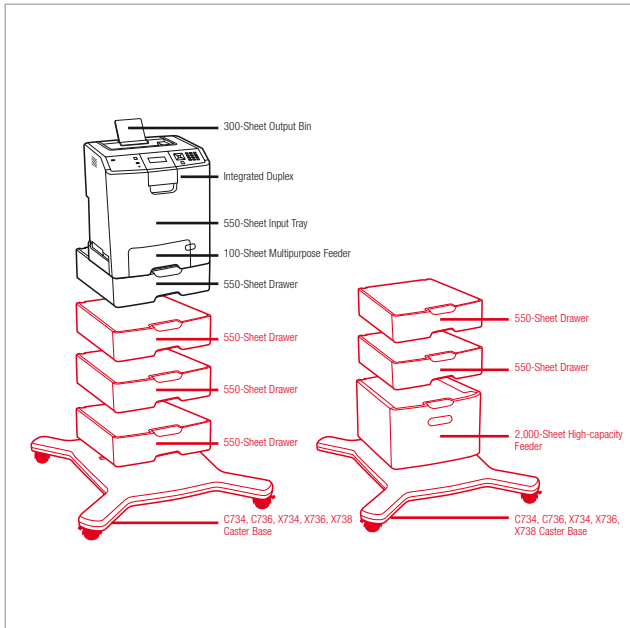
Up to 100000 pages per month

Recommended Monthly Page Volume

2500 - 10000 Pages

Specified Operating Environment

Temperature: 16 to 32°C (60 to 90°F), Humidity: 8 to 80% Relative Humidity, Altitude: 0 - 3048 Meters (10,000 Feet)



Paper Handling Standard
 Paper Handling Optional

Part #	Model
25A0482	Lexmark C736dtn

Part #	Laser Toner/Print Cartridge
C736H1KG	C736, X736, X738 Black High Yield Return Programme Toner Cartridge (12K)
C734A1KG	C734, C736, X734, X736, X738 Black Return Programme Toner Cartridge (8K)
C736H1CG	C736, X736, X738 Cyan High Yield Return Programme Toner Cartridge
C734A1CG	C734, C736, X734, X736, X738 Cyan Return Programme Toner Cartridge
C736H1MG	C736, X736, X738 Magenta High Yield Return Programme Toner Cartridge (10K)
C734A1MG	C734, C736, X734, X736, X738 Magenta Return Programme Toner Cartridge (6K)
C736H1YG	C736, X736, X738 Yellow High Yield Return Programme Toner Cartridge (10K)
C734A1YG	C734, C736, X734, X736, X738 Yellow Return Programme Toner Cartridge (6K)
C736H2KG	C736, X736, X738 Black High Yield Toner Cartridge (12K)
C734A2KG	C734, C736, X734, X736, X738 Black Toner Cartridge (8K)
C736H2CG	C736, X736, X738 Cyan High Yield Toner Cartridge (10K)
C734A2CG	C734, C736, X734, X736, X738 Cyan Toner Cartridge (6K)
C736H2MG	C736, X736, X738 Magenta High Yield Toner Cartridge (10K)
C734A2MG	C734, C736, X734, X736, X738 Magenta Toner Cartridge (6K)
C736H2YG	C736, X736, X738 Yellow High Yield Toner Cartridge (10K)
C734A2YG	C734, C736, X734, X736, X738 Yellow Toner Cartridge (6K)
C734X77G	C73x, X73x Waste Toner Box (25K)
C734X20G	C734, C736, X734, X736, X738 Photoconductor Unit (20K)
C734X24G	C734, C736, X734, X736, X738 Photoconductor Unit, 4-Pack (20K each)

Part #	Paper & Transparencies
12A8241	Professional Colour Laser Transparencies, A4

Part #	Paper Handling
27S2100	C734, C736, X734e, X736e, X738e 550-Sheet Drawer
27S2400	2000-Sheet High Capacity Feeder
27S2650	C734, C736, X734e, X736e, X738e 550-Sheet Specialty Media Drawer
27S2190	4.8 inch (12.2 cm) Spacer

Part #	Furniture
16M1210	C734, C736, X734, X736, X738 Caster Base
3052765	Swivel Cabinet

Part #	Memory Options
1025041	256MB DDR2-DRAM
1025042	512MB DDR2-DRAM
1025043	1024MB DDR2-DRAM
14F0245	256MB Flash Card
14F0102	Hard Disk (80+GB)

Part #	Application Solutions
30G0829	Lexmark PrintCryption Card

25C0434	C734, C736 Card for IPDS/SCS/TNe
25C0433	C734, C736 Forms and Bar Code Card

Part #	Connectivity
14F0037	MarkNet N8120 Gigabit Ethernet Print Server
14F0042	MarkNet N8130 Fiber Ethernet 100BaseFX, 10BaseFL Print Server
14F0045	MarkNet N8150 802.11b/g/n Wireless Print Server
14T0165	Lexmark N4050e 802.11g Wireless Print Server
14T0220	MarkNet N7020e Gigabit Ethernet Print Server
1021294	USB (2 Meter) Cable
14F0000	Parallel 1284-B Interface Card
1021231	Parallel (10") Cable
14F0100	RS-232C Serial Interface Card

Part #	Extended Warranties
2350798P	C736 2-Years Total (1+1) Onsite Service Guarantee
2350799P	C736 3-Years Total (1+2) Onsite Service Guarantee
2350800P	C736 4-Years Total (1+3) Onsite Service Guarantee
2350802P	C736 1-Year Renewal Onsite Service Guarantee

Part #	User Replaceable Parts
40X5094	C73x, X73x Fuser Maintenance 220-240V
40X5096	C73x, X73x Transfer Belt Maintenance
40X5152	Pick Tire, Special Media Drawer

Part #	Installation
2350814	C736 Installation



Lexmark C782n

Extra speed and versatility for high-quality in-house printing

Print Technology

Color Laser

Print Speed (A4 mono)

Up to 38 ppm

Print Speed (A4 colour)

Up to 33 ppm

Time to First Page (Black)

As fast as 11 seconds

Time to First Page (Colour)

as fast as 13 seconds

Print Resolution, Black

1200 x 1200 dpi, 4800 Color Quality (2400 x 600 dpi)

Print Resolution, Colour

1200 x 1200 dpi, 4800 Colour Quality (2400 x 600 dpi)

Processor

800 / 133 MHz

Memory, standard

256 MB

Memory, maximum

768 MB

Expandable Memory Options

Yes

Apple Macintosh Operating Systems Supported

Mac OS X, Mac OS 9.2

Citrix MetaFrame

Microsoft Windows 2000 Server running Terminal Services with Citrix Presentation Server 3.0, 4.0, Microsoft Windows Server 2003 running Terminal Services with Citrix Presentation Server 3.0, 4.0, 4.5, Microsoft Windows Server 2003 x64 running Terminal Services with Citrix Presentation Server 4.0 x64, 4.5 x64

Linux Operating Systems Supported

Linpus Linux Desktop 9.2, 9.3, Red Hat Enterprise Linux WS 3.0, 4.0, 5.0, SUSE Linux Enterprise Server 8.0, 9.0, 10, 11, SUSE Linux Enterprise Desktop 10, openSUSE 10.2, 10.3, 11.0, 11.1, Linspire Linux 6.0, Debian GNU/Linux 4.0, Red Flag Linux Desktop 5.0, 6.0, Ubuntu 7.10, Ubuntu 8.04 LTS, SUSE Linux Enterprise Desktop 11, Debian GNU/Linux 5.0, Ubuntu 8.10, 9.04

Microsoft Windows Operating Systems Supported

2000, NT (4.00/4.00 Server), XP, Server 2003, XP x64, Server 2003 running Terminal Services, 2000 Server running Terminal Services, Server 2003 x64, Server 2003 x64 running Terminal Services, Vista, Vista x64, 7

Novell Operating Systems Supported

Open Enterprise Server for Netware with NDS, iPrint or Novell Distributed Print Services (NDPS), NetWare® 3.2, 4.2 (bindery), NetWare 4.2 5.x and 6.x (NDS), NetWare 5.x, 6.x with iPrint or Novell Distributed Print Services (NDPS)

UNIX Operating Systems Supported

Sun Solaris SPARC 8, 9, 10, HP-UX 11.00, 11.1, IBM AIX 5.1, 5.2, 5.3, Sun Solaris x86 10

Other Operating Systems Supported

IBM iSeries or IBM AS/400® Systems with TCP/IP with OS/400® V3R1 or later using OS/400 Host Print Transform, Virtually any platform supporting TCP/IP

Paper Handling Standard

250-Sheet Output Bin, 500-Sheet Input Tray, 100-Sheet Multipurpose Feeder

Paper Handling Optional

5-bin Mailbox, 650-Sheet Output Expander, StapleSmart Finisher, Duplex Unit, 500-Sheet Drawer, Envelope Drawer, Banner Media Tray, Outdoor Media Drawer, 2,000-Sheet High-capacity Feeder

Paper Input Capacity, Standard: Up to

600 pages 75 gsm bond

Paper Input Capacity, Maximum: Up to

3100 pages 75 gsm bond

Paper Output Capacity, Standard: Up to

250 pages 75 gsm bond

Paper Output Capacity, Maximum: Up to

900 pages 75 gsm bond

Envelope Capacity

60

Finishing Option

Yes

Number of Paper Inputs, Standard

2

Number of Paper Inputs, Maximum

5

Media Types Supported

Card Stock, Envelopes, Glossy paper, Labels, Plain Paper, Transparencies, Refer to the Card Stock & Label Guide, Outdoor Media, Banner Paper

Media Sizes Supported

10 Envelope, 7 3/4 Envelope, 9 Envelope, A4, A5, B5 Envelope, C5 Envelope, DL Envelope, Executive, Folio, JIS-B5, Legal, Letter, Statement, Universal, Banner

Standard Ports

Fast Ethernet, One Internal Card Slot, USB Compatible with USB 2.0 Specification (Type B), USB Direct interface on Operator Panel

Optional Network Ports

Lexmark N4050e 802.11g Wireless Print Server (Print Only), Internal MarkNet™ N8020 Gigabit Ethernet, Internal MarkNet™ N8050 802.11g Wireless, External MarkNet™ N7020e Gigabit Ethernet, Internal MarkNet™ N8030 Fiber Fast Ethernet

Network Printing Methods

LPR/LPD, Direct IP (Port 9100), Socket (Raw TCP/IP), IPP (Internet Printing Protocol), HTTP, NDS Queue-based Printing, NDPS/NEPS (Novell Distributed Print Services), Novell Netware Enterprise Print Services, Enhanced IP (Port 9400)

Network Protocol Support

TCP/IP IPv4, IPX/SPX, AppleTalk™, LexLink (DLC), TCP/IP IPv6

Network Security

SSL* Enabled Embedded Web Server (HTTPS), SNMPv3, TCP/IP port access control, 802.1x Authentication: MDS,

MSCHAPv2, LEAP, PEAP, TTLS, IPsec, *This product includes software developed by the OpenSSL Project for use in the OpenSSL Toolkit.

Printable Area

4.2 mm of the top, bottom, right and left edges (within)

Printer Languages (Standard)

PCL 5c Emulation, PCL 6 Emulation, PPDS, PostScript 3 Emulation, PDF 1.5 Emulation, xHTML, Direct Image

Supplies Yield

6,000*-page (CMYK) Print Cartridges, 10,000*-page (CMYK) High Yield Print Cartridges, 15,000*-page (CMYK) Extra High Yield Print Cartridges, Ships with 10,000*-page black and colour High Yield Return Program Print Cartridges, Average continuous black or continuous composite CMY declared cartridge yield up to this number of standard pages in accordance with ISO/IEC 19798.

Packaged Size (mm - H x W x D)

810 x 795 x 650 mm

Size (mm - H x W x D)

528 x 604.5 x 470 mm

Weight (kg)

47.7 kg

Noise Level, Idle

30 dBA

Print Noise Level, Operating

53 dBA

Product Guarantee

1 Year Onsite, Next Business Day response time

Product Certifications

CSA, ICES Class A, BSMI Class A, VCCI Class A, FCC Class A, UL 60950-1, IEC 60320-1, CE Class A, CB IEC 60950-1, IEC 60825-1, GS (TÜV), SEMKO, UL AR, CS, TÜV Rh, C-tick mark Class A, CCC Class A

Maximum Monthly Duty Cycle

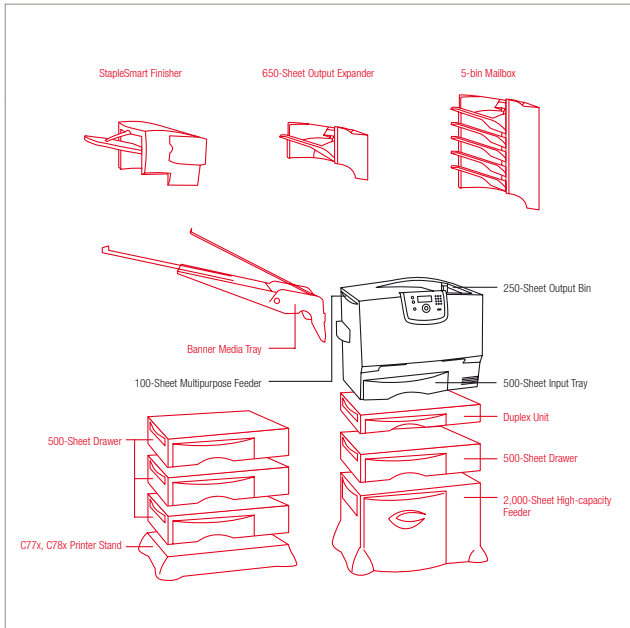
Up to 150,000 pages per month

Recommended Monthly Page Volume

2500 - 17,000 Pages

Specified Operating Environment

Temperature: 16 to 32°C (60 to 90°F), Humidity: 8 to 80% Relative Humidity, Altitude: 0 - 3048 Meters (10,000 Feet)



Paper Handling Standard
 Paper Handling Optional

Part #	Model
10Z0150	Lexmark C782zn
Part # Laser Toner/Print Cartridge	
C782X1KG	C782 Black Extra High Yield Return Programme Print Cartridge (15K)
C780H1KG	C780, C782 Black High Yield Return Programme Print Cartridge (10K)
C780A1KG	C780, C782 Black Return Programme Print Cartridge (6K)
C782X2KG	C782 Black Extra High Yield Print Cartridge (15K)
C780H2KG	C780, C782 Black High Yield Print Cartridge (10K)
C780A2KG	C780, C782 Black Print Cartridge (6K)
C782X1CG	C782 Cyan Extra High Yield Return Programme Print Cartridge (15K)
C780H1CG	C780, C782 Cyan High Yield Return Programme Print Cartridge (10K)
C780A1CG	C780, C782 Cyan Return Programme Print Cartridge (6K)
C782X2CG	C782 Cyan Extra High Yield Print Cartridge (15K)
C780H2CG	C780, C782 Cyan High Yield Print Cartridge (10K)
C780A2CG	C780, C782 Cyan Print Cartridge (6K)
C782X1MG	C782 Magenta Extra High Yield Return Programme Print Cartridge (15K)
C780H1MG	C780, C782 Magenta High Yield Return Programme Print Cartridge (10K)
C780A1MG	C780, C782 Magenta Return Programme Print Cartridge (6K)
C782X2MG	C782 Magenta Extra High Yield Print Cartridge (15K)
C780H2MG	C780, C782 Magenta High Yield Print Cartridge (10K)
C780A2MG	C780, C782 Magenta Print Cartridge (6K)
C782X1YG	C782 Yellow Extra High Yield Return Programme Print Cartridge (15K)
C780H1YG	C780, C782 Yellow High Yield Return Programme Print Cartridge (10K)
C780A1YG	C780, C782 Yellow Return Programme Print Cartridge (6K)
C782X2YG	C782 Yellow Extra High Yield Print Cartridge (15K)
C780H2YG	C780, C782 Yellow High Yield Print Cartridge (10K)
C780A2YG	C780, C782 Yellow Print Cartridge (6K)
10B3100	C75X, C76X, C77X Waste Toner Container
11K3188	Staple Cartridge (3x3K)
Part # Paper & Transparencies	
12A8241	Professional Colour Laser Transparencies, A4
12A8601	C762 Outdoor Media, A4
12A8940	C762 Banner Laser Paper
Part # Paper Handling	
20B2300	C770, C772, C780, C782 500-Sheet Drawer
20B2373	C770, C772, C780, C782 500-Sheet Tray
20B2400	C770, C772, C780, C782 Duplex Unit
20B2700	C772, C782 2000-Sheet High Capacity Feeder
10Z3100	C782 Envelope Drawer
20B3340	C772, C782 Outdoor Media Drawer
20B3000	C772, C782 5-Bin Mailbox
20B3050	C772, C782 Output Expander
20B3060	C772, C782 StapleSmart Finisher
20B5000	C772, C782 Banner Media Tray
Part # Furniture	
16N1708	C77x, C78x Printer Stand

21J0055	C772, C782 Scanner Shelf
16C0700	Scanner Stand with Cabinet
Part # MFP Options	
21J0415	Lexmark 4600 MFP Option (C782zn)
Part # Memory Options	
13N1523	128MB DDR-DRAM
13N1530	Hard Disk (40+GB)
13N1524	256MB DDR-DRAM
13N1526	512MB DDR-DRAM
10Z1208	32MB Flash Card
10Z1209	64MB Flash Card
Part # Application Solutions	
10Z0400	C780, C782 Bar Code Card
10Z0401	C780, C782 Card for IPDS and SCS/TNe
10Z0402	C780, C782 Forms Card
10Z0403	Lexmark PrintCryption Card, C780, C782
10Z0404	C780, C782 Card for PRESCRIBE Emulation
Part # Connectivity	
10Z1294	USB (2 Meter) Cable
10Z1092	RS-232C Serial Interface Card
14T0165	Lexmark N4050e 802.11g Wireless Print Server
14S0210	MarkNet N8050 802.11g Wireless Print Server
14S0200	MarkNet N8020 Gigabit Ethernet Print Server
14S0220	MarkNet N8030 Fiber Ethernet 100BaseFX, 10BaseFL
14T0220	MarkNet N7020e Gigabit Ethernet Print Server
10Z1231	Parallel (10') Cable
10Z1091	Parallel 1284-B Interface Card
21J0069	6 Meter Scanner Cable
Part # Extended Warranties	
2349404P	C782 2-Years Total (1+1) Onsite Service Guarantee
2349405P	C782 3-Years Total (1+2) Onsite Service Guarantee
2349406P	C782 4-Years Total (1+3) Onsite Service Guarantee
2349408P	C782 1-Year Renewal Onsite Service Guarantee
Part # User Replaceable Parts	
40X1832	C780, C782 Fuser Maintenance Kit 220-240V



Lexmark C782dn

Extra speed and versatility for high-quality in-house printing plus duplex

Print Technology

Color Laser

Print Speed (A4 mono)

Up to 38 ppm

Print Speed (A4 colour)

Up to 33 ppm

Time to First Page (Black)

As fast as 11 seconds

Time to First Page (Colour)

as fast as 13 seconds

Print Resolution, Black

1200 x 1200 dpi, 4800 Color Quality (2400 x 600 dpi)

Print Resolution, Colour

1200 x 1200 dpi, 4800 Colour Quality (2400 x 600 dpi)

Processor

800 / 133 MHz

Memory, standard

256 MB

Memory, maximum

768 MB

Expandable Memory Options

Yes

Apple Macintosh Operating Systems Supported

Mac OS X, Mac OS 9.2

Citrix MetaFrame

Microsoft Windows 2000 Server running Terminal Services with Citrix Presentation Server 3.0, 4.0, Microsoft Windows Server 2003 running Terminal Services with Citrix Presentation Server 3.0, 4.0, 4.5, Microsoft Windows Server 2003 x64 running Terminal Services with Citrix Presentation Server 4.0 x64, 4.5 x64

Linux Operating Systems Supported

Linpus Linux Desktop 9.2, 9.3, Red Hat Enterprise Linux WS 3.0, 4.0, 5.0, SUSE Linux Enterprise Server 8.0, 9.0, 10, 11, SUSE Linux Enterprise Desktop 10, openSUSE 10.2, 10.3, 11.0, 11.1, Linspire Linux 6.0, Debian GNU/Linux 4.0, Red Flag Linux Desktop 5.0, 6.0, Ubuntu 7.10, Ubuntu 8.04 LTS, SUSE Linux Enterprise Desktop 11, Debian GNU/Linux 5.0, Ubuntu 8.10, 9.04

Microsoft Windows Operating Systems Supported

2000, NT (4.00/4.00 Server), XP, Server 2003, XP x64, Server 2003 running Terminal Services, 2000 Server running Terminal Services, Server 2003 x64, Server 2003 x64 running Terminal Services, Vista, Vista x64, 7

Novell Operating Systems Supported

Open Enterprise Server for Netware with NDS, iPrint or Novell Distributed Print Services (NDPS), NetWare® 3.2, 4.2 (bindery), NetWare 4.2 5.x and 6.x (NDS), NetWare 5.x, 6.x with iPrint or Novell Distributed Print Services (NDPS)

UNIX Operating Systems Supported

Sun Solaris SPARC 8, 9, 10, HP-UX 11.00, 11.1, IBM AIX 5.1, 5.2, 5.3, Sun Solaris x86 10

Other Operating Systems Supported

IBM iSeries or IBM AS/400® Systems with TCP/IP with OS/400® V3R1 or later using OS/400 Host Print Transform, Virtually any platform supporting TCP/IP

Paper Handling Standard

250-Sheet Output Bin, 500-Sheet Input Tray, Duplex Unit, 100-Sheet Multipurpose Feeder

Paper Handling Optional

5-bin Mailbox, 650-Sheet Output Expander, StapleSmart Finisher, 500-Sheet Drawer, Envelope Drawer, Banner Media Tray, Outdoor Media Drawer, 2,000-Sheet High-capacity Feeder

Paper Input Capacity, Standard: Up to

600 pages 75 gsm bond

Paper Input Capacity, Maximum: Up to

3100 pages 75 gsm bond

Paper Output Capacity, Standard: Up to

250 pages 75 gsm bond

Paper Output Capacity, Maximum: Up to

900 pages 75 gsm bond

Envelope Capacity

60

Finishing Option

Yes

Number of Paper Inputs, Standard

2

Number of Paper Inputs, Maximum

5

Media Types Supported

Card Stock, Envelopes, Glossy paper, Labels, Plain Paper, Transparencies, Refer to the Card Stock & Label Guide, Outdoor Media, Banner Paper

Media Sizes Supported

10 Envelope, 7 3/4 Envelope, 9 Envelope, A4, A5, B5 Envelope, C5 Envelope, DL Envelope, Executive, Folio, JIS-B5, Legal, Letter, Statement, Universal, Banner

Standard Ports

Fast Ethernet, One Internal Card Slot, USB Compatible with USB 2.0 Specification (Type B), USB Direct interface on Operator Panel

Optional Network Ports

Lexmark N4050e 802.11g Wireless Print Server (Print Only), Internal MarkNet™ N8020 Gigabit Ethernet, Internal MarkNet™ N8050 802.11g Wireless, External MarkNet™ N7020e Gigabit Ethernet, Internal MarkNet™ N8030 Fiber Fast Ethernet

Network Printing Methods

LPR/LPD, Direct IP (Port 9100), Socket (Raw TCP/IP), IPP (Internet Printing Protocol), HTTP, NDS Queue-based Printing, NDPS/NEPS (Novell Distributed Print Services, Novell Netware Enterprise Print Services), Enhanced IP (Port 9400)

Network Protocol Support

TCP/IP IPv4, IPX/SPX, AppleTalk™, LexLink (DLC), TCP/IP IPv6

Network Security

SSL* Enabled Embedded Web Server (HTTPS), SNMPv3, TCP/IP port access control, 802.1x Authentication: MDS,

MSCHAPv2, LEAP, PEAP, TLS, TTLS, IPSec, *This product includes software developed by the OpenSSL Project for use in the OpenSSL Toolkit.

Printable Area

4.2 mm of the top, bottom, right and left edges (within)

Printer Languages (Standard)

PCL 5c Emulation, PCL 6 Emulation, PPDS, PostScript 3 Emulation, PDF 1.5 Emulation, xHTML, Direct Image

Supplies Yield

6,000*-page (CMYK) Print Cartridges, 10,000*-page (CMYK) High Yield Print Cartridges, 15,000*-page (CMYK) Extra High Yield Print Cartridges, Ships with 10,000*-page black and colour High Yield Return Program Print Cartridges, Average continuous black or continuous composite CMY declared cartridge yield up to this number of standard pages in accordance with ISO/IEC 19798.

Packaged Size (mm - H x W x D)

945 x 1100 x 725 mm

Size (mm - H x W x D)

617.2 x 604.5 x 470 mm

Weight (kg)

53.8 kg

Noise Level, Idle

30 dBA

Print Noise Level, Operating

53 dBA

Product Guarantee

1 Year Onsite, Next Business Day response time

Product Certifications

Energy Star, CSA, ICES Class A, BSMI Class A, VCCI Class A, FCC Class A, UL 60950-1, IEC 60320-1, CE Class A, CB IEC 60950-1, IEC 60825-1, GS (TUV), SEMKO, UL AR, CS, TÜV Rh, C-tick mark Class A, CCC Class A

Maximum Monthly Duty Cycle

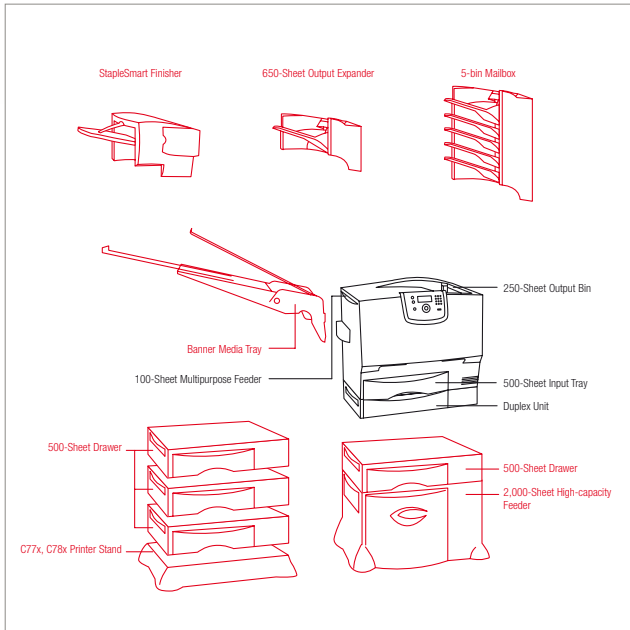
Up to 150000 pages per month

Recommended Monthly Page Volume

2500 - 17000 Pages

Specified Operating Environment

Temperature: 16 to 32°C (60 to 90°F), Humidity: 8 to 80% Relative Humidity, Altitude: 0 - 3048 Meters (10,000 Feet)



Part #	Model
10Z0151	Lexmark C782dn

Part #	Laser Toner/Print Cartridge
C782X1KG	C782 Black Extra High Yield Return Programme Print Cartridge (15K)
C780H1KG	C780, C782 Black High Yield Return Programme Print Cartridge (10K)
C780A1KG	C780, C782 Black Return Programme Print Cartridge (6K)
C782X2KG	C782 Black Extra High Yield Print Cartridge (15K)
C780H2KG	C780, C782 Black High Yield Print Cartridge (10K)
C780A2KG	C780, C782 Black Print Cartridge (6K)
C782X1CG	C782 Cyan Extra High Yield Return Programme Print Cartridge (15K)
C780H1CG	C780, C782 Cyan High Yield Return Programme Print Cartridge (10K)
C780A1CG	C780, C782 Cyan Return Programme Print Cartridge (6K)
C782X2CG	C782 Cyan Extra High Yield Print Cartridge (15K)
C780H2CG	C780, C782 Cyan High Yield Print Cartridge (10K)
C780A2CG	C780, C782 Cyan Print Cartridge (6K)
C782X1MG	C782 Magenta Extra High Yield Return Programme Print Cartridge (15K)
C780H1MG	C780, C782 Magenta High Yield Return Programme Print Cartridge (10K)
C780A1MG	C780, C782 Magenta Return Programme Print Cartridge (6K)
C782X2MG	C782 Magenta Extra High Yield Print Cartridge (15K)
C780H2MG	C780, C782 Magenta High Yield Print Cartridge (10K)
C780A2MG	C780, C782 Magenta Print Cartridge (6K)
C782X1YG	C782 Yellow Extra High Yield Return Programme Print Cartridge (15K)
C780H1YG	C780, C782 Yellow High Yield Return Programme Print Cartridge (10K)
C780A1YG	C780, C782 Yellow Return Programme Print Cartridge (6K)
C782X2YG	C782 Yellow Extra High Yield Print Cartridge (15K)
C780H2YG	C780, C782 Yellow High Yield Print Cartridge (10K)
C780A2YG	C780, C782 Yellow Print Cartridge (6K)
10B3100	C75X, C76X, C77X Waste Toner Container
11K3188	Staple Cartridge (3x3K)

Part #	Paper & Transparencies
12A8241	Professional Colour Laser Transparencies, A4
12A8601	C762 Outdoor Media, A4
12A8940	C762 Banner Laser Paper

Part #	Paper Handling
20B2300	C770, C772, C780, C782 500-Sheet Drawer
20B2373	C770, C772, C780, C782 500-Sheet Tray
20B2700	C772, C782 2000-Sheet High Capacity Feeder
10Z3100	C782 Envelope Drawer
20B3340	C772, C782 Outdoor Media Drawer
20B3000	C772, C782 5-Bin Mailbox
20B3050	C772, C782 Output Expander
20B3060	C772, C782 StapleSmart Finisher
20B5000	C772, C782 Banner Media Tray

Part #	Furniture
16N1708	C77x, C78x Printer Stand
21J0055	C772, C782 Scanner Shelf

16C0700	Scanner Stand with Cabinet
---------	----------------------------

Part #	MFP Options
21J0415	Lexmark 4600 MFP Option (C782n)

Part #	Memory Options
13N1523	128MB DDR-DRAM
13N1530	Hard Disk (40+GB)
13N1524	256MB DDR-DRAM
13N1526	512MB DDR-DRAM
1021208	32MB Flash Card
1021209	64MB Flash Card

Part #	Application Solutions
10Z0400	C780, C782 Bar Code Card
10Z0401	C780, C782 Card for IPDS and SCS/TNe
10Z0402	C780, C782 Forms Card
10Z0403	Lexmark PrintCrypton Card, C780, C782
10Z0404	C780, C782 Card for PRESCRIBE Emulation

Part #	Connectivity
1021294	USB (2 Meter) Cable
1021092	RS-232C Serial Interface Card
14T0165	Lexmark W4050e 802.11g Wireless Print Server
14S0210	MarkNet N8050 802.11g Wireless Print Server
14S0200	MarkNet N8020 GigaBit Ethernet Print Server
14S0220	MarkNet N8030 Fiber Ethernet 100BaseFX, 10BaseFL
14T0220	MarkNet N7020e Gigabit Ethernet Print Server
1021231	Parallel (10') Cable
1021091	Parallel 1284-B Interface Card
21J0069	6 Meter Scanner Cable

Part #	Extended Warranties
2349404P	C782 2-Years Total (1+1) Onsite Service Guarantee
2349405P	C782 3-Years Total (1+2) Onsite Service Guarantee
2349406P	C782 4-Years Total (1+3) Onsite Service Guarantee
2349408P	C782 1-Year Renewal Onsite Service Guarantee

Part #	User Replaceable Parts
40X1832	C780, C782 Fuser Maintenance Kit 220-240V



Lexmark C782dtn

High-quality in-house printing plus duplex and additional input drawer

Print Technology

Color Laser

Print Speed (A4 mono)

Up to 38 ppm

Print Speed (A4 colour)

Up to 33 ppm

Time to First Page (Black)

As fast as 11 seconds

Time to First Page (Colour)

as fast as 13 seconds

Print Resolution, Black

1200 x 1200 dpi, 4800 Color Quality (2400 x 600 dpi)

Print Resolution, Colour

1200 x 1200 dpi, 4800 Colour Quality (2400 x 600 dpi)

Processor

800 / 133 MHz

Memory, standard

256 MB

Memory, maximum

768 MB

Expandable Memory Options

Yes

Apple Macintosh Operating Systems Supported

Mac OS X, Mac OS 9.2

Citrix MetaFrame

Microsoft Windows 2000 Server running Terminal Services with Citrix Presentation Server 3.0, 4.0, Microsoft Windows Server 2003 running Terminal Services with Citrix Presentation Server 3.0, 4.0, 4.5, Microsoft Windows Server 2003 x64 running Terminal Services with Citrix Presentation Server 4.0 x64, 4.5 x64

Linux Operating Systems Supported

Linpus Linux Desktop 9.2, 9.3, Red Hat Enterprise Linux WS 3.0, 4.0, 5.0, SUSE Linux Enterprise Server 8.0, 9.0, 10, 11, SUSE Linux Enterprise Desktop 10, openSUSE 10.2, 10.3, 11.0, 11.1, Linspire Linux 6.0, Debian GNU/Linux 4.0, Red Flag Linux Desktop 5.0, 6.0, Ubuntu 7.10, Ubuntu 8.04 LTS, SUSE Linux Enterprise Desktop 11, Debian GNU/Linux 5.0, Ubuntu 8.10, 9.04

Microsoft Windows Operating Systems Supported

2000, NT (4.00/4.00 Server), XP, Server 2003, XP x64, Server 2003 running Terminal Services, 2000 Server running Terminal Services, Server 2003 x64, Server 2003 x64 running Terminal Services, Vista, Vista x64, 7

Novell Operating Systems Supported

Open Enterprise Server for Netware with NDS, iPrint or Novell Distributed Print Services (NDPS), NetWare® 3.2, 4.2 (bindery), NetWare 4.2 5.x and 6.x (NDS), NetWare 5.x, 6.x with iPrint or Novell Distributed Print Services (NDPS)

UNIX Operating Systems Supported

Sun Solaris SPARC 8, 9, 10, HP-UX 11.00, 11.1, IBM AIX 5.1, 5.2, 5.3, Sun Solaris x86 10

Other Operating Systems Supported

IBM iSeries or IBM AS/400® Systems with TCP/IP with OS/400® V3R1 or later using OS/400 Host Print Transform, Virtually any platform supporting TCP/IP

Paper Handling Standard

250-Sheet Output Bin, 500-Sheet Drawer, 500-Sheet Input Tray, Duplex Unit, 100-Sheet Multipurpose Feeder

Paper Handling Optional

5-bin Mailbox, 650-Sheet Output Expander, StapleSmart Finisher, 500-Sheet Drawer, Envelope Drawer, Banner Media Tray, Outdoor Media Drawer, 2,000-Sheet High-capacity Feeder

Paper Input Capacity, Standard: Up to

1100 pages 75 gsm bond

Paper Input Capacity, Maximum: Up to

3100 pages 75 gsm bond

Paper Output Capacity, Standard: Up to

250 pages 75 gsm bond

Paper Output Capacity, Maximum: Up to

900 pages 75 gsm bond

Envelope Capacity

60

Finishing Option

Yes

Number of Paper Inputs, Standard

3

Number of Paper Inputs, Maximum

5

Media Types Supported

Card Stock, Envelopes, Glossy paper, Labels, Plain Paper, Transparencies, Refer to the Card Stock & Label Guide, Outdoor Media, Banner Paper

Media Sizes Supported

10 Envelope, 7 3/4 Envelope, 9 Envelope, A4, A5, B5 Envelope, C5 Envelope, DL Envelope, Executive, Folio, JIS-B5, Legal, Letter, Statement, Universal, Banner

Standard Ports

Fast Ethernet, One Internal Card Slot, USB Compatible with USB 2.0 Specification (Type B), USB Direct interface on Operator Panel

Optional Network Ports

Lexmark N4050e 802.11g Wireless Print Server (Print Only), Internal MarkNet™ N8020 Gigabit Ethernet, Internal MarkNet™ N8050 802.11g Wireless, External MarkNet™ N7020e Gigabit Ethernet, Internal MarkNet™ N8030 Fiber Fast Ethernet

Network Printing Methods

LPR/LPD, Direct IP (Port 9100), Socket (Raw TCP/IP), IPP (Internet Printing Protocol), HTTP, NDS Queue-based Printing, NDPS/NEPS (Novell Distributed Print Services, Novell Netware Enterprise Print Services), Enhanced IP (Port 9400)

Network Protocol Support

TCP/IP IPv4, IPX/SPX, AppleTalk™, LexLink (DLC), TCP/IP IPv6

Network Security

SSL* Enabled Embedded Web Server (HTTPS), SNMPv3, TCP/IP port access control, 802.1x Authentication: MDS,

MSCHAPv2, LEAP, PEAP, TLS, TTLS, IPSec, *This product includes software developed by the OpenSSL Project for use in the OpenSSL Toolkit.

Printable Area

4.2 mm of the top, bottom, right and left edges (within)

Printer Languages (Standard)

PCL 5c Emulation, PCL 6 Emulation, PPDS, PostScript 3 Emulation, PDF 1.5 Emulation, xHTML, Direct Image

Supplies Yield

6,000*-page (CMYK) Print Cartridges, 10,000*-page (CMYK) High Yield Print Cartridges, 15,000*-page (CMYK) Extra High Yield Print Cartridges, Ships with 10,000*-page black and colour High Yield Return Program Print Cartridges, Average continuous black or continuous composite CMY declared cartridge yield up to this number of standard pages in accordance with ISO/IEC 19798.

Packaged Size (mm - H x W x D)

945 x 1320 x 725 mm

Size (mm - H x W x D)

734.1 x 604.5 x 470 mm

Weight (kg)

60 kg

Noise Level, Idle

30 dBA

Print Noise Level, Operating

53 dBA

Product Guarantee

1 Year Onsite, Next Business Day response time

Product Certifications

Energy Star, CSA, ICES Class A, BSMI Class A, VCCI Class A, FCC Class A, UL 60950-1, IEC 60320-1, CE Class A, CB IEC 60950-1, IEC 60825-1, GS (TUV), SEMKO, UL AR, CS, TÜV Rh, C-tick mark Class A, CCC Class A

Maximum Monthly Duty Cycle

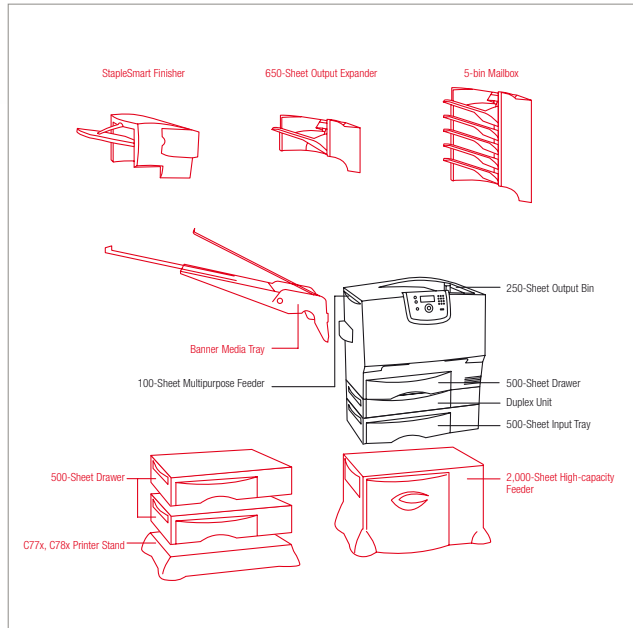
Up to 150000 pages per month

Recommended Monthly Page Volume

2500 - 17000 Pages

Specified Operating Environment

Temperature: 16 to 32°C (60 to 90°F), Humidity: 8 to 80% Relative Humidity, Altitude: 0 - 3048 Meters (10,000 Feet)



Paper Handling Standard
 Paper Handling Optional

Part #	Model
10Z0152	Lexmark C782dtn
Part #	Laser Toner/Print Cartridge
C782X1KG	C782 Black Extra High Yield Return Programme Print Cartridge (15K)
C780H1KG	C780, C782 Black High Yield Return Programme Print Cartridge (10K)
C780A1KG	C780, C782 Black Return Programme Print Cartridge (6K)
C782X2KG	C782 Black Extra High Yield Print Cartridge (15K)
C780H2KG	C780, C782 Black High Yield Print Cartridge (10K)
C780A2KG	C780, C782 Black Print Cartridge (6K)
C782X1CG	C782 Cyan Extra High Yield Return Programme Print Cartridge (15K)
C780H1CG	C780, C782 Cyan High Yield Return Programme Print Cartridge (10K)
C780A1CG	C780, C782 Cyan Return Programme Print Cartridge (6K)
C782X2CG	C782 Cyan Extra High Yield Print Cartridge (15K)
C780H2CG	C780, C782 Cyan High Yield Print Cartridge (10K)
C780A2CG	C780, C782 Cyan Print Cartridge (6K)
C782X1MG	C782 Magenta Extra High Yield Return Programme Print Cartridge (15K)
C780H1MG	C780, C782 Magenta High Yield Return Programme Print Cartridge (10K)
C780A1MG	C780, C782 Magenta Return Programme Print Cartridge (6K)
C782X2MG	C782 Magenta Extra High Yield Print Cartridge (15K)
C780H2MG	C780, C782 Magenta High Yield Print Cartridge (10K)
C780A2MG	C780, C782 Magenta Print Cartridge (6K)
C782X1YG	C782 Yellow Extra High Yield Return Programme Print Cartridge (15K)
C780H1YG	C780, C782 Yellow High Yield Return Programme Print Cartridge (10K)
C780A1YG	C780, C782 Yellow Return Programme Print Cartridge (6K)
C782X2YG	C782 Yellow Extra High Yield Print Cartridge (15K)
C780H2YG	C780, C782 Yellow High Yield Print Cartridge (10K)
C780A2YG	C780, C782 Yellow Print Cartridge (6K)
10B3100	C75X, C76X, C77X Waste Toner Container
11K3188	Staple Cartridge (3x3K)
Part #	Paper & Transparencies
12A8241	Professional Colour Laser Transparencies, A4
12A8601	C762 Outdoor Media, A4
12A8940	C762 Banner Laser Paper
Part #	Paper Handling
20B2300	C770, C772, C780, C782 500-Sheet Drawer
20B2373	C770, C772, C780, C782 500-Sheet Tray
20B2700	C772, C782 2000-Sheet High Capacity Feeder
10Z3100	C782 Envelope Drawer
20B3340	C772, C782 Outdoor Media Drawer
20B3000	C772, C782 5-Bin Mailbox
20B3050	C772, C782 Output Expander
20B3060	C772, C782 StapleSmart Finisher
20B5000	C772, C782 Banner Media Tray
Part #	Furniture
16N1708	C77x, C78x Printer Stand
21J0055	C772, C782 Scanner Shelf

16C0700	Scanner Stand with Cabinet
Part #	MFP Options
21J0415	Lexmark 4600 MFP Option (C782n)
Part #	Memory Options
13N1523	128MB DDR-DRAM
13N1530	Hard Disk (40+GB)
13N1524	256MB DDR-DRAM
13N1526	512MB DDR-DRAM
1021208	32MB Flash Card
1021209	64MB Flash Card
Part #	Application Solutions
10Z0400	C780, C782 Bar Code Card
10Z0401	C780, C782 Card for IPDS and SCS/TNe
10Z0402	C780, C782 Forms Card
10Z0403	Lexmark PrintCrypton Card, C780, C782
10Z0404	C780, C782 Card for PRESCRIBE Emulation
Part #	Connectivity
1021294	USB (2 Meter) Cable
1021092	RS-232C Serial Interface Card
14T0165	Lexmark W4050e 802.11g Wireless Print Server
14S0210	MarkNet N8050 802.11g Wireless Print Server
14S0200	MarkNet N8020 GigaBit Ethernet Print Server
14S0220	MarkNet N8030 Fiber Ethernet 100BaseFX, 10BaseFL
14T0220	MarkNet N7020e Gigabit Ethernet Print Server
1021231	Parallel (10') Cable
1021091	Parallel 1284-B Interface Card
21J0069	6 Meter Scanner Cable
Part #	Extended Warranties
2349404P	C782 2-Years Total (1+1) Onsite Service Guarantee
2349405P	C782 3-Years Total (1+2) Onsite Service Guarantee
2349406P	C782 4-Years Total (1+3) Onsite Service Guarantee
2349408P	C782 1-Year Renewal Onsite Service Guarantee
Part #	User Replaceable Parts
40X1832	C780, C782 Fuser Maintenance Kit 220-240V



Lexmark C935dn

Expand your horizons with high-quality, wide-format colour printing!

Print Technology

Color Laser

Print Speed (A4 mono)

Up to 45 ppm

Print Speed (A4 colour)

Up to 40 ppm

Print Speed (A4 mono) Duplex

Up to 37 spm

Time to First Page (Black)

As fast as 5 seconds

Time to First Page (Colour)

as fast as 9 seconds

Print Resolution, Black

2400 Image Quality

Print Resolution, Colour

2400 Image Quality

Memory, standard

256 MB

Memory, maximum

1024MB (replacement required)

Hard Disk

Option available

Expandable Memory Options

Yes

Apple Macintosh Operating Systems Supported

Mac OS X, Mac OS 9.2, Mac OS X (10.4 Intel), Mac OS X (10.4 Power PC)

Citrix MetaFrame

Microsoft Windows 2000 Server running Terminal Services with Citrix Presentation Server 3.0, 4.0, Microsoft Windows Server 2003 running Terminal Services with Citrix Presentation Server 3.0, 4.0, 4.5, Microsoft Windows Server 2003 x64 running Terminal Services with Citrix Presentation Server 4.0 x64, 4.5 x64

Linux Operating Systems Supported

Linux Linux Desktop 9.2, 9.3, Red Hat Enterprise Linux WS 3.0, 4.0, 5.0, SUSE Linux Enterprise Server 8.0, 9.0, 10, 11, SUSE Linux Enterprise Desktop 10, openSUSE 10.2, 10.3, 11.0, 11.1, Linspire Linux 6.0, Debian GNU/Linux 4.0, Red Flag Linux Desktop 5.0, 6.0, Ubuntu 7.10, Ubuntu 8.04 LTS, SUSE Linux Enterprise Desktop 11, Debian GNU/Linux 5.0, Ubuntu 8.10, 9.04

Microsoft Windows Operating Systems Supported

2000, NT (4.00/4.00 Server), XP, Server 2003, XP x64, Server 2003 running Terminal Services, 2000 Server running Terminal Services, Server 2003 x64, Server 2003 x64 running Terminal Services, Vista, Vista x64, 7

Novell Operating Systems Supported

Open Enterprise Server for Netware with NDS, iPrint or Novell Distributed Print Services (NDPS), NetWare® 3.2, 4.2 (bindery), NetWare 4.2, 5.x and 6.x (NDS), NetWare 5.x, 6.x with iPrint or Novell Distributed Print Services (NDPS)

UNIX Operating Systems Supported

Sun Solaris SPARC 8, 9, 10, HP-UX 11.00, 11.1, IBM AIX 5.1, 5.2, 5.3, Sun Solaris x86 10

Other Operating Systems Supported

IBM iSeries or IBM AS/400® Systems with TCP/IP

with OS/400® V3R1 or later using OS/400 Host Print Transform, Virtually any platform supporting TCP/IP

Paper Handling Standard

Integrated Duplex, 100-Sheet Multipurpose Feeder, 520-Sheet Input Tray

Paper Handling Optional

3,500-Sheet Finisher, 3 x 520-Sheet Drawer Stand, 520-Sheet Drawer Stand with Cabinet, 2520-Sheet High Capacity Feeder Stand, Booklet Finisher

Paper Input Capacity, Standard: Up to

620 pages 75 gsm bond

Paper Input Capacity, Maximum: Up to

3140 pages 75 gsm bond

Paper Output Capacity, Standard: Up to

400 pages 75 gsm bond

Paper Output Capacity, Maximum: Up to

3500 pages 75 gsm bond

Finishing Option

Yes

Number of Paper Inputs, Standard

2

Number of Paper Inputs, Maximum

5

Media Types Supported

Card Stock, Envelopes, Glossy paper, Paper Labels, Plain Paper, Transparencies, Refer to the Card Stock & Label Guide

Media Sizes Supported

10 Envelope, A3, A4, A5, C5 Envelope, DL Envelope, Executive, Folio, JIS-B4, JIS-B5, Ledger, Legal, Letter, Statement, Universal

Standard Ports

One Internal Card Slot, USB Direct interface on Operator Panel, Gigabit Ethernet (10/100/1000), Hi-Speed USB

Optional Network Ports

Lexmark N4050e 802.11g Wireless Print Server (Print Only), Internal MarkNet™ N8050 802.11g Wireless, Internal MarkNet™ N8030 Fiber Fast Ethernet

Network Printing Methods

LPR/LPD, Direct IP (Port 9100), Socket (Raw TCP/IP), IPP (Internet Printing Protocol), HTTP, MDS Queue-based Printing, NDPS/NEPS (Novell Distributed Print Services, Novell Netware Enterprise Print Services), Enhanced IP (Port 9400), FTP, TFTP, IPP 1.1 (Internet Printing Protocol)

Network Protocol Support

TCP/IP IPv4, IPX/SPX, AppleTalk™, LexLink (DLC), TCP/IP IPv6

Network Security

SSL* Enabled Embedded Web Server (HTTPS), SNMPv3, TCP/IP port access control, Authenticated and encrypted MarkVision Professional communication, 802.1x Authentication: MD5, MSCHAPv2, LEAP, PEAP, TLS, TTLS, IPsec, *This product includes software developed by the OpenSSL Project for use in the OpenSSL Toolkit.

Printable Area

4.0 mm of the top, bottom, right and left edges (within)

Printer Languages (Standard)

PCL 5c Emulation, PCL 6 Emulation, PPDS, PostScript 3 Emulation, xHTML, PDF 1.6, Direct Image

Supplies Yield

Average continuous black or continuous composite CMY declared cartridge yield up to this number of standard pages in accordance with ISO/IEC 19798., 24,000*-page Colour (CMY) Toner Cartridges, 38,000*-page Black Toner Cartridge, Ships with 13,000*-page Black and 12,000* page Colour Toner Cartridges

Packaged Size (mm - H x W x D)

735 x 900 x 760 mm

Size (mm - H x W x D)

508 x 650 x 710 mm

Size, Trays Extended (mm - H x W x D)

521 x 975 x 710 mm

Weight (kg)

91.2 kg

Noise Level, Idle

34 dBA

Print Noise Level, Operating

55 dBA

Product Guarantee

1 Year Onsite, Next Business Day response time

Product Certifications

Energy Star, Blue Angel, CSA, ICES Class A, BSMI Class A, VCCI Class A, FCC Class A, UL 60950-1, IEC 60320, CE Class A, CB IEC 60950-1, IEC 60825-1, CISPR 22 Class A, GS (TÜV), SEMKO, UL AR, CS, TÜV Rh, A-tick mark Class A, CCC Class A

Maximum Monthly Duty Cycle

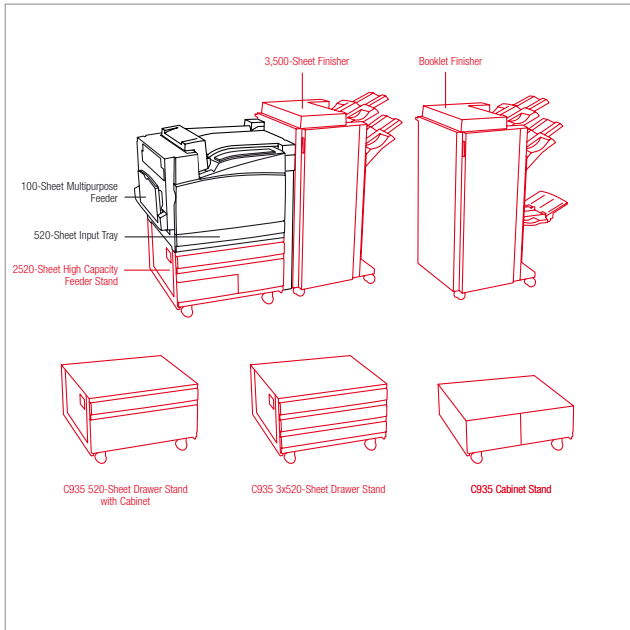
Up to 200000 pages per month

Recommended Monthly Page Volume

2500 - 33000 Pages

Specified Operating Environment

Temperature: 16 to 32°C (60 to 90°F), Humidity: 8 to 80% Relative Humidity, Altitude: 0 - 2500 Meters (8,200 Feet)



Paper Handling Standard
 Paper Handling Optional

Part #	Model
21Z0172	Lexmark C935dn

Part #	Laser Toner/Print Cartridge
C930H2KG	C935 Black High Yield Toner Cartridge (38K)
C930H2CG	C935 Cyan High Yield Toner Cartridge (24K)
C930H2MG	C935 Magenta High Yield Toner Cartridge (24K)
C930H2YG	C935 Yellow High Yield Toner Cartridge (24K)
C930X73G	C935, X940e, X945e CMY Photoconductor Unit 3-Pack
C930X72G	C935, X940e, X945e Black Photoconductor Unit 1-Pack
C930X76G	C935, X940e, X945e Waste Toner Bottle (30K)
25A0013	Staple Cartridges (3 pack)
21Z0357	Saddle Staple Cartridges (4 pack)

Part #	Paper & Transparencies
12A8241	Professional Colour Laser Transparencies, A4

Part #	Paper Handling
21Z0305	C935 3x520-Sheet Drawer Stand
21Z0307	C935 520-Sheet Drawer Stand with Cabinet
21Z0304	C935 2520-Sheet High Capacity Feeder Stand
21Z0310	C935, X940e, X945e 3500-Sheet Finisher (4-Hole)
21Z0311	C935, X940e, X945e Booklet Finisher (4-Hole)

Part #	Furniture
21Z0306	C935 Cabinet Stand

Part #	Memory Options
13N1523	128MB DDR-DRAM
13N1530	Hard Disk (40+GB)
13N1524	256MB DDR-DRAM
13N1526	512MB DDR-DRAM
1021208	32MB Flash Card
1021209	64MB Flash Card

Part #	Application Solutions
21Z0364	C935 Card for IPDS and SCS/TNe
21Z0366	Lexmark Print/Cryption Card, C935
21Z0363	C935 Bar Code and Forms Card

Part #	Connectivity
1021231	Parallel (10') Cable
1021294	USB (2 Meter) Cable
1021092	RS-232C Serial Interface Card
1021091	Parallel 1284-B Interface Card
14T0165	Lexmark N4050e 802.11g Wireless Print Server
14S0210	MarkNet N8050 802.11g Wireless Print Server
14S0220	MarkNet N8030 Fiber Ethernet 100BaseFX, 10BaseFL
14T0220	MarkNet N7020e Gigabit Ethernet Print Server

Part #	Extended Warranties
2349440P	C935 2-Years Total (1+1) Onsite Service Guarantee

2349441P	C935 3-Years Total (1+2) Onsite Service Guarantee
2349442P	C935 4-Years Total (1+3) Onsite Service Guarantee
2349444P	C935 1-Year Renewal Onsite Service Guarantee

Part #	Service Parts
40X4093	C935, X940e, X945e Maintenance Kit, 100K, 220-240V
40X4032	C935, X940e, X945e Maintenance Kit, 600K



Lexmark C935dtn

Brilliant A3 colour printing with full format support

Print Technology

Color Laser

Print Speed (A4 mono)

Up to 45 ppm

Print Speed (A4 colour)

Up to 40 ppm

Print Speed (A4 mono) Duplex

Up to 37 ppm

Time to First Page (Black)

As fast as 5 seconds

Time to First Page (Colour)

as fast as 9 seconds

Print Resolution, Black

2400 Image Quality

Print Resolution, Colour

2400 Image Quality

Memory, standard

512 MB

Memory, maximum

1024MB (replacement required)

Hard Disk

Option available

Expandable Memory Options

Yes

Apple Macintosh Operating Systems Supported

Mac OS X, Mac OS 9.2, Mac OS X (10.4 Intel), Mac OS X (10.4 Power PC)

Citrix MetaFrame

Microsoft Windows 2000 Server running Terminal Services with Citrix Presentation Server 3.0, 4.0, Microsoft Windows Server 2003 running Terminal Services with Citrix Presentation Server 3.0, 4.0, 4.5, Microsoft Windows Server 2003 x64 running Terminal Services with Citrix Presentation Server 4.0 x64, 4.5 x64

Linux Operating Systems Supported

Linpus Linux Desktop 9.2, 9.3, Red Hat Enterprise Linux WS 3.0, 4.0, 5.0, SUSE Linux Enterprise Server 8.0, 9.0, 10, 11, SUSE Linux Enterprise Desktop 10, openSUSE 10.2, 10.3, 11.0, 11.1, Linspire Linux 6.0, Debian GNU/Linux 4.0, Red Flag Linux Desktop 5.0, 6.0, Ubuntu 7.10, Ubuntu 8.04 LTS, SUSE Linux Enterprise Desktop 11, Debian GNU/Linux 5.0, Ubuntu 8.10, 9.04

Microsoft Windows Operating Systems Supported

2000, NT (4.00/4.00 Server), XP, Server 2003, XP x64, Server 2003 running Terminal Services, 2000 Server running Terminal Services, Server 2003 x64, Server 2003 x64 running Terminal Services, Vista, Vista x64, 7

Novell Operating Systems Supported

Open Enterprise Server for Netware with NDS, iPrint or Novell Distributed Print Services (NDPS), NetWare® 3.2, 4.2 (bindery), NetWare 4.2, 5.x and 6.x (NDS), NetWare 5.x, 6.x with iPrint or Novell Distributed Print Services (NDPS)

UNIX Operating Systems Supported

Sun Solaris SPARC 8, 9, 10, HP-UX 11.00, 11.1, IBM AIX 5.1, 5.2, 5.3, Sun Solaris x86 10

Other Operating Systems Supported

IBM iSeries or IBM AS/400® Systems with TCP/IP

with OS/400® V3R1 or later using OS/400 Host Print Transform, Virtually any platform supporting TCP/IP

Paper Handling Standard

Integrated Duplex, 100-Sheet Multipurpose Feeder, 520-Sheet Input Tray, 520-Sheet Drawer Stand with Cabinet

Paper Handling Optional

3,500-Sheet Finisher, Booklet Finisher

Paper Input Capacity, Standard: Up to

1140 pages 75 gsm bond

Paper Input Capacity, Maximum: Up to

1140 pages 75 gsm bond

Paper Output Capacity, Standard: Up to

400 pages 75 gsm bond

Paper Output Capacity, Maximum: Up to

3500 pages 75 gsm bond

Finishing Option

Yes

Number of Paper Inputs, Standard

3

Number of Paper Inputs, Maximum

3

Media Types Supported

Card Stock, Envelopes, Glossy paper, Paper Labels, Plain Paper, Transparencies, Refer to the Card Stock & Label Guide

Media Sizes Supported

10 Envelope, A3, A4, A5, C5 Envelope, DL Envelope, Executive, Folio, JIS-B4, JIS-B5, Ledger, Legal, Letter, Statement, Universal

Standard Ports

One Internal Card Slot, USB Direct interface on Operator Panel, Gigabit Ethernet (10/100/1000), Hi-Speed USB

Optional Network Ports

Lexmark N4050e 802.11g Wireless Print Server (Print Only), Internal MarkNet™ N8050 802.11g Wireless, Internal MarkNet™ N8030 Fiber Fast Ethernet

Network Printing Methods

LPR/LPD, Direct IP (Port 9100), Socket (Raw TCP/IP), IPP (Internet Printing Protocol), HTTP, NDS Queue-based Printing, NDPS/NEPS (Novell Distributed Print Services, Novell Netware Enterprise Print Services), Enhanced IP (Port 9400), FTP, TFTP, IPP 1.1 (Internet Printing Protocol)

Network Protocol Support

TCP/IP IPv4, IPX/SPX, AppleTalk™, LexLink (DLC), TCP/IP IPv6

Network Security

SSL* Enabled Embedded Web Server (HTTPS), SNMPv3, TCP/IP port access control, Authenticated and encrypted MarkVision Professional communication, 802.1x Authentication: MDS, MSCHAPv2, LEAP, PEAP, TLS, TTLS, IPSec, *This product includes software developed by the OpenSSL Project for use in the OpenSSL Toolkit.

Printable Area

4.0 mm of the top, bottom, right and left edges (within

Printer Languages (Standard)

PCL 5c Emulation, PCL 6 Emulation, PPDS, PostScript 3 Emulation, xHTML, PDF 1.6, Direct Image

Supplies Yield

Average continuous black or continuous composite CMY declared cartridge yield up to this number of standard pages in accordance with ISO/IEC 19798., 24,000*-page Colour (CMY) Toner Cartridges, 38,000*-page Black Toner Cartridge, Ships with 13,000*-page Black and 12,000* page Colour Toner Cartridges.

Packaged Size (mm - H x W x D)

1050 x 900 x 760 mm

Size (mm - H x W x D)

854 x 650 x 710 mm

Size, Trays Extended (mm - H x W x D)

866 x 975 x 710 mm

Weight (kg)

114.3 kg

Noise Level, Idle

34 dBA

Print Noise Level, Operating

55 dBA

Product Guarantee

1 Year Onsite, Next Business Day response time

Product Certifications

Energy Star, Blue Angel, CSA, ICES Class A, BSMI Class A, VCCI Class A, FCC Class A, UL 60950-1, IEC 60320, CE Class A, CB IEC 60950-1, IEC 60825-1, CISPR 22 Class A, GS (TÜV), SEMKO, UL AR, CS, TÜV Rh, A-tick mark Class A, CCC Class A

Maximum Monthly Duty Cycle

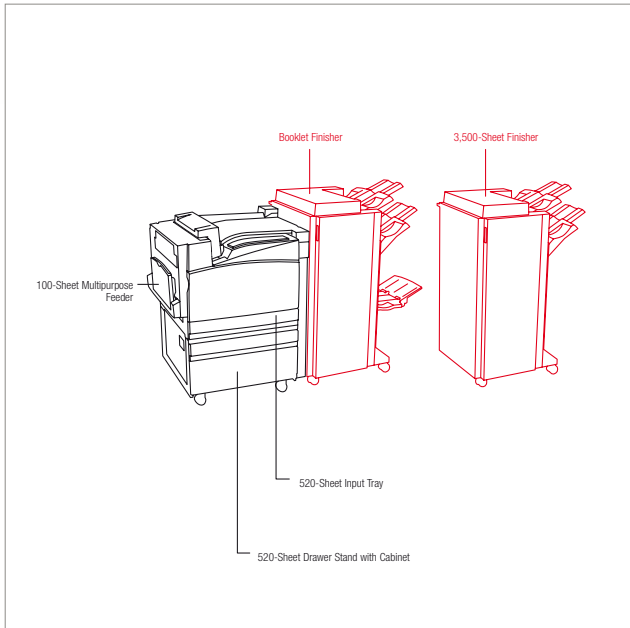
Up to 200000 pages per month

Recommended Monthly Page Volume

2500 - 33000 Pages

Specified Operating Environment

Temperature: 16 to 32°C (60 to 90°F), Humidity: 8 to 80% Relative Humidity, Altitude: 0 - 2500 Meters (8,200 Feet)



Paper Handling Standard
 Paper Handling Optional

COLOUR LASER

Part #	Model	40X4032	C935, X940e, X945e Maintenance Kit, 600K
21Z0173	Lexmark C935dtn		
Part #	Laser Toner/Print Cartridge		
C930H2KG	C935 Black High Yield Toner Cartridge (38K)		
C930H2CG	C935 Cyan High Yield Toner Cartridge (24K)		
C930H2MG	C935 Magenta High Yield Toner Cartridge (24K)		
C930H2YG	C935 Yellow High Yield Toner Cartridge (24K)		
C930X73G	C935, X940e, X945e CMY Photoconductor Unit 3-Pack		
C930X72G	C935, X940e, X945e Black Photoconductor Unit 1-Pack		
C930X76G	C935, X940e, X945e Waste Toner Bottle (30K)		
25A0013	Staple Cartridges (3 pack)		
21Z0357	Saddle Staple Cartridges (4 pack)		
Part #	Paper & Transparencies		
12A8241	Professional Colour Laser Transparencies, A4		
Part #	Paper Handling		
21Z0310	C935, X940e, X945e 3500-Sheet Finisher (4-Hole)		
21Z0311	C935, X940e, X945e Booklet Finisher (4-Hole)		
Part #	Memory Options		
13N1523	128MB DDR-DRAM		
13N1530	Hard Disk (40+GB)		
13N1524	256MB DDR-DRAM		
13N1526	512MB DDR-DRAM		
1021208	32MB Flash Card		
1021209	64MB Flash Card		
Part #	Application Solutions		
21Z0364	C935 Card for IPDS and SCS/TNe		
21Z0366	Lexmark PrintCrypton Card, C935		
21Z0363	C935 Bar Code and Forms Card		
Part #	Connectivity		
1021231	Parallel (10') Cable		
1021294	USB (2 Meter) Cable		
1021092	RS-232C Serial Interface Card		
1021091	Parallel 1284-B Interface Card		
14T0165	Lexmark N4050e 802.11g Wireless Print Server		
14S0210	MarkNet N8050 802.11g Wireless Print Server		
14S0220	MarkNet N8030 Fiber Ethernet 100BaseFX, 10BaseFL		
14T0220	MarkNet N7020e Gigabit Ethernet Print Server		
Part #	Extended Warranties		
2349440P	C935 2-Years Total (1+1) Onsite Service Guarantee		
2349441P	C935 3-Years Total (1+2) Onsite Service Guarantee		
2349442P	C935 4-Years Total (1+3) Onsite Service Guarantee		
2349444P	C935 1-Year Renewal Onsite Service Guarantee		
Part #	Service Parts		
40X4093	C935, X940e, X945e Maintenance Kit, 100K, 220-240V		



Lexmark C935dttm

Brilliant A3 colour printing with full format support

Print Technology

Color Laser

Print Speed (A4 mono)

Up to 45 ppm

Print Speed (A4 colour)

Up to 40 ppm

Print Speed (A4 mono) Duplex

Up to 37 spm

Time to First Page (Black)

As fast as 5 seconds

Time to First Page (Colour)

as fast as 9 seconds

Print Resolution, Black

2400 Image Quality

Print Resolution, Colour

2400 Image Quality

Memory, standard

512 MB

Memory, maximum

1024 MB

Hard Disk

Option available

Expandable Memory Options

Yes

Apple Macintosh Operating Systems Supported

Mac OS X, Mac OS 9.2, Mac OS X (10.4 Intel), Mac OS X (10.4 Power PC)

Citrix MetaFrame

Microsoft Windows 2000 Server running Terminal Services with Citrix Presentation Server 3.0, 4.0, Microsoft Windows Server 2003 running Terminal Services with Citrix Presentation Server 3.0, 4.0, 4.5, Microsoft Windows Server 2003 x64 running Terminal Services with Citrix Presentation Server 4.0 x64, 4.5 x64

Linux Operating Systems Supported

Linpus Linux Desktop 9.2, 9.3, Red Hat Enterprise Linux WS 3.0, 4.0, 5.0, SUSE Linux Enterprise Server 8.0, 9.0, 10, 11, SUSE Linux Enterprise Desktop 10, openSUSE 10.2, 10.3, 11.0, 11.1, Linspire Linux 6.0, Debian GNU/Linux 4.0, Red Flag Linux Desktop 5.0, 6.0, Ubuntu 7.10, Ubuntu 8.04 LTS, SUSE Linux Enterprise Desktop 11, Debian GNU/Linux 5.0, Ubuntu 8.10, 9.04

Microsoft Windows Operating Systems Supported

2000, NT (4.00/4.00 Server), XP, Server 2003, XP x64, Server 2003 running Terminal Services, 2000 Server running Terminal Services, Server 2003 x64, Server 2003 x64 running Terminal Services, Vista, Vista x64, 7

Novell Operating Systems Supported

Open Enterprise Server for Netware with NDS, iPrint or Novell Distributed Print Services (NDPS), NetWare® 3.2, 4.2 (bindery), NetWare 4.2, 5.x and 6.x (NDS), NetWare 5.x, 6.x with iPrint or Novell Distributed Print Services (NDPS)

UNIX Operating Systems Supported

Sun Solaris SPARC 8, 9, 10, HP-UX 11.00, 11.1, IBM AIX 5.1, 5.2, 5.3, Sun Solaris x86 10

Other Operating Systems Supported

IBM iSeries or IBM AS/400® Systems with TCP/IP

with OS/400® V3R1 or later using OS/400 Host Print Transform, Virtually any platform supporting TCP/IP

Paper Handling Standard

Integrated Duplex, 100-Sheet Multipurpose Feeder, 520-Sheet Input Tray, 2520-Sheet High Capacity Feeder Stand

Paper Handling Optional

3,500-Sheet Finisher, Booklet Finisher

Paper Input Capacity, Standard: Up to

3140 pages 75 gsm bond

Paper Input Capacity, Maximum: Up to

3140 pages 75 gsm bond

Paper Output Capacity, Standard: Up to

400 pages 75 gsm bond

Paper Output Capacity, Maximum: Up to

3500 pages 75 gsm bond

Finishing Option

Yes

Number of Paper Inputs, Standard

5

Number of Paper Inputs, Maximum

5

Media Types Supported

Card Stock, Envelopes, Glossy paper, Paper Labels, Plain Paper, Transparencies, Refer to the Card Stock & Label Guide

Media Sizes Supported

10 Envelope, A3, A4, A5, C5 Envelope, DL Envelope, Executive, Folio, JIS-B4, JIS-B5, Ledger, Legal, Letter, Statement, Universal

Standard Ports

One Internal Card Slot, USB Direct interface on Operator Panel, Gigabit Ethernet (10/100/1000), Hi-Speed USB

Optional Network Ports

Lexmark N4050e 802.11g Wireless Print Server (Print Only), Internal MarkNet™ N8050 802.11g Wireless, Internal MarkNet™ N8030 Fiber Fast Ethernet

Network Printing Methods

LPR/LPD, Direct IP (Port 9100), Socket (Raw TCP/IP), IPP (Internet Printing Protocol), HTTP, NDS Queue-based Printing, NDPS/NEPS (Novell Distributed Print Services, Novell Netware Enterprise Print Services), Enhanced IP (Port 9400), FTP, TFTP, IPP 1.1 (Internet Printing Protocol)

Network Protocol Support

TCP/IP IPv4, IPX/SPX, AppleTalk™, LexLink (DLC), TCP/IP IPv6

Network Security

SSL* Enabled Embedded Web Server (HTTPS), SNMPv3, TCP/IP port access control, Authenticated and encrypted MarkVision Professional communication, 802.1x Authentication: MDS, MSCHAPv2, LEAP, PEAP, TLS, TTLS, IPSec, *This product includes software developed by the OpenSSL Project for use in the OpenSSL Toolkit.

Printable Area

4.0 mm of the top, bottom, right and left edges (within

Printer Languages (Standard)

PCL 5c Emulation, PCL 6 Emulation, PPDS, PostScript 3 Emulation, xHTML, PDF 1.6, Direct Image

Supplies Yield

Average continuous black or continuous composite CMY declared cartridge yield up to this number of standard pages in accordance with ISO/IEC 19798., 24,000*-page Colour (CMY) Toner Cartridges, 38,000*-page Black Toner Cartridge, Ships with 13,000*-page Black and 12,000* page Colour Toner Cartridges.

Packaged Size (mm - H x W x D)

1050 x 900 x 760 mm

Size (mm - H x W x D)

854 x 650 x 710 mm

Size, Trays Extended (mm - H x W x D)

866 x 975 x 710 mm

Weight (kg)

130.2 kg

Noise Level, Idle

34 dBA

Print Noise Level, Operating

55 dBA

Product Guarantee

1 Year Onsite, Next Business Day response time

Product Certifications

Energy Star, Blue Angel, CSA, ICES Class A, BSMI Class A, VCCI Class A, FCC Class A, UL 60950-1, IEC 60320, CE Class A, CB IEC 60950-1, IEC 60825-1, CISPR 22 Class A, GS (TÜV), SEMKO, UL AR, CS, TÜV Rh, A-tick mark Class A, CCC Class A

Maximum Monthly Duty Cycle

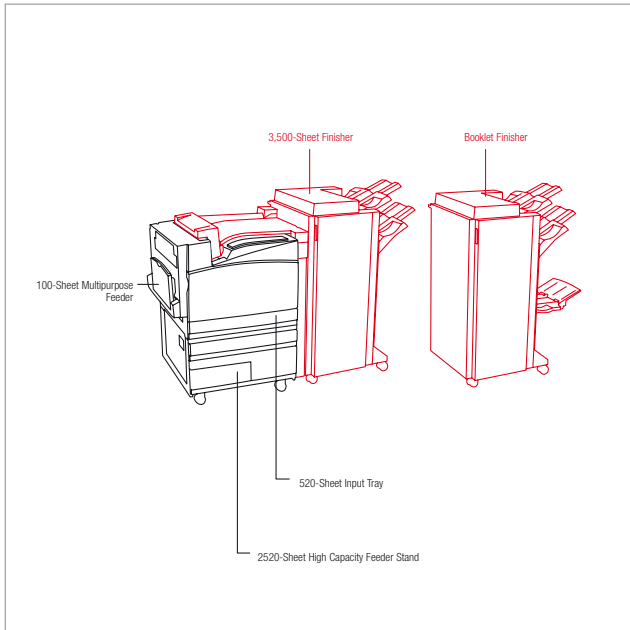
Up to 200000 pages per month

Recommended Monthly Page Volume

2500 - 33000 Pages

Specified Operating Environment

Temperature: 16 to 32°C (60 to 90°F), Humidity: 8 to 80% Relative Humidity, Altitude: 0 - 2500 Meters (8,200 Feet)



Part #	Model
21Z0274	Lexmark C935dtn

40X4032 C935, X940e, X945e Maintenance Kit, 600K

Part #	Laser Toner/Print Cartridge
C930H2KG	C935 Black High Yield Toner Cartridge (38K)
C930H2CG	C935 Cyan High Yield Toner Cartridge (24K)
C930H2MG	C935 Magenta High Yield Toner Cartridge (24K)
C930H2YG	C935 Yellow High Yield Toner Cartridge (24K)
C930X73G	C935, X940e, X945e CMY Photoconductor Unit 3-Pack
C930X72G	C935, X940e, X945e Black Photoconductor Unit 1-Pack
C930X76G	C935, X940e, X945e Waste Toner Bottle (30K)
25A0013	Staple Cartridges (3 pack)
21Z0357	Saddle Staple Cartridges (4 pack)

Part #	Paper & Transparencies
12A8241	Professional Colour Laser Transparencies, A4

Part #	Paper Handling
21Z0310	C935, X940e, X945e 3500-Sheet Finisher (4-Hole)
21Z0311	C935, X940e, X945e Booklet Finisher (4-Hole)

Part #	Memory Options
13N1523	128MB DDR-DRAM
13N1530	Hard Disk (40+GB)
13N1524	256MB DDR-DRAM
13N1526	512MB DDR-DRAM
1021208	32MB Flash Card
1021209	64MB Flash Card

Part #	Application Solutions
21Z0364	C935 Card for IPDS and SCS/TNe
21Z0366	Lexmark PrintEncryption Card, C935
21Z0363	C935 Bar Code and Forms Card

Part #	Connectivity
1021231	Parallel (10') Cable
1021294	USB (2 Meter) Cable
1021092	RS-232C Serial Interface Card
1021091	Parallel 1284-B Interface Card
14T0165	Lexmark N4050e 802.11g Wireless Print Server
14S0210	MarkNet N8050 802.11g Wireless Print Server
14S0220	MarkNet N8030 Fiber Ethernet 100BaseFX, 10BaseFL
14T0220	MarkNet N7020e Gigabit Ethernet Print Server

Part #	Extended Warranties
2349440P	C935 2-Years Total (1+1) Onsite Service Guarantee
2349441P	C935 3-Years Total (1+2) Onsite Service Guarantee
2349442P	C935 4-Years Total (1+3) Onsite Service Guarantee
2349444P	C935 1-Year Renewal Onsite Service Guarantee

Part #	Service Parts
40X4093	C935, X940e, X945e Maintenance Kit, 100K, 220-240V



Lexmark C935hdn

Brilliant A3 colour printing with high paper and storage capacity

Print Technology

Color Laser

Print Speed (A4 mono)

Up to 45 ppm

Print Speed (A4 colour)

Up to 40 ppm

Print Speed (A4 mono) Duplex

Up to 37 spm

Time to First Page (Black)

As fast as 5 seconds

Time to First Page (Colour)

as fast as 9 seconds

Print Resolution, Black

2400 Image Quality

Print Resolution, Colour

2400 Image Quality

Memory, standard

512 MB

Memory, maximum

1024MB (replacement required)

Hard Disk

as standard

Expandable Memory Options

Yes

Apple Macintosh Operating Systems Supported

Mac OS X, Mac OS 9.2, Mac OS X (10.4 Intel), Mac OS X (10.4 Power PC)

Citrix MetaFrame

Microsoft Windows 2000 Server running Terminal Services with Citrix Presentation Server 3.0, 4.0, Microsoft Windows Server 2003 running Terminal Services with Citrix Presentation Server 3.0, 4.0, 4.5, Microsoft Windows Server 2003 x64 running Terminal Services with Citrix Presentation Server 4.0 x64, 4.5 x64

Linux Operating Systems Supported

Linpus Linux Desktop 9.2, 9.3, Red Hat Enterprise Linux WS 3.0, 4.0, 5.0, SUSE Linux Enterprise Server 8.0, 9.0, 10, 11, SUSE Linux Enterprise Desktop 10, openSUSE 10.2, 10.3, 11.0, 11.1, Linspire Linux 6.0, Debian GNU/Linux 4.0, Red Flag Linux Desktop 5.0, 6.0, Ubuntu 7.10, Ubuntu 8.04 LTS, SUSE Linux Enterprise Desktop 11, Debian GNU/Linux 5.0, Ubuntu 8.10, 9.04

Microsoft Windows Operating Systems Supported

2000, NT (4.00/4.00 Server), XP, Server 2003, XP x64, Server 2003 running Terminal Services, 2000 Server running Terminal Services, Server 2003 x64, Server 2003 x64 running Terminal Services, Vista, Vista x64, 7

Novell Operating Systems Supported

Open Enterprise Server for Netware with NDS, iPrint or Novell Distributed Print Services (NDPS), NetWare® 3.2, 4.2 (bindery), NetWare 4.2, 5.x and 6.x (NDS), NetWare 5.x, 6.x with iPrint or Novell Distributed Print Services (NDPS)

UNIX Operating Systems Supported

Sun Solaris SPARC 8, 9, 10, HP-UX 11.00, 11.1, IBM AIX 5.1, 5.2, 5.3, Sun Solaris x86 10

Other Operating Systems Supported

IBM iSeries or IBM AS/400® Systems with TCP/IP

with OS/400® V3R1 or later using OS/400 Host Print Transform, Virtually any platform supporting TCP/IP

Paper Handling Standard

Integrated Duplex, 100-Sheet Multipurpose Feeder, 520-Sheet Input Tray, 3 x 520-Sheet Drawer Stand

Paper Handling Optional

3,500-Sheet Finisher, Booklet Finisher

Paper Input Capacity, Standard: Up to

2180 pages 75 gsm bond

Paper Input Capacity, Maximum: Up to

2180 pages 75 gsm bond

Paper Output Capacity, Standard: Up to

400 pages 75 gsm bond

Paper Output Capacity, Maximum: Up to

3500 pages 75 gsm bond

Finishing Option

Yes

Number of Paper Inputs, Standard

5

Number of Paper Inputs, Maximum

5

Media Types Supported

Card Stock, Envelopes, Glossy paper, Paper Labels, Plain Paper, Transparencies, Refer to the Card Stock & Label Guide

Media Sizes Supported

10 Envelope, A3, A4, A5, C5 Envelope, DL Envelope, Executive, Folio, JIS-B4, JIS-B5, Ledger, Legal, Letter, Statement, Universal

Standard Ports

One Internal Card Slot, USB Direct interface on Operator Panel, Gigabit Ethernet (10/100/1000), Hi-Speed USB

Optional Network Ports

Lexmark N4050e 802.11g Wireless Print Server (Print Only), Internal MarkNet™ N8050 802.11g Wireless, Internal MarkNet™ N8030 Fiber Fast Ethernet

Network Printing Methods

LPR/LPD, Direct IP (Port 9100), Socket (Raw TCP/IP), IPP (Internet Printing Protocol), HTTP, NDS Queue-based Printing, NDPS/NEPS (Novell Distributed Print Services, Novell Netware Enterprise Print Services), Enhanced IP (Port 9400), FTP, TFTP, IPP 1.1 (Internet Printing Protocol)

Network Protocol Support

TCP/IP IPv4, IPX/SPX, AppleTalk™, LexLink (DLC), TCP/IP IPv6

Network Security

SSL* Enabled Embedded Web Server (HTTPS), SNMPv3, TCP/IP port access control, Authenticated and encrypted MarkVision Professional communication, 802.1x Authentication: MDS, MSCHAPv2, LEAP, PEAP, TLS, TTLS, IPSec, *This product includes software developed by the OpenSSL Project for use in the OpenSSL Toolkit.

Printable Area

4.0 mm of the top, bottom, right and left edges (within

Printer Languages (Standard)

PCL 5c Emulation, PCL 6 Emulation, PPDS, PostScript 3 Emulation, xHTML, PDF 1.6, Direct Image

Supplies Yield

Average continuous black or continuous composite CMY declared cartridge yield up to this number of standard pages in accordance with ISO/IEC 19798., 24,000*-page Colour (CMY) Toner Cartridges, 38,000*-page Black Toner Cartridge, Ships with 13,000*-page Black and 12,000* page Colour Toner Cartridges

Packaged Size (mm - H x W x D)

1050 x 900 x 760 mm

Size (mm - H x W x D)

853 x 650 x 710 mm

Size, Trays Extended (mm - H x W x D)

866 x 975 x 710 mm

Weight (kg)

121.1 kg

Noise Level, Idle

34 dBA

Print Noise Level, Operating

55 dBA

Product Guarantee

1 Year Onsite, Next Business Day response time

Product Certifications

Energy Star, Blue Angel, CSA, ICES Class A, BSMI Class A, VCCI Class A, FCC Class A, UL 60950-1, IEC 60320, CE Class A, CB IEC 60950-1, IEC 60825-1, CISPR 22 Class A, GS (TÜV), SEMKO, UL AR, CS, TÜV Rh, A-tick mark Class A, CCC Class A

Maximum Monthly Duty Cycle

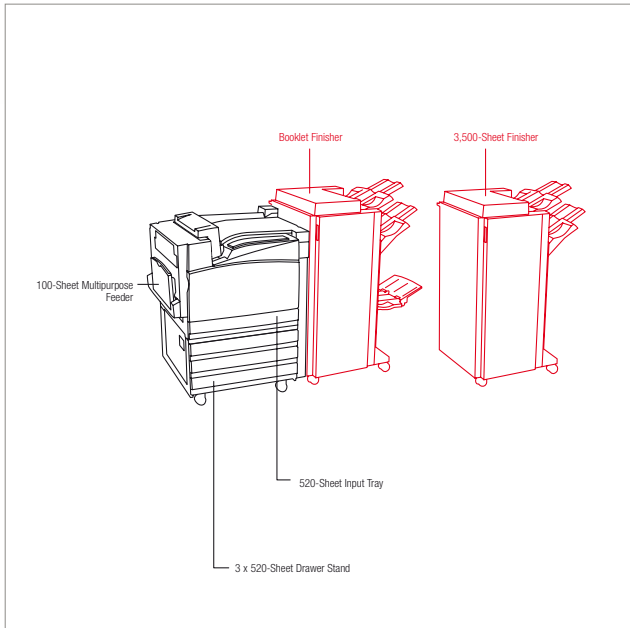
Up to 200000 pages per month

Recommended Monthly Page Volume

2500 - 33000 Pages

Specified Operating Environment

Temperature: 16 to 32°C (60 to 90°F), Humidity: 8 to 80% Relative Humidity, Altitude: 0 - 2500 Meters (8,200 Feet)



Paper Handling Standard
 Paper Handling Optional

Part #	Model	40X4032	C935, X940e, X945e Maintenance Kit, 600K
21Z0190	Lexmark C935hdn		
Part #	Laser Toner/Print Cartridge		
C930H2KG	C935 Black High Yield Toner Cartridge (38K)		
C930H2CG	C935 Cyan High Yield Toner Cartridge (24K)		
C930H2MG	C935 Magenta High Yield Toner Cartridge (24K)		
C930H2YG	C935 Yellow High Yield Toner Cartridge (24K)		
C930X73G	C935, X940e, X945e CMY Photoconductor Unit 3-Pack		
C930X72G	C935, X940e, X945e Black Photoconductor Unit 1-Pack		
C930X76G	C935, X940e, X945e Waste Toner Bottle (30K)		
25A0013	Staple Cartridges (3 pack)		
21Z0357	Saddle Staple Cartridges (4 pack)		
Part #	Paper & Transparencies		
12A8241	Professional Colour Laser Transparencies, A4		
Part #	Paper Handling		
21Z0310	C935, X940e, X945e 3500-Sheet Finisher (4-Hole)		
21Z0311	C935, X940e, X945e Booklet Finisher (4-Hole)		
Part #	Memory Options		
13N1523	128MB DDR-DRAM		
13N1524	256MB DDR-DRAM		
13N1526	512MB DDR-DRAM		
1021208	32MB Flash Card		
1021209	64MB Flash Card		
Part #	Application Solutions		
21Z0364	C935 Card for IPDS and SCS/TNe		
21Z0366	Lexmark PrintEncryption Card, C935		
21Z0363	C935 Bar Code and Forms Card		
Part #	Connectivity		
1021231	Parallel (10') Cable		
1021294	USB (2 Meter) Cable		
1021092	RS-232C Serial Interface Card		
1021091	Parallel 1284-B Interface Card		
14T0165	Lexmark N4050e 802.11g Wireless Print Server		
14S0210	MarkNet N8050 802.11g Wireless Print Server		
14S0220	MarkNet N8030 Fiber Ethernet 100BaseFX, 10BaseFL		
14T0220	MarkNet N7020e Gigabit Ethernet Print Server		
Part #	Extended Warranties		
2349440P	C935 2-Years Total (1+1) Onsite Service Guarantee		
2349441P	C935 3-Years Total (1+2) Onsite Service Guarantee		
2349442P	C935 4-Years Total (1+3) Onsite Service Guarantee		
2349444P	C935 1-Year Renewal Onsite Service Guarantee		
Part #	Service Parts		
40X4093	C935, X940e, X945e Maintenance Kit, 100K, 220-240V		



Lexmark X2670

The Lexmark™ X2670 All-in-One with great speed and performance.

Print Technology

Thermal Inkjet

Colour Technology

4 Colour Inkjet - Cyan, Magenta, Yellow, Black, Optional 6

Colour Photo Printing

Scan Technology

CIS with 48 bit depth

Function

Colour Copying, Colour Printing, Colour Scanning

Maximum Print Speed (Normal, Black)

Up to 13 ppm

Maximum Print Speed (Normal, Colour)

Up to 3 ppm

Maximum Print Speed (Draft mono)

Up to 26 ppm

Maximum Print Speed (Draft colour)

Up to 19 ppm

Maximum Copy Speed (Normal mono)

Up to 3 cpm

Maximum Copy Speed (Normal colour)

Up to 0.9 cpm

Maximum Copy Speed (Draft mono)

Up to N/A cpm

Maximum Copy Speed (Draft colour)

Up to N/A cpm

Time to First Copy (Colour, Draft) as fast as

N/A

Time to First Copy (Colour, Normal) as fast as

0.9 cpm

Time to First Copy (Black, Normal) as fast as

3 cpm

Time to First Copy (Black, Draft) as fast as

N/A

Print Resolution, Black

Up to 1200 x 1200 dpi

Print Resolution, Colour

Up to 4800 x 1200 dpi

Scan Resolution, Enhanced

up to 19200 dpi

Scan Resolution, Optical

600 x 1200 dpi

Operating Systems Supported

XP, XP Professional x64, Vista, OS X (10.4.4-10.6.x Intel), 2000 5.00.2195 or later, Vista x64, OS X (10.3.9 Power PC), Linux - available at www.lexmark.com, Windows 7, OS X (10.4.4-10.5.x PowerPC)

Print (ASF) Paper Input Capacity, Maximum

100 pages 75 gsm bond

Media Types Supported

Card Stock, Envelopes, Glossy paper, Labels, Plain Paper, Transparencies, Banner (A4 or Letter), Hagaki Card, Index Card (3"x5")

Media Sizes Supported

10 Envelope, 7 3/4 Envelope, 9 Envelope, A4, A5, B5 Envelope, C5 Envelope, DL Envelope, 6 3/4 Envelope, A2 Baronial, A6 Card, B5, C6 Envelope, Custom,

Hagaki Card, Index Card, Executive, Legal, Letter, 4 x 6", Statement, L, 2L, Chokei 3, Chokei 4, Chokei 40, Kakugata 3, Kakugata 4, Kakugata 5, Kakugata 6, 5 x 7", 13 x 18 cm, 10 x 15 cm, 10 x 20 cm, 4 x 8"

Borderless Printing Media Sizes

4" x 6", A4, Letter, A6, Hagaki Card, L, A5, Legal, 89 x 127 mm, 10 x 15 cm, 10 x 20 cm, 4" x 8", 3" x 5"

Standard Ports

USB Compatible with USB 2.0 Specification (Type B)

PictBridge Certified USB Port

No

Reduce / Enlarge Range

25 - 400 %

Scan Area, Maximum

216 x 297 mm

Scan Area, Maximum

8.5 x 11.7 inches

Packaged Size (mm - H x W x D)

373 x 498 x 242 mm

Packaged Size (in. - H x W x D)

14.7 x 19.6 x 9.5 in.

Size (mm - H x W x D)

175 x 432 x 312 mm

Weight (kg)

4.86 kg

Print Noise Level, Operating

50 dBA

Copier Noise Level, Operating

50 dBA

Scanner Noise Level, Operating

40 dBA

Product Guarantee

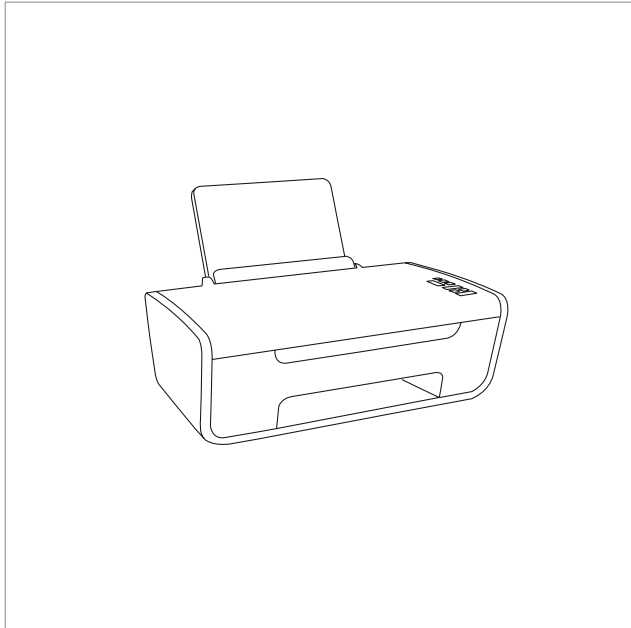
One Year Replace

Product Certifications

FCC Class B, UL 60950 3rd Edition, CE Class B, CB IEC 60950 IEC 60825-1, C-tick mark Class B, CCC Class B, CSA, ICES Class B, GS (TÜV), SEMKO

Duty Cycle, Maximum

3000 pages per month



Part #	Model
26S0002	Lexmark X2670
Part #	Inkjet Ink/Print Cartridge
18C2090E	14 Black Return Programme Print Cartridge
18C2110E	15 Colour Return Programme Print Cartridge
18C2080E	14 Black Print Cartridge
18C2100E	15A Colour Print Cartridge
18C0031E	31 Photo Colour Print Cartridge
80D2979	Twin-Pack 14, 15 Black and Colour Return Programme Print Cartridges
Part #	Paper & Transparencies
80D1706	Photo Paper A4 (20)
80D1903	Photo Paper A4-size, 10 x 15 cm Premium Photo Paper (20-sheets of
3048568	PerfectFinish Photo Paper 10x15 cm (35)
3048567	PerfectFinish Photo Paper A4 (25)
3048566	Photo Paper 4 x 6 inches (35)
3048565	Photo Paper A4 Size (25)
Part #	Connectivity
1021294	USB (2 Meter) Cable



Lexmark Impact S305



Wireless 3-in-1 for Home Offices

Print Technology

Thermal Inkjet

Colour Technology

4 Colour Inkjet - Cyan, Magenta, Yellow, Black

Scan Technology

CIS with 48 bit depth

Function

Colour Copying, Colour Printing, Colour Scanning

Maximum Print Speed (Normal, Black)

Up to 18 ppm

Maximum Print Speed (Normal, Colour)

Up to 11 ppm

Maximum Print Speed (Draft mono)

Up to 33 ppm

Maximum Print Speed (Draft colour)

Up to 30 ppm

Maximum Copy Speed (Normal mono)

Up to 16 cpm

Maximum Copy Speed (Normal colour)

Up to 8 cpm

Maximum Copy Speed (Draft mono)

Up to 25 cpm

Maximum Copy Speed (Draft colour)

Up to 21 cpm

Time to First Copy (Colour, Draft) as fast as

5 cpm

Time to First Copy (Colour, Normal) as fast as

2 cpm

Time to First Copy (Black, Normal) as fast as

3 cpm

Time to First Copy (Black, Draft) as fast as

6 cpm

Print Resolution, Black

Up to 2400 x 1200 dpi

Print Resolution, Colour

Up to 4800 x 1200 dpi

Operating Systems Supported

XP, XP Professional x64, Vista, OS X (10.4.4-10.6.x Intel), 2000 5.00.2195 or later, Vista x64, OS X (10.3.9 Power PC), Linux - available at www.lexmark.com, Windows 7, OS X (10.4.4-10.5.x PowerPC)

Print (ASF) Paper Input Capacity, Maximum

100 pages 75 gsm bond

Media Types Supported

Card Stock, Envelopes, Plain Paper, Transparencies, Banner (A4 or Letter), Hagaki Card, Iron-On Transfers, Photo Paper, Heavy Weight Matte Paper

Media Sizes Supported

10 Envelope, 7 3/4 Envelope, 9 Envelope, A4, A5, B5 Envelope, C5 Envelope, DL Envelope, 6 3/4 Envelope, A2 Baronial, A6 Card, B5, C6 Envelope, Custom, Hagaki Card, Index Card, Executive, Legal, Letter, 4 x 6", L, 2L, Chokei 3, Chokei 4, Chokei 40, Kakugata 3, Kakugata 4, Kakugata 5, Kakugata 6, 5 x 7", 13 x 18 cm, 10 x 15 cm, 10 x 20 cm, 4 x 8"

Borderless Printing Media Sizes

4" x 6", A4, Letter, A6, Hagaki Card, L, 2L, A5, 5" x 7", Legal, 89 x 127 mm, 10 x 15 cm, 13 x 18 cm, B5, 10 x 20 cm, 4" x 8"

Standard Ports

USB 2.0 Specification Hi-Speed Certified (Type B), USB pass-through via PictBridge port, 802.11g/b Wireless

PictBridge Certified USB Port

Yes

Digital Media Memory Card Compatibility

Sony Memory Stick, Memory Stick PRO, Secure Digital (SD) Card, MultiMediaCard (MMC), xD Card, Sony Memory Stick Duo (with adapter), Mini Secure Digital (Mini SD) Card (with adapter), Sony Memory Stick PRO Duo (with adapter), SanDisk TransFlash Memory Module (with adapter), RS-MMC (with adapter), xD Card Type M, Type H, MultiMediaCard (MMC) Mobile (with adapter), Micro Secure Digital (Micro SD) Card (with adapter), Secure Digital High Capacity (SDHC) Card (with adapter)

Reduce / Enlarge Range

25 - 400 %

Scan Area, Maximum

216 x 297 mm

Scan Area, Maximum

8.5 x 11.7 inches

Packaged Size (mm - H x W x D)

431 x 525 x 242 mm

Packaged Size (in. - H x W x D)

16.97 x 20.67 x 9.53 in.

Size (mm - H x W x D)

178 x 465 x 338 mm

Weight (kg)

6.51 kg

Print Noise Level, Operating

50 dBA

Copier Noise Level, Operating

47 dBA

Scanner Noise Level, Operating

35 dBA

Product Guarantee

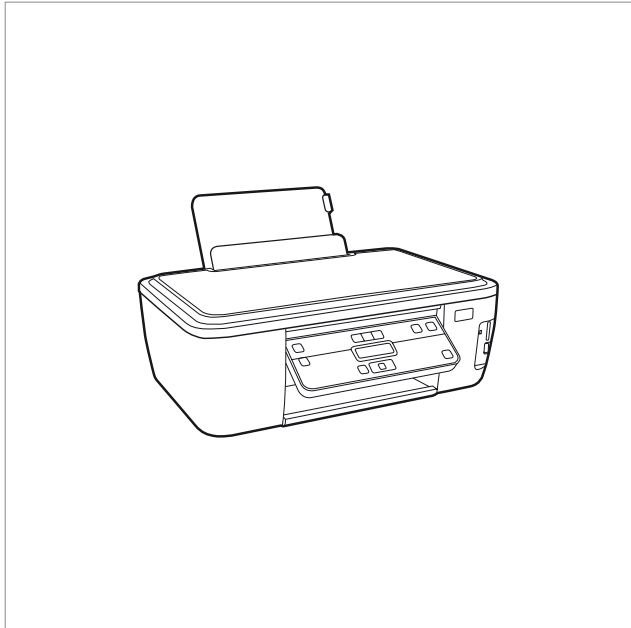
1-Year Replacement

Product Certifications

Energy Star, CSA, c-UL-us, ICES Class B, Executive Order 132221, CE Class B, CB IEC 60950 IEC 60825-1, GS (TÜV), SEMKO, C-tick mark Class B, V85, CCC Class B, BSMI Class B, METI

Duty Cycle, Maximum

5000 pages per month



Part #	Model
90T3036	Lexmark Impact S305

Part #	Inkjet Ink/Print Cartridge
14N1069E	100XL Cyan High Yield Return Program Ink Cartridge
14N1070E	100XL Magenta High Yield Return Program Ink Cartridge
14N1071E	100XL Yellow High Yield Return Program Ink Cartridge
14N0900E	100 Cyan Return Program Ink Cartridge
14N0901E	100 Magenta Return Program Ink Cartridge
14N0902E	100 Yellow Return Program Ink Cartridge
14N1093	100XLA Cyan High Yield Ink Cartridge
14N1094	100XLA Magenta High Yield Ink Cartridge
14N1095	100XLA Yellow High Yield Ink Cartridge
14N0920	100A Cyan Ink Cartridge
14N0921	100A Magenta Ink Cartridge
14N0922	100A Yellow Ink Cartridge
14N0820E	100 Black Return Program Ink Cartridge
14N0918	100A Black Ink Cartridge
14N1068E	100XL Black High Yield Return Program Ink Cartridge
14N1092	100XLA Black High Yield Ink Cartridge
14N0849	3-Pack 100 Color (CMY) Return Program Ink Cartridges
14N0848	2-Pack 100XL Black High Yield Return Program Ink Cartridges
14N0850	3-Pack 100XL Color (CMY) High Yield Return Program Ink Cartridges

Part #	Paper & Transparencies
3048566	Photo Paper 4 x 6 inches (35)
80D1706	Photo Paper A4 (20)
3048565	Photo Paper A4 Size (25)
3048568	PerfectFinish Photo Paper 10x15 cm (35)
3048567	PerfectFinish Photo Paper A4 (25)

Part #	Connectivity
1021294	USB (2 Meter) Cable



Lexmark Intuition S505



Wireless 3-in-1 for Home Offices

Print Technology

Thermal Inkjet

Colour Technology

4 Colour Inkjet - Cyan, Magenta, Yellow, Black

Scan Technology

CIS with 48 bit depth

Function

Colour Copying, Colour Printing, Colour Scanning

Maximum Print Speed (Normal, Black)

Up to 17 ppm

Maximum Print Speed (Normal, Colour)

Up to 11 ppm

Maximum Print Speed (Draft mono)

Up to 33 ppm

Maximum Print Speed (Draft colour)

Up to 30 ppm

Maximum Copy Speed (Normal mono)

Up to 15 cpm

Maximum Copy Speed (Normal colour)

Up to 8 cpm

Maximum Copy Speed (Draft mono)

Up to 25 cpm

Maximum Copy Speed (Draft colour)

Up to 21 cpm

Time to First Copy (Colour, Draft) as fast as

5 cpm

Time to First Copy (Colour, Normal) as fast as

2 cpm

Time to First Copy (Black, Normal) as fast as

3 cpm

Time to First Copy (Black, Draft) as fast as

5 cpm

Print Resolution, Black

Up to 2400 x 1200 dpi

Print Resolution, Colour

Up to 4800 x 1200 dpi

Operating Systems Supported

XP, XP Professional x64, Vista, OS X (10.4.4-10.6.x Intel), 2000 5.00.2195 or later, Vista x64, OS X (10.3.9 Power PC), Linux - available at www.lexmark.com, Windows 7, OS X (10.4.4-10.5.x PowerPC)

Print (ASF) Paper Input Capacity, Maximum

100 pages 75 gsm bond

Media Types Supported

Card Stock, Envelopes, Labels, Plain Paper, Transparencies, Banner (A4 or Letter), Hagaki Card, Iron-On Transfers, Photo Paper, Heavy Weight Matte Paper

Media Sizes Supported

10 Envelope, 7 3/4 Envelope, 9 Envelope, A4, A5, B5 Envelope, C5 Envelope, DL Envelope, 6 3/4 Envelope, A2 Baronial, A6 Card, B5, C6 Envelope, Custom, Hagaki Card, Index Card, Executive, Legal, Letter, 4 x 6", L, 2L, Chokei 3, Chokei 4, Chokei 40, Kakugata 3, Kakugata 4, Kakugata 5, Kakugata 6, 5 x 7", 13 x 18 cm, 10 x 15 cm, 10 x 20 cm, 4 x 8"

Borderless Printing Media Sizes

4" x 6", A4, Letter, A6, Hagaki Card, L, 2L, A5, 5" x 7", Legal, 89 x 127 mm, 10 x 15 cm, 13 x 18 cm, B5, 10 x 20 cm, 4" x 8"

Standard Ports

USB 2.0 Specification Hi-Speed Certified (Type B), USB pass-through via PictBridge port, 802.11g/b Wireless

PictBridge Certified USB Port

Yes

Digital Media Memory Card Compatibility

Sony Memory Stick, Memory Stick PRO, Secure Digital (SD) Card, MultiMediaCard (MMC), xD Card, Sony Memory Stick Duo (with adapter), Mini Secure Digital (Mini SD) Card (with adapter), Sony Memory Stick PRO Duo (with adapter), SanDisk TransFlash Memory Module (with adapter), RS-MMC (with adapter), xD Card Type M, Type H, MultiMediaCard (MMC) Mobile (with adapter), Micro Secure Digital (Micro SD) Card (with adapter), Secure Digital High Capacity (SDHC) Card (with adapter)

Reduce / Enlarge Range

25 - 400 %

Scan Area, Maximum

216 x 297 mm

Scan Area, Maximum

8.5 x 11.7 inches

Packaged Size (mm - H x W x D)

431 x 525 x 242 mm

Packaged Size (in. - H x W x D)

16.97 x 20.67 x 9.53 in.

Size (mm - H x W x D)

178 x 465 x 358 mm

Weight (kg)

5.3 kg

Print Noise Level, Operating

50 dBA

Copier Noise Level, Operating

47 dBA

Scanner Noise Level, Operating

35 dBA

Product Guarantee

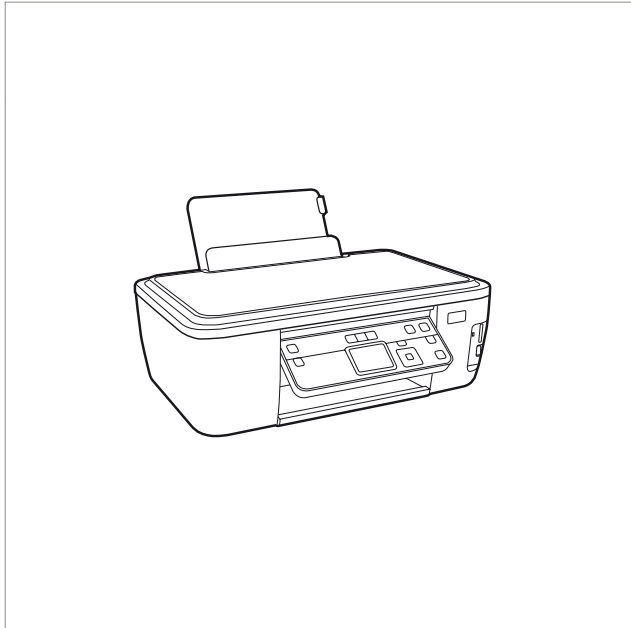
1-Year Replacement

Product Certifications

Energy Star, CSA, c-UL-us, ICES Class B, Executive Order 132221, CE Class B, CB IEC 60950 IEC 60825-1, GS (TÜV), SEMKO, C-tick mark Class B, V85, CCC Class B, BSMI Class B, METI

Duty Cycle, Maximum

5000 pages per month



Part #	Model
90T5036	Lexmark Intuition S505

Part #	Inkjet Ink/Print Cartridge
14N1069E	100XL Cyan High Yield Return Program Ink Cartridge
14N1070E	100XL Magenta High Yield Return Program Ink Cartridge
14N1071E	100XL Yellow High Yield Return Program Ink Cartridge
14N0900E	100 Cyan Return Program Ink Cartridge
14N0901E	100 Magenta Return Program Ink Cartridge
14N0902E	100 Yellow Return Program Ink Cartridge
14N1093	100XLA Cyan High Yield Ink Cartridge
14N1094	100XLA Magenta High Yield Ink Cartridge
14N1095	100XLA Yellow High Yield Ink Cartridge
14N0920	100A Cyan Ink Cartridge
14N0921	100A Magenta Ink Cartridge
14N0922	100A Yellow Ink Cartridge
14N1068E	100XL Black High Yield Return Program Ink Cartridge
14N0820E	100 Black Return Program Ink Cartridge
14N1092	100XLA Black High Yield Ink Cartridge
14N0918	100A Black Ink Cartridge
14N0849	3-Pack 100 Color (CMY) Return Program Ink Cartridges
14N0848	2-Pack 100XL Black High Yield Return Program Ink Cartridges
14N0850	3-Pack 100XL Color (CMY) High Yield Return Program Ink Cartridges

Part #	Paper & Transparencies
3048566	Photo Paper 4 x 6 inches (35)
80D1706	Photo Paper A4 (20)
3048565	Photo Paper A4 Size (25)
3048568	PerfectFinish Photo Paper 10x15 cm (35)
3048567	PerfectFinish Photo Paper A4 (25)

Part #	Connectivity
1021294	USB (2 Meter) Cable



Lexmark Interact S605



NEW



Wireless 3-in-1 for Home Offices

Print Technology

Thermal Inkjet

Colour Technology

4 Colour Inkjet - Cyan, Magenta, Yellow, Black

Scan Technology

CIS with 48 bit depth

Function

Colour Copying, Colour Printing, Colour Scanning

Maximum Print Speed (Normal, Black)

Up to 18 ppm

Maximum Print Speed (Normal, Colour)

Up to 11 ppm

Maximum Print Speed (Draft mono)

Up to 33 ppm

Maximum Print Speed (Draft colour)

Up to 30 ppm

Maximum Copy Speed (Normal mono)

Up to 16 cpm

Maximum Copy Speed (Normal colour)

Up to 8 cpm

Maximum Copy Speed (Draft mono)

Up to 25 cpm

Maximum Copy Speed (Draft colour)

Up to 21 cpm

Time to First Copy (Colour, Draft) as fast as

5 cpm

Time to First Copy (Colour, Normal) as fast as

2 cpm

Time to First Copy (Black, Normal) as fast as

3 cpm

Time to First Copy (Black, Draft) as fast as

5 cpm

Print Resolution, Black

Up to 2400 x 1200 dpi

Print Resolution, Colour

Up to 4800 x 1200 dpi

Operating Systems Supported

XP, XP Professional x64, Vista, OS X (10.4.4-10.6.x Intel), 2000 5.00.2195 or later, Vista x64, OS X (10.3.9 Power PC), Linux - available at www.lexmark.com, Windows 7, OS X (10.4.4-10.5.x PowerPC)

Print (ASF) Paper Input Capacity, Maximum

100 pages 75 gsm bond

Media Types Supported

Card Stock, Envelopes, Labels, Plain Paper, Transparencies, Banner (A4 or Letter), Hagaki Card, Iron-On Transfers, Photo Paper, Heavy Weight Matte Paper

Media Sizes Supported

10 Envelope, 7 3/4 Envelope, 9 Envelope, A4, A5, B5 Envelope, C5 Envelope, DL Envelope, 6 3/4 Envelope, A2 Baronial, A6 Card, B5, C6 Envelope, Custom, Hagaki Card, Index Card, Executive, Legal, Letter, 4 x 6", L, 2L, Chokei 3, Chokei 4, Chokei 40, Kakugata 3, Kakugata 4, Kakugata 5, Kakugata 6, 5 x 7", 13 x 18 cm, 10 x 15 cm, 10 x 20 cm, 4 x 8"

Borderless Printing Media Sizes

4" x 6", A4, Letter, A6, Hagaki Card, L, 2L, A5, 5" x 7", Legal, 89 x 127 mm, 10 x 15 cm, 13 x 18 cm, B5, 10 x 20 cm, 4" x 8"

Standard Ports

USB 2.0 Specification Hi-Speed Certified (Type B), PictBridge Certified Port, USB pass-through via PictBridge port, 802.11b/g/n Wireless

PictBridge Certified USB Port

Yes

Digital Media Memory Card Compatibility

Sony Memory Stick, Memory Stick PRO, Secure Digital (SD) Card, MultiMediaCard (MMC), xD Card, Sony Memory Stick Duo (with adapter), Mini Secure Digital (Mini SD) Card (with adapter), Sony Memory Stick PRO Duo (with adapter), SanDisk TransFlash Memory Module (with adapter), RS-MMC (with adapter), xD Card Type M, Type H, MultiMediaCard (MMC) Mobile (with adapter), Micro Secure Digital (Micro SD) Card (with adapter), Secure Digital High Capacity (SDHC) Card (with adapter)

Reduce / Enlarge Range

25 - 400 %

Scan Area, Maximum

216 x 297 mm

Scan Area, Maximum

8.5 x 11.7 inches

Packaged Size (mm - H x W x D)

431 x 525 x 242 mm

Packaged Size (in. - H x W x D)

16.97 x 20.67 x 9.53 in.

Size (mm - H x W x D)

178 x 514 x 358 mm

Weight (kg)

7.5 kg

Print Noise Level, Operating

50 dBA

Copier Noise Level, Operating

50 dBA

Scanner Noise Level, Operating

40 dBA

Product Guarantee

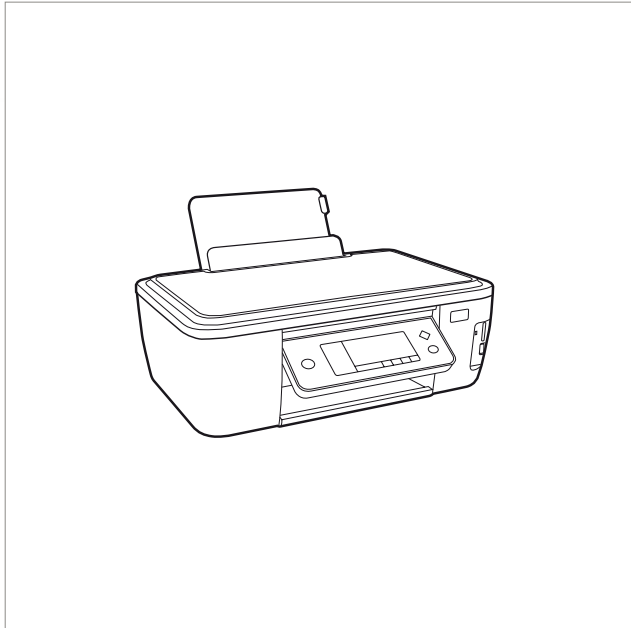
1-Year Replacement

Product Certifications

Energy Star, CSA, c-UL-us, ICES Class B, Executive Order 132221, CE Class B, CB IEC 60950 IEC 60825-1, GS (TÜV), SEMKO, C-tick mark Class B, V85, CCC Class B, BSMI Class B, METI

Duty Cycle, Maximum

5000 pages per month



Part #	Model
60S0002	Lexmark Interact S605

Part #	Inkjet Ink/Print Cartridge
14N1069E	100XL Cyan High Yield Return Program Ink Cartridge
14N1070E	100XL Magenta High Yield Return Program Ink Cartridge
14N1071E	100XL Yellow High Yield Return Program Ink Cartridge
14N0900E	100 Cyan Return Program Ink Cartridge
14N0901E	100 Magenta Return Program Ink Cartridge
14N0902E	100 Yellow Return Program Ink Cartridge
14N1093	100XLA Cyan High Yield Ink Cartridge
14N1094	100XLA Magenta High Yield Ink Cartridge
14N1095	100XLA Yellow High Yield Ink Cartridge
14N0920	100A Cyan Ink Cartridge
14N0921	100A Magenta Ink Cartridge
14N0922	100A Yellow Ink Cartridge
14N0820E	100 Black Return Program Ink Cartridge
14N0918	100A Black Ink Cartridge
14N1068E	100XL Black High Yield Return Program Ink Cartridge
14N1092	100XLA Black High Yield Ink Cartridge
14N0849	3-Pack 100 Color (CMY) Return Program Ink Cartridges
14N0848	2-Pack 100XL Black High Yield Return Program Ink Cartridges
14N0850	3-Pack 100XL Color (CMY) High Yield Return Program Ink Cartridges

Part #	Paper & Transparencies
3048566	Photo Paper 4 x 6 inches (35)
80D1706	Photo Paper A4 (20)
3048565	Photo Paper A4 Size (25)
3048568	PerfectFinish Photo Paper 10x15 cm (35)
3048567	PerfectFinish Photo Paper A4 (25)

Part #	Connectivity
1021294	USB (2 Meter) Cable



Lexmark Prestige Pro805

NEW



Business Class Wireless 3-in-1

Print Technology

Thermal Inkjet

Colour Technology

4 Colour Inkjet - Cyan, Magenta, Yellow, Black

Scan Technology

CIS with 48 bit depth

Function

Colour Copying, Colour Printing, Colour Scanning

Maximum Print Speed (Normal, Black)

Up to 16 ppm

Maximum Print Speed (Normal, Colour)

Up to 10 ppm

Maximum Print Speed (Draft mono)

Up to 33 ppm

Maximum Print Speed (Draft colour)

Up to 30 ppm

Maximum Copy Speed (Normal mono)

Up to 15 cpm

Maximum Copy Speed (Normal colour)

Up to 8 cpm

Maximum Copy Speed (Draft mono)

Up to 25 cpm

Maximum Copy Speed (Draft colour)

Up to 21 cpm

Time to First Copy (Colour, Draft) as fast as

3 cpm

Time to First Copy (Colour, Normal) as fast as

2 cpm

Time to First Copy (Black, Normal) as fast as

3 cpm

Time to First Copy (Black, Draft) as fast as

5 cpm

Print Resolution, Black

Up to 2400 x 1200 dpi

Print Resolution, Colour

Up to 4800 x 1200 dpi

Operating Systems Supported

XP, XP Professional x64, Vista, OS X (10.4.4-10.6.x Intel), 2000 5.00.2195 or later, Vista x64, OS X (10.3.9 Power PC), Linux - available at www.lexmark.com, Windows 7, OS X (10.4.4-10.5.x PowerPC)

Print (ASF) Paper Input Capacity, Maximum

150 pages 75 gsm bond

ADF Input Paper Sizes

Copy/Fax/Scan (ADF) Input Paper Sizes, Legal, Letter

ADF Paper Input Capacity

Up to 50 pages 75 gsm bond

Media Types Supported

Card Stock, Envelopes, Labels, Plain Paper, Transparencies, Banner (A4 or Letter), Hagaki Card, Iron-On Transfers, Photo Paper, Heavy Weight Matte Paper

Media Sizes Supported

10 Envelope, 7 3/4 Envelope, 9 Envelope, A4, A5, B5 Envelope, C5 Envelope, DL Envelope, 6 3/4 Envelope, A2 Baronial, A6 Card, B5, C6 Envelope, Custom, Hagaki Card, Index Card, Executive, Legal, Letter, 4 x 6", L, 2L,

Chokei 3, Chokei 4, Chokei 40, Kakugata 3, Kakugata 4, Kakugata 5, Kakugata 6, 5 x 7", 13 x 18 cm, 10 x 15 cm, 10 x 20 cm, 4 x 8"

Borderless Printing Media Sizes

4" x 6", A4, Letter, A6, Hagaki Card, L, 2L, A5, 5" x 7", Legal, 89 x 127 mm, 10 x 15 cm, 13 x 18 cm, B5, 10 x 20 cm, 4" x 8"

Standard Ports

Fast Ethernet, USB 2.0 Specification Hi-Speed Certified (Type B), USB pass-through via PictBridge port, 802.11b/g/n Wireless

PictBridge Certified USB Port

Yes

Digital Media Memory Card Compatibility

Sony Memory Stick, Memory Stick PRO, Secure Digital (SD) Card, MultiMediaCard (MMC), xD Card, Sony Memory Stick Duo (with adapter), Mini Secure Digital (Mini SD) Card (with adapter), Sony Memory Stick PRO Duo (with adapter), SanDisk TransFlash Memory Module (with adapter), RS-MMC (with adapter), xD Card Type M, Type H, MultiMediaCard (MMC) Mobile (with adapter), Micro Secure Digital (Micro SD) Card (with adapter), Secure Digital High Capacity (SDHC) Card (with adapter)

Reduce / Enlarge Range

25 - 400 %

Scan Area, Maximum

216 x 356 mm

Scan Area, Maximum

8.5 x 14 inches

Packaged Size (mm - H x W x D)

486 x 542 x 330 mm

Packaged Size (in. - H x W x D)

19.13 x 21.34 x 12.99 in.

Size (mm - H x W x D)

250 x 465 x 392 mm

Weight (kg)

9.27 kg

Print Noise Level, Operating

52 dBA

Copier Noise Level, Operating

52 dBA

Scanner Noise Level, Operating

47 dBA

Product Guarantee

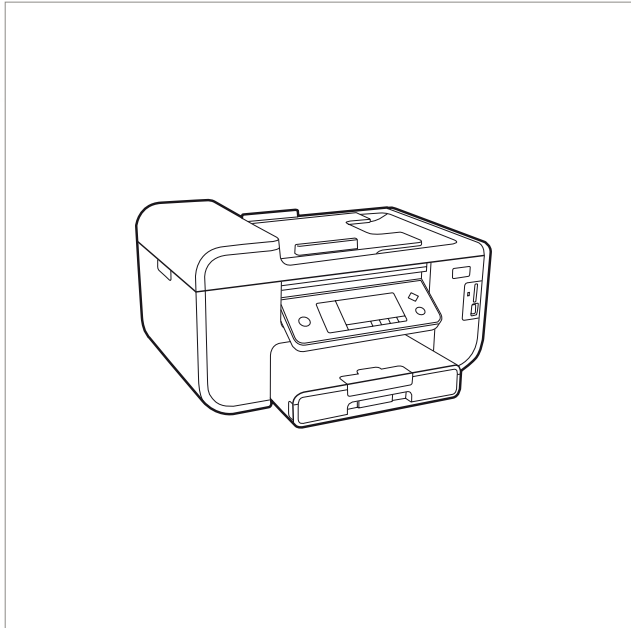
1-Year Replacement

Product Certifications

Energy Star, CSA, c-UL-us, ICES Class B, Executive Order 132221, CE Class B, CB IEC 60950 IEC 60825-1, GS (TÜV), SEMKO, C-tick mark Class B, V85, CCC Class B, BSMI Class B, METI

Duty Cycle, Maximum

10000 pages per month



Part #	Model
90T8036	Lexmark Prestige Pro805

Part #	Inkjet Ink/Print Cartridge
14N1069E	100XL Cyan High Yield Return Program Ink Cartridge
14N1070E	100XL Magenta High Yield Return Program Ink Cartridge
14N1071E	100XL Yellow High Yield Return Program Ink Cartridge
14N0900E	100 Cyan Return Program Ink Cartridge
14N0901E	100 Magenta Return Program Ink Cartridge
14N0902E	100 Yellow Return Program Ink Cartridge
14N1093	100XLA Cyan High Yield Ink Cartridge
14N1094	100XLA Magenta High Yield Ink Cartridge
14N1095	100XLA Yellow High Yield Ink Cartridge
14N0920	100A Cyan Ink Cartridge
14N0921	100A Magenta Ink Cartridge
14N0922	100A Yellow Ink Cartridge
14N0820E	100 Black Return Program Ink Cartridge
14N0918	100A Black Ink Cartridge
14N1068E	100XL Black High Yield Return Program Ink Cartridge
14N1092	100XLA Black High Yield Ink Cartridge
14N0822E	105XL Black High Yield Return Program Ink Cartridge
14N0849	3-Pack 100 Color (CMY) Return Program Ink Cartridges
14N0850	3-Pack 100XL Color (CMY) High Yield Return Program Ink Cartridges
14N0845	4-Pack 105XL Black High Yield Return Program Ink Cartridges

Part #	Paper & Transparencies
3048566	Photo Paper 4 x 6 inches (35)
80D1706	Photo Paper A4 (20)
3048565	Photo Paper A4 Size (25)
3048568	PerfectFinish Photo Paper 10x15 cm (35)
3048567	PerfectFinish Photo Paper A4 (25)

Part #	Connectivity
1021294	USB (2 Meter) Cable



Lexmark Interpret S405



Wireless 4-in-1 for Home Offices

Print Technology

Thermal Inkjet

Colour Technology

4 Colour Inkjet - Cyan, Magenta, Yellow, Black

Scan Technology

CIS with 48 bit depth

Function

Colour Copying, Colour Printing, Colour Scanning, Faxing

Maximum Print Speed (Normal, Black)

Up to 17 ppm

Maximum Print Speed (Normal, Colour)

Up to 11 ppm

Maximum Print Speed (Draft mono)

Up to 33 ppm

Maximum Print Speed (Draft colour)

Up to 30 ppm

Maximum Copy Speed (Normal mono)

Up to 15 cpm

Maximum Copy Speed (Normal colour)

Up to 9 cpm

Maximum Copy Speed (Draft mono)

Up to 25 cpm

Maximum Copy Speed (Draft colour)

Up to 21 cpm

Time to First Copy (Colour, Draft) as fast as

5 cpm

Time to First Copy (Colour, Normal) as fast as

2 cpm

Time to First Copy (Black, Normal) as fast as

3 cpm

Time to First Copy (Black, Draft) as fast as

5 cpm

Print Resolution, Black

Up to 2400 x 1200 dpi

Print Resolution, Colour

Up to 4800 x 1200 dpi

Operating Systems Supported

XP, XP Professional x64, Vista, OS X (10.4.4-10.6.x Intel), 2000 5.00.2195 or later, Vista x64, OS X (10.3.9 Power PC), Linux - available at www.lexmark.com, Windows 7, OS X (10.4.4-10.5.x PowerPC)

Print (ASF) Paper Input Capacity, Maximum

100 pages 75 gsm bond

ADF Input Paper Sizes

Copy/Fax/Scan (ADF) Input Paper Sizes, Legal, Letter

ADF Paper Input Capacity

Up to 35 pages 75 gsm bond

Media Types Supported

Card Stock, Envelopes, Plain Paper, Transparencies, Banner (A4 or Letter), Hagaki Card, Iron-On Transfers, Photo Paper, Heavy Weight Matte Paper

Media Sizes Supported

10 Envelope, 7 3/4 Envelope, 9 Envelope, A4, A5, B5 Envelope, C5 Envelope, DL Envelope, 6 3/4 Envelope, A2 Baronial, A6 Card, B5, C6 Envelope, Custom, Hagaki Card, Index Card, Executive, Legal, Letter, 4 x 6", L, 2L,

Chokei 3, Chokei 4, Chokei 40, Kakugata 3, Kakugata 4, Kakugata 5, Kakugata 6, 5 x 7", 13 x 18 cm, 10 x 15 cm, 10 x 20 cm, 4 x 8"

Borderless Printing Media Sizes

4" x 6", A4, Letter, A6, Hagaki Card, L, 2L, A5, 5" x 7", Legal, 89 x 127 mm, 10 x 15 cm, 13 x 18 cm, B5, 10 x 20 cm, 4" x 8"

Standard Ports

USB 2.0 Specification Hi-Speed Certified (Type B), USB pass-through via PictBridge port, 802.11g/b Wireless

PictBridge Certified USB Port

Yes

Digital Media Memory Card Compatibility

Sony Memory Stick, Memory Stick PRO, Secure Digital (SD) Card, MultiMediaCard (MMC), xD Card, Sony Memory Stick Duo (with adapter), Mini Secure Digital (Mini SD) Card (with adapter), Sony Memory Stick PRO Duo (with adapter), SanDisk TransFlash Memory Module (with adapter), RS-MMC (with adapter), xD Card Type M, Type H, MultiMediaCard (MMC) Mobile (with adapter), Micro Secure Digital (Micro SD) Card (with adapter), Secure Digital High Capacity (SDHC) Card (with adapter)

Reduce / Enlarge Range

25 - 400 %

Scan Area, Maximum

216 x 356 mm

Scan Area, Maximum

8.5 x 14 inches

Modem Speed

33.6 Kbps

Packaged Size (mm - H x W x D)

438 x 535 x 304 mm

Packaged Size (in. - H x W x D)

17.24 x 21.06 x 11.97 in.

Size (mm - H x W x D)

204 x 477 x 338 mm

Weight (kg)

7.76 kg

Print Noise Level, Operating

50 dBA

Copier Noise Level, Operating

47 dBA

Scanner Noise Level, Operating

35 dBA

Product Guarantee

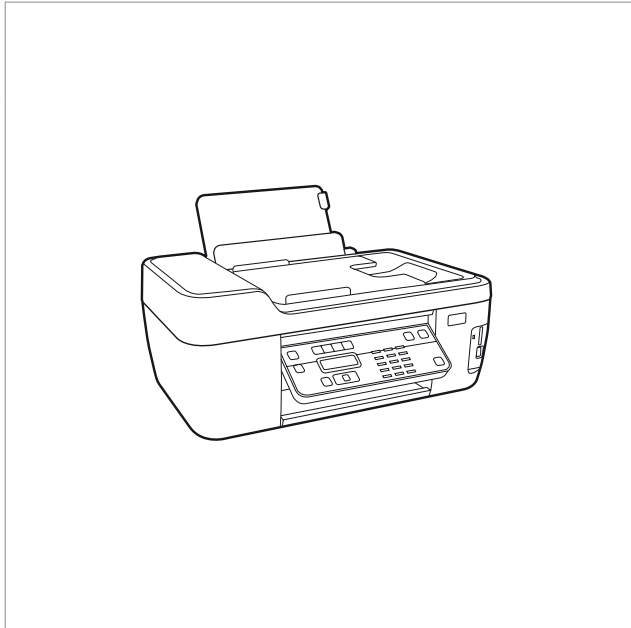
1-Year Replacement

Product Certifications

Energy Star, CSA, c-UL-us, ICES Class B, Executive Order 13221, CE Class B, CB IEC 60950 IEC 60825-1, GS (TÜV), SEMKO, C-tick mark Class B, V85, CCC Class B, BSMI Class B, METI

Duty Cycle, Maximum

5000 pages per month



Part #	Model
90T4036	Lexmark Interpret S405

Part #	Inkjet Ink/Print Cartridge
14N1069E	100XL Cyan High Yield Return Program Ink Cartridge
14N1070E	100XL Magenta High Yield Return Program Ink Cartridge
14N1071E	100XL Yellow High Yield Return Program Ink Cartridge
14N0900E	100 Cyan Return Program Ink Cartridge
14N0901E	100 Magenta Return Program Ink Cartridge
14N0902E	100 Yellow Return Program Ink Cartridge
14N1093	100XLA Cyan High Yield Ink Cartridge
14N1094	100XLA Magenta High Yield Ink Cartridge
14N1095	100XLA Yellow High Yield Ink Cartridge
14N0920	100A Cyan Ink Cartridge
14N0921	100A Magenta Ink Cartridge
14N0922	100A Yellow Ink Cartridge
14N0820E	100 Black Return Program Ink Cartridge
14N0918	100A Black Ink Cartridge
14N1068E	100XL Black High Yield Return Program Ink Cartridge
14N1092	100XLA Black High Yield Ink Cartridge
14N0849	3-Pack 100 Color (CMY) Return Program Ink Cartridges
14N0848	2-Pack 100XL Black High Yield Return Program Ink Cartridges
14N0850	3-Pack 100XL Color (CMY) High Yield Return Program Ink Cartridges

Part #	Paper & Transparencies
3048566	Photo Paper 4 x 6 inches (35)
80D1706	Photo Paper A4 (20)
3048565	Photo Paper A4 Size (25)
3048568	PerfectFinish Photo Paper 10x15 cm (35)
3048567	PerfectFinish Photo Paper A4 (25)

Part #	Connectivity
1021294	USB (2 Meter) Cable



Lexmark Prospect Pro205



Small Office Wireless 4-in-1

Print Technology

Thermal Inkjet

Colour Technology

4 Colour Inkjet - Cyan, Magenta, Yellow, Black

Scan Technology

CIS with 48 bit depth

Function

Colour Copying, Colour Printing, Colour Scanning, Faxing

Maximum Print Speed (Normal, Black)

Up to 18 ppm

Maximum Print Speed (Normal, Colour)

Up to 11 ppm

Maximum Print Speed (Draft mono)

Up to 33 ppm

Maximum Print Speed (Draft colour)

Up to 30 ppm

Maximum Copy Speed (Normal mono)

Up to 16 cpm

Maximum Copy Speed (Normal colour)

Up to 8 cpm

Maximum Copy Speed (Draft mono)

Up to 25 cpm

Maximum Copy Speed (Draft colour)

Up to 21 cpm

Time to First Copy (Colour, Draft) as fast as

5 cpm

Time to First Copy (Colour, Normal) as fast as

2 cpm

Time to First Copy (Black, Normal) as fast as

3 cpm

Time to First Copy (Black, Draft) as fast as

6 cpm

Print Resolution, Black

Up to 2400 x 1200 dpi

Print Resolution, Colour

Up to 4800 x 1200 dpi

Operating Systems Supported

XP, XP Professional x64, Vista, OS X (10.4.4-10.6.x Intel), 2000 5.00.2195 or later, Vista x64, OS X (10.3.9 Power PC), Linux - available at www.lexmark.com, Windows 7, OS X (10.4.4-10.5.x PowerPC)

Print (ASF) Paper Input Capacity, Maximum

100 pages 75 gsm bond

ADF Input Paper Sizes

Copy/Fax/Scan (ADF) Input Paper Sizes, Legal, Letter

ADF Paper Input Capacity

Up to 35 pages 75 gsm bond

Media Types Supported

Card Stock, Envelopes, Labels, Plain Paper, Transparencies, Banner (A4 or Letter), Hagaki Card, Iron-On Transfers, Photo Paper, Heavy Weight Matte Paper

Media Sizes Supported

10 Envelope, 7 3/4 Envelope, 9 Envelope, A4, A5, B5 Envelope, C5 Envelope, DL Envelope, 6 3/4 Envelope, A2 Baronial, A6 Card, B5, C6 Envelope, Custom, Hagaki Card, Index Card, Executive, Legal, Letter, 4 x 6", L, 2L,

Chokei 3, Chokei 4, Chokei 40, Kakugata 3, Kakugata 4, Kakugata 5, Kakugata 6, 5 x 7", 13 x 18 cm, 10 x 15 cm, 10 x 20 cm, 4 x 8"

Borderless Printing Media Sizes

4" x 6", A4, Letter, A6, Hagaki Card, L, 2L, A5, 5" x 7", Legal, 89 x 127 mm, 10 x 15 cm, 13 x 18 cm, B5, 10 x 20 cm, 4" x 8"

Standard Ports

USB 2.0 Specification Hi-Speed Certified (Type B), USB pass-through via PictBridge port, 802.11g/b Wireless

PictBridge Certified USB Port

Yes

Digital Media Memory Card Compatibility

Sony Memory Stick, Memory Stick PRO, Secure Digital (SD) Card, MultiMediaCard (MMC), xD Card, Sony Memory Stick Duo (with adapter), Mini Secure Digital (Mini SD) Card (with adapter), Sony Memory Stick PRO Duo (with adapter), SanDisk TransFlash Memory Module (with adapter), RS-MMC (with adapter), xD Card Type M, Type H, MultiMediaCard (MMC) Mobile (with adapter), Micro Secure Digital (Micro SD) Card (with adapter), Secure Digital High Capacity (SDHC) Card (with adapter)

Reduce / Enlarge Range

25 - 400 %

Scan Area, Maximum

216 x 356 mm

Scan Area, Maximum

8.5 x 14 inches

Modem Speed

33.6 Kbps

Packaged Size (mm - H x W x D)

438 x 535 x 304 mm

Packaged Size (in. - H x W x D)

17.24 x 21.06 x 11.97 in.

Size (mm - H x W x D)

204 x 477 x 358 mm

Weight (kg)

7.98 kg

Print Noise Level, Operating

50 dBA

Copier Noise Level, Operating

47 dBA

Scanner Noise Level, Operating

47 dBA

Product Guarantee

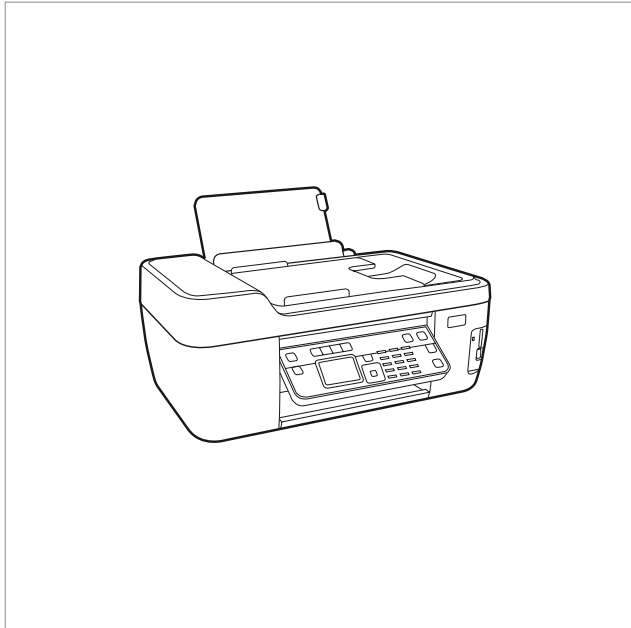
1-Year Replacement

Product Certifications

Energy Star, CSA, c-UL-us, ICES Class B, Executive Order 132221, CE Class B, CB IEC 60950 IEC 60825-1, GS (TÜV), SEMKO, C-tick mark Class B, V85, CCC Class B, BSMI Class B, METI

Duty Cycle, Maximum

5000 pages per month



Part #	Model
90T6036	Lexmark Prospect Pro205

Part #	Inkjet Ink/Print Cartridge
14N1069E	100XL Cyan High Yield Return Program Ink Cartridge
14N1070E	100XL Magenta High Yield Return Program Ink Cartridge
14N1071E	100XL Yellow High Yield Return Program Ink Cartridge
14N0900E	100 Cyan Return Program Ink Cartridge
14N0901E	100 Magenta Return Program Ink Cartridge
14N0902E	100 Yellow Return Program Ink Cartridge
14N1093	100XLA Cyan High Yield Ink Cartridge
14N1094	100XLA Magenta High Yield Ink Cartridge
14N1095	100XLA Yellow High Yield Ink Cartridge
14N0920	100A Cyan Ink Cartridge
14N0921	100A Magenta Ink Cartridge
14N0922	100A Yellow Ink Cartridge
14N1068E	100XL Black High Yield Return Program Ink Cartridge
14N0920E	100 Black Return Program Ink Cartridge
14N1092	100XLA Black High Yield Ink Cartridge
14N0918	100A Black Ink Cartridge
14N0849	3-Pack 100 Color (CMY) Return Program Ink Cartridges
14N0848	2-Pack 100XL Black High Yield Return Program Ink Cartridges
14N0850	3-Pack 100XL Color (CMY) High Yield Return Program Ink Cartridges

Part #	Paper & Transparencies
3048568	PerfectFinish Photo Paper 10x15 cm (35)
3048567	PerfectFinish Photo Paper A4 (25)
3048566	Photo Paper 4 x 6 inches (35)
3048565	Photo Paper A4 Size (25)

Part #	Connectivity
1021294	USB (2 Meter) Cable



Lexmark Prevail Pro705



NEW



Small Office Wireless 4-in-1

Print Technology

Thermal Inkjet

Colour Technology

4 Colour Inkjet - Cyan, Magenta, Yellow, Black

Scan Technology

CIS with 48 bit depth

Function

Colour Copying, Colour Printing, Colour Scanning, Faxing

Maximum Print Speed (Normal, Black)

Up to 16 ppm

Maximum Print Speed (Normal, Colour)

Up to 10 ppm

Maximum Print Speed (Draft mono)

Up to 33 ppm

Maximum Print Speed (Draft colour)

Up to 30 ppm

Maximum Copy Speed (Normal mono)

Up to 15 cpm

Maximum Copy Speed (Normal colour)

Up to 8 cpm

Maximum Copy Speed (Draft mono)

Up to 25 cpm

Maximum Copy Speed (Draft colour)

Up to 21 cpm

Time to First Copy (Colour, Draft) as fast as

3 cpm

Time to First Copy (Colour, Normal) as fast as

2 cpm

Time to First Copy (Black, Normal) as fast as

3 cpm

Time to First Copy (Black, Draft) as fast as

5 cpm

Print Resolution, Black

Up to 2400 x 1200 dpi

Print Resolution, Colour

Up to 4800 x 1200 dpi

Operating Systems Supported

XP, XP Professional x64, Vista, OS X (10.4.4-10.6.x Intel), 2000 5.00.2195 or later, Vista x64, OS X (10.3.9 Power PC), Linux - available at www.lexmark.com, Windows 7, OS X (10.4.4-10.5.x PowerPC)

Print (ASF) Paper Input Capacity, Maximum

150 pages 75 gsm bond

ADF Input Paper Sizes

Copy/Fax/Scan (ADF) Input Paper Sizes, Legal, Letter

ADF Paper Input Capacity

Up to 50 pages 75 gsm bond

Media Types Supported

Card Stock, Envelopes, Labels, Plain Paper, Transparencies, Banner (A4 or Letter), Hagaki Card, Iron-On Transfers, Photo Paper, Heavy Weight Matte Paper

Media Sizes Supported

10 Envelope, 7 3/4 Envelope, 9 Envelope, A4, A5, B5 Envelope, C5 Envelope, DL Envelope, 6 3/4 Envelope, A2 Baronial, A6 Card, B5, C6 Envelope, Custom, Hagaki Card, Index Card, Executive, Legal, Letter, 4 x 6", L, 2L,

Chokei 3, Chokei 4, Chokei 40, Kakugata 3, Kakugata 4, Kakugata 5, Kakugata 6, 5 x 7", 13 x 18 cm, 10 x 15 cm, 10 x 20 cm, 4 x 8"

Borderless Printing Media Sizes

4" x 6", A4, Letter, A6, Hagaki Card, L, 2L, A5, 5" x 7", Legal, 89 x 127 mm, 10 x 15 cm, 13 x 18 cm, B5, 10 x 20 cm, 4" x 8"

Standard Ports

Fast Ethernet, USB 2.0 Specification Hi-Speed Certified (Type B), USB pass-through via PictBridge port, 802.11b/g/n Wireless

PictBridge Certified USB Port

Yes

Digital Media Memory Card Compatibility

Sony Memory Stick, Memory Stick PRO, Secure Digital (SD) Card, MultiMediaCard (MMC), xD Card, Sony Memory Stick Duo (with adapter), Mini Secure Digital (Mini SD) Card (with adapter), Sony Memory Stick PRO Duo (with adapter), SanDisk TransFlash Memory Module (with adapter), RS-MMC (with adapter), xD Card Type M, Type H, MultiMediaCard (MMC) Mobile (with adapter), Micro Secure Digital (Micro SD) Card (with adapter), Secure Digital High Capacity (SDHC) Card (with adapter)

Reduce / Enlarge Range

25 - 400 %

Scan Area, Maximum

216 x 356 mm

Scan Area, Maximum

8.5 x 14 inches

Modem Speed

33.6 Kbps

Packaged Size (mm - H x W x D)

486 x 542 x 330 mm

Packaged Size (in. - H x W x D)

19.13 x 21.34 x 12.99 in.

Size (mm - H x W x D)

250 x 465 x 392 mm

Weight (kg)

9.27 kg

Print Noise Level, Operating

52 dBA

Copier Noise Level, Operating

52 dBA

Scanner Noise Level, Operating

47 dBA

Product Guarantee

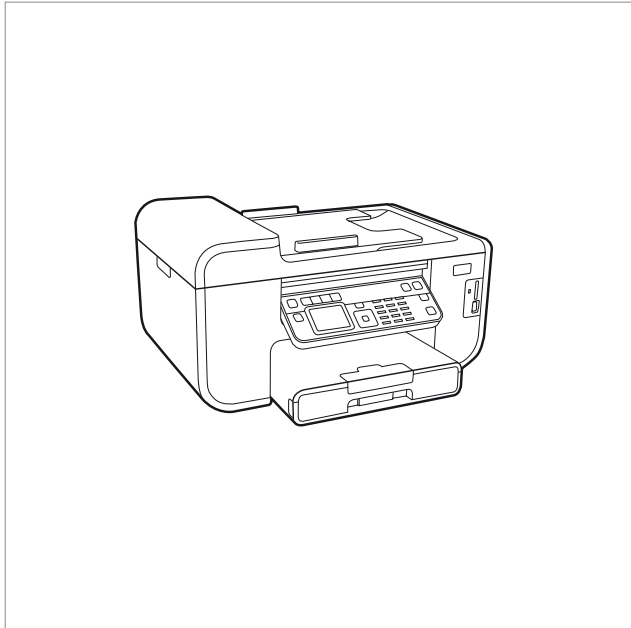
1-Year Replacement

Product Certifications

Energy Star, CSA, c-UL-us, ICES Class B, Executive Order 132221, CE Class B, CB IEC 60950 IEC 60825-1, GS (TÜV), SEMKO, C-tick mark Class B, V85, CCC Class B, BSMI Class B, METI

Duty Cycle, Maximum

10000 pages per month



Part #	Model
90T7031	Lexmark Prevail Pro705

Part #	Inkjet Ink/Print Cartridge
14N1069E	100XL Cyan High Yield Return Program Ink Cartridge
14N1070E	100XL Magenta High Yield Return Program Ink Cartridge
14N1071E	100XL Yellow High Yield Return Program Ink Cartridge
14N0900E	100 Cyan Return Program Ink Cartridge
14N0901E	100 Magenta Return Program Ink Cartridge
14N0902E	100 Yellow Return Program Ink Cartridge
14N1093	100XLA Cyan High Yield Ink Cartridge
14N1094	100XLA Magenta High Yield Ink Cartridge
14N1095	100XLA Yellow High Yield Ink Cartridge
14N0920	100A Cyan Ink Cartridge
14N0921	100A Magenta Ink Cartridge
14N0922	100A Yellow Ink Cartridge
14N0820E	100 Black Return Program Ink Cartridge
14N0918	100A Black Ink Cartridge
14N1068E	100XL Black High Yield Return Program Ink Cartridge
14N1092	100XLA Black High Yield Ink Cartridge
14N0849	3-Pack 100 Color (CMY) Return Program Ink Cartridges
14N0848	2-Pack 100XL Black High Yield Return Program Ink Cartridges
14N0850	3-Pack 100XL Color (CMY) High Yield Return Program Ink Cartridges

Part #	Paper & Transparencies
3048566	Photo Paper 4 x 6 inches (35)
80D1706	Photo Paper A4 (20)
3048565	Photo Paper A4 Size (25)
3048568	PerfectFinish Photo Paper 10x15 cm (35)
3048567	PerfectFinish Photo Paper A4 (25)

Part #	Connectivity
1021294	USB (2 Meter) Cable



Lexmark Platinum Pro905



Business Class Wireless 4-in-1

Print Technology

Thermal Inkjet

Colour Technology

4 Colour Inkjet - Cyan, Magenta, Yellow, Black

Scan Technology

CIS with 48 bit depth

Function

Colour Copying, Colour Printing, Colour Scanning, Faxing

Maximum Print Speed (Normal, Black)

Up to 16 ppm

Maximum Print Speed (Normal, Colour)

Up to 10 ppm

Maximum Print Speed (Draft mono)

Up to 33 ppm

Maximum Print Speed (Draft colour)

Up to 30 ppm

Maximum Copy Speed (Normal mono)

Up to 15 cpm

Maximum Copy Speed (Normal colour)

Up to 8 cpm

Maximum Copy Speed (Draft mono)

Up to 25 cpm

Maximum Copy Speed (Draft colour)

Up to 21 cpm

Time to First Copy (Colour, Draft) as fast as

3 cpm

Time to First Copy (Colour, Normal) as fast as

2 cpm

Time to First Copy (Black, Normal) as fast as

3 cpm

Time to First Copy (Black, Draft) as fast as

5 cpm

Print Resolution, Black

Up to 2400 x 1200 dpi

Print Resolution, Colour

Up to 4800 x 1200 dpi

Operating Systems Supported

XP, XP Professional x64, Vista, OS X (10.4.4-10.6.x Intel), 2000 5.00.2195 or later, Vista x64, OS X (10.3.9 Power PC), Linux - available at www.lexmark.com, Windows 7, OS X (10.4.4-10.5.x PowerPC)

Print (ASF) Paper Input Capacity, Maximum

150 +150 = 300 pages 75 gsm bond

ADF Input Paper Sizes

Copy/Fax/Scan (ADF) Input Paper Sizes, Legal, Letter

ADF Paper Input Capacity

Up to 50 pages 75 gsm bond

Media Types Supported

Card Stock, Envelopes, Labels, Plain Paper, Transparencies, Banner (A4 or Letter), Hagaki Card, Iron-On Transfers, Photo Paper, Heavy Weight Matte Paper

Media Sizes Supported

10 Envelope, 7 3/4 Envelope, 9 Envelope, A4, A5, B5 Envelope, C5 Envelope, DL Envelope, 6 3/4 Envelope, A2 Baronial, A6 Card, B5, C6 Envelope, Custom, Hagaki Card, Index Card, Executive, Legal, Letter, 4 x 6", L, 2L,

Chokei 3, Chokei 4, Chokei 40, Kakugata 3, Kakugata 4, Kakugata 5, Kakugata 6, 5 x 7", 13 x 18 cm, 10 x 15 cm, 10 x 20 cm, 4 x 8"

Borderless Printing Media Sizes

4" x 6", A4, Letter, A6, Hagaki Card, L, 2L, A5, 5" x 7", Legal, 89 x 127 mm, 10 x 15 cm, 13 x 18 cm, B5, 10 x 20 cm, 4" x 8"

Standard Ports

Fast Ethernet, USB 2.0 Specification Hi-Speed Certified (Type B), USB pass-through via PictBridge port, 802.11b/g/n Wireless

PictBridge Certified USB Port

Yes

Digital Media Memory Card Compatibility

Sony Memory Stick, Memory Stick PRO, Secure Digital (SD) Card, MultiMediaCard (MMC), xD Card, Sony Memory Stick Duo (with adapter), Mini Secure Digital (Mini SD) Card (with adapter), Sony Memory Stick PRO Duo (with adapter), SanDisk TransFlash Memory Module (with adapter), RS-MMC (with adapter), xD Card Type M, Type H, MultiMediaCard (MMC) Mobile (with adapter), Micro Secure Digital (Micro SD) Card (with adapter), Secure Digital High Capacity (SDHC) Card (with adapter)

Reduce / Enlarge Range

25 - 400 %

Scan Area, Maximum

216 x 356 mm

Scan Area, Maximum

8.5 x 14 inches

Modem Speed

33.6 Kbps

Packaged Size (mm - H x W x D)

486 x 542 x 489 mm

Packaged Size (in. - H x W x D)

19.13 x 21.34 x 19.25 in.

Size (mm - H x W x D)

307 x 465 x 392 mm

Weight (kg)

11.64 kg

Print Noise Level, Operating

52 dBA

Copier Noise Level, Operating

52 dBA

Scanner Noise Level, Operating

47 dBA

Product Guarantee

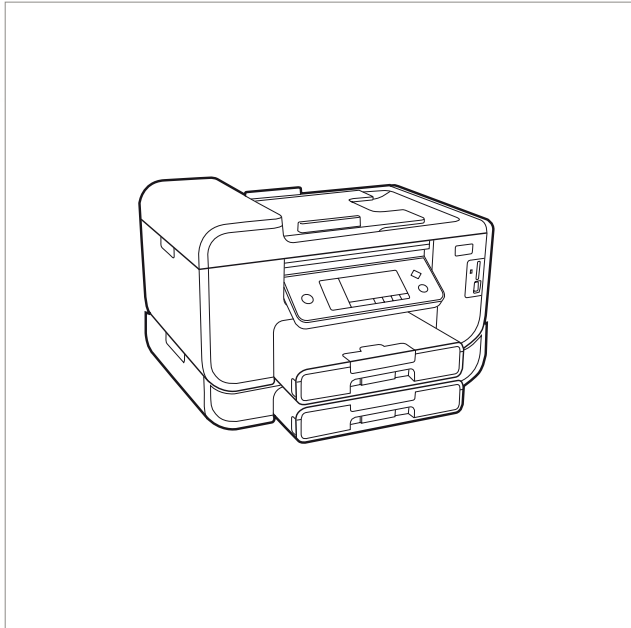
1-Year Replacement

Product Certifications

Energy Star, CSA, c-UL-us, ICES Class B, Executive Order 132221, CE Class B, CB IEC 60950 IEC 60825-1, GS (TÜV), SEMKO, C-tick mark Class B, V85, CCC Class B, BSMI Class B, METI

Duty Cycle, Maximum

10000 pages per month



Part #	Model
90T9036	Lexmark Platinum Pro905

Part #	Inkjet Ink/Print Cartridge
14N1069E	100XL Cyan High Yield Return Program Ink Cartridge
14N1070E	100XL Magenta High Yield Return Program Ink Cartridge
14N1071E	100XL Yellow High Yield Return Program Ink Cartridge
14N0900E	100 Cyan Return Program Ink Cartridge
14N0901E	100 Magenta Return Program Ink Cartridge
14N0902E	100 Yellow Return Program Ink Cartridge
14N1093	100XLA Cyan High Yield Ink Cartridge
14N1094	100XLA Magenta High Yield Ink Cartridge
14N1095	100XLA Yellow High Yield Ink Cartridge
14N0920	100A Cyan Ink Cartridge
14N0921	100A Magenta Ink Cartridge
14N0922	100A Yellow Ink Cartridge
14N0820E	100 Black Return Program Ink Cartridge
14N0918	100A Black Ink Cartridge
14N1068E	100XL Black High Yield Return Program Ink Cartridge
14N1092	100XLA Black High Yield Ink Cartridge
14N0822E	105XL Black High Yield Return Program Ink Cartridge
14N0849	3-Pack 100 Color (CMY) Return Program Ink Cartridges
14N0850	3-Pack 100XL Color (CMY) High Yield Return Program Ink Cartridges
14N0845	4-Pack 105XL Black High Yield Return Program Ink Cartridges

Part #	Paper & Transparencies
3048566	Photo Paper 4 x 6 inches (35)
80D1706	Photo Paper A4 (20)
3048565	Photo Paper A4 Size (25)
3048568	PerfectFinish Photo Paper 10x15 cm (35)
3048567	PerfectFinish Photo Paper A4 (25)

Part #	Connectivity
1021294	USB (2 Meter) Cable



Lexmark X203n

Compact, professional 3-in-1 monochrome laser MFP for the desktop

Print Technology

Laser, Monochrome

Function

Copying, Network Scanning, Printing

Print Speed (A4 mono)

Up to 23 ppm

Time to First Page (Black)

As fast as 9 seconds

Copy Speed (A4, Black)

Up to 23 cpm

Time to First Copy (Black)

As fast as <11.5 seconds

Print Resolution, Black

1200 Image Quality, 1200 x 1200 dpi, 2400 Image

Scanning Resolution

600 X 600 dpi (mono)

Processor

266 MHz

Memory, standard

64 MB

Memory, maximum

64 MB

Hard Disk

Not Available

Expandable Memory Options

No

Apple Macintosh Operating Systems Supported

Mac OS X (10.2 or later), Mac OS 9.2

Citrix MetaFrame

Microsoft Windows 2000 Server running Terminal Services with Citrix Presentation Server 3.0, 4.0, Microsoft Windows Server 2003 running Terminal Services with Citrix Presentation Server 3.0, 4.0, 4.5, Microsoft Windows Server 2003 x64 running Terminal Services with Citrix Presentation Server 4.0 x64, 4.5 x64

Linux Operating Systems Supported

Linpus Linux Desktop 9.2, 9.3, Red Hat Enterprise Linux WS 3.0, 4.0, 5.0, SUSE Linux Enterprise Server 8.0, 9.0, 10, 11, SUSE Linux Enterprise Desktop 10, openSUSE 10.2, 10.3, 11.0, 11.1, Linspire Linux 6.0, Debian GNU/Linux 4.0, Red Flag Linux Desktop 5.0, 6.0, Ubuntu 7.10, Ubuntu 8.04 LTS, SUSE Linux Enterprise Desktop 11, Debian GNU/Linux 5.0, Ubuntu 8.10, 9.04

Microsoft Windows Operating Systems Supported

2000, XP, Server 2003, XP x64, Server 2003 running Terminal Services, 2000 Server running Terminal Services, Server 2003 x64, Server 2003 x64 running Terminal Services, Vista, Vista x64, Server 2008, Server 2008 x64, Server 2008 running Terminal Services, Server 2008 x64 running Terminal Services, 7

Novell Operating Systems Supported

Open Enterprise Server for Netware with NDS, iPrint or Novell Distributed Print Services (NDPS), NetWare 5.x, 6.x with iPrint or Novell Distributed Print Services (NDPS)

UNIX Operating Systems Supported

Sun Solaris SPARC 8, 9, 10, Sun Solaris x86 10, HP-UX 11.11, 11.23, 11.31, IBM AIX 5.2, 5.3, 6.1

Paper Handling Standard

150-Sheet Output Bin, Single Sheet Exit, Single Sheet

Manual Feed, 250-Sheet Input Tray

Paper Input Capacity, Standard: Up to

250+1 pages 75 gsm bond

Paper Input Capacity, Maximum: Up to

250+1 pages 75 gsm bond

Paper Output Capacity, Standard: Up to

150 pages 75 gsm bond

Paper Output Capacity, Maximum: Up to

150 pages 75 gsm bond

Envelope Capacity

1

Finishing Option

No

Number of Paper Inputs, Standard

2

Number of Paper inputs, Maximum

2

Media Types Supported

Card Stock, Envelopes, Paper Labels, Plain Paper, Transparencies, Refer to the Card Stock & Label Guide

Media Sizes Supported

10 Envelope, 7 3/4 Envelope, 9 Envelope, A4, A5, B5 Envelope, C5 Envelope, DL Envelope, Executive, Folio, JIS-B5, Legal, Letter, Statement, Oficio

Standard Ports

Fast Ethernet, USB 2.0 Specification Hi-Speed Certified (Type B)

Optional Network Ports

Lexmark N4050e 802.11g Wireless Print Server (Print Only), External MarkNet™ N7020e Gigabit Ethernet, External MarkNet™ N7000e Fast Ethernet (USB)

Network Printing Methods

LPR/LPD, Direct IP (Port 9100), HTTP, Enhanced IP (Port 9400), FTP, TFTP, IPP 1.1 (Internet Printing Protocol)

Network Protocol Support

TCP/IP IPv4, TCP/IP IPv6, UDP

Printable Area

4 mm of the top, bottom, right and left edges (within)

Printer Languages (Standard)

PCL 5e Emulation, PCL 6 Emulation, PostScript 3

Emulation

Reduce / Enlarge Range

25 - 400 %

Scan Area, Maximum

216 x 297 mm

Supplies Yield

2,500*-page Toner Cartridge, *Average standard page yield value declared in accordance with ISO/IEC 19752

Cartridge(s) Shipping with Product

1,500*-page Starter Return Program Toner Cartridge

Packaged Size (mm - H x W x D)

493 x 472 x 432 mm

Size (mm - H x W x D)

341 x 401 x 357 mm

Weight (kg)

13.4 kg

Noise Level, Idle

24 dBA

Printer Noise Level, Operating

51 dBA

Copier Noise Level, Operating

48 dBA

Scanner Noise Level, Operating

48 dBA

Product Guarantee

1-Year Exchange, Return-to-Base, or Onsite Service, Next Business Day

Product Certifications

FCC Class B, UL 60950-1 3rd Edition, U.S. FDA, IEC 60320-1, CSA, ICES Class B, Energy Star, CE Class B, CB IEC 60950-1, IEC 60825-1, GS (TÜV), SEMKO, UL AR, CS, TÜV Rh, N Mark, AS/NZS 60950.1, ACA C-Tick Class B, CCC Class B, BSMI Class B, MIC, EK Mark, PSB

Maximum Monthly Duty Cycle

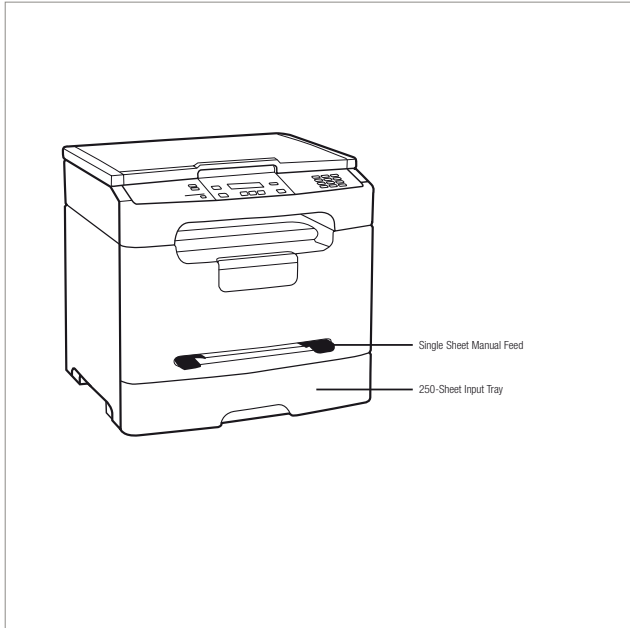
Up to 10000 pages per month

Recommended Monthly Page Volume

250 - 1100 Pages

Specified Operating Environment

Temperature: 16 to 32°C (60 to 90°F), Humidity: 8 to 80% Relative Humidity, Altitude: 0 - 3048 Meters (10,000 Feet)



■ Paper Handling Standard

Part #	Model
52G0012	Lexmark X203n
Part #	Laser Toner/Print Cartridge
X203A11G	X203, X204 Return Program Toner Cartridge
X203A21G	X203, X204 Toner Cartridge
X203H22G	X203, X204 Photoconductor Kit
Part #	Paper & Transparencies
12A5010	Laser Printers - A4 Transparency
Part #	Connectivity
1021294	USB (2 Meter) Cable
14T0165	Lexmark N4050e 802.11g Wireless Print Server
14T0220	MarkNet N7020e Gigabit Ethernet Print Server
14T0230	MarkNet N7000e Fast Ethernet Print Server - USB
Part #	Extended Warranties
2351414P	X203 2-Years Total (1+1) Onsite Service Guarantee
2351415P	X203 3-Years Total (1+2) Onsite Service Guarantee
2351416P	X203 4-Years Total (1+3) Onsite Service Guarantee
2351418P	X203 1-Year Renewal Onsite Service Guarantee
Part #	Installation
2351632	X203 Installation



Lexmark X204n

Desktop 4-in-1 monochrome laser MFP with fax and automatic document feeder

Print Technology

Laser, Monochrome

Function

Copying, Faxing, Network Scanning, Printing

Print Speed (A4 mono)

Up to 23 ppm

Time to First Page (Black)

As fast as 9 seconds

Copy Speed (A4, Black)

Up to 23 cpm

Time to First Copy (Black)

As fast as <11.5 seconds

Print Resolution, Black

1200 Image Quality, 1200 x 1200 dpi, 2400 Image Quality, 600 x 600 dpi

ADF Scan

Simplex

Scanning Resolution

600 X 600 dpi (mono)

Processor

266 MHz

Memory, standard

64 MB

Memory, maximum

64 MB

Hard Disk

Not Available

Expandable Memory Options

No

Apple Macintosh Operating Systems Supported

Mac OS X (10.2 or later), Mac OS 9.2

Citrix MetaFrame

Microsoft Windows 2000 Server running Terminal Services with Citrix Presentation Server 3.0, 4.0, Microsoft Windows Server 2003 running Terminal Services with Citrix Presentation Server 3.0, 4.0, 4.5, Microsoft Windows Server 2003 x64 running Terminal Services with Citrix Presentation Server 4.0 x64, 4.5 x64

Linux Operating Systems Supported

Linpus Linux Desktop 9.2, 9.3, Red Hat Enterprise Linux WS 3.0, 4.0, 5.0, SUSE Linux Enterprise Server 8.0, 9.0, 10, 11, SUSE Linux Enterprise Desktop 10, openSUSE 10.2, 10.3, 11.0, 11.1, Linspire Linux 6.0, Debian GNU/Linux 4.0, Red Flag Linux Desktop 5.0, 6.0, Ubuntu 7.10, Ubuntu 8.04 LTS, SUSE Linux Enterprise Desktop 11, Debian GNU/Linux 5.0, Ubuntu 8.10, 9.04

Microsoft Windows Operating Systems Supported

2000, XP, Server 2003, XP x64, Server 2003 running Terminal Services, 2000 Server running Terminal Services, Server 2003 x64, Server 2003 x64 running Terminal Services, Vista, Vista x64, Server 2008, Server 2008 x64, Server 2008 running Terminal Services, Server 2008 x64 running Terminal Services, 7

Novell Operating Systems Supported

Open Enterprise Server for Netware with NDS, iPrint or Novell Distributed Print Services (NDPS), NetWare 5.x, 6.x with iPrint or Novell Distributed Print Services (NDPS)

UNIX Operating Systems Supported

Sun Solaris SPARC 8, 9, 10, Sun Solaris x86 10, HP-UX 11.11, 11.23, 11.31, IBM AIX 5.2, 5.3, 6.1

Paper Handling Standard

150-Sheet Output Bin, Single Sheet Exit, Single Sheet

Manual Feed, 250-Sheet Input Tray

Paper Input Capacity, Standard: Up to

250+1 pages 75 gsm bond

Paper Input Capacity, Maximum: Up to

250+1 pages 75 gsm bond

Paper Output Capacity, Standard: Up to

150 pages 75 gsm bond

Paper Output Capacity, Maximum: Up to

150 pages 75 gsm bond

ADF Paper Input Capacity

Up to 30 pages 75 gsm bond

Envelope Capacity

1

Finishing Option

No

Number of Paper Inputs, Standard

2

Number of Paper Inputs, Maximum

2

Media Types Supported

Card Stock, Envelopes, Paper Labels, Plain Paper, Transparencies, Refer to the Card Stock & Label Guide

Media Sizes Supported

10 Envelope, 7 3/4 Envelope, 9 Envelope, A4, A5, B5 Envelope, C5 Envelope, DL Envelope, Executive, Folio, JIS-B5, Legal, Letter, Statement, Oficio

Standard Ports

Fast Ethernet, USB 2.0 Specification Hi-Speed Certified (Type B)

Optional Network Ports

Lexmark N4050e 802.11g Wireless Print Server (Print Only), External MarkNet™ N7020e Gigabit Ethernet, External MarkNet™ N7000e Fast Ethernet (USB)

Network Printing Methods

LPR/LPD, Direct IP (Port 9100), HTTP, Enhanced IP (Port 9400), FTP, TFTP, IPP 1.1 (Internet Printing Protocol)

Network Protocol Support

TCP/IP IPv4, TCP/IP IPv6, TCP, UDP

Printable Area

4 mm of the top, bottom, right and left edges (within)

Printer Languages (Standard)

PCL 5e Emulation, PCL 6 Emulation, PostScript 3 Emulation

Reduce / Enlarge Range

25 - 400 %

Scan Area, Maximum

216 x 356 mm

Modem Speed

33.6 Kbps

Supplies Yield

2,500*-page Toner Cartridge, *Average standard page yield value declared in accordance with ISO/IEC 19752

Cartridge(s) Shipping with Product

1,500*-page Starter Return Program Toner Cartridge

Packaged Size (mm - H x W x D)

555 x 472 x 432 mm

Size (mm - H x W x D)

384.5 x 401 x 357 mm

Weight (kg)

14.6 kg

Noise Level, Idle

24 dBA

Print Noise Level, Operating

50 dBA

Copier Noise Level, Operating

50 dBA

Scanner Noise Level, Operating

50 dBA

Product Guarantee

1-Year Exchange, Return-to-Base, or Onsite Service, Next Business Day

Product Certifications

FCC Class B, UL 60950-1 3rd Edition, U.S. FDA, IEC 60320-1, CSA, ICES Class B, Energy Star, CE Class B, CB IEC 60950-1, IEC 60825-1, GS (TÜV), SEMKO, UL AR, CS, TÜV Rh, N Mark, AS/NZS 60950-1, ACA C-tick Class B, CCC Class B, BSMI Class B, MIC, EK Mark, PSB47CFR-68 FCC, CS-03, NCCO, COFETEL NOM-EM-151-SCTI-1999, ANATEL, ACMA A-tick, MII, KCC mark, SUBTEL, MTC, MOC, TEC, SIRIM

Maximum Monthly Duty Cycle

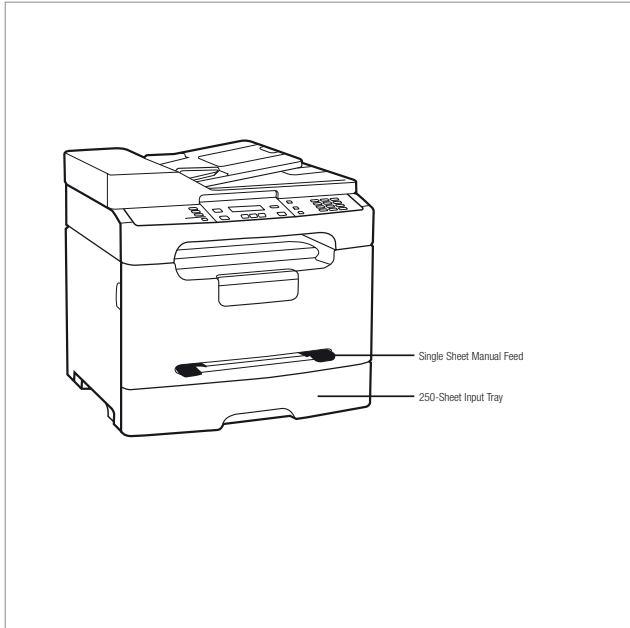
Up to 10000 pages per month

Recommended Monthly Page Volume

250 - 1100 Pages

Specified Operating Environment

Temperature: 16 to 32°C (60 to 90°F), Humidity: 8 to 80% Relative Humidity, Altitude: 0 - 3048 Meters (10,000 Feet)



■ Paper Handling Standard

Part #	Model
52G0040	Lexmark X204n
Part # Laser Toner/Print Cartridge	
X203A11G	X203, X204 Return Program Toner Cartridge
X203A21G	X203, X204 Toner Cartridge
X203H22G	X203, X204 Photoconductor Kit
Part # Paper & Transparencies	
12A5010	Laser Printers - A4 Transparency
Part # Connectivity	
1021294	USB (2 Meter) Cable
14T0165	Lexmark N4050e 802.11g Wireless Print Server
14T0220	MarkNet N7020e Gigabit Ethernet Print Server
14T0230	MarkNet N7000e Fast Ethernet Print Server - USB
Part # Extended Warranties	
2351466P	X204 2-Years Total (1+1) Onsite Service Guarantee
2351467P	X204 3-Years Total (1+2) Onsite Service Guarantee
2351468P	X204 4-Years Total (1+3) Onsite Service Guarantee
2351470P	X204 1-Year Renewal Onsite Service Guarantee
Part # Installation	
2351633	X204 Installation



Lexmark X264dn

Compact and convenient monochrome MFP
for small workgroups

Print Technology

Laser, Monochrome

Function

Colour Scanning, Copying, Faxing, Printing

Print Speed (A4 mono)

Up to 28 ppm

Print Speed (A4 mono) Duplex

Up to 15 spm

Time to First Page (Black)

As fast as 7.5 seconds

Copy Speed (A4, Black)

Up to 28 cpm

Time to First Copy (Black)

As fast as 8.5 seconds

Print Resolution, Black

1200 Image Quality, 1200 x 1200 dpi, 2400 Image Quality, 600 x 600 dpi

ADF Scan

Simplex

Scanning Resolution

600 X 600 dpi (mono)

Processor

266 Mhz

Memory, standard

64 MB

Memory, maximum

64 MB

Hard Disk

Not Available

Expandable Memory Options

No

Apple Macintosh Operating Systems Supported

Mac OS X (10.2 or later), Mac OS 9.2

Citrix MetaFrame

Microsoft Windows 2000 Server running Terminal Services with Citrix Presentation Server 3.0, 4.0, Microsoft Windows Server 2003 running Terminal Services with Citrix Presentation Server 3.0, 4.0, 4.5, Microsoft Windows Server 2003 x64 running Terminal Services with Citrix Presentation Server 4.0 x64, 4.5 x64

Linux Operating Systems Supported

Linpus Linux Desktop 9.2, 9.3, Red Hat Enterprise Linux WS 3.0, 4.0, 5.0, SUSE Linux Enterprise Server 8.0, 9.0, 10, 11, SUSE Linux Enterprise Desktop 10, opensUSE 10.2, 10.3, 11.0, 11.1, Linspire Linux 6.0, Debian GNU/Linux 4.0, Red Flag Linux Desktop 5.0, 6.0, Ubuntu 7, 10, Ubuntu 8.04 LTS, SUSE Linux Enterprise Desktop 11, Debian GNU/Linux 5.0, Ubuntu 8.10, 9.04

Microsoft Windows Operating Systems Supported

2000, XP, Server 2003, XP x64, Server 2003 running Terminal Services, 2000 Server running Terminal Services, Server 2003 x64, Server 2003 x64 running Terminal Services, Vista, Vista x64, Server 2008, Server 2008 x64, Server 2008 running Terminal Services, Server 2008 x64 running Terminal Services, 7

Novell Operating Systems Supported

Open Enterprise Server for Netware with NDS, iPrint or Novell Distributed Print Services (NDPS), NetWare 5.x, 6.x

with iPrint or Novell Distributed Print Services (NDPS)

UNIX Operating Systems Supported

Sun Solaris SPARC 8, 9, 10, Sun Solaris x86 10, HP-LUX 11.11, 11.23, 11.31, IBM AIX 5.2, 5.3, 6.1

Paper Handling Standard

150-Sheet Output Bin, Integrated Duplex, Single Sheet Exit, Single Sheet Manual Feed, 250-Sheet Input Tray

Paper Handling Optional

550-Sheet Drawer, Only one drawer may be installed at a time, 250-Sheet Drawer

Paper Input Capacity, Standard: Up to

250+1 pages 75 gsm bond

Paper Input Capacity, Maximum: Up to

800+1 pages 75 gsm bond

Paper Output Capacity, Standard: Up to

150 pages 75 gsm bond

Paper Output Capacity, Maximum: Up to

150 pages 75 gsm bond

ADF Paper Input Capacity

Up to 50 pages 75 gsm bond

Envelope Capacity

1

Finishing Option

No

Number of Paper Inputs, Standard

2

Number of Paper Inputs, Maximum

3

Media Types Supported

Card Stock, Envelopes, Paper Labels, Plain Paper, Transparencies, Refer to the Card Stock & Label Guide
Media Sizes Supported
10 Envelope, 7 3/4 Envelope, 9 Envelope, A4, A5, B5 Envelope, C5 Envelope, DL Envelope, A6 Card, Executive, Folio, JIS-B5, Legal, Letter, Statement, Universal, Oficio

Standard Ports

Fast Ethernet, USB 2.0 Specification Hi-Speed Certified (Type B)

Optional Network Ports

Lexmark N4050e 802.11g Wireless Print Server (Print Only), External MarkNet™ N7020e Gigabit Ethernet, External MarkNet™ N7000e Fast Ethernet (USB)

Network Printing Methods

LPR/LPD, Direct IP (Port 9100), HTTP, Enhanced IP (Port 9400), FTP, TFTP, IPP 1.1 (Internet Printing Protocol)

Network Protocol Support

TCP/IP IPv4, TCP/IP IPv6, TCP, UDP

Printable Area

4 mm of the top, bottom, right and left edges (within)

Printer Languages (Standard)

PCL 5e Emulation, PCL 6 Emulation, PPDS, PostScript 3 Emulation

Reduce / Enlarge Range

25 - 400 %

Scan Area, Maximum

216 x 356 mm

Modem Speed

33.6 Kbps

Supplies Yield

Average standard page yield value declared in accordance with ISO/IEC 19752, 9,000-page High Yield Toner Cartridge, 3,500*-page Toner Cartridge

Cartridge(s) Shipping with Product

1,500*-page Starter Return Program Toner Cartridge

Packaged Size (mm - H x W x D)

570 x 508 x 473 mm

Size (mm - H x W x D)

440 x 428 x 405 mm

Weight (kg)

19.5 kg

Noise Level, Idle

27 dBA

Print Noise Level, Operating

54 dBA

Copier Noise Level, Operating

<54 dBA

Scanner Noise Level, Operating

<51 dBA

Product Guarantee

1-Year Onsite Service, Next Business Day

Product Certifications

Energy Star, U.S. FDA, FCC Class B, UL 60950-1, IEC 60320-1, ECMA 74:8, CAN/CSA-C22.2 60950-1-03, ICES-003 Class B, VCCI Class B, BSM Class B, CE Class B, CB IEC 60950-1, IEC 60825-1, IEC 61000-3-2, IEC 61000-3-3, EN 55022 Class B, EN 55024, CISPR 22 Class B, IEC 60320, GS (TÜV), EN 60825-1, ACMA A-Hick mark Class B, AS/NZS 60950-1, ER Mark, K60950, KCC MIC Mark, CCC Class B, UL AR, CS, TÜV RH, PSB-SS 337, CNS 13438, CNS 14336

Maximum Monthly Duty Cycle

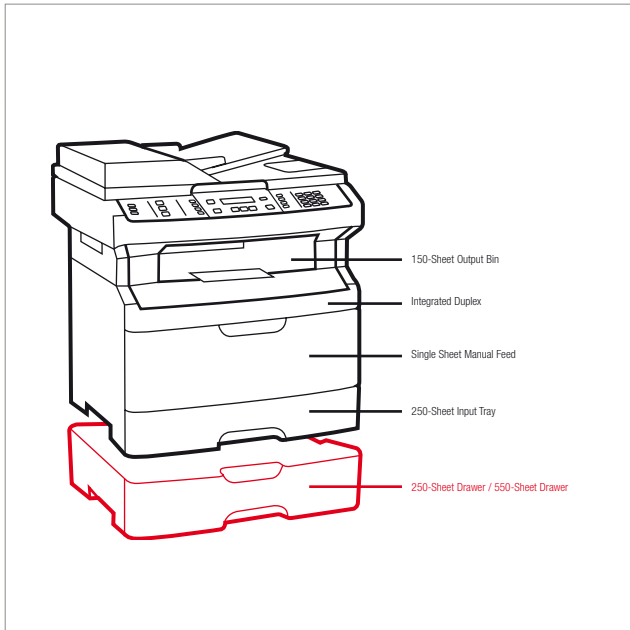
Up to 50000 pages per month

Recommended Monthly Page Volume

250 - 4500 Pages

Specified Operating Environment

Temperature: 16 to 32°C (60 to 90°F), Humidity: 8 to 80% Relative Humidity, Altitude: 0 - 2500 Meters (8,200 Feet)



Paper Handling Standard
 Paper Handling Optional

Part #	Model
13B0596	Lexmark X264dn
Part #	Laser Toner/Print Cartridge
X264H11G	X264, X363, X364 High Yield Return Programme Toner Cartridge (9K)
X264A11G	X264, X363, X364 Return Programme Toner Cartridge (3.5K)
X264H21G	X264, X363, X364 High Yield Toner Cartridge (9K)
X264A21G	X264, X363, X364 Toner Cartridge (3.5K)
E260X22G	E260, E360, E460, X264, X36x, X46x Photoconductor Kit (30K)
Part #	Paper & Transparencies
12A5010	Laser Printers - A4 Transparency
Part #	Paper Handling
34S0550	550-Sheet Drawer
34S0250	250-Sheet Drawer
Part #	Memory Options
1021209	64MB Flash Card
Part #	Connectivity
1021294	USB (2 Meter) Cable
14T0165	Lexmark N4050e 802.11g Wireless Print Server
14T0220	MarkNet N7020e Gigabit Ethernet Print Server
14T0230	MarkNet N7000e Fast Ethernet Print Server - USB
Part #	Extended Warranties
2350932P	X264 2-Years Total (1+1) Onsite Service Guarantee
2350933P	X264 3-Years Total (1+2) Onsite Service Guarantee
2350934P	X264 4-Years Total (1+3) Onsite Service Guarantee
2350936P	X264 1-Year Renewal Onsite Service Guarantee
Part #	Installation
2350964	X264 Installation



Lexmark X363dn

3-in-1 monochrome MFP with advanced features designed for small workgroup

Print Technology

Laser, Monochrome

Function

Colour Scanning, Copying, Printing

Print Speed (A4 mono)

Up to 33 ppm

Print Speed (A4 mono) Duplex

Up to 17 spm

Time to First Page (Black)

As fast as 7 seconds

Copy Speed (A4, Black)

Up to 32 cpm

Time to First Copy (Black)

As fast as 8.5 seconds

Print Resolution, Black

1200 Image Quality, 1200 x 1200 dpi, 2400 Image Quality, 600 x 600 dpi

ADF Scan

RADF (reversing Duplex)

Scanning Resolution

600 X 600 dpi (mono)

Processor

266 Mhz

Memory, standard

128 MB

Memory, maximum

128 MB

Hard Disk

Not Available

Expandable Memory Options

No

Apple Macintosh Operating Systems Supported

Mac OS X (10.2 or later), Mac OS 9.2

Citrix MetaFrame

Microsoft Windows 2000 Server running Terminal Services with Citrix Presentation Server 3.0, 4.0, Microsoft Windows Server 2003 running Terminal Services with Citrix Presentation Server 3.0, 4.0, 4.5, Microsoft Windows Server 2003 x64 running Terminal Services with Citrix Presentation Server 4.0 x64, 4.5 x64

Linux Operating Systems Supported

Linpus Linux Desktop 9.2, 9.3, Red Hat Enterprise Linux WS 3.0, 4.0, 5.0, SUSE Linux Enterprise Server 8.0, 9.0, 10, 11, SUSE Linux Enterprise Desktop 10, opensUSE 10.2, 10.3, 11.0, 11.1, Linspire Linux 6.0, Debian GNU/Linux 4.0, Red Flag Linux Desktop 5.0, 6.0, Ubuntu 7.10, Ubuntu 8.04 LTS, SUSE Linux Enterprise Server Desktop 11, Debian GNU/Linux 5.0, Ubuntu 8.10, 9.04

Microsoft Windows Operating Systems Supported

2000, XP, Server 2003, XP x64, Server 2003 running Terminal Services, 2000 Server running Terminal Services, Server 2003 x64, Server 2003 x64 running Terminal Services, Vista, Vista x64, Server 2008, Server 2008 x64, Server 2008 running Terminal Services, Server 2008 x64 running Terminal Services, 7

Novell Operating Systems Supported

Open Enterprise Server for Netware with NDS, iPrint or Novell Distributed Print Services (NDPS), NetWare 5.x, 6.x

with iPrint or Novell Distributed Print Services (NDPS)

UNIX Operating Systems Supported

Sun Solaris SPARC 8, 9, 10, Sun Solaris x86 10, HP-LUX 11.11, 11.23, 11.31, IBM AIX 5.2, 5.3, 6.1

Paper Handling Standard

150-Sheet Output Bin, Integrated Duplex, Single Sheet Exit, 250-Sheet Input Tray, 50-Sheet Multipurpose Feeder

Paper Handling Optional

550-Sheet Drawer, Only one drawer may be installed at a time, 250-Sheet Drawer

Paper Input Capacity, Standard: Up to

300 pages 75 gsm bond

Paper Input Capacity, Maximum: Up to

850 pages 75 gsm bond

Paper Output Capacity, Standard: Up to

150 pages 75 gsm bond

Paper Output Capacity, Maximum: Up to

150 pages 75 gsm bond

ADF Paper Input Capacity

Up to 50 pages 75 gsm bond

Envelope Capacity

7

Finishing Option

No

Number of Paper Inputs, Standard

2

Number of Paper Inputs, Maximum

3

Media Types Supported

Card Stock, Envelopes, Paper Labels, Plain Paper, Transparencies, Refer to the Card Stock & Label Guide
Media Sizes Supported
10 Envelope, 7 3/4 Envelope, 9 Envelope, A4, A5, B5 Envelope, C5 Envelope, DL Envelope, A6 Card, Executive, Folio, JIS-B5, Legal, Letter, Statement, Universal, Oficio

Standard Ports

Fast Ethernet, USB 2.0 Specification Hi-Speed Certified (Type B), Front USB port Compatible with USB 2.0 Specification (Type A)

Optional Network Ports

Lexmark N4050e 802.11g Wireless Print Server (Print Only), External MarkNet™ N7020e Gigabit Ethernet, External MarkNet™ N7000e Fast Ethernet (USB)

Network Printing Methods

LPR/LPD, Direct IP (Port 9100), HTTP, Enhanced IP (Port 9400), FTP, TFTP, IPP 1.1 (Internet Printing Protocol)

Network Protocol Support

TCP/IP IPv4, AppleTalk™, TCP/IP IPv6, TCP, UDP

Printable Area

4 mm of the top, bottom, right and left edges (within)

Printer Languages (Standard)

PCL 5e Emulation, PCL 6 Emulation, PPDS, PostScript 3 Emulation, PDF 1.6, Direct Image

Reduce / Enlarge Range

25 - 400 %

Scan Area, Maximum

216 x 356 mm

Supplies Yield

Average standard page yield value declared in accordance with ISO/IEC 19752, 9,000-page High Yield Toner Cartridge, 3,500*-page Toner Cartridge

Cartridge(s) Shipping with Product

3,000*-page Starter Return Program Toner Cartridge

Packaged Size (mm - H x W x D)

570 x 508 x 473 mm

Size (mm - H x W x D)

471 x 428 x 405 mm

Weight (kg)

20 kg

Noise Level, Idle

27 dBA

Print Noise Level, Operating

54 dBA

Copier Noise Level, Operating

<54 dBA

Scanner Noise Level, Operating

<51 dBA

Product Guarantee

1-Year Onsite Service, Next Business Day

Product Certifications

Energy Star, U.S. FDA, FCC Class B, UL 60950-1, IEC 60320-1, ECMA 74:8, CAN/CSA-C22.2 60950-1-03, ICES-003 Class B, VCCI Class B, BSM Class B, CE Class B, CB IEC 60950-1, IEC 60825-1, IEC 61000-3-2, IEC 61000-3-3, EN 55022 Class B, EN 55024, CISPR 22 Class B, IEC 60320, GS (TÜV), EN 60825-1, A-tick mark Class B, AS/NZS 60950-1, EK Mark, K60950, KCC MIC Mark, CCC Class B, UL AR, CS, TÜV Rh, PSE-SS 337, CNS 13438, CNS 14336

Maximum Monthly Duty Cycle

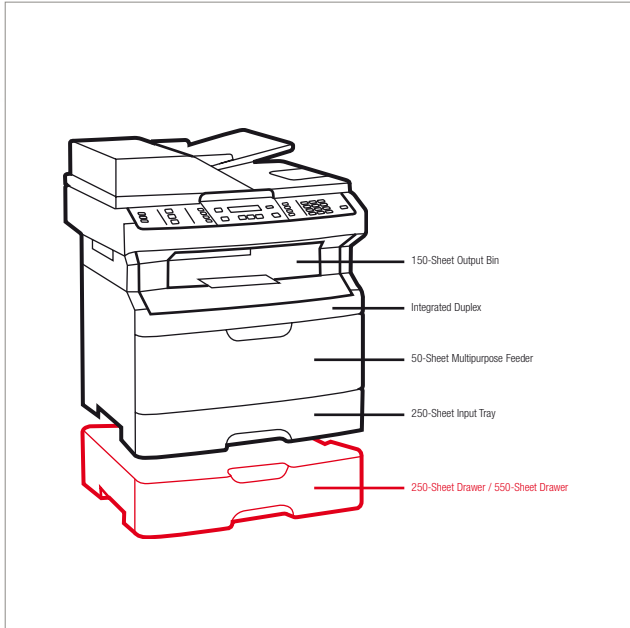
Up to 80000 pages per month

Recommended Monthly Page Volume

750 - 5000 Pages

Specified Operating Environment

Temperature: 16 to 32°C (60 to 90°F), Humidity: 8 to 80% Relative Humidity, Altitude: 0 - 2500 Meters (8,200 Feet)



Paper Handling Standard
 Paper Handling Optional

Part #	Model
13B0597	Lexmark X363dn
Part #	Laser Toner/Print Cartridge
X264H11G	X264, X363, X364 High Yield Return Programme Toner Cartridge (9K)
X264A11G	X264, X363, X364 Return Programme Toner Cartridge (3.5K)
X264H21G	X264, X363, X364 High Yield Toner Cartridge (9K)
X264A21G	X264, X363, X364 Toner Cartridge (3.5K)
E260X22G	E260, E360, E460, X264, X36x, X46x Photoconductor Kit (30K)
Part #	Paper & Transparencies
12A5010	Laser Printers - A4 Transparency
Part #	Paper Handling
34S0550	550-Sheet Drawer
34S0250	250-Sheet Drawer
Part #	Memory Options
1021209	64MB Flash Card
Part #	Connectivity
1021294	USB (2 Meter) Cable
14T0165	Lexmark N4050e 802.11g Wireless Print Server
14T0220	MarkNet N7020e Gigabit Ethernet Print Server
14T0230	MarkNet N7000e Fast Ethernet Print Server - USB
Part #	Extended Warranties
2350974P	X363 2-Years Total (1+1) Onsite Service Guarantee
2350975P	X363 3-Years Total (1+2) Onsite Service Guarantee
2350976P	X363 4-Years Total (1+3) Onsite Service Guarantee
2350978P	X363 1-Year Renewal Onsite Service Guarantee
Part #	Installation
2351006	X363 Installation



Lexmark X364dn

Complete 4-in-1 monochrome office solution, including fax

Print Technology

Laser, Monochrome

Function

Colour Scanning, Copying, Faxing, Printing

Print Speed (A4 mono)

Up to 33 ppm

Print Speed (A4 mono) Duplex

Up to 17 spm

Time to First Page (Black)

As fast as 7 seconds

Copy Speed (A4, Black)

Up to 32 cpm

Time to First Copy (Black)

As fast as 8.5 seconds

Print Resolution, Black

1200 Image Quality, 1200 x 1200 dpi, 2400 Image

Quality, 600 x 600 dpi

ADF Scan

RADF (reversing Duplex)

Scanning Resolution

600 X 600 dpi (mono)

Processor

266 Mhz

Memory, standard

128 MB

Memory, maximum

128 MB

Hard Disk

Not Available

Expandable Memory Options

No

Apple Macintosh Operating Systems Supported

Mac OS X (10.2 or later), Mac OS 9.2

Citrix MetaFrame

Microsoft Windows 2000 Server running Terminal Services with Citrix Presentation Server 3.0, 4.0, Microsoft Windows Server 2003 running Terminal Services with Citrix Presentation Server 3.0, 4.0, 4.5, Microsoft Windows Server 2003 x64 running Terminal Services with Citrix Presentation Server 4.0 x64, 4.5 x64

Linux Operating Systems Supported

Linpus Linux Desktop 9.2, 9.3, Red Hat Enterprise Linux WS 3.0, 4.0, 5.0, SUSE Linux Enterprise Server 8.0, 9.0, 10, 11, SUSE Linux Enterprise Desktop 10, opensUSE 10.2, 10.3, 11.0, 11.1, Linspire Linux 6.0, Debian GNU/Linux 4.0, Red Flag Linux Desktop 5.0, 6.0, Ubuntu 7.10, Ubuntu 8.04 LTS, SUSE Linux Enterprise Desktop 11, Debian GNU/Linux 5.0, Ubuntu 8.10, 9.04

Microsoft Windows Operating Systems Supported

2000, XP, Server 2003, XP x64, Server 2003 running Terminal Services, 2000 Server running Terminal Services, Server 2003 x64, Server 2003 x64 running Terminal Services, Vista, Vista x64, Server 2008, Server 2008 x64, Server 2008 running Terminal Services, Server 2008 x64 running Terminal Services, 7

Novell Operating Systems Supported

Open Enterprise Server for Netware with NDS, iPrint or Novell Distributed Print Services (NDPS), NetWare 5.x, 6.x

with iPrint or Novell Distributed Print Services (NDPS)

UNIX Operating Systems Supported

Sun Solaris SPARC 8, 9, 10, Sun Solaris x86 10, HP-LUX 11.11, 11.23, 11.31, IBM AIX 5.2, 5.3, 6.1

Paper Handling Standard

150-Sheet Output Bin, Integrated Duplex, Single Sheet Exit, 250-Sheet Input Tray, 50-Sheet Multipurpose Feeder

Paper Handling Optional

550-Sheet Drawer, Only one drawer may be installed at a time, 250-Sheet Drawer

Paper Input Capacity, Standard: Up to

300 pages 75 gsm bond

Paper Input Capacity, Maximum: Up to

850 pages 75 gsm bond

Paper Output Capacity, Standard: Up to

150 pages 75 gsm bond

Paper Output Capacity, Maximum: Up to

150 pages 75 gsm bond

ADF Paper Input Capacity

Up to 50 pages 75 gsm bond

Envelope Capacity

7

Finishing Option

No

Number of Paper Inputs, Standard

2

Number of Paper Inputs, Maximum

3

Media Types Supported

Card Stock, Envelopes, Paper Labels, Plain Paper, Transparencies, Refer to the Card Stock & Label Guide
Media Sizes Supported
10 Envelope, 7 3/4 Envelope, 9 Envelope, A4, A5, B5 Envelope, C5 Envelope, DL Envelope, A6 Card, Executive, Folio, JIS-B5, Legal, Letter, Statement, Universal, Oficio

Standard Ports

Fast Ethernet, USB 2.0 Specification Hi-Speed Certified (Type B), Front USB port Compatible with USB 2.0 Specification (Type A)

Optional Network Ports

Lexmark N4050e 802.11g Wireless Print Server (Print Only), External MarkNet™ N7020e Gigabit Ethernet, External MarkNet™ N7000e Fast Ethernet (USB)

Network Printing Methods

LPR/LPD, Direct IP (Port 9100), HTTP, Enhanced IP (Port 9400), FTP, TFTP, IPP 1.1 (Internet Printing Protocol)

Network Protocol Support

TCP/IP IPv4, AppleTalk™, TCP/IP IPv6, TCP, UDP

Printable Area

4 mm of the top, bottom, right and left edges (within)

Printer Languages (Standard)

PCL 5e Emulation, PCL 6 Emulation, PPDS, PostScript 3 Emulation, PDF 1.6, Direct Image

Reduce / Enlarge Range

25 - 400 %

Scan Area, Maximum

216 x 356 mm

Modem Speed

33.6 Kbps

Supplies Yield

Average standard page yield value declared in accordance with ISO/IEC 19752, 9,000-page High Yield Toner Cartridge, 3,500*-page Toner Cartridge

Cartridge(s) Shipping with Product

3,000*-page Starter Return Program Toner Cartridge

Packaged Size (mm - H x W x D)

570 x 508 x 473 mm

Size (mm - H x W x D)

471 x 428 x 405 mm

Weight (kg)

20 kg

Noise Level, Idle

27 dBA

Print Noise Level, Operating

54 dBA

Copier Noise Level, Operating

<54 dBA

Scanner Noise Level, Operating

<51 dBA

Product Guarantee

1-Year Onsite Service, Next Business Day

Product Certifications

Energy Star, U.S. FDA, FCC Class B, UL 60950-1, IEC 60320-1, ECMA 74:8, CAN/CSA-C22.2 60950-1-03, ICES-003 Class B, VCCI Class B, BSM Class B, CE Class B, CB IEC 60950-1, IEC 60825-1, IEC 61000-3-2, IEC 61000-3-3, EN 55022 Class B, EN 55024, CISPR 22 Class B, IEC 60320, GS (TÜV), EN 60825-1, ACMA A-tick mark Class B, AS/NZS 60950-1, EK Mark, K60950, KCC MIC Mark, CCC Class B, UL AR, CS, TÜV RH, PSB-SS 337, CNS 13438, CNS 14336

Maximum Monthly Duty Cycle

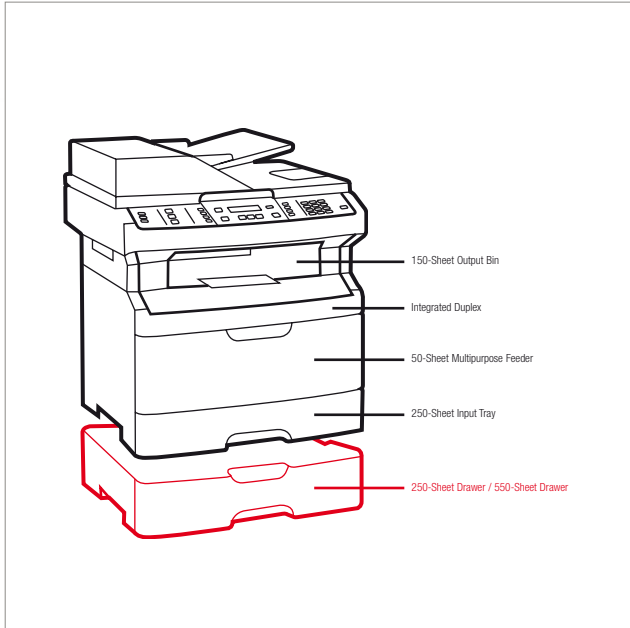
Up to 80000 pages per month

Recommended Monthly Page Volume

750 - 5000 Pages

Specified Operating Environment

Temperature: 16 to 32°C (60 to 90°F), Humidity: 8 to 80% Relative Humidity, Altitude: 0 - 2500 Meters (8,200 Feet)



Paper Handling Standard
 Paper Handling Optional

Part #	Model
13B0598	Lexmark X364dn
Part #	Laser Toner/Print Cartridge
X264H11G	X264, X363, X364 High Yield Return Programme Toner Cartridge (9K)
X264A11G	X264, X363, X364 Return Programme Toner Cartridge (3.5K)
X264H21G	X264, X363, X364 High Yield Toner Cartridge (9K)
X264A21G	X264, X363, X364 Toner Cartridge (3.5K)
E260X22G	E260, E360, E460, X264, X36x, X46x Photoconductor Kit (30K)
Part #	Paper & Transparencies
12A5010	Laser Printers - A4 Transparency
Part #	Paper Handling
34S0550	550-Sheet Drawer
34S0250	250-Sheet Drawer
Part #	Memory Options
1021209	64MB Flash Card
Part #	Connectivity
1021294	USB (2 Meter) Cable
14T0165	Lexmark N4050e 802.11g Wireless Print Server
14T0220	MarkNet N7020e Gigabit Ethernet Print Server
14T0230	MarkNet N7000e Fast Ethernet Print Server - USB
Part #	Extended Warranties
2351016P	X364 2-Years Total (1+1) Onsite Service Guarantee
2351017P	X364 3-Years Total (1+2) Onsite Service Guarantee
2351018P	X364 4-Years Total (1+3) Onsite Service Guarantee
2351020P	X364 1-Year Renewal Onsite Service Guarantee
Part #	Installation
2351048	X364 Installation



Lexmark X364dw

Fast, wireless-ready monochrome MFP for small workgroups

Print Technology
Laser, Monochrome

Function

Colour Scanning, Copying, Faxing, Printing

Print Speed (A4 mono)

Up to 33 ppm

Print Speed (A4 mono) Duplex

Up to 17 spm

Time to First Page (Black)

As fast as 7 seconds

Copy Speed (A4, Black)

Up to 32 cpm

Time to First Copy (Black)

As fast as 8.5 seconds

Print Resolution, Black

1200 Image Quality, 1200 x 1200 dpi, 2400 Image Quality, 600 x 600 dpi

ADF Scan

RADF (reversing Duplex)

Scanning Resolution

600 X 600 dpi (mono)

Processor

266MHz

Memory, standard

128 MB

Memory, maximum

128 MB

Hard Disk

Not Available

Expandable Memory Options

No

Apple Macintosh Operating Systems Supported

Mac OS X (10.2 or later), Mac OS 9.2

Citrix MetaFrame

Microsoft Windows 2000 Server running Terminal Services with Citrix Presentation Server 3.0, 4.0, Microsoft Windows Server 2003 running Terminal Services with Citrix Presentation Server 3.0, 4.0, 4.5, Microsoft Windows Server 2003 x64 running Terminal Services with Citrix Presentation Server 4.0 x64, 4.5 x64

Linux Operating Systems Supported

Linpus Linux Desktop 9.2, 9.3, Red Hat Enterprise Linux WS 3.0, 4.0, 5.0, SUSE Linux Enterprise Server 8.0, 9.0, 10, 11, SUSE Linux Enterprise Desktop 10, opensUSE 10.2, 10.3, 11.0, 11.1, Linpire Linux 6.0, Debian GNU/Linux 4.0, Red Flag Linux Desktop 5.0, 6.0, Ubuntu 7.10, Ubuntu 8.04 LTS, SUSE Linux Enterprise Desktop 11, Debian GNU/Linux 5.0, Ubuntu 8.10, 9.04

Microsoft Windows Operating Systems Supported

2000, XP, Server 2003, XP x64, Server 2003 running Terminal Services, 2000 Server running Terminal Services, Server 2003 x64, Server 2003 x64 running Terminal Services, Vista, Vista x64, Server 2008, Server 2008 x64, Server 2008 running Terminal Services, Server 2008 x64 running Terminal Services, 7

Novell Operating Systems Supported

Open Enterprise Server for Netware with NDS, iPrint or Novell Distributed Print Services (NDPS), NetWare 5.x, 6.x

with iPrint or Novell Distributed Print Services (NDPS)

UNIX Operating Systems Supported

Sun Solaris SPARC 8, 9, 10, Sun Solaris x86 10, HP-LUX 11.11, 11.23, 11.31, IBM AIX 5.2, 5.3, 6.1

Paper Handling Standard

150-Sheet Output Bin, Integrated Duplex, Single Sheet Exit, 250-Sheet Input Tray, 50-Sheet Multipurpose Feeder

Paper Handling Optional

550-Sheet Drawer, Only one drawer may be installed at a time, 250-Sheet Drawer

Paper Input Capacity, Standard: Up to

300 pages 75 gsm bond

Paper Input Capacity, Maximum: Up to

850 pages 75 gsm bond

Paper Output Capacity, Standard: Up to

150 pages 75 gsm bond

Paper Output Capacity, Maximum: Up to

150 pages 75 gsm bond

ADF Paper Input Capacity

Up to 50 pages 75 gsm bond

Envelope Capacity

7

Finishing Option

No

Number of Paper Inputs, Standard

2

Number of Paper Inputs, Maximum

3

Media Types Supported

Card Stock, Envelopes, Paper Labels, Plain Paper, Transparencies, Refer to the Card Stock & Label Guide
Media Sizes Supported
10 Envelope, 7 3/4 Envelope, 9 Envelope, A4, A5, B5 Envelope, C5 Envelope, DL Envelope, A6 Card, Executive, Folio, JIS-B5, Legal, Letter, Statement, Universal, Oficio

Standard Ports

Fast Ethernet, USB 2.0 Specification Hi-Speed Certified (Type B), 802.11b/g/n Wireless, Front USB port
Compatible with USB 2.0 Specification (Type A)

Optional Network Ports

External MarkNet™ N7020e Gigabit Ethernet

Network Printing Methods

LPR/LPD, Direct IP (Port 9100), HTTP, Enhanced IP (Port 9400), FTP, TFTP, IPP 1.1 (Internet Printing Protocol)

Network Protocol Support

TCP/IP IPv4, AppleTalk™, TCP/IP IPv6, TCP, UDP

Printable Area

4 mm of the top, bottom, right and left edges (within)

Printer Languages (Standard)

PCL 5e Emulation, PCL 6 Emulation, PPDS, PostScript 3 Emulation, PDF 1.6, Direct Image

Reduce / Enlarge Range

25 - 400 %

Scan Area, Maximum

216 x 356 mm

Modem Speed

33.6 Kbps

Supplies Yield

Average standard page yield value declared in accordance with ISO/IEC 19752, 9,000-page High Yield Toner Cartridge, 3,500*-page Toner Cartridge

Cartridge(s) Shipping with Product

3,000*-page Starter Return Program Toner Cartridge

Packaged Size (mm - H x W x D)

570 x 508 x 473 mm

Size (mm - H x W x D)

471 x 428 x 405 mm

Weight (kg)

20 kg

Noise Level, Idle

27 dBA

Print Noise Level, Operating

54 dBA

Copier Noise Level, Operating

<54 dBA

Scanner Noise Level, Operating

<51 dBA

Product Guarantee

1-Year Onsite Service, Next Business Day

Product Certifications

Energy Star, U.S. FDA, FCC Class B, UL 60950-1, IEC 60320-1, ECMA 74:8, CAN/CSA-C22.2 60950-1-03, ICES-003 Class B, VCCI Class B, BSM Class B, CE Class B, CB IEC 60950-1, IEC 60825-1, IEC 61000-3-2, IEC 61000-3-3, EN 55022 Class B, EN 55024, CISPR 22 Class B, IEC 60320, GS (TÜV), EN 60825-1, ACMA A-Hick mark Class B, AS/NZS 60950-1, ER Mark, K60950, KCC MIC Mark, CCC Class B, UL AR, CS, TÜV Rh, PSB-SS 337, CNS 13438, CNS 14336

Maximum Monthly Duty Cycle

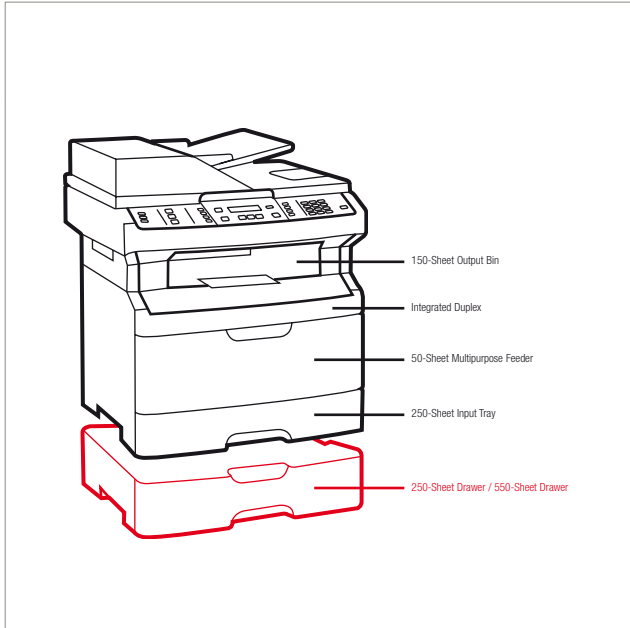
Up to 80000 pages per month

Recommended Monthly Page Volume

750 - 5000 Pages

Specified Operating Environment

Temperature: 16 to 32°C (60 to 90°F), Humidity: 8 to 80% Relative Humidity, Altitude: 0 - 2500 Meters (8,200 Feet)



Paper Handling Standard
 Paper Handling Optional

Part #	Model
13B0599	Lexmark X364dw
Part #	Laser Toner/Print Cartridge
X264H11G	X264, X363, X364 High Yield Return Programme Toner Cartridge (9K)
X264A11G	X264, X363, X364 Return Programme Toner Cartridge (3.5K)
X264H21G	X264, X363, X364 High Yield Toner Cartridge (9K)
X264A21G	X264, X363, X364 Toner Cartridge (3.5K)
E260X22G	E260, E360, E460, X264, X36x, X46x Photoconductor Kit (30K)
Part #	Paper & Transparencies
12A5010	Laser Printers - A4 Transparency
Part #	Paper Handling
34S0550	550-Sheet Drawer
34S0250	250-Sheet Drawer
Part #	Memory Options
1021209	64MB Flash Card
Part #	Connectivity
1021294	USB (2 Meter) Cable
14T0220	MarkNet N7020e Gigabit Ethernet Print Server
Part #	Extended Warranties
2351016P	X364 2-Years Total (1+1) Onsite Service Guarantee
2351017P	X364 3-Years Total (1+2) Onsite Service Guarantee
2351018P	X364 4-Years Total (1+3) Onsite Service Guarantee
2351020P	X364 1-Year Renewal Onsite Service Guarantee
Part #	Installation
2351048	X364 Installation



Lexmark X463de

Small-workgroup 3-in-1 MFP with colour touch-screen interface

Print Technology

Laser, Monochrome

Function

Colour Scanning, Copying, Network Scanning, Printing

Print Speed (A4, mono)

Up to 38 ppm

Print Speed (A4 mono) Duplex

Up to 18 spm

Time to First Page (Black)

As fast as 6.5 seconds

Copy Speed (A4, Black)

Up to 38 cpm

Print Resolution, Black

1200 Image Quality, 1200 x 1200 dpi, 2400 Image Quality, 600 x 600 dpi

ADF Scan

RADF (reversing Duplex)

Scanning Resolution

600 X 600 dpi (mono)

Processor

500 MHz

Memory, standard

128 MB

Memory, maximum

640 MB

Hard Disk

Option available

Expandable Memory Options

Yes

Apple Macintosh Operating Systems Supported

Mac OS X (10.2 or later), Mac OS 9.2

Citrix MetaFrame

Microsoft Windows 2000 Server running Terminal Services with Citrix Presentation Server 3.0, 4.0, Microsoft Windows Server 2003 running Terminal Services with Citrix Presentation Server 3.0, 4.0, 4.5, Microsoft Windows Server 2003 x64 running Terminal Services with Citrix Presentation Server 4.0 x64, 4.5 x64

Linux Operating Systems Supported

Linpus Linux Desktop 9.2, 9.3, Red Hat Enterprise Linux WS 3.0, 4.0, 5.0, SUSE Linux Enterprise Server 8.0, 9.0, 10, 11, SUSE Linux Enterprise Desktop 10, openSUSE 10.2, 10.3, 11.0, 11.1, Linspire Linux 6.0, Debian GNU/Linux 4.0, Red Flag Linux Desktop 5.0, 6.0, Ubuntu 7.10, Ubuntu 8.04 LTS, SUSE Linux Enterprise Desktop 11, Debian GNU/Linux 5.0, Ubuntu 8.10, 9.04

Microsoft Windows Operating Systems Supported

2000, XP, Server 2003, XP x64, Server 2003 running Terminal Services, 2000 Server running Terminal Services, Server 2003 x64, Server 2003 x64 running Terminal Services, Vista, Vista x64, Server 2008, Server 2008 x64, Server 2008 running Terminal Services, Server 2008 x64 running Terminal Services, 7

Novell Operating Systems Supported

Open Enterprise Server for Netware with NDS, iPrint or Novell Distributed Print Services (NDPS), NetWare 5.x, 6.x with iPrint or Novell Distributed Print Services (NDPS)

UNIX Operating Systems Supported

Sun Solaris SPARC 8, 9, 10, Sun Solaris x86 10, HP-UX 11.11, 11.23, 11.31, IBM AIX 5.2, 5.3, 6.1

Other Operating Systems Supported

IBM iSeries or IBM AS/400® Systems with TCP/IP with OS/400® V3R1 or later using OS/400 Host Print Transform, Virtually any platform supporting TCP/IP

Paper Handling Standard

150-Sheet Output Bin, Integrated Duplex, 250-Sheet Input Tray, 50-Sheet Multipurpose Feeder

Paper Handling Optional

550-Sheet Drawer, Only one drawer may be installed at a time, 250-Sheet Drawer

Paper Input Capacity, Standard: Up to

300 pages 75 gsm bond

Paper Input Capacity, Maximum: Up to

850 pages 75 gsm bond

Paper Output Capacity, Standard: Up to

150 pages 75 gsm bond

Paper Output Capacity, Maximum: Up to

150 pages 75 gsm bond

ADF Paper Input Capacity

Up to 50 pages 75 gsm bond

Envelope Capacity

7

Finishing Option

No

Number of Paper Inputs, Standard

2

Number of Paper Inputs, Maximum

3

Media Types Supported

Card Stock, Envelopes, Paper Labels, Plain Paper, Transparencies, Refer to the Card Stock & Label Guide

Media Sizes Supported

10 Envelope, 7/4 Envelope, 9 Envelope, A4, A5, B5 Envelope, C5 Envelope, DL Envelope, A6 Card, Executive, Folio, JIS-B5, Legal, Letter, Statement, Universal, Office,

Standard Ports

Fast Ethernet, One Internal Card Slot, USB 2.0 Specification Hi-Speed Certified (Type B), Front USB 2.0 Specification Hi-Speed Certified port (Type A), Rear USB 2.0 Specification Hi-Speed Certified port (Type A)

Optional Network Ports

Lexmark N4050e 802.11g Wireless Print Server (Print Only), External MarkNet™ N7020e Gigabit Ethernet, Internal MarkNet™ N8120 Gigabit Ethernet, Internal MarkNet™ N8130 Fiber Fast Ethernet, Internal MarkNet™ N8150 802.11b/g/n Wireless

Network Printing Methods

LPR/LPD, Direct IP (Port 9100), HTTP, Enhanced IP (Port 9400), FTP, TFTP, IPP 1.1 (Internet Printing Protocol), ThinPrint .print integration

Network Protocol Support

TCP/IP IPv4, IPX/SPX, AppleTalk™, LexLink (DLC), TCP/IP IPv6, TCP, UDP

Network Security

SNMPv3, 802.1x Authentication: MD5, MSCHAPv2, LEAP, PEAP, TLS, TTLS

Printable Area

4 mm of the top, bottom, right and left edges (within)

Printer Languages (Standard)

PCL 5e Emulation, PCL 6 Emulation, PPDS, PostScript 3 Emulation, xHTML, PDF 1.6, Direct Image, Microsoft XPS (XML Paper Specification)

Reduce / Enlarge Range

25 - 400 %

Scan Area, Maximum

216 x 355 mm

Supplies Yield

Average standard page yield value declared in accordance with ISO/IEC 19752, 9,000-page High Yield Toner Cartridge, 3,500*-page Toner Cartridge, 15,000*-page Extra High Yield Toner Cartridge

Cartridge(s) Shipping with Product

7,000*-page Starter Return Program Toner Cartridge

Packaged Size (mm - H x W x D)

625 x 600 x 510 mm

Size (mm - H x W x D)

531 x 488 x 438 mm

Size, Trays Extended (mm - H x W x D)

546 x 488 x 438 mm

Weight (kg)

22.7 kg

Noise Level, Idle

22 dBA

Print Noise Level, Operating

53 dBA

Copier Noise Level, Operating

53 dBA

Scanner Noise Level, Operating

49 dBA

Product Guarantee

1-Year Onsite Service, Next Business Day

Product Certifications

Energy Star, U.S. FDA, FCC Class B, UL 60950-1, IEC 60320-1, ECMA 74:8, CAN/CSA-C22.2 60950-1-03, ICES-003 Class B, VCCI Class B, BSMI Class B, CE Class B, CB IEC 60950-1, IEC 60825-1, IEC 61000-3-2, IEC 61000-3-3, EN 55022 Class B, EN 55024, CISPR 22 Class B, IEC 60320, GS (TÜV), EN 60825-1, A-tick mark Class B, AS/NZS 60950-1, EK Mark, K60950, KCC MIC Mark, CCC Class B, UL AR, CS, TÜV Rh, PSE-SS 337, CNS 13438, CNS 14336

Maximum Monthly Duty Cycle

Up to 80000 pages per month

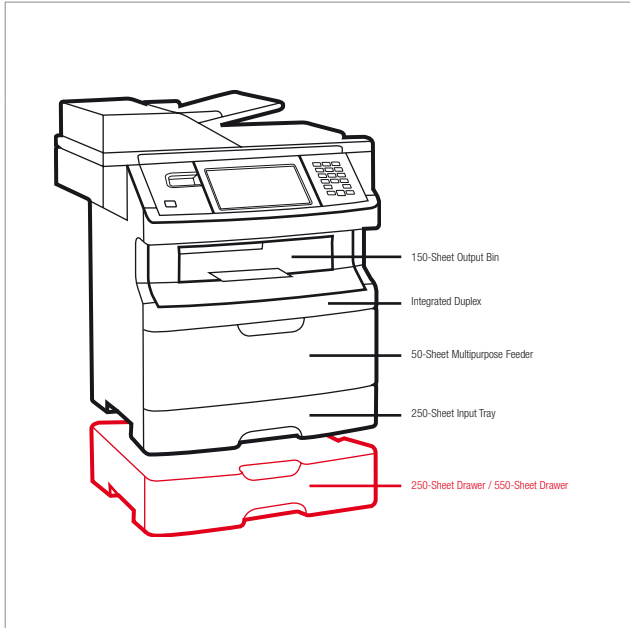
Recommended Monthly Page Volume

2000 - 10000 Pages



Specified Operating Environment

Temperature: 16 to 32°C (60 to 90°F), Altitude: 0
 - 2500 Meters (8,200 Feet), Humidity: 8 to 80% Relative
 Humidity for Temperatures less than 25.5°C (78°F)



 Paper Handling Standard
 Paper Handling Optional

Part #	Model
13C1173	Lexmark X463de
Part #	Laser Toner/Print Cartridge
X463X11G	X463, X464, X466 Extra High Yield Return Programme Toner Cartridge (15K)
X463H11G	X463, X464, X466 High Yield Return Programme Toner Cartridge (9K)
X463A11G	X463, X464, X466 Return Programme Toner Cartridge (3.5K)
X463X21G	X463, X464, X466 Extra High Yield Toner Cartridge (15K)
X463H21G	X463, X464, X466 High Yield Toner Cartridge (9K)
X463A21G	X463, X464, X466 Toner Cartridge (3.5K)
E260X22G	E260, E360, E460, X264, X36x, X46x Photoconductor Kit (30K)
Part #	Paper & Transparencies
12A5010	Laser Printers - A4 Transparency
Part #	Paper Handling
34S0550	550-Sheet Drawer
34S0250	250-Sheet Drawer
Part #	MFP Options
14F0052	MarkNet N8110 V.34 Fax Card
Part #	Memory Options
1022298	128MB DDR1-DRAM
1022299	256MB DDR1-DRAM
1022301	512MB DDR1-DRAM
14F0245	256MB Flash Card
14F0102	Hard Disk (80+GB)
Part #	Application Solutions
30G0829	Lexmark PrintCrypton Card
34S7721	X463, X464, X466 Forms and Bar Code Card
34S7720	X466 Card for IPDS/SCS/TNE
Part #	Connectivity
1021294	USB (2 Meter) Cable
14F0037	MarkNet N8120 Gigabit Ethernet Print Server
14F0042	MarkNet N8130 Fiber Ethernet 100BaseFX, 10BaseFL Print Server
14F0045	MarkNet N8150 802.11b/g/n Wireless Print Server
14T0165	Lexmark N4050e 802.11g Wireless Print Server
14T0220	MarkNet N7020e Gigabit Ethernet Print Server
14F0000	Parallel 1284-B Interface Card
1021231	Parallel (10') Cable
14F0100	RS-232C Serial Interface Card
Part #	Extended Warranties
2350870P	X463 2-Years Total (1+1) Onsite Service Guarantee
2350871P	X463 3-Years Total (1+2) Onsite Service Guarantee
2350872P	X463 4-Years Total (1+3) Onsite Service Guarantee

2350874P	X463 1-Year Renewal Onsite Service Guarantee
Part #	User Replaceable Parts
40X5804	ADF Flatbed Cushion
40X5807	X46x ADF Maintenance Kit
Part #	Service Parts
40X5401	E460, X46x Fuser Maintenance Kit 220-240V
Part #	Installation
2350886	X463 Installation



Lexmark X464de

Small-workgroup 4-in-1 MFP, includes high-speed fax

Print Technology

Laser, Monochrome

Function

Colour Scanning, Copying, Faxing, Network Scanning, Printing

Print Speed (A4 mono)

Up to 38 ppm

Print Speed (A4 mono) Duplex

Up to 18 spm

Time to First Page (Black)

As fast as 6.5 seconds

Copy Speed (A4, Black)

Up to 38 cpm

Print Resolution, Black

1200 Image Quality, 1200 x 1200 dpi, 2400 Image Quality, 600 x 600 dpi

ADF Scan

RADF (reversing Duplex)

Scanning Resolution

600 X 600 dpi (mono)

Processor

500 Mhz

Memory, standard

128 MB

Memory, maximum

640 MB

Hard Disk

Option available

Expandable Memory Options

Yes

Apple Macintosh Operating Systems Supported

Mac OS X (10.2 or later), Mac OS 9.2

Citrix MetaFrame

Microsoft Windows 2000 Server running Terminal Services with Citrix Presentation Server 3.0, 4.0, Microsoft Windows Server 2003 running Terminal Services with Citrix Presentation Server 3.0, 4.0, 4.5, Microsoft Windows Server 2003 x64 running Terminal Services with Citrix Presentation Server 4.0 x64, 4.5 x64

Linux Operating Systems Supported

Linpus Linux Desktop 9.2, 9.3, Red Hat Enterprise Linux WS 3.0, 4.0, 5.0, SUSE Linux Enterprise Server 8.0, 9.0, 10, 11, SUSE Linux Enterprise Desktop 10, openSUSE 10.2, 10.3, 11.0, 11.1, Linspire Linux 6.0, Debian GNU/Linux 4.0, Red Flag Linux Desktop 5.0, 6.0, Ubuntu 7.10, Ubuntu 8.04 LTS, SUSE Linux Enterprise Desktop 11, Debian GNU/Linux 5.0, Ubuntu 8.10, 9.04

Microsoft Windows Operating Systems Supported

2000, XP, Server 2003, XP x64, Server 2003 running Terminal Services, 2000 Server running Terminal Services, Server 2003 x64, Server 2003 x64 running Terminal Services, Vista, Vista x64, Server 2008, Server 2008 x64, Server 2008 running Terminal Services, Server 2008 x64 running Terminal Services, 7

Novell Operating Systems Supported

Open Enterprise Server for Netware with NDS, iPrint or Novell Distributed Print Services (NDPS), NetWare 5.x, 6.x with iPrint or Novell Distributed Print Services (NDPS)

UNIX Operating Systems Supported

Sun Solaris SPARC 8, 9, 10, Sun Solaris x86 10, HP-LUX 11.11, 11.23, 11.31, IBM AS/400 5.2, 5.3, 6.1

Other Operating Systems Supported

IBM iSeries or IBM AS/400® Systems with TCP/IP with OS/400® V3R1 or later using OS/400 Host Print Transform, Virtually any platform supporting TCP/IP

Paper Handling Standard

150-Sheet Output Bin, Integrated Duplex, 250-Sheet Input Tray, 50-Sheet Multipurpose Feeder

Paper Handling Optional

550-Sheet Drawer, Only one drawer may be installed at a time, 250-Sheet Drawer

Paper Input Capacity, Standard: Up to

300 pages 75 gsm bond

Paper Input Capacity, Maximum: Up to

850 pages 75 gsm bond

Paper Output Capacity, Standard: Up to

150 pages 75 gsm bond

Paper Output Capacity, Maximum: Up to

150 pages 75 gsm bond

ADF Paper Input Capacity

Up to 50 pages 75 gsm bond

Envelope Capacity

7

Finishing Option

No

Number of Paper Inputs, Standard

2

Number of Paper Inputs, Maximum

3

Media Types Supported

Card Stock, Envelopes, Paper Labels, Plain Paper, Transparencies, Refer to the Card Stock & Label Guide

Media Sizes Supported

10 Envelope, 7 3/4 Envelope, 9 Envelope, A4, A5, B5 Envelope, C5 Envelope, DL Envelope, A6 Card, Executive, Folio, JIS-B5, Legal, Letter, Statement, Universal, Office

Standard Ports

Fast Ethernet, One Internal Card Slot, USB 2.0 Specification Hi-Speed Certified (Type B), Front USB 2.0 Specification Hi-Speed Certified port (Type A), Rear USB 2.0 Specification Hi-Speed Certified port (Type A)

Optional Network Ports

Lexmark N4050e 802.11g Wireless Print Server (Print Only), External MarkNet™ N7020e Gigabit Ethernet, Internal MarkNet™ N8120 Gigabit Ethernet, Internal MarkNet™ N8130 Fiber Fast Ethernet, Internal MarkNet™ N8150 802.11b/g/n Wireless

Network Printing Methods

LPR/LPD, Direct IP (Port 9100), HTTP, Enhanced IP (Port 9400), FTP, TFTP, IPP 1.1 (Internet Printing Protocol), ThinPrint .print integration

Network Protocol Support

TCP/IP IPv4, IPX/SPX, AppleTalk™, LexLink (DLK), TCP/IP IPv6, TCP, UDP

Network Security

SNMPv3, 802.1x Authentication: MD5, MSCHAPv2, LEAP, PEAP, TLS, TTLS

Printable Area

4 mm of the top, bottom, right and left edges (within)

Printer Languages (Standard)

PCL 5e Emulation, PCL 6 Emulation, PPDS, PostScript 3 Emulation, xHTML, PDF 1.6, Direct Image, Microsoft XPS (XML Paper Specification)

Reduce / Enlarge Range

25 - 400 %

Scan Area, Maximum

216 x 355 mm

Modem Speed

33.6 Kbps

Supplies Yield

Average standard page yield value declared in accordance with ISO/IEC 19752, 9,000-page High Yield Toner Cartridge, 3,500*-page Toner Cartridge, 15,000*-page Extra High Yield Toner Cartridge

Cartridge(s) Shipping with Product

7,000*-page Starter Return Program Toner Cartridge

Packaged Size (mm - H x W x D)

625 x 600 x 510 mm

Size (mm - H x W x D)

531 x 488 x 438 mm

Size, Trays Extended (mm - H x W x D)

546 x 488 x 438 mm

Weight (kg)

22.7 kg

Noise Level, Idle

22 dBA

Print Noise Level, Operating

53 dBA

Copier Noise Level, Operating

53 dBA

Scanner Noise Level, Operating

49 dBA

Product Guarantee

1-Year Onsite Service, Next Business Day

Product Certifications

Energy Star, U.S. FDA, FCC Class B, UL 60950-1, IEC 60320-1, ECMA 74:8, CAN/CSA-C22.2 60950-1-03, ICES-003 Class B, VCCI Class B, BSMI Class B, CE Class B, CB IEC 60950-1, IEC 60825-1, IEC 61000-3-2, IEC 61000-3-3, EN 55022 Class B, EN 55024, CISPR 22 Class B, IEC 60320, GS (TÜV), EN 60825-1, ACMA A-tick mark Class B, AS/NZS 60950-1, EK Mark, K60950, KCC Mark, CCC Class B, UL AR, CS, TÜV RH, PSB-SS 337, CNS 13438, CNS 14336

Maximum Monthly Duty Cycle

Up to 80000 pages per month

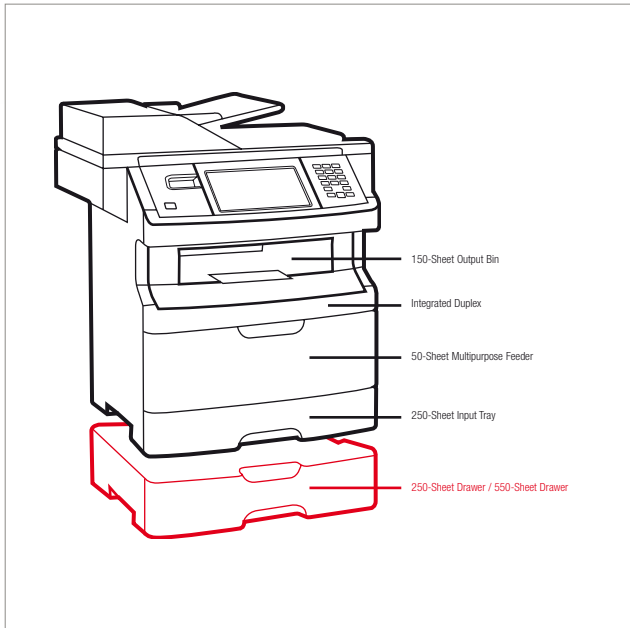


Recommended Monthly Page Volume

2000 - 10000 Pages

Specified Operating Environment

Temperature: 16 to 32°C (60 to 90°F), Altitude: 0
 - 2500 Meters (8,200 Feet), Humidity: 8 to 80% Relative
 Humidity for Temperatures less than 25.5°C (78°F)



 Paper Handling Standard
 Paper Handling Optional

Part #	Model
13C1174	Lexmark X464de

Part #	Laser Toner/Print Cartridge
X463X11G	X463, X464, X466 Extra High Yield Return Programme Toner Cartridge (15K)
X463H11G	X463, X464, X466 High Yield Return Programme Toner Cartridge (9K)
X463A11G	X463, X464, X466 Return Programme Toner Cartridge (3.5K)
X463X21G	X463, X464, X466 Extra High Yield Toner Cartridge (15K)
X463H21G	X463, X464, X466 High Yield Toner Cartridge (9K)
X463A21G	X463, X464, X466 Toner Cartridge (3.5K)
E260X22G	E260, E360, E460, X264, X36x, X46x Photoconductor Kit (30K)

Part #	Paper & Transparencies
12A5010	Laser Printers - A4 Transparency

Part #	Paper Handling
34S0550	550-Sheet Drawer
34S0250	250-Sheet Drawer

Part #	Memory Options
1022298	128MB DDR1-DRAM
1022299	256MB DDR1-DRAM
1022301	512MB DDR1-DRAM
14F0245	256MB Flash Card
14F0102	Hard Disk (80+GB)

Part #	Application Solutions
30G0829	Lexmark PrintCryption Card
34S7721	X463, X464, X466 Forms and Bar Code Card
34S7720	X466 Card for IPDS/SCS/TNE

Part #	Connectivity
1021294	USB (2 Meter) Cable
14F0037	MarkNet N8120 Gigabit Ethernet Print Server
14F0042	MarkNet N8130 Fiber Ethernet 100BaseFX, 10BaseFL Print Server
14F0045	MarkNet N8150 802.11b/g/n Wireless Print Server
14T0165	Lexmark N4050e 802.11g Wireless Print Server
14T0220	MarkNet N7020e Gigabit Ethernet Print Server
14F0000	Parallel 1284-B Interface Card
1021231	Parallel (10) Cable
14F0100	RS-232C Serial Interface Card

Part #	Extended Warranties
2350888P	X464 2-Years Total (1+1) Onsite Service Guarantee
2350889P	X464 3-Years Total (1+2) Onsite Service Guarantee
2350890P	X464 4-Years Total (1+3) Onsite Service Guarantee
2350892P	X464 1-Year Renewal Onsite Service Guarantee

Part #	User Replaceable Parts
40X5804	ADF Flatbed Cushion

40X5807	X46x ADF Maintenance Kit
---------	--------------------------

Part #	Service Parts
40X5401	E460, X46x Fuser Maintenance Kit 220-240V

Part #	Installation
2350904	X464 Installation



Lexmark X466de

Fully configured MFP for busy workgroups

Print Technology

Laser, Monochrome

Function

Colour Scanning, Copying, Faxing, Network Scanning, Printing

Print Speed (A4 mono)

Up to 38 ppm

Print Speed (A4 mono) Duplex

Up to 18 spm

Time to First Page (Black)

As fast as 6.5 seconds

Copy Speed (A4, Black)

Up to 38 cpm

Time to First Copy (Black)

As fast as 10 seconds

Print Resolution, Black

1200 Image Quality, 1200 x 1200 dpi, 2400 Image Quality, 600 x 600 dpi

ADF Scan

RADF (reversing Duplex)

Scanning Resolution

600 X 600 dpi (mono)

Processor

500 Mhz

Memory, standard

256 MB

Memory, maximum

640 MB

Hard Disk

as standard

Expandable Memory Options

Yes

Apple Macintosh Operating Systems Supported

Mac OS X (10.2 or later), Mac OS 9.2

Citrix MetaFrame

Microsoft Windows 2000 Server running Terminal Services with Citrix Presentation Server 3.0, 4.0, Microsoft Windows Server 2003 running Terminal Services with Citrix Presentation Server 3.0, 4.0, 4.5, Microsoft Windows Server 2003 x64 running Terminal Services with Citrix Presentation Server 4.0 x64, 4.5 x64

Linux Operating Systems Supported

Linpus Linux Desktop 9.2, 9.3, Red Hat Enterprise Linux WS 3.0, 4.0, 5.0, SUSE Linux Enterprise Server 8.0, 9.0, 10, 11, SUSE Linux Enterprise Desktop 10, openSUSE 10.2, 10.3, 11.0, 11.1, Linspire Linux 6.0, Debian GNU/Linux 4.0, Red Flag Linux Desktop 5.0, 6.0, Ubuntu 7.10, Ubuntu 8.04 LTS, SUSE Linux Enterprise Desktop 11, Debian GNU/Linux 5.0, Ubuntu 8.10, 9.04

Microsoft Windows Operating Systems Supported

2000, XP, Server 2003, XP x64, Server 2003 running Terminal Services, 2000 Server running Terminal Services, Server 2003 x64, Server 2003 x64 running Terminal Services, Vista, Vista x64, Server 2008, Server 2008 x64, Server 2008 running Terminal Services, Server 2008 x64 running Terminal Services, 7

Novell Operating Systems Supported

Open Enterprise Server for Netware with NDS, iPrint or

Novell Distributed Print Services (NDPS), NetWare 5.x, 6.x with iPrint or Novell Distributed Print Services (NDPS)

UNIX Operating Systems Supported

Sun Solaris SPARC 8, 9, 10, Sun Solaris x86 10, HP-UX 11.11, 11.23, 11.31, IBM AIX 5.2, 5.3, 6.1

Other Operating Systems Supported

IBM iSeries or IBM AS/400® Systems with TCP/IP with OS/400® V3R1 or later using OS/400 Host Print Transform, Virtually any platform supporting TCP/IP

Paper Handling Standard

150-Sheet Output Bin, Integrated Duplex, 250-Sheet Input Tray, 50-Sheet Multipurpose Feeder

Paper Handling Optional

550-Sheet Drawer, Only one drawer may be installed at a time, 250-Sheet Drawer

Paper Input Capacity, Standard: Up to

300 pages 75 gsm bond

Paper Input Capacity, Maximum: Up to

850 pages 75 gsm bond

Paper Output Capacity, Standard: Up to

150 pages 75 gsm bond

Paper Output Capacity, Maximum: Up to

150 pages 75 gsm bond

ADF Paper Input Capacity

Up to 50 pages 75 gsm bond

Envelope Capacity

7

Finishing Option

No

Number of Paper Inputs, Standard

2

Number of Paper Inputs, Maximum

3

Media Types Supported

Card Stock, Envelopes, Paper Labels, Plain Paper, Transparencies, Refer to the Card Stock & Label Guide

Media Sizes Supported

10 Envelope, 7 3/4 Envelope, 9 Envelope, A4, A5, B5 Envelope, C5 Envelope, DL Envelope, A6 Card, Executive, Folio, JIS-B5, Legal, Letter, Statement, Universal, Oficio

Standard Ports

Fast Ethernet, One Internal Card Slot, USB 2.0 Specification Hi-Speed Certified (Type B), Front USB 2.0 Specification Hi-Speed Certified port (Type A), Rear USB 2.0 Specification Hi-Speed Certified port (Type A)

Optional Network Ports

Lexmark N4050e 802.11g Wireless Print Server (Print Only), External MarkNet™ N7020e Gigabit Ethernet, Internal MarkNet™ N8120 Gigabit Ethernet, Internal MarkNet™ N8130 Fiber Fast Ethernet, Internal MarkNet™ N8150 802.11b/g/n Wireless

Network Printing Methods

LPR/LPD, Direct IP (Port 9100), HTTP, Enhanced IP (Port 9400), FTP, TFTP, IPP 1.1 (Internet Printing Protocol),

ThinPrint .print integration

Network Protocol Support

TCP/IP IPv4, IPX/SPX, AppleTalk™, LexLink (DLC), TCP/IP IPv6, TCP, UDP

Network Security

SNMPv3, 802.1x Authentication: MD5, MSCHAPv2, LEAP, PEAP, TLS, TTLS

Printable Area

4 mm of the top, bottom, right and left edges (within)

Printer Languages (Standard)

PCL 5e Emulation, PCL 6 Emulation, PPDs, PostScript 3 Emulation, xHTML, PDF 1.6, Direct Image, Microsoft XPS (XML Paper Specification)

Reduce / Enlarge Range

25 - 400 %

Scan Area, Maximum

216 x 355 mm

Modem Speed

33.6 Kbps

Supplies Yield

Average standard page yield value declared in accordance with ISO/IEC 19752, 9,000-page High Yield Toner Cartridge, 3,500*-page Toner Cartridge, 15,000*-page Extra High Yield Toner Cartridge

Cartridge(s) Shipping with Product

7,000*-page Starter Return Program Toner Cartridge

Packaged Size (mm - H x W x D)

625 x 600 x 510 mm

Size (mm - H x W x D)

531 x488 x 438 mm

Size, Trays Extended (mm - H x W x D)

546 x4890 x 438 mm

Weight (kg)

22.7 kg

Noise Level, Idle

22 dBA

Print Noise Level, Operating

53 dBA

Copier Noise Level, Operating

53 dBA

Scanner Noise Level, Operating

49 dBA

Product Guarantee

1-Year Onsite Service, Next Business Day

Product Certifications

Energy Star, U.S. FDA, FCC Class B, UL 60950-1, IEC 60320-1, ECMA 74-8, CAN/CSA-C22.2 60950-1-03, ICES-003 Class B, VCCI Class B, BSMI Class B, CE Class B, CB IEC 60950-1, IEC 60825-1, IEC 61000-3-2, IEC 61000-3-3, EN 55022 Class B, EN 55024, CISPR 22 Class B, IEC 60320, GS (TÜV), EN 60825-1, ACMA A-tick mark Class B, AS/NZS 60950-1, EK Mark, K60950, KCC MIC Mark, CCC Class B, UL AR, CS, TÜV RH, PSB-SS 337, CNS 13438, CNS 14336
Maximum Monthly Duty Cycle
Up to 80000 pages per month

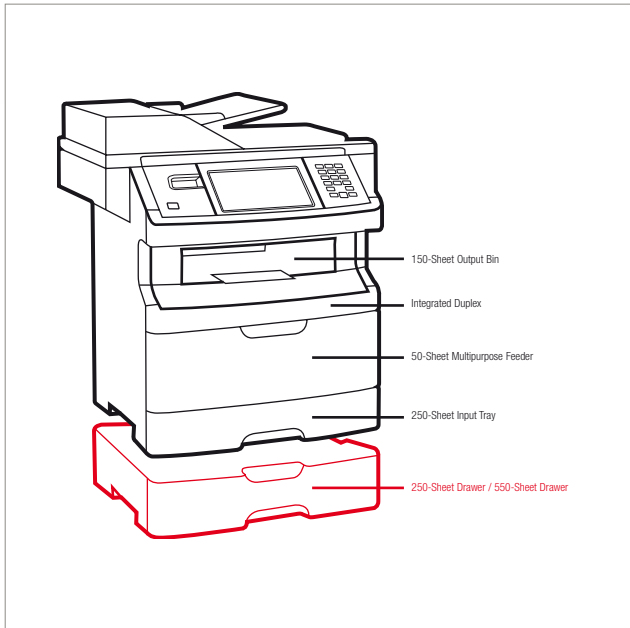


Recommended Monthly Page Volume

2000 - 10000 Pages

Specified Operating Environment

Temperature: 16 to 32°C (60 to 90°F), Altitude: 0
 - 2500 Meters (8,200 Feet), Humidity: 8 to 80% Relative
 Humidity for Temperatures less than 25.5°C (78°F)



Paper Handling Standard
 Paper Handling Optional

Part #	Model
13C1234	Lexmark X466de

Part #	Laser Toner/Print Cartridge
X463X11G	X463, X464, X466 Extra High Yield Return Programme Toner Cartridge (15K)
X463H11G	X463, X464, X466 High Yield Return Programme Toner Cartridge (9K)
X463A11G	X463, X464, X466 Return Programme Toner Cartridge (3.5K)
X463X21G	X463, X464, X466 Extra High Yield Toner Cartridge (15K)
X463H21G	X463, X464, X466 High Yield Toner Cartridge (9K)
X463A21G	X463, X464, X466 Toner Cartridge (3.5K)
E260X22G	E260, E360, E460, X264, X36x, X46x Photoconductor Kit (30K)

Part #	Paper & Transparencies
12A5010	Laser Printers - A4 Transparency

Part #	Paper Handling
34S0550	550-Sheet Drawer
34S0250	250-Sheet Drawer

Part #	Memory Options
1022298	128MB DDR1-DRAM
1022299	256MB DDR1-DRAM
1022301	512MB DDR1-DRAM
14F0245	256MB Flash Card

Part #	Application Solutions
30G0829	Lexmark PrintCrypton Card
34S7721	X463, X464, X466 Forms and Bar Code Card
34S7720	X466 Card for IPDS/SCS/TNe

Part #	Connectivity
1021294	USB (2 Meter) Cable
14F0037	MarkNet N8120 Gigabit Ethernet Print Server
14F0042	MarkNet N8130 Fiber Ethernet 100BaseFX, 10BaseFL Print Server
14F0045	MarkNet N8150 802.11b/g/n Wireless Print Server
14T0165	Lexmark N4050e 802.11g Wireless Print Server
14T0220	MarkNet N7020e Gigabit Ethernet Print Server
14F0000	Parallel 1284-B Interface Card
1021231	Parallel (10') Cable
14F0100	RS-232C Serial Interface Card

Part #	Extended Warranties
2350906P	X466 2-Years Total (1+1) Onsite Service Guarantee
2350907P	X466 3-Years Total (1+2) Onsite Service Guarantee
2350908P	X466 4-Years Total (1+3) Onsite Service Guarantee
2350910P	X466 1-Year Renewal Onsite Service Guarantee

Part #	User Replaceable Parts
40X5804	ADF Flatbed Cushion

40X5807	X46x ADF Maintenance Kit
---------	--------------------------

Part #	Service Parts
40X5401	E460, X46x Fuser Maintenance Kit 220-240V

Part #	Installation
2350922	X466 Installation



Lexmark X466dte

Small-workgroup MFP with additional 550 sheet paper drawer

Print Technology

Laser, Monochrome

Function

Colour Scanning, Copying, Faxing, Network Scanning, Printing

Print Speed (A4 mono)

Up to 38 ppm

Print Speed (A4 mono) Duplex

Up to 18 ppm

Time to First Page (Black)

As fast as 6.5 seconds

Copy Speed (A4, Black)

Up to 38 cpm

Time to First Copy (Black)

Up to 18 seconds

Print Resolution, Black

1200 Image Quality, 1200 x 1200 dpi, 2400 Image Quality, 600 x 600 dpi

ADF Scan

RADF (reversing Duplex)

Scanning Resolution

600 X 600 dpi (mono)

Processor

500 MHz

Memory, standard

256 MB

Memory, maximum

640 MB

Hard Disk

as standard

Expandable Memory Options

Yes

Apple Macintosh Operating Systems Supported

Mac OS X (10.2 or later), Mac OS 9.2

Citrix MetaFrame

Microsoft Windows 2000 Server running Terminal Services with Citrix Presentation Server 3.0, 4.0, Microsoft Windows Server 2003 running Terminal Services with Citrix Presentation Server 3.0, 4.0, 4.5, Microsoft Windows Server 2003 x64 running Terminal Services with Citrix Presentation Server 4.0 x64, 4.5 x64

Linux Operating Systems Supported

Linpus Linux Desktop 9.2, 9.3, Red Hat Enterprise Linux WS 3.0, 4.0, 5.0, SUSE Linux Enterprise Server 8.0, 9.0, 10, 11, SUSE Linux Enterprise Desktop 10, openSUSE 10.2, 10.3, 11.0, 11.1, Linspire Linux 6.0, Debian GNU/Linux 4.0, Red Flag Linux Desktop 5.0, 6.0, Ubuntu 7.10, Ubuntu 8.04 LTS, SUSE Linux Enterprise Desktop 11, Debian GNU/Linux 5.0, Ubuntu 8.10, 9.04

Microsoft Windows Operating Systems Supported

2000, XP, Server 2003, XP x64, Server 2003 running Terminal Services, 2000 Server running Terminal Services, Server 2003 x64, Server 2003 x64 running Terminal Services, Vista, Vista x64, Server 2008, Server 2008 x64, Server 2008 running Terminal Services, Server 2008 x64 running Terminal Services, 7

Novell Operating Systems Supported

Open Enterprise Server for Netware with NDS, iPrint or

Novell Distributed Print Services (NDPS), NetWare 5.x, 6.x with iPrint or Novell Distributed Print Services (NDPS)

UNIX Operating Systems Supported

Sun Solaris SPARC 8, 9, 10, Sun Solaris x86 10, HP-UX 11.11, 11.23, 11.31, IBM AIX 5.2, 5.3, 6.1

Other Operating Systems Supported

IBM iSeries or IBM AS/400® Systems with TCP/IP with OS/400® V3R1 or later using OS/400 Host Print Transform, Virtually any platform supporting TCP/IP

Paper Handling Standard

150-Sheet Output Bin, Integrated Duplex, 250-Sheet Input Tray, 550-Sheet Drawer, 50-Sheet Multipurpose Feeder

Paper Input Capacity, Standard: Up to

850 pages 75 gsm bond

Paper Input Capacity, Maximum: Up to

850 pages 75 gsm bond

Paper Output Capacity, Standard: Up to

150 pages 75 gsm bond

Paper Output Capacity, Maximum: Up to

150 pages 75 gsm bond

ADF Paper Input Capacity

Up to 50 pages 75 gsm bond

Envelope Capacity

7

Finishing Option

No

Number of Paper Inputs, Standard

3

Number of Paper Inputs, Maximum

3

Media Types Supported

Card Stock, Envelopes, Paper Labels, Plain Paper, Transparencies, Refer to the Card Stock & Label Guide

Media Sizes Supported

10 Envelope, 7 3/4 Envelope, 9 Envelope, A4, A5, B5 Envelope, C5 Envelope, DL Envelope, A6 Card, Executive, Folio, JIS-B5, Legal, Letter, Statement, Universal, Office

Standard Ports

Fast Ethernet, One Internal Card Slot, USB 2.0 Specification Hi-Speed Certified (Type B), Front USB 2.0 Specification Hi-Speed Certified port (Type A), Rear USB 2.0 Specification Hi-Speed Certified port (Type A)

Optional Network Ports

Lexmark N4050e 802.11g Wireless Print Server (Print Only), External MarkNet™ N7020e Gigabit Ethernet, Internal MarkNet™ N8120 Gigabit Ethernet, Internal MarkNet™ N8130 Fiber Fast Ethernet, Internal MarkNet™ N8150 802.11b/g/n Wireless

Network Printing Methods

LPR/LPD, Direct IP (Port 9100), HTTP, Enhanced IP (Port 9400), FTP, TFTP, IPP 1.1 (Internet Printing Protocol), ThinPrint .print integration

Network Protocol Support

TCP/IP IPv4, IPX/SPX, AppleTalk™, LexLink (DLC), TCP/IP IPv6, TCP, UDP

Network Security

SNMPv3, 802.1x Authentication: MD5, MSCHAPv2, LEAP, PEAP, TLS, TTLS

Printable Area

4 mm of the top, bottom, right and left edges (within)

Printer Languages (Standard)

PCL 5e Emulation, PCL 6 Emulation, PPDS, PostScript 3 Emulation, xHTML, PDF 1.6, Direct Image, Microsoft XPS (XML Paper Specification)

Reduce / Enlarge Range

25 - 400 %

Scan Area, Maximum

216 x 355 mm

Modem Speed

33.6 Kbps

Supplies Yield

Average standard page yield value declared in accordance with ISO/IEC 19752, 9,000-page High Yield Toner Cartridge, 3,500*-page Toner Cartridge, 15,000*-page Extra High Yield Toner Cartridge

Cartridge(s) Shipping with Product

7,000*-page Starter Return Program Toner Cartridge

Packaged Size (mm - H x W x D)

865 x 600 x 510 mm

Size (mm - H x W x D)

661.5 x 488 x 438 mm

Size, Trays Extended (mm - H x W x D)

676.5 x 488 x 438 mm

Weight (kg)

16.33 kg

Noise Level, Idle

22 dBA

Print Noise Level, Operating

53 dBA

Copier Noise Level, Operating

53 dBA

Scanner Noise Level, Operating

49 dBA

Product Guarantee

1-Year Onsite Service, Next Business Day

Product Certifications

Energy Star, U.S. FDA, FCC Class B, UL 60950-1, IEC 60320-1, ECMA 74:8, CAN/CSA-C22.2 60950-1-03, ICES-003 Class B, VCCI Class B, BSMI Class B, CE Class B, CB IEC 60950-1, IEC 60825-1, IEC 61000-3-2, IEC 61000-3-3, EN 55022 Class B, EN 55024, CISPR 22 Class B, IEC 60320 GS (TÜV), EN 60825-1, ACMA A-tick mark Class B, AS/NZS 60950-1, E-Mark, K60950, KCC Mark, CCC Class B, UL AR, CS, TÜV RH, PSB-SS 337, CNS 13438, CNS 14336

Maximum Monthly Duty Cycle

Up to 80000 pages per month

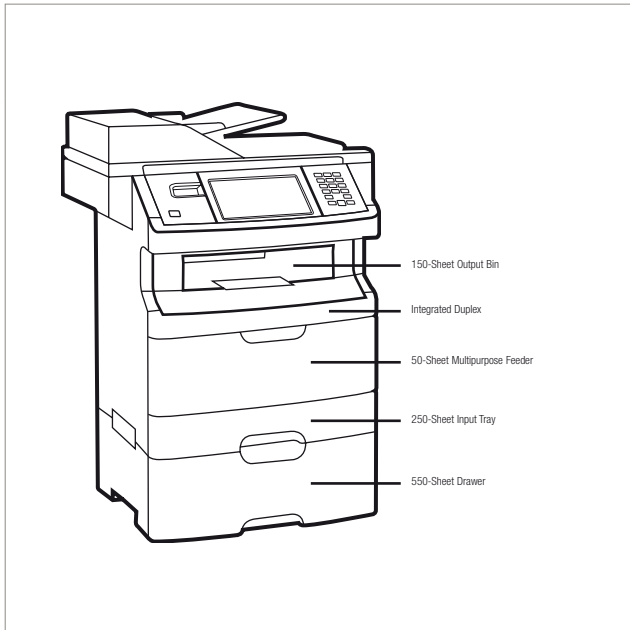


Recommended Monthly Page Volume

2000 - 10000 Pages

Specified Operating Environment

Temperature: 16 to 32°C (60 to 90°F), Altitude: 0 - 3048 Meters (10,000 Feet), Humidity: 8 to 80% Relative Humidity for Temperatures less than 25.5°C (78°F)



Paper Handling Standard

Part #	Model	40X5807	X46x ADF Maintenance Kit
13C1175	Lexmark X466dte	Part #	Service Parts
Part #	Laser Toner/Print Cartridge	40X5401	E460, X46x Fuser Maintenance Kit 220-240V
X463X11G	X463, X464, X466 Extra High Yield Return Programme Toner Cartridge (15K)	Part #	Installation
X463H11G	X463, X464, X466 High Yield Return Programme Toner Cartridge (9K)	2350922	X466 Installation
X463A11G	X463, X464, X466 Return Programme Toner Cartridge (3.5K)		
X463X21G	X463, X464, X466 Extra High Yield Toner Cartridge (15K)		
X463H21G	X463, X464, X466 High Yield Toner Cartridge (9K)		
X463A21G	X463, X464, X466 Toner Cartridge (3.5K)		
E260X22G	E260, E360, E460, X264, X36x, X46x Photoconductor Kit (30K)		
Part #	Paper & Transparencies		
12A5010	Laser Printers - A4 Transparency		
Part #	Paper Handling		
34S0550	550-Sheet Drawer		
34S0250	250-Sheet Drawer		
Part #	Memory Options		
1022298	128MB DDR1-DRAM		
1022299	256MB DDR1-DRAM		
1022301	512MB DDR1-DRAM		
14F0245	256MB Flash Card		
Part #	Application Solutions		
30G0829	Lexmark PrintCrypton Card		
34S7721	X463, X464, X466 Forms and Bar Code Card		
34S7720	X466 Card for IPDS/SCS/TNe		
Part #	Connectivity		
1021294	USB (2 Meter) Cable		
14F0037	MarkNet N8120 Gigabit Ethernet Print Server		
14F0042	MarkNet N8130 Fiber Ethernet 100BaseFX, 10BaseFL Print Server		
14F0045	MarkNet N8150 802.11b/g/n Wireless Print Server		
14T0165	Lexmark N4050e 802.11g Wireless Print Server		
14T0220	MarkNet N7020e Gigabit Ethernet Print Server		
14F0000	Parallel 1284-B Interface Card		
1021231	Parallel (10') Cable		
14F0100	RS-232C Serial Interface Card		
Part #	Extended Warranties		
2350906P	X466 2-Years Total (1+1) Onsite Service Guarantee		
2350907P	X466 3-Years Total (1+2) Onsite Service Guarantee		
2350908P	X466 4-Years Total (1+3) Onsite Service Guarantee		
2350910P	X466 1-Year Renewal Onsite Service Guarantee		
Part #	User Replaceable Parts		
40X5804	ADF Flatbed Cushion		



Lexmark X466dwe

Fast, wireless-ready monochrome MFP for small workgroups

Print Technology

Laser, Monochrome

Function

Colour Scanning, Copying, Faxing, Network Scanning, Printing

Print Speed (A4 mono)

Up to 38 ppm

Print Speed (A4 mono) Duplex

Up to 18 spm

Time to First Page (Black)

As fast as 6.5 seconds

Copy Speed (A4, Black)

Up to 38 cpm

Time to First Copy (Black)

As fast as <11 seconds

Print Resolution, Black

1200 Image Quality, 1200 x 1200 dpi, 2400 Image Quality, 600 x 600 dpi

ADF Scan

RADF (reversing Duplex)

Scanning Resolution

600 X 600 dpi (mono)

Processor

500 MHz

Memory, standard

256 MB

Memory, maximum

640 MB

Hard Disk

as standard

Expandable Memory Options

Yes

Apple Macintosh Operating Systems Supported

Mac OS X (10.2 or later), Mac OS 9.2

Citrix MetaFrame

Microsoft Windows 2000 Server running Terminal Services with Citrix Presentation Server 3.0, 4.0, Microsoft Windows Server 2003 running Terminal Services with Citrix Presentation Server 3.0, 4.0, 4.5, Microsoft Windows Server 2003 x64 running Terminal Services with Citrix Presentation Server 4.0 x64, 4.5 x64

Linux Operating Systems Supported

Linpus Linux Desktop 9.2, 9.3, Red Hat Enterprise Linux WS 3.0, 4.0, 5.0, SUSE Linux Enterprise Server 8.0, 9.0, 10, 11, SUSE Linux Enterprise Desktop 10, openSUSE 10.2, 10.3, 11.0, 11.1, Linspire Linux 6.0, Debian GNU/Linux 4.0, Red Flag Linux Desktop 5.0, 6.0, Ubuntu 7.10, Ubuntu 8.04 LTS, SUSE Linux Enterprise Desktop 11, Debian GNU/Linux 5.0, Ubuntu 8.10, 9.04

Microsoft Windows Operating Systems Supported

2000, XP, Server 2003, XP x64, Server 2003 running Terminal Services, 2000 Server running Terminal Services, Server 2003 x64, Server 2003 x64 running Terminal Services, Vista, Vista x64, Server 2008, Server 2008 x64, Server 2008 running Terminal Services, Server 2008 x64 running Terminal Services, 7

Novell Operating Systems Supported

Open Enterprise Server for Netware with NDS, iPrint or

Novell Distributed Print Services (NDPS), NetWare 5.x, 6.x with iPrint or Novell Distributed Print Services (NDPS)

UNIX Operating Systems Supported

Sun Solaris SPARC 8, 9, 10, Sun Solaris x86 10, HP-UX 11.11, 11.23, 11.31, IBM AIX 5.2, 5.3, 6.1

Other Operating Systems Supported

IBM iSeries or IBM AS/400® Systems with TCP/IP with OS/400® V3R1 or later using OS/400 Host Print Transform, Virtually any platform supporting TCP/IP

Paper Handling Standard

150-Sheet Output Bin, Integrated Duplex, 250-Sheet Input Tray, 50-Sheet Multipurpose Feeder

Paper Handling Optional

550-Sheet Drawer, Only one drawer may be installed at a time, 250-Sheet Drawer

Paper Input Capacity, Standard: Up to

300 pages 75 gsm bond

Paper Input Capacity, Maximum: Up to

850 pages 75 gsm bond

Paper Output Capacity, Standard: Up to

150 pages 75 gsm bond

Paper Output Capacity, Maximum: Up to

150 pages 75 gsm bond

ADF Paper Input Capacity

Up to 50 pages 75 gsm bond

Envelope Capacity

7

Finishing Option

No

Number of Paper Inputs, Standard

2

Number of Paper Inputs, Maximum

3

Media Types Supported

Card Stock, Envelopes, Paper Labels, Plain Paper, Transparencies, Refer to the Card Stock & Label Guide

Media Sizes Supported

10 Envelope, 7 3/4 Envelope, 9 Envelope, A4, A5, B5 Envelope, C5 Envelope, DL Envelope, A6 Card, Executive, Folio, JIS-B5, Legal, Letter, Statement, Universal, Oficio

Standard Ports

Fast Ethernet, One Internal Card Slot, USB 2.0 Specification Hi-Speed Certified (Type B), 802.11b/g/n Wireless, Front USB 2.0 Specification Hi-Speed Certified port (Type A), Rear USB 2.0 Specification Hi-Speed Certified port (Type A)

Optional Network Ports

External MarkNet™ N7020e Gigabit Ethernet, Internal MarkNet™ N8120 Gigabit Ethernet, Internal MarkNet™ N8130 Fiber Fast Ethernet

Network Printing Methods

LPR/LPD, Direct IP (Port 9100), HTTP, Enhanced IP (Port 9400), FTP, TFTP, IPP 1.1 (Internet Printing Protocol), ThinPrint. print integration

Network Protocol Support

TCP/IP IPv4, IPX/SPX, AppleTalk™, LexLink (DLC), TCP/IP IPv6, TCP, UDP

Network Security

SNMPv3, 802.1x Authentication: MD5, MSCHAPv2, LEAP, PEAP, TLS, TTLS

Printable Area

4 mm of the top, bottom, right and left edges (within)

Printer Languages (Standard)

PCL 5e Emulation, PCL 6 Emulation, PPDS, PostScript 3 Emulation, xHTML, PDF 1.6, Direct Image

Reduce / Enlarge Range

25 - 400 %

Scan Area, Maximum

216 x 355 mm

Modem Speed

33.6 Kbps

Supplies Yield

Average standard page yield value declared in accordance with ISO/IEC 19752, 9,000-page High Yield Toner Cartridge, 3,500*-page Toner Cartridge, 15,000*-page Extra High Yield Toner Cartridge

Cartridge(s) Shipping with Product

7,000*-page Starter Return Program Toner Cartridge

Packaged Size (mm - H x W x D)

625 x 600 x 510 mm

Size (mm - H x W x D)

531 x 488 x 438 mm

Size, Trays Extended (mm - H x W x D)

546 x 488 x 438 mm

Weight (kg)

22.7 kg

Noise Level, Idle

22 dBA

Print Noise Level, Operating

53 dBA

Copier Noise Level, Operating

53 dBA

Scanner Noise Level, Operating

49 dBA

Product Guarantee

1-Year Onsite Service, Next Business Day

Product Certifications

Energy Star, U.S. FDA, FCC Class B, UL 60950-1, IEC 60320-1, ECMA 74-8, CAN/CSA-C22.2 60950-1-03, ICES-003 Class B, VCCI Class B, BSMI Class B, CE Class B, CB IEC 60950-1, IEC 60825-1, IEC 61000-3-2, IEC 61000-3-3, IEC 55022 Class B, EN 55024, CISPR 22 Class B, IEC 60320, GS (TÜV), EN 60825-1, ACMA A-tick mark Class B, AS/NZS 60950-1, EK Mark, K60950, KCC MIC Mark, CCC Class B, UL AR, CS, TÜV Rh, PSB-SS 337, CNS 13438, CNS 14336

Maximum Monthly Duty Cycle

Up to 80000 pages per month

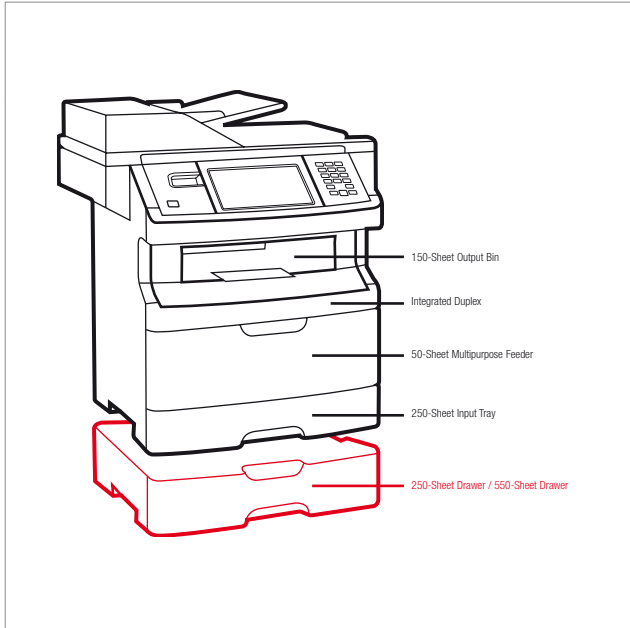
Recommended Monthly Page Volume

2000 - 10000 Pages



Specified Operating Environment

Temperature: 16 to 32°C (60 to 90°F), Altitude: 0
 - 2500 Meters (8,200 Feet), Humidity: 8 to 80% Relative
 Humidity for Temperatures less than 25.5°C (78°F)



Paper Handling Standard
 Paper Handling Optional

Part #	Model
13C1176	Lexmark X466dwe

Part #	Laser Toner/Print Cartridge
X463X11G	X463, X464, X466 Extra High Yield Return Programme Toner Cartridge (15K)
X463H11G	X463, X464, X466 High Yield Return Programme Toner Cartridge (9K)
X463A11G	X463, X464, X466 Return Programme Toner Cartridge (3.5K)
X463X21G	X463, X464, X466 Extra High Yield Toner Cartridge (15K)
X463H21G	X463, X464, X466 High Yield Toner Cartridge (9K)
X463A21G	X463, X464, X466 Toner Cartridge (3.5K)
E260X22G	E260, E360, E460, X264, X36x, X46x Photoconductor Kit (30K)

Part #	Paper & Transparencies
12A5010	Laser Printers - A4 Transparency

Part #	Paper Handling
34S0550	550-Sheet Drawer
34S0250	250-Sheet Drawer

Part #	Memory Options
1022298	128MB DDR1-DRAM
1022299	256MB DDR1-DRAM
1022301	512MB DDR1-DRAM
14F0245	256MB Flash Card

Part #	Application Solutions
30G0829	Lexmark PrintCrypton Card
34S7721	X463, X464, X466 Forms and Bar Code Card
34S7720	X466 Card for IPDS/SCS/TNE

Part #	Connectivity
1021294	USB (2 Meter) Cable
14F0037	MarkNet N8120 Gigabit Ethernet Print Server
14F0042	MarkNet N8130 Fiber Ethernet 100BaseFX, 10BaseFL Print Server
14T0220	MarkNet N7020e Gigabit Ethernet Print Server
14F0000	Parallel 1284-B Interface Card
1021231	Parallel (10) Cable
14F0100	RS-232C Serial Interface Card

Part #	Extended Warranties
2350906P	X466 2-Years Total (1+1) Onsite Service Guarantee
2350907P	X466 3-Years Total (1+2) Onsite Service Guarantee
2350908P	X466 4-Years Total (1+3) Onsite Service Guarantee
2350910P	X466 1-Year Renewal Onsite Service Guarantee

Part #	User Replaceable Parts
40X5804	ADF Flatbed Cushion
40X5807	X46x ADF Maintenance Kit

Part #	Service Parts
40X5401	E460, X46x Fuser Maintenance Kit 220-240V

Part #	Installation
2350922	X466 Installation



Lexmark X651de

A real multifunction value for mid-sized workgroups!

Print Technology

Laser, Monochrome

Function

Colour Scanning, Copying, Network Scanning, Printing

Print Speed (A4 mono)

Up to 43 cpm

Print Speed (A4 mono) Duplex

Up to 29 spm

Time to First Page (Black)

As fast as 8.0 seconds

Copy Speed (A4, Black)

Up to 43 cpm

Time to First Copy (Black)

As fast as 7.5 seconds

Print Resolution, Black

1200 Image Quality, 1200 x 1200 dpi, 2400 Image

Quality, 600 x 600 dpi

ADF Scan

Simplex

Scanning Resolution

600 X 600 dpi (mono)

Processor

600 Mhz

Memory, standard

256 MB

Memory, maximum

1280 MB

Hard Disk

Option available

Expandable Memory Options

Yes

Apple Macintosh Operating Systems Supported

Mac OS X, Mac OS 9.2

Citrix MetaFrame

Microsoft Windows 2000 Server running Terminal Services with Citrix Presentation Server 3.0, 4.0, Microsoft Windows Server 2003 running Terminal Services with Citrix Presentation Server 3.0, 4.0, 4.5, Microsoft Windows Server 2003 x64 running Terminal Services with Citrix Presentation Server 4.0 x64, 4.5 x64

Linux Operating Systems Supported

Linpus Linux Desktop 9.2, 9.3, Red Hat Enterprise Linux WS 3.0, 4.0, 5.0, SUSE Linux Enterprise Server 8.0, 9.0, 10, 11, SUSE Linux Enterprise Desktop 10, opensUSE 10.2, 10.3, 11.0, 11.1, Linspire Linux 6.0, Debian GNU/Linux 4.0, Red Flag Linux Desktop 5.0, 6.0, Ubuntu 7.10, Ubuntu 8.04 LTS, SUSE Linux Enterprise Desktop 11, Debian GNU/Linux 5.0, Ubuntu 8.10, 9.04

Microsoft Windows Operating Systems Supported

2000, XP, Server 2003, XP x64, Server 2003 running Terminal Services, 2000 Server running Terminal Services, Server 2003 x64, Server 2003 x64 running Terminal Services, Vista, Vista x64, Server 2008, Server 2008 x64, Server 2008 running Terminal Services, Server 2008 x64 running Terminal Services, 7

Novell Operating Systems Supported

Open Enterprise Server for Netware with NDS, iPrint or Novell Distributed Print Services (NDPS), NetWare 5.x, 6.x

with iPrint or Novell Distributed Print Services (NDPS)

UNIX Operating Systems Supported

Sun Solaris SPARC 8, 9, 10, Sun Solaris x86 10, HP-LX 11.11, 11.23, 11.31, IBM AIX 5.2, 5.3, 6.1

Other Operating Systems Supported

IBM iSeries or IBM AS/400® Systems with TCP/IP with OS/400® V3R1 or later using OS/400 Host Print Transform, Virtually any platform supporting TCP/IP

Paper Handling Standard

Integrated Duplex, 100-Sheet Multipurpose Feeder, 550-Sheet Input Tray, 550-Sheet Output Bin

Paper Handling Optional

400-Sheet Universally Adjustable Tray with Drawer, 550-Sheet Drawer, 250-Sheet Drawer, Optional furniture required., 2,000-Sheet High-capacity Feeder

Paper Input Capacity, Standard: Up to

650 pages 75 gsm bond

Paper Input Capacity, Maximum: Up to

3200 pages 75 gsm bond

Paper Output Capacity, Standard: Up to

550 pages 75 gsm bond

Paper Output Capacity, Maximum: Up to

550 pages 75 gsm bond

ADF Paper Input Capacity

Up to 75 pages 75 gsm bond

Envelope Capacity

10

Finishing Option

No

Number of Paper Inputs, Standard

2

Number of Paper Inputs, Maximum

6

Media Types Supported

Card Stock, Dual Web Labels, Envelopes, Integrated Labels, Paper Labels, Plain Paper, Polyester Labels, Transparencies, Vinyl Labels, Refer to the Card Stock & Label Guide

Media Sizes Supported

10 Envelope, 7 3/4 Envelope, 9 Envelope, A4, A5, DL Envelope, Executive, Folio, JIS-B5, Legal, Letter, Statement, Universal, A6

Standard Ports

Fast Ethernet, One Internal Card Slot, USB 2.0 Specification Hi-Speed Certified (Type B), USB port (Type A) compatible with USB 2.0 Specification, Front USB port compatible with USB 2.0 Specification (Type A)

Optional Network Ports

Lexmark N4050e 802.11g Wireless Print Server (Print Only), External MarkNet™ N7020e Gigabit Ethernet, Internal MarkNet™ N8120 Gigabit Ethernet, Internal MarkNet™ N8130 Fiber Fast Ethernet, Internal MarkNet™ N8150 802.11b/g/n Wireless

Network Printing Methods

LPR/LPD, Direct IP (Port 9100), Socket (Raw TCP/IP), HTTP, NDS Queue-based Printing, NDPS/NEPS (Novell Distributed Print Services, Novell Network Enterprise Print Services), Enhanced IP (Port 9400), FTP, TFTP, IPP 1.1 (Internet Printing Protocol), ThinPrint .print integration

Network Protocol Support

TCP/IP IPv4, IPX/SPX, AppleTalk™, LexLink (DLC), TCP/IP IPv6, TCP, UDP

Network Security

SNMPv3, 802.1x Authentication: MD5, MSCHAPv2, LEAP, PEAP, TLS, TTLS, IPSec

Printable Area

4.2 mm of the top, bottom, right and left edges (within)

Printer Languages (Standard)

PCL 5e Emulation, PCL 6 Emulation, PPDS, PostScript 3 Emulation, xHTML, PDF 1.6, Direct Image, Microsoft XPS (XML Paper Specification)

Reduce / Enlarge Range

25 - 400 %

Scan Area, Maximum

216 x 355.6 mm

Supplies Yield

25,000*-page High Yield Print Cartridge, *Average standard page yield value declared in accordance with ISO/IEC 19752, 7,000*-page Print Cartridge

Cartridge(s) Shipping with Product

7,000*-page Return Program Print Cartridge

Packaged Size (mm - H x W x D)

1020 x 735 x 700 mm

Size (mm - H x W x D)

755 x 548 x 611 mm

Size, Trays Extended (mm - H x W x D)

755 x 548 x 790 mm

Weight (kg)

45.4 kg

Noise Level, Idle

29 dBA

Print Noise Level, Operating

54 dBA

Copier Noise Level, Operating

55 dBA

Scanner Noise Level, Operating

56 dBA

Product Guarantee

1-Year Onsite Service, Next Business Day

Product Certifications

Energy Star, CE Class A, CB IEC 60950-1, IEC 60825-1, IEC 61000-3-2, IEC 61000-3-3, EN 55022 Class A, EN 55024, CISPR 22 Class A, IEC 60320, GS (TÜV), EN 60825-1, ACMA A-tick mark Class A, AS/NZS 60950-1, EK Mark, KCC MIC Mark, CCC Class A, UL AR, CS, TÜV Rh

Maximum Monthly Duty Cycle

Up to 200000 pages per month

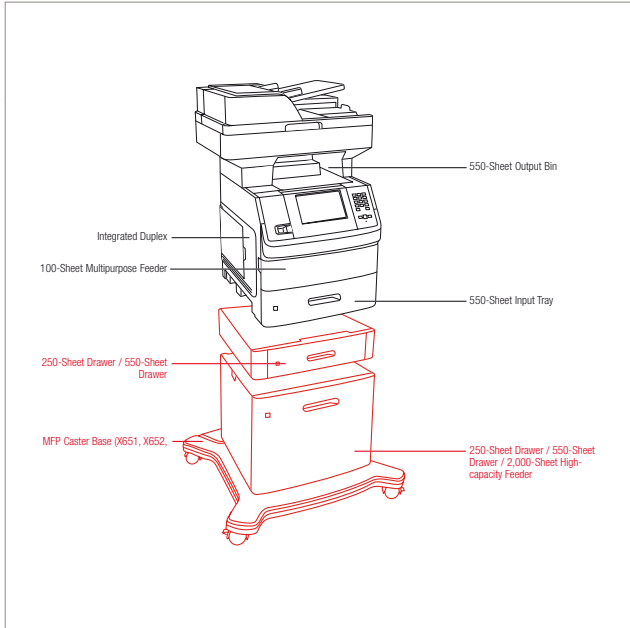


Recommended Monthly Page Volume

3000 - 20000 Pages

Specified Operating Environment

Temperature: 16 to 32°C (60 to 90°F), Humidity: 8 to 80% Relative Humidity, Altitude: 0 - 3048 Meters (10,000 Feet)



Paper Handling Standard
 Paper Handling Optional

Part #	Model
16M1657	Lexmark X651de

Part #	Laser Toner/Print Cartridge
X651H11E	X651, X652, x654, X656, X658 High Yield Return Programme Print Cartridge (25K)
X651A11E	X651, X652, X654, X656, X658 Return Programme Print Cartridge (7K)
X651H04E	X651, X652, X654, X656, X658 High Yield Return Programme Print Cartridge for Label Applications (25K)
X651H21E	X651, X652, x654, X656, X658 High Yield Print Cartridge (25K)
X651A21E	X651, X652, X654, X656, X658 Print Cartridge (7K)

Part #	Paper & Transparencies
12A5010	Laser Printers - A4 Transparency

Part #	Paper Handling
30G0800	250-Sheet Drawer
30G0802	550-Sheet Drawer
30G0854	5 inch (12.7 cm) Spacer
30G0804	2000-Sheet High Capacity Feeder
30G0871	200-Sheet Universally Adjustable Tray with Drawer
30G0860	400-Sheet Universally Adjustable Tray with Drawer

Part #	Furniture
16M1216	MFP Caster Base (X651, X652, X654, X656)
3052765	Swivel Cabinet

Part #	MFP Options
14F0052	MarkNet N8110 V.34 Fax Card

Part #	Memory Options
1025041	256MB DDR2-DRAM
1025042	512MB DDR2-DRAM
1025043	1024MB DDR2-DRAM
14F0245	256MB Flash Card
14F0102	Hard Disk (80+GB)

Part #	Application Solutions
30G0829	Lexmark PrintEncryption Card
16M1254	X65x Card for IPDS and SCS/TNe
16M1253	X65x Forms and Bar Code Card

Part #	Connectivity
1021294	USB (2 Meter) Cable
1021231	Parallel (10') Cable
14F0037	MarkNet N8120 Gigabit Ethernet Print Server
14F0042	MarkNet N8130 Fiber Ethernet 100BaseFX, 10BaseFL Print Server
14F0045	MarkNet N8150 802.11b/g/n Wireless Print Server
14T0165	Lexmark N4050e 802.11g Wireless Print Server
14T0220	MarkNet N7020e Gigabit Ethernet Print Server

14F0000	Parallel 1284-B Interface Card
14F0100	RS-232C Serial Interface Card

Part #	Extended Warranties
2350539P	X651, X652 2-Years Total (1+1) Onsite Service Guarantee
2350540P	X651, X652 3-Years Total (1+2) Onsite Service Guarantee
2350541P	X651, X652 4-Years Total (1+3) Onsite Service Guarantee
2350543P	X651, X652 1-Year Renewal Onsite Service Guarantee

Part #	User Replaceable Parts
40X4765	T65x, X654e, X656e, X658e Fuser Maintenance Kit 220-240V
40X4540	ADF Pick Roll Assembly
40X3444	ADF Platen Cushion
40X4605	ADF Separator Roll and Guide
40X5852	Dual Charge Roll Assembly
40X1886	Transfer Roll Assembly
40X4308	Pick Roll Assembly
40X4769	X65x ADF Maintenance Kit

Part #	Installation
2350555	X651e, X652e Installation



Lexmark X652de

Efficient monochrome MFP with the added benefit of fax!

Print Technology

Laser, Monochrome

Function

Colour Scanning, Copying, Faxing, Network Scanning, Printing

Print Speed (A4 mono)

Up to 43 ppm

Print Speed (A4 mono) Duplex

Up to 29 spm

Time to First Page (Black)

As fast as 8.0 seconds

Copy Speed (A4, Black)

Up to 43 cpm

Time to First Copy (Black)

As fast as 7.5 seconds

Print Resolution, Black

1200 Image Quality, 1200 x 1200 dpi, 2400 Image Quality, 600 x 600 dpi

ADF Scan

Simplex

Scanning Resolution

600 X 600 dpi (mono)

Processor

600 MHz

Memory, standard

256 MB

Memory, maximum

1280 MB

Hard Disk

Option available

Expandable Memory Options

Yes

Apple Macintosh Operating Systems Supported

Mac OS X, Mac OS 9.2

Citrix MetaFrame

Microsoft Windows 2000 Server running Terminal Services with Citrix Presentation Server 3.0, 4.0, Microsoft Windows Server 2003 running Terminal Services with Citrix Presentation Server 3.0, 4.0, 4.5, Microsoft Windows Server 2003 x64 running Terminal Services with Citrix Presentation Server 4.0 x64, 4.5 x64

Linux Operating Systems Supported

Linpus Linux Desktop 9.2, 9.3, Red Hat Enterprise Linux WS 3.0, 4.0, 5.0, SUSE Linux Enterprise Server 8.0, 9.0, 10, 11, SUSE Linux Enterprise Desktop 10, openSUSE 10.2, 10.3, 11.0, 11.1, Linspire Linux 6.0, Debian GNU/Linux 4.0, Red Flag Linux Desktop 5.0, 6.0, Ubuntu 7.10, Ubuntu 8.04 LTS, SUSE Linux Enterprise Desktop 11, Debian GNU/Linux 5.0, Ubuntu 8.10, 9.04

Microsoft Windows Operating Systems Supported

2000, XP, Server 2003, XP x64, Server 2003 running Terminal Services, 2000 Server running Terminal Services, Server 2003 x64, Server 2003 x64 running Terminal Services, Vista, Vista x64, Server 2008, Server 2008 x64, Server 2008 running Terminal Services, Server 2008 x64 running Terminal Services, 7

Novell Operating Systems Supported

Open Enterprise Server for Netware with NDS, iPrint or

Novell Distributed Print Services (NDPS), NetWare 5.x, 6.x with iPrint or Novell Distributed Print Services (NDPS)

UNIX Operating Systems Supported

Sun Solaris SPARC 8, 9, 10, Sun Solaris x86 10, HP-LUX 11.11, 11.23, 11.31, IBM AIX 5.2, 5.3, 6.1

Other Operating Systems Supported

IBM iSeries or IBM AS/400® Systems with TCP/IP with OS/400® V3R1 or later using OS/400 Host Print Transform, Virtually any platform supporting TCP/IP

Paper Handling Standard

Integrated Duplex, 100-Sheet Multipurpose Feeder, 550-Sheet Input Tray, 550-Sheet Output Bin

Paper Handling Optional

400-Sheet Universally Adjustable Tray with Drawer, 550-Sheet Drawer, 250-Sheet Drawer, Optional furniture required., 2,000-Sheet High-capacity Feeder

Paper Input Capacity, Standard: Up to

650 pages 75 gsm bond

Paper Input Capacity, Maximum: Up to

3200 pages 75 gsm bond

Paper Output Capacity, Standard: Up to

550 pages 75 gsm bond

Paper Output Capacity, Maximum: Up to

550 pages 75 gsm bond

ADF Paper Input Capacity

Up to 75 pages 75 gsm bond

Envelope Capacity

10

Finishing Option

No

Number of Paper Inputs, Standard

2

Number of Paper Inputs, Maximum

6

Media Types Supported

Card Stock, Dual Web Labels, Envelopes, Integrated Labels, Paper Labels, Plain Paper, Polyester Labels, Transparencies, Vinyl Labels, Refer to the Card Stock & Label Guide

Media Sizes Supported

10 Envelope, 7 3/4 Envelope, 9 Envelope, A4, A5, DL Envelope, Executive, Folio, JIS-B5, Legal, Letter, Statement, Universal, A6

Standard Ports

Fast Ethernet, One Internal Card Slot, USB 2.0 Specification Hi-Speed Certified (Type B), USB port (Type A) compatible with USB 2.0 Specification, Front USB port Compatible with USB 2.0 Specification (Type A)

Optional Network Ports

Lexmark N4050e 802.11g Wireless Print Server (Print Only), External MarkNet™ N7020e Gigabit Ethernet, Internal MarkNet™ N8120 Gigabit Ethernet, Internal MarkNet™ N8130 Fiber Fast Ethernet, Internal MarkNet™ N8150 802.11b/g/n Wireless

Network Printing Methods

LPR/LPD, Direct IP (Port 9100), Socket (Raw TCP/IP), HTTP, NDS Queue-based Printing, NDPS/NEPS (Novell Distributed Print Services), Novell Network Enterprise Print Services, Enhanced IP (Port 9400), FTP, TFTP, IPP 1.1 (Internet Printing Protocol), ThinPrint .print integration

Network Protocol Support

TCP/IP IPv4, IPX/SPX, AppleTalk™, LexLink (DLC), TCP/IP IPv6, TCP, UDP

Network Security

SNMPv3, 802.1X Authentication: MD5, MSCHAPv2, LEAP, PEAP, TLS, TTLS, IPSec

Printable Area

4.2 mm of the top, bottom, right and left edges (within)

Printer Languages (Standard)

PCL 5e Emulation, PCL 6 Emulation, PPDS, PostScript 3 Emulation, xHTML, PDF 1.6, Direct Image, Microsoft XPS (XML Paper Specification)

Reduce / Enlarge Range

25 - 400 %

Scan Area, Maximum

216 x 355.6 mm

Modem Speed

33.6 Kbps

Supplies Yield

25,000*-page High Yield Print Cartridge, *Average standard page yield value declared in accordance with ISO/IEC 19752, 7,000*-page Print Cartridge

Cartridge(s) Shipping with Product

7,000*-page Return Program Print Cartridge

Packaged Size (mm - H x W x D)

1020 x 735 x 700 mm

Size (mm - H x W x D)

755 x 548 x 611 mm

Size, Trays Extended (mm - H x W x D)

755 x 548 x 790 mm

Weight (kg)

45.4 kg

Noise Level, Idle

29 dBA

Print Noise Level, Operating

45 dBA

Copier Noise Level, Operating

55 dBA

Scanner Noise Level, Operating

56 dBA

Product Guarantee

1-Year Onsite Service, Next Business Day

Product Certifications

Energy Star, CE Class A, CB IEC 60950-1, IEC 60825-1, IEC 61000-3-2, IEC 61000-3-3, EN 55022 Class A, EN 55024, CISPR 22 Class A, IEC 60320, GS (TÜV), EN 60825-1, ACMA A-tick mark Class A, AS/NZS 60950-1, EK Mark, KCC MIC Mark, CCC Class A, UL AR, CS, TÜV Rh, CNC, ANATEL, SUBTEL, MTC, MOC, TK, TEC, SIRIM, ICASA, R&TTE ETSI EN 203 021-1, 2-3



Maximum Monthly Duty Cycle

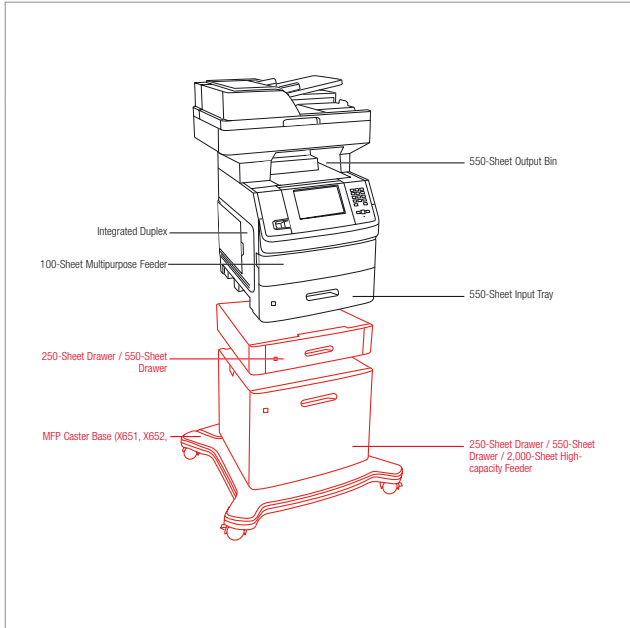
Up to 200000 pages per month

Recommended Monthly Page Volume

3000 - 20000 Pages

Specified Operating Environment

Temperature: 16 to 32°C (60 to 90°F), Humidity: 8 to 80% Relative Humidity, Altitude: 0 - 3048 Meters (10,000 Feet)



Paper Handling Standard
 Paper Handling Optional

Part #	Model
16M1650	Lexmark X652de

Part #	Laser Toner/Print Cartridge
X651H11E	X651, X652, x654, X656, X658 High Yield Return Programme Print Cartridge (25K)
X651A11E	X651, X652, X654, X656, X658 Return Programme Print Cartridge (7K)
X651H04E	X651, X652, X654, X656, X658 High Yield Return Programme Print Cartridge for Label Applications (25K)
X651H21E	X651, X652, x654, X656, X658 High Yield Print Cartridge (25K)
X651A21E	X651, X652, X654, X656, X658 Print Cartridge (7K)

Part #	Paper & Transparencies
12A5010	Laser Printers - A4 Transparency

Part #	Paper Handling
30G0800	250-Sheet Drawer
30G0802	550-Sheet Drawer
30G0854	5 inch (12.7 cm) Spacer
30G0804	2000-Sheet High Capacity Feeder
30G0871	200-Sheet Universally Adjustable Tray with Drawer
30G0860	400-Sheet Universally Adjustable Tray with Drawer

Part #	Furniture
16M1216	MFP Caster Base (X651, X652, X654, X656)
3052765	Swivel Cabinet

Part #	Memory Options
1025041	256MB DDR2-DRAM
1025042	512MB DDR2-DRAM
1025043	1024MB DDR2-DRAM
14F0245	256MB Flash Card
14F0102	Hard Disk (80+GB)

Part #	Application Solutions
30G0829	Lexmark PrintCrypton Card
16M1254	X65x Card for IPDS and SCS/TNe
16M1253	X65x Forms and Bar Code Card

Part #	Connectivity
1021294	USB (2 Meter) Cable
1021231	Parallel (10') Cable
14F0037	MarkNet N8120 Gigabit Ethernet Print Server
14F0042	MarkNet N8130 Fiber Ethernet 100BaseFX, 10BaseFL Print Server
14F0045	MarkNet N8150 802.11b/g/n Wireless Print Server
14T0165	Lexmark N4050e 802.11g Wireless Print Server
14T0220	MarkNet N7020e Gigabit Ethernet Print Server
14F0000	Parallel 1284-B Interface Card
14F0100	RS-232C Serial Interface Card

Part #	Extended Warranties
2350539P	X651, X652 2-Years Total (1+1) Onsite Service Guarantee

2350540P	X651, X652 3-Years Total (1+2) Onsite Service Guarantee
2350541P	X651, X652 4-Years Total (1+3) Onsite Service Guarantee
2350543P	X651, X652 1-Year Renewal Onsite Service Guarantee

Part #	User Replaceable Parts
40X4765	T65x, X654e, X656e, X658e Fuser Maintenance Kit 220-240V
40X4540	ADF Pick Roll Assembly
40X3444	ADF Platen Cushion
40X4605	ADF Separator Roll and Guide
40X5852	Dual Charge Roll Assembly
40X1886	Transfer Roll Assembly
40X4308	Pick Roll Assembly
40X4769	X65x ADF Maintenance Kit

Part #	Installation
2350555	X651e, X652e Installation



Lexmark X654de

High-speed MFP built for your heaviest workloads!

Print Technology

Laser, Monochrome

Function

Colour Scanning, Copying, Faxing, Network Scanning, Printing

Print Speed (A4 mono)

Up to 53 ppm

Print Speed (A4 mono) Duplex

Up to 36 spm

Time to First Page (Black)

As fast as 9.5 seconds

Copy Speed (A4, Black)

Up to 53 cpm

Time to First Copy (Black)

As fast as 7.5 seconds

Print Resolution, Black

1200 Image Quality, 1200 x 1200 dpi, 2400 Image Quality, 600 x 600 dpi

ADF Scan

DADF (single pass Duplex)

Scanning Resolution

600 X 600 dpi (mono)

Processor

600 MHz

Memory, standard

256 MB

Memory, maximum

1280 MB

Hard Disk

Option available

Expandable Memory Options

Yes

Apple Macintosh Operating Systems Supported

Mac OS X, Mac OS 9.2

Citrix MetaFrame

Microsoft Windows 2000 Server running Terminal Services with Citrix Presentation Server 3.0, 4.0, Microsoft Windows Server 2003 running Terminal Services with Citrix Presentation Server 3.0, 4.0, 4.5, Microsoft Windows Server 2003 x64 running Terminal Services with Citrix Presentation Server 4.0 x64, 4.5 x64

Linux Operating Systems Supported

Linpus Linux Desktop 9.2, 9.3, Red Hat Enterprise Linux WS 3.0, 4.0, 5.0, SUSE Linux Enterprise Server 8.0, 9.0, 10, 11, SUSE Linux Enterprise Desktop 10, openSUSE 10.2, 10.3, 11.0, 11.1, Linspire Linux 6.0, Debian GNU/Linux 4.0, Red Flag Linux Desktop 5.0, 6.0, Ubuntu 7.10, Ubuntu 8.04 LTS, SUSE Linux Enterprise Desktop 11, Debian GNU/Linux 5.0, Ubuntu 8.10, 9.04

Microsoft Windows Operating Systems Supported

2000, XP, Server 2003, XP x64, Server 2003 running Terminal Services, 2000 Server running Terminal Services, Server 2003 x64, Server 2003 x64 running Terminal Services, Vista, Vista x64, Server 2008, Server 2008 x64, Server 2008 running Terminal Services, Server 2008 x64 running Terminal Services, 7

Novell Operating Systems Supported

Open Enterprise Server for Netware with NDS, iPrint or

Novell Distributed Print Services (NDPS), NetWare 5.x, 6.x with iPrint or Novell Distributed Print Services (NDPS)

UNIX Operating Systems Supported

Sun Solaris SPARC 8, 9, 10, Sun Solaris x86 10, HP-UX 11.11, 11.23, 11.31, IBM AIX 5.2, 5.3, 6.1

Other Operating Systems Supported

IBM iSeries or IBM AS/400® Systems with TCP/IP with OS/400® V3R1 or later using OS/400 Host Print Transform, Virtually any platform supporting TCP/IP

Paper Handling Standard

Integrated Duplex, 100-Sheet Multipurpose Feeder, 550-Sheet Input Tray, 550-Sheet Output Bin

Paper Handling Optional

400-Sheet Universally Adjustable Tray with Drawer, 550-Sheet Drawer, 250-Sheet Drawer, Optional furniture required., 2,000-Sheet High-capacity Feeder

Paper Input Capacity, Standard: Up to

650 pages 75 gsm bond

Paper Input Capacity, Maximum: Up to

3200 pages 75 gsm bond

Paper Output Capacity, Standard: Up to

550 pages 75 gsm bond

Paper Output Capacity, Maximum: Up to

550 pages 75 gsm bond

ADF Paper Input Capacity

Up to 75 pages 75 gsm bond

Envelope Capacity

10

Finishing Option

No

Number of Paper Inputs, Standard

2

Number of Paper Inputs, Maximum

6

Media Types Supported

Card Stock, Dual Web Labels, Envelopes, Integrated Labels, Paper Labels, Plain Paper, Polyester Labels, Transparencies, Vinyl Labels, Refer to the Card Stock & Label Guide

Media Sizes Supported

10 Envelope, 7 3/4 Envelope, 9 Envelope, A4, A5, DL Envelope, Executive, Folio, JIS-B5, Legal, Letter, Statement, Universal, A6

Standard Ports

Fast Ethernet, One Internal Card Slot, USB 2.0 Specification Hi-Speed Certified (Type B), USB port (Type A) compatible with USB 2.0 Specification, Front USB port Compatible with USB 2.0 Specification (Type A)

Optional Network Ports

Lexmark N4050e 802.11g Wireless Print Server (Print Only), External MarkNet™ N7020e Gigabit Ethernet, Internal MarkNet™ N8120 Gigabit Ethernet, Internal MarkNet™ N8130 Fiber Fast Ethernet, Internal MarkNet™ N8150 802.11b/g/n Wireless

Network Printing Methods

LPR/LPD, Direct IP (Port 9100), Socket (Raw TCP/IP), HTTP, NDS Queue-based Printing, NDPS/NEPS (Novell Distributed Print Services), Novell Netware Enterprise Print Services, Enhanced IP (Port 9400), FTP, TFTP, IPP 1.1 (Internet Printing Protocol), ThinPrint .print integration

Network Protocol Support

TCP/IP IPv4, IPX/SPX, AppleTalk™, LexLink (DLC), TCP/IP IPv6, UDP

Network Security

SNMPv3, 802.1X Authentication: MD5, MSCHAPv2, LEAP, PEAP, TLS, TTLS, IPSec

Printable Area

4.2 mm of the top, bottom, right and left edges (within)

Printer Languages (Standard)

PCL 5e Emulation, PCL 6 Emulation, PPDS, PostScript 3 Emulation, xHTML, PDF 1.6, Direct Image, Microsoft XPS (XML Paper Specification)

Reduce / Enlarge Range

25 - 400 %

Scan Area, Maximum

216 x 355.6 mm

Modem Speed

33.6 Kbps

Supplies Yield

25,000*-page High Yield Print Cartridge, *Average standard page yield value declared in accordance with ISO/IEC 19752, 7,000*-page Print Cartridge, 36,000*-page Extra High Yield Print Cartridge

Cartridge(s) Shipping with Product

18,000*-page Starter Return Program Print Cartridge

Packaged Size (mm - H x W x D)

1020 x 735 x 700 mm

Size (mm - H x W x D)

755 x 548 x 611 mm

Size, Trays Extended (mm - H x W x D)

755 x 548 x 790 mm

Weight (kg)

45.4 kg

Noise Level, Idle

29 dBA

Print Noise Level, Operating

56 dBA

Copier Noise Level, Operating

55 dBA

Scanner Noise Level, Operating

55 dBA

Product Guarantee

1-Year Onsite Service, Next Business Day

Product Certifications

Energy Star, CE Class A, CB IEC 60950-1, IEC 60825-1, IEC 61000-3-2, IEC 61000-3-3, EN 55022 Class A, EN 55024, CISPR 22 Class A, IEC 60320, GS (TÜV), EN 60825-1, ACMA A-tick mark Class A, AS/NZS 60950-1, EK Mark, KCC MIC Mark, CCC Class A, UL AR, CS, TÜV Rh, ONC, ANATEL, SUBTEL, MTC, MOC, TK, TEC, SIRIM,



ICASA, R&TTE ETSI ES 203 021,-2,-3

Maximum Monthly Duty Cycle

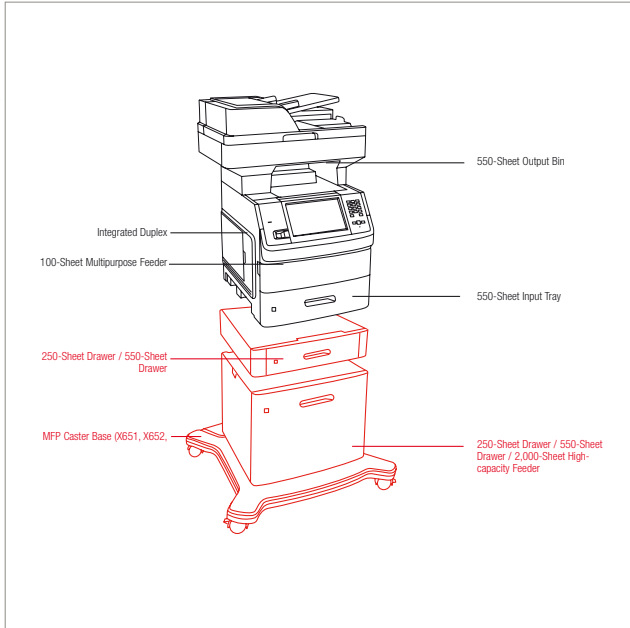
Up to 275000 pages per month

Recommended Monthly Page Volume

5000 - 30000 Pages

Specified Operating Environment

Temperature: 16 to 32°C (60 to 90°F), Humidity: 8 to 80% Relative Humidity, Altitude: 0 - 3048 Meters (10,000 Feet)



Paper Handling Standard
 Paper Handling Optional

Part #	Model
16M1651	Lexmark X654de

Part #	Laser Toner/Print Cartridge
X654X11E	X654, X656, X658 Extra High Yield Return Programme Print Cartridge (36K)

X651H11E	X651, X652, X654, X656, X658 High Yield Return Programme Print Cartridge (25K)
----------	--

X651A11E	X651, X652, X654, X656, X658 Return Programme Print Cartridge (7K)
X654X04E	X654, X656, X658 Extra High Yield Return Programme Print Cartridge for Label Applications (36K)

X651H04E	X651, X652, X654, X656, X658 High Yield Return Programme Print Cartridge for Label Applications (25K)
----------	---

X654X21E	X654, X656, X658 Extra High Yield Print Cartridge (36K)
X651H21E	X651, X652, X654, X656, X658 High Yield Print Cartridge (25K)
X651A21E	X651, X652, X654, X656, X658 Print Cartridge (7K)

Part #	Paper & Transparencies
12A5010	Laser Printers - A4 Transparency

Part #	Paper Handling
30G0800	250-Sheet Drawer
30G0802	550-Sheet Drawer
30G0854	5 inch (12.7 cm) Spacer
30G0804	2000-Sheet High Capacity Feeder
30G0871	200-Sheet Universally Adjustable Tray with Drawer
30G0860	400-Sheet Universally Adjustable Tray with Drawer

Part #	Furniture
16M1216	MFP Caster Base (X651, X652, X654, X656)
3052765	Swivel Cabinet

Part #	Memory Options
1025041	256MB DDR2-DRAM
1025042	512MB DDR2-DRAM
1025043	1024MB DDR2-DRAM
14F0245	256MB Flash Card
14F0102	Hard Disk (80+GB)

Part #	Application Solutions
30G0829	Lexmark PrintCrypton Card
16M1254	X65x Card for IPDS and SCS/TNe
16M1253	X65x Forms and Bar Code Card

Part #	Connectivity
1021294	USB (2 Meter) Cable
1021231	Parallel (10') Cable
14F0037	MarkNet N8120 Gigabit Ethernet Print Server
14F0042	MarkNet N8130 Fiber Ethernet 100BaseFX, 10BaseFL Print Server
14F0045	MarkNet N8150 802.11b/g/n Wireless Print Server

14T0165	Lexmark M4050e 802.11g Wireless Print Server
14T0220	MarkNet N7020e Gigabit Ethernet Print Server
14F0000	Parallel 1284-B Interface Card
14F0100	RS-232C Serial Interface Card

Part #	Extended Warranties
2350557P	X654, X656 2-Years Total (1+1) Onsite Service Guarantee
2350558P	X654, X656 3-Years Total (1+2) Onsite Service Guarantee
2350559P	X654, X656 4-Years Total (1+3) Onsite Service Guarantee
2350561P	X654, X656 1-Year Renewal Onsite Service Guarantee

Part #	User Replaceable Parts
40X4765	T65x, X654e, X656e, X658e Fuser Maintenance Kit 220-240V
40X4540	ADF Pick Roll Assembly
40X3444	ADF Platen Cushion
40X4605	ADF Separator Roll and Guide
40X5852	Dual Charge Roll Assembly
40X1886	Transfer Roll Assembly
40X4308	Pick Roll Assembly
40X4769	X65x ADF Maintenance Kit

Part #	Installation
2350573	X654e, X656e Installation



Lexmark X656de MFP

Expanded possibilities in monochrome MFP performance!

Print Technology

Laser, Monochrome

Function

Colour Scanning, Copying, Faxing, Network Scanning, Printing

Print Speed (A4 mono)

Up to 53 ppm

Print Speed (A4 mono) Duplex

Up to 36 spm

Time to First Page (Black)

As fast as 9.5 seconds

Copy Speed (A4, Black)

Up to 53 cpm

Time to First Copy (Black)

As fast as 7.5 seconds

Print Resolution, Black

1200 Image Quality, 1200 x 1200 dpi, 2400 Image Quality, 600 x 600 dpi

ADF Scan

DADF (single pass Duplex)

Scanning Resolution

600 X 600 dpi (mono)

Processor

600 MHz

Memory, standard

256 MB

Memory, maximum

1280 MB

Hard Disk

as standard

Expandable Memory Options

Yes

Apple Macintosh Operating Systems Supported

Mac OS X, Mac OS 9.2

Citrix MetaFrame

Microsoft Windows 2000 Server running Terminal Services with Citrix Presentation Server 3.0, 4.0, Microsoft Windows Server 2003 running Terminal Services with Citrix Presentation Server 3.0, 4.0, 4.5, Microsoft Windows Server 2003 x64 running Terminal Services with Citrix Presentation Server 4.0 x64, 4.5 x64

Linux Operating Systems Supported

Linpus Linux Desktop 9.2, 9.3, Red Hat Enterprise Linux WS 3.0, 4.0, 5.0, SUSE Linux Enterprise Server 8.0, 9.0, 10, 11, SUSE Linux Enterprise Desktop 10, openSUSE 10.2, 10.3, 11.0, 11.1, Linspire Linux 6.0, Debian GNU/Linux 4.0, Red Flag Linux Desktop 5.0, 6.0, Ubuntu 7.10, Ubuntu 8.04 LTS, SUSE Linux Enterprise Desktop 11, Debian GNU/Linux 5.0, Ubuntu 8.10, 9.04

Microsoft Windows Operating Systems Supported

2000, XP, Server 2003, XP x64, Server 2003 running Terminal Services, 2000 Server running Terminal Services, Server 2003 x64, Server 2003 x64 running Terminal Services, Vista, Vista x64, Server 2008, Server 2008 x64, Server 2008 running Terminal Services, Server 2008 x64 running Terminal Services, 7

Novell Operating Systems Supported

Open Enterprise Server for Netware with NDS, iPrint or

Novell Distributed Print Services (NDPS), NetWare 5.x, 6.x with iPrint or Novell Distributed Print Services (NDPS)

UNIX Operating Systems Supported

Sun Solaris SPARC 8, 9, 10, Sun Solaris x86 10, HP-UX 11.11, 11.23, 11.31, IBM AIX 5.2, 5.3, 6.1

Other Operating Systems Supported

IBM iSeries or IBM AS/400® Systems with TCP/IP with OS/400® V3R1 or later using OS/400 Host Print Transform, Virtually any platform supporting TCP/IP

Paper Handling Standard

Integrated Duplex, 100-Sheet Multipurpose Feeder, 550-Sheet Input Tray, 550-Sheet Output Bin

Paper Handling Optional

400-Sheet Universally Adjustable Tray with Drawer, 550-Sheet Drawer, 250-Sheet Drawer, Optional furniture required., 2,000-Sheet High-capacity Feeder

Paper Input Capacity, Standard: Up to

650 pages 75 gsm bond

Paper Input Capacity, Maximum: Up to

3200 pages 75 gsm bond

Paper Output Capacity, Standard: Up to

550 pages 75 gsm bond

Paper Output Capacity, Maximum: Up to

550 pages 75 gsm bond

ADF Paper Input Capacity

Up to 75 pages 75 gsm bond

Envelope Capacity

10

Finishing Option

No

Number of Paper Inputs, Standard

2

Number of Paper Inputs, Maximum

6

Media Types Supported

Card Stock, Dual Web Labels, Envelopes, Integrated Labels, Paper Labels, Plain Paper, Polyester Labels, Transparencies, Vinyl Labels, Refer to the Card Stock & Label Guide

Media Sizes Supported

10 Envelope, 7 3/4 Envelope, 9 Envelope, A4, A5, DL Envelope, Executive, Folio, JIS-B5, Legal, Letter, Statement, Universal, A6

Standard Ports

Fast Ethernet, One Internal Card Slot, USB 2.0 Specification Hi-Speed Certified (Type B), USB port (Type A) compatible with USB 2.0 Specification, Front USB port Compatible with USB 2.0 Specification (Type A)

Optional Network Ports

Lexmark N4050e 802.11g Wireless Print Server (Print Only), External MarkNet™ N7020e Gigabit Ethernet, Internal MarkNet™ N8120 Gigabit Ethernet, Internal MarkNet™ N8130 Fiber Fast Ethernet, Internal MarkNet™ N8150 802.11b/g/n Wireless

Network Printing Methods

LPR/LPD, Direct IP (Port 9100), Socket (Raw TCP/IP), HTTP, NDS Queue-based Printing, NDPS/NEPS (Novell Distributed Print Services, Novell Network Enterprise Print Services), Enhanced IP (Port 9400), FTP, TFTP, IPP 1.1 (Internet Printing Protocol), ThinPrint .print integration

Network Protocol Support

TCP/IP IPv4, IPX/SPX, AppleTalk™, LexLink (DLC), TCP/IP IPv6, TCP, UDP

Network Security

SNMPv3, 802.1X Authentication: MD5, MSCHAPv2, LEAP, PEAP, TLS, TTLS, IPSec

Printable Area

4.2 mm of the top, bottom, right and left edges (within)

Printer Languages (Standard)

PCL 5e Emulation, PCL 6 Emulation, PPDS, PostScript 3 Emulation, xHTML, PDF 1.6, Direct Image, Microsoft XPS (XML Paper Specification)

Reduce / Enlarge Range

25 - 400 %

Scan Area, Maximum

216 x 355.6 mm

Modem Speed

33.6 Kbps

Supplies Yield

25,000*-page High Yield Print Cartridge, *Average standard page yield value declared in accordance with ISO/IEC 19752, 7,000*-page Print Cartridge, 36,000*-page Extra High Yield Print Cartridge

Cartridge(s) Shipping with Product

18,000*-page Starter Return Program Print Cartridge

Packaged Size (mm - H x W x D)

1020 x 735 x 700 mm

Size (mm - H x W x D)

755 x 548 x 611 mm

Size, Trays Extended (mm - H x W x D)

755 x 548 x 790 mm

Weight (kg)

45.4 kg

Noise Level, Idle

29 dBA

Print Noise Level, Operating

56 dBA

Copier Noise Level, Operating

55 dBA

Scanner Noise Level, Operating

56 dBA

Product Guarantee

1-Year Onsite Service, Next Business Day

Product Certifications

Energy Star, CE Class A, CB IEC 60950-1, IEC 60825-1, IEC 61000-3-2, IEC 61000-3-3, EN 55022 Class A, EN 55024, CISPR 22 Class A, IEC 60320, GS (TÜV), EN 60825-1, ACMA A-tick mark Class A, AS/NZS 60950-1, EK Mark, KCC MIC Mark, CCC Class A, UL AR, CS, TÜV Rh, ONC, ANATEL, SUBTEL, MTC, MOC, TK, TEC, SIRIM,



ICASA, R&TTE ETSI ES 203 021,-2,-3

Maximum Monthly Duty Cycle

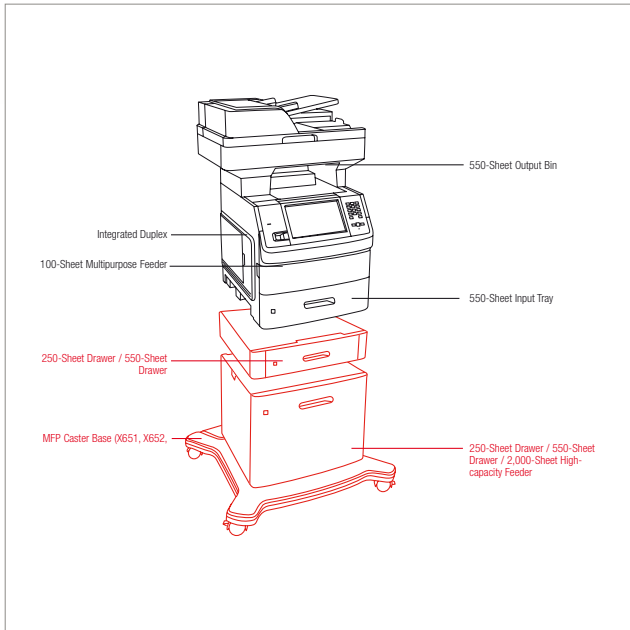
Up to 275000 pages per month

Recommended Monthly Page Volume

5000 - 30000 Pages

Specified Operating Environment

Temperature: 16 to 32°C (60 to 90°F), Humidity: 8 to 80% Relative Humidity, Altitude: 0 - 3048 Meters (10,000 Feet)



Paper Handling Standard
 Paper Handling Optional

Part #	Model
16M1822	Lexmark X656de MFP

Part #	Laser Toner/Print Cartridge
X654X11E	X654, X656, X658 Extra High Yield Return Programme Print Cartridge (36K)
X651H11E	X651, X652, x654, X656, X658 High Yield Return Programme Print Cartridge (25K)
X651A11E	X651, X652, X654, X656, X658 Return Programme Print Cartridge (7K)
X654X04E	X654, X656, X658 Extra High Yield Return Programme Print Cartridge for Label Applications (36K)
X651H04E	X651, X652, X654, X656, X658 High Yield Return Programme Print Cartridge for Label Applications (25K)
X654X21E	X654, X656, X658 Extra High Yield Print Cartridge (36K)
X651H21E	X651, X652, x654, X656, X658 High Yield Print Cartridge (25K)
X651A21E	X651, X652, X654, X656, X658 Print Cartridge (7K)

Part #	Paper & Transparencies
12A5010	Laser Printers - A4 Transparency

Part #	Paper Handling
30G0800	250-Sheet Drawer
30G0802	550-Sheet Drawer
30G0854	5 inch (12.7 cm) Spacer
30G0804	2000-Sheet High Capacity Feeder
30G0871	200-Sheet Universally Adjustable Tray with Drawer
30G0860	400-Sheet Universally Adjustable Tray with Drawer

Part #	Furniture
16M1216	MFP Caster Base (X651, X652, X654, X656)
3052765	Swivel Cabinet

Part #	Memory Options
1025041	256MB DDR2-DRAM
1025042	512MB DDR2-DRAM
1025043	1024MB DDR2-DRAM
14F0245	256MB Flash Card

Part #	Application Solutions
30G0829	Lexmark PrintCrypton Card
16M1254	X65x Card for IPDS and SCS/TNe
16M1253	X65x Forms and Bar Code Card

Part #	Connectivity
1021294	USB (2 Meter) Cable
1021231	Parallel (10') Cable
14F0037	MarkNet N8120 Gigabit Ethernet Print Server
14F0042	MarkNet N8130 Fiber Ethernet 100BaseFX, 10BaseFL Print Server
14F0045	MarkNet N8150 802.11b/g/n Wireless Print Server
14T0165	Lexmark N4050e 802.11g Wireless Print Server

14T0220	MarkNet N7020e Gigabit Ethernet Print Server
14F0000	Parallel 1284-B Interface Card
14F0100	RS-232C Serial Interface Card

Part #	Extended Warranties
2350557P	X654, X656 2-Years Total (1+1) Onsite Service Guarantee
2350558P	X654, X656 3-Years Total (1+2) Onsite Service Guarantee
2350559P	X654, X656 4-Years Total (1+3) Onsite Service Guarantee
2350561P	X654, X656 1-Year Renewal Onsite Service Guarantee

Part #	User Replaceable Parts
40X4765	T65x, X654e, X656e, X658e Fuser Maintenance Kit 220-240V
40X4540	ADF Pick Roll Assembly
40X3444	ADF Platen Cushion
40X4605	ADF Separator Roll and Guide
40X5852	Dual Charge Roll Assembly
40X1886	Transfer Roll Assembly
40X4308	Pick Roll Assembly
40X4769	X65x ADF Maintenance Kit

Part #	Installation
2350573	X654e, X656e Installation



Lexmark X656dte

Expanded possibilities in monochrome MFP performance with extra input capacity!

Print Technology

Laser, Monochrome

Function

Colour Scanning, Copying, Faxing, Network Scanning, Printing

Print Speed (A4 mono)

Up to 53 ppm

Print Speed (A4 mono) Duplex

Up to 36 spm

Time to First Page (Black)

As fast as 9.5 seconds

Copy Speed (A4, Black)

Up to 53 cpm

Time to First Copy (Black)

As fast as 7.5 seconds

Print Resolution, Black

1200 Image Quality, 1200 x 1200 dpi, 2400 Image Quality, 600 x 600 dpi

ADF Scan

DADF (single pass Duplex)

Scanning Resolution

600 X 600 dpi (mono)

Processor

600 MHz

Memory, standard

256 MB

Memory, maximum

1280 MB

Hard Disk

as standard

Expandable Memory Options

Yes

Apple Macintosh Operating Systems Supported

Mac OS X, Mac OS 9.2

Citrix MetaFrame

Microsoft Windows 2000 Server running Terminal Services with Citrix Presentation Server 3.0, 4.0, Microsoft Windows Server 2003 running Terminal Services with Citrix Presentation Server 3.0, 4.0, 4.5, Microsoft Windows Server 2003 x64 running Terminal Services with Citrix Presentation Server 4.0 x64, 4.5 x64

Linux Operating Systems Supported

Linpus Linux Desktop 9.2, 9.3, Red Hat Enterprise Linux WS 3.0, 4.0, 5.0, SUSE Linux Enterprise Server 8.0, 9.0, 10, 11, SUSE Linux Enterprise Desktop 10, openSUSE 10.2, 10.3, 11.0, 11.1, Linspire Linux 6.0, Debian GNU/Linux 4.0, Red Flag Linux Desktop 5.0, 6.0, Ubuntu 7.10, Ubuntu 8.04 LTS, SUSE Linux Enterprise Desktop 11, Debian GNU/Linux 5.0, Ubuntu 8.10, 9.04

Microsoft Windows Operating Systems Supported

2000, XP, Server 2003, XP x64, Server 2003 running Terminal Services, 2000 Server running Terminal Services, Server 2003 x64, Server 2003 x64 running Terminal Services, Vista, Vista x64, Server 2008, Server 2008 x64, Server 2008 running Terminal Services, Server 2008 x64 running Terminal Services, 7

Novell Operating Systems Supported

Open Enterprise Server for Netware with NDS, iPrint or

Novell Distributed Print Services (NDPS), NetWare 5.x, 6.x with iPrint or Novell Distributed Print Services (NDPS)

UNIX Operating Systems Supported

Sun Solaris SPARC 8, 9, 10, Sun Solaris x86 10, HP-UX 11.11, 11.23, 11.31, IBM AIX 5.2, 5.3, 6.1

Other Operating Systems Supported

IBM iSeries or IBM AS/400® Systems with TCP/IP with OS/400® V3R1 or later using OS/400 Host Print Transform, Virtually any platform supporting TCP/IP

Paper Handling Standard

Integrated Duplex, 100-Sheet Multipurpose Feeder, 550-Sheet Drawer, 550-Sheet Input Tray, 550-Sheet Output Bin

Paper Handling Optional

400-Sheet Universally Adjustable Tray with Drawer, 550-Sheet Drawer, 250-Sheet Drawer, Optional furniture required., 2,000-Sheet High-capacity Feeder

Paper Input Capacity, Standard: Up to

1200 pages 75 gsm bond

Paper Input Capacity, Maximum: Up to

3200 pages 75 gsm bond

Paper Output Capacity, Standard: Up to

550 pages 75 gsm bond

Paper Output Capacity, Maximum: Up to

550 pages 75 gsm bond

ADF Paper Input Capacity

Up to 75 pages 75 gsm bond

Envelope Capacity

10

Finishing Option

No

Number of Paper Inputs, Standard

3

Number of Paper Inputs, Maximum

6

Media Types Supported

Card Stock, Dual Web Labels, Envelopes, Integrated Labels, Paper Labels, Plain Paper, Polyester Labels, Transparencies, Vinyl Labels, Refer to the Card Stock & Label Guide

Media Sizes Supported

10 Envelope, 7/34 Envelope, 9 Envelope, A4, A5, DL Envelope, Executive, Folio, JIS-B5, Legal, Letter, Statement, Universal, A6

Standard Ports

Fast Ethernet, One Internal Card Slot, USB 2.0 Specification Hi-Speed Certified (Type B), USB port (Type A) compatible with USB 2.0 Specification, Front USB port compatible with USB 2.0 Specification (Type A)

Optional Network Ports

Lexmark N4050e 802.11g Wireless Print Server (Print Only), External MarkNet™ N7020e Gigabit Ethernet, Internal MarkNet™ N8120 Gigabit Ethernet, Internal MarkNet™ N8130 Fiber Fast Ethernet, Internal

MarkNet™ N8150 802.11b/g/n Wireless

Network Printing Methods

LPR/LPD, Direct IP (Port 9100), Socket (Raw TCP/IP), HTTP, NDS Queue-based Printing, NDPS/NEPS (Novell Distributed Print Services, Novell Network Enterprise Print Services), Enhanced IP (Port 9400), FTP, TFTP, IPP 1.1 (Internet Printing Protocol), ThinPrint .print integration

Network Protocol Support

TCP/IP IPv4, IPX/SPX, AppleTalk™, LexLink (DLC), TCP/IP IPv6, TCP, UDP

Network Security

SNMPv3, 802.1x Authentication: MD5, MSCHAPv2, LEAP, PEAP, TLS, TTLS, IPSec

Printable Area

4.2 mm of the top, bottom, right and left edges (within)

Printer Languages (Standard)

PCL 5e Emulation, PCL 6 Emulation, PPDS, PostScript 3 Emulation, xHTML, PDF 1.6, Direct Image, Microsoft XPS (XML Paper Specification)

Reduce / Enlarge Range

25 - 400 %

Scan Area, Maximum

216 x 355.6 mm

Modem Speed

33.6 Kbps

Supplies Yield

25,000*-page High Yield Print Cartridge, *Average standard page yield value declared in accordance with ISO/IEC 19752, 7,000*-page Print Cartridge, 36,000*-page Extra High Yield Print Cartridge

Cartridge(s) Shipping with Product

18,000*-page Starter Return Program Print Cartridge

Packaged Size (mm - H x W x D)

1215 x 735 x 700 mm

Size (mm - H x W x D)

885 x 548 x 611 mm

Size, Trays Extended (mm - H x W x D)

885 x 548 x 790 mm

Weight (kg)

45.4 kg

Noise Level, Idle

29 dBA

Print Noise Level, Operating

56 dBA

Copier Noise Level, Operating

56 dBA

Scanner Noise Level, Operating

55 dBA

Product Guarantee

1-Year Onsite Service, Next Business Day

Print Certifications

Energy Star, CE Class A, CB IEC 60950-1, IEC 60825-1, IEC 61000-3-2, IEC 61000-3-3, EN 55022 Class A, EN 55024, CISPR 22 Class A, IEC 60320, GS (TÜV), EN 60825-1, ACMA A-tick mark Class A, AS/NZS 60950-1, EK Mark, KCC MIC Mark, CCC Class A, UL AR, CS, TÜV



Rh, CNC, ANATEL, SUBTEL, MTC, MOC, TK, TEC, SIRIM, ICASA, R&TTE ETSI ES 203 021,-2,-3

Maximum Monthly Duty Cycle

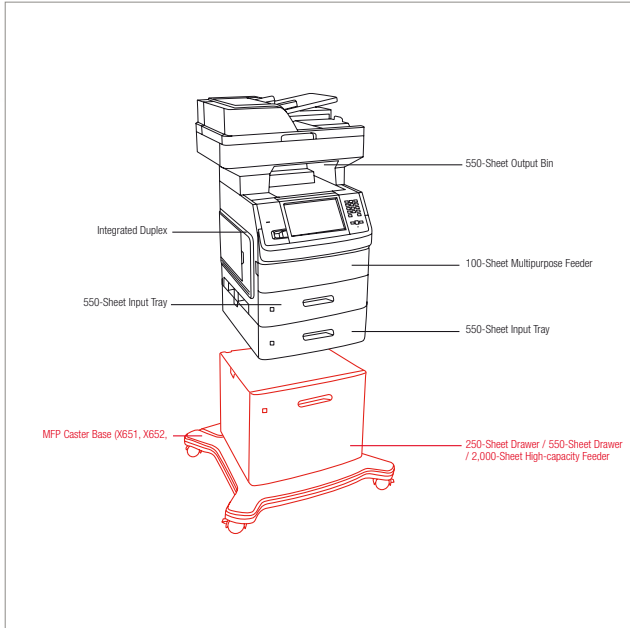
Up to 275000 pages per month

Recommended Monthly Page Volume

5000 - 30000 Pages

Specified Operating Environment

Temperature: 16 to 32°C (60 to 90°F), Humidity: 8 to 80% Relative Humidity, Altitude: 0 - 3048 Meters (10,000 Feet)



Paper Handling Standard
 Paper Handling Optional

Part #	Model
16M1652	Lexmark X656dte

Part #	Laser Toner/Print Cartridge
X654X11E	X654, X656, X658 Extra High Yield Return Programme Print Cartridge (36K)
X651H11E	X651, X652, x654, X656, X658 High Yield Return Programme Print Cartridge (25K)
X651A11E	X651, X652, X654, X656, X658 Return Programme Print Cartridge (7K)
X654X04E	X654, X656, X658 Extra High Yield Return Programme Print Cartridge for Label Applications (36K)
X651H04E	X651, X652, X654, X656, X658 High Yield Return Programme Print Cartridge for Label Applications (25K)
X654X21E	X654, X656, X658 Extra High Yield Print Cartridge (36K)
X651H21E	X651, X652, x654, X656, X658 High Yield Print Cartridge (25K)
X651A21E	X651, X652, X654, X656, X658 Print Cartridge (7K)

Part #	Paper & Transparencies
12A5010	Laser Printers - A4 Transparency

Part #	Paper Handling
30G0802	550-Sheet Drawer
30G0800	250-Sheet Drawer
30G0854	5 inch (12.7 cm) Spacer
30G0804	2000-Sheet High Capacity Feeder
30G0871	200-Sheet Universally Adjustable Tray with Drawer
30G0860	400-Sheet Universally Adjustable Tray with Drawer

Part #	Furniture
16M1216	MFP Caster Base (X651, X652, X654, X656)
3052765	Swivel Cabinet

Part #	Memory Options
1025041	256MB DDR2-DRAM
1025042	512MB DDR2-DRAM
1025043	1024MB DDR2-DRAM
14F0245	256MB Flash Card

Part #	Application Solutions
30G0829	Lexmark PrintCrypton Card
16M1254	X65x Card for IPDS and SCS/TNe
16M1253	X65x Forms and Bar Code Card

Part #	Connectivity
1021294	USB (2 Meter) Cable
1021231	Parallel (10') Cable
14F0037	MarkNet N8120 Gigabit Ethernet Print Server
14F0042	MarkNet N8130 Fiber Ethernet 100BaseFX, 10BaseFL Print Server
14F0045	MarkNet N8150 802.11b/g/n Wireless Print Server
14T0165	Lexmark N4050e 802.11g Wireless Print Server

14T0220	MarkNet N7020e Gigabit Ethernet Print Server
14F0000	Parallel 1284-B Interface Card
14F0100	RS-232C Serial Interface Card

Part #	Extended Warranties
2350557P	X654, X656 2-Years Total (1+1) Onsite Service Guarantee
2350558P	X654, X656 3-Years Total (1+2) Onsite Service Guarantee
2350559P	X654, X656 4-Years Total (1+3) Onsite Service Guarantee
2350561P	X654, X656 1-Year Renewal Onsite Service Guarantee

Part #	User Replaceable Parts
40X4765	T65x, X654e, X656e, X658e Fuser Maintenance Kit 220-240V
40X4540	ADF Pick Roll Assembly
40X3444	ADF Platen Cushion
40X4605	ADF Separator Roll and Guide
40X5852	Dual Charge Roll Assembly
40X1886	Transfer Roll Assembly
40X4308	Pick Roll Assembly
40X4769	X65x ADF Maintenance Kit

Part #	Installation
2350573	X654e, X656e Installation



Lexmark X658dfe

Benefits that no copier can copy!

Print Technology

Laser, Monochrome

Function

Colour Scanning, Copying, Faxing, Network Scanning, Printing

Print Speed (A4 mono)

Up to 53 ppm

Print Speed (A4 mono) Duplex

Up to 36 spm

Time to First Page (Black)

As fast as 9.5 seconds

Copy Speed (A4, Black)

Up to 53 cpm

Time to First Copy (Black)

As fast as 7.5 seconds

Print Resolution, Black

1200 Image Quality, 1200 x 1200 dpi, 2400 Image Quality, 600 x 600 dpi

ADF Scan

DADF (single pass Duplex)

Scanning Resolution

600 X 600 dpi (mono)

Processor

600 MHz

Memory, standard

256 MB

Memory, maximum

1280 MB

Hard Disk

as standard

Expandable Memory Options

Yes

Apple Macintosh Operating Systems Supported

Mac OS X, Mac OS 9.2

Citrix MetaFrame

Microsoft Windows 2000 Server running Terminal Services with Citrix Presentation Server 3.0, 4.0, Microsoft Windows Server 2003 running Terminal Services with Citrix Presentation Server 3.0, 4.0, 4.5, Microsoft Windows Server 2003 x64 running Terminal Services with Citrix Presentation Server 4.0 x64, 4.5 x64

Linux Operating Systems Supported

Linpus Linux Desktop 9.2, 9.3, Red Hat Enterprise Linux WS 3.0, 4.0, 5.0, SUSE Linux Enterprise Server 8.0, 9.0, 10, 11, SUSE Linux Enterprise Desktop 10, openSUSE 10.2, 10.3, 11.0, 11.1, Linspire Linux 6.0, Debian GNU/Linux 4.0, Red Flag Linux Desktop 5.0, 6.0, Ubuntu 7.10, Ubuntu 8.04 LTS, SUSE Linux Enterprise Desktop 11, Debian GNU/Linux 5.0, Ubuntu 8.10, 9.04

Microsoft Windows Operating Systems Supported

2000, XP, Server 2003, XP x64, Server 2003 running Terminal Services, 2000 Server running Terminal Services, Server 2003 x64, Server 2003 x64 running Terminal Services, Vista, Vista x64, Server 2008, Server 2008 x64, Server 2008 running Terminal Services, Server 2008 x64 running Terminal Services, 7

Novell Operating Systems Supported

Open Enterprise Server for Netware with NDS, iPrint or

Novell Distributed Print Services (NDPS), NetWare 5.x, 6.x with iPrint or Novell Distributed Print Services (NDPS)

UNIX Operating Systems Supported

Sun Solaris SPARC 8, 9, 10, Sun Solaris x86 10, HP-UX 11.11, 11.23, 11.31, IBM AIX 5.2, 5.3, 6.1

Other Operating Systems Supported

IBM iSeries or IBM AS/400® Systems with TCP/IP with OS/400® V3R1 or later using OS/400 Host Print Transform, Virtually any platform supporting TCP/IP

Paper Handling Standard

Integrated Duplex, 100-Sheet Multipurpose Feeder, 550-Sheet Drawer, 550-Sheet Input Tray, 550-Sheet Output Bin, StapleSmart II Finisher

Paper Handling Optional

550-Sheet Drawer, Envelope Feeder

Paper Input Capacity, Standard: Up to

1200 pages 75 gsm bond

Paper Input Capacity, Maximum: Up to

2300 pages 75 gsm bond

Paper Output Capacity, Standard: Up to

1050 pages 75 gsm bond

Paper Output Capacity, Maximum: Up to

1050 pages 75 gsm bond

ADF Paper Input Capacity

Up to 75 pages 75 gsm bond

Envelope Capacity

85

Finishing Option

Standard

Number of Paper Inputs, Standard

3

Number of Paper Inputs, Maximum

5

Media Types Supported

Card Stock, Dual Web Labels, Envelopes, Integrated Labels, Paper Labels, Plain Paper, Polyester Labels, Transparencies, Vinyl Labels, Refer to the Card Stock & Label Guide

Media Sizes Supported

10 Envelope, 7 3/4 Envelope, 9 Envelope, A4, A5, DL Envelope, Executive, Folio, JIS-B5, Legal, Letter, Statement, Universal, A6

Standard Ports

Fast Ethernet, One Internal Card Slot, USB 2.0 Specification Hi-Speed Certified (Type B), USB port (Type A) compatible with USB 2.0 Specification, Front USB port Compatible with USB 2.0 Specification (Type A)

Optional Network Ports

Lexmark N4050e 802.11g Wireless Print Server (Print Only), External MarkNet™ N7020e Gigabit Ethernet, Internal MarkNet™ N8120 Gigabit Ethernet, Internal MarkNet™ N8130 Fiber Fast Ethernet, Internal MarkNet™ N8150 802.11b/g/n Wireless

Network Printing Methods

LPR/LPD, Direct IP (Port 9100), Socket (Raw TCP/IP), HTTP, NDS Queue-based Printing, NDPS/NEPS (Novell Distributed Print Services, Novell Network Enterprise Print Services), Enhanced IP (Port 9400), FTP, TFTP, IPP 1.1 (Internet Printing Protocol), ThinPrint .print integration

Network Protocol Support

TCP/IP IPv4, IPX/SPX, AppleTalk™, LexLink (DLC), TCP/IP IPv6, TCP, UDP

Network Security

SNMPv3, 802.1X Authentication: MD5, MSCHAPv2, LEAP, PEAP, TLS, TTLS, IPSec

Printable Area

4.2 mm of the top, bottom, right and left edges (within)

Printer Languages (Standard)

PCL 5e Emulation, PCL 6 Emulation, PPDS, PostScript 3 Emulation, xHTML, PDF 1.6, Direct Image, Microsoft XPS (XML Paper Specification)

Reduce / Enlarge Range

25 - 400 %

Scan Area, Maximum

216 x 355.6 mm

Modem Speed

33.6 Kbps

Supplies Yield

25,000*-page High Yield Print Cartridge, *Average standard page yield value declared in accordance with ISO/IEC 19752, 7,000*-page Print Cartridge, 36,000*-page Extra High Yield Print Cartridge

Cartridge(s) Shipping with Product

18,000*-page Starter Return Program Print Cartridge

Packaged Size (mm - H x W x D)

1445 x 1010 x 840 mm

Size (mm - H x W x D)

1114 x 548 x 596 mm

Size, Trays Extended (mm - H x W x D)

1114 x 548 x 787 mm

Weight (kg)

75.1 kg

Noise Level, Idle

28 dBA

Print Noise Level, Operating

55 dBA

Copier Noise Level, Operating

55 dBA

Scanner Noise Level, Operating

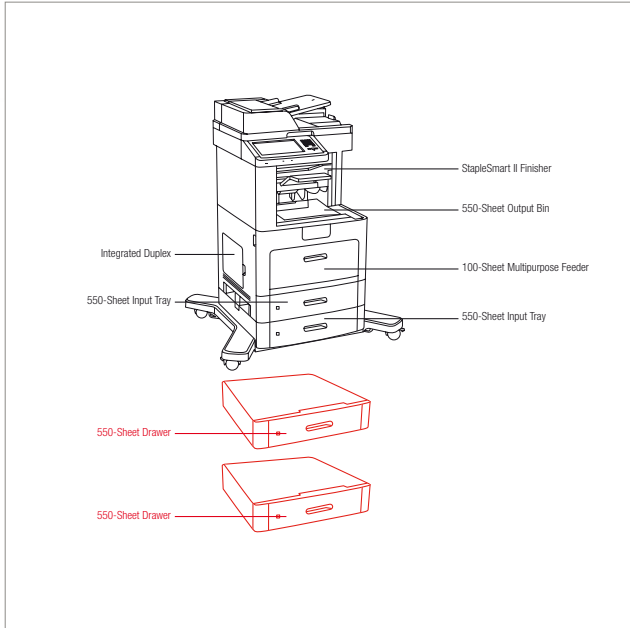
55 dBA

Product Guarantee

1-Year Onsite Service, Next Business Day

Product Certifications

Energy Star, CE Class A, CB IEC 60950-1, IEC 60825-1, IEC 61000-3-2, IEC 61000-3-3, EN 55022 Class A, EN 55024, CISPR 22 Class A, IEC 60320, GS (TÜV), EN 60825-1, ACMA A-tick mark Class A, AS/NZS 60950-1, EK Mark, KCC MIC Mark, CCC Class A, UL AR, CS, TÜV Rh, CNC, ANATEL, SUBTEL, MTC, MOC, TK, TEC, SIRIM,



Paper Handling Standard
 Paper Handling Optional

ICASA, R&TTE ETSI ES 203 021,-2,-3

Maximum Monthly Duty Cycle

Up to 275000 pages per month

Recommended Monthly Page Volume

5000 - 30000 Pages

Specified Operating Environment

Temperature: 16 to 32°C (60 to 90°F), Humidity: 8 to 80% Relative Humidity, Altitude: 0 - 3048 Meters (10,000 Feet)

Part #	Model
16M1653	Lexmark X658dfe

Part #	Laser Toner/Print Cartridge
X654X11E	X654, X656, X658 Extra High Yield Return Programme Print Cartridge (36K)
X651H11E	X651, X652, x654, X656, X658 High Yield Return Programme Print Cartridge (25K)
X651A11E	X651, X652, X654, X656, X658 Return Programme Print Cartridge (7K)
X654X04E	X654, X656, X658 Extra High Yield Return Programme Print Cartridge for Label Applications (36K)
X651H04E	X651, X652, X654, X656, X658 High Yield Return Programme Print Cartridge for Label Applications (25K)
X654X21E	X654, X656, X658 Extra High Yield Print Cartridge (36K)
X651H21E	X651, X652, x654, X656, X658 High Yield Print Cartridge (25K)
X651A21E	X651, X652, X654, X656, X658 Print Cartridge (7K)
25A0013	Staple Cartridges (3 pack)

Part #	Paper & Transparencies
12A5010	Laser Printers - A4 Transparency

Part #	Paper Handling
16M1100	X658 550-Sheet Drawer
30G0807	T65x, X658 Envelope Feeder

Part #	Memory Options
1025041	256MB DDR2-DRAM
1025042	512MB DDR2-DRAM
1025043	1024MB DDR2-DRAM
14F0245	256MB Flash Card

Part #	Application Solutions
30G0829	Lexmark PrintCrypton Card
16M1254	X65x Card for IPDS and SCS/TNe
16M1253	X65x Forms and Bar Code Card

Part #	Connectivity
1021294	USB (2 Meter) Cable
1021231	Parallel (10') Cable
14F0037	MarkNet N8120 Gigabit Ethernet Print Server
14F0042	MarkNet N8130 Fiber Ethernet 100BaseFX, 10BaseFL Print Server
14F0045	MarkNet N8150 802.11b/g/n Wireless Print Server
14T0165	Lexmark N4050e 802.11g Wireless Print Server
14T0220	MarkNet N7020e Gigabit Ethernet Print Server
14F0000	Parallel 1284-B Interface Card
14F0100	RS-232C Serial Interface Card

Part #	Extended Warranties
2350575P	X658 2-Years Total (1+1) Onsite Service Guarantee
2350576P	X658 3-Years Total (1+2) Onsite Service Guarantee

2350577P	X658 4-Years Total (1+3) Onsite Service Guarantee
2350579P	X658 1-Year Renewal Onsite Service Guarantee

Part #	User Replaceable Parts
40X4765	T65x, X654e, X656e, X658e Fuser Maintenance Kit 220-240V
40X4540	ADF Pick Roll Assembly
40X3444	ADF Platen Cushion
40X4605	ADF Separator Roll and Guide
40X5852	Dual Charge Roll Assembly
40X1886	Transfer Roll Assembly
40X4308	Pick Roll Assembly
40X4769	X65x ADF Maintenance Kit

Part #	Installation
2350591	X658e Installation



Lexmark X658dtfe

Benefits that no copier can copy!

Print Technology

Laser, Monochrome

Function

Colour Scanning, Copying, Faxing, Network Scanning, Printing

Print Speed (A4 mono)

Up to 53 ppm

Print Speed (A4 mono) Duplex

Up to 36 spm

Time to First Page (Black)

As fast as 9.5 seconds

Copy Speed (A4, Black)

Up to 53 cpm

Time to First Copy (Black)

As fast as 7.5 seconds

Print Resolution, Black

1200 Image Quality, 1200 x 1200 dpi, 2400 Image Quality, 600 x 600 dpi

ADF Scan

DADF (single pass Duplex)

Scanning Resolution

600 X 600 dpi (mono)

Processor

600 MHz

Memory, standard

256 MB

Memory, maximum

1280 MB

Hard Disk

as standard

Expandable Memory Options

Yes

Apple Macintosh Operating Systems Supported

Mac OS X, Mac OS 9.2

Citrix MetaFrame

Microsoft Windows 2000 Server running Terminal Services with Citrix Presentation Server 3.0, 4.0, Microsoft Windows Server 2003 running Terminal Services with Citrix Presentation Server 3.0, 4.0, 4.5, Microsoft Windows Server 2003 x64 running Terminal Services with Citrix Presentation Server 4.0 x64, 4.5 x64

Linux Operating Systems Supported

Linpus Linux Desktop 9.2, 9.3, Red Hat Enterprise Linux WS 3.0, 4.0, 5.0, SUSE Linux Enterprise Server 8.0, 9.0, 10, 11, SUSE Linux Enterprise Desktop 10, openSUSE 10.2, 10.3, 11.0, 11.1, Linspire Linux 6.0, Debian GNU/Linux 4.0, Red Flag Linux Desktop 5.0, 6.0, Ubuntu 7.10, Ubuntu 8.04 LTS, SUSE Linux Enterprise Desktop 11, Debian GNU/Linux 5.0, Ubuntu 8.10, 9.04

Microsoft Windows Operating Systems Supported

2000, XP, Server 2003, XP x64, Server 2003 running Terminal Services, 2000 Server running Terminal Services, Server 2003 x64, Server 2003 x64 running Terminal Services, Vista, Vista x64, Server 2008, Server 2008 x64, Server 2008 running Terminal Services, Server 2008 x64 running Terminal Services, 7

Novell Operating Systems Supported

Open Enterprise Server for Netware with NDS, iPrint or

Novell Distributed Print Services (NDPS), NetWare 5.x, 6.x with iPrint or Novell Distributed Print Services (NDPS)

UNIX Operating Systems Supported

Sun Solaris SPARC 8, 9, 10, Sun Solaris x86 10, HP-UX 11.11, 11.23, 11.31, IBM AIX 5.2, 5.3, 6.1

Other Operating Systems Supported

IBM iSeries or IBM AS/400® Systems with TCP/IP with OS/400® V3R1 or later using OS/400 Host Print Transform, Virtually any platform supporting TCP/IP

Paper Handling Standard

Integrated Duplex, 100-Sheet Multipurpose Feeder, 550-Sheet Input Tray, 550-Sheet Output Bin, 2 x 550-Sheet Drawers, StapleSmart II Finisher

Paper Handling Optional

550-Sheet Drawer, Envelope Feeder

Paper Input Capacity, Standard: Up to

1750 pages 75 gsm bond

Paper Input Capacity, Maximum: Up to

2300 pages 75 gsm bond

Paper Output Capacity, Standard: Up to

1050 pages 75 gsm bond

Paper Output Capacity, Maximum: Up to

1050 pages 75 gsm bond

ADF Paper Input Capacity

Up to 75 pages 75 gsm bond

Envelope Capacity

85

Finishing Option

Standard

Number of Paper Inputs, Standard

4

Number of Paper Inputs, Maximum

5

Media Types Supported

Card Stock, Dual Web Labels, Envelopes, Integrated Labels, Paper Labels, Plain Paper, Polyester Labels, Transparencies, Vinyl Labels, Refer to the Card Stock & Label Guide

Media Sizes Supported

10 Envelope, 7 3/4 Envelope, 9 Envelope, A4, A5, DL Envelope, Executive, Folio, JIS-B5, Legal, Letter, Statement, Universal, A6

Standard Ports

Fast Ethernet, One Internal Card Slot, USB 2.0 Specification Hi-Speed Certified (Type B), USB port (Type A) compatible with USB 2.0 Specification, Front USB port compatible with USB 2.0 Specification (Type A)

Optional Network Ports

Lexmark N4050e 802.11g Wireless Print Server (Print Only), External MarkNet™ N7020e Gigabit Ethernet, Internal MarkNet™ N8120 Gigabit Ethernet, Internal MarkNet™ N8130 Fiber Fast Ethernet, Internal MarkNet™ N8150 802.11b/g/n Wireless

Network Printing Methods

LPR/LPD, Direct IP (Port 9100), Socket (Raw TCP/IP), HTTP, NDS Queue-based Printing, NDPS/NEPS (Novell Distributed Print Services, Novell Network Enterprise Print Services), Enhanced IP (Port 9400), FTP, TFTP, IPP 1.1 (Internet Printing Protocol), ThinPrint .print integration

Network Protocol Support

TCP/IP IPv4, IPX/SPX, AppleTalk™, LexLink (DLC), TCP/IP IPv6, TCP, UDP

Network Security

SNMPv3, 802.1X Authentication: MD5, MSCHAPv2, LEAP, PEAP, TLS, TTLS, IPSec

Printable Area

4.2 mm of the top, bottom, right and left edges (within)

Printer Languages (Standard)

PCL 5e Emulation, PCL 6 Emulation, PPDS, PostScript 3 Emulation, xHTML, PDF 1.6, Direct Image, Microsoft XPS (XML Paper Specification)

Reduce / Enlarge Range

25 - 400 %

Scan Area, Maximum

216 x 355.6 mm

Modem Speed

33.6 Kbps

Supplies Yield

25,000*-page High Yield Print Cartridge, *Average standard page yield value declared in accordance with ISO/IEC 19752, 7,000*-page Print Cartridge, 36,000*-page Extra High Yield Print Cartridge

Cartridge(s) Shipping with Product

18,000*-page Starter Return Program Print Cartridge

Packaged Size (mm - H x W x D)

1445 x 1010 x 840 mm

Size (mm - H x W x D)

1246 x 548 x 596 mm

Size, Trays Extended (mm - H x W x D)

1246 x 548 x 787 mm

Weight (kg)

80.1 kg

Noise Level, Idle

28 dBA

Print Noise Level, Operating

55 dBA

Copier Noise Level, Operating

55 dBA

Scanner Noise Level, Operating

55 dBA

Product Guarantee

1-Year Onsite Service, Next Business Day

Product Certifications

Energy Star, CE Class A, CB IEC 60950-1, IEC 60825-1, IEC 61000-3-2, IEC 61000-3-3, EN 55022 Class A, EN 55024, CISPR 22 Class A, IEC 60320, GS (TÜV), EN 60825-1, ACMA A-tick mark Class A, AS/NZS 60950-1, EK Mark, KCC MIC Mark, CCC Class A, UL AR, CS, TÜV Rh, CNC, ANATEL, SUBTEL, MTC, MOC, TK, TEC, SIRIM,



ICASA, R&TTE ETSI ES 203 021,-2,-3

Maximum Monthly Duty Cycle

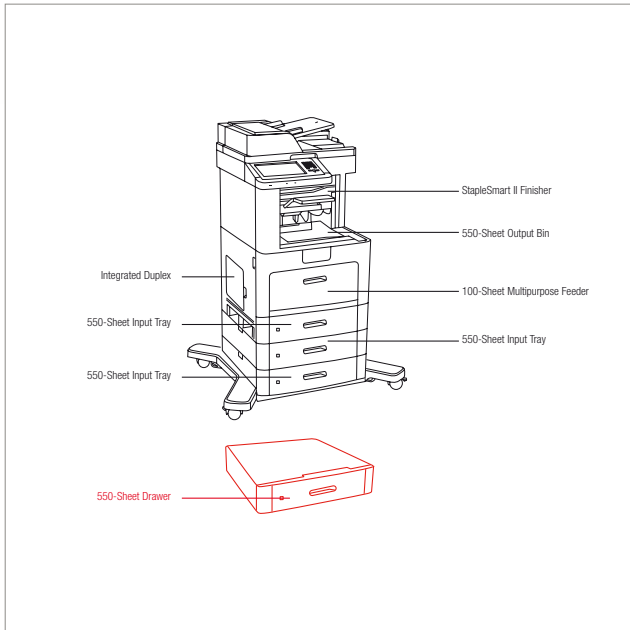
Up to 275000 pages per month

Recommended Monthly Page Volume

5000 - 30000 Pages

Specified Operating Environment

Temperature: 16 to 32°C (60 to 90°F), Humidity: 8 to 80% Relative Humidity, Altitude: 0 - 3048 Meters (10,000 Feet)



Paper Handling Standard
 Paper Handling Optional

Part #	Model
16M1655	Lexmark X658dttf

Part #	Laser Toner/Print Cartridge
X654X11E	X654, X656, X658 Extra High Yield Return Programme Print Cartridge (36K)
X651H11E	X651, X652, x654, X656, X658 High Yield Return Programme Print Cartridge (25K)
X651A11E	X651, X652, X654, X656, X658 Return Programme Print Cartridge (7K)
X654X04E	X654, X656, X658 Extra High Yield Return Programme Print Cartridge for Label Applications (36K)
X651H04E	X651, X652, X654, X656, X658 High Yield Return Programme Print Cartridge for Label Applications (25K)
X654X21E	X654, X656, X658 Extra High Yield Print Cartridge (36K)
X651H21E	X651, X652, x654, X656, X658 High Yield Print Cartridge (25K)
X651A21E	X651, X652, X654, X656, X658 Print Cartridge (7K)
25A0013	Staple Cartridges (3 pack)

Part #	Paper & Transparencies
12A5010	Laser Printers - A4 Transparency

Part #	Paper Handling
16M1100	X658 550-Sheet Drawer
30G0807	T65x, X658 Envelope Feeder

Part #	Memory Options
1025041	256MB DDR2-DRAM
1025042	512MB DDR2-DRAM
1025043	1024MB DDR2-DRAM
14F0245	256MB Flash Card

Part #	Application Solutions
30G0829	Lexmark PrintCrypton Card
16M1254	X65x Card for IPDS and SCS/TNe
16M1253	X65x Forms and Bar Code Card

Part #	Connectivity
1021294	USB (2 Meter) Cable
1021231	Parallel (10') Cable
14F0037	MarkNet N8120 Gigabit Ethernet Print Server
14F0042	MarkNet N8130 Fiber Ethernet 100BaseFX, 10BaseFL Print Server
14F0045	MarkNet N8150 802.11b/g/n Wireless Print Server
14T0165	Lexmark N4050e 802.11g Wireless Print Server
14T0220	MarkNet N7020e Gigabit Ethernet Print Server
14F0000	Parallel 1284-B Interface Card
14F0100	RS-232C Serial Interface Card

Part #	Extended Warranties
2350575P	X658 2-Years Total (1+1) Onsite Service Guarantee
2350576P	X658 3-Years Total (1+2) Onsite Service Guarantee

2350577P	X658 4-Years Total (1+3) Onsite Service Guarantee
2350579P	X658 1-Year Renewal Onsite Service Guarantee

Part #	User Replaceable Parts
40X4765	T65x, X654e, X656e, X658e Fuser Maintenance Kit 220-240V
40X4540	ADF Pick Roll Assembly
40X3444	ADF Platen Cushion
40X4605	ADF Separator Roll and Guide
40X5852	Dual Charge Roll Assembly
40X1886	Transfer Roll Assembly
40X4308	Pick Roll Assembly
40X4769	X65x ADF Maintenance Kit

Part #	Installation
2350591	X658e Installation



Lexmark X658dme

Benefits that no copier can copy!

Print Technology

Laser, Monochrome

Function

Colour Scanning, Copying, Faxing, Network Scanning, Printing

Print Speed (A4 mono)

Up to 53 ppm

Print Speed (A4 mono) Duplex

Up to 36 ppm

Time to First Page (Black)

As fast as 9.5 seconds

Copy Speed (A4, Black)

Up to 53 cpm

Time to First Copy (Black)

As fast as 7.5 seconds

Print Resolution, Black

1200 Image Quality, 1200 x 1200 dpi, 2400 Image Quality, 600 x 600 dpi

ADF Scan

DADF (single pass Duplex)

Scanning Resolution

600 X 600 dpi (mono)

Processor

600 MHz

Memory, standard

256 MB

Memory, maximum

1280 MB

Hard Disk

as standard

Expandable Memory Options

Yes

Apple Macintosh Operating Systems Supported

Mac OS X, Mac OS 9.2

Citrix MetaFrame

Microsoft Windows 2000 Server running Terminal Services with Citrix Presentation Server 3.0, 4.0, Microsoft Windows Server 2003 running Terminal Services with Citrix Presentation Server 3.0, 4.0, 4.5, Microsoft Windows Server 2003 x64 running Terminal Services with Citrix Presentation Server 4.0 x64, 4.5 x64

Linux Operating Systems Supported

Linpus Linux Desktop 9.2, 9.3, Red Hat Enterprise Linux WS 3.0, 4.0, 5.0, SUSE Linux Enterprise Server 8.0, 9.0, 10, 11, SUSE Linux Enterprise Desktop 10, openSUSE 10.2, 10.3, 11.0, 11.1, Linspire Linux 6.0, Debian GNU/Linux 4.0, Red Flag Linux Desktop 5.0, 6.0, Ubuntu 7.10, Ubuntu 8.04 LTS, SUSE Linux Enterprise Desktop 11, Debian GNU/Linux 5.0, Ubuntu 8.10, 9.04

Microsoft Windows Operating Systems Supported

2000, XP, Server 2003, XP x64, Server 2003 running Terminal Services, 2000 Server running Terminal Services, Server 2003 x64, Server 2003 x64 running Terminal Services, Vista, Vista x64, Server 2008, Server 2008 x64, Server 2008 running Terminal Services, Server 2008 x64 running Terminal Services, 7

Novell Operating Systems Supported

Open Enterprise Server for Netware with NDS, iPrint or

Novell Distributed Print Services (NDPS), NetWare 5.x, 6.x with iPrint or Novell Distributed Print Services (NDPS)

UNIX Operating Systems Supported

Sun Solaris SPARC 8, 9, 10, Sun Solaris x86 10, HP-UX 11.11, 11.23, 11.31, IBM AIX 5.2, 5.3, 6.1

Other Operating Systems Supported

IBM iSeries or IBM AS/400® Systems with TCP/IP with OS/400® V3R1 or later using OS/400 Host Print Transform, Virtually any platform supporting TCP/IP

Paper Handling Standard

Integrated Duplex, 100-Sheet Multipurpose Feeder, 550-Sheet Drawer, 550-Sheet Input Tray, 550-Sheet Output Bin, 4-Bin Mailbox

Paper Handling Optional

550-Sheet Drawer, Envelope Feeder

Paper Input Capacity, Standard: Up to

1200 pages 75 gsm bond

Paper Input Capacity, Maximum: Up to

2300 pages 75 gsm bond

Paper Output Capacity, Standard: Up to

950 pages 75 gsm bond

Paper Output Capacity, Maximum: Up to

950 pages 75 gsm bond

ADF Paper Input Capacity

Up to 75 pages 75 gsm bond

Envelope Capacity

85

Finishing Option

No

Number of Paper Inputs, Standard

3

Number of Paper Inputs, Maximum

5

Media Types Supported

Card Stock, Dual Web Labels, Envelopes, Integrated Labels, Paper Labels, Plain Paper, Polyester Labels, Transparencies, Vinyl Labels, Refer to the Card Stock & Label Guide

Media Sizes Supported

10 Envelope, 7 3/4 Envelope, 9 Envelope, A4, A5, DL Envelope, Executive, Folio, JIS-B5, Legal, Letter, Statement, Universal, A6

Standard Ports

Fast Ethernet, One Internal Card Slot, USB 2.0 Specification Hi-Speed Certified (Type B), USB port (Type A) compatible with USB 2.0 Specification, Front USB port compatible with USB 2.0 Specification (Type A)

Optional Network Ports

Lexmark N4050e 802.11g Wireless Print Server (Print Only), External MarkNet™ N7020e Gigabit Ethernet, Internal MarkNet™ N8120 Gigabit Ethernet, Internal MarkNet™ N8130 Fiber Fast Ethernet, Internal MarkNet™ N8150 802.11b/g/n Wireless

Network Printing Methods

LPR/LPD, Direct IP (Port 9100), Socket (Raw TCP/IP), HTTP, NDS Queue-based Printing, NDPS/NEPS (Novell Distributed Print Services, Novell Network Enterprise Print Services), Enhanced IP (Port 9400), FTP, TFTP, IPP 1.1 (Internet Printing Protocol), ThinPrint .print integration

Network Protocol Support

TCP/IP IPv4, IPX/SPX, AppleTalk™, LexLink (DLC), TCP/IP IPv6, TCP, UDP

Network Security

SNMPv3, 802.1X Authentication: MD5, MSCHAPv2, LEAP, PEAP, TLS, TTLS, IPSec

Printable Area

4.2 mm of the top, bottom, right and left edges (within)

Printer Languages (Standard)

PCL 5e Emulation, PCL 6 Emulation, PPDS, PostScript 3 Emulation, xHTML, PDF 1.6, Direct Image, Microsoft XPS (XML Paper Specification)

Reduce / Enlarge Range

25 - 400 %

Scan Area, Maximum

216 x 355.6 mm

Modem Speed

33.6 Kbps

Supplies Yield

25,000*-page High Yield Print Cartridge, *Average standard page yield value declared in accordance with ISO/IEC 19752, 7,000*-page Print Cartridge, 36,000*-page Extra High Yield Print Cartridge

Cartridge(s) Shipping with Product

18,000*-page Starter Return Program Print Cartridge

Packaged Size (mm - H x W x D)

1445 x 1010 x 840 mm

Size (mm - H x W x D)

1114 x 548 x 596 mm

Size, Trays Extended (mm - H x W x D)

1114 x 548 x 787 mm

Weight (kg)

72.8 kg

Noise Level, Idle

28 dBA

Print Noise Level, Operating

55 dBA

Copier Noise Level, Operating

55 dBA

Scanner Noise Level, Operating

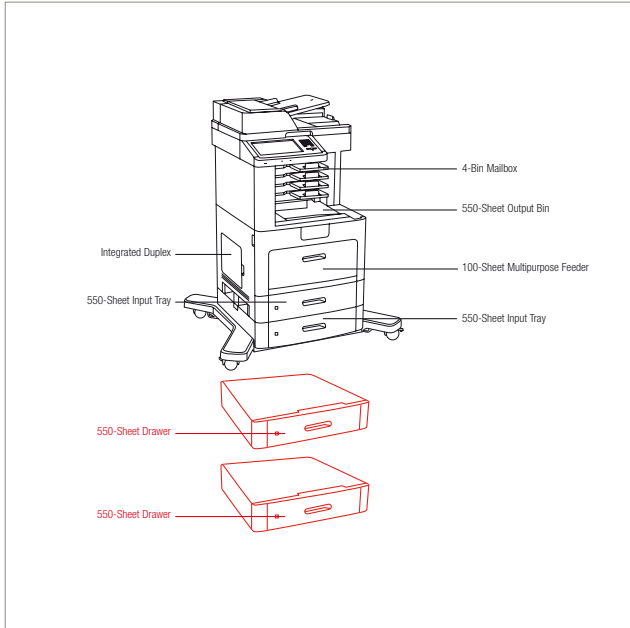
55 dBA

Product Guarantee

1-Year Onsite Service, Next Business Day

Product Certifications

Energy Star, CE Class A, CB IEC 60950-1, IEC 60825-1, IEC 61000-3-2, IEC 61000-3-3, EN 55022 Class A, EN 55024, CISPR 22 Class A, IEC 60320, GS (TÜV), EN 60825-1, ACMA A-tick mark Class A, AS/NZS 60950-1, EK Mark, KCC MIC Mark, CCC Class A, UL AR, CS, TÜV Rh, CNC, ANATEL, SUBTEL, MTC, MOC, TK, TEC, SIRIM,



Paper Handling Standard
 Paper Handling Optional

ICASA, R&TTE ETSI ES 203 021,-2,-3

Maximum Monthly Duty Cycle

Up to 275000 pages per month

Recommended Monthly Page Volume

5000 - 30000 Pages

Specified Operating Environment

Temperature: 16 to 32°C (60 to 90°F), Humidity: 8 to 80% Relative Humidity, Altitude: 0 - 3048 Meters (10,000 Feet)

Part #	Model
16M1654	Lexmark X658dme
Part # Laser Toner/Print Cartridge	
X654X11E	X654, X656, X658 Extra High Yield Return Programme Print Cartridge (36K)
X651H11E	X651, X652, x654, X656, X658 High Yield Return Programme Print Cartridge (25K)
X651A11E	X651, X652, X654, X656, X658 Return Programme Print Cartridge (7K)
X654X04E	X654, X656, X658 Extra High Yield Return Programme Print Cartridge for Label Applications (36K)
X651H04E	X651, X652, X654, X656, X658 High Yield Return Programme Print Cartridge for Label Applications (25K)
X654X21E	X654, X656, X658 Extra High Yield Print Cartridge (36K)
X651H21E	X651, X652, x654, X656, X658 High Yield Print Cartridge (25K)
X651A21E	X651, X652, X654, X656, X658 Print Cartridge (7K)

Part #	Paper & Transparencys
12A5010	Laser Printers - A4 Transparency

Part #	Paper Handling
16M1100	X658 550-Sheet Drawer
30G0807	T65x, X658 Envelope Feeder

Part #	Memory Options
1025041	256MB DDR2-DRAM
1025042	512MB DDR2-DRAM
1025043	1024MB DDR2-DRAM
14F0245	256MB Flash Card

Part #	Application Solutions
30G0829	Lexmark PrintCrypton Card
16M1254	X65x Card for IPDS and SCS/TNe
16M1253	X65x Forms and Bar Code Card

Part #	Connectivity
1021294	USB (2 Meter) Cable
1021231	Parallel (10') Cable
14F0037	MarkNet N8120 Gigabit Ethernet Print Server
14F0042	MarkNet N8130 Fiber Ethernet 100BaseFX, 10BaseFL Print Server
14F0045	MarkNet N8150 802.11b/g/n Wireless Print Server
14T0165	Lexmark N4050e 802.11g Wireless Print Server
14T0220	MarkNet N7020e Gigabit Ethernet Print Server
14F0000	Parallel 1284-B Interface Card
14F0100	RS-232C Serial Interface Card

Part #	Extended Warranties
2350575P	X658 2-Years Total (1+1) Onsite Service Guarantee
2350576P	X658 3-Years Total (1+2) Onsite Service Guarantee
2350577P	X658 4-Years Total (1+3) Onsite Service Guarantee

2350579P	X658 1-Year Renewal Onsite Service Guarantee
----------	--

Part #	User Replaceable Parts
40X4765	T65x, X654e, X656e, X658e Fuser Maintenance Kit 220-240V
40X4540	ADF Pick Roll Assembly
40X3444	ADF Platen Cushion
40X4605	ADF Separator Roll and Guide
40X5852	Dual Charge Roll Assembly
40X1886	Transfer Roll Assembly
40X4308	Pick Roll Assembly
40X4769	X65x ADF Maintenance Kit

Part #	Installation
2350591	X658e Installation



Lexmark X658dtme

Benefits that no copier can copy!

Print Technology

Laser, Monochrome

Function

Colour Scanning, Copying, Faxing, Network Scanning, Printing

Print Speed (A4 mono)

Up to 53 ppm

Print Speed (A4 mono) Duplex

Up to 36 spm

Time to First Page (Black)

As fast as 9.5 seconds

Copy Speed (A4, Black)

Up to 53 cpm

Time to First Copy (Black)

As fast as 7.5 seconds

Print Resolution, Black

1200 Image Quality, 1200 x 1200 dpi, 2400 Image Quality, 600 x 600 dpi

ADF Scan

DADF (single pass Duplex)

Scanning Resolution

600 X 600 dpi (mono)

Processor

600 MHz

Memory, standard

256 MB

Memory, maximum

1280 MB

Hard Disk

as standard

Expandable Memory Options

Yes

Apple Macintosh Operating Systems Supported

Mac OS X, Mac OS 9.2

Citrix MetaFrame

Microsoft Windows 2000 Server running Terminal Services with Citrix Presentation Server 3.0, 4.0, Microsoft Windows Server 2003 running Terminal Services with Citrix Presentation Server 3.0, 4.0, 4.5, Microsoft Windows Server 2003 x64 running Terminal Services with Citrix Presentation Server 4.0 x64, 4.5 x64

Linux Operating Systems Supported

Linpus Linux Desktop 9.2, 9.3, Red Hat Enterprise Linux WS 3.0, 4.0, 5.0, SUSE Linux Enterprise Server 8.0, 9.0, 10, 11, SUSE Linux Enterprise Desktop 10, openSUSE 10.2, 10.3, 11.0, 11.1, Linspire Linux 6.0, Debian GNU/Linux 4.0, Red Flag Linux Desktop 5.0, 6.0, Ubuntu 7.10, Ubuntu 8.04 LTS, SUSE Linux Enterprise Desktop 11, Debian GNU/Linux 5.0, Ubuntu 8.10, 9.04

Microsoft Windows Operating Systems Supported

2000, XP, Server 2003, XP x64, Server 2003 running Terminal Services, 2000 Server running Terminal Services, Server 2003 x64, Server 2003 x64 running Terminal Services, Vista, Vista x64, Server 2008, Server 2008 x64, Server 2008 running Terminal Services, Server 2008 x64 running Terminal Services, 7

Novell Operating Systems Supported

Open Enterprise Server for Netware with NDS, iPrint or

Novell Distributed Print Services (NDPS), NetWare 5.x, 6.x with iPrint or Novell Distributed Print Services (NDPS)

UNIX Operating Systems Supported

Sun Solaris SPARC 8, 9, 10, Sun Solaris x86 10, HP-UX 11.11, 11.23, 11.31, IBM AIX 5.2, 5.3, 6.1

Other Operating Systems Supported

IBM iSeries or IBM AS/400® Systems with TCP/IP with OS/400® V3R1 or later using OS/400 Host Print Transform, Virtually any platform supporting TCP/IP

Paper Handling Standard

Integrated Duplex, 100-Sheet Multipurpose Feeder, 550-Sheet Input Tray, 550-Sheet Output Bin, 2 x 550-Sheet Drawers, 4-Bin Mailbox

Paper Handling Optional

550-Sheet Drawer, Envelope Feeder

Paper Input Capacity, Standard: Up to

1750 pages 75 gsm bond

Paper Input Capacity, Maximum: Up to

2300 pages 75 gsm bond

Paper Output Capacity, Standard: Up to

950 pages 75 gsm bond

Paper Output Capacity, Maximum: Up to

950 pages 75 gsm bond

ADF Paper Input Capacity

Up to 75 pages 75 gsm bond

Envelope Capacity

85

Finishing Option

No

Number of Paper Inputs, Standard

4

Number of Paper Inputs, Maximum

5

Media Types Supported

Card Stock, Dual Web Labels, Envelopes, Integrated Labels, Paper Labels, Plain Paper, Polyester Labels, Transparencies, Vinyl Labels, Refer to the Card Stock & Label Guide

Media Sizes Supported

10 Envelope, 7 3/4 Envelope, 9 Envelope, A4, A5, DL Envelope, Executive, Folio, JIS-B5, Legal, Letter, Statement, Universal, A6

Standard Ports

Fast Ethernet, One Internal Card Slot, USB 2.0 Specification Hi-Speed Certified (Type B), USB port (Type A) compatible with USB 2.0 Specification, Front USB port compatible with USB 2.0 Specification (Type A)

Optional Network Ports

Lexmark N4050e 802.11g Wireless Print Server (Print Only), External MarkNet™ N7020e Gigabit Ethernet, Internal MarkNet™ N8120 Gigabit Ethernet, Internal MarkNet™ N8130 Fiber Fast Ethernet, Internal MarkNet™ N8150 802.11b/g/n Wireless

Network Printing Methods

LPR/LPD, Direct IP (Port 9100), Socket (Raw TCP/IP), HTTP, NDS Queue-based Printing, NDPS/NEPS (Novell Distributed Print Services, Novell Network Enterprise Print Services), Enhanced IP (Port 9400), FTP, TFTP, IPP 1.1 (Internet Printing Protocol), ThinPrint .print integration

Network Protocol Support

TCP/IP IPv4, IPX/SPX, AppleTalk™, LexLink (DLC), TCP/IP IPv6, TCP, UDP

Network Security

SNMPv3, 802.1x Authentication: MD5, MSCHAPv2, LEAP, PEAP, TLS, TTLS, IPSec

Printable Area

4.2 mm of the top, bottom, right and left edges (within)

Printer Languages (Standard)

PCL 5e Emulation, PCL 6 Emulation, PPDS, PostScript 3 Emulation, xHTML, PDF 1.6, Direct Image, Microsoft XPS (XML Paper Specification)

Reduce / Enlarge Range

25 - 400 %

Scan Area, Maximum

216 x 355.6 mm

Modem Speed

33.6 Kbps

Supplies Yield

25,000*-page High Yield Print Cartridge, *Average standard page yield value declared in accordance with ISO/IEC 19752, 7,000*-page Print Cartridge, 36,000*-page Extra High Yield Print Cartridge

Cartridge(s) Shipping with Product

18,000*-page Starter Return Program Print Cartridge

Packaged Size (mm - H x W x D)

1445 x 1010 x 840 mm

Size (mm - H x W x D)

1246 x 548 x 596 mm

Size, Trays Extended (mm - H x W x D)

1246 x 548 x 787 mm

Weight (kg)

77.8 kg

Noise Level, Idle

28 dBA

Print Noise Level, Operating

55 dBA

Copier Noise Level, Operating

55 dBA

Scanner Noise Level, Operating

55 dBA

Product Guarantee

1-Year Onsite Service, Next Business Day

Product Certifications

Energy Star, CE Class A, CB IEC 60950-1, IEC 60825-1, IEC 61000-3-2, IEC 61000-3-3, EN 55022 Class A, EN 55024, CISPR 22 Class A, IEC 60320, GS (TÜV), EN 60825-1, ACMA A-tick mark Class A, AS/NZS 60950-1, EK Mark, KCC MIC Mark, CCC Class A, UL AR, CS, TÜV Rh, CNC, ANATEL, SUBTEL, MTC, MOC, TK, TEC, SIRIM,



ICASA, R&TTE ETSI ES 203 021,-2,-3

Maximum Monthly Duty Cycle

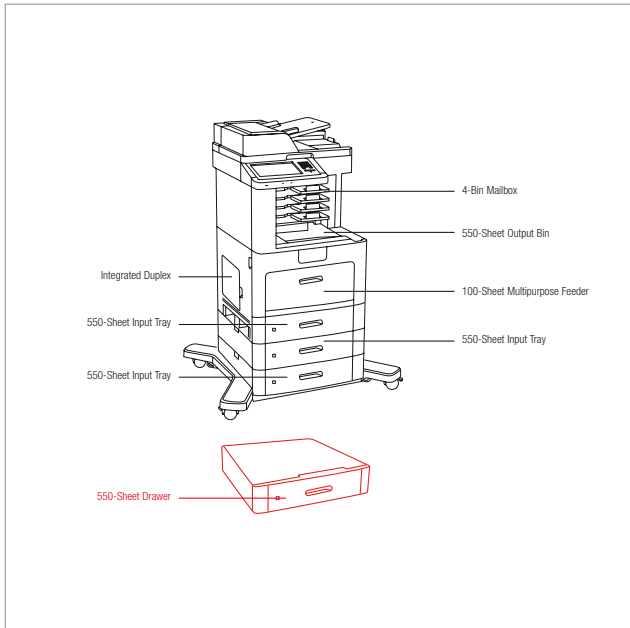
Up to 275000 pages per month

Recommended Monthly Page Volume

5000 - 30000 Pages

Specified Operating Environment

Temperature: 16 to 32°C (60 to 90°F), Humidity: 8 to 80% Relative Humidity, Altitude: 0 - 3048 Meters (10,000 Feet)



 Paper Handling Standard
 Paper Handling Optional

Part #	Model
16M1656	Lexmark X658dtme

Part #	Laser Toner/Print Cartridge
X654X11E	X654, X656, X658 Extra High Yield Return Programme Print Cartridge (36K)
X651H11E	X651, X652, x654, X656, X658 High Yield Return Programme Print Cartridge (25K)
X651A11E	X651, X652, X654, X656, X658 Return Programme Print Cartridge (7K)
X654X04E	X654, X656, X658 Extra High Yield Return Programme Print Cartridge for Label Applications (36K)
X651H04E	X651, X652, X654, X656, X658 High Yield Return Programme Print Cartridge for Label Applications (25K)
X654X21E	X654, X656, X658 Extra High Yield Print Cartridge (36K)
X651H21E	X651, X652, x654, X656, X658 High Yield Print Cartridge (25K)
X651A21E	X651, X652, X654, X656, X658 Print Cartridge (7K)

Part #	Paper & Transparencys
12A5010	Laser Printers - A4 Transparency

Part #	Paper Handling
16M1100	X658 550-Sheet Drawer
30G0807	T65x, X658 Envelope Feeder

Part #	Memory Options
1025041	256MB DDR2-DRAM
1025042	512MB DDR2-DRAM
1025043	1024MB DDR2-DRAM
14F0245	256MB Flash Card

Part #	Application Solutions
30G0829	Lexmark PrintCrypton Card
16M1254	X65x Card for IPDS and SCS/TNe
16M1253	X65x Forms and Bar Code Card

Part #	Connectivity
1021294	USB (2 Meter) Cable
1021231	Parallel (10') Cable
14F0037	MarkNet N8120 Gigabit Ethernet Print Server
14F0042	MarkNet N8130 Fiber Ethernet 100BaseFX, 10BaseFL Print Server
14F0045	MarkNet N8150 802.11b/g/n Wireless Print Server
14T0165	Lexmark N4050e 802.11g Wireless Print Server
14T0220	MarkNet N7020e Gigabit Ethernet Print Server
14F0000	Parallel 1284-B Interface Card
14F0100	RS-232C Serial Interface Card

Part #	Extended Warranties
2350575P	X658 2-Years Total (1+1) Onsite Service Guarantee
2350576P	X658 3-Years Total (1+2) Onsite Service Guarantee
2350577P	X658 4-Years Total (1+3) Onsite Service Guarantee

2350579P	X658 1-Year Renewal Onsite Service Guarantee
----------	--

Part #	User Replaceable Parts
40X4765	T65x, X654e, X656e, X658e Fuser Maintenance Kit 220-240V
40X4540	ADF Pick Roll Assembly
40X3444	ADF Platen Cushion
40X4605	ADF Separator Roll and Guide
40X5852	Dual Charge Roll Assembly
40X1886	Transfer Roll Assembly
40X4308	Pick Roll Assembly
40X4769	X65x ADF Maintenance Kit

Part #	Installation
2350591	X658e Installation



Lexmark X860de 3

High-volume monochrome departmental MFP (print/copy/scan) with speed, endurance, and a powerful solutions platform

Print Technology

Laser, Monochrome

Function

Copying, Network Scanning, Printing

Print Speed (A4 mono)

Up to 35 ppm

Print Speed (A4 mono) Duplex

Up to 35 spm

Time to First Page (Black)

As fast as 6 seconds

Copy Speed (A4, Black)

Up to 35 cpm

Time to First Copy (Black)

As fast as 7 seconds

Print Resolution, Black

1200 x 1200 dpi, 2400 Image Quality, 600 x 600 dpi

ADF Scan

RADF (reversing Duplex)

Scanning Resolution

600 x 600 dpi, 600 X 300 dpi (colour)

Processor

800 Mhz

Memory, standard

256 MB

Memory, maximum

1280 MB

Hard Disk

as standard

Expandable Memory Options

Yes

Apple Macintosh Operating Systems Supported

Mac OS X, Mac OS 9.2

Citrix MetaFrame

Microsoft Windows 2000 Server running Terminal Services with Citrix Presentation Server 3.0, 4.0, Microsoft Windows Server 2003 running Terminal Services with Citrix Presentation Server 3.0, 4.0, 4.5, Microsoft Windows Server 2003 x64 running Terminal Services with Citrix Presentation Server 4.0 x64, 4.5 x64

Linux Operating Systems Supported

Linpus Linux Desktop 9.2, 9.3, Red Hat Enterprise Linux WS 3.0, 4.0, 5.0, SUSE Linux Enterprise Server 8.0, 9.0, 10, 11, SUSE Linux Enterprise Desktop 10, openSUSE 10.2, 10.3, 11.0, 11.1, Linspire Linux 6.0, Debian GNU/Linux 4.0, Red Flag Linux Desktop 5.0, 6.0, Ubuntu 7.10, Ubuntu 8.04 LTS, SUSE Linux Enterprise Desktop 11, Debian GNU/Linux 5.0, Ubuntu 8.10, 9.04

Microsoft Windows Operating Systems Supported

2000, XP, Server 2003, XP x64, Server 2003 running Terminal Services, 2000 Server running Terminal Services, Server 2003 x64, Server 2003 x64 running Terminal Services, Vista, Vista x64, Server 2008, Server 2008 x64, Server 2008 running Terminal Services, Server 2008 x64 running Terminal Services, 7

Novell Operating Systems Supported

Open Enterprise Server for Netware with NDS, iPrint or Novell Distributed Print Services (NDPS), NetWare 5.x, 6.x with iPrint or Novell Distributed Print Services (NDPS)

UNIX Operating Systems Supported

Sun Solaris SPARC 8, 9, 10, Sun Solaris x86 10, HP-LUX 11.11, 11.23, 11.31, IBM AIX 5.2, 5.3, 6.1

Other Operating Systems Supported

IBM iSeries or IBM AS/400® Systems with TCP/IP with OS/400® V3R1 or later using OS/400 Host Print Transform, Virtually any platform supporting TCP/IP

Paper Handling Standard

500-Sheet Output Bin, Duplex Unit, Two 500-Sheet Trays, 100-Sheet Multipurpose Feeder

Paper Handling Optional

2,000-Sheet High-capacity Feeder, 2,000-Sheet Dual Input, 2x 500 Sheet Drawers, 3,500-Sheet Finisher, Booklet Finisher

Paper Input Capacity, Standard: Up to

1100 pages 75 gsm bond

Paper Input Capacity, Maximum: Up to

5100 pages 75 gsm bond

Paper Output Capacity, Standard: Up to

500 pages 75 gsm bond

Paper Output Capacity, Maximum: Up to

3800 pages 75 gsm bond

ADF Paper Input Capacity

Up to 75 pages 75 gsm bond

Envelope Capacity

10

Finishing Option

Yes

Number of Paper Inputs, Standard

3

Number of Paper Inputs, Maximum

6

Media Types Supported

Card Stock, Envelopes, Paper Labels, Plain Paper, Transparencies, Refer to the Card Stock & Label Guide

Media Sizes Supported

10 Envelope, 7 3/4 Envelope, A3, A4, A5, C5 Envelope, DL Envelope, Executive, Folio, JIS-B4, JIS-B5, Ledger, Legal, Letter, Statement, Universal

Standard Ports

One Internal Card Slot, Gigabit Ethernet (10/100/1000), Hi-Speed USB port Compatible with USB 2.0 Specification (Type B), Front Hi-Speed USB port. Compatible with USB 2.0 Specification (Type A), Rear Hi-Speed USB port Compatible with USB 2.0 Specification (Type A)

Optional Network Ports

Lexmark N4050e 802.11g Wireless Print Server (Print Only), Internal MarNet™ N8130 Fiber Fast Ethernet, Internal MarNet™ N8150 802.11b/g/n Wireless

Network Printing Methods

LPR/LPD, Direct IP (Port 9100), Socket (Raw TCP/IP), HTTP, NDS Queue-based Printing, NDPS/NEPS (Novell Distributed Print Services, Novell Network Enterprise Print Services), Enhanced IP (Port 9400), FTP, TFTP, IPP 1.1

(Internet Printing Protocol), ThinPrint .print integration

Network Protocol Support

TCP/IP IPv4, IPX/SPX, AppleTalk™, LexLink (DLC), TCP/IP IPv6, TCP, UDP

Network Security

SNMPv3, 802.1x Authentication: MD5, MSCHAPv2, LEAP, PEAP, TLS, TTLS, IPsec

Printable Area

4 mm of the top, bottom, right and left edges (within)

Printer Languages (Standard)

PCL 5e Emulation, PCL 6 Emulation, PPDs, PostScript 3 Emulation, xHTML, PDF 1.6, Direct Image, Microsoft XPS (XML Paper Specification)

Reduce / Enlarge Range

25 - 400 %

Scan Area, Maximum

297 x 432 mm

Supplies Yield

Average standard page yield value declared in accordance with ISO/IEC 19752, 48,000-page Photoconductor Unit, 35,000-page High Yield Toner Cartridge

Cartridge(s) Shipping with Product

35,000*-page High Yield Toner Cartridge

Packaged Size (mm - H x W x D)

940 x 880 x 850 mm

Size (mm - H x W x D)

803 x 641 x 705 mm

Size, Trays Extended (mm - H x W x D)

803 x 971 x 705 mm

Weight (kg)

76.7 kg

Noise Level, Idle

30 dBA

Print Noise Level, Operating

53 dBA

Copier Noise Level, Operating

53 dBA

Scanner Noise Level, Operating

53 dBA

Product Guarantee

1-Year Onsite Service, Next Business Day

Product Certifications

Energy Star, CSA, ICES Class A, BSMI Class A, VCCI Class A, FCC Class A, UL 60950-1, IEC 320-1, ECMA-74, CE Class A, CB IEC 60950 1, IEC 61000-3-2, -3, -3, EN 55022, EN 55024, CISPIR 22 Class A, GS (TUV)-EN 60950-1, SEMKO, UL AR, CS, TÜV Rh, N Mark, C-tick Class A, CCC Class A, RPC, PSB, MIK, EC - K60950

Maximum Monthly Duty Cycle

Up to 150,000 pages per month

Recommended Monthly Page Volume

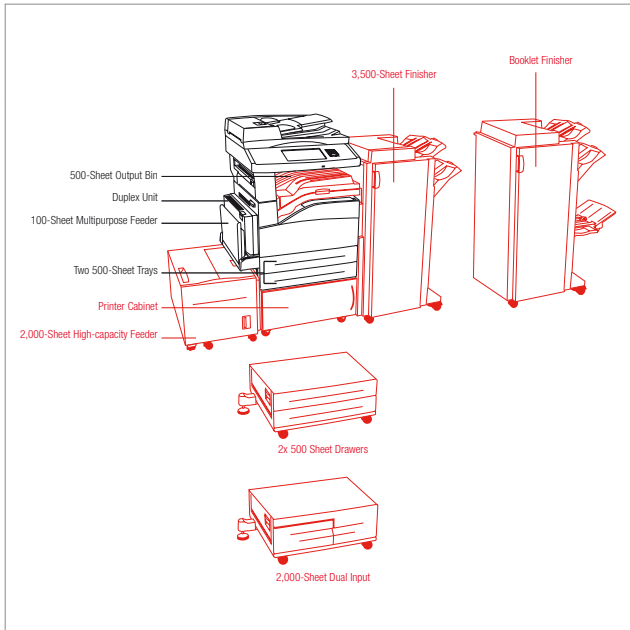
10,000 - 39,000 Pages

Specified Operating Environment

Temperature: 16 to 32°C (60 to 90°F), Humidity: 8 to 80% Relative Humidity, Altitude: 0 - 3048 Meters



(10,000 Feet)



Paper Handling Standard
 Paper Handling Optional

Part #	Model
19Z0154	Lexmark X860de 3

Part #	Laser Toner/Print Cartridge
X860H21G	X860e, X862e, X864e High Yield Toner Cartridge
X860H22G	X860e, X862e, X864e Photoconductor Kit
25A0013	Staple Cartridges (3 pack)
21Z0357	Saddle Staple Cartridges (4 pack)

Part #	Paper & Transparencies
12A5010	Laser Printers - A4 Transparency

Part #	Paper Handling
15R0146	2 x 500-Sheet Drawer
15R0120	2000-Sheet Dual Input
15R0145	X85xe, W840 High Capacity Feeder
15R0144	X85xe, W840 Finisher (2 / 3-Hole)
15R0143	X85xe W840 Finisher (2 / 4-Hole)
15R0336	X85xe Booklet Finisher (2/4-Hole)

Part #	Furniture
15R0140	Printer Cabinet

Part #	MFP Options
14F0052	MarkNet N8110 V.34 Fax Card

Part #	Memory Options
1025041	256MB DDR2-DRAM
1025042	512MB DDR2-DRAM
1025043	1024MB DDR2-DRAM
14F0245	256MB Flash Card

Part #	Application Solutions
30G0829	Lexmark PrintCryption Card
19Z0030	X860de, X862de, X864de Forms and Bar Code Card
19Z0031	X860de, X862de, X864de Card for IPDS/SCS/TNE

Part #	Connectivity
1021294	USB (2 Meter) Cable
14F0042	MarkNet N8130 Fiber Ethernet 100BaseFX, 10BaseFL Print Server
14F0045	MarkNet N8150 802.11b/g/n Wireless Print Server
14T0165	Lexmark N4050e 802.11g Wireless Print Server
1021231	Parallel (10') Cable
14F0000	Parallel 1284-B Interface Card
14F0100	RS-232C Serial Interface Card

Part #	Extended Warranties
2351544P	X860e 2-Years Total (1+1) Onsite Service Guarantee
2351545P	X860e 3-Years Total (1+2) Onsite Service Guarantee
2351546P	X860e 4-Years Total (1+3) Onsite Service Guarantee

2351548P	X860e 1-Year Renewal Onsite Service Guarantee
----------	---

Part #	User Replaceable Parts
40X0398	X850e, X852e, X854e Fuser Maintenance Kit 220-240V

Part #	Service Parts
40X2734	X850e, X852e, X854e ADF Maintenance Kit

Part #	Installation
2351569	X860e Installation



Lexmark X860de 4

High-volume monochrome departmental MFP (print/copy/scan/fax) with speed, endurance, and a powerful solutions platform

Print Technology

Laser, Monochrome

Function

Copying, Faxing, Network Scanning, Printing

Print Speed (A4 mono)

Up to 35 ppm

Print Speed (A4 mono) Duplex

Up to 35 spm

Time to First Page (Black)

As fast as 6 seconds

Copy Speed (A4, Black)

Up to 35 cpm

Time to First Copy (Black)

As fast as 6 seconds

Print Resolution, Black

1200 x 1200 dpi, 2400 Image Quality, 600 x 600 dpi

ADF Scan

RADF (reversing Duplex)

Scanning Resolution

600 x 600 dpi, 600 X 300 dpi (colour)

Processor

800 Mhz

Memory, standard

256 MB

Memory, maximum

1280 MB

Hard Disk

as standard

Expandable Memory Options

Yes

Apple Macintosh Operating Systems Supported

Mac OS X, Mac OS 9.2

Citrix MetaFrame

Microsoft Windows 2000 Server running Terminal Services with Citrix Presentation Server 3.0, 4.0, Microsoft Windows Server 2003 running Terminal Services with Citrix Presentation Server 3.0, 4.0, 4.5, Microsoft Windows Server 2003 x64 running Terminal Services with Citrix Presentation Server 4.0 x64, 4.5 x64

Linux Operating Systems Supported

Linpus Linux Desktop 9.2, 9.3, Red Hat Enterprise Linux WS 3.0, 4.0, 5.0, SUSE Linux Enterprise Server 8.0, 9.0, 10, 11, SUSE Linux Enterprise Desktop 10, openSUSE 10.2, 10.3, 11.0, 11.1, Linspire Linux 6.0, Debian GNU/Linux 4.0, Red Flag Linux Desktop 5.0, 6.0, Ubuntu 7.10, Ubuntu 8.04 LTS, SUSE Linux Enterprise Desktop 11, Debian GNU/Linux 5.0, Ubuntu 8.10, 9.04

Microsoft Windows Operating Systems Supported

2000, XP, Server 2003, XP x64, Server 2003 running Terminal Services, 2000 Server running Terminal Services, Server 2003 x64, Server 2003 x64 running Terminal Services, Vista, Vista x64, Server 2008, Server 2008 x64, Server 2008 running Terminal Services, Server 2008 x64 running Terminal Services, 7

Novell Operating Systems Supported

Open Enterprise Server for Netware with NDS, iPrint or Novell Distributed Print Services (NDPS), NetWare 5.x, 6.x with iPrint or Novell Distributed Print Services (NDPS)

UNIX Operating Systems Supported

Sun Solaris SPARC 8, 9, 10, Sun Solaris x86 10, HP-UX 11.11, 11.23, 11.31, IBM AIX 5.2, 5.3, 6.1

Other Operating Systems Supported

IBM iSeries or IBM AS/400® Systems with TCP/IP with OS/400® V3R1 or later using OS/400 Host Print Transform, Virtually any platform supporting TCP/IP

Paper Handling Standard

500-Sheet Output Bin, Duplex Unit, Two 500-Sheet Trays, 100-Sheet Multipurpose Feeder

Paper Handling Optional

2,000-Sheet High-capacity Feeder, 2,000-Sheet Dual Input, 2x 500 Sheet Drawers, 3,500-Sheet Finisher, Booklet Finisher

Paper Input Capacity, Standard: Up to

1100 pages 75 gsm bond

Paper Input Capacity, Maximum: Up to

5100 pages 75 gsm bond

Paper Output Capacity, Standard: Up to

500 pages 75 gsm bond

Paper Output Capacity, Maximum: Up to

3800 pages 75 gsm bond

ADF Paper Input Capacity

Up to 75 pages 75 gsm bond

Envelope Capacity

10

Finishing Option

Yes

Number of Paper Inputs, Standard

3

Number of Paper Inputs, Maximum

6

Media Types Supported

Card Stock, Envelopes, Paper Labels, Plain Paper, Transparencies, Refer to the Card Stock & Label Guide

Media Sizes Supported

10 Envelope, 7 3/4 Envelope, A3, A4, A5, C5 Envelope, DL Envelope, Executive, Folio, JIS-B4, JIS-B5, Ledger, Legal, Letter, Statement, Universal

Standard Ports

One Internal Card Slot, Gigabit Ethernet (10/100/1000), Hi-Speed USB port Compatible with USB 2.0 Specification (Type B), Front Hi-Speed USB port. Compatible with USB 2.0 Specification (Type A), Rear Hi-Speed USB port Compatible with USB 2.0 Specification (Type A)

Optional Network Ports

Lexmark N4050e 802.11g Wireless Print Server (Print Only), Internal MarkNet™ N8130 Fiber Fast Ethernet, Internal MarkNet™ N8150 802.11b/g/n Wireless

Network Printing Methods

LPR/LPD, Direct IP (Port 9100), Socket (Raw TCP/IP), HTTP, NDS Queue-based Printing, NDPS/NEPS (Novell Distributed Print Services, Novell Netware Enterprise Print Services), Enhanced IP (Port 9400), FTP, TFTP, IPP 1.1

(Internet Printing Protocol), ThinPrint .print integration

Network Protocol Support

TCP/IP IPv4, IPX/SPX, AppleTalk™, LexLink (DLC), TCP/IP IPv6, TCP, UDP

Network Security

SNMPv3, 802.1x Authentication: MD5, MSCHAPv2, LEAP, PEAP, TLS, TTLS, IPsec

Printable Area

4 mm of the top, bottom, right and left edges (within)

Printer Languages (Standard)

PCL 5e Emulation, PCL 6 Emulation, PPDs, PostScript 3 Emulation, xHTML, PDF 1.6, Direct Image, Microsoft XPS (XML Paper Specification)

Reduce / Enlarge Range

25 - 400 %

Scan Area, Maximum

297 x 432 mm

Modem Speed

33.6 Kbps

Supplies Yield

Average standard page yield value declared in accordance with ISO/IEC 19752, 48,000-page Photoconductor Unit, 35,000-page High Yield Toner Cartridge

Cartridge(s) Shipping with Product

35,000*-page High Yield Toner Cartridge

Packaged Size (mm - H x W x D)

940 x 880 x 850 mm

Size (mm - H x W x D)

803 x 641 x 705 mm

Size, Trays Extended (mm - H x W x D)

803 x 971 x 705 mm

Weight (kg)

76.7 kg

Noise Level, Idle

30 dBA

Print Noise Level, Operating

53 dBA

Copier Noise Level, Operating

53 dBA

Scanner Noise Level, Operating

53 dBA

Product Guarantee

1-Year Onsite Service, Next Business Day

Product Certifications

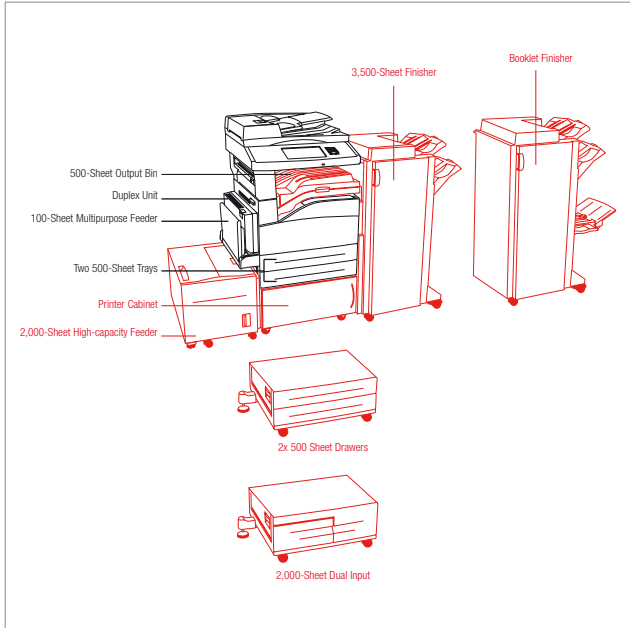
Energy Star, CSA, ICES Class A, BSMI Class A, VCCI Class A, FCC Class A, UL 60950-1, IEC 320-1, ECMA-74, CE Class A, CB IEC 60950 1, IEC 61000-3-2, -3-3, EN 55022, EN 55024, CISPIR 22 Class A, GS (TUV)-EN 60950-1, SENK0, UL AR, CS, TÜV Rh, N Mark, C-tick Class A, CCC Class A, RPC, PSB, MIC, EK - k60950

Maximum Monthly Duty Cycle

Up to 150,000 pages per month

Recommended Monthly Page Volume

10000 - 39000 Pages



Specified Operating Environment

Temperature: 16 to 32°C (60 to 90°F), Humidity: 8 to 80% Relative Humidity, Altitude: 0 - 3048 Meters (10,000 Feet)

Part #	Model
19Z0254	Lexmark X860de 4

Part #	Laser Toner/Print Cartridge
X860H21G	X860e, X862e, X864e High Yield Toner Cartridge
X860H22G	X860e, X862e, X864e Photoconductor Kit
25A0013	Staple Cartridges (3 pack)
21Z0357	Saddle Staple Cartridges (4 pack)

Part #	Paper & Transparencies
12A5010	Laser Printers - A4 Transparency

Part #	Paper Handling
15R0146	2 x 500-Sheet Drawer
15R0120	2000-Sheet Dual Input
15R0145	X85xe, W840 High Capacity Feeder
15R0144	X85xe, W840 Finisher (2 / 3-Hole)
15R0143	X85xe W840 Finisher (2 / 4-Hole)
15R0336	X85xe Booklet Finisher (2/4-Hole)

Part #	Furniture
15R0140	Printer Cabinet

Part #	Memory Options
1025041	256MB DDR2-DRAM
1025042	512MB DDR2-DRAM
1025043	1024MB DDR2-DRAM
14F0245	256MB Flash Card

Part #	Application Solutions
30G0829	Lexmark PrintCryption Card
19Z0030	X860de, X862de, X864de Forms and Bar Code Card
19Z0031	X860de, X862de, X864de Card for IPDS/SCS/TNe

Part #	Connectivity
1021294	USB (2 Meter) Cable
14F0042	MarkNet N8130 Fiber Ethernet 100BaseFX, 10BaseFL Print Server
14F0045	MarkNet N8150 802.11b/g/n Wireless Print Server
14T0165	Lexmark N4050e 802.11g Wireless Print Server
1021231	Parallel (10') Cable
14F0000	Parallel 1284-B Interface Card
14F0100	RS-232C Serial Interface Card

Part #	Extended Warranties
2351544P	X860e 2-Years Total (1+1) Onsite Service Guarantee
2351545P	X860e 3-Years Total (1+2) Onsite Service Guarantee
2351546P	X860e 4-Years Total (1+3) Onsite Service Guarantee
2351548P	X860e 1-Year Renewal Onsite Service Guarantee

Part #	User Replaceable Parts
40X0398	X850e, X852e, X854e Fuser Maintenance Kit 220-240V

Part #	Service Parts
40X2734	X850e, X852e, X854e ADF Maintenance Kit

Part #	Installation
2351569	X860e Installation



Lexmark X862de 3

High-volume monochrome multifunction (print/copy/scan) with more speed, more robust, more possibilities for your digital office

Print Technology
Laser, Monochrome

Function
Copying, Network Scanning, Printing

Print Speed (A4 mono)
Up to 45 ppm

Print Speed (A4 mono) Duplex
Up to 45 spm

Time to First Page (Black)
As fast as 6 seconds

Copy Speed (A4, Black)
Up to 45 cpm

Time to First Copy (Black)
As fast as 6 seconds

Print Resolution, Black
1200 x 1200 dpi, 2400 Image Quality, 600 x 600 dpi

ADF Scan
RADF (reversing Duplex)

Scanning Resolution
600 x 600 dpi, 600 X 300 dpi (colour)

Processor
800 Mhz

Memory, standard
256 MB

Memory, maximum
1280 MB

Hard Disk
as standard

Expandable Memory Options
Yes

Apple Macintosh Operating Systems Supported
Mac OS X, Mac OS 9.2

Citrix MetaFrame
Microsoft Windows 2000 Server running Terminal Services with Citrix Presentation Server 3.0, 4.0, Microsoft Windows Server 2003 running Terminal Services with Citrix Presentation Server 3.0, 4.0, 4.5, Microsoft Windows Server 2003 x64 running Terminal Services with Citrix Presentation Server 4.0 x64, 4.5 x64

Linux Operating Systems Supported
Linpus Linux Desktop 9.2, 9.3, Red Hat Enterprise Linux WS 3.0, 4.0, 5.0, SUSE Linux Enterprise Server 8.0, 9.0, 10, 11, SUSE Linux Enterprise Desktop 10, openSUSE 10.2, 10.3, 11.0, 11.1, Linspire Linux 6.0, Debian GNU/Linux 4.0, Red Flag Linux Desktop 5.0, 6.0, Ubuntu 7.10, Ubuntu 8.04 LTS, SUSE Linux Enterprise Desktop 11, Debian GNU/Linux 5.0, Ubuntu 8.10, 9.04

Microsoft Windows Operating Systems Supported
2000, XP, Server 2003, XP x64, Server 2003 running Terminal Services, 2000 Server running Terminal Services, Server 2003 x64, Server 2003 x64 running Terminal Services, Vista, Vista x64, Server 2008, Server 2008 x64, Server 2008 running Terminal Services, Server 2008 x64 running Terminal Services, 7

Novell Operating Systems Supported
Open Enterprise Server for Netware with NDS, iPrint or Novell Distributed Print Services (NDPS), NetWare 5.x, 6.x with iPrint or Novell Distributed Print Services (NDPS)

UNIX Operating Systems Supported

Sun Solaris SPARC 8, 9, 10, Sun Solaris x86 10, HP-LUX 11.11, 11.23, 11.31, IBM AIX 5.2, 5.3, 6.1

Other Operating Systems Supported

IBM iSeries or IBM AS/400® Systems with TCP/IP with OS/400® V3R1 or later using OS/400 Host Print Transform, Virtually any platform supporting TCP/IP

Paper Handling Standard

500-Sheet Output Bin, Duplex Unit, Two 500-Sheet Trays, 100-Sheet Multipurpose Feeder

Paper Handling Optional

2,000-Sheet High-capacity Feeder, 2,000-Sheet Dual Input, 2x 500 Sheet Drawers, 3,500-Sheet Finisher, Booklet Finisher

Paper Input Capacity, Standard: Up to
1100 pages 75 gsm bond

Paper Input Capacity, Maximum: Up to
5100 pages 75 gsm bond

Paper Output Capacity, Standard: Up to
500 pages 75 gsm bond

Paper Output Capacity, Maximum: Up to
3800 pages 75 gsm bond

ADF Paper Input Capacity
Up to 75 pages 75 gsm bond

Envelope Capacity
10

Finishing Option
Yes

Number of Paper Inputs, Standard
3

Number of Paper Inputs, Maximum
6

Media Types Supported
Card Stock, Envelopes, Paper Labels, Plain Paper, Transparencies, Refer to the Card Stock & Label Guide

Media Sizes Supported
10 Envelope, 7 3/4 Envelope, A3, A4, A5, C5 Envelope, DL Envelope, Executive, Folio, JIS-B4, JIS-B5, Ledger, Legal, Letter, Statement, Universal

Standard Ports

One Internal Card Slot, Gigabit Ethernet (10/100/1000), Hi-Speed USB port Compatible with USB 2.0 Specification (Type B), Front Hi-Speed USB port. Compatible with USB 2.0 Specification (Type A), Rear Hi-Speed USB port Compatible with USB 2.0 Specification (Type A)

Optional Network Ports

Lexmark N4050e 802.11g Wireless Print Server (Print Only), Internal MarNet™ N8130 Fiber Fast Ethernet, Internal MarNet™ N8150 802.11b/g/n Wireless

Network Printing Methods

LPR/LPD, Direct IP (Port 9100), Socket (Raw TCP/IP), HTTP, NDS Queue-based Printing, NDPS/NEPS (Novell Distributed Print Services, Novell Netware Enterprise Print Services), Enhanced IP (Port 9400), FTP, TFTP, IPP 1.1

(Internet Printing Protocol), ThinPrint .print integration

Network Protocol Support

TCP/IP IPv4, IPX/SPX, AppleTalk™, LexLink (DLC), TCP/IP IPv6, TCP, UDP

Network Security

SNMPv3, 802.1x Authentication: MD5, MSCHAPv2, LEAP, PEAP, TLS, TTLS, IPsec

Printable Area

4 mm of the top, bottom, right and left edges (within)

Printer Languages (Standard)

PCL 5e Emulation, PCL 6 Emulation, PPDs, PostScript 3 Emulation, xHTML, PDF 1.6, Direct Image, Microsoft XPS (XML Paper Specification)

Reduce / Enlarge Range
25 - 400 %

Scan Area, Maximum
297 x 432 mm

Supplies Yield

Average standard page yield value declared in accordance with ISO/IEC 19752, 60,000 page Photoconductor Unit, 35,000*-page High Yield Toner Cartridge

Cartridge(s) Shipping with Product
35,000*-page High Yield Toner Cartridge

Packaged Size (mm - H x W x D)
940 x 880 x 850 mm

Size (mm - H x W x D)
803 x 641 x 705 mm

Size, Trays Extended (mm - H x W x D)
803 x 971 x 705 mm

Weight (kg)
76.7 kg

Noise Level, Idle
30 dBA

Print Noise Level, Operating
52 dBA

Copier Noise Level, Operating
53 dBA

Scanner Noise Level, Operating
55 dBA

Product Guarantee

1-Year Onsite Service, Next Business Day

Product Certifications

Energy Star, CSA, ICES Class A, BSMI Class A, VCCI Class A, FCC Class A, UL 60950-1, IEC 320-1, ECMA-74, CE Class A, CB IEC 60950 1, IEC 61000-3-2, -3, EN 55022, EN 55024, CISPR 22 Class A, GS (TUV)-EN 60950-1, SEMKO, UL AR, CS, TÜV Rh, N Mark, C-tick Class A, CCC Class A, RPC, PSB, MIK, EC - K60950

Maximum Monthly Duty Cycle

Up to 200,000 pages per month

Recommended Monthly Page Volume

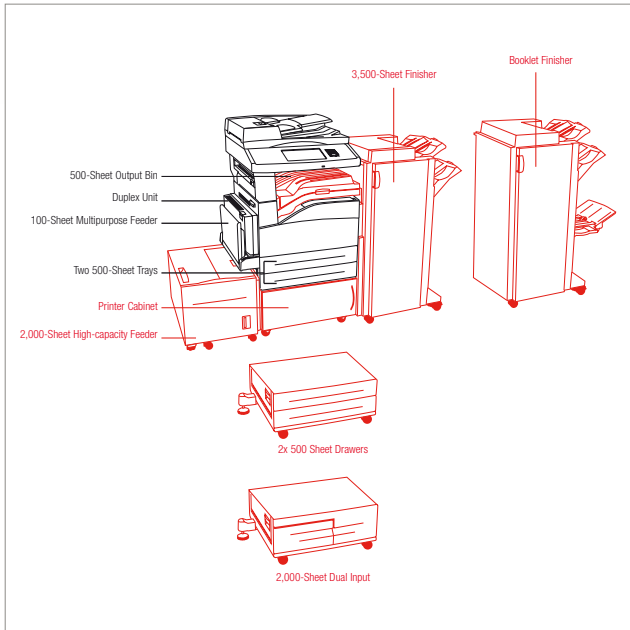
15,000 - 50,000 Pages

Specified Operating Environment

Temperature: 16 to 32°C (60 to 90°F), Humidity: 8 to 80% Relative Humidity, Altitude: 0 - 3048 Meters



(10,000 Feet)



█ Paper Handling Standard
█ Paper Handling Optional

Part #	Model
19Z0155	Lexmark X862de 3

Part #	Laser Toner/Print Cartridge
X860H21G	X860e, X862e, X864e High Yield Toner Cartridge
X860H22G	X860e, X862e, X864e Photoconductor Kit
25A0013	Staple Cartridges (3 pack)
21Z0357	Saddle Staple Cartridges (4 pack)

Part #	Paper & Transparencies
12A5010	Laser Printers - A4 Transparency

Part #	Paper Handling
15R0146	2 x 500-Sheet Drawer
15R0120	2000-Sheet Dual Input
15R0145	X85xe, W840 High Capacity Feeder
15R0144	X85xe, W840 Finisher (2 / 3-Hole)
15R0143	X85xe W840 Finisher (2 / 4-Hole)
15R0336	X85xe Booklet Finisher (2/4-Hole)

Part #	Furniture
15R0140	Printer Cabinet

Part #	MFP Options
14F0052	MarkNet N8110 V.34 Fax Card

Part #	Memory Options
1025041	256MB DDR2-DRAM
1025042	512MB DDR2-DRAM
1025043	1024MB DDR2-DRAM
14F0245	256MB Flash Card

Part #	Application Solutions
30G0829	Lexmark PrintCrypton Card
19Z0030	X860de, X862de, X864de Forms and Bar Code Card
19Z0031	X860de, X862de, X864de Card for IPDS/SCS/TNE

Part #	Connectivity
1021294	USB (2 Meter) Cable
14F0042	MarkNet N8130 Fiber Ethernet 100BaseFX, 10BaseFL Print Server
14F0045	MarkNet N8150 802.11b/g/n Wireless Print Server
14T0165	Lexmark N4050e 802.11g Wireless Print Server
1021231	Parallel (10') Cable
14F0000	Parallel 1284-B Interface Card
14F0100	RS-232C Serial Interface Card

Part #	Extended Warranties
2351572P	X862e 2-Years Total (1+1) Onsite Service Guarantee
2351573P	X862e 3-Years Total (1+2) Onsite Service Guarantee
2351574P	X862e 4-Years Total (1+3) Onsite Service Guarantee

2351576P	X862e 1-Year Renewal Onsite Service Guarantee
----------	---

Part #	User Replaceable Parts
40X0398	X850e, X852e, X854e Fuser Maintenance Kit 220-240V

Part #	Service Parts
40X2734	X850e, X852e, X854e ADF Maintenance Kit

Part #	Installation
2351597	X862e Installation



Lexmark X862de 4

High-volume monochrome multifunction (print/copy/scan/fax) with more speed, more robust, more possibilities for your digital office

Print Technology

Laser, Monochrome

Function

Copying, Faxing, Network Scanning, Printing

Print Speed (A4 mono)

Up to 45 ppm

Print Speed (A4 mono) Duplex

Up to 45 spm

Time to First Page (Black)

As fast as 6 seconds

Copy Speed (A4, Black)

Up to 45 cpm

Time to First Copy (Black)

As fast as 7 seconds

Print Resolution, Black

1200 x 1200 dpi, 2400 Image Quality, 600 x 600 dpi

ADF Scan

RADF (reversing Duplex)

Scanning Resolution

600 x 600 dpi, 600 X 300 dpi (colour)

Processor

800 Mhz

Memory, standard

256 MB

Memory, maximum

1280 MB

Hard Disk

as standard

Expandable Memory Options

Yes

Apple Macintosh Operating Systems Supported

Mac OS X, Mac OS 9.2

Citrix MetaFrame

Microsoft Windows 2000 Server running Terminal Services with Citrix Presentation Server 3.0, 4.0, Microsoft Windows Server 2003 running Terminal Services with Citrix Presentation Server 3.0, 4.0, 4.5, Microsoft Windows Server 2003 x64 running Terminal Services with Citrix Presentation Server 4.0 x64, 4.5 x64

Linux Operating Systems Supported

Linpus Linux Desktop 9.2, 9.3, Red Hat Enterprise Linux WS 3.0, 4.0, 5.0, SUSE Linux Enterprise Server 8.0, 9.0, 10, 11, SUSE Linux Enterprise Desktop 10, openSUSE 10.2, 10.3, 11.0, 11.1, Linspire Linux 6.0, Debian GNU/Linux 4.0, Red Flag Linux Desktop 5.0, 6.0, Ubuntu 7.10, Ubuntu 8.04 LTS, SUSE Linux Enterprise Desktop 11, Debian GNU/Linux 5.0, Ubuntu 8.10, 9.04

Microsoft Windows Operating Systems Supported

2000, XP, Server 2003, XP x64, Server 2003 running Terminal Services, 2000 Server running Terminal Services, Server 2003 x64, Server 2003 x64 running Terminal Services, Vista, Vista x64, Server 2008, Server 2008 x64, Server 2008 running Terminal Services, Server 2008 x64 running Terminal Services, 7

Novell Operating Systems Supported

Open Enterprise Server for Netware with NDS, iPrint or Novell Distributed Print Services (NDPS), NetWare 5.x, 6.x with iPrint or Novell Distributed Print Services (NDPS)

UNIX Operating Systems Supported

Sun Solaris SPARC 8, 9, 10, Sun Solaris x86 10, HP-LX 11.11, 11.23, 11.31, IBM AIX 5.2, 5.3, 6.1

Other Operating Systems Supported

IBM iSeries or IBM AS/400® Systems with TCP/IP with OS/400® V3R1 or later using OS/400 Host Print Transform, Virtually any platform supporting TCP/IP

Paper Handling Standard

500-Sheet Output Bin, Duplex Unit, Two 500-Sheet Trays, 100-Sheet Multipurpose Feeder

Paper Handling Optional

2,000-Sheet High-capacity Feeder, 2,000-Sheet Dual Input, 2x 500 Sheet Drawers, 3,500-Sheet Finisher, Booklet Finisher

Paper Input Capacity, Standard: Up to

1100 pages 75 gsm bond

Paper Input Capacity, Maximum: Up to

5100 pages 75 gsm bond

Paper Output Capacity, Standard: Up to

500 pages 75 gsm bond

Paper Output Capacity, Maximum: Up to

3800 pages 75 gsm bond

ADF Paper Input Capacity

Up to 75 pages 75 gsm bond

Envelope Capacity

10

Finishing Option

Yes

Number of Paper Inputs, Standard

3

Number of Paper Inputs, Maximum

6

Media Types Supported

Card Stock, Envelopes, Paper Labels, Plain Paper, Transparencies, Refer to the Card Stock & Label Guide

Media Sizes Supported

10 Envelope, 7 3/4 Envelope, A3, A4, A5, C5 Envelope, DL Envelope, Executive, Folio, JIS-B4, JIS-B5, Ledger, Legal, Letter, Statement, Universal

Standard Ports

One Internal Card Slot, Gigabit Ethernet (10/100/1000), Hi-Speed USB port Compatible with USB 2.0 Specification (Type B), Front Hi-Speed USB port. Compatible with USB 2.0 Specification (Type A), Rear Hi-Speed USB port Compatible with USB 2.0 Specification (Type A)

Optional Network Ports

Lexmark N4050e 802.11g Wireless Print Server (Print Only), Internal MarkNet™ N8130 Fiber Fast Ethernet, Internal MarkNet™ N8150 802.11b/g/n Wireless

Network Printing Methods

LPR/LPD, Direct IP (Port 9100), Socket (Raw TCP/IP), HTTP, NDS Queue-based Printing, NDPS/NEPS (Novell Distributed Print Services, Novell Netware Enterprise Print Services), Enhanced IP (Port 9400), FTP, TFTP, IPP 1.1

(Internet Printing Protocol), ThinPrint .print integration

Network Protocol Support

TCP/IP IPv4, IPX/SPX, AppleTalk™, LexLink (DLC), TCP/IP IPv6, TCP, UDP

Network Security

SNMPv3, 802.1x Authentication: MD5, MSCHAPv2, LEAP, PEAP, TLS, TTLS, IPsec

Printable Area

4 mm of the top, bottom, right and left edges (within)

Printer Languages (Standard)

PCL 5e Emulation, PCL 6 Emulation, PPDs, PostScript 3 Emulation, xHTML, PDF 1.6, Direct Image, Microsoft XPS (XML Paper Specification)

Reduce / Enlarge Range

25 - 400 %

Scan Area, Maximum

297 x 432 mm

Modem Speed

33.6 Kbps

Supplies Yield

Average standard page yield value declared in accordance with ISO/IEC 19752, 60,000 page Photoconductor Unit, 35,000*-page High Yield Toner Cartridge

Cartridge(s) Shipping with Product

35,000*-page High Yield Toner Cartridge

Packaged Size (mm - H x W x D)

940 x 880 x 850 mm

Size (mm - H x W x D)

803 x 641 x 705 mm

Size, Trays Extended (mm - H x W x D)

803 x 971 x 705 mm

Weight (kg)

76.7 kg

Noise Level, Idle

30 dBA

Print Noise Level, Operating

52 dBA

Copier Noise Level, Operating

53 dBA

Scanner Noise Level, Operating

55 dBA

Product Guarantee

1-Year Onsite Service, Next Business Day

Product Certifications

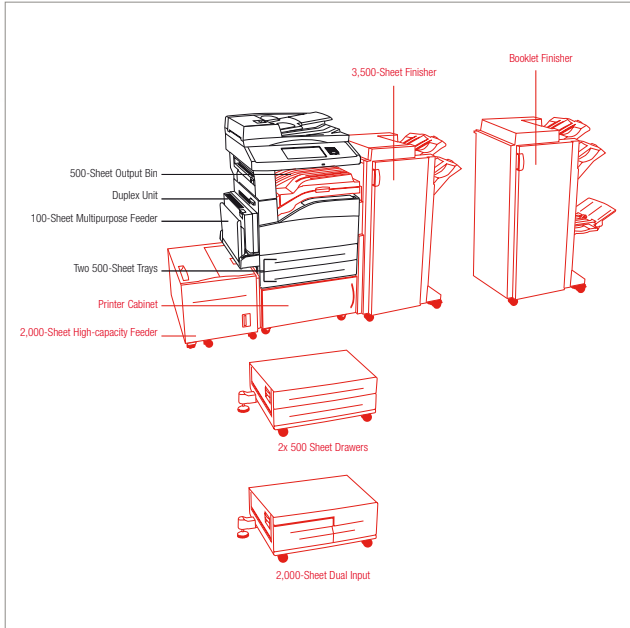
Energy Star, CSA, ICES Class A, BSMI Class A, VCCI Class A, FCC Class A, UL 60950-1, IEC 320-1, ECMA-74, CE Class A, CB IEC 60950 1, IEC 61000-3-2, -3-3, EN 55022, EN 55024, CISPIR 22 Class A, GS (TUV)-EN 60950-1, SENK0, UL AR, CS, TÜV Rh, N Mark, C-tick Class A, CCC Class A, RPC, PSB, MIC, EK - k60950

Maximum Monthly Duty Cycle

Up to 200,000 pages per month

Recommended Monthly Page Volume

15000 - 50000 Pages



Paper Handling Standard
 Paper Handling Optional

Specified Operating Environment

Temperature: 16 to 32°C (60 to 90°F), Humidity: 8 to 80% Relative Humidity, Altitude: 0 - 3048 Meters (10,000 Feet)

Part #	Model
19Z0255	Lexmark X862de 4
Part #	Laser Toner/Print Cartridge
X860H21G	X860e, X862e, X864e High Yield Toner Cartridge
X860H22G	X860e, X862e, X864e Photoconductor Kit
25A0013	Staple Cartridges (3 pack)
21Z0357	Saddle Staple Cartridges (4 pack)
Part #	Paper & Transparencies
12A5010	Laser Printers - A4 Transparency
Part #	Paper Handling
15R0146	2 x 500-Sheet Drawer
15R0120	2000-Sheet Dual Input
15R0145	X85xe, W840 High Capacity Feeder
15R0144	X85xe, W840 Finisher (2 / 3-Hole)
15R0143	X85xe W840 Finisher (2 / 4-Hole)
15R0336	X85xe Booklet Finisher (2/4-Hole)
Part #	Furniture
15R0140	Printer Cabinet
Part #	Memory Options
1025041	256MB DDR2-DRAM
1025042	512MB DDR2-DRAM
1025043	1024MB DDR2-DRAM
14F0245	256MB Flash Card
Part #	Application Solutions
30G0829	Lexmark PrintCryption Card
19Z0030	X860de, X862de, X864de Forms and Bar Code Card
19Z0031	X860de, X862de, X864de Card for IPDS/SCS/TNe
Part #	Connectivity
1021294	USB (2 Meter) Cable
14F0042	MarkNet N8130 Fiber Ethernet 100BaseFX, 10BaseFL Print Server
14F0045	MarkNet N8150 802.11b/g/n Wireless Print Server
14T0165	Lexmark N4050e 802.11g Wireless Print Server
1021231	Parallel (10') Cable
14F0000	Parallel 1284-B Interface Card
14F0100	RS-232C Serial Interface Card
Part #	Extended Warranties
2351572P	X862e 2-Years Total (1+1) Onsite Service Guarantee
2351573P	X862e 3-Years Total (1+2) Onsite Service Guarantee
2351574P	X862e 4-Years Total (1+3) Onsite Service Guarantee
2351576P	X862e 1-Year Renewal Onsite Service Guarantee
Part #	User Replaceable Parts
40X0398	X850e, X852e, X854e Fuser Maintenance Kit 220-240V

Part #	Service Parts
40X2734	X850e, X852e, X854e ADF Maintenance Kit
Part #	Installation
2351597	X862e Installation



Lexmark X864de 3

High-volume monochrome multifunction (print/copy/scan) with maximum speed and endurance for extraordinary digital office productivity

Print Technology
Laser, Monochrome

Function
Copying, Network Scanning, Printing

Print Speed (A4 mono)
Up to 55 ppm

Print Speed (A4 mono) Duplex
Up to 50 spm

Time to First Page (Black)
As fast as 6.5 seconds

Copy Speed (A4, Black)
Up to 55 cpm

Time to First Copy (Black)
As fast as 7 seconds

Print Resolution, Black
1200 x 1200 dpi, 2400 Image Quality, 600 x 600 dpi

ADF Scan
RADF (reversing Duplex)

Scanning Resolution
600 x 600 dpi, 600 X 300 dpi (colour)

Processor
800 Mhz

Memory, standard
256 MB

Memory, maximum
1280 MB

Hard Disk
as standard

Expandable Memory Options
Yes

Apple Macintosh Operating Systems Supported
Mac OS X, Mac OS 9.2

Citrix MetaFrame
Microsoft Windows 2000 Server running Terminal Services with Citrix Presentation Server 3.0, 4.0,

Microsoft Windows Server 2003 running Terminal Services with Citrix Presentation Server 3.0, 4.0, 4.5,

Microsoft Windows Server 2003 x64 running Terminal Services with Citrix Presentation Server 4.0 x64, 4.5 x64

Linux Operating Systems Supported
Linpus Linux Desktop 9.2, 9.3, Red Hat Enterprise Linux WS 3.0, 4.0, 5.0, SUSE Linux Enterprise Server 8.0, 9.0, 10, 11, SUSE Linux Enterprise Desktop 10, openSUSE 10.2, 10.3, 11.0, 11.1, Linspire Linux 6.0, Debian GNU/Linux 4.0, Red Flag Linux Desktop 5.0, 6.0, Ubuntu 7.10, Ubuntu 8.04 LTS, SUSE Linux Enterprise Desktop 11, Debian GNU/Linux 5.0, Ubuntu 8.10, 9.04

Microsoft Windows Operating Systems Supported
2000, XP, Server 2003, XP x64, Server 2003 running Terminal Services, 2000 Server running Terminal Services, Server 2003 x64, Server 2003 x64 running Terminal Services, Vista, Vista x64, Server 2008, Server 2008 x64, Server 2008 running Terminal Services, Server 2008 x64 running Terminal Services, 7

Novell Operating Systems Supported
Open Enterprise Server for Netware with NDS, iPrint or Novell Distributed Print Services (NDPS), NetWare 5.x, 6.x with iPrint or Novell Distributed Print Services (NDPS)

UNIX Operating Systems Supported

Sun Solaris SPARC 8, 9, 10, Sun Solaris x86 10, HP-LUX 11.11, 11.23, 11.31, IBM AIX 5.2, 5.3, 6.1

Other Operating Systems Supported

IBM iSeries or IBM AS/400® Systems with TCP/IP with OS/400® V3R1 or later using OS/400 Host Print Transform, Virtually any platform supporting TCP/IP

Paper Handling Standard

500-Sheet Output Bin, Duplex Unit, Two 500-Sheet Trays, 100-Sheet Multipurpose Feeder

Paper Handling Optional

2,000-Sheet High-capacity Feeder, 2,000-Sheet Dual Input, 2x 500 Sheet Drawers, 3,500-Sheet Finisher, Booklet Finisher

Paper Input Capacity, Standard: Up to
1100 pages 75 gsm bond

Paper Input Capacity, Maximum: Up to
5100 pages 75 gsm bond

Paper Output Capacity, Standard: Up to
500 pages 75 gsm bond

Paper Output Capacity, Maximum: Up to
3800 pages 75 gsm bond

ADF Paper Input Capacity
Up to 75 pages 75 gsm bond

Envelope Capacity
10

Finishing Option
Yes

Number of Paper Inputs, Standard
3

Number of Paper Inputs, Maximum
6

Media Types Supported

Card Stock, Envelopes, Paper Labels, Plain Paper, Transparencies, Refer to the Card Stock & Label Guide

Media Sizes Supported

10 Envelope, 7 3/4 Envelope, A3, A4, A5, C5 Envelope, DL Envelope, Executive, Folio, JIS-B4, JIS-B5, Ledger, Legal, Letter, Statement, Universal

Standard Ports

One Internal Card Slot, Gigabit Ethernet (10/100/1000), Hi-Speed USB port Compatible with USB 2.0 Specification (Type B), Front Hi-Speed USB port. Compatible with USB 2.0 Specification (Type A), Rear Hi-Speed USB port Compatible with USB 2.0 Specification (Type A)

Optional Network Ports

Lexmark N4050e 802.11g Wireless Print Server (Print Only), Internal MarNet™ N8130 Fiber Fast Ethernet, Internal MarNet™ N8150 802.11b/g/n Wireless

Network Printing Methods

LPR/LPD, Direct IP (Port 9100), Socket (Raw TCP/IP), HTTP, NDS Queue-based Printing, NDPS/NEPS (Novell Distributed Print Services, Novell Network Enterprise Print Services), Enhanced IP (Port 9400), FTP, TFTP, IPP 1.1

(Internet Printing Protocol), ThinPrint .print integration

Network Protocol Support

TCP/IP IPv4, IPX/SPX, AppleTalk™, LexLink (DLC), TCP/IP IPv6, TCP, UDP

Network Security

SNMPv3, 802.1x Authentication: MD5, MSCHAPv2, LEAP, PEAP, TLS, TTLS, IPsec

Printable Area

4 mm of the top, bottom, right and left edges (within)

Printer Languages (Standard)

PCL 5e Emulation, PCL 6 Emulation, PPDs, PostScript 3 Emulation, xHTML, PDF 1.6, Direct Image, Microsoft XPS (XML Paper Specification)

Reduce / Enlarge Range
25 - 400 %

Scan Area, Maximum
297 x 432 mm

Supplies Yield

Average standard page yield value declared in accordance with ISO/IEC 19752, 70,000-page Photoconductor Unit, 35,000-page High Yield Toner Cartridge

Cartridge(s) Shipping with Product
35,000*-page High Yield Toner Cartridge

Packaged Size (mm - H x W x D)
940 x 880 x 850 mm

Size (mm - H x W x D)
803 x 641 x 705 mm

Size, Trays Extended (mm - H x W x D)
803 x 971 x 705 mm

Weight (kg)
76.7 kg

Noise Level, Idle
30 dBA

Print Noise Level, Operating
53 dBA

Copier Noise Level, Operating
54 dBA

Scanner Noise Level, Operating
55 dBA

Product Guarantee

1-Year Onsite Service, Next Business Day

Product Certifications

Energy Star, CSA, ICES Class A, BSMI Class A, VCCI Class A, FCC Class A, UL 60950-1, IEC 320-1, ECMA-74, CE Class A, CB IEC 60950 1, IEC 61000-3-2, -3, -3, EN 55022, EN 55024, CISPR 22 Class A, GS (TUV)-EN 60950-1, SEMKO, UL AR, CS, TÜV Rh, N Mark, C-tick Class A, CCC Class A, RPC, PSB, MIK, EK - K60950

Maximum Monthly Duty Cycle

Up to 300,000 pages per month

Recommended Monthly Page Volume

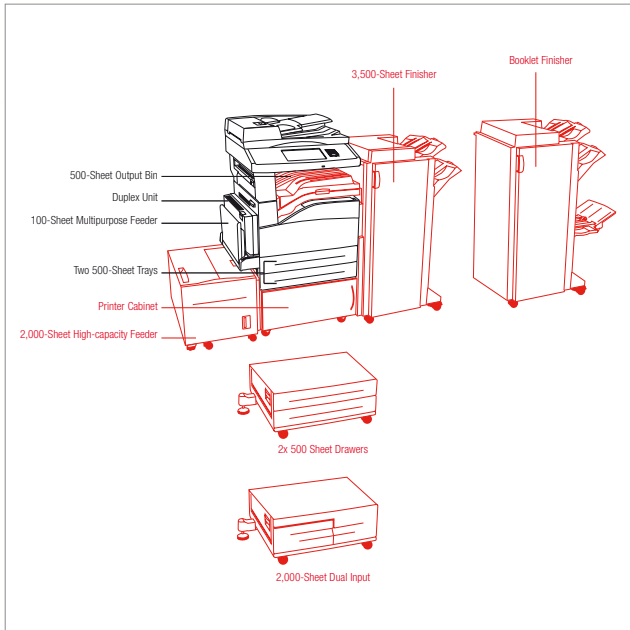
15,000 - 50,000 Pages

Specified Operating Environment

Temperature: 16 to 32°C (60 to 90°F), Humidity: 8 to 80% Relative Humidity, Altitude: 0 - 3048 Meters



(10,000 Feet)



Paper Handling Standard
 Paper Handling Optional

Part #	Model
19Z0156	Lexmark X864de 3

Part #	Laser Toner/Print Cartridge
X860H21G	X860e, X862e, X864e High Yield Toner Cartridge
X860H22G	X860e, X862e, X864e Photoconductor Kit
25A0013	Staple Cartridges (3 pack)
21Z0357	Saddle Staple Cartridges (4 pack)

Part #	Paper & Transparencies
12A5010	Laser Printers - A4 Transparency

Part #	Paper Handling
15R0146	2 x 500-Sheet Drawer
15R0120	2000-Sheet Dual Input
15R0145	X85xe, W840 High Capacity Feeder
15R0144	X85xe, W840 Finisher (2 / 3-Hole)
15R0143	X85xe W840 Finisher (2 / 4-Hole)
15R0336	X85xe Booklet Finisher (2/4-Hole)

Part #	Furniture
15R0140	Printer Cabinet

Part #	MFP Options
14F0052	MarkNet N8110 V.34 Fax Card

Part #	Memory Options
1025041	256MB DDR2-DRAM
1025042	512MB DDR2-DRAM
1025043	1024MB DDR2-DRAM
14F0245	256MB Flash Card

Part #	Application Solutions
30G0829	Lexmark PrintCrypton Card
19Z0030	X860de, X862de, X864de Forms and Bar Code Card
19Z0031	X860de, X862de, X864de Card for IPDS/SCS/TNE

Part #	Connectivity
1021294	USB (2 Meter) Cable
14F0042	MarkNet N8130 Fiber Ethernet 100BaseFX, 10BaseFL Print Server
14F0045	MarkNet N8150 802.11b/g/n Wireless Print Server
14T0165	Lexmark N4050e 802.11g Wireless Print Server
1021231	Parallel (10') Cable
14F0000	Parallel 1284-B Interface Card
14F0100	RS-232C Serial Interface Card

Part #	Extended Warranties
2351600P	X864e 2-Years Total (1+1) Onsite Service Guarantee
2351601P	X864e 3-Years Total (1+2) Onsite Service Guarantee
2351602P	X864e 4-Years Total (1+3) Onsite Service Guarantee

2351604P	X864e 1-Year Renewal Onsite Service Guarantee
----------	---

Part #	User Replaceable Parts
40X0398	X850e, X852e, X854e Fuser Maintenance Kit 220-240V

Part #	Service Parts
40X2734	X850e, X852e, X854e ADF Maintenance Kit

Part #	Installation
2351625	X864e Installation



Lexmark X864de 4

High-volume monochrome multifunction (print/copy/scan/fax) with maximum speed and endurance for extraordinary digital office productivity

Print Technology

Laser, Monochrome

Function

Copying, Faxing, Network Scanning, Printing

Print Speed (A4 mono)

Up to 55 ppm

Print Speed (A4 mono) Duplex

Up to 50 spm

Time to First Page (Black)

As fast as 6.5 seconds

Copy Speed (A4, Black)

Up to 55 cpm

Time to First Copy (Black)

As fast as 7 seconds

Print Resolution, Black

1200 x 1200 dpi, 2400 Image Quality, 600 x 600 dpi

ADF Scan

RADF (reversing Duplex)

Scanning Resolution

600 x 600 dpi, 600 X 300 dpi (colour)

Processor

800 Mhz

Memory, standard

256 MB

Memory, maximum

1280 MB

Hard Disk

as standard

Expandable Memory Options

Yes

Apple Macintosh Operating Systems Supported

Mac OS X, Mac OS 9.2

Citrix MetaFrame

Microsoft Windows 2000 Server running Terminal Services with Citrix Presentation Server 3.0, 4.0, Microsoft Windows Server 2003 running Terminal Services with Citrix Presentation Server 3.0, 4.0, 4.5, Microsoft Windows Server 2003 x64 running Terminal Services with Citrix Presentation Server 4.0 x64, 4.5 x64

Linux Operating Systems Supported

Linpus Linux Desktop 9.2, 9.3, Red Hat Enterprise Linux WS 3.0, 4.0, 5.0, SUSE Linux Enterprise Server 8.0, 9.0, 10, 11, SUSE Linux Enterprise Desktop 10, openSUSE 10.2, 10.3, 11.0, 11.1, Linspire Linux 6.0, Debian GNU/Linux 4.0, Red Flag Linux Desktop 5.0, 6.0, Ubuntu 7.10, Ubuntu 8.04 LTS, SUSE Linux Enterprise Desktop 11, Debian GNU/Linux 5.0, Ubuntu 8.10, 9.04

Microsoft Windows Operating Systems Supported

2000, XP, Server 2003, XP x64, Server 2003 running Terminal Services, 2000 Server running Terminal Services, Server 2003 x64, Server 2003 x64 running Terminal Services, Vista, Vista x64, Server 2008, Server 2008 x64, Server 2008 running Terminal Services, Server 2008 x64 running Terminal Services, 7

Novell Operating Systems Supported

Open Enterprise Server for Netware with NDS, iPrint or Novell Distributed Print Services (NDPS), NetWare 5.x, 6.x with iPrint or Novell Distributed Print Services (NDPS)

UNIX Operating Systems Supported

Sun Solaris SPARC 8, 9, 10, Sun Solaris x86 10, HP-LX 11.11, 11.23, 11.31, IBM AIX 5.2, 5.3, 6.1

Other Operating Systems Supported

IBM iSeries or IBM AS/400® Systems with TCP/IP with OS/400® V3R1 or later using OS/400 Host Print Transform, Virtually any platform supporting TCP/IP

Paper Handling Standard

500-Sheet Output Bin, Duplex Unit, Two 500-Sheet Trays, 100-Sheet Multipurpose Feeder

Paper Handling Optional

2,000-Sheet High-capacity Feeder, 2,000-Sheet Dual Input, 2x 500 Sheet Drawers, 3,500-Sheet Finisher, Booklet Finisher

Paper Input Capacity, Standard: Up to

1100 pages 75 gsm bond

Paper Input Capacity, Maximum: Up to

5100 pages 75 gsm bond

Paper Output Capacity, Standard: Up to

500 pages 75 gsm bond

Paper Output Capacity, Maximum: Up to

3800 pages 75 gsm bond

ADF Paper Input Capacity

Up to 75 pages 75 gsm bond

Envelope Capacity

10

Finishing Option

Yes

Number of Paper Inputs, Standard

3

Number of Paper Inputs, Maximum

6

Media Types Supported

Card Stock, Envelopes, Paper Labels, Plain Paper, Transparencies, Refer to the Card Stock & Label Guide

Media Sizes Supported

10 Envelope, 7 3/4 Envelope, A3, A4, A5, C5 Envelope, DL Envelope, Executive, Folio, JIS-B4, JIS-B5, Ledger, Legal, Letter, Statement, Universal

Standard Ports

One Internal Card Slot, Gigabit Ethernet (10/100/1000), Hi-Speed USB port Compatible with USB 2.0 Specification (Type B), Front Hi-Speed USB port. Compatible with USB 2.0 Specification (Type A), Rear Hi-Speed USB port Compatible with USB 2.0 Specification (Type A)

Optional Network Ports

Lexmark N4050e 802.11g Wireless Print Server (Print Only), Internal MarkNet™ N8130 Fiber Fast Ethernet, Internal MarkNet™ N8150 802.11b/g/n Wireless

Network Printing Methods

LPR/LPD, Direct IP (Port 9100), Socket (Raw TCP/IP), HTTP, NDS Queue-based Printing, NDPS/NEPS (Novell Distributed Print Services, Novell Network Enterprise Print Services), Enhanced IP (Port 9400), FTP, TFTP, IPP 1.1

(Internet Printing Protocol), ThinPrint .print integration

Network Protocol Support

TCP/IP IPv4, IPX/SPX, AppleTalk™, LexLink (DLC), TCP/IP IPv6, TCP, UDP

Network Security

SNMPv3, 802.1X Authentication: MD5, MSCHAPv2, LEAP, PEAP, TLS, TTLS, IPsec

Printable Area

4 mm of the top, bottom, right and left edges (within)

Printer Languages (Standard)

PCL 5e Emulation, PCL 6 Emulation, PPDs, PostScript 3 Emulation, xHTML, PDF 1.6, Direct Image, Microsoft XPS (XML Paper Specification)

Reduce / Enlarge Range

25 - 400 %

Scan Area, Maximum

297 x 432 mm

Modem Speed

33.6 Kbps

Supplies Yield

Average standard page yield value declared in accordance with ISO/IEC 19752, 70,000-page Photoconductor Unit, 35,000-page High Yield Toner Cartridge

Cartridge(s) Shipping with Product

35,000*-page High Yield Toner Cartridge

Packaged Size (mm - H x W x D)

940 x 880 x 850 mm

Size (mm - H x W x D)

803 x 641 x 705 mm

Size, Trays Extended (mm - H x W x D)

803 x 971 x 705 mm

Weight (kg)

76.7 kg

Noise Level, Idle

30 dBA

Print Noise Level, Operating

53 dBA

Copier Noise Level, Operating

54 dBA

Scanner Noise Level, Operating

55 dBA

Product Guarantee

1-Year Onsite Service, Next Business Day

Product Certifications

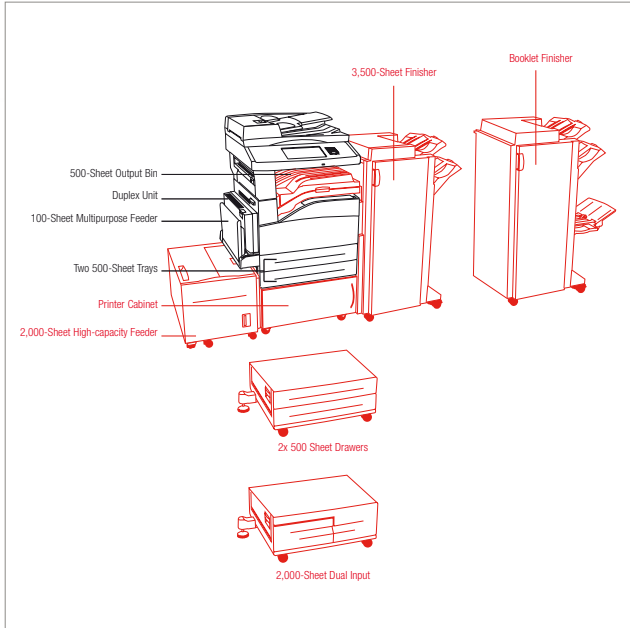
Energy Star, CSA, ICES Class A, BSMI Class A, VCCI Class A, FCC Class A, UL 60950-1, IEC 320-1, ECMA-74, CE Class A, CB IEC 60950 1, IEC 61000-3-2, -3-3, EN 55022, EN 55024, CISPIR 22 Class A, GS (TUV)-EN 60950-1, SENK0, UL AR, CS, TÜV Rh, N Mark, C-tick Class A, CCC Class A, RPC, PSB, MIC, EK - k60950

Maximum Monthly Duty Cycle

Up to 300000 pages per month

Recommended Monthly Page Volume

15000 - 50000 Pages



Paper Handling Standard
 Paper Handling Optional

Specified Operating Environment

Temperature: 16 to 32°C (60 to 90°F), Humidity: 8 to 80% Relative Humidity, Altitude: 0 - 3048 Meters (10,000 Feet)

Part #	Model
19Z0256	Lexmark X864de 4

Part #	Laser Toner/Print Cartridge
X860H21G	X860e, X862e, X864e High Yield Toner Cartridge
X860H22G	X860e, X862e, X864e Photoconductor Kit
25A0013	Staple Cartridges (3 pack)
21Z0357	Saddle Staple Cartridges (4 pack)

Part #	Paper & Transparencies
12A5010	Laser Printers - A4 Transparency

Part #	Paper Handling
15R0146	2 x 500-Sheet Drawer
15R0120	2000-Sheet Dual Input
15R0145	X85xe, W840 High Capacity Feeder
15R0144	X85xe, W840 Finisher (2 / 3-Hole)
15R0143	X85xe W840 Finisher (2 / 4-Hole)
15R0336	X85xe Booklet Finisher (2/4-Hole)

Part #	Furniture
15R0140	Printer Cabinet

Part #	Memory Options
1025041	256MB DDR2-DRAM
1025042	512MB DDR2-DRAM
1025043	1024MB DDR2-DRAM
14F0245	256MB Flash Card

Part #	Application Solutions
30G0829	Lexmark PrintCryption Card
19Z0030	X860de, X862de, X864de Forms and Bar Code Card
19Z0031	X860de, X862de, X864de Card for IPDS/SCS/TNe

Part #	Connectivity
1021294	USB (2 Meter) Cable
14F0042	MarkNet N8130 Fiber Ethernet 100BaseFX, 10BaseFL Print Server
14F0045	MarkNet N8150 802.11b/g/n Wireless Print Server
14T0165	Lexmark N4050e 802.11g Wireless Print Server
1021231	Parallel (10') Cable
14F0000	Parallel 1284-B Interface Card
14F0100	RS-232C Serial Interface Card

Part #	Extended Warranties
2351600P	X864e 2-Years Total (1+1) Onsite Service Guarantee
2351601P	X864e 3-Years Total (1+2) Onsite Service Guarantee
2351602P	X864e 4-Years Total (1+3) Onsite Service Guarantee
2351604P	X864e 1-Year Renewal Onsite Service Guarantee

Part #	User Replaceable Parts
40X0398	X850e, X852e, X854e Fuser Maintenance Kit 220-240V

Part #	Service Parts
40X2734	X850e, X852e, X854e ADF Maintenance Kit

Part #	Installation
2351625	X864e Installation



Lexmark X543dn

A quality colour desktop MFP with smart ways to save.

Print Technology

Color Laser

Function

Colour Copying, Colour Printing, Network Scanning

Print Speed (A4 mono)

Up to 20 ppm

Print Speed (A4 colour)

Up to 20 ppm

Time to First Page (Black)

As fast as 13 seconds

Time to First Page (Colour)

as fast as 14 seconds

Copy Speed (A4, Black)

Up to 20 cpm

Copy Speed (A4, Colour)

Up to 20 cpm

Copy Speed (Letter colour)

Up to 21 cpm

Time to First Copy (Black)

As fast as 17.5 seconds

Print Resolution, Black

1200 x 1200 dpi, 4800 Colour Quality (1200 x 600 dpi)

Print Resolution, Colour

1200 x 1200 dpi, 4800 Colour Quality (1200 x 600 dpi)

ADF Scan

Simplex

Scanning Resolution

600 x 600 dpi

Processor

500 MHz

Memory, standard

128 MB

Memory, maximum

640 MB

Hard Disk

Not Available

Expandable Memory Options

Yes

Apple Macintosh Operating Systems Supported

Mac OS X, Mac OS 9.2

Citrix MetaFrame

Microsoft Windows 2000 Server running Terminal

Services with Citrix Presentation Server 3.0, 4.0,

Microsoft Windows Server 2003 running Terminal

Services with Citrix Presentation Server 3.0, 4.0, 4.5,

Microsoft Windows Server 2003 x64 running Terminal

Services with Citrix Presentation Server 4.0 x64, 4.5 x64

Linux Operating Systems Supported

Linpus Linux Desktop 9.2, 9.3, Red Hat Enterprise Linux

WS 3.0, 4.0, 5.0, SUSE Linux Enterprise Server 8.0, 9.0,

10, 11, SUSE Linux Enterprise Desktop 10, openSUSE

10.2, 10.3, 11.0, 11.1, Linspire Linux 6.0, Debian GNU/

Linux 4.0, Red Flag Linux Desktop 5.0, 6.0, Ubuntu 7.10,

Ubuntu 8.04 LTS, SUSE Linux Enterprise Desktop 11,

Debian GNU/Linux 5.0, Ubuntu 8.10, 9.04

Microsoft Windows Operating Systems Supported

2000, XP, Server 2003, XP x64, Server 2003 running

Terminal Services, 2000 Server running Terminal

Services, Server 2003 x64, Server 2003 x64 running

Terminal Services, Vista, Vista x64, Server 2008, Server

2008 x64, Server 2008 running Terminal Services, Server

2008 x64 running Terminal Services, 7

Novell Operating Systems Supported

Open Enterprise Server for Netware with NDS, iPrint or

Novell Distributed Print Services (NDPS), NetWare 5.x, 6.x

with iPrint or Novell Distributed Print Services (NDPS)

UNIX Operating Systems Supported

Sun Solaris SPARC 8, 9, 10, Sun Solaris x86 10, HP-UX

11.11, 11.23, 11.31, IBM AIX 5.2, 5.3, 6.1

Paper Handling Standard

150-Sheet Output Bin, Integrated Duplex, Single Sheet

Manual Feed, 250-Sheet Input Tray

Paper Handling Optional

550-Sheet Duo Drawer with 100-Sheet Feeder

Paper Input Capacity, Standard: Up to

250+1 pages 75 gsm bond

Paper Input Capacity, Maximum: Up to

900+1 pages 75 gsm bond

Paper Output Capacity, Standard: Up to

150 pages 75 gsm bond

Paper Output Capacity, Maximum: Up to

150 pages 75 gsm bond

ADF Paper Input Capacity

Up to 50 pages 75 gsm bond

Envelope Capacity

1

Finishing Option

No

Number of Paper Inputs, Standard

2

Number of Paper Inputs, Maximum

3

Media Types Supported

Card Stock, Paper Labels, Plain Paper, Transparencies,

Refer to the Card Stock & Label Guide

Media Sizes Supported

A4, A5, Executive, Folio, JIS-B5, Legal, Letter, Universal,

Oficio, A6

Standard Ports

Fast Ethernet, USB 2.0 Specification Hi-Speed Certified

(Type B)

Optional Network Ports

Lexmark N4050e 802.11g Wireless Print Server (Print

Only), External MarkNet™ N7020e Gigabit Ethernet

Network Printing Methods

LPR/LPD, Direct IP (Port 9100), Enhanced IP (Port 9400),

FTP, TFTP, IPP 1.1 (Internet Printing Protocol)

Network Protocol Support

TCP/IP IPv4, AppleTalk™, TCP/IP IPv6, TCP, UDP

Printable Area

4.2 mm of the top, bottom, right and left edges (within)

Printer Languages (Standard)

PCL 5c Emulation, PCL 6 Emulation, PPDS, PostScript 3

Emulation, PDF 1.6

Reduce / Enlarge Range

25 - 400 %

Scan Area, Maximum

216 x 355 mm

Supplies Yield

Average continuous black or continuous composite CMY

declared cartridge yield up to this number of standard

pages in accordance with ISO/IEC 19798., 1,000*-page

Colour Toner Cartridges (CMY), 2,000*-page Colour High

Yield Toner Cartridges (CMY), 2,500*-page Black High

Yield Toner Cartridge, 1,000*-page Black Toner Cartridge

Cartridge(s) Shipping with Product

2,500*-page Black Return Program Toner Cartridge,

2,000*-page Colour (CMY) Return Program Toner

Cartridges

Packaged Size (mm - H x W x D)

557 x 583 x 560 mm

Size (mm - H x W x D)

463 x 440 x 537 mm

Size, Trays Extended (mm - H x W x D)

523 x 492 x 571 mm

Weight (kg)

26.8 kg

Noise Level, Idle

inaudible dBA

Print Noise Level, Operating

47 dBA

Copier Noise Level, Operating

50 dBA

Scanner Noise Level, Operating

47 dBA

Product Guarantee

1 Year Onsite, Next Business Day

Product Certifications

Energy Star, U.S. FDA, 47CFR-68 FCC, CFR 47-173,

FCC Class B, UL 60950-1, IEC 60320-1, ECMA 370, CA

RSS-210, RSS-GEN, RSS-102, ICES-003 Class B, CE

Class B, CB IEC 60950-1, IEC 60825-1, IEC 61000-3-2,

IEC 61000-3-3, EN 55022 Class B, EN 55024, CISPR 22

Class B, GS (TÜV), EN 60825-1, SEMKO, ACMA A-tick

mark Class B, TEC, VCCI Class B, EK Mark, KCC MIC

Mark, CCC Class B, SIFIM, BSMI Class B, UL AR, CS,

TÜV Rh, SABS

Maximum Monthly Duty Cycle

Up to 35000 pages per month

Recommended Monthly Page Volume

500 - 1500 Pages

Specified Operating Environment

Temperature: 16 to 32°C (60 to 90°F), Humidity: 8

to 80% Relative Humidity, Altitude: 0 - 3048 Meters

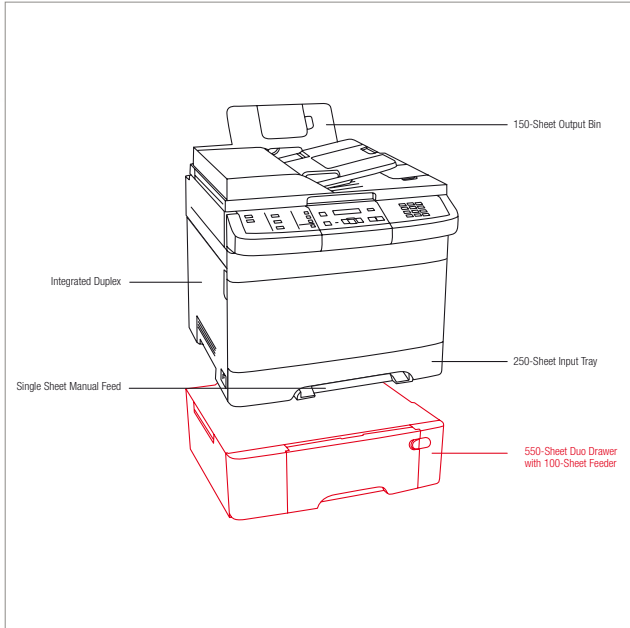
(10,000 Feet)

License/Agreement Terms

Printers are sold subject to certain license/agreement



conditions. See www.lexmark.com/printerlicense for details.



Paper Handling Standard
 Paper Handling Optional

Part #	Model
26B0113	Lexmark X543dn
Part #	Laser Toner/Print Cartridge
C540H1KG	C54x, X54x Black High Yield Return Programme Toner Cartridge (2.5K)
C540H1CG	C54x, X54x Cyan High Yield Return Programme Toner Cartridge (2K)
C540H1MG	C54x, X54x Magenta High Yield Return Programme Toner Cartridge (2K)
C540H1YG	C54x, X54x Yellow High Yield Return Programme Toner Cartridge (2K)
C540A1KG	C54x, X54x Black Return Programme Toner Cartridge (1K)
C540A1CG	C54x, X54x Cyan Return Programme Toner Cartridge (1K)
C540A1MG	C54x, X54x Magenta Return Programme Toner Cartridge (1K)
C540A1YG	C54x, X54x Yellow Return Programme Toner Cartridge (1K)
C540H2KG	C54x, X54x Black High Yield Toner Cartridge (2.5K)
C540H2CG	C54x, X54x Cyan High Yield Toner Cartridge (2K)
C540H2MG	C54x, X54x Magenta High Yield Toner Cartridge (2K)
C540H2YG	C54x, X54x Yellow High Yield Toner Cartridge (2K)
C540X75G	C54x, X54x Waste Toner Bottle (18K)
C540X71G	C54x, X54x Black Imaging Kit (30K)
C540X74G	C54x, X54x Black and Colour Imaging Kit (30K)
Part #	Paper & Transparencies
12A8241	Professional Colour Laser Transparencies, A4
Part #	Paper Handling
3000551	550-Sheet Duo Drawer with 100-Sheet MPF
Part #	Memory Options
1022298	128MB DDR1-DRAM
1022299	256MB DDR1-DRAM
1022301	512MB DDR1-DRAM
1021209	64MB Flash Card
Part #	Connectivity
1021294	USB (2 Meter) Cable
14T0165	Lexmark N4050e 802.11g Wireless Print Server
14T0220	MarkNet N7020e Gigabit Ethernet Print Server
Part #	Extended Warranties
2350503P	X543 2-Years Total (1+1) Onsite Service Guarantee
2350504P	X543 3-Years Total (1+2) Onsite Service Guarantee
2350507P	X543 1-Year Renewal Onsite Service Guarantee
Part #	User Replaceable Parts
3049485	X543, X544 Relocation Kit



Lexmark X544n

A complete 4-in-1 colour solution to power up your workday.

Print Technology

Color Laser

Function

Colour Copying, Colour Faxing, Colour Printing, Colour Scanning, Network Scanning

Print Speed (A4 mono)

Up to 23 ppm

Print Speed (A4 colour)

Up to 23 ppm

Time to First Page (Black)

As fast as 13 seconds

Time to First Page (Colour)

as fast as 13 seconds

Copy Speed (A4, Black)

Up to 23 cpm

Copy Speed (A4, Colour)

Up to 23 cpm

Copy Speed (Letter colour)

Up to 25 cpm

Time to First Copy (Black)

As fast as 16.5 seconds

Print Resolution, Black

1200 x 1200 dpi, 4800 Color Quality (1200 x 600 dpi)

Print Resolution, Colour

1200 x 1200 dpi, 4800 Colour Quality (1200 x 600 dpi)

ADF Scan

RADF (reversing Duplex)

Scanning Resolution

600 x 600 dpi

Processor

500 MHz

Memory, standard

128 MB

Memory, maximum

640 MB

Hard Disk

Not Available

Expandable Memory Options

Yes

Apple Macintosh Operating Systems Supported

Mac OS X, Mac OS 9.2

Citrix MetaFrame

Microsoft Windows 2000 Server running Terminal Services with Citrix Presentation Server 3.0, 4.0, Microsoft Windows Server 2003 running Terminal Services with Citrix Presentation Server 3.0, 4.0, 4.5, Microsoft Windows Server 2003 x64 running Terminal Services with Citrix Presentation Server 4.0 x64, 4.5 x64

Linux Operating Systems Supported

Linpus Linux Desktop 9.2, 9.3, Red Hat Enterprise Linux WS 3.0, 4.0, 5.0, SUSE Linux Enterprise Server 8.0, 9.0, 10, 11, SUSE Linux Enterprise Desktop 10, openSUSE 10.2, 10.3, 11.0, 11.1, Linspire Linux 6.0, Debian GNU/Linux 4.0, Red Flag Linux Desktop 5.0, 6.0, Ubuntu 7.10, Ubuntu 8.04 LTS, SUSE Linux Enterprise Desktop 11, Debian GNU/Linux 5.0, Ubuntu 8.10, 9.04

Microsoft Windows Operating Systems Supported

2000, XP, Server 2003, XP x64, Server 2003 running

Terminal Services, 2000 Server running Terminal Services, Server 2003 x64, Server 2003 x64 running Terminal Services, Vista, Vista x64, Server 2008, Server 2008 x64, Server 2008 running Terminal Services, Server 2008 x64 running Terminal Services, 7

Novell Operating Systems Supported

Open Enterprise Server for Netware with NDS, iPrint or Novell Distributed Print Services (NDPS), NetWare 5.x, 6.x with iPrint or Novell Distributed Print Services (NDPS)

UNIX Operating Systems Supported

Sun Solaris SPARC 8, 9, 10, Sun Solaris x86 10, HP-UX 11.11, 11.23, 11.31, IBM AIX 5.2, 5.3, 6.1

Paper Handling Standard

150-Sheet Output Bin, Single Sheet Manual Feed, 250-Sheet Input Tray

Paper Handling Optional

550-Sheet Duo Drawer with 100-Sheet Feeder

Paper Input Capacity, Standard: Up to

250+1 pages 75 gsm bond

Paper Input Capacity, Maximum: Up to

900 +1 pages 75 gsm bond

Paper Output Capacity, Standard: Up to

150 pages 75 gsm bond

Paper Output Capacity, Maximum: Up to

150 pages 75 gsm bond

ADF Paper Input Capacity

Up to 50 pages 75 gsm bond

Envelope Capacity

1

Finishing Option

No

Number of Paper Inputs, Standard

2

Number of Paper Inputs, Maximum

4

Media Types Supported

Card Stock, Paper Labels, Plain Paper, Transparencies, Refer to the Card Stock & Label Guide

Media Sizes Supported

A4, A5, Executive, Folio, JIS-B5, Legal, Letter, Universal, Oficio, A6

Standard Ports

Fast Ethernet, USB 2.0 Specification Hi-Speed Certified (Type B), PictBridge Certified Port, Front USB port Compatible with USB 2.0 Specification (Type A)

Optional Network Ports

Lexmark N4050e 802.11g Wireless Print Server (Print Only), External MarkNet™ N7020e Gigabit Ethernet

Network Printing Methods

LPR/LPD, Direct IP (Port 9100), Enhanced IP (Port 9400), FTP, TFTP, IPP 1.1 (Internet Printing Protocol)

Network Protocol Support

TCP/IP IPv4, AppleTalk™, TCP/IP IPv6, TCP, UDP

Printable Area

4.2 mm of the top, bottom, right and left edges (within)

Printer Languages (Standard)

PCL 5c Emulation, PCL 6 Emulation, PPDS, PostScript 3 Emulation, PDF 1.6, Direct Image

Reduce / Enlarge Range

25 - 400 %

Scan Area, Maximum

216 x 355 mm

Modem Speed

33.6 Kbps

Supplies Yield

Average continuous black or continuous composite CMY declared cartridge yield up to this number of standard pages in accordance with ISO/IEC 19798-1, 1,000*-page Colour Toner Cartridges (CMY), 2,000*-page Colour High Yield Toner Cartridges (CMY), 4,000*-page Colour Extra High Yield Toner Cartridges (CMY), 2,500*-page Black High Yield Toner Cartridge, 6,000*-page Black Extra High Yield Toner Cartridge, 1,000*-page Black Toner Cartridge

Cartridge(s) Shipping with Product

2,500*-page Black Return Program Toner Cartridge, 2,000*-page Colour (CMY) Return Program Toner Cartridges

Packaged Size (mm - H x W x D)

557 x 583 x 560 mm

Size (mm - H x W x D)

463 x 440 x 537 mm

Size, Trays Extended (mm - H x W x D)

523 x 492 x 571 mm

Weight (kg)

27.2 kg

Noise Level, Idle

inaudible dBA

Print Noise Level, Operating

48 dBA

Copier Noise Level, Operating

50 dBA

Scanner Noise Level, Operating

45 dBA

Product Guarantee

1 Year Onsite, Next Business Day

Product Certifications

U.S. FDA, 47CFR-68 FCC, CFR 47-173, FCC Class B, UL 60950-1, IEC 60320-1, ECMA 370, CA RSS-210, RSS-GEN, RSS-102, ICES-003 Class B, CE Class B, CB IEC 60950-1, IEC 60825-1, IEC 61000-3-2, IEC 61000-3-3, EN 55022 Class B, EN 55024, CISPR 22 Class B, GS (TÜV), EN 60825-1, SEMKO, ACMA A-tick mark Class B, TEC, VCCI Class B, EK Mark, KCC MIC Mark, CCC Class B, SRIM, BSMI Class B, UL AR, CS, TÜV Rh, SABS

Maximum Monthly Duty Cycle

Up to 55000 pages per month

Recommended Monthly Page Volume

800 - 3000 Pages

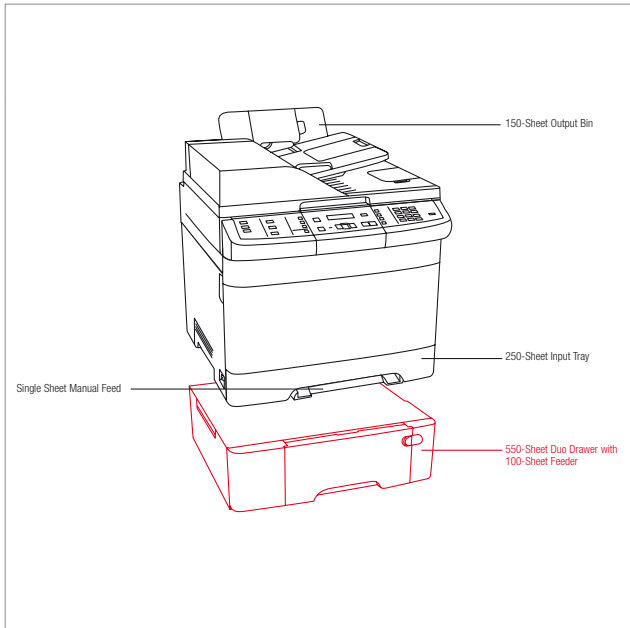


Specified Operating Environment

Temperature: 16 to 32°C (60 to 90°F), Humidity: 8 to 80% Relative Humidity, Altitude: 0 - 3048 Meters (10,000 Feet)

License/Agreement Terms

Printers are sold subject to certain license/agreement conditions. See www.lexmark.com/printerlicense for details.



Paper Handling Standard
 Paper Handling Optional

Part #	Model
26D0014	Lexmark X544n

Part #	Laser Toner/Print Cartridge
C544X1KG	C544, X544 Black Extra High Yield Return Programme Toner Cartridge (6K)
C544X1CG	C544, X544 Cyan Extra High Yield Return Programme Toner Cartridge (4K)
C544X1MG	C544, X544 Magenta Extra High Yield Return Programme Toner Cartridge (4K)
C544X1YG	C544, X544 Yellow Extra High Yield Return Programme Toner Cartridge (4K)
C540H1KG	C54x, X54x Black High Yield Return Programme Toner Cartridge (2.5K)
C540H1CG	C54x, X54x Cyan High Yield Return Programme Toner Cartridge (2K)
C540H1MG	C54x, X54x Magenta High Yield Return Programme Toner Cartridge (2K)
C540H1YG	C54x, X54x Yellow High Yield Return Programme Toner Cartridge (2K)
C540A1KG	C54x, X54x Black Return Programme Toner Cartridge (1K)
C540A1CG	C54x, X54x Cyan Return Programme Toner Cartridge (1K)
C540A1MG	C54x, X54x Magenta Return Programme Toner Cartridge (1K)
C540A1YG	C54x, X54x Yellow Return Programme Toner Cartridge (1K)
C544X2KG	C544, X544 Black Extra High Yield Toner Cartridge (6K)
C544X2CG	C544, X544 Cyan Extra High Yield Toner Cartridge (4K)
C544X2MG	C544, X544 Magenta Extra High Yield Toner Cartridge (4K)
C544X2YG	C544, X544 Yellow Extra High Yield Toner Cartridge (4K)
C540H2KG	C54x, X54x Black High Yield Toner Cartridge (2.5K)
C540H2CG	C54x, X54x Cyan High Yield Toner Cartridge (2K)
C540H2MG	C54x, X54x Magenta High Yield Toner Cartridge (2K)
C540H2YG	C54x, X54x Yellow High Yield Toner Cartridge (2K)
C540X75G	C54x, X54x Waste Toner Bottle (18K)
C540X71G	C54x, X54x Black Imaging Kit (30K)
C540X74G	C54x, X54x Black and Colour Imaging Kit (30K)

Part #	Paper & Transparencies
12A8241	Professional Colour Laser Transparencies, A4

Part #	Paper Handling
3000551	550-Sheet Duo Drawer with 100-Sheet MPF

Part #	Memory Options
1022298	128MB DDR1-DRAM
1022299	256MB DDR1-DRAM
1022301	512MB DDR1-DRAM
1021209	64MB Flash Card

Part #	Connectivity
1021294	USB (2 Meter) Cable
14T0165	Lexmark N4050e 802.11g Wireless Print Server
14T0220	MarkNet N7020e Gigabit Ethernet Print Server

Part #	Extended Warranties
2350521P	X544 2-Years Total (1+1) Onsite Service Guarantee
2350522P	X544 3-Years Total (1+2) Onsite Service Guarantee

2350525P	X544 1-Year Renewal Onsite Service Guarantee
----------	--

Part #	User Replaceable Parts
3049485	X543, X544 Relocation Kit



Lexmark X544dn

A complete 4-in-1 colour solution, including paper-saving duplex printing

Print Technology

Color Laser

Function

Colour Copying, Colour Faxing, Colour Printing, Colour Scanning, Network Scanning

Print Speed (A4 mono)

Up to 23 ppm

Print Speed (A4 colour)

Up to 23 ppm

Time to First Page (Black)

As fast as 13 seconds

Time to First Page (Colour)

as fast as 13 seconds

Copy Speed (A4, Black)

Up to 23 ppm

Copy Speed (A4, Colour)

Up to 23 ppm

Copy Speed (Letter colour)

Up to 23 ppm

Time to First Copy (Black)

As fast as 16.5 seconds

Print Resolution, Black

1200 x 1200 dpi, 4800 Color Quality (1200 x 600 dpi)

Print Resolution, Colour

1200 x 1200 dpi, 4800 Colour Quality (1200 x 600 dpi)

ADF Scan

RADF (reversing Duplex)

Scanning Resolution

600 x 600 dpi

Processor

500 MHz

Memory, standard

128 MB

Memory, maximum

640 MB

Hard Disk

Not Available

Expandable Memory Options

Yes

Apple Macintosh Operating Systems Supported

Mac OS X, Mac OS 9.2

Citrix MetaFrame

Microsoft Windows 2000 Server running Terminal Services with Citrix Presentation Server 3.0, 4.0, Microsoft Windows Server 2003 running Terminal Services with Citrix Presentation Server 3.0, 4.0, 4.5, Microsoft Windows Server 2003 x64 running Terminal Services with Citrix Presentation Server 4.0 x64, 4.5 x64

Linux Operating Systems Supported

Linpus Linux Desktop 9.2, 9.3, Red Hat Enterprise Linux WS 3.0, 4.0, 5.0, SUSE Linux Enterprise Server 8.0, 9.0, 10, 11, SUSE Linux Enterprise Desktop 10, openSUSE 10.2, 10.3, 11.0, 11.1, Linspire Linux 6.0, Debian GNU/Linux 4.0, Red Flag Linux Desktop 5.0, 6.0, Ubuntu 7.10, Ubuntu 8.04 LTS, SUSE Linux Enterprise Desktop 11, Debian GNU/Linux 5.0, Ubuntu 8.10, 9.04

Microsoft Windows Operating Systems Supported

2000, XP, Server 2003, XP x64, Server 2003 running

Terminal Services, 2000 Server running Terminal Services, Server 2003 x64, Server 2003 x64 running Terminal Services, Vista, Vista x64, Server 2008, Server 2008 x64, Server 2008 running Terminal Services, Server 2008 x64 running Terminal Services, 7

Novell Operating Systems Supported

Open Enterprise Server for Netware with NDS, iPrint or Novell Distributed Print Services (NDPS), NetWare 5.x, 6.x with iPrint or Novell Distributed Print Services (NDPS)

UNIX Operating Systems Supported

Sun Solaris SPARC 8, 9, 10, Sun Solaris x86 10, HP-UX 11.11, 11.23, 11.31, IBM AIX 5.2, 5.3, 6.1

Paper Handling Standard

150-Sheet Output Bin, Integrated Duplex, Single Sheet Manual Feed, 250-Sheet Input Tray

Paper Handling Optional

550-Sheet Duo Drawer with 100-Sheet Feeder

Paper Input Capacity, Standard: Up to

250+1 pages 75 gsm bond

Paper Input Capacity, Maximum: Up to

900 +1 pages 75 gsm bond

Paper Output Capacity, Standard: Up to

150 pages 75 gsm bond

Paper Output Capacity, Maximum: Up to

150 pages 75 gsm bond

ADF Paper Input Capacity

Up to 50 pages 75 gsm bond

Envelope Capacity

1

Finishing Option

No

Number of Paper Inputs, Standard

2

Number of Paper Inputs, Maximum

4

Media Types Supported

Card Stock, Paper Labels, Plain Paper, Transparencies, Refer to the Card Stock & Label Guide

Media Sizes Supported

A4, A5, Executive, Folio, JIS-B5, Legal, Letter, Universal, Oficio, A6

Standard Ports

Fast Ethernet, USB 2.0 Specification Hi-Speed Certified (Type B), PictBridge Certified Port, Front USB port Compatible with USB 2.0 Specification (Type A)

Optional Network Ports

Lexmark N4050e 802.11g Wireless Print Server (Print Only), External MarkNet™ N7020e Gigabit Ethernet

Network Printing Methods

LPR/LPD, Direct IP (Port 9100), Enhanced IP (Port 9400), FTP, TFTP, IPP 1.1 (Internet Printing Protocol)

Network Protocol Support

TCP/IP IPv4, AppleTalk™, TCP/IP IPv6, TCP, UDP

Printable Area

4.2 mm of the top, bottom, right and left edges (within)

Printer Languages (Standard)

PCL 5c Emulation, PCL 6 Emulation, PPDS, PostScript 3 Emulation, PDF 1.6, Direct Image

Reduce / Enlarge Range

25 - 400 %

Scan Area, Maximum

216 x 355 mm

Modem Speed

33.6 Kbps

Supplies Yield

Average continuous black or continuous composite CMY declared cartridge yield up to this number of standard pages in accordance with ISO/IEC 19798, 1,000*-page Colour Toner Cartridges (CMY), 2,000*-page Colour High Yield Toner Cartridges (CMY), 4,000*-page Colour Extra High Yield Toner Cartridges (CMY), 2,500*-page Black High Yield Toner Cartridge, 6,000*-page Black Extra High Yield Toner Cartridge, 1,000*-page Black Toner Cartridge

Cartridge(s) Shipping with Product

2,500*-page Black Return Program Toner Cartridge, 2,000*-page Colour (CMY) Return Program Toner Cartridges

Packaged Size (mm - H x W x D)

557 x 583 x 560 mm

Size (mm - H x W x D)

463 x 440 x 537 mm

Size, Trays Extended (mm - H x W x D)

523 x 492 x 571 mm

Weight (kg)

27.2 kg

Noise Level, Idle

inaudible dBA

Print Noise Level, Operating

48 dBA

Copier Noise Level, Operating

50 dBA

Scanner Noise Level, Operating

45 dBA

Product Guarantee

1 Year Onsite, Next Business Day

Product Certifications

Energy Star, U.S. FDA, 47CFR-68 FCC, CFR 47-173, FCC Class B, UL 60950-1, IEC 60320-1, ECMA 370, CA RSS-210, RSS-GEN, RSS-102, ICES-003 Class B, CE Class B, CB IEC 60950-1, IEC 60825-1, IEC 61000-3-2, IEC 61000-3-3, EN 55022 Class B, EN 55024, CISPR 22 Class B, GS (TUV), EN 60825-1, SEMKO, ACMA A-tick mark Class B, TEC, VCCI Class B, EK Mark, KCC MC Mark, CCC Class B, SIRIM, BSMI Class B, UL AR, CS, TÜV Rh, SABS

Maximum Monthly Duty Cycle

Up to 55000 pages per month

Recommended Monthly Page Volume

800 - 3000 Pages

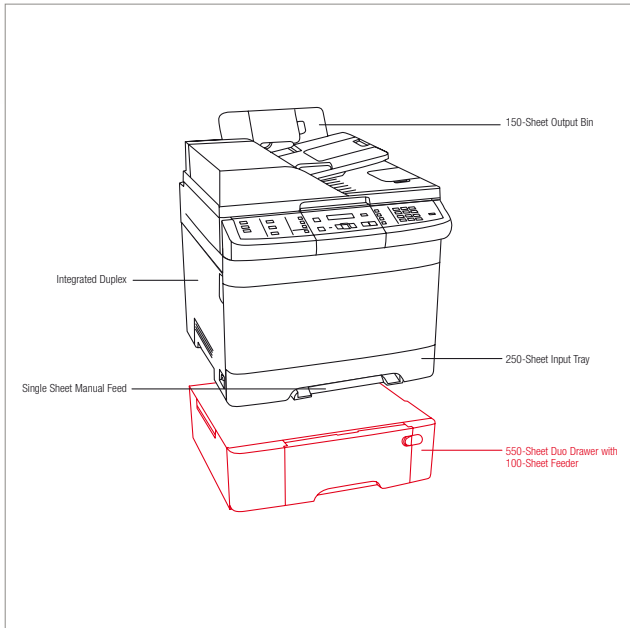


Specified Operating Environment

Temperature: 16 to 32°C (60 to 90°F), Humidity: 8 to 80% Relative Humidity, Altitude: 0 - 3048 Meters (10,000 Feet)

License/Agreement Terms

Printers are sold subject to certain license/agreement conditions. See www.lexmark.com/printerlicense for details.



Paper Handling Standard
 Paper Handling Optional

Part #	Model
26C0214	Lexmark X544dn

Part #	Laser Toner/Print Cartridge
C544X1KG	C544, X544 Black Extra High Yield Return Programme Toner Cartridge (6K)
C544X1CG	C544, X544 Cyan Extra High Yield Return Programme Toner Cartridge (4K)
C544X1MG	C544, X544 Magenta Extra High Yield Return Programme Toner Cartridge (4K)
C544X1YG	C544, X544 Yellow Extra High Yield Return Programme Toner Cartridge (4K)
C540H1KG	C54x, X54x Black High Yield Return Programme Toner Cartridge (2.5K)
C540H1CG	C54x, X54x Cyan High Yield Return Programme Toner Cartridge (2K)
C540H1MG	C54x, X54x Magenta High Yield Return Programme Toner Cartridge (2K)
C540H1YG	C54x, X54x Yellow High Yield Return Programme Toner Cartridge (2K)
C540A1KG	C54x, X54x Black Return Programme Toner Cartridge (1K)
C540A1CG	C54x, X54x Cyan Return Programme Toner Cartridge (1K)
C540A1MG	C54x, X54x Magenta Return Programme Toner Cartridge (1K)
C540A1YG	C54x, X54x Yellow Return Programme Toner Cartridge (1K)
C544X2KG	C544, X544 Black Extra High Yield Toner Cartridge (6K)
C544X2CG	C544, X544 Cyan Extra High Yield Toner Cartridge (4K)
C544X2MG	C544, X544 Magenta Extra High Yield Toner Cartridge (4K)
C544X2YG	C544, X544 Yellow Extra High Yield Toner Cartridge (4K)
C540H2KG	C54x, X54x Black High Yield Toner Cartridge (2.5K)
C540H2CG	C54x, X54x Cyan High Yield Toner Cartridge (2K)
C540H2MG	C54x, X54x Magenta High Yield Toner Cartridge (2K)
C540H2YG	C54x, X54x Yellow High Yield Toner Cartridge (2K)
C540X75G	C54x, X54x Waste Toner Bottle (18K)
C540X71G	C54x, X54x Black Imaging Kit (30K)
C540X74G	C54x, X54x Black and Colour Imaging Kit (30K)

Part #	Paper & Transparencies
12A8241	Professional Colour Laser Transparencies, A4

Part #	Paper Handling
3000551	550-Sheet Duo Drawer with 100-Sheet MPF

Part #	Memory Options
1022298	128MB DDR1-DRAM
1022299	256MB DDR1-DRAM
1022301	512MB DDR1-DRAM
1021209	64MB Flash Card

Part #	Connectivity
1021294	USB (2 Meter) Cable
14T0165	Lexmark N4050e 802.11g Wireless Print Server
14T0220	MarkNet N7020e Gigabit Ethernet Print Server

Part #	Extended Warranties
2350521P	X544 2-Years Total (1+1) Onsite Service Guarantee
2350522P	X544 3-Years Total (1+2) Onsite Service Guarantee

2350525P	X544 1-Year Renewal Onsite Service Guarantee
----------	--

Part #	User Replaceable Parts
3049485	X543, X544 Relocation Kit



Lexmark X544dw

Reach new heights with a professional wireless 4-in-1 colour solution

Print Technology

Color Laser

Function

Colour Copying, Colour Faxing, Colour Printing, Colour Scanning, Network Scanning

Print Speed (A4 mono)

Up to 23 ppm

Print Speed (A4 colour)

Up to 23 ppm

Time to First Page (Black)

As fast as 13 seconds

Time to First Page (Colour)

as fast as 13 seconds

Copy Speed (A4, Black)

Up to 23 ppm

Copy Speed (A4, Colour)

Up to 23 ppm

Copy Speed (Letter colour)

Up to 25 cpm

Time to First Copy (Black)

As fast as 16.5 seconds

Print Resolution, Black

1200 x 1200 dpi, 4800 Color Quality (1200 x 600 dpi)

Print Resolution, Colour

1200 x 1200 dpi, 4800 Colour Quality (1200 x 600 dpi)

ADF Scan

RADF (reversing Duplex)

Scanning Resolution

600 x 600 dpi

Processor

500 MHz

Memory, standard

128 MB

Memory, maximum

640 MB

Hard Disk

Not Available

Expandable Memory Options

Yes

Apple Macintosh Operating Systems Supported

Mac OS X, Mac OS 9.2

Citrix MetaFrame

Microsoft Windows 2000 Server running Terminal Services with Citrix Presentation Server 3.0, 4.0, Microsoft Windows Server 2003 running Terminal Services with Citrix Presentation Server 3.0, 4.0, 4.5, Microsoft Windows Server 2003 x64 running Terminal Services with Citrix Presentation Server 4.0 x64, 4.5 x64

Linux Operating Systems Supported

Linpus Linux Desktop 9.2, 9.3, Red Hat Enterprise Linux WS 3.0, 4.0, 5.0, SUSE Linux Enterprise Server 8.0, 9.0, 10, 11, SUSE Linux Enterprise Desktop 10, opensUSE 10.2, 10.3, 11.0, 11.1, Linspire Linux 6.0, Debian GNU/Linux 4.0, Red Flag Linux Desktop 5.0, 6.0, Ubuntu 7.10, Ubuntu 8.04 LTS, SUSE Linux Enterprise Desktop 11, Debian GNU/Linux 5.0, Ubuntu 8.10, 9.04

Microsoft Windows Operating Systems Supported

2000, XP, Server 2003, XP x64, Server 2003 running

Terminal Services, 2000 Server running Terminal Services, Server 2003 x64, Server 2003 x64 running Terminal Services, Vista, Vista x64, Server 2008, Server 2008 x64, Server 2008 running Terminal Services, Server 2008 x64 running Terminal Services, 7

Novell Operating Systems Supported

Open Enterprise Server for Netware with NDS, iPrint or Novell Distributed Print Services (NDPS), NetWare 5.x, 6.x with iPrint or Novell Distributed Print Services (NDPS)

UNIX Operating Systems Supported

Sun Solaris SPARC 8, 9, 10, Sun Solaris x86 10, HP-UX 11.11, 11.23, 11.31, IBM AIX 5.2, 5.3, 6.1

Paper Handling Standard

150-Sheet Output Bin, Integrated Duplex, Single Sheet Manual Feed, 250-Sheet Input Tray

Paper Handling Optional

550-Sheet Duo Drawer with 100-Sheet Feeder

Paper Input Capacity, Standard: Up to

250+1 pages 75 gsm bond

Paper Input Capacity, Maximum: Up to

900 +1 pages 75 gsm bond

Paper Output Capacity, Standard: Up to

150 pages 75 gsm bond

Paper Output Capacity, Maximum: Up to

150 pages 75 gsm bond

ADF Paper Input Capacity

Up to 50 pages 75 gsm bond

Envelope Capacity

1

Finishing Option

No

Number of Paper Inputs, Standard

2

Number of Paper Inputs, Maximum

4

Media Types Supported

Card Stock, Paper Labels, Plain Paper, Transparencies, Refer to the Card Stock & Label Guide

Media Sizes Supported

A4, A5, Executive, Folio, JIS-B5, Legal, Letter, Universal, Oficio, A6

Standard Ports

Fast Ethernet, USB 2.0 Specification Hi-Speed Certified (Type B), PictBridge Certified Port, 802.11b/g/n Wireless, Front USB port Compatible with USB 2.0 Specification (Type A)

Optional Network Ports

External MarkNet™ N7020e Gigabit Ethernet

Network Printing Methods

LPR/LPD, Direct IP (Port 9100), Enhanced IP (Port 9400), FTP, TFTP, IPP 1.1 (Internet Printing Protocol)

Network Protocol Support

TCP/IP IPv4, AppleTalk™, TCP/IP IPv6, TCP, UDP

Printable Area

4.2 mm of the top, bottom, right and left edges (within)

Printer Languages (Standard)

PCL 5c Emulation, PCL 6 Emulation, PPDS, PostScript 3 Emulation, PDF 1.6, Direct Image

Reduce / Enlarge Range

25 - 400 %

Scan Area, Maximum

216 x 355 mm

Modem Speed

33.6 Kbps

Supplies Yield

Average continuous black or continuous composite CMY declared cartridge yield up to this number of standard pages in accordance with ISO/IEC 19798, 1,000*-page Colour Toner Cartridges (CMY), 2,000*-page Colour High Yield Toner Cartridges (CMY), 4,000*-page Colour Extra High Yield Toner Cartridges (CMY), 2,500*-page Black High Yield Toner Cartridge, 6,000*-page Black Extra High Yield Toner Cartridge, 1,000*-page Black Toner Cartridge

Cartridge(s) Shipping with Product

2,500*-page Black Return Program Toner Cartridge, 2,000*-page Colour (CMY) Return Program Toner Cartridges

Packaged Size (mm - H x W x D)

557 x 583 x 560 mm

Size (mm - H x W x D)

463 x 440 x 537 mm

Size, Trays Extended (mm - H x W x D)

523 x 492 x 571 mm

Weight (kg)

27.2 kg

Noise Level, Idle

inaudible dBA

Print Noise Level, Operating

48 dBA

Copier Noise Level, Operating

50 dBA

Scanner Noise Level, Operating

45 dBA

Product Guarantee

1 Year Onsite, Next Business Day

Product Certifications

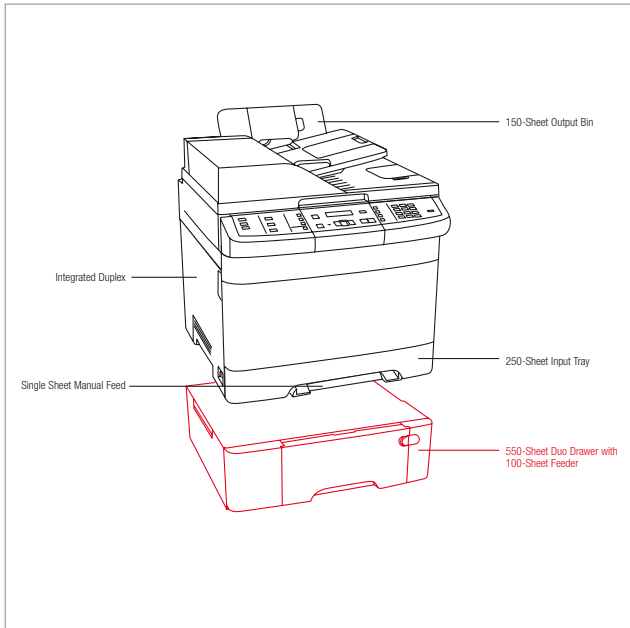
Energy Star, U.S. FDA, 47CFR-68 FCC, CFR 47-173, FCC Class B, UL 60950-1, IEC 60320-1, ECMA 370, CA RSS-210, RSS-GEN, RSS-102, ICES-003 Class B, CE Class B, CB IEC 60950-1, IEC 60825-1, IEC 61000-3-2, IEC 61000-3-3, EN 55022 Class B, EN 55024, CISPR 22 Class B, GS (TUV), EN 60825-1, SEMKO, ACMA A-tick mark Class B, TEC, VCCI Class B, EK Mark, KCC MIC Mark, CCC Class B, SIRIM, BSMI Class B, UL AR, CS, TÜV Rh, SABS

Maximum Monthly Duty Cycle

Up to 55000 pages per month

Recommended Monthly Page Volume

800 - 3000 Pages



Paper Handling Standard
 Paper Handling Optional

Specified Operating Environment

Temperature: 16 to 32°C (60 to 90°F), Humidity: 8 to 80% Relative Humidity, Altitude: 0 - 3048 Meters (10,000 Feet)

License/Agreement Terms

Printers are sold subject to certain license/agreement conditions. See www.lexmark.com/printerlicense for details.

Part #	Model
26C0411	Lexmark X544dw

Part #	Laser Toner/Print Cartridge
C544X1KG	C544, X544 Black Extra High Yield Return Programme Toner Cartridge (6K)
C544X1CG	C544, X544 Cyan Extra High Yield Return Programme Toner Cartridge (4K)
C544X1MG	C544, X544 Magenta Extra High Yield Return Programme Toner Cartridge (4K)
C544X1YG	C544, X544 Yellow Extra High Yield Return Programme Toner Cartridge (4K)
C540H1KG	C54x, X54x Black High Yield Return Programme Toner Cartridge (2.5K)
C540H1CG	C54x, X54x Cyan High Yield Return Programme Toner Cartridge (2K)
C540H1MG	C54x, X54x Magenta High Yield Return Programme Toner Cartridge (2K)
C540H1YG	C54x, X54x Yellow High Yield Return Programme Toner Cartridge (2K)
C540A1KG	C54x, X54x Black Return Programme Toner Cartridge (1K)
C540A1CG	C54x, X54x Cyan Return Programme Toner Cartridge (1K)
C540A1MG	C54x, X54x Magenta Return Programme Toner Cartridge (1K)
C540A1YG	C54x, X54x Yellow Return Programme Toner Cartridge (1K)
C544X2KG	C544, X544 Black Extra High Yield Toner Cartridge (6K)
C544X2CG	C544, X544 Cyan Extra High Yield Toner Cartridge (4K)
C544X2MG	C544, X544 Magenta Extra High Yield Toner Cartridge (4K)
C544X2YG	C544, X544 Yellow Extra High Yield Toner Cartridge (4K)
C540H2KG	C54x, X54x Black High Yield Toner Cartridge (2.5K)
C540H2CG	C54x, X54x Cyan High Yield Toner Cartridge (2K)
C540H2MG	C54x, X54x Magenta High Yield Toner Cartridge (2K)
C540H2YG	C54x, X54x Yellow High Yield Toner Cartridge (2K)
C540X75G	C54x, X54x Waste Toner Bottle (18K)
C540X71G	C54x, X54x Black Imaging Kit (30K)
C540X74G	C54x, X54x Black and Colour Imaging Kit (30K)

Part #	Paper & Transparencies
12A8241	Professional Colour Laser Transparencies, A4

Part #	Paper Handling
3000551	550-Sheet Duo Drawer with 100-Sheet MPF

Part #	Memory Options
1022298	128MB DDR1-DRAM
1022299	256MB DDR1-DRAM
1022301	512MB DDR1-DRAM
1021209	64MB Flash Card

Part #	Connectivity
1021294	USB (2 Meter) Cable
14T0220	MarkNet N7020e Gigabit Ethernet Print Server

Part #	Extended Warranties
2350521P	X544 2-Years Total (1+1) Onsite Service Guarantee
2350522P	X544 3-Years Total (1+2) Onsite Service Guarantee
2350525P	X544 1-Year Renewal Onsite Service Guarantee

Part #	User Replaceable Parts
3049485	X543, X544 Relocation Kit



Lexmark X544dtn

A complete 4-in-1 colour solution with extra input capacity

Print Technology

Color Laser

Function

Colour Copying, Colour Faxing, Colour Printing, Colour Scanning, Network Scanning

Print Speed (A4 mono)

Up to 23 ppm

Print Speed (A4 colour)

Up to 23 ppm

Time to First Page (Black)

As fast as 13 seconds

Time to First Page (Colour)

as fast as 13 seconds

Copy Speed (A4, Black)

Up to 23 ppm

Copy Speed (A4, Colour)

Up to 23 ppm

Copy Speed (Letter colour)

Up to 23 ppm

Time to First Copy (Black)

As fast as 16.5 seconds

Print Resolution, Black

1200 x 1200 dpi, 4800 Color Quality (1200 x 600 dpi)

Print Resolution, Colour

1200 x 1200 dpi, 4800 Colour Quality (1200 x 600 dpi)

ADF Scan

RADF (reversing Duplex)

Scanning Resolution

600 x 600 dpi

Processor

500 MHz

Memory, standard

128 MB

Memory, maximum

640 MB

Hard Disk

Not Available

Expandable Memory Options

Yes

Apple Macintosh Operating Systems Supported

Mac OS X, Mac OS 9.2

Citrix MetaFrame

Microsoft Windows 2000 Server running Terminal Services with Citrix Presentation Server 3.0, 4.0, Microsoft Windows Server 2003 running Terminal Services with Citrix Presentation Server 3.0, 4.0, 4.5, Microsoft Windows Server 2003 x64 running Terminal Services with Citrix Presentation Server 4.0 x64, 4.5 x64

Linux Operating Systems Supported

Linpus Linux Desktop 9.2, 9.3, Red Hat Enterprise Linux WS 3.0, 4.0, 5.0, SUSE Linux Enterprise Server 8.0, 9.0, 10, 11, SUSE Linux Enterprise Desktop 10, openSUSE 10.2, 10.3, 11.0, 11.1, Linspire Linux 6.0, Debian GNU/Linux 4.0, Red Flag Linux Desktop 5.0, 6.0, Ubuntu 7.10, Ubuntu 8.04 LTS, SUSE Linux Enterprise Desktop 11, Debian GNU/Linux 5.0, Ubuntu 8.10, 9.04

Microsoft Windows Operating Systems Supported

2000, XP, Server 2003, XP x64, Server 2003 running

Terminal Services, 2000 Server running Terminal Services, Server 2003 x64, Server 2003 x64 running Terminal Services, Vista, Vista x64, Server 2008, Server 2008 x64, Server 2008 running Terminal Services, Server 2008 x64 running Terminal Services, 7

Novell Operating Systems Supported

Open Enterprise Server for Netware with NDS, iPrint or Novell Distributed Print Services (NDPS), NetWare 5.x, 6.x with iPrint or Novell Distributed Print Services (NDPS)

UNIX Operating Systems Supported

Sun Solaris SPARC 8, 9, 10, Sun Solaris x86 10, HP-UX 11.11, 11.23, 11.31, IBM AIX 5.2, 5.3, 6.1

Paper Handling Standard

150-Sheet Output Bin, Integrated Duplex, Single Sheet Manual Feed, 250-Sheet Input Tray, 550-Sheet Duo Drawer with 100-Sheet Feeder

Paper Input Capacity, Standard: Up to

900+1 pages 75 gsm bond

Paper Input Capacity, Maximum: Up to

900 +1 pages 75 gsm bond

Paper Output Capacity, Standard: Up to

150 pages 75 gsm bond

Paper Output Capacity, Maximum: Up to

150 pages 75 gsm bond

ADF Paper Input Capacity

Up to 50 pages 75 gsm bond

Envelope Capacity

10

Finishing Option

No

Number of Paper Inputs, Standard

4

Number of Paper Inputs, Maximum

4

Media Types Supported

Card Stock, Paper Labels, Plain Paper, Transparencies, Refer to the Card Stock & Label Guide

Media Sizes Supported

A4, A5, Executive, Folio, JIS-B5, Legal, Letter, Statement, Universal, Oficio, A6

Standard Ports

Ethernet, USB 2.0 Specification Hi-Speed Certified (Type B), PictBridge Certified Port, Front USB port Compatible with USB 2.0 Specification (Type A)

Optional Network Ports

Lexmark N4050e 802.11g Wireless Print Server (Print Only), External MarkNet™ N7020e Gigabit Ethernet

Network Printing Methods

LPR/LPD, Direct IP (Port 9100), Enhanced IP (Port 9400), FTP, TFTP, IPP 1.1 (Internet Printing Protocol)

Network Protocol Support

TCP/IP IPv4, AppleTalk™, TCP/IP IPv6, TCP, UDP

Printable Area

4.2 mm of the top, bottom, right and left edges (within)

Printer Languages (Standard)

PCL 5c Emulation, PCL 6 Emulation, PPDS, PostScript 3 Emulation, PDF 1.6, Direct Image

Reduce / Enlarge Range

25 - 400 %

Scan Area, Maximum

216 x 355 mm

Modem Speed

33.6 Kbps

Supplies Yield

Average continuous black or continuous composite CMY declared cartridge yield up to this number of standard pages in accordance with ISO/IEC 19798, 1,000*-page Colour Toner Cartridges (CMY), 2,000*-page Colour High Yield Toner Cartridges (CMY), 4,000*-page Colour Extra High Yield Toner Cartridges (CMY), 2,500*-page Black High Yield Toner Cartridge, 6,000*-page Black Extra High Yield Toner Cartridge, 1,000*-page Black Return Cartridge

Cartridge(s) Shipping with Product

2,500*-page Black Return Program Toner Cartridge, 2,000*-page Colour (CMY) Return Program Toner Cartridges

Packaged Size (mm - H x W x D)

800 x 598 x 575 mm

Size (mm - H x W x D)

569 x 440 x 537 mm

Size, Trays Extended (mm - H x W x D)

657 x 492 x 711 mm

Weight (kg)

31.37 kg

Noise Level, Idle

inaudible dBA

Print Noise Level, Operating

48 dBA

Copier Noise Level, Operating

50 dBA

Scanner Noise Level, Operating

45 dBA

Product Guarantee

1 Year Onsite, Next Business Day

Product Certifications

Energy Star, U.S. FDA, 47CFR-68 FCC, CFR 47-173, FCC Class B, UL 60950-1, IEC 60320-1, ECOMA.370, CA RSS-210, RSS-GEN, RSS-102, ICES-003 Class B, CE Class B, CB IEC 60950-1, IEC 60825-1, IEC 61000-3-2, IEC 61000-3-3, EN 55022 Class B, EN 55024, CISPR 22 Class B, GS (TÜV), EN 60825-1, SEMKO, ACMA A-tick mark Class B, TEC, VCCI Class B, EK Mark, KCC MIC Mark, CCC Class B, SIRIM, BSMI Class B, UL AR, CS, TÜV Rh, SABS

Maximum Monthly Duty Cycle

Up to 55,000 pages per month

Recommended Monthly Page Volume

800 - 3,000 Pages

Specified Operating Environment

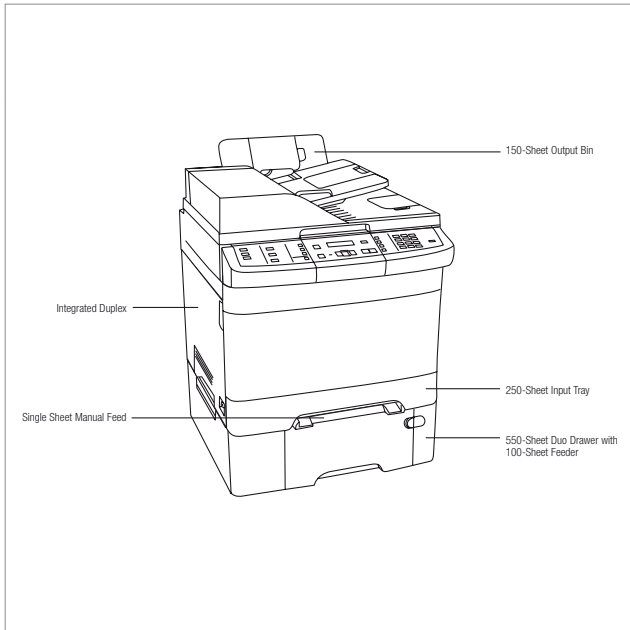
Temperature: 16 to 32°C (60 to 90°F), Humidity: 8



to 80% Relative Humidity, Altitude: 0 - 3048 Meters (10,000 Feet)

License/Agreement Terms

Printers are sold subject to certain license/agreement conditions. See www.lexmark.com/printerlicense for details.



MULTIFUNCTION COLOR LASER

Part #	Model
26C0314	Lexmark X544dtn

Part #	Laser Toner/Print Cartridge
C544X1KG	C544, X544 Black Extra High Yield Return Programme Toner Cartridge (6K)
C544X1CG	C544, X544 Cyan Extra High Yield Return Programme Toner Cartridge (4K)
C544X1MG	C544, X544 Magenta Extra High Yield Return Programme Toner Cartridge (4K)
C544X1YG	C544, X544 Yellow Extra High Yield Return Programme Toner Cartridge (4K)
C540H1KG	C54x, X54x Black High Yield Return Programme Toner Cartridge (2.5K)
C540H1CG	C54x, X54x Cyan High Yield Return Programme Toner Cartridge (2K)
C540H1MG	C54x, X54x Magenta High Yield Return Programme Toner Cartridge (2K)
C540H1YG	C54x, X54x Yellow High Yield Return Programme Toner Cartridge (2K)
C540A1KG	C54x, X54x Black Return Programme Toner Cartridge (1K)
C540A1CG	C54x, X54x Cyan Return Programme Toner Cartridge (1K)
C540A1MG	C54x, X54x Magenta Return Programme Toner Cartridge (1K)
C540A1YG	C54x, X54x Yellow Return Programme Toner Cartridge (1K)
C544X2KG	C544, X544 Black Extra High Yield Toner Cartridge (6K)
C544X2CG	C544, X544 Cyan Extra High Yield Toner Cartridge (4K)
C544X2MG	C544, X544 Magenta Extra High Yield Toner Cartridge (4K)
C544X2YG	C544, X544 Yellow Extra High Yield Toner Cartridge (4K)
C540H2KG	C54x, X54x Black High Yield Toner Cartridge (2.5K)
C540H2CG	C54x, X54x Cyan High Yield Toner Cartridge (2K)
C540H2MG	C54x, X54x Magenta High Yield Toner Cartridge (2K)
C540H2YG	C54x, X54x Yellow High Yield Toner Cartridge (2K)
C540X75G	C54x, X54x Waste Toner Bottle (18K)
C540X71G	C54x, X54x Black Imaging Kit (30K)
C540X74G	C54x, X54x Black and Colour Imaging Kit (30K)

Part #	Paper & Transparencies
12A8241	Professional Colour Laser Transparencies, A4

Part #	Paper Handling
3000551	550-Sheet Duo Drawer with 100-Sheet MPF

Part #	Memory Options
1022298	128MB DDR1-DRAM
1022299	256MB DDR1-DRAM
1022301	512MB DDR1-DRAM
1021209	64MB Flash Card

Part #	Connectivity
1021294	USB (2 Meter) Cable
14T0165	Lexmark N4050e 802.11g Wireless Print Server
14T0220	MarkNet N7020e Gigabit Ethernet Print Server

Part #	Extended Warranties
2350521P	X544 2-Years Total (1+1) Onsite Service Guarantee
2350522P	X544 3-Years Total (1+2) Onsite Service Guarantee

2350525P	X544 1-Year Renewal Onsite Service Guarantee
----------	--

Part #	User Replaceable Parts
3049485	X543, X544 Relocation Kit

NEW

Lexmark X546dtn

Power up your workday with Lexmark multifunction colour!

Print Technology

Color Laser

Function

Colour Copying, Colour Faxing, Colour Printing, Colour Scanning, Network Scanning

Print Speed (A4 mono)

Up to 23 ppm

Print Speed (A4 colour)

Up to 12 ppm

Print Speed (A4 mono) Duplex

Up to 12 ppm

Time to First Page (Black)

As fast as 13 seconds

Time to First Page (Colour)

as fast as 13 seconds

Copy Speed (A4, Black)

Up to 23 cpm

Copy Speed (A4, Colour)

Up to 23 cpm

Copy Speed (Letter colour)

Up to 25 cpm

Time to First Copy (Black)

As fast as 16.5 seconds

Print Resolution, Black

1200 x 1200 dpi, 4800 Colour Quality (1200 x 600 dpi)

Print Resolution, Colour

1200 x 1200 dpi, 4800 Colour Quality (1200 x 600 dpi)

ADF Scan

RADF (reversing Duplex)

Scanning Resolution

600 x 600 dpi

Processor

500 MHz

Memory, standard

256 MB

Memory, maximum

640MB (Replacement required)

Hard Disk

Not Available

Expandable Memory Options

Yes

Apple Macintosh Operating Systems Supported

Mac OS X, Mac OS 9.2

Citrix MetaFrame

Microsoft Windows 2000 Server running Terminal Services with Citrix Presentation Server 3.0, 4.0, Microsoft Windows Server 2003 running Terminal Services with Citrix Presentation Server 3.0, 4.0, 4.5, Microsoft Windows Server 2003 x64 running Terminal Services with Citrix Presentation Server 4.0 x64, 4.5 x64

Linux Operating Systems Supported

Linpus Linux Desktop 9.2, 9.3, Red Hat Enterprise Linux WS 3.0, 4.0, 5.0, SUSE Linux Enterprise Server 8.0, 9.0, 10, 11, SUSE Linux Enterprise Desktop 10, openSUSE 10.2, 10.3, 11.0, 11.1, Linpire Linux 6.0, Debian GNU/Linux 4.0, Red Flag Linux Desktop 5.0, 6.0, Ubuntu 7.10, Ubuntu 8.04 LTS, SUSE Linux Enterprise Desktop 11, Debian GNU/Linux 5.0, Ubuntu 8.10, 9.04

Microsoft Windows Operating Systems Supported

2000, XP, Server 2003, XP x64, Server 2003 running Terminal Services, 2000 Server running Terminal Services, Server 2003 x64, Server 2003 x64 running Terminal Services, Vista, Vista x64, Server 2008, Server 2008 x64, Server 2008 running Terminal Services, Server 2008 x64 running Terminal Services, 7

Novell Operating Systems Supported

Open Enterprise Server for Netware with NDS, iPrint or Novell Distributed Print Services (NDPS), NetWare 5.x, 6.x with iPrint or Novell Distributed Print Services (NDPS)

UNIX Operating Systems Supported

Sun Solaris SPARC 8, 9, 10, Sun Solaris x86 1.0, HP-UX 11.11, 11.23, 11.31, IBM AIX 5.2, 5.3, 6.1

Paper Handling Standard

150-Sheet Output Bin, Integrated Duplex, Single Sheet Manual Feed, 250-Sheet Input Tray, 550-Sheet Duo Drawer with 100-Sheet Feeder

Paper Handling Optional

550-Sheet Drawer

Paper Input Capacity, Standard: Up to

900+1 pages 75 gsm bond

Paper Input Capacity, Maximum: Up to

1450 +1 pages 75 gsm bond

Paper Output Capacity, Standard: Up to

150 pages 75 gsm bond

Paper Output Capacity, Maximum: Up to

150 pages 75 gsm bond

ADF Paper Input Capacity

Up to 50 pages 75 gsm bond

Envelope Capacity

10

Finishing Option

No

Number of Paper Inputs, Standard

4

Number of Paper Inputs, Maximum

5

Media Types Supported

Card Stock, Envelopes, Paper Labels, Plain Paper, Transparencies, Refer to the Card Stock & Label Guide

Media Sizes Supported

10 Envelope, 7 3/4 Envelope, 9 Envelope, A4, A5, B5 Envelope, C5 Envelope, DL Envelope, Executive, Folio, JIS-B5, Legal, Letter, Statement, Universal, Oficio, A6

Standard Ports

Fast Ethernet, USB 2.0 Specification Hi-Speed Certified (Type B), PicBridge Certified Port, Front USB port Compatible with USB 2.0 Specification (Type A)

Optional Network Ports

Lexmark N4050e 802.11g Wireless Print Server (Print Only), External MarkNet™ N7020e Gigabit Ethernet

Network Printing Methods

LPR/LPD, Direct IP (Port 9100), Enhanced IP (Port 9400),

FTP, TFTP, IPP 1.1 (Internet Printing Protocol)

Network Protocol Support

TCP/IP IPv4, AppleTalk™, TCP/IP IPv6, TCP, UDP

Printable Area

4.2 mm of the top, bottom, right and left edges (within)

Printer Languages (Standard)

PCL 5c Emulation, PCL 6 Emulation, PPDS, PostScript 3 Emulation, PDF 1.6, Direct Image

Reduce / Enlarge Range

25 - 400 %

Scan Area, Maximum

216 x 355 mm

Modem Speed

33.6 Kbps

Supplies Yield

Average continuous black or continuous composite CMY declared cartridge yield up to this number of standard pages in accordance with ISO/IEC 19798., 1,000*-page Colour Toner Cartridges (CMY), 2,000*-page Colour High Yield Toner Cartridges (CMY), 4,000*-page Colour Extra High Yield Toner Cartridges (CMY), 2,500*-page Black High Yield Toner Cartridge, 1,000*-page Black Toner Cartridge, 8,000*-page Black Extra High Yield Toner Cartridge

Cartridge(s) Shipping with Product

4,000*-page Black Starter Return Program Toner Cartridge, 4,000*-page Colour (CMY) Extra High Yield Return Program Toner Cartridges

Packaged Size (mm - H x W x D)

780 x 583 x 560 mm

Size (mm - H x W x D)

569 x 440 x 537 mm

Size, Trays Extended (mm - H x W x D)

657 x 492 x 711 mm

Weight (kg)

31.37 kg

Noise Level, Idle

inaudible dBA

Print Noise Level, Operating

48 dBA

Copier Noise Level, Operating

50 dBA

Scanner Noise Level, Operating

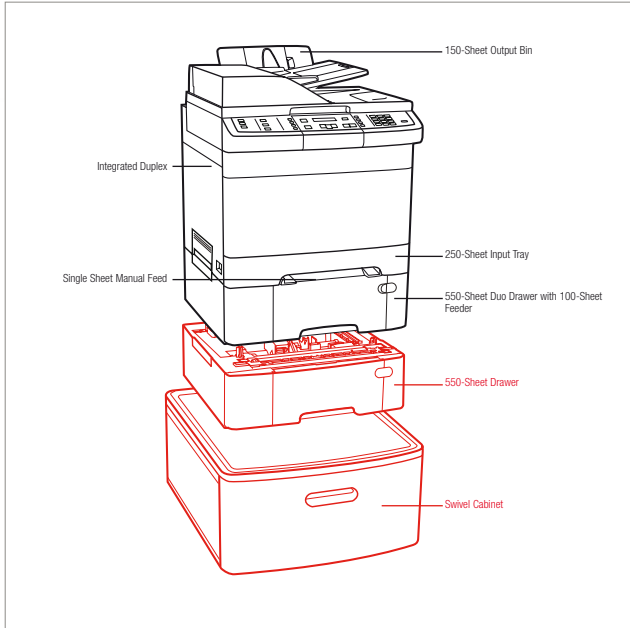
45 dBA

Product Guarantee

1-Year Onsite Service, Next Business Day

Product Certifications

Energy Star, U.S. FDA, 47CFR-68 FCC, CFR 47-173, FCC Class B, UL 60950-1, IEC 60320-1, ECMA 370, CA RSS-210, RSS-Gen, RSS-102, ICES-003 Class B, CE Class B, CB IEC 60950-1, IEC 60825-1, IEC 61000-3-2, IEC 61000-3-3, EN 55022 Class B, EN 55024, CISPR 22 Class B, GS (TÜV), EN 60825-1, ACMA A-tick mark Class B, TEC, VCCI Class B, CCC Class B, SIRIM, BSMI Class B, UL AR, CS, TÜV Rh, SABS



Paper Handling Standard
 Paper Handling Optional

Maximum Monthly Duty Cycle

Up to 55000 pages per month

Recommended Monthly Page Volume

1000 - 4000 Pages

Specified Operating Environment

Temperature: 16 to 32°C (60 to 90°F), Humidity: 8 to 80% Relative Humidity, Altitude: 0 - 3048 Meters (10,000 Feet)

License/Agreement Terms

Printers are sold subject to certain license/agreement conditions. See www.lexmark.com/printerlicense for details.

Part #	Model
26C0249	Lexmark X546dtn

Part #	Laser Toner/Print Cartridge
C546U1KG	C546, X546 Black Extra High Yield Return Program Toner Cartridge
C544X1CG	C544, X544 Cyan Extra High Yield Return Programme Toner Cartridge (4K)
C544X1MG	C544, X544 Magenta Extra High Yield Return Programme Toner Cartridge (4K)
C544X1YG	C544, X544 Yellow Extra High Yield Return Programme Toner Cartridge (4K)
C540H1KG	C54x, X54x Black High Yield Return Programme Toner Cartridge (2.5K)
C540H1CG	C54x, X54x Cyan High Yield Return Programme Toner Cartridge (2K)
C540H1MG	C54x, X54x Magenta High Yield Return Programme Toner Cartridge (2K)
C540H1YG	C54x, X54x Yellow High Yield Return Programme Toner Cartridge (2K)
C540A1KG	C54x, X54x Black Return Programme Toner Cartridge (1K)
C540A1CG	C54x, X54x Cyan Return Programme Toner Cartridge (1K)
C540A1MG	C54x, X54x Magenta Return Programme Toner Cartridge (1K)
C540A1YG	C54x, X54x Yellow Return Programme Toner Cartridge (1K)
C546U2KCG	C546, X546 Black Extra High Yield Toner Cartridge
C544X2CCG	C544, X544 Cyan Extra High Yield Toner Cartridge (4K)
C544X2MCG	C544, X544 Magenta Extra High Yield Toner Cartridge (4K)
C544X2YCG	C544, X544 Yellow Extra High Yield Toner Cartridge (4K)
C540H2KCG	C54x, X54x Black High Yield Toner Cartridge (2.5K)
C540H2CCG	C54x, X54x Cyan High Yield Toner Cartridge (2K)
C540H2MCG	C54x, X54x Magenta High Yield Toner Cartridge (2K)
C540H2YCG	C54x, X54x Yellow High Yield Toner Cartridge (2K)
C540X75G	C54x, X54x Waste Toner Bottle (18K)
C540X71G	C54x, X54x Black Imaging Kit (30K)
C540X74G	C54x, X54x Black and Colour Imaging Kit (30K)

Part #	Paper & Transparencies
12A8241	Professional Colour Laser Transparencies, A4

Part #	Paper Handling
3051710	C546, X546 550-Sheet Drawer

Part #	Furniture
3052765	Swivel Cabinet

Part #	Memory Options
1022299	256MB DDR1-DRAM
1022301	512MB DDR1-DRAM
1021209	64MB Flash Card

Part #	Connectivity
1021294	USB (2 Meter) Cable
14T0165	Lexmark N4050e 802.11g Wireless Print Server
14T0220	MarkNet N7020e Gigabit Ethernet Print Server

Part #	Extended Warranties
2352754P	X546 2-Years Total (1+1) Onsite Service Guarantee

2352755P	X546 3-Years Total (1+2) Onsite Service Guarantee
2352758P	X546 1-Year Renewal Onsite Service Guarantee

Part #	User Replaceable Parts
3049485	X543, X544 Relocation Kit

Part #	Installation
2352771	X546 Installation



Lexmark X560n

The ideal colour MFP for medium-sized workgroups

Print Technology

Color Laser

Print Speed (A4 mono)

Up to 30 ppm

Print Speed (A4 colour)

Up to 20 ppm

Time to First Page (Black)

As fast as 10 seconds

Time to First Page (Colour)

as fast as 10 seconds

Copy Speed (A4, Black)

Up to 30 cpm

Copy Speed (A4, Colour)

Up to 20 cpm

Copy Speed (Letter colour)

Up to 20 cpm

Time to First Copy (Black)

As fast as 11 seconds

Print Resolution, Black

2400 Image Quality, 600 x 600 dpi

Print Resolution, Colour

2400 Image Quality, 600 x 600 dpi

ADF Scan

Simplex

Processor

400 MHz

Memory, standard

384 MB

Memory, maximum

1408 MB

Expandable Memory Options

Yes

Apple Macintosh Operating Systems Supported

Mac OS X (10.2 - 10.4)

Citrix MetaFrame

Microsoft Windows 2000 Server running Terminal Services with Citrix Presentation Server 4.0, Microsoft Windows Server 2003 running Terminal Services with Citrix Presentation Server 4.0, Microsoft Windows Server 2003 x64 running Terminal Services with Citrix Presentation Server 4.0

Linux Operating Systems Supported

SUSE Linux 9, Red Hat Enterprise Linux WS 3.0, 4.0

Microsoft Windows Operating Systems Supported

2000, XP, Server 2003, XP x64, Server 2003 x64, Vista, Vista x64

Paper Handling Standard

150-Sheet Multipurpose Feeder, 250-Sheet Input Tray,

350-Sheet Output Bin

Paper Handling Optional

550-Sheet Drawer, Duplex Unit

Paper Input Capacity, Standard: Up to

400 pages 75 gsm bond

Paper Input Capacity, Maximum: Up to

950 pages 75 gsm bond

Paper Output Capacity, Standard: Up to

350 pages 75 gsm bond

Paper Output Capacity, Maximum: Up to

350 pages 75 gsm bond

ADF Paper Input Capacity

Up to 50 pages 75 gsm bond

Finishing Option

No

Number of Paper Inputs, Standard

2

Number of Paper Inputs, Maximum

3

Media Types Supported

Card Stock, Envelopes, Glossy paper, Paper Labels, Plain Paper, Transparencies, Refer to the Card Stock & Label Guide

Media Sizes Supported

10 Envelope, 7 3/4 Envelope, A4, A5, C5 Envelope, DL Envelope, Executive, Folio, JIS-B5, Legal, Letter, Statement, Universal

Standard Ports

Centronics IEEE 1284 Bidirectional Parallel, Fast Ethernet, USB 2.0 Specification Hi-Speed Certified (Type B)

Optional Network Ports

Lexmark N4050e 802.11g Wireless Print Server (Print Only), External MarkNet™ N7020e Gigabit Ethernet, External MarkNet™ N7000e Fast Ethernet (USB), External MarkNet™ N7002e Fast Ethernet (parallel), Internal Multiprotocol Card

Network Printing Methods

LPR/LPD, Direct IP (Port 9100), HTTP, FTP

Network Protocol Support

TCP/IP, IPv4

Printable Area

4.1 mm of the top, bottom, right and left edges (within)

Printer Languages (Standard)

PCL 6 Emulation, Adobe PostScript® 3

Reduce / Enlarge Range

25 - 400 %

Scan Area, Maximum

215.9 x 355.6 mm

Modem Speed

33.6 Kbps

Supplies Yield

10,000*-page black and colour Print Cartridges, Average continuous black or continuous composite CMY declared cartridge yield up to this number of standard pages in accordance with ISO/IEC 19798., Ships with 4,000*-page Colour Print Cartridges and 5,000*-page Black starter Print Cartridge, 4,000*-page Colour Print Cartridges (CMY)

Packaged Size (mm - H x W x D)

919 x 584 x 700 mm

Size (mm - H x W x D)

730 x 460 x 525 mm

Size, Trays Extended (mm - H x W x D)

730 x 536 x 881 mm

Weight (kg)

40 kg

Noise Level, Idle

28 dBA

Print Noise Level, Operating

52 dBA

Copier Noise Level, Operating

52 dBA

Scanner Noise Level, Operating

45 dBA

Product Guarantee

1 Year on site repair

Product Certifications

Energy Star, FCC Class B, UL 60950-1, U.S. FDA, IEC 60320-1, CAN/CSA-C22.2 60950-1-03, ICES-003 Class B, CE Class B, CB IEC 60950-1, IEC 60825-1, EU-CE, GS (TÜV), SEMKO, UL AR, CS, TÜV R, SS-337, K60950, MIC, ACA C-tick mark Class B, BSMI Class B, CCC Class B

Maximum Monthly Duty Cycle

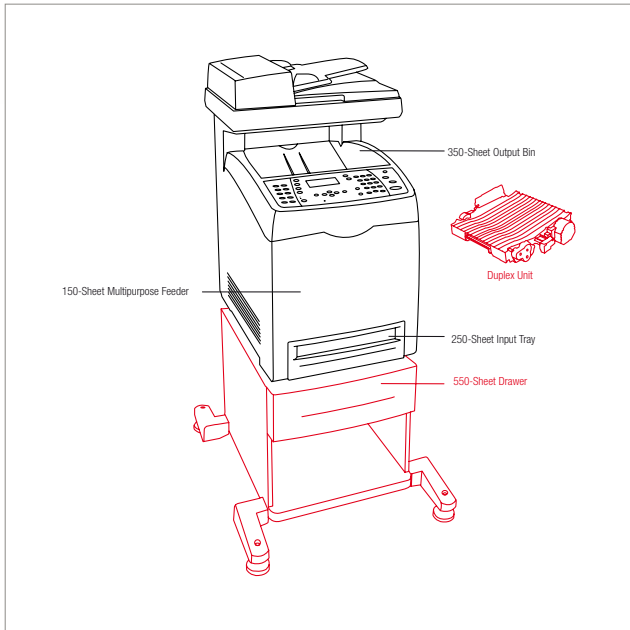
Up to 60000 pages per month

Recommended Monthly Page Volume

1000 - 5500 Pages

Specified Operating Environment

Temperature: 10 to 32°C (50 to 90°F), Altitude: 0 - 3100 Meters (10,170 Feet), Humidity: 15 to 85% Relative Humidity



Paper Handling Standard
 Paper Handling Optional

Part #	Model
14A1040	Lexmark X560n

Part #	Laser Toner/Print Cartridge
X560H2KG	X560 Black High Yield Print Cartridge (10K)
X560H2CG	X560 Cyan High Yield Print Cartridge (10K)
X560H2MG	X560 Magenta High Yield Print Cartridge (10K)
X560H2YG	X560 Yellow High Yield Print Cartridge (10K)
X560A2CG	X560 Cyan Print Cartridge (4K)
X560A2MG	X560 Magenta Print Cartridge (4K)
X560A2YG	X560 Yellow Print Cartridge (4K)

Part #	Paper & Transparencies
T2A8241	Professional Colour Laser Transparencies, A4

Part #	Paper Handling
14A1121	X560 Duplex Unit
14A1120	X560 550-Sheet Drawer Stand

Part #	Memory Options
1025041	256MB DDR2-DRAM
1025042	512MB DDR2-DRAM
1025043	1024MB DDR2-DRAM

Part #	Connectivity
14A1122	X560 Multiprotocol Card
1021294	USB (2 Meter) Cable
14T0165	Lexmark N4050e 802.11g Wireless Print Server
14T0220	MarkNet N7020e Gigabit Ethernet Print Server
14T0230	MarkNet N7000e Fast Ethernet Print Server - USB
14T0240	MarkNet N7002e Fast Ethernet Print Server - Parallel
1021231	Parallel (10') Cable

Part #	Extended Warranties
2349754P	X560n 2-Years Total (1+1) Onsite Service Guarantee
2349755P	X560n 3-Years Total (1+2) Onsite Service Guarantee
2349756P	X560n 4-Years Total (1+3) Onsite Service Guarantee
2349758P	X560n 1-Year Renewal Onsite Service Guarantee

Part #	Installation
2349765	X560n Installation



Lexmark X560dn

The ideal colour MFP for medium-sized workgroups, plus integrated duplex printing

Print Technology

Color Laser

Print Speed (A4 mono)

Up to 30 ppm

Print Speed (A4 colour)

Up to 20 ppm

Print Speed (A4 mono) Duplex

Up to 20 spm

Time to First Page (Black)

As fast as 10 seconds

Time to First Page (Colour)

as fast as 10 seconds

Copy Speed (A4, Black)

Up to 30 cpm

Copy Speed (A4, Colour)

Up to 20 cpm

Copy Speed (Letter colour)

Up to 20 cpm

Time to First Copy (Black)

As fast as 11 seconds

Print Resolution, Black

2400 Image Quality, 600 x 600 dpi

Print Resolution, Colour

2400 Image Quality, 600 x 600 dpi

ADF Scan

Simplex

Processor

400 Mhz

Memory, standard

384 MB

Memory, maximum

1408 MB

Expandable Memory Options

Yes

Apple Macintosh Operating Systems Supported

Mac OS X (10.2 - 10.4)

Citrix MetaFrame

Citrix, MetaFrame and MetaFrame XP are registered trademarks or trademarks of Citrix Systems, Inc. in the U.S. and other countries., Microsoft Windows 2000 Server running Terminal Services with Citrix Presentation Server 4.0, Microsoft Windows Server 2003 running Terminal Services with Citrix Presentation Server 4.0, Microsoft Windows Server 2003 x64 running Terminal Services with Citrix Presentation Server 4.0

Linux Operating Systems Supported

SUSE Linux 9, Red Hat Enterprise Linux WS 3.0, 4.0

Microsoft Windows Operating Systems Supported

2000, XP, Server 2003, XP x64, Server 2003 x64, Vista, Vista x64

Paper Handling Standard

150-Sheet Multipurpose Feeder, Duplex Unit, 250-Sheet Input Tray, 350-Sheet Output Bin

Paper Handling Optional

550-Sheet Drawer

Paper Input Capacity, Standard: Up to

400 pages 75 gsm bond

Paper Input Capacity, Maximum: Up to

950 pages 75 gsm bond

Paper Output Capacity, Standard: Up to

350 pages 75 gsm bond

Paper Output Capacity, Maximum: Up to

350 pages 75 gsm bond

ADF Paper Input Capacity

Up to 50 pages 75 gsm bond

Finishing Option

No

Number of Paper Inputs, Standard

2

Number of Paper Inputs, Maximum

3

Media Types Supported

Card Stock, Envelopes, Glossy paper, Paper Labels, Plain Paper, Transparencies, Refer to the Card Stock & Label Guide

Media Sizes Supported

10 Envelope, 7 3/4 Envelope, A4, A5, C5 Envelope, DL Envelope, Executive, Folio, JIS-B5, Legal, Letter, Statement, Universal

Standard Ports

Centronics IEEE 1284 Bidirectional Parallel, Fast Ethernet, USB 2.0 Specification Hi-Speed Certified (Type B)

Optional Network Ports

Lexmark N4050e 802.11g Wireless Print Server (Print Only), External MarkNet™ N7020e Gigabit Ethernet, External MarkNet™ N7000e Fast Ethernet (USB), External MarkNet™ N7002e Fast Ethernet (parallel), Internal Multiprotocol Card

Network Printing Methods

LPR/LPD, Direct IP (Port 9100), HTTP, FTP

Network Protocol Support

TCP/IP IPv4

Printable Area

4.1 mm of the top, bottom, right and left edges (within)

Printer Languages (Standard)

PCL 6 Emulation, Adobe PostScript® 3

Reduce / Enlarge Range

25 - 400 %

Scan Area, Maximum

215.9 x 355.6 mm

Modem Speed

33.6 Kbps

Supplies Yield

10,000*-page black and colour Print Cartridges, Average continuous black or continuous composite CMY declared cartridge yield up to this number of standard pages in accordance with ISO/IEC 19798, Ships with 4,000*-page Colour Print Cartridges and 5,000*-page Black starter Print Cartridge, 4,000*-page Colour Print

Cartridges (CMY)

Packaged Size (mm - H x W x D)

919 x 584 x 700 mm

Size (mm - H x W x D)

730 x 460 x 525 mm

Size, Trays Extended (mm - H x W x D)

730 x 536 x 881 mm

Weight (kg)

41 kg

Noise Level, Idle

28 dBA

Print Noise Level, Operating

52 dBA

Copier Noise Level, Operating

52 dBA

Scanner Noise Level, Operating

45 dBA

Product Guarantee

1 Year on site repair

Product Certifications

FCC Class B, UL 60950-1, U.S. FDA, IEC 60320-1, CAN/CSA-C22.2 60950-1-03, ICES-003 Class B, CE Class B, CB IEC 60950-1, IEC 60825-1, EU-CE, GS (TÜVR), SEMKO, UL AR, CS, TÜV R, SS-337, K60950, MIC, ACA C-tick mark Class B, BSMI Class B, CCC Class B

Maximum Monthly Duty Cycle

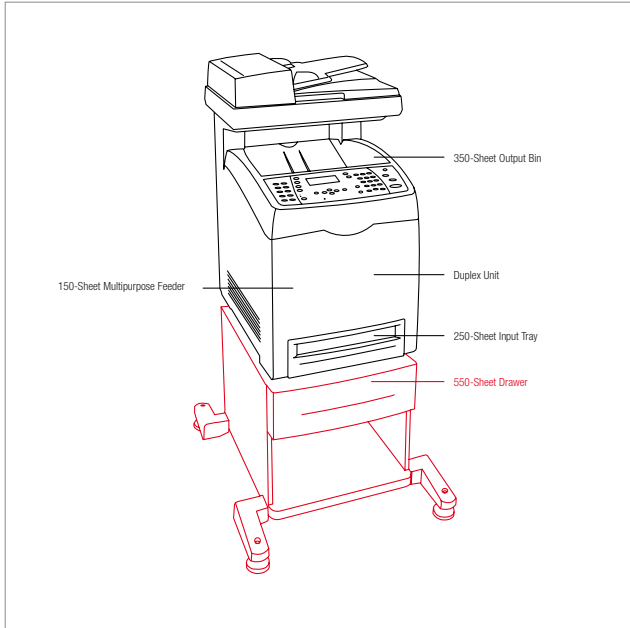
Up to 60000 pages per month

Recommended Monthly Page Volume

1000 - 5500 Pages

Specified Operating Environment

Temperature: 10 to 32°C (50 to 90°F), Altitude: 0 - 3100 Meters (10,170 Feet), Humidity: 15 to 85% Relative Humidity



Paper Handling Standard
 Paper Handling Optional

Part #	Model
14A1140	Lexmark X560dn
Part #	Laser Toner/Print Cartridge
X560H2KG	X560 Black High Yield Print Cartridge (10K)
X560H2CG	X560 Cyan High Yield Print Cartridge (10K)
X560A2CG	X560 Cyan Print Cartridge (4K)
X560H2MG	X560 Magenta High Yield Print Cartridge (10K)
X560A2MG	X560 Magenta Print Cartridge (4K)
X560H2YG	X560 Yellow High Yield Print Cartridge (10K)
X560A2YG	X560 Yellow Print Cartridge (4K)
Part #	Paper & Transparencies
T2A8241	Professional Colour Laser Transparencies, A4
Part #	Paper Handling
14A1120	X560 550-Sheet Drawer Stand
Part #	Memory Options
1025041	256MB DDR2-DRAM
1025042	512MB DDR2-DRAM
1025043	1024MB DDR2-DRAM
Part #	Connectivity
14A1122	X560 Multiprotocol Card
1021294	USB (2 Meter) Cable
14T0165	Lexmark N4050e 802.11g Wireless Print Server
14T0220	MarkNet N7020e Gigabit Ethernet Print Server
14T0230	MarkNet N7000e Fast Ethernet Print Server - USB
14T0240	MarkNet N7000e Fast Ethernet Print Server - Parallel
1021231	Parallel (10') Cable
Part #	Extended Warranties
2349754P	X560n 2-Years Total (1+1) Onsite Service Guarantee
2349755P	X560n 3-Years Total (1+2) Onsite Service Guarantee
2349756P	X560n 4-Years Total (1+3) Onsite Service Guarantee
2349758P	X560n 1-Year Renewal Onsite Service Guarantee
Part #	Installation
2349765	X560n Installation



Lexmark X734de

Brilliant colour and multifunction for large and mid-sized workgroups

Print Technology

Color Laser

Function

Colour Copying, Colour Faxing, Colour Printing, Colour Scanning, Colour Network Scanning

Print Speed (A4 mono)

Up to 28 ppm

Print Speed (A4 colour)

Up to 28 ppm

Print Speed (A4 mono) Duplex

Up to 19 spm

Time to First Page (Black)

As fast as <10 seconds

Time to First Page (Colour)

as fast as <10 seconds

Copy Speed (A4, Black)

Up to 28 cpm

Copy Speed (A4, Colour)

Up to 28 cpm

Copy Speed (Letter colour)

Up to 30 cpm

Time to First Copy (Black)

As fast as 15.5 seconds

Print Resolution, Black

1200 x 1200 dpi, 4800 Colour Quality (2400 x 600 dpi)

Print Resolution, Colour

1200 x 1200 dpi, 4800 Colour Quality (2400 x 600 dpi)

ADF Scan

Simplex

Scanning Resolution

600 x 600 dpi

Processor

600 Mhz

Memory, standard

512 MB

Memory, maximum

1536 MB

Hard Disk

Option available

Expandable Memory Options

Yes

Apple Macintosh Operating Systems Supported

Mac OS X, Mac OS 9.2

Citrix MetaFrame

Microsoft Windows 2000 Server running Terminal Services with Citrix Presentation Server 3.0, 4.0, Microsoft Windows Server 2003 running Terminal Services with Citrix Presentation Server 3.0, 4.0, 4.5, Microsoft Windows Server 2003 x64 running Terminal Services with Citrix Presentation Server 4.0 x64, 4.5 x64

Linux Operating Systems Supported

Linpus Linux Desktop 9.2, 9.3, Red Hat Enterprise Linux WS 3.0, 4.0, 5.0, SUSE Linux Enterprise Server 8.0, 9.0, 10, 11, SUSE Linux Enterprise Desktop 10, openSUSE 10.2, 10.3, 11.0, 11.1, Linspire Linux 6.0, Debian GNU/Linux 4.0, Red Flag Linux Desktop 5.0, 6.0, Ubuntu 7.10, Ubuntu 8.04 LTS, SUSE Linux Enterprise Desktop 11, Debian GNU/Linux 5.0, Ubuntu 8.10, 9.04

Microsoft Windows Operating Systems Supported

2000, XP, Server 2003, XP x64, Server 2003 running Terminal Services, 2000 Server running Terminal Services, Server 2003 x64, Server 2003 x64 running Terminal Services, Vista, Vista x64, Server 2008, Server 2008 x64, Server 2008 running Terminal Services, Server 2008 x64 running Terminal Services, 7

Novell Operating Systems Supported

Open Enterprise Server for Netware with NDS, iPrint or Novell Distributed Print Services (NDPS), NetWare 5.x, 6.x with iPrint or Novell Distributed Print Services (NDPS)

UNIX Operating Systems Supported

Sun Solaris SPARC 8, 9, 10, Sun Solaris x86 10, HP-UX 11.11, 11.23, 11.31, IBM AIX 5.2, 5.3, 6.1

Paper Handling Standard

250-Sheet Output Bin, Integrated Duplex, 100-Sheet Multipurpose Feeder, 550-Sheet Input Tray

Paper Handling Optional

550-Sheet Drawer, 2,000-Sheet High-capacity Feeder, 550-Sheet Specialty Media Drawer

Paper Input Capacity, Standard: Up to

650 pages 75 gsm bond

Paper Input Capacity, Maximum: Up to

3200 pages 75 gsm bond

Paper Output Capacity, Standard: Up to

250 pages 75 gsm bond

Paper Output Capacity, Maximum: Up to

250 pages 75 gsm bond

ADF Paper Input Capacity

Up to 50 pages 75 gsm bond

Envelope Capacity

85 / drawer

Finishing Option

No

Number of Paper Inputs, Standard

2

Number of Paper Inputs, Maximum

5

Media Types Supported

Card Stock, Envelopes, Glossy paper, Paper Labels, Plain Paper, Transparencies, Vinyl Labels, Refer to the Card Stock & Label Guide

Media Sizes Supported

10 Envelope, 7 3/4 Envelope, 9 Envelope, A4, A5, B5 Envelope, C5 Envelope, DL Envelope, B5, Executive, Folio, JIS-B5, Legal, Letter, Statement, Universal, Oficio

Standard Ports

Fast Ethernet, USB 2.0 Specification Hi-Speed Certified (Type B), PictBridge Certified Port, Front USB 2.0 Specification Hi-Speed Certified port (Type A), Rear USB 2.0 Specification Hi-Speed Certified port (Type A)

Optional Network Ports

Lexmark N4050e 802.11g Wireless Print Server (Print Only), External MarkNet™ N7020e Gigabit Ethernet,

Internal MarkNet™ N8120 Gigabit Ethernet, Internal MarkNet™ N8130 Fiber Fast Ethernet, Internal MarkNet™ N8150 802.11b/g/n Wireless

Network Printing Methods

LPR/LPD, Direct IP (Port 9100), HTTP, NDS Queue-based Printing, NDPS/NEPS (Novell Distributed Print Services), Novell Netware Enterprise Print Services, Enhanced IP (Port 9400), FTP, TFTP, IPP 1.1 (Internet Printing Protocol), ThinPrint, print integration

Network Protocol Support

TCP/IP IPv4, IPX/SPX, AppleTalk™, LexLink (DLC), TCP/IP IPv6, TCP, UDP

Network Security

SNMPv3, 802.1x Authentication: MD5, MSCHAPv2, LEAP, PEAP, TLS, TTLS, IPsec

Printable Area

4.2 mm of the top, bottom, right and left edges (within)

Printer Languages (Standard)

PCL 5c Emulation, PCL 6 Emulation, PPDS, PostScript 3 Emulation, xHTML, PDF 1.6, Direct Image, Microsoft XPS (XML Paper Specification)

Reduce / Enlarge Range

25 - 400 %

Scan Area, Maximum

216 x 355 mm

Modem Speed

33.6 Kbps

Supplies Yield

Average continuous black or continuous composite CMY declared cartridge yield up to this number of standard pages in accordance with ISO/IEC 19798, 6,000*-page Colour Toner Cartridges (CMY), 8,000*-page Black Toner Cartridge

Cartridge(s) Shipping with Product

4,000*-page Black Starter Return Program Toner Cartridge, 4,000*-page Colour (CMY) Starter Return Program Toner Cartridges

Packaged Size (mm - H x W x D)

1044 x 730 x 670 mm

Size (mm - H x W x D)

787 x 546 x 622 mm

Weight (kg)

44.0 kg

Noise Level, Idle

35 dBA

Print Noise Level, Operating

53 dBA

Copier Noise Level, Operating

54 dBA

Scanner Noise Level, Operating

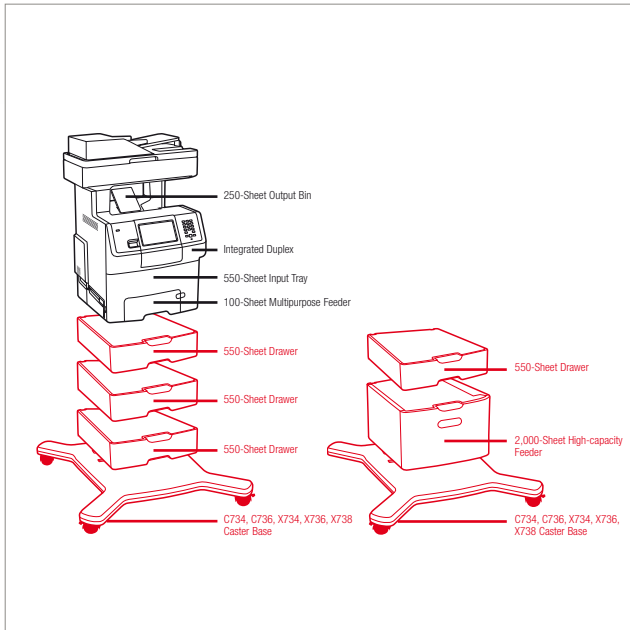
54 dBA

Product Guarantee

1-Year Onsite Service, Next Business Day

Product Certifications

Energy Star, CAN/CSA-C22.2 60950-1, CSA E60825-1, ICES-003 Class A, BSMI Class A, VCCI Class A, US FDA,



Paper Handling Standard
 Paper Handling Optional

FCC Class A, UL 60950-1, EN/IEC 60320-1, CE Class A, CB IEC 60950-1, EN 60950-1, EN/IEC 61000-3, EN 55022 Class A, EN 55024, EN/IEC 60825-1, GS (TÜV), AR S

Maximum Monthly Duty Cycle

Up to 85000 pages per month

Recommended Monthly Page Volume

2500 - 9200 Pages

Specified Operating Environment

Temperature: 16 to 32°C (60 to 90°F), Humidity: 8 to 80% Relative Humidity, Altitude: 0 - 3048 Meters (10,000 Feet)

Part #	Model
MS00391	Lexmark X734de

Part #	Laser Toner/Print Cartridge
C734A1KG	C734, C736, X734, X736, X738 Black Return Programme Toner Cartridge (8K)
C734A1CG	C734, C736, X734, X736, X738 Cyan Return Programme Toner Cartridge
C734A1MG	C734, C736, X734, X736, X738 Magenta Return Programme Toner Cartridge (6K)
C734A1YG	C734, C736, X734, X736, X738 Yellow Return Programme Toner Cartridge (6K)

C734A2KG	C734, C736, X734, X736, X738 Black Toner Cartridge (8K)
C734A2CG	C734, C736, X734, X736, X738 Cyan Toner Cartridge (6K)
C734A2MG	C734, C736, X734, X736, X738 Magenta Toner Cartridge (6K)
C734A2YG	C734, C736, X734, X736, X738 Yellow Toner Cartridge (6K)
C734X77G	C73x, X73x Waste Toner Box (25K)
C734X20G	C734, C736, X734, X736, X738 Photoconductor Unit (20K)
C734X24G	C734, C736, X734, X736, X738 Photoconductor Unit, 4-Pack (20K each)

Part #	Paper & Transparencies
12A8241	Professional Colour Laser Transparencies, A4

Part #	Paper Handling
27S2100	C734, C736, X734e, X736e, X738e 550-Sheet Drawer
27S2400	2000-Sheet High Capacity Feeder
27S2650	C734, C736, X734e, X736e, X738e 550-Sheet Specialty Media Drawer
27S2190	4.8 inch (12.2 cm) Spacer

Part #	Furniture
16M1210	C734, C736, X734, X736, X738 Caster Base
3052765	Swivel Cabinet

Part #	Memory Options
1025041	256MB DDR2-DRAM
1025042	512MB DDR2-DRAM
1025043	1024MB DDR2-DRAM
14F0245	256MB Flash Card
14F0102	Hard Disk (80+GB)

Part #	Application Solutions
30G0829	Lexmark PrintCryption Card
MS00497	X734, X736, X738 Forms and Bar Code Card
MS00498	X734, X736, X738 Card for IPDS/SCS/TNe

Part #	Connectivity
14F0037	MarkNet N8120 Gigabit Ethernet Print Server
14F0042	MarkNet N8130 Fiber Ethernet 100BaseFX, 10BaseFL Print Server
14F0045	MarkNet N8150 802.11b/g/n Wireless Print Server
14T0165	Lexmark N4050e 802.11g Wireless Print Server
14T0220	MarkNet N7020e Gigabit Ethernet Print Server

1021294	USB (2 Meter) Cable
14F0000	Parallel 1284-B Interface Card
1021231	Parallel (10') Cable
14F0100	RS-232C Serial Interface Card

Part #	Extended Warranties
2350816P	X734 2-Years Total (1+1) Onsite Service Guarantee
2350817P	X734 3-Years Total (1+2) Onsite Service Guarantee
2350818P	X734 4-Years Total (1+3) Onsite Service Guarantee
2350820P	X734 1-Year Renewal (1+1) Onsite Service Guarantee

Part #	User Replaceable Parts
40X5094	C73x, X73x Fuser Maintenance 220-240V
40X5096	C73x, X73x Transfer Belt Maintenance
40X5187	ADF Separator Pad
40X5188	ADF Pick Assembly
40X5189	ADF Pick Pad
40X5152	Pick Tire, Special Media Drawer

Part #	Installation
2350832	X734 Installation



Lexmark X736de

High-volume colour MFP for large and mid-sized workgroups

Print Technology

Color Laser

Function

Colour Copying, Colour Faxing, Colour Printing, Colour Scanning, Colour Network Scanning

Print Speed (A4 mono)

Up to 33 ppm

Print Speed (A4 colour)

Up to 33 ppm

Print Speed (A4 mono) Duplex

Up to 22 spm

Time to First Page (Black)

As fast as <10 seconds

Time to First Page (Colour)

as fast as <10 seconds

Copy Speed (A4, Black)

Up to 33 cpm

Copy Speed (A4, Colour)

Up to 33 cpm

Copy Speed (Letter colour)

Up to 35 cpm

Time to First Copy (Black)

As fast as 14 seconds

Print Resolution, Black

1200 x 1200 dpi, 4800 Colour Quality (2400 x 600 dpi)

Print Resolution, Colour

1200 x 1200 dpi, 4800 Colour Quality (2400 x 600 dpi)

ADF Scan

RADF (reversing Duplex)

Scanning Resolution

600 x 600 dpi

Processor

900 MHz

Memory, standard

512 MB

Memory, maximum

1536 MB

Hard Disk

Option available

Expandable Memory Options

Yes

Apple Macintosh Operating Systems Supported

Mac OS X, Mac OS 9.2

Citrix MetaFrame

Microsoft Windows 2000 Server running Terminal Services with Citrix Presentation Server 3.0, 4.0, Microsoft Windows Server 2003 running Terminal Services with Citrix Presentation Server 3.0, 4.0, 4.5, Microsoft Windows Server 2003 x64 running Terminal Services with Citrix Presentation Server 4.0 x64, 4.5 x64

Linux Operating Systems Supported

Linpus Linux Desktop 9.2, 9.3, Red Hat Enterprise Linux WS 3.0, 4.0, 5.0, SUSE Linux Enterprise Server 8.0, 9.0, 10, 11, SUSE Linux Enterprise Desktop 10, openSUSE 10.2, 10.3, 11.0, 11.1, Linspire Linux 6.0, Debian GNU/Linux 4.0, Red Flag Linux Desktop 5.0, 6.0, Ubuntu 7.10, Ubuntu 8.04 LTS, SUSE Linux Enterprise Desktop 11, Debian GNU/Linux 5.0, Ubuntu 8.10, 9.04

Microsoft Windows Operating Systems Supported

2000, XP, Server 2003, XP x64, Server 2003 running Terminal Services, 2000 Server running Terminal Services, Server 2003 x64, Server 2003 x64 running Terminal Services, Vista, Vista x64, Server 2008, Server 2008 x64, Server 2008 running Terminal Services, Server 2008 x64 running Terminal Services, 7

Novell Operating Systems Supported

Open Enterprise Server for Netware with NDS, iPrint or Novell Distributed Print Services (NDPS), NetWare 5.x, 6.x with iPrint or Novell Distributed Print Services (NDPS)

UNIX Operating Systems Supported

Sun Solaris SPARC 8, 9, 10, Sun Solaris x86 1.0, HP-UX 11.11, 11.23, 11.31, IBM AIX 5.2, 5.3, 6.1

Paper Handling Standard

250-Sheet Output Bin, Integrated Duplex, 100-Sheet Multipurpose Feeder, 550-Sheet Input Tray

Paper Handling Optional

550-Sheet Drawer, 2,000-Sheet High-capacity Feeder, 550-Sheet Specialty Media Drawer

Paper Input Capacity, Standard: Up to

650 pages 75 gsm bond

Paper Input Capacity, Maximum: Up to

3200 pages 75 gsm bond

Paper Output Capacity, Standard: Up to

250 pages 75 gsm bond

Paper Output Capacity, Maximum: Up to

250 pages 75 gsm bond

ADF Paper Input Capacity

Up to 50 pages 75 gsm bond

Envelope Capacity

85 / drawer

Finishing Option

No

Number of Paper Inputs, Standard

2

Number of Paper Inputs, Maximum

5

Media Types Supported

Card Stock, Envelopes, Glossy paper, Paper Labels, Plain Paper, Transparencies, Vinyl Labels, Refer to the Card Stock & Label Guide

Media Sizes Supported

10 Envelope, 7 3/4 Envelope, 9 Envelope, A4, A5, B5 Envelope, C5 Envelope, DL Envelope, B5, Executive, Folio, JIS-B5, Legal, Letter, Statement, Universal, Oficio

Standard Ports

Fast Ethernet, USB 2.0 Specification Hi-Speed Certified (Type B), PictBridge Certified Port, Front USB 2.0 Specification Hi-Speed Certified port (Type A), Rear USB 2.0 Specification Hi-Speed Certified port (Type A)

Optional Network Ports

Lexmark N4050e 802.11g Wireless Print Server (Print Only), External MarkNet™ N7020e Gigabit Ethernet,

Internal MarkNet™ N8120 Gigabit Ethernet, Internal MarkNet™ N8130 Fiber Fast Ethernet, Internal MarkNet™ N8150 802.11b/g/n Wireless

Network Printing Methods

LPR/LPD, Direct IP (Port 9100), HTTP, NDS Queue-based Printing, NDPS/NEPS (Novell Distributed Print Services), Novell Netware Enterprise Print Services, Enhanced IP (Port 9400), FTP, TFTP, IPP 1.1 (Internet Printing Protocol), ThinPrint, print integration

Network Protocol Support

TCP/IP IPv4, IPX/SPX, AppleTalk™, LexLink (DLC), TCP/IP IPv6, TCP, UDP

Network Security

SNMPv3, 802.1x Authentication: MD5, MSCHAPv2, LEAP, PEAP, TLS, TTLS, IPsec

Printable Area

4.2 mm of the top, bottom, right and left edges (within)

Printer Languages (Standard)

PCL 5c Emulation, PCL 6 Emulation, PPDS, PostScript 3 Emulation, xHTML, PDF 1.6, Direct Image, Microsoft XPS (XML Paper Specification)

Reduce / Enlarge Range

25 - 400 %

Scan Area, Maximum

216 x 355 mm

Modem Speed

33.6 Kbps

Supplies Yield

Average continuous black or continuous composite CMY declared cartridge yield up to this number of standard pages in accordance with ISO/IEC 19798, 6,000*-page Colour Toner Cartridges (CMY), 8,000*-page Black Toner Cartridge, 10,000*-page Colour High Yield Toner Cartridges (CMY), 12,000*-page Black High Yield Toner Cartridge

Cartridge(s) Shipping with Product

6,000*-page Colour (CMY) Starter Return Program Toner Cartridges, 6,000*-page Black Starter Return Program Toner Cartridge

Packaged Size (mm - H x W x D)

1044 x 730 x 670 mm

Size (mm - H x W x D)

787 x 546 x 622 mm

Weight (kg)

44.0 kg

Noise Level, Idle

35 dBA

Print Noise Level, Operating

53 dBA

Copier Noise Level, Operating

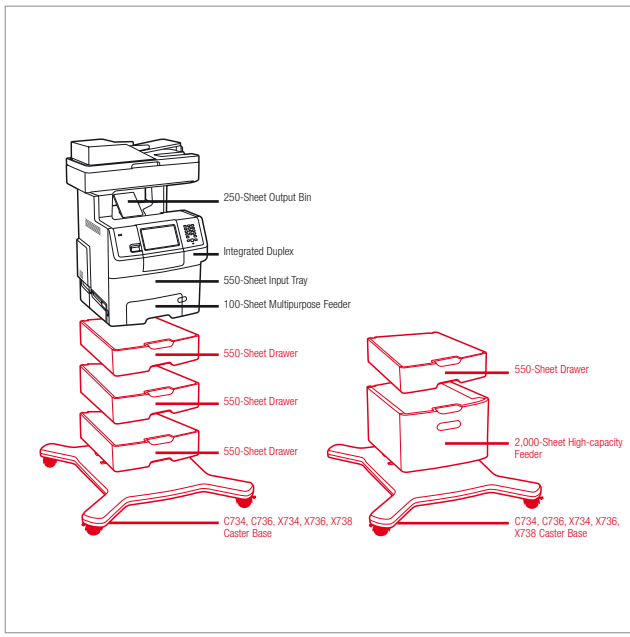
54 dBA

Scanner Noise Level, Operating

54 dBA

Product Guarantee

1-Year Onsite Service, Next Business Day



Paper Handling Standard
 Paper Handling Optional

Product Certifications

Energy Star, CAN/CSA-C22.2 60950-1, CSA E60825-1, ICES-003 Class A, BSMI Class A, VCCI Class A, US FDA, FCC Class A, UL 60950-1, EN/IEC 60320-1, CE Class A, CB IEC 60950-1, EN 60950-1, EN/IEC 61000-3, EN 55022 Class A, EN 55024, EN/IEC 60825-1, GS (TÜV), AR S

Maximum Monthly Duty Cycle

Up to 85000 pages per month

Recommended Monthly Page Volume

3000 - 10000 Pages

Specified Operating Environment

Temperature: 16 to 32°C (60 to 90°F), Humidity: 8 to 80% Relative Humidity, Altitude: 0 - 3048 Meters (10,000 Feet)

Part #	Model
MS00392	Lexmark X736de
Part #	Laser Toner/Print Cartridge
C736H1KG	C736, X736, X738 Black High Yield Return Programme Toner Cartridge (12K)
C734A1KG	C734, C736, X734, X736, X738 Black Return Programme Toner Cartridge (8K)
C736H1CG	C736, X736, X738 Cyan High Yield Return Programme Toner Cartridge
C734A1CG	C734, C736, X734, X736, X738 Cyan Return Programme Toner Cartridge
C736H1MG	C736, X736, X738 Magenta High Yield Return Programme Toner Cartridge (10K)
C734A1MG	C734, C736, X734, X736, X738 Magenta Return Programme Toner Cartridge (6K)
C736H1YG	C736, X736, X738 Yellow High Yield Return Programme Toner Cartridge (10K)
C734A1YG	C734, C736, X734, X736, X738 Yellow Return Programme Toner Cartridge (6K)
C736H2KG	C736, X736, X738 Black High Yield Toner Cartridge (12K)
C734A2KG	C734, C736, X734, X736, X738 Black Toner Cartridge (8K)
C736H2CG	C736, X736, X738 Cyan High Yield Toner Cartridge (10K)
C734A2CG	C734, C736, X734, X736, X738 Cyan Toner Cartridge (6K)
C736H2MG	C736, X736, X738 Magenta High Yield Toner Cartridge (10K)
C734A2MG	C734, C736, X734, X736, X738 Magenta Toner Cartridge (6K)
C736H2YG	C736, X736, X738 Yellow High Yield Toner Cartridge (10K)
C734A2YG	C734, C736, X734, X736, X738 Yellow Toner Cartridge (6K)
C734X77G	C73x, X73x Waste Toner Box (25K)
C734X20G	C734, C736, X734, X736, X738 Photoconductor Unit (20K)
C734X24G	C734, C736, X734, X736, X738 Photoconductor Unit, 4-Pack (20K each)
Part #	Paper & Transparencies
12A8241	Professional Colour Laser Transparencies, A4
Part #	Paper Handling
27S2100	C734, C736, X734e, X736e, X738e 550-Sheet Drawer
27S2400	2000-Sheet High Capacity Feeder
27S2650	C734, C736, X734e, X736e, X738e 550-Sheet Specialty Media Drawer
27S2190	4.8 inch (12.2 cm) Spacer
Part #	Furniture
16M1210	C734, C736, X734, X736, X738 Caster Base
3052765	Swivel Cabinet
Part #	Memory Options
1025041	256MB DDR2-DRAM
1025042	512MB DDR2-DRAM
1025043	1024MB DDR2-DRAM
14F0245	256MB Flash Card
14F0102	Hard Disk (80+GB)
Part #	Application Solutions
30G0829	Lexmark Print/Cryption Card

MS00497	X734, X736, X738 Forms and Bar Code Card
MS00498	X734, X736, X738 Card for IPDS/SCS/TNe
Part #	Connectivity
14F0037	MarkNet N8120 Gigabit Ethernet Print Server
14F0042	MarkNet N8130 Fiber Ethernet 100BaseFX, 10BaseFL Print Server
14F0045	MarkNet N8150 802.11b/g/n Wireless Print Server
14T0165	Lexmark N4050e 802.11g Wireless Print Server
14T0220	MarkNet N7020e Gigabit Ethernet Print Server
1021294	USB (2 Meter) Cable
14F0000	Parallel 1284-B Interface Card
14F0100	RS-232C Serial Interface Card
Part #	Extended Warranties
2350834P	X736 2-Years Total (1+1) Onsite Service Guarantee
2350835P	X736 3-Years Total (1+2) Onsite Service Guarantee
2350836P	X736 4-Years Total (1+3) Onsite Service Guarantee
2350838P	X736 1-Year Renewal Onsite Service Guarantee
Part #	User Replaceable Parts
40X5094	C73x, X73x Fuser Maintenance 220-240V
40X5096	C73x, X73x Transfer Belt Maintenance
40X5187	ADF Separator Pad
40X5188	ADF Pick Assembly
40X5189	ADF Pick Pad
40X5152	Pick Tire, Special Media Drawer
Part #	Installation
2350850	X736 Installation



Lexmark X738de

Powerful, solutions-ready colour MFP for large and mid-sized workgroups

Print Technology

Color Laser

Function

Colour Copying, Colour Faxing, Colour Printing, Colour Scanning, Colour Network Scanning

Print Speed (A4 mono)

Up to 33 ppm

Print Speed (A4 colour)

Up to 33 ppm

Print Speed (A4 mono) Duplex

Up to 22 spm

Time to First Page (Black)

As fast as <10 seconds

Time to First Page (Colour)

as fast as <10 seconds

Copy Speed (A4, Black)

Up to 33 cpm

Copy Speed (A4, Colour)

Up to 33 cpm

Copy Speed (Letter colour)

Up to 35 cpm

Time to First Copy (Black)

As fast as 14 seconds

Print Resolution, Black

1200 x 1200 dpi, 4800 Colour Quality (2400 x 600 dpi)

Print Resolution, Colour

1200 x 1200 dpi, 4800 Colour Quality (2400 x 600 dpi)

ADF Scan

RADF (reversing Duplex)

Scanning Resolution

600 x 600 dpi

Processor

900 Mhz

Memory, standard

512 MB

Memory, maximum

1536 MB

Hard Disk

as standard

Expandable Memory Options

Yes

Apple Macintosh Operating Systems Supported

Mac OS X, Mac OS 9.2

Citrix MetaFrame

Microsoft Windows 2000 Server running Terminal Services with Citrix Presentation Server 3.0, 4.0, Microsoft Windows Server 2003 running Terminal Services with Citrix Presentation Server 3.0, 4.0, 4.5, Microsoft Windows Server 2003 x64 running Terminal Services with Citrix Presentation Server 4.0 x64, 4.5 x64

Linux Operating Systems Supported

Linpus Linux Desktop 9.2, 9.3, Red Hat Enterprise Linux WS 3.0, 4.0, 5.0, SUSE Linux Enterprise Server 8.0, 9.0, 10, 11, SUSE Linux Enterprise Desktop 10, openSUSE 10.2, 10.3, 11.0, 11.1, Linspire Linux 6.0, Debian GNU/Linux 4.0, Red Flag Linux Desktop 5.0, 6.0, Ubuntu 7.10, Ubuntu 8.04 LTS, SUSE Linux Enterprise Desktop 11, Debian GNU/Linux 5.0, Ubuntu 8.10, 9.04

Microsoft Windows Operating Systems Supported

2000, XP, Server 2003, XP x64, Server 2003 running Terminal Services, 2000 Server running Terminal Services, Server 2003 x64, Server 2003 x64 running Terminal Services, Vista, Vista x64, Server 2008, Server 2008 x64, Server 2008 running Terminal Services, Server 2008 x64 running Terminal Services, 7

Novell Operating Systems Supported

Open Enterprise Server for Netware with NDS, iPrint or Novell Distributed Print Services (NDPS), NetWare 5.x, 6.x with iPrint or Novell Distributed Print Services (NDPS)

UNIX Operating Systems Supported

Sun Solaris SPARC 8, 9, 10, Sun Solaris x86 1.0, HP-UX 11.11, 11.23, 11.31, IBM AIX 5.2, 5.3, 6.1

Paper Handling Standard

250-Sheet Output Bin, Integrated Duplex, 100-Sheet Multipurpose Feeder, 550-Sheet Input Tray

Paper Handling Optional

550-Sheet Drawer, 2,000-Sheet High-capacity Feeder, 550-Sheet Specialty Media Drawer

Paper Input Capacity, Standard: Up to

650 pages 75 gsm bond

Paper Input Capacity, Maximum: Up to

3200 pages 75 gsm bond

Paper Output Capacity, Standard: Up to

250 pages 75 gsm bond

Paper Output Capacity, Maximum: Up to

250 pages 75 gsm bond

ADF Paper Input Capacity

Up to 50 pages 75 gsm bond

Envelope Capacity

85 / drawer

Finishing Option

No

Number of Paper Inputs, Standard

2

Number of Paper Inputs, Maximum

5

Media Types Supported

Card Stock, Envelopes, Glossy paper, Paper Labels, Plain Paper, Transparencies, Vinyl Labels, Refer to the Card Stock & Label Guide

Media Sizes Supported

10 Envelope, 7 3/4 Envelope, 9 Envelope, A4, A5, B5 Envelope, C5 Envelope, DL Envelope, B5, Executive, Folio, JIS-B5, Legal, Letter, Statement, Universal, Oficio

Standard Ports

Fast Ethernet, USB 2.0 Specification Hi-Speed Certified (Type B), PictBridge Certified Port, Front USB 2.0 Specification Hi-Speed Certified port (Type A), Rear USB 2.0 Specification Hi-Speed Certified port (Type A)

Optional Network Ports

Lexmark N4050e 802.11g Wireless Print Server (Print Only), External MarkNet™ N7020e Gigabit Ethernet,

Internal MarkNet™ N8120 Gigabit Ethernet, Internal MarkNet™ N8130 Fiber Fast Ethernet, Internal MarkNet™ N8150 802.11b/g/n Wireless

Network Printing Methods

LPR/LPD, Direct IP (Port 9100), HTTP, NDS Queue-based Printing, NDPS/NEPS (Novell Distributed Print Services), Novell Netware Enterprise Print Services, Enhanced IP (Port 9400), FTP, TFTP, IPP 1.1 (Internet Printing Protocol), ThinPrint, print integration

Network Protocol Support

TCP/IP IPv4, IPX/SPX, AppleTalk™, LexLink (DLC), TCP/IP IPv6, TCP, UDP

Network Security

SNMPv3, 802.1x Authentication: MD5, MSCHAPv2, LEAP, PEAP, TLS, TTLS, IPsec

Printable Area

4.2 mm of the top, bottom, right and left edges (within)

Printer Languages (Standard)

PCL 5c Emulation, PCL 6 Emulation, PPDS, PostScript 3 Emulation, xHTML, PDF 1.6, Direct Image, Microsoft XPS (XML Paper Specification)

Reduce / Enlarge Range

25 - 400 %

Scan Area, Maximum

216 x 355 mm

Modem Speed

33.6 Kbps

Supplies Yield

Average continuous black or continuous composite CMY declared cartridge yield up to this number of standard pages in accordance with ISO/IEC 19798, 6,000*-page Colour Toner Cartridges (CMY), 8,000*-page Black Toner Cartridge, 10,000*-page Colour High Yield Toner Cartridges (CMY), 12,000*-page Black High Yield Toner Cartridge

Cartridge(s) Shipping with Product

6,000*-page Colour (CMY) Starter Return Program Toner Cartridges, 6,000*-page Black Starter Return Program Toner Cartridge

Packaged Size (mm - H x W x D)

1044 x 730 x 670 mm

Size (mm - H x W x D)

787 x 546 x 622 mm

Weight (kg)

44.2 kg

Noise Level, Idle

35 dBA

Print Noise Level, Operating

53 dBA

Copier Noise Level, Operating

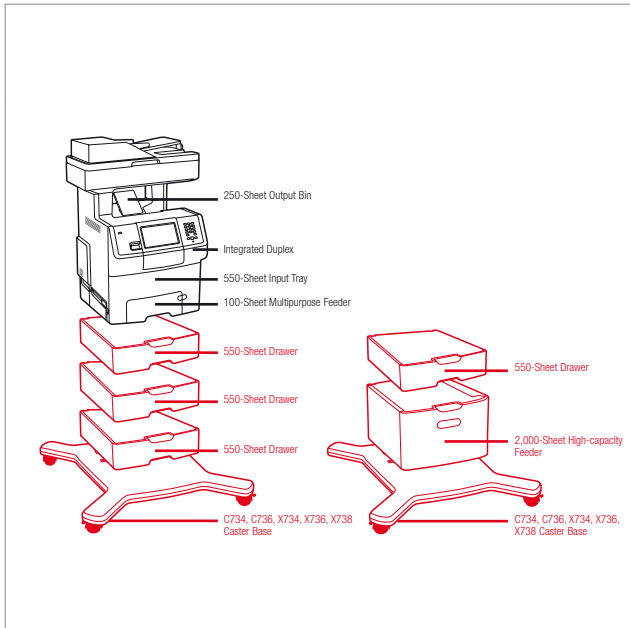
44 dBA

Scanner Noise Level, Operating

54 dBA

Product Guarantee

1-year Onsite Service, Next Business Day



Paper Handling Standard
 Paper Handling Optional

Product Certifications

Energy Star, CAN/CSA-C22.2 60950-1, CSA E60825-1, ICES-003 Class A, BSMI Class A, VCCI Class A, US FDA, FCC Class A, UL 60950-1, EN/IEC 60320-1, CE Class A, CB IEC 60950-1, EN 60950-1, EN/IEC 61000-3, EN 55022 Class A, EN 55024, EN/IEC 60825-1, GS (TÜV), AR S

Maximum Monthly Duty Cycle

Up to 100000 pages per month

Recommended Monthly Page Volume

3000 - 10000 Pages

Specified Operating Environment

Temperature: 16 to 32°C (60 to 90°F), Humidity: 8 to 80% Relative Humidity, Altitude: 0 - 3048 Meters (10,000 Feet)

Part #	Model
MS00393	Lexmark X738de
Part #	Laser Toner/Print Cartridge
C736H1KG	C736, X736, X738 Black High Yield Return Programme Toner Cartridge (12K)
C734A1KG	C734, C736, X734, X736, X738 Black Return Programme Toner Cartridge (8K)
C736H1CG	C736, X736, X738 Cyan High Yield Return Programme Toner Cartridge
C734A1CG	C734, C736, X734, X736, X738 Cyan Return Programme Toner Cartridge
C736H1MG	C736, X736, X738 Magenta High Yield Return Programme Toner Cartridge (10K)
C734A1MG	C734, C736, X734, X736, X738 Magenta Return Programme Toner Cartridge (6K)
C736H1YG	C736, X736, X738 Yellow High Yield Return Programme Toner Cartridge (10K)
C734A1YG	C734, C736, X734, X736, X738 Yellow Return Programme Toner Cartridge (6K)
C736H2KG	C736, X736, X738 Black High Yield Toner Cartridge (12K)
C734A2KG	C734, C736, X734, X736, X738 Black Toner Cartridge (8K)
C736H2CG	C736, X736, X738 Cyan High Yield Toner Cartridge (10K)
C734A2CG	C734, C736, X734, X736, X738 Cyan Toner Cartridge (6K)
C736H2MG	C736, X736, X738 Magenta High Yield Toner Cartridge (10K)
C734A2MG	C734, C736, X734, X736, X738 Magenta Toner Cartridge (6K)
C736H2YG	C736, X736, X738 Yellow High Yield Toner Cartridge (10K)
C734A2YG	C734, C736, X734, X736, X738 Yellow Toner Cartridge (6K)
C734X77G	C73x, X73x Waste Toner Box (25K)
C734X20G	C734, C736, X734, X736, X738 Photoconductor Unit (20K)
C734X24G	C734, C736, X734, X736, X738 Photoconductor Unit, 4-Pack (20K each)
Part #	Paper & Transparencies
12A8241	Professional Colour Laser Transparencies, A4
Part #	Paper Handling
27S2100	C734, C736, X734e, X736e, X738e 550-Sheet Drawer
27S2400	2000-Sheet High Capacity Feeder
27S2650	C734, C736, X734e, X736e, X738e 550-Sheet Specialty Media Drawer
27S2190	4.8 inch (12.2 cm) Spacer
Part #	Furniture
16M1210	C734, C736, X734, X736, X738 Caster Base
3052765	Swivel Cabinet
Part #	Memory Options
1025041	256MB DDR2-DRAM
1025042	512MB DDR2-DRAM
1025043	1024MB DDR2-DRAM
14F0245	256MB Flash Card
Part #	Application Solutions
30G0829	Lexmark PrintCryption Card

MS00497	X734, X736, X738 Forms and Bar Code Card
MS00498	X734, X736, X738 Card for IPDS/SCS/TNe
Part #	Connectivity
14F0037	MarkNet N8120 Gigabit Ethernet Print Server
14F0042	MarkNet N8130 Fiber Ethernet 100BaseFX, 10BaseFL Print Server
14F0045	MarkNet N8150 802.11b/g/n Wireless Print Server
14T0165	Lexmark N4050e 802.11g Wireless Print Server
14T0220	MarkNet N7020e Gigabit Ethernet Print Server
1021294	USB (2 Meter) Cable
14F0000	Parallel 1284-B Interface Card
1021231	Parallel (10") Cable
14F0100	RS-232C Serial Interface Card
Part #	Extended Warranties
2350852P	X738 2-Years Total (1+1) Onsite Service Guarantee
2350853P	X738 3-Years Total (1+2) Onsite Service Guarantee
2350854P	X738 4-Years Total (1+3) Onsite Service Guarantee
2350856P	X738 1-Year Renewal Onsite Service Guarantee
Part #	User Replaceable Parts
40X5094	C73x, X73x Fuser Maintenance 220-240V
40X5096	C73x, X73x Transfer Belt Maintenance
40X5187	ADF Separator Pad
40X5188	ADF Pick Assembly
40X5189	ADF Pick Pad
40X5152	Pick Tire, Special Media Drawer
Part #	Installation
2350868	X738 Installation



Lexmark X738dte

Powerful, solutions-ready colour MFP for large and mid-sized workgroups

Print Technology

Color Laser

Function

Colour Copying, Colour Faxing, Colour Printing, Colour Scanning, Colour Network Scanning

Print Speed (A4 mono)

Up to 33 ppm

Print Speed (A4 colour)

Up to 33 ppm

Print Speed (A4 mono) Duplex

Up to 22 spm

Time to First Page (Black)

As fast as <10 seconds

Time to First Page (Colour)

as fast as <10 seconds

Copy Speed (A4, Black)

Up to 33 cpm

Copy Speed (A4, Colour)

Up to 33 cpm

Copy Speed (Letter colour)

Up to 35 cpm

Time to First Copy (Black)

As fast as 14 seconds

Print Resolution, Black

1200 x 1200 dpi, 4800 Colour Quality (2400 x 600 dpi)

Print Resolution, Colour

1200 x 1200 dpi, 4800 Colour Quality (2400 x 600 dpi)

ADF Scan

RADF (reversing Duplex)

Scanning Resolution

600 x 600 dpi

Processor

900 MHz

Memory, standard

512 MB

Memory, maximum

1536 MB

Hard Disk

as standard

Expandable Memory Options

Yes

Apple Macintosh Operating Systems Supported

Mac OS X, Mac OS 9.2

Citrix MetaFrame

Microsoft Windows 2000 Server running Terminal Services with Citrix Presentation Server 3.0, 4.0, Microsoft Windows Server 2003 running Terminal Services with Citrix Presentation Server 3.0, 4.0, 4.5, Microsoft Windows Server 2003 x64 running Terminal Services with Citrix Presentation Server 4.0 x64, 4.5 x64

Linux Operating Systems Supported

Linpus Linux Desktop 9.2, 9.3, Red Hat Enterprise Linux WS 3.0, 4.0, 5.0, SUSE Linux Enterprise Server 8.0, 9.0, 10, 11, SUSE Linux Enterprise Desktop 10, openSUSE 10.2, 10.3, 11.0, 11.1, Linspire Linux 6.0, Debian GNU/Linux 4.0, Red Flag Linux Desktop 5.0, 6.0, Ubuntu 7.10, Ubuntu 8.04 LTS, SUSE Linux Enterprise Desktop 11, Debian GNU/Linux 5.0, Ubuntu 8.10, 9.04

Microsoft Windows Operating Systems Supported

2000, XP, Server 2003, XP x64, Server 2003 running Terminal Services, 2000 Server running Terminal Services, Server 2003 x64, Server 2003 x64 running Terminal Services, Vista, Vista x64, Server 2008, Server 2008 x64, Server 2008 running Terminal Services, Server 2008 x64 running Terminal Services, 7

Novell Operating Systems Supported

Open Enterprise Server for Netware with NDS, iPrint or Novell Distributed Print Services (NDPS), NetWare 5.x, 6.x with iPrint or Novell Distributed Print Services (NDPS)

UNIX Operating Systems Supported

Sun Solaris SPARC 8, 9, 10, Sun Solaris x86 1.0, HP-UX 11.11, 11.23, 11.31, IBM AIX 5.2, 5.3, 6.1

Paper Handling Standard

250-Sheet Output Bin, Integrated Duplex, 100-Sheet Multipurpose Feeder, 550-Sheet Drawer, 550-Sheet Input Tray

Paper Handling Optional

550-Sheet Drawer, 2,000-Sheet High-capacity Feeder, 550-Sheet Specialty Media Drawer

Paper Input Capacity, Standard: Up to

1200 pages 75 gsm bond

Paper Input Capacity, Maximum: Up to

3200 pages 75 gsm bond

Paper Output Capacity, Standard: Up to

250 pages 75 gsm bond

Paper Output Capacity, Maximum: Up to

250 pages 75 gsm bond

ADF Paper Input Capacity

Up to 50 pages 75 gsm bond

Envelope Capacity

85 / drawer

Finishing Option

No

Number of Paper Inputs, Standard

3

Number of Paper Inputs, Maximum

5

Media Types Supported

Card Stock, Envelopes, Glossy paper, Paper Labels, Plain Paper, Transparencies, Vinyl Labels, Refer to the Card Stock & Label Guide

Media Sizes Supported

10 Envelope, 7 3/4 Envelope, 9 Envelope, A4, A5, B5 Envelope, C5 Envelope, DL Envelope, B5, Executive, Folio, JIS-B5, Legal, Letter, Statement, Universal, Oficio

Standard Ports

Fast Ethernet, USB 2.0 Specification Hi-Speed Certified (Type B), PictBridge Certified Port, Front USB 2.0 Specification Hi-Speed Certified port (Type A), Rear USB 2.0 Specification Hi-Speed Certified port (Type A)

Optional Network Ports

Lexmark N4050e 802.11g Wireless Print Server (Print

Only), External MarkNet™ N7020e Gigabit Ethernet, Internal MarkNet™ N8120 Gigabit Ethernet, Internal MarkNet™ N8130 Fiber Fast Ethernet, Internal MarkNet™ N8150 802.11b/g/n Wireless

Network Printing Methods

LPR/LPD, Direct IP (Port 9100), HTTP, NDS Queue-based Printing, NDPS/NEPS (Novell Distributed Print Services, Novell Netware Enterprise Print Services), Enhanced IP (Port 9400), FTP, TFTP, IPP 1.1 (Internet Printing Protocol), ThinPrint, print integration

Network Protocol Support

TCP/IP IPv4, IPX/SPX, AppleTalk™, LexLink (DLK), TCP/IP IPv6, TCP, UDP

Network Security

SNMPv3, 802.1x Authentication: MD5, MSCHAPv2, LEAP, PEAP, TLS, TTLS, IPSec

Printable Area

4.2 mm of the top, bottom, right and left edges (within)

Printer Languages (Standard)

PCL 5c Emulation, PCL 6 Emulation, PPDS, PostScript 3 Emulation, xHTML, PDF 1.6, Direct Image, Microsoft XPS (XML Paper Specification)

Reduce / Enlarge Range

25 - 400 %

Scan Area, Maximum

216 x 355 mm

Modem Speed

33.6 Kbps

Supplies Yield

Average continuous black or continuous composite CMY declared cartridge yield up to this number of standard pages in accordance with ISO/IEC 19798. • 6,000*-page Colour Toner Cartridges (CMY), 8,000*-page Black Toner Cartridge, 10,000*-page Colour High Yield Toner Cartridges (CMY), 12,000*-page Black High Yield Toner Cartridge

Cartridge(s) Shipping with Product

6,000*-page Colour (CMY) Starter Return Program Toner Cartridges, 6,000*-page Black Starter Return Program Toner Cartridge

Packaged Size (mm - H x W x D)

1233 x 730 x 670 mm

Size (mm - H x W x D)

909 x 546 x 622 mm

Weight (kg)

48.3 kg

Noise Level, Idle

35 dBA

Print Noise Level, Operating

53 dBA

Copier Noise Level, Operating

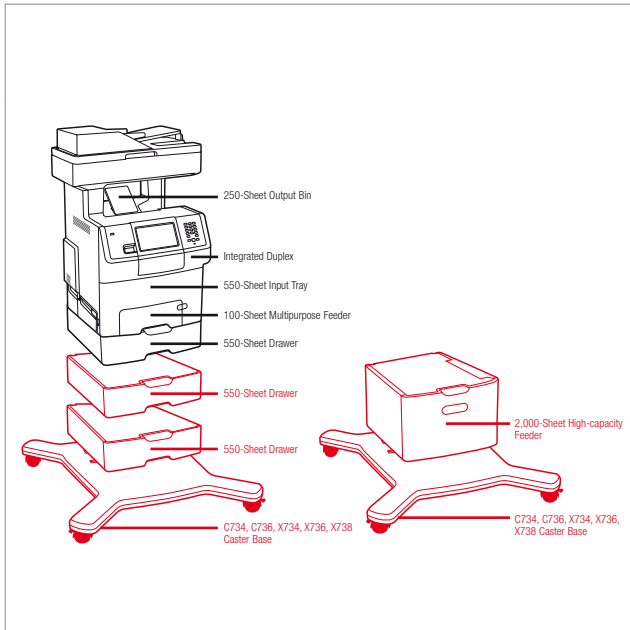
54 dBA

Scanner Noise Level, Operating

54 dBA

Product Guarantee

1-Year Onsite Service, Next Business Day



Product Certifications

Energy Star, CAN/CSA-C22.2 60950-1, CSA E60825-1, ICES-003 Class A, BSMI Class A, VCCI Class A, US FDA, FCC Class A, UL 60950-1, EN/IEC 60320-1, CE Class A, CB IEC 60950-1, EN 60950-1, EN/IEC 61000-3, EN 55022 Class A, EN 55024, EN/IEC 60825-1, GS (TÜV), AR S

Maximum Monthly Duty Cycle

Up to 100000 pages per month

Recommended Monthly Page Volume

3000 - 10000 Pages

Specified Operating Environment

Temperature: 16 to 32°C (60 to 90°F), Humidity: 8 to 80% Relative Humidity, Altitude: 0 - 3048 Meters (10,000 Feet)

■ Paper Handling Standard
■ Paper Handling Optional

Part #	Model
MS00394	Lexmark X738dte

Part #	Laser Toner/Print Cartridge
C736H1KG	C736, X736, X738 Black High Yield Return Programme Toner Cartridge (12K)
C734A1KG	C734, C736, X734, X736, X738 Black Return Programme Toner Cartridge (8K)
C736H1CG	C736, X736, X738 Cyan High Yield Return Programme Toner Cartridge
C734A1CG	C734, C736, X734, X736, X738 Cyan Return Programme Toner Cartridge
C736H1MG	C736, X736, X738 Magenta High Yield Return Programme Toner Cartridge (10K)
C734A1MG	C734, C736, X734, X736, X738 Magenta Return Programme Toner Cartridge (6K)
C736H1YG	C736, X736, X738 Yellow High Yield Return Programme Toner Cartridge (10K)
C734A1YG	C734, C736, X734, X736, X738 Yellow Return Programme Toner Cartridge (6K)
C736H2KG	C736, X736, X738 Black High Yield Toner Cartridge (12K)
C734A2KG	C734, C736, X734, X736, X738 Black Toner Cartridge (8K)
C736H2CG	C736, X736, X738 Cyan High Yield Toner Cartridge (10K)
C734A2CG	C734, C736, X734, X736, X738 Cyan Toner Cartridge (6K)
C736H2MG	C736, X736, X738 Magenta High Yield Toner Cartridge (10K)
C734A2MG	C734, C736, X734, X736, X738 Magenta Toner Cartridge (6K)
C736H2YG	C736, X736, X738 Yellow High Yield Toner Cartridge (10K)
C734A2YG	C734, C736, X734, X736, X738 Yellow Toner Cartridge (6K)
C734X77G	C73x, X73x Waste Toner Box (25K)
C734X20G	C734, C736, X734, X736, X738 Photoconductor Unit (20K)
C734X24G	C734, C736, X734, X736, X738 Photoconductor Unit, 4-Pack (20K each)

Part #	Paper & Transparencies
12A8241	Professional Colour Laser Transparencies, A4

Part #	Paper Handling
27S2100	C734, C736, X734e, X736e, X738e 550-Sheet Drawer
27S2400	2000-Sheet High Capacity Feeder
27S2650	C734, C736, X734e, X736e, X738e 550-Sheet Specialty Media Drawer
27S2190	4.8 inch (12.2 cm) Spacer

Part #	Furniture
16M1210	C734, C736, X734, X736, X738 Caster Base
3052765	Swivel Cabinet

Part #	Memory Options
1025041	256MB DDR2-DRAM
1025042	512MB DDR2-DRAM
1025043	1024MB DDR2-DRAM
14F0245	256MB Flash Card

Part #	Application Solutions
30G0829	Lexmark PrintCryption Card

MS00497	X734, X736, X738 Forms and Bar Code Card
MS00498	X734, X736, X738 Card for IPDS/SCS/TNe

Part #	Connectivity
14F0037	MarkNet N8120 Gigabit Ethernet Print Server
14F0042	MarkNet N8130 Fiber Ethernet 100BaseFX, 10BaseFL Print Server
14F0045	MarkNet N8150 802.11b/g/n Wireless Print Server
14T0165	Lexmark N4050e 802.11g Wireless Print Server
14T0220	MarkNet N7020e Gigabit Ethernet Print Server
1021294	USB (2 Meter) Cable
14F0000	Parallel 1284-B Interface Card
1021231	Parallel (10") Cable
14F0100	RS-232C Serial Interface Card

Part #	Extended Warranties
2350852P	X738 2-Years Total (1+1) Onsite Service Guarantee
2350853P	X738 3-Years Total (1+2) Onsite Service Guarantee
2350854P	X738 4-Years Total (1+3) Onsite Service Guarantee
2350856P	X738 1-Year Renewal Onsite Service Guarantee

Part #	User Replaceable Parts
40X5094	C73x, X73x Fuser Maintenance 220-240V
40X5096	C73x, X73x Transfer Belt Maintenance
40X5187	ADF Separator Pad
40X5188	ADF Pick Assembly
40X5189	ADF Pick Pad
40X5152	Pick Tire, Special Media Drawer

Part #	Installation
2350868	X738 Installation



Lexmark X782e

Outstanding colour and intuitive interface – a brilliant combination

Print Technology

Color Laser

Function

Colour Copying, Colour Printing, Colour Scanning, Faxing, Colour Network Scanning

Print Speed (A4 mono)

Up to 38 ppm

Print Speed (A4 colour)

Up to 33 ppm

Print Speed (A4 mono) Duplex

Up to 38 spm

Time to First Page (Black)

As fast as 11 seconds

Time to First Page (Colour)

As fast as 13 seconds

Copy Speed (A4, Black)

Up to 38 cpm

Copy Speed (A4, Colour)

Up to 33 cpm

Copy Speed (Letter colour)

Up to 35 cpm

Time to First Copy (Black)

As fast as < 14 seconds

Print Resolution, Black

1200 x 1200 dpi, 4800 Colour Quality (2400 x 600 dpi)

Print Resolution, Colour

1200 x 1200 dpi, 4800 Colour Quality (2400 x 600 dpi)

ADF Scan

DADF (single pass Duplex)

Scanning Resolution

300 X 300 dpi (colour), 600 X 600 dpi (mono)

Processor

800 Mhz

Memory, standard

768 MB

Memory, maximum

768 MB

Expandable Memory Options

No

Apple Macintosh Operating Systems Supported

Mac OS X, Mac OS 9.2

Citrix MetaFrame

Microsoft Windows 2000 Server running Terminal Services with Citrix Presentation Server 3.0, 4.0, Microsoft Windows Server 2003 running Terminal Services with Citrix Presentation Server 3.0, 4.0, 4.5, Microsoft Windows Server 2003 x64 running Terminal Services with Citrix Presentation Server 4.0 x64, 4.5 x64

Linux Operating Systems Supported

Linpus Linux Desktop 9.2, 9.3, Red Hat Enterprise Linux WS 3.0, 4.0, 5.0, SUSE Linux Enterprise Server 8.0, 9.0, 10, 11, SUSE Linux Enterprise Desktop 10, openSUSE 10.2, 10.3, 11.0, 11.1, Linspire Linux 6.0, Debian GNU/Linux 4.0, Red Flag Linux Desktop 5.0, 6.0, Ubuntu 7.10, Ubuntu 8.04 LTS, SUSE Linux Enterprise Desktop 11, Debian GNU/Linux 5.0, Ubuntu 8.10, 9.04

Microsoft Windows Operating Systems Supported

2000, NT (4.00/4.00 Server), XP, Server 2003, XP x64,

Server 2003 running Terminal Services, 2000 Server running Terminal Services, Server 2003 x64, Server 2003 x64 running Terminal Services, Vista, Vista x64, 7

Novell Operating Systems Supported

Open Enterprise Server for Netware with NDS, iPrint or Novell Distributed Print Services (NDPS), NetWare® 3.2, 4.2 (bindery), NetWare 4.2, 5.x and 6.x (NDS), NetWare 5.x, 6.x with iPrint or Novell Distributed Print Services (NDPS)

UNIX Operating Systems Supported

Sun Solaris SPARC 8, 9, 10, HP-UX 11.00, 11.1, IBM AIX 5.1, 5.2, 5.3, Sun Solaris x86 10

Other Operating Systems Supported

IBM iSeries or IBM AS/400® Systems with TCP/IP with OS/400® V3R1 or later using OS/400 Host Print Transform, Virtually any platform supporting TCP/IP

Paper Handling Standard

250-Sheet Output Bin, 500-Sheet Drawer, 500-Sheet Input Tray, Duplex Unit, Second 500-Sheet Drawer, 100-Sheet Multipurpose Feeder

Paper Handling Optional

Banner Media Tray

Paper Input Capacity, Standard: Up to

1600 pages 75 gsm bond

Paper Input Capacity, Maximum: Up to

1600 pages 75 gsm bond

Paper Output Capacity, Standard: Up to

250 pages 75 gsm bond

Paper Output Capacity, Maximum: Up to

250 pages 75 gsm bond

ADF Paper Input Capacity

Up to 50 pages 75 gsm bond

Envelope Capacity

10

Finishing Option

No

Number of Paper Inputs, Standard

4

Number of Paper Inputs, Maximum

4

Media Types Supported

Card Stock, Envelopes, Glossy paper, Labels, Plain Paper, Transparencies, Refer to the Card Stock & Label Guide, Banner Paper

Media Sizes Supported

10 Envelope, 7 3/4 Envelope, 9 Envelope, A4, A5, B5 Envelope, C5 Envelope, DL Envelope, Executive, Folio, JIS-B5, Legal, Letter, Statement, Universal, Banner

Standard Ports

Fast Ethernet, USB Compatible with USB 2.0 Specification (Type B), USB Direct interface on Operator Panel

Optional Network Ports

Lexmark N4050e 802.11g Wireless Print Server (Print Only), External MarNet™ N7020e Gigabit Ethernet

Network Printing Methods

LPR/LPD, Direct IP (Port 9100), Socket (Raw TCP/IP), IPP (Internet Printing Protocol), HTTP, NDS Queue-based Printing, NDPS/NEPS (Novell Distributed Print Services, Novell Netware Enterprise Print Services), Enhanced IP (Port 9400)

Network Protocol Support

TCP/IP IPv4, IPX/SPX, AppleTalk™, LexLink (DL), TCP/IP IPv6

Network Security

SSL* Enabled Embedded Web Server (HTTPS), SNMPv3, TCP/IP port access control, 802.1x Authentication: MD5, MSCHAPv2, LEAP, PEAP, TLS, TTLS, IPsec, *This product includes software developed by the OpenSSL Project for use in the OpenSSL Toolkit.

Printable Area

4.2 mm of the top, bottom, right and left edges (within)

Printer Languages (Standard)

PCL 5c Emulation, PCL 6 Emulation, PPDS, PostScript 3 Emulation, PDF 1.5 Emulation, xHTML, Direct Image

Reduce / Enlarge Range

25 - 400 %

Scan Area, Maximum

216 x 355.6 mm

Modem Speed

33.6 Kbps

Supplies Yield

6,000*-page (CMYK) Print Cartridges, 10,000*-page (CMYK) High Yield Print Cartridges, 15,000*-page (CMYK) Extra High Yield Print Cartridges, Ships with 10,000*-page black and colour High Yield Return Program Print Cartridges, Average continuous black or continuous composite CMY declared cartridge yield up to this number of standard pages in accordance with ISO/IEC 19798.

Packaged Size (mm - H x W x D)

810 x 795 x 650; 1245 x 1219 x 1016 mm

Size (mm - H x W x D)

1410 x 679 x 584 mm

Weight (kg)

97.5 kg

Noise Level, Idle

31 dBA

Print Noise Level, Operating

50 dBA

Copier Noise Level, Operating

49 dBA

Scanner Noise Level, Operating

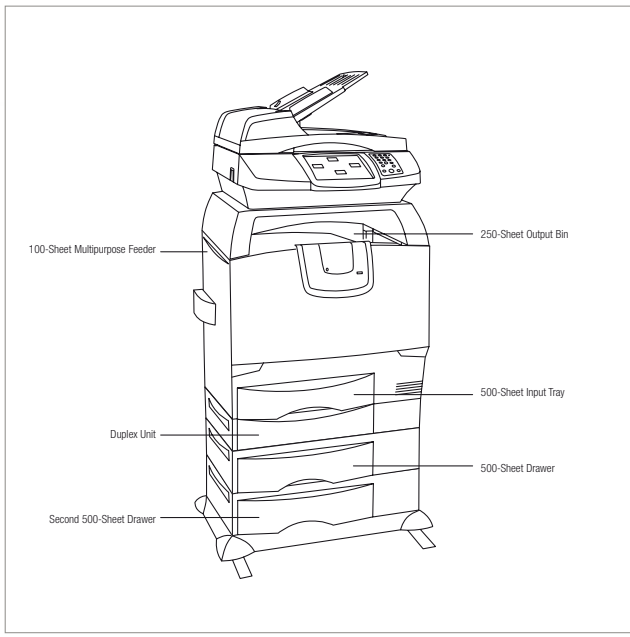
49 dBA

Product Guarantee

1 Year Onsite, Next Business Day response time

Product Certifications

CSA, ICES Class A, BSMI Class A, VCCI Class A, FCC Class A, UL 60950-1, IEC 60320-1, CE Class A, CB IEC 60950-1, IEC 60825-1, GS (TÜV), SEMKO, UL AR, CS, TÜV Rh, C-tick mark Class A, CCC Class A



Paper Handling Standard
 Paper Handling Optional

Maximum Monthly Duty Cycle

Up to 150000 pages per month

Recommended Monthly Page Volume

5000 - 17000 Pages

Specified Operating Environment

Temperature: 16 to 32°C (60 to 90°F), Humidity: 8 to 80% Relative Humidity, Altitude: 0 - 3048 Meters (10,000 Feet)

Part #	Model
21J0438	Lexmark X782e

Part #	Laser Toner/Print Cartridge
C782X1KG	C782 Black Extra High Yield Return Programme Print Cartridge (15K)
C780H1KG	C780, C782 Black High Yield Return Programme Print Cartridge (10K)
C780A1KG	C780, C782 Black Return Programme Print Cartridge (6K)
C782X2KG	C782 Black Extra High Yield Print Cartridge (15K)
C780H2KG	C780, C782 Black High Yield Print Cartridge (10K)
C780A2KG	C780, C782 Black Print Cartridge (6K)
C782X1CG	C782 Cyan Extra High Yield Return Programme Print Cartridge (15K)
C780H1CG	C780, C782 Cyan High Yield Return Programme Print Cartridge (10K)
C780A1CG	C780, C782 Cyan Return Programme Print Cartridge (6K)
C782X2CG	C782 Cyan Extra High Yield Print Cartridge (15K)
C780H2CG	C780, C782 Cyan High Yield Print Cartridge (10K)
C780A2CG	C780, C782 Cyan Print Cartridge (6K)
C782X1MG	C782 Magenta Extra High Yield Return Programme Print Cartridge (15K)
C780H1MG	C780, C782 Magenta High Yield Return Programme Print Cartridge (10K)
C780A1MG	C780, C782 Magenta Return Programme Print Cartridge (6K)
C782X2MG	C782 Magenta Extra High Yield Print Cartridge (15K)
C780H2MG	C780, C782 Magenta High Yield Print Cartridge (10K)
C780A2MG	C780, C782 Magenta Print Cartridge (6K)
C782X1YG	C782 Yellow Extra High Yield Return Programme Print Cartridge (15K)
C780H1YG	C780, C782 Yellow High Yield Return Programme Print Cartridge (10K)
C780A1YG	C780, C782 Yellow Return Programme Print Cartridge (6K)
C782X2YG	C782 Yellow Extra High Yield Print Cartridge (15K)
C780H2YG	C780, C782 Yellow High Yield Print Cartridge (10K)
C780A2YG	C780, C782 Yellow Print Cartridge (6K)
10B3100	C75X, C76X, C77X Waste Toner Container

Part #	Paper & Transparencies
12A8241	Professional Colour Laser Transparencies, A4
12A8940	C782 Banner Laser Paper
12A8601	C782 Outdoor Media, A4

Part #	Paper Handling
20B2373	C770, C772, C780, C782 500-Sheet Tray
20B5000	C772, C782 Banner Media Tray

Part #	Memory Options
1021208	32MB Flash Card
1021209	64MB Flash Card

Part #	Application Solutions
21J0577	X782e Bar Code Card
21J0579	X782e Card for IPDS and SCS/TNe
21J0578	X782e Forms Card

Part #	Connectivity
1021294	USB (2 Meter) Cable

14T0165	Lexmark N4050e 802.11g Wireless Print Server
14T0220	MarkNet N7020e Gigabit Ethernet Print Server

Part #	Extended Warranties
2349416P	X782e 2-Years Total (1+1) Onsite Service Guarantee
2349417P	X782e 3-Years Total (1+2) Onsite Service Guarantee
2349418P	X782e 4-Years Total (1+3) Onsite Service Guarantee
2349420P	X782e 1-Year Renewal Onsite Service Guarantee

Part #	User Replaceable Parts
40X2540	4600 MFP Option Pick Roller
40X2538	4600 MFP Option Separator (Pick) Roll Pad
40X1832	C780, C782 Fuser Maintenance Kit 220-240V

Part #	Installation
2349572	X782e Installation



A3

Lexmark X940e

Competitive colour MFP for all your wide format needs

Print Technology

Color Laser

Function

Colour Copying, Colour Printing, Faxing, Colour Network Scanning

Print Speed (A4 mono)

Up to 40 ppm

Print Speed (A4 colour)

Up to 30 ppm

Print Speed (A4 mono) Duplex

Up to 37 spm

Time to First Page (Black)

As fast as 5 seconds

Time to First Page (Colour)

as fast as 10 seconds

Copy Speed (A4, Black)

Up to 40 cpm

Copy Speed (A4, Colour)

Up to 30 cpm

Copy Speed (Letter colour)

Up to 30 cpm

Time to First Copy (Black)

As fast as 6.7 seconds

Print Resolution, Black

2400 Image Quality

Print Resolution, Colour

2400 Image Quality

ADF Scan

DADF (single pass Duplex)

Scanning Resolution

600 X 300 dpi (colour), 600 X 600 dpi (mono)

Memory, standard

512 MB

Memory, maximum

1,024 MB

Hard Disk

as standard

Expandable Memory Options

Yes

Apple Macintosh Operating Systems Supported

Mac OS X, Mac OS 9.2, Mac OS X (10.4 Intel), Mac OS X (10.4 Power PC)

Citrix MetaFrame

Microsoft Windows 2000 Server running Terminal Services with Citrix Presentation Server 3.0, 4.0, Microsoft Windows Server 2003 running Terminal Services with Citrix Presentation Server 3.0, 4.0, 4.5, Microsoft Windows Server 2003 x64 running Terminal Services with Citrix Presentation Server 4.0 x64, 4.5 x64

Linux Operating Systems Supported

Linpus Linux Desktop 9.2, 9.3, Red Hat Enterprise Linux WS 3.0, 4.0, 5.0, SUSE Linux Enterprise Server 8.0, 9.0, 10, 11, SUSE Linux Enterprise Desktop 10, openSUSE 10.2, 10.3, 11.0, 11.1, Linpsire Linux 6.0, Debian GNU/Linux 4.0, Red Flag Linux Desktop 5.0, 6.0, Ubuntu 7.10, Ubuntu 8.04 LTS, SUSE Linux Enterprise Desktop 11, Debian GNU/Linux 5.0, Ubuntu 8.10, 9.04

Microsoft Windows Operating Systems Supported

2000, NT (4.00/4.00 Server), XP, Server 2003, XP x64, Server 2003 running Terminal Services, 2000 Server running Terminal Services, Server 2003 x64, Server 2003 x64 running Terminal Services, Vista, Vista x64, 7

Novell Operating Systems Supported

Open Enterprise Server for Netware with NDS, iPrint or Novell Distributed Print Services (NDPS), NetWare® 3.2, 4.2 (bindery), NetWare 4.2, 5.x and 6.x (NDS), NetWare 5.x, 6.x with iPrint or Novell Distributed Print Services (NDPS)

UNIX Operating Systems Supported

Sun Solaris SPARC 8, 9, 10, HP-UX 11.00, 11.1, IBM AIX 5.1, 5.2, 5.3, Sun Solaris x86 10

Other Operating Systems Supported

IBM iSeries or IBM AS/400® Systems with TCP/IP with OS/400® V3R1 or later using OS/400 Host Print Transform, Virtually any platform supporting TCP/IP

Paper Handling Standard

Integrated Duplex, 100-Sheet Multipurpose Feeder, 520-Sheet Input Tray, 520-Sheet Drawer Stand with Cabinet

Paper Handling Optional

3,500-Sheet Finisher, Booklet Finisher

Paper Input Capacity, Standard: Up to

1140 pages 75 gsm bond

Paper Input Capacity, Maximum: Up to

1140 pages 75 gsm bond

Paper Output Capacity, Standard: Up to

400 pages 75 gsm bond

Paper Output Capacity, Maximum: Up to

3500 pages 75 gsm bond

ADF Paper Input Capacity

Up to 75 pages 75 gsm bond

Finishing Option

Yes

Number of Paper Inputs, Standard

3

Number of Paper Inputs, Maximum

3

Media Types Supported

Card Stock, Envelopes, Glossy paper, Paper Labels, Plain Paper, Transparencies, Refer to the Card Stock & Label Guide

Media Sizes Supported

10 Envelope, A3, A4, A5, C5 Envelope, DL Envelope, Executive, Folio, JIS-B4, JIS-B5, Ledger, Legal, Letter, Statement, Universal

Standard Ports

One Internal Card Slot, USB Direct interface on Operator Panel, Gigabit Ethernet (10/100/1000), USB port (Type A) compatible with USB 2.0 Specification, Hi-Speed USB

Optional Network Ports

Lexmark N4050e 802.11g Wireless Print Server (Print Only), Internal MarkNet™ N8050 802.11g Wireless,

Internal MarkNet™ N8030 Fiber Fast Ethernet

Network Printing Methods

LPR/LPD, Direct IP (Port 9100), Socket (Raw TCP/IP), IPP (Internet Printing Protocol), HTTP, NDS Queue-based Printing, NDPS/NEPS (Novell Distributed Print Services, Novell Network Enterprise Print Services), Enhanced IP (Port 9400), FTP, TFTP, IPP 1.1 (Internet Printing Protocol)

Network Protocol Support

TCP/IP IPv4, IPX/SPX, AppleTalk™, LexLink (DLC), TCP/IP IPv6

Network Security

SSL* Enabled Embedded Web Server (HTTPS), SNMPv3, TCP/IP port access control, Authenticated and encrypted MarkVision Professional communication, 802.1x Authentication: MDS, MSCHAPv2, LEAP, PEAP, TLS, TTLS, IPsec, *This product includes software developed by the OpenSSL Project for use in the OpenSSL Toolkit.

Printable Area

4.0 mm of the top, bottom, right and left edges (within)

Printer Languages (Standard)

PCL 5c Emulation, PCL 6 Emulation, PPDS, PostScript 3 Emulation, xHTML, PDF 1.6, Direct Image

Reduce / Enlarge Range

25 - 400 %

Scan Area, Maximum

297 x 432 mm

Modem Speed

33.6 Kbps

Supplies Yield

Average continuous black or continuous composite CMY declared cartridge yield up to this number of standard pages in accordance with ISO/IEC 19798... Ships with 13,000*-page Black and 12,000* page Colour Toner Cartridges, 22,000*-page Colour (CMY) Toner Cartridges, 36,000*-page Black Toner Cartridge

Packaged Size (mm - H x W x D)

1480 x 740 x 925 mm

Size (mm - H x W x D)

1153 x 660 x 810 mm

Weight (kg)

173.7 kg

Noise Level, Idle

34 dBA

Print Noise Level, Operating

52 dBA

Copier Noise Level, Operating

53 dBA

Scanner Noise Level, Operating

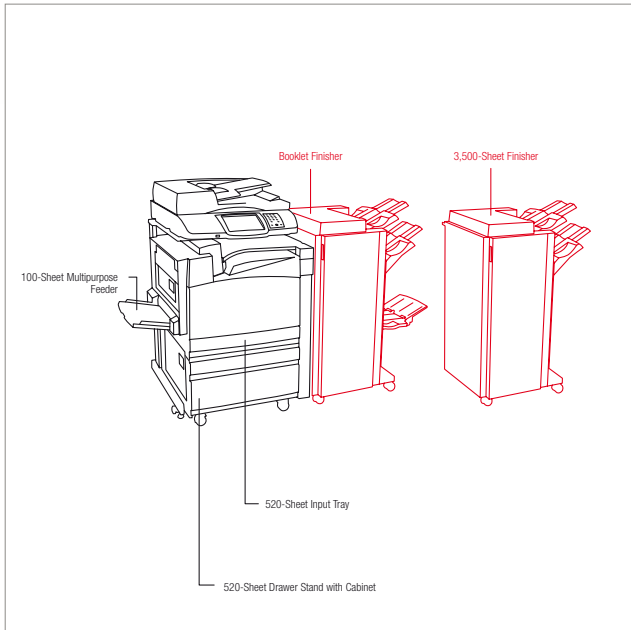
54 dBA

Product Guarantee

1 Year Onsite, Next Business Day response time

Product Certifications

Energy Star, CSA, ICES Class A, BSMI Class A, VCCI Class A, FCC Class A, UL 60950-1, IEC 60320, CE Class A, CB IEC 60950-1, IEC 60825-1, CISPR 22 Class A, GS (TÜV), SEMKO, UL AR, CS, TÜV RH, A-tick mark Class



Paper Handling Standard
 Paper Handling Optional

A, CCC Class A

Maximum Monthly Duty Cycle

Up to 150000 pages per month

Recommended Monthly Page Volume

5000 - 25000 Pages

Specified Operating Environment

Temperature: 16 to 32°C (60 to 90°F), Humidity: 8 to 80% Relative Humidity, Altitude: 0 - 2500 Meters (8,200 Feet)

Part #	Model
21Z0218	Lexmark X940e

Part #	Laser Toner/Print Cartridge
X945X2KG	X940e, X945e Black High Yield Toner Cartridge (36K)
X945X2CG	X940e, X945e Cyan High Yield Toner Cartridge (22K)
X945X2MG	X940e, X945e Magenta High Yield Toner Cartridge (22K)
X945X2YG	X940e, X945e Yellow High Yield Toner Cartridge (22K)
C930X73G	C935, X940e, X945e CMY Photoconductor Unit 3-Pack
C930X72G	C935, X940e, X945e Black Photoconductor Unit 1-Pack
C930X76G	C935, X940e, X945e Waste Toner Bottle (30K)
25A0013	Staple Cartridges (3 pack)
21Z0357	Saddle Staple Cartridges (4 pack)

Part #	Paper & Transparencies
12A8241	Professional Colour Laser Transparencies, A4

Part #	Paper Handling
21Z0310	C935, X940e, X945e 3500-Sheet Finisher (4-Hole)
21Z0311	C935, X940e, X945e Booklet Finisher (4-Hole)

Part #	Memory Options
13N1523	128MB DDR-DRAM
13N1524	256MB DDR-DRAM
13N1526	512MB DDR-DRAM
1021208	32MB Flash Card
1021209	64MB Flash Card

Part #	Application Solutions
21Z0368	X940e, X945e Card for IPDS and SCS/TNe
21Z0370	Lexmark PrintEncryption Card, X940e, X945e
21Z0367	X940e, X945e Bar Code and Forms Card

Part #	Connectivity
1021231	Parallel (10') Cable
1021294	USB (2 Meter) Cable
1021092	RS-232C Serial Interface Card
1021091	Parallel 1284-B Interface Card
14T0165	Lexmark N4050e 802.11g Wireless Print Server
14S0210	MarkNet N8050 802.11g Wireless Print Server
14S0220	MarkNet N8030 Fiber Ethernet 100BaseFX, 10BaseFL
14T0220	MarkNet N7020e Gigabit Ethernet Print Server

Part #	Extended Warranties
2349452P	X940e, X945e 2-Years Total (1+1) Onsite Service Guarantee
2349453P	X940e, X945e 3-Years Total (1+2) Onsite Service Guarantee
2349454P	X940e, X945e 4-Years Total (1+3) Onsite Service Guarantee
2349456P	X940e, X945e 1-Year Renewal Onsite Service Guarantee

Part #	Service Parts
40X4093	C935, X940e, X945e Maintenance Kit, 100K, 220-240V

40X4032	C935, X940e, X945e Maintenance Kit, 600K
40X4033	X940e, X945e ADF Maintenance Kit
Part #	Installation
2349468	X940e, X945e Installation



A3

Lexmark X945e

Wide format colour MFP ideal for high volume printing

Print Technology

Color Laser

Function

Colour Copying, Colour Printing, Faxing, Colour Network Scanning

Print Speed (A4 mono)

Up to 45 ppm

Print Speed (A4 colour)

Up to 40 ppm

Print Speed (A4 mono) Duplex

Up to 37 spm

Time to First Page (Black)

As fast as 5.2 seconds

Time to First Page (Colour)

as fast as 10 seconds

Copy Speed (A4, Black)

Up to 45 cpm

Copy Speed (A4, Colour)

Up to 40 cpm

Copy Speed (Letter colour)

Up to 40 cpm

Time to First Copy (Black)

As fast as 6.7 seconds

Print Resolution, Black

2400 Image Quality

Print Resolution, Colour

2400 Image Quality

ADF Scan

DADF (single pass Duplex)

Scanning Resolution

600 X 300 dpi (colour), 600 X 600 dpi (mono)

Memory, standard

512 MB

Memory, maximum

1,024 MB

Hard Disk

as standard

Expandable Memory Options

Yes

Apple Macintosh Operating Systems Supported

Mac OS X, Mac OS 9.2, Mac OS X (10.4 Intel), Mac OS X (10.4 Power PC)

Citrix MetaFrame

Microsoft Windows 2000 Server running Terminal Services with Citrix Presentation Server 3.0, 4.0, Microsoft Windows Server 2003 running Terminal Services with Citrix Presentation Server 3.0, 4.0, 4.5, Microsoft Windows Server 2003 x64 running Terminal Services with Citrix Presentation Server 4.0 x64, 4.5 x64

Linux Operating Systems Supported

Linpus Linux Desktop 9.2, 9.3, Red Hat Enterprise Linux WS 3.0, 4.0, 5.0, SUSE Linux Enterprise Server 8.0, 9.0, 10, 11, SUSE Linux Enterprise Desktop 10, openSUSE 10.2, 10.3, 11.0, 11.1, Linspire Linux 6.0, Debian GNU/Linux 4.0, Red Flag Linux Desktop 5.0, 6.0, Ubuntu 7.10, Ubuntu 8.04 LTS, SUSE Linux Enterprise Desktop 11, Debian GNU/Linux 5.0, Ubuntu 8.10, 9.04

Microsoft Windows Operating Systems Supported

2000, NT (4.00/4.00 Server), XP, Server 2003, XP x64, Server 2003 running Terminal Services, 2000 Server running Terminal Services, Server 2003 x64, Server 2003 x64 running Terminal Services, Vista, Vista x64, 7

Novell Operating Systems Supported

Open Enterprise Server for Netware with NDS, iPrint or Novell Distributed Print Services (NDPS), NetWare® 3.2, 4.2 (bindery), NetWare 4.2, 5.x and 6.x (NDS), NetWare 5.x, 6.x with iPrint or Novell Distributed Print Services (NDPS)

UNIX Operating Systems Supported

Sun Solaris SPARC 8, 9, 10, HP-UX 11.00, 11.1, IBM AIX 5.1, 5.2, 5.3, Sun Solaris x86 10

Other Operating Systems Supported

IBM iSeries or IBM AS/400® Systems with TCP/IP with OS/400® V3R1 or later using OS/400 Host Print Transform, Virtually any platform supporting TCP/IP

Paper Handling Standard

Integrated Duplex, 100-Sheet Multipurpose Feeder, 520-Sheet Input Tray, 2520-Sheet High Capacity Feeder Stand

Paper Handling Optional

3,500-Sheet Finisher, Booklet Finisher

Paper Input Capacity, Standard: Up to

3140 pages 75 gsm bond

Paper Input Capacity, Maximum: Up to

3140 pages 75 gsm bond

Paper Output Capacity, Standard: Up to

400 pages 75 gsm bond

Paper Output Capacity, Maximum: Up to

3500 pages 75 gsm bond

ADF Paper Input Capacity

Up to 75 pages 75 gsm bond

Envelope Capacity

not define

Finishing Option

Yes

Number of Paper Inputs, Standard

5

Number of Paper Inputs, Maximum

5

Media Types Supported

Card Stock, Envelopes, Glossy paper, Paper Labels, Plain Paper, Transparencies, Refer to the Card Stock & Label Guide

Media Sizes Supported

10 Envelope, A3, A4, A5, C5 Envelope, DL Envelope, Executive, Folio, JIS-B4, JIS-B5, Ledger, Legal, Letter, Statement, Universal

Standard Ports

One Internal Card Slot, USB Direct interface on Operator Panel, Gigabit Ethernet (10/100/1000), USB port (Type A) compatible with USB 2.0 Specification, Hi-Speed USB

Optional Network Ports

Lexmark N4050e 802.11g Wireless Print Server (Print Only), Internal MarkNet™ N8050 802.11g Wireless, Internal MarkNet™ N8030 Fiber Fast Ethernet

Network Printing Methods

LPR/LPD, Direct IP (Port 9100), Socket (Raw TCP/IP), IPP (Internet Printing Protocol), HTTP, NDS Queue-based Printing, NDPS/NEPS (Novell Distributed Print Services), Novell Network Enterprise Print Services, Enhanced IP (Port 9400), FTP, TFTP, IPP 1.1 (Internet Printing Protocol)

Network Protocol Support

TCP/IP IPv4, IPX/SPX, AppleTalk™, LexLink (DLG), TCP/IP IPv6

Network Security

SSL* Enabled Embedded Web Server (HTTPS), SNMPv3, TCP/IP port access control, Authenticated and encrypted MarkVision Professional communication, 802.1x Authentication: MDS, MSCHAPv2, LEAP, PEAP, TLS, TTLS, IPsec, *This product includes software developed by the OpenSSL Project for use in the OpenSSL Toolkit.

Printable Area

4.0 mm of the top, bottom, right and left edges (within)

Printer Languages (Standard)

PCL 5c Emulation, PCL 6 Emulation, PPDS, PostScript 3 Emulation, xHTML, PDF 1.6, Direct Image

Reduce / Enlarge Range

25 - 400 %

Scan Area, Maximum

297 x 432 mm

Modem Speed

33.6 Kbps

Supplies Yield

Average continuous black or continuous composite CMY declared cartridge yield up to this number of standard pages in accordance with ISO/IEC 19798. Ships with 13,000*-page Black and 12,000* page Colour Toner Cartridges, 22,000*-page Colour (CMY) Toner Cartridges, 36,000*-page Black Toner Cartridge

Packaged Size (mm - H x W x D)

1480 x 740 x 925 mm

Size (mm - H x W x D)

1153 x 660 x 810 mm

Weight (kg)

173.7 kg

Noise Level, Idle

34 dBA

Noise Level, Operating

52 dBA

Copier Noise Level, Operating

53 dBA

Scanner Noise Level, Operating

54 dBA

Product Guarantee

1 Year Onsite, Next Business Day response time

Product Certifications

Energy Star, Blue Angel, CSA, ICES Class A, BSMI Class



A, VCCI Class A, FCC Class A, UL 60950-1, IEC 60320, CE Class A, CB IEC 60950-1, IEC 60825-1, CISPR 22 Class A, GS (TÜV), SEMKO, UL AR, CS, TÜV Rh, A-tick mark Class A, CCC Class A

Maximum Monthly Duty Cycle

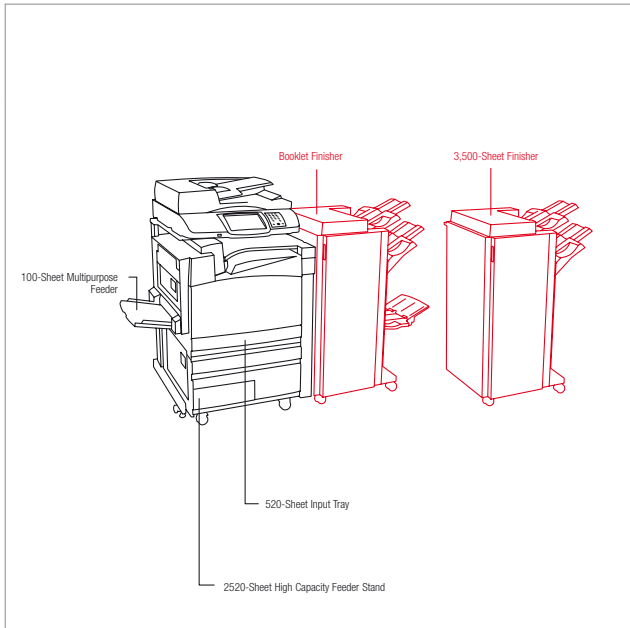
Up to 200000 pages per month

Recommended Monthly Page Volume

5000 - 33000 Pages

Specified Operating Environment

Temperature: 16 to 32°C (60 to 90°F), Humidity: 8 to 80% Relative Humidity, Altitude: 0 - 2500 Meters (8,200 Feet)



Paper Handling Standard
 Paper Handling Optional

Part #	Model
21Z0239	Lexmark X945e

Part #	Laser Toner/Print Cartridge
X945X2KG	X940e, X945e Black High Yield Toner Cartridge (36K)
X945X2CG	X940e, X945e Cyan High Yield Toner Cartridge (22K)
X945X2MG	X940e, X945e Magenta High Yield Toner Cartridge (22K)
X945X2YG	X940e, X945e Yellow High Yield Toner Cartridge (22K)
C930X73G	C935, X940e, X945e CMY Photoconductor Unit 3-Pack
C930X72G	C935, X940e, X945e Black Photoconductor Unit 1-Pack
C930X76G	C935, X940e, X945e Waste Toner Bottle (30K)
25A0013	Staple Cartridges (3 pack)
21Z0357	Saddle Staple Cartridges (4 pack)

Part #	Paper & Transparencies
12A8241	Professional Colour Laser Transparencies, A4

Part #	Paper Handling
21Z0310	C935, X940e, X945e 3500-Sheet Finisher (4-Hole)
21Z0311	C935, X940e, X945e Booklet Finisher (4-Hole)

Part #	Memory Options
13N1523	128MB DDR-DRAM
13N1524	256MB DDR-DRAM
13N1526	512MB DDR-DRAM
1021208	32MB Flash Card
1021209	64MB Flash Card

Part #	Application Solutions
21Z0368	X940e, X945e Card for IPDS and SCS/TNe
21Z0370	Lexmark PrintEncryption Card, X940e, X945e
21Z0367	X940e, X945e Bar Code and Forms Card

Part #	Connectivity
1021231	Parallel (10') Cable
1021294	USB (2 Meter) Cable
1021092	RS-232C Serial Interface Card
1021091	Parallel 1284-B Interface Card
14T0165	Lexmark N4050e 802.11g Wireless Print Server
14S0210	MarkNet N8050 802.11g Wireless Print Server
14S0220	MarkNet N8030 Fiber Ethernet 100BaseFX, 10BaseFL
14T0220	MarkNet N7020e Gigabit Ethernet Print Server

Part #	Extended Warranties
2349452P	X940e, X945e 2-Years Total (1+1) Onsite Service Guarantee
2349453P	X940e, X945e 3-Years Total (1+2) Onsite Service Guarantee
2349454P	X940e, X945e 4-Years Total (1+3) Onsite Service Guarantee
2349456P	X940e, X945e 1-Year Renewal Onsite Service Guarantee

Part #	Service Parts
40X4093	C935, X940e, X945e Maintenance Kit, 100K, 220-240V

40X4032	C935, X940e, X945e Maintenance Kit, 600K
40X4033	X940e, X945e ADF Maintenance Kit
Part #	Installation
2349468	X940e, X945e Installation



Lexmark 4600 MFP Option,

An easy upgrade to big-screen MFP innovation

Simplex Scan Speed (A4 mono)

Up to 33 / 35 sides per minute

Simplex Scan Speed (A4 colour)

Up to 17 / 18 sides per minute

Scanning Resolution

300 X 300 dpi (colour), 600 X 600 dpi (mono)

ADF Paper Input Capacity

Up to 50 pages 75 gsm bond

Scanner Noise Level, Operating

52.5 dBA

Reduce / Enlarge Range

25 - 400 %

Scan Area, Maximum

216 x 355 mm

Scan Area, Maximum

8.5 x 14 inches

Scanner Type

Flatbed scanner with ADF

Display

Lexmark e-Task 8-inch (20 cm) colour touch screen

Modem Speed

33.6 Kbps

Packaged Size (mm - H x W x D)

419 x 635 x 610 mm

Packaged Size (in. - H x W x D)

16.5 x 25 x 24 in.

Size (mm - H x W x D)

370 x 525 x 515 mm

Size (in. - H x W x D)

14.57 x 20.67 x 20.28 in.

Weight (kg)

14.51 kg

Weight (lb.)

32 lbs.

Product Guarantee

One year on site repair, next business day response time.



Part #	Model
21J0114	Lexmark 4600 MFP Option, T642n/T644n
Part #	Furniture
21J0050	T642, T644 Scanner Shelf for 4600 MFP Option
16C0700	Scanner Stand with Cabinet
Part #	Connectivity
21J0069	6 Meter Scanner Cable
Part #	Extended Warranties
2348400P	4600 MFP Option 3-Years Total (1+2) Onsite Service Guarantee
Part #	User Replaceable Parts
40X2538	4600 MFP Option Separator (Pick) Roll Pad
40X2540	4600 MFP Option Pick Roller
Part #	Installation
2348406	4600 MFP Option Installation
Part #	Mono Laser
20G0251	Lexmark T642n
20G0431	Lexmark T642tn
20G0531	Lexmark T642dtn
20G0351	Lexmark T644n
20G0461	Lexmark T644tn
20G0561	Lexmark T644dtn
20G0151	Lexmark T640n
20G0401	Lexmark T640dn
20G0501	Lexmark T640dtn



Lexmark 4600 MFP Option

Upgrade your C772n (dn, dtn) printer to incorporate copy, fax, scan-to-email and e-routing capabilities to meet the needs of your business.

Simplex Scan Speed (A4 mono)

Up to 33 / 35 sides per minute

Simplex Scan Speed (A4 colour)

Up to 17 / 18 sides per minute

Scanning Resolution

300 X 300 dpi (colour), 600 X 600 dpi (mono)

ADF Paper Input Capacity

Up to 50 pages 75 gsm bond

Scanner Noise Level, Operating

52.5 dBA

Reduce / Enlarge Range

25 - 400 %

Scan Area, Maximum

216 x 355 mm

Scan Area, Maximum

8.5 x 14 inches

Scanner Type

Flatbed scanner with ADF

Display

Lexmark e-Task 8-inch (20 cm) colour touch screen

Modem Speed

33.6 Kbps

Packaged Size (mm - H x W x D)

419 x 635 x 610 mm

Packaged Size (in. - H x W x D)

16.5 x 25 x 24 in.

Size (mm - H x W x D)

370 x 525 x 515 mm

Size (in. - H x W x D)

14.57 x 20.67 x 20.28 in.

Weight (kg)

14.51 kg

Weight (lb.)

32 lbs.

Product Guarantee

1 Year Onsite, Next Business Day response time



Part #	Model
21J0364	Lexmark 4600 MFP Option (C772n)
Part #	Furniture
21J0055	C772, C782 Scanner Shelf
16C0700	Scanner Stand with Cabinet
Part #	Connectivity
21J0069	6 Meter Scanner Cable
Part #	Extended Warranties
2348400P	4600 MFP Option 3-Years Total (1+2) Onsite Service Guarantee
Part #	User Replaceable Parts
40X2538	4600 MFP Option Separator (Pick) Roll Pad
40X2540	4600 MFP Option Pick Roller
Part #	Installation
2348406	4600 MFP Option Installation



Lexmark 4600 MFP Option

Upgrade your Lexmark C782n (dn, dtn) printer to incorporate copy, fax, scan-to-email and e-routing capabilities to meet the needs of your business.

Simplex Scan Speed (A4 mono)

Up to 33 / 35 sides per minute

Simplex Scan Speed (A4 colour)

Up to 17 / 18 sides per minute

Scanning Resolution

300 X 300 dpi (colour), 600 X 600 dpi (mono)

ADF Paper Input Capacity

Up to 50 pages 75 gsm bond

Scanner Noise Level, Operating

52.5 dBA

Reduce / Enlarge Range

25 - 400 %

Scan Area, Maximum

216 x 355 mm

Scan Area, Maximum

8.5 x 14 inches

Scanner Type

Flatbed scanner with ADF

Display

Lexmark e-Task 8-inch (20 cm) colour touch screen

Modem Speed

33.6 Kbps

Packaged Size (mm - H x W x D)

419 x 635 x 610 mm

Packaged Size (in. - H x W x D)

16.5 x 25 x 24 in.

Size (mm - H x W x D)

370 x 525 x 515 mm

Size (in. - H x W x D)

14.57 x 20.67 x 20.28 in.

Weight (kg)

14.51 kg

Weight (lb.)

32 lbs.

Product Guarantee

1 Year Onsite, Next Business Day response time



Part #	Model
21J0415	Lexmark 4600 MFP Option (C782n)
Part #	Furniture
21J0055	C772, C782 Scanner Shelf
16C0700	Scanner Stand with Cabinet
Part #	Connectivity
21J0069	6 Meter Scanner Cable
Part #	Extended Warranties
2348400P	4600 MFP Option 3-Years Total (1+2) Onsite Service Guarantee
Part #	User Replaceable Parts
40X2538	4600 MFP Option Separator (Pick) Roll Pad
40X2540	4600 MFP Option Pick Roller
Part #	Installation
2348406	4600 MFP Option Installation
Part #	Colour Laser
1020150	Lexmark C782n
1020151	Lexmark C782dn
1020152	Lexmark C782dtn

Lexmark Forms Printer 2580



Fast, reliable 9-pin printing for narrow forms

Print Technology

9-Pin Dot Matrix

Print Speeds

Up to 304 cps Draft @12 cpi, Up to 510 cps Fast Draft @ 12cpi, Up to 76 cps Near Letter Quality @ 12 cpi

Resolution

240 x 144 dots per inch

Memory

512 KB

Mean Time Between Failures (MTBF)

12,500 POH @ 25% duty cycle

Linux Operating Systems Supported

Red Hat Enterprise Linux WS 3.0, 4.0, 5.0, SUSE Linux Enterprise Server 8.0, 9.0, 10, 11, Debian GNU/Linux 3.1, 4.0, Linspire Linux 5.0, SUSE Linux 10.0, 10.1, 10.2

Microsoft Windows Operating Systems Supported

2000, NT (4.00/4.00 Server), Me, XP, Server 2003, 98 2nd Edition, XP x64, Server 2003 x64, Vista, Vista x64, 7

Paper Handling Optional

Automatic sheet feeder (narrow), Tractor 2 (narrow)

Paper Handling Standard

Front Tractor Feeder

Media Sizes Supported

Single-part or multi-part Continuous Forms, Narrow Sheet Fed Paper, Single-part or multi-part Cut Forms

Media Types Supported

Multi-part forms - Up to 1+5 Parts (up to 0.020" or 0.51 mm paper thickness), Single-part forms - 16 to 24 lbs, 60 to 90 gsm (0.0045" or 0.11 mm paper thickness), Forms or Paper - 16 to 24 lbs, 60 to 90 gsm (0.0045" or 0.11mm maximum paper thickness)

Supplies Used

Optional 8 million characters (draft mode at 10 cpi)- Re-Inking Ribbon, Standard 4 million characters (draft mode at 10 cpi) - Re-Inking Ribbon

Standard Ports

Centronics IEEE 1284 Bidirectional Parallel, USB

Compatible with USB 2.0 Specification

Optional Local Ports

Internal RS-232C serial

Optional Network Ports

Lexmark N4000e Fast Ethernet (Print Only), Lexmark N4050e 802.11g Wireless Print Server (Print Only), External MarkNet™ N7020e Gigabit Ethernet, External MarkNet™ N7000e Fast Ethernet (USB), External MarkNet™ N7002e Fast Ethernet (parallel)

Printer Languages (Standard)

Epson Emulation, PPDs, Okidata MICROLINE Emulation

Text Fonts

Fast Draft, Draft, Courier, Gothic, 10, 12, 15, 17.1, 20 cpi, Proportional Spaced (PS)

Bar Codes

EAN-8, UPC-A, Code 3 of 9, UPC-E, Codabar (NW-7), EAN-13, Interleaved 2 of 5, Industrial 2 of 5, Code 128,

US Postal (POSTNET 5-digit ZIP Code)

Packaged Size (mm - H x W x D)

325 x 609 x 408 mm

Packaged Size (in. - H x W x D)

12.8 x 24.0 x 16.1 in.

Size (mm - H x W x D)

195 x 492 x 290 mm

Size (in. - H x W x D)

7.7 x 19.4 x 11.4 in.

Weight (kg)

8 kg

Weight (lb.)

17.6 lbs.

Noise Level, Idle

0 dBA

Print Noise Level, Operating

56 dBA

Maximum Print Line (")

8.0 inches

Maximum Print Line (mm)

203.2 mm

Product Guarantee

1 year on site repair

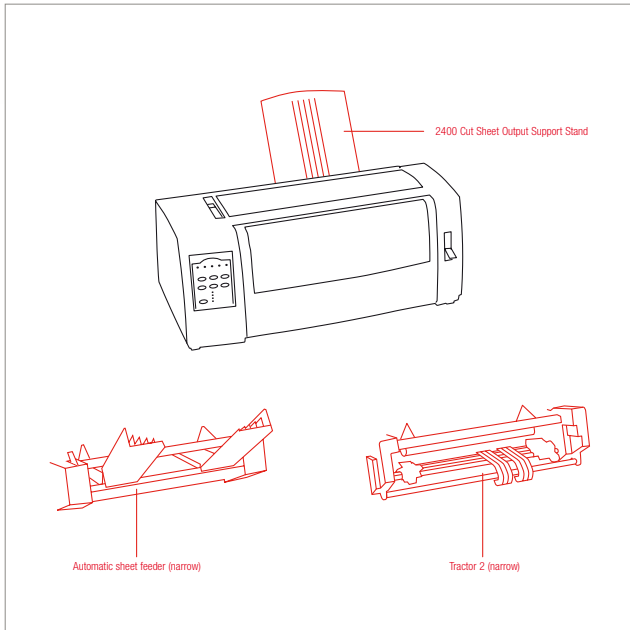
Product Certifications

Energy Star, UL 60950-1, CSA, FCC Class B, VCCI, CE IEC 60950-1, SEMKO, GS (TÜV), CE Class B, SMA C-Tick

Specified Operating Environment

Humidity: 8 to 90% Relative Humidity, Temperature:

10 to 40°C (50 to 104°F)



■ Paper Handling Standard
■ Paper Handling Optional

Part #	Model
11C2560	Lexmark Forms Printer 2580
Part #	Ribbons
11A3550	24XX High Yield Ribbon
11A3540	23XX, 24XX Standard Ribbon
Part #	Paper Handling
12T0693	2480, 2490 Automatic Sheet Feed (narrow)
12T0695	2480, 2490 Tractor 2
12T0697	2400 Cut Sheet Output Support Stand
Part #	Connectivity
1021231	Parallel (10') Cable
1021294	USB (2 Meter) Cable
12T0698	2400 Series Serial Interface Option
14T0050	Lexmark N4000e Fast Ethernet Print Server
14T0165	Lexmark N4050e 802.11g Wireless Print Server
14T0230	MarkNet N7000e Fast Ethernet Print Server - USB
14T0240	MarkNet N7002e Fast Ethernet Print Server - Parallel
14T0220	MarkNet N7020e Gigabit Ethernet Print Server
Part #	Extended Warranties
2349642P	25xx 2-Years Total (1+1) Onsite Service Guarantee
2349643P	25xx 3-Years Total (1+2) Onsite Service Guarantee
2349644P	25xx 4-Years Total (1+3) Onsite Service Guarantee
2349646P	25xx 1-Year Renewal Onsite Service Guarantee

Lexmark Forms Printer 2580n



9-pin printing for narrow forms – includes built-in networking

Print Technology

9-Pin Dot Matrix

Print Speeds

Up to 304 cps Draft @12 cpi, Up to 510 cps Fast Draft @ 12cpi, Up to 76 cps Near Letter Quality @ 12 cpi

Resolution

240 x 144 dots per inch

Memory

512 KB

Mean Time Between Failures (MTBF)

12,500 POH @ 25% duty cycle

Linux Operating Systems Supported

Red Hat Enterprise Linux WS 3.0, 4.0, 5.0, SUSE Linux Enterprise Server 8.0, 9.0, 10, 11, Debian GNU/Linux 3.1, 4.0, Linspire Linux 5.0, SUSE Linux 10.0, 10.1, 10.2

Microsoft Windows Operating Systems Supported

2000, NT (4.00/4.00 Server), Me, XP, Server 2003, 98 2nd Edition, XP x64, Server 2003 x64, Vista, Vista x64, 7

Novell Operating Systems Supported

Open Enterprise Server for Netware with NDS, iPrint or Novell Distributed Print Services (NDPS), NetWare® 3.2, 4.2 (bindery), NetWare 4.2, 5.x and 6.x (NDS), NetWare 5.x, 6.x with iPrint or Novell Distributed Print Services (NDPS)

UNIX Operating Systems Supported

Sun Solaris SPARC 8, 9, 10, IBM AIX 5.1, 5.2, 5.3, Sun Solaris x86 10, HP-UX 11.11

Paper Handling Optional

Automatic sheet feeder (narrow), Tractor 2 (narrow)

Paper Handling Standard

Front Tractor Feeder

Media Sizes Supported

Single-part or multi-part Continuous Forms, Narrow Sheet Fed Paper, Single-part or multi-part Cut Forms

Media Types Supported

Multi-part forms - Up to 1+5 Parts (up to 0.020" or 0.51 mm paper thickness), Single-part forms - 16 to 24 lbs, 60 to 90 gsm (0.0045" or 0.11 mm paper thickness), Forms or Paper - 16 to 24 lbs, 60 to 90 gsm (0.0045" or 0.11mm maximum paper thickness)

Supplies Yield

Optional 8 million characters (draft mode at 10 cpi)- Re-Inking Ribbon, Standard 4 million characters (draft mode at 10 cpi) - Re-Inking Ribbon

Standard Ports

Centronics IEEE 1284 Bidirectional Parallel, Fast Ethernet, USB Compatible with USB 2.0 Specification

Optional Network Ports

Lexmark N4050e 802.11g Wireless Print Server (Print Only), External MarkNet™ N7020e Gigabit Ethernet

Network Printing Methods

LPR/LPD, Direct IP (Port 9100), IPP (Internet Printing Protocol), NDS Queue-based Printing, Enhanced IP (Port 9400), FTP, TFTP

Network Protocol Support

TCP/IP IPv4, IPX/SPX, TCP/IP IPv6

Network Security

SSL* Enabled Embedded Web Server (HTTPS), SNMPv3, TCP/IP port access control, 802.1x Authentication: MD5, MSCHAPv2, LEAP, PEAP, TLS, TTLS, IPSEC, *This product includes software developed by the OpenSSL Project for use in the OpenSSL Toolkit.

Printer Languages (Standard)

Epson Emulation, PPDS, Okidata MICROLINE Emulation

Text Fonts

Fast Draft, Draft, Courier, Gothic, 10, 12, 15, 17, 1, 20 cpi, Proportional Spaced (PS)

Bar Codes

EAN-8, UPC-A, Code 3 of 9, UPC-E, Codabar (NW-7), EAN-13, Interleaved 2 of 5, Industrial 2 of 5, Code 12B, US Postal (POSTNET 5-digit ZIP Code)

Packaged Size (mm - H x W x D)

325 x 609 x 408 mm

Packaged Size (in. - H x W x D)

12.8 x 24.0 x 16.1 in.

Size (mm - H x W x D)

195 x 492 x 290 mm

Size (in. - H x W x D)

7.7 x 19.4 x 11.4 in.

Weight (kg)

8 kg

Weight (lb.)

17.6 lbs.

Noise Level, Idle

0 dBA

Print Noise Level, Operating

56 dBA

Maximum Print Line (")

8.0 inches

Maximum Print Line (mm)

203.2 mm

Product Guarantee

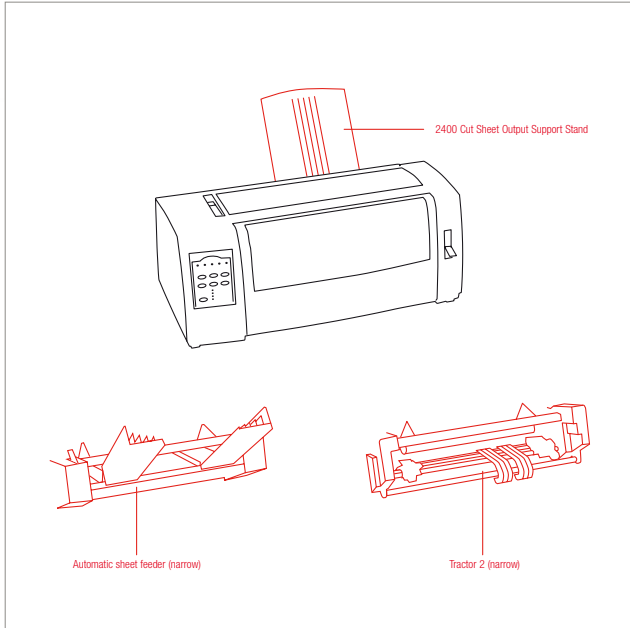
1 year on site repair

Product Certifications

Energy Star, IUL 60950-1, CSA, FCC Class B, VCCI, CB IEC 60950-1, SEMKO, GS (TÜV), CE Class B, SMA C-Tick

Specified Operating Environment

Humidity: 8 to 90% Relative Humidity, Temperature: 10 to 40°C (50 to 104°F)



■ Paper Handling Standard
■ Paper Handling Optional

Part #	Model
11C2561	Lexmark Forms Printer 2580n
Part #	Ribbons
11A3550	24XX High Yield Ribbon
11A3540	23XX, 24XX Standard Ribbon
Part #	Paper Handling
12T0693	2480, 2490 Automatic Sheet Feed (narrow)
12T0695	2480, 2490 Tractor 2
12T0697	2400 Cut Sheet Output Support Stand
Part #	Connectivity
1021231	Parallel (10') Cable
1021294	USB (2 Meter) Cable
14T0165	Lexmark N4050e 802.11g Wireless Print Server
14T0220	MarkNet N7020e Gigabit Ethernet Print Server
Part #	Extended Warranties
2349642P	25xx 2-Years Total (1+1) Onsite Service Guarantee
2349643P	25xx 3-Years Total (1+2) Onsite Service Guarantee
2349644P	25xx 4-Years Total (1+3) Onsite Service Guarantee
2349646P	25xx 1-Year Renewal Onsite Service Guarantee

Lexmark Forms Printer 2581



Fast, reliable 9-pin printing for wide forms

Print Technology

9-Pin Dot Matrix

Print Speeds

Up to 304 cps Draft @12 cpi, Up to 510 cps Fast Draft @ 12cpi, Up to 76 cps Near Letter Quality @ 12 cpi

Resolution

240 x 144 dots per inch

Memory

512 KB

Mean Time Between Failures (MTBF)

12,500 POH @ 25% duty cycle

Linux Operating Systems Supported

Red Hat Enterprise Linux WS 3.0, 4.0, 5.0, SUSE Linux Enterprise Server 8.0, 9.0, 10, 11, Debian GNU/Linux 3.1, 4.0, Linspire Linux 5.0, SUSE Linux 10.0, 10.1, 10.2

Microsoft Windows Operating Systems Supported

2000, NT (4.00/4.00 Server), Me, XP, Server 2003, 98 2nd Edition, XP x64, Server 2003 x64, Vista, Vista x64, 7

Paper Handling Optional

Automatic sheet feeder (wide), Tractor 2 (wide)

Paper Handling Standard

Front Tractor Feeder

Media Sizes Supported

Single-part or multi-part Continuous Forms, Wide Sheet Fed Paper, Single-part or multi-part Cut Forms

Media Types Supported

Multi-part forms - Up to 1+5 Parts (up to 0.020" or 0.51 mm paper thickness), Single-part forms - 16 to 24 lbs, 60 to 90 gsm (0.0045" or 0.11 mm paper thickness), Forms or Paper - 16 to 24 lbs, 60 to 90 gsm (0.0045" or 0.11mm maximum paper thickness)

Supplies Used

Optional 8 million characters (draft mode at 10 cpi)- Re-Inking Ribbon, Standard 4 million characters (draft mode at 10 cpi) - Re-Inking Ribbon

Standard Ports

Centronics IEEE 1284 Bidirectional Parallel, USB

Compatible with USB 2.0 Specification

Optional Local Ports

Internal RS-232C serial

Optional Network Ports

Lexmark N4000e Fast Ethernet (Print Only), Lexmark N4050e 802.11g Wireless Print Server (Print Only), External MarkNet™ N7020e Gigabit Ethernet, External MarkNet™ N7000e Fast Ethernet (USB), External MarkNet™ N7002e Fast Ethernet (parallel)

Printer Languages (Standard)

Epson Emulation, PPDs, Okidata MICROLINE Emulation

Text Fonts

Fast Draft, Draft, Courier, Gothic, 10, 12, 15, 17.1, 20 cpi, Proportional Spaced (PS)

Bar Codes

EAN-8, UPC-A, Code 3 of 9, UPC-E, Codabar (NW-7), EAN-13, Interleaved 2 of 5, Industrial 2 of 5, Code 128,

US Postal (POSTNET 5-digit ZIP Code)

Packaged Size (mm - H x W x D)

325 x 751 x 408 mm

Packaged Size (in. - H x W x D)

12.8 x 29.6 x 16.1 in.

Size (mm - H x W x D)

195 x 634 x 290 mm

Size (in. - H x W x D)

7.7 x 24.9 x 11.4 in.

Weight (kg)

9.8 kg

Weight (lb.)

21.6 lbs.

Noise Level, Idle

0 dBA

Print Noise Level, Operating

56 dBA

Maximum Print Line (")

13.6 inches

Maximum Print Line (mm)

345.4 mm

Product Guarantee

1 year on site repair

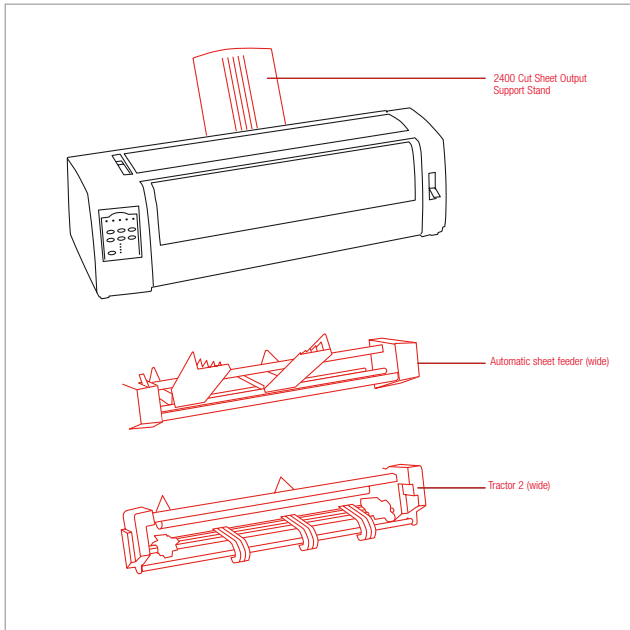
Product Certifications

Energy Star, UL 60950-1, CSA, FCC Class B, VCCI, CE IEC 60950-1, SEMKO, GS (TÜV), CE Class B, SMA C-Tick

Specified Operating Environment

Humidity: 8 to 90% Relative Humidity, Temperature:

10 to 40°C (50 to 104°F)



Paper Handling Standard
 Paper Handling Optional

Part #	Model
11C2562	Lexmark Forms Printer 2581
Part #	Ribbons
11A3550	24XX High Yield Ribbon
11A3540	23XX, 24XX Standard Ribbon
Part #	Paper Handling
12T0696	2481, 2491 Tractor 2
12T0694	2481, 2491, 4227+ Automatic Sheet Feed (wide)
12T0697	2400 Cut Sheet Output Support Stand
Part #	Connectivity
1021231	Parallel (10') Cable
1021294	USB (2 Meter) Cable
12T0698	2400 Series Serial Interface Option
14T0050	Lexmark N4000e Fast Ethernet Print Server
14T0165	Lexmark N4050e 802.11g Wireless Print Server
14T0230	MarkNet N7000e Fast Ethernet Print Server - USB
14T0240	MarkNet N7002e Fast Ethernet Print Server - Parallel
14T0220	MarkNet N7020e Gigabit Ethernet Print Server
Part #	Extended Warranties
2349642P	25xx 2-Years Total (1+1) Onsite Service Guarantee
2349643P	25xx 3-Years Total (1+2) Onsite Service Guarantee
2349644P	25xx 4-Years Total (1+3) Onsite Service Guarantee
2349646P	25xx 1-Year Renewal Onsite Service Guarantee

Lexmark Forms Printer 2581n



9-pin printing for wide forms – includes built-in networking

Print Technology

9-Pin Dot Matrix

Print Speeds

Up to 304 cps Draft @12 cpi, Up to 510 cps Fast Draft @ 12cpi, Up to 76 cps Near Letter Quality @ 12 cpi

Resolution

240 x 144 dots per inch

Memory

512 KB

Mean Time Between Failures (MTBF)

12,500 POH @ 25% duty cycle

Linux Operating Systems Supported

Red Hat Enterprise Linux WS 3.0, 4.0, 5.0, SUSE Linux Enterprise Server 8.0, 9.0, 10, 11, Debian GNU/Linux 3.1, 4.0, Linspire Linux 5.0, SUSE Linux 10.0, 10.1, 10.2

Microsoft Windows Operating Systems Supported

2000, NT (4.00/4.00 Server), Me, XP, Server 2003, 98 2nd Edition, XP x64, Server 2003 x64, Vista, Vista x64, 7

Novell Operating Systems Supported

Open Enterprise Server for Netware with NDS, iPrint or Novell Distributed Print Services (NDPS), NetWare® 3.2, 4.2 (bindery), NetWare 4.2, 5.x and 6.x (NDS), NetWare 5.x, 6.x with iPrint or Novell Distributed Print Services (NDPS)

UNIX Operating Systems Supported

Sun Solaris SPARC 8, 9, 10, IBM AIX 5.1, 5.2, 5.3, Sun Solaris x86 10, HP-UX 11.11

Paper Handling Optional

Automatic sheet feeder (wide), Tractor 2 (wide)

Paper Handling Standard

Front Tractor Feeder

Media Sizes Supported

Single-part or multi-part Continuous Forms, Wide Sheet Fed Paper, Single-part or multi-part Cut Forms

Media Types Supported

Multi-part forms - Up to 1+5 Parts (up to 0.020" or 0.51 mm paper thickness), Single-part forms - 16 to 24 lbs, 60 to 90 gsm (0.0045" or 0.11 mm paper thickness), Forms or Paper - 16 to 24 lbs, 60 to 90 gsm (0.0045" or 0.11mm maximum paper thickness)

Supplies Yield

Optional 8 million characters (draft mode at 10 cpi)- Re-Inking Ribbon, Standard 4 million characters (draft mode at 10 cpi) - Re-Inking Ribbon

Standard Ports

Centronics IEEE 1284 Bidirectional Parallel, Fast Ethernet, USB Compatible with USB 2.0 Specification

Optional Network Ports

Lexmark N4050e 802.11g Wireless Print Server (Print Only), External MarkNet™ N7020e Gigabit Ethernet

Network Printing Methods

LPR/LPD, Direct IP (Port 9100), IPP (Internet Printing Protocol), NDS Queue-based Printing, Enhanced IP (Port 9400), FTP, TFTP

Network Protocol Support

TCP/IP IPv4, IPX/SPX, TCP/IP IPv6

Network Security

SSL* Enabled Embedded Web Server (HTTPS), SNMPv3, TCP/IP port access control, 802.1x Authentication: MD5, MSCHAPv2, LEAP, PEAP, TLS, TTLS, IPSEC, *This product includes software developed by the OpenSSL Project for use in the OpenSSL Toolkit.

Printer Languages (Standard)

Epson Emulation, PPDS, Okidata MICROLINE Emulation

Text Fonts

Fast Draft, Draft, Courier, Gothic, 10, 12, 15, 17, 1, 20 cpi, Proportional Spaced (PS)

Bar Codes

EAN-8, UPC-A, Code 3 of 9, UPC-E, Codabar (NW-7), EAN-13, Interleaved 2 of 5, Industrial 2 of 5, Code 12B, US Postal (POSTNET 5-digit ZIP Code)

Packaged Size (mm - H x W x D)

325 x 751 x 408 mm

Packaged Size (in. - H x W x D)

12.8 x 29.6 x 16.1 in.

Size (mm - H x W x D)

195 x 634 x 290 mm

Size (in. - H x W x D)

7.7 x 24.9 x 11.4 in.

Weight (kg)

9.8 kg

Weight (lb.)

21.6 lbs.

Noise Level, Idle

0 dBA

Print Noise Level, Operating

56 dBA

Maximum Print Line (")

13.6 inches

Maximum Print Line (mm)

345.4 mm

Product Guarantee

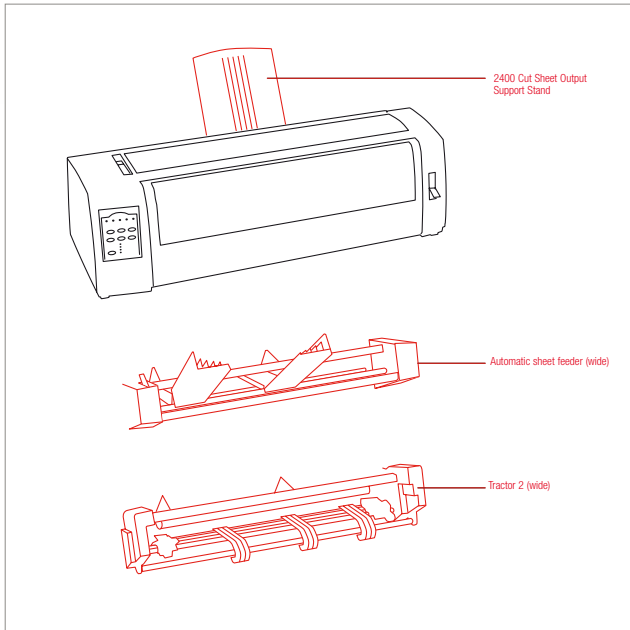
1 year on site repair

Product Certifications

Energy Star, IUL 60950-1, CSA, FCC Class B, CB IEC 60950-1, SEMKO, GS (TÜV), CE Class B, SMA C-Tick

Specified Operating Environment

Humidity: 8 to 90% Relative Humidity, Temperature: 10 to 40°C (50 to 104°F)



■ Paper Handling Standard
■ Paper Handling Optional

Part #	Model
11C2563	Lexmark Forms Printer 2581n
Part #	Ribbons
11A3550	24XX High Yield Ribbon
11A3540	23XX, 24XX Standard Ribbon
Part #	Paper Handling
12T0696	2481, 2491 Tractor 2
12T0694	2481, 2491, 4227+ Automatic Sheet Feed (wide)
12T0697	2400 Cut Sheet Output Support Stand
Part #	Connectivity
1021231	Parallel (10') Cable
1021294	USB (2 Meter) Cable
14T0165	Lexmark N4050e 802.11g Wireless Print Server
14T0220	MarkNet N7020e Gigabit Ethernet Print Server
Part #	Extended Warranties
2349642P	25xx 2-Years Total (1+1) Onsite Service Guarantee
2349643P	25xx 3-Years Total (1+2) Onsite Service Guarantee
2349644P	25xx 4-Years Total (1+3) Onsite Service Guarantee
2349646P	25xx 1-Year Renewal Onsite Service Guarantee

Lexmark Forms Printer 2590



Letter-quality 24-pin printing for narrow forms

Print Technology

24-Pin Dot Matrix

Print Speeds

Up to 465 cps Fast Draft @ 12 cpi, Up to 109 cps Near Letter Quality @ 12 cpi, Up to 328 cps Draft @12 cpi

Resolution

360 x 360 dots per inch

Memory

512 KB

Mean Time Between Failures (MTBF)

12,500 POH @ 25% duty cycle

Linux Operating Systems Supported

Red Hat Enterprise Linux WS 3.0, 4.0, 5.0, SUSE Linux Enterprise Server 8.0, 9.0, 10, 11, Debian GNU/Linux 3.1, 4.0, Linspire Linux 5.0, SUSE Linux 10.0, 10.1, 10.2

Microsoft Windows Operating Systems Supported

2000, NT (4.00/4.00 Server), Me, XP, Server 2003, 98 2nd Edition, XP x64, Server 2003 x64, Vista, Vista x64, 7

Paper Handling Optional

Automatic sheet feeder (narrow), Tractor 2 (narrow)

Paper Handling Standard

Front Tractor Feeder

Media Sizes Supported

Single-part or multi-part Continuous Forms, Narrow Sheet Fed Paper, Single-part or multi-part Cut Forms

Media Types Supported

Multi-part forms - Up to 1+3 Parts (up to 0.014" or 0.36 mm paper thickness), Single-part forms - 16 to 24 lbs, 60 to 90 gsm (0.0045" or 0.11 mm paper thickness), Forms or Paper - 16 to 24 lbs, 60 to 90 gsm (0.0045" or 0.11mm maximum paper thickness)

Supplies Used

Optional 8 million characters (draft mode at 10 cpi)- Re-Inking Ribbon, Standard 4 million characters (draft mode at 10 cpi) - Re-Inking Ribbon

Standard Ports

Centronics IEEE 1284 Bidirectional Parallel, USB

Compatible with USB 2.0 Specification

Optional Local Ports

Internal RS-232C serial

Optional Network Ports

Lexmark N4000e Fast Ethernet (Print Only), Lexmark N4050e 802.11g Wireless Print Server (Print Only), External MarkNet™ N7020e Gigabit Ethernet, External MarkNet™ N7000e Fast Ethernet (USB), External MarkNet™ N7002e Fast Ethernet (parallel)

Printer Languages (Standard)

Epson Emulation, PPDs

Text Fonts

Fast Draft, Draft, Courier, Gothic, Orator, Presenter, Prestige, Script, 10, 12, 15, 17.1, 20, 24 cpi, Proportional Spaced (PS)

Bar Codes

EAN-8, UPC-A, Code 3 of 9, UPC-E, Codabar (NW-7),

EAN-13, Interleaved 2 of 5, Industrial 2 of 5, Code 128, US Postal (POSTNET 5-digit ZIP Code)

Packaged Size (mm - H x W x D)

325 x 609 x 408 mm

Packaged Size (in. - H x W x D)

12.8 x 24.0 x 16.1 in.

Size (mm - H x W x D)

195 x 492 x 290 mm

Size (in. - H x W x D)

7.7 x 19.4 x 11.4 in.

Weight (kg)

8 kg

Weight (lb.)

17.6 lbs.

Noise Level, Idle

0 dBA

Print Noise Level, Operating

55 dBA

Maximum Print Line (")

8 inches

Maximum Print Line (mm)

203.2 mm

Product Guarantee

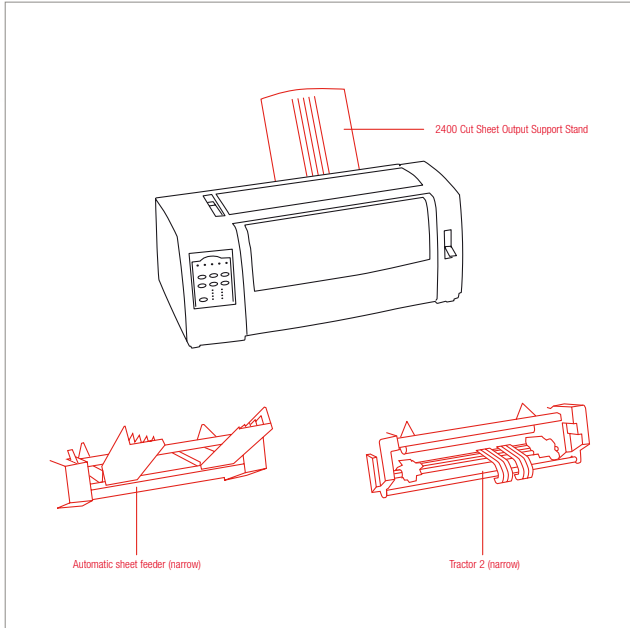
1 year on site repair

Product Certifications

Energy Star, UL 60950-1, CSA, FCC Class B, CB IEC 60950-1, SEMKO, GS (TÜV), CE Class B, SMA C-Tick

Specified Operating Environment

Humidity: 8 to 90% Relative Humidity, Temperature: 10 to 40°C (50 to 104°F)



■ Paper Handling Standard
■ Paper Handling Optional

Part #	Model
11C2564	Lexmark Forms Printer 2590
Part #	Ribbons
11A3540	23XX, 24XX Standard Ribbon
11A3550	24XX High Yield Ribbon
Part #	Paper Handling
12T0693	2480, 2490 Automatic Sheet Feed (narrow)
12T0695	2480, 2490 Tractor 2
12T0697	2400 Cut Sheet Output Support Stand
Part #	Connectivity
1021231	Parallel (10') Cable
1021294	USB (2 Meter) Cable
12T0698	2400 Series Serial Interface Option
14T0050	Lexmark N4000e Fast Ethernet Print Server
14T0165	Lexmark N4050e 802.11g Wireless Print Server
14T0230	MarkNet N7000e Fast Ethernet Print Server - USB
14T0240	MarkNet N7002e Fast Ethernet Print Server - Parallel
14T0220	MarkNet N7020e Gigabit Ethernet Print Server
Part #	Extended Warranties
2349642P	25xx 2-Years Total (1+1) Onsite Service Guarantee
2349643P	25xx 3-Years Total (1+2) Onsite Service Guarantee
2349644P	25xx 4-Years Total (1+3) Onsite Service Guarantee
2349646P	25xx 1-Year Renewal Onsite Service Guarantee

Lexmark Forms Printer 2590n



24-pin printing for narrow forms – includes built-in networking

Print Technology

24-Pin Dot Matrix

Print Speeds

Up to 465 cps Fast Draft @ 12 cpi, Up to 109 cps Near Letter Quality @ 12 cpi, Up to 328 cps Draft @12 cpi

Resolution

360 x 360 dots per inch

Memory

512 KB

Mean Time Between Failures (MTBF)

12,500 POH @ 25% duty cycle

Linux Operating Systems Supported

Red Hat Enterprise Linux WS 3.0, 4.0, 5.0, SUSE Linux Enterprise Server 8.0, 9.0, 10, 11, Debian GNU/Linux 3.1, 4.0, Linspire Linux 5.0, SUSE Linux 10.0, 10.1, 10.2

Microsoft Windows Operating Systems Supported

2000, NT (4.00/4.00 Server), Me, XP, Server 2003, 98 2nd Edition, XP x64, Server 2003 x64, Vista, Vista x64, 7

Novell Operating Systems Supported

Open Enterprise Server for Netware with NDS, iPrint or Novell Distributed Print Services (NDPS), NetWare® 3.2, 4.2 (bindery), NetWare 4.2, 5.x and 6.x (NDS), NetWare 5.x, 6.x with iPrint or Novell Distributed Print Services (NDPS)

UNIX Operating Systems Supported

Sun Solaris SPARC 8, 9, 10, IBM AIX 5.1, 5.2, 5.3, Sun Solaris x86 10, HP-UX 11.11

Paper Handling Optional

Automatic sheet feeder (narrow), Tractor 2 (narrow)

Paper Handling Standard

Front Tractor Feeder

Media Sizes Supported

Single-part or multi-part Continuous Forms, Narrow Sheet Fed Paper, Single-part or multi-part Cut Forms

Media Types Supported

Multi-part forms - Up to 1+3 Parts (up to 0.014" or 0.36 mm paper thickness), Single-part forms - 16 to 24 lbs, 60 to 90 gsm (0.0045" or 0.11 mm paper thickness), Forms or Paper - 16 to 24 lbs, 60 to 90 gsm (0.0045" or 0.11mm maximum paper thickness)

Supplies Yield

Optional 8 million characters (draft mode at 10 cpi)- Re-Inking Ribbon, Standard 4 million characters (draft mode at 10 cpi) - Re-Inking Ribbon

Standard Ports

Centronics IEEE 1284 Bidirectional Parallel, Fast Ethernet, USB Compatible with USB 2.0 Specification

Optional Network Ports

Lexmark N4050e 802.11g Wireless Print Server (Print Only), External MarkNet™ N7020e Gigabit Ethernet

Network Printing Methods

LPR/LPD, Direct IP (Port 9100), IPP (Internet Printing Protocol), NDS Queue-based Printing, Enhanced IP (Port 9400), FTP, TFTP

Network Protocol Support

TCP/IP IPv4, IPX/SPX, TCP/IP IPv6

Network Security

SSL* Enabled Embedded Web Server (HTTPS), SNMPv3, TCP/IP port access control, 802.1x Authentication: MD5, MSCHAPv2, LEAP, PEAP, TLS, TTLS, IPSEC, *This product includes software developed by the OpenSSL Project for use in the OpenSSL Toolkit.

Printer Languages (Standard)

Epson Emulation, PPDS

Text Fonts

Fast Draft, Draft, Courier, Gothic, Orator, Presenter, Prestige, Script, 10, 12, 15, 17.1, 20, 24 cpi, Proportional Spaced (PS)

Bar Codes

EAN-8, UPC-A, Code 3 of 9, UPC-E, Codabar (NW-7), EAN-13, Interleaved 2 of 5, Industrial 2 of 5, Code 128, US Postal (POSTNET 5-digit ZIP Code)

Packaged Size (mm - H x W x D)

325 x 609 x 408 mm

Packaged Size (in. - H x W x D)

12.8 x 24.0 x 16.1 in.

Size (mm - H x W x D)

195 x 492 x 290 mm

Size (in. - H x W x D)

7.7 x 19.4 x 11.4 in.

Weight (kg)

8 kg

Weight (lb.)

17.6 lbs.

Noise Level, Idle

0 dBA

Print Noise Level, Operating

55 dBA

Maximum Print Line (")

8 inches

Maximum Print Line (mm)

203.2 mm

Product Guarantee

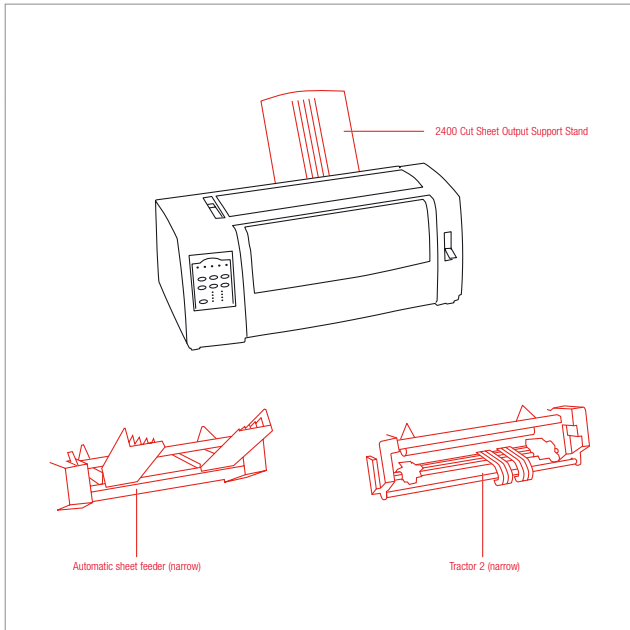
1 year on site repair

Product Certifications

Energy Star, UL 60950-1, CSA, FCC Class B, CB IEC 60950-1, SEMKO, GS (TÜV), CE Class B, SMA C-Tick

Specified Operating Environment

Humidity: 8 to 90% Relative Humidity, Temperature: 10 to 40°C (50 to 104°F)



■ Paper Handling Standard
■ Paper Handling Optional

Part #	Model
11C2565	Lexmark Forms Printer 2590n
Part #	Ribbons
11A3540	23XX, 24XX Standard Ribbon
11A3550	24XX High Yield Ribbon
Part #	Paper Handling
12T0693	2480, 2490 Automatic Sheet Feed (narrow)
12T0695	2480, 2490 Tractor 2
12T0697	2400 Cut Sheet Output Support Stand
Part #	Connectivity
1021231	Parallel (10') Cable
1021294	USB (2 Meter) Cable
14T0165	Lexmark N4050e 802.11g Wireless Print Server
14T0220	MarkNet N7020e Gigabit Ethernet Print Server
Part #	Extended Warranties
2349642P	25xx 2-Years Total (1+1) Onsite Service Guarantee
2349643P	25xx 3-Years Total (1+2) Onsite Service Guarantee
2349644P	25xx 4-Years Total (1+3) Onsite Service Guarantee
2349646P	25xx 1-Year Renewal Onsite Service Guarantee

Lexmark Forms Printer 2591



Letter-quality 24-pin printing for wide forms

Print Technology

24-Pin Dot Matrix

Print Speeds

Up to 465 cps Fast Draft @ 12 cpi, Up to 109 cps Near Letter Quality @ 12 cpi, Up to 328 cps Draft @12 cpi

Resolution

360 x 360 dots per inch

Memory

512 KB

Mean Time Between Failures (MTBF)

12,500 POH @ 25% duty cycle

Linux Operating Systems Supported

Red Hat Enterprise Linux WS 3.0, 4.0, 5.0, SUSE Linux Enterprise Server 8.0, 9.0, 10, 11, Debian GNU/Linux 3.1, 4.0, Linspire Linux 5.0, SUSE Linux 10.0, 10.1, 10.2

Microsoft Windows Operating Systems Supported

2000, NT (4.00/4.00 Server), Me, XP, Server 2003, 98 2nd Edition, XP x64, Server 2003 x64, Vista, Vista x64, 7

Paper Handling Optional

Automatic sheet feeder (wide), Tractor 2 (wide)

Paper Handling Standard

Front Tractor Feeder

Media Sizes Supported

Single-part or multi-part Continuous Forms, Wide Sheet Fed Paper, Single-part or multi-part Cut Forms

Media Types Supported

Multi-part forms - Up to 1+3 Parts (up to 0.014" or 0.36 mm paper thickness), Single-part forms - 16 to 24 lbs, 60 to 90 gsm (0.0045" or 0.11 mm paper thickness), Forms or Paper - 16 to 24 lbs, 60 to 90 gsm (0.0045" or 0.11mm maximum paper thickness)

Supplies Yield

Optional 8 million characters (draft mode at 10 cpi)- Re-Inking Ribbon, Standard 4 million characters (draft mode at 10 cpi) - Re-Inking Ribbon

Standard Ports

Centronics IEEE 1284 Bidirectional Parallel, USB

Compatible with USB 2.0 Specification

Optional Local Ports

Internal RS-232C serial

Optional Network Ports

Lexmark N4000e Fast Ethernet (Print Only), Lexmark N4050e 802.11g Wireless Print Server (Print Only), External MarkNet™ N7020e Gigabit Ethernet, External MarkNet™ N7000e Fast Ethernet (USB), External MarkNet™ N7002e Fast Ethernet (parallel)

Printer Languages (Standard)

Epson Emulation, PPDs

Text Fonts

Fast Draft, Draft, Courier, Gothic, Orator, Presenter, Prestige, Script, 10, 12, 15, 17.1, 20, 24 cpi, Proportional Spaced (PS)

Bar Codes

EAN-8, UPC-A, Code 3 of 9, UPC-E, Codabar (NW-7),

EAN-13, Interleaved 2 of 5, Industrial 2 of 5, Code 128, US Postal (POSTNET 5-digit ZIP Code)

Packaged Size (mm - H x W x D)

325 x 751 x 408 mm

Packaged Size (in. - H x W x D)

12.8 x 29.6 x 16.1 in.

Size (mm - H x W x D)

195 x 634 x 290 mm

Size (in. - H x W x D)

7.7 x 24.9 x 11.4 in.

Weight (kg)

9.8 kg

Weight (lb.)

21.6 lbs.

Noise Level, Idle

0 dBA

Print Noise Level, Operating

55 dBA

Maximum Print Line (")

13.6 inches

Maximum Print Line (mm)

345.4 mm

Product Guarantee

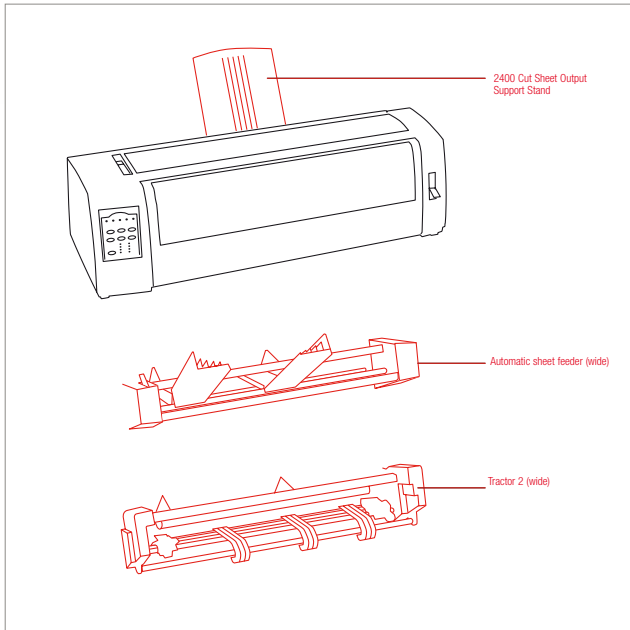
1 year on site repair

Product Certifications

Energy Star, ULL 60950-1, CSA, FCC Class B, CB IEC 60950-1, SEMKO, GS (TÜV), CE Class B, SMA C-Tick

Specified Operating Environment

Humidity: 8 to 90% Relative Humidity, Temperature: 10 to 40°C (50 to 104°F)



Paper Handling Standard
 Paper Handling Optional

Part #	Model
11C2566	Lexmark Forms Printer 2591
Part #	Ribbons
11A3550	24XX High Yield Ribbon
11A3540	23XX, 24XX Standard Ribbon
Part #	Paper Handling
12T0694	2481, 2491, 4227+ Automatic Sheet Feed (wide)
12T0696	2481, 2491 Tractor 2
12T0697	2400 Cut Sheet Output Support Stand
Part #	Connectivity
1021231	Parallel (10') Cable
1021294	USB (2 Meter) Cable
12T0698	2400 Series Serial Interface Option
14T0050	Lexmark N4000e Fast Ethernet Print Server
14T0165	Lexmark N4050e 802.11g Wireless Print Server
14T0230	MarkNet N7000e Fast Ethernet Print Server - USB
14T0240	MarkNet N7002e Fast Ethernet Print Server - Parallel
14T0220	MarkNet N7020e Gigabit Ethernet Print Server
Part #	Extended Warranties
2349642P	25xx 2-Years Total (1+1) Onsite Service Guarantee
2349643P	25xx 3-Years Total (1+2) Onsite Service Guarantee
2349644P	25xx 4-Years Total (1+3) Onsite Service Guarantee
2349646P	25xx 1-Year Renewal Onsite Service Guarantee

Lexmark Forms Printer 2591n



24-pin printing for wide forms – includes built-in networking

Print Technology

24-Pin Dot Matrix

Print Speeds

Up to 465 cps Fast Draft @ 12 cpi, Up to 109 cps Near Letter Quality @ 12 cpi, Up to 328 cps Draft @12 cpi

Resolution

360 x 360 dots per inch

Memory

512 KB

Mean Time Between Failures (MTBF)

12,500 POH @ 25% duty cycle

Linux Operating Systems Supported

Red Hat Enterprise Linux WS 3.0, 4.0, 5.0, SUSE Linux Enterprise Server 8.0, 9.0, 10, 11, Debian GNU/Linux 3.1, 4.0, Linspire Linux 5.0, SUSE Linux 10.0, 10.1, 10.2

Microsoft Windows Operating Systems Supported

2000, NT (4.00/4.00 Server), Me, XP, Server 2003, 98 2nd Edition, XP x64, Server 2003 x64, Vista, Vista x64, 7

Novell Operating Systems Supported

Open Enterprise Server for Netware with NDS, iPrint or Novell Distributed Print Services (NDPS), NetWare® 3.2, 4.2 (bindery), NetWare 4.2, 5.x and 6.x (NDS), NetWare 5.x, 6.x with iPrint or Novell Distributed Print Services (NDPS)

UNIX Operating Systems Supported

Sun Solaris SPARC 8, 9, 10, IBM AIX 5.1, 5.2, 5.3, Sun Solaris x86 10, HP-UX 11.11

Paper Handling Optional

Automatic sheet feeder (wide), Tractor 2 (wide)

Paper Handling Standard

Front Tractor Feeder

Media Sizes Supported

Single-part or multi-part Continuous Forms, Wide Sheet Fed Paper, Single-part or multi-part Cut Forms

Media Types Supported

Multi-part forms - Up to 1+3 Parts (up to 0.014" or 0.36 mm paper thickness), Single-part forms - 16 to 24 lbs, 60 to 90 gsm (0.0045" or 0.11 mm paper thickness), Forms or Paper - 16 to 24 lbs, 60 to 90 gsm (0.0045" or 0.11mm maximum paper thickness)

Supplies Yield

Optional 8 million characters (draft mode at 10 cpi)- Re-Inking Ribbon, Standard 4 million characters (draft mode at 10 cpi) - Re-Inking Ribbon

Standard Ports

Centronics IEEE 1284 Bidirectional Parallel, Fast Ethernet, USB Compatible with USB 2.0 Specification

Optional Network Ports

Lexmark N4050e 802.11g Wireless Print Server (Print Only), External MarkNet™ N7020e Gigabit Ethernet

Network Printing Methods

LPR/LPD, Direct IP (Port 9100), IPP (Internet Printing Protocol), NDS Queue-based Printing, Enhanced IP (Port 9400), FTP, TFTP

Network Protocol Support

TCP/IP IPv4, IPX/SPX, TCP/IP IPv6

Network Security

SSL* Enabled Embedded Web Server (HTTPS), SNMPv3, TCP/IP port access control, 802.1x Authentication: MD5, MSCHAPv2, LEAP, PEAP, TLS, TTLS, IPsec, *This product includes software developed by the OpenSSL Project for use in the OpenSSL Toolkit.

Printer Languages (Standard)

Epson Emulation, PPDS

Text Fonts

Fast Draft, Draft, Courier, Gothic, Orator, Presenter, Prestige, Script, 10, 12, 15, 17.1, 20, 24 cpi, Proportional Spaced (PS)

Bar Codes

EAN-8, UPC-A, Code 3 of 9, UPC-E, Codabar (NW-7), EAN-13, Interleaved 2 of 5, Industrial 2 of 5, Code 128, US Postal (POSTNET 5-digit ZIP Code)

Packaged Size (mm - H x W x D)

325 x 751 x 408 mm

Packaged Size (in. - H x W x D)

12.8 x 29.6 x 16.1 in.

Size (mm - H x W x D)

195 x 634 x 290 mm

Size (in. - H x W x D)

7.7 x 24.9 x 11.4 in.

Weight (kg)

9.8 kg

Weight (lb.)

21.6 lbs.

Noise Level, Idle

0 dBA

Print Noise Level, Operating

55 dBA

Maximum Print Line (")

13.6 inches

Maximum Print Line (mm)

345.4 mm

Product Guarantee

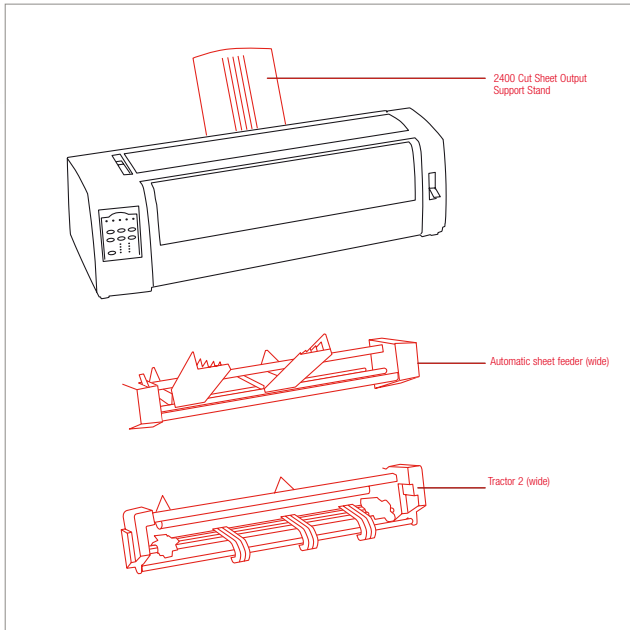
1 year on site repair

Product Certifications

Energy Star, UL 60950-1, CSA, FCC Class B, CB IEC 60950-1, SEMKO, GS (TÜV), CE Class B, SMA C-Tick

Specified Operating Environment

Humidity: 8 to 90% Relative Humidity, Temperature: 10 to 40°C (50 to 104°F)



■ Paper Handling Standard
■ Paper Handling Optional

Part #	Model
11C2567	Lexmark Forms Printer 2591n
Part #	Ribbons
11A3550	24XX High Yield Ribbon
11A3540	23XX, 24XX Standard Ribbon
Part #	Paper Handling
12T0694	2481, 2491, 4227+ Automatic Sheet Feed (wide)
12T0696	2481, 2491 Tractor 2
12T0697	2400 Cut Sheet Output Support Stand
Part #	Connectivity
1021231	Parallel (10') Cable
1021294	USB (2 Meter) Cable
14T0165	Lexmark N4050e 802.11g Wireless Print Server
14T0220	MarkNet N7020e Gigabit Ethernet Print Server
Part #	Extended Warranties
2349642P	25xx 2-Years Total (1+1) Onsite Service Guarantee
2349643P	25xx 3-Years Total (1+2) Onsite Service Guarantee
2349644P	25xx 4-Years Total (1+3) Onsite Service Guarantee
2349646P	25xx 1-Year Renewal Onsite Service Guarantee

Lexmark Forms Printer 4227 plus



Rugged, high-speed, reliable forms printer for unattended printing.

Print Technology

Dual 9-Pin Dot Matrix

Print Speeds

Up to 600 cps Draft @ 10 cpi, Up to 720 cps Fast Draft @ 10 cpi, Up to 150 cps Near Letter Quality @ 10 cpi

Resolution

240 x 144 dots per inch

Memory

60KB (Receive Buffer)

Microsoft Windows Operating Systems Supported

2000, NT (4.00/4.00 Server), Me, XP, Server 2003, 98 2nd Edition, XP x64, Server 2003 x64, Server 2003 x64 running Terminal Services, Vista, Vista x64

Maximum Print Line (")

13.6 inches

Maximum Print Line (mm)

345.4 mm

Product Guarantee

1 Year Onsite, Next Business Day response time

Product Certifications

UL 60950-1, CSA, FCC Class B, ICES-003 Class B, CB IEC 60950-1, SEMKO, GS (TÜV), CE Class B, C-Tick Class B, SABS EM 55022 Class B, EN 55024

Specified Operating Environment

Humidity: 8 to 80% Relative Humidity, Temperature: 10 to 40°C (50 to 104°F)

Paper Handling Optional

Automatic sheet feeder (wide), Tractor 2 (wide)

Paper Handling Standard

Single Sheet Manual Feed, Front Tractor Feeder

Media Sizes Supported

Single-part or multi-part Continuous Forms, Wide Sheet Fed Paper, Single-part or multi-part Cut Forms

Media Types Supported

Envelopes, Labels, Multi-part forms - Up to 1+7 Parts (up to 0.020" or 0.51 mm paper thickness), Single-part forms - 16 to 24 lbs, 60 to 90 gsm (0.0045" or 0.11 mm paper thickness), Forms or Paper - 16 to 24 lbs, 60 to 90 gsm (0.0045" or 0.11mm maximum paper thickness)

Supplies Yield

Standard 15 million characters (draft mode at 10 cpi)

- Fabric Ribbon

Standard Ports

Centronics IEEE 1284 Bidirectional Parallel, Serial RS232C / RS422

Optional Network Ports

External MarkNet™ N7002e Fast Ethernet (parallel)

Printer Languages (Standard)

Epson Emulation, PPDs

Text Fonts

Fast Draft, Draft, Courier, Gothic, 10, 12, 15, 17.1, 20 cpi

Packaged Size (mm - H x W x D)

397 x 793 x 422 mm

Packaged Size (in. - H x W x D)

15.6 x 31.2 x 16.6 in.

Size (mm - H x W x D)

275 x 619 x 287 mm

Size (in. - H x W x D)

10.8 x 24.35 x 11.3 in.

Weight (kg)

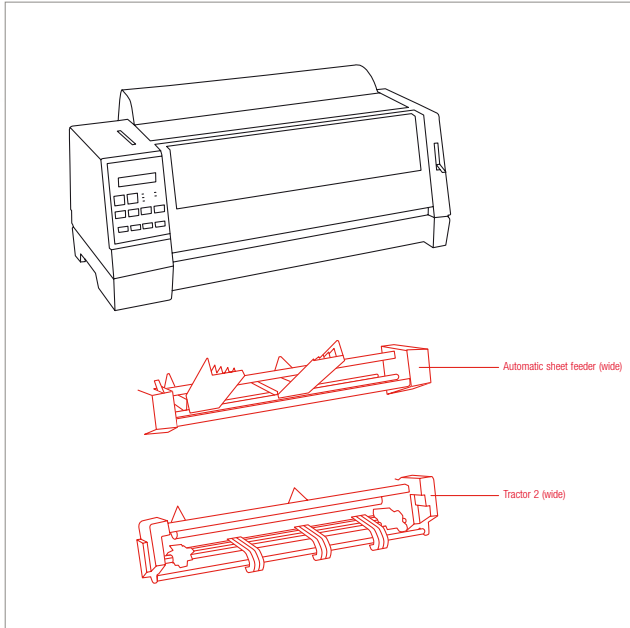
16.5 kg

Weight (lb.)

36.3 lbs.

Print Noise Level, Operating

55 dBA



■ Paper Handling Standard
■ Paper Handling Optional

Part #	Model
13L0194	Lexmark Forms Printer 4227 plus
Part #	Ribbons
13L0034	Ribbon Forms Printer 4227
Part #	Paper Handling
12T0694	2481, 2491, 4227+ Automatic Sheet Feed (wide)
13L0210	4227 Tractor 2
Part #	Connectivity
1021231	Parallel (10) Cable
14T0240	MarkNet N7002e Fast Ethernet Print Server - Parallel
Part #	Extended Warranties
2346452P	4227+ 2-Years Total (1+1) Onsite Service Guarantee
2346453P	4227+ 3-Years Total (1+2) Onsite Service Guarantee
2346454P	4227+ 4-Years Total (1+3) Onsite Service Guarantee
2347598P	4227+ 1-Year Renewal Onsite Service Guarantee

Forms and Bar Code Card

Lexmark's Forms and Bar Code Card provides two premium business solutions in one value-added printer option

Electronic Forms, Easy and Effective

Budget Friendly

- Eliminate preprinted forms
- Reduce storage costs
- Maximise printer investment
- Minimise network traffic

Powerful design

- Printer-based forms solution
- Central forms management
- Forms archive and retrieval
- No server required
- Instantly update forms

Superior compatibility

- No application changes
- Host independent
- Embedded bar code support
- SAP R/3 RDI support

Eliminate costly preprinted forms and help the environment

Preprinted forms are expensive to produce, store and handle. In addition, they can quickly become obsolete, forcing businesses to destroy and reprint them. The Lexmark Forms and Bar Code Card eliminates the costs associated with purchasing preprinted forms, cuts storage and handling costs, and provides the ability to dynamically update forms with new information. With this solution, users can print custom forms on-demand.

A simple approach to high-quality electronic forms

Lexmark Forms and Bar Code Card is an electronic module that installs in your printer or MFP in minutes. When combined with Lexmark Forms Composer¹, an electronic forms design tool, users can create custom electronic forms tailored to their needs. Once the module is installed, custom-designed forms can be downloaded directly to a Lexmark device's flash memory or hard disk using Lexmark Forms Manager⁽¹⁾.

Easily integrate electronic forms into your business

Integrating Lexmark Forms and Bar Code Card into an existing environment is simple; the solution generally requires no changes to host applications, nor does it require a host-based component. Data sent from the host computer (mainframe, mid-range, PC, etc.) flows directly to the printer where it is automatically merged with the correct form, creating a high-value hardcopy document. What's more, because forms are stored at the printer, the host must only send ASCII or SAP RDI data, reducing network traffic and improving throughput for all other network devices.

(1) Lexmark Forms Composer, Lexmark Forms Manager and Lexmark flash memory options must be purchased separately.

The Complete Bar Code Solution for Business

Complete solution

- 68 industry standard 1-D and 2-D bar codes
- OCR-A and OCR-B fonts included
- FREESCAPE emulation
- Includes visual bar code design software

Business ready

- Works with SAP R/3 and other ERP systems
- Accepts PCL and PostScript commands
- No host software required

Intelligent design

- Independently scalable bar heights and widths
- Data format verification and error reporting
- Automatic bar code data compression

Create professional quality bar codes

Bar codes are essential for many types of industries, including health care, retail, manufacturing, warehousing, transportation and logistics. Poorly printed, non-symmetrical or damaged bar codes can have an adverse effect on production, transactions and the efficient delivery of goods and services. The Lexmark Forms and Bar Code Card can reduce bar code issues by making it easy to create high-quality bar codes using your Lexmark laser printer or MFP. Bar codes are generated algorithmically in the printer, producing better image quality than bitmapped font-based solutions. Improved quality reduces the number of scan errors, increasing productivity.

Bar code design made simple

Lexmark Forms and Bar Code Card installs easily in Lexmark-compatible printers and MFPs. The electronic module allows these devices to generate high-quality one-dimensional and two-dimensional bar codes from PCL or PostScript print commands. The card includes Lexmark Visual Bar Code Designer to simplify the creation of PCL and PostScript bar code commands. This software can save hours by allowing programmers to visually select bar code types and characteristics.

SAP R/3 Compatible

The Lexmark Forms and Bar Code Card provides SAP R/3 customers with an intelligent, self-contained solution without requiring additional fonts or server-based software. A supplied device type for SAP R/3 allows utilization of all functions of the bar code option, allowing businesses to take control of bar code creation within their ERP system.

MINIMUM SYSTEM REQUIREMENTS

The following system requirements are the minimum necessary to install Lexmark Forms Composer, Lexmark Forms Manager, and Lexmark Visual Bar Code Designer software.

Operating System	<ul style="list-style-type: none">- Windows 2000 Professional SP4- Windows XP Professional SP1- Windows XP Professional SP2
PC Hardware	<ul style="list-style-type: none">- Pentium processor-based personal computer- 1GB RAM- CD ROM drive- 2-button mouse and 101-key keyboard- 1GB of available hard drive space

BAR CODES AVAILABLE (FOR ELECTRONIC FORMS)

One-dimensional: 3 of 9, Code 39, Code 93, Codabar, 2 of 5, EAN/JAN-8, EAN/JAN-13, HIBC128, ISBN, ISSN, ITF14, JIS-S-UCC, MSI, Postnet 5, Postnet 9, Postnet 11, RSS, UCC-EAN 128, UPC-A, UPC-E, USS 128, UCC 128, Planet

Two-dimensional: Aztec, Codablock F, DataMatrix, EAN/UCC Composite, Maxicode, MicroPDF417, PDF417, QR

BAR CODE FEATURES SUPPORTED (FOR PCL AND POSTSCRIPT DATA STREAMS)

- Visual Bar Code Designer eliminates trial and error to create the correct commands for a specific bar code in PCL and PostScript
- Support for International Printing for mySAP Business Suite font, Andale WorldType in UNICODE 3.0 UTF-8 format
- PCL and PostScript command access for bar codes in applications
- FREESCAPE emulation alternate escape code feature
- Capability to embed text with selectable positioning
- Data format verification and error reporting
- Automatic bar code data compression (when required)
- Automatic bar code checksum calculation and character placement (when required)
- Automatic placement of special characters (prefix, start/stop, guard bars, etc., when required)
- Selectable fonts and automatic scaling
- Automatic text printing with selectable placement
- Bar code 3 of 9 standard in Lexmark C78x, C935, T65x, W840, X65x, C78x, X85x and X94x products

ONE-DIMENSIONAL BAR CODES (FOR PCL AND POSTSCRIPT DATA STREAMS)

- Australian Postal 4-State bar code, 37-CUST, 52-FF-MET, 67-FF-MET
- British Royal Mail 4-State Bar Customer (RM4SCC)
- Codabar
- Codabar + mod16 check digit
- Code 128 A, Code 128 B, Code 128 C
- Code 128 autoswitch
- Code 3 of 9
- Code 3 of 9 + check digit
- Code 3 of 9 space encoding
- Code 3 of 0 space encoding + check digit
- Code 3 of 9 extended
- Code 3 of 9 extended + check digit
- Code 93, Code 93 extended
- Danish PTT 3 of 9,
- Dutch Postal 4-State bar code
- EAN/JAN-13
- EAN/JAN-13 + 2-digit supplemental
- EAN/JAN-13 + 5-digit supplemental
- EAN/JAN-8
- EAN/JAN-8 + 2-digit supplemental
- EAN/JAN-8 + 5-digit supplemental
- French Postal 3 of 9 A/R
- German Postal 2 of 5 Identcode
- German Postal 2 of 5 Leitcode
- HIBC 39 PAS
- HIBC 39 SLS
- HIBC 128 PAS
- HIBC 128 SLS
- Industrial 2 of 5
- Industrial 2 of 5 + check digit
- Interleaved 2 of 5
- Interleaved 2 of 5 + check digit
- ISBN
- ISBN+5
- ISSN,
- ISSN+5
- ISSN+2
- ITF-14
- Japan Postal 4-State bar code
- Matrix 2 of 5
- Matrix 2 of 5 + check digit
- MSI (Plessey)
- MSI + mod 10 check digit
- MSI + mod10 + mod10 check digits
- MSI + mod11 + mod10 check digits
- MSI, MSI + mod10 check digits
- PLANET Code
- POSTNET 11-digit Delivery Point Code
- POSTNET 5-digit ZIP Code
- POSTNET 9-digit ZIP + 4 Code
- RSS-14
- RSS-14 Stacked
- RSS-14 Limited
- RSS-14 Expanded
- RSS-14 Truncated
- RSS-14 Stacked Omnidirectional
- Singapore Postal 4-State bar code for customer Encoding
- Swiss postal bar code
- UCC 128, EAN 128
- UPC-A
- UPC-A+2-digit supplemental
- UPC-A+5-digit supplemental
- UPC-E
- UPC-E+2-digit supplemental
- UPC-E+5-digit supplemental
- USPS FIM (Face Indicator Marking)
- USPS Expanded POSTNET
- USPS sack label, 8-digit 2 of 5
- USPS tray label, 10-digit 2 of 5

TWO-DIMENSIONAL BAR CODES (FOR PCL AND POSTSCRIPT DATA STREAMS)

- Codablock F
- Data Matrix
- PDF 417
- MicroPDF 417
- QR
- UPS MaxiCode

COMPOSITE BAR CODES (FOR PCL AND POSTSCRIPT DATA STREAMS)

- UPC-A
- UPC-E
- EAN
- UCC128
- RSS-14

BAR CODE RELATED FONTS (FOR PCL AND POSTSCRIPT DATA STREAMS)

Letter Gothic	Scalable	EAN/UPC 13 mil	Bitmap
Code 3 of 9 - 4.69 pitch	Bitmap	USPS POSTNET	Bitmap
OCR-A	Bitmap	Euro and other currency symbols	Scalable
OCR-A	Scalable	Electrical symbols	Scalable
OCR-B	Scalable	Manufacturing symbols	Scalable
Code 3 of 9 - 8.11 pitch	Bitmap	Line Draw	Bitmap
EAN/UPC 10 mil	Bitmap		

ORDERING INFORMATION

BAR CODE CARD

Lexmark C534dn/dtn/n	36B0140
Lexmark C780dn/dtn/n, C782dn/dtn/n	10Z0400
Lexmark C920dn/dtn/n	13N1340
Lexmark E450dn	33S0810
Lexmark T640dn/dtn/n, T642dtn/n/tn, T644dtn/n/tn	20G0737
Lexmark W840dn/n	25A0036
Lexmark X642e	22G0626
Lexmark X644e, X646dte/e	22G0350
Lexmark X646ef	21J0347
Lexmark X782e	21J0577
Lexmark X850e, X852e, X854e	15R0091

BAR CODE AND FORMS CARD

Lexmark C935dn/dtn/dttn/hdn	21Z0363
Lexmark X940e, X945e	21Z0367

FORMS CARD

Lexmark C534dn/dtn/n	36B0144
Lexmark C780dn/dtn/n, C782dn/dtn/n	10Z0402
Lexmark C920dn/dtn/n	13N1345
Lexmark E450dn	33S0820
Lexmark T640/dn/dtn/n, T642/dtn/n/tn, T644/dtn/n/tn	20G0742
Lexmark W840dn/n	25A0037
Lexmark X642e	22G0627
Lexmark X644e, X646dte/e	22G0353
Lexmark X782e	21J0578
Lexmark X850e, X852e, X854e	15R0094

FORMS AND BAR CODE CARD

Lexmark C734dn/dtn/dw/n, C736dn/dtn	25C0433
Lexmark E460dn/dw, E462dtn	34S0975
Lexmark T650dn/dtn/n, T652dn/dtn/n	30G0830
Lexmark T654dn/dtn/n	30G0834
Lexmark W850dn/n	19Z0032
Lexmark X463de, X464de, X466de/dte/dwe	34S7721
Lexmark X651de, X652de, X654de, X656dte, X658dfe/dme/dtfe/dtme	16M1253
Lexmark X734de, X736de, X738de/dte	MS00497
Lexmark X860de, X862de, X864de	19Z0030

T656 FORMS AND BAR CODE CARD

Lexmark T656dne	30G0238
-----------------	---------

PrintCryption™ Application Solution



High-level Security Protection for Business

Provides a higher level of security with minimal administrator support

Strengthens security for proprietary and confidential information when transmitted over a TCP/IP network

Supports secure key management protocols with session keys or persistent keys

Ideal for businesses handling sensitive or personal information, such as financial institutions, government agencies and healthcare organisations

AES encryption meets FIPS-197 requirements (Federal Information Processing Standard)

Lexmark has extended its technology leadership with the introduction of the Lexmark PrintCryption™ Application Solution designed to protect sensitive information as it is printed. The new Lexmark PrintCryption™ Application Solution delivers encryption and decryption capabilities for secure printing to Lexmark network printers. This new level of printing security is ideal for businesses handling highly confidential, personnel, financial, medical, technical or proprietary business information.

Product overview

The PrintCryption™ Solution provides corporate environments with strengthened printing security.

The new Lexmark PrintCryption™ Solution works with software from Levi, Ray and Shoup, Inc. (LRS), VPS/TCP/IP 8.0 or later and VPS/Secure 8.0 or later, to provide encrypted, end-to-end print job security between common mainframe and Windows systems and wired or wireless Lexmark network printers.

A command line utility (DCP) is used to encrypt print jobs for Linux, Sun Solaris, HP-UX and IBM AIX.

Compatibility

The Lexmark PrintCryption™ Application Solution provides support for the Advanced Encryption Standard (Rijndael algorithm). The printer must be connected to the TCP/IP network using the standard Ethernet connection in the network printer models. Unique TCP/IP port numbers are used for the encrypted print information. The card decrypts and prints the information appropriate for the port.

The PrintCryption™ Application Solution for Lexmark multi-function devices and network printers is designed to provide security for proprietary and confidential documents.



PrintCryption document from PC



Printer enabled with PrintCryption



PACKAGE CONTENTS

- Lexmark PrintCryption™ Card
- Installation instruction sheet (French, German, Italian, Spanish, English and Portuguese)
- CD-ROM with the license agreement, README in PDF format and encryption software. Use selected UNIX and Windows system environment.
- Encryption software is included to secure and support print data sent from supported systems: Sun Solaris (7, 8, 9), Linux (Red Hat 7, 8, Caldera 3.1, SuSE 8), Microsoft Windows (98, Me, NT 4.0, 2000 and XP), *Apple Mac OS X, HP-LUX 10, 11, and *IBM AIX 4.3, 5.0.

EXPORT RESTRICTIONS

These products have been classified by the US Bureau of Industry and Security under ECCN 5D002 (c.1) as retail PrintCryption items exportable to certain countries under License Exception ENC, Section 740.17 (b) (3) of the Export Administration Regulations. These products are subject to U.S. export control laws and may be subject to export or import regulations in other countries. Licenses and approvals to export, re-export, or import this product may be required after delivery.

These products may not be exported or re-exported to any countries (or any nationals of such countries) that support international terrorism, including, but not limited to, Cuba, Iran, Iraq, Libya, North Korea, Sudan and Syria. These products may not be exported for use in the design, development, production or use of nuclear, biological or chemical weapons.

ORDERING INFORMATION

Lexmark C534dn/dtn/n	36B0147	Lexmark X644e, X646dte/e	22G0352
Lexmark C734dn/dtn/dw/n, C736dn/dtn/n,	30G0829	Lexmark X850e, X852e, X854e	15R0093
E460dn/dw, E462dtn, T650dn/dtn/n, T652dn/dtn/n,		Lexmark X940e, X945e	21Z0370
T654dn/dtn/n, T656dne, W850dn/n, X463de,			
X464de, X466de/dte/dwe, X651de, X652de,			
X654de, X656de/dte, X658dfe/dme/dtfe/dtme,			
X734de, X736de, X738de/dte, X860de, X862de,			
Lexmark C780dn/dtn/n, C782dn/dtn/n	10Z0403		
Lexmark C920dn/dtn/n	13N1343		
Lexmark C935dn/dtn/dttn/hdn	21Z0366		
Lexmark T640dn/dtn/n, T642dtn/n/tn, T644dtn/n/tn	20G0740		
Lexmark W840dn/n	25A0034		
Lexmark X642e	22G0628		

IPDS and SCS / TNe Application Solution



Affordable, Flexible Host-Based Printing

**AFP/IPDS or SCS printing
over TCP/IP**

**Supported in both mono and
colour laser printers**

**Concurrent support for
multiple datastreams**

**Supports resident scaleable
fonts**

**Emulation of common IBM
IPDS and SCS printers**

**Provides traditional coax or
twinax printing if needed**

The Affordable Application Solution

Lexmark Application Solution for IPDS and SCS/TNe is an inserted card that provides customers a way to print all types of output, host-based or client-based, on their network-attached Lexmark laser multifunction device or printer. With the Lexmark Card for IPDS and SCS/TNe businesses can use their multi-function devices and printers for both network printing and for IBM AS/400 or mainframe jobs. Printing bar codes, forms, publications and graphics can be done with ease. Now enterprises can realise the cost and time savings associated with true distributed printing.

Assured Compatibility

The Lexmark Application Solution for IPDS and SCS/TNe option for network-attached multifunction devices and printers provides IBM IPDS or SCS printer emulation. Without any changes to host applications or software, businesses will be able to direct their legacy output (AFP/IPDS or SCS) across your LANs using today's popular TCP/IP protocol. The solution is also compatible with IBM mainframe or IBM AS/400 applications that generate SCS (LU1) output or with applications that output AFP/IPDS through Print Services Facility (PSF).

Configuration Freedom

Maximise investment and productivity by locating your Lexmark multifunction device or printer whenever you need it, while maximising productivity. Thanks to Lexmark's SmartSwitch auto-emulation sensing built into almost all Lexmark printers, printers will automatically switch to the proper document language, whether it is SCS, IPDS, PostScript or PCL emulation.

Easy Network Attachment

With Lexmark's Card option, customers can easily migrate from coax or twinax cable connections to Ethernet. To help in the process, Lexmark provides customers a range of both internal and external print servers and adapters for use on Fast Ethernet, 802.11g Wireless, Fibre, and Token Ring networks. For those needing a traditional connection, the Coax/Twinax Adapter for SCS is also available.



The application solution designed for AFP/IPDS or SCS printing over TCP/IP to Lexmark network laser multifunction devices and printers.

COAX/TWINAX ADAPTER

MEMORY REQUIREMENTS

6MB minimum

NETWORK ATTACHMENT

Hardware

- Standard Ethernet (100BaseTX/10BaseT)
- Network printer port
- MarkNet N2000, N2100, N8000 series of network print servers
- MarkNet X2000 (AFP/IPDS only)

Software for AFP/IPDS Printing over

- TCP/IP PSF/MVS V2.2 or later
- PSF/MVS V3.1 or later
- PSF/VSE Version 2.2 with APAR/PTF: DY45247/UD51162
- PSF/VM Version 2.1 with APAR PQ39895 (PTF UQ45995)
- IBM iSeries or AS/400 OS/400 V3R1, V3R2, V3R6, V3R7, V4R1, V4R2, V4R3, V4R4, V5R1, V5R2 or later through PSF
- PSF for OS/2 (PSF/2) 2.0
- PSF for AIX (PSF/6000) 2.1 or later

Software for SCS LU1 Printing using a Gateway and TCP/IP

If TN3270E or TN5250 capable SNA gateway software supports the TN3270E or TN5250 protocol according to RFC 2355, then a TN3270E or TN5250 session can be used to print SCS jobs directly from a mainframe or AS/400 TN3270E or TN5250 session can be used to print SCS jobs directly from a mainframe or AS/400

Software for SCS LU1 Printing over TCP/IP

- IBM iSeries or AS/400 for TN5250E SCS LU1 printing as an IBM 3812-01 printer: IBM iSeries or AS/400 OS/400 V3R7 or later with all PTFs applied
- IBM Mainframe for TN3270E SCS (LU1) printing as an IBM 3287 printer: IBM Communications Server (CS) for OS/390 Version 2 Release 5 or later on ESA systems
- TCP/IP for MVS Version 3 Release 2 or later
- TCP/IP for VM/ESA Version 2 Release 4 or later (function level 310 or later)
- TCP/IP for VSE/ESA V1 R3 or later using General Print Server Feature
- Using Cisco 7500 Series Routers

DIRECT TWINAXIAL ATTACHMENT(1)

Hardware

- IBM 3174 Control Unit
- ES/9000 Work Station Subsystem Controller Software

Any application or host software that generates the data stream for one of the emulated printers such as:

- PSF/MVS V2.2 or V3.1 or later
- PSF/VSE V2.2.1, 2.2.0

- PSF/VM V2.1.1, 2.1.0 (with maintenance)
- VTAM Printer Support R70 or later (VPS, VPS/IPDS Levi, Ray and Shoup software)
- GDDM V2.3 with APAR
- RSCS V3.2 or later

DIRECT COAXIAL ATTACHMENT(1)

Hardware

- IBM iSeries or AS/400e servers, e-systems or Twinaxial Workstation Controllers
- 5494 or 5394 Remote Control Unit

Software

- AS/400 PSF/400 V3R1 to V5R2
- AS/400 OS/400 V3R1 to V5R2
- AS/400 OS/400 V3R6 with System Support Program (SSP) Release 7.5(2)
- AS/400 SSP Release 7.1(2)

ORDERING INFORMATION

Lexmark C734dn/dtn/dw/n, C736dn/dtn	25C0434	Lexmark X651de, X652de, X654de, X656dte,	16M1254
Lexmark C780dn/dtn/n, C782dn/dtn/n	10Z0401	X658dfe/dme/dtfe/dtme	
Lexmark C920dn/dtn/n	13N1341	Lexmark X734de, X736de, X738de/dte	MS00498
Lexmark C935dn/dtn/dttn/hdn	21Z0364	Lexmark X782e	21J0579
Lexmark E460dn/dw, E462dtn	34S0074	Lexmark X850de, X852e, X854e	15R0092
Lexmark T640dn/dtn/n, T642dtn/n/tn, T644dtn/n/tn	20G0738	Lexmark X860de, X862de, X864de	19Z0031
		Lexmark X940e, X945e	21Z0368
Lexmark T650dn/dtn/n, T652dn/dtn/n	30G0831		
Lexmark T654dn/dtn/n	30G0835		
Lexmark T656dne	30G0232		
Lexmark W840dn/n	25A0032		
Lexmark W850dn/n	19Z0033		
Lexmark X463de, X464de, X466de/dte/dwe	34S7720		
Lexmark X644e, X646dte/e	22G0351		

(1) Requires Coax/Twinax Adapter for SCS p/n 11K4120. (2) PDS Advanced Function PRPQ required

Lexmark Print Servers

Six great reasons to connect with Lexmark!



Cost-efficiency

Network printing is smart for every businesses bottom line. By connecting your printer with a Lexmark print server, you can significantly boost workflow efficiency, drive down capital expenses, save money on supplies and consumables and reduce maintenance intervention.

Optimal performance

Now you can leverage all the power and performance of your Lexmark printer, no matter what type of network you have. You can also break free from cables with our 802.11n and 802.11g wireless print servers, which let you place your printers wherever they're most productive for your business.

Top-notch security

For greater peace of mind, Lexmark's N8000 and N8100 series are armed with the latest 802.1x authentication methods to ensure your applications are protected. Plus, our MarkNet N8150 802.11n or N8050 802.11g wireless print server offers WPA-Enterprise security for high-level data protection, password controls, user restrictions and much more.

INTERNAL PRINT SERVERS

Boost business productivity by attaching your Lexmark devices directly to your network with one of these high-performance print servers. There's one for every need, including Fast Ethernet, Gigabit Ethernet, Fibre, 802.11n and 802.11g wireless...

Fast Ethernet print server

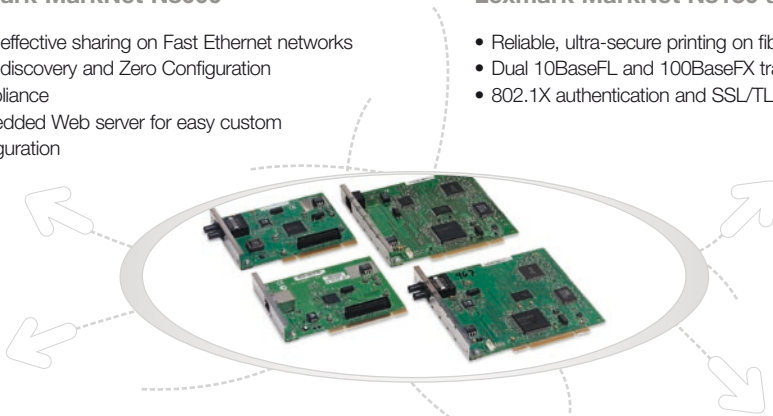
Lexmark MarkNet N8000

- Cost-effective sharing on Fast Ethernet networks
- Auto-discovery and Zero Configuration compliance
- Embedded Web server for easy custom configuration

Fibre Ethernet print server

Lexmark MarkNet N8130 and N8030

- Reliable, ultra-secure printing on fibre networks
- Dual 10BaseFL and 100BaseFX transceivers
- 802.1X authentication and SSL/TLS security



Gigabit Ethernet print server

Lexmark MarkNet N8120 and N8020

- High-speed performance for Gigabit Ethernet networks
- Compatible with both Fast and Gigabit Ethernet networks
- 802.1X authentication and SSL/TLS security

802.11 Wireless print server

Lexmark MarkNet N8150 and N8050

- Wi-Fi certified
- WPA-Enterprise security for high-level data protection
- Compatible with 802.11n/g/b (MarkNet N8150) and 802.11g/b (MarkNet N8050) products

Simplified network management

Lexmark's internal and external print servers support Lexmark's award-winning MarkVision Professional software, which lets you manage your network of devices easily and effectively. MarkVision also provides proactive tools, such as automated email alerts for low toner and paper.

Very easy set-up

Whether you're working in a Windows or Mac environment, you can benefit from auto-discovery and zero configuration to be up and running quickly, with virtually no interruption to your business. You can also use the embedded Web server for hassle-free custom-configuration.

Flexible and future-proof

In addition to being compatible with multiple network types, Lexmark servers support most standards and applications, including TCP/IP, IPP, IPX/SPX and AppleTalk printing. For further investment protection, you can also upgrade easily to the latest features, using downloadable firmware updates.



EXTERNAL PRINT SERVERS

Lexmark's external print servers offer businesses an easy and affordable way to place a Lexmark or third-party laser, inkjet or dot matrix printer in just about any major network environment...

Fast Ethernet

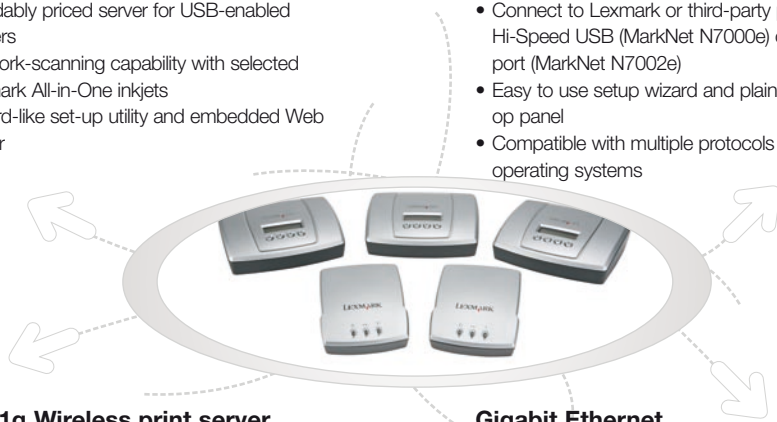
Lexmark N4000e

- Affordably priced server for USB-enabled printers
- Network-scanning capability with selected Lexmark All-in-One inkjets
- Wizard-like set-up utility and embedded Web server

Fast Ethernet

Lexmark MarkNet N7000e & N7002e

- Connect to Lexmark or third-party printers via Hi-Speed USB (MarkNet N7000e) or Parallel port (MarkNet N7002e)
- Easy to use setup wizard and plain text LCD op panel
- Compatible with multiple protocols and operating systems



802.11g Wireless print server

Lexmark N4050e

- Easy set-up via USB connection
- WPA (Wi-Fi Protected Access) Personal Security
- Network-scanning capability with selected Lexmark All-in-One inkjets

Gigabit Ethernet

Lexmark MarkNet N7020e

- Connects to Lexmark or third-party printers via 4 Hi-Speed USB ports
- Printer pooling
- Advanced network management with MarkVision Professional

Lexmark Print Servers

Internal Print Servers

NETWORK CAPABILITIES	MARKNET N8000 SERIES	MARKNET N8100 SERIES
Network Printing Methods		
LPR/LPD	●	●
Direct IP (Port 9100)	●	●
Socket (Raw TCP/IP)	●	●
IPP 1.0 (Internet Printing Protocol)	●	●
IPP 1.1		●
HTTP	●	
Lexmark Enhanced TCP/IP Print Port (port 9400)	●	●
NDS Queue-based printing	●	●
NDPS/NEPS (Novell Distributed Print Services, Novell Netware Enterprise Print Solutions)	●	●
Browser Supported		
Microsoft Internet Explorer 5.x, 6.x (or later)	●	●
Netscape Navigator 6.x, 7.x (or later)	●	●
Apple Mac OS X Safari 1.0 (or later)	●	●
Mozilla FireFox 1.0 (or later)	●	●
Protocols		
TCP/IP (IPv4)	●	●
NetWare (IPX/SPX)	●	●
AppleTalk	●	●
LexLink (DLC/LLC)	●	●
IPv6	●	●
Advanced Security Features		
SSL Enabled Embedded Web Server	●	●
SNMPv3	●	●
TCP/IP port access control	●	●
Authenticated & encrypted MarkVision Professional communication	●	●
802.1x Authentication: MD5, MSCHAPv2, LEAP, PEAP, TLS, TTLS	●	●
WEP Encryption (64- and 128-bit key)	●	●
WPA™ - Personal	●	●
WPA™ - Enterprise	●	●
WPA™2 - Personal		●
WPA™2 - Enterprise		●
<i>Function may vary by printer or MFP.</i>		
Product Compatibility		
	T64x, W84x, C524n, C534n, C78x, C9x, X64x, X85x, X94x (Also, C510, C752, C76x, C920, T63x, T64x for MarkNet N8000)	T65x, X46x, X65x, C73x, X73x, W85x, X86x
MarkVision Supported		
	Yes	Yes
Upgradeable Firmware		
	Yes	Yes

Specifications are subject to change without notice. Lexmark, Lexmark with diamond design is trademark of Lexmark International, Inc. registered in the United States and/or other countries. All other trademarks are the properties of their respective owners.

External Print Servers

NETWORK CAPABILITIES	N4000 SERIES	MARKNET N7000E MARKNET N7002E	MARKNET N7020E
Network Printing Methods			
LPR/LPD	●	●	●
Direct IP (Port 9100)	●	●	●
IPP 1.0	●	●	●
IPP 1.1		●	●
HTTP	●	●	●
Lexmark Enhanced TCP/IP Print Port (port 9400)		●	●
NDS Queue-based printing		●	
NDPS/NEPS (Novell Distributed Print Services, Novell Network Enterprise Print Solutions)		●	●
Browser Supported			
Microsoft Internet Explorer 5.x, 6.x (or later)	●	●	●
Netscape Navigator 6.x, 7.x (or later)	●	●	●
Apple Mac OS X Safari 1.0 (or later)	●	●	●
Mozilla FireFox 1.0 (or later)	●	●	●
Protocols			
TCP/IP (IPv4)	●	●	●
IPv6		●	●
NetWare (IPX/SPX)		●	
AppleTalk		●	
Advanced Security Features			
SSL Enabled Embedded Web Server		●	●
SNMPv3		●	●
TCP/IP port access control		●	●
Authenticated & encrypted MarkVision Professional communication		●	●
802.1x Authentication: MD5, MSCHAPv2, LEAP, PEAP, TLS, TTLS		●	●
WEP Encryption (64- and 128-bit key)	●		
WPA™ - Personal	●		
IPSec		●	●
WPA™ - Enterprise			●
Product Compatibility			
	All USB enabled printers	All USB enabled printers for MarkNet N7000e, and all parallel port printers for MarkNet N7002e	All USB enabled printers
MarkVision Supported			
	No	Yes	Yes
Upgradeable Firmware			
	Yes	Yes	Yes

MarkVision Professional

Powerful Remote Multifunction Device and Printer Management

Pro-active Monitoring

- Real-time remote operator panel and printer status
- Real-time filterable notification of printer conditions
- Perform tasks automatically depending on printer conditions

Confidence for your Help Desk

- Monitor both Lexmark and 3rd Party multifunction devices and printers
- Apply enhanced secure communications settings quickly
- Install and configure multiple devices simultaneously

Simple, flexible interface

- Customise most important tasks on a single home page
- Group devices logically by any criteria using dynamic filters
- Find printers easily and quickly using multiple methods

Pro-active real-time remote management.

MarkVision Professional is designed to reduce the overall cost of network printing services while increasing the availability and variety of printing resources for all users. With more and more print devices distributed across organisations, the need for a printer and multifunction device management tool has become even more critical. MarkVision Professional makes it easy to set up, manage and maintain your printers and multifunction devices, while increasing productivity across your enterprise.

A solution that satisfies IT and your Helpdesk center.

MarkVision Professional gives you the ability to monitor, configure and manipulate networked printer and multifunction devices in your enterprise, including those at different sites, in real time from one central point or through a web browser anywhere in the company.

This will help in preventing and if necessary resolving printing problems quickly and cost effectively.

Go one step further and automate processes!

Inside MarkVision Professional, the MarkVision Messenger listens for certain printer events to occur, then sends an alert automatically when that condition arises. It provides real-time notification of printer conditions via e-mail, paging or other applications. It also facilitates automated response to any alert before it becomes critical and disruptive to user productivity.

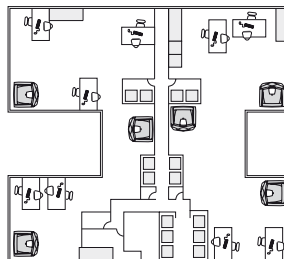
Too many printers, too little time?

MarkVision Professional lets you organise your printers into a tree-like structure similar to that of a corporate organisational chart. In this way, you can locate and monitor those devices quickly and easily.

A Home Task Page allows users to create groups of tasks by adding or removing tasks to fit the organisation's needs.

When you have many printers on your network, being able to choose and view only those mission-critical printers or any other priority printer condition you can formulate, is essential. MarkVision Professional can automatically group devices into folders based on real-time status alerts, or filters.

The MarkVision Professional™ print management application increases end-user productivity while reducing IT and Helpdesk cost through easy-to-use remote problem prevention and resolution.



SERVER AND CLIENTS ENVIRONMENTS SUPPORTED

Apple Macintosh Operating Systems Supported

- Mac OS X 10.4 (or higher)

Microsoft Windows Server and Client Operating Systems Supported (Intel 32-bit architecture only)

- Microsoft Windows 2000 Server
- Microsoft Windows XP Professional
- Microsoft Windows Server 2003 (including R2)
- Microsoft Windows Server 2008
- Microsoft Windows Vista Enterprise / Business

Linux Operating Systems Supported (Intel 32-bit architecture only)

- Red Hat Enterprise 4.0, 5.0
- SuSE Linux Professional 10
- SuSE Linux Professional 11

Linux Operating Systems Supported

- HP-UX 11.11 (on PA-RISC architecture)
- IBM AIX 5.3 (on POWER and PowerPC architecture)
- Sun Solaris SPRAC 9, 10

FEATURES SUPPORTED

- Plug-in support for new devices and functions to reduce need for re-installing the software
- Customisable user interface
- Remote Printer Monitoring and Management
- Real-time pro-active alerts with filtering
- User Accounts and groups
- Dynamic device folders and filters
- Quick printer find
- Scheduled tasks
- Automatic TCP/IP and IPX discovery
- Management of other manufacturers printers
- Links to multiple web pages
- Runs as an application or in a browser
- Customisable home Task page

LEXMARK CONNECTIVITY SUPPORTED

- MarkNet N2000, N8000, N8100, X2000 and N7000 Series print servers

NETWORK PRINTERS SUPPORTED*

Full bi-directional (NPAP)

- Opra Family of Laser Printers
- Lexmark E323n, E332n, E36x, E46x
- Lexmark T, C, W
- Lexmark MFP range - X20x, X26x, X34x, X36x, X422, X46x, X50x, X54x, X64x, X65xde, X73xde, X772e, X782e, X83xe, X85xe, X86xde X94xe

Using SNMP (For the full list please read the Markvision Professional User Guide)

- Any common-MIB compliant printer or MFP
- Specific support is provided for:
 - Brother HL-1470N Series
 - Brother HL-1650/1670N Series
 - Brother HL-2460 Series
 - Canon GP 200D
 - Canon Image Class 2100
 - Canon imageRUNNER 330/400, 500, 600, Canon 2800 and 5000i
 - HP 2000, 2500C
 - HP 8550MFP, 8550GM, 2250TN
 - HP Colour LaserJet 4550, 8500
 - HP Colour LaserJet 2500, 3700, 5500, 4600
 - HP LaserJet 4100 Series and 4100 MFD

- IBM Infoprint 20, 21
- IBM Network Printer 12, 17
- Konica KL-3015
- Kyocera FS-1700/1750, FS-3700+/3750, FS-7000/9000/9000DN- Kyocera FS 1800/3800
- Minolta Colour PageWorks, PageWorks 20
- Minolta-QMS Magicolor 2200 and 3100
- NEC SuperScript 1800
- QMS Magicolour 2, 6100
- Ricoh Aficio 450/455, 550, 650, 750, 850, 180, 270, modem 1045
- Ricoh Aficio 350/355
- Ricoh AP3800C Series
- Tektronix Phaser 350, 550, 560, 740E, 780GN, 840DX, 750dx, 750, 850
- Xerox DocuColour 4CP
- Xerox DocuColour 2006
- Xerox Document Centre 220ST, 230ST, 240ST, 440six, 332ST, 340ST, 265ST
- Xerox DocuPrint 4512, C55/C55mp

Lexmark Compatibility Table and Options

DESCRIPTION	PART #	MODEL
PAPER HANDLING		
+ Automatic Sheet Feed (wide)	12T0694	2481, 2491, 2581/n, 2591/n, 4227 plus
150-Sheet Paper Tray	3060199	X9550, X9575
2 x 500-Sheet Drawer	15R0146	W840/dm/n, W850dm/n, X850e, X860de, X862de, X864de
200-Sheet Universally Adjustable Drawer	2061223	T640/dm/dtm/n, T642/dtm/n/h, T644/dtm/n/h, X642e, X644e, X646dte/e
200-Sheet Universally Adjustable Tray	20G1224	T640/dm/dtm/n, X642e, X644e, X646dte/e
200-Sheet Universally Adjustable Tray with Drawer	30G0871	T650dm/dtm/n, T652dm/dtm/n, T654dm/dtm/n, T656dne, X651de, X652de, X654de, X656dte
200-Sheet Dual Input	15R0120	W840/dm/n, W850dm/n, X850e, X860de, X862de, X864de
2000-Sheet High Capacity Feeder	20B2700	C772dn/dtm/n, C782dn/dtm/n
2000-Sheet High Capacity Feeder	20G0893	T640/dm/dtm/n, T642/dtm/h, T644/dtm/n/h, X642e, X644e, X646dte/e
2000-Sheet High Capacity Feeder	27S2400	C734dn/dm/dw/n, C736dn/dtm/n, X734de, X736de, X738de/dte
2000-Sheet High Capacity Feeder	30G0804	T650dm/dtm/n, T652dm/dtm/h, T654dm/dtm/n, T656dne, X651de, X652de, X654de, X656dte
2400 Cut Sheet Output Support Stand	12T0697	2480, 2481, 2490, 2491, 2580/n, 2581/n, 2590/n, 2591/n
250-Sheet Drawer	20G0889	T640/dm/dtm/n, T642/dtm/h, T644/dtm/n/h, X642e, X644e, X646dte/e
250-Sheet Drawer	33S0860	T650dm/dtm/n, T652dm/dtm/h, T654dm/dtm/n, T656dne, X651de, X652de, X654de, X656dte
250-Sheet Drawer	34S0250	E250/d/dn, E360d/dn, E460dn/dw, X264dn, X3633dn, X364dn/dw, X4633de, X4644de, X466de/dte/dwe
250-Sheet Duplex Unit	20G0887	T640/n
250-Sheet Duplex Unit	30G0806	T650/n
250-Sheet Tray	20G0679	T640/dm/dtm/n
2520-Sheet High Capacity Feeder Stand	21Z0304	C935dn
2x550-Sheet Drawer Printer Stand	13M1782	C920/dm/dtm/h
3500-Sheet Finisher (4-Hole)	21Z0310	C935dn/dm/dtm/hdn, X940e, X945e
3x520-Sheet Drawer Stand	21Z0305	C935dn
4.8 inch (12.2 cm) Spacer	27S2190	C734dn/dm/dw/n, C736dn/dtm, X734de, X736de, X738de/dte
400-Sheet Universally Adjustable Drawer	20G1218	T640/dm/dtm/n, T642/dtm/h, T644/dtm/n/h, X642e, X644e, X646dte/e
400-Sheet Universally Adjustable Tray	20G1217	T642/dm/n/h, T644/dm/n/h, X642e, X644e, X646dte/e
400-Sheet Universally Adjustable Tray with Drawer	30G0860	T650dm/dtm/n, T652dm/dtm/h, T654dm/dtm/n, T656dne, X651de, X652de, X654de, X656dte
5 inch (12.7 cm) Spacer	30G0854	T650dm/dtm/n, T652dm/dtm/h, T654dm/dtm/n, T656dne, X651de, X652de, X654de, X656dte
5-Bin Mailbox	20G3000	C772dn/dtm/n, C782dn/dtm/h
5-Bin Mailbox	20G0895	T640/dm/n, T642/dtm/n, T644/dtm/n/h
5-Bin Mailbox	30G0852	T650dm/dtm/n, T652dm/dtm/h, T654dm/dtm/n, T656dne

Lexmark Compatibility Table and Options

DESCRIPTION	PART #	MODEL
PAPER HANDLING		
500-Sheet Drawer	2082300	C7700/n, C7720/n/dtm/n, C7800/n, C7820/n/dtm/n
500-Sheet Drawer	2080890	T640/dn/dtm/n, T642/dtm/n/n, T644/dtm/n/n, X642s, X644e, X646dte/e
500-Sheet Duplex Unit	2030888	T642/n/n, T644/n/n, X642s, X644e, X646e
500-Sheet Tray	2082373	C7700/n/dtm/n, C7720/dtm/n, C7800/n/dtm/n, C7820/n/dtm/n, X772s, X782e
500-Sheet Tray	2030884	T640/dn, T642/dm/n/n, T644/dm/n/n, X642s, X644e, X646dte/e
520-Sheet Drawer Stand with Cabinet	2120307	C9350n
550-Sheet Drawer	13M1778	C920/dn/dtm/n
550-Sheet Drawer	16M1100	X658dte/dme/dtfe/dtme
550-Sheet Drawer	2830802	E240/n, E340, E342n
550-Sheet Drawer	2830803	E250/d/dm, E350d, E352dn, E450dn, X340, X342n
550-Sheet Drawer	3051710	C546dtn, X546dtn
550-Sheet Drawer	3030802	T6500/n/dtm/n, T6520/dtm/n, T6540/n/dtm/n, T6560/n, X651de, X652de, X654de, X656dte
550-Sheet Drawer	3430350	E260/d/dn, E360/d/dn, E460/dn/dw, X264dn, X363dn, X364dn/dw, X463de, X464de, X466de/dte/dwe
550-Sheet Drawer	3681600	C5320/n, C5340/n
550-Sheet Drawer Stand	14A1120	X5600/n
550-Sheet Duo Drawer with 100-Sheet MPF	3000551	C540n, C543dn, C544dn/dw/n, X543dn, X544dn/dtm/dw/n
Automatic Sheet Feed (narrow)	1270693	2480, 2490, 2580/n, 2590/n
Banner Media Tray	13M1360	C920/dn/dtm/n
Banner Media Tray	2085000	C7720/n/dm/n, C7820/n/dtm/n, X772s, X782e
Booklet Finisher (4-Hole)	2120311	C9350n/dm/dtm/hdn, X940e, X945e
Duplex Unit	13M1783	C920/n
Duplex Unit	14A1121	X560n
Duplex Unit	2082400	C770n, C772n, C780n, C782n
Duplex Unit	25A0015	W840/n, W850n
Envelope Drawer	1023100	C7820/n/dtm/n
Envelope Drawer	2083100	C7720/n/dtm/n
Envelope Feeder	2030891	T640/dn/dtm/n, T642/dtm/n/n, T644/dtm/n/n, X642s, X644e, X646dte/ef
Envelope Feeder	3030807	T6500/n/dtm/n, T6520/dtm/n, T6540/n/dtm/n, X658dte/dme/dtfe/dtme
Finisher (2 / 3-Hole)	15R0144	W840/dm/n, W850dm/n, X850e, X852e, X854e, X860dte, X862de, X864de
High Capacity Feeder	13M1248	C920/dn/dtm/n, X912e
High Capacity Feeder	15R0145	W840/dm/n, W850dm/n, X850e, X852e, X854e, X860dte, X862de, X864de

Lexmark Compatibility Table and Options

DESCRIPTION	PART #	MODEL
PAPER HANDLING		
High Capacity Output Stacker	3000853	T650dn/dtm/n, T652dn/dtm/n, T654dn/dtm/n, T656dne
High Capacity Output Stacker	2060896	T640/dn/dtm/n, T642/dtm/n/tn, T644/dtm/n/tn
Horizontal Kiosk Presenter	11K4E-48	T630/VE/dm/n/n VE, T632/dm/n/n, T634/dm/dtm/n/tn, T640/dm/dtm/n, T642/dm/n/tn, T644/dtm/n/tn
Kiosk Presenter	3060880	T650dn/dtm/n, T652dn/dtm/n, T654dn/dtm/n, T656dne
Outdoor Media Drawer	2083340	C772dn/dtm/n, C782-dm/dtm/n
Output Expander	2083050	C772dn/dtm/n, C782-dm/dtm/n
Output Expander	2060894	T640/dn/dtm/n, T642/dtm/n/tn, T644/dtm/n/tn
Output Expander	3060851	T650dn/dtm/n, T652dn/dtm/n, T654dn/dtm/n, T656dne
Staple Punch Finisher (3-Hole)	13M1784	C920/dn/dtm/n
Staple Punch Finisher (4-Hole)	13M1785	C920/dn/dtm/n
StapleSmart Finisher	2083060	C772dn/dtm/n, C782-dm/dtm/n
StapleSmart Finisher	2060897	T640/dn/dtm/n, T642/dtm/n/tn, T644/dtm/n/tn
StapleSmart II Finisher	3060850	T650dn/dtm/n, T652dn/dtm/n, T654dn/dtm/n, T656dne
Tractor 2	12T0695	2480, 2490, 2580/n, 2590/n
Tractor 2	12T0696	2481, 2491, 2581/n, 2591/n
Tractor 2	13L0210	4227 plus
Vertical Kiosk Presenter	11K4E-47	T630/VE/dm/n/n VE, T632/dm/n/n, T634/dm/dtm/n/tn, T640/dm/dtm/n, T642/dm/n/tn, T644/dtm/n/tn
X734e, X739e, X739e 550-Sheet Drawer	27S2100	C734dn/dm/dw/n, C736dn/dtm/n, C736dn/dtm/n, C736de, X738de/dte
X734e, X739e, X739e 550-Sheet Specialty Media Drawer	27S2650	C734dn/dm/dw/n, C736dn/dtm/n, C736de, X738de/dte
X850e W840 Finisher (2 / 4-Hole)	15R0143	W840/dm/n, W850dm/n, X850e, X852e, X854e, X860de, X862de, X864de
X850e Booklet Finisher (2/4-Hole)	15R0336	X850e, X852e, X854e, X860de, X862de, X864de
FURNITURE		
Cabinet Stand	21Z0306	C955dn
Caster Base	16M1207	T650dn/dtm/n, T652dn/dtm/n, T654dn/dtm/n, T656dne
Caster Base	16M1210	C734dn/dm/dw/n, C736dn/dtm/n, C736de, X738de/dte
Low Profile Printer Stand	13M1787	C920/dn/dtm/n
MFP Adjustable Stand (T)	12B0602	3100, 3200, T630, T632, T634, X4500
MFP Caster Base (X651, X652, X654, X656)	16M1216	X651de, X652de, X654de, X656dte
MFP Printer Base	22G0544	T640/dn/dtm/n, T642/dtm/n/tn, T644/dtm/n/tn, X642e, X644e, X646dte/e
MFP Printer Cabinet	22G0551	T640/dm/n, T642/dtm/n/tn, T644/dtm/n/tn, X642e, X644e, X646dte/e
Printer Cabinet	15R0140	W840/dm/n, W850dm/n, X850e, X860de, X862de, X864de

Lexmark Compatibility Table and Options

DESCRIPTION	PART #	MODEL
FURNITURE		
Printer Stand	16M1708	C760/dn/dtm/n, C762/dn/dtm/n, C770dn/dtm/n, C772dn/dtm/n, C780dn/dtm/n, C782dn/dtm/n, X4500
Printer Stand with Cabinet	13N1786	C920/dn/dtm/n
Scanner Shelf	21J0055	4600, C772dn/dtm/n, C782dn/dtm/n
Scanner Shelf for 4600 MFP Option	21J0050	4600 MFP Option, T642n/T644n, T642dn/n/n, T644dn/n/n
Scanner Stand with Cabinet	16C0700	4600 MFP Option, T642n/T644n, C772dn/dtm/n, C782dn/dtm/n, T642dn/n/n, T644dn/n/n
Swivel Cabinet	30S2765	C546dtn, C734dn/dtm/dw/n, C736dn/dtm/n, T650dn/dtm/n, T652dn/dtm/n, T654dn/dtm/n, T656dne, X546dtn, X651de, X652de, X654de, X656dte, X734de, X736de, X738de/dte
T Low Profile Printer Stand	16C0379	T520/d/dn/n, T522/dn/n, T620/dn/n/n, T622/dn/n/n, T630/VE/dn/n/n VE, T632/dtm/n, T634/dn/dtm/dtmf/n/n, T640/dn/dtm/n, T642/dtm/n/n, T644/dtm/n/n, X642e, X644e, X646dte/e
T Printer Stand	16C0389	T520/d/dn/n, T522/dn/n, T620/dn/n/n, T622/dn/n/n, T630/VE/dn/n/n VE, T632/dtm/n/n, T634/dn/dtm/dtmf/n/n, T640/dn/dtm/n, T642/dtm/n/n, T644/dtm/n/n
T Printer Stand with Cabinet	16C0369	T520/dn/n, T522/dn/n, T620/dn/n, T622/dn/n, T630/VE/dn/n/n VE, T632/dtm/n/n, T634/dn/dtm/dtmf/n/n, T640/dn/dtm/n, T642/dtm/n/n, T644/dtm/n/n
MFP OPTIONS		
Lexmark 4600 MFP Option (C772n)	21J0364	C772dn/dtm/n
Lexmark 4600 MFP Option (C782n)	21J0415	C782dn/dtm/n
Lexmark 4600 MFP Option, T642n/T644n	21J0114	T640dn/dtm/n, T642dtn/n/n, T644dtn/n/n
MarkNet N8110 V34 Fax Card	14F0652	X463de, X651de, X860de, X862de, X864de
MEMORY OPTIONS		
1024MB DDR2-DRAM	1025043	C734dn/dtm/dw/n, C736dn/dtm/n, T654dn/dtm/n, T656dne, W850dn/n, X560dn/n, X651de, X652de, X654de, X656de/dte, X658dfe/dme/dte/dtme, X734de, X736de, X738de/dte, X860de, X862de, X864de
128MB DDR-DRAM	13N1523	C522n, C524/dn/dtm/n, C530dn, C532dn/n, C534dn/dtm/n, C770dn/dtm/n, C772dn/dtm/n, C780dn/dtm/n, C782dn/dtm/n, C920/dn/dtm/n, C920/dn/dtm/n, C935dn/dtm/dtm/h/dn, T640/dn/dtm/n, T642/dtm/n/n, T644/dtm/n/n, W840/dn/n, X642e, X644e, X646dte/e, X850e, X852e, X854e, X856e, X940e, X945e
128MB DDR1-DRAM	1022298	C50n, C543dn, C544dn/dtm/dw/n, E260/d/dn, E360/d/dn, E460dn/dw, E462dtn, T650dn/dtm/n, T652dn/dtm/n, T654dn/dtm/n, X463de, X464de, X466de/dte/dwe, X543dn, X544dn/dtm/dw/n
128MB SDRAM DIMM	1021259	E240n, E340, E342n/n, E350d, E352dn, E450dn
256MB DDR-DRAM	13N1524	C522n, C524/dn/dtm/n, C530dn, C532dn/n, C534dn/dtm/n, C770dn/dtm/n, C772dn/dtm/n, C780dn/dtm/n, C782dn/dtm/n, C920/dn/dtm/n, C935dn/dtm/dtm/h/dn, T640/dn/dtm/n, T642/dtm/n/n, T644/dtm/n/n, W840/dn/n, X642e, X644e, X646dte/e, X850e, X852e, X854e, X856e, X940e, X945e
256MB DDR1-DRAM	1022299	C50n, C543dn, C544dn/dtm/dw/n, C546dtn, E360/d/dn, E460dn/dw, E462dtn, T650dn/dtm/n, T652dn/dtm/n, X463de, X464de, X466de/dte/dwe, X543dn, X544dn/dtm/dw/n, X546dtn

Lexmark Compatibility Table and Options

DESCRIPTION		PART #	MODEL
MEMORY OPTIONS			
256MB DDR2-DRAM		1025041	C734dn/dm/dw/n, C736n/dm/n, T654dn/dm/n, T656dme, W850dn/n, X560dn/n, X651de, X652de, X654de, X656de/dte, X659dfe/dme/dtfe/dtme, X734de, X736de, X738de/dte, X880de, X882de, X864de
256MB Flash Card		14F0245	C734dn/dm/dw/n, C736n/dm/n, E462dtn, T650dn/dm/n, T652dn/dm/n, T654dn/dm/n, T656dme, W850dn/n, X463d, X464de, X466de/dte/dtme, X651de, X652de, X654de, X656de/dte, X658dfe/dme/dtfe/dtme, X734de, X736de, X738de/dte, X860de, X862de, X864de
256MB SDRAM DIMM		1021260	E490n, T430/d/dn
32MB Flash Card		1021208	C52n, C524/dm/dm/n, C530dn, C532dn/n, C534dn/dm/n, C770n/dm/n, C772dn/dm/n, C780n/dm/n, C782dn/dm/n, C920/dm/dm/n, C935dn/dm/dm/n/hdn, E340, E342n/n, E380d, E352dn, E490dn, T640/dm/dm/n, T642/dm/n/n, T644/dm/n/n, W840/dm/n, X642a, X644e, X646dte/e/ef, X772e, X782e, X850e, X852e, X854e, X940e, X945e
32MB SDRAM DIMM		1021257	E240/n, E250d/dn, E340, E342n/n, E350d, E352dn, E450dn
512MB DDR-DRAM		13N1526	C522n, C524/dm/dm/n, C530dn, C532dn/n, C534dn/dm/n, C770n/dm/n, C772dn/dm/n, C780n/dm/n, C782dn/dm/n, C920/dm/dm/n, C935dn/dm/dm/n/hdn, T640/dm/dm/n, T642/dm/n/n, T644/dm/n/n, W840/dm/n, X642e, X644e, X646dte/e/ef, X850e, X852e, X854e, X940e, X945e
512MB DDRH-DRAM		1022301	C540n, C543dn, C544dn/dm/dw/n, C546dtn, E462dtn, T650n/dm/n, T652dn/dm/n, X463de, X464de, X466de/dte/dtme, X543dn, X544dn/dm/dw/n, X546dtn
512MB DDR2-DRAM		1025042	C734dn/dm/dw/n, C736n/dm/n, T654dn/dm/n, T656dme, W850dn/n, X560dn/n, X651de, X652de, X654de, X656de/dte, X659dfe/dme/dtfe/dtme, X734de, X736de, X738de/dte, X880de, X882de, X864de
64MB Flash Card		1021209	C52n, C524/dm/dm/n, C530dn, C532dn/n, C534dn/dm/n, C544dn/dm/dw/n, C546dtn, C770n/dm/n, C772dn/dm/n, C780n/dm/n, C782dn/dm/n, C920/dm/dm/n, C935dn/dm/dm/n/hdn, E360d/dn, T640/dm/dm/n, T642/dm/n/n, T644/dm/n/n, W840/dm/n, X264dn, X264dn, X363dn, X364dn/dw, X543dn, X544dn/dm/dw/n, X546dtn, X642a, X644e, X646dte/e/ef, X772e, X782e, X850e, X852e, X854e, X940e, X945e
64MB SDRAM DIMM		1021268	E240/n, E250d/dn, E340, E342n/n, E350d, E352dn, E450dn
Hard Disk (40+GB)		13N1530	C524dn/dm/n, C534dn/dm/n, C770n/dm/n, C772dn/dm/n, C780n/dm/n, C782dn/dm/n, C920/dm/dm/n, C935dn/dm/dm/n
Hard Disk (80+GB)		14F0102	C734dn/dm/dw/n, C736n/dm/n, T652dn/dm/n, T654dn/dm/n, T656dtn, W850dn/n, X463de, X464de, X651de, X652de, X654de, X656de/dte, X659dfe/dm/dtfe/dtme, X734de, X736de
Hard Disk with Adapter (80+GB)		13N1541	T640/dm/dm/n, T642/dm/n/n, T644/dm/n/n
APPLICATION SOLUTIONS			
Bar Code Card		1020400	C780n/dm/n, C782dn/dm/n
Bar Code Card		13N1340	C920n/dm/n
Bar Code Card		15R0091	X850e, X852e, X854e
Bar Code Card		20G0737	T640n/dm/n, T642dtn/n/n, T644dn/n/n
Bar Code Card		21J0347	X646ef
Bar Code Card		21J0577	X782e

Lexmark Compatibility Table and Options

DESCRIPTION		PART #	MODEL
APPLICATION SOLUTIONS			
Bar Code Card	2230350	X644e, X646dte/e	
Bar Code Card	2260626	X642e	
Bar Code Card	25A0036	W840dn/n	
Bar Code Card	33S0810	E450dn	
Bar Code Card	3680140	C534dn/dtm/n	
Bar Code and Forms Card	2120363	C955dn/dtm/dttm/hdn	
Bar Code and Forms Card	2120367	X940e, X945e	
Card for IPDS and SCS/TNe	1020401	C780n/dtm/n, C782dn/dttm/n	
Card for IPDS and SCS/TNe	13N1341	C920n/dtm/n	
Card for IPDS and SCS/TNe	16M1254	X651de, X652de, X654de, X656dte, X658dte/dtme/dtfe/dtme	
Card for IPDS and SCS/TNe	2030738	T640dn/dtm/n, T642dttm/n/hn, T644dttm/n/hn	
Card for IPDS and SCS/TNe	2110579	X782e	
Card for IPDS and SCS/TNe	2120364	C935dn/dtm/dttm/hdn	
Card for IPDS and SCS/TNe	2120368	X940e, X945e	
Card for IPDS and SCS/TNe	25A0032	W840dn/n	
Card for IPDS and SCS/TNe	3060835	T654dn/dtm/n	
Card for IPDS/SCS/TNe	15R0092	X850e, X852e, X854e	
Card for IPDS/SCS/TNe	1920031	X860de, X862de, X864de	
Card for IPDS/SCS/TNe	1920033	W850dn/n	
Card for IPDS/SCS/TNe	2260351	X644e, X646dte/e	
Card for IPDS/SCS/TNe	25C0434	C734dn/dtm/dw/n, C736dn/dtm	
Card for IPDS/SCS/TNe	3060831	T650n/dtm/n, T652dn/dtm/h	
Card for IPDS/SCS/TNe	34S0074	E460dn/dw, E462dtt	
Card for IPDS/SCS/TNe	34S7720	X463de, X464de, X466de/dte/dtwe	
Card for IPDS/SCS/TNe	MS00498	X734de, X736de, X738de/dte	
Card for PREScribe Emulation	1020404	C780n/dtm/n, C782dn/dtm/n	
Card for PREScribe Emulation	15R0095	X850e, X852e, X854e	
Card for PREScribe Emulation	2030739	T640/dn/dtm/hn, T642/dttm/hn, T644/dtm/n/hn	
Card for PREScribe Emulation	2260354	X644e, X646dte/e	
Card for PREScribe Emulation	25A0033	W840/dn/n	
Card for PREScribe Emulation	3062030	T650dn/dtm/n, T652dn/dtm/h	

Lexmark Compatibility Table and Options

DESCRIPTION	PART #	MODEL
APPLICATION SOLUTIONS		
Card for PRESCRIBE Emulation	30G2031	T654dn/dtm/n
Card for PRESCRIBE Emulation	33S8620	E450dn
Card for PRESCRIBE Emulation	34S0073	E460dn/dw, E462dn
Fomis Card	10Z0402	C780dn/dtm/n, C782dn/dtm/n
Fomis Card	13N1345	C920dn/dtm/n
Fomis Card	15R0094	X850e, X852e, X854e
Fomis Card	20G0742	T640/dn/dtm/n, T642/dtm/n, T644/dtm/n
Fomis Card	21J0578	X782e
Fomis Card	22G0353	X644e, X646dte/e
Fomis Card	22G0627	X642e
Fomis Card	25A0037	W840dn/n
Fomis Card	33S0620	E450dn
Fomis Card	3680144	C534dn/dtm/n
Fomis and Bar Code Card	16M1253	X651de, X652de, X654de, X656dte, X658dte/dme/dtfe/dtme
Fomis and Bar Code Card	19Z0030	X890de, X862de, X864de
Fomis and Bar Code Card	19Z0032	W850dn/n
Fomis and Bar Code Card	25G0433	C734dn/dtm/dw/n, C736dn/dtm
Fomis and Bar Code Card	30G0830	T650dn/dtm/n, T652dn/dtm/n
Fomis and Bar Code Card	30G0834	T654dn/dtm/n
Fomis and Bar Code Card	34S0975	E460dn/dw, E462dn
Fomis and Bar Code Card	34S7721	X463de, X464de, X466dte/dte/dwe
Fomis and Bar Code Card	MS00497	X734de, X736de, X738de/dte
Lexmark PrintCrypton Card	30G0829	C734dn/dtm/dw/n, C736dn/dtm/n, E462dn, T650dn/dtm/n, T652dn/dtm/n, T654dn/dtm/n, T656dme, W850dn/n, X463de, X464de, X466dte/dte/dwe, X651de, X652de, X654de, X656dte/dtfe/dtme, X734de, X736de, X738de/dte, X862dte, X864de
Lexmark PrintCrypton Card, C534n	3680147	C534dn/dtm/n
Lexmark PrintCrypton Card, C780, C782	10Z0403	C780dn/dtm/n, C782dn/dtm/n
Lexmark PrintCrypton Card, C920	13N1343	C920dn/dtm/n
Lexmark PrintCrypton Card, C935	21Z0366	C935dn/dtm/dtm/hdn
Lexmark PrintCrypton Card, T64x	20G0740	T640dn/dtm/n, T642dn/dtm/n, T644dn/dtm/n
Lexmark PrintCrypton Card, W840	25A0034	W840dn/n
Lexmark PrintCrypton Card, X642e	22G0628	X642e

Lexmark Compatibility Table and Options

DESCRIPTION	PART #	MODEL
APPLICATION SOLUTIONS		
Lexmark PrintCryption Card, X644e, X646e, X646tde	2203032	X644e, X646tde/e
Lexmark PrintCryption Card, X850e, X852e, X854e	15R0083	X850e, X852e, X854e
Lexmark PrintCryption Card, X940e, X945e	2120370	X940e, X945e
RFID UHF Option	30G0955	T654dn/dtn/n
T636 Card for PDS and SCS/Me	30G0232	T656dne
T636 Card for PRESCRIBE Emulation	30G0228	T656dne
T636 Forms and Bar Code Card	30G0238	T656dne
CONNECTIVITY		
2400 Series Serial Interface Option	12T0698	2480, 2481, 2490, 2491, 2580, 2581, 2590, 2591
6 Meter Scanner Cable	21J0069	4600/MFP Option, T642v/T644n, C782dn/dtn/n
Coax/ivimax Adapter for SCS	14S0240	T640/dn/dm/n, T642/dtn/n/h, T644/dtn/n/h, W840/dn/h
Lexmark N2050 802.11b/g Wireless Network Card	14T0305	X3530, X3550, X3580, X6570, X6575, X7550
Lexmark N4000e Fast Ethernet Print Server	14T0050	2480, 2481, 2490, 2491, 2580, 2581, 2590, 2591, C510, C524, C762, C920, F120, E220, E222/e, E240, E250d, E260/d, E320, E321, E322, E323, E330, E340, E350d, E360d, Home Copier Plus, P4350, P6250, P6350, P915, T420d, T430/d, T520/d, T522, T620, T622, T630/VE, T632, T634, T640/n, T642, T644, W812, W820, W840, X215, X3330, X3350, X340, X3470, X3480, X3580, X3590, X5070, X5075, X5150, X5250, X5270, X5470, X5490, X5495, X6150, X6170, X7170, X7310, X7340e, X8350, Z815, Z845, z85
Lexmark N4050e 802.11g Wireless Print Server	14T0165	2480, 2481, 2490, 2491, 2580/n, 2581/n, 2590/n, C500n, C510, C522n, C524/dn/dm/n, C530dn, C532dn/n, C534dn/dtn/h, C540n, C543dn, C544dn/dm/n, C546dn, C734dn/dm/dw/n, C736dn/dm/n, C752, C760/dm/dm/n, C762/dm/dm/n, C772dn/dm/n, C772dn/dm/n, C780dn/dm/n, C782dn/dtn/n, C912, C920/dn/dm/n, C935dn/dtn/dtm/h/dn, E120/n, E232/l, E240/n, E250d/dn, E260/d/dn, E300, E340, E342n/hn, E350d, E352dn, E360d/dn, E460dn, E462dn, E4270, P4350, P6250, P6350, P915, T430/d, T630/VE, T632, T634, T640/dm/dm/n, T642/dm/n/h, T644/dm/n/h, T650dn/dm/n, T652dn/dm/n, T654dn/dm/n, T656dne, W812, W820, W840/dm/n, W850dn/n, X203n, X204n, X215, X264dn, X3330, X3350, X340, X342n, X3470, X3480, X363dn, X364dn, X422, X4250, X463de, X464de, X466de/dte, X500n, X502n, X5070, X5075, X5150, X5190pro, X5250, X5270, X543dn, X544dn/dm/n, X546dn, X5470, X5490, X5495, X560dn/n, X6150, X6170, X6190pro, X630, X632e/s, X634de/e, X642e, X644e, X646de/e/ef, X651de, X652de, X654de, X656de/dte, X658de/dte/dm/dm/dm, X7170, X7310, X734de, X7350, X736de, X738de/dte, X772e, X782e, X8350, X850e, X852e, X854e, X860de, X862de, X864de, X940e, X945e, Z815, Z845
MarkNet N7000e Fast Ethernet Print Server - USB	14T0230	2480, 2481, 2490, 2491, 2580, 2581, 2590, 2591, C510, C524, C530dn, C532dn/n, C750, C752, C760, C762, C910, C912, C920, F120, E220, E232/l, E240, E250d, E260/d, E320, E321, E322, E323, E330, E340, E350d, E360d, Ontra M4110/M412, P915, T420d, T430/d, T520/d, T522, T620, T622, T630/VE, T632, T634, T640, T642, T644, W812, W820, W840, X203n, X204n, X215, X264dn, X340, X363dn, X364dn, X5470, X5490, X560dn/n, X7170, X7310, X7350, X8350, Z815

Lexmark Compatibility Table and Options

CONNECTIVITY		DESCRIPTION	PART #	MODEL
	MarkNet N7002e Fast Ethernet Print Server - Parallel		14T0240	2480, 2481, 2490, 2491, 2580, 2581, 4227/plus+, C510, C524, C720, C750, C762, C769, C792, C910, C912, C920, E220, E232/1, E240, E250d, E260/d, E320, E321, E322, E323, E330, E340, E350d, E360/d, Optra C710/Color 4E/3E10/E312/IM410/M412/S 125/S 1625/S 1855/S 2455/S 3455/1610/1612/1614/1616/W810, 1420d, 1430d/d, T520, T620, T622, T630/VE, T632, T634, T640, T642, T644, W812, W820, W840, X215, X560dn/n
	MarkNet N7020e Gigabit Ethernet Print Server		14T0220	2480, 2481, 2490, 2491, 2580/n, 2581/n, 2590/n, C500/n, C510/d/n/n, C522/n, C524/d/n/d/n/n, C534dn/d/n/n, C540/n, C543dn, C544dn/d/n/d/n/n, C546dn, C734dn/d/n/n, C736dn/d/n, C750/n, C752/Ln/n, C760/d/n/d/n/n, C762/d/n/d/n/n, C770dn/d/n/n, C772dn/d/n/n, C774dn/d/n/n, C780dn/d/n/n, C782dn/n, C910/n, C912/n, C920/dn/d/n/n, C935dn/d/n/d/n/h/n, E120/n, E220, E232/1, E240/n, E250/d/d, E260/d/d, E320, E321, E322, E323, E330, E340, E342n/n, E350d, E352dn, E360/d/n, E450/dn, E460dn/dw, E462dn, Optra IM410/M412, P915, T420d, T430/d, T520/d, T522, T620, T622, T630/VE, T632, T634, T640/dn/d/n/n, T642/d/n/n/n, T644/d/n/n/n, T650dn/d/n/n, T652dn/d/n/n, T654dn/d/n/n, W812/n, W820, W840/d/n/n, X203n, X204n, X215, X264dn, X340, X342n, X363dn, X364dn/dw, X422, X4634e, X4644e, X4664e/dte/dwe, X500n, X502n, X5433n, X544dn/d/n/d/n/n, X546dn, X5470, X549n, X5600/n, X642e, X644e, X646cte/e/ef, X651de, X6524e, X6544e, X6564te, X6584te/dme/dtfe/dtme, X717n, X7310, X7344e, X7350, X7364e, X7384e/dte, X762e, X772e, X782e, X8350, X8350e, X852e, X854e, X912e, X940e, X945e, Z815
	MarkNet N8000 Fast Ethernet Print Server		14S0230	C920, T640, T642, T644, W840
	MarkNet N8020 Gigabit Ethernet Print Server		14S0200	C524dn/d/n/n, C534dn/d/n/n, C770dn/d/n/n, C772dn/d/n/n, C774dn/d/n/n, C780dn/d/n/n, C782dn/d/n/n, C784dn/d/n/n, T644/d/n/n/n, W840/d/n/n/n, W842e, X644e, X646cte/e, X850e, X852e, X854e
	MarkNet N8030 Fiber Ethernet 10BaseFX, 10BaseFL		14S0220	C524dn/d/n/n, C534dn/d/n/n, C770dn/d/n/n, C772dn/d/n/n, C774dn/d/n/n, C780dn/d/n/n, C782dn/d/n/n, C784dn/d/n/n, T644/d/n/n/n, W840/d/n/n, W842e, X644e, X646cte/e, X850e, X852e, X854e, X940e, X945e
	MarkNet N8050 802.11g Wireless Print Server		14S0210	C524dn/d/n/n, C534dn/d/n/n, C770dn/d/n/n, C772dn/d/n/n, C774dn/d/n/n, C780dn/d/n/n, C782dn/d/n/n, C784dn/d/n/n, T644/d/n/n/n, W840/d/n/n, W842e, X644e, X646cte/e, X850e, X852e, X854e, X940e, X945e
	MarkNet N8120 Gigabit Ethernet Print Server		14F0037	C734dn/d/n/n, C736dn/d/n/n, T650dn/d/n/n, T652dn/d/n/n, T654dn/d/n/n, X4634e, X4644e, X4664e/dte/dwe, X651de, X6524e, X6544e, X6564te/dme/dtfe/dtme, X7344e, X7364e, X7384e/dte
	MarkNet N8130 Fiber Ethernet 10BaseFX, 10BaseFL Print Server		14F0042	C734dn/d/n/n, C736dn/d/n/n, T650dn/d/n/n, T652dn/d/n/n, T654dn/d/n/n, X4634e, X4644e, X4664e/dte/dwe, X651de, X6524e, X6544e, X6564te/dme/dtfe/dtme, X7344e, X7364e, X7384e/dte, X8600e, X8624e, X8644e
	MarkNet N8150 802.11b/g/n Wireless Print Server		14F0045	C734dn/d/n/n, C736dn/d/n/n, T650dn/d/n/n, T652dn/d/n/n, T654dn/d/n/n, X4634e, X4644e, X4664e/dte/dwe, X651de, X6524e, X6544e, X6564te/dme/dtfe/dtme, X7344e, X7364e, X7384e/dte, X8600e, X8624e, X8644e
	Multiprotocol Card		14A1122	X560dn/n

Lexmark Compatibility Table and Options

CONNECTIVITY	DESCRIPTION	PART #	MODEL
Parallel (10) Cable	1021231	2480, 2481, 2580/n, 2581/n, 2590/n, 4227 plus, C524/dm/dtm/n, C534dm/dtm/n, C534dm/dtm/n, C534dm/dtm/n, C772m/dtm/n, C780dm/dtm/n, C782dm/dtm/n, C920/dm/dtm/n, C935dm/dtm/dtm/h/h, E240/n, E250/d/dh, E260/d/dh, E340, E342n/n, E350d, E352dn, E360/dm, E450dm, E460dm, E462/dm, E640/dm/dtm/n, T644/dtm/n/h, T650dm/dtm/n, T652dm/dtm/n, T654dm/dtm/n, T656dm, W840/dm/n, W850dm/n, W850dm/n, X463de, X464de, X466de/dte/dwe, X560dm/n, X642e, X644e, X646de/e, X651de, X652de, X654de, X656de/dte, X658de/dme/dtfe/dtme, X734de, X736de, X739de/dte, X850e, X852e, X854e, X860de, X862de, X864de, X940e, X945e	
Parallel 1284-B Interface Card	1021091	C510/dm/n, C524dm/dtm/n, C534dm/dtm/n, C770dm/dtm/n, C772dm/dtm/n, C782dm/dtm/n, C780dm/dtm/n, C920/dm/dtm/n, C935dm/dtm/dtm/h/h, T630/dm/dtm/n, T632/dtm/n/h, T634/dm/dtm/dtm/n/h, T644/dtm/n/h, T642/dtm/n/h, T644/dtm/n/h, T650dm/dtm/n, T652dm/dtm/n, T654dm/dtm/n, T656dm, W840/dm/n, W850dm/n, X463de, X464de, X466de/dte/dwe, X651de, X652de, X654de, X656de/dte, X658de/dme/dtfe/dtme, X734de, X736de, X739de/dte, X850e, X852e, X854e, X940e, X945e	
Parallel 1284-B Interface Card	14F0000	C734dm/dm/dw/n, C736dm/dtm/n, T652dm/dtm/n, T652dm/dtm/n, T654dm/dtm/n, T656dm, W850dm/n, X463de, X464de, X466de/dte/dwe, X651de, X652de, X654de, X656de/dte, X658de/dme/dtfe/dtme, X734de, X736de, X738de/dte, X860de, X862de, X864de	
RS-232C-Serial Interface Card	1021092	C524/dm/n, C534dm/dtm/n, C770dm/dtm/n, C772dm/dtm/n, C782dm/dtm/n, C780dm/dtm/n, C920/dm/dtm/n, C935dm/dtm/dtm/h/h, T640/dm/dtm/n, T642/dtm/n/h, W840/dm/n, X642e, X644e, X646de/e, X850e, X852e, X854e, X940e, X945e	
RS-232C-Serial Interface Card	14F0100	C734dm/dm/dw/n, C736dm/dtm/n, T652dm/dtm/n, T652dm/dtm/n, T654dm/dtm/n, T656dm, W850dm/n, X463de, X464de, X466de/dte/dwe, X651de, X652de, X654de, X656de/dte, X658de/dme/dtfe/dtme, X734de, X736de, X738de/dte, X860de, X862de, X864de	
USB (2 Meter) Cable	1021294	2480, 2481, 2490, 2491, 2580/n, 2581/n, 2590/n, C522n, C524/dm/dtm/n, C530dm, C532dm/n, C534dm/dtm/n, C540, C543dn, C544dm/dtm/dw/n, C546dm, C734dm/dtm/dw/n, C736dm/dw/n, C770dm/dtm/n, C772dm/dtm/n, C780dm/dtm/n, C782dm/dtm/n, C920/dm/dtm/n, C935dm/dtm/dtm/h/h, E120/n, E240/n, E2900/dn, E260/d/dn, E340, E342n/n, E350d, E352dn, E360/dm, E460dm/dw, E462dm, Impact S305/se S308, Interact S605, Interpret S405/pret se S408, Intuition S605, P6350, Platinum Pro905, Prevail Pro705, Prospect Pro205/se Pro208, T640/dm/dtm/n, T642/dtm/n/h, T644/dm/n/h, T650dm/dtm/n, T652dm/dtm/n, T654dm/dtm/n, T656dm, W840/dm/n, W850dm/n, X1250, X1270, X203n, X204n, X2450, X2480, X2500, X2510, X2530, X2550, X2580, X2600, X264dm, X2650, X2670, X340, X342n, X3470, X3480, X3530, X3550, X363dm, X364dm/dw, X3650, X4530, X4550, X4580, X463de, X464de, X4650, X466de/dte/dwe, X4850, X4875, X4950, X4975/w, X500n, X502n, X5070, X5075, X543dn, X544dm/dtm/dw/n, X546dm, X5470, X5490, X5495, X560dm/n, X6500, X642e, X644e, X646de/e/ef, X651de, X652de, X654de, X656de/dte, X6570, X675, X658de/dme/dtfe/dtme, X6650, X6675, X7310, X734de, X7350, X736de, X738de/dte, X7550, X7675, X772e, X782e, X8350, X850e, X852e, X854e, X860de, X862de, X864de, X945e, X940e, X945e, X9575, Z1300, Z1320, Z1380, Z1410, Z1420, Z1480, Z1520, Z2320, Z2420, Z640, Z645, Z845	

DISCOVER INKJET PRINTING WITH A UNIQUE COMBINATION OF TALENTS



Flexible.

Change only the colour you need with individual cartridges.



Quality.

Brilliant results every time from the first page to the last.



Economical.

1 pence cost per page* with 105 XL black ink cartridge**.



Rapid.

Speedy printing that matches the way you work.



Adaptable.

Standard and XL cartridges which adapt to your ink consumption.



*Based on Lexmark recommended retail price at September 1st 2009 and ISO / IEC 24711 / ** Pro 805 and Pro 905 printers only



HIGHLY PROFESSIONAL
EFFICIENT INKJET PRINTING.

LEXMARK

Lexmark supplies your printer's best friend

How do you make sure your Lexmark printer always gives you outstanding results? By using original Lexmark supplies. Lexmark printers and supplies are designed to perform together as one system, protecting your investment and delivering excellent print quality from first page to last.

Lexmark supplies help protect the environment, too. Using Lexmark High Yield Laser Cartridges conserves resources by reducing the number of cartridges you will use over the life of your printer. Lexmark practices "zero landfill" for cartridges, reusing or recycling 100% of all returns through the free-of-charge Lexmark Cartridge Collection Programme.



Easy to buy

Lexmark cartridges adapt to your print volumes for the best cost per page while never sacrificing quality.

- Lexmark High Yield and Extra High Yield laser cartridges produce more pages than standard cartridges for the lowest possible cost-per-page.
- XL inkjet cartridges produce up to three times more pages than standard cartridges*.

* Compared with equivalent standard cartridges based on ISO standard 24711. For detailed path see www.lexmark.com



Easy to own

You can count on original Lexmark cartridges to save you from hassle and headaches.

- Our cartridges are designed and manufactured to such demanding standards that they are backed by a lifetime warranty.
- Lexmark is constantly improving its toner and ink formula to bring the customer better colour consistency, accuracy and sharper images.



Easy on the environment

We provide programmes that reduce the environmental impact of using original Lexmark supplies.

- Return empty Lexmark cartridges free of charge to the Lexmark Cartridge Collection Programme for recycling.
- Available for all customers, Lexmark Return Programme Cartridges cost less than regular cartridges when you agree to return them exclusively to Lexmark for recycling/reuse.*

* If you disagree with the return programme license agreement, please choose regular cartridges. Lexmark guarantees availability of regular cartridges, contact your Lexmark reseller. For more info : www.lexmark.com



Lexmark Supplies Compatibility Table

Lexmark Inkjet Printers Supplies

#	PART #	DESCRIPTION	MODEL
1	18CX781E	Lexmark Inkjet Cartridge NO1	X2310, X2330, X2350, X2450, X2470, X3470, Z735
1	80D2955	Twin-Pack NO 1 Print Cartridges	X2310, X2330, X2350, X2450, X2470, X3470, Z735
2	18CX190E	2 Colour Inkjet Cartridge	X2480, X2580, X3480, X3580, X4580, Z1380, Z1480
2	80D2962	Twin-Pack 2, 3 Colour and Black Print Cartridges	X2580, X3580, X4580, Z1380, Z1480
3	18C1530E	3 Black Print Cartridge	X2580, X3580, X4580, Z1380, Z1480
100	14N0820E	100 Black Return Program Ink Cartridge	Impact S305, Interact S605, Interpret S405, Intuition S905, Platinum Pro905, Prestige Pro805, Preveil Pro705, Prospect Pro205
100	14N0848	2-Pack 100X Black High Yield Return Program Ink Cartridges	Impact S305, Interact S605, Interpret S405, Intuition S905, Platinum Pro905, Prestige Pro805, Preveil Pro705, Prospect Pro205
100	14N0849	3-Pack 100 Color (CMY) Return Program Ink Cartridges	Impact S305, Interact S605, Interpret S405, Intuition S905, Platinum Pro905, Prestige Pro805, Preveil Pro705, Prospect Pro205
100	14N0850	3-Pack 100X Color (CMY) High Yield Return Program Ink Cartridges	Impact S305, Interact S605, Interpret S405, Intuition S905, Platinum Pro905, Prestige Pro805, Preveil Pro705, Prospect Pro205
100	14N0900E	100 Cyan Return Program Ink Cartridge	Impact S305, Interact S605, Interpret S405, Intuition S905, Platinum Pro905, Prestige Pro805, Preveil Pro705, Prospect Pro205
100	14N0901E	100 Magenta Return Program Ink Cartridge	Impact S305, Interact S605, Interpret S405, Intuition S905, Platinum Pro905, Prestige Pro805, Preveil Pro705, Prospect Pro205
100	14N0902E	100 Yellow Return Program Ink Cartridge	Impact S305, Interact S605, Interpret S405, Intuition S905, Platinum Pro905, Prestige Pro805, Preveil Pro705, Prospect Pro205
100	14N0918	100A Black Ink Cartridge	Impact S305, Interact S605, Interpret S405, Intuition S905, Platinum Pro905, Prestige Pro805, Preveil Pro705, Prospect Pro205
100	14N0920	100A Cyan Ink Cartridge	Impact S305, Interact S605, Interpret S405, Intuition S905, Platinum Pro905, Prestige Pro805, Preveil Pro705, Prospect Pro205
100	14N0921	100A Magenta Ink Cartridge	Impact S305, Interact S605, Interpret S405, Intuition S905, Platinum Pro905, Prestige Pro805, Preveil Pro705, Prospect Pro205
100	14N0922	100A Yellow Ink Cartridge	Impact S305, Interact S605, Interpret S405, Intuition S905, Platinum Pro905, Prestige Pro805, Preveil Pro705, Prospect Pro205
100	14N1068E	100XL Black High Yield Return Program Ink Cartridge	Impact S305, Interact S605, Interpret S405, Intuition S905, Platinum Pro905, Prestige Pro805, Preveil Pro705, Prospect Pro205
100	14N1069E	100XL Cyan High Yield Return Program Ink Cartridge	Impact S305, Interact S605, Interpret S405, Intuition S905, Platinum Pro905, Prestige Pro805, Preveil Pro705, Prospect Pro205
100	14N1070E	100XL Magenta High Yield Return Program Ink Cartridge	Impact S305, Interact S605, Interpret S405, Intuition S905, Platinum Pro905, Prestige Pro805, Preveil Pro705, Prospect Pro205
100	14N1071E	100XL Yellow High Yield Return Program Ink Cartridge	Impact S305, Interact S605, Interpret S405, Intuition S905, Platinum Pro905, Prestige Pro805, Preveil Pro705, Prospect Pro205
100	14N1092	100XLA Black High Yield Ink Cartridge	Impact S305, Interact S605, Interpret S405, Intuition S905, Platinum Pro905, Prestige Pro805, Preveil Pro705, Prospect Pro205
100	14N1093	100XLA Cyan High Yield Ink Cartridge	Impact S305, Interact S605, Interpret S405, Intuition S905, Platinum Pro905, Prestige Pro805, Preveil Pro705, Prospect Pro205
100	14N1094	100XLA Magenta High Yield Ink Cartridge	Impact S305, Interact S605, Interpret S405, Intuition S905, Platinum Pro905, Prestige Pro805, Preveil Pro705, Prospect Pro205
100	14N1095	100XLA Yellow High Yield Ink Cartridge	Impact S305, Interact S605, Interpret S405, Intuition S905, Platinum Pro905, Prestige Pro805, Preveil Pro705, Prospect Pro205
105	14N0822E	105X Black High Yield Return Program Ink Cartridge	Impact S305, Interact S605, Interpret S405, Intuition S905, Platinum Pro905, Prestige Pro805, Preveil Pro705, Prospect Pro205
105	14N0845	4-Pack 105X Black High Yield Return Program Ink Cartridges	Platinum Pro905, Prestige Pro805
105	14N0332E	108 Black Return Program Ink Cartridge	Impact se S308, Interpret se S408, Prospect se Pro208
108	14N0337E	108 Cyan Return Program Ink Cartridge	Impact se S308, Interpret se S408, Prospect se Pro208
108	14N0340E	108 Magenta Return Program Ink Cartridge	Impact se S308, Interpret se S408, Prospect se Pro208
108	14N0342E	108 Yellow Return Program Ink Cartridge	Impact se S308, Interpret se S408, Prospect se Pro208
108	14N0346	108A Black Ink Cartridge	Impact se S308, Interpret se S408, Prospect se Pro208

Lexmark Supplies Compatibility Table

Lexmark Inkjet Printers Supplies

#	PART #	DESCRIPTION	MODEL
108	14N0347	108A Cyan Ink Cartridge	Impact se S308, Interpret se S408, Prospect se Pro208
108	14N0381	108A Magenta Ink Cartridge	Impact se S308, Interpret se S408, Prospect se Pro208
108	14N0384	108A Yellow Ink Cartridge	Impact se S308, Interpret se S408, Prospect se Pro208
108	14N0476E	108XL Black High Yield Return Program Ink Cartridge	Impact se S308, Interpret se S408, Prospect se Pro208
108	14N0477E	108XL Cyan High Yield Return Program Ink Cartridge	Impact se S308, Interpret se S408, Prospect se Pro208
108	14N0478E	108XL Magenta High Yield Return Program Ink Cartridge	Impact se S308, Interpret se S408, Prospect se Pro208
108	14N0479E	108XL Yellow High Yield Return Program Ink Cartridge	Impact se S308, Interpret se S408, Prospect se Pro208
108	14N0481	108XLA Black High Yield Ink Cartridge	Impact se S308, Interpret se S408, Prospect se Pro208
108	14N0482	108XLA Cyan High Yield Ink Cartridge	Impact se S308, Interpret se S408, Prospect se Pro208
108	14N0483	108XLA Magenta High Yield Ink Cartridge	Impact se S308, Interpret se S408, Prospect se Pro208
108	14N0484	108XLA Yellow High Yield Ink Cartridge	Impact se S308, Interpret se S408, Prospect se Pro208
108	14N1T96	3-Pack 108 Color (CMY) Return Program Ink Cartridges	Impact se S308, Interpret se S408, Prospect se Pro208
108	14N1T98	3-Pack 108XL Color (CMY) High Yield Return Program Ink Cartridges	Impact se S308, Interpret se S408, Prospect se Pro208
14	18C2080E	14 Black Print Cartridge	Impact se S308, Interpret se S408, Prospect se Pro208
14	18C2090E	14 Black Return Programme Print Cartridge	X2600, X2650, X2670, Z320
14	80D2979	Twin-Pack 14, 15 Black and Colour Return Programme Print	X2600, X2650, X2670, Z320
15	18C2100E	15A Colour Print Cartridge	X2600, X2650, X2670, Z320
15	18C2110E	15 Colour Return Programme Print Cartridge	X2600, X2650, X2670, Z320
16	10N0016E	16 Black Print Cartridge	X1110, X1130, X1150, X1170, X1180, X1190, X1250, X1270, X2230, X2240, X2250, X74, X75, Z13, Z23, Z23e, Z25, Z33, Z35, Z515, Z517, Z601, Z602, Z605, Z612, Z614, Z615, Z617, Z640, Z645, I3
16	80D2126	Twin Pack 16, 26 Black and Colour Print Cartridges	X1110, X1130, X1150, X1170, X1180, X1190, X1250, X1270, X2230, X2240, X2250, X74, X75, Z13, Z23, Z23e, Z25, Z33, Z35, Z515, Z517, Z601, Z602, Z605, Z612, Z614, Z615, Z617, Z640, Z645, I3
17	10N0217E	17 Moderate Use Black Print Cartridge	X1110, X1130, X1150, X1170, X1180, X1190, X1250, X1270, X2230, X2240, X2250, Z13, Z515, Z517, Z601, Z602, Z605, Z612, Z614, Z615, Z617, Z640, Z645, I3
17	80D2952	Combo-Pack 17, 27 Black and Colour Moderate Use Print Cartridges	X1110, X1130, X1150, X1170, X1180, X1190, X1250, X1270, X2230, X2240, X2250, X74, X75, Z13, Z23, Z23e, Z25, Z33, Z35, Z515, Z517, Z601, Z602, Z605, Z612, Z614, Z615, Z617, Z640, Z645, I3
17	80D2954	Twin Pack 17 Black Print Cartridges	X1110, X1130, X1150, X1170, X1180, X1190, X1250, X1270, X2230, X2240, X2250, X74, X75, Z13, Z23, Z23e, Z25, Z33, Z35, Z515, Z517, Z601, Z602, Z605, Z612, Z614, Z615, Z617, Z640, Z645, I3
20	15MX120E	20 Colour Print Cartridge	F4270, P3150, P700, P707, X125, X4250, X63, X70, X73, X80, X83, X84, X85, Z42, Z43, Z45, Z45ase, Z51, Z52, Z53, Z54, Z54ase, Z703, Z705, Z715
20	80D2953	Combo-Pack 20, 70 Black and Colour Print Cartridges	F4270, X125, X4250, X63, X70, X73, X80, X83, X84, X85, Z42, Z43, Z45, Z45ase, Z51, Z52, Z53, Z54, Z54ase

Lexmark Supplies Compatibility Table

Lexmark Inkjet Printers Supplies

#	PART #	DESCRIPTION	MODEL
23	18C1419E	Twin-Pack 23, 24 Black and Colour Return Programme Print	X3530, X3550, X4530, X4650, Z1410, Z1420
23	18C1523E	23 Black Return Programme Print Cartridge	X3530, X3550, X4530, X4650, Z1410, Z1420
23	18C1623E	23A Black Print Cartridge	X3530, X3550, X4530, X4650, Z1410, Z1420
24	18C1524E	24 Colour Return Programme Print Cartridge	X3530, X3550, X4530, X4650, Z1410, Z1420
24	18C1624E	24A Colour Print Cartridge	X3530, X3550, X4530, X4650, Z1410, Z1420
26	10N0029E	26 Colour Print Cartridge	X1110, X1130, X1150, X1170, X1180, X1190, X1250, X1270, X2240, X2250, X74, X75, Z13, Z23, Z23e, Z25, Z33, Z35, Z515, Z517, Z601, Z602, Z605, Z612, Z614, Z615, Z617, Z640, Z645, I3
27	10W227E	27 Moderate Use Colour Print Cartridge	X1110, X1130, X1150, X1170, X1180, X1190, X1250, X1270, X2240, X2250, Z13, Z515, Z517, Z601, Z602, Z605, Z612, Z614, Z615, Z617, Z640, Z645
28	18C1428E	28 Black Return Programme Print Cartridge	X2500, X2510, X2530, X2550, X5070, X5075, X5490, X5495, Z1300, Z1320, Z845
28	18C1520E	Twin-Pack 28, 29 Black and Colour Return Programme Print	X2500, X2510, X2530, X2550, X5070, X5075, X5490, X5495, Z1300, Z1320, Z845
28	18C1528E	28A Black Print Cartridge	X2500, X2510, X2530, X2550, X5070, X5075, X5490, X5495, Z1300, Z1320, Z845
29	18C1429E	29 Colour Return Programme Print Cartridge	X2500, X2510, X2530, X2550, X5070, X5075, X5490, X5495, Z1300, Z1320, Z845
29	18C1529E	29A Colour Print Cartridge	X2500, X2510, X2530, X2550, X5070, X5075, X5490, X5495, Z1300, Z1320, Z845
31	18C0031E	31 Photo Colour Print Cartridge	Home Copier Plus, P4350, P6250, P6350, P915, X2500, X2510, X2530, X2550, X2600, X2650, X3330, X3350, X3530, X3550, X4530, X4650, X4580, X4680, X5070, X5075, X5250, X5270, X5470, X5490, X5495, X5650, X6650, X6675, X7170, X7310, X7350, X8330, X8350, Z1300, Z1320, Z1410, Z1420, Z2320, Z2420, Z815, Z845
31	80D2178	Twin-Pack 31 Photo and 33 Colour Print Cartridges	Home Copier Plus, P4350, P6250, P6350, P915, X3330, X3350, X5250, X5270, X5470, X7170, X7310, X7350, X8350, Z815
32	18C0032E	32 Black Print Cartridge	Home Copier Plus, P4350, P6250, P6350, P915, X3330, X3350, X5250, X5270, X5470, X7170, X7310, X7350, X8330, Z815
32	80D2951	Combo-Pack 32, 33 Black and Colour Print Cartridges	Home Copier Plus, P4350, P6250, P6350, P915, X3330, X3350, X5250, X5270, X5470, X7170, X7310, X7350, X8350, Z815
32	80D2956	Twin-Pack 32 Black Print Cartridges	Home Copier Plus, P4350, P6250, P6350, P915, X3330, X3350, X5250, X5270, X5470, X7170, X7310, X7350, X8330, Z815
33	18C0033E	33 Colour Print Cartridge	Home Copier Plus, P4350, P6250, P6350, P915, X3330, X3350, X5250, X5270, X5470, X7170, X7310, X7350, X8350, Z815
34	18C0034E	34 High Yield Black Print Cartridge	Home Copier Plus, P4350, P6250, P6350, P915, X2500, X2510, X2530, X2550, X3330, X3350, Z1300, Z1320, Z1410, Z1420, Z815, Z845
35	18C0035E	35 High Yield Colour Print Cartridge	Home Copier Plus, P4350, P6250, P6350, P915, X2500, X2510, X2530, X2550, X3330, X3350, Z1300, Z1320, Z1410, Z1420, Z815, Z845
36	18C2130E	36 Black Return Programme Print Cartridge	X3650, X4650, X6650, X6675, Z2420
36	18C2150E	36 Black Print Cartridge	X3650, X4650, X6650, X6675, Z2420
36	18C2170E	36XL Black Return Programme Print Cartridge	X3650, X4650, X6650, X6675, Z2420
36	18C2190E	36XL A Black Print Cartridge	X3650, X4650, X6650, X6675, Z2420
36	80D2978	Twin-Pack 36XL, 37XL Black and Colour Return Programme Print	X3650, X4650, X6650, X6675, Z2420

Lexmark Supplies Compatibility Table

Lexmark Inkjet Printers Supplies

#	PART #	DESCRIPTION	MODEL
37	18C2140E	37 Colour Return Programme Print Cartridge	X3650, X4650, X5650, X6650, X6675, Z2420
37	18C2160E	37A Colour Print Cartridge	X3650, X4650, X5650, X6650, X6675, Z2420
37	18C2180E	37XL Colour Return Programme Print Cartridge	X3650, X4650, X5650, X6650, X6675, Z2420
37	18C2200E	37XL Colour Print Cartridge	X3650, X4650, X5650, X6650, X6675, Z2420
40	18V0340E	40 Photo Print Cartridge	X4850, X4875, X4950, X4975/ve, X6570, X6575, X7550, X7675, X9350, X9575, Z1520
41	18Y0141E	41 Colour Return Programme Print Cartridge	X4850, X4875, X4950, X4975/ve, X6570, X6575, X7550, X7675, X9575, Z1520
41	18Y0341E	41A Colour Print Cartridge	X4850, X4875, X4950, X4975/ve, X6570, X6575, X7550, X7675, X9575, Z1520
42	18Y0142E	42 Black Return Programme Print Cartridge	X4850, X4875, X4950, X4975/ve, X6570, X6575, X7550, X7675, X9575, Z1520
42	18V0342E	42A Black Print Cartridge	X4850, X4875, X4950, X4975/ve, X6570, X6575, X7550, X7675, X9575, Z1520
43	18Y1143E	43 Colour Print Cartridge	P350, X4850, X4875, X4950, X4975/ve, X6570, X6575, X7550, X7675, X9500, X9575, Z1520
43	80D296E	Twin-Pack 44XL 43XL Black and Colour Print Cartridges	X4850, X4875, X4950, X4975/ve, X6570, X6575, X7550, X7675, X9350, X9575
44	18Y0144E	44XL Black Print Cartridge	X4850, X4875, X4950, X4975/ve, X6570, X6575, X7550, X7675, X9575, Z1520
50	17G0050E	50 Black Print Cartridge	P3120, P3150, P706, P707, Z12, Z22, Z32, Z703, Z705, Z715
60	17G0060E	60 Colour Print Cartridge	Z12, Z22, Z32
70	12AV970E	70 Black Print Cartridge	3200, 5000, 5700, 5770, 7000, 7200/V, F4270, 0 ptra Color 40/45/45n, X125, X4250, X63, X70, X73, X80, X83, X84, X85, Z11, Z31, Z42, Z43, Z45, Z45se, Z51, Z52, Z53, Z54, Z54se
70	80D2957	Twin-Pack 70 Black Print Cartridges	3200, 5000, 5700, 5770, 7000, 7200/V, F4270, 0 ptra Color 40/45/45n, X125, X4250, X63, X70, X73, X80, X83, X84, X85, Z11, Z31, Z42, Z43, Z45, Z45se, Z51, Z52, Z53, Z54, Z54se
71	15MX871E	71 Moderate Use Black Print Cartridge	3200, 5000, 5700, 5770, 7000, 7200/V, F4270, 0 ptra Color 40/45/45n, X125, X4250, X63, X70, X73, X80, X83, X84, X85, Z11, Z31, Z42, Z43, Z45, Z45se, Z51, Z52, Z53, Z54, Z54se
80	12A1980E	80 Colour Print Cartridge	3200, 5000, 5700, 5770, 7000, 7200/V, Optra Color 40/45/45n, Z11, Z31
82	18L0032E	82 Black Print Cartridge	X5130, X5150, X5190pro, X6150, X6170, X6190pro, Z55, Z55se, Z65npro, Z65p, z65, z65n
83	18LX042E	83 Colour Print Cartridge	X5130, X5150, X5190pro, X6150, X6170, X6190pro, Z55, Z55se, Z65npro, Z65p, z65, z65n
90	12A1990E	90 PHOTO Colour Print Cartridge	3200, 5000, 5700, 5770, 7000, 7200/V, Optra Color 40/45/45n, P3120, P3150, P706, P707, X125, X63, X70, X73, Z22, Z32, Z42, Z43, Z45, Z51, Z52, Z53, Z54, Z705

Lexmark Supplies Compatibility Table

Cartridges and Photoconductor / Other Supplies

DESCRIPTION	PART #	MODEL
COLOUR LASER		
20K Photoconductor Unit 1-Pack (20K)	C53030X	C522n, C524/dn/dtn/n, C530dn, C532dn/n, C534dn/dtn/n
20K Photoconductor Unit 4-Pack (20K each)	C53034X	C522n, C524/dn/dtn/n, C530dn, C532dn/n, C534dn/dtn/n
3 Color Photoconductor Kit (13K each)	12A1455	Optra Color 1200/1200n
Black Extra High Yield Print Cartridge (15K)	C7722KX	C7725n/dtn/n, X772e
Black Extra High Yield Return Programme Toner Cartridge	C782X2KG	C7825n/dtn/n, X782e
Black Extra High Yield Return Programme Print Cartridge (15K)	C546J1KG	C546dtn, X546dtn
Black Extra High Yield Return Programme Print Cartridge (15K)	C7720KX	C7725n/dtn/n, X772e
Black Extra High Yield Return Programme Print Cartridge (15K)	C782X1KG	C7825n/dtn/n, X782e
Black Extra High Yield Return Programme Toner Cartridge (6K)	C546J2KG	C544dn/dtn/dw/n, X544dn/dtn/dw/n
Black Extra High Yield Toner Cartridge (6K)	C546J2KG	C546dtn, X546dtn
Black High Yield Print Cartridge (10K)	C780H2KG	C544dn/dtn/dw/n, X544dn/dtn/dw/n
Black High Yield Print Cartridge (15K)	C780H1KG	C7805n/dtn/n, C7825n/dtn/n, X782e
Black High Yield Return Programme Print Cartridge (10K)	15G032K	C750/dn/dtn/n/n/n, X750e
Black High Yield Return Programme Print Cartridge (15K)	15G032K	C752/dn/dtn/n/n, C762/dn/dtn/n, X752e, X762e
Black High Yield Return Programme Print Cartridge (15K)	10B042K	C7805n/dtn/n, C7825n/dtn/n, X782e
Black High Yield Return Programme Print Cartridge (15K)	15G042K	C750/dn/dtn/n/n/n, X750e
Black High Yield Return Programme Toner Cartridge (12K)	C736H1KG	C752/dn/dtn/n/n, C762/dn/dtn/n, X752e, X762e
Black High Yield Return Programme Toner Cartridge (2.5K)	C540H1KG	C7365n/dtn, X7365e, X7385e/dte
Black High Yield Return Programme Toner Cartridge (6K)	C5240KH	C540n, C543dn, C544dn/dtn/dw/n, C546dtn, X543dn, X544dn/dtn/dw/n, X546dtn
Black High Yield Toner Cartridge (2.5K)	C500H2KG	C524/dtn/n, C534dn/dtn/n
Black High Yield Toner Cartridge (6K)	C500H2KG	C540n, X500n, X502n
Black High Yield Toner Cartridge (10K)	20K1403	C510/dtn/n
Black High Yield Toner Cartridge (12K)	C736H2KG	C7365n/dtn, X7365e, X7385e/dte
Black High Yield Toner Cartridge (68K)	C5242KH	C9355n/dtn/dtn/n/hn
Black High Yield Toner Cartridge (6K)	C540X71G	C524/dtn/n, C534dn/dtn/n
Black Imaging Kit (30K)	12A1450	C540n, C543dn, C544dn/dtn/dw/n, C546dtn, X543dn, X544dn/dtn/dw/n, X546dtn
Black Photoconductor Kit (with fusarroll) (13K)	C930X72G	Optra Color 1200/1200n
Black Photoconductor Unit 1-Pack	10B031K	C9355n/dtn/dtn/n/hn, X940e, X945e
Black Print Cartridge (6K)	15G031K	C750/dn/dtn/n/n/n, X750e
Black Print Cartridge (6K)	15G031K	C752/Ldn/Lv/dtn/n/n, C760/dn/dtn/n, C762/dn/dtn/n, C760/dn/dtn/n, C762/dn/dtn/n, X752e, X762e

Lexmark Supplies Compatibility Table

Cartridges and Photoconductor / Other Supplies

COLOUR LASER	DESCRIPTION	PART #	MODEL
Black Print Cartridge (6K)		C780A2KG	C780dn/dtn/n, C782dn/dtn/n, X782e
Black Print Cartridge Kit (10K)		10E0043	Optra C710/C710dn/C710n Color Laser Printer
Black Return Programme Print Cartridge (6K)		10B041K	C750/dn/dtn/fn/n, X750e
Black Return Programme Print Cartridge (6K)		15G041K	C752Ldn/Ldn/Ln/dn/dtn/fn/n, C760/dn/dtn/n, C762/dn/dtn/n, X752e, X762e
Black Return Programme Print Cartridge (6K)		C780A1KG	C780dn/dtn/n, C782dn/dtn/n, X782e
Black Return Programme Toner Cartridge (6K)		C734A1KG	C734dn/dtn/dw/n, C736dn/dtn, X734de, X736de, X738de/dte
Black Return Programme Toner Cartridge (1K)		C540A1KG	C540n, C543dn, C544dn/dtn/dw/n, C546dtn, X543dn, X544dn/dtn/dw/n, X546dtn
Black Return Programme Toner Cartridge (4K)		C5220KS	C522n, C524/dn/dtn/n, C530dn, C532dn/n, C534dn/dtn/n
Black Toner Cartridge (1.2K)		15W0503	C720/dn/n, X720
Black Toner Cartridge (1.4K)		C9202KH	C920/dn/dtn/n
Black Toner Cartridge (2.5K)		C500S2KG	C500n, X500n, X502n
Black Toner Cartridge (4K)		C5222KS	C522n, C524/dn/dtn/n, C530dn, C532dn/n, C534dn/dtn/n
Black Toner Cartridge (6.5K)		20K0503	C510/dtn/n
Black Toner Cartridge (8K)		12A1454	Optra Color 1200/1200n
Black Toner Cartridge (Including Oil Coating Roller) (1.4K)		C734A2KG	C734dn/dtn/dw/n, C736dn/dtn, X734de, X736de, X738de/dte
Black and Colour Imaging Kit (30K)		12N0771	C910/dn/fn/n/n, C912/dn/fn/n, X912e
Black and Colour Imaging Kit (30K)		C540X74G	C540n, C543dn, C544dn/dtn/dw/n, C546dtn, X543dn, X544dn/dtn/dw/n, X546dtn
C520, C530 Black Return Programme Toner Cartridge (1.5K)		C5200KS	C530dn
C520, C530 Black Toner Cartridge (1.5K)		C5202KS	C530dn
C520, C530 Cyan Return Programme Toner Cartridge (1.5K)		C5200CS	C530dn
C520, C530 Cyan Toner Cartridge (1.5K)		C5202CS	C530dn
C520, C530 Magenta Return Programme Toner Cartridge (1.5K)		C5200MS	C530dn
C520, C530 Magenta Toner Cartridge (1.5K)		C5202MS	C530dn
C520, C530 Yellow Return Programme Toner Cartridge (1.5K)		C5200YS	C530dn
C520, C530 Yellow Toner Cartridge (1.5K)		C5202YS	C530dn
C75X, C76X, C77X Waste Toner Container		10B3100	C750/dn/dtn/fn/n/n, C752Ldn/Ldn/Ln/dn/dtn/fn/n, C760/dn/dtn/n, C762/dn/dtn/n, C770n/dtn/n, C772dn/dtn/n, C780n/dtn/n, C782dn/dtn/n, X750e, X752e, X762e, X772e, X782e
C77X Black High Yield Return Programme Print Cartridge (10K)		C7702RH	C770n/dtn/n, C772dn/dtn/n, X772e
C77X Black High Yield Return Programme Print Cartridge (10K)		C7700RH	C770n/dtn/n, C772dn/dtn/n, X772e
C77X Black Print Cartridge (6K)		C7702KS	C770n/dtn/n, C772dn/dtn/n, X772e
C77X Black Return Programme Print Cartridge (6K)		C7700KS	C770n/dtn/n, C772dn/dtn/n, X772e

Lexmark Supplies Compatibility Table

Cartridges and Photoconductor / Other Supplies

DESCRIPTION	PART #	MODEL
COLOUR LASER		
C77X Cyan High Yield Print Cartridge (10K)	C7702CH	C770dn/dtn/n, C772dn/dtn/n, X772e
C77X Cyan High Yield Return Programme Print Cartridge (10K)	C7700CH	C770dn/dtn/n, C772dn/dtn/n, X772e
C77X Cyan Print Cartridge (6K)	C7702CS	C770dn/dtn/n, C772dn/dtn/n, X772e
C77X Cyan Return Programme Print Cartridge (6K)	C7700CS	C770dn/dtn/n, C772dn/dtn/n, X772e
C77X Magenta High Yield Print Cartridge (10K)	C7702MH	C770dn/dtn/n, C772dn/dtn/n, X772e
C77X Magenta High Yield Return Programme Print Cartridge (10K)	C7700MH	C770dn/dtn/n, C772dn/dtn/n, X772e
C77X Magenta Print Cartridge (6K)	C7702MS	C770dn/dtn/n, C772dn/dtn/n, X772e
C77X Magenta Return Programme Print Cartridge (6K)	C7700MS	C770dn/dtn/n, C772dn/dtn/n, X772e
C77X Yellow High Yield Print Cartridge (10K)	C7702YH	C770dn/dtn/n, C772dn/dtn/n, X772e
C77X Yellow High Yield Return Programme Print Cartridge (10K)	C7700YH	C770dn/dtn/n, C772dn/dtn/n, X772e
C77X Yellow Print Cartridge (6K)	C7702YS	C770dn/dtn/n, C772dn/dtn/n, X772e
C77X Yellow Return Programme Print Cartridge (6K)	C7700YS	C770dn/dtn/n, C772dn/dtn/n, X772e
C910 Black PhotoDeveloper (28K)	12N0773	C910/dn/fn/n, C912/dn/fn/n, C920/dn/dtn/n, X912e
C910 Colour PhotoDeveloper Sat (3, CYM) (28K)	12N0772	C910/dn/fn/n, C912/dn/fn/n, C920/dn/dtn/n, X912e
CMY Photoconductor Unit 3-Pack	C930X73G	C935dn/dtn/dtn/n, X940e, X945e
Coating Roll (incl. in 10E0043) (5K)	10E0044	Optra C710/C710dn/C710n Color Laser Printer
Corona Charger (20K)	15W0918	C720/dn/n, X720
Oyan Extra High Yield Print Cartridge (15K)	C7722CX	C772sn/dtn/n, X772e
Oyan Extra High Yield Print Cartridge (15K)	C782X2CG	C782sn/dtn/n, X782e
Oyan Extra High Yield Return Programme Print Cartridge (15K)	C7720CX	C772sn/dtn/n, X772e
Oyan Extra High Yield Return Programme Print Cartridge (15K)	C782X1CG	C782sn/dtn/n, X782e
Oyan Extra High Yield Return Programme Toner Cartridge (4K)	C544X1CG	C544dn/dtn/dw/n, C546dtn, X544dn/dn/dw/n, X546dtn
Oyan Extra High Yield Toner Cartridge (4K)	C544X2CG	C544dn/dtn/dw/n, C546dtn, X544dn/dn/dw/n, X546dtn
Oyan High Yield Print Cartridge (10K)	C780H2CG	C780sn/dtn/n, C782dn/dtn/n, X782e
Oyan High Yield Print Cartridge (15K)	10B032C	C750/dn/dtn/fn/n, X750e
Oyan High Yield Print Cartridge (15K)	15G032C	C752/dn/dtn/fn/n, C762/dn/dtn/n, X752e, X762e
Oyan High Yield Return Programme Print Cartridge (10K)	C780H1CG	C780sn/dtn/n, C782dn/dtn/n, X782e
Oyan High Yield Return Programme Print Cartridge (15K)	10B042C	C750/dn/dtn/fn/n, X750e
Oyan High Yield Return Programme Print Cartridge (15K)	15G042C	C752/dn/dtn/fn/n, C762/dn/dtn/n, X752e, X762e
Oyan High Yield Return Programme Toner Cartridge (10K)	C736H1CG	C736sn/dtn, X736dte, X738dte/dte
Oyan High Yield Return Programme Toner Cartridge (2K)	C540H1CG	C540n, C543dn, C544dn/dtn/dw/n, C546dtn, X543dn, X544dn/dtn/dw/n, X546dtn

Lexmark Supplies Compatibility Table

Cartridges and Photoconductor / Other Supplies

DESCRIPTION	PART #	MODEL
COLOUR LASER		
Cyan High Yield Return Programme Toner Cartridge (6K)	C5240CH	C524/dm/dtw/n, C532dn/n, C534dn/dtm/n
Cyan High Yield Toner Cartridge (10K)	C736H2CG	C736dn/dtm, X736de, X738de/dte
Cyan High Yield Toner Cartridge (2.4K)	C300H2CG	C935dn/dtm/dtm/n/hh
Cyan High Yield Toner Cartridge (2K)	C540H2CG	C540n, C543dn, C544dn/dtm/dw/n, C546dm, X543dn, X544dn/dtm/dw/n, X546dtn
Cyan High Yield Toner Cartridge (3K)	C300H2CG	C500n, X500n, X502n
Cyan High Yield Toner Cartridge (5K)	C5242CH	C524/dm/dtw/n, C532dn/n, C534dn/dtm/n
Cyan High Yield Toner Cartridge (6.6K)	20K1400	C510/dm/n
Cyan Print Cartridge (10K)	10E0040	Optra C710/C710dn/C710n Color Laser Printer
Cyan Print Cartridge (6K)	10B31C	C750/dm/dtw/n/h/n, X750e
Cyan Print Cartridge (6K)	15B31C	C752L/dm/dtw/n/h/n, C760/dm/dtm/n, C760/dm/dtw/n, C762/dm/dtm/n, X752e, X762e
Cyan Print Cartridge (6K)	C780A2CG	C780dn/dtm/h, X782e
Cyan Print Cartridge (6K)	10B041C	C750/dm/dtw/n/h/n, X750e
Cyan Return Programme Print Cartridge (6K)	15B041C	C752L/dm/dtw/n/h/n, C760/dm/dtm/h/n, C760/dm/dtw/n, C762/dm/dtm/n, X752e, X762e
Cyan Return Programme Print Cartridge (6K)	C780A10G	C780dn/dtm/h, X782e
Cyan Return Programme Toner Cartridge (1K)	C540A10G	C540n, C543dn, C544dn/dtm/dw/n, C546dtn, X543dn, X544dn/dtm/dw/n, X546dtn
Cyan Return Programme Toner Cartridge (3K)	C5220CS	C522n, C524/dm/dtw/n, C530dn, C532dn/h, C534dn/dtm/n
Cyan Return Programme Toner Cartridge (6K)	C734A10G	C734dn/dtm/dw/n, C736dn/dtm, X734de, X736de, X738de/dte
Cyan Return Programme Toner Cartridge (7K)	C5340CX	C534dn/dtm/n
Cyan Toner Cartridge (1.5K)	C500S2CG	C500n, X500n, X502n
Cyan Toner Cartridge (14K)	12N0768	C910/dm/fm/h/n, C912/dm/fm/h, X912e
Cyan Toner Cartridge (14K)	C9202CH	C920/dm/dtw/n
Cyan Toner Cartridge (3K)	20K0500	C510/dm/n
Cyan Toner Cartridge (3K)	C5222CS	C522n, C524/dm/dtw/n, C530dn, C532dn/h, C534dn/dtm/n
Cyan Toner Cartridge (6.5K)	12A1452	Optra Color 1200/1200n
Cyan Toner Cartridge (6K)	C734A2CG	C734dn/dtm/dw/n, C736dn/dtm, X734de, X736de, X738de/dte
Cyan Toner Cartridge (7.2K)	15W0900	C720/dm/n, X720
Cyan Toner Cartridge (7K)	C5342CX	C534dn/dtm/n
Fuser Cleaning Roller (12K)	15W0905	C720/dm/n, X720
Fuser Maintenance Kit	15W0909	C720/dm/n, X720
Magenta Extra High Yield Print Cartridge (15K)	C772MX	C772dn/dtm/h, X772e
Magenta Extra High Yield Print Cartridge (15K)	C782X3MG	C782dn/dtm/h, X782e

Lexmark Supplies Compatibility Table

Cartridges and Photoconductor / Other Supplies

COLOUR LASER	DESCRIPTION	PART #	MODEL
Magenta Extra High Yield Return Programme Print Cartridge (15K)		C7720MX	C772dn/dtn/n, X772e
Magenta Extra High Yield Return Programme Print Cartridge (15K)		C782X1MG	C782dn/dtn/n, X782e
Magenta Extra High Yield Return Programme Toner Cartridge (4K)		C544X1MG	C544dn/dm/dw/n, C546dtn, X544dn/dm/dw/n, X546dtn
Magenta Extra High Yield Toner Cartridge (4K)		C544X2MG	C544dn/dm/dw/n, C546dtn, X544dn/dm/dw/n, X546dtn
Magenta High Yield Print Cartridge (10K)		C780H2MG	C780dn/dtn/n, C782dn/dtn/n, X782e
Magenta High Yield Print Cartridge (15K)		10B032M	C750/dm/dtn/n/n/n, X750e
Magenta High Yield Return Programme Print Cartridge (15K)		15G032M	C762/dm/dtn/n, C762/dm/dtn/n, X752e, X762e
Magenta High Yield Return Programme Print Cartridge (10K)		C780H1MG	C780dn/dtn/n, C782dn/dtn/n, X782e
Magenta High Yield Return Programme Print Cartridge (15K)		10B042M	C750/dm/dtn/n/n/n, X750e
Magenta High Yield Return Programme Print Cartridge (15K)		15G042M	C762/dm/dtn/n, C762/dm/dtn/n, X752e, X762e
Magenta High Yield Return Programme Toner Cartridge (15K)		C738H1MG	C736dn/dtn, X736de, X738de/dte
Magenta High Yield Return Programme Toner Cartridge (2K)		C540H1MG	C540n, C543dn, C544dn/dm/dw/n, C546dtn, X543dn, X544dn/dm/dw/n, X546dtn
Magenta High Yield Return Programme Toner Cartridge (2K)		C5240MH	C524/dm/dtn/n, C532dn/n, C534dn/dtn/n
Magenta High Yield Return Programme Toner Cartridge (5K)		C736H2MG	C736dn/dtn, X736de, X738de/dte
Magenta High Yield Toner Cartridge (10K)		C830H2MG	C935dn/dtn/dtn/n/n
Magenta High Yield Toner Cartridge (24K)		C540H2MG	C540n, C543dn, C544dn/dm/dw/n, C546dtn, X543dn, X544dn/dm/dw/n, X546dtn
Magenta High Yield Toner Cartridge (2K)		C504H2MG	C500n, X500n, X502n
Magenta High Yield Toner Cartridge (5K)		C5242MH	C524/dm/dtn/n, C532dn/n, C534dn/dtn/n
Magenta High Yield Toner Cartridge (6.6K)		20K1401	C510/dtn/n
Magenta Print Cartridge (10K)		10E0041	Optra C710/C710dn/C710n Color Laser Printer
Magenta Print Cartridge (6K)		10B031M	C750/dm/dtn/n/n/n, X750e
Magenta Print Cartridge (6K)		15G031M	C752/Ln/Ln/Ln/Ln/Ln/dm/dm/dm/n, C760/dm/dtn/n, C762/dm/dtn/n, X752e, X762e
Magenta Print Cartridge (6K)		C780A2MG	C780dn/dtn/n, C782dn/dtn/n, X782e
Magenta Return Programme Print Cartridge (6K)		10B041M	C750/dm/dtn/n/n/n, X750e
Magenta Return Programme Print Cartridge (6K)		15G041M	C752/Ln/Ln/Ln/Ln/Ln/dm/dm/dm/n, C760/dm/dtn/n, C762/dm/dtn/n, X752e, X762e
Magenta Return Programme Print Cartridge (6K)		C780A1MG	C780dn/dtn/n, C782dn/dtn/n, X782e
Magenta Return Programme Toner Cartridge (1K)		C540A1MG	C540n, C543dn, C544dn/dm/dw/n, C546dtn, X543dn, X544dn/dm/dw/n, X546dtn
Magenta Return Programme Toner Cartridge (3K)		C5220MS	C522n, C524/dm/dtn/n, C530dn, C532dn/n, C534dn/dtn/n
Magenta Return Programme Toner Cartridge (6K)		C734A1MG	C734dn/dtn/dw/n, C736dn/dtn, X734de, X736de, X738de/dte
Magenta Return Programme Toner Cartridge (7K)		C5340MX	C534dn/dtn/n
Magenta Toner Cartridge (1.5K)		C500S2MG	C500n, X500n, X502n

Lexmark Supplies Compatibility Table

Cartridges and Photoconductor / Other Supplies

DESCRIPTION	PART #	MODEL
COLOUR LASER		
Magenta Toner Cartridge (14K)	12N0769	C910/dm/fm/n, C912/dm/fm/n, X912e
Magenta Toner Cartridge (14K)	C92020MH	C920/dm/dtm/n
Magenta Toner Cartridge (3K)	20K0501	C510/dm/n
Magenta Toner Cartridge (3K)	C5222MS	C522n, C524/dm/dtm/n, C530dn, C532dn/n, C534dn/dtm/n
Magenta Toner Cartridge (6.5K)	12A1451	Optra Color 1200/1200n
Magenta Toner Cartridge (6K)	C734A2MG	C734dn/dtm/dw/n, C736dn/dtm, X734de, X736de, X738de/dte
Magenta Toner Cartridge (7.2K)	15W0301	C720/dm/n, X720
Magenta Toner Cartridge (7K)	C5342MX	C534dn/dtm/n
Oil Bottle (12K)	15W0306	C720/dm/n, X720
Oil Coating Roller (14K)	932035X	C910/dm/fm/n, C912/dm/fm/n, C920/dm/dtm/n, X912e
Photoconductor Unit (20K)	C734X20G	C734dn/dtm/dw/n, C736dn/dtm/n, X734de, X736de, X738de/dte
Photoconductor Unit, 4-Pack (20K each)	C734X24G	C734dn/dtm/dw/n, C736dn/dtm/n, X734de, X736de, X738de/dte
PhotoDeveloper Cartridge	C50DX26G	C500n, X500n, X502n
PhotoDeveloper Cartridge (40K images)	20K0504	C510/dm/n
PhotoDeveloper Kit (40K images)	15W0304	C720/dm/n, X720
Saddle Staple Cartridges (7 pack)	21Z0357	C935dn/dtm/dtm/h/n, X850e, X852e, X854e, X860de, X862de, X864de, X940e, X945e
Transfer Kit	10E0045	Optra C710/C710dn/C710n Color Laser Printer
Waste Toner Bottle	C50DX27G	C500n, X500n, X502n
Waste Toner Bottle (12K images)	20K0505	C510/dm/n
Waste Toner Bottle (12K)	15W0907	C720/dm/n, X720
Waste Toner Bottle (18K)	C54DX75G	C540n, C543dn, C544dn/dtm/dw/n, C546dn, X543dn, X544dn/dtm/dw/n, X546dn
Waste Toner Bottle (30K)	C93DX76G	C935dn/dtm/dtm/h/n, X940e, X945e
Waste Toner Box (25K)	C734X77G	C734dn/dtm/dw/n, C736dn/dtm, X734de, X736de, X738de/dte
Waste Toner Container (30K images)	C52025X	C522n, C524/dm/dtm/n, C530dn, C532dn/n, C534dn/dtm/n
Yellow Extra High Yield Print Cartridge (1.5K)	C7722YX	C772dn/dtm/n, X772e
Yellow Extra High Yield Print Cartridge (1.5K)	C782X2YG	C782dn/dtm/n, X782e
Yellow Extra High Yield Return Programme Print Cartridge (15K)	C7720YX	C772dn/dtm/n, X772e
Yellow Extra High Yield Return Programme Print Cartridge (15K)	C782X1YG	C782dn/dtm/n, X782e
Yellow Extra High Yield Return Programme Toner Cartridge (4K)	C544X1YG	C544dn/dtm/dw/n, C546dn, X544dn/dtm/dw/n, X546dn
Yellow Extra High Yield Return Programme Toner Cartridge (4K)	C544X2YG	C544dn/dtm/dw/n, C546dn, X544dn/dtm/dw/n, X546dn
Yellow High Yield Print Cartridge (10K)	C780H2YG	C780dn/dtm/n, C782dn/dtm/n, X782e

Lexmark Supplies Compatibility Table

Cartridges and Photoconductor / Other Supplies

DESCRIPTION	PART #	MODEL
COLOUR LASER		
Yellow High Yield Print Cartridge (15K)	10B032Y	C750/dm/dtm/vn/in/n, X750e
Yellow High Yield Print Cartridge (15K)	15G032Y	C752/dm/dtm/vn/n, C762/dm/dtm/n, X752e, X762e
Yellow High Yield Return Programme Print Cartridge (10K)	C780HYG	C780dn/dtm/n, C782dn/dtm/n, X782e
Yellow High Yield Return Programme Print Cartridge (15K)	10B042Y	C750/dm/dtm/vn/in/n, X750e
Yellow High Yield Return Programme Print Cartridge (15K)	15G042Y	C752/dm/dtm/vn/n, C762/dm/dtm/n, X752e, X762e
Yellow High Yield Return Programme Toner Cartridge (10K)	C736HYG	C736dn/dtm, X736de, X738de/dte
Yellow High Yield Return Programme Toner Cartridge (2K)	C540HYG	C540n, C543dn, C544dn/dm/dw/n, C546dtn, X543dn, X544dn/dm/dw/n, X546dtn
Yellow High Yield Return Programme Toner Cartridge (5K)	C524DVH	C524/dm/dtm/n, C532dn/n, C534dn/dtm/n
Yellow High Yield Toner Cartridge (10K)	C736HZYG	C736dn/dtm, X736de, X738de/dte
Yellow High Yield Toner Cartridge (24K)	C935dHZYG	C935dn/dtm/dtm/hdn
Yellow High Yield Toner Cartridge (2K)	C540HZYG	C540n, C543dn, C544dn/dm/dw/n, C546dtn, X543dn, X544dn/dm/dw/n, X546dtn
Yellow High Yield Toner Cartridge (3K)	C500HZYG	C500n, X500n, X502n
Yellow High Yield Toner Cartridge (5K)	C524ZHY	C524/dm/dtm/n, C532dn/n, C534dn/dtm/n
Yellow High Yield Toner Cartridge (6.6K)	20K1402	C510/dtm/n
Yellow Print Cartridge (10K)	10E0042	Opra C710/C710dn/C710n Color Laser Printer
Yellow Print Cartridge (6K)	10B031Y	C750/dm/dtm/vn/in/n, X750e
Yellow Print Cartridge (6K)	15G031Y	C752/Ldn/Ldm/Lv/dm/dtm/h/n, C760/dm/dtm/n, C762/dm/dtm/n, X752e, X762e
Yellow Print Cartridge (6K)	C780A2YG	C780dn/dtm/n, C782dn/dtm/n, X782e
Yellow Return Programme Print Cartridge (6K)	10B041Y	C750/dm/dtm/vn/in/n, X750e
Yellow Return Programme Print Cartridge (6K)	15G041Y	C752/Ldn/Ldm/Lv/dm/dtm/h/n, C760/dm/dtm/n, C762/dm/dtm/n, X752e, X762e
Yellow Return Programme Print Cartridge (6K)	C780A1YG	C780dn/dtm/n, C782dn/dtm/n, X782e
Yellow Return Programme Toner Cartridge (1K)	C540A1YG	C540n, C543dn, C544dn/dm/dw/n, C546dtn, X543dn, X544dn/dm/dw/n, X546dtn
Yellow Return Programme Toner Cartridge (3K)	C520YS	C522n, C524/dm/dtm/n, C530dn, C532dn/n, C534dn/dtm/n
Yellow Return Programme Toner Cartridge (6K)	C734A1YG	C734dn/dtm/dw/n, C736dn/dtm, X734de, X736de, X738de/dte
Yellow Return Programme Toner Cartridge (7K)	C5340YX	C534dn/dtm/n
Yellow Toner Cartridge (1.5K)	C500S2YG	C500n, X500n, X502n
Yellow Toner Cartridge (1.4K)	12N0770	C910/dm/vn/n, C912/dm/vn/n, X912e
Yellow Toner Cartridge (14K)	C920ZPH	C920/dm/dtm/n
Yellow Toner Cartridge (3K)	20K0502	C510/dtm/n
Yellow Toner Cartridge (3K)	C5222YS	C522n, C524/dm/dtm/n, C530dn, C532dn/n, C534dn/dtm/n
Yellow Toner Cartridge (6.5K)	12N1453	Opra Color 1200/1200n

Lexmark Supplies Compatibility Table

Cartridges and Photoconductor / Other Supplies

DESCRIPTION	PART #	MODEL
COLOUR LASER		
Yellow Toner Cartridge (6K)	C7342Y/G	C734dn/dtn/dw/n, C736dn/dtn, X734de, X736de, X738de/dte
Yellow Toner Cartridge (7.2K)	15W0302	C720/dtn/n, X720
Yellow Toner Cartridge (7K)	05342YX	C534dn/dtn/n
LASER TONER/PRINT CARTRIDGE		
Staple Cartridge (3x3)	11K3188	C750n, C752n, C772n/dtn/n, C782n/dtn/n, C910n, C912n, C920/dtn/dtn/n, T634dnf, T640/dtn/dtn/n, T644/dtn/n/n, X646ef, X750e, X912e
MONO LASER		
4019, 4023, 4028 High Yield Print Cartridge (7K)	1380520	4028 Laser Printers, 4029, IBM 4019
E312 Print Cartridge (6K)	1310301	Optra E310/E312/E312L
E312 Print Cartridge (6K)	1310101	Optra E310/E312/E312L
E33X, E34X High Yield Return Programme Toner Cartridge (6K)	34016HE	E330, E332n/n, E340, E342n/n
E33X, E34X High Yield Toner Cartridge (6K)	34036HE	E330, E332n/n, E340, E342n/n
E33X, E34X Return Programme Toner Cartridge (2.5K)	24016SE	E232/t, E240/n, E330, E332n/n, E340, E342n/n
E33X, E34X Toner Cartridge (2.5K)	24036SE	E232/t, E240/n, E330, E332n/n, E340, E342n/n
E35X High Yield Return Programme Toner Cartridge (6K)	E352H1E	E350d, E352dn
E35X High Yield Toner Cartridge (6K)	E352H2E	E350d, E352dn
E35X Return Programme Toner Cartridge (3.5K)	E250A1E	E250d/dn, E350d, E352dn
E35X Toner Cartridge (3.5K)	E250A2E	E250d/dn, E350d, E352dn
E35X, E450 Photoconductor Kit (30K)	E250X/2G	E250d/dn, E350d, E352dn, E450dn
Extra High Yield Print Cartridge (32K)	1247365	T632/dtn/n/n, T634/dnn/dtn/dtn/n/n, X632/e/s, X634dte/e
Extra High Yield Print Cartridge (32K)	64436XE	T644/dtn/n/n
Extra High Yield Print Cartridge (36K)	T654N/21E	T654dn/dtn/n, T656dne
Extra High Yield Return Programme Toner Cartridge	E462U1E	E462dtn
Extra High Yield Return Programme Print Cartridge (32K)	1247465	T632/dtn/n/n, T634/dnn/dtn/dtn/n/n, X632/e/s, X634dte/e
Extra High Yield Return Programme Print Cartridge (32K)	64416XE	T644/dtn/n/n
Extra High Yield Return Programme Print Cartridge (36K)	T654X11E	T654dn/dtn/n, T656dne
Extra High Yield Return Programme Print Cartridge for Labels Applications	T654X04E	T654dn/dtn/n, T656dne
Extra High Yield Return Programme Toner Cartridge (1.5K)	E460X11E	E460dn/dw
Extra High Yield Toner Cartridge	E462U21E	E462dtn
Extra High Yield Toner Cartridge (1.5K)	E460X21E	E460dn/dw
High Yield Print Cartridge (10K)	1247315	T420u/dn

Lexmark Supplies Compatibility Table

Cartridges and Photoconductor / Other Supplies

MONO LASER	DESCRIPTION	PART #	MODEL
High Yield Print Cartridge (10K)		4K0199	Optra M410/M410n
High Yield Print Cartridge (12.8K)		1380950	4039
High Yield Print Cartridge (12K)		128325	T430/d/dn
High Yield Print Cartridge (14K)		1382150	4039 10 plus Laser Printer, Optra/plus
High Yield Print Cartridge (20K)		128735	T520/d/dn/n, T522/dn/n, X520, X522/s
High Yield Print Cartridge (21K)		1287362	T630/VE/dn/n/n VE, T632/dm/n/m, T634/dn/dm/dm/n/m, X630, X632/e/s, X634dte/e
High Yield Print Cartridge (21K)		64038HE	T640/dn/dm/n, T642/dm/n/m, T644/dm/n/m
High Yield Print Cartridge (25K)		T650H21E	T650dn/dm/n, T652dn/dm/n, T654dn/dm/n, T656dne
High Yield Print Cartridge (30K)		128765	T620/dn/n/n, T622/dn/n/n, X620e
High Yield Print Cartridge (6K)		08A0477	E320, E322/n
High Yield Print Cartridge (6K)		1287305	E321, E323/n
High Yield Return Programme Print Cartridge (10K)		12A7415	T420d/dn
High Yield Return Programme Print Cartridge (12K)		128425	T430/d/dn
High Yield Return Programme Print Cartridge (20K)		126835	T520/d/dn/n, T522/dn/n, X520, X522/s
High Yield Return Programme Print Cartridge (21K)		1287462	T630/VE/dn/n/n VE, T632/dm/n/m, T634/dn/dm/dm/n/m, X630, X632/e/s, X634dte/e
High Yield Return Programme Print Cartridge (21K)		64016HE	T640/dn/dm/n, T642/dm/n/m, T644/dm/n/m
High Yield Return Programme Print Cartridge (25K)		T650H11E	T650dn/dm/n, T652dn/dm/n, T654dn/dm/n, T656dne
High Yield Return Programme Print Cartridge (30K)		1268665	T620/dn/n/n, T622/dn/n/n, X620e
High Yield Return Programme Print Cartridge (6K)		08A0478	E320, E322/n
High Yield Return Programme Print Cartridge (6K)		12A7405	E321, E323/n
High Yield Return Programme Print Cartridge for Label/Applications (20K)		1286839	T520/d/dn/n, T522/dn/n, X520, X522/s
High Yield Return Programme Print Cartridge for Label/Applications (21K)		12A7468	T630/VE/dn/n/n VE, T632/dm/n/m, T634/dn/dm/dm/n/m, X630, X632/e/s, X634dte/e
High Yield Return Programme Print Cartridge for Label/Applications (21K)		64004HE	T640/dn/dm/n, T642/dm/n/m, T644/dm/n/m
High Yield Return Programme Print Cartridge for Label/Applications (25K)		T650H04E	T650dn/dm/n, T652dn/dm/n, T654dn/dm/n, T656dne
High Yield Return Programme Toner Cartridge (6K)		E360H11E	E360u/dn, E460dn/dw, E462dtn
High Yield Return Programme Toner Cartridge(11K)		E450H11E	E450dn
High Yield Toner Cartridge		W850H21G	W850dn/n
High Yield Toner Cartridge (11K)		E450H21E	E450dn
High Yield Toner Cartridge (6K)		E360H21E	E360u/dn, E460dn/dw, E462dtn
M412 High Yield Print Cartridge (15K)		17G0154	Optra M410/M410n/M412/M412n
M412 Print Cartridge (5K)		17G0152	Optra M410/M410n/M412/M412n

Lexmark Supplies Compatibility Table

Cartridges and Photoconductor / Other Supplies

DESCRIPTION	PART #	MODEL
MONO LASER		
Optra E Photoconductor Unit (20K)	69G8257	Optra E/Ep/Es/E/+
Optra E Toner Cartridge (3K)	69G8256	Optra E/Ep/Es/E/+
Photoconductor Kit	W850H22G	W850d/n/n
Photoconductor Kit (25K)	12026W	E120/n
Photoconductor Kit (30K)	12483J2	E232f, E240/n, E330, E332n/n, E340, E342n/n
Photoconductor Kit (30K)	E260J22G	E260/d/dn, E360/d/dn, E460dn/dw, E462dn, X264dn, X363dn, X364dn/dw, X463de, X464de, X466de/dte/dwe
Photoconductor Kit (60K)	W84030H	W840/d/n/n
Photoconductor Kit (90K)	12L0251	Optra W810/W810dn/W810n
Print Cartridge (10K)	1246760	T620/dn/n/n, T622/dn/n/n, X620e
Print Cartridge (12K)	14K0050	W812/dtn/n
Print Cartridge (2.5K)	12S3000	E220
Print Cartridge (23K)	12A0725	Optra Se 3455
Print Cartridge (2K)	10S0150	E210
Print Cartridge (30K)	12B0090	W820/dn/n, X820e
Print Cartridge (3K)	08A0475	E320, E322/n
Print Cartridge (3K)	12A7300	E321, E323/n
Print Cartridge (5K)	12A7310	T420u/dn
Print Cartridge (6K)	12A7360	T630/VE/dn/n/n VE, T632/dn/n/n, T634/dn/dm/dm/n/n, X630, X632/e/s, X634dte/e
Print Cartridge (6K)	1248320	T430u/d/dn
Print Cartridge (6K)	64C36SE	T640/dn/dtn/n, T642/dtn/n/n, T644/dn/n/n
Print Cartridge (7.5K)	1246730	T520/d/dn/n, T522/dn/n, X520, X522/s
Print Cartridge (7K)	13B0850	4039
Print Cartridge (7K)	13B2100	4039 10plus Laser Printer, Optra/plus
Print Cartridge (7K)	T650A21E	T650dn/dm/n, T652dn/dm/n, T654dn/dtm/n, T656dne
Print Unit	11A4096	Optra K 1220
Return Programme Print Cartridge (10K)	12A6860	T620/dn/n/n, T622/dn/n/n, X620e
Return Programme Print Cartridge (2.5K)	12S0400	E220
Return Programme Print Cartridge (23K)	12A0825	Optra Se 3455
Return Programme Print Cartridge (3K)	08A0476	E320, E322/n
Return Programme Print Cartridge (3K)	12A7400	E321, E323/n
Return Programme Print Cartridge (5K)	12A7410	T420u/dn

Lexmark Supplies Compatibility Table

Cartridges and Photoconductor / Other Supplies

DESCRIPTION	PART #	MODEL
MONO LASER		
Return Programme Print Cartridge (5K)	12K7460	T630/VE/dm/n/n VE, T632/dm/n/n, T634/dm/dm/dm/n/n, T630, X632/e/s, X634dte/e
Return Programme Print Cartridge (6K)	12K8420	T430/d/dm
Return Programme Print Cartridge (6K)	6401 6SE	T640/dm/dm/n, T642/dm/n/n, T644/dm/n/n/h
Return Programme Print Cartridge (7.5K)	12K6830	T520/d/dm/n, T522/dm/n, X520, X522/s
Return Programme Print Cartridge (7K)	T650A11E	T650dn/dm/n, T652dn/dm/n, T654dn/dm/n, T656dne
Return Programme Print Cartridge for Label (10K)	12K6869	T620/dm/dm/n, T622/dm/dm/n, X620e
Return Programme Print Cartridge for Label Applications (23K)	12K0829	Optra Se 3455
Return Programme Toner Cartridge (2K)	12016SE	E120/n
Return Programme Toner Cartridge (3.5K)	E260A11E	E260/d/dm, E360/d/dm, E460dn/dw, E462dn
Return Programme Toner Cartridge (6K)	E450A11E	E450dn
S High Yield Print Cartridge (17.6K)	1382625	Optra S 1250/S 1255/S 1620/S 1625/S 1650/S 1855/S 2420/S 2450/S 2455
S High Yield Return Programme Print Cartridge (17.6K)	1382925	Optra S 1250/S 1255/S 1620/S 1625/S 1650/S 1855/S 2420/S 2450/S 2455
S Return Programme Print Cartridge for Label Applications	1382929	Optra S 1250/S 1255/S 1620/S 1625/S 1650/S 1855/S 2420/S 2450/S 2455
S Return Programme Print Cartridge (7.5K)	1382920	Optra S 1250/S 1255/S 1620/S 1625/S 1650/S 1855/S 2420/S 2450/S 2455
Staple Cartridges (3 pack)	12L0252	Optra W810/W810dn/W810n, W820/dm/n, X820e, X830e, X832e
Staple Cartridges (3 pack)	25A0013	C935dn/dm/dm/dm/n/h/n, T650dn/dm/n, T652dn/dm/n, T654dn/dm/n, T656dne, W840/dm/n, W850dn/n, X658dte/dtfe, X850e, X854e, X860de, X862de, X864de, X940e, X945e
T High Yield Print Cartridge (25K)	12K5745	Optra T610/T610n/T612/T614/T614n/T614n/T616/T616n
T High Yield Return Programme Print Cartridge (25K)	12K5845	Optra T610/T610n/T612/T614/T614n/T614n/T616/T616n
T High Yield Return Programme Print Cartridge for Label Applications	12K5849	Optra T610/T610n/T612/T614/T614n/T614n/T616/T616n
T Print Cartridge (10K)	12K5740	Optra T610/T610n/T612/T614/T614n/T614n/T616/T616n
T Return Programme Print Cartridge (10K)	12K5840	Optra T610/T610n/T612/T614/T614n/T614n/T616/T616n
Toner Cartridge (20K)	12L0250	Optra W810/W810dn/W810n
Toner Cartridge (2K)	12036SE	E120/n
Toner Cartridge (3.5K)	E260A21E	E260/d/dm, E360/d/dm, E460dn/dw, E462dn
Toner Cartridge (30K)	W84020H	W840/dm/n
Toner Cartridge (5K)	12K4605	Optra K 1220
Toner Cartridge (6K)	E450A21E	E450dn
Toner Cartridges (Pack of 2) (5K each)	11K4097	Optra K 1220
MULTIFUNCTION		
Black High Yield Print Cartridge (10K)	X560H2K6	X560dn/h

Lexmark Supplies Compatibility Table

Cartridges and Photoconductor / Other Supplies

DESCRIPTION	PART #	MODEL
MULTIFUNCTION		
Black High Yield Toner Cartridge (36K)	X945X2KG	X940e, X945e
Cyan High Yield Print Cartridge (10K)	X560H2CG	X560dn/n
Cyan High Yield Toner Cartridge (22K)	X945X2CG	X940e, X945e
Cyan Print Cartridge (4K)	X560A2CG	X560dn/n
Extra High Yield Print Cartridge (32K)	X644X21E	X644e, X646dte/dte/ef
Extra High Yield Print Cartridge (36K)	X644X11E	X6544e, X6566dte, X6588dte/dtfe/dtfe/dtme
Extra High Yield Return Programme Print Cartridge (32K)	X654X11E	X644e, X646dte/dte/ef
Extra High Yield Return Programme Print Cartridge (36K)	X654X11E	X6544e, X6566dte, X6588dte/dtfe/dtfe/dtme
Extra High Yield Return Programme Print Cartridge for Label Applications	X654X04E	X6544e, X6566dte, X6588dte/dtfe/dtfe/dtme
Extra High Yield Return Programme Toner Cartridge (1.5K)	X463X11G	X4634e, X4644de, X4666de/dte/dtwe
Extra High Yield Return Programme Toner Cartridge (1.5K)	X463X21G	X4634e, X4644de, X4666de/dte/dtwe
High Yield Print Cartridge (12K)	12A3715	X422
High Yield Print Cartridge (21K)	X644H21E	X642e, X644e, X646dte/dte/ef
High Yield Return Programme Print Cartridge (12K)	12A4715	X422
High Yield Return Programme Print Cartridge (21K)	X644H11E	X642e, X644e, X646dte/dte/ef
High Yield Return Programme Print Cartridge for Label Applications (25K)	X651H04E	X6514e, X6524de, X6544de, X6566dte, X6588dte/dtfe/dtfe/dtme
High Yield Return Programme Toner Cartridge (6K)	X340H11G	X342n
High Yield Return Programme Toner Cartridge (6K)	X264H11G	X264dn, X363dn, X364dn/dw
High Yield Return Programme Toner Cartridge (6K)	X463H11G	X4634e, X4644de, X4666de/dte/dtwe
High Yield Toner Cartridge (6K)	X340H21G	X342n
High Yield Toner Cartridge (9K)	X264H21G	X264dn, X363dn, X364dn/dw
High Yield Toner Cartridge (9K)	X463H21G	X4634e, X4644de, X4666de/dte/dtwe
Magenta High Yield Print Cartridge (10K)	X560H2MG	X560dn/n
Magenta High Yield Toner Cartridge (22K)	X945X2MG	X940e, X945e
Magenta Print Cartridge (4K)	X560A2MG	X560dn/n
Photoconductor Kit	X203H22G	X203n, X204n
Photoconductor Kit	X850H22G	X850e, X852e, X854e
Photoconductor Kit (30K)	X340H22G	X340, X342n
Print Cartridge (10K)	X644A21E	X642e, X644e, X646dte/dte/ef
Print Cartridge (3.2K)	18S0090	X215
Print Cartridge (30K)	X8302KH	X830e, X832e

Lexmark Supplies Compatibility Table

Cartridges and Photoconductor / Other Supplies

DESCRIPTION	PART #	MODEL
MULTIFUNCTION		
Print Cartridge (6K)	12K3710	X422
Print Cartridge (7K)	X651A21E	X651de, X652de, X654de, X656de, X658dfe/dme/dtfe/dtme
Return Program Toner Cartridge	X203A11G	X203n, X204n
Return Programme Print Cartridge (10K)	X644A11E	X642e, X644e, X646dfe/e/ef
Return Programme Print Cartridge (6K)	12K4710	X422
Return Programme Print Cartridge (7K)	X651A11E	X651de, X652de, X654de, X656dfe, X658dfe/dme/dtfe/dtme
Return Programme Toner Cartridge (2.5K)	X340A11G	X340, X342n
Return Programme Toner Cartridge (3.5K)	X264A11G	X264dn, X363dn, X364dn/dtw
Return Programme Toner Cartridge (3.5K)	X463A11G	X463de, X464de, X466de/dte/dtwe
Toner Cartridge	X203A21G	X203n, X204n
Toner Cartridge (2.5K)	X340A21G	X340, X342n
Toner Cartridge (3.5K)	X264A21G	X264dn, X363dn, X364dn/dtw
Toner Cartridge (3.5K)	X463A21G	X463de, X464de, X466de/dte/dtwe
X85xe Toner Cartridge (3.0K)	X850H21G	X850e, X852e, X854e
X860e, X862e, X864e High Yield Toner Cartridge	X860H21G	X860de, X862de, X864de
X860e, X862e, X864e Photoconductor Kit	X860H22G	X860de, X862de, X864de
Yellow High Yield Print Cartridge (10K)	X945H21G	X560dn/n
Yellow High Yield Toner Cartridge (22K)	X945X2YG	X940e, X945e
Yellow Print Cartridge (4K)	X560A21G	X560dn/n
X654, X656, X658 High Yield Print Cartridge (25K)	X651H21E	X651de, X652de, X654de, X656dfe, X658dfe/dme/dtfe/dtme
X654, X656, X658 High Yield Return Programme Print Cartridge (25K)	X651H11E	X651de, X652de, X654de, X656dfe, X658dfe/dme/dtfe/dtme
DOT MATRIX		
23XX, 24XX Standard Ribbon	11A3540	2480, 2481, 2490, 2491, 2580/n, 2581/n, 2590/n, 2591/n
24XX High Yield Ribbon	11A3550	2480, 2481, 2490, 2491, 2580/n, 2581/n, 2590/n, 2591/n
Ribbon Forms Printer 4227	13L0034	4227/plus/+

Lexmark Supplies Compatibility Table

Paper & Transparencies

COLOUR INKJET		DESCRIPTION	PART #	MODEL
		PerfectFinish Photo Paper 10x15 cm (35)	3048568	F4270, Home Copier Plus, Impact S305/5e S308, Interact S605, Interpret S405/pret se S408, Intuition S505, P3120, P3150, P3350, P4350, P4500, P4550, P6250, P6350, P706, P707, P915, Platinum Pro905, Prestige Pro805, Prevail Pro705, Prospect Pro205/5e Pro208, X1110, X1130, X1150, X1170, X1180, X1190, X1250, X1250/O, X1270, X2230, X2240, X2250, X2310, X2330, X2350, X2470, X2480, X2510, X2530, X2550, X2580, X2600, X2650, X2670, X3330, X3350, X3360, X3470, X3480, X3530, X3550, X4630, X4650, X4850, X4875, X4950, X4975/ve, X5070, X5130, X5150, X5190pro, X5250, X5270, X5470, X5490, X5495, X5650, X6150, X6170, X6190pro, X63, X6570, X6575, X6650, X6675, X70, X7170, X73/10/50, X74, X75/50, X7675, X80, X83/50, X84, X85, X9350, X9575, Z12, Z13, Z1300, Z1320, Z1380, Z1410, Z1420, Z1480, Z1520, Z22, Z23, Z2320, Z23e, Z2420, Z25, Z25, Z33, Z35, Z42, Z43, Z45, Z45se, Z51, Z515, Z517, Z52, Z53, Z54, Z54se, Z55, Z55se, Z601, Z602, Z605, Z612, Z614, Z615, Z617, Z640, Z645, Z65npro, Z65p, Z703, Z705, Z715, Z735, Z815, Z845, Z85, Z86n
		PerfectFinish Photo Paper A4 (25)	3048567	F4270, Home Copier Plus, Impact S305/5e S308, Interact S605, Interpret S405/pret se S408, Intuition S505, Platinum Pro905, Prestige Pro805, Prevail Pro705, Prospect Pro205/5e Pro208, X1110, X1130, X1150, X1170, X1180, X1190, X1250/O, X1270, X2230, X2240, X2250, X2310, X2330, X2350, X2470, X2480, X2500, X2510, X2530, X2550, X2600, X2650, X2670, X3330, X3350, X3470, X3480, X3530, X3550, X3580, X3650, X4250, X4530, X4550, X4580, X4650, X4850, X4875, X4950, X4975/ve, X5070, X5130, X5150, X5190pro, X5250, X5270, X5470, X5490, X5495, X5650, X6150, X6170, X6190pro, X63, X6570, X6575, X6650, X6675, X70, X7170, X73/10/50, X74, X75/50, X7675, X80, X83/50, X84, X85, X9350, X9575, Z12, Z13, Z1300, Z1320, Z1380, Z1410, Z1420, Z1480, Z1520, Z22, Z23, Z2320, Z23e, Z2420, Z25, Z25, Z33, Z35, Z42, Z43, Z45, Z45se, Z51, Z515, Z517, Z52, Z53, Z54, Z54se, Z55, Z55se, Z601, Z602, Z605, Z612, Z614, Z615, Z617, Z640, Z645, Z65npro, Z65p, Z703, Z705, Z715, Z735, Z815, Z845, Z85, Z86n
		Photo Paper 4 x 6 inches (35)	3048566	F4270, Home Copier Plus, Impact S305/5e S308, Interact S605, Interpret S405/pret se S408, Intuition S505, P3150, P4350, P6250, P6350, Platinum Pro905, Prestige Pro805, Prevail Pro705, Prospect Pro205/5e Pro208, X1110, X1130, X1150, X1170, X1180, X1190, X1250/O, X1270, X2230, X2240, X2250, X2310, X2330, X2350, X2470, X2480, X2510, X2530, X2550, X2580, X2600, X2650, X2670, X3330, X3350, X3470, X3480, X3530, X3550, X3580, X3650, X4250, X4530, X4550, X4580, X4650, X4850, X4875, X4950, X4975/ve, X5070, X5130, X5150, X5190pro, X5250, X5270, X5470, X5490, X5495, X5650, X6150, X6170, X6190pro, X63, X6570, X6575, X6650, X6675, X70, X7170, X73/10/50, X74, X75/50, X7675, X80, X83/50, X84, X85, X9350, X9575, Z12, Z13, Z1300, Z1320, Z1380, Z1410, Z1420, Z1480, Z1520, Z22, Z23, Z2320, Z23e, Z2420, Z25, Z25, Z33, Z35, Z42, Z43, Z45, Z45se, Z51, Z515, Z517, Z52, Z53, Z54, Z54se, Z55, Z55se, Z601, Z602, Z605, Z612, Z614, Z615, Z617, Z640, Z645, Z65npro, Z65p, Z703, Z705, Z715, Z735, Z815, Z845, Z85, Z86n

Lexmark Supplies Compatibility Table

Paper & Transparencies

COLOUR INK/JET	DESCRIPTION	PART #	MODEL
Photo Paper A4 (20)		8001706	1000, 1020, 1100, 2030, 2050, 2070, 3000, 7200iV, ExecJet Ilic, F4270, Home Copier Plus, Impact S305/5e S308, Interact S605, Interpret S405/p/pret se S408, Intuition S505, J110, Medley, Ontra Color 40/45/45n, P3120, P3150, P4350, P6250, P6350, P706, P707, P915, Platinum Pro905, Prestige Pro805, Prevail Pro705, Winwriter 150c, X1110, X1130, X1150, X1170, X1180, X1190, X1250, X1270, X2230, X2240, X2250, X2310, X2330, X2350, X2450, X2470, X2480, X2490, X2500, X2510, X2530, X2550, X2580, X2600, X2650, X2670, X3330, X3350, X3380, X3390, X3470, X3480, X3530, X3550, X3580, X3650, X4250, X4530, X4550, X4580, X4650, X4680, X4850, X4875, X4950, X4975/ve, X5070, X5075, X5130, X5150, X5190pro, X5250, X5270, X5470, X5490, X5495, X5650, X5660, X5675, X70, X7170, X7310/50, X74, X75, X80, X83/50, X84, X85, Z11, Z12, Z13, Z1300, Z1320, Z1380, Z1410, Z1420, Z1430, Z2230, Z2330, Z2350, Z2420, Z25, Z31, Z33, Z35, Z42, Z43, Z45, Z45se, Z51, Z515, Z517, Z52, Z53, Z54, Z54se, Z55, Z55se, Z601, Z602, Z605, Z612, Z614, Z615, Z617, Z640, Z645, Z65npro, Z65p, Z703, Z705, Z715, Z735, Z815, Z845, Z85, Z86n
Photo Paper A4 Size (25)		3048565	F4270, Home Copier Plus, Impact S305/5e S308, Interact S605, Interpret S405/p/pret se S408, Intuition S505, J110, Medley, Ontra Color 40/45/45n, P3120, P4350, P6250, P6350, P706, P707, Platinum Pro905, Prestige Pro805, Prevail Pro705, Winwriter 150c, X1110, X1130, X1150, X1170, X1180, X1190, X1250, X1270, X2230, X2240, X2250, X2310, X2330, X2350, X2450, X2470, X2480, X2500, X2510, X2530, X2550, X2580, X2600, X2650, X2670, X3330, X3350, X3470, X3480, X3530, X3550, X3580, X3650, X4250, X4530, X4550, X4580, X4650, X4680, X4850, X4875, X4950, X4975/ve, X5070, X5075, X5130, X5150, X5190pro, X5250, X5270, X5470, X5490, X5495, X5650, X5660, X5675, X70, X7170, X7310/50, X74, X75, X80, X83/50, X84, X85, X95/50, X96/50, X975, X12, Z13, Z1300, Z1320, Z1380, Z1410, Z1420, Z2230, Z2330, Z2350, Z2420, Z25, Z31, Z33, Z35, Z42, Z43, Z45, Z45se, Z51, Z515, Z517, Z52, Z53, Z54, Z54se, Z55, Z55se, Z601, Z602, Z605, Z612, Z614, Z615, Z617, Z640, Z645, Z65npro, Z65p, Z703, Z705, Z715, Z735, Z815, Z845, Z85, Z86n
Photo Paper A4-size, 10 x 15 cm Premium Photo Paper (20-sheets of each)		8001903	1000, 1020, 1100, 2030, 2050, 2070, 3000, 7200iV, ExecJet Ilic, F4270, Home Copier Plus, J110, Medley, Ontra Color 40/45/45n, P3120, P3150, P4350, P6250, P6350, P706, P707, P915, Winwriter 150c, X1110, X1130, X1150, X1170, X1180, X1190, X1250, X1270, X2230, X2240, X2250, X2310, X2330, X2350, X2450, X2470, X2480, X2490, X2500, X2510, X2530, X2550, X2580, X2600, X2650, X2670, X3330, X3350, X3470, X3480, X3530, X3550, X3580, X3650, X4250, X4530, X4550, X4580, X4650, X4680, X4850, X4875, X4950, X4975/ve, X5070, X5075, X5130, X5150, X5190pro, X5250, X5270, X5470, X5490, X5495, X5650, X5660, X5675, X70, X7170, X7310/50, X74, X75, X80, X83/50, X84, X85, Z11, Z12, Z13, Z1300, Z1320, Z1380, Z1410, Z1420, Z2230, Z2330, Z2350, Z2420, Z25, Z31, Z33, Z35, Z42, Z43, Z45, Z45se, Z51, Z515, Z517, Z52, Z53, Z54, Z54se, Z55, Z55se, Z601, Z602, Z605, Z612, Z614, Z615, Z617, Z640, Z645, Z65npro, Z65p, Z703, Z705, Z715, Z735, Z815, Z845, Z85, Z86n
Premium Glossy Photo Paper - Photo Size 10x15		2160710	F4270, Home Copier Plus, Ontra Color 45/45n, P3120, P315, P3150, P4350, P450, P6250, P6350, P706, P707, P915, X1110, X1130, X1150, X1170, X1180, X1190, X1250, X1270, X2230, X2240, X2250, X2310, X2330, X2350, X2450, X2470, X2480, X2490, X2500, X2510, X2530, X2550, X2580, X2600, X2650, X2670, X3330, X3350, X3470, X3480, X3530, X3550, X3580, X3650, X4250, X4530, X4550, X4580, X4650, X4680, X4850, X4875, X4950, X4975/ve, X5070, X5075, X5130, X5150, X5190pro, X5250, X5270, X5470, X5490, X5495, X5650, X5660, X5675, X70, X7170, X7310/50, X74, X75, X80, X83/50, X84, X85, Z1300, Z1320, Z1380, Z1410, Z1420, Z1430, Z1480, Z2230, Z2330, Z2350, Z2420, Z25, Z31, Z33, Z35, Z42, Z43, Z45, Z45se, Z51, Z515, Z517, Z52, Z53, Z54, Z54se, Z55, Z55se, Z601, Z602, Z605, Z612, Z614, Z615, Z617, Z640, Z645, Z65npro, Z65p, Z703, Z705, Z715, Z735, Z815, Z845, Z85, Z86n

Lexmark Supplies Compatibility Table

Paper & Transparencies

COLOUR	INK/JET	DESCRIPTION	PART #	MODEL
		Premium Glossy Photo Paper - Photo Size 10x15	2100711	F4270, Home Copier Plus, Optra Color 45/45n, P3120, P315, P3150, P4350, P450, P6250, P6350, P706, P707, P915, X1110, X1130, X1150, X1170, X1180, X1190, X1250, X1270, X2230, X2240, X2250, X2310, X2330, X2350, X2450, X2470, X2480, X2500, X2510, X2550, X2580, X2660, X2665, X3330, X3350, X3470, X3480, X3580, X3590, X3595, X3598, X3650, X4250, X4530, X4650, X4680, X4690, X5070, X5075, X5130, X5150, X5190pro, X5250, X5270, X5470, X5490, X5495, X5650, X6150, X6170, X6190pro, X63, X6650, X6675, X70, X7170, X73/10/50, X74, X75, X80, X83/50, X84, X85, Z1300, Z1320, Z1380, Z1410, Z1420, Z1480, Z2320, Z2420, Z25, Z26, Z35, Z45, Z45se, Z515, Z517, Z54se, Z55se, Z601, Z602, Z606, Z612, Z614, Z615, Z617, Z640, Z645, Z65npro, Z65p, Z703, Z705, Z715, Z735, Z815, Z845, Z845se, Z85, Z85n
		Premium Photo Paper A4 (15)	8001707	1000, 1020, 1100, 2030, 2050, 2055, 2070, 3000, 3200, 5000, 5700, 7000, 7200 V, ExecJet IIc, F4270, Home Copier Plus, J110, Medley, Optra Color 40/45/45n, P3120, P3150, P4350, P6250, P6350, P706, P707, P915, Winwriter 150c, X1110, X1130, X1150, X1170, X1180, X1190, X1250, X1270, X2230, X2240, X2250, X2310, X2330, X2350, X2450, X2470, X2480, X2500, X2510, X2530, X2550, X2580, X2660, X3330, X3350, X3470, X3480, X3530, X3550, X3580, X3650, X4250, X4530, X4650, X4680, X4690, X5070, X5075, X5130, X5150, X5190pro, X5250, X5270, X5470, X5490, X5495, X5650, X6150, X6170, X6190pro, X63, X6650, X6675, X70, X7170, X73/10/50, X74, X75, X80, X83/50, X84, X85, Z11, Z12, Z13, Z1300, Z1320, Z1380, Z1410, Z1420, Z1480, Z22, Z23, Z2320, Z23se, Z2420, Z25, Z31, Z32, Z33, Z35, Z42, Z43, Z45, Z45se, Z51, Z515, Z517, Z52, Z53, Z54, Z54se, Z55, Z55se, Z601, Z602, Z605, Z612, Z614, Z615, Z617, Z640, Z645, Z65npro, Z65p, Z703, Z705, Z715, Z735, Z815, Z845, Z85, Z85n
		Premium Photo Paper A4 (2 x 15-sheet pack)	8001883	1000, 1020, 1100, 2030, 2050, 2055, 2070, 3000, 3200, 5000, 5700, 7000, 7200 V, ExecJet IIc, F4270, Home Copier Plus, J110, Medley, Optra Color 40/45/45n, P3120, P3150, P4350, P6250, P6350, P706, P707, P915, Winwriter 150c, X1110, X1130, X1150, X1170, X1180, X1190, X1250, X1270, X2230, X2240, X2250, X2310, X2330, X2350, X2450, X2470, X2480, X2500, X2510, X2530, X2550, X2580, X2660, X3330, X3350, X3470, X3480, X3530, X3550, X3580, X3650, X4250, X4530, X4650, X4680, X4690, X5070, X5075, X5130, X5150, X5190pro, X5250, X5270, X5470, X5490, X5495, X5650, X6150, X6170, X6190pro, X63, X6650, X6675, X70, X7170, X73/10/50, X74, X75, X80, X83/50, X84, X85, Z11, Z12, Z13, Z1300, Z1320, Z1380, Z1410, Z1420, Z1480, Z22, Z23, Z2320, Z23se, Z2420, Z25, Z31, Z32, Z33, Z35, Z42, Z43, Z45, Z45se, Z51, Z515, Z517, Z52, Z53, Z54, Z54se, Z55, Z55se, Z601, Z602, Z605, Z612, Z614, Z615, Z617, Z640, Z645, Z65npro, Z65p, Z703, Z705, Z715, Z735, Z815, Z845, Z85, Z85n
COLOUR	LASER			
		Banner Laser Paper	1247940	C912/dn/fn/n, C920/dn/dtn/n, X912e
		Banner Laser Paper	1248940	C762/dn/dtn/n, C772bn/dtn/n, C782dn/dtn/n, X762e, X772e, X782e
		Outdoor Media, A4	1248601	C762/dn/dtn/n, C772bn/dtn/n, C782dn/dtn/n, X762e, X772e, X782e
		Professional Colour Laser Transparencies, A4	1248241	C500n, C510/dtn/n, C522n, C524/n/dn/dtn/n, C530dn, C532dn/n, C534dn/dtn/n, C540n, C543dn, C544dn/dtn/dtn/n, C546dn, C546dn/n, C546dn/dtn/dtn/n, C736dn/dtn/n, C736dn/dtn/n, C736dn/dtn/n, C750/dn/dtn/n, C752/Ln/Ln/dtn/dtn/n, C760/dn/dtn/n, C762/dn/dtn/n, C770dn/dtn/n, C772dn/dtn/n, C772dn/dtn/n, C782dn/dtn/n, C910/dn/fn/n, C912/dn/fn/n, C920/dn/dtn/n, C935dn/dtn/dtn/n, Optra C710/C710dn/C710n Color Laser Printer/Color 1200n/Color 1200n, X500n, X502n, X543dn, X544dn/dtn/dtn/n, X546dn, X560dn/n, X720, X734de, X736de, X738de/dtn, X750e, X752e, X762e, X772e, X782e, X912e, X940e, X940e, X946e

Lexmark Standard Service Offerings

Lexmark has developed a range of service offerings to help meet the unique needs of your business and provide a greater return on your investment. Total satisfaction being the core objective, these offerings provide you with the tools to keep business moving, including fast problem resolution from our specialised technical team.

How does Lexmark deliver the service?

Although your plan may vary depending on your purchase, different levels of service are available.



Return to base

Return-to-base offers you remote product support by both telephone and Internet, as well as a dependable return process in case of printer defect. If your printer challenges cannot be resolved over the phone, a Technical Support representative will explain you how to prepare and return the defective printer to a Lexmark-designated location. You will receive your repaired product within five to seven days from the date Lexmark received your defective printer. This service covers offsite repair or replacement, all parts and labour, and the return shipment straight to your door.

On-Site Guarantee Service

With On-Site Guarantee Service, if your printer challenges cannot be resolved over the phone, a Technical Support representative will dispatch a qualified Lexmark service technician to your location for next business day service. The technician will service your defective printer directly on-site and will also make sure your printer meets Lexmark's most stringent standards of quality and performance. This offering includes telephone and Web-based support, all parts and labour, complete on-site guarantee service and testing.

Replacement

Replacement ensures you a fast and effective door-to-door service process for certain consumer printers. If your printer challenges cannot be resolved over the phone, a Technical Support representative will organize the delivery of a replacement printer to arrive at your location within 3 to 5 business days in serviced areas. The defective printer will be returned to Lexmark or disposed in compliance with local regulations. All parts and labour are included. You also benefit from remote support by both telephone and Internet.

How to expand your coverage?

Extended Guarantee

An Extended Guarantee adds coverage for a period of one, two, three or four years (on selected products) beyond the base guarantee. To qualify, an Extended Guarantee must be continuous from the base guarantee without a lapse in coverage. An Extended Guarantee may be purchased only once during the base guarantee and service will be delivered the same way as during Base Guarantee.

Enhanced Guarantee

You may decide that your business needs a higher service level guarantee. In such cases, you can upgrade a Return-to-Base base guarantee to On-Site Guarantee Service. Your service will be upgraded immediately after registration even for the base guarantee period.

Renewal Guarantee

To secure your investment and continue service coverage after the end of the extended guarantee, you can purchase a Renewal guarantee that will expand the coverage for an additional year. The ability to renew an extended guarantee, or a previous renewal guarantee, is available for one year at a time, providing there is no lapse in coverage. Renewal guarantees can be purchased each year as long as the reference is available in Lexmark's official price list. Renewal Guarantee coverage is available with standard and upgraded service levels when applicable.

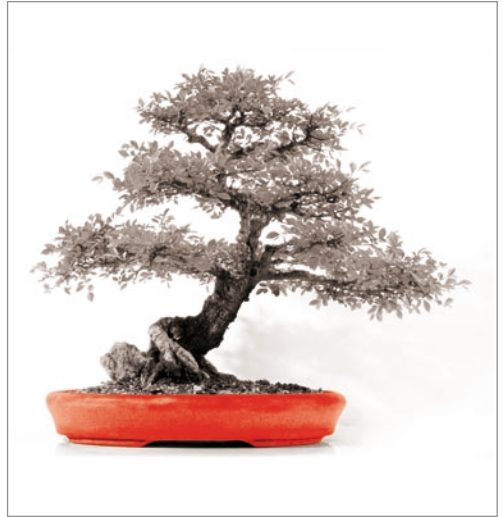
Post Guarantee

If you are looking for manufacturer quality service coverage for printers which were not covered by a Lexmark extended guarantee, you can purchase a Post Guarantee that provides coverage for one year.

You must contact Lexmark directly to purchase this offer and to qualify the printer must be fully functional. A Post Guarantee can then be renewed with a Renewal guarantee providing there is no lapse in coverage. Post Guarantee coverage is available with standard and upgraded service levels when applicable.

Customised Services

Customised solutions are available by contacting your Lexmark Representative. Lexmark Global Services engineers will analyse your requirements and will design the most appropriate and cost effective solution that fits your business needs.



How to order?

The offering you need

Most Service Offerings presented above are available as Lexmark Service Offerings Packs available from your Lexmark Authorized Reseller.

Service Offerings can also be ordered directly from Lexmark. For all direct orders, please have available the Serial Number(s) for the product(s) requiring additional guarantee. Please contact the Contract Support Service representative in your country or for more information, visit www.lexmark.co.uk/serviceofferings

Services offerings availability during Product Life

Service Offerings will provide coverage through Renewal Guarantee available as Packs or Financial Part Numbers until the End of Service Life of the printer. Please visit the Service Offerings page or contact your Lexmark Representative to have more information.

Lexmark Maintenance Kit

MODEL	PART #	DESCRIPTION	YIELD
COLOUR LASER			
C500n, C510/dtn/n, X500n, X502n	C500X2936	Fuser Maintenance Kit 220-240V	Up to 60,000 pages
C522n, C524/dn/dtm/n	40X1400	Fuser Maintenance Kit 110-120V	120,000 pages
C522n, C524/dn/dtm/n	40X1401	Transfer Belt Maintenance Kit	120,000 pages
C522n, C524/dn/dtm/n	40X1402	Fuser Maintenance Kit 220-240V	120,000 pages
C522n, C524/dn/dtm/n	40X1403	Fuser Maintenance Kit 100V	120,000 Seiten
C522n, C524/dn/dtm/n, C530dn, C532dn/n, C534dn/dtm/n	40X3570	Fuser Maintenance Kit 220-240V	120,000 pages
C540n, C543dn, C544dn/dtm/dtw/n, C546dtn	3049484	Relocation Kit	
C734dn/dtr/dtw/n, C736dn/dtm, C734de, X736de, X738de/dte	40X5094	Fuser Maintenance 220-240V	100,000 pages
C734dn/dtr/dtw/n, C736dn/dtm, C734de, X736de, X738de/dte	40X5096	Transfer Belt Maintenance	120,000 pages
C750/dn/dtm/fm/n, C752/Ldn/Ldm/Ln/dn/dtm/fm/n, X750e, X752e	1266302	Fuser 220-240V	150,000 pages = C750; 200,000 pages = C752
C750/dn/dtm/fm/n, C752/Ldn/Ldm/Ln/dn/dtm/fm/n, X750e, X752e	1266496	Fuser Maintenance Kit 110-120V	150,000 pages = C750; 200,000 pages = C752
C750/dn/dtm/fm/n, C752/Ldn/Ldm/Ln/dn/dtm/fm/n, X750e, X752e	1266497	Fuser Maintenance Kit 220-240V	150,000 pages = C750; 200,000 pages = C752
C750/dn/dtm/fm/n, C752/Ldn/Ldm/Ln/dn/dtm/fm/n, X750e, X752e	1266498	Fuser Maintenance Kit 100V	150,000 pages = C750; 200,000 pages = C752
C750/dn/dtm/fm/n, X750e	58P286	Intermediate Transfer Unit Maintenance Kit	105,000 pages
C752/Ldn/Ldm/Ln/dn/dtm/fm/n, C760/dn/dtm/n, C762/dn/dtm/n, X752e, X762e	58P2848	Intermediate Transfer Unit Maintenance Kit	120,000 pages
C760/dm/n, C762/dn/dtm/n, X762e	58P2910	Fuser Maintenance Kit 110-120V	200,000 pages
C760/dn/dtm/n, C762/dn/dtm/n, X762e	58P2911	Fuser Maintenance Kit 220-240V	200,000 pages
C760/dm/n, C762/dn/dtm/n, X762e	58P2912	Fuser Maintenance Kit 100V	200,000 pages
C770dn/dtm/n, C772dn/dtm/n, C780dn/dtm/n, C782dn/dtm/n, X772e, X782e	40X1832	Fuser Maintenance Kit 220-240V	120,000 pages
C770dn/dtm/n, C772dn/dtm/n, X772e	40X1860	Fuser Maintenance Kit 220V	200,000 pages
C910/fm/n, C912/dn/fm/n, X912e	58P9752	Fuser 220-240V	105,000 pages
C910/dn/fm/n, C912/dn/fm/n, X912e	58P9900	Fuser Maintenance Kit 110-120V	105,000 pages

Lexmark Maintenance Kit

MODEL	PART #	DESCRIPTION	YIELD
COLOUR LASER			
C910/dn/fv/n/n, C912/dn/fv/n, X912e	56P9901	Fuser Maintenance Kit 220-240V	105,000 pages
C910/dn/fv/n/n, C912/dn/fv/n, X912e	56P9903	Transfer Belt Maintenance Kit	120,000 pages
C920/dn/dtm/h	40X1250	Fuser Maintenance Kit 220-240V	105,000 pages
C920/dn/dtm/n	40X1251	Transfer Belt Maintenance Kit	120,000 pages
C9350n/dtn/dtm/h/dn, X940e, X945e	40X4032	Maintenance Kit 600K	600,000 pages
C9350n/dtn/dtm/h/dn, X940e, X945e	40X4063	Maintenance Kit 1,00K, 220-240V	100,000 pages
X543dn, X544dn/dtm/dw/n, X546dtn	3049485	Relocation Kit	
MONO LASER			
E2600/dn, E360d, E352dn, E450dn	40X2848	Fuser Maintenance Kit 220-240V	120,000 pages
E4600n/dw, E462dtn, X463de, X464de, X466de/dt/e/dtwe	40X5401	Fuser Maintenance Kit 220-240V	120,000 pages
Opira T610/T610n/T612	99A1785	T612 Fuser Maintenance Kit 220-240V	300,000 pages
Opira T614/T614n/T614n/T616/T616n	99A1763	T616 Fuser Maintenance Kit 220-240V	300,000 pages
Opira W810/W810dn/W810n	12G3420	Fuser Kit 220-240V	250,000 pages
Opira W810/W810dn/W810n	12G3421	Fuser Kit 110-120V	250,000 pages
Opira W810/W810dn/W810n	12G3425	Transfer Roll Maintenance Kit	150,000 pages
T420d/dn, X422	56P2041	Fuser Maintenance Kit 220-240V	200,000 pages
T430/d/dn	56P2337	Fuser Maintenance Kit 220-240V	200,000 pages
T520/d/dn/n, T522/dn/n, X520, X522/s	99A2421	Fuser Maintenance Kit 220-240V	250,000 pages
T620/dn/fv/n/n, X620e	99A2407	Fuser Maintenance Kit 220-240V	300,000 pages
T622/dn/fv/n	99A2410	Fuser Maintenance Kit 220-240V	300,000 pages
T630/VE/dn/fv/n/VE, T632/dtn/fv/n/n, X630, X632/e/s	56P1412	Fuser Maintenance Kit 220-240V	300,000 pages
T634/dn/dtm/dtm/fv/n/n, X634.dt/e/e	56P1856	Fuser Maintenance Kit 220-240V	300,000 pages
T640/dn/dtm/n/n, T642/dtm/n/n/n, T644/dtm/n/n/n, X642e, X644e, X646dt/e/e	40X0127	Varnish Kit	300,000 pages
T640/dn/dtm/n/n, T642/dtm/n/n/n, T644/dtm/n/n/n, X642e, X644e, X646dt/e/e/ef	40X0101	Fuser Maintenance Kit 220-240V	300,000 pages
T640/dn/dtm/n/n, T642/dtm/n/n/n, T644/dtm/n/n/n, X642e, X644e, X646dt/e/e/ef	40X0130	Slitter Roll	300,000 pages
T650dn/dtm/n/n, T652dn/dtm/n/n, T654dn/dtm/n/n, T656dn/n, X651de, X652de, X654de, X656de, X658de/dt/e/dtwe/dtwe	40X1886	Transfer Roll Assembly	300,000 pages

Lexmark Maintenance Kit

MONO LASER	MODEL	PART #	DESCRIPTION	YIELD
T650n/dm/n, T652n/dm/n, T654n/dm/n, T656n, X651de, X652de, X654de, X656de, X658de/dme/dtfe/dtme		40X4308	Pick Roll Assembly	300,000 pages
T650n/dm/n, T652n/dm/n, T654n/dm/n, T656n, X651de, X652de, X654de, X656de, X658de/dme/dtfe/dtme		40X4785	X654e, X656e, X658e Fusor Maintenance Kit 220-240V	300,000 pages
T650n/dm/n, T652n/dm/n, T654n/dm/n, T656n, X651de, X652de, X654de, X656de, X658de/dme/dtfe/dtme		40X5852	Dual Charge Roll Assembly	300,000 pages
W812/dm/n		56P0885	Fuser Maintenance Kit 220-240V	100,000 pages
W820/dm/n, X820e, X830e, X832e		12C4182	Fuser Maintenance Kit 110-120V	300,000 pages
W820/dm/n, X820e, X830e, X832e		12C4183	Fuser Maintenance Kit 220-240V	300,000 pages
W840/dm/n, W850dn/n		40X0957	Fuser Maintenance Kit 220-240V	300,000 pages
X651de, X652de, X654de, X656de, X658de/dme/dtfe/dtme		40X3444	ADF Platen Cushion	300,000 pages
X651de, X652de, X654de, X656de, X658de/dme/dtfe/dtme		40X4540	ADF Pick Roll Assembly	300,000 pages
X651de, X652de, X654de, X656de, X658de/dme/dtfe/dtme		40X4605	ADF Separator Roll and Guide	not define
X651de, X652de, X654de, X656de, X658de/dme/dtfe/dtme		40X4769	ADF Maintenance Kit	300,000 pages
MULTIFUNCTION				
3100, X242, X520, X630, X632s		12S3623	Lexmark X242, 3100 MFP Option Pick Pad	20,000 pages
3200, X443, X4500, X522/s, X620e, X632e, X634dte/e, X720, X750e, X752e, X782e		56P0079	Lexmark X443, X4500, 3200 Pick Pad	40,000 pages
4600/MFP Option, T642n/T644n, X646ef, X772e, X782e		40X2538	MFP Option Separator (Pick) Roll Pad	~40,000 pages
4600/MFP Option, T642n/T644n, X646ef, X772e, X782e		40X2540	MFP Option Pick Roller	~120,000 pages
5500, X912e		56P2049	Lexmark 5500 MFP Option Pick Pad with Roller	40,000 page scans
X422		56P2649	Pick Pad with Separator Roll Assembly	~40,000 pages
X4630e, X4644de, X4664de/dtfe/dtwe		40X6804	ADF Flatbed Cushion	not define
X463de, X464de, X466de/dtfe/dtwe		40X6907	ADF Maintenance Kit	~60,000 pages

Lexmark Maintenance Kit

MODEL	PART #	DESCRIPTION	YIELD
MULTIFUNCTION			
X642a, X644e, X646dte/e	40X0453	Asiakirjan syöttövaltteen pöimintaruulat	~120,000 pages
X642e, X644e, X646dte/e	40X0454	Separator Roll Assembly	~120,000 pages
X642a, X644e, X646dte/e	40X0466	Flatbed White Cushion	not define
X7500, X820e, X830e, X832e	1268867	Lexmark X7500 MFP Option Pick Pad	60,000 pages
X7500, X820e, X830e, X832e	58P1807	Lexmark X7500 MFP Option High Friction Pad	60,000 pages
X850e, X852e, X854e, X860de, X862de, X864de	40X0398	Fuser Maintenance Kit 220-240V	300,000 pages
X850e, X852e, X854e, X860de, X862de, X864de	40X2734	ADF Maintenance Kit	150,000 pages
X940e, X945e	40X4033	ADF Maintenance Kit	150,000 pages
MULTIFUNCTION COLOR LASER			
C7340i/dtri/dw/i.n, C7360i/dtri, X734de, X736de, X738de/dte	40X6152	Pick Tire, Special Media Drawer	
X734de, X736de, X738de/dte	40X6187	ADF Separator Pad	~30,000 pages
X734de, X736de, X738de/dte	40X6188	ADF Pick Assembly	~120,000 pages
X734de, X736de, X738de/dte	40X6189	ADF Pick Pad	~200,000 pages

Lexmark Standard Service Offerings

Printer & Multi-function Device Installation

Lexmark can provide installation service on any number of products as required by the customer. For installation of more than five (5) devices in one or multiple locations, please contact your Lexmark representative for a customised proposal.

Professional installation will ensure your device is accurately installed and ready to use.

Lexmark technicians will also provide end-user training on how to operate the device, solve minor challenges, and replace supplies.

A qualified Lexmark technician will perform the following tasks and others as required to ensure the device works properly within your environment.

- Unpack and fully assemble to device and its components including supplies
- Connect all cables, power supplies and other electrical/communication lines as required for operation
- Load paper and other media provided by the customer
- Perform power-on test
- Configure operator panel for any additional options installed
- Configure operator panel for general use
- Perform a copy test (MFD devices only) to test scanner
- Collect and dispose of any packaging materials and trash
- Provide end-user training on how to load paper, media, and supplies
- Provide end-user training on how to operate the device including copy, fax, scan
- Provide end-user training on clearing a paper jam
- Complete Acceptance Form with customer

Advanced Training Available

Specific training can be customised to meet your unique business requirements. Please contact your Lexmark representative for more information.

Installation Part Numbers

Lexmark 4600/MFP Option, T642n/T644n	2348406	Lexmark X560dn/n	2349765
Lexmark C543dn	2350466	Lexmark X630, X632/s	11NEU01
Lexmark C546dtn	2352725	Lexmark X630, X632/s	21NEU01
Lexmark C734dn/dtn/dw/n	2350796	Lexmark X632e	11NEU02
Lexmark C736dn/dtn	2350814	Lexmark X632e	21NEU02
Lexmark T640/dn/dtn/n	2348292	Lexmark X642e	2348764
Lexmark T642/dtn/n/tn	2348293	Lexmark X644e	2348319
Lexmark T644/dtn/n/tn	2348294	Lexmark X646dte/e	2348332
Lexmark T650dn/dtn/n	2350326	Lexmark X646ef	2348306
Lexmark T652dn/dtn/n	2350361	Lexmark X651de, X652de	2350555
Lexmark T654dn/dtn/n	2350396	Lexmark X654de, X656dte	2350573
Lexmark T656dne	2352752	Lexmark X658dfe/dme/dtfe/dtme	2350591
Lexmark W840/dn/n	2348510	Lexmark X734de	2350832
Lexmark W850dn/n	2351541	Lexmark X736de	2350850
Lexmark X203n	2351632	Lexmark X738de/dte	2350868
Lexmark X204n	2351633	Lexmark X752e, X762e	11NEU03
Lexmark X264dn	2350964	Lexmark X752e, X762e	21NEU03
Lexmark X340	2348721	Lexmark X782e	2349572
Lexmark X342n	2348755	Lexmark X820e, X830e, X832e, X912e	11NEU04
Lexmark X363dn	2351006	Lexmark X820e, X830e, X832e, X912e	21NEU04
Lexmark X364dn/dw	2351048	Lexmark X850e	2348415
Lexmark X463de	2350886	Lexmark X852e	2348428
Lexmark X464de	2350904	Lexmark X854e	2348441
Lexmark X466de/dte/dwe	2350922	Lexmark X860de	2351569
Lexmark X543dn	2350519	Lexmark X862de	2351597
Lexmark X544dn/dtn/dw/n	2350537	Lexmark X864de	2351625
Lexmark X546dtn	2352771	Lexmark X940e, X945e	2349468



Maintenance Kit Installation

Depending on the device, Maintenance Kits have been designed to be replaced by either the customer or by a Lexmark technician. If installation is required by a Lexmark technician, you must contact Lexmark Technical Support for service. A technician can either bring the maintenance kit you purchased directly from Lexmark, or install a maintenance kit previously purchased from a Lexmark Authorized Distributor.

On-site Maintenance Kit Installation

Products	Financial P/N
Lexmark Monochrome A4 Printers & MFD	2348031
Lexmark Color A4 Printers & MFD	2348032
Lexmark Monochrome A3 Printers & MFD	2348033
Lexmark Color A3 Printers & MFD	2348034

Special bid info

To find out about Lexmark's complete range of "non-standard" and customisable service offerings, please contact the Contract Support Service representative in your country. For more information, visit www.lexmark.co.uk.

Lexmark Standard Service Offerings

MODEL	DESCRIPTION	PART #
COLOUR LASER		
C500n	2-Years Total (1+1) Onsite Service Guarantee	2348670P
C500n	3-Years Total (1+2) Onsite Service Guarantee	2348671P
C500n	1-Year Renewal Onsite Service Guarantee	2348674P
C510/dtn/n	1-Year Renewal Onsite Service Guarantee	2347600P
C5300n	1-Year Renewal Onsite Service Guarantee	2349197P
C5320n/n	3-Years Total (1+2) Onsite Service Guarantee	2348657P
C5320n/n	1-Year Renewal Onsite Service Guarantee	2349208P
C5340n/dtn/n	2-Years Total (1+1) Onsite Service Guarantee	2348626P
C5340n/dtn/n	3-Years Total (1+2) Onsite Service Guarantee	2348627P
C5340n/dtn/n	4-Years Total (1+3) Onsite Service Guarantee	2348628P
C5340n/dtn/n	1-Year Renewal Onsite Service Guarantee	2349203P
C540n	2-Years Total (1+1) Onsite Service Guarantee	2350407P
C540n	3-Years Total (1+2) Onsite Service Guarantee	2350408P
C540n	1-Year Renewal Onsite Service Guarantee	2350411P
C5430n	2-Years Total (1+1) Onsite Service Guarantee	2350442P
C5430n	3-Years Total (1+2) Onsite Service Guarantee	2350443P
C5430n	1-Year Renewal Onsite Service Guarantee	2350446P
C5440n/dtn/dw/n	2-Years Total (1+2) Onsite Service Guarantee	2350477P
C5440n/dtn/dw/n	3-Years Total (1+1) Onsite Service Guarantee	2350478P
C5440n/dtn/dw/n	1-Year Renewal Onsite Service Guarantee	2350481P
C5460tn	2-Years Total (1+2) Onsite Service Guarantee	2352700P
C5460tn	3-Years Total (1+1) Onsite Service Guarantee	2352701P
C5460tn	1-Year Renewal Onsite Service Guarantee	2352704P
C7340n/dtn/dw/n	2-Years Total (1+1) Onsite Service Guarantee	2350780P
C7340n/dtn/dw/n	3-Years Total (1+2) Onsite Service Guarantee	2350781P
C7340n/dtn/dw/n	4-Years Total (1+3) Onsite Service Guarantee	2350782P
C7340n/dtn/dw/n	1-Year Renewal Onsite Service Guarantee	2350784P
C7360n/dtn	2-Years Total (1+1) Onsite Service Guarantee	2350798P
C7360n/dtn	3-Years Total (1+2) Onsite Service Guarantee	2350799P
C7360n/dtn	4-Years Total (1+3) Onsite Service Guarantee	2350800P
C7360n/dtn	1-Year Renewal Onsite Service Guarantee	2350802P

Lexmark Standard Service Offerings

MODEL		DESCRIPTION	PART #
COLOUR LASER			
2480	2481, 2490, 2491	2480n/dtm/h	2348392P
2580n/n	2581/n, 2590/n, 2591/n	2580n/dtm/h	2348393P
2580n/n	2581/n, 2590/n, 2591/n	2580n/dtm/h	2348394P
2580n/n	2581/n, 2590/n, 2591/n	2580n/dtm/h	2348398P
2580n/n	2581/n, 2590/n, 2591/n	2580n/dtm/h	2348404P
2580n/n	2581/n, 2590/n, 2591/n	2580n/dtm/h	2348406P
2580n/n	2581/n, 2590/n, 2591/n	2580n/dtm/h	2348408P
2580n/n	2581/n, 2590/n, 2591/n	2580n/dtm/h	2347608P
2580n/n	2581/n, 2590/n, 2591/n	2580n/dtm/h	2349440P
2580n/n	2581/n, 2590/n, 2591/n	2580n/dtm/h	2349441P
2580n/n	2581/n, 2590/n, 2591/n	2580n/dtm/h	2349442P
2580n/n	2581/n, 2590/n, 2591/n	2580n/dtm/h	2349444P
DOT MATRIX			
2480	2481, 2490, 2491	2480n/dtm/h	2347599P
2580n/n	2581/n, 2590/n, 2591/n	2580n/dtm/h	2349642P
2580n/n	2581/n, 2590/n, 2591/n	2580n/dtm/h	2349643P
2580n/n	2581/n, 2590/n, 2591/n	2580n/dtm/h	2349644P
2580n/n	2581/n, 2590/n, 2591/n	2580n/dtm/h	2349646P
4227 plus/+	4227 plus/+	4227 plus/+	2346452P
4227 plus/+	4227 plus/+	4227 plus/+	2346453P
4227 plus/+	4227 plus/+	4227 plus/+	2346454P
4227 plus/+	4227 plus/+	4227 plus/+	2347598P
MONO LASER			
E120n		2480n/dtm/h	2348361P
E120n		2580n/dtm/h	2348362P
E120n		2580n/dtm/h	2348363P
E120n		2580n/dtm/h	2348370P
E120n		2580n/dtm/h	2348374P
E120n		2580n/dtm/h	2348375P
E120n		2580n/dtm/h	2348376P

Lexmark Standard Service Offerings

MODEL	DESCRIPTION	PART #
MONO LASER		
E120/n	1-Year Return-to-Base Renewal Guarantee	2348386P
E240/n	1-Year Return-to-Base Renewal Guarantee	2348096P
E2500/dh	1-Year Return-to-Base Renewal Guarantee	2349108P
E2500/dn	2-Years Total (1+1) Onsite Service Guarantee	2349109P
E2500/dh	3-Years Total (1+2) Onsite Service Guarantee	2349110P
E2500/dn	4-Years Total (1+3) Onsite Service Guarantee	2349112P
E2500/dh	1-Year Renewal Onsite Service Guarantee	2349210P
E2500/dn	2-Years Total (1+1) Return-to-Base Guarantee	2349211P
E2500/dh	3-Years Total (1+2) Return-to-Base Guarantee	2349212P
E2500/dn	4-Years Total (1+3) Return-to-Base Guarantee	2349214P
E260/dh	1-Year Return-to-Base Renewal Guarantee	2360174P
E260/dn	2-Years Total (1+1) Onsite Service Guarantee	2360176P
E260/dh	3-Years Total (1+2) Onsite Service Guarantee	2360178P
E260/dn	1-Year Renewal Onsite Service Guarantee	2360179P
E260/dh	2-Years Total (1+1) Return-to-Base Guarantee	2360194P
E260/dn	3-Years Total (1+2) Return-to-Base Guarantee	2360196P
E260/dh	1-Year Return-to-Base Renewal Guarantee	2360198P
E3504, E352dh	2-Years Total (1+1) Onsite Service Guarantee	2349137P
E3504, E352dn	3-Years Total (1+2) Onsite Service Guarantee	2349138P
E3504, E352dh	1-Year Renewal Onsite Service Guarantee	2349141P
E3504, E352dn	1-Year Return-to-Base Renewal Guarantee	2349222P
E3600/dh	2-Years Total (1+1) Onsite Service Guarantee	2360216P
E3600/dn	3-Years Total (1+2) Onsite Service Guarantee	2360217P
E3600/dh	1-Year Renewal Onsite Service Guarantee	2360220P
E3600/dn	2-Years Total (1+1) Return-to-Base Guarantee	2360236P
E3600/dh	3-Years Total (1+2) Return-to-Base Guarantee	2360237P
E3600/dn	1-Year Return-to-Base Renewal Guarantee	2360240P
E4500dn	1-Year Renewal Onsite Service Guarantee	2349170P
E4500dn	1-Year Return-to-Base Renewal Guarantee	2349229P
E4600dn/dw, E462tln	2-Years Total (1+1) Onsite Service Guarantee	2360258P
E4600dn/dw, E462tln	3-Years Total (1+2) Onsite Service Guarantee	2360259P
E4600dn/dw, E462tln	1-Year Renewal Onsite Service Guarantee	2360262P

Lexmark Standard Service Offerings

MODEL	DESCRIPTION	PART #
MONO LASER		
E460n/dw, E462dn	2-Years Total (1+1) Return-to-Base Guarantee	2350279P
E460n/dw, E462dn	3-Years Total (1+2) Return-to-Base Guarantee	2350280P
E460n/dw, E462dn	1-Year Return-to-Base Renewal Guarantee	2350283P
T630WE/dn/vn VE	1-Year Renewal Onsite Service Guarantee	2347915P
T632/dn/n/n	1-Year Renewal Onsite Service Guarantee	2347916P
T634/dn/dtn/dtn/n/n	1-Year Renewal Onsite Service Guarantee	2347917P
T640/dn/dtn/n	1-Year Renewal Onsite Service Guarantee	2347493P
T640/dn/dtn/n	2-Years Total (1+1) Onsite Service Guarantee	2347461P
T640/dn/dtn/n	3-Years Total (1+2) Onsite Service Guarantee	2347460P
T640/dn/dtn/n	4-Years Total (1+3) Onsite Service Guarantee	2348064P
T642/dn/n/n	1-Year Renewal Onsite Service Guarantee	2347476P
T642/dn/n/n	2-Years Total (1+1) Onsite Service Guarantee	2347477P
T642/dn/n/n	3-Years Total (1+2) Onsite Service Guarantee	2347478P
T642/dn/n/n	4-Years Total (1+3) Onsite Service Guarantee	2348066P
T644/dn/n/n	1-Year Renewal Onsite Service Guarantee	2347493P
T644/dn/n/n	2-Years Total (1+1) Onsite Service Guarantee	2347494P
T644/dn/n/n	3-Years Total (1+2) Onsite Service Guarantee	2347495P
T644/dn/n/n	4-Years Total (1+3) Onsite Service Guarantee	2348068P
T650n/dtn/n	1-Year Renewal Onsite Service Guarantee	2350302P
T650n/dtn/n	2-Years Total (1+1) Onsite Service Guarantee	2350303P
T650n/dtn/n	3-Years Total (1+2) Onsite Service Guarantee	2350304P
T650n/dtn/n	4-Years Total (1+3) Onsite Service Guarantee	2350306P
T652n/dtn/n	1-Year Renewal Onsite Service Guarantee	2350337P
T652n/dtn/n	2-Years Total (1+1) Onsite Service Guarantee	2350338P
T652n/dtn/n	3-Years Total (1+2) Onsite Service Guarantee	2350339P
T652n/dtn/n	4-Years Total (1+3) Onsite Service Guarantee	2350341P
T654n/dtn/n	1-Year Renewal Onsite Service Guarantee	2350372P
T654n/dtn/n	2-Years Total (1+1) Onsite Service Guarantee	2350373P
T654n/dtn/n	3-Years Total (1+2) Onsite Service Guarantee	2350374P
T654n/dtn/n	4-Years Total (1+3) Onsite Service Guarantee	2350376P
T656n/dtn/n	1-Year Renewal Onsite Service Guarantee	2350377P
T656n/dtn/n	2-Years Total (1+1) Onsite Service Guarantee	2350378P

Lexmark Standard Service Offerings

MODEL	DESCRIPTION	PART #
MONO LASER		
T656dhe	T656 3-Years Total (1+2) Onsite Service Guarantee	2352728P
T656dhe	T656 4-Years Total (1+3) Onsite Service Guarantee	2352729P
T656dhe	T656 1-Year Renewal Onsite Service Guarantee	2352731P
W840/dn/n	2-Years Total (1+1) Onsite Service Guarantee	2347512P
W840/dn/n	3-Years Total (1+2) Onsite Service Guarantee	2347513P
W840/dn/n	4-Years Total (1+3) Onsite Service Guarantee	2347514P
W840/dn/n	1-Year Renewal Onsite Service Guarantee	2347640P
W850dn/n	2-Years Total (1+1) Onsite Service Guarantee	2351516P
W850dn/n	3-Years Total (1+2) Onsite Service Guarantee	2351517P
W850dn/n	4-Years Total (1+3) Onsite Service Guarantee	2351518P
W850dn/n	1-Year Renewal Onsite Service Guarantee	2351520P
MULTIFUNCTION		
4600/MFP Option, T642n/T644n	MFP Option 3-Years Total (1+2) Onsite Service Guarantee	2348400P
X203n	2-Years Total (1+1) Onsite Service Guarantee	2351414P
X203n	3-Years Total (1+2) Onsite Service Guarantee	2351415P
X203n	4-Years Total (1+3) Onsite Service Guarantee	2351416P
X203n	1-Year Renewal Onsite Service Guarantee	2351418P
X204n	2-Years Total (1+1) Onsite Service Guarantee	2351466P
X204n	3-Years Total (1+2) Onsite Service Guarantee	2351467P
X204n	4-Years Total (1+3) Onsite Service Guarantee	2351468P
X204n	1-Year Renewal Onsite Service Guarantee	2351470P
X264dn	2-Years Total (1+1) Onsite Service Guarantee	2350932P
X264dn	3-Years Total (1+2) Onsite Service Guarantee	2350933P
X264dn	4-Years Total (1+3) Onsite Service Guarantee	2350934P
X264dn	1-Year Renewal Onsite Service Guarantee	2350936P
X340	2-Years Total (1+1) Onsite Service Guarantee	2348714P
X340	3-Years Total (1+2) Onsite Service Guarantee	2348715P
X340	4-Years Total (1+3) Onsite Service Guarantee	2348716P
X342n	1-Year Renewal Onsite Service Guarantee	2348718P
X342n	2-Years Total (1+1) Onsite Service Guarantee	2348748P
X342n	3-Years Total (1+2) Onsite Service Guarantee	2348749P

Lexmark Standard Service Offerings

MODEL	DESCRIPTION	PART #
MULTIFUNCTION		
X342n	4-Years Total (1+3) Onsite Service Guarantee	2348750P
X342n	1-Year Renewal Onsite Service Guarantee	2348752P
X343dn	2-Years Total (1+1) Onsite Service Guarantee	23503974P
X363dn	3-Years Total (1+2) Onsite Service Guarantee	2350975P
X363dn	4-Years Total (1+3) Onsite Service Guarantee	23503978P
X363dn	1-Year Renewal Onsite Service Guarantee	2351016P
X364dn/dw	2-Years Total (1+1) Onsite Service Guarantee	2351017P
X364dn/dw	3-Years Total (1+2) Onsite Service Guarantee	2351018P
X364dn/dw	4-Years Total (1+3) Onsite Service Guarantee	2351020P
X463de	1-Year Renewal Onsite Service Guarantee	2350870P
X463de	2-Years Total (1+1) Onsite Service Guarantee	2350871P
X463de	3-Years Total (1+2) Onsite Service Guarantee	2350872P
X463de	4-Years Total (1+3) Onsite Service Guarantee	2350874P
X464de	1-Year Renewal Onsite Service Guarantee	2350888P
X464de	2-Years Total (1+1) Onsite Service Guarantee	2350889P
X464de	3-Years Total (1+2) Onsite Service Guarantee	2350889P
X464de	4-Years Total (1+3) Onsite Service Guarantee	2350892P
X464de	1-Year Renewal Onsite Service Guarantee	2350906P
X466de/dtr/dwe	2-Years Total (1+1) Onsite Service Guarantee	2350906P
X466de/dtr/dwe	3-Years Total (1+2) Onsite Service Guarantee	2350907P
X466de/dtr/dwe	4-Years Total (1+3) Onsite Service Guarantee	2350908P
X466de/dtr/dwe	1-Year Renewal Onsite Service Guarantee	2350910P
X500n, X502n	2-Years Total (1+1) Onsite Service Guarantee	2349428P
X500n, X502n	3-Years Total (1+2) Onsite Service Guarantee	2349429P
X500n, X502n	1-Year Renewal Onsite Service Guarantee	2349432P
X543dn	2-Years Total (1+1) Onsite Service Guarantee	2350503P
X543dn	3-Years Total (1+2) Onsite Service Guarantee	2350504P
X543dn	1-Year Renewal Onsite Service Guarantee	2350507P
X544dn/dtr/dw/n	2-Years Total (1+1) Onsite Service Guarantee	2350521P
X544dn/dtr/dw/n	3-Years Total (1+2) Onsite Service Guarantee	2350522P
X544dn/dtr/dw/n	1-Year Renewal Onsite Service Guarantee	2350523P

Lexmark Standard Service Offerings

MODEL	DESCRIPTION	PART #
MULTIFUNCTION		
X546dm	2-Years Total (1+1) Onsite Service Guarantee	2352754P
X546dm	3-Years Total (1+2) Onsite Service Guarantee	2352758P
X546dm	1-Year Renewal Onsite Service Guarantee	2352758P
X560dn/n	2-Years Total (1+1) Onsite Service Guarantee	2349754P
X560dn/n	3-Years Total (1+2) Onsite Service Guarantee	2349758P
X560dn/n	4-Years Total (1+3) Onsite Service Guarantee	2349758P
X560dn/n	1-Year Renewal Onsite Service Guarantee	2349758P
X642e	2-Years Total (1+1) Onsite Service Guarantee	2348757P
X642e	3-Years Total (1+2) Onsite Service Guarantee	2348758P
X642e	4-Years Total (1+3) Onsite Service Guarantee	2348759P
X642e	5-Years Total (1+4) Onsite Service Guarantee	2348760P
X642e	1-Year Renewal Onsite Service Guarantee	2348761P
X644e	2-Years Total (1+1) Onsite Service Guarantee	2348309P
X644e	3-Years Total (1+2) Onsite Service Guarantee	2348310P
X644e	4-Years Total (1+3) Onsite Service Guarantee	2348311P
X644e	5-Years Total (1+4) Onsite Service Guarantee	2348312P
X644e	1-Year Renewal Onsite Service Guarantee	2348317P
X646dte/e	2-Years Total (1+1) Onsite Service Guarantee	2348322P
X646dte/e	3-Years Total (1+2) Onsite Service Guarantee	2348323P
X646dte/e	4-Years Total (1+3) Onsite Service Guarantee	2348324P
X646dte/e	5-Years Total (1+4) Onsite Service Guarantee	2348325P
X646ef	1-Year Renewal Onsite Service Guarantee	2348330P
X646ef	2-Years Total (1+1) Onsite Service Guarantee	2348236P
X646ef	3-Years Total (1+2) Onsite Service Guarantee	2348237P
X646ef	4-Years Total (1+3) Onsite Service Guarantee	2348238P
X651de, X652de	5-Years Total (1+4) Onsite Service Guarantee	2348239P
X651de, X652de	2-Years Total (1+1) Onsite Service Guarantee	2350538P
X651de, X652de	3-Years Total (1+2) Onsite Service Guarantee	2350540P
X651de, X652de	4-Years Total (1+3) Onsite Service Guarantee	2350541P
X651de, X652de	1-Year Renewal Onsite Service Guarantee	2350543P
X654de, X656dte	2-Years Total (1+1) Onsite Service Guarantee	2350557P

Lexmark Standard Service Offerings

MODEL	DESCRIPTION	PART #
MULTIFUNCTION		
X654de, X656dte	3-Years Total (1+2) Onsite Service Guarantee	2350558P
X654de, X656dte	4-Years Total (1+3) Onsite Service Guarantee	2350559P
X654de, X656dte	1-Year Renewal Onsite Service Guarantee	2350561P
X658dte/dme/dtfe/dtme	2-Years Total (1+1) Onsite Service Guarantee	2350575P
X658dte/dme/dtfe/dtme	3-Years Total (1+2) Onsite Service Guarantee	2350576P
X658dte/dme/dtfe/dtme	4-Years Total (1+3) Onsite Service Guarantee	2350577P
X658dte/dme/dtfe/dtme	1-Year Renewal Onsite Service Guarantee	2350579P
X734de	2-Years Total (1+1) Onsite Service Guarantee	2350816P
X734de	3-Years Total (1+2) Onsite Service Guarantee	2350817P
X734de	4-Years Total (1+3) Onsite Service Guarantee	2350818P
X736de	1-Year Renewal Onsite Service Guarantee	2350820P
X736de	2-Years Total (1+1) Onsite Service Guarantee	2350834P
X736de	3-Years Total (1+2) Onsite Service Guarantee	2350835P
X736de	4-Years Total (1+3) Onsite Service Guarantee	2350836P
X736de	1-Year Renewal Onsite Service Guarantee	2350838P
X738de/dte	2-Years Total (1+1) Onsite Service Guarantee	2350852P
X738de/dte	3-Years Total (1+2) Onsite Service Guarantee	2350853P
X738de/dte	4-Years Total (1+3) Onsite Service Guarantee	2350854P
X738de/dte	1-Year Renewal Onsite Service Guarantee	2350856P
X782e	2-Years Total (1+1) Onsite Service Guarantee	2349416P
X782e	3-Years Total (1+2) Onsite Service Guarantee	2349417P
X782e	4-Years Total (1+3) Onsite Service Guarantee	2349418P
X782e	1-Year Renewal Onsite Service Guarantee	2349420P
X850e	2-Years (1.2M Imp.) Total (1+1) Onsite Service Guarantee	2348408P
X850e	3-Years (1.8M Imp.) Total (1+2) Onsite Service Guarantee	2348409P
X850e	4-Years (2.4M Imp.) Total (1+3) Onsite Service Guarantee	2348410P
X850e	1-Year (600K Imp.) Onsite Service Renewal Guarantee	2348412P
X852e	2-Years (1.2M Imp.) Total (1+1) Onsite Service Guarantee	2348421P
X852e	3-Years (1.8M Imp.) Total (1+2) Onsite Service Guarantee	2348422P
X852e	4-Years (2.4M Imp.) Total (1+3) Onsite Service Guarantee	2348423P
X852e	1-Year (600K Imp.) Onsite Service Renewal Guarantee	2348423P

Lexmark Standard Service Offerings

MODEL	DESCRIPTION	PART #
MULTIFUNCTION		
X854e	2-Years (1.2M Imp.) Total (1+1) Onsite Service Guarantee	2348434P
X854e	3-Years (1.8M Imp.) Total (1+2) Onsite Service Guarantee	2348435P
X854e	4-Years (2.4M Imp.) Total (1+3) Onsite Service Guarantee	2348436P
X854e	1-Year (600K Imp.) Onsite Service Renewal Guarantee	2348438P
X860de	X860e 2-Years Total (1+1) Onsite Service Guarantee	2351544P
X860de	X860e 3-Years Total (1+2) Onsite Service Guarantee	2351545P
X860de	X860e 4-Years Total (1+3) Onsite Service Guarantee	2351546P
X860de	X860e 1-Year Renewal Onsite Service Guarantee	2351548P
X862de	X862e 2-Years Total (1+1) Onsite Service Guarantee	2351572P
X862de	X862e 3-Years Total (1+2) Onsite Service Guarantee	2351573P
X862de	X862e 4-Years Total (1+3) Onsite Service Guarantee	2351574P
X862de	X862e 1-Year Renewal Onsite Service Guarantee	2351576P
X864de	X864e 2-Years Total (1+1) Onsite Service Guarantee	2351600P
X864de	X864e 3-Years Total (1+2) Onsite Service Guarantee	2351601P
X864de	X864e 4-Years Total (1+3) Onsite Service Guarantee	2351602P
X864de	X864e 1-Year Renewal Onsite Service Guarantee	2351604P
X940e, X945e	2-Years Total (1+1) Onsite Service Guarantee	2349452P
X940e, X945e	3-Years Total (1+2) Onsite Service Guarantee	2349453P
X940e, X945e	4-Years Total (1+3) Onsite Service Guarantee	2349454P
X940e, X945e	1-Year Renewal Onsite Service Guarantee	2349456P

Lexmark Authorized Parts Distributors



France, Spain, Portugal, Poland, UK, Sweden, South Africa, Italy, Norway

EUROPARTS SA

Batiment D3 - 1-3
Route du bassin n° 6
92262 Gennevilliers

Tel: +33 1 41 27 21 00
Fax: +33 1 41 27 21 19
www.euro-parts.com



France, Belgium, Turkey, UK, Bulgaria, Croatia

EXPRESS GROUP LTD

The College business Park
Kearsley Road
Ripon HG4 2RN
England

Tel: + 44 (0)870 3977377
Fax: +44 (0) 1765 694199
www.expressgrouponline.com



France, Germany, Austria, Poland

**EAF COMPUTER
SERVICE SUPPLIES
GMBH**

borsigstr. 8
d-47574 goch

Tel: +49 (0)2823-9313-0
Fax: +49 (0)2823-9313-30
www.eaf-gmbh.de



Spain, Portugal

IT DISTRIBUTION SA

C/Aragoneses No 15
Pol. Ind. Alcobendas
28100 Alcobendas
Madrid

Tel: +34 91 771 33 70
Fax: +34 91 371 77 29
www.itdistribution.com



France, Germany, Italy, Sweden, Netherlands, Norway, Denmark, Finland

EET DENMARK

Bregnerodvej 144D
3460 Birkerød

Tel: +45 45 82 19 19
Fax: +45 45 82 16 09
www.eet.dk



Sweden, Denmark, Finland, Netherlands, Norway, Poland, Lithuania
CONVENA SWEDEN

Kongegårdsgatan 3
SE-43190 Mölndal
Sweden

Tel: +46 (0)31 334 25 10
info.se@convena-int.com



Germany
TOMTECH

Am seegraben 18
63505
Langenselbold

Tel: +49-6184-/9271-0
Fax: +49-6184/9271-71
www.tomtech.de



Italy, Germany, Austria, Poland
MK COMPUTER ELECTRONIC GMBH

Heilbronner Straße 11
D - 73037 Göppingen

Tel: +49-7161-6066-300
Fax: +49-7161-6066-311
www.mk-electronic.de



Switzerland, Hungary, Slovakia
SWISSPARTS AG

Siloring 9
5606 Dintikon

Tel: +41 848 84 74 64
www.swissparts.ch



UK
XMA LIMITED

Unit 44
Wilford Industrial Estate
Ruddington Lane
Nottingham - NG11 7EP

Tel: +44 (0)115 846 4578
joan.peterkin@xma.co.uk

Contacts



Contacts



This recycled paper was selected by Lexmark in its concern for environment protection and biodiversity.

Document printed with vegetable inks.

Specifications are subject to change without notice. Lexmark, Lexmark with diamond design is trademark of Lexmark International, Inc. registered in the United States and or other countries. All other trademarks are the properties of their respective owners.

12/11/2009