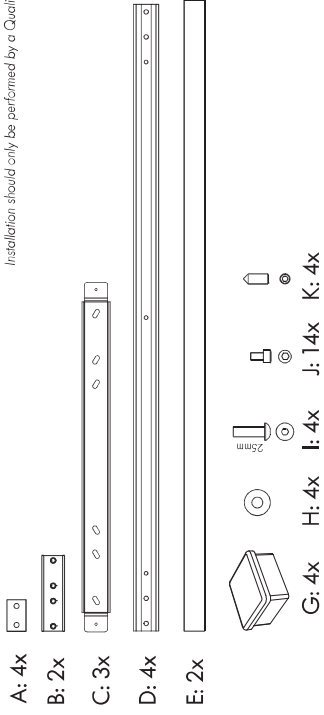
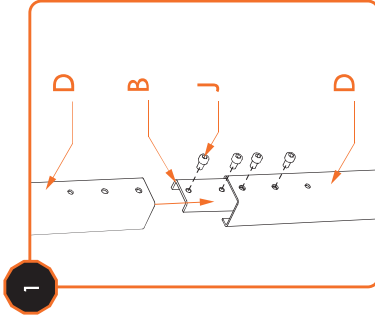


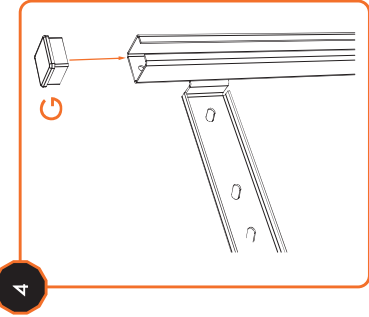
Installation should only be performed by a Qualified Installation Professional



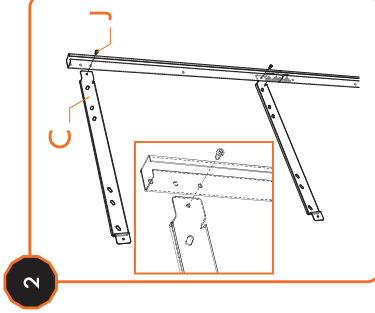
Contents of the box



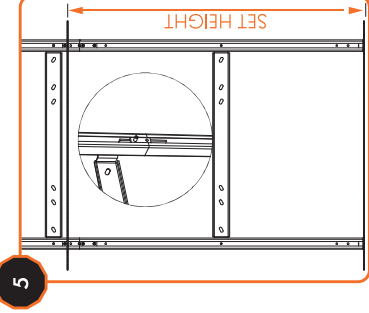
Assemble 2x (● 5 mm)



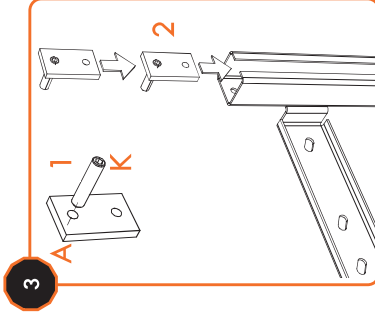
Insert top and bottom cap



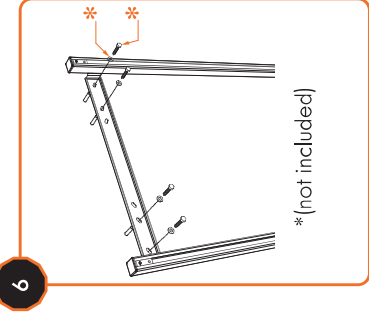
Assemble 6x (● 5 mm)



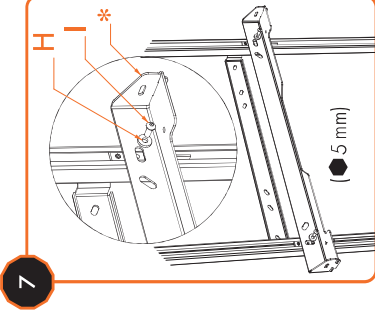
Set height from bottom (730–1055 mm/28.75"–40.3") and level; fix (● 4 mm)



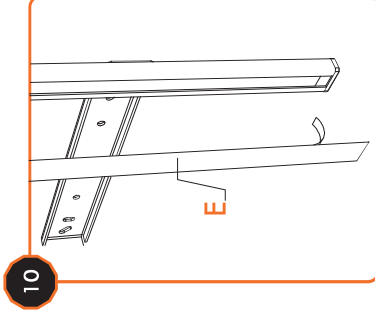
Assemble 4x (● 4 mm)



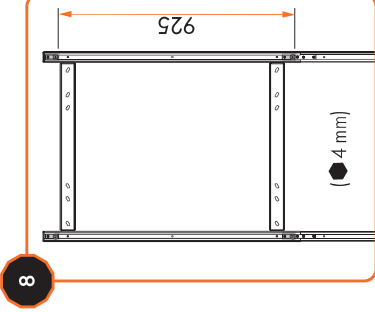
Mount all brackets level to the wall; choose fasteners suitable for type of wall



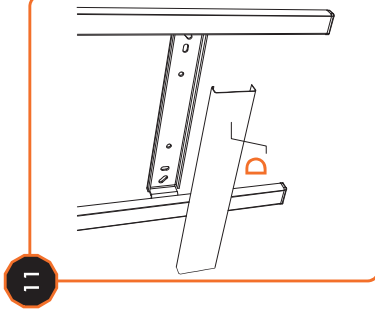
Mount ActivPanel Adjustable Stand bottom bracket and level



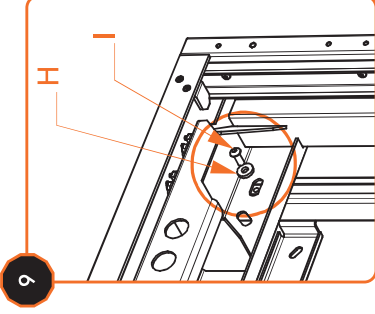
Mount cover strips with double sided tape



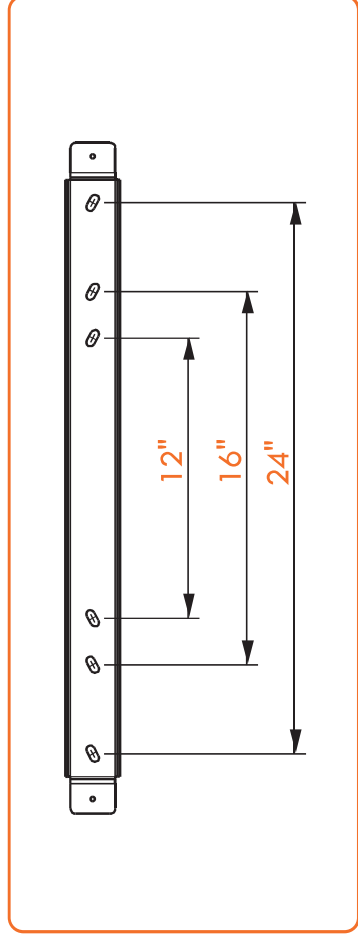
Set height at 925 mm



Mount cover



Mount ActivPanel Adjustable Stand at the top



Additional information when mounting on studded walls

