

SwitchBlade x8 | I2

Layer 3+ Chassis Switch

AT-SBx8 | CFC960

Controller Fabric Card (AlliedWare Plus v5.4.6-1.1)

AT-SBx8 | I2 Chassis

AT-SBx8 | GT24 Ethernet Line Card

AT-SBx8 | GT40 Ethernet Line Card

AT-SBx8 | GP24 Ethernet PoE Line Card

AT-SBx8 | GS24a Ethernet SFP Line Card

AT-SBx8 | XS6 Ethernet SFP+ Line Card

AT-SBx8 | XS16 Ethernet SFP+ Line Card

AT-SBx8 | XLEM Ethernet SFP Line Card and Expansion Slot

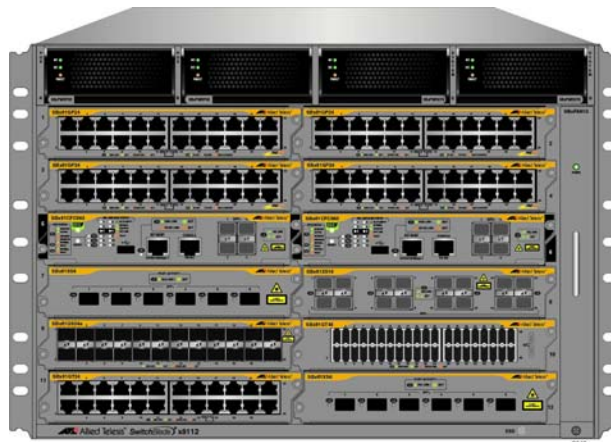
AT-SBx8 | XLEM/Q2 Expansion Module

AT-SBx8 | XLEM/XS8 Expansion Module

AT-SBx8 | XLEM/XT4 Expansion Module

AT-SBxPWRSYS1 and AT-SBxPWRSYS2 System Power Supplies

AT-SBxPWRPOE1 PoE Power Supply



Installation Guide

Copyright © 2016 Allied Telesis, Inc.

All rights reserved. No part of this publication may be reproduced without prior written permission from Allied Telesis, Inc.

Allied Telesis and the Allied Telesis logo are trademarks of Allied Telesis, Incorporated. All other product names, company names, logos or other designations mentioned herein are trademarks or registered trademarks of their respective owners.

Allied Telesis, Inc. reserves the right to make changes in specifications and other information contained in this document without prior written notice. The information provided herein is subject to change without notice. In no event shall Allied Telesis, Inc. be liable for any incidental, special, indirect, or consequential damages whatsoever, including but not limited to lost profits, arising out of or related to this manual or the information contained herein, even if Allied Telesis, Inc. has been advised of, known, or should have known, the possibility of such damages.

Electrical Safety and Emissions Standards

This product meets the following standards

U.S. Federal Communications Commission

Radiated Energy

Note: This equipment has been tested and found to comply with the limits for a Class A digital device pursuant to Part 15 of FCC Rules. These limits are designed to provide reasonable protection against harmful interference when the equipment is operated in a commercial environment. This equipment generates, uses, and can radiate radio frequency energy and, if not installed and used in accordance with this instruction manual, may cause harmful interference to radio communications. Operation of this equipment in a residential area is likely to cause harmful interference in which case the user will be required to correct the interference at his own expense.

Note: Modifications or changes not expressly approved of by the manufacturer or the FCC, can void your right to operate this equipment.

Industry Canada

This Class A digital apparatus complies with Canadian ICES-003.

Cet appareil numérique de la classe A est conforme à la norme NMB-003 du Canada.

European Union Restriction of the Use of Certain Hazardous Substances (RoHS) in Electrical and Electronic Equipment

This Allied Telesis RoHS-compliant product conforms to the European Union Restriction of the Use of Certain Hazardous Substances (RoHS) in Electrical and Electronic Equipment. Allied Telesis ensures RoHS conformance by requiring supplier Declarations of Conformity, monitoring incoming materials, and maintaining manufacturing process controls.

EMI/RFI Emissions: FCC Class A, EN55022 Class A, EN61000-3-2, EN61000-3-3, CISPR Class A, VCCI Class A, AS/NZS Class A

Warning: In a domestic environment this product may cause radio interference in which case the user may be required to take adequate measures.

Immunity: EN55024

Electrical Safety: EN60950-1 (TUV), UL 60950-1 (cUL_{US}), EN60825


Safety Agency Approvals: cUL_{US}, TUV, C-TICK, CE



Laser Safety

EN60825

Translated Safety Statements

Important: The  indicates that a translation of the safety statement is available in a PDF document titled “Translated Safety Statements” on our web site at <http://www.alliedtelesis.com/support>.

Contents

- Preface** 15
- Structure of the Installation Guide 16
- Safety Symbols Used in this Document 17
- Contacting Allied Telesis 18

- Section I: Hardware Overview** **19**

- Chapter 1: Chassis and Power Supplies** **21**
- AT-SBx8112 Chassis 22
- Slots for the Ethernet Line and Controller Cards 25
- Power Supplies and Power Supply Slots 26
 - LEDs 28
- AT-SBxFAN12 Module 31
 - LED 31
- Power Supply Interfaces (Opto-couplers) 32
 - LED 32

- Chapter 2: Ethernet Line Cards** **35**
- Ethernet Line Cards 36
- AT-SBx81GT24 Line Card 38
 - LEDs 38
- AT-SBx81GT40 Line Card 40
 - LEDs 41
- AT-SBx81GP24 PoE Line Card 43
 - LEDs 44
- AT-SBx81GS24a SFP Line Card 46
 - LEDs 46
- AT-SBx81XS6 SFP+ Line Card 48
 - LEDs 48
- AT-SBx81XS16 SFP+ Line Card 50
 - LEDs 50
- AT-SBx81XLEM SFP Line Card 52
 - Large Address Table Modes 53
 - LEDs 54
- AT-SBx81XLEM/Q2 Expansion Module 55
 - LED 55
- AT-SBx81XLEM/XS8 Expansion Module 57
 - LED 57
- AT-SBx81XLEM/XT4 Expansion Module 59
 - LEDs 59
- Twisted Pair Ports 61
 - Connector Type 61
 - Speed 61
 - Duplex Mode 61
 - Maximum Distance 62

Cable Requirements	62
Automatic MDIX Detection	64
Port Pinouts	64
Power over Ethernet on the Ports in the AT-SBx81GP24 Line Card	65
Powered Device Classes.....	65
Power Budget	66
PoE Wiring.....	66
Chapter 3: AT-SBx81CFC960 Controller Fabric Card	69
Controller Fabric Cards for the AT-SBx8112 Chassis.....	70
Hardware Components on the AT-SBx81CFC960 Card.....	72
Guidelines	74
Dual Controller Cards	76
SYS Status LEDs	78
eco-friendly Button	80
SBx Linecard Status LEDs.....	81
SFP+ Slots	82
Console (RS-232) Port.....	84
Ethernet Management Port (NET MGMT)	85
NET MGMT LED	85
USB Port	87
Reset Button	88
AlliedWare Plus Software Releases for the Hardware Components	90
Section II: Installing the Chassis	91
Chapter 4: Safety Precautions and Site Requirements	93
Reviewing Safety Precautions	94
Selecting a Site for the SwitchBlade x8112	98
Installation Tools and Material	100
Chapter 5: Installing the Chassis in an Equipment Rack	101
Required Tools and Material.....	102
Preparing the Equipment Rack	103
Unpacking the AT-SBx8112 Chassis.....	106
Adjusting the Equipment Rack Brackets.....	108
Installing the AT-SBx8112 Chassis in the Equipment Rack.....	110
Removing the Shipping Brace	113
Installing the Chassis Grounding Wire.....	114
Chapter 6: Installing the Power Supplies	117
Protecting Against Electrostatic Discharge (ESD)	118
Installing AT-SBxPWRSYS1 or AT-SBxPWRSYS2 AC System Power Supplies.....	119
Installing AT-SBxPWRPOE1 PoE Power Supplies.....	125
Installing AT-SBxPWRSYS1 DC System Power Supplies.....	130
Chapter 7: Installing the AT-SBx81CFC960 Control Card and Ethernet Line Cards	137
Guidelines to Handling the Controller and Line Cards.....	138
Installing the AT-SBx81CFC960 Controller Fabric Card.....	140
Installing Expansion Modules in AT-SBx81XLEM Ethernet Line Cards.....	146
Installing the Ethernet Line Cards.....	154
Installing Blank Slot Covers	159
Chapter 8: Cabling the Ethernet Line Cards	161
Cabling Guidelines for Twisted Pair Ports	162
Connecting Cables to the AT-SBx81GT40 Line Card	163
Guidelines to Installing SFP, SFP+, or QSFP+ Transceivers	165

Installing SFP or SFP+ Transceivers.....	166
Installing AT-SP10TW Direct Connect Cables	171
Installing AT-QSFPCU Cables	174
Installing AT-QSFPSR, AT-QSFPSR4, or AT-QSFPLR4 Transceivers	176
Chapter 9: Cabling the AT-SBx81CFC960 Controller Fabric Card	177
Cabling the NET MGMT Port.....	178
Installing SFP+ Transceivers.....	180
Installing AT-SP10TW Cables	185
Chapter 10: Powering On the Chassis	187
Verifying the Installation	188
Powering On AT-SBxPWRSYS1 or AT-SBxPWRSYS2 AC System Power Supplies.....	189
Powering On AT-SBxPWRPOE1 Power Supplies	193
Powering On the AT-SBxPWRSYS1 DC System Power Supply	196
Choosing a Method for Attaching the Grounding Wire.....	198
Connecting the Grounding Wire with the Grounding Terminal.....	198
Connecting the Grounding Wire with Bare Wire	201
Choosing a Method for Attaching the Power Wires	203
Connecting the DC Power Wires with the Straight Terminals.....	203
Connecting the DC Power Wires with the Right Angle Terminals.....	212
Connecting Bare DC Power Wires.....	218
Monitoring the Initialization Process	222
Using the LEDs to Monitor the Initialization Process	222
Using the Console Port to Monitor the Initialization Process	222
Chapter 11: Verifying the Hardware Operations of the Chassis	225
Using the LEDs to Verify the Chassis.....	226
Using Local Management to Verify the Chassis.....	228
Starting a Local Management Session	228
Verifying the Chassis with the AlliedWare Plus Commands	229
Chapter 12: Troubleshooting	233
AT-SBxPWRSYS1, AT-SBxPWRSYS2, and AT-SBxPWRPOE1 Power Supplies	234
AT-SBxPWRSYS1 DC System Power Supply	236
Ethernet Line Cards.....	238
Twisted Pair Ports	240
Power Over Ethernet.....	242
Fiber Optic or Twisted Pair Transceivers	244
AT-SBx81CFC960 Controller Fabric Card	246
AT-SBxFAN12 Fan Module	247
Local (Console) Management Session.....	248
Power Supply Interfaces (Opto-couplers).....	249
Chapter 13: Replacing Modules	251
Replacing AT-SBxPWRSYS1, AT-SBxPWRSYS2, and AT-SBxPWRPOE1 Power Supplies	252
Replacing the AT-SBxPWRSYS1 DC Power Supply	258
Replacing Ethernet Line Cards.....	269
Replacing Expansion Modules in AT-SBx81XLEM Line Cards.....	271
Replacing the AT-SBx81CFC960 Controller Fabric Card	277
Replacing the AT-SBxFAN12 Fan Module	280
Removing the AT-SBxFAN12 Fan Module	280
Installing a New AT-SBxFAN12 Fan Module	284
Chapter 14: Upgrading the Controller Fabric Card	289
Before You Begin	290
Upgrading the Controller Fabric Card.....	292

Section III: Building a Stack with VCStack Plus 297

Chapter 15: VCStack Plus Overview 299

Overview 300

Stack Trunk..... 301

Cabling Configurations for the Trunk 303

 One Controller Card Per Chassis 303

 Two Controller Cards Per Chassis 304

VCStack Plus Feature License 306

Optional Feature Licenses 307

Chassis ID Numbers 308

Priority Numbers 309

Stacking Guidelines 311

Chapter 16: Building a Stack 313

Before You Begin..... 314

Displaying the Management Software Version Number 315

Activating the VCStack Plus Feature License..... 317

Enabling the Stacking Feature..... 319

Displaying the Feature Licenses 321

Setting the ID Number 323

Setting the Priority Number 327

Powering Off the Chassis 328

Configuring the Second Chassis..... 329

Cabling the SFP+ Slots on the Controller Cards..... 330

Powering On the Stack 331

 Controlling the Selection of the Initially Active Master Controller Card 331

 Powering On the Switches 332

 Monitoring the Boot Up Sequence..... 332

Verifying the Stack 335

Installing Optional Feature Licenses 337

Troubleshooting the Stack 338

Appendix A: Technical Specifications 341

Physical Specifications 342

Environmental Specifications..... 344

Power Specifications..... 345

Safety and Electromagnetic Emissions Certifications..... 349

Port Pinouts 350

Fiber Optic Specifications of the AT-StackOP/0.3 and AT-StackOP/9.0 Transceivers..... 352

Figures

Figure 1: AT-SBx8112 Chassis	22
Figure 2: Front View of the AT-SBx8112 Chassis	23
Figure 3: Rear View of the AT-SBx8112 Chassis	24
Figure 4: AT-SBx8112 Chassis with Line Cards, Controller Cards, and Power Supplies	24
Figure 5: Ethernet Line and Controller Cards Slots	25
Figure 6: Power Supply Units	26
Figure 7: Power Supply Slots	27
Figure 8: AT-SBxFAN12 Module	31
Figure 9: Power Supply Interfaces (Opto-couplers).....	32
Figure 10: Ethernet Line Cards	36
Figure 11: Expansion Modules for the AT-SBx81XLEM Line Card	37
Figure 12: AT-SBx81GT24 Line Card.....	38
Figure 13: Port LEDs on the AT-SBx81GT24 Line Card	39
Figure 14: AT-SBx81GT40 Line Card.....	40
Figure 15: Port LEDs on an RJ Point 5 Cable Connector for the AT-SBx81GT40 Line Card	41
Figure 16: Port LEDs on an RJ Point 5 Cable Connector for the AT-SBx81GT40 Line Card	41
Figure 17: AT-SBx81GP24 PoE Line Card.....	43
Figure 18: Port LEDs on the AT-SBx81GP24 PoE Line Card	44
Figure 19: AT-SBx81GS24a SFP Line Card	46
Figure 20: Port LEDs on the AT-SBx81GS24a SFP Line Card	47
Figure 21: AT-SBx81XS6 Line Card.....	48
Figure 22: SFP+ Slot LEDs on the AT-SBx81XS6 Line Card.....	48
Figure 23: AT-SBx81XS16 Line Card.....	50
Figure 24: SFP+ Slot LEDs on the AT-SBx81XS16 Line Card.....	51
Figure 25: AT-SBx81XLEM SFP Line Card.....	52
Figure 26: Port LEDs for the SFP Slots on the AT-SBx81XLEM Line Card	54
Figure 27: AT-SBx81XLEM/Q2 Expansion Module	55
Figure 28: AT-SBx81XLEM/XS8 Expansion Module	57
Figure 29: AT-SBx81XLEM/XT4 Expansion Module	59
Figure 30: Controller Fabric Cards for the AT-SBx8112 Chassis	70
Figure 31: AT-SBx81CFC960 Controller Fabric Card	72
Figure 32: 100 - 125 VAC 125 V NEMA 5-20 Plug and Receptacle.....	99
Figure 33: Reserving Vertical Rack Space	104
Figure 34: Rack Mounting Hole Locations.....	105
Figure 35: Components of the AT-SBx8112 Chassis	106
Figure 36: Components of the AT-SBx8112 Chassis (Continued)	107
Figure 37: Rack Mounting Bracket Locations	109
Figure 38: Rack Bracket Locations for Reverse Position of Chassis.....	109
Figure 39: Lifting the AT-SBx8112 Chassis into the Equipment Rack.....	111
Figure 40: Installing the Rack Mount Screws	112
Figure 41: Removing the Shipping Brace	113
Figure 42: Stripping the Grounding Wire	114
Figure 43: Removing the Grounding Lug.....	114
Figure 44: Attaching the Grounding Wire to the Grounding Lug.....	115
Figure 45: Installing the Grounding Lug and Wire	115
Figure 46: ESD Socket and Wrist Strap	118
Figure 47: Power Supply Slots	120
Figure 48: Removing the Blank Slot Cover from Power Supply Slot C	120
Figure 49: Items Included with the AT-SBxPWRSYS1 or AT-SBxPWRSYS2 AC System Power Supply	121

Figure 50: Unlocking the Handle on the Power Supply	122
Figure 51: Inserting the AT-SBxPWRSYS1 or AT-SBxPWRSYS2 AC System Power Supply.....	122
Figure 52: Lowering the Handle on the AT-SBxPWRSYS1 or AT-SBxPWRSYS2 AC System Power Supply	123
Figure 53: Removing the Blank Slot Cover from Power Supply Slot A.....	126
Figure 54: Items Included with the AT-SBxPWRPOE1 Power Supply Module.....	127
Figure 55: Unlocking the Handle on the AT-SBxPWRPOE1 Power Supply	128
Figure 56: Inserting the AT-SBxPWRPOE1 Power Supply	128
Figure 57: Locking the Handle on the AT-SBxPWRPOE1 Power Supply	129
Figure 58: Removing the Blank Slot Cover from Power Supply Slot C.....	131
Figure 59: Items Included with the AT-SBxPWRSYS1 DC Power Supply Module.....	132
Figure 60: On/Off Switch on the AT-SBxPWRSYS1 DC Power Supply	133
Figure 61: Loosening the Handle locking Screw on the AT-SBxPWRSYS1 DC System Power Supply	133
Figure 62: Raising Handle on the AT-SBxPWRSYS1 DC Power Supply.....	134
Figure 63: Inserting the AT-SBxPWRSYS1 DC System Power Supply.....	134
Figure 64: Locking the Handle on the AT-SBxPWRSYS1 DC System Power Supply.....	135
Figure 65: Aligning a Card in a Slot.....	139
Figure 66: Slots 5 and 6 for the AT-SBx81CFC960 Card.....	140
Figure 67: Items Included with the AT-SBx81CFC960 Controller Card.....	141
Figure 68: Removing the AT-SBx81CFC960 Controller Fabric Card from the Anti-static Bag.....	141
Figure 69: Removing the Battery Insulator	142
Figure 70: Opening the Locking Handles on the AT-SBx81CFC960 Controller Fabric Card	142
Figure 71: Aligning the AT-SBx81CFC960 Card in the Chassis Slot.....	143
Figure 72: Closing the Locking Levers on the AT-SBx81CFC960 Controller Fabric Card	144
Figure 73: Tightening the Thumb Screws on the AT-SBx81CFC960 Card	145
Figure 74: Removing the AT-SBx81XLEM Line Card from the Anti-static Bag	147
Figure 75: Removing the Screws on the Blank Slot Cover on the AT-SBx81XLEM Line Card	147
Figure 76: Removing the Blank Slot Cover from the AT-SBx81XLEM Line Card.....	148
Figure 77: Retracting the Retaining Pin on the AT-SBx81XLEM Line Card	149
Figure 78: Removing the Expansion Module from the Anti-static Bag.....	149
Figure 79: Sliding the Expansion Module into the AT-SBx81XLEM Line Card.....	150
Figure 80: Seating the Expansion Module on the Connector in the AT-SBx81XLEM Line Card.....	151
Figure 81: Securing the Expansion Module.....	151
Figure 82: Releasing the Retaining Pin	152
Figure 83: Blank Slot Cover for the AT-SBx81XLEM Line Card.....	152
Figure 84: Returning the Line Card to its Anti-static Bag.....	153
Figure 85: Slots 1 to 4 and 7 to 12 for the Ethernet Line Cards.....	154
Figure 86: Removing a Blank Slot Cover.....	155
Figure 87: Removing an Ethernet Line Card from the Anti-static Bag.....	155
Figure 88: Aligning an Ethernet Line Card in a Chassis Slot.....	156
Figure 89: Seating an Ethernet Line Card on the Backplane Connector.....	157
Figure 90: Tightening the Thumb Screws on an Ethernet Line Card.....	157
Figure 91: Installing a Blank Slot Cover.....	159
Figure 92: Tightening the Thumbscrews on a Blank Slot Cover.....	159
Figure 93: RJ Point 5 Cable Connector for AT-SBx81GT40 Line Card.....	163
Figure 94: Connecting Cables to Ports on the AT-SBx81GT40 Line Card.....	164
Figure 95: Removing the Dust Cover from a Transceiver Slot	167
Figure 96: Installing an SFP or SFP+ Transceiver	167
Figure 97: Installing an SFP+ Transceiver in the AT-SBx81XS6 Line Card.....	168
Figure 98: Removing the Dust Cover from a Transceiver.....	169
Figure 99: Verifying the Position of the Handle on the Transceiver in the AT-SBx81XS16 Line Card	169
Figure 100: Attaching a Fiber Optic Cable to a Transceiver in the AT-SBx81XS16 Line Card	170
Figure 101: Removing the Dust Cover from an SFP+ Slot.....	171
Figure 102: Installing the AT-SP10TW Cable in the AT-SBx81XS16 Line Card or AT-SBx81XLEM/XS8 Expansion Module.....	172
Figure 103: Installing the AT-SP10TW Cable in the AT-SBx81XS6 Line Card	173
Figure 104: Removing the Dust Cover from a Slot on the AT-SBx81XLEM/Q2 Expansion Module.....	174
Figure 105: Sliding the AT-QSFPCU Cable into the Slot.....	175
Figure 106: Removing a Dust Cover from an SFP+ Slot in the AT-SBx81CFC960 Controller Fabric Card	181
Figure 107: Handle on an SFP+ Transceiver	181
Figure 108: Installing an SFP+ Transceiver in the AT-SBx81CFC960 Controller Fabric Card.....	182

Figure 109: Removing the Dust Cover from an SFP+ Transceiver in the AT-SBx81CFC960 Controller Fabric Card	182
Figure 110: Positioning the Handle on the Transceiver.....	183
Figure 111: Attaching a Fiber Optic Cable to an SFP+ Transceiver in the AT-SBx81CFC960 Controller Fabric Card.....	184
Figure 112: Installing an AT-SP10TW Cable in the AT-SBx81CFC960 Controller Fabric Card.....	186
Figure 113: AC Sockets on the Rear Panel of the AT-SBx8112 Chassis.....	190
Figure 114: Connecting the AC Power Cord for the AT-SBxPWRSYS1 or AT-SBxPWRSYS2 AC System Power Supply.....	191
Figure 115: Securing the Power Cord for the AT-SBxPWRSYS1 or AT-SBxPWRSYS2 AC Power Supply to an Anchor	192
Figure 116: Connecting the AC Power Cord for the AT-SBxPWRPOE1 Power Supply.....	193
Figure 117: Securing the Power Cord for the AT-SBxPWRPOE1 Power Supply to an Anchor	194
Figure 118: Dress and Secure AC Power Cords.....	195
Figure 119: Components of the AT-SBxPWRSYS1 DC Power Supply.....	197
Figure 120: Grounding Wire Terminal	198
Figure 121: Stripping the Stranded Grounding Wire.....	198
Figure 122: Attaching the Stranded Grounding Wire to the Grounding Terminal.....	198
Figure 123: Removing the Nut and Washer from the Grounding Post	199
Figure 124: Installing the Grounding Wire	200
Figure 125: Stripping the solid or Stranded Grounding Wire.....	201
Figure 126: Attaching the Bare Grounding Wire to the Grounding Post.....	201
Figure 127: Securing the Bare Grounding Wire to the Grounding Post.....	202
Figure 128: Power Wire Terminals	203
Figure 129: Stripping the Power Wires.....	204
Figure 130: Attaching the Power Wires to the Straight Terminal Lugs.....	204
Figure 131: On/Off Switch on the AT-SBxPWRSYS1 DC Power Supply.....	205
Figure 132: Opening the Plastic Cover.....	206
Figure 133: Removing the Terminal Screws.....	207
Figure 134: Connecting the Positive (+) Power Wire with a Straight Terminal.....	208
Figure 135: Connecting the Negative (-) Power Wire with a Straight Terminal	209
Figure 136: Closing the Plastic Cover over the Terminal Connectors.....	210
Figure 137: Tightening the Handle Locking Screw.....	211
Figure 138: Stripping the Power Wires.....	212
Figure 139: Attaching the Power Wires to the Right Angle Terminals.....	212
Figure 140: Removing the Plastic Cover	213
Figure 141: Removing the Terminal Screws.....	214
Figure 142: Connecting the Positive (+) Power Wire with a Right Angle Terminal.....	215
Figure 143: Connecting the Negative (-) Power Wire with a Right Angle Terminal	216
Figure 144: Tightening the Handle Locking Screw	217
Figure 145: Stripping Solid or Stranded DC Power Wires.....	218
Figure 146: Connecting the Positive Wire With Bare Wire	219
Figure 147: Connecting the Negative Lead Wire with Bare Wire	220
Figure 148: Initialization Messages for a Stand-alone Switch	223
Figure 149: Initialization Messages for a Stand-alone Switch (Continued)	224
Figure 150: Connecting the Management Cable to the Console RS-232 Port.....	228
Figure 151: SHOW VERSION Command.....	229
Figure 152: SHOW CARD Command.....	230
Figure 153: Disconnecting the AC Power Cord from the AC Socket on the Back Panel.....	253
Figure 154: Lifting the Locking Handle on the Power Supply.....	254
Figure 155: Removing the Power Supply from the Chassis	255
Figure 156: Installing a Blank Power Supply Slot Cover	256
Figure 157: Lowering the Locking Handle on the Power Supply Slot Cover	257
Figure 158: Loosening the Screw on the Locking Handle	258
Figure 159: Opening the Plastic Window over the Terminal Block.....	259
Figure 160: Removing the Negative Lead Wire.....	260
Figure 161: Removing the Positive Lead Wire from the Terminal Block	261
Figure 162: Reinstalling the Screws on the Positive and Negative Terminals.....	262
Figure 163: Closing the Plastic Cover	263
Figure 164: Removing the Grounding Wire	264
Figure 165: Reinstalling the Nut and Washer on the Grounding Post.....	265
Figure 166: Lifting the Locking Handle and Removing the Power Supply.....	266

Figure 167: Installing a Blank Power Supply Slot Cover.....	267
Figure 168: Lowering the Locking Handle on the Power Supply Slot Cover	268
Figure 169: Removing the Screws from the Expansion Module.....	272
Figure 170: Retracting the Retaining Pin on the AT-SBx81XLEM Line Card	272
Figure 171: Disconnecting the Expansion Module from the AT-SBx81XLEM Line Card.....	273
Figure 172: Sliding the Expansion Module from the AT-SBx81XLEM Line Card	274
Figure 173: Storing the Expansion Module in an Anti-static Bag.....	274
Figure 174: Sliding the Blank Slot Cover into the AT-SBx81XLEM Line Card.....	275
Figure 175: Securing the Blank Slot Cover.....	275
Figure 176: Releasing the Retaining Pin	276
Figure 177: Loosening the Screw on the AT-SBxFAN12 Fan Module.....	281
Figure 178: Loosening the AT-SBxFAN12 Fan Module from the Backplane Connector	282
Figure 179: Withdrawing the AT-SBxFAN12 Fan Module 51 mm (2 In.) from the Chassis	283
Figure 180: Removing the AT-SBxFAN12 Fan Module from the Chassis	284
Figure 181: Installing a New AT-SBxFAN12 Fan Module.....	285
Figure 182: Securing the AT-SBxFAN12 Fan Module on the Backplane Connector.....	286
Figure 183: Tightening the Screw on the AT-SBxFAN12 Fan Module	287
Figure 184: Cabling the SFP+ Slots When Both Switches have One Controller Card	303
Figure 185: Cabling the SFP+ Slots When Both Switches have Two Controller Cards	304
Figure 186: Chassis ID Number in the Numbering Format.....	308
Figure 187: SHOW SYSTEM Command	315
Figure 188: LICENSE Command.....	318
Figure 189: LICENSE Command Message with Two Controller Cards.....	318
Figure 190: LICENSE Command Message with One Controller Card.....	318
Figure 191: STACK ENABLE Command Messages.....	319
Figure 192: SHOW LICENSE BRIEF Command	321
Figure 193: SHOW STACK Command.....	323
Figure 194: STACK RENUMBER Command Messages	324
Figure 195: SHOW STACK Command.....	326
Figure 196: Initialization Messages for the Stack	333
Figure 197: Initialization Messages for the Stack (Continued).....	334
Figure 198: SHOW STACK Command.....	335
Figure 199: Pin Numbers for RJ-45 and RJ Point 5 Ports (Front View).....	350

Tables

Table 1. LEDs on the AT-SBxPWRSYS1 and AT-SBxPWRSYS2 Power Supplies	29
Table 2. LEDs on the AT-SBxPWRSYS1 DC System Power Supply	29
Table 3. LEDs on the AT-SBxPWRPOE1 PoE Power Supply	30
Table 4. Power LED on the AT-SBxFAN12 Module	31
Table 5. Power LED on the Power Supply Interface	33
Table 6. Transceiver Support	37
Table 7. Port LEDs on the AT-SBx81GT24 Line Card	39
Table 8. Port LEDs on the AT-SBx81GT40 Line Card	42
Table 9. Port LEDs on the AT-SBx81GP24 PoE Line Card	44
Table 10. Port LEDs on the AT-SBx81GS24a SFP Line Card	47
Table 11. SFP+ Slot LEDs on the AT-SBx81XS6 Line Card	49
Table 12. SFP+ Slot LEDs on the AT-SBx81XS16 Line Card	51
Table 13. SFP Slot LEDs on the AT-SBx81XLEM Line Card	54
Table 14. QSFP+ Slot LEDs for the AT-SBx81XLEM/Q2 Expansion Module	55
Table 15. Slot LEDs on the AT-SBx81XLEM/XS8 Module	57
Table 16. Port LEDs on the AT-SBx81XLEM/XT4 Module	59
Table 17. Twisted Pair Cable for the AT-SBx81GT24 and AT-SBx81GT40 Line Cards	62
Table 18. Twisted Pair Cable for the AT-SBx81GP24 Line Card	63
Table 19. Twisted Pair Cable for the AT-SBx81XLEM/XT4 Expansion Module	64
Table 20. IEEE802.3af and IEEE802.3at Powered Device Classes	65
Table 21. Maximum Number of Powered Devices	66
Table 22. Components on the AT-SBx81CFC960 Controller Fabric Card	72
Table 23. SYS (System) Status LEDs	78
Table 24. SBx Linecard Status LEDs	81
Table 25. LEDs for the SFP+ Slots on the AT-SBx81CFC960 Controller Card	83
Table 26. NET MGMT Port LED	86
Table 27. AlliedWare Plus Operating System Releases for the Hardware Components	90
Table 28. Front Panel to Rack Rail Dimensions	108
Table 29. Transceiver Support	166
Table 30. Direct Connect Cables	301
Table 31. Cabling the SFP+ Slots When Both Switches have Two Controller Cards	305
Table 32. Descriptions of the STACK ENABLE Command Messages	319
Table 33. Descriptions of the STACK RENUMBER Command Messages	325
Table 34. Product Dimensions	342
Table 35. Product Weights	342
Table 36. Environmental Specifications	344
Table 37. Acoustic Noise Test Components	344
Table 38. AC Voltage and Frequency Requirements	345
Table 39. DC Voltage Requirements	345
Table 40. Typical Power Savings in eco-friendly Mode	345
Table 41. Maximum Power Consumption	346
Table 42. Maximum Power Efficiency	346
Table 43. Heat Dissipation	346
Table 44. Available Power Over Ethernet with One PoE Power Supply	347
Table 45. Available Power Over Ethernet with Two PoE Power Supplies	347
Table 46. PoE Mode on the AT-SBx81GP24 PoE Line Card	348
Table 47. Safety and Electromagnetic Emissions	349
Table 48. MDI Pin Signals (10Base-T or 100Base-TX)	350
Table 49. MDI-X Pin Signals (10Base-T or 100Base-TX)	350
Table 50. 1000Base-T or 10GBase-T Connector Pinouts	351

List of Tables

Table 51. Fiber Optic Port Specifications for the AT-StackOP/0.3 Module	352
Table 52. Fiber Optic Port Specifications for the AT-StackOP/9.0 Transceiver	352

Preface

This guide contains the hardware installation instructions for the Layer 3+ SwitchBlade x8112 Chassis Switch. The preface contains the following sections:

- “Structure of the Installation Guide” on page 16
- “Safety Symbols Used in this Document” on page 17
- “Contacting Allied Telesis” on page 18

Note

This version of the installation guide applies to release 5.4.6-1.1 of the AlliedWare Plus™ Operating System for the SwitchBlade x8112 Chassis Switch and AT-SBx81CFC960 Controller Fabric Card.

Structure of the Installation Guide

This guide has the following three sections:

□ Section I: Hardware Overview

The chapters in this section describe the hardware components of the product, including the Ethernet line cards, AT-SBx81CFC960 Controller Fabric Card, and power supplies. You should start here if you are unfamiliar with the switch. A basic understanding of the hardware may help you avoid making mistakes during the installation procedures.

□ Section II: Installing the Chassis

The chapters in this section contain the hardware installation instructions for the device. They explain how to select a site, assemble the hardware components, cable the ports, power on the unit, and confirm the hardware operations of the various components. After completing the instructions in this section, you may either begin to configure the operating parameters and features of the chassis with the commands in the command line interface of the AlliedWare Plus™ operating systems, as described in the Software Reference for SwitchBlade x8100 Series Switches, or proceed to Section III to build a stack of two chassis with the VCStack Plus™ feature.

□ Section III: Building a Stack with the VCStack Plus Feature

The chapters in this section describe the VCStack Plus feature and the additional hardware and software components required to build a stack. The section also contains step-by-step instructions on how to configure the AlliedWare Plus operating systems on the switches for the stacking feature. You should perform these instructions after you have installed the two chassis of the stack at their respective sites and confirmed their operations with the instructions in the chapters in Section II of this guide. You might want to review the information in Chapter 15, “VCStack Plus Overview” on page 299 prior to installing the chassis to acquaint yourself with the feature and guidelines.

Safety Symbols Used in this Document

This document uses the following conventions.

Note

Notes provide additional information.



Caution

Cautions inform you that performing or omitting a specific action may result in equipment damage or loss of data.



Warning

Warnings inform you that performing or omitting a specific action may result in bodily injury.



Warning

Laser warnings inform you that an eye or skin hazard exists due to the presence of a Class 1 laser device.

Contacting Allied Telesis

If you need assistance with this product, you may contact Allied Telesis technical support by going to the Support & Services section of the Allied Telesis web site at www.alliedtelesis.com/support. You can find links for the following services on this page:

- ❑ 24/7 Online Support — Enter our interactive support center to search for answers to your product questions in our knowledge database, to check support tickets, to learn about RMAs, and to contact Allied Telesis technical experts.
- ❑ USA and EMEA phone support — Select the phone number that best fits your location and customer type.
- ❑ Hardware warranty information — Learn about Allied Telesis warranties and register your product online.
- ❑ Replacement Services — Submit a Return Merchandise Authorization (RMA) request via our interactive support center.
- ❑ Documentation — View the most recent installation and user guides, software release notes, white papers, and data sheets for your products.
- ❑ Software Downloads — Download the latest software releases for your managed products.

For sales or corporate information, go to www.alliedtelesis.com/purchase and select your region.

Section I

Hardware Overview

This section contains the following chapters:

- ❑ Chapter 1, “Chassis and Power Supplies” on page 21
- ❑ Chapter 2, “Ethernet Line Cards” on page 35
- ❑ Chapter 3, “AT-SBx81CFC960 Controller Fabric Card” on page 69

Chapter 1

Chassis and Power Supplies

This chapter describes the Layer 3+ SwitchBlade x8112 Chassis Switch in the following sections:

- ❑ “AT-SBx8112 Chassis” on page 22
- ❑ “Slots for the Ethernet Line and Controller Cards” on page 25
- ❑ “Power Supplies and Power Supply Slots” on page 26
- ❑ “AT-SBxFAN12 Module” on page 31
- ❑ “Power Supply Interfaces (Opto-couplers)” on page 32

Note

This version of the installation guide applies to release 5.4.6-1.1 of the AlliedWare Plus™ Operating System for the SwitchBlade x8112 Chassis Switch and AT-SBx81CFC960 Controller Fabric Card.

AT-SBx8112 Chassis

The SwitchBlade x8112 product is a modular Layer 3+ Ethernet switch. The main components are the AT-SBx8112 Chassis, Ethernet line cards, a controller card, system power supply, Power over Ethernet Plus (PoE+) power supply, and fan module.

The AT-SBx8112 Chassis is shown in Figure 1.

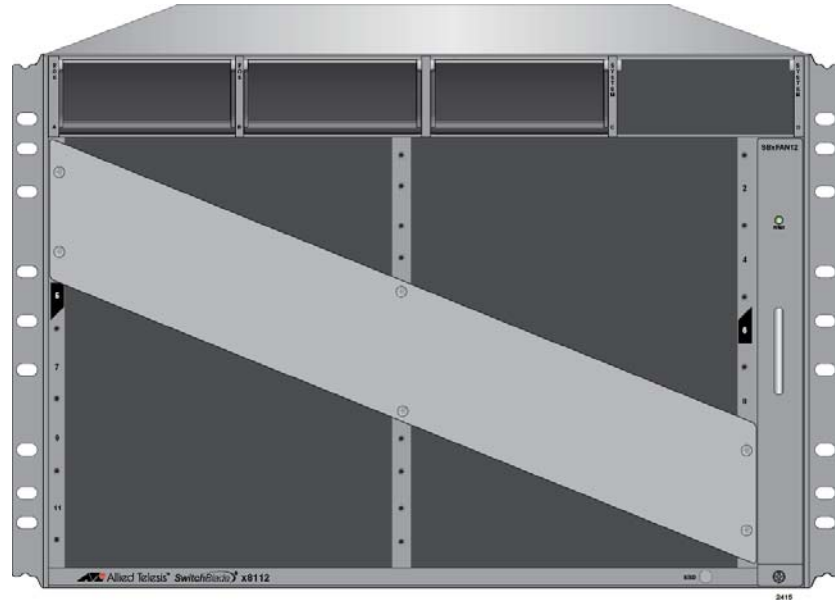


Figure 1. AT-SBx8112 Chassis

The chassis has slots for the following components:

- Ten Ethernet line cards
- Two AT-SBx81CFC960 Controller Fabric Cards
- Two AC or DC system power supplies
- Two Power over Ethernet Plus (PoE+) power supplies
- One AT-SBxFAN12 Fan Module

The chassis components are identified in Figure 2 on page 23 and Figure 3 on page 24.

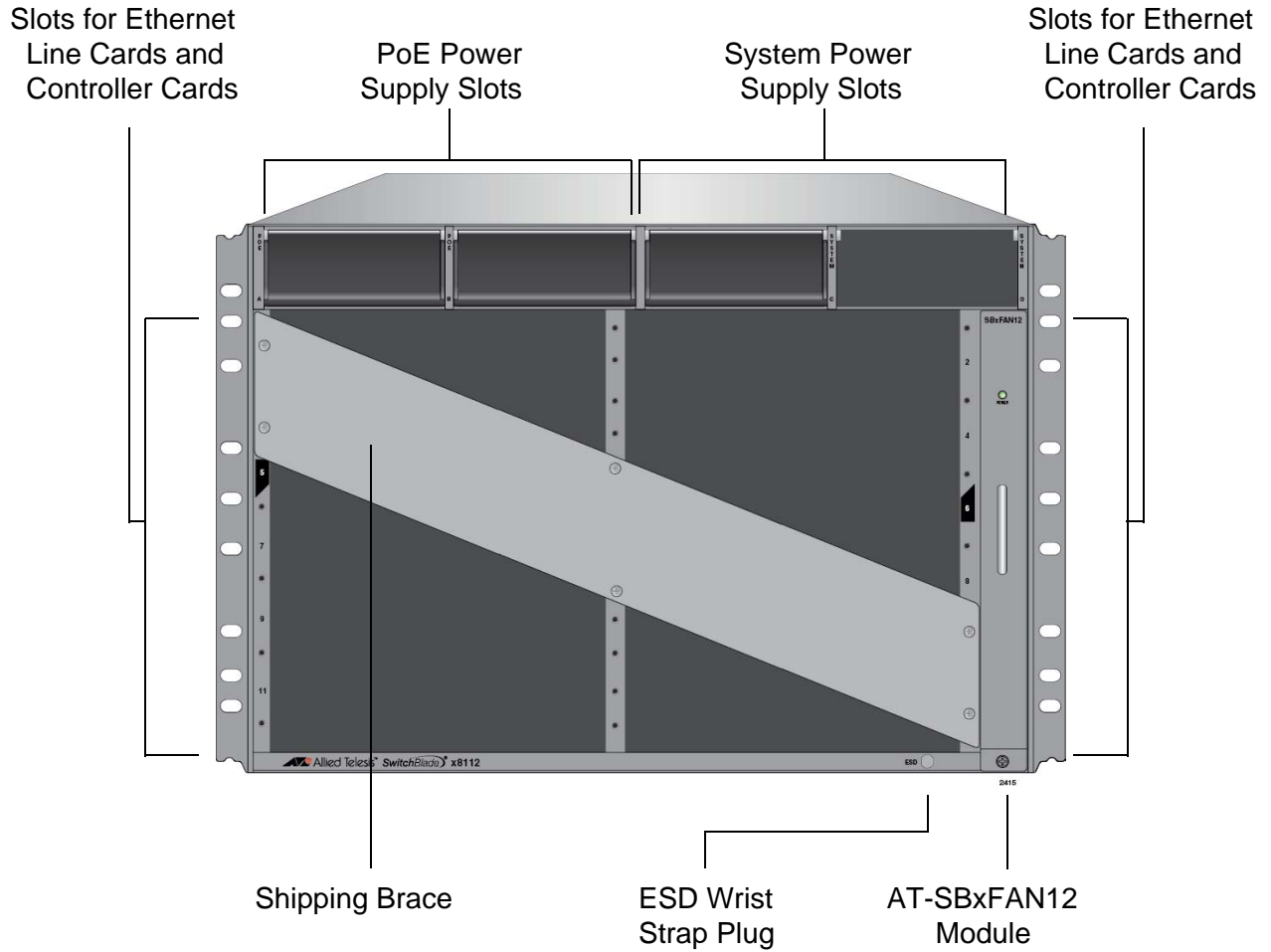


Figure 2. Front View of the AT-SBx8112 Chassis

Note

Do not remove the shipping brace from the front of the chassis until after the unit is installed in the equipment rack. You might bend the chassis and cause misalignment of the slots and card guides if you lift the chassis into the equipment rack without the shipping brace.

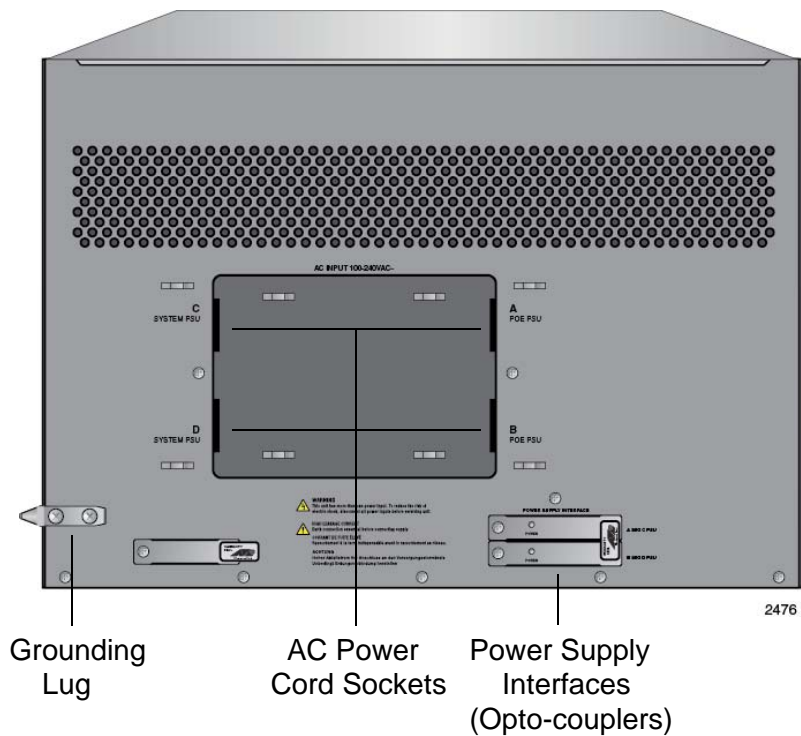


Figure 3. Rear View of the AT-SBx8112 Chassis

Figure 4 is an example of a fully populated chassis.

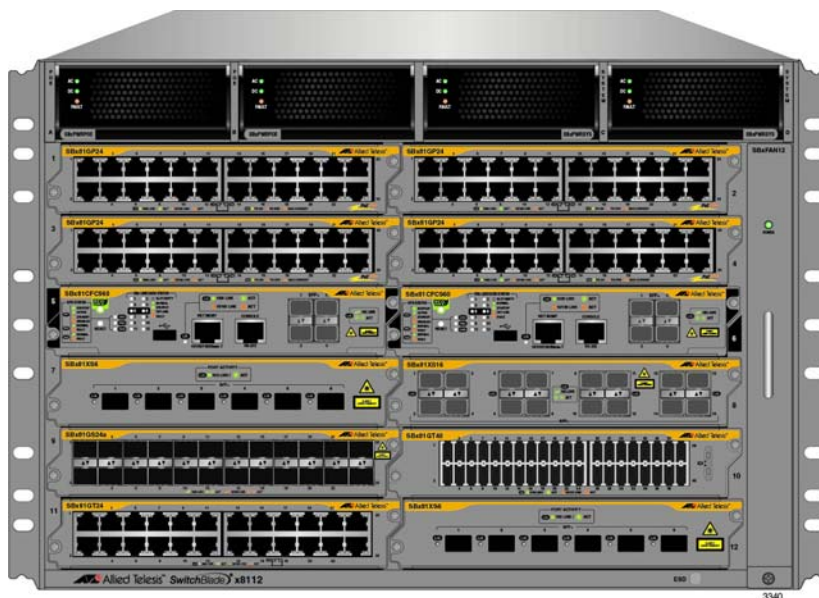
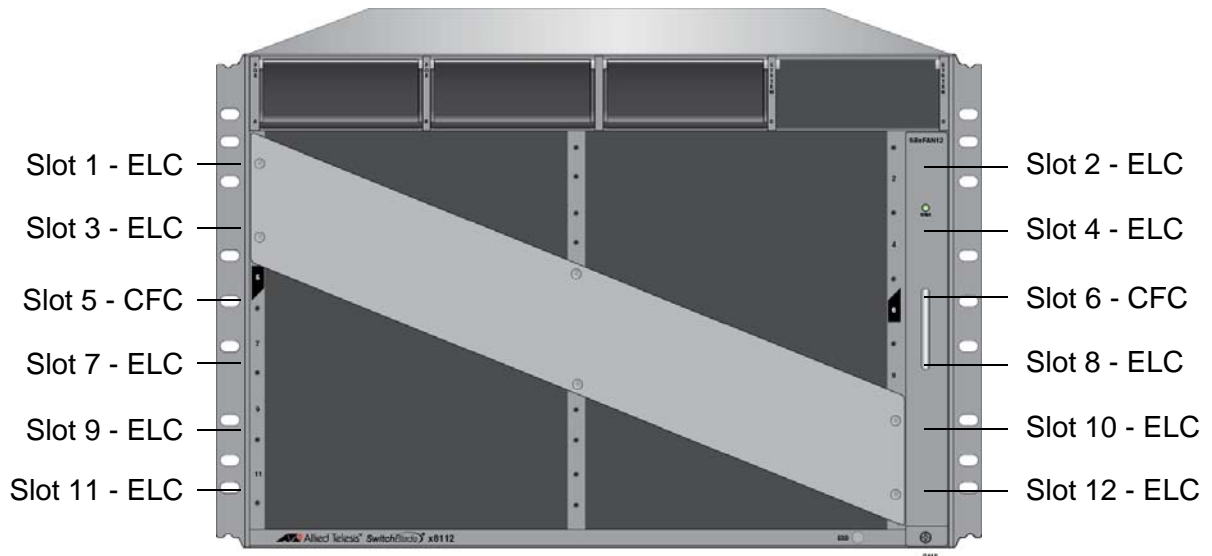


Figure 4. AT-SBx8112 Chassis with Line Cards, Controller Cards, and Power Supplies

Slots for the Ethernet Line and Controller Cards

The chassis has slots for ten Ethernet line cards and two AT-SBx81CFC960 Controller Cards. The slot definitions are predefined and may not be changed. Figure 5 identifies the slots.



ELC - Ethernet Line Card slot
CFC - Controller Fabric Card slot

Figure 5. Ethernet Line and Controller Cards Slots

Slots 1 to 4 and 7 to 12 are for the Ethernet line cards. Each slot can accommodate one line card. The cards may be installed in any order or variety in the slots. The only exceptions are the AT-SBx81XS16 and AT-SBx81XLEM Line Cards, which are supported in slots 1 to 4, 8 and 10, but not slots 7, 9, 11 and 12. For more information on the Ethernet cards, refer to Chapter 2, “Ethernet Line Cards” on page 35

Slots 5 and 6 are for AT-SBx81CFC960 Controller Fabric Cards. Each slot can accommodate one controller card. The chassis must have at least one controller card. Installing a second controller card in the chassis provides these benefits:

- Management redundancy
- Four additional SFP+ slots
- Increased traffic bandwidth

For more information on the controller card, refer to Chapter 3, “AT-SBx81CFC960 Controller Fabric Card” on page 69.

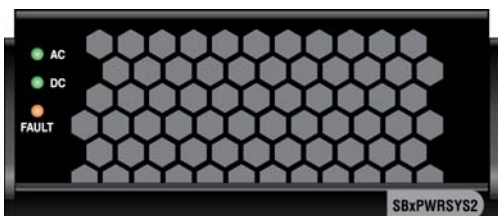
Power Supplies and Power Supply Slots

There are four available power supplies for the chassis. They are shown in Figure 6.



2342

AT-SBxPWRSYS1 AC Power Supply for the Ethernet line cards, controller card, and fan module.



4032

AT-SBxPWRSYS2 AC Power Supply for the Ethernet line cards, controller card, and fan module.



2344

AT-SBxPWRPOE1 AC Power Supply with 1200 W PoE budget for the ports on the AT-SBx81GP24 PoE Ethernet Line Card.



2508

AT-SBxPWRSYS1 DC Power Supply for the Ethernet line cards, controller card, and fan module.

Figure 6. Power Supply Units

Note

Allied Telesis is discontinuing the AT-SBxPWRSYS1 AC Power Supply and replacing it with the AT-SBxPWRSYS2 AC Power Supply.

The power supplies are installed in the four slots across the top of the front of the chassis. The slots are labelled A to D. Refer to Figure 7 on page 27.

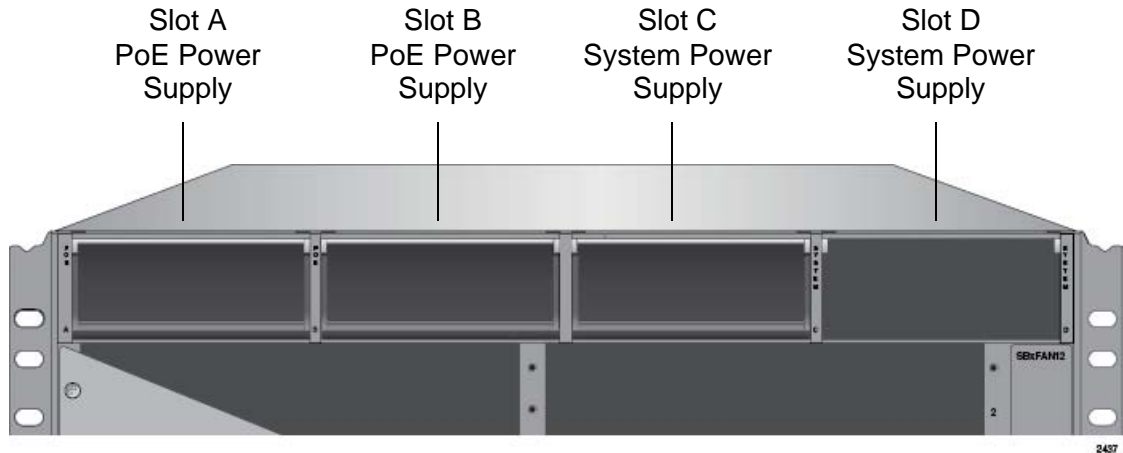


Figure 7. Power Supply Slots

Slots C and D are for system power supplies. The three system power supplies are listed here:

- AT-SBxPWRSYS1 AC Power Supply
- AT-SBxPWRSYS2 AC Power Supply
- AT-SBxPWRSYS1 DC Power Supply

System power supplies provide power for all the hardware components of the chassis, except for the PoE feature on the ports of the AT-SBx81GP24 PoE Line Card. Please review the following items concerning the system power supplies:

- The chassis must have at least one system power supply.
- A single power supply can power a fully populated chassis.
- Installing a second system power supply adds power redundancy to the chassis.
- System power supplies are installed in slots C and D of the chassis.
- If you are installing only one system power supply, you may install it in either slot.
- The AT-SBxPWRSYS1 and AT-SBxPWRSYS2 AC System Power Supplies use the AC connectors on the back panel of the chassis and are intended for AC environments.
- The AT-SBxPWRSYS1 DC System Power Supply has DC power connectors on its front panel and is intended for DC environments.
- The system power supplies are hot swappable. You do not have to power off the unit to replace a power supply.
- The AT-SBxPWRSYS1 AC and AT-SBxPWRSYS2 AC System Power Supplies are compatible and can be used in the same

chassis.

- ❑ The AT-SBxPWRSYS2 AC System Power Supply was added to the management software in release 5.4.5-1. It will work with earlier releases, but Allied Telesis recommends updating the software on controller cards with previous versions to the latest release to ensure full compatibility.

Note

The AT-SBxPWRSYS1 DC Power Supply is not compatible with the other system or PoE power supplies and should not be operated in the same chassis with other power supplies. You may, however, operate the chassis for a short period of time with AC and DC power supplies if you are converting it from one type of power supply to another, such as from AC to DC. This allows you to transition the chassis without having to power it off.

Slots A and B are for the AT-SBxPWRPOE1 AC Power Supply. The unit provides power to the PoE feature on the twisted pair ports on the AT-SBx81GP24 Line Card. For more information, refer to “Power over Ethernet on the Ports in the AT-SBx81GP24 Line Card” on page 65. Please review the following items concerning the PoE power supply:

- ❑ You may install either one or two power supplies in the chassis.
- ❑ PoE power supplies are installed in slots A and B of the chassis.
- ❑ If you are installing only one power supply, you may install it in either slot A or B.
- ❑ A single PoE power supply provide up to 1200 watts of power for PoE. Two PoE power supplies provide up to 2400 watts of power.
- ❑ The PoE power supply is hot swappable. You do not have to power off the chassis to install or replace it.
- ❑ The total number of powered devices the chassis can support on the ports on AT-SBx81GP24 Line Cards depends on the number of AT-SBxPWRPOE1 AC Power Supplies in the chassis and the power requirements of the devices. For instance, a chassis can support 40 ports of Class 4, PoE+ (IEEE 802.3at) powered devices with one power supply or 80 ports with two power supplies. For further information, refer to “Power over Ethernet on the Ports in the AT-SBx81GP24 Line Card” on page 65.

Note

Power supplies are not included with the chassis and must be purchased separately.

LEDs The LEDs on the AT-SBxPWRSYS1 and AT-SBxPWRSYS2 System Power Supplies are described in Table 1 on page 29.

Table 1. LEDs on the AT-SBxPWRSYS1 and AT-SBxPWRSYS2 Power Supplies

LED	State	Description
AC	Solid Green	The power supply is receiving AC power that is within the normal operating range.
	Off	The power supply is not receiving power from the AC power source.
DC	Solid Green	The power supply is providing DC power that is within the normal operating range.
	Off	The power supply is not generating DC power or the power is outside the normal operating range.
Fault	Solid Amber	A power supply has detected a fault condition, such as an under-voltage, or over-temperature condition.
	Off	The power supply is operating normally or is powered off.

The LEDs on the AT-SBxPWRSYS1 DC System Power Supply are described in Table 2.

Table 2. LEDs on the AT-SBxPWRSYS1 DC System Power Supply

LED	State	Description
DC IN	Solid Green	The power supply is receiving DC power that is within the normal operating range.
	Off	The power supply is not receiving power from the DC power source.
DC OUT	Solid Green	The DC power that the module is providing to the chassis components is within the normal operating range.
	Off	The power supply is not generating DC power or the power is outside the normal operating range.
Fault	Solid Amber	The power supply has detected a fault condition, such as an under-voltage, or over-temperature condition.
	Off	The power supply is operating normally or is powered off.

The LEDs on the AT-SBxPWRPOE1 PoE Power Supply are described in

Table 3.

Table 3. LEDs on the AT-SBxPWRPOE1 PoE Power Supply

LED	State	Description
AC	Solid Green	The power supply is receiving AC power that is within the normal operating range.
	Off	The power supply is not receiving power from the AC power source.
DC	Solid Green	The DC power provided by the power supply to the line cards over the backplane is within the normal operating range.
	Off	The power supply is not providing any DC power or the power is not within the normal operating range.
Fault	Solid Amber	The power supply has detected a fault condition, such as an under-voltage or over-temperature condition.
	Off	The power supply is operating normally or is powered off.

AT-SBxFAN12 Module

The AT-SBxFAN12 Module, shown in Figure 8, is the cooling unit for the chassis. It is a field-replaceable assembly that is factory installed and shipped with the AT-SBx8112 Chassis.

The module is controlled by the AT-SBx81CFC960 Controller Fabric Card. The fan speeds are automatically adjusted according to the internal operating temperature of the switch. The fans are at their lowest speed when the ambient temperature coming into the fan is approximately 20° C. The fan speeds increase to provide additional cooling as the ambient temperature rises.



Figure 8. AT-SBxFAN12 Module

Note

Only an authorized service technician should replace the fan module.

LED The POWER LED on the AT-SBxFAN12 Module is described in Table 4.

Table 4. Power LED on the AT-SBxFAN12 Module

LED	State	Description
Power	Solid Green	The AT-SBxFAN12 Module is receiving power.
	OFF	The AT-SBxFAN12 Module is not receiving power or has failed.

Power Supply Interfaces (Opto-couplers)

The chassis has two power supply interfaces, also referred to as opto-couplers, in the lower right corner on the rear panel. The interfaces, labeled Power Supply Interface, are used by the active master controller card to obtain status information from the power supplies. The interfaces are shown in Figure 9.

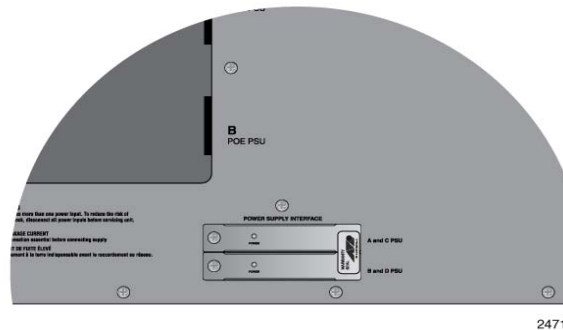


Figure 9. Power Supply Interfaces (Opto-couplers)

The controller card uses the top interface to communicate with the power supplies in slots A and C, and the bottom interface to communicate with the power supplies in slots B and D.



Caution

Power supply modules are hot swappable, but power supply interfaces are not hot swappable. Power supply interfaces should only be serviced by an authorized service technician.

LED Each interface has one LED, labeled Power. The LED is described in Table 5 on page 33.

Table 5. Power LED on the Power Supply Interface

LED	State	Description
Power	Solid Green	The interface is operating normally.
	Off	Here are the possible conditions for this LED state: <ul style="list-style-type: none">❑ The corresponding power supply slots of the interface are empty.❑ The power supplies in the power supply slots are powered off or have failed.❑ The power supplies in the power supply slots are powered on and functioning normally, but the power supply interface has failed.

Chapter 2

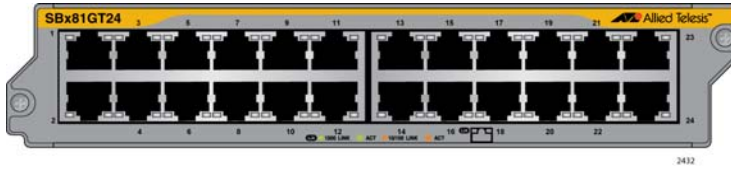
Ethernet Line Cards

This chapter describes the Ethernet line cards and expansion modules for the SwitchBlade x8112 Chassis Switch in the following sections:

- ❑ “Ethernet Line Cards” on page 36
- ❑ “AT-SBx81GT24 Line Card” on page 38
- ❑ “AT-SBx81GT40 Line Card” on page 40
- ❑ “AT-SBx81GP24 PoE Line Card” on page 43
- ❑ “AT-SBx81GS24a SFP Line Card” on page 46
- ❑ “AT-SBx81XS6 SFP+ Line Card” on page 48
- ❑ “AT-SBx81XS16 SFP+ Line Card” on page 50
- ❑ “AT-SBx81XLEM SFP Line Card” on page 52
- ❑ “AT-SBx81XLEM/Q2 Expansion Module” on page 55
- ❑ “AT-SBx81XLEM/XS8 Expansion Module” on page 57
- ❑ “AT-SBx81XLEM/XT4 Expansion Module” on page 59
- ❑ “Twisted Pair Ports” on page 61
- ❑ “Power over Ethernet on the Ports in the AT-SBx81GP24 Line Card” on page 65

Ethernet Line Cards

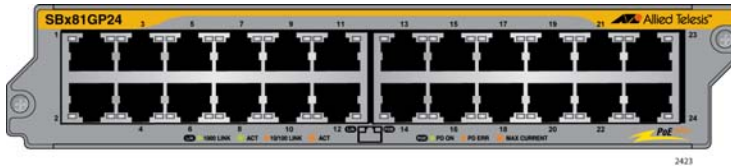
The Ethernet line cards are shown in Figure 10.



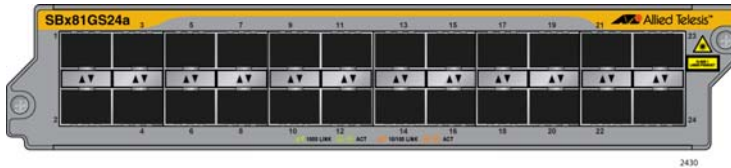
AT-SBx81GT24 Ethernet Line Card with 24 10/100/1000Base-T twisted pair ports.



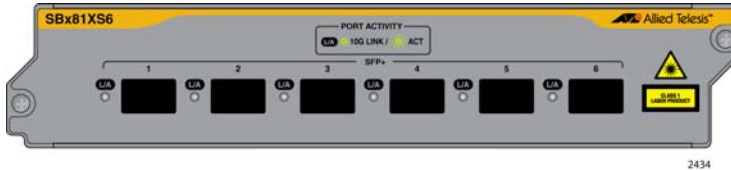
AT-SBx81GT40 Ethernet Line Card with 40 10/100/1000Base-T twisted pair ports, with RJ point 5 connectors.



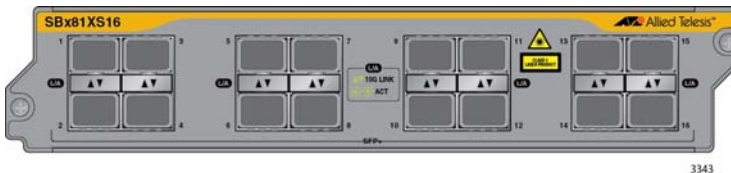
AT-SBx81GP24 Ethernet Line Card with 24 10/100/1000Base-T twisted pair ports, with PoE+.



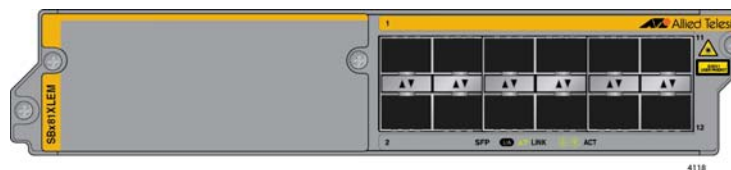
AT-SBx81GS24a SFP Ethernet Card with 24 slots for 100 or 1000Mbps, fiber optic or twisted pair SFP transceivers.



AT-SBx81XS6 SFP+ Ethernet Card with six slots for 10Gbps fiber optic SFP+ transceivers or Twinax direct connect cables.



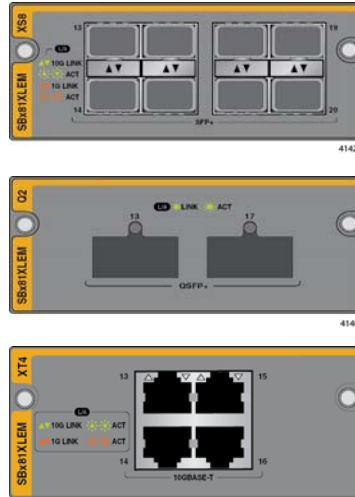
AT-SBx81XS16 Ethernet Card with sixteen slots for 10Gbps SFP+ fiber optic transceivers or Twinax direct connect cables.



AT-SBx81XLEM SFP Ethernet Card with twelve slots for 1000Mbps, fiber optic or twisted pair SFP transceivers, and one expansion slot.

Figure 10. Ethernet Line Cards

The expansion modules for the AT-SBx81XLEM Card are illustrated in Figure 11 on page 37.



AT-SBx81XLEM/XS8 Module with eight slots for 1Gbps SFP or 10Gbps SFP+ transceivers, or AT-SP10TW Direct Connect Cables.

AT-SBx81XLEM/Q2 Module with two slots for 40Gbps QSFP+ transceivers or AT-QSFPCU Direct Connect Cables.

AT-SBx81XLEM/XT4 Module with four 1Gbps or 10Gbps twisted pair ports.

Figure 11. Expansion Modules for the AT-SBx81XLEM Line Card

Table 6 lists the types of transceivers supported by line cards and expansion modules with transceiver slots. For a list of transceivers, refer to the SwitchBlade x8112 data sheet on the Allied Telesis web site.

Table 6. Transceiver Support

Device	100Mbps SFP Transceivers	1Gbps SFP Transceivers	10Gbps SFP+ Transceivers or AT-SP10TW Cables ¹	40Gbps AT-QSFP Transceivers or AT-QSFPCU Cables ²
AT-SBx81GS24a Line Card	Yes	Yes	No	No
AT-SBx81XS6 Line Card	No	No	Yes	No
AT-SBx81XS16 Line Card	No	No	Yes	No
AT-SBx81XLEM Line Card ³	No	Yes	No	No
AT-SBx81XLEM/XS8 Expansion Module	No	Yes	Yes	No
AT-SBx81XLEM/Q2 Expansion Module	No	No	No	Yes

1. Available in lengths of 1, 3, and 7 meters. The model names are AT-SP10TW1, AT-SP10TW3, and AT-SP10TW7, respectively.

2. Available in lengths of 1 and 3 meters. The model names are AT-QSFP1CU and AT-QSFP3CU, respectively.

3. Transceiver slots 1 to 12.

AT-SBx81GT24 Line Card

The AT-SBx81GT24 Line Card, shown in Figure 12, is a Gigabit Ethernet switch.

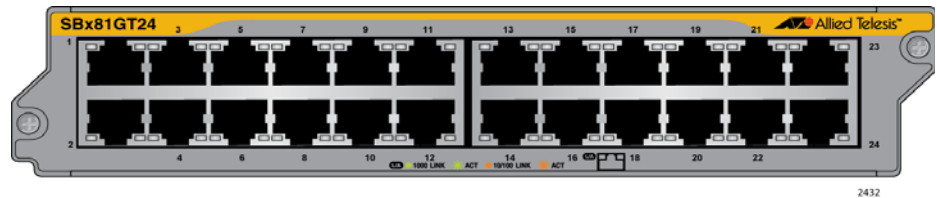


Figure 12. AT-SBx81GT24 Line Card

Here are the main features of the line card:

- ❑ 24 10/100/1000Base-T ports
- ❑ RJ-45 connectors
- ❑ 100 meters (328 feet) maximum operating distance per port
- ❑ Auto-Negotiation for speed and duplex mode
- ❑ Automatic MDIX detection for ports operating at 10/100Base-TX, (Automatic MDIX detection does not apply to 1000Base-T operation.)
- ❑ Port Link/Activity (L/A) LEDs
- ❑ 16K entry MAC address table
- ❑ 12 Mb buffer memory
- ❑ Jumbo frame support:
 - 9710 bytes for ports operating at 10 or 100 Mbps.
 - 10240 bytes for ports operating at 1000 Mbps
- ❑ Non-blocking full wire speed switching on all packet sizes, with two AT-SBx81CFC960 Controller Fabric Cards
- ❑ Hot swappable

The cable requirements for the ports on the AT-SBx81GT24 Line Card are listed in Table 17 on page 62.

LEDs Each port on the AT-SBx81GT24 Line Card has two LEDs. The LEDs are shown in Figure 13 on page 39 and described in Table 7 on page 39.

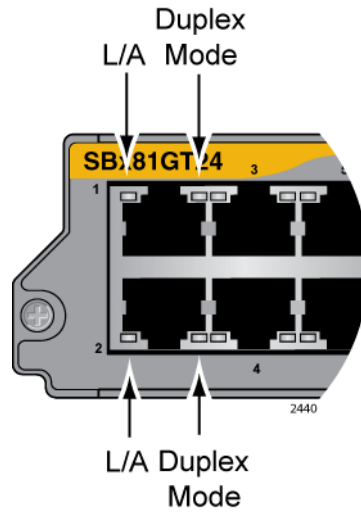


Figure 13. Port LEDs on the AT-SBx81GT24 Line Card

Table 7. Port LEDs on the AT-SBx81GT24 Line Card

LED	State	Description
L/A	Solid Green	The port has established an 1000 Mbps link to a network device.
	Flashing Green	The port is transmitting or receiving data at 1000 Mbps.
	Solid Amber	The port has established a 10 or 100 Mbps link to a network device.
	Flashing Amber	The port is transmitting or receiving data at 10 or 100.
	Off	The port has not established a link with another network device or the LEDs are turned off. To turn on the LEDs, use the eco-friendly button.
Duplex Mode	Solid Green	The port is operating in full duplex mode.
	Solid Amber	The port is operating in half duplex mode.
	Flashing amber	The port is operating in half duplex mode, with collisions.
	Off	The port has not established a link with another network device or the LEDs are turned off. To turn on the LEDs, use the eco-friendly button.

AT-SBx81GT40 Line Card

The AT-SBx81GT40 Line Card, shown in Figure 14, is a Gigabit Ethernet switch.

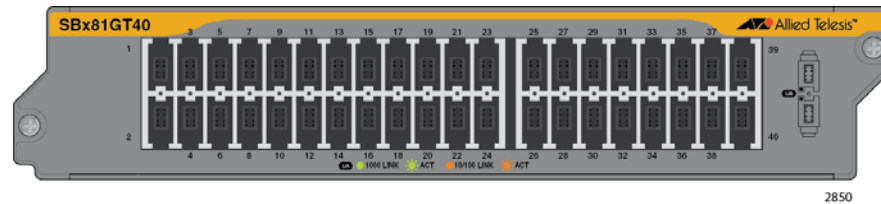


Figure 14. AT-SBx81GT40 Line Card

Here are the main features of the line card:

- ❑ 40 10/100/1000Base-T ports
- ❑ RJ point 5 connectors
- ❑ 100 meters (328 feet) maximum operating distance per port
- ❑ Auto-Negotiation for speed
- ❑ Full-duplex mode only
- ❑ Automatic MDIX detection for ports operating at 10/100Base-TX, (Automatic MDIX detection does not apply to 1000Base-T operation.)
- ❑ Port Link/Activity (L/A) LEDs
- ❑ 32K entry MAC address table
- ❑ 32 Mb buffer memory
- ❑ Jumbo frame support:
 - 10240 octets for tagged and untagged traffic between ports on the same line card
 - 10232 octets for untagged traffic between ports on different line cards
 - 10236 octets for tagged traffic between ports on different line cards
- ❑ Non-blocking full wire speed switching on all packet sizes, with two AT-SBx81CFC960 Controller Fabric Cards
- ❑ Hot swappable

Note

The ports on the line card do not support half-duplex operation.

The cable requirements for the ports on the AT-SBx81GT40 Line Card are listed in Table 17 on page 62.

LEDs The LEDs for a port on the AT-SBx81GT40 Line Card are found on the RJ point 5 cable connector. The LEDs are shown in Figure 15.

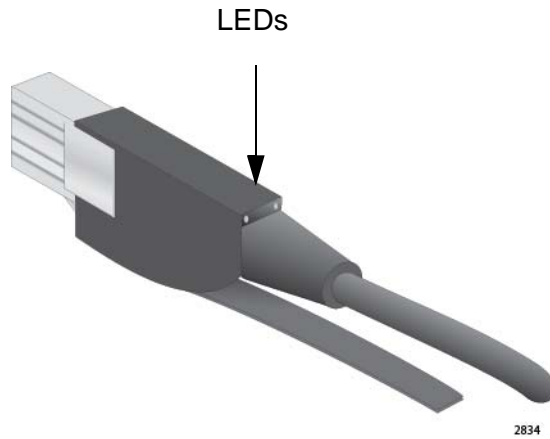


Figure 15. Port LEDs on an RJ Point 5 Cable Connector for the AT-SBx81GT40 Line Card

Only the left LED is active. Refer to Figure 16. It displays link and activity information about a port. The states of the LED are defined in Table 8 on page 42.

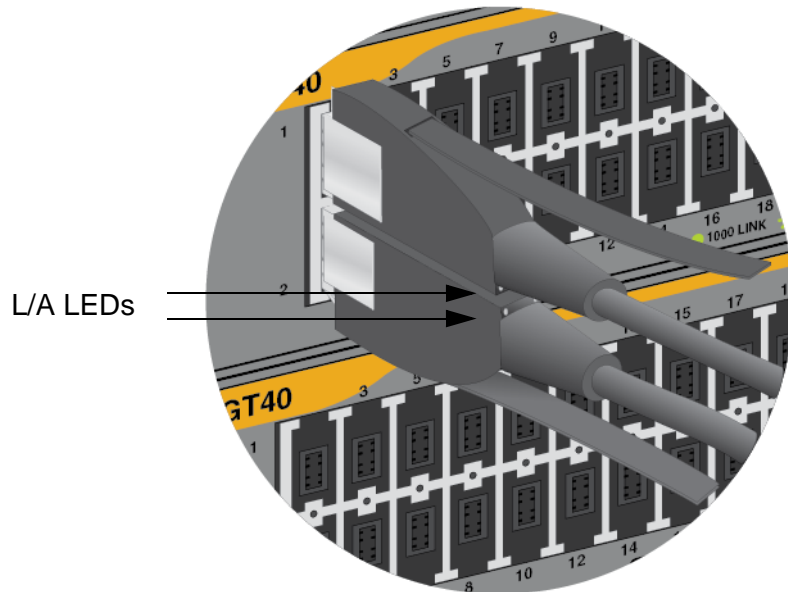


Figure 16. Port LEDs on an RJ Point 5 Cable Connector for the AT-SBx81GT40 Line Card

Table 8. Port LEDs on the AT-SBx81GT40 Line Card

LED	State	Description
L/A	Solid Green	The port has established an 1000 Mbps link to a network device.
	Flashing Green	The port is transmitting or receiving data at 1000 Mbps.
	Solid Amber	The port has established a 10 or 100 Mbps link to a network device.
	Flashing Amber	The port is transmitting or receiving data at 10 or 100.
	Off	The port has not established a link with another network device or the LEDs are turned off. To turn on the LEDs, use the eco-friendly button.
Right LED	-	This LED is not used.

AT-SBx81GP24 PoE Line Card

The AT-SBx81GP24 PoE Line Card, shown in Figure 17, is a Gigabit Ethernet switch with Power over Ethernet Plus (PoE+) on all the ports.

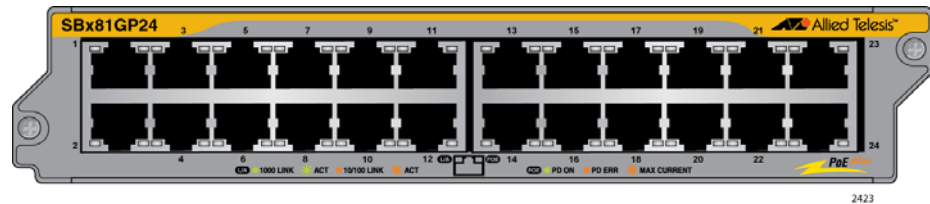


Figure 17. AT-SBx81GP24 PoE Line Card

Here are the main features of the line card:

- 24 10/100/1000Base-T ports
- RJ-45 connectors
- 100 meters (328 feet) maximum operating distance per port
- Auto-Negotiation for speed and duplex mode
- Automatic MDIX detection for ports operating at 10/100Base-TX, (Automatic MDIX detection does not apply to 1000Base-T operation.)
- Port Link/Activity (L/A) and PoE+ LEDs
- 16K entry MAC address table
- 12 Mb buffer memory
- PoE+ on all ports
- Up to 30W per port for PoE+
- PoE device classes 0 to 4
- Jumbo frame support:
 - 9710 bytes for ports operating at 10 or 100 Mbps.
 - 10240 bytes for ports operating at 1000 Mbps
- Non-blocking full wire speed switching on all packet sizes, with two AT-SBx81CFC960 Controller Fabric Cards
- Hot swappable

The cable requirements of the PoE ports on the AT-SBx81GP24 Ethernet Line Card are listed in Table 18 on page 63.

LEDs Each port on the AT-SBx81GP24 PoE Line Card has two LEDs. The LEDs are shown in Figure 18 and described in Table 9.

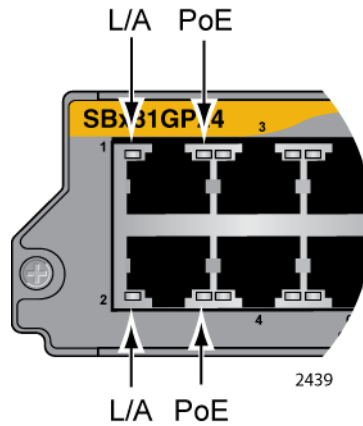


Figure 18. Port LEDs on the AT-SBx81GP24 PoE Line Card

Table 9. Port LEDs on the AT-SBx81GP24 PoE Line Card

LED	State	Description
L/A	Solid Green	The port has established an 1000 Mbps link to a network device.
	Flashing Green	The port is transmitting or receiving data at 1000 Mbps.
	Solid Amber	The port has established a 10 or 100 Mbps link to a network device.
	Flashing Amber	The port is transmitting or receiving data at 10 or 100 Mbps.
	Off	The port has not established a link with another network device or the LEDs are turned off. To turn on the LEDs, use the eco-friendly button.
PoE	Green	The switch is detecting a powered device (PD) on the port and is delivering power to it.
	Solid Amber	The switch has shutdown PoE+ on the port because of a fault condition.
	Flashing Amber	The switch is detecting a PD on the port but is not delivering power to it because the maximum power budget has been reached.

Table 9. Port LEDs on the AT-SBx81GP24 PoE Line Card (Continued)

LED	State	Description
PoE	Off	<p>This LED state can result from the following conditions:</p> <ul style="list-style-type: none"> <input type="checkbox"/> The port is not connected to a PD. <input type="checkbox"/> The PD is powered off. <input type="checkbox"/> The port is disabled in the management software. <input type="checkbox"/> PoE is disabled on the port. <input type="checkbox"/> The LEDs on the Ethernet line cards are turned off. To turn on the LEDs, use the eco-friendly button.

AT-SBx81GS24a SFP Line Card

The AT-SBx81GS24a SFP Line Card, shown in Figure 19, is a Gigabit Ethernet switch.

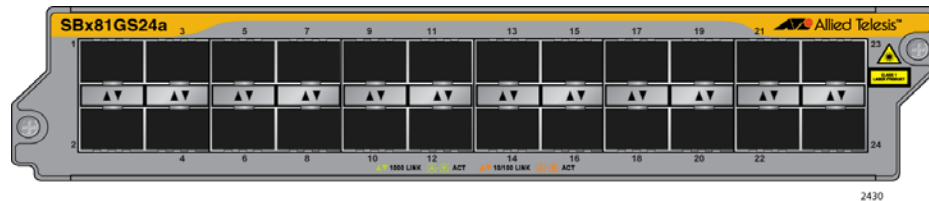


Figure 19. AT-SBx81GS24a SFP Line Card

Here are the main features of the line card:

- ❑ 24 slots for small form-factor pluggable (SFP) transceivers
- ❑ Supports 100Base-FX and 1000Base-SX/LX fiber optic transceivers
- ❑ Supports 100Base-BX and 1000Base-BX bidirectional (BiDi) fiber optic transceivers
- ❑ Supports 10/100/1000Base-T and 1000Base-T twisted pair transceivers
- ❑ Port Link/Activity (L/A) LEDs
- ❑ 32K entry MAC address table
- ❑ 24 Mb buffer memory
- ❑ Jumbo frame support:
 - 9710 bytes for ports operating at 10 or 100 Mbps.
 - 10240 bytes for ports operating at 1000 Mbps
- ❑ Non-blocking full wire speed switching on all packet sizes, with two AT-SBx81CFC960 Controller Fabric Cards.
- ❑ Hot swappable

For a list of supported transceivers, refer to the SwitchBlade x8100 data sheet on the Allied Telesis web site.

LEDs The SFP slots on the AT-SBx81GS24a SFP Line Card have one LED each, as shown in Figure 20 on page 47 and described in Table 10 on page 47.

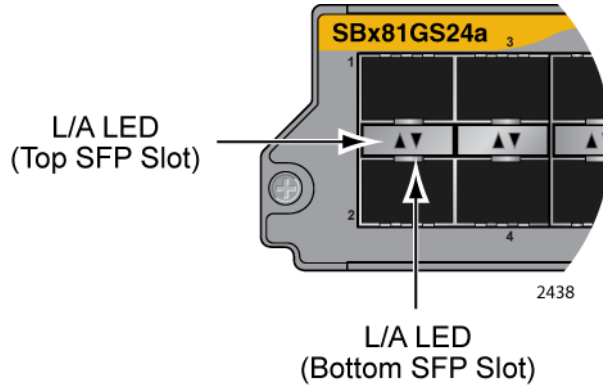


Figure 20. Port LEDs on the AT-SBx81GS24a SFP Line Card

Table 10. Port LEDs on the AT-SBx81GS24a SFP Line Card

LED State	Description
Solid Amber	The SFP transceiver in the slot has established a 10 or 100 Mbps link to a network device.
Blinking Amber	The SFP transceiver is transmitting and/or receiving data at 10 or 100 Mbps.
Solid Green	The SFP transceiver in the slot has established an 1000 Mbps link to a network device.
Blinking Green	The SFP transceiver is transmitting and/or receiving data at 1000 Mbps.
Off	The slot is empty or the SFP transceiver has not established a link to a network device.

AT-SBx81XS6 SFP+ Line Card

The AT-SBx81XS6 Line Card, shown in Figure 21, is a 10Gbps Ethernet switch.

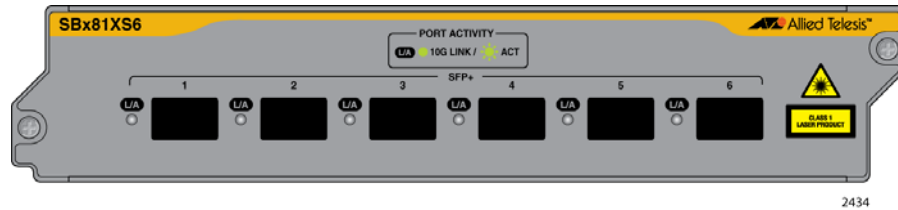


Figure 21. AT-SBx81XS6 Line Card

Here are the main features of the line card:

- ❑ Six slots for 10Gbps SFP+ transceivers
- ❑ Supports 10GBase-SR/LR fiber optic transceivers
- ❑ Supports AT-SP10TW direct connect twinax cables with SFP+ transceiver-style connectors
- ❑ Port Link/Activity (L/A) LEDs
- ❑ 32K entry MAC address table
- ❑ 24 Mb buffer memory
- ❑ Jumbo frame support:
 - 9710 bytes for ports operating at 10 or 100 Mbps.
 - 10240 bytes for ports operating at 1000 Mbps
- ❑ Hot swappable

For a list of supported transceivers, refer to the SwitchBlade x8100 data sheet on the Allied Telesis web site.

LEDs The AT-SBx81XS6 Line Card has one LED for each SFP+ slot. The LED is shown in Figure 22 and described in Table 11 on page 49.

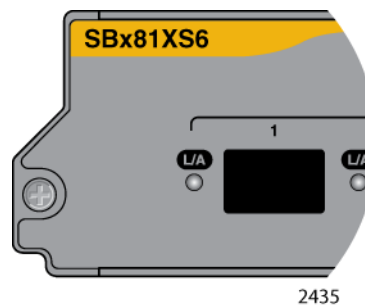


Figure 22. SFP+ Slot LEDs on the AT-SBx81XS6 Line Card

Table 11. SFP+ Slot LEDs on the AT-SBx81XS6 Line Card

LED	State	Description
L/A	Solid Green	The transceiver has established a link with a network device.
	Flashing Green	The transceiver is transmitting or receiving data at 10 Gbps.
	Off	<p>This LED state can result from the following conditions:</p> <ul style="list-style-type: none"> ❑ The transceiver slot is empty. ❑ The transceiver has not established a link with a network device. ❑ The LEDs on the Ethernet line cards are turned off. To turn on the LEDs, use the eco-friendly button.

AT-SBx81XS16 SFP+ Line Card

The AT-SBx81XS16 Line Card, shown in Figure 23, is an Ethernet switch that supports 10Gbps SFP+ transceivers.

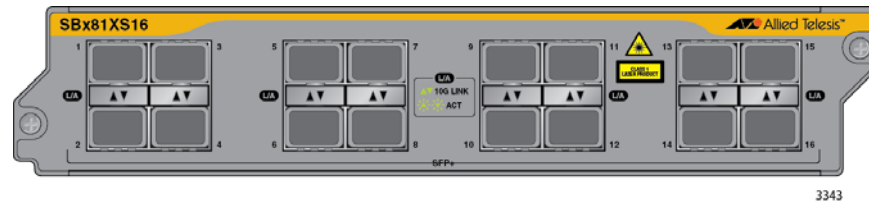


Figure 23. AT-SBx81XS16 Line Card

Here are the main features of the line card:

- ❑ Sixteen slots for 10Gbps SFP+ transceivers
- ❑ Supports 10GBase-SR/LR fiber optic transceivers
- ❑ Supports AT-SP10TW direct connect twinax cables with SFP+ transceiver-style connectors
- ❑ Port Link/Activity (L/A) LEDs
- ❑ 32K entry MAC address table
- ❑ 32 Mb buffer memory
- ❑ Jumbo frame support of up to 10240 bytes
- ❑ Hot swappable

For a list of supported transceivers, refer to the SwitchBlade x8100 data sheet on the Allied Telesis web site.

Note

The AT-SBx81XS16 Line Card is supported in slots 1 to 4, 8, and 10 in the AT-SBx8112 Chassis. The card is not supported in slots 7, 9, 11, and 12.

Note

The line card is not supported by the AT-SBx81CFC400 Controller Fabric Card.

LEDs The AT-SBx81XS16 Line Card has one LED for each SFP+ slot. The LED is shown in Figure 24 on page 51 and described in Table 12 on page 51.

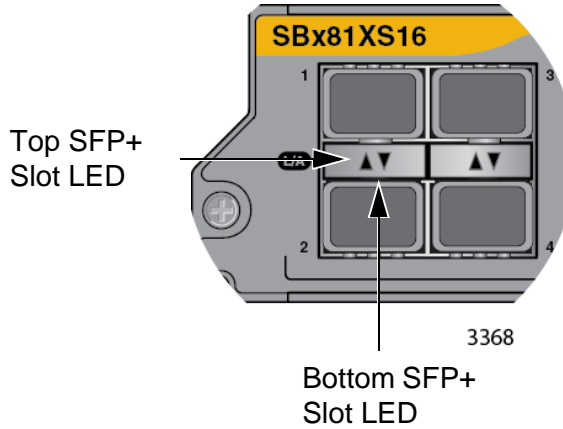


Figure 24. SFP+ Slot LEDs on the AT-SBx81XS16 Line Card

Table 12. SFP+ Slot LEDs on the AT-SBx81XS16 Line Card

LED	State	Description
L/A	Solid Green	The transceiver has established a 10 Gbps link with a network device.
	Flashing Green	The transceiver is transmitting or receiving data at 10 Gbps.
	Off	This LED state can result from the following conditions: <ul style="list-style-type: none"> ❑ The transceiver slot is empty. ❑ The transceiver has not established a link with a network device. ❑ The LEDs on the Ethernet line cards are turned off. To turn on the LEDs, use the eco-friendly button.

AT-SBx81XLEM SFP Line Card

The AT-SBx81XLEM SFP Line Card, shown in Figure 19, is a Gigabit Ethernet switch with a slot for an expansion module.

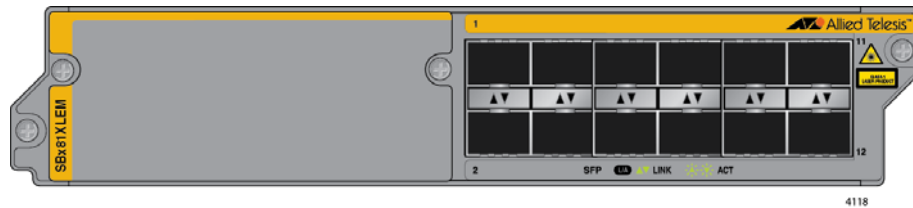


Figure 25. AT-SBx81XLEM SFP Line Card

Here are the main features of the line card:

- Twelve slots for small form-factor pluggable (SFP) transceivers
- Supports 1000Base-SX/LX fiber optic transceivers
- Supports 1000Base-BX bidirectional (BiDi) fiber optic transceivers
- Supports 1000Base-T twisted pair transceivers (full-duplex mode only)
- One slot for an expansion module
- Port Link/Activity (L/A) LEDs
- 128K entry MAC address table
- 32 Mb buffer memory
- Jumbo frame support up to 10240 bytes
- Hot swappable

For a list of supported transceivers, refer to the SwitchBlade x8100 data sheet on the Allied Telesis web site.

Note

The AT-SBx81XLEM SFP Line Card is hot swappable. However, installing, removing, or replacing an expansion module requires removing the line card from the chassis.

Note

The twelve SFP slots do not support 10 or 100Mbps transceivers.

Please review the following guidelines when selecting chassis slots for AT-SBx81XLEM Line Cards:

- For AlliedWare Plus v5.4.6-1.1 or later, the AT-SBx81XLEM Line

Card is supported in all ten line card slots in the AT-SBx8112 Chassis. The bandwidth of the card differs depending on the slot. The card operates at its highest bandwidth in slots 1 to 4, 8, and 10, and at a lower bandwidth in slots 7, 9, 11, and 12.

- ❑ For earlier AlliedWare Plus v5.4.6, the line card is supported in slots 1 to 4, 8, and 10, but not slots 7, 9, 11, and 12.

Large Address Table Modes

The AT-SBx81XLEM Line Card has two selectable, large address table modes. You can improve the performance of the card by selecting the mode that best represents the type of network traffic it will forward. The two modes are listed here:

- ❑ Large Layer 2 Switching and Layer 3 Routing mode - Optimizes AT-SBx81XLEM Line Cards for remote Layer 3 subnets.
- ❑ Large Layer 3 Host mode - Optimizes AT-SBx81XLEM Line Cards for local Layer 3 hosts.

Here are the guidelines for the large address table modes:

- ❑ The large table modes are supported only when the AT-SBx8112 Chassis has AT-SBx81XLEM Line Cards. The large table modes are not supported on any of the other SwitchBlade x8100 Ethernet line cards.
- ❑ You have to specify the silicon profile “profile3” for the chassis with the PLATFORM SILICON-PROFILE command in the AlliedWare Plus operating system.



Caution

Profile3 is only compatible with AT-SBx81XLEM Line Cards. Do not activate the profile if the chassis contains other models of SwitchBlade x8100 Ethernet line cards.

- ❑ Only one large table mode can be active at a time in a chassis.
- ❑ The large table mode is set at the chassis level. All AT-SBx81XLEM Line Cards in the chassis use the same table mode setting.
- ❑ The SFP+ slots on the front panel of the AT-SBx81CFC960 Controller Fabric Card cannot be used for regular network traffic when silicon profile Profile3 is active. They must be unused or used for the trunk in a VCStack Plus. The AlliedWare Plus operating system disables the SFP+ slots for regular network traffic when you designate “profile3” as the silicon profile for the chassis.
- ❑ The large address table modes require AlliedWare Plus v5.4.6.1-1 or later.
- ❑ Using the large table modes is optional.

- ❑ The large table modes require the AT-SBx81CFC960 Controller Fabric Card. The AT-SBx81CFC400 Controller Fabric Card does not support the large table modes.

For descriptions of the large table modes and how to activate them, refer to “Command Reference: SwitchBlade x8100 Series Switches running AlliedWare Plus Version 5.4.6-1.x.”

LEDs Each SFP slot on the AT-SBx81XLEM Line Card has one LED. The LED is shown in Figure 26 and described in Table 13.

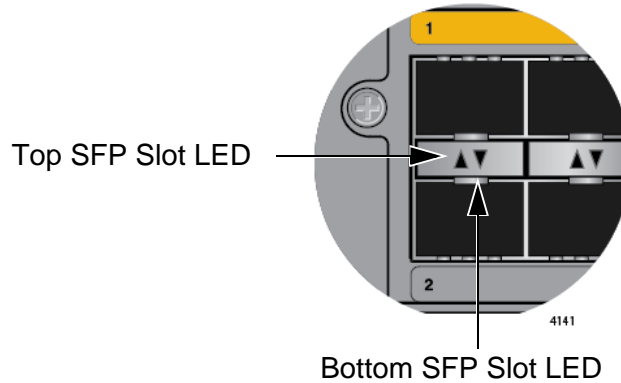


Figure 26. Port LEDs for the SFP Slots on the AT-SBx81XLEM Line Card

Table 13. SFP Slot LEDs on the AT-SBx81XLEM Line Card

LED State	Description
Solid Green	The SFP transceiver in the slot has established a 1000 Mbps link to a network device.
Blinking Green	The transceiver is transmitting and/or receiving data at 1000 Mbps.
Off	The slot is empty or the transceiver has not established a link to a network device.

AT-SBx81XLEM/Q2 Expansion Module

The AT-SBx81XLEM/Q2 Module, shown in Figure 27, is an expansion module for the AT-SBx81XLEM Line Card. It installs in the slot in the card.

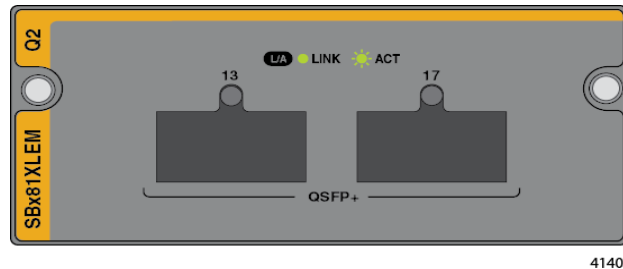


Figure 27. AT-SBx81XLEM/Q2 Expansion Module

The features of the module are listed here:

- ❑ Two slots for 40 Gbps QSFP+ transceivers
- ❑ Supports AT-QSFPSR, AT-QSFPSR4, and AT-QSFPLR4 transceivers
- ❑ Supports AT-QSFP1CU and AT-QSFP3CU direct connect cables
- ❑ Port Link/Activity (L/A) LEDs
- ❑ Jumbo frame support up to 10240 bytes

Note

The AT-SBx81XLEM/Q2 Module supports revision B of the AT-QSFPSR4 transceiver. It does not support revision A. The revision level of the transceiver is printed on the transceiver label, after the serial number. You can also display it with the `SHOW SYSTEM PLUGGABLE DETAIL` command in the AlliedWare Plus operating system.

For a list of supported transceivers, refer to the SwitchBlade x8100 data sheet on the Allied Telesis web site.

LED Each slot has one LED. The states of the LED are described in Table 14.

Table 14. QSFP+ Slot LEDs for the AT-SBx81XLEM/Q2 Expansion Module

LED State	Description
Solid Green	The QSFP+ transceiver in the slot has established a 40 Gbps link to a network device.

Table 14. QSFP+ Slot LEDs for the AT-SBx81XLEM/Q2 Expansion Module (Continued)

LED State	Description
Blinking Green	The transceiver is transmitting and/or receiving data.
Off	The slot is empty or the transceiver has not established a link to a network device.

Note

The AT-SBx81XLEM/Q2 Module does not support 40G DAC auto-negotiation. Allied Telesis recommends disabling auto-negotiation on transceiver link partners to ensure proper operation.

AT-SBx81XLEM/XS8 Expansion Module

The AT-SBx81XLEM/XS8 Module is another expansion module for the AT-SBx81XLEM Line Card. Refer to Figure 28.

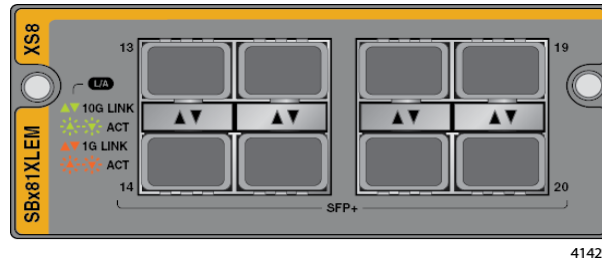


Figure 28. AT-SBx81XLEM/XS8 Expansion Module

The main features of the module are listed here:

- Eight slots for 1Gbps SFP or 10Gbps SFP+ transceivers
- Supports 10GBase-SR/LR fiber optic transceivers
- Supports AT-SP10TW direct connect twinax cables with SFP+ transceiver-style connectors
- Supports 1000Base-SX/LX fiber optic transceivers
- Supports 1000Base-BX bidirectional (BiDi) fiber optic transceivers
- Supports 1000Base-T twisted pair transceivers (full-duplex mode only)
- Port Link/Activity (L/A) LEDs
- Jumbo frame support up to 10240 bytes

For a list of supported transceivers, refer to the SwitchBlade x8100 data sheet on the Allied Telesis web site.

LED Each slot has one LED. The LED states are defined in Table 15.

Table 15. Slot LEDs on the AT-SBx81XLEM/XS8 Module

LED State	Description
Solid Amber	The SFP transceiver in the slot has established a 1Gbps link to a network device.
Blinking Amber	The transceiver is transmitting and/or receiving data at 1Gbps.
Solid Green	The transceiver in the slot has established a 10Gbps link to a network device.

Table 15. Slot LEDs on the AT-SBx81XLEM/XS8 Module (Continued)

LED State	Description
Blinking Green	The transceiver is transmitting and/or receiving data at 10Gbps.
Off	The slot is empty or the transceiver has not established a link to a network device.

AT-SBx81XLEM/XT4 Expansion Module

The AT-SBx81XLEM/XT4 Module is an expansion module for the AT-SBx81XLEM Line Card. Refer to Figure 29.

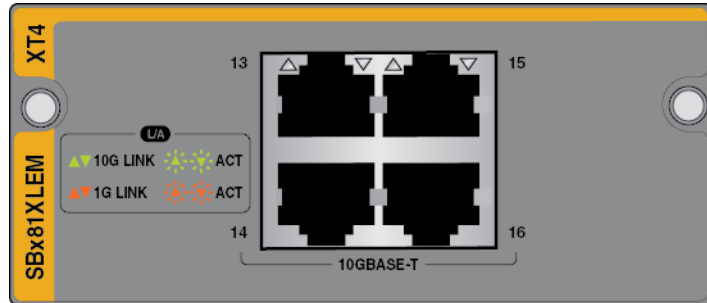


Figure 29. AT-SBx81XLEM/XT4 Expansion Module

The main features of the module are listed here:

- Four ports with RJ-45 connectors for twisted pair cables
- Ports support 1000Base-T or 10GBase-T operation
- 100 meters (328 feet) maximum operating distance per port
- Auto-Negotiation for speed
- Full-duplex mode only
- Port Link/Activity (L/A) LEDs
- Jumbo frame support up to 10240 bytes
- Non-blocking full wire speed switching on all packet sizes, with two AT-SBx81CFC960 Controller Fabric Cards

LEDs Each port has one LED. The LED states are defined in Table 16.

Table 16. Port LEDs on the AT-SBx81XLEM/XT4 Module

LED State	Description
Solid Amber	The port in the slot has established a 1Gbps link to a network device.
Blinking Amber	The port is transmitting and/or receiving data at 1Gbps.
Solid Green	The port has established a 10Gbps link to a network device.
Blinking Green	The port is transmitting and/or receiving data at 10Gbps.

Table 16. Port LEDs on the AT-SBx81XLEM/XT4 Module (Continued)

LED State	Description
Off	The port is not connected to a network device or the device is not powered on.

Twisted Pair Ports

This section applies to the twisted pair ports on the following line cards and expansion module:

- ❑ AT-SBx81GT24 Ethernet Line Card
- ❑ AT-SBx81GT40 Ethernet Line Card
- ❑ AT-SBx81GP24 Ethernet Line Card
- ❑ AT-SBx81XLEM/XT4 Expansion Module

Connector Type

The ports on the line cards and expansion module have 8-pin RJ-45 connectors, except for the ports on the AT-SBx81GT40 Line Card, which have 8-pin RJ point 5 connectors.

The ports use four pins at 10 or 100 Mbps and all eight pins at 1000 Mbps or 10 Gbps. The pin assignments are listed in “Port Pinouts” on page 350.

Speed

The port speeds are listed here:

- ❑ AT-SBx81GT24, AT-SBx81GT40, and AT-SBx81GP24 Line Cards - 10, 100, or 1000 Mbps
- ❑ AT-SBx81XLEM/XT4 Expansion Module - 1000 Mbps or 10 Gbps

The switch can set the speeds automatically through Auto-Negotiation, the default setting, or you can manually set them with the AlliedWare Plus Operating System.

Note

Twisted-pair ports have to be set to Auto-Negotiation to operate at 1000 Mbps or 10 Gbps. You cannot manually set twisted-pair ports to 1000 Mbps or 10 Gbps.

Duplex Mode

The twisted-pair ports on the AT-SBx81GT24 and AT-SBx81GP24 Line Cards can operate in either half- or full-duplex mode at 10 or 100 Mbps. Ports operating at 1000 Mbps can only operate in full-duplex mode. The twisted-pair ports are IEEE 802.3u-compliant and Auto-Negotiate the duplex mode setting.

You can disable Auto-Negotiation on the ports and set the duplex mode manually.

Note

Switch ports that are connected to 10 or 100 Mbps end nodes that are not using Auto-Negotiation should not use Auto-Negotiation to set their speed and duplex mode settings, because duplex mode mismatches might occur. You should disable Auto-Negotiation and set the speed and duplex mode settings manually with the AlliedWare Plus Operating System.

Note

The ports on the AT-SBx81GT40 Line Card and AT-SBx81XLEM/XT4 Expansion Module only support full-duplex mode.

Maximum Distance

The ports have a maximum operating distance of 100 meters (328 feet).

Cable Requirements

The cable requirements for the ports on the AT-SBx81GT24 and AT-SBx81GT40 Line Cards are listed in Table 17.

Table 17. Twisted Pair Cable for the AT-SBx81GT24 and AT-SBx81GT40 Line Cards

Cable Type	10Mbps	100Mbps	1000Mbps
Standard TIA/EIA 568-B-compliant Category 3 shielded or unshielded cabling with 100 ohm impedance and a frequency of 16 MHz.	Yes	Yes	No
Standard TIA/EIA 568-A-compliant Category 5 or TIA/EIA 568-B-compliant Enhanced Category 5 (Cat 5e) shielded or unshielded cabling with 100 ohm impedance and a frequency of 100 MHz.	Yes	Yes	Yes
Standard TIA/EIA 568-B-compliant Category 6 shielded cabling.	Yes	Yes	Yes
Standard TIA/EIA 568-C-compliant Category 6a shielded cabling.	Yes	Yes	Yes

Note

Patch cables for the AT-SBx81GT40 Line Card, in lengths of 1 meter and 3 meters with RJ point 5 and RJ-45 connectors, are available from Allied Telesis. Contact your Allied Telesis sales representative for information.

The cable requirements for the PoE ports on the AT-SBx81GP24 Ethernet Line Card are given in Table 18 on page 63.

Table 18. Twisted Pair Cable for the AT-SBx81GP24 Line Card

Cable Type	10Mbps			100Mbps			1000Mbps		
	Non-PoE	PoE	PoE+	Non-PoE	PoE	PoE+	Non-PoE	PoE	PoE+
Standard TIA/EIA 568-B-compliant Category 3 shielded or unshielded cabling with 100 ohm impedance and a frequency of 16 MHz.	Yes	No	No	Yes	No	No	No	No	No
Standard TIA/EIA 568-A-compliant Category 5 shielded or unshielded cabling with 100 ohm impedance and a frequency of 100 MHz.	Yes	Yes	No	Yes	Yes	No	Yes	No	No
Standard TIA/EIA 568-B-compliant Enhanced Category 5 (Cat 5e) shielded or unshielded cabling with 100 ohm impedance and a frequency of 100 MHz.	Yes	Yes	Yes	Yes	Yes	Yes	Yes	Yes	Yes
Standard TIA/EIA 568-B-compliant Category 6 shielded cabling.	Yes	Yes	Yes	Yes	Yes	Yes	Yes	Yes	Yes
Standard TIA/EIA 568-C-compliant Category 6a shielded cabling.	Yes	Yes	Yes	Yes	Yes	Yes	Yes	Yes	Yes

The cable requirements for the ports on the AT-SBx81XLEM/XT4 Expansion Module are listed in Table 19 on page 64.

Table 19. Twisted Pair Cable for the AT-SBx81XLEM/XT4 Expansion Module

Cable Type	1000Mbps	10Gbps
Standard TIA/EIA 568-B-compliant Category 6 shielded cabling.	Yes	No
Standard TIA/EIA 568-C-compliant Category 6a shielded cabling.	Yes	Yes

Automatic MDIX Detection

The 10/100/1000 Mbps twisted-pair ports on the AT-SBx81GT24, AT-SBx81GT40, and AT-SBx81GP24 Line Cards are IEEE 802.3ab compliant and feature automatic MDIX detection when operating at 10 or 100 Mbps. (Automatic MDIX detection does not apply to 1000 Mbps.) This feature automatically configures the ports to MDI or MDI-X depending on the wiring configurations of the end nodes.

Ports connected to network devices that do not support automatic MDIX detection default to MDIX.

You may disable automatic MDIX detection on the individual ports and configure the MDI/MDI-X settings manually with the POLARITY command.

Port Pinouts

Refer to Table 48 on page 350 for the pinouts of the twisted-pair ports when they operate at 10 or 100 Mbps in the MDI configuration and Table 49 on page 350 for the MDI-X configuration. For the port pinouts when they operate at 1000 Mbps or 10 Gbps, refer to Table 50 on page 351.

Power over Ethernet on the Ports in the AT-SBx81GP24 Line Card

This section applies to the AT-SBx81GP24 PoE Line Card. The twisted-pair ports on the line card support Power over Ethernet (PoE). PoE is a mechanism by which the ports supply power to network devices over the twisted pair cables that carry the network traffic. This feature can simplify network installation and maintenance because it allows you to use the switch as a central power source for other network devices.

Devices that receive their power over Ethernet cables are called powered devices (PD), examples of which include wireless access points, IP telephones, web cams, and even other Ethernet switches. A PD connected to a port on the switch receives both network traffic and power over the same twisted-pair cable.

The AT-SBx81GP24 Line Card automatically determines whether a device connected to a port is a PD. A PD has a signature resistor or signature capacitor that the line card can detect over the Ethernet cabling. If the resistor or capacitor is present, the switch assumes that the device is a PD.

A port connected to a network node that is not a PD (that is, a device that receives its power from another power source) functions as a regular Ethernet port, without PoE. The PoE feature remains enabled on the port but no power is delivered to the device.

Powered Device Classes

The IEEE 802.3af and 802.3at standards define five powered device classes. The classes are defined by the power requirements of the powered devices. The classes are shown in Table 20. The AT-SBx81GP24 Line Card supports all five classes.

Table 20. IEEE802.3af and IEEE802.3at Powered Device Classes

Class	Usage	Maximum Power Output on the PoE Port	PD Power Range
0	Default	15.4W	.044W to 12.95W
1	Optional	4.0W	0.44W to 3.84W
2	Optional	7.0W	3.84W to 6.49W
3	Optional	15.4W	6.49W to 12.95W
4	Optional	30.0W	12.95W to 25.9W

Power Budget

The power for PoE on the ports on the AT-SBx81GP24 Line Card is provided by the AT-SBxPWRPOE1 Power Supply. A single power supply can provide up to 1200 watts of power for powered devices. You may install two power supplies in the chassis for a total of 2400 watts for powered devices.

The number of powered devices the chassis can support at one time depends on the number of AT-SBxPWRPOE1 Power Supplies in the chassis and the power requirements of the powered devices in your network. Table 21 lists the maximum number of powered devices by class, for one or two power supplies. The numbers assume that the powered devices require the maximum amount of power for their classes.

Note

The maximum number of PoE ports in the SwitchBlade x8112 Switch is 240 ports.

Table 21. Maximum Number of Powered Devices

Class	Maximum Number of Ports with One PoE PSU (1200 W)	Maximum Number of Ports with Two PoE PSU's (2400 W)
0	77	155
1	240	240
2	171	240
3	77	155
4	40	80

PoE Wiring

The IEEE 802.3af and 802.3at standards define two methods for delivering power to powered devices over the four pairs of strands that comprise a standard Ethernet twisted-pair cable. The methods are called Alternatives A and B. In Alternative A, power is supplied to powered devices on strands 1, 2, 3, and 6, which are the same strands that carry the 10/100Base-TX network traffic. In Alternative B, power is delivered on strands 4, 5, 7, and 8. These are the unused strands.

Note

1000BASE-T cables carry the network traffic on all eight strands of the Ethernet cable.

The PoE implementation on the AT-SBx81GP24 Line Card is Alternative

A. Power is transmitted on strands 1, 2, 3, and 6. Thus, the line card can support PDs that receive power using Alternative A.

PDs that comply with the IEEE 802.3af and 802.3at standards are required to support both power delivery methods. However, non-standard PDs and PDs that were manufactured before the completion of the IEEE 802.3af and 802.3at standards and that support only Alternative B will not work with the AT-SBx81GP24 PoE Line Card.

Chapter 3

AT-SBx81CFC960 Controller Fabric Card

This chapter describes the AT-SBx81CFC960 Controller Fabric Card in the following sections:

- ❑ “Controller Fabric Cards for the AT-SBx8112 Chassis” on page 70
- ❑ “Hardware Components on the AT-SBx81CFC960 Card” on page 72
- ❑ “Guidelines” on page 74
- ❑ “Dual Controller Cards” on page 76
- ❑ “SYS Status LEDs” on page 78
- ❑ “eco-friendly Button” on page 80
- ❑ “SBx Linecard Status LEDs” on page 81
- ❑ “SFP+ Slots” on page 82
- ❑ “Console (RS-232) Port” on page 84
- ❑ “Ethernet Management Port (NET MGMT)” on page 85
- ❑ “USB Port” on page 87
- ❑ “Reset Button” on page 88
- ❑ “AlliedWare Plus Software Releases for the Hardware Components” on page 90

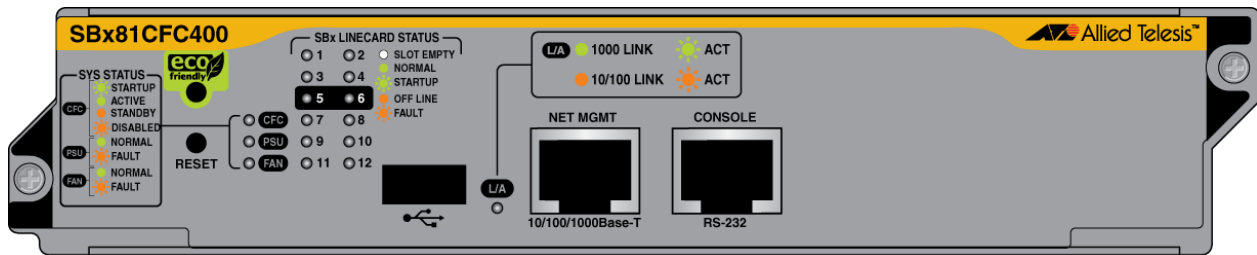
Controller Fabric Cards for the AT-SBx8112 Chassis

There are two controller fabric cards for the AT-SBx8112 Chassis. The cards are listed here:

- ❑ AT-SBx81CFC400 Card
- ❑ AT-SBx81CFC960 Card

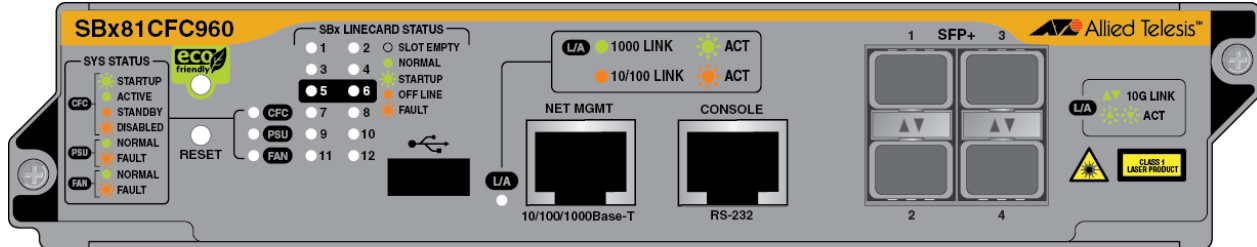
The controller fabric cards are shown in Figure 30.

AT-SBx81CFC400 Controller Fabric Card



2425

AT-SBx81CFC960 Controller Fabric Card



3273

Figure 30. Controller Fabric Cards for the AT-SBx8112 Chassis

Two differences between the controller cards are described here:

- ❑ The AT-SBx81CFC960 Controller Fabric Card has four SFP+ slots. You may use the slots to add four additional networking ports to the chassis or to build a stack of two chassis with the VCStack Plus feature. The AT-SBx81CFC400 Controller Fabric Card does not have SFP+ slots and does not support the VCStack Plus feature.
- ❑ The AT-SBx81CFC960 Card supports the seven Ethernet line cards in Figure 10 on page 36. The AT-SBx81CFC400 Card supports five of the cards. It does not support the AT-SBx81XS16 or AT-SBx81XLEM Line Card.

This manual describes the AT-SBx81CFC960 Controller Fabric Card. For information on the AT-SBx81CFC400 Card, refer to the *SwitchBlade x8112 Chassis Switch and AT-SBx81CFC400 Card Installation Guide*.

Note

You may not install both types of controller cards in the same chassis. When installing two controller cards in the chassis, be sure both cards are the same type.

Hardware Components on the AT-SBx81CFC960 Card

The components on the faceplate of the AT-SBx81CFC960 Controller Fabric Card are identified in Figure 31 and briefly described in Table 22.

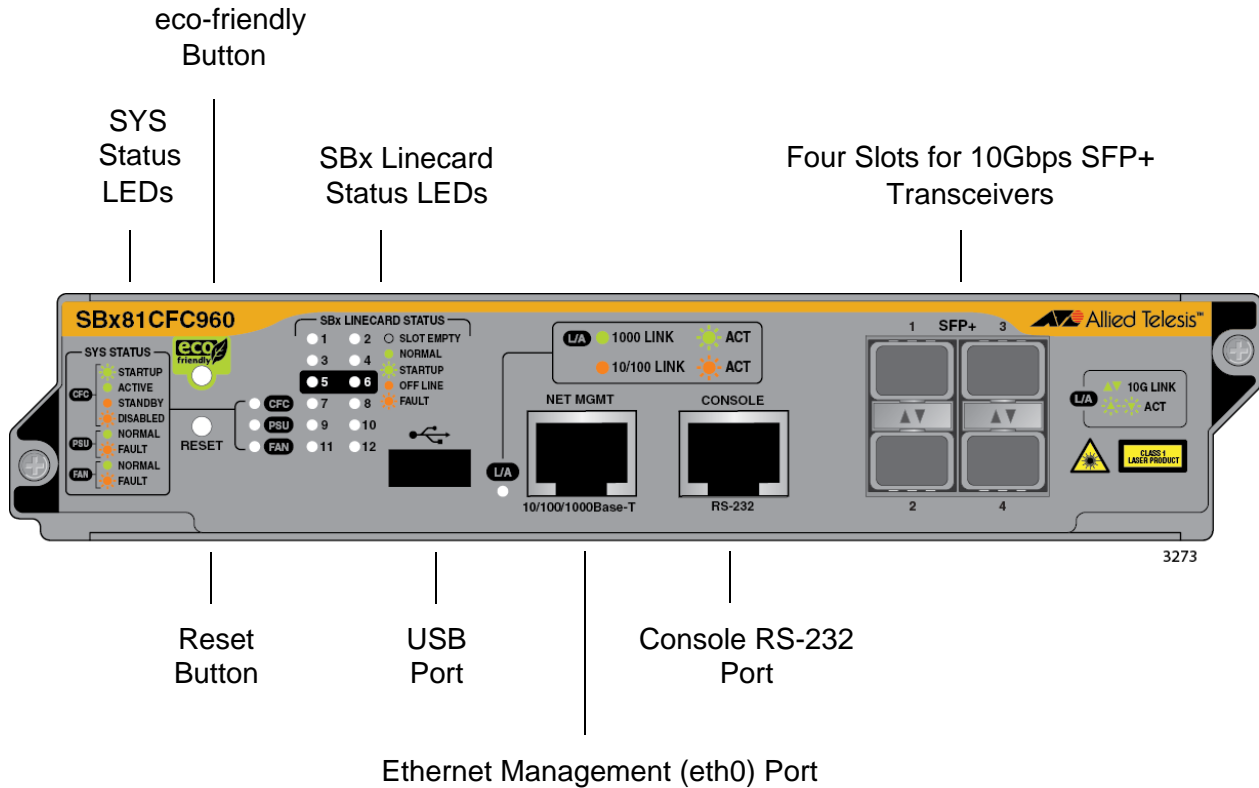


Figure 31. AT-SBx81CFC960 Controller Fabric Card

Table 22. Components on the AT-SBx81CFC960 Controller Fabric Card

Component	Description
SYS Status LEDs	Displays general status information about the controller card, power supplies, and fan module. For more information, refer to “SYS Status LEDs” on page 78.
eco-friendly Button	Turns the LEDs on and off. For more information, refer to “eco-friendly Button” on page 80.
SBx Linecard Status LEDs	Displays general information about the controller and Ethernet line cards. For more information, refer to “SBx Linecard Status LEDs” on page 81.

Table 22. Components on the AT-SBx81CFC960 Controller Fabric Card

Component	Description
Slots for Transceivers	<p>Supports four 10Gbps SFP+ transceivers. The transceivers may be used for these two functions:</p> <ul style="list-style-type: none"> - Uplink ports for the Ethernet line cards. - A trunk between two chassis with the VCStack Plus feature. <p>The transceivers are ordered separately. For a list of supported transceivers, refer to the Allied Telesis web site. For more information, refer to “SFP+ Slots” on page 82.</p>
Console RS-232 Port	<p>Provides local management of the switch. The switch does not require an IP address for local management. For more information, refer to “Console (RS-232) Port” on page 84.</p>
NET MGMT (eth0) Port	<p>Provides maintenance access to the controller card. For more information, refer to “Ethernet Management Port (NET MGMT)” on page 85.</p>
USB Port	<p>Used with a USB flash memory drive for management functions, such as storing backup copies of the switch configuration and transferring configurations between switches. For more information, refer to “USB Port” on page 87.</p>
Reset Button	<p>Resets the controller and Ethernet line cards. For more information, refer to “Reset Button” on page 88.</p>

Guidelines

Here are several functions of the controller card:

- ❑ Chassis Management — The controller card is used to monitor and configure the parameter settings on the Ethernet line cards. The controller card supports local management sessions through the Console RS-232 port and remote management sessions with Telnet, Secure Shell (SSH), or SNMP clients on workstations on your network.
- ❑ Management software — The controller card stores its own management software as well as the management software for the Ethernet line cards. It downloads the firmware to the cards over the backplane in the chassis when the chassis is powered on or reset, as part of the initialization process.
- ❑ Configuration Settings — The controller card also maintains a configuration database in which it stores its own settings as well as the settings of the Ethernet line cards. When a change is made to a configuration setting on a line card, the controller card transmits the change over the backplane to the appropriate line card and updates its configuration database. The database is retained even when the chassis is powered off because controller card stores it in nonvolatile memory. You may download the database to a management workstation or network server to maintain a history of configurations or to transfer a configuration to multiple chassis.
- ❑ Backplane Control — The chassis has a backplane. The Ethernet line cards use the backplane to forward traffic to each other when the ingress and egress ports of packets are located on different cards. The backplane is managed by the controller card. The bandwidth of the backplane depends on the number of controller cards in the chassis. Each line card slot has up to 80Gbps of backplane bandwidth when the chassis has one controller card and up to 160Gbps with two controller cards.
- ❑ VCStack Plus feature — The controller card can be used to create a stack of two chassis that operate as a single, virtual switch, which can simplify network operation and management. For more information, refer to Chapter 15, “VCStack Plus Overview” on page 299.
- ❑ SFP+ slots — The SFP+ slot on the front panel may be used with SFP+ 10Gbps transceivers to add high speed uplink ports for the Ethernet line cards or to build a trunk between two chassis for the VCStack Plus feature.

Here are the guidelines to the controller card:

- ❑ The chassis must have at least one controller card. The line cards do not forward traffic if the chassis does not have at least one

controller card.

- ❑ The chassis may have either one or two controller cards.
- ❑ Two controller cards are recommended for redundancy and to increase the per slot backplane bandwidth from up to 80 to 160Gbps.
- ❑ The controller cards are installed in slots 5 and 6 in the chassis.

Here are other features of the controller card:

- ❑ LEDs for monitoring the status of the Ethernet line cards.
- ❑ Power-saving eco-friendly button for turning the port and status LEDs on and off on the line cards and control cards.
- ❑ Reset switch for resetting the chassis.
- ❑ USB port for data storage and retrieval.
- ❑ Console RS-232 for local management.
- ❑ NET MGMT port and inband interface for remote Telnet, SSH, and SNMP management.
- ❑ Hot swappable.

Dual Controller Cards

You may install either one or two controller cards in the chassis. Here are the advantages to having two controller cards in the chassis.

- ❑ Having a second controller card improves the performance of the chassis by increasing the backplane bandwidth for the Ethernet line cards. Two controller cards provide up to 160 Gbps non-blocking throughput for each line card.
- ❑ Installing a second controller card adds redundancy. If a controller card fails in the chassis, the second card enables the Ethernet line cards to maintain network operations.
- ❑ Installing a second controller card adds four additional SFP+ slots.

Here are the guidelines to dual controller cards:

- ❑ One card operates as the active master card and the other as the standby master card. You can determine the state of a controller card by the M/S LED. For information, refer to “SYS Status LEDs” on page 78.
- ❑ The controller cards automatically determine their states when the chassis is powered on or reset. The card that boots up first is designated as the active master card. If both cards boot up at the same time, the card in slot 5 is designated as the active master card.
- ❑ All management sessions have to be conducted through the active controller card.
- ❑ To establish a local management session, you have to use the Console RS-232 port on the active controller card.
- ❑ When the chassis is powered on or reset, the two controller cards perform an initialization process, part of which involves the inactive card synchronizing its management files with the active card. During this phase of the initialization process, which may take several minutes, the inactive card does not participate with the active card in forwarding traffic over the backplane and its SFP+ slots are nonfunctional. After the inactive card has finished the initialization process, it joins with the active card in forwarding traffic on the backplane and activates its SFP+ slots. For more information, refer to “Monitoring the Initialization Process” on page 222.

Two controller cards provide an active/active architecture. The packet processors on both controller cards are fully utilized, doubling the available backplane bandwidth to up to 160 Gbps per line card slot.

One of the controller cards becomes the active master. In normal operations, this is the controller card in slot 5. The active master manages the system and processes CPU bound network traffic. The standby master runs all network protocol modules and is kept in sync with the active master card, so as to be available in hot-standby for near instantaneous fail over, if required.

If the active master card is hot-swapped out, the standby master becomes the active master. It takes over all control functions almost instantaneously. Testing has shown no noticeable disruption to streaming video.

You can determine the state of the controller card by viewing the CFC LED on the card. The controller card is the active master when the LED is solid green and the standby master when the LED is solid amber.

SYS Status LEDs

The SYS (System) Status LEDs on the controller fabric card display general status information about the controller card, power supplies, and fan module. The LEDs are defined in Table 23 on page 78.

Table 23. SYS (System) Status LEDs

LED	State	Description
CFC	Solid Green	Indicates that the AT-SBx81CFC960 Controller Fabric Card is operating normally as the active master controller card.
	Flashing Green	Indicates that the controller card is initializing its management software or synchronizing its database with the active master controller card.
	Solid Amber	Indicates that the controller card is operating normally as the standby master controller card.
	Flashing Amber	Indicates that the controller card is disabled. An active master controller card might disable a standby master controller card if the two cards have incompatible versions of the management software and are unable to resolve the problem, possibly because of insufficient free flash memory.
PSU	Solid Green	Indicates that the power supplies are operating properly.
	Flashing Amber	<p>Indicates that a power supply is experiencing a problem. Possible causes are:</p> <ul style="list-style-type: none"> ❑ The input AC voltage from a power source is not within the normal operating range of a power supply module. ❑ The output DC voltage from a power supply module to the line cards is not within the normal operating range. ❑ A power supply is experiencing high temperature. ❑ A power supply has failed. <p>Check the status LEDs on the individual power supply modules to determine which module has a fault condition.</p>

Table 23. SYS (System) Status LEDs (Continued)

LED	State	Description
FAN	Solid Green	Indicates that the fan module is operating properly.
	Flashing Amber	Indicates that the fan module has a problem. The fans are operating below the normal operating range or have stopped.

eco-friendly Button

You may use the eco-friendly button on the controller card to turn the LEDs on or off. You may turn off the LEDs when you are not using them to monitor the control and Ethernet line cards, to conserve electricity. When the LEDs are off, the overall power consumption of the chassis is slightly reduced, approximately 3 watts in a system with 240 active copper ports.

The button controls all of the port LEDs on the Ethernet line cards and controller card, except for the CFC LED, which is always on, and the L/A LED for the NET MGMT port. The button does not control the LEDs on the fan module and power supply systems.

SBx Linecard Status LEDs

The SBx Linecard Status LEDs display general status information about the Ethernet line cards and controller cards. There is one LED for each slot. If the chassis has two controller cards, the SBx Status LEDs on both cards are active. The LEDs are defined in Table 24.

Table 24. SBx Linecard Status LEDs

LEDs	State	Description
1 to 12	Off	Indicates that the slot is empty.
	Solid Green	Indicates that the Ethernet line or controller card is operating normally.
	Flashing Green	Indicates that the card is booting up, running in test mode, or loading its configuration settings.
	Solid Amber	<p>Indicates that the card is in an off-line state. Possible causes are:</p> <ul style="list-style-type: none"> ❑ An Ethernet line card that displays this LED state may have encountered a problem initializing the management software. ❑ An Ethernet line card that displays this LED state might not be able to boot up because the controller card does not have the appropriate load file and needs to be updated to the most recent release of the AlliedWare Plus Operating System. ❑ A standby master controller card that displays this LED state may have been disabled by the active master controller card because the cards have incompatible versions of the AlliedWare Plus Operating System and were unable to resolve the problem, possibly because of insufficient free flash memory. <p>You may remove a line or controller card from the chassis when it is in this state.</p>
	Flashing Amber	Indicates that the card is reporting a fault condition. Use the management commands to determine the specific problem.

SFP+ Slots

The controller card has four SFP+ slots on the front panel. They are numbered 1 to 4 and may be used with Allied Telesis AT-SP10TW direct connect cables or SFP+ 10G transceivers for the following functions.

- ❑ Add high speed uplink ports for the Ethernet line cards in the chassis.
- ❑ Build a trunk between two chassis to form a stack with the VCStack Plus feature. For more information on stacking, refer to Chapter 15, “VCStack Plus Overview” on page 299.

For a list of supported transceivers, refer to the product data sheet or the Allied Telesis web site.

Here are the SFP+ slot guidelines:

- ❑ The SFP+ slots on the controller card may be used as uplink ports for the Ethernet line cards when the VCStack Plus feature is disabled on the switch.
- ❑ The SFP+ slots on the controller card must be used as trunk slots when the VCStack Plus feature is enabled.
- ❑ To use the slots to build a stack with the VCStack Plus feature, you must use direct connect twinax cables or SFP+ transceivers from Allied Telesis. The two chassis will not form the stack if you use cables or transceivers from other network equipment manufacturers.

Note

To build a stack with the previous 5.4.4 release of the AlliedWare Plus Operating System, you have to use AT-Stack/OP transceivers. That restriction no longer applies with release 5.4.5. You may use direct connect twinax cables or SFP+ transceivers so long as they are from AlliedWare Plus and have been approved for the SFP+ slots.

- ❑ When a chassis has two controller cards, the SFP+ ports on both cards are active. Consequently, a chassis with two controller cards has eight active SFP+ slots.
- ❑ You may use the slots in any order when you are using them as uplink ports for the Ethernet line cards.
- ❑ The trunk cabling configurations for the SFP+ slots with the VCStack Plus feature are given in “Cabling Configurations for the Trunk” on page 303.

Each SFP+ slot has one LED. The states of the LED are described in

Table 25.

Table 25. LEDs for the SFP+ Slots on the AT-SBx81CFC960 Controller Card

LED	State	Description
L/A	Solid Green	The transceiver has established a link with a network device.
	Flashing Green	The transceiver is transmitting or receiving data at 10Gbps.
	Off	The slot is empty or the transceiver has not established a link with a network device.

Console (RS-232) Port

The Console Port is used to conduct local management sessions with the switch. Local management sessions are established with a terminal or PC with a terminal emulation program, and the management cable that comes with the card.

Local management is referred to as out-of-band management because it is not conducted over a network. Consequently, the AT-SBx81CFC960 Controller Fabric Card does not need an Internet Protocol (IP) address for this type of management.

Your initial management session with the switch must be a local management session. For instructions on how to start a local management session, refer to “Using Local Management to Verify the Chassis” on page 228 or the Software Reference for SwitchBlade x8100 Series Switches.

Ethernet Management Port (NET MGMT)

The controller card uses the NET MGMT port as a separate routed eth0 interface. The interface is not part of the switching matrix of the Ethernet line cards, but the CPU on the controller card can route traffic in or out of the port from the line cards.

Here are the guidelines to using the port:

- ❑ The port should only be used for initial configuration and maintenance access to the chassis.
- ❑ If the chassis has two controller cards, you must use the NET MGMT port on the active controller card to access the switch. The NET MGMT port on the standby controller card is inactive. To determine the status of the controller cards, refer to the CFC LEDs, described in Table 23 on page 78.
- ❑ The NET MGMT port has a standard RJ-45 8-pin connector and operates at 10, 100, or 1000 Mbps in either half- or full-duplex mode.
- ❑ The cable requirements for the port are the same as the ports on the AT-SBx81GT24 Line Card, listed in Table 17 on page 62. For the port pinouts, refer to “Port Pinouts” on page 350.
- ❑ The default setting for the port is Auto-Negotiation, which sets the speed and duplex mode automatically. You may disable Auto-Negotiation and configure the port manually.
- ❑ The wiring configuration of the NET MGMT port is set automatically with automatic MDIX detection. You may disable automatic MDIX detection and set the wiring configuration manually.
- ❑ The port is referred to as eth0 in the management software.

For instructions on how to configure the NET MGMT port, refer to the Software Reference for SwitchBlade x8100 Series Switches.

NET MGMT LED

The Network Management (NET MGMT) port on the AT-SBx81CFC960 Controller Fabric Card has one Status LED, described in Table 26 on page 86.

Table 26. NET MGMT Port LED

LED	State	Description
L/A	Solid Green	The port has a valid 1000 Mbps link.
	Flashing Green	The port is transmitting or receiving data at 1000 Mbps.
	Solid Amber	The port has a valid 10 or 100 Mbps link.
	Flashing Amber	The port is transmitting or receiving data at 10 or 100 Mbps.
	Off	The port has not established a link to a network device.

USB Port

The USB port supports a flash drive. You may use a flash drive to perform the following management functions:

- ❑ Use Allied Telesis Management Framework to provide a centralized network backup location.
- ❑ Store backup copies of the configuration files on the AT-SBx81CFC960 Controller Fabric Card.
- ❑ Transfer configuration files between controller cards in different chassis that are to have similar configurations.
- ❑ Transfer release and GUI files between controller cards.
- ❑ Store or transfer log files.
- ❑ Store or transfer debug files (for example, the output of the SHOW TECH-SUPPORT command).
- ❑ Boot the AlliedWare Plus Operating System and master configuration file from flash drive.

The port is compatible with USB v1.0 and v2.0 flash drives. Operating the controller card with a flash drive is optional.

Reset Button

You may use the Reset button to reset either the controller card or all of the cards in the chassis. The action depends on the number of AT-SBx81CFC960 Controller Cards in the chassis and, if the chassis has two controller cards, whether you reset the active or standby master controller card.

The possible actions are described here:

- ❑ If the chassis has only one controller card, pressing the Reset button resets the controller card and all of the Ethernet line cards in the chassis. You might perform this function if the chassis and line cards are experiencing a problem.



Caution

The controller and Ethernet line cards do not forward network traffic for about three minutes while they initialize the AlliedWare Plus Operating System and configure their parameter settings. Some network traffic may be lost.

- ❑ If the chassis has two controller cards, pressing the Reset button on the active master controller card resets the controller card, but not the Ethernet line cards. The standby master controller card immediately becomes the new active master card and the Ethernet line cards continue to forward traffic. The reset controller card is unavailable for about two minutes while it initializes its AlliedWare Plus Operating System, after which it becomes the standby master controller card in the chassis.

Note

The available bandwidth of the backplane in the chassis is reduced for about one minute while the reset controller card initializes its management software. This may reduce network performance.

- ❑ If the chassis has two controller cards, pressing the Reset button on the standby master controller card resets that card, but not the active master controller card or the Ethernet line cards.

Note

The available bandwidth of the backplane in the chassis is reduced for about one minute while the standby master controller card initializes its management software and synchronizes its database with the active master controller card. This may reduce network performance.

Note

To reset individual line cards in the chassis, use the REBOOT or RELOAD command in the AlliedWare Plus Operating System.

AlliedWare Plus Software Releases for the Hardware Components

Table 27 lists the releases of the AlliedWare Plus Operating System for the hardware components of the SwitchBlade x8112 product.

Table 27. AlliedWare Plus Operating System Releases for the Hardware Components

Model Name	Initial Release
AT-SBx8112 Chassis	5.4.2
AT-SBx81GT24 Line Card	5.4.2
AT-SBx81GT40 Line Card	5.4.3
AT-SBx81GP24 Line Card	5.4.2
AT-SBx81GS24a Line Card	5.4.2
AT-SBx81XS6 Line Card	5.4.2
AT-SBx81XS16 Line Card	5.4.4
AT-SBx81XLEM Line Card	5.4.6
AT-SBx81XLEM Line Card with large address table modes	5.4.6-1.1
AT-SBx81XLEM/Q2 Expansion Module	5.4.6
AT-SBx81XLEM/XS8 Expansion Module	5.4.6
AT-SBx81XLEM/XT4 Expansion Module	5.4.6-1.1
AT-SBx81CFC960 Controller Card	5.4.4
AT-SBxPWRSYS1 AC System Power Supply	5.4.2
AT-SBxPWRSYS2 AC System Power Supply	5.4.5-1
AT-SBxPWRPOE1 PoE Power Supply	5.4.2
AT-SBxPWRSYS1 DC System Power Supply	5.4.3
AT-SBxFAN12 Fan Module	5.4.2

Section II

Installing the Chassis

This section contains the following chapters:

- ❑ Chapter 4, “Safety Precautions and Site Requirements” on page 93
- ❑ Chapter 5, “Installing the Chassis in an Equipment Rack” on page 101
- ❑ Chapter 6, “Installing the Power Supplies” on page 117
- ❑ Chapter 7, “Installing the AT-SBx81CFC960 Control Card and Ethernet Line Cards” on page 137
- ❑ Chapter 8, “Cabling the Ethernet Line Cards” on page 161
- ❑ Chapter 9, “Cabling the AT-SBx81CFC960 Controller Fabric Card” on page 177
- ❑ Chapter 10, “Powering On the Chassis” on page 187
- ❑ Chapter 11, “Verifying the Hardware Operations of the Chassis” on page 225
- ❑ Chapter 12, “Troubleshooting” on page 233
- ❑ Chapter 13, “Replacing Modules” on page 251
- ❑ Chapter 14, “Upgrading the Controller Fabric Card” on page 289

Chapter 4

Safety Precautions and Site Requirements


This chapter contains the safety precautions and guidelines for selecting a site for the chassis. The chapter contains the following sections:

- “Reviewing Safety Precautions” on page 94
- “Selecting a Site for the SwitchBlade x8112” on page 98
- “Installation Tools and Material” on page 100

Reviewing Safety Precautions


Please review the following safety precautions before you begin to install the switch.

Note

The  indicates that a translation of the safety statement is available for viewing in portable document format (PDF) titled **Translated Safety Statements** from our web site at www.alliedtelesis.com/support.




Warning

Class 1 Laser product.  L1




Warning

Do not stare into the laser beam.  L2




Warning

To prevent electric shock, do not remove the cover. No user-serviceable parts inside. This unit contains hazardous voltages and should only be opened by a trained and qualified technician. To avoid the possibility of electric shock, disconnect electric power to the product before connecting or disconnecting the LAN cables.  E1




Warning

Do not work on equipment or cables during periods of lightning activity.  E2




Warning

Power cord is used as a disconnection device. To de-energize equipment, disconnect the power cord.  E3



Warning

Class I Equipment. This equipment must be earthed. The power plug must be connected to a properly wired earth ground socket outlet. An improperly wired socket outlet could place hazardous voltages on accessible metal parts.  E4

Note

Pluggable Equipment. The socket outlet shall be installed near the equipment and shall be easily accessible. ⚡ E5

**Caution**

Air vents must not be blocked and must have free access to the room ambient air for cooling. ⚡ E6

**Warning**

Operating Temperature. This product is designed for a maximum ambient temperature of 40° degrees C. ⚡ E7

Note

All Countries: Install product in accordance with local and National Electrical Codes. ⚡ E8

**Warning**

When installing this equipment, always ensure that the frame ground connection is installed first and disconnected last. ⚡ E11

**Caution**

Circuit Overloading: Consideration should be given to the connection of the equipment to the supply circuit and the effect that overloading of circuits might have on over current protection and supply wiring. Appropriate consideration of equipment nameplate ratings should be used when addressing this concern. ⚡ E21

**Caution**

Risk of explosion if battery is replaced by an incorrect type. Replace only with the same or equivalent type recommended by the manufacturer. Dispose of used batteries according to the manufacturer's instructions.

Attention: Le remplacement de la batterie par une batterie de type incorrect peut provoquer un danger d'explosion. La remplacer uniquement par une batterie du même type ou de type équivalent recommandée par le constructeur. Les batteries doivent être éliminées conformément aux instructions du constructeur. ⚡ E22



Warning

Mounting of the equipment in the rack should be such that a hazardous condition is not created due to uneven mechanical loading. *↪* E25



Warning

Remove all metal jewelry, such as rings and watches, before installing or removing a line card from a powered-on chassis. *↪* E26



Warning

The chassis may be heavy and awkward to lift. Allied Telesis recommends that you get assistance when mounting the chassis in an equipment rack. *↪* E28



Warning

This unit might have more than one power cord. To reduce the risk of electric shock, disconnect all power cords before servicing the unit. *↪* E30

Note

If installed in a closed or multi-unit rack assembly, the operating ambient temperature of the rack environment may be greater than the room ambient temperature. Therefore, consideration should be given to installing the equipment in an environment compatible with the manufacturer's maximum rated ambient temperature (T_{mra}). *↪* E35



Caution

Installation of the equipment in a rack should be such that the amount of air flow required for safe operation of the equipment is not compromised. *↪* E36



Warning

Reliable earthing of rack-mounted equipment should be maintained. Particular attention should be given to supply connections other than direct connections to the branch circuits (e.g., use of power strips). *↪* E37



Warning

To reduce the risk of electric shock, the PoE ports on this product must not connect to cabling that is routed outside the building where this device is located. E40



Warning

This product may have multiple AC power cords installed. To de-energize this equipment, disconnect all power cords from the device. E43



Caution

An Energy Hazard exists inside this equipment. Do not insert hands or tools into open chassis slots or sockets. E44



Warning

This equipment shall be installed in a Restricted Access location. E45



Warning

High Leakage Current exists in this chassis. Connect external ground wire before connecting AC power supply(s). E46

Selecting a Site for the SwitchBlade x8112

Please perform the following procedure to determine the suitability of the site for the chassis:

1. Verify that the equipment rack is safely secured so that it will not tip over. You should install devices starting at the bottom of the rack, with the heavier devices near the bottom.
2. Verify that the power outlets for the chassis are located near the unit and are easily accessible.
3. Verify that the power sources are on different A/C circuits to protect the unit from a power circuit failure.
4. Verify that the site has dedicated power circuits or power conditioners to supply reliable electrical power to the network devices.
5. Verify that the site allows for easy access to the ports on the front of the chassis so that you can easily connect and disconnect the network cables, as well as view the unit's LEDs.
6. Verify that the site allows for adequate air flow around the unit and through the cooling vents. The ventilation direction for the main section of the chassis is from left to right (when facing the front of the chassis), with the fan module drawing air out of the chassis. The power supplies have fans that draw air from the front to the back.
7. Verify that the site has a reliable and earth (grounded) power supply source, preferably dedicated and filtered.
8. Verify that the twisted pair cabling is not exposed to sources of electrical noise, such as radio transmitters, broadband amplifiers, power lines, electric motors, and fluorescent fixtures.
9. Verify that the site protects the chassis from moisture, water, and dust.

Here are other guidelines to consider:

- Switch ports are suitable for intra-building connections, or where non-exposed cabling is required.
- Do not place objects on top of the chassis.
- The power cords provided with the AT-SBxPWRSYS1 and AT-SBxPWRPOE1 Power Supplies for 100-125 VAC installations have 20 Amp, 125 V NEMA 5-20P plugs. The plugs are only compatible with NEMA 5-20R receptacles. See Figure 32 on page 99.

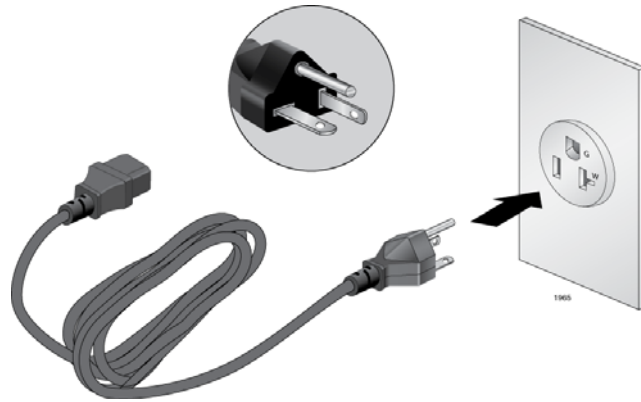


Figure 32. 100 - 125 VAC 125 V NEMA 5-20 Plug and Receptacle

Installation Tools and Material

Here are the installation tools and material you need to have to install the product.

Installing the chassis in an equipment rack requires the following items:

- #2 Phillips-head screwdriver
- Six equipment rack screws
- Flat-head screwdriver
- #2 Phillips-head 10 inch-lbs torque screwdriver (optional)

The grounding wire requires the following items:

- #2 Phillips-head screwdriver
- Crimping tool
- 10 AWG stranded grounding wire
- #2 Phillips-head 20 inch-lbs torque screwdriver (optional)

The AT-SBxPWRSYS1 DC Power Supply requires the following items:

- Two 8 AWG power wires
- One 10 AWG stranded grounding wire
- 8 mm wrench
- #1 Phillips-head screwdriver
- #3 Phillips-head screwdriver
- #3 Phillips-head 30 to 40 inch-lbs torque screwdriver (optional)

The AT-SBx81CFC960 Controller Fabric Card and Ethernet line cards require the following items:

- #2 Phillips-head screwdriver
- #2 Phillips-head, 5 inch-lbs torque screwdriver (optional)

Chapter 5

Installing the Chassis in an Equipment Rack

This chapter describes how to install the AT-SBx8112 Chassis in an equipment rack. This chapter contains the following sections:

- ❑ “Required Tools and Material” on page 102
- ❑ “Preparing the Equipment Rack” on page 103
- ❑ “Unpacking the AT-SBx8112 Chassis” on page 106
- ❑ “Adjusting the Equipment Rack Brackets” on page 108
- ❑ “Installing the AT-SBx8112 Chassis in the Equipment Rack” on page 110
- ❑ “Removing the Shipping Brace” on page 113
- ❑ “Installing the Chassis Grounding Wire” on page 114

Required Tools and Material

Here is a list of the tools and screws for mounting the chassis in an equipment rack:

- ❑ #2 Phillips-head screwdriver
- ❑ Eight equipment rack screws
- ❑ #2 Phillips-head 10 inch-lbs torque screwdriver (optional)

Here is a list of the tools and wire for installing the grounding wire on the chassis:

- ❑ #2 Phillips-head screwdriver
- ❑ Crimping tool
- ❑ 10 AWG stranded grounding wire
- ❑ #2 Phillips-head 20 inch-lbs torque screwdriver (optional)



Warning

The chassis may be heavy and awkward to lift. Allied Telesis recommends that you get assistance when mounting the chassis in an equipment rack. *ES* E30

Preparing the Equipment Rack

This section explains how to prepare the equipment rack for the chassis. The procedure requires the following items:

- ❑ #2 Phillips-head screwdriver (not provided)
- ❑ Two equipment rack screws (not provided)

To prepare the equipment rack for the AT-SBx8112 Chassis, perform the following procedure:



Caution

The chassis is heavy and should be mounted as low as possible in the equipment rack to maximize vertical stability.

1. Reserve 311.1 mm (12.25") of vertical rack space for the installation of the AT-SBx8112 Chassis, as shown in Figure 33 on page 104.
2. Do not mount any other equipment within 152.4 mm (6") above this space during installation. This additional vertical space is temporary and allows you enough room to lift and tilt the chassis into its position in the equipment rack without hitting other equipment, as shown in Figure 39 on page 111. You may use this additional space for other network equipment after the chassis is installed.

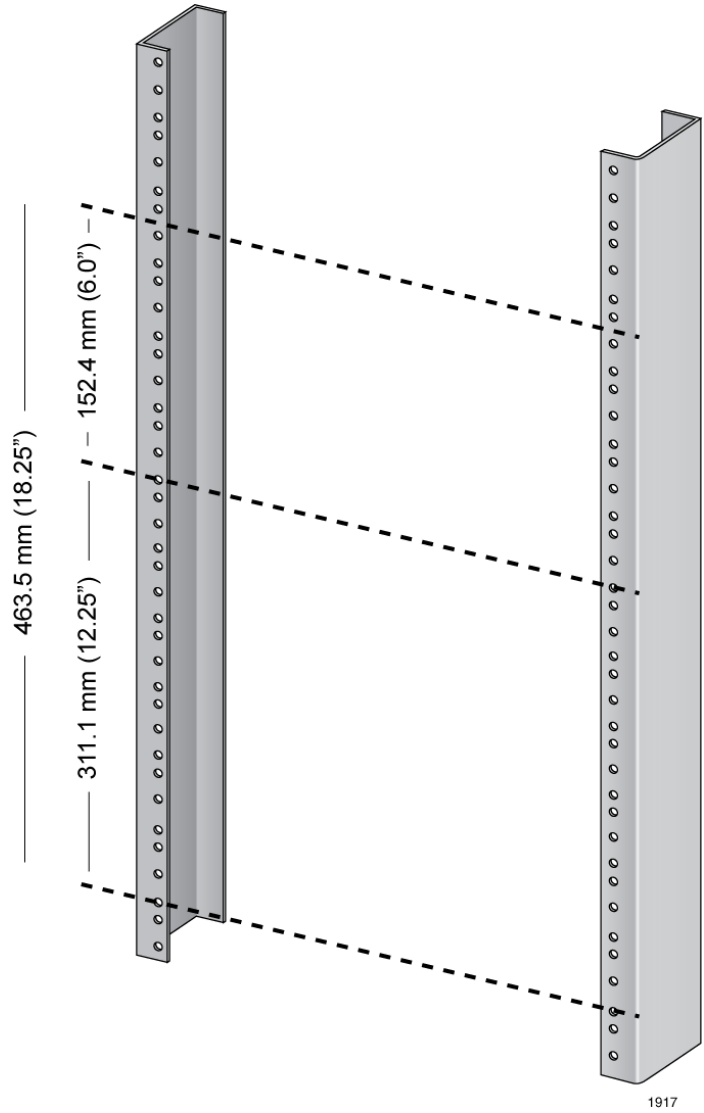


Figure 33. Reserving Vertical Rack Space

3. Identify the lowest 1/2" screw hole pattern on the rack mounting rails within the space reserved for the AT-SBx8112 Chassis.
4. Install one rack mount screw in each vertical rail, at the same height in the top screw hole of the lowest 1/2" hole pattern, as shown in Figure 34. The screws are used to support the chassis while you secure it to the rack. Do not fully tighten these two screws at this time. The screw heads should protrude from the rack approximately 6.4 mm (.25 in).

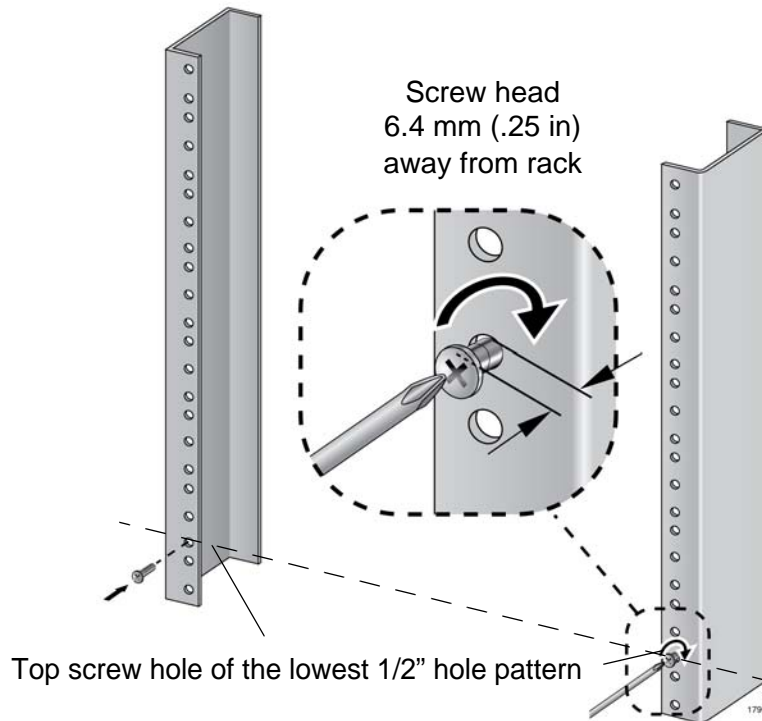


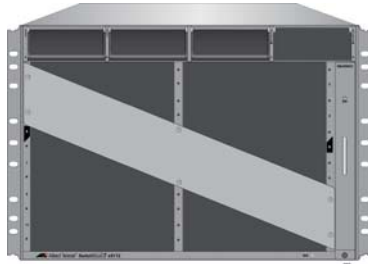
Figure 34. Rack Mounting Hole Locations

5. After installing the two screws in the equipment rack, go to "Unpacking the AT-SBx8112 Chassis" on page 106.

Unpacking the AT-SBx8112 Chassis

To unpack the AT-SBx8112 Chassis, perform the following procedure:

1. Remove all components from the shipping package.
2. Verify the contents of the shipping container by referring to Figure 35 here and Figure 36 on page 107. If any item is missing or damaged, contact your Allied Telesis sales representative for assistance.



One AT-SBx8112 Chassis



One AT-SBxFAN12 Module pre-installed in the vertical slot on the right side of the front panel



Ten blank line card slot covers



Three blank power supply slot covers pre-installed in power supply slots A to C on the front panel

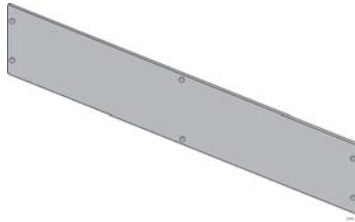


One grounding lug pre-installed in the lower left corner on the back panel

Figure 35. Components of the AT-SBx8112 Chassis



Two equipment rack brackets pre-installed on the sides of the chassis.



One shipping brace pre-installed diagonally across the line card slots on the front panel



One wrist strap

Figure 36. Components of the AT-SBx8112 Chassis (Continued)

Adjusting the Equipment Rack Brackets

The chassis has two pre-installed equipment rack brackets. You may adjust the brackets so that the front of the chassis is flush with, extends beyond, or is recessed behind the front of the equipment rack. You may also install the brackets so that the rear panel of the chassis is flush with the front of the equipment rack.

You adjust the brackets by removing them and re-installing them in different positions on the sides of the chassis. The different bracket positions are listed in Table 28 and illustrated in Figure 37 on page 109 and Figure 38 on page 109. Please review the following information before moving the brackets:

- Position A, the default position, positions the chassis so that the front of the unit is flush with the front of the equipment rack.
- Position B recesses the front of the chassis by 27.39 mm (1.1 in).
- Positions C to E extend the front of the chassis beyond the front of the rack from 27.39 mm (1.1 in) to 140.85 mm (5.545 in).
- Position F installs the chassis with the rear panel flush with the front of the equipment rack.
- To install the rack mount brackets in position “E,” you have to remove the two chassis screws from the bottom-middle section of the chassis and re-install them in front where the rack mount bracket screws were originally, as shown in Figure 37 on page 109.
- The dimension (X) between the front panel and the rack rails is given for each rack mounting bracket position in Table 28.

Table 28. Front Panel to Rack Rail Dimensions

Figure #	Front Panel Position	Dimension X Front Panel to Rack Rail
37	A (Factory Installed - Flush)	3.69 mm (0.145 in)
37	B (Recessed)	-27.39 mm (-1.078 in)
37	C	27.39 mm (1.078 in)
37	D	47.71 mm (1.878 in)
37	E	140.85 mm (5.545 in)
38	F (Reverse Position)	374.16 mm (14.731 in)

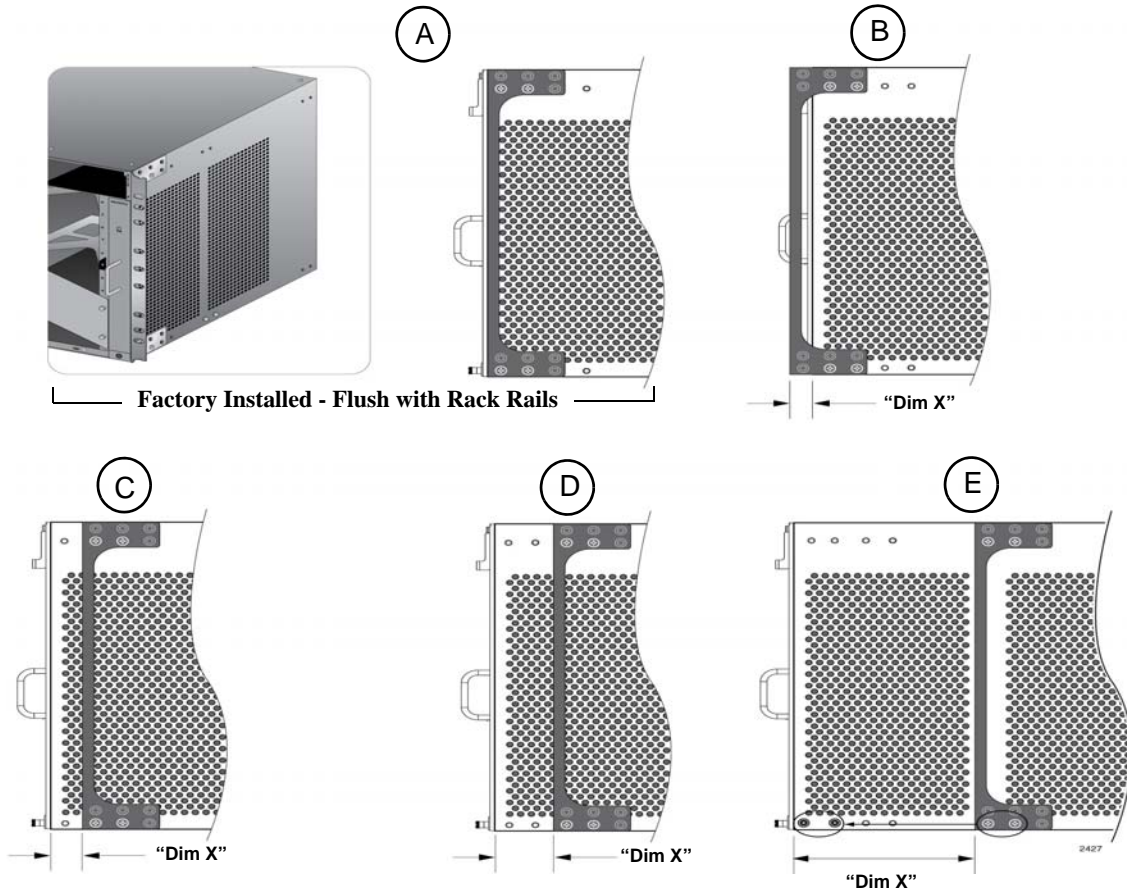


Figure 37. Rack Mounting Bracket Locations

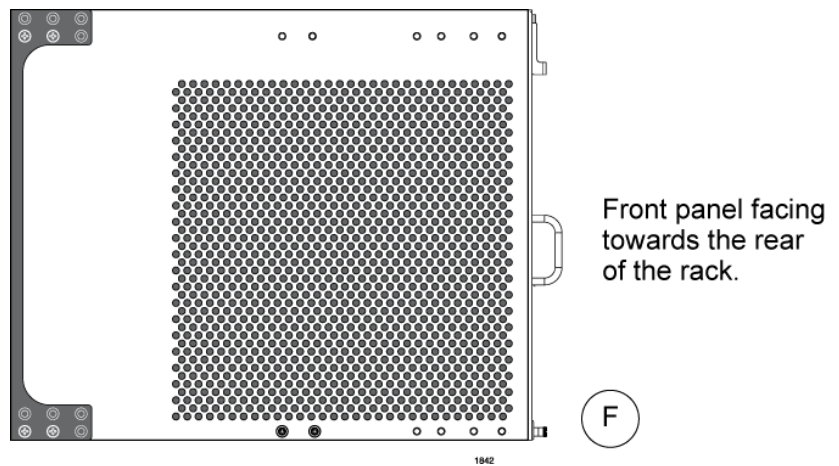


Figure 38. Rack Bracket Locations for Reverse Position of Chassis

Installing the AT-SBx8112 Chassis in the Equipment Rack

The procedure in this section explains how to install the chassis in the equipment rack. The procedure requires the following items:

- #2 Phillips-head screwdriver (not provided)
- Six equipment rack screws (not provided)
- #2 Phillips-head, 10 inch-lbs torque screwdriver (optional — not provided)



Caution

Do not remove the shipping brace from the front of the AT-SBx8112 Chassis until after the unit is securely mounted in the rack. The plate prevents twisting of the chassis frame and mechanical misalignment of the line card slots during shipping and installation.



Warning

The chassis may be heavy and awkward to lift. Allied Telesis recommends that you get assistance when mounting the chassis in an equipment rack. *See* E30



Warning

To prevent injuring yourself or damaging the device, do not attempt to install the chassis in the equipment rack alone. Allied Telesis recommends a minimum of three people for this procedure.

Before installing the chassis in the rack, review the following checklist:

- Did you reserve sufficient space in the equipment rack for the chassis and install two screws in the rack on which to rest the chassis while securing it to the rack? If not, then perform “Preparing the Equipment Rack” on page 103.
- Did you adjust the brackets so that the front of the chassis will be positioned correctly in the equipment rack for your installation? If not, then perform “Adjusting the Equipment Rack Brackets” on page 108.

To install the AT-SBx8112 Chassis in the equipment rack, perform the following procedure:

1. While facing the front of the chassis, tilt the top of the chassis toward you, as shown in Figure 39 on page 111.

2. Lift the AT-SBx8112 Chassis into the equipment rack and set the bottom of the equipment rack brackets firmly on the two equipment rack screws you installed in “Preparing the Equipment Rack” on page 103, as shown in Figure 39.

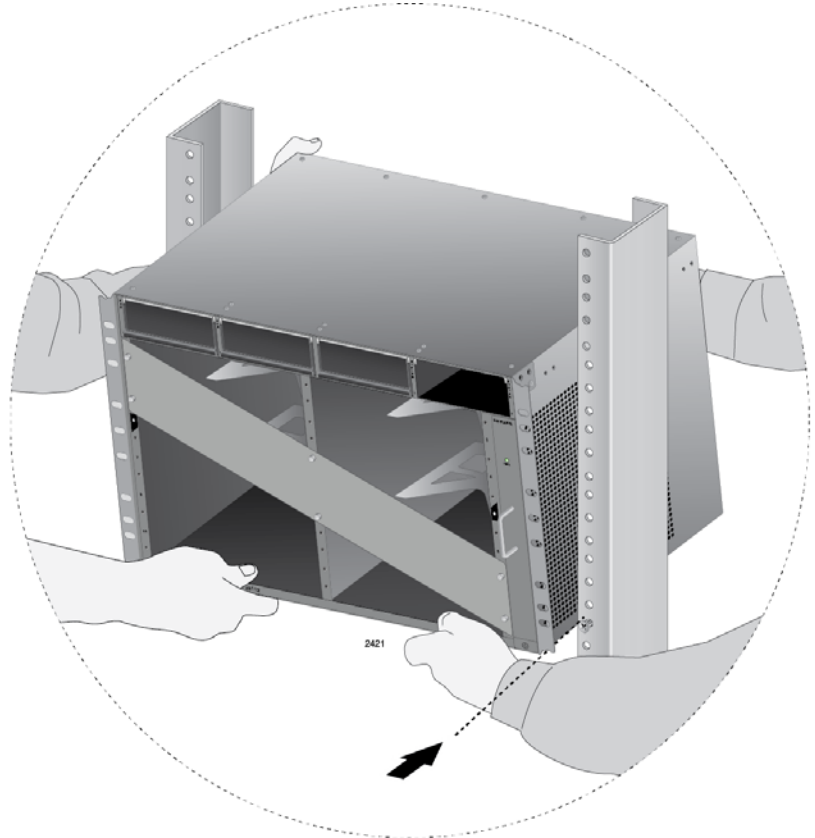


Figure 39. Lifting the AT-SBx8112 Chassis into the Equipment Rack

3. With the bottom of the rack mount ears resting on the two rack mount screws, tilt the top of the chassis back until both rackmount brackets are flush and parallel with the vertical rack rails.
4. Install six rack mount screws (not provided) to secure the chassis to the equipment rack, as shown in Figure 40 on page 112.

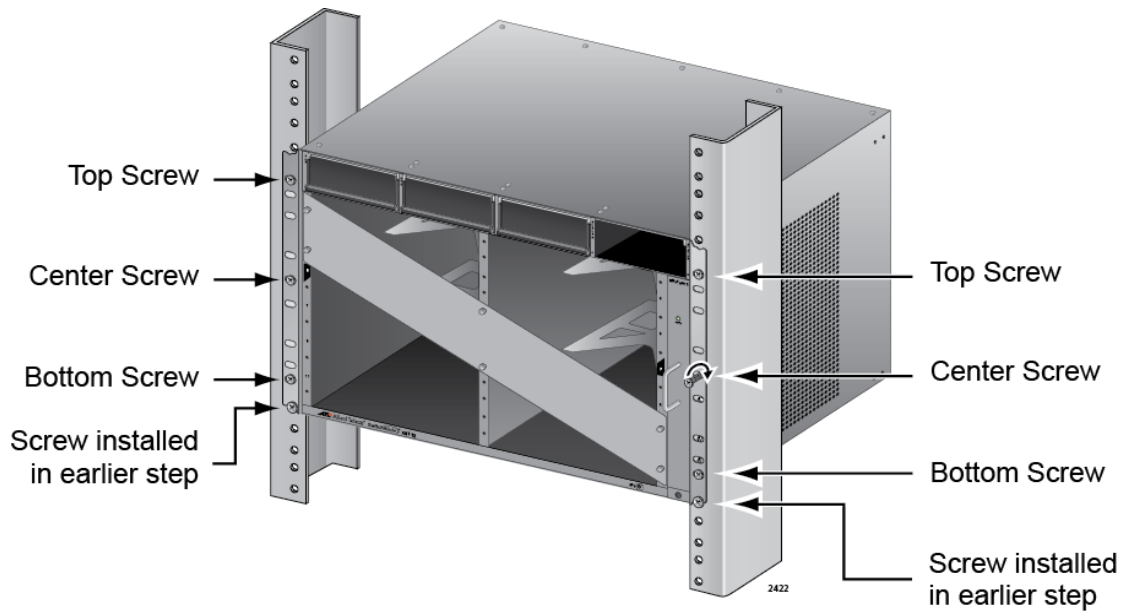


Figure 40. Installing the Rack Mount Screws

5. Tighten all eight screws to secure the chassis to the equipment rack, Allied Telesis recommends tightening the screws to 10 inch-lbs.
6. Go to “Removing the Shipping Brace” on page 113.

Removing the Shipping Brace

Now that the chassis is installed in the equipment rack, you may remove the shipping brace from the front of the unit. To remove the shipping brace, remove the six mounting screws with a #2 Phillips-head screwdriver (not provided). Refer to Figure 41.

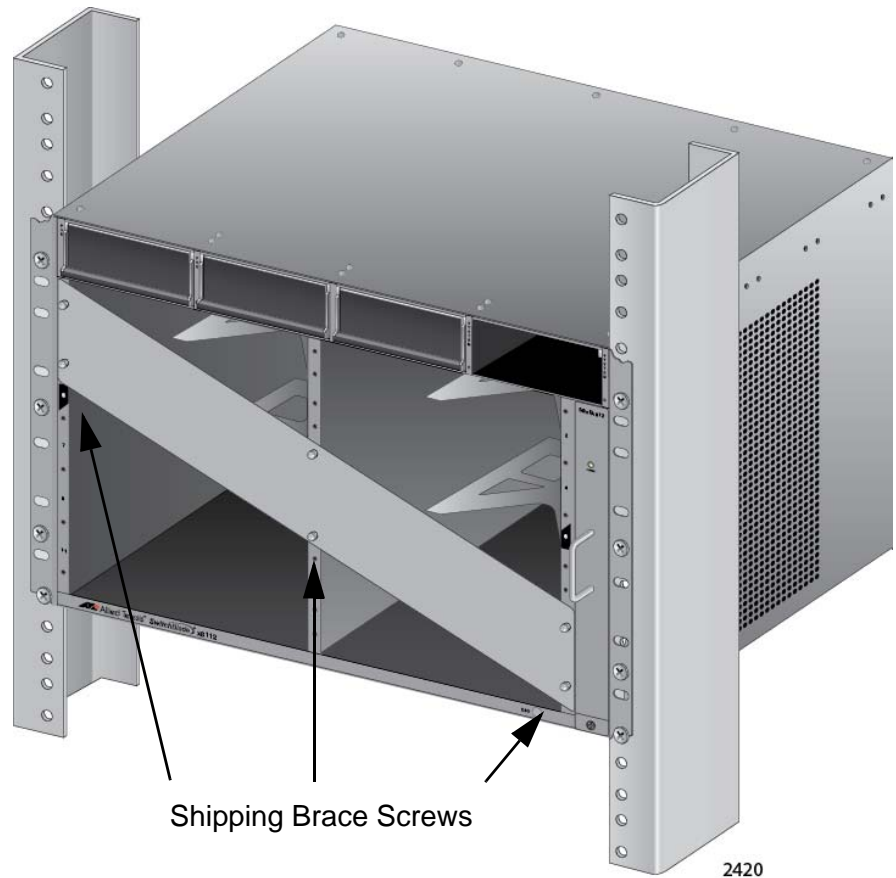


Figure 41. Removing the Shipping Brace

After removing the shipping plate, go to “Installing the Chassis Grounding Wire” on page 114.

Installing the Chassis Grounding Wire

This procedure explains how to connect a grounding wire to the chassis. The chassis requires a permanent connection for the line cards and power supplies to a good earth ground. The procedure requires the following items:

- ❑ Grounding lug (pre-installed on the rear panel of the chassis)
- ❑ #2 Phillips-head screwdriver (not provided)
- ❑ Crimping tool (not provided)
- ❑ 10 AWG stranded grounding wire (not provided)
- ❑ #2 Phillips-head, 20 inch-lbs torque screwdriver (optional — not provided)

To connect the chassis to an earth ground, perform the following procedure:

1. Prepare an adequate length of stranded grounding wire (10 AWG) for the ground connection by stripping it as shown in Figure 42.

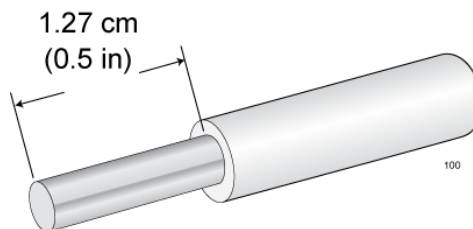


Figure 42. Stripping the Grounding Wire

2. Remove the two screws that secure the grounding lug to the rear panel of the chassis, as shown in Figure 43.

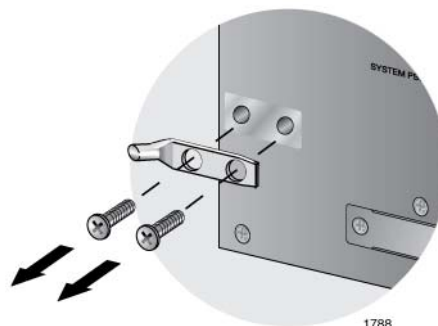


Figure 43. Removing the Grounding Lug

3. Insert one end of the grounding wire into the grounding lug, as shown in Figure 44, and use a crimping tool to secure the wire to the grounding lug.

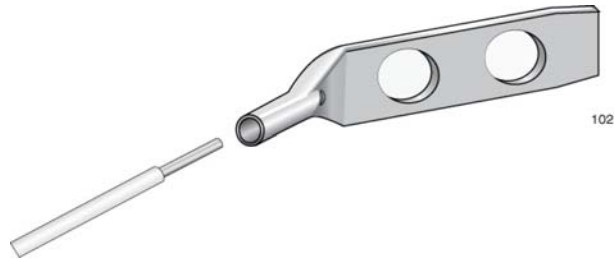


Figure 44. Attaching the Grounding Wire to the Grounding Lug

4. Install the grounding lug on the rear panel of the chassis, as shown in Figure 45.

Allied Telesis recommends tightening the screws to 20 inch-lbs.

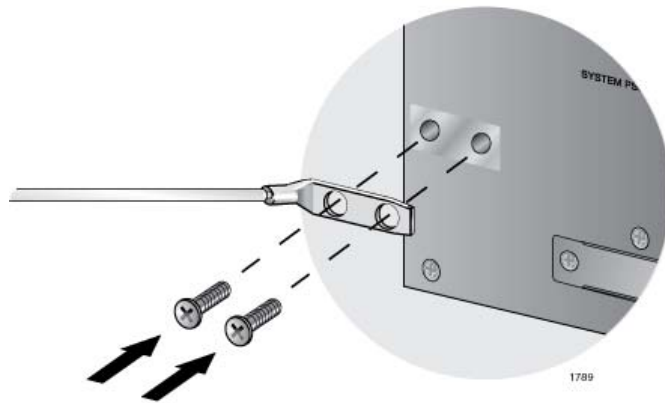


Figure 45. Installing the Grounding Lug and Wire

5. Connect the other end of the grounding wire to the building protective earth.
6. Go to Chapter 6, “Installing the Power Supplies” on page 117.

Chapter 6

Installing the Power Supplies

This chapter explains how to install the power supplies. It has the following sections:

- ❑ “Protecting Against Electrostatic Discharge (ESD)” on page 118
- ❑ “Installing AT-SBxPWRSYS1 or AT-SBxPWRSYS2 AC System Power Supplies” on page 119
- ❑ “Installing AT-SBxPWRPOE1 PoE Power Supplies” on page 125
- ❑ “Installing AT-SBxPWRSYS1 DC System Power Supplies” on page 130

Protecting Against Electrostatic Discharge (ESD)

To protect the equipment from damage by Electrostatic Discharge (ESD) during the installation procedure, observe proper ESD protection when handling the SwitchBlade x8112 line cards and power supplies. You should be properly grounded with a wrist or foot strap.



Caution

Electrostatic Discharge (ESD) can damage the components on the SwitchBlade x8112 line cards and power supplies. Be sure to follow proper ESD procedures during the installation.

To guard against ESD, perform this procedure:

1. Verify that the chassis is electrically connected to earth ground.
2. Connect the wrist strap that comes with the chassis to the ESD socket in the bottom right corner of the AT-SBx8112 Chassis, shown in Figure 46. This ensures that ESD voltages safely flow to ground.



Figure 46. ESD Socket and Wrist Strap

3. When you put on the ESD-preventive wrist strap, be sure it makes good contact with your skin.

Installing AT-SBxPWRSYS1 or AT-SBxPWRSYS2 AC System Power Supplies

The chassis must have at least one system power supply. For background information, refer to “Power Supplies and Power Supply Slots” on page 26.



Caution

The electronic components in the power supply can be damaged by electro-static discharges (ESD). Follow the procedure in “Protecting Against Electrostatic Discharge (ESD)” on page 118 to guard against ESD damage when unpacking and installing the power supply.



Caution

The following procedure assumes that this is the initial installation of the chassis and that the chassis is powered off. However, if you are installing a new AT-SBxPWRSYS2 Power Supply in an active, operational chassis, you should connect the AC power cord to the appropriate connector on the back panel of the unit before installing the power supply. Otherwise, the active master controller card might restart its operating system when you install the power supply. This can result in a temporary interruption of network operations of the chassis if it has only one controller card. This guideline does not apply to the AT-SBxPWRSYS1 AC or DC Power Supply or the AT-SBxPWRPOE1 Power Supply.

To install AT-SBxPWRSYS1 or AT-SBxPWRSYS2 AC System Power Supplies, perform the following procedure:

1. Choose a slot in the chassis for the system power supply.

System power supplies are installed in slots C and D in the chassis. Refer to Figure 47 on page 120. If you are installing only one power supply, you may install it in either slot, but Allied Telesis recommends slot D because the slot does not come with a blank power supply panel.

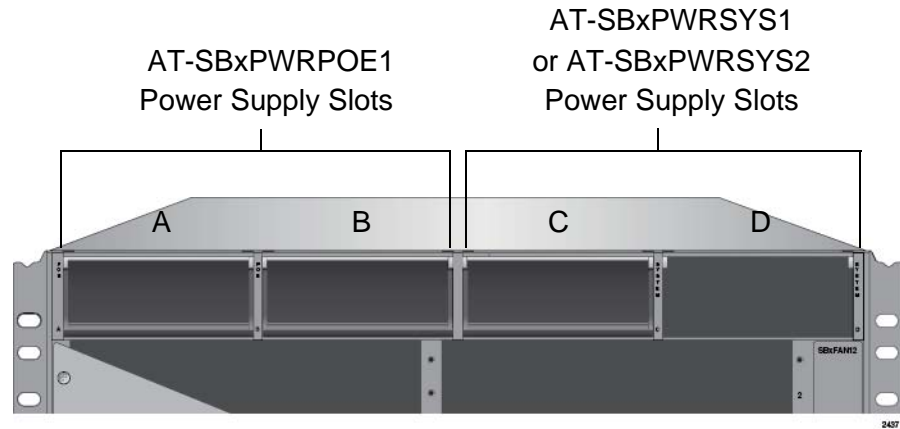


Figure 47. Power Supply Slots



Caution

The AT-SBxPWRSYS1 and AT-SBxPWRSYS2 AC System Power Supplies will not work in slot A or B.

2. If the chassis already has a power supply in slot D, remove the blank power supply panel from slot C by lifting the blank panel handle and sliding it out of the slot, as shown in Figure 48.

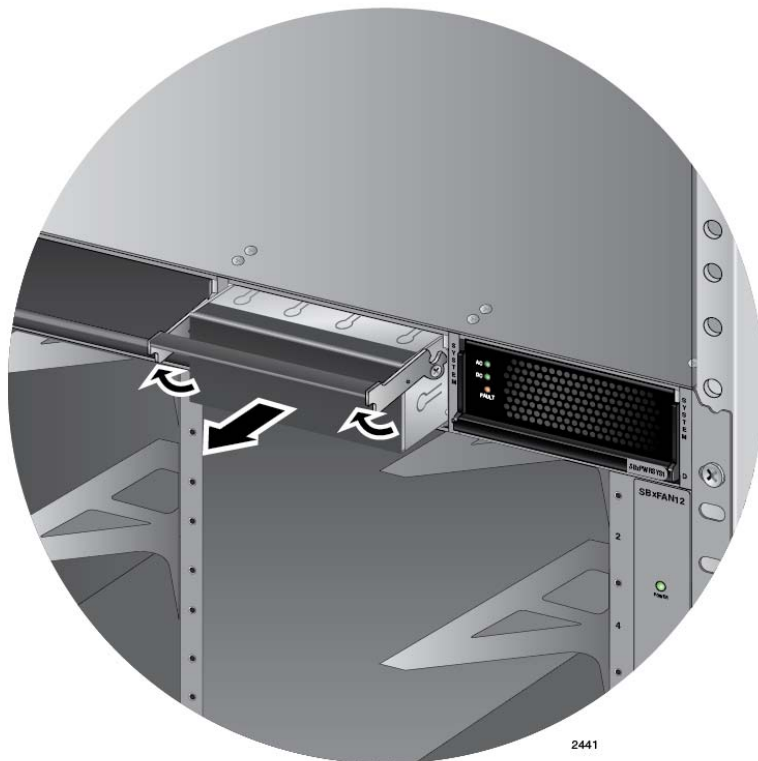


Figure 48. Removing the Blank Slot Cover from Power Supply Slot C

- Remove the new power supply from the shipping package and verify the package contents, listed in Figure 49.

If any item is missing or damaged, contact your Allied Telesis sales representative for assistance.



One AT-SBxPWRSYS1 or
AT-SBxPWRSYS2 AC
System Power Supply



One regional AC power cord



One tie wrap

Figure 49. Items Included with the AT-SBxPWRSYS1 or AT-SBxPWRSYS2 AC System Power Supply

Note

Store the packaging material in a safe location. You must use the original shipping material if you need to return the unit to Allied Telesis.

Note

The tie wrap is used to secure the power cord to the chassis in “Powering On AT-SBxPWRSYS1 or AT-SBxPWRSYS2 AC System Power Supplies” on page 189.

4. Move the locking handle on the power supply to the unlocked or up position. See Figure 50.



Figure 50. Unlocking the Handle on the Power Supply

5. Align and insert the power supply into the power supply slot. Figure 51 shows the power supply installed in slot D.

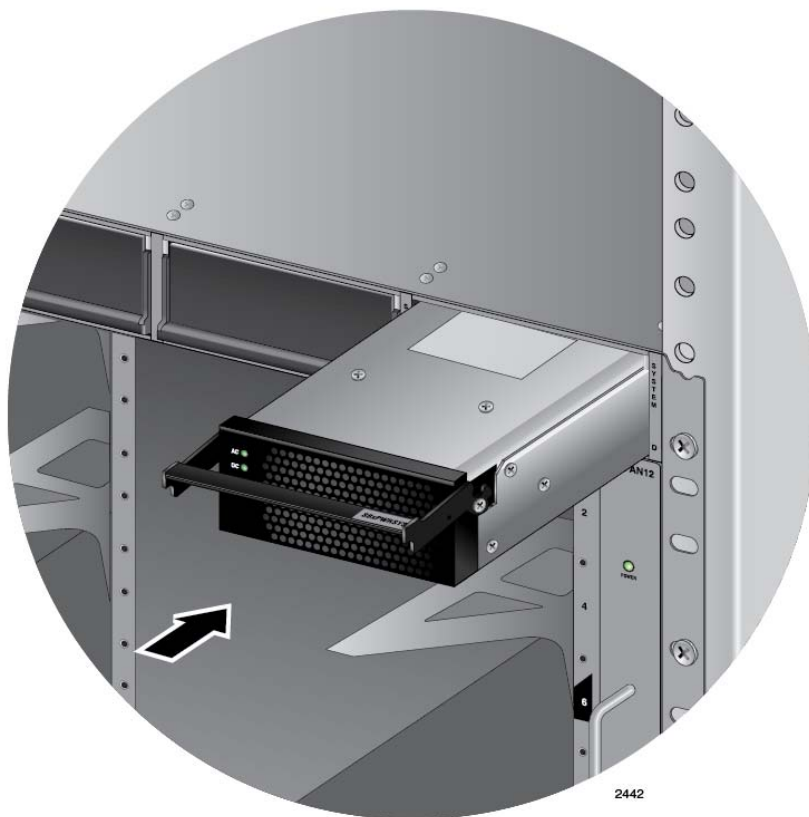


Figure 51. Inserting the AT-SBxPWRSYS1 or AT-SBxPWRSYS2 AC System Power Supply

6. Lower the power supply locking handle to secure the power supply to the chassis, as shown in Figure 52.



Figure 52. Lowering the Handle on the AT-SBxPWRSYS1 or AT-SBxPWRSYS2 AC System Power Supply

Note

If the module does not fully seat in the chassis slot, check to be sure you are installing a system power supply and not a PoE power supply. The model name of the module is included on a label on the locking handle. For more information, refer to “Power Supplies and Power Supply Slots” on page 26.

7. To install a second system power supply, repeat this procedure.
8. After installing the AT-SBxPWRSYS1 or AT-SBxPWRSYS2 AC System Power Supplies, do one of the following:
 - If you purchased the AT-SBxPWRPOE1 Power Supply for the ports on the AT-SBx81GP24 PoE Line Cards, go to “Installing AT-SBxPWRPOE1 PoE Power Supplies” on page 125.
 - Otherwise, go to Chapter 7, “Installing the AT-SBx81CFC960 Control Card and Ethernet Line Cards” on page 137.

Note

Retain the tie wrap that comes with the power supply. You will use it to secure the power cord to the chassis when you power on the unit in “Powering On AT-SBxPWRSYS1 or AT-SBxPWRSYS2 AC System Power Supplies” on page 189.

Installing AT-SBxPWRPOE1 PoE Power Supplies

This section contains the installation procedure for the AT-SBxPWRPOE1 Power Supply, for the PoE+ ports on the AT-SBx81GP24 PoE Line Card. For background information, refer to “Power Supplies and Power Supply Slots” on page 26.



Caution

The electronic components in the power supply can be damaged by electro-static discharges (ESD). Follow the procedure in “Protecting Against Electrostatic Discharge (ESD)” on page 118 to guard against ESD damage when unpacking and installing the power supply.

To install the power supply, perform the following procedure:

1. Choose a slot for the AT-SBxPWRPOE1 System Power Supply in the chassis.

You may install it in either slot A or B, shown in Figure 47 on page 120.

2. Raise the handle on the blank panel covering the selected slot and slide the panel from the chassis. Figure 53 on page 126 illustrates the removal of the blank panel from slot A.

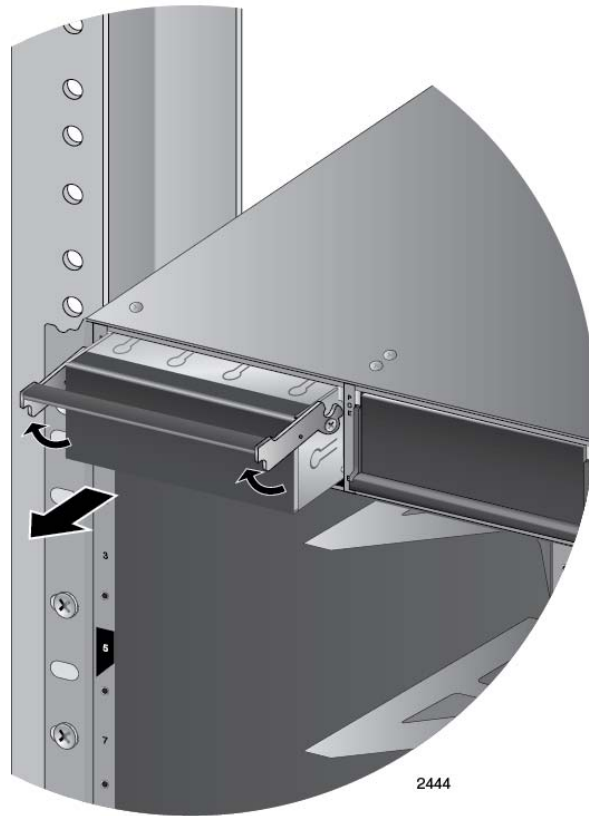


Figure 53. Removing the Blank Slot Cover from Power Supply Slot A

3. Remove the power supply from the shipping package and verify that the shipping package contains the items listed in Figure 54 on page 127.

If any item is missing or damaged, contact your Allied Telesis sales representative for assistance.



One AT-SBxPWRPOE1
Power Supply Module



One regional AC power cord



One tie wrap

Figure 54. Items Included with the AT-SBxPWRPOE1 Power Supply Module

Note

Store the packaging material in a safe location. You must use the original shipping material if you need to return the unit to Allied Telesis.

Note

The tie wrap is used to secure the power cord to the chassis in “Powering On AT-SBxPWRPOE1 Power Supplies” on page 193.

4. Raise the locking handle on the AT-SBxPWRPOE1 Power Supply, as shown Figure 55 on page 128.

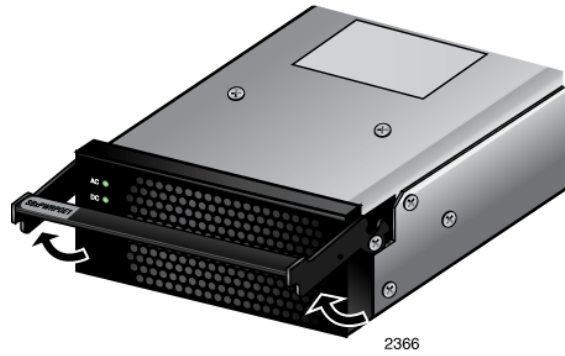


Figure 55. Unlocking the Handle on the AT-SBxPWRPOE1 Power Supply

5. Align and insert the AT-SBxPWRPOE1 Module into slot A or B. Figure 56 shows the power supply module aligned in slot A.



Caution

The AT-SBxPWRPOE1 AC Power Supply will not work in slot C or D.

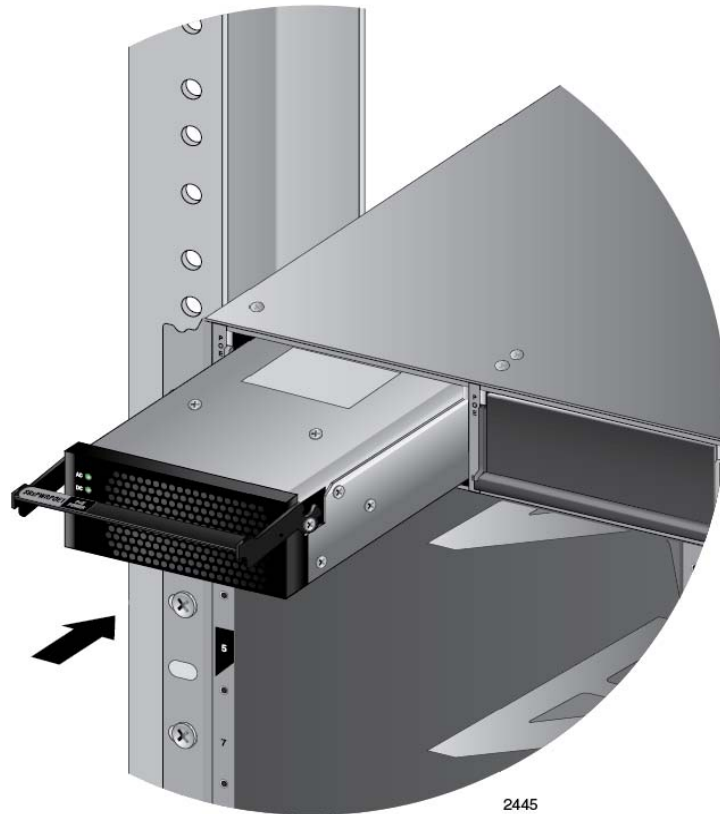


Figure 56. Inserting the AT-SBxPWRPOE1 Power Supply

6. Lower the locking handle of the power supply module to secure the module in the slot, as shown in Figure 57.

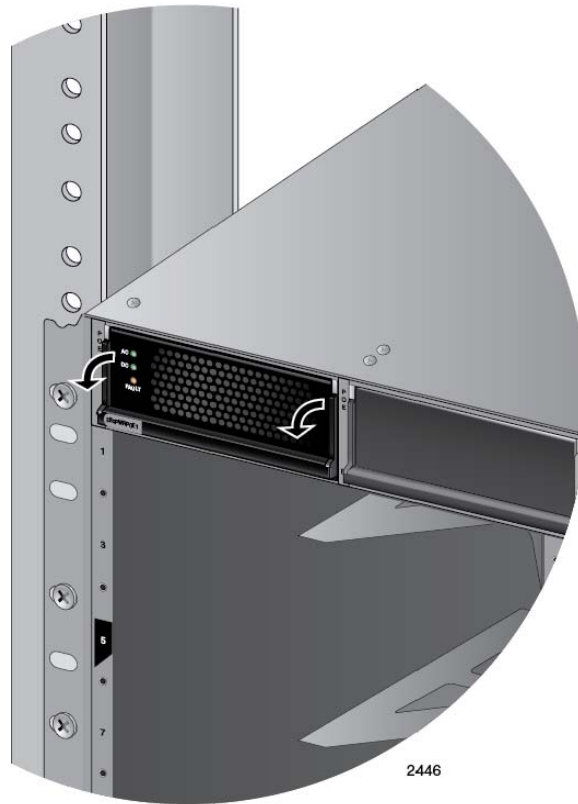


Figure 57. Locking the Handle on the AT-SBxPWRPOE1 Power Supply

Note

If the module does not fully seat in the chassis slot, check to be sure you are installing a PoE power supply and not a system power supply. The model name of the module is included on a label on the locking handle. For more information, refer to “Power Supplies and Power Supply Slots” on page 26.

7. To install a second AT-SBxPWRPOE1 Power Supply, repeat this procedure.
8. After installing the AT-SBxPWRPOE1 Power Supplies, go to Chapter 7, “Installing the AT-SBx81CFC960 Control Card and Ethernet Line Cards” on page 137.

Note

Retain the tie wrap that comes with the power supply. You use it to secure the power cord to the chassis when you power on the unit in “Powering On AT-SBxPWRPOE1 Power Supplies” on page 193.

Installing AT-SBxPWRSYS1 DC System Power Supplies

This section contains the installation procedure for AT-SBxPWRSYS1 DC System Power Supplies. For background information, refer to “Power Supplies and Power Supply Slots” on page 26.



Caution

The electronic components in the power supply can be damaged by electro-static discharges (ESD). Follow the procedure in “Protecting Against Electrostatic Discharge (ESD)” on page 118 to guard against ESD damage when unpacking and installing the power supply.

To install the power supply, perform the following procedure:

1. Choose a slot in the chassis for the AT-SBxPWRSYS1 DC System Power Supply.

System power supplies are installed in slots C and D in the chassis. Refer to Figure 47 on page 120. If you are installing only one power supply, you may install it in either slot, but Allied Telesis recommends slot D because the slot does not come with a blank power supply panel.



Caution

The AT-SBxPWRSYS1 DC System Power Supply will not work in slot A or B.

2. If the chassis already has a power supply in slot D, remove the blank power supply panel from slot C by lifting the blank panel handle and sliding it out of the slot, as shown in Figure 58 on page 131.

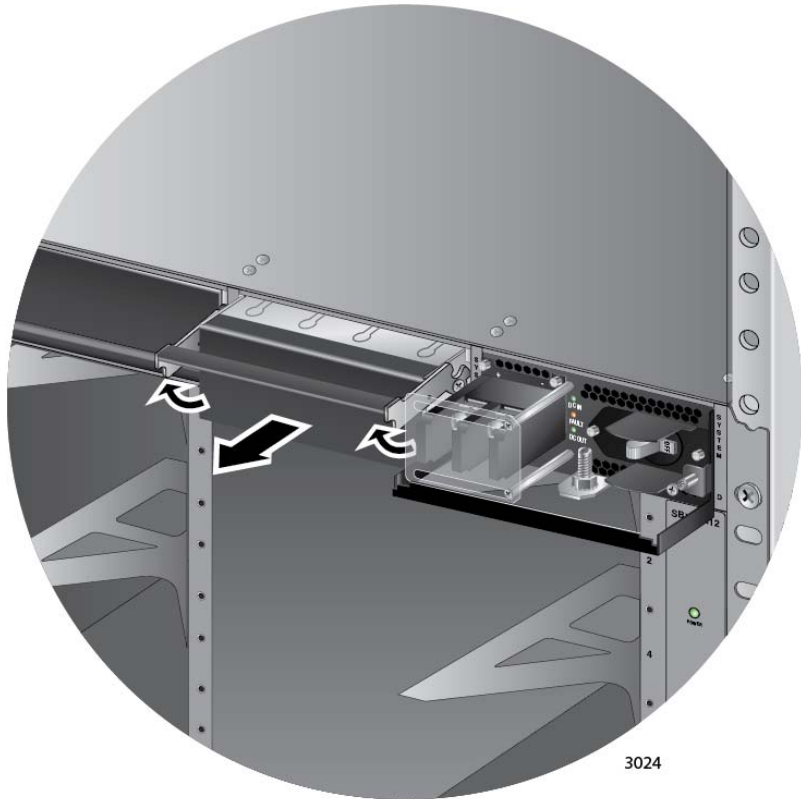
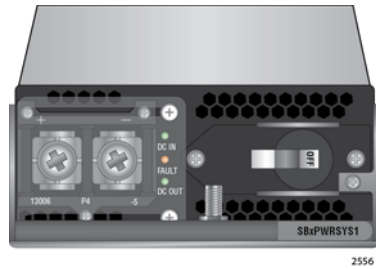


Figure 58. Removing the Blank Slot Cover from Power Supply Slot C

3. Remove the power supply from the shipping package and verify that the shipping package contains the items listed in Figure 59 on page 132.

If any item is missing or damaged, contact your Allied Telesis sales representative for assistance.



One AT-SBxPWRSYS1 DC System Power Supply



Two straight power wire ring lugs



One grounding wire ring lug



Two right angle power wire ring lugs

Figure 59. Items Included with the AT-SBxPWRSYS1 DC Power Supply Module

Note

Store the packaging material in a safe location. You must use the original shipping material if you need to return the unit to Allied Telesis.

4. Verify that the On/Off switch on the power supply is in the Off position. Refer to Figure 60 on page 133.

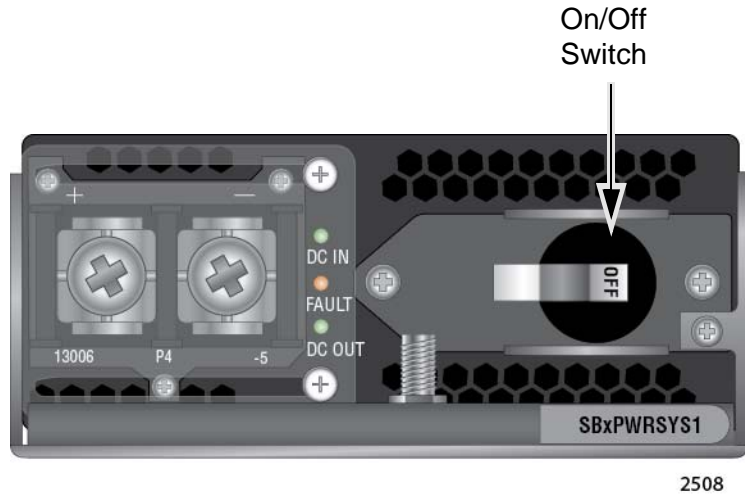


Figure 60. On/Off Switch on the AT-SBxPWRSYS1 DC Power Supply

5. With a #2 Phillips-head screwdriver, loosen the handle locking screw on the power supply, as shown in Figure 61.

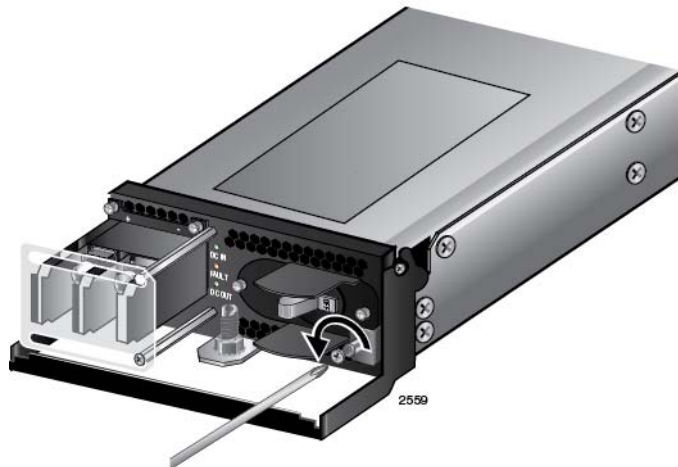


Figure 61. Loosening the Handle locking Screw on the AT-SBxPWRSYS1 DC System Power Supply

6. Raise the locking handle on the power supply, as shown Figure 62 on page 134.



Figure 62. Raising Handle on the AT-SBxPWRSYS1 DC Power Supply

7. Align and insert the AT-SBxPWRSYS1 Module into slot C or D. Figure 63 shows the power supply installed in slot D.



Caution

The AT-SBxPWRSYS1 DC System Power Supply will not work in slot A or B.

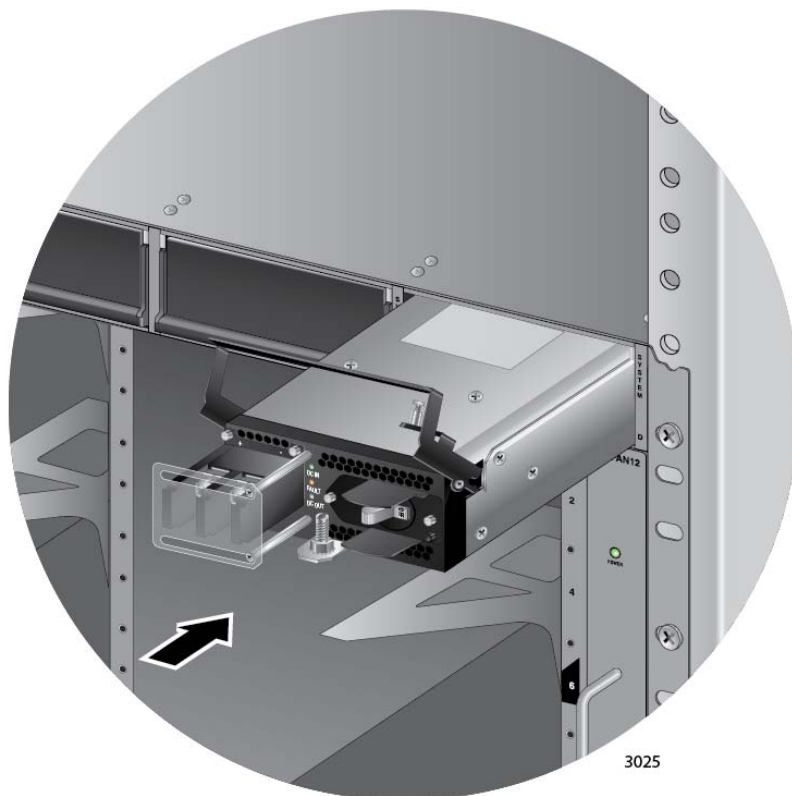


Figure 63. Inserting the AT-SBxPWRSYS1 DC System Power Supply

8. Lower the locking handle of the power supply module to secure the module in the slot, as shown in Figure 64.

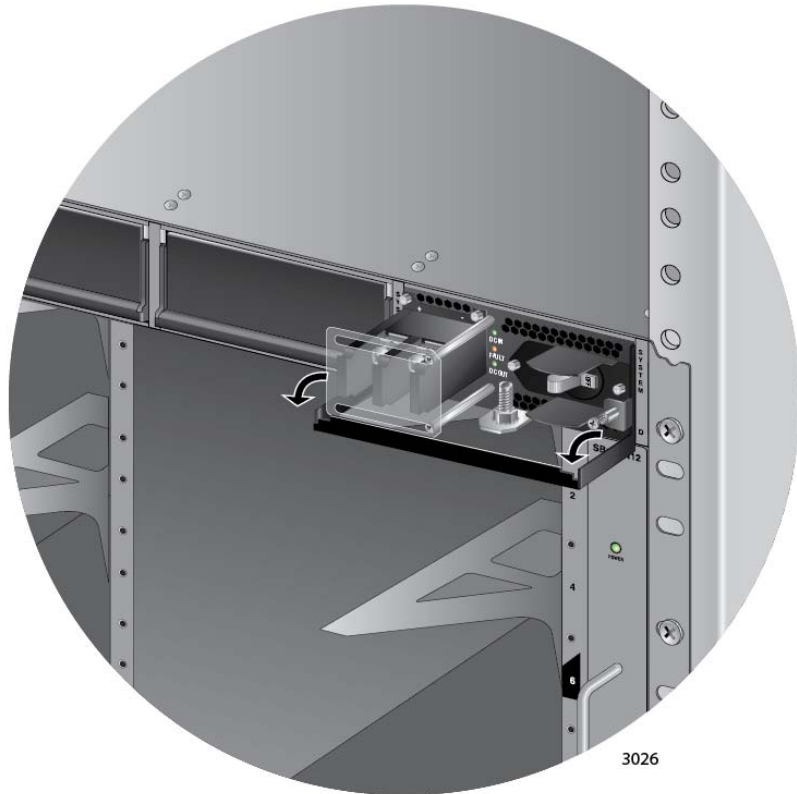


Figure 64. Locking the Handle on the AT-SBxPWRSYS1 DC System Power Supply

Note

Do not tighten the handle locking screw yet. You may need to slightly lift the handle to move the plastic guard panel when you connect the positive and negative wires in “Powering On the AT-SBxPWRSYS1 DC System Power Supply” on page 196.

9. To install a second AT-SBxPWRSYS1 DC System Power Supply, repeat this procedure.
10. After installing the power supplies, go to Chapter 7, “Installing the AT-SBx81CFC960 Control Card and Ethernet Line Cards” on page 137.

Note

Retain the five wire ring lugs that come with the power supply. You use them to wire the power supply in “Powering On the AT-SBxPWRSYS1 DC System Power Supply” on page 196.

Chapter 7

Installing the AT-SBx81CFC960 Control Card and Ethernet Line Cards

This chapter describes how to install the control and Ethernet line cards. The chapter has the following sections:

- ❑ “Guidelines to Handling the Controller and Line Cards” on page 138
- ❑ “Installing the AT-SBx81CFC960 Controller Fabric Card” on page 140
- ❑ “Installing Expansion Modules in AT-SBx81XLEM Ethernet Line Cards” on page 146
- ❑ “Installing the Ethernet Line Cards” on page 154
- ❑ “Installing Blank Slot Covers” on page 159

Guidelines to Handling the Controller and Line Cards

Please observe the following guidelines when handling controller cards, Ethernet line cards, and expansion modules:

- ❑ The controller and line cards are hot swappable and can be installed or removed while the chassis is powered on.



Caution

The expansion modules for the AT-SBx81XLEM Line Card are not hot-swappable. You have to install the modules before installing the line cards in the chassis. For instructions, refer to “Installing Expansion Modules in AT-SBx81XLEM Ethernet Line Cards” on page 146 or “Replacing Expansion Modules in AT-SBx81XLEM Line Cards” on page 271.

- ❑ Always wear an anti-static device when handling the cards.



Caution

The electronic components on the devices can be damaged by electro-static discharges (ESD). Follow the procedure in “Protecting Against Electrostatic Discharge (ESD)” on page 118 to guard against ESD damage when handling the devices.

- ❑ Hold a card by its faceplate and edges.
- ❑ Never touch the electronic components on the top or bottom of a card.
- ❑ To avoid damaging the components on the bottom of a card, do not set it down on a table or desk. If you need to set down a card, return it to its anti-static bag and packaging container.
- ❑ Do not remove a card from its anti-static bag until you are ready to install it in the chassis.
- ❑ If you need to remove a card from the chassis, immediately return it in its anti-static bag and packaging container.
- ❑ Never hold or lift a controller card by the handles on the front faceplate. You might bend or damage the handles.



Caution

You must keep a controller or Ethernet line card level as you slide it into or out of the chassis. You might damage the components on the top or bottom of a card if you slide it at an angle. Refer to Figure 65 on page 139.

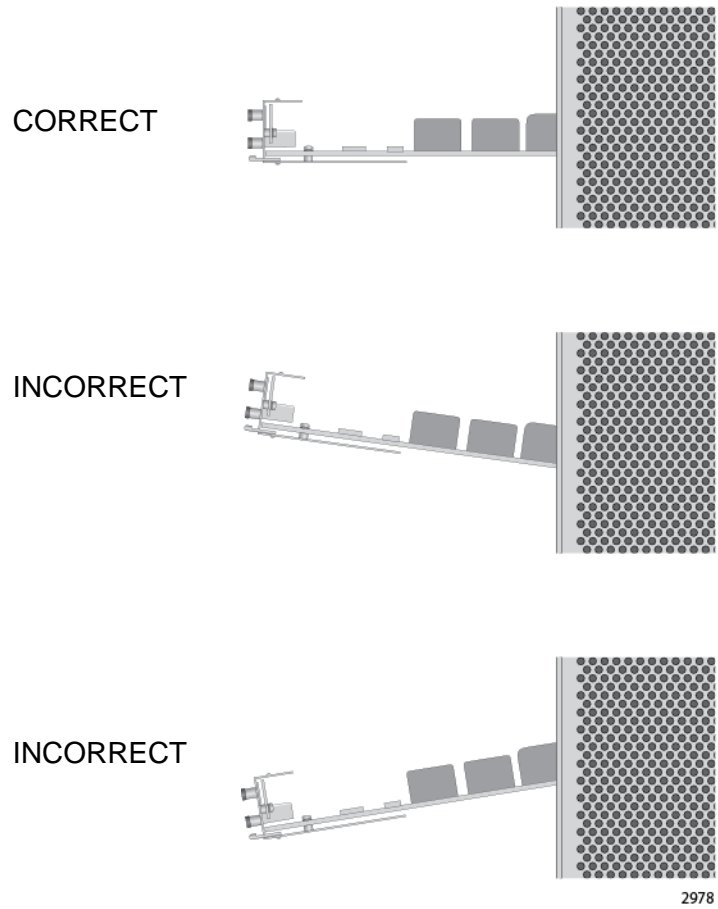


Figure 65. Aligning a Card in a Slot

Installing the AT-SBx81CFC960 Controller Fabric Card

This section contains the installation procedure for the AT-SBx81CFC960 Controller Fabric Card. You may install either one or two controller cards in the unit. The chassis must have at least one controller card. The cards must be installed in slots 5 and 6 in the chassis.

Note

Please review “Guidelines to Handling the Controller and Line Cards” on page 138 before performing this procedure.

This procedure requires the following tools:

- ❑ #2 Phillips-head screwdriver (not provided)
- ❑ #2 Phillips-head, 5 inch-lbs torque screwdriver (optional — not provided))

To install the AT-SBx81CFC960 Card, perform the following procedure:

1. Choose a slot in the chassis for the AT-SBx81CFC960 Controller Fabric Card.

The card must be installed in slot 5 or 6, shown in Figure 66. If you are installing only one controller card, Allied Telesis recommends installing it in slot 5.

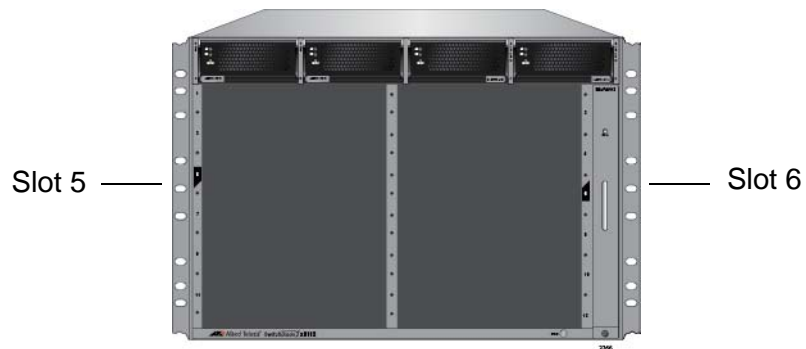


Figure 66. Slots 5 and 6 for the AT-SBx81CFC960 Card

2. Remove the new AT-SBx81CFC960 Controller Fabric Card from the shipping package and verify the package contents, listed in Figure 67 on page 141.

If any item is missing or damaged, contact your Allied Telesis sales representative for assistance.

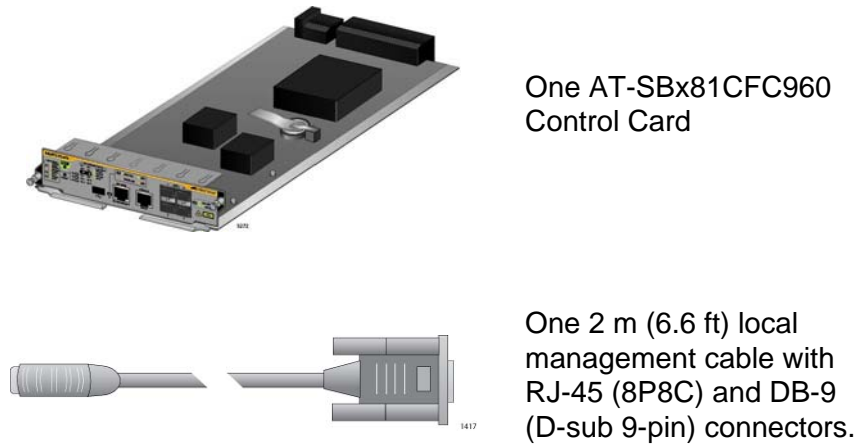


Figure 67. Items Included with the AT-SBx81CFC960 Controller Card

Note

Store the packaging material in a safe location. You should use the original shipping material if you need to return the unit to Allied Telesis.

- Carefully remove the controller card from the anti-static bag. Refer to Figure 68.



Figure 68. Removing the AT-SBx81CFC960 Controller Fabric Card from the Anti-static Bag

- Carefully remove the battery insulator tab on the controller card by sliding it out from between the battery and battery clip, as shown in Figure 69 on page 142.

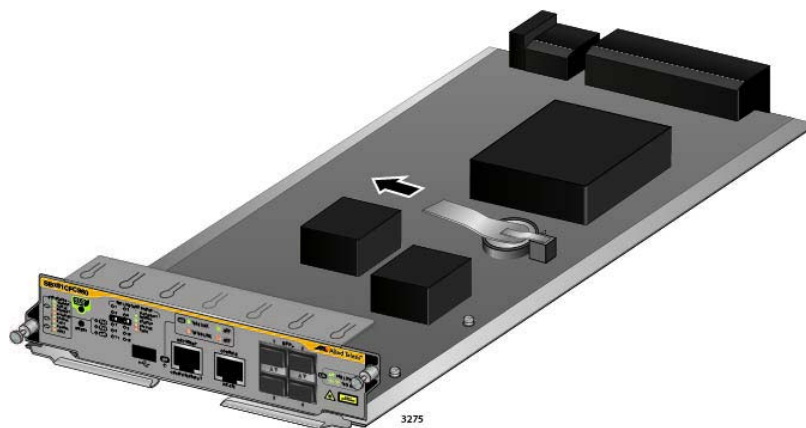


Figure 69. Removing the Battery Insulator

5. Move the locking handles on the front panel to the open position, as shown in Figure 70.

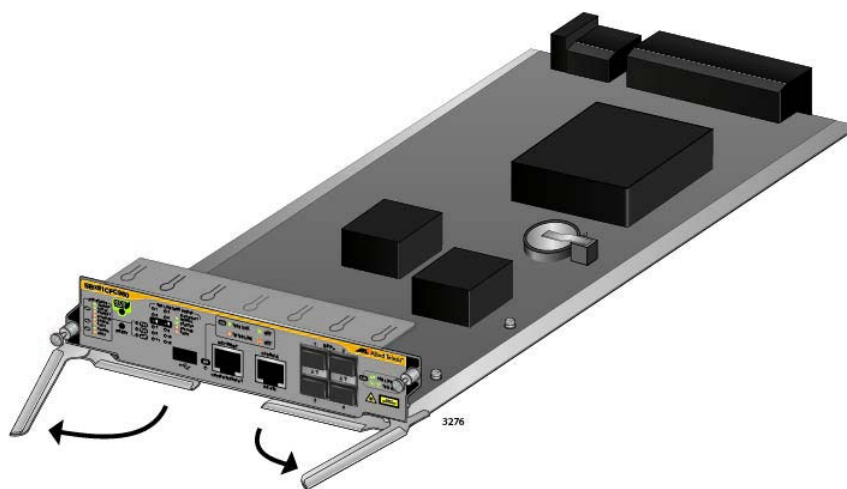


Figure 70. Opening the Locking Handles on the AT-SBx81CFC960 Controller Fabric Card

6. Align the edges of the AT-SBx81CFC960 Controller Fabric Card with the internal chassis card guides in slot 5 or 6 of the AT-SBx8112 Chassis. Figure 71 on page 143 shows the AT-SBx81CFC960 Card aligned in slot 5.

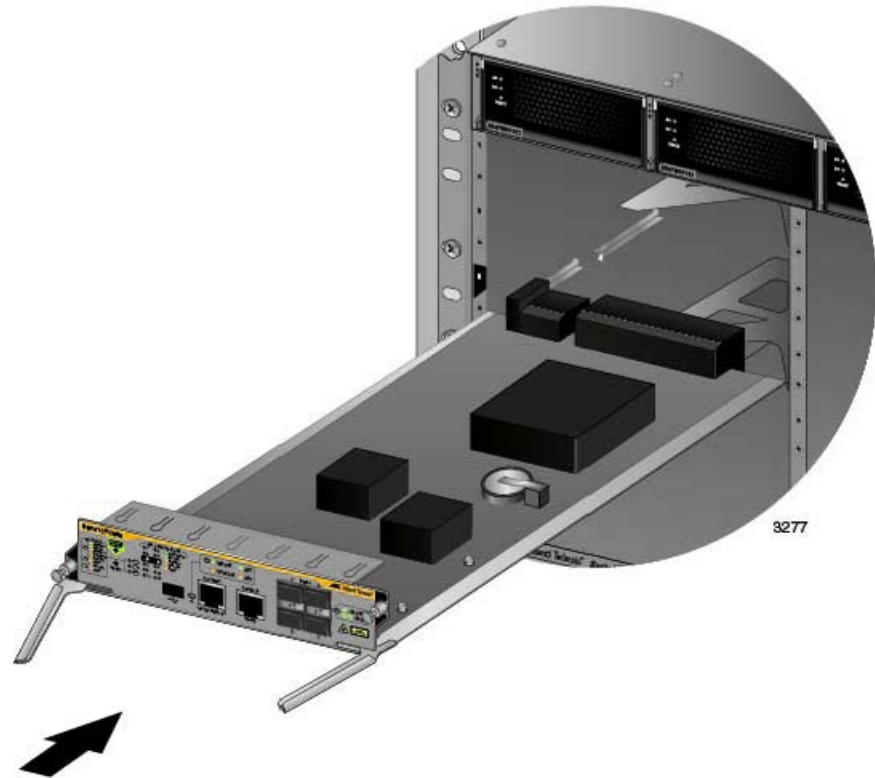


Figure 71. Aligning the AT-SBx81CFC960 Card in the Chassis Slot

7. Carefully slide the card into the slot.



Caution

Keep the card level with the chassis as you slide it into the slot. You might damage the components on the top or bottom of the card if you slide it in at an angle. Refer to Figure 65 on page 139.



Caution

Do not force the AT-SBx81CFC960 Card into the slot. If you feel resistance, remove it and try again. Be sure that the edges of the card are properly aligned with the card guides.

8. When you feel the card make contact with the connector on the backplane of the chassis, carefully close the two locking levers on the front panel of the controller card to secure it in the chassis, as shown in Figure 72 on page 144.

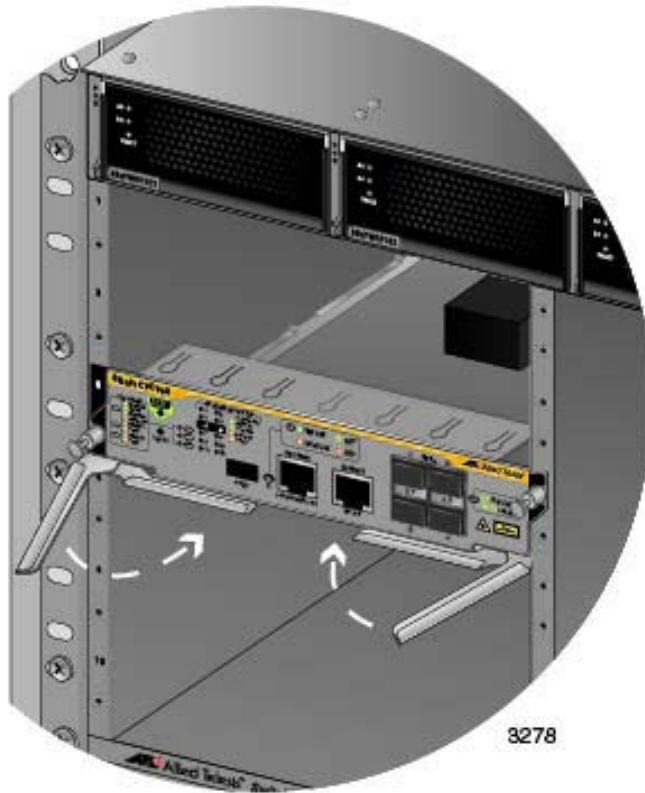


Figure 72. Closing the Locking Levers on the AT-SBx81CFC960 Controller Fabric Card

9. Finger tighten the two thumbscrews on the card to secure the card to the chassis, as shown in Figure 73 on page 145.



Figure 73. Tightening the Thumb Screws on the AT-SBx81CFC960 Card

10. Tighten the screws with a # 2 Phillips-head screwdriver to secure the controller card to the chassis.

Allied Telesis recommends tightening the screws to 5 inch-lbs.

11. if the chassis is to have two AT-SBx81CFC960 Controller Fabric Cards, repeat this procedure to install the second card.
12. After installing the controller cards, do one of the following:
 - If you purchased AT-SBx81XLEM Ethernet Line Cards with expansion modules, go to “Installing Expansion Modules in AT-SBx81XLEM Ethernet Line Cards” on page 146.
 - Otherwise, go to “Installing the Ethernet Line Cards” on page 154.

Installing Expansion Modules in AT-SBx81XLEM Ethernet Line Cards

This section contains the procedure for installing an expansion module in the AT-SBx81XLEM Ethernet Line Card. If you did not purchase AT-SBx81XLEM Ethernet Line Cards, skip this procedure and go to “Installing the Ethernet Line Cards” on page 154.



Caution

You must install the expansion module before installing the AT-SBx81XLEM Ethernet Line Card in the chassis. Attempting to install the module when the line card is installed in the chassis will damage the module and card. If the card is already installed in the chassis, remove it by performing the procedure “Replacing Ethernet Line Cards” on page 269.

Note

Please review “Guidelines to Handling the Controller and Line Cards” on page 138 before performing this procedure.

The illustrations in the procedure show the AT-SBx81XLEM/XS8 Expansion Module. The procedure is the same for all expansion modules.

To install an expansion module in the AT-SBx81XLEM Ethernet Line Card, perform the following procedure:

1. Remove the AT-SBx81XLEM Ethernet Line Card from the shipping package. If it is missing or damaged, contact your Allied Telesis sales representative for assistance.

Note

Store the packaging material in a safe location. You should use the original shipping material if you need to return the unit to Allied Telesis.

2. Carefully remove the card from the anti-static bag. Refer to Figure 74 on page 147.



Figure 74. Removing the AT-SBx81XLEM Line Card from the Anti-static Bag

3. Place the card on a level surface.
4. With a #2 Phillips-head screwdriver, remove the two screws that secure the blank slot cover to the card. Refer to Figure 75.

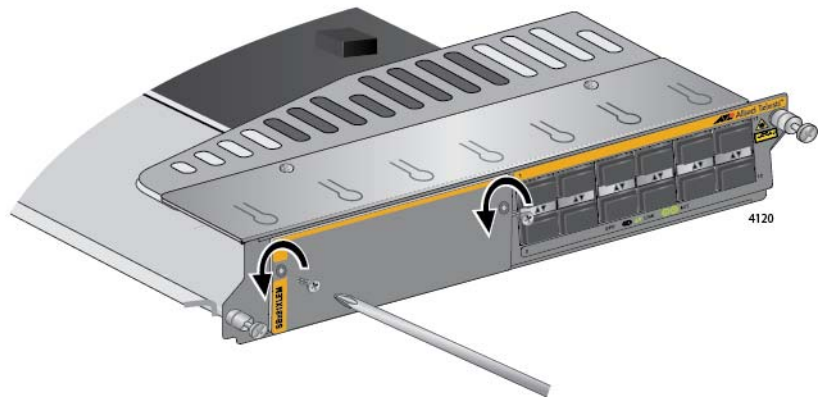


Figure 75. Removing the Screws on the Blank Slot Cover on the AT-SBx81XLEM Line Card

5. Slide the blank slot cover from the slot. Refer to Figure 76 on page 148.

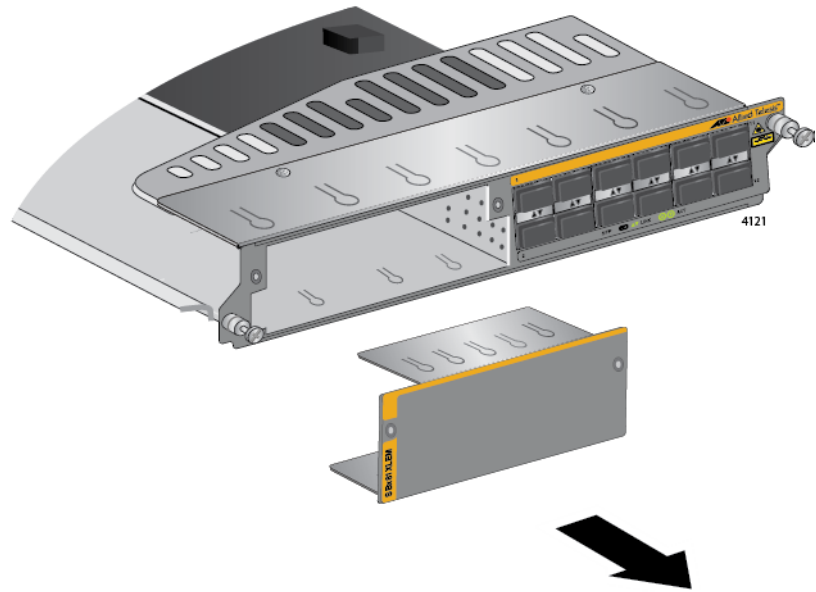


Figure 76. Removing the Blank Slot Cover from the AT-SBx81XLEM Line Card

6. With your thumb and forefinger, pull out the retaining pin on the side of the line card and turn it clockwise one quarter turn so that it remains in the retracted position. Refer to Figure 77 on page 149.

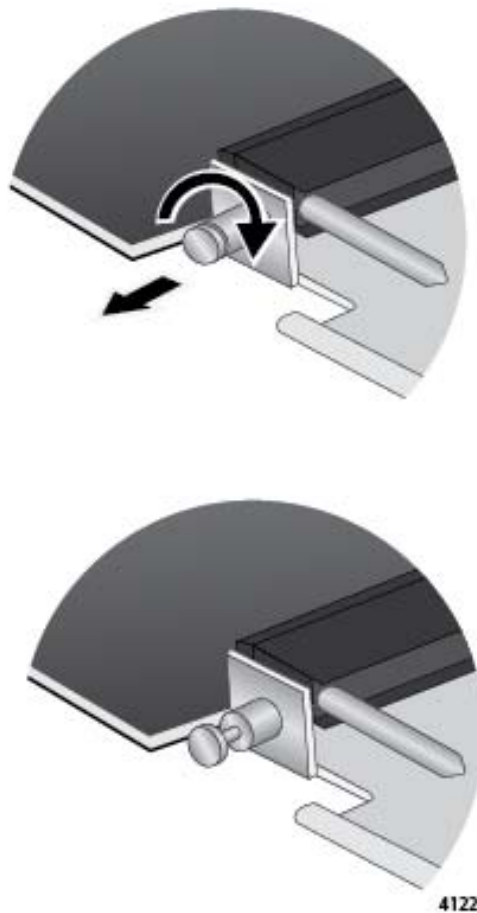


Figure 77. Retracting the Retaining Pin on the AT-SBx81XLEM Line Card

7. Remove the expansion module from its shipping container and anti-static bag. Refer to Figure 78.



Figure 78. Removing the Expansion Module from the Anti-static Bag

- Carefully align the expansion module in the slot, as shown in Figure 79, and slide it into the line card.



Caution

Keep the module level with the line card as you slide it into the slot. You might damage the components on the top or bottom of the module if you slide it in at an angle. Refer to Figure 65 on page 139.



Caution

Do not force the card into the slot. If you feel resistance, remove the card and try again.

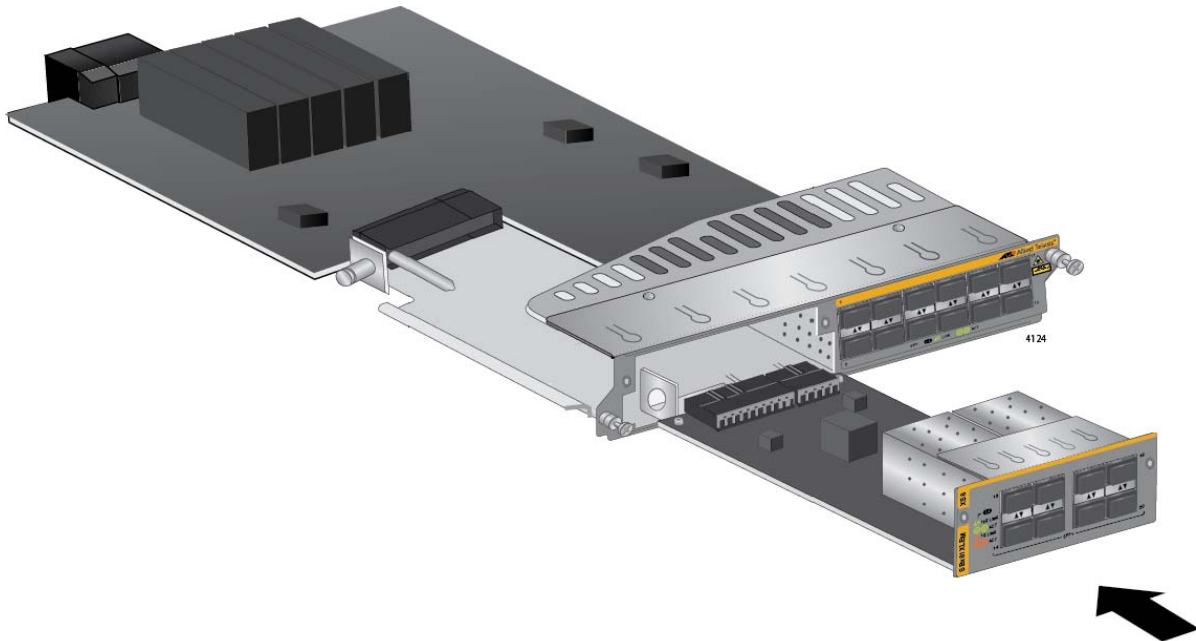


Figure 79. Sliding the Expansion Module into the AT-SBx81XLEM Line Card

- When the expansion module makes contact with the connector inside the line card, gently press on both sides of the faceplate to seat the module on the connector. Refer to Figure 80 on page 151. The module is fully installed when its faceplate is flush against the faceplate of the AT-SBx81XLEM Line Card.

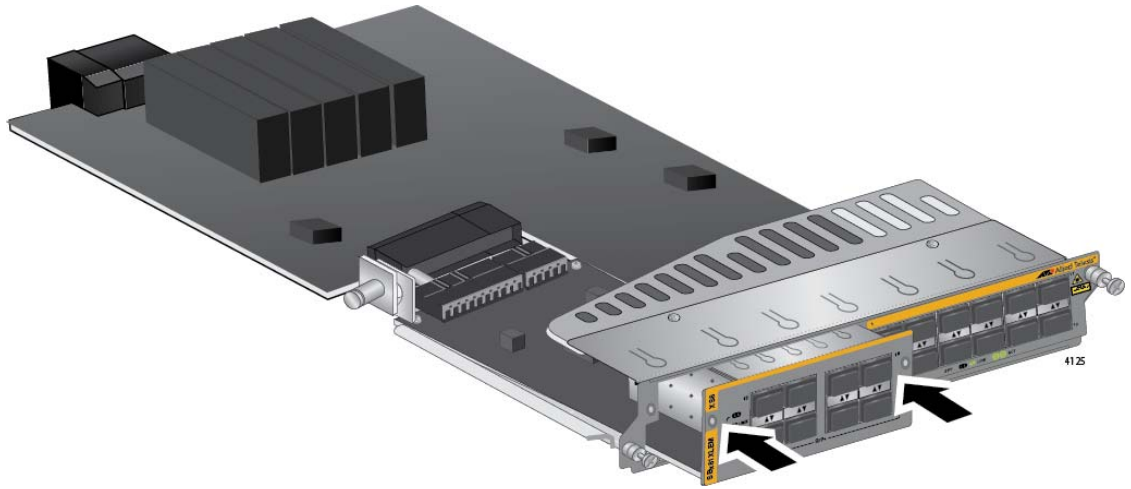


Figure 80. Seating the Expansion Module on the Connector in the AT-SBx81XLEM Line Card

10. With a Phillips-head screwdriver, install the two screws from step 4 to secure the expansion module to the line card. Refer to Figure 81.

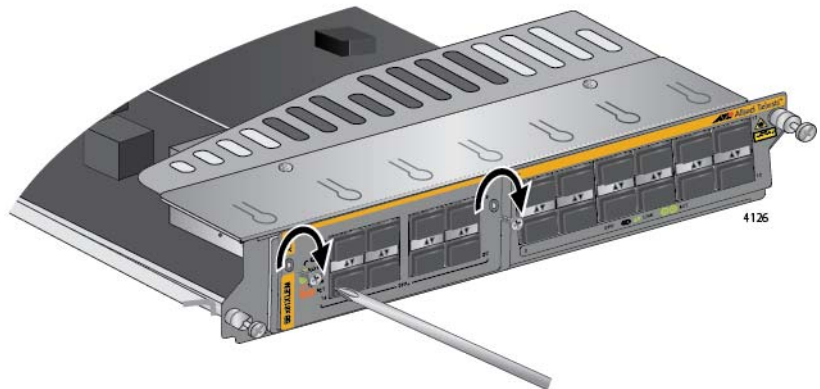


Figure 81. Securing the Expansion Module

11. Turn the retaining pin on the side of the line card one quarter turn to release it. Refer to Figure 82 on page 152.

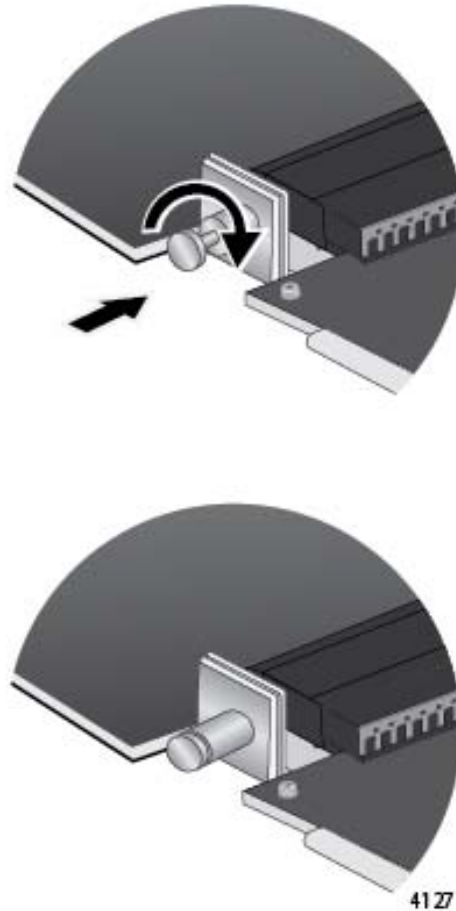


Figure 82. Releasing the Retaining Pin

12. Retain the blank slot cover removed in step 5 and shown in Figure 83 by storing it in a safe location. You should reinstall it on the AT-SBx81XLEM Line Card if, at a later date, you remove the expansion module.



Figure 83. Blank Slot Cover for the AT-SBx81XLEM Line Card

13. If you are not installing the line card in the chassis now, return it to its anti-static bag and shipping container to protect it from damage. Refer to Figure 84 on page 153.



Figure 84. Returning the Line Card to its Anti-static Bag

14. For instructions on how to install the line card in the chassis, go to “Installing the Ethernet Line Cards” on page 154.

Note

In AlliedWare Plus v5.4.6, the AT-SBx81XLEM Line Card was supported in slots 1 to 4, 8, and 10 in the AT-SBx8112 Chassis, but not slots 7, 9, 11, and 12. In AlliedWare Plus v5.4.6.1-1 or later, the line card is supported in all ten line card slots.

Installing the Ethernet Line Cards

This section contains the installation procedure for the Ethernet line cards. The illustrations show the AT-SBx81GP24 Line Card, but the procedure is the same for all the cards.

Note

Please review “Guidelines to Handling the Controller and Line Cards” on page 138 before performing this procedure.

This procedure requires the following tools:

- ❑ #2 Phillips-head screwdriver (not provided)
- ❑ #2 Phillips-head, 5 inch-lbs torque screwdriver (optional — not provided)

To install the Ethernet line cards, perform the following procedure:

1. Choose a slot in the chassis for the Ethernet line card. The Ethernet line cards may be installed in slots 1 to 4 and 7 to 12. The slots are shown in Figure 85.

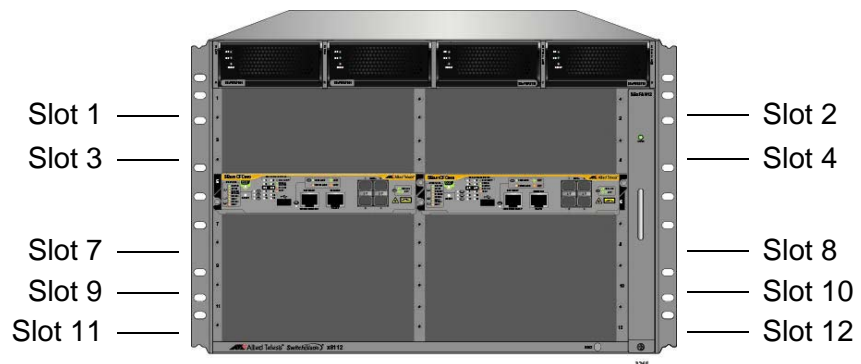


Figure 85. Slots 1 to 4 and 7 to 12 for the Ethernet Line Cards

Note

The AT-SBx81XS16 Line Card is supported in slots 1 to 4, 8, and 10 in the AT-SBx8112 Chassis. It is not supported in slots 7, 9, 11, and 12.

Note

In AlliedWare Plus v5,4,6, the AT-SBx81XLEM Line Card was restricted to slots 1 to 4, 8, and 10 in the AT-SBx8112 Chassis. In AlliedWare Plus v5,4,6-1.1 or later, that restriction no longer applies.

- If the selected slot for the line card is covered with a blank slot cover, use a #2 Phillips-head screwdriver to loosen the two captive screws on the cover and remove it from the chassis. Refer to Figure 86.

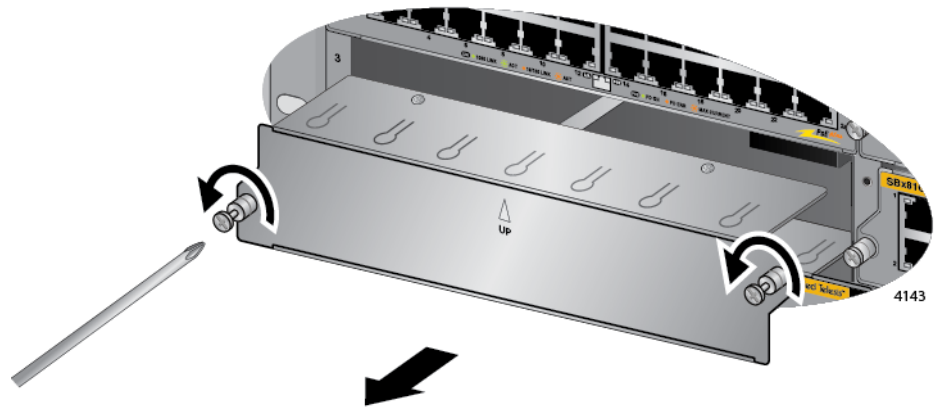


Figure 86. Removing a Blank Slot Cover

- Remove the line card from the shipping package. If it is missing or damaged, contact your Allied Telesis sales representative for assistance.

Note

Store the packaging material in a safe location. You should use the original shipping material if you need to return the unit to Allied Telesis.

- Carefully remove the Ethernet line card from the anti-static bag. Refer to Figure 87.

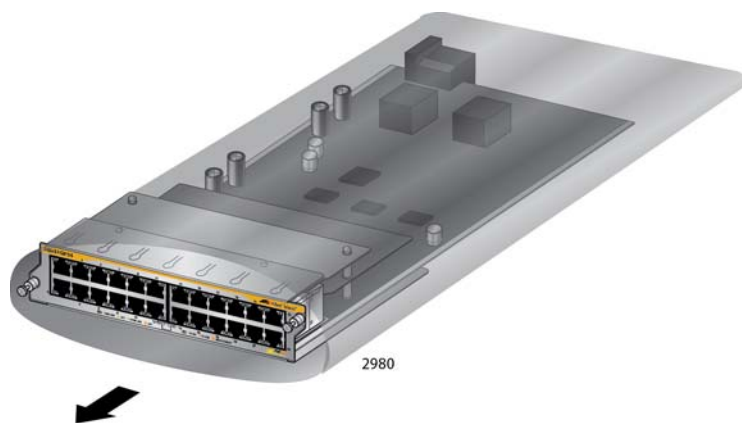


Figure 87. Removing an Ethernet Line Card from the Anti-static Bag

- Align the line card with the internal chassis card guides in the selected slot in the chassis.

Figure 88 shows an Ethernet line card aligned with slot 1.

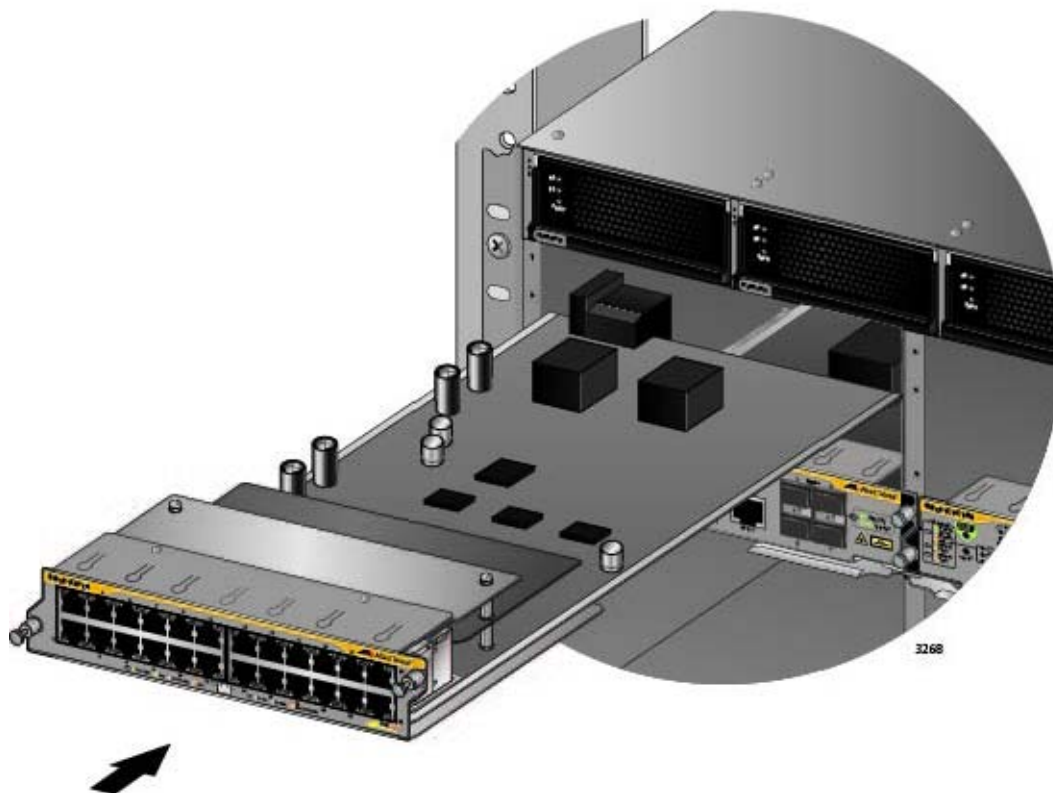


Figure 88. Aligning an Ethernet Line Card in a Chassis Slot

6. Carefully slide the card into the slot.



Caution

Keep the card level with the chassis as you slide it into the slot. You might damage the components on the top or bottom of the card if you slide it in at an angle. Refer to Figure 65 on page 139.



Caution

Do not force the card into the slot. If you feel resistance, remove the card and try again. Be sure that the edges of the card are properly aligned with the card guides.

7. When you feel the line card make contact with the connector on the backplane of the chassis, gently press on both sides of the faceplate to seat the card on the connector. Refer to Figure 89 on page 157.

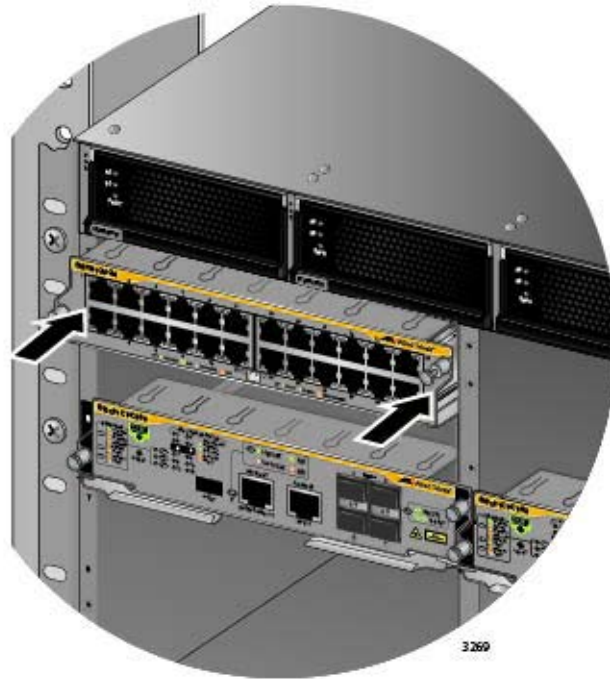


Figure 89. Seating an Ethernet Line Card on the Backplane Connector

8. Finger tighten the two thumbscrews on the sides of the line card to secure it to the chassis, as shown in Figure 90.

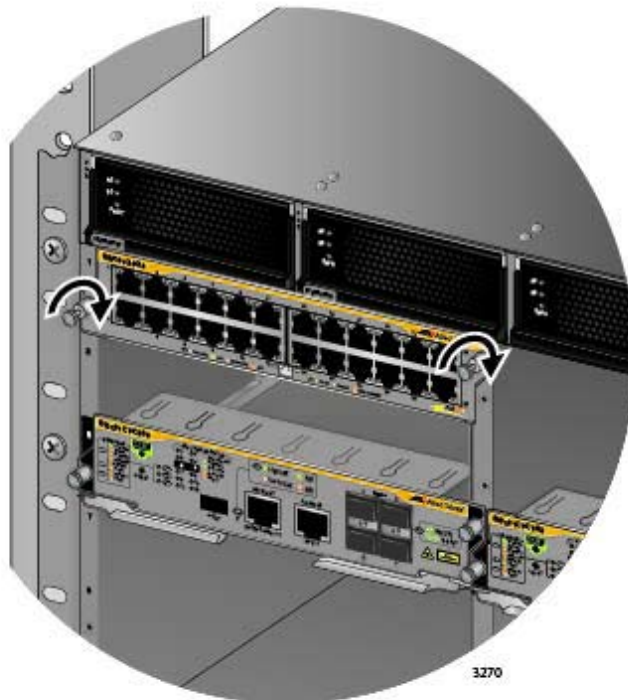


Figure 90. Tightening the Thumb Screws on an Ethernet Line Card

9. Tighten the two screws with a # 2 Phillips-head screwdriver to secure the line card to the chassis.

Allied Telesis recommends tightening the screws to 5 inch-lbs.

10. Repeat this procedure to install the remaining Ethernet line cards.
11. After installing the line cards, go to “Installing Blank Slot Covers” on page 159.

Installing Blank Slot Covers

After installing the AT-SBx81CFC960 Controller Fabric Cards and Ethernet line cards, check the front panel for unused slots and cover them with the blank slot covers included with the chassis, as explained in this procedure. The fan module may not be able to maintain adequate airflow across the control and line cards if the chassis is not completely enclosed. If there are no unused slots, go to Chapter 8, “Cabling the Ethernet Line Cards” on page 161.

To install the blank panels on the unused slots, perform the following procedure:

1. Position a blank slot cover over an unused slot, as shown in Figure 91. The up arrow on the panel must be pointing up.

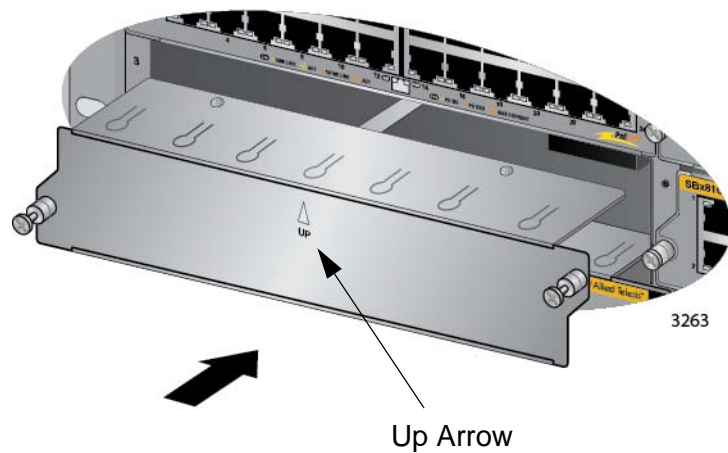


Figure 91. Installing a Blank Slot Cover

2. Finger tighten the two thumbscrews to attach the blank panel to the chassis, as shown in Figure 92.

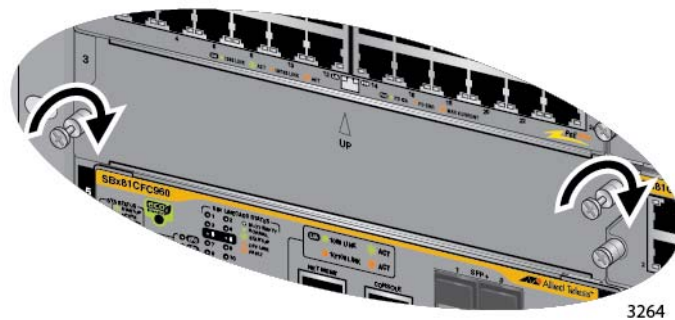


Figure 92. Tightening the Thumbscrews on a Blank Slot Cover

3. Tighten the two screws with a # 2 Phillips-head screwdriver to secure the blank slot cover to the chassis.

Allied Telesis recommends tightening the screws to 5 inch-lbs.

4. Repeat this procedure to cover the remaining empty slots with blank slot covers.
5. Store any unused blank panels in a secure location for future use.
6. Go to Chapter 8, “Cabling the Ethernet Line Cards” on page 161.

Chapter 8

Cabling the Ethernet Line Cards

This chapter contains instructions on how to cable the ports and slots on the Ethernet line cards. The chapter has the following sections:

- ❑ “Cabling Guidelines for Twisted Pair Ports” on page 162
- ❑ “Guidelines to Installing SFP, SFP+, or QSFP+ Transceivers” on page 165
- ❑ “Installing SFP or SFP+ Transceivers” on page 166
- ❑ “Installing AT-SP10TW Direct Connect Cables” on page 171
- ❑ “Installing AT-QSFPCU Cables” on page 174
- ❑ “Installing AT-QSFPSR, AT-QSFPSR4, or AT-QSFPLR4 Transceivers” on page 176

Cabling Guidelines for Twisted Pair Ports

This section applies to the twisted pair ports on the following line cards:

- ❑ AT-SBx81GT24 Line Card
- ❑ AT-SBx81GP24 Line Card
- ❑ AT-SBx81GT40 Line Card

Here are the guidelines to cabling the 10/100/1000Base-T twisted pair ports on the cards:

- ❑ The 10/100/1000Base-T twisted pair ports on the AT-SBx81GT24 and AT-SBx81GP24 Line Cards have 8-pin RJ45 connectors.
- ❑ The 10/100/1000Base-T twisted pair ports on the AT-SBx81GT40 Line Card have 8-pin RJ point 5 connectors.
- ❑ The cable specifications for the 10/100/1000Base-T twisted pair ports on the AT-SBx81GT24 and AT-SBx81GT40 Line Cards are listed in Table 17 on page 62.
- ❑ The cable specifications for the 10/100/1000Base-T twisted pair ports on the AT-SBx81GP24 Line Card are listed in Table 18 on page 63.
- ❑ The connectors on the cables should fit snugly into the ports, and the tabs should lock the connectors into place.
- ❑ The default setting for PoE on the ports on the AT-SBx81GP24 Line Card is enabled.
- ❑ The default speed setting for the ports is Auto-Negotiation. This setting is appropriate for ports connected to network devices that also support Auto-Negotiation.
- ❑ The default speed setting of Auto-Negotiation is not appropriate for ports connected to network devices that do not support Auto-Negotiation and have fixed speeds or 10 or 100 Mbps. For those switch ports, disable Auto-Negotiation and set the port's speed manually to match the speeds of the network devices.
- ❑ The 10/100/1000Base-T ports must be set to Auto-Negotiation, the default setting, to operate at 1000Mbps.
- ❑ The default duplex mode setting for the ports is Auto-Negotiation. This setting is appropriate for ports connected to network devices that also support Auto-Negotiation for duplex modes.
- ❑ The default duplex mode setting of Auto-Negotiation is not appropriate for ports connected to network devices that do not support Auto-Negotiation and have a fixed duplex mode. Disable Auto-Negotiation on those ports and set their duplex modes manually to avoid the possibility of duplex mode mismatches. A switch port using Auto-Negotiation defaults to half-duplex if it

detects that the end node is not using Auto-Negotiation. This can result in a mismatch if the end node is operating at a fixed duplex mode of full-duplex.

- ❑ The default wiring configuration of the ports is automatic MDIX detection, which configures the MDI/MDIX setting automatically. This setting is appropriate for switch ports that are connected to network devices that also support the feature.
- ❑ The default wiring configuration of automatic MDIX detection is not appropriate for ports that are connected to network devices that do not support the feature. On those ports, you should disable automatic MDIX detection and set the wiring configuration manually with the POLARITY command.

Connecting Cables to the AT- SBx81GT40 Line Card

Here are a few additional guidelines to connecting cables to ports on the AT-SBx81GT40 Line Card:

- ❑ The ports require the RJ point 5 cable connector shown in Figure 93.



Figure 93. RJ Point 5 Cable Connector for AT-SBx81GT40 Line Card

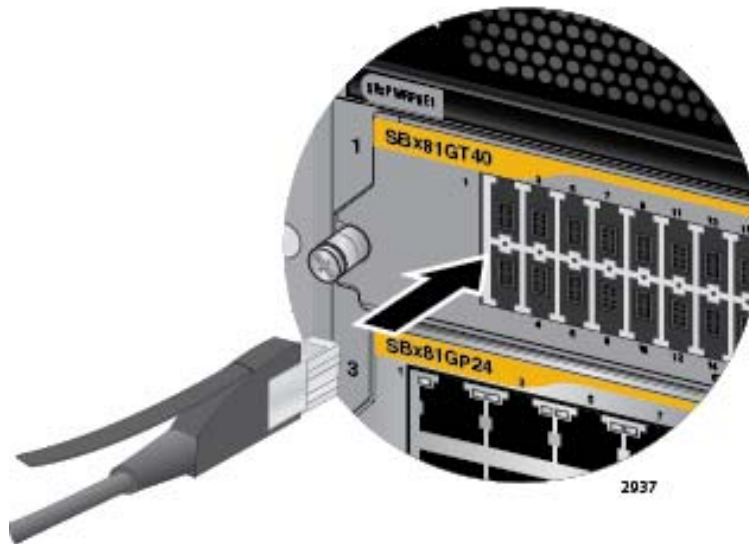
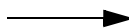
- ❑ To connect a cable to a port in the top role on the line card, orient the connector with the release tab on top. To connect a cable to a port in the bottom role, orient the connector with the release tab on the bottom. Refer to Figure 94 on page 164.
- ❑ To remove a cable from a port, pull gently on the release tab and slide the cable connector from the port.

Note

Patch cables for the AT-SBx81GT40 Line Card, in lengths of 1 meter and 3 meters with RJ point 5 and RJ-45 connectors, are available from Allied Telesis. Contact your Allied Telesis sales representative for information.

Connecting a cable to a port in the top row.

Release Tab



Connecting a cable to a port in the bottom row.



Figure 94. Connecting Cables to Ports on the AT-SBx81GT40 Line Card

Guidelines to Installing SFP, SFP+, or QSFP+ Transceivers

Please review the following guidelines before installing fiber optic transceivers in the line cards and expansion modules:

- ❑ You should verify that the transceivers are supported by the devices. Refer to Table 6 on page 37 and the SwitchBlade x8100 data sheet on the Allied Telesis web site.
- ❑ You should install a transceiver in a line card before connecting its network cable.
- ❑ A fiber optic transceiver is dust sensitive. Always keep the protective cover in the optical bores when a fiber optic cable is not installed, or when you store the transceiver. When you do remove this cover, retain it for future use.
- ❑ Your Allied Telesis sales representative can provide you with a list of supported transceivers for the line cards and expansion modules.
- ❑ The operational specifications and fiber optic cable requirements of the transceivers are provided in the documents included with the devices.
- ❑ The transceivers and direct connect cables are hot-swappable. You may install them while the chassis is powered on.
- ❑ Unnecessary removal or insertion of transceivers can lead to premature failures.



Warning

Transceivers can be damaged by static electricity. Follow the procedure in “Protecting Against Electrostatic Discharge (ESD)” on page 118 to guard against ESD damage when unpacking and installing the devices.



Caution

The temperature of an operational transceiver can exceed 70 C (158 F). Exercise caution when removing or handling a transceiver with unprotected hands.

Installing SFP or SFP+ Transceivers

This section applies to the following line cards and expansion module:

- ❑ AT-SBx81GS24a Line Card
- ❑ AT-SBx81XS6 Line Card
- ❑ AT-SBx81XS16 Line Card
- ❑ AT-SBx81XLEM Line Card
- ❑ AT-SBx81XLEM/XS8 Expansion Module

Table 29 lists the basic types of transceivers supported by the above Ethernet line cards. For model names of specific transceivers, refer to the SwitchBlade x8100 data sheet on the Allied Telesis web site.

Table 29. Transceiver Support

Device	100Mbps SFP Transceivers	1Gbps SFP Transceivers	10Gbps SFP+ Transceivers or AT-SP10TW Cables ¹
AT-SBx81GS24a Line Card	Yes	Yes	No
AT-SBx81XS6 Line Card	No	No	Yes
AT-SBx81XS16 Line Card	No	No	Yes
AT-SBx81XLEM Line Card ²	No	Yes	No
AT-SBx81XLEM/XS8 Expansion Module	No	Yes	Yes

1. Available in lengths of 1, 3, and 7 meters.

2. Transceiver slots 1 to 12.

Please review “Guidelines to Installing SFP, SFP+, or QSFP+ Transceivers” on page 165 before performing this procedure.

The illustrations show the AT-SBx81XS16 Line Card. The procedure is the same for all the devices.

To install SFP or SFP+ transceivers, perform the following procedure:

1. Remove the dust plug from the slot chosen for the SFP or SFP+ transceiver. Figure 95 on page 167 shows the dust plug removed from

slot 1 on the AT-SBx81XS16 Line Card.



Figure 95. Removing the Dust Cover from a Transceiver Slot

Note

Do not remove the dust plug from a transceiver slot if you are not installing the transceiver at this time. The dust plug protects the line card from dust contamination.

- Slide the transceiver in the slot until it clicks into place.

To install the transceiver into an odd numbered slot, position it with the handle is on top as you slide it into the slot. To install the transceiver into an even numbered slot, position it with the handle on the bottom. Refer to Figure 96.

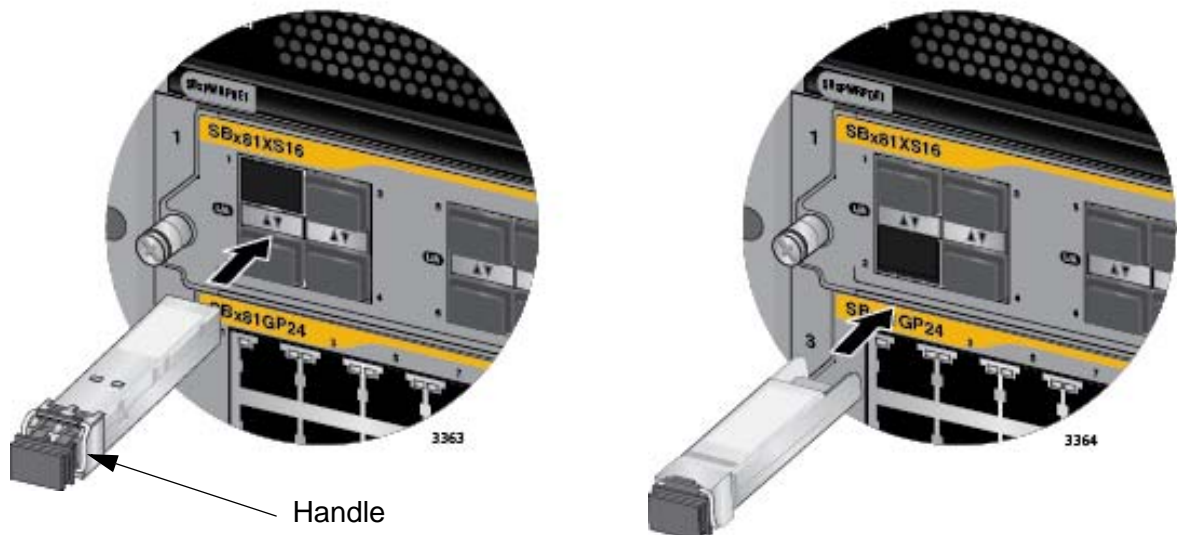


Figure 96. Installing an SFP or SFP+ Transceiver

For slots on the AT-SBx81XS6 Line Card, position the handle on top. Refer to Figure 97.



Figure 97. Installing an SFP+ Transceiver in the AT-SBx81XS6 Line Card

Note

If you are ready to attach the fiber optic cable to the transceiver, continue with the next step. Otherwise, repeat steps 1 to 2 to install the remaining SFP transceivers in the line cards.

3. Remove the protective cover from the + transceiver. Refer to Figure 98 on page 169.



Figure 98. Removing the Dust Cover from a Transceiver

Note

The dust cover protects the fiber optic port on the transceiver from dust contamination. It should not be removed until you are ready to connect the fiber optic cable.

4. Before connecting the cable, verify the position of the handle on the transceiver. If the transceiver is in an odd numbered slot, the handle should be in the upright position, as shown in Figure 99. If the transceiver is in an even numbered slot, the handle should be in the down position.

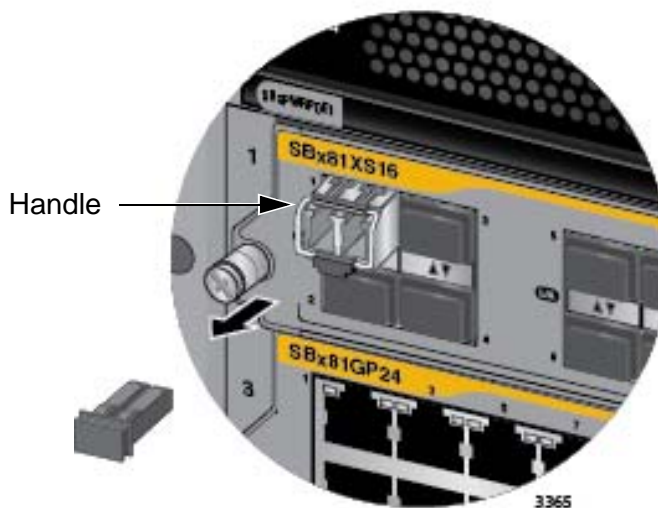


Figure 99. Verifying the Position of the Handle on the Transceiver in the AT-SBx81XS16 Line Card

5. Connect the fiber optic cable to the port on the transceiver, as shown in Figure 100 on page 170. The connector should snap into the port.

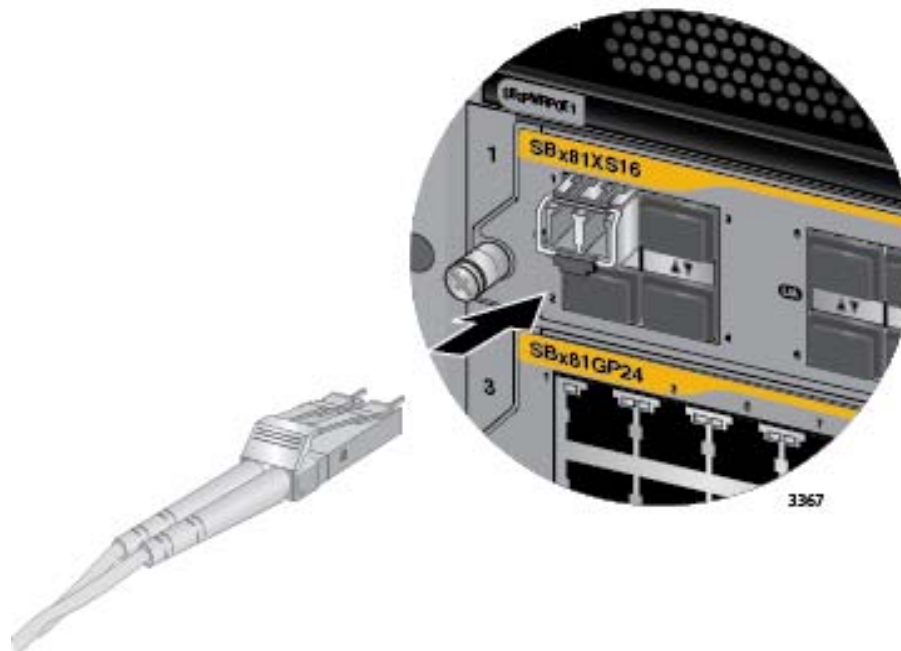


Figure 100. Attaching a Fiber Optic Cable to a Transceiver in the AT-SBx81XS16 Line Card

6. Repeat this procedure to install additional SFP or SFP+ transceivers in the line cards.
7. After installing and cabling the transceivers, do one of the following:
 - ❑ To install and cable additional transceivers in the Ethernet line cards, go to the appropriate section in this chapter for instructions.
 - ❑ To cable the ports on the controller card, go to Chapter 9, “Cabling the AT-SBx81CFC960 Controller Fabric Card” on page 177.
 - ❑ After cabling all the ports in the chassis, go to Chapter 10, “Powering On the Chassis” on page 187.

Installing AT-SP10TW Direct Connect Cables

This procedure explains how to connect AT-SP10TW direct connect Twinax cables to the SFP+ slots in the following line cards and expansion module:

- ❑ AT-SBx81XS6 Line Card
- ❑ AT-SBx81XS16 Line Card
- ❑ AT-SBx81XLEM/XS8 Expansion Module

The cables may be used in place of fiber optic cables and transceivers for 10 Gbps links of up to 7 meters.

Note

The AT-SP10TW Cables are not supported in the AT-SBx81GS24a Line Card or slots 1 to 12 in the AT-SBx81XLEM Line Card.

Please review “Guidelines to Installing SFP, SFP+, or QSFP+ Transceivers” on page 165 before performing this procedure.

The illustrations in the procedure show the AT-SBx81XS16 Line Cards. The procedure is the same for all the devices.

To install AT-SP10TW Cables, perform the following procedure:

1. Remove the dust plug from one of the SFP+ slots. You may install AT-SP10TW Cables in any of the slots on the line card or expansion module. Refer to Figure 101.



Figure 101. Removing the Dust Cover from an SFP+ Slot

Note

Do not remove the dust plug from an SFP+ slot if you are not installing the transceiver at this time. The dust plug protects the line card from dust contamination.

2. Slide the connector on the AT-SP10TW Cable into the slot until it clicks into place.

To install the cable into an odd numbered slot in the AT-SBx81XS16 Line Card or AT-SBx81XLEM/XS8 Expansion Module, position the release tab on top as you slide the connector into the slot. To install the cable in an even numbered slot, position the connector so that the release tab is on the bottom. Refer to Figure 102.

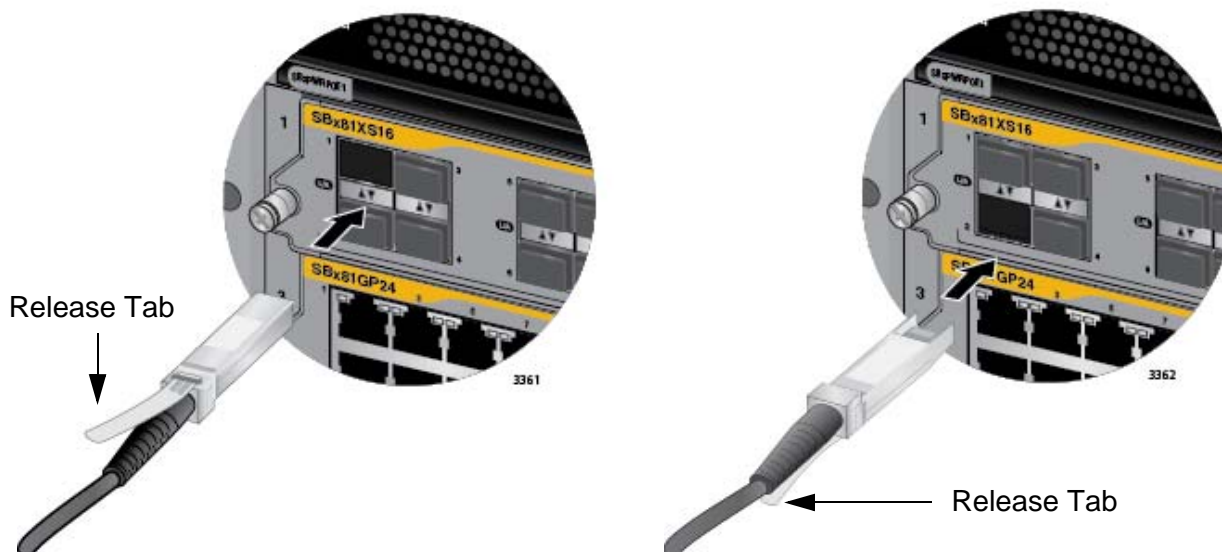


Figure 102. Installing the AT-SP10TW Cable in the AT-SBx81XS16 Line Card or AT-SBx81XLEM/XS8 Expansion Module

To install the cable in the AT-SBx81XS6 Line Card, position the release tab on top as you slide the connector into the slot. Refer to Figure 103 on page 173.



Figure 103. Installing the AT-SP10TW Cable in the AT-SBx81XS6 Line Card

3. Install the other end of the cable into an SFP+ slot on another network device.
4. Repeat this procedure to install additional AT-SP10TW Cables.

Note

To remove the connector and cable from the SFP+ slot, gently push on the connector, pull on the release tab, and slide the connector from the slot.

5. After installing the AT-SP10TW Cables, do one of the following:
 - To install and cable additional transceivers in the Ethernet line cards, go to the appropriate section in this chapter for instructions.
 - To cable the ports on the controller card, go to Chapter 9, “Cabling the AT-SBx81CFC960 Controller Fabric Card” on page 177.
 - After cabling all the ports in the chassis, go to Chapter 10, “Powering On the Chassis” on page 187.

Installing AT-QSFPCU Cables

This section contains instructions on how to install AT-QSFPCU Cables in the AT-SBx81XLEM/Q2 Expansion Module for the AT-SBx81XLEM Line Card. You can use the cables in place of fiber optic cables and transceivers for 40GbE links of up to 1 or 3 meters. The model names of the cables are listed here:

- ❑ AT-QSFP1CU - 1 meter
- ❑ AT-QSFP3CU - 3 meters

Note

The AT-QSFPCU Cables are only supported in the AT-SBx81XLEM/Q2 Expansion Module.

Please review “Guidelines to Installing SFP, SFP+, or QSFP+ Transceivers” on page 165 before performing this procedure.

To install AT-QSFPCU Cables, perform the following procedure:

1. Remove the dust cover from a slot on the AT-SBx81XLEM/Q2 Expansion Module. Refer to Figure 104.



Figure 104. Removing the Dust Cover from a Slot on the AT-SBx81XLEM/Q2 Expansion Module

2. Orient the connector on the AT-QSFPCU Cable with the release tab on top and slide it into the slot until it clicks into place. Refer to Figure 105 on page 175.

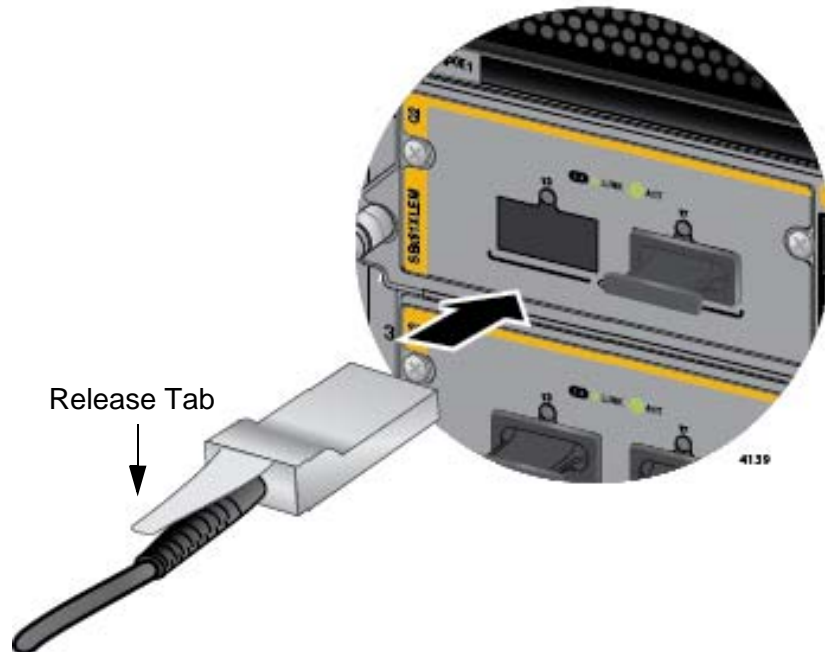


Figure 105. Sliding the AT-QSFPCU Cable into the Slot

3. Install the other end of the cable into a compatible QSFP+ slot on another network device.
4. Repeat this procedure to install additional AT-QSFPCU Cables.

Note

To remove the connector and cable from the slot, gently push on the connector, pull on the release tab, and slide the connector from the slot.

5. After installing the AT-QSFPCU Cables, do one of the following:
 - To install and cable additional transceivers in the Ethernet line cards, go to the appropriate section in this chapter for instructions.
 - To cable the ports on the controller card, go to Chapter 9, “Cabling the AT-SBx81CFC960 Controller Fabric Card” on page 177.
 - After cabling all the ports in the chassis, go to Chapter 10, “Powering On the Chassis” on page 187.

Installing AT-QSFPSR, AT-QSFPSR4, or AT-QSFPLR4 Transceivers

This section contains the procedure for installing AT-QSFPSR, AT-QSFPSR4, or AT-QSFPLR4 transceivers in the slots on the AT-SBx81XLEM/Q2 Expansion Module.

Note

The AT-QSFPSR, AT-QSFPSR4, and AT-QSFPLR4 transceivers are only supported in the AT-SBx81XLEM/Q2 Expansion Module.

Please review “Guidelines to Installing SFP, SFP+, or QSFP+ Transceivers” on page 165 before performing this procedure.

To install AT-QSFPSR, AT-QSFPSR4, or AT-QSFPLR4 transceivers, perform the following procedure:

1. Remove the dust cover from a slot on the AT-SBx81XLEM/Q2 Expansion Module. Refer to Figure 104 on page 174.
2. Slide a transceiver into the slot until it clicks into place.
3. Attach fiber optic cable to the transceiver.
4. Repeat steps 1 to 3 to install and cable transceivers in the other slots of the expansion module.
5. Connect the cables to compatible QSFP ports in other network devices.

Note

To remove the connector and cable from the slot, gently push on the connector, pull on the release tab, and slide the connector from the slot.

6. After installing the transceivers, do one of the following:
 - To install and cable additional transceivers in the Ethernet line cards, go to the appropriate section in this chapter for instructions.
 - To cable the ports on the controller card, go to Chapter 9, “Cabling the AT-SBx81CFC960 Controller Fabric Card” on page 177.
 - After cabling all the ports in the chassis, go to Chapter 10, “Powering On the Chassis” on page 187.

Chapter 9

Cabling the AT-SBx81CFC960 Controller Fabric Card

This chapter contains instructions on how to cable the ports on the AT-SBx81CFC960 Controller Fabric Card. The chapter has the following sections:

- ❑ “Cabling the NET MGMT Port” on page 178
- ❑ “Installing SFP+ Transceivers” on page 180
- ❑ “Installing AT-SP10TW Cables” on page 185

Cabling the NET MGMT Port

For background information on the NET MGMT port on the controller card, refer to “Ethernet Management Port (NET MGMT)” on page 85.

Note

The NET MGMT port is referred to as “eth0” in the management software.

Here are the guidelines to using the NET MGMT port:

- ❑ The cabling requirements of the port are the same as the ports on the AT-SBx81GT24 Line Card, in Table 17 on page 62.
- ❑ The default speed setting for the port is Auto-Negotiation. This setting is appropriate if the port is connected to a network device that also support Auto-Negotiation.
- ❑ The default speed setting of Auto-Negotiation is not appropriate if the port is connected to a network device that does not support Auto-Negotiation and has a fixed speed of 10 or 100 Mbps. In this situation, disable Auto-Negotiation and set the port’s speed manually to match the speed of the network device.
- ❑ The port must be set to Auto-Negotiation, the default setting, to operate at 1000Mbps.
- ❑ The default duplex mode setting for the port is Auto-Negotiation. This setting is appropriate if the port is connected to a network device that also support Auto-Negotiation for the duplex mode.
- ❑ The default duplex mode setting of Auto-Negotiation is not appropriate if the port is connected to a network device that does not support Auto-Negotiation and has a fixed duplex mode. In this situation, you should disable Auto-Negotiation on the port and set its duplex mode manually to avoid the possibility of a duplex mode mismatch. With Auto-Negotiation, the port defaults to half-duplex if it detects that the end node is not using Auto-Negotiation. This can result in a mismatch if the end node is operating at a fixed duplex mode of full-duplex.
- ❑ The default wiring configuration of the port is automatic MDIX detection, which configures the MDI/MDIX setting automatically. This setting is appropriate for port if it is connected to a network device that also support the feature.
- ❑ The default wiring configuration of automatic MDIX detection is not appropriate for the NET MGMT port if it is connected to a network device that does not support the feature. You should disable automatic MDIX detection and set the wiring configuration manually with the POLARITY command.

After cabling the NET MGMT port, do one of the following:

- ❑ To install and cable additional transceivers, go to the appropriate section in this chapter for instructions.
- ❑ After cabling all the ports in the chassis, go to Chapter 10, “Powering On the Chassis” on page 187.

Installing SFP+ Transceivers

The AT-SBx81CFC960 Controller Fabric Card has four slots for 10Gbps SFP+ transceivers. You may use the slots for the following functions:

- ❑ Build high-speed links to network servers, switches, routers, or other network devices.
- ❑ Connect two chassis together to form a stack with the VCStack Plus feature.

For background information on the SFP+ slots on the controller card, refer to “SFP+ Slots” on page 82. A list of supported SFP+ transceivers can be found on the Allied Telesis web site.

Note

The transceiver slots on the controller card do not support 1000Mbps SFP transceivers.

Note

If you are building a stack with the VCStack Plus feature, do not install the transceivers in the SFP+ slots of the controller cards until after you have configured both chassis for the stacking feature. For further information, refer to Chapter 15, “VCStack Plus Overview” on page 299 and Chapter 16, “Building a Stack” on page 313. The cabling configurations for the SFP+ slots on the controller cards for a stack can be found in “Cabling Configurations for the Trunk” on page 303.

To install a 10Gbps SFP+ transceiver in an SFP+ slot in the controller card, perform the following procedure:

1. Remove the dust plug from the slot chosen for the SFP+ transceiver. Refer to Figure 106 on page 181.

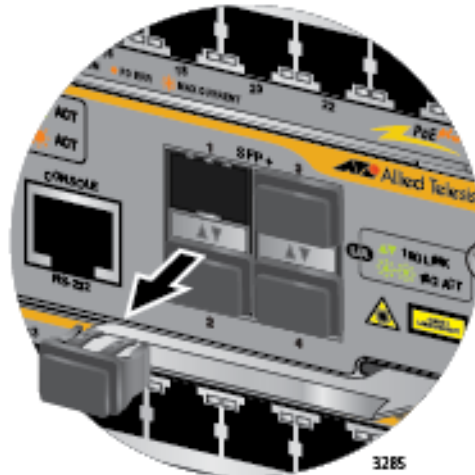


Figure 106. Removing a Dust Cover from an SFP+ Slot in the AT-SBx81CFC960 Controller Fabric Card

Note

To protect the controller card from dust contamination, do not remove the dust plug from a transceiver slot until you are ready to install the transceiver.

2. If you are installing the SFP+ transceiver in slot 1 or 3, orient it with the handle on top, as shown in Figure 107. To install it in slot 2 or 4, orient it with the handle on the bottom.

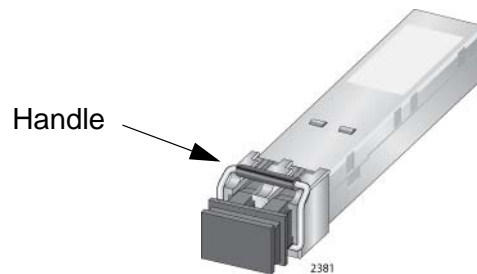


Figure 107. Handle on an SFP+ Transceiver

3. Slide the transceiver into the slot until it clicks into place, as shown in Figure 108 on page 182.

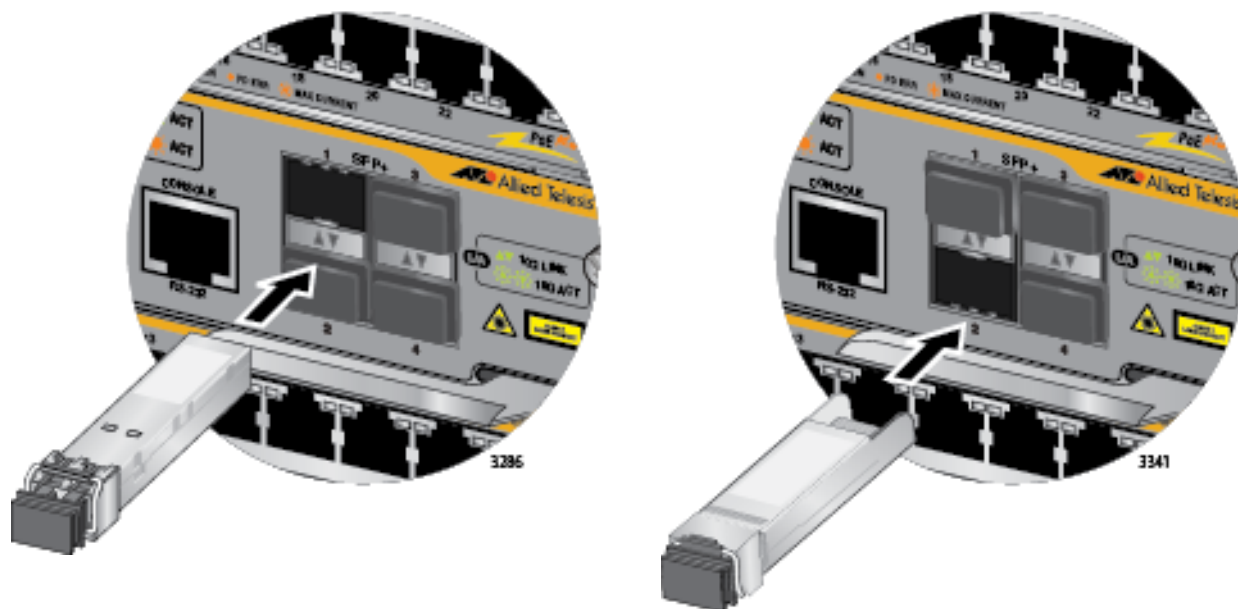


Figure 108. Installing an SFP+ Transceiver in the AT-SBx81CFC960 Controller Fabric Card

Note

If you are ready to attach the fiber optic cable to the transceiver, continue with the next step. Otherwise, repeat steps 1 to 3 to install additional SFP+ transceivers in the card.

4. Remove the protective cover from the SFP+ transceiver, as shown in Figure 109.



Figure 109. Removing the Dust Cover from an SFP+ Transceiver in the AT-SBx81CFC960 Controller Fabric Card

Note

The dust cover protects the fiber optic port on the SFP+ transceiver from dust contamination. Do not remove it until you are ready to connect the fiber optic cable.

5. Verify the position of the handle on the transceiver. If the transceiver is in slot 1 or 3, the handle should be in the upright position, as shown in Figure 110. If the transceiver is in slot 2 or 4, the handle should be in the down position.

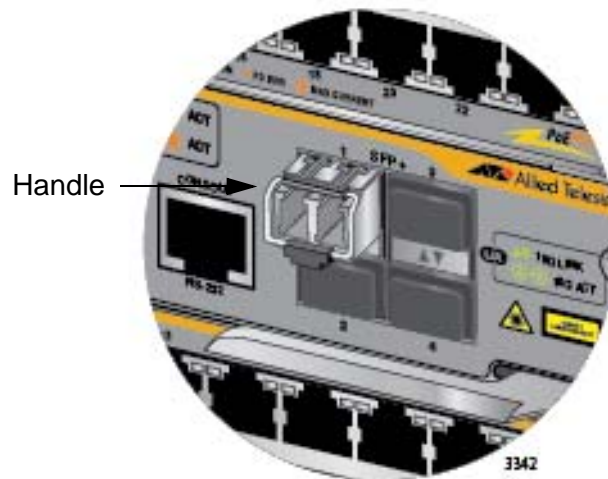


Figure 110. Positioning the Handle on the Transceiver

6. Connect the fiber optic cable to the port on the transceiver, as shown in Figure 111 on page 184. The connector should snap into the port.

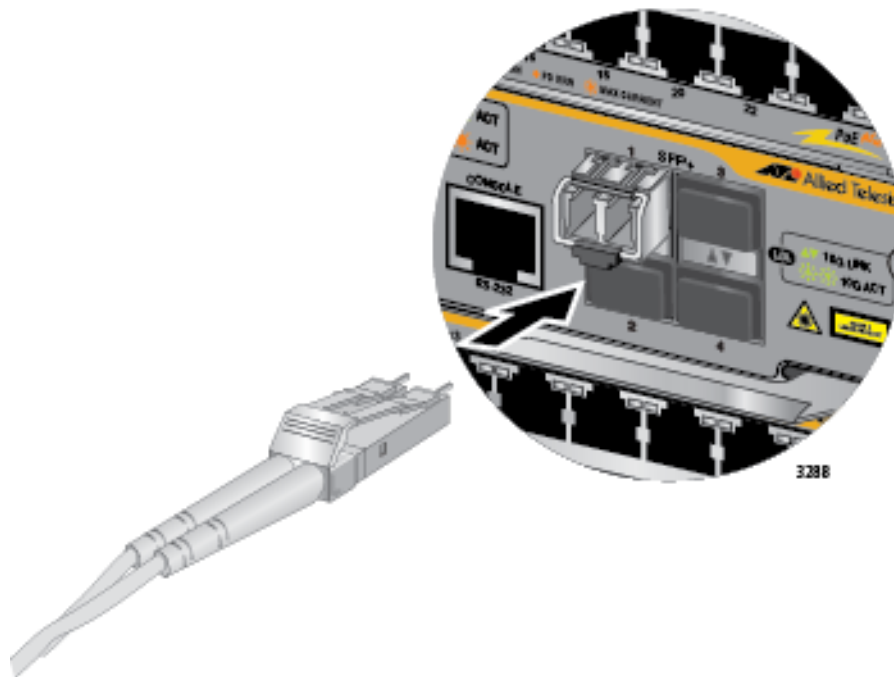


Figure 111. Attaching a Fiber Optic Cable to an SFP+ Transceiver in the AT-SBx81CFC960 Controller Fabric Card

7. Repeat this procedure to install additional SFP+ transceivers in the AT-SBx81CFC960 Controller Fabric Card.
8. If you are not building a stack with the VCStack Plus feature, do one of the following:
 - To install and cable additional transceivers in the chassis, go to the appropriate section in this chapter for instructions.
 - After cabling all the ports in the chassis, go to Chapter 10, “Powering On the Chassis” on page 187.
9. If you are building a stack with the VCStack Plus feature, do the following:
 - Double-check the wiring of the cables of the trunk between the SFP+ slots of the controller cards of the two chassis to be sure they are correctly connected. The possible wiring configurations are given in “Cabling Configurations for the Trunk” on page 303.
 - Afterwards, go to “Powering On the Stack” on page 331.

Installing AT-SP10TW Cables

This procedure explains how to connect AT-SP10TW Cables to the SFP+ slots in the AT-SBx81CFC960 Controller Fabric Card. The cables may be used in place of fiber optic cables and transceivers for 10 Gbps links of up to seven meters.

For background information on the SFP+ slots on the controller card, refer to “SFP+ Slots” on page 82.

Please review the following information if you are using the SFP+ slots on the controller cards to build a stack with the VCStack Plus feature:

- ❑ Do not install the cables in the SFP+ slots of the controller cards until after you have configured both chassis for the stacking feature. For further information, refer to Chapter 15, “VCStack Plus Overview” on page 299 and Chapter 16, “Building a Stack” on page 313.
- ❑ The cabling configurations for the SFP+ slots on the controller cards of a stack is given in “Cabling Configurations for the Trunk” on page 303.

To install AT-SP10TW Cables, perform the following procedure:

1. Remove the dust plug from one of the SFP+ slots. You may install AT-SP10TW Cables in any of the SFP+ slots on the controller card. Refer to Figure 106 on page 181.

Note

Do not remove the dust plug from an SFP+ slot if you are not installing the transceiver at this time. The dust plug protects the line card from dust contamination.

2. Slide the connector on the AT-SP10TW Cable into the slot until it clicks into place.

To install the cable in slot 1 or 3, position the release tab on top as you slide the connector into the slot. To install the cable in slot 2 or 4, position the connector so that the release tab is on the bottom. Refer to Figure 112 on page 186.

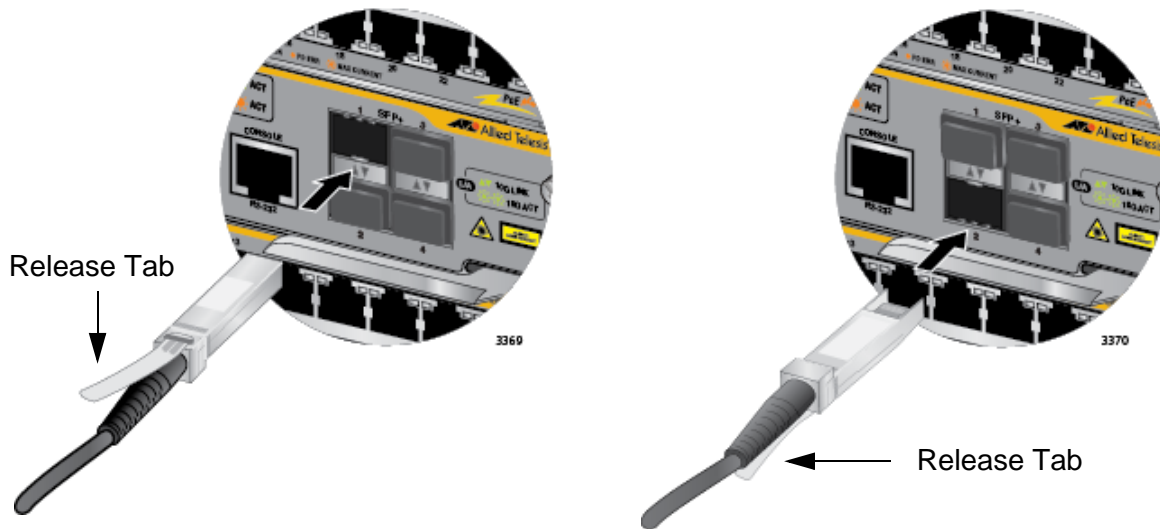


Figure 112. Installing an AT-SP10TW Cable in the AT-SBx81CFC960 Controller Fabric Card

3. Install the other end of the cable into an SFP+ slot on another network device.
4. Repeat this procedure to install additional AT-SP10TW Cables.

Note

To remove the connector and cable from the SFP+ slot, gently push on the connector, pull on the release tab, and slide the connector from the slot.

5. If you are not building a stack with the VCStack Plus feature, do one of the following:
 - ❑ To install and cable additional transceivers in the chassis, go to the appropriate section in this chapter or Chapter 8, “Cabling the Ethernet Line Cards” on page 161 for instructions.
 - ❑ After cabling all the ports in the chassis, go to Chapter 10, “Powering On the Chassis” on page 187.
6. If you are building a stack with the VCStack Plus feature, do the following:
 - ❑ Double-check the wiring of the cables of the trunk between the SFP+ slots of the controller cards of the two chassis to be sure they are correctly connected. The possible wiring configurations are given in “Cabling Configurations for the Trunk” on page 303.
 - ❑ Afterwards, go to “Powering On the Stack” on page 331.

Chapter 10

Powering On the Chassis

This chapter describes how to power on the chassis and monitor the initialization process. The chapter contains the following sections:

- ❑ “Verifying the Installation” on page 188
- ❑ “Powering On AT-SBxPWRSYS1 or AT-SBxPWRSYS2 AC System Power Supplies” on page 189
- ❑ “Powering On AT-SBxPWRPOE1 Power Supplies” on page 193
- ❑ “Powering On the AT-SBxPWRSYS1 DC System Power Supply” on page 196
- ❑ “Monitoring the Initialization Process” on page 222

Verifying the Installation

Please perform the following procedure before powering on the chassis:

1. Verify that the grounding lug on the back panel of the chassis is properly grounded. For instructions, refer to “Installing the Chassis Grounding Wire” on page 114.
2. Verify that all empty slots on the front panel of the chassis are covered with slot covers. If there are open slots, perform the procedure “Installing Blank Slot Covers” on page 159.
3. Verify that dust plugs are installed in all empty SFP, SFP+, and QSFP slots in the AT-SBx81GS24a, AT-SBx81XS6, AT-SBx81XS16, and AT-SBx81XLEM Line Cards and AT-SBx81CFC960 Controller Fabric Card.
4. Verify that dust covers are installed on all SFP, SFP+, and QSFP transceivers that do not have cables.
5. Verify that the chassis has at least one AT-SBx81CFC960 Controller Fabric Card in slot 5 or 6.
6. Verify that the chassis has at least one system power supply in slot C or D.
7. If the chassis has AT-SBx81GP24 Line Cards, verify that the chassis has at least one AT-SBxPWRPOE1 Power Supply in slot A or B.
8. When you installed the AT-SBx81CFC960 Controller Fabric Card, did you remove the battery insulator, shown in Figure 69 on page 142? If not, remove the controller card from the chassis, remove the insulator from the battery, and reinstall the card.

You may now power on the chassis. For instructions, refer to the appropriate section in this chapter:

- ❑ “Powering On AT-SBxPWRSYS1 or AT-SBxPWRSYS2 AC System Power Supplies” on page 189
- ❑ “Powering On AT-SBxPWRPOE1 Power Supplies” on page 193
- ❑ “Powering On the AT-SBxPWRSYS1 DC System Power Supply” on page 196

If the chassis has both system and PoE power supplies, you may power them on in any order or simultaneously.

Powering On AT-SBxPWRSYS1 or AT-SBxPWRSYS2 AC System Power Supplies

The procedure in this section explains how to power on AT-SBxPWRSYS1 or AT-SBxPWRSYS2 AC System Power Supplies in slots C and D on the front panel. If you have not already installed the power supplies, refer to “Installing AT-SBxPWRSYS1 or AT-SBxPWRSYS2 AC System Power Supplies” on page 119 for installation instructions.

Note

If the chassis has both system and PoE power supplies, you may power them on in any order or simultaneously.



Caution

If the chassis has two AT-SBxPWRSYS2 System Power Supplies, you must power them on within 90 seconds of each other. Otherwise, the active master controller card might restart its operating software, which will delay the initialization process of the chassis.

To power on the AC system power supplies, perform the following procedure:

1. Identify AC sockets C and D in the recessed panel on the back panel of the chassis, shown in Figure 113 on page 190. These sockets are for the AC system power supplies in slots C and D on the front panel of the chassis.



Figure 113. AC Sockets on the Rear Panel of the AT-SBx8112 Chassis

2. Plug the AC power cord that comes with the power supply into a plug whose corresponding slot on the front panel has a system power supply.

If there are two system power supplies, you may power on either supply first. In the illustration in Figure 114 on page 191 an AC power cord is connected to connector D for the system power supply in slot D on the front panel.



Figure 114. Connecting the AC Power Cord for the AT-SBxPWRSYS1 or AT-SBxPWRSYS2 AC System Power Supply

3. Use the twist tie included with the power supply to secure the cord to an anchor on the chassis to protect it from being accidentally pulled out, as shown in Figure 115 on page 192.

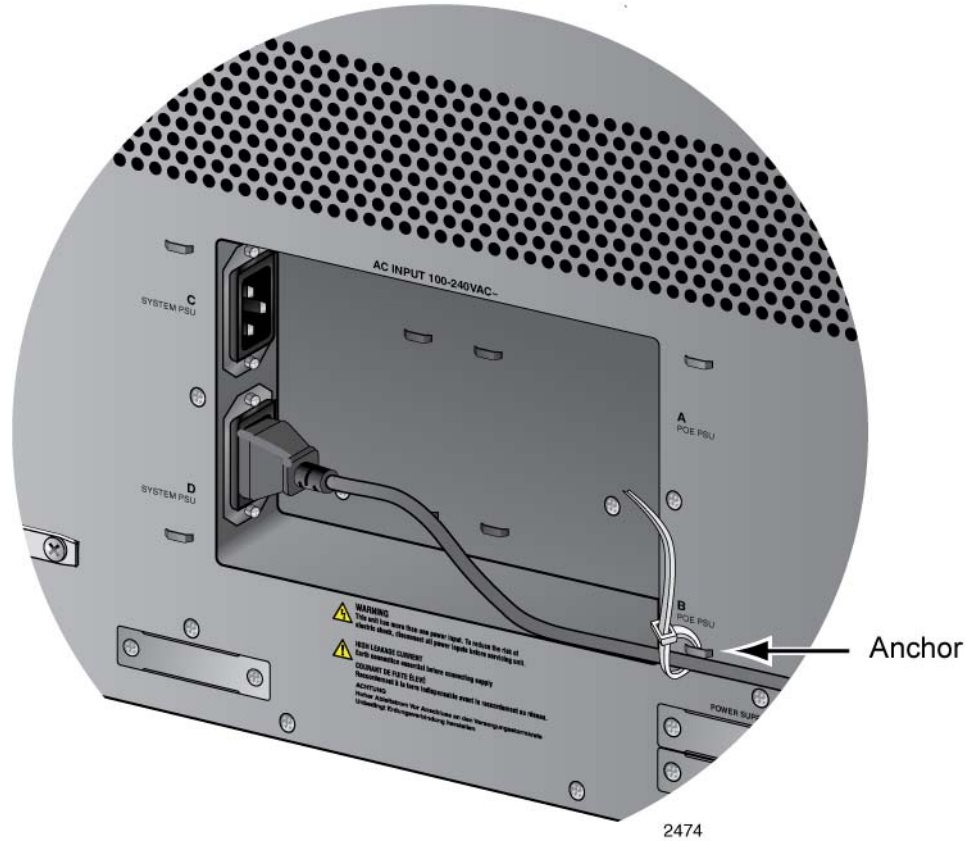


Figure 115. Securing the Power Cord for the AT-SBxPWRSYS1 or AT-SBxPWRSYS2 AC Power Supply to an Anchor

4. Connect the power cord to an appropriate AC power source to power on the power supply.
5. If the chassis has two AT-SBxPWRSYS1 or AT-SBxPWRSYS2 AC System Power Supplies, repeat this procedure to power on the second power supply.

After powering on the AC system power supplies, do one of the follow:

- ❑ If the chassis has AT-SBxPWRPOE1 PoE Power Supplies, perform the procedure in “Powering On AT-SBxPWRPOE1 Power Supplies” on page 193.
- ❑ Otherwise, go to “Monitoring the Initialization Process” on page 222.

Powering On AT-SBxPWRPOE1 Power Supplies

If you have not already installed the AT-SBxPWRPOE1 Power Supplies, refer to “Installing AT-SBxPWRPOE1 PoE Power Supplies” on page 125 for installation instructions. To power on the power supplies, perform the following procedure:

1. Identify AC sockets A and B in the recessed panel on the back panel of the chassis, shown in Figure 113 on page 190. The sockets are for the AT-SBxPWRPOE1 Power Supplies in slots A and B on the front panel of the chassis.
2. Plug the AC power cord that comes with the power supply into one of the plugs, as shown in Figure 116.

The plug should have a power supply in the corresponding slot in the front panel. If the chassis has two AT-SBxPWRPOE1 Power Supplies, you may power on either supply first.

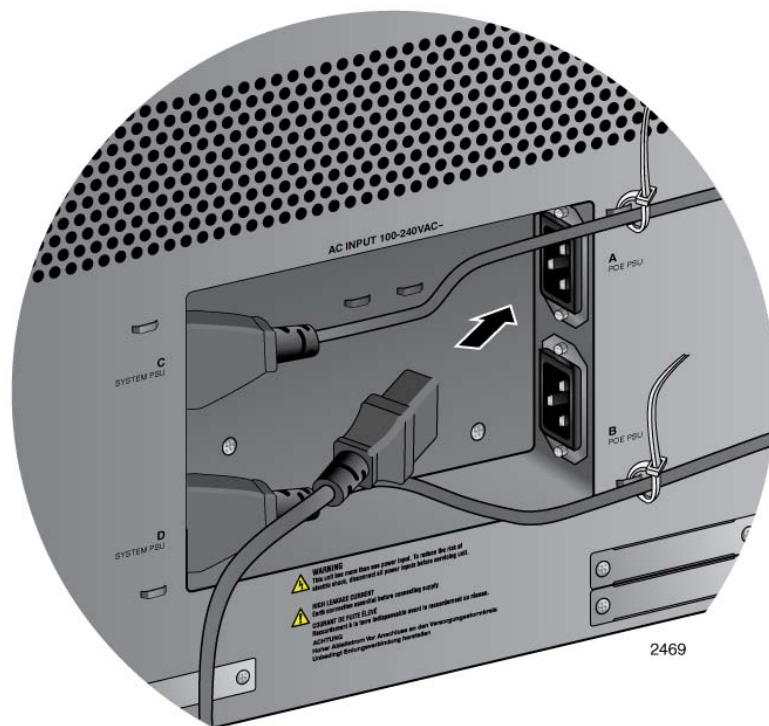


Figure 116. Connecting the AC Power Cord for the AT-SBxPWRPOE1 Power Supply

3. Use the twist tie that comes with the power supply to secure the cord to an anchor on the chassis, as shown in Figure 117.

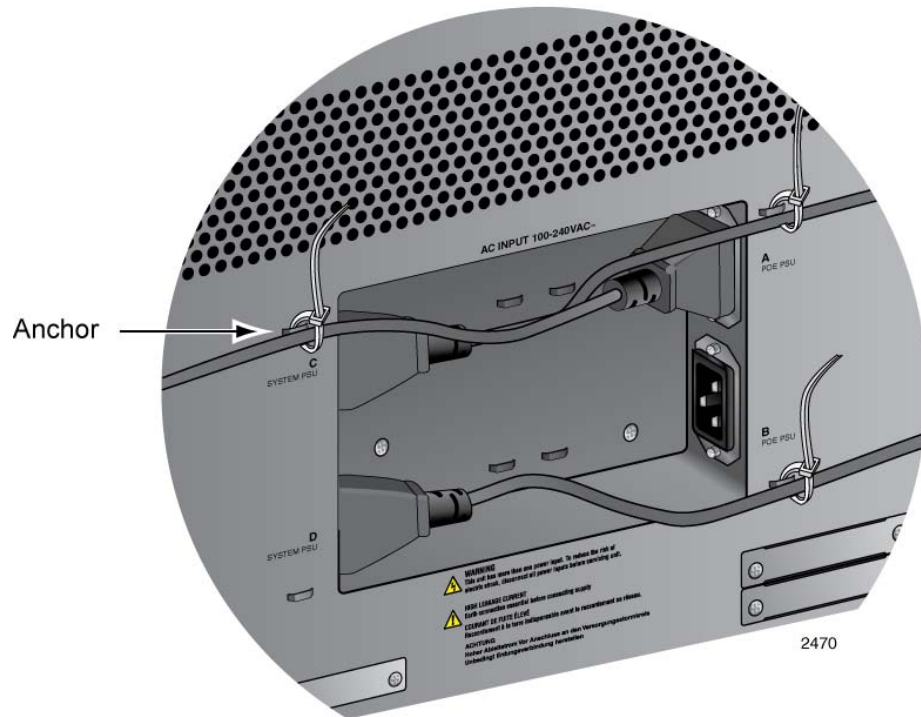
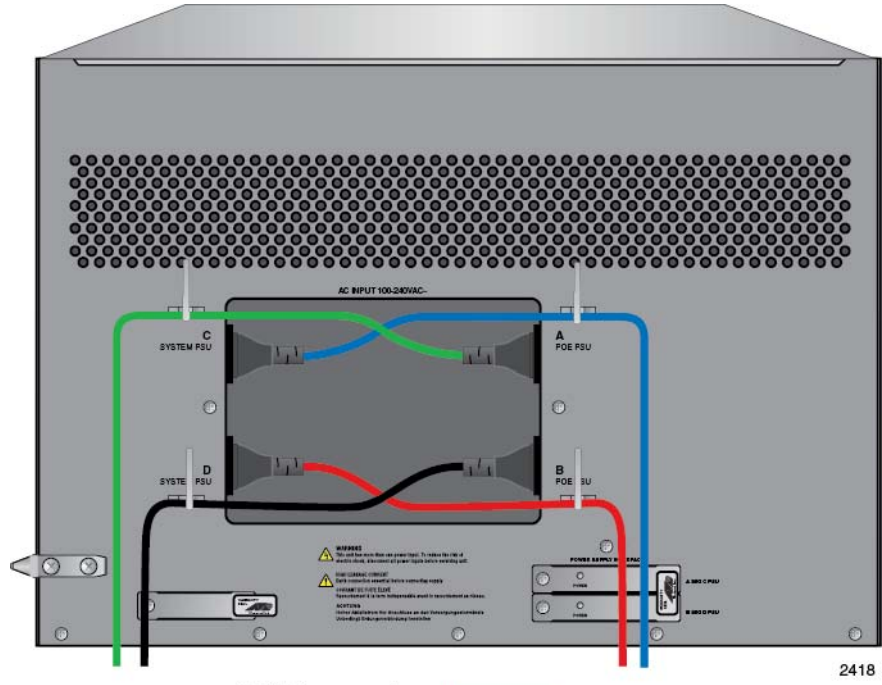


Figure 117. Securing the Power Cord for the AT-SBxPWRPOE1 Power Supply to an Anchor

4. Connect the power cord to an appropriate AC power source to power on the power supply.
5. If the chassis has two AT-SBxPWRPOE1 Power Supplies, repeat this procedure to power on the second power supply.

Figure 118 on page 195 is an illustration of the power cords for a chassis with four power supplies.



- A POE PSU power cord
- B POE PSU power cord
- C System PSU power cord
- D System PSU power cord

NOTE: The power cords shown in this figure are in color for clarity only. All power cords are black.

Figure 118. Dress and Secure AC Power Cords

6. Go to “Monitoring the Initialization Process” on page 222.

Powering On the AT-SBxPWRSYS1 DC System Power Supply

This section contains instructions on how to power on the AT-SBxPWRSYS1 DC Power Supply. For installation instructions, refer to “Installing AT-SBxPWRSYS1 DC System Power Supplies” on page 130.

The power supply unit has a ground connection and positive and negative DC terminals. You may install the ground and power lead wires with the terminal lugs that come with the unit or with bare wire. The wire requirements are slightly different for terminal installation versus bare wire installation. Here are the wire requirements if you are using the terminals that come with the power supply:

- ❑ Two 8 AWG stranded power wires (not provided)
- ❑ One 10 AWG stranded grounding wire (not provided)

Here are the wire requirements for bare wire installation:

- ❑ Two 8 AWG solid or stranded power wires (not provided)
- ❑ One 10 AWG solid or stranded grounding wire (not provided)

Here is a list of the required tools:

- ❑ Crimping tool (not provided)
- ❑ 8 mm wrench (not provided)
- ❑ #1, #2, and #3 Phillips-head screwdrivers (not provided)
- ❑ #3 Phillips-head 30 to 40 inch-lbs Phillips-head torque screwdriver (optional - not provided)

Here are the procedures for powering on the AT-SBxPWRSYS1 DC Power Supply:

- ❑ “Choosing a Method for Attaching the Grounding Wire” on page 198
- ❑ “Connecting the Grounding Wire with the Grounding Terminal” on page 198
- ❑ “Connecting the Grounding Wire with Bare Wire” on page 201
- ❑ “Choosing a Method for Attaching the Power Wires” on page 203
- ❑ “Connecting the DC Power Wires with the Straight Terminals” on page 203
- ❑ “Connecting the DC Power Wires with the Right Angle Terminals” on page 212
- ❑ “Connecting Bare DC Power Wires” on page 218

The components of the power supply are identified in Figure 119.

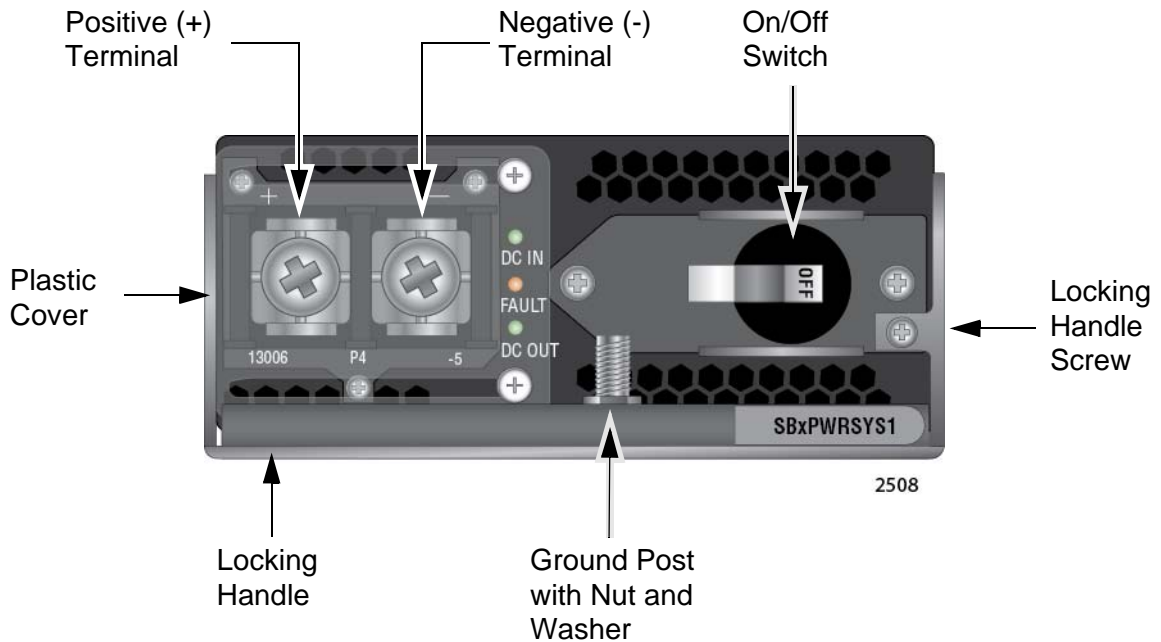


Figure 119. Components of the AT-SBxPWRSYS1 DC Power Supply



Warning

As a safety precaution, install a circuit breaker with a minimum value of 50 Amps between the equipment and the DC power source.

Always connect the wires to the LAN equipment first before you connect the wires to the circuit breaker. Do not work with HOT feeds to avoid the danger of physical injury from electrical shock. Always be sure that the circuit breaker is in the OFF position before connecting the wires to the breaker. *E9*



Warning

For centralized DC power connection, install only in a restricted access area. *E23*

Note

A tray cable is required to connect the power source if the unit is powered by centralized DC power. The tray cable must be a UL listed Type TC tray cable and rated at 600 V and 90 degrees C, with two conductors, 8 AWG. *E24*

Choosing a Method for Attaching the Grounding Wire

You may attach the grounding wire to the power supply using the supplied terminal, shown in Figure 120, or bare wire.



Figure 120. Grounding Wire Terminal

The two methods are described in the following sections:

- “Connecting the Grounding Wire with the Grounding Terminal”
- “Connecting the Grounding Wire with Bare Wire” on page 201

Connecting the Grounding Wire with the Grounding Terminal

To attach a grounding wire with the grounding terminal provided with the power supply, perform the following procedure:

1. Prepare an adequate length of stranded 10 AWG grounding wire by stripping it as shown in Figure 121.

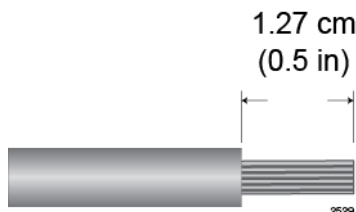


Figure 121. Stripping the Stranded Grounding Wire

Note

You must use stranded wire when using the grounding terminal to connect the ground wire to the grounding post. You may not use solid wire.

2. Insert the grounding wire into the grounding terminal provided with the power supply and use a crimping tool to secure it to the grounding terminal. See Figure 122,

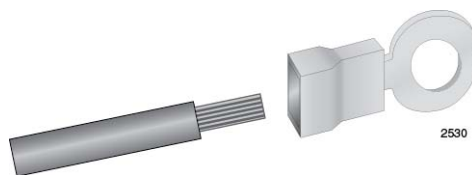


Figure 122. Attaching the Stranded Grounding Wire to the Grounding Terminal

3. Use an 8 mm wrench to remove the grounding post nut and washer, shown in Figure 123, from the power supply.

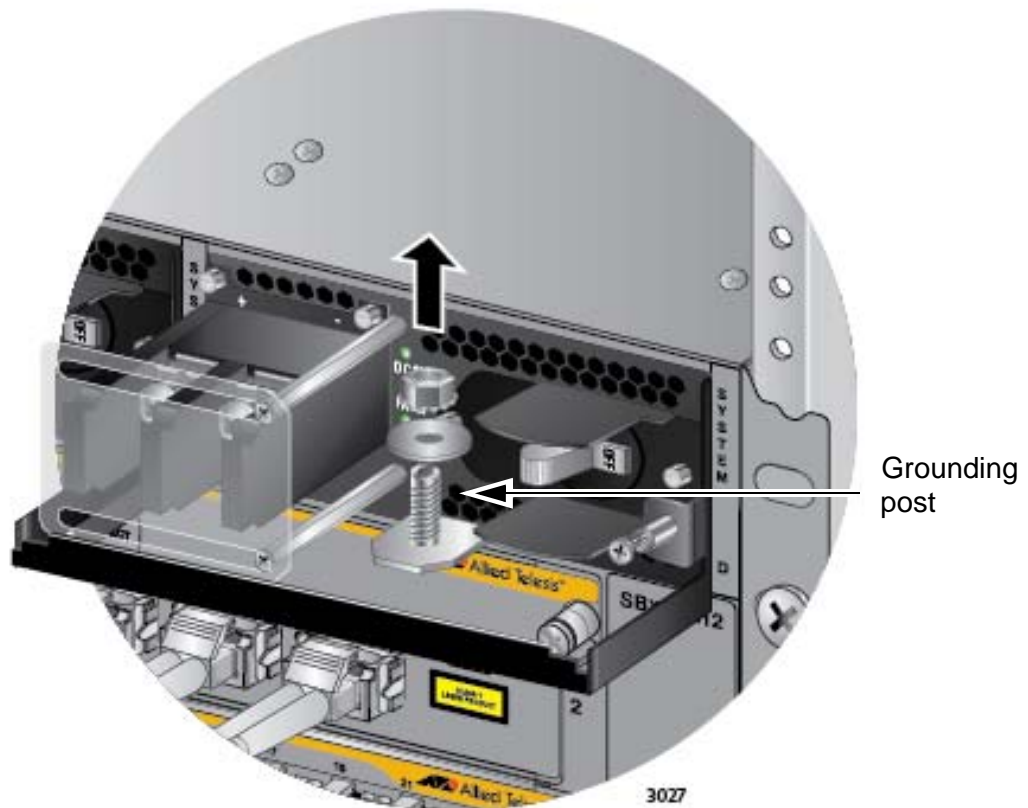


Figure 123. Removing the Nut and Washer from the Grounding Post

4. Attach the grounding lug and wire to the grounding post and secure them with the nut and washer removed in the previous step, and an 8 mm wrench.

Review the following before installing the grounding wire:

- You should angle the wire to the right so that you can open the plastic window to access the positive and negative terminals on the terminal block.
- You may route the cable either above or below the locking handle.
- Allied Telesis recommends tightening the nut and washer to 26 inch-lbs.

The grounding wire is illustrated in Figure 124 on page 200.

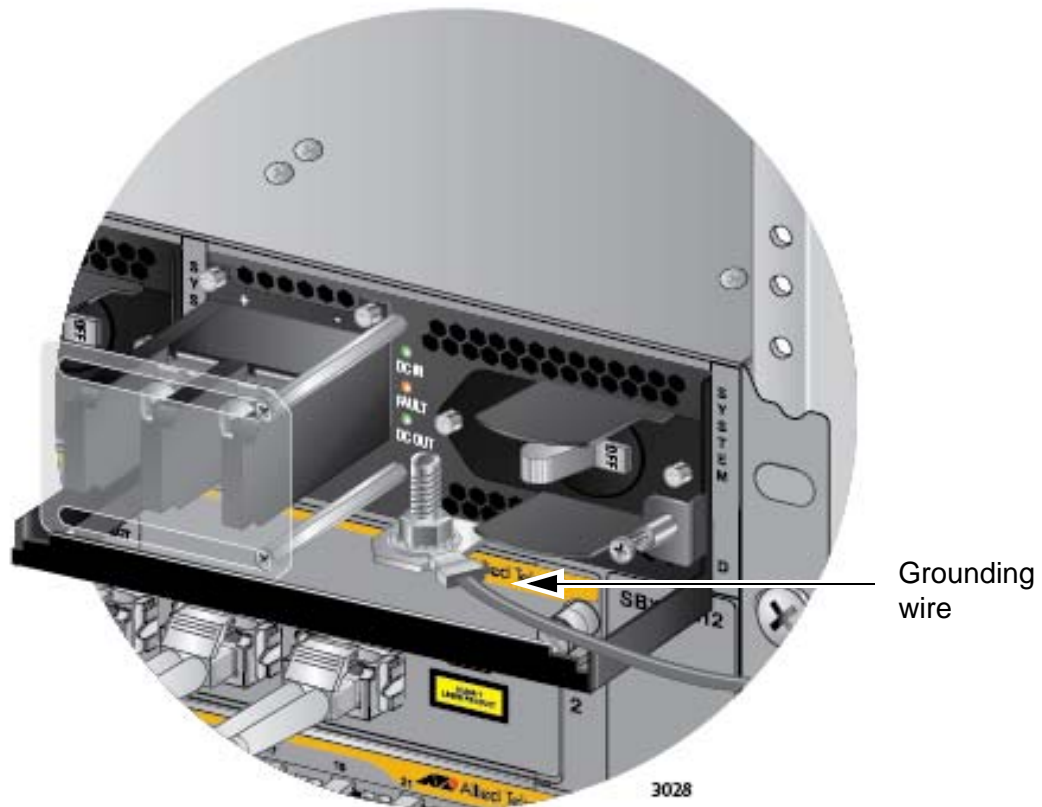


Figure 124. Installing the Grounding Wire

5. Connect the other end of the grounding wire to the building protective earth.



Warning

When installing this equipment, always ensure that the power supply ground connection is installed first and disconnected last. ⚡ E11

Note

This system will work with a positive grounded or negative grounded DC system. ⚡ E13

After connecting the grounding wire, go to “Choosing a Method for Attaching the Power Wires” on page 203.

Connecting the Grounding Wire with Bare Wire

To attach the grounding wire to the power supply with bare wire, perform the following procedure:

1. Prepare an adequate length of solid or stranded 10 AWG grounding wire by stripping it as shown in Figure 125.

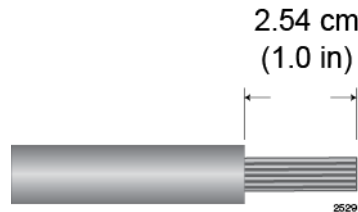


Figure 125. Stripping the solid or Stranded Grounding Wire

2. Use an 8 mm wrench to remove the grounding post nut and washer, shown in Figure 123 on page 199, from the grounding post on the power supply.
3. Wrap the grounding wire clockwise around the base of the grounding post, as shown in Figure 126.



Figure 126. Attaching the Bare Grounding Wire to the Grounding Post

- Secure the wire with the nut and washer removed in step 2, and an 8 mm wrench, as shown in Figure 127.

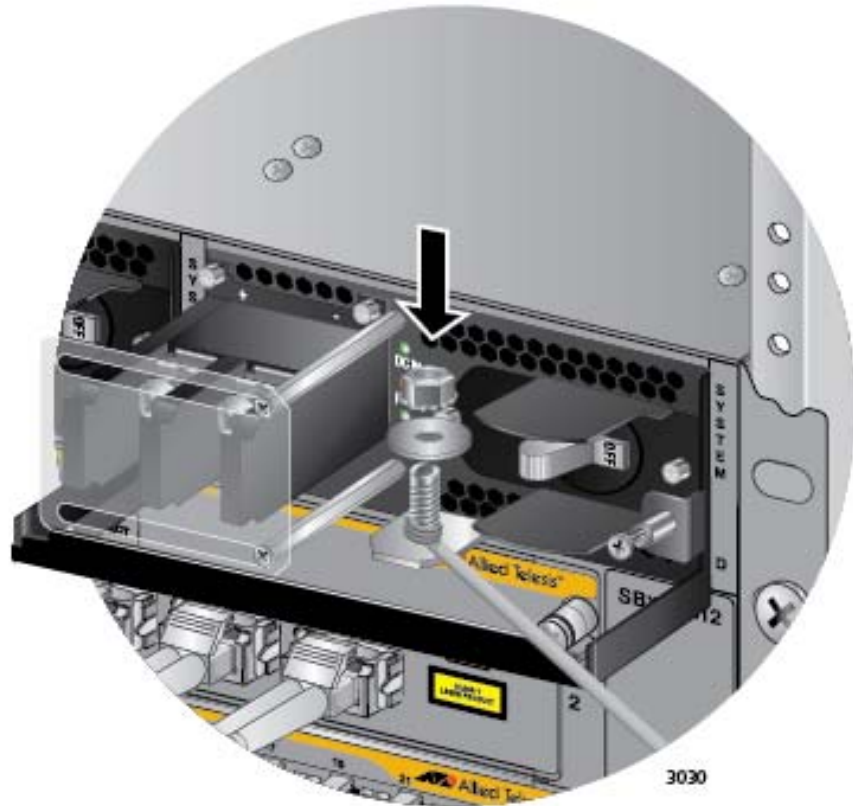


Figure 127. Securing the Bare Grounding Wire to the Grounding Post

Allied Telesis recommends tightening the nut and washer to 26 inch-lbs.

After connecting the grounding wire, go to “Choosing a Method for Attaching the Power Wires” on page 203.

Choosing a Method for Attaching the Power Wires

The AT-SBxPWRSYS1 DC Power Supply comes with the two sets of power wire terminals shown in Figure 128. You may use either set to connect the positive (+) and negative (-) wires to the terminal block on the power supply. The straight terminals are used to route the wires above or below the terminal block. The right angle terminals are used to route the power wires directly away from the terminal block.

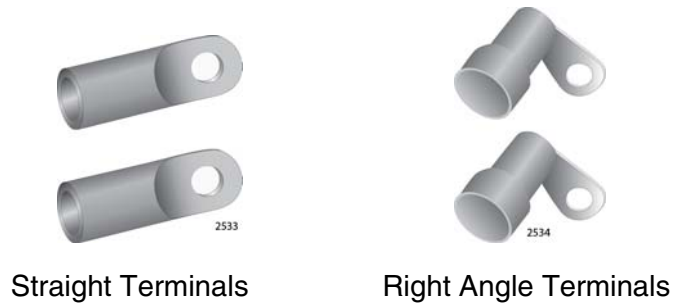


Figure 128. Power Wire Terminals

Note

The right angle terminals require the removal of the plastic cover from the terminal block.

You may also install the wires using bare wires.

Here are the procedures to wiring the positive and negative terminal block on the power supply:

- “Connecting the DC Power Wires with the Straight Terminals”
- “Connecting the DC Power Wires with the Right Angle Terminals” on page 212
- “Connecting Bare DC Power Wires” on page 218

Connecting the DC Power Wires with the Straight Terminals

To use the straight terminals to connect the DC power wires to the positive and negative terminals on the power supply, perform the following procedure:

1. Prepare adequate lengths of two stranded 8 AWG power wires by stripping them as shown in Figure 129 on page 204.



Warning

Do not strip more than the recommended amount of wire. Stripping more than the recommended amount can create a safety hazard by leaving exposed wire on the terminal block after installation. E10

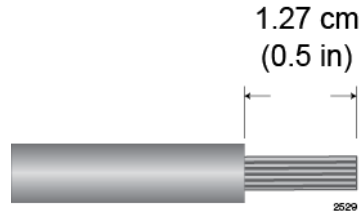


Figure 129. Stripping the Power Wires

Note

You must use stranded wires with the terminal lugs. You may not use solid wires.

2. Insert the power wires into the terminals included with the power supply and use a crimping tool to secure the wires to the terminals. See Figure 130.

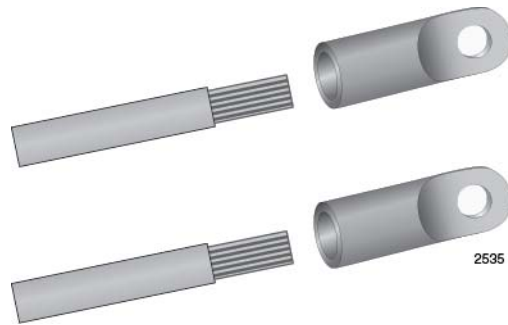


Figure 130. Attaching the Power Wires to the Straight Terminal Lugs

3. Verify that the On/Off switch on the AT-SBxPWRSYS1 DC Power Supply is in the Off position. Refer to Figure 131 on page 205.

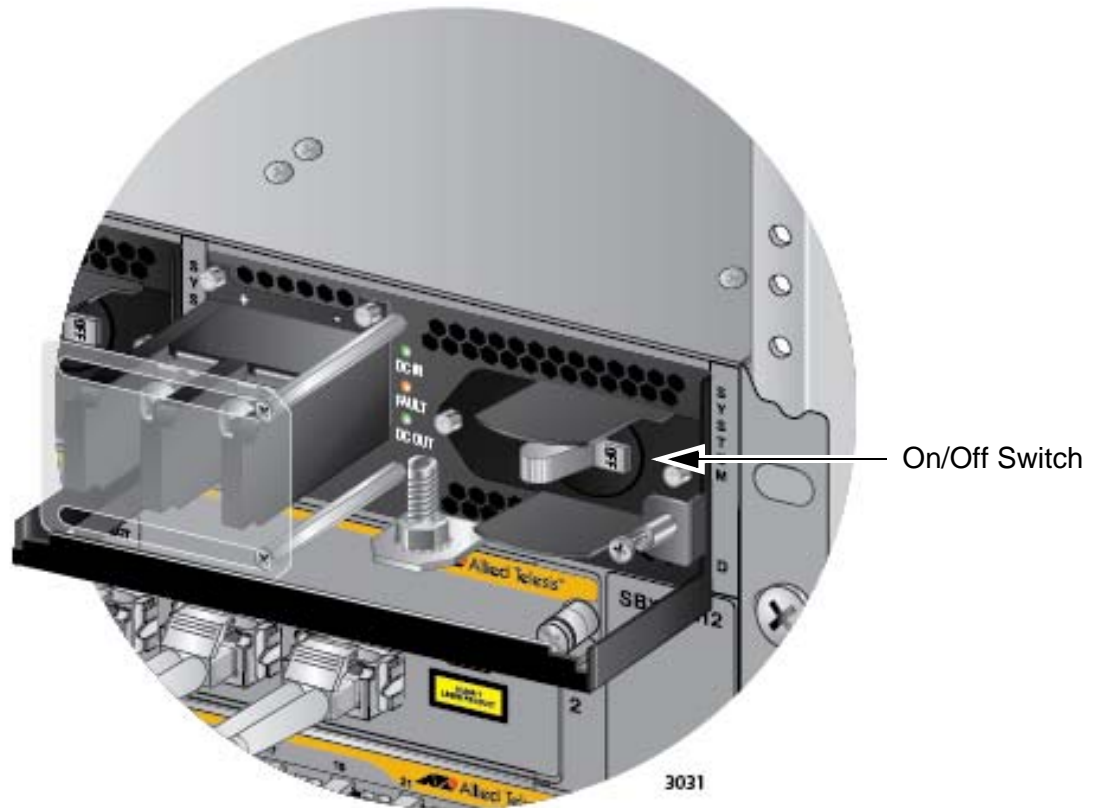


Figure 131. On/Off Switch on the AT-SBxPWRSYS1 DC Power Supply

4. Use a #1 Phillips-head screwdriver to loosen the two screws on the plastic cover over the positive and negative terminals on the power supply and slide the cover to the right, as shown in Figure 132 on page 206. You may need to lift the locking handle slightly to access the bottom screw.

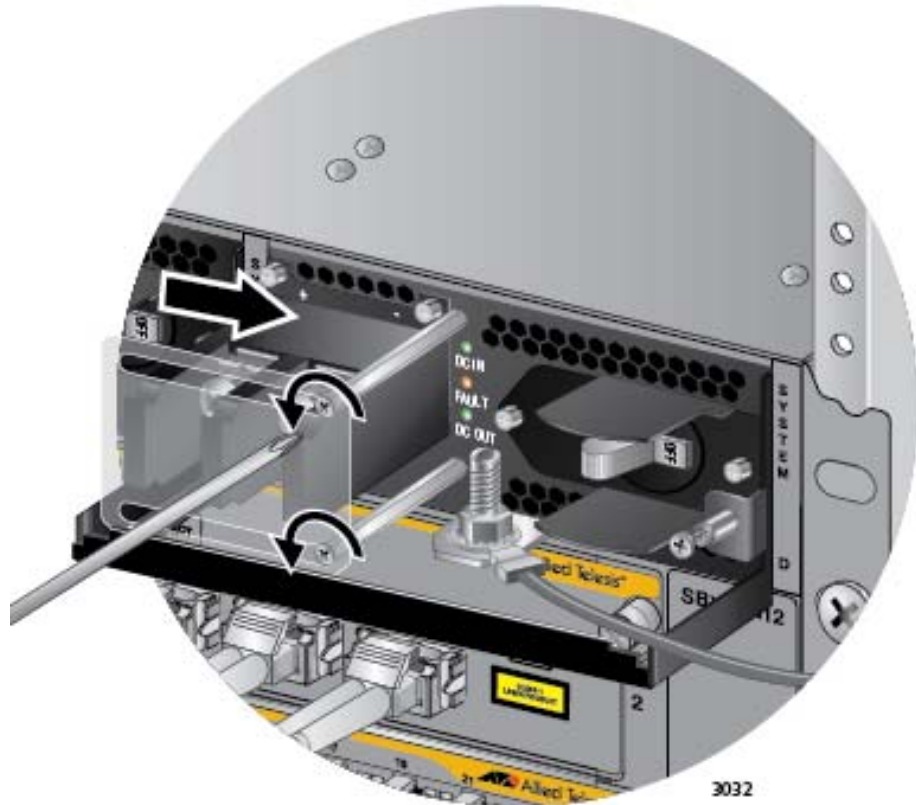


Figure 132. Opening the Plastic Cover

5. Use a #3 Phillips-head screwdriver to remove the two screws from the positive and negative terminals, as shown in Figure 133 on page 207.



Figure 133. Removing the Terminal Screws

6. With a #3 Phillips-head screwdriver, connect the positive (+) power lead wire to the positive terminal on the power supply, with one of the terminal screws removed in the previous step. The positive terminal is on the left. You may attach the terminals with the wires either above or below the terminal block. Figure 134 on page 208 shows the positive wire above the terminal block.

Allied Telesis recommends tightening the screw to 30 to 40 inch-lbs.

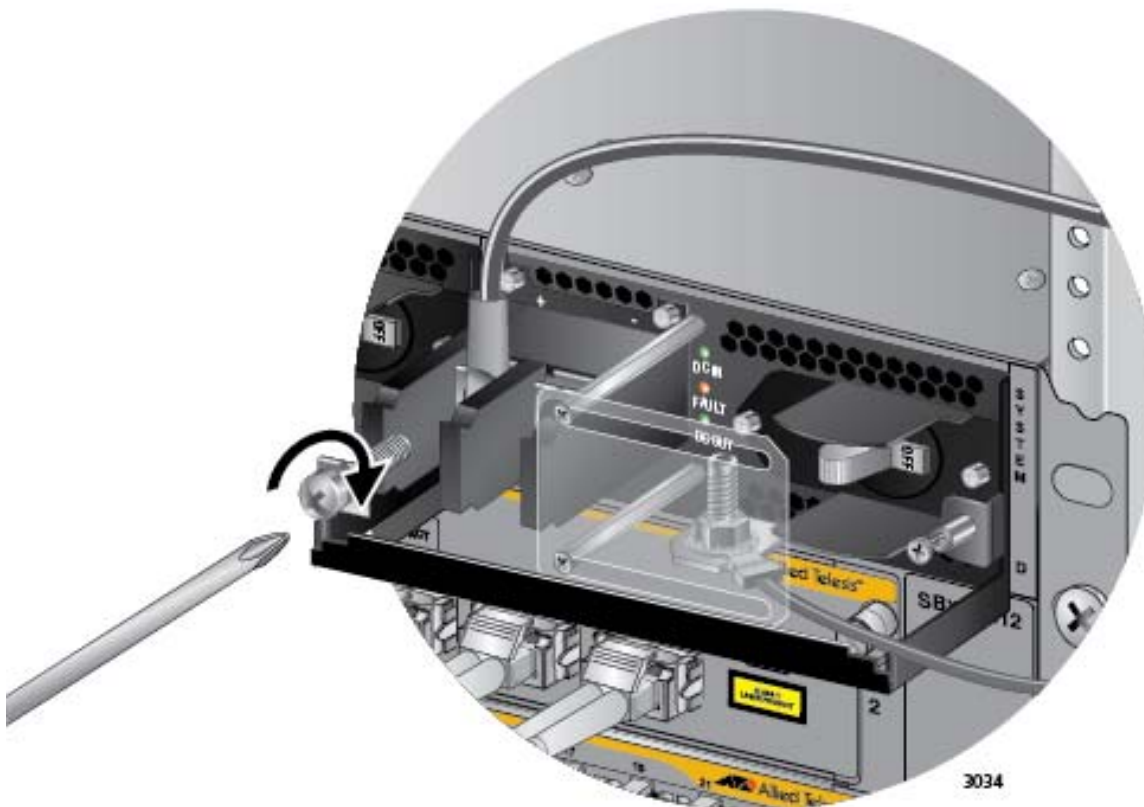


Figure 134. Connecting the Positive (+) Power Wire with a Straight Terminal

7. With a #3 Phillips-head screwdriver, connect the negative (-) power lead wire to the negative terminal on the power supply, with the remaining terminal screw removed in step 5. The negative terminal is on the right. You may attach the terminals with the wires either above or below the terminal block. Figure 135 on page 209 shows the wires above the terminal block.

Allied Telesis recommends tightening the screw to 30 to 40 inch-lbs.

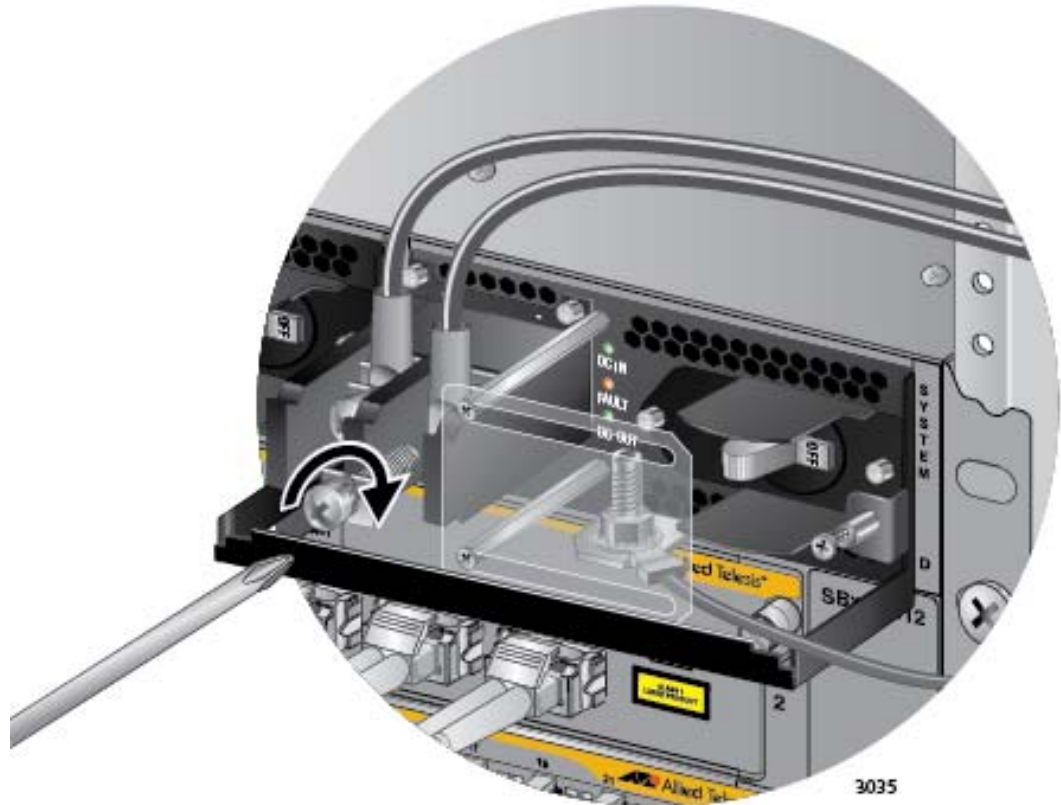


Figure 135. Connecting the Negative (-) Power Wire with a Straight Terminal



Warning

Check to see if there are any exposed copper strands coming from the installed wires. When this installation is done correctly there should be no exposed copper wire strands extending from the terminal block. Any exposed wiring can conduct harmful levels of electricity to persons touching the wires. ⚡ E12

8. Slide the plastic cover to the left and lightly tighten the two screws with a #1 Phillips-head screwdriver to secure the cover. See Figure 136 on page 210. You might need to lift the locking handle slightly to access the bottom screw.



Caution

Do not over tighten the screws or you may crack or break the plastic cover.

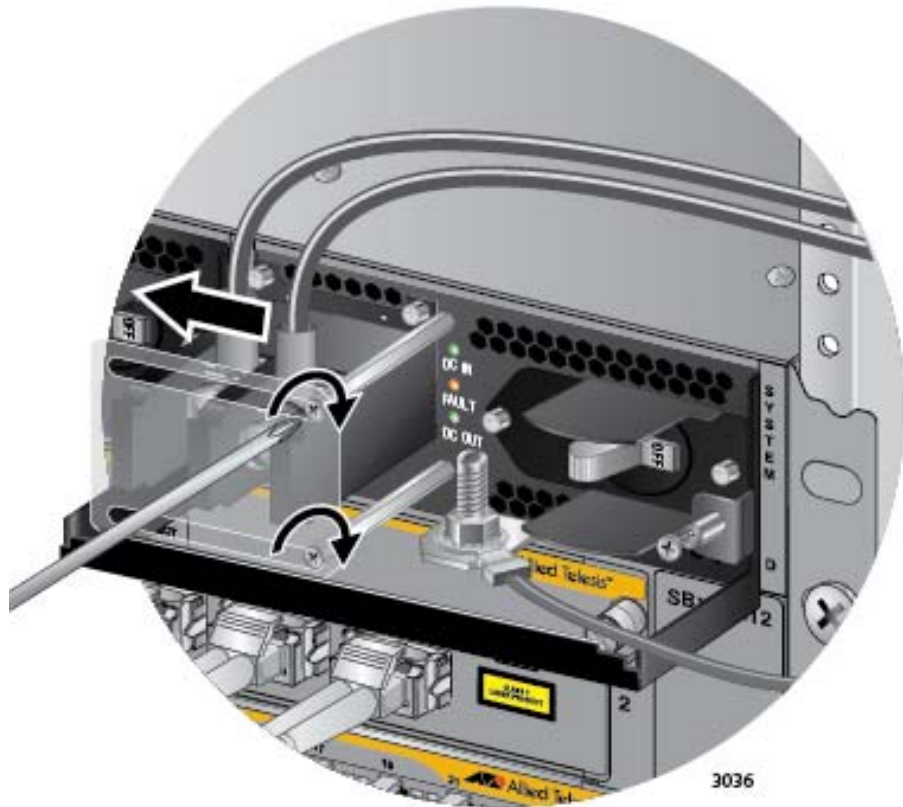


Figure 136. Closing the Plastic Cover over the Terminal Connectors

9. With a #2 Phillips-head screwdriver, tighten the handle locking screw to secure the power supply to the chassis. See Figure 137 on page 211.

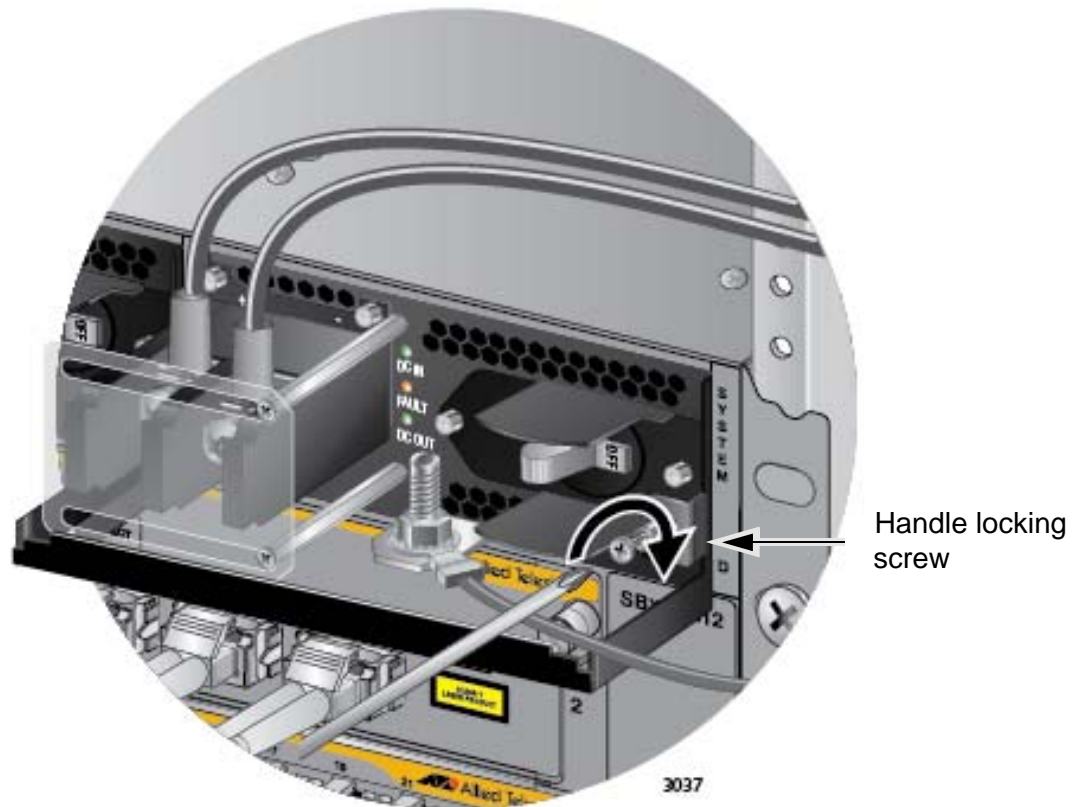


Figure 137. Tightening the Handle Locking Screw

10. Before attaching the power wires from the power supply to the circuit breaker in the wiring closet, check that the circuit breaker is off.
11. Connect the power wires to the circuit breaker.
12. Turn the circuit breaker on.
13. Turn the On/Off switch on the power supply to the On position. See Figure 131 on page 205.
14. Do one of the following:
 - If the chassis has two AT-SBxPWRSYS1 DC Power Supplies, repeat this procedure to power on the second power supply.
 - Otherwise, go to “Monitoring the Initialization Process” on page 222.

Connecting the DC Power Wires with the Right Angle Terminals

To connect the DC power wires to the positive and negative terminals on the power supply with the right angle terminals, perform the following procedure:

1. Prepare adequate lengths of two stranded 8 AWG power wires by stripping them as shown in Figure 138.



Warning

Do not strip more than the recommended amount of wire. Stripping more than the recommended amount can create a safety hazard by leaving exposed wire on the terminal block after installation. E10

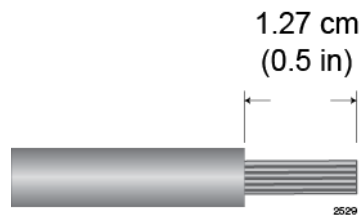


Figure 138. Stripping the Power Wires

Note

You must use stranded wires with the terminal lugs. You may not use solid wires.

2. Verify that the On/Off switch on the AT-SBxPWRSYS1 DC Power Supply is in the Off position. Refer to Figure 131 on page 205.
3. Insert the power wires into the right angle terminals included with the power supply and use a crimping tool to secure the wires to the terminals. See Figure 139,

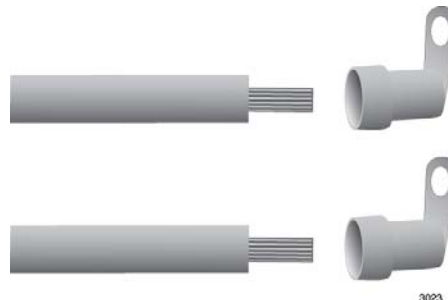


Figure 139. Attaching the Power Wires to the Right Angle Terminals

- Using a #1 Phillips-head screwdriver, remove the two screws that secure the plastic cover over the positive and negative terminals and remove the plastic cover from the power supply, as shown in Figure 140. You may need to lift the locking handle slightly to access the bottom screw.

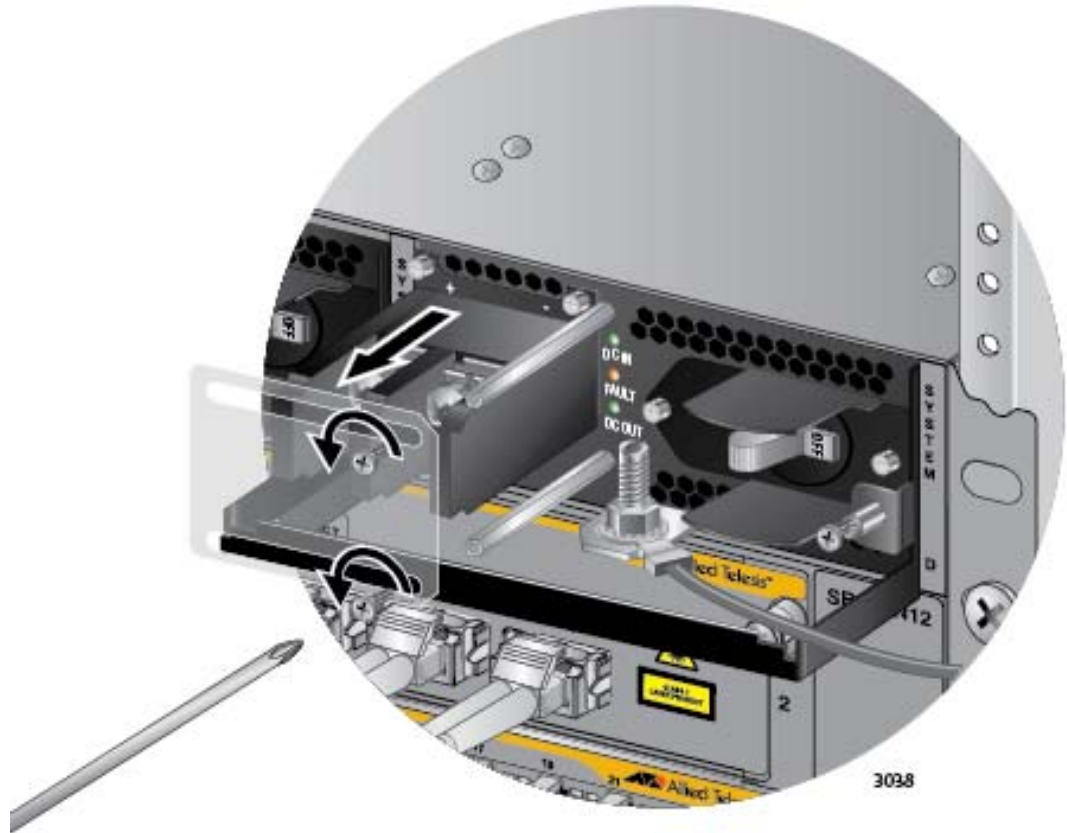


Figure 140. Removing the Plastic Cover

Note

The plastic cover is not used with the right angle terminals.

- Use a #3 Phillips-head screwdriver to remove the two screws from the positive and negative terminals, as shown in Figure 141 on page 214.



Figure 141. Removing the Terminal Screws

6. With a #3 Phillips-head screwdriver, connect the positive (+) power lead wire to the positive terminal on the power supply, with one of the terminal screws removed in the previous step. The positive terminal is on the left. Refer to Figure 142 on page 215.

Allied Telesis recommends tightening the screw to 30 to 40 inch-lbs.



Figure 142. Connecting the Positive (+) Power Wire with a Right Angle Terminal

7. With a #3 Phillips-head screwdriver, connect the negative (-) power lead wire to the negative terminal on the power supply, with the remaining terminal screw removed in step 5. The negative terminal is on the right. Refer to Figure 143 on page 216.

Allied Telesis recommends tightening the screw to 30 to 40 inch-lbs.



Figure 143. Connecting the Negative (-) Power Wire with a Right Angle Terminal



Warning

Check to see if there are any exposed copper strands coming from the installed wires. When this installation is done correctly there should be no exposed copper wire strands extending from the terminal block. Any exposed wiring can conduct harmful levels of electricity to persons touching the wires. ⚡ E12

8. With a #2 Phillips-head screwdriver, tighten the handle locking screw to secure the power supply to the chassis. See Figure 144 on page 217.

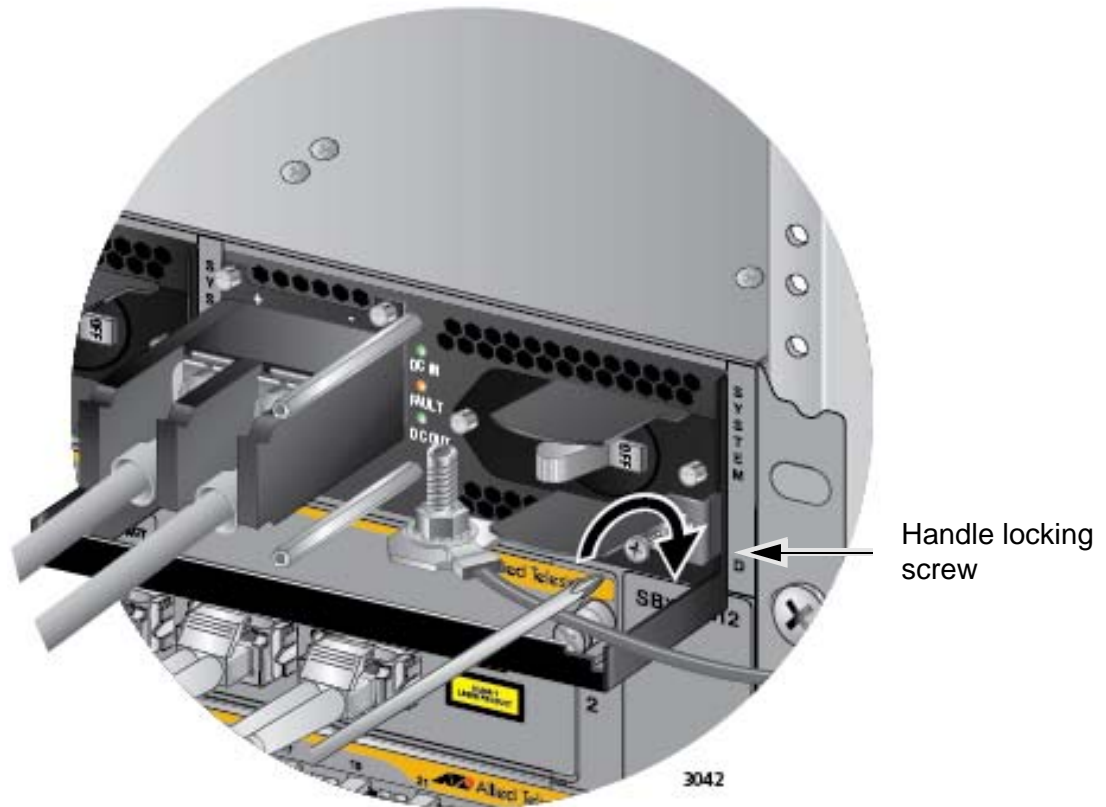


Figure 144. Tightening the Handle Locking Screw

9. Before attaching the power wires from the power supply to the circuit breaker in the wiring closet, check that the circuit breaker is off.
10. Connect the power wires to the circuit breaker.
11. Turn the circuit breaker on.
12. Turn the On/Off switch on the power supply to the On position. See Figure 131 on page 205.
13. Do one of the following:
 - If the chassis has two AT-SBxPWRSYS1 DC Power Supplies, repeat this procedure to power on the second power supply.
 - Otherwise, go to “Monitoring the Initialization Process” on page 222.

Connecting Bare DC Power Wires

To attach bare lead wires to the positive and negative terminals on the power supply, perform the following procedure:

1. Prepare adequate lengths of two solid or stranded 8 AWG DC power wires by stripping them as shown in Figure 145.

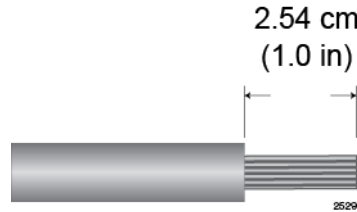


Figure 145. Stripping Solid or Stranded DC Power Wires

2. Use a #1 Phillips-head screwdriver to loosen the two screws on the plastic cover over the positive and negative terminals on the power supply and slide the cover to the right, as shown in Figure 132 on page 206. You may need to lift the locking handle slightly to access the bottom screw.
3. Use a #3 Phillips-head screwdriver to remove the two screws from the positive and negative terminals, as shown in Figure 133 on page 207.
4. Wrap the positive lead wire clockwise around one of the terminal screws and secure the screw and wire to the positive terminal connection on the terminal block with a #3 Phillips-head screwdriver. The positive terminal is on the left.

You may attach the wire to the terminal so that it extends either above or below the terminal block. Figure 146 on page 219 shows the wire above the terminal block. Allied Telesis recommends tightening the screw to 30 to 40 inch-lbs.

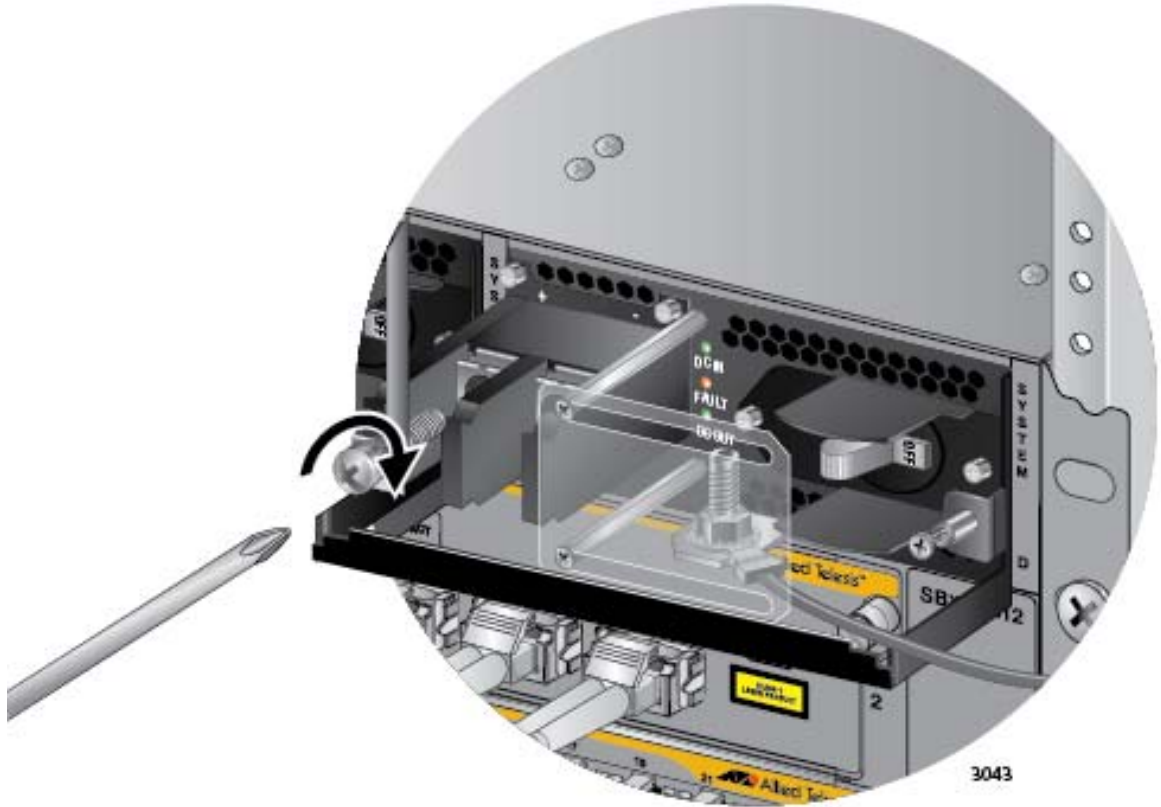


Figure 146. Connecting the Positive Wire With Bare Wire

5. Wrap the negative lead wire clockwise around the remaining terminal screw and secure the screw and wire to the negative terminal connection on the terminal block with a #3 Phillips-head screwdriver, as shown in Figure 147 on page 220. The negative terminal is on the right.



Figure 147. Connecting the Negative Lead Wire with Bare Wire

Allied Telesis recommends tightening the screw to 30 to 40 inch-lbs.



Warning

Check to see if there are any exposed copper strands coming from the installed wires. When this installation is done correctly there should be no exposed copper wire strands extending from the terminal block. Any exposed wiring can conduct harmful levels of electricity to persons touching the wires. *ES E12*

6. Slide the plastic cover to the left and lightly tighten the two screws with a #1 Phillips-head screwdriver to secure the cover. See Figure 136 on page 210. You might need to lift the locking handle slightly to access the bottom screw.



Caution

Do not over tighten the screws or you may crack or break the plastic cover.

7. With a #2 Phillips-head screwdriver, tighten the handle locking screw to secure the power supply to the chassis. See Figure 137 on page 211.
8. Before attaching the power wires from the power supply to the circuit breaker in the wiring closet, check that the circuit breaker is off.
9. Connect the power wires to the circuit breaker.
10. Turn the circuit breaker on.
11. Turn the On/Off switch on the power supply to the On position. See Figure 131 on page 205.
12. Do one of the following:
 - If the chassis has two AT-SBxPWRSYS1 DC Power Supplies, repeat this procedure to power on the second power supply.
 - Otherwise, go to “Monitoring the Initialization Process” on page 222.

Monitoring the Initialization Process

The line and controller cards perform an initialization process whenever you power or reset the chassis. The initialization process takes approximately three minutes to complete. The line cards do not begin to forward traffic from their ports until the process is finished.

The process has two phases:

- ❑ In the first phase, which takes approximately two minutes, the controller card loads and initializes its AlliedWare Plus Operating System and, if there are two controller cards in the chassis, set its active or standby state.
- ❑ In the second phase, the Ethernet line cards receive their management software from the active controller card, initialize the software, and configure their parameter settings according to the configurations provided by the active controller card. This phase takes one minute, after which the line cards begin to forward traffic.

You can monitor the initialization process by viewing either the LEDs on the cards or the messages on the Console port, as explained in the following sections

Using the LEDs to Monitor the Initialization Process

To monitor the first phase of the initialization process in which the controller card initializes its AlliedWare Plus Operating System and establishes its active master or standby master state, examine the CFC LED in the System Status LEDs on the card. The LED flashes green while the card initializes its management software. When this phase is finished, the card changes the LED to solid green if it is the active master or solid amber if it is the standby master.

To monitor phase 2 in which the line cards initialize and configure their management software, watch the SBx Linecard Status LEDs. There are twelve LEDs (numbered 1 to 12), one for each slot. The LED for a slot flashes green while the corresponding line card initializes its management software and configures its settings in accordance with the settings from the active controller card. The LED changes to solid green when the line card completes the initialization process and begins forwarding traffic.

Using the Console Port to Monitor the Initialization Process

Another way to monitor the initialization process of the chassis is to connect a terminal or PC with a terminal emulator program to the Console port on the controller card and watch the status messages. If the chassis has two controller cards, you should use the Console port on the controller card in slot 5. (The settings for the terminal or terminal emulator program are found in “Using Local Management to Verify the Chassis” on page 228.) Figure 148 on page 223 and Figure 149 on page 224 illustrate the messages. The controller and line cards are fully initialized and forwarding network traffic when the Console port displays the “awplus


```

Received event network.active
08:00:54 awplus-1.5 chassis[2138]: Card 1.2 (AT-SBx81GT24) has joined the
chassis
08:00:54 awplus-1.5 chassis[2138]: Card 1.1 (AT-SBx81GT24) has joined the
chassis
08:00:55 awplus-1.5 chassis[2138]: Card 1.3 (AT-SBx81XS6) has joined the
chassis
08:00:55 awplus-1.5 chassis[2138]: Card 1.4 (AT-SBx81GP24) has joined the
chassis
08:00:56 awplus-1.5 chassis[2138]: Card 1.5 (AT-SBx81CFC960) has become the
Active CFC
08:00:56 awplus-1.5 chassis[2138]: Stack Virtual MAC is 0000.cd37.0131
.
.
.
08:03:10 awplus-1.5 chassis[2138]: Card 1.12 (AT-SBx81GP24) has joined the
chassis
Received event vcs.elected-master

Assigning Active Workload to HA processes:
hsl, nms, sflowd, authd, bgpd, epsrd, imi
imi proxyd, irpd, lacpd, lldpd, loopprot, mstpd, ospf6d
ospfd, pdmd, pim6d, pimd, ripd, ripngd, rmond
vrrpd

Received event network.activated

Loading default configuration

done!
Received event network.configured

awplus login:

```

Figure 149. Initialization Messages for a Stand-alone Switch (Continued)

Chapter 11

Verifying the Hardware Operations of the Chassis

This chapter describes how to verify the operations of the chassis. The chapter contains the following sections:

- “Using the LEDs to Verify the Chassis” on page 226
- “Using Local Management to Verify the Chassis” on page 228

Note

Allied Telesis recommends using both methods to confirm the initial operations of the chassis, controller cards, and line cards.

Using the LEDs to Verify the Chassis

After powering on the chassis for the first time and waiting a minimum of three minutes for the line and controller cards to complete the initialization process, check the operational status of the various hardware components by examining the LEDs, as explained in this procedure:

1. Check the LEDs on the power supplies:
 - ❑ AT-SBxPWRSYS1, AT-SBxPWRSYS2, and AT-SBxPWRPOE1 AC Power Supplies: The power supplies are operating properly when the AC and DC LEDs are solid green and Fault LEDs are off. If there is a problem, refer to “AT-SBxPWRSYS1, AT-SBxPWRSYS2, and AT-SBxPWRPOE1 Power Supplies” on page 234 for troubleshooting suggestions.
 - ❑ AT-SBxPWRSYS1 DC Power Supply: The power supply is operating properly when the DC IN and DC OUT LEDs are solid green and the Fault LED is off. If there is a problem, refer to “AT-SBxPWRSYS1 DC System Power Supply” on page 236 for troubleshooting suggestions.
2. Check the Power LED on the AT-SBxFAN12 module. The module is operating normally when the LED is solid green. If the LED is off, the fan module has a problem or failed. Power off the chassis and contact your Allied Telesis representative for assistance. Do not operate the chassis without a fully operational fan unit.
3. If the chassis has one controller card, check the CFC LED on the card. It should be solid green. If the LED is flashing green, the card is still initializing its AlliedWare Plus Operating System. Wait another minute and check the LED again. If the LED is still flashing green, the card may have encountered a problem that prevents it from completing the initialization process. Power off the chassis and replace the controller card.

Note

If all the LEDs on the controller card are off, they may have been turned off. Try pressing the eco-friendly button on the card to turn them on.

4. If the chassis has two controller cards, check the CFC LEDs on both cards. The cards are operating correctly when the LEDs are solid green on one card and solid amber on the other. If both LEDs are flashing green, the controller cards are still completing the initialization process. If the LEDs do not change to solid green and amber after another minute, the cards may have encountered a problem that

prevents them from completing the initialization process. Power off the chassis and replace the cards.

5. To check the status of the Ethernet line cards, inspect the SBx Linecard Status LEDs on the controller card. (If the chassis has two controller cards, you may use the LEDs on either card.) A line card is operating normally when its corresponding LED is solid green. The LED flashes green as the card initializes its management software. If an LED is flashing green after two minutes, the corresponding line card may have a problem and cannot complete the initialization process. For example, the line card in slot 8 of the chassis is operating normally when the SBx Linecard Status, number 8 LED is solid green. For troubleshooting suggestions, refer to “Ethernet Line Cards” on page 238.
6. To check the status of the links of the individual ports on the line cards, inspect the L/A LEDs on the cards. The LEDs should be solid or flashing green on ports that are connected to active network devices. If there is a problem with a link, refer to “Twisted Pair Ports” on page 240 and “Fiber Optic or Twisted Pair Transceivers” on page 244 for troubleshooting suggestions.
7. To check the status of PoE on the ports of the AT-SBx81GP24 Line Card, use the PoE LEDs, shown in Figure 18 on page 44. The LEDs are solid green when ports are delivering power to powered devices on your network. If there is a problem, refer to “Power Over Ethernet” on page 242 for troubleshooting suggestions.

Using Local Management to Verify the Chassis

This section explains how to use the commands in the AlliedWare Plus Operating System on the controller card to confirm the operations of the chassis. The section has the following procedure:

- ❑ “Starting a Local Management Session” on page 228
- ❑ “Verifying the Chassis with the AlliedWare Plus Commands” on page 229

The initial management session of the switch must be a local management session. For instructions on how to configure the chassis for remote management with a Telnet or Secure Shell client, refer to the *Software Reference for SwitchBlade x8100 Series Switches*.

Starting a Local Management Session

To start a local management session, perform the following procedure:

1. Connect the RJ-45 end of the management card included with the AT-SBx81CFC960 Controller Fabric Card to the Console RS-232 port on the front panel of the AT-SBx81CFC960 Control Card, as shown in Figure 150. If the chassis has two controller cards, you may use the Console RS-232 port on either card to establish a local management session with the chassis.

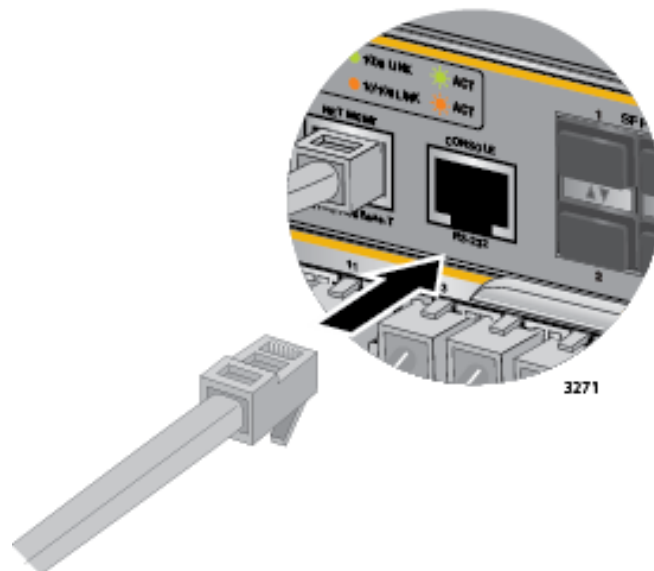


Figure 150. Connecting the Management Cable to the Console RS-232 Port

2. Connect the other end of the cable to an RS-232 port on a terminal or personal computer with a terminal emulation program.

- Configure the VT-100 terminal or terminal emulation program as follows:

- Baud rate: 115,200 bps
- Data bits: 8
- Parity: None
- Stop bits: 1
- Flow controller: None

Note

The port settings are for a DEC VT100 or ANSI terminal, or an equivalent terminal emulator program.

- Press Enter. You are prompted for a user name and password.
- Enter the default user name and password. They are “manager” and “friend” (without the quotes), respectively

Note

User names and passwords are case sensitive.

The local management session starts and the switch displays the prompt for the User Exec mode, “awplus>”.

Verifying the Chassis with the AlliedWare Plus Commands

To confirm the operations of the chassis with the commands in the AlliedWare Plus Operating System, perform the following procedure:

- Enter the SHOW VERSION command in the User Exec or Privileged Exec mode to display the software version number of the management software on the controller card. An example is shown in Figure 151.

```
awplus> show version

AlliedWare Plus (TM) 5.4.4

Build name : SBx81CFC960-5.4.4.rel ← Software Version Number
Build date : Wed Dec 15 12:13:19 NZDR 2013
Build type : RELEASE
NEW-SNMP SNMP agent software
(c) 1996, 1998-2000 The Regents of the University of California.
All rights reserved;
.
.
.
```

Figure 151. SHOW VERSION Command

2. Compare the version number displayed by the `SHOW VERSION` command with the information in Table 27 on page 90 to confirm that the version of the AlliedWare Plus Operating System on the controller card supports all the hardware components in the chassis. If necessary, update the management software on the controller card.
3. To display the status of the power supplies, fan module, and AT-SBx81CFC960 Controller Fabric Cards, use the `SHOW SYSTEM ENVIRONMENT` command in the User Exec or Privileged Exec mode. The Status column in the display provides the states of the modules. Components are operating normally when they have an “Ok” status.

Note

The next command, `SHOW CARD`, has to be performed from the Privileged Exec mode. If you are still in the User Exec mode, enter the `ENABLE` command to move to the Privileged Exec mode. The prompt for the mode is “awplus#”.

4. To display the status of the line cards, use the `SHOW CARD` command in the Privileged Exec mode. A line card has a state of “Online” when it is operating normally. An example of the status information is shown in Figure 152.

```
awpl us# show card
```

Slot	Card Type	State
1	AT-SBx81GP24	Online
2	AT-SBx81XS6	Online
3	AT-SBx81GP24	Online
4	AT-SBx81GS24a	Online
5	AT-SBx81CFC960	Online (Active)
6	AT-SBx81CFC960	Online (Standby)
7	AT-SBx81GP24	Online
8	AT-SBx81GS24a	Online
9	AT-SBx81GP24	Online
10	AT-SBx81XS6	Online
11	AT-SBx81GP24	Online
12	AT-SBx81GS24a	Online

Figure 152. SHOW CARD Command

5. To display the states of the individual ports on the Ethernet line cards, use the `SHOW INTERFACE STATUS` command in the Privileged Exec mode.
6. To check the status of PoE on the ports of the AT-SBx81GP24 Line Card, use the `SHOW POWER-INLINE` or `SHOW POWER-INLINE INTERFACE` command in the User Exec or Privileged Exec mode.

For information about the command line interface, refer to the *Software Reference for SwitchBlade x8100 Series Switches* on the Allied Telesis web site.

Chapter 12

Troubleshooting

This chapter contains information on how to troubleshoot the SwitchBlade x8112 product.

Note

If you are unable to resolve a hardware problem with the instructions in this chapter, contact Allied Telesis Technical Support for further assistance. Refer to “Contacting Allied Telesis” on page 18 for contact information.

The following troubleshooting information is available:

- ❑ “AT-SBxPWRSYS1, AT-SBxPWRSYS2, and AT-SBxPWRPOE1 Power Supplies” on page 234
- ❑ “AT-SBxPWRSYS1 DC System Power Supply” on page 236
- ❑ “Ethernet Line Cards” on page 238
- ❑ “Twisted Pair Ports” on page 240
- ❑ “Power Over Ethernet” on page 242
- ❑ “Fiber Optic or Twisted Pair Transceivers” on page 244
- ❑ “AT-SBx81CFC960 Controller Fabric Card” on page 246
- ❑ “AT-SBxFAN12 Fan Module” on page 247
- ❑ “Local (Console) Management Session” on page 248
- ❑ “Power Supply Interfaces (Opto-couplers)” on page 249

AT-SBxPWRSYS1, AT-SBxPWRSYS2, and AT-SBxPWRPOE1 Power Supplies

The AT-SBxPWRSYS1 and AT-SBxPWRSYS2 AC System Power Supplies and AT-SBxPWRPOE1 PoE Power Supply are operating normally when the AC and DC LEDs are solid green and the Fault LED is off. Possible fault conditions and their solutions are described here:

Fault Condition 1: If the AC LED is off, the power supply is not receiving power, has overheated and been disabled, or has failed and needs to be replaced. Try the following:

- ❑ Verify that there is a power cord connected to the power supply's connector on the back panel of the chassis. For example, if a power supply in slot C does not have power, check for a power cord on connector C on the back panel.
- ❑ Verify that the power cord is securely connected to the chassis and the AC power source.
- ❑ Verify that the AC power has power by connecting another device to it.
- ❑ Verify that the power from the AC power source is within the required levels for your region.
- ❑ If the chassis is still operating, use the `SHOW SYSTEM ENVIRONMENT` command in the User Exec or Privileged Exec mode to determine if the power supply has overheated and shutdown. The Status column in the display provides the states of the chassis modules. Components that have an "Ok" status are operating normally.

Fault Condition 2: If the AC LED is solid green and the DC LED is off, the power unit is generating insufficient DC power. Replace the power supply.

Fault Condition 3: If the Fault LED is solid amber, try the solutions in Fault Condition 1. If they do not resolve the problem, replace the power supply.

Note

The power supplies are hot swappable in a redundant configuration. This allows the AT-SBx8112 Chassis to continue operating while you exchange power supplies.

Fault Condition 4: If the LEDs on the power supply indicate normal operations but the PSU LED on the active master controller card is showing a fault condition, the problem may be with one of the two power supply interfaces (opto-couplers) on the rear panel of the chassis. For troubleshooting suggestions, refer to "Power Supply Interfaces (Opto-couplers)" on page 249.



Caution

The power supply interfaces are *not* hot swappable and should only be serviced by an authorized service technician.

AT-SBxPWRSYS1 DC System Power Supply

If you suspect a problem with the DC power supply, examine its LEDs. The power supply is operating normally when the DC IN and DC OUT LEDs are solid green and the Fault LED is off. Possible fault conditions and their solutions are described here:

Fault Condition 1: If the DC IN LED is off, the power supply is not receiving power, has overheated and been disabled, or has failed and needs to be replaced. Try the following:

- ❑ Verify that the On/Off switch on the power supply is in the On position.
- ❑ Verify that the DC circuit breaker is on.
- ❑ Verify that the positive and negative power wires are correctly and securely connected to the terminal block on the power supply and circuit breaker.
- ❑ Verify that the DC circuit break has power by attaching another device to it.
- ❑ Verify that the power from the DC circuit break is within the required levels of the power supply. Refer to “Power Specifications” on page 345.
- ❑ If the chassis is still operating, use the SHOW SYSTEM ENVIRONMENT command in the User Exec or Privileged Exec mode to determine if the power supply has overheated and shutdown. The Status column in the display provides the states of the chassis modules. Components that have an “Ok” status are operating normally.

Fault Condition 2: If the DC IN LED is solid green but the DC OUT LED is off, the power unit is generating insufficient DC power. Replace the power supply.

Fault Condition 3: If the Fault LED is solid amber, try the solutions in Fault Condition 1. If they do not resolve the problem, replace the power supply.

Note

The power supply is hot swappable. If the chassis has two power supplies and one of them fails, you do not have to power off the operational power supply to replace the failed unit.

Fault Condition 4: If the LEDs on the power supply indicate normal operations but the PSU LED on the active master control card is off or is showing a fault condition, try the following suggestions:

- ❑ The control card may not be able to detect the DC power supply because it is not running the most recent version of the management software. For instructions on how to verify the software version on the control card, refer to “Using Local Management to Verify the Chassis” on page 228 and “AlliedWare Plus Software Releases for the Hardware Components” on page 90.
- ❑ The problem may be with one of the two power supply interfaces (opto-couplers) on the rear panel of the chassis. For troubleshooting suggestions, refer to “Power Supply Interfaces (Opto-couplers)” on page 249.

**Caution**

The power supply interfaces are *not* hot swappable and should only be serviced by an authorized service technician.

Ethernet Line Cards

A quick and easy way to check the overall health of the Ethernet line cards in the chassis is with the SBx STATUS LEDs on the controller card. (If the chassis has two controller cards, you may use the LEDs on either card.) There are twelve LEDs, one for each slot. The LEDs are numbered 1 to 12, just like the slots. The cards in the slots are operating normally when the LEDs are green. The Ethernet line card in slot 8 of the chassis, for example, is operating normally when the SBx STATUS LED 8 on the controller card is solid green.

If you suspect a problem with an Ethernet line card or controller card, try the following:

- ❑ If all the L/A LEDs on the card are off, try pressing the eco-friendly button on the active master controller card to verify that the LEDs on the line cards are on.
- ❑ Check the card's status LED in the SBx STATUS LEDs on the controller card. If the LED is flashing amber, the card is initializing its management software. Wait one to two minutes for the card to complete the process. If the LED does not change to green, try installing the line card in a different slot. If the problem remains, the card cannot complete the initialization process. Try installing the card in another chassis with a different controller card.
- ❑ If the card's status LED in the SBx STATUS LEDs on the controller card is solid amber, the card might not be able to boot up because the controller card does not have its load file and needs to be updated.

Here are some other steps to try:

- ❑ Check that the card is completely installed in the slot and that the front plate is flush with the front of the chassis.
- ❑ Try resetting the card with the REBOOT CARD command. The example of the command restarts the card in slot 2:

```
awpl us# reboot card 2
Reboot card 2 system? (y/n)? y
awpl us#
```

- ❑ Try installing the card in a different slot. If it works in the new slot, the problem is with the previous slot.
- ❑ Try installing the card in a different chassis. If it works in the new chassis, the problem is with the previous chassis. If the problem persists, the problem is with the card.
- ❑ Use the SHOW CARD command to display card status information, as shown in Figure 152 on page 230.

If the problem is with the AT-SBx81XS16 Line Card, check the following items:

- ❑ Verify that the version of the AlliedWare Plus Operating System on the AT-SBx81CFC960 Controller Fabric Card supports the card. The AT-SBx81XS16 Line Card requires version 5.4.4 or later. To determine the version number of the operating system on the controller card, start a management session on the chassis and issue the SHOW SYSTEM command in the Privileged Exec mode. For instructions, refer to “Displaying the Management Software Version Number” on page 315. If necessary, update the operating system on the controller card. For instructions, refer to the Software Reference for SwitchBlade x8100 Series Switches
- ❑ Verify that the line card is installed in a supported slot in the AT-SBx8112 Chassis. The AT-SBx81XS16 Line Card is supported in slots 1 to 4, 8, and 10. The card is not supported in slots 7, 9, 11, and 12. The controller card generates an error message if a card is installed in an unsupported slot.
- ❑ Verify that the controller card in the chassis is the AT-SBx81CFC960 Controller Fabric Card. The AT-SBx81CFC400 Controller Fabric Card does not support the AT-SBx81XS16 Line Card.

If the problem is with the AT-SBx81XLEM Line Card, check the following items:

- ❑ Verify that the version of the AlliedWare Plus Operating System on the AT-SBx81CFC960 Controller Fabric Card supports the card. The AT-SBx81XLEM Line Card requires version 5.4.6 or later. To determine the version number of the operating system on the controller card, start a management session on the chassis and issue the SHOW SYSTEM command in the Privileged Exec mode. For instructions, refer to “Displaying the Management Software Version Number” on page 315. If necessary, update the operating system on the controller card. For instructions, refer to the Software Reference for SwitchBlade x8100 Series Switches.
- ❑ If the AT-SBx8112 Chassis has AlliedWare Plus v5.4.6, verify that the AT-SBx81XLEM Line Card is installed in a supported slot. The supported slots for the card are slots 1 to 4, 8, and 10. (This restriction does not apply to AlliedWare Plus v5.4.6-1 or later, which supports the line card in all ten line card slots.)

Twisted Pair Ports

This section applies to the twisted pair ports on the following devices:

- ❑ AT-SBx81GT24 Line Card
- ❑ AT-SBx81GT40 Line Card
- ❑ AT-SBx81GP24 Line Card
- ❑ AT-SBx81XLEM/XT4 Expansion Module

If a twisted pair port is cabled to a network device but the L/A LED is off, try the following:

- ❑ If all the L/A LEDs on the cards are off, try pressing the eco-friendly button on the active master controller card to verify that the LEDs on the line cards are on.
- ❑ Verify that the network device connected to the port is powered on and operating properly.
- ❑ Check that the twisted pair cable is securely connected to the ports on the line card and the end node.
- ❑ Make sure that the twisted pair cable does not exceed 100 m (328 ft).
- ❑ Verify that you are using the appropriate category of cable by referring to the appropriate table in “Cable Requirements” on page 62.
- ❑ Verify that the twisted-pair cable is not faulty by replacing it with a known good cable.
- ❑ Make sure that the operating parameters of the ports on the line card and network device are compatible.

If the L/A LED for a port is on, signalling a link to the network device, but link performance is poor or intermittent, the problem may be from a bad cable. Try replacing the cable.

Another source of poor or intermittent performance on a link can be a speed or duplex mode mismatch between a port and network device. Here are some items to consider when resolving this type of problem:

- ❑ The default speed setting for the ports is Auto-Negotiation. This setting is appropriate for ports connected to network devices that also support Auto-Negotiation.
- ❑ The default speed setting of Auto-Negotiation is not appropriate for ports connected to network devices that do not support Auto-Negotiation and have fixed speeds. For those switch ports, you should disable Auto-Negotiation and set the port's speed manually to match the speeds of the network devices.

- ❑ The ports must be set to Auto-Negotiation, the default setting, to operate at 1000Mbps or 10Gbps.
- ❑ The default duplex mode setting for the ports is Auto-Negotiation. This setting is appropriate for ports connected to network devices that also support Auto-Negotiation for duplex modes.
- ❑ The default duplex mode setting of Auto-Negotiation is not appropriate for ports connected to network devices that do not support Auto-Negotiation and have a fixed duplex mode. Disable Auto-Negotiation on those ports and set the duplex modes manually to avoid the possibility of duplex mode mismatches. A switch port using Auto-Negotiation defaults to half-duplex if it detects that the end node is not using Auto-Negotiation, which can result in a mismatch if the end node is operating at a fixed duplex mode of full-duplex.

Note

The AT-SBx81GT40 Line Card does not support half-duplex mode.

Yet another source for a poor or intermittent link can be a MDI/MDIX wiring configuration mismatch. The wiring configurations of the ports on the AT-SBx81GT24, AT-SBx81GT40, and AT-SBx81GP24 Line Cards are set automatically with automatic MDIX detection when the ports are operating at 10 or 100 Mbps. (Automatic MDIX detection does not apply to the ports when they are operating at 1000 Mbps.) You may not disable this feature on the ports. For automatic MDIX detection to work successfully, the network device connected to a port must also support the feature. If it does not, a port on the switch defaults to MDIX. This may require the use of a crossover cable. Here are the guidelines to choosing straight-through or crossover cables for the ports:

- ❑ You may use straight-through cables on ports that are connected to network devices that operate at 1000 Mbps.
- ❑ You may use straight-through or crossover cables on ports that are connected to network devices that support automatic MDIX detection and that operate at 10 or 100 Mbps.
- ❑ You *must* use straight-through cables on ports that are connected to network devices that have a fixed wiring configuration of MDI and that operate at 10 or 100 Mbps.
- ❑ You *must* use crossover cables on ports that are connected to network devices that have a fixed wiring configuration of MDIX and that operate at 10 or 100 Mbps.

Power Over Ethernet

This section applies only to the AT-SBx81GP24 Line Card. Each port has two LEDs. The left LED provides port link and activity status and the right LED provides PoE status information. The PoE LED is solid green when a port is delivering power to a powered device (PD). The PoE LED of a port that is not delivering power will be flashing amber, steady amber, or off. If a powered device is not receiving power from a port on the line card, try the following:

- ❑ If all the L/A LEDs on the line cards in the chassis are off, try pressing the eco-friendly button on the active master controller card to turn on the LEDs.
- ❑ Check to be sure that the chassis has at least one AT-SBxPWRPOE1 Power Supply and that the unit is operating properly. The AC and DC LEDs should be solid green and the Fault LED should be off. For troubleshooting suggestions, refer to “AT-SBxPWRSYS1, AT-SBxPWRSYS2, and AT-SBxPWRPOE1 Power Supplies” on page 234.
- ❑ Review the PD’s documentation to confirm that it supports Mode A of the IEEE 802.3at standard. Mode A is one of two modes that define the connector pins that deliver the power from the port on the line card to the PD. In Mode A, the power is carried on pins 1, 2, 3, and 6 on the RJ-45 port, the same pins that carry the network traffic. The second mode, Mode B, defines pins 4, 5, 7, and 8 as the power carriers. The AT-SBx81GP24 Line Card does not support Mode B. Most powered devices are designed to accept power by either mode, but some legacy devices may only support one mode. This can be verified by reviewing the device’s documentation or data sheet. Legacy devices that only support Mode B will not work with this line card.
- ❑ Review the device’s documentation or data sheet to confirm that its power requirements do not exceed 30 W.
- ❑ Verify that you are using the appropriate category of twisted-pair cable by referring to Table 18 on page 63.
- ❑ Try replacing the twisted-pair cable.
- ❑ Use the SHOW POWER-INLINE command in the management software to determine whether PoE is enabled on the port. The default setting for PoE is enabled.
- ❑ Use the SHOW POWER-INLINE command to determine whether the PoE power setting for the port has been reduced from the default setting of 30 W, to a value below the power requirements of the device.
- ❑ Use the SHOW POWER-INLINE command to determine whether the switch has reach its maximum power budget.

- ❑ Try connecting the PD to a port on a different AT-SBx81GP24 Line Card.

Fiber Optic or Twisted Pair Transceivers

This section applies to Ethernet line cards and expansion modules with transceiver slots.

The L/A LEDs on the transceiver slots are solid or flashing green when transceivers have links to end nodes. If a transceiver is cabled to an end node but the L/A LED is off, try the following:

- ❑ If all the L/A LEDs on the line cards in the chassis are off, try pressing the eco-friendly button on the active master controller card to turn on the LEDs.
- ❑ Check that the transceiver is firmly inserted into the slot on the line or controller card.
- ❑ Check that both ends of the cable are securely connected to the ports on the transceiver and end node.
- ❑ Verify that the end node is powered on and operating properly.
- ❑ Try replacing the cable.

Here are additional steps for fiber optic transceivers:

- ❑ Verify that the Ethernet line card or expansion module supports the transceiver. A list of supported transceivers can be found in the SwitchBlade x8112 data sheet on the Allied Telesis web site. You should also check the error log for the following message:

```
port n.n.n doesn't support this module type.
```

The message indicates that the switch does not support the designated transceiver.

Note

The AT-SBx81XLEM/Q2 Module supports revision B of the AT-QSFPSR4 transceiver. It does not support revision A. The revision level of the transceiver is printed on the transceiver label, after the serial number. You can also display it with the SHOW SYSTEM PLUGGABLE DETAIL command in the AlliedWare Plus operating system.

- ❑ Review the operating specifications of the transceiver and end node to verify that the devices have the same speed and duplex mode.
- ❑ Check that the operating specifications, including wavelength and maximum operating distance, of the transceiver are compatible with the fiber optic port on the end node.
- ❑ Make sure that you are using the appropriate type of fiber optic cable and that the cable length does not exceed the allowed

maximum distance. The cable specifications for the transceivers are provided in the installation instructions that ship with the modules.

- ❑ Use a fiber optic tester to test whether the optical signal is too weak (i.e., sensitivity) or too strong (i.e., maximum input power). The operating specifications of the fiber optic transceivers are shipped with the units.
- ❑ Check the two strands of the fiber optic cable to be sure that the receive fiber connector is connected to the transmit connector on the remote end node, and that the transmit fiber connector is connected to the receive connector on the end node.

AT-SBx81CFC960 Controller Fabric Card

If the chassis has one controller card and the card fails, all network operations stop. The Ethernet line cards stop forwarding all network traffic until the controller card is replaced.

If the chassis has two controller cards and one fails, the Ethernet line cards continue to forward traffic, but the bandwidth of the backplane is reduced, which, depending on the number of Ethernet line cards present and the amount of traffic traversing the backplane, may result in slower network operations.

If the chassis has one controller card, examine the M/S LED on the card. The LED should be solid green. If the LED is flashing amber, the card is initializing its management software. Wait one or two minutes for the card to complete the process and check the LED again. If it has not changed to solid green, the card cannot complete the initialization process. Try moving the controller card to the other controller card slot, slot 5 or 6, to see if it works in a different slot. You might also try connecting a terminal or PC with a terminal emulator program to the Console RS232 port to watch for any error messages.

If the chassis has two controller cards, check the M/S LEDs on both cards. The LEDs should be solid green on one card and solid or flashing amber on the other card. If the LEDs are both flashing amber, they are initializing their management software. Wait one or two minutes for the cards to complete the process and check the LEDs again. If both LEDs are still flashing amber, the cards cannot complete the initialization process. Try replacing the cards.

The controller card has an onboard battery to maintain the date and time when the chassis is powered off or reset. If you manually set the date and time but the card loses the information after you power off or reset the unit, you may have forgotten to remove the battery insulator when you installed the card in the chassis. The insulator is shown in Figure 69 on page 142. The only way to remedy the problem is to remove the controller card from the chassis and remove the battery insulator. If the chassis has only one controller card, removing the card causes the Ethernet line cards to stop forwarding traffic.

AT-SBxFAN12 Fan Module

The AT-SBxFAN12 Fan Module is operating correctly when the POWER LED on the module is solid green. If the LED on the fan module is off, check the FAN LED in the SYS STATUS section on the active master controller card. The LED should be green. If the FAN LED is off or flashing amber, one or more fans in the module are no longer operating properly. You may also view the status of the unit with the SHOW SYSTEM ENVIRONMENT command in the management software.

You may notice changes in the fan speeds. This is normal. The active master controller card automatically adjusts the fan speeds according to the internal temperature of the chassis.

Note

The AT-SBxFAN12 Fan Module is hot swappable. You do not have to power off the AT-SBx8112 Chassis to replace the module.

Local (Console) Management Session

If you are unable to establish a local management session with the switch through the Console RS-232 port on the controller card, do the following:

- ❑ Check to be sure that the RJ-45 serial management cable is securely connected to the Console RS-232 port on the active master controller card and the RS-232 port on the terminal or personal computer.
- ❑ If the chassis has two controller cards, you should be able to use the Console RS-232 port on either card to establish a local management session with the chassis. If you are unsuccessful establishing a session on one of the controller cards, try connecting to the Console RS-232 port on the other card.
- ❑ Check to be sure that the operating parameters on the terminal or the terminal emulation program, if you are using a personal computer, have been set correctly. The default settings for the RJ-45 serial terminal port are located in “Using Local Management to Verify the Chassis” on page 228.
- ❑ Check to be sure that the terminal emulator application is compatible with a VT-100 terminal.

Power Supply Interfaces (Opto-couplers)

The two power supply interfaces in the lower right corner of the rear panel are used by the active master controller card to obtain status information from the power supplies. The interfaces are shown in Figure 9 on page 32.

Each power supply interface supports two power units. The top interface supports the power supplies in slots A and C. The bottom interface supports the supplies in slots B and D.

An interface is operating normally when its Power LED is solid green. The LED of an interface is off if the two corresponding power supply slots are empty or the power supplies are not powered on. For example, the LED for the bottom interface will be off if power supply slots B and D are empty or the power supplies are off.

The network operations of the chassis are not affected if one or both of the interfaces fail. However, the active master controller card changes the PSU LED to flashing amber to signal that it cannot communicate with the power supplies.

Note

The power supply interfaces are *not* hot swappable and can only be serviced by an authorized service technician.

If the Power LED on a power supply interface is off, do the following:

1. Check that there are power supplies in the corresponding slots in the front panel and that the power supplies are powered on. (The Power LED on an interface is off when the slots are empty or the power supplies are not powered on.)
2. Inspect the LEDs on the power supplies to check for a fault condition. If there is a fault condition, go to “AT-SBxPWRSYS1, AT-SBxPWRSYS2, and AT-SBxPWRPOE1 Power Supplies” on page 234 for troubleshooting suggestions. If the LEDs indicate the power supplies are operating normally, go to step 3.
3. Check the PSU LED on the active master controller card. If the LED is solid green, the power supplies and interfaces are operating normally. No corrective steps are required. If the PSU LED is solid amber but the LEDs on the power supplies indicate normal operations, there may be a problem with a power supply interface. Contact your Allied Telesis sales representative for assistance.

Chapter 13

Replacing Modules

This chapter contains procedures on how to replace modules from the unit. The chapter has the following sections:

- ❑ “Replacing AT-SBxPWRSYS1, AT-SBxPWRSYS2, and AT-SBxPWRPOE1 Power Supplies” on page 252
- ❑ “Replacing the AT-SBxPWRSYS1 DC Power Supply” on page 258
- ❑ “Replacing Ethernet Line Cards” on page 269
- ❑ “Replacing Expansion Modules in AT-SBx81XLEM Line Cards” on page 271
- ❑ “Replacing the AT-SBx81CFC960 Controller Fabric Card” on page 277
- ❑ “Replacing the AT-SBxFAN12 Fan Module” on page 280

Replacing AT-SBxPWRSYS1, AT-SBxPWRSYS2, and AT-SBxPWRPOE1 Power Supplies

This section contains the procedure for removing AT-SBxPWRSYS1 and AT-SBxPWRSYS2 AC System Power Supplies, and AT-SBxPWRPOE1 PoE Power Supplies from the AT-SBx8112 Chassis.

Note

The illustrations in the procedure show the AT-SBxPWRSYS1 AC System Power Supply from slot D. The procedure is the same for all the power supply slots.

Note

Allied Telesis recommends creating a backup copy of the configuration file in the controller card before removing or replacing a power supply. For instructions, refer to the Software Reference for SwitchBlade x8100 Series Switches on the Allied Telesis web site.

Note

The power supplies are hot swappable.

**Caution**

If you are installing the AT-SBxPWRSYS2 Power Supply in an active, operational chassis, you should connect the AC power cord to the chassis before installing the power supply. Attaching the power cord after installing the AT-SBxPWRSYS2 Power Supply might cause the active master controller card to restart its operating system. This can result in a temporary interruption of network operations of the chassis if it has only one controller card. This guideline does not apply to the AT-SBxPWRSYS1 AC or DC Power Supply or AT-SBxPWRPOE1 Power Supply.

To remove power supplies from the chassis, perform the following procedure:

1. Disconnect the AC power cord for the power supply from the AC power source and the corresponding AC socket on the back panel of the chassis. The figure in Figure 153 on page 253 shows the removal of the power cord from connector D, which corresponds to slot D on the front panel.



Figure 153. Disconnecting the AC Power Cord from the AC Socket on the Back Panel

2. Lift the locking hand on the power supply. Refer to Figure 154 on page 254.



Figure 154. Lifting the Locking Handle on the Power Supply

3. Carefully pull on the locking handle to slide the power supply from the chassis. Refer to Figure 155 on page 255.



Warning

The power supply is heavy. Use both hands to hold the module as you remove it from the chassis.



Figure 155. Removing the Power Supply from the Chassis

4. Do one of the following:
 - To install a new power supply, refer to Chapter 6, “Installing the Power Supplies” on page 117.
 - If you are not installing a new power supply, continue with the rest of this procedure to install a blank slot cover.
5. Place the locking handle on the slot cover in the up position and slide the cover into the empty power supply slot, as shown in Figure 156 on page 256.

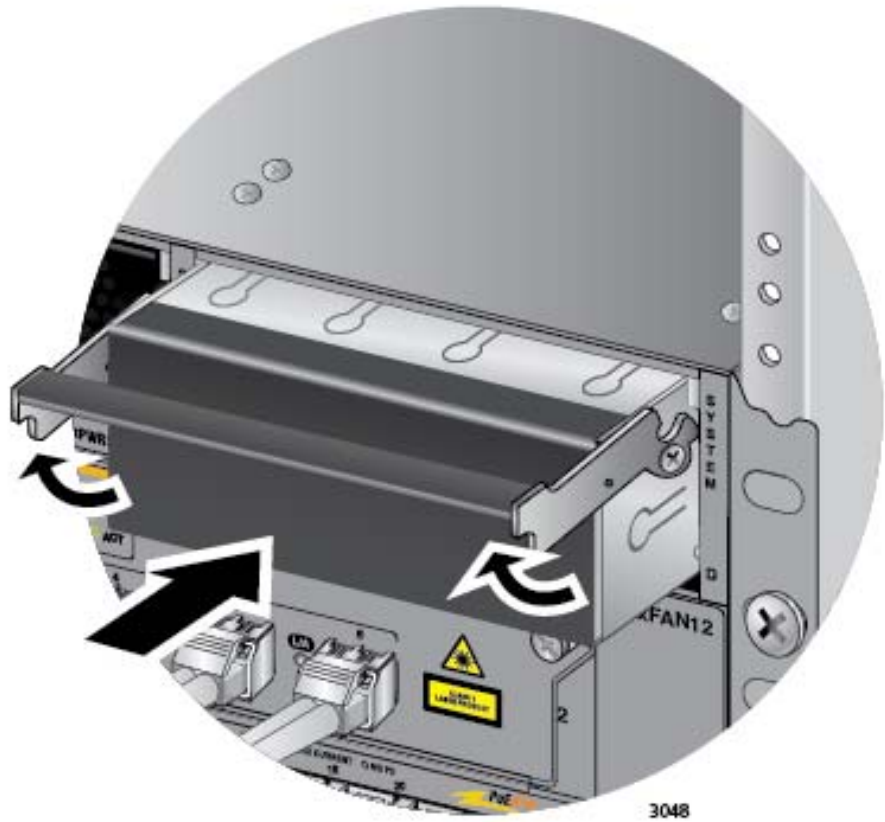


Figure 156. Installing a Blank Power Supply Slot Cover

6. Lower the locking handle to secure the slot cover to the slot. Refer to Figure 157 on page 257.



Figure 157. Lowering the Locking Handle on the Power Supply Slot Cover

Replacing the AT-SBxPWRSYS1 DC Power Supply

To remove an AT-SBxPWRSYS1 DC Power Supply from the chassis, perform the following procedure:

1. Turn off the circuit breaker to the AT-SBxPWRSYS1 DC Power Supply.
2. Turn off the On/Off switch on the front panel of the power supply. Refer to Figure 119 on page 197.
3. Use a #2 screwdriver to loosen the screw on the locking handle. Refer to Figure 158.

Note

Do not lift the locking handle yet.

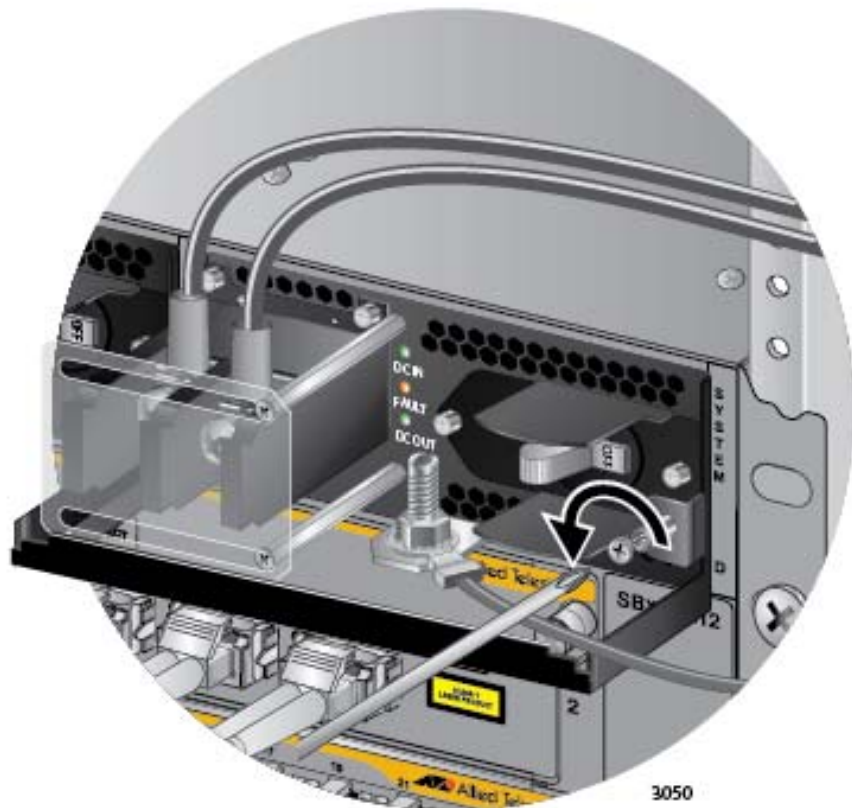


Figure 158. Loosening the Screw on the Locking Handle

Note

If the power wires are connected to the terminal block with the right angle terminals, go to step 5.

4. Use a #1 screwdriver to loosen the two screws that secure the plastic cover over the terminal block and slide the cover to the right. You may need to slightly lift the locking handle to access the bottom screw. Refer to Figure 159.

The plastic cover may not be present if you used the right angle terminals to connect the lead wires to the terminal block. If this is the case, you may skip this step.



Figure 159. Opening the Plastic Window over the Terminal Block

5. Use a #3 screwdriver to remove the negative (-) lead wire from the terminal block. The negative lead wire is on the right. Refer to Figure 160 on page 260.

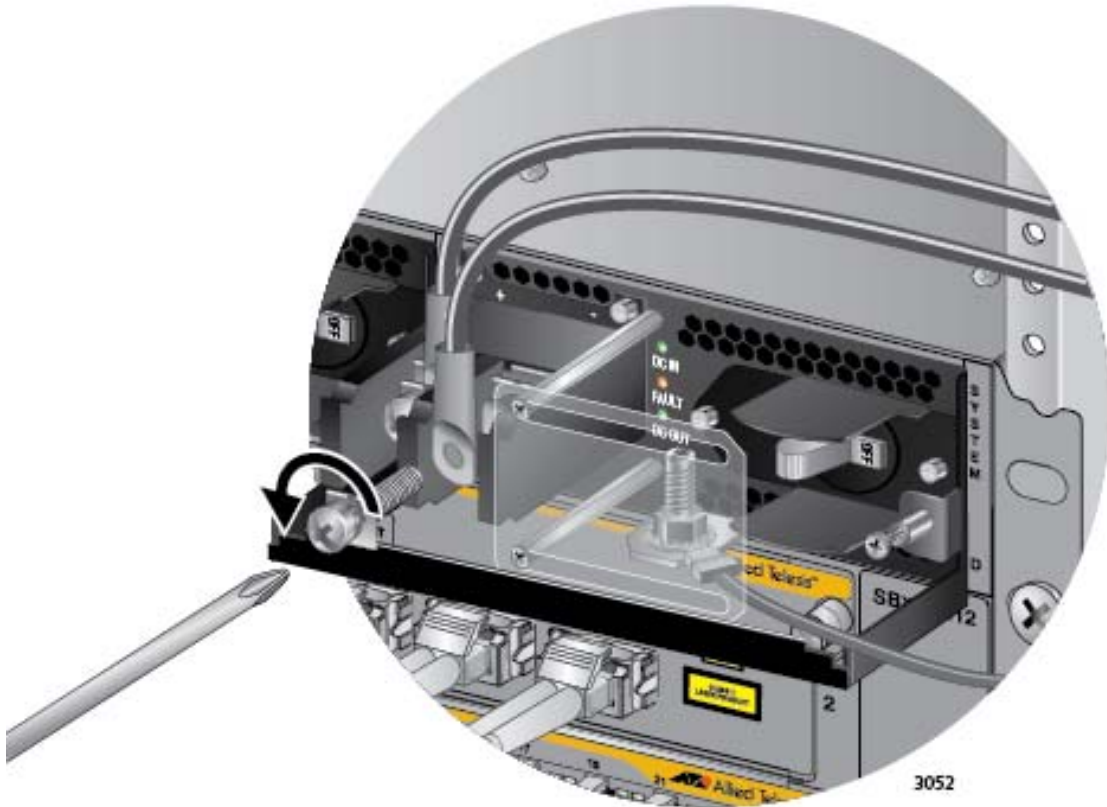


Figure 160. Removing the Negative Lead Wire

6. Use a #3 screwdriver to remove the positive (+) lead wire from the terminal block. Refer to Figure 161 on page 261.



Figure 161. Removing the Positive Lead Wire from the Terminal Block

7. Reinstall the two screws on the negative (-) and positive (+) terminals. Refer to Figure 162 on page 262.



Figure 162. Reinstalling the Screws on the Positive and Negative Terminals

8. Slide the plastic cover to the left and lightly tighten the two screws to secure it in place. Refer to Figure 163 on page 263.



Caution

Do not over tighten the screws or you may crack or break the plastic cover.

The plastic cover may not be present if the lead wires were connected to the terminal block with the right angle terminals. If this is the case, you may either skip this step or reinstall the plastic cover on the power supply.



Figure 163. Closing the Plastic Cover

9. Use an 8 mm wrench to remove the grounding wire from the grounding post. Refer to Figure 164 on page 264.

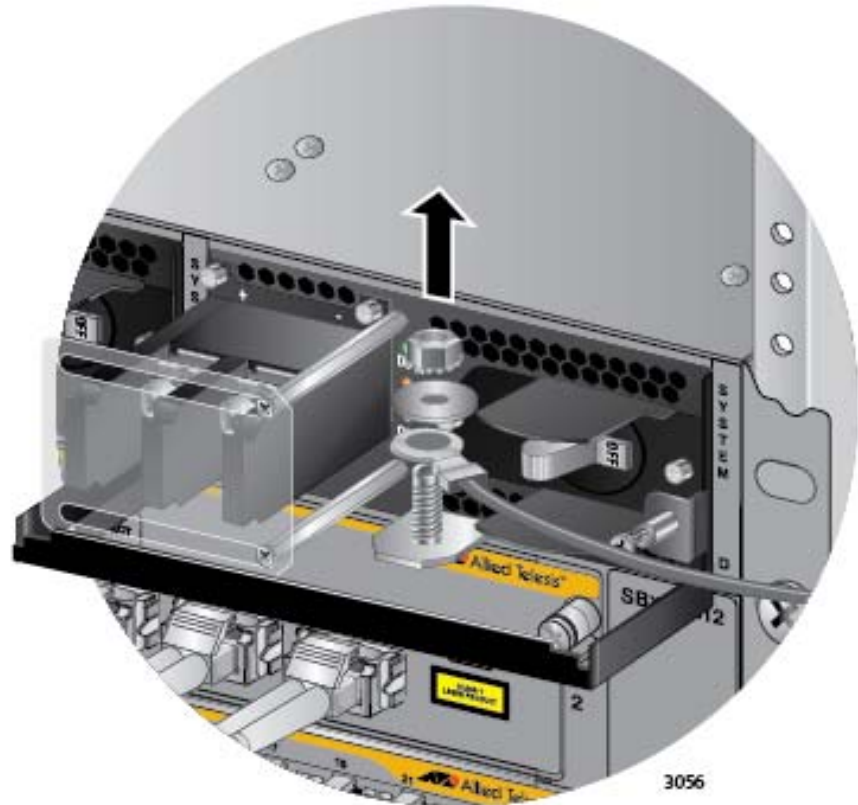


Figure 164. Removing the Grounding Wire

10. Reinstall the nut and washer on the grounding post. Refer to Figure 165 on page 265.



Figure 165. Reinstalling the Nut and Washer on the Grounding Post

11. Lift the locking handle and slide the power supply from the chassis. Refer to Figure 166 on page 266.



Warning

The power supply is heavy. Use both hands to hold the module as you remove it from the chassis.

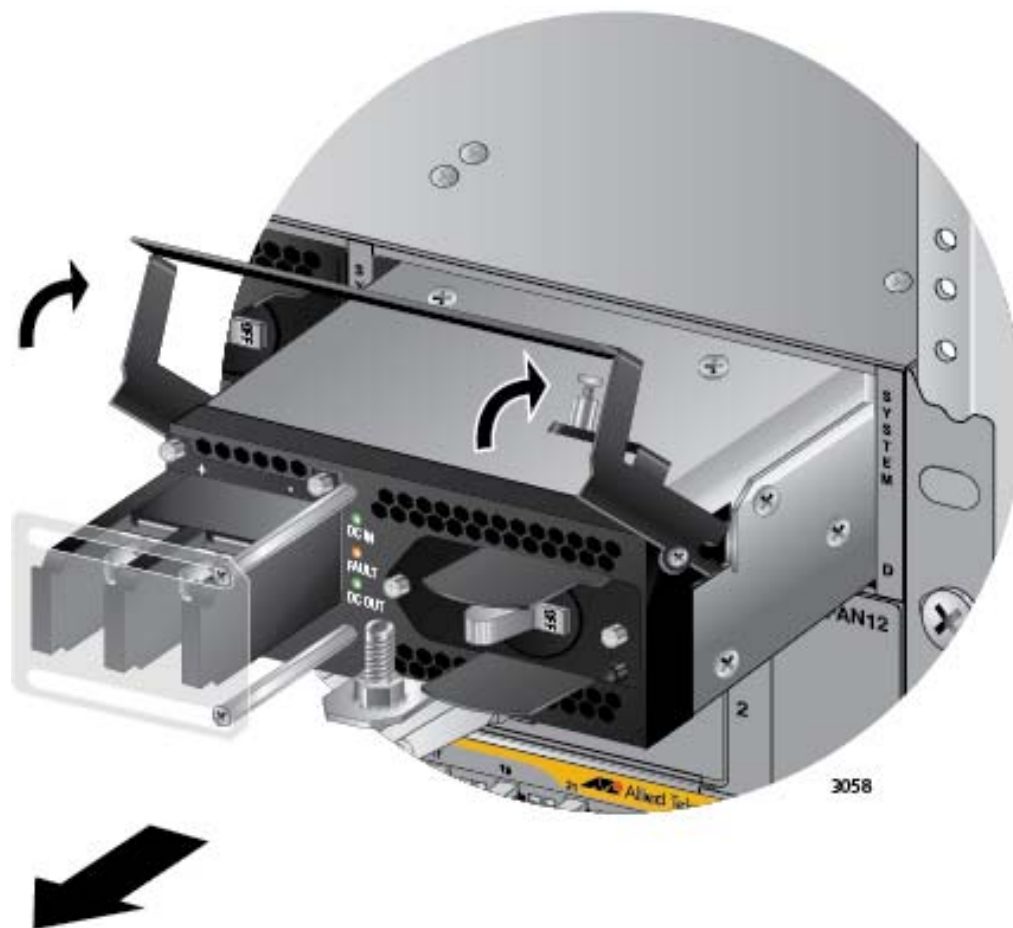


Figure 166. Lifting the Locking Handle and Removing the Power Supply

12. Do one of the following:

- To install a new power supply, refer to Chapter 6, “Installing the Power Supplies” on page 117.
- If you are not installing a new power supply, continue with this procedure to install a blank slot cover.

13. Place the locking handle on the slot cover in the up position and slide the cover into the empty power supply slot. Refer to Figure 167 on page 267.

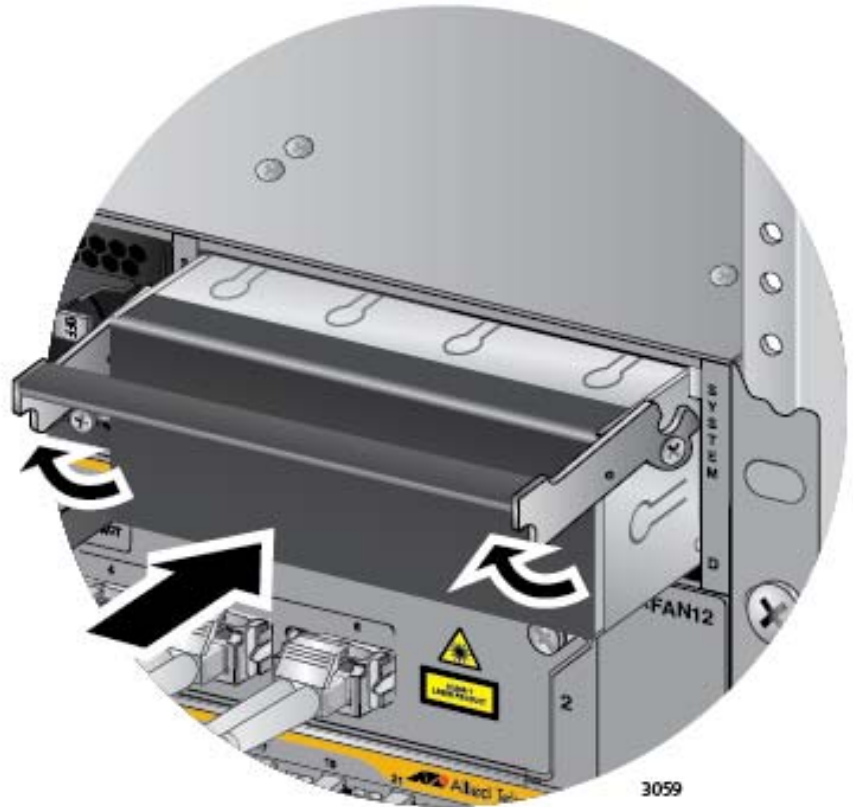


Figure 167. Installing a Blank Power Supply Slot Cover

14. Lower the locking handle to secure the slot cover to the slot. Refer to Figure 168 on page 268.



Figure 168. Lowering the Locking Handle on the Power Supply Slot Cover

Replacing Ethernet Line Cards

This section contains the procedure for replacing Ethernet line cards from the chassis.

Note

Please review “Guidelines to Handling the Controller and Line Cards” on page 138 before performing this procedure.

The Ethernet line cards are hot-swappable. You do not have to power off the chassis to install or replace line cards.



Caution

The expansion modules for the AT-SBx81XLEM Line Card are not hot-swappable. You must remove the line card from the chassis to install or remove a module. For instructions, refer to “Replacing Expansion Modules in AT-SBx81XLEM Line Cards” on page 271.

This procedure requires the following tool:

- ❑ #2 Phillips-head screwdriver (not provided)

The Ethernet line cards are hot swappable and can be removed while the chassis is powered on.

To remove an Ethernet line card from the chassis, perform the following procedure:

1. Label and remove the cables from the Ethernet line card.
2. If the line card has fiber optic transceivers, install dust covers on the ports.
3. If the line card has transceivers, label and remove the transceivers.
4. Use a #2 Phillips-head screwdriver to loosen the two screws on the faceplate of the card.
5. Carefully pull on the screws to disconnect the line card from the connector on the backplane.
6. Carefully slide the card from the chassis.



Caution

Keep the card level as you slide it out of the chassis. You might damage the components on the top or bottom of the card if you slide it out at an angle. Refer to Figure 65 on page 139.

7. Do one of the following:
 - For instructions on how to install the line card in another slot of the chassis or a different chassis, refer to “Installing the Ethernet Line Cards” on page 154.
 - If you do not plan to immediately install another line card in the same slot, cover the slot with a blank cover. For instructions, refer to “Installing Blank Slot Covers” on page 159.
 - If you do not plan to immediately install the card in another chassis, continue with this procedure.
8. Store the line card in an anti-static bag.
9. Return the line card to its shipping container.

Replacing Expansion Modules in AT-SBx81XLEM Line Cards

This section contains the procedure for replacing expansion modules in AT-SBx81XLEM Line Cards.

Note

Please review “Guidelines to Handling the Controller and Line Cards” on page 138 before performing this procedure.



Caution

The expansion modules are not hot-swappable. You must remove the AT-SBx81XLEM Line Card from the chassis to service a module. Installing or replacing a module while the line card is installed in the chassis will damage the devices.

This procedure requires the following tools:

- #2 Phillips-head screwdriver (not provided)
- Flat-head screwdriver (not provided)

The illustrations in the procedure show the AT-SBx81XLEM/XS8 Expansion Module. The procedure is the same for all modules.

To replace an expansion module in the AT-SBx81XLEM Line Card, perform the following procedure:

1. Remove the AT-SBx81XLEM Line Card from the chassis by performing steps 1 to 6 in “Replacing Ethernet Line Cards” on page 269.
2. Place the line card on a level, secure surface.
3. With a Phillips-head screwdriver, remove the two screws that secure the expansion module to the line card. Refer to Figure 169 on page 272.

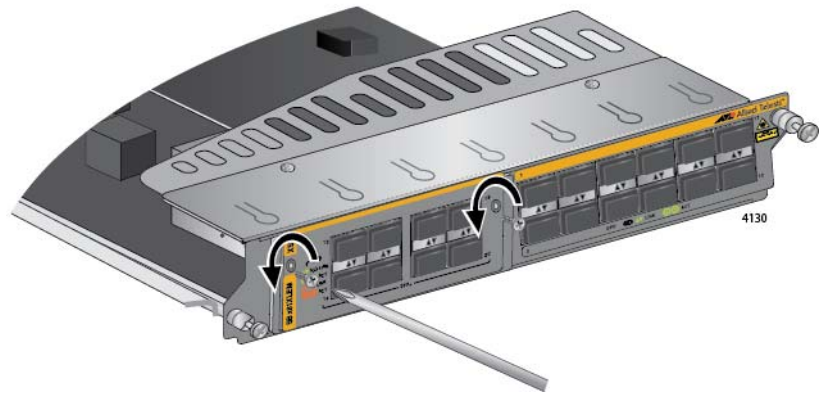


Figure 169. Removing the Screws from the Expansion Module

4. With your thumb and forefinger, pull out the retaining pin on the side of the line card and turn it clockwise one quarter turn until it remains in the retracted position. Refer to Figure 170.

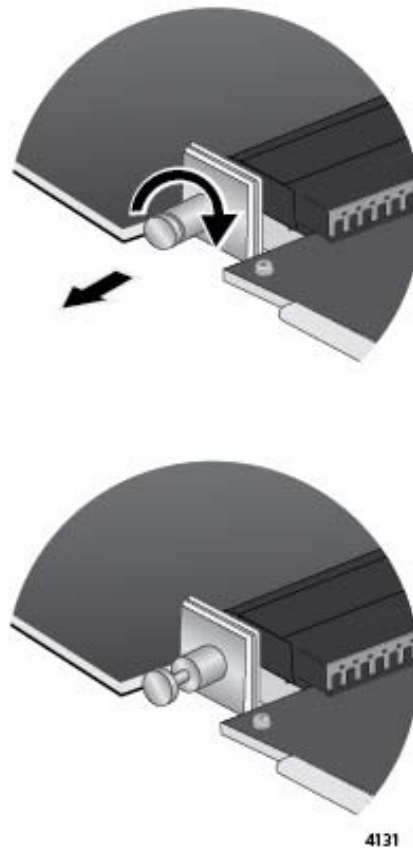


Figure 170. Retracting the Retaining Pin on the AT-SBx81XLEM Line Card

5. Lift the front of the line card and carefully insert the tip of a flathead screwdriver into the slot beneath the expansion module on the bottom panel. Gently twist the screwdriver to disconnect the module from the connector in the line card. Refer to Figure 171.

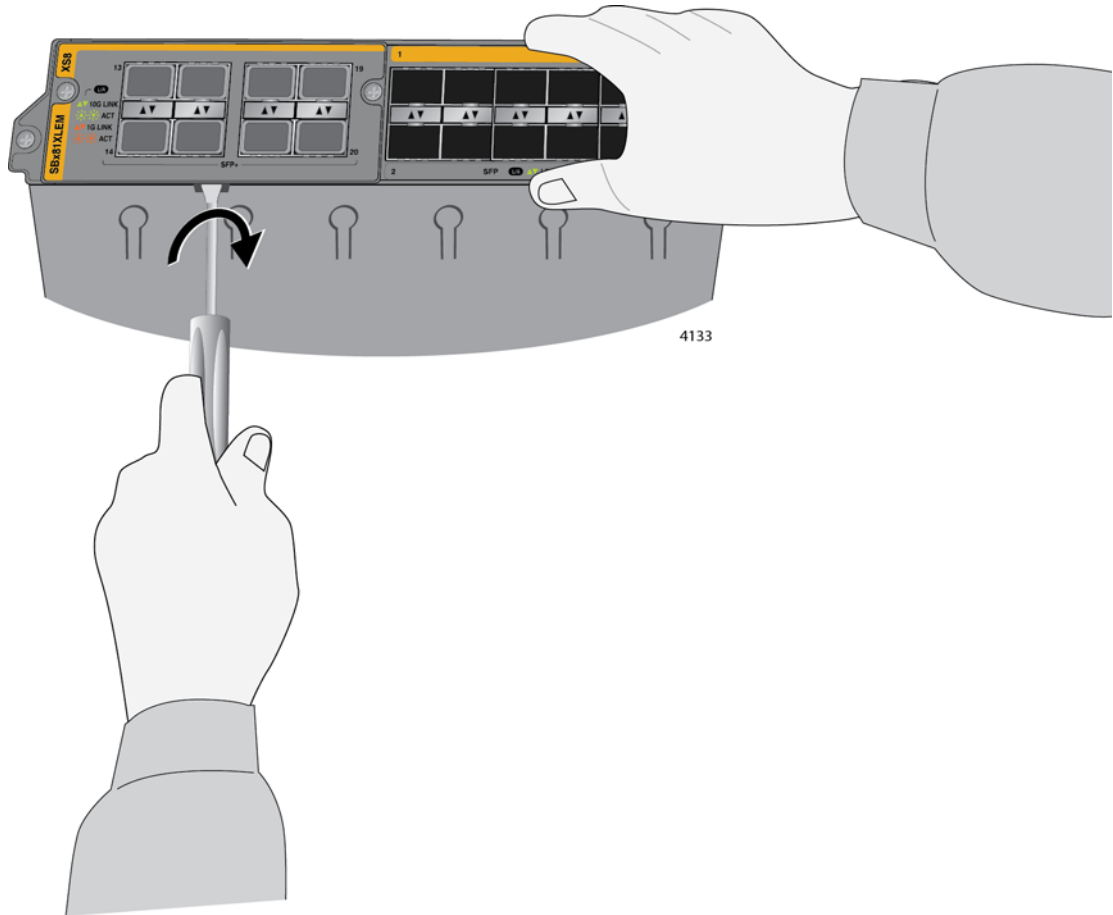


Figure 171. Disconnecting the Expansion Module from the AT-SBx81XLEM Line Card

6. Slide the expansion module from the line card. Refer to Figure 172 on page 274.

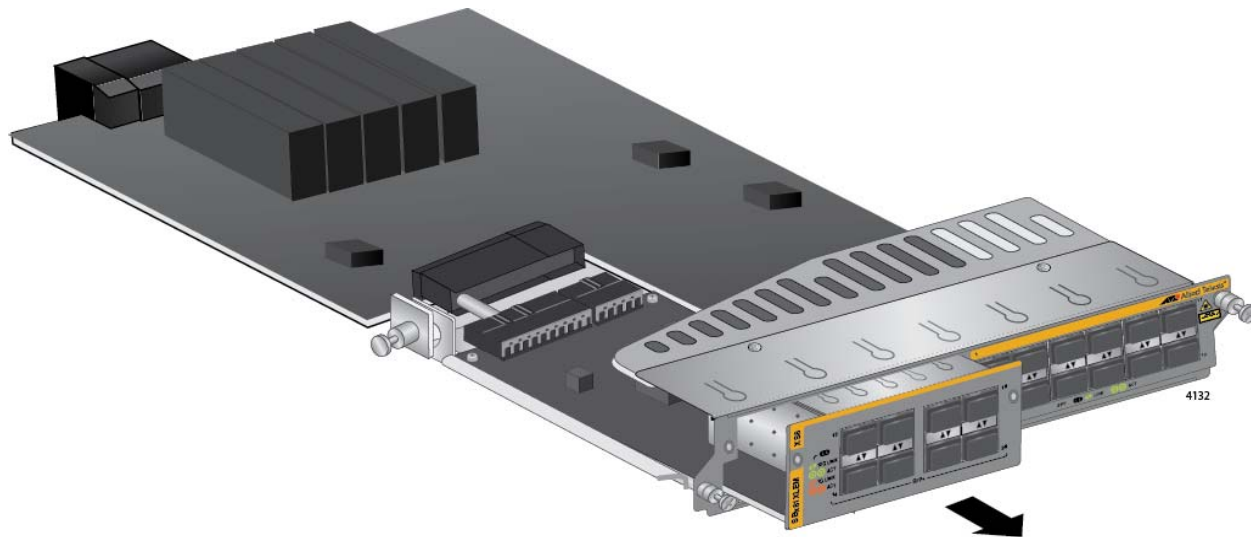


Figure 172. Sliding the Expansion Module from the AT-SBx81XLEM Line Card

7. If you are not installing the expansion module in another AT-SBx81XLEM Line Card, store it in an anti-static bag. Refer to Figure 173.



Figure 173. Storing the Expansion Module in an Anti-static Bag

8. Do one of the following:
 - To install a different expansion module in the line card, go to “Installing Expansion Modules in AT-SBx81XLEM Ethernet Line Cards” on page 146 and start with step 7.
 - To install the line card in the chassis without an expansion module, continue with this procedure.
9. Slide the blank slot cover that comes with the line card into the slot on the card. Refer to Figure 174 on page 275.

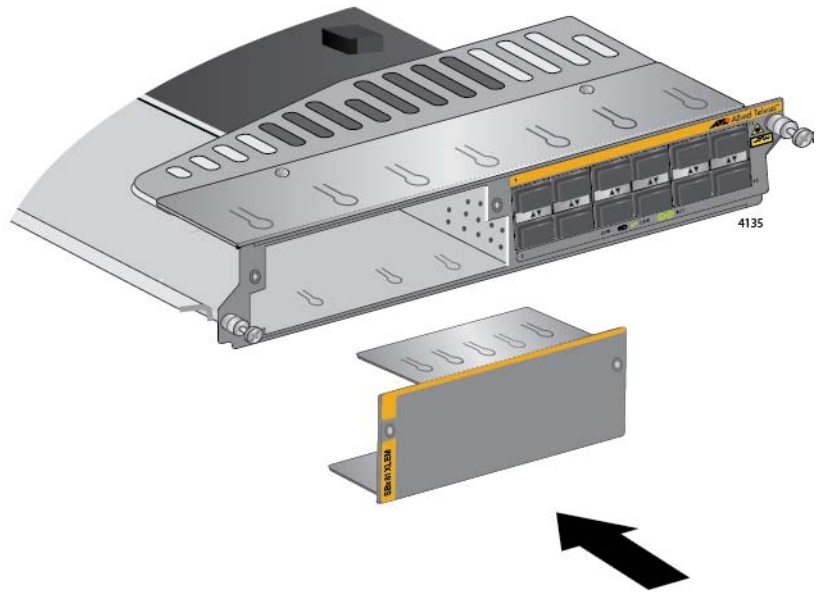


Figure 174. Sliding the Blank Slot Cover into the AT-SBx81XLEM Line Card

10. Secure the blank slot cover to the card with a Phillips-head screwdriver and the two screws removed in step 3. Refer to Figure 175.

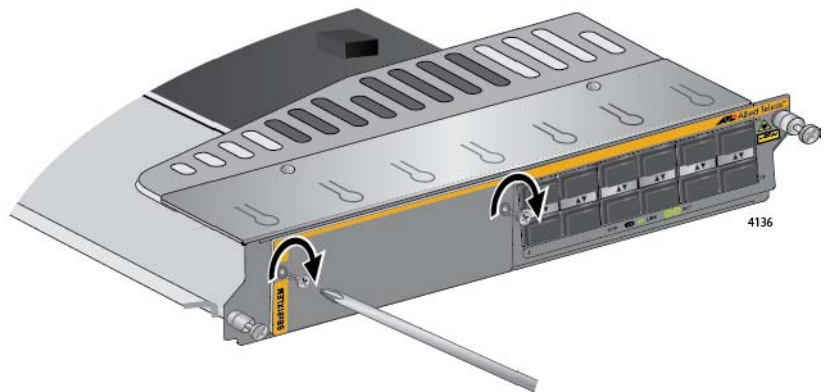


Figure 175. Securing the Blank Slot Cover

11. Turn the retaining pin on the side of the card a quarter turn to release it. Refer to Figure 176 on page 276.

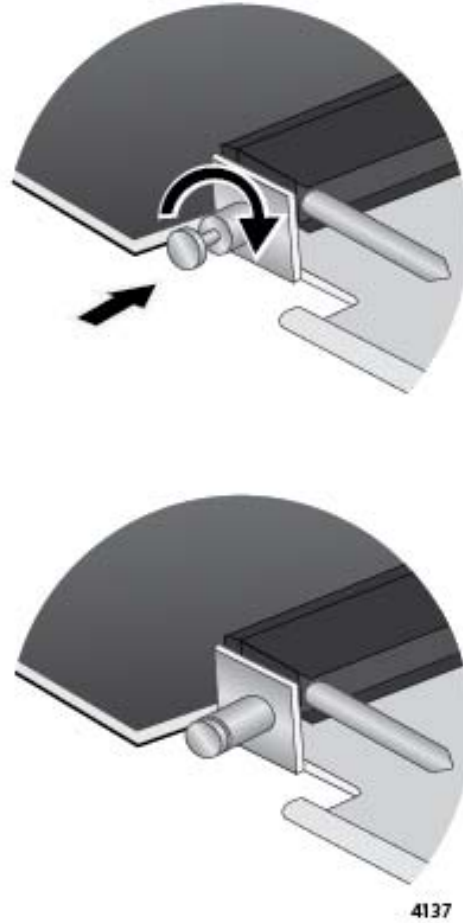


Figure 176. Releasing the Retaining Pin

12. To install the line card back in the chassis, go to “Installing the Ethernet Line Cards” on page 154 and start with step 5.

Replacing the AT-SBx81CFC960 Controller Fabric Card

This section contains the procedure for replacing a controller card in the chassis.

Note

Please review “Guidelines to Handling the Controller and Line Cards” on page 138 before performing this procedure.

This procedure requires the following tool:

- #2 Phillips-head screwdriver (not provided)

The controller card is hot swappable and can be removed while the chassis is powered on.

Here are the general steps if the chassis has only one controller card and that card has failed such that it is no longer responding to management commands and the Ethernet line cards have stopped forwarding traffic:

1. Power off the chassis.
2. Remove the failed controller card. Refer to the instructions in this section.
3. Install the new controller card. You may install the new controller card in the same slot as the failed card or in the other controller card slot. For instructions, refer to “Installing the AT-SBx81CFC960 Controller Fabric Card” on page 140.
4. Power on the chassis.
5. Restore the configuration to the Ethernet line and controller cards by uploading the latest archived copy of the configuration file for the chassis to the new controller card. If you do not have an archived copy of the configuration settings of the chassis, restore the configuration manually.

Here are the general steps if the chassis has two controller cards and one of the cards has failed:

1. If the chassis is powered off, power it on.

Note

You should not replace a controller card in a chassis that has two controller cards while the unit is powered off, especially if you are replacing a failed card in slot 5. If you replace a failed controller card while the chassis is powered off, the Ethernet line cards might lose their configurations if the new controller card is designated as the active card when you power on the chassis.

2. Remove the failed controller card. Refer to the instructions in this section.
3. Install the new controller card. For instructions, refer to “Installing the AT-SBx81CFC960 Controller Fabric Card” on page 140.

To remove a controller card from the chassis, perform the following procedure:

1. Disconnect the cables from the NET MGMT and Console ports on the controller card.
2. Remove any SFP+ or stacking transceivers from the SFP+ slots on the controller card.
3. Use a #2 Phillips-head screwdriver to loosen the two screws on the faceplate of the card.
4. Carefully pull out the handles of the faceplate to disconnect the controller card from the connector on the backplane of the chassis.
5. Carefully slide the controller card from the chassis.

**Caution**

Keep the card level as you slide it out of the chassis. You might damage the components on the top or bottom of the card if you slide it out at an angle. Refer to Figure 65 on page 139.

6. Do one of the following:
 - For instructions on how to install a new controller card in the chassis, refer to “Installing the AT-SBx81CFC960 Controller Fabric Card” on page 140.
 - If you do not plan to immediately install another controller card in the slot, cover the slot with a blank cover. For instructions, refer to “Installing Blank Slot Covers” on page 159.
 - If you do not plan to immediately install the controller card in another chassis, continue with this procedure.

7. Store the controller card in an anti-static bag.
8. Return the card to its shipping container.

Replacing the AT-SBxFAN12 Fan Module

This section contains the procedures for replacing the AT-SBxFAN12 Fan Module, located in the slot on the right side of the front panel.



Caution

Although the fan module is hot swappable and can be replaced while the chassis is powered on, the chassis may overheat if it is operated for more than one or two minutes without a fan module.



Warning

The fan module has hazardous moving parts. Keep fingers away from moving fan blades.

Note

Only authorized service technicians should replace the fan module.



Caution

The fan module is heavy. Be sure to use both hands to hold the module as you remove it from the chassis.

Removing the AT-SBxFAN12 Fan Module

To remove the fan module from the chassis, perform the following procedure:

1. If necessary, disconnect or reroute network cables that are blocking access to the fan module.
2. Use a #2 Phillips head screwdriver to loosen the screw at the base of the fan module. Refer to Figure 177 on page 281.

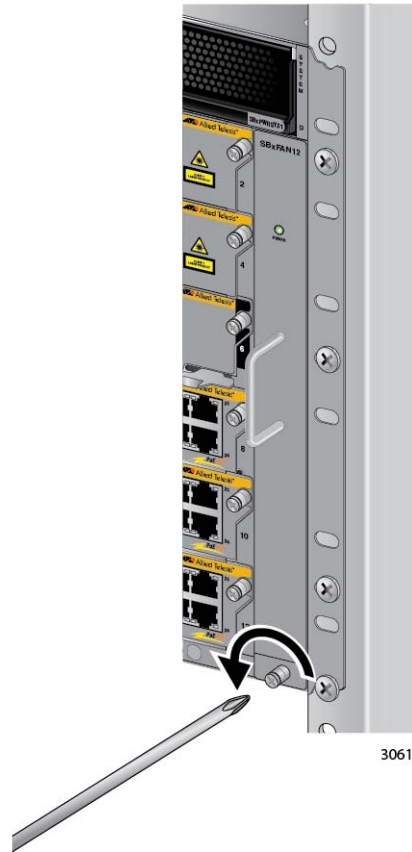


Figure 177. Loosening the Screw on the AT-SBxFAN12 Fan Module

3. Carefully pull on the handle to disconnect the fan module from the connector on the backplane of the chassis. Refer to Figure 178 on page 282.



Figure 178. Loosening the AT-SBxFAN12 Fan Module from the Backplane Connector

4. Slowly pull out the module 51 mm (2 in.). Refer to Figure 179 on page 283.



Figure 179. Withdrawing the AT-SBx81CFC960 Card 51 mm (2 In.) from the Chassis

5. Wait ten seconds for the fans to stop.



Warning

The fan module has hazardous moving parts. Keep fingers away from moving fan blades.

6. After the fans have stopped, slide the module from the chassis. Refer to Figure 180 on page 284.



Caution

The fan module is heavy. Be sure to use both hands to hold it as you remove it from the chassis.

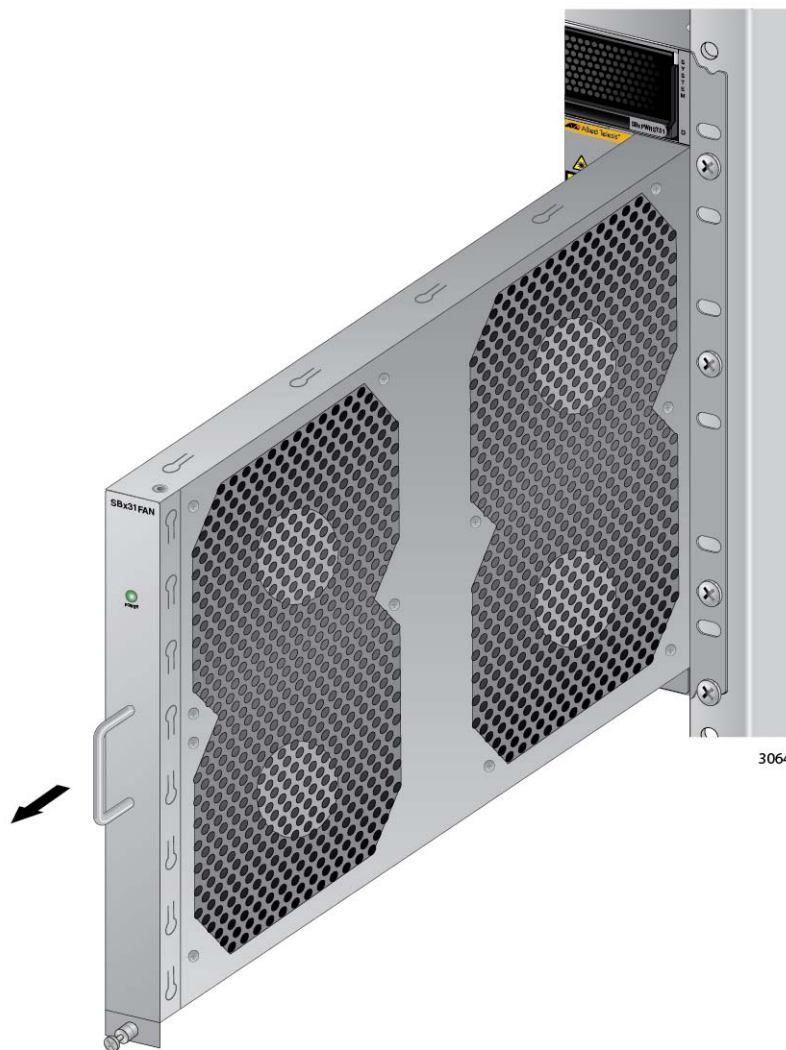


Figure 180. Removing the AT-SBxFAN12 Fan Module from the Chassis

Installing a New AT-SBxFAN12 Fan Module

This procedure assumes that you have already removed the old fan module from the chassis and are continuing directly from the previous procedure, “Removing the AT-SBxFAN12 Fan Module” on page 280. To install the new fan module, perform the following procedure

1. Orient the new module with the LED and module name on top and carefully slide the new module into the slot in the chassis. Refer to Figure 181 on page 285.

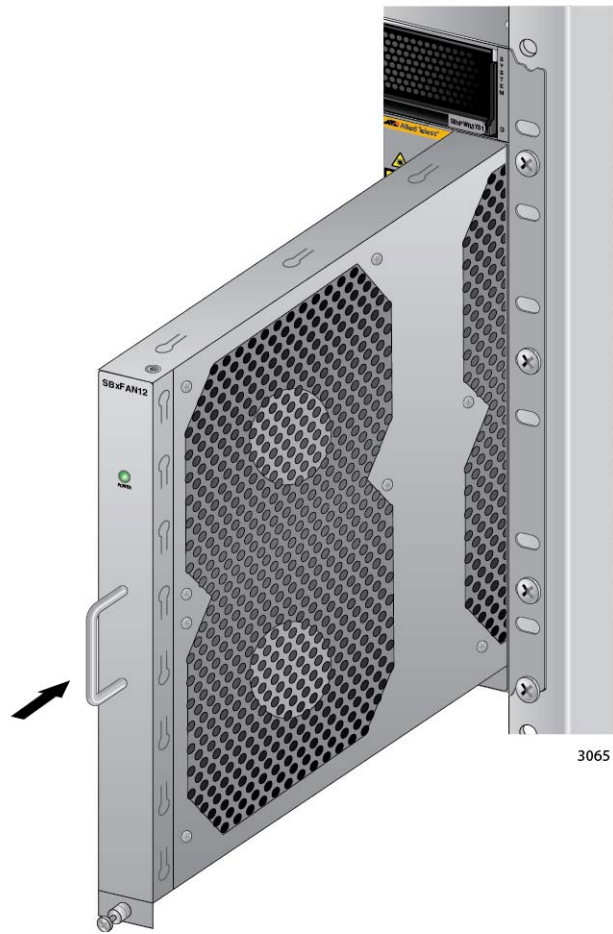


Figure 181. Installing a New AT-SBxFAN12 Fan Module

2. When you feel the fan module make contact with the connector on the backplane, gently push on the top and bottom of the faceplate to seat the module on the connector. Refer to Figure 182 on page 286.



Figure 182. Securing the AT-SBxFAN12 Fan Module on the Backplane Connector

3. With a #2 Phillips-head screwdriver, tighten the screw at the base of the module to secure the module to the chassis. Refer to Figure 183 on page 287.

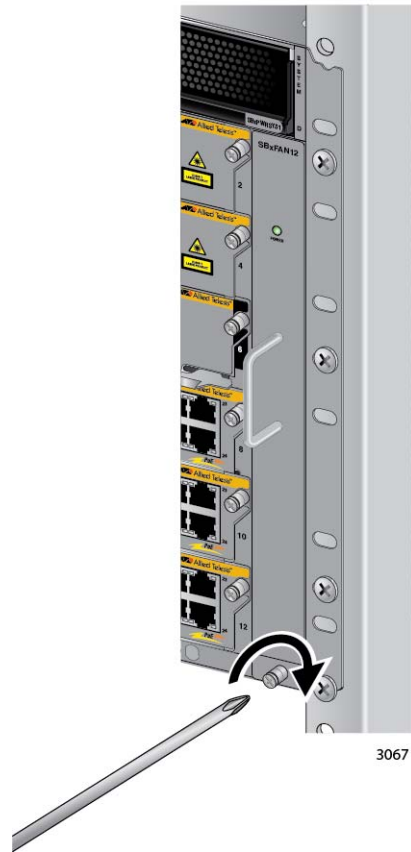


Figure 183. Tightening the Screw on the AT-SBxFAN12 Fan Module

4. Reconnect any network cables you may have disconnected to access the fan module.

Chapter 14

Upgrading the Controller Fabric Card

This chapter contains the procedure for upgrading the AT-SBx8112 Chassis from the AT-SBx81CFC400 Controller Fabric Card to the AT-SBx81CFC960 Card. The chapter contains the following sections:

- ❑ “Before You Begin” on page 290
- ❑ “Upgrading the Controller Fabric Card” on page 292

Before You Begin

The instructions in this chapter explain how to update a chassis from the AT-SBx81CFC400 Controller Fabric Card to the AT-SBx81CFC960 Card. Here are the basic steps to the procedure:

1. Download the configuration file on the AT-SBx81CFC400 Controller Fabric Card to a flash drive with the COPY command in the Privileged Exec mode of the command line interface.
2. Power off the chassis.
3. Remove the AT-SBx81CFC400 Controller Fabric Cards from the chassis.
4. Install the new AT-SBx81CFC960 Cards in the chassis.

Note

Do not operate the chassis with both AT-SBx81CFC400 and AT-SBx81CFC960 Controller Fabric Cards. The controller cards are not compatible.

5. Power on the chassis.
6. Upload the configuration file from the flash drive to the AT-SBx81CFC960 Controller Fabric Card with the COPY command.
7. Designate the configuration file as the active configuration file for the controller card with the BOOT CONFIG-FILE command in the Global Configuration mode.
8. Reboot the chassis with the REBOOT command in the Privileged Exec mode.
9. Use the appropriate SHOW commands to confirm the configuration settings of the Ethernet line cards.
10. Install optional feature licenses.

For step-by-step instructions, refer to “Upgrading the Controller Fabric Card” on page 292.

Please review the following information before performing the upgrade procedure:

- ❑ The premium and AMF master feature licenses for the AT-SBx81CFC400 Controller Fabric Card are not compatible with the AT-SBx81CFC960 Card. Consequently, if the AT-SBx81CFC400

Card in the chassis has a feature license, you must order a new license from Allied Telesis for the AT-SBx81CFC960 Card and install it after installing the new controller card.

- ❑ The command formats are presented in abbreviated versions to simplify the procedure. To learn the complete formats of the commands, refer to the Software Reference for SwitchBlade x8100 Series Switches.
- ❑ The procedure requires a flash drive to temporarily store the configuration file from the old controller card prior to transferring it to the new card. If you prefer to store the file on a different network device, such as a TFTP server, refer to the description of the COPY command in the Software Reference for SwitchBlade x8100 Series Switches for directions.
- ❑ This procedure assumes that the configuration file for the chassis is stored in the root directory of flash memory on the AT-SBx81CFC400 Controller Fabric Card. If the file is stored in a subdirectory or on another network device, refer to the Software Reference for SwitchBlade x8100 Series Switches for instructions.
- ❑ The procedure stores the configuration file in the root directory of flash memory of the AT-SBx81CFC960 Controller Fabric Card. If you prefer to store the file in a subdirectory of flash memory or on a different network device, refer to the Software Reference for SwitchBlade x8100 Series Switches for instructions.

Upgrading the Controller Fabric Card

This section contains step-by-step instructions on how to upgrade the chassis from the AT-SBx81CFC400 Controller Fabric Card to the AT-SBx81CFC960 Card.



Caution

This procedure is disruptive to network operations because it requires powering off the chassis. It should be performed during periods of low network activity, such as during non-business hours, to minimize the disruption to your network users.

To upgrade the chassis from the AT-SBx81CFC400 Controller Fabric Card to the AT-SBx81CFC960 Card, perform the following procedure:

1. Start a local or remote management session with the active AT-SBx81CFC400 Card in the chassis.
2. Insert a flash drive into the USB port on the AT-SBx81CFC400 Card in the chassis. If the chassis has two controller cards, use the USB port on the active master controller. To determine the status of the controller cards, examine the CFC LEDs. The LEDs are solid green on the active master card and solid amber on the inactive master card.
3. Wait ten seconds for the controller card to mount the flash drive.
4. Move from the User Exec mode to the Privileged Exec mode with the ENABLE command:

```
awpl us> enabl e
awpl us#
```

5. Use the COPY command in the Privileged Exec mode to copy the running configuration of the controller card to the flash drive.

The format of the COPY command for copying files to a flash drive is shown here:

```
copy runni ng-confi g usb: /fi l ename>
```

The filename parameter specifies a filename for the configuration file. The filename must include the “.cfg” suffix.

This example of the command stores the configuration file in the root directory of the flash drive and names it “Engineering_1.cfg”.

```
awpl us# copy runni ng-confi g usb: /Engi nneri ng_1. cfg
```

6. Remove the flash drive from the controller card.

7. Power off the chassis.
8. Remove the AT-SBx81CFC400 Controller Fabric Card from the unit. If the unit has two controller cards, remove both cards.
9. Install the new AT-SBx81CFC960 Card. If there are two cards, install both cards. For instructions, refer to “Installing the AT-SBx81CFC960 Controller Fabric Card” on page 140.

Note

Do not operate the chassis with both AT-SBx81CFC400 and AT-SBx81CFC960 Controller Fabric Cards. The controller cards are not compatible.

10. Power on the chassis. For instructions, refer to Chapter 10, “Powering On the Chassis” on page 187.
11. Verify the hardware operations of the chassis with the new controller card by performing the instructions in Chapter 11, “Verifying the Hardware Operations of the Chassis” on page 225.
12. Start a local or remote management session with the active master controller card in the chassis.
13. Insert the flash drive into the USB port on the controller card. If the chassis has two controller cards, be sure to use the USB port on the active master controller card. The CFC LEDs are solid green on the active card and solid amber on the inactive card.
14. Wait ten seconds for the controller card to mount the flash drive.
15. Move from the User Exec mode to the Privileged Exec mode with the ENABLE command:

```
awpl us> enabl e
awpl us#
```

16. Copy the configuration file from the flash drive to the new controller card with the COPY command.

The format of the command is shown here:

```
copy usb: /<source_filename> <destination_filename>
```

The `source_filename` parameter specifies the name of the configuration file stored on the flash drive on the USB port. If you have forgotten the filename, use the DIR command to display it. The `destination_filename` parameter specifies the name to be assigned to the configuration file when it is stored in the flash memory of the

controller card. The name can be the same as or different from the source filename. The filename must include the suffix “.cfg”.

This example of the command copies the `Engineering_sw1.cfg` configuration file from flash drive to the controller card:

```
copy usb: /Engineering_sw1.cfg Engineering_sw1.cfg
```

This example of the command copies the `switch2a_rm12.cfg` configuration file from flash drive to the controller card, and renames it `Sales4_rm12.cfg`:

```
copy usb: /switch2a_rm12.cfg Sales4_rm12.cfg
```

17. Move to the Global Configuration mode with the `CONFIGURE TERMINAL` command:

```
awpl us# configure terminal
awpl us(config)#
```

18. Designate the file as the boot configuration for the chassis with the `BOOT CONFIG-FILE` command in the Global Configuration mode.

The format of the command is given here:

```
boot config-file flash: /filename
```

This example of the command designates the configuration file `Engineering_sw1.cfg` as the boot configuration file for the chassis.

```
boot config-file flash: /Engineering_sw1.cfg
```

19. Enter the `EXIT` command to return to the Privileged Exec mode.

```
awpl us(config)# exit
awpl us#
```

20. Enter the `REBOOT` command in the Privileged Exec mode to reboot the chassis.

```
awpl us# reboot
```

21. Enter `Y` for yes at the confirmation prompt.

22. Wait three minutes for the controller and Ethernet line cards to initialize the management software.

23. Start a new management session and use the appropriate `SHOW` commands to confirm the configurations of the components and features of the chassis.

24. To install optional feature licenses, use the `LICENSE` command in the Privileged Exec mode of the command line interface. For instructions,

refer to the Software Reference for SwitchBlade x8100 Series Switches.

Section III

Building a Stack with VCStack Plus

This section contains the following chapters:

- ❑ Chapter 15, “VCStack Plus Overview” on page 299
- ❑ Chapter 16, “Building a Stack” on page 313

Chapter 15

VCStack Plus Overview

This chapter contains a brief overview of the VCStack Plus feature. For more information, refer to the Software Reference for SwitchBlade x8100 Series Switches. The chapter contains the following sections:

- ❑ “Overview” on page 300
- ❑ “Stack Trunk” on page 301
- ❑ “Cabling Configurations for the Trunk” on page 303
- ❑ “VCStack Plus Feature License” on page 306
- ❑ “Optional Feature Licenses” on page 307
- ❑ “Chassis ID Numbers” on page 308
- ❑ “Priority Numbers” on page 309
- ❑ “Stacking Guidelines” on page 311

Overview

The VCStack Plus feature is an optional feature for the AT-SBx8112 Chassis. The feature is used to connect two chassis together so that the devices function as a single networking unit. This is referred to as a virtual switch. The benefits of the feature are mentioned here:

- ❑ Simplifies management - The two switches of the stack are managed as a single unit, rather than individually. Local and remote management sessions automatically provide management access to both chassis.
- ❑ Reduces IP addresses - The stack requires only one IP address for remote management access, thereby reducing the number of IP addresses in the network.
- ❑ Adds feature flexibility and resiliency - The stack adds flexibility to some features. For instance, a port aggregator can consist of ports from both switches in the stack. This increases the resiliency of the aggregator because it can continue to function if one of the switches stops functioning, though at a reduced bandwidth.
- ❑ Reduces protocol requirements - Creating a stack might eliminate the need for some protocols in your network, such as the Virtual Router Redundancy Protocol and Spanning Tree Protocol.

Stack Trunk

The two chassis of a stack are connected with a stack trunk. A trunk has the following components:

- ❑ The SFP+ slots on the front panels of the AT-SBx81CFC960 Controller Fabric Cards in the switches.
- ❑ Allied Telesis direct connect cables or 10G SFP+ fiber optic transceivers.

There are two factors to consider in determining the type and number of transceivers needed to build the trunk of a stack. The first factor is the distance between the two switches. The units can be close together, such as in the same equipment rack, or kilometers apart. If the switches are in the same wiring closet, you may use direct connect cables, which come in three lengths and are listed in Table 30.

Table 30. Direct Connect Cables

Transceiver	Maximum Distance
AT-SP10TW1	1 meter (3.3 feet)
AT-SP10TW3	3 meters (9.8 feet)
AT-SP10TW7	7 meters (23.0 feet)

If the switches are further apart, you may build the trunk with short or long distance Allied Telesis 10G SFP+ fiber optic transceivers. A list of supported transceivers is available from the product data sheet or the Allied Telesis web site.

The second factor to consider is the number of direct connect cables or fiber optic transceivers needed for the trunk. This is determined by the number of AT-SBx81CFC960 Controller Fabric Cards in the switches and the number of SFP+ slots, which is four slots per card. A trunk between two switches, each of which has only one controller card, will have four links. Thus, you will need either four direct connect cables or eight 10G SFP+ transceivers. A trunk between two switches, each of which has two controller cards, will have eight links. For this you will need either eight direct connect cables or sixteen 10G SFP+ transceivers.

Please review the following information:

- ❑ You must build the trunk with Allied Telesis SFP+ transceivers or direct connect cables. The switches will not form the stack with transceivers or cables from other network equipment manufacturers.
- ❑ The stack uses all the links in the trunk to actively forward traffic

between the switches.

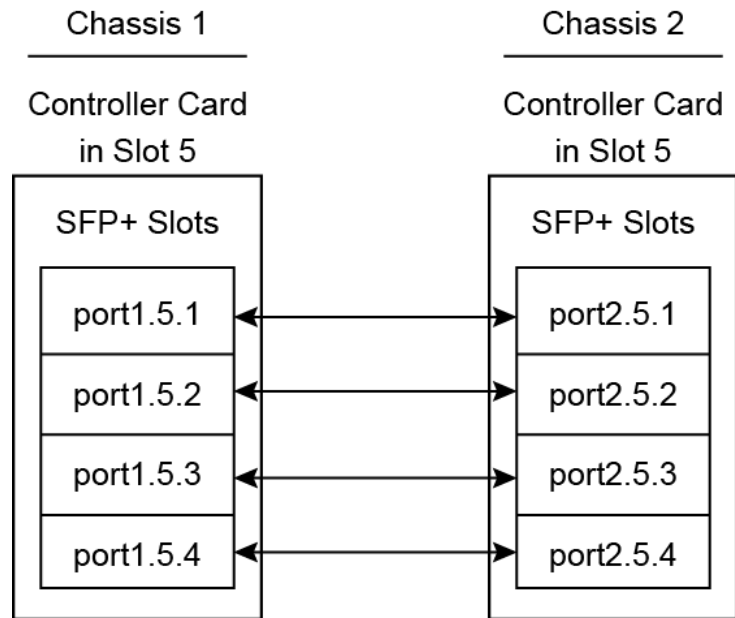
- ❑ The bandwidth of the trunk is 40Gbps with four links and 80Gbps with eight links.
- ❑ Prior to AlliedWare Plus version 5.4.5 you had to use the AT-StackOP/0.3 and AT-StackOP/9.0 stacking transceivers to build the trunk of the stack. Starting with version 5.4.5 this restriction no longer applies.
- ❑ You do not have to replace the AT-StackOP/0.3 or AT-StackOP/9.0 stacking transceivers if you are upgrading a stack to AlliedWare Plus version 5.4.5 or later. The newer management software is compatible with the stacking transceivers.

Cabling Configurations for the Trunk

This section illustrates the cabling configurations for the trunk of the stack.

One Controller Card Per Chassis

Figure 184 illustrates the correct wiring configuration for the trunk when each chassis has only one AT-SBx81CFC960 Controller Fabric Card. The transceiver in SFP+ slot 1 in the controller card in the first chassis is connected to the transceiver in SFP+ slot 1 in the card in the second chassis, the transceiver in SFP+ slot 2 is connected to the transceiver in SFP+ slot 2 in the second chassis, and so on.



3260

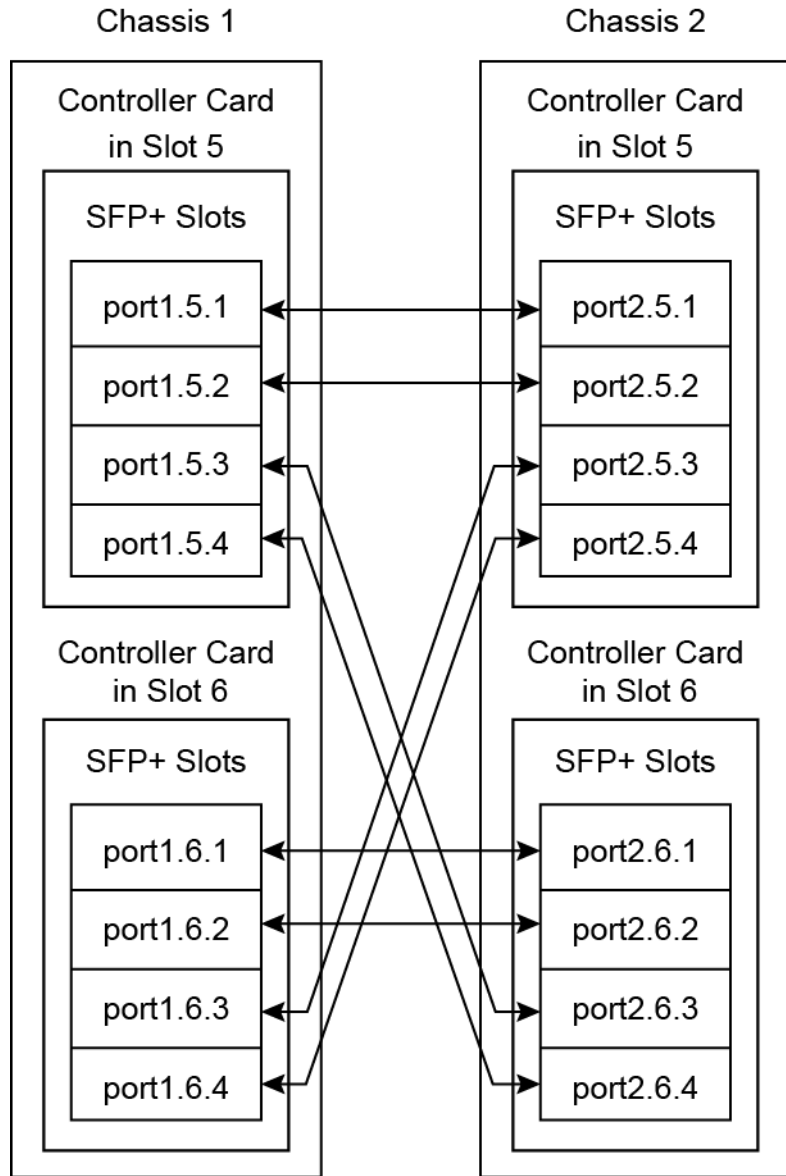
Figure 184. Cabling the SFP+ Slots When Both Switches have One Controller Card

Please note the following:

- ❑ The trunk has a bandwidth of 40Gbps when each chassis has one controller card and the trunk has four links.
- ❑ The switches will form the stack even if the transceivers are cabled incorrectly (for example, the transceiver in SFP+ slot 1 is connected to the transceiver in SFP+ slot 2). However, the bandwidth of the trunk is reduced.

Two Controller Cards Per Chassis

Figure 185 illustrates the wiring configuration of the trunk when both switches have two controller cards.



3262

Figure 185. Cabling the SFP+ Slots When Both Switches have Two Controller Cards

Table 31 on page 305 presents the same information, in table format.

Table 31. Cabling the SFP+ Slots When Both Switches have Two Controller Cards

Chassis 1	Connects to	Chassis 2
port1.5.1	<----->	port2.5.1
port1.5.2	<----->	port2.5.2
port1.5.3	<----->	port2.6.3
port1.5.4	<----->	port2.6.4
port1.6.1	<----->	port2.6.1
port1.6.2	<----->	port2.6.2
port1.6.3	<----->	port2.5.3
port1.6.4	<----->	port2.5.4

Please note the following:

- ❑ The trunk has a bandwidth of 80Gbps in both directions when both chassis have two controller cards.
- ❑ The switches can form the stack even if the transceivers are cabled incorrectly (for example, the transceiver in SFP+ slots 1 is connected to the transceiver in SFP+ slot 2). However, the bandwidth of the trunk is reduced.

VCStack Plus Feature License

An important component of the stack is the VCStack Plus feature license from Allied Telesis. The license contains an activation code that activates the stacking feature in the management software on the controller cards in the chassis.

Each chassis must have its own VCStack Plus license. The licenses must be installed while the switches are operating as stand-alone units. A chassis that has two controller cards needs only one license because the active master controller card shares the license with the standby master card in the same chassis at the time you install the license. But the license is not shared between different switches, which is why the two chassis of the stack have to have their own licenses.

Here are the VCStack Plus feature license guidelines:

- ❑ Each chassis must have a license.
- ❑ A chassis that has two controller cards needs only one license.
- ❑ The licenses from Allied Telesis may have the same or different activation codes. The switches will form the stack regardless of whether they have the same or different activation codes.
- ❑ The licenses have to be installed while the units are operating as stand-alone switches.

Optional Feature Licenses

The SwitchBlade x8112 product has two optional feature licenses that activate additional features on the switch:

- Premium license
- AMF Master license

You may install optional feature licenses while the switches are operating as stand-alone units or a stack. However, when you are building the stack, both switches must have the same optional feature licenses. Otherwise, the two units will not form the stack. So if you install an optional feature license on one of the switches while it is operating as a stand-alone unit, you have to install the same feature license on the second unit as well before building the stack.

Once the two chassis are operating as a stack, you only have to install a feature license once because the active master controller card automatically shares it with all the controller cards in the stack.

Here are the guidelines to ordering and installing feature licenses.

- Feature licenses are ordered from Allied Telesis on a per chassis basis.
- A chassis that has two controller cards needs only one feature license.
- You have to order two features licenses, one for each chassis, when building a stack, even though you might only use one of the licenses.
- You may install optional feature licenses either while the switches are operating as stand-alone units or after they are operating as a stack.
- If the two chassis don't have any optional feature licenses or have the same licenses, you might as well wait until after you build the stack before installing any additional licenses. That way, you only have to install one feature license for the entire stack.
- You cannot build a stack of two chassis that have different feature licenses. You need to remove or install licenses on the switches before you build the stack, so they both have the same licenses. For example, if one chassis has the premium feature license while the second chassis does not, you have to install the premium license on the second unit while it is operating as a stand-alone unit.

The instructions in Chapter 16, "Building a Stack" on page 313 explain how to determine whether the switches have the same feature licenses.

Chassis ID Numbers

The switches in the stack have to be assigned ID numbers. The valid ID numbers are 1 and 2. A switch can have only one ID number. The two switches of the stack must be assigned different ID numbers. The switches will not form a stack if they have the same ID number. The value is set at the chassis level. A chassis that has two controller cards has one ID number.

You use the numbers in the commands in the command line interface to identify the two units of the stack when you configure the parameters of the ports and modules of the switches. The chassis ID number is the first number in the numbering format, shown in Figure 186.

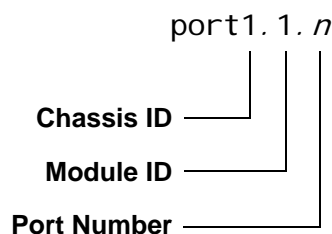


Figure 186. Chassis ID Number in the Numbering Format

You should decide on the ID numbers of the units before starting the configuration procedure and place labels with the numbers on the units to make it easier for you to remember their assignments.

In most cases, it does not matter which switch is assigned ID number 1 and which switch is given ID number 2. You just need to be sure to assign them different numbers during the configuration procedure and to use the appropriate numbers when configuring the devices with the command line interface.

There is, however, one situation where the assignments of the ID numbers can be important. If one of the switches is operating as a stand alone unit and you want it to maintain its configuration settings when it joins the stack, you should assign it the ID number 1. That way, the chassis maintains its configuration when it becomes a part of the stack. For example, you might install a chassis as a stand-alone unit and later decide to add a second unit to form a stack. In this case you might want the first switch to maintain its configuration settings when you add the second unit and build the stack. By assigning the ID number 1 to the existing switch and the ID number 2 to the new switch, the existing switch maintains the configuration settings that it had as a stand-alone unit, after it joins the stack. (You would also need to assign the existing switch a low priority number, so that its controller card become the master card of the stack. For more information, refer to “Priority Numbers” on page 309.)

Priority Numbers

The switches of the stack perform an initialization procedure whenever they are reset or powered on. During the process, which involves activating the management software and forming the stack, the units select the active master controller card. This card is responsible for maintaining the configuration file that contains the parameter settings for all the devices in the stack and for periodically sharing the configuration file with the other controller cards.

The stack can have only one active master controller card. The other cards are referred to as standby master controller cards. If, for instance, the stack has four controller cards, one of the cards acts as the active master card and the other three function as standby master cards.

Standby master controller cards are not inactive. Rather, they forward traffic between the Ethernet line cards on the backplanes of their chassis and manage traffic on their SFP+ slots and the stack trunk.

The method by which the controller cards select the active master controller card depends on whether the switches are rebooted simultaneously or one after the other.

If the switches are powered on or reset simultaneously, the controller cards use the following values to select the active master controller card for the stack:

- Slot numbers
- Priority numbers
- MAC addresses

At the start of the selection process, the switches, if they both have two controller cards, select an active card for their respective chassis, by slot number. In most cases, preference is given to the controller card in slot 5.

After each switch has selected an active controller card, the two active cards in the switches communicate over the stack trunk to select the active master controller card for the entire stack. To accomplish this, they first compare their priority numbers. The number has a range of 0 to 255. The default is 128. The lower the number, the higher the priority. If one of the controller cards has a lower priority number, it becomes the active controller card for the stack and the other card is placed in the standby master mode, along with the other controller cards.

If the controller cards have the same priority number, they compare their MAC addresses. The controller card with the lower MAC address becomes the active master controller card for the stack.

Setting the priority number during the stack configuration procedure is

optional. If you choose not to set the value, the controller cards use their MAC addresses to select the active master controller card for the stack.

The process for selecting the active master controller card is different if the two switches are reset or power on one after the other. Here, the controller card that initializes its management software first becomes the active master controller card for the stack.

Once the active controller card is selected, it remains the active card unless it fails or is removed from its chassis, at which point another controller card becomes the active controller card for the stack.

Stacking Guidelines

Here are the stacking guidelines:

- ❑ The stack can have two switches.
- ❑ The switches of the stack must be the same model. The stack can have two AT-SBx8112 chassis or two AT-SBx8106 chassis. A stack cannot have one AT-SBx8112 chassis and one AT-SBx8106 chassis.
- ❑ The trunk that connects the two switches of the stack are built with SFP+ transceivers in the SFP+ slots in the controller cards. The transceivers must be from Allied Telesis.
- ❑ There cannot be any network devices, such as other switches or media converters, between the stacking transceivers in the two switches.
- ❑ The bandwidth of the trunk depends on the number of controller cards and transceivers in the switches. The trunk has a bandwidth of 40 Gbps when each switch has one controller card, and 80 Gbps when each switch has two controller cards. For more information, refer to “Stack Trunk” on page 301.
- ❑ The default setting for stacking is disabled.
- ❑ The switches have to be assigned ID numbers. The numbers are 1 and 2. The switches must be assigned different numbers. For more information, refer to “Chassis ID Numbers” on page 308.
- ❑ A stack should not have more than 400 Ethernet ports.
- ❑ If both switches of the stack have two controller cards, the SFP+ slots on both the active master and inactive master controller cards are active in linking the units together and forwarding traffic.
- ❑ The two switches of the stack must have the same OEM territory and feature licenses.
- ❑ The two switches of a stack do not share the AlliedWare Plus operating system.

Chapter 16

Building a Stack

This chapter contains step-by-step instructions on how to configure the switches to build a stack with the VCStack Plus feature. The chapter contains the following sections:

- ❑ “Before You Begin” on page 314
- ❑ “Displaying the Management Software Version Number” on page 315
- ❑ “Activating the VCStack Plus Feature License” on page 317
- ❑ “Enabling the Stacking Feature” on page 319
- ❑ “Displaying the Feature Licenses” on page 321
- ❑ “Setting the ID Number” on page 323
- ❑ “Setting the Priority Number” on page 327
- ❑ “Powering Off the Chassis” on page 328
- ❑ “Configuring the Second Chassis” on page 329
- ❑ “Cabling the SFP+ Slots on the Controller Cards” on page 330
- ❑ “Powering On the Stack” on page 331
- ❑ “Verifying the Stack” on page 335
- ❑ “Installing Optional Feature Licenses” on page 337
- ❑ “Troubleshooting the Stack” on page 338

Before You Begin

Please review the following information before you begin to configure the switches for stacking:

- ❑ You must perform the procedures in the order presented here.
- ❑ You should configure only one chassis at a time.
- ❑ The procedures are the same regardless of whether a chassis has one or two controller cards.

Note

This procedure requires power cycling or resetting the switches. Some network traffic may be lost if the units are already connected to an active network.

The procedures assume the following:

- ❑ All hardware components have been installed in the two switches, including Ethernet line cards, controller cards, and power supplies. For installation instructions, refer to the previous chapters in this guide.
- ❑ The switches are powered on. For instructions, refer to Chapter 10, “Powering On the Chassis” on page 187.
- ❑ You verified the operations of the chassis with the procedures in Chapter 11, “Verifying the Hardware Operations of the Chassis” on page 225.
- ❑ There are no transceivers in the SFP+ slots on the AT-SBx81CFC960 Controller Fabric Cards. If there are transceivers in the slots, you should remove them before performing the procedure.

A stack requires these additional items:

- ❑ Two VCStack Plus feature licenses: Each chassis must have its own license. For more information, refer to “VCStack Plus Feature License” on page 306.
- ❑ Eight AT-Stack transceivers if each switch in the stack has one controller card or sixteen transceivers if each switch has two controller cards. The transceivers form the trunk that connects the two switches together. For more information, refer to “Stack Trunk” on page 301.

Displaying the Management Software Version Number

This procedure explains how to display the version number of the AlliedWare Plus operating software on the active controller card in the chassis. The two chassis of the stack must have the same version of operating system. To display the management software version number, perform the following procedure:

1. Start a local or remote management session on the switch. For instructions on how to start a local session, refer to “Starting a Local Management Session” on page 228.

2. When prompted, enter the manager name and password to log on. The default values are “manager” and “friend,” respectively.

The switch displays the User Exec mode prompt, shown here:

```
awpl us>
```

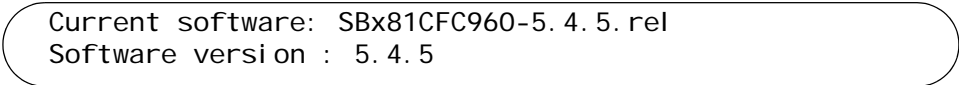
3. Enter the ENABLE command to move from the User Exec mode to the Privileged Exec mode:

```
awpl us> enabl e
awpl us#
```

4. In the Privileged Exec mode, enter the SHOW SYSTEM command.

```
awpl us# show system
```

5. Examine the output of the command for the lines in Figure 187.



```
Current software: SBx81CFC960-5. 4. 5. rel
Software versi on : 5. 4. 5
```

Figure 187. SHOW SYSTEM Command

6. Do one of the following:
 - If the management software is version 5.4.5 or later, continue with the next step.
 - If the management software is version 5.4.4, Allied Telesis recommends upgrading the controller card to version 5.4.5 or later. Version 5.4.4 supports stacking, but only with AT-Stack/OP transceivers for the stack trunk. Newer versions of the operating system support a variety of short and long distance transceivers for the trunk. For information, refer to “Stack Trunk” on page 301.
 - If the management software is version 5.4.3 or earlier, do not continue. The switch has the older AT-SBx81CFC400 Controller Fabric Card, which does not support stacking.

7. Do one of the following:

- ❑ If you are configuring the first chassis of the stack, write down on paper the software version number of the AlliedWare Plus operating software on the active controller card. You will compare it with the same information on the second chassis to confirm that both units have the same version of management software. After writing the information, go to “Activating the VCStack Plus Feature License” on page 317.
- ❑ If you are configuring the second chassis, compare the version number displayed by the `SHOW SYSTEM` command against the version number you wrote down on paper from the first chassis. If the two chassis have the same management software and the version number is 5.4.4 or later, you may go to “Activating the VCStack Plus Feature License” on page 317. If they are different, you must upgrade the management software on one or both units so that they have the same version. For upgrade instructions, refer to the Software Reference for SwitchBlade x8100 Series Switches. After updating the management software, go to “Activating the VCStack Plus Feature License” on page 317.

Activating the VCStack Plus Feature License

This procedure explains how to use the VCStack Plus feature license you obtained from Allied Telesis to activate the VCStack Plus feature license on the active controller card in the chassis. The license consists of an alphanumeric key and a recommendation for the license name.

Please note the following before performing this procedure:

- ❑ The two chassis in the stack must have their own licenses.
- ❑ A chassis that has two controller cards needs only one VCStack Plus feature license because the active master card automatically shares it with the inactive master card.
- ❑ The encryption keys on the VCStack Plus feature licenses you receive from Allied Telesis may be the same or different. The two switches can form a stack regardless of whether the encryption keys are the same or different.

The procedure assumes you are continuing directly from the previous procedure.

To activate the VCStack Plus feature license on the active controller card in the chassis, perform the following procedure:

1. In the Privileged Exec mode, use the LICENSE command to activate the VCStack Plus feature on the active controller card.

.Here is the format of the command:

```
l i cense name key
```

The NAME parameter is the name of the license. You may use the name that comes with the license or you may enter a different name. The name can be from one to fifteen characters. Spaces are not allowed. An example of a name for this feature is VCStackPlus.

The KEY parameter is the alphanumeric key that comes with the license. It activates the feature license on the switch. The key is case sensitive, meaning that you have to use uppercase and lowercase characters when you specify the key in the command.

Here is an example of the command. The license is assigned the name VCStackPlus and has the key 1234ABCD:

```
awpl us# l i cense VCStackPI us 1234ABCD
```

Note

If the chassis has two controller cards, the active controller automatically activates the VCStack Plus feature license on the standby controller.

After you enter the command, the switch displays the prompt in Figure 188:

```
A restart of affected modules may be required.  
Would you like to continue? (y/n)
```

Figure 188. LICENSE Command

2. Type Y for yes to activate the license on the controller card. (This does not reset the chassis or modules. You will reboot the chassis later in these instructions.)

If the chassis has two controller cards, the active controller card automatically shares the VCStack Plus feature license with the standby card and displays the messages in Figure 189.

```
Card 1.5 installed 1 license  
Card 1.6 installed 1 license  
  
2 licenses installed
```

Figure 189. LICENSE Command Message with Two Controller Cards

If the chassis has only one controller card, the controller card displays the message in Figure 190.

```
Card 1.5 installed 1 license  
  
1 license installed
```

Figure 190. LICENSE Command Message with One Controller Card

3. Go to “Enabling the Stacking Feature” on page 319.

Enabling the Stacking Feature

Now that you have activated the VCStack Plus feature license on the controller card, you may enable the stacking feature, as explained in this section.

To activate the stacking feature, perform the following procedure:

1. Enter the CONFIGURE TERMINAL command to move from the Privileged Exec mode to the Global Configuration mode:

```
awpl us# confi gure termi nal
awpl us(confi g)#
```

2. Enter the STACK ENABLE command to activate the VCStack Plus feature:

```
awpl us(confi g)# stack enabl e
```

The switch displays the messages in Figure 191

% Automatically enabling 'stack virtual-mac' to minimize disruption from failovers.
 % Please check that the new MAC 0000.cd37.0c22 is unique within the network.
 % Save the config and restart the system for this change to take affect.

Figure 191. STACK ENABLE Command Messages

The messages are described in Table 32.

Table 32. Descriptions of the STACK ENABLE Command Messages

Message	Description
Automatically enabling 'stack virtual-mac' to minimize disruption from failovers.	This message informs you that enabling the stacking feature also activates the virtual MAC address feature, which allows the two switches of the stack to use a single MAC address to communicate with other network devices.
Please check that the new MAC 0000.cd37.0c22 is unique within the network.	This message displays the virtual MAC address of the switch. The address is randomly selected from the range of 0000.cd37.0000 to 0000.cd37.0fff.

Table 32. Descriptions of the STACK ENABLE Command Messages

Message	Description
Save the config and restart the system for this change to take effect.	This message reminds you that you need to save the configuration change and reboot the switch to activate stacking. The next two steps have you save your changes, You will reboot the switch later in these procedures.

3. Enter the EXIT command to return to the Privileged Exec mode.

```
awpl us(config)# exit
awpl us#
```

4. Enter the COPY RUNNING-CONFIG command to save your changes:

```
awpl us# copy running-config startup-config
```

5. Continue to the next procedure to check the feature licenses on the switch.

Displaying the Feature Licenses

The two switches of a stack must have the same feature licenses. Otherwise, they will not form a stack. To compare the licenses of the switches, perform the following procedure:

1. Enter the SHOW LICENSE BRIEF command in the Privileged Exec mode to display the licenses on the switch.

```
awpl us# show li cense bri ef
```

Figure 192 is an example of the information.

```
OEM Terri tory: ATI USA
Software Feature Li cense
-----
0          Base Li cense      1          Base Li cense
1          VCStackPI us      1          VCStack-PI us

Current enabled features for di spl ayed li censes:
IPv6Basi c, LAG-FULL, MLDSnoop, RADI US-100, Vi rtual -MAC, VRRP, VCStack-PI us
```

Figure 192. SHOW LICENSE BRIEF Command

2. Check the SHOW LICENSE BRIEF command for the following information:
 - ❑ (1) Verify that the VCStack Plus feature license is included in the list of licenses. If it is not included, repeat “Activating the VCStack Plus Feature License” on page 317.
 - ❑ (2) Verify that the VCStack Plus feature is enabled on the switch. If it is not enabled, repeat “Enabling the Stacking Feature” on page 319
3. Do one of the following:
 - ❑ If you are configuring the first chassis of the stack, write down on paper the OEM territory, licenses, and enabled features from the SHOW LICENSE BRIEF command. You will compare this information with the license information on the second chassis to be sure that both units have the same features. After writing the information, go to “Setting the ID Number” on page 323.
 - ❑ If you are configuring the second chassis, compare the information displayed by the SHOW LICENSE BRIEF command against the license information you wrote down on paper when you configured

the first chassis. If the two chassis have the same licenses and enabled features, you may go to “Setting the ID Number” on page 323. If they are different, do not continue. The two chassis cannot form a stack if they do not have identical features. Before continuing with this procedure, add or delete features or licenses from one or both chassis so that they have the same feature set.

Note

Two switches that have different OEM territories probably have different feature sets. The two switches will form a stack but only if they have the same features. This may require the installation or deletion of features or licenses from one or both units.

Setting the ID Number

The chassis must be assigned the ID number 1 or 2. The ID number is used to identify the chassis when you configure the device with the command line interface. The two chassis of the stack must be assigned different ID numbers. To set the ID number on the chassis, perform the following procedure:

1. From the Privileged Exec mode, enter the `SHOW STACK` command to view the current ID number of the switch:

```
awpl us# show stack
```

Figure 193 is an example of the command.

Virtual Chassis Stacking summary information					
ID	Pending ID	MAC address	Priority	Status	Role
1.5	-	eccd.6d9e.07e1	128	Ready	Active CFC
1.6	-	eccd.6d9e.0145	128	Ready	Backup Member

← Current ID Numbers

Figure 193. SHOW STACK Command

The command lists the AT-SBx81CFC960 Controller Fabric Cards in the stack. Given that the switch is not operating as part of a stack yet, the command lists only the controller cards in the switch you are currently configuring. The switch in Figure 193 has two controller cards. The command displays only one controller card if the chassis has only one card.

The ID number of a controller card contains two numbers. The first number is the chassis ID number. This number is always 1 or 2. If the chassis has two controller cards, both cards have the same chassis ID number. The second number is the slot number in which the controller card is installed. For example, the first controller card in the example has the ID number 1.5, meaning that the card has the chassis ID number 1 and is installed in slot 5 of the unit. The second controller card has the same chassis ID number and is installed in slot 6.

2. Check the chassis ID number of the controller cards. (As just explained, the chassis ID number is the first number in the ID number.) The chassis ID number can be 1 or 2. The default value is 1. The two chassis of a stack must have different ID numbers. Do one of the following:
 - ❑ If the ID number is already set correctly for the chassis, go to “Setting the Priority Number” on page 327. For example, if you are

configuring the first switch of the stack and want to assign it the number 1, you probably do not need to set the number because that is the default value.

- If you need to change the ID number for the chassis, continue with step 3. For example, if you are configuring the second chassis and want to assign it the ID number 2, you need to perform the rest of this procedure to change it from the default value 1 to the new value 2.

3. Enter the CONFIGURE TERMINAL command to enter the Global Configuration mode:

```
awpl us# configure terminal
awpl us(config)#
```

4. To assign the switch a new ID number (for instance, to change it from 1 to 2), enter the STACK RENUMBER command, which has this format:

```
stack <member's-existingID> renumber <member's-newID>
```

The member's-existingID variable is the switch's current ID number, displayed with the SHOW STACK command in step 9. The member's-newID variable is the new ID number you want to assign it. This example of the command changes the ID number of the switch from 1 to 2:

```
awpl us(config)# stack 1 renumber 2
```

Note

If the chassis has two controller cards, the command changes the chassis ID number on both cards.

The command displays the messages in Figure 194.

```
% Warning: Stacking is currently disabled.
% Warning: The new ID will not become effective until the stack-member
reboots.
% Warning: The boot configuration may now be invalid.
```

Figure 194. STACK RENUMBER Command Messages

The messages are described in Table 33 on page 325.

Table 33. Descriptions of the STACK RENUMBER Command Messages

Message	Description
Warning: Stacking is currently disabled.	This message reminds you that even though you activated the stacking feature with the STACK ENABLE command in an earlier procedure, the feature is disabled because the chassis has not been reset. You will reboot the switch later in these instructions.
Warning: The new ID will not become effective until the stack-member reboots.	This message informs you that the switch needs to be reset before it begins to use its new ID number. You will reboot the switch later in these instructions.
Warning: The boot configuration may now be invalid.	This message informs you that if you have already configured parameter settings on the switch, some of the settings may be lost when you reset the unit. The ID number is used in the commands in the configuration file to identify the individual switch ports. When the ID number is changed, commands in the configuration file that use the old ID number are no longer valid.

5. After changing the ID number, enter the EXIT command to return to the Privileged Exec mode:

```
awpl us(confi g)# exi t
awpl us#
```

6. Enter the SHOW STACK command again to confirm your change.

An example of the window is shown in Figure 195 on page 326.

Virtual Chassis Stacking summary information

ID	Pending ID	MAC address	Priority	Status	Role
1.5	2.5	eccd.6d9e.07e1	128	Ready	Active CFC
1.6	2.6	eccd.6d9e.0145	128	Ready	Backup Member

Figure 195. SHOW STACK Command

7. Verify the pending ID number change.

Each controller card should now have two ID numbers. The number in the ID column is the current number of the chassis and the number in the Pending ID column is the number you just assigned it. The new number takes effect when you reboot the chassis later in these instructions.

Do one of the following:

- If the Pending ID column is empty or is not displaying the correct number, repeat the procedure starting with step 3.
- If the Pending ID column is displaying the correct ID number, continue with the next step.

8. Enter the COPY RUNNING-CONFIG command to save your change:

```
awplus# copy running-config startup-config
```

9. Continue to the next procedure to set the priority number on the chassis.

Setting the Priority Number

This procedure is optional. It explains how to set the stack priority number on the chassis, which controls the selection of the active controller card for the stack. For background information, refer to “Priority Numbers” on page 309. If you do not want to set the priority number, go to “Powering Off the Chassis” on page 328.

To configure the priority number, perform the following procedure:

1. Enter the `CONFIGURE TERMINAL` to move from the Privileged Exec mode to the Global Configuration mode.

```
awpl us# confi gure termi nal
awpl us(confi g)#
```

2. Enter the `STACK PRIORITY` command to set the priority number of the chassis. The format of the command is as follows:

```
stack <ID_number> pri ori ty <pri ori ty_number>
```

The `ID_number` variable is the switch’s current ID number, displayed with the `SHOW STACK` command. The `priority_number` variable is the new priority number for the chassis. The range is 0 to 255. The lower the number, the higher the priority. This example sets the priority number of the chassis to 1:

```
awpl us(confi g)# stack 1 pri ori ty 1
```

The switch displays the following prompt:

```
% Warni ng: Stacki ng i s currentl y di sabl ed.
```

3. Enter the `EXIT` command to return to the Privileged Exec mode:

```
awpl us(confi g)# exi t
awpl us#
```

4. Enter the `SHOW STACK` command to confirm your change. Refer to Figure 195 on page 326. The Priority column should now be displaying the new priority number for the chassis.

5. Enter the `COPY RUNNING-CONFIG` command to save your change:

```
awpl us# copy runni ng-confi g startup-confi g
```

This completes the procedure for configuring the chassis for the stacking feature. Go to “Powering Off the Chassis” on page 328.

Powering Off the Chassis

Now that you have configured the chassis, you should power it off. To power off the unit, do one of the following:

- ❑ For the AC AT-SBxPWRSYS1, AT-SBxPWRSYS2, and AT-SBxPWRPOE1 PoE power supplies, disconnect the AC power cords from the connectors on the back panel of the unit or from the power sources.
- ❑ For the AT-SBxPWRSYS1 DC power supply, turn the power switch on the power supply to off. Refer to Figure 60 on page 133.

Be sure to power off all the power supplies in the chassis.

After powering off the chassis, do one of the following:

- ❑ To configure the second chassis, go to “Configuring the Second Chassis” on page 329.
- ❑ If you are finished configuring both chassis, go to “Cabling the SFP+ Slots on the Controller Cards” on page 330.

Note

Powering off the chassis to install the SFP+ transceivers for the trunk is optional. The transceivers are hot-swappable and can be installed while the chassis is powered on. However, Allied Telesis recommends that both chassis be powered off when you power on the stack for the first time.

Note

If you decide not to power off the chassis, you must reset both units with the REBOOT command in the Privileged Exec mode after installing the SFP+ transceivers in “Cabling the SFP+ Slots on the Controller Cards” on page 330.

Configuring the Second Chassis

Configure the second chassis by repeating the previous procedures, starting with “Displaying the Management Software Version Number” on page 315. Please note the following as you configure the second unit:

- ❑ In “Displaying the Management Software Version Number” on page 315, be sure that the management software on the switch is version 5.4.5 or greater and that it is the same version as management software on the first chassis.
- ❑ In “Activating the VCStack Plus Feature License” on page 317, be sure to assign the second chassis a VCStack Plus license.
- ❑ In “Activating the VCStack Plus Feature License” on page 317, be sure to check that the second chassis has the same licenses and features as the first chassis.
- ❑ In “Setting the ID Number” on page 323, be sure to assign the second chassis a different ID number. For instance, you should assign the second chassis the ID number 2 if the first chassis has the ID number 1.

After configuring the second chassis, go to “Cabling the SFP+ Slots on the Controller Cards” on page 330.

Cabling the SFP+ Slots on the Controller Cards

Now that you have configured both chassis for the stacking feature, you are ready to cable the SFP+ slots on the controller cards to build the trunk between the two units.

Note

Please review the background information in “Stack Trunk” on page 301 and “Cabling Configurations for the Trunk” on page 303 before cabling the SFP+ slots on the controller cards.

For installation instructions, refer to the following sections:

- ❑ For fiber optic SFP+ transceivers, refer to “Installing SFP+ Transceivers” on page 180.
- ❑ For AT-SP10TW Cables, refer to “Installing AT-SP10TW Cables” on page 185.

Note

The transceivers and direct connect cables must be from Allied Telesis. The two chassis will not form the stack if the transceivers are from another network equipment manufacturer.

After cabling the SFP+ slots on the controller cards, go to “Powering On the Stack” on page 331.

Powering On the Stack

The two switches are now ready to operate as a stack. But before powering on the stack for the first time, you may find it useful to review the information in “Controlling the Selection of the Initially Active Master Controller Card” on page 331. The information is important if one of the switches was a stand-alone unit in your network and you want it to retain its configuration when it becomes part of the stack.

Note

If you did not power off the chassis earlier in these instructions, you must reset both units with the REBOOT command in the Privileged Exec mode. After resetting the units, go to “Monitoring the Boot Up Sequence” on page 332 or “Verifying the Stack” on page 335.

Controlling the Selection of the Initially Active Master Controller Card

The manner in which you initially power on the units can determine which controller card becomes the active master controller card for the stack. This, in turn, can determine the initial configuration of the stack. In some situations you may want to control which controller card becomes the initially active master card.

There are two ways to power on the switches of the stack, either simultaneously or one after the other:

- ❑ If you power on the units simultaneously, the controller cards use their priority values or MAC addresses to determine the active master card for the stack. The selected active card uses the settings in its configuration file as the initial configuration for the stack. For background information, refer to “Priority Numbers” on page 309.
- ❑ If you power on one switch, wait a minimum of ten seconds, and then power on the second unit, the active master controller card in the unit first powered on becomes the master controller card for the stack. Its configuration file becomes the initial configuration for the stack.

The selection of the active master card might not be important to you if the units and controller cards of the stack are new. Here, the stack uses the default settings regardless of which controller card becomes the active card. If this is the case, you can power on the units either way,

However, if one of the switches was a stand-alone unit in your network and you are adding a new chassis to build a stack, you might want to retain the stand-alone configuration on the first switch to avoid having to reconfigure it when it becomes part of the stack. You can do this by powering it on first so that its active master controller card becomes the active card for the

stack and its configuration file is used as the initial configuration for the stack.

After the stack is operating, the active master card periodically shares its configuration file with all the other controller cards in the stack. Thus, the order in which the units are subsequently reset or powered on is not important because all the controller cards have the same configuration file.

Powering On the Switches

To power on the two chassis of the stack, do one of the following:

- ❑ To power on AC AT-SBxPWRSYS1, AT-SBxPWRSYS2, and AT-SBxPWRPOE1 PoE Power Supplies, connect the power cords to the appropriate connectors on the back panel and to power sources. For instructions, refer to “Powering On AT-SBxPWRSYS1 or AT-SBxPWRSYS2 AC System Power Supplies” on page 189 and “Powering On AT-SBxPWRPOE1 Power Supplies” on page 193, respectively.
- ❑ To power on the AT-SBxPWRSYS1 DC Power Supply, turn the power switch to on. Refer to Figure 60 on page 133.

Be sure to power on all the power supplies in the chassis.

Note

To power on the two chassis in sequence to control the selection of the active master controller card, power on the unit with the controller card to be the active master controller card, wait a minimum of ten seconds, and then power on the second unit.

The boot up sequence for the stack takes approximately four minutes. The amount of time may vary, depending on the number and types of Ethernet line cards in the two switches. The ports do not begin to forward traffic until the stack has completed the initialization process. Do one of the following:

- ❑ If you want to monitor the switches as they perform the initialization process, go to “Monitoring the Boot Up Sequence” on page 332.
- ❑ If you do not want to monitor the initialization process, go to “Verifying the Stack” on page 335.

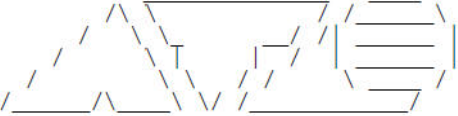
Monitoring the Boot Up Sequence

You may monitor the initialization process by connecting a terminal or PC with a terminal emulator program to the Console port on any of the controller cards and watch the status messages, shown in Figure 196 on page 333 and Figure 197 on page 334. (The settings for the terminal or terminal emulator program are found in “Using Local Management to Verify the Chassis” on page 228.)

After the stack has completed the initialization process, go to “Verifying the Stack” on page 335.

```

Verifying release... OK
Booting...
Starting base/first... [ OK ]
Mounting virtual filesystems... [ OK ]



Allied Telesis Inc.
AlliedWare Plus (TM) v5.4.5
Current release filename: SBx81CFC960-5.4.5-0.0.rel
Original release filename: SBx81CFC400-5.4.5-.0.rel
Built: Thu Dec 19 21:30:52 NZDT 2014
Mounting static filesystems... [ OK ]
Checking flash filesystem... [ OK ]
Mounting flash filesystem... [ OK ]
Checking for last gasp debug output... [ OK ]
Checking NVS filesystem... [ OK ]
Mounting NVS filesystem... [ OK ]
Starting base/setup-eth... [ OK ]
Starting base/dbus... [ OK ]
Starting base/syslog... [ OK ]
Starting base/lif_ok... [ OK ]
Starting base/loopback... [ OK ]
Starting base/poe_done... [ OK ]
Starting base/sysctl... [ OK ]
Received event poefw.done
Starting base/portmapper... [ OK ]
Received event syslog.done
Starting base/reboot-stability... [ OK ]
Starting base/cron... [ OK ]
Starting base/appmond... [ OK ]
Starting hardware/openhpi... [ OK ]
Starting hardware/timeout... [ OK ]
Starting base/inet... [ OK ]
Starting base/modules... [ OK ]
Received event modules.done
Received event board.inserted
Received event hardware.done
Starting network/startup... [ OK ]
Starting base/external -media... [ OK ]
Starting network/stackd... [ OK ]
Starting network/election.timeout... [ OK ]
Starting network/internal -tftpd... [ OK ]
Starting network/internal -boop... [ OK ]
08:00:46 awplus-1.5 chassis[2105]: Card 1.6 (AT-SBx81CFC960) has joined the
chassis

```

Figure 196. Initialization Messages for the Stack

Received event network enabled

Initializing HA processes:

cbtrd, hostd, nms, atmfd, bgpd, epsr
 exfx, hsl, imi, imiproxyd, irdpd, lacp, lldpd
 loopprot, mstp, ospf6d, ospfd, pdmd, pim6d, pimd
 ripd, ripngd, rmon, sflowd, uidd, vrrpd

Received event network.initialized

08:00:54 awplus-1.5 chassis[2105]: Waiting for all chassis cards to initialize.

08:00:54 awplus-1.6 HPI: HOTSWAP Pluggable 1.6.4 hotswapped in AT-StackOP

08:00:54 awplus-1.6 HPI: HOTSWAP Pluggable 1.6.3 hotswapped in AT-StackOP

08:00:54 awplus-1.6 HPI: HOTSWAP Pluggable 1.6.2 hotswapped in AT-StackOP

08:00:54 awplus-1.6 HPI: HOTSWAP Pluggable 1.6.1 hotswapped in AT-StackOP

08:00:54 awplus-1.5 HPI: HOTSWAP Pluggable 1.5.4 hotswapped in AT-StackOP

08:00:54 awplus-1.5 HPI: HOTSWAP Pluggable 1.5.3 hotswapped in AT-StackOP

08:00:54 awplus-1.5 HPI: HOTSWAP Pluggable 1.5.2 hotswapped in AT-StackOP

08:00:54 awplus-1.5 HPI: HOTSWAP Pluggable 1.5.1 hotswapped in AT-StackOP

08:00:54 awplus-1.5 chassis[2105]: Card 1.1 (AT-SBx81XS6) has joined the chassis

08:00:54 awplus-1.5 chassis[2105]: Card 1.3 (AT-SBx81GT24) has joined the chassis

08:00:54 awplus-1.5 chassis[2105]: Card 1.2 (AT-SBx81GP24) has joined the chassis

.
.
.

08:00:55 awplus-1.5 chassis[2105]: Card 2.12 (AT-SBx81GP24) has joined the chassis

08:00:56 awplus-1.5 chassis[2105]: Card 1.5 (AT-SBx81CFC960) has become the Active CFC

08:00:56 awplus-1.5 chassis[2105]: Stack Virtual MAC is 0000.cd37.0c22

Received event vcs.elected-master

Assigning Active Workload to HA processes:

authd, bgpd, epsrd, imi, hsl, irdpd, lacpd, lldpd
 loopprot, mstp, nms, ospf6d, ospfd, pdmd, pim6d
 pimd, ripd, ripngd, rmond, sflowd, vrrpd, imi
 vrrpd

Received event network activated

Loading default configuration

done!

Received event network.configured

awplus login:

Figure 197. Initialization Messages for the Stack (Continued)

Verifying the Stack

After resetting or powering on the devices and waiting four minutes for the switches to complete initializing the management software and form the stack, you should verify the stack. To verify the stack, perform the following procedure:

1. Start a local or remote management session on the stack. You may use the RS-232 Console port on any of the controller cards in the stack to establish a local management session. You do not have to use the RS-232 Console port on the active master controller card.

Note

If you prefer to use the RS-232 Console port on the active master controller card for the management session, you can determine the active card by examining the CFC LEDs. The LEDs are green on the active master controller card and amber on the standby master controller cards.

2. Enter the ENABLE command to move from the User Exec mode to the Privileged Exec mode:

```
awpl us> enable
awpl us#
```

3. In the Privileged Exec mode, enter the SHOW STACK command.

```
awpl us# show stack
```

Figure 198 is an example of the command for a stack that has four controller cards.

Virtual Chassis Stacking summary information

ID	Pending ID	MAC address	Priority	Status	Role
1.5	-	eccd.6d9e.331c	128	Ready	Active CFC
1.6	-	eccd.6d9e.3308	128	Ready	Backup Member
2.5	-	eccd.6d9e.3328	128	Ready	Backup Member
2.6	-	eccd.6d9e.3302	128	Ready	Backup Member

Figure 198. SHOW STACK Command

The stack is operating properly if the command lists all of the controller cards in both switches of the stack. For instance, the command should list four controller cards if there are two controller cards in each chassis, or two controllers if each switch has only one controller card.

4. Do one of the following:
 - ❑ If the `SHOW STACK` command is displaying all the controller cards in the stack, the stack is operating normally. If you have optional feature licenses to install, go to “Installing Optional Feature Licenses” on page 337. Otherwise, you may begin to configure the parameter settings of the ports and features of the stack with the commands in the command line interface. For instructions, refer to Software Reference for SwitchBlade x8100 Series Switches.
 - ❑ If the `SHOW STACK` command is displaying the controller cards from only one chassis, the switches were not successful in forming the stack. Go to “Troubleshooting the Stack” on page 338.

Installing Optional Feature Licenses

You may now install the optional premium and AMF master licenses. Please review the following information before installing a feature license:

- ❑ When ordering a feature license from Allied Telesis for the stack, you must order two licenses, one for each chassis. However, you use only one license to activate the feature. The active controller card automatically copies new feature license to all the controller cards in the stack, thereby activating the license on both switches.

For example, to install the premium feature license on a stack, you have to order two premium licenses from Allied Telesis and then use one of the licenses to activate the feature on the stack.

- ❑ Feature licenses are installed with the LICENSE command in the Privileged Exec mode. For instructions, refer to the Software Reference for SwitchBlade x8100 Series Switches.
- ❑ Feature licenses for the AT-SBx81CFC400 Controller Fabric Card are not compatible with the AT-SBx81CFC960 Card.

Troubleshooting the Stack

The best way to determine if the switches are operating as a stack is with the `SHOW STACK` command, as explained in “Verifying the Stack” on page 335. If the command indicates that the switches are not operating as a stack, you may be able to identify and resolve the problem with the suggestions in this section.

The first thing to check is the stacking trunk that links the switches together. Here are some things to check:

- ❑ If the switches are using AlliedWare Plus v5.4.5 or later, verify that the SFP+ transceivers of the trunk are from Allied Telesis. The switches will not form the stack with transceivers from another network equipment manufacturer.
- ❑ If the switches are using AlliedWare Plus v5.4.4 or earlier, verify that the transceivers of the trunk are either AT-StackOP/0.3 or AT-StackOP/9.0 transceivers. You may not use standard SFP+ transceivers for the trunk when the switches are using earlier versions of AlliedWare Plus.
- ❑ Verify that the transceivers are firmly inserted into the SFP+ slots and that the fiber optic cables are properly secured to the transceivers.
- ❑ Inspect the L/A LEDs for the slots. They should be solid or flashing green.
- ❑ Verify that there are no network devices, such as media converters or other switches, between the SFP+ transceivers of the trunk.
- ❑ Verify that you are using the correct type of fiber optic cable and are not exceeding the maximum operating distance of the transceivers.

Refer to “Fiber Optic or Twisted Pair Transceivers” on page 244 for additional troubleshooting suggestions for the trunk SFP+ transceivers.

If the trunk is operating correctly, the switches may have a configuration problem that is preventing them from forming the stack. You may be able to identify the problem with the following suggestions. It is important to remember that at this point the switches, having been unsuccessful at forming the stack, are operating as stand-alone units, which means that you have to manage them with separate local management sessions.

- ❑ Use the `SHOW SYSTEM` command in the Privileged Exec mode of the command line interface to confirm that the switches have the same version of the AlliedWare Plus management software. If they have different versions, refer to the Software Reference for SwitchBlade x8100 Series Switches for instructions on how to upgrade the software.

- ❑ Use the `SHOW LICENSE BRIEF` command in the Privileged Exec mode to confirm that you installed the VCStack Plus licenses and enabled the feature on the switches. If a switch does not have the license, perform “Activating the VCStack Plus Feature License” on page 317 to install it. If the command shows that the license is activated but the feature is not enabled, perform “Enabling the Stacking Feature” on page 319.
- ❑ Use the `SHOW LICENSE BRIEF` command to confirm that they have the same feature licenses. If they have different licenses, add or delete licenses so that they have the same feature licenses.
- ❑ Use the `SHOW STACK` command to compare the ID numbers of the switches. One switch should have the ID 1 and the other ID 2. To configure the ID numbers, perform “Setting the ID Number” on page 323.

You might also try watching for error messages on the Console port on one of the controller cards when you power on or reset the switches. Here are the messages:

- ❑ The following error message indicates that the two chassis have different feature licenses. Switches cannot form a stack if they have different licenses. Perform “Displaying the Feature Licenses” on page 321 on both switches to determine which switch needs a license. For example, if, after performing the procedure, you determine that one of the switches has the premium license and the other one does not, obtain and install the premium license on the other unit.

```
chassis[nnnn] Software feature licensing incompatible. Card
n.n will boot as a standalone system
```

- ❑ Switches running AlliedWare Plus 5.4.5 or later display the following message if one or more of the SFP+ transceivers in the stack trunk are not from Allied Telesis. Replace the transceivers with transceivers from Allied Telesis.

```
Only ATI qualified SFP+ modules are support in this port.
Please remove.
```

- ❑ Switches running AlliedWare Plus 5.4.4 or earlier display the following message if one or more of the SFP+ transceivers in the stack trunk are not AT-StackOP/0.3 or AT-StackOP/9.0 transceivers. Remove the standard transceivers and replace with stacking transceivers.

```
EXFX[nnn]: ERROR: stack port n.n.n - Only AT-StackOP support
in this port. Please remove
```

- ❑ The following error message indicates that the two switches cannot form the stack because they have different versions of the AlliedWare Plus management software. To resolve the problem,

update the software on one of both systems so that they have the same version.

chassis[nnn]: Neighbor on link port n.n cannot join stack - incompatible stack S/W versions.

Appendix A

Technical Specifications

The sections in the appendix are listed here:

- “Physical Specifications” on page 342
- “Environmental Specifications” on page 344
- “Power Specifications” on page 345
- “Safety and Electromagnetic Emissions Certifications” on page 349
- “Port Pinouts” on page 350
- “Fiber Optic Specifications of the AT-StackOP/0.3 and AT-StackOP/9.0 Transceivers” on page 352

Physical Specifications

Dimensions (W x D x H)

Table 34. Product Dimensions

AT-SBx8112 Chassis	48.03 cm x 38.79 cm x 31.01 cm (18.91 in x 15.27 in x 12.21 in)
AT-SBxPWRSYS1 AC System Power Supply	10.16 cm x 32.21 cm x 4.34 cm (4.00 in x 12.68 in x 1.71 in)
AT-SBxPWRSYS2 AC System Power Supply	10.16 cm x 32.21 cm x 4.34 cm (4.00 in x 12.68 in x 1.71 in)
AT-SBxPWRPOE1 PoE Power Supply	10.16 cm x 32.21 cm x 4.34 cm (4.00 in x 12.68 in x 1.71 in)
AT-SBxPWRSYS1 DC System Power Supply	10.16 cm x 34.2 cm x 4.34 cm (4.00 in x 13.46 in x 1.71 in)
AT-SBxFAN12 Tray Module	2.74 cm x 33.35 cm x 26.04 cm (1.08 in x 13.13 in x 10.25 in)
AT-SBx81GT24 Line Card AT-SBx81GT40 Line Card AT-SBx81GP24 PoE Line Card AT-SBx81GS24a SFP Line Card AT-SBx81XS6 SFP+ Line Card AT-SBx81XS16 SFP+ Line Card AT-SBx81XLEM SFP Line Card AT-SBx81CFC960 Controller Fabric Card	20.67 cm x 31.32 cm x 4.06 cm (8.14 in x 12.33 in x 1.6 in)
AT-SBx81XLEM/Q2 Module AT-SBx81XLEM/XS8 Module AT-SBx81XLEM/XT4 Module	9.4 cm x 16.0 cm x 3.6 cm (3.7 in x 6.3 in x 1.4 in)

Weight (Kilograms)

Table 35. Product Weights

AT-SBx8112 Chassis	17.77 kg (39.10 lb) with 3 PSU and 10 Line Card blank panels
AT-SBx81GT24 Line Card	0.93 kg (2.05 lb)
AT-SBx81GT40 Line Card	1.04 kg (2.30 lb)
AT-SBx81GP24 PoE Line Card	1.06 kg (2.34 lb)

Table 35. Product Weights (Continued)

AT-SBx81GS24a SFP Line Card	1.06 kg (2.34 lb)
AT-SBx81XS6 SFP+ Line Card	1.06 kg (2.34 lb)
AT-SBx81XS16 SFP+ Line Card	1.4 kg (3.09 lb)
AT-SBx81XLEM Line Card Line Card	1.2 kg (2.70 lb)
AT-SBx81XLEM/Q2 Expansion Module	0.2 kg (0.5 lb)
AT-SBx81XLEM/XS8 Expansion Module	0.3 kg (0.65 lb)
AT-SBx81XLEM/XT4 Expansion Module	0.3 kg (0.65 lb)
AT-SBx81CFC960 Controller Fabric Card	1.13 kg (2.50 lb)
AT-SBxPWRSYS1 AC System Power Supply	2.75 kg (6.05 lb) with power cord
AT-SBxPWRSYS2 AC System Power Supply	2.70 kg (6.00 lb) with power cord
AT-SBxPWRPOE1 PoE Power Supply	2.73 kg (6.00 lb) with power cord
AT-SBxPWRSYS1 DC System Power Supply	1.9 kg (4.2 lb)
AT-SBxFAN12 Tray Module	1.82 kg (4.00 lb)

Environmental Specifications

Table 36. Environmental Specifications

Operating Temperature	-0° C to 40° C (32° F to 104° F)
Storage Temperature	-25° C to 70° C (-13° F to 158° F)
Operating Humidity	5% to 90% non-condensing
Storage Humidity	5% to 95% non-condensing
Operating Altitude Range	Up to 3,000 m (9,843 ft)
Acoustic Noise	75.7 dB

Note

The acoustic noise was measured at 40° C with the following products installed:

Table 37. Acoustic Noise Test Components

Product	Quantity
AT-SBx8112 Chassis	1
AT-SBx81CFC960 Controller Fabric Card	2
AT-SBx81GP24 PoE Line Card	5
AT-SBx81XS6 SFP+ Line Card	5
AT-SBxPWRSYS1 AC System Power Supply	2
AT-SBxPWRPOE1 PoE Power Supply	2
AT-SBxFAN12 Tray Module	1

Power Specifications

AC Voltage, Frequency Requirements (Volts, Hertz)

Table 38. AC Voltage and Frequency Requirements

AT-SBxPWRSYS1 AC Power Supply	100 - 120 / 200 - 240 VAC, 16/8A, 50/60 Hz, (per input)
AT-SBxPWRSYS2 AC Power Supply	100 - 120 / 200 - 240 VAC, 18/8A, 50/60 Hz, (per input)
AT-SBxPWRPOE1 AC Power Supply	100 - 120 / 200 - 240 VAC, 16/8A, 50/60 Hz, (per input)

DC Voltage Requirements

Table 39. DC Voltage Requirements

AT-SBxPWRSYS1 DC Power Supply	40 - 60V dc (-0% - +20%), 36A (maximum per input)
-------------------------------	---

Typical power savings in eco-friendly mode (Watts)

Table 40. Typical Power Savings in eco-friendly Mode

AT-SBx81GT24	0.12 W
AT-SBx81GT40	0.79 W
AT-SBx81GP24	0.24 W
AT-SBx81GS24a	0.20 W
AT-SBx81XS6	0.10 W
AT-SBx81XS16	0.66 W
AT-SBx81XLEM (no expansion module)	0.14 W
AT-SBx81XLEM and AT-SBx81XLEM/Q2	0.17 W
AT-SBx81XLEM and AT-SBx81XLEM/XS8	0.20 W
AT-SBx81XLEM and AT-SBx81XLEM/XT4	0.09 W

Maximum power consumption (Watts)

Table 41. Maximum Power Consumption

AT-SBx81GT24	34.4 W
AT-SBx81GT40	53.9 W
AT-SBx81GP24	34.4 W
AT-SBx81GS24a	56.3 W
AT-SBx81XS6	54.8 W
AT-SBx81XS16	78.4 W
AT-SBx81XLEM (no expansion module)	43.7 W
AT-SBx81XLEM and AT-SBx81XLEM/Q2	64.4 W
AT-SBx81XLEM and AT-SBx81XLEM/XS8	65.1 W
AT-SBx81XLEM and AT-SBx81XLEM/XT4	65.5 W
AT-SBx81CFC960	75.0 W

Maximum power supply efficiency (based on 100V input voltage)

Table 42. Maximum Power Efficiency

AT-SBxPWRSYS1 AC	Up to 90%
AT-SBxPWRSYS2 AC	Up to 85%
AT-SBxPWRPOE1 AC	Up to 90%
AT-SBxPWRSYS1 DC	Up to 90%

Heat dissipation (British Thermal Units/hour)

Table 43. Heat Dissipation

AT-SBx81GT24	117.39 BTU/hr
AT-SBx81GT40	183.93 BTU/hr
AT-SBx81GP24	117.39 BTU/hr

Table 43. Heat Dissipation (Continued)

AT-SBx81GS24a	192.12 BTU/hr
AT-SBx81XS6	187.00 BTU/hr
AT-SBx81XS16	267.6 BTU/hr
AT-SBx81XLEM (no expansion module)	149.19 BTU/hr
AT-SBx81XLEM and AT-SBx81XLEM/Q2	219.8 BTU/hr
AT-SBx81XLEM and AT-SBx81XLEM/XS8	222.15 BTU/hr
AT-SBx81XLEM and AT-SBx81XLEM/XT4	223.42 BTU/hr
AT-SBx81CFC960	255.94 BTU/hr
AT-SBxPWRSYS1 AC	5118.21 BTU/hr
AT-SBxPWRSYS2 AC	5118.21 BTU/hr
AT-SBxPWRPOE1 AC	5118.21 BTU/hr
AT-SBxPWRSYS1 DC	5118.21 BTU/hr

Available Power over Ethernet (Watts/port):

Table 44. Available Power Over Ethernet with One PoE Power Supply

One PoE Power Supply Installed	1200 W @ 56 VDC
IEEE 802.3at Class 4 (30 W /port)	40 ports Maximum
IEEE 802.3af Class 3 (15.4 W /port)	77 ports Maximum
IEEE 802.3af Class 2 (7.3 W /port)	171 ports Maximum
IEEE 802.3af Class 1 (4.0 W /port)	240 ports Maximum

Table 45. Available Power Over Ethernet with Two PoE Power Supplies

Two PoE Power Supply Installed	2400 W @ 56 VDC
IEEE 802.3at Class 4 (30 W /port)	80 ports Maximum
IEEE 802.3af Class 3 (15.4 W /port)	155 ports Maximum
IEEE 802.3af Class 2 (7.3 W /port)	240 ports Maximum

Table 45. Available Power Over Ethernet with Two PoE Power Supplies

IEEE 802.3af Class 1 (4.0 W /port)	240 ports Maximum
------------------------------------	-------------------

PoE Mode

Table 46. PoE Mode on the AT-SBx81GP24 PoE Line Card

IEEE 802.3af / IEEE 802.3at:	Alternative Mode A
------------------------------	--------------------

Safety and Electromagnetic Emissions Certifications

Safety and Electromagnetic Emissions:

Table 47. Safety and Electromagnetic Emissions

EMI/RFI	FCC Class A, EN55022 Class A, EN61000-3-2, EN61000-3-3, CISPR Class A, VCCI Class A, AS/NZS Class A
Immunity	EN55024
Electrical Safety	EN60950-1 (TUV), UL60950-1 (cUL _{us}), EN60825
Safety Agency Approvals	cUL _{us} , TUV, C-TICK, CE

Port Pinouts

This section has the pinouts for the ports on the AT-SBx81GT24, AT-SBx81GT40, and AT-SBx81GP24 Line Cards, and the NET MGMT port on the AT-SBx81CFC960 Controller Fabric Card.

Figure 199 illustrates the pin layouts for RJ-45 and RJ point 5 ports.

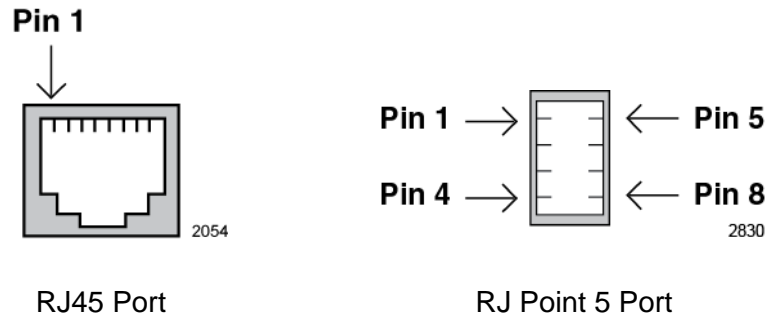


Figure 199. Pin Numbers for RJ-45 and RJ Point 5 Ports (Front View)

Table 48 lists the pin signals when a twisted-pair port is operating in the MDI configuration.

Table 48. MDI Pin Signals (10Base-T or 100Base-TX)

Pin	Signal
1	TX+
2	TX-
3	RX+
6	RX-

Table 49 lists the port pin signals for the MDI-X configuration.

Table 49. MDI-X Pin Signals (10Base-T or 100Base-TX)

Pin	Signal
1	RX+
2	RX-
3	TX+
6	TX-

Table 50 lists the port pin signals for twisted pair ports operating at 1000 Mbps or 10 Gbps.

Table 50. 1000Base-T or 10GBase-T Connector Pinouts

Pin	Pair	Signal
1	1	TX and RX+
2	1	TX and RX-
3	2	TX and RX+
4	3	TX and RX+
5	3	TX and RX-
6	2	TX and RX-
7	4	TX and RX+
8	4	TX and RX-

Fiber Optic Specifications of the AT-StackOP/0.3 and AT-StackOP/9.0 Transceivers

Table 51 lists the fiber optic port specifications for the AT-StackOP/0.3 transceiver.

Table 51. Fiber Optic Port Specifications for the AT-StackOP/0.3 Module

General	
Maximum Distances	33 m with 62.5/125 μm (core/cladding) multimode fiber optic cable 300 m with 50/125 μm (core/cladding) multimode fiber optic cable
Fiber Optic Cable	50/125 μm or 62.5/125 μm (core/cladding) multimode fiber optic cable
Transmitter	
Wavelength	850 nm
Output Optical Power	-7.3 dBm min.
Receiver	
Wavelength	850 nm
Maximum Sensitivity	-9.9 dBm
Maximum Input Power	-1 dBm

Table 52 lists the fiber optic port specifications for the AT-StackOP/9.0 transceiver.

Table 52. Fiber Optic Port Specifications for the AT-StackOP/9.0 Transceiver

General	
Maximum Distances	9 km
Fiber Optic Cable	9/125 μm (core/cladding) single-mode fiber optic cable

Table 52. Fiber Optic Port Specifications for the AT-StackOP/9.0 Transceiver (Continued)

Transmitter	
Wavelength	1310 nm
Output Optical Power	-8.2 dBm min. +0.5 dBm max.
Receiver	
Wavelength	1310 nm
Maximum Sensitivity	-14.4 dBm
Maximum Input Power	0.5 dBm

