

Table of Contents

Front Matter Content

About AY	2
Shipping Policy	3
Account Information	4
Credit Policy	5
Downloads	6
Kit Information	7
Custom Made Seals	8
Material Selection Guide	9
Custom Seal Profile Charts	10
Seal Selection Quick Guide	12
Fill Pattern Reference Guide	29
Cylinder / Seal Diagrams	30
Proper Piston Seal Measurement Diagram	32
Online Tools	33
Profile Reference Charts	34

Products

U Cups	39
Rod Seals / Buffer Rings	107
Wipers	120
Piston Seals	171
Piston Cups	223
Rotary Seals	237
Pneumatic Seals	243
O-Rings	251
Backup Rings	302
Bearings / Wearbands	318
Vee Packing	341
Oil Seals	355
Cushion, Flange, Face, End Cap, and Head Seals	365
Retaining Rings	376
Cap Plugs, Accessories, O-Ring Kits, and Supplies	385
Telescopic Cylinder Parts and Kits	391

Technical Information

Seal Materials	405
Glossary of Terms	406
Cylinder Specifications	407
Troubleshooting	408
Surface Finish	408
Index	409
Conversion Tables - Inch to Metric	414
O-Ring Dash Numbers and Nominal Sizes	415
Credit Application	416



Allegheny York's purpose is to perform as America's Industrial Seal Superstore!

While America's industrial base faces a global trend by OEM's to reduce inventory, AY continues to expand its strategic commitment to building one of the largest inventories of industrial hydraulic and pneumatic seals in the US. AY is a national leader in on-demand sealing solutions. This catalog is a resource of more than 300 different products and 23,500 line items we stock and supply with a 97+% fill rate.

- Established in 1972 we offer decades of distribution & manufacturing experience for industrial sealing applications
- \$2,000,000 of on-site hydraulic & pneumatic seal inventory at our headquarters near York, Pennsylvania
- 37,000 line items in stock with 90,000 part numbers of standard, custom and legacy seals in our system
- Over 2,000 replacement seal kits for more than 65 industrial hydraulic equipment manufacturers

Our technical support team identifies and supplies the seals that ensure production from your cylinders without delay. If we don't carry it, we'll manufacture it.

- Specialist in supporting Legacy and Large Bore cylinders in seal identification, substitution, & manufacturing
- In-house engineering technical support for seal identification, design, cost reduction solutions, & troubleshooting
- RAM Sprint MVP- Coordinate Measuring Machine ensures precise quality inspection & reverse engineering
- On-Site Machine Tooling Capabilities
 - CNC router, CNC mill, (4) CNC lathes, (2) manual mills & lathes
 - 4 state-of-the-art, Sumitomo electronic injection molding machines
 - 9 Panstone compression molding machines with up to 42" capability

Allegheny York's bottom line is helping our clients remain productive and profitable for the seals and gaskets they require:

- **Hydraulic repair shops** use our warehouse and inventory as if we're their own. Our online store provides instant price and availability. A call to tech support can help identify seals, or order custom seals made the same day.
- **Seal distributors** rely on AlleghenyYork.com to provide instant price/availability to their customers. They leverage our buying power to avoid expensive line minimums from manufacturers for wholesale pricing.
- **OEMs** value the quality of American-made seal manufacturing. We provide competitive tooling charges, and produce small & medium size runs, with absolute flexibility to suit their needs for production and spare parts.
- **Industrial Maintenance Departments** call when equipment breaks, and they need expertise and parts that day. Their purchasing departments call when they encounter long lead times and inflated prices from OEMs. We can assemble a replacement part or kit, from off the shelf components or reengineer the part you require.

As America's Industrial Seal Superstore, our 35+ person team is committed to innovating our business to ensure we provide relentless reliability for solving nearly any industrial sealing need. Give us a call to learn if we can help you or create an account at AlleghenyYork.com and start saving today.

Phone 800-258-3851

Email: Sales@AlleghenyYork.com

AlleghenyYork.com

SHIPPING POLICY

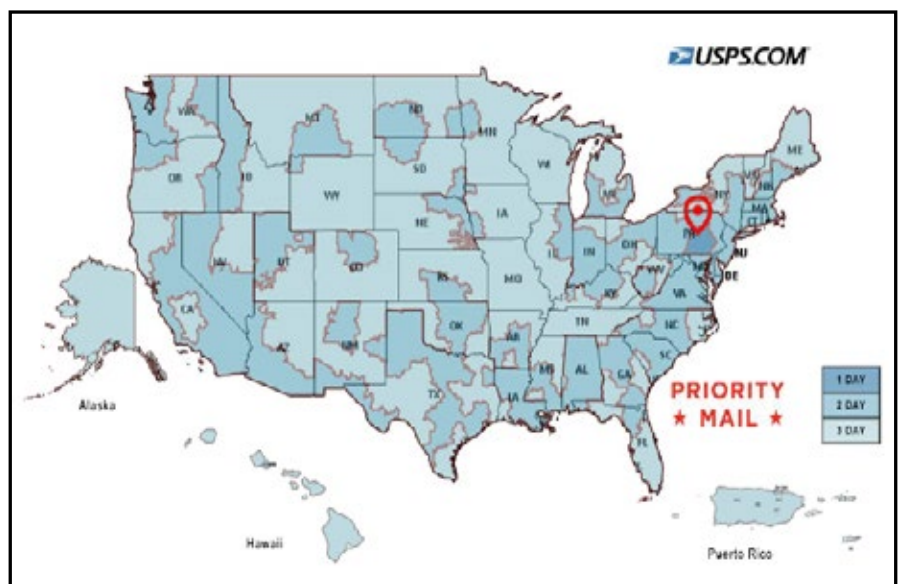
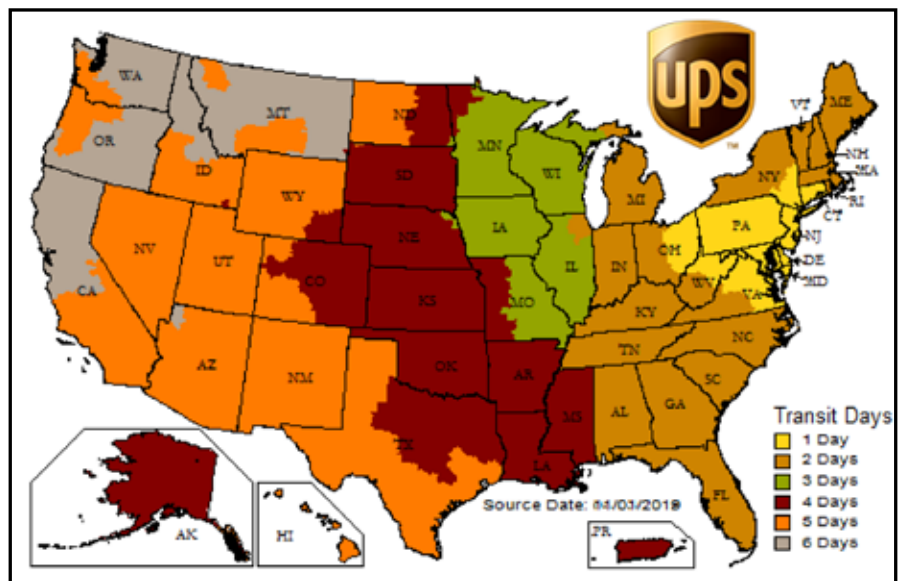
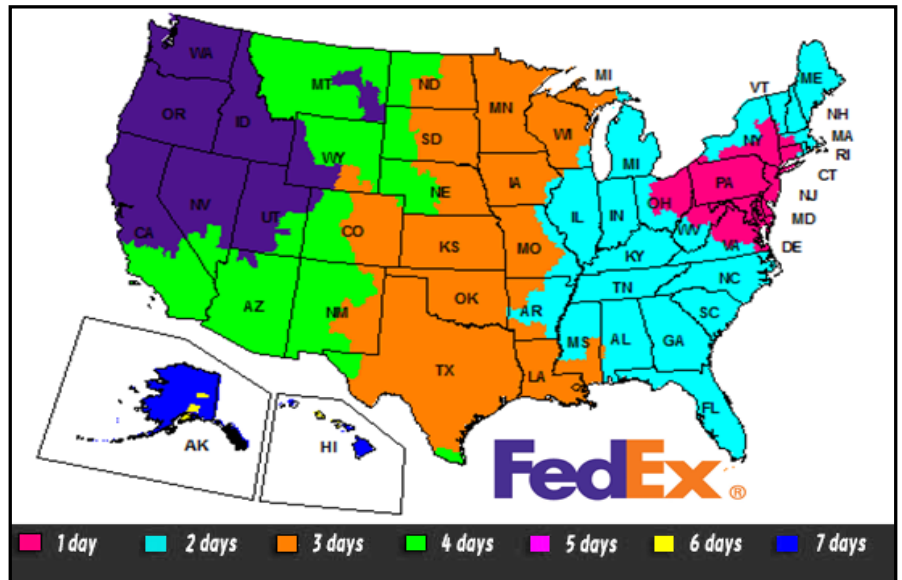
Allegheny York processes and ships same day, Monday through Friday. We offer multiple shipping services for your convenience including Fed Ex (air & ground) UPS (air & ground), and USPS.

Shipping times are not guaranteed for receipt through Fed Ex Ground or UPS Ground. Please take holiday shipping delays into consideration. Shipping updates and holiday shipment information can be found on our shipping partner's websites.

USPS Fed-Ex UPS

Shipping charges are contingent upon size & weight and will be configured and confirmed at time of shipping. Every effort is made to ensure your order will arrive intact and in a timely manner. Please inspect your order upon arrival and resolve any damage incurred during shipping with the respective carrier.

We offer discounted shipping rates if you ship on our carrier account.



IN THE NEIGHBORHOOD?

ORDERS CAN ALSO BE PICKED UP
AT OUR FACILITY
FROM 8:30AM TO 5:00PM AT OUR
ON-SITE SALES COUNTER!

3995 North George St. Ext.
Manchester, PA 17345

Buy or Check Stock Online! ALLEGHENYORK.COM Email us at Sales@alleghenyork.com

Fed Ex Ground cutoff - 3:45 pm Express 4:30 pm EST / UPS cutoff - Ground 5:00 pm - Next day 5:15 pm EST / USPS Cutoff 11:00 am EST

OPENING AN ACCOUNT WITH ALLEGHENY YORK

1. Request a credit application by phone, fax, or e-mail at sales@alleghenyork.com.
2. Complete our form and return it to us. Please allow processing time of 1 to 2 weeks.
3. We will advise you by mail or phone of your credit limit, discount, and your account number.

Additional information may be obtained from our sales correspondents.

ORDERING FROM ALLEGHENY YORK

Order Online: www.alleghenyork.com
Email: sales@alleghenyork.com
24 hour Fax: **1-888-496-7526** International: **717-266-6371**
Order Desk: **1-800-258-3851** International: **717-266-6617**



Online ordering is quick and easy.

1. Create a user name and password on the web site, then...
2. Contact a sales correspondent to activate your account.

Order, check stock, pricing, account balance and order history
at your convenience 24/7, 365 days a year.

www.alleghenyork.com

Address: Allegheny York, 3995 N. George St. Ext., Manchester, PA 17345 -9202 USA

Customer Service Call Center Hours of Operation: Monday to Friday 7:30 AM to 5:30 PM E.S.T.

On-Site Sales Counter Hours of Operation: Monday to Friday 8:30 AM to 5:00 PM E.S.T.

Please refer to page III for shipping carrier cut-off times.

MINIMUM ORDER

Order Minimum \$15.00 Net (U.S. Dollars)
Line Minimum \$ 2.00 Net (U.S. Dollars)
Drop Ship Charge \$10.00 Net (U.S. Dollars)
Blind Drop Charge \$15.00 Net (U.S. Dollars)

QUOTATIONS FOR NON-CATALOG ITEMS

We stock thousands of seals not included in our catalog and we add to our seal inventory every day. In fact, Allegheny York is known throughout the industry for stocking many hard-to-find seals. If we don't have it in stock, we'll be happy to help you find what you need, often overnight. Special seals requiring tooling are available in as little as 4 weeks. Contact our sales office for details.

RETURNS

Before any item can be returned, a **Return Material Authorization (RMA)** number must be obtained from our sales correspondents. This must appear on all packages near the address label. Returned packages not having an RMA number will be refused and returned to sender. Parts returned are subject to a 20% restocking charge, must be in resalable condition, and arrive at our plant within 30 days of purchase. Kits returned must be complete and in the original sealed package. Special items (non-catalog) may not be returned. Machined items are not returnable. Please return all items to:

ALLEGHENY YORK
3995 North George Street Extension
Manchester, PA, USA 17345-9202



CREDIT POLICY

Our payment terms for all open accounts are **1% 10 net 30 days**. Outstanding accounts reaching 45 days past due from the invoice date will automatically be changed to a C.O.D. account until the cumulative past due amounts are paid. Accounts reaching 60 days past due from the invoice date will automatically be changed to a credit hold status until the cumulative amount is received. Notification will be sent if an account status has changed and if orders are being suspended. To expedite your order we also accept the following credit cards for payment: Visa®, MasterCard®, American Express®, and Discover®. If paying by credit or debit, a \$50 hold will be placed on your transaction. The hold is removed once the transaction is complete.

PATENT NOTICE

Allegheny York supplies seals from major manufacturers such as Parker Seal®, Grover Piston Ring®, Hallite® Seals®, Konsep®, Sepco®, Parker Packing®, Garlock®, J.M. Clipper®, etc. No attempt has been made to determine the patent status of the various seals and methods of using the same which are illustrated or described in this publication. Inclusion in this publication of any design or method which may be patented is not to be construed as promoting or sanctioning unauthorized use.

WARRANTY

All goods sold hereunder are warranted to be free from defects in material and workmanship. These express warranties are in lieu of and exclude all other warranties, expressed or implied. Allegheny York recommends that all designs be tested in prototype prior to production due to the many variables involved in sealing. Our liability for breach of any and all warranties is limited to refunding our invoice price of the products, or at our option, replacement of the material free of charge, including transportation charges, but not on the cost of installation. The sale of our products under any other warranty or guarantee, expressed or implied, is not authorized by the company. All technical advice, services and recommendations rendered by Allegheny York personnel are gratis. They are based on technical data which the seller believes to be reliable, and are intended to be used by persons having skill and know-how, at their own discretion and risk.

The information in this publication is based on the best sources and pricing available at time of publication and is furnished for informational use only. Allegheny York has attempted to make it both accurate and useful, and is subject to change without notice based on material costs and/or fluctuation of currency exchange rates. Also, it is impossible to predict future pricing, or to test packings and sealing devices under all the conditions to which they might be exposed in the field. It is important, therefore, that packing and sealing devices be tested under conditions that duplicate the service conditions before the seal design is finalized.

NOTICE

Allegheny York assumes no responsibility for typographical errors, results obtained, damages or losses incurred from their use by buyer in whole or in part. Equipment manufacturers' part numbers are used for reference purposes only. We do not imply that any part shown is the product of these manufacturers. Trade-marks are the property of their respective owners.

NOTE: \$50.00 FEE FOR RETURNED CHECKS

Disclaimer: All material references, pressures and dimensions are provided as is and as guidelines. It is the responsibility of the consumer or user of this or any other information, procedures, processes and products contained herein to verify said information for their own use.

Downloads

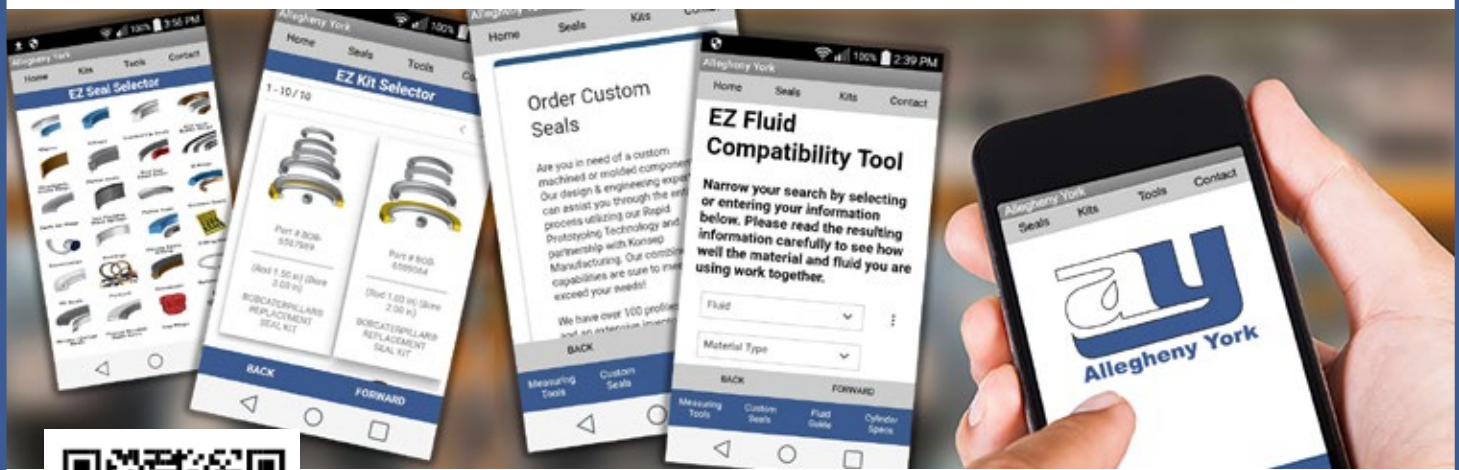
AY Line Card	2020 Catalog	O-Ring Kit Catalog	Seal Kit Flyer	Enerpac® Replacement Seal Kit Flyer	Reeving Cylinder Flyer	Snowplow Seal Kits Flyer	KZT Discharge Ring Flyer
Material Selections Sheet	Decimal Equivalent Chart	AY Credit Application	Proper Piston Measurement Guide	Glossary of Terms	Seal Failure Help Guide	2 Pc. Piston Seal I.D. Guide	"Right Seal" Guide
						<p>Please Visit the "Resources" page at AlleghenyYork.com</p>	
Decision Trees	Cylinder Specs	Fluid Compatibility	O-Ring Size and Installation Chart	O-Ring Size Comparison Chart	Wearband Formulas		



The Allegheny York APP
 AVAILABLE NOW
 FOR ANDROID!



The easiest way to find all your sealing products FAST



Search "Allegheny York" on Google Play or scan this QR Code with your phone

Thousands of Replacement Seal Kits in Stock

Since 1972, Allegheny York has made it our business to help our customers focus on their business. Our seal kit products will keep your equipment maintenance cost lower without the worry of lost performance.

Designed to handle the demands of high heat, speed, friction and pressure, our seal kit products are field tested to ensure the consistent operation of your essential equipment.



THE DIFFERENCE BETWEEN OEM AND AFTERMARKET KITS

“Aftermarket” and “low quality” have come to mean a similar thing in the minds of many. While some aftermarket parts are economically made and low quality, that certainly doesn’t fit them all. It’s vital to discover an aftermarket provider that you trust to get you the best quality aftermarket parts available.

OEM VS. AFTERMARKET PRICE

The biggest contrast among OEM and aftermarket parts is the cost. Like every huge brand in any industry, OEMs will charge considerably more than their “non-brand name” rivals. They can escape with it in light of the fact that their name is so generally known.

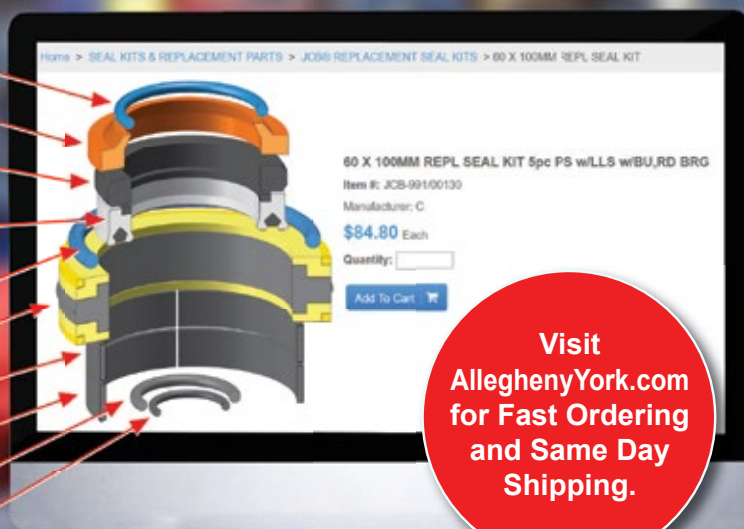
But what are you really getting for the additional expense? There’s usually next to no distinction between the OEM and aftermarket parts. All things considered, you’re simply paying for the name. At Allegheny York, our kits are up to 30% - 50% off the OEM costs, for the equivalent or better quality.

OEM VS. AFTERMARKET QUALITY

At AY, we will just provide you quality parts from manufacturers we trust. If we realize a specific supplier experiences difficulty with parts, we won’t sell you their parts. With our many years of experience and expertise we’ve discovered suppliers that consistently deliver great quality parts.

It’s easy to make sure you’re getting all the components you need. Contact one of our engineers at (717) 266-6617 or Sales@AlleghenyYork.com

90 DURO URETHANE O-RING
METRIC URETHANE WIPER
ROD SEAL BACKUP / SPACER
DOUBLE LIP ROD U-CUP W / NYLON BACKUP
90 DURO URETHANE METRIC O-RING
JCB 5PC PISTON SEAL
METRIC NYLON WEARBAND
METRIC NYLON WEARBAND
N70 O-RING
N70 O-RING



Unlike our competitors, many of our replacement kits are clearly illustrated online.

Material Selection Guide

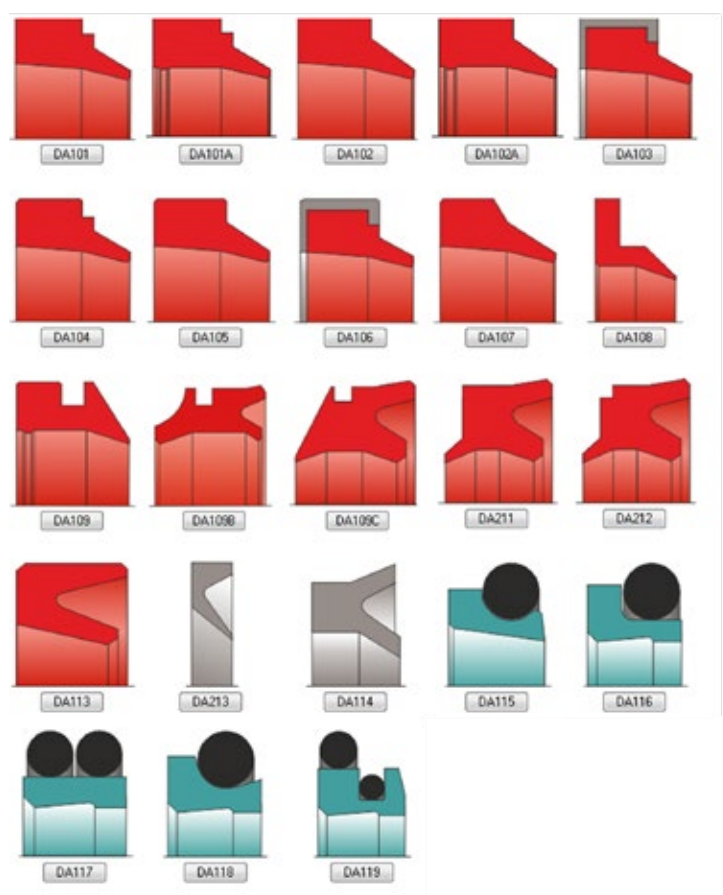
Material Code	Material Description	Other Names	Standard Color
01	Other Urethanes	PU, Polyurethane	Black, Blue, Red
02	Water Resistant Urethane	H-PU, Water PU	Red
03	NBR Rubber	NBR, Nitrile, Buna	Black
04	Highly Saturated Nitrile	HNBR, HSN	Green, Black
05	KTW EPDM	EPDM, Ethylene Propylene	Black
06	Silicone	Silicone	Natural, Clear, Blue
07	FKM	Fluorocarbon, FKM, FPM	Brown, Black, Green
08	Delrin® / POM	POM, Acetal	White
09	Nylon	PA, Poly Amid	Natural, Black, Grey
10	Virgin Teflon®	TFE, Polytetrafluorethylene	White
11	15% / 5% Glass-Moly Filled TFE	15/5 GMTFE	Gray
12	40% Bronze Filled TFE	40% B-TFE	Brown
13	60% Bronze Filled TFE	60% B-TFE	Brown
14	25% Carbon Graphite Filled TFE	25% CG-TFE	Black
15	15% Graphite Filled TFE	15% G-TFE	Black
16	25% Carbon Only	25% Carbon Only	Black
17	15% Glass Filled Teflon®	15% GL-TFE	White
18	Low temp NBR	TNBR	Black
19	FDA-EPDM	Ethylene Propylene	
20	FDA - FKM	FKM, Fluorocarbon	
22	25% Glass Filled TFE	25% G-TFE	Natural, White, Blue
23	Hytrel® 40d (90A shore)	Polyester	Black
25	Hytrel® 63d	Polyester	Blue, White, Natural
26	Hytrel® 72d	Polyester	Blue, Orange, Natural
27	Hytrel® 55d	Polyester	Orange, Blue
28	Nylon 33% Glass Filled	33%GL-PA	Black
29	Carboxilated Nitrile	X-NBR	Black
30	Nylon 40% Mineral Filled	40%M-PA	White
33	Aluminum	Aluminum	Silver
34	Phenolic	Phenolic	Brown Fiber
35	Springs	Garter, Meander, spring-locks	Stainless Steel
36	Low Temp Urethane	PU, Polyurethane	Blue
38	Urethane 55 durometer	PU, Polyurethane	Yellow
39	Urethane 72 durometer	PU, Polyurethane	
40	Aqua Blue Virgin Teflon®	PTFE	Aqua Blue
41	UHMW	Low Density Polyethylene	White
42	20% Polyamide/TFE (Rulon J)	Rulon J	Brown, Gold
43	Delrin® 500AF	Teflon® Filled Acetal, POM	Brown
44	AFLAS	AFLAS	Black
45	PVDF	Polyvinylidene Fluoride	Natural
46	SAE 660 Bronze	Bronze	Bronze
48	PEEK	PolyEtherEtherKeytone	Light Brown
49	85 Duro Neoprene	Chloroprene	Black
50	Mineral Filled Teflon®		Off White

Custom Seal Profiles

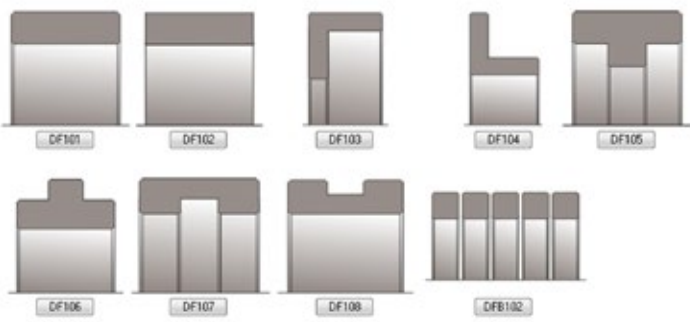
Rotary Shaft Seals



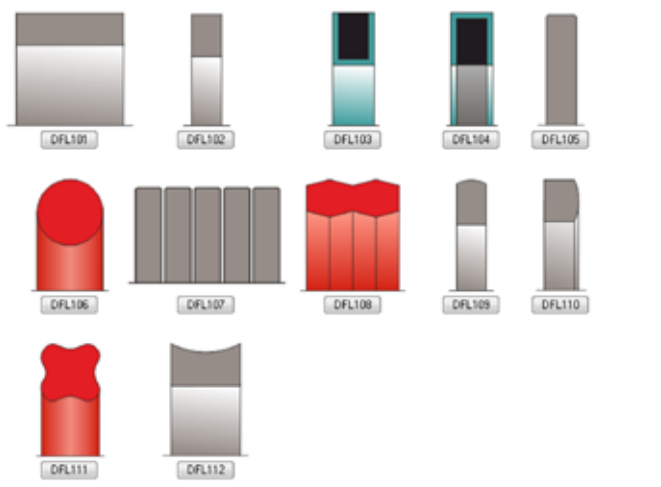
Wipers



Guide Rings



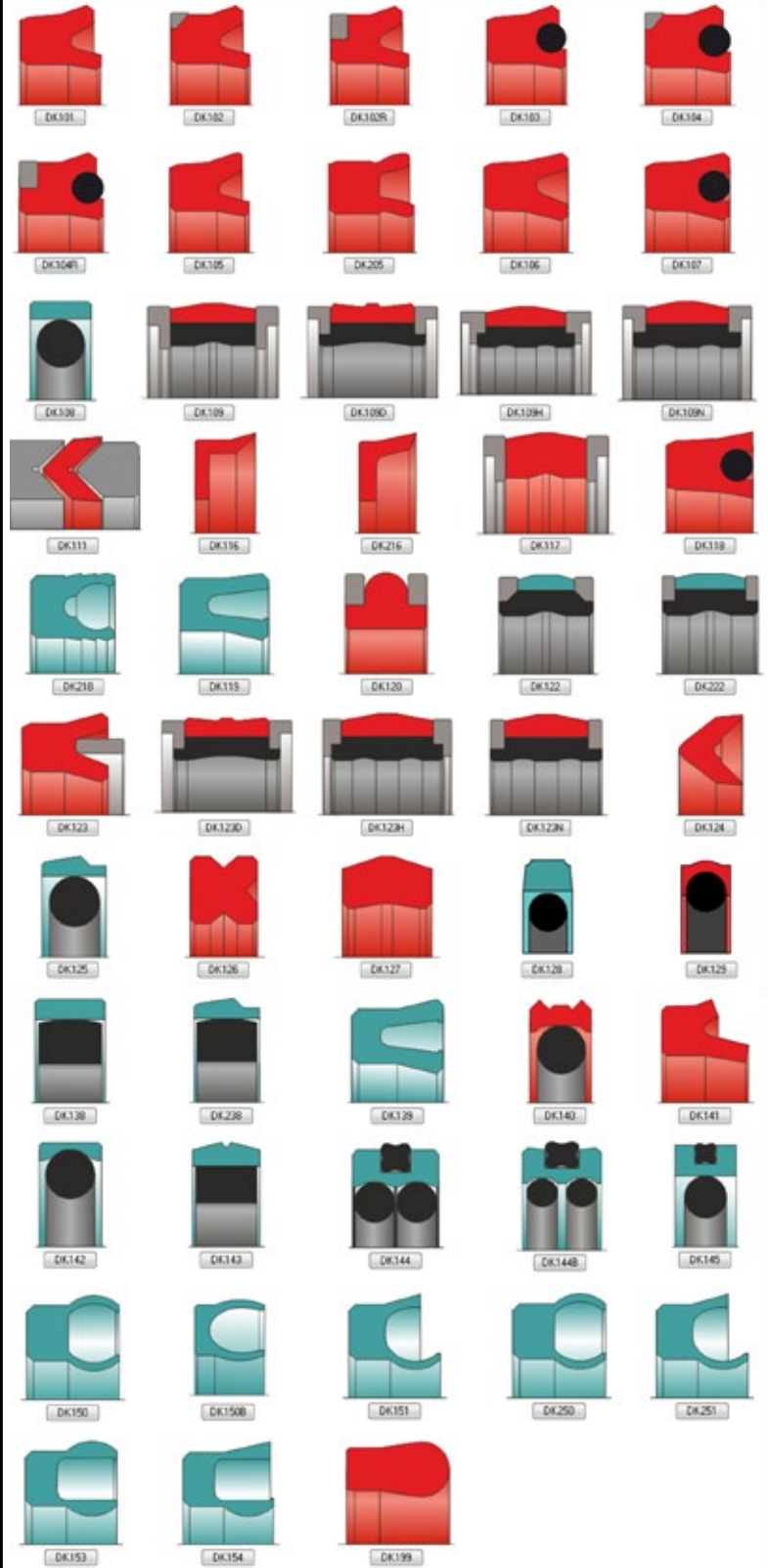
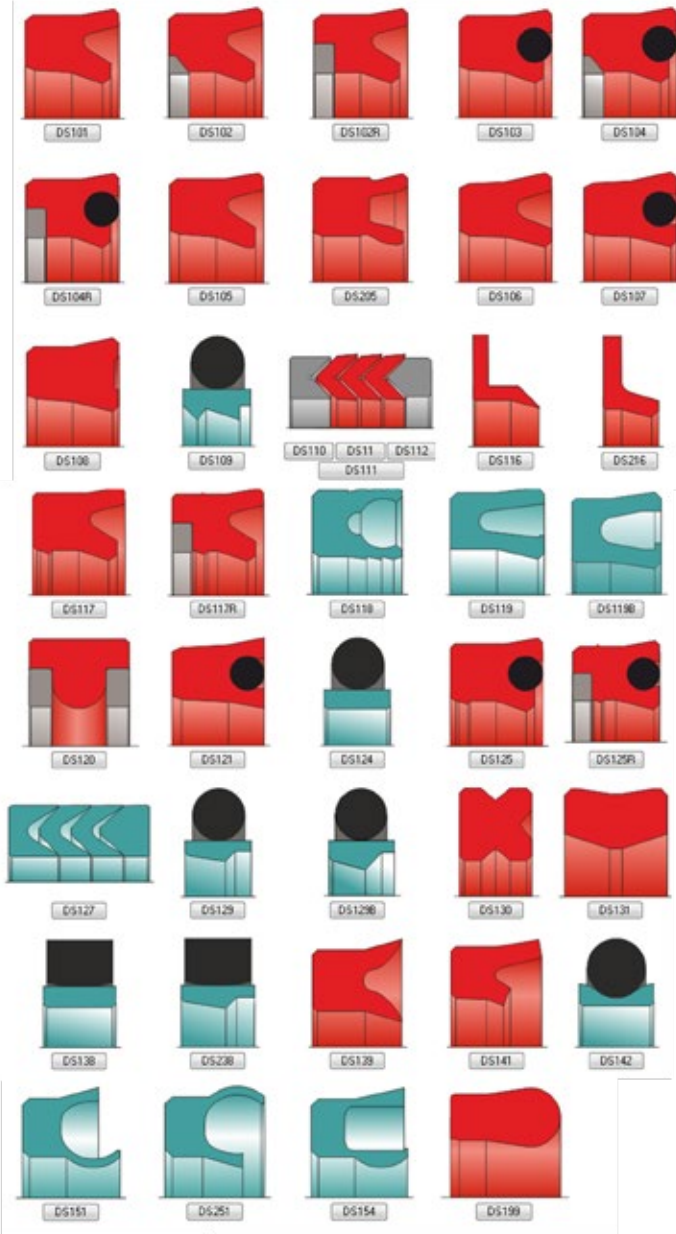
Gaskets



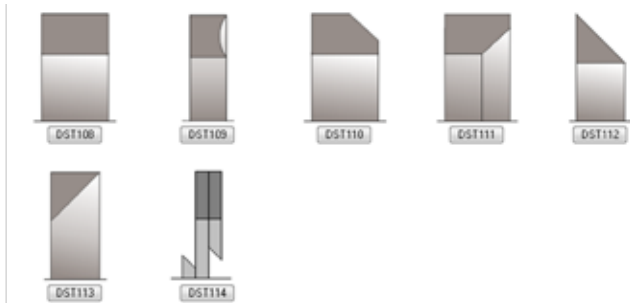
Custom Seal Profiles












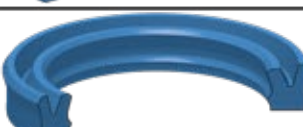

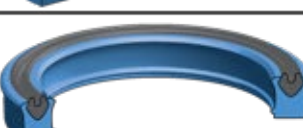









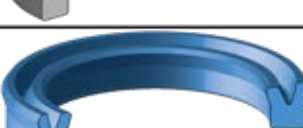




Rod Seals




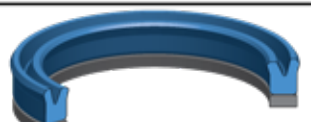






















Piston Seals





















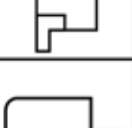

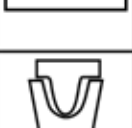

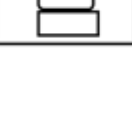
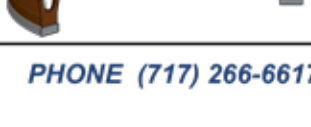








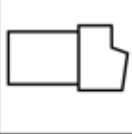





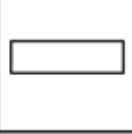




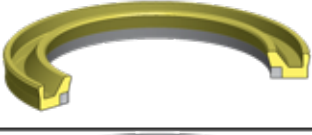
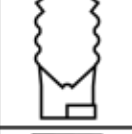







Back-Up Rings




















































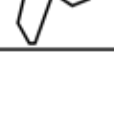

Prefix/Suf.	Profile	Product Image	Description	Material	Temp.	PSI	Inch		Metric
			Standard Loaded Lip Seals	Urethane Seal; Rubber Energizer	-65°F / 200°F	0 / 5,000	Page		
			Deep Loaded Lip Seals	Urethane Seal; Rubber Energizer	-65°F / 200°F	0 / 5,000	39		
			Type B Loaded Lip Seals	Urethane Seal; Rubber Energizer	-65°F / 200°F	0 / 5,000	45		
			Type B Loaded Lip Seals	Urethane Seal; Rubber Energizer	-65°F / 200°F	0 / 5,000	50		
-PR			Pip Rings	Urethane	-60°F / 200°F	0 / 5,000	57		
BD			Loaded Lip Seals with I.D. Backup Ring	Urethane Seal; Rubber Energizer; POM Backup	-50°F / 230°F	0 / 10,000	59	60	
BS			Rod U-Cups	Urethane	-50°F / 230°F	0 / 6,000	62	65	
BSLL			Loaded Lip Rod U-Cups	Urethane Seal; Rubber Energizer	-50°F / 230°F	0 / 6,000	69		
BT			Rod U-Cups	4300R Urethane	-65°F / 275°F	0 / 5,000	69		
UNRR			Ribbed Rod U-Cups	Urethane	-60°F / 200°F	0 / 5,000	70	70	
MA35			Symmetrical Rod Seals	Urethane	-20°F / 212°F	< 5,500			71
UNR			Rod U-Cups	Urethane	-65°F / 200°F	0 / 5,000	72		
MA30			Rod U-Cups	Urethane	-40°F / 230°F	0 / 5,800			73
MA24			Rod U-Cups	Nitrile	-20°F / 220°F	0 / 2,175			76

Prefix/Suf.	Profile	Product Image	Description	Material	Temp.	PSI	Inch		Metric		
U-Cups	BS-B			Rod U-Cups w/Backup Ring	Urethane Seal; POM Backup	-22°F / 212°F	0 / 5,800	Page			
	MA30B			Rod U-Cups w/ Backup	Urethane Seal; Nylon Backup	-40°F / 230°F	0 / 7,000	77	77		77
	US			Symmetrical U-Cups	Urethane	-65°F / 200°F	0 / 5,000	78			
	MA25			Symmetrical U-Cups	Urethane	-50°F / 212°F	0 / 5,800				80
	MA21			Symmetrical U-Cups	NBR	-20°F / 220°F	0 / 2,175				85
	MA22			Symmetrical U-Cups	NBR	-20°F / 220°F	0 / 2,175				86
	UNP			Piston U-Cups	Urethane	-65°F / 200°F	0 / 5,000	87			
	UNP-AN			Piston U-Cups	Urethane	-65°F / 200°F	0 / 5,000	88			
	MA28			Piston U-Cups	Urethane	-40°F / 230°F	0 / 5,000				89
	MA20			2pc. Piston U-Cups	Nitrile/ Nylon	-22°F / 212°F	0 / 3,045				91
	OUY			Piston U-Cups	Nitrile/ POM	-20°F / 220°F	0 / 4,000				91
	BP			Loaded Lip Piston Seals	Urethane Seal; Rubber Energizer	-50°F / 230°F	0 / 6,000	92			
	MNR			Retaining Rings	Nylon	-50°F / 230°F	0 / 6,000	92			














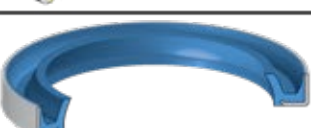



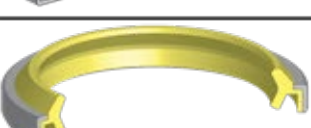



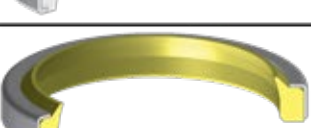



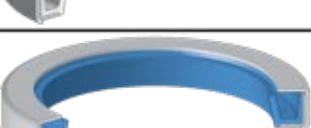
Prefix/Suf.	Profile	Product Image	Description	Material	Temp.	PSI	Inch	Metric	Page	
MA23			Piston U-Cups	Nitrile	-20°F / 220°F	0 / 2,175				93
8400			Symmetrical U-Cups	Nitrile	-40°F / 250°F	0 - 800; 2,500 with back-ups				94
				FKM	-15°F / 400°F					
6226			Symmetrical U-Cups	Nitrile	-40°F / 250°F	0 / 1,000				96
C1			Rod U-Cups	Nitrile	-65°F / 220°F	0 / 2,350				97
MURH			Rod U-Cups	Nitrile	-22°F / 212°F	0 / 1,160				99
C2			Piston U-Cups	Nitrile	-65°F / 220°F	0 / 2,350				100
MUPH			Piston U-Cups	Nitrile	-22°F / 212°F	0 / 1,160				101
UCH			Rod or Piston U-Cups	Nitrile	-25°F / 225°F	0 / 2,200				102
UCF			Rod or Piston U-Cups	Cotton Duck Reinforced Nitrile Seal	-20°F / 200°F	0 / 3,500				103
UCL			Rod or Piston U-Cups with Filler	Leather Seal; Nitrile Filler	-50°F / 275°F	0 / 5,000				104
RSE			Piston U-Cups with Backup Ring	Urethane Seal; POM Bearing	-22°F / 230°F	0 / 5,800				105
AR			AR Retaining Rings	Plastic	-22°F / 230°F	0 / 5,800				105
W1			Pressure Washer Pump Seals	Fabric / NBR Seal; POM Energizer; Backup (with "B" suffix)	-22°F / 175°F	≤ 3,600				106













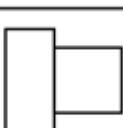




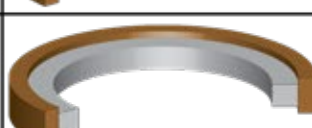








	Prefix/Suf.	Profile	Product Image	Description	Material	Temp.	PSI	Inch	Metric
U-Cups	W2 / W3			Pressure Washer Pump Seals	Fabric / NBR Seal; POM Energizer	-22°F / 175°F	≤ 1,100	Page 106	
	TR			Rod T-Seals	Nitrile T-Seal; Moly-Filled Nylon Backups	-40°F / 225°F	0 / 5,000	107	
	AS7			AS7 Series Double-Acting Rod Seal	BTFE Seal; Nitrile Expander	-40°F / 225°F	0 / 5,000		109
				CAT® Stepped Rod Buffer Rings	BTFE Seal; Nitrile Expander	-40°F / 225°F	0 / 5,000	109	
	AS2			Stepped Rod Buffer Rings	BTFE Seal; Nitrile Expander	-40°F / 225°F	0 / 5,000	110	111
				Rectangular Rod Buffer Rings	Urethane	-40°F / 225°F	0 / 5,000	113	
	MBRU			Rectangular Rod Buffer Rings	Urethane	-40°F / 225°F	0 / 5,000		114
	BU-			Rod Buffer Rings w/ Backup	Urethane Seal; POM Backup	-30°F / 230°F	0 / 7,200		115
	MBR CBR / CTB			U-Cup Type Rod Buffer Rings	Urethane Seal; POM Backup	-22°F / 230°F	0 / 5,800	116	116
	SM			Ribbed 3 Piece Rod Seals	Urethane + Hytrel® Header; NBR Seal; POM Backup	-22°F / 248°F	0 / 10,000		117
	MD			Rod Squeeze Seals	Fabric-Reinforced Rubber Base; POM Backup; Nitrile Seal	-22°F / 248°F	0 / 6,000		118
	S8			Rod Squeeze Seals	Fabric-Reinforced Rubber Base; Bonded NBR Expander	-22°F / 212°F	0 / 3,200		119
	Wipers	940			AN Wipers	Urethane or Hytrel®	-65°F / 200°F		120
FKM						-15°F / 400°F			

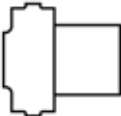

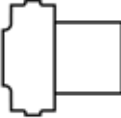

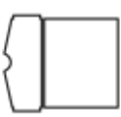










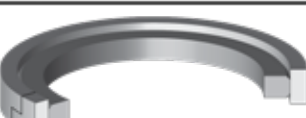










Prefix/Suf.	Profile	Product Image	Description	Material	Temp.	PSI	Inch	Metric	Page
U			Universal Wipers	Urethane or Hytre®	-65°F / 200°F		122		
				FKM	-15°F / 400°F				
U			Wiper Cord	Nitrile	-40°F / 250°F		124		
K			Wiper Cord	Nitrile	-40°F / 250°F		124		
U - R			Rod Wipers w/ Ribbed Heel	Urethane	-40°F / 230°F		125		
842			Rod Wipers	Urethane	-50°F / 230°F		126	126	
			Non-Standard AN - Type Rod Wipers	Urethane	-65°F / 200°F		127		
			Replacement Rod Wipers for Enerpac®	Urethane	-65°F / 200°F		127		
			Non-Standard U - Type Rod Wipers	Urethane	-65°F / 200°F		127		
A40			Rod Wipers	Urethane or Nitrile	-40°F / 230°F				128
A37			Rod Wipers	Urethane	-40°F / 230°F				133
A39			Rod Wipers	Nitrile	-40°F / 250°F				133
33			Rectangular Base Rod Wipers	Nitrile	-22°F / 212°F				134
NW			Rod Wipers	Moly-filled Nylon	-22°F / 248°F				135







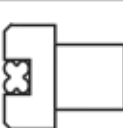

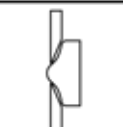

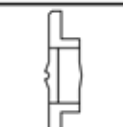
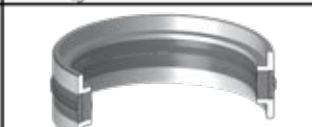








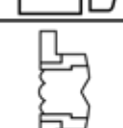

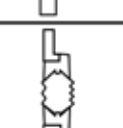

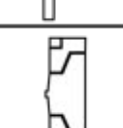
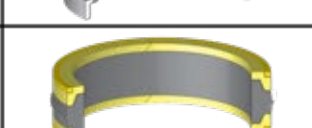
Prefix/Suf.	Profile	Product Image	Description	Material	Temp.	PSI	Inch		Metric
							Page		
K			Double Lip Rod Wipers	Urethane	-65°F / 200°F		136		
KB / KBM			Rod Wipers	Urethane	-65°F / 212°F		137		137
7580			Double Lip Rod Wipers	Nitrile	-65°F / 200°F		138		
H			Double Lip Rod Wipers	Urethane	-65°F / 200°F		139		
2537			Special High Lip Rod Wipers	Urethane	-65°F / 200°F		140		
8600			Double Lip Rod Wipers	Nitrile	-40°F / 250°F		141		
				FKM	-15°F / 400°F				
SDR			Double Lip Rod Wipers	Nitrile	-40°F / 250°F				142
AY			Double Lip Rod Wipers	Urethane	-40°F / 230°F				143
OD			O.D. Lip Rod Wipers	Urethane	-65°F / 200°F		144		144
ASC			Rod Wipers	Nitrile or Urethane	-40°F / 250°F		145		
A41			Rod Wipers	Nitrile or Urethane	-40°F / 230°F				146
DA17			Rod Wipers	Nitrile or Urethane	-40°F / 230°F				147
DA24			Rod Wipers	Urethane	-40°F / 230°F				148

Wipers

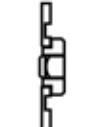


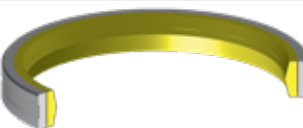


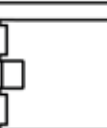


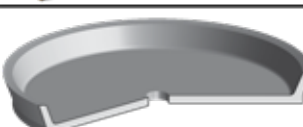

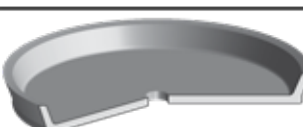

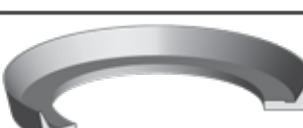

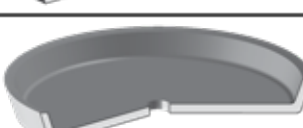

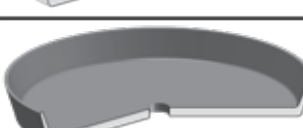

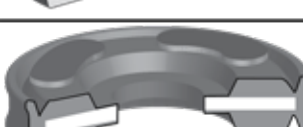





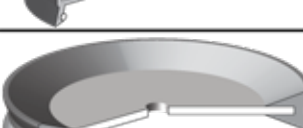
Wipers	Prefix/Suf.	Profile	Product Image	Description	Material	Temp.	PSI	Inch	Metric
									Page
	ORK			Rod Wipers	Urethane	-65°F / 200°F		148	
	S34			Seal-Guard® Rod Scrapers	Bronze Scraper; Nitrile Ring	-40°F / 250°F		149	
	504			SC Rod Scrapers	Brass Scraper; Nitrile Wiper; Steel Shell	-40°F / 250°F		150	
	MS28776			Metal Rod Scrapers	Copper Alloy Wiper Ring	-65°F / 500°F		151	
	ME			Metal Encased Rod Wipers	Steel Shell; Polyurethane or NBR Wiper	PU: -40°F / 212°F; NBR: -40°F / 250°F		153	
				CAT® Type, Double Lip Wipers	Steel Shell; Urethane Wiper	-65°F / 220°F		156	
	AMJ			Metal Encased Rod Wipers	Steel Shell; Urethane Wiper	-40°F / 230°F			157
	AM47			Metal Encased Pin Wipers	Steel Shell; Nitrile Wiper	-40°F / 230°F			159
	AMH			Metal Encased Rod Wipers	Steel Shell; Urethane or Nitrile Wiper	-40°F / 230°F			160
	AM43			Metal Encased Rod Wipers	Steel Shell; Nitrile Wiper	-40°F / 250°F			161
	AM44			Metal Encased Rod Wipers	Steel Shell; Urethane Wiper	-40°F / 230°F			163
	AM46			Double Metal Can Pin Wipers	Steel Shell; Nitrile Wiper	-40°F / 230°F			165
	AM48			Double Metal Can Pin Wipers	Steel Shell; Urethane Wiper	-40°F / 230°F			166




















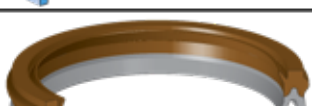

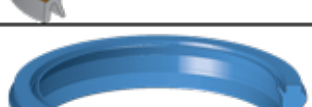




	Prefix/Suf.	Profile	Product Image	Description	Material	Temp.	PSI	Inch	Metric
Wipers	TW100			Rod Excluders	BTFE Wiper; Nitrile Energizer	-40°F / 225°F		Page	
									167
	TW500			Rod Excluders	BTFE Wiper; NBR Energizer	-40°F / 225°F			169
Piston Seals	AS700			2pc. Rectangular Piston Seals	Glass-Filled Teflon® Seal; Nitrile Energizer	-40°F / 225°F	0 / 5,000	171	
	AS800			2pc. Square Piston Seals	Glass-Filled Teflon® Seal; Nitrile Energizer	-40°F / 225°F	0 / 5,000	172	
	AS800-B			2pc. Square Piston Seals	BTFE Seal; Nitrile Energizer	-40°F / 225°F	0 / 5,000	174	
	AS800-P			2pc. Square Piston Seals	Polyurethane Seal; Nitrile Energizer	-65°F / 220°F	0 / 5,000	175	
	AS900			2pc. Rectangular Piston Seals	Glass-Filled Teflon® Seal; Nitrile Energizer	-40°F / 225°F	0 / 5,000	176	
	AS900-B			2pc. Rectangular Piston Seals	BTFE Seal; Nitrile Energizer	-40°F / 225°F	0 / 5,000	177	
	AS9			2pc. Rectangular Piston Seals	Glass- or Bronze-Filled Teflon® Seal; Nitrile Energizer	-40°F / 225°F	0 / 5,000	178	
	AS980			2pc. Rectangular Piston Seals	MGTFE Seal; Nitrile Expander	-40°F / 225°F	0 / 5,000	179	
	AS2			2pc. Piston Step Seals	BTFE Seal; Nitrile Expander	-40°F / 225°F	0 / 5,000	180	180
	AS7			2pc. Piston Seals	BTFE Seal; Nitrile Expander	-40°F / 225°F	0 / 5,000	181	182
TSP			2pc. Piston Seals	BTFE Seal; Nitrile Expander	-40°F / 225°F	0 / 5,000		183	



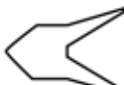























Prefix/Suf.	Profile	Product Image	Description	Material	Temp.	PSI	Inch		Metric
							Page		
AS600			2pc. Piston Seals	Hytrel® Seal; Nitrile Expander	-40°F / 225°F	0 / 5,000	184		
AS5/AS6			2pc. Piston Seals	Urethane Seal; Nitrile Expander	-40°F / 230°F	0 / 5,000			185
AS4			2pc. Piston Seals	Urethane Seal; Nitrile Expander	-40°F / 230°F	0 / 5,000			186
CP			2pc. Piston Seals	Urethane Seal; Nitrile Expander	-65°F / 220°F	0 / 5,000	187		
PSP			2pc. Piston Seals	Urethane Seal; Nitrile Expander	-65°F / 220°F	0 / 5,000	188		
PSP -A			2pc. Piston Seals	Urethane Seal; Nitrile Expander	-65°F / 220°F	0 / 5,000	188		
NO			2pc. Piston Seals w/ Backups	Fabric-Reinforced Seal; Fabric-Reinforced Backup	-22°F / 212°F	0 / 7,000			189
714			2pc. Piston Seals	Glass-Filled Polyamide Seal; Nitrile Energizer	-40°F / 250°F	0 / 10,000	190		
AS990			2pc. Piston Seals	BTFE Seal; Nitrile Expander	-40°F / 225°F	0 / 5,000			190
914			2pc. ChemCast® Piston Seals	Moly/Glass-Filled Nylon Seal; Nitrile Energizer	-40°F / 250°F	0 / 10,000	191		
OK			2pc. Piston Seals	Glass-Filled Polyamide Seal; Nitrile Energizer	-40°F / 250°F	0 / 10,000	192		
			Cat® 2pc. Step-Cut Piston Seals	Glass-Filled Polyamide Seal; Nitrile Energizer	-40°F / 250°F	0 / 10,000	193	194	
TP			3pc. Piston T Seals	Nitrile Seal; Moly-Filled Nylon Backups	-40°F / 225°F	0 / 5,000	195		











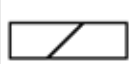



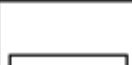

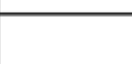
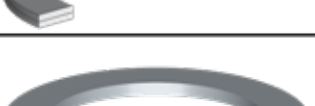








Prefix/Suf.	Profile	Product Image	Description	Material	Temp.	PSI	Inch		Metric
							Page		
TPS/TPT			3pc. Wide Base T Seals	Nitrile Seal; Moly-Filled Nylon Backups	-40°F / 225°F	0 / 5,000	197		
M4			3pc. Piston Seals	Fabric + Rubber Female and Center Ring; Thermoplastic Male	-22°F / 212°F	0 / 7,200			198
AS880			3pc. Piston Seals	Glass-Filled Teflon® Seal; Nitrile Expander	-40°F / 225°F	0 / 3,000	199		
ASQ			3pc. Piston Seals	BTFE Seal; Nitrile Expander; Quad-Ring	-40°F / 225°F	0 / 5,000	200	200	
DS / DSM			3pc. Delta Seals	Nitrile Seal; Thermoplastic Guide Rings	Min Oils: -20°F / 220°F HFA/HBF: -40°F / 140°F HFC: -20°F / 140°F	0 / 2,100	201	201	
MDL			3pc. Piston Seals	Fabric-Reinforced Seal; Thermoplastic Backups	Min Oils: -20°F / 220°F HFA/HBF: -40°F / 140°F HFC: -20°F / 140°F	0 / 5,800			202
ASQ5			4pc. Piston Seals	BTFE Seal; Nitrile O-Rings; Nitrile Energizer	-40°F / 225°F	0 / 5,000	203	203	
4PT			4pc. CAT®-Type Piston Seals	MGTFE Ring; POM B/U; Nitrile Seal	-40°F / 225°F	0 / 6,000	204		
4PE / 4PV			4pc. Piston Seals	MGTFE Ring; POM B/U; Nitrile Seal	-40°F / 225°F	0 / 6,000	205		
4PMM			4pc. Piston Seals	MGTFE Ring; POM B/U; Nitrile Seal	-40°F / 225°F	0 / 6,000			206
DAS			5pc. Piston Seals	Nitrile Seal; Polyester Elastomer Backups; Thermoplastic Guide Rings	-22°F / 212°F	0 / 5,800	207	209	
DSM			5pc. Piston Seals	Nitrile Seal; Polyester Elastomer Backups; Thermoplastic Guide Rings	-22°F / 212°F	0 / 10,000			212
MHM			5pc. Piston Seals	NBR; Urethane; POM	-22°F / 212°F	0 / 5,000			213



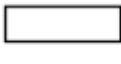











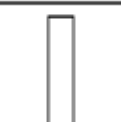

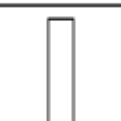




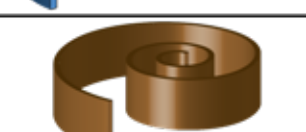

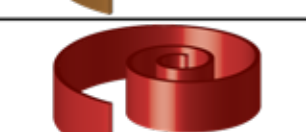
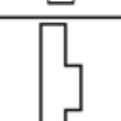

Piston Seals












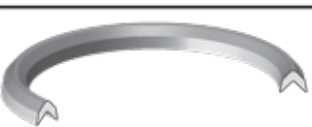

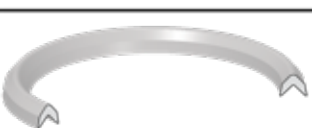


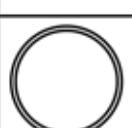



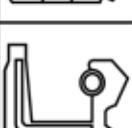


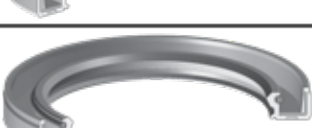
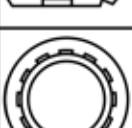

	Prefix/Suf.	Profile	Product Image	Description	Material	Temp.	PSI	Inch	Metric
	Piston Seals	GD1KK			6pc. Piston Seals	BTFE Seal; Nitrile Expander; Nylon Bearings; POM Backups	-40°F / 225°F	0 / 4,350	Page 214
12-				Uni-Ring Seals	Urethane Seal; Molybdenum Disulfide Impregnated Outer Seal	-40°F / 195°F	0 / 5,000	215	
PR				Piston Rings	Cast Iron	Consult Technical Service	0 / 10,000	216	
UP				Unitized Pistons	Steel, Nylon, PTFE, and NBR	-40°F / 230°F	0 / 5,000	222	222
Piston Cups	DR			Piston Cups	Fabric Reinforced Nitrile	-40°F / 250°F	0 / 3,000	223	
	SC			Piston Cups	Homogeneous Nitrile	-40°F / 250°F	0 / 800	225	
	MIL			Piston Cups for Miller® Cylinders	Nitrile	-40°F / 250°F	0 / 800	227	
	CS			Piston Cups	Urethane	-65°F / 200°F	0 / 5,000	228	
	CT			Thin Wall Piston Cups	Urethane	-65°F / 200°F	0 / 1,500	230	
	DP			Double Acting Piston Cups w/ Cushion	Elastomeric Nitrile Seal; Aluminum Plate	-22°F / 221°F	≤ 174		231
	DK			Double Acting Piston Cups	Nitrile Seal; Metal Support Disc	-20°F / 175°F	0 / 235	232	233
	TDH			Double Acting Piston Cups	Nitrile Seal; Steel Plate	-20°F / 212°F	0 / 580		234
	CB			Double Acting Piston Cups	Nitrile Seal; Steel Plate	-40°F / 200°F	0 / 250	235	

	Prefix/Suf.	Profile	Product Image	Description	Material	Temp.	PSI	Inch	Metric
Piston Cups	BMP			Piston Cups w/ Cushion	Urethane	-50°F / 180°F	0 / 230	Page	
								236	
Rotary/Swivel Seals	AS2			2pc. Rod Rotary Seals	CGTFE Seal; Nitrile Energizer	-40°F / 225°F	0 / 4,350	237	238
	MSS			Rod Rotary Seals	Urethane	-5°F / 250°F	0 / 5,000		238
	AS2			2pc. Piston Rotary Seals	CGTFE Seal; Nitrile Energizer	-5°F / 250°F	0 / 4,350	240	241
	V			V Style Axial Face Seal	Nitrile	-40°F / 221°F	≤ 4		242
	EL			Rod Seal / Wiper Combination	Nitrile or Urethane	NBR: -15°F / 175°F PU: -30°F / 175°F	≤ 230		243
Pneumatic Seals	EM			Rod Seal / Wiper Combination	Urethane	-30°F / 175°F	≤ 225		244
	PDU			Rod Seal / Wiper Combination	Nitrile	-20°F / 220°F	≤ 224		245
	E9			Rod Seal / Wiper Combination	Metal Vulcanized Elastometric Nitrile	-20°F / 220°F	≤ 224		246
	E8			Rod Seal / Wiper Combination	Nitrile Seal; Plastic Wiper	-30°F / 176°F			247
	EU			Rod Seal / Wiper Combination	Urethane	0°F / 176°F			247
	PSD			Piston Seals	Nitrile	-20°F / 220°F	≤ 168		248
	PPD			Piston Seals	Nitrile	-20°F / 220°F	≤ 168		248







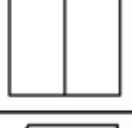

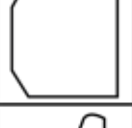

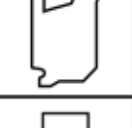

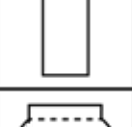

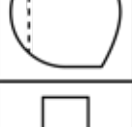



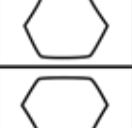

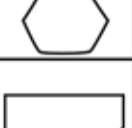


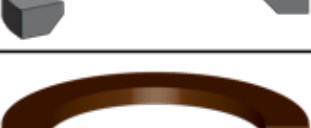
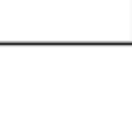
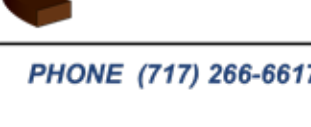
	Prefix/Suf.	Profile	Product Image	Description	Material	Temp.	PSI	Page	
								Inch	Metric
Pneumatic Seals	PZ			Piston Seals	Nitrile	-5°F / 212°F	≤ 175		249
	KSP			Piston Seals	Nitrile	-20°F / 220°F	0 - 145		249
	Z8			Piston U-Cups	Nitrile or Urethane	NBR: 22°F / 220°F PU: -22°F / 175°F	NBR: ≤ 175 PU: ≤ 230		250
	E4			Piston U-Cups	Nitrile or Urethane	NBR: 22°F / 220°F PU: -22°F / 175°F	NBR: ≤ 175 PU: ≤ 230		250
O-Rings				O-Ring Size and Installation Chart				251	
				O-Ring Size Comparison Chart				257	257
				O-Rings For Boss Fittings (Sizing)				285	
	2-			Standard O-Ring Pricing	N70, N90 V75 FKM	-40°F / 240°F -15°F / 400°F		286	
	3-			O-Rings For Boss Fittings (Pricing)	N70, N90 V75 FKM	-40°F / 240°F -15°F / 400°F		288	
				O-Ring Cord Stock	70 Durometer Nitrile	-40°F / 240°F		288	288
	M			Metric O-Rings	70 Durometer Nitrile	-40°F / 240°F			289
	M			Metric O-Rings	90 Durometer Nitrile	-40°F / 240°F			295
	M			Metric O-Rings	V75 FKM	-15°F / 400°F			296











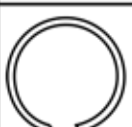

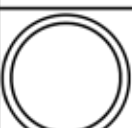

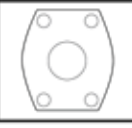

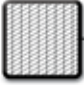





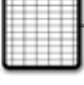
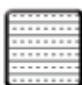


	Prefix/Suf.	Profile	Product Image	Description	Material	Temp.	PSI	Page	
								Inch	Metric
O-Rings	4			Quad Rings	70 Durometer Nitrile	-40°F / 240°F		297	
	-			Square Cut Ring	70 Durometer Nitrile	-40°F / 240°F		299	
Backup Rings				Backup Ring Interchange Guide				302	
	8-			Contoured Backup Rings	90 Durometer Nitrile	-40°F / 240°F		306	
	MS27595			Solid Backups	PTFE	-100°F / 500°F		308	
	MS28774			Split Backups	PTFE	-100°F / 500°F		309	
	MS28782			Spiral Backups	PTFE	-100°F / 500°F		310	
	MS28783			Spiral Backups	PTFE	-100°F / 500°F		310	
	BU-T			Backup Rings for U-Cups	PTFE	-100°F / 500°F		311	
	BU-N			Backup Rings for U-Cups	Nylon	-65°F / 225°F		311	
	8700			Backup Rings	Hytrel®	-40°F / 275°F		312	
	-MB			Modular Backup Rings	Urethane	-65° / 200°F		313	
MBH			Backup Rings	Hytrel®	-40°F / 275°F			315	

	Prefix/Suf.	Profile	Product Image	Description	Material	Temp.	PSI	Page	
								Inch	Metric
Backup Rings	MBT			Solid Backups	PTFE	-100°F / 500°F			316
	MBN			Backup Rings	Nylon	-65° / 225°F			317
Bearings/Wearbands	MDU			Rod Bushings	Bronze-Alloy with PTFE Lining	-325° / 535°F			318
	PSBU			Piston Seal Backup Rings	Nylon	-65° / 220°F	0 / 7,500		320
	NRB			Rod Bearings	Nylon	-40° / 275°F		321	
	FCB			Female Center Bearings	Glass-Filled Nylon	-40° / 275°F		322	322
				Wearband Formulas				323	323
	WB			Wearbands	Glass-Filled Nylon or Phenolic	-40° / 275°F		324	
	MWB			Wearbands	Glass-Filled Nylon or Phenolic	-40° / 275°F			330
	KZT			Wearbands	BTFE	-50° / 400°F			336
	WBTAPE			Wearband Tape	BTFE	-50° / 400°F		337	337
	WBTAPE-P			Wearband Tape	Poly Resin	-40° / 250°F		338	338
WBT / F1			T Shaped Wearbands	Glass-Reinforced Nylon	-40° / 275°F		339	339	

	Prefix/Suf.	Profile	Product Image	Description	Material	Temp.	PSI	Inch	Metric
Bearings / Wearbands	GEZ			Spherical Bearing	Steel			Page	
	D27			Case® Style Wearband / Wiper Combo	Nylon	-40° / 275°F		340	
Vee Packings	VS / MVS			Vee Packing Sets	Hytrel® and Fabric/Rubber Seals; Nylon Adapter	-40° / 225°F	Consult Technical Service	341	343
	VP			Vee Packing Components	Fabric/ Rubber, Hytrel® and Nylon	-40° / 225°F	Consult Technical Service	344	349
	6225			Vee Packing	Nitrile	-40° / 225°F	Consult Technical Service	350	
	VP			Vee Packing	Nitrile	-40° / 225°F	Consult Technical Service	351	351
	6225			Vee Packing	PTFE	-100° / 400°F	Consult Technical Service	352	
	VP			Vee Packing	PTFE	-100° / 400°F	Consult Technical Service	353	
	SSR			Wave / Compression Springs	Steel			354	
Oil Seals				Oil Seal Information				355	
				Standard Oil Seals	Rubber Lip; Metal Shell	-40° / 250°F		356	
	MOS			Metric Oil Seals	Rubber Lip; Metal Shell	-40° / 250°F			360
Cushion, Flange, Face and Head Seals	600			Stat-O-Seals®	Rubber Seal; Metal Retainer	-65° / 225°F		365	

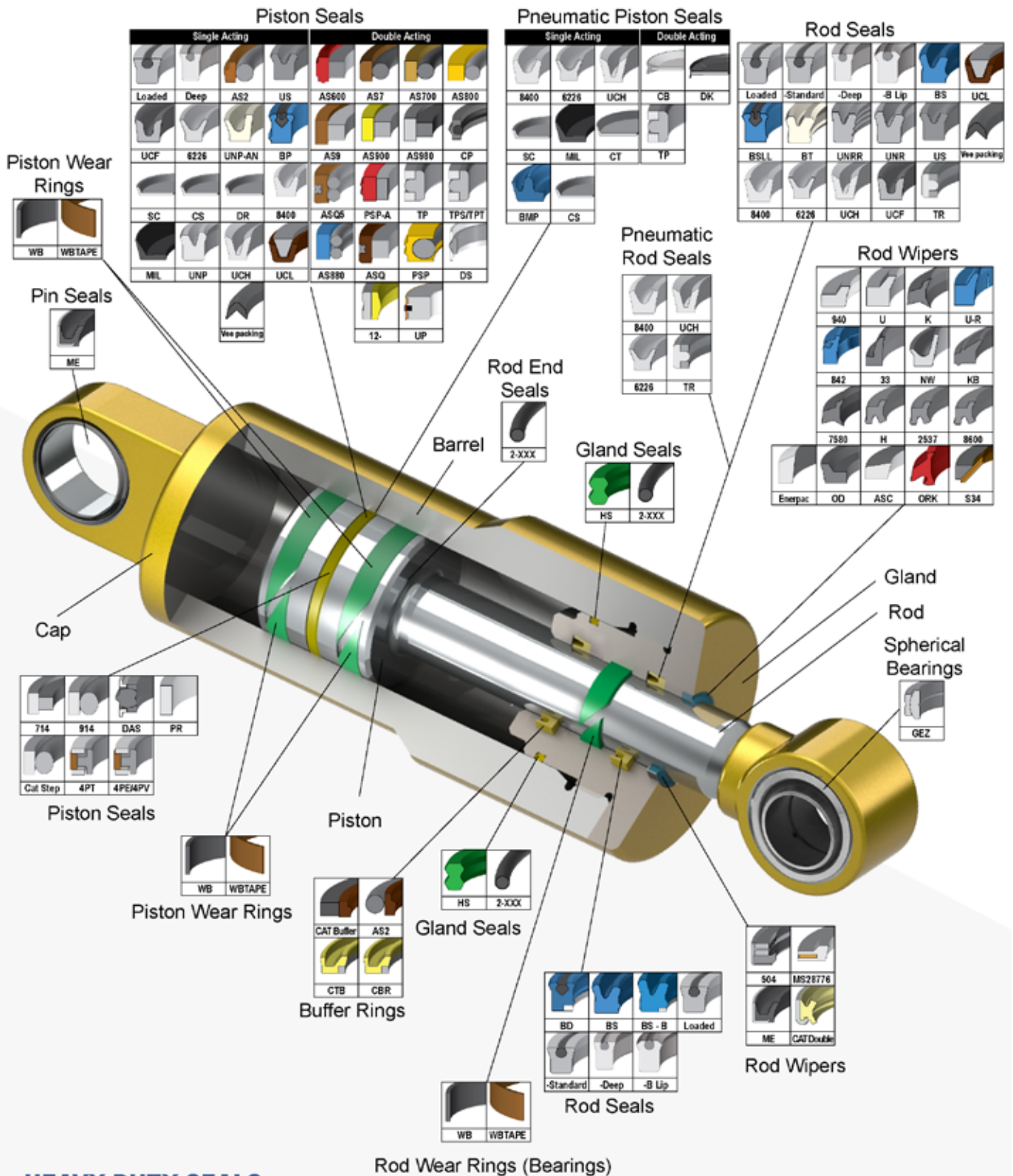
Cushion, Flange, Face and Head Seals

Prefix/Suf.	Profile	Product Image	Description	Material	Temp.	PSI	Inch	Metric
7500			Thread Seals	Rubber Seal; Metal Retainer			Page	
							366	
400			Bonded Seals	Rubber Seal; Metal Retainer			367	368
OV			Split Flange Seals	Urethane	40° / 212°F	0 / 7200	368	
SFS			Universal Split Flange Seals	Urethane	-40° / 212°F	0 / 6000	369	
1P3			Cat® D-Ring Split Flange Seals	Nitrile			369	
PP			Cushion Seals	NBR or PU	NBR: -5° / 175°F PU: -30° / 175°F	NBR: ≤ 165 PU: ≤ 225		370
MRT			Cushion Seals	Nylon or Phenolic	Nylon: -60° / 200°F Phenolic: -60° / 250°F	0 / 5,000		371
V6			Cushion Seals	Urethane	-20° / 175°F	≤ 225	371	
99			Replacement End Cap Seals for Hydroline® and Miller®	PTFE	-100° / 500°F		372	
HS			Head Seals	Urethane	-30° / 230°F	0 / 8,700	374	
DR			Head Seals	Urethane	-30° / 230°F	0 / 8700		374
3869			Fluid Connector Seals	Nitrile	-20° / 220°F			375
BU - VEG			Backup Gasket For Head Seals	Vegetable Fiber	Up To 250°F		375	

	Prefix/Suf.	Profile	Product Image	Description	Material	Temp.	PSI	Page	
								Inch	Metric
Retaining Rings	1300			Internal Tru [®] -Arc Type Retaining Rings	Steel			376	377
	1400			External Tru [®] -Arc Type Retaining Rings	Steel			378	379
	HLR			Hook Lock Retainers	Steel			379	
	RR/UR			Internal Spiral Retaining Rings	Steel			380	
	RS/US			External Spiral Retaining Rings	Steel			382	
	RSI			Internal Round Section Retaining Rings	Spring Steel			384	
	RSE			External Round Section Retaining Rings	Spring Steel			384	
Accessories & Supplies				Accessories & Supplies				385	385
Fill Pattern Reference Chart  Urethane  Hytrell[®]  Homogeneous Rubber  Fabric Reinforced Rubber  Nylon  TFE  Leather  Brass  Steel  Phenolic				Telescopic Cylinders	Commercial [®] /Parker [®]	Replacement Parts + Kits for Commercial [®] /Parker [®] Telescopic Cylinders	391		
				Custom Hoist [®]	Replacement Parts + Kits for Custom Hoist [®] Telescopic Cylinders	393			
				Hyco [®]	Replacement Parts + Kits for Hyco [®] Telescopic Cylinders	396			
				Hyva [®]	Replacement Parts + Kits for Hyva [®] Telescopic Cylinders Replacement Parts		401		
				Ward [®]	+ Kits for Ward [®] Telescopic Cylinders Replacement Parts	402			
				Galion [®]	+ Kits for Galion [®] Telescopic Cylinders Replacement Parts	403			
				Perfection [®]	+ Kits for Perfection [®] Telescopic Cylinders	404			

INCH

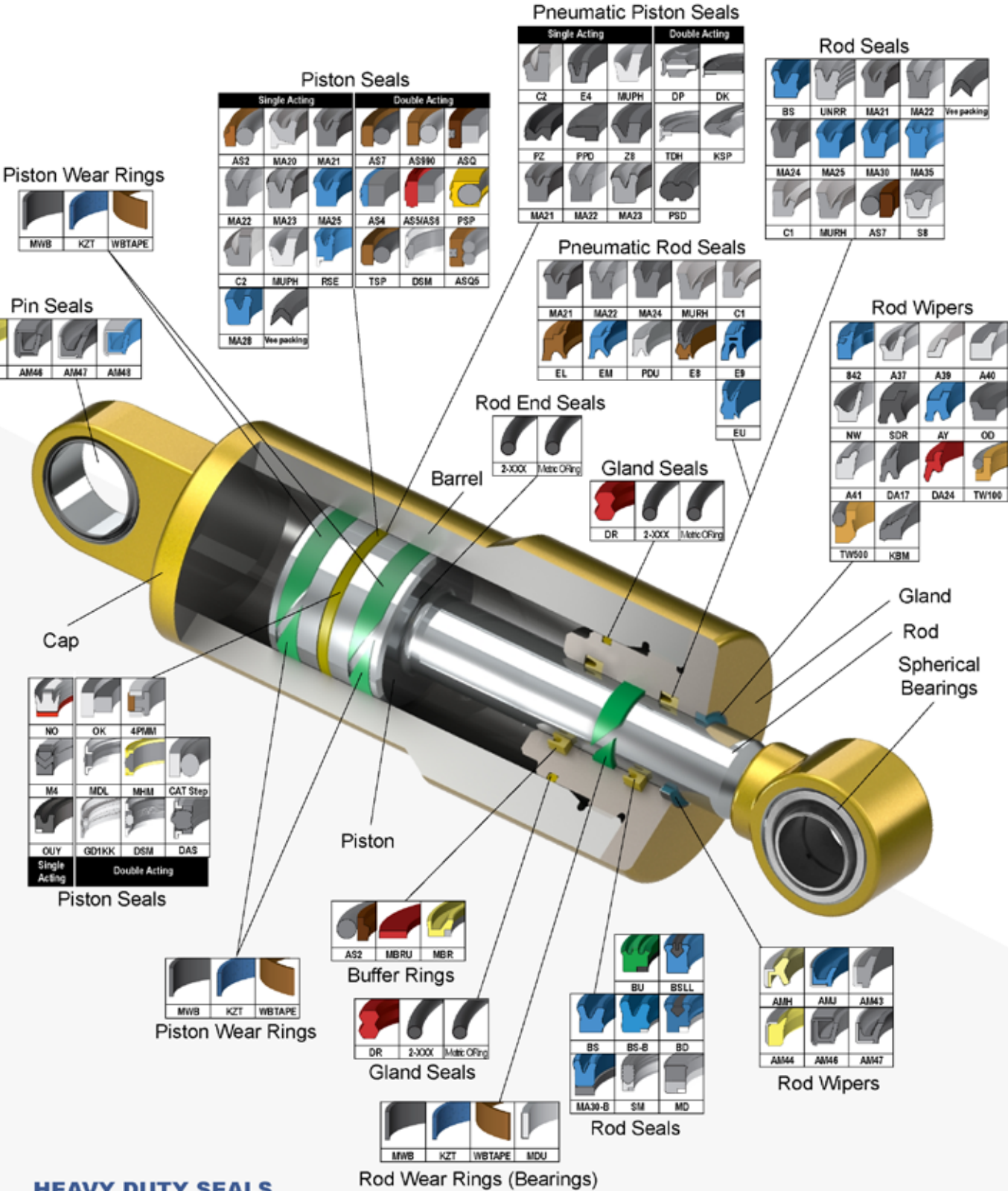
**LIGHT TO MEDIUM DUTY SEALS
Less than 5000 PSI**



**HEAVY DUTY SEALS
Greater than 5000 PSI**

METRIC

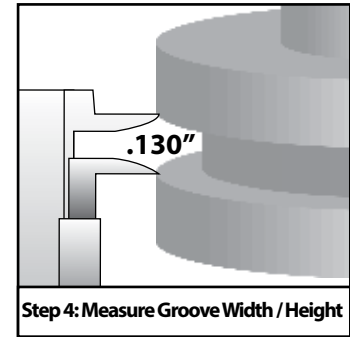
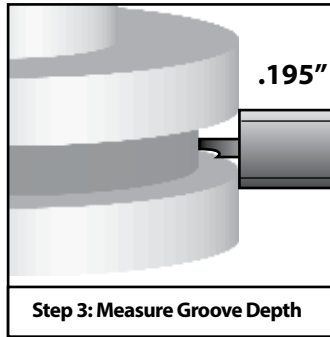
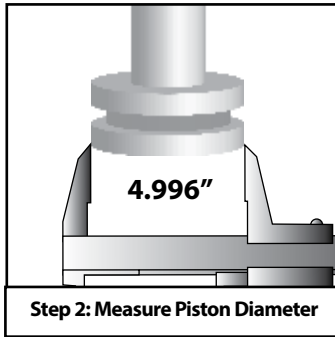
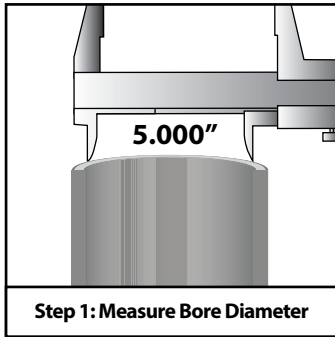
**LIGHT TO MEDIUM DUTY SEALS
Less than 5000 PSI**



**HEAVY DUTY SEALS
Greater than 5000 PSI**

Proper Piston Seal Groove Measurement

Example Part # : AS800E-80P for 5.00" Bore



Calculate:

Diametrical Clearance = .004"

Bore Diameter (5.00") - Piston Diameter (4.996")
 $5.00" - 4.996" = .004"$

Radial Gap = .002"

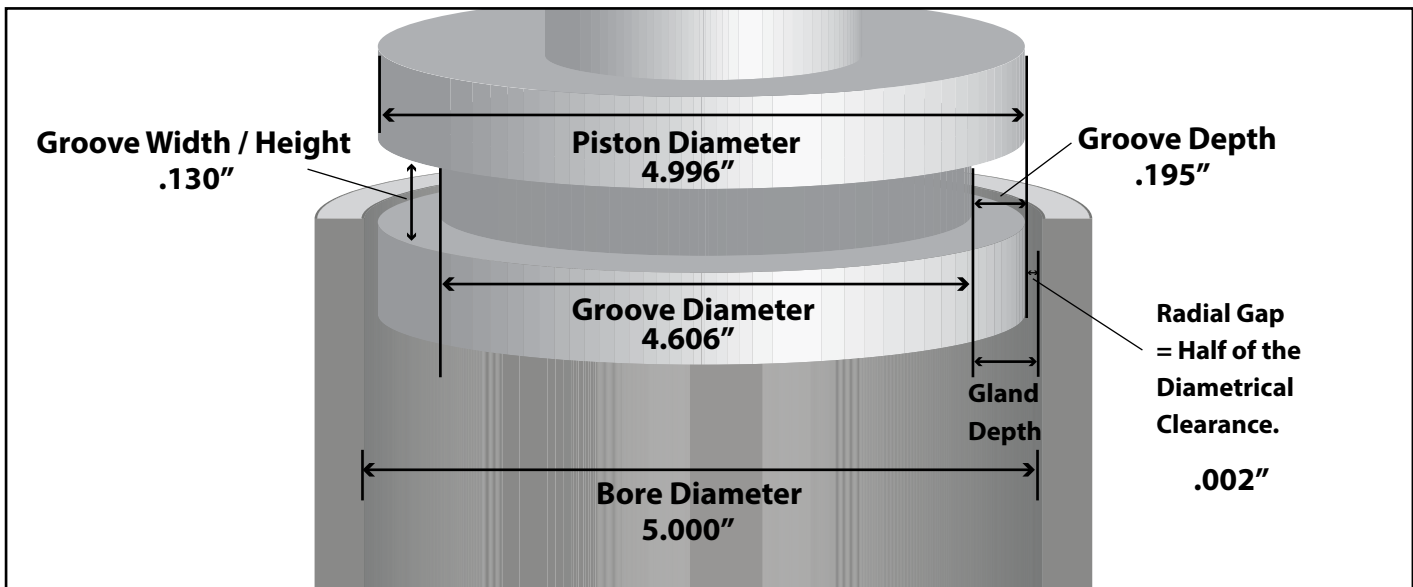
Divide Diametrical Clearance (.004") by 2
 $.004" / 2 = .002"$

Gland Depth = .197"

Radial Gap (.002") + Groove Depth (.195")
 $.002" + .195" = .197"$

Groove Diameter = 4.606"

Piston Diameter (4.996") - Groove Depth x 2 (.195" x 2 = .390")
 $4.996" - .390" = 4.606"$



Measuring Tips

- **Multipiece Piston Seal**
 Groove Width / Height will be larger than actual seal. Can range from 2-13%
- **U-Cup Piston Seals**
 Groove Width / Height should be at least 10% larger than seal.
- **Failure to account for the radial gap between piston and bore will lead to reduced seal performance.**



Online Tools

EZ Fluid Compatibility Tool

Narrow your search by selecting or entering your information below. Please read the resulting information carefully to see how well the material and fluid you are using work together.

Note: You can only select one fluid at a time. You can select multiple materials to see if they work with the fluid you chose.

Type Fluid Name ⋮

or Use Fluid Dropdown ▼

Material Type ▼


1 - 3 / 2089 < >

Abietic Acid

Atlas (TFE/Propylene) FEPM - Insufficient Data
 Butadiene BR - Insufficient Data
 Butyl IIR - Insufficient Data
 Ethylene Propylene EPDM - Insufficient Data
 Fluorocarbon FKM - Insufficient Data
 Fluorosilicone FVMQ - Insufficient Data
 Hifluor FKM - Satisfactory
 Hydrogenated Nitrile HNBR - Insufficient Data
 Hypalon CSM - Insufficient Data
 Isoprene IR - Insufficient Data
 Natural Rubber NR - Insufficient Data
 Neoprene/Chloroprene CR - Insufficient Data
 Nitrile NBR - Insufficient Data
 Perfluoroelastomer FFKM - Satisfactory
 Polyacrylate ACM - Insufficient Data
 Polyurethane AU, EU - Insufficient Data
 Silicone MQ, VMQ, PVMQ - Insufficient Data
 Styrene-Butadiene SBR - Insufficient Data

Acetaldehyde

Atlas (TFE/Propylene) FEPM - Doubtful (Sometimes OK for static seal)
 Butadiene BR - Fair (Usually OK for Static Seal)
 Butyl IIR - Fair (Usually OK for Static Seal)
 Ethylene Propylene EPDM - Fair (Usually OK for Static Seal)
 Fluorocarbon FKM - Unsatisfactory
 Fluorosilicone FVMQ - Unsatisfactory
 Hifluor FKM - Satisfactory
 Hydrogenated Nitrile HNBR - Doubtful (Sometimes OK for static seal)
 Hypalon CSM - Doubtful (Sometimes OK for static seal)
 Isoprene IR - Fair (Usually OK for Static Seal)
 Natural Rubber NR - Fair (Usually OK for Static Seal)
 Neoprene/Chloroprene CR - Doubtful (Sometimes OK for static seal)
 Nitrile NBR - Doubtful (Sometimes OK for static seal)
 Perfluoroelastomer FFKM - Satisfactory
 Polyacrylate ACM - Unsatisfactory
 Polyurethane AU, EU - Unsatisfactory
 Silicone MQ, VMQ, PVMQ - Fair (Usually OK for Static Seal)
 Styrene-Butadiene SBR - Doubtful (Sometimes OK for static seal)

 **Alleghey York**

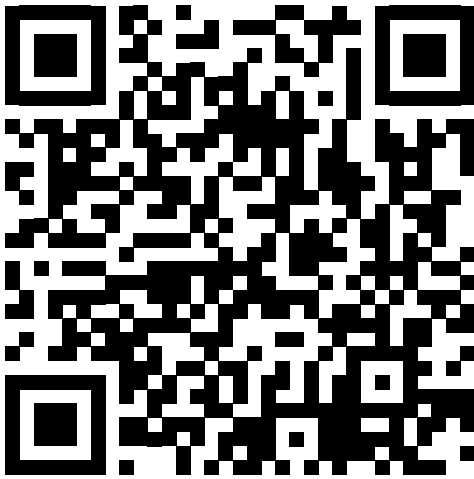
HELPFUL ONLINE TOOLS

Unit Conversion (INCH TO METRIC) ▶

Unit Conversion (METRIC TO INCH) ▶

Wearband Tape Calculator ▶


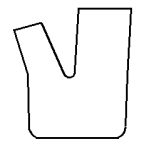


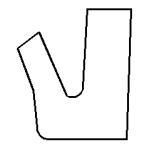

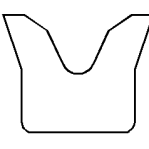
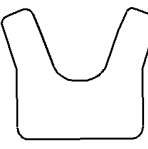
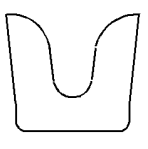
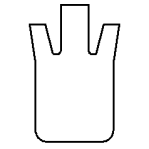
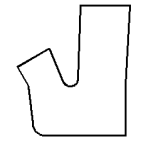
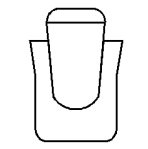
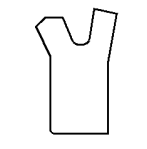
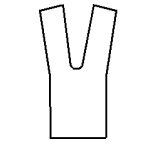
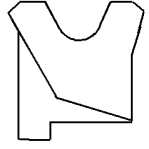








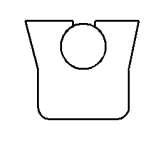
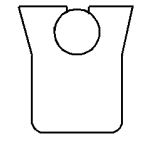
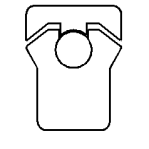
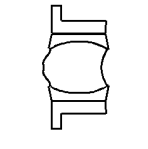
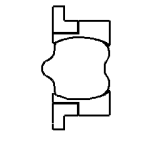
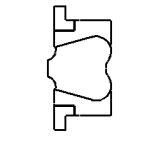
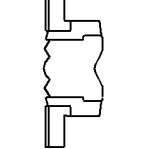
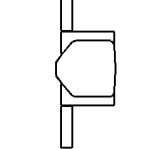
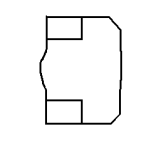
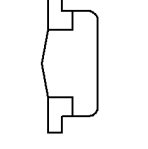
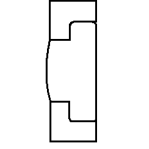
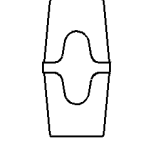
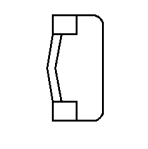
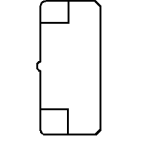
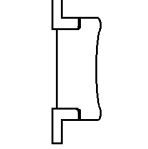
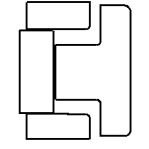
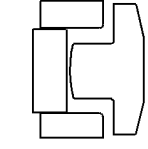
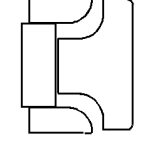
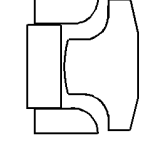
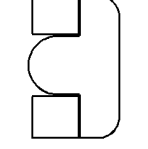
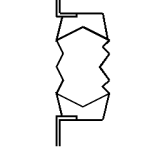
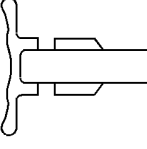
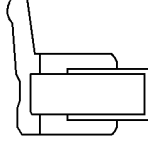
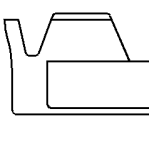
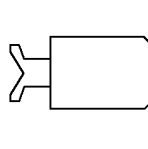
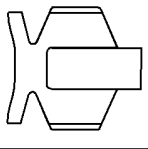
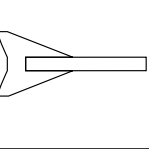
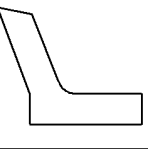
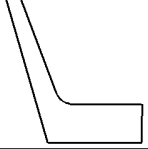
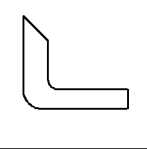
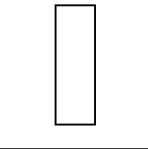
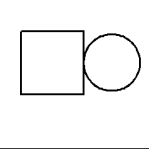
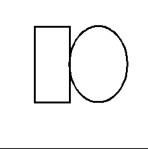
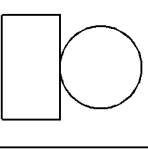
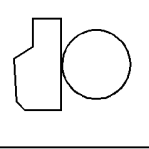
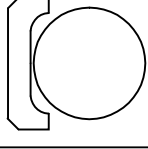
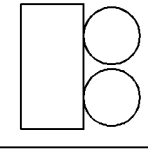
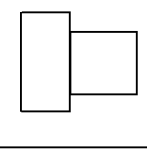
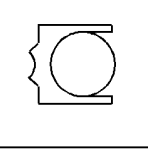
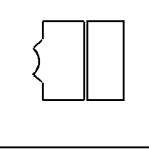
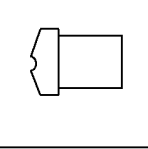
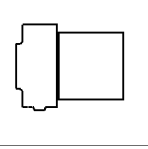
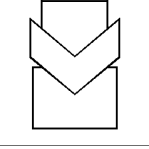
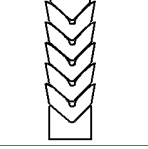
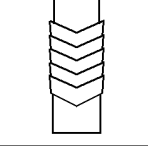
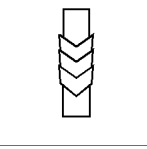
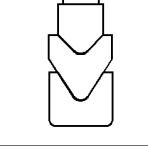
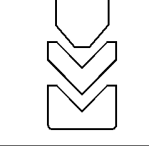
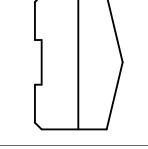
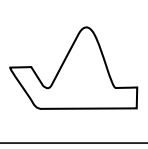
Piston Groove Measurement ▶



[allegheyork.com/wps/portal/c/Online Tools](http://allegheyork.com/wps/portal/c/Online%20Tools)

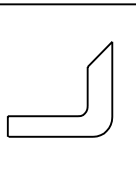
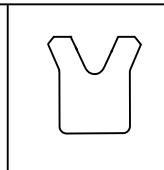
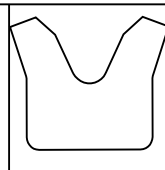
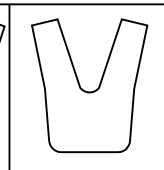
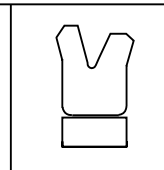
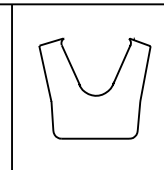
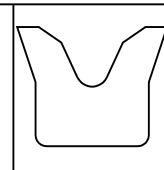
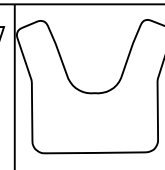
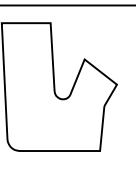
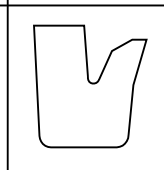
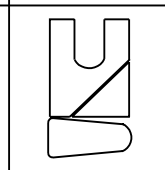
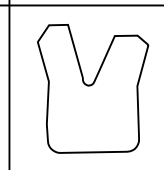
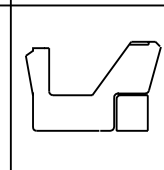
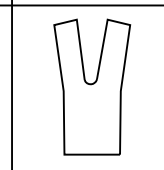
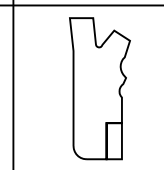
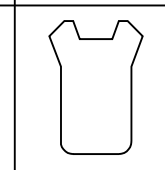

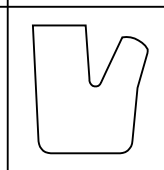
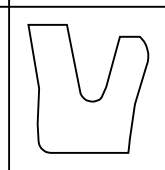
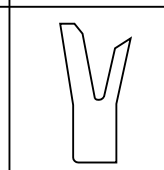
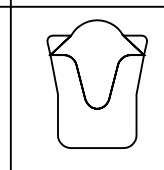
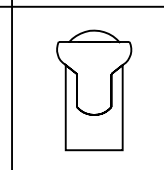
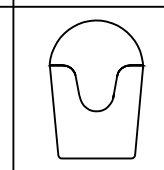
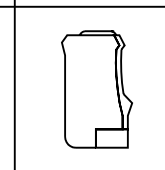
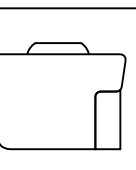
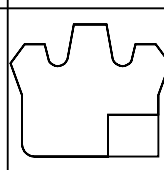
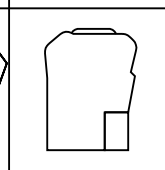
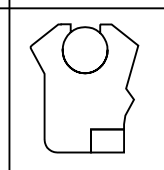
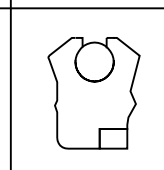
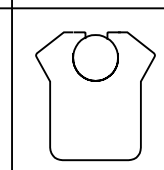
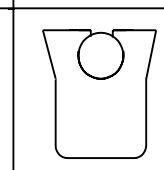
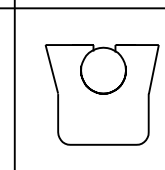
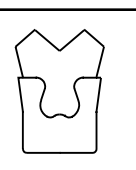
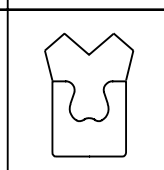
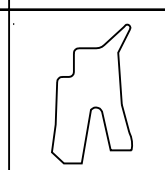
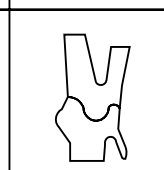
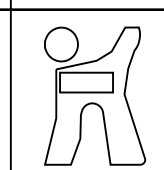
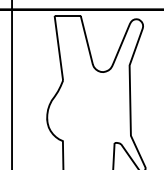
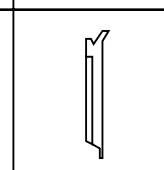
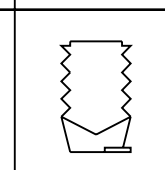
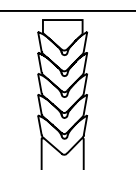
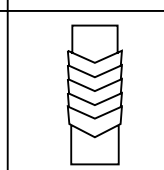
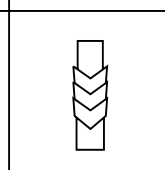
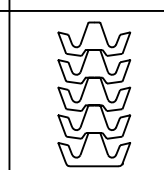
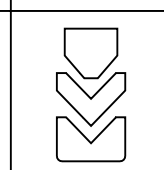
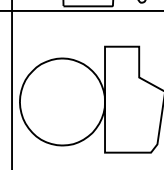
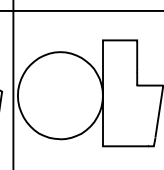
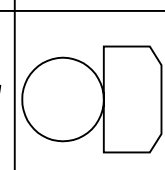
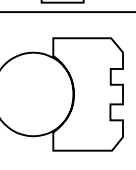
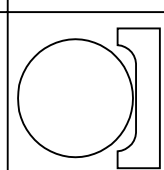
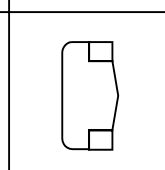
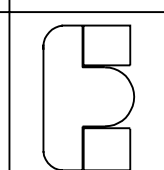
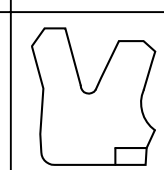

Profile Reference Charts

Piston Seals

PA								
PB								
PC								
PD								
PE								
PF								
PG								
PH								
PJ								
PK								
	1	2	3	4	5	6	7	8

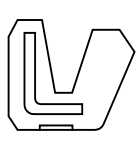
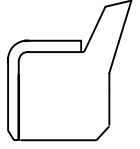
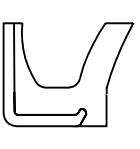
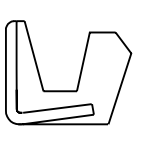
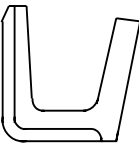
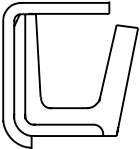
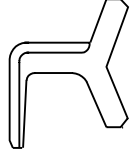
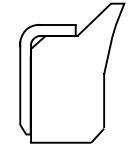
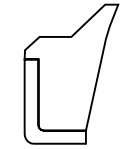
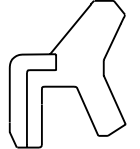
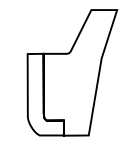
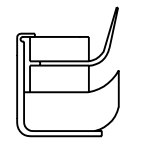
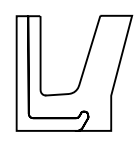

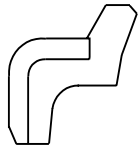

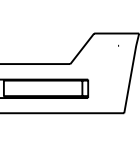
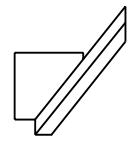
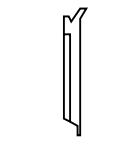

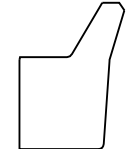
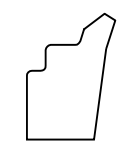

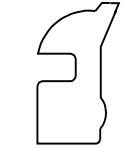

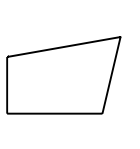
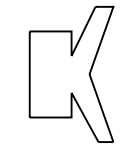
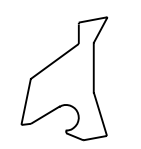
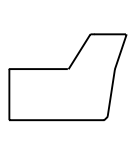

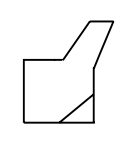
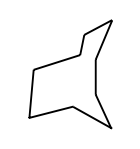
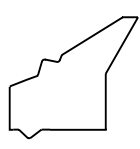
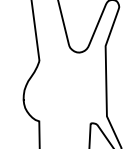
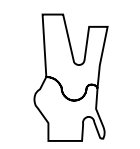
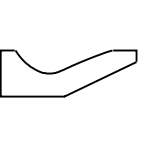

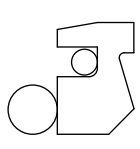

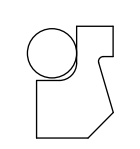
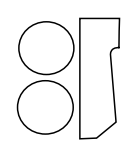
Profile Reference Charts

Rod Seals

RA								
RB								
RC								
RD								
RE								
RF								
RG								
	1	2	3	4	5	6	7	8

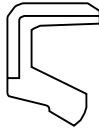
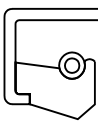









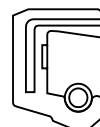


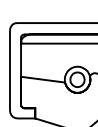

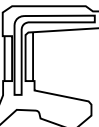







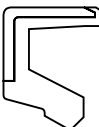


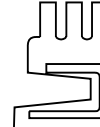
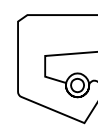



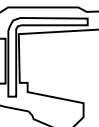


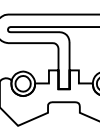
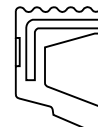
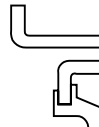
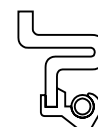
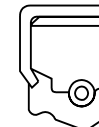

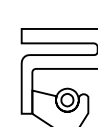
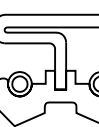


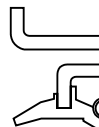
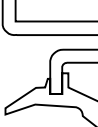
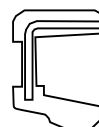
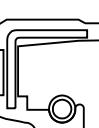



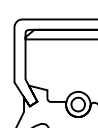
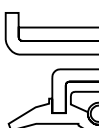

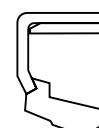

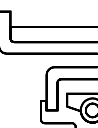
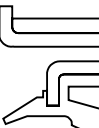

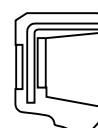
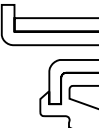
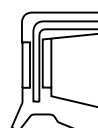

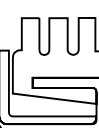
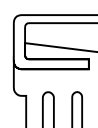
Profile Reference Charts

Wipers

WA								
WB								
WC								
WD								
WE								
WF								
	1	2	3	4	5	6	7	8

Profile Reference Charts

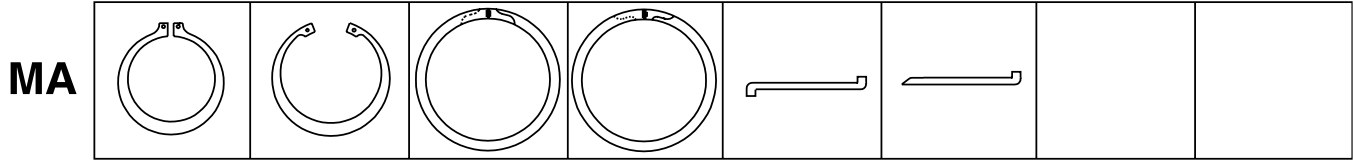
Oil Seals

OA								
OB								
OC								
OD								
OE								
OF								
OG								
OH								
OJ								
	1	2	3	4	5	6	7	8

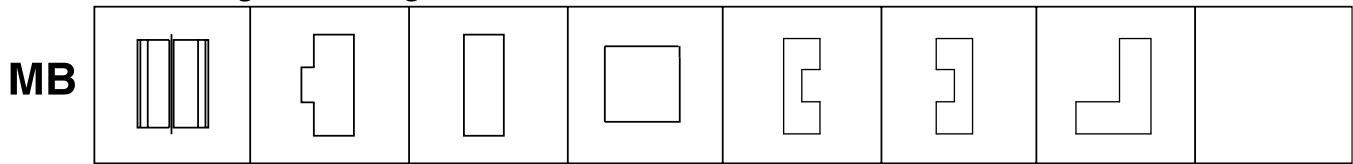
Profile Reference Charts

Miscellaneous

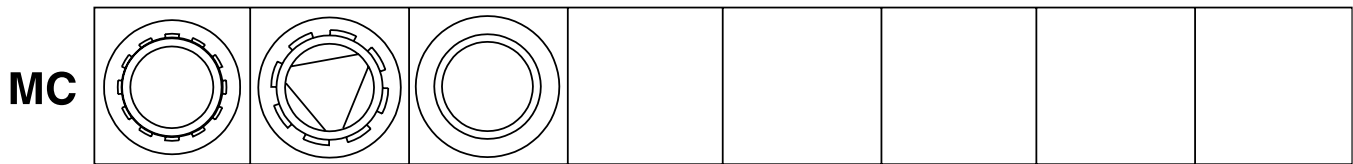
Retaining Rings



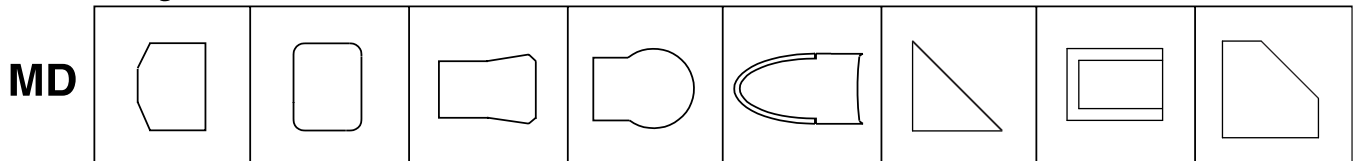
Guide Rings & Bearings



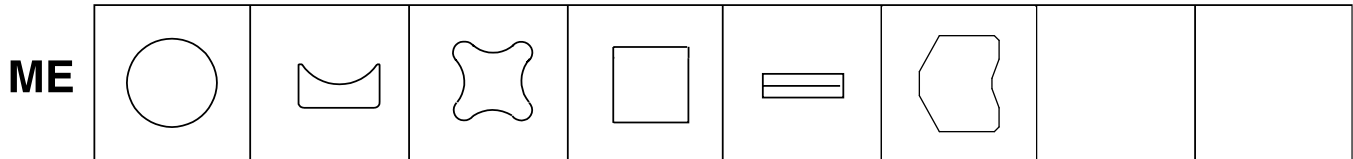
Fastener Seals



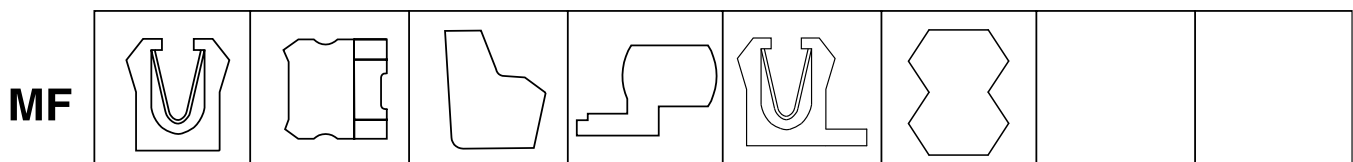
Flange Seals



O-Rings & Backups



Miscellaneous



1

2

3

4

5

6

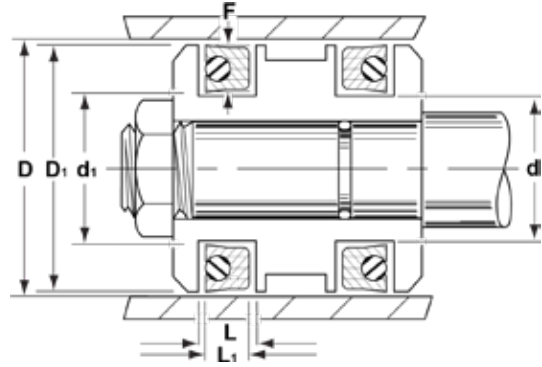
7

8

Standard Loaded Lip Seals - Inch



ALTERNATIVE SEALS:
 Rod: US, 8400, 6226,
 BLLS, UNRR, UNR, BS,
 BD, BT, BSLL
 Piston: US, 8400, 6226,
 UNP, BP



EXAMPLE: 12502000		
Cross Section	Inside Diameter	Height
125	02000	HT = CS
1/8	2"	1/8

Standard Loaded Lip Seals can be used as rod or piston seals and are basically square in configuration. They are manufactured from high quality, 90 durometer polyurethane. They are also available in other materials; consult sales office for price and availability.

Temperature: -65F° to 200°F

Pressure: 0 to 5,000 PSI

Part Number	Groove Diameter d	Bore Diameter D	Seal Height L ₁	Groove Height L	Price
1/8" CROSS SECTION ("F")					
12500062	0.062	0.312	0.125	0.138	\$6.05
12500093	0.093	0.343	0.125	0.138	\$7.60
12500125	0.125	0.375	0.125	0.138	\$6.05
12500140	0.140	0.390	0.125	0.138	\$7.34
12500187	0.187	0.437	0.125	0.138	\$4.45
12500250	0.250	0.500	0.125	0.138	\$4.45
12500312	0.312	0.562	0.125	0.138	\$4.59
12500359	0.359	0.609	0.125	0.138	\$7.60
12500375	0.375	0.625	0.125	0.138	\$4.50
12500437	0.437	0.687	0.125	0.138	\$4.76
12500500	0.500	0.750	0.125	0.138	\$4.50
12500531	0.531	0.781	0.125	0.138	\$7.60
12500562	0.562	0.812	0.125	0.138	\$5.02
12500625	0.625	0.875	0.125	0.138	\$4.50
12500687	0.687	0.937	0.125	0.138	\$4.76
12500750	0.750	1.000	0.125	0.138	\$4.66
12500812	0.812	1.062	0.125	0.138	\$4.87
12500875	0.875	1.125	0.125	0.138	\$4.87
12500906	0.906	1.156	0.125	0.138	\$8.59
12500937	0.937	1.187	0.125	0.138	\$5.11
12501000	1.000	1.250	0.125	0.138	\$5.11
12501062	1.062	1.312	0.125	0.138	\$9.11
12501125	1.125	1.375	0.125	0.138	\$5.34
12501187	1.187	1.437	0.125	0.138	\$5.27
12501250	1.250	1.500	0.125	0.138	\$5.24
12501312	1.312	1.562	0.125	0.138	\$8.76
12501375	1.375	1.625	0.125	0.138	\$5.71
12501437	1.437	1.687	0.125	0.138	\$9.14
12501500	1.500	1.750	0.125	0.138	\$5.94
12501562	1.562	1.812	0.125	0.138	\$9.33
12501625	1.625	1.875	0.125	0.138	\$6.34
12501687	1.687	1.937	0.125	0.138	\$13.94
12501750	1.750	2.000	0.125	0.138	\$6.34

Part Number	Groove Diameter d	Bore Diameter D	Seal Height L ₁	Groove Height L	Price
1/8" CROSS SECTION ("F")					
12501875	1.875	2.125	0.125	0.138	\$6.75
12502000	2.000	2.250	0.125	0.138	\$6.48
12502125	2.125	2.375	0.125	0.138	\$8.58
12502250	2.250	2.500	0.125	0.138	\$7.25
12502375	2.375	2.625	0.125	0.138	\$7.25
12502500	2.500	2.750	0.125	0.138	\$7.37
12502625	2.625	2.875	0.125	0.138	\$12.87
12502750	2.750	3.000	0.125	0.138	\$8.02
12502875	2.875	3.125	0.125	0.138	\$9.09
12503000	3.000	3.250	0.125	0.138	\$9.53
12503250	3.250	3.500	0.125	0.138	\$9.22
12503500	3.500	3.750	0.125	0.138	\$9.80
12503750	3.750	4.000	0.125	0.138	\$11.82
12503875	3.875	4.125	0.125	0.138	\$13.22
12504000	4.000	4.250	0.125	0.138	\$14.56
12504250	4.250	4.500	0.125	0.138	\$14.61
12504375	4.375	4.625	0.125	0.138	\$14.79
12504500	4.500	4.750	0.125	0.138	\$14.80
12504750	4.750	5.000	0.125	0.138	\$16.10
12505000	5.000	5.250	0.125	0.138	\$27.23
12505750	5.750	6.000	0.125	0.138	\$32.74
5/32" CROSS SECTION ("F")					
15600437	0.437	0.750	0.156	0.172	\$7.51
15600750	0.750	1.062	0.156	0.172	\$7.60
15600937	0.937	1.250	0.156	0.172	\$8.56
15601000	1.000	1.312	0.156	0.172	\$5.91
15601125	1.125	1.437	0.156	0.172	\$6.01
15601187	1.187	1.500	0.156	0.172	\$6.12
15601250	1.250	1.562	0.156	0.172	\$7.13
15601375	1.375	1.687	0.156	0.172	\$7.64
15601500	1.500	1.812	0.156	0.172	\$8.41

Standard Loaded Lip Seals - Inch, cont'd.

Part Number	Groove Diameter d	Bore Diameter D	Seal Height L ₁	Groove Height L	Price
3/16" CROSS SECTION ("F")					
18700187	0.187	0.562	0.187	0.206	\$7.49
18700250	0.250	0.625	0.187	0.206	\$8.15
18700312	0.312	0.687	0.187	0.206	\$8.28
18700375	0.375	0.750	0.187	0.206	\$4.62
18700437	0.437	0.812	0.187	0.206	\$4.71
18700500	0.500	0.875	0.187	0.206	\$4.72
18700562	0.562	0.937	0.187	0.206	\$9.11
18700625	0.625	1.000	0.187	0.206	\$4.90
18700656	0.656	1.031	0.187	0.206	\$14.23
18700687	0.687	1.062	0.187	0.206	\$5.20
18700750	0.750	1.125	0.187	0.206	\$5.07
18700812	0.812	1.187	0.187	0.206	\$5.06
18700875	0.875	1.250	0.187	0.206	\$5.49
18700937	0.937	1.312	0.187	0.206	\$6.84
18701000	1.000	1.375	0.187	0.206	\$5.76
18701062	1.062	1.437	0.187	0.206	\$5.76
18701125	1.125	1.500	0.187	0.206	\$5.83
18701187	1.187	1.562	0.187	0.206	\$6.15
18701250	1.250	1.625	0.187	0.206	\$6.29
18701312	1.312	1.687	0.187	0.206	\$9.29
18701375	1.375	1.750	0.187	0.206	\$6.31
18701437	1.437	1.812	0.187	0.206	\$6.88
18701500	1.500	1.875	0.187	0.206	\$6.41
18701562	1.562	1.937	0.187	0.206	\$13.68
18701625	1.625	2.000	0.187	0.206	\$6.76
18701687	1.687	2.062	0.187	0.206	\$7.21
18701750	1.750	2.125	0.187	0.206	\$6.90
18701812	1.812	2.187	0.187	0.206	\$11.82
18701875	1.875	2.250	0.187	0.206	\$7.23
18701937	1.937	2.312	0.187	0.206	\$12.90
18702000	2.000	2.375	0.187	0.206	\$7.28
18702125	2.125	2.500	0.187	0.206	\$7.41
18702250	2.250	2.625	0.187	0.206	\$7.91
18702375	2.375	2.750	0.187	0.206	\$8.65
18702500	2.500	2.875	0.187	0.206	\$8.21
18702625	2.625	3.000	0.187	0.206	\$8.21
18702750	2.750	3.125	0.187	0.206	\$9.43
18702875	2.875	3.250	0.187	0.206	\$9.13
18703000	3.000	3.375	0.187	0.206	\$9.43
18703125	3.125	3.500	0.187	0.206	\$9.90
18703250	3.250	3.625	0.187	0.206	\$10.62
18703375	3.375	3.750	0.187	0.206	\$11.24
18703500	3.500	3.875	0.187	0.206	\$11.95
18703625	3.625	4.000	0.187	0.206	\$12.05
18703750	3.750	4.125	0.187	0.206	\$12.92
18703875	3.875	4.250	0.187	0.206	\$18.13
18704000	4.000	4.375	0.187	0.206	\$15.88
18704125	4.125	4.500	0.187	0.206	\$14.91
18704250	4.250	4.625	0.187	0.206	\$15.45
18704375	4.375	4.750	0.187	0.206	\$15.85

Part Number	Groove Diameter d	Bore Diameter D	Seal Height L ₁	Groove Height L	Price
3/16" CROSS SECTION ("F")					
18704500	4.500	4.875	0.187	0.206	\$15.85
18704625	4.625	5.000	0.187	0.206	\$16.40
18704750	4.750	5.125	0.187	0.206	\$17.67
18704875	4.875	5.250	0.187	0.206	\$24.14
18705125	5.125	5.500	0.187	0.206	\$28.99
18705250	5.250	5.625	0.187	0.206	\$29.60
18705687	5.687	6.062	0.187	0.206	\$32.73
18705875	5.875	6.250	0.187	0.206	\$33.92
18706000	6.000	6.375	0.187	0.206	\$28.84
7/32" CROSS SECTION ("F")					
21800312	0.312	0.750	0.218	0.240	\$11.67
21800562	0.562	1.000	0.218	0.240	\$11.87
21800750	0.750	1.187	0.218	0.240	\$12.25
21801750	1.750	2.187	0.218	0.240	\$14.93
21802062	2.062	2.500	0.218	0.240	\$17.64
21802500	2.500	2.937	0.218	0.240	\$15.17
21802562	2.562	3.000	0.218	0.240	\$16.23
21802812	2.812	3.250	0.218	0.240	\$14.48
21803000	3.000	3.437	0.218	0.240	\$16.70
1/4" CROSS SECTION ("F")					
25000250	0.250	0.750	0.250	0.275	\$6.18
25000312	0.312	0.812	0.250	0.275	\$6.18
25000375	0.375	0.875	0.250	0.275	\$6.20
25000437	0.437	0.937	0.250	0.275	\$6.20
25000500	0.500	1.000	0.250	0.275	\$6.20
25000562	0.562	1.062	0.250	0.275	\$6.20
25000625	0.625	1.125	0.250	0.275	\$6.20
25000687	0.687	1.187	0.250	0.275	\$6.20
25000750	0.750	1.250	0.250	0.275	\$6.20
25000812	0.812	1.312	0.250	0.275	\$6.20
25000875	0.875	1.375	0.250	0.275	\$6.20
25000937	0.937	1.437	0.250	0.275	\$6.20
25001000	1.000	1.500	0.250	0.275	\$6.20
25001062	1.062	1.562	0.250	0.275	\$10.89
25001093	1.093	1.593	0.250	0.275	\$17.38
25001125	1.125	1.625	0.250	0.275	\$6.54
25001187	1.187	1.687	0.250	0.275	\$6.65
25001250	1.250	1.750	0.250	0.275	\$6.65
25001312	1.312	1.812	0.250	0.275	\$7.22
25001375	1.375	1.875	0.250	0.275	\$7.27
25001437	1.437	1.937	0.250	0.275	\$7.43
25001500	1.500	2.000	0.250	0.275	\$7.43
25001625	1.625	2.125	0.250	0.275	\$8.14
25001750	1.750	2.250	0.250	0.275	\$8.49
25001875	1.875	2.375	0.250	0.275	\$8.98
25002000	2.000	2.500	0.250	0.275	\$9.11
25002125	2.125	2.625	0.250	0.275	\$9.98
25002250	2.250	2.750	0.250	0.275	\$10.60
25002375	2.375	2.875	0.250	0.275	\$10.94
25002500	2.500	3.000	0.250	0.275	\$10.99

Standard Loaded Lip Seals - Inch, cont'd.

Part Number	Groove Diameter d	Bore Diameter D	Seal Height L ₁	Groove Height L	Price
1/4" CROSS SECTION ("F")					
25002625	2.625	3.125	0.250	0.275	\$12.28
25002750	2.750	3.250	0.250	0.275	\$12.48
25002875	2.875	3.375	0.250	0.275	\$19.09
25003000	3.000	3.500	0.250	0.275	\$12.76
25003125	3.125	3.625	0.250	0.275	\$13.94
25003250	3.250	3.750	0.250	0.275	\$14.32
25003375	3.375	3.875	0.250	0.275	\$16.65
25003500	3.500	4.000	0.250	0.275	\$15.22
25003625	3.625	4.125	0.250	0.275	\$15.79
25003750	3.750	4.250	0.250	0.275	\$17.17
25003875	3.875	4.375	0.250	0.275	\$17.22
25004000	4.000	4.500	0.250	0.275	\$17.25
25004125	4.125	4.625	0.250	0.275	\$18.88
25004250	4.250	4.750	0.250	0.275	\$18.19
25004375	4.375	4.875	0.250	0.275	\$22.30
25004500	4.500	5.000	0.250	0.275	\$19.07
25004625	4.625	5.125	0.250	0.275	\$22.09
25004750	4.750	5.250	0.250	0.275	\$19.29
25004875	4.875	5.375	0.250	0.275	\$20.73
25005000	5.000	5.500	0.250	0.275	\$20.49
25005125	5.125	5.625	0.250	0.275	\$23.36
25005250	5.250	5.750	0.250	0.275	\$21.15
25005375	5.375	5.875	0.250	0.275	\$22.30
25005500	5.500	6.000	0.250	0.275	\$22.55
25005625	5.625	6.125	0.250	0.275	\$36.48
25005750	5.750	6.250	0.250	0.275	\$24.72
25005875	5.875	6.375	0.250	0.275	\$39.11
25006000	6.000	6.500	0.250	0.275	\$25.26
25006250	6.250	6.750	0.250	0.275	\$25.87
25006500	6.500	7.000	0.250	0.275	\$26.54
25006750	6.750	7.250	0.250	0.275	\$27.10
25007000	7.000	7.500	0.250	0.275	\$28.17
25007125	7.125	7.625	0.250	0.275	\$43.68
25007250	7.250	7.750	0.250	0.275	\$28.14
25007500	7.500	8.000	0.250	0.275	\$30.08
25007750	7.750	8.250	0.250	0.275	\$30.08
25008000	8.000	8.500	0.250	0.275	\$41.84
25008250	8.250	8.750	0.250	0.275	\$55.27
25008500	8.500	9.000	0.250	0.275	\$37.20
25008750	8.750	9.250	0.250	0.275	\$57.30
25009000	9.000	9.500	0.250	0.275	\$47.08
25009250	9.250	9.750	0.250	0.275	\$59.38
25009500	9.500	10.000	0.250	0.275	\$35.33
25009750	9.750	10.250	0.250	0.275	\$43.26
25010000	10.000	10.500	0.250	0.275	\$45.76
25010500	10.500	11.000	0.250	0.275	\$71.93
25010750	10.750	11.250	0.250	0.275	\$75.40
25010875	10.875	11.375	0.250	0.275	\$80.00
25011000	11.000	11.500	0.250	0.275	\$79.66

Part Number	Groove Diameter d	Bore Diameter D	Seal Height L ₁	Groove Height L	Price
1/4" CROSS SECTION ("F")					
25011250	11.250	11.750	0.250	0.275	\$79.92
25011500	11.500	12.000	0.250	0.275	\$53.10
25011750	11.750	12.250	0.250	0.275	\$83.52
25012000	12.000	12.500	0.250	0.275	\$85.85
25013000	13.000	13.500	0.250	0.275	\$113.53
25013500	13.500	14.000	0.250	0.275	\$114.90
25014000	14.000	14.500	0.250	0.275	\$121.33
25024000	24.000	24.500	0.250	0.275	\$357.45
9/32" CROSS SECTION ("F")					
28100187	0.187	0.750	0.281	0.309	\$9.80
28100687	0.687	1.250	0.281	0.309	\$20.48
28102312	2.312	2.875	0.281	0.309	\$16.44
28102562	2.562	3.125	0.281	0.309	\$19.36
28104437	4.437	5.000	0.281	0.309	\$37.38
28105000	5.000	5.562	0.281	0.309	\$41.18
28105437	5.437	6.000	0.281	0.309	\$27.17
28106437	6.437	7.000	0.281	0.309	\$50.59
5/16" CROSS SECTION ("F")					
31200250	0.250	0.875	0.312	0.343	\$3.04
31200375	0.375	1.000	0.312	0.343	\$6.71
31200437	0.437	1.062	0.312	0.343	\$6.71
31200500	0.500	1.125	0.312	0.343	\$8.47
31200625	0.625	1.250	0.312	0.343	\$8.88
31200687	0.687	1.312	0.312	0.343	\$10.57
31200750	0.750	1.375	0.312	0.343	\$7.50
31200812	0.812	1.437	0.312	0.343	\$10.02
31200875	0.875	1.500	0.312	0.343	\$7.50
31201000	1.000	1.625	0.312	0.343	\$7.51
31201062	1.062	1.687	0.312	0.343	\$11.63
31201125	1.125	1.750	0.312	0.343	\$11.74
31201187	1.187	1.812	0.312	0.343	\$7.77
31201250	1.250	1.875	0.312	0.343	\$8.69
31201312	1.312	1.937	0.312	0.343	\$11.86
31201375	1.375	2.000	0.312	0.343	\$8.37
31201500	1.500	2.125	0.312	0.343	\$8.54
31201625	1.625	2.250	0.312	0.343	\$9.54
31201687	1.687	2.312	0.312	0.343	\$17.45
31201750	1.750	2.375	0.312	0.343	\$10.04
31201875	1.875	2.500	0.312	0.343	\$10.36
31201937	1.937	2.562	0.312	0.343	\$16.87
31202000	2.000	2.625	0.312	0.343	\$11.35
31202125	2.125	2.750	0.312	0.343	\$18.84
31202250	2.250	2.875	0.312	0.343	\$11.92
31202312	2.312	2.937	0.312	0.343	\$36.63
31202375	2.375	3.000	0.312	0.343	\$12.54
31202500	2.500	3.125	0.312	0.343	\$13.42
31202625	2.625	3.250	0.312	0.343	\$14.23
31202750	2.750	3.375	0.312	0.343	\$14.29
31202875	2.875	3.500	0.312	0.343	\$15.32

Standard Loaded Lip Seals - Inch, cont'd.

Part Number	Groove Diameter d	Bore Diameter D	Seal Height L ₁	Groove Height L	Price
5/16" CROSS SECTION ("F")					
31203000	3.000	3.625	0.312	0.343	\$15.94
31203125	3.125	3.750	0.312	0.343	\$19.97
31203250	3.250	3.875	0.312	0.343	\$17.05
31203375	3.375	4.000	0.312	0.343	\$17.13
31203500	3.500	4.125	0.312	0.343	\$17.72
31203625	3.625	4.250	0.312	0.343	\$22.89
31203750	3.750	4.375	0.312	0.343	\$18.80
31203875	3.875	4.500	0.312	0.343	\$19.45
31204000	4.000	4.625	0.312	0.343	\$21.83
31204125	4.125	4.750	0.312	0.343	\$20.96
31204250	4.250	4.875	0.312	0.343	\$21.31
31204375	4.375	5.000	0.312	0.343	\$21.92
31204500	4.500	5.125	0.312	0.343	\$22.47
31204750	4.750	5.375	0.312	0.343	\$23.63
31204875	4.875	5.500	0.312	0.343	\$24.25
31205000	5.000	5.625	0.312	0.343	\$25.11
31205125	5.125	5.750	0.312	0.343	\$25.17
31205250	5.250	5.875	0.312	0.343	\$25.74
31205375	5.375	6.000	0.312	0.343	\$26.66
31205500	5.500	6.125	0.312	0.343	\$27.39
31205750	5.750	6.375	0.312	0.343	\$38.88
31205875	5.875	6.500	0.312	0.343	\$35.00
31206000	6.000	6.625	0.312	0.343	\$29.68
31206125	6.125	6.750	0.312	0.343	\$34.43
31206250	6.250	6.875	0.312	0.343	\$30.24
31206375	6.375	7.000	0.312	0.343	\$30.11
31206500	6.500	7.125	0.312	0.343	\$30.66
31206625	6.625	7.250	0.312	0.343	\$31.12
31206750	6.750	7.375	0.312	0.343	\$41.52
31207000	7.000	7.625	0.312	0.343	\$39.79
31207250	7.250	7.875	0.312	0.343	\$34.62
31207375	7.375	8.000	0.312	0.343	\$35.18
31207500	7.500	8.125	0.312	0.343	\$41.77
31207750	7.750	8.375	0.312	0.343	\$43.29
31208000	8.000	8.625	0.312	0.343	\$45.65
31208250	8.250	8.875	0.312	0.343	\$48.40
31208500	8.500	9.125	0.312	0.343	\$51.54
31208875	8.875	9.500	0.312	0.343	\$72.96
31210125	10.125	10.750	0.312	0.343	\$90.29
31212000	12.000	12.625	0.312	0.343	\$105.25
31213375	13.375	14.000	0.312	0.343	\$128.71
11/32" CROSS SECTION ("F")					
34302312	2.312	3.000	0.343	0.377	\$59.71
34309312	9.312	10.000	0.343	0.377	\$89.67
3/8" CROSS SECTION ("F")					
37500500	0.500	1.250	0.375	0.413	\$8.64
37500625	0.625	1.375	0.375	0.413	\$13.32
37500875	0.875	1.625	0.375	0.413	\$9.85
37500937	0.937	1.687	0.375	0.413	\$9.85
37501000	1.000	1.750	0.375	0.413	\$10.37

Part Number	Groove Diameter d	Bore Diameter D	Seal Height L ₁	Groove Height L	Price
3/8" CROSS SECTION ("F")					
37501125	1.125	1.875	0.375	0.413	\$10.46
37501250	1.250	2.000	0.375	0.413	\$10.89
37501312	1.312	2.062	0.375	0.413	\$18.33
37501375	1.375	2.125	0.375	0.413	\$11.74
37501437	1.437	2.187	0.375	0.413	\$27.08
37501500	1.500	2.250	0.375	0.413	\$11.88
37501562	1.562	2.312	0.375	0.413	\$12.78
37501625	1.625	2.375	0.375	0.413	\$15.78
37501750	1.750	2.500	0.375	0.413	\$13.76
37501875	1.875	2.625	0.375	0.413	\$19.16
37502000	2.000	2.750	0.375	0.413	\$15.59
37502062	2.062	2.812	0.375	0.413	\$29.80
37502125	2.125	2.875	0.375	0.413	\$15.60
37502250	2.250	3.000	0.375	0.413	\$18.45
37502375	2.375	3.125	0.375	0.413	\$18.17
37502437	2.437	3.187	0.375	0.413	\$30.01
37502500	2.500	3.250	0.375	0.413	\$18.60
37502625	2.625	3.375	0.375	0.413	\$18.68
37502687	2.687	3.437	0.375	0.413	\$28.03
37502750	2.750	3.500	0.375	0.413	\$19.55
37502875	2.875	3.625	0.375	0.413	\$27.94
37502937	2.937	3.687	0.375	0.413	\$24.30
37503000	3.000	3.750	0.375	0.413	\$22.31
37503125	3.125	3.875	0.375	0.413	\$36.32
37503250	3.250	4.000	0.375	0.413	\$23.05
37503375	3.375	4.125	0.375	0.413	\$24.64
37503500	3.500	4.250	0.375	0.413	\$24.37
37503625	3.625	4.375	0.375	0.413	\$26.00
37503750	3.750	4.500	0.375	0.413	\$25.54
37503875	3.875	4.625	0.375	0.413	\$27.55
37504000	4.000	4.750	0.375	0.413	\$27.55
37504125	4.125	4.875	0.375	0.413	\$28.93
37504250	4.250	5.000	0.375	0.413	\$28.93
37504375	4.375	5.125	0.375	0.413	\$40.48
37504500	4.500	5.250	0.375	0.413	\$31.80
37504625	4.625	5.375	0.375	0.413	\$48.31
37504750	4.750	5.500	0.375	0.413	\$33.37
37504875	4.875	5.625	0.375	0.413	\$47.03
37505000	5.000	5.750	0.375	0.413	\$33.76
37505125	5.125	5.875	0.375	0.413	\$49.43
37505250	5.250	6.000	0.375	0.413	\$35.40
37505375	5.375	6.125	0.375	0.413	\$36.71
37505500	5.500	6.250	0.375	0.413	\$36.80
37505625	5.625	6.375	0.375	0.413	\$59.99
37505750	5.750	6.500	0.375	0.413	\$39.24
37505875	5.875	6.625	0.375	0.413	\$41.04
37506000	6.000	6.750	0.375	0.413	\$41.55
37506250	6.250	7.000	0.375	0.413	\$39.87
37506500	6.500	7.250	0.375	0.413	\$42.20
37506750	6.750	7.500	0.375	0.413	\$66.27

Standard Loaded Lip Seals - Inch, cont'd.

Part Number	Groove Diameter d	Bore Diameter D	Seal Height L ₁	Groove Height L	Price
3/8" CROSS SECTION ("F")					
37507000	7.000	7.750	0.375	0.413	\$45.56
37507250	7.250	8.000	0.375	0.413	\$46.87
37507500	7.500	8.250	0.375	0.413	\$54.59
37507625	7.625	8.375	0.375	0.413	\$75.21
37507750	7.750	8.500	0.375	0.413	\$63.36
37508000	8.000	8.750	0.375	0.413	\$59.70
37508250	8.250	9.000	0.375	0.413	\$54.15
37508500	8.500	9.250	0.375	0.413	\$82.59
37508750	8.750	9.500	0.375	0.413	\$93.72
37509000	9.000	9.750	0.375	0.413	\$86.47
37509250	9.250	10.000	0.375	0.413	\$55.46
37509500	9.500	10.250	0.375	0.413	\$69.35
37509750	9.750	10.500	0.375	0.413	\$97.37
37510000	10.000	10.750	0.375	0.413	\$106.99
37510250	10.250	11.000	0.375	0.413	\$107.12
37510500	10.500	11.250	0.375	0.413	\$108.53
37510750	10.750	11.500	0.375	0.413	\$109.50
37511000	11.000	11.750	0.375	0.413	\$112.27
37511250	11.250	12.000	0.375	0.413	\$90.32
37511500	11.500	12.250	0.375	0.413	\$117.04
37511750	11.750	12.500	0.375	0.413	\$119.11
37512000	12.000	12.750	0.375	0.413	\$121.17
37512250	12.250	13.000	0.375	0.413	\$106.06
37512750	12.750	13.500	0.375	0.413	\$139.73
37513000	13.000	13.750	0.375	0.413	\$140.93
37513250	13.250	14.000	0.375	0.413	\$94.03
37513500	13.500	14.250	0.375	0.413	\$161.75
37513750	13.750	14.500	0.375	0.413	\$166.57
37514000	14.000	14.750	0.375	0.413	\$167.91
37514500	14.500	15.250	0.375	0.413	\$173.15
37514750	14.750	15.500	0.375	0.413	\$177.21
37515000	15.000	15.750	0.375	0.413	\$178.27
37515500	15.500	16.250	0.375	0.413	\$179.92
37515750	15.750	16.500	0.375	0.413	\$183.09
37516000	16.000	16.750	0.375	0.413	\$185.61
37516250	16.250	17.000	0.375	0.413	\$187.15
37517250	17.250	18.000	0.375	0.413	\$189.44
37523000	23.000	23.750	0.375	0.413	\$442.21
13/32" CROSS SECTION ("F")					
40601750	1.750	2.562	0.406	0.447	\$27.30
7/16" CROSS SECTION ("F")					
43701000	1.000	1.875	0.437	0.481	\$19.24
43701250	1.250	2.125	0.437	0.481	\$20.34
43701375	1.375	2.250	0.437	0.481	\$22.06
43701437	1.437	2.312	0.437	0.481	\$22.56
43701500	1.500	2.375	0.437	0.481	\$23.09
43701750	1.750	2.625	0.437	0.481	\$32.15
43701875	1.875	2.750	0.437	0.481	\$35.27
43702000	2.000	2.875	0.437	0.481	\$30.91
43702125	2.125	3.000	0.437	0.481	\$31.79

Part Number	Groove Diameter d	Bore Diameter D	Seal Height L ₁	Groove Height L	Price
7/16" CROSS SECTION ("F")					
43702875	2.875	3.750	0.437	0.481	\$33.67
43703000	3.000	3.875	0.437	0.481	\$38.10
43703125	3.125	4.000	0.437	0.481	\$39.54
43704000	4.000	4.875	0.437	0.481	\$50.31
43704750	4.750	5.625	0.437	0.481	\$51.59
43705125	5.125	6.000	0.437	0.481	\$58.76
43705500	5.500	6.375	0.437	0.481	\$61.45
1/2" CROSS SECTION ("F")					
50001000	1.000	2.000	0.500	0.550	\$12.34
50001250	1.250	2.250	0.500	0.550	\$19.88
50001312	1.312	2.312	0.500	0.550	\$34.80
50001375	1.375	2.375	0.500	0.550	\$27.54
50001500	1.500	2.500	0.500	0.550	\$17.23
50001750	1.750	2.750	0.500	0.550	\$27.78
50001875	1.875	2.875	0.500	0.550	\$28.34
50002000	2.000	3.000	0.500	0.550	\$21.65
50002250	2.250	3.250	0.500	0.550	\$28.91
50002375	2.375	3.375	0.500	0.550	\$39.57
50002500	2.500	3.500	0.500	0.550	\$25.59
50002750	2.750	3.750	0.500	0.550	\$27.46
50002875	2.875	3.875	0.500	0.550	\$45.88
50003000	3.000	4.000	0.500	0.550	\$29.11
50003250	3.250	4.250	0.500	0.550	\$30.94
50003500	3.500	4.500	0.500	0.550	\$32.95
50003750	3.750	4.750	0.500	0.550	\$47.03
50004000	4.000	5.000	0.500	0.550	\$37.29
50004125	4.125	5.125	0.500	0.550	\$62.56
50004250	4.250	5.250	0.500	0.550	\$41.18
50004375	4.375	5.375	0.500	0.550	\$65.70
50004500	4.500	5.500	0.500	0.550	\$40.74
50004750	4.750	5.750	0.500	0.550	\$42.60
50005000	5.000	6.000	0.500	0.550	\$45.65
50005125	5.125	6.125	0.500	0.550	\$74.84
50005250	5.250	6.250	0.500	0.550	\$46.57
50005375	5.375	6.375	0.500	0.550	\$78.06
50005500	5.500	6.500	0.500	0.550	\$47.30
50005750	5.750	6.750	0.500	0.550	\$48.64
50006000	6.000	7.000	0.500	0.550	\$54.85
50006250	6.250	7.250	0.500	0.550	\$54.13
50006375	6.375	7.375	0.500	0.550	\$94.05
50006500	6.500	7.500	0.500	0.550	\$54.92
50006750	6.750	7.750	0.500	0.550	\$95.46
50007000	7.000	8.000	0.500	0.550	\$58.16
50007250	7.250	8.250	0.500	0.550	\$60.81
50007375	7.375	8.375	0.500	0.550	\$89.97
50007500	7.500	8.500	0.500	0.550	\$62.05
50007750	7.750	8.750	0.500	0.550	\$104.94
50008000	8.000	9.000	0.500	0.550	\$62.88
50008125	8.125	9.125	0.500	0.550	\$107.43
50008250	8.250	9.250	0.500	0.550	\$112.91

Standard Loaded Lip Seals - Inch, cont'd.

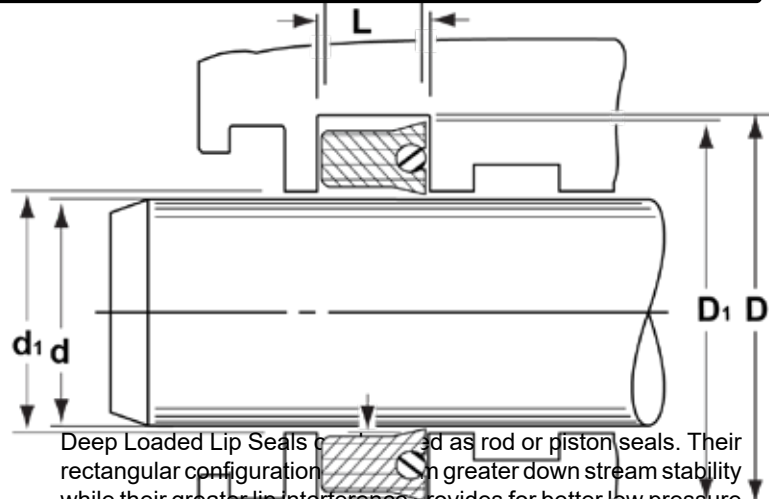
Part Number	Groove Diameter d	Bore Diameter D	Seal Height L ₁	Groove Height L	Price
1/2" CROSS SECTION ("F")					
50008500	8.500	9.500	0.500	0.550	\$92.77
50008750	8.750	9.750	0.500	0.550	\$116.57
50009000	9.000	10.000	0.500	0.550	\$66.21
50009500	9.500	10.500	0.500	0.550	\$76.92
50009750	9.750	10.750	0.500	0.550	\$129.28
50010000	10.000	11.000	0.500	0.550	\$85.80
50010750	10.750	11.750	0.500	0.550	\$133.08
50011000	11.000	12.000	0.500	0.550	\$84.90
50011500	11.500	12.500	0.500	0.550	\$140.56
50011750	11.750	12.750	0.500	0.550	\$146.93
50012000	12.000	13.000	0.500	0.550	\$113.19
50012750	12.750	13.750	0.500	0.550	\$166.82
50013000	13.000	14.000	0.500	0.550	\$115.76
50013250	13.250	14.250	0.500	0.550	\$182.10
50014000	14.000	15.000	0.500	0.550	\$186.09
50014500	14.500	15.500	0.500	0.550	\$194.91
50015000	15.000	16.000	0.500	0.550	\$148.30
50016000	16.000	17.000	0.500	0.550	\$219.26
50017000	17.000	18.000	0.500	0.550	\$227.39
50019000	19.000	20.000	0.500	0.550	\$251.68
50020000	20.000	21.000	0.500	0.550	\$264.96
50021000	21.000	22.000	0.500	0.550	\$277.85
50036000	36.000	37.000	0.500	0.550	\$1,382.14
9/16" CROSS SECTION ("F")					
56205500	5.500	6.625	0.562	0.618	\$84.48
5/8" CROSS SECTION ("F")					
62501250	1.250	2.500	0.625	0.688	\$19.92
62501750	1.750	3.000	0.625	0.688	\$27.53
62502000	2.000	3.250	0.625	0.688	\$45.50
62502500	2.500	3.750	0.625	0.688	\$32.33
62502750	2.750	4.000	0.625	0.688	\$32.59
62503000	3.000	4.250	0.625	0.688	\$32.79
62503250	3.250	4.500	0.625	0.688	\$38.76
62503375	3.375	4.625	0.625	0.688	\$60.75
62503500	3.500	4.750	0.625	0.688	\$41.66
62503750	3.750	5.000	0.625	0.688	\$42.37
62504000	4.000	5.250	0.625	0.688	\$46.70
62504250	4.250	5.500	0.625	0.688	\$60.54
62504500	4.500	5.750	0.625	0.688	\$82.26
62505000	5.000	6.250	0.625	0.688	\$68.06
62505500	5.500	6.750	0.625	0.688	\$70.34
62505750	5.750	7.000	0.625	0.688	\$71.17
62506000	6.000	7.250	0.625	0.688	\$74.78
62506250	6.250	7.500	0.625	0.688	\$100.66
62506500	6.500	7.750	0.625	0.688	\$124.15
62506750	6.750	8.000	0.625	0.688	\$127.20
62507000	7.000	8.250	0.625	0.688	\$128.17
62507750	7.750	9.000	0.625	0.688	\$137.94
62508000	8.000	9.250	0.625	0.688	\$125.27
62508250	8.250	9.500	0.625	0.688	\$142.07

Part Number	Groove Diameter d	Bore Diameter D	Seal Height L ₁	Groove Height L	Price
5/8" CROSS SECTION ("F")					
62508500	8.500	9.750	0.625	0.688	\$145.79
62508625	8.625	9.875	0.625	0.688	\$147.61
62509000	9.000	10.250	0.625	0.688	\$109.26
62509250	9.250	10.500	0.625	0.688	\$157.38
62509750	9.750	11.000	0.625	0.688	\$117.37
62510000	10.000	11.250	0.625	0.688	\$167.35
62510500	10.500	11.750	0.625	0.688	\$259.46
62511000	11.000	12.250	0.625	0.688	\$183.43
62512000	12.000	13.250	0.625	0.688	\$190.60
62513000	13.000	14.250	0.625	0.688	\$233.91
62516750	16.750	18.000	0.625	0.688	\$291.57
62520000	20.000	21.250	0.625	0.688	\$335.69
62524750	24.750	26.000	0.625	0.688	\$874.14
3/4" CROSS SECTION ("F")					
75003500	3.500	5.000	0.750	0.825	\$82.95
75004000	4.000	5.500	0.750	0.825	\$91.45
75005000	5.000	6.500	0.750	0.825	\$109.81
75006000	6.000	7.500	0.750	0.825	\$128.28
75006500	6.500	7.250	0.750	0.825	\$133.29
75007000	7.000	8.500	0.750	0.825	\$138.73
75007500	7.500	9.000	0.750	0.825	\$159.99
75008250	8.250	9.750	0.750	0.825	\$296.95
75008500	8.500	10.000	0.750	0.825	\$178.47
75009000	9.000	10.500	0.750	0.825	\$185.45
75009500	9.500	11.000	0.750	0.825	\$147.90
75010500	10.500	12.000	0.750	0.825	\$158.16
75010750	10.750	12.250	0.750	0.825	\$204.19
75012000	12.000	13.500	0.750	0.825	\$243.63
75012500	12.500	14.000	0.750	0.825	\$245.94
75013000	13.000	14.500	0.750	0.825	\$245.94
75014000	14.000	15.500	0.750	0.825	\$297.54
75014500	14.500	16.000	0.750	0.825	\$306.17
75016000	16.000	17.500	0.750	0.825	\$338.51
75016500	16.500	18.000	0.750	0.825	\$564.54
75018000	18.000	19.500	0.750	0.825	\$374.27
75019000	19.000	20.500	0.750	0.825	\$391.42
75020500	20.500	22.000	0.750	0.825	\$419.50
75026000	26.000	27.500	0.750	0.825	\$1,043.83
1" CROSS SECTION ("F")					
100004000	4.000	6.000	1.000	1.100	\$147.74
100007000	7.000	9.000	1.000	1.100	\$214.96
100007500	7.500	9.500	1.000	1.100	\$227.33
100008000	8.000	10.000	1.000	1.100	\$239.90
100012000	12.000	14.000	1.000	1.100	\$316.49
100014000	14.000	16.000	1.000	1.100	\$400.22
100018000	18.000	20.000	1.000	1.100	\$733.76

Deep Loaded Lip Seals - Inch



ALTERNATIVE SEALS:
 Rod: BLLS, US, UCH, UCF, UNR, BS, BT, BD
 Piston: UNP, UCH, UCF, US, BP



Deep Loaded Lip Seals are used as rod or piston seals. Their rectangular configuration provides greater down stream stability while their greater lip interference provides for better low pressure sealability. They are manufactured from high quality, 90 durometer polyurethane. They are also available in other materials; consult sales office for price and availability.

Temperature: -65°F to 200°F Pressure: 0 to 5,000 PSI

EXAMPLE: 18701500-375			
Cross Section	Inside Diameter		Height
187	01500	-	375
3/16	1-1/2"		3/8

Part Number	Rod Diameter d	Groove Diameter D	Seal Height L ₁	Groove Height L	Price
1/8" CROSS SECTION ("F")					
12500250-250	0.250	0.500	0.250	0.275	\$7.43
12500312-250	0.312	0.562	0.250	0.275	\$8.00
12500437-250	0.437	0.687	0.250	0.275	\$8.26
12500500-250	0.500	0.750	0.250	0.275	\$5.50
12500625-187	0.625	0.875	0.187	0.206	\$8.44
12500625-250	0.625	0.875	0.250	0.275	\$8.32
12500687-250	0.687	0.937	0.250	0.275	\$8.46
12500750-250	0.750	1.000	0.250	0.275	\$5.30
12500875-187	0.875	1.125	0.187	0.206	\$9.08
12500875-250	0.875	1.125	0.250	0.275	\$6.52
12501000-172	1.000	1.250	0.172	0.189	\$9.08
12501000-187	1.000	1.250	0.187	0.206	\$7.09
12501000-250	1.000	1.250	0.250	0.275	\$5.55
12501125-250	1.125	1.375	0.250	0.275	\$6.13
12501187-187	1.187	1.437	0.187	0.206	\$8.50
12501250-187	1.250	1.500	0.187	0.206	\$9.99
12501250-250	1.250	1.500	0.250	0.275	\$6.58
12501375-250	1.375	1.625	0.250	0.275	\$10.92
12501437-250	1.437	1.687	0.250	0.275	\$11.05
12501500-250	1.500	1.750	0.250	0.275	\$8.22
12501625-250	1.625	1.875	0.250	0.275	\$9.52
12501750-250	1.750	2.000	0.250	0.275	\$7.42
12502000-250	2.000	2.250	0.250	0.275	\$8.27

Part Number	Rod Diameter d	Groove Diameter D	Seal Height L ₁	Groove Height L	Price
1/8" CROSS SECTION ("F")					
12502375-250	2.375	2.625	0.250	0.275	\$15.56
12502500-250	2.500	2.750	0.250	0.275	\$16.14
12503000-250	3.000	3.250	0.250	0.275	\$17.66
12503500-250	3.500	3.750	0.250	0.275	\$20.24
3/16" CROSS SECTION ("F")					
18700250-312	0.250	0.625	0.312	0.343	\$7.81
18700375-312	0.375	0.750	0.312	0.343	\$8.39
18700437-312	0.437	0.812	0.312	0.343	\$9.42
18700625-312	0.625	1.000	0.312	0.343	\$9.55
18700750-250	0.750	1.125	0.250	0.275	\$9.72
18700750-312	0.750	1.125	0.312	0.343	\$5.91
18700812-312	0.812	1.187	0.312	0.343	\$9.84
18700875-312	0.875	1.250	0.312	0.343	\$10.03
18700875-375	0.875	1.250	0.375	0.413	\$10.87
18701000-250	1.000	1.375	0.250	0.275	\$10.48
18701000-312	1.000	1.375	0.312	0.343	\$8.32
18701062-312	1.062	1.437	0.312	0.343	\$19.90
18701125-250	1.125	1.500	0.250	0.275	\$10.33
18701125-312	1.125	1.500	0.312	0.343	\$6.78
18701250-312	1.250	1.625	0.312	0.343	\$6.78
18701375-312	1.375	1.750	0.312	0.343	\$8.48
18701375-375	1.375	1.750	0.375	0.413	\$9.23
18701500-281	1.500	1.875	0.281	0.309	\$12.13

Deep Loaded Lip Seals - Inch, cont'd.

Part Number	Rod Diameter d	Groove Diameter D	Seal Height L ₁	Groove Height L	Price
3/16" CROSS SECTION ("F")					
18701500-375	1.500	1.875	0.375	0.413	\$7.45
18701625-250	1.625	2.000	0.250	0.275	\$15.30
18701625-312	1.625	2.000	0.312	0.343	\$15.30
18701625-375	1.625	2.000	0.375	0.413	\$9.19
18701687-375	1.687	2.062	0.375	0.413	\$17.94
18701750-250	1.750	2.125	0.250	0.275	\$17.85
18701750-375	1.750	2.125	0.375	0.413	\$9.70
18701875-375	1.875	2.250	0.375	0.413	\$9.02
18701937-375	1.937	2.312	0.375	0.413	\$13.65
18702000-270	2.000	2.375	0.270	0.297	\$15.12
18702000-375	2.000	2.375	0.375	0.413	\$10.87
18702125-250	2.125	2.500	0.250	0.275	\$13.09
18702125-375	2.125	2.500	0.375	0.413	\$9.64
18702187-375	2.187	2.562	0.375	0.413	\$16.64
18702250-312	2.250	2.625	0.312	0.343	\$11.14
18702250-375	2.250	2.625	0.375	0.413	\$11.51
18702375-375	2.375	2.750	0.375	0.413	\$17.74
18702500-375	2.500	2.875	0.375	0.413	\$12.54
18702625-312	2.625	3.000	0.312	0.343	\$12.78
18702625-375	2.625	3.000	0.375	0.413	\$12.87
18702750-375	2.750	3.125	0.375	0.413	\$12.93
18702875-375	2.875	3.250	0.375	0.413	\$13.01
18703000-375	3.000	3.375	0.375	0.413	\$17.84
18703125-375	3.125	3.500	0.375	0.413	\$16.30
18703187-375	3.187	3.562	0.375	0.413	\$18.46
18703250-312	3.250	3.625	0.312	0.343	\$18.55
18703250-375	3.250	3.625	0.375	0.413	\$18.74
18703375-375	3.375	3.750	0.375	0.413	\$19.08
18703500-375	3.500	3.875	0.375	0.413	\$19.17
18703625-312	3.625	4.000	0.312	0.343	\$19.30
18703625-375	3.625	4.000	0.375	0.413	\$19.45
18703750-375	3.750	4.125	0.375	0.413	\$19.61
18704000-375	4.000	4.375	0.375	0.413	\$20.35
18704187-375	4.187	4.937	0.375	0.413	\$24.55
18704250-312	4.250	4.625	0.312	0.343	\$25.72
18704250-375	4.250	4.625	0.375	0.413	\$27.90
18704375-375	4.375	4.750	0.375	0.413	\$33.58
18704500-375	4.500	4.875	0.375	0.413	\$33.69

Part Number	Rod Diameter d	Groove Diameter D	Seal Height L ₁	Groove Height L	Price
3/16" CROSS SECTION ("F")					
18704625-312	4.625	5.000	0.312	0.343	\$34.33
18704625-375	4.625	5.000	0.375	0.413	\$34.67
18705000-375	5.000	5.375	0.375	0.413	\$34.91
18706000-375	6.000	6.375	0.375	0.413	\$51.44
1/4" CROSS SECTION ("F")					
25000437-375	0.437	0.937	0.375	0.413	\$18.76
25000500-375	0.500	1.000	0.375	0.413	\$11.34
25000625-375	0.625	1.125	0.375	0.413	\$11.34
25000750-375	0.750	1.250	0.375	0.413	\$11.34
25000875-375	0.875	1.375	0.375	0.413	\$10.50
25001000-375	1.000	1.500	0.375	0.413	\$7.93
25001125-375	1.125	1.625	0.375	0.413	\$11.69
25001250-375	1.250	1.750	0.375	0.413	\$7.61
25001375-375	1.375	1.875	0.375	0.413	\$12.29
25001500-203	1.500	2.000	0.203	0.223	\$12.63
25001500-312	1.500	2.000	0.312	0.343	\$12.63
25001500-375	1.500	2.000	0.375	0.413	\$9.20
25001750-375	1.750	2.250	0.375	0.413	\$9.31
25002000-375	2.000	2.500	0.375	0.413	\$9.76
25002125-375	2.125	2.625	0.375	0.413	\$11.96
25002250-375	2.250	2.750	0.375	0.413	\$12.57
25002250-562	2.250	2.750	0.562	0.618	\$14.93
25002375-375	2.375	2.875	0.375	0.413	\$15.15
25002500-312	2.500	3.000	0.312	0.343	\$13.85
25002500-375	2.500	3.000	0.375	0.413	\$12.48
25002625-375	2.625	3.125	0.375	0.413	\$19.68
25002750-375	2.750	3.250	0.375	0.413	\$13.78
25003000-203	3.000	3.500	0.203	0.223	\$18.10
25003000-375	3.000	3.500	0.375	0.413	\$14.46
25003000-562	3.000	3.500	0.562	0.618	\$16.54
25003125-375	3.125	3.625	0.375	0.413	\$17.17
25003250-375	3.250	3.750	0.375	0.413	\$15.84
25003375-375	3.375	3.875	0.375	0.413	\$23.44
25003500-203	3.500	4.000	0.203	0.223	\$19.38
25003500-312	3.500	4.000	0.312	0.343	\$19.38
25003500-375	3.500	4.000	0.375	0.413	\$17.03
25003500-500	3.500	4.000	0.500	0.550	\$27.91

Deep Loaded Lip Seals - Inch, cont'd.

Part Number	Rod Diameter d	Groove Diameter D	Seal Height L ₁	Groove Height L	Price
1/4" CROSS SECTION ("F")					
25003625-375	3.625	4.125	0.375	0.413	\$25.97
25003750-375	3.750	4.250	0.375	0.413	\$26.56
25003875-375	3.875	4.375	0.375	0.413	\$26.93
25004000-375	4.000	4.500	0.375	0.413	\$19.20
25004000-562	4.000	4.500	0.562	0.618	\$22.08
25004125-375	4.125	4.625	0.375	0.413	\$23.04
25004250-375	4.250	4.750	0.375	0.413	\$25.04
25004250-562	4.250	4.750	0.562	0.618	\$25.04
25004375-562	4.375	4.875	0.562	0.618	\$31.98
25004500-203	4.500	5.000	0.203	0.223	\$32.02
25004500-312	4.500	5.000	0.312	0.343	\$32.03
25004500-375	4.500	5.000	0.375	0.413	\$22.70
25004500-562	4.500	5.000	0.562	0.618	\$22.70
25004750-562	4.750	5.250	0.562	0.618	\$32.76
25004875-562	4.875	5.375	0.562	0.618	\$36.50
25005000-375	5.000	5.500	0.375	0.413	\$30.46
25005000-562	5.000	5.500	0.562	0.618	\$30.46
25005250-375	5.250	5.750	0.375	0.413	\$42.49
25005250-562	5.250	5.750	0.562	0.618	\$42.49
25005500-375	5.500	6.000	0.375	0.413	\$31.89
25005500-562	5.500	6.000	0.562	0.618	\$32.02
25005750-562	5.750	6.250	0.562	0.618	\$33.66
25005875-562	5.875	6.375	0.562	0.618	\$37.66
25006000-562	6.000	6.500	0.562	0.618	\$37.92
25006250-562	6.250	6.750	0.562	0.618	\$53.74
25006500-375	6.500	7.000	0.375	0.413	\$38.13
25006500-562	6.500	7.000	0.562	0.618	\$59.04
25006750-562	6.750	7.250	0.562	0.618	\$49.50
25007000-375	7.000	7.500	0.375	0.413	\$44.77
25007000-562	7.000	7.500	0.562	0.618	\$44.77
25007500-375	7.500	8.000	0.375	0.413	\$48.07
25007500-562	7.500	8.000	0.562	0.618	\$54.52
25007750-375	7.750	8.250	0.375	0.413	\$57.39
25008500-562	8.500	9.000	0.562	0.618	\$71.31
25009250-562	9.250	9.750	0.562	0.618	\$88.21
25009500-375	9.500	10.000	0.375	0.413	\$93.82
25009500-562	9.500	10.000	0.562	0.618	\$93.82
25010500-500	10.500	11.000	0.500	0.550	\$98.70

Part Number	Rod Diameter d	Groove Diameter D	Seal Height L ₁	Groove Height L	Price
1/4" CROSS SECTION ("F")					
25014000-375	14.000	14.500	0.375	0.413	\$166.74
25014500-375	14.500	15.000	0.375	0.413	\$174.49
25015750-562	15.750	16.250	0.562	0.618	\$195.51
25016000-375	16.000	16.500	0.375	0.413	\$193.72
9/32" CROSS SECTION ("F")					
28103687-375	3.687	4.250	0.375	0.413	\$30.76
5/16" CROSS SECTION ("F")					
31200750-500	0.750	1.375	0.500	0.550	\$15.44
31201000-500	1.000	1.625	0.500	0.550	\$15.57
31201125-500	1.125	1.750	0.500	0.550	\$16.14
31201187-500	1.187	1.812	0.500	0.550	\$17.92
31201250-500	1.250	1.875	0.500	0.550	\$18.44
31201375-500	1.375	2.000	0.500	0.550	\$15.08
31201500-500	1.500	2.125	0.500	0.550	\$10.47
31201750-500	1.750	2.375	0.500	0.550	\$12.42
31201875-500	1.875	2.500	0.500	0.550	\$12.12
31202000-500	2.000	2.625	0.500	0.550	\$16.16
31202125-500	2.125	2.750	0.500	0.550	\$18.85
31202375-500	2.375	3.000	0.500	0.550	\$16.77
31202500-500	2.500	3.125	0.500	0.550	\$17.24
31202625-500	2.625	3.250	0.500	0.550	\$24.45
31202750-500	2.750	3.375	0.500	0.550	\$19.97
31202875-500	2.875	3.500	0.500	0.550	\$20.36
31203000-500	3.000	3.625	0.500	0.550	\$22.72
31203250-500	3.250	3.875	0.500	0.550	\$25.76
31203375-500	3.375	4.000	0.500	0.550	\$25.76
31203500-500	3.500	4.125	0.500	0.550	\$20.78
31203750-500	3.750	4.375	0.500	0.550	\$25.11
31203875-500	3.875	4.500	0.500	0.550	\$26.48
31204000-500	4.000	4.625	0.500	0.550	\$35.01
31204000-562	4.000	4.625	0.562	0.618	\$35.16
31204125-562	4.125	4.750	0.562	0.618	\$36.01
31204250-562	4.250	4.875	0.562	0.618	\$37.02
31204375-500	4.375	5.000	0.500	0.550	\$37.07
31204375-562	4.375	5.000	0.562	0.618	\$37.07
31204500-625	4.500	5.125	0.625	0.688	\$43.06
31205125-625	5.125	5.750	0.625	0.688	\$44.33
31205375-625	5.375	6.000	0.625	0.688	\$45.67

Deep Loaded Lip Seals - Inch, cont'd.

Part Number	Rod Diameter d	Groove Diameter D	Seal Height L ₁	Groove Height L	Price
5/16" CROSS SECTION ("F")					
31206375-625	6.375	7.000	0.625	0.688	\$54.71
31207500-625	7.500	8.125	0.625	0.688	\$70.50
3/8" CROSS SECTION ("F")					
37501250-625	1.250	2.000	0.625	0.688	\$12.31
37501312-437	1.312	2.062	0.437	0.481	\$22.21
37501500-500	1.500	2.250	0.500	0.550	\$17.72
37501500-625	1.500	2.250	0.625	0.688	\$18.02
37501750-500	1.750	2.500	0.500	0.550	\$18.57
37501875-625	1.875	2.625	0.625	0.688	\$24.63
37502000-500	2.000	2.750	0.500	0.550	\$28.90
37502000-625	2.000	2.750	0.625	0.688	\$29.93
37502125-625	2.125	2.875	0.625	0.688	\$30.78
37502250-500	2.250	3.000	0.500	0.550	\$24.43
37502250-625	2.250	3.000	0.625	0.688	\$19.40
37502500-500	2.500	3.250	0.500	0.550	\$24.28
37502500-625	2.500	3.250	0.625	0.688	\$19.73
37502750-500	2.750	3.500	0.500	0.550	\$22.59
37502750-625	2.750	3.500	0.625	0.688	\$27.27
37503000-500	3.000	3.750	0.500	0.550	\$27.73
37503000-625	3.000	3.750	0.625	0.688	\$28.71
37503250-500	3.250	4.000	0.500	0.550	\$28.92
37503250-625	3.250	4.000	0.625	0.688	\$28.92
37503500-500	3.500	4.250	0.500	0.550	\$28.92
37503500-625	3.500	4.250	0.625	0.688	\$28.92
37503750-500	3.750	4.500	0.500	0.550	\$29.49
37503750-625	3.750	4.500	0.625	0.688	\$29.77
37504000-500	4.000	4.750	0.500	0.550	\$29.77
37504000-625	4.000	4.750	0.625	0.688	\$31.12
37504250-500	4.250	5.000	0.500	0.550	\$32.74
37504250-625	4.250	5.000	0.625	0.688	\$32.74
37504375-625	4.375	5.125	0.625	0.688	\$48.01
37504500-500	4.500	5.250	0.500	0.550	\$39.80
37504500-625	4.500	5.250	0.625	0.688	\$39.80
37504625-625	4.625	5.375	0.625	0.688	\$50.88
37504750-500	4.750	5.500	0.500	0.550	\$50.69
37504750-625	4.750	5.500	0.625	0.688	\$51.13
37505000-500	5.000	5.750	0.500	0.550	\$52.98
37505000-625	5.000	5.750	0.625	0.688	\$52.98

Part Number	Rod Diameter d	Groove Diameter D	Seal Height L ₁	Groove Height L	Price
3/8" CROSS SECTION ("F")					
37505250-500	5.250	6.000	0.500	0.550	\$39.57
37505250-625	5.250	6.000	0.625	0.688	\$39.57
37505500-625	5.500	6.250	0.625	0.688	\$57.72
37505625-625	5.625	6.375	0.625	0.688	\$62.87
37505750-500	5.750	6.500	0.500	0.550	\$63.01
37505750-625	5.750	6.500	0.625	0.688	\$52.72
37506000-625	6.000	6.750	0.625	0.688	\$52.87
37506250-500	6.250	7.000	0.500	0.550	\$42.42
37506250-625	6.250	7.000	0.625	0.688	\$55.24
37506500-500	6.500	7.250	0.500	0.550	\$73.87
37506500-625	6.500	7.250	0.625	0.688	\$73.87
37506750-562	6.750	7.500	0.562	0.618	\$75.83
37506750-625	6.750	7.500	0.625	0.688	\$75.83
37507000-500	7.000	7.750	0.500	0.550	\$53.18
37507000-625	7.000	7.750	0.625	0.688	\$53.18
37507250-625	7.250	8.000	0.625	0.688	\$53.26
37507500-500	7.500	8.250	0.500	0.550	\$64.45
37507500-625	7.500	8.250	0.625	0.688	\$64.45
37507750-500	7.750	8.500	0.500	0.550	\$86.32
37507750-625	7.750	8.500	0.625	0.688	\$67.37
37508000-500	8.000	8.750	0.500	0.550	\$58.36
37508000-625	8.000	8.750	0.625	0.688	\$61.66
37508250-500	8.250	9.000	0.500	0.550	\$64.66
37508250-625	8.250	9.000	0.625	0.688	\$64.66
37508750-625	8.750	9.500	0.625	0.688	\$58.65
37508750-750	8.750	9.500	0.750	0.825	\$101.20
37509000-625	9.000	9.750	0.625	0.688	\$109.81
37509250-500	9.250	10.000	0.500	0.550	\$83.34
37509250-625	9.250	10.000	0.625	0.688	\$113.76
37509625-625	9.625	10.375	0.625	0.688	\$117.57
37509750-500	9.750	10.500	0.500	0.550	\$126.39
37509750-625	9.750	10.500	0.625	0.688	\$126.39
37510250-625	10.250	11.000	0.625	0.688	\$137.75
37510500-625	10.500	11.250	0.625	0.688	\$147.03
37510750-625	10.750	11.500	0.625	0.688	\$152.91
37511250-625	11.250	12.000	0.625	0.688	\$153.78
37511500-625	11.500	12.250	0.625	0.688	\$165.17
37512500-625	12.500	13.250	0.625	0.688	\$200.03

Deep Loaded Lip Seals - Inch, cont'd.

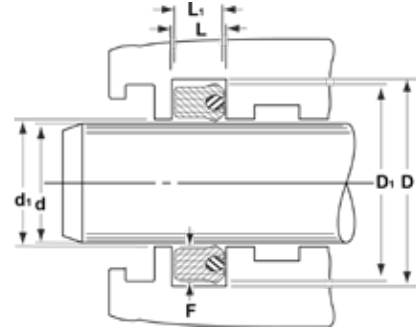
Part Number	Rod Diameter d	Groove Diameter D	Seal Height L ₁	Groove Height L	Price
3/8" CROSS SECTION ("F")					
37513500-625	13.500	14.250	0.625	0.688	\$232.10
37514750-625	14.750	15.500	0.625	0.688	\$259.89
37515250-625	15.250	16.000	0.625	0.688	\$269.26
37534000-625	34.000	34.750	0.625	0.688	\$1,672.14
7/16" CROSS SECTION ("F")					
43702250-375	2.250	3.125	0.375	0.413	\$31.20
43704750-625	4.750	5.625	0.625	0.688	\$61.79
43705125-500	5.125	6.000	0.500	0.550	\$65.79
1/2" CROSS SECTION ("F")					
50001000-750	1.000	2.000	0.750	0.825	\$30.18
50001500-750	1.500	2.500	0.750	0.825	\$30.18
50001750-750	1.750	2.750	0.750	0.825	\$30.18
50002000-750	2.000	3.000	0.750	0.825	\$32.75
50002500-750	2.500	3.500	0.750	0.825	\$37.13
50003000-750	3.000	4.000	0.750	0.825	\$43.59
50003500-750	3.500	4.500	0.750	0.825	\$54.66
50004000-750	4.000	5.000	0.750	0.825	\$64.87
50004500-750	4.500	5.500	0.750	0.825	\$46.13
50005000-750	5.000	6.000	0.750	0.825	\$47.26
50005500-750	5.500	6.500	0.750	0.825	\$50.76
50006000-750	6.000	7.000	0.750	0.825	\$54.16
50006500-750	6.500	7.500	0.750	0.825	\$87.14
50007000-750	7.000	8.000	0.750	0.825	\$88.54
50007500-750	7.500	8.500	0.750	0.825	\$66.30
50008000-750	8.000	9.000	0.750	0.825	\$96.00
50008250-750	8.250	9.250	0.750	0.825	\$99.96
50008500-750	8.500	9.500	0.750	0.825	\$109.08
50009000-750	9.000	10.000	0.750	0.825	\$121.57
50009500-750	9.500	10.500	0.750	0.825	\$123.68
50010000-750	10.000	11.000	0.750	0.825	\$124.71
50010500-750	10.500	11.500	0.750	0.825	\$160.76
50010750-750	10.750	11.750	0.750	0.825	\$160.85
50011000-750	11.000	12.000	0.750	0.825	\$161.17
50011500-750	11.500	12.500	0.750	0.825	\$161.92
50012500-750	12.500	13.500	0.750	0.825	\$254.87
50013500-750	13.500	14.500	0.750	0.825	\$277.01
50014000-750	14.000	15.000	0.750	0.825	\$288.85
50015000-750	15.000	16.000	0.750	0.825	\$295.08

Part Number	Rod Diameter d	Groove Diameter D	Seal Height L ₁	Groove Height L	Price
1/2" CROSS SECTION ("F")					
50016000-750	16.000	17.000	0.750	0.825	\$347.94
50017000-750	17.000	18.000	0.750	0.825	\$364.04
50019000-750	19.000	20.000	0.750	0.825	\$391.84
50020000-750	20.000	21.000	0.750	0.825	\$424.53
50020500-750	20.500	21.500	0.750	0.825	\$439.20
50021500-750	21.500	22.500	0.750	0.825	\$451.77
50030000-625	30.000	31.000	0.625	0.688	\$1,164.87
50037000-750	37.000	38.000	0.750	0.825	\$2,135.93
5/8" CROSS SECTION ("F")					
62501875-1000	1.875	3.125	1.000	1.100	\$47.90
62504750-1000	4.750	6.000	1.000	1.100	\$91.37
62505500-1000	5.500	6.750	1.000	1.100	\$117.93
62506500-1000	6.500	7.750	1.000	1.100	\$132.41
62506750-1000	6.750	8.000	1.000	1.100	\$136.63
62508750-1000	8.750	10.000	1.000	1.100	\$172.48
62510000-1000	10.000	11.250	1.000	1.100	\$241.51
62511000-1000	11.000	12.250	1.000	1.100	\$281.53
62512000-1000	12.000	13.250	1.000	1.100	\$292.39
62512500-1000	12.500	13.750	1.000	1.100	\$333.46
62512750-1000	12.750	14.000	1.000	1.100	\$339.53
3/4" CROSS SECTION ("F")					
75006250-1250	6.250	7.750	1.250	1.375	\$150.10
75006500-1250	6.500	8.000	1.250	1.375	\$161.58
75007000-1250	7.000	8.500	1.250	1.375	\$165.58
75007500-1250	7.500	9.000	1.250	1.375	\$175.93
75008500-1250	8.500	10.000	1.250	1.375	\$211.87
75009000-1250	9.000	10.500	1.250	1.375	\$219.45
75015000-1250	15.000	16.500	1.250	1.375	\$525.11
75016500-1250	16.500	18.000	1.250	1.375	\$701.31
75018000-1250	18.000	19.500	1.250	1.375	\$725.03
75020000-1250	20.000	21.500	1.250	1.375	\$757.83
75021000-1250	21.000	22.500	1.250	1.375	\$801.11
75022000-1250	22.000	23.500	1.250	1.375	\$1,570.64
75022500-1250	22.500	24.000	1.250	1.375	\$1,595.55
1" CROSS SECTION ("F")					
100025000-1343	25.000	27.000	1.343	1.477	\$2,222.67
100026000-1500	26.000	28.000	1.500	1.650	\$2,385.95

Type B Loaded Lip Seals - Inch



ALTERNATIVE SEALS:
 Rod: Deep LLS, UNRR, LLS
 BD, BSLL, BS-B, BS, BT, UNR, US, UCH



Type B Loaded Lip Seals are recommended only for rod seal applications. The high lip interference combined with a beveled lip provide the driest rod sealing of these configurations. The rectangular configuration gives good down stream stability making this seal the standard of the industry. They are manufactured from high quality 90 durometer polyurethane. They are also available in other materials; consult sales office for price and availability.

Temperature: -65°F to 200°F Pressure: 0 to 5,000 PSI

EXAMPLE: 25003000-375B			
Cross Section	Inside Diameter	Height	Suffix
250	03000	-	B
1/4	3"	3/8	Beveled Lip

Part Number	Rod Diameter d	Groove Diameter D	Seal Height L ₁	Groove Height L	Price
1/8" CROSS SECTION ("F")					
12500125-250B	0.125	0.375	0.250	0.275	\$4.61
12500187-250B	0.187	0.437	0.250	0.275	\$4.61
12500250-125B	0.250	0.500	0.125	0.138	\$5.34
12500250-187B	0.250	0.500	0.187	0.206	\$5.34
12500250-250B	0.250	0.500	0.250	0.275	\$4.26
12500312-125B	0.312	0.562	0.125	0.138	\$4.43
12500312-250B	0.312	0.562	0.250	0.275	\$4.89
12500375-125B	0.375	0.625	0.125	0.138	\$4.24
12500375-187B	0.375	0.625	0.187	0.206	\$4.24
12500375-250B	0.375	0.625	0.250	0.275	\$5.00
12500437-250B	0.437	0.687	0.250	0.275	\$5.00
12500500-125B	0.500	0.750	0.125	0.138	\$4.30
12500500-250B	0.500	0.750	0.250	0.275	\$5.05
12500562-125B	0.562	0.812	0.125	0.138	\$4.97
12500562-250B	0.562	0.812	0.250	0.275	\$5.81
12500625-125B	0.625	0.875	0.125	0.138	\$4.50
12500625-187B	0.625	0.875	0.187	0.206	\$5.25
12500625-250B	0.625	0.875	0.250	0.275	\$5.25
12500687-250B	0.687	0.937	0.250	0.275	\$5.49
12500750-125B	0.750	1.000	0.125	0.138	\$6.01
12500750-187B	0.750	1.000	0.187	0.206	\$5.09
12500750-250B	0.750	1.000	0.250	0.275	\$5.23
12500812-125B	0.812	1.062	0.125	0.138	\$5.23
12500812-250B	0.812	1.062	0.250	0.275	\$5.60
12500875-125B	0.875	1.125	0.125	0.138	\$5.68
12500875-187B	0.875	1.125	0.187	0.206	\$6.49
12500875-250B	0.875	1.125	0.250	0.275	\$5.68
12500937-125B	0.937	1.187	0.125	0.138	\$6.29
12500937-250B	0.937	1.187	0.250	0.275	\$6.08
12501000-125B	1.000	1.250	0.125	0.138	\$5.53
12501000-156B	1.000	1.250	0.156	0.172	\$6.68
12501000-187B	1.000	1.250	0.187	0.206	\$7.39

Part Number	Rod Diameter d	Groove Diameter D	Seal Height L ₁	Groove Height L	Price
1/8" CROSS SECTION ("F")					
12501000-250B	1.000	1.250	0.250	0.275	\$6.01
12501062-125B	1.062	1.312	0.125	0.138	\$5.25
12501062-170B	1.062	1.312	0.170	0.187	\$10.16
12501062-250B	1.062	1.312	0.250	0.275	\$6.05
12501125-125B	1.125	1.375	0.125	0.138	\$5.01
12501125-177B	1.125	1.375	0.177	0.195	\$11.20
12501125-187B	1.125	1.375	0.187	0.206	\$8.48
12501125-250B	1.125	1.375	0.250	0.275	\$6.19
12501125-312B	1.125	1.375	0.312	0.343	\$11.40
12501187-187B	1.187	1.437	0.187	0.206	\$6.72
12501187-250B	1.187	1.437	0.250	0.275	\$6.72
12501250-125B	1.250	1.500	0.125	0.138	\$5.42
12501250-187B	1.250	1.500	0.187	0.206	\$6.55
12501250-250B	1.250	1.500	0.250	0.275	\$6.55
12501312-187B	1.312	1.562	0.187	0.206	\$8.82
12501375-125B	1.375	1.625	0.125	0.138	\$5.03
12501375-178B	1.375	1.625	0.178	0.196	\$11.69
12501375-187B	1.375	1.625	0.187	0.206	\$11.69
12501375-250B	1.375	1.625	0.250	0.275	\$6.54
12501437-125B	1.437	1.687	0.125	0.138	\$6.78
12501437-250B	1.437	1.687	0.250	0.275	\$6.36
12501500-125B	1.500	1.750	0.125	0.138	\$5.33
12501500-187B	1.500	1.750	0.187	0.206	\$7.25
12501500-250B	1.500	1.750	0.250	0.275	\$6.86
12501625-187B	1.625	1.875	0.187	0.206	\$7.93
12501625-250B	1.625	1.875	0.250	0.275	\$7.98
12501750-125B	1.750	2.000	0.125	0.138	\$10.14
12501750-250B	1.750	2.000	0.250	0.275	\$7.48
12501875-125B	1.875	2.125	0.125	0.138	\$9.46
12501875-187B	1.875	2.125	0.187	0.206	\$9.46
12501875-250B	1.875	2.125	0.250	0.275	\$9.46
12502000-125B	2.000	2.250	0.125	0.138	\$9.52

Type B Loaded Lip Seals - Inch, cont'd.

Part Number	Rod Diameter d	Groove Diameter D	Seal Height L ₁	Groove Height L	Price
1/8" CROSS SECTION ("F")					
12502000-187B	2.000	2.250	0.187	0.206	\$9.52
12502000-250B	2.000	2.250	0.250	0.275	\$8.34
12502125-250B	2.125	2.375	0.250	0.275	\$9.01
12502500-250B	2.500	2.750	0.250	0.275	\$9.06
12502750-125B	2.750	3.000	0.125	0.138	\$9.66
12502875-250B	2.875	3.125	0.250	0.275	\$11.60
12503625-187B	3.625	3.875	0.187	0.206	\$22.53
12503875-250B	3.875	4.125	0.250	0.275	\$23.02
12504500-187B	4.500	4.750	0.187	0.206	\$33.16
12504875-250B	4.875	5.125	0.250	0.275	\$35.62
5/32" CROSS SECTION ("F")					
15601000-156B	1.000	1.312	0.156	0.172	\$6.97
15601000-230B	1.000	1.312	0.230	0.253	\$7.08
15601500-312B	1.500	1.812	0.312	0.343	\$8.15
3/16" CROSS SECTION ("F")					
18700187-187B	0.187	0.562	0.187	0.206	\$7.14
18700250-187B	0.250	0.625	0.187	0.206	\$4.75
18700250-312B	0.250	0.625	0.312	0.343	\$7.59
18700312-187B	0.312	0.687	0.187	0.206	\$4.99
18700312-312B	0.312	0.687	0.312	0.343	\$8.52
18700375-187B	0.375	0.750	0.187	0.206	\$4.99
18700375-312B	0.375	0.750	0.312	0.343	\$8.04
18700437-187B	0.437	0.812	0.187	0.206	\$8.64
18700437-312B	0.437	0.812	0.312	0.343	\$8.64
18700500-250B	0.500	0.875	0.250	0.275	\$6.99
18700500-312B	0.500	0.875	0.312	0.343	\$4.67
18700562-312B	0.562	0.937	0.312	0.343	\$8.95
18700625-312B	0.625	1.000	0.312	0.343	\$5.32
18700687-312B	0.687	1.062	0.312	0.343	\$9.54
18700750-187B	0.750	1.125	0.187	0.206	\$5.32
18700750-250B	0.750	1.125	0.250	0.275	\$6.53
18700750-312B	0.750	1.125	0.312	0.343	\$5.88
18700750-375B	0.750	1.125	0.375	0.413	\$6.54
18700812-312B	0.812	1.187	0.312	0.343	\$6.31
18700875-312B	0.875	1.250	0.312	0.343	\$6.20
18700937-312B	0.937	1.312	0.312	0.343	\$10.41
18701000-187B	1.000	1.375	0.187	0.206	\$6.46
18701000-250B	1.000	1.375	0.250	0.275	\$6.46
18701000-312B	1.000	1.375	0.312	0.343	\$6.46
18701000-375B	1.000	1.375	0.375	0.413	\$6.67
18701062-312B	1.062	1.437	0.312	0.343	\$10.26
18701125-187B	1.125	1.500	0.187	0.206	\$6.02
18701125-250B	1.125	1.500	0.250	0.275	\$6.93
18701125-312B	1.125	1.500	0.312	0.343	\$6.83
18701187-312B	1.187	1.562	0.312	0.343	\$7.78
18701250-187B	1.250	1.625	0.187	0.206	\$6.09
18701250-250B	1.250	1.625	0.250	0.275	\$7.05
18701250-312B	1.250	1.625	0.312	0.343	\$7.05
18701250-375B	1.250	1.625	0.375	0.413	\$7.05
18701312-187B	1.312	1.687	0.187	0.206	\$7.59

Part Number	Rod Diameter d	Groove Diameter D	Seal Height L ₁	Groove Height L	Price
3/16" CROSS SECTION ("F")					
18701312-312B	1.312	1.687	0.312	0.343	\$6.99
18701375-187B	1.375	1.750	0.187	0.206	\$7.27
18701375-250B	1.375	1.750	0.250	0.275	\$7.40
18701375-312B	1.375	1.750	0.312	0.343	\$7.21
18701375-375B	1.375	1.750	0.375	0.413	\$7.46
18701437-312B	1.437	1.812	0.312	0.343	\$12.79
18701500-187B	1.500	1.875	0.187	0.206	\$6.16
18701500-250B	1.500	1.875	0.250	0.275	\$7.36
18701500-281B	1.500	1.875	0.281	0.309	\$7.47
18701500-312B	1.500	1.875	0.312	0.343	\$7.47
18701500-375B	1.500	1.875	0.375	0.413	\$7.47
18701500-406B	1.500	1.875	0.406	0.447	\$11.15
18701625-187B	1.625	2.000	0.187	0.206	\$7.01
18701625-250B	1.625	2.000	0.250	0.275	\$8.04
18701625-266B	1.625	2.000	0.266	0.293	\$11.77
18701625-312B	1.625	2.000	0.312	0.343	\$8.04
18701625-375B	1.625	2.000	0.375	0.413	\$8.04
18701750-187B	1.750	2.125	0.187	0.206	\$7.04
18701750-230B	1.750	2.125	0.230	0.253	\$8.16
18701750-250B	1.750	2.125	0.250	0.275	\$9.63
18701750-266B	1.750	2.125	0.266	0.293	\$10.44
18701750-312B	1.750	2.125	0.312	0.343	\$8.16
18701750-375B	1.750	2.125	0.375	0.413	\$8.20
18701875-187B	1.875	2.250	0.187	0.206	\$7.25
18701875-312B	1.875	2.250	0.312	0.343	\$8.95
18701875-375B	1.875	2.250	0.375	0.413	\$8.95
18701937-281B	1.937	2.312	0.281	0.309	\$13.33
18702000-187B	2.000	2.375	0.187	0.206	\$7.53
18702000-230B	2.000	2.375	0.230	0.253	\$9.21
18702000-250B	2.000	2.375	0.250	0.275	\$8.41
18702000-312B	2.000	2.375	0.312	0.343	\$9.30
18702000-375B	2.000	2.375	0.375	0.413	\$9.30
18702125-187B	2.125	2.500	0.187	0.206	\$7.73
18702125-250B	2.125	2.500	0.250	0.275	\$9.35
18702125-265B	2.125	2.500	0.265	0.292	\$9.35
18702125-375B	2.125	2.500	0.375	0.413	\$9.35
18702250-187B	2.250	2.625	0.187	0.206	\$8.40
18702250-312B	2.250	2.625	0.312	0.343	\$10.13
18702250-375B	2.250	2.625	0.375	0.413	\$10.22
18702375-187B	2.375	2.750	0.187	0.206	\$8.88
18702375-375B	2.375	2.750	0.375	0.413	\$10.99
18702500-250B	2.500	2.875	0.250	0.275	\$11.78
18702500-312B	2.500	2.875	0.312	0.343	\$11.78
18702500-375B	2.500	2.875	0.375	0.413	\$11.78
18702625-187B	2.625	3.000	0.187	0.206	\$10.26
18702625-250B	2.625	3.000	0.250	0.275	\$11.62
18702625-281B	2.625	3.000	0.281	0.309	\$22.41
18702625-312B	2.625	3.000	0.312	0.343	\$22.41
18702625-375B	2.625	3.000	0.375	0.413	\$11.65
18702750-187B	2.750	3.125	0.187	0.206	\$10.22

Type B Loaded Lip Seals - Inch, cont'd.

Part Number	Rod Diameter d	Groove Diameter D	Seal Height L ₁	Groove Height L	Price
3/16" CROSS SECTION ("F")					
18702750-281B	2.750	3.125	0.281	0.309	\$20.77
18702750-312B	2.750	3.125	0.312	0.343	\$12.76
18702750-375B	2.750	3.125	0.375	0.413	\$12.12
18702875-281B	2.875	3.250	0.281	0.309	\$18.41
18702875-375B	2.875	3.250	0.375	0.413	\$12.69
18703000-187B	3.000	3.375	0.187	0.206	\$11.99
18703000-250B	3.000	3.375	0.250	0.275	\$17.99
18703000-312B	3.000	3.375	0.312	0.343	\$13.07
18703000-375B	3.000	3.375	0.375	0.413	\$13.19
18703125-187B	3.125	3.500	0.187	0.206	\$10.17
18703125-250B	3.125	3.500	0.250	0.275	\$13.92
18703125-312B	3.125	3.500	0.312	0.343	\$14.34
18703125-375B	3.125	3.500	0.375	0.413	\$13.84
18703250-312B	3.250	3.625	0.312	0.343	\$15.39
18703250-375B	3.250	3.625	0.375	0.413	\$15.39
18703375-187B	3.375	3.750	0.187	0.206	\$18.72
18703375-250B	3.375	3.750	0.250	0.275	\$16.01
18703375-375B	3.375	3.750	0.375	0.413	\$16.02
18703500-281B	3.500	3.875	0.281	0.309	\$25.89
18703500-375B	3.500	3.875	0.375	0.413	\$16.16
18703625-250B	3.625	4.000	0.250	0.275	\$18.13
18703625-312B	3.625	4.000	0.312	0.343	\$18.13
18703625-375B	3.625	4.000	0.375	0.413	\$18.13
18703750-187B	3.750	4.125	0.187	0.206	\$21.01
18703750-312B	3.750	4.125	0.312	0.343	\$21.01
18703750-375B	3.750	4.125	0.375	0.413	\$19.01
18703875-375B	3.875	4.250	0.375	0.413	\$19.06
18704000-187B	4.000	4.375	0.187	0.206	\$20.08
18704000-250B	4.000	4.375	0.250	0.275	\$21.29
18704000-312B	4.000	4.375	0.312	0.343	\$21.29
18704000-375B	4.000	4.375	0.375	0.413	\$19.71
18704125-250B	4.125	4.500	0.250	0.275	\$21.49
18704125-375B	4.125	4.500	0.375	0.413	\$21.78
18704250-281B	4.250	4.625	0.281	0.309	\$33.25
18704250-312B	4.250	4.625	0.312	0.343	\$28.36
18704250-375B	4.250	4.625	0.375	0.413	\$19.96
18704375-375B	4.375	4.750	0.375	0.413	\$24.42
18704500-375B	4.500	4.875	0.375	0.413	\$23.65
18704625-250B	4.625	5.000	0.250	0.275	\$26.28
18704625-312B	4.625	5.000	0.312	0.343	\$26.28
18704625-375B	4.625	5.000	0.375	0.413	\$26.28
18704750-375B	4.750	5.125	0.375	0.413	\$27.41
18704875-375B	4.875	5.250	0.375	0.413	\$28.26
18705000-312B	5.000	5.375	0.312	0.343	\$35.87
18705000-375B	5.000	5.375	0.375	0.413	\$40.10
18705500-375B	5.500	5.875	0.375	0.413	\$29.64
18705625-375B	5.625	6.000	0.375	0.413	\$47.98
18707000-375B	7.000	7.375	0.375	0.413	\$64.96

Part Number	Rod Diameter d	Groove Diameter D	Seal Height L ₁	Groove Height L	Price
1/4" CROSS SECTION ("F")					
25000250-375B	0.250	0.750	0.375	0.413	\$10.54
25000437-375B	0.437	0.937	0.375	0.413	\$7.39
25000500-375B	0.500	1.000	0.375	0.413	\$7.40
25000562-375B	0.562	1.062	0.375	0.413	\$11.22
25000625-250B	0.625	1.125	0.250	0.275	\$11.22
25000625-312B	0.625	1.125	0.312	0.343	\$11.22
25000625-375B	0.625	1.125	0.375	0.413	\$9.07
25000687-250B	0.687	1.187	0.250	0.275	\$12.24
25000687-375B	0.687	1.187	0.375	0.413	\$8.76
25000750-375B	0.750	1.250	0.375	0.413	\$6.15
25000875-250B	0.875	1.375	0.250	0.275	\$6.15
25000875-312B	0.875	1.375	0.312	0.343	\$13.15
25000875-375B	0.875	1.375	0.375	0.413	\$7.05
25001000-250B	1.000	1.500	0.250	0.275	\$6.12
25001000-375B	1.000	1.500	0.375	0.413	\$6.89
25001125-250B	1.125	1.625	0.250	0.275	\$8.90
25001125-375B	1.125	1.625	0.375	0.413	\$7.28
25001187-375B	1.125	1.687	0.375	0.413	\$9.79
25001250-250B	1.250	1.750	0.250	0.275	\$6.53
25001250-375B	1.250	1.750	0.375	0.413	\$7.30
25001312-375B	1.312	1.812	0.375	0.413	\$7.78
25001375-250B	1.375	1.875	0.250	0.275	\$7.69
25001375-375B	1.375	1.875	0.375	0.413	\$7.55
25001500-250B	1.500	2.000	0.250	0.275	\$7.46
25001500-312B	1.500	2.000	0.312	0.343	\$8.41
25001500-375B	1.500	2.000	0.375	0.413	\$8.30
25001625-375B	1.625	2.125	0.375	0.413	\$9.05
25001750-250B	1.750	2.250	0.250	0.275	\$11.64
25001750-312B	1.750	2.250	0.312	0.343	\$10.12
25001750-375B	1.750	2.250	0.375	0.413	\$9.08
25001875-375B	1.875	2.375	0.375	0.413	\$9.95
25001937-375B	1.937	2.437	0.375	0.413	\$16.70
25002000-250B	2.000	2.500	0.250	0.275	\$9.03
25002000-375B	2.000	2.500	0.375	0.413	\$9.93
25002125-250B	2.125	2.625	0.250	0.275	\$12.15
25002125-375B	2.125	2.625	0.375	0.413	\$11.05
25002250-375B	2.250	2.750	0.375	0.413	\$11.14
25002375-375B	2.375	2.875	0.375	0.413	\$12.26
25002500-250B	2.500	3.000	0.250	0.275	\$11.32
25002500-312B	2.500	3.000	0.312	0.343	\$12.27
25002500-375B	2.500	3.000	0.375	0.413	\$12.27
25002500-500B	2.500	3.000	0.500	0.550	\$12.27
25002562-375B	2.562	3.062	0.375	0.413	\$21.09
25002625-375B	2.625	3.125	0.375	0.413	\$12.78
25002750-250B	2.750	3.250	0.250	0.275	\$14.52
25002750-375B	2.750	3.250	0.375	0.413	\$13.38
25002875-375B	2.875	3.375	0.375	0.413	\$13.90
25003000-250B	3.000	3.500	0.250	0.275	\$13.24
25003000-375B	3.000	3.500	0.375	0.413	\$14.46

Type B Loaded Lip Seals - Inch, cont'd.

Part Number	Rod Diameter d	Groove Diameter D	Seal Height L ₁	Groove Height L	Price
1/4" CROSS SECTION ("F")					
25003000-500B	3.000	3.500	0.500	0.550	\$16.41
25003000-562B	3.000	3.500	0.562	0.618	\$16.41
25003125-250B	3.125	3.625	0.250	0.275	\$16.71
25003125-375B	3.125	3.625	0.375	0.413	\$17.95
25003250-375B	3.250	3.750	0.375	0.413	\$15.60
25003375-375B	3.375	3.875	0.375	0.413	\$15.68
25003500-250B	3.500	4.000	0.250	0.275	\$15.96
25003500-312B	3.500	4.000	0.312	0.343	\$17.94
25003500-375B	3.500	4.000	0.375	0.413	\$17.10
25003500-625B	3.500	4.000	0.625	0.688	\$20.36
25003625-375B	3.625	4.125	0.375	0.413	\$21.35
25003690-500B	3.690	4.190	0.500	0.550	\$38.56
25003750-250B	3.750	4.250	0.250	0.275	\$18.18
25003750-375B	3.750	4.250	0.375	0.413	\$18.18
25003750-562B	3.750	4.250	0.562	0.618	\$18.18
25004000-250B	4.000	4.500	0.250	0.275	\$22.65
25004000-375B	4.000	4.500	0.375	0.413	\$19.80
25004000-500B	4.000	4.500	0.500	0.550	\$20.72
25004000-562B	4.000	4.500	0.562	0.618	\$19.80
25004125-250B	4.125	4.625	0.250	0.275	\$23.79
25004125-375B	4.125	4.625	0.375	0.413	\$21.95
25004125-562B	4.125	4.625	0.562	0.618	\$32.45
25004250-250B	4.250	4.750	0.250	0.275	\$23.12
25004250-375B	4.250	4.750	0.375	0.413	\$22.59
25004250-562B	4.250	4.750	0.562	0.618	\$22.98
25004375-250B	4.375	4.875	0.250	0.275	\$19.10
25004375-375B	4.375	4.875	0.375	0.413	\$23.77
25004375-562B	4.375	4.875	0.562	0.618	\$23.42
25004437-375B	4.437	4.937	0.375	0.413	\$35.06
25004500-250B	4.500	5.000	0.250	0.275	\$24.94
25004500-312B	4.500	5.000	0.312	0.343	\$23.26
25004500-375B	4.500	5.000	0.375	0.413	\$22.79
25004500-500B	4.500	5.000	0.500	0.550	\$22.79
25004500-562B	4.500	5.000	0.562	0.618	\$22.79
25004500-625B	4.500	5.000	0.625	0.688	\$26.85
25004625-250B	4.625	5.125	0.250	0.275	\$20.10
25004625-562B	4.625	5.125	0.562	0.618	\$24.20
25004750-375B	4.750	5.250	0.375	0.413	\$25.02
25004750-500B	4.750	5.250	0.500	0.550	\$26.27
25004750-562B	4.750	5.250	0.562	0.618	\$24.88
25004875-375B	4.875	5.375	0.375	0.413	\$30.17
25004875-562B	4.875	5.375	0.562	0.618	\$30.17
25005000-250B	5.000	5.500	0.250	0.275	\$29.88
25005000-375B	5.000	5.500	0.375	0.413	\$26.37
25005000-500B	5.000	5.500	0.500	0.550	\$26.98
25005000-562B	5.000	5.500	0.562	0.618	\$26.98
25005250-375B	5.250	5.750	0.375	0.413	\$29.96
25005250-562B	5.250	5.750	0.562	0.618	\$29.96
25005375-562B	5.375	5.875	0.562	0.618	\$45.92
25005500-375B	5.500	6.000	0.375	0.413	\$30.74

Part Number	Rod Diameter d	Groove Diameter D	Seal Height L ₁	Groove Height L	Price
1/4" CROSS SECTION ("F")					
25005500-500B	5.500	6.000	0.500	0.550	\$32.69
25005500-562B	5.500	6.000	0.562	0.618	\$30.05
25005625-562B	5.625	6.125	0.562	0.618	\$41.27
25005750-375B	5.750	6.250	0.375	0.413	\$33.46
25005750-562B	5.750	6.250	0.562	0.618	\$33.46
25006000-375B	6.000	6.500	0.375	0.413	\$33.30
25006000-437B	6.000	6.500	0.437	0.481	\$49.17
25006000-500B	6.000	6.500	0.500	0.550	\$39.88
25006000-562B	6.000	6.500	0.562	0.618	\$32.55
25006250-375B	6.250	6.750	0.375	0.413	\$38.34
25006250-562B	6.250	6.750	0.562	0.618	\$47.12
25006500-375B	6.500	7.000	0.375	0.413	\$36.98
25006500-500B	6.500	7.000	0.500	0.550	\$42.96
25006500-562B	6.500	7.000	0.562	0.618	\$35.67
25006750-375B	6.750	7.250	0.375	0.413	\$37.01
25006750-500B	6.750	7.250	0.500	0.550	\$43.60
25006750-562B	6.750	7.250	0.562	0.618	\$36.37
25007000-375B	7.000	7.500	0.375	0.413	\$39.36
25007000-500B	7.000	7.500	0.500	0.550	\$43.62
25007000-562B	7.000	7.500	0.562	0.618	\$38.11
25007250-562B	7.250	7.750	0.562	0.618	\$46.19
25007500-375B	7.500	8.000	0.375	0.413	\$47.14
25007500-500B	7.500	8.000	0.500	0.550	\$47.93
25007500-562B	7.500	8.000	0.562	0.618	\$43.53
25007750-562B	7.750	8.250	0.562	0.618	\$79.39
25008000-375B	8.000	8.500	0.375	0.413	\$50.62
25008000-562B	8.000	8.500	0.562	0.618	\$46.47
25008125-562B	8.125	8.625	0.562	0.618	\$46.47
25008250-375B	8.250	8.750	0.375	0.413	\$75.89
25008250-562B	8.250	8.750	0.562	0.618	\$61.88
25008500-375B	8.500	9.000	0.375	0.413	\$77.94
25008500-500B	8.500	9.000	0.500	0.550	\$77.94
25008500-562B	8.500	9.000	0.562	0.618	\$51.79
25009000-375B	9.000	9.500	0.375	0.413	\$78.76
25009000-562B	9.000	9.500	0.562	0.618	\$79.21
25009500-562B	9.500	10.000	0.562	0.618	\$53.21
25009750-562B	9.750	10.250	0.562	0.618	\$82.60
25010000-562B	10.000	10.500	0.562	0.618	\$76.98
25011000-562B	11.000	11.500	0.562	0.618	\$110.76
25011250-562B	11.250	11.750	0.562	0.618	\$123.22
.275" CROSS SECTION ("F")					
27501970-500B	1.970	2.520	0.500	0.550	\$25.68
9/32" CROSS SECTION ("F")					
28102937-500B	2.937	3.500	0.500	0.550	\$39.09
28103937-500B	3.937	4.500	0.500	0.550	\$44.36
28104437-500B	4.437	5.000	0.500	0.550	\$75.51
28104687-625B	4.687	5.250	0.625	0.688	\$48.18
28104937-343B	4.937	5.500	0.343	0.377	\$48.79
28105437-562B	5.437	6.000	0.562	0.618	\$51.51
28105937-500B	5.937	6.500	0.500	0.550	\$52.62

Type B Loaded Lip Seals - Inch, cont'd.

Part Number	Rod Diameter d	Groove Diameter D	Seal Height L ₁	Groove Height L	Price
.285" CROSS SECTION ("F")					
28502200-500B	2.200	3.770	0.500	0.550	\$42.10
28503200-500B	3.200	3.770	0.500	0.550	\$45.37
5/16" CROSS SECTION ("F")					
31200750-500B	0.750	1.375	0.500	0.550	\$16.02
31200812-500B	0.812	1.437	0.500	0.550	\$17.24
31201000-375B	1.000	1.625	0.375	0.413	\$9.43
31201000-500B	1.000	1.625	0.500	0.550	\$7.90
31201125-375B	1.125	1.750	0.375	0.413	\$11.46
31201125-500B	1.125	1.750	0.500	0.550	\$11.63
31201250-312B	1.250	1.875	0.312	0.343	\$8.22
31201250-500B	1.250	1.875	0.500	0.550	\$8.32
31201375-312B	1.375	2.000	0.312	0.343	\$8.34
31201375-375B	1.375	2.000	0.375	0.413	\$8.56
31201375-500B	1.375	2.000	0.500	0.550	\$8.85
31201437-500B	1.437	2.062	0.500	0.550	\$19.92
31201500-312B	1.500	2.125	0.312	0.343	\$12.63
31201500-375B	1.500	2.125	0.375	0.413	\$10.09
31201500-500B	1.500	2.125	0.500	0.550	\$10.09
31201625-375B	1.625	2.250	0.375	0.413	\$10.61
31201625-500B	1.625	2.250	0.500	0.550	\$10.61
31201687-500B	1.687	2.312	0.500	0.550	\$18.17
31201750-375B	1.750	2.375	0.375	0.413	\$11.13
31201750-500B	1.750	2.375	0.500	0.550	\$11.19
31201875-375B	1.875	2.500	0.375	0.413	\$11.65
31201875-500B	1.875	2.500	0.500	0.550	\$11.67
31202000-500B	2.000	2.625	0.500	0.550	\$11.95
31202000-562B	2.000	2.625	0.562	0.618	\$15.72
31202125-500B	2.125	2.750	0.500	0.550	\$13.51
31202125-625B	2.125	2.750	0.625	0.688	\$14.83
31202250-312B	2.250	2.875	0.312	0.343	\$15.59
31202250-500B	2.250	2.875	0.500	0.550	\$14.17
31202375-312B	2.375	3.000	0.312	0.343	\$16.15
31202375-500B	2.375	3.000	0.500	0.550	\$13.73
31202500-375B	2.500	3.125	0.375	0.413	\$16.51
31202500-500B	2.500	3.125	0.500	0.550	\$14.28
31202625-312B	2.625	3.250	0.312	0.343	\$16.58
31202625-500B	2.625	3.250	0.500	0.550	\$19.26
31202750-312B	2.750	3.375	0.312	0.343	\$17.30
31202750-375B	2.750	3.375	0.375	0.413	\$17.55
31202750-500B	2.750	3.375	0.500	0.550	\$15.84
31202875-375B	2.875	3.500	0.375	0.413	\$18.20
31202875-500B	2.875	3.500	0.500	0.550	\$17.16
31203000-375B	3.000	3.625	0.375	0.413	\$18.13
31203000-500B	3.000	3.625	0.500	0.550	\$16.80
31203125-500B	3.125	3.750	0.500	0.550	\$18.96
31203250-312B	3.250	3.875	0.312	0.343	\$20.12
31203250-500B	3.250	3.875	0.500	0.550	\$18.84
31203375-312B	3.375	4.000	0.312	0.343	\$20.30
31203375-500B	3.375	4.000	0.500	0.550	\$18.95

Part Number	Rod Diameter d	Groove Diameter D	Seal Height L ₁	Groove Height L	Price
5/16" CROSS SECTION ("F")					
31203375-625B	3.375	4.000	0.625	0.688	\$37.03
31203500-375B	3.500	4.125	0.375	0.413	\$36.48
31203500-500B	3.500	4.125	0.500	0.550	\$20.37
31203625-500B	3.625	4.250	0.500	0.550	\$20.94
31203750-375B	3.750	4.375	0.375	0.413	\$20.65
31203750-500B	3.750	4.375	0.500	0.550	\$21.62
31203750-625B	3.750	4.375	0.625	0.688	\$22.49
31203875-500B	3.875	4.500	0.500	0.550	\$22.49
31204000-500B	4.000	4.625	0.500	0.550	\$35.77
31204000-562B	4.000	4.625	0.562	0.618	\$21.87
31204125-500B	4.125	4.750	0.500	0.550	\$26.70
31204125-562B	4.125	4.750	0.562	0.618	\$22.63
31204125-625B	4.125	4.750	0.625	0.688	\$28.98
31204250-312B	4.250	4.875	0.312	0.343	\$27.65
31204250-500B	4.250	4.875	0.500	0.550	\$27.65
31204250-562B	4.250	4.875	0.562	0.618	\$23.19
31204375-312B	4.375	5.000	0.312	0.343	\$25.28
31204375-500B	4.375	5.000	0.500	0.550	\$25.86
31204375-562B	4.375	5.000	0.562	0.618	\$25.86
31204375-625B	4.375	5.000	0.625	0.688	\$28.84
31204500-375B	4.500	5.125	0.375	0.413	\$29.49
31204500-562B	4.500	5.125	0.562	0.618	\$35.16
31204500-625B	4.500	5.125	0.625	0.688	\$26.02
31204625-625B	4.625	5.250	0.625	0.688	\$26.91
31204750-500B	4.750	5.375	0.500	0.550	\$26.52
31204750-625B	4.750	5.375	0.625	0.688	\$26.73
31205000-625B	5.000	5.625	0.625	0.688	\$30.08
31205125-625B	5.125	5.750	0.625	0.688	\$49.44
31205250-625B	5.250	5.875	0.625	0.688	\$32.16
31205375-625B	5.375	6.000	0.625	0.688	\$33.02
31205500-312B	5.500	6.125	0.312	0.343	\$28.26
31205500-625B	5.500	6.125	0.625	0.688	\$33.36
31205625-625B	5.625	6.250	0.625	0.688	\$53.85
31205750-625B	5.750	6.375	0.625	0.688	\$36.46
31206000-625B	6.000	6.625	0.625	0.688	\$36.56
31206375-312B	6.375	7.000	0.312	0.343	\$48.16
31206500-625B	6.500	7.125	0.625	0.688	\$40.78
31206625-625B	6.625	7.250	0.625	0.688	\$73.45
31206750-625B	6.750	7.375	0.625	0.688	\$46.89
31207000-625B	7.000	7.625	0.625	0.688	\$45.09
31207250-625B	7.250	7.875	0.625	0.688	\$68.94
31207375-312B	7.375	8.000	0.312	0.343	\$70.12
31207375-500B	7.375	8.000	0.500	0.550	\$70.12
31207375-625B	7.375	8.000	0.625	0.688	\$70.12
31207875-625B	7.875	8.500	0.625	0.688	\$79.72
31208000-500B	8.000	8.625	0.500	0.550	\$74.66
31208000-625B	8.000	8.625	0.625	0.688	\$54.80
31208500-625B	8.500	9.125	0.625	0.688	\$76.31
31209250-625B	9.250	9.875	0.625	0.688	\$107.26

Type B Loaded Lip Seals - Inch, cont'd.

Part Number	Rod Diameter d	Groove Diameter D	Seal Height L ₁	Groove Height L	Price
5/16" CROSS SECTION ("F")					
31209375-625B	9.375	10.000	0.625	0.688	\$107.72
31209750-625B	9.750	10.375	0.625	0.688	\$112.62
31210375-625B	10.375	11.000	0.625	0.688	\$129.84
31212250-625B	12.250	12.875	0.625	0.688	\$139.73
31212500-625B	12.500	13.125	0.625	0.688	\$153.74
3/8" CROSS SECTION ("F")					
37500750-375B	0.750	1.500	0.375	0.413	\$13.75
37501250-500B	1.250	2.000	0.500	0.550	\$14.62
37501250-625B	1.250	2.000	0.625	0.688	\$14.79
37501375-625B	1.375	2.125	0.625	0.688	\$19.93
37501500-375B	1.500	2.250	0.375	0.413	\$16.50
37501500-500B	1.500	2.250	0.500	0.550	\$14.27
37501500-625B	1.500	2.250	0.625	0.688	\$14.09
37501625-625B	1.625	2.375	0.625	0.688	\$23.86
37501750-500B	1.750	2.500	0.500	0.550	\$17.42
37501750-625B	1.750	2.500	0.625	0.688	\$15.06
37502000-375B	2.000	2.750	0.375	0.413	\$17.05
37502000-500B	2.000	2.750	0.500	0.550	\$17.28
37502000-625B	2.000	2.750	0.625	0.688	\$17.08
37502250-375B	2.250	3.000	0.375	0.413	\$18.33
37502250-500B	2.250	3.000	0.500	0.550	\$19.20
37502250-625B	2.250	3.000	0.625	0.688	\$18.84
37502375-625B	2.375	3.125	0.625	0.688	\$22.68
37502500-375B	2.500	3.250	0.375	0.413	\$19.84
37502500-500B	2.500	3.250	0.500	0.550	\$19.84
37502500-625B	2.500	3.250	0.625	0.688	\$19.84
37502625-625B	2.625	3.375	0.625	0.688	\$21.42
37502750-500B	2.750	3.500	0.500	0.550	\$23.59
37502750-625B	2.750	3.500	0.625	0.688	\$22.65
37502875-500B	2.875	3.625	0.500	0.550	\$35.46
37502875-625B	2.875	3.625	0.625	0.688	\$37.76
37503000-500B	3.000	3.750	0.500	0.550	\$24.61
37503000-625B	3.000	3.750	0.625	0.688	\$23.67
37503125-625B	3.125	3.875	0.625	0.688	\$31.43
37503250-375B	3.250	4.000	0.375	0.413	\$24.60
37503250-500B	3.250	4.000	0.500	0.550	\$24.99
37503250-625B	3.250	4.000	0.625	0.688	\$24.99
37503375-625B	3.375	4.125	0.625	0.688	\$26.76
37503500-500B	3.500	4.250	0.500	0.550	\$29.49
37503500-625B	3.500	4.250	0.625	0.688	\$26.79
37503625-625B	3.625	4.375	0.625	0.688	\$27.77
37503750-375B	3.750	4.500	0.375	0.413	\$27.40
37503750-500B	3.750	4.500	0.500	0.550	\$31.26
37503750-625B	3.750	4.500	0.625	0.688	\$30.41
37503875-625B	3.875	4.625	0.625	0.688	\$48.61
37504000-500B	4.000	4.750	0.500	0.550	\$35.28
37504000-625B	4.000	4.750	0.625	0.688	\$30.27
37504125-625B	4.125	4.875	0.625	0.688	\$38.75
37504250-375B	4.250	5.000	0.375	0.413	\$29.41

Part Number	Rod Diameter d	Groove Diameter D	Seal Height L ₁	Groove Height L	Price
3/8" CROSS SECTION ("F")					
37504250-500B	4.250	5.000	0.500	0.550	\$37.09
37504250-625B	4.250	5.000	0.625	0.688	\$32.09
37504375-500B	4.375	5.125	0.500	0.550	\$39.87
37504375-625B	4.375	5.125	0.625	0.688	\$34.38
37504500-500B	4.500	5.250	0.500	0.550	\$36.57
37504500-625B	4.500	5.250	0.625	0.688	\$33.28
37504625-625B	4.625	5.375	0.625	0.688	\$34.02
37504750-500B	4.750	5.500	0.500	0.550	\$35.19
37504750-625B	4.750	5.500	0.625	0.688	\$34.78
37504875-625B	4.875	5.625	0.625	0.688	\$35.20
37505000-375B	5.000	5.750	0.375	0.413	\$36.47
37505000-500B	5.000	5.750	0.500	0.550	\$39.72
37505000-625B	5.000	5.750	0.625	0.688	\$36.56
37505125-625B	5.125	5.875	0.625	0.688	\$58.81
37505250-375B	5.250	6.000	0.375	0.413	\$35.79
37505250-500B	5.250	6.000	0.500	0.550	\$37.95
37505250-625B	5.250	6.000	0.625	0.688	\$37.95
37505250-750B	5.250	6.000	0.750	0.825	\$44.36
37505375-625B	5.375	6.125	0.625	0.688	\$61.42
37505500-500B	5.500	6.250	0.500	0.550	\$39.06
37505500-625B	5.500	6.250	0.625	0.688	\$39.43
37505625-625B	5.625	6.375	0.625	0.688	\$45.82
37505750-500B	5.750	6.500	0.500	0.550	\$45.82
37505750-625B	5.750	6.500	0.625	0.688	\$42.69
37505875-625B	5.875	6.625	0.625	0.688	\$47.34
37506000-500B	6.000	6.750	0.500	0.550	\$46.65
37506000-625B	6.000	6.750	0.625	0.688	\$42.27
37506250-500B	6.250	7.000	0.500	0.550	\$46.89
37506250-625B	6.250	7.000	0.625	0.688	\$43.22
37506500-500B	6.500	7.250	0.500	0.550	\$49.99
37506500-625B	6.500	7.250	0.625	0.688	\$46.41
37506750-375B	6.750	7.500	0.375	0.413	\$49.91
37506750-500B	6.750	7.500	0.500	0.550	\$52.39
37506750-625B	6.750	7.500	0.625	0.688	\$47.93
37506875-625B	6.875	7.625	0.625	0.688	\$48.02
37507000-500B	7.000	7.750	0.500	0.550	\$49.22
37507000-625B	7.000	7.750	0.625	0.688	\$49.22
37507250-375B	7.250	8.000	0.375	0.413	\$49.22
37507250-500B	7.250	8.000	0.500	0.550	\$56.38
37507250-625B	7.250	8.000	0.625	0.688	\$52.69
37507250-750B	7.250	8.000	0.750	0.825	\$57.01
37507500-500B	7.500	8.250	0.500	0.550	\$62.41
37507500-625B	7.500	8.250	0.625	0.688	\$57.00
37507750-500B	7.750	8.500	0.500	0.550	\$64.77
37507750-625B	7.750	8.500	0.625	0.688	\$57.32
37508000-625B	8.000	8.750	0.625	0.688	\$57.43
37508250-625B	8.250	9.000	0.625	0.688	\$60.57
37508500-625B	8.500	9.250	0.625	0.688	\$71.95
37508750-500B	8.750	9.500	0.500	0.550	\$77.15

Type B Loaded Lip Seals - Inch, cont'd.

Part Number	Rod Diameter d	Groove Diameter D	Seal Height L ₁	Groove Height L	Price
3/8" CROSS SECTION ("F")					
37508750-750B	8.750	9.500	0.750	0.825	\$110.64
37508875-625B	8.875	9.625	0.625	0.688	\$112.29
37509000-625B	9.000	9.750	0.625	0.688	\$114.21
37509250-375B	9.250	10.000	0.375	0.413	\$94.36
37509250-625B	9.250	10.000	0.625	0.688	\$95.58
37509500-625B	9.500	10.250	0.625	0.688	\$95.58
37510000-625B	10.000	10.750	0.625	0.688	\$100.62
37510250-500B	10.250	11.000	0.500	0.550	\$143.16
37510250-750B	10.250	11.000	0.750	0.825	\$143.16
37510500-375B	10.500	11.250	0.375	0.413	\$156.60
37510500-625B	10.500	11.250	0.625	0.688	\$156.01
37510750-625B	10.750	11.500	0.625	0.688	\$155.47
37511250-375B	11.250	12.000	0.375	0.413	\$116.48
37511250-625B	11.250	12.000	0.625	0.688	\$119.64
37511750-625B	11.750	12.500	0.625	0.688	\$153.68
37512000-625B	12.000	12.750	0.625	0.688	\$138.22
37512250-625B	12.250	13.000	0.625	0.688	\$171.73
37513000-375B	13.000	13.750	0.375	0.413	\$159.93
37513000-625B	13.000	13.750	0.625	0.688	\$193.08
37513500-625B	13.500	14.250	0.625	0.688	\$219.94
37513750-625B	13.750	14.500	0.625	0.688	\$226.61
37514250-625B	14.250	15.000	0.625	0.688	\$202.44
37514750-625B	14.750	15.500	0.625	0.688	\$234.05
37520750-500B	20.750	21.500	0.500	0.550	\$351.92
7/16" CROSS SECTION ("F")					
43701125-500B	1.125	2.000	0.500	0.550	\$28.95
43702250-625B	2.250	3.125	0.625	0.688	\$33.31
43702500-625B	2.500	3.375	0.625	0.688	\$37.33
43703875-750B	3.875	4.750	0.750	0.825	\$51.97
43704000-625B	4.000	4.875	0.625	0.688	\$52.31
43704500-750B	4.500	5.375	0.750	0.825	\$52.91
43704750-750B	4.750	5.625	0.750	0.825	\$63.14
43704875-562B	4.875	5.750	0.562	0.618	\$64.91
43705000-750B	5.000	5.875	0.750	0.825	\$65.89
1/2" CROSS SECTION ("F")					
50001500-750B	1.500	2.500	0.750	0.825	\$25.56
50001750-750B	1.750	2.750	0.750	0.825	\$23.31
50002000-750B	2.000	3.000	0.750	0.825	\$23.60
50002500-500B	2.500	3.500	0.500	0.550	\$29.62
50002500-750B	2.500	3.500	0.750	0.825	\$28.86
50003000-750B	3.000	4.000	0.750	0.825	\$35.00
50003250-750B	3.250	4.250	0.750	0.825	\$42.39
50003375-625B	3.375	4.375	0.625	0.688	\$53.56
50003500-750B	3.500	4.500	0.750	0.825	\$45.36
50004000-750B	4.000	5.000	0.750	0.825	\$39.03
50004250-750B	4.250	5.250	0.750	0.825	\$41.75
50004500-750B	4.500	5.500	0.750	0.825	\$46.99

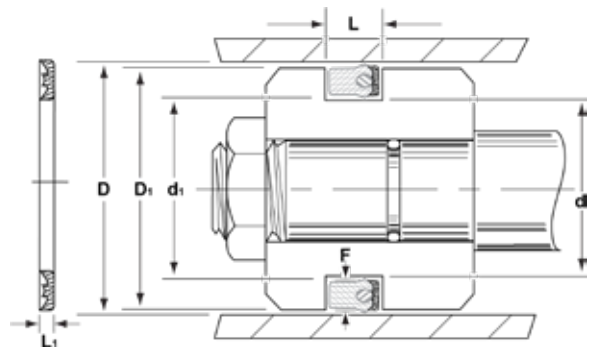
Part Number	Rod Diameter d	Groove Diameter D	Seal Height L ₁	Groove Height L	Price
1/2" CROSS SECTION ("F")					
50004750-750B	4.750	5.750	0.750	0.825	\$54.15
50005000-750B	5.000	6.000	0.750	0.825	\$49.44
50005250-500B	5.250	6.250	0.500	0.550	\$65.99
50005250-750B	5.250	6.250	0.750	0.825	\$66.07
50005500-750B	5.500	6.500	0.750	0.825	\$51.07
50005750-750B	5.750	6.750	0.750	0.825	\$64.21
50006000-750B	6.000	7.000	0.750	0.825	\$59.97
50006250-750B	6.250	7.250	0.750	0.825	\$65.01
50006500-750B	6.500	7.500	0.750	0.825	\$53.83
50006750-750B	6.750	7.750	0.750	0.825	\$54.60
50007000-750B	7.000	8.000	0.750	0.825	\$60.62
50007250-750B	7.250	8.250	0.750	0.825	\$69.57
50007500-750B	7.500	8.500	0.750	0.825	\$73.21
50007750-750B	7.750	8.750	0.750	0.825	\$76.57
50008000-750B	8.000	9.000	0.750	0.825	\$71.36
50008250-750B	8.250	9.250	0.750	0.825	\$98.68
50008500-750B	8.500	9.500	0.750	0.825	\$72.20
50008750-750B	8.750	9.750	0.750	0.825	\$107.33
50009000-750B	9.000	10.000	0.750	0.825	\$77.21
50009250-750B	9.250	10.250	0.750	0.825	\$121.92
50010000-750B	10.000	11.000	0.750	0.825	\$132.16
50010250-750B	10.250	11.250	0.750	0.825	\$169.60
50010500-750B	10.500	11.500	0.750	0.825	\$185.00
50010750-750B	10.750	11.750	0.750	0.825	\$201.37
50011000-750B	11.000	12.000	0.750	0.825	\$145.37
50011500-750B	11.500	12.500	0.750	0.825	\$202.19
50011750-750B	11.750	12.750	0.750	0.825	\$230.39
50012000-750B	12.000	13.000	0.750	0.825	\$152.19
50012125-750B	12.125	13.125	0.750	0.825	\$232.12
50012250-750B	12.250	13.250	0.750	0.825	\$233.23
50012500-750B	12.500	13.500	0.750	0.825	\$229.76
50013000-750B	13.000	14.000	0.750	0.825	\$232.55
50013250-750B	13.250	14.250	0.750	0.825	\$308.85
50013500-750B	13.500	14.500	0.750	0.825	\$313.99
50014000-750B	14.000	15.000	0.750	0.825	\$311.33
50014750-750B	14.750	15.750	0.750	0.825	\$330.17
50015000-750B	15.000	16.000	0.750	0.825	\$250.47
50015500-750B	15.500	16.500	0.750	0.825	\$359.58
50016500-750B	16.500	17.500	0.750	0.825	\$355.05
50017000-750B	17.000	18.000	0.750	0.825	\$342.34
50018000-750B	18.000	19.000	0.750	0.825	\$360.61
50019000-750B	19.000	20.000	0.750	0.825	\$378.73
50020000-750B	20.000	21.000	0.750	0.825	\$395.33
50021000-750B	21.000	22.000	0.750	0.825	\$417.01
50029000-750B	29.000	30.000	0.750	0.825	\$1,133.66
50034500-750B	34.500	35.500	0.750	0.825	\$1,897.47

Type B Loaded Lip Seals - Inch, cont'd.

Part Number	Rod Diameter d	Groove Diameter D	Seal Height L ₁	Groove Height L	Price
5/8" CROSS SECTION ("F")					
62503250-1000B	3.250	4.500	1.000	1.100	\$62.58
62503750-1000B	3.750	5.000	1.000	1.100	\$74.27
62504250-1000B	4.250	5.500	1.000	1.100	\$82.05
62505000-1000B	5.000	6.250	1.000	1.100	\$92.05
62505250-1000B	5.250	6.500	1.000	1.100	\$97.22
62505500-1000B	5.500	6.750	1.000	1.100	\$102.67
62506000-1000B	6.000	7.250	1.000	1.100	\$113.64
62507000-1000B	7.000	8.250	1.000	1.100	\$84.89
62507250-1000B	7.250	8.500	1.000	1.100	\$136.90
62508250-1000B	8.250	9.500	1.000	1.100	\$147.21
62508500-1000B	8.500	9.750	1.000	1.100	\$152.13
62509000-1000B	9.000	10.250	1.000	1.100	\$179.24
62509750-1000B	9.750	11.000	1.000	1.100	\$188.75
62510000-1000B	10.000	11.250	1.000	1.100	\$200.74
62511250-1000B	11.250	12.500	1.000	1.100	\$249.85
62511500-1000B	11.500	12.750	1.000	1.100	\$251.93
62513500-875B	13.500	14.750	0.875	0.963	\$348.49
62514000-1000B	14.000	15.250	1.000	1.100	\$366.94
62518750-1000B	18.750	20.000	1.000	1.100	\$522.56
62519750-1000B	19.750	21.000	1.000	1.100	\$575.47

Part Number	Rod Diameter d	Groove Diameter D	Seal Height L ₁	Groove Height L	Price
3/4" CROSS SECTION ("F")					
75008000-1250B	8.000	9.500	1.250	1.375	\$176.41
75008500-1125B	8.500	10.000	1.125	1.238	\$184.14
75009000-1250B	9.000	10.500	1.250	1.375	\$205.74
75010000-1250B	10.000	11.500	1.250	1.375	\$272.65
75010500-1000B	10.500	12.000	1.000	1.100	\$283.73
75012000-1250B	12.000	13.500	1.250	1.375	\$307.43
75012500-1250B	12.500	14.000	1.250	1.375	\$369.38
75013000-1000B	13.000	14.500	1.000	1.100	\$433.73
75014000-1250B	14.000	15.500	1.250	1.375	\$437.45
75017625-1250B	17.625	19.125	1.250	1.375	\$613.25
75019000-1250B	19.000	20.500	1.250	1.375	\$622.54
75020000-1000B	20.000	21.500	1.000	1.100	\$559.61
75020000-1250B	20.000	21.500	1.250	1.375	\$701.40
75020500-1000B	20.500	22.000	1.000	1.100	\$560.30
1" CROSS SECTION ("F")					
100015000-1500B	15.000	17.000	1.500	1.650	\$736.22
100016000-1250B	16.000	18.000	1.250	1.375	\$687.59

Pip Rings - Inch



EXAMPLE: 25002750PR		
Cross Section	Inside Diameter	Suffix
250	02750	PR
1/4	2-3/4"	Pip Rings

Part Number	Groove Diameter d	Bore Diameter D	Seal Height L ₁	Price
1/8" CROSS SECTION ("F")				
12500437PR	0.437	0.687	0.062	\$6.73
12500750PR	0.750	1.000	0.062	\$5.60
12501250PR	1.250	1.500	0.062	\$6.60
12501500PR	1.500	1.750	0.062	\$7.14
12501750PR	1.750	2.000	0.062	\$7.59

"Pip" (Pressure Inverting Pedestal) rings convert type "B" loaded lip seals into bi-directional seals. Pip rings are made from a harder durometer urethane material and may be split for easier installation or cut down for in-between sizes.

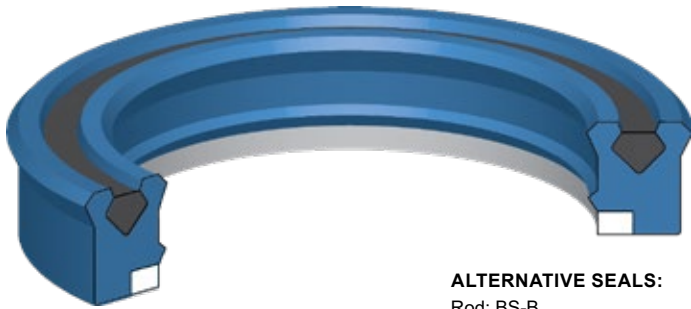
Temperature: -60°F to 200°F Pressure: 0 to 5,000 PSI

Pip Rings - Inch, cont'd.

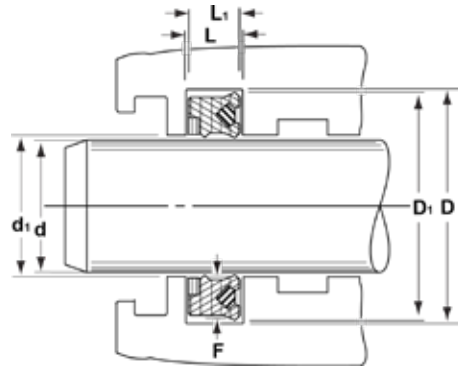
Part Number	Groove Diameter d	Bore Diameter D	Seal Height L ₁	Price
3/16" CROSS SECTION ("F")				
18700750PR	0.750	1.125	0.125	\$8.57
18700875PR	0.875	1.250	0.125	\$8.88
18700937PR	0.937	1.312	0.125	\$6.69
18701000PR	1.000	1.375	0.125	\$6.78
18701125PR	1.125	1.500	0.125	\$6.54
18701250PR	1.250	1.625	0.125	\$7.95
18701500PR	1.500	1.875	0.125	\$7.81
18701625PR	1.625	2.000	0.125	\$7.79
18701750PR	1.750	2.125	0.125	\$8.13
18702125PR	2.125	2.500	0.125	\$10.35
18702375PR	2.375	2.750	0.125	\$11.17
18702500PR	2.500	2.875	0.125	\$9.58
18702625PR	2.625	3.000	0.125	\$9.61
18703000PR	3.000	3.375	0.125	\$10.78
18703125PR	3.125	3.500	0.125	\$11.26
18703625PR	3.625	4.000	0.125	\$13.25
18704000PR	4.000	4.375	0.125	\$16.54
1/4" CROSS SECTION ("F")				
25001000PR	1.000	1.500	0.125	\$6.95
25001250PR	1.250	1.750	0.125	\$8.07
25001500PR	1.500	2.000	0.125	\$8.45
25001750PR	1.750	2.250	0.125	\$9.58
25002000PR	2.000	2.500	0.125	\$10.19
25002250PR	2.250	2.750	0.125	\$11.52
25002500PR	2.500	3.000	0.125	\$12.26
25002750PR	2.750	3.250	0.125	\$13.25
25002875PR	2.875	3.375	0.125	\$16.43
25003000PR	3.000	3.500	0.125	\$14.33
25003125PR	3.125	3.625	0.125	\$15.80
25003250PR	3.250	3.750	0.125	\$15.97
25003500PR	3.500	4.000	0.125	\$16.61
25003750PR	3.750	4.250	0.125	\$19.07
25004000PR	4.000	4.500	0.125	\$18.47
25004500PR	4.500	5.000	0.125	\$20.54

Part Number	Groove Diameter d	Bore Diameter D	Seal Height L ₁	Price
1/4" CROSS SECTION ("F")				
25005250PR	5.250	5.750	0.125	\$31.52
25005500PR	5.500	6.000	0.125	\$32.59
25006000PR	6.000	6.500	0.125	\$33.04
25006500PR	6.500	7.000	0.125	\$35.63
25007000PR	7.000	7.500	0.125	\$38.80
5/16" CROSS SECTION ("F")				
31202375PR	2.375	3.000	0.156	\$14.00
31203375PR	3.375	4.000	0.156	\$19.92
31204375PR	4.375	5.000	0.156	\$25.72
31206375PR	6.375	7.000	0.156	\$30.92
3/8" CROSS SECTION ("F")				
37502250PR	2.250	3.000	0.187	\$21.23
37502500PR	2.500	3.250	0.187	\$22.98
37502750PR	2.750	3.500	0.187	\$20.67
37503250PR	3.250	4.000	0.187	\$25.03
37503500PR	3.500	4.250	0.187	\$29.64
37503750PR	3.750	4.500	0.187	\$28.37
37504250PR	4.250	5.000	0.187	\$32.01
37505250PR	5.250	6.000	0.187	\$39.26
37505500PR	5.500	6.250	0.187	\$40.67
37506250PR	6.250	7.000	0.187	\$44.15
37506750PR	6.750	7.500	0.187	\$51.42
37508250PR	8.250	9.000	0.187	\$64.01
1/2" CROSS SECTION ("F")				
50004000PR	4.000	5.000	0.250	\$47.25
50005000PR	5.000	6.000	0.250	\$57.70
50006000PR	6.000	7.000	0.250	\$72.58
50007000PR	7.000	8.000	0.250	\$70.41
50009000PR	9.000	10.000	0.250	\$80.54
50010000PR	10.000	11.000	0.250	\$121.20
50011000PR	11.000	12.000	0.250	\$128.49
50014000PR	14.000	15.000	0.250	\$169.06
50015000PR	15.000	16.000	0.250	\$182.33

BD Loaded Lip Seals with I. D. Backup Ring - Inch



ALTERNATIVE SEALS:
Rod: BS-B



EXAMPLE: BD-31202500-500				
Prefix	Cross Section	Inside Diameter		Height
BD-	312	02500	-	500
	5/16	2-1/2"		1/2

Here is the state of the art in heavy duty sealing. Manufactured from high quality urethane, this seal is similar to the BS profile seal. The rod seal has an integral backup ring for added extrusion resistance and loaded lip for optimal low pressure sealing. A film of oil is trapped between the two lips for low running friction.

Temperature: -50°F to 230°F Pressure: 0 to 10,000 PSI

Part Number	Rod Diameter d	Groove Diameter D	Seal Height L ₁	Groove Height L	Price
1/8" CROSS SECTION ("F")					
BD-12501250-250	1.250	1.500	0.250	0.275	\$14.43
3/16" CROSS SECTION ("F")					
BD-18701250-250	1.250	1.625	0.250	0.275	\$14.32
BD-18701250-312	1.250	1.625	0.312	0.343	\$15.32
BD-18701500-250	1.500	1.875	0.250	0.275	\$16.41
BD-18701500-312	1.500	1.875	0.312	0.343	\$16.90
BD-18701500-375	1.500	1.875	0.375	0.413	\$26.74
BD-18701750-250	1.750	2.125	0.250	0.275	\$17.65
BD-18701750-375	1.750	2.125	0.375	0.413	\$17.85
BD-18702000-375	2.000	2.375	0.375	0.413	\$19.77
BD-18702500-375	2.500	2.875	0.375	0.413	\$39.76
BD-18703750-375	3.750	4.125	0.375	0.413	\$43.97
1/4" CROSS SECTION ("F")					
BD-25001375-375	1.375	1.875	0.375	0.413	\$22.14
BD-25001500-375	1.500	2.000	0.375	0.413	\$17.95
BD-25001750-375	1.750	2.250	0.375	0.413	\$19.77
BD-25002000-375	2.000	2.500	0.375	0.413	\$21.68
BD-25002125-375	2.125	2.625	0.375	0.413	\$25.11
BD-25002250-375	2.250	2.750	0.375	0.413	\$24.37
BD-25002375-375	2.375	2.875	0.375	0.413	\$25.63
BD-25002500-375	2.500	3.000	0.375	0.413	\$27.18
BD-25002750-375	2.750	3.250	0.375	0.413	\$29.27
BD-25003000-375	3.000	3.500	0.375	0.413	\$32.12
BD-25003250-375	3.250	3.750	0.375	0.413	\$34.26
BD-25003500-375	3.500	4.000	0.375	0.413	\$36.99
BD-25003750-375	3.750	4.250	0.375	0.413	\$41.23
BD-25004000-375	4.000	4.500	0.375	0.413	\$41.38
BD-25004000-562	4.000	4.500	0.562	0.618	\$43.38
BD-25004250-535	4.250	4.750	0.535	0.589	\$45.98
BD-25004500-375	4.500	5.000	0.375	0.413	\$49.45
BD-25004500-562	4.500	5.000	0.562	0.618	\$51.87
BD-25005000-562	5.000	5.500	0.562	0.618	\$56.56
BD-25005500-562	5.500	6.000	0.562	0.618	\$66.30

Part Number	Rod Diameter d	Groove Diameter D	Seal Height L ₁	Groove Height L	Price
1/4" CROSS SECTION ("F")					
BD-25006000-562	6.000	6.500	0.562	0.618	\$87.12
BD-25006750-562	6.750	7.250	0.562	0.618	\$96.66
BD-25007000-500	7.000	7.500	0.500	0.550	\$99.87
BD-25008000-562	8.000	8.500	0.562	0.618	\$134.83
BD-25010000-562	10.000	10.500	0.562	0.618	\$194.63
5/16" CROSS SECTION ("F")					
BD-31202500-500	2.500	3.125	0.500	0.550	\$32.70
BD-31203000-500	3.000	3.625	0.500	0.550	\$40.09
BD-31203500-500	3.500	4.125	0.500	0.550	\$42.83
BD-31204000-500	4.000	4.625	0.500	0.550	\$49.42
BD-31204000-562	4.000	4.625	0.562	0.618	\$51.31
BD-31204500-375	4.500	5.125	0.375	0.413	\$58.12
BD-31204500-625	4.500	5.125	0.625	0.688	\$59.17
BD-31205000-625	5.000	5.625	0.625	0.688	\$65.78
BD-31205500-375	5.500	6.125	0.375	0.413	\$77.41
3/8" CROSS SECTION ("F")					
BD-37503000-625	3.000	3.750	0.625	0.688	\$51.23
BD-37503250-625	3.250	4.000	0.625	0.688	\$56.32
BD-37503500-625	3.500	4.250	0.625	0.688	\$59.95
BD-37504000-625	4.000	4.750	0.625	0.688	\$65.66
BD-37504250-625	4.250	5.000	0.625	0.688	\$70.12
BD-37504500-625	4.500	5.250	0.625	0.688	\$72.25
BD-37504750-375	4.750	5.500	0.375	0.413	\$75.48
BD-37504750-625	4.750	5.500	0.625	0.688	\$77.70
BD-37505000-625	5.000	5.750	0.625	0.688	\$83.63
BD-37505250-625	5.250	6.000	0.625	0.688	\$84.89
BD-37505750-625	5.750	6.500	0.625	0.688	\$82.78
BD-37506000-625	6.000	6.750	0.625	0.688	\$94.22
BD-37506250-625	6.250	7.000	0.625	0.688	\$97.24
BD-37506500-500	6.500	7.250	0.500	0.550	\$97.85
BD-37507000-562	7.000	7.750	0.562	0.618	\$129.43
BD-37507000-625	7.000	7.750	0.625	0.688	\$133.84
BD-37508000-625	8.000	8.750	0.625	0.688	\$165.85

BD Loaded Lip Seals with I. D. Backup Ring - Inch, cont'd.

Part Number	Rod Diameter d	Groove Diameter D	Seal Height L ₁	Groove Height L	Price
3/8" CROSS SECTION ("F")					
BD-37508500-625	8.500	9.250	0.625	0.688	\$214.62
BD-37509000-625	9.000	9.750	0.625	0.688	\$231.04
BD-37510000-625	10.000	10.750	0.625	0.688	\$276.24
BD-37511000-625	11.000	11.750	0.625	0.688	\$317.73
BD-37512000-625	12.000	12.750	0.625	0.688	\$347.73

Part Number	Rod Diameter d	Groove Diameter D	Seal Height L ₁	Groove Height L	Price
1/2" CROSS SECTION ("F")					
BD-50009000-750	9.000	10.000	0.750	0.825	\$279.46
BD-50010000-750	10.000	11.000	0.750	0.825	\$276.20
BD-50012000-750	12.000	13.000	0.750	0.825	\$386.88
BD-50014000-750	14.000	15.000	0.750	0.825	\$609.52
BD-50015000-750	15.000	16.000	0.750	0.825	\$700.53

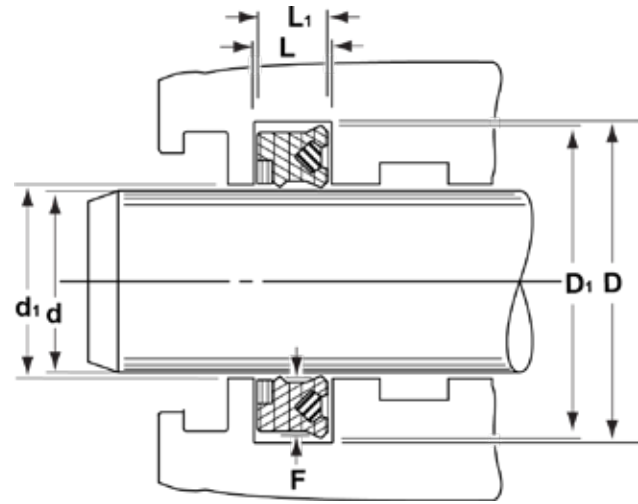
BD Loaded Lip Seals with I. D. Backup Ring - Metric



ALTERNATIVE SEALS:
Rod: BS-B, MA30-B:

EXAMPLE: BD-85X100X13				
Prefix	Inside Diameter	Outside Diameter	Height	
BD-	85	x 100	x	13
	85mm	x 100mm		13mm

Part Number						Price
Prefix	Rod Diameter d	Groove Diameter D	Seal Height L ₁	Groove Height L		
BD -	25	x 35	x 7.3	8.3		\$34.54
BD -	30	x 40	x 7.3	8.3		\$41.36
BD -	30	x 40	x 10	11.0		\$42.92
BD -	35	x 50	x 9.5	10.5		\$44.16
BD -	36	x 46	x 7.3	8.3		\$46.13
BD -	40	x 50	x 7.3	8.3		\$50.53
BD -	40	x 50	x 10	11.0		\$55.03
BD -	40	x 52	x 8.6	9.6		\$53.99
BD -	40	x 55	x 9.5	10.5		\$54.68
BD -	40	x 55	x 11.4	12.4		\$55.93
BD -	45	x 55	x 7.3	8.3		\$53.67
BD -	45	x 60	x 11.4	12.4		\$55.11
BD -	50	x 60	x 7.3	8.3		\$57.74
BD -	50	x 65	x 10	11.0		\$55.07
BD -	50	x 65	x 11.4	12.4		\$58.17
BD -	55	x 68	x 13	14.0		\$61.58



Here is the state of the art in heavy duty sealing. Manufactured from high quality urethane, this seal is similar to the BS profile seal. The seal has an integral backup ring for added extrusion resistance and loaded lip for optimal low pressure sealing. A film of oil is trapped between the two lips for low running friction.

Temperature: -50°F to 230°F Pressure: 0 to 10,000 PSI

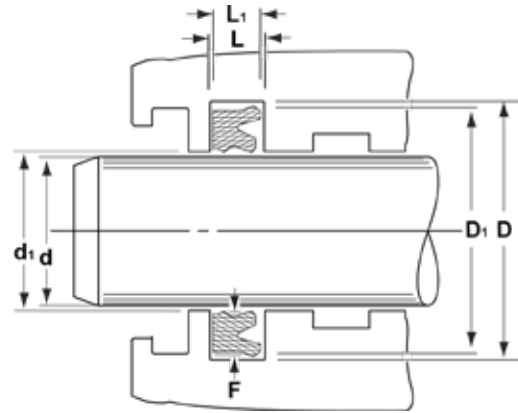
Part Number						Price
Prefix	Rod Diameter d	Groove Diameter D	Seal Height L ₁	Groove Height L		
BD -	55	x 70	x 11.4	12.4		\$61.58
BD -	56	x 71	x 11.4	12.4		\$62.41
BD -	60	x 72	x 8.6	9.6		\$58.20
BD -	60	x 73	x 13	14.0		\$57.64
BD -	60	x 75	x 11.4	12.4		\$67.67
BD -	63	x 75	x 8.7	9.7		\$70.17
BD -	63	x 78	x 11.4	12.4		\$71.05
BD -	63	x 83	x 11.8	12.8		\$72.11
BD -	65	x 75	x 10	11.0		\$64.80
BD -	65	x 78	x 10	11.0		\$68.98
BD -	65	x 80	x 9	10.0		\$70.21
BD -	65	x 80	x 10	11.0		\$63.06

BD Loaded Lip Seals with I. D. Backup Ring - Metric, cont'd.

Part Number						Groove Height L	Price
Prefix	Rod Diameter d	Groove Diameter D	Seal Height L ₁				
BD -	65	x	80	x	11.4	12.4	\$68.65
BD -	70	x	80	x	12	13.0	\$70.48
BD -	70	x	82	x	8.6	9.6	\$68.47
BD -	70	x	83	x	10	11.0	\$72.20
BD -	70	x	85	x	9	10.0	\$72.83
BD -	70	x	85	x	10	11.0	\$73.61
BD -	70	x	85	x	11.4	12.4	\$73.92
BD -	75	x	88	x	10	11.0	\$67.96
BD -	75	x	88	x	13	14.0	\$61.22
BD -	75	x	90	x	9	10.0	\$74.51
BD -	75	x	90	x	11.4	12.4	\$113.82
BD -	75	x	90	x	13	14.0	\$100.73
BD -	80	x	93	x	10	11.0	\$75.68
BD -	80	x	95	x	9	10.0	\$78.59
BD -	80	x	95	x	11.4	12.4	\$80.68
BD -	80	x	95	x	13	14.0	\$87.41
BD -	85	x	97	x	8.6	9.6	\$78.94
BD -	85	x	100	x	10	11.0	\$81.48
BD -	85	x	100	x	11.4	12.4	\$97.12
BD -	85	x	100	x	13	14.0	\$70.80
BD -	85	x	105	x	15	16.0	\$88.81
BD -	90	x	100	x	12	13.0	\$79.79
BD -	90	x	105	x	10	11.0	\$81.48
BD -	90	x	105	x	11.4	12.4	\$82.32
BD -	90	x	105	x	13	14.0	\$77.52
BD -	90	x	105	x	15	16.0	\$83.60
BD -	90	x	110	x	14.5	15.5	\$84.25
BD -	90	x	110	x	17	18.0	\$85.83
BD -	95	x	110	x	10	11.0	\$81.49
BD -	95	x	110	x	13	14.0	\$79.80
BD -	95	x	115	x	15	16.0	\$87.15
BD -	100	x	115	x	10	11.0	\$89.60
BD -	100	x	115	x	12	13.0	\$134.62
BD -	100	x	115	x	13	14.0	\$79.62
BD -	100	x	115	x	15	16.0	\$83.49
BD -	100	x	120	x	14	15.0	\$81.16
BD -	100	x	120	x	14.5	15.5	\$85.28
BD -	105	x	120	x	12	13.0	\$85.38
BD -	105	x	120	x	14.5	15.5	\$85.43
BD -	105	x	125	x	14.5	15.5	\$85.62
BD -	110	x	125	x	12	13.0	\$85.84
BD -	110	x	130	x	12	13.0	\$86.08
BD -	110	x	130	x	13	14.0	\$96.42

Part Number						Groove Height L	Price
Prefix	Rod Diameter d	Groove Diameter D	Seal Height L ₁				
BD -	110	x	130	x	14.5	15.5	\$90.53
BD -	115	x	130	x	15	16.0	\$89.37
BD -	115	x	135	x	14.5	15.5	\$97.84
BD -	120	x	135	x	14.5	15.5	\$101.52
BD -	120	x	140	x	12	13.0	\$102.70
BD -	120	x	140	x	13	14.0	\$99.96
BD -	120	x	140	x	14.5	15.5	\$106.74
BD -	125	x	145	x	14.5	15.5	\$97.94
BD -	130	x	145	x	9	10.0	\$125.75
BD -	130	x	150	x	14.5	15.5	\$106.74
BD -	135	x	155	x	13.6	14.6	\$108.04
BD -	140	x	160	x	13	14.0	\$114.75
BD -	140	x	160	x	14.5	15.5	\$109.62
BD -	145	x	165	x	15	16.0	\$117.80
BD -	150	x	160	x	14.5	15.5	\$109.43
BD -	150	x	165	x	14.5	15.5	\$134.62
BD -	150	x	170	x	14.5	15.5	\$117.50
BD -	160	x	175	x	14.5	15.5	\$110.83
BD -	160	x	180	x	14.5	15.5	\$139.72
BD -	170	x	185	x	14.5	15.5	\$142.91
BD -	170	x	190	x	14.5	15.5	\$250.14
BD -	180	x	195	x	14.5	15.5	\$152.96
BD -	180	x	200	x	14.5	15.5	\$170.93
BD -	180	x	205	x	18.2	19.2	\$179.64
BD -	185	x	205	x	18.5	19.5	\$182.18
BD -	190	x	205	x	14.5	15.5	\$184.95
BD -	190	x	215	x	18.2	19.2	\$386.26
BD -	200	x	220	x	14.5	15.5	\$178.44
BD -	200	x	230	x	22.7	25.0	\$394.24
BD -	210	x	230	x	14.5	15.5	\$185.42
BD -	210		235		18.5	19.5	\$246.12
BD -	215	x	235	x	14.5	15.5	\$226.35
BD -	220	x	245	x	19	20.0	\$191.94
BD -	220	x	250	x	22.7	25.0	\$457.75
BD -	230	x	250	x	15	16.0	\$137.69
BD -	230	x	260	x	22.7	25.0	\$436.71
BD -	240	x	260	x	14.5	15.5	\$150.77
BD -	240	x	260	x	15	16.0	\$150.78
BD -	280	x	300	x	14.5	15.5	\$164.21
BD -	290	x	315	x	19	20.0	\$186.25
BD -	295	x	315	x	16.4	17.4	\$191.83
BD -	300	x	320	x	14.5	15.5	\$214.47
BD -	340	x	365	x	19	20.0	\$221.37

BS Urethane Rod U-Cups - Inch



ALTERNATIVE SEALS:

Rod: Deep LLS, UNRR, BD, BSLL, BS-B, BT, UNR, US, UCH, UNR, BLS

The BS series hydraulic rod seal is ideally suited for heavy-duty mobile and stationary service where leakage must be held to an absolute minimum. This unique geometry is highly resistant to side loading and insensitive to pressure spikes. The BS profile reduces or eliminates leakage under severe operating conditions. It also reduces wear and "dry run". Rod lubricant is retained in the cavity formed by the secondary lip providing exceptionally low running friction even at low velocities. Sealing performance is outstanding, even at 0 PSI.

Temperature: -50°F to 230°F

Pressure: 0 to 6,000 PSI

EXAMPLE: BS-25003000-375				
Prefix	Cross Section	Inside Diameter		Height
BS-	250	03000	-	375
	1/4	3"		3/8

When there is nothing to indicate Height in the Part # (No Dash #)
Height = Cross Section

Part Number	Rod Diameter d	Groove Diameter D	Seal Height L ₁	Groove Height L	Price
3/32" CROSS SECTION ("F")					
BS-09300500-156	0.500	0.687	0.156	0.172	\$7.13
.120" CROSS SECTION ("F")					
BS-12001125-192	1.125	1.365	0.192	0.211	\$6.75
1/8" CROSS SECTION ("F")					
BS-12500375-198	0.375	0.625	0.198	0.218	\$5.82
BS-12500500-187	0.500	0.750	0.187	0.206	\$5.90
BS-12500562-187	0.562	0.812	0.187	0.206	\$6.02
BS-12500625-187	0.625	0.875	0.187	0.206	\$6.07
BS-12500625-241	0.625	0.875	0.241	0.265	\$6.12
BS-12500625-250	0.625	0.875	0.250	0.275	\$9.47
BS-12500687-187	0.687	0.937	0.187	0.206	\$6.47
BS-12500750	0.750	1.000	0.125	0.138	\$6.74
BS-12500750-187	0.750	1.000	0.187	0.206	\$6.02
BS-12500750-250	0.750	1.000	0.250	0.275	\$6.55
BS-12500812-187	0.812	1.062	0.187	0.206	\$7.00
BS-12500812-250	0.812	1.062	0.250	0.275	\$7.25
BS-12500875-187	0.875	1.125	0.187	0.206	\$7.58
BS-12500875-250	0.875	1.125	0.250	0.275	\$7.58
BS-12501000-187	1.000	1.250	0.187	0.206	\$7.63
BS-12501000-250	1.000	1.250	0.250	0.275	\$7.63
BS-12501062-187	1.062	1.312	0.187	0.206	\$7.83
BS-12501062-250	1.062	1.312	0.250	0.275	\$7.83
BS-12501125-187	1.125	1.375	0.187	0.206	\$7.93
BS-12501125-250	1.125	1.375	0.250	0.275	\$7.62
BS-12501250-187	1.250	1.500	0.187	0.206	\$8.14

Part Number	Rod Diameter d	Groove Diameter D	Seal Height L ₁	Groove Height L	Price
1/8" CROSS SECTION ("F")					
BS-12501250-250	1.250	1.500	0.250	0.275	\$8.14
BS-12501375-187	1.375	1.625	0.187	0.206	\$8.70
BS-12501375-250	1.375	1.625	0.250	0.275	\$7.33
BS-12501500-187	1.500	1.750	0.187	0.206	\$11.40
BS-12501500-250	1.500	1.750	0.250	0.275	\$8.88
BS-12501625-250	1.625	1.875	0.250	0.275	\$10.16
BS-12501750-250	1.750	2.000	0.250	0.275	\$8.30
BS-12502000-187	2.000	2.250	0.187	0.206	\$13.10
BS-12502000-250	2.000	2.250	0.250	0.275	\$8.90
.137" CROSS SECTION ("F")					
BS-13701125-187	1.125	1.406	0.187	0.206	\$8.64
5/32" CROSS SECTION ("F")					
BS-15601000-250	1.000	1.312	0.250	0.275	\$12.55
BS-15601375-250	1.375	1.687	0.250	0.275	\$11.11
3/16" CROSS SECTION ("F")					
BS-18700375-312	0.375	0.750	0.312	0.343	\$6.56
BS-18700625-281	0.625	1.000	0.281	0.309	\$6.80
BS-18700750-312	0.750	1.125	0.312	0.343	\$7.70
BS-18700875-250	0.875	1.250	0.250	0.275	\$10.31
BS-18700875-324	0.875	1.250	0.324	0.356	\$10.31
BS-18701000-250	1.000	1.375	0.250	0.275	\$7.42
BS-18701000-312	1.000	1.375	0.312	0.343	\$8.70
BS-18701125-312	1.125	1.500	0.312	0.343	\$8.27
BS-18701187-250	1.187	1.562	0.250	0.275	\$7.70
BS-18701250	1.250	1.625	0.187	0.206	\$9.50

BS Urethane Rod U-Cups - Inch, cont'd.

Part Number	Rod Diameter d	Groove Diameter D	Seal Height L ₁	Groove Height L	Price
3/16" CROSS SECTION ("F")					
BS-18701250-227	1.250	1.625	0.227	0.250	\$9.49
BS-18701250-250	1.250	1.625	0.250	0.275	\$7.70
BS-18701250-312	1.250	1.625	0.312	0.343	\$9.32
BS-18701375	1.375	1.750	0.187	0.206	\$10.83
BS-18701375-312	1.375	1.750	0.312	0.343	\$8.99
BS-18701437-312	1.437	1.812	0.312	0.343	\$11.40
BS-18701500-250	1.500	1.875	0.250	0.275	\$10.01
BS-18701500-312	1.500	1.875	0.312	0.343	\$10.01
BS-18701500-375	1.500	1.875	0.375	0.413	\$10.01
BS-18701625-281	1.625	2.000	0.281	0.309	\$12.08
BS-18701625-312	1.625	2.000	0.312	0.343	\$12.40
BS-18701625-375	1.625	2.000	0.375	0.413	\$9.93
BS-18701750-250	1.750	2.125	0.250	0.275	\$9.21
BS-18701750-312	1.750	2.125	0.312	0.343	\$10.64
BS-18701750-375	1.750	2.125	0.375	0.413	\$8.61
BS-18701875-375	1.875	2.250	0.375	0.413	\$9.22
BS-18702000-250	2.000	2.375	0.250	0.275	\$11.07
BS-18702000-312	2.000	2.375	0.312	0.343	\$12.55
BS-18702000-375	2.000	2.375	0.375	0.413	\$11.49
BS-18702125-375	2.125	2.500	0.375	0.413	\$12.58
BS-18702250-335	2.250	2.625	0.335	0.369	\$15.30
BS-18702250-375	2.250	2.625	0.375	0.413	\$16.07
BS-18702375-375	2.375	2.750	0.375	0.413	\$13.24
BS-18702500-312	2.500	2.875	0.312	0.343	\$13.80
BS-18702500-375	2.500	2.875	0.375	0.413	\$13.34
BS-18702625-375	2.625	3.000	0.375	0.413	\$12.85
BS-18702750-375	2.750	3.125	0.375	0.413	\$13.04
BS-18702875-375	2.875	3.250	0.375	0.413	\$17.54
BS-18703000-375	3.000	3.375	0.375	0.413	\$15.59
BS-18703125-625	3.125	3.500	0.625	0.688	\$19.52
BS-18703250-375	3.250	3.625	0.375	0.413	\$18.80
BS-18703250-562	3.250	3.625	0.562	0.618	\$19.22
BS-18703500-375	3.500	3.875	0.375	0.413	\$19.36
BS-18703750-375	3.750	4.125	0.375	0.413	\$21.41
BS-18704000-375	4.000	4.375	0.375	0.413	\$22.75
BS-18704750-375	4.750	5.125	0.375	0.413	\$27.69
BS-18704750-625	4.750	5.125	0.625	0.688	\$53.93
BS-18705500-375	5.500	5.875	0.375	0.413	\$34.66
7/32" CROSS SECTION ("F")					
BS-21801125-325	1.125	1.562	0.325	0.358	\$11.87
BS-21802500-284	2.500	2.937	0.284	0.312	\$16.55
BS-21803000-281	3.000	3.437	0.281	0.309	\$18.17
1/4" CROSS SECTION ("F")					
BS-25000875-341	0.875	1.375	0.341	0.375	\$9.69
BS-25001000-341	1.000	1.500	0.341	0.375	\$9.69

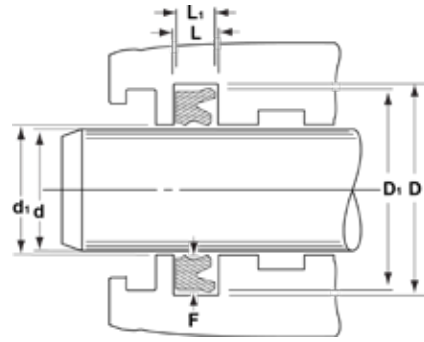
Part Number	Rod Diameter d	Groove Diameter D	Seal Height L ₁	Groove Height L	Price
1/4" CROSS SECTION ("F")					
BS-25001000-375	1.000	1.500	0.375	0.413	\$9.43
BS-25001125	1.125	1.625	0.250	0.275	\$9.50
BS-25001250	1.250	1.750	0.250	0.275	\$9.80
BS-25001250-375	1.250	1.750	0.375	0.413	\$9.77
BS-25001375-375	1.375	1.875	0.375	0.413	\$9.34
BS-25001500	1.500	2.000	0.250	0.275	\$8.90
BS-25001500-341	1.500	2.000	0.341	0.375	\$10.04
BS-25001500-375	1.500	2.000	0.375	0.413	\$11.43
BS-25001625-375	1.625	2.125	0.375	0.413	\$11.95
BS-25001750	1.750	2.250	0.250	0.275	\$10.03
BS-25001750-341	1.750	2.250	0.341	0.375	\$11.36
BS-25001750-375	1.750	2.250	0.375	0.413	\$12.69
BS-25001750-500	1.750	2.250	0.500	0.550	\$14.08
BS-25001875-375	1.875	2.375	0.375	0.413	\$11.85
BS-25002000	2.000	2.500	0.250	0.275	\$12.28
BS-25002000-312	2.000	2.500	0.312	0.343	\$13.07
BS-25002000-341	2.000	2.500	0.341	0.375	\$13.43
BS-25002000-375	2.000	2.500	0.375	0.413	\$13.80
BS-25002000-781	2.000	2.500	0.781	0.859	\$22.99
BS-25002250-341	2.250	2.750	0.341	0.375	\$16.36
BS-25002250-375	2.250	2.750	0.375	0.413	\$15.44
BS-25002375-375	2.375	2.875	0.375	0.413	\$14.08
BS-25002500	2.500	3.000	0.250	0.275	\$14.99
BS-25002500-284	2.500	3.000	0.284	0.312	\$16.61
BS-25002500-375	2.500	3.000	0.375	0.413	\$16.91
BS-25002625-375	2.625	3.125	0.375	0.413	\$21.68
BS-25002625-500	2.625	3.125	0.500	0.550	\$23.65
BS-25002750-375	2.750	3.250	0.375	0.413	\$17.41
BS-25002875-375	2.875	3.375	0.375	0.413	\$18.99
BS-25003000-375	3.000	3.500	0.375	0.413	\$18.41
BS-25003000-625	3.000	3.500	0.625	0.688	\$20.51
BS-25003000-705	3.000	3.500	0.705	0.776	\$42.66
BS-25003000-781	3.000	3.500	0.781	0.859	\$24.13
BS-25003250-375	3.250	3.750	0.375	0.413	\$19.92
BS-25003375-375	3.375	3.875	0.375	0.413	\$22.35
BS-25003500-312	3.500	4.000	0.312	0.343	\$23.27
BS-25003500-375	3.500	4.000	0.375	0.413	\$20.34
BS-25003625-375	3.625	4.125	0.375	0.413	\$21.36
BS-25003750-375	3.750	4.250	0.375	0.413	\$22.56
BS-25003750-500	3.750	4.250	0.500	0.550	\$22.57
BS-25003750-562	3.750	4.250	0.562	0.618	\$25.64
BS-25003875-375	3.875	4.375	0.375	0.413	\$26.11
BS-25004000-312	4.000	4.500	0.312	0.343	\$23.25
BS-25004000-375	4.000	4.500	0.375	0.413	\$26.10
BS-25004000-562	4.000	4.500	0.562	0.618	\$28.24

BS Type Urethane Rod U-Cups - Inch, cont'd.

Part Number	Rod Diameter d	Groove Diameter D	Seal Height L ₁	Groove Height L	Price
1/4" CROSS SECTION ("F")					
BS-25004000-705	4.000	4.500	0.705	0.776	\$55.80
BS-25004000-781	4.000	4.500	0.781	0.859	\$29.20
BS-25004250-562	4.250	4.750	0.562	0.618	\$44.56
BS-25004375-375	4.375	4.875	0.375	0.413	\$37.79
BS-25004500-375	4.500	5.000	0.375	0.413	\$28.33
BS-25004500-562	4.500	5.000	0.562	0.618	\$32.36
BS-25004750-625	4.750	5.250	0.625	0.688	\$32.68
BS-25004875-375	4.875	5.375	0.375	0.413	\$39.76
BS-25005000-375	5.000	5.500	0.375	0.413	\$32.37
BS-25005000-562	5.000	5.500	0.562	0.618	\$37.64
BS-25005000-705	5.000	5.500	0.705	0.776	\$60.36
BS-25005000-781	5.000	5.500	0.781	0.859	\$32.51
BS-25005125-562	5.125	5.625	0.562	0.618	\$42.38
BS-25005375-625	5.375	5.875	0.625	0.688	\$42.47
BS-25005500-375	5.500	6.000	0.375	0.413	\$36.29
BS-25005500-562	5.500	6.000	0.562	0.618	\$43.05
BS-25005625-375	5.625	6.125	0.375	0.413	\$56.89
BS-25005750-375	5.750	6.250	0.375	0.413	\$65.40
BS-25006000-562	6.000	6.500	0.562	0.618	\$47.41
BS-25006000-705	6.000	6.500	0.705	0.776	\$82.14
BS-25006000-781	6.000	6.500	0.781	0.859	\$36.91
BS-25006375-375	6.375	6.875	0.375	0.413	\$48.14
BS-25006500-375	6.500	7.000	0.375	0.413	\$56.29
BS-25007000-562	7.000	7.500	0.562	0.618	\$55.15
BS-25007000-781	7.000	7.500	0.781	0.859	\$50.26
BS-25007250-375	7.250	7.750	0.375	0.413	\$56.91
BS-25007500-375	7.500	8.000	0.375	0.413	\$66.53
BS-25008000-375	8.000	8.500	0.375	0.413	\$67.89
BS-25008000-562	8.000	8.500	0.562	0.618	\$69.55
BS-25008125-781	8.125	8.625	0.781	0.859	\$69.71
BS-25008500-375	8.500	9.000	0.375	0.413	\$73.83
BS-25009000-562	9.000	9.500	0.562	0.618	\$74.89
BS-25009375-781	9.375	9.875	0.781	0.859	\$57.00
BS-25010000-562	10.000	10.500	0.562	0.618	\$81.56
.258" CROSS SECTION ("F")					
BS-25802735-312	2.735	3.250	0.312	0.343	\$26.09
.266" CROSS SECTION ("F")					
BS-26605000-557	5.000	5.531	0.557	0.613	\$36.94
BS-26606000-562	6.000	6.531	0.562	0.618	\$46.53
BS-26607000-562	7.000	7.531	0.562	0.618	\$54.13
5/16" CROSS SECTION ("F")					
BS-31201125-397	1.125	1.750	0.397	0.437	\$11.30
BS-31201250-397	1.250	1.875	0.397	0.437	\$11.49
BS-31201375-397	1.375	2.000	0.397	0.437	\$11.95
BS-31201500-375	1.500	2.125	0.375	0.413	\$12.85
BS-31201500-397	1.500	2.125	0.397	0.437	\$13.77

Part Number	Rod Diameter d	Groove Diameter D	Seal Height L ₁	Groove Height L	Price
5/16" CROSS SECTION ("F")					
BS-31201750-437	1.750	2.375	0.437	0.481	\$13.85
BS-31201875-397	1.875	2.500	0.397	0.437	\$16.05
BS-31202000	2.000	2.625	0.312	0.343	\$16.58
BS-31202000-397	2.000	2.625	0.397	0.437	\$16.58
BS-31202000-500	2.000	2.625	0.500	0.550	\$15.58
BS-31202250-500	2.250	2.875	0.500	0.550	\$24.72
BS-31202500-500	2.500	3.125	0.500	0.550	\$19.18
BS-31202625-625	2.625	3.250	0.625	0.688	\$23.05
BS-31202750-375	2.750	3.375	0.375	0.413	\$21.59
BS-31202750-500	2.750	3.375	0.500	0.550	\$20.07
BS-31202750-805	2.750	3.375	0.805	0.886	\$29.85
BS-31203000-500	3.000	3.625	0.500	0.550	\$22.51
BS-31203250-500	3.250	3.875	0.500	0.550	\$22.35
BS-31203375-594	3.375	4.000	0.594	0.653	\$25.02
BS-31203500-500	3.500	4.125	0.500	0.550	\$24.67
BS-31204000-375	4.000	4.625	0.375	0.413	\$22.38
BS-31204000-500	4.000	4.625	0.500	0.550	\$31.15
BS-31204500-500	4.500	5.125	0.500	0.550	\$31.82
BS-31204500-625	4.500	5.125	0.625	0.688	\$36.13
BS-31204625-625	4.625	5.250	0.625	0.688	\$37.40
BS-31205000-500	5.000	5.625	0.500	0.550	\$37.06
BS-31205375-625	5.375	6.000	0.625	0.688	\$54.08
BS-31205500	5.500	6.125	0.312	0.343	\$56.12
3/8" CROSS SECTION ("F")					
BS-37502000-625	2.000	2.750	0.625	0.688	\$21.99
BS-37502250-511	2.250	3.000	0.511	0.562	\$24.35
BS-37502500-625	2.500	3.250	0.625	0.688	\$26.80
BS-37502750-625	2.750	3.500	0.625	0.688	\$29.32
BS-37503000-625	3.000	3.750	0.625	0.688	\$29.75
BS-37503500-625	3.500	4.250	0.625	0.688	\$28.69
BS-37504000-500	4.000	4.750	0.500	0.550	\$39.98
BS-37504000-625	4.000	4.750	0.625	0.688	\$31.09
BS-37504250-625	4.250	5.000	0.625	0.688	\$33.80
BS-37504500-625	4.500	5.250	0.625	0.688	\$39.83
BS-37505000-500	5.000	5.750	0.500	0.550	\$60.37
BS-37505000-625	5.000	5.750	0.625	0.688	\$61.49
BS-37505500-625	5.500	6.250	0.625	0.688	\$48.56
BS-37506000-625	6.000	6.750	0.625	0.688	\$49.94
BS-37506500-625	6.500	7.250	0.625	0.688	\$55.42
BS-37507000-625	7.000	7.750	0.625	0.688	\$59.21
BS-37507750-625	7.750	8.500	0.625	0.688	\$57.29
BS-37508000-625	8.000	8.750	0.625	0.688	\$76.57
BS-37509250-625	9.250	10.000	0.625	0.688	\$87.01
7/16" CROSS SECTION ("F")					
BS-43703875-750	3.875	4.750	0.750	0.825	\$51.83
BS-43705125-500	5.125	6.000	0.500	0.550	\$60.51

BS Urethane Rod U-Cups - Metric



ALTERNATIVE SEALS:

Rod: UNRR, BD, BS-B, UCH, MA30, C1, MURH, MA21, MA25, MA35

The BS series hydraulic rod seal is ideally suited for heavy-duty mobile and stationary service where leakage must be held to an absolute minimum. This unique geometry is highly resistant to side loading and insensitive to pressure spikes. The BS profile reduces or eliminates leakage under severe operating conditions. It also reduces wear and "dry run". Rod lubricant is retained in the cavity formed by the secondary lip providing exceptionally low running friction even at low velocities. Sealing performance is outstanding even at 0 PSI.

Temperature: -50°F to 230°F Pressure: 0 to 6,000 PSI

EXAMPLE: BS-85X100X12					
Prefix	Inside Diameter		Outside Diameter		Height
BS-	85	x	100	x	12
	85mm		100mm		12mm

Part Number					Groove Height L	Price		
Prefix	Rod Diameter d	Groove Diameter D	Seal Height L ₁	Groove Height L				
BS	-	6	x	16	x	7	8.0	\$16.10
BS	-	10	x	15	x	3.6	4.6	\$9.89
BS	-	12	x	18	x	4	5.0	\$9.89
BS	-	12	x	18	x	5.7	6.7	\$9.85
BS	-	12	x	19	x	4.5	5.5	\$9.89
BS	-	12	x	20	x	5.7	6.7	\$10.25
BS	-	12	x	22	x	7.3	8.3	\$10.25
BS	-	12	x	22	x	7.7	8.7	\$10.25
BS	-	12.7	x	18	x	5.5	6.5	\$10.25
BS	-	13	x	20	x	4.5	5.5	\$10.45
BS	-	14	x	21	x	5.1	6.1	\$10.64
BS	-	14	x	22	x	5.7	6.7	\$8.17
BS	-	14	x	24	x	7.3	8.3	\$10.43
BS	-	15.37	x	25.48	x	6.3	7.3	\$10.74
BS	-	15.9	x	22.9	x	5.1	6.1	\$11.17
BS	-	16	x	22	x	4.5	5.5	\$11.27
BS	-	16	x	22	x	5	6.0	\$12.00
BS	-	16	x	24	x	5.7	6.7	\$13.20
BS	-	16	x	26	x	7	8.0	\$13.20
BS	-	16	x	26	x	7.7	8.7	\$11.03
BS	-	16	x	26	x	8	9.0	\$9.61
BS	-	18		24		4.9	5.9	\$9.53
BS	-	18	x	25	x	4.5	5.5	\$8.99
BS	-	18	x	25	x	5	6.0	\$10.80
BS	-	18	x	25.5	x	2.8	3.8	\$11.03
BS	-	18	x	26	x	5	6.0	\$8.93
BS	-	18	x	26	x	5.7	6.7	\$9.20
BS	-	18	x	26	x	6	7.0	\$12.01
BS	-	18	x	28	x	7.7	8.7	\$11.58
BS	-	20	x	25	x	3.2	4.2	\$10.12
BS	-	20	x	26	x	5	6.0	\$9.42
BS	-	20	x	28	x	5	6.0	\$9.45
BS	-	20	x	28	x	5.7	6.7	\$10.73

Part Number					Groove Height L	Price		
Prefix	Rod Diameter d	Groove Diameter D	Seal Height L ₁	Groove Height L				
BS	-	20	x	30	x	6	7.0	\$9.45
BS	-	20	x	30	x	7.7	8.7	\$11.25
BS	-	20	x	30	x	8	9.0	\$13.07
BS	-	20	x	30	x	10	11.0	\$10.79
BS	-	20	x	31	x	3.9	4.9	\$11.29
BS	-	22	x	30	x	5.7	6.7	\$10.31
BS	-	22	x	30	x	6	7.0	\$12.98
BS	-	22	x	30	x	7	8.0	\$13.10
BS	-	22	x	30	x	7.3	8.3	\$14.23
BS	-	22	x	32	x	7	8.0	\$10.62
BS	-	22	x	32	x	7.3	8.3	\$10.75
BS	-	22	x	32	x	8	9.0	\$10.71
BS	-	22	x	32	x	10	11.0	\$10.93
BS	-	22	x	33	x	3.8	4.8	\$10.98
BS	-	22.4	x	30	x	5	6.0	\$10.14
BS	-	25	x	33	x	5	6.0	\$9.42
BS	-	25	x	33	x	5.5	6.5	\$10.31
BS	-	25	x	33	x	5.7	6.7	\$10.31
BS	-	25	x	33	x	6	7.0	\$10.33
BS	-	25	x	33	x	6.5	7.5	\$10.48
BS	-	25	x	33	x	6.8	7.8	\$10.54
BS	-	25	x	33	x	10	11.0	\$10.60
BS	-	25	x	35	x	7.3	8.3	\$9.76
BS	-	25	x	35	x	7.7	8.7	\$11.34
BS	-	25	x	35	x	8	9.0	\$13.77
BS	-	25	x	35	x	10	11.0	\$11.34
BS	-	25	x	36	x	3.9	4.9	\$12.22
BS	-	25	x	37	x	10	11.0	\$11.78
BS	-	25	x	40	x	10	11.0	\$11.35
BS	-	25.4	x	32.9	x	2.8	3.8	\$9.98
BS	-	26	x	36	x	7	8.0	\$10.15
BS	-	28	x	35.5	x	5	6.0	\$10.84
BS	-	28	x	36	x	5.7	6.7	\$11.16

BS Urethane Rod U-Cups - Metric, cont'd.

Part Number						Groove Height L	Price
Prefix	Rod Diameter d	Groove Diameter D	Seal Height L ₁	Groove Height L	Price		
BS	-	28 x	38 x	7	8.0	\$11.25	
BS	-	28 x	38 x	8	9.0	\$11.26	
BS	-	28 x	39 x	3.9	4.9	\$11.39	
BS	-	28 x	43 x	11.4	12.4	\$11.35	
BS	-	30 x	38 x	5.7	6.7	\$11.37	
BS	-	30 x	38 x	6.3	7.3	\$11.37	
BS	-	30 x	40 x	6	7.0	\$11.37	
BS	-	30 x	40 x	7	8.0	\$9.61	
BS	-	30 x	40 x	8	9.0	\$14.90	
BS	-	30 x	40 x	10	11.0	\$11.76	
BS	-	30 x	41 x	3.8	4.8	\$11.68	
BS	-	30 x	42 x	10.9	11.9	\$12.05	
BS	-	30 x	45 x	10	11.0	\$12.30	
BS	-	30 x	50 x	10	11.0	\$14.08	
BS	-	32 x	39.5 x	3.2	4.2	\$9.70	
BS	-	32 x	40 x	6	7.0	\$9.83	
BS	-	32 x	40 x	6.7	7.7	\$11.50	
BS	-	32 x	40 x	7.7	8.7	\$11.38	
BS	-	32 x	40 x	8	9.0	\$11.59	
BS	-	32 x	41.53 x	7.9	8.9	\$11.62	
BS	-	32 x	42 x	5.7	6.7	\$10.75	
BS	-	32 x	42 x	7.3	8.3	\$11.89	
BS	-	32 x	42 x	10	11.0	\$11.89	
BS	-	32 x	43 x	3.9	4.9	\$11.81	
BS	-	32 x	45 x	10	11.0	\$12.24	
BS	-	32 x	47 x	9.1	10.1	\$12.32	
BS	-	32 x	47 x	10	11.0	\$12.32	
BS	-	32 x	48 x	10	11.0	\$12.41	
BS	-	35 x	43 x	5.7	6.7	\$10.47	
BS	-	35 x	43 x	6.3	7.3	\$10.61	
BS	-	35 x	43 x	7	8.0	\$10.61	
BS	-	35 x	43 x	8.2	9.2	\$11.31	
BS	-	35 x	45 x	6	7.0	\$11.46	
BS	-	35 x	45 x	8	9.0	\$12.79	
BS	-	35 x	45 x	10	11.0	\$11.32	
BS	-	35 x	50 x	9	10.0	\$12.75	
BS	-	35 x	50 x	10	11.0	\$12.75	
BS	-	36 x	44 x	6	7.0	\$10.74	
BS	-	36 x	44 x	8.2	9.2	\$11.51	
BS	-	36 x	46 x	6	7.0	\$11.57	
BS	-	36 x	46 x	7.3	8.3	\$11.25	
BS	-	36 x	46 x	10	11.0	\$11.89	
BS	-	36 x	47 x	3.9	4.9	\$11.89	
BS	-	36 x	51 x	10	11.0	\$11.90	
BS	-	36 x	52 x	10	11.0	\$12.27	
BS	-	36 x	56 x	12	13.0	\$22.69	
BS	-	37 x	47 x	8	9.0	\$12.59	
BS	-	38 x	48 x	9	10.0	\$12.75	
BS	-	38 x	48 x	10	11.0	\$12.90	
BS	-	38 x	50 x	10	11.0	\$16.13	
BS	-	38 x	53 x	10	11.0	\$13.00	
BS	-	40 x	48 x	5.7	6.7	\$12.96	
BS	-	40 x	48 x	8.2	9.2	\$12.47	
BS	-	40 x	49.52 x	9.5	10.5	\$13.19	
BS	-	40 x	50 x	6	7.0	\$12.16	
BS	-	40 x	50 x	7	8.0	\$14.04	
BS	-	40 x	50 x	7.3	8.3	\$14.04	

Part Number						Groove Height L	Price
Prefix	Rod Diameter d	Groove Diameter D	Seal Height L ₁	Groove Height L	Price		
BS	-	40 x	50 x	10	11.0	\$14.27	
BS	-	40 x	52 x	10.9	11.9	\$16.80	
BS	-	40 x	55 x	7.3	8.3	\$17.12	
BS	-	40 x	55 x	9	10.0	\$12.27	
BS	-	40 x	55 x	10	11.0	\$14.37	
BS	-	40 x	55 x	11.5	12.5	\$16.23	
BS	-	40 x	55.5 x	6	7.0	\$14.46	
BS	-	40 x	60 x	11.5	12.5	\$14.91	
BS	-	42 x	50 x	7.5	8.5	\$11.14	
BS	-	42 x	52 x	10	11.0	\$11.84	
BS	-	45 x	53 x	5.6	6.6	\$13.10	
BS	-	45 x	53 x	8.1	9.1	\$12.55	
BS	-	45 x	53 x	11.5	12.5	\$13.80	
BS	-	45 x	53 x	11.8	12.8	\$12.09	
BS	-	45 x	55 x	5.6	6.6	\$13.11	
BS	-	45 x	55 x	7	8.0	\$11.52	
BS	-	45 x	55 x	7.3	8.3	\$12.54	
BS	-	45 x	55 x	10	11.0	\$13.87	
BS	-	45 x	56 x	3.9	4.9	\$14.05	
BS	-	45 x	57.7 x	9.5	10.5	\$14.28	
BS	-	45 x	60 x	10	11.0	\$14.20	
BS	-	45 x	60 x	11.5	12.5	\$14.48	
BS	-	45 x	60.5 x	6	7.0	\$14.57	
BS	-	45 x	65 x	10	11.0	\$16.08	
BS	-	48 x	60 x	10	11.0	\$12.36	
BS	-	50 x	57 x	9	10.0	\$13.73	
BS	-	50 x	60 x	6	7.0	\$13.02	
BS	-	50 x	60 x	7.3	8.3	\$13.80	
BS	-	50 x	60 x	10	11.0	\$13.96	
BS	-	50 x	60 x	11.8	12.8	\$13.43	
BS	-	50 x	62.7 x	9.5	10.5	\$14.80	
BS	-	50 x	63 x	10	11.0	\$14.10	
BS	-	50 x	65 x	9	10.0	\$12.59	
BS	-	50 x	65 x	9.5	10.5	\$16.08	
BS	-	50 x	65 x	10	11.0	\$14.05	
BS	-	50 x	65 x	10.9	11.9	\$17.60	
BS	-	50 x	65 x	14.5	15.5	\$15.41	
BS	-	50 x	65.5 x	6	7.0	\$14.80	
BS	-	50 x	70 x	12	13.0	\$16.84	
BS	-	55 x	63 x	11.4	12.4	\$16.90	
BS	-	55 x	65 x	6	7.0	\$13.60	
BS	-	55 x	65 x	8.2	9.2	\$13.55	
BS	-	55 x	65 x	10	11.0	\$13.77	
BS	-	55 x	65 x	11.8	12.8	\$12.36	
BS	-	55 x	68 x	10	11.0	\$14.37	
BS	-	55 x	70 x	9	10.0	\$14.37	
BS	-	55 x	70 x	12	13.0	\$15.80	
BS	-	55 x	75 x	12	13.0	\$18.97	
BS	-	56 x	66 x	6.5	7.5	\$19.00	
BS	-	56 x	66 x	8	9.0	\$19.30	
BS	-	56 x	66 x	10	11.0	\$16.11	
BS	-	56 x	71 x	10	11.0	\$16.61	
BS	-	56 x	71 x	11.4	12.4	\$16.96	
BS	-	56 x	71.5 x	6	7.0	\$19.36	
BS	-	56 x	76 x	12	13.0	\$17.20	
BS	-	60 x	68 x	8	9.0	\$15.23	
BS	-	60 x	68 x	11.4	12.4	\$16.05	

BS Urethane Rod U-Cups - Metric, cont'd.

Part Number						Groove Height L	Price	
Prefix	Rod Diameter d	Groove Diameter D	Seal Height L ₁					
BS	-	60	x	70	x	6	7.0	\$16.05
BS	-	60	x	70	x	7	8.0	\$12.43
BS	-	60	x	70	x	10	11.0	\$16.21
BS	-	60	x	70	x	11.5	12.5	\$15.67
BS	-	60	x	70	x	12	13.0	\$19.32
BS	-	60	x	70.6	x	3.9	4.9	\$16.45
BS	-	60	x	71	x	7	8.0	\$16.09
BS	-	60	x	72	x	9	10.0	\$15.17
BS	-	60	x	72	x	10	11.0	\$15.68
BS	-	60	x	73	x	10	11.0	\$16.23
BS	-	60	x	75	x	6	7.0	\$16.05
BS	-	60	x	75	x	9	10.0	\$14.67
BS	-	60	x	75	x	10	11.0	\$16.51
BS	-	60	x	75	x	11.8	12.8	\$22.76
BS	-	60	x	75	x	12	13.0	\$25.25
BS	-	60	x	75	x	20.5	21.5	\$27.12
BS	-	60	x	80	x	11.4	12.4	\$31.68
BS	-	60	x	80	x	12	13.0	\$24.38
BS	-	63	x	73	x	6	7.0	\$16.82
BS	-	63	x	73	x	11.8	12.8	\$17.88
BS	-	63	x	73	x	12	13.0	\$20.20
BS	-	63	x	78	x	10	11.0	\$17.00
BS	-	63	x	78	x	11.4	12.4	\$17.47
BS	-	63	x	78.5	x	6	7.0	\$17.82
BS	-	63	x	83	x	12	13.0	\$17.92
BS	-	65	x	75	x	6	7.0	\$13.09
BS	-	65	x	75	x	7.7	8.7	\$13.15
BS	-	65	x	75	x	11.5	12.5	\$17.08
BS	-	65	x	75	x	11.8	12.8	\$15.26
BS	-	65	x	77	x	9	10.0	\$17.14
BS	-	65	x	77.7	x	9.5	10.5	\$19.13
BS	-	65	x	78	x	10	11.0	\$20.11
BS	-	65	x	80	x	9	10.0	\$20.21
BS	-	65	x	80	x	12	13.0	\$19.68
BS	-	65	x	80.5	x	6	7.0	\$20.11
BS	-	65	x	85	x	12	13.0	\$23.99
BS	-	67	x	77	x	6	7.0	\$17.66
BS	-	70	x	80	x	6	7.0	\$14.66
BS	-	70	x	80	x	11.5	12.5	\$18.77
BS	-	70	x	82	x	8.7	9.7	\$17.39
BS	-	70	x	82	x	10	11.0	\$17.39
BS	-	70	x	83	x	10	11.0	\$17.32
BS	-	70	x	85	x	9	10.0	\$15.39
BS	-	70	x	85	x	10	11.0	\$17.44
BS	-	70	x	85	x	11.4	12.4	\$18.91
BS	-	70	x	85	x	12	13.0	\$18.23
BS	-	70	x	85	x	20.5	21.5	\$21.22
BS	-	70	x	85.5	x	6	7.0	\$20.11
BS	-	70	x	90	x	12	13.0	\$23.10
BS	-	75	x	83	x	11.4	12.4	\$19.01
BS	-	75	x	85	x	6	7.0	\$14.69
BS	-	75	x	85	x	11.5	12.5	\$17.48
BS	-	75	x	85	x	12	13.0	\$19.58
BS	-	75	x	88	x	10	11.0	\$19.21
BS	-	75	x	90	x	9	10.0	\$15.93
BS	-	75	x	90	x	12	13.0	\$18.82
BS	-	75	x	95	x	12	13.0	\$19.76

Part Number						Groove Height L	Price	
Prefix	Rod Diameter d	Groove Diameter D	Seal Height L ₁					
BS	-	77	x	87	x	12	13.0	\$19.98
BS	-	78	x	86	x	9	10.0	\$19.59
BS	-	80	x	90	x	6	7.0	\$15.49
BS	-	80	x	90	x	9	10.0	\$17.97
BS	-	80	x	90	x	10	11.0	\$19.80
BS	-	80	x	90	x	11.8	12.8	\$23.20
BS	-	80	x	90	x	12	13.0	\$20.21
BS	-	80	x	92	x	9	10.0	\$23.60
BS	-	80	x	93	x	10	11.0	\$22.52
BS	-	80	x	95	x	9	10.0	\$17.30
BS	-	80	x	95	x	10	11.0	\$21.68
BS	-	80	x	95	x	11.5	12.5	\$21.68
BS	-	80	x	95	x	12	13.0	\$21.22
BS	-	80	x	95.5	x	6	7.0	\$21.22
BS	-	80	x	100	x	12	13.0	\$31.15
BS	-	80	x	100	x	14.5	15.5	\$31.38
BS	-	80	x	100	x	15	16.0	\$31.15
BS	-	80	x	110	x	16.4	17.4	\$46.54
BS	-	85	x	93	x	10	11.0	\$19.47
BS	-	85	x	93	x	11	12.0	\$17.83
BS	-	85	x	93	x	11.5	12.5	\$18.86
BS	-	85	x	95	x	12	13.0	\$20.16
BS	-	85	x	100	x	9	10.0	\$20.90
BS	-	85	x	100	x	10	11.0	\$24.74
BS	-	85	x	100	x	11.8	12.8	\$26.58
BS	-	85	x	100	x	12	13.0	\$26.58
BS	-	85	x	105	x	12	13.0	\$27.16
BS	-	88.9	x	98.9	x	6.8	7.8	\$27.73
BS	-	90	x	98	x	11.4	12.4	\$29.37
BS	-	90	x	100	x	6.8	7.8	\$18.47
BS	-	90	x	100	x	9	10.0	\$19.86
BS	-	90	x	100	x	10	11.0	\$22.99
BS	-	90	x	100	x	11.5	12.5	\$22.99
BS	-	90	x	100	x	11.8	12.8	\$22.27
BS	-	90	x	102	x	8.7	9.7	\$23.26
BS	-	90	x	105	x	9	10.0	\$24.36
BS	-	90	x	105	x	10	11.0	\$24.36
BS	-	90	x	105	x	11.4	12.4	\$24.16
BS	-	90	x	105	x	12	13.0	\$25.21
BS	-	90	x	105.5	x	5.6	6.6	\$24.75
BS	-	90	x	110	x	10	11.0	\$25.20
BS	-	90	x	110	x	12	13.0	\$24.38
BS	-	95	x	103	x	11.5	12.5	\$31.02
BS	-	95	x	105	x	12	13.0	\$28.51
BS	-	95	x	110	x	9	10.0	\$25.21
BS	-	95	x	110	x	10	11.0	\$25.21
BS	-	95	x	110	x	12	13.0	\$25.42
BS	-	95	x	110.5	x	5.6	6.6	\$25.21
BS	-	95	x	115	x	12	13.0	\$25.59
BS	-	96	x	104	x	10.9	11.9	\$23.91
BS	-	100	x	108	x	8	9.0	\$37.11
BS	-	100	x	108	x	11.4	12.4	\$25.77
BS	-	100	x	110	x	10.9	11.9	\$25.87
BS	-	100	x	115	x	9	10.0	\$28.64
BS	-	100	x	115	x	10	11.0	\$26.87
BS	-	100	x	115	x	12	13.0	\$30.54
BS	-	100	x	115.5	x	6	7.0	\$28.64

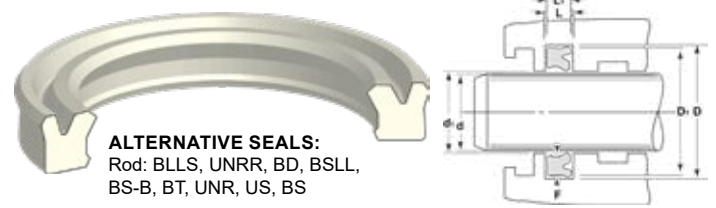
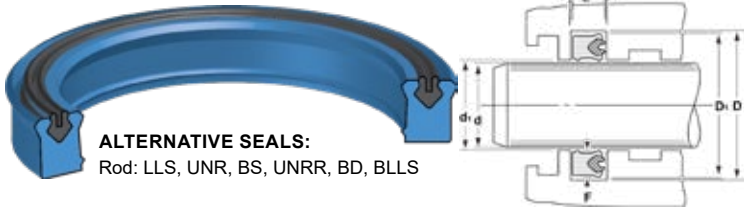
BS Urethane Rod U-Cups - Metric, cont'd.

Part Number					Groove Height L	Price		
Prefix	Rod Diameter d	Groove Diameter D	Seal Height L ₁	Groove Height L				
BS	-	100	x	120	x	11.5	12.5	\$41.71
BS	-	100	x	120	x	12	13.0	\$39.56
BS	-	100	x	120	x	14.5	15.5	\$40.22
BS	-	100	x	125	x	15	16.0	\$40.66
BS	-	101.6	x	116.6	x	9.6	10.6	\$42.89
BS	-	105	x	113	x	10	11.0	\$25.70
BS	-	105	x	113	x	11.5	12.5	\$33.36
BS	-	105	x	115	x	11.5	12.5	\$29.21
BS	-	105	x	115	x	13.2	14.2	\$31.15
BS	-	105	x	120	x	10	11.0	\$28.11
BS	-	105	x	120	x	14.5	15.5	\$35.92
BS	-	108	x	123	x	10.9	11.9	\$34.39
BS	-	110	x	118	x	11.4	12.4	\$30.96
BS	-	110	x	125	x	9	10.0	\$32.07
BS	-	110	x	125	x	11	12.0	\$36.90
BS	-	110	x	125	x	14.5	15.5	\$50.51
BS	-	110	x	130	x	11.8	12.8	\$53.36
BS	-	110	x	130	x	12	13.0	\$54.40
BS	-	110	x	130	x	14.5	15.5	\$55.86
BS	-	110	x	130	x	15	16.0	\$47.12
BS	-	110	x	135	x	14.5	15.5	\$58.18
BS	-	112	x	125	x	9	10.0	\$34.11
BS	-	115	x	123	x	12.5	13.5	\$40.14
BS	-	115	x	125	x	11.8	12.8	\$37.26
BS	-	115	x	125	x	14	15.0	\$41.06
BS	-	115	x	130	x	9	10.0	\$33.12
BS	-	115	x	130	x	10.9	11.9	\$40.50
BS	-	115	x	130	x	14.5	15.5	\$43.20
BS	-	118	x	126	x	11.5	12.5	\$36.61
BS	-	118	x	126	x	13.2	14.2	\$36.61
BS	-	120	x	128	x	11.4	12.4	\$39.76
BS	-	120	x	130	x	10.9	11.9	\$41.25
BS	-	120	x	130	x	11.5	12.5	\$34.55
BS	-	120	x	135	x	9	10.0	\$40.95
BS	-	120	x	135	x	15	16.0	\$46.53
BS	-	120	x	140	x	12	13.0	\$46.82
BS	-	120	x	140	x	14.5	15.5	\$54.67
BS	-	120	x	140	x	15	16.0	\$58.55
BS	-	125	x	133	x	10	11.0	\$43.10
BS	-	125	x	140	x	9	10.0	\$47.95
BS	-	125	x	145	x	12	13.0	\$49.01
BS	-	125	x	145	x	14.5	15.5	\$57.41
BS	-	125	x	150	x	12.5	13.5	\$62.19
BS	-	125	x	150	x	14	15.0	\$62.20
BS	-	127	x	142	x	9.6	10.6	\$51.07
BS	-	130	x	140	x	14.5	15.5	\$50.39
BS	-	130	x	145	x	9	10.0	\$44.16
BS	-	130	x	145	x	12	13.0	\$41.52
BS	-	130	x	150	x	12	13.0	\$51.13
BS	-	130	x	150	x	14.5	15.5	\$60.15
BS	-	130	x	150	x	15	16.0	\$52.48

Part Number					Groove Height L	Price		
Prefix	Rod Diameter d	Groove Diameter D	Seal Height L ₁	Groove Height L				
BS	-	132	x	142	x	8.6	9.6	\$44.21
BS	-	132.5	x	157.5	x	13.2	14.2	\$62.44
BS	-	135	x	150	x	11	12.0	\$59.88
BS	-	135	x	150	x	11.5	12.5	\$46.57
BS	-	140	x	150	x	10.9	11.9	\$54.94
BS	-	140	x	150	x	11.5	12.5	\$55.89
BS	-	140	x	155	x	9	10.0	\$46.84
BS	-	140	x	155.5	x	6	7.0	\$51.44
BS	-	140	x	160	x	12	13.0	\$53.53
BS	-	140	x	160	x	14.5	15.5	\$55.71
BS	-	140	x	160	x	15	16.0	\$56.13
BS	-	140	x	170	x	18	19.0	\$66.41
BS	-	145	x	175	x	15	16.0	\$70.81
BS	-	150	x	160	x	11	12.0	\$49.93
BS	-	150	x	165	x	9	10.0	\$70.81
BS	-	150	x	170	x	12	13.0	\$61.57
BS	-	150	x	170	x	13.2	14.2	\$71.05
BS	-	150	x	170	x	14.5	15.5	\$58.96
BS	-	150	x	170	x	15	16.0	\$71.05
BS	-	150	x	180	x	18	19.0	\$73.11
BS	-	151	x	159	x	9	10.0	\$70.81
BS	-	155	x	170	x	14.5	15.5	\$58.76
BS	-	160	x	168	x	11.5	12.5	\$74.78
BS	-	160	x	170	x	11.5	12.5	\$60.39
BS	-	160	x	175	x	9	10.0	\$61.62
BS	-	160	x	175	x	11	12.0	\$75.91
BS	-	160	x	175.5	x	6	7.0	\$69.98
BS	-	160	x	180	x	12	13.0	\$66.94
BS	-	160	x	180	x	14.5	15.5	\$77.22
BS	-	160	x	180	x	15	16.0	\$77.22
BS	-	160	x	185	x	15	16.0	\$94.38
BS	-	160	x	185	x	18.2	19.2	\$95.90
BS	-	165	x	180	x	9	10.0	\$89.98
BS	-	170	x	190	x	14.5	15.5	\$82.98
BS	-	170	x	200	x	15	16.0	\$92.57
BS	-	170	x	200	x	16.5	17.5	\$99.08
BS	-	170	x	200	x	18	19.0	\$103.32
BS	-	180	x	200	x	11.8	12.8	\$86.38
BS	-	180	x	200	x	14.5	15.5	\$82.96
BS	-	180	x	200	x	15	16.0	\$90.69
BS	-	185	x	200	x	10.9	11.9	\$86.38
BS	-	190	x	210	x	15	16.0	\$94.36
BS	-	200	x	220	x	12	13.0	\$93.89
BS	-	200	x	220	x	14.5	15.5	\$95.62
BS	-	200	x	220	x	15	16.0	\$106.81
BS	-	205	x	220	x	12.2	13.2	\$98.53
BS	-	210	x	230	x	15	16.0	\$90.26
BS	-	220	x	240	x	14.5	15.5	\$103.72
BS	-	220	x	250	x	18	19.0	\$137.16
BS	-	240	x	260	x	15	16.0	\$111.02

BSLL Loaded Lip Urethane Rod U-Cups - Inch

BT 4300 Urethane Rod U-Cups - Inch



EXAMPLE: BSLL-18701000-250

Prefix	Cross Section	Inside Diameter	Height
BSLL-	187	01000	250
	3/16	1"	1/4

EXAMPLE: BT-25003000-375 4300

Prefix	Cross Section	Inside Diameter	Height	Suffix
BT-	250	03000	375	4300
	1/4	3"	3/8	Material

The BSLL type polyurethane loaded rod seal has twin lips that offer dry rod, low friction sealing. This seal is easily installed and the nitrile expander ensures complete actuation under all pressure conditions. Styles with an asterisk (*) have a specially designed expander while the others have an o-ring. Parts with the suffix 43 are made from high temperature urethane.

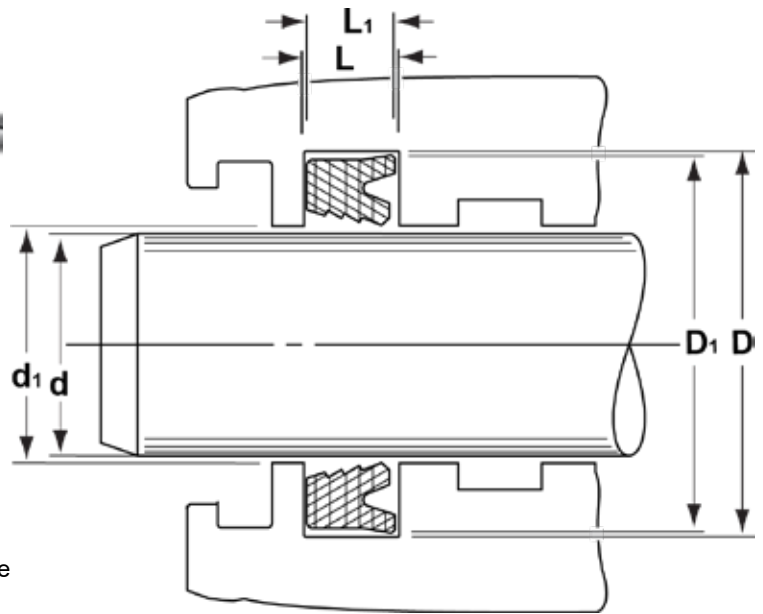
The BT series rod seal is a premium hydraulic 90A polyurethane seal. Using Parker's® 4300 proprietary compound, this profile provides shock load resistance and increased sealing performance, even at zero pressure and with one of the highest temperature ranges available in a polyurethane seal. A knife trimmed beveled sealing lip does an excellent job wiping excess fluids from the rod while a secondary sealing lip, located at the base, ensures a stable fit in the gland while providing an enhanced seal. Temp : -65°F to 275° Pressure : 0 to 5000 PSI

Temperature: -50°F to 230°F Pressure: 0 to 6,000 PSI

Part Number	Rod Diameter d	Groove Diameter D	Seal Height L ₁	Groove Height L	Price
1/8" CROSS SECTION ("F")					
BSLL-12500312-187 43	0.312	0.562	0.187	0.206	\$19.37
BSLL-12500625-175	0.625	0.875	0.175	0.193	\$10.27
BSLL-12500625-250	0.625	0.875	0.250	0.275	\$10.27
BSLL-12500750-187	0.750	1.000	0.187	0.206	\$10.27
BSLL-12500750-250	0.750	1.000	0.250	0.275	\$10.76
BSLL-12500875-187	0.875	1.125	0.187	0.206	\$11.34
BSLL-12501000-187	1.000	1.250	0.187	0.206	\$11.64
BSLL-12501000-250	1.000	1.250	0.250	0.275	\$11.93
BSLL-12501125-250	1.125	1.375	0.250	0.275	\$12.61
BSLL-12501250-187	1.250	1.500	0.187	0.206	\$13.10
BSLL-12501250-250	1.250	1.500	0.250	0.275	\$13.10
3/16" CROSS SECTION ("F")					
BSLL-18701000-250	1.000	1.375	0.250	0.275	\$12.52
BSLL-18701000-312	1.000	1.375	0.312	0.343	\$12.71
BSLL-18701000N312 43	1.000	1.375	0.312	0.343	\$20.92
BSLL-18701125-250	1.125	1.500	0.250	0.275	\$13.20
BSLL-18701250-312	1.250	1.625	0.312	0.343	\$14.08
BSLL-18701250-312 43	1.250	1.625	0.312	0.343	\$23.60
BSLL-18701375-311	1.375	1.750	0.312	0.343	\$14.37
BSLL-18701500-312 *	1.500	1.875	0.312	0.343	\$15.35
BSLL-18701500-375	1.500	1.875	0.375	0.413	\$15.35
BSLL-18701750-375	1.750	2.125	0.375	0.413	\$16.04
1/4" CROSS SECTION ("F")					
BSLL-25001500-375 *	1.500	2.000	0.375	0.413	\$15.16
BSLL-25001750-375 *	1.750	2.250	0.375	0.413	\$17.80
BSLL-25002000-375 *	2.000	2.500	0.375	0.413	\$20.53
BSLL-25002250-375 *	2.250	2.750	0.375	0.413	\$21.71
BSLL-25002500-375 *	2.500	3.000	0.375	0.413	\$23.76
BSLL-25002750-375 *	2.750	3.250	0.375	0.413	\$26.11
BSLL-25003000-375 *	3.000	3.500	0.375	0.413	\$28.26
BSLL-25003500-375 *	3.500	4.000	0.375	0.413	\$32.95
BSLL-25004000-375 *	4.000	4.500	0.375	0.413	\$36.37
BSLL-25004500-375 *	4.500	5.000	0.375	0.413	\$39.31

Part Number	Rod Diameter d	Groove Diameter D	Seal Height L ₁	Groove Height L	Price
5/32" CROSS SECTION ("F")					
BT-15601000-219 4300	1.000	1.312	0.219	0.241	\$17.28
BT-15601375-219 4300	1.375	1.687	0.219	0.241	\$17.31
BT-15601375-312 4300	1.375	1.687	0.312	0.343	\$18.36
3/16" CROSS SECTION ("F")					
BT-18701375-312 4300	1.375	1.750	0.312	0.343	\$17.79
BT-18701500-250 4300	1.500	1.875	0.250	0.275	\$18.60
BT-18701750-250 4300	1.750	2.125	0.250	0.275	\$20.93
BT-18701750-375 4300	1.750	2.125	0.375	0.413	\$20.60
7/32" CROSS SECTION ("F")					
BT-21802500-281 4300	2.500	2.937	0.281	0.309	\$29.87
1/4" CROSS SECTION ("F")					
BT-25001750-375 4300	1.750	2.250	0.375	0.413	\$23.43
BT-25002000-375 4300	2.000	2.500	0.375	0.413	\$25.12
BT-25002125-375 4300	2.125	2.625	0.375	0.413	\$26.56
BT-25002250-375 4300	2.250	2.750	0.375	0.413	\$28.27
BT-25002375-375 4300	2.375	2.875	0.375	0.413	\$29.63
BT-25002500-375 4300	2.500	3.000	0.375	0.413	\$30.99
BT-25002750-375 4300	2.750	3.250	0.375	0.413	\$34.62
BT-25003000-375 4300	3.000	3.500	0.375	0.413	\$43.55
BT-25003250-375 4300	3.250	3.750	0.375	0.413	\$44.37
BT-25003500-312 4300	3.500	4.000	0.312	0.343	\$43.07
BT-25003500-375 4300	3.500	4.000	0.375	0.413	\$43.07
BT-25003750-375 4300	3.750	4.250	0.375	0.413	\$45.73
BT-25004000-562 4300	4.000	4.500	0.562	0.618	\$52.71
BT-25004750-562 4301	4.750	5.250	0.562	0.618	\$66.38
BT-25005000-562 4300	5.000	5.500	0.562	0.618	\$68.14
BT-25006000-562 4300	6.000	6.500	0.562	0.618	\$74.77
9/32" CROSS SECTION ("F")					
BT-28105000-344 4300	5.000	5.687	0.344	0.378	\$76.24
5/16" CROSS SECTION ("F")					
BT-31204000-375 4300	4.000	4.625	0.375	0.413	\$64.11
BT-31205500-375 4300	5.500	6.125	0.375	0.413	\$88.64
3/8" CROSS SECTION ("F")					
BT-37508500-625 4300	8.500	9.250	0.625	0.688	\$180.74

UNRR Ribbed Urethane Rod U-Cups - Inch/Metric



ALTERNATIVE SEALS:

Inch: BLLS, BSLL, BS, BT, UNR, US, BD, BS-B
 Metric: MA30, MA25, BS, BD, BS-B

Style UNRR rod seals are made from 92 A durometer urethane, and are commonly used in industrial cylinders. The serrated inside lip of these seals produce a dry rod with little friction.

Temperature: -60°F to 200°F Pressure: 0 to 5,000 PSI

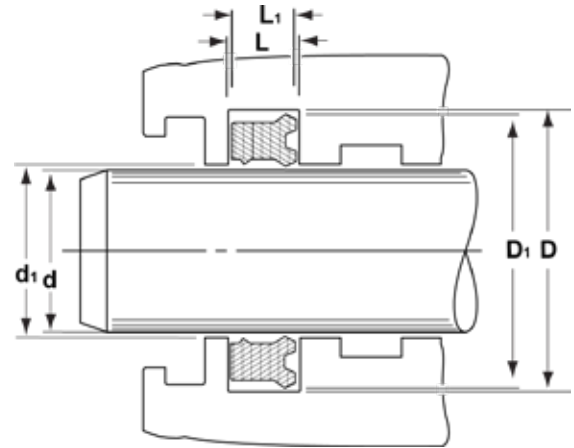
EXAMPLE: UNRR-25003500-330				
Prefix	Cross Section	Inside Diameter	Height	
UNRR-	250	03500	-	330
	1/4	3.5"		.330

EXAMPLE: UNRR-90X100X6.5					
Prefix	Inside Diameter	Outside Diameter		Height	
UNRR-	90	x	100	x	6.5
	90mm		100mm		6.5mm

Inch					
Part Number	Rod Diameter d	Groove Diameter D	Seal Height L ₁	Groove Height L	Price
UNRR-12500500-218	0.500	0.750	0.218	0.240	\$24.18
UNRR-12500625-218	0.625	0.875	0.218	0.240	\$16.10
UNRR-15601000-240	1.000	1.312	0.240	0.264	\$16.88
UNRR-15601375-240	1.375	1.687	0.240	0.264	\$22.28
UNRR-18701750-270	1.750	2.125	0.270	0.297	\$27.87
UNRR-18702000-270	2.000	2.375	0.270	0.297	\$31.70
UNRR-21802500-300	2.500	2.937	0.300	0.330	\$33.82
UNRR-21802500-330	2.500	2.937	0.330	0.363	\$35.76
UNRR-21803000-300	3.000	3.437	0.300	0.330	\$36.09
UNRR-25003500-330	3.500	4.000	0.330	0.363	\$54.64
UNRR-25004000-330	4.000	4.500	0.330	0.363	\$57.43
UNRR-25004500-330	4.500	5.000	0.330	0.363	\$63.85
UNRR-28105000-355	5.000	5.562	0.355	0.391	\$59.00

Metric					
Part Number	Rod Diameter d	Groove Diameter D	Seal Height L ₁	Groove Height L	Price
UNRR-12X19X5	12	19	5	5.5	\$10.01
UNRR-14X21X5	14	21	5	5.5	\$10.12
UNRR-18X25X5	18	25	5	5.5	\$10.22
UNRR-22X29X5	22	29	5	5.5	\$10.32
UNRR-28X36X5.7	28	36	5.7	6.3	\$10.65
UNRR-36X44X5.7	36	44	5.7	6.3	\$10.65
UNRR-45X53X5.7	45	53	5.7	6.3	\$11.12
SLR-48X58X7.3	48	58	7.3	8.0	\$13.12
UNRR-56X66X6.5	56	66	6.5	7.2	\$13.44
UNRR-70X80X6.5	70	80	6.5	7.2	\$15.42
UNRR-90X100X6.5	90	100	6.5	7.2	\$18.33
UNRR-110X125X9.6	110	125	9.6	10.6	\$25.51
UNRR-140X155X9.6	140	155	9.6	10.6	\$33.90

MA35 Symmetrical Urethane Rod Seals - Metric



ALTERNATIVE SEALS:

Rod: UNRR, BD, BS-B, BSLL, MA25, MA30, BS

EXAMPLE: MA35 - 45X52X10					
Prefix	Inside Diameter		Outside Diameter		Height
MA35-	45	x	52	x	10
	45mm		52mm		10mm

This single acting rod seal is commonly used in telescoping cylinders. Made from 94 durometer polyurethane, it has symmetrical lips and an additional sealing lip. This extra lip provides extra stability while improving the sealing effect. It is easily assembled into closed grooves and offers good performance even at low pressures.

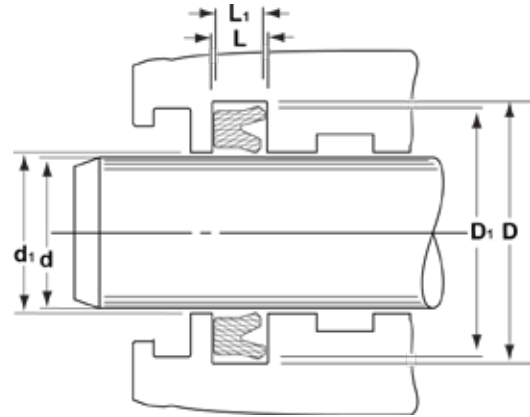
Temperature: -20°F to 212°F

Pressure: ≤ 5,500 PSI

Prefix	Part Number			Groove Height L	Price		
	Rod Diameter d	Groove Diameter D	Seal Height L ₁				
MA35 -	12	x	20	x	5.8	6.8	\$5.46
MA35 -	16	x	24	x	6	7.0	\$5.82
MA35 -	18	x	25	x	5	6.0	\$6.25
MA35 -	18	x	26	x	5.8	6.8	\$6.30
MA35 -	20	x	30	x	8	9.0	\$5.80
MA35 -	22	x	28	x	4.5	5.5	\$6.76
MA35 -	22	x	30	x	5.8	6.8	\$6.64
MA35 -	22	x	32	x	8	9.0	\$6.76
MA35 -	25	x	33	x	5.8	6.8	\$7.21
MA35 -	25	x	35	x	7	8.0	\$7.05
MA35 -	25	x	35	x	8	9.0	\$7.18
MA35 -	28	x	36	x	5.8	6.8	\$8.00
MA35 -	28	x	36	x	6	7.0	\$9.39
MA35 -	28	x	38	x	7	8.0	\$7.32
MA35 -	30	x	38	x	5.8	6.8	\$8.33
MA35 -	30	x	38	x	8	9.0	\$7.55
MA35 -	30	x	40	x	6.5	7.5	\$7.43
MA35 -	30	x	40	x	10	11.0	\$8.31
MA35 -	32	x	42	x	8	9.0	\$8.02
MA35 -	35	x	43	x	5.8	6.8	\$7.30
MA35 -	35	x	43	x	8	9.0	\$8.22
MA35 -	35	x	45	x	7	8.0	\$8.80
MA35 -	35	x	45	x	10	11.0	\$8.87
MA35 -	35	x	50	x	10	11.0	\$8.87
MA35 -	36	x	44	x	5.7	6.7	\$9.48
MA35 -	36	x	44	x	8	9.0	\$9.00
MA35 -	40	x	48	x	5.8	6.8	\$7.93
MA35 -	40	x	50	x	7	8.0	\$8.53
MA35 -	40	x	50	x	10	11.0	\$8.92
MA35 -	40	x	55	x	10	11.0	\$9.26

Prefix	Part Number			Groove Height L	Price		
	Rod Diameter d	Groove Diameter D	Seal Height L ₁				
MA35 -	42	x	52	x	8	9.0	\$8.94
MA35 -	45	x	52	x	10	11.0	\$18.60
MA35 -	45	x	53	x	8	9.0	\$11.52
MA35 -	45	x	55	x	10	11.0	\$11.52
MA35 -	46	x	54	x	8	9.0	\$9.38
MA35 -	50	x	58	x	8	9.0	\$11.89
MA35 -	50	x	60	x	7	8.0	\$9.47
MA35 -	50	x	60	x	9	10.0	\$9.66
MA35 -	50	x	60	x	10	11.0	\$10.81
MA35 -	50	x	65	x	10	11.0	\$11.35
MA35 -	55	x	63	x	8	9.0	\$11.03
MA35 -	55	x	65	x	10	11.0	\$11.35
MA35 -	60	x	68	x	8	9.0	\$11.85
MA35 -	60	x	68	x	12	13.0	\$13.07
MA35 -	61	x	69	x	8	9.0	\$11.99
MA35 -	63	x	71	x	8	9.0	\$12.07
MA35 -	70	x	78	x	8	9.0	\$12.94
MA35 -	75	x	83	x	8	9.0	\$12.77
MA35 -	76	x	84	x	8	9.0	\$13.76
MA35 -	78	x	86	x	12	13.0	\$14.07
MA35 -	88	x	96	x	8	9.0	\$13.89
MA35 -	90	x	98	x	8	9.0	\$14.77
MA35 -	91	x	99	x	8	9.0	\$16.27
MA35 -	97	x	105	x	12	13.0	\$16.89
MA35 -	100	x	115	x	12	13.0	\$17.12
MA35 -	105	x	113	x	8	9.0	\$14.99
MA35 -	107	x	115	x	8	9.0	\$15.51
MA35 -	120	x	128	x	11.5	12.5	\$19.95
MA35 -	126	x	134	x	8	9.0	\$23.73

UNR Urethane Rod U-Cups - Inch



ALTERNATIVE SEALS:

Rod: "B"LLS, UNRR, BD, BSLL, BS-B, BT, US, BS

EXAMPLE: UNRR-25003000-375				
Prefix	Cross Section	Inside Diameter	Height	
UNR-	250	03000	-	375
	1/4	3"		3/8

When there is nothing to indicate Height in the Part #
(No Dash #) Height = Cross Section

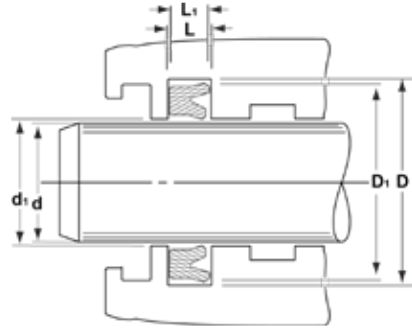
Part Number	Rod Diameter d	Groove Diameter D	Seal Height L ₁	Groove Height L	Price
1/8" CROSS SECTION ("F")					
UNR-12500219-187-1	0.218	0.468	0.187	0.206	\$9.44
UNR-12500750-250	0.750	1.000	0.250	0.275	\$6.85
UNR-12501000-250	1.000	1.250	0.250	0.275	\$7.88
UNR-12501250-250	1.250	1.500	0.250	0.275	\$8.39
UNR-12501375-250	1.375	1.625	0.250	0.275	\$9.20
3/16" CROSS SECTION ("F")					
UNR-18700750-312	0.750	1.125	0.312	0.343	\$7.31
UNR-18701000-250	1.000	1.375	0.250	0.275	\$7.85
UNR-18701000-312	1.000	1.375	0.312	0.343	\$8.02
UNR-18701125-250	1.125	1.500	0.250	0.275	\$8.12
UNR-18701125-312	1.125	1.500	0.312	0.343	\$8.28
UNR-18701187-312	1.188	1.562	0.312	0.343	\$8.39
UNR-18701250-250	1.250	1.625	0.250	0.275	\$8.84
UNR-18701250-312	1.250	1.625	0.312	0.343	\$9.00
UNR-18701375-250	1.375	1.750	0.250	0.275	\$9.47
UNR-18701375-312	1.375	1.750	0.312	0.343	\$9.65
UNR-18701500-250	1.500	1.875	0.250	0.275	\$9.75
UNR-18701500-375	1.500	1.875	0.375	0.413	\$9.93
UNR-18701750-375	1.750	2.125	0.375	0.413	\$10.16
UNR-18702000-375	2.000	2.375	0.375	0.413	\$10.99
UNR-18702500-375	2.500	2.875	0.375	0.413	\$13.44
.205" CROSS SECTION ("F")					
UNR-20508244-225	8.244	8.654	0.225	0.248	\$20.55
1/4" CROSS SECTION ("F")					
UNR-25000937-375	0.937	1.437	0.375	0.413	\$15.77
UNR-25001000	1.000	1.500	0.250	0.275	\$7.85
UNR-25001000-375	1.000	1.500	0.375	0.413	\$7.94

UNR series urethane U-cups are non-symmetrical in design and are meant only to be used for reciprocating hydraulic rod applications. They are manufactured slightly larger in diameter than nominal dimensions. This ensures a tight fit when snapped into the groove. Good stability and decreased heel drag resulting in lower friction are the prime features of this seal.

Temperature: -65°F to 200°F Pressure: 0 to 5,000 PSI

Part Number	Rod Diameter d	Groove Diameter D	Seal Height L ₁	Groove Height L	Price
1/4" CROSS SECTION ("F")					
UNR-25001125-375	1.125	1.625	0.375	0.413	\$19.33
UNR-25001250-375	1.250	1.750	0.375	0.413	\$8.39
UNR-25001375-375	1.375	1.875	0.375	0.413	\$9.20
UNR-25001500-375	1.500	2.000	0.375	0.413	\$9.37
UNR-25001625-375	1.625	2.125	0.375	0.413	\$10.37
UNR-25001750-375	1.750	2.250	0.375	0.413	\$9.37
UNR-25002000-375	2.000	2.500	0.375	0.413	\$10.25
UNR-25002250-375	2.250	2.750	0.375	0.413	\$12.90
UNR-25002500-375	2.500	3.000	0.375	0.413	\$13.20
UNR-25002750-375	2.750	3.250	0.375	0.413	\$15.78
UNR-25003000-375	3.000	3.500	0.375	0.413	\$17.23
UNR-25003250-375	3.250	3.750	0.375	0.413	\$18.67
UNR-25004000-375	4.000	4.500	0.375	0.413	\$21.46
UNR-25004000-562	4.000	4.500	0.562	0.618	\$22.27
9/32" CROSS SECTION ("F")					
UNR-28105000-500	5.000	5.687	0.500	0.550	\$32.59
5/16" CROSS SECTION ("F")					
UNR-31201750-375	1.750	2.375	0.375	0.413	\$21.94
UNR-31202250-500	2.250	2.875	0.500	0.550	\$16.68
UNR-31202500-500	2.500	3.125	0.500	0.550	\$17.29
UNR-31203000-500	3.000	3.625	0.500	0.550	\$19.84
UNR-31204500-500	4.500	5.125	0.500	0.550	\$29.13
3/8" CROSS SECTION ("F")					
UNR-37503500-500	3.500	4.250	0.500	0.550	\$28.69
UNR-37503500-625	3.500	4.250	0.625	0.688	\$32.43
UNR-37505000-625	5.000	5.750	0.625	0.625	\$40.62

MA30 Urethane Rod U-Cups - Metric



ALTERNATIVE SEALS:
Rod: UNRR, BD, BS-B, MA35, MA25, BS

MA30 series metric urethane U-cups are non-symmetrical in design and are meant only to be used for reciprocating hydraulic rod applications. They are manufactured slightly larger in diameter than nominal dimensions. This ensures a tight fit when snapped into the groove. Good stability and decreased heel drag resulting in lower friction are the prime features of this seal.

Temperature: -40°F to 230°F Pressure: 0 to 5,800 PSI

EXAMPLE: MA30-85X100X10				
Prefix	Inside Diameter		Outside Diameter	Height
MA30-	85	x	100	x 10
	85mm		100mm	10mm

Prefix	Part Number			Groove Height L	Price
	Rod Diameter d	Groove Diameter D	Seal Height L ₁		
MA30	- 6	x 10	x 3	4.0	\$4.34
MA30	- 6	x 13	x 5	6.0	\$4.38
MA30	- 8	x 18	x 8.2	9.2	\$8.02
MA30	- 9	x 14.5	x 5	6.0	\$4.80
MA30	- 10	x 16	x 4.5	5.5	\$5.06
MA30	- 10	x 18	x 5.7	6.7	\$6.23
MA30	- 12	x 22	x 7.2	8.2	\$6.61
MA30	- 14	x 22	x 5	6.0	\$7.98
MA30	- 14	x 22	x 5.5	6.5	\$7.74
MA30	- 15	x 23	x 5	6.0	\$8.26
MA30	- 15	x 23	x 5.8	6.8	\$8.26
MA30	- 16	x 22	x 5	6.0	\$8.44
MA30	- 16	x 24	x 5	6.0	\$8.46
MA30	- 16	x 24	x 5.7	6.7	\$7.74
MA30	- 16	x 24	x 6.5	7.5	\$8.68
MA30	- 16	x 26	x 5	6.0	\$8.68
MA30	- 16	x 26	x 7	8.0	\$8.68
MA30	- 16	x 26	x 7.3	8.3	\$9.18
MA30	- 18	x 25	x 5	6.0	\$8.68
MA30	- 18	x 26	x 5	6.0	\$9.37
MA30	- 18	x 26	x 5.7	6.7	\$10.37
MA30	- 18	x 28	x 7	8.0	\$9.37
MA30	- 18	x 28	x 8	9.0	\$16.68
MA30	- 18	x 28	x 8.2	9.2	\$9.37
MA30	- 20	x 25	x 5	6.0	\$8.15
MA30	- 20	x 26	x 5	6.0	\$8.25
MA30	- 20	x 27	x 6	7.0	\$8.77
MA30	- 20	x 28	x 5	6.0	\$8.28
MA30	- 20	x 28	x 5.7	6.7	\$6.45
MA30	- 20	x 30	x 6	7.0	\$8.77
MA30	- 20	x 30	x 8	9.0	\$8.77

Prefix	Part Number			Groove Height L	Price
	Rod Diameter d	Groove Diameter D	Seal Height L ₁		
MA30	- 20	x 30	x 10	11.0	\$8.82
MA30	- 20	x 32	x 7.5	8.5	\$8.82
MA30	- 22	x 30	x 5	6.0	\$8.15
MA30	- 22	x 30	x 5.5	6.5	\$8.15
MA30	- 22	x 30	x 7	8.0	\$8.15
MA30	- 22	x 30	x 8	9.0	\$8.15
MA30	- 22	x 32	x 6	7.0	\$8.15
MA30	- 22.4	x 30	x 5	6.0	\$9.14
MA30	- 24	x 34	x 7.2	8.2	\$12.98
MA30	- 25	x 32	x 6	7.0	\$8.68
MA30	- 25	x 33	x 5.5	6.5	\$7.25
MA30	- 25	x 33	x 10	11.0	\$6.11
MA30	- 25	x 35	x 6	7.0	\$8.68
MA30	- 25	x 35	x 7.5	8.5	\$8.68
MA30	- 25	x 35	x 8	9.0	\$8.68
MA30	- 25	x 35	x 10	11.0	\$6.58
MA30	- 28	x 36	x 5.7	6.7	\$7.55
MA30	- 28	x 38	x 8	9.0	\$10.87
MA30	- 28	x 38	x 10	11.0	\$10.87
MA30	- 30	x 38	x 8	9.0	\$6.74
MA30	- 30	x 40	x 6	7.0	\$7.78
MA30	- 30	x 40	x 7	8.0	\$9.05
MA30	- 30	x 40	x 8	9.0	\$9.05
MA30	- 30	x 40	x 10	11.0	\$10.44
MA30	- 30	x 42	x 8.5	9.5	\$11.89
MA30	- 30	x 43	x 10	11.0	\$9.92
MA30	- 30	x 45	x 9	10.0	\$12.47
MA30	- 32	x 42	x 6	7.0	\$11.32
MA30	- 32	x 42	x 7	8.0	\$11.32
MA30	- 32	x 42	x 10	11.0	\$13.53
MA30	- 32	x 45	x 10	11.0	\$15.84

MA30 Urethane Rod U-Cups - Metric, cont'd.

Part Number				Groove Height L	Price
Prefix	Inside Diameter d ₁	Outside Diameter D ₁	Seal Height L ₁		
MA30	- 32	x 47	x 10	11.0	\$9.04
MA30	- 33	x 43	x 10	11.0	\$8.88
MA30	- 35	x 43	x 6	7.0	\$10.45
MA30	- 35	x 43	x 8	9.0	\$8.88
MA30	- 35	x 45	x 6	7.0	\$10.80
MA30	- 35	x 45	x 7	8.0	\$8.40
MA30	- 35	x 45	x 8	9.0	\$10.80
MA30	- 35	x 45	x 10	11.0	\$9.92
MA30	- 35	x 50	x 9	10.0	\$12.90
MA30	- 35	x 50	x 10	11.0	\$13.46
MA30	- 35.5	x 45	x 6	7.0	\$10.98
MA30	- 36	x 46	x 7.3	8.3	\$14.76
MA30	- 36	x 51	x 10	11.0	\$9.37
MA30	- 38	x 45	x 6	7.0	\$18.98
MA30	- 40	x 48	x 5.7	6.7	\$9.37
MA30	- 40	x 48	x 8	9.0	\$12.77
MA30	- 40	x 50	x 6	7.0	\$12.86
MA30	- 40	x 50	x 7.2	8.2	\$13.09
MA30	- 40	x 50	x 8	9.0	\$13.23
MA30	- 40	x 50	x 10	11.0	\$8.24
MA30	- 40	x 55	x 9	10.0	\$14.27
MA30	- 40	x 55	x 10	11.0	\$10.50
MA30	- 40	x 60	x 12	13.0	\$16.24
MA30	- 42	x 52	x 7	8.0	\$13.13
MA30	- 45	x 55	x 6	7.0	\$14.36
MA30	- 45	x 55	x 7	8.0	\$12.65
MA30	- 45	x 55	x 8	9.0	\$12.65
MA30	- 45	x 55	x 10	11.0	\$10.50
MA30	- 45	x 60	x 9	10.0	\$12.89
MA30	- 45	x 60	x 10	11.0	\$9.97
MA30	- 45	x 61	x 12	13.0	\$12.96
MA30	- 45	x 65	x 10	11.0	\$14.72
MA30	- 45	x 65	x 12	13.0	\$13.15
MA30	- 50	x 58	x 8	9.0	\$13.38
MA30	- 50	x 60	x 6	7.0	\$13.23
MA30	- 50	x 60	x 7.2	8.2	\$14.07
MA30	- 50	x 60	x 8	9.0	\$15.58
MA30	- 50	x 60	x 10	11.0	\$11.19
MA30	- 50	x 62	x 8	9.0	\$12.61
MA30	- 50	x 63	x 8	9.0	\$17.13
MA30	- 50	x 65	x 9	10.0	\$15.55
MA30	- 50	x 65	x 10	11.0	\$12.09
MA30	- 50	x 70	x 12	13.0	\$18.53
MA30	- 52	x 62	x 10	11.0	\$14.06
MA30	- 53	x 63	x 6	7.0	\$12.84
MA30	- 55	x 63	x 8	9.0	\$12.91
MA30	- 55	x 65	x 7.2	8.2	\$10.49
MA30	- 55	x 65	x 10	11.0	\$12.09
MA30	- 55	x 68	x 10	11.0	\$20.20

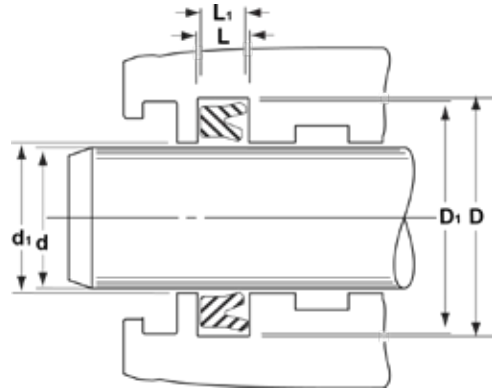
Part Number				Groove Height L	Price
Prefix	Inside Diameter d ₁	Outside Diameter D ₁	Seal Height L ₁		
MA30	- 55	x 70	x 9	10.0	\$19.71
MA30	- 55	x 70	x 10	11.0	\$15.88
MA30	- 55	x 71	x 10	11.0	\$20.25
MA30	- 55	x 71	x 12	13.0	\$22.59
MA30	- 55	x 75	x 12	13.0	\$18.73
MA30	- 56	x 66	x 6	7.0	\$13.70
MA30	- 56	x 66	x 10	11.0	\$10.72
MA30	- 56	x 71	x 10	11.0	\$14.50
MA30	- 56	x 71	x 11.5	12.5	\$18.21
MA30	- 57.5	x 72	x 9	10.0	\$19.43
MA30	- 60	x 70	x 6	7.0	\$13.87
MA30	- 60	x 70	x 8.5	9.5	\$14.09
MA30	- 60	x 70	x 10	11.0	\$14.43
MA30	- 60	x 70	x 12	13.0	\$14.86
MA30	- 60	x 72	x 8.5	9.5	\$15.25
MA30	- 60	x 72	x 9	10.0	\$14.50
MA30	- 60	x 73	x 10	11.0	\$18.23
MA30	- 60	x 75	x 9	10.0	\$18.79
MA30	- 60	x 75	x 12	13.0	\$18.96
MA30	- 60	x 76	x 10	11.0	\$19.27
MA30	- 60	x 76	x 12	13.0	\$25.02
MA30	- 60	x 80	x 12	13.0	\$20.42
MA30	- 63	x 73	x 10	11.0	\$26.13
MA30	- 63	x 73	x 12	13.0	\$13.44
MA30	- 63	x 78	x 10	11.0	\$13.79
MA30	- 65	x 75	x 6	7.0	\$16.16
MA30	- 65	x 75	x 10	11.0	\$16.08
MA30	- 65	x 78	x 10	11.0	\$19.92
MA30	- 65	x 80	x 9	10.0	\$20.05
MA30	- 65	x 80	x 10	11.0	\$21.03
MA30	- 65	x 85	x 12	13.0	\$26.73
MA30	- 70	x 80	x 6	7.0	\$19.73
MA30	- 70	x 80	x 12	13.0	\$20.34
MA30	- 70	x 83	x 10	11.0	\$19.99
MA30	- 70	x 85	x 9	10.0	\$20.26
MA30	- 70	x 85	x 10	11.0	\$15.56
MA30	- 70	x 85	x 11.4	12.4	\$15.14
MA30	- 70	x 85	x 12	13.0	\$12.02
MA30	- 70	x 90	x 14.5	15.5	\$26.68
MA30	- 71	x 81	x 6	7.0	\$19.55
MA30	- 75	x 85	x 6	7.0	\$19.55
MA30	- 75	x 85	x 12	13.0	\$11.30
MA30	- 75	x 88	x 10	11.0	\$20.27
MA30	- 75	x 90	x 10	11.0	\$17.55
MA30	- 75	x 90	x 12	13.0	\$22.97
MA30	- 75	x 95	x 12	13.0	\$26.75
MA30	- 80	x 90	x 6	7.0	\$18.94
MA30	- 80	x 90	x 7.2	8.2	\$20.99
MA30	- 80	x 90	x 12	13.0	\$21.07

MA30 Urethane Rod U-Cups - Metric, cont'd.

Part Number							Groove Height L	Price
Prefix	Rod Diameter d	Groove Diameter D	Seal Height L ₁					
MA30	- 80	x 93	x 9			10.0	\$21.20	
MA30	- 80	x 93	x 10			11.0	\$23.52	
MA30	- 80	x 95	x 10			11.0	\$22.69	
MA30	- 80	x 95	x 12			13.0	\$30.98	
MA30	- 80	x 100	x 12			13.0	\$30.34	
MA30	- 80	x 100	x 13.5			14.5	\$21.57	
MA30	- 85	x 95	x 7			8.0	\$23.79	
MA30	- 85	x 100	x 9			10.0	\$23.88	
MA30	- 85	x 105	x 12			13.0	\$30.60	
MA30	- 90	x 100	x 12			13.0	\$23.22	
MA30	- 90	x 105	x 9			10.0	\$31.03	
MA30	- 90	x 105	x 10			11.0	\$29.85	
MA30	- 90	x 105	x 11.4			12.4	\$24.00	
MA30	- 90	x 105	x 12			13.0	\$26.59	
MA30	- 90	x 110	x 12			13.0	\$28.43	
MA30	- 95	x 105	x 12			13.0	\$27.92	
MA30	- 95	x 110	x 9			10.0	\$27.92	
MA30	- 95	x 110	x 10			11.0	\$30.17	
MA30	- 95	x 110	x 12			13.0	\$27.01	
MA30	- 95	x 115	x 12			13.0	\$34.05	
MA30	- 100	x 110	x 14			15.0	\$32.19	
MA30	- 100	x 113	x 12.5			13.5	\$23.89	
MA30	- 100	x 115	x 9			10.0	\$25.26	
MA30	- 100	x 115	x 10			11.0	\$25.82	
MA30	- 100	x 115	x 12			13.0	\$14.70	
MA30	- 100	x 120	x 12			13.0	\$36.35	
MA30	- 100	x 120	x 14.5			15.5	\$33.99	
MA30	- 100	x 120	x 15			16.0	\$37.44	
MA30	- 105	x 115	x 10			11.0	\$34.17	
MA30	- 105	x 120	x 9			10.0	\$36.33	
MA30	- 105	x 120	x 12			13.0	\$33.21	
MA30	- 105	x 125	x 12			13.0	\$39.73	
MA30	- 105	x 125	x 15			16.0	\$44.45	
MA30	- 110	x 125	x 9			10.0	\$40.12	
MA30	- 110	x 130	x 12			13.0	\$43.85	
MA30	- 112	x 125	x 9			10.0	\$39.57	
MA30	- 112	x 132	x 15			16.0	\$57.96	
MA30	- 115	x 125	x 12			13.0	\$35.20	
MA30	- 115	x 130	x 9			10.0	\$36.84	
MA30	- 115	x 135	x 12			13.0	\$44.64	
MA30	- 118	x 133	x 9			10.0	\$34.52	
MA30	- 120	x 135	x 9			10.0	\$36.31	
MA30	- 120	x 135	x 9.5			10.5	\$32.12	
MA30	- 120	x 135	x 10			11.0	\$33.63	
MA30	- 120	x 135	x 11.5			12.5	\$36.28	
MA30	- 120	x 140	x 12			13.0	\$54.74	
MA30	- 125	x 135	x 13.5			14.5	\$47.52	

Part Number							Groove Height L	Price
Prefix	Rod Diameter d	Groove Diameter D	Seal Height L ₁					
MA30	- 125	x 140	x 9			10.0	\$37.30	
MA30	- 125	x 145	x 12			13.0	\$49.14	
MA30	- 130	x 140	x 13.5			14.5	\$52.43	
MA30	- 130	x 145	x 9			10.0	\$46.56	
MA30	- 130	x 150	x 15			16.0	\$51.60	
MA30	- 136	x 150	x 8.5			9.5	\$38.75	
MA30	- 140	x 150	x 7			8.0	\$42.04	
MA30	- 140	x 155	x 9			10.0	\$39.04	
MA30	- 140	x 160	x 12			13.0	\$54.68	
MA30	- 140	x 165	x 12			13.0	\$55.33	
MA30	- 145	x 160	x 9			10.0	\$38.37	
MA30	- 150	x 160	x 13.5			14.5	\$49.44	
MA30	- 150	x 165	x 9			10.0	\$40.42	
MA30	- 150	x 170	x 12			13.0	\$63.84	
MA30	- 150	x 170	x 13.5			14.5	\$50.36	
MA30	- 150	x 170	x 15			16.0	\$50.36	
MA30	- 155	x 170	x 9			10.0	\$42.21	
MA30	- 160	x 170	x 12			13.0	\$52.16	
MA30	- 160	x 180	x 12			13.0	\$62.63	
MA30	- 160	x 180	x 15			16.0	\$65.72	
MA30	- 170	x 180	x 14.5			15.5	\$56.25	
MA30	- 170	x 185	x 9			10.0	\$49.55	
MA30	- 170	x 190	x 12			13.0	\$57.39	
MA30	- 170	x 190	x 15			16.0	\$60.38	
MA30	- 175	x 190	x 9			10.0	\$46.56	
MA30	- 175	x 200	x 12			13.0	\$87.38	
MA30	- 180	x 200	x 12			13.0	\$60.62	
MA30	- 180	x 200	x 15			16.0	\$90.27	
MA30	- 190	x 210	x 12			13.0	\$82.63	
MA30	- 200	x 220	x 12			13.0	\$99.74	
MA30	- 200	x 220	x 15			16.0	\$87.50	
MA30	- 200	x 225	x 15			16.0	\$108.40	
MA30	- 200	x 225	x 16			17.0	\$139.81	
MA30	- 210	x 230	x 12			13.0	\$111.37	
MA30	- 220	x 240	x 12			13.0	\$111.28	
MA30	- 220	x 240	x 15			16.0	\$112.70	
MA30	- 220	x 250	x 22.7			25.0	\$130.05	
MA30	- 230	x 250	x 12			13.0	\$131.52	
MA30	- 230	x 255	x 19			20.0	\$166.46	
MA30	- 240	x 260	x 12			13.0	\$134.30	
MA30	- 240	x 260	x 15			16.0	\$137.67	
MA30	- 240	x 270	x 18			19.0	\$154.58	
MA30	- 250	x 270	x 12			13.0	\$161.78	
MA30	- 250	x 270	x 15			16.0	\$156.36	
MA30	- 250	x 270	x 16			17.0	\$196.00	
MA30	- 260	x 285	x 19			20.0	\$242.74	
MA30	- 280	x 300	x 15			16.0	\$201.10	

MA24 Nitrile Rod U-Cups - Metric



This non-symmetrical 90A nitrile single acting rod seal is an economical sealing solution for standard cylinder applications. Easily assembled into closed grooves, the MA24 offers a superior static and dynamic sealing effect.

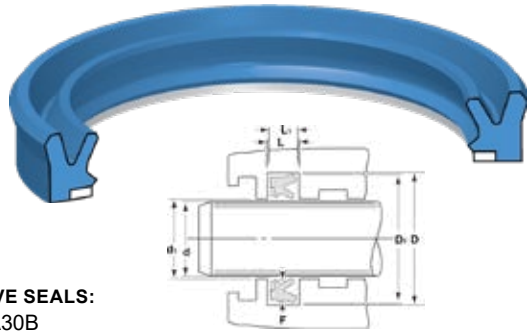
Temperature : -20°F to +220°F Pressure : 0 to 2175 PSI

ALTERNATIVE SEALS:
Rod: MA21, C1, MURH

EXAMPLE: MA24-25X33X5.5					
Prefix	Inside Diameter		Outside Diameter		Height
MA24-	25	x	33	x	5.5
	25mm		33mm		5.5mm

Prefix	Part Number					Groove Height L	Price
	Rod Diameter d	Groove Diameter D	Seal Height L ₁				
MA24-	2.5	x	5	x	1.7	2.7	\$3.07
MA24-	3	x	7	x	3	4.0	\$3.31
MA24-	4	x	12	x	4.5	5.5	\$3.43
MA24-	6	x	12	x	4	5.0	\$3.63
MA24-	20	x	28	x	5.5	6.5	\$5.10
MA24-	25	x	33	x	5.5	6.5	\$5.61
MA24-	25	x	37	x	6	7.0	\$6.22
MA24-	30	x	40	x	6	7.0	\$7.74
MA24-	35	x	45	x	6	7.0	\$8.99
MA24-	40	x	50	x	7	8.0	\$10.22
MA24-	50	x	60	x	7	8.0	\$11.97
MA24-	52	x	69	x	9	10.0	\$12.32
MA24-	63	x	75	x	8.5	9.5	\$12.71
MA24-	65	x	77	x	8.7	9.7	\$13.50
MA24-	75	x	87	x	8.5	9.5	\$15.31
MA24-	80	x	92	x	8.5	9.5	\$16.49

BS-B Urethane Rod U-Cups w/ Backup Ring



ALTERNATIVE SEALS:
Rod: BD, MA30B

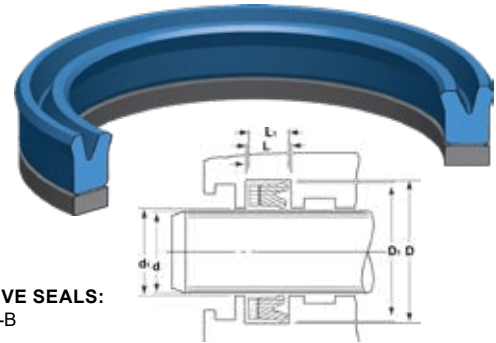
EXAMPLE: BS-12501375-250-B					
Prefix	Cross Section	Inside Diameter	Height	Suffix	
BS-	125	01375	- 250	B	
	1/8	1-3/8	1/4	HAS B/U	

The BS-B two piece single acting rod seal consists of 94 shore A polyurethane with a POM ID backup. The twin lip design offers superior sealing while the active back up ring provides an improved sealing gap.

Temperature: -22°F to 212°F Pressure: 0 to 5,800 PSI

Part Number	Rod Diameter d	Groove Diameter D	Seal Height L ₁	Groove Height L	Price
1/8" CROSS SECTION ("F")					
BS-12500750-250-B	0.750	1.000	0.250	0.275	\$5.50
BS-12501000-250-B	1.000	1.250	0.250	0.275	\$6.95
BS-12501250-250-B	1.250	1.500	0.250	0.275	\$8.84
BS-12501375-250-B	1.375	1.625	0.250	0.275	\$10.27
BS-12501500-250-B	1.500	1.750	0.250	0.275	\$10.62
BS-12501750-250-B	1.750	2.000	0.250	0.275	\$12.30
BS-12502000-250-B	2.000	2.250	0.250	0.275	\$13.39
3/16" CROSS SECTION ("F")					
BS-18701750-375-B	1.750	2.125	0.375	0.413	\$12.90
Metric					
BS-22X30X6-B	22	30	6	7.0	\$5.94
BS-28X35.5X5-B	28	35.5	5	6.0	\$6.87
BS-30X40X8-B	30	40	8	9.0	\$9.54
BS-35X45X8-B	35	45	8	9.0	\$10.43
BS-40X50X10-B	40	50	10	11.0	\$10.81
BS-50X60X10-B	50	60	10	11.0	\$10.87
BS-50X62X8-B	50	62	8	9.0	\$11.29
BS-55X65X10-B	55	65	10	11.0	\$12.55
BS-65X80X12-B	65	80	12	13.0	\$12.85
BS-75X85X12-B	75	85	12	13.0	\$13.57
BS-80X90X12-B	80	90	12	13.0	\$13.89
BS-85X100X12-B	85	100	12	13.0	\$14.05
BS-90X100X12-B	90	100	12	13.0	\$14.65
BS-95X105X12-B	95	105	12	13.0	\$14.86
BS-100X115X12-B	100	115	12	13.0	\$16.70
BS-110X125X14.6-B	110	125	14.6	15.6	\$19.19
BS-110X130X15-B	110	130	15	16.0	\$19.83
BS-115X125X12-B	115	125	12	13.0	\$19.34
BS-120X140X14.6-B	120	140	14.6	15.6	\$22.40
BS-140X160X14.6-B	140	160	14.6	15.6	\$28.68
BS-160X170X12-B	160	170	12	13.0	\$33.32
BS-220X235X14.6-B	220	235	14.6	15.6	\$115.64

MA30B Urethane Rod U-Cups w/ Backup - Metric



ALTERNATIVE SEALS:
Rod: BD, BS-B

EXAMPLE: MA30B-85X100X13.2					
Prefix	Inside Diameter	Outside Diameter	Height		
MA30B-	85	x 100	x	13.2	
	85mm	100mm		13.2mm	

This sealing set is designed to resist extrusion even with an excessive clearance gap. The seal is made from 90+ Shore A hardness urethane and the backup ring is machined Nylon.

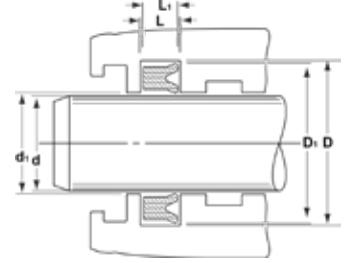
Temperature: -40°F to 230°F Pressure: 0 to 7,000 PSI

Part Number						
Prefix	Rod Diameter d	Groove Diameter D	Seal Height L ₁	Groove Height L	Price	
MA30B -	35	x 45	x 7.5	8.5	\$18.00	
MA30B -	40	x 50	x 7.5	8.5	\$19.81	
MA30B -	50	x 63	x 12	13.0	\$28.74	
MA30B -	60	x 73	x 13.2	14.2	\$31.16	
MA30B -	65	x 78	x 13.2	14.2	\$33.43	
MA30B -	70	x 83	x 13.2	14.2	\$34.64	
MA30B -	75	x 88	x 13.2	14.2	\$37.92	
MA30B -	80	x 93	x 13.2	14.2	\$39.10	
MA30B -	85	x 100	x 11.8	12.8	\$55.55	
MA30B -	90	x 105	x 13.2	14.2	\$44.51	
MA30B -	95	x 110	x 13.2	14.2	\$46.62	
MA30B -	100	x 115	x 13.2	14.2	\$46.93	
MA30B -	100	x 120	x 15	16.0	\$68.42	
MA30B -	110	x 125	x 13.2	14.2	\$70.21	
MA30B -	110	x 130	x 15	16.0	\$68.35	
MA30B -	120	x 140	x 15	16.0	\$68.65	

US Symmetrical Urethane U-Cups - Inch



ALTERNATIVE SEALS:
 Rod: "B"LLS, BD, BSLL, BS-B, BT, LLS, UNR, BS, UNRR
 Piston: UNP, DEEP LLS, LLS



Made of 90 durometer urethane, US series U-cups are symmetrical in design and may be used as rod or piston seals. Back-beveled knife-trimmed lips ensure a good seal with minimal friction.

Temperature: -65°F to 200°F

Pressure: 0 to 5,000 PSI

EXAMPLE: US-25003000-375

Prefix	Cross Section	Inside Diameter	Height
US-	250	03000	- 375
	1/4	3"	3/8

When there is nothing to indicate Height in the Part #
 (No Dash #) Height = Cross Section

Part Number	Rod Diameter d	Groove Diameter D	Seal Height L ₁	Groove Height L	Price
3/32" CROSS SECTION ("F")					
US-09300562	0.562	0.750	0.093	0.102	\$5.76
1/8" CROSS SECTION ("F")					
US-12500093	0.093	0.343	0.125	0.138	\$5.81
US-12500250-250	0.250	0.500	0.250	0.275	\$5.91
US-12500312	0.312	0.562	0.125	0.138	\$5.90
US-12500312-250	0.312	0.562	0.250	0.275	\$5.91
US-12500375-250	0.375	0.625	0.250	0.275	\$6.00
US-12500437-187	0.437	0.687	0.187	0.206	\$6.10
US-12500500	0.500	0.750	0.125	0.138	\$7.13
US-12500500-250	0.500	0.750	0.250	0.275	\$7.13
US-12500625	0.625	0.875	0.125	0.138	\$5.02
US-12500625-187	0.625	0.875	0.187	0.206	\$7.31
US-12500625-250	0.625	0.875	0.250	0.275	\$7.31
US-12500750	0.750	1.000	0.125	0.138	\$7.69
US-12500750-187	0.750	1.000	0.187	0.206	\$7.60
US-12500875-172	0.875	1.125	0.172	0.189	\$7.88
US-12501000	1.000	1.250	0.125	0.138	\$8.23
US-12501000-250	1.000	1.250	0.250	0.275	\$5.01
US-12501250	1.250	1.500	0.125	0.138	\$5.37
US-12501250-187	1.250	1.500	0.187	0.206	\$8.53
US-12501250-250	1.250	1.500	0.250	0.275	\$5.88
US-12501375-187	1.375	1.625	0.187	0.206	\$8.73
US-12501375-250-1	1.375	1.625	0.250	0.275	\$16.70
US-12501500-187	1.500	1.750	0.187	0.206	\$8.82
US-12501500-250	1.500	1.750	0.250	0.275	\$8.82
US-12501750	1.750	2.000	0.125	0.138	\$8.91
US-12501875-156	1.875	2.125	0.156	0.172	\$27.69
5/32" CROSS SECTION ("F")					
US-15600187-250	0.187	0.500	0.250	0.275	\$8.43
US-15601375-250	1.375	1.687	0.250	0.275	\$7.44
3/16" CROSS SECTION ("F")					
US-18700187-312	0.188	0.562	0.312	0.343	\$6.28
US-18700250-312	0.250	0.625	0.312	0.343	\$6.91
US-18700375	0.375	0.750	0.187	0.206	\$7.21
US-18700375-250	0.375	0.750	0.250	0.275	\$9.85

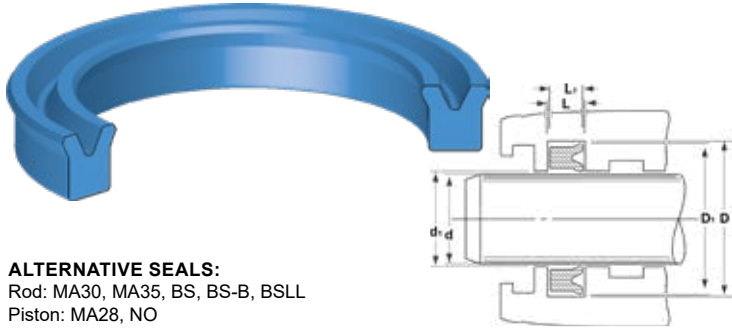
Part Number	Rod Diameter d	Groove Diameter D	Seal Height L ₁	Groove Height L	Price
3/16" CROSS SECTION ("F")					
US-18700375-312	0.375	0.750	0.312	0.343	\$7.80
US-18700437-250-1	0.437	0.812	0.250	0.275	\$14.64
US-18700500-250	0.500	0.875	0.250	0.275	\$6.75
US-18700500-312	0.500	0.875	0.312	0.343	\$7.21
US-18700625-250	0.625	1.000	0.250	0.275	\$8.84
US-18700750-312	0.750	1.125	0.312	0.343	\$7.96
US-18700875-250	0.875	1.250	0.250	0.275	\$5.61
US-18700875-312	0.875	1.250	0.312	0.343	\$8.25
US-18701000	1.000	1.375	0.187	0.206	\$8.28
US-18701125	1.125	1.500	0.187	0.206	\$7.33
US-18701125-250	1.125	1.500	0.250	0.275	\$5.72
US-18701250-375	1.250	1.625	0.375	0.413	\$6.12
US-18701312-312	1.312	1.687	0.312	0.343	\$8.91
US-18701375-312	1.375	1.750	0.312	0.343	\$9.19
US-18701375-375	1.375	1.750	0.375	0.413	\$12.43
US-18701500	1.500	1.875	0.187	0.206	\$9.28
US-18701500-312	1.500	1.875	0.312	0.343	\$6.44
US-18701500-375	1.500	1.875	0.375	0.413	\$9.57
US-18701625	1.625	2.000	0.187	0.206	\$9.57
US-18701625-250	1.625	2.000	0.250	0.275	\$9.75
US-18701625-312	1.625	2.000	0.312	0.343	\$6.92
US-18701625-375	1.625	2.000	0.375	0.413	\$9.94
US-18701625-375-1	1.625	2.000	0.375	0.413	\$11.77
US-18701750	1.750	2.125	0.187	0.206	\$8.43
US-18701750-250	1.750	2.125	0.250	0.275	\$7.04
US-18701750-312	1.750	2.125	0.312	0.343	\$10.32
US-18701750-375	1.750	2.125	0.375	0.413	\$7.04
US-18701875-280	1.875	2.250	0.280	0.308	\$10.60
US-18702000-250	2.000	2.375	0.250	0.275	\$7.04
US-18702000-312	2.000	2.375	0.312	0.343	\$7.59
US-18702000-375	2.000	2.375	0.375	0.413	\$7.95
US-18702125	2.125	2.500	0.187	0.206	\$13.77
US-18702125-312	2.125	2.500	0.312	0.343	\$13.77
US-18702125-375	2.125	2.500	0.375	0.413	\$16.70
US-18702250-312	2.250	2.625	0.312	0.343	\$13.77
US-18702500-312	2.500	2.875	0.312	0.343	\$13.77
US-18702500-375	2.500	2.875	0.375	0.413	\$9.43
US-18702577-375-1	2.577	2.952	0.375	0.413	\$14.52

US Symmetrical Urethane U-Cups - Inch, cont'd.

Part Number	Rod Diameter d	Groove Diameter D	Seal Height L ₁	Groove Height L	Price
3/16" CROSS SECTION ("F")					
US-18702625-375	2.625	3.000	0.375	0.413	\$10.11
US-18703125-375	3.125	3.500	0.375	0.413	\$10.11
US-18703200-375-1	3.200	3.575	0.375	0.413	\$17.43
US-18703625-250	3.625	4.000	0.250	0.275	\$19.88
US-18704000-375	4.000	4.375	0.375	0.413	\$22.79
US-18705000-375	5.000	5.375	0.375	0.413	\$28.51
US-18705500-375	5.500	5.875	0.375	0.413	\$32.73
1/4" CROSS SECTION ("F")					
US-25000250-312	0.250	0.750	0.312	0.343	\$8.44
US-25000312-375	0.312	0.812	0.375	0.413	\$8.44
US-25000375-312	0.375	0.875	0.312	0.343	\$8.53
US-25000500	0.500	1.000	0.250	0.275	\$7.68
US-25000562	0.562	1.063	0.250	0.275	\$8.91
US-25000625-375	0.625	1.125	0.375	0.413	\$7.80
US-25000750	0.750	1.250	0.250	0.275	\$8.24
US-25000750-375	0.750	1.250	0.375	0.413	\$8.24
US-25000937-1	0.937	1.437	0.250	0.275	\$13.05
US-25001000	1.000	1.500	0.250	0.275	\$5.40
US-25001000-375	1.000	1.500	0.375	0.413	\$5.77
US-25001125	1.125	1.625	0.250	0.275	\$9.54
US-25001125-312	1.125	1.625	0.312	0.343	\$16.10
US-25001187	1.188	1.687	0.250	0.275	\$9.72
US-25001250	1.250	1.750	0.250	0.275	\$6.11
US-25001250-375	1.250	1.750	0.375	0.413	\$6.11
US-25001500-312	1.500	2.000	0.312	0.343	\$7.04
US-25001500-375	1.500	2.000	0.375	0.413	\$7.04
US-25001625-375	1.625	2.125	0.375	0.413	\$12.82
US-25001750-1	1.750	2.250	0.250	0.275	\$14.28
US-25001750-375	1.750	2.250	0.375	0.413	\$8.03
US-25002000-375	2.000	2.500	0.375	0.413	\$8.77
US-25002125-375	2.125	2.625	0.375	0.413	\$15.48
US-25002250-375	2.250	2.750	0.375	0.413	\$9.77
US-25002375-375	2.375	2.875	0.375	0.413	\$16.14
US-25002500-312	2.500	3.000	0.312	0.343	\$16.74
US-25002500-375	2.500	3.000	0.375	0.413	\$10.85
US-25002625-375	2.625	3.125	0.375	0.413	\$17.13
US-25002750-375	2.750	3.250	0.375	0.413	\$11.74
US-25003000-375	3.000	3.500	0.375	0.413	\$12.05
US-25003250-375	3.250	3.750	0.375	0.413	\$13.44
US-25003500-375	3.500	4.000	0.375	0.413	\$14.77
US-25004000-375	4.000	4.500	0.375	0.413	\$16.12
US-25004500-375	4.500	5.000	0.375	0.413	\$18.97
US-25004500-562	4.500	5.000	0.562	0.618	\$18.97
US-25005000-375	5.000	5.500	0.375	0.413	\$30.67
US-25005500-375	5.500	6.000	0.375	0.413	\$33.07
US-25005750-562	5.750	6.250	0.562	0.618	\$36.01
US-25006500-562	6.500	7.000	0.562	0.618	\$42.40
US-25007500-562	7.500	8.000	0.562	0.618	\$50.01
5/16" CROSS SECTION ("F")					
US-31200875-240-1	0.875	1.500	0.240	0.264	\$15.82
US-31201250-1	1.250	1.875	0.312	0.343	\$19.26

Part Number	Rod Diameter d	Groove Diameter D	Seal Height L ₁	Groove Height L	Price
5/16" CROSS SECTION ("F")					
US-31201250-375	1.250	1.875	0.375	0.413	\$7.67
US-31201375	1.375	2.000	0.312	0.343	\$7.85
US-31201500	1.500	2.125	0.312	0.343	\$11.63
US-31201750	1.750	2.375	0.312	0.343	\$9.25
US-31201875	1.875	2.500	0.312	0.343	\$13.79
US-31201875-500	1.875	2.500	0.500	0.550	\$14.03
US-31202000-375	2.000	2.625	0.375	0.413	\$14.44
US-31202250-1	2.250	2.875	0.312	0.343	\$19.58
US-31202250-375	2.250	2.875	0.375	0.413	\$16.32
US-31202500-375	2.500	3.125	0.375	0.413	\$24.37
US-31202625-500	2.625	3.250	0.500	0.550	\$17.92
US-31202875	2.875	3.500	0.312	0.343	\$21.09
US-31203000-375	3.000	3.625	0.375	0.413	\$46.43
US-31203000-500-1	3.000	3.625	0.500	0.550	\$30.03
US-31203125-500	3.125	3.750	0.500	0.550	\$20.16
US-31203875-500	3.875	4.500	0.500	0.550	\$23.81
US-31205250-500	5.250	5.875	0.500	0.550	\$68.68
US-31205375-375	5.375	6.000	0.375	0.413	\$26.42
US-31205375-625	5.375	6.000	0.625	0.688	\$28.07
US-31207375	7.375	8.000	0.312	0.343	\$53.36
3/8" CROSS SECTION ("F")					
US-37502750	2.750	3.500	0.375	0.413	\$22.20
US-37502750-1	2.750	3.500	0.375	0.413	\$24.93
US-37502750-625	2.750	3.500	0.625	0.688	\$18.50
US-37503250	3.250	4.000	0.375	0.413	\$20.52
US-37503250-625	3.250	4.000	0.625	0.688	\$24.25
US-37503500-500	3.500	4.250	0.500	0.550	\$21.56
US-37503750	3.750	4.500	0.375	0.413	\$28.11
US-37504000-500	4.000	4.750	0.500	0.550	\$30.58
US-37504000-625	4.000	4.750	0.625	0.688	\$30.58
US-37504250	4.250	5.000	0.375	0.413	\$27.05
US-37504250-500	4.250	5.000	0.500	0.550	\$27.05
US-37504500-500	4.500	5.250	0.500	0.550	\$28.51
US-37504750-625	4.750	5.500	0.625	0.688	\$29.11
US-37505000-500	5.000	5.750	0.500	0.550	\$29.73
US-37505250	5.250	6.000	0.375	0.413	\$31.55
US-37505250-625	5.250	6.000	0.625	0.688	\$44.61
US-37506250	6.250	7.000	0.375	0.413	\$44.70
US-37506250-625	6.250	7.000	0.625	0.688	\$45.33
US-37507250-625	7.250	8.000	0.625	0.688	\$47.62
7/16" CROSS SECTION ("F")					
US-43701750-250S	1.750	2.625	0.250	0.275	\$16.51
1/2" CROSS SECTION ("F")					
US-50005000-750-2	5.000	6.000	0.750	0.825	\$47.47
US-50007000-750	7.000	8.000	0.750	0.825	\$70.05
US-50011000-750-1	11.000	12.000	0.750	0.825	\$246.88
5/8" CROSS SECTION ("F")					
US-62504250-750	4.250	5.500	0.750	0.825	\$57.67
US-62505250-750	5.250	6.500	0.750	0.825	\$71.27
21/32" CROSS SECTION ("F")					
US-65600875-312-1	0.875	2.188	0.312	0.343	\$27.03

MA25 Symmetrical Urethane U-Cups - Metric



ALTERNATIVE SEALS:
 Rod: MA30, MA35, BS, BS-B, BSLL
 Piston: MA28, NO

MA25 series metric urethane U-cups are symmetrical in design and may be used as rod or piston seals. Back-beveled knife-trimmed lips ensure a good seal with minimal friction.

Temperature: -50°F to 212°F Pressure: 0 to 5,800 PSI

EXAMPLE: MA25-60X85X10					
Prefix	Inside Diameter		Outside Diameter		Height
MA25-	60	x	85	x	10
	60mm		85mm		10mm

Part Number						Price
Prefix	Rod Diameter d	Groove Diameter D	Seal Height L ₁	Groove Height L		
MA25	- 3	x 10	x 6	7.0		\$3.81
MA25	- 4	x 10	x 4	5.0		\$3.81
MA25	- 4	x 12	x 5.5	6.5		\$3.87
MA25	- 4.5	x 11	x 5	6.0		\$5.21
MA25	- 4.5	x 12.5	x 4.5	5.5		\$7.50
MA25	- 5	x 11	x 5	6.0		\$6.08
MA25	- 5	x 11	x 7	8.0		\$4.03
MA25	- 5	x 12	x 5	6.0		\$4.03
MA25	- 5	x 12	x 5.5	6.5		\$5.28
MA25	- 5	x 14	x 8	9.0		\$4.11
MA25	- 6	x 10	x 3	4.0		\$4.11
MA25	- 6	x 12	x 4	5.0		\$4.39
MA25	- 6	x 12	x 5	6.0		\$4.39
MA25	- 6	x 12	x 6	7.0		\$4.39
MA25	- 6	x 12	x 7	8.0		\$4.39
MA25	- 6	x 13	x 5.5	6.5		\$4.41
MA25	- 6	x 13	x 8	9.0		\$8.87
MA25	- 6	x 14	x 6	7.0		\$4.56
MA25	- 6	x 16	x 6	7.0		\$4.81
MA25	- 7	x 15	x 5	6.0		\$4.51
MA25	- 7	x 15	x 7	8.0		\$4.51
MA25	- 8	x 14	x 4	5.0		\$4.85
MA25	- 8	x 14	x 6	7.0		\$3.71
MA25	- 8	x 15	x 8.2	9.2		\$4.62
MA25	- 8	x 16	x 5.7	6.7		\$3.80
MA25	- 8	x 16	x 6	7.0		\$4.97
MA25	- 8	x 16	x 8	9.0		\$4.86
MA25	- 8	x 18	x 8	9.0		\$4.97
MA25	- 9	x 17	x 6	7.0		\$5.09
MA25	- 9	x 19	x 6	7.0		\$5.33
MA25	- 10	x 16	x 4	5.0		\$5.48
MA25	- 10	x 16	x 6	7.0		\$5.84
MA25	- 10	x 18	x 5	6.0		\$5.75
MA25	- 10	x 18	x 6	7.0		\$4.32
MA25	- 10	x 18	x 8	9.0		\$5.33
MA25	- 10	x 20	x 8	9.0		\$4.73
MA25	- 10	x 22	x 6	7.0		\$5.64
MA25	- 10	x 25	x 10	11.0		\$5.87
MA25	- 12	x 18	x 5	6.0		\$5.33
MA25	- 12	x 18	x 6	7.0		\$4.87
MA25	- 12	x 18	x 6.3	7.3		\$5.40
MA25	- 12	x 19	x 5	6.0		\$6.49
MA25	- 12	x 20	x 4.4	5.4		\$10.33
MA25	- 12	x 20	x 5	6.0		\$9.48
MA25	- 12	x 20	x 7	8.0		\$5.70

Part Number						Price
Prefix	Rod Diameter d	Groove Diameter D	Seal Height L ₁	Groove Height L		
MA25	- 12	x 20	x 8	9.0		\$4.87
MA25	- 12	x 22	x 5	6.0		\$4.74
MA25	- 12	x 22	x 6	7.0		\$5.70
MA25	- 12	x 22	x 7	8.0		\$5.94
MA25	- 12	x 22	x 8	9.0		\$5.95
MA25	- 12	x 24	x 6	7.0		\$5.95
MA25	- 12	x 24	x 8	9.0		\$9.34
MA25	- 12	x 24	x 10	11.0		\$6.03
MA25	- 12	x 25	x 8	9.0		\$6.03
MA25	- 12	x 25	x 10	11.0		\$7.59
MA25	- 14	x 20	x 4	5.0		\$5.61
MA25	- 14	x 20	x 4.8	5.8		\$4.51
MA25	- 14	x 20	x 5	6.0		\$5.71
MA25	- 14	x 20	x 6	7.0		\$5.71
MA25	- 14	x 22	x 4.4	5.4		\$5.71
MA25	- 14	x 22	x 5	6.0		\$5.33
MA25	- 14	x 22	x 8	9.0		\$5.87
MA25	- 14	x 24	x 6	7.0		\$6.20
MA25	- 14	x 24	x 8	9.0		\$4.92
MA25	- 14	x 26	x 8	9.0		\$6.20
MA25	- 14	x 28	x 10	11.0		\$6.54
MA25	- 15	x 21	x 4	5.0		\$5.68
MA25	- 15	x 22	x 4	5.0		\$6.63
MA25	- 15	x 25	x 8	9.0		\$5.78
MA25	- 15	x 25	x 10	11.0		\$6.44
MA25	- 15	x 28	x 10	11.0		\$6.58
MA25	- 15	x 30	x 8	9.0		\$6.65
MA25	- 16	x 22	x 4	5.0		\$4.87
MA25	- 16	x 22	x 5	6.0		\$4.87
MA25	- 16	x 24	x 4.4	5.4		\$9.94
MA25	- 16	x 24	x 5	6.0		\$5.23
MA25	- 16	x 26	x 6	7.0		\$5.63
MA25	- 16	x 26	x 8	9.0		\$6.77
MA25	- 16	x 28	x 6	7.0		\$7.54
MA25	- 17	x 25	x 10	11.0		\$5.96
MA25	- 17	x 32	x 10	11.0		\$7.71
MA25	- 18	x 25	x 5	6.0		\$6.55
MA25	- 18	x 26	x 4.4	5.4		\$10.09
MA25	- 18	x 26	x 5	6.0		\$7.32
MA25	- 18	x 26	x 6	7.0		\$8.04
MA25	- 18	x 26	x 8	9.0		\$9.65
MA25	- 18	x 28	x 7.27	8.3		\$10.09
MA25	- 18	x 28	x 8	9.0		\$5.78
MA25	- 18	x 30	x 7.5	8.5		\$6.70
MA25	- 18	x 30	x 8.5	9.5		\$7.88

MA25 Symmetrical Urethane U-Cups - Metric, cont'd.

Prefix	Part Number			Groove Height L	Price
	Rod Diameter d	Groove Diameter D	Seal Height L ₁		
MA25	- 18	x 32	x 7	8.0	\$7.98
MA25	- 18	x 34	x 8	9.0	\$10.93
MA25	- 19	x 25	x 6	7.0	\$7.98
MA25	- 20	x 26	x 3.2	4.2	\$6.45
MA25	- 20	x 26	x 5	6.0	\$7.98
MA25	- 20	x 27	x 6	7.0	\$8.17
MA25	- 20	x 28	x 4	5.0	\$6.12
MA25	- 20	x 28	x 4.4	5.4	\$10.09
MA25	- 20	x 28	x 5	6.0	\$7.47
MA25	- 20	x 28	x 6	7.0	\$7.98
MA25	- 20	x 28	x 8	9.0	\$6.24
MA25	- 20	x 30	x 6	7.0	\$6.95
MA25	- 20	x 30	x 8	9.0	\$6.55
MA25	- 20	x 30	x 10	11.0	\$6.55
MA25	- 20	x 31	x 8	9.0	\$8.31
MA25	- 20	x 32	x 5	6.0	\$8.31
MA25	- 20	x 32	x 7.7	8.7	\$10.29
MA25	- 20	x 32	x 8	9.0	\$10.86
MA25	- 20	x 35	x 10	11.0	\$9.30
MA25	- 20	x 35	x 12	13.0	\$6.78
MA25	- 20	x 36	x 12	13.0	\$10.18
MA25	- 20	x 39	x 10	11.0	\$19.93
MA25	- 20	x 40	x 8	9.0	\$10.23
MA25	- 20	x 40	x 10	11.0	\$8.03
MA25	- 20	x 40	x 12	13.0	\$10.16
MA25	- 22	x 28	x 8	9.0	\$6.95
MA25	- 22	x 30	x 4.4	5.4	\$10.49
MA25	- 22	x 30	x 5	6.0	\$8.13
MA25	- 22	x 30	x 6	7.0	\$6.55
MA25	- 22	x 30	x 10	11.0	\$6.90
MA25	- 22	x 32	x 7	8.0	\$10.37
MA25	- 22	x 32	x 8	9.0	\$6.81
MA25	- 22	x 32	x 10	11.0	\$10.37
MA25	- 22	x 35	x 10	11.0	\$6.35
MA25	- 22	x 40	x 10	11.0	\$10.37
MA25	- 22	x 40	x 12	13.0	\$10.38
MA25	- 22.4	x 30	x 5	6.0	\$10.09
MA25	- 23	x 35	x 6	7.0	\$9.99
MA25	- 24	x 32	x 7	8.0	\$5.68
MA25	- 24	x 40	x 8	9.0	\$7.12
MA25	- 25	x 32	x 4	5.0	\$9.01
MA25	- 25	x 33	x 4.4	5.4	\$10.96
MA25	- 25	x 33	x 5	6.0	\$9.59
MA25	- 25	x 33	x 8	9.0	\$6.73
MA25	- 25	x 35	x 5	6.0	\$6.37
MA25	- 25	x 35	x 6	7.0	\$9.84
MA25	- 25	x 35	x 8	9.0	\$5.22
MA25	- 25	x 35	x 10	11.0	\$6.40
MA25	- 25	x 37	x 7	8.0	\$12.35
MA25	- 25	x 38	x 8	9.0	\$6.55
MA25	- 25	x 38	x 10	11.0	\$6.57
MA25	- 25	x 40	x 10	11.0	\$12.26
MA25	- 25	x 45	x 10	11.0	\$10.74
MA25	- 27	x 38	x 6	7.0	\$13.00
MA25	- 28	x 35	x 5	6.0	\$6.53
MA25	- 28	x 35.5	x 5	6.0	\$10.50
MA25	- 28	x 36	x 5	6.0	\$7.40
MA25	- 28	x 36	x 6.5	7.5	\$11.28

Prefix	Part Number			Groove Height L	Price
	Rod Diameter d	Groove Diameter D	Seal Height L ₁		
MA25	- 28	x 36	x 9	10.0	\$7.44
MA25	- 28	x 38	x 5.6	6.6	\$11.67
MA25	- 28	x 38	x 10	11.0	\$7.36
MA25	- 28	x 40	x 8	9.0	\$7.19
MA25	- 28	x 40	x 10	11.0	\$7.19
MA25	- 28	x 43	x 10	11.0	\$8.32
MA25	- 28	x 44	x 8	9.0	\$7.54
MA25	- 30	x 37	x 6	7.0	\$13.51
MA25	- 30	x 38	x 5	6.0	\$9.76
MA25	- 30	x 38	x 5.5	6.5	\$4.88
MA25	- 30	x 38	x 6	7.0	\$7.05
MA25	- 30	x 40	x 5.6	6.6	\$10.57
MA25	- 30	x 40	x 6	7.0	\$12.13
MA25	- 30	x 40	x 7	8.0	\$12.14
MA25	- 30	x 40	x 8	9.0	\$13.70
MA25	- 30	x 40	x 10	11.0	\$12.13
MA25	- 30	x 42	x 9	10.0	\$9.71
MA25	- 30	x 42	x 10	11.0	\$9.98
MA25	- 30	x 43	x 6.5	7.5	\$12.24
MA25	- 30	x 45	x 10	11.0	\$8.23
MA25	- 30	x 50	x 10	11.0	\$9.07
MA25	- 30	x 50	x 12	13.0	\$14.35
MA25	- 31.5	x 41.5	x 6	7.0	\$11.97
MA25	- 32	x 40	x 4	5.0	\$13.70
MA25	- 32	x 40	x 5	6.0	\$5.53
MA25	- 32	x 40	x 5.7	6.7	\$5.53
MA25	- 32	x 40	x 8	9.0	\$7.41
MA25	- 32	x 42	x 5.6	6.6	\$12.14
MA25	- 32	x 42	x 6	7.0	\$13.86
MA25	- 32	x 42	x 10	11.0	\$7.19
MA25	- 32	x 45	x 10	11.0	\$8.41
MA25	- 32	x 46	x 10	11.0	\$12.52
MA25	- 32	x 47	x 10	11.0	\$9.95
MA25	- 32	x 48	x 10	11.0	\$9.95
MA25	- 32	x 50	x 10	11.0	\$11.10
MA25	- 32	x 50	x 12	13.0	\$15.04
MA25	- 33	x 43	x 5	6.0	\$15.13
MA25	- 35	x 43	x 6	7.0	\$6.36
MA25	- 35	x 43	x 7	8.0	\$15.04
MA25	- 35	x 45	x 6	7.0	\$11.91
MA25	- 35	x 45	x 7	8.0	\$11.97
MA25	- 35	x 45	x 8	9.0	\$8.23
MA25	- 35	x 45	x 10	11.0	\$11.30
MA25	- 35	x 48	x 10	11.0	\$9.42
MA25	- 35	x 50	x 10	11.0	\$9.08
MA25	- 35	x 55	x 10	11.0	\$9.82
MA25	- 35	x 55	x 12	13.0	\$15.66
MA25	- 35.5	x 45	x 6	7.0	\$11.84
MA25	- 36	x 44	x 4	5.0	\$15.04
MA25	- 36	x 44	x 5.7	6.7	\$13.06
MA25	- 36	x 46	x 7	8.0	\$7.19
MA25	- 36	x 46	x 10	11.0	\$6.94
MA25	- 36	x 50	x 8	9.0	\$15.04
MA25	- 36	x 51	x 10	11.0	\$15.66
MA25	- 36	x 70	x 10	11.0	\$15.66
MA25	- 38	x 45	x 6	7.0	\$12.45
MA25	- 38	x 46	x 6.5	7.5	\$15.04
MA25	- 38	x 48	x 6	7.0	\$13.42

MA25 Symmetrical Urethane U-Cups - Metric, cont'd.

Part Number						Groove Height L	Price
Prefix	Rod Diameter d	Groove Diameter D	Seal Height L ₁	Groove Height L	Price		
MA25	- 38	x 48	x 10	11.0	\$9.96		
MA25	- 38	x 50	x 6	7.0	\$15.04		
MA25	- 38	x 50	x 9	10.0	\$7.79		
MA25	- 38	x 50	x 10	11.0	\$7.34		
MA25	- 38	x 55	x 9.7	10.7	\$12.85		
MA25	- 38	x 55	x 10	11.0	\$13.35		
MA25	- 38	x 58	x 10	11.0	\$7.84		
MA25	- 40	x 48	x 8	9.0	\$6.89		
MA25	- 40	x 48	x 10	11.0	\$11.79		
MA25	- 40	x 48	x 11	12.0	\$15.04		
MA25	- 40	x 50	x 5	6.0	\$7.50		
MA25	- 40	x 50	x 5.6	6.6	\$12.14		
MA25	- 40	x 50	x 6	7.0	\$13.81		
MA25	- 40	x 50	x 6.5	7.5	\$8.08		
MA25	- 40	x 50	x 7	8.0	\$8.88		
MA25	- 40	x 50	x 8	9.0	\$8.05		
MA25	- 40	x 50	x 10	11.0	\$8.22		
MA25	- 40	x 53	x 8	9.0	\$19.19		
MA25	- 40	x 55	x 10	11.0	\$14.44		
MA25	- 40	x 55	x 12	13.0	\$14.80		
MA25	- 40	x 56	x 8	9.0	\$7.63		
MA25	- 40	x 56	x 10	11.0	\$7.63		
MA25	- 40	x 60	x 10	11.0	\$7.17		
MA25	- 40	x 60	x 12	13.0	\$14.81		
MA25	- 40	x 60	x 13	14.0	\$9.03		
MA25	- 40	x 60	x 18	19.0	\$10.25		
MA25	- 40	x 65	x 10	11.0	\$15.90		
MA25	- 40	x 65	x 12	13.0	\$11.19		
MA25	- 40.8	x 50.8	x 6	7.0	\$11.69		
MA25	- 40.8	x 50.8	x 8.8	9.8	\$11.69		
MA25	- 42	x 50	x 6	7.0	\$9.43		
MA25	- 42	x 50	x 8	9.0	\$7.93		
MA25	- 42	x 52	x 6	7.0	\$7.81		
MA25	- 42	x 52	x 9	10.0	\$8.55		
MA25	- 42	x 52	x 10	11.0	\$14.82		
MA25	- 42	x 62	x 12	13.0	\$17.34		
MA25	- 45	x 53	x 8	9.0	\$15.45		
MA25	- 45	x 55	x 5	6.0	\$15.45		
MA25	- 45	x 55	x 5.6	6.6	\$14.55		
MA25	- 45	x 55	x 6	7.0	\$16.15		
MA25	- 45	x 55	x 6.5	7.5	\$9.08		
MA25	- 45	x 55	x 10	11.0	\$9.08		
MA25	- 45	x 56	x 7	8.0	\$16.15		
MA25	- 45	x 58	x 10	11.0	\$8.49		
MA25	- 45	x 60	x 10	11.0	\$9.78		
MA25	- 45	x 63	x 10	11.0	\$8.50		
MA25	- 45	x 63	x 12	13.0	\$17.21		
MA25	- 45	x 65	x 10	11.0	\$11.24		
MA25	- 45	x 65	x 12	13.0	\$11.25		
MA25	- 45	x 70	x 12	13.0	\$7.80		
MA25	- 45	x 75	x 15	16.0	\$17.90		
MA25	- 46	x 56	x 6	7.0	\$14.49		
MA25	- 47	x 55	x 6	7.0	\$15.04		
MA25	- 48	x 58	x 6.5	7.5	\$10.34		
MA25	- 48	x 58	x 10	11.0	\$9.40		
MA25	- 48	x 60	x 9	10.0	\$19.19		
MA25	- 48	x 63	x 10	11.0	\$19.86		
MA25	- 48	x 65	x 10	11.0	\$19.86		

Part Number						Groove Height L	Price
Prefix	Rod Diameter d	Groove Diameter D	Seal Height L ₁	Groove Height L	Price		
MA25	- 48	x 68	x 10	11.0	\$19.86		
MA25	- 50	x 58	x 8	9.0	\$18.63		
MA25	- 50	x 60	x 5	6.0	\$10.08		
MA25	- 50	x 60	x 5.6	6.6	\$13.55		
MA25	- 50	x 60	x 6	7.0	\$13.07		
MA25	- 50	x 60	x 7	8.0	\$12.84		
MA25	- 50	x 60	x 8	9.0	\$11.49		
MA25	- 50	x 60	x 10	11.0	\$8.91		
MA25	- 50	x 60	x 12	13.0	\$18.44		
MA25	- 50	x 60	x 13	14.0	\$18.44		
MA25	- 50	x 62	x 9	10.0	\$8.91		
MA25	- 50	x 62	x 10	11.0	\$15.13		
MA25	- 50	x 63	x 6	7.0	\$8.43		
MA25	- 50	x 63	x 8	9.0	\$11.23		
MA25	- 50	x 63	x 9	10.0	\$15.92		
MA25	- 50	x 63	x 10	11.0	\$8.97		
MA25	- 50	x 65	x 10	11.0	\$19.22		
MA25	- 50	x 65	x 12	13.0	\$18.23		
MA25	- 50	x 70	x 10	11.0	\$11.95		
MA25	- 50	x 70	x 12	13.0	\$12.01		
MA25	- 50	x 70	x 18	19.0	\$21.44		
MA25	- 50	x 75	x 12	13.0	\$14.01		
MA25	- 52	x 62	x 6	7.0	\$9.67		
MA25	- 52	x 62	x 12	13.0	\$9.67		
MA25	- 53	x 63	x 6	7.0	\$15.44		
MA25	- 53	x 63	x 6.5	7.5	\$12.14		
MA25	- 53	x 63	x 7.5	8.5	\$12.20		
MA25	- 55	x 65	x 5	6.0	\$8.60		
MA25	- 55	x 65	x 6	7.0	\$16.02		
MA25	- 55	x 65	x 10	11.0	\$12.98		
MA25	- 55	x 65	x 11	12.0	\$10.74		
MA25	- 55	x 65	x 12	13.0	\$9.32		
MA25	- 55	x 70	x 9	10.0	\$15.00		
MA25	- 55	x 70	x 10	11.0	\$9.32		
MA25	- 55	x 70	x 12	13.0	\$11.97		
MA25	- 55	x 75	x 10	11.0	\$11.57		
MA25	- 55	x 75	x 12	13.0	\$11.63		
MA25	- 55	x 80	x 12	13.0	\$13.76		
MA25	- 55	x 80	x 18	19.0	\$21.77		
MA25	- 56	x 66	x 6	7.0	\$16.72		
MA25	- 56	x 66	x 6.7	7.7	\$16.00		
MA25	- 56	x 66	x 7.3	8.3	\$17.49		
MA25	- 56	x 70	x 12	13.0	\$22.61		
MA25	- 56	x 71	x 8.4	9.4	\$18.05		
MA25	- 56	x 71	x 10	11.0	\$11.99		
MA25	- 56	x 71	x 10.6	11.6	\$13.88		
MA25	- 56	x 71	x 12	13.0	\$14.01		
MA25	- 58	x 78	x 15	16.0	\$17.56		
MA25	- 60	x 68	x 8	9.0	\$15.42		
MA25	- 60	x 68	x 13	14.0	\$37.27		
MA25	- 60	x 70	x 5	6.0	\$7.00		
MA25	- 60	x 70	x 6	7.0	\$14.08		
MA25	- 60	x 70	x 8	9.0	\$11.95		
MA25	- 60	x 70	x 10	11.0	\$11.99		
MA25	- 60	x 70	x 12	13.0	\$12.12		
MA25	- 60	x 70	x 13	14.0	\$17.37		
MA25	- 60	x 71	x 7	8.0	\$15.74		
MA25	- 60	x 75	x 10	11.0	\$10.47		

MA25 Symmetrical Urethane U-Cups - Metric, cont'd.

Part Number						Groove Height L	Price
Prefix	Rod Diameter d	Groove Diameter D	Seal Height L ₁				
MA25	- 60	x 75	x 12		13.0	\$10.47	
MA25	- 60	x 80	x 10		11.0	\$11.77	
MA25	- 60	x 80	x 12		13.0	\$11.81	
MA25	- 60	x 80	x 18		19.0	\$13.25	
MA25	- 60	x 85	x 10		11.0	\$21.18	
MA25	- 60	x 85	x 12		13.0	\$21.18	
MA25	- 60	x 85	x 12.5		13.5	\$21.18	
MA25	- 60	x 90	x 15		16.0	\$23.49	
MA25	- 61	x 71	x 6		7.0	\$15.56	
MA25	- 62	x 72	x 12.5		13.5	\$16.64	
MA25	- 63	x 73	x 5		6.0	\$19.33	
MA25	- 63	x 73	x 6		7.0	\$14.60	
MA25	- 63	x 73	x 11.8		12.8	\$15.74	
MA25	- 63	x 75	x 10		11.0	\$10.73	
MA25	- 63	x 78	x 8.4		9.4	\$17.86	
MA25	- 63	x 78	x 10		11.0	\$12.16	
MA25	- 63	x 78	x 11		12.0	\$18.75	
MA25	- 63	x 83	x 12		13.0	\$14.81	
MA25	- 63	x 83	x 15		16.0	\$22.79	
MA25	- 65	x 73	x 8		9.0	\$19.56	
MA25	- 65	x 75	x 6		7.0	\$20.01	
MA25	- 65	x 75	x 10		11.0	\$22.79	
MA25	- 65	x 75	x 12		13.0	\$22.79	
MA25	- 65	x 80	x 8.4		9.4	\$18.79	
MA25	- 65	x 80	x 10		11.0	\$22.91	
MA25	- 65	x 80	x 11		12.0	\$12.12	
MA25	- 65	x 80	x 12		13.0	\$12.12	
MA25	- 65	x 85	x 10		11.0	\$13.78	
MA25	- 65	x 85	x 12		13.0	\$11.85	
MA25	- 65	x 90	x 18		19.0	\$21.05	
MA25	- 67	x 77	x 10		11.0	\$21.45	
MA25	- 67	x 77	x 12		13.0	\$21.45	
MA25	- 70	x 80	x 5		6.0	\$10.91	
MA25	- 70	x 80	x 6		7.0	\$19.52	
MA25	- 70	x 80	x 7		8.0	\$20.34	
MA25	- 70	x 80	x 8		9.0	\$10.47	
MA25	- 70	x 80	x 10		11.0	\$10.87	
MA25	- 70	x 80	x 12		13.0	\$10.87	
MA25	- 70	x 82	x 9		10.0	\$13.93	
MA25	- 70	x 85	x 8.4		9.4	\$25.88	
MA25	- 70	x 85	x 10		11.0	\$19.17	
MA25	- 70	x 85	x 11		12.0	\$22.20	
MA25	- 70	x 85	x 12		13.0	\$11.75	
MA25	- 70	x 90	x 10		11.0	\$18.05	
MA25	- 70	x 90	x 12		13.0	\$11.85	
MA25	- 70	x 95	x 12		13.0	\$15.52	
MA25	- 71	x 80	x 6		7.0	\$19.03	
MA25	- 75	x 85	x 6		7.0	\$20.78	
MA25	- 75	x 85	x 10		11.0	\$9.79	
MA25	- 75	x 85	x 11.8		12.8	\$21.12	
MA25	- 75	x 85	x 12		13.0	\$12.45	
MA25	- 75	x 90	x 7.5		8.5	\$14.13	
MA25	- 75	x 90	x 9		10.0	\$22.01	
MA25	- 75	x 90	x 10		11.0	\$11.21	
MA25	- 75	x 90	x 12		13.0	\$12.73	
MA25	- 75	x 95	x 12		13.0	\$12.31	
MA25	- 75	x 100	x 15		16.0	\$26.00	
MA25	- 78	x 93	x 10.5		11.5	\$18.10	

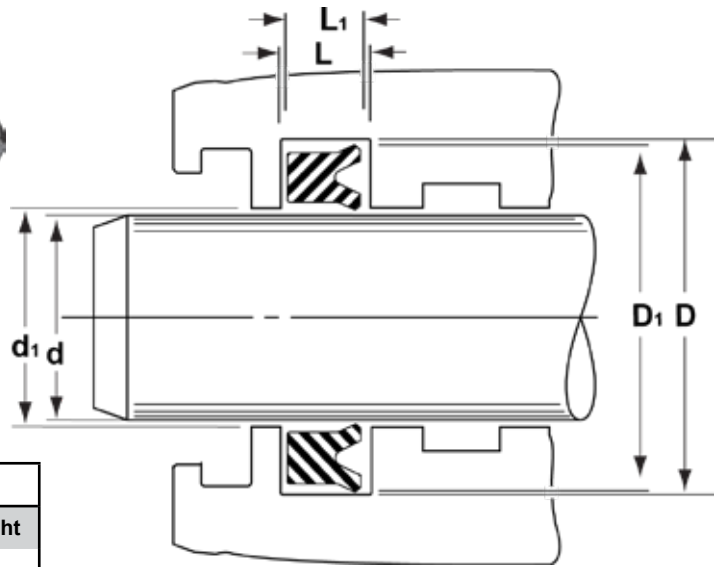
Part Number						Groove Height L	Price
Prefix	Rod Diameter d	Groove Diameter D	Seal Height L ₁				
MA25	- 80	x 90	x 5		6.0	\$8.39	
MA25	- 80	x 90	x 6		7.0	\$18.74	
MA25	- 80	x 90	x 8		9.0	\$10.10	
MA25	- 80	x 90	x 10		11.0	\$11.79	
MA25	- 80	x 90	x 11.8		12.8	\$19.97	
MA25	- 80	x 90	x 12		13.0	\$29.79	
MA25	- 80	x 95	x 8.4		9.4	\$26.32	
MA25	- 80	x 95	x 9		10.0	\$11.10	
MA25	- 80	x 95	x 12		13.0	\$11.80	
MA25	- 80	x 100	x 10		11.0	\$12.26	
MA25	- 80	x 100	x 12		13.0	\$12.27	
MA25	- 80	x 105	x 12		13.0	\$29.21	
MA25	- 82	x 92	x 10		11.0	\$15.87	
MA25	- 85	x 95	x 8.5		9.5	\$10.70	
MA25	- 85	x 95	x 9		10.0	\$17.33	
MA25	- 85	x 95	x 12		13.0	\$12.30	
MA25	- 85	x 100	x 8.4		9.4	\$20.44	
MA25	- 85	x 100	x 9		10.0	\$24.80	
MA25	- 85	x 100	x 11		12.0	\$13.02	
MA25	- 85	x 100	x 12		13.0	\$14.96	
MA25	- 85	x 100	x 25		26.0	\$18.67	
MA25	- 85	x 105	x 12		13.0	\$12.81	
MA25	- 85	x 105	x 18		19.0	\$20.22	
MA25	- 85	x 115	x 15		16.0	\$22.68	
MA25	- 90	x 100	x 7		8.0	\$12.13	
MA25	- 90	x 100	x 8		9.0	\$12.13	
MA25	- 90	x 100	x 10		11.0	\$19.18	
MA25	- 90	x 100	x 11.8		12.8	\$26.03	
MA25	- 90	x 100	x 12		13.0	\$33.33	
MA25	- 90	x 105	x 8.4		9.4	\$24.95	
MA25	- 90	x 105	x 9		10.0	\$29.18	
MA25	- 90	x 105	x 11.5		12.5	\$18.48	
MA25	- 90	x 105	x 12		13.0	\$16.17	
MA25	- 90	x 110	x 10		11.0	\$13.27	
MA25	- 90	x 110	x 12		13.0	\$13.73	
MA25	- 90	x 110	x 18		19.0	\$29.59	
MA25	- 90	x 120	x 15		16.0	\$33.55	
MA25	- 95	x 105	x 11		12.0	\$33.55	
MA25	- 95	x 105	x 12		13.0	\$31.94	
MA25	- 95	x 110	x 9		10.0	\$34.90	
MA25	- 95	x 110	x 12		13.0	\$12.35	
MA25	- 95	x 110	x 15		16.0	\$34.13	
MA25	- 95	x 112	x 11		12.0	\$34.41	
MA25	- 95	x 115	x 12		13.0	\$15.76	
MA25	- 95	x 115	x 18		19.0	\$34.94	
MA25	- 100	x 112	x 9		10.0	\$19.21	
MA25	- 100	x 115	x 9		10.0	\$34.90	
MA25	- 100	x 115	x 12		13.0	\$18.29	
MA25	- 100	x 120	x 10		11.0	\$39.11	
MA25	- 100	x 120	x 11		12.0	\$38.87	
MA25	- 100	x 120	x 12		13.0	\$38.40	
MA25	- 100	x 120	x 15		16.0	\$15.68	
MA25	- 100	x 120	x 18		19.0	\$34.58	
MA25	- 100	x 125	x 12		13.0	\$37.26	
MA25	- 100	x 125	x 15		16.0	\$16.91	
MA25	- 100	x 130	x 12		13.0	\$35.37	
MA25	- 100	x 130	x 15		16.0	\$21.45	
MA25	- 105	x 120	x 8		9.0	\$15.84	

MA25 Symmetrical Urethane U-Cups - Metric, cont'd.

Part Number						Groove Height L	Price
Prefix	Rod Diameter d	Groove Diameter D	Seal Height L ₁	Groove Height L	Price		
MA25	- 105	x 120	x 15	16.0	\$15.84		
MA25	- 105	x 125	x 10	11.0	\$33.20		
MA25	- 105	x 125	x 11.36	12.4	\$27.14		
MA25	- 105	x 125	x 15	16.0	\$20.34		
MA25	- 110	x 125	x 12	13.0	\$16.46		
MA25	- 110	x 125	x 15	16.0	\$39.43		
MA25	- 110	x 130	x 11	12.0	\$40.45		
MA25	- 110	x 130	x 12	13.0	\$38.98		
MA25	- 110	x 130	x 14.5	15.5	\$35.26		
MA25	- 110	x 130	x 15	16.0	\$36.65		
MA25	- 110	x 130	x 18	19.0	\$42.48		
MA25	- 110	x 135	x 18	19.0	\$39.84		
MA25	- 112	x 125	x 9	10.0	\$33.90		
MA25	- 113	x 125	x 9.5	10.5	\$48.51		
MA25	- 115	x 125	x 15	16.0	\$40.83		
MA25	- 115	x 126	x 15	16.0	\$43.48		
MA25	- 115	x 130	x 10	11.0	\$43.07		
MA25	- 115	x 130	x 15	16.0	\$44.20		
MA25	- 115	x 135	x 15	16.0	\$50.09		
MA25	- 115	x 140	x 15	16.0	\$53.13		
MA25	- 115	x 140	x 18	19.0	\$53.58		
MA25	- 120	x 130	x 5	6.0	\$54.43		
MA25	- 120	x 130	x 14	15.0	\$32.01		
MA25	- 120	x 135	x 15	16.0	\$19.90		
MA25	- 120	x 140	x 10	11.0	\$16.63		
MA25	- 120	x 140	x 12	13.0	\$20.64		
MA25	- 120	x 140	x 14.5	15.5	\$50.17		
MA25	- 120	x 140	x 15	16.0	\$18.90		
MA25	- 120	x 150	x 15	16.0	\$51.77		
MA25	- 120	x 150	x 18	19.0	\$52.13		
MA25	- 125	x 135	x 10	11.0	\$43.43		
MA25	- 125	x 140	x 9	10.0	\$34.07		
MA25	- 125	x 140	x 11	12.0	\$18.43		
MA25	- 125	x 140	x 12	13.0	\$18.43		
MA25	- 125	x 140	x 15	16.0	\$35.34		
MA25	- 125	x 145	x 11	12.0	\$49.51		
MA25	- 125	x 145	x 15	16.0	\$39.99		
MA25	- 125	x 150	x 12	13.0	\$27.38		
MA25	- 125	x 155	x 15	16.0	\$35.84		
MA25	- 125	x 155	x 18	19.0	\$36.65		
MA25	- 130	x 150	x 14.5	15.5	\$47.38		
MA25	- 130	x 150	x 15	16.0	\$41.87		
MA25	- 130	x 150	x 16	17.0	\$48.25		
MA25	- 130	x 160	x 15	16.0	\$47.58		
MA25	- 130	x 160	x 18	19.0	\$41.51		
MA25	- 135	x 155	x 15	16.0	\$44.03		
MA25	- 135	x 160	x 15	16.0	\$58.25		
MA25	- 136	x 150	x 9	10.0	\$37.81		
MA25	- 140	x 150	x 5	6.0	\$32.30		
MA25	- 140	x 155	x 9	10.0	\$17.05		
MA25	- 140	x 155	x 15	16.0	\$40.82		
MA25	- 140	x 160	x 6	7.0	\$41.28		
MA25	- 140	x 160	x 10	11.0	\$43.76		
MA25	- 141	x 160	x 12	13.0	\$43.89		

Part Number						Groove Height L	Price
Prefix	Rod Diameter d	Groove Diameter D	Seal Height L ₁	Groove Height L	Price		
MA25	- 140	x 160	x 15	16.0	\$43.25		
MA25	- 145	x 160	x 9	10.0	\$44.38		
MA25	- 145	x 165	x 15	16.0	\$50.01		
MA25	- 150	x 170	x 15	16.0	\$51.62		
MA25	- 150	x 170	x 18	19.0	\$80.82		
MA25	- 150	x 180	x 15	16.0	\$52.46		
MA25	- 150	x 180	x 18	19.0	\$49.28		
MA25	- 155	x 180	x 15	16.0	\$53.21		
MA25	- 160	x 175	x 7.5	8.5	\$68.20		
MA25	- 160	x 180	x 15	16.0	\$55.24		
MA25	- 160	x 185	x 15	16.0	\$57.40		
MA25	- 160	x 190	x 15	16.0	\$59.43		
MA25	- 160	x 190	x 19	20.0	\$73.32		
MA25	- 165	x 190	x 15	16.0	\$64.16		
MA25	- 170	x 190	x 15	16.0	\$32.40		
MA25	- 170	x 195	x 15	16.0	\$69.63		
MA25	- 170	x 200	x 15	16.0	\$70.35		
MA25	- 170	x 200	x 18	19.0	\$73.98		
MA25	- 175	x 200	x 15	16.0	\$72.28		
MA25	- 180	x 200	x 12	13.0	\$51.42		
MA25	- 180	x 200	x 15	16.0	\$51.42		
MA25	- 180	x 205	x 15	16.0	\$70.37		
MA25	- 180	x 210	x 22	23.0	\$61.36		
MA25	- 185	x 200	x 7.5	8.5	\$56.12		
MA25	- 190	x 210	x 12	13.0	\$74.56		
MA25	- 190	x 210	x 15	16.0	\$48.67		
MA25	- 190	x 215	x 15	16.0	\$79.99		
MA25	- 200	x 220	x 12	13.0	\$76.99		
MA25	- 200	x 220	x 15	16.0	\$72.26		
MA25	- 200	x 230	x 17	18.0	\$99.31		
MA25	- 210	x 230	x 15	16.0	\$73.12		
MA25	- 210	x 240	x 18	19.0	\$54.36		
MA25	- 220	x 250	x 15	16.0	\$58.19		
MA25	- 220	x 250	x 17.5	18.5	\$84.60		
MA25	- 220	x 250	x 18	19.0	\$65.38		
MA25	- 225	x 250	x 18.2	19.2	\$69.79		
MA25	- 230	x 250	x 12	13.0	\$82.68		
MA25	- 230	x 250	x 15	16.0	\$66.20		
MA25	- 240	x 260	x 16	17.0	\$51.86		
MA25	- 240	x 265	x 18	19.0	\$85.65		
MA25	- 250	x 270	x 15	16.0	\$94.38		
MA25	- 250	x 275	x 19	20.0	\$96.66		
MA25	- 250	x 280	x 18	19.0	\$70.61		
MA25	- 250	x 280	x 22	24.0	\$94.63		
MA25	- 260	x 290	x 18	19.0	\$76.84		
MA25	- 270	x 300	x 15	16.0	\$120.22		
MA25	- 270	x 300	x 19	20.0	\$125.25		
MA25	- 270	x 300	x 20	22.0	\$150.43		
MA25	- 280	x 300	x 15	16.0	\$82.17		
MA25	- 300	x 330	x 17	18.0	\$137.77		
MA25	- 300	x 330	x 19	20.0	\$140.83		
MA25	- 320	x 350	x 19	20.0	\$173.02		
MA25	- 325	x 360	x 20	22.0	\$223.03		

MA21 NBR Symmetrical U-Cup - Metric



ALTERNATIVE SEALS:
 Rod: MA24, C1, MURH, S8, MD
 Piston: C2, MUPH, MA23

EXAMPLE: MA21 -65X75X10					
Prefix	Inside Diameter		Outside Diameter		Height
MA21-	65	x	75	x	10
	65mm		75mm		10mm

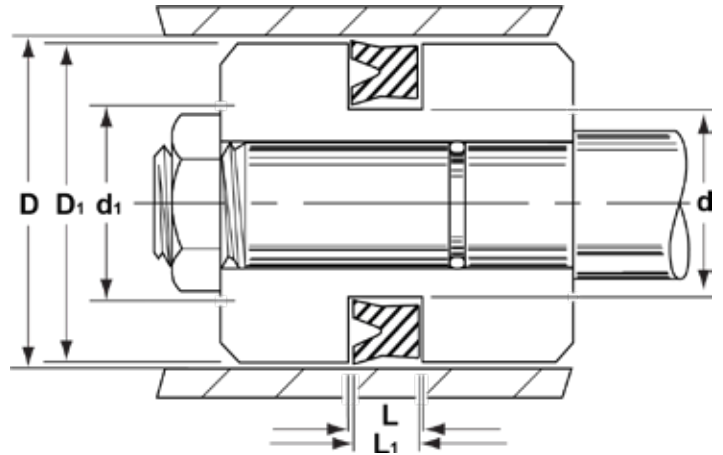
Part Number						
Prefix	Rod Diameter d	Groove Diameter D	Seal Height L ₁	Groove Height L	Price	
MA21-	4	x	7.5	x	3	\$2.19
MA21-	5	x	12	x	5	\$2.15
MA21-	6	x	12	x	4	\$2.12
MA21-	6	x	12	x	6	\$2.15
MA21-	6	x	13	x	5.5	\$2.19
MA21-	6	x	14	x	6	\$2.20
MA21-	8	x	14	x	6	\$2.46
MA21-	14	x	22	x	4	\$2.76
MA21-	14	x	22	x	5	\$3.49
MA21-	16	x	24	x	4	\$2.84
MA21-	20	x	28	x	6	\$3.70
MA21-	20	x	36	x	8	\$5.71
MA21-	24	x	34	x	5	\$3.49
MA21-	24	x	40	x	8	\$3.60
MA21-	25	x	35	x	5	\$3.80
MA21-	27	x	35	x	6	\$3.96
MA21-	28	x	40	x	6	\$4.17
MA21-	30	x	40	x	6	\$3.50
MA21-	30	x	42	x	10	\$4.54
MA21-	32	x	40	x	8	\$4.21
MA21-	35	x	45	x	6	\$3.67
MA21-	35	x	55	x	12	\$7.58
MA21-	36	x	46	x	6	\$5.14
MA21-	40	x	56	x	10	\$7.63
MA21-	45	x	60	x	10	\$6.26
MA21-	45	x	65	x	10	\$6.63
MA21-	50	x	60	x	6	\$4.33
MA21-	50	x	60	x	10	\$5.97
MA21-	60	x	70	x	6	\$5.43
MA21-	60	x	80	x	10	\$12.20

This symmetrical 90A nitrile single acting rod or piston seal is an economical sealing solution for standard cylinder applications. Easily assembled into closed grooves, the MA21 offers a superior static and dynamic sealing effect.

Temperature : -20°F to +220°F Pressure : 0 to 2175 PSI

Part Number						
Prefix	Rod Diameter d	Groove Diameter D	Seal Height L ₁	Groove Height L	Price	
MA21-	65	x	75	x	10	\$7.30
MA21-	68	x	80	x	10	\$7.39
MA21-	70	x	80	x	6	\$5.84
MA21-	70	x	80	x	7	\$8.50
MA21-	80	x	90	x	6	\$6.84
MA21-	80	x	95	x	9	\$7.94
MA21-	85	x	100	x	9	\$7.98
MA21-	85	x	105	x	12	\$17.54
MA21-	90	x	100	x	5	\$9.01
MA21-	90	x	105	x	9	\$9.12
MA21-	95	x	115	x	12	\$12.42
MA21-	100	x	115	x	9	\$10.50
MA21-	120	x	150	x	15	\$17.48
MA21-	125	x	140	x	9	\$14.43
MA21-	125	x	155	x	18	\$21.97
MA21-	130	x	160	x	18	\$18.14
MA21-	140	x	170	x	18	\$40.74
MA21-	150	x	165	x	9	\$18.75
MA21-	160	x	190	x	22	\$33.88
MA21-	200	x	230	x	15	\$47.46
MA21-	210	x	250	x	20	\$57.70
MA21-	270	x	300	x	22	\$68.64
MA21-	360	x	400	x	20	\$114.92

MA22 NBR Symmetrical U-Cup - Metric



This symmetrical 90A nitrile single acting rod or piston seal is an economical sealing solution for standard cylinder applications. Although originally designed for hydraulic applications, it is also used in special pneumatic cylinders as well. Easily assembled into closed grooves, the MA22 offers a superior static and dynamic sealing effect.

Temperature : -20°F to 220°F

Pressure : 0 to 2175 PSI

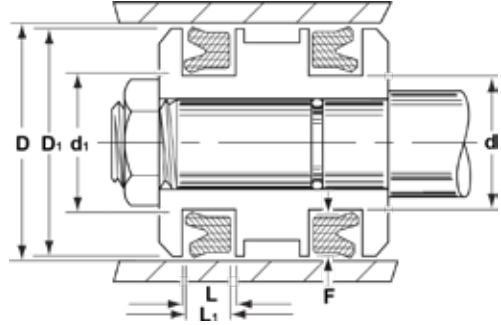
ALTERNATIVE SEALS:

Rod: MA21, C1, MURH
Piston: MA21, MUPH, MA23, C2

EXAMPLE: MA22 -24X34X5					
Prefix	Inside Diameter		Outside Diameter		Height
MA22-	24	x	34	x	5
	24mm		34mm		5mm

Prefix	Part Number			Groove Height L	Price
	Groove Diameter d	Bore Diameter D	Seal Height L ₁		
MA22 -	4	x 12	x 5.5	6.5	\$2.26
MA22 -	12	x 18	x 4	5	\$2.46
MA22 -	16	x 22	x 4	5	\$2.97
MA22 -	18	x 26	x 4	5	\$3.61
MA22 -	22	x 34	x 6	7	\$4.69
MA22 -	22	x 35	x 7	8	\$3.20
MA22 -	24	x 34	x 5	6	\$4.04
MA22 -	25	x 33	x 5	6	\$6.74
MA22 -	25	x 40	x 6	7	\$4.89
MA22 -	28	x 35.5	x 5	6	\$6.60
MA22 -	38	x 50	x 6	7	\$7.37
MA22 -	40	x 60	x 10	11	\$8.21
MA22 -	45	x 65	x 10	11	\$14.67
MA22 -	50	x 60	x 6	7	\$9.91
MA22 -	80	x 100	x 10	11	\$17.59
MA22 -	85	x 100	x 7.5	8.5	\$37.82

UNP Urethane Piston U-Cups - Inch



UNP series urethane U-cups are non-symmetrical in design and are meant only to be used for reciprocating hydraulic piston applications. They are manufactured slightly smaller in diameter than nominal dimensions. This ensures a tight fit when installed in the groove. Good stability and decreased heel drag, resulting in lower friction, are the prime features of this seal.

Temperature: -65°F to 200°F

Pressure: 0 to 5,000 PSI

EXAMPLE: UNP-25004500-375			
Prefix	Cross Section	Inside Diameter	Height
UNP-	250	04500	- 375
	1/4	4-1/2"	3/8

When there is nothing to indicate Height in the Part #
(No Dash #) Height = Cross Section

Part Number	Groove Diameter d	Bore Diameter D	Seal Height L ₁	Groove Height L	Price
1/8" CROSS SECTION ("F")					
UNP-12500500-187	0.500	0.750	0.187	0.206	\$6.36
UNP-12500500-250	0.500	0.750	0.250	0.275	\$6.36
UNP-12501000-187	1.000	1.250	0.187	0.206	\$7.57
UNP-12501875-163	1.875	2.125	0.163	0.179	\$31.10
3/16" CROSS SECTION ("F")					
UNP-18700750-312-1	0.750	1.125	0.312	0.343	\$7.52
UNP-18701250-312	1.250	1.625	0.312	0.343	\$8.02
UNP-18701625-250	1.625	2.000	0.250	0.275	\$9.40
UNP-18701625-312	1.625	2.000	0.312	0.343	\$10.35
UNP-18701625-375	1.625	2.000	0.375	0.413	\$10.85
UNP-18702125-312	2.125	2.500	0.312	0.343	\$11.98
UNP-18702125-375	2.125	2.500	0.375	0.413	\$12.63
UNP-18703625-375	3.625	4.000	0.375	0.413	\$21.84
1/4" CROSS SECTION ("F")					
UNP-25000875	0.875	1.375	0.250	0.275	\$6.82
UNP-25001000	1.000	1.500	0.250	0.275	\$8.29
UNP-25001000-375	1.000	1.500	0.375	0.413	\$7.92
UNP-25001187	1.187	1.687	0.250	0.275	\$8.57
UNP-25001250-375	1.250	1.750	0.375	0.413	\$8.57
UNP-25001500	1.500	2.000	0.250	0.275	\$9.58
UNP-25001500-312	1.500	2.000	0.312	0.343	\$9.68
UNP-25001500-375	1.500	2.000	0.375	0.413	\$10.65
UNP-25002000	2.000	2.500	0.250	0.275	\$11.58
UNP-25002000-375	2.000	2.500	0.375	0.413	\$12.07
UNP-25002125-375	2.125	2.625	0.375	0.413	\$12.81
UNP-25002250-375	2.250	2.750	0.375	0.413	\$13.55
UNP-25002500	2.500	3.000	0.250	0.275	\$15.02
UNP-25002500-375	2.500	3.000	0.375	0.413	\$15.02
UNP-25002500-375ODBU	2.500	3.000	0.375	0.413	\$28.08
UNP-25002750-375	2.750	3.250	0.375	0.413	\$16.59
UNP-25003000	3.000	3.500	0.250	0.275	\$16.96
UNP-25003000-375	3.000	3.500	0.375	0.413	\$20.15
UNP-25003000-375ODBU	3.000	3.500	0.375	0.413	\$39.23
UNP-25003250-375	3.250	3.750	0.375	0.413	\$18.34
UNP-25003500	3.500	4.000	0.250	0.275	\$19.81
UNP-25003500-375	3.500	4.000	0.375	0.413	\$20.82
UNP-25003500-375 NBR	3.500	4.000	0.375	0.413	\$19.55
UNP-25003750-375	3.750	4.250	0.375	0.413	\$21.19
UNP-25004000-375	4.000	4.500	0.375	0.413	\$21.65
UNP-25004500	4.500	5.000	0.250	0.275	\$22.58
UNP-25004500-375	4.500	5.000	0.375	0.413	\$22.50

Part Number	Groove Diameter d	Bore Diameter D	Seal Height L ₁	Groove Height L	Price
1/4" CROSS SECTION ("F")					
UNP-25004500-437-1	4.500	5.000	0.437	0.481	\$64.75
UNP-25004500-562	4.500	5.000	0.562	0.618	\$30.10
UNP-25005000-562	5.000	5.500	0.562	0.618	\$29.03
UNP-25005500	5.500	6.000	0.250	0.275	\$36.40
UNP-25005500-375	5.500	6.000	0.375	0.413	\$36.40
UNP-25005500-562	5.500	6.000	0.562	0.618	\$36.40
.258" CROSS SECTION ("F")					
UNP-25809491-285	9.491	10.000	0.285	0.313	\$42.21
5/16" CROSS SECTION ("F")					
UNP-31201375-500	1.375	2.000	0.500	0.550	\$15.82
UNP-31201875-500	1.875	2.500	0.500	0.550	\$24.65
UNP-31202375-500	2.375	3.000	0.500	0.550	\$17.09
UNP-31202875-500	2.875	3.500	0.500	0.550	\$17.28
UNP-31203125-375	3.125	3.750	0.375	0.413	\$19.13
UNP-31203375-500	3.375	4.000	0.500	0.550	\$20.62
UNP-31204375-562	4.375	5.000	0.562	0.618	\$26.44
UNP-31205375-625	5.375	6.000	0.625	0.688	\$34.02
3/8" CROSS SECTION ("F")					
UNP-37501750	1.750	2.500	0.375	0.413	\$21.20
UNP-37502500-500	2.500	3.250	0.500	0.550	\$21.24
UNP-37502750-500	2.750	3.500	0.500	0.550	\$22.30
UNP-37502750-625-1	2.750	3.500	0.625	0.688	\$42.07
UNP-37503000-500	3.000	3.750	0.500	0.550	\$24.01
UNP-37503000-625	3.000	3.750	0.625	0.688	\$25.24
UNP-37503250	3.250	4.000	0.375	0.413	\$24.82
UNP-37503250-437	3.250	4.000	0.437	0.481	\$28.02
UNP-37503250-500	3.250	4.000	0.500	0.550	\$26.05
UNP-37503250-625	3.250	4.000	0.625	0.688	\$26.05
UNP-37503750-500	3.750	4.500	0.500	0.550	\$30.63
UNP-37503750-625	3.750	4.500	0.625	0.688	\$30.97
UNP-37504250	4.250	5.000	0.375	0.413	\$31.34
UNP-37504250-500	4.250	5.000	0.500	0.550	\$31.67
UNP-37504250-625	4.250	5.000	0.625	0.688	\$32.57
UNP-37504750-500	4.750	5.500	0.500	0.550	\$38.09
UNP-37505250	5.250	6.000	0.375	0.413	\$43.87
UNP-37505250-500	5.250	6.000	0.500	0.550	\$30.44
UNP-37505250-625	5.250	6.000	0.625	0.688	\$43.87
UNP-37505500-500	5.500	6.250	0.500	0.550	\$44.67

UNP Urethane Piston U-Cups - Inch, cont'd.

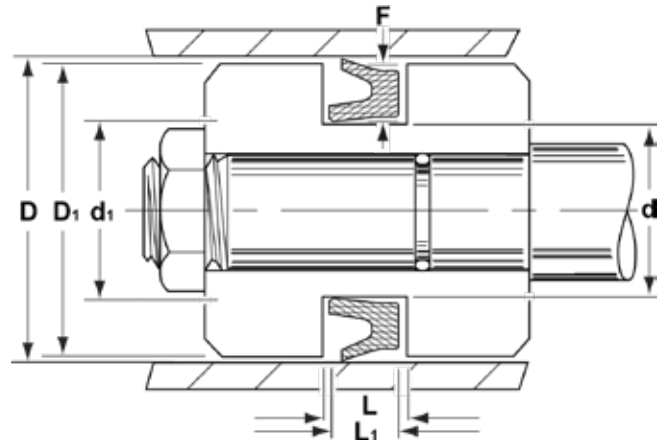
Part Number	Groove Diameter d	Bore Diameter D	Seal Height L ₁	Groove Height L	Price
3/8" CROSS SECTION ("F")					
UNP-37505750-625	5.750	6.500	0.625	0.688	\$47.83
UNP-37506250-500	6.250	7.000	0.500	0.550	\$66.25
UNP-37506250-625	6.250	7.000	0.625	0.688	\$67.66
UNP-37506750-625	6.750	7.500	0.625	0.688	\$67.69
UNP-37507250	7.250	8.000	0.375	0.413	\$73.13
UNP-37507250-500	7.250	8.000	0.500	0.550	\$75.49

Part Number	Groove Diameter d	Bore Diameter D	Seal Height L ₁	Groove Height L	Price
3/8" CROSS SECTION ("F")					
UNP-37508250-625	8.250	9.000	0.625	0.688	\$87.00
UNP-37509250	9.250	10.000	0.375	0.413	\$93.67
1/2" CROSS SECTION ("F")					
UNP-50007500-625-1	7.500	8.500	0.625	0.688	\$180.16
UNP-50009000-750	9.000	10.000	0.750	0.825	\$97.22

UNP-AN Urethane Piston U-Cups - Inch



ALTERNATIVE SEALS:
Piston: UNP, DEEP LLS, LLS, US



EXAMPLE: UNP-18700750-250AN				
Prefix	Cross Section	Inside Diameter	Height	Suffix
UNP-	250	00750	-	250 AN
	1/4	3/4"		1/4

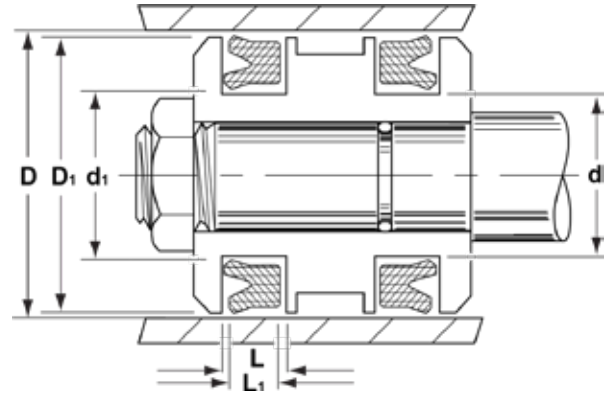
When there is nothing to indicate Height in the Part #
(No Dash #) Height = Cross Section

Part Number	Groove Diameter d	Bore Diameter D	Seal Height L ₁	Groove Height L	Price
3/16" CROSS SECTION ("F")					
UNP-18700750-250AN	0.750	1.125	0.250	0.275	\$11.37
1/4" CROSS SECTION ("F")					
UNP-25001187AN	1.187	1.687	0.250	0.275	\$15.67
UNP-25001187-312AN	1.187	1.687	0.312	0.343	\$17.11
UNP-25001187-312AN-V	1.187	1.687	0.312	0.343	\$43.35
UNP-25002062AN	2.062	2.562	0.250	0.275	\$24.46
UNP-25002062-343AN	2.062	2.562	0.343	0.377	\$25.28
5/16" CROSS SECTION ("F")					
UNP-31201375-375AN	1.375	2.000	0.375	0.413	\$20.75
UNP-31201375-440AN	1.375	2.000	0.440	0.484	\$22.71
3/8" CROSS SECTION ("F")					
UNP-37503000AN	3.000	3.750	0.375	0.413	\$45.78
UNP-37503000-468AN	3.000	3.750	0.468	0.515	\$49.69
1/2" CROSS SECTION ("F")					
UNP-50004125-594AN	4.125	5.125	0.594	0.653	\$98.49

UNP-AN series urethane u-cups are non-symmetrical in design and are meant only to be used for reciprocating hydraulic piston applications. These seals are similar to our other UNP seals but have a thinner outside lip. These are mainly used in Porta-Power® cylinders that use springs to retract the piston. Good stability and decreased heel drag, resulting in lower friction, are the prime features of this seal.

Temperature: -65°F to 200°F Pressure: 0 to 5,000 PSI

MA28 Urethane Piston U-Cups - Metric



ALTERNATIVE SEALS:
Piston: MA25, NO

EXAMPLE: MA28 -24X32X5.5					
Prefix	Inside Diameter		Outside Diameter		Height
MA28-	24	x	32	x	5.5
	24mm		32mm		5.5mm

MA28 series metric urethane U-cups are non-symmetrical in design and are meant to be used only for reciprocating piston seals. They are manufactured slightly smaller in diameter than nominal dimensions. This ensures a tight fit when snapped over the piston. Good stability and decreased heel drag, resulting in lower friction, are the prime features of this seal.

Temperature: -40°F to 230°F

Pressure: 0 to 5,000 PSI

Prefix	Part Number			Groove Height L	Price		
	Groove Diameter d	Bore Diameter D	Seal Height L ₁				
MA28 -	5	x	12	x	5.5	6.5	\$7.86
MA28 -	6	x	14	x	6	7	\$5.06
MA28 -	10	x	20	x	6	7	\$9.55
MA28 -	12	x	20	x	5.5	6.5	\$4.46
MA28 -	14	x	20	x	5.5	6.5	\$5.34
MA28 -	15	x	25	x	6	7	\$9.82
MA28 -	15	x	30	x	10	11	\$5.60
MA28 -	17	x	25	x	5.5	6.5	\$5.87
MA28 -	20	x	30	x	5	6	\$9.69
MA28 -	20	x	30	x	6	7	\$9.69
MA28 -	22	x	32	x	5.5	6.5	\$7.03
MA28 -	24	x	32	x	5.5	6.5	\$7.10
MA28 -	25	x	35	x	6	7	\$9.69
MA28 -	25	x	40	x	9	10	\$10.53
MA28 -	27	x	35	x	10	11	\$10.89
MA28 -	30	x	40	x	6	7	\$10.12
MA28 -	30	x	40	x	7	8	\$7.56
MA28 -	30	x	45	x	9	10	\$11.34
MA28 -	30	x	45	x	10	11	\$14.10
MA28 -	32	x	40	x	5.5	6.5	\$9.29
MA28 -	33	x	40	x	8	9	\$10.96
MA28 -	35	x	45	x	6	7	\$11.15
MA28 -	35	x	50	x	9	10	\$21.43
MA28 -	37	x	45	x	7	8	\$10.97
MA28 -	40	x	50	x	6	7	\$8.46
MA28 -	40	x	50	x	7	8	\$8.46
MA28 -	40	x	60	x	12	13	\$10.63

Prefix	Part Number			Groove Height L	Price		
	Groove Diameter d	Bore Diameter D	Seal Height L ₁				
MA28 -	40.6	x	50	x	6.1	7.1	\$10.12
MA28 -	42	x	50	x	10	11	\$10.35
MA28 -	42	x	52	x	10	11	\$12.59
MA28 -	43	x	63	x	12	13	\$14.99
MA28 -	45	x	55	x	6	7	\$12.86
MA28 -	45	x	55	x	7	8	\$10.82
MA28 -	45	x	60	x	10	11	\$13.17
MA28 -	48	x	63	x	8.6	9.6	\$16.06
MA28 -	48	x	63	x	9	10	\$9.53
MA28 -	48	x	63	x	11.4	12.4	\$15.50
MA28 -	50	x	60	x	6	7	\$13.73
MA28 -	50	x	60	x	10	11	\$13.72
MA28 -	50	x	65	x	10	11	\$20.29
MA28 -	50	x	70	x	12	13	\$24.10
MA28 -	53	x	63	x	6	7	\$13.07
MA28 -	55	x	65	x	6	7	\$13.55
MA28 -	55	x	70	x	10	11	\$16.56
MA28 -	55	x	75	x	12	13	\$18.52
MA28 -	60	x	70	x	6	7	\$18.53
MA28 -	60	x	70	x	10	11	\$18.53
MA28 -	60	x	75	x	10	11	\$19.08
MA28 -	60	x	80	x	12	13	\$28.76
MA28 -	60	x	80	x	14.5	15.5	\$18.66
MA28 -	61	x	71	x	6	7	\$23.90
MA28 -	63	x	75	x	8.5	9.5	\$14.25
MA28 -	65	x	75	x	6	7	\$18.64
MA28 -	65	x	80	x	9	10	\$20.77

MA28 Urethane Piston U-Cups - Metric, cont'd.

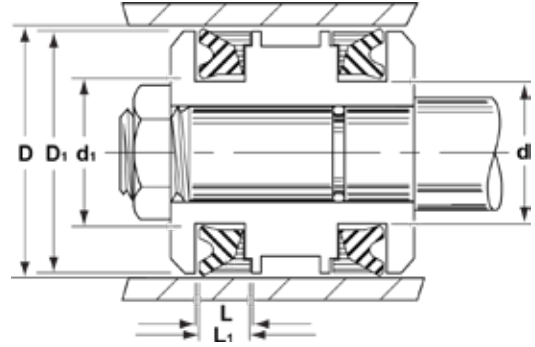
Part Number						Groove Height L	Price
Prefix	Groove Diameter d	Bore Diameter D	Seal Height L ₁	Groove Height L	Price		
MA28 -	65	x 80	x 10	11	\$21.13		
MA28 -	65	x 85	x 12	13	\$26.63		
MA28 -	68	x 80	x 8.5	9.5	\$21.36		
MA28 -	70	x 80	x 6	7	\$25.69		
MA28 -	70	x 80	x 6.7	7.7	\$16.33		
MA28 -	70	x 85	x 9	10	\$19.23		
MA28 -	70	x 90	x 12	13	\$27.12		
MA28 -	72	x 80	x 12	13	\$13.31		
MA28 -	75	x 85	x 6	7	\$18.22		
MA28 -	75	x 90	x 9	10	\$19.26		
MA28 -	80	x 90	x 6	7	\$18.86		
MA28 -	80	x 90	x 12.8	13.8	\$22.64		
MA28 -	80	x 95	x 10	11	\$27.37		
MA28 -	80	x 100	x 12	13	\$34.27		
MA28 -	80	x 101.6	x 12	13	\$34.54		
MA28 -	85	x 100	x 9	10	\$25.44		
MA28 -	85	x 100	x 10	11	\$31.44		
MA28 -	85	x 110	x 15	16	\$40.42		
MA28 -	90	x 105	x 9	10	\$28.56		
MA28 -	90	x 110	x 12	13	\$39.09		
MA28 -	95	x 110	x 9	10	\$28.04		
MA28 -	95	x 110	x 10	11	\$27.11		
MA28 -	95	x 110	x 12	13	\$31.07		
MA28 -	95	x 115	x 12	13	\$40.27		
MA28 -	95	x 120	x 15	16	\$51.66		
MA28 -	100	x 115	x 9	10	\$29.28		
MA28 -	100	x 115	x 10.5	11.5	\$29.28		
MA28 -	100	x 120	x 12	13	\$39.64		
MA28 -	100	x 120	x 13	14	\$37.90		
MA28 -	105	x 120	x 9	10	\$33.55		
MA28 -	105	x 125	x 12	13	\$31.29		
MA28 -	105	x 125	x 15	16	\$25.73		
MA28 -	106	x 120	x 8.5	9.5	\$31.85		
MA28 -	110	x 125	x 9	10	\$31.85		
MA28 -	110	x 125	x 10	11	\$22.69		
MA28 -	110	x 130	x 12	13	\$45.95		
MA28 -	110	x 130	x 15	16	\$53.73		
MA28 -	112	x 125	x 9	10	\$28.04		
MA28 -	115	x 125	x 7.2	8.2	\$29.17		
MA28 -	115	x 130	x 9	10	\$32.98		
MA28 -	115	x 135	x 12	13	\$42.75		
MA28 -	120	x 130	x 13.5	14.5	\$59.90		
MA28 -	120	x 140	x 12	13	\$45.63		
MA28 -	120	x 140	x 15	16	\$36.42		
MA28 -	120	x 150	x 18	19	\$54.50		

Part Number						Groove Height L	Price
Prefix	Groove Diameter d	Bore Diameter D	Seal Height L ₁	Groove Height L	Price		
MA28 -	125	x 140	x 9	10	\$33.25		
MA28 -	125	x 140	x 15	16	\$37.30		
MA28 -	125	x 145	x 12	13	\$45.95		
MA28 -	125	x 150	x 19	20	\$77.34		
MA28 -	130	x 150	x 12	13	\$47.24		
MA28 -	130	x 150	x 14.5	15.5	\$60.77		
MA28 -	135	x 150	x 9	10	\$38.14		
MA28 -	135	x 160	x 19	20	\$79.82		
MA28 -	140	x 155	x 9	10	\$36.99		
MA28 -	140	x 160	x 18.2	19.2	\$64.32		
MA28 -	140	x 165	x 19	20	\$87.05		
MA28 -	145	x 170	x 19	20	\$47.73		
MA28 -	150	x 170	x 12	13	\$65.45		
MA28 -	150	x 170	x 15	16	\$50.55		
MA28 -	155	x 170	x 9	10	\$43.86		
MA28 -	155	x 180	x 19	20	\$106.49		
MA28 -	160	x 175	x 9	10	\$41.95		
MA28 -	160	x 180	x 12	13	\$65.29		
MA28 -	165	x 180	x 9	10	\$42.21		
MA28 -	170	x 190	x 12	13	\$83.26		
MA28 -	170	x 200	x 18	19	\$94.19		
MA28 -	175	x 190	x 9	10	\$56.15		
MA28 -	175	x 200	x 19	20	\$125.87		
MA28 -	180	x 200	x 12	13	\$86.75		
MA28 -	180	x 200	x 14.5	15.5	\$77.84		
MA28 -	180	x 205	x 19	20	\$144.07		
MA28 -	190	x 210	x 12	13	\$91.97		
MA28 -	190	x 215	x 16	17	\$126.94		
MA28 -	190	x 220	x 18	19	\$105.89		
MA28 -	200	x 220	x 12	13	\$94.31		
MA28 -	200	x 220	x 15	16	\$103.21		
MA28 -	204	x 224	x 12	13	\$96.96		
MA28 -	205	x 225	x 12	13	\$111.70		
MA28 -	220	x 240	x 12	13	\$119.24		
MA28 -	220	x 250	x 22.7	25	\$230.07		
MA28 -	230	x 250	x 12	13	\$137.64		
MA28 -	230	x 250	x 15	16	\$98.29		
MA28 -	238	x 250	x 14	15	\$95.77		
MA28 -	240	x 260	x 16	17	\$98.17		
MA28 -	250	x 280	x 18	19	\$138.85		
MA28 -	255	x 280	x 19	20	\$268.67		
MA28 -	270	x 300	x 19	20	\$308.31		
MA28 -	288	x 300	x 14	15	\$231.98		
MA28 -	290	x 320	x 20	22	\$212.78		

MA20 2pc. Nitrile / Nylon U-Cups - Metric



Temperature: -22°F to 212°F
Pressure: 0 to 3,045 PSI



These seals are to be used in applications where the piston is stepped on the outer diameter to accommodate the flange in the hard nylon heel of the two piece seal. The nylon cap serves as a bearing and anti-extrusion device. The seal material is a high durometer nitrile rubber.

EXAMPLE: MA20-27X45X12.1				
Prefix	Inside Diameter	Outside Diameter	Height	
MA20-	27	x 45	x 12.1	
	27mm	45mm	12.1mm	

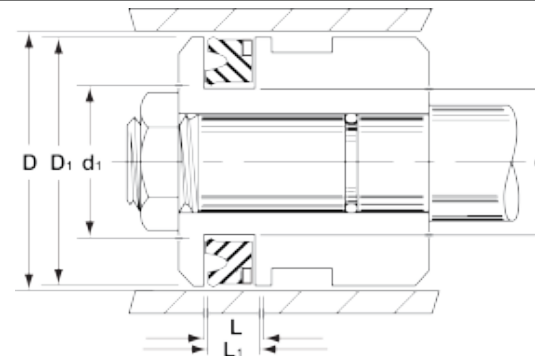
Part Number					
Prefix	Groove Diameter	Bore Diameter	Seal Height	Groove Height	Price
	d	D	L ₁	L	
MA20 -	27	x 45	x 12.1	13.1	\$29.89
MA20 -	32	x 50	x 12.1	13.1	\$34.70
MA20 -	37	x 55	x 12.1	13.1	\$35.42
MA20 -	42	x 60	x 12.1	13.1	\$36.07
MA20 -	47	x 65	x 12.1	13.1	\$37.48
MA20 -	48	x 70	x 14.5	15.5	\$38.07
MA20 -	58	x 80	x 14.5	15.5	\$39.01
MA20 -	68	x 90	x 14.5	15.5	\$43.55
MA20 -	78	x 100	x 14.5	15.5	\$45.39
MA20 -	88	x 110	x 14.5	15.5	\$49.19
MA20 -	93	x 115	x 14.5	15.5	\$50.49

Part Number					
Prefix	Groove Diameter	Bore Diameter	Seal Height	Groove Height	Price
	d	D	L ₁	L	
MA20 -	98	x 120	x 14.5	15.5	\$52.05
MA20 -	103	x 125	x 14.5	15.5	\$54.70
MA20 -	108	x 130	x 14.5	15.5	\$56.33
MA20 -	118	x 140	x 14.5	15.5	\$64.27
MA20 -	128	x 150	x 14.5	15.5	\$71.12
MA20 -	138	x 160	x 14.5	15.5	\$76.92
MA20 -	148	x 170	x 14.5	15.5	\$82.14
MA20 -	158	x 180	x 14.5	15.5	\$89.60
MA20 -	168	x 190	x 14.5	15.5	\$93.87
MA20 -	178	x 200	x 14.5	15.5	\$96.27
MA20 -	203	x 225	x 14.5	15.5	\$297.37

OUY - NBR PISTON U-CUP w/POM B/U - METRIC



Temperature: -20°F to 220°F
Pressure: 0 to 4,000 PSI



These high durometer NBR u-cup piston seals have an anti-extrusion ring on the outer edge made from POM and are commonly found in many track adjuster cylinders.

EXAMPLE: OUY-75X100X18				
Prefix	Inside Diameter	Outside Diameter	Height	
OUY-	75	x 100	x 18	
	75mm	100mm	18mm	

Part Number					
Prefix	Groove Diameter	Bore Diameter	Seal Height	Groove Height	Price
	d	D	L ₁	L	
OUY -	25	x 40	x 12	13	\$9.09
OUY -	30	x 45	x 12	13	\$11.24
OUY -	35	x 50	x 12	13	\$11.80
OUY -	35	x 60	x 15.5	16.5	\$14.16
OUY -	40	x 70	x 12	13	\$16.18
OUY -	45	x 70	x 15.5	16.5	\$15.88
OUY -	55	x 80	x 15.5	16.5	\$16.04

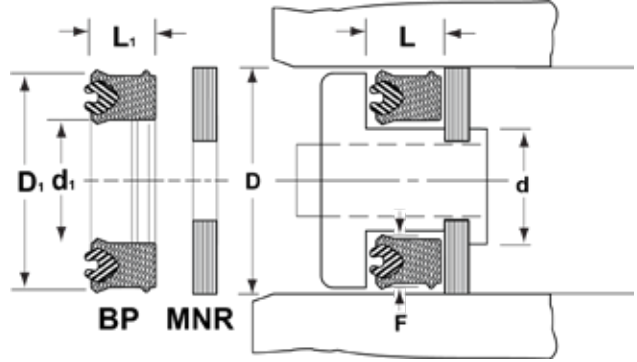
Part Number					
Prefix	Groove Diameter	Bore Diameter	Seal Height	Groove Height	Price
	d	D	L ₁	L	
OUY -	55	x 80	x 18	19	\$16.53
OUY -	65	x 90	x 18	19	\$17.38
OUY -	70	x 90	x 15.5	16.5	\$17.12
OUY -	75	x 100	x 18	19	\$21.12
OUY -	120	x 140	x 14	15	\$31.64
OUY -	200	x 225	x 12	13	\$60.03

BP Loaded Lip Piston Seals - Inch



ALTERNATIVE SEALS:
Piston: US, UNP, Deep LLS

EXAMPLE: BP-37503250-625				
Prefix	Cross Section	Inside Diameter		Height
BP-	375	03250	-	625
	3/8	3-1/4"		5/8



The BP type polyurethane twin lip piston seal is an excellent choice for all single acting piston applications. Loaded with a specially designed nitrile expander, this seal offers improved sealing with lower friction. This seal is used in conjunction with the nylon retainer below in many Mailhot® telescopic cylinders.

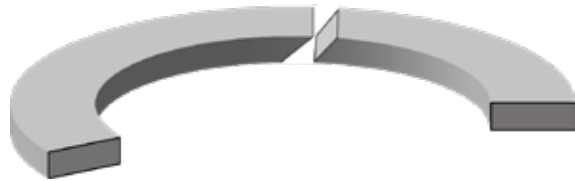
Temperature: -50°F to 230°F

Pressure: 0 to 6,000 PSI

Part Number	Groove Diameter d	Bore Diameter D	Seal Height L ₁	Cross-Section F	Price
BP-31201875-500	1.875	2.500	0.500	0.312	\$30.39
BP-37502500-625	2.500	3.250	0.625	0.375	\$39.93
BP-18702625-250	2.625	3.000	0.250	0.187	\$45.48
BP-37502750-625	2.750	3.500	0.625	0.375	\$50.72
BP-37503250-625	3.250	4.000	0.625	0.375	\$58.14
BP-37503750-625	3.750	4.500	0.625	0.375	\$67.13
BP-37504250-625	4.250	5.000	0.625	0.375	\$74.47
BP-37504750-625	4.750	5.500	0.625	0.375	\$81.82
BP-37505250-625	5.250	6.000	0.625	0.375	\$89.00
BP-37505750-625	5.750	6.500	0.625	0.375	\$96.20

MNR Nylon Retaining Rings - Inch

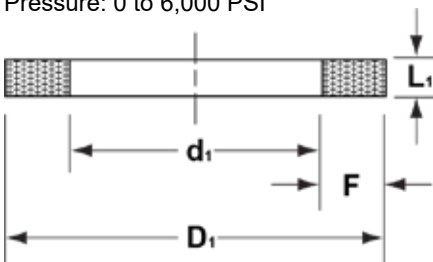
EXAMPLE: MNR-187	
Prefix	Inside Diameter
MNR-	187
	1-7/8



The MNR nylon retainer is used with the BP style piston seal above in many Mailhot® telescopic cylinders.

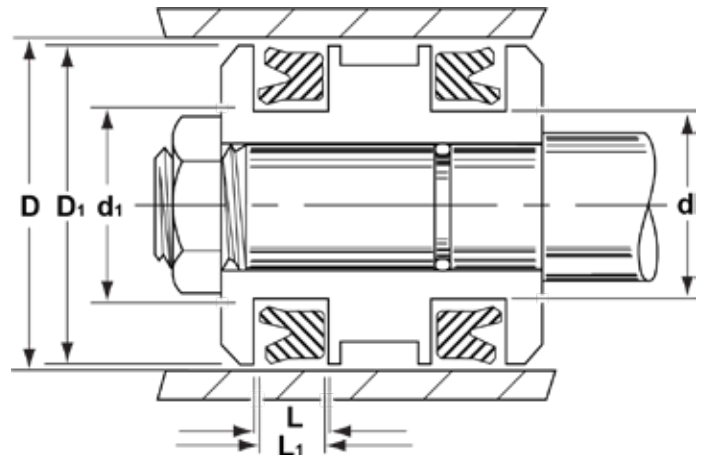
Temperature: -50°F to 230°F

Pressure: 0 to 6,000 PSI



Part Number	Inside Diameter d ₁	Outside Diameter D ₁	Ring Height L ₁	Cross-Section F	Price
MNR-187	1.875	2.625	0.182	0.375	\$6.85
MNR-250	2.250	3.350	0.182	0.425	\$7.47
MNR-275	2.750	3.600	0.182	0.425	\$8.09
MNR-325	3.250	4.100	0.182	0.425	\$8.84
MNR-375	3.750	4.600	0.182	0.425	\$9.59
MNR-425	4.250	5.100	0.182	0.425	\$10.46
MNR-475	4.750	5.600	0.182	0.425	\$11.46
MNR-525	5.250	6.100	0.182	0.425	\$12.58
MNR-575	5.750	6.600	0.182	0.425	\$14.20

MA23 Nitrile Piston U-Cups - Metric



The MA23 non-symmetrical 90A nitrile single acting piston U-cup is an economical sealing solution for standard cylinder applications. Easily assembled into closed grooves, this seal offers a superior static and dynamic sealing effect.

Temperature : -20°F to 220°F

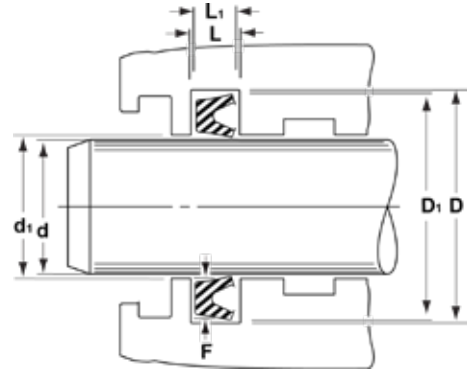
Pressure : 0 to 2175 PSI

ALTERNATIVE SEALS:
Piston: C2, MUPH, MA21, MA22

EXAMPLE: MA23-17X25X5.5					
Prefix	Inside Diameter		Outside Diameter		Height
MA23-	17	x	25	x	5.5
	17mm		25mm		5.5mm

Prefix	Part Number				Groove Height L	Price
	Groove Diameter d	Bore Diameter D	Seal Height L ₁	Groove Height L		
MA23-	17	x	25	x	5.5	\$4.71
MA23-	24	x	36	x	6	\$5.72
MA23-	25	x	35	x	7	\$5.86
MA23-	30	x	40	x	6	\$5.99
MA23-	40	x	50	x	7	\$6.96
MA23-	53	x	63	x	6	\$7.51
MA23-	85	x	100	x	9	\$10.15
MA23-	105	x	125	x	15	\$14.33

8400 Series Nitrile U-Cups - Inch



8400 series U-cups for pneumatic and hydraulic cylinders are especially suited for low speed, low pressure situations. They provide an extremely smooth steady movement, with less breakaway force required because of their inherent low friction. Standard material for 8400 series U-cups is 80 durometer nitrile, with a temperature range of -40° to 250° F. However, other materials such as FKM, nitroxiles, and ethylene propylene are available. 8400 series U-cups may be used at pressures up to 800 PSI with proper clearances, without back-up rings; and up to 2500 PSI with back-up rings.

Temperature: -40°F to 250°F

Pressure: 0 to 800 PSI, with back-ups 2,500 PSI (see above)

ALTERNATIVE SEALS:
6226, UCH

EXAMPLE: 8403-0100			
Prefix	Cross Section	Inside Diameter	Height
84__*	03	0100	HT = CS
	3/32	1"	3/32

*__ refers to __/32" for HT and CS
Items with V Suffix are FKM

Part Number	Rod Diameter d	Groove Diameter D	Seal Height L ₁	Groove Height L	Price
1/16" CROSS SECTION ("F")					
8402-0025	0.250	0.375	0.062	0.068	\$2.57
8402-0025V	0.250	0.375	0.062	0.068	\$15.85
8402-0031 N70	0.310	0.437	0.062	0.068	\$2.60
8402-0062	0.625	0.750	0.062	0.068	\$3.95
3/32" CROSS SECTION ("F")					
8403-0012	0.125	0.312	0.093	0.102	\$2.38
8403-0015	0.156	0.343	0.093	0.102	\$4.47
8403-0019	0.187	0.375	0.093	0.102	\$2.76
8403-0019 N70	0.187	0.375	0.093	0.102	\$2.88
8403-0031	0.312	0.500	0.093	0.102	\$2.38
8403-0037	0.375	0.562	0.093	0.102	\$3.49
8403-0043	0.437	0.625	0.093	0.102	\$2.38
8403-0062	0.625	0.812	0.093	0.102	\$2.38
8403-0062V	0.625	0.812	0.093	0.102	\$14.28
8403-0075	0.750	0.937	0.093	0.102	\$2.91
8403-0100	1.000	1.187	0.093	0.102	\$4.05
1/8" CROSS SECTION ("F")					
8404-0018	0.187	0.437	0.125	0.138	\$2.38
8404-0025	0.250	0.500	0.125	0.138	\$2.38
8404-0031	0.312	0.562	0.125	0.138	\$2.46
8404-0037	0.375	0.625	0.125	0.138	\$2.38
8404-0043	0.437	0.687	0.125	0.138	\$2.38
8404-0050	0.500	0.750	0.125	0.138	\$2.38
8404-0050V	0.500	0.750	0.125	0.138	\$13.43
8404-0056	0.562	0.812	0.125	0.138	\$2.38
8404-0062	0.625	0.875	0.125	0.138	\$2.38
8404-0062V	0.625	0.875	0.125	0.138	\$10.83
8404-0068	0.687	0.937	0.125	0.138	\$2.46
8404-0075	0.750	1.000	0.125	0.138	\$2.46
8404-0075V	0.750	1.000	0.125	0.138	\$13.75

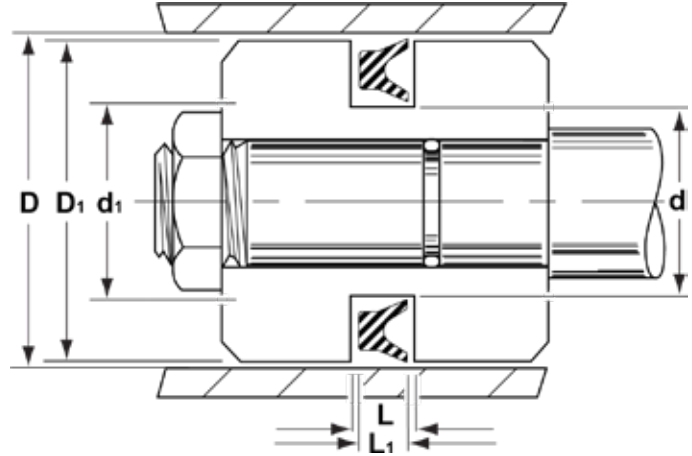
Part Number	Rod Diameter d	Groove Diameter D	Seal Height L ₁	Groove Height L	Price
1/8" CROSS SECTION ("F")					
8404-0081	0.812	1.062	0.125	0.138	\$2.62
8404-0087	0.875	1.125	0.125	0.138	\$2.65
8404-0087V	0.875	1.125	0.125	0.138	\$21.20
8404-0093	0.937	1.187	0.125	0.138	\$2.83
8404-0100	1.000	1.250	0.125	0.138	\$2.65
8404-0100V	1.000	1.250	0.125	0.138	\$15.93
8404-0112	1.125	1.375	0.125	0.138	\$2.73
8404-0125	1.250	1.500	0.125	0.138	\$2.98
8404-0137	1.375	1.625	0.125	0.138	\$2.73
8404-0150	1.500	1.750	0.125	0.138	\$3.54
8404-0175	1.750	2.000	0.125	0.138	\$2.73
5/32" CROSS SECTION ("F")					
8405-0062	0.625	0.937	0.156	0.172	\$6.54
8405-0068	0.687	1.000	0.156	0.172	\$4.08
8405-0093	0.937	1.250	0.156	0.172	\$2.83
8405-0100	1.000	1.312	0.156	0.172	\$2.89
8405-0100V	1.000	1.312	0.156	0.172	\$18.33
8405-0106	1.062	1.375	0.156	0.172	\$2.93
8405-0112	1.125	1.437	0.156	0.172	\$5.68
8405-0112V	1.125	1.437	0.156	0.172	\$17.97
8405-0118	1.187	1.500	0.156	0.172	\$3.02
8405-0118V	1.187	1.500	0.156	0.172	\$19.19
8405-0125	1.250	1.562	0.156	0.172	\$3.20
8405-0125V	1.250	1.562	0.156	0.172	\$16.00
8405-0131	1.312	1.625	0.156	0.172	\$3.52
8405-0137	1.375	1.687	0.156	0.172	\$3.43
8405-0137V	1.375	1.687	0.156	0.172	\$20.86
8405-0143	1.437	1.750	0.156	0.172	\$3.52
8405-0150	1.500	1.812	0.156	0.172	\$3.58

8400 Series Nitrile U-Cups, cont'd.

Part Number	Rod Diameter d	Groove Diameter D	Seal Height L ₁	Groove Height L	Price
3/16" CROSS SECTION ("F")					
8406-0075	0.750	1.125	0.187	0.206	\$2.82
8406-0100	1.000	1.375	0.187	0.206	\$2.91
8406-0125	1.250	1.625	0.187	0.206	\$2.95
8406-0125V	1.250	1.625	0.187	0.206	\$36.37
8406-0137	1.375	1.750	0.187	0.206	\$3.21
8406-0137V	1.375	1.750	0.187	0.206	\$37.71
8406-0150	1.500	1.875	0.187	0.206	\$3.25
8406-0150V	1.500	1.875	0.187	0.206	\$27.48
8406-0162	1.625	2.000	0.187	0.206	\$3.42
8406-0162V	1.625	2.000	0.187	0.206	\$22.36
8406-0175	1.750	2.125	0.187	0.206	\$3.46
8406-0175V	1.750	2.125	0.187	0.206	\$23.48
8406-0187	1.875	2.250	0.187	0.206	\$3.51
8406-0187V	1.875	2.250	0.187	0.206	\$40.29
8406-0200	2.000	2.375	0.187	0.206	\$3.69
8406-0200V	2.000	2.375	0.187	0.206	\$23.85
8406-0212	2.125	2.500	0.187	0.206	\$3.72
8406-0212V	2.125	2.500	0.187	0.206	\$24.11
8406-0225	2.250	2.625	0.187	0.206	\$4.86
8406-0237	2.375	2.750	0.187	0.206	\$3.73
8406-0250	2.500	2.875	0.187	0.206	\$5.06
8406-0250V	2.500	2.875	0.187	0.206	\$26.24
8406-0262	2.625	3.000	0.187	0.206	\$4.82
8406-0275	2.750	3.125	0.187	0.206	\$10.45
8406-0300	3.000	3.375	0.187	0.206	\$4.02
8406-0312	3.125	3.500	0.187	0.206	\$8.32
8406-0325	3.250	3.625	0.187	0.206	\$18.76
8406-0337	3.375	3.750	0.187	0.206	\$8.47
7/32" CROSS SECTION ("F")					
8407-0193	1.937	2.375	0.218	0.240	\$12.07
8407-0250	2.500	2.937	0.218	0.240	\$5.32
8407-0250V	2.500	2.937	0.218	0.240	\$25.83
8407-0256	2.562	3.000	0.218	0.240	\$5.23
8407-0256V	2.562	3.000	0.218	0.240	\$26.12
8407-0275	2.750	3.187	0.218	0.240	\$5.77
8407-0281	2.812	3.250	0.218	0.240	\$6.06
8407-0281V	2.812	3.250	0.218	0.240	\$27.33
8407-0300	3.000	3.437	0.218	0.240	\$7.61
8407-0300V	3.000	3.437	0.218	0.240	\$38.05
8407-0306	3.062	3.500	0.218	0.240	\$8.71
8407-0306V	3.062	3.500	0.218	0.240	\$43.55
8407-0331	3.312	3.750	0.218	0.240	\$9.68

Part Number	Rod Diameter d	Groove Diameter D	Seal Height L ₁	Groove Height L	Price
1/4" CROSS SECTION ("F")					
8408-0100	1.000	1.500	0.250	0.275	\$7.30
8408-0175	1.750	2.250	0.250	0.275	\$5.38
8408-0200V	2.000	2.500	0.250	0.275	\$28.25
8408-0250	2.500	3.000	0.250	0.275	\$6.12
8408-0275	2.750	3.250	0.250	0.275	\$6.53
8408-0337	3.375	3.875	0.250	0.275	\$10.20
8408-0350	3.500	4.000	0.250	0.275	\$6.68
8408-0350V	3.500	4.000	0.250	0.275	\$28.76
8408-0375	3.750	4.250	0.250	0.275	\$7.74
8408-0400	4.000	4.500	0.250	0.275	\$7.05
8408-0400V	4.000	4.500	0.250	0.275	\$37.82
8408-0425	4.250	4.750	0.250	0.275	\$10.90
8408-0450	4.500	5.000	0.250	0.275	\$7.78
8408-0450V	4.500	5.000	0.250	0.275	\$36.94
8408-0475	4.750	5.250	0.250	0.275	\$13.83
9/32" CROSS SECTION ("F")					
8409-0443	4.437	5.000	0.281	0.309	\$13.65
8409-0443V	4.437	5.000	0.281	0.309	\$44.12
8409-0500	5.000	5.562	0.281	0.309	\$23.77
8409-0500V	5.000	5.562	0.281	0.309	\$48.93
8409-0543	5.437	6.000	0.281	0.309	\$15.62
8409-0543V	5.437	6.000	0.281	0.309	\$90.30
8409-0593	5.937	6.500	0.281	0.309	\$17.28
5/16" CROSS SECTION ("F")					
8410-0512	5.125	5.750	0.312	0.343	\$30.94
8410-0537	5.375	6.000	0.312	0.343	\$14.23
8410-0537V	5.375	6.000	0.312	0.343	\$59.25
8410-0550	5.500	6.125	0.312	0.343	\$18.80
8410-0600	6.000	6.625	0.312	0.343	\$20.32
8410-0637	6.375	7.000	0.312	0.343	\$22.32
8410-0637V	6.375	7.000	0.312	0.343	\$84.49
8410-0696	6.968	7.593	0.312	0.343	\$29.58
8410-0737	7.375	8.000	0.312	0.343	\$27.84
8410-0737V	7.375	8.000	0.312	0.343	\$94.57
11/32" CROSS SECTION ("F")					
8411-0931	9.312	10.000	0.343	0.377	\$38.20
3/8" CROSS SECTION ("F")					
8412-0225	2.250	3.000	0.375	0.413	\$21.42
8412-1125	11.250	12.000	0.375	0.413	\$43.82
13/32" CROSS SECTION ("F")					
8413-1318	13.187	14.000	0.406	0.447	\$47.81
1/2" CROSS SECTION ("F")					
8416-1300	13.000	14.000	0.500	0.550	\$92.37

6226 AN Nitrile U-Cups - Inch



ALTERNATIVE SEALS:
8400, UCH, UCF

EXAMPLE: 6226-1 N80		
Prefix	Inside Diameter	Suffix
6226-	1	N80
	1/8"	80 DURO NBR

6226 series U-cups are manufactured to the AN design. Standard material is 80 durometer nitrile. (May substitute 70 durometer when 80 is not available.) They may be used at pressures up to 1000 PSI with the proper clearances without back-up rings.

Temperature: -40°F to 250°F

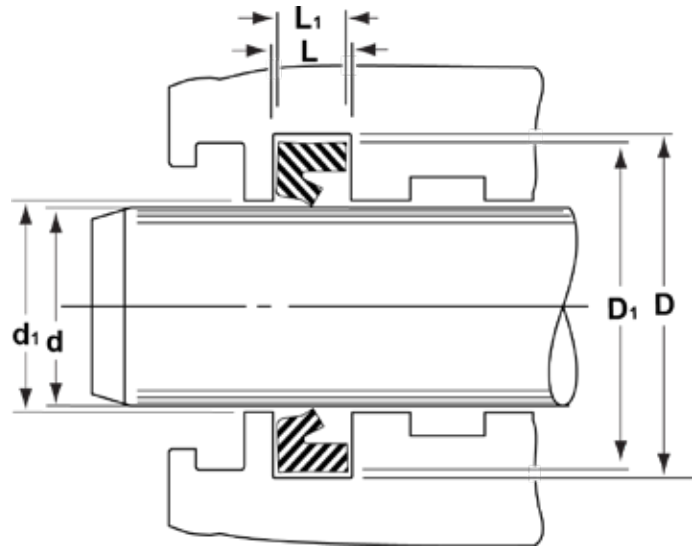
Pressure: 0 to 1,000 PSI

AN NUMBERING SYSTEM

Part Number	Groove Diameter d	Bore Diameter D	Seal Height L ₁	Groove Height L	Price
6226-1 N80	0.125	0.500	0.187	0.206	\$2.24
6226-2 N80	0.187	0.562	0.187	0.206	\$2.24
6226-3 N80	0.250	0.625	0.187	0.206	\$2.24
6226-4 N80	0.312	0.687	0.187	0.206	\$2.24
6226-5 N80	0.375	0.750	0.187	0.206	\$2.63
6226-6 N80	0.437	0.812	0.187	0.206	\$2.63
6226-7 N80	0.500	0.875	0.187	0.206	\$2.63
6226-8 N80	0.250	0.750	0.250	0.275	\$2.63
6226-9 N70	0.312	0.812	0.250	0.275	\$2.34
6226-10 N80	0.375	0.875	0.250	0.275	\$2.34
6226-11 N80	0.437	0.937	0.250	0.275	\$2.34
6226-12 N80	0.500	1.000	0.250	0.275	\$2.41
6226-13 N80	0.562	1.062	0.250	0.275	\$2.41
6226-14 N80	0.625	1.125	0.250	0.275	\$2.47
6226-15 N80	0.687	1.187	0.250	0.275	\$2.47
6226-16 N80	0.750	1.250	0.250	0.275	\$2.63
6226-17 N80	0.812	1.312	0.250	0.275	\$2.63
6226-18 N70	0.875	1.375	0.250	0.275	\$2.63
6226-19 N80	0.937	1.437	0.250	0.275	\$2.63
6226-20 N70	1.000	1.500	0.250	0.275	\$2.70
6226-21 N80	1.062	1.562	0.250	0.275	\$4.94
6226-22 N80	1.125	1.625	0.250	0.275	\$2.81
6226-23 N80	1.187	1.687	0.250	0.275	\$2.81
6226-24 N80	1.250	1.750	0.250	0.275	\$2.81
6226-25 N80	1.250	1.875	0.312	0.343	\$2.91
6226-26 N70	1.375	2.000	0.312	0.343	\$3.15
6226-27 N80	1.500	2.125	0.312	0.343	\$3.23
6226-28 N80	1.625	2.250	0.312	0.343	\$3.28
6226-29 N80	1.750	2.375	0.312	0.343	\$3.33
6226-30 N80	1.875	2.500	0.312	0.343	\$3.42
6226-31 N80	2.000	2.625	0.312	0.343	\$3.54
6226-32 N80	2.125	2.750	0.312	0.343	\$3.71
6226-33 N80	2.250	2.875	0.312	0.343	\$4.87

Part Number	Groove Diameter d	Bore Diameter D	Seal Height L ₁	Groove Height L	Price
6226-34 N80	2.375	3.000	0.312	0.343	\$5.00
6226-35 N80	2.500	3.125	0.312	0.343	\$5.13
6226-36 N80	2.500	3.250	0.375	0.413	\$5.49
6226-37 N80	2.625	3.375	0.375	0.413	\$5.37
6226-38 N80	2.750	3.500	0.375	0.413	\$5.68
6226-39 N80	2.875	3.625	0.375	0.413	\$6.24
6226-40 N80	3.000	3.750	0.375	0.413	\$6.33
6226-41 N80	0.125	0.375	0.125	0.138	\$2.21
6226-42 N80	0.187	0.437	0.125	0.138	\$2.21
6226-43 N80	0.250	0.500	0.125	0.138	\$2.29
6226-44 N80	0.312	0.562	0.125	0.138	\$2.86
6226-45 N80	0.375	0.625	0.125	0.138	\$2.56
6226-46 N80	0.437	0.687	0.125	0.138	\$2.49
6226-47 N80	0.500	0.750	0.125	0.138	\$2.63
6226-48 N80	0.625	1.000	0.187	0.206	\$3.17
6226-49 N80	0.750	1.125	0.187	0.206	\$3.17
6226-50 N70	0.875	1.250	0.187	0.206	\$3.37
6226-51 N80	1.000	1.375	0.187	0.206	\$2.85
6226-52 N80	1.125	1.500	0.187	0.206	\$2.89
6226-53 N80	1.250	1.625	0.187	0.206	\$3.07
6226-60 N80	3.250	4.000	0.375	0.413	\$7.51
6226-63 N80	3.750	4.500	0.375	0.413	\$22.22
6226-65 N80	4.250	5.000	0.375	0.413	\$11.40
6226-70 N80	5.125	6.000	0.437	0.481	\$30.48
6226-71 N80	5.250	6.000	0.375	0.413	\$22.08
6226-75 N80	6.125	7.000	0.437	0.481	\$35.72
6226-80 N80	7.000	8.000	0.500	0.550	\$25.73
6226-81 N80	7.500	8.250	0.375	0.413	\$35.32
6226-82 N80	8.000	9.000	0.500	0.550	\$58.64
6226-85 N80	9.000	10.000	0.500	0.550	\$53.58
6226-90 N80	11.000	12.000	0.500	0.550	\$41.24
6226-95 N80	13.000	14.000	0.500	0.550	\$64.16

C1 Nitrile Rod U-Cups - Metric



EXAMPLE: C1-30X40X7					
Prefix	Inside Diameter		Outside Diameter		Height
C1-	30	x	40	x	7
	30mm		40mm		7mm

Profile C1 rod seals are a good choice for hydraulic and pneumatic equipment that require seals with the smallest possible housings. Although cross sections and heights are very small, the sealing performance is excellent. Extremely low friction is experienced because of the short contact area at the sealing surface.

Installation: These rod seals are manufactured oversized on the external diameters in relation to the nominal dimensions. This ensures the required tight fit, and eliminates heel drag on the dynamic surface. Only after installation will the sealing lip diameter show the desired dimensions. Profile C1 rod seals may easily be snapped into the groove. Standard material is 84 durometer nitrile, and may be used

at a temperature range of -65° to 220°F in hydraulic applications and -65° to 180°F in pneumatic applications. Maximum working pressure for hydraulic use is 2350 PSI and for pneumatic use is 235 PSI.

Temperature: -65°F to 220°F (see above)

Pressure: 0 to 2,350 PSI (see above)

ALTERNATIVE SEALS:
Rod: MURH, MA21, MA24

Prefix	Part Number			Groove Height L	Price			
	Rod Diameter d	Groove Diameter D	Seal Height L ₁					
C1	-	3	x	7	x	3	4	Call for Price
C1	-	4	x	12	x	4.5	5.5	Call for Price
C1	-	5	x	9	x	2.5	3.5	Call for Price
C1	-	5	x	10	x	4	5	Call for Price
C1	-	6	x	10	x	3	4	Call for Price
C1	-	6	x	12	x	4.2	5.2	Call for Price
C1	-	8	x	14	x	4	5	Call for Price
C1	-	8	x	16	x	5.5	6.5	Call for Price
C1	-	9	x	14	x	3.5	4.5	Call for Price
C1	-	10	x	13.6	x	2.3	3.3	Call for Price

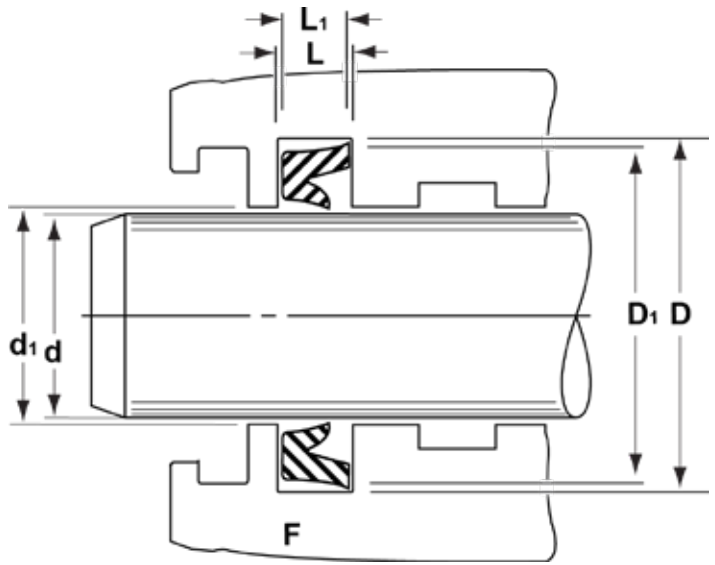
Prefix	Part Number			Groove Height L	Price			
	Rod Diameter d	Groove Diameter D	Seal Height L ₁					
C1	-	10	x	15	x	3.5	4.5	Call for Price
C1	-	10	x	16	x	4.5	5.5	Call for Price
C1	-	12	x	18.5	x	4.5	5.5	Call for Price
C1	-	12	x	19	x	4.5	5.5	Call for Price
C1	-	12	x	20	x	5.5	6.5	Call for Price
C1	-	14	x	19	x	3.5	4.5	Call for Price
C1	-	14	x	20	x	4.8	5.8	Call for Price
C1	-	14	x	22	x	5.5	6.5	Call for Price
C1	-	15	x	22	x	5	6	Call for Price
C1	-	16	x	23	x	5.5	6.5	Call for Price

C1 Nitrile Rod U-Cups - Metric, cont'd.

Part Number								Price
Prefix	Rod Diameter d	Groove Diameter D	Seal Height L ₁	Groove Height L				
C1	-	16	x	24	x	5.5	6.5	Call for Price
C1	-	16	x	26	x	7	8	Call for Price
C1	-	18	x	25	x	5.5	6.5	Call for Price
C1	-	18	x	26	x	5.5	6.5	Call for Price
C1	-	18	x	30	x	8.5	9.5	Call for Price
C1	-	18.5	x	25.5	x	5.5	6.5	Call for Price
C1	-	20	x	26	x	4.8	5.8	Call for Price
C1	-	20	x	28	x	5.5	6.5	Call for Price
C1	-	20	x	30	x	7	8	Call for Price
C1	-	22	x	29	x	5.5	6.5	Call for Price
C1	-	23	x	31	x	5.5	6.5	Call for Price
C1	-	24	x	32	x	5.5	6.5	Call for Price
C1	-	25	x	32	x	5.5	6.5	Call for Price
C1	-	25	x	33	x	5.5	6.5	Call for Price
C1	-	25	x	35	x	7	8	Call for Price
C1	-	25	x	37	x	8.5	9.5	Call for Price
C1	-	26	x	36	x	7	8	Call for Price
C1	-	28	x	36	x	5.5	6.5	Call for Price
C1	-	28	x	38	x	7	8	Call for Price
C1	-	28	x	40	x	8.5	9.5	Call for Price
C1	-	30	x	38	x	5.5	6.5	Call for Price
C1	-	30	x	38	x	8	9	Call for Price
C1	-	30	x	40	x	7	8	Call for Price
C1	-	31.9	x	45	x	11	12	Call for Price
C1	-	32	x	40	x	5.5	6.5	Call for Price
C1	-	32	x	42	x	7	8	Call for Price
C1	-	34	x	44	x	7	8	Call for Price
C1	-	35	x	45	x	7	8	Call for Price
C1	-	36	x	46	x	7	8	Call for Price
C1	-	40	x	48	x	5.5	6.5	Call for Price
C1	-	40	x	50	x	7	8	Call for Price

Part Number								Price
Prefix	Rod Diameter d	Groove Diameter D	Seal Height L ₁	Groove Height L				
C1	-	42	x	52	x	7	8	Call for Price
C1	-	45	x	55	x	7	8	Call for Price
C1	-	48	x	58	x	7	8	Call for Price
C1	-	50	x	58	x	8	9	Call for Price
C1	-	50	x	60	x	7	8	Call for Price
C1	-	50	x	63	x	8.5	9.5	Call for Price
C1	-	54	x	64	x	7	8	Call for Price
C1	-	55	x	65	x	7	8	Call for Price
C1	-	56	x	66	x	7	8	Call for Price
C1	-	60	x	72	x	8.5	9.5	Call for Price
C1	-	63	x	73	x	7	8	Call for Price
C1	-	63	x	75	x	8.5	9.5	Call for Price
C1	-	65	x	77	x	8.5	9.5	Call for Price
C1	-	68	x	80	x	8.5	9.5	Call for Price
C1	-	70	x	82	x	8.5	9.5	Call for Price
C1	-	75	x	87	x	8.5	9.5	Call for Price
C1	-	85	x	97	x	8.5	9.5	Call for Price
C1	-	90	x	102	x	8.5	9.5	Call for Price
C1	-	100	x	115	x	10	11	Call for Price
C1	-	110	x	125	x	10	11	Call for Price
C1	-	120	x	135	x	10	11	Call for Price
C1	-	125	x	140	x	10	11	Call for Price
C1	-	130	x	145	x	10	11	Call for Price
C1	-	140	x	160	x	14	15	Call for Price
C1	-	142	x	157	x	10	11	Call for Price
C1	-	150	x	170	x	14	15	Call for Price
C1	-	160	x	180	x	14	15	Call for Price
C1	-	170	x	190	x	14	15	Call for Price
C1	-	180	x	200	x	14	15	Call for Price
C1	-	190	x	210	x	14	15	Call for Price

MURH Nitrile Rod U-Cups - Metric



ALTERNATIVE SEALS:
Rod: C1, MA21, MA22, MA24

EXAMPLE: MURH-32X42X7				
Prefix	Inside Diameter		Outside Diameter	Height
MURH-	32	x	42	x 7
	32mm		42mm	7mm

These seals are molded from 90 or 70 durometer NBR. The heavy lip interference ensures that your systems will seal under zero-pressure situations. These seals can be used in either low pressure hydraulic or pneumatic applications. For sizes not listed, or availability in FKM, please call customer service.

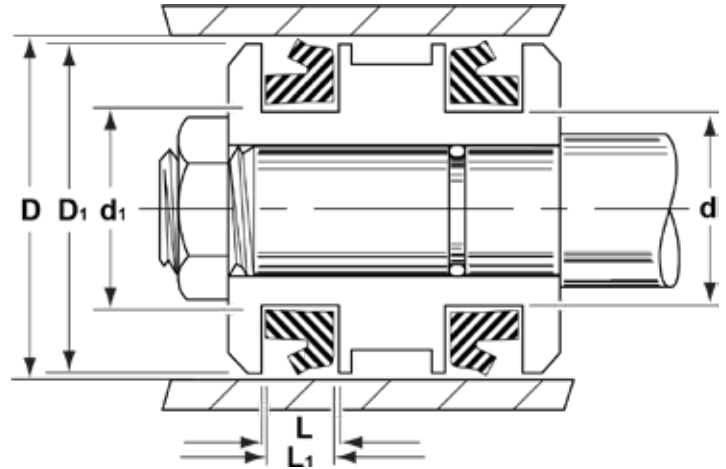
Temperature: -22°F to 212°F

Pressure: 0 to 1,160 PSI

Prefix	Part Number			Groove Height L	Price
	Rod Diameter d	Groove Diameter D	Seal Height L ₁		
MURH -	8	x 14	x 4	5	\$3.88
MURH -	8	x 16	x 5.5	6.5	\$3.88
MURH -	14	x 22	x 5.5	6.5	\$4.53
MURH -	16	x 24	x 5.5	6.5	\$4.53
MURH -	18	x 25	x 4.5	5.5	\$7.84
MURH -	18	x 26	x 5.5	6.5	\$4.82
MURH -	22	x 30	x 5.5	6.5	\$5.32
MURH -	25	x 35	x 7	8	\$5.32
MURH -	28	x 36	x 5.5	6.5	\$5.74
MURH -	28	x 38	x 7	8	\$5.74
MURH -	32	x 42	x 7	8	\$6.99
MURH -	36	x 46	x 7	8	\$7.22
MURH -	40	x 50	x 7	8	\$8.49
MURH -	45	x 55	x 7	8	\$8.77
MURH -	50	x 60	x 7	8	\$9.62

Prefix	Part Number			Groove Height L	Price
	Rod Diameter d	Groove Diameter D	Seal Height L ₁		
MURH -	56	x 68	x 7	8	\$10.27
MURH -	56	x 68	x 8.5	9.5	\$10.27
MURH -	60	x 72	x 8.5	9.5	\$10.75
MURH -	63	x 75	x 8.5	9.5	\$11.75
MURH -	65	x 77	x 8.5	9.5	\$14.15
MURH -	70	x 82	x 8.5	9.5	\$14.43
MURH -	80	x 92	x 8.5	9.5	\$14.92
MURH -	90	x 102	x 8.5	9.5	\$16.68
MURH -	100	x 112	x 8.5	9.5	\$20.54
MURH -	100	x 115	x 10	11	\$21.51
MURH -	110	x 130	x 14	15	\$22.07
MURH -	125	x 145	x 14	15	\$23.61
MURH -	140	x 160	x 14	15	\$24.66
MURH -	160	x 180	x 14	15	\$45.12
MURH -	180	x 200	x 14	15	\$50.42

C2 - Nitrile Piston U-Cups - Metric



ALTERNATIVE SEALS:

Piston: MUPH, MA23, MA21, MA22

EXAMPLE: C2-6X12X4

Prefix	Inside Diameter		Outside Diameter		Height
C2-	6	x	12	x	4
	6mm		12mm		4mm

C2 style piston seals have excellent sealing performance despite the small profile. Extremely low friction is experienced because of the short contact area at the sealing surface. These piston seals are manufactured undersized on the internal diameters in relation to the nominal dimensions. This ensures the required tight fit and eliminates heel drag on the dynamic surface. Only after installation will the sealing lip diameter show the desired dimensions. Profile C2 piston seals stretch easily into the groove

of one-piece pistons. Standard material is 84 durometer nitrile, and may be used at a temperature range of -65° to 220° F in hydraulic applications and -65° to 180°F in pneumatic applications. Maximum working pressure for hydraulic use is 2350 PSI and for pneumatic use is 235 PSI.

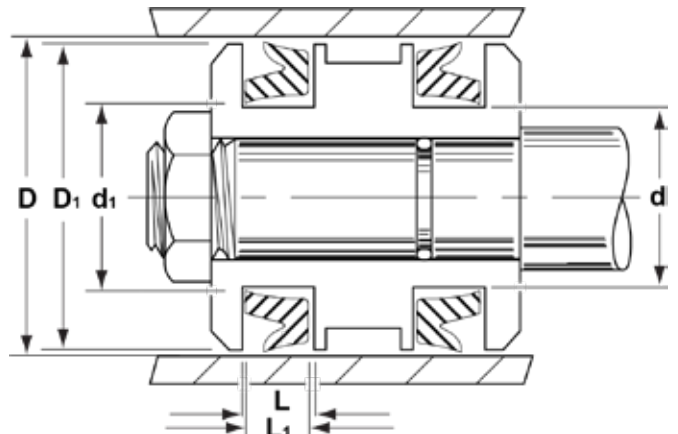
Temperature: -65°F to 220°F (see above)

Pressure: 0 to 2,350 PSI (see above)

Prefix	Part Number			Groove Height L	Price
	Groove Diameter d	Bore Diameter D	Seal Height L ₁		
C2-	6	x 12	x 4	5	Call For Price
C2-	8	x 12	x 3	4	Call For Price
C2-	8	x 14	x 4	5	Call For Price
C2-	8	x 16	x 5.5	6.5	Call For Price
C2-	10	x 16	x 4	5	Call For Price
C2-	10	x 18	x 5.5	6.5	Call For Price
C2-	12	x 20	x 5.5	6.5	Call For Price
C2-	14	x 20	x 4.2	5.2	Call For Price
C2-	16	x 24	x 5.5	6.5	Call For Price
C2-	17	x 25	x 5.5	6.5	Call For Price
C2-	18	x 26	x 5.5	6.5	Call For Price
C2-	20	x 28	x 5.5	6.5	Call For Price
C2-	20	x 30	x 7	8	Call For Price
C2-	22	x 30	x 5.5	6.5	Call For Price
C2-	22	x 32	x 7	8	Call For Price
C2-	24	x 32	x 5.5	6.5	Call For Price
C2-	26	x 36	x 7	8	Call For Price
C2-	30	x 40	x 7	8	Call For Price
C2-	32	x 40	x 5.5	6.5	Call For Price
C2-	37	45	4	5	Call For Price
C2-	40	x 48	x 5.5	6.5	Call For Price
C2-	40	x 50	x 7	8	Call For Price
C2-	42	x 50	x 8	9	Call For Price
C2-	45	x 55	x 7	8	Call For Price

Prefix	Part Number			Groove Height L	Price
	Groove Diameter d	Bore Diameter D	Seal Height L ₁		
C2-	48	x 60	x 7.5	8.5	Call For Price
C2-	50	x 60	x 7	8	Call For Price
C2-	53	x 63	x 7	8	Call For Price
C2-	53	x 65	x 10	11	Call For Price
C2-	55	x 65	x 7	8	Call For Price
C2-	57	x 67	x 7	8	Call For Price
C2-	58	x 68	x 7	8	Call For Price
C2-	58	x 70	x 8.5	9.5	Call For Price
C2-	68	x 80	x 8.5	9.5	Call For Price
C2-	73	x 85	x 8.5	9.5	Call For Price
C2-	88	x 100	x 8.5	9.5	Call For Price
C2-	95	x 110	x 10	11	Call For Price
C2-	110	x 125	x 10	11	Call For Price
C2-	115	x 130	x 10	11	Call For Price
C2-	115	x 135	x 14	15	Call For Price
C2-	120	x 140	x 14	15	Call For Price
C2-	125	x 140	x 10	11	Call For Price
C2-	135	x 150	x 10	11	Call For Price
C2-	140	x 160	x 14	15	Call For Price
C2-	145	x 160	x 10	11	Call For Price
C2-	160	x 180	x 14	15	Call For Price
C2-	180	x 200	x 14	15	Call For Price
C2-	200	x 220	x 14	15	Call For Price
C2-	230	x 250	x 14	15	Call For Price

MUPH Nitrile Piston U-Cups - Metric


ALTERNATIVE SEALS:

Piston: C2, MA21, MA22, MA23, E4

EXAMPLE: MUPH-6X12X4					
Prefix	Inside Diameter		Outside Diameter		Height
MUPH-	6	x	12	x	4
	6mm		12mm		4mm

These easy to install piston U-seals are perfect for low pressure hydraulic and pneumatic applications. These seals have lower breakaway friction than most urethane U-cups. Also available in FKM.

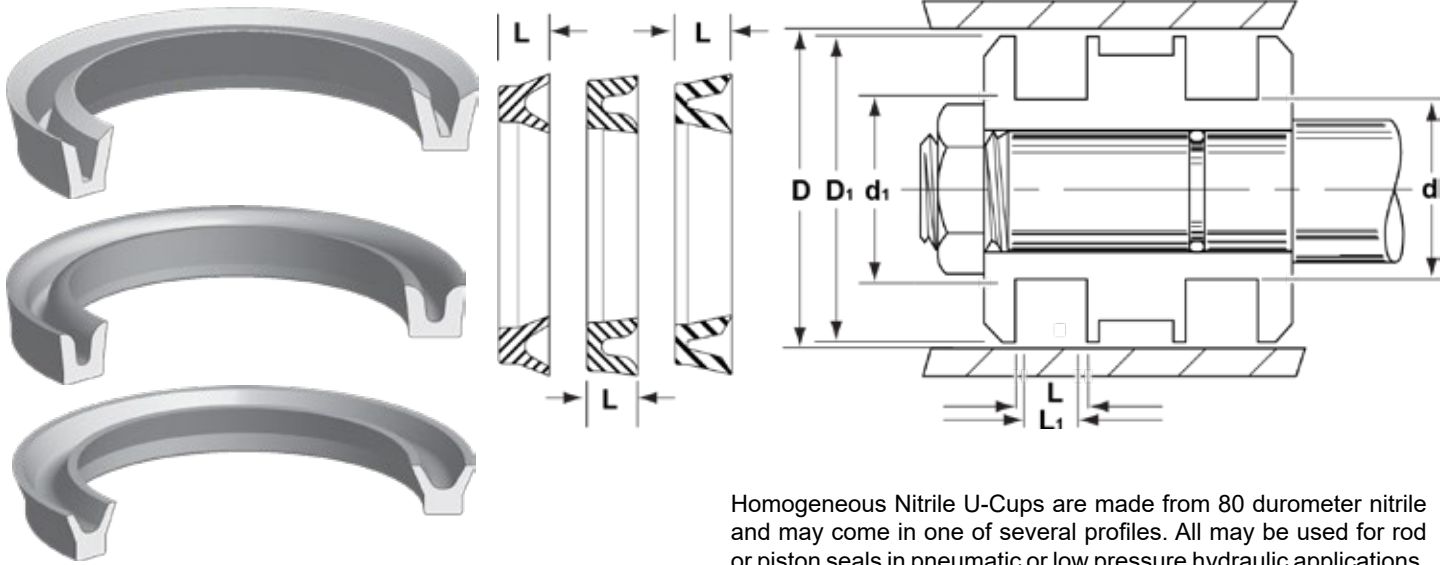
Temperature: -22°F to 212°F

Pressure: 0 to 1,160 PSI

Prefix	Part Number			Groove Height L	Price		
	Groove Diameter d	Bore Diameter D	Seal Height L ₁				
MUPH -	6	x	12	x	4	5	\$4.02
MUPH -	12	x	20	x	5.5	6.5	\$4.11
MUPH -	14	x	22	x	5.5	6.5	\$4.68
MUPH -	17	x	25	x	5.5	6.5	\$4.85
MUPH -	24	x	32	x	5.5	6.5	\$5.33
MUPH -	30	x	40	x	7	8	\$5.90
MUPH -	40	x	50	x	7	8	\$7.21
MUPH -	45	x	55	x	7	8	\$8.79
MUPH -	50	x	60	x	7	8	\$7.50
MUPH -	53	x	63	x	7	8	\$7.80
MUPH -	55	x	65	x	7	8	\$10.96
MUPH -	58	x	70	x	8.5	9.5	\$10.23
MUPH -	63	x	75	x	8.5	9.5	\$13.89
MUPH -	68	x	80	x	8.5	9.5	\$15.48
MUPH -	73	x	85	x	8.5	9.5	\$15.48

Prefix	Part Number			Groove Height L	Price		
	Groove Diameter d	Bore Diameter D	Seal Height L ₁				
MUPH -	78	x	90	x	8.5	9.5	\$15.98
MUPH -	88	x	100	x	8.5	9.5	\$16.82
MUPH -	93	x	105	x	8.5	9.5	\$17.49
MUPH -	98	x	110	x	8.5	9.5	\$20.17
MUPH -	105	x	120	x	10	11	\$25.10
MUPH -	110	x	125	x	10	11	\$21.24
MUPH -	125	x	140	x	10	11	\$26.19
MUPH -	130	x	145	x	10	11	\$26.60
MUPH -	135	x	150	x	10	11	\$36.74
MUPH -	145	x	160	x	10	11	\$32.08
MUPH -	160	x	180	x	14	15	\$64.53
MUPH -	176	x	200	x	12	13	\$70.94
MUPH -	180	x	200	x	14	15	\$72.69
MUPH -	200	x	220	x	14	15	\$77.32
MUPH -	230	x	250	x	14	15	\$92.97

UCH Nitrile U-Cups - Inch



Homogeneous Nitrile U-Cups are made from 80 durometer nitrile and may come in one of several profiles. All may be used for rod or piston seals in pneumatic or low pressure hydraulic applications.

Temperature: -25°F to 225°F Pressure: 0 to 2,200 PSI

ALTERNATIVE SEALS:

8400, 6226, UCF, DEEP LLS, LLS

EXAMPLE: UCH15002000-375

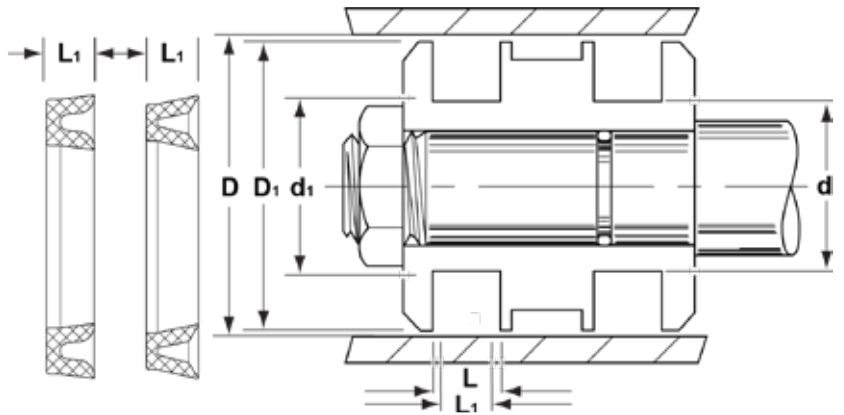
Prefix	Inside Diameter	Outside Diameter	Height
UCH	1500	2000	- 375
	1-1/2"	2"	3/8

When there is nothing to indicate Height in the Part #
(No Dash #) Height = Cross Section

Part Number	Groove Diameter d	Bore Diameter D	Seal Height L ₁	Groove Height L	Price
UCH02500375-070	0.250	0.375	0.070	0.077	\$15.82
UCH07501000-250	0.750	1.000	0.250	0.275	\$14.68
UCH08121125-187	0.813	1.125	0.187	0.206	\$19.46
UCH12501687-250 N90	1.250	1.688	0.250	0.275	\$11.09
UCH12502000-500	1.250	2.000	0.500	0.550	\$8.33
UCH13751875-250	1.375	1.875	0.250	0.275	\$14.93
UCH15002000-375	1.500	2.000	0.375	0.413	\$9.79
UCH15003000-500	1.500	3.000	0.500	0.550	\$83.21
UCH16253000-375-1	1.625	3.000	0.375	0.413	\$25.11
UCH17502250-375	1.750	2.250	0.375	0.413	\$26.78
UCH17502500	1.750	2.500	0.375	0.413	\$15.16
UCH20002500-375	2.000	2.500	0.375	0.413	\$17.59
UCH22502750-312	2.250	2.750	0.312	0.343	\$11.79
UCH22503000-500	2.250	3.000	0.500	0.550	\$20.35
UCH25003000-375	2.500	3.000	0.375	0.413	\$18.17
UCH26253250	2.625	3.250	0.312	0.343	\$17.47
UCH27503250-375	2.750	3.250	0.375	0.413	\$17.57
UCH30003500	3.000	3.500	0.250	0.275	\$17.60
UCH30003500-375	3.000	3.500	0.375	0.413	\$17.89
UCH32504000-312	3.250	4.000	0.312	0.343	\$21.80
UCH32504000-500	3.250	4.000	0.500	0.550	\$21.97
UCH35004000-375	3.500	4.000	0.375	0.413	\$17.54

Part Number	Groove Diameter d	Bore Diameter D	Seal Height L ₁	Groove Height L	Price
UCH41254625-250	4.125	4.625	0.250	0.275	\$20.07
UCH42505000-500	4.250	5.000	0.500	0.550	\$22.40
UCH43755000	4.375	5.000	0.312	0.343	\$22.13
UCH45005000-375	4.500	5.000	0.375	0.413	\$19.76
UCH45005250-375	4.500	5.250	0.375	0.413	\$42.00
UCH52506000-500	5.250	6.000	0.500	0.550	\$21.06
UCH55006000-375	5.500	6.000	0.375	0.413	\$19.48
UCH60007000	6.000	7.000	0.500	0.550	\$41.75
UCH62507000-500	6.250	7.000	0.500	0.550	\$26.46
UCH72508000-500	7.250	8.000	0.500	0.550	\$28.42
UCH75008000-375	7.500	8.000	0.375	0.413	\$27.07
UCH80008750-500	8.000	8.750	0.500	0.550	\$29.45
UCH82509000-500	8.250	9.000	0.500	0.550	\$35.78
UCH925010000-500	9.250	10.000	0.500	0.550	\$38.30
UCH1125012000-500	11.250	12.000	0.500	0.550	\$63.30
UCH1325014000-500	13.250	14.000	0.500	0.550	\$74.05
UCH1512516000	15.125	16.000	0.437	0.481	\$125.88
UCH1512516000-500	15.125	16.000	0.500	0.550	\$162.55
UCH1525016000-500	15.250	16.000	0.500	0.550	\$122.10
UCH1625017000-500	16.250	17.000	0.500	0.550	\$173.63
UCH1900020000-750	19.000	20.000	0.750	0.825	\$232.93

UCF Fabric Reinforced Nitrile U-Cups - Inch



Cotton-Duck reinforced nitrile U-cups wear extremely well in heavy duty hydraulic cylinder applications. The wicking action of the cotton-duck material keeps the seal lubricated. The lip seal design also contributes to low friction.

Temperature: -20°F to 200°F Pressure: 0 to 3,500 PSI

ALTERNATIVE SEALS:
Piston: DEEP LLS, LLS, US, UNP

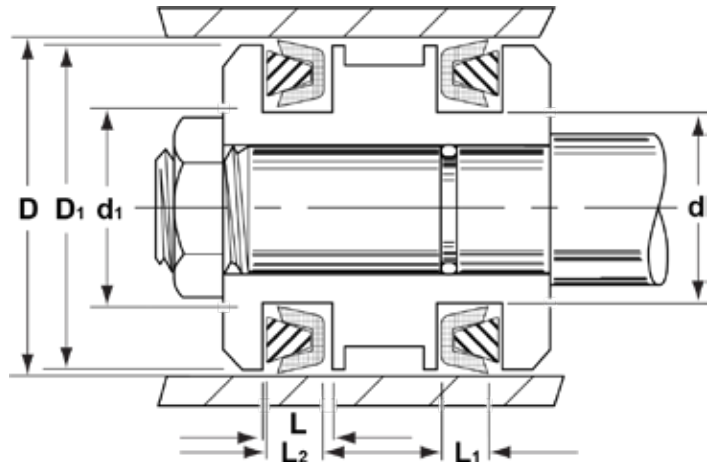
EXAMPLE: UCF15002000-375			
Prefix	Inside Diameter	Outside Diameter	Height
UCF	1500	2000	-375
	1-1/2"	2"	3/8

When there is nothing to indicate Height in the Part #
(No Dash #) Height = Cross Section

Part Number	Groove Diameter d	Bore Diameter D	C.S./ Height L ₁	Groove Height L	Price
UCF15002000-375	1.500	2.000	0.375	0.413	\$13.11
UCF17502500-500	1.750	2.500	0.500	0.550	\$18.97
UCF20002500-375	2.000	2.500	0.375	0.413	\$12.77
UCF22502750-375	2.250	2.750	0.375	0.413	\$16.51
UCF22503000-375-1	2.250	3.000	0.375	0.413	\$14.96
UCF22503000-500	2.250	3.000	0.500	0.550	\$15.80
UCF25003000-375	2.500	3.000	0.375	0.413	\$12.84
UCF25003250-375-1	2.500	3.250	0.375	0.413	\$17.97
UCF25003250-500	2.500	3.250	0.500	0.550	\$16.89
UCF25003750	2.500	3.750	0.625	0.688	\$25.13
UCF27503500-375-1	2.750	3.500	0.375	0.413	\$19.70
UCF27503500-500	2.750	3.500	0.500	0.550	\$23.06
UCF30003500-375	3.000	3.500	0.375	0.413	\$20.64
UCF30003750-375-1	3.000	3.750	0.375	0.413	\$21.81
UCF30003750-500	3.000	3.750	0.500	0.550	\$27.78
UCF32504000-375-1	3.250	4.000	0.375	0.413	\$23.52
UCF32504000-500	3.250	4.000	0.500	0.550	\$23.52
UCF35004250-500	3.500	4.250	0.500	0.550	\$22.00
UCF37504500-375-1	3.750	4.500	0.375	0.413	\$23.52
UCF37504500-500	3.750	4.500	0.500	0.550	\$27.69
UCF40004750-500	4.000	4.750	0.500	0.550	\$25.83
UCF40005000-500-1	4.000	5.000	0.500	0.550	\$24.54
UCF41255000-437-1	4.125	5.000	0.437	0.481	\$41.97

Part Number	Groove Diameter d	Bore Diameter D	C.S./ Height L ₁	Groove Height L	Price
UCF42505000-500	4.250	5.000	0.500	0.550	\$28.46
UCF45005250-500	4.500	5.250	0.500	0.550	\$30.04
UCF47505500-500	4.750	5.500	0.500	0.550	\$33.69
UCF50006000-750-1	5.000	6.000	0.750	0.825	\$34.18
UCF52506000-500	5.250	6.000	0.500	0.550	\$32.61
UCF52506125-437-1	5.250	6.125	0.437	0.481	\$52.44
UCF55006250-500	5.500	6.250	0.500	0.550	\$45.62
UCF55126063-433-1	5.512	6.062	0.433	0.476	\$36.85
UCF57506500-500	5.750	6.500	0.500	0.550	\$35.33
UCF62507000-500	6.250	7.000	0.500	0.550	\$43.00
UCF72508000-500	7.250	8.000	0.500	0.550	\$48.09
UCF77508500-500	7.750	8.500	0.500	0.550	\$60.87
UCF80008750-500	8.000	8.750	0.500	0.550	\$68.42
UCF82509000-500	8.250	9.000	0.500	0.550	\$74.84
UCF925010000-500	9.250	10.000	0.500	0.550	\$90.01
UCF1000011250-1125	10.000	11.250	1.125	1.238	\$103.47
UCF1200014000-1250	12.000	14.000	1.250	1.375	\$272.64
UCF1325014000-500	13.250	14.000	0.500	0.550	\$99.04
UCF1525016000-500	15.250	16.000	0.500	0.550	\$278.12
UCF1600017500-1250	16.000	17.500	1.250	1.375	\$418.32
UCF1687517875-750	16.875	17.875	0.750	0.825	\$608.96
UCF2300024000-750-1	23.000	24.000	0.750	0.825	\$595.72
UCF2787528875-750	27.875	28.875	0.750	0.825	\$733.34

UCL Leather U-Cups with Nitrile Filler - Inch



EXAMPLE: UCL125200-375F469

Prefix	Inside Diameter	Outside Diameter	Height	Filler Height
UCL	125	200	- 375	F469
	1-1/4"	2"	3/8	7/16

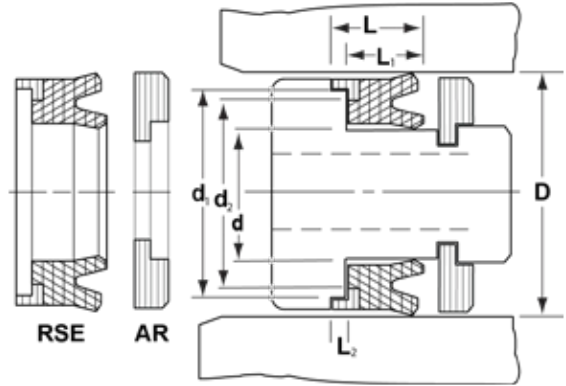
Despite the fact that leather U-cups with rubber fillers are somewhat outdated, we fulfill our commitment to our customers by carrying the hard to find items. Many applications still require the use of these seals since there are no reliable retrofits available. Among these applications are bucket trucks, drill rigs, forklifts and some cylinders built by Benton Harbor Engineering®. They are constructed of Thiokol-treated leather with nitrile expander rings. Other sizes may be available by request.

Temperature: -50°F to 275°F

Pressure: 0 to 5,000 PSI

Part Number	Groove Diameter d	Bore Diameter D	Seal Height L ₁	Seal Height L ₂	Groove Height L	Price
UCL125200-375F469	1.250	2.000	0.375	0.437	0.437	\$67.08
UCL150225-375F469	1.500	2.250	0.375	0.437	0.437	\$51.97
UCL175250-375F469	1.750	2.500	0.375	0.437	0.437	\$64.01
UCL200300-500F593	2.000	3.000	0.500	0.562	0.562	\$78.98
UCL225325-500F593	2.250	3.250	0.500	0.562	0.562	\$85.32
UCL250350-500F593	2.500	3.500	0.500	0.562	0.562	\$88.20
UCL275400-562F656	2.750	4.000	0.562	0.625	0.625	\$111.57
UCL300400-500F593	3.000	4.000	0.500	0.562	0.562	\$105.62
UCL300425-562F656	3.000	4.250	0.562	0.625	0.625	\$113.57
UCL325450-562F656	3.250	4.500	0.562	0.625	0.625	\$150.21
UCL375500-562F656	3.750	5.000	0.562	0.625	0.625	\$155.15
UCL425550-750F843	4.250	5.500	0.750	0.812	0.812	\$167.47
UCL475600-750F843	4.750	6.000	0.750	0.812	0.812	\$226.28
UCL525650-750F843	5.250	6.500	0.750	0.812	0.812	\$281.82
UCL575700-750F843	5.750	7.000	0.750	0.812	0.812	\$296.23

RSE Piston U-Cups with Backup Ring - Metric



EXAMPLE: RSE4025		
Prefix	Outside Diameter	Inside Diameter
RSE	40	25
	40mm	25mm

Part Number	Bore Dia D	GRV Dia d	Seal HT L ₁	B/U ID d ₁	B/U HT L ₂	GRV HT L	Price
RSE4025/W	40	25	10.0	35.4	6.4	11.0	\$15.72
RSE4530/W	45	30	10.0	40.4	6.4	11.0	\$18.01
RSE4535/W	45	35	9.5	40.4	6.4	10.5	\$18.64
RSE5030/W	50	30	14.5	45.4	6.4	15.5	\$18.77
RSE5035/W	50	35	11.0	45.4	6.4	12.0	\$20.04
RSE5040/W	50	40	11.0	45.4	6.4	12.0	\$20.04
RSE5540/W	55	40	11.0	50.4	6.4	12.0	\$20.12
RSE6040/W	60	40	14.5	55.4	6.4	15.5	\$20.33
RSE6040/W1	60	40	14.5	54.2	6.4	15.5	\$20.33
RSE6045/W	60	45	11.0	55.4	6.4	12.0	\$22.88
RSE6045/W1	60	45	11.0	54.2	6.4	12.0	\$20.95

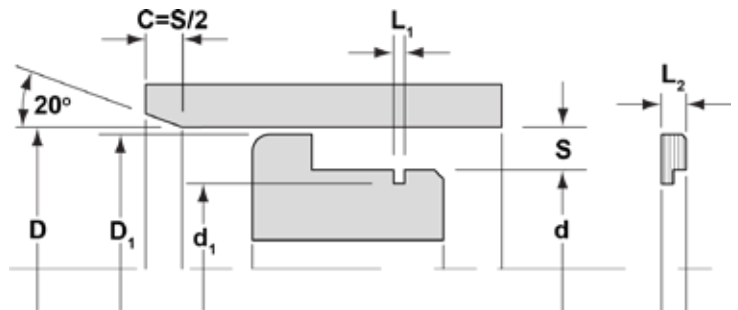
These urethane piston U-cups utilize an L-shaped anti-extrusion ring/bearing designed into the outside of the heel. These seals offer high elasticity and low deformation and abrasion resistance, along with superior anti-extrusion capabilities. These are commonly used with plastic retainer rings, which hold the seal in its groove.

See below for the retainers.

Temperature: -22°F to 230°F Pressure: 0 to 5,800 PSI

Part Number	Bore Dia D	GRV Dia d	Seal HT L ₁	B/U ID d ₁	B/U HT L ₂	GRV HT L	Price
RSE6345/W	63	45	11.0	58.4	6.4	12.0	\$21.19
RSE6550/W	65	50	11.0	60.4	6.4	12.0	\$21.19
RSE7050/W	70	50	14.5	64.2	6.4	15.5	\$22.53
RSE8060/W	80	60	13.0	74.2	6.4	14.0	\$24.76
RSE10080/W	100	80	14.5	93.2	6.4	15.5	\$27.43
RSE11095/W	110	95	13.0	103.1	6.4	14.0	\$29.29
RSE120100/W	120	100	14.5	113.1	6.4	15.5	\$34.05

AR Retaining Rings - Metric

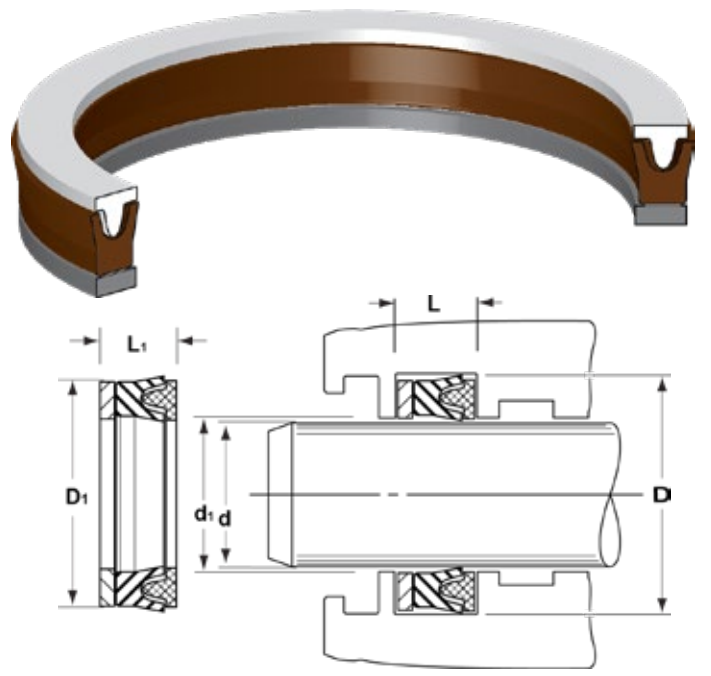


Part Number	Bore Dia D	Ring Dia D ₁	Rod Dia d	Insert ID d ₁	Insert HT L ₁	Total HT L ₂	Price
AR40 26	40	38.7	26	21.6	3.1	6	\$8.55
AR50 30	50	48.3	30	25.6	3.3	6.5	\$8.55
AR60 40	60	58.3	40	35.6	3.1	6.5	\$9.19
AR70 50	70	68.3	50	45.6	3.1	6.5	\$11.72
AR90 70	90	88.3	70	65.6	3.3	6.5	\$12.66

These plastic retaining rings are commonly used with the RSE piston U-cups. Their primary use is to hold the seal from sliding off the piston during the return stroke. They allow for a piston to be designed with the steel to be removed from the end for easy installation of the piston seal.

EXAMPLE: AR4026		
Prefix	Outside Diameter	Inside Diameter
AR	40	26
	40mm	26mm

W1 Pressure Washer Pump Seals



EXAMPLE: W1-14X24X7B				
Prefix	Inside Diameter	Outside Diameter	Height	Suffix
W1-	14	24	7	B
	14mm	24mm	7mm	HAS B/U

This 2 or 3 piece sealing set was designed specifically for high pressure water pumps and pressure washer cleaning equipment. This new design replaces the higher friction chevron solution. This sealing set has a much longer service life due to less friction and a specially lubricated NBR and Cotton material. It works well in water and water/oil mixture fluids. Part numbers with a "B" suffix contain a carbon-filled Teflon backup ring.

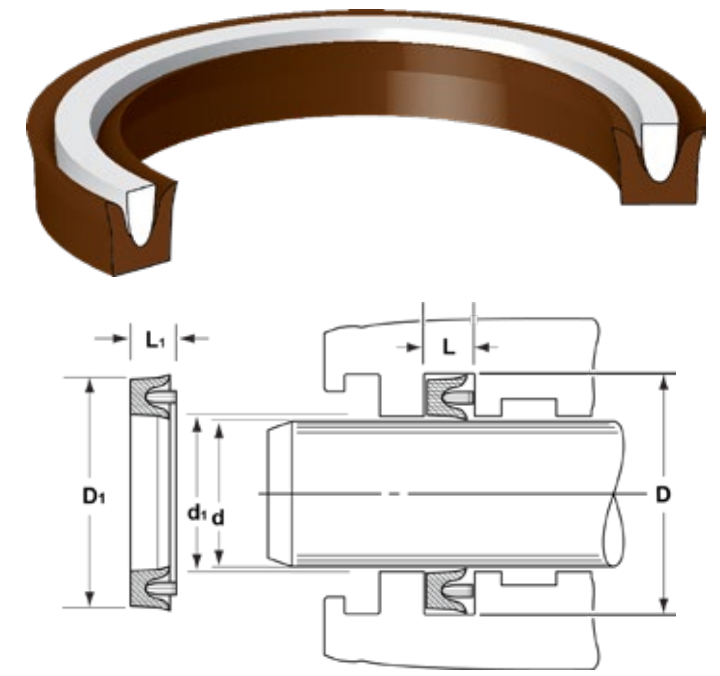
Temperature: -22°F to 175°F

Pressure: PSI ≤ 3,600

Part Number	Rod Dia d	Groove Dia D	Seal Ht. L ₁	Groove Ht. L	Price
W1-14X24X7	14	24	7	7.5	\$11.18
W1-14X24X8.75B	14	24	8.75	9	\$15.76
W1-15X24X7.25	15	24	7.25	7.75	\$11.51
W1-15X24X7.9B	15	24	7.9	8.5	\$16.49
W1-16X26X7	16	26	7	7.5	\$12.08
W1-16X26X8.75B	16	26	8.75	9	\$17.00
W1-18X28X8	18	28	8	8.5	\$12.96
W1-18X28X9.75B	18	28	9.75	10	\$18.25
W1-20X30X9.75B	20	30	9.75	10	\$18.25
W1-22X32X9.75B	22	32	9.75	10	\$18.25
W1-24X34X9.75B	24	34	9.75	10	\$18.35
W1-25X35X9.75B	25	35	9.75	10	\$18.35
W1-28X38X9.75B	28	38	9.75	10	\$20.01

Part Numbers without a "B" do not contain the backup ring.

W2/W3 Pressure Washer Pump Seals



EXAMPLE: W2-12X20X5.3			
Prefix	Inside Diameter	Outside Diameter	Height
W2-	12	20	5.3
	12mm	20mm	5.3mm

This 1 or 2 piece sealing set was designed for low pressure water pumps and pressure washer cleaning equipment. It is used downstream of the W1 set, seals the low pressure leakage return, and has a much longer service life due to less friction and a specially lubricated NBR and Cotton material. It works well in water and water/oil mixture fluids. W3 is pictured. W2 part numbers do not contain a thermoplastic header ring.

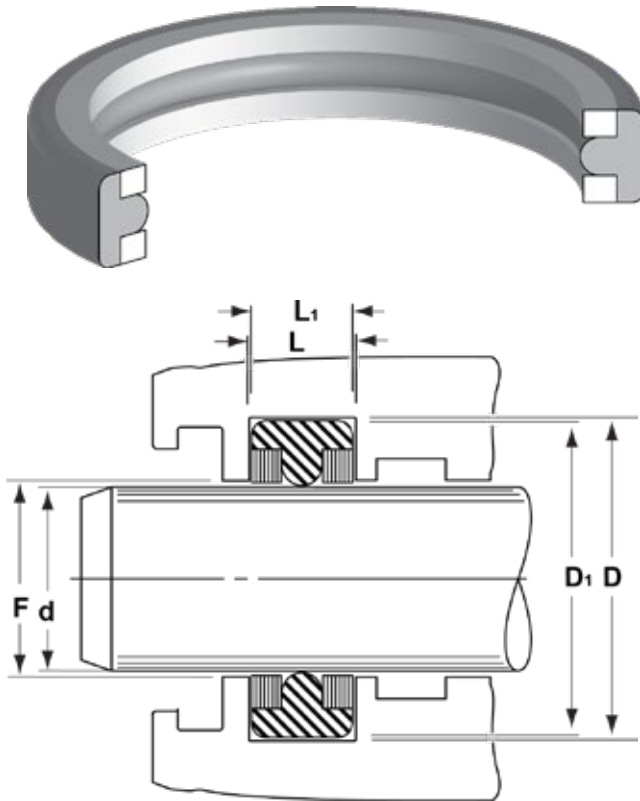
Temperature: -22°F to 175°F

Pressure: PSI ≤ 1,100

Part Number	Rod Dia d	Groove Dia D	Seal Ht. L ₁	Groove Ht. L	Price
W2-12X20X5.3	12	20	5.3	5.8	\$8.76
W2-14X22X5.5	14	22	5.5	6	\$9.15
W2-16X24X5.5	16	24	5.5	6	\$9.42
W2-18X26X5.5	18	26	5.5	6	\$9.73
W2-20X28X5.5	20	28	5.5	6	\$11.62
W2-22X30X5.5	22	30	5.5	6	\$10.31
W2-24X32X5.3	24	32	5.3	5.8	\$10.53
W3-12X20X6	12	20	6	6.5	\$12.17
W3-14X22X6.5	14	22	6.5	7	\$12.55
W3-22X30X6.5	22	30	6.5	7	\$13.35
W3-24X32X6.3	24	32	6.3	6.8	\$13.75

Part Numbers that start with W3 have a header ring.
W2 is the U-cup only.

TR Rod T-Seals - Inch



Rod T-seals were originally developed to replace o-rings, and retrofit into standard commercial o-ring grooves. This development ended two serious reliability problems:

1. Extrusion through the clearance gap.
2. Spiral or twisting failure due to instability in their groove.

T-seal back-ups are hydraulically or pneumatically driven against the dynamic surface when system pressure forces the elastomer into the space beneath the back-up. This immediate response to pressure makes them very effective wipers, keeping contaminants away from the sealing line.

Standard material for our T-seals is 75 durometer nitrile with moly-filled nylon back-up rings. Other materials are available upon request.

Temperature: -40° to 225°F.

Pressure: 0 to 5,000 PSI

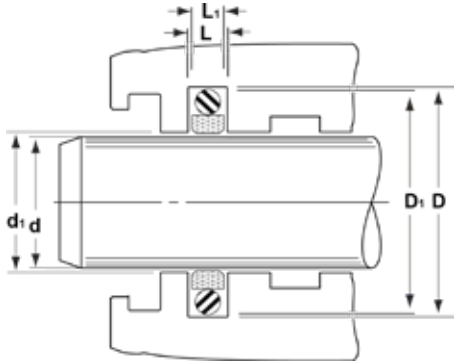
* For piston T-seals, see piston seal section.

Part Number	Nominal Size			Rod Dia. +0.000 /-0.002 d	Groove Dia. +0.002 /-0.000 D	Groove Height +0.005 /-0.000 L	Clearance Dia. +0.001 /-0.000 F	O-ring Size	Price
	I.D.	O.D.	Width						
TR001	3/16	3/8	5/32	0.186	0.362	0.140	0.188	-106	\$7.90
TR002	1/4	7/16	5/32	0.249	0.425	0.140	0.251	-108	\$8.71
TR003	5/16	1/2	5/32	0.311	0.487	0.140	0.313	-109	\$19.46
TR004	3/8	5/8	3/16	0.373	0.615	0.187	0.376	-204	\$5.70
TR005	7/16	11/16	3/16	0.435	0.677	0.187	0.438	-205	\$21.78
TR006	1/2	3/4	3/16	0.498	0.740	0.187	0.501	-206	\$9.56
TR007	9/16	13/16	3/16	0.560	0.802	0.187	0.563	-207	\$10.01
TR008	5/8	7/8	3/16	0.623	0.865	0.187	0.626	-208	\$6.97
TR009	11/16	15/16	3/16	0.685	0.927	0.187	0.688	-209	\$7.02
TR010	3/4	1	3/16	0.748	0.990	0.187	0.751	-210	\$7.40
TR011	13/16	1-1/16	3/16	0.810	1.052	0.187	0.813	-211	\$10.93
TR012	7/8	1-1/8	3/16	0.873	1.115	0.187	0.876	-212	\$8.41
TR013	15/16	1-3/16	3/16	0.935	1.177	0.187	0.938	-213	\$25.60
TR014	1	1-1/4	3/16	0.998	1.240	0.187	1.001	-214	\$7.40
TR015	1 1/16	1-5/16	3/16	1.060	1.302	0.187	1.063	-215	\$7.65
TR016	1 1/8	1-3/8	3/16	1.123	1.365	0.187	1.126	-216	\$8.39
TR017	1 3/16	1-7/16	3/16	1.185	1.427	0.187	1.188	-217	\$26.36
TR018	1 1/4	1-1/2	3/16	1.248	1.490	0.187	1.251	-218	\$7.55
TR019	1 5/16	1-9/16	3/16	1.310	1.552	0.187	1.313	-219	\$12.32

TR Rod Seals - inch , cont'd.

Part Number	Nominal Size			Rod Dia. +0.000 /-0.002 d	Groove Dia. +0.002 /-0.000 D	Groove Height +0.005 /-0.000 L	Clearance Dia. +0.001 /-0.000 F	O-ring Size	Price
	I.D.	O.D.	Width						
TR020	1-3/8	1-5/8	3/16	1.373	1.615	0.187	1.376	-220	\$10.16
TR021	1-7/16	1-11/16	3/16	1.435	1.677	0.187	1.438	-221	\$34.80
TR022	1-1/2	1-3/4	3/16	1.498	1.740	0.187	1.501	-222	\$8.40
TR023	1-1/2	1-7/8	9/32	1.498	1.868	0.281	1.501	-325	\$6.88
TR024	1-5/8	2	9/32	1.623	1.993	0.281	1.626	-326	\$10.39
TR025	1-3/4	2-1/8	9/32	1.748	2.118	0.281	1.751	-327	\$7.98
TR026	1-7/8	2-1/4	9/32	1.873	2.243	0.281	1.876	-328	\$10.74
TR027	2	2-3/8	9/32	1.998	2.368	0.281	2.001	-329	\$8.97
TR028	2-1/8	2-1/2	9/32	1.123	2.493	0.281	1.126	-330	\$9.38
TR029	2-1/4	2-5/8	9/32	2.248	2.618	0.281	2.251	-331	\$10.23
TR030	2-3/8	2-3/4	9/32	2.373	2.743	0.281	2.376	-332	\$10.67
TR031	2-1/2	2-7/8	9/32	2.498	2.868	0.281	2.501	-333	\$10.76
TR032	2-5/8	3	9/32	2.623	2.993	0.281	2.626	-334	\$10.79
TR033	2-3/4	3-1/8	9/32	2.748	3.118	0.281	2.751	-335	\$12.88
TR034	2-7/8	3-1/4	9/32	2.873	3.243	0.281	2.876	-336	\$13.01
TR035	3	3-3/8	9/32	2.998	3.368	0.281	3.001	-337	\$13.79
TR036	3-1/8	3-1/2	9/32	3.123	3.493	0.281	3.126	-338	\$21.50
TR037	3-1/4	3 5/8	9/32	3.248	3.618	0.281	3.251	-339	\$16.01
TR038	3-3/8	3-3/4	9/32	3.373	3.743	0.281	3.376	-340	\$16.33
TR039	3-1/2	3-7/8	9/32	3.498	3.868	0.281	3.501	-341	\$16.75
TR040	3-5/8	4	9/32	3.623	3.993	0.281	3.626	-342	\$17.53
TR041	3-3/4	4-1/8	9/32	3.748	4.118	0.281	3.751	-343	\$25.15
TR042	3-7/8	4-1/4	9/32	3.873	4.243	0.281	3.876	-344	\$34.70
TR043	4	4-3/8	9/32	3.998	4.368	0.281	4.001	-345	\$20.75
TR044	4-1/8	4-1/2	9/32	4.123	4.493	0.281	4.126	-346	\$59.34
TR045	4-1/4	4-5/8	9/32	4.248	4.618	0.281	4.251	-347	\$23.14
TR046	4-3/8	4-3/4	9/32	4.373	4.743	0.281	4.376	-348	\$25.68
TR047	4-1/2	4-7/8	9/32	4.498	4.868	0.281	4.501	-349	\$28.23
TR048	5	5-1/2	3/8	4.997	5.471	0.375	5.001	-429	\$31.77
TR049	5-1/4	5-3/4	3/8	5.247	5.721	0.375	5.251	-431	\$40.62
TR050	5-1/2	6	3/8	5.497	5.971	0.375	5.501	-433	\$68.21
TR051	5-5/8	6-1/8	3/8	5.622	6.096	0.375	5.626	-434	\$91.20
TR052	6	6-1/2	3/8	5.997	6.471	0.375	6.001	-437	\$42.22
TR053	6-1/4	6-3/4	3/8	6.247	6.721	0.375	6.251	-438	\$110.72
TR054	6-1/2	7	3/8	6.497	6.971	0.375	6.501	-439	\$69.30
TR055	6-3/4	7-1/4	3/8	6.747	7.221	0.375	6.751	-440	\$110.60
TR056	7	7-1/2	3/8	6.997	7.471	0.375	7.001	-441	\$62.51
TR057	7-1/4	7-3/4	3/8	7.247	7.721	0.375	7.251	-442	\$116.83
TR058	7-1/2	8	3/8	7.497	7.971	0.375	7.501	-443	\$76.89
TR059	8	8-1/2	3/8	7.997	8.471	0.375	8.001	-445	\$114.78
TR060	9	9-1/2	3/8	8.997	9.471	0.375	9.001	-447	\$132.00
TR061	9-1/2	10	3/8	9.497	9.971	0.375	9.501	-448	\$204.33
TR062	10	10-1/2	3/8	9.997	10.471	0.375	10.001	-449	\$243.22
TR063	11	11-1/2	3/8	10.997	11.471	0.375	11.001	-451	\$290.93

AS7 Series Double-Acting Rod Seals - Metric



Most of our AS7 series rod seals are machined from bronze filled PTFE for the most severe applications. Standard expander rings on this series rod seal are round cross section high memory 70 durometer nitrile; however, FKM expanders are available. Consult sales for pricing and delivery of special compounds.

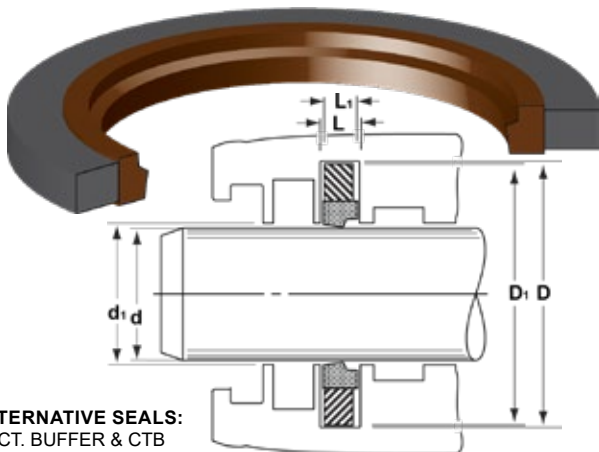
Temperature: -40° to 225°F Pressure: 0 to 5,000 PSI

EXAMPLE: AS731E-19MMB			
Prefix	Groove Height	Inside Diameter	Suffix
AS7	*31E-	19MM	B
	3.2mm	19mm	BTFE

* _ E- Number Refers to Groove Height
(29 = 2.2, 31 = 3.2, 35 = 4.2, 39 = 6.3, 41 = 8.1mm)

Part Number	Rod Diameter d	Groove Diameter D	Groove Height L	Price
AS729E-10MM	10	14.9	2.2	\$16.74
AS731E-19MMB	19	26.3	3.2	\$17.38
AS735E-35MMB	35	45.7	4.2	\$21.83
AS735E-36MMB	36	46.7	4.2	\$23.11
AS735E-38MMB	38	48.7	4.2	\$26.09
AS735E-41MMB	41	51.7	4.2	\$28.54
AS739E-63MMB	63	78.5	6.3	\$29.61
AS735E-65MMB	65	75.7	4.2	\$30.03
AS735E-65MMC	65	75.7	4.2	\$30.38
AS735E-70MMB	70	80.7	4.2	\$31.56
AS739E-75MMB	75	90.5	6.3	\$35.77
AS739E-90MMB	90	105.5	6.3	\$66.17
AS739E-100MMC	100	115.5	6.3	\$52.60
AS739E-120MMB	120	135.5	6.3	\$60.64
AS739E-320MMB	320	335.5	6.3	\$240.13
AS741E-430MMH	430	454.2	8.1	\$277.12
AS741E-550MMH	550	574.2	8.1	\$375.75

CAT® Stepped PTFE Buffer Rings - Inch



ALTERNATIVE SEALS:
RECT. BUFFER & CTB

OEM NUMBERING SYSTEM

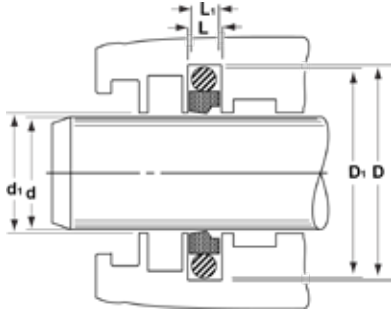
Part Number	Rod Diameter d	Groove Diameter D	Groove Height L +.008/-0	Price
1353251	1.250	1.783	0.140	\$14.54
8C9122	1.500	2.033	0.140	\$15.16
8C9117	1.625	2.158	0.140	\$18.25
8C9123	1.750	2.283	0.140	\$16.28
9X3566	1.875	2.252	0.140	\$16.41
8C9124	2.000	2.533	0.140	\$17.82

Part Number	Rod Diameter d	Groove Diameter D	Groove Height L +.008/-0	Price
9X3568	2.125	2.627	0.140	\$20.22
8C9125	2.250	2.891	0.220	\$22.95
8C9138	2.375	3.016	0.220	\$25.56
8C3839	2.500	3.141	0.220	\$21.25
9T9363	2.625	3.266	0.220	\$27.74
8C3841	2.750	3.391	0.220	\$27.09
8C9126	3.000	3.641	0.220	\$24.03
8C9121	3.250	3.891	0.220	\$26.47
8C9127	3.500	4.141	0.220	\$31.07
8C9128	3.750	4.391	0.220	\$33.11
8C9129	4.000	4.641	0.220	\$35.46
6E0425	4.250	5.225	0.250	\$54.16
8C9144	4.500	5.475	0.250	\$50.06
9X7261	4.750	5.725	0.250	\$58.84
9X3581	5.000	5.960	0.250	\$61.88
9X7267	5.250	6.210	0.250	\$65.17
9X3572	5.500	6.116	0.250	\$67.42
9X3575	5.750	6.725	0.250	\$72.26
9X3614	6.000	6.619	0.250	\$70.36
9X7322	6.500	7.502	0.250	\$77.57
8C9145	6.750	7.695	0.250	\$80.86
8C9130	7.000	7.945	0.250	\$69.91

We do not imply that these seals are a product of Cat®.
Part numbers are used for reference purposes only.

AS2 Stepped PTFE Buffer Rings - Inch

ALTERNATIVE SEALS:
CBR, CTB



Stepped seals are used to "buffer" pressure spikes from the primary rod seal, and are sometimes used in tandem. Combined with an unloaded U-cup, pressure builds between the step seal and primary seal and helps "load" the U-cup. Seals are machined from bronze filled PTFE. Expanders are 70 durometer high memory nitrile, also available with FKM expander rings. Part numbers that contain a P63D suffix are made from 63 shore D urethane.

Temperature: -40°F to 225°F

Pressure: 0 to 3,500 PSI

EXAMPLE: AS235E-32B

Prefix	Groove Height	Inside Diameter	Suffix
AS2	*35E-	32	B
	.166"	2"	BTFE

*_ _ E- Number Refers to Groove Height (31 = .126, 35 = .166, 39 = .247, 41 = .320")
Standard size "AS" assemblies are numbered in multiples of 1/16" (# AFTER DASH)

Part Number	Rod Diameter d	Groove Diameter D	Groove Height L +.008/-0	Price
AS231E-10B	0.625	0.912	0.126	\$10.25
AS231E-12B	0.750	1.037	0.126	\$11.56
AS235E-12B	0.750	1.174	0.166	\$11.62
AS231E-14B	0.875	1.162	0.126	\$13.85
AS231E-16B	1.000	1.287	0.126	\$14.95
AS235E-16B	1.000	1.424	0.166	\$11.66
AS231E-18B	1.125	1.412	0.126	\$13.63
AS235E-18B	1.125	1.549	0.166	\$13.61
AS231E-20B	1.250	1.537	0.126	\$19.47
AS235E-20	1.250	1.674	0.166	\$15.10
AS235E-20B	1.250	1.674	0.166	\$20.68
AS231E-22B	1.375	1.662	0.126	\$22.61
AS235E-22G	1.375	1.799	0.166	\$22.61
AS235E-22B	1.375	1.799	0.166	\$22.61
AS231E-24B	1.500	1.787	0.126	\$18.95
AS235E-24B	1.500	1.924	0.166	\$21.58
AS239E-24B	1.500	2.116	0.247	\$17.10
AS231E-28B	1.750	2.037	0.126	\$24.21
AS235E-28B	1.750	2.174	0.166	\$23.26
AS239E-28B	1.750	2.366	0.247	\$24.09
AS235E-30B	1.875	2.299	0.166	\$20.24
AS231E-32B	2.000	2.287	0.126	\$25.46
AS235E-32B	2.000	2.424	0.166	\$25.31
AS239E-32B	2.000	2.616	0.247	\$26.18
AS235E-34B	2.125	2.549	0.166	\$26.74
AS235E-36B	2.250	2.674	0.166	\$28.34
AS239E-36B	2.250	2.866	0.247	\$29.98
AS235E-40B	2.500	2.924	0.166	\$25.53
AS239E-40B	2.500	3.116	0.247	\$34.19
AS239E-42B	2.625	3.241	0.247	\$33.99
AS235E-44B	2.750	3.174	0.166	\$29.95
AS239E-44B	2.750	3.366	0.247	\$29.23
AS235E-48B	3.000	3.424	0.166	\$33.11
AS239E-48B	3.000	3.616	0.247	\$39.84
AS239E-48P63D	3.000	3.616	0.247	\$53.54

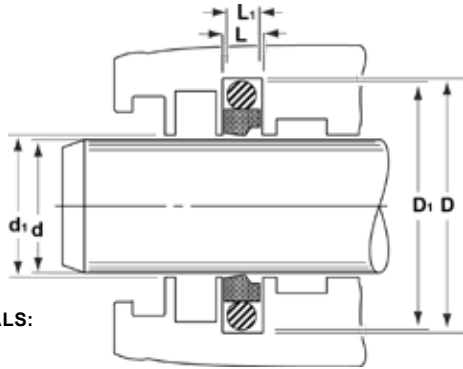
Part Number	Rod Diameter d	Groove Diameter D	Groove Height L +.008/-0	Price
AS239E-52B	3.250	3.866	0.247	\$41.07
AS235E-56B	3.500	3.924	0.166	\$37.74
AS239E-56B	3.500	4.116	0.247	\$42.16
AS239E-58B	3.625	4.241	0.247	\$47.92
AS239E-60B	3.750	4.366	0.247	\$53.72
AS239E-60P	3.750	4.366	0.247	\$45.36
AS241E-60B	3.750	4.580	0.320	\$61.44
AS235E-64B	4.000	4.424	0.166	\$49.76
AS239E-64B	4.000	4.616	0.247	\$55.11
AS239E-64P63D	4.000	4.616	0.247	\$73.12
AS241E-64B	4.000	4.830	0.320	\$53.13
AS239E-68B	4.250	4.866	0.247	\$55.55
AS239E-72B	4.500	5.116	0.247	\$62.62
AS241E-72B	4.500	5.330	0.320	\$66.63
AS239E-76B	4.750	5.366	0.247	\$67.10
AS239E-78	4.875	5.491	0.247	\$69.59
AS239E-80B	5.000	5.616	0.247	\$68.48
AS241E-80B	5.000	5.830	0.320	\$71.61
AS239E-82B	5.125	5.741	0.247	\$84.19
AS239E-86B	5.375	5.991	0.247	\$88.51
AS239E-88B	5.500	6.116	0.247	\$74.58
AS241E-88B	5.500	6.330	0.320	\$79.66
AS239E-92B	5.750	6.366	0.247	\$78.87
AS241E-92B	5.750	6.580	0.320	\$73.75
AS239E-96B	6.000	6.616	0.247	\$70.86
AS241E-96B	6.000	6.830	0.320	\$73.63
AS241E-100B-1	6.250	7.08	0.362	\$89.01
AS239E-104B	6.500	7.116	0.247	\$47.25
AS241E-104B	6.500	7.330	0.320	\$82.84
AS241E-108B	6.750	7.580	0.320	\$87.71
AS239E-112B	7.000	7.616	0.247	\$82.18
AS241E-112B	7.000	7.830	0.320	\$97.03
AS241E-116B	7.250	8.080	0.320	\$110.79
AS241E-120B	7.500	8.330	0.320	\$101.91
AS241E-124B	7.750	8.580	0.320	\$104.44

AS2 Stepped PTFE Buffer Rings - Inch, cont'd.

Part Number	Rod Diameter d	Groove Diameter D	Groove Height L +.008/-0	Price
AS239E-128B	8.000	8.616	0.247	\$92.24
AS241E-128B	8.000	8.830	0.320	\$130.16
AS239E-132B	8.250	8.866	0.247	\$133.19
AS241E-132B	8.250	9.080	0.320	\$134.10
AS239E-136B	8.500	9.116	0.247	\$136.06
AS241E-136B	8.500	9.330	0.320	\$137.47
AS241E-144B	9.000	9.830	0.320	\$136.45

Part Number	Rod Diameter d	Groove Diameter D	Groove Height L +.008/-0	Price
AS241E-160B	10.000	10.830	0.320	\$161.35
AS241E-168B	10.500	11.330	0.320	\$164.04
AS241E-192B	12.000	12.830	0.320	\$172.36
AS241E-208B	13.000	13.830	0.320	\$305.32
AS241E-224HB	14.000	14.945	0.320	\$318.83
AS241E-320HB	20.000	20.945	0.320	\$568.30

AS2 Stepped PTFE Buffer Rings - Metric



ALTERNATIVE SEALS:
MBR



Stepped seals are used to “buffer” pressure spikes from the primary rod seal, and are sometimes used in tandem. Combined with an unloaded U-cup, pressure builds between the step seal and primary seal and helps “load” the U-cup. Seals are machined from bronze-filled PTFE and urethane. Expanders are 70 durometer high memory nitrile, also available with FKM expander rings.

Temperature: -40°F to 225°F
Pressure: 0 to 3,500 PSI

Parts with a “P” are made from 55D shore urethane
Parts with a “-1” suffix are used in John Deere® cylinders.

EXAMPLE: AS239E-50MMB			
Prefix	Groove Height	Inside Diameter	Suffix
AS2	*39E-	50MM	B
	6.3mm	50MM	BTFE

*__ E- Number Refers to Groove Height
(29 = 2.2, 31 = 3.2, 35 = 4.2, 39 = 6.3, 41 = 8.1mm)

Part Number	Rod Diameter d	Groove Diameter D	Groove Height L mm +.2/-0	Price
AS229E-8MMB	8	12.9	2.2	\$12.16
AS231E-8MMB	8	15.3	3.2	\$12.16
AS229E-10MM	10	14.9	2.2	\$13.54
AS231E-10MMB	10	17.3	3.2	\$14.26
AS231E-12MM	12	19.3	3.2	\$12.29
AS231E-12MMB	12	19.3	3.2	\$11.03
AS231E-14MMB	14	21.3	3.2	\$8.04
AS231E-15MMB	15	22.3	3.2	\$11.06
AS229E-16MMB	16	20.9	2.2	\$12.09
AS231E-16MMB	16	23.3	3.2	\$5.38
AS229E-18MMB	18	22.9	2.2	\$10.44
AS231E-18MMB	18	25.3	3.2	\$5.63
AS231E-20MMB	20	27.5	3.2	\$7.89
AS235E-20MMB	20	30.7	4.2	\$7.92
AS231E-22MMB	22	29.5	3.2	\$10.70
AS231E-22MMC	22	29.5	3.2	\$10.64
AS235E-22MMB	22	32.7	4.2	\$8.03
AS231E-25MMB	25	32.5	3.2	\$8.21
AS235E-25MMB	25	35.7	4.2	\$13.31
AS231E-28MMB	28	35.5	3.2	\$8.21
AS235E-28MMB	28	38.7	4.2	\$8.21

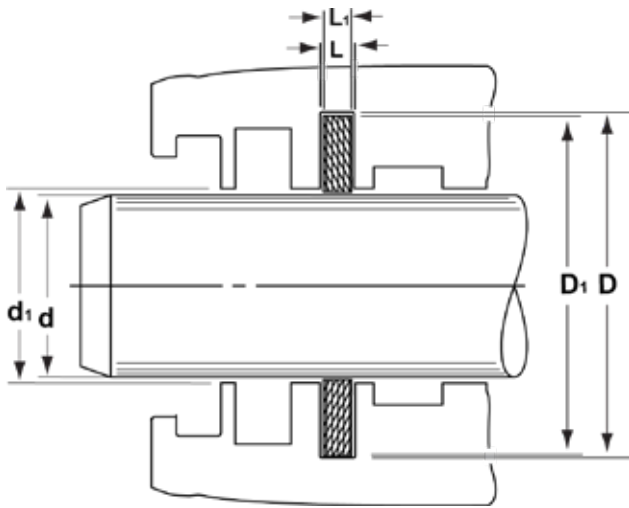
Part Number	Rod Diameter d	Groove Diameter D	Groove Height L mm +.2/-0	Price
AS231E-30MMB	30	37.5	3.2	\$9.58
AS235E-30MMB	30	40.7	4.2	\$22.13
AS235E-30MMP	30	40.7	4.2	\$24.60
AS231E-32MMB	32	39.5	3.2	\$17.53
AS235E-32MMB	32	42.7	4.2	\$8.76
AS231E-35MMB	35	42.5	3.2	\$20.98
AS235E-35MMB	35	45.7	4.2	\$9.46
AS231E-36MMB	36	43.5	3.2	\$12.35
AS235E-36MMB	36	46.7	4.2	\$9.47
AS235E-40MMB	40	50.7	4.2	\$15.42
AS235E-40MMB-1	40	52.6	4.2	\$25.88
AS239E-40MMB	40	55.5	6.3	\$26.57
AS239E-40MMP63D	40	55.5	6.3	\$22.76
AS235E-42MMB	42	52.7	4.2	\$28.65
AS239E-42MMB	42	57.5	6.3	\$33.21
AS231E-45MMB	45	52.7	3.2	\$28.72
AS235E-45MMB	45	55.7	4.2	\$18.80
AS235E-45MMB-1	45	57.6	4.2	\$24.80
AS239E-45MMB	45	60.5	6.3	\$18.80
AS239E-48MMB	48	63.5	6.3	\$27.01
AS239E-48P63D	48	63.5	6.3	\$35.27

AS2 Stepped PTFE Buffer Rings - Metric, cont'd.

Part Number	Rod Diameter d	Groove Diameter D	Groove Height L mm +.2/-0	Price
AS235E-50MMB	50	60.7	4.2	\$12.14
AS235E-50MMB-1	50	62.6	4.2	\$31.09
AS239E-50MMB	50	65.5	6.3	\$18.79
AS239E-50MMP63D	50	65.5	6.3	\$23.16
AS239E-52MMB	52	67.5	6.3	\$27.87
AS235E-55MMB	55	65.7	4.2	\$26.10
AS235E-55MMB-1	55	67.6	4.2	\$33.63
AS239E-55MMB	55	70.5	6.3	\$30.63
AS235E-56MMB	56	66.7	4.2	\$30.64
AS235E-56MMB-1	56	68.6	4.2	\$30.63
AS239E-56MMB	56	71.5	6.3	\$22.61
AS239E-56MMP55D	56	71.5	6.3	\$25.74
AS235E-60MMB	60	70.7	4.2	\$23.89
AS239E-60MMB	60	75.5	6.3	\$30.84
AS239E-60MMH55D	60	75.5	6.3	\$30.67
AS235E-63MMB	63	73.7	4.2	\$31.13
AS235E-63MMB-1	63	75.6	4.2	\$27.08
AS239E-63MMB	63	78.5	6.3	\$25.87
AS235E-65MMB	65	75.7	4.2	\$31.70
AS239E-65MMB	65	80.5	6.3	\$30.24
AS235E-70MMB	70	80.7	4.2	\$27.71
AS239E-70MMB	70	85.5	6.3	\$34.70
AS239E-70MMH55D	70	85.5	6.3	\$49.81
AS239E-70MMP	70	85.5	6.3	\$37.20
AS239E-75MMB	75	90.5	6.3	\$37.07
AS235E-80MMB	80	90.7	4.2	\$42.34
AS239E-80MMB	80	95.5	6.3	\$40.08
AS241E-80MMB	80	101.0	8.1	\$54.89
AS239E-85MMB	85	100.5	6.3	\$39.44
AS239E-85MMP	85	100.5	6.3	\$46.64
AS241E-85MMB	85	106.0	8.1	\$58.28
AS235E-90MMB	90	100.7	4.2	\$48.44
AS239E-90MMB	90	105.5	6.3	\$43.83
AS239E-90MMP	90	105.5	6.3	\$40.58
AS241E-90MMB	90	111.0	8.1	\$65.02
AS239E-95MMB	95	110.5	6.3	\$44.87
AS239E-95MMP	95	110.5	6.3	\$60.89
AS241E-95MMB	95	116.0	8.1	\$70.10
AS239E-97MMB	97	112.5	6.3	\$62.87
AS235E-100MMB	100	110.7	4.2	\$66.37
AS239E-100MMB	100	115.5	6.3	\$45.94
AS239E-100MMP63D	100	115.5	6.3	\$50.80
AS241E-100MMB	100	121.0	8.1	\$69.95
AS239E-105MMB	105	120.5	6.3	\$52.32
AS239E-105MMP	105	120.5	6.3	\$54.05
AS241E-105MMB	105	126.0	8.1	\$70.68
AS241E-105MMP	105	126.0	8.1	\$75.93
AS239E-110MMB	110	125.5	6.3	\$54.18
AS239E-110MMP	110	125.5	6.3	\$59.41
AS241E-110MMB	110	131.0	8.1	\$81.42
AS241E-110MMP	110	131.0	8.1	\$83.82
AS239E-115MMB	115	130.5	6.3	\$54.44
AS241E-115MMB	115	136.0	8.1	\$85.31
AS239E-120MMB	120	135.5	6.3	\$54.71

Part Number	Rod Diameter d	Groove Diameter D	Groove Height L mm +.2/-0	Price
AS239E-120MMP	120	135.5	6.3	\$62.67
AS241E-120MMB	120	141.0	8.1	\$90.61
AS239E-125MMB	125	140.5	6.3	\$55.31
AS239E-125MMP	125	140.5	6.3	\$69.43
AS241E-125MMB	125	146.0	8.1	\$97.83
AS241E-125MMP	125	146.0	8.1	\$100.44
AS239E-130MMB	130	145.5	6.3	\$55.74
AS241E-130MMB	130	151.0	8.1	\$101.38
AS239E-135MMB	135	150.5	6.3	\$64.43
AS239E-135MMP	135	150.5	6.3	\$73.26
AS241E-135MMB	135	156.0	8.1	\$102.62
AS239E-140MMB	140	155.5	6.3	\$57.46
AS239E-140MMP	140	155.5	6.3	\$71.08
AS241E-140MMB	140	161.0	8.1	\$103.64
AS241E-140MMP	140	161.0	8.1	\$117.48
AS239E-150MMB	150	165.5	6.3	\$59.43
AS241E-150MMB	150	171.0	8.1	\$103.55
AS239E-155MMB	155	170.5	6.3	\$60.47
AS239E-160MMB	160	175.5	6.3	\$61.08
AS241E-160MMB	160	181.0	8.1	\$66.69
AS241E-160MMP	160	181.0	8.1	\$117.17
AS239E-165MMB	165	180.5	6.3	\$76.27
AS239E-170MMB	170	185.5	6.3	\$75.18
AS241E-170MMB	170	191.0	8.1	\$82.35
AS239E-175MMB	175	190.5	6.3	\$82.48
AS239E-180MMB	180	195.5	6.3	\$100.23
AS241E-180MMB	180	201.0	8.1	\$124.10
AS241E-185MMB	185	206.0	8.1	\$145.65
AS239E-190MMB	190	205.5	6.3	\$115.23
AS241E-190MMB	190	211.0	8.1	\$144.47
AS239E-200MMB	200	215.5	6.3	\$115.92
AS241E-200MMB	200	221.0	8.1	\$144.82
AS239E-210MMB	210	225.5	6.3	\$143.77
AS241E-210MMB	210	230.0	8.1	\$146.94
AS241E-220MMB	220	241.0	8.1	\$164.11
AS239E-235MMB	235	250.5	6.3	\$195.54
AS241E-235MMB	235	255.6	8.1	\$211.63
AS241E-240MMB	240	261.0	8.1	\$214.70
AS241E-245MMB	245	266.0	8.1	\$227.17
AS241E-250MMB	250	271.0	8.1	\$220.33
AS241E-260MMHB	260	284.0	8.1	\$235.36
AS241E-280MMHP63D	280	304.0	8.1	\$179.03
AS241E-300MMHB	300	324.0	8.1	\$252.62
AS241E-300MMP55D	300	320.5	8.1	\$256.41
AS241E-320MMHB	320	344.0	8.1	\$278.34
AS241E-340MMHB	340	364.0	8.1	\$293.29
AS241E-360MMHB	360	384.0	8.1	\$325.05
AS241E-370MMHB	370	394.0	8.1	\$407.94
AS241E-380MMHB	380	404.0	8.1	\$338.08
AS241E-390MMHB	390	414.0	8.1	\$344.24
AS241E-390MMHP	390	414.0	8.1	\$353.12
AS241E-390MMP	390	410.5	8.1	\$315.47
AS241E-500MMHB	500	524.0	8.1	\$483.04
AS241E-520MMHB	520	544.0	8.1	\$548.63

Rectangular Buffer Rings - Inch



These buffer rings are rectangular shaped in profile. They are most commonly used in combination with a U-cup as a rod seal. Their purpose is to protect the rod seal from contaminants as well as to apply a hydraulic "load" to the U-cup. Some of these rings are used as a backup ring combined with a rubber sealing ring in suspension cylinder applications. Part numbers starting with a G are used in Case® equipment; the others are typically used in Caterpillar® equipment.

Temperature: -40°F to 225°F Pressure: 0 to 5,000 PSI

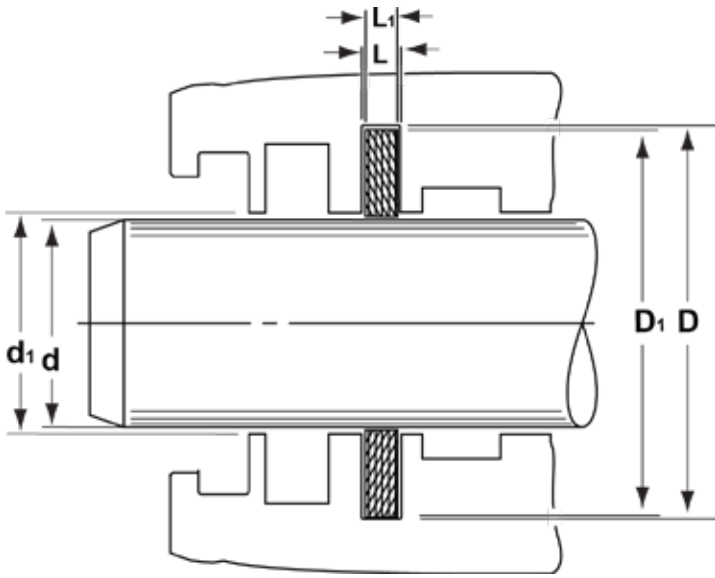
ALTERNATIVE SEALS: CBR, CTB, CAT STEPPED BUFFER SEALS

OEM NUMBERING SYSTEM

Part Number	Rod Dia. d	Seal C/S F	Seal O.D. D ₁	Seal Height L ₁	Material	Price
G109092	1.250	0.253	1.756	0.117	URE	\$5.42
9J3497	1.250	0.285	1.820	0.117	URE	\$13.41
G109093	1.500	0.253	2.006	0.117	URE	\$9.95
6J9733	1.500	0.285	2.070	0.117	URE	\$6.15
G109094	1.750	0.251	2.252	0.117	URE	\$7.04
6J9178	1.750	0.285	2.320	0.117	URE	\$9.71
4T6778	1.875	0.200	2.275	0.113	URE	\$13.11
G107997	2.000	0.258	2.516	0.115	URE	\$13.41
6J6917	2.000	0.285	2.570	0.117	URE	\$9.61
4T6127	2.125	0.268	2.661	0.113	URE	\$20.23
G109086	2.250	0.312	2.874	0.187	URE	\$25.32
5J3616	2.250	0.340	2.930	0.187	URE	\$19.78
6J6916	2.375	0.340	3.055	0.187	URE	\$19.16
G107998	2.500	0.340	3.180	0.187	URE	\$20.41
5J3620	2.500	0.340	3.180	0.187	URE	\$13.80
8J9454	2.500	0.325	3.150	0.187	NBR	\$26.26
1U4020	2.625	0.340	3.305	0.187	URE	\$21.07
G107999	2.750	0.340	3.430	0.187	URE	\$18.42
6J6553	2.750	0.340	3.430	0.187	URE	\$18.42
G109015	3.000	0.310	3.620	0.187	URE	\$19.44
6J6915	3.000	0.342	3.684	0.187	URE	\$19.90
6J7167	3.250	0.340	3.930	0.187	URE	\$19.90
6J6736	3.500	0.343	4.186	0.187	URE	\$19.97
8J6070	3.750	0.340	4.430	0.187	URE	\$20.08
7J3863	4.000	0.367	4.734	0.183	NBR	\$26.40
7J3864	4.000	0.358	4.716	0.168	URE	\$26.84
8J4627	4.000	0.340	4.680	0.187	URE	\$36.25
7J8943	4.250	0.506	5.262	0.219	URE	\$26.40
3G5055	4.375	0.437	5.249	0.220	URE	\$26.65
7J9257	4.750	0.500	5.750	0.220	URE	\$28.45
8J4509	5.000	0.504	6.008	0.219	URE	\$29.58
9J2548	5.000	0.353	5.706	0.166	URE	\$37.71
4T5717	5.250	0.504	6.258	0.220	URE	\$34.92
8J9450	5.500	0.353	6.206	0.166	URE	\$35.12
8J9449	5.500	0.367	6.234	0.183	NBR	\$38.66
9J5468	5.750	0.495	6.740	0.219	URE	\$41.03
7J3866	6.125	0.351	6.827	0.169	URE	\$36.77
6J8631	6.500	0.523	7.546	0.217	URE	\$33.18
5J1731	7.000	0.352	7.704	0.167	URE	\$43.30
4T4804	7.250	0.370	7.990	0.170	URE	\$46.93
7J3867	7.500	0.351	8.202	0.169	URE	\$39.36
7J3868	7.500	0.368	8.236	0.185	NBR	\$35.09
8J9916	8.500	0.351	9.202	0.165	URE	\$56.37
8J9933	8.500	0.370	9.240	0.185	NBR	\$53.23
6J7693	9.000	0.351	9.702	0.170	URE	\$46.57
4T4806	10.500	0.380	11.260	0.183	NBR	\$48.19
4T4807	10.500	0.360	11.220	0.170	URE	\$59.24

We do not imply that these seals are a product of Cat® or Case®.
Part numbers are used for reference purposes only.

MBRU Rectangular Buffer Rings - Metric



These buffer rings are rectangular shaped in profile. They are most commonly used in combination with a U-cup as a rod seal. Their purpose is to protect the rod seal from contaminants as well as to apply a hydraulic "load" to the U-cup. Some of these urethane rings are used as a backup ring combined with a rubber sealing ring in suspension cylinder applications.

Temperature: -40°F to 225°F

Pressure: 0 to 5,000 PSI

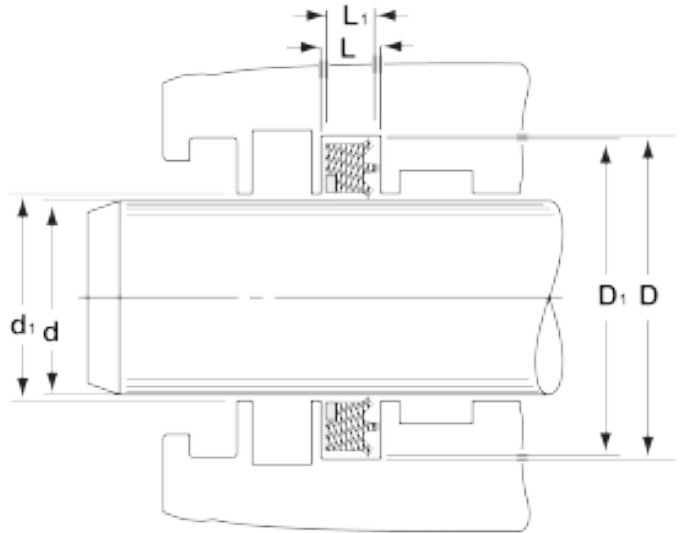
ALTERNATIVE SEALS: MBR

EXAMPLE: MBRU-50X58X3					
Prefix	Inside Diameter		Outside Diameter		Height
MBRU-	50	x	58	x	3
	50mm		58mm		3mm

Prefix	Part Number				Price
	Rod Dia d	Seal OD D ₁	Seal Ht L ₁	Seal OD D	
MBRU -	25	x	33.6	x 2.3	\$18.43
MBRU -	30	x	41	x 2.9	\$20.31
MBRU -	35	x	46	x 2.9	\$23.60
MBRU -	35	x	46	x 3.1	\$14.74
MBRU -	35	x	48	x 3	\$15.21
MBRU -	40	x	48	x 3	\$15.64
MBRU -	45	x	57	x 3.5	\$15.86
MBRU -	50	x	58	x 3	\$15.86
MBRU -	50	x	63	x 4	\$26.65
MBRU -	56	x	68	x 4	\$20.59
MBRU -	56	x	70	x 3	\$22.12
MBRU -	56	x	73	x 4.8	\$23.48
MBRU -	56	x	74	x 5	\$23.62
MBRU -	63	x	76	x 4.2	\$23.66
MBRU -	63	x	77	x 3	\$23.22

Prefix	Part Number				Price
	Rod Dia d	Seal OD D ₁	Seal Ht L ₁	Seal OD D	
MBRU -	63	x	80	x 4.8	\$22.85
MBRU -	63	x	81	x 5	\$23.35
MBRU -	65	x	78	x 4	\$22.21
MBRU -	70	x	83	x 4	\$23.59
MBRU -	70	x	83.5	x 3	\$23.47
MBRU -	70	x	84	x 3	\$23.85
MBRU -	75	x	88	x 4	\$24.31
MBRU -	80	x	93	x 4	\$25.65
MBRU -	80	x	95.5	x 6.3	\$34.50
MBRU -	90	x	103	x 4	\$29.17
MBRU -	90	x	104	x 4	\$29.18
MBRU -	90	x	107	x 5.1	\$42.99
MBRU -	95	x	110.5	x 6.3	\$44.27
MBRU -	100	x	113	x 4	\$36.92
MBRU -	100	x	118	x 5	\$43.57

BU- Urethane Rod Buffer Ring w/ID POM Back-up Ring - Metric



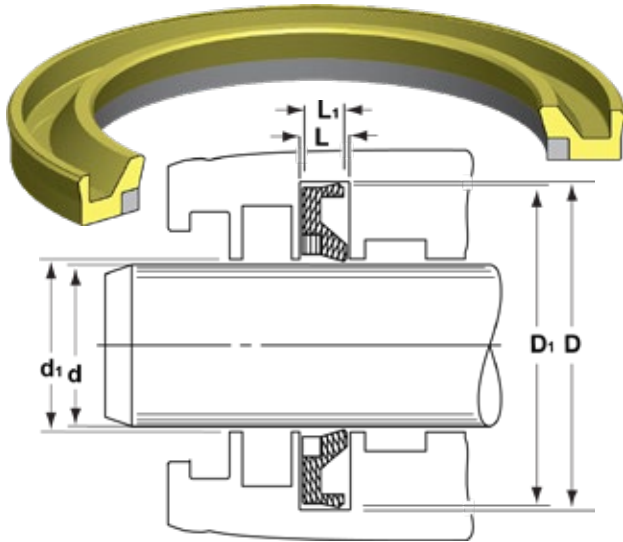
The BU is a compact, snap-in urethane rod buffer seal with a POM ID back-up ring. This seal is often found in heavy construction machinery cylinders. It was developed for high pressure loads and where extreme pressure spikes are common.

Temp: -30°F to +230°F Pressure: 0 to 7,200 PSI

EXAMPLE: BU-60X75.1X6.1					
Prefix	Inside Diameter		Outside Diameter		Seal Height
BU-	60	x	75.1	x	6.1
	60 mm		75.1 mm		6.1 mm

Part Number						Groove Ht L	Price
Prefix	Rod Dia. d		Groove Dia. D	Seal Ht L ₁			
BU -	60	x	75.1	x	6.1	6.7	\$22.87
BU -	60	x	75	x	8.5	9.4	\$28.06
BU -	70	x	85.1	x	6.1	6.7	\$28.71
BU -	70	x	85	x	8.5	9.4	\$32.77
BU -	75	x	90.1	x	6.1	6.7	\$33.75
BU -	75	x	90	x	8.5	9.4	\$35.69
BU -	80	x	95.1	x	6.1	6.7	\$29.35
BU -	80	x	95	x	8.5	9.4	\$30.63
BU -	85	x	100.5	x	6.1	6.7	\$33.28
BU -	90	x	105	x	8.5	9.4	\$41.69
BU -	100	x	115.5	x	6.1	6.7	\$34.07
BU -	100	x	120	x	11.4	12.5	\$46.61

U-Cup Type Buffer Rings - Inch/Metric



U-cup type buffer rings are made in sizes to retrofit many Caterpillar® and Case® grooves, and are easy to install. They are designed for systems running high pressures, or susceptible to pressure spikes. The sealing element is made from 90 durometer urethane, and the anti-extrusion ring is made from POM. * Metric sizes retrofit the stepped buffer ring grooves.

* Sizes smaller than 2 1/4" may not have the B/U Ring

Temperature: -22°F to 230°F

Pressure: 0 to 5,800 PSI

EXAMPLE: MBR-80X95.5X6.3					
Prefix	Inside Diameter		Outside Diameter		Height
MBR-	80	x	95.5	x	6.3
	80mm		95.5mm		6.3mm

MBR - Metric size						
Part Number						
Prefix	Rod Dia. d		Groove Dia. D		Groove Height L	Price
MBR -	28	x	38.7	x	4.2	\$14.20
MBR -	32	x	42.7	x	4.2	\$10.08
MBR -	35	x	45.7	x	4.2	\$10.15
MBR -	40	x	50.7	x	4.2	\$10.40
MBR -	40	x	55.5	x	6.3	\$10.15
MBR -	45	x	55.7	x	4.2	\$16.66
MBR -	45	x	60.5	x	6.3	\$10.86
MBR -	50	x	65.5	x	6.3	\$14.17
MBR -	55	x	70.5	x	6.3	\$14.29
MBR -	56	x	71.5	x	6.3	\$15.09
MBR -	60	x	75.5	x	6.3	\$15.76
MBR -	63	x	78.5	x	6.3	\$18.09
MBR -	65	x	80.5	x	6.3	\$18.72
MBR -	70	x	85.5	x	6.3	\$19.15
MBR -	75	x	90.5	x	6.3	\$20.47
MBR -	80	x	95.5	x	6.3	\$21.90
MBR -	85	x	100.5	x	6.3	\$22.80
MBR -	90	x	105.5	x	6.3	\$24.38
MBR -	95	x	110.5	x	6.3	\$26.07
MBR -	100	x	115.5	x	6.3	\$28.00
MBR -	105	x	120.5	x	6.3	\$29.68
MBR -	110	x	125.5	x	6.3	\$31.73
MBR -	115	x	130.5	x	6.3	\$33.29
MBR -	120	x	135.5	x	6.3	\$35.58
MBR -	125	x	140.5	x	6.3	\$35.63
MBR -	130	x	145.5	x	6.3	\$39.25
MBR -	135	x	150.5	x	6.3	\$41.24
MBR -	140	x	155.5	x	6.3	\$43.60
MBR -	150	x	165.5	x	6.3	\$47.46
MBR -	155	x	170.5	x	6.3	\$49.25
MBR -	160	x	175.5	x	6.3	\$51.07
MBR -	170	x	185.5	x	6.3	\$55.58
MBR -	180	x	195.5	x	6.3	\$59.87
MBR -	190	x	205.5	x	6.3	\$67.65
MBR -	200	x	221	x	8.1	\$78.02

EXAMPLE: CTB-1500	
Prefix	Inside Diameter
CTB-	1500
	1-1/2"

ALTERNATIVE SEALS:
Rectangular Buffer Rings
AS2 Step Buffer Rings

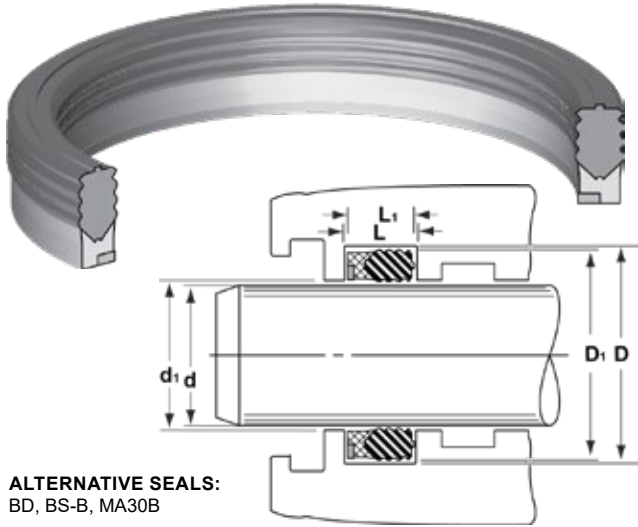
Inch size				
Part Number	Rod Dia. d	Groove Dia. D	Groove Height L	Price
CTB - CAT®				
CTB-1500	1.500	2.033	0.140	\$10.89
CTB-1750	1.750	2.283	0.140	\$11.59
CTB-1875	1.875	2.252	0.140	\$12.39
CTB-2000	2.000	2.533	0.140	\$20.54
CTB-2125	2.125	2.627	0.140	\$13.27
CTB-2250	2.250	2.891	0.220	\$13.64
CTB-2375	2.375	3.016	0.220	\$14.39
CTB-2500	2.500	3.141	0.220	\$16.93
CTB-2750	2.750	3.391	0.220	\$18.61
CTB-3000	3.000	3.641	0.220	\$18.84
CTB-3250	3.250	3.891	0.220	\$21.72
CTB-3500	3.500	4.141	0.220	\$20.41
CTB-3750	3.750	4.391	0.220	\$25.18
CTB-4000	4.000	4.641	0.220	\$25.74
CBR - Case®				
CBR-1250	1.250	1.812	0.140	\$15.98
CBR-1500	1.500	2.062	0.140	\$13.12
CBR-1750	1.750	2.312	0.140	\$14.45
CBR-2000	2.000	2.562	0.140	\$15.73
CBR-2250	2.250	2.937	0.234	\$21.37
CBR-2500	2.500	3.187	0.234	\$23.09
CBR-2750	2.750	3.375	0.234	\$25.52
CBR-3000	3.000	3.625	0.234	\$26.88
CBR-3500	3.500	4.187	0.234	\$28.92
CBR-4000	4.000	4.625	0.234	\$30.81

We do not imply that these seals are a product of Cat® or Case®.

Part numbers are used for reference purposes only.

PHONE (717) 266-6617 • FAX (717) 266-6371

SM Ribbed 3 Piece Rod Seals - Metric



ALTERNATIVE SEALS:
BD, BS-B, MA30B

Part Number	Rod Dia. d	Groove Dia. D	Groove Height L	Price
SM129078/1AX	20	x 33	x 20	\$28.59
SM137086/1AX	22	x 35	x 20	\$28.60
SM161110/1AX	28	x 41	x 20	\$38.22
SM169118/1AX	30	x 43	x 20	\$38.22
SM177137/1AX	35	x 45	x 25.6	\$40.43
SM185125/1AX	32	x 47	x 22.5	\$18.32
SM185137/1AX	35	x 47	x 22.5	\$40.43
SM196137/1AX	35	x 50	x 22.5	\$40.43
SM196157/1AX	40	x 50	x 17.5	\$38.22
SM204157/1AX	40	x 52	x 22.5	\$33.06
SM216157/1AX	40	x 55	x 22.5	\$17.21
SM236157/1AX	40	x 60	x 30	\$42.97
SM236177/1AX	45	x 60	x 22.5	\$23.84
SM255177/1AX	45	x 65	x 28	\$47.67
SM248196/1AX	50	x 63	x 20	\$48.05
SM255196/1BX	50	x 65	x 22.5	\$45.81
SM255196/1AX	50	x 65	x 24.5	\$24.19
SM275196/1AX	50	x 70	x 31.9	\$52.68
SM275216/2AX	55	x 70	x 22.5	\$39.72
SM295216/2AX	55	x 75	x 30	\$60.56
SM295216/1AX	55	x 75	x 32	\$60.56
SM279220/1AX	56	x 71	x 25	\$60.56
SM295236/2AX	60	x 75	x 22.5	\$21.76
SM295236/1AX	60	x 75	x 25	\$60.57
SM303236/1AX	60	x 77	x 27	\$60.57
SM314236/1BX	60	x 80	x 30	\$60.57
SM314236/3BX	60	x 80	x 32	\$62.94
SM315236/1AX	60	x 80	x 34.9	\$66.07

EXAMPLE: SM299220/1AX			
Prefix	Outside Diameter	Inside Diameter	Suffix
SM	299	220	/1AX
	76mm	56mm	

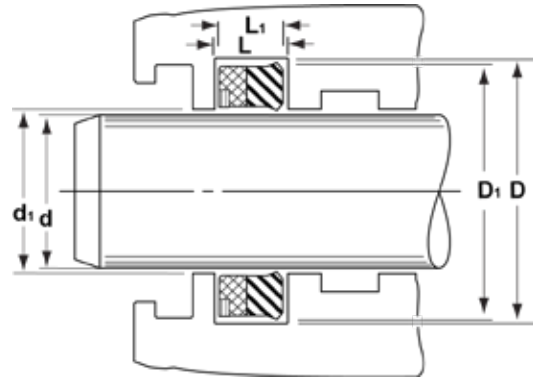
Part Numbers were created in inches but convert to metric.
Standard Part Number divided by 100 then multiplied by 25.4
Example: (299 / 100 = 2.99) then (2.99 x 25.4 = 76mm)

Our ribbed 3 piece Selemaster® Replacement rod seal is used as an alternative to vee packing in a rod application. This 3 piece seal offers excellent low pressure sealing due to its multi-lip NBR design. The header is made from urethane and Hytrel® and incorporates a POM anti-extrusion ring which enables this seal to withstand up to 10,000 PSI.

Temperature: -22°F to 248°F Pressure: 0 to 10,000 PSI

Part Number	Rod Dia. d	Groove Dia. D	Groove Height L	Price
SM326236/1AX	60	x 83	x 29	\$66.07
SM334255/1AX	65	x 85	x 29	\$52.21
SM334275/1AX	70	x 85	x 22.5	\$25.31
SM354275/1AX	70	x 90	x 30	\$36.28
SM354275/2AX	70	x 90	x 31.9	\$65.60
SM374295/2AX	75	x 95	x 28	\$70.64
SM374295/2CX	75	x 95	x 30	\$70.64
SM379301/1AX	76.5	x 96.5	x 32.5	\$70.64
SM374314/1AX	80	x 95	x 22.5	\$66.79
SM393314/1AX	80	x 100	x 30	\$38.12
SM385334/1AX	85	x 98	x 25	\$68.43
SM413354/3AX	90	x 105	x 25	\$107.33
SM433354/2AX	90	x 110	x 30	\$38.96
SM452374/1AX	95	x 115	x 28	\$72.19
SM450393/1AX	100	x 114.3	x 24.2	\$80.72
SM472393/2AX	100	x 120	x 30	\$34.10
SM464413/1AX	105	x 118	x 25	\$99.84
SM492413/2AX	105	x 125	x 30	\$100.41
SM511433/1AX	110	x 130	x 32.5	\$102.74
SM551472/2AX	120	x 140	x 30	\$104.52
SM570492/2AX	125	x 145	x 29.6	\$104.52
SM590511/1AX	130	x 150	x 28	\$124.72
SM629551/1AX	140	x 160	x 28	\$127.14
SM629551/1BX	140	x 160	x 30	\$83.99
SM708629/1AX	160	x 180	x 28	\$91.98
SM767669/1AX	170	x 195	x 35	\$210.53
SM807708/1AX	180	x 205	x 35	\$95.46
SM846748/1AX	190	x 215	x 35	\$259.05
SM885787/1AX	200	x 225	x 35	\$113.33
SM964866/1AX	220	x 245	x 35	\$310.28
SM100905/1AX	230	x 255	x 35	\$402.92

MD Rod Squeeze Seals - Metric



ALTERNATIVE SEALS:
MA30, BS, BSLL, BD,
MA25, S8, MA30B, BS-B

EXAMPLE: MD-85X100X12-E						
Prefix	Inside Diameter		Outside Diameter		Height	Suffix
MD-	85	x	100	x	12	-E
	85mm		100mm		12mm	HAS B/U

Style MD rod seals utilize a fabric-reinforced rubber base combined with a POM backup for extrusion resistance, and a homogenous nitrile sealing lip, enabling this seal to handle higher pressures than most other all-rubber seals. The "squeeze" design provides for good low pressure sealability. Parts with no suffix do not have a backup ring.

Temperature: -22°F to 248°F

Pressure: 0 to 6,000 PSI

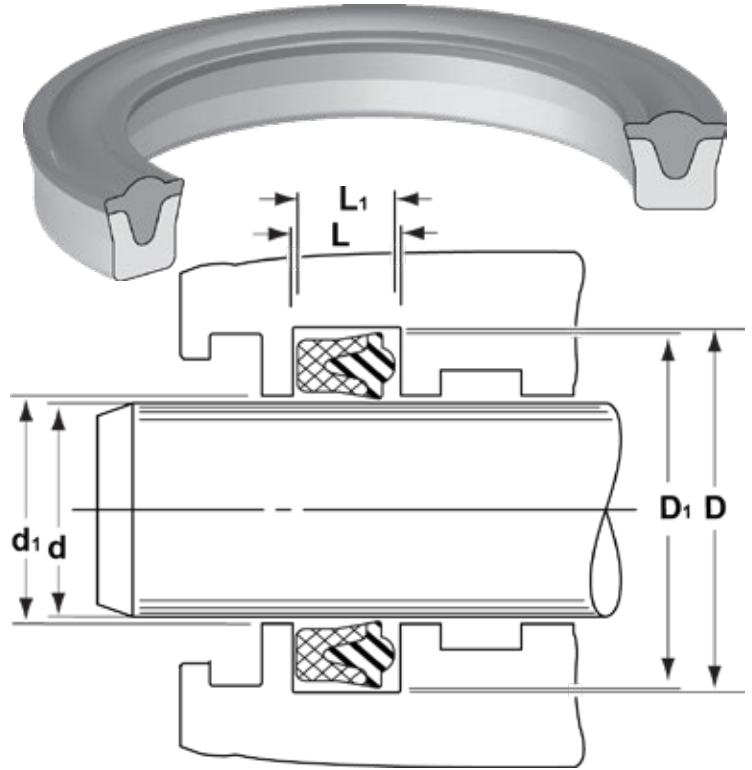
Part Number							Price
Prefix	f8 Rod Diameter d	s11 Groove Diameter D	Groove Height L		Suffix		
MD -	16	x	24	x	7	-E	\$9.33
MD -	18	x	30	x	7.5	-E	\$10.50
MD -	20	x	30	x	8		\$9.62
MD -	22	x	30	x	6.5		\$10.26
MD -	22	x	30	x	7	-E	\$10.48
MD -	22	x	34	x	9.5	-E	\$10.99
MD -	25	x	33	x	6.3	-E	\$8.19
MD -	25	x	35	x	8.5	-E	\$8.45
MD -	30	x	40	x	7		\$10.12
MD -	30	x	40	x	7.5	-E	\$10.19
MD -	32	x	45	x	10	-E	\$9.75
MD -	35	x	43	x	6.4	-E	\$16.94
MD -	35	x	45	x	10	-E	\$10.35
MD -	36	x	44	x	8.5		\$18.86
MD -	40	x	50	x	8	-E	\$12.16
MD -	35	x	45	x	10	-E	\$9.16
MD -	40	x	50	x	10.5	-E	\$10.82
MD -	42	x	50	x	6.3		\$10.59
MD -	45	x	60	x	10.5	-E	\$11.89
MD -	50	x	60	x	8	-E	\$15.70
MD -	50	x	60	x	10	-E	\$13.43
MD -	50	x	62	x	10	-E	\$13.52
MD -	50	x	65	x	11	-E	\$14.20
MD -	50	x	70	x	14	-E	\$13.08
MD -	50	x	70	x	14.5	-E	\$23.24
MD -	55	x	65	x	10.5	-E	\$14.72
MD -	60	x	72	x	10	-E	\$15.80

Part Number							Price
Prefix	f8 Rod Diameter d	s11 Groove Diameter D	Groove Height L		Suffix		
MD -	60	x	75	x	13	-E	\$17.62
MD -	60	x	80	x	13.5		\$30.12
MD -	60	x	80	x	14	-E	\$18.67
MD -	60	x	80	x	14.5	-E	\$25.28
MD -	65	x	80	x	12.5	-E	\$25.28
MD -	70	x	80	x	7.5		\$15.89
MD -	70	x	80	x	8	-E	\$18.07
MD -	70	x	84	x	12.5	-E	\$19.06
MD -	70	x	90	x	12	-E	\$20.27
MD -	75	x	95	x	14.5	-E	\$20.49
MD -	80	x	90	x	7		\$18.93
MD -	80	x	95	x	12	-E	\$19.97
MD -	80	x	100	x	14.5	-E	\$20.01
MD -	85	x	100	x	12	-E	\$19.43
MD -	90	x	100	x	11	-E	\$30.94
MD -	90	x	105	x	12	-E	\$42.52
MD -	95	x	105	x	11	-E	\$28.85
MD -	95	x	115	x	14.5	-E	\$38.29
MD -	100	x	113	x	13.5	-E	\$39.96
MD -	100	x	120	x	14.5	-E	\$23.67
MD -	120	x	132	x	9.5	-E	\$30.00
MD -	120	x	132.7	x	10	-E	\$42.18
MD -	120	x	140	x	12	-E	\$38.59
MD -	120	x	140	x	12.5	-E	\$32.48
MD -	130	x	145	x	9	-E	\$35.41
MD -	130	x	145	x	9.5	-E	\$150.65
MD -	140	x	160	x	12.5	-E	\$51.92

S8 Rod Squeeze Seals - Metric

The S8 style seal utilizes a U-cup type base with a bonded NBR expander. The NBR expander provides an excellent sealing contact with a fabric reinforced base providing high-pressure support. Also available in FKM.

Temperature: -22°F to 212°F Pressure: 0 to 3,200 PSI



ALTERNATIVE SEALS:

MA30, BS, BSLL, BD, MA25, S8, BS-B

EXAMPLE: S8-10X17X6.4				
Prefix	Inside Diameter		Outside Diameter	Height
S8-	10	x	17	x 6.4
	10mm		17mm	6.4mm

Prefix	Part Number			Price
	f8 Rod Diameter d	s11 Groove Diameter D	Groove Height L	
S8 -	10	x 17	x 6.4	\$15.22
S8 -	14	x 22	x 6.4	\$17.41
S8 -	16	x 24	x 6.4	\$17.41
S8 -	20	x 28	x 6.4	\$16.61
S8 -	22	x 30	x 6.4	\$16.70
S8 -	25	x 33	x 6.4	\$17.69
S8 -	28	x 36	x 6.4	\$17.71
S8 -	35	x 43	x 6.4	\$17.77
S8 -	36	x 44	x 6.4	\$22.76
S8 -	40	x 48	x 6.4	\$20.35
S8 -	45	x 55	x 8	\$22.95

Prefix	Part Number			Price
	f8 Rod Diameter d	s11 Groove Diameter D	Groove Height L	
S8 -	50	x 60	x 8	\$23.74
S8 -	55	x 65	x 8	\$26.54
S8 -	60	x 70	x 8	\$28.67
S8 -	65	x 77	x 9.6	\$29.57
S8 -	70	x 82	x 9.6	\$30.02
S8 -	75	x 87	x 9.6	\$44.97
S8 -	85	x 97	x 9.6	\$48.83
S8 -	90	x 102	x 9.6	\$50.53
S8 -	100	x 115	x 12	\$67.90
S8 -	110	x 125	x 12	\$68.70
S8 -	160	x 180	x 16	\$82.73

940 AN Urethane Wipers - Inch

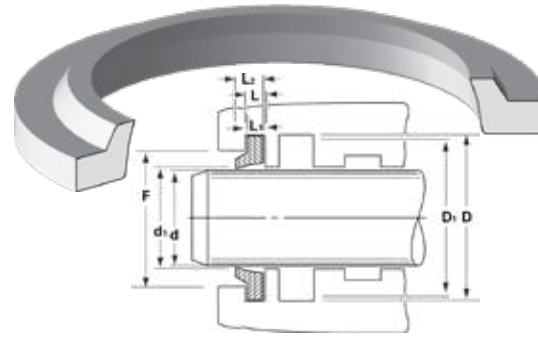
EXAMPLE: 940-1

Prefix	Inside Diameter
940-	1
	1/2"

"AN" (940) wipers are supplied in a high durometer urethane or Hytel® material as standard. Also available in Polymyte®, Fluoromyte®, and FKM. Consult sales for special compound pricing.

Groove dimensions given meet ANSI/B93.35 1978 specifications (NFPA-T3-197.3 RI).

Temperature: -65°F to 200°F


AN NUMBERING SYSTEM
ALTERNATIVE SEALS:

MS28776

Parts marked with suffix

"V" are FKM

Part Number	Wiper Dimensions				Groove Dimensions			Price
	Rod Dia. d	O.D. D ₁	Base Ht L ₁	Total Seal Ht L ₂	+0.004 -0.000 D	+0.003 -0.000 L	+0.005 -0.000 F	
940-1	0.500	0.766	0.104	0.187	0.760	0.107	0.647	\$1.31
940-2	0.562	0.829	0.104	0.187	0.823	0.107	0.710	\$1.31
940-3	0.625	0.891	0.104	0.187	0.885	0.107	0.772	\$1.31
940-4	0.687	0.954	0.104	0.187	0.948	0.107	0.834	\$1.31
940-5	0.750	1.016	0.104	0.187	1.010	0.107	0.897	\$1.31
940-6	0.812	1.090	0.104	0.187	1.084	0.107	0.960	\$1.35
940-7	0.875	1.153	0.104	0.187	1.147	0.107	1.023	\$1.35
940-8	0.937	1.215	0.104	0.187	1.209	0.107	1.085	\$1.35
940-9-1	1.000	1.249	0.104	0.187	1.241	0.107	1.125	\$1.80
940-9	1.000	1.278	0.104	0.187	1.272	0.107	1.148	\$1.35
940-9V	1.000	1.278	0.104	0.187	1.272	0.107	1.148	\$14.97
940-10	1.062	1.340	0.104	0.187	1.334	0.107	1.210	\$1.76
940-11	1.125	1.403	0.104	0.187	1.397	0.107	1.273	\$1.45
940-11V	1.125	1.403	0.104	0.187	1.397	0.107	1.273	\$14.69
940-12	1.187	1.465	0.104	0.187	1.459	0.107	1.335	\$1.45
940-13	1.250	1.528	0.104	0.187	1.522	0.107	1.398	\$1.47
940-13V	1.250	1.528	0.104	0.187	1.522	0.107	1.398	\$15.02
940-14	1.312	1.622	0.104	0.187	1.614	0.107	1.480	\$1.50
940-15	1.375	1.685	0.104	0.187	1.677	0.107	1.542	\$1.93
940-15V	1.375	1.685	0.104	0.187	1.677	0.107	1.542	\$16.77
940-16	1.437	1.747	0.104	0.187	1.739	0.107	1.605	\$2.14
940-17	1.500	1.810	0.104	0.187	1.802	0.107	1.668	\$2.18
940-17A	1.500	1.738	0.104	0.187	1.730	0.107	1.668	\$7.42
940-17V	1.500	1.810	0.104	0.187	1.802	0.107	1.668	\$15.09
940-M	1.562	1.873	0.104	0.187	1.865	0.107	1.731	\$8.94
940-18	1.625	1.935	0.104	0.187	1.927	0.107	1.793	\$2.27
940-19	1.750	2.060	0.104	0.187	2.052	0.107	1.918	\$2.27
940-19V	1.750	2.060	0.104	0.187	2.052	0.107	1.918	\$19.55
940-A	1.812	2.123	0.104	0.187	2.115	0.107	1.981	\$9.90
940-20	1.875	2.185	0.104	0.187	2.177	0.107	2.043	\$2.31
940-21	2.000	2.310	0.104	0.187	2.302	0.107	2.178	\$2.31
940-21V	2.000	2.310	0.104	0.187	2.302	0.107	2.178	\$18.17
993988	2.000	2.500	0.120	0.250	2.500	0.125	2.250	\$6.33
940-B	2.062	2.373	0.104	0.187	2.365	0.107	2.241	\$11.18
940-22	2.125	2.435	0.104	0.187	2.427	0.107	2.303	\$2.37
940-23	2.250	2.560	0.104	0.187	2.552	0.107	2.428	\$2.45
940-24	2.375	2.685	0.104	0.187	2.677	0.107	2.553	\$2.54
940-CC	2.437	2.747	0.104	0.187	2.732	0.107	2.615	\$11.91
940-25	2.500	2.810	0.104	0.187	2.802	0.107	2.678	\$2.78
940-25V	2.500	2.810	0.104	0.187	2.802	0.107	2.678	\$17.22
994110	2.500	3.000	0.120	0.250	3.000	0.125	2.750	\$6.46
940-D	2.562	2.873	0.104	0.187	2.865	0.107	2.741	\$13.16
940-26	2.625	2.999	0.119	0.211	2.989	0.122	2.834	\$2.85
940-27	2.750	3.124	0.119	0.211	3.114	0.122	2.959	\$2.94

940 AN Urethane Wipers - Inch, cont'd.

Part Number	Wiper Dimensions				Groove Dimensions			Price
	Rod Dia. d	O.D. D ₁	Base Ht L ₁	Total Seal Ht L ₂	+0.004 -0.000 D	+0.003 -0.000 L	+0.005 -0.000 F	
940-28	2.875	3.249	0.119	0.211	3.239	0.122	3.084	\$3.42
940-29	3.000	3.374	0.119	0.211	3.364	0.122	3.209	\$3.42
940-29V	3.000	3.374	0.119	0.211	3.364	0.122	3.209	\$25.58
690211A	3.000	3.500	0.120	0.250	3.500	0.125		\$6.55
940-30	3.125	3.499	0.119	0.211	3.489	0.122	3.334	\$3.49
940-31	3.250	3.624	0.119	0.211	3.614	0.122	3.459	\$4.02
940-32	3.375	3.749	0.119	0.211	3.739	0.122	3.584	\$4.06
940-33	3.500	3.874	0.119	0.211	3.864	0.122	3.709	\$4.11
940-34	3.625	3.999	0.119	0.211	3.989	0.122	3.834	\$4.18
71-AN-S-5	3.750	4.000	0.120	0.218	4.000	0.125		\$9.80
940-35	3.750	4.124	0.119	0.211	4.114	0.122	3.959	\$4.37
940-36	3.875	4.249	0.119	0.211	4.239	0.122	4.084	\$4.47
940-37	4.000	4.439	0.135	0.238	4.427	0.138	4.240	\$4.59
940-38	4.125	4.564	0.135	0.238	4.552	0.138	4.365	\$4.72
940-39	4.250	4.689	0.135	0.238	4.677	0.138	4.490	\$4.85
940-40	4.375	4.814	0.135	0.238	4.802	0.138	4.615	\$4.93
940-41	4.500	4.939	0.135	0.238	4.927	0.138	4.740	\$4.99
940-42	4.625	5.064	0.135	0.238	5.052	0.138	4.865	\$5.05
71-AN-S-6	4.750	5.000	0.120	0.218	5.000	0.125		\$10.83
940-43	4.750	5.189	0.135	0.238	5.177	0.138	4.990	\$5.18
940-44	4.875	5.314	0.135	0.238	5.302	0.138	5.115	\$5.29
940-45	5.000	5.439	0.135	0.238	5.427	0.138	5.240	\$6.12
940-46	5.125	5.564	0.135	0.238	5.552	0.138	5.365	\$6.23
940-47	5.250	5.689	0.135	0.238	5.677	0.138	5.490	\$6.30
940-48	5.375	5.814	0.135	0.238	5.802	0.138	5.615	\$6.34
940-49	5.500	5.939	0.135	0.238	5.927	0.138	5.740	\$6.40
940-50	5.625	6.128	0.151	0.264	6.114	0.154	5.896	\$7.02
71-AN-S-7	5.750	6.000	0.120	0.218	6.000	0.125		\$64.48
940-51	5.750	6.254	0.151	0.264	6.239	0.154	6.022	\$7.44
940-52	5.875	6.379	0.151	0.264	6.364	0.154	6.146	\$7.55
940-53	6.000	6.504	0.151	0.264	6.489	0.154	6.272	\$7.79
940-54	6.250	6.754	0.151	0.264	6.739	0.154	6.522	\$8.05
940-55	6.500	7.004	0.151	0.264	6.989	0.154	6.772	\$8.22
71-AN-S-8	6.750	7.000	0.120	0.218	6.750	0.125		\$18.41
940-56	6.750	7.254	0.151	0.264	7.239	0.154	7.022	\$8.37
940-57	7.000	7.504	0.151	0.264	7.489	0.154	7.272	\$8.60
940-58	7.250	7.754	0.151	0.264	7.739	0.154	7.522	\$21.39
940-L	7.375	7.879	0.151	0.264	7.864	0.154	7.647	\$36.05
940-59	7.500	8.004	0.151	0.264	7.989	0.154	7.772	\$13.53
940-60	7.750	8.254	0.151	0.264	8.239	0.154	8.022	\$13.67
940-61	8.000	8.504	0.151	0.264	8.489	0.154	8.272	\$13.76
940-DD	8.125	8.629	0.151	0.264	8.614	0.154	8.397	\$44.12
940-61.5	8.250	8.754	0.151	0.264	8.739	0.154	8.522	\$28.30
940-62	8.500	9.004	0.151	0.264	8.989	0.154	8.772	\$37.63
940-62.5	8.750	9.254	0.151	0.264	9.239	0.154	9.022	\$47.20
940-63	9.000	9.504	0.151	0.264	9.489	0.154	9.272	\$16.32
940-E	9.250	9.754	0.151	0.264	9.739	0.154	9.522	\$56.91
940-64	9.500	10.004	0.151	0.264	9.989	0.154	9.772	\$44.12
940-65	10.000	10.504	0.151	0.264	10.489	0.154	10.272	\$46.97
940-66	10.500	11.004	0.151	0.264	10.989	0.154	10.772	\$47.74
940-F	10.750	11.254	0.151	0.264	11.239	0.154	11.022	\$57.88
940-67	11.000	11.504	0.151	0.264	11.489	0.154	11.272	\$46.49
940-FF	11.250	11.759	0.166	0.289	11.739	0.169	11.522	\$65.16
940-69	12.000	12.509	0.166	0.289	12.489	0.169	12.272	\$85.60
940-71	13.000	13.509	0.166	0.289	13.489	0.169	13.272	\$113.31
940-K	13.750	14.259	0.166	0.289	14.239	0.169	14.022	\$116.86

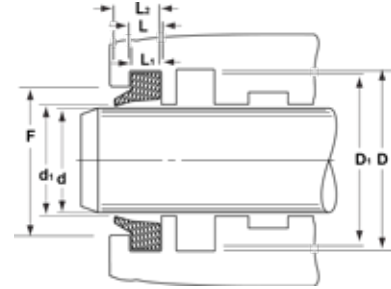
U Type Universal Urethane Wipers - Inch



EXAMPLE: U-1500	
Prefix	Inside Diameter
U-	1500
	1-1/2"

ALTERNATIVE SEALS:
S34, Wiper Cord, U-R, 842

Parts marked with suffix "V" are FKM



The standard materials for universal wipers (U, D or ST) are high durometer urethane or hytel®. They are also available in Molythane®, Polymyte®, Fluoromyte®, Nitroxile®, and FKM. Consult sales for price and availability.

Temperature: -65° to 200°F

Part Number	Wiper Dimensions				Groove Dimensions			Price
	Rod Dia. d	O.D. D ₁	Base Ht L ₁	Total Seal Ht L ₂	^{+0.006} - ^{-0.000} D	^{+0.004} - ^{-0.000} L	^{+0.010} - ^{-0.000} F	
U-0187	0.187	0.437	0.124	0.210	0.434	0.125	0.347	\$13.38
U-0250	0.250	0.500	0.124	0.210	0.497	0.125	0.410	\$2.68
U-0312	0.312	0.562	0.124	0.210	0.560	0.125	0.475	\$2.68
U-0375	0.375	0.625	0.124	0.210	0.622	0.125	0.535	\$2.69
U-0437	0.437	0.687	0.124	0.210	0.685	0.125	0.600	\$2.69
U-0500	0.500	0.750	0.124	0.210	0.747	0.125	0.660	\$3.05
U-0562	0.562	0.812	0.124	0.210	0.810	0.125	0.725	\$3.05
U-0625	0.625	0.875	0.124	0.210	0.872	0.125	0.785	\$3.05
U-0687	0.687	0.937	0.124	0.210	0.935	0.125	0.850	\$5.99
U-0750	0.750	1.125	0.186	0.305	1.122	0.187	0.995	\$3.05
U-0812	0.812	1.187	0.186	0.305	1.185	0.187	1.060	\$3.06
U-0875	0.875	1.250	0.186	0.305	1.247	0.187	1.120	\$3.06
U-0937	0.937	1.312	0.186	0.305	1.310	0.187	1.185	\$2.83
U-0984	0.984	1.359	0.186	0.305	1.357	0.187	1.185	\$6.50
U-1000	1.000	1.375	0.186	0.305	1.372	0.187	1.245	\$3.09
U-1000V	1.000	1.375	0.186	0.305	1.372	0.187	1.245	\$12.77
U-1062	1.062	1.437	0.186	0.305	1.434	0.187	1.300	\$5.82
U-1102	1.102	1.477	0.186	0.305	1.474	0.187	1.370	\$3.12
U-1125	1.125	1.500	0.186	0.305	1.497	0.187	1.370	\$3.12
U-1125V	1.125	1.500	0.186	0.305	1.497	0.187	1.370	\$14.66
U-1187	1.187	1.562	0.186	0.305	1.560	0.187	1.435	\$3.14
U-1250	1.250	1.625	0.186	0.305	1.622	0.187	1.495	\$3.34
U-1250V	1.250	1.625	0.186	0.305	1.622	0.187	1.495	\$16.62
U-1312	1.312	1.687	0.186	0.305	1.685	0.187	1.560	\$3.47
U-1375	1.375	1.750	0.186	0.305	1.747	0.187	1.620	\$3.57
U-1375V	1.375	1.750	0.186	0.305	1.747	0.187	1.620	\$15.87
U-1500	1.500	1.875	0.186	0.305	1.872	0.187	1.745	\$3.87
U-1500V	1.500	1.875	0.186	0.305	1.872	0.187	1.745	\$17.81
U-1625	1.625	2.000	0.186	0.305	1.997	0.187	1.870	\$4.05
U-1750	1.750	2.125	0.186	0.305	2.122	0.187	1.995	\$4.41
U-1750V	1.750	2.125	0.186	0.305	2.122	0.187	1.995	\$17.95
U-1812	1.812	2.187	0.186	0.305	2.185	0.187	2.060	\$9.29
U-1875	1.875	2.250	0.186	0.305	2.247	0.187	2.120	\$4.56
3670-200	2.000	2.375	0.186	0.305	2.375	0.187		\$24.14
U-2000-187S	2.000	2.500	0.186	0.305	2.497	0.187	2.327	\$14.07
U-2000	2.000	2.500	0.249	0.395	2.497	0.250	2.327	\$4.61

U Type Universal Urethane Wipers - Inch, cont'd.

Part Number	Wiper Dimensions				Groove Dimensions			Price
	Rod Dia. d	O.D. D ₁	Base Ht L ₁	Total Seal Ht L ₂	^{+0.006} _{-0.000} D	^{+0.004} _{-0.000} L	^{+0.010} _{-0.000} F	
U-2000V	2.000	2.500	0.249	0.395	2.497	0.250	2.327	\$21.72
U-2125	2.125	2.625	0.249	0.395	2.622	0.250	2.452	\$4.78
U-2250	2.250	2.750	0.249	0.395	2.747	0.250	2.577	\$4.87
U-2312	2.312	2.812	0.249	0.395	2.810	0.250	2.640	\$10.60
U-2375	2.375	2.875	0.249	0.395	2.872	0.250	2.702	\$5.12
U-2500	2.500	3.000	0.249	0.395	2.997	0.250	2.827	\$5.42
U-2500V	2.500	3.000	0.249	0.395	2.997	0.250	2.827	\$32.30
U-2562	2.562	3.063	0.249	0.395	3.060	0.250	2.890	\$11.03
U-2625	2.625	3.125	0.249	0.395	3.122	0.250	2.952	\$5.48
U-2750	2.750	3.250	0.249	0.395	3.247	0.250	3.077	\$5.56
U-2750V	2.750	3.250	0.249	0.395	3.247	0.250	3.077	\$37.95
U-2875	2.875	3.375	0.249	0.395	3.372	0.250	3.202	\$5.92
U-3000	3.000	3.500	0.249	0.395	3.497	0.250	3.327	\$5.92
U-3000V	3.000	3.500	0.249	0.395	3.497	0.250	3.327	\$38.03
U-3125	3.125	3.625	0.249	0.395	3.622	0.250	3.452	\$6.49
U-3150	3.150	3.676	0.249	0.379	3.673	0.250	3.503	\$10.74
U-3250	3.250	3.750	0.249	0.395	3.747	0.250	3.577	\$6.46
U-3250V	3.250	3.750	0.249	0.395	3.747	0.250	3.577	\$38.03
U-3375	3.375	3.875	0.249	0.395	3.872	0.250	3.702	\$6.68
U-3500	3.500	4.000	0.249	0.395	3.997	0.250	3.827	\$6.68
U-3500V	3.500	4.000	0.249	0.395	3.997	0.250	3.827	\$42.87
U-3625	3.625	4.125	0.249	0.395	4.122	0.250	3.952	\$7.76
U-3750	3.750	4.250	0.249	0.395	4.247	0.250	4.077	\$7.90
U-3875	3.875	4.375	0.249	0.395	4.372	0.250	4.202	\$8.71
U-4000	4.000	4.500	0.249	0.395	4.497	0.250	4.327	\$8.72
U-4125	4.125	4.625	0.249	0.395	4.622	0.250	4.452	\$8.87
U-4250	4.250	4.750	0.249	0.395	4.747	0.250	4.577	\$9.01
U-4375	4.375	4.875	0.249	0.395	4.872	0.250	4.702	\$10.50
U-4500-250	4.500	5.000	0.249	0.395	4.947	0.250	4.827	\$12.85
U-4500	4.500	5.250	0.374	0.395	5.247	0.375	4.993	\$9.77
U-4625	4.625	5.375	0.374	0.585	5.372	0.375	5.118	\$24.89
U-4750	4.750	5.500	0.374	0.585	5.497	0.375	5.243	\$10.34
U-4875	4.875	5.625	0.374	0.585	5.622	0.375	5.368	\$18.33
U-5000-250	5.000	5.500	0.249	0.395	5.497	0.250	5.327	\$18.47
U-5000	5.000	5.750	0.374	0.585	5.747	0.375	5.493	\$13.62
U-5125	5.125	5.875	0.374	0.585	5.872	0.375	5.618	\$30.00
U-5250	5.250	6.000	0.374	0.585	5.997	0.375	5.743	\$16.84
U-5375	5.375	6.125	0.374	0.585	6.122	0.375	5.868	\$32.95
U-5500	5.500	6.250	0.374	0.585	6.247	0.375	5.993	\$16.94
U-5625	5.625	6.375	0.374	0.585	6.372	0.375	6.118	\$35.35
U-5750	5.750	6.500	0.374	0.585	6.497	0.375	6.243	\$18.98
U-5875	5.875	6.625	0.374	0.585	6.622	0.375	6.368	\$40.54
U-6000	6.000	6.750	0.374	0.585	6.747	0.375	6.493	\$20.02
U-6250	6.250	7.000	0.374	0.585	6.997	0.375	6.743	\$20.53
U-6500	6.500	7.250	0.374	0.585	7.247	0.375	6.993	\$21.14
U-6500-500	6.500	7.500	0.499	0.750	7.500	0.500	7.159	\$71.96
U-6625	6.625	7.375	0.374	0.585	7.372	0.375	7.118	\$69.33
U-6750	6.750	7.500	0.374	0.585	7.497	0.375	7.243	\$22.02
U-7000	7.000	7.750	0.374	0.585	7.747	0.375	7.493	\$22.16
U-7000-500	7.000	8.000	0.499	0.750	8.000	0.500	7.659	\$68.85
U-7250	7.250	8.000	0.374	0.585	7.997	0.375	7.743	\$24.55
U-7500	7.500	8.250	0.374	0.585	8.247	0.375	7.993	\$24.17

U Type Universal Urethane Wipers - Inch, cont'd.

Part Number	Wiper Dimensions				Groove Dimensions			Price
	Rod Dia. d	O.D. D ₁	Base Ht L ₁	Total Seal Ht L ₂	+0.006 -0.000 D	+0.004 -0.000 L	+0.010 -0.000 F	
U-7750	7.750	8.500	0.374	0.585	8.497	0.375	8.243	\$34.56
959-60.7SA	7.925	8.425	0.250	0.375	8.425	0.250		\$41.95
959-61SA1889	8.000	8.500	0.250	0.375	8.500	0.250		\$51.85
U-8000	8.000	8.750	0.374	0.585	8.747	0.375	8.493	\$28.22
U-8250	8.250	9.000	0.374	0.585	8.997	0.375	8.743	\$28.61
959-62SA	8.500	9.000	0.250	0.375	8.997	0.250		\$73.78
U-8500	8.500	9.250	0.374	0.585	9.247	0.375	8.993	\$28.64
U-8750	8.750	9.500	0.374	0.585	9.497	0.375	9.243	\$30.45
U-8875	8.875	9.625	0.374	0.585	9.622	0.375	9.368	\$111.92
U-9000	9.000	9.750	0.374	0.585	9.747	0.375	9.493	\$32.56
U-9000-500	9.000	10.000	0.499	0.775	10.000	0.500	9.659	\$133.75
U-9250	9.250	10.000	0.374	0.585	9.997	0.375	9.743	\$61.90
U-9500	9.500	10.250	0.374	0.585	10.247	0.375	9.993	\$57.33
U-9500-500	9.500	10.500	0.499	0.775	10.497	0.500	10.159	\$146.47
U-9750	9.750	10.500	0.374	0.585	10.497	0.375	10.243	\$58.61
959-65SA2500	10.000	10.500	0.250	0.375	10.497	0.250		\$59.93
U-10000	10.000	11.000	0.499	0.775	10.997	0.500	10.659	\$74.38
U-10250	10.250	11.250	0.499	0.775	11.247	0.500	10.909	\$85.28
U-10500	10.500	11.500	0.499	0.775	11.497	0.500	11.159	\$93.22
U-10625	10.625	11.625	0.499	0.775	11.622	0.500	11.284	\$95.99
U-10750	10.750	11.750	0.499	0.775	11.747	0.500	11.409	\$96.26
U-11000	11.000	12.000	0.499	0.775	11.997	0.500	11.659	\$97.23
U-11250	11.250	12.250	0.499	0.775	12.247	0.500	11.909	\$120.98
U-11500	11.500	12.500	0.499	0.775	12.497	0.500	12.159	\$125.04
U-12000	12.000	13.000	0.499	0.775	12.997	0.500	12.659	\$119.31
U-12500	12.500	13.500	0.499	0.775	13.497	0.500	13.159	\$128.75
U-13000	13.000	14.000	0.499	0.775	13.997	0.500	13.659	\$147.29
U-13500	13.500	14.500	0.499	0.775	14.497	0.500	14.159	\$187.80
U-13750	13.750	14.750	0.499	0.775	14.747	0.500	14.409	\$164.66
U-14000	14.000	15.000	0.499	0.775	14.997	5.000	14.659	\$191.76
U-15000	15.000	16.000	0.499	0.775	15.997	0.500	15.659	\$210.12
U-16000	16.000	17.000	0.499	0.775	16.997	0.500	16.659	\$216.58
U-18000	18.000	19.000	0.499	0.775	18.997	0.500	18.659	\$229.48
U-20000	20.000	21.000	0.499	0.775	20.997	0.500	20.659	\$276.15
U-30000	30.000	31.000	0.499	0.775	30.997	0.500	30.659	\$741.11

U Wiper Nitrile Cord

ALTERNATIVE SEALS:
U-Wiper, 842, U-R, S34

EXAMPLE: 187UCORDN70

Cross Section	Style	Suffix
187	UCORD	N70
3/16"	UNIVERSAL WIPER CORD	70D NBR

This 70 durometer nitrile extrusion is available for those non-standard rod applications and some telescopic cylinders and will interchange into a standard U-wiper groove.

Temperature: -40° to 250°F

Part Number	Cross Section/Base Height	Price/ft
187UCORD N70	0.187	\$3.71

K Wiper Nitrile Cord

ALTERNATIVE SEALS:
K-Wiper

EXAMPLE: 187KCORDN70

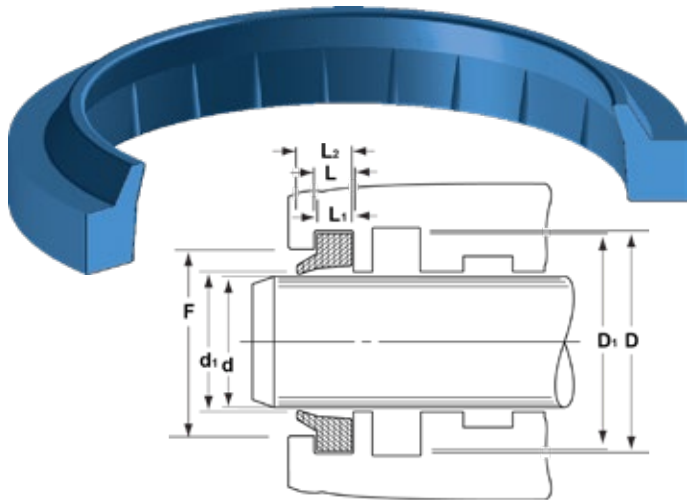
Cross Section	Style	Suffix
187	KCORD	N70
3/16"	K WIPER CORD	70D NBR

This 70 durometer nitrile extrusion is available in two cross sections for those non-standard rod applications and will interchange into standard K and 7580 wiper grooves.

Temperature: -40° to 250°F

Part Number	Cross Section	Price/ft.
187KCORD N70	0.187	\$3.70
250KCORD N70	0.250	\$4.78

U-R Wipers w/ Ribbed Heel - Inch



The ribbed heel snap-in rod wiper has been designed to fit "universal" type housings. The proportions of the wiping lip ensure that contact is maintained with the surface of the rod to remove heavily deposited mud, ice, etc. The outside of the rod has snug contact with the inside of the housing and has a wiping lip to prevent contaminants from entering the groove. The molded ribs on the inside provide extra stability to the wiper and help prevent pressure trapping.

Temperature: -40°F to 230°F

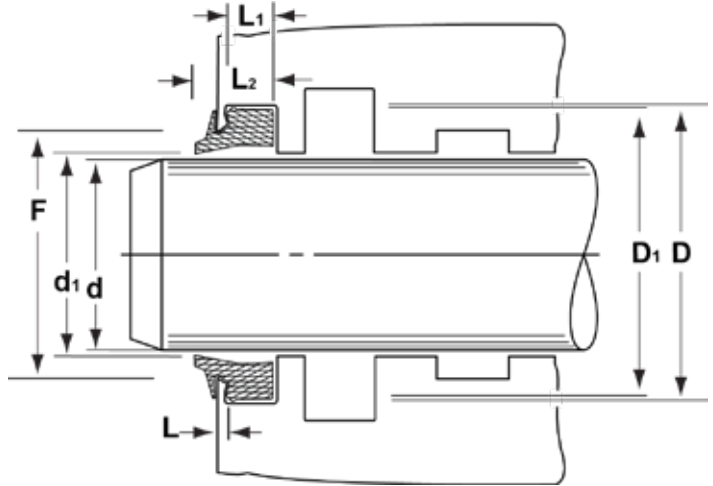
EXAMPLE: U-1500-R		
Prefix	Inside Diameter	Suffix
U-	1500	R
	1-1/2"	Ribbed Heel

ALTERNATIVE SEALS:
U-Wiper, 842, Wiper
Cord, S34

Part Number	Wiper Dimensions				Groove Dimensions			Price
	Rod Dia. d	Outside Dia. D ₁	Base Height L ₁	Total Seal Ht L ₂	+0.006 -0.000 D	+0.004 -0.000 L	+0.010 -0.000 F	
U-0500R	0.500	0.750	0.124	0.210	0.747	0.125	0.660	\$2.69
U-0625R	0.625	0.875	0.124	0.210	0.872	0.125	0.785	\$1.75
U-0750R	0.750	1.125	0.187	0.305	1.122	0.187	0.995	\$2.85
U-0875R	0.875	1.250	0.187	0.305	1.247	0.187	1.120	\$1.75
U-1000R	1.000	1.375	0.187	0.305	1.372	0.187	1.245	\$3.63
U-1125R	1.125	1.500	0.187	0.305	1.497	0.187	1.370	\$3.63
U-1250R	1.250	1.625	0.187	0.305	1.622	0.187	1.495	\$4.51
U-1375R	1.375	1.750	0.187	0.305	1.747	0.187	1.620	\$4.57
U-1500R	1.500	1.875	0.187	0.305	1.872	0.187	1.745	\$3.90
U-1625R	1.625	2.000	0.187	0.305	1.997	0.187	1.870	\$4.00
U-1750R	1.750	2.125	0.187	0.305	2.122	0.187	1.995	\$4.56
U-2000R	2.000	2.500	0.249	0.395	2.497	0.250	2.327	\$5.84
U-2250R	2.250	2.750	0.249	0.395	2.747	0.250	2.577	\$5.84
U-2375R	2.375	2.875	0.249	0.395	2.872	0.250	2.702	\$5.93
U-2500R	2.500	3.000	0.249	0.395	2.997	0.250	2.827	\$6.06
U-2750R	2.750	3.250	0.249	0.395	3.247	0.250	3.077	\$6.49
U-3000R	3.000	3.500	0.249	0.395	3.497	0.250	3.327	\$7.88
U-3250R	3.250	3.750	0.249	0.395	3.747	0.250	3.577	\$8.72
U-3500R	3.500	4.000	0.249	0.395	3.997	0.250	3.827	\$9.05
U-3750R	3.750	4.250	0.249	0.395	4.247	0.250	4.077	\$10.43
U-4000-187R	4.000	4.375	0.187	0.275	4.497	0.187	4.370	\$11.37
U-4000R	4.000	4.500	0.249	0.395	4.497	0.250	4.327	\$11.54
U-4250R	4.250	4.750	0.249	0.395	4.747	0.250	4.577	\$12.51
U-4500R	4.500	5.250	0.374	0.585	5.247	0.375	4.993	\$13.20
U-4750-187R	4.750	5.125	0.187	0.275	4.747	0.187	4.620	\$18.32
U-4750R	4.750	5.500	0.374	0.585	5.497	0.375	5.243	\$16.38
U-5000R	5.000	5.750	0.374	0.585	5.747	0.375	5.493	\$19.68
U-5250R	5.250	6.000	0.374	0.585	5.997	0.375	5.743	\$22.41
U-5500-187R	5.500	5.875	0.187	0.275	5.872	0.187	5.745	\$22.60
U-5500R	5.500	6.250	0.374	0.585	6.247	0.375	5.993	\$22.94
U-6000-250R	6.000	6.500	0.250	0.375	6.497	0.250	6.332	\$26.84
U-6000R	6.000	6.750	0.374	0.585	6.747	0.375	6.493	\$27.02
U-6375-250R	6.375	6.875	0.249	0.375	6.872	0.250	6.702	\$29.05
U-7000-250R	7.000	7.500	0.250	0.375	7.497	0.250	7.332	\$30.42
U-7000R	7.000	7.750	0.374	0.585	7.747	0.375	7.493	\$25.93
U-7250-250R	7.250	7.750	0.249	0.375	7.747	0.250	7.577	\$32.78
U-8000R	8.000	8.750	0.374	0.585	8.747	0.375	8.493	\$30.28
U-8125-250R	8.125	8.625	0.250	0.375	8.122	0.250	8.452	\$39.55
U-8500R	8.500	9.250	0.374	0.585	9.247	0.375	8.993	\$33.97
U-8500R 361	8.500	9.250	0.374	0.585	9.247	0.375	8.993	\$44.36



842 Urethane Wipers - Inch & Metric



EXAMPLE: 842-1750	
Prefix	Inside Diameter
842-	1750
	1-3/4"

ALTERNATIVE SEALS:
U-Wiper, U-R, H

EXAMPLE: 842-50X58X5					
Prefix	Inside Diameter		Outside Diameter		Base Height
842-	50	x	58	x	5
	50mm		58mm		5mm

ALTERNATIVE SEALS:
A40, AY

The 842 was developed especially for harsh environments including the mining industry. The unique design prevents the infiltration of foreign matter and moisture into the cylinder by covering the gland housing with a flap. The wipers are also ribbed on the inside to ensure stability and prevent pressure trapping. Made from 93A high performance urethane, these wipers provide excellent compression set characteristics and wear resistance.

Temperature : -50°F to 230°F

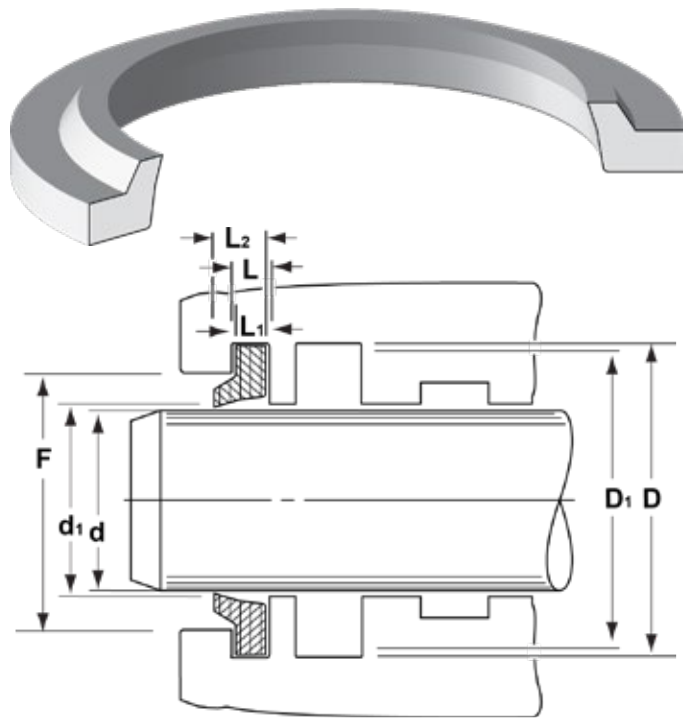
Inch Sizes

Part Number	Rod Dia. d	Outside Dia. D ₁	Seal Base Height L ₁	Seal Total HT L ₂	Ret. Lip Dia. F	Ret. Lip Height L	Price
842-1750	1.750	2.125	0.220	0.362	1.995	0.079	\$21.88
842-2500	2.500	2.875	0.220	0.362	2.745	0.079	\$26.92

Metric Sizes

Part Number	Rod Dia. d	Outside Dia. D ₁	Seal Base Height L ₁	Seal Total HT L ₂	Ret. Lip Dia. F	Ret. Lip Height L	Price
842-50X58X5	50.0	58.0	5.0	8.0	55.5	1.5	\$23.02
842-60X70X6.3	60.0	70.0	6.3	10.0	67.0	1.5	\$33.50
842-70X82.6X8	70.0	82.6	8.0	12.0	78.4	2.0	\$42.10
842-80X90X6.3	80.0	90.0	6.3	10.0	87.0	1.5	\$44.02
842-80X95X5.1	80.0	95.0	5.1	12.0	91.5	3.0	\$49.85
842-90X102.2X7.1	90.0	102.2	7.1	12.4	96.0	2.8	\$40.79
842-100X112.2X7.1	100.0	112.2	7.1	12.4	106.0	2.8	\$41.94
842-110X125X9.5	110.0	125.0	9.5	14.0	120.0	2.0	\$48.23
842-120X135X9.5	120.0	135.0	9.5	14.0	130.0	2.0	\$51.63
842-125X140X9.5	125.0	140.0	9.5	14.0	135.0	2.0	\$53.89
842-130X145X9.5	130.0	145.0	9.5	14.0	140.0	2.3	\$61.34
842-140X155X9.5	140.0	155.0	9.5	14.0	150.0	2.0	\$74.70
842-230X250X10.2	230.0	250.0	10.2	15.0	240.0	2.5	\$101.23
842-250X270X10.2	250.0	270.0	10.2	15.0	260.0	2.5	\$107.80
842-320X340X10	320.0	340.0	10.2	15.0	330.0	2.5	\$124.81
842-350X370X10.2	350.0	370.0	10.2	15.0	340.0	2.5	\$145.94

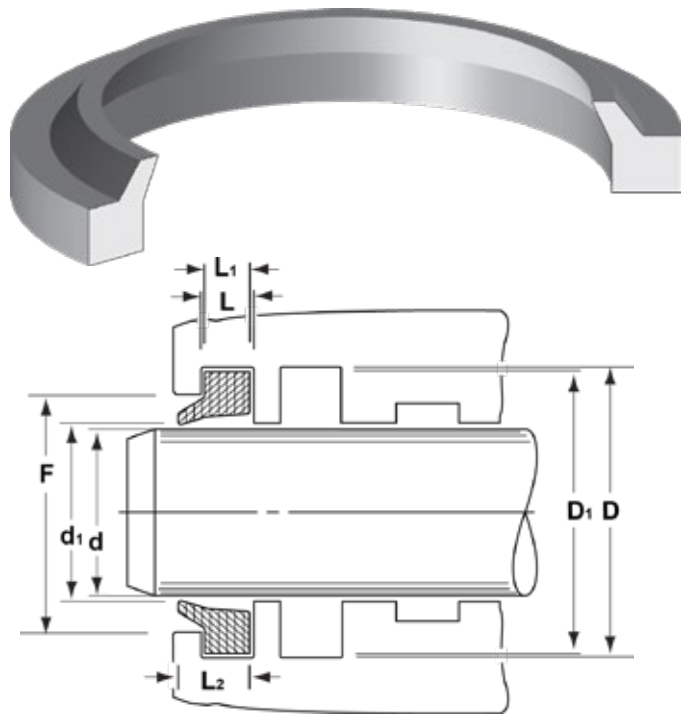
AN Type Non-Stand. Urethane Wipers - Inch



Temperature: -65° to 200°F

Part Number	Rod Dia. d	Outside Dia. D ₁	Base Height L ₁	Total Seal Ht L ₂	Price
993988	2	2.5	0.125	0.25	\$6.33
994110	2.5	3	0.125	0.25	\$6.46
690211A	3	3.5	0.125	0.25	\$6.55
71-AN-S-5	3.75	4	0.125	0.218	\$9.80
71-AN-S-6	4.75	5	0.125	0.218	\$10.83
71-AN-S-7	5.75	6	0.125	0.218	\$64.48
71-AN-S-8	6.75	7	0.125	0.218	\$18.41

U Type Non-Stand. Urethane Wipers - Inch

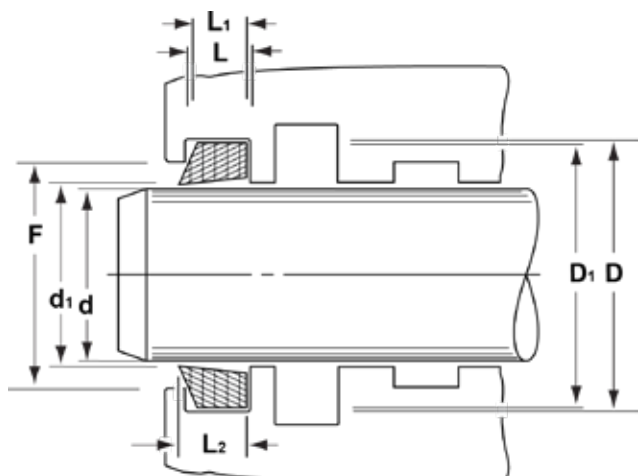


These wipers are used in mobile hydraulic applications.

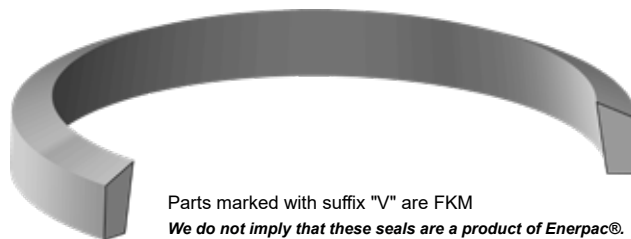
Temperature: -65° to 200°F

Part Number	Rod Dia. d	Outside Dia. D ₁	Base Height L ₁	Total Seal Ht L ₂	Price
3670-200	2	2.375	0.187	0.344	\$24.14
959-60.7SA	7.925	8.425	0.25	0.375	\$41.95
959-61SA1889	8	8.5	0.25	0.375	\$51.85
959-62SA	8.5	9	0.25	0.375	\$73.78
959-65SA2500	10	10.5	0.25	0.375	\$59.93

Replacement Wipers for Enerpac® - Inch

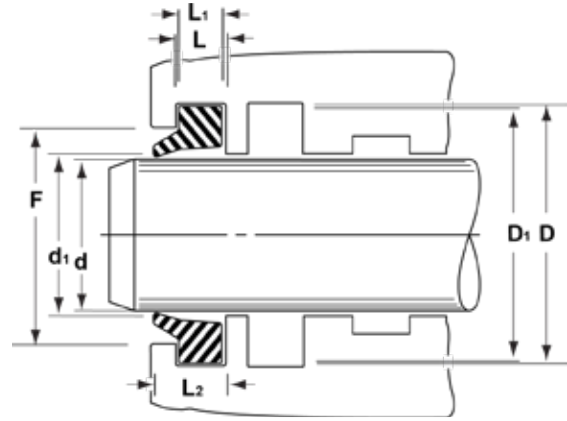


Temperature: -65° to 200°F



Part Number	Rod Dia. d	Outside Dia. D ₁	Base Height L ₁	Total Seal Ht L ₂	Price
997388	0.75	0.875	0.125	0.156	\$11.88
996132	1	1.125	0.125	0.156	\$7.17
993014	1.5	1.625	0.125	0.156	\$7.17
993014V	1.5	1.625	0.125	0.156	\$16.36
996076	2	2.125	0.125	0.156	\$7.17

A40 Urethane & Nitrile Wipers - Metric



EXAMPLE: A40-50X60X5 P90

Prefix	Inside Diameter		Outside Diameter		Base Height	Suffix
A40-	50	x	60	x	5	P90
	50mm		60mm		5mm	90A PU

PARTS W/O SUFFIX ARE **90A NBR**

ALTERNATIVE SEALS:
842, AY, A41

Profile A40 wipers are manufactured from 90 durometer nitrile or 90 durometer Urethane, (designated by P90 in part number). These rings can easily be snapped into grooves of relatively simple design. No close tolerances are needed.

Temperature: -40° to 230°F

Prefix	Part Number					Groove Dimensions			Price	
	Rod Dia. d		Outside Dia. D ₁		Base Height L ₁	Material	H11 D	+0.1 -0.0 L		H11 F
A40-	5	x	12	x	2.5	P90	12	2.8	9	\$3.33
A40-	8	x	14.6	x	3.8	P90	14.6	3.8	11	\$3.59
A40-	10	x	16	x	3.5					\$2.59
A40-	10	x	16	x	3.5	P90	16.6	3.8	13	\$3.83
A40-	12	x	18	x	3.5					\$3.89
A40-	12	x	18	x	4		18.6	4	15	\$4.55
A40-	12	x	18	x	4	P90				\$8.00
A40-	12	x	20	x	4	P90	20	4	14	\$7.90
A40-	14	x	20	x	3.5	P90				\$2.81
A40-	15	x	21.6	x	3.8	P90				\$4.38
A40-	16	x	22	x	3.4					\$3.21
A40-	16	x	22	x	3.5	P90				\$4.47
A40-	16	x	22.6	x	3.8	P90				\$4.89
A40-	16	x	24	x	5	P90				\$3.87
A40-	16	x	26	x	4	P90				\$5.88
A40-	18	x	24	x	3.4					\$3.21
A40-	18	x	24	x	3.5	P90				\$3.98
A40-	18	x	30	x	5					\$3.04
A40-	19	x	28	x	5					\$3.04
A40-	20	x	28	x	5					\$3.04
A40-	20	x	28	x	5	P90	28.6	5.3	23	\$2.12
A40-	22	x	30	x	5		30.6	5.3	25	\$4.05
A40-	22	x	30	x	5	P90				\$2.75
A40-	24	x	32	x	5					\$3.26
A40-	24	x	32	x	5	P90	32.6	5.3	27	\$4.75
A40-	25	x	33	x	4		33	4	27	\$12.39
A40-	25	x	33	x	5		33.6	5.3	28	\$5.20
A40-	25	x	33	x	5	P90				\$3.30
A40-	25	x	34.93	x	4.6					\$4.30
A40-	27	x	35	x	5					\$3.26
A40-	28	x	36	x	5					\$3.26
A40-	28	x	36	x	5	P90				\$3.26
A40-	30	x	38	x	5					\$3.26
A40-	30	x	38	x	5	P90	38.6	5.3	33	\$5.36
A40-	30	x	40	x	7	N85				\$13.31

A40 Urethane & Nitrile Wipers - Metric, cont'd.

Part Number					Groove Dimensions			Price
Prefix	Rod Dia. d	Outside Dia. D ₁	Base Height L ₁	Material	H11 D	+0.1 -0.0 L	H11 F	
A40-	30	x 42	x 6					\$11.73
A40-	30	x 45	x 5					\$4.70
A40-	32	x 40	x 3.5	P90				\$5.90
A40-	32	x 40	x 5		40.6	5.3	35	\$8.08
A40-	32	x 40	x 5	P90				\$4.91
A40-	32	x 44	x 6					\$5.86
A40-	33	x 42	x 5					\$4.72
A40-	35	x 43	x 5					\$4.18
A40-	35	x 43	x 5	P90	43.6	5.3	38	\$7.46
A40-	35	x 45	x 3.8	P90				\$8.33
A40-	35	x 47	x 4					\$5.78
A40-	35	x 47	x 6					\$12.95
A40-	36	x 44	x 5		44.6	5.3	39	\$7.33
A40-	36	x 44	x 5	P90				\$7.33
A40-	38	x 44	x 4.3					\$34.90
A40-	38	x 46	x 5					\$6.56
A40-	38	x 46	x 5	P90	46.6	5	41	\$6.98
A40-	40	x 48	x 4					\$4.11
A40-	40	x 48	x 4	P90				\$5.86
A40-	40	x 48	x 5		48.6	5.3	43	\$7.46
A40-	40	x 48	x 5	P90	48	5	42	\$7.52
A40-	40	x 50	x 5					\$4.21
A40-	40	x 50	x 5	P90				\$6.43
A40-	40	x 50	x 7	P90				\$6.72
A40-	40	x 52	x 5	P90				\$6.44
A40-	40	x 52	x 6					\$4.41
A40-	42	x 50	x 5		50.6	5.3	45	\$7.06
A40-	42	x 50	x 5	P90				\$7.16
A40-	42	x 54	x 6	P90	54	6	44	\$12.02
A40-	45	x 53	x 5					\$4.90
A40-	45	x 53	x 5	P90				\$6.93
A40-	45	x 55	x 5		55.6	5.3	52.6	\$7.33
A40-	45	x 55	x 5	P90				\$6.57
A40-	45	x 60	x 4	P90				\$5.57
A40-	46	x 54	x 5					\$6.62
A40-	46	x 54	x 5	P90	54.6	5.3	49	\$7.59
A40-	47	x 53	x 5	P90				\$29.17
A40-	48	x 56	x 5					\$4.89
A40-	48	x 56	x 5.3	P90				\$8.07
A40-	50	x 58	x 5					\$4.19
A40-	50	x 58	x 5	P90				\$7.27
A40-	50	x 58.6	x 5.3	P90				\$7.65
A40-	50	x 60	x 5		60.6	5.3	57.6	\$8.12
A40-	50	x 60	x 5	P90				\$8.35
A40-	50	x 60	x 7	P90				\$8.44
A40-	50	x 62	x 6		62	6	52	\$13.54
A40-	50	x 65	x 4	P90	65.5	4.2	58	\$8.71
A40-	53	x 61	x 5	P90	61.6	5.3	56	\$8.85
A40-	55	x 63	x 5					\$5.91
A40-	55	x 63	x 5	P90	63.6	5.3	58	\$10.68
A40-	55	x 65	x 5					\$5.17
A40-	55	x 65	x 5	P90	65.6	5.3	62.6	\$8.65
A40-	55	x 65	x 7					\$36.04
A40-	55	x 67	x 7	P90				\$7.34

A40 Urethane & Nitrile Wipers - Metric, cont'd.

Part Number						Groove Dimensions			Price
Prefix	Rod Dia. d	Outside Dia. D ₁	Base Height L ₁	Material	H11 D	+0.1 -0.0 L	H11 F		
A40-	56	x 64	x 5	P90	64.6	5.3	59	\$7.63	
A40-	56	x 66	x 5		66.6	5.3	63.6	\$4.44	
A40-	56	x 66	x 5	P90				\$9.11	
A40-	56	x 66	x 6	P90				\$11.04	
A40-	56	x 66	x 6.3					\$22.25	
A40-	56	x 66	x 6.3	P90				\$16.05	
A40-	56	x 68	x 6					\$17.74	
A40-	60	x 68	x 5		68.6	5.3	63	\$9.38	
A40-	60	x 70	x 5		70.6	5.3	67.6	\$6.30	
A40-	60	x 70	x 5	P90				\$6.56	
A40-	60	x 70	x 7	P90				\$8.63	
A40-	63	x 71	x 5		71.6	5.3	66	\$9.15	
A40-	63	x 71	x 5	P90				\$9.48	
A40-	63	x 73	x 5					\$5.26	
A40-	63	x 73	x 5	P90				\$9.33	
A40-	63	x 73	x 6.3					\$20.68	
A40-	63	x 73.6	x 5.3	P90				\$17.32	
A40-	63	x 75	x 6					\$15.13	
A40-	65	x 73	x 5		73.6	5.3	68	\$10.62	
A40-	65	x 73	x 5	P90				\$10.20	
A40-	65	x 75	x 5		75.6	5.3	72.6	\$6.88	
A40-	65	x 75	x 5	P90				\$9.90	
A40-	65	x 75	x 7	P90				\$10.03	
A40-	65	x 76	x 5.8	P90				\$0.00	
A40-	65	x 77	x 7	P90				\$10.11	
A40-	70	x 78	x 5					\$6.98	
A40-	70	x 78	x 5	P90	78.6	5.3	73	\$9.23	
A40-	70	x 80	x 5		80.6	5.3	77.6	\$6.10	
A40-	70	x 80	x 5	P90				\$7.59	
A40-	70	x 80	x 6.3					\$26.12	
A40-	70	x 80	x 6.3	P90				\$21.13	
A40-	70	x 80	x 7	P90				\$9.67	
A40-	70	x 82	x 6					\$17.55	
A40-	70	x 82	x 7					\$6.14	
A40-	70	x 82	x 7	P90				\$6.81	
A40-	73	x 81	x 5	P90				\$6.96	
A40-	75	x 83	x 5		83.6	5.3	78	\$7.00	
A40-	75	x 83	x 5	P90	83.6	5.3	78	\$9.37	
A40-	75	x 85	x 5					\$9.43	
A40-	75	x 87	x 7					\$9.50	
A40-	75	x 87	x 7	P90				\$9.51	
A40-	78	x 88	x 5.2	P90				\$10.68	
A40-	78	x 92	x 7	P90				\$11.00	
A40-	80	x 88	x 5		88.6	5.3	83	\$12.15	
A40-	80	x 88	x 5	P90				\$10.35	
A40-	80	x 90	x 6.3					\$25.78	
A40-	80	x 90	x 6.5	P90	90	6.5	87	\$11.72	
A40-	80	x 92	x 7					\$7.79	
A40-	80	x 92	x 7	P90	92.2	7.1	86	\$10.26	
A40-	85	x 93	x 5					\$8.77	
A40-	85	x 93	x 5	P90	93.6	5.3	88	\$10.19	
A40-	85	x 97	x 7					\$7.65	
A40-	85	x 97	x 7	P90	97.2	7.1	91	\$6.39	
A40-	88	x 96.6	x 5.3	P90				\$11.29	

A40 Urethane & Nitrile Wipers - Metric, cont'd.

Part Number						Groove Dimensions			Price	
Prefix	Rod Dia. d	Outside Dia. D ₁	Base Height L ₁	Material	H11 D	+0.1 -0.0 L	H11 F			
A40-	90	x	98	x	5	98.6	5.3	93	\$13.34	
A40-	90	x	100	x	6	P90			\$8.76	
A40-	90	x	100	x	7				\$9.33	
A40-	90	x	102	x	6	P90			\$9.32	
A40-	90	x	102	x	7	102.2	7.1	96	\$7.59	
A40-	90	x	102	x	7	P90			\$7.85	
A40-	90	x	102	x	7.2	P90			\$21.54	
A40-	90	x	106	x	8	106	8	97	\$27.69	
A40-	91	x	99.6	x	5.3	P90			\$10.34	
A40-	95	x	103	x	5				\$10.11	
A40-	95	x	107	x	7				\$11.34	
A40-	95	x	107	x	7	P90			\$12.91	
A40-	100	x	108	x	5	108.6	5.3	103	\$14.72	
A40-	100	x	110	x	5				\$14.72	
A40-	100	x	112	x	7	112.2	7.1	106	\$8.80	
A40-	100	x	112	x	7	P90	112.2	7.1	106	\$12.88
A40-	100	x	115	x	9.5	P90			\$18.97	
A40-	100	x	115	x	9.5				\$34.39	
A40-	100	x	116	x	8	116	8	106	\$20.69	
A40-	105	x	113	x	5				\$14.38	
A40-	105	x	113	x	5	P90			\$17.54	
A40-	105	x	117	x	7				\$19.42	
A40-	105	x	117	x	7	P90			\$20.20	
A40-	107	x	115.6	x	5.3	P90			\$13.36	
A40-	110	x	118	x	5	118.6	5.3	113	\$14.05	
A40-	110	x	122	x	7	122.2	7.1	116	\$10.79	
A40-	110	x	122	x	7	P90	122.2	7.1	116	\$11.99
A40-	110	x	125	x	9.2	P90			\$13.69	
A40-	110	x	125	x	9.5	P90	125	9.5	116	\$21.25
A40-	110	x	126	x	8				\$27.77	
A40-	115	x	123	x	5				\$11.67	
A40-	115	x	125	x	5				\$12.91	
A40-	115	x	127	x	7	P90			\$13.17	
A40-	120	x	128	x	5	P90			\$15.21	
A40-	120	x	128.6	x	5.3				\$16.08	
A40-	120	x	132	x	7				\$13.54	
A40-	120	x	132	x	7	P90	132.2	7.1	126	\$13.48
A40-	120	x	135	x	9.5	P90			\$43.26	
A40-	125	x	133	x	5				\$16.04	
A40-	125	x	137	x	7	P90	137.2	7.1		\$15.04
A40-	125	x	140	x	9.5	P90	140	9.5	131	\$24.60
A40-	125	x	140	x	10		140	10.2	132.6	\$21.58
A40-	125	x	140	x	10	P90			\$15.39	
A40-	128	x	140	x	7	P90	140.2	7.1	134	\$16.82
A40-	130	x	142	x	7				\$14.90	
A40-	130	x	142	x	7	P90	142.2	7.1	136	\$15.02
A40-	130	x	145	x	10				\$16.00	
A40-	135	x	150	x	7	P90			\$52.52	
A40-	140	x	148	x	5	P90			\$18.75	
A40-	140	x	152	x	7				\$14.08	
A40-	140	x	152	x	7	P90	152.2	7.1	146	\$14.66
A40-	140	x	155	x	9.5	P90	155	9.5	146	\$25.59
A40-	140	x	155	x	10		155	10.2	147.6	\$13.52
A40-	145	x	157	x	7	P90			\$21.12	

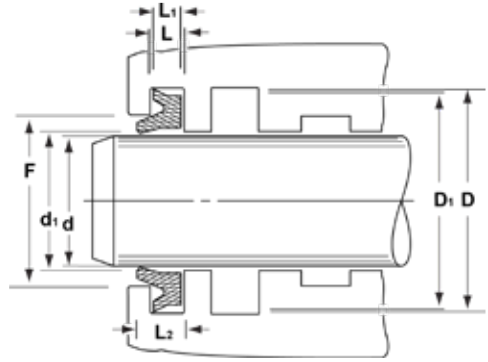
A40 Urethane & Nitrile Wipers - Metric, cont'd.

Part Number						Groove Dimensions			Price
Prefix	Rod Dia. d	Outside Dia. D ₁	Base Height L ₁	Material	H11 D	+0.1 -0.0 L	H11 F		
A40-	150	x 162	x 7.1	P90				\$18.47	
A40-	150	x 165	x 10		165	10.2	157.6	\$22.80	
A40-	150	x 165	x 10	P90				\$14.33	
A40-	150	x 166	x 8	P90	166	8	156	\$46.52	
A40-	155	x 167	x 7					\$19.43	
A40-	160	x 172	x 7	P90				\$25.10	
A40-	160	x 175	x 9.5	P90				\$29.84	
A40-	160	x 175	x 10					\$14.73	
A40-	160	x 175	x 10	P90	175	10.2	167.6	\$28.69	
A40-	165	x 173	x 5		173	5.3	168	\$44.79	
A40-	165	x 173	x 5		173	5.3	168	\$44.79	
A40-	165	x 180	x 10					\$32.61	
A40-	170	x 182	x 7		182.2	7.1	176	\$44.64	
A40-	170	x 185	x 10					\$33.16	
A40-	180	x 188	x 5	P90				\$20.36	
A40-	180	x 195	x 9.5	P90				\$62.29	
A40-	180	x 195	x 10	P90				\$62.56	
A40-	180	x 200	x 10					\$45.06	
A40-	180	x 200	x 10	P90				\$47.38	
A40-	185	x 197	x 7					\$42.72	
A40-	190	x 210	x 10	P90	210	10.2	196	\$53.12	
A40-	200	x 215	x 9.5	P90	215	9.5	206	\$43.33	
A40-	200	x 215	x 10	P90				\$41.28	
A40-	200	x 220	x 10					\$31.91	
A40-	200	x 220	x 10	P90				\$56.30	
A40-	210	x 225	x 10					\$68.45	
A40-	210	x 225	x 10	P90				\$60.03	
A40-	210	x 230	x 10	P90				\$69.73	
A40-	220	x 240	x 10					\$61.77	
A40-	220	x 240	x 10	P90	240	10.2	230	\$73.70	
A40-	220	x 240	x 12	P90	240	12.5	227	\$90.50	
A40-	225	x 245	x 10					\$92.67	
A40-	230	x 250	x 10					\$44.44	
A40-	230	x 250	x 10	P90				\$47.09	
A40-	235	x 255	x 10.2	P90				\$143.36	
A40-	240	x 248	x 5					\$122.96	
A40-	240	x 255	x 10	P90				\$76.58	
A40-	240	x 260	x 10		260	10.2	250	\$40.93	
A40-	250	x 270	x 10		270	10.2	260	\$60.76	
A40-	250	x 270	x 10	P90				\$127.69	
A40-	250	x 270	x 12.5	P90				\$127.69	
A40-	260	x 280	x 10		280	10.2	270	\$73.52	
A40-	260	x 280	x 10.2	P90				\$127.14	
A40-	270	x 290	x 10		290	10.2	280	\$75.98	
A40-	280	x 300	x 10					\$86.83	
A40-	280	x 300	x 10	P90				\$113.67	
A40-	290	x 310	x 10	P90				\$150.05	
A40-	300	x 316	x 7.5	P90				\$151.69	
A40-	300	x 320	x 10		320	10.2	310	\$85.50	
A40-	320	x 340	x 10	P90	340	10.2	330	\$170.47	
A40-	330	x 346	x 10					\$84.00	
A40-	350	x 370	x 10	P90				\$209.51	
A40-	380	x 400	x 10	P90				\$120.40	
A40-	450	x 470	x 10	P90				\$165.14	

A37 Urethane Wipers - Metric



ALTERNATIVE SEALS:
AY, A40



A37 style wipers are made from 90 durometer urethane and are commonly found in Japanese hydraulics. The outer lip keeps contaminants from entering the system from the outside of the wiper groove.

Temperature: -40° to 230°F

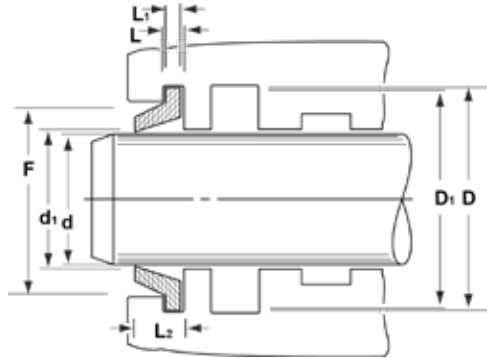
EXAMPLE: A37-45X55X6

Prefix	Inside Diameter		Outside Diameter		Base Height
A37-	45	x	55	x	6
	45mm		55mm		6mm

Part Number							Total Seal Ht L ₂	Groove Height L	Price
Prefix	Rod Dia. d	Outside Diameter D ₁	Base Height L ₁						
A37-	45	x	55	x	6	8	7	\$7.99	
A37-	50	x	60	x	6	8	7	\$8.08	
A37-	55	x	65	x	6	8	7	\$12.43	
A37-	55	x	68	x	7	9.5	8	\$11.73	
A37-	60	x	73	x	7	9.5	8	\$9.16	
A37-	65	x	78	x	7	10	8	\$9.88	
A37-	70	x	80	x	6	8	7	\$9.91	
A37-	70	x	83	x	7	9.5	8	\$9.96	
A37-	75	x	88	x	7	10	8	\$10.38	
A37-	80	x	93	x	7	9.5	8	\$10.77	

Part Number							Total Seal Ht L ₂	Groove Height L	Price
Prefix	Rod Dia. d	Outside Diameter D ₁	Base Height L ₁						
A37-	85	x	98	x	7	9.5	8	\$15.01	
A37-	90	x	103	x	7	9.5	8	\$16.23	
A37-	95	x	108	x	7	9.5	8	\$20.85	
A37-	100	x	113	x	7	9.5	8	\$21.51	
A37-	105	x	118	x	7	9.5	8	\$24.16	
A37-	110	x	123	x	7	9.5	8	\$24.04	
A37-	120	x	133	x	7	9.5	8	\$25.20	
A37-	125	x	138	x	7	9.5	8	\$26.11	
A37-	130	x	143	x	7	9.5	8	\$28.60	

A39 Nitrile Wipers - Metric



A39 profile wipers are made of 90 durometer nitrile and can easily be snapped into grooves.

Temperature: -40°F to 250°F

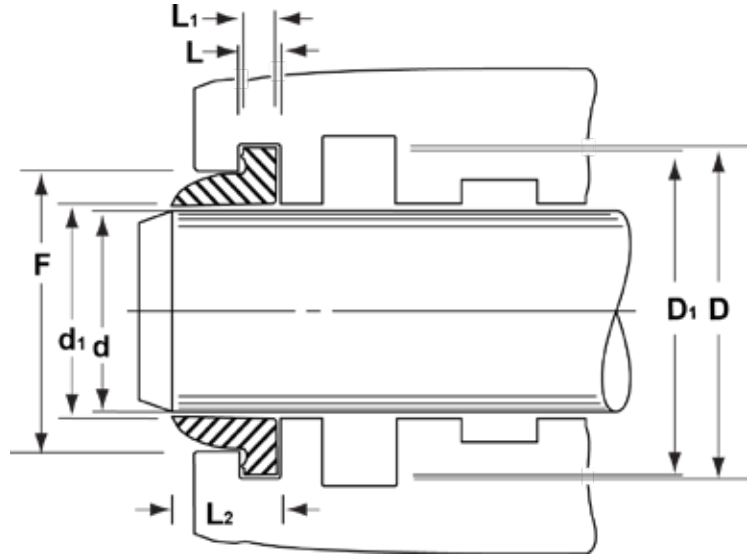
EXAMPLE: A39-60X70X2

Prefix	Inside Diameter		Outside Diameter		Base Height
A39-	60	x	70	x	2
	60mm		70mm		2mm

Part Number							Total Height L ₂	Groove Height L	Price
Prefix	Rod Dia. d	Outside Diameter D ₁	Base Height L ₁						
A39-	30	x	37.5	x	1.5	4	1.6	\$10.15	
A39-	32	x	39.5	x	1.5	4	1.6	\$15.92	
A39-	45	x	52.5	x	1.5	4	1.6	\$24.16	
A39-	55	x	65	x	2	6	2.15	\$27.22	
A39-	60	x	70	x	2	6	2.15	\$27.73	
A39-	63	x	73	x	2	6	2.15	\$21.66	
A39-	70	x	80	x	2	6	2.15	\$22.72	

Part Number							Total Height L ₂	Groove Height L	Price
Prefix	Rod Dia. d	Outside Diameter D ₁	Base Height L ₁						
A39-	74	x	87	x	3.3	7	3.45	\$23.76	
A39-	75	x	85	x	2	6	2.15	\$25.08	
A39-	80	x	90	x	2	6	2.15	\$25.80	
A39-	90	x	100	x	2	6	2.15	\$27.78	
A39-	100	x	110	x	2	6	2.15	\$27.56	
A39-	140	x	150	x	2	6	2.15	\$44.90	

Style 33 Rectangular Base Nitrile Wipers - Inch



EXAMPLE: 33-10001375-125			
Prefix	Inside Diameter	Outside Diameter	Base Height
33-	1000	1375	-.125
	1"	1-3/8"	1/8"

This general purpose wiper has a lip designed to remove lightly adhered dirt, dust, and moisture from the rod. Manufactured from a hard nitrile rubber, suitable for installing in grooved housings, creates an effective seal on housings as well as rods.

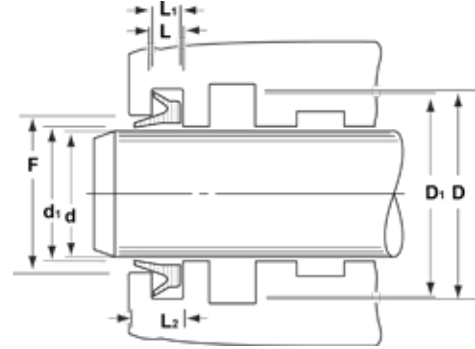
Temperature: -22°F to 212°F

Part Number	Rod Size d	Groove Dia. D	Base Height L ₁	Total Seal Ht L ₂	Throat F	Groove Height L	Price
33-10001375-125	1.000	1.375	0.125	0.250	1.200	0.140	\$12.40
33-11251625-125	1.125	1.625	0.125	0.375	1.425	0.140	\$9.27
33-12501750-125	1.250	1.750	0.125	0.375	1.550	0.140	\$9.79
33-13751875-125	1.375	1.875	0.125	0.375	1.675	0.140	\$10.18
33-15002000-125	1.500	2.000	0.125	0.375	1.800	0.140	\$10.06
33-16252125-125	1.625	2.125	0.125	0.375	1.925	0.140	\$10.38
33-17502250-125	1.750	2.250	0.125	0.375	2.050	0.140	\$10.75
33-20002500-125	2.000	2.500	0.125	0.375	2.300	0.140	\$11.07
33-22502750-125	2.250	2.750	0.125	0.375	2.550	0.140	\$11.87
33-25003000-125	2.500	3.000	0.125	0.375	2.800	0.140	\$13.18
33-27503250-125	2.750	3.250	0.125	0.375	3.050	0.140	\$13.27
33-28753375-125	2.875	3.375	0.125	0.375	3.175	0.140	\$26.88
33-30003500-125	3.000	3.500	0.125	0.375	3.300	0.140	\$24.10
33-32504000-187	3.250	4.000	0.187	0.500	3.650	0.202	\$19.17
33-35004250-187	3.500	4.250	0.187	0.500	3.900	0.202	\$20.26
33-40004750-187	4.000	4.750	0.187	0.500	4.400	0.202	\$29.20
33-45005250-187	4.500	5.250	0.187	0.500	4.900	0.202	\$31.46
33-50005750-187	5.000	5.750	0.187	0.500	5.400	0.202	\$57.37
33-60006750-187	6.000	6.750	0.187	0.500	6.400	0.202	\$66.70

NW Nylon Wipers / Scrapers - Inch & Metric



ALTERNATIVE SEALS:
U, A40, AY



EXAMPLE: NW-0500	
Prefix	Inside Diameter
NW-	0500
	1/2"

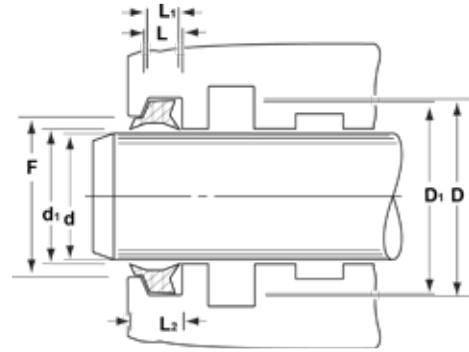
EXAMPLE: NW-20MM	
Prefix	Inside Diameter
NW-	20MM
	20mm

NW wipers are made from a moly-filled nylon material and more properly referred to as scrapers. The tough material is great for removing slag and other harmful contaminants from the rod.

Temperature: -22° to 248°F

Part No.	Wiper Dimensions				Groove Dimensions			Price
	Rod Dia. +0.000 -0.001 d	Out. Dia. D ₁	Base Height L ₁	Total Seal Ht L ₂	+0.002 -0.000 D	+0.005 -0.000 L	+0.002 -0.000 F	
Inch Sizes								
NW-0500	0.500	0.875	0.156	0.250	0.875	0.172	0.812	\$10.78
NW-0625	0.625	1.000	0.156	0.250	1.000	0.172	0.940	\$10.78
NW-0750	0.750	1.250	0.219	0.344	1.250	0.234	1.188	\$10.96
NW-0875	0.875	1.375	0.219	0.344	1.375	0.234	1.312	\$11.55
NW-1000	1.000	1.500	0.219	0.344	1.500	0.234	1.438	\$13.47
NW-1125	1.125	1.625	0.219	0.344	1.625	0.234	1.563	\$15.35
NW-1250	1.250	1.750	0.219	0.344	1.750	0.234	1.688	\$14.38
NW-1375	1.375	1.875	0.219	0.344	1.875	0.234	1.812	\$15.22
NW-1500	1.500	2.000	0.219	0.344	2.000	0.234	1.938	\$17.77
NW-1625	1.625	2.125	0.219	0.344	2.125	0.234	2.063	\$16.52
NW-1750	1.750	2.250	0.219	0.344	2.250	0.234	2.188	\$18.13
NW-2000	2.000	2.500	0.219	0.344	2.500	0.234	2.438	\$17.64
NW-2125	2.125	2.625	0.219	0.344	2.625	0.234	2.563	\$17.05
NW-2250	2.250	2.750	0.219	0.344	2.750	0.234	2.690	\$17.09
NW-2500	2.500	3.000	0.219	0.344	3.000	0.234	2.938	\$18.82
NW-2750	2.750	3.250	0.219	0.344	3.250	0.234	3.188	\$20.57
NW-3000	3.000	3.500	0.219	0.344	3.500	0.234	3.438	\$21.74
NW-3250	3.250	3.750	0.219	0.344	3.750	0.234	3.688	\$23.58
NW-3500	3.500	4.000	0.219	0.344	4.000	0.234	3.938	\$28.97
NW-3750	3.750	4.250	0.219	0.344	4.250	0.234	4.188	\$40.16
NW-4000	4.000	4.500	0.219	0.344	4.500	0.234	4.438	\$30.07
Metric Sizes								
NW-16MM	16	26	4.5	6.5	26	4.5	24.5	\$11.09
NW-20MM	20	33	5.3	8.5	33	6	31.5	\$11.33
NW-25MM	25	38	5.3	8.5	38	6	36.5	\$5.29
NW-28MM	28	41	5.3	8.5	41	6	39.5	\$5.33
NW-30MM	30	43	5.3	8.5	43	6	41.5	\$5.71
NW-32MM	32	45	5.3	8.5	45	6	43.5	\$5.71
NW-36MM	36	49	5.3	8.5	49	6	47.5	\$5.80
NW-40MM	40	53	5.3	8.5	53	6	51.5	\$5.99
NW-45MM	45	58	5.3	8.5	58	6	56.5	\$5.99
NW-50MM	50	63	5.3	8.5	63	6	61.5	\$6.77
NW-55MM	55	68	5.3	8.5	68	6	66.5	\$7.74
NW-56MM	56	69	5.3	8.5	69	6	67.5	\$7.80
NW-60MM	60	73	5.3	8.5	73	6	71.5	\$7.93
NW-63MM	63	76	5.3	8.5	76	6	74.5	\$8.42
NW-70MM	70	83	5.3	8.5	83	6	81.5	\$8.56
NW-75MM	75	88	5.3	8.5	88	6	86.5	\$22.05
NW-80MM	80	93	5.3	8.5	93	6	91.5	\$10.75
NW-85MM	85	98	5.3	8.5	98	6	96.5	\$48.74
NW-90MM	90	103	5.3	8.5	103	6	101.5	\$11.79
NW-100MM	100	114	5.3	8.5	114	6	111.5	\$53.18
NW-110MM	110	124	5.3	8.5	124	6	121.5	\$72.56

K Double Lip Urethane Wipers - Inch



ALTERNATIVE SEALS:
 Custom K-WIPER Cord
 7580 RUBBER

EXAMPLE: K-0500	
Prefix	Inside Diameter
K-	0500
	1/2"

K type double lip wiper seal rings are one piece snap-in type rod wipers made from 90 durometer urethane. They fit grooves with a 30° tapered top surface. As the external lip scrapes dust and dirt from the rod, the secondary lip traps slight leakage that may pass the rod seal.

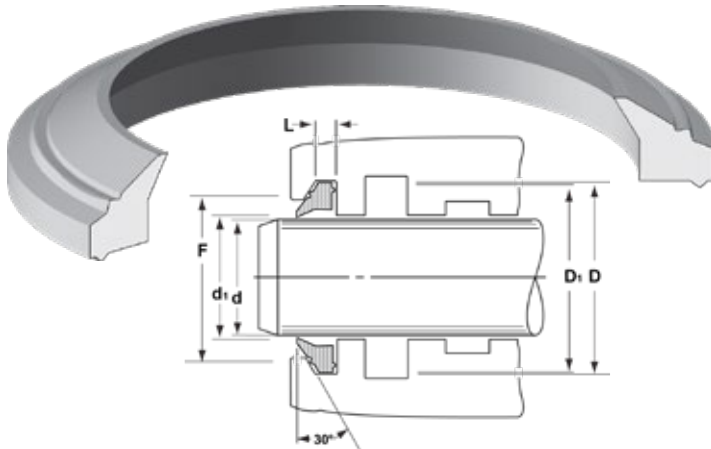
Temperature: -65° to 200°F

Part Number	Wiper Dimensions				Groove Dimensions			Price
	Rod Dia. d	Outside Dia. D ₁	Base Height L ₁	Total Seal Ht L ₂	+0.005 -0.000 D	+0.005 -0.000 L	+0.000 -0.005 F	
K-0500	0.500	0.750	0.150	0.315	0.760	0.155	0.625	\$3.31
K-0625	0.625	0.875	0.150	0.315	0.885	0.155	0.750	\$3.74
K-0750	0.750	1.125	0.190	0.361	1.135	0.195	0.832	\$3.87
K-0875	0.875	1.250	0.190	0.361	1.260	0.195	0.957	\$3.95
K-1000	1.000	1.375	0.190	0.361	1.385	0.195	1.082	\$3.99
K-1125	1.125	1.500	0.190	0.361	1.510	0.195	1.207	\$4.22
K-1250	1.250	1.625	0.190	0.361	1.635	0.195	1.332	\$4.49
K-1375	1.375	1.750	0.190	0.361	1.760	0.195	1.457	\$5.19
K-1437	1.437	1.813	0.190	0.361	1.822	0.195	1.519	\$6.62
K-1500	1.500	1.875	0.190	0.361	1.885	0.195	1.582	\$5.44
K-1750	1.750	2.125	0.190	0.361	2.135	0.195	1.832	\$5.80
K-1937	1.937	2.313	0.190	0.361	2.322	0.195	2.019	\$6.35
K-2000	2.000	2.375	0.190	0.361	2.385	0.195	2.083	\$6.58
K-2125	2.125	2.500	0.190	0.361	2.510	0.195	2.207	\$8.36
K-2250-187	2.250	2.625	0.190	0.361	2.635	0.195	2.332	\$8.64
K-2250	2.250	2.750	0.250	0.478	2.760	0.255	2.407	\$8.73
K-2500-187	2.500	2.875	0.190	0.361	2.885	0.195	2.582	\$9.88
K-2500	2.500	3.000	0.250	0.478	3.010	0.255	2.657	\$9.39
K-2625	2.625	3.125	0.250	0.478	3.135	0.255	2.782	\$9.75
K-2750-187	2.750	3.125	0.190	0.361	3.135	0.195	2.832	\$12.22
K-2750	2.750	3.250	0.250	0.478	3.260	0.255	2.907	\$10.64
K-3000-187	3.000	3.375	0.190	0.361	3.385	0.195	3.082	\$11.38
K-3000	3.000	3.500	0.250	0.478	3.510	0.255	3.157	\$11.49
K-3250	3.250	3.750	0.250	0.478	3.760	0.255	3.407	\$12.59
K-3375	3.375	3.875	0.250	0.478	3.885	0.255	3.532	\$14.12
K-3500-187	3.500	3.875	0.190	0.361	3.875	0.195	3.582	\$16.71
K-3500	3.500	4.000	0.250	0.478	4.010	0.255	3.657	\$14.57
K-3625	3.625	4.125	0.250	0.478	4.135	0.255	3.782	\$16.35
K-3687	3.687	4.188	0.250	0.478	4.197	0.255	3.488	\$16.60
K-3750-187	3.750	4.125	0.190	0.361	4.135	0.195	3.832	\$17.72
K-3750	3.750	4.250	0.250	0.478	4.260	0.255	3.907	\$16.44
K-3970	3.970	4.470	0.250	0.478	4.480	0.255	4.127	\$17.30
K-4000	4.000	4.500	0.250	0.478	4.510	0.255	4.157	\$17.67
K-4062	4.062	4.563	0.250	0.478	4.572	0.255	4.219	\$18.62
K-4250	4.250	4.750	0.250	0.478	4.760	0.255	4.407	\$20.31
K-4437	4.437	4.938	0.250	0.478	4.947	0.255	4.594	\$20.56

K Double Lip Urethane Wipers - Inch, cont'd.

Part Number	Wiper Dimensions				Groove Dimensions			Price
	Rod Dia. d	Outside Dia. D ₁	Base Height L ₁	Total Seal Ht L ₂	+0.005 -0.000 D	+0.005 -0.000 L	+0.000 -0.005 F	
K-4500	4.500	5.000	0.250	0.478	5.010	0.255	4.657	\$20.68
K-4750	4.750	5.250	0.250	0.478	5.260	0.255	4.907	\$22.80
K-4875	4.875	5.375	0.250	0.478	5.385	0.255	5.032	\$21.97
K-5000	5.000	5.500	0.250	0.478	5.510	0.255	5.157	\$23.80
K-5250	5.250	5.750	0.250	0.478	5.760	0.255	5.407	\$26.60
K-5500	5.500	6.000	0.250	0.478	6.010	0.255	5.657	\$31.29
K-5950	5.950	6.450	0.250	0.478	6.460	0.255	6.107	\$27.10
K-6000	6.000	6.500	0.250	0.478	6.510	0.255	6.157	\$27.20
K-7000	7.000	7.500	0.250	0.478	7.510	0.255	7.157	\$29.46
K-8000	8.000	8.500	0.250	0.478	8.510	0.255	8.157	\$34.73
K-8125	8.125	8.625	0.250	0.478	8.635	0.255	8.282	\$57.90
K-9125	9.125	9.625	0.250	0.478	9.635	0.255	9.282	\$63.79
K-9375 4700	9.375	9.875	0.250	0.478	10.385	0.255	9.532	\$103.71

KB / KBM Urethane Wipers - Inch and Metric



KB style wipers resemble a K type wiper but with a single lip and a heavier base. They do not interchange grooves. Standard material is 94 durometer polyurethane.

Temperature: -65° to 200°F

KB style wipers are also available in nitrile. Please consult sales for pricing and availability.

Temperature: -22° to 212°F

INCH EXAMPLE: KB-1000	
Prefix	Inside Diameter
KB-	1000
	1"

METRIC EXAMPLE: KBM-100X112.7X5.3			
Prefix	Rod Diameter	Outside Diameter	Groove Height
KBM-	100 x	112.7 x	5.3
	100 mm	112.7 mm	5.3 mm

INCH Part No.	Wiper Dimensions	Groove Dimensions			Price
	Rod Dia. d	± .005 D	± .005 L	± .005 F	
KB-1000	1.000	1.500	0.208	1.250	\$3.91
KB-1125	1.125	1.625	0.208	1.375	\$4.18
KB-1250	1.250	1.750	0.208	1.500	\$4.26
KB-1500	1.500	2.000	0.208	1.750	\$4.35
KB-1750	1.750	2.250	0.208	2.000	\$4.52
KB-1875	1.875	2.375	0.208	2.125	\$4.89
KB-2000	2.000	2.500	0.208	2.250	\$4.89
KB-2125	2.125	2.625	0.208	2.375	\$5.80
KB-2250	2.250	2.750	0.208	2.500	\$5.89
KB-2500	2.500	3.000	0.208	2.750	\$5.99
KB-2750	2.750	3.250	0.208	3.000	\$6.07
KB-3000	3.000	3.500	0.208	3.250	\$6.41

Part Number				Throat		Price
Prefix	Rod Dia. d	± .005 D	± .005 L	± .005 F		
KBM-	25 x	37.7 x	5.3	26.4	\$3.80	
KBM-	25 x	37.7 x	5.3	26.4	\$7.65	
KBM-	40 x	52.7 x	5.3	46.4	\$5.29	
KBM-	45 x	57.7 x	5.3	51.4	\$5.70	
KBM-	50 x	62.7 x	5.3	46.4	\$6.10	
KBM-	56 x	68.7 x	5.3	62.4	\$6.67	
KBM-	60 x	72.7 x	5.3	66.4	\$6.79	
KBM-	60 x	72.7 x	5.3	66.4	\$9.99	
KBM-	63 x	77.7 x	5.3	69.4	\$7.16	
KBM-	80 x	92.7 x	5.3	86.4	\$7.59	
KBM-	85 x	97.7 x	5.3	91.4	\$9.51	
KBM-	100 x	112.7 x	5.3	106.4	\$11.47	
KBM-	110 x	122.7 x	5.3	116.4	\$13.16	

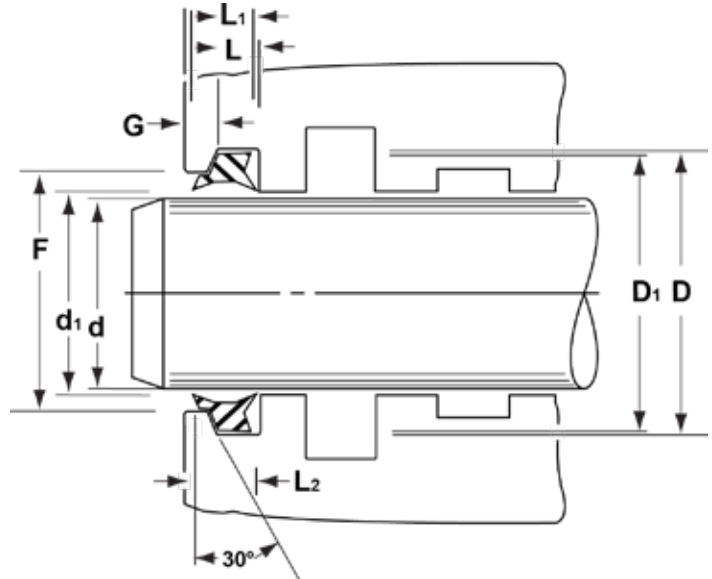
7580 Double Lip Nitrile Wipers - Inch



7580 type double lip wiper seal rings are one piece snap-in rod wipers made from 80 durometer nitrile. They fit grooves with a 30° tapered top surface. As the external lip scrapes dust and dirt from the rod, the secondary lip traps slight leakage that may pass the rod seal.

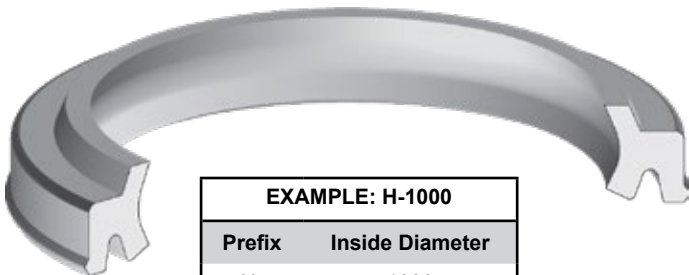
Temperature: -40° to 250°F

OEM NUMBERING SYSTEM



Part Number	Wiper Dimensions		Groove Dimensions				Price
	Rod Dia. d	Outside Dia. D ₁	+0.005 -0.000 D	+0.005 -0.000 L	+0.005 -0.000 F	+0.005 -0.000 G	
7580-00840	0.500	0.750	0.760	0.155	0.621	0.250	\$6.77
7580-10060	1.000	1.375	1.385	0.195	1.077	0.345	\$8.23
7580-10860	1.500	1.875	1.885	0.195	1.577	0.345	\$8.58
7580-11260	1.750	2.125	2.135	0.195	1.827	0.345	\$13.09
7580-11561	1.937	2.313	2.322	0.195	2.014	0.345	\$16.20
7580-20060	2.000	2.375	1.384	0.195	2.077	0.345	\$13.25
7580-20481	2.210	2.750	2.760	0.255	2.452	0.400	\$18.60
7580-20460	2.250	2.625	2.635	0.195	2.327	0.345	\$20.89
7580-20781	2.437	3.000	3.010	0.286	2.633	0.468	\$22.06
7580-20880	2.450	3.000	3.010	0.286	2.646	0.468	\$27.20
7580-20881	2.500	3.000	3.010	0.255	2.652	0.443	\$10.21
7580-21281	2.750	3.250	3.260	0.255	2.902	0.443	\$17.91
7580-30080	2.950	3.500	3.510	0.286	3.126	0.468	\$15.85
7580-30061	2.980	3.355	3.365	0.195	3.057	0.345	\$15.50
7580-30381	3.165	3.734	3.744	0.255	3.317	0.443	\$18.37
7580-30880	3.450	4.000	4.010	0.280	3.646	0.463	\$28.80
7580-30862	3.500	3.875	3.885	0.195	3.577	0.345	\$34.13
7580-40080	3.950	4.500	4.510	0.280	4.146	0.463	\$20.42
7580-40081	4.000	4.500	4.510	0.255	4.152	0.443	\$23.83
7580-40881	4.500	5.000	5.010	0.255	4.652	0.443	\$34.26
7580-41581	4.925	5.489	5.499	0.286	5.121	0.468	\$29.08
7580-50081	5.000	5.500	5.499	0.255	5.157	0.443	\$30.44
7580-51280	5.700	6.250	6.260	0.280	5.896	0.463	\$36.78
7580-80081	8.000	8.500	8.510	0.255	8.152	0.443	\$37.33

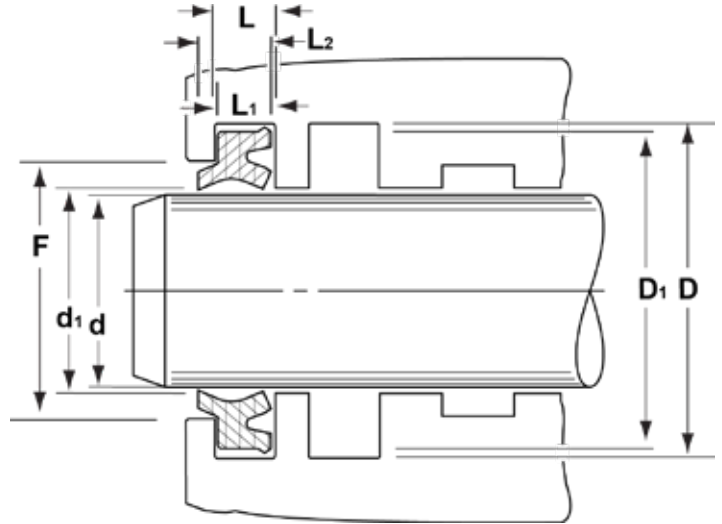
H Double Lip Urethane Wipers - Inch



EXAMPLE: H-1000	
Prefix	Inside Diameter
H-	1000
	1"

H type double lip wipers are one piece snap-in type rod wipers made from 90 durometer urethane. Wiping and sealing functions can be performed from a single component in low pressure systems. As the external lip scrapes foreign matter from the rod, the other lip acts as an effective pressure seal in low pressure pneumatic applications and a secondary seal to trap slight leakage in hydraulic systems.

Temperature: -65° to 200°F



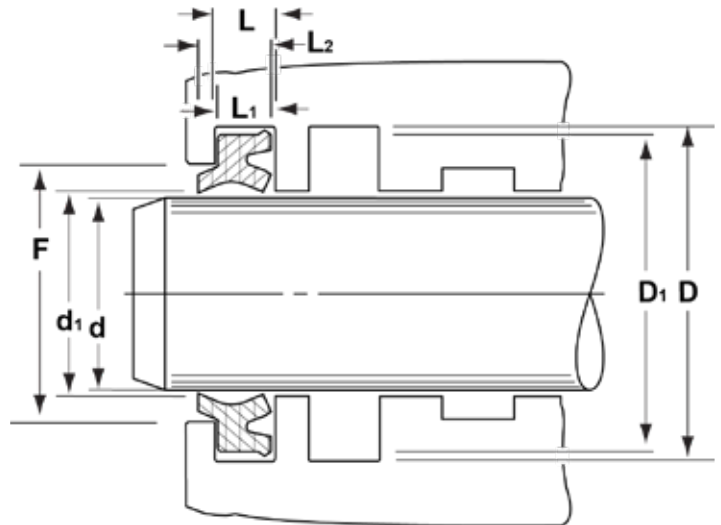
ALTERNATIVE SEALS:
8600 (RUBBER)

Part Number	Wiper Dimensions				Groove Dimensions			Price
	Rod Dia. d	Outside Dia. D ₁	Base Height L ₁	Total Seal Ht L ₂	+0.002 -0.000 D	+0.005 -0.000 L	+0.002 -0.000 F	
H-0250	0.250	0.562	0.194	0.245	0.552	0.203	0.370	\$2.94
H-0312	0.312	0.625	0.194	0.245	0.615	0.203	0.432	\$2.94
H-0375	0.375	0.687	0.194	0.245	0.677	0.203	0.495	\$3.02
H-0500	0.500	0.812	0.194	0.245	0.802	0.203	0.620	\$3.07
H-0625	0.625	0.937	0.194	0.245	0.927	0.203	0.745	\$3.29
H-0750	0.750	1.062	0.194	0.245	1.052	0.203	0.870	\$3.44
H-0875	0.875	1.250	0.212	0.275	1.240	0.218	1.010	\$3.57
H-1000	1.000	1.375	0.212	0.275	1.365	0.218	1.135	\$3.63
H-1125	1.125	1.500	0.212	0.275	1.490	0.218	1.260	\$3.79
H-1250	1.250	1.625	0.212	0.275	1.615	0.218	1.385	\$3.97
H-1375	1.375	1.750	0.212	0.275	1.740	0.218	1.510	\$4.32
					(+0.003)		(+0.003)	
H-1500	1.500	1.875	0.212	0.275	1.865	0.218	1.635	\$4.65
H-1625	1.625	2.000	0.212	0.275	1.990	0.218	1.760	\$4.81
H-1750	1.750	2.125	0.212	0.275	2.115	0.218	1.885	\$4.98
H-1875	1.875	2.250	0.212	0.275	2.240	0.218	2.010	\$5.44
H-2000	2.000	2.375	0.212	0.275	2.365	0.218	2.135	\$5.65
H-2125	2.125	2.500	0.212	0.275	2.490	0.218	2.260	\$5.85
H-2187	2.187	2.687	0.275	0.351	2.683	0.281	2.323	\$5.94
H-2250	2.250	2.750	0.275	0.351	2.745	0.281	2.385	\$5.97
H-2375	2.375	2.875	0.275	0.351	2.870	0.281	2.510	\$8.68
H-2500	2.500	3.000	0.275	0.351	2.995	0.281	2.635	\$6.28
H-2500-1	2.500	3.000	0.290	0.375	2.995	0.295	2.635	\$9.04
H-2625	2.625	3.125	0.275	0.351	3.120	0.281	2.760	\$6.66
H-2750	2.750	3.250	0.275	0.351	3.245	0.281	2.885	\$7.14
H-3000	3.000	3.500	0.275	0.351	3.495	0.281	3.135	\$8.01
H-3250	3.250	3.750	0.275	0.351	3.745	0.281	3.385	\$9.08
H-3500	3.500	4.000	0.275	0.351	3.995	0.281	3.635	\$9.51
H-3500-1	3.500	4.000	0.290	0.375	3.995	0.295	3.635	\$10.04
H-3625	3.625	4.125	0.275	0.351	4.120	0.281	3.760	\$11.95

H Double Lip Urethane Wipers - Inch, cont'd.

Part Number	Wiper Dimensions				Groove Dimensions			Price
	Rod Dia. d	Outside Dia. D ₁	Base Height L ₁	Total Seal Ht L ₂	+0.003 -0.000 D	+0.005 -0.000 L	+0.003 -0.000 F	
H-3750	3.750	4.250	0.275	0.351	4.245	0.281	3.885	\$12.43
H-3875	3.875	4.375	0.275	0.351	4.370	0.281	4.010	\$12.94
H-4000	4.000	4.500	0.275	0.351	4.495	0.281	4.135	\$10.95
H-4500	4.500	5.000	0.275	0.351	4.995	0.281	4.635	\$11.74
H-4500-1	4.500	5.000	0.275	0.375	4.995	0.281	4.635	\$13.09
H-4750	4.750	5.250	0.275	0.351	5.245	0.281	4.885	\$19.24
H-5000	5.000	5.500	0.275	0.351	5.495	0.281	5.135	\$19.53
H-5125	5.125	5.625	0.275	0.351	5.620	0.281	5.260	\$19.65
H-5250	5.250	5.750	0.275	0.351	5.745	0.281	5.385	\$20.70
H-5500	5.500	6.000	0.275	0.351	5.995	0.281	5.635	\$21.18
H-6000	6.000	6.500	0.275	0.351	6.495	0.281	6.135	\$26.16
H-7000	7.000	7.500	0.275	0.351	7.495	0.281	7.135	\$30.09
H-8000	8.000	8.500	0.275	0.351	8.495	0.281	8.135	\$41.51
H-8500	8.500	9.000	0.275	0.351	8.995	0.281	8.635	\$45.76
H-10000	10.000	10.500	0.275	0.351	10.495	0.281	10.135	\$57.69
H-17500	17.500	18.000	0.275	0.351	17.995	0.281	17.635	\$136.11

Special High Lip H Wipers - Inch



These urethane wipers are used in car carrier cylinder applications.

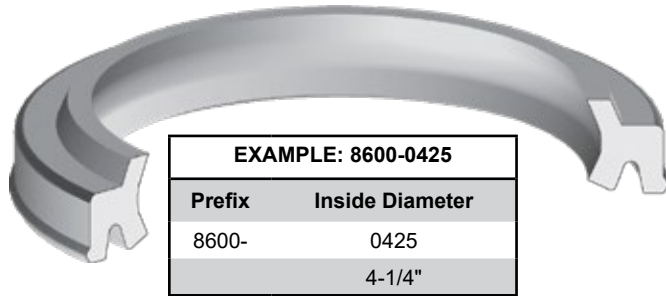
Temperature: -65° to 200°F

ALTERNATIVE SEALS:
H WIPER

Part Number	Rod Dia. d	Outside Dia. D ₁	Base Height L ₁	Total Seal Ht L ₂	Price
2537-150	1.500	1.875	0.218	0.406	\$6.00
2537-200	2.000	2.375	0.218	0.406	\$6.27

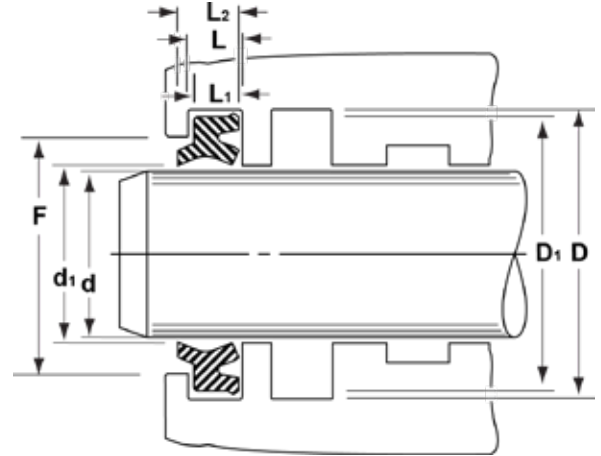
EXAMPLE: 2537-150	
Prefix	Inside Diameter
2537-	150
	1-1/2"

8600 Double Lip Nitrile Wipers - Inch



8600 type double lip wipers are one piece snap-in type rod wipers made from 90 durometer nitrile. Parts with a "V" suffix are 90D FKM. Wiping and sealing functions can be performed from a single component in low pressure systems. As the outer lip scrapes foreign matter from the rod, the inner lip acts as an effective pressure seal in low pressure pneumatic applications and a secondary seal to trap slight leakage in hydraulic systems. We recommend the use of the 8600 type nitrile wiper over the H type urethane wiper when using a nitrile rod seal.

Temperature: -40° to 250°F



ALTERNATIVE SEALS:
H (URETHANE)

Parts marked with suffix "V" are FKM

Part Number	Wiper Dimensions				Groove Dimensions			Price
	Rod Dia. d	Outside Dia. D ₁	Base Height L ₁	Total Seal Ht L ₂	+0.002 -0.000 D	+0.005 -0.000 L	+0.002 -0.000 F	
8600-0037	0.375	0.687	0.194	0.245	0.677	0.203	0.495	\$3.21
8600-0050	0.500	0.812	0.194	0.245	0.802	0.203	0.620	\$2.96
8600-0062	0.625	0.937	0.194	0.245	0.927	0.203	0.745	\$3.47
8600-0062V	0.625	0.937	0.194	0.245	0.927	0.203	0.745	\$11.16
8600-0068	0.687	1.000	0.194	0.245	0.990	0.203	0.808	\$10.38
8600-0075	0.750	1.062	0.194	0.245	1.052	0.203	0.870	\$4.69
8600-0087	0.875	1.250	0.212	0.275	(+0.003)		(+0.003)	\$13.58
8600-0087V	0.875	1.250	0.212	0.275	1.240	0.218	1.010	\$27.73
8600-0100	1.000	1.375	0.212	0.275	1.365	0.218	1.135	\$3.67
8600-0100V	1.000	1.375	0.212	0.275	1.365	0.218	1.135	\$12.79
8600-0112	1.125	1.500	0.212	0.275	1.490	0.218	1.260	\$5.06
8600-0125	1.250	1.625	0.212	0.275	1.615	0.218	1.385	\$5.94
8600-0125V	1.250	1.625	0.212	0.275	1.615	0.218	1.385	\$26.71
8600-0137	1.375	1.750	0.212	0.275	1.740	0.218	1.510	\$4.34
8600-0137 CN80	1.375	1.750	0.212	0.275	1.740	0.218	1.510	\$16.04
8600-0137V	1.375	1.750	0.212	0.275	1.740	0.218	1.510	\$22.46
8600-0150	1.500	1.875	0.212	0.275	1.865	0.218	1.635	\$4.79
8600-0162	1.625	2.000	0.212	0.275	1.990	0.218	1.760	\$22.09
8600-0175	1.750	2.125	0.212	0.275	2.115	0.218	1.885	\$5.03
8600-0175V	1.750	2.125	0.212	0.275	2.115	0.218	1.885	\$32.74
8600-0187	1.875	2.250	0.212	0.275	2.240	0.218	2.010	\$17.05
8600-0200	2.000	2.375	0.212	0.275	2.365	0.218	2.135	\$5.66
8600-0200V	2.000	2.375	0.212	0.275	2.365	0.218	2.135	\$17.63
8600-0212	2.125	2.500	0.212	0.275	2.490	0.218	2.260	\$5.70
8600-0250	2.500	3.000	0.275	0.351	2.995	0.281	2.635	\$5.20
8600-0250-4183	2.500	3.000	0.275	0.351	2.995	0.281	2.635	\$41.35
8600-0250V	2.500	3.000	0.275	0.351	2.995	0.281	2.635	\$20.46
8600-0268	2.688	3.188	0.275	0.351	3.183	0.281	2.823	\$30.59
8600-0275	2.750	3.250	0.275	0.351	3.245	0.281	2.885	\$21.94
8600-0275V	2.750	3.250	0.275	0.351	3.245	0.281	2.885	\$87.18
8600-0293	2.937	3.438	0.275	0.351	3.433	0.281	3.073	\$24.54
8600-0300	3.000	3.500	0.275	0.351	3.495	0.281	3.135	\$7.96
8600-0300V	3.000	3.500	0.275	0.351	3.495	0.281	3.135	\$26.15
8600-0325	3.250	3.750	0.275	0.351	3.745	0.281	3.385	\$26.96

8600 Double Lip Nitrile Wipers - Inch, cont'd.

Part Number	Wiper Dimensions				Groove Dimensions			Price
	Rod Dia. d	Outside Dia. D ₁	Base Height L ₁	Total Seal Ht L ₂	+0.002 -0.000 D	+0.005 -0.000 L	+0.002 -0.000 F	
8600-0343	3.437	3.938	0.275	0.351	3.932	0.281	3.572	\$28.04
8600-0350	3.500	4.000	0.275	0.351	3.995	0.281	3.635	\$9.40
8600-0350V	3.500	4.000	0.275	0.351	3.995	0.281	3.635	\$32.91
8600-0375	3.750	4.250	0.275	0.351	4.245	0.281	3.885	\$30.41
8600-0400	4.000	4.500	0.275	0.351	4.495	0.281	4.135	\$18.92
8600-0400V	4.000	4.500	0.275	0.351	4.495	0.281	4.135	\$35.07
8600-0400-4207	4.000	4.500	0.275	0.351	4.495	0.281	4.135	\$36.44
8600-0425	4.250	4.750	0.275	0.351	4.745	0.281	4.385	\$31.01
8600-0443	4.438	4.938	0.275	0.351	4.933	0.281	4.573	\$39.41
8600-0450	4.500	5.000	0.275	0.351	4.995	0.281	4.635	\$9.86
8600-0475	4.750	5.250	0.275	0.351	5.245	0.281	4.885	\$23.42
8600-0500	5.000	5.500	0.275	0.351	5.495	0.281	5.135	\$21.60
8600-0518	5.188	5.688	0.275	0.351	5.683	0.281	5.323	\$44.76
8600-0550	5.500	6.000	0.275	0.351	5.995	0.281	5.635	\$36.96
8600-0550V	5.500	6.000	0.275	0.351	5.995	0.281	5.635	\$42.35
8600-0600	6.000	6.500	0.275	0.351	6.495	0.281	6.135	\$42.60
8600-0637	6.375	6.875	0.275	0.351	6.870	0.281	6.510	\$59.97
8600-0675	6.750	7.250	0.275	0.351	7.245	0.281	6.885	\$71.78
8600-0700	7.000	7.500	0.275	0.351	7.495	0.281	7.135	\$39.31
8600-0725	7.250	7.750	0.275	0.351	7.745	0.281	7.385	\$52.54
8600-0800	8.000	8.500	0.275	0.351	8.495	0.281	8.135	\$53.09
8600-0900	9.000	9.500	0.275	0.351	9.495	0.281	9.135	\$61.89
8600-0975	9.750	10.250	0.275	0.351	10.245	0.281	9.885	\$68.80
8600-1000	10.000	10.500	0.275	0.351	10.495	0.281	10.135	\$74.68

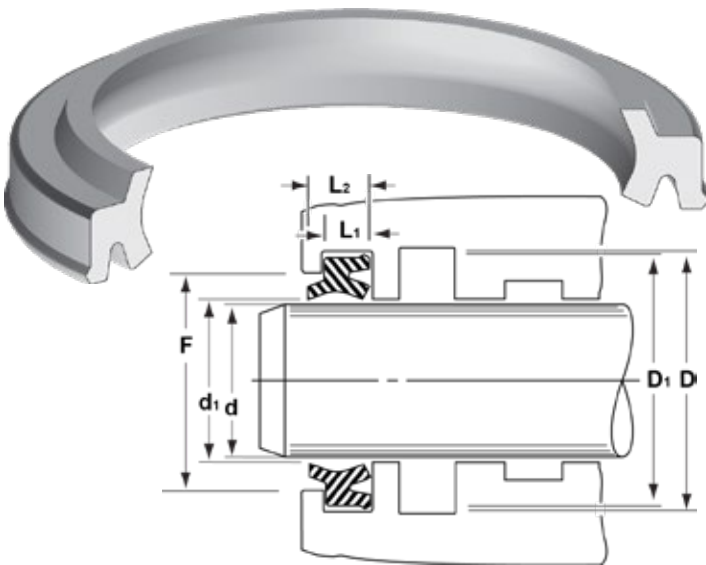
SDR Double Lip Nitrile Wipers - Metric

SDR type double lip wipers are one piece snap-in type rod wipers made from 90 durometer nitrile. Wiping and sealing functions can be performed from a single component in low pressure systems. As the outer lip scrapes foreign matter from the rod, the inner

lip acts as an effective pressure seal in low pressure pneumatic applications and a secondary seal to trap slight leakage in hydraulic systems. We recommend the use of the SDR type nitrile wiper over the AY type urethane wiper when using a nitrile rod seal.

Temperature: -40° to 250°F

Parts marked with suffix "V" are FKM

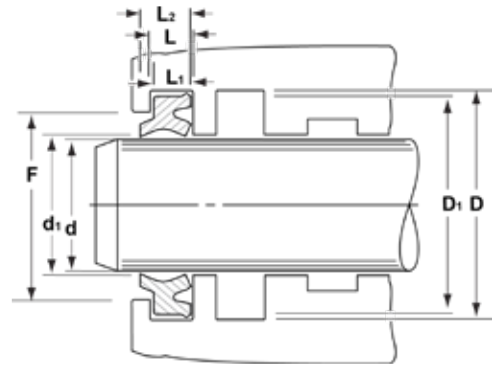


ALTERNATIVE SEALS:
AY (URETHANE), A40, 842

EXAMPLE: SDR-18	
Prefix	Inside Diameter
SDR-	18
	18mm

Part Number	Rod Dia. d	Out- side Dia. D ₁	Base Height L ₁	Total Seal Ht L ₂	Price
SDR-16A	16	22	3.5	5.0	\$4.19
SDR-16	16	24	4.3	6.0	\$4.53
SDR-18	18	26	4.5	7.0	\$14.23
SDR-22.4	22.4	30.4	4.5	6.0	\$14.61
SDR-25	25	33	4.5	6.0	\$14.94
SDR-28V	28	36	4.5	6.0	\$20.88
SDR-35	35	43	5.0	6.5	\$15.82
SDR-35.5	35.5	43.5	5.0	7.0	\$16.14
SDR-36	36	44	5.0	7.0	\$16.65
SDR-40	40	48	5.0	7.0	\$16.93
SDR-50	50	58	5.0	6.5	\$18.40
SDR-60	60	68	5.0	6.5	\$20.01
SDR-70	70	80	5.0	7.0	\$21.23
SDR-112	112	122	6.0	8.0	\$32.16
SDR-125	125	138	6.0	8.0	\$56.38
SDR-129	129	142	7.0	9.0	\$81.76
SDR-140	140	153	7.0	9.5	\$97.34
SDR-190	190	203	7.0	9.5	\$108.20

AY Double Lip Urethane Wipers - Metric



EXAMPLE: AY-45X53X5

Prefix	Inside Diameter		Outside Diameter		Base Height
AY-	45	x	53	x	5
	45mm		53mm		5mm

ALTERNATIVE SEALS:
A40, 842, SDR (Rubber)

AY type double lip are one piece snap-in type rod wipers made from 90 durometer urethane. Wiping and sealing functions can be performed from a single component in low pressure systems. As the outside lip scrapes foreign matter from the rod, the other lip acts as an effective pressure seal in low pressure pneumatic applications and a secondary seal to trap slight leakage in hydraulic systems.

Temperature: -40° to 230°F

Part Number					Groove Dimensions		Price
Prefix	Rod Dia. d	O.D. D ₁	Base Height L ₁		±0.1 L	±0.1 F	
AY - 12	x	18	x	3.6	4		\$5.47
AY - 14	x	22	x	4.5	5		\$3.69
AY - 14	x	24	x	5	5.5		\$11.89
AY - 16	x	22	x	3.6	4		\$3.03
AY - 18	x	26	x	4	4.5		\$3.08
AY - 18	x	26	x	4.5	5	22.3	\$2.84
AY - 20	x	26	x	4	4.5		\$3.56
AY - 20	x	27	x	4	4.5		\$3.49
AY - 20	x	28	x	4.5	5	24.3	\$3.22
AY - 22	x	28	x	3.6	4	24.5	\$8.12
AY - 22	x	30	x	4.5	5	24.5	\$5.56
AY - 22	x	30	x	5	5.5		\$5.69
AY - 22.4	x	30.4	x	4.5	5	26.4	\$3.18
AY - 23.5	x	31.5	x	4.5	5		\$3.18
AY - 25	x	31	x	3.6	4	27.5	\$5.72
AY - 25	x	33	x	4.5	5	29.3	\$3.36
AY - 25	x	33	x	5	5.5		\$4.71
AY - 26	x	32	x	2.5	3		\$3.51
AY - 28	x	36	x	4.5	5	32.3	\$3.36
AY - 30	x	38	x	4.5	5	34	\$14.74
AY - 30	x	38	x	5	5.5	34.3	\$3.50
AY - 30	x	38.6	x	5.3	6		\$3.50
AY - 31.5	x	39.5	x	5	5.5	35.8	\$3.70
AY - 32	x	40	x	4	4.5		\$3.75
AY - 32	x	40	x	5	5.5	36.3	\$5.28

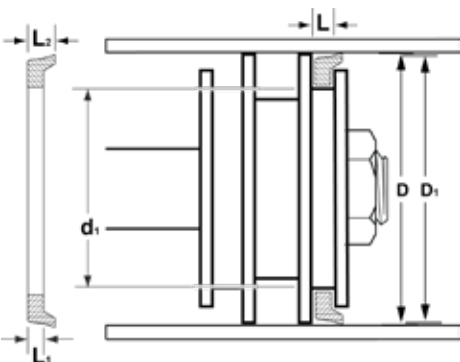
Part Number					Groove Dimensions		Price
Prefix	Rod Dia. d	O.D. D ₁	Base Height L ₁		±0.1 L	±0.1 F	
AY - 35	x	43	x	5	5.5	39.3	\$4.20
AY - 35.5	x	43.5	x	5	5.5	39.8	\$6.55
AY - 36	x	44	x	5	5.5		\$7.02
AY - 38	x	46	x	5	5.5		\$15.32
AY - 40	x	48	x	5	5.5	44.3	\$4.78
AY - 40	x	48.6	x	5.3	6		\$16.57
AY - 42	x	50	x	4.5	5		\$15.71
AY - 45	x	53	x	5	5.5	49.3	\$5.15
AY - 50	x	58	x	4.5	5.5	54	\$10.38
AY - 50	x	58	x	5	5.5	54.3	\$5.52
AY - 53	x	61	x	5	5.5	57.3	\$5.84
AY - 55	x	63	x	4	4.5		\$5.84
AY - 55	x	63	x	5	5.5	59.3	\$6.22
AY - 55	x	65	x	5	5.5		\$9.14
AY - 56	x	64	x	5	5.5	60.3	\$6.24
AY - 56	x	66	x	5.5	6		\$7.29
AY - 60	x	68	x	5	5.5		\$7.61
AY - 60	x	70	x	5.3	5.5	65	\$6.92
AY - 63	x	71	x	5	5.5	67.3	\$6.47
AY - 63	x	73	x	5.3	5.8		\$12.62
AY - 65	x	73	x	4	4.5		\$5.99
AY - 65	x	73	x	5	5.5	69.3	\$6.71
AY - 65	x	75	x	5	5.5		\$8.97
AY - 70	x	78.6	x	5.3	6		\$12.54
AY - 70	x	80	x	5	5.5		\$8.01

AY Double Lip Metric Urethane Wipers - Metric, cont'd.

Prefix	Part Number			Groove Dimensions		Price
	Rod Dia. d	O.D. D ₁	Base Height L ₁	±0.1 L	±0.1 F	
AY -	70	x 80	x 5	5.3		\$8.01
AY -	70	x 80	x 6	7	75	\$8.10
AY -	71	x 81	x 6	7	76	\$8.11
AY -	75	x 83.6	x 5.3	6		\$12.54
AY -	75	x 85	x 5	5.5		\$8.22
AY -	75	x 85	x 6	7	80	\$8.69
AY -	75	x 87	x 7	8		\$8.22
AY -	80	x 88.6	x 5	5.5		\$17.08
AY -	80	x 90	x 6	7	85	\$8.58
AY -	80	x 90	x 7	8		\$9.48
AY -	80	x 92	x 7	8		\$9.77
AY -	85	x 95	x 6	7	90	\$9.18
AY -	90	x 100	x 6	7	95	\$9.56
AY -	90	x 102	x 7	8		\$8.74
AY -	90	x 102.2	x 7.1	7.1		\$13.65
AY -	95	x 105	x 6	7	100	\$16.28
AY -	95	x 107	x 7	7.5		\$9.02
AY -	98	x 108	x 6	7	103	\$12.60
AY -	100	x 110	x 6	7	105	\$13.98
AY -	105	x 115	x 6	7	110	\$19.65
AY -	107	x 117	x 5	5.5		\$21.41
AY -	110	x 120	x 6	7	115	\$13.15
AY -	110	x 122.2	x 7.1	7.1		\$25.07
AY -	112	x 122	x 6	7	117	\$15.80
AY -	115	x 125	x 6	7	120	\$26.30
AY -	118	x 128	x 6	7	123	\$27.91
AY -	120	x 130	x 6	7	125	\$27.91
AY -	120	x 130	x 7	8		\$36.30

Prefix	Part Number			Groove Dimensions		Price
	Rod Dia. d	O.D. D ₁	Base Height L ₁	±0.1 L	±0.1 F	
AY -	125	x 138	x 7	8	132	\$16.55
AY -	130	x 143	x 7	8	137	\$16.45
AY -	132	x 145	x 7	8		\$16.10
AY -	136	x 149	x 7	8	143	\$17.77
AY -	140	x 153	x 7	8	147	\$18.29
AY -	140	x 155	x 7.5	8		\$44.18
AY -	150	x 163	x 7	8	157	\$38.81
AY -	155	x 168	x 7	8	162	\$51.26
AY -	160	x 173	x 7	8	167	\$43.47
AY -	160	x 174	x 7	8	167	\$20.64
AY -	165	x 179	x 7	8	172	\$20.79
AY -	170	x 183	x 7	8	177	\$75.57
AY -	175	x 188	x 7	8	182	\$61.68
AY -	180	x 193	x 7	8	187	\$61.88
AY -	180	x 194	x 7	8	187	\$22.20
AY -	190	x 203	x 7	8	197	\$25.05
AY -	200	x 213	x 7	8	207	\$72.64
AY -	204	x 218	x 7	8	211	\$24.75
AY -	205	x 215	x 7	8	212	\$26.09
AY -	210	x 223	x 7	8	217	\$76.02
AY -	220	x 233	x 7	8	227	\$78.18
AY -	230	x 243	x 7	8	237	\$85.68
AY -	230	x 244	x 7	8	237	\$33.43
AY -	240	x 256	x 9	10	248	\$130.57
AY -	250	x 263	x 7	8	257	\$33.09
AY -	250	x 265	x 9	10	258	\$134.08
AY -	260	x 275	x 9	10	268	\$144.51
AY -	270	x 285	x 9	10	278	\$150.08

O.D. Lip Urethane Wipers - Inch & Metric



Temperature: -65° to 200°F

Part Number	Outside Dia./Bore D	Groove Dia. d	Seal Base Ht L ₁	Total Seal Ht L ₂	Price
994480	60MM	50MM	3MM	8MM	\$13.57
994422	3.625	3.125	0.125	0.25	\$14.57

Part Number	Outside Dia./Bore D	Groove Dia. d	Seal Base Ht L ₁	Total Seal Ht L ₂	Price
994553	4.000	3.500	0.125	0.205	\$15.69
994554	5.000	4.500	0.125	0.205	\$16.60

ASC Nitrile Wipers - Inch

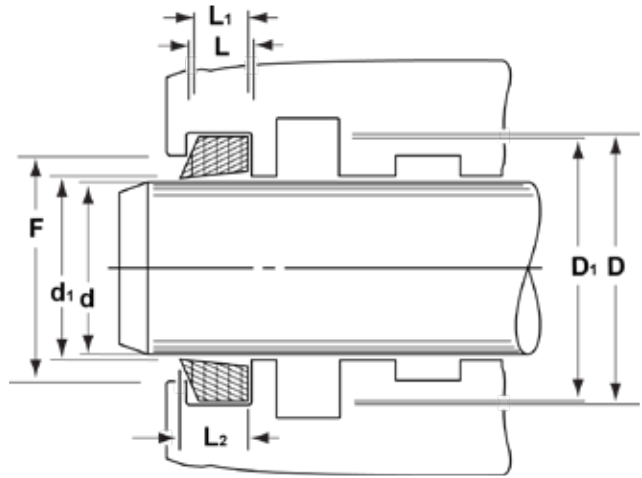


ASC style wipers are normally found in lighter duty applications for reciprocating rods. Standard material is 90 durometer nitrile. Parts without "N" Suffix are urethane.

Temperature: -40° to 250°F

AN NUMBERING SYSTEM

EXAMPLE: ASC-1N		
Prefix	Inside Diameter	Suffix
ASC-	1	N
	1/2"	NBR



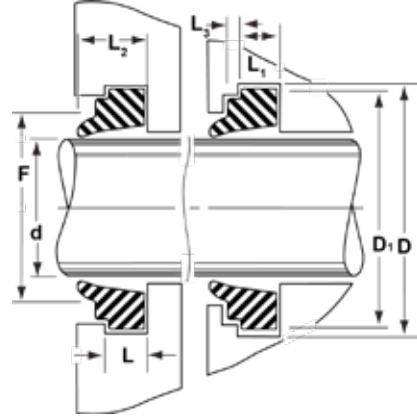
Inch Sizes						
Part Number	Wiper Dimensions		Groove Dimensions			Price
	Rod Dia. d	Outside Dia. D ₁	±.005 D	±.010 L	±.005 F	
ASC-1N	0.500	0.680	0.680	0.130	0.560	\$8.91
ASC-3N	0.625	0.820	0.820	0.140	0.700	\$8.91
ASC-5N	0.750	0.950	0.950	0.140	0.820	\$8.97
ASC-7N	0.875	1.075	1.075	0.150	0.950	\$9.08
ASC-9N	1.000	1.240	1.240	0.160	1.080	\$9.23
ASC-11N	1.125	1.360	1.360	0.160	1.210	\$9.24
ASC-13N	1.250	1.475	1.475	0.170	1.330	\$9.24
ASC-15N	1.375	1.625	1.625	0.170	1.460	\$9.89
ASC-17N	1.500	1.770	1.770	0.180	1.590	\$10.76
ASC-21N	1.750	2.030	2.030	0.190	1.850	\$11.04
ASC-25N	2.000	2.300	2.300	0.200	2.100	\$11.81
ASC-26N	2.125	2.430	2.430	0.210	2.230	\$12.61
ASC-27N	2.250	2.570	2.570	0.210	2.360	\$12.80
ASC-28N	2.375	2.700	2.700	0.220	2.490	\$13.02
ASC-31N	2.750	3.102	3.102	0.230	2.850	\$13.33
ASC-33N	3.000	3.380	3.380	0.240	3.130	\$13.59
ASC-34N	3.125	3.510	3.510	0.250	3.260	\$14.65
ASC-35N	3.250	3.646	3.646	0.250	3.390	\$15.57
ASC-37N	3.500	3.920	3.920	0.270	3.640	\$16.71
ASC-7	0.875	1.075	1.075	0.150	0.950	\$9.08
ASC-11	1.125	1.360	1.360	0.160	1.210	\$9.24
ASC-26	2.125	2.430	2.430	0.210	2.230	\$12.61
ASC-28	2.375	2.700	2.700	0.220	2.490	\$13.02
ASC-33	3.000	3.380	3.380	0.240	3.130	\$13.59
ASC-34	3.125	3.510	3.510	0.250	3.260	\$14.65

Other sizes are available upon request.

A41 Urethane & Nitrile Wipers - Metric



ALTERNATIVE SEALS:
A40, AY, DA17



EXAMPLE: A41-16X24X4 P90

Prefix	Inside Diameter		Outside Diameter		Base Height	Suffix
A41-	16	x	24	x	4	P90
	16mm		24mm		4mm	90A PU

A41 series European wipers are made from either 90 durometer nitrile or urethane designated by P90 in the part number. The function of the A41 style wiper is to keep dust, dirt, grains of sand, and metal chips from penetrating the rod gland. This is achieved by a special design which prevents the development of chamfers, protects the

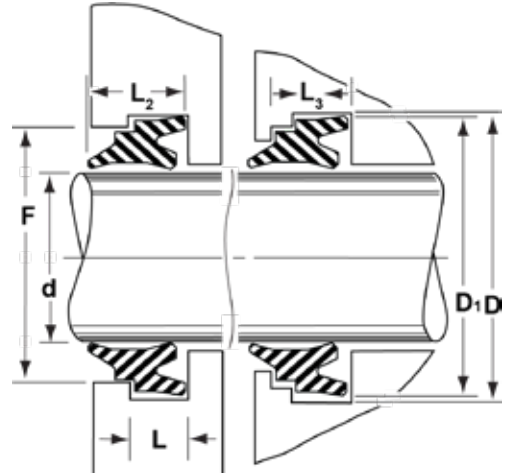
guiding parts, and extends the working life of the seals. Oversized diameters ensure a tight fit in the groove recess, thus preventing the penetration of foreign particles and dampness.

Temperature: -40° to 230°F

Part Number					Total Seal Ht L ₂	Groove Dimensions		Price
Prefix	Rod Dia. d	Groove Dia. D	Groove Height L	Material		±0.1 F	±0.2 L ₃	
A41 -	4	x	12	x	7	10	1	\$2.36
A41 -	8	x	16	x	7	14	1	\$2.42
A41 -	10	x	18	x	7	16	1	\$2.86
A41 -	12	x	18	x	5	16	1	\$2.42
A41 -	12	x	20	x	7	18	1	\$2.44
A41 -	14	x	22	x	7	20	1	\$2.45
A41 -	15	x	23	x	7	21	1	\$2.46
A41 -	16	x	24	x	7	22	1	\$2.42
A41 -	16	x	24	x	7	22	1	\$2.42
A41 -	18	x	26	x	7	24	1	\$2.46
A41 -	18	x	26	x	7	24	1	\$4.70
A41 -	20	x	28	x	7	26	1	\$2.46
A41 -	20	x	28	x	7	26	1	\$3.09
A41 -	22	x	30	x	7	28	1	\$2.53
A41 -	24	x	32	x	7	30	1	\$2.53
A41 -	25	x	33	x	7	31	1	\$2.53
A41 -	28	x	36	x	7	34	1	\$2.81
A41 -	28	x	36	x	7	34	1	\$2.81
A41 -	30	x	38	x	7	36	1	\$3.40
A41 -	32	x	40	x	7	38	1	\$3.47
A41 -	32	x	40	x	7	38	1	\$2.81
A41 -	35	x	43	x	7	41	1	\$3.08
A41 -	36	x	44	x	7	42	1	\$3.18
A41 -	38	x	46	x	7	44	1	\$3.39
A41 -	40	x	48	x	7	46	1	\$3.39
A41 -	40	x	48	x	7	46	1	\$3.39
A41 -	42	x	50	x	7	48	1	\$3.48
A41 -	44	x	52	x	7	50	1	\$12.90
A41 -	45	x	53	x	7	51	1	\$3.48
A41 -	45	x	53	x	7	51	1	\$3.19
A41 -	48	x	56	x	7	54	1	\$4.24
A41 -	50	x	58	x	7	56	1	\$4.70
A41 -	50	x	58	x	7	56	1	\$3.49
A41 -	50	x	62	x	10	59	1.5	\$4.69
A41 -	52	x	60	x	7	58	1	\$4.20
A41 -	54	x	62	x	7	60	1	\$4.34
A41 -	55	x	63	x	7	61	1	\$4.48
A41 -	55	x	63	x	7	61	1	\$4.51
A41 -	56	x	64	x	7	62	1	\$4.55
A41 -	56	x	64	x	7	62	1	\$6.73

Part Number					Total Seal Ht L ₂	Groove Dimensions		Price
Prefix	Rod Dia. d	Groove Dia. D	Groove Height L	Material		±0.1 F	±0.2 L ₃	
A41 -	60	x	68	x	7	66	1	\$4.55
A41 -	60	x	68	x	7	66	1	\$4.31
A41 -	60	x	72	x	10	69	1.5	\$6.45
A41 -	62	x	70	x	7	68	1	\$4.88
A41 -	63	x	71	x	7	69	1	\$4.63
A41 -	63	x	71	x	7	69	1	\$4.31
A41 -	65	x	73	x	7	71	1	\$4.89
A41 -	70	x	78	x	7	76	1	\$5.07
A41 -	70	x	78	x	7	76	1	\$4.14
A41 -	75	x	83	x	7	81	1	\$5.52
A41 -	80	x	88	x	7	86	1	\$5.70
A41 -	80	x	88	x	7	86	1	\$5.98
A41 -	85	x	93	x	7	91	1	\$6.28
A41 -	90	x	98	x	7	96	1	\$8.57
A41 -	100	x	108	x	7	106	1	\$8.95
A41 -	110	x	118	x	7	116	1	\$10.29
A41 -	110	x	122	x	10	119	1.5	\$11.59
A41 -	115	x	127	x	10	124	1.5	\$21.97
A41 -	120	x	132	x	10	129	1.5	\$12.43
A41 -	125	x	137	x	10	134	1.5	\$12.86
A41 -	130	x	142	x	10	140	1.5	\$13.07
A41 -	140	x	152	x	10	149	1.5	\$15.79
A41 -	150	x	162	x	10	159	1.5	\$20.52
A41 -	150	x	162	x	10	159	1.5	\$21.51
A41 -	155	x	167	x	10	165	1.5	\$17.49
A41 -	160	x	172	x	10	169	1.5	\$24.37
A41 -	170	x	182	x	10	180	1.5	\$70.79
A41 -	180	x	192	x	10	189	1.5	\$27.04
A41 -	180	x	192	x	10	189	2	\$29.77
A41 -	190	x	202	x	10	199	1.5	\$41.71
A41 -	200	x	212	x	10	209	1.5	\$39.60
A41 -	210	x	225	x	13	221	2	\$40.64
A41 -	220	x	235	x	13	231	2	\$45.54
A41 -	240	x	255	x	13	251	2	\$122.24
A41 -	250	x	265	x	13	261	2	\$103.84
A41 -	300	x	315	x	13	311	2	\$93.51
A41 -	310	x	325	x	13	321	2	\$172.03
A41 -	325	x	340	x	13	339	2	\$178.58
A41 -	450	x	465	x	13	461	2	\$244.58

DA17 Nitrile Wipers - Metric



ALTERNATIVE SEALS:
AY, A41, A40

EXAMPLE: DA17-0100	
Prefix	Inside Diameter
DA17-	0100
	10mm

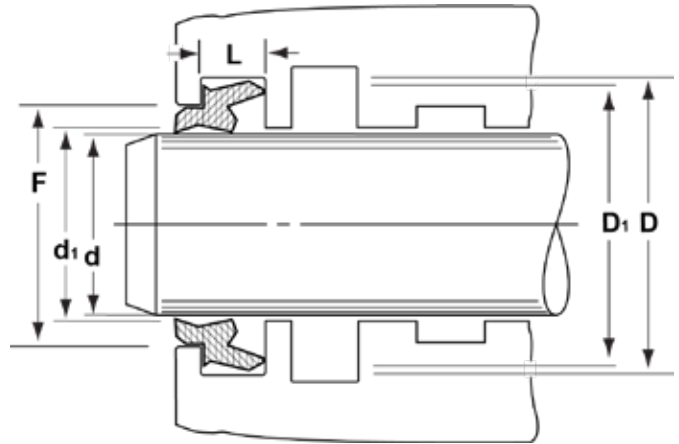
The DA17 wiper utilizes an extra step on the heel that adds extra stability, helps maintain consistent wiping pressure, and ensures wiper retention. The u-cup base keeps excess oil inside the cylinder. Standard material is nitrile, but may be available in 90 durometer urethane. Consult sales for sizes not listed.

Temperature: -40° to 230°F

Part No.	Rod Dia. d	Groove Dia D	Groove Length L	L ₃	L ₂	D ₁	F	Price
DA17-0100	10	18	4	6	8	16	13.5	\$3.73
DA17-0120	12	20	4	6	8	18	15.5	\$4.06
DA17-0140	14	22	4	6	8	20	17.5	\$4.06
DA17-0150	15	23	4	6	8	21	18.5	\$4.06
DA17-0160	16	24	4	6	8	22	19.5	\$4.06
DA17-0180	18	26	4	6	8	24	21.5	\$4.06
DA17-0200	20	28	4	6	8	26	23.5	\$4.06
DA17-0220	22	30	4	6	8	28	25.5	\$4.34
DA17-0250	25	33	4	6	8	31	28.5	\$4.34
DA17-0280	28	36	4	6	8	34	31.5	\$4.73
DA17-0300	30	38	4	6	8	36	33.5	\$4.73
DA17-0320	32	40	4	6	8	38	35.5	\$4.86
DA17-0350	35	43	4	6	8	41	38.5	\$5.19
DA17-0360	36	44	4	6	8	42	39.5	\$5.19
DA17-0380	38	46	4	6	8	44	41.5	\$5.42
DA17-0400	40	48	4	6	8	46	43.5	\$5.42
DA17-0420	42	50	4	6	8	48	45.5	\$6.12
DA17-0450	45	53	4	6	8	51	48.5	\$5.49
DA17-0500	50	58	4	6	8	56	53.5	\$5.49
DA17-0550	55	63	4	6	8	61	58.5	\$6.19
DA17-0560	56	64	4	6	8	62	59.5	\$6.37
DA17-0600	60	68	4	6	8	66	63.5	\$6.54
DA17-0630	63	71	4	6	8	69	66.5	\$6.59
DA17-0650	65	73	4	6	8	71	68.5	\$7.10
DA17-0700	70	78	4	6	8	76	73.5	\$7.12
DA17-0750	75	83	4	6	8	81	78.5	\$8.49
DA17-0800	80	88	4	6	8	86	83.5	\$8.49
DA17-0850	85	93	4	6	8	91	88.5	\$8.92
DA17-0900	90	98	4	6	8	96	93.5	\$9.65
DA17-0950	95	103	4	6	8	101	98.5	\$11.11
DA17-1000	100	108	4	6	8	106	103.5	\$11.11
DA17-1050	105	117	5.5	8.2	11	114	110	\$15.90
DA17-1100	110	122	5.5	8.2	11	119	115	\$11.29

Part No.	Rod Dia. d	Groove Dia D	Groove Length L	L ₃	L ₂	D ₁	F	Price
DA17-1150	115	127	5.5	8.2	11	124	120	\$17.88
DA17-1200	120	132	5.5	8.2	11	129	125	\$13.73
DA17-1250	125	137	5.5	8.2	11	134	130	\$14.23
DA17-1300	130	142	5.5	8.2	11	139	135	\$19.13
DA17-1350	135	147	5.5	8.2	11	144	140	\$21.40
DA17-1400	140	152	5.5	8.2	11	149	145	\$26.14
DA17-1450	145	157	5.5	8.2	11	154	150	\$29.25
DA17-1500	150	162	5.5	8.2	11	159	155	\$32.60
DA17-1550	155	167	5.5	8.2	11	164	160	\$38.18
DA17-1600	160	172	5.5	8.2	11	169	165	\$40.78
DA17-1650	165	177	5.5	8.2	11	174	170	\$43.27
DA17-1700	170	182	5.5	8.2	11	179	175	\$51.57
DA17-1750	175	187	5.5	8.2	11	184	180	\$51.57
DA17-1800	180	192	5.5	8.2	11	189	185	\$51.69
DA17-1850	185	197	5.5	8.2	11	194	190	\$51.75
DA17-1900	190	202	5.5	8.2	11	199	195	\$63.37
DA17-1950	195	207	5.5	8.2	11	204	200	\$63.44
DA17-2000	200	212	5.5	8.2	11	209	205	\$63.50
DA17-2050	205	220	6.4	9.5	13	216	212	\$64.96
DA17-2100	210	225	6.4	9.5	13	221	217	\$65.09
DA17-2200	220	235	6.4	9.5	13	231	227	\$82.92
DA17-2250	225	240	6.4	9.5	13	236	232	\$65.39
DA17-2300	230	245	6.4	9.5	13	241	237	\$89.98
DA17-2400	240	255	6.4	9.5	13	251	247	\$92.74
DA17-2500	250	265	6.4	9.5	13	261	257	\$95.12
DA17-2600	260	275	6.4	9.5	13	271	267	\$96.47
DA17-2750	275	290	6.4	9.5	13	286	282	\$97.88
DA17-2800	280	295	6.4	9.5	13	291	287	\$99.05
DA17-2900	290	305	6.4	9.5	13	301	297	\$105.32
DA17-3000	300	315	6.4	9.5	13	311	307	\$108.92
DA17-3200	320	335	6.4	9.5	13	331	327	\$115.61
DA17-3500	350	365	6.4	9.5	13	361	357	\$120.63

DA24 Urethane Wipers - Metric



The DA24 scraper, made of polyurethane, is double acting. The dynamic scraping lip has an extra sealing edge to keep the oil film in the system while the static sealing lip provides protection against the egress of dirt and fluids

Temperature: -40°F to 230°F

Part Number						
Prefix	Rod Dia. d	Groove Dia. D	Groove Height L	Throat F	Price	
DA24 -	40	x 48.8	x 6.3	44.4	\$8.23	
DA24 -	45	x 53.8	x 6.3	49.4	\$8.46	
DA24 -	50	x 58.8	x 6.3	58.8	\$8.95	
DA24 -	55	x 63.8	x 6.3	59.4	\$9.14	
DA24 -	56	x 64.8	x 6.3	60.4	\$9.19	
DA24 -	60	x 68.8	x 6.3	64.4	\$9.45	
DA24 -	63	x 71.8	x 6.3	67.4	\$10.00	
DA24 -	65	x 73.8	x 6.3	69.4	\$11.01	
DA24 -	70	x 82.2	x 8.1	76	\$11.45	
DA24 -	75	x 87.2	x 8.1	81	\$12.05	
DA24 -	80	x 92.2	x 8.1	86	\$12.39	
DA24 -	85	x 97.2	x 8.1	91	\$13.64	
DA24 -	90	x 102.2	x 8.1	96	\$15.39	
DA24 -	95	x 107.2	x 8.1	101	\$16.70	
DA24 -	100	x 112.2	x 8.1	106	\$19.34	
DA24 -	105	x 117.2	x 8.1	111	\$20.88	
DA24 -	110	x 122.2	x 8.1	116	\$22.64	
DA24 -	115	x 127.2	x 8.1	121	\$24.39	
DA24 -	120	x 132.2	x 8.1	126	\$26.29	
DA24 -	125	x 137.2	x 8.1	131	\$27.02	
DA24 -	140	x 156.0	x 9.5	148	\$151.53	
DA24 -	160	x 176.0	x 9.5	168	\$219.99	

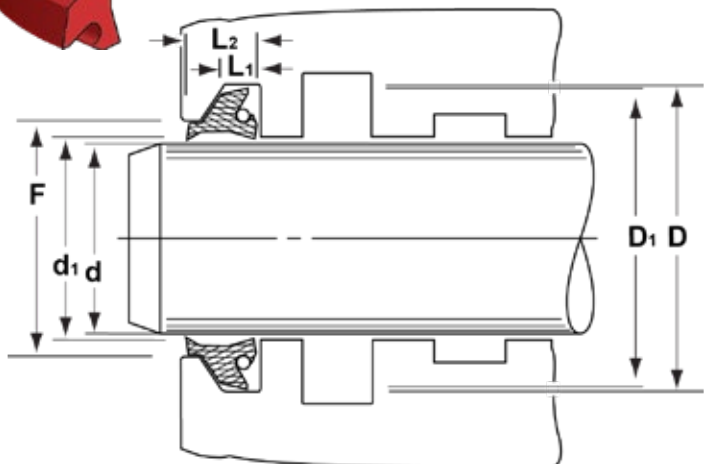
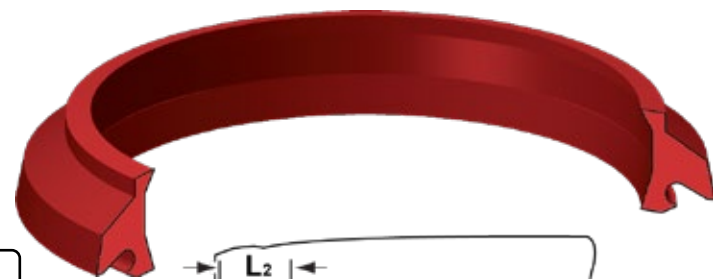
EXAMPLE: DA24-56x64.8x6.3			
Prefix	Inside Diameter	Outside Diameter	Groove Height
DA24-	56	x 64.8	x 6.3
	56mm	64.8mm	6.3mm

ORK Urethane Wipers - Inch

Used mainly in forklift applications, these double lip wipers when used with an o-ring garter provide good low pressure sealing in vented single acting applications.

Temperature: -65° to 200°F

OEM Part #'s are for reference purposes only.



Part Number	OEM Ref.	Rod Dia. d	Outside Dia. D ₁	Base Height L ₁	Total Seal Ht L ₂	Price
994694	605606	1.950	2.562	0.187	0.500	\$98.81
994112	605607	2.200	2.812	0.187	0.500	\$103.77
994113	605609	2.700	3.312	0.187	0.500	\$35.01
994114	605610	2.900	3.500	0.187	0.500	\$141.70
994115	605611	3.200	3.812	0.187	0.500	\$21.73
994291	605035	3.690	4.312	0.187	0.500	\$162.36
993387	605613	3.700	4.312	0.187	0.500	\$79.51
994116	605615	4.200	4.812	0.187	0.500	\$153.58
994117	605616	4.400	5.000	0.187	0.500	\$130.27
993385	605617	4.700	5.312	0.187	0.500	\$171.87
996095	605620	5.450	6.063	0.187	0.500	\$146.09
996514	624452	6.075	6.687	0.187	0.500	\$241.14

Seal-Guard® Wipers / Scrapers - Inch

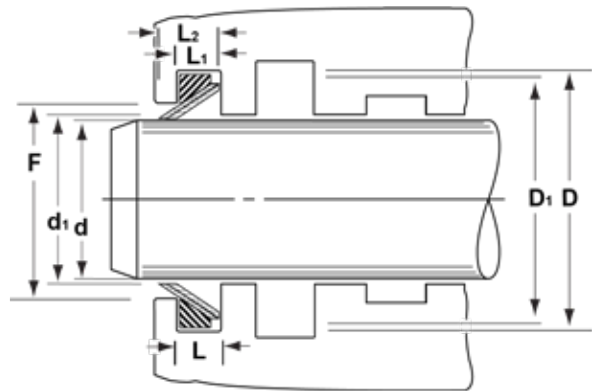


ALTERNATIVE SEALS:
U, U-R, U Wiper Cord

For heavy-duty protection against hard contaminants such as ice, mud or metal spattering, the self-adjusting Seal-Guard® "scraper" is an ideal exclusion ring. Seal-Guard® consists of two knife-like bronze rings and a nitrile cushion ring. To eliminate the clogging and caking of contaminants under the ring, the conically tapered bronze rings act as blades to remove and dispose of foreign matter away from the rod and ring. The notches in the bronze rings provide flexibility, allow for expansion and produce a spring effect resulting in constant contact with the rod, full circle. When compressed, the cushion ring preloads the wiper rings for wiper edge contact with the rod, and it absorbs shock and side loads; therefore, it's self-adjusting.

To install the Seal-Guard® wiper, cut a groove in the gland, install the bronze rings, staggering the notches. Then using a dull tool and a light film of oil, push the cushion ring into the counterbore under the retaining ring.

Temperature: -40° to 250°F.



AN NUMBERING SYSTEM

EXAMPLE:	
Prefix	Inside Diameter
S34-	8
	1/4"

Parts marked with suffix "V" have an FKM Expander

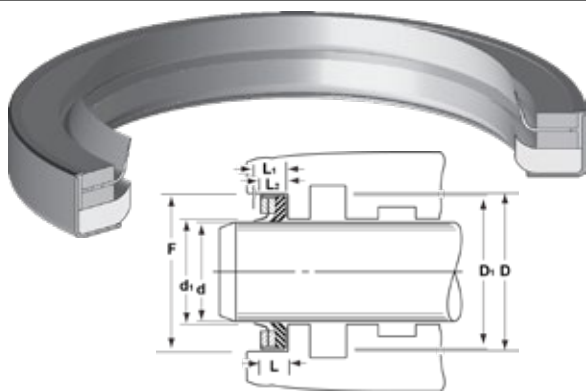
Part Number	Wiper Dimensions				Groove Dimensions			Price
	Rod Dia. d	Outside Dia. D ₁	Base Height L ₁	Total Height L ₂	+0.06 -0.00 D	+0.03 -0.00 L	+0.10 -0.00 F	
S34-8	0.250	0.500	0.125	0.187	0.500	.125	0.470	\$22.68
S34-9	0.312	0.562	0.125	0.187	0.562	.125	0.532	\$22.42
S34-10	0.375	0.625	0.125	0.187	0.625	.125	0.595	\$21.28
S34-12	0.500	0.750	0.125	0.187	0.750	.125	0.720	\$21.61
S34-14	0.625	0.875	0.125	0.187	0.875	.125	0.845	\$20.25
S34-14V	0.625	0.875	0.125	0.187	0.875	.125	0.845	\$52.13
3435-.750	0.750	1.000	0.125	0.187	1.000	.125	0.970	\$21.61
S34-16	0.750	1.125	0.187	0.281	1.126	.188	1.082	\$22.15
S34-18	0.875	1.250	0.187	0.281	1.251	.188	1.207	\$22.57
3435-1	1.000	1.250	0.125	0.281	1.250	.125	1.220	\$23.89
S34-20	1.000	1.375	0.187	0.281	1.376	.188	1.332	\$24.04
S34-20V	1.000	1.375	0.187	0.281	1.376	.188	1.332	\$88.57
S34-21	1.062	1.437	0.187	0.281	1.438	.188	1.394	\$27.91
S34-22	1.125	1.500	0.187	0.281	1.501	.188	1.457	\$26.54
S34-24	1.250	1.625	0.187	0.281	1.626	.188	1.582	\$29.88
S34-26	1.375	1.750	0.187	0.281	1.751	.188	1.707	\$32.42
S34-26V	1.375	1.750	0.187	0.281	1.751	.188	1.707	\$80.28
S34-27	1.500	1.875	0.187	0.281	1.876	.188	1.832	\$36.36
S34-28	1.625	2.000	0.187	0.281	2.000	.188	1.957	\$41.50
S34-29	1.750	2.125	0.187	0.281	2.126	.188	2.082	\$42.56
S34-30	1.875	2.250	0.187	0.281	2.251	.188	2.207	\$58.60
3436-1.937	1.937	2.313	0.187	0.281	2.313	.188	2.269	\$56.99
3436-2	2.000	2.375	0.187	0.281	2.376	.188	2.332	\$48.32
S34-31	2.000	2.500	0.250	0.375	2.500	.250	2.440	\$48.55
S34-32	2.125	2.625	0.250	0.375	2.625	.250	2.565	\$59.13
S34-33	2.250	2.750	0.250	0.375	2.750	.250	2.690	\$55.78
S34-34	2.375	2.875	0.250	0.375	2.875	.250	2.815	\$69.90
3436-2.500	2.500	2.875	0.187	0.281	2.876	.188	2.832	\$60.83
S34-35	2.500	3.000	0.250	0.375	3.000	.250	2.940	\$60.99
S34-38	2.750	3.250	0.250	0.375	3.250	.250	3.190	\$81.12

Also available in FKM

Seal Guard® Wipers - Inch, cont'd.

Part Number	Wiper Dimensions				Groove Dimensions			Price
	Rod Dia. d	Outside Dia. D ₁	Base Height L ₁	Total Height L ₂	+0.06 -0.00 D	+0.03 -0.00 L	+0.01 -0.00 F	
S34-38V	2.750	3.250	0.250	0.375	3.250	.250	3.190	\$140.04
S34-40	3.000	3.500	0.250	0.375	3.500	.250	3.440	\$70.73
S34-40V	3.000	3.500	0.250	0.375	3.500	.250	3.440	\$143.57
S34-42	3.250	3.750	0.250	0.375	3.750	.250	3.690	\$113.52
S34-44	3.500	4.000	0.250	0.375	4.000	.250	3.940	\$122.67
S34-44V	3.500	4.000	0.250	0.375	4.000	.250	3.940	\$252.32
S34-49	4.000	4.500	0.250	0.375	4.500	.250	4.440	\$159.44
S34-50	4.250	4.750	0.250	0.375	4.750	.250	4.690	\$294.98
S34-51	4.500	5.250	0.375	0.562	5.250	.375	5.160	\$396.96
S34-52	4.750	5.500	0.375	0.562	5.500	.375	5.410	\$461.12
S34-53	5.000	5.750	0.375	0.562	5.750	.375	5.660	\$558.86
S34-54	5.250	6.000	0.375	0.562	6.000	.375	5.910	\$592.06
S34-55	5.500	6.250	0.375	0.562	6.250	.375	6.160	\$635.71
S34-57	5.750	6.500	0.375	0.562	6.500	.375	6.410	\$679.35
S34-58	6.000	6.750	0.375	0.562	6.750	.375	6.660	\$723.00
S34-60	6.500	7.250	0.375	0.562	7.250	.375	7.160	\$808.39
S34-62	7.000	7.750	0.375	0.562	7.750	.375	7.660	\$893.95
S34-62V	7.000	7.750	0.375	0.562	7.750	.375	7.660	\$1440.93
S34-64	7.500	8.250	0.375	0.562	8.250	.375	8.160	\$979.18
S34-66	8.000	8.750	0.375	0.562	8.750	.375	8.660	\$1,064.57

SC Wipers / Scrapers - Inch



The SC style wiper / scraper consists of a self-aligning brass scraper and a nitrile wiping lip assembled together and securely clamped into a steel shell. This scraper removes sticky and abrasive contaminants such as ice, mud, and tar from cylinder rods, while the nitrile lip removes water, dust, and other abrasive matter too small to be blocked by the scraper.

Temperature: -40° to 250°F.

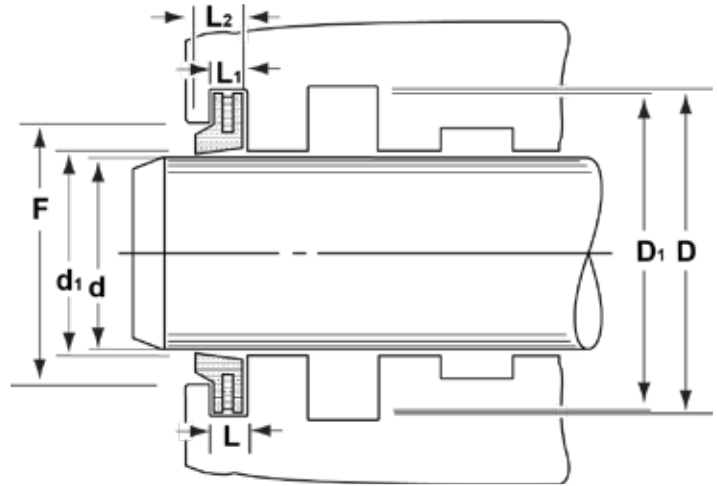
ALTERNATIVE SEALS:
ME

OEM NUMBERING SYSTEM

Part Number	Rod Dia. f8 d	Groove Dia. H8 D	Seal Base Height L ₁	Price
504260	0.500	1.000	0.281	\$41.54
504261	0.625	1.125	0.281	\$42.91
504262	0.750	1.250	0.281	\$44.65
504263	0.875	1.375	0.281	\$54.93
504264	1.000	1.500	0.281	\$47.52
504265	1.125	1.625	0.281	\$47.01
504266	1.250	1.750	0.281	\$48.86
504267	1.375	1.875	0.281	\$51.14
504268	1.500	2.000	0.281	\$55.15
504269	1.625	2.125	0.281	\$78.26
509543	1.687	2.183	0.281	\$75.89
504270	1.750	2.250	0.281	\$64.31
504271	1.875	2.375	0.281	\$68.03
504272	2.000	2.500	0.281	\$68.23

Part Number	Rod Dia. f8 d	Groove Dia. H8 D	Seal Base Height L ₁	Price
504273	2.000	2.625	0.281	\$77.61
504275	2.250	2.750	0.281	\$68.32
504277	2.500	3.000	0.281	\$68.07
505774	2.500	3.125	0.281	\$83.31
504279	2.750	3.250	0.281	\$89.63
504281	3.000	3.500	0.281	\$90.91
504283	3.250	3.875	0.328	\$121.54
504285	3.500	4.125	0.328	\$97.01
504287	3.750	4.375	0.328	\$124.22
504289	4.000	4.625	0.328	\$127.17
504291	4.250	4.875	0.328	\$250.58
504293	4.500	5.125	0.328	\$222.78
504297	5.500	6.125	0.359	\$312.07

MS28776 AN Style Metal Scrapers - Inch



EXAMPLE: MS28776M2-1	
Prefix	Inside Diameter
MS28776M2-	1
	1/2"

ALTERNATIVE SEALS:
940

AN # SYSTEM

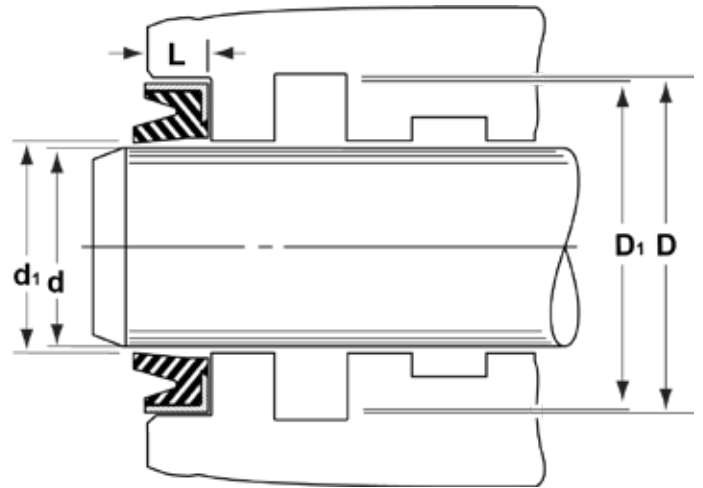
MS28776 series wiper rings are made from a copper based alloy and will not scratch the rod. Operating temperatures are from -65° to 500°F, making them a good choice for extreme temperature use.

Part Number	Wiper Dimensions				Groove Dimensions			Price
	Rod Dia. d	Outside Dia. D ₁	Seal Base Height L ₁	Total Seal Ht L ₂	+0.004 -0.000 D	±0.003 L	+0.005 -0.000 F	
MS28776M2-1	0.498	0.766	0.094	0.187	0.760	0.107	0.647	\$17.95
MS28776M2-2	0.560	0.829	0.094	0.187	0.823	0.107	0.710	\$28.40
MS28776M2-3	0.623	0.891	0.094	0.187	0.885	0.107	0.772	\$20.35
MS28776M2-4	0.685	0.954	0.094	0.187	0.948	0.107	0.834	\$17.88
MS28776M2-5	0.748	1.016	0.094	0.187	1.010	0.107	0.897	\$19.42
MS28776M2-7	0.873	1.153	0.094	0.187	1.147	0.107	1.023	\$17.49
MS28776M2-9	0.998	1.278	0.094	0.187	1.272	0.107	1.148	\$22.68
MS28776M2-10	1.060	1.340	0.094	0.187	1.334	0.107	1.210	\$25.35
MS28776M2-11	1.123	1.403	0.094	0.187	1.397	0.107	1.273	\$24.09
MS28776M2-12	1.185	1.465	0.094	0.187	1.459	0.107	1.335	\$22.17
MS28776M2-13	1.248	1.528	0.094	0.187	1.522	0.107	1.398	\$22.94
MS28776M2-15	1.373	1.685	0.094	0.187	1.677	0.107	1.542	\$24.81
MS28776M2-17	1.498	1.810	0.094	0.187	1.802	0.107	1.668	\$27.49
MS28776M2-18	1.623	1.935	0.094	0.187	1.927	0.107	1.793	\$28.15
MS28776M2-19	1.748	2.060	0.094	0.187	2.052	0.107	1.918	\$28.16
MS28776M2-20	1.873	2.185	0.094	0.187	2.177	0.107	2.043	\$30.20
MS28776M2-21	1.998	2.310	0.094	0.187	2.302	0.107	2.178	\$31.46
MS28776M2-22	2.123	2.435	0.094	0.187	2.427	0.107	2.303	\$32.09
MS28776M2-23	2.248	2.560	0.094	0.187	2.552	0.107	2.428	\$32.17
MS28776M2-24	2.373	2.685	0.094	0.187	2.677	0.107	2.553	\$48.29
MS28776M2-25	2.498	2.810	0.094	0.187	2.802	0.107	2.678	\$36.80
MS28776M2-26	2.623	2.999	0.109	0.211	2.989	0.122	2.834	\$49.95
MS28776M2-27	2.748	3.124	0.109	0.211	3.114	0.122	2.959	\$44.01
MS28776M2-28	2.873	3.249	0.109	0.211	3.239	0.122	3.084	\$58.00

MS28776 AN Style Metal Scrapers - Inch, cont'd.

Part Number	Wiper Dimensions				Groove Dimensions			Price
	Rod Dia. d	Outside Dia. D ₁	Seal Base Height L ₁	Total Seal Ht L ₂	+0.004 -0.000 D	±0.003 L	+0.005 -0.000 F	
MS28776M2-29	2.997	3.374	0.109	0.211	3.364	0.122	3.209	\$47.30
MS28776M2-30	3.122	3.499	0.109	0.211	3.489	0.122	3.334	\$50.16
MS28776M2-31	3.247	3.624	0.109	0.211	3.614	0.122	3.459	\$52.86
MS28776M2-32	3.372	3.749	0.109	0.211	3.739	0.122	3.584	\$51.54
MS28776M2-33	3.497	3.874	0.109	0.211	3.864	0.122	3.709	\$54.77
MS28776M2-35	3.747	4.124	0.109	0.211	4.114	0.122	3.959	\$63.25
MS28776M2-36	3.872	4.249	0.109	0.211	4.239	0.122	4.084	\$59.90
MS28776M2-37	3.997	4.439	0.125	0.238	4.427	0.138	4.240	\$60.23
MS28776M2-38	4.122	4.564	0.125	0.238	4.552	0.138	4.365	\$60.66
MS28776M2-39	4.247	4.689	0.125	0.238	4.677	0.138	4.490	\$65.18
MS28776M2-41	4.497	4.939	0.125	0.238	4.927	0.138	4.740	\$69.74
MS28776M2-43	4.747	5.189	0.125	0.238	5.177	0.138	4.990	\$73.43
MS28776M2-45	4.997	5.439	0.125	0.238	5.427	0.138	5.240	\$77.94
MS28776M2-47	5.247	5.689	0.125	0.238	5.677	0.138	5.487	\$84.54
MS28776M2-49	5.497	5.939	0.125	0.238	5.927	0.138	5.740	\$91.19
MS28776M2-51	5.747	6.254	0.141	0.264	6.239	0.154	6.022	\$115.12
MS28776M2-52	5.872	6.379	0.141	0.264	6.364	0.154	6.146	\$125.28
MS28776M2-53	5.997	6.504	0.141	0.264	6.489	0.154	6.272	\$131.73
MS28776M2-55	6.497	7.004	0.141	0.264	6.989	0.154	6.772	\$140.18
MS28776M2-56	6.747	7.254	0.141	0.264	7.239	0.154	7.022	\$157.24
MS28776M2-57	6.997	7.504	0.141	0.264	7.489	0.154	7.272	\$167.20
MS28776M2-59	7.497	8.004	0.141	0.264	7.989	0.154	7.772	\$190.95
MS28776M2-60	7.747	8.254	0.141	0.264	8.239	0.154	8.022	\$203.76
MS28776M2-61	7.997	8.504	0.141	0.264	8.489	0.154	8.272	\$216.79
MS28776M2-62	8.497	9.004	0.141	0.264	8.989	0.154	8.772	\$238.02
MS28776M2-63	8.997	9.504	0.141	0.264	9.489	0.154	9.272	\$246.82
MS28776M2-64	9.497	10.004	0.141	0.264	9.989	0.154	9.772	\$253.53
MS28776M2-65	9.997	10.504	0.141	0.264	10.489	0.154	10.272	\$258.29
MS28776M2-66	10.497	11.004	0.141	0.264	10.989	0.154	10.772	\$269.60
MS28776M2-67	10.997	11.504	0.141	0.264	11.489	0.154	11.272	\$274.15
MS28776M2-69	11.997	12.509	0.156	0.289	12.489	0.169	12.272	\$285.01

ME Metal Encased Wipers - Inch



EXAMPLE: ME1250HJ-P				
Prefix	Inside Diameter	Cross Section	Height	Suffix
ME	1250	H	J	-P
	1-1/4"	1/4"	5/16"	MATERIAL (P=PU/N=NBR)

1ST LETTER IN SUFFIX DESIGNATES C/S. C=3/32, D=1/8, E=5/32, F=3/16, G=7/32, H=1/4, I=9/32, J=5/16, K=1/32, L=3/8, M=13/32, T=5/8

2ND LETTER IN SUFFIX DESIGNATES HT. C=3/32, D=1/8, E=5/32, F=3/16, G=7/32, H=1/4, I=9/32, J=5/16, K=11/32, L=3/8, M=13/32, T=5/8

Metal encased wipers are manufactured from a corrosion-resistant carbon steel case with either a urethane or nitrile lip chemically bonded to it. N = Nitrile P = Polyurethane

These wipers are designed with a slightly oversized diameter, thus ensuring a secure fit in the recess after installation.

Polyurethane temperature: -40° to 212°F

Nitrile temperature: -40° to 250°F

Part No.	Rod Diameter +.000 -.002 d	Groove Dimensions		Price
		+.001 D	+.015 -.000 L	
ME0250DD-N	0.250	0.500	0.125	\$6.77
ME0312DD-N	0.312	0.562	0.125	\$9.42
ME0375DD-N	0.375	0.625	0.125	\$5.46
ME0375FH-N	0.375	0.750	0.250	\$8.82
ME0375HH-N	0.375	0.875	0.250	\$8.20
ME0437CD-N	0.437	0.625	0.125	\$8.77
ME0437FF-N	0.437	0.836	0.187	\$6.65
ME0500CC-N	0.500	0.687	0.093	\$2.67
ME0500DD-N	0.500	0.750	0.125	\$3.97
ME0500FD-N	0.500	0.875	0.125	\$7.59
ME0500FH-N	0.500	0.875	0.250	\$11.77
ME0562DD-N	0.562	0.812	0.125	\$4.67
ME0625CC-N	0.625	0.812	0.093	\$10.04
ME0625DD-N	0.625	0.875	0.125	\$3.08
ME0625EF-N	0.625	0.937	0.187	\$3.41
ME0625FD-N	0.625	1.000	0.125	\$9.94
ME0625GF-N	0.625	1.062	0.187	\$6.14
ME0625GH-N	0.625	1.062	0.250	\$9.94
ME0625HH-N	0.625	1.125	0.250	\$10.02
ME0625HJ-P	0.625	1.125	0.312	\$7.87
ME0625JH-N	0.625	1.250	0.250	\$3.86
ME0687DD-N	0.687	0.937	0.125	\$3.19
ME0687EF-N	0.687	1.000	0.187	\$3.92
ME0687KD-N	0.687	1.375	0.125	\$6.63

Part No.	Rod Diameter +.000 -.002 d	Groove Dimensions		Price
		+.001 D	+.015 -.000 L	
ME0750DD-N	0.750	1.000	0.125	\$3.20
ME0750EF-N	0.750	1.062	0.187	\$10.48
ME0750FF-N	0.750	1.125	0.187	\$10.48
ME0750HH-N	0.750	1.250	0.250	\$3.10
ME0750HJ-P	0.750	1.250	0.312	\$7.22
ME0812MF-N	0.812	1.625	0.187	\$7.00
ME0875DD-N	0.875	1.125	0.125	\$3.33
ME0875EE-N	0.875	1.187	0.156	\$7.78
ME0875EF-N	0.875	1.187	0.187	\$8.25
ME0875FF-N	0.875	1.250	0.187	\$14.03
ME0875GH-N	0.875	1.312	0.250	\$7.43
ME0875HJ-P	0.875	1.375	0.312	\$8.20
ME1000DD-N	1.000	1.250	0.125	\$3.29
ME1000ED-N	1.000	1.312	0.125	\$6.42
ME1000FF-N	1.000	1.375	0.187	\$3.76
ME1000GH-N	1.000	1.437	0.250	\$4.20
ME1000HF-N	1.000	1.500	0.187	\$3.15
ME1000HJ-P	1.000	1.500	0.312	\$9.13
ME1000JH-N	1.000	1.625	0.250	\$10.46
ME1062DD-N	1.062	1.312	0.125	\$5.34
ME1062FF-N	1.062	1.437	0.187	\$5.73
ME1062GF-N	1.062	1.500	0.187	\$4.15
ME1125DD-N	1.125	1.375	0.125	\$3.15
ME1125EF-N	1.125	1.625	0.187	\$4.46

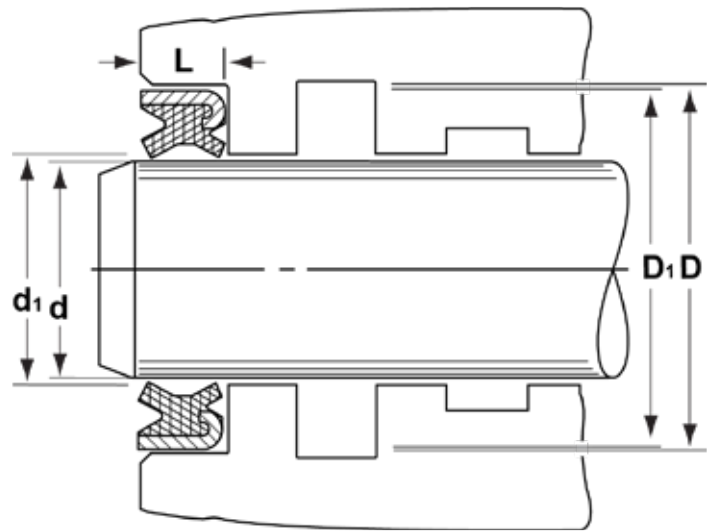
ME Metal Encased Wipers - Inch, cont'd.

Part No.	Rod Diameter +.000 -.002 d	Groove Dimensions		Price	Part No.	Rod Diameter +.000 -.002 d	Groove Dimensions		Price
		+0.001 D	+.015 -.000 L				+0.001 D	+.015 -.000 L	
ME1125FF-N	1.125	1.500	0.187	\$4.80	ME1562OH-N	1.562	2.500	0.250	\$14.02
ME1125GH-N	1.125	1.562	0.250	\$4.90	ME1562RL-N	1.562	2.688	0.375	\$33.88
ME1125HH-N	1.125	1.625	0.250	\$3.15	ME1625DD-N	1.625	1.875	0.125	\$11.39
ME1125HJ-P	1.125	1.625	0.312	\$10.85	ME1625FF-N	1.625	2.000	0.187	\$12.21
ME1125JH-N	1.125	1.750	0.250	\$18.28	ME1625HH-N	1.625	2.125	0.250	\$5.39
ME1187FF-N	1.187	1.562	0.187	\$4.42	ME1625HJ-P	1.625	2.125	0.312	\$12.96
ME1187GH-N	1.187	1.625	0.250	\$5.44	ME1687JP-N	1.687	2.328	0.500	\$13.18
ME1187HH-P	1.187	1.625	0.250	\$10.14	ME1687MI-N	1.687	2.500	0.281	\$16.17
ME1219LK-N	1.219	1.979	0.343	\$8.36	ME1687OL-N	1.687	2.625	0.375	\$17.63
ME1250DD-N	1.250	1.500	0.125	\$3.30	ME1750FF-N	1.750	2.125	0.187	\$7.83
ME1250FH-N	1.250	1.625	0.250	\$3.59	ME1750HF-N	1.750	2.250	0.187	\$12.55
ME1250GF-N	1.250	1.687	0.187	\$3.56	ME1750HH-N	1.750	2.250	0.250	\$6.49
ME1250HH-N	1.250	1.750	0.250	\$4.40	ME1750HH-P	1.750	2.250	0.250	\$13.79
ME1250HH-P	1.250	1.750	0.250	\$10.90	ME1750HJ-P	1.750	2.250	0.312	\$13.79
ME1250HJ-P	1.250	1.750	0.312	\$10.90	ME1750JH-N	1.750	2.375	0.250	\$5.63
ME1250JH-N	1.250	1.875	0.250	\$4.96	ME1750KL-P	1.750	2.437	0.375	\$13.74
ME1250LH-N	1.250	1.983	0.250	\$14.19	ME1750LL-P	1.750	2.500	0.375	\$11.88
ME1250ML-P	1.250	2.062	0.375	\$7.89	ME1750MH-N	1.750	2.562	0.250	\$17.91
ME1312DD-N	1.312	1.562	0.125	\$7.67	ME1750NH-N	1.750	2.625	0.250	\$6.08
ME1312HH-N	1.312	1.812	0.250	\$8.12	ME1750PL-P	1.750	2.750	0.375	\$24.17
ME1375DD-N	1.375	1.625	0.125	\$5.35	ME1812LN-N	1.812	2.562	0.437	\$17.18
ME1375FF-N	1.375	1.750	0.187	\$5.07	ME1875FF-N	1.875	2.250	0.187	\$8.53
ME1375HH-N	1.375	1.875	0.250	\$4.94	ME1875HJ-P	1.875	2.375	0.312	\$14.85
ME1375HJ-P	1.375	1.875	0.312	\$12.11	ME1875JH-N	1.875	2.500	0.250	\$6.28
ME1375IH-N	1.375	1.937	0.250	\$11.54	ME1875KL-P	1.875	2.563	0.375	\$14.45
ME1375JJ-N	1.375	2.000	0.312	\$11.90	ME1875RH-N	1.875	3.000	0.250	\$20.63
ME1375OH-N	1.375	2.282	0.250	\$31.68	ME1875RP-N	1.875	3.000	0.500	\$16.80
ME1437ID-N	1.437	2.000	0.125	\$7.96	ME1937II-N	1.937	2.506	0.281	\$19.70
ME1500DL-N	1.500	1.750	0.375	\$13.81	ME2000FF-N	2.000	2.375	0.187	\$5.98
ME1500EF-N	1.500	1.812	0.187	\$6.20	ME2000FH-N	2.000	2.375	0.250	\$10.50
ME1500FF-N	1.500	1.875	0.187	\$4.30	ME2000HH-N	2.000	2.500	0.250	\$7.65
ME1500FF-P	1.500	1.875	0.187	\$13.05	ME2000HH-P	2.000	2.500	0.250	\$15.59
ME1500FH-N	1.500	1.875	0.250	\$3.71	ME2000HJ-P	2.000	2.500	0.312	\$15.03
ME1500FH-P	1.500	1.875	0.250	\$14.58	ME2000JH-N	2.000	2.625	0.250	\$6.28
ME1500HF-N-1	1.500	1.983	0.187	\$14.74	ME2000JJ-N	2.000	2.625	0.312	\$9.36
ME1500HH-N	1.500	2.000	0.250	\$3.96	ME2000KH-N	2.000	2.687	0.250	\$13.39
ME1500HH-P	1.500	2.000	0.250	\$14.24	ME2000KL-P	2.000	2.687	0.375	\$15.52
ME1500HJ-N	1.500	2.000	0.312	\$14.24	ME2000LH-N	2.000	2.750	0.250	\$8.23
ME1500HJ-P	1.500	2.000	0.312	\$14.34	ME2000LL-P	2.000	2.750	0.375	\$18.48
ME1500IH-N	1.500	2.062	0.250	\$21.58	ME2062OJ-N	2.062	3.000	0.312	\$23.05
ME1500JJ-P	1.500	2.125	0.312	\$11.09	ME2125FF-N	2.125	2.500	0.187	\$7.08
ME1500LH-N	1.500	2.250	0.250	\$14.62	ME2125HH-P	2.125	2.625	0.250	\$16.40
ME1500LL-P	1.500	2.250	0.375	\$15.53	ME2125HJ-P	2.125	2.625	0.312	\$17.89
ME1500MK-N	1.500	2.327	0.343	\$21.69	ME2125LH-N	2.125	2.875	0.250	\$24.64
ME1500OH-N	1.500	2.437	0.250	\$12.50	ME2125LL-P	2.125	2.875	0.375	\$12.88
ME1500PH-N	1.500	2.500	0.250	\$17.88	ME2125TL-N	2.125	3.372	0.375	\$14.31
ME1500RH-N	1.500	2.625	0.250	\$12.68	ME2250FF-N	2.250	2.625	0.187	\$6.93

ME Metal Encased Wipers - Inch, cont'd.

Part No.	Rod Diameter +.000 -.002 d	Groove Dimensions		Price	Part No.	Rod Diameter +.000 -.002 d	Groove Dimensions		Price
		+ .001 D	+ .015 -.000 L				+ .001 D	+ .015 -.000 L	
ME2250FH-N	2.250	2.625	0.250	\$7.04	ME3500HH-N	3.500	4.000	0.250	\$11.10
ME2250HH-N	2.250	2.750	0.250	\$7.04	ME3500HJ-P	3.500	4.000	0.312	\$22.89
ME2250HH-P	2.250	2.750	0.250	\$17.20	ME3500JJ-P	3.500	4.125	0.312	\$28.00
ME2250HJ-P	2.250	2.750	0.312	\$17.20	ME3500LJ-P	3.500	4.250	0.312	\$27.23
ME2250JH-N	2.250	2.875	0.250	\$12.92	ME3500PP-P	3.500	4.500	0.500	\$30.29
ME2250LH-N	2.250	2.996	0.250	\$19.45	ME3750HJ-P	3.750	4.250	0.312	\$31.15
ME2250LL-P	2.250	3.000	0.375	\$16.20	ME3750JH-N	3.750	4.375	0.250	\$34.62
ME2250RL-N	2.250	3.375	0.375	\$33.56	ME3750JJ-P	3.750	4.375	0.312	\$31.86
ME2250SH-N	2.250	3.442	0.250	\$20.51	ME3750PP-P	3.750	4.750	0.500	\$34.86
ME2312KH-N	2.312	3.000	0.250	\$14.83	ME4000HJ-P	4.000	4.500	0.312	\$36.76
ME2312KL-N	2.312	3.000	0.375	\$22.96	ME4000JJ-P	4.000	4.625	0.312	\$36.97
ME2375HJ-P	2.375	2.875	0.312	\$15.86	ME4000LJ-P	4.000	4.750	0.312	\$38.36
ME2375LL-P	2.375	3.125	0.375	\$16.06	ME4000NH-N	4.000	4.875	0.250	\$64.08
ME2500HF-P	2.500	3.000	0.187	\$17.19	ME4000PP-P	4.000	5.000	0.500	\$35.57
ME2500HH-N	2.500	3.000	0.250	\$7.20	ME4250HF-P	4.250	4.750	0.187	\$42.27
ME2500HH-P	2.500	3.000	0.250	\$12.31	ME4250HJ-P	4.250	4.750	0.312	\$38.77
ME2500HJ-P	2.500	3.000	0.312	\$20.28	ME4250JJ-P	4.250	4.875	0.312	\$33.50
ME2500JH-N	2.500	3.125	0.250	\$9.53	ME4250PP-P	4.250	5.250	0.500	\$38.50
ME2500LL-P	2.500	3.250	0.375	\$19.29	ME4375JJ-P	4.375	5.000	0.312	\$52.99
ME2500PH-N	2.500	3.500	0.250	\$28.68	ME4500JJ-P	4.500	5.125	0.312	\$59.33
ME2500PL-P	2.500	3.500	0.375	\$22.83	ME4500LJ-P	4.500	5.250	0.312	\$39.83
ME2625HH-P	2.625	3.125	0.250	\$18.19	ME4500PP-P	4.500	5.500	0.500	\$46.36
ME2660IL-N	2.660	3.250	0.375	\$8.80	ME4750JJ-P	4.750	5.375	0.312	\$46.36
ME2750FF-N	2.750	3.125	0.187	\$16.96	ME4750PP-P	4.750	5.750	0.500	\$48.82
ME2750HH-N	2.750	3.250	0.250	\$8.66	ME5000JJ-P	5.000	5.625	0.312	\$45.58
ME2750HJ-P	2.750	3.250	0.312	\$20.84	ME5000LJ-P	5.000	5.750	0.312	\$46.63
ME2750LL-P	2.750	3.500	0.375	\$20.84	ME5000PP-P	5.000	6.000	0.500	\$52.27
ME2750PL-N	2.750	3.750	0.375	\$9.90	ME5500JL-P	5.500	6.125	0.375	\$51.66
ME2750PP-P	2.750	3.750	0.500	\$22.23	ME5500LJ-P	5.500	6.250	0.312	\$54.18
ME2875HH-N	2.875	3.371	0.250	\$12.26	ME5750JL-P	5.750	6.375	0.375	\$58.22
ME2875JH-P	2.875	3.500	0.250	\$15.25	ME5750PP-P	5.750	6.750	0.500	\$82.78
ME2875NH-N	2.875	3.751	0.250	\$13.80	ME6000JL-P	6.000	6.625	0.375	\$76.50
ME3000HH-N	3.000	3.500	0.250	\$7.90	ME6000LL-P	6.000	6.750	0.375	\$68.73
ME3000HJ-P	3.000	3.500	0.312	\$22.25	ME6000PP-P	6.000	7.000	0.500	\$80.18
ME3000LH-N	3.000	3.750	0.250	\$9.04	ME6500LJ-P	6.500	7.250	0.312	\$84.33
ME3000LH-P	3.000	3.750	0.250	\$21.92	ME6500PT-P	6.500	7.500	0.625	\$108.13
ME3000LL-P	3.000	3.750	0.375	\$20.94	ME6750HJ-P	6.750	7.250	0.312	\$78.60
ME3000PP-P	3.000	4.000	0.500	\$24.58	ME6750JL-P	6.750	7.375	0.375	\$128.31
ME3125HF-P	3.125	3.625	0.187	\$24.70	ME6750PP-P	6.750	7.750	0.500	\$67.99
ME3125JL-P	3.125	3.750	0.375	\$24.07	ME7000LJ-P	7.000	7.750	0.312	\$88.74
ME3250HJ-P	3.250	3.750	0.312	\$23.70	ME7000PP-P	7.000	8.000	0.500	\$111.52
ME3250JJ-N	3.250	3.875	0.312	\$23.70	ME7000RT-P	7.000	8.125	0.625	\$180.19
ME3250JJ-P	3.250	3.875	0.312	\$23.70	ME7250LJ-P	7.250	8.000	0.312	\$177.65
ME3250PP-P	3.250	4.250	0.500	\$26.16	ME7250PP-P	7.250	8.250	0.500	\$179.01
ME3375FL-P	3.375	3.750	0.375	\$20.38	ME8000LL-P	8.000	8.750	0.375	\$116.24
ME3375JJ-P	3.375	4.000	0.312	\$18.30	ME8125HJ-P	8.125	8.625	0.312	\$182.34
ME3500FF-N	3.500	3.875	0.187	\$18.53	ME9000LR-P	9.000	9.750	0.550	\$137.61

ME, CAT® Type, Double Lip Wipers - Inch



These heavy duty metal encased double lip urethane wipers are used mainly for severe applications on Caterpillar® equipment. When used with a multi-lip sealing system they provide a dry clean rod.

Temperature: -65° to 220°F

OEM NUMBERING SYSTEM

We do not imply that these seals are a product of Cat®. Part numbers are used for reference purposes only.

Part Number	Rod Dia. f8 d	Groove Dia. s11 D	Groove Height L	Price
8C9131	1.500	2.250	0.433	\$28.37
8C9132	1.750	2.437	0.433	\$29.20
9X3565	1.875	2.562	0.433	\$30.00
8C9133	2.000	2.687	0.433	\$30.67
9X3567	2.125	2.875	0.433	\$31.86
8C9134	2.250	3.000	0.433	\$32.35
9X7259	2.375	3.125	0.433	\$32.66
8C3840	2.500	3.250	0.433	\$34.11
9X3569	2.625	3.375	0.433	\$24.19
8C3842	2.750	3.750	0.555	\$36.59
8C5218	3.000	4.000	0.555	\$38.81
8T8389	3.250	4.250	0.555	\$39.95
8C5219	3.500	4.500	0.555	\$41.30

Part Number	Rod Dia. f8 d	Groove Dia. s11 D	Groove Height L	Price
8C9135	3.750	4.750	0.555	\$42.04
8C5220	4.000	5.000	0.555	\$42.20
6E0426	4.250	5.250	0.555	\$52.78
9X7262	4.750	5.750	0.555	\$62.60
9X3582	5.000	6.000	0.555	\$70.58
9X7268	5.250	6.250	0.555	\$72.84
9X3573	5.500	6.500	0.555	\$46.69
9X3574	5.750	6.750	0.555	\$83.35
9X7255	6.000	7.000	0.555	\$55.00
9X7323	6.500	7.500	0.555	\$61.56
8C9146	6.750	7.750	0.555	\$124.80
8C9136	7.000	8.000	0.555	\$105.28

AMJ Metal Encased Urethane Wipers - Metric



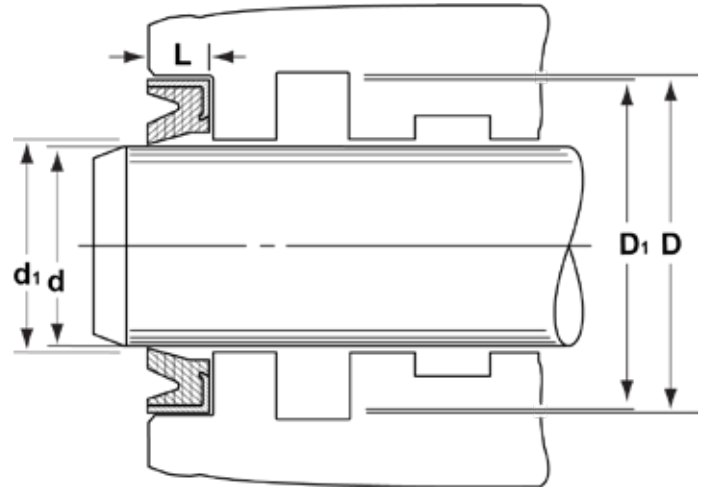
AMJ metric J-type wipers consist of a polyurethane scraper element, encased in a metal shell to enable it to be pressed into an open faced gland without the aid of other retention devices such as snap rings or face plates. The elastomeric element is bonded to the metal shell by adhesive means. The metal shell is carbon steel which has been treated to prevent corrosion.

Temperature: -40° to 230°F

Many of these wipers are used for grease seals in hinge pin applications.

ALTERNATIVE SEALS:

AMH, AM43, AM44, AM46, AM47, AM48



EXAMPLE: AMJ-16X24X2.8			
Prefix	Inside Diameter	Outside Diameter	Base Height
AMJ-	16	x 24	x 2.8
	16mm	24mm	2.8mm

Part Number					
Prefix	Rod Dia. d	Groove Dimensions			Price
		Groove Dia. H8 D	Groove Height +0.4/+0.6 L		
AMJ -	8	x 16	x 4	\$4.01	
AMJ -	16	x 24	x 2.8	\$7.77	
AMJ -	20	x 28	x 5	\$10.45	
AMJ -	25	x 32	x 5	\$10.58	
AMJ -	25	x 32	x 7	\$10.71	
AMJ -	25	x 35	x 4	\$9.11	
AMJ -	25	x 35	x 5	\$10.35	
AMJ -	28	x 42	x 7	\$14.67	
AMJ -	30	x 40	x 4	\$14.73	
AMJ -	30	x 40	x 7	\$14.76	
AMJ -	30	x 45	x 4	\$9.88	
AMJ -	35	x 45	x 4	\$13.85	
AMJ -	35	x 50	x 7.5	\$10.48	
AMJ -	36	x 46	x 7	\$14.45	
AMJ -	40	x 50	x 3.2	\$9.55	
AMJ -	40	x 50	x 4	\$9.68	
AMJ -	40	x 50	x 5	\$11.53	
AMJ -	40	x 50	x 7	\$11.53	
AMJ -	40	x 50	x 9	\$11.53	
AMJ -	40	x 52	x 7	\$14.00	
AMJ -	40	x 55	x 9	\$14.35	
AMJ -	45	x 55	x 3.2	\$11.75	
AMJ -	45	x 55	x 4	\$12.44	
AMJ -	45	x 55	x 4.5	\$12.44	
AMJ -	45	x 55	x 5	\$12.44	
AMJ -	45	x 55	x 6	\$12.44	

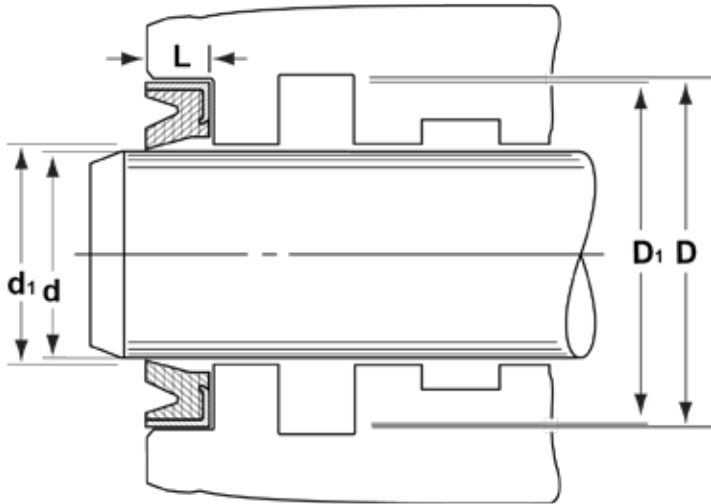
Part Number					
Prefix	Rod Dia. d	Groove Dimensions			Price
		Groove Dia. H8 D	Groove Height +0.4/+0.6 L		
AMJ -	45	x 55	x 7	\$12.44	
AMJ -	45	x 57	x 7	\$10.45	
AMJ -	45	x 60	x 5	\$12.81	
AMJ -	45	x 60	x 7.5	\$13.90	
AMJ -	50	x 60	x 4.5	\$13.27	
AMJ -	50	x 60	x 5	\$13.68	
AMJ -	50	x 60	x 6	\$13.72	
AMJ -	50	x 60	x 7	\$13.95	
AMJ -	50	x 62	x 7	\$14.82	
AMJ -	50	x 64	x 8	\$15.22	
AMJ -	50	x 65	x 5	\$15.45	
AMJ -	50	x 65	x 7.5	\$17.99	
AMJ -	50	x 65	x 9	\$17.32	
AMJ -	55	x 63	x 7	\$16.43	
AMJ -	55	x 65	x 3.2	\$12.72	
AMJ -	55	x 65	x 5	\$14.18	
AMJ -	55	x 65	x 7.5	\$14.55	
AMJ -	55	x 68	x 6	\$15.10	
AMJ -	55	x 69	x 8	\$11.96	
AMJ -	55	x 70	x 5	\$14.35	
AMJ -	55	x 70	x 7.5	\$15.08	
AMJ -	56	x 68	x 7	\$13.42	
AMJ -	56	x 70	x 7.5	\$17.36	
AMJ -	56	x 71	x 9	\$18.18	
AMJ -	60	x 70	x 5	\$16.69	
AMJ -	60	x 70	x 7	\$17.38	

AMJ Metal Encased Urethane Wipers - Metric, cont'd.

Part Number					Price	
Prefix	Rod Dia. d	Groove Dimensions				
		Groove Dia. H8 D	Groove Height +0.4/+0.6 L			
AMJ -	60	x	70	x	8	\$17.44
AMJ -	60	x	73	x	6	\$18.19
AMJ -	60	x	73	x	8	\$18.33
AMJ -	60	x	74	x	8	\$14.67
AMJ -	60	x	75	x	5	\$15.81
AMJ -	60	x	75	x	7	\$17.31
AMJ -	60	x	75	x	8	\$14.75
AMJ -	63	x	75	x	7	\$15.46
AMJ -	63	x	78	x	9	\$22.22
AMJ -	63	x	83	x	10	\$22.42
AMJ -	65	x	75	x	7	\$15.25
AMJ -	65	x	79	x	8	\$13.94
AMJ -	65	x	80	x	5	\$22.92
AMJ -	65	x	80	x	7	\$20.95
AMJ -	65	x	80	x	8	\$20.95
AMJ -	70	x	80	x	5	\$18.25
AMJ -	70	x	80	x	7	\$18.88
AMJ -	70	x	84	x	8	\$14.30
AMJ -	70	x	85	x	5	\$17.27
AMJ -	70	x	85	x	7	\$19.25
AMJ -	70	x	85	x	8	\$30.03
AMJ -	71	x	86	x	5	\$17.44
AMJ -	71	x	86	x	6	\$18.46
AMJ -	75	x	89	x	8	\$15.20
AMJ -	75	x	90	x	6	\$17.96
AMJ -	75	x	90	x	8	\$29.37
AMJ -	80	x	90	x	3.2	\$19.16
AMJ -	80	x	90	x	4.5	\$19.16
AMJ -	80	x	90	x	7	\$31.44
AMJ -	80	x	93	x	8	\$22.13
AMJ -	80	x	94	x	8	\$15.60
AMJ -	80	x	95	x	5	\$21.04
AMJ -	80	x	95	x	6	\$21.04
AMJ -	80	x	95	x	7	\$20.58
AMJ -	80	x	95	x	8	\$25.44
AMJ -	80	x	100	x	10	\$35.55
AMJ -	85	x	99	x	8	\$15.77
AMJ -	85	x	100	x	8	\$25.27
AMJ -	90	x	100	x	7	\$19.38
AMJ -	90	x	104	x	8	\$15.60
AMJ -	90	x	105	x	6	\$26.23
AMJ -	90	x	105	x	7	\$26.37
AMJ -	90	x	105	x	8	\$26.95
AMJ -	90	x	106	x	8	\$28.45

Part Number					Price	
Prefix	Rod Dia. d	Groove Dimensions				
		Groove Dia. H8 D	Groove Height +0.4/+0.6 L			
AMJ -	90	x	110	x	7	\$29.66
AMJ -	90	x	110	x	10	\$29.83
AMJ -	95	x	109	x	8	\$31.82
AMJ -	95	x	110	x	4	\$21.50
AMJ -	95	x	110	x	6	\$25.52
AMJ -	95	x	110	x	7	\$26.57
AMJ -	95	x	110	x	8	\$17.90
AMJ -	100	x	110	x	4	\$21.84
AMJ -	100	x	110	x	7	\$23.37
AMJ -	100	x	114	x	8	\$20.50
AMJ -	100	x	115	x	6	\$26.78
AMJ -	100	x	115	x	7	\$33.80
AMJ -	100	x	115	x	8	\$36.66
AMJ -	100	x	115	x	9	\$31.11
AMJ -	100	x	116	x	8	\$34.36
AMJ -	100	x	120	x	4	\$32.03
AMJ -	100	x	120	x	10	\$33.21
AMJ -	105	x	115	x	7	\$33.71
AMJ -	105	x	120	x	7	\$30.28
AMJ -	105	x	120	x	8	\$30.56
AMJ -	105	x	121	x	9	\$30.04
AMJ -	110	x	125	x	4	\$30.28
AMJ -	110	x	125	x	8	\$42.33
AMJ -	110	x	125	x	9	\$42.14
AMJ -	110	x	126	x	9	\$26.96
AMJ -	110	x	130	x	8	\$47.60
AMJ -	110	x	130	x	10	\$47.60
AMJ -	120	x	135	x	8	\$47.86
AMJ -	120	x	136	x	9	\$35.45
AMJ -	120	x	140	x	8	\$51.26
AMJ -	120	x	140	x	10	\$77.11
AMJ -	120	x	150	x	12	\$79.91
AMJ -	125	x	140	x	9	\$62.51
AMJ -	130	x	145	x	7.5	\$43.32
AMJ -	130	x	146	x	9	\$36.01
AMJ -	130	x	150	x	8	\$64.38
AMJ -	130	x	150	x	9	\$64.67
AMJ -	130	x	150	x	10	\$65.91
AMJ -	130	x	154	x	8	\$66.01
AMJ -	130	x	160	x	12	\$75.33
AMJ -	140	x	160	x	10	\$38.25
AMJ -	150	x	165	x	7	\$46.31
AMJ -	150	x	175	x	9	\$83.72

AM47 Metal Encased NBR Pin Wipers - Metric



This listing of AM47 style seals cover the most popular link pin seal sizes found on European equipment. They are made from 90 durometer nitrile bonded to a corrosive-resistant steel can.

Temperature: -40° to 230°F

Material: Nitrile/Steel

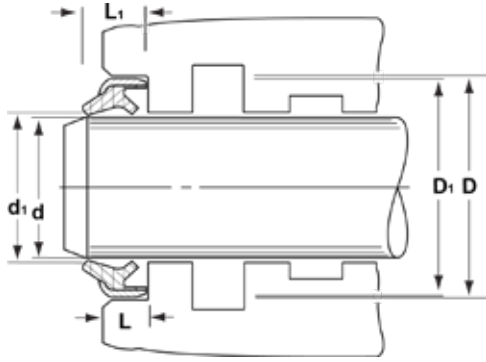
ALTERNATIVE SEALS:
AMJ, AM46, AM48

EXAMPLE: AM47-30X40X4					
Prefix	Inside Diameter		Outside Diameter		Base Height
AM47-	30	x	40	x	4
	30mm		40mm		4mm

Part Number						
Prefix	Rod Dia. d	Groove Dimensions			Price	
		Groove Dia. H8 D	Groove Height +0.4/+0.6 L			
AM47-	4	x	8	x	2	\$4.10
AM47-	5	x	9	x	2	\$4.74
AM47-	5	x	10	x	2	\$4.97
AM47-	6	x	10	x	2	\$4.78
AM47-	6	x	12	x	2	\$5.19
AM47-	7	x	11	x	2	\$4.10
AM47-	7	x	14	x	2	\$4.10
AM47-	8	x	12	x	3	\$7.35
AM47-	8	x	15	x	3	\$5.51
AM47-	9	x	13	x	3	\$5.51
AM47-	10	x	14	x	3	\$5.51
AM47-	10	x	17	x	3	\$5.58
AM47-	12	x	18	x	3	\$5.71
AM47-	12	x	19	x	3	\$5.71
AM47-	13	x	19	x	3	\$5.71
AM47-	15	x	21	x	2	\$5.80
AM47-	15	x	21	x	3	\$5.80
AM47-	18	x	24	x	3	\$6.01

Part Number						
Prefix	Rod Dia. d	Groove Dimensions			Price	
		Groove Dia. H8 D	Groove Height +0.4/+0.6 L			
AM47-	20	x	26	x	4	\$8.42
AM47-	22	x	30	x	4	\$8.63
AM47-	25	x	32	x	4	\$6.24
AM47-	25	x	35	x	4	\$9.86
AM47-	28	x	37	x	4	\$12.02
AM47-	30	x	37	x	4	\$8.68
AM47-	30	x	40	x	4	\$12.05
AM47-	32	x	42	x	4	\$9.00
AM47-	34	x	42	x	4	\$9.19
AM47-	35	x	42	x	4	\$9.00
AM47-	35	x	45	x	4	\$8.72
AM47-	38	x	48	x	4	\$8.73
AM47-	40	x	47	x	4	\$9.43
AM47-	40	x	48	x	4	\$9.43
AM47-	40	x	50	x	4	\$9.90
AM47-	42	x	52	x	4	\$14.62
AM47-	50	x	58	x	4	\$11.56
AM47-	50	x	62	x	5	\$12.97

AMH Metal Encased NBR/PU Wipers - Metric



ALTERNATIVE SEALS:
AMJ, AM43, AM44, AM48

AMH wipers are available in metric sizes only. They consist of a corrosive resistant carbon steel shell chemically bonded to a 90 durometer shore A polyurethane*. The double lip design works very well at keeping dirt and contaminants out as well as excess oil in. This design is used extensively in Japanese heavy equipment and mobile hydraulics.

Temperature: -40° to 230°F

*Part numbers with a N90 suffix denote a 90 Durometer nitrile sealing lip.

EXAMPLE: AMH-16X28X6N90

Prefix	Inside Diameter		Outside Diameter		Base Height	Suffix
AMH-	16	x	28	x	6	N90
	16mm		28mm		6mm	90A NBR

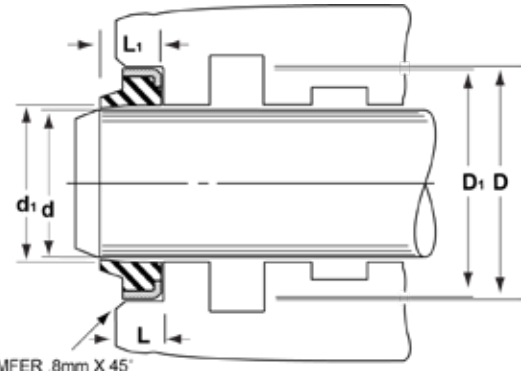
Prefix	Rod Dia. d	Part Number			Material	Total Seal Height L ₁	Price	
		Groove Dimensions						
		Groove Dia. H8 D	Groove Height +0.4/+0.6 L					
AMH-	16	x	28	x	6	N90	9	\$11.52
AMH-	18	x	30	x	6		9	\$9.64
AMH-	19	x	27	x	4		6	\$9.64
AMH-	20	x	32	x	6		9	\$8.96
AMH-	22	x	34	x	6		9	\$12.91
AMH-	25	x	37	x	6		9	\$9.15
AMH-	28	x	40	x	6		9	\$9.94
AMH-	30	x	40	x	5		8	\$12.15
AMH-	30	x	42	x	6		9	\$13.27
AMH-	30	x	47	x	7	N90		\$19.69
AMH-	32	x	44	x	7		10	\$10.46
AMH-	32	x	52	x	8		11	\$13.68
AMH-	34	x	46	x	7		10	\$12.88
AMH-	35	x	45	x	7		10	\$16.52
AMH-	35	x	47	x	7		10	\$13.09
AMH-	36	x	48	x	7		10	\$21.97
AMH-	38	x	50	x	7		10	\$17.63
AMH-	40	x	50	x	5		8	\$17.84
AMH-	40	x	52	x	7		10	\$17.84
AMH-	40	x	60	x	7		10	\$19.07
AMH-	45	x	55	x	7		10	\$19.47
AMH-	45	x	57	x	7		10	\$18.81
AMH-	50	x	60	x	7		10	\$19.18
AMH-	50	x	62	x	7		10	\$20.11
AMH-	50	x	72	x	8		11	\$24.40
AMH-	55	x	69	x	8		11	\$19.99
AMH-	56	x	66	x	5		8	\$27.78
AMH-	56	x	70	x	8		11	\$17.37
AMH-	60	x	74	x	8		11	\$30.66
AMH-	60	x	82	x	11			\$28.47
AMH-	63	x	77	x	8		11	\$20.34
AMH-	65	x	79	x	8		11	\$25.04

Prefix	Rod Dia. d	Part Number			Material	Total Seal Height L ₁	Price	
		Groove Dimensions						
		Groove Dia. H8 D	Groove Height +0.4/+0.6 L					
AMH-	70	x	83	x	8		11	\$22.68
AMH-	70	x	84	x	8		11	\$26.14
AMH-	75	x	89	x	8		11	\$26.44
AMH-	78	x	92	x	8	N90	11	\$72.23
AMH-	80	x	94	x	8		11	\$27.44
AMH-	85	x	97	x	7			\$40.23
AMH-	85	x	99	x	8		11	\$30.27
AMH-	90	x	100	x	7		9.5	\$32.86
AMH-	90	x	104	x	8		11	\$31.14
AMH-	95	x	109	x	8		11	\$30.39
AMH-	98	x	112	x	8	N90	11	\$93.20
AMH-	100	x	114	x	8		11	\$34.45
AMH-	105	x	121	x	9		12	\$37.04
AMH-	110	x	126	x	9		12	\$43.82
AMH-	115	x	131	x	9		12	\$26.65
AMH-	120	x	136	x	9		12	\$49.31
AMH-	125	x	141	x	9		12	\$61.88
AMH-	130	x	146	x	9		12	\$62.14
AMH-	135	x	155	x	10		14	\$54.74
AMH-	140	x	160	x	10		14	\$63.43
AMH-	145	x	160	x	10		14	\$72.82
AMH-	145	x	165	x	10		14	\$74.05
AMH-	150	x	170	x	10		14	\$80.13
AMH-	160	x	180	x	10		14	\$88.97
AMH-	165	x	185	x	10		14	\$64.73
AMH-	170	x	190	x	10		14	\$104.39
AMH-	180	x	200	x	10		14	\$102.68
AMH-	180	x	205	x	12		17	\$102.68
AMH-	200	x	225	x	12		17	\$133.65
AMH-	210	x	230	x	12		15	\$132.55
AMH-	230	x	255	x	12		15	\$130.89
AMH-	260	x	285	x	12		17	\$176.15

AM43 Metal Encased Nitrile Wipers - Metric



ALTERNATIVE SEALS:
AMJ, AMH, AM44, AM47



CHAMFER: 8mm X 45°

AM43 series press in-wipers are made from a hard nitrile material chemically bonded to a corrosion resistant carbon steel shell. As with other press-in wipers, there is no need for additional retention devices.

Temperature: -40° to 250°F

EXAMPLE: AM43-63X73X5					
Prefix	Inside Diameter		Outside Diameter		Base Height
AM43-	63	x	73	x	5
	63mm		73mm		5mm

Part Number							
Prefix	Rod Dia. f8 d	Groove Dia. s11 D	Groove Height L	Total Seal Ht L ₁	Price		
AM43 -	6	x	13	x	3	5	\$3.25
AM43 -	8	x	14	x	3.5	5	\$3.38
AM43 -	8	x	22	x	3	4	\$4.88
AM43 -	10	x	16	x	3	5	\$3.25
AM43 -	10	x	18	x	5	8	\$8.35
AM43 -	10	x	20	x	5	8	\$4.89
AM43 -	12	x	18	x	3.5	5	\$3.44
AM43 -	12	x	20	x	4	6	\$2.64
AM43 -	12	x	22	x	5	8	\$2.69
AM43 -	12	x	25	x	5	8	\$2.76
AM43 -	14	x	20	x	3	4	\$4.51
AM43 -	14	x	20	x	4	6	\$3.68
AM43 -	14	x	22	x	3	4	\$4.23
AM43 -	14	x	25	x	5	8	\$4.79
AM43 -	15	x	21	x	3.5	5	\$3.83
AM43 -	15	x	25	x	5	8	\$3.10
AM43 -	15	x	25	x	7	10	\$3.63
AM43 -	16	x	22	x	3	4	\$5.31
AM43 -	16	x	22	x	3.5	5	\$5.31
AM43 -	16	x	24	x	3.5	8	\$8.97
AM43 -	16	x	26	x	5	8	\$4.08
AM43 -	16	x	26	x	7	10	\$4.88
AM43 -	17	x	22	x	5	8	\$4.88
AM43 -	18	x	26	x	3	4	\$3.57
AM43 -	18	x	26	x	5	7	\$4.43
AM43 -	18	x	28	x	5	7	\$8.12
AM43 -	18	x	28	x	7	10	\$4.79
AM43 -	18	x	32	x	5	9	\$4.88
AM43 -	20	x	26	x	4	7	\$4.86
AM43 -	20	x	26	x	5	8	\$5.31
AM43 -	20	x	28	x	3.5	5	\$2.56
AM43 -	20	x	28	x	5	8	\$2.56

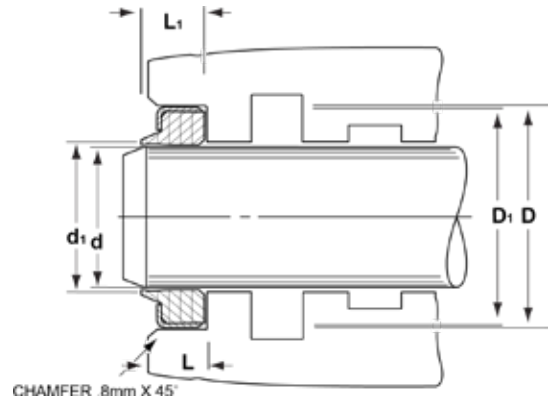
Part Number							
Prefix	Rod Dia. f8 d	Groove Dia. s11 D	Groove Height L	Total Seal Ht L ₁	Price		
AM43 -	20	x	30	x	4	6	\$2.56
AM43 -	20	x	30	x	5	8	\$2.56
AM43 -	20	x	30	x	7	10	\$3.00
AM43 -	20	x	35	x	7	10	\$4.88
AM43 -	21	x	28	x	3.5	5	\$6.80
AM43 -	22	x	28	x	5	9	\$3.00
AM43 -	22	x	30	x	4	5	\$4.59
AM43 -	22	x	32	x	5	8	\$2.69
AM43 -	22	x	32	x	6	9	\$16.53
AM43 -	22	x	32	x	7	10	\$3.69
AM43 -	22	x	35	x	5	8	\$5.97
AM43 -	23	x	33	x	5	8	\$6.76
AM43 -	24	x	32	x	5	7	\$4.88
AM43 -	24	x	35	x	7	10	\$3.25
AM43 -	25	x	31	x	5	7	\$3.63
AM43 -	25	x	35	x	5	8	\$4.58
AM43 -	25	x	35	x	7	10	\$4.69
AM43 -	26	x	34	x	5	8	\$5.76
AM43 -	26	x	35	x	7	10	\$5.13
AM43 -	28	x	34	x	5	8	\$5.76
AM43 -	28	x	36	x	5	7	\$19.98
AM43 -	28	x	38	x	5	8	\$3.05
AM43 -	28	x	38	x	7	10	\$3.97
AM43 -	28	x	40	x	7	10	\$5.64
AM43 -	30	x	40	x	5	7	\$8.66
AM43 -	30	x	40	x	7	10	\$6.19
AM43 -	30	x	42	x	7	10	\$7.39
AM43 -	30	x	45	x	5	10	\$4.88
AM43 -	32	x	40	x	4	7	\$4.30
AM43 -	32	x	40	x	7	10	\$6.26
AM43 -	32	x	42	x	5	7	\$3.72
AM43 -	32	x	42	x	7	10	\$3.72

AM43 Metal Encased Nitrile Wipers - Metric, cont'd.

Part Number						Total Seal Ht L ₁	Price
Prefix	Rod Dia. f8 d	Groove Dia. s11 D	Groove Height L				
AM43	- 32	x 45	x 4	8	\$3.72		
AM43	- 32	x 45	x 7	10	\$3.72		
AM43	- 32	x 50	x 7	10	\$14.77		
AM43	- 35	x 45	x 7	10	\$4.76		
AM43	- 35	x 47	x 7	10	\$4.80		
AM43	- 35	x 50	x 9	12	\$6.01		
AM43	- 35	x 52	x 7	10	\$10.53		
AM43	- 36	x 45	x 7	10	\$6.26		
AM43	- 36	x 46	x 5	8	\$5.90		
AM43	- 36	x 46	x 7	10	\$6.26		
AM43	- 38	x 48	x 7	10	\$6.26		
AM43	- 40	x 50	x 5	8	\$6.32		
AM43	- 40	x 50	x 7	10	\$6.39		
AM43	- 40	x 52	x 7	10	\$8.19		
AM43	- 40	x 55	x 9	12	\$9.01		
AM43	- 42	x 52	x 7	10	\$4.08		
AM43	- 44	x 55	x 5	8	\$5.46		
AM43	- 45	x 55	x 7	10	\$4.19		
AM43	- 45	x 57	x 7	10	\$4.50		
AM43	- 45	x 60	x 7	10	\$4.50		
AM43	- 48	x 60	x 7	10	\$8.88		
AM43	- 50	x 56	x 5	7	\$4.77		
AM43	- 50	x 60	x 5	7	\$7.13		
AM43	- 50	x 60	x 5	7	\$7.13		
AM43	- 50	x 60	x 7	10	\$7.13		
AM43	- 50	x 65	x 5	8	\$7.87		
AM43	- 50	x 65	x 7	10	\$5.76		
AM43	- 50	x 72	x 8	11	\$22.24		
AM43	- 52	x 62	x 7	10	\$7.97		
AM43	- 52	x 62	x 7	10	\$42.32		
AM43	- 55	x 63	x 7	10	\$8.55		
AM43	- 55	x 65	x 7	10	\$5.47		
AM43	- 56	x 65	x 7	10	\$4.77		
AM43	- 56	x 66	x 7	10	\$5.84		
AM43	- 60	x 70	x 7	10	\$6.36		
AM43	- 60	x 74	x 5	8	\$21.19		
AM43	- 60	x 75	x 7	10	\$5.78		
AM43	- 60	x 80	x 7	10	\$10.76		
AM43	- 63	x 73	x 5	7	\$10.52		
AM43	- 63	x 73	x 7	10	\$10.51		
AM43	- 63	x 75	x 7	10	\$5.79		
AM43	- 63	x 83	x 5	8	\$13.71		
AM43	- 65	x 75	x 7	10	\$5.79		
AM43	- 70	x 80	x 7	10	\$6.30		

Part Number						Total Seal Ht L ₁	Price
Prefix	Rod Dia. f8 d	Groove Dia. s11 D	Groove Height L				
AM43	- 72	x 82	x 7	10	\$12.02		
AM43	- 73	x 89	x 7	10	\$10.26		
AM43	- 75	x 85	x 7	10	\$6.99		
AM43	- 75	x 87	x 5	7	\$12.64		
AM43	- 78	x 88	x 7	10	\$11.33		
AM43	- 80	x 88	x 7	10	\$14.64		
AM43	- 80	x 90	x 7	10	\$7.80		
AM43	- 82	x 92	x 7	10	\$18.62		
AM43	- 84	x 94	x 5	8	\$17.19		
AM43	- 85	x 95	x 7	10	\$14.92		
AM43	- 90	x 100	x 7	10	\$12.31		
AM43	- 95	x 105	x 7	10	\$12.31		
AM43	- 95	x 106	x 7	10	\$35.14		
AM43	- 100	x 110	x 7	10	\$11.55		
AM43	- 100	x 115	x 9	12	\$33.02		
AM43	- 105	x 115	x 7	10	\$13.60		
AM43	- 110	x 120	x 7	10	\$13.56		
AM43	- 115	x 125	x 7	10	\$14.42		
AM43	- 120	x 130	x 7	10	\$16.59		
AM43	- 123	x 147	x 9	12	\$26.41		
AM43	- 125	x 140	x 9	12	\$14.86		
AM43	- 130	x 145	x 9	12	\$15.31		
AM43	- 135	x 145	x 7	10	\$50.43		
AM43	- 135	x 150	x 9	12	\$31.65		
AM43	- 140	x 150	x 7	10	\$32.92		
AM43	- 140	x 155	x 9	12	\$19.42		
AM43	- 145	x 160	x 9	12	\$36.30		
AM43	- 150	x 165	x 9	12	\$34.35		
AM43	- 150	x 166	x 8	12	\$44.72		
AM43	- 160	x 175	x 9	12	\$22.92		
AM43	- 165	x 180	x 12	16	\$46.31		
AM43	- 170	x 185	x 10	14	\$55.45		
AM43	- 175	x 195	x 10		\$73.84		
AM43	- 180	x 195	x 10	14	\$69.04		
AM43	- 185	x 200	x 10	14	\$74.61		
AM43	- 200	x 215	x 7	10	\$81.03		
AM43	- 200	x 220	x 12	16	\$58.92		
AM43	- 210	x 230	x 12	16	\$80.11		
AM43	- 220	x 240	x 12	16	\$89.74		
AM43	- 240	x 260	x 12	16	\$101.09		
AM43	- 250	x 270	x 12	16	\$133.52		
AM43	- 270	x 295	x 12	16	\$314.24		
AM43	- 275	x 300	x 12	16	\$177.06		
AM43	- 320	x 340	x 12	16	\$203.81		

AM44 Metal Encased Urethane Wipers - Metric



EXAMPLE: AM44-63X75X7

Prefix	Inside Diameter		Outside Diameter		Base Height
AM44-	63	x	75	x	7
	63mm		75mm		7mm

AM44 series press-in wipers are made from a urethane material bonded to a corrosion resistant carbon steel shell. These wipers may be interchanged, in many cases, with AMH series wipers when the double lip is not desirable.

Temperature: -40° to 230°F

Prefix	Part Number		Groove Dimensions		Total Seal Height L ₁	Price	
	Rod Dia. d		Groove Dia. H8 D	Groove Height +0.5/-0.0 L			
AM44 -	12	x	20	x	4.5	6	\$9.17
AM44 -	12	x	22	x	5	7	\$13.80
AM44 -	14	x	20	x	3.5	5	\$9.05
AM44 -	15	x	21	x	3.5	5	\$10.34
AM44 -	15	x	25	x	5	7	\$9.43
AM44 -	16	x	22	x	3	5	\$7.63
AM44 -	16	x	26	x	5	7	\$9.17
AM44 -	17	x	24	x	3.5	5	\$7.88
AM44 -	18	x	28	x	5	7	\$11.50
AM44 -	18	x	30	x	6	9	\$12.39
AM44 -	20	x	28	x	3.5	5	\$8.40
AM44 -	20	x	30	x	4	6	\$9.99
AM44 -	20	x	32	x	6	9	\$12.02
AM44 -	22	x	32	x	5	7	\$12.28
AM44 -	25	x	35	x	5	7	\$12.56
AM44 -	25	x	35	x	7	10	\$12.79
AM44 -	25	x	37	x	6	9	\$13.56
AM44 -	28	x	38	x	5	7	\$8.78
AM44 -	28	x	40	x	7	10	\$10.18
AM44 -	30	x	40	x	5	7	\$9.36
AM44 -	30	x	40	x	7	10	\$10.17

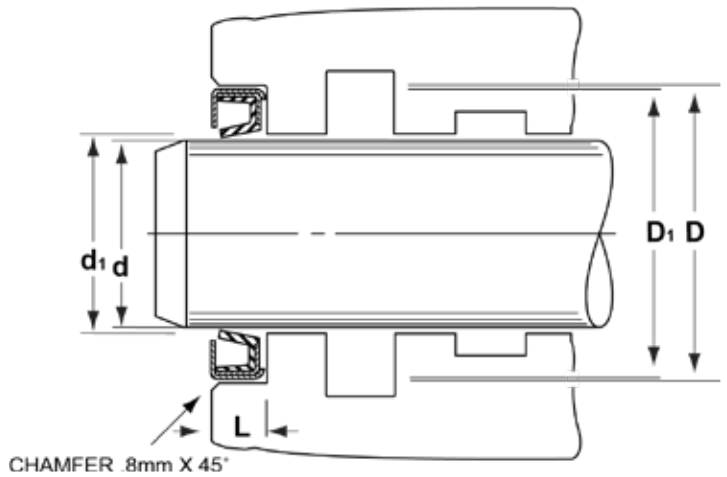
Prefix	Part Number		Groove Dimensions		Total Seal Height L ₁	Price	
	Rod Dia. d		Groove Dia. H8 D	Groove Height +0.5/-0.0 L			
AM44 -	30	x	42	x	6	9	\$13.22
AM44 -	30	x	45	x	5	7	\$15.38
AM44 -	30	x	45	x	7	10	\$20.75
AM44 -	32	x	42	x	5	7	\$15.38
AM44 -	32	x	44	x	7	10	\$18.42
AM44 -	32	x	45	x	4	6	\$13.91
AM44 -	32	x	52	x	8	11	\$30.29
AM44 -	35	x	45	x	7	10	\$16.41
AM44 -	35	x	47	x	7	10	\$18.43
AM44 -	36	x	45	x	7	10	\$17.12
AM44 -	36	x	46	x	7	10	\$24.76
AM44 -	36	x	50	x	7	10	\$15.38
AM44 -	38	x	48	x	7	10	\$15.65
AM44 -	38	x	50	x	7	10	\$20.52
AM44 -	40	x	50	x	5	8	\$19.66
AM44 -	40	x	50	x	7	10	\$16.46
AM44 -	40	x	52	x	7	10	\$21.45
AM44 -	40	x	60	x	7	10	\$19.67
AM44 -	42	x	52	x	7	10	\$17.74
AM44 -	45	x	55	x	7	10	\$13.41
AM44 -	45	x	57	x	7	10	\$22.34

AM44 Metal Encased Urethane Wipers - Metric, cont'd.

Part Number						Total Seal Height L ₁	Price
Prefix	Rod Dia. d	Groove Dimensions					
		Groove Dia. H8 D	Groove Height +0.5/-0.0 L				
AM44 - 45	x	60	x	7	10	\$16.45	
AM44 - 47	x	59	x	7	10	\$19.67	
AM44 - 48	x	60	x	7	10	\$18.92	
AM44 - 48	x	62	x	7	10	\$18.12	
AM44 - 50	x	56	x	5	7	\$19.68	
AM44 - 50	x	60	x	7	10	\$22.08	
AM44 - 50	x	62	x	7	10	\$18.06	
AM44 - 53	x	67	x	8	11	\$18.53	
AM44 - 55	x	63	x	7	10	\$21.80	
AM44 - 55	x	65	x	5	7	\$21.80	
AM44 - 55	x	69	x	8	11	\$25.50	
AM44 - 56	x	66	x	7	10	\$18.72	
AM44 - 56	x	70	x	8	11	\$26.14	
AM44 - 60	x	70	x	7	10	\$25.55	
AM44 - 60	x	74	x	8	11	\$25.41	
AM44 - 63	x	75	x	7	10	\$18.92	
AM44 - 63	x	77	x	8	11	\$20.37	
AM44 - 64	x	78	x	8	11	\$29.47	
AM44 - 65	x	75	x	7	10	\$23.33	
AM44 - 65	x	79	x	8	11	\$29.46	
AM44 - 70	x	80	x	7	10	\$23.86	
AM44 - 70	x	84	x	8	11	\$28.49	
AM44 - 75	x	83	x	7	10	\$44.08	
AM44 - 75	x	85	x	7	10	\$22.60	
AM44 - 75	x	89	x	8	11	\$30.09	
AM44 - 80	x	90	x	7	10	\$24.42	
AM44 - 80	x	94	x	8	11	\$34.00	
AM44 - 82	x	92	x	7	10	\$31.70	
AM44 - 85	x	99	x	8	11	\$34.11	
AM44 - 90	x	100	x	7	10	\$28.49	
AM44 - 90	x	104	x	8	11	\$39.70	
AM44 - 95	x	105	x	7	10	\$33.95	
AM44 - 95	x	109	x	8	11	\$34.14	
AM44 - 100	x	110	x	7	10	\$32.63	

Part Number						Total Seal Height L ₁	Price
Prefix	Rod Dia. d	Groove Dimensions					
		Groove Dia. H8 D	Groove Height +0.5/-0.0 L				
AM44 - 100	x	114	x	8	11	\$33.70	
AM44 - 100	x	115	x	8	11	\$32.63	
AM44 - 105	x	115	x	7	10	\$34.77	
AM44 - 105	x	121	x	9	12	\$50.12	
AM44 - 110	x	120	x	7	10	\$32.50	
AM44 - 110	x	126	x	9	12	\$46.00	
AM44 - 114	x	140	x	8	12	\$55.01	
AM44 - 115	x	131	x	9	12	\$50.86	
AM44 - 120	x	130	x	7	10	\$36.67	
AM44 - 120	x	136	x	9	12	\$48.46	
AM44 - 125	x	140	x	9	12	\$43.33	
AM44 - 125	x	141	x	9	12	\$57.91	
AM44 - 130	x	145	x	9	12	\$57.91	
AM44 - 130	x	146	x	9	12	\$57.78	
AM44 - 132	x	148	x	9	12	\$55.24	
AM44 - 135	x	150	x	9	12	\$60.05	
AM44 - 140	x	155	x	9	12	\$51.22	
AM44 - 140	x	160	x	10	14	\$69.15	
AM44 - 145	x	165	x	10	14	\$69.15	
AM44 - 150	x	165	x	9	12	\$69.15	
AM44 - 150	x	170	x	10	14	\$75.95	
AM44 - 160	x	175	x	9	12	\$107.16	
AM44 - 160	x	180	x	10	14	\$94.84	
AM44 - 165	x	185	x	10	14	\$102.72	
AM44 - 170	x	190	x	10	14	\$94.68	
AM44 - 180	x	195	x	10	14	\$95.76	
AM44 - 180	x	205	x	12	16	\$94.18	
AM44 - 190	x	215	x	12	16	\$123.69	
AM44 - 200	x	220	x	12	16	\$123.45	
AM44 - 200	x	225	x	12	16	\$135.61	
AM44 - 210	x	235	x	12	16	\$148.82	
AM44 - 212	x	237	x	12	16	\$168.11	
AM44 - 224	x	249	x	12	16	\$165.03	
AM44 - 225	x	250	x	12	16	\$196.97	

AM46 Double Metal Can NBR Pin Wipers - Metric


ALTERNATIVE SEALS:

AMJ, AM47, AM48

EXAMPLE: AM46-65X80X4					
Prefix	Inside Diameter		Outside Diameter		Base Height
AM46-	65	x	80	x	4
	65mm		80mm		4mm

AM46 series wipers have a double metal can making them rigid. They are used mainly for hinge pin applications.

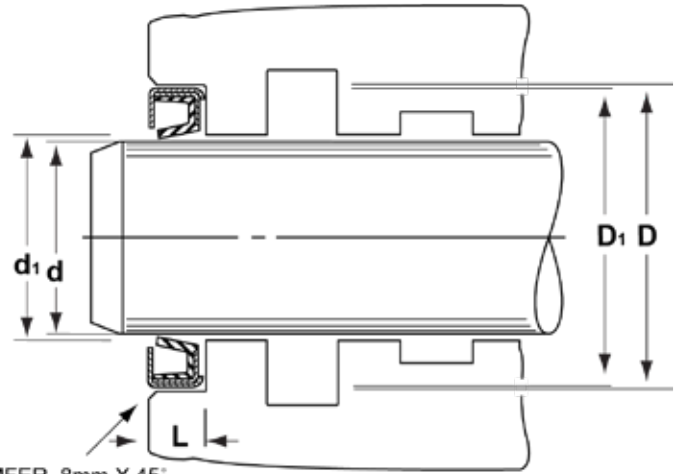
Temperature: -40° to 230°F

Material: Nitrile/Steel

Part Number						
Prefix	Rod Dia. d	Groove Dimensions				Price
		Groove Dia. H8 D	Groove Height +0.4/+0.6 L			
AM46 -	35	x	45	x	4	\$4.15
AM46 -	40	x	50	x	4	\$9.45
AM46 -	45	x	55	x	4	\$5.48
AM46 -	50	x	60	x	4	\$6.22
AM46 -	50	x	65	x	4	\$6.50
AM46 -	50	x	65	x	8	\$6.72
AM46 -	55	x	65	x	4	\$12.32
AM46 -	55	x	68	x	4	\$8.26
AM46 -	55	x	70	x	4	\$7.89
AM46 -	55	x	70	x	6	\$14.73
AM46 -	60	x	75	x	4	\$8.71
AM46 -	60	x	75	x	8	\$23.97
AM46 -	65	x	80	x	4	\$10.11
AM46 -	65	x	80	x	8	\$15.20
AM46 -	70	x	85	x	4	\$11.01
AM46 -	70	x	85	x	8	\$11.45
AM46 -	75	x	90	x	4	\$12.38
AM46 -	75	x	90	x	8	\$19.73

Part Number						
Prefix	Rod Dia. d	Groove Dimensions				Price
		Groove Dia. H8 D	Groove Height +0.4/+0.6 L			
AM46 -	80	x	95	x	4	\$13.78
AM46 -	80	x	95	x	6	\$17.43
AM46 -	80	x	95	x	8	\$17.80
AM46 -	85	x	100	x	4	\$17.66
AM46 -	85	x	100	x	8	\$21.64
AM46 -	90	x	105	x	4	\$18.13
AM46 -	90	x	105	x	8	\$22.46
AM46 -	100	x	115	x	4	\$21.12
AM46 -	100	x	115	x	8	\$25.16
AM46 -	110	x	125	x	4	\$24.79
AM46 -	110	x	125	x	8	\$28.66
AM46 -	110	x	130	x	8	\$38.86
AM46 -	115	x	135	x	8	\$40.41
AM46 -	120	x	135	x	8	\$30.12
AM46 -	120	x	140	x	8	\$42.04
AM46 -	130	x	150	x	8	\$43.72
AM46 -	140	x	160	x	8	\$45.46

AM48 Double Metal Can PU Pin Wipers - Metric



ALTERNATIVE SEALS:
AMJ, AM46, AM47

EXAMPLE: AM48-100X115X4					
Prefix	Inside Diameter		Outside Diameter		Base Height
AM48-	100	x	115	x	4
	100mm		115mm		4mm

AM48 series wipers have a double metal can making them rigid. They are used mainly for hinge pin applications.

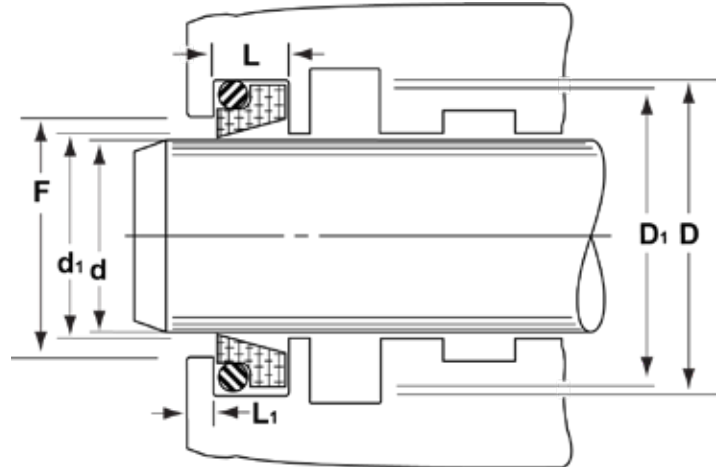
Material: Urethane/Steel

Temperature: -40° to 230°F

Part Number					
Prefix	Rod Dia. d	Groove Dia. H8 D	Groove Height L		Price
AM48 -	35	x 45	x 4		\$16.55
AM48 -	40	x 50	x 4		\$16.55
AM48 -	40	x 50	x 6		\$16.55
AM48 -	45	x 55	x 4		\$17.19
AM48 -	50	x 60	x 4		\$17.49
AM48 -	50	x 60	x 5		\$19.78
AM48 -	50	x 60	x 6		\$20.62
AM48 -	50	x 65	x 6		\$22.49
AM48 -	55	x 68	x 4		\$21.85
AM48 -	55	x 70	x 6		\$24.82
AM48 -	55	x 75	x 6		\$24.82
AM48 -	60	x 75	x 4		\$24.82
AM48 -	60	x 75	x 6		\$25.92
AM48 -	65	x 80	x 4		\$27.21
AM48 -	65	x 80	x 6		\$29.09
AM48 -	65	x 85	x 5		\$30.19
AM48 -	65	x 85	x 6		\$31.67
AM48 -	70	x 80	x 6		\$29.09
AM48 -	70	x 85	x 4		\$27.21
AM48 -	70	x 85	x 6		\$31.41
AM48 -	75	x 90	x 5		\$32.71
AM48 -	75	x 90	x 9.5		\$39.49
AM48 -	75	x 95	x 7		\$38.01
AM48 -	75	x 95	x 9.5		\$42.27
AM48 -	80	x 95	x 4		\$35.49

Part Number					
Prefix	Rod Dia. d	Groove Dia. H8 D	Groove Height L		Price
AM48 -	80	x 95	x 6		\$37.62
AM48 -	80	x 100	x 6		\$38.85
AM48 -	90	x 105	x 6		\$41.43
AM48 -	90	x 110	x 9.5		\$52.23
AM48 -	95	x 110	x 9.5		\$55.65
AM48 -	95	x 115	x 9.5		\$55.65
AM48 -	100	x 115	x 4		\$51.84
AM48 -	100	x 115	x 8		\$51.84
AM48 -	100	x 120	x 6		\$51.84
AM48 -	100	x 120	x 8		\$54.17
AM48 -	100	x 120	x 9.5		\$59.01
AM48 -	110	x 125	x 4		\$51.84
AM48 -	110	x 125	x 8		\$58.17
AM48 -	110	x 125	x 9.5		\$62.63
AM48 -	110	x 130	x 8		\$64.77
AM48 -	110	x 130	x 9.5		\$66.25
AM48 -	110	x 140	x 8		\$70.71
AM48 -	120	x 135	x 8		\$64.77
AM48 -	120	x 135	x 9.5		\$70.07
AM48 -	120	x 140	x 9.5		\$74.14
AM48 -	130	x 155	x 9.5		\$86.23
AM48 -	140	x 155	x 8		\$75.43
AM48 -	160	x 180	x 9.5		\$132.77
AM48 -	190	x 220	x 8		\$154.79

TW 100 Series Excluders - Metric



ALTERNATIVE SEALS:
A40

EXAMPLE: TW102E-130MMB			
Prefix	Groove Height	Inside Diameter	Suffix
TW10_*	2E-	130MM	B
	6mm	130mm	BTFE

The TW100 series TFE wipers are designed for those applications that necessitate a high sliding speed rate. With a PTFE excluder lip, these wipers offer a low friction alternative to traditional snap-in wipers. Standard material is bronze-filled Teflon® with nitrile energizers, but can be made from any TFE compound. Temperature ranges can be increased by using FKM o-rings.

* (0=4, 1=5, 2=6, 3=8.4, 4=11mm) = Groove Ht.

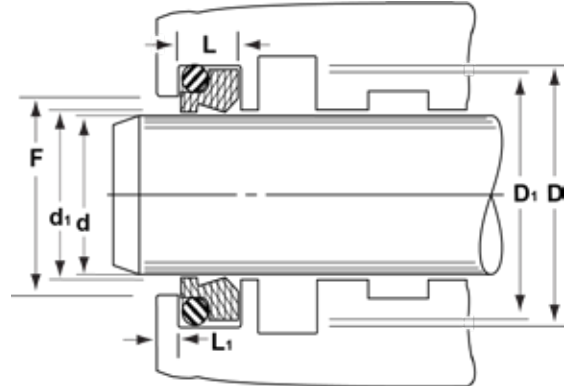
Temperature: -40° to 225°F

Part No.	Rod Dia. d	Groove Dia. D	Groove Height L	Throat Dia. F	Groove Lip Height L ₁	O-Ring	Price
TW100E-25MMB	25	29.8	4	25.7	1	023	\$25.47
TW101E-12MMB	12	18.8	5	15.5	2	113	\$27.59
TW101E-14MMB	14	20.8	5	17.5	2	114	\$28.27
TW101E-15MMB	15	21.8	5	18.5	2	115	\$28.77
TW101E-16MMB	16	22.8	5	19.5	2	116	\$29.52
TW101E-18MMB	18	24.8	5	21.5	2	117	\$29.89
TW101E-20MMB	20	26.8	5	23.5	2	118	\$30.67
TW101E-22MMB	22	28.8	5	25.5	2	119	\$31.82
TW101E-24MMB	24	30.8	5	27.5	2	120	\$32.61
TW101E-25MMB	25	31.8	5	28.5	2	121	\$33.98
TW101E-26MMB	26	32.8	5	29.5	2	122	\$34.18
TW101E-28MMB	28	34.8	5	31.5	2	123	\$34.57
TW101E-30MMB	30	36.8	5	33.5	2	124	\$34.87
TW101E-32MMB	32	38.8	5	35.5	2	126	\$35.26
TW101E-35MMB	35	41.8	5	38.5	2	127	\$35.65
TW101E-36MMB	36	42.8	5	39.5	2	129	\$35.65
TW101E-38MMB	38	44.8	5	41.5	2	130	\$35.85
TW101E-40MMB	40	46.8	5	43.5	2	131	\$36.05
TW101E-42MMB	42	48.8	5	45.5	2	132	\$36.24
TW101E-45MMB	45	51.8	5	48.5	2	134	\$36.54
TW101E-48MMB	48	54.8	5	51.5	2	136	\$36.83
TW101E-50MMB	50	56.8	5	53.5	2	137	\$36.83
TW101E-52MMB	52	58.8	5	55.5	2	138	\$37.13
TW101E-55MMB	55	61.8	5	58.5	2	140	\$37.03
TW101E-56MMB	56	62.8	5	59.5	2	140	\$37.13
TW101E-58MMB	58	64.8	5	61.5	2	142	\$37.32
TW101E-60MMB	60	66.8	5	63.5	2	143	\$37.42
TW101E-70MMB	70	76.8	5	73.5	2	148	\$38.43
TW102E-65MMB	65	73.8	6	69	3	231	\$41.88
TW102E-70MMB	70	78.8	6	74	3	233	\$44.34
TW102E-75MMB	75	83.8	6	79	3	234	\$45.67
TW102E-80MMB	80	88.8	6	84	3	236	\$47.21

TW 100 Series Excluders - Metric, cont'd.

Part No.	Rod Dia. d	Groove Dia. D	Groove Height L	Throat Dia. F	Groove Lip Height L ₁	O-Ring	Price
TW102E-85MMB	85	93.8	6	89	3	237	\$48.75
TW102E-88.9MMB	88.9	98.8	6	92.9	3	239	\$47.62
TW102E-90MMB	90	98.8	6	94	3	239	\$49.98
TW102E-95MMB	95	103.8	6	99	3	241	\$54.82
TW102E-100MMB	100	108.8	6	104	3	242	\$54.19
TW102E-105MMB	105	113.8	6	109	3	244	\$58.61
TW102E-110MMB	110	118.8	6	114	3	245	\$58.61
TW102E-120MMB	120	128.8	6	124	3	249	\$62.81
TW102E-125MMB	125	133.8	6	129	3	250	\$65.17
TW102E-130MMB	130	138.8	6	134	3	252	\$67.33
TW102E-140MMB	140	148.8	6	144	3	255	\$72.36
TW102E-150MMB	150	158.8	6	154	3	258	\$77.29
TW102E-155MMB	155	163.8	6	159	3	259	\$80.16
TW102E-160MMB	160	168.8	6	164	3	259	\$82.73
TW102E-165MMB	165	173.8	6	169	3	260	\$105.75
TW102E-170MMB	170	178.8	6	174	3	261	\$90.90
TW102E-175MMB	175	183.8	6	179	3	262	\$105.96
TW102E-180MMB	180	188.8	6	184	3	263	\$107.04
TW102E-185MMB	185	193.8	6	189	3	263	\$110.39
TW102E-190MMB	190	198.8	6	194	3	264	\$113.74
TW102E-195MMB	195	203.8	6	199	3	265	\$116.56
TW102E-200MMB	200	208.8	6	204	3	266	\$120.64
TW102E-210MMB	210	218.8	6	214	3	267	\$125.08
TW102E-220MMB	220	228.8	6	224	3	269	\$127.30
TW102E-225MMB	225	233.8	6	229	3	270	\$134.23
TW102E-230MMB	230	238.8	6	234	3	271	\$144.29
TW102E-240MMB	240	248.8	6	244	3	272	\$161.54
TW102E-250MMB	250	258.8	6	254	3	274	\$191.51
TW103E-90MMB	90	102.2	8.4	94.5	4		\$144.49
TW103E-90MMP	90	102.2	8.4	94.5	4		\$141.13
TW103E-260MMB	260	272.2	8.4	264.5	4	378	\$275.80
TW103E-270MMB	270	282.2	8.4	274.5	4	379	\$287.53
TW103E-280MMB	280	292.2	8.4	284.5	4	379	\$299.35
TW103E-290MMB	290	302.2	8.4	294.5	4	380	\$315.04
TW103E-300MMB	300	312.2	8.4	304.5	4	381	\$326.77
TW103E-310MMB	310	322.2	8.4	314.5	4	381	\$337.77
TW103E-320MMB	320	332.2	8.4	324.5	4	382	\$348.68
TW103E-330MMB	330	342.2	8.4	334.5	4	382	\$359.59
TW103E-340MMB	340	352.2	8.4	344.5	4	382	\$370.39
TW103E-350MMB	350	362.2	8.4	354.5	4	383	\$381.30
TW103E-360MMB	360	372.2	8.4	364.5	4	383	\$392.10
TW103E-370MMB	370	382.2	8.4	374.5	4	383	\$403.11
TW103E-380MMB	380	392.2	8.4	384.5	4	384	\$413.91
TW103E-390MMB	390	402.2	8.4	394.5	4	384	\$424.92
TW103E-400MMB	400	412.2	8.4	404.5	4	385	\$435.82
TW103E-410MMB	410	422.2	8.4	414.5	4	385	\$446.63
TW103E-420MMB	420	432.2	8.4	424.5	4	386	\$457.53
TW104E-430MMB	430	446	11	435.2	4	463	\$551.11
TW104E-440MMB	440	456	11	445.2	4	464	\$563.82
TW104E-450MMB	450	466	11	455.2	4	465	\$576.65
TW104E-460MMB	460	476	11	465.2	4	466	\$589.60
TW104E-470MMB	470	486	11	475.2	4	466	\$602.31
TW104E-480MMB	480	496	11	485.2	4	467	\$615.14
TW104E-490MMB	490	506	11	495.2	4	468	\$627.97
TW104E-500MMB	500	516	11	505.2	4	469	\$640.80

TW 500 Series Excluders - Metric



ALTERNATIVE SEALS:
DA24

EXAMPLE: TW502E-130MMB			
Prefix	Groove Height	Inside Diameter	Suffix
TW50_*	2E-	130MM	B
	8.1mm	130mm	BTFE

* (1=4.2 & 6.3, 1=5, 2=8.1, 3=9.5, 4=14mm) = Groove Ht.

The TW500 series BTFE wipers are designed for those applications that necessitate a high sliding speed rate. They offer great wear resistance and are a good low friction alternative to traditional snap-in wipers. These wipers also incorporate a secondary lip that aids stability and helps maintain a pocket of oil between wiping surfaces. This aids in dissipating any heat buildup that may occur. Standard material is bronze-filled PTFE. Temperature range can be increased by using a FKM o-ring energizer. Other materials are available.

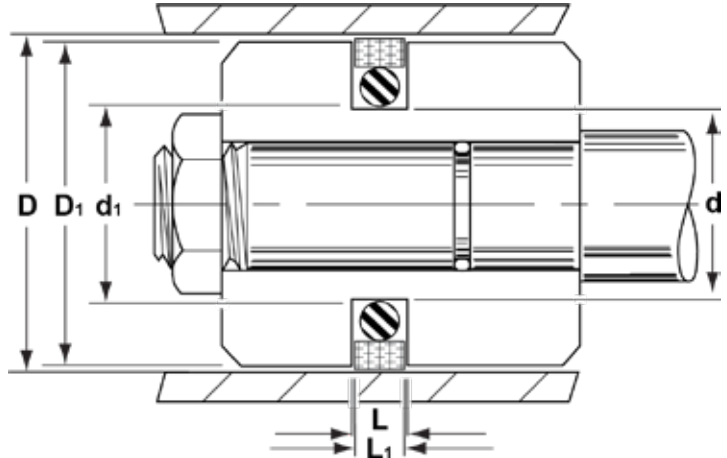
Temperature: -40° to 225°F

Part Number	Rod Dia. (f8) d	Groove Dia. (js11) D	Groove Height L	Throat Dia. (h11) F	Groove Lip Height L ₁	O-Ring	Price
TW501E-20MMB	20	27.6	4.2	21	2	118	\$20.43
TW501E-22MMB	22	29.6	4.2	23	2	120	\$20.71
TW501E-24MMB	24	31.6	4.2	25	2	121	\$21.17
TW501E-25MMB	25	32.6	4.2	26	2	122	\$23.08
TW501E-28MMB	28	35.6	4.2	29	2	123	\$22.46
TW501E-30MMB	30	37.6	4.2	31	2	125	\$22.65
TW501E-32MMB	32	39.6	4.2	33	2	126	\$22.91
TW501E-35MMB	35	42.6	4.2	36	2	128	\$22.14
TW501E-36MMB	36	43.6	4.2	37	2	129	\$23.43
TW501E-38MMB	38	45.6	4.2	39	2	130	\$23.37
TW501E-40MMB	40	48.8	6.3	41.5	2	132	\$26.33
TW501E-40MMP	40	48.8	6.3	41.5	2	132	\$24.00
TW501E-42MMB	42	50.8	6.3	43.5	2	133	\$26.55
TW501E-45MMB	45	53.8	6.3	46.5	2	135	\$26.70
TW501E-48MMB	48	56.8	6.3	49.5	2	137	\$26.84
TW501E-50MMB	50	58.8	6.3	51.5	2	137	\$26.84
TW501E-50MMP	50	58.8	6.3	51.5	2	137	\$24.68
TW501E-52MMB	52	60.8	6.3	53.5	2	139	\$26.99
TW501E-55MMB	55	63.8	6.3	56.5	2	141	\$27.06
TW501E-56MMB	56	64.8	6.3	57.5	2	142	\$28.52
TW501E-58MMB	58	66.8	6.3	59.5	2	143	\$28.87
TW501E-60MMB	60	68.8	6.3	61.5	2	144	\$29.81
TW501E-63MMB	63	71.8	6.3	64.5	2	146	\$31.55
TW501E-65MMB	65	73.8	6.3	66.5	2	147	\$33.53
TW501E-100MMB	100	108.8	6.3	101.5	2	155	\$54.44
TW501E-110MMB	110	118.8	6.3	111.5	2	157	\$55.50
TW502E-70MMB	70	82.2	8.1	72	3	234	\$35.90
TW502E-70MMP	70	82.2	8.1	72	3	234	\$35.01
TW502E-75MMB	75	87.2	8.1	77	3	235	\$39.09
TW502E-80MMB	80	92.2	8.1	82	3	237	\$40.97
TW502E-80MMP	80	92.2	8.1	82	3	237	\$37.16
TW502E-85MMB	85	97.2	8.1	87	3	239	\$40.97
TW502E-85MMP	85	97.2	8.1	87	3	239	\$37.64

TW 500 Series Excluders - Metric, cont'd.

Part Number	Rod Dia. (f8) d	Groove Dia. (js11) D	Groove Height L	Throat Dia. (h11) F	Groove Lip Height L ₁	O-Ring	Price
TW502E-90MMB	90	102.2	8.1	92	3	240	\$38.63
TW502E-90MMP	90	102.2	8.1	92	3	240	\$37.64
TW502E-95MMB	95	107.2	8.1	97	3	242	\$40.31
TW502E-95MMP	95	107.2	8.1	97	3	242	\$39.55
TW502E-100MMB	100	112.2	8.1	102	3	243	\$41.83
TW502E-105MMB	105	117.2	8.1	107	3	245	\$43.52
TW502E-105MMP	105	117.2	8.1	107	3	245	\$41.09
TW502E-110MMB	110	122.2	8.1	112	3	246	\$45.12
TW502E-110MMP	110	122.2	8.1	112	3	246	\$43.44
TW502E-115MMB	115	127.2	8.1	117	3	248	\$49.73
TW502E-120MMB	120	132.2	8.1	122	3	249	\$49.99
TW502E-125MMB	125	137.2	8.1	127	3	251	\$50.25
TW502E-125MMP	125	137.2	8.1	127	3	251	\$47.99
TW502E-130MMB	130	142.2	8.1	132	3	253	\$52.01
TW502E-135MMB	135	147.2	8.1	137	3	254	\$54.42
TW502E-135MMP	135	147.2	8.1	137	3	254	\$50.88
TW503E-140MMB	140	156	9.5	142.5	3	359	\$65.43
TW503E-140MMP	140	156	9.5	142.5	3	359	\$59.96
TW503E-145MMB	145	161	9.5	147.5	3	360	\$74.70
TW503E-150MMB	150	166	9.5	152.5	3	361	\$76.98
TW503E-155MMB	155	171	9.5	157.5	3	362	\$79.88
TW503E-160MMB	160	176	9.5	162.5	3	363	\$82.47
TW503E-170MMB	170	186	9.5	172.5	3	365	\$88.79
TW503E-180MMB	180	196	9.5	182.5	3	366	\$94.18
TW503E-180MMP	180	196	9.5	182.5	3	366	\$85.47
TW503E-190MMB	190	206	9.5	192.5	3	368	\$100.81
TW503E-200MMB	200	216	9.5	202.5	3	369	\$107.44
TW503E-210MMB	210	226	9.5	212.5	3	371	\$115.52
TW503E-220MMB	220	236	9.5	222.5	3	373	\$124.43
TW503E-225MMB	225	241	9.5	227.5	3	373	\$129.19
TW503E-230MMB	230	246	9.5	232.5	3	374	\$133.96
TW503E-240MMB	240	256	9.5	242.5	3	376	\$147.12
TW503E-250MMB	250	266	9.5	252.5	3	377	\$173.54
TW503E-260MMB	260	276	9.5	262.5	4	378	\$214.46
TW503E-270MMB	270	286	9.5	272.5	4	379	\$229.54
TW503E-280MMB	280	296	9.5	282.5	4	379	\$242.59
TW503E-290MMB	290	306	9.5	292.5	4	380	\$258.95
TW503E-300MMB	300	316	9.5	302.5	4	381	\$272.74
TW503E-310MMB	310	326	9.5	312.5	4	381	\$284.65
TW503E-320MMB	320	336	9.5	322.5	4	382	\$296.67
TW503E-330MMB	330	346	9.5	332.5	4	382	\$308.59
TW503E-340MMB	340	356	9.5	342.5	4	382	\$320.60
TW503E-350MMB	350	366	9.5	352.5	4	383	\$332.62
TW503E-360MMB	360	376	9.5	362.5	4	383	\$344.53
TW503E-370MMB	370	386	9.5	372.5	4	384	\$356.55
TW503E-380MMB	380	396	9.5	382.5	4	384	\$368.57
TW503E-390MMB	390	406	9.5	392.5	4	384	\$380.48
TW504E-400MMB	400	424	14	405.2	4	461	\$446.45
TW504E-410MMB	410	434	14	415.2	4	462	\$459.70
TW504E-420MMB	420	444	14	425.2	4	462	\$473.07
TW504E-430MMB	430	454	14	435.2	4	463	\$486.47
TW504E-440MMB	440	464	14	445.2	4	464	\$493.67
TW504E-450MMB	450	474	14	455.2	4	465	\$504.22
TW504E-460MMB	460	484	14	465.2	4	465	\$516.84
TW504E-470MMB	470	494	14	475.2	4	466	\$526.01
TW504E-480MMB	480	504	14	485.2	4	467	\$553.08
TW504E-490MMB	490	514	14	495.2	4	468	\$566.33
TW504E-500MMB	500	524	14	505.2	4	469	\$579.48

AS700 2pc. PTFE Piston Seals - Inch



EXAMPLE: AS700E-32	
Prefix	Bore Diameter
AS700E-	32
	2"

AS700 style rectangular piston seal assemblies are manufactured from glass filled PTFE and include a 70 durometer nitrile o-ring energizer. This medium duty seal is found in many forklift and agricultural applications and can be considered in applications requiring a compact seal and ease of installation.

AFTER DASH IN INCREMENTS OF 1/16 (16=1")

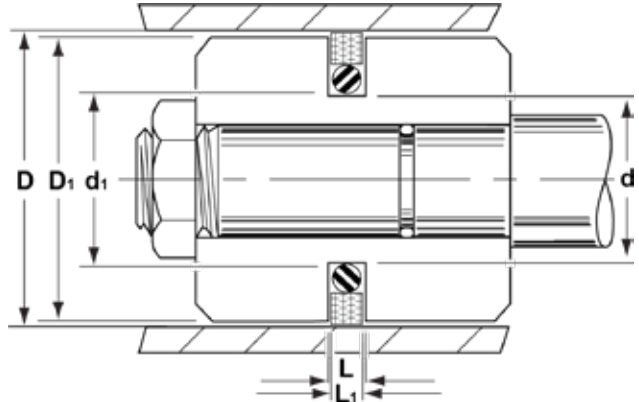
Temperature: -40° to 225°F

Pressure: 0 to 3,000 PSI

Please see Piston Seal Measurement Guide on Page 32.

Part Number	Bore Dia. +0.004/-0 D	Groove Dia. +0/-0.004 d	Groove Height +0.004/-0 L	Seal Height L ₁	Seal Wall	Expander Cross Section	Price
AS700E-16	1.000	0.787	0.094	0.088	0.055	0.070	\$6.54
AS700E-18	1.125	0.912	0.094	0.088	0.055	0.070	\$6.69
AS700E-20	1.250	1.037	0.094	0.088	0.055	0.070	\$6.85
AS700E-22	1.375	1.162	0.094	0.088	0.055	0.070	\$7.02
AS700E-24	1.500	1.287	0.094	0.088	0.055	0.070	\$7.35
AS700E-26	1.625	1.412	0.094	0.088	0.055	0.070	\$7.54
AS700E-28	1.750	1.473	0.126	0.120	0.055	0.103	\$8.29
AS700E-30	1.875	1.598	0.126	0.120	0.055	0.103	\$8.66
AS700E-32	2.000	1.723	0.126	0.120	0.055	0.103	\$8.72
AS700E-36	2.250	1.973	0.126	0.120	0.055	0.103	\$10.09
AS700E-40	2.500	2.223	0.126	0.120	0.055	0.103	\$10.29
AS700E-44	2.750	2.348	0.157	0.150	0.085	0.139	\$12.28
AS700E-48	3.000	2.603	0.157	0.150	0.085	0.139	\$15.19
AS700E-52	3.250	2.853	0.157	0.150	0.085	0.139	\$16.02
AS700E-56	3.500	3.103	0.157	0.150	0.085	0.139	\$16.75
AS700E-60	3.750	3.353	0.157	0.150	0.085	0.139	\$16.91
AS700E-64	4.000	3.603	0.157	0.150	0.085	0.139	\$17.19
AS700E-68	4.250	3.853	0.157	0.150	0.085	0.139	\$17.27
AS700E-72	4.500	4.103	0.157	0.150	0.085	0.139	\$17.67
AS700E-76	4.750	4.353	0.157	0.150	0.085	0.139	\$20.12
AS700E-80	5.000	4.603	0.157	0.150	0.085	0.139	\$21.83
AS700E-86	5.375	4.978	0.157	0.150	0.085	0.139	\$46.73
AS700E-88	5.500	5.103	0.157	0.150	0.085	0.139	\$32.15
AS700E-92	5.750	5.353	0.157	0.150	0.085	0.139	\$36.71
AS700E-96	6.000	5.305	0.294	0.287	0.120	0.275	\$47.82

AS800 2pc. PTFE Piston Seals - Inch



ALTERNATIVE SEALS:
AS800E-P, AS800E-B

EXAMPLE: AS800E-96	
Prefix	Bore Diameter
AS800E-	96
	6"

AS800 style square piston seal assemblies are made from glass filled PTFE and include an o-ring energizer. This popular medium duty assembly assures dependable service to a wide variety of sealing applications from rotary swivels to reciprocating cylinders.

Temperature: -40° to 225°F

Pressure: 0 to 3,000 PSI

AFTER DASH IN INCREMENTS OF 1/16 (16=1")

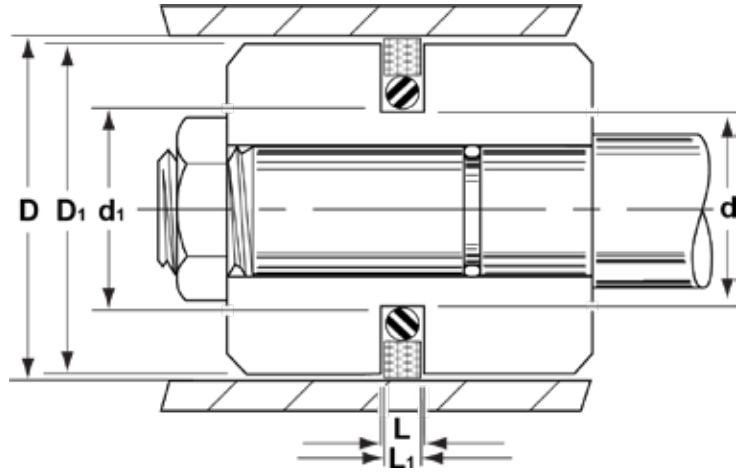
Please see Piston Seal Measurement Guide on Page 32.

Part Number	Bore Dia. +.004/-0 D	Piston Dia. +0/-0.004 D ₁	Groove Dia. +0/-0.004 d	Groove Height +.004/-0 L	Wall & Seal Height L ₁	Expander Cross Section	Price
AS800E-8	0.500	0.497	0.241	0.083	0.070	0.070	\$4.17
AS800E-10	0.625	0.622	0.366	0.083	0.070	0.070	\$4.17
AS800E-12	0.750	0.747	0.491	0.083	0.070	0.070	\$4.23
AS800E-14	0.875	0.872	0.616	0.083	0.070	0.070	\$4.73
AS800E-16	1.000	0.997	0.741	0.083	0.070	0.070	\$4.79
AS800E-18	1.125	1.122	0.866	0.083	0.070	0.070	\$5.24
AS800E-20	1.250	1.247	0.991	0.083	0.070	0.070	\$5.24
AS800E-22	1.375	1.372	1.116	0.083	0.070	0.070	\$7.30
AS800E-24	1.500	1.497	1.241	0.083	0.070	0.070	\$5.43
AS800E-25	1.562	1.559	1.172	0.122	0.109	0.103	\$7.30
AS800E-26	1.625	1.622	1.235	0.122	0.109	0.103	\$5.53
AS800E-27	1.687	1.684	1.297	0.122	0.109	0.103	\$7.31
AS800E-28	1.750	1.747	1.360	0.122	0.109	0.103	\$5.61
AS800E-29	1.812	1.809	1.422	0.122	0.109	0.103	\$7.40
AS800E-30	1.875	1.872	1.485	0.122	0.109	0.103	\$9.72
AS800E-31	1.938	1.935	1.548	0.122	0.109	0.103	\$9.99
AS800E-32	2.000	1.996	1.606	0.130	0.115	0.103	\$5.84
AS800E-34	2.125	2.121	1.731	0.130	0.115	0.103	\$10.51
AS800E-36	2.250	2.246	1.856	0.130	0.115	0.103	\$6.18
AS800E-38	2.375	2.371	1.981	0.130	0.115	0.103	\$6.18
AS800E-40	2.500	2.496	2.106	0.130	0.115	0.103	\$6.18
AS800E-42	2.625	2.621	2.231	0.130	0.115	0.103	\$8.52
AS800E-44	2.750	2.746	2.356	0.130	0.115	0.103	\$6.24
AS800E-46	2.875	2.871	2.481	0.130	0.115	0.103	\$8.61
AS800E-48	3.000	2.996	2.606	0.130	0.115	0.103	\$6.45
AS800E-50	3.125	3.121	2.731	0.130	0.115	0.103	\$17.65

AS800 2pc. PTFE Piston Seals - Inch, cont'd.

Part Number	Bore Dia. +.004/-0 D	Piston Dia. +0/-0.004 D ₁	Groove Dia. +0/-0.004 d	Groove Height +.004/-0 L	Wall & Seal Height L ₁	Expander Cross Section	Price
AS800E-52	3.250	3.246	2.856	0.130	0.115	0.103	\$6.48
AS800E-54	3.375	3.371	2.981	0.130	0.115	0.103	\$11.79
AS800E-56	3.500	3.496	3.106	0.130	0.115	0.103	\$6.59
AS800E-58	3.625	3.621	3.231	0.130	0.115	0.103	\$11.34
AS800E-60	3.750	3.746	3.356	0.130	0.115	0.103	\$7.21
AS800E-64	4.000	3.996	3.606	0.130	0.115	0.103	\$7.29
AS800E-68	4.250	4.246	3.856	0.130	0.115	0.103	\$7.47
AS800E-72	4.500	4.496	4.106	0.130	0.115	0.103	\$7.98
AS800E-76	4.750	4.746	4.356	0.130	0.115	0.103	\$12.28
AS800E-78	4.875	4.871	4.481	0.130	0.115	0.103	\$15.74
AS800E-80	5.000	4.996	4.606	0.130	0.115	0.103	\$9.21
AS800E-84	5.250	5.246	4.856	0.130	0.115	0.103	\$9.84
AS800E-88	5.500	5.496	5.106	0.130	0.115	0.103	\$9.92
AS800E-92	5.750	5.746	5.232	0.159	0.143	0.139	\$10.77
AS800E-94	5.875	5.871	5.357	0.159	0.143	0.139	\$26.17
AS800E-96	6.000	5.996	5.482	0.159	0.143	0.139	\$11.30
AS800E-100	6.250	6.246	5.732	0.159	0.143	0.139	\$12.06
AS800E-104	6.500	6.496	5.982	0.159	0.143	0.139	\$14.23
AS800E-108	6.750	6.746	6.232	0.159	0.143	0.139	\$20.66
AS800E-112	7.000	6.996	6.482	0.159	0.143	0.139	\$14.76
AS800E-114	7.125	7.121	6.607	0.159	0.143	0.139	\$43.39
AS800E-116	7.250	7.246	6.732	0.159	0.143	0.139	\$14.50
AS800E-120	7.500	7.496	6.982	0.159	0.143	0.139	\$14.67
AS800E-124	7.750	7.746	7.232	0.159	0.143	0.139	\$26.61
AS800E-128	8.000	7.996	7.482	0.159	0.143	0.139	\$14.69
AS800E-132	8.250	8.246	7.732	0.159	0.143	0.139	\$33.79
AS800E-136	8.500	8.496	7.982	0.159	0.143	0.139	\$36.47
AS800E-140	8.750	8.746	8.232	0.159	0.143	0.139	\$39.60
AS800E-144	9.000	8.996	8.482	0.159	0.143	0.139	\$42.08
AS800E-148	9.250	9.246	8.732	0.159	0.143	0.139	\$56.37
AS800E-152	9.500	9.496	8.982	0.159	0.143	0.139	\$57.91
AS800E-156	9.750	9.746	9.232	0.159	0.143	0.139	\$85.63
AS800E-160	10.000	9.996	9.482	0.159	0.143	0.139	\$62.31
AS800E-164	10.250	10.246	9.732	0.159	0.143	0.139	\$107.44
AS800E-168	10.500	10.496	9.982	0.159	0.143	0.139	\$80.90
AS800E-176	11.000	10.996	10.482	0.159	0.143	0.139	\$83.93
AS800E-184	11.500	11.496	10.982	0.159	0.143	0.139	\$87.26
AS800E-192	12.000	11.996	11.482	0.159	0.143	0.139	\$90.61
AS800E-200	12.500	12.496	11.982	0.159	0.143	0.139	\$94.80
AS800E-208	13.000	12.996	12.482	0.159	0.143	0.139	\$110.63
AS800E-224	14.000	13.996	13.482	0.159	0.143	0.139	\$129.60
AS800E-256	16.000	15.996	15.482	0.159	0.143	0.139	\$190.24

AS800-B 2pc. BTFE Piston Seals - Inch



ALTERNATIVE SEALS:
AS800E-P, AS800E

EXAMPLE: AS800E-72B		
Prefix	Bore Diameter	Suffix
AS800E-	72	B
	4-1/2"	BTFE

AFTER DASH IN INCREMENTS OF 1/16 (16=1")

AS800-B style square piston seal assemblies are made from bronze filled PTFE and include an o-ring energizer. This popular medium to heavy duty assembly assures dependable service to reciprocating cylinders.

Temperature: -40° to 225°F
Pressure: 0 to 3,000 PSI

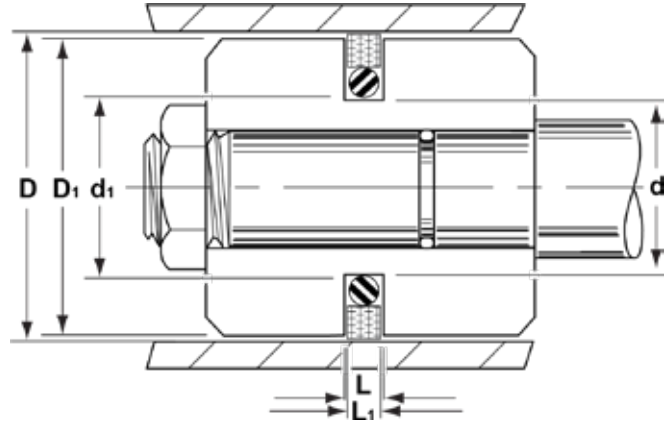
Please see Piston Seal Measurement Guide on Page 32.

Part Number	Bore Dia. +.004/-0 D	Piston Dia. +0/-0.004 D ₁	Groove Dia. +0/-0.004 d	Groove Height +.004/-0 L	Wall & Seal Height L ₁	Expander Cross Section	Price
AS800E-40B	2.500	2.496	2.106	0.130	0.115	0.103	\$23.12
AS800E-56B	3.500	3.496	3.106	0.130	0.115	0.103	\$30.07
AS800E-64B	4.000	3.996	3.606	0.130	0.115	0.103	\$39.11
AS800E-80B	5.000	4.996	4.606	0.130	0.115	0.103	\$43.03
AS800E-84B	5.250	5.246	4.856	0.130	0.115	0.103	\$46.30
AS800E-88B	5.500	5.496	5.106	0.130	0.115	0.103	\$46.98
AS800E-92B	5.750	5.746	5.232	0.159	0.115	0.139	\$50.42
AS800E-96B	6.000	5.996	5.482	0.159	0.143	0.139	\$52.60
AS800E-112B	7.000	6.996	6.482	0.159	0.143	0.139	\$61.26
AS800E-136B	8.500	8.496	7.982	0.159	0.143	0.139	\$70.15
AS800E-144B	9.000	8.996	8.482	0.159	0.143	0.139	\$83.36
AS800E-192B	12.000	11.996	11.482	0.159	0.143	0.139	\$179.46

AS800-P 2pc. Polyurethane Piston Seals - Inch



ALTERNATIVE SEALS:
AS800E, AS800E-B



EXAMPLE: AS800E-24P		
Prefix	Bore Diameter	Suffix
AS800E-	24	P
	1-1/2"	PU

AFTER DASH IN INCREMENTS OF 1/16 (16=1")

AS800-P square piston seal assemblies are made from polyurethane and include an o-ring energizer. They install easier than PTFE and because they snap back into the groove they require no re-sizing. The wear properties are good due to the high durometer of urethane used.

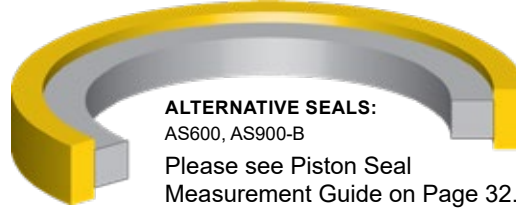
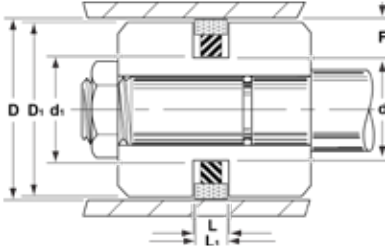
Temperature: -65° to 220°F

Pressure: 0 to 5,000 PSI

Please see Piston Seal Measurement Guide on Page 32.

Part Number	Bore Dia. +.004/-0 D	Piston Dia. +0/-.004 D ₁	Groove Dia. +0/-.004 d	Groove Height +.004/-0 L	Wall & Seal Height L ₁	Expander Cross Section	Price
AS800E-16P	1.000	0.997	0.741	0.083	0.070	0.070	\$4.25
AS800E-18P	1.125	1.122	0.866	0.083	0.070	0.070	\$4.36
AS800E-20P	1.250	1.247	0.991	0.083	0.070	0.070	\$4.49
AS800E-22P	1.375	1.372	1.116	0.083	0.070	0.070	\$4.64
AS800E-24P	1.500	1.497	1.241	0.083	0.070	0.070	\$4.78
AS800E-26P	1.625	1.622	1.235	0.122	0.109	0.103	\$4.89
AS800E-28P	1.750	1.747	1.360	0.122	0.109	0.103	\$4.95
AS800E-30P	1.875	1.872	1.485	0.122	0.109	0.103	\$5.09
AS800E-32P	2.000	1.996	1.606	0.130	0.115	0.103	\$5.14
AS800E-36P	2.250	2.246	1.856	0.130	0.115	0.103	\$5.23
AS800E-40P	2.500	2.496	2.106	0.130	0.115	0.103	\$5.34
AS800E-44P	2.750	2.746	2.356	0.130	0.115	0.103	\$5.47
AS800E-48P	3.000	2.996	2.606	0.130	0.115	0.103	\$5.55
AS800E-52P	3.250	3.246	2.856	0.130	0.115	0.103	\$5.69
AS800E-56P	3.500	3.496	3.106	0.130	0.115	0.103	\$5.85
AS800E-60P	3.750	3.746	3.356	0.130	0.115	0.103	\$5.98
AS800E-64P	4.000	3.996	3.606	0.130	0.115	0.103	\$6.28
AS800E-68P	4.250	4.246	3.856	0.130	0.115	0.103	\$6.49
AS800E-72P	4.500	4.496	4.106	0.130	0.115	0.103	\$6.94
AS800E-76P	4.750	4.746	4.356	0.130	0.115	0.103	\$7.55
AS800E-80P	5.000	4.996	4.606	0.130	0.115	0.103	\$7.85
AS800E-84P	5.250	5.246	4.856	0.130	0.115	0.103	\$8.18
AS800E-88P	5.500	5.496	5.106	0.130	0.115	0.103	\$8.54
AS800E-92P	5.750	5.746	5.232	0.159	0.143	0.139	\$10.09
AS800E-96P	6.000	5.996	5.482	0.159	0.143	0.139	\$12.09
AS800E-104P	6.500	6.496	5.982	0.159	0.143	0.139	\$13.21
AS800E-112P	7.000	6.996	6.482	0.159	0.143	0.139	\$13.79
AS800E-120P	7.500	7.496	6.982	0.159	0.143	0.139	\$16.00
AS800E-128P	8.000	7.996	7.482	0.159	0.143	0.139	\$10.08
AS800E-136P	8.500	8.496	7.982	0.159	0.143	0.139	\$16.76

AS900 2pc. PTFE Piston Seals - Inch



AS900 style rectangular piston seal assemblies are supplied with 70 durometer nitrile square cut energizers and glass or bronze-filled PTFE outer rings for extra heavy duty applications and larger clearance gaps. AS900 style seals provide many cycles of drift-free service to medium and heavy duty cylinder applications. Items with a "Z" suffix feature a Z cut.

Temperature: -40° to 225°F

Pressure: 0 to 3,000 PSI

Material: Glass-filled PTFE

Bronze-filled PTFE

EXAMPLE: AS900E-48

Prefix	Bore Diameter
AS900E-	48
	3"

AFTER DASH IN INCREMENTS OF 1/16 (16=1")

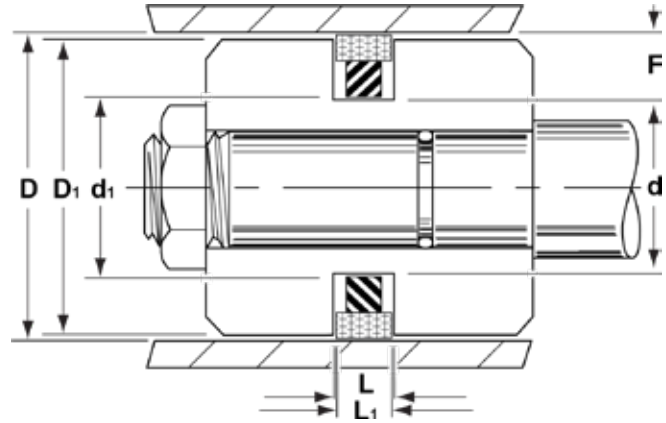
Glass - Filled PTFE

Part Number	Bore Dia. +0.004/-0 D	Groove Dia. +0/-0.004 d	Groove Height +0.004/-0 L	Seal Height L ₁	Seal Wall	Expander Cross Section	Price
AS900E-16	1.000	0.690	0.125	0.121	0.070	0.099	\$6.50
AS900E-20	1.250	0.940	0.125	0.121	0.070	0.099	\$6.70
AS900E-22	1.375	1.065	0.125	0.121	0.070	0.099	\$15.37
AS900E-24	1.500	1.190	0.125	0.121	0.070	0.099	\$6.92
AS900E-28	1.750	1.440	0.125	0.121	0.070	0.099	\$7.65
AS900E-32	2.000	1.690	0.125	0.121	0.070	0.099	\$8.92
AS900E-34	2.125	1.815	0.125	0.121	0.070	0.099	\$13.22
AS900E-36	2.250	1.940	0.125	0.121	0.070	0.099	\$10.11
AS900E-40	2.500	2.190	0.125	0.121	0.070	0.099	\$10.27
AS900E-44	2.750	2.440	0.125	0.121	0.070	0.099	\$11.77
AS900E-48	3.000	2.444	0.278	0.274	0.090	0.203	\$13.16
AS900E-50.5	3.150 (80mm)	2.594	0.278	0.274	0.090	0.203	\$26.63
AS900E-52	3.250	2.694	0.278	0.274	0.090	0.203	\$15.58
AS900E-53.5	3.346 (85mm)	2.790	0.278	0.274	0.090	0.203	\$29.90
AS900E-56	3.500	2.944	0.278	0.274	0.090	0.203	\$17.52
AS900E-56Z	3.500	2.944	0.278	0.274	0.090	0.203	\$26.91
AS900E-56.7	3.543 (90mm)	2.987	0.278	0.274	0.090	0.203	\$25.98
AS900E-60	3.750	3.194	0.278	0.274	0.090	0.203	\$19.55
AS900E-60Z	3.750	3.194	0.278	0.274	0.090	0.203	\$28.31
AS900E-63	3.937 (100mm)	3.381	0.278	0.274	0.090	0.203	\$26.20
AS900E-64	4.000	3.444	0.278	0.274	0.090	0.203	\$22.11
AS900E-64Z	4.000	3.444	0.278	0.274	0.090	0.203	\$29.80
AS900E-66	4.125	3.569	0.278	0.274	0.090	0.203	\$26.73
AS900E-68	4.250	3.694	0.278	0.274	0.090	0.203	\$25.07
AS900E-69.3	4.330 (110mm)	3.774	0.278	0.274	0.090	0.203	\$35.20
AS900E-72	4.500	3.944	0.278	0.274	0.090	0.203	\$26.55
AS900E-72.5	4.527 (115mm)	3.971	0.278	0.274	0.090	0.203	\$37.07
AS900E-76	4.750	4.194	0.278	0.274	0.090	0.203	\$27.80
AS900E-78	4.875	4.319	0.278	0.274	0.090	0.203	\$51.47
AS900E-78.7	4.921 (125mm)	4.365	0.278	0.274	0.090	0.203	\$34.75
AS900E-80	5.000	4.444	0.278	0.274	0.090	0.203	\$28.11
AS900E-82	5.125	4.569	0.278	0.274	0.090	0.203	\$47.47
AS900E-84	5.250	4.476	0.375	0.367	0.142	0.265	\$32.16
AS900E-88	5.500	4.726	0.375	0.367	0.142	0.265	\$37.17
AS900E-92	5.750	4.976	0.375	0.367	0.142	0.265	\$40.28
AS900E-96	6.000	5.226	0.375	0.367	0.142	0.265	\$42.17
AS900E-98	6.125	5.351	0.375	0.367	0.142	0.265	\$71.24
AS900E-100	6.250	5.476	0.375	0.367	0.142	0.265	\$44.74
AS900E-104	6.500	5.726	0.375	0.367	0.142	0.265	\$44.74
AS900E-108	6.750	5.976	0.375	0.367	0.142	0.265	\$82.06
AS900E-112	7.000	6.226	0.375	0.367	0.142	0.265	\$45.42
AS900E-116	7.250	6.476	0.375	0.367	0.142	0.265	\$48.13
AS900E-120	7.500	6.726	0.375	0.367	0.142	0.265	\$45.77

AS900 2pc. PTFE Piston Seals - Inch, cont'd.

Part Number	Bore Dia. +.004/-0 D	Groove Dia. +0/-.004 d	Groove Height +.004/-0 L	Seal Height L ₁	Seal Wall	Expander Cross Section	Price
Glass - Filled PTFE							
AS900E-124	7.750	6.976	0.375	0.367	0.142	0.265	\$97.48
AS900E-128	8.000	7.226	0.375	0.367	0.142	0.265	\$49.74
AS900E-130	8.125	7.351	0.375	0.367	0.142	0.265	\$93.79
AS900E-132	8.250	7.476	0.375	0.367	0.142	0.265	\$53.69
AS900E-136	8.500	7.726	0.375	0.367	0.142	0.265	\$57.29
AS900E-144	9.000	8.110	0.375	0.367	0.202	0.265	\$68.42
AS900E-152	9.500	8.610	0.375	0.367	0.202	0.265	\$77.89
AS900E-160	10.000	9.110	0.375	0.367	0.202	0.265	\$90.14
AS900E-168	10.500	9.610	0.375	0.367	0.202	0.265	\$122.09
AS900E-176	11.000	10.110	0.375	0.367	0.202	0.265	\$112.95
AS900E-192	12.000	11.110	0.375	0.367	0.202	0.265	\$120.47
AS900E-208	13.000	12.110	0.375	0.367	0.202	0.265	\$173.99
AS900E-212	13.250	12.360	0.375	0.367	0.202	0.265	\$279.96
AS900E-224	14.000	13.110	0.375	0.367	0.202	0.265	\$128.44
AS900-B 2pc. BTFE Piston Seals - Inch							
AS900E-24B	1.500	1.190	0.125	0.121	0.070	0.099	\$10.26
AS900E-28B	1.750	1.440	0.125	0.121	0.070	0.099	\$10.81
AS900E-32B	2.000	1.690	0.125	0.121	0.070	0.099	\$12.42
AS900E-40B	2.500	2.190	0.125	0.121	0.070	0.099	\$13.94
AS900E-48B	3.000	2.444	0.278	0.274	0.090	0.203	\$16.55
AS900E-52B	3.250	2.694	0.278	0.274	0.090	0.203	\$19.07
AS900E-53.5B	3.346 (85mm)	2.790	0.278	0.274	0.090	0.203	\$30.27
AS900E-56B	3.500	2.944	0.278	0.274	0.090	0.203	\$20.96
AS900E-60B	3.750	3.194	0.278	0.274	0.090	0.203	\$23.59
AS900E-64B	4.000	3.444	0.278	0.274	0.090	0.203	\$26.01
AS900E-68B	4.250	3.694	0.278	0.274	0.090	0.203	\$30.35
AS900E-72B	4.500	3.944	0.278	0.274	0.090	0.203	\$31.79
AS900E-76B	4.750	4.194	0.278	0.274	0.090	0.203	\$44.08
AS900E-80B	5.000	4.444	0.278	0.274	0.090	0.203	\$33.66
AS900E-84B	5.250	4.476	0.375	0.367	0.142	0.265	\$43.25
AS900E-88B	5.500	4.726	0.375	0.367	0.142	0.265	\$47.19
AS900E-92B	5.750	4.976	0.375	0.367	0.142	0.265	\$50.67
AS900E-96B	6.000	5.226	0.375	0.367	0.142	0.265	\$52.13
AS900E-100B	6.250	5.476	0.375	0.367	0.142	0.265	\$53.78
AS900E-104B	6.500	5.726	0.375	0.367	0.142	0.265	\$55.28
AS900E-108B	6.750	5.976	0.375	0.367	0.142	0.265	\$93.30
AS900E-112B	7.000	6.226	0.375	0.367	0.142	0.265	\$56.27
AS900E-116B	7.250	6.476	0.375	0.367	0.142	0.265	\$56.36
AS900E-120B	7.500	6.726	0.375	0.367	0.142	0.265	\$56.36
AS900E-128B	8.000	7.226	0.375	0.367	0.142	0.265	\$63.64
AS900E-132B	8.250	7.476	0.375	0.367	0.142	0.265	\$67.18
AS900E-135B	8.437	7.663	0.375	0.367	0.142	0.265	\$112.44
AS900E-136B	8.500	7.726	0.375	0.367	0.142	0.265	\$80.45
AS900E-144B	9.000	8.110	0.375	0.367	0.202	0.265	\$85.90
AS900E-148B	9.250	8.360	0.375	0.367	0.202	0.265	\$195.12
AS900E-152B	9.500	8.610	0.375	0.367	0.202	0.265	\$115.24
AS900E-156B	9.750	8.860	0.375	0.367	0.202	0.265	\$211.36
AS900E-158B	9.875	8.985	0.375	0.367	0.202	0.265	\$215.74
AS900E-160B	10.000	9.110	0.375	0.367	0.202	0.265	\$130.33
AS900E-164B	10.250	9.360	0.375	0.367	0.202	0.265	\$303.84
AS900E-168B	10.500	9.610	0.375	0.367	0.202	0.265	\$206.61
AS900E-176B	11.000	10.110	0.375	0.367	0.202	0.265	\$221.16
AS900E-184B	11.500	10.610	0.375	0.367	0.202	0.265	\$269.26
AS900E-189B	11.812	10.922	0.375	0.367	0.202	0.265	\$355.91
AS900E-192B	12.000	11.110	0.375	0.367	0.202	0.265	\$233.26
AS900E-196B	12.250	11.360	0.375	0.367	0.202	0.265	\$365.22
AS900E-200B	12.500	11.610	0.375	0.367	0.202	0.265	\$268.24
AS900E-208B	13.000	12.110	0.375	0.367	0.202	0.265	\$240.28
AS900E-224B	14.000	13.110	0.375	0.367	0.202	0.265	\$192.46
AS900E-228B	14.250	13.360	0.375	0.367	0.202	0.265	\$371.02
AS900E-232B	14.500	13.610	0.375	0.367	0.202	0.265	\$386.30
AS900E-256B	16.000	15.110	0.375	0.367	0.202	0.265	\$479.43

AS9 Series 2pc. PTFE Piston Seals - Inch



EXAMPLE: AS940E-44	
Prefix	Bore Diameter
AS940E-	44
	2-3/4

AFTER DASH IN INCREMENTS OF 1/16 (16=1")

These rectangular piston seal assemblies are manufactured from a rugged bronze filled or glass filled PTFE material and include a 70 durometer square cut or o-ring energizer. The AS930 series are used in many trash equipment cylinders and the AS960 series are found in many logging and construction equipment applications.

Temperature: -40° to 225°F

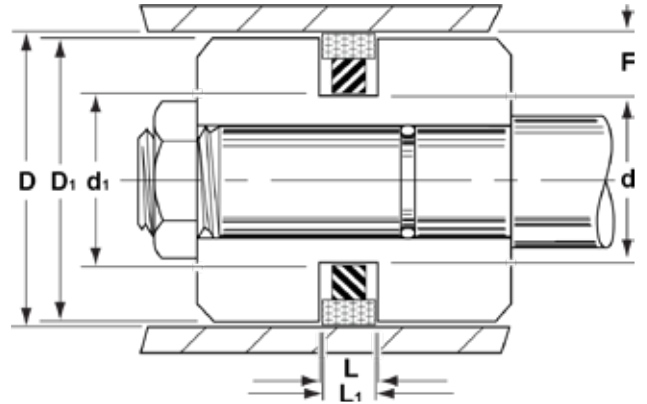
Pressure: 0 to 5,000 PSI

Please see Piston Seal Measurement Guide on Page 32.

Part Number	Bore Dia. +.004/-0 D	Groove Dia. +0/-0.004 d	Groove Height +.004/-0 L	Seal Height L ₁	Seal Wall	Expander Cross Section	Price
AS940E-24	1.500	0.944	0.282	0.278	0.090	0.206	\$19.94
AS940E-32	2.000	1.444	0.282	0.278	0.090	0.206	\$23.82
AS940E-36B	2.250	1.694	0.282	0.278	0.090	0.206	\$24.67
AS940E-38	2.375 (60MM)	1.819	0.282	0.278	0.090	0.206	\$28.16
AS930E-40B	2.500	1.944	0.250	0.245	0.090	0.206	\$30.34
AS940E-40B	2.500	1.944	0.282	0.272	0.090	0.206	\$32.56
AS940E-40Z	2.500	1.944	0.282	0.272	0.090	0.206	\$28.75
AS940E-44	2.750	2.194	0.282	0.272	0.090	0.206	\$23.52
AS960E-56B	3.500	2.726	0.375	0.367	0.142	0.264	\$41.28
AS930E-64B	4.000	3.444	0.312	0.307	0.090	0.206	\$30.25
AS960E-64B	4.000	3.226	0.375	0.367	0.142	0.264	\$46.58
AS930E-72B	4.500	3.944	0.312	0.307	0.090	0.206	\$29.01
AS960E-72B	4.500	3.726	0.375	0.367	0.142	0.264	\$53.38
AS960E-76B	4.750	3.976	0.375	0.367	0.142	0.264	\$58.66
AS930E-80B	5.000	4.226	0.375	0.367	0.142	0.264	\$44.51
AS970E-112B	7.000	5.938	0.500	0.490	0.203	0.375	\$156.47
AS950E-128	8.000	7.292	0.282	0.272	0.190	0.206	\$96.23
AS970E-128B	8.000	6.938	0.500	0.490	0.203	0.375	\$201.73
AS950E-144	9.000	8.292	0.282	0.272	0.190	0.206	\$130.33
AS970E-144B	9.000	7.938	0.500	0.490	0.203	0.375	\$212.91
AS950E-192	12.000	11.292	0.282	0.272	0.190	0.206	\$244.17
AS970E-256B	16.000	14.938	0.500	0.490	0.203	0.375	\$716.43
AS970E-288B	18.000	16.938	0.500	0.490	0.203	0.375	\$890.20
AS970E-320B	20.000	18.938	0.500	0.490	0.203	0.375	\$992.76

"B" in part number signifies Bronze-filled TFE

AS980 2pc. PTFE Piston Seals - Inch



ALTERNATIVE SEALS:
CAT® 2 Pc Step Cut

EXAMPLE: AS980E-48	
Prefix	Bore Diameter
AS980E-	48
	3"

AS980 rectangular piston seal assemblies are manufactured from a custom blended glass/moly-reinforced PTFE and include a rectangular shaped nitrile lathe cut expander. These rugged seals are replacements for those used in Caterpillar® equipment and auxiliary items used on construction equipment.

AFTER DASH IN INCREMENTS OF 1/16 (16=1")

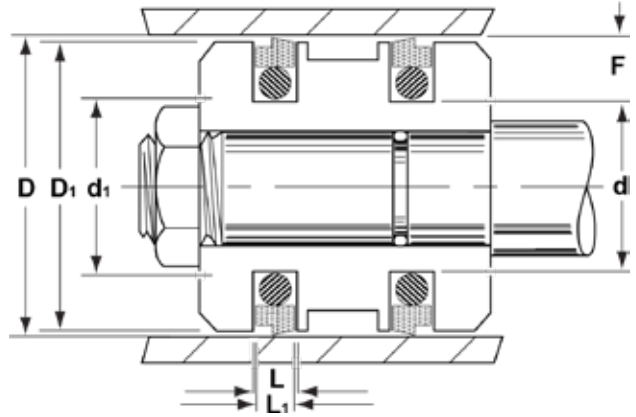
Temperature: -40° to 225°F Pressure: 0 to 3,000 PSI

Please see Piston Seal Measurement Guide on Page 32.

**We do not imply that these seals are a product of Caterpillar®.
Part numbers are used for reference purposes only.**

Part Number	OEM Part Number	Bore Dia. +.004/-0 D	Groove Dia. +0/-0.004 d	Seal Height L ₁	Groove Height +.004/-0 L	Price
AS980E-24	5J9822	1.500	1.125	0.125	0.127	\$12.15
AS980E-32	5J7004	2.000	1.625	0.187	0.190	\$11.06
AS980E-36	1U3998	2.250	1.875	0.187	0.190	\$18.51
AS980E-40	8J6213	2.500	2.125	0.187	0.190	\$13.11
AS980E-44	5J7010	2.750	2.375	0.187	0.190	\$19.42
AS980E-48	6J1972	3.000	2.460	0.187	0.190	\$14.83
AS980E-52	6J0793	3.250	2.710	0.187	0.190	\$20.20
AS980E-56	5J7013	3.500	2.960	0.187	0.190	\$15.66
AS980E-60	5J8011	3.750	3.210	0.187	0.190	\$24.69
AS980E-64	5J5402	4.000	3.335	0.250	0.252	\$20.59
AS980E-68	5J7854	4.250	3.585	0.250	0.252	\$22.44
AS980E-72	5J4986	4.500	3.835	0.250	0.252	\$23.79
AS980E-76	5J4987	4.750	4.085	0.250	0.252	\$26.09
AS980E-80	5J5020	5.000	4.235	0.375	0.379	\$29.99
AS980E-84	5J7234	5.250	4.485	0.375	0.379	\$34.39
AS980E-88	5J4988	5.500	4.735	0.375	0.379	\$30.07
AS980E-96	5J4989	6.000	5.095	0.375	0.379	\$34.76
AS980E-100	5J4990	6.250	5.345	0.375	0.379	\$36.52
AS980E-104	5J4991	6.500	5.595	0.375	0.379	\$39.06
AS980E-112	5J4997	7.000	6.095	0.375	0.379	\$43.17
AS980E-116	5J4993	7.250	6.345	0.375	0.379	\$48.31
AS980E-120	9J7117	7.500	6.595	0.375	0.379	\$67.17
AS980E-124	5J7016	7.750	6.845	0.375	0.379	\$70.27
AS980E-132	5J5559	8.250	7.255	0.375	0.379	\$76.50
AS980E-136	6J9385	8.500	7.505	0.375	0.379	\$81.55
AS980E-148	5J7019	9.250	8.255	0.375	0.379	\$56.51
AS980E-164	5J7023	10.250	9.125	0.437	0.440	\$138.62
AS980E-168	5J6762	10.500	9.375	0.437	0.440	\$140.49

AS2 2pc. BTFE Piston Step Seals - Inch & Metric



Please see Piston Seal Measurement Guide on Page 32.

BTFE step seals are low friction piston seals and are sometimes used in conjunction with other piston seals. Due to their design, they will bleed off pressure traps. Expanders are 70 durometer high memory nitrile, and are also available in FKM.

"V" in part number signifies FKM

Temperature: -40°F to 225°F Pressure: 0 to 3,500 PSI

EXAMPLE: AS232E-16B			
Prefix	Groove Height	Bore Diameter	Suffix
AS2	*32E- 1/8"	16 1"	B BTFE

AFTER DASH IN INCREMENTS OF 1/16 (16=1")
 * __ E- Number Refers to Groove Height
 (32 = .125, 36 = .187, 40 = .25 ")

EXAMPLE: AS236E-32MMB			
Prefix	Groove Height	Bore Diameter	Suffix
AS2	*36E- 4.2mm	32MM 32mm	B BTFE

* __ E- Number Refers to Groove Height
 (28 = 2.2, 32 = 3.2, 36 = 4.2, 40 = 6.3, 42 = 8.1 mm)

Inch				
Part Number	Bore Dia. H11 D	Groove Dia. h11 d	Groove Height +.004/ -0 F	Price
AS232E-16B	1.000	0.726	0.125	\$13.84
AS240E-64B	4.000	3.384	0.250	\$45.28
AS240E-96B	6.000	5.384	0.250	\$62.84

Metric				
Part Number	Bore Dia. H11 D	Groove Dia. h11 d	Groove Height +.1 / -0 F	Price
AS228E-16MMB	16	11.1	2.2	\$11.31
AS232E-28MMP	28	20.7	3.2	\$13.80
AS236E-30MMB	30	19.3	4.2	\$17.81
AS236E-32MMB	32	21.3	4.2	\$18.46
AS236E-40MMB-V	40	29.3	4.2	\$29.88
AS236E-55MMB	55	44.3	4.2	\$23.46
AS240E-63MMB	63	47.9	6.3	\$31.70
AS240E-100MMB	100	84.9	6.3	\$42.78
AS240E-110MMB	110	94.9	6.3	\$50.79
AS242E-120MM	120	99.5	8.1	\$62.63
AS240E-125MMB	125	109.9	6.3	\$57.51
AS240E-140MMB	140	124.9	6.3	\$68.79
AS240E-180MMB	180	164.9	6.3	\$95.23
AS240E-190MMB	190	174.9	6.3	\$106.23
AS242E-200MMHMB-1	200	176.0	8.1	\$149.72
AS242E-230MMB	230	209.5	8.1	\$154.14
AS242E-250MMB	250	229.5	8.1	\$168.81
AS242E-310MMHMB	310	286.0	8.1	\$333.21
AS242E-340MMHMB	340	316.0	8.1	\$438.64
AS242E-350MMHMB	350	326.0	8.1	\$453.47
AS242E-420MMHMB	420	396.0	8.1	\$503.06
AS242E-520MMHMB	520	496.0	8.1	\$515.24
AS242E-600MMHMB	600	576.0	8.1	\$720.18

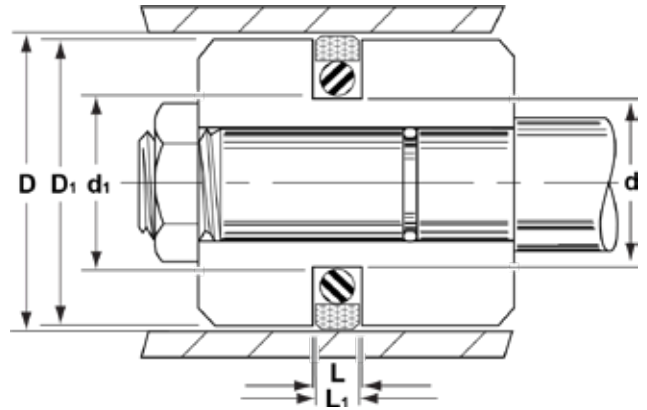
AS7 Series 2pc. BTFE Piston Seals - Inch



ALTERNATIVE SEALS:
 URETHANE Version Suffix "P"
 AS4, AS5, AS6, OK, ASQ

"V" in part number signifies FKM

Parts w/o Suffix are glass filled PTFE



EXAMPLE: AS742E-120B			
Prefix	Groove Height	Bore Diameter	Suffix
AS7	*42E-	120	B
	.318'	7-1/2"	BTFE

AFTER DASH IN INCREMENTS OF 1/16 (16=1")

* _ _ E- Number Refers to Groove Height
 (32 = .125", 36 = .165", 40 = .248", 42 = .318")

Please see Piston Seal Measurement Guide on Page 32.

Our AS7 series piston seals are machined from bronze filled PTFE for the most severe applications. Standard expander rings on this series piston seal are round cross section high memory 70 durometer nitrile; however, FKM expanders are available. Consult sales for pricing and delivery of special compounds.

Temperature: -40° to 225°F

Pressure: 0 to 5,000 PSI

Part Number	Bore Dia. H9 D	Groove Dia. h9 d	Groove Height +.004 / -.000 L	Price
AS732E-16B	1.000	0.705	.125	\$10.16
AS732E-20B	1.250	0.955	.125	\$10.39
AS732E-24B	1.500	1.205	.125	\$10.68
AS736E-24B	1.500	1.076	.165	\$12.08
AS736E-28B	1.750	1.326	.165	\$13.33
AS732E-32B	2.000	1.705	.125	\$14.21
AS736E-32B	2.000	1.576	.165	\$16.07
AS732E-36B	2.250	1.955	.125	\$16.18
AS736E-36B	2.250	1.826	.165	\$19.20
AS732E-40	2.500	2.205	.125	\$14.33
AS732E-40B	2.500	2.205	.125	\$16.77
AS736E-40B	2.500	2.076	.165	\$17.01
AS736E-44B	2.750	2.326	.165	\$23.35
AS732E-48B	3.000	2.705	.125	\$18.79
AS736E-48B	3.000	2.576	.165	\$19.34
AS740E-48B	3.000	2.384	.248	\$28.18
AS732E-52	3.250	2.955	.125	\$24.82
AS732E-52B	3.250	2.955	.125	\$27.12
AS736E-52B	3.250	2.826	.165	\$27.22
AS740E-52B	3.250	2.634	.248	\$30.05
AS732E-56B	3.500	3.205	.125	\$29.88
AS736E-56B	3.500	3.076	.165	\$30.57
AS740E-56B	3.500	2.884	.248	\$30.94
AS740E-58B	3.625	3.009	.248	\$55.10
AS740E-60B	3.750	3.134	.248	\$38.18
AS736E-64B	4.000	3.576	.165	\$32.93
AS740E-64B	4.000	3.384	.248	\$33.46
AS740E-68B	4.250	3.634	.248	\$32.63
AS740E-72B	4.500	3.884	.248	\$39.76
AS740E-76B	4.750	4.134	.248	\$46.64
AS736E-80	5.000	4.576	.165	\$38.90
AS736E-80B	5.000	4.576	.165	\$40.53

Part Number	Bore Dia. H9 D	Groove Dia. h9 d	Groove Height +.004 / -.000 L	Price
AS740E-80B	5.000	4.384	.248	\$40.59
AS740E-80-V	5.000	4.384	.248	\$68.60
AS740E-84B	5.250	4.634	.248	\$61.08
AS742E-86B	5.375	4.545	.318	\$87.71
AS740E-88B	5.500	4.884	.248	\$53.12
AS742E-88B	5.500	4.670	.318	\$53.45
AS740E-92B	5.750	5.134	.248	\$68.46
AS740E-96B	6.000	5.384	.248	\$48.09
AS742E-96B	6.000	5.170	.318	\$61.18
AS742E-100B	6.250	5.420	.318	\$66.50
AS742E-104	6.500	5.670	.318	\$59.07
AS742E-104B	6.500	5.670	.318	\$62.74
AS740E-112B	7.000	6.384	.248	\$69.51
AS742E-112B	7.000	6.170	.318	\$64.88
AS742E-120B	7.500	6.670	.318	\$71.06
AS740E-124B	7.750	7.134	.248	\$101.10
AS740E-128B	8.000	7.384	.248	\$75.08
AS742E-128B	8.000	7.170	.318	\$75.24
AS742E-136B	8.500	7.670	.318	\$128.07
AS742E-144B	9.000	8.170	.318	\$128.87
AS742E-152B	9.500	8.670	.318	\$104.14
AS742E-160B	10.000	9.170	.318	\$124.61
AS742E-168B	10.500	9.670	.318	\$142.25
AS742E-176B	11.000	10.170	.318	\$367.79
AS742E-192B	12.000	11.170	.318	\$176.45
AS742E-208B	13.000	12.170	.318	\$285.85
AS742E-224B	14.000	13.170	.318	\$295.31
AS742E-224HB	14.000	13.035	.318	\$308.34
AS742E-256	16.000	15.170	.318	\$297.29
AS742E-256B	16.000	15.170	.318	\$389.98
AS742E-288HB	18.000	17.035	.318	\$762.78

AS7 Series 2pc. BTFE Piston Seals - Metric

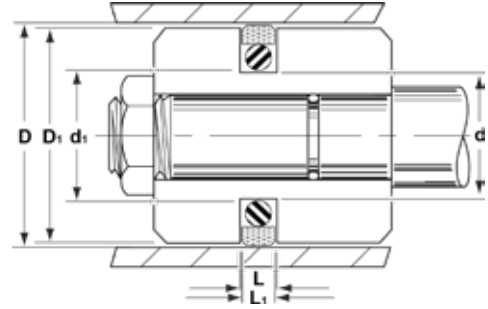


ALTERNATIVE SEALS:
URETHANE Version Suffix "P"
AS4, AS5, AS6, OK

Please see Piston Seal Measurement Guide on Page 32.
For Piston Backup Rings see Page 320.

Our AS7 series piston seals are machined from bronze filled PTFE for the most severe applications. Standard expander rings on this series piston seal are round or square cross section, high memory 70 durometer nitrile; however, FKM expanders are available. Consult sales for pricing and delivery of special compounds.

Temperature: -40° to 225°F Pressure: 0 to 5,000 PSI
Material: 40% Bronze-filled PTFE/Nitrile



Parts w/o "B" Suffix are glass filled PTFE

EXAMPLE: AS736E-55MMB			
Prefix	Groove Height	Bore Diameter	Suffix
AS7	*36E-	55MM	B
	4.2mm	55mm	BTFE

* __ E- Number Refers to Groove Height
(28 = 2.2, 32 = 3.2, 36 = 4.2, 40 = 6.3, 42 = 8.1)

Part Number	Bore Dia. H 9 D	Groove Dia. f 8 d	Groove Height +.1/-0 L	Price
AS728E-16MMB	16	11.1	2.2	\$11.02
AS732E-16MM	16	8.5	3.2	\$11.27
AS732E-16MMB	16	8.5	3.2	\$11.51
AS728E-20MMB	20	15.1	2.2	\$11.59
AS732E-20MMB	20	12.5	3.2	\$12.97
AS732E-22MMB	22	14.5	3.2	\$13.20
AS732E-24MMB	24	16.5	3.2	\$13.48
AS732E-25MMB	25	17.5	3.2	\$13.05
AS736E-25MMB	25	14.0	4.2	\$13.89
AS732E-28MMB	28	20.5	3.2	\$14.85
AS732E-30MMB	30	22.5	3.2	\$15.14
AS736E-30MMB	30	19.0	4.2	\$16.84
AS732E-32MMB	32	24.5	3.2	\$15.14
AS736E-32MMB	32	21.0	4.2	\$16.99
AS732E-35MMB	35	27.5	3.2	\$15.14
AS736E-35MMB	35	24.0	4.2	\$17.08
AS732E-36MMB	36	28.5	3.2	\$17.28
AS736E-36MMB	36	25.0	4.2	\$19.35
AS732E-38MMB	38	30.5	3.2	\$20.36
AS732E-40MMB	40	32.5	3.2	\$18.35
AS736E-40MMB	40	29.0	4.2	\$18.35
AS736E-42MMB	42	31.0	4.2	\$20.78
AS736E-45MMB	45	34.0	4.2	\$18.35
AS736E-48MMB	48	37.0	4.2	\$24.52
AS732E-50MMB	50	42.5	3.2	\$25.58
AS736E-50MMB	50	39.0	4.2	\$18.45
AS740E-50MMB	50	34.5	6.3	\$27.69
AS736E-52MMB	52	41.0	4.2	\$25.78
AS736E-55MMB	55	44.0	4.2	\$29.03
AS740E-55MMB	55	39.5	6.3	\$29.38
AS736E-56MMB	56	45.0	4.2	\$30.03
AS736E-60MMB	60	49.0	4.2	\$18.50
AS740E-60MMB	60	44.5	6.3	\$32.34
AS732E-62MMB	62	54.5	3.2	\$33.25
AS736E-63MMB	63	52.0	4.2	\$18.50

Part Number	Bore Dia. H 9 D	Groove Dia. f 8 d	Groove Height +.1/-0 L	Price
AS740E-63MMB	63	47.5	6.3	\$33.33
AS732E-65MM	65	57.5	3.2	\$33.99
AS736E-65MMB	65	54.0	4.2	\$33.99
AS740E-65MMB	65	49.5	6.3	\$34.12
AS736E-70MMB	70	59.0	4.2	\$19.12
AS740E-70MMB	70	54.5	6.3	\$34.75
AS736E-75MMB	75	64.0	4.2	\$19.92
AS740E-75MMB	75	59.5	6.3	\$33.87
AS736E-80MMB	80	69.0	4.2	\$30.13
AS740E-80MMB	80	64.5	6.3	\$33.81
AS742E-80MMB	80	59.0	8.1	\$41.96
AS740E-85MMB	85	69.5	6.3	\$37.93
AS742E-85MMB	85	64.0	8.1	\$45.51
AS740E-90MMB	90	74.5	6.3	\$40.57
AS742E-90MMB	90	69.0	8.1	\$50.43
AS740E-95MMB	95	79.5	6.3	\$45.50
AS742E-95MMB	95	74.0	8.1	\$52.42
AS736E-100MMB	100	89.0	4.2	\$38.09
AS740E-100MMB	100	84.5	6.3	\$38.16
AS742E-100MMB	100	79.0	8.1	\$52.17
AS740E-105MMB	105	89.5	6.3	\$42.22
AS742E-105MMB	105	84.0	8.1	\$51.27
AS740E-110MMB	110	94.5	6.3	\$42.45
AS742E-110MMB	110	89.0	8.1	\$55.60
AS740E-115MMB	115	99.5	6.3	\$44.47
AS742E-115MMB	115	94.0	8.1	\$57.03
AS740E-120MMB	120	104.5	6.3	\$45.80
AS742E-120MMB	120	99.0	8.1	\$56.81
AS740E-125MMB	125	109.5	6.3	\$47.31
AS742E-125MMB	125	104.0	8.1	\$56.84
AS740E-130MMB	130	114.5	6.3	\$50.50
AS742E-130MMB	130	109.0	8.1	\$59.37
AS742E-135MMB	135	114.0	8.1	\$66.95
AS740E-140MMB	140	124.5	6.3	\$65.90
AS742E-140MMB	140	119.0	8.1	\$67.80

AS7 Series 2pc. BTFE Piston Seals - Metric, cont'd.

Part Number	Bore Dia. H 9 D	Groove Dia. f 8 d	Groove Height +.1/-0 L	Price
AS742E-145MMB	145	124.0	8.1	\$69.09
AS742E-150MMB	150	129.0	8.1	\$71.95
AS742E-155MMB	155	134.0	8.1	\$74.06
AS740E-160MMB	160	144.5	6.3	\$77.04
AS742E-160MMB	160	139.0	8.1	\$77.63
AS742E-165MMB	165	144.0	8.1	\$87.79
AS742E-170MMB	170	149.0	8.1	\$89.69
AS740E-175MMB	175	159.5	6.3	\$92.24
AS742E-175MMB	175	154.0	8.1	\$104.23
AS740E-180MMB	180	164.5	6.3	\$87.20
AS742E-180MMB	180	159.0	8.1	\$98.04
AS742E-185MMB	185	164.0	8.1	\$114.21
AS742E-190MMB	190	169.0	8.1	\$102.73
AS742E-195MMB	195	174.0	8.1	\$113.88
AS740E-200MMB	200	184.5	6.3	\$101.99
AS742E-200MMB	200	179.0	8.1	\$105.89
AS742E-205MMB	205	184.0	8.1	\$166.47
AS742E-210MMB	210	189.0	8.1	\$115.89
AS742E-215MMB	215	194.0	8.1	\$109.12
AS742E-220MMB	220	199.0	8.1	\$117.52
AS742E-225MMB	225	204.0	8.1	\$118.44
AS742E-230MMB	230	209.0	8.1	\$127.17
AS742E-240MMB	240	219.0	8.1	\$129.37
AS742E-250MMB	250	229.0	8.1	\$154.33
AS742E-250MMHB	250	225.5	8.1	\$140.06
AS742E-260MMB	260	239.0	8.1	\$151.20
AS742E-270MMB	270	249.0	8.1	\$192.18

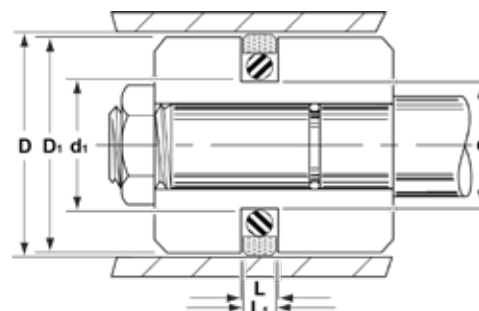
Part Number	Bore Dia. H 9 D	Groove Dia. f 8 d	Groove Height +.1/-0 L	Price
AS742E-275MMB	275	254.0	8.1	\$225.21
AS742E-280MMB	280	259.0	8.1	\$232.75
AS742E-285MMB	285	264.0	8.1	\$239.87
AS742E-290MMB	290	269.0	8.1	\$244.94
AS742E-300MMB	300	279.0	8.1	\$259.26
AS742E-305MMHB	305	280.5	8.1	\$278.03
AS742E-310MMB	310	289.0	8.1	\$296.41
AS742E-310MMHB	310	285.5	8.1	\$296.41
AS742E-320MMB	320	299.0	8.1	\$282.45
AS742E-320MMHB	320	295.5	8.1	\$282.45
AS742E-330MMHB	330	305.5	8.1	\$330.04
AS742E-340MMHB	340	315.5	8.1	\$348.58
AS742E-350MMHB	350	325.5	8.1	\$403.48
AS744E-350MMP	350	322.0	9.5	\$390.66
AS742E-360MMHB	360	335.5	8.1	\$407.51
AS742E-370MMHB	370	345.5	8.1	\$414.22
AS742E-380MMHB	380	355.5	8.1	\$425.28
AS742E-400MMHB	400	375.5	8.1	\$448.98
AS742E-420MMHB	420	395.5	8.1	\$454.21
AS742E-450MMP	450	429.0	8.1	\$430.36
AS742E-480MMH	450	429.0	8.1	\$440.22
AS742E-480MMHB	480	455.5	8.1	\$493.69
AS742E-500MMHB	500	475.5	8.1	\$510.74
AS742E-530MMHB	530	505.5	8.1	\$545.26
AS744E-530MMB	530	502.0	9.5	\$580.34
AS742E-550MMH	550	525.5	8.1	\$550.67

TSP Series 2pc. BTFE Piston Seals - Metric



ALTERNATIVE SEALS:
AS4, AS5, AS6, OK, AS7

Please see Piston Seal Measurement Guide on Page 32.



Part Number	Bore Dia. H9 D	Groove Dia. f8 d	Groove Height +0.1 / -0 F	Price
TSP-50X39X5.2G	50	39.0	5.2	\$20.53
TSP-55X45X4.2G	55	45.0	4.2	\$21.38
TSP-60X47X5C	60	47.0	5.0	\$22.00
TSP-60X47X6.3	60	47.0	6.3	\$30.55
TSP-63X48X7.5	63	48	7.5	\$34.23
TSP-65X50X7.5	65	50	7.5	\$21.80
TSP-70X55X7.5	70	55	7.5	\$38.87
TSP-75X60X7.5	75	60	7.5	\$30.50
TSP-80X65X7.5	80	65	7.5	\$37.62
TSP-90X75X7.5	90	75	7.5	\$45.56
TSP-90X78X6	90	78	6.0	\$55.54
TSP-100X85X7.5	100	85	7.5	\$29.29
TSP-160X144X7.5	160	144	7.5	\$82.27
TSP-224X202X11	224	202	11.0	\$214.41

Our TSP series piston seals are machined from bronze filled PTFE for the most severe applications and are most commonly found on Japanese equipment. Standard expander rings on this series piston seal are round or square cross section, high memory 70 durometer nitrile; however, FKM expanders are available. Consult sales for pricing and delivery of special compounds.

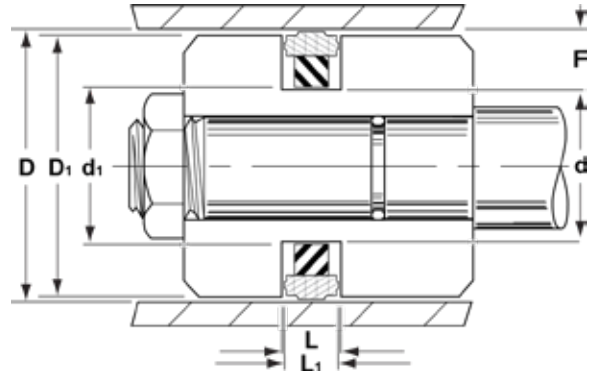
Temperature: -40° to 225°F Pressure: 0 to 5,000 PSI

Material: 40% Bronze-filled PTFE / Nitrile

"G" Suffix = Glass filled PTFE "C" Suffix = Carbon

EXAMPLE: TSP-50X39X5.2G						
Prefix	Bore Dia.		Groove Dia.		Groove Ht.	Suffix
TSP	- 50	x	39	x	5.2	G
	50mm		39mm		5.2mm	Glass

AS600 2pc. Hytrel® Piston Seals - Inch



ALTERNATIVE SEALS:
AS900E, AS900E-B

EXAMPLE: AS600E-84	
Prefix	Bore Diameter
AS600E-	84
	5-1/4"

These compact seal assemblies are molded from a specially blended Hytrel® material and include a 70 durometer nitrile o-ring expander. They are interchangeable with the AS900 PTFE piston seal grooves and offer easier installation and better resistance to cold flow and extrusion.

Temperature: -40° to 225°F Pressure: 0 to 5,000 PSI

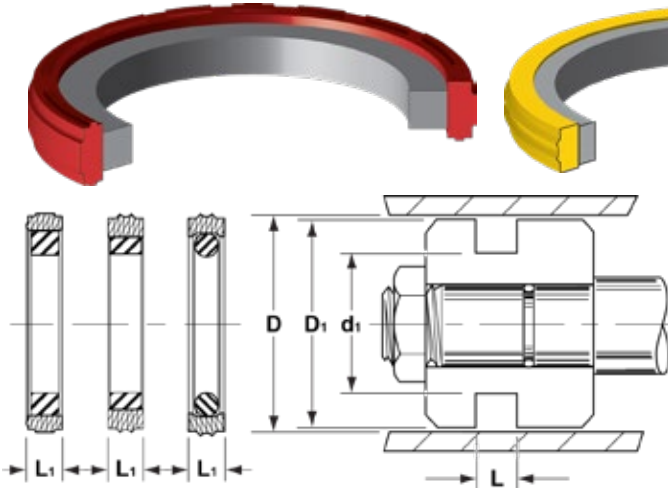
AFTER DASH IN INCREMENTS OF 1/16 (16=1")

Please see Piston Seal Measurement Guide on Page 32.

Part Number	Bore Dia. +.004/-0 D	Groove Dia. +0/-.004 d	Groove Height +.004/-0 L	Seal Height L ₁	Seal Wall	Expander Cross Section	Price
AS600E-16	1.000	0.690	0.125	0.121	0.070	0.099	\$6.74
AS600E-20	1.250	0.940	0.125	0.121	0.070	0.099	\$6.91
AS600E-24	1.500	1.190	0.125	0.121	0.070	0.099	\$7.13
AS600E-28	1.750	1.440	0.125	0.121	0.070	0.099	\$7.30
AS600E-32	2.000	1.690	0.125	0.121	0.070	0.099	\$7.57
AS600E-36	2.250	1.940	0.125	0.121	0.070	0.099	\$8.13
AS600E-40	2.500	2.190	0.125	0.121	0.070	0.099	\$8.24
AS600E-44	2.750	2.440	0.125	0.121	0.070	0.099	\$8.69
AS600E-48	3.000	2.444	0.278	0.274	0.090	0.203	\$10.69
AS600E-52	3.250	2.694	0.278	0.274	0.090	0.203	\$11.36
AS600E-56	3.500	2.944	0.278	0.274	0.090	0.203	\$12.03
AS600E-60	3.750	3.194	0.278	0.274	0.090	0.203	\$12.48
AS600E-64	4.000	3.444	0.278	0.274	0.090	0.203	\$12.98
AS600E-68	4.250	3.694	0.278	0.274	0.090	0.203	\$14.04
AS600E-72	4.500	3.944	0.278	0.274	0.090	0.203	\$14.59
AS600E-76	4.750	4.194	0.278	0.274	0.090	0.203	\$16.10
AS600E-80	5.000	4.444	0.278	0.274	0.090	0.203	\$18.49
AS600E-84	5.250	4.476	0.375	0.367	0.142	0.265	\$24.12
AS600E-88	5.500	4.726	0.375	0.367	0.142	0.265	\$24.73
AS600E-92	5.750	4.976	0.375	0.367	0.142	0.265	\$29.07
AS600E-96	6.000	5.226	0.375	0.367	0.142	0.265	\$27.07
AS600E-100	6.250	5.476	0.375	0.367	0.142	0.265	\$27.79
AS600E-104	6.500	5.726	0.375	0.367	0.142	0.265	\$28.29
AS600E-112	7.000	6.226	0.375	0.367	0.142	0.265	\$28.96
AS600E-116	7.250	6.476	0.375	0.367	0.142	0.265	\$29.85
AS600E-120	7.500	6.726	0.375	0.367	0.142	0.265	\$35.31
AS600E-128	8.000	7.226	0.375	0.367	0.142	0.265	\$32.30
AS600E-135	8.437	7.663	0.375	0.367	0.142	0.265	\$39.44
AS600E-136	8.500	7.726	0.375	0.367	0.142	0.265	\$36.65
AS600E-144	9.000	8.110	0.375	0.367	0.202	0.265	\$48.22
AS600E-152	9.500	8.610	0.375	0.367	0.202	0.265	\$55.10
AS600E-160	10.000	9.110	0.375	0.367	0.202	0.265	\$68.67

Material Is 5% Glass / 5% PTFE Filled Hytrel®

2pc. Urethane Piston Seals - Metric



ALTERNATIVE SEALS:
AS4, AS5, AS6, AS7, PSP

Styles may vary by manufacturer.

Please see Piston Seal Measurement Guide on Page 32.

These compact seal assemblies are molded from a specially blended urethane material and include a 70 durometer nitrile expander. They are interchangeable with many popular PTFE piston seal grooves and offer easier installation and better resistance to cold flow and extrusion.

Temperature: -40° to 230°F

Pressure: 0 to 5,000 PSI

Material: Urethane/Nitrile

EXAMPLE: AS532E-22MM		
Prefix	Groove Height	Bore Diameter
AS5	*32E-	22MM
	3.2mm	22mm

*__E- Number Refers to Groove Height
(28 = 2.2, 36 = 4.2, 40 = 6.3, 42 = 8.1mm)

Part Number	Bore Dia. H9 D	Groove Dia. h9 d	Groove Height +.1 / -0 L	Price
AS632E-15MM	15	7.5	3.2	\$7.55
AS632E-16MM	16	8.5	3.2	\$7.76
AS632E-20MM	20	12.5	3.2	\$8.75
AS532E-22MM	22	14.5	3.2	\$9.80
AS632E-25MM	25	17.5	3.2	\$7.46
AS536E-25MM	25	14	4.2	\$7.46
AS632E-30MM	30	22.5	3.2	\$8.15
AS532E-32MM	32	24.5	3.2	\$8.15
AS632E-32MM	32	24.5	3.2	\$9.59
AS536E-32MM	32	21	4.2	\$8.15
AS632E-35MM	35	27.5	3.2	\$9.59
AS536E-35MM	35	24	4.2	\$10.78
AS532E-36MM	36	28.5	3.2	\$9.66
AS532E-40MM	40	32.5	3.2	\$8.65
AS636E-40MM	40	29	4.2	\$9.01
AS540E-40MM	40	24.5	6.3	\$9.23
PSP-40X27X6.3	40	27	6.3	\$16.90
AS636E-42MM	42	31	4.2	\$16.56
AS636E-45MM	45	34	4.2	\$9.61
AS540E-45MM	45	29.5	6.3	\$10.67
PSP-45X32X6.3	45	32	6.3	\$27.01
AS636E-48MM	48	37	4.2	\$20.49
AS636E-50MM	50	39	4.2	\$9.64
AS540E-50MM	50	34.5	6.3	\$10.71
AS640E-50MM	50	34.5	6.3	\$10.78
PSP-50X37X6.3	50	37	6.3	\$12.68
PSP-50X39X6.3	50	39	6.3	\$17.09
AS636E-55MM	55	44	4.2	\$10.96
AS640E-55MM	55	39.5	6.3	\$11.28
AS636E-60MM	60	49	4.2	\$10.71
AS640E-60MM	60	44.5	6.3	\$12.19
AS636E-63MM	63	52	4.2	\$11.41

Part Number	Bore Dia. H9 D	Groove Dia. h9 d	Groove Height +.1 / -0 L	Price
PSP-63X53X5	63	53	5	\$28.12
AS640E-63MM	63	47.5	6.3	\$13.99
PSP-63X50X6.3	63	50	6.3	\$17.48
AS636E-65MM	65	54	4.2	\$13.90
AS640E-65MM	65	49.5	6.3	\$15.42
PSP-65X52X6.3	65	52	6.3	\$14.62
AS536E-70MM	70	59	4.2	\$14.35
AS540E-70MM	70	54.5	6.3	\$14.69
AS636E-70MM	70	59	4.2	\$12.98
AS640E-70MM	70	54.5	6.3	\$16.84
PSP-70X57X6.3	70	57	6.3	\$12.55
AS536E-75MM	75	64	4.2	\$14.45
AS636E-75MM	75	64	4.2	\$13.64
AS540E-75MM	75	59.5	6.3	\$16.63
AS640E-75MM	75	59.5	6.3	\$15.97
PSP-75X62X6.3	75	62	6.3	\$27.92
AS636E-80MM	80	69	4.2	\$15.95
AS540E-80MM	80	64.5	6.3	\$15.96
AS640E-80MM	80	64.5	6.3	\$15.96
PSP-80X59X8.1	80	59	8.1	\$43.63
PSP-80X59X10.5	80	59	10.5	\$43.93
AS540E-85MM	85	69.5	6.3	\$17.42
AS640E-85MM	85	69.5	6.3	\$15.82
PSP-85X71.5X6.3	85	71.5	6.3	\$34.97
AS640E-90MM	90	74.5	6.3	\$16.87
PSP-90X69X8.1	90	69	8.1	\$45.10
PSP-90X69X10.5	90	69	10.5	\$50.65
AS640E-95MM	95	79.5	6.3	\$19.41
AS640E-100MM	100	84.5	6.3	\$16.56
PSP-100X86.3X6.3	100	86.3	6.3	\$42.20
PSP-100X79X8.1	100	79	8.1	\$44.62
AS640E-105MM	105	89.5	6.3	\$21.02

2pc. Urethane Piston Seals - Metric cont'd.

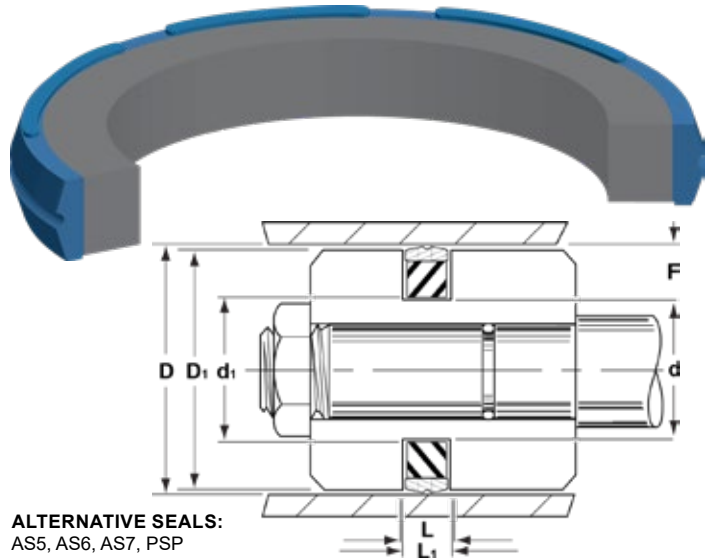
Part Number	Bore Dia. H9 D	Groove Dia. h9 d	Groove Height +.1 / -0 L	Price
PSP-105X89.5X6.3	105	89.5	6.3	\$25.17
AS640E-110MM	110	94.5	6.3	\$21.58
PSP-110X89X8.1	110	89	8.1	\$46.86
PSP-110X89X10.5	110	89	10.5	\$56.68
AS640E-115MM	115	99.5	6.3	\$23.74
PSP-115X94X8.1	115	94	8.1	\$49.67
AS640E-120MM	120	104.5	6.3	\$28.17
AS642E-120MM	120	99	8.1	\$28.17
PSP-120X99X10.5	120	99	10.5	\$52.08
AS640E-125MM	125	109.5	6.3	\$20.26
PSP-125X104X8.1	125	104	8.1	\$41.17
AS642E-125MM	125	104	8.1	\$34.87
PSP-125X104X10.5	125	104	10.5	\$66.92
AS640E-130MM	130	114.5	6.3	\$21.14
PSP-130X114X7.5	130	114	7.5	\$68.91
AS642E-130MM	130	109	8.1	\$27.96
AS642E-135MM	135	114	8.1	\$30.38
AS640E-140MM	140	124.5	6.3	\$33.40
PSP-140X119X7.5	140	119	7.5	\$62.45

Part Number	Bore Dia. H9 D	Groove Dia. h9 d	Groove Height +.1 / -0 L	Price
PSP-140X124X7.5	140	124	7.5	\$67.07
AS642E-140MM	140	119	8.1	\$31.85
PSP-140X119X10.5	140	119	10.5	\$60.24
PSP-150X134X7.5	150	134	7.5	\$68.41
AS642E-150MM	150	129	8.1	\$33.12
PSP-150X129X10.5	150	129	10.5	\$62.05
AS642E-160MM	160	139	8.1	\$34.46
AS642E-165MM	165	144	8.1	\$29.05
AS542E-170MM	170	149	8.1	\$48.96
AS642E-170MM	170	149	8.1	\$39.51
AS642E-180MM	180	159	8.1	\$40.25
AS642E-190MM	190	169	8.1	\$41.47
AS542E-200MM	200	179	8.1	\$47.23
AS642E-200MM	200	179	8.1	\$48.65
PSP-200X175X12.5	200	175	12.5	\$134.43
AS642E-210MM	210	189	8.1	\$43.65
AS642E-225MM	225	204	8.1	\$55.29
AS642E-250MM	250	229	8.1	\$79.24

AS4 2pc. Hytrel® Piston Seals - Metric

Please see Piston Seal Measurement Guide on Page 32.

Part Number	Bore Dia. H9 D	Groove Dia. h9 d	Groove Height .1 / -0 F	Price
AS432E-25MM	25	17.5	3.2	\$10.61
AS432E-32MM	32	24.5	3.2	\$10.84
AS436E-35MM	35	24.0	4.2	\$11.20
AS436E-40MM	40	29.0	4.2	\$11.77
AS436E-45MM	45	34.0	4.2	\$11.96
AS436E-50MM	50	39.0	4.2	\$12.47
AS440E-55MM	55	39.5	6.3	\$14.48
AS436E-60MM	60	49.0	4.2	\$14.68
AS440E-60MM	60	44.5	6.3	\$15.30
AS436E-63MM	63	52.0	4.2	\$16.40
AS440E-63MM	63	47.5	6.3	\$17.12
AS440E-65MM	65	49.5	6.3	\$17.51
AS440E-70MM	70	54.5	6.3	\$18.60
AS440E-75MM	75	59.5	6.3	\$18.94
AS440E-80MM	80	64.5	6.3	\$19.54
AS440E-85MM	85	69.5	6.3	\$21.98
AS440E-90MM	90	74.5	6.3	\$24.40
AS440E-95MM	95	79.5	6.3	\$26.01
AS440E-100MM	100	84.5	6.3	\$26.73
AS442E-100MM	100	79.0	8.1	\$27.05
AS440E-110MM	110	94.5	6.3	\$27.28
AS442E-110MM	110	89.0	8.1	\$27.61
AS442E-115MM	115	94.0	8.1	\$28.42
AS442E-120MM	120	99.0	8.1	\$29.59
AS442E-125MM	125	104.0	8.1	\$32.18
AS442E-130MM	130	109.0	8.1	\$35.31
AS442E-140MM	140	119.0	8.1	\$35.67
AS442E-150MM	150	129.0	8.1	\$37.67
AS442E-160MM	160	139.0	8.1	\$40.49
AS442E-180MM	180	159.0	8.1	\$43.06
AS442E-200MM	200	179.0	8.1	\$47.60



ALTERNATIVE SEALS:
AS5, AS6, AS7, PSP

EXAMPLE: AS440E-55MM		
Prefix	Groove Height	Bore Diameter
AS4	*40E-	55MM
	3.2mm	55mm

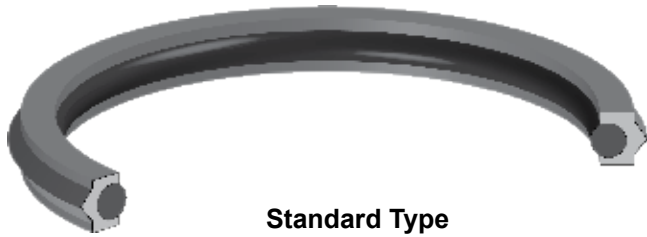
*__E- Number Refers to Groove Height
(32 = 3.2, 36 = 4.2, 40 = 6.3, 42 = 8.1mm)

These compact seal assemblies are molded from a specially blended Hytrel® material and include a 70 durometer nitrile lathe cut expander. They are interchangeable with the AS5, AS6, and AS7 PTFE piston seal grooves and offer easy installation and good resistance to cold flow and extrusion.

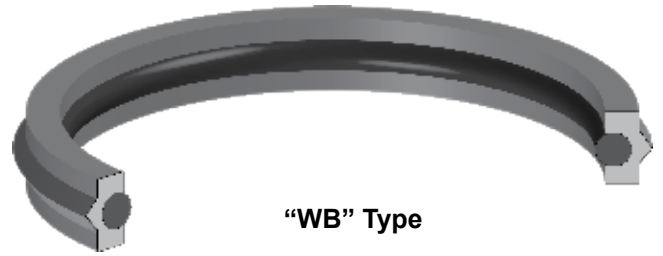
Temperature: -40° to 225°F

Pressure: 0 to 5,000 PSI

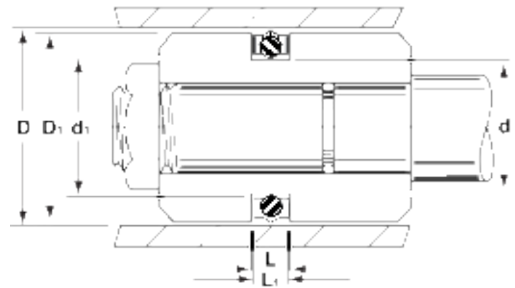
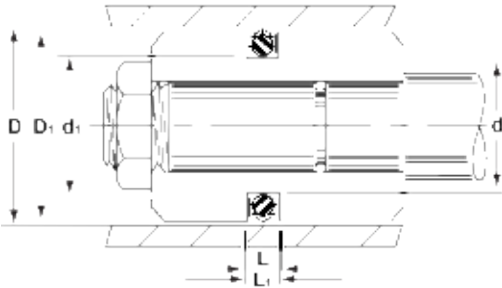
CP 2pc. Polyurethane/NBR Piston Crown® Seal Assembly - Inch



Standard Type



"WB" Type



EXAMPLE: CP-326WB		
Prefix	OD 568 DASH #	Suffix
CP-	326	WB
	1 5/8"	WIDE BASE

Crown seals are bi-directional squeeze type piston seals used as direct substitutes for o-rings and T-seals.

Temperature: -65° to 220°F Pressure: 0 to 5,000 PSI

ALTERNATIVE SEALS:

PSP, TP

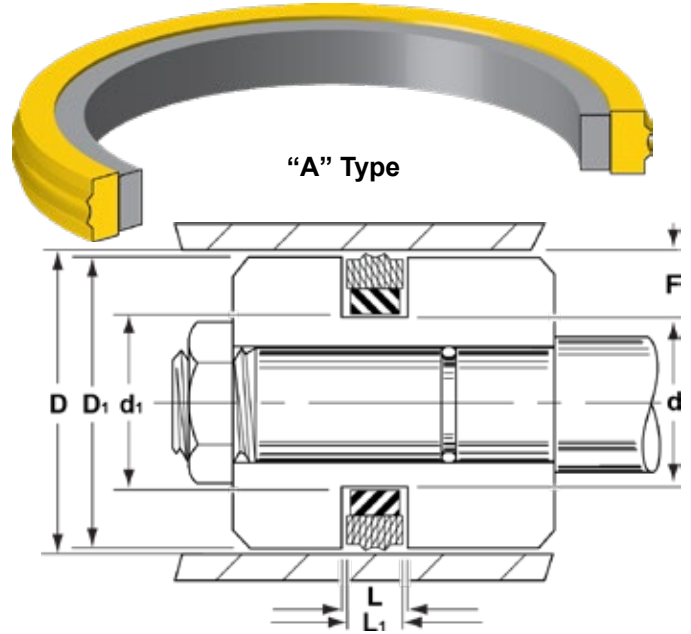
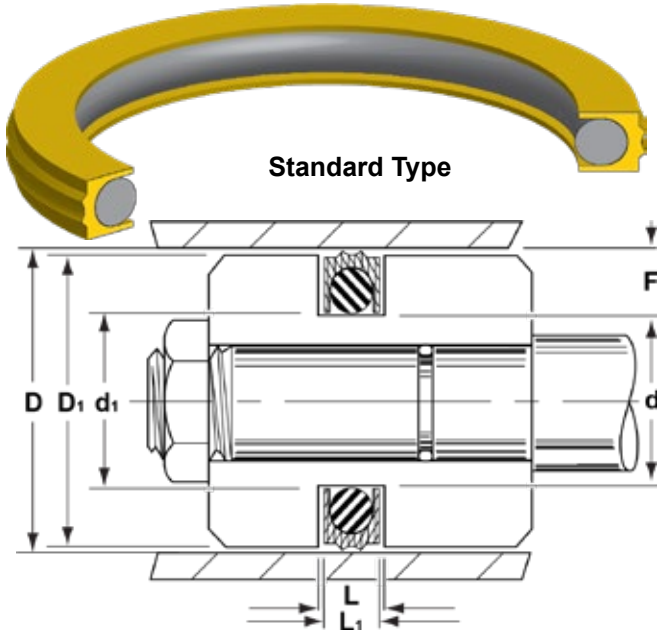
Please see Piston Seal Measurement Guide on Page 32.

Part No.	Bore Dia. +.004/-0 D	Groove Dia. +0/- .004 d	Groove Height +.004/-0 L	Price
CP-210	1.000	0.750	0.187	\$3.59
CP-212	1.125	0.875	0.187	\$4.55
CP-214	1.250	1.000	0.187	\$4.84
CP-216	1.375	1.125	0.187	\$4.98
CP-218	1.500	1.250	0.187	\$5.69
CP-218WB	1.500	1.250	0.275	\$6.12
CP-220	1.625	1.375	0.187	\$6.12
CP-222	1.750	1.500	0.187	\$6.12
CP-222WB	1.750	1.500	0.275	\$7.74
CP-326	2.000	1.625	0.281	\$8.17
CP-326WB	2.000	1.625	0.410	\$10.24
CP-328	2.250	1.875	0.281	\$8.82
CP-330	2.500	2.125	0.281	\$9.88
CP-330WB	2.500	2.125	0.410	\$13.57
CP-332	2.750	2.375	0.281	\$11.67
CP-332WB	2.750	2.375	0.410	\$15.90
CP-334	3.000	2.625	0.281	\$12.95
CP-334WB	3.000	2.625	0.281	\$15.05
CP-336	3.250	2.875	0.410	\$16.50
CP-338	3.500	3.125	0.281	\$15.08
CP-338WB	3.500	3.125	0.410	\$17.78
CP-340	3.750	3.375	0.281	\$16.22

Part No.	Bore Dia. +.004/-0 D	Groove Dia. +0/- .004 d	Groove Height +.004/-0 L	Price
CP-342	4.000	3.625	0.281	\$17.36
CP-342WB	4.000	3.625	0.410	\$20.35
CP-344	4.250	3.875	0.281	\$19.50
CP-344WB	4.250	3.875	0.410	\$23.87
CP-346	4.500	4.125	0.281	\$19.63
CP-346WB	4.500	4.125	0.410	\$26.20
CP-348	4.750	4.375	0.281	\$22.87
CP-348WB	4.750	4.375	0.410	\$26.43
CP-350	5.000	4.625	0.281	\$24.43
CP-425	5.000	4.500	0.375	\$28.31
CP-425WB	5.000	4.525	0.538	\$34.43
CP-429	5.500	5.000	0.375	\$31.16
CP-433	6.000	5.500	0.375	\$35.20
CP-433WB	6.000	5.500	0.538	\$45.93
CP-435	6.250	5.750	0.375	\$39.41
CP-437	6.500	6.000	0.375	\$40.29
CP-438	6.750	6.250	0.375	\$41.71
CP-439	7.000	6.500	0.375	\$42.08
CP-441	7.500	7.000	0.375	\$45.07
CP-442	7.750	7.250	0.375	\$47.54
CP-443	8.000	7.500	0.375	\$50.01
CP-448	10.000	9.500	0.375	\$57.62

PSP Piston Seals - Inch

PSP-A Piston Seals - Inch



PSP seals are bi-directional squeeze type piston seals used as direct substitutes for o-rings, T-seals and Cap seals in industrial no-back-up o-ring grooves. The unique geometry of the PSP seal design creates a fluid reservoir between the two level bi-lip sealing surfaces. This feature provides extra lubrication resulting in reduced breakaway and running friction. PSP seals are manufactured from a proprietary low friction urethane, which has excellent abrasion, tear and extrusion resistance. PSP seals provide positive, no-drift sealing at a continuous service temperature range from -65° to 220° F, and pressures up to 5000 PSI with the recommended groove dimensions and tolerances. Both styles fit the same groove.

Temperature: -65° to 220°F Pressure: 0 to 5,000 PSI
 "4300" Suffix = Temperature: -65° to 275°F

Please see Piston Seal Measurement Guide on Page 32.

Standard Type

EXAMPLE: PSP-210

Prefix	OD 568 DASH #
PSP-	210
	1"

"A" Type

EXAMPLE: PSP-336AT 4300

Prefix	OD 568 DASH #	Suffix	Suffix	Suffix
PSP-	336	A	T	4300
	3-1/4"	NEW STYLE	WIDE BASE	MATERIAL

Part No.	Bore Dia. +.004/-0 D	Piston Dia. +0/- .004 D ₁	Groove Dia. +0/- .004 d	Groove Height +.004/-0 L	Price
PSP-210	1.000	0.997	0.758	0.187	\$8.19
PSP-212	1.125	1.122	0.883	0.187	\$8.71
PSP-214	1.250	1.247	1.008	0.187	\$9.28
PSP-216	1.375	1.372	1.133	0.187	\$9.80
PSP-218	1.500	1.497	1.258	0.187	\$10.37
PSP-220	1.625	1.622	1.383	0.187	\$11.15
PSP-222	1.750	1.747	1.508	0.187	\$11.92
PSP-326	2.000	1.997	1.630	0.281	\$13.34
PSP-328	2.250	2.247	1.880	0.281	\$15.59
PSP-329	2.375	2.372	2.005	0.281	\$17.14
PSP-330	2.500	2.497	2.130	0.281	\$17.85
PSP-331	2.625	2.622	2.255	0.281	\$18.56
PSP-332	2.750	2.747	2.380	0.281	\$19.40
PSP-334	3.000	2.997	2.630	0.281	\$20.82
PSP-335	3.125	3.122	2.755	0.281	\$22.30
PSP-336	3.250	3.247	2.880	0.281	\$23.07

Part No.	Bore Dia. +.004/-0 D	Piston Dia. +0/- .004 D ₁	Groove Dia. +0/- .004 d	Groove Height +.004/-0 L	Price
PSP-210A	1.000	0.997	0.758	0.187	\$7.39
PSP-214A	1.250	1.247	1.008	0.187	\$7.88
PSP-218A	1.500	1.497	1.258	0.187	\$8.87
PSP-218AT 4300	1.500	1.497	1.258	0.275	\$14.23
PSP-222A	1.750	1.747	1.508	0.187	\$10.10
PSP-326A	2.000	1.997	1.630	0.281	\$11.25
PSP-326A 4300	2.000	1.997	1.630	0.281	\$13.61
PSP-326AT 4300	2.000	1.997	1.630	0.410	\$20.34
PSP-328A	2.250	2.247	1.880	0.281	\$13.22
PSP-328A 4300	2.250	2.247	1.880	0.281	\$14.96
PSP-330A	2.500	2.497	2.130	0.281	\$14.79
PSP-330A 4300	2.500	2.497	2.130	0.281	\$20.98
PSP-330AT 4300	2.500	2.497	2.130	0.410	\$23.49
PSP-332A	2.750	2.747	2.380	0.281	\$16.41
PSP-334A	3.000	2.997	2.630	0.281	\$19.14
PSP-334AT	3.000	2.997	2.630	0.410	\$24.36

PSP / PSP-A 2pc. Piston Seals - Inch cont'd.

Standard Type con't.					
Part No.	Bore Dia. +.004/-0 D	Piston Dia. +0/--.004 D ₁	Groove Dia. +0/--.004 d	Groove Height +.004/-0 L	Price
PSP-338	3.500	3.497	3.130	0.281	\$24.56
PSP-340	3.750	3.747	3.380	0.281	\$26.81
PSP-342	4.000	3.997	3.630	0.281	\$29.77
PSP-344	4.250	4.247	3.880	0.281	\$34.34
PSP-346	4.500	4.497	4.130	0.281	\$37.19
PSP-348	4.750	4.747	4.380	0.281	\$40.85
PSP-350	5.002	4.997	4.630	0.281	\$44.86
PSP-425	5.002	4.997	4.528	0.375	\$46.66
PSP-429	5.502	5.498	5.028	0.375	\$59.29
PSP-433	6.002	5.998	5.528	0.375	\$64.57
PSP-435	6.252	6.248	5.778	0.375	\$67.66
PSP-437	6.502	6.498	6.028	0.375	\$70.82
PSP-439	7.002	6.998	6.528	0.375	\$75.08
PSP-441	7.500	7.498	7.020	0.375	\$88.18
PSP-443	8.000	7.998	7.528	0.375	\$92.74
PSP-448	10.000	9.998	9.520	0.375	\$117.13

"A" Type con't.					
Part No.	Bore Dia. +.004/-0 D	Piston Dia. +0/--.004 D ₁	Groove Dia. +0/--.004 d	Groove Height +.004/-0 L	Price
PSP-334AT 4300	3.000	2.997	2.630	0.410	\$26.77
PSP-336A	3.250	3.247	2.880	0.281	\$22.22
PSP-336A 4300	3.250	3.247	2.880	0.281	\$23.30
PSP-338A	3.500	3.497	3.130	0.281	\$23.49
PSP-338AT 4300	3.500	3.497	3.130	0.410	\$34.72
PSP-342A	4.000	3.997	3.630	0.281	\$28.47
PSP-342AT 4300	4.000	3.997	3.630	0.410	\$45.95
PSP-346A	4.500	4.497	4.130	0.281	\$36.26
PSP-346AT 4300	4.500	4.497	4.130	0.410	\$67.92
PSP-350A	5.000	4.997	4.630	0.281	\$43.49
PSP-425AT 4300	5.000	4.997	4.528	0.538	\$73.62
PSP-429A	5.500	5.498	5.028	0.375	\$53.55
PSP-433A	6.000	5.998	5.528	0.375	\$63.12
PSP-433AT 4300	6.000	5.998	5.528	0.538	\$115.27
PSP-439AT 4300	7.000	6.998	6.528	0.538	\$108.22
PSP-443A 4300	8.000	7.998	7.528	0.375	\$63.50

NO 2pc. Fabric Rubber Piston Seals w/ Backups - Metric



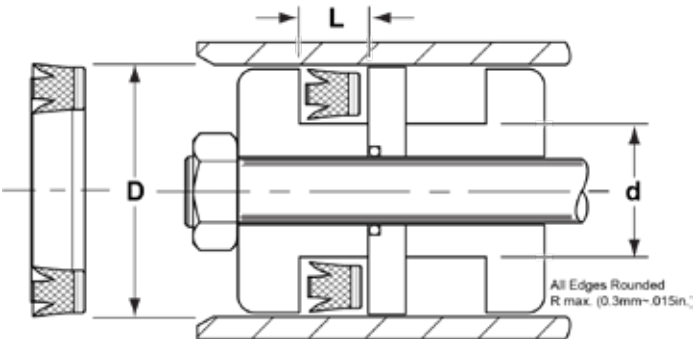
The NO series piston seal is a 2 piece single-acting sealing set which consists of a fabric-reinforced lip seal (U-cup), and a Nylon or a rock-hard fabric-reinforced backup ring. The lip seal has an integrated support ring for stability and will discharge pressure that could build up between the seals in a double-acting cylinder. This seal set requires a 2 pc piston.

Temperature: -22° to 212°F Pressure: 0 to 7,000 PSI

EXAMPLE: NO-25x40x9.5			
Prefix	Groove Diameter	Bore Diameter	Groove Height
NO-	25	x 40	x 9.5
	25mm	40mm	9.5mm

ALTERNATIVE SEALS:
MA28, MA25, M4

Please see Piston Seal Measurement Guide on Page 32.

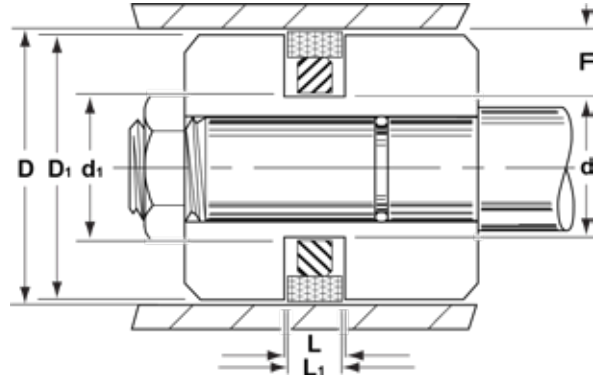


Prefix	Part Number			Price
	Groove Dia. f 8 d	Bore Dia. H 9 D	Groove Height +.1/-0 L	
NO -	25	x 40	x 9.5	\$32.27
NO -	35	x 50	x 9.5	\$33.13
NO -	40	x 55	x 9.5	\$33.71
NO -	45	x 60	x 9.5	\$38.15
NO -	48	x 63	x 9.5	\$40.18
NO -	50	x 70	x 12.5	\$41.44
NO -	60	x 80	x 12.5	\$48.79
NO -	65	x 80	x 11.2	\$43.73
NO -	75	x 95	x 12.5	\$45.60
NO -	85	x 100	x 11.2	\$53.35
NO -	85	x 105	x 12.5	\$53.53
NO -	90	x 110	x 12.5	\$63.06
NO -	90	x 115	x 15.5	\$70.72
NO -	100	x 120	x 13.0	\$96.29
NO -	100	x 125	x 15.5	\$66.40
NO -	105	x 130	x 17.0	\$67.85
NO -	115	x 135	x 15.5	\$73.60
NO -	120	x 140	x 15.0	\$89.54
NO -	190	x 220	x 19.0	\$357.49

714 2pc. Nylon Piston Seals - Inch



ALTERNATIVE SEALS:
914 -
Some fit AS900 Groove



Part Number	Bore Dia. +0.004 / -0 D	Groove Dia. +0 / -.004 d	Groove Height +0.004 / -0 L	Price
714-2000-282	2.000	1.462	0.282	\$19.95
714-2250-282	2.250	1.712	0.282	\$21.32
714-2500-282	2.500	1.962	0.282	\$23.74
714-2750-282	2.750	2.212	0.282	\$26.50
714-3000-282	3.000	2.442	0.282	\$24.58
714-3250-282	3.250	2.692	0.282	\$27.12
714-3500-282	3.500	2.942	0.282	\$28.50
714-3500-312	3.500	3.050	0.312	\$29.13
714-3500-424	3.500	3.128	0.424	\$41.19
714-3750-282	3.750	3.192	0.282	\$35.45
714-4000-192	4.000	3.150	0.192	\$28.82
714-4000-282	4.000	3.442	0.282	\$30.03
714-4250-282	4.250	3.692	0.282	\$38.37
714-4250-377	4.250	3.692	0.377	\$82.15
714-4500-282	4.500	3.942	0.282	\$32.87
714-4500-424	4.500	4.128	0.424	\$46.87
714-4750-282	4.750	4.192	0.282	\$41.04
714-5000-282	5.000	4.442	0.282	\$43.43
714-5250-377	5.250	4.490	0.377	\$49.32
714-5500-282	5.500	4.940	0.282	\$93.10
714-5500-377	5.500	4.740	0.377	\$51.28
714-5500-579	5.500	5.014	0.579	\$55.75
714-6000-377	6.000	5.240	0.377	\$53.68
714-6250-282	6.250	5.692	0.282	\$101.25
714-7000-377	7.000	6.240	0.377	\$89.11
714-8000-377	8.000	7.240	0.377	\$92.83
714-9000-377	9.000	8.124	0.377	\$97.82

EXAMPLE: 714-2000-282

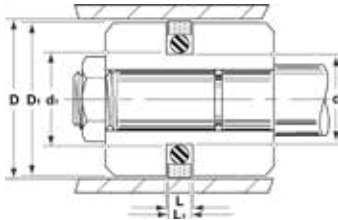
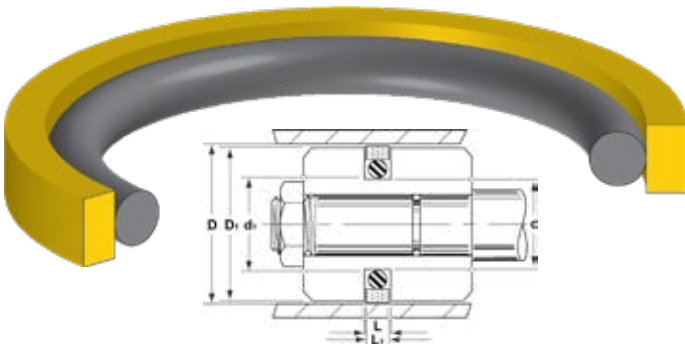
Prefix	Bore Diameter	Groove Height
714-	2000	- 282
	2"	9/32"

714 style piston seals are step cut, and are made from glass-filled polyamide. The rectangular energizer is a molded 70 durometer Shore A nitrile. They are primarily designed for heavy duty, double acting hydraulic applications. The sealing set is capable of passing a port and can be used up to 10,000 PSI (680 bar) with proper fitting. Its advantages are small profile, resistant to shock loads, low breakout and running friction, even after lengthy standstill under high pressures. They install easily due to the split outer sealing ring and offer high abrasion and extrusion resistance at high pressures and large clearance gaps.

Temperature: -40° to 250°F Pressure: 0 to 10,000 PSI

Please see Piston Seal Measurement Guide on Page 32.

AS990 2pc. BTFE Piston Seals - Metric



EXAMPLE: AS990E-100MMB

Prefix	Bore Diameter	Suffix
AS990E-	100MM	B
	mm	BTFE

These rectangular bronze filled PTFE piston seal assemblies include a 70 durometer nitrile o-ring energizer. These heavy duty seals can be supplied with FKM expanders. Consult sales office for price and availability.

Temperature: -40° to 225°F Pressure: 0 to 5,000 PSI

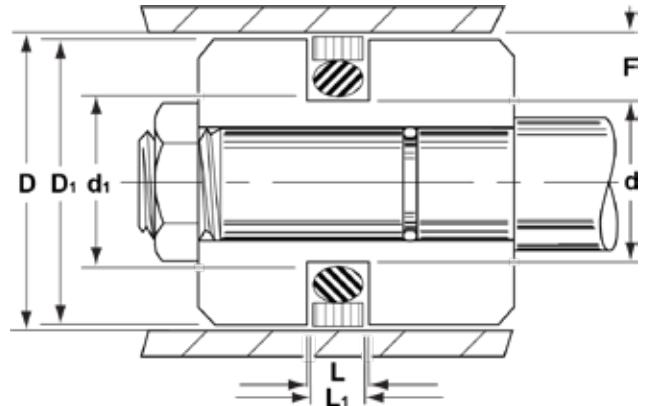
Part Number	Bore Dia. H 9 D	Groove Dia. f 8 d	Groove Height +0.1 / -0 L	Price
AS990E-90MMB	90	x 76	x 6.3	\$37.52
AS990E-100MMB	100	x 86	x 6.3	\$39.57
AS990E-110MMB	110	x 96	x 6.3	\$43.39
AS990E-120MMB	120	x 106	x 6.3	\$48.85
AS990E-125MMB	125	x 106	x 9.5	\$52.97
AS990E-130MMB	130	x 111	x 9.5	\$57.14
AS990E-140MMB	140	x 121	x 9.5	\$65.09
AS990E-150MMB	150	x 131	x 9.5	\$84.33
AS990E-160MMB	160	x 141	x 9.5	\$87.87

Part Number	Bore Dia. H 9 D	Groove Dia. f 8 d	Groove Height +0.1 / -0 L	Price
AS990E-170MMB	170	x 151	x 9.5	\$97.62
AS990E-180MMB	180	x 161	x 9.5	\$99.23
AS990E-190MMB	190	x 171	x 9.5	\$106.74
AS990E-200MMB	200	x 181	x 9.5	\$111.53
AS990E-220MMB	220	x 201	x 9.5	\$135.17
AS990E-225MMB	225	x 206	x 9.5	\$139.08
AS990E-250MMB	250	x 226.5	x 11.5	\$201.49
AS990E-280MMB	280	x 256.5	x 11.5	\$222.10
AS990E-300MMB	300	x 276.5	x 11.5	\$243.70

914 2pc. ChemCast® Piston Seals - Inch



ALTERNATIVE SEALS:
714-
some fit AS900 Groove



EXAMPLE: 914-2000-282		
Prefix	Bore Diameter	Groove Height
914-	2000-	282
	2"	9/32"

SOME SUFFIX HAVE NO CORRELATION TO HEIGHT

ChemCast® piston rings consist of a moly/glass-filled nylon step cut outer ring with a precision milled joint, together with a carboxylated nitrile 90 durometer oval expander ring. The expander ring is designed so as not to pinch between the joint of the outer ring during installation. These rings will pass a small port with no problem and can handle large diametrical clearances. It is the seal of choice for super-heavy duty applications. Many OEM's have adopted this seal due to its superior sealing ability, wear resistance, and port passing capabilities. Do not cut rings down.

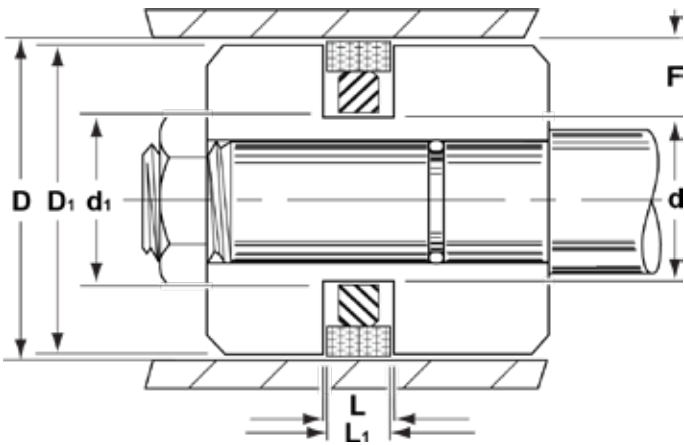
Please see Piston Seal Measurement Guide on Page 32.

Temperature: -40° to 250°F

Pressure: 0 to 10,000 PSI

Part Number	Bore Diameter +.004 / -0 D	Groove Diameter +0/ -.004 d	Groove Height +.004 / -0 L	Price
914-2000-2003	2.000	1.462	0.282	\$55.35
914-2000-312	2.000	1.408	0.312	\$75.18
914-2500-2504	2.500	1.962	0.282	\$68.20
914-2500-312	2.500	1.908	0.312	\$69.78
914-3000-3005	3.000	2.442	0.282	\$72.79
914-3000-312	3.000	2.408	0.312	\$71.02
914-3250-3255	3.250	2.692	0.282	\$76.84
914-3500-3505	3.500	2.942	0.282	\$83.36
914-3500-312	3.500	2.908	0.312	\$85.74
914-4000-4005	4.000	3.442	0.282	\$85.00
914-4000-312	4.000	3.408	0.312	\$89.64
914-4250-4255	4.250	3.692	0.282	\$77.77
914-4500-4505	4.500	3.942	0.282	\$96.51
914-4500-312	4.500	3.908	0.312	\$95.86
914-5000-5005	5.000	4.442	0.282	\$95.27
914-5000-375	5.000	4.226	0.375	\$111.88
914-5500-5505	5.500	4.740	0.375	\$113.48
914-6000-375	6.000	5.240	0.375	\$118.90
914-6000-6005	6.000	5.240	0.375	\$123.09
914-6250-6255	6.250	5.490	0.375	\$126.84
914-6500-6505	6.500	5.740	0.375	\$119.71
914-7000-375	7.000	6.222	0.375	\$120.47
914-7025-375	7.025	6.265	0.375	\$121.98
914-7500-7505	7.500	6.740	0.375	\$123.48
914-8437-8442	8.437	7.677	0.375	\$144.60
914-8500-375	8.500	7.740	0.375	\$125.98
914-10000-10005	10.000	9.124	0.375	\$246.34
914-11000-11005	11.000	10.124	0.375	\$319.43
914-11995-12000	11.995	11.124	0.375	\$360.29

OK 2pc. Nylon Piston Seals - Metric



The OK style outer sealing rings are step cut, and are made from glass-filled polyamide. The rectangular energizer is a molded 70 durometer Shore A nitrile. They are primarily designed for heavy duty, double acting hydraulic applications. The sealing set is capable of passing a port and can be used up to 10,000 PSI (680 bar) with proper fitting. Its advantages are small profile, resistant to shock loads, and low breakout and running friction even after lengthy standstill under high pressures. They install easily due to the split outer sealing ring and offer high abrasion and extrusion resistance at high pressures and large clearance gaps.

Temperature: -40° to 250°F

Pressure: 0 to 10,000 PSI

Please see Piston Seal Measurement Guide on Page 32.

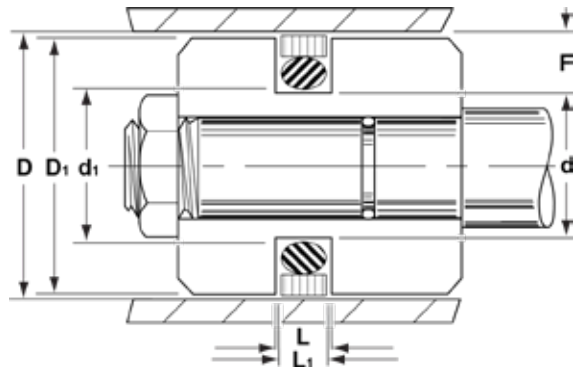
EXAMPLE: OK-50x39x4.2

Prefix	Groove Diameter		Bore Diameter		Groove Height
OK-	50	x	39	x	4.2
	50mm		39mm		4.2mm

Part Number						Piston Diameter +0/-1 D ₁	Price
Prefix	Bore Diameter H9 D	Groove Diameter f8 d	Groove Height +1/-0 L				
OK -	40	x	29	x	4.2	39.2	\$21.91
OK -	50	x	39	x	4.2	49.2	\$23.48
OK -	50	x	34.5	x	6.3	49.2	\$28.58
OK -	60	x	49	x	4.2	59.2	\$24.77
OK -	60	x	44.5	x	6.3	59.8	\$28.92
OK -	63	x	47.5	x	6.3	62.2	\$30.15
OK -	70	x	59	x	4.2	69.2	\$31.68
OK -	70	x	54.5	x	6.3	69.2	\$32.62
OK -	70	x	51.7	x	7	69.2	\$44.36
OK -	75	x	59.5	x	6.3	74	\$33.04
OK -	80	x	64.5	x	6.3	79	\$29.10
OK -	80	x	59	x	8.1	79	\$50.19
OK -	85	x	69.5	x	6.3	79	\$33.94
OK -	90	x	69	x	8.1	89	\$29.99
OK -	90	x	74.5	x	6.3	89	\$30.52
OK -	95	x	74	x	8.1	94	\$30.74
OK -	100	x	84.5	x	6.3	99	\$38.75
OK -	100	x	79	x	8.1	99	\$33.10
OK -	105	x	89.5	x	8.1	104	\$35.46
OK -	105	x	84	x	8.1	103.8	\$38.13
OK -	110	x	94.5	x	6.3	108.8	\$39.75
OK -	110	x	89	x	8.1	108.8	\$38.59
OK -	115	x	94	x	8.1	113.8	\$42.88

Part Number						Piston Diameter +0/-1 D ₁	Price
Prefix	Bore Diameter H9 D	Groove Diameter f8 d	Groove Height +1/-0 L				
OK -	120	x	99	x	8.1	118.8	\$44.15
OK -	125	x	109.5	x	6.3	123.8	\$47.27
OK -	125	x	104	x	8.1	123.8	\$48.18
OK -	130	x	109	x	8.1	128.8	\$51.00
OK -	135	x	114	x	8.1	133.8	\$53.52
OK -	140	x	119	x	8.1	138.8	\$59.32
OK -	145	x	124	x	8.1	143.8	\$61.58
OK -	150	x	129	x	8.1	148.8	\$63.14
OK -	160	x	139	x	8.1	158.8	\$66.82
OK -	165	x	144	x	8.1	163.8	\$70.51
OK -	170	x	149	x	8.1	168.8	\$72.80
OK -	175	x	154	x	8.1	173.8	\$75.57
OK -	180	x	159	x	8.1	178.8	\$82.05
OK -	185	x	164	x	8.1	183.8	\$84.95
OK -	190	x	169	x	8.1	188.8	\$95.29
OK -	200	x	179	x	8.1	198.8	\$105.27
OK -	210	x	189	x	8.1	208.4	\$125.98
OK -	220	x	199	x	8.1	218.4	\$134.40
OK -	225	x	204	x	8.1	223.4	\$152.09
OK -	230	x	209	x	8.1	228.4	\$154.20
OK -	250	x	229	x	8.1	248.4	\$189.62
OK -	280	x	255.5	x	8.1	278.4	\$260.14

Cat® 2pc. Nylon Step-Cut Piston Seals - Inch



ALTERNATIVE SEALS:
AS980

These 2 piece Cat® style outer sealing rings are step cut, and are made from glass-filled polyamide. The oval energizer is a molded 70 durometer Shore A nitrile. They are primarily designed for heavy duty, double acting hydraulic applications. The sealing set is capable of passing a port and can be used up to 10,000 psi (680 bar) with proper fitting. Its advantages are small profile, resistant to shock loads, and low breakout and running friction even after lengthy standstill under high pressures. They install easily due to the split outer sealing ring and offer high abrasion and extrusion resistance at high pressures and large clearance gaps.

Temperature: -40° to 250°F

Pressure: 0 to 10,000 PSI

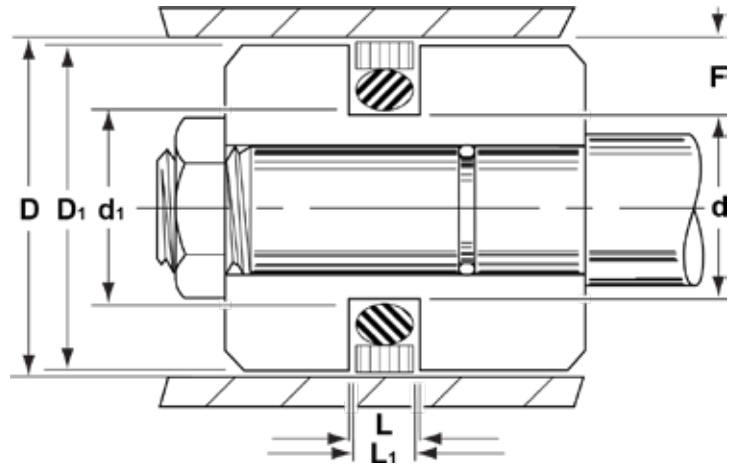
OEM NUMBERING SYSTEM

Please see Piston Seal Measurement Guide on Page 32.

Part Number	Bore Diameter +0.004 / -0 D	Groove Diameter +0 / -.004 d	Groove Height +0.004 / -0 L	Seal Height L ₁	Price
8C9167	2.500	2.130	0.192	0.172	\$18.86
9X7337	3.000	2.460	0.192	0.172	\$20.35
4T8054	3.500	2.960	0.192	0.172	\$26.47
9X7274	3.750	3.210	0.192	0.172	\$32.92
8C9160	4.000	3.335	0.252	0.232	\$34.24
8C9164	4.250	3.590	0.252	0.232	\$32.17
9X7269	4.500	3.840	0.252	0.232	\$50.28
4T5172	4.500	3.840	0.502	0.482	\$50.72
4T8588	4.750	4.090	0.252	0.232	\$51.71
8C5215	4.750	4.090	0.632	0.612	\$51.21
8T1787	5.000	4.230	0.632	0.612	\$66.48
8T0763	5.250	4.460	0.382	0.362	\$45.89
4T5173	5.500	4.730	0.632	0.612	\$41.02
8C9173	6.000	5.095	0.382	0.362	\$44.00
4T4144	6.000	5.090	0.632	0.612	\$44.56
8T8278	6.250	5.340	0.382	0.362	\$52.58
8T1788	6.250	5.340	0.632	0.612	\$58.57
4T8695	6.500	5.590	0.632	0.612	\$42.00
8T1789	7.000	6.090	0.632	0.612	\$47.83
8T1790	7.250	6.340	0.632	0.612	\$69.44
8T1791	7.500	6.590	0.632	0.612	\$89.62
8T1792	7.750	6.840	0.632	0.612	\$53.61
8T1793	8.250	7.260	0.632	0.612	\$64.14
9T0119	8.500	7.510	0.632	0.612	\$61.43
4T4143	9.250	8.260	0.382	0.362	\$94.39
9X7321	9.500	8.510	0.382	0.362	\$96.73
8T1794	10.000	8.880	0.692	0.672	\$97.25
8T1795	10.250	9.130	0.692	0.672	\$113.59
8T1796	10.500	9.380	0.692	0.672	\$106.56
8T1797	11.500	10.380	0.692	0.672	\$120.82
6E0307	12.500	11.380	0.692	0.672	\$181.74

*We do not imply that these seals are a product of Cat®.
Part numbers are used for reference purposes only.*

Cat® 2pc. Nylon Step-Cut Piston Seals - Metric



These 2 piece Cat® style outer sealing rings are step cut, and are made from glass-filled polyamide. The oval energizer is a molded 70 durometer Shore A nitrile. They are primarily designed for heavy duty, double acting hydraulic applications. The sealing set is capable of passing a port and can be used up to 10,000 psi (680 bar) with proper fitting. Its advantages are small profile, resistant to shock loads, and low breakout and running friction even after lengthy standstill under high pressures. They install easily due to the split outer sealing ring and offer high abrasion and extrusion resistance at high pressures and large clearance gaps.

Temperature: -40° to 250°F Pressure: 0 to 10,000 PSI

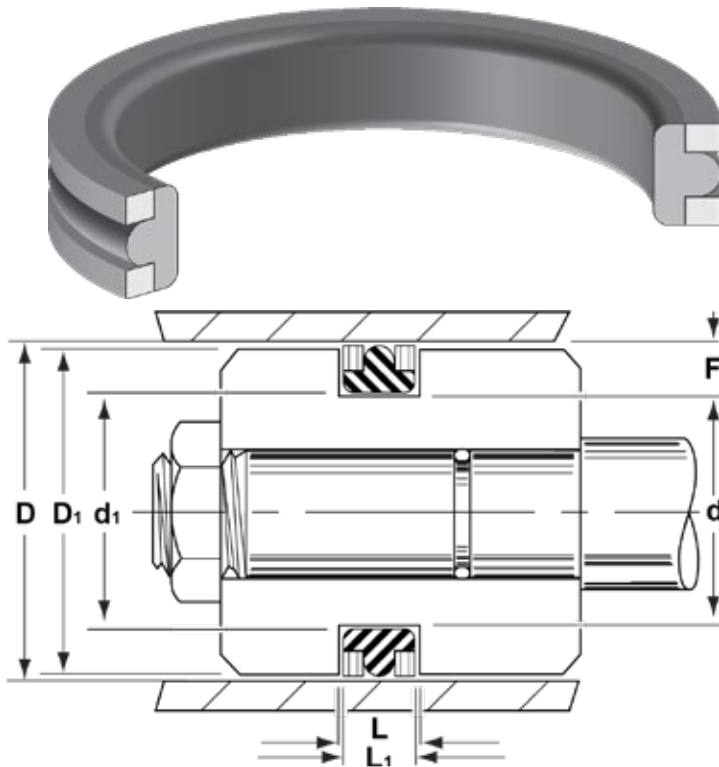
OEM NUMBERING SYSTEM

Please see Piston Seal Measurement Guide on Page 32.

We do not imply that these seals are a product of Cat®. Part numbers are used for reference purposes only.

Part Number	Bore Diameter + .1/-0 D	Groove Diameter +0 / -.1 d	Groove Height + .1/-0 L	Seal Height L ₁	Price
9X7298	100	85.75	7.24	6.74	\$57.06
9X3586	105	90.75	7.24	6.74	\$58.38
9X7301	110	95.75	7.24	6.74	\$61.34
9X3589	115	100.75	7.24	6.74	\$44.33
9X3592	120	105.74	7.24	6.74	\$62.73
9X3595	130	115.74	7.24	6.74	\$63.37
1233135	140	119.13	8.13	7.63	\$75.27
9X3598	140	120.62	9.63	9.13	\$75.33
9X3601	150	130.63	9.63	9.13	\$68.92
9X3604	160	140.61	9.63	9.13	\$57.33
9X3607	170	150.62	9.63	9.13	\$75.20
9X3610	180	160.62	9.63	9.13	\$62.12
1251286	190	170.68	9.63	9.13	\$64.44
8C9179	200	174.73	9.63	9.13	\$70.23
8C9182	220	194.74	9.63	9.13	\$76.47

TP 3pc. Piston T Seals - Inch



Piston T-seals were originally developed to replace o-rings, and retrofit into standard commercial o-ring grooves. This development ended two serious reliability problems:

1. Extrusion through the clearance gap, and;
2. Spiral or twisting failure due to instability in their groove.
T-seals' back-ups are hydraulically or pneumatically driven against the dynamic surface when system pressure forces the elastomer into the space beneath the back-up. This immediate response to pressure makes them very effective wipers, keeping contaminants away from the sealing line. Standard material for our T-seals is 75 durometer nitrile with moly-filled nylon back-up rings. Other materials are available upon request.

Industrial piston T-seals are also available to fit one and two back-up o-ring grooves. Please refer to Wide Base T-seals in this section.

Temperature: -40° to 225°F

Pressure: 0 to 5,000 PSI

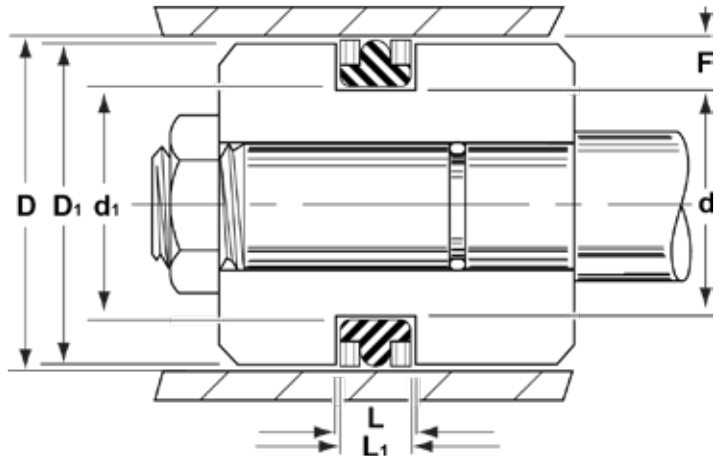
ALTERNATIVE SEALS:
PSP, O-Ring, Quad-Ring, CP

Part No.	Nominal Size			Bore Dia. +0.002/-0.000 D	Groove Dia. +0.000/-0.002 d	Groove Height L	Piston Dia. +0.000/-0.001 D ₁	OR Size	Price
	O. D.	I. D.	Height						
TP001	3/8	3/16	5/32	0.375	0.190	0.140	0.371	-106	\$12.83
TP002	7/16	1/4	5/32	0.437	0.252	0.140	0.433	-108	\$13.04
TP003	1/2	5/16	5/32	0.500	0.315	0.140	0.496	-109	\$13.29
TP004	9/16	5/16	3/16	0.563	0.317	0.187	0.558	-203	\$13.67
TP005	5/8	3/8	3/16	0.625	0.380	0.187	0.621	-204	\$13.71
TP006	11/16	7/16	3/16	0.687	0.442	0.187	0.683	-205	\$13.96
TP007	3/4	1/2	3/16	0.750	0.505	0.187	0.746	-206	\$8.44
TP008	13/16	9/16	3/16	0.812	0.567	0.187	0.808	-207	\$14.65
TP009	7/8	5/8	3/16	0.875	0.630	0.187	0.871	-208	\$7.17
TP010	15/16	11/16	3/16	0.937	0.692	0.187	0.933	-209	\$15.10
TP011	1	3/4	3/16	1.000	0.756	0.187	0.997	-210	\$7.90
TP012	1 1/16	13/16	3/16	1.063	0.818	0.187	1.059	-211	\$9.57
TP013	1 1/8	7/8	3/16	1.125	0.881	0.187	1.122	-212	\$7.70
TP014	1 3/16	15/16	3/16	1.188	0.943	0.187	1.184	-213	\$9.69
TP015	1 1/4	1	3/16	1.250	1.006	0.187	1.247	-214	\$8.33
TP016	1 5/16	1 1/16	3/16	1.313	1.068	0.187	1.309	-215	\$11.66
TP017	1 3/8	1 1/8	3/16	1.375	1.131	0.187	1.372	-216	\$7.82
TP018	1 7/16	1 3/16	3/16	1.438	1.193	0.187	1.434	-217	\$9.76
TP019	1 1/2	1 1/4	3/16	1.500	1.256	0.187	1.497	-218	\$6.70
TP020	1 9/16	1 5/16	3/16	1.563	1.318	0.187	1.559	-219	\$12.92
TP021	1 5/8	1 3/8	3/16	1.625	1.381	0.187	1.622	-220	\$8.43
TP221	1 11/16	1 7/16	3/16	1.687	1.447	0.187	1.684	-221	\$7.60
TP022	1 3/4	1 1/2	3/16	1.750	1.506	0.187	1.747	-222	\$7.70
TP023	1 7/8	1 1/2	9/32	1.875	1.502	0.281	1.872	-325	\$9.63

TP 3pc. Piston T Seals - Inch, cont'd.

Part No.	Nominal Size			Bore Dia. +0.002/-0.000 D	Groove Dia. +0.000/-0.002 d	Groove Height L	Piston Dia. +0.000/-0.001 D ₁	OR Size	Price
	O. D.	I. D.	Width						
TP024	2	1 5/8	9/32	2.000	1.627	0.281	1.997	-326	\$7.73
TP025	2 1/8	1 3/4	9/32	2.125	1.752	0.281	2.122	-327	\$7.68
TP026	2 1/4	1 7/8	9/32	2.250	1.877	0.281	2.247	-328	\$8.20
TP027	2 3/8	2	9/32	2.375	2.002	0.281	2.372	-329	\$8.66
TP028	2 1/2	2 1/8	9/32	2.500	2.127	0.281	2.497	-330	\$9.17
TP029	2 5/8	2 1/4	9/32	2.625	2.252	0.281	2.620	-331	\$9.88
TP030	2 3/4	2 3/8	9/32	2.750	2.377	0.281	2.745	-332	\$10.03
TP031	2 7/8	2 1/2	9/32	2.875	2.502	0.281	2.870	-333	\$10.29
TP032	3	2 5/8	9/32	3.000	2.627	0.281	2.995	-334	\$10.49
TP033	3 1/8	2 3/4	9/32	3.125	2.752	0.281	3.120	-335	\$11.46
TP034	3 1/4	2 7/8	9/32	3.250	2.877	0.281	3.245	-336	\$12.57
TP035	3 1/2	3 1/8	9/32	3.500	3.128	0.281	3.496	-338	\$13.76
TP036	3 5/8	3 1/4	9/32	3.625	3.253	0.281	3.621	-339	\$15.16
TP037	3 3/4	3 3/8	9/32	3.750	3.378	0.281	3.746	-340	\$15.63
TP038	3 7/8	3 1/2	9/32	3.875	3.503	0.281	3.871	-341	\$20.35
TP039	4	3 5/8	9/32	4.000	3.628	0.281	3.996	-342	\$17.81
TP040	4 1/8	3 3/4	9/32	4.125	3.753	0.281	4.121	-343	\$28.12
TP041	4 1/4	3 7/8	9/32	4.250	3.878	0.281	4.246	-344	\$20.27
TP042	4 3/8	4	9/32	4.375	4.003	0.281	4.371	-345	\$26.12
TP043	4 1/2	4 1/8	9/32	4.500	4.128	0.281	4.496	-346	\$21.95
TP044	4 5/8	4 1/4	9/32	4.625	4.253	0.281	4.621	-347	\$27.50
TP045	4 3/4	4 3/8	9/32	4.750	4.378	0.281	4.746	-348	\$30.22
TP046	4 7/8	4 1/2	9/32	4.875	4.503	0.281	4.871	-349	\$30.85
TP047	5	4 5/8	9/32	5.000	4.629	0.281	4.997	-350	\$31.47
TP047A	5	4 5/8	3/8	5.000	4.503	0.375	4.997		\$128.27
TP048	5 1/8	4 5/8	3/8	5.125	4.649	0.375	5.122	-426	\$37.95
TP049	5 1/4	4 3/4	3/8	5.250	4.774	0.375	5.247	-427	\$35.47
TP050	5 3/8	4 7/8	3/8	5.375	4.889	0.375	5.372	-428	\$78.95
TP051	5 1/2	5	3/8	5.500	5.024	0.375	5.497	-429	\$37.79
TP052	5 5/8	5 1/8	3/8	5.625	5.149	0.375	5.622	-430	\$82.58
TP053	5 3/4	5 1/4	3/8	5.750	5.274	0.375	5.747	-431	\$38.66
TP054	5 7/8	5 3/8	3/8	5.875	5.399	0.375	5.874	-432	\$39.84
TP055	6	5 1/2	3/8	6.000	5.524	0.375	5.997	-433	\$41.39
TP056	6 1/8	5 5/8	3/8	6.125	5.649	0.375	6.122	-434	\$119.24
TP057	6 1/4	5 3/4	3/8	6.250	5.774	0.375	6.247	-435	\$43.13
TP058	6 1/2	6	3/8	6.500	6.024	0.375	6.495	-437	\$43.38
TP059	6 3/4	6 1/4	3/8	6.750	6.274	0.375	6.745	-438	\$123.29
TP060	7	6 1/2	3/8	7.000	6.524	0.375	6.995	-439	\$50.08
TP061	7 1/4	6 3/4	3/8	7.250	6.774	0.375	7.245	-440	\$75.78
TP062	7 1/2	7	3/8	7.500	7.024	0.375	7.495	-441	\$55.88
TP063	7 3/4	7 1/4	3/8	7.750	7.274	0.375	7.745	-442	\$125.44
TP064	8	7 1/2	3/8	8.000	7.524	0.375	7.995	-443	\$66.32
TP065	8 1/4	7 3/4	3/8	8.250	7.774	0.375	8.245	-444	\$136.29
TP066	8 1/2	8	3/8	8.500	8.024	0.375	8.495	-445	\$89.80
TP067	9	8 1/2	3/8	9.000	8.524	0.375	8.995	-446	\$84.75
TP068	9 1/2	9	3/8	9.500	9.024	0.375	9.495	-447	\$91.60
TP069	10	9 1/2	3/8	10.000	9.524	0.375	9.995	-448	\$94.90
TP070	10 1/2	10	3/8	10.500	10.024	0.375	10.495	-449	\$148.47
TP071	11	10 1/2	3/8	11.000	10.524	0.375	10.995	-450	\$124.86
TP073	12	11 1/2	3/8	12.000	11.524	0.375	11.995	-452	\$148.41
TP074	12 1/2	13	3/8	12.500	13.000	0.375	12.500	-453	\$183.12
TP075	13	12 1/2	3/8	13.000	12.524	0.375	12.995	-454	\$535.04

TPS/TPT 3pc. Wide Base T Seals - Inch



ALTERNATIVE SEALS:
PSP-AT, PSP-AT 4300, O-Ring w/BU, Quad w/BU

AN DASH NUMBERING SYSTEM
TPS = O-RING + 1B/U

TPT = O-RING + 2B/U

Wide Base T-seals fit into o-ring grooves designed for 1 or 2 backup rings. TPS prefix indicates 1 backup ring groove. TPT prefix indicates a 2 backup ring groove. No suffix indicates standard industrial groove. -1 suffix indicates Mil-G-5514F groove.

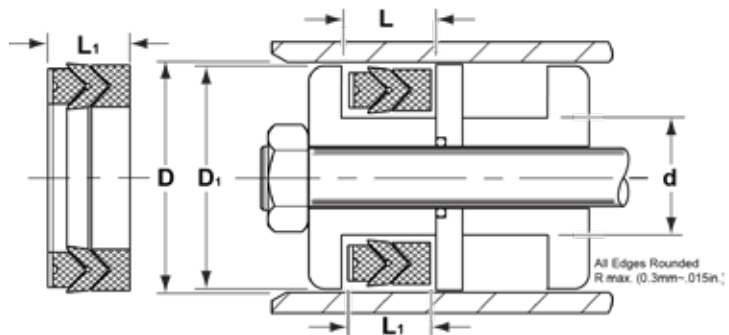
Temperature: -40° to 225°F

Pressure: 0 to 5,000 PSI

Part Number	Bore Dia. +0.004/-0 D	Groove Dia. +0/-0.004 d	Groove Height +0.004/-0 L	Price
TPT028	2.500	2.130	0.410	\$35.60
TPT028-1	2.500	2.128	0.424	\$35.60
TPT031-1	2.875	2.503	0.424	\$29.07
TPT032-1	3.000	2.628	0.424	\$33.88
TPT034-1	3.250	2.875	0.424	\$39.80
TPT035-1	3.500	3.128	0.424	\$37.30
TPT039-1	4.000	3.628	0.424	\$43.75
TPT041-1	4.250	3.878	0.424	\$53.13
TPT043	4.500	4.128	0.410	\$61.92
TPT043-1	4.500	4.128	0.424	\$51.53
TPS047A-1	5.000	4.524	0.475	\$74.67
TPT047	5.000	4.628	0.424	\$74.67
TPT047A-1	5.000	4.524	0.579	\$91.40
TPT049-1	5.250	4.774	0.579	\$108.60
TPS051-1	5.500	5.024	0.475	\$120.22
TPT051-1	5.500	5.024	0.579	\$123.42
TPT055-1	6.000	5.524	0.579	\$94.16

Part Number	Bore Dia. +0.004/-0 D	Groove Dia. +0/-0.004 d	Groove Height +0.004/-0 L	Price
TPT058-1	6.500	6.024	0.579	\$164.40
TPS058-1	6.500	6.024	0.475	\$133.05
TPS060-1	7.000	6.524	0.475	\$126.90
TPT060-1	7.000	6.524	0.579	\$133.35
TPT062-1	7.500	7.024	0.579	\$150.55
TPS063-1	7.750	7.274	0.475	\$140.85
TPT064-1	8.000	7.524	0.579	\$142.70
TPS064-1	8.000	7.524	0.468	\$168.62
TPS065-1	8.250	7.774	0.475	\$159.00
TPT067-1	9.000	8.524	0.579	\$224.80
TPS069-1	10.000	9.524	0.475	\$386.00
TPS071-1	11.000	10.524	0.475	\$306.28
TPT072-1	11.500	11.024	0.579	\$241.90
TPS073-1	12.000	11.524	0.475	\$361.39
TPT073-1	12.000	11.524	0.579	\$362.52
TPS075-1	13.000	12.524	0.475	\$426.36
TPS077-1	14.000	13.524	0.475	\$470.79

M4 3pc. Piston Seals - Metric



ALTERNATIVE SEALS: MA25, MA28, NO

EXAMPLE: M4-35X50X11.5					
Prefix	Groove Diameter		Bore Diameter		Groove Height
M4-	35	x	50	x	11.5
	35mm		50mm		11.5mm

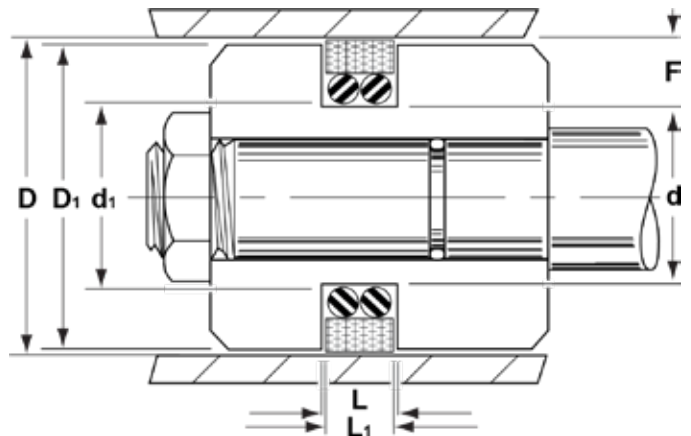
The M4 series piston seal is a 3 piece single-acting sealing set which consists of a rock-hard fabric and rubber female, a fabric-reinforced center ring, and a thermoplastic male adapter. This seal requires a 2 pc. piston for easy installation, and works well with poor surface finishes.

Temperature: -22° to 212°F

Pressure: 0 to 7,200 PSI

Prefix	Part Number			Piston Dia. +0/- .1 D ₁	Price		
	Groove Dia. H 9 d	Bore Dia. f 8 D	Groove Height + .1/- 0 L				
M4-	18	x	28	x	9.3	27.5	\$18.49
M4-	20	x	30	x	9.3	29.5	\$19.00
M4-	20	x	32	x	10.9	31.0	\$19.00
M4-	25	x	40	x	11.5	39.0	\$23.25
M4-	30	x	45	x	11.5	44.0	\$20.60
M4-	35	x	50	x	11.5	49.0	\$17.77
M4-	40	x	55	x	11.5	54.0	\$24.85
M4-	45	x	60	x	11.5	59.0	\$26.85
M4-	48	x	63	x	13.0	62.0	\$21.10
M4-	50	x	70	x	15.2	69.0	\$35.44
M4-	60	x	80	x	15.2	79.0	\$39.44
M4-	70	x	90	x	21.2	89.0	\$39.92
M4-	80	x	100	x	21.2	99.0	\$42.29
M4-	90	x	110	x	21.2	109.0	\$63.28
M4-	95	x	115	x	21.2	114.0	\$66.78
M4-	100	x	125	x	25.8	124.0	\$72.39
M4-	115	x	140	x	25.8	139.0	\$79.26
M4-	120	x	150	x	29.0	148.5	\$103.05
M4-	130	x	160	x	29.0	158.5	\$119.05
M4-	150	x	180	x	31.5	178.5	\$135.23
M4-	165	x	195	x	33.5	193.5	\$228.80
M4-	170	x	200	x	33.5	198.5	\$177.69
M4-	180	x	210	x	33.5	208.5	\$272.82
M4-	190	x	220	x	33.5	218.5	\$321.26
M4-	195	x	225	x	33.5	223.5	\$325.15
M4-	220	x	250	x	33.5	248.5	\$218.33
M4-	245	x	275	x	33.5	273.5	\$316.51
M4-	250	x	280	x	33.5	278.5	\$336.80
M4-	270	x	300	x	33.5	298.5	\$382.43

AS880 3pc. PTFE Piston Seals - Inch



EXAMPLE: AS880E-88	
Prefix	Bore Diameter
AS880E-	88
	5-1/2"

AFTER DASH IN INCREMENTS OF 1/16 (16=1")

AS880 style rectangular piston seal assemblies are basically double wide AS800 seals. They are manufactured from glass filled PTFE and include two 70 durometer nitrile o-ring energizers. They are used in some mobile hydraulic applications including drilling equipment and boom trucks.

Temperature: -40° to 225°F

Pressure: 0 to 3,000 PSI

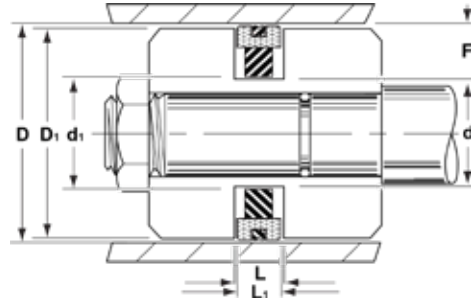
Part Number	Bore Dia. +0.004/-0 D	Piston Dia. +0/-0.004 D ₁	Groove Dia. +0/-0.004 d	Groove Height +0.004/-0 L	Seal Height L ₁	Seal Wall	Expander Cross Section	Price
AS880E-48	3.000	2.996	2.482	0.312	0.295	0.143	0.139	\$27.34
AS880E-64	4.000	3.996	3.482	0.312	0.295	0.143	0.139	\$27.48
AS880E-68	4.250	4.246	3.732	0.312	0.295	0.143	0.139	\$29.73
AS880E-72	4.500	4.496	3.982	0.312	0.295	0.143	0.139	\$35.72
AS880E-80	5.000	4.996	4.482	0.312	0.295	0.143	0.139	\$37.94
AS880E-88	5.500	5.496	4.982	0.312	0.295	0.143	0.139	\$49.59
AS880E-96	6.000	5.996	5.482	0.312	0.295	0.143	0.139	\$53.72
AS880E-104	6.500	6.496	5.982	0.312	0.295	0.143	0.139	\$75.11
AS880E-112	7.000	6.996	6.482	0.312	0.295	0.143	0.139	\$77.48
AS880E-132	8.250	8.246	7.732	0.312	0.295	0.143	0.139	\$83.23
AS880E-160	10.000	9.996	9.482	0.312	0.295	0.143	0.139	\$107.96
AS880E-176	11.000	10.996	10.482	0.312	0.295	0.143	0.139	\$115.02
AS880E-192	12.000	11.996	11.482	0.312	0.295	0.143	0.139	\$127.61
AS880E-208	13.000	12.996	12.482	0.312	0.295	0.143	0.139	\$130.04
AS880E-224	14.000	13.996	13.482	0.312	0.295	0.143	0.139	\$141.15



ASQ 3pc. BTFE Piston Seals - Inch & Metric



ALTERNATIVE SEALS: AS7



This piston seal is a 3 piece assembly consisting of a nitrile energizer, a bronze-filled PTFE grooved cap ring, with a nitrile quad ring inserted in the groove. The ASQ seal combines low friction and positive sealing. They are often found in load holding applications where drift is unacceptable. Other configurations and materials are available.

Temperature: -40° to 225°F Pressure: 0 to 5,000 PSI

Standard

EXAMPLE: ASQE-24B		
Prefix	Bore Dia.	Suffix
ASQE-	24	B
	1-1/2"	BTFE

Metric

EXAMPLE: ASQE-50MMB-6.3			
Prefix	Bore Dia.	Suffix	Ht.
ASQE-	50MM	-	6.3
	50mm	BTFE	6.3mm

AFTER DASH IN
INCREMENTS OF 1/16 (16=1")

Inch Sizes

Part Number	Bore Dia. H 9 +.004/-0 D	Groove Dia. f 8 +0/-0.004 d	Groove Height +.004/-0 L	Price
ASQE-24B	1.500	0.884	.288	\$37.10
ASQE-28B	1.750	1.134	.288	\$48.58
ASQE-32B	2.000	1.384	.288	\$50.45
ASQE-36B	2.250	1.634	.288	\$52.06
ASQE-40B	2.500	1.884	.288	\$55.85
ASQE-44B	2.750	2.134	.288	\$57.59
ASQE-48B	3.000	2.384	.288	\$62.27
ASQE-52B	3.250	2.634	.288	\$65.59
ASQE-56B	3.500	2.884	.288	\$67.56
ASQE-60B	3.750	3.134	.288	\$70.73
ASQE-64B	4.000	3.384	.288	\$69.09
ASQE-68B	4.250	3.634	.288	\$73.21
ASQE-72B	4.500	3.884	.288	\$78.37
ASQE-76B	4.750	4.134	.288	\$92.35
ASQE-80B	5.000	4.384	.288	\$83.51
ASQE-80B-1	5.000	4.240	.375	\$88.38
ASQE-80HB	5.000	4.160	.375	\$100.42
ASQE-84B	5.250	4.634	.288	\$98.34
ASQE-88B	5.500	4.660	.375	\$101.80
ASQE-92B	5.750	4.910	.375	\$130.86
ASQE-96B	6.000	5.160	.375	\$110.76
ASQE-100B	6.250	5.410	.375	\$163.82
ASQE-104B	6.500	5.660	.375	\$131.64
ASQE-108B	6.750	5.910	.375	\$177.18
ASQE-112B	7.000	6.160	.375	\$118.36
ASQE-120B	7.500	6.660	.375	\$161.33
ASQE-128B	8.000	7.170	.375	\$131.16
ASQE-136B	8.500	7.670	.375	\$137.38
ASQE-144B	9.000	8.170	.375	\$143.57
ASQE-160B	10.000	9.165	.375	\$210.66
ASQE-176B	11.000	10.165	.375	\$257.65
ASQE-192B	12.000	11.165	.375	\$316.19
ASQE-224B-1	14.000	13.170	.318	\$422.59
ASQE-320HB	20.000	18.622	.453	\$720.00

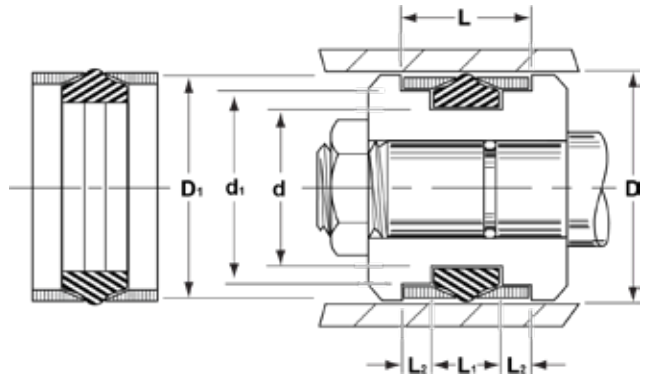
Metric Sizes

Part Number	Bore Dia. H 9 +.1/-0 D	Groove Dia. f 8 +0/-0.1 d	Groove Height +.1/-0 L	Price
ASQE-50MMB-6.3	50.0	34.5	6.3	\$28.72
ASQE-60MMB-6.3	60.0	44.5	6.3	\$46.48
ASQE-63MMB-6.3	63.0	47.5	6.3	\$32.53
ASQE-65MMB-6.3	65.0	49.5	6.3	\$41.67
ASQE-70MMB-4.2	70.0	58.0	4.2	\$34.44
ASQE-70MMB-6.3	70.0	54.5	6.3	\$47.08
ASQE-75MMB-6.3	75.0	59.5	6.3	\$89.65
ASQE-80MMB-6.3	80.0	64.5	6.3	\$50.32
ASQE-90MMB-6.3	90.0	74.5	6.3	\$61.10
ASQE-100MMB-6.3	100.0	84.5	6.3	\$70.72
ASQE-105MMB-6.3	105.0	89.5	6.3	\$73.02
ASQE-110MMB-6.3	110.0	94.5	6.3	\$81.85
ASQE-120MMB-6.3	120.0	104.5	6.3	\$86.92
ASQE-130MMB-6.3	130.0	114.5	6.3	\$90.96
ASQE-140MMB-8.1	140.0	119.0	8.1	\$110.29
ASQE-140MMHB-8.1	140.0	115.5	8.1	\$111.44
ASQE-150MMB-8.1	150.0	129.0	8.1	\$112.26
ASQE-150MMHB-8.1	150.0	125.5	8.1	\$116.92
ASQE-160MMB-8.1	160.0	139.0	8.1	\$124.82
ASQE-160MMHB-8.1	160.0	135.5	8.1	\$127.90
ASQE-170MMB-8.1	170.0	149.0	8.1	\$143.40
ASQE-180MMB-8.1	180.0	159.0	8.1	\$157.62
ASQE-180MMHB-8.1	180.0	155.5	8.1	\$163.38
ASQE-180MMB-10.5B	180.0	151.25	10.5	\$257.88
ASQE-180MMB-10.5B-H	180.0	151.25	10.5	\$319.38
ASQE-200MMB-8.1	200.0	179.0	8.1	\$193.38
ASQE-200MMHB-8.1	200.0	175.5	8.1	\$198.15
ASQE-220MMB-8.1	220.0	199.0	8.1	\$217.61
ASQE-220MMHB-8.1	220.0	195.5	8.1	\$223.71
ASQE-250MMB-8.1	250.0	229.0	8.1	\$251.23
ASQE-250MMHB-8.1	250.0	225.5	8.1	\$257.68

DS 3pc. Delta Seals - Inch & Metric



ALTERNATIVE SEALS:
MDL



Standard

EXAMPLE: DS150112		
Prefix	Bore Diameter	Groove Diameter
DS	150	112
	1-1/2"	1-1/8"

Metric

EXAMPLE: DSM040030		
Prefix	Bore Diameter	Groove Diameter
DSM	040	030
	40mm	30mm

The DS seal is a 3 piece double acting piston seal made of an elastomeric nitrile rubber sealing element with 2 special profile thermoplastic guide rings. It offers an economical solution and simple installation in small cross sections and one piece pistons.

Temperature: *Min Oils* -20°F to 220°F *HFA/HBF* -40°F to 140°F *HFC* -20°F to 140°F
 Pressure: 2,100 PSI

Part No.	Bore Dia. +.004/-0 D	Groove Dia. +0/-0.004 d	Piston Dia. +0/-0.004 D ₁	Groove Dia. d ₁	Groove Ht. L ₁	Bearing Groove Ht. L ₂	Overall Ht. +.004/-0 L	Price
Inch								
DS150112	1.500	1.125	1.437	1.325	0.437	0.150	0.737	\$9.79
DS175137	1.750	1.375	1.687	1.575	0.437	0.150	0.737	\$15.72
DS200162	2.000	1.625	1.937	1.825	0.437	0.150	0.737	\$17.56
DS225187	2.250	1.875	2.187	2.075	0.437	0.150	0.737	\$17.73
DS250212	2.500	2.125	2.437	2.325	0.437	0.150	0.737	\$21.44
DS275237	2.750	2.375	2.687	2.575	0.437	0.150	0.737	\$24.22
DS300262	3.000	2.625	2.937	2.825	0.437	0.150	0.737	\$27.65
DS325287	3.250	2.875	3.187	3.075	0.437	0.150	0.737	\$29.68
DS350300	3.500	3.000	3.437	3.270	0.562	0.210	0.982	\$33.87
DS400350	4.000	3.500	3.937	3.770	0.562	0.210	0.982	\$37.03
DS425375	4.250	3.750	4.187	4.020	0.562	0.210	0.982	\$74.14
DS450400	4.500	4.000	4.437	4.270	0.562	0.210	0.982	\$51.88
DS500437	5.000	4.375	4.937	4.689	0.687	0.344	1.375	\$56.71
DS600525	6.000	5.250	5.937	5.712	1.000	0.500	2.000	\$99.69
DS800725	8.000	7.250	7.937	7.712	1.000	0.500	2.000	\$141.80
DS900825	9.000	8.250	8.937	8.712	1.000	0.500	2.000	\$192.92

Part No.	Bore Dia. +.1/-0 D	Groove Dia. +0/-0.1 d	Piston Dia. +0/-0.1 D ₁	Groove Dia. d ₁	Groove Ht. L ₁	Bearing Groove Ht. L ₂	Overall Ht. +.1/-0 L	Price
Metric								
DSM040030	40	30	39.0	35.5	11.2	3.9	19	\$11.08
DSM050040	50	40	49.0	45.5	11.2	3.9	19	\$11.55
DSM063053	63	53	61.5	58.5	11.2	3.9	19	\$15.30
DSM070060-1	70	60	68.5	65.5	11.2	5	21.2	\$36.96
DSM080070	80	70	78.5	75.5	11.2	3.9	19	\$21.19
DSM100087	100	87	98.5	93.8	14.2	5.9	26	\$30.08
DSM125112	125	112	123.5	118.8	14.2	5.9	26	\$34.00
DSM140124	140	124	138.5	132.0	17.7	8.7	35.1	\$37.37
DSM160140	160	140	158.5	151.4	25.2	12.4	50	\$50.06
DSM180160	180	160	178.5	171.4	25.2	12.4	50	\$57.19
DSM200180	200	180	198.5	191.4	25.2	12.4	50	\$71.46

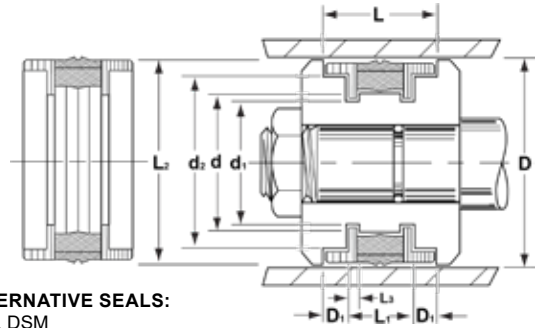
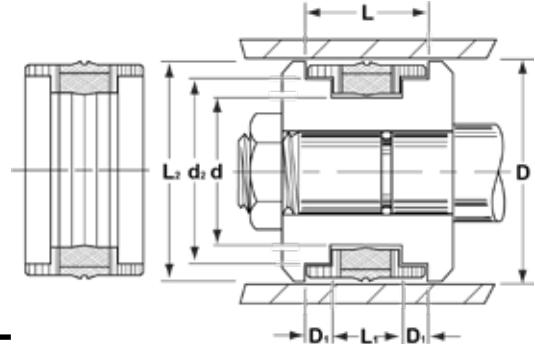
MDL 3pc. Piston Seals - Metric



Bore Sizes
50mm and Over



Bore Sizes
Under 50mm



ALTERNATIVE SEALS:
DAS, DSM

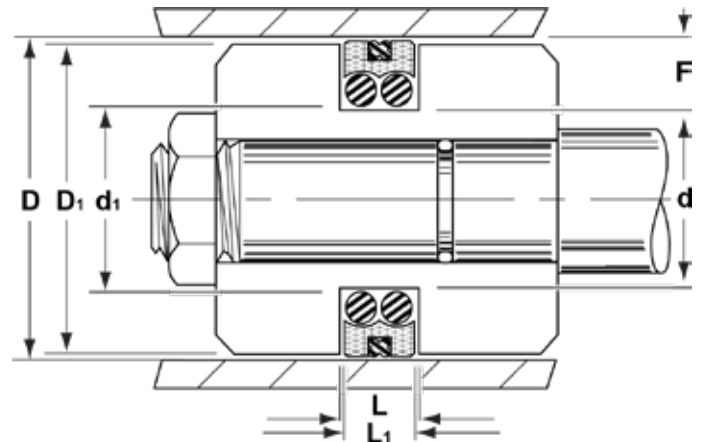
Series MDL is a 3 pc. double-acting compact piston seal consisting of one fabric-reinforced elastomeric sealing element and two thermoplastic guide/backup rings. Product advantages are low friction, improved abrasion resistance, good dynamic and static sealing, and long service life.

EXAMPLE: MDL-25X17X13.5-PLW				
Prefix	Bore Diameter	Groove Diameter	Groove Height	Suffix
MDL-	25	x 17	x 13.5	-PLW
	25mm	17mm	13.5mm	

	<i>Min Oils</i>	<i>HFA/HFA</i>	<i>HFC</i>
Temperature:	-20°F to 220°F	-40°F to 140°F	-20°F to 140°F
Pressure:	5,800 PSI		

Part Number	Bore Dia. H11 D	Groove Dia. h11 d	Groove Height +0.1 / -0 L ₁	Groove Dia. d ₁	Bearing Dia. h8 d ₂	Piston Dia. D ₁	Bearing Groove Height L ₂	Overall Groove Height L	Bearing Groove Height L ₃	Price
MDL-25X17X13.5-PLW	25	17	13.5	14	21	24.4	3.2	19.9	2.1	\$20.33
MDL-30X22X13.5-PLW	30	22	13.5	19	26	29.4	3.2	19.9	2.1	\$20.33
MDL-32X24X15.5-PLW	32	24	15.5	21	28	31.4	3.2	21.9	3.1	\$20.42
MDL-35X27X15.5-PLW	35	27	15.5	24	31	34.4	3.2	21.9	3.1	\$22.06
MDL-40X32X15.5-PLW	40	32	15.5	29	36	39.4	3.2	21.9	3.1	\$23.03
MDL-45X37X15.5-PLW	45	37	15.5	34	41	44.4	3.2	21.9	3.1	\$23.67
MDL-50X38X20.5-PLW	50	38	20.5		46	49.4	4.2	28.9		\$23.76
MDL-60X48X20.5-PLW	60	48	20.5		56	59.4	4.2	28.9		\$28.29
MDL-63X51X20.5-PLW	63	51	20.5		59	62.4	4.2	28.9		\$29.05
MDL-65X53X20.5-PLW	65	53	20.5		61	64.4	4.2	28.9		\$29.49
MDL-70X58X20.5-PLW	70	58	20.5		66	69.4	4.2	28.9		\$27.85
MDL-80X66X22.5-PLW	80	66	22.5		76	79.4	5.2	32.9		\$33.53
MDL-90X76X22.5-PLW	90	76	22.5		86	89.4	5.2	32.9		\$33.54
MDL-100X86X22.5-PLW	100	86	22.5		96	99.4	5.2	32.9		\$39.07
MDL-110X96X22.5-PLW	110	96	22.5		106	109.4	5.2	32.9		\$41.49
MDL-120X106X22.5-PLW	120	106	22.5		116	119.4	5.2	32.9		\$44.43
MDL-125X103X26.5-PLW	125	103	26.5		121	124.4	5.2	36.9		\$47.27
MDL-140X123X26.5-PLW	140	123	26.5		136	139.4	7.2	40.9		\$58.71
MDL-160X143X26.5-PLW	160	143	26.5		156	159.4	7.2	40.9		\$85.82
MDL-180X163X26.5-PLW	180	163	26.5		176	179.4	7.2	40.9		\$106.08
MDL-200X180X31.5-PLW	200	180	31.5		196	199.4	9.2	49.9		\$111.96
MDL-220X200X31.5-PLW	220	200	31.5		216	219.4	9.2	49.9		\$131.77
MDL-250X225X31.5-PLW	250	225	31.5		246	249.4	6.6	44.7		\$143.44
MDL-250X230X31.5-PLW	250	230	31.5		246	249.4	9.2	49.9		\$142.78

ASQ5 4pc. BTFE Piston Seals - Inch & Metric



Standard

EXAMPLE: ASQ5E-80B		
Prefix	Bore Diameter	Suffix
ASQ5E-	80	B
	5"	BTFE

AFTER DASH IN INCREMENTS OF 1/16 (16=")

This piston seal is a 4 piece assembly consisting of 2 nitrile o-rings, a bronze-filled PTFE grooved cap ring, and a nitrile energizer inserted in the groove. The ASQ5 seal combines low friction and positive sealing. They are often found in load holding applications where drift is unacceptable. Other configurations and materials are available.

Metric

EXAMPLE: ASQ5E-40MMB		
Prefix	Bore Diameter	Suffix
ASQ5E-	40MM	B
	40mm	BTFE

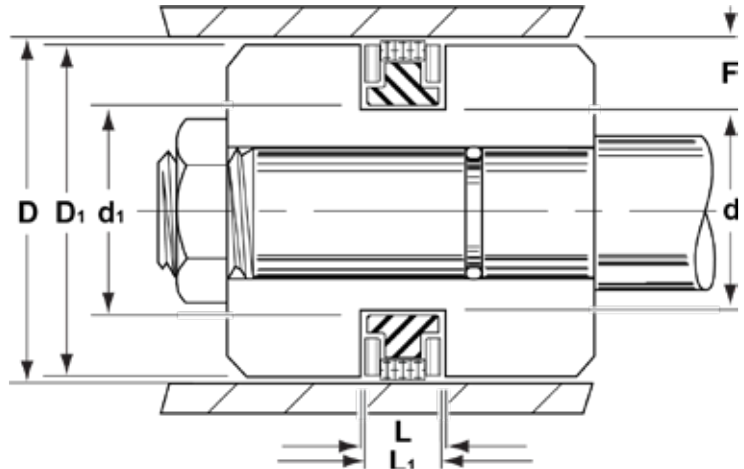
Temperature: -40° to 225°F

Pressure: 0 to 5,000 PSI

Inch				
Part Number	Bore Diameter H9 D	Groove Diameter h9 d	Groove Height +.004 / -0 L	Price
ASQ5E-80B	5.000	4.291	0.484	\$108.31

Metric				
Part Number	Bore Diameter H9 D	Groove Diameter h9 d	Groove Height +.1 / -0 L	Price
ASQ5E-40MMB	40	30	6.3	\$27.24
ASQ5E-63MMB	63	53	6.3	\$27.24
ASQ5E-80MMB	80	67	8.3	\$50.95
ASQ5E-100MMB	100	87	8.3	\$58.52
ASQ5E-110MMB	110	97	8.3	\$64.72
ASQ5E-125MMB	125	112	8.3	\$73.61
ASQ5E-130MMB	130	117	8.3	\$88.94
ASQ5E-140MMB	140	122	12.3	\$104.96
ASQ5E-150MMB	150	132	12.3	\$132.51
ASQ5E-170MMB	170	152	12.3	\$141.73
ASQ5E-190MMB	190	172	12.3	\$160.86

4PT 4pc. CAT®-Type PTFE Piston Seals - Inch



These “heavy-duty” seals are designed to withstand higher pressures and shock loads with less damage to the seal. T-seal principles are utilized with back-ups being used to protect the seal from contaminants. The compact design allows use of shorter pistons and larger bearing surfaces. They are commonly found in Caterpillar® cylinders.

Temperature: -40° to 225°F

Pressure: 0 to 6,000 PSI

ALTERNATIVE SEALS: AS980

EXAMPLE: 4PT4500-500			
Prefix	Bore Diameter		Groove Height
4PT	4500	-	500
	4-1/2"		1/2"

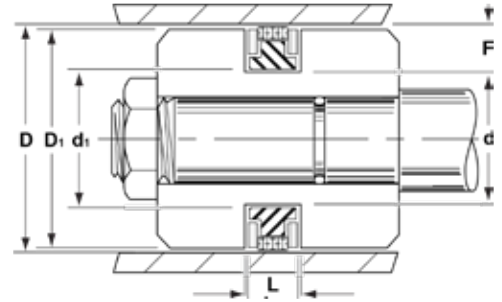
Part No.	OEM No.	Bore Dia. +.004/ -0 D	Piston Dia. +0/ -.004 D ₁	Groove Dia. +0/ -.004 d	Groove Height +.004/ -0 L	Price
4PT4500-500	8J3747	4.500	4.480	3.909	0.497	\$89.29
4PT5000-625	9J7868	5.000	4.980	4.230	0.635	\$115.38
4PT5500-625	8J8767	5.500	5.480	4.730	0.635	\$120.47
4PT6000-625	9J1242	6.000	5.980	5.094	0.635	\$133.73
4PT6250-625	9J5558	6.250	6.230	5.344	0.635	\$160.44
4PT6500-625	8J8703	6.500	6.480	5.594	0.635	\$161.22
4PT7000-625	8J3749	7.000	6.980	6.094	0.635	\$163.01
4PT7250-625	8J4510	7.250	7.230	6.344	0.635	\$169.34
4PT7500-625	9J5567	7.500	7.480	6.594	0.635	\$177.10
4PT7750-625	8J5644	7.750	7.730	6.844	0.635	\$185.68
4PT8250-625	8J4390	8.250	8.230	7.344	0.635	\$212.03
4PT8500-625	3G4762	8.500	8.480	7.505	0.635	\$221.41
4PT10000-687	9J3406	10.000	9.980	8.898	0.693	\$264.96
4PT10500-687	3G4765	10.500	10.480	9.398	0.693	\$282.79
4PT11500-687	9J2987	11.500	11.480	10.398	0.693	\$322.67

*We do not imply that these seals are a product of Cat®.
Part numbers are used for reference purposes only.*

4PE / 4PV 4pc. PTFE Piston Seals - Inch



Standard material is Moly/Glass-Filled PTFE. The B-suffix denotes Bronze-Filled PTFE.

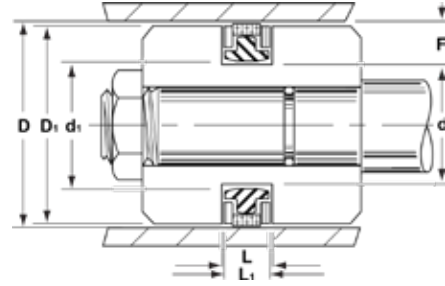


Part No.	Bore Dia. +.004/ -0 D	Piston Dia. +0/ -.004 D ₁	Groove Dia. +0/ -.004 d	Groove Height +.004/ -0 L	Price
4PC1750-295	1.750	1.743	1.254	0.295	\$62.42
4PE1750-424	1.750	1.743	1.375	0.424	\$63.19
4PE1750-424B	1.750	1.743	1.375	0.424	\$64.68
4PE2000-424	2.000	1.993	1.625	0.424	\$67.60
4PE2000-424B	2.000	1.993	1.625	0.424	\$71.68
4PV2000-295	2.000	1.993	1.442	0.295	\$55.03
4PE2250-424	2.250	2.243	1.875	0.424	\$69.21
4PE2250-424B	2.250	2.243	1.875	0.424	\$73.73
4PE2500-424	2.500	2.493	2.125	0.424	\$70.15
4PE2500-424B	2.500	2.493	2.125	0.424	\$73.84
4PV2500-295	2.500	2.493	1.942	0.295	\$53.38
4PE2750-424	2.750	2.743	2.375	0.424	\$78.29
4PE2750-424B	2.750	2.743	2.375	0.424	\$85.18
4PV2750-295	2.750	2.743	2.192	0.295	\$66.16
4PE3000-562	3.000	2.993	2.522	0.579	\$77.76
4PE3000-562B	3.000	2.993	2.522	0.579	\$83.12
4PV3000-420	3.000	2.993	2.442	0.420	\$43.38
4PE3250-562B	3.250	3.243	2.772	0.579	\$95.84
4PV3250-420	3.250	3.243	2.692	0.420	\$56.91
4PE3500-562	3.500	3.495	3.022	0.579	\$92.14
4PE3500-562B	3.500	3.495	3.022	0.579	\$94.46
4PV3500-420	3.500	3.495	2.942	0.420	\$62.45
4PE3750-562	3.750	3.743	3.272	0.579	\$89.69
4PE3750-562B	3.750	3.743	3.272	0.579	\$107.90
4PV3750-420	3.750	3.743	3.192	0.420	\$65.88
4PE4000-562	4.000	3.995	3.522	0.579	\$90.45
4PE4000-562B	4.000	3.995	3.522	0.579	\$97.40
4PV4000-420	4.000	3.995	3.442	0.420	\$68.79
4PE4250-562B	4.250	4.243	3.772	0.579	\$106.87
4PV4250-420	4.250	4.243	3.692	0.420	\$71.72
4PE4500-562B	4.500	4.495	4.022	0.579	\$105.52
4PV4500-420	4.500	4.495	3.942	0.420	\$76.77
4PE4750-562	4.750	4.743	4.270	0.579	\$109.09
4PE4750-562B	4.750	4.743	4.270	0.579	\$122.62
4PV4750-420	4.750	4.743	4.192	0.420	\$93.09
4PV5000-295	5.000	4.993	4.442	0.295	\$88.76
4PE5000-562B	5.000	4.993	4.520	0.579	\$174.88
4PE5000-750	5.000	4.993	4.274	0.750	\$123.94
4PE5000-750B	5.000	4.993	4.274	0.750	\$126.84
4PV5000-420	5.000	4.993	4.442	0.420	\$129.38
4PE5250-750	5.250	5.243	4.524	0.750	\$137.97
4PE5250-750B	5.250	5.243	4.524	0.750	\$141.10
4PV5500-420	5.500	5.4993	4.942	0.420	\$149.72

EXAMPLE: 4PE4500-562B			
Prefix	Outside Diameter	Groove Height	Suffix
4PE	4500	.579"	B
	4-1/2"	9/16"	BTFE

Part No.	Bore Dia. +.004/ -0 D	Piston Dia. +0/ -.004 D ₁	Groove Dia. +0/ -.004 d	Groove Height +.004/ -0 L	Price
4PE5500-562B	5.500	5.493	5.020	0.579	\$130.79
4PE5500-750	5.500	5.493	4.774	0.750	\$135.15
4PE5500-750B	5.500	5.493	4.774	0.750	\$138.62
4PE5750-750B	5.750	5.743	5.021	0.750	\$172.07
4PE6000-562B	6.000	5.993	5.520	0.579	\$140.16
4PE6000-750B	6.000	5.993	5.274	0.750	\$151.35
4PE6250-750	6.250	6.243	5.524	0.750	\$146.54
4PE6250-750B	6.250	6.243	5.524	0.750	\$158.29
4PE6500-562	6.500	6.243	6.022	0.579	\$159.94
4PE6500-562B	6.500	6.243	6.022	0.579	\$165.07
4PE6500-750	6.500	6.493	5.774	0.750	\$153.84
4PE6500-750B	6.500	6.493	5.774	0.750	\$182.04
4PE6750-750B	6.750	6.743	6.021	0.750	\$195.66
4PE7000-750B	7.000	6.993	6.274	0.750	\$195.35
4PE7250-750B	7.250	7.243	6.521	0.750	\$202.88
4PE7500-750	7.500	7.493	6.774	0.750	\$177.65
4PE7500-750B	7.500	7.493	6.774	0.750	\$232.05
4PE7750-750B	7.750	7.743	7.021	0.750	\$243.69
4PE8000-750B	8.000	7.993	7.274	0.750	\$231.34
4PE8250-750B	8.250	8.243	7.521	0.750	\$246.16
4PE8500-750	8.500	8.493	7.774	0.750	\$230.87
4PE8500-750B	8.500	8.493	7.774	0.750	\$232.92
4PE8750-750B	8.750	8.743	8.021	0.750	\$261.57
4PE9000-750B	9.000	8.993	8.274	0.750	\$288.40
4PE9500-750B	9.500	9.493	8.771	0.750	\$292.06
4PE10000-750	10.000	9.993	9.275	0.750	\$261.29
4PE10000-750B	10.000	9.993	9.275	0.750	\$284.61
4PE11000-750	11.000	10.993	10.275	0.750	\$292.88
4PE11000-750B	11.000	10.993	10.275	0.750	\$301.09
4PE12000-750	12.000	11.993	11.275	0.750	\$317.22
4PE12000-750B	12.000	11.993	11.275	0.750	\$322.74
4PE12028-750-1	12.028	12.021	11.305	0.750	\$443.81
4PE12500-750B	12.500	12.493	11.771	0.750	\$463.58
4PE13000-750B	13.000	12.993	12.275	0.750	\$380.99
4PE14000-750B	14.000	13.993	13.275	0.750	\$404.17
4PE15000-750B	15.000	14.993	14.275	0.750	\$456.05
4PE16000-750B	16.000	15.993	15.275	0.750	\$497.12

4PMM 4pc. PTFE Piston Seals - Metric



These "heavy-duty" seals are designed to withstand higher pressures and shock loads with less damage to the seal. T-seal principles are utilized with back-ups being used to protect the seal from contaminants. The compact design allows use of shorter pistons and larger bearing surfaces. 4 pc. piston seals come in many sizes to fit different types of equipment. 4PMMH Parts use a Hytrel® Piston Seal. 4PMMU Parts use a Urethane Piston Seal.

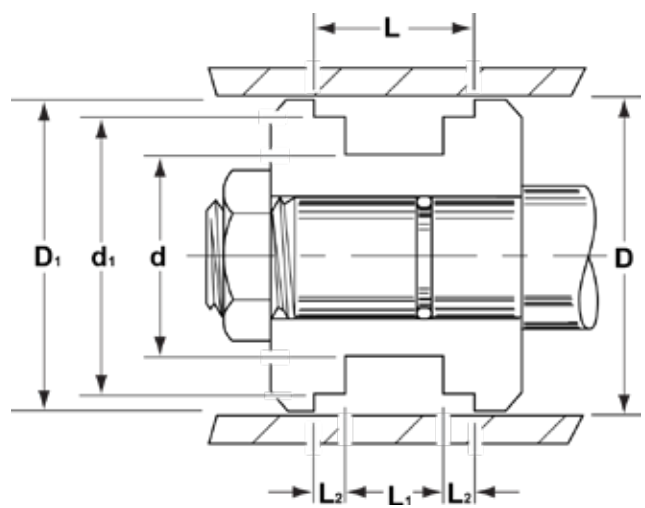
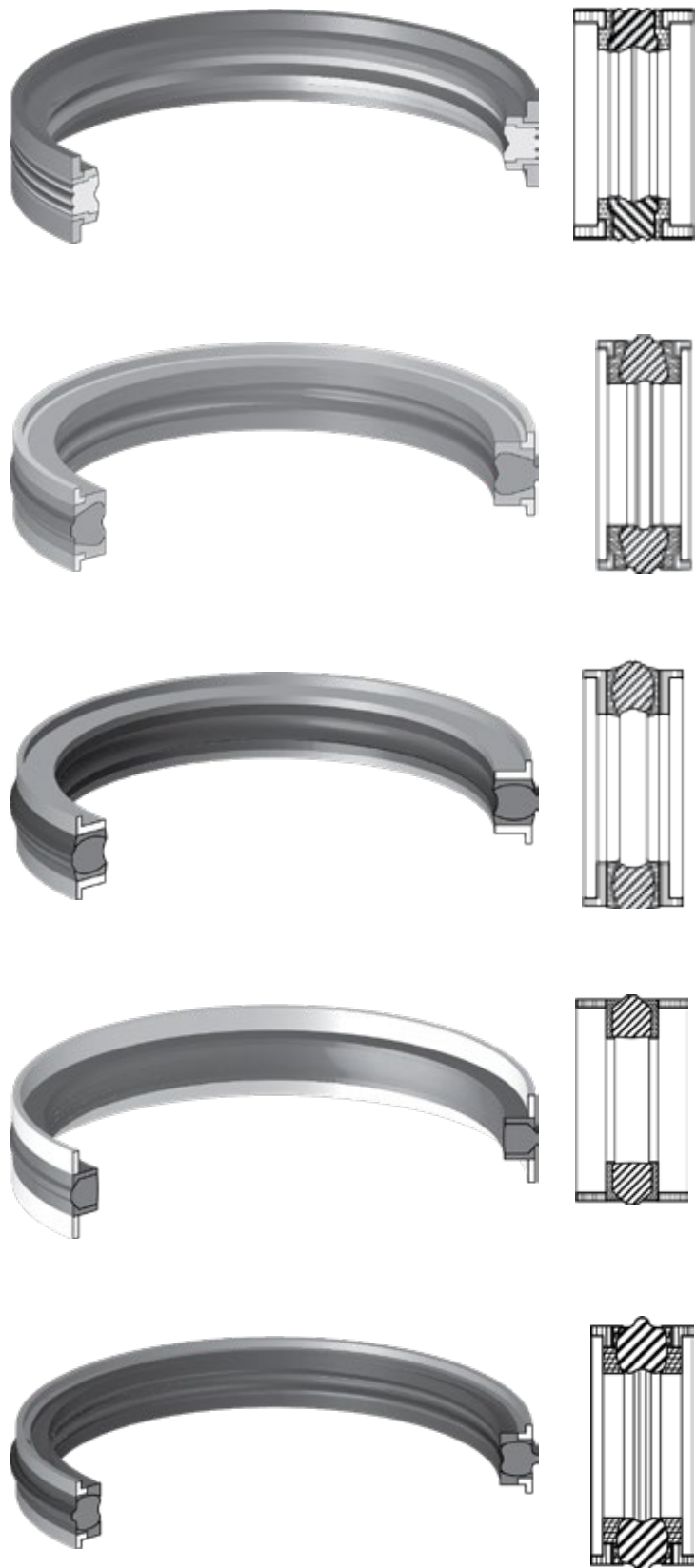
Temperature: -40° to 225°F Pressure: 0 to 6,000 PSI
Standard Material: 40% Bronze-filled PTFE/nitrile/nylon

EXAMPLE: 4PMM-50X40X7.5				
Prefix	Bore Diameter		Groove Diameter	Seal Height
4PMM-	50	x	40	x 7.5
	50mm		40mm	7.5mm

Prefix	Part Number			Piston Dia. D ₁	Groove Height +0.1/-0 L	Price
	Bore Dia. +.1/-0 D	Groove Dia. +0/-0.1 d	Seal Height L ₁			
4PMM -	50	x 40	x 7.5	49.5	8	\$45.38
4PMM -	50	x 36	x 8.5	49.5	9	\$45.39
4PMM -	55	x 41	x 8.5	55.5	9	\$46.83
4PMM -	60	x 50	x 7.5	59.5	8	\$55.94
4PMM -	60	x 46	x 8.5	59.5	9	\$50.72
4PMM -	63	x 53	x 7.5	62.5	8	\$61.00
4PMM -	63	x 48	x 10.5	62.5	11	\$35.42
4PMM -	65	x 51	x 8.5	64.5	9	\$79.60
4PMM -	65	x 50	x 10.5	64.5	11	\$31.04
4PMM -	70	x 60	x 7.5	69.5	8	\$50.65
4PMM -	70	x 55	x 10.5	69.5	11	\$50.67
4PMM -	75	x 60	x 10.5	74.5	11	\$50.89
4PMM -	80	x 65	x 10.5	79.5	11	\$54.03
4PMM -	80	x 65	x 12	79.5	12.5	\$55.17
4PMM -	85	x 70	x 10.5	84.5	11	\$60.65
4PMM -	85	x 68	x 13.2	84.5	14	\$105.14
4PMM -	90	x 75	x 10.5	89.5	11	\$61.60
4PMM -	90	x 75	x 12	89.5	12.5	\$62.32
4PMM -	95	x 80	x 10.5	94.5	11	\$64.95
4PMM -	100	x 85	x 12	99.5	12.5	\$67.02
4PMM -	105	x 90	x 12	104.5	12.5	\$70.24
4PMM -	110	x 95	x 12	109.5	12.5	\$72.68
4PMM -	115	x 100	x 12	114.5	12.5	\$77.26
4PMM -	120	x 100	x 15.5	119.5	16	\$78.24
4PMM -	120	x 105	x 12	119.5	12.5	\$75.96
4PMM -	125	x 102	x 15.5	124.5	16	\$82.87
4PMM -	125	x 105	x 15.5	124.5	16	\$103.12
4PMM -	125	x 110	x 12	124.5	12.5	\$78.11
4PMMH -	125	x 110	x 15.3	124.5	15.8	\$101.46
4PMM -	130	x 115	x 12	129.5	12.5	\$80.62
4PMM -	130	x 110	x 15.5	129.5	16	\$97.30
4PMM -	130	x 107	x 15.5	129.5	16	\$92.21
4PMMH -	135	x 118	x 20.5	134.5	21	\$131.94
4PMM -	135	x 112	x 15.5	134.5	16	\$97.38
4PMM -	140	x 125	x 16	139.5	16.5	\$146.69
4PMM -	140	x 120	x 15.5	139.5	16	\$124.69
4PMM -	140	x 117	x 15.5	139.5	16	\$104.30
4PMM -	145	x 122	x 15.5	144.5	16	\$104.66
4PMM -	150	x 135	x 12	149.5	12.5	\$118.46
4PMMH -	150	x 133	x 20	149.5	20.5	\$121.21

Prefix	Part Number			Piston Dia. D ₁	Groove Height +0.1/-0 L	Price
	Bore Dia. +.1/-0 D	Groove Dia. +0/-0.1 d	Seal Height L ₁			
4PMMH -	150	x 130	x 16	149.5	16.5	\$128.81
4PMM -	150	x 127	x 15.5	149.5	16	\$111.52
4PMM -	150	x 130	x 16.8	149.5	18	\$171.06
4PMM -	160	x 145	x 12	159.5	12.5	\$148.66
4PMM -	160	x 137	x 15.5	159.5	16	\$127.86
4PMM -	160	x 140	x 15.5	159.5	16	\$117.03
4PMM -	165	x 142	x 15.5	164.5	16	\$140.89
4PMM -	165	x 145	x 17	164.5	17.5	\$201.43
4PMMH -	165	x 145	x 20	164.5	20.5	\$208.09
4PMMU -	165	x 145	x 24	164.5	24.5	\$229.93
4PMM -	170	x 147	x 15.5	169.5	16	\$143.76
4PMMU -	170	x 150	x 20	169.5	20.5	\$224.74
4PMM -	180	x 165	x 12	179.5	12.5	\$174.43
4PMM -	180	x 157	x 15.5	179.5	16	\$133.42
4PMM -	180	x 155	x 26	179.5	26.5	\$228.52
4PMM -	180	x 160	x 15.5	179.5	16	\$130.84
4PMM -	180	x 160	x 17.5	179.5	18	\$235.35
4PMM -	185	x 162	x 15.5	184.5	16	\$138.67
4PMM -	190	x 167	x 15.5	189.5	16	\$166.18
4PMM -	200	x 177	x 15.5	199.5	16	\$159.22
4PMM -	210	x 187	x 15.5	209.5	16	\$143.12
4PMMH -	220	x 200	x 20.5	219.5	21	\$243.69
4PMM -	220	x 197	x 15.5	219.5	16	\$151.37
4PMMH -	224	x 204	x 20.5	223.5	21	\$278.09
4PMM -	225	x 202	x 15.5	224.5	16	\$200.37
4PMM -	230	x 207	x 15.5	229.5	16	\$162.82
4PMM -	240	x 217	x 15.5	239.5	16	\$163.64
4PMMH -	250	x 225	x 25	249.5	25.5	\$213.95
4PMM -	250	x 222	x 17	249.5	17.5	\$215.58
4PMM -	260	x 232	x 17	259.5	17.5	\$216.33
4PMMH -	260	x 235	x 25	259.5	25.5	\$380.10
4PMMH -	270	x 245	x 24	269.5	24.5	\$401.71
4PMM -	280	x 252	x 17	279.5	17.5	\$241.09
4PMM -	280	x 255	x 25	279.5	25.5	\$310.07
4PMM -	290	x 270	x 16	289.5	16.5	\$494.07
4PMM -	300	x 272	x 17	299.5	17.5	\$322.33
4PMM -	300	x 275	x 25	299.5	25.5	\$325.85
4PMM -	320	x 290	x 30	319.5	32	\$336.12
4PMM -	345	x 315	x 30	344.5	30.5	\$493.78
4PMM -	380	x 350	x 32	379.5	32.5	\$556.33

DAS 5pc. Piston Seals - Inch and Metric



Compact seal design allows for the bearings to be as close as possible to the seal for excellent protection against contaminants and assures concentricity between piston and bore. Piston seals in this section may be any one of these 5 designs pictured.

Temperature: -22° to 212°F Pressure: 0 to 5,800 PSI

STANDARD

ALTERNATIVE SEALS: DS

EXAMPLE: DAS15001000		
Prefix	Bore Diameter	Groove Diameter
DAS	1500	1000
	1-1/2"	1"

METRIC

ALTERNATIVE SEALS: DSM, MDL

EXAMPLE: DAS2011		
Prefix	Bore Diameter	Groove Diameter
DAS	20	11
	20mm	11mm



DAS 5pc. Piston Seals - Inch

Part Number	Bore Dia. H11 D	Groove					Piston Dia. h11 D ₁	Price
		Groove Dia. h10 d	Seal B/U Groove Ht +.005/+ .016 L ₁	Bearing Height +.004/- .000 L ₂	Overall Groove Ht L	Bearing Groove Dia. d ₁		
DAS15001000	1.500	1.000	0.625	0.250	1.125	1.360	1.460	\$14.83
DAS15001125	1.500	1.125	0.437	0.156	0.750	1.320	1.440	\$25.76
DAS17501125	1.750	1.125	0.750	0.250	1.250	1.570	1.700	\$10.99
DAS17501375/1	1.750	1.375	0.500	0.250	1.000	1.640	1.710	\$38.15
DAS20001375	2.000	1.375	0.750	0.250	1.250	1.820	1.948	\$19.01
DAS20001625	2.000	1.625	0.437	0.156	0.750	1.822	1.937	\$19.15
DAS20001625/1	2.000	1.625	0.500	0.250	1.000	1.890	1.960	\$28.21
DAS21251500	2.125	1.500	0.750	0.250	1.250	1.946	2.121	\$14.64
DAS22501625	2.250	1.625	0.750	0.250	1.250	2.071	2.200	\$22.01
DAS23751750	2.375	1.750	0.750	0.250	1.250	2.194	2.325	\$14.54
DAS23752000	2.375	2.000	0.437	0.156	0.750	2.190	2.310	\$39.83
DAS25001875	2.500	1.875	0.750	0.250	1.250	2.321	2.446	\$16.05
DAS25002000	2.500	2.000	0.625	0.250	1.125	2.320	2.460	\$48.12
DAS25002125	2.500	2.125	0.437	0.228	0.893	2.323	2.446	\$26.23
DAS26252000	2.625	2.000	0.750	0.250	1.250	2.445	2.570	\$41.75
DAS27502000	2.750	2.000	0.937	0.250	1.437	2.524	2.690	\$25.91
DAS27502250	2.750	2.250	0.650	0.250	1.150	2.570	2.710	\$54.29
DAS27502375	2.750	2.375	0.437	0.156	0.750	2.570	2.690	\$41.59
DAS30002250	3.000	2.250	0.937	0.250	1.437	2.774	2.940	\$17.65
DAS30002375	3.000	2.375	0.750	0.250	1.250	2.770	2.960	\$43.61
DAS30002625	3.000	2.625	0.437	0.156	0.750	2.830	2.940	\$30.43
DAS32502500	3.250	2.500	0.937	0.250	1.437	3.023	3.190	\$30.04
DAS32502625	3.250	2.625	0.750	0.250	1.250	3.020	3.180	\$45.34
DAS35002750	3.500	2.750	0.937	0.250	1.437	3.274	3.440	\$19.11
DAS35002750/01	3.500	2.750	1.188	0.250	1.687	3.235	3.437	\$34.22
DAS35003000	3.500	3.000	0.562	0.218	1.000	3.270	3.440	\$34.22
DAS37503000	3.750	3.000	0.937	0.250	1.437	3.520	3.680	\$54.63
DAS37503250	3.750	3.250	0.562	0.218	1.000	3.520	3.690	\$65.83
DAS40003250	4.000	3.250	0.937	0.250	1.437	3.773	3.940	\$22.46
DAS40003375	4.000	3.375	0.750	0.250	1.250	3.773	3.940	\$70.94
DAS40003500	4.000	3.500	0.562	0.218	1.000	3.770	3.940	\$71.74
DAS42503500	4.250	3.500	0.937	0.250	1.437	4.024	4.187	\$39.90
DAS45003500	4.500	3.500	1.250	0.250	1.750	4.232	4.428	\$43.00
53-4500-1	4.500	3.516	0.875	0.250	1.375	4.230	4.410	\$94.52
DAS50004000	5.000	4.000	1.250	0.375	2.000	4.712	4.910	\$54.41
DAS50004000/02	5.000	4.000	1.250	0.250	1.750	4.727	4.920	\$47.61
53-5000-1	5.000	4.016	0.984	0.375	1.734	4.730	4.910	\$135.66
DAS50004250	5.000	4.250	0.937	0.250	1.437	4.770	4.960	\$69.71
DAS52504250	5.250	4.250	1.250	0.250	1.750	4.977	5.169	\$71.69
DAS55004500/01	5.500	4.500	1.250	0.250	1.750	5.213	5.402	\$73.38
DAS55004500	5.500	4.500	1.250	0.375	2.000	5.213	5.410	\$73.38
DAS60005000	6.000	5.000	1.250	0.375	2.000	5.713	5.910	\$67.71
DAS60005000/01	6.000	5.000	1.500	0.375	2.250	5.736	5.937	\$78.98
DAS65005500/1	6.500	5.500	1.250	0.250	1.750	6.213	6.402	\$78.98
DAS70006000	7.000	6.000	0.985	0.500	2.000	6.713	6.910	\$187.14
DAS70006000/01	7.000	6.000	1.250	0.250	1.750	6.713	6.910	\$91.27
DAS70006000/02	7.000	6.000	1.250	0.375	2.000	6.713	6.910	\$91.27
DAS75006500	7.500	6.500	0.985	0.500	2.000	7.213	7.410	\$213.60
DAS80006750	8.000	6.750	1.500	0.313	2.125	7.681	7.920	\$98.90
DAS80007000	8.000	7.000	1.250	0.375	2.000	7.722	7.920	\$96.48
DAS80007000/01	8.000	7.000	1.250	0.250	1.750	7.722	7.920	\$96.48

DAS 5pc. Piston Seals - Metric

Part Number	Bore Dia. H11 D	Groove					Piston Dia. h11 D ₁	Price
		Groove Dia. h10 d	Seal B/U Groove Ht +.35/+ .1 L ₁	Bearing Height +.1/-0.0 L ₂	Overall Groove Ht L	Bearing Groove Dia. d ₁		
DAS2011	20	11	13.5	2.1	17.7	17	19	\$10.90
DAS2213	22	13	13.5	2.1	17.7	19	21	\$10.90
DAS2515/2	25	15	12.5	4	20.5	22	24	\$10.90
DAS2515/1	25	15	12.5	4	20.5	21	23	\$10.95
DAS2515	25	15	16.4	6.35	29.1	21.45	23.5	\$10.97
DAS2516	25	16	13.5	2.1	17.7	22	24	\$10.97
DAS2517	25	17	13.5	3.2	19.9	21	24.4	\$10.97
DAS2517/2	25	17	10	4	18	22	24	\$10.97
DAS2518	25	17.5	8.8	3.1	15	21.3	24	\$16.58
DAS2819	28	19	13.5	2.1	17.7	25	27	\$11.18
DAS3021	30	21	13.5	2.1	17.7	27	29	\$11.18
DAS3222/01	32	22	10	5	20	28.5	31	\$43.62
DAS3222/02	32	22	12.5	4	20.5	29.0	31.0	\$16.21
DAS3222/1	32	22	15.5	2.6	20.7	28	31	\$15.82
DAS3222	32	22	16.4	6.35	29.1	28.5	30.5	\$16.21
DAS3224/01	32	24	10	4	18	29.0	31.0	\$16.21
DAS3224	32	24	15.5	3.2	21.9	28	31.4	\$15.98
DAS3525/1	35	25	15.5	2.6	20.7	31	34	\$17.90
DAS3525	35	25	16.4	6.35	29.1	31.4	33.5	\$12.63
DAS3527	35	27	15.5	3.2	21.9	31.0	34.4	\$17.00
DAS4024	40	24	18.4	6.35	31.1	35.4	38.5	\$17.67
DAS4026	40	26	15.5	2.6	20.7	36	39	\$17.98
DAS4030/01	40	30	10	5	20	36.5	39	\$28.97
DAS4030/2	40	30	12.5	4	20.5	37	39	\$17.98
DAS4030/1	40	30	12.5	4	20.5	36	38	\$18.86
DAS4030	40	30	16.4	6.35	29.1	35.4	38.5	\$18.86
DAS4032/01	40	32	10	4	18	37	39	\$17.97
DAS4032	40	32	15.5	3.2	21.9	36	39.4	\$18.61
DAS4228	42	28	15.5	2.6	20.7	38	41	\$20.05
DAS4529	45	29	18.4	6.35	31.1	40.4	43.7	\$19.08
DAS4531	45	31	15.5	2.6	20.7	41	44	\$19.08
DAS4535	45	35	16.4	6.35	29.1	40.4	43.5	\$19.08
DAS5034	50	34	18.4	6.35	31.1	45.4	48.5	\$19.51
DAS5034/1	50	34	20.5	3.1	26.7	46	49	\$19.68
DAS5035	50	35	20	5	30	46	49	\$28.71
DAS5038	50	38	20.5	4.2	28.9	46	49.4	\$19.99
DAS5040/02	50	40	11.3	4	19.3	45.4	49	\$28.24
DAS5040	50	40	12.5	4	20.5	47	49	\$19.89
DAS5539	55	39	18.4	6.35	31.1	50.36	53.5	\$21.63
DAS5539/1	55	39	20.5	3.1	26.7	51	54	\$21.59
DAS5545/01	55	45	12.5	4	20.5	50.5	54	\$21.68
DAS5640	56	40	20.5	3.1	26.7	52	55	\$21.68
DAS6044	60	44	18.4	6.35	31.1	55.4	58.5	\$22.06
DAS6044/1	60	44	20.5	3.1	26.7	56	59	\$21.03
DAS6048	60	48	20.5	4.2	28.9	56	59.4	\$22.42
DAS6347	63	47	18.4	6.35	31.1	58.4	61.5	\$21.09
DAS6347/2	63	47	19.4	6.35	32.1	58.4	61.5	\$22.66
DAS6347/01	63	47	20.5	3.1	26.7	59	62	\$22.86
DAS6348	63	48	20	5	30	59	61.5	\$27.47
DAS6351	63	51	20.5	4.2	28.9	59	62	\$23.19
DAS6353/01	63	53	11.3	4	19.3	58.5	61.5	\$48.84
DAS6353	63	53	12.5	4	20.5	60	62	\$24.74
DAS6549	65	49	20.5	3.1	26.7	61	64	\$21.24

DAS 5pc. Piston Seals - Metric, cont'd.

Part Number	Bore Dia. H11 D	Groove					Piston Dia. h11 D ₁	Price
		Groove Dia. h10 d	Seal B/U Groove Ht +.35/+1 L ₁	Bearing Height +.1/-0.0 L ₂	Overall Groove Ht L	Bearing Groove Dia. d ₁		
DAS6550	65	50	18.4	6.35	31.1	60.4	63.5	\$25.16
DAS7050	70	50	22.4	6.35	35.1	64.2	68.3	\$25.16
DAS7054	70	54	20.5	3.1	26.7	66	69	\$26.24
DAS7055	70	55	20	5	30	66	69	\$26.24
DAS7058	70	58	20.5	4.2	28.9	66	69.4	\$26.24
DAS7555/01	75	55	22.4	6.35	35.1	69.2	73	\$43.02
DAS7555	75	55	22.4	6.35	35.1	69.2	73.3	\$24.58
DAS7559	75	59	20.5	3.1	26.7	71	74	\$23.06
DAS8060	80	60	22.4	6.35	35.1	74.15	78.3	\$29.26
DAS8060/01	80	60	25	6.3	37.6	75	78	\$29.26
DAS8062	80	62	22.5	3.6	29.7	76	79	\$29.26
DAS8065	80	65	20	5	30	76	78.5	\$25.38
DAS8066/01	80	66	22.5	5.2	32.9	74.2	78.3	\$31.44
DAS8066	80	66	22.4	5.2	32.8	76	79.4	\$29.86
DAS8565	85	65	22.4	6.35	35.1	79.15	83.3	\$29.86
DAS9070	90	70	22.4	6.35	35.1	84.15	88.3	\$33.42
DAS9072	90	72	22.5	3.6	29.7	86	89	\$24.60
DAS9075/01	90	75	20	5	30	86	88.5	\$27.21
DAS9076	90	76	22.5	5.2	32.9	86.0	89.4	\$32.09
DAS9575	95	75	22.4	6.35	35.1	89.15	93.3	\$35.03
DAS10075	100	75	22.4	6.35	35.1	93.13	98	\$36.92
DAS10080	100	80	25	6.35	37.7	95	98	\$38.20
DAS10080/01	100	80	25.4	6.35	38.1	95	98	\$40.83
DAS10080/02	100	80	35	9.52	54.04	92.61	97.51	\$41.33
DAS10082	100	82	22.5	3.6	29.7	96	99	\$27.69
DAS10085	100	85	20	5	30	96	98.5	\$35.50
DAS10086	100	86	22.4	5.2	32.9	96	99.4	\$27.86
DAS10580	105	80	22.4	6.35	35.1	98.1	103	\$38.93
DAS11085	110	85	22.4	6.35	35.1	103.1	108	\$39.92
DAS11085/01	110	85	25.4	6.35	38.1	103.1	108	\$39.92
DAS11090	110	90	25.4	6.35	38.1	104.1	108.3	\$31.62
DAS11092	110	92	22.5	3.6	29.7	106	109	\$30.24
DAS11095	110	95	20	5	30	105	108.5	\$30.84
DAS11096	110	96	22.4	5.2	32.9	106	109.4	\$30.84
DAS11590	115	90	22.4	6.35	35.1	108.1	113	\$42.20
DAS12095	120	95	22.4	6.35	35.1	113.1	118	\$41.96
DAS120100	120	100	35	9.5	54	112.8	117.5	\$41.96
DAS120106	120	106	22.4	5.2	32.8	116	119.4	\$42.93
DAS125100	125	100	25.4	6.35	38.1	118.1	123	\$42.93
DAS125100/01	125	100	32	10	52	119	123	\$59.06
DAS125100/02	125	100	45	12.7	70.4	116.82	122.33	\$66.07
DAS125103	125	103	26.5	5.1	36.7	121	124	\$45.40
DAS125105	125	105	25	6.3	37.6	120	123	\$60.77
DAS125105/01	125	105	25.4	6.4	38.1	119.1	123.2	\$60.77
DAS125108	125	108	26.5	7.2	40.9	121	124.4	\$45.95
DAS130105	130	105	25.4	9.52	44.4	122.6	127.5	\$46.82
DAS130105/1	130	105	25.4	6.35	38.1	123.1	128	\$56.56
DAS130105/2	130	105	25.4	9.52	44.4	123.1	128	\$56.56
DAS130110	130	110	25.4	6.35	38.1	124.1	128.3	\$79.87
DAS130113	130	113	26.5	7.2	40.9	120	129.4	\$90.68
DAS135110	135	110	25.4	9.52	44.4	127.6	132.5	\$56.60
DAS135110/01	135	110	25.4	6.35	38.1	128.1	133	\$48.58
DAS140115	140	115	25.4	9.52	44.4	132.6	137.5	\$49.04

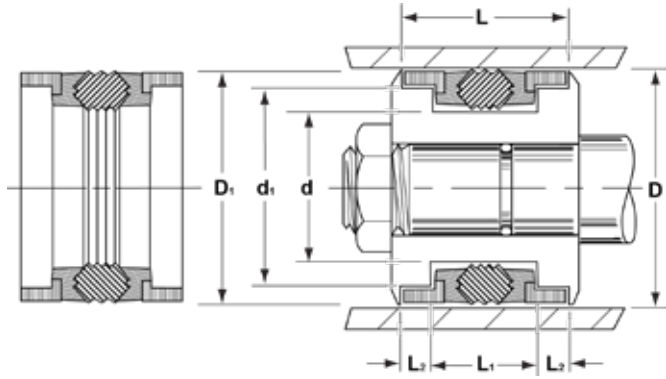
DAS 5pc. Piston Seals - Metric, cont'd.

Part Number	Bore Dia. H11 D	Groove					Piston Dia. h11 D ₁	Price
		Groove Dia. h10 d	Seal B/U Groove Ht +.35/+1 L ₁	Bearing Height +.1/-0.0 L ₂	Overall Groove Ht L	Bearing Groove Dia. d ₁		
DAS140115/1	140	115	25.4	6.35	38.1	133	138	\$49.04
DAS140115/01	140	115	25.4	12.7	50.8	131.7	137.36	\$56.60
DAS140115/5	140	115	32	10	52	134	138	\$57.45
DAS140118	140	118	26.5	5.1	36.7	136	139	\$48.75
DAS140120	140	120	25	6.35	37.7	135	138	\$48.75
DAS140123	140	123	26.5	7.2	40.9	136	139	\$57.36
DAS145120	145	120	25.4	9.52	44.4	137.6	142.5	\$57.84
DAS150125	150	125	25.4	9.52	44.4	142.6	147.5	\$57.84
DAS150125/1	150	125	25.4	6.35	38.1	143	148	\$48.75
DAS150128	150	128	26.5	5.1	36.7	146	149	\$58.52
DAS150133	150	133	26.5	7.2	40.9	146	149.4	\$51.87
DAS155130/1	155	130	25.4	6.35	38.1	148	153	\$56.74
DAS155130	155	130	25.4	9.52	44.4	147.6	152.5	\$56.74
DAS160130	160	130	25.4	6.35	38.1	153	157.5	\$63.89
DAS160130/1	160	130	25.4	9.52	44.4	153	157.5	\$63.89
DAS160135	160	135	25.4	9.52	44.4	152.6	157.5	\$54.59
DAS160135/01	160	135	45	12.7	70.4	151.72	157.1	\$77.97
DAS160135/02	160	135	32	10	52	154	158	\$77.97
DAS160138	160	138	26.5	5.1	36.7	156	159	\$86.54
DAS160140	160	140	25	6.35	37.7	155	158	\$68.16
DAS160143	160	143	26.5	7.2	40.9	156	159.4	\$80.87
DAS165140	165	140	25.4	9.5	44.4	157.6	162.5	\$87.62
DAS170140	170	140	25.4	6.4	38.1	163	167.9	\$119.45
DAS170145	170	145	25.4	12.7	50.8	161.7	169	\$73.56
DAS170145/01	170	145	25.4	6.4	38.1	161.7	169.4	\$73.56
DAS170148	170	148	26.5	5.1	36.7	166	169	\$93.79
DAS175150	175	150	25.4	12.7	50.8	166.7	172.1	\$59.33
DAS180150	180	150	35.4	6.35	48.1	172.95	179	\$77.96
DAS180155	180	155	25.4	12.7	50.8	171.7	179	\$77.96
DAS180158	180	158	26.5	5.1	36.7	176	179	\$85.20
DAS185160	185	160	25.4	12.7	50.8	176.7	182.1	\$87.39
DAS190165	190	165	25.4	12.7	50.8	181.7	189	\$89.90
DAS195170	195	170	25.4	12.7	50.8	186.7	192	\$92.40
DAS200170/1	200	170	35.4	6.35	48.1	193	198	\$70.00
DAS200170/01	200	170	36	12.5	61	192	197	\$71.12
DAS200175	200	175	25.4	12.7	50.8	191.6	197	\$74.02
DAS200175/01	200	175	31.5	6.6	44.7	196	199.4	\$85.91
DAS200180	200	180	31.5	9.2	49.9	196	199.4	\$70.20
DAS210185	210	185	25.4	12.7	50.8	201.6	207	\$71.11
DAS220190	220	190	35.4	6.35	48.1	212.7	217.9	\$93.03
DAS220190/02	220	190	35.4	6.35	48.1	213.5	217.9	\$93.03
DAS220195	220	195	25.4	12.7	50.8	211.6	217	\$100.65
DAS230205	230	205	25.4	12.7	50.8	221.6	227	\$82.80
DAS240215	240	215	25.4	12.7	50.8	231.6	237	\$50.73
DAS250220	250	220	35.4	6.35	48.1	243	248	\$137.84
DAS250220/01	250	220	36	12.5	61	242	247	\$282.02
DAS250225	250	225	25.4	12.7	50.8	241.6	247	\$51.06
DAS250230	250	230	31.5	9.2	49.9	246	249.4	\$72.40
DAS280250	280	250	36.4	10	56.4	273	278	\$201.88
DAS280250/01	280	250	36	12.5	61	272.9	277.85	\$385.55
DAS280250/02	280	250	35.4	9.52	54.44	272.9	277.85	\$274.33
DAS320290/01	320	290	36	12.5	61	312	317	\$687.36

DSM 5pc. Piston Seals - Metric



ALTERNATIVE SEALS: DAS



EXAMPLE: DSM196133/1A			
Prefix	Bore Diameter	Groove Diameter	Suffix
DSM	196	133	/1A
	50mm	34mm	

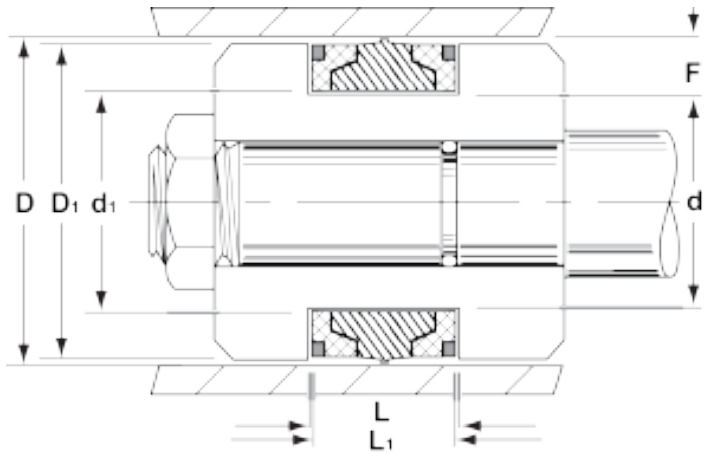
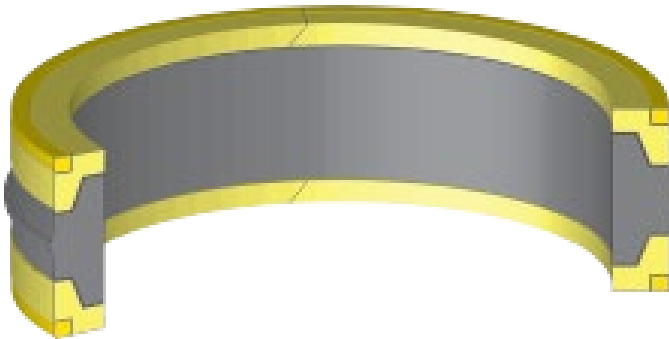
PART #S WERE CREATED IN INCHES BUT CONVERT TO METRIC
(MUST DIVIDE BY 100 THEN MULTPLY BY 25.4)

The DSM series 5 piece piston seal is a compact seal designed for heavy duty double-acting cylinders. It consists of one multiple lip elastomeric nitrile rubber sealing element, two polyester elastomer backup rings to prevent extrusion, and two L-shaped thermoplastic guide rings that help to center the piston within the bore. This is a great high-pressure seal with low friction.

Pressure: 10,000 PSI

Part Number	Bore Dia. h11 D	Groove			Overall Groove Ht L	Bearing Groove Dia. d ₁	Piston Dia. h11 D ₁	Price
		Groove Dia. h10 d	Seal B/U Groove Ht +.005/+ .016 L ₁	Bearing Height +.004/- .000 L ₂				
DSM196133/1A	50	34	32	6.35	44.70	43.77	47.85	\$46.56
DSM236173/1A	60	44	32	6.35	44.70	53.70	57.78	\$49.22
DSM248185/1A	63	47	32	6.35	44.70	56.74	60.81	\$52.36
DSM275196/1A	70	50	35	9.52	54.04	62.61	67.54	\$65.43
DSM314236/1A	80	60	35	9.52	54.04	72.62	77.54	\$72.82
DSM334255/1A	85	65	35	9.52	54.04	77.60	82.55	\$76.88
DSM354275/1A	90	70	35	9.52	54.04	82.58	87.55	\$79.44
DSM374295/1A	95	75	35	9.52	54.04	87.60	92.50	\$74.63
DSM393314/1A	100	80	35	9.52	54.04	92.61	97.51	\$67.38
DSM433354/1A	110	90	35	9.52	54.04	102.77	107.54	\$88.50
DSM452354/1A	115	90	45	12.7	70.40	106.76	112.32	\$163.10
DSM472393/1A	120	100	35	9.52	54.04	112.80	117.58	\$90.24
DSM492393/1A	125	100	45	12.7	70.40	116.82	122.33	\$98.75
DSM531433/1A	130	110	35	9.52	54.04	122.70	127.30	\$102.45
DSM551452/1A	140	115	45	12.7	70.40	131.70	137.31	\$104.96
DSM551472/1A	140	120	35	9.52	54.04	132.79	137.30	\$104.96
DSM590472/1A	150	120	45	9.52	63.04	143.50	147.32	\$106.40
DSM590492/1A	150	125	45	12.7	70.40	141.71	147.32	\$106.40
DSM629531/1A	160	135	45	12.7	70.40	151.72	157.10	\$111.30
DSM669551/1A	170	140	45	12.7	70.40	162.97	167.79	\$127.53
DSM708610/1A	180	155	45	12.7	70.40	171.63	177.10	\$132.62
DSM748649/1A	190	165	45	12.7	70.40	181.72	187.10	\$155.94
DSM787688/1A	200	175	45	12.7	70.40	191.72	197.10	\$160.50
DSM826728/1A	210	185	45	12.7	70.40	201.57	207.32	\$205.65
DSM866767/1A	220	195	45	12.7	70.40	211.57	217.10	\$222.19
DSM944848/1A	240	215	45	12.7	70.40	231.72	237.10	\$443.43
DSM984885/1A	250	225	45	12.7	70.40	241.72	247.10	\$255.64
DSM1062965/1A	270	245	45	12.7	70.40	261.72	267.10	\$639.53
DSM11021004/1A	280	255	45	12.7	70.40	271.72	277.10	\$331.15
DSM11811082/1	300	275	45	12.7	70.40	291.72	297.10	\$414.27
DSM12601161/1A	320	295	45	12.7	70.40	311.72	317.10	\$489.78
DSM13781279/1A	350	325	45	12.7	70.40	341.72	347.10	\$502.49
DSM14171318/1A	360	335	45	12.7	70.40	351.72	357.10	\$520.37

MHM - JCB® REPLACEMENT PISTON SEAL - METRIC



EXAMPLE: MHM-110X90X30					
Prefix	Bore Diameter		Groove Diameter		Groove Height
MHM-	110	x	90	x	30
	110 mm		90 mm		30 mm

This compact 5 piece piston seal is made specifically to replace JCB® and heavy duty equipment piston seals. NBR, Urethane, and POM

Temperature: -22° to 212°F Pressure: 0 to 5,000 PSI

Part Number	Bore Diameter D	Groove Diameter d	Groove Height L	Price
MHM-60X45X22.5	60	45	22.5	\$37.64
MHM-70X55X22.5	70	55	22.5	\$42.68
MHM-80X65X22.5	80	65	22.5	\$46.37
MHM-85X65X22.5	85	65	22.5	\$48.56
MHM-90X70X30	90	70	30	\$52.96
MHM-100X80X30	100	80	30	\$59.36
MHM-110X90X30	110	90	30	\$64.60

We do not imply that these seals are a product of JCB®. Part numbers are used for reference purposes only.



GD1KK 6pc. Piston Seals - Metric

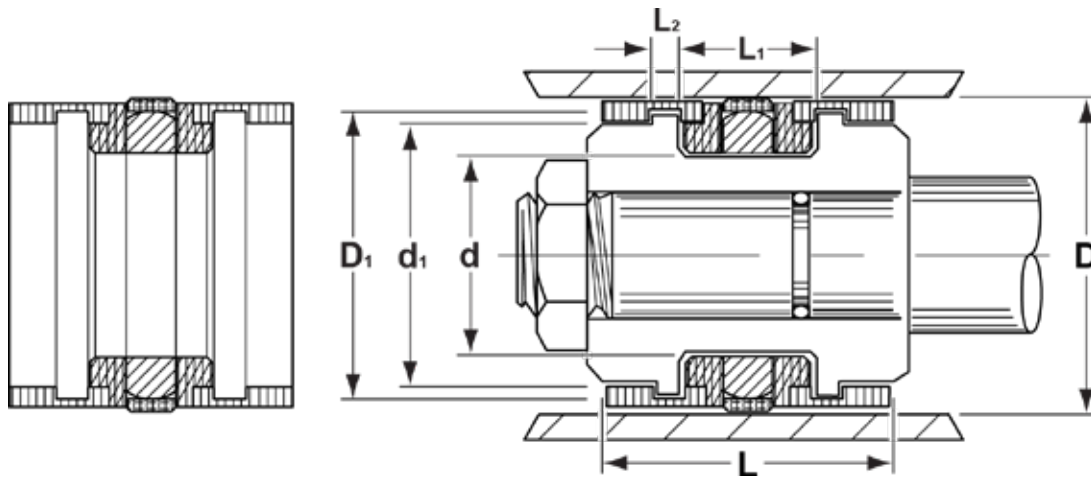


These 6 pc. piston seals are commonly found in Trojan Loader cylinders made by Hunger® Hydraulics. The outer sealing ring is made from bronze-filled PTFE and the expander ring is made from 80 Duro Nitrile. The seal assembly also includes 2 backup rings and 2 slotted nylon bearings.

Temperature: -40° to 225°F

Pressure: 0 to 4,350 PSI

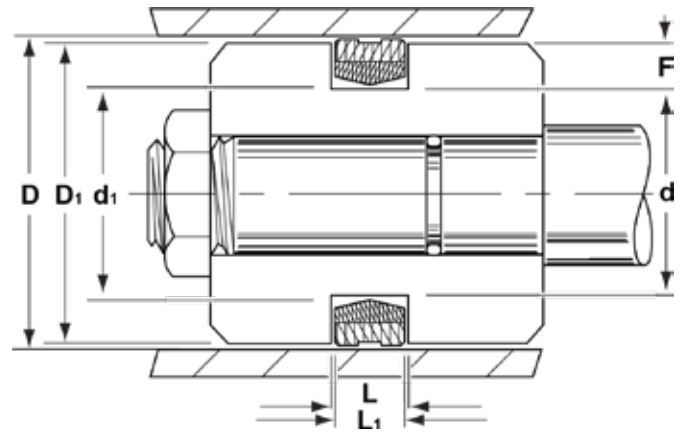
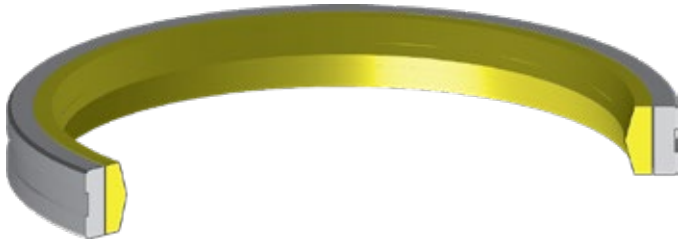
EXAMPLE: GD1KK-70x54x39					
Prefix	Bore Diameter		Groove Diameter		Overall Height
GD1KK-	70	x	54	x	39
	70mm		54mm		39mm



Part Number	Bore +0.1/-0 D	Groove Diameter +0/-0.1 d	Groove Height L ₁	Slot Height L ₂	Overall Height L	Bearing Groove Diameter d ₁	Piston Diameter +0/-0.1 D ₁	Price
GD1KK-70X54X39	70	54	20.5	3.0	39.0	62.0	66.0	\$196.85
GD1KK-80X62X43	80	62	22.5	3.0	43.0	72.0	76.0	\$240.09
GD1KK-100X82X43	100	82	22.5	3.0	43.0	92.0	96.0	\$260.02
GD1KK-110X92X43	110	92	22.5	3.0	43.0	102.0	106.0	\$268.95
GD1KK-120X102X43	120	102	22.5	3.0	43.0	112.0	116.0	\$312.73
GD1KK-125X103X53	125	103	26.5	4.0	53.0	115.0	121.0	\$326.52
GD1KK-140X118X53	140	118	26.5	4.0	53.0	130.0	136.0	\$348.66
GD1KK-150X128X53	150	128	26.5	4.0	53.0	140.0	146.0	\$370.12
GD1KK-160X138X53	160	138	26.5	4.0	53.0	150.0	156.0	\$415.23
GD1KK-190X165X48	190	165	30.0	3.5	48.0	160.0	186.0	\$687.88
GD1KK-220X195X71	220	195	31.5	8.0	71.0	210.0	216.0	\$570.52
GD1KK-225X200X71	225	200	31.5	8.0	71.0	215.0	221.0	\$613.02
GD1KK-320X290X80	320	290	31.5	15.0	80.0	305.0	341.0	\$1,030.99

We do not imply that these seals are a product of Hunger®.

Urethane Uni-Ring Seals - Inch



ALTERNATIVE SEALS: T-Seal

EXAMPLE: 12-216-204-312				
Prefix	Bore Diameter		Groove Diameter	Seal Height
12-	216	-	204	- 312
	2 1/2"		2 1/8"	5/16"

OD: 1ST DIGIT IS WHOLE # NEXT 2 DIVIDE BY 32
Example: (2) (16/32) = 2 1/2

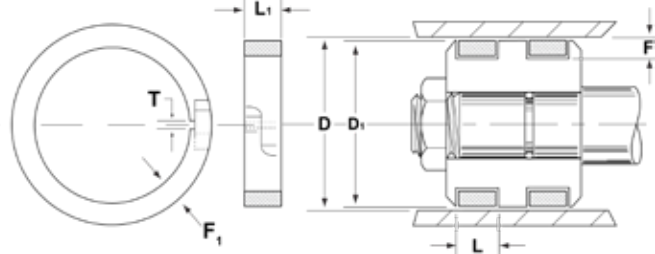
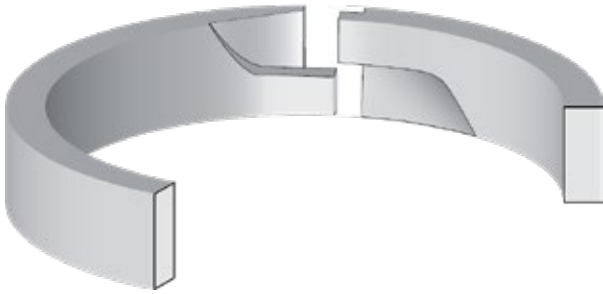
ID: 1ST DIGIT IS WHOLE # NEXT 2 DIVIDE BY 32
Example: (2) (04/32) = 2 1/8

Uni-rings seals are a one pc. double acting piston seal made from 2 different durometers of urethane bonded together. The outer surface is impregnated with molybdenum disulfide (for decreasing friction) and contains a groove to hold lubricant. Some of these seals will retrofit into T-seal and wide base T-seal grooves.

Pressure: 0 to 5,000 PSI

Part No.	Bore Diameter +0.004/-0 D	Groove Diameter +0/-0.004 d	Seal Height L ₁	Groove Height +0.004/-0 L	Price
12-100-024-187	1.000	0.750	0.187	0.196	\$7.38
12-112-100-250	1.375	1.000	0.250	0.263	\$8.21
12-116-100-375	1.500	1.000	0.375	0.394	\$8.92
12-124-108-375	1.750	1.250	0.375	0.394	\$9.17
12-124-112-250	1.750	1.375	0.250	0.263	\$7.64
12-200-116-375	2.000	1.500	0.375	0.394	\$7.86
12-200-120-312	2.000	1.625	0.312	0.328	\$8.63
12-208-128-312	2.250	1.875	0.312	0.328	\$10.61
12-216-200-375	2.500	2.000	0.375	0.394	\$10.77
12-216-204-312	2.500	2.125	0.312	0.328	\$10.44
12-216-204-375	2.500	2.125	0.375	0.394	\$10.70
12-224-212-312	2.750	2.375	0.312	0.328	\$11.08
12-228-216-312	2.875	2.500	0.312	0.328	\$11.08
12-300-216-375	3.000	2.500	0.375	0.394	\$14.04
12-300-220-312	3.000	2.625	0.312	0.328	\$12.80
12-300-220-375	3.000	2.625	0.375	0.394	\$12.92
12-308-280-312	3.250	2.875	0.312	0.328	\$13.05
12-316-300-375	3.500	3.000	0.375	0.394	\$13.16
12-316-304-312	3.500	3.125	0.312	0.328	\$13.71
12-400-316-375	4.000	3.500	0.375	0.394	\$18.99
12-400-320-375	4.000	3.625	0.375	0.394	\$14.00
12-416-400-375	4.500	4.000	0.375	0.394	\$16.18
12-500-416-375	5.000	4.500	0.375	0.394	\$17.69
12-500-416-562	5.000	4.500	0.562	0.591	\$28.55

Cast Iron Piston Rings - Inch


EXAMPLE: PR2000250C075P

Prefix	Outside Diameter	Ring Height	Material	Max Wall	Joint
PR	2000	250	C	075	P
	2"	1/4"	CAST IRON	.075"	PERMASEAL

Cast Iron piston rings are used in applications requiring high temperatures, port passing capabilities or high pressure. Typical applications require at least 3 rings but are sometimes used in conjunction with PTFE seals.

Temperature: Consult technical service.

Pressure: 0 to 10,000 PSI

Part Number	Bore Diameter +.004/-0 D	Groove Diameter +0/-0.004 d	Ring Height L ₁	Groove Height +.004/-0 L	Ring Wall C/S F ₁	Groove Depth +.004/-0 F	Price
Joint Clearance (T) .005 / .010							
PR788118C040B	0.788	0.628	0.118	0.1185	0.040	0.080	\$20.19
PR0875125C050S	0.875	0.695	0.125	0.1255	0.050	0.090	\$15.17
PR1000062C040B	1.000	0.840	0.062	0.0630	0.040	0.080	\$15.17
PR1000093C040B	1.000	0.840	0.093	0.0943	0.040	0.080	\$15.17
PR1000125C040S	1.000	0.840	0.125	0.1255	0.040	0.080	\$13.24
PR1062093C047B	1.062	0.888	0.093	0.0943	0.047	0.087	\$15.17
PR1241084B064S	1.241	1.033	0.084	0.0845	0.064	0.104	\$21.83
PR1250125C050S	1.250	1.070	0.125	0.1255	0.050	0.090	\$15.17
PR1250250C060S	1.250	1.050	0.250	0.2505	0.060	0.100	\$21.72
PR1375094C057B	1.375	1.181	0.093	0.0943	0.057	0.097	\$15.97
PR1375125C050S	1.375	1.195	0.125	0.1255	0.050	0.090	\$19.29
PR1375125C060S	1.375	1.175	0.125	0.1255	0.060	0.100	\$19.29
PR1378079C057B	1.378	1.164	0.078	0.0786	0.057	0.107	\$16.22
PR1495125C085P	1.495	1.245	0.125	0.1255	0.085	0.125	\$20.32
PR1500093C067P	1.500	1.286	0.093	0.0943	0.067	0.107	\$18.46
PR1500125C060B	1.500	1.300	0.125	0.1255	0.060	0.100	\$34.43
PR1500125C067P	1.500	1.286	0.125	0.1255	0.067	0.107	\$12.05
PR1625125C071P	1.625	1.403	0.125	0.1255	0.071	0.111	\$16.51
PR1625187C071P	1.625	1.403	0.187	0.1875	0.071	0.111	\$16.92
PR1693079C075B	1.693	1.463	0.079	0.0795	0.075	0.115	\$15.60
PR1750080C069B	1.750	1.532	0.080	0.0805	0.069	0.109	\$15.17
PR1750080C069P	1.750	1.512	0.080	0.0805	0.069	0.119	\$20.52
PR1750098D079H	1.750	1.492	0.098	0.0985	0.079	0.129	\$16.51
PR1750125C075P	1.750	1.500	0.125	0.1255	0.075	0.125	\$10.84
PR1750125C075P-1	1.750	1.500	0.125	0.1255	0.075	0.125	\$19.69
PR1750155C075P	1.750	1.500	0.155	0.1555	0.075	0.125	\$14.00
PR1772079C078B	1.772	1.498	0.079	0.0795	0.078	0.137	\$14.22
PR1811098D079H	1.811	1.553	0.109	0.1095	0.079	0.129	\$15.16
PR1875093C060B	1.875	1.675	0.093	0.0935	0.060	0.100	\$15.16
PR1875125C075P	1.875	1.645	0.125	0.1255	0.075	0.115	\$17.12
PR1875187C082B	1.875	1.611	0.187	0.1875	0.082	0.132	\$22.11
PR1990121C060P	1.990	1.790	0.121	0.1215	0.060	0.100	\$14.33
PR2000093C075P	2.000	1.750	0.093	0.0935	0.075	0.125	\$13.55
PR2000125C075P	2.000	1.750	0.125	0.1255	0.075	0.125	\$11.40
PR2000125C090A	2.000	1.740	0.125	0.1255	0.090	0.130	\$35.58
PR2000125C093H	2.000	1.734	0.125	0.1255	0.093	0.133	\$13.55
PR2000156C075P	2.000	1.750	0.156	0.1568	0.075	0.125	\$13.82
PR2000187C075P	2.000	1.750	0.187	0.1875	0.075	0.125	\$11.60
PR2000250C062P	2.000	1.776	0.250	0.2505	0.062	0.112	\$14.40
PR2000250C075P	2.000	1.750	0.250	0.2505	0.075	0.125	\$14.06

Cast Iron Piston Rings - Inch, cont'd.

Part Number	Bore Diameter +.004/-0 D	Groove Diameter +0/-.004 d	Ring Height L ₁	Groove Height +.004/-0 L	Ring Wall C/S F ₁	Groove Depth +.004/-0 F	Price
Joint Clearance (T) .005 / .010							
PR2030125C090P	2.030	1.770	0.125	0.1255	0.090	0.130	\$14.27
PR2125093C080P	2.125	1.865	0.093	0.0935	0.080	0.130	\$16.72
PR2129187C100P	2.129	1.849	0.187	0.1875	0.100	0.140	\$19.09
PR2165098C083H	2.165	1.899	0.098	0.0985	0.083	0.133	\$18.60
PR2250093C085P	2.250	1.980	0.093	0.0935	0.085	0.135	\$23.16
PR2250125C085P	2.250	1.980	0.125	0.1255	0.085	0.135	\$13.54
PR2250152C085P	2.250	1.980	0.152	0.1525	0.085	0.135	\$15.65
PR2250187C085P	2.250	1.980	0.187	0.1875	0.085	0.135	\$13.65
PR2255121C083P	2.255	1.989	0.121	0.1215	0.083	0.133	\$16.72
PR2260125C085P	2.260	1.990	0.125	0.1255	0.085	0.135	\$16.72
PR2312094C091B	2.312	2.050	0.093	0.0935	0.091	0.131	\$75.63
PR2312187C090P	2.312	2.032	0.187	0.1875	0.090	0.140	\$74.14
PR2375125C091P	2.375	2.093	0.125	0.1255	0.091	0.141	\$15.01
PR2375125C110H	2.375	2.055	0.125	0.1255	0.110	0.160	\$15.36
PR2375187C091P	2.375	2.093	0.187	0.1875	0.091	0.141	\$41.01
PR2441099C100B	2.441	2.141	0.099	0.0995	0.100	0.150	\$15.78
PR2500093C097P	2.500	2.206	0.093	0.0935	0.097	0.147	\$15.78
PR2500125C097P	2.500	2.206	0.125	0.1255	0.097	0.147	\$11.19
PR2500187C097P	2.500	2.206	0.187	0.1875	0.097	0.147	\$11.35
PR2500250C097P	2.500	2.206	0.250	0.2505	0.097	0.147	\$12.47
PR2500250S115S	2.500	2.170	0.250	0.2505	0.115	0.165	\$70.66
PR2500373C116B	2.500	2.168	0.373	0.3735	0.116	0.166	\$21.30
PR2500375C125S	2.500	2.150	0.375	0.3755	0.125	0.175	\$18.21
PR2502312C097S	2.502	2.208	0.312	0.3125	0.097	0.147	\$19.23
PR2510187C108B	2.510	2.194	0.187	0.1875	0.108	0.158	\$13.23
PR2530125C097P	2.530	2.236	0.125	0.1255	0.097	0.147	\$11.60
PR2625093C075B	2.625	2.375	0.093	0.0935	0.075	0.125	\$13.62
PR2625125C102P	2.625	2.321	0.125	0.1255	0.102	0.152	\$16.86
PR2625187C102P	2.625	2.321	0.187	0.1875	0.102	0.152	\$14.59
PR2735156C080P	2.735	2.475	0.156	0.1565	0.080	0.130	\$14.88
PR2750125C106P	2.750	2.438	0.125	0.1255	0.106	0.156	\$15.17
PR2750156C106P	2.750	2.438	0.156	0.1568	0.106	0.156	\$11.79
PR2750187C106P	2.750	2.438	0.187	0.1875	0.106	0.156	\$13.61
PR2750250C106P	2.750	2.438	0.250	0.2505	0.106	0.156	\$15.56
PR2770094C106P	2.770	2.458	0.093	0.0935	0.106	0.156	\$18.84
PR2770125C106P	2.770	2.458	0.125	0.1255	0.106	0.156	\$18.84
PR2875125C133H	2.875	2.509	0.125	0.1255	0.133	0.183	\$14.99
PR2875187C108P	2.875	2.559	0.187	0.1875	0.108	0.158	\$11.76
PR2999333B155A	2.999	2.589	0.333	0.3335	0.155	0.205	\$249.00
PR3000125C110P	3.000	2.680	0.125	0.1255	0.110	0.160	\$14.06
PR3000187C110P	3.000	2.680	0.187	0.1875	0.110	0.160	\$11.67
PR3000250C110P	3.000	2.680	0.250	0.2505	0.110	0.160	\$11.96
PR3000250S130S	3.000	2.640	0.250	0.2505	0.130	0.180	\$70.81
PR3000312C110P	3.000	2.680	0.312	0.3125	0.110	0.160	\$13.41
PR3125187C115P	3.125	2.795	0.187	0.1875	0.115	0.165	\$14.05
PR3187125C118S	3.187	2.851	0.125	0.1255	0.118	0.168	\$36.40
PR3250093C147P	3.250	2.856	0.093	0.0935	0.147	0.197	\$15.51
PR3250125C090P	3.250	2.970	0.125	0.1255	0.090	0.140	\$11.67
PR3250125C118P	3.250	2.914	0.125	0.1255	0.118	0.168	\$13.69
PR3250156C147P	3.250	2.856	0.156	0.1568	0.147	0.197	\$12.44
PR3250187C118P	3.250	2.914	0.187	0.1875	0.118	0.168	\$11.66
PR3250250C118P	3.250	2.914	0.250	0.2505	0.118	0.168	\$12.14
PR3280187C118P	3.280	2.944	0.187	0.1875	0.118	0.168	\$16.37
PR3375125C140P	3.375	2.995	0.125	0.1255	0.140	0.190	\$14.41
PR3375187C124P	3.375	3.033	0.187	0.1875	0.124	0.171	\$18.37
PR3496500C155P	3.196	2.786	0.500	0.5005	0.155	0.205	\$31.74
PR3500122C133H	3.500	3.134	0.122	0.1225	0.133	0.183	\$12.43
PR3500125C124P	3.500	3.148	0.125	0.1255	0.124	0.176	\$12.67
PR3500156C150P	3.500	3.120	0.156	0.1568	0.150	0.190	\$19.14
PR3500187C124P	3.500	3.148	0.187	0.1875	0.124	0.176	\$12.30

Cast Iron Piston Rings - Inch, cont'd.

Part Number	Bore Diameter +.004/-0 D	Groove Diameter +0/-.004 d	Ring Height L ₁	Groove Height +.004/-0 L	Ring Wall C/S F ₁	Groove Depth +.004/-0 F	Price
Joint Clearance (T) .005 / .010							
PR3500250C124P	3.500	3.148	0.250	0.2505	0.124	0.176	\$12.30
PR3500312C124P	3.500	3.148	0.312	0.3125	0.124	0.176	\$17.30
PR3625125C155B	3.625	3.215	0.125	0.1255	0.155	0.205	\$52.51
PR3625187C127P	3.625	3.271	0.187	0.1875	0.127	0.177	\$21.01
PR3750125C130P	3.750	3.380	0.125	0.1255	0.130	0.185	\$15.03
PR3750187C130P	3.750	3.380	0.187	0.1875	0.130	0.185	\$12.64
PR3750250C130P	3.750	3.380	0.250	0.2505	0.130	0.185	\$12.95
PR3780250C140P	3.780	3.400	0.250	0.2505	0.140	0.190	\$22.71
PR3800250C135P	3.800	3.430	0.250	0.2505	0.135	0.185	\$22.71
PR3810156C130P	3.810	3.450	0.156	0.1568	0.130	0.180	\$22.71
PR3990500C142P	3.990	3.602	0.500	0.5005	0.142	0.194	\$39.68
PR4000125C142P	4.000	3.612	0.125	0.1255	0.142	0.194	\$19.71
PR4000156C150B	4.000	3.596	0.156	0.1568	0.150	0.202	\$20.61
PR4000187C142P	4.000	3.612	0.187	0.1875	0.142	0.194	\$12.24
PR4000187C170B	4.000	3.556	0.187	0.1875	0.170	0.222	\$21.56
PR4000187C199P	4.000	3.502	0.187	0.1875	0.199	0.249	\$43.06
PR4000250C142P	4.000	3.612	0.250	0.2505	0.142	0.194	\$12.94
PR4000312C142P	4.000	3.612	0.312	0.3125	0.142	0.194	\$12.94
PR4007372C155P	4.007	3.586	0.372	0.3755	0.155	0.207	\$52.85
PR4010187C162P	4.010	3.580	0.187	0.1875	0.162	0.215	\$23.40
PR4018187C142P	4.018	3.630	0.187	0.1875	0.142	0.194	\$24.09
PR4030250C142P	4.030	3.642	0.250	0.2505	0.142	0.194	\$12.25
PR4050250C162P	4.050	3.620	0.250	0.2505	0.162	0.215	\$22.40
PR4075250C162P	4.075	3.645	0.250	0.2505	0.162	0.215	\$22.66
PR4250125C125B	4.250	3.900	0.125	0.1255	0.125	0.175	\$15.37
PR4250187C150P	4.250	3.844	0.187	0.1875	0.150	0.203	\$20.38
PR4250250C150P	4.250	3.844	0.250	0.2505	0.150	0.203	\$23.50
PR4260250C150P	4.260	3.854	0.250	0.2505	0.150	0.203	\$13.12
PR4375250C155P	4.375	3.961	0.250	0.2505	0.155	0.207	\$25.38
PR4437187C150P	4.437	4.033	0.187	0.1875	0.150	0.202	\$25.38
PR4500125C160P	4.500	4.074	0.125	0.1255	0.160	0.213	\$13.51
PR4500187C160P	4.500	4.074	0.187	0.1875	0.160	0.213	\$16.70
PR4500187C160S	4.500	4.074	0.187	0.1875	0.160	0.213	\$16.70
Joint Clearance (T) .010 / .020							
PR4500187B192P	4.500	4.016	0.187	0.1875	0.192	0.242	\$125.83
PR4500250C160P	4.500	4.074	0.250	0.2505	0.160	0.213	\$14.28
PR4500312C155P	4.500	4.074	0.312	0.3125	0.155	0.213	\$15.94
PR4500375C125S	4.500	4.150	0.375	0.3755	0.125	0.175	\$45.24
PR4625125C133B	4.625	4.251	0.125	0.1255	0.133	0.187	\$28.36
PR4662187C195B	4.662	4.172	0.187	0.1875	0.195	0.245	\$22.61
PR4750125C167P	4.750	4.310	0.125	0.1255	0.167	0.220	\$44.93
PR4750250C167P	4.750	4.310	0.250	0.2505	0.167	0.220	\$13.77
PR4750375C175P	4.750	4.290	0.375	0.3755	0.175	0.230	\$22.03
PR4865250C167P	4.865	4.423	0.250	0.2505	0.167	0.221	\$22.87
PR4875250C185P	4.875	4.399	0.250	0.2505	0.185	0.238	\$24.39
PR4921156C170S	4.921	4.481	0.156	0.1565	0.170	0.220	\$21.60
PR5000185C190P	5.000	4.520	0.185	0.1855	0.190	0.240	\$77.35
PR5000187C175BV	5.000	4.550	0.187	0.1875	0.175	0.225	\$44.49
PR5000187C175P	5.000	4.540	0.187	0.1875	0.175	0.230	\$13.94
PR5000250C175P	5.000	4.540	0.250	0.2505	0.175	0.230	\$13.94
PR5000312C175P	5.000	4.540	0.312	0.3125	0.175	0.230	\$20.49
PR5000375C175P	5.000	4.540	0.375	0.3755	0.175	0.230	\$19.09
PR5000500C195P	5.000	4.510	0.500	0.5005	0.195	0.245	\$42.44
PR5030250C175P	5.030	4.570	0.250	0.2505	0.175	0.230	\$24.65
PR5125187C195S	5.125	4.625	0.187	0.1875	0.195	0.250	\$43.80
PR5125250C180P	5.125	4.665	0.250	0.2505	0.180	0.230	\$45.04
PR5250187C181P	5.250	4.782	0.187	0.1875	0.181	0.234	\$20.24
PR5250250C181P	5.250	4.782	0.250	0.2505	0.181	0.234	\$21.33

Cast Iron Piston Rings - Inch, cont'd.

Part Number	Bore Diameter +.004/-0 D	Groove Diameter +0/-.004 d	Ring Height L ₁	Groove Height +.004/-0 L	Ring Wall C/S F ₁	Groove Depth +.004/-0 F	Price
Joint Clearance (T) .010 / .020							
PR5250250C200P	5.250	4.750	0.250	0.2505	0.200	0.250	\$21.33
PR5250281C175P	5.250	4.800	0.281	0.2815	0.175	0.225	\$33.23
PR5250312C181P	5.250	4.782	0.312	0.3125	0.181	0.234	\$21.88
PR5260250C195P	5.260	4.770	0.250	0.2505	0.195	0.245	\$17.33
PR5285250C195P	5.285	4.795	0.250	0.2505	0.195	0.245	\$26.06
PR5375125C214S	5.375	4.837	0.125	0.1255	0.214	0.269	\$22.43
PR5375187C196S	5.375	4.883	0.187	0.1875	0.196	0.246	\$46.48
PR5496250C155P	5.496	5.086	0.250	0.2505	0.155	0.205	\$60.85
PR5500125C190P	5.500	5.020	0.125	0.1255	0.190	0.240	\$22.42
PR5500187C190P	5.500	5.020	0.187	0.1875	0.190	0.240	\$18.86
PR5500250C190P	5.500	5.020	0.250	0.2505	0.190	0.240	\$18.86
PR5500312C190P	5.500	5.020	0.312	0.3125	0.190	0.240	\$19.41
PR5500375C190P	5.500	5.020	0.375	0.3755	0.190	0.240	\$24.94
PR5520187C190B	5.520	5.040	0.187	0.1875	0.190	0.240	\$22.14
PR5625187C205P	5.625	5.111	0.187	0.1875	0.205	0.257	\$26.78
PR5687125C259S	5.687	5.061	0.125	0.1255	0.259	0.313	\$48.16
PR5717250C172P	5.717	5.273	0.250	0.2505	0.172	0.222	\$36.05
PR5750125C199P	5.750	5.252	0.125	0.1255	0.199	0.249	\$26.60
PR5750125C214P	5.750	5.234	0.125	0.1255	0.214	0.258	\$26.08
PR5750187C214P	5.750	5.234	0.187	0.1875	0.214	0.258	\$24.41
PR5750250C145P	5.750	5.360	0.250	0.2505	0.145	0.195	\$25.44
PR5750250C199P	5.750	5.252	0.250	0.2505	0.199	0.249	\$26.60
PR5750312C199P	5.750	5.252	0.312	0.3125	0.199	0.249	\$26.59
PR5875125C234H	5.875	5.267	0.125	0.1255	0.234	0.304	\$30.61
PR5895312C190P	5.895	5.415	0.312	0.3125	0.190	0.240	\$31.36
PR6000125C259S	6.000	5.376	0.125	0.1255	0.259	0.312	\$48.60
PR6000155C208P	6.000	5.484	0.155	0.1555	0.208	0.258	\$62.32
PR6000187C206P	6.000	5.488	0.187	0.1875	0.206	0.256	\$32.70
PR6000187C240A	6.000	5.420	0.187	0.1255	0.240	0.290	\$138.31
PR6000250C206P	6.000	5.488	0.250	0.2505	0.206	0.256	\$19.41
PR6000312C206P	6.000	5.488	0.312	0.3125	0.206	0.256	\$19.41
PR6000375C200P	6.000	5.500	0.375	0.3755	0.200	0.250	\$23.37
PR6000500C206P	6.000	5.488	0.500	0.5005	0.206	0.256	\$49.70
PR6025250C206P	6.025	5.513	0.250	0.2505	0.206	0.256	\$47.39
PR6040312C206P	6.040	5.528	0.312	0.3125	0.206	0.256	\$39.04
PR6125312C217P	6.125	5.609	0.312	0.3125	0.217	0.258	\$49.65
PR6156312C217P	6.156	5.640	0.312	0.3125	0.217	0.258	\$46.99
PR6250120C131H	6.250	5.888	0.120	0.1205	0.131	0.181	\$37.22
PR6250250C217P	6.250	5.734	0.250	0.2505	0.217	0.258	\$33.08
PR6250312C217P	6.250	5.734	0.312	0.3125	0.217	0.258	\$30.18
PR6250375C217P	6.250	5.734	0.375	0.3755	0.217	0.258	\$39.15
PR6260250C206P	6.260	5.748	0.250	0.2505	0.206	0.256	\$20.41
PR6299177C212S	6.299	5.775	0.177	0.1775	0.212	0.262	\$34.89
PR6375250C225S	6.375	5.825	0.250	0.2505	0.225	0.275	\$93.00
PR6496250C155P	6.496	6.086	0.250	0.2505	0.155	0.205	\$22.77
PR6496437C497S	6.496	5.402	0.437	0.4375	0.497	0.547	\$85.15
PR6500125C165H	6.500	6.070	0.125	0.1255	0.165	0.215	\$29.82
PR6500187C226P	6.500	5.948	0.187	0.1875	0.226	0.276	\$35.33
PR6500250C226P	6.500	5.948	0.250	0.2505	0.226	0.276	\$22.26
PR6500312C185P	6.500	6.030	0.312	0.3125	0.185	0.235	\$44.17
PR6500312C226P	6.500	5.948	0.312	0.3125	0.226	0.276	\$22.41
PR6500500C226P	6.500	5.948	0.500	0.5005	0.226	0.276	\$65.51
PR6525312C226P	6.525	5.973	0.312	0.3125	0.226	0.276	\$47.33
PR6565125C225B	6.565	6.013	0.125	0.1255	0.225	0.276	\$44.00
PR6750156C190B	6.750	6.270	0.156	0.1568	0.190	0.240	\$54.54
PR6750250C170P	6.750	6.310	0.250	0.2505	0.170	0.220	\$34.01
PR6750250C234P	6.750	6.182	0.250	0.2505	0.234	0.284	\$33.29
PR7000187C243P	7.000	6.414	0.187	0.1875	0.243	0.293	\$39.08

Call for pricing on sizes not listed.

Cast Iron Piston Rings - Inch, cont'd.

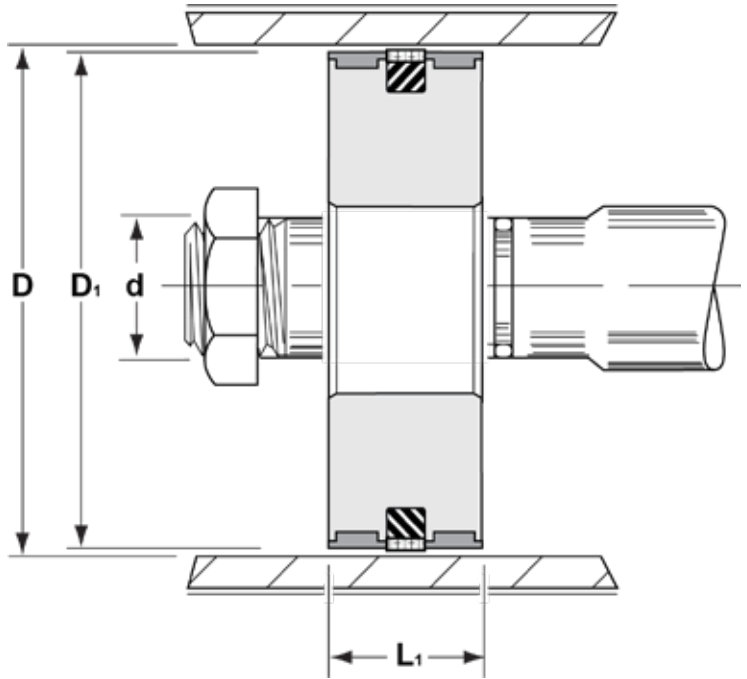
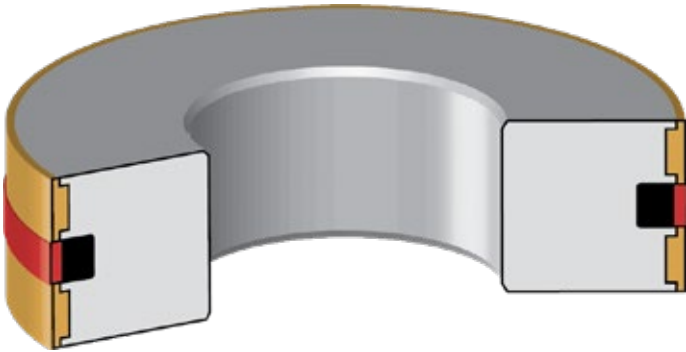
Part Number	Bore Diameter +.004/-0 D	Groove Diameter +0/-.004 d	Ring Height L ₁	Groove Height +.004/-0 L	Ring Wall C/S F ₁	Groove Depth +.004/-0 F	Price
Joint Clearance (T) .010 / .020							
PR7000187C269H	7.000	6.376	0.187	0.1875	0.269	0.312	\$49.48
PR7000250C187B	7.000	6.526	0.250	0.2505	0.187	0.237	\$83.95
PR7000250C243P	7.000	6.414	0.250	0.2505	0.243	0.293	\$24.89
PR7000312C243P	7.000	6.414	0.312	0.3125	0.243	0.293	\$34.32
PR7000375C190P	7.000	6.520	0.375	0.3755	0.190	0.240	\$37.41
PR7000500C233P	7.000	6.434	0.500	0.5005	0.233	0.283	\$53.16
PR7015375C155P	7.015	6.605	0.375	0.3755	0.155	0.205	\$51.23
PR7040312C243P	7.040	6.454	0.312	0.3125	0.243	0.293	\$40.25
PR7087236C238S	7.087	6.511	0.236	0.2365	0.238	0.288	\$40.68
PR7156312C243P	7.156	6.570	0.312	0.3125	0.243	0.293	\$59.91
PR7250187C255P	7.250	6.640	0.187	0.1875	0.255	0.305	\$40.82
PR7250250C252P	7.250	6.646	0.250	0.2505	0.252	0.302	\$40.53
PR7250312C252P	7.250	6.646	0.312	0.3125	0.252	0.302	\$37.99
PR7250375B252P	7.250	6.646	0.375	0.3755	0.252	0.302	\$174.00
PR7260250C268P	7.260	6.620	0.250	0.2505	0.268	0.320	\$30.61
PR7280250C272P	7.280	6.636	0.250	0.2505	0.272	0.322	\$40.53
PR7300250C243P	7.300	6.714	0.250	0.2505	0.243	0.293	\$42.42
PR7375375C201P	7.375	6.847	0.375	0.3755	0.201	0.264	\$49.65
PR7496500C155P	7.496	7.086	0.500	0.5005	0.155	0.205	\$77.82
PR7500187C259P	7.500	6.882	0.187	0.1875	0.259	0.309	\$46.32
PR7500250C259P	7.500	6.882	0.250	0.2505	0.259	0.309	\$32.49
PR7500312C170P	7.500	7.050	0.312	0.3125	0.170	0.225	\$69.37
PR7500312C225P	7.500	6.942	0.312	0.3125	0.225	0.279	\$47.96
PR7500312C259P	7.500	6.882	0.312	0.3125	0.259	0.309	\$52.65
PR7500375C259P	7.500	6.876	0.375	0.3755	0.259	0.312	\$169.47
PR7520187C259B	7.520	6.896	0.187	0.1875	0.259	0.312	\$50.42
PR7555312C230B	7.555	6.987	0.312	0.3125	0.230	0.284	\$60.36
PR7625312C275P	7.625	6.975	0.312	0.3125	0.275	0.325	\$37.62
PR7625312C263P	7.625	6.999	0.312	0.3125	0.263	0.313	\$55.98
PR7740312C244P	7.740	7.152	0.312	0.3125	0.244	0.294	\$58.73
PR7750187C220H	7.750	7.210	0.187	0.1875	0.220	0.270	\$47.44
PR7750250C267P	7.750	7.116	0.250	0.2505	0.267	0.317	\$49.25
PR7750312C267P	7.750	7.116	0.312	0.3125	0.267	0.317	\$46.57
PR7874236C273S	7.874	7.228	0.236	0.2365	0.273	0.323	\$40.14
PR7876500C255P	7.876	7.266	0.500	0.5005	0.255	0.305	\$42.28
PR7937312C250P	7.937	7.337	0.312	0.3125	0.250	0.300	\$58.73
PR8000250C275P	8.000	7.350	0.250	0.2505	0.275	0.325	\$59.24
PR8000312C275P	8.000	7.350	0.312	0.3125	0.275	0.325	\$37.08
PR8000375C275P	8.000	7.350	0.375	0.3755	0.275	0.325	\$42.37
PR8000437C295P	8.000	7.334	0.437	0.4375	0.295	0.333	\$66.96
PR8000500C275P	8.000	7.350	0.500	0.5005	0.275	0.325	\$66.28
PR8030250C275P	8.030	7.380	0.250	0.2505	0.275	0.325	\$104.48
PR8030312C275P	8.030	7.380	0.312	0.3125	0.275	0.325	\$101.34
PR8040437C260P	8.040	7.420	0.437	0.4375	0.260	0.310	\$95.97
PR8091203C275B	8.091	7.441	0.203	0.2035	0.275	0.325	\$63.92
PR8125250C275P	8.125	7.475	0.250	0.2505	0.275	0.325	\$68.26
PR8145437C270P	8.145	7.505	0.437	0.4375	0.270	0.320	\$74.54
PR8250250C283P	8.250	7.608	0.250	0.2505	0.283	0.321	\$67.39
PR8250375C276P	8.250	7.598	0.375	0.3755	0.276	0.326	\$79.82
PR8267236C285S	8.267	7.591	0.236	0.2365	0.285	0.338	\$74.95
PR8420250C306P	8.420	7.700	0.250	0.2505	0.306	0.360	\$43.26
PR8437250C286P	8.437	7.789	0.250	0.2505	0.286	0.324	\$51.41
PR8467250C286P	8.467	7.795	0.250	0.2505	0.286	0.336	\$65.33
PR8496250C155P	8.496	8.086	0.250	0.2505	0.155	0.205	\$62.48
PR8500187C290P	8.500	7.820	0.187	0.1875	0.290	0.340	\$60.26
PR8500250C290P	8.500	7.820	0.250	0.2505	0.290	0.340	\$50.92
PR8500312C185P	8.500	8.006	0.312	0.3125	0.185	0.247	\$63.96
PR8500312C290P	8.500	7.820	0.312	0.3125	0.290	0.340	\$52.25
PR8500375C290P	8.500	7.820	0.375	0.3755	0.290	0.340	\$62.60

Cast Iron Piston Rings - Inch, cont'd.

Part Number	Bore Diameter +.004/-0 D	Groove Diameter +0/-0.004 d	Ring Height L ₁	Groove Height +.004/-0 L	Ring Wall C/S F ₁	Groove Depth +.004/-0 F	Price
Joint Clearance (T) .010 / .020							
PR8600375C160B	8.600	8.180	0.375	0.3755	0.160	0.210	\$81.84
PR8661236C293S	8.661	7.975	0.236	0.2365	0.293	0.343	\$72.02
PR9000125C309P	9.000	8.282	0.125	0.1255	0.309	0.359	\$55.65
PR9000187C250B	9.000	8.400	0.187	0.1875	0.250	0.300	\$56.32
PR9000250C309P	9.000	8.282	0.250	0.2505	0.309	0.359	\$77.05
PR9000312C309P	9.000	8.282	0.312	0.3125	0.309	0.359	\$65.63
PR9000375C309P	9.000	8.282	0.375	0.3755	0.309	0.359	\$64.18
PR9000500C191P	9.000	8.518	0.500	0.5005	0.191	0.241	\$105.91
PR9000500C309P	9.000	8.282	0.500	0.5005	0.309	0.359	\$105.91
PR9040437C255P	9.040	8.430	0.437	0.4375	0.255	0.305	\$89.56
PR9055236C305S	9.055	8.345	0.236	0.2365	0.305	0.355	\$82.16
PR9170312C308P	9.170	8.454	0.312	0.3125	0.308	0.358	\$71.15
PR9170375C308P	9.170	8.454	0.375	0.3755	0.308	0.358	\$77.55
PR9250375C315P	9.250	8.520	0.375	0.3755	0.315	0.365	\$115.69
PR9315125C330S	9.315	8.555	0.125	0.1255	0.330	0.380	\$69.89
PR9375312C312P	9.375	8.651	0.312	0.3125	0.312	0.362	\$141.17
PR9375500C315S	9.375	8.645	0.500	0.5005	0.315	0.365	\$83.40
PR9500187C320P	9.500	8.760	0.187	0.1875	0.320	0.370	\$84.86
PR9500312C330P	9.500	8.740	0.312	0.3125	0.330	0.380	\$128.44
PR9500375C320P	9.500	8.760	0.375	0.3755	0.320	0.370	\$120.08
PR9625250C246P	9.625	9.033	0.250	0.2505	0.246	0.296	\$1,090.00
PR9675375C320P	9.675	8.935	0.375	0.3755	0.320	0.370	\$115.20
PR9750250C305P	9.750	9.042	0.250	0.2505	0.305	0.354	\$90.53
PR9950375C320S	9.950	9.210	0.375	0.3755	0.320	0.370	\$248.12
PR10000125C330S	10.000	9.240	0.125	0.1255	0.330	0.380	\$102.08
PR10000375C332P	10.000	9.236	0.375	0.3755	0.332	0.382	\$105.87
PR10020625C255P	10.020	9.410	0.625	0.6255	0.255	0.305	\$138.52
PR10050375C332P	10.050	9.286	0.375	0.3755	0.332	0.382	\$125.08
PR10500375C335P	10.500	9.702	0.375	0.3755	0.335	0.399	\$114.52
PR11000375C358P	11.000	10.144	0.375	0.3755	0.358	0.428	\$189.17
PR11000500C191P	11.000	10.518	0.500	0.5005	0.191	0.241	\$170.05
PR11000500C358P	11.000	10.130	0.500	0.5005	0.358	0.435	\$189.17
PR11250375C377S	11.250	10.396	0.375	0.3755	0.377	0.427	\$194.58
PR11500125C370S	11.500	10.660	0.125	0.1255	0.370	0.420	\$99.12
PR11500187C270H	11.500	10.660	0.187	0.1875	0.270	0.420	\$185.44
PR11875375C412P	11.875	11.035	0.375	0.3755	0.412	0.420	\$106.26
PR12000375C401P	12.000	11.098	0.375	0.3755	0.401	0.451	\$185.44
PR12000437C389S	12.000	11.120	0.437	0.4375	0.389	0.440	\$195.54
PR12000500C421S	12.000	11.058	0.500	0.5005	0.421	0.471	\$313.72
PR12000562C401P	12.000	11.098	0.562	0.5625	0.401	0.451	\$252.66
PR12000625C401P	12.000	11.098	0.625	0.6255	0.401	0.451	\$470.76
PR12125625C375P	12.125	11.275	0.625	0.6255	0.375	0.425	\$312.45
PR12375437C416P	12.375	11.443	0.437	0.4375	0.416	0.466	\$287.18
PR12500500C270S	12.500	11.860	0.500	0.5005	0.270	0.320	\$314.72
PR12500500C500B	12.500	11.400	0.500	0.5005	0.500	0.550	\$317.90
PR13000437C416P	13.000	12.068	0.437	0.4375	0.416	0.466	\$357.77
PR13187187C450S	13.187	12.187	0.187	0.1875	0.450	0.500	\$252.78
PR13500500C440P	13.500	12.520	0.500	0.5005	0.440	0.490	\$333.63
PR14000500C437P	14.000	13.026	0.500	0.5005	0.437	0.487	\$476.89
PR15000247C260B-1	15.000	14.380	0.247	0.2475	0.260	0.310	\$1,098.00
PR16000500C517P	16.000	14.866	0.500	0.5005	0.517	0.567	\$568.33
PR16500625C525P	16.500	15.350	0.625	0.6255	0.525	0.575	\$655.96
PR18750562C687P	18.750	17.276	0.562	0.5625	0.687	0.737	\$926.86
PR19500625C610P	19.500	18.180	0.625	0.6255	0.610	0.660	\$485.16
PR26000750C730P	26.000	24.440	0.750	0.7505	0.730	0.780	POA
PR28000750C812S	28.000	26.276	0.750	0.7505	0.812	0.862	POA
PR39500750C925SOJ	39.500	37.550	0.750	0.7505	0.925	0.975	POA

Call for pricing on sizes not listed.

Unitized Pistons - Inch and Metric



EXAMPLE: UP-2.50X1.00X1.00					
Prefix	Bore Diameter		Groove Diameter		Overall Height
UP-	2.50	x	1.00	x	1.00
	2-1/2"		1"		1"

This piston assembly is a single entity comprised of a piston, bearing, and seal. This simplifies building cylinders by reducing the amount of parts needed for the job. It eliminates completely metal to metal contact ensuring longer seal life while reducing contamination.

Do not remove Wear Rings or will need new piston.

Part Number	Bore Diameter D	Thru Hole/Stem +.005/- .000 d	Overall Height +.005/- .005 L ₁	Finished Piston Diameter +0/- .004 D ₁	Price
UP-2.00X0.75X1.00	2.000	x 0.75	x 1.000	1.996/1.994	\$109.23
UP-2.50X1.00X1.00	2.500	x 1.000	x 1.000	2.496/2.494	\$130.95
UP-3.00X1.00X1.00	3.000	x 1.000	x 1.000	2.997/2.994	\$173.88
UP-3.50X1.00X1.50	3.500	x 1.000	x 1.500	3.496/3.494	\$184.75
UP-4.00X1.25X1.25	4.000	x 1.250	x 1.250	3.996/3.994	\$223.38
UP-5.00X1.25X1.25	5.000	x 1.250	x 1.250	4.996/4.994	\$268.09

OEM NUMBERING SYSTEM	Part Number	Bore Diameter D	Thru Hole/Stem +.005/- .000 d	Overall Height +.005/- .005 L ₁	Finished Piston Diameter +0/- .004 D ₁	Price
	AH214293	3.000	0.875		2.996/2.994	\$53.62
	AH174930	2.000	1.00		1.996/1.994	\$154.46
	AH227867	70mm	27mm	36mm	69/68.5	\$155.77
	AH169827	90mm	26mm	45mm	89/88.5	\$232.73
	AH169826	100mm	26mm	45mm	99/98.5	\$375.36
	AH163953	125mm	42mm	45mm	124/123.5	\$224.62
	AH169800	125mm	30mm	50mm	124/123.5	\$224.62

We do not imply that these seals are a product of John Deere®.

DR Fabric and Nitrile Piston Cups - Inch



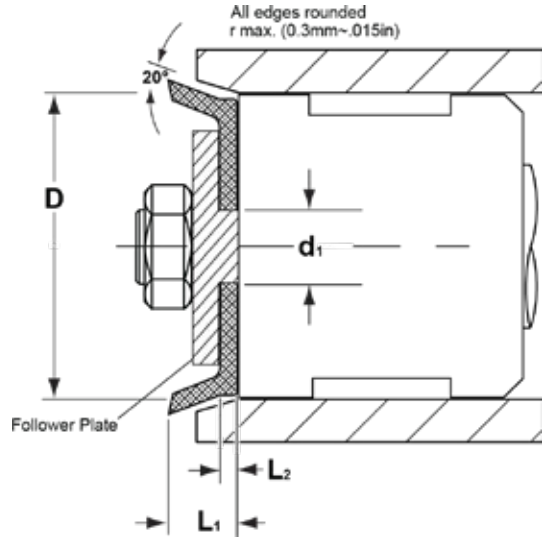
ALTERNATIVE SEALS: CS, SC, CT

EXAMPLE: DR02500-1125			
Prefix	Outside Diameter	Center Hole	
DR	02500	-	1125
	2-1/2"		1-1/8"

ITEMS W/O SUFFIX = NO CENTER HOLE

EXAMPLE: PCF3000-500-125-1750				
Prefix	Outside Diameter	Total Height	Base Height	Center Hole
PCF	3000	-	500	-
	3"	1/2"	1/8"	1-3/4"

ITEMS W/O SUFFIX = NO CENTER HOLE



DR Fabric Reinforced Nitrile Piston Cups are suitable for hydraulic applications. Most cups are supplied solid. Custom center holes ("d₁") and bolt holes are available at an additional charge. Many sizes are also available from stock in Fabric & FKM. Consult sales office for price and availability of non-standard sizes.

Temperature: -40° to 250°F

Pressure: 0 to 3,000 PSI

Part Number	Bore Diameter D	Cup Lip Height L ₁	Cup Base Height L ₂	Center Hole d ₁	Price
DR00375	0.375	0.250	0.062		\$6.54
DR00437	0.437	0.250	0.062		\$6.58
DR00500	0.500	0.250	0.062		\$6.62
DR00562	0.562	0.250	0.062		\$6.87
DR00625	0.625	0.281	0.093		\$10.04
DR00687	0.687	0.281	0.093		\$6.87
DR00750	0.750	0.313	0.093		\$6.87
DR00812	0.812	0.313	0.093		\$7.64
DR00875	0.875	0.375	0.093		\$7.86
DR00937	0.937	0.375	0.093		\$9.00
DR01000	1.000	0.437	0.093		\$7.90
DR01125	1.125	0.437	0.093		\$8.26
DR01250	1.250	0.437	0.093		\$8.51
DR01375	1.375	0.437	0.093		\$8.51
DR01500	1.500	0.500	0.125		\$9.94
DR01625	1.625	0.500	0.125		\$10.39
PCF1625-375-125	1.625	0.375	0.125		\$10.39
DR01750	1.750	0.500	0.125		\$11.51
DR01750-687	1.750	0.500	0.125	0.687	\$11.51
DR01875	1.875	0.500	0.125		\$11.99
DR02000	2.000	0.500	0.125		\$12.27
DR02000-625	2.000	0.500	0.125	0.625	\$12.27
DR02000-750	2.000	0.500	0.125	0.750	\$13.70
PCF2000-812-187-625	2.000	0.812	0.187	0.625	\$27.10
DR02000-1125	2.000	0.500	0.125	1.125	\$12.28
DR02125	2.125	0.500	0.125		\$14.56
DR02250	2.250	0.500	0.125		\$12.56
DR02250-1375	2.250	0.500	0.125	1.375	\$12.97
DR02375	2.375	0.500	0.125		\$12.86
DR02500	2.500	0.500	0.125		\$12.86
DR02500-625	2.500	0.500	0.125	0.625	\$13.93

We can cut center holes and bolt holes in your piston cups to almost any size!

Set up charge for custom center holes: \$15.00.

Set up charge for bolt holes: \$15.00 Bolt holes: \$.50 each

Holes up to and including 1": \$.50 per hole Holes over 1": \$1.00 per hole

DR Fabric and Nitrile Piston Cups - Inch, cont'd.

Part Number	Bore Diameter D	Cup Lip Height L ₁	Cup Base Height L ₂	Center Hole d ₁	Price
DR02500-1125	2.500	0.500	0.125	1.125	\$13.93
DR02625	2.625	0.500	0.125		\$20.50
PCF2625-812-250-875	2.625	0.812	0.250	0.875	\$35.49
DR02750	2.750	0.500	0.125		\$15.14
DR02750-1000	2.750	0.500	0.125	1.000	\$15.26
DR02875	2.875	0.500	0.125		\$17.80
PCF3000-500-125	3.000	0.500	0.125		\$17.83
PCF3000-500-125-1750	3.000	0.500	0.125	1.750	\$19.19
DR03000	3.000	0.625	0.156		\$16.40
DR03000-625	3.000	0.625	0.156	0.625	\$16.40
DR03000-1000	3.000	0.625	0.156	1.000	\$16.47
DR03000-1625	3.000	0.625	0.156	1.625	\$16.47
DR03125	3.125	0.625	0.156		\$21.20
DR03250	3.250	0.625	0.156		\$20.06
PCF3250-812-218-1000	3.250	0.812	0.218	1.000	\$56.64
PCF3250-812-250-1000	3.250	0.812	0.250	1.000	\$51.49
DR03375	3.375	0.625	0.156		\$24.29
DR03500	3.500	0.625	0.156		\$20.03
DR03500-1000	3.500	0.625	0.156	1.000	\$20.60
DR03625	3.625	0.625	0.156		\$26.55
DR03750	3.750	0.625	0.156		\$23.51
DR03875	3.875	0.625	0.156		\$28.23
PCF3937-500-156	3.937 (100mm)	0.500	0.156		\$63.74
DR04000	4.000	0.625	0.156		\$22.89
DR04000-1875	4.000	0.625	0.156	1.875	\$23.28
DR04000-2500	4.000	0.625	0.156	2.500	\$23.28
PCF4000-750-187	4.000	0.750	0.187		\$45.42
DR04125	4.125	0.625	0.156		\$29.33
DR04250	4.250	0.625	0.156		\$26.38
DR04250-1375	4.250	0.625	0.156	1.375	\$27.19
DR04375	4.375	0.625	0.156		\$29.81
DR04500	4.500	0.625	0.156		\$26.90
DR04500-1875	4.500	0.625	0.156	1.875	\$28.52
DR04625	4.625	0.625	0.156		\$72.44
DR04750	4.750	0.625	0.156		\$34.59
DR04875	4.875	0.625	0.156		\$36.60
DR05000	5.000	0.750	0.187		\$33.51
DR05250	5.250	0.750	0.187		\$36.85
DR05500	5.500	0.750	0.187		\$36.96
PCF5625-562-156-562	5.625	0.562	0.156	0.562	\$37.13
DR05750	5.750	0.750	0.187		\$40.61
DR05875	5.875	0.750	0.187		\$141.96
DR06000	6.000	0.750	0.187		\$47.17
DR06000-3000	6.000	0.750	0.187	3.000	\$51.11
DR06125	6.125	0.750	0.187		\$61.44
DR06250	6.250	0.750	0.187		\$48.23
DR06500	6.500	0.750	0.187		\$58.38
DR06750	6.750	0.750	0.187		\$59.77
DR07000	7.000	0.750	0.187		\$61.39
DR07250	7.250	0.750	0.187		\$68.80
DR07500	7.500	0.750	0.187		\$73.58
DR07750	7.750	0.750	0.187		\$77.01
DR08000	8.000	1.000	0.187		\$73.74
DR08500	8.500	1.000	0.187		\$92.37
DR09000	9.000	1.000	0.187		\$102.52
DR09500	9.500	1.000	0.187		\$127.20
DR09750	9.750	1.000	0.187		\$181.89
DR10000	10.000	1.000	0.187		\$123.71
DR10250	10.250	1.000	0.187		\$207.42
DR10500	10.500	1.000	0.187		\$212.06
DR11000	11.000	1.000	0.187		\$209.07
PCF11000-1000-250	11.000	1.000	0.250		\$216.64
DR11500	11.500	1.000	0.187		\$219.85
DR12000	12.000	1.000	0.187		\$160.23
DR14000	14.000	1.000	0.187		\$214.17
DR16000	16.000	1.000	0.187		\$410.68
DR20000	20.000	1.250	0.187		\$1,633.79

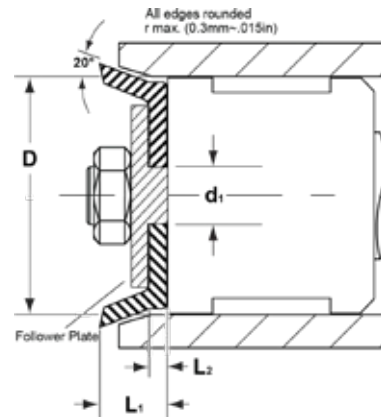
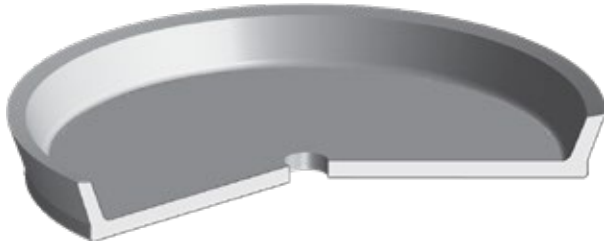
We can cut center holes and bolt holes in your piston cups to almost any size!

Set up charge for custom center holes: \$15.00.

Set up charge for bolt holes: \$15.00 Bolt holes: \$.50 each

Holes up to and including 1": \$.50 per hole Holes over 1": \$1.00 per hole

SC Homogeneous Nitrile Piston Cups - Inch


EXAMPLE: SC06000-1000

Prefix	Outside Diameter	Center Hole
SC	06000	1000
	6"	1"

ITEMS W/O SUFFIX = NO CENTER HOLE

EXAMPLE: PCH3000-500-125-1750

Prefix	Outside Diameter	Total Height	Base Height	Center Hole
PCH	3000	500	125	1750
	3"	1/2"	1/8"	1-3/4"

ITEMS W/O SUFFIX = NO CENTER HOLE

SC Homogeneous nitrile piston cups are used primarily for pneumatic and low pressure hydraulic applications. Most cups are supplied solid. Custom center holes ("d₁") and bolt holes are available at an additional charge. Consult sales for price and availability of non-standard sizes.

Temperature: -40° to 250°F

Pressure: 0 to 800 PSI

ALTERNATIVE SEALS: CT, CS, DR

Part Number	Bore Diameter D	Cup Lip Height L ₁	Cup Base Height L ₂	Center Hole d ₁	Price
SC00375	0.375	0.250	0.062		\$4.98
SC00437	0.437	0.250	0.062		\$5.06
SC00500	0.500	0.250	0.062		\$5.25
SC00562	0.562	0.250	0.062		\$5.25
SC00625	0.625	0.281	0.093		\$5.43
SC00687	0.687	0.281	0.093		\$5.53
SC00750	0.750	0.281	0.093		\$4.88
SC00812	0.812	0.281	0.093		\$6.58
995756	0.875	0.250	0.093	0.375	\$6.79
SC00875	0.875	0.375	0.093		\$6.79
SC00937	0.937	0.375	0.093		\$6.65
SC01000	1.000	0.437	0.093		\$5.10
SC01125	1.125	0.437	0.093		\$7.03
SC01125-280	1.125	0.437	0.093	0.280	\$7.58
SC01250	1.250	0.437	0.093		\$5.94
SC01375	1.375	0.437	0.093		\$6.03
SC01500	1.500	0.500	0.125		\$6.03
SC01625	1.625	0.500	0.125		\$6.03
SC01750	1.750	0.500	0.125		\$6.30
SC01875	1.875	0.500	0.125		\$8.70
SC02000	2.000	0.500	0.125		\$6.78
SC02000-250-CN80	2.000	0.500	0.125	0.250	\$7.30
PCH2000-625-156	2.000	0.625	0.156		\$11.41
SC02125	2.125	0.500	0.125		\$9.01
SC02125-1	2.125	0.500	0.125		\$9.35
SC02250	2.250	0.500	0.125		\$7.17
SC02250 E80	2.250	0.500	0.125		\$13.49
SC02375	2.375	0.500	0.125		\$7.40
SC02437	2.437	0.500	0.125		\$9.68
SC02500	2.500	0.500	0.125		\$7.58

We can cut center holes and bolt holes in your piston cups to almost any size!

Set up charge for custom center holes: \$15.00.

Set up charge for bolt holes: \$15.00 Bolt holes: \$.50 each

Holes up to and including 1": \$.50 per hole Holes over 1": \$1.00 per hole

SC Homogeneous Nitrile Piston Cups, cont'd.

Part Number	Bore Diameter D	Cup Lip Height L ₁	Cup Base Height L ₂	Center Hole d ₁	Price
PCH2500-375-156-875	2.500	0.375	0.156	0.875	\$11.79
SC02500-625	2.500	0.500	0.125	0.625	\$8.37
SC02625	2.625	0.500	0.125		\$7.78
SC02750	2.750	0.500	0.125		\$7.99
SC02875	2.875	0.500	0.125		\$8.23
SC03000	3.000	0.500	0.156		\$8.23
SC03000-340	3.000	0.500	0.156	0.340	\$8.53
PCH3000-0500-125	3.000	0.500	0.125		\$9.32
SC03125	3.125	0.625	0.156		\$8.45
SC03250	3.250	0.625	0.156		\$9.95
SC03375	3.375	0.625	0.156		\$13.27
SC03500	3.500	0.625	0.156		\$17.39
SC03625	3.625	0.625	0.156		\$17.68
SC03750	3.750	0.625	0.156		\$17.97
SC03875	3.875	0.625	0.156		\$18.39
PCH4000-500-125	4.000	0.500	0.125		\$16.57
PCH4000-500-125-562	4.000	0.500	0.125	0.562	\$16.93
PCH4000-500-125-1500	4.000	0.500	0.125	1.500	\$16.93
PCH4000-500-125-2750	4.000	0.500	0.125	2.750	\$16.93
SC04000	4.000	0.625	0.156		\$10.97
SC04000-625	4.000	0.625	0.156	0.625	\$13.67
SC04000-1125	4.000	0.625	0.156	1.125	\$13.67
SC04250	4.250	0.625	0.156		\$12.45
SC04500	4.500	0.625	0.156		\$17.45
SC04750	4.750	0.625	0.156		\$14.88
SC04750-2000	4.750	0.625	0.156	2.000	\$18.41
PCH4875-687-187	4.875	0.687	0.187		\$19.20
PCH5000-625-125	5.000	0.625	0.125		\$70.24
SC05000	5.000	0.750	0.187		\$25.04
SC05125	5.125	0.750	0.187		\$26.97
SC05250	5.250	0.750	0.187		\$34.62
SC05375	5.375	0.750	0.187		\$34.88
SC05500	5.500	0.750	0.187		\$28.53
SC05625	5.625	0.750	0.187		\$38.47
SC05750	5.750	0.750	0.187		\$28.85
SC05875	5.875	0.750	0.187		\$57.46
SC06000	6.000	0.750	0.187		\$20.33
SC06000 V90	6.000	0.750	0.187		\$97.98
PCH6000-0875-125	6.000	0.875	0.125		\$83.49
SC06000-1000	6.000	0.750	0.187	1.000	\$20.55
SC06000-1000 V90	6.000	0.750	0.187	1.000	\$98.48
SC06125	6.125	0.750	0.187		\$58.56
SC06250	6.250	0.750	0.187		\$33.22
SC06375	6.375	0.750	0.187		\$64.23
SC06500	6.500	0.750	0.187		\$30.32
SC06625	6.625	0.750	0.187		\$56.43
SC06750	6.750	0.750	0.187		\$59.75
SC07000	7.000	0.750	0.187		\$37.18
PCH7000-0625-125	7.000	0.625	0.125		\$38.93
SC07250	7.250	0.750	0.187		\$47.51
SC07500	7.500	0.750	0.187		\$39.86
SC07750	7.750	0.750	0.187		\$41.58
PCH8000-625-125	8.000	0.625	0.125		\$75.71
PCH8000-750-187	8.000	0.750	0.187		\$42.22
PCH8000-0750-187-5@1	8.000	0.750	0.187	5.250	\$47.25

We can cut center holes and bolt holes in your piston cups to almost any size!

Set up charge for custom center holes: \$15.00.

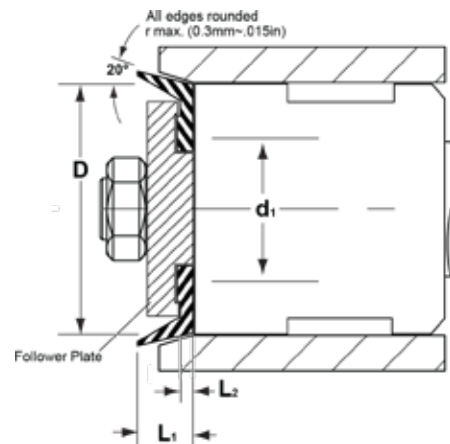
Set up charge for bolt holes: \$15.00 Bolt holes: \$.50 each

Holes up to and including 1": \$.50 per hole Holes over 1": \$1.00 per hole

SC Homogeneous Nitrile Piston Cups - Inch, cont'd.

Part Number	Bore Diameter D	Cup Lip Height L ₁	Cup Base Height L ₂	Center Hole d ₁	Price
PCH8000-1000-250	8.000	1.000	0.250		\$46.70
SC08000	8.000	1.000	0.187		\$37.73
SC08000-1000	8.000	1.000	0.187	1.000	\$40.43
PCH8500-750-187	8.500	0.750	0.187		\$43.96
SC08500	8.500	1.000	0.187		\$52.20
PCH9000-750-187	9.000	0.750	0.187		\$88.23
SC09000	9.000	1.000	0.187		\$51.21
SC09500	9.500	1.000	0.187		\$65.57
PCH9750-750-187	9.750	0.750	0.187		\$65.45
SC10000	10.000	1.000	0.187		\$43.25
SC10250	10.250	1.000	0.187		\$95.83
SC10500	10.500	1.000	0.187		\$67.47
SC11000	11.000	1.000	0.187		\$86.36
SC11500	11.500	1.000	0.187		\$83.21
SC12000	12.000	1.000	0.187		\$76.60
SC14000	14.000	1.000	0.187		\$78.61
SC16000	16.000	1.000	0.187		\$82.44
PCH20000-1250-187	20.000	1.250	0.187		\$890.02

Nitrile Piston Cups for Miller® Cylinders - Inch



EXAMPLE: MIL-052-PS001-150

Prefix	Outside Diameter
MIL-052-PS001	-150
	1-1/2"

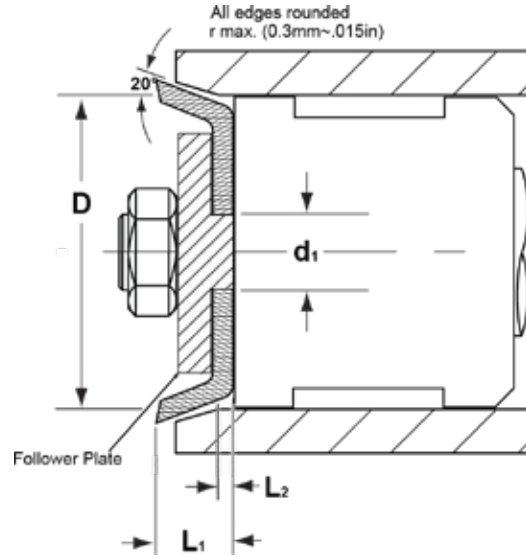
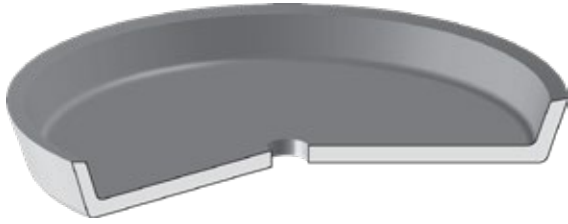
These homogeneous nitrile piston cups are found in older Miller A®, JW® & HW® cylinders. The unique base step and thin lip configuration assure stability and low friction.

Temperature: -40° to 250°F

Pressure: 0 to 800 PSI

Part Number	Bore Size D	Cup Lip Height L ₁	Cup Base Height L ₂	Center Hole d ₁	Price
MIL-052-PS001-150	1.500	0.375	0.125	0.875	\$20.79
MIL-052-PS001-200	2.000	0.375	0.125	1.062	\$22.36
MIL-052-PS001-250	2.500	0.437	0.125	1.562	\$33.01
MIL-052-PS001-325	3.250	0.437	0.125	2.250	\$44.49
MIL-052-PS001-400	4.000	0.437	0.125	3.062	\$52.19
MIL-052-PS001-500	5.000	0.562	0.125	3.750	\$68.00
MIL-052-PS001-600	6.000	0.562	0.125	4.750	\$78.96
MIL-052-PS001-800	8.000	0.625	0.125	6.500	\$88.53
MIL-052-PS001-1000	10.000	0.750	0.187	8.250	\$134.19
MIL-052-PS001-1200	12.000	0.750	0.187	9.750	\$172.67

CS Urethane Piston Cups - Inch



EXAMPLE: CS1500-500			
Prefix	Outside Diameter		Total Height
CS	1500	-	500
	1-1/2"		1/2"

EXAMPLE: PCP-2500-500-125-875					
Prefix	Outside Diameter	Total Height	Base Height	Center Hole	
PCP-	2500	-	500	-	125 - 875
	2-1/2"		1/2"		1/8" - 7/8"

CS type piston cups are molded of urethane and are recommended for hydraulic applications. Most cups are supplied solid. Custom center holes ("d₁") and bolt holes are available at an additional charge.

Temperature: -65° to 200°F

Pressure: 0 to 5,000 PSI

ITEMS W/O SUFFIX = NO CENTER HOLE

ALTERNATIVE SEALS: DR, SC, CT

Part Number	Bore Dia. D	Cup Lip Height L ₁	Cup Base Height L ₂	Center Hole d ₁	Price
CS0437-250	0.437	0.250	0.093		\$11.19
PCP-0500-250-062-250	0.500	0.250	0.062	0.250	\$7.63
CS0500-250	0.500	0.250	0.093		\$11.19
PCP-0625-312-093-187	0.625	0.312	0.093	0.187	\$13.08
CS0750-250	0.750	0.250	0.093		\$13.16
CS0750-375	0.750	0.375	0.093		\$13.16
CS0875-250	0.875	0.250	0.093		\$13.16
CS0875-375	0.875	0.375	0.093		\$13.16
CS1000-500	1.000	0.500	0.125		\$11.19
CS1062-500	1.062	0.500	0.125		\$16.92
PCP-1125-375-125-625	1.125	0.375	0.125	0.625	\$9.23
CS1125-500	1.125	0.500	0.125		\$12.60
CS1187-500	1.187	0.500	0.125		\$15.09
CS1250-500	1.250	0.500	0.125		\$15.80
PCP-1250-500-125-625	1.250	0.500	0.125	0.625	\$13.79
CS1375-437	1.375	0.437	0.125		\$16.78
CS1375-500	1.375	0.500	0.125		\$16.78
CS1437-500	1.437	0.500	0.125		\$17.71
CS1500-500	1.500	0.500	0.125		\$16.57
PCP-1500-500-125-500	1.500	0.500	0.125	0.500	\$13.77
PCP-1500-500-125-750	1.500	0.500	0.125	0.750	\$13.77
PCP-1625-375-125-1@1	1.625	0.375	0.125	1.000	\$13.77
PCP-1625-500-125-812	1.625	0.500	0.125	0.812	\$16.04
CS1625-500	1.625	0.500	0.125		\$20.35
CS1750-500	1.750	0.500	0.125		\$19.21

We can cut center holes and bolt holes in your piston cups to almost any size!

Set up charge for custom center holes: \$15.00.

Set up charge for bolt holes: \$15.00 Bolt holes: \$.50 each

Holes up to and including 1": \$.50 per hole Holes over 1": \$1.00 per hole

CS Urethane Piston Cups - Inch, cont'd.

Part Number	Bore Dia. D	Cup Lip Height L ₁	Cup Base Height L ₂	Center Hole d ₁	Price
CS1875-500	1.875	0.500	0.125		\$23.50
CS1937-500	1.937	0.500	0.125		\$24.00
CS2000-500	2.000	0.500	0.125		\$24.95
PCP-2000-500-125-750	2.000	0.500	0.125	0.750	\$18.15
CS2250-500	2.250	0.500	0.125		\$28.16
PCP-2250-500-125-1@1	2.250	0.500	0.125	1.375	\$21.24
CS2312-500	2.312	0.500	0.125		\$28.90
CS2375-500	2.375	0.500	0.125		\$29.68
CS2500-500	2.500	0.500	0.125		\$31.22
PCP-2500-500-125-875	2.500	0.500	0.125	0.875	\$22.62
CS2562-625	2.562	0.625	0.125		\$32.06
CS2625-500	2.625	0.500	0.125		\$32.38
CS2875-500	2.875	0.500	0.125		\$34.51
CS2875-625	2.875	0.625	0.187		\$34.51
PCP-3000-562-156-1@1	3.000	0.562	0.156	1.875	\$27.32
CS3000-625	3.000	0.625	0.187		\$33.02
CS3250-500	3.250	0.500	0.125		\$39.27
CS3250-625	3.250	0.625	0.187		\$34.56
CS3375-625	3.375	0.625	0.187		\$34.56
PCP-3500-625-156-500	3.500	0.625	0.156	0.500	\$24.59
PCP-3500-625-156-562	3.500	0.625	0.156	0.562	\$25.94
CS3500-625	3.500	0.625	0.187		\$38.27
CS3750-625	3.750	0.625	0.187		\$46.85
CS4000-625	4.000	0.625	0.187		\$43.73
CS4250-500	4.250	0.500	0.125		\$52.79
CS4250-625	4.250	0.625	0.187		\$52.79
CS4500-625	4.500	0.625	0.187		\$49.12
CS4750-750	4.750	0.750	0.187		\$58.85
CS5000-625	5.000	0.625	0.187		\$54.56
CS5000-750	5.000	0.750	0.187		\$64.48
CS5250-750	5.250	0.750	0.187		\$65.87
CS5500-750	5.500	0.750	0.187		\$59.92
CS5750-750	5.750	0.750	0.187		\$70.91
CS6000-625	6.000	0.625	0.187		\$74.35
CS6000-750	6.000	0.750	0.187		\$65.43
CS6000-1000	6.000	1.000	0.187		\$74.35
CS6500-750	6.500	0.750	0.187		\$69.69
CS6750-750	6.750	0.750	0.187		\$78.94
CS7000-750	7.000	0.750	0.187		\$81.73
CS7250-750	7.250	0.750	0.187		\$84.44
CS7500-1000	7.500	1.000	0.187		\$90.78
CS8000-750	8.000	0.750	0.187		\$93.40
CS8000-1000	8.000	1.000	0.187		\$97.29
CS9000-1000	9.000	1.000	0.187		\$107.57
CS9500-1000	9.500	1.000	0.187		\$110.86
CS10000-750	10.000	0.750	0.187		\$116.55
CS10000-1000	10.000	1.000	0.187		\$121.41
CS10250-1250	10.250	1.250	0.187		\$127.99
CS11000-1250	11.000	1.250	0.187		\$170.60
CS12000-1250	12.000	1.250	0.187		\$216.05
CS13000-1000	13.000	1.000	0.187		\$230.68
CS13000-1250	13.000	1.250	0.187		\$240.29
CS16000-1250	16.000	1.250	0.187		\$264.22

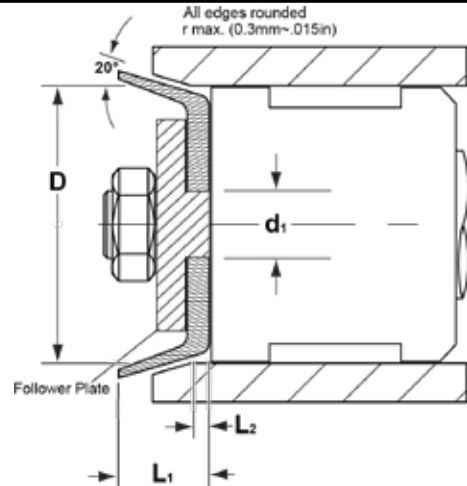
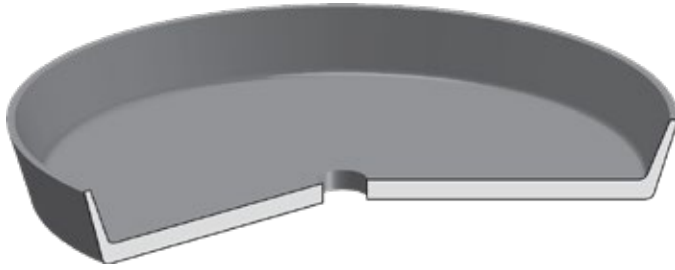
We can cut center holes and bolt holes in your piston cups to almost any size!

Set up charge for custom center holes: \$15.00.

Set up charge for bolt holes: \$15.00 Bolt holes: \$.50 each

Holes up to and including 1": \$.50 per hole Holes over 1": \$1.00 per hole

CT Thin Wall Urethane Piston Cups - Inch



ALTERNATIVE SEALS: CS, SC

EXAMPLE: CT12500-1250		
Prefix	Outside Diameter	Total Height
CT	12500	1250
	12-1/2"	1-1/4"

CT Series (Thin Wall) type piston cups are molded of urethane and are recommended for pneumatic applications. The thinner lip relative to base thickness results in lower friction and longer wear. Cups are supplied solid. Custom center holes ("d₁") and bolt holes are available at an additional charge.

Temperature: -65° to 200°F

Pressure: 0 to 1,500 PSI

Part Number	Bore Dia. D	Cup Base Height L ₂	Cup Lip Height L ₁	Price
CT0437-187	0.437	0.093	0.187	\$7.38
CT0437-250	0.437	0.062	0.250	\$7.39
CT0500-375	0.500	0.093	0.375	\$7.51
CT0625-375	0.625	0.093	0.375	\$7.51
CT0750-375	0.750	0.093	0.375	\$7.69
CT1000-437	1.000	0.093	0.437	\$27.25
CT1125-437	1.125	0.093	0.437	\$8.95
CT1250-437	1.250	0.093	0.437	\$9.69
CT1375-437	1.375	0.093	0.437	\$10.27
CT1500-437	1.500	0.093	0.437	\$11.54
CT1625-437	1.625	0.093	0.437	\$12.55
CT1875-437	1.875	0.093	0.437	\$14.49
CT1937-437	1.937	0.093	0.437	\$15.04
CT2000-312	2.000	0.125	0.312	\$15.47
CT2000-437	2.000	0.125	0.437	\$15.47
CT2125-500	2.125	0.125	0.500	\$16.37
CT2250-500	2.250	0.125	0.500	\$17.35
CT2375-500	2.375	0.125	0.500	\$18.40
CT2500-500	2.500	0.125	0.500	\$19.26
CT2625-500	2.625	0.125	0.500	\$19.87
CT2750-500	2.750	0.125	0.500	\$22.13
CT2875-500	2.875	0.125	0.500	\$22.61
CT3000-625	3.000	0.125	0.625	\$24.27
CT3250-625	3.250	0.125	0.625	\$24.92
CT3500-625	3.500	0.125	0.625	\$26.73
CT4000-437	4.000	0.125	0.437	\$31.65
CT4000-625	4.000	0.125	0.625	\$31.65

We can cut center holes and bolt holes in your piston cups to almost any size!

Set up charge for custom center holes: \$15.00.

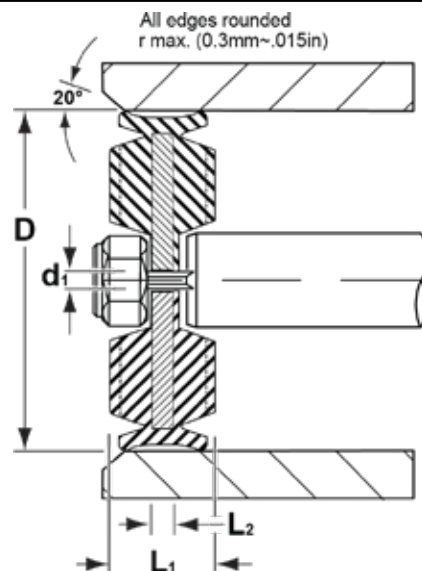
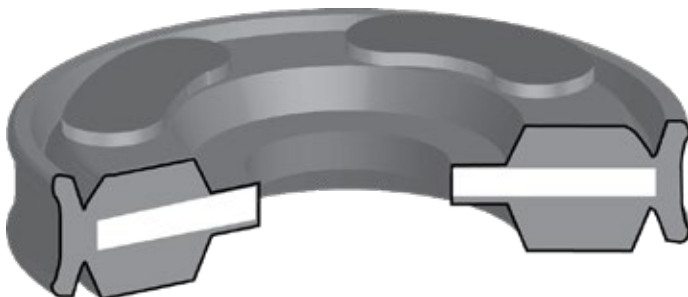
Set up charge for bolt holes: \$15.00 Bolt holes: \$.50 each

Holes up to and including 1": \$.50 per hole Holes over 1": \$1.00 per hole

CT Thin Wall Urethane Piston Cups - Inch, cont'd.

Part Number	Bore Dia. D	Cup Lip Height L ₁	Cup Base Height L ₂	Price
CT4250-625	4.250	0.125	0.625	\$32.58
CT4500-625	4.500	0.125	0.625	\$34.45
CT4750-750	4.750	0.125	0.750	\$36.30
CT5000-562	5.000	0.125	0.562	\$42.27
CT5000-750	5.000	0.125	0.750	\$42.27
CT5250-750	5.250	0.125	0.750	\$48.17
CT5500-750	5.500	0.125	0.750	\$54.20
CT5750-750	5.750	0.125	0.750	\$59.96
CT6000-750	6.000	0.125	0.750	\$65.95
CT6500-750	6.500	0.125	0.750	\$78.47
CT7000-750	7.000	0.125	0.750	\$83.77
CT8000-1000	8.000	0.125	1.000	\$95.70
CT11000-1250	11.000	0.187	1.250	\$167.84
CT12500-1250	12.500	0.187	1.250	\$228.90
CT13000-1250	13.000	0.187	1.250	\$236.41

DP Double Acting Piston Cups w/ Cushion - Metric



EXAMPLE: DP-63X12X14X10

Prefix	Outside Diameter	Center Hole	Total Height	Seal Lip Height
DP-	12 x 12mm	4.5 x 4.5mm	6 x 6mm	4 x 4mm

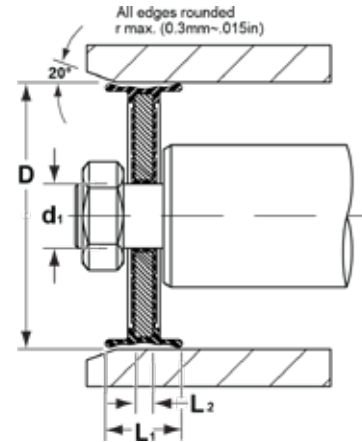
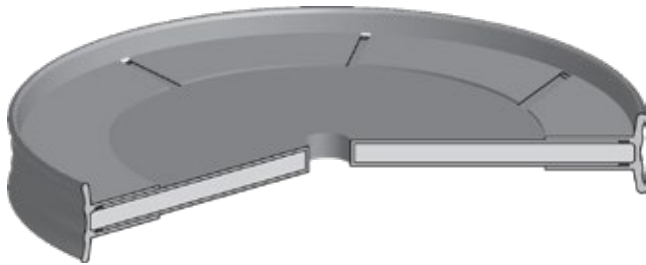
Part Number	Bore D	Center Hole d ₁	Overall Height L ₁	Metal Height L ₂	Price
DP-12x4.5x6x4	12	4.5	6	2	\$10.19
DP-16x4.5x6x4.5	16	4.5	6.5	2	\$10.19
DP-20x6.3x6x7.5	20	6	7.5	2.5	\$10.19
DP-25x7x8.8x7	25	7	8.8	3	\$10.19
DP-32x8x11x3	32	8	11	3	\$12.49
DP-40x8.8x8x11.8	40	8.8	11.8	4	\$15.29
DP-50x10x14x4	50	10	14	4	\$17.87
DP-63x12x14x4	63	12	14	4	\$23.01
DP-80x16x16x12	80	16	16	5	\$33.59
DP-100x14x20x18	100	20	18	6	\$44.14

This double acting complete piston is made from an aluminum plate vulcanized with elastomeric nitrile. The DP seal provides a reliable pressure application at the end of a stroke by using specially designed venting passages. It is easily installed, has low friction and runs smoothly.

Temperature: -22°F to 221°F

Pressure: ≤174 PSI

DK Double Acting Piston Cups - Inch



ALTERNATIVE SEALS: CB

EXAMPLE: DK-28278	
Prefix	Outside Diameter
DK-28	278
	2-7/8"

The DK type inch piston cup is a complete pneumatic piston with a double lip seal vulcanized to a metal support disk. The lip geometry provides low breakout and running friction, and it can be used in unlubricated air after initial assembly lubrication. Because of the complete rubber covering, corrosion is not a problem.

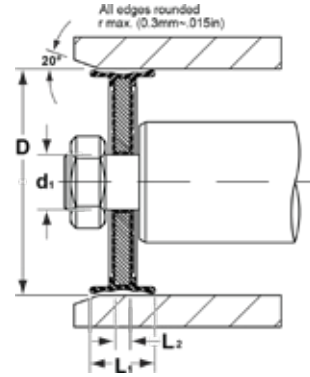
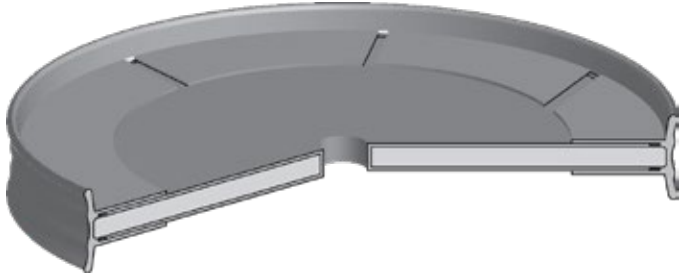
Parts marked with suffix "V" are FKM

Temperature: -20° to 175°F

Pressure: 0 to 235 PSI

Part Number	Bore Dia. D	Center Hole d_1	Total Height L_2	Metal Thickness L_1	Price
DK-28100	1.000	0.250	0.500	0.097	\$16.11
DK-28118	1.125	0.250	0.500	0.097	\$14.77
DK-28114	1.250	0.250	0.562	0.097	\$17.54
DK-28138	1.375	0.250	0.500	0.097	\$18.27
DK-28138V	1.375	0.250	0.500	0.097	\$54.45
DK-28134	1.750	0.250	0.562	0.097	\$21.23
DK-28178	1.875	0.250	0.562	0.097	\$22.72
DK-28178V	1.875	0.250	0.562	0.097	\$74.87
DK-28200	2.000	0.375	0.625	0.118	\$23.41
DK-28214	2.250	0.375	0.625	0.118	\$29.61
DK-28238	2.375	0.375	0.625	0.118	\$30.53
DK-28238V	2.375	0.375	0.625	0.118	\$84.83
DK-28212	2.500	0.375	0.625	0.118	\$31.10
DK-28234	2.750	0.375	0.750	0.156	\$37.79
DK-28278	2.875	0.375	0.750	0.156	\$38.92
DK-28300	3.000	0.500	0.750	0.156	\$40.52
DK-28314	3.250	0.500	0.750	0.156	\$43.71
DK-28317	3.250	0.875	0.750	0.156	\$47.85
DK-28312	3.500	0.500	0.875	0.197	\$51.14
DK-28334	3.750	0.500	0.875	0.197	\$59.46
DK-28400	4.000	0.500	0.875	0.197	\$69.26
DK-28407	4.000	0.750	0.875	0.197	\$72.77
DK-28414	4.250	0.500	0.875	0.197	\$79.98
DK-28412	4.500	0.750	0.875	0.197	\$81.37
DK-28500	5.000	0.750	1.000	0.236	\$108.44
DK-28534	5.750	0.750	1.000	0.236	\$163.82
DK-28600	6.000	0.750	1.000	0.236	\$154.10
DK-28612	6.500	0.750	1.000	0.236	\$185.24
DK-28700	7.000	1.250	1.125	0.315	\$241.17
DK-28800	8.000	1.250	1.125	0.315	\$274.39

DK Double Acting Piston Cups - Metric



ALTERNATIVE SEALS: TDH

EXAMPLE: DK-63X12X22X5							
Prefix	Outside Diameter		Center Hole		Total Height		Metal Thickness
DK-	63	x	12	x	22	x	5
	63mm		12mm		22mm		5mm

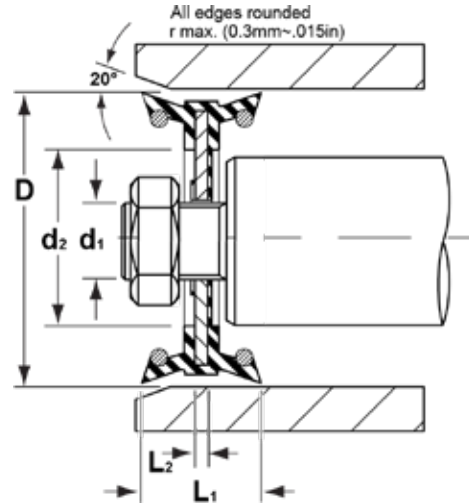
The DK type metric piston cup is a complete pneumatic piston with a double lip seal vulcanized to a metal support disk. The lip geometry provides low breakout and running friction, and it can be used in unlubricated air after initial assembly lubrication. Because of the complete rubber covering, corrosion is not a problem.

Temperature: -20° to 175°F

Pressure: 0 to 235 PSI

Prefix	Part Number				Price
	Bore Diameter D	Center Hole d ₁	Total Height L ₂	Metal Thickness L ₁	
DK -	20	x 6	x 12	x 3	\$6.53
DK -	25	x 6	x 12	x 3	\$9.05
DK -	25	x 8	x 12	x 3	\$6.53
DK -	32	x 8	x 15	x 3	\$7.12
DK -	35	x 8	x 15	x 3	\$10.67
DK -	40	x 10	x 18	x 4	\$8.98
DK -	50	x 8	x 20	x 4	\$16.65
DK -	50	x 10	x 18	x 4	\$10.35
DK -	50	x 16	x 20.5	x 4	\$11.63
DK -	60	x 12	x 22	x 5	\$18.54
DK -	60	x 18	x 21	x 4	\$22.88
DK -	63	x 12	x 22	x 5	\$13.21
DK -	63	x 16	x 21.5	x 4	\$20.14
DK -	63	x 16	x 21.5	x 6	\$30.75
DK -	70	x 12	x 22	x 5	\$16.99
DK -	75	x 12	x 22.5	x 5	\$19.25
DK -	80	x 16	x 22.5	x 5	\$19.29
DK -	80	x 16	x 25	x 5	\$20.26
DK -	80	x 20	x 22.5	x 5	\$30.18
DK -	90	x 12	x 24	x 6	\$34.12
DK -	90	x 16	x 25	x 5	\$25.44
DK -	100	x 16	x 25	x 6	\$25.44
DK -	100	x 18	x 25	x 5	\$35.79
DK -	100	x 20	x 26	x 6	\$50.61
DK -	125	x 20	x 26	x 9	\$44.36
DK -	125	x 20	x 30	x 8	\$47.81
DK -	140	x 20	x 30	x 10	\$60.62
DK -	150	x 20	x 30	x 10	\$68.63
DK -	160	x 20	x 30	x 10	\$79.06
DK -	160	x 27	x 31	x 10	\$81.06
DK -	180	x 27	x 31	x 11	\$103.09
DK -	200	x 27	x 30	x 12	\$184.35
DK -	200	x 20	x 35	x 12	\$125.40
DK -	200	x 27	x 35	x 12	\$127.80
DK -	250	x 30	x 35	x 12	\$149.55

TDH Double Acting Piston Cups - Metric



ALTERNATIVE SEALS: DK in some cases

EXAMPLE: TDH-75X12X30X5							
Prefix	Outside Diameter		Center Hole		Total Height		Metal Thickness
TDH-	75	x	12	x	30	x	5
	75mm		12.2mm		30mm		5mm

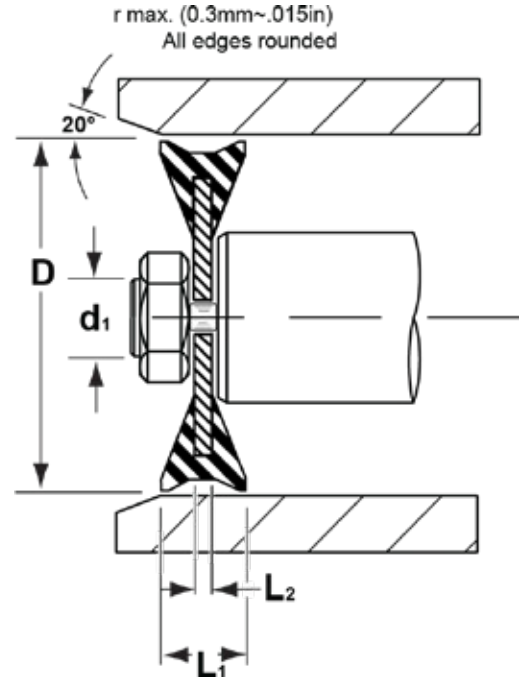
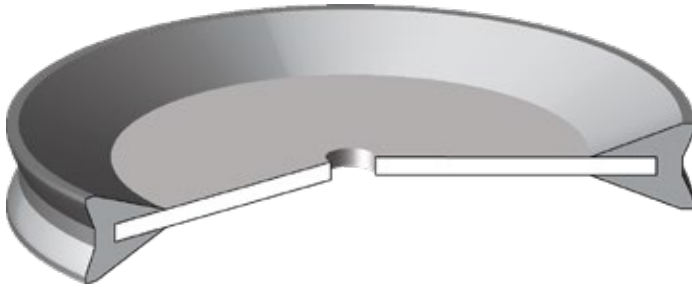
These spring-energized TDH style piston cups are designed to handle higher system pressures than non-energized cups. They are perfect for low pressure hydraulic applications. Due to the steel center, they can be bolted directly to the rod, no piston is needed.

Temperature: -20° to 212°F

Pressure: 0 to 580 PSI

Part Number	Bore Size D	Center Hole d ₁	Total Height L ₁	Metal Thickness L ₂	Rubber Diameter d ₂	Price
TDH-26X8X22X3	26	8.2	22	3	15	\$12.83
TDH-30X8X22X3	30	8.2	22	3	16	\$8.17
TDH-35X8X26X3	35	8.2	26	3	20	\$10.52
TDH-40X10X25X3	40	10.2	25	3	22	\$10.76
TDH-45X10X25X4	45	10.2	25	4	24	\$11.60
TDH-50X10X25X4	50	10.2	25	4	27	\$12.00
TDH-55X10X25X4	55	10.2	25	4	32	\$13.16
TDH-60X12X26X4	60	12.2	26	4	36	\$14.77
TDH-63X12X25X4	63	12.2	25	4	40	\$16.24
TDH-70X12X30X5	70	12.2	30	5	44	\$18.96
TDH-75X12X30X5	75	12.2	30	5	49	\$20.82
TDH-80X12X30X5	80	12.2	30	5	54	\$21.86
TDH-90X12X35X6	90	12.2	35	5	65	\$26.90
TDH-100X12X35X6	100	12.2	35	6	72	\$28.82
TDH-110X12X40X6	110	12.2	40	6	78	\$48.33
TDH-115X20X30X7	115	20.2	30	7	83	\$97.71
TDH-125X20X40X8	125	20.2	40	8	85	\$59.99
TDH-140X20X40X10	140	20.2	40	10	110	\$104.53
TDH-150X20X40X10	150	20.2	40	10	105	\$94.50
TDH-160X20X40X10	160	20.2	40	10	115	\$103.62
TDH-180X20X40X10	180	20.2	40	10	130	\$153.49
TDH-200X20X40X10	200	20.2	40	10	146	\$164.97
TDH-230X30X40X12	230	30	40	12	180	\$183.64
TDH-250X30X40X12	250	30	40	12	190	\$208.36
TDH-300X60X40X12	300	60	40	12	250	\$519.73

CB Double Acting Piston Cups - Inch



EXAMPLE: CB-28414	
Prefix	Outside Diameter
CB-28	414
	4-1/4"

ALTERNATIVE SEALS: DK

This double acting piston cup is a single piece unit designed to be fastened directly to the rod. The existing center hole may be enlarged to fit larger diameters.

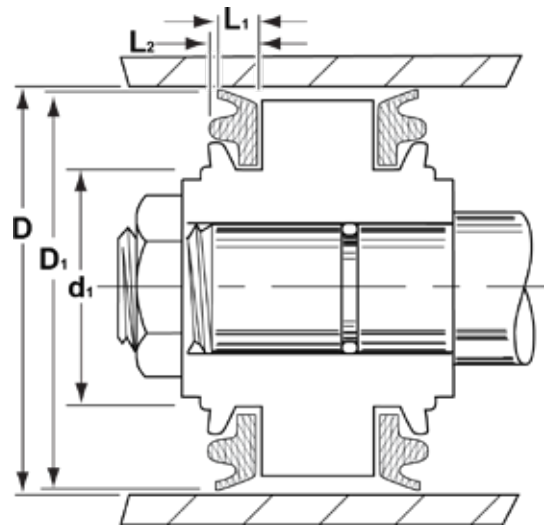
The cup is made of 90 durometer nitrile vulcanized to the coated steel plate. It is suitable for use in pneumatic and low pressure, light duty hydraulic cylinders.

Temperature: -40° to 200°F

Pressure: 0 to 250 PSI

Part Number	Bore Dia. D	Center Hole d ₁	Metal Thickness L ₂	Total Height L ₁	Price
CB-28100	1.000	0.250	0.093	0.375	\$26.63
CB-28118	1.125	0.250	0.093	0.500	\$44.89
CB-28114	1.250	0.250	0.093	0.500	\$31.27
CB-28138	1.375	0.250	0.093	0.500	\$27.75
CB-28112	1.500	0.250	0.093	0.500	\$29.04
CB-28134	1.750	0.250	0.093	0.500	\$29.56
CB-28200	2.000	0.375	0.125	0.562	\$30.25
CB-28214	2.250	0.375	0.125	0.562	\$31.15
CB-28212	2.500	0.375	0.125	0.562	\$38.90
CB-28300	3.000	0.500	0.125	0.562	\$45.12
CB-28314	3.250	0.500	0.125	0.625	\$68.28
CB-28312	3.500	0.500	0.187	0.750	\$68.81
CB-28400	4.000	0.500	0.187	0.750	\$77.09
CB-28414	4.250	0.500	0.187	0.750	\$95.52
CB-28412	4.500	0.750	0.187	0.750	\$83.60
CB-28500	5.000	0.750	0.250	0.937	\$138.76
CB-28600	6.000	0.750	0.250	0.937	\$161.02
CB-28612	6.500	0.750	0.250	0.937	\$352.53
CB-28800-3/4	8.000	0.750	0.250	1.000	\$370.15

BMP Urethane Piston Cups w/ Cushion - Inch



EXAMPLE: BMP8000-500			
Prefix	Outside Diameter		Total Height
BMP	8000	-	500
	8"		1/2"

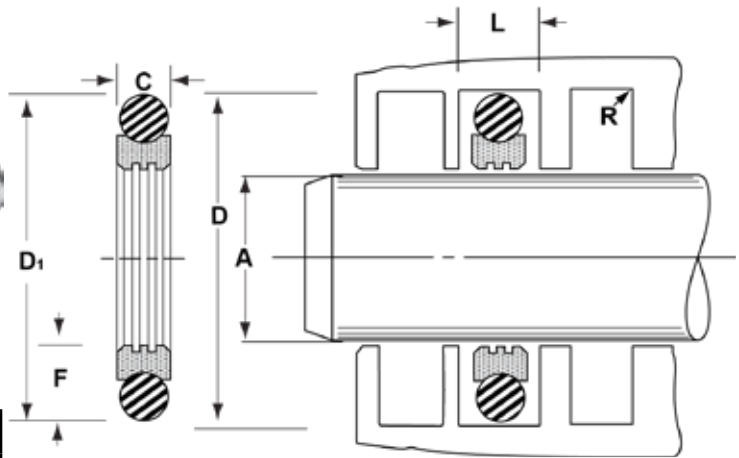
The BMP seal is a combination piston/cushion seal. The design combines the lip of a pneumatic piston seal with buffers to reduce the chance of metal to metal contact at the end stroke of a cylinder. Made of 90A urethane this seal offers effective sealing and low friction while reducing cylinder noise.

Temperature : -50° to 180°F

Pressure : 0 to 230 PSI

Part Number	Bore Dia. D	Center Hole d ₁	Outside Diameter D ₁	Seal Height L ₁	Seal Total Height L ₂	Price
BMP1500-312	1.500	0.810	1.498	0.256	0.312	\$21.93
BMP2000-312	2.000	1.202	1.998	0.256	0.312	\$24.28
BMP2500-375	2.500	1.640	2.498	0.315	0.375	\$26.63
BMP3250-375	3.250	2.150	3.247	0.315	0.375	\$30.47
BMP4000-375	4.000	2.810	3.995	0.315	0.375	\$33.60
BMP5000-500	5.000	3.525	4.995	0.375	0.500	\$56.63
BMP6000-500	6.000	4.525	5.995	0.375	0.500	\$68.37
BMP8000-500	8.000	6.525	7.995	0.375	0.500	\$97.43

AS2 2pc. PTFE Rod Rotary Seals - Inch



EXAMPLE: AS265E-16			
Prefix	Groove Height	Inside Diameter	
AS2	*65E	-	16
	.165"		1"

AFTER DASH IN INCREMENTS OF 1/16 (16=1")

* __ E- Number Refers to Groove Height
(61 = .126, 65 = .165, 69 = .248, 73 = .319")

Allegheny York offers a large selection of PTFE rotary seals. Standard material for this series is carbon/graphite-filled PTFE. Expanders are made of 70 durometer nitrile. This material has excellent wear characteristics and low abrasion, making it suitable for rotating shafts. Also available in other compounds. Consult sales for more information.

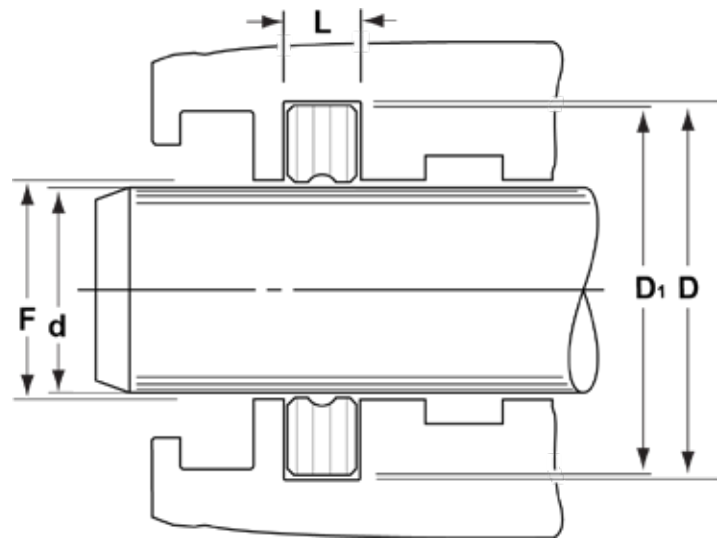
Temperature: -40°F to 225°F

Pressure: 0 to 4,350 PSI

Part Number	Rod Dia. h9 d	Groove Dia. H9 D	Groove Height +.008/-0 L	Price
AS261E-16	1.000	1.295	0.126	\$16.41
AS261E-17	1.062	1.357	0.126	\$17.44
AS261E-18	1.125	1.420	0.126	\$18.96
AS261E-19	1.187	1.482	0.126	\$20.44
AS261E-20	1.250	1.545	0.126	\$20.71
AS261E-21	1.312	1.607	0.126	\$21.34
AS261E-22	1.375	1.670	0.126	\$21.68
AS261E-24	1.500	1.797	0.126	\$21.95
AS261E-26	1.625	1.920	0.126	\$22.28
AS261E-28	1.750	2.045	0.126	\$22.56
AS261E-30	1.875	2.170	0.126	\$23.22
AS261E-32	2.000	2.295	0.126	\$23.49
AS265E-32	2.000	2.433	0.165	\$24.53
AS261E-34	2.125	2.420	0.126	\$23.91
AS265E-34	2.125	2.558	0.165	\$24.94
AS261E-36	2.250	2.545	0.126	\$24.46
AS265E-36	2.250	2.683	0.165	\$25.35
AS261E-38	2.375	2.670	0.126	\$25.36
AS265E-38	2.375	2.808	0.165	\$26.20
AS261E-40	2.500	2.795	0.126	\$26.56
AS265E-40	2.500	2.933	0.165	\$27.88
AS261E-44	2.750	3.045	0.126	\$27.39
AS265E-44	2.750	3.158	0.165	\$33.97
AS261E-48	3.000	3.295	0.126	\$31.59
AS265E-48	3.000	3.433	0.165	\$34.93
AS269E-48	3.000	3.610	0.248	\$37.45
AS265E-52	3.250	3.683	0.165	\$38.63
AS269E-52	3.250	3.860	0.248	\$41.97
AS265E-56	3.500	3.933	0.165	\$41.15
AS269E-56	3.500	4.110	0.248	\$43.28
AS265E-58	3.625	4.058	0.165	\$45.56
AS265E-60	3.750	4.183	0.165	\$46.14

Part Number	Rod Dia. h9 d	Groove Dia. H9 D	Groove Height +.008/-0 L	Price
AS269E-60	3.750	4.360	0.248	\$47.37
AS265E-64	4.000	4.433	0.165	\$45.90
AS269E-64	4.000	4.610	0.248	\$50.10
AS265E-68	4.250	4.683	0.165	\$48.56
AS265E-72	4.500	4.933	0.165	\$52.41
AS269E-72	4.500	5.110	0.248	\$57.35
AS265E-76	4.750	5.183	0.165	\$53.46
AS269E-78	4.875	5.485	0.248	\$59.65
AS269E-80	5.000	5.610	0.248	\$59.90
AS269E-88	5.500	6.110	0.248	\$63.66
AS269E-96	6.000	6.610	0.248	\$67.70
AS273E-96	6.000	6.827	0.319	\$74.29
AS269E-100	6.250	6.860	0.248	\$69.92
AS273E-100	6.250	7.077	0.319	\$76.36
AS269E-104	6.500	7.110	0.248	\$74.06
AS273E-104	6.500	7.327	0.319	\$81.00
AS273E-108	6.750	7.577	0.319	\$86.38
AS269E-112	7.000	7.610	0.248	\$81.53
AS273E-112	7.000	7.827	0.319	\$90.48
AS269E-120	7.500	8.110	0.248	\$93.94
AS273E-120	7.500	8.327	0.319	\$113.73
AS269E-128	8.000	8.610	0.248	\$103.91
AS273E-128	8.000	8.827	0.319	\$125.80
AS269E-132	8.250	8.860	0.248	\$106.57
AS269E-136	8.500	9.110	0.248	\$112.71
AS273E-136	8.500	9.327	0.319	\$138.09
AS269E-144	9.000	9.610	0.248	\$125.00
AS273E-144	9.000	9.827	0.319	\$150.31
AS269E-152	9.500	10.110	0.248	\$137.22
AS273E-152	9.500	10.327	0.319	\$174.74
AS269E-160	10.000	10.610	0.248	\$160.72
AS269E-256	16.000	16.610	0.248	\$189.76

MSS Urethane Rod Rotary Seals - Metric



The MSS seal is a single piece rod rotary seal commonly used in mobile hydraulics and rotary joints. The 95 durometer urethane material is easy to install and has a high resistance to abrasion.

Temperature: -5°F to 250°F

Pressure: 0 to 5,000 PSI

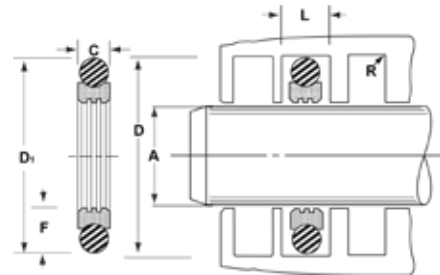
Part Number	Rod Dia. f8 d	Groove Dia. H10 D	Groove Height +.1 / -.0 L	Throat Dia. +.0 / -.1 F	Price
MSS-60X70X5	60	70	5.3	60.3	\$16.01
MSS-70X80X5	70	80	5.3	70.3	\$23.64
MSS-75X85X5	75	85	5.3	75.3	\$24.07
MSS-80X90X5	80	90	5.3	80.3	\$22.20
MSS-85X95X5	85	95	5.3	85.3	\$23.60
MSS-90X100X5	90	100	5.3	90.3	\$24.99
MSS-95X105X5	95	105	5.3	95.3	\$29.06
MSS-100X110X5	100	110	5.3	100.3	\$27.75
MSS-105X115X5	105	115	5.3	105.3	\$29.31
MSS-110X120X5	110	120	5.3	110.3	\$30.84
MSS-115X125X5	115	125	5.3	115.3	\$37.62
MSS-120X130X5	120	130	5.3	120.3	\$40.09
MSS-125X135X5	125	135	5.3	125.3	\$43.17
MSS-150X160X5	150	160	5.3	150.3	\$55.39

EXAMPLE: MSS-90X100X5				
Prefix	Inside Diameter		Outside Diameter	Seal Height
MSS-	90	x	100	x 5
	90mm		100mm	5mm

AS2 2pc. PTFE Rod Rotary Seals - Metric



ALTERNATIVE SEALS: Custom



Allegheny York offers a large selection of teflon® rotary seals. Standard material for this series is carbon/graphite-filled PTFE. Expanders are made of 70 durometer nitrile. This material has excellent wear characteristics and low abrasion, making it suitable for rotating shafts. Also available in other compounds. Consult sales for more information.

Temperature: -40°F to 225°F

Pressure: 0 to 4,350 PSI

EXAMPLE: AS259E-10MM		
Prefix	Groove Height	Inside Diameter
AS2	*59E	10MM
	2.2mm	10mm

* __ E- Number Refers to Groove Height
(59 = 2.2, 61 = 3.2, 65 = 4.2, 69 = 6.3, 73 = 8.1mm)

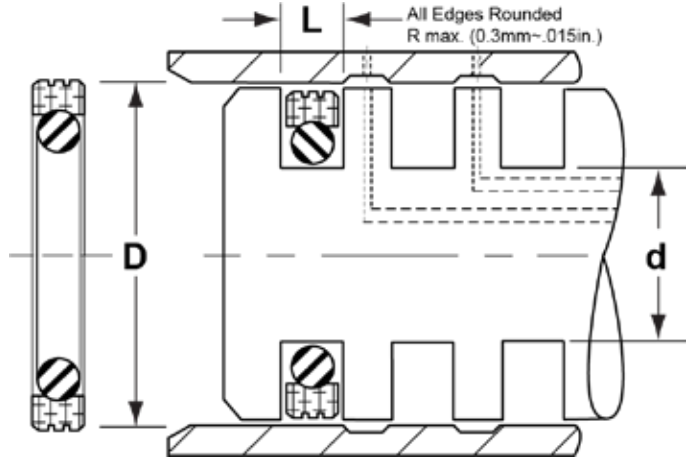
Part Number	Rod Dia. h9 d	Groove Dia. H9 D	Groove Ht +.2/-0 L	Price
AS259E-10MM	10	14.9	2.2	\$15.72
AS259E-12MM	12	16.9	2.2	\$15.80
AS259E-14MM	14	18.9	2.2	\$15.88
AS259E-15MM	15	19.9	2.2	\$16.05

Part Number	Rod Dia. h9 d	Groove Dia. H9 D	Groove Ht +.2/-0 L	Price
AS259E-16MM	16	20.9	2.2	\$16.23
AS259E-18MM	18	22.9	2.2	\$16.36
AS261E-20MM	20	27.5	3.2	\$16.75
AS261E-21MM	21	28.5	3.2	\$18.25

AS2 2pc. PTFE Rod Rotary Seals - Metric (cont.)

Part Number	Rod Dia. h9 d mm	Groove Dia. H9 D mm	Groove Ht +./-0 L mm	Price	Part Number	Rod Dia. h9 d mm	Groove Dia. H9 D mm	Groove Ht +./-0 L mm	Price
AS261E-22MM	22	29.5	3.2	\$18.25	AS269E-100MM	100	115.5	6.3	\$49.52
AS261E-24MM	24	31.5	3.2	\$18.34	AS265E-105MM	105	116	4.2	\$45.85
AS261E-25MM	25	32.5	3.2	\$18.34	AS269E-105MM	105	120.5	6.3	\$51.36
AS261E-26MM	26	33.5	3.2	\$18.49	AS265E-110MM	110	121	4.2	\$52.43
AS261E-28MM	28	35.5	3.2	\$18.49	AS265E-115MM	115	126	4.2	\$58.90
AS261E-30MM	30	37.5	3.2	\$18.49	AS265E-120MM	120	131	4.2	\$63.07
AS261E-31.75MM	31.75	39.25	3.2	\$18.56	AS269E-120MM	120	135.5	6.3	\$71.89
AS261E-32MM	32	39.5	3.2	\$18.81	AS265E-125MM	125	136	4.2	\$66.14
AS261E-35MM	35	42.5	3.2	\$19.38	AS269E-125MM	125	140.5	6.3	\$74.10
AS261E-36MM	36	43.5	3.2	\$19.62	AS265E-130MM	130	141	4.2	\$69.88
AS265E-38MM	38	49	4.2	\$21.38	AS269E-130MM	130	145.5	6.3	\$78.17
AS265E-40MM	40	51	4.2	\$22.21	AS265E-135MM	135	146	4.2	\$73.15
AS265E-42MM	42	53	4.2	\$23.06	AS265E-140MM	140	151	4.2	\$78.18
AS265E-45MM	45	56	4.2	\$24.15	AS269E-140MM	140	155.5	6.3	\$82.43
AS265E-48MM	48	59	4.2	\$25.40	AS265E-145MM	145	156	4.2	\$80.91
AS265E-50MM	50	61	4.2	\$26.61	AS265E-150MM	150	161	4.2	\$83.84
AS269E-50MM	50	65.5	6.3	\$35.46	AS269E-150MM	150	165.5	6.3	\$88.47
AS265E-52MM	52	63	4.2	\$27.54	AS269E-160MM	160	175.5	6.3	\$91.42
AS269E-52MM	52	67.5	6.3	\$36.03	AS269E-170MM	170	185.5	6.3	\$95.01
AS265E-55MM	55	66	4.2	\$28.59	AS265E-180MM	180	191	4.2	\$93.53
AS265E-56MM	56	67	4.2	\$29.26	AS269E-180MM	180	195.5	6.3	\$109.00
AS265E-58MM	58	69	4.2	\$30.62	AS269E-190MM	190	205.5	6.3	\$129.23
AS265E-60MM	60	71	4.2	\$31.60	AS269E-200MM	200	215.5	6.3	\$137.68
AS269E-60MM	60	75.5	6.3	\$32.42	AS269E-210MM	210	225.5	6.3	\$144.51
AS269E-62.5MM	62.5	78	6.3	\$32.55	AS273E-210MM	210	231	8.1	\$154.25
AS265E-63MM	63	74	4.2	\$32.76	AS269E-220MM	220	235.5	6.3	\$157.07
AS265E-65MM	65	76	4.2	\$33.27	AS269E-225MM	225	240.5	6.3	\$160.73
AS265E-68MM	68	79	4.2	\$33.70	AS269E-230MM	230	245.5	6.3	\$164.54
AS265E-70MM	70	81	4.2	\$34.12	AS269E-240MM	240	255.5	6.3	\$170.33
AS269E-70MM	70	85.5	6.3	\$40.21	AS269E-250MM	250	265.5	6.3	\$182.61
AS265E-75MM	75	86	4.2	\$34.36	AS273E-260MM	260	281	8.1	\$213.89
AS269E-75MM	75	90.5	6.3	\$34.55	AS273E-270MM	270	291	8.1	\$234.70
AS265E-80MM	80	91	4.2	\$34.79	AS273E-280MM	280	301	8.1	\$259.52
AS269E-80MM	80	95.5	6.3	\$41.90	AS273E-290MM	290	311	8.1	\$278.57
AS265E-85MM	85	96	4.2	\$37.13	AS273E-300MM	300	321	8.1	\$296.84
AS269E-86MM	86	101.5	6.3	\$38.04	AS273E-310MM	310	331	8.1	\$311.24
AS265E-90MM	90	101	4.2	\$39.89	AS273E-320MM	320	341	8.1	\$322.43
AS269E-90MM	90	105.5	6.3	\$47.45	AS273E-330MM	330	351	8.1	\$333.17
AS265E-95MM	95	106	4.2	\$44.33	AS273E-340MM	340	361	8.1	\$344.24
AS269E-95MM	95	110.5	6.3	\$50.21	AS273E-350MM	350	371	8.1	\$355.07
AS265E-100MM	100	111	4.2	\$45.42					

AS2 2pc. PTFE Piston Rotary Seals - Inch



EXAMPLE: AS274E-96			
Prefix	Groove Height	-	Outside Diameter
AS2	*74E	-	96
	.319"		6"

AFTER DASH IN INCREMENTS OF 1/16 (16=1")

*__E- Number Refers to Groove Height
(62 = .126, 66 = .165, 70 = .248, 74 = .319")

These piston rotary swivel seals are designed to be used in rotary swivels for sealing between sections. Standard material is carbon/graphite-filled PTFE for low friction and great wear properties. Expanders are made of 70 durometer nitrile. Oil grooves in the cap ensure continuous lubrication of the seal. Also available in other compounds.

Temperature: -40° to 225°F

Pressure: 0 to 4,350 PSI

Part Number	Bore Dia. H 9 D	Groove Dia. h 9 d	Groove Width +.008/-000 L	Price
AS262E-16	1.000	0.705	0.126	\$17.01
AS262E-17	1.062	0.767	0.126	\$19.85
AS262E-18	1.125	0.830	0.126	\$17.42
AS262E-19	1.187	0.892	0.126	\$17.65
AS262E-20	1.250	0.955	0.126	\$17.83
AS262E-21	1.312	1.017	0.126	\$18.07
AS262E-22	1.375	1.080	0.126	\$18.30
AS262E-23	1.437	1.142	0.126	\$18.48
AS262E-24	1.500	1.205	0.126	\$18.71
AS262E-25	1.562	1.267	0.126	\$18.89
AS262E-26	1.625	1.330	0.126	\$19.13
AS262E-28	1.750	1.455	0.126	\$19.36
AS262E-30	1.875	1.580	0.126	\$19.54
AS262E-32	2.000	1.705	0.126	\$19.71
AS266E-32	2.000	1.567	0.165	\$20.60
AS262E-34	2.125	1.830	0.126	\$20.07
AS266E-34	2.125	1.692	0.165	\$20.95
AS262E-36	2.250	1.955	0.126	\$20.42
AS262E-38	2.375	2.080	0.126	\$20.89
AS266E-38	2.375	1.942	0.165	\$21.66
AS262E-40	2.500	2.205	0.126	\$21.30
AS266E-40	2.500	2.067	0.165	\$22.01
AS262E-42	2.625	2.330	0.126	\$22.23
AS262E-44	2.750	2.455	0.126	\$22.47
AS266E-44	2.750	2.317	0.165	\$25.70
AS266E-46	2.875	2.442	0.165	\$26.31
AS262E-48	3.000	2.705	0.126	\$23.87
AS266E-48	3.000	2.567	0.165	\$27.52
AS270E-48	3.000	2.390	0.248	\$29.23

Part Number	Bore Dia. H 9 D	Groove Dia. h 9 d	Groove Width +.008/-000 L	Price
AS266E-50	3.125	2.692	0.165	\$30.27
AS266E-52	3.250	2.817	0.165	\$31.16
AS270E-52	3.250	2.640	0.248	\$31.66
AS266E-56	3.500	3.067	0.165	\$33.48
AS270E-56	3.500	2.890	0.248	\$36.63
AS266E-60	3.750	3.317	0.165	\$33.93
AS266E-64	4.000	3.567	0.165	\$35.06
AS270E-64	4.000	3.390	0.248	\$37.83
AS266E-68	4.250	3.817	0.165	\$40.42
AS270E-68	4.250	3.640	0.248	\$44.13
AS266E-72	4.500	4.067	0.165	\$42.76
AS266E-76	4.750	4.317	0.165	\$45.43
AS270E-76	4.750	4.140	0.248	\$55.95
AS266E-80	5.000	4.567	0.165	\$46.34
AS270E-80	5.000	4.390	0.248	\$48.68
AS266E-84	5.250	4.817	0.165	\$50.60
AS270E-84	5.250	4.640	0.248	\$51.75
AS266E-88B	5.500	5.067	0.165	\$46.33
AS270E-88	5.500	4.890	0.248	\$53.49
AS266E-96	6.000	5.567	0.165	\$53.30
AS270E-96	6.000	5.390	0.248	\$56.11
AS274E-96	6.000	5.173	0.319	\$58.92
AS270E-100	6.250	5.640	0.248	\$59.12
AS270E-104	6.500	5.890	0.248	\$61.20
AS270E-108	6.750	6.140	0.248	\$64.82
AS270E-112	7.000	6.390	0.248	\$68.44
AS270E-116	7.250	6.640	0.248	\$74.26
AS270E-120	7.500	6.890	0.248	\$78.41
AS270E-124	7.750	7.140	0.248	\$84.28

AS2 2pc. PTFE Piston Rotary Seals - Inch, cont'd.

Part Number	Bore Dia. H 9 D	Groove Dia. f 9 d	Groove Width +.008/- .000 L	Price
AS266E-128	8.000	7.567	0.165	\$62.88
AS270E-128	8.000	7.390	0.248	\$90.15
AS274E-128	8.000	7.173	0.319	\$111.22
AS270E-132	8.250	7.640	0.248	\$97.82
AS274E-132	8.250	7.423	0.319	\$120.41
AS270E-136	8.500	7.890	0.248	\$101.83
AS274E-136	8.500	7.673	0.319	\$129.60
AS270E-140	8.750	8.140	0.248	\$107.70

Part Number	Bore Dia. H 9 D	Groove Dia. f 9 d	Groove Width +.008/- .000 L	Price
AS270E-144	9.000	8.390	0.248	\$114.95
AS274E-144	9.000	8.173	0.319	\$138.79
AS270E-148	9.250	8.640	0.248	\$122.98
AS270E-152	9.500	8.890	0.248	\$129.03
AS274E-152	9.500	8.673	0.319	\$156.63
AS270E-156	9.750	9.140	0.248	\$136.07
AS270E-160	10.000	9.390	0.248	\$148.80
AS274E-160	10.000	9.173	0.319	\$171.92

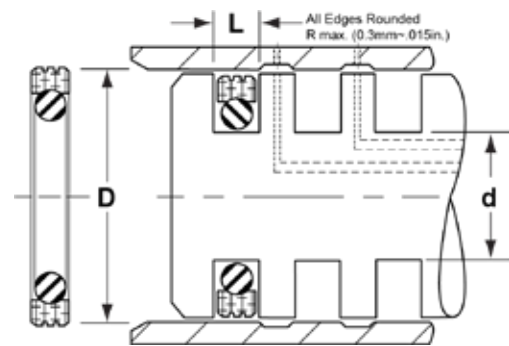
AS2 2pc. PTFE Piston Rotary Seals - Metric



EXAMPLE: AS270E-150MM

Prefix	Groove Height	Outside Diameter
AS2	*70E	150MM
	6.3mm	150mm

*__ E- Number Refers to Groove Height
(58 = 2.2, 62 = 3.2, 66 =4.2, 70 =6.3, 74 = 8.1mm)



These piston rotary swivel seals are designed to be used in rotary swivels for sealing between sections. Standard material is carbon/graphite-filled PTFE for low friction and great wear properties. Expanders are made of 70 durometer nitrile. Oil grooves in the cap ensure continuous lubrication of the seal. Also available in other compounds.

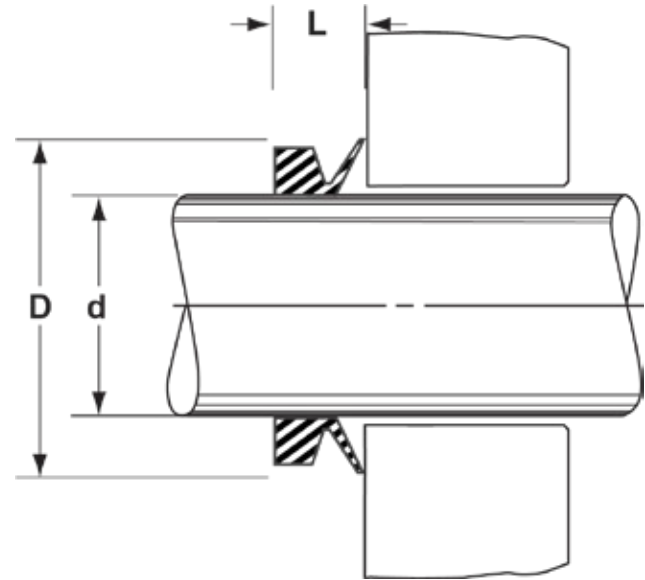
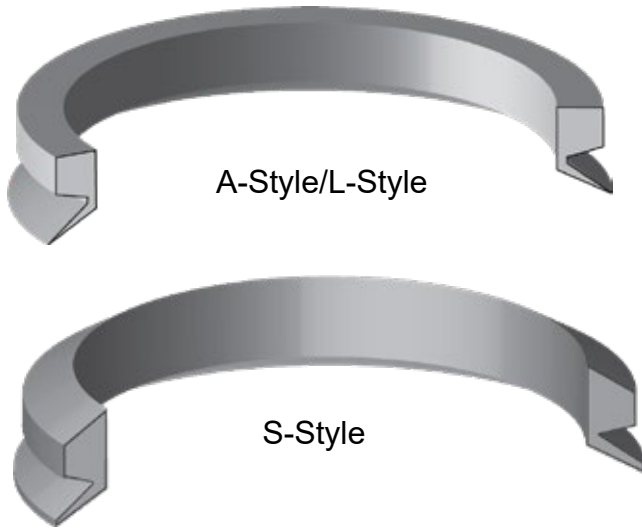
Temperature: -40° to 225°F

Pressure: 0 to 4,350 PSI

Part Number	Bore Dia. H 9 D	Groove Dia. h 9 d	Groove Width +.2 / -.0 L	Price
AS258E-25MM	25	20.1	2.2	\$15.28
AS258E-28MM	28	23.1	2.2	\$15.74
AS258E-30MM	30	25.1	2.2	\$18.24
AS262E-30MM	30	22.5	3.2	\$19.09
AS258E-32MM	32	27.1	2.2	\$19.24
AS258E-35MM	35	30.1	2.2	\$19.54
AS258E-36MM	36	31.1	2.2	\$19.99
AS262E-40MM	40	32.5	3.2	\$20.78
AS262E-45MM	45	37.5	3.2	\$22.91
AS262E-50MM	50	42.5	3.2	\$25.26
AS262E-52MM	52	44.5	3.2	\$26.15
AS262E-55MM	55	47.5	3.2	\$27.33
AS262E-60MM	60	52.5	3.2	\$28.51
AS262E-63MM	63	55.5	3.2	\$30.82
AS262E-65MM	65	57.5	3.2	\$31.67
AS262E-70MM	70	62.5	3.2	\$33.24
AS262E-75MM	75	67.5	3.2	\$33.95
AS266E-80MM	80	69.0	4.2	\$34.24
AS266E-85MM	85	74.0	4.2	\$34.66
AS266E-90MM	90	79.0	4.2	\$36.11
AS266E-95MM	95	84.0	4.2	\$37.03
AS266E-100MM	100	89.0	4.2	\$39.20
AS266E-105MM	105	94.0	4.2	\$40.34
AS266E-110MM	110	99.0	4.2	\$41.11
AS266E-115MM	115	104.0	4.2	\$42.93
AS266E-120MM	120	109.0	4.2	\$47.91

Part Number	Bore Dia. H 9 D	Groove Dia. h 9 d	Groove Width +.2 / -.0 L	Price
AS266E-125MM	125	114.0	4.2	\$50.67
AS266E-130MM	130	119.0	4.2	\$53.95
AS270E-135MM	135	119.5	6.3	\$60.89
AS270E-140MM	140	124.5	6.3	\$63.19
AS270E-145MM	145	129.5	6.3	\$68.28
AS270E-150MM	150	134.5	6.3	\$70.40
AS270E-155MM	155	139.5	6.3	\$74.96
AS270E-160MM	160	144.5	6.3	\$79.70
AS270E-165MM	165	149.5	6.3	\$85.12
AS270E-170MM	170	154.5	6.3	\$88.11
AS270E-175MM	175	159.5	6.3	\$91.60
AS270E-180MM	180	164.5	6.3	\$93.86
AS270E-185MM	185	169.5	6.3	\$96.23
AS270E-190MM	190	174.5	6.3	\$98.58
AS270E-195MM	195	179.5	6.3	\$104.76
AS270E-200MM	200	184.5	6.3	\$113.45
AS270E-205MM	205	189.5	6.3	\$118.77
AS270E-210MM	210	194.5	6.3	\$126.90
AS270E-220MM	220	204.5	6.3	\$135.33
AS270E-225MM	225	209.5	6.3	\$142.51
AS270E-230MM	230	214.5	6.3	\$149.07
AS270E-240MM	240	224.5	6.3	\$159.84
AS270E-250MM	250	234.5	6.3	\$173.83

V Style Nitrile Axial Face Seals - Metric



EXAMPLE: V-16A		
Prefix	Median Shaft Diameter	Suffix
V-	16	A
	16mm	FLAT TOP

STYLES W/SUFFIX "A"OR "L" HAVE FLAT TOP/
"S" STYLE HAS ANGLED TOP

The V style axial face seal is made of 70 Shore A nitrile and one size can be used for several different diameter rotating shafts. This seal requires little space and is easily installed by just stretching over the shaft.

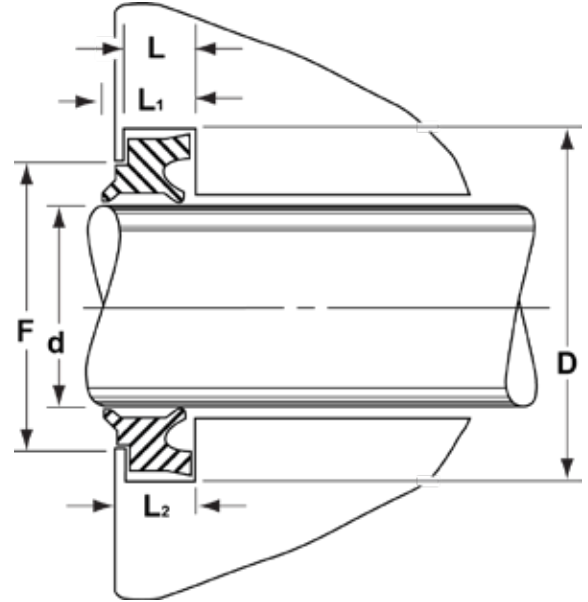
Temperature: 40°F to 221°F

Pressure: ≤ 4 PSI

Part Number	Rod Dia. d	Seal ID	OD Min D	Total Height L	Price
V-014A	13.5 - 15.5	12.5	d + 9	5.5	\$1.81
V-016A	15.5 - 17.5	14	d + 9	5.5	\$1.81
V-018A	17.5 - 19.5	16	d + 9	5.5	\$1.70
V-020A	19-21	18	d + 12	7.5	\$1.70
V-022S	21-24	20	d + 12	10.5	\$2.21
V-025A	24-27	22	d + 12	7.5	\$2.21
V-030A	29-31	27	d + 12	7.5	\$2.46
V-030S	29-31	27	d + 12	10.5	\$3.03
V-032A	31-33	29	d + 12	7.5	\$3.33
V-035A	33-36	31	d + 12	7.5	\$3.52
V-038A	36-38	34	d + 12	7.5	\$3.91
V-040A	38-43	36	d + 12	9	\$4.09
V-040S	38-43	36	d + 12	13	\$3.94
V-045A	43-48	40	d + 15	9	\$3.94
V-045S	43-48	40	d + 15	13	\$4.53
V-050A	48-53	45	d + 15	9	\$3.99
V-055A	53-58	49	d + 15	9	\$4.58
V-055S	53-58	49	d + 15	13	\$4.76
V-060A	58-63	54	d + 15	9	\$4.84
V-065A	63-68	58	d + 15	9	\$5.01
V-065S	63-68	58	d + 15	13	\$5.79
V-070A	68-73	63	d + 18	11	\$6.11
V-075A	73-78	67	d + 18	11	\$6.19
V-080A	78-83	72	d + 18	11	\$6.71
V-085A	83-88	76	d + 18	11	\$8.79
V-090A	88-93	81	d + 18	11	\$7.30

Part Number	Rod Dia. d	Seal ID	OD Min D	Total Height L	Price
V-095A	93-98	85	d + 18	11	\$7.57
V-100A	98-105	90	d + 18	11	\$7.98
V-100S	98-105	90	d + 18	15.5	\$10.07
V-110A	105-115	99	d + 21	12.8	\$10.95
V-120A	115-125	108	d + 21	12.8	\$11.67
V-130A	125-135	117	d + 21	12.8	\$12.48
V-140A	135-145	126	d + 21	12.8	\$16.81
V-150A	145-155	135	d + 21	12.8	\$18.94
V-160A	155-165	144	d + 24	14.5	\$16.88
V-160S	155-165	144	d + 24	20.5	\$17.26
V-170A	165-175	153	d + 24	14.5	\$18.39
V-170L	165-175	153	d + 20	10.5	\$22.37
V-180A	175-185	162	d + 24	14.5	\$23.35
V-190A	185-195	171	d + 24	14.5	\$27.29
V-190L	185-195	171	d + 20	10.5	\$30.57
V-200A	190-210	180	d + 45	25	\$31.94
V-220A	210-235	198	d + 45	25	\$32.22
V-220L	210-235	198	d + 20	10.5	\$32.92
V-250A	235-265	225	d + 45	25	\$39.55
V-250L	235-265	225	d + 20	10.5	\$60.72
V-275A	265-290	247	d + 45	25	\$60.83
V-300A	290-310	270	d + 45	25	\$64.35
V-325A	310-335	292	d + 45	25	\$81.24
V-350A	335-365	315	d + 45	25	\$89.71
V-450A	435-480	405	d + 45	25	\$155.38

EL Rod Seal / Wiper Combination - Metric



EXAMPLE: EL-10X16.1X6P

Prefix	Inside Diameter		Outside Diameter		Total Height	Suffix
EL-	10	x	16.1	x	6	P
	10mm		16.1mm		6mm	Urethane

PARTS WITH NO SUFFIX = NBR

Profile EL rod seal/wiper is used in valve shafts and small pneumatic cylinders used for printing presses and robotics. The compact design allows for a single groove for wiping and sealing. EL seals provide smooth running due to the optimal sealing lips. They can be used in dry air after initial lubrication during assembly.

NBR: Temperature: 15°F to 175°F

Pressure: PSI ≤ 230

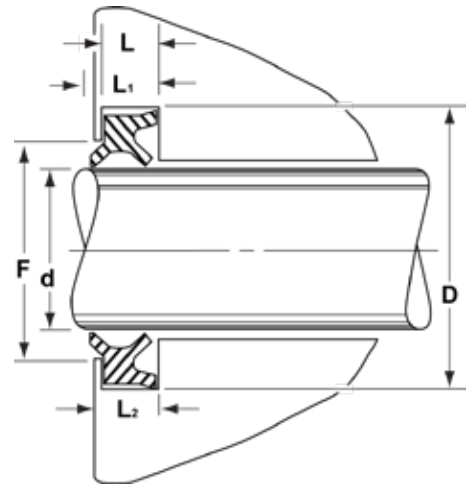
PU: Temperature: -30°F to 175°F

Pressure: PSI ≤ 230

Part Number					Throat Diameter F	Groove Base Height L	Total Groove Height L ₂	Material	Price	
Prefix	Rod Diameter d	Groove Diameter D	Overall Seal Ht L ₁							
EL -	4	x	8.1	x	4P	6.7	3	3.8	URETHANE	\$3.65
EL -	6	x	11.1	x	5P	9.1	3.6	4.6	URETHANE	\$3.65
EL*-	6	x	11.2	x	5	9.1	3.6	4.6	NITRILE	\$4.09
EL*-	8	x	14.2	x	5	12.1	3.6	4.6	NITRILE	\$4.41
EL -	8	x	14.1	x	5P	12.1	3.6	4.6	URETHANE	\$4.48
EL -	10	x	16.1	x	6P	14.1	4.2	5.4	URETHANE	\$4.73
EL -	12	x	16.5	x	4P	14.2	3	3.6	URETHANE	\$4.96
EL -	12	x	18.1	x	6P	15.5	4.2	5.4	URETHANE	\$5.11
EL -	16	x	23	x	6	18.8	4.2	5.4	NITRILE	\$9.15
EL -	20	x	25	x	4.6P	22.4	3.4	4	URETHANE	\$5.93
EL -	25	x	30	x	4.6P	27.4	3.4	4	URETHANE	\$7.12

* Items marked with an asterisk are limited quantities.

EM Rod Seal / Wiper Combination - Metric


EXAMPLE: EM-25X30X4.6

Prefix	Inside Diameter		Outside Diameter		Total Height
EM-	25	x	30	x	4.6
	25mm		30mm		4.6mm

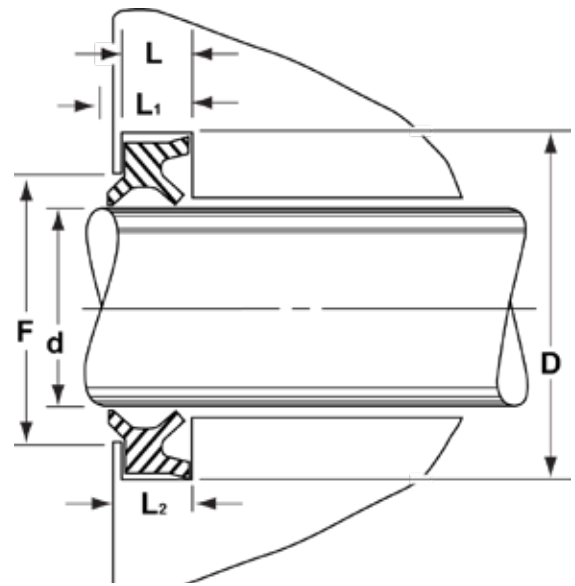
This 92 durometer urethane rod seal wiper combination is especially wear resistant. It has a great sealing and wiping effect while maintaining low static and dynamic friction. The EM seal is excellent for compact pneumatic cylinders. Also available in 90 durometer nitrile.

Temperature: -30°F to 175°F

Pressure: PSI ≤ 225

Prefix	Part Number				Throat Dia. F	Groove Height L	Total Groove Height L ₂	Price	
	Rod Dia. d		Groove Dia. D	Seal Height L ₁					
EM -	8	x	14.2	x	5	12.0	4	5.2	\$3.24
EM -	10	x	14	x	3.7	11.4	3.4	6.0	\$3.56
EM -	10	x	16.2	x	5.5	14.0	4.5	4.8	\$3.69
EM -	12	x	16.5	x	4	13.7	3.7	4.8	\$4.07
EM -	16	x	20.5	x	4	17.7	3.7	4.8	\$4.50
EM -	18	x	22.5	x	4	19.7	3.7	4.8	\$4.74
EM -	20	x	25	x	4.6	21.9	4.15	5.2	\$5.21
EM -	25	x	30	x	4.6	26.9	4.15	5.2	\$5.69
EM -	30	x	35.5	x	5	32.1	4.55	6.0	\$6.93
EM -	32	x	37.5	x	4	34.1	4.55	6.0	\$13.28

PDU Rod Seal/Wiper Combination - Metric



EXAMPLE: PDU-8	
Prefix	Rod Diameter
PDU-	8
	8mm

This 80 Shore A NBR Rod Seal Wiper Combination has superior sealing and good wiping abilities while maintaining low static and dynamic friction. The PDU Seal is excellent for compact pneumatic cylinders.

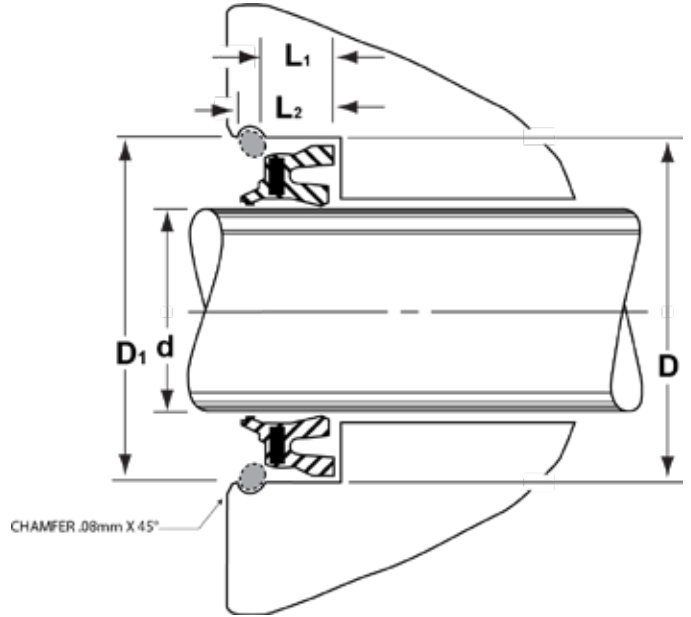
Temperature: -22°F to 220°F

Pressure: PSI ≤ 175

Part No. and Shaft Size	Rod Dia. d	Groove Dia. D	Seal Base Height L	Overall Seal Ht L ₁	Price
PDU-8	8	12	4	6	\$3.40
PDU-10	10	14	4	6	\$3.68
PDU-12	12	16	4	6	\$4.17
PDU-14	14	18	4	6	\$4.42
PDU-16	16	24	6	8	\$4.65
PDU-20	20	28	6	8	\$4.82
PDU-22	22	30	6	8	\$5.02
PDU-25	25	33	6	8	\$5.24
PDU-30	30	40	6	8	\$23.15
PDU-32	32	42	6	8	\$27.56
PDU-35	35	45	7	9	\$29.94
PDU-40	40	50	7	9	\$5.38
PDU-50	50	60	7	9	\$5.96



E9 Rod Seal / Wiper Combination - Metric



PARTS W / "V" SUFFIX ARE FKM
ALTERNATIVE SEALS: EU, E8

EXAMPLE: E9-25X35X7X9.5					
Prefix	Inside Diameter		Outside Diameter	Base Height	Total Height
E9-	25	x	35	x 7	x 9.5
	25mm		35mm	7mm	9.5mm

This single acting combination rod wiper seal is made of metal vulcanized with 70 durometer elastometric nitrile rubber making it good at adjusting to temperature changes and harsh conditions. The E9 seal comes in a wide range of dimensions and has superior wiping and sealing capabilities. These E9 seals are typically held in place with a round section retaining ring.

Temperature: -20°F to 220°F Pressure: PSI ≤ 224

Part Number								Price
Prefix	Rod Dia. d	Groove Dia. D	Seal Base Ht. L ₁	Overall Seal Ht. L ₂				
E9 -	8	x 16	x 7	X 9.5				\$4.10
E9 -	10	x 17	x 7	X 9.5				\$4.34
E9 -	12	x 20	x 6	X 8.5				\$4.49
E9 -	12	x 22	x 7	X 9.5				\$4.57
E9 -	14	x 24	x 7	X 9.5				\$4.72
E9 -	16	x 26	x 7	X 9.5				\$4.99
E9 -	18	x 26	x 7	X 9				\$5.19
E9 -	20	x 30	x 7	X 9.5				\$5.55
E9 -	22	x 32	x 7	X 9.5				\$6.27
E9 -	25	x 35	x 7	X 9.5				\$6.83
E9 -	25	x 35	x 7	X 9.5V				\$14.32
E9 -	30	x 40	x 7	X 9.5				\$7.44
E9 -	32	x 42	x 7	X 9				\$7.10
E9 -	35	x 45	x 7	X 9.5				\$7.90
E9 -	40	x 50	x 7	X 9				\$8.84
E9 -	45	x 55	x 7	X 9.5				\$10.32
E9 -	50	x 60	x 7	X 9.5				\$11.60

E8 Rod Seal / Wiper Combination - Metric

ALTERNATIVE SEALS: E9, EU

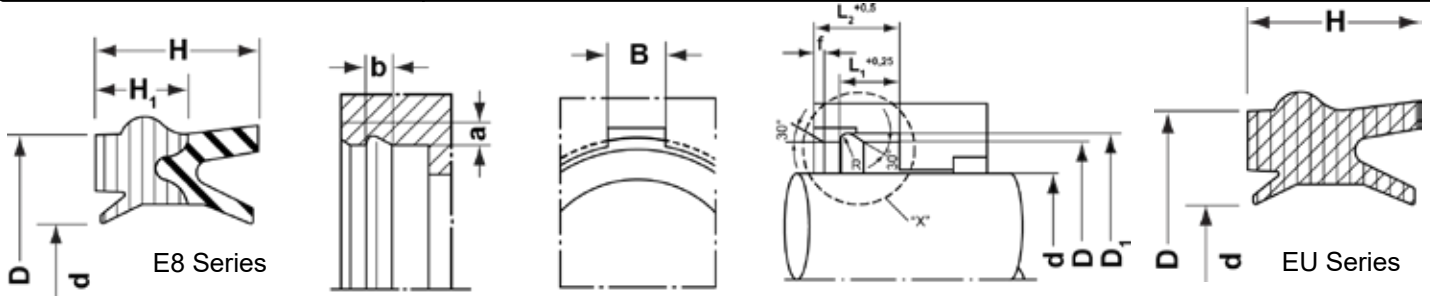
EXAMPLE: E8-25X35X11.5				
Prefix	Inside Diameter		Outside Diameter	Total Height
E8-	25	x	35	x 11.5
	25mm		35mm	11.5mm

Profile E8 Rod Seal / Wiper Set is suitable for pneumatic cylinders with a circlip recess according to DIN7993 (Type B). The sealing part is mounted and retained by the wiper part locating it in the groove. No retaining ring is needed with this set. The sealing part is made from low friction, 80 durometer Shore A Nitrile. The fixing / scraping part is made from a highly wear resistant plastic material.

Temperature : -30° to 176°F

Pressure: Pneumatic

Part Number				Groove Dimensions (mm)										Price	
Prefix	d	D	L	H ₁	D ₁	L ₁	L ₂	R	a	b	B	f			
E8 -	12	x	22	x	11	5.5	24	8.8	13	1.1	1.8	2.2	4	1.5	\$13.97
E8 -	14	x	24	x	11	5.5	26	8.8	13	1.1	1.8	2.2	4	1.5	\$40.91
E8 -	16	x	26	x	11	5.5	28	8.8	13	1.1	1.8	2.2	4	1.5	\$14.32
E8 -	18	x	28	x	11	5.5	30	8.8	13	1.1	1.8	2.2	5	1.5	\$17.46
E8 -	20	x	30	x	11	5.5	32	8.8	13	1.1	1.8	2.2	5	1.5	\$17.90
E8 -	25	x	35	x	11.5	6.45	37.5	9.4	14	1.4	2	2.8	7.5	2	\$19.88
E8 -	30	x	40	x	11.5	6.45	42.5	9.4	14	1.4	2	2.8	7.5	2	\$20.58
E8 -	32	x	42	x	11	6.45	44.5	9.4	14	1.4	2	2.8	7.5	2	\$21.00
E8 -	35	x	45	x	11.5	6.45	47.5	9.4	14	1.4	2	2.8	7.5	2	\$21.14
E8 -	40	x	50	x	12	6.45	52.5	9.4	14	1.4	2	2.8	7.5	2	\$21.28
E8 -	63	x	75	x	13	7.45	78.2	11.4	16	1.8	2	2.8	7.5	2	\$24.32



EU Rod Seal / Wiper Combination - Metric

Profile EU Rod Seal / Wiper is suitable for pneumatic cylinders with a circlip recess according to DIN7993 (Type B). It is retained by the rounded outside diameter which makes it easy to snap into the groove. No retaining ring is needed. EU style seals are made from a highly wear resistant, low compression set 90 durometer polyurethane.

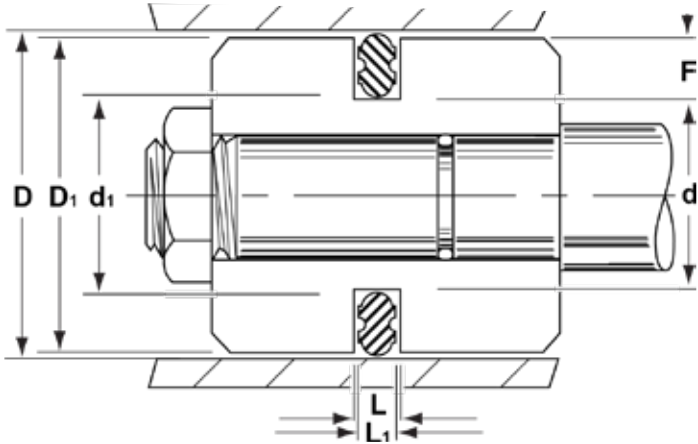
Temperature: 0° to 176°F

Pressure: Pneumatic

EXAMPLE: EU-32X42X11.2				
Prefix	Inside Diameter		Outside Diameter	Total Height
EU-	32	x	42	x 11.2
	32mm		42mm	11.2mm

Part Number				Groove Dimensions (mm)										Price
Prefix	d	D	L	D ₁	L ₁	L ₂	R	a	b	B	f			
EU -	12	x	20	x	10.4	22	7.7	13	1.1	1.8	2.2	4	1.5	\$7.27
EU -	12	x	22	x	10.7	24	8.8	13	1.1	1.8	2.2	4	1.5	\$8.71
EU -	16	x	26	x	10.7	28	8.8	13	1.1	1.8	2.2	5	1.5	\$8.91
EU -	18	x	26	x	10.7	28	8.8	13	1.1	1.8	2.2	5	1.5	\$9.32
EU -	18	x	28	x	10.7	30	8.8	13	1.1	1.8	2.2	5	1.5	\$9.51
EU -	20	x	30	x	10.7	32	8.8	13	1.1	1.8	2.2	5	1.5	\$10.04
EU -	22	x	32	x	11.2	35	9.4	14	1.4	2	2.8	7.5	2.0	\$10.79
EU -	25	x	35	x	10.4	38	9.4	13	1.4	2	2.8	7.5	2.0	\$11.07
EU -	30	x	40	x	11.2	43	9.4	14	1.4	2	2.8	7.5	2.0	\$11.47
EU -	32	x	42	x	10.4	45	9.4	13	1.4	2	2.8	7.5	2.0	\$11.82
EU -	40	x	50	x	10.4	53	9.4	14	1.4	2	2.8	7.5	2.0	\$15.58
EU -	45	x	55	x	10.4	58	8.8	13	1.8	2.5	3.6	10	2.0	\$16.60
EU -	50	x	60	x	10.4	63	10.4	15	1.8	2.5	3.6	10	2.0	\$16.87

PSD Nitrile Piston Seals - Metric



Part Number and Bore Size (D)	Groove Diameter d	Groove Height L (+0.2/-0)	Piston Diameter D ₁ (+0/- 0.1)	Price
PSD-20	14	2.4	19.5	\$5.50
PSD-25	17	3.2	24.5	\$5.50
PSD-32	24	3.2	31.5	\$5.50
PSD-32-V	24	3.2	31.5	\$12.63
PSD-40	32	3.2	39.5	\$5.70
PSD-50	40	4.0	49.5	\$7.32
PSD-50-V	40	4.0	49.5	\$16.48
PSD-60	48	4.0	59.5	\$8.08
PSD-63	53	4.0	62.4	\$8.38
PSD-80	65	6.0	79.4	\$9.77
PSD-100	85	6.0	99.4	\$10.85
PSD-125	110	5.6	124.4	\$15.15
PSD-140	125	5.6	139.4	\$89.14
PSD-160	140	7.6	159.3	\$113.28
PSD-160-1	145	6.6	159.3	\$22.32
PSD-180	160	7.6	179.3	\$125.69

This double acting piston seal is designed for short stroke pneumatic cylinders and valves. This easy to install seal is made of 70 durometer nitrile rubber giving it superior sealing with low friction.

Temperature: -20°F to 220°F

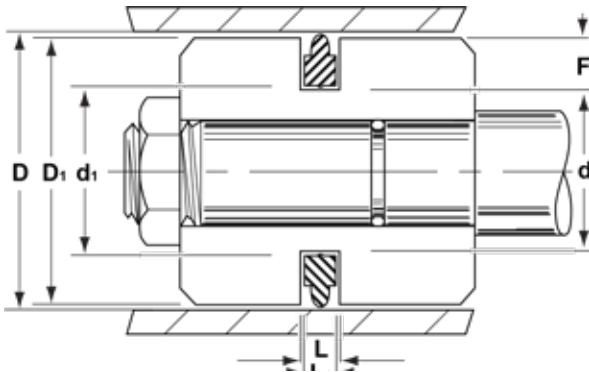
Pressure: PSI ≤ 168

PARTS W / "V" SUFFIX ARE FKM
ALTERNATIVE SEALS: PPD, PZ

EXAMPLE: PSD-20

Prefix	Bore Size
PSD-	20
	20mm

PPD Nitrile Piston Seals - Metric



ALTERNATIVE SEALS: PSD, PZ

Part Number and Bore Size (D)	Groove Diameter d	Groove Height L (+.2/-0)	Piston Diameter D ₁ (+0/- 0.1)	Price
PPD-12	7.4	1.8	11.7	\$3.42
PPD-16	11.4	1.8	15.7	\$3.63
PPD-20	14.0	2.4	19.5	\$3.99
PPD-25	17.0	3.2	24.5	\$4.51
PPD-30	22.0	3.2	29.5	\$4.70
PPD-32	24.0	3.2	31.5	\$4.95
PPD-40	32.0	3.2	39.5	\$5.50
PPD-50	40.0	4	49.5	\$6.49
PPD-63	53.0	4	62.5	\$7.80
PPD-80	65.0	6	79.5	\$9.55
PPD-100	85.0	6	99.5	\$11.54
PPD-125	110.0	6	124.5	\$15.82
PPD-160	140.0	8	159.3	\$25.18

ALTERNATIVE SEALS: PSD, PZ

EXAMPLE: PPD-160

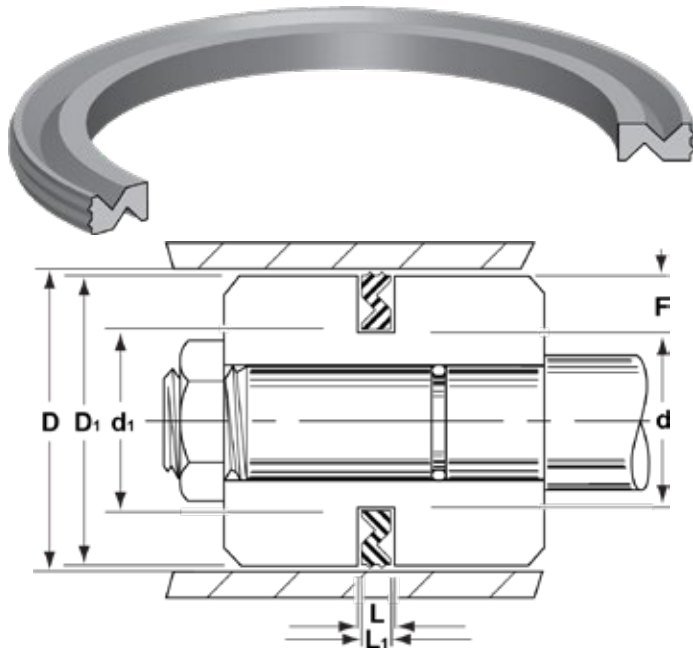
Prefix	Bore Size
PPD-	160
	160mm

The PPD seal is a double acting piston seal designed to work in low axial housing heights. Its low friction, easy installation and superior sealing make it ideal for certain short stroke applications.

Temperature: -20°F to 220°F

Pressure: PSI ≤ 168

PZ Nitrile Piston Seals - Metric



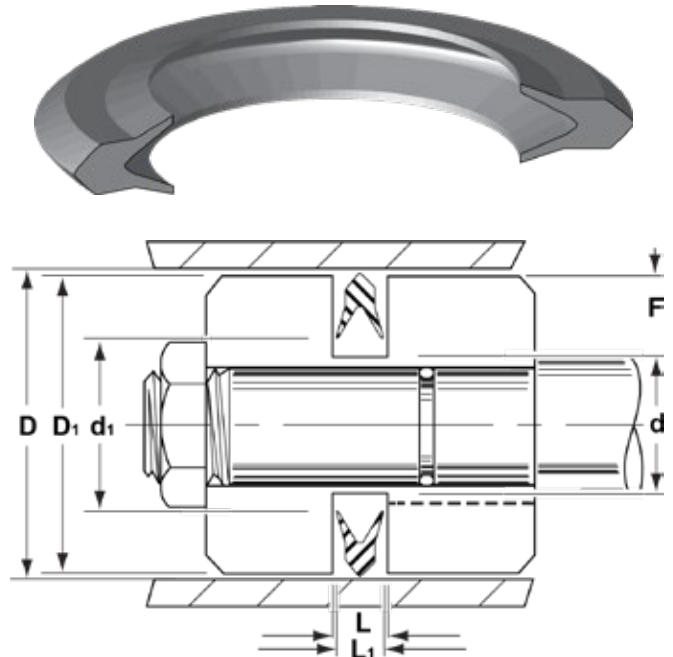
This dual action pneumatic cylinder seal uses the smallest possible sections to create low static and dynamic friction. It requires small housing dimensions and is easily assembled into the seal grooves.

Temperature: -5°F to 212°F

Pressure: PSI ≤ 175

ALTERNATIVE SEALS: PSD, PPD

KSP Nitrile Piston Seals - Metric



KSP is a double acting pneumatic piston seal designed to work in low axial housing heights. Mostly used in short stroke pneumatic cylinders and valves, this 70A nitrile seal is easily installed and offers low friction with superior sealability.

Temperature: -20°F to 220°F

Pressure: 0 to 145 PSI

EXAMPLE: PZ-25X18X2.1

Prefix	Outside Diameter		Groove Diameter		Seal Height
PZ-	25	x	18	x	2.1
	25mm		18mm		2.1mm

EXAMPLE: KSP-25X15X2.3

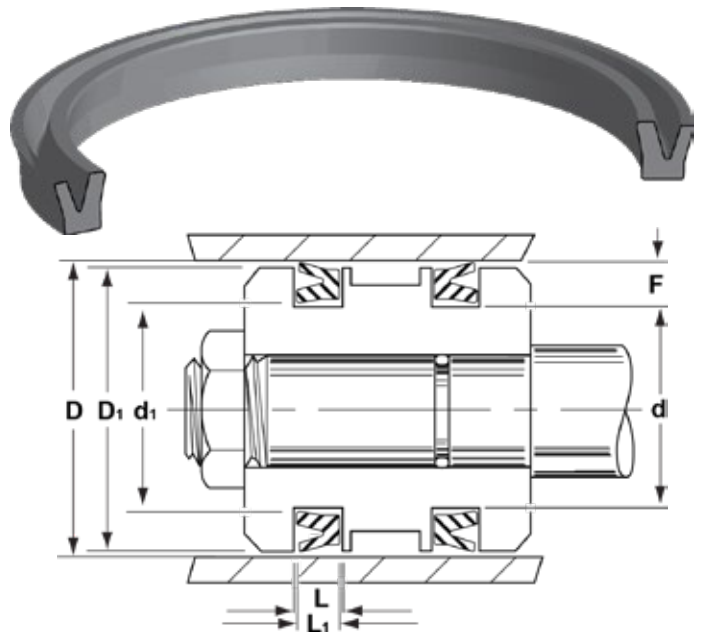
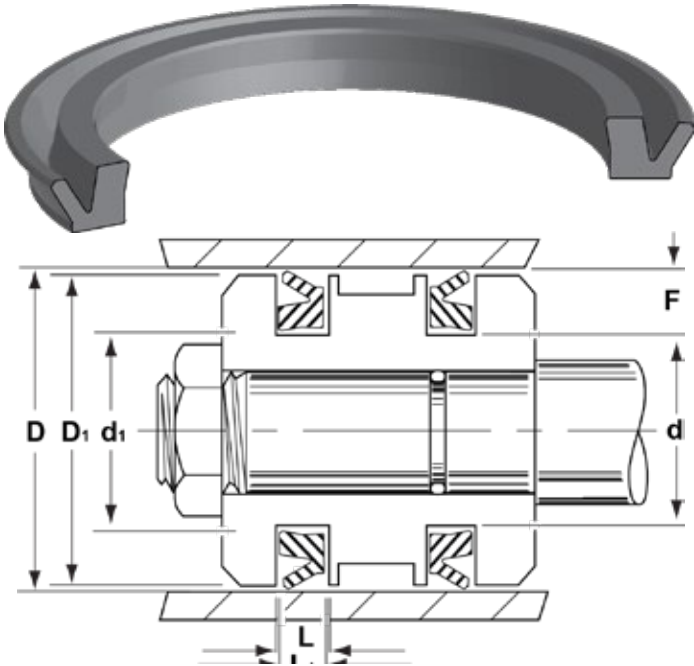
Prefix	Outside Diameter		Groove Diameter		Groove Height
KSP-	25	x	15	x	2.3
	25mm		14.5mm		2.3mm

Prefix	Part Number				Groove Height L	Price	
	Bore Diameter D	Groove Diameter d	Seal Height L ₁	Groove Height L			
PZ -	12	x	7	x	2	2.4	\$2.31
PZ -	16	x	9	x	2.1	2.5	\$2.76
PZ -	20	x	13	x	2.1	2.5	\$3.01
PZ -	25	x	18	x	2.1	2.5	\$3.58
PZ -	28	x	19	x	2.5	3	\$3.72
PZ -	30	x	21	x	2.5	3	\$5.42
PZ -	32	x	23	x	2.5	3	\$3.98
PZ -	35	x	26	x	2.5	3	\$4.27
PZ -	40	x	31	x	2.5	3	\$4.40
PZ -	50	x	41	x	2.5	3	\$5.45
PZ -	60	x	44	x	3.4	4	\$6.02
PZ -	63	x	51	x	3.4	4	\$6.20
PZ -	70	x	58	x	3.4	4	\$6.80
PZ -	80	x	68	x	3.4	4	\$7.30
PZ -	100	x	88	x	3.4	4	\$8.24
PZ -	125	x	110	x	4.4	5	\$10.68

Part Number	Bore Diameter D	Groove Diameter d	Groove Height L	Price
KSP-25X15X2.3	25	15	2.3	\$4.65
KSP-30X20X2.3	30	20	2.3	\$4.84
KSP-35X22.5X3	35	22.5	3.0	\$5.13
KSP-40X27.5X3	40	27.5	3.0	\$5.95
KSP-42X29.5X3	42	29.5	3.0	\$6.27
KSP-50X37.5X3	50	37.5	3.0	\$6.64
KSP-60X44X3.5	60	44	3.5	\$7.19
KSP-63X47X3.5	63	47	3.5	\$7.30
KSP-70X55.5X3.5	70	55.5	3.5	\$8.53
KSP-80X61X4.1	80	61	4.1	\$9.20
KSP-90X71X4.1	90	71	4.1	\$9.67
KSP-100X79X4.6	100	79	4.6	\$10.26
KSP-125X101X5.1	125	101	5.1	\$13.39
KSP-140X113.5X5.6	140	113.5	5.6	\$14.12
KSP-160X131.5X6.2	160	131.5	6.2	\$24.81
KSP-200X163X8.8	200	163	8.8	\$36.33

Z8 Pneumatic Piston U-Cups - Metric

E4 Pneumatic Piston U-Cups - Metric



Z8 is a single acting pneumatic non-symmetrical piston seal with shorter and thinner dynamic lip. This seal, made from 80A nitrile (no suffix) or 90 durometer urethane (marked P90), offers high sealing effect with very low friction.

The E4 pneumatic piston seal is a single acting pneumatic piston seal which delivers good sealing performance with very little friction due to the rounded dynamic lip.

NBR: Temperature: 22°F to 220°F Pressure: PSI ≤ 175
PU: Temperature: -22°F to 175°F Pressure: PSI ≤ 230

NBR: Temperature: 22°F to 220°F
 Pressure: PSI ≤ 175 No Suffix
PU: Temperature: -22°F to 175°F
 Pressure: PSI ≤ 230 Suffix: P90

ALTERNATIVE SEALS: C2
 PARTS WITH NO SUFFIX ARE NBR

ALTERNATIVE SEALS: C2, MUPH
 PARTS WITH NO SUFFIX ARE NBR

EXAMPLE: Z8-105X125X4.25P90						
Prefix	Inside Diameter		Outside Diameter		Groove Height	Suffix
Z8-	105	x	125	x	4.25	P90
	105mm		125mm		4.25mm	Urethane

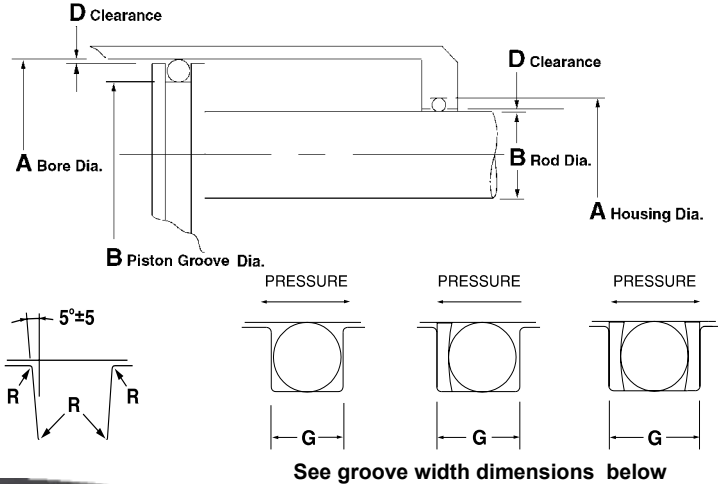
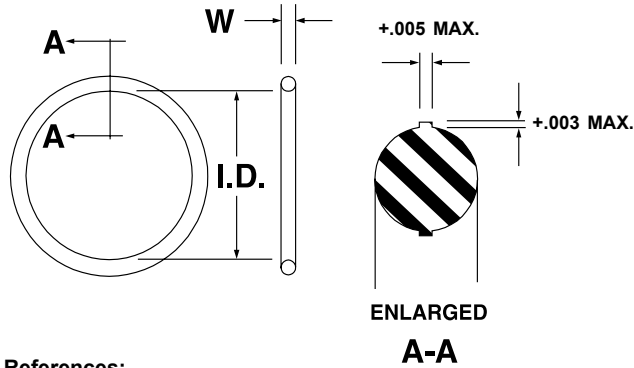
EXAMPLE: E4-53X63X7						
Prefix	Inside Diameter		Outside Diameter		Groove Height	Suffix
E4-	53	x	63	x	7	
	53mm		63mm		7mm	NBR

Part Number					
Prefix	Groove Diameter d	Bore Diameter D	Groove Height L	Material	Price
Z8 -	6	x 10	x 2.5		\$3.19
Z8 -	7	x 12	x 2.5	P90	\$4.26
Z8 -	10	x 16	x 2.55		\$3.83
Z8 -	14	x 20	x 2.6		\$4.59
Z8 -	19	x 25	x 3.5		\$4.84
Z8 -	24	x 32	x 3.25		\$5.01
Z8 -	32	x 40	x 3.25	P90	\$7.38
Z8 -	42	x 50	x 3.25		\$6.42
Z8 -	53	x 63	x 4.25		\$8.68
Z8 -	53	x 63	x 4.25	P90	\$11.24
Z8 -	70	x 80	x 4.25	P90	\$10.17
Z8 -	90	x 100	x 4.25		\$10.68
Z8 -	90	x 100	x 4.25	P90	\$12.18
Z8 -	105	x 125	x 4.25	P90	\$16.70

Part Number					
Prefix	Groove Diameter d	Bore Diameter D	Groove Height L	Material	Price
E4 -	17	x 25	x 4.5		\$6.51
E4 -	17	x 25	x 5.5		\$5.15
E4 -	30	x 40	x 7		\$5.01
E4 -	53	x 63	x 7		\$7.70
E4 -	53	x 63	x 7	P90	\$11.80
E4 -	145	x 160	x 7	P80	\$30.06
E4 -	295	x 320	x 17	P90	\$120.59

O-Ring Size and Installation Chart

O-Ring Size Chart and Installation Data



References:
AS568A Uniform Numbering System

Selection and Size



Groove Width Dimensions								
AS568A Dash Nos.	A Tolerance	B Tolerance	D Dia. Clearance		G +.005/- .000			R Radius
			Reciprocating/Static	Rotary	No Backup	1 Backup	2 Backup	
004-012	+.001/- .000	+.000/- .001	+.002/- .004	+.012/.016	.093	.138	.205	.005-.015
013-050	+.002/- .000	+.000/- .001	+.002/- .005	+.012/.016	.093	.138	.205	.005-.015
102-129	+.002/- .000	+.000/- .002	+.002/- .005	+.012/.016	.140	.171	.238	.005-.015
130-178	+.002/- .000	+.000/- .002	+.002/- .006	+.012/.016	.140	.171	.238	.005-.015
201-284	+.002/- .000	+.000/- .002	+.002/- .006	+.016/.020	.187	.208	.275	.010-.025
309-395	+.002/- .000	+.000/- .002	+.003/- .007	+.016/.020	.281	.311	.410	.020-.030
425-475	+.003/- .000	+.000/- .003	+.004/- .010	+.016/.020	.375	.408	.538	.020-.030

SIZE CHART						INSTALLATION DATA - GROOVE DIMENSIONS									
UNIVERSAL SERIES AS568A DASH NOS.	NOMINAL SIZE			ACTUAL SIZE		RECIPROCATING SEALS				STATIC SEALS				ROTARY SEALS	
	I.D.	O.D.	W.	I.D.	W.	I.D. SEALING		O.D. SEALING		I.D. SEALING		O.D. SEALING		I.D. SEALING	
						A	B	A	B	A	B	A	B	A	B
2-001	1/32	3/32	1/32	0.029 ±.004	0.040 ±.003					0.101	0.040	0.105	0.044		
2-001.5	1/16	1/8	1/32	0.070 ±.004	0.040 ±.003					0.142	0.081	0.146	0.085		
2-002	3/64	9/64	3/64	0.042 ±.004	0.050 ±.003					0.132	0.053	0.138	0.059		
2-003	1/16	3/16	1/16	0.056 ±.004	0.060 ±.003					0.162	0.067	0.172	0.077		
2-004	5/64	13/64	1/16	0.070 ±.005	0.070 ±.003					0.181	0.081	0.206	0.106	0.202	0.072
2-005	3/32	7/32	1/16	0.101 ±.005	0.070 ±.003					0.212	0.112	0.237	0.137	0.233	0.103
2-006	1/8	1/4	1/16	0.114 ±.005	0.070 ±.003	0.234	0.124	0.249	0.139	0.225	0.125	0.250	0.150	0.246	0.116
2-007	5/32	9/32	1/16	0.145 ±.005	0.070 ±.003	0.265	0.155	0.280	0.170	0.256	0.156	0.281	0.181	0.277	0.147
2-008	3/16	5/16	1/16	0.176 ±.005	0.070 ±.003	0.296	0.186	0.311	0.201	0.287	0.187	0.312	0.212	0.308	0.178
2-009	7/32	11/32	1/16	0.208 ±.005	0.070 ±.003	0.328	0.218	0.343	0.233	0.318	0.218	0.343	0.243	0.340	0.210
2-010	1/4	3/8	1/16	0.239 ±.005	0.070 ±.003	0.359	0.249	0.374	0.264	0.350	0.250	0.375	0.275	0.371	0.241
2-011	5/16	7/16	1/16	0.301 ±.005	0.070 ±.003	0.421	0.311	0.436	0.326	0.412	0.312	0.437	0.337	0.433	0.303
2-012	3/8	1/2	1/16	0.364 ±.005	0.070 ±.003	0.484	0.374	0.499	0.389	0.475	0.375	0.500	0.400	0.496	0.366
2-013	7/16	9/16	1/16	0.426 ±.005	0.070 ±.003					0.537	0.437	0.562	0.462	0.558	0.428
2-014	1/2	5/8	1/16	0.489 ±.005	0.070 ±.003					0.600	0.500	0.625	0.525	0.621	0.491
2-015	9/16	11/16	1/16	0.551 ±.007	0.070 ±.003					0.662	0.562	0.687	0.587	0.683	0.553
2-016	5/8	3/4	1/16	0.614 ±.009	0.070 ±.003					0.725	0.625	0.750	0.650	0.746	0.616
2-017	11/16	13/16	1/16	0.676 ±.009	0.070 ±.003					0.787	0.687	0.812	0.712	0.808	0.678
2-018	3/4	7/8	1/16	0.739 ±.009	0.070 ±.003					0.850	0.750	0.875	0.775	0.871	0.741
2-019	13/16	15/16	1/16	0.801 ±.009	0.070 ±.003					0.912	0.812	0.937	0.837	0.933	0.803
2-020	7/8	1	1/16	0.864 ±.009	0.070 ±.003					0.975	0.875	1.000	0.900	0.996	0.866
2-021	15/16	1-1/16	1/16	0.926 ±.009	0.070 ±.003					1.037	0.937	1.062	0.962	1.058	0.928
2-022	1	1-1/8	1/16	0.989 ±.010	0.070 ±.003					1.100	1.000	1.125	1.025	1.121	0.991
2-023	1-1/16	1-3/16	1/16	1.051 ±.010	0.070 ±.003					1.162	1.062	1.187	1.087	1.183	1.053
2-024	1-1/8	1-1/4	1/16	1.114 ±.010	0.070 ±.003					1.225	1.125	1.250	1.150	1.246	1.116
2-025	1-3/16	1-5/16	1/16	1.176 ±.011	0.070 ±.003					1.287	1.187	1.312	1.212	1.308	1.178

O-Ring Size and Installation Chart, cont'd.

SIZE CHART							INSTALLATION DATA - GROOVE DIMENSIONS									
UNIVERSAL SERIES AS568A DASH NOS.	NOMINAL SIZE			ACTUAL SIZE			RECIPROCATING SEALS				STATIC SEALS				ROTARY SEALS	
	I.D.	O.D.	W.	I.D.	W.	I.D. SEALING		O.D. SEALING		I.D. SEALING		O.D. SEALING		I.D. SEALING		
						A	B	A	B	A	B	A	B			
2-026	1-1/4	1-3/8	1/16	1.239 ±.011	0.070 ±.003					1.350	1.250	1.375	1.275	1.371	1.241	
2-027	1-5/16	1-7/16	1/16	1.301 ±.011	0.070 ±.003					1.412	1.312	1.437	1.337	1.433	1.303	
2-028	1-3/8	1-1/2	1/16	1.364 ±.013	0.070 ±.003					1.475	1.375	1.500	1.400	1.496	1.366	
2-029	1-1/2	1-5/8	1/16	1.489 ±.013	0.070 ±.003					1.600	1.500	1.625	1.525	1.621	1.491	
2-030	1-5/8	1-3/4	1/16	1.614 ±.013	0.070 ±.003					1.725	1.625	1.750	1.650	1.746	1.616	
2-031	1-3/4	1-7/8	1/16	1.739 ±.015	0.070 ±.003					1.850	1.750	1.875	1.775	1.871	1.741	
2-032	1-7/8	2	1/16	1.864 ±.015	0.070 ±.003					1.975	1.875	2.000	1.900	1.996	1.866	
2-033	2	2-1/8	1/16	1.989 ±.018	0.070 ±.003					2.100	2.000	2.125	2.025	2.121	1.991	
2-034	2-1/8	2-1/4	1/16	2.114 ±.018	0.070 ±.003					2.225	2.125	2.250	2.150	2.246	2.116	
2-035	2-1/4	2-3/8	1/16	2.239 ±.018	0.070 ±.003					2.350	2.250	2.375	2.275	2.371	2.241	
2-036	2-3/8	2-1/2	1/16	2.364 ±.018	0.070 ±.003					2.475	2.375	2.500	2.400	2.496	2.366	
2-037	2-1/2	2-5/8	1/16	2.489 ±.010	0.070 ±.003					2.600	2.500	2.625	2.525	2.621	2.491	
2-038	2-5/8	2-3/4	1/16	2.614 ±.020	0.070 ±.003					2.725	2.625	2.750	2.650	2.746	2.616	
2-039	2-3/4	2-7/8	1/16	2.739 ±.020	0.070 ±.003					2.850	2.750	2.875	2.775	2.871	2.741	
2-040	2-7/8	3	1/16	2.864 ±.020	0.070 ±.003					2.975	2.875	3.000	2.900	2.996	2.866	
2-041	3	3-1/8	1/16	2.989 ±.024	0.070 ±.003					3.100	3.000	3.125	3.025	3.121	2.991	
2-042	3-1/4	3-3/8	1/16	3.239 ±.024	0.070 ±.003					3.350	3.250	3.375	3.275	3.371	3.241	
2-043	3-1/2	3-5/8	1/16	3.489 ±.024	0.070 ±.003					3.600	3.500	3.625	3.525	3.621	3.491	
2-044	3-3/4	3-7/8	1/16	3.739 ±.027	0.070 ±.003					3.850	3.750	3.875	3.775	3.871	3.741	
2-045	4	4-1/8	1/16	3.989 ±.027	0.070 ±.003					4.100	4.000	4.125	4.025	4.121	3.991	
2-046	4-1/4	4-3/8	1/16	4.239 ±.030	0.070 ±.003					4.350	4.250	4.375	4.275			
2-047	4-1/2	4-5/8	1/16	4.489 ±.030	0.070 ±.003					4.600	4.500	4.625	4.525			
2-048	4-3/4	4-7/8	1/16	4.739 ±.030	0.070 ±.003					4.850	4.750	4.875	4.775			
2-049	5	5-1/8	1/16	4.989 ±.037	0.070 ±.003					5.100	5.000	5.125	5.025			
2-050	5-1/4	5-3/8	1/16	5.239 ±.037	0.070 ±.003					5.350	5.250	5.375	5.275			
2-102	1/16	1/4	3/32	0.049 ±.005	0.103 ±.003					0.220	0.057	0.221	0.057	0.243	0.051	
2-103	3/32	9/32	3/32	0.081 ±.005	0.103 ±.003					0.256	0.090	0.257	0.090	0.275	0.083	
2-104	1/8	5/16	3/32	0.112 ±.005	0.103 ±.003	0.293	0.123	0.322	0.138	0.287	0.121	0.288	0.121	0.305	0.114	
2-105	5/32	11/32	3/32	0.143 ±.005	0.103 ±.003	0.323	0.153	0.340	0.170	0.319	0.153	0.320	0.153	0.336	0.145	
2-106	3/16	3/8	3/32	0.174 ±.005	0.103 ±.003	0.356	0.186	0.371	0.201	0.351	0.185	0.352	0.185	0.367	0.176	
2-107	7/32	13/32	3/32	0.206 ±.005	0.103 ±.003	0.376	0.216	0.401	0.231	0.383	0.217	0.384	0.217	0.399	0.208	
2-108	1/4	7/16	3/32	0.237 ±.005	0.103 ±.003	0.417	0.247	0.432	0.262	0.416	0.250	0.417	0.250	0.440	0.239	
2-109	5/16	1/2	3/32	0.299 ±.005	0.103 ±.003	0.479	0.309	0.494	0.324	0.479	0.313	0.480	0.313	0.492	0.301	
2-110	3/8	9/16	3/32	0.362 ±.005	0.103 ±.003	0.550	0.374	0.562	0.386	0.537	0.375	0.562	0.400	0.558	0.364	
2-111	7/16	5/8	3/32	0.424 ±.005	0.103 ±.003	0.612	0.436	0.624	0.448	0.599	0.437	0.625	0.463	0.620	0.426	
2-112	1/2	11/16	3/32	0.487 ±.005	0.103 ±.003	0.675	0.499	0.687	0.511	0.662	0.500	0.687	0.525	0.683	0.489	
2-113	9/16	3/4	3/32	0.549 ±.007	0.103 ±.003	0.737	0.561	0.749	0.573	0.724	0.562	0.750	0.588	0.745	0.551	
2-114	5/8	13/16	3/32	0.612 ±.009	0.103 ±.003	0.800	0.624	0.812	0.636	0.787	0.625	0.812	0.650	0.808	0.614	
2-115	11/16	7/8	3/32	0.674 ±.009	0.103 ±.003	0.862	0.686	0.874	0.698	0.849	0.687	0.875	0.713	0.870	0.676	
2-116	3/4	15/16	3/32	0.737 ±.009	0.103 ±.003	0.925	0.749	0.937	0.761	0.912	0.750	0.937	0.775	0.933	0.739	
2-117	13/16	1	3/32	0.799 ±.010	0.103 ±.003					0.974	0.812	1.000	0.838	0.995	0.801	
2-118	7/8	1-1/16	3/32	0.862 ±.010	0.103 ±.003					1.037	0.875	1.062	0.900	1.058	0.864	
2-119	15/16	1-1/8	3/32	0.924 ±.010	0.103 ±.003					1.099	0.937	1.125	0.963	1.120	0.926	
2-120	1	1-3/16	3/32	0.987 ±.010	0.103 ±.003					1.162	1.000	1.187	1.025	1.183	0.989	
2-121	1-1/16	1-1/4	3/32	1.049 ±.010	0.103 ±.003					1.224	1.062	1.250	1.088	1.245	1.051	
2-122	1-1/8	1-5/16	3/32	1.112 ±.010	0.103 ±.003					1.287	1.125	1.312	1.150	1.308	1.114	
2-123	1-3/16	1-3/8	3/32	1.174 ±.012	0.103 ±.003					1.349	1.187	1.375	1.213	1.370	1.176	
2-124	1-1/4	1-7/16	3/32	1.237 ±.012	0.103 ±.003					1.412	1.250	1.437	1.275	1.433	1.239	
2-125	1-5/16	1-1/2	3/32	1.299 ±.012	0.103 ±.003					1.474	1.312	1.500	1.338	1.495	1.301	
2-126	1-3/8	1-9/16	3/32	1.362 ±.012	0.103 ±.003					1.537	1.375	1.562	1.400	1.558	1.364	
2-127	1-7/16	1-5/8	3/32	1.424 ±.012	0.103 ±.003					1.599	1.437	1.625	1.463	1.620	1.426	
2-128	1-1/2	1-11/16	3/32	1.487 ±.012	0.103 ±.003					1.662	1.500	1.687	1.525	1.683	1.489	
2-129	1-9/16	1-3/4	3/32	1.549 ±.015	0.103 ±.003					1.724	1.562	1.750	1.588	1.745	1.551	
2-130	1-5/8	1-13/16	3/32	1.612 ±.015	0.103 ±.003					1.787	1.625	1.812	1.650	1.808	1.614	
2-131	1-11/16	1-7/8	3/32	1.674 ±.015	0.103 ±.003					1.849	1.687	1.875	1.713	1.870	1.676	
2-132	1-3/4	1-15/16	3/32	1.737 ±.015	0.103 ±.003					1.912	1.750	1.937	1.775	1.933	1.739	
2-133	1-13/16	2	3/32	1.799 ±.015	0.103 ±.003					1.974	1.812	2.000	1.838	1.995	1.801	
2-134	1-7/8	2-1/16	3/32	1.862 ±.015	0.103 ±.003					2.037	1.875	2.062	1.900	2.058	1.864	
2-135	1-15/16	2-1/8	3/32	1.925 ±.017	0.103 ±.003					2.099	1.937	2.125	1.963	2.121	1.927	
2-136	2	2-3/16	3/32	1.987 ±.017	0.103 ±.003					2.162	2.000	2.187	2.025	2.183	1.989	
2-137	2-1/16	2-1/4	3/32	2.050 ±.017	0.103 ±.003					2.224	2.062	2.250	2.088	2.246	2.052	
2-138	2-1/8	2-5/16	3/32	2.112 ±.017	0.103 ±.003					2.287	2.125	2.312	2.150	2.308	2.114	
2-139	2-3/16	2-3/8	3/32	2.175 ±.017	0.103 ±.003					2.349	2.187	2.375	2.213	2.371	2.177	
2-140	2-1/4	2-7/16	3/32	2.237 ±.017	0.103 ±.003					2.412	2.250	2.437	2.275	2.433	2.239	
2-141	2-5/16	2-1/2	3/32	2.300 ±.020	0.103 ±.003					2.474	2.312	2.500	2.338	2.496	2.302	
2-142	2-3/8	2-9/16	3/32	2.362 ±.020	0.103 ±.003					2.537	2.375	2.562	2.400	2.558	2.364	
2-143	2-7/16	2-5/8	3/32	2.425 ±.020	0.103 ±.003					2.599	2.437	2.625	2.463	2.621	2.427	
2-144	2-1/2	2-11/16	3/32	2.487 ±.020	0.103 ±.003					2.662	2.500	2.687	2.525	2.683	2.489	
2-145	2-9/16	2-3/4	3/32	2.550 ±.020	0.103 ±.003					2.724	2.562	2.750	2.588	2.746	2.552	
2-146	2-5/8	2-13/16	3/32	2.612 ±.020	0.103 ±.003					2.787	2.625	2.812	2.650	2.808	2.614	

O-Ring Size and Installation Chart, cont'd.

SIZE CHART						INSTALLATION DATA - GROOVE DIMENSIONS									
UNIVERSAL SERIES AS568A DASH NOS.	NOMINAL SIZE			ACTUAL SIZE		RECIPROCATING SEALS				STATIC SEALS				ROTARY SEALS	
	I.D.	O.D.	W.	I.D.	W.	I.D. SEALING		O.D. SEALING		I.D. SEALING		O.D. SEALING		I.D. SEALING	
						A	B	A	B	A	B	A	B	A	B
2-147	2-11/16	2-7/8	3/32	2.675 ±.022	0.103 ±.003					2.849	2.687	2.875	2.713	2.871	2.677
2-148	2-3/4	2-15/16	3/32	2.737 ±.022	0.103 ±.003					2.912	2.750	2.937	2.775	2.933	2.739
2-149	2-13/16	3	3/32	2.800 ±.022	0.103 ±.003					2.974	2.812	3.000	2.838	2.996	2.802
2-150	2-7/8	3-1/16	3/32	2.862 ±.022	0.103 ±.003					2.037	2.875	3.062	2.900	3.058	2.864
2-151	3	3-3/16	3/32	2.987 ±.024	0.103 ±.003					3.162	3.000	3.187	3.025	3.183	2.989
2-152	3-1/4	3-7/16	3/32	3.237 ±.024	0.103 ±.003					3.412	3.250	3.437	3.275	3.433	3.239
2-153	3-1/2	3-11/16	3/32	3.487 ±.024	0.103 ±.003					3.662	3.500	3.687	3.525	3.683	3.489
2-154	3-3/4	3-15/16	3/32	3.737 ±.028	0.103 ±.003					3.912	3.750	3.937	3.775	3.933	3.739
2-155	4	4-3/16	3/32	3.987 ±.028	0.103 ±.003					4.162	4.000	4.187	4.025	4.183	3.989
2-156	4-1/4	4-7/16	3/32	4.237 ±.030	0.103 ±.003					4.412	4.250	4.437	4.275	4.433	4.239
2-157	4-1/2	4-11/16	3/32	4.487 ±.030	0.103 ±.003					4.662	4.500	4.687	4.525	4.683	4.489
2-158	4-3/4	4-15/16	3/32	4.737 ±.035	0.103 ±.003					4.912	4.570	4.937	4.775	4.933	4.739
2-159	5	5-3/16	3/32	4.987 ±.035	0.103 ±.003					5.162	5.000	5.187	5.025	5.183	4.989
2-160	5-1/4	5-7/16	3/32	5.237 ±.035	0.103 ±.003					5.412	5.250	5.437	5.275	5.433	5.239
2-161	5-1/2	5-11/16	3/32	5.487 ±.035	0.103 ±.003					5.662	5.500	5.687	5.525	5.683	5.489
2-162	5-3/4	5-15/16	3/32	5.737 ±.035	0.103 ±.003					5.912	5.750	5.937	5.775	5.933	5.739
2-163	6	6-3/16	3/32	5.987 ±.040	0.103 ±.003					6.162	6.000	6.187	6.025	6.183	5.989
2-164	6-1/4	6-7/16	3/32	6.237 ±.040	0.103 ±.003					6.412	6.250	6.437	6.275		
2-165	6-1/2	6-11/16	3/32	6.487 ±.040	0.103 ±.003					6.662	6.500	6.687	6.525		
2-166	6-3/4	6-15/16	3/32	6.737 ±.040	0.103 ±.003					6.912	6.750	6.937	6.775		
2-167	7	7-3/16	3/32	6.987 ±.040	0.103 ±.003					7.162	7.000	7.187	7.025		
2-168	7-1/4	7-7/16	3/32	7.237 ±.045	0.103 ±.003					7.412	7.250	7.437	7.275		
2-169	7-1/2	7-11/16	3/32	7.487 ±.045	0.103 ±.003					7.662	7.500	7.687	7.525		
2-170	7-3/4	7-15/16	3/32	7.737 ±.045	0.103 ±.003					7.912	7.750	7.937	7.775		
2-171	8	8-3/16	3/32	7.987 ±.045	0.103 ±.003					8.162	8.000	8.187	8.025		
2-172	8-1/4	8-7/16	3/32	8.237 ±.050	0.103 ±.003					8.412	8.250	8.437	8.275		
2-173	8-1/2	8-11/16	3/32	8.487 ±.050	0.103 ±.003					8.662	8.500	8.687	8.525		
2-174	8-3/4	8-15/16	3/32	8.737 ±.050	0.103 ±.003					8.912	8.750	8.937	8.775		
2-175	9	9-3/16	3/32	8.987 ±.050	0.103 ±.003					9.162	9.000	9.187	9.025		
2-176	9-1/4	9-7/16	3/32	9.237 ±.055	0.103 ±.003					9.412	9.250	9.437	9.275		
2-177	9-1/2	9-11/16	3/32	9.487 ±.055	0.103 ±.003					9.662	9.500	9.687	9.525		
2-178	9-3/4	9-15/16	3/32	9.737 ±.055	0.103 ±.003					9.912	9.750	9.937	9.775		
2-201	3/16	7/16	1/8	0.171 ±.005	0.139 ±.004	0.427	0.181	0.442	0.196	0.408	0.182	0.408	0.182	0.440	0.172
2-202	1/4	1/2	1/8	0.234 ±.005	0.139 ±.004	0.490	0.244	0.505	0.259	0.474	0.247	0.474	0.247	0.503	0.235
2-203	5/16	9/16	1/8	0.296 ±.005	0.139 ±.004	0.552	0.306	0.568	0.322	0.539	0.310	0.539	0.310	0.565	0.297
2-204	3/8	5/8	1/8	0.359 ±.005	0.139 ±.004	0.615	0.369	0.630	0.384	0.601	0.374	0.601	0.374	0.628	0.360
2-205	7/16	11/16	1/8	0.421 ±.005	0.139 ±.004	0.679	0.433	0.691	0.445	0.664	0.438	0.664	0.438	0.690	0.422
2-206	1/2	3/4	1/8	0.484 ±.005	0.139 ±.004	0.742	0.496	0.754	0.508	0.729	0.502	0.729	0.502	0.753	0.485
2-207	9/16	13/16	1/8	0.546 ±.007	0.139 ±.004	0.803	0.557	0.815	0.569	0.792	0.565	0.792	0.565	0.815	0.547
2-208	5/8	7/8	1/8	0.609 ±.009	0.139 ±.004	0.867	0.621	0.879	0.633	0.858	0.631	0.858	0.631	0.878	0.610
2-209	11/16	15/16	1/8	0.671 ±.009	0.139 ±.004	0.927	0.681	0.940	0.694	0.921	0.695	0.921	0.695	0.940	0.672
2-210	3/4	1	1/8	0.734 ±.010	0.139 ±.004	0.990	0.748	1.000	0.758	0.972	0.750	1.000	0.778	1.002	0.736
2-211	13/16	1-1/16	1/8	0.796 ±.010	0.139 ±.004	1.052	0.810	1.062	0.820	1.034	0.812	1.062	0.840	1.064	0.798
2-212	7/8	1-1/8	1/8	0.859 ±.010	0.139 ±.004	1.115	0.873	1.125	0.883	1.097	0.875	1.125	0.903	1.127	0.861
2-213	15/16	1-3/16	1/8	0.921 ±.010	0.139 ±.004	1.177	0.935	1.187	0.945	1.159	0.937	1.187	0.965	1.189	0.923
2-214	1	1-1/4	1/8	0.984 ±.010	0.139 ±.004	1.240	0.998	1.250	1.008	1.222	1.000	1.250	1.028	1.252	0.986
2-215	1-1/16	1-5/16	1/8	1.046 ±.010	0.139 ±.004	1.302	1.060	1.312	1.070	1.284	1.062	1.312	1.090	1.314	1.048
2-216	1-1/8	1-3/8	1/8	1.109 ±.012	0.139 ±.004	1.365	1.123	1.375	1.133	1.347	1.125	1.375	1.153	1.377	1.111
2-217	1-3/16	1-7/16	1/8	1.171 ±.012	0.139 ±.004	1.427	1.185	1.437	1.195	1.409	1.187	1.437	1.215	1.439	1.173
2-218	1-1/4	1-1/2	1/8	1.234 ±.012	0.139 ±.004	1.490	1.248	1.500	1.258	1.472	1.250	1.500	1.278	1.502	1.236
2-219	1-5/16	1-9/16	1/8	1.296 ±.012	0.139 ±.004	1.552	1.310	1.562	1.320	1.534	1.312	1.562	1.340	1.564	1.298
2-220	1-3/8	1-5/8	1/8	1.359 ±.012	0.139 ±.004	1.615	1.373	1.625	1.383	1.597	1.375	1.625	1.403	1.627	1.361
2-221	1-7/16	1-11/16	1/8	1.421 ±.012	0.139 ±.004	1.677	1.435	1.687	1.445	1.659	1.437	1.687	1.465	1.689	1.423
2-222	1-1/2	1-3/4	1/8	1.484 ±.015	0.139 ±.004	1.740	1.498	1.750	1.508	1.722	1.500	1.750	1.528	1.752	1.486
2-223	1-5/8	1-7/8	1/8	1.609 ±.015	0.139 ±.004					1.847	1.625	1.875	1.653	1.877	1.611
2-224	1-3/4	2	1/8	1.734 ±.015	0.139 ±.004					1.972	1.750	2.000	1.778	2.002	1.736
2-225	1-7/8	2-1/8	1/8	1.859 ±.018	0.139 ±.004					2.097	1.875	2.125	1.903	2.127	1.861
2-226	2	2-1/4	1/8	1.984 ±.018	0.139 ±.004					2.222	2.000	2.250	2.028	2.252	1.986
2-227	2-1/8	2-3/8	1/8	2.109 ±.018	0.139 ±.004					2.347	2.125	2.375	2.153	2.377	2.111
2-228	2-1/4	2-1/2	1/8	2.234 ±.020	0.139 ±.004					2.472	2.250	2.500	2.278	2.502	2.236
2-229	2-3/8	2-5/8	1/8	2.359 ±.020	0.139 ±.004					2.597	2.375	2.625	2.403	2.627	2.361
2-230	2-1/2	2-3/4	1/8	2.484 ±.020	0.139 ±.004					2.722	2.500	2.750	2.528	2.752	2.486
2-231	2-5/8	2-7/8	1/8	2.609 ±.020	0.139 ±.004					2.847	2.625	2.875	2.653	2.877	2.611
2-232	2-3/4	3	1/8	2.734 ±.024	0.139 ±.004					2.972	2.750	3.000	2.778	3.002	2.736
2-233	2-7/8	3-1/8	1/8	2.859 ±.024	0.139 ±.004					3.097	2.875	3.125	2.903	3.127	2.861
2-234	3	3-1/4	1/8	2.984 ±.024	0.139 ±.004					3.222	3.000	3.250	3.028	3.252	2.986
2-235	3-1/8	3-3/8	1/8	3.109 ±.024	0.139 ±.004					3.347	3.125	3.375	3.153	3.377	3.111
2-236	3-1/4	3-1/2	1/8	3.234 ±.024	0.139 ±.004					3.472	3.250	3.500	3.278	3.502	3.236
2-237	3-3/8	3-5/8	1/8	3.359 ±.024	0.139 ±.004					3.597	3.375	3.625	3.403	3.627	3.361
2-238	3-1/2	3-3/4	1/8	3.484 ±.024	0.139 ±.004					3.722	3.500	3.750	3.528	3.752	3.486



O-Ring Size and Installation Chart, cont'd.

UNIVERSAL SERIES AS568A DASH NOS.	SIZE CHART						INSTALLATION DATA - GROOVE DIMENSIONS									
	NOMINAL SIZE			ACTUAL SIZE			RECIPROCATING SEALS				STATIC SEALS				ROTARY SEALS	
	I.D.	O.D.	W.	I.D.	W.		I.D. SEALING		O.D. SEALING		I.D. SEALING		O.D. SEALING		I.D. SEALING	
							A	B	A	B	A	B	A	B		
2-239	3-5/8	3-7/8	1/8	3.609 ±.028	0.139 ±.004					3.847	3.625	3.875	3.653	3.877	3.611	
2-240	3-3/4	4	1/8	3.734 ±.028	0.139 ±.004					3.972	3.750	4.000	3.778	4.002	3.736	
2-241	3-7/8	4-1/8	1/8	3.859 ±.028	0.139 ±.004					4.097	3.875	4.125	3.903	4.127	3.861	
2-242	4	4-1/4	1/8	3.984 ±.028	0.139 ±.004					4.222	4.000	4.250	4.028	4.252	3.986	
2-243	4-1/8	4-3/8	1/8	4.109 ±.028	0.139 ±.004					4.347	4.125	4.375	4.153	4.377	4.111	
2-244	4-1/4	4-1/2	1/8	4.234 ±.030	0.139 ±.004					4.472	4.250	4.500	4.278	4.502	4.236	
2-245	4-3/8	4-5/8	1/8	4.359 ±.030	0.139 ±.004					4.597	4.375	4.625	4.403	4.627	4.361	
2-246	4-1/2	4-3/4	1/8	4.484 ±.030	0.139 ±.004					4.722	4.500	4.750	4.528	4.752	4.486	
2-247	4-5/8	4-7/8	1/8	4.609 ±.030	0.139 ±.004					4.847	4.625	4.875	4.653	4.877	4.611	
2-248	4-3/4	5	1/8	4.734 ±.030	0.139 ±.004					4.972	4.750	5.000	4.778	5.002	4.736	
2-249	4-7/8	5-1/8	1/8	4.859 ±.035	0.139 ±.004					5.097	4.875	5.125	4.903	5.127	4.861	
2-250	5	5-1/4	1/8	4.984 ±.035	0.139 ±.004					5.222	5.000	5.250	5.028	5.252	4.986	
2-251	5-1/8	5-3/8	1/8	5.109 ±.035	0.139 ±.004					5.347	5.125	5.375	5.153	5.377	5.111	
2-252	5-1/4	5-1/2	1/8	5.234 ±.035	0.139 ±.004					5.472	5.250	5.500	5.278	5.502	5.236	
2-253	5-3/8	5-5/8	1/8	5.359 ±.035	0.139 ±.004					5.597	5.375	5.625	5.403	5.627	5.361	
2-254	5-1/2	5-3/4	1/8	5.484 ±.035	0.139 ±.004					5.722	5.500	5.750	5.528	5.752	5.486	
2-255	5-5/8	5-7/8	1/8	5.609 ±.035	0.139 ±.004					5.847	5.625	5.875	5.653	5.877	5.611	
2-256	5-3/4	6	1/8	5.734 ±.035	0.139 ±.004					5.972	5.750	6.000	5.778	6.002	5.736	
2-257	5-7/8	6-1/8	1/8	5.859 ±.035	0.139 ±.004					6.097	5.875	6.125	5.903	6.127	5.861	
2-258	6	6-1/4	1/8	5.984 ±.035	0.139 ±.004					6.222	6.000	6.250	6.028	6.252	5.986	
2-259	6-1/4	6-1/2	1/8	6.234 ±.040	0.139 ±.004					6.472	6.250	6.500	6.278			
2-260	6-1/2	6-3/4	1/8	6.484 ±.040	0.139 ±.004					6.722	6.500	6.750	6.528			
2-261	6-3/4	7	1/8	6.734 ±.040	0.139 ±.004					6.972	6.750	7.000	6.778			
2-262	7	7-1/4	1/8	6.984 ±.040	0.139 ±.004					7.222	7.000	7.250	7.028			
2-263	7-1/4	7-1/2	1/8	7.234 ±.045	0.139 ±.004					7.472	7.250	7.500	7.278			
2-264	7-1/2	7-3/4	1/8	7.484 ±.045	0.139 ±.004					7.722	7.500	7.750	7.528			
2-265	7-3/4	8	1/8	7.734 ±.045	0.139 ±.004					7.972	7.750	8.000	7.778			
2-266	8	8-1/4	1/8	7.984 ±.045	0.139 ±.004					8.222	8.000	8.250	8.028			
2-267	8-1/4	8-1/2	1/8	8.234 ±.050	0.139 ±.004					8.472	8.250	8.500	8.278			
2-268	8-1/2	8-3/4	1/8	8.484 ±.050	0.139 ±.004					8.722	8.500	8.750	8.528			
2-269	8-3/4	9	1/8	8.734 ±.050	0.139 ±.004					8.972	8.750	9.000	8.778			
2-270	9	9-1/4	1/8	8.984 ±.050	0.139 ±.004					9.222	9.000	9.250	9.028			
2-271	9-1/4	9-1/2	1/8	9.234 ±.055	0.139 ±.004					9.472	9.250	9.500	9.278			
2-272	9-1/2	9-3/4	1/8	9.484 ±.055	0.139 ±.004					9.722	9.500	9.750	9.528			
2-273	9-3/4	10	1/8	9.734 ±.055	0.139 ±.004					9.972	9.750	10.000	9.778			
2-274	10	10-1/4	1/8	9.984 ±.055	0.139 ±.004					10.222	10.000	10.250	10.028			
2-275	10-1/2	10-3/4	1/8	10.484 ±.055	0.139 ±.004					10.722	10.500	10.750	10.528			
2-276	11	11-1/4	1/8	10.984 ±.065	0.139 ±.004					11.222	11.000	11.250	11.028			
2-277	11-1/2	11-3/4	1/8	11.484 ±.065	0.139 ±.004					11.722	11.500	11.750	11.528			
2-278	12	12-1/4	1/8	11.984 ±.065	0.139 ±.004					12.222	12.000	12.250	12.028			
2-279	13	13-1/4	1/8	12.984 ±.065	0.139 ±.004					13.222	13.000	13.250	13.028			
2-280	14	14-1/4	1/8	13.984 ±.065	0.139 ±.004					14.222	14.000	14.250	14.028			
2-281	15	15-1/4	1/8	14.984 ±.065	0.139 ±.004					15.222	15.000	15.250	15.028			
2-282	16	16-1/4	1/8	15.955 ±.075	0.139 ±.004					16.222	16.000	16.250	16.028			
2-283	17	17-1/4	1/8	16.955 ±.080	0.139 ±.004					17.222	17.000	17.250	17.028			
2-284	18	18-1/4	1/8	17.955 ±.085	0.139 ±.004					18.222	18.000	18.250	18.028			
2-309	7/16	13/16	3/16	0.412 ±.005	0.210 ±.005	0.800	0.424	0.812	0.436	0.773	0.428	0.774	0.430			
2-310	1/2	7/8	3/16	0.475 ±.005	0.210 ±.005	0.863	0.487	0.875	0.499	0.837	0.493	0.833	0.495			
2-311	9/16	15/16	3/16	0.537 ±.007	0.210 ±.005	0.925	0.549	0.937	0.561	0.900	0.556	0.901	0.558			
2-312	5/8	1	3/16	0.600 ±.009	0.210 ±.005	0.988	0.612	1.000	0.624	0.966	0.622	0.969	0.624			
2-313	11/16	1-1/16	3/16	0.662 ±.009	0.210 ±.005	1.050	0.674	1.062	0.686	1.029	0.685	1.030	0.687			
2-314	3/4	1-1/8	3/16	0.725 ±.010	0.210 ±.005	1.113	0.737	1.125	0.749	1.096	0.751	1.097	0.753			
2-315	13/16	1-3/16	3/16	0.787 ±.010	0.210 ±.005	1.177	0.801	1.187	0.811	1.158	0.814	1.159	0.816			
2-316	7/8	1-1/4	3/16	0.850 ±.010	0.210 ±.005	1.240	0.864	1.250	0.874	1.223	0.878	1.224	0.880			
2-317	15/16	1-5/16	3/16	0.912 ±.010	0.210 ±.005	1.302	0.926	1.312	0.936	1.285	0.941	1.286	0.943			
2-318	1	1-3/8	3/16	0.975 ±.010	0.210 ±.005	1.365	0.989	1.375	0.999	1.351	1.006	1.352	1.008			
2-319	1-1/16	1-7/16	3/16	1.037 ±.010	0.210 ±.005	1.427	1.051	1.437	1.061	1.414	1.069	1.415	1.071			
2-320	1-1/8	1-1/2	3/16	1.100 ±.012	0.210 ±.005	1.490	1.114	1.500	1.124	1.479	1.135	1.480	1.137			
2-321	1-3/16	1-9/16	3/16	1.162 ±.012	0.210 ±.005	1.552	1.176	1.562	1.186	1.543	1.198	1.544	1.200			
2-322	1-1/4	1-5/8	3/16	1.225 ±.012	0.210 ±.005	1.615	1.239	1.625	1.249	1.608	1.263	1.609	1.265			
2-323	1-5/16	1-11/16	3/16	1.287 ±.012	0.210 ±.005	1.677	1.301	1.687	1.311	1.670	1.326	1.671	1.328			
2-324	1-3/8	1-3/4	3/16	1.350 ±.012	0.210 ±.005	1.740	1.364	1.750	1.374	1.734	1.390	1.135	1.392			
2-325	1-1/2	1-7/8	3/16	1.475 ±.015	0.210 ±.005	1.868	1.498	1.875	1.505	1.840	1.500	1.875	1.535			
2-326	1-5/8	2	3/16	1.600 ±.015	0.210 ±.005	1.993	1.623	2.000	1.630	1.965	1.625	2.000	1.660			
2-327	1-3/4	2-1/8	3/16	1.725 ±.015	0.210 ±.005	2.118	1.748	2.125	1.755	2.090	1.750	2.125	1.785			
2-328	1-7/8	2-1/4	3/16	1.850 ±.015	0.210 ±.005	2.243	1.873	2.250	1.880	2.215	1.875	2.250	1.910			
2-329	2	2-3/8	3/16	1.975 ±.018	0.210 ±.005	2.368	1.998	2.375	2.005	2.340	2.000	2.375	2.035			
2-330	2-1/8	2-1/2	3/16	2.100 ±.018	0.210 ±.005	2.493	2.123	2.500	2.130	2.465	2.125	2.500	2.160			
2-331	2-1/4	2-5/8	3/16	2.225 ±.018	0.210 ±.005	2.618	2.248	2.625	2.255	2.590	2.250	2.625	2.285			
2-332	2-3/8	2-3/4	3/16	2.350 ±.020	0.210 ±.005	2.743	2.373	2.750	2.380	2.715	2.375	2.750	2.410			

O-Ring Size and Installation Chart, cont'd.

SIZE CHART						INSTALLATION DATA - GROOVE DIMENSIONS									
UNIVERSAL SERIES AS568A DASH NOS.	NOMINAL SIZE			ACTUAL SIZE		RECIPROCATING SEALS				STATIC SEALS				ROTARY SEALS	
						I.D. SEALING		O.D. SEALING		I.D. SEALING		O.D. SEALING		I.D. SEALING	
	I.D.	O.D.	W.	I.D.	W.	A	B	A	B	A	B	A	B	A	B
2-333	2-1/2	2-7/8	3/16	2.475 ±.020	0.210 ±.005	2.868	2.498	2.875	2.505	2.840	2.500	2.875	2.535		
2-334	2-5/8	3	3/16	2.600 ±.020	0.210 ±.005	2.993	2.623	3.000	2.630	3.965	2.625	3.000	2.660		
2-335	2-3/4	3-1/8	3/16	2.725 ±.020	0.210 ±.005	3.118	2.748	3.125	2.755	3.090	2.750	3.125	2.785		
2-336	2-7/8	3-1/4	3/16	2.850 ±.020	0.210 ±.005	3.243	2.873	3.250	2.880	3.215	2.875	3.250	2.910		
2-337	3	3-3/8	3/16	2.975 ±.024	0.210 ±.005	3.368	2.998	3.375	3.005	3.340	3.000	3.375	3.035		
2-338	3-1/8	3-1/2	3/16	3.100 ±.024	0.210 ±.005	3.493	3.123	3.500	3.130	3.465	3.125	3.500	3.160		
2-339	3-1/4	3-5/8	3/16	3.225 ±.024	0.210 ±.005	3.618	3.248	3.625	3.255	3.590	3.250	3.625	3.285		
2-340	3-3/8	3-3/4	3/16	3.350 ±.024	0.210 ±.005	3.743	3.373	3.750	3.380	3.715	3.375	3.750	3.410		
2-341	3-1/2	3-7/8	3/16	3.475 ±.024	0.210 ±.005	3.868	3.498	3.875	3.505	3.840	3.500	3.875	3.535		
2-342	3-5/8	4	3/16	3.600 ±.028	0.210 ±.005	3.993	3.623	4.000	3.630	3.965	3.625	4.000	3.660		
2-343	3-3/4	4-1/8	3/16	3.725 ±.028	0.210 ±.005	4.118	3.748	4.125	3.755	4.090	3.750	4.125	3.785		
2-344	3-7/8	4-1/4	3/16	3.850 ±.028	0.210 ±.005	4.243	3.873	4.250	3.880	4.215	3.875	4.250	3.910		
2-345	4	4-3/8	3/16	3.975 ±.028	0.210 ±.005	4.368	3.998	4.375	4.005	4.340	4.000	4.375	4.035		
2-346	4-1/8	4-1/2	3/16	4.100 ±.028	0.210 ±.005	4.493	4.123	4.500	4.130	4.465	4.125	4.500	4.160		
2-347	4-1/4	4-5/8	3/16	4.225 ±.030	0.210 ±.005	4.618	4.248	4.625	4.255	4.590	4.250	4.625	4.285		
2-348	4-3/8	4-3/4	3/16	4.350 ±.030	0.210 ±.005	4.743	4.373	4.750	4.380	4.715	4.375	4.750	4.410		
2-349	4-1/2	4-7/8	3/16	4.475 ±.030	0.210 ±.005	4.868	4.498	4.875	4.505	4.840	4.500	4.875	4.535		
2-350	4-5/8	5	3/16	4.600 ±.030	0.210 ±.005					4.965	4.625	5.000	4.660		
2-351	4-3/4	5-1/8	3/16	4.725 ±.030	0.210 ±.005					5.090	4.750	5.125	4.785		
2-352	4-7/8	5-1/4	3/16	4.850 ±.030	0.210 ±.005					5.215	4.875	5.250	4.910		
2-353	5	5-3/8	3/16	4.975 ±.037	0.210 ±.005					5.340	5.000	5.375	5.035		
2-354	5-1/8	5-1/2	3/16	5.100 ±.037	0.210 ±.005					5.465	5.125	5.500	5.160		
2-355	5-1/4	5-5/8	3/16	5.225 ±.037	0.210 ±.005					5.590	5.250	5.625	5.285		
2-356	5-3/8	5-3/4	3/16	5.350 ±.037	0.210 ±.005					5.715	5.375	5.750	5.410		
2-357	5-1/2	5-7/8	3/16	5.475 ±.037	0.210 ±.005					5.840	5.500	5.875	5.535		
2-358	5-5/8	6	3/16	5.600 ±.037	0.210 ±.005					5.965	5.625	6.000	5.660		
2-359	5-3/4	6-1/8	3/16	5.725 ±.037	0.210 ±.005					6.090	5.750	6.125	5.785		
2-360	5-7/8	6-1/4	3/16	5.850 ±.037	0.210 ±.005					6.215	5.875	6.250	5.910		
2-361	6	6-3/8	3/16	5.975 ±.037	0.210 ±.005					6.340	6.000	6.375	6.035		
2-362	6-1/4	6-5/8	3/16	6.225 ±.040	0.210 ±.005					6.590	6.250	6.625	6.285		
2-363	6-1/2	6-7/8	3/16	6.475 ±.040	0.210 ±.005					6.840	6.500	6.875	6.535		
2-364	6-3/4	7-1/8	3/16	6.725 ±.040	0.210 ±.005					7.090	6.750	7.125	6.785		
2-365	7	7-3/8	3/16	6.975 ±.040	0.210 ±.005					7.340	7.000	7.375	7.035		
2-366	7-1/4	7-5/8	3/16	7.225 ±.045	0.210 ±.005					7.590	7.250	7.625	7.285		
2-367	7-1/2	7-7/8	3/16	7.475 ±.045	0.210 ±.005					7.840	7.500	7.875	7.535		
2-368	7-3/4	8-1/8	3/16	7.725 ±.045	0.210 ±.005					8.090	7.750	8.125	7.785		
2-369	8	8-3/8	3/16	7.975 ±.045	0.210 ±.005					8.340	8.000	8.375	8.035		
2-370	8-1/4	8-5/8	3/16	8.225 ±.050	0.210 ±.005					8.590	8.250	8.625	8.285		
2-371	8-1/2	8-7/8	3/16	8.475 ±.050	0.210 ±.005					8.840	8.500	8.875	8.535		
2-372	8-3/4	9-1/8	3/16	8.725 ±.050	0.210 ±.005					9.090	8.750	9.125	8.785		
2-373	9	9-3/8	3/16	8.975 ±.050	0.210 ±.005					9.340	9.000	9.375	9.035		
2-374	9-1/4	9-5/8	3/16	9.225 ±.050	0.210 ±.005					9.590	9.250	9.625	9.285		
2-375	9-1/2	9-7/8	3/16	9.475 ±.050	0.210 ±.005					9.840	9.500	9.875	9.535		
2-376	9-3/4	10-1/8	3/16	9.725 ±.050	0.210 ±.005					10.090	9.750	10.125	9.785		
2-377	10	10-3/8	3/16	9.975 ±.050	0.210 ±.005					10.340	10.000	10.375	10.035		
2-378	10-1/2	10-7/8	3/16	10.475 ±.060	0.210 ±.005					10.840	10.500	10.875	10.535		
2-379	11	11-3/8	3/16	10.975 ±.060	0.210 ±.005					11.340	11.000	11.375	11.035		
2-380	11-1/2	11-7/8	3/16	11.475 ±.065	0.210 ±.005					11.840	11.500	11.875	11.535		
2-381	12	12-3/8	3/16	11.975 ±.065	0.210 ±.005					12.340	12.000	12.375	12.035		
2-382	13	13-3/8	3/16	12.975 ±.065	0.210 ±.005					13.340	13.000	13.375	13.035		
2-383	14	14-3/8	3/16	13.975 ±.070	0.210 ±.005					14.340	14.000	14.375	14.035		
2-384	15	15-3/8	3/16	14.975 ±.070	0.210 ±.005					15.340	15.000	15.375	15.035		
2-385	16	16-3/8	3/16	15.955 ±.075	0.210 ±.005					16.340	16.000	16.375	16.035		
2-386	17	17-3/8	3/16	16.955 ±.080	0.210 ±.005					17.340	17.000	17.375	17.035		
2-387	18	18-3/8	3/16	17.955 ±.085	0.210 ±.005					18.340	18.000	18.375	18.035		
2-388	19	19-3/8	3/16	18.955 ±.090	0.210 ±.005					19.340	19.000	19.375	19.035		
2-389	20	20-3/8	3/16	19.955 ±.095	0.210 ±.005					20.340	20.000	20.375	20.035		
2-390	21	21-3/8	3/16	20.955 ±.095	0.210 ±.005					21.340	21.000	21.375	21.035		
2-391	22	22-3/8	3/16	21.955 ±.100	0.210 ±.005					22.340	22.000	22.375	22.035		
2-392	23	23-3/8	3/16	22.940 ±.105	0.210 ±.005					23.340	23.000	23.375	23.035		
2-393	24	24-3/8	3/16	23.940 ±.110	0.210 ±.005					24.340	24.000	24.375	24.035		
2-394	25	25-3/8	3/16	24.940 ±.115	0.210 ±.005					25.340	25.000	25.375	25.035		
2-395	26	26-3/8	3/16	25.940 ±.120	0.210 ±.005					26.340	26.000	26.375	26.035		
2-401	1-1/2	2	1/4	1.475 ±.015	0.275 ±.006										
2-402	1-5/8	2-1/8	1/4	1.600 ±.015	0.275 ±.006										
2-403	1-3/4	2-1/4	1/4	1.725 ±.015	0.275 ±.006										
2-404	1-7/8	2-3/8	1/4	1.850 ±.015	0.275 ±.006										
2-405	2	2-1/2	1/4	1.975 ±.018	0.275 ±.006										
2-406	2-1/8	2-5/8	1/4	2.100 ±.018	0.275 ±.006										
2-407	2-1/4	2-3/4	1/4	2.225 ±.018	0.275 ±.006										



O-Ring Size and Installation Chart, cont'd.

UNIVERSAL SERIES AS568A DASH NOS.	SIZE CHART						INSTALLATION DATA - GROOVE DIMENSIONS									
	NOMINAL SIZE			ACTUAL SIZE			RECIPROCATING SEALS				STATIC SEALS				ROTARY SEALS	
	I.D.	O.D.	W.	I.D.	W.	I.D. SEALING		O.D. SEALING		I.D. SEALING		O.D. SEALING		I.D. SEALING		
						A	B	A	B	A	B	A	B			
2-408	2-3/8	2-7/8	1/4	2.350 ±.020	0.275 ±.006											
2-409	2-1/2	3	1/4	2.475 ±.020	0.275 ±.006											
2-410	2-5/8	3-1/8	1/4	2.600 ±.020	0.275 ±.006											
2-411	2-3/4	3-1/4	1/4	2.725 ±.020	0.275 ±.006											
2-412	2-7/8	3-3/8	1/4	2.850 ±.020	0.275 ±.006											
2-413	3	3-1/2	1/4	2.975 ±.024	0.275 ±.006											
2-414	3-1/8	3-5/8	1/4	3.100 ±.024	0.275 ±.006											
2-415	3-1/4	3-3/4	1/4	3.225 ±.024	0.275 ±.006											
2-416	3-3/8	3-7/8	1/4	3.350 ±.024	0.275 ±.006											
2-417	3-1/2	4	1/4	3.475 ±.024	0.275 ±.006											
2-418	3-5/8	4-1/8	1/4	3.600 ±.028	0.275 ±.006											
2-419	3-3/4	4-1/4	1/4	3.725 ±.028	0.275 ±.006											
2-420	3-7/8	4-3/8	1/4	3.850 ±.028	0.275 ±.006											
2-421	4	4-1/2	1/4	3.975 ±.028	0.275 ±.006											
2-422	4-1/8	4-5/8	1/4	4.100 ±.028	0.275 ±.006											
2-423	4-1/4	4-3/4	1/4	4.225 ±.030	0.275 ±.006											
2-424	4-3/8	4-7/8	1/4	4.350 ±.030	0.275 ±.006											
2-425	4-1/2	5	1/4	4.475 ±.033	0.275 ±.006	4.971	4.497	5.002	4.528	4.952	4.500	5.000	4.548			
2-426	4-5/8	5-1/8	1/4	4.600 ±.033	0.275 ±.006	5.096	4.622	5.127	4.653	5.077	4.625	5.125	4.673			
2-427	4-3/4	5-1/4	1/4	4.725 ±.033	0.275 ±.006	5.221	4.747	5.252	4.778	5.202	4.750	5.250	4.798			
2-428	4-7/8	5-3/8	1/4	4.850 ±.033	0.275 ±.006	5.346	4.872	5.377	4.903	5.327	4.875	5.373	4.923			
2-429	5	5-1/2	1/4	4.975 ±.037	0.275 ±.006	5.471	4.997	5.502	5.028	5.452	5.000	5.500	5.048			
2-430	5-1/8	5-5/8	1/4	5.100 ±.037	0.275 ±.006	5.596	5.122	5.627	5.153	5.577	5.125	5.625	5.173			
2-431	5-1/4	5-3/4	1/4	5.225 ±.037	0.275 ±.006	5.721	5.247	5.752	5.278	5.702	5.250	5.750	5.298			
2-432	5-3/8	5-7/8	1/4	5.350 ±.037	0.275 ±.006	5.846	5.372	5.877	5.403	5.827	5.375	5.875	5.423			
2-433	5-1/2	6	1/4	5.475 ±.037	0.275 ±.006	5.971	5.497	6.002	5.528	5.952	5.500	6.000	5.548			
2-434	5-5/8	6-1/8	1/4	5.600 ±.037	0.275 ±.006	6.096	5.622	6.127	5.653	6.077	5.625	6.125	5.673			
2-435	5-3/4	6-1/4	1/4	5.725 ±.037	0.275 ±.006	6.221	5.747	6.252	5.778	6.202	5.750	6.250	5.798			
2-436	5-7/8	6-3/8	1/4	5.850 ±.037	0.275 ±.006	6.346	5.872	6.377	5.903	6.327	5.875	6.375	5.923			
2-437	6	6-1/2	1/4	5.975 ±.037	0.275 ±.006	6.471	5.997	6.502	6.028	6.452	6.000	6.500	6.048			
2-438	6-1/4	6-3/4	1/4	6.225 ±.040	0.275 ±.006	6.721	6.247	6.752	6.278	6.702	6.250	6.750	6.298			
2-439	6-1/2	7	1/4	6.475 ±.040	0.275 ±.006	6.971	6.497	7.002	6.528	6.952	6.500	7.000	6.548			
2-440	6-3/4	7-1/4	1/4	6.725 ±.040	0.275 ±.006	7.221	6.747	7.252	6.778	7.202	6.750	7.250	6.798			
2-441	7	7-1/2	1/4	6.975 ±.040	0.275 ±.006	7.471	6.997	7.502	7.028	7.452	7.000	7.500	7.048			
2-442	7-1/4	7-3/4	1/4	7.225 ±.045	0.275 ±.006	7.721	7.247	7.752	7.278	7.702	7.250	7.750	7.298			
2-443	7-1/2	8	1/4	7.475 ±.045	0.275 ±.006	7.971	7.497	8.002	7.528	7.952	7.500	8.000	7.548			
2-444	7-3/4	8-1/4	1/4	7.725 ±.045	0.275 ±.006	8.221	7.747	8.252	7.778	8.202	7.750	8.250	7.798			
2-445	8	8-1/2	1/4	7.975 ±.045	0.275 ±.006	8.471	7.997	8.502	8.028	8.452	8.000	8.500	8.048			
2-446	8-1/2	9	1/4	8.475 ±.055	0.275 ±.006	8.971	8.497	9.002	8.528	8.952	8.500	9.000	8.548			
2-447	9	9-1/2	1/4	8.975 ±.055	0.275 ±.006	9.471	8.997	9.502	9.028	9.452	9.000	9.500	9.048			
2-448	9-1/2	10	1/4	9.475 ±.055	0.275 ±.006	9.971	9.497	10.002	9.528	9.952	9.500	10.000	9.548			
2-449	10	10-1/2	1/4	9.975 ±.055	0.275 ±.006	10.471	9.997	10.502	10.028	10.452	10.000	10.500	10.048			
2-450	10-1/2	11	1/4	10.475 ±.060	0.275 ±.006	10.971	10.497	11.002	10.528	10.952	10.500	11.000	10.548			
2-451	11	11-1/2	1/4	10.975 ±.060	0.275 ±.006	11.471	10.997	11.502	11.028	11.452	11.000	11.500	11.048			
2-452	11-1/2	12	1/4	11.475 ±.060	0.275 ±.006	11.971	11.497	12.002	11.528	11.952	11.500	12.000	11.548			
2-453	12	12-1/2	1/4	11.975 ±.060	0.275 ±.006	12.471	11.997	12.502	12.028	12.452	12.000	12.500	12.048			
2-454	12-1/2	13	1/4	12.475 ±.060	0.275 ±.006	12.971	12.497	13.002	12.528	12.952	12.500	13.000	12.548			
2-455	13	13-1/2	1/4	12.975 ±.060	0.275 ±.006	13.471	12.997	13.502	13.028	13.452	13.000	13.500	13.048			
2-456	13-1/2	14	1/4	13.475 ±.070	0.275 ±.006	13.971	13.497	14.002	13.528	13.952	13.500	14.000	13.548			
2-457	14	14-1/2	1/4	13.975 ±.070	0.275 ±.006	14.471	13.997	14.502	14.028	14.452	14.000	14.500	14.048			
2-458	14-1/2	15	1/4	14.475 ±.070	0.275 ±.006	14.971	14.497	15.002	14.528	14.952	14.500	15.000	14.548			
2-459	15	15-1/2	1/4	14.975 ±.070	0.275 ±.006	15.471	14.997	15.502	15.028	15.452	15.000	15.500	15.048			
2-460	15-1/2	16	1/4	15.475 ±.070	0.275 ±.006	15.971	15.497	16.000	15.528	15.952	15.500	16.000	15.548			
2-461	16	16-1/2	1/4	15.955 ±.075	0.275 ±.006					16.452	16.000	16.500	16.048			
2-462	16-1/2	17	1/4	16.455 ±.075	0.275 ±.006					16.952	16.500	17.000	16.548			
2-463	17	17-1/2	1/4	16.955 ±.085	0.275 ±.006					17.452	17.000	17.500	17.048			
2-464	17-1/2	18	1/4	17.455 ±.085	0.275 ±.006					17.952	17.500	18.000	17.548			
2-465	18	18-1/2	1/4	17.955 ±.085	0.275 ±.006					18.452	18.000	18.500	18.048			
2-466	18-1/2	19	1/4	18.455 ±.090	0.275 ±.006					18.952	18.500	19.000	18.548			
2-467	19	19-1/2	1/4	18.955 ±.090	0.275 ±.006					19.452	19.000	19.500	19.048			
2-468	19-1/2	20	1/4	19.455 ±.090	0.275 ±.006					19.952	19.500	20.000	19.548			
2-469	20	20-1/2	1/4	19.955 ±.095	0.275 ±.006					20.452	20.000	20.500	20.048			
2-470	21	21-1/2	1/4	20.955 ±.095	0.275 ±.006					21.452	21.000	21.500	21.048			
2-471	22	22-1/2	1/4	21.955 ±.100	0.275 ±.006					22.452	22.000	22.500	22.048			
2-472	23	23-1/2	1/4	22.940 ±.105	0.275 ±.006					23.452	23.000	23.500	23.048			
2-473	24	24-1/2	1/4	23.940 ±.110	0.275 ±.006					24.452	24.000	24.500	24.048			
2-474	25	25-1/2	1/4	24.940 ±.115	0.275 ±.006					25.452	25.000	25.500	25.048			
2-475	26	26-1/2	1/4	25.940 ±.120	0.275 ±.006					26.452	26.000	26.500	26.048			

O-Ring Size Comparison Chart

Part Numbers	ID (Inch)	Cross Sect. (Inch)	ID (MM)	Cross Sect. (MM)	AS568A ISO	SWEDEN	GERMANY	BRITAIN	FRANCE	JAPAN
2-001	0.029	0.040	0.74	1.02	X		X			
2-002	0.042	0.050	1.07	1.27	X		X			
M115-100	0.045	0.039	1.15	1.00				X		
2-102	0.049	0.103	1.24	2.62	X		X			
2-003	0.056	0.060	1.42	1.52	X		X			
M178-102	0.070	0.040	1.78	1.02			X			
2-004	0.070	0.070	1.78	1.78	X		X			
M180-180	0.071	0.071	1.80	1.80	X					
M200-180	0.079	0.071	2.00	1.80	X					
2-103	0.081	0.103	2.06	2.62	X		X			
M220-160	0.087	0.063	2.20	1.60				X		
M224-180	0.088	0.071	2.24	1.80	X					
M240-190	0.094	0.075	2.40	1.90				X		
M250-150	0.098	0.059	2.50	1.50						S3
M250-180	0.098	0.071	2.50	1.80	X					
M254-102	0.100	0.040	2.54	1.02			X			
2-005	0.101	0.070	2.57	1.78	X		X			
M260-190	0.102	0.075	2.60	1.90				X		
M280-180	0.110	0.071	2.80	1.80	X					
M280-190	0.110	0.075	2.80	1.90						P3
2-104	0.112	0.103	2.84	2.62	X		X			
2-006	0.114	0.070	2.90	1.78	X		X			
M300-150	0.118	0.059	3.00	1.50			X			
M300-200	0.118	0.079	3.00	2.00			X			
M300-300	0.118	0.118	3.00	3.00			X			
M310-160	0.122	0.063	3.10	1.60		X	X			
M315-180	0.124	0.071	3.15	1.80	X					
M317-178	0.125	0.070	3.17	1.78			X			
M330-240	0.130	0.094	3.30	2.40		X				
M340-190	0.134	0.075	3.40	1.90				X		
M350-150	0.138	0.059	3.50	1.50						S4
M355-180	0.140	0.071	3.55	1.80	X					
M360-240	0.141	0.094	3.60	2.40			X			
2-105	0.143	0.103	3.63	2.62	X		X			
2-007	0.145	0.070	3.68	1.78	X		X			
M375-180	0.148	0.071	3.75	1.80	X					
M380-190	0.150	0.075	3.80	1.90						P4
M400-150	0.157	0.059	4.00	1.50			X			
M400-180	0.157	0.071	4.00	1.80	X					
M400-200	0.157	0.079	4.00	2.00			X			
M400-250	0.157	0.098	4.00	2.50			X			
M400-300	0.157	0.118	4.00	3.00			X			
M400-400	0.157	0.157	4.00	4.00			X			
M400-500	0.157	0.197	4.00	5.00			X			
M410-160	0.161	0.063	4.10	1.60		X	X			
M420-190	0.165	0.075	4.20	1.90				X		
M430-240	0.169	0.094	4.30	2.40		X				
2-201	0.171	0.139	4.34	3.53	X		X			
2-106	0.174	0.103	4.42	2.62	X		X			
2-008	0.176	0.070	4.47	1.78	X		X			
M450-150	0.177	0.059	4.50	1.50						S5
M450-180	0.177	0.071	4.50	1.80	X					
M450-265	0.177	0.104	4.50	2.65	X					
M460-240	0.181	0.094	4.60	2.40			X			
3-901	0.185	0.056	4.70	1.42	X		X			
M476-178	0.187	0.070	4.76	1.78			X			
M480-190	0.189	0.075	4.80	1.90						P5
M487-180	0.192	0.071	4.87	1.80						
M490-190	0.193	0.075	4.90	1.90						
M500-150	0.197	0.059	5.00	1.50				X		
M500-180	0.197	0.071	5.00	1.80	X					
M500-200	0.197	0.079	5.00	2.00			X			
M500-250	0.197	0.098	5.00	2.50			X			
M500-300	0.197	0.118	5.00	3.00			X			
M500-400	0.197	0.157	5.00	4.00			X			
M500-500	0.197	0.197	5.00	5.00			X			
M510-160	0.201	0.063	5.10	1.60		X	X			
M515-180	0.203	0.071	5.15	1.80	X					
2-107	0.206	0.103	5.23	2.62	X		X			
2-009	0.208	0.070	5.28	1.78	X		X			
M530-180	0.209	0.071	5.30	1.80	X					
M530-240	0.209	0.094	5.30	2.40		X				
M530-265	0.209	0.104	5.30	2.65	X					
M550-150	0.217	0.059	5.50	1.50						
M560-180	0.220	0.071	5.60	1.80	X					
M560-240	0.220	0.094	5.60	2.40				X		
M570-190	0.224	0.075	5.70	1.90				X		
M576-240	0.226	0.094	5.76	2.40				X		
M580-190	0.228	0.075	5.80	1.90						P6
2-202	0.234	0.139	5.94	3.53	X		X			
M596-240	0.235	0.094	5.96	2.40				X		
M600-150	0.236	0.059	6.00	1.50			X			
M600-180	0.236	0.071	6.00	1.80	X					
M600-200	0.236	0.079	6.00	2.00			X			
M600-220	0.236	0.087	6.00	2.20				X		
M600-250	0.236	0.098	6.00	2.50				X		
M600-265	0.236	0.104	6.00	2.65	X					
M600-300	0.236	0.118	6.00	3.00			X			
M600-400	0.236	0.157	6.00	4.00			X			
M600-500	0.236	0.197	6.00	5.00			X			
2-108	0.237	0.103	6.02	2.62	X		X			
3-902	0.239	0.064	6.07	1.63	X		X			
2-010	0.239	0.070	6.07	1.78	X		X			
M610-160	0.240	0.063	6.10	1.60		X	X			
M630-180	0.248	0.071	6.30	1.80	X					
M630-240	0.248	0.094	6.30	2.40		X				
M635-178	0.250	0.070	6.35	1.78				X		
M640-190	0.252	0.075	6.40	1.90				X		
M650-150	0.256	0.059	6.50	1.50						S7
M660-240	0.260	0.094	6.60	2.40			X			
M670-180	0.264	0.071	6.70	1.80	X					
M675-178	0.266	0.070	6.75	1.78			X			
M680-190	0.268	0.075	6.80	1.90						P7
M690-180	0.272	0.071	6.90	1.80	X					
M690-265	0.272	0.104	6.90	2.65	X					
M700-150	0.276	0.059	7.00	1.50			X			
M700-200	0.276	0.079	7.00	2.00			X			
M700-250	0.276	0.098	7.00	2.50			X			
M700-300	0.276	0.118	7.00	3.00			X			
M700-400	0.276	0.157	7.00	4.00			X			
M700-500	0.276	0.197	7.00	5.00			X			
M710-160	0.280	0.063	7.10	1.60		X	X			
M710-180	0.280	0.071	7.10	1.80	X					
M720-190	0.283	0.075	7.20	1.90				X		

*Chart for comparison only. Not all sizes stocked.

O-Ring Size Comparison Chart, cont'd.

Part Numbers	ID (Inch)	Cross Sect. (Inch)	ID (MM)	Cross Sect. (MM)	AS568A ISO	SWEDEN	GERMANY	BRITAIN	FRANCE	JAPAN
M730-240	0.287	0.094	7.30	2.40		X				
M750-150	0.295	0.059	7.50	1.50						S8
M750-180	0.295	0.071	7.50	1.80	X					
2-203	0.296	0.139	7.52	3.53	X		X			
M760-240	0.299	0.094	7.60	2.40			X			
2-109	0.299	0.103	7.59	2.62	X		X			
3-903	0.301	0.064	7.65	1.63	X		X			
2-011	0.301	0.070	7.65	1.78	X		X			
M780-190	0.307	0.075	7.80	1.90						P8
M794-178	0.313	0.070	7.94	1.78			X			
M800-150	0.315	0.059	8.00	1.50		X				
M800-180	0.315	0.071	8.00	1.80	X					
M800-190	0.315	0.075	8.00	1.90				X		
M800-200	0.315	0.079	8.00	2.00		X				
M800-250	0.315	0.098	8.00	2.50		X				
M800-265	0.315	0.104	8.00	2.65	X					
M800-300	0.315	0.118	8.00	3.00		X				
M800-350	0.315	0.138	8.00	3.50		X				
M800-400	0.315	0.157	8.00	4.00		X				
M800-500	0.315	0.197	8.00	5.00		X				
M806-178	0.317	0.070	8.06	1.78			X			
M810-160	0.319	0.063	8.10	1.60		X	X			
M830-240	0.327	0.094	8.30	2.40		X				
M850-150	0.335	0.059	8.50	1.50						S9
M850-180	0.335	0.071	8.50	1.80	X					
M860-240	0.339	0.094	8.60	2.40			X			
M873-178	0.344	0.070	8.73	1.78			X			
M875-180	0.344	0.071	8.75	1.80	X					
M880-190	0.346	0.075	8.80	1.90						P9
M890-190	0.350	0.075	8.90	1.90				X		
M890-270	0.350	0.106	8.90	2.70				X		
3-904	0.351	0.072	8.92	1.83	X		X			
M900-150	0.354	0.059	9.00	1.50		X				
M900-180	0.354	0.071	9.00	1.80	X					
M900-200	0.354	0.079	9.00	2.00		X				
M900-220	0.354	0.087	9.00	2.20				X		
M900-250	0.354	0.098	9.00	2.50		X				
M900-265	0.354	0.104	9.00	2.65	X					
M900-300	0.354	0.118	9.00	3.00		X				
M900-350	0.354	0.138	9.00	3.50		X				
M900-400	0.354	0.157	9.00	4.00		X				
M900-500	0.354	0.197	9.00	5.00		X				
M910-160	0.358	0.063	9.10	1.60		X	X			
2-204	0.359	0.139	9.12	3.53	X		X			
2-110	0.362	0.103	9.19	2.62	X		X			
2-012	0.364	0.070	9.25	1.78	X		X			
M930-240	0.366	0.094	9.30	2.40		X				
M950-150	0.374	0.059	9.50	1.50						S10
M950-180	0.374	0.071	9.50	1.80	X					
M950-265	0.374	0.104	9.50	2.65	X					
M952-178	0.375	0.070	9.52	1.78				X		
M960-240	0.378	0.094	9.60	2.40			X			
M980-190	0.386	0.075	9.80	1.90						P10
M980-240	0.386	0.094	9.80	2.40						P10A
M992-262	0.391	0.103	9.92	2.62			X			
M1000-150	0.394	0.059	10.00	1.50		X				
M1000-180	0.394	0.071	10.00	1.80	X					
M1000-200	0.394	0.079	10.00	2.00		X				

Part Numbers	ID (Inch)	Cross Sect. (Inch)	ID (MM)	Cross Sect. (MM)	AS568A ISO	SWEDEN	GERMANY	BRITAIN	FRANCE	JAPAN
M1000-250	0.394	0.098	10.00	2.50			X			
M1000-265	0.394	0.104	10.00	2.65	X					
M1000-300	0.394	0.118	10.00	3.00			X			
M1000-350	0.394	0.138	10.00	3.50			X			
M1000-400	0.394	0.157	10.00	4.00			X			
M1000-500	0.394	0.197	10.00	5.00			X			
M1010-160	0.398	0.063	10.10	1.60		X	X			
M1030-240	0.406	0.094	10.30	2.40		X				
2-309	0.412	0.210	10.46	5.33	X		X			
M1050-270	0.413	0.106	10.50	2.70				X		
3-905	0.414	0.072	10.52	1.83	X		X			
M1060-180	0.417	0.071	10.60	1.80	X					
M1060-240	0.417	0.094	10.60	2.40			X			
M1060-265	0.417	0.104	10.60	2.65	X					
2-205	0.421	0.139	10.69	3.53	X		X			
M1070-150	0.421	0.059	10.70	1.50						S11.2
2-111	0.424	0.103	10.77	2.62	X		X			
M1080-240	0.425	0.094	10.80	2.40						P11
2-013	0.426	0.070	10.82	1.78	X		X			
M1100-150	0.433	0.059	11.00	1.50			X			
M1100-200	0.433	0.079	11.00	2.00			X			
M1100-240	0.433	0.094	11.00	2.40						P11.2
M1100-250	0.433	0.098	11.00	2.50			X			
M1100-300	0.433	0.118	11.00	3.00			X			
M1100-350	0.433	0.138	11.00	3.50			X			
M1100-400	0.433	0.157	11.00	4.00			X			
M1100-500	0.433	0.197	11.00	5.00			X			
M1110-160	0.437	0.063	11.10	1.60		X	X			
M1111-178	0.437	0.070	11.11	1.78			X			
M1120-180	0.441	0.071	11.20	1.80	X					
M1120-265	0.441	0.104	11.20	2.65	X					
M1130-240	0.445	0.094	11.30	2.40		X				
M1150-150	0.453	0.059	11.50	1.50						S12
M1160-240	0.457	0.094	11.60	2.40			X			
M1180-180	0.465	0.071	11.80	1.80	X					P12
M1180-240	0.465	0.094	11.80	2.40						
M1180-265	0.465	0.104	11.80	2.65	X					
3-906	0.468	0.078	11.89	1.98	X		X			
M1191-262	0.469	0.103	11.91	2.62			X			
M1200-150	0.472	0.059	12.00	1.50			X			
M1200-200	0.472	0.079	12.00	2.00			X			
M1200-250	0.472	0.098	12.00	2.50			X			
M1200-300	0.472	0.118	12.00	3.00			X			
M1200-350	0.472	0.138	12.00	3.50			X			
M1200-400	0.472	0.157	12.00	4.00			X			
M1200-500	0.472	0.197	12.00	5.00			X			
2-310	0.475	0.210	12.07	5.33	X		X			
M1210-160	0.476	0.063	12.10	1.60		X	X			
M1210-270	0.476	0.106	12.10	2.70				X		
M1230-240	0.484	0.094	12.30	2.40		X				P12.5
2-206	0.484	0.139	12.29	3.53	X		X			
2-112	0.487	0.103	12.37	2.62	X		X			
2-014	0.489	0.070	12.42	1.78	X		X			
M1250-150	0.492	0.059	12.50	1.50						S12.5
M1250-180	0.492	0.071	12.50	1.80	X					
M1250-265	0.492	0.104	12.50	2.65	X					
M1260-240	0.496	0.094	12.60	2.40			X			
M1270-262	0.500	0.103	12.70	2.62			X			

**Chart for comparison only. Not all sizes stocked.*

O-Ring Size Comparison Chart, cont'd.

Part Numbers	ID (Inch)	Cross Sect. (Inch)	ID (MM)	Cross Sect. (MM)	AS568A ISO	SWEDEN GERMANY	BRITAIN FRANCE	JAPAN
M1300-150	0.512	0.059	13.00	1.50		X		
M1300-200	0.512	0.079	13.00	2.00		X		
M1300-250	0.512	0.098	13.00	2.50		X		
M1300-300	0.512	0.118	13.00	3.00		X		
M1300-350	0.512	0.138	13.00	3.50		X		
M1300-400	0.512	0.157	13.00	4.00		X		
M1300-500	0.512	0.197	13.00	5.00		X		
M1310-160	0.516	0.063	13.10	1.60		X	X	
M1310-262	0.516	0.103	13.10	2.62			X	
M1320-180	0.520	0.071	13.20	1.80	X			
M1320-265	0.520	0.104	13.20	2.65	X			
M1330-240	0.524	0.094	13.30	2.40		X		
3-907	0.530	0.082	13.46	2.08	X		X	
M1350-150	0.531	0.059	13.50	1.50				S14
M1360-240	0.535	0.094	13.60	2.40			X	
M1360-270	0.535	0.106	13.60	2.70			X	
2-311	0.537	0.210	13.64	5.33	X		X	
M1380-240	0.543	0.094	13.80	2.40				P14
2-207	0.546	0.139	13.87	3.53	X		X	
2-113	0.549	0.103	13.94	2.62	X		X	
M1400-150	0.551	0.059	14.00	1.50		X		
2-015	0.551	0.070	14.00	1.78	X		X	
M1400-180	0.551	0.071	14.00	1.80	X			
M1400-200	0.551	0.079	14.00	2.00		X		
M1400-250	0.551	0.098	14.00	2.50		X		
M1400-265	0.551	0.104	14.00	2.65	X			
M1400-300	0.551	0.118	14.00	3.00		X		
M1400-350	0.551	0.138	14.00	3.50		X		
M1400-355	0.551	0.140	14.00	3.55	X			
M1400-400	0.551	0.157	14.00	4.00		X		
M1400-500	0.551	0.197	14.00	5.00		X		
M1410-160	0.555	0.063	14.10	1.60		X	X	
M1430-240	0.563	0.094	14.30	2.40		X		
M1450-150	0.571	0.059	14.50	1.50				S15
M1450-400	0.571	0.157	14.50	4.00				V15
M1460-240	0.575	0.094	14.60	2.40			X	
M1480-240	0.583	0.094	14.80	2.40				P15
M1500-150	0.591	0.059	15.00	1.50		X		
M1500-180	0.591	0.071	15.00	1.80	X			
M1500-200	0.591	0.079	15.00	2.00		X		
M1500-250	0.591	0.098	15.00	2.50		X		
M1500-265	0.591	0.104	15.00	2.65	X			
M1500-300	0.591	0.118	15.00	3.00		X		
M1500-350	0.591	0.138	15.00	3.50		X		
M1500-355	0.591	0.140	15.00	3.55	X			
M1500-400	0.591	0.157	15.00	4.00		X		
M1500-500	0.591	0.197	15.00	5.00		X		
M1510-160	0.594	0.063	15.10	1.60		X	X	
M1508-262	0.594	0.103	15.08	2.62			X	
M1510-270	0.594	0.106	15.10	2.70				X
2-312	0.600	0.210	15.24	5.33	X		X	
M1530-240	0.602	0.094	15.30	2.40		X		
2-208	0.609	0.139	15.47	3.53	X		X	
M1550-150	0.610	0.059	15.50	1.50				S16
2-114	0.612	0.103	15.54	2.62	X		X	
2-016	0.614	0.070	15.60	1.78	X		X	
M1560-240	0.614	0.094	15.60	2.40			X	
M1580-240	0.622	0.094	15.80	2.40				P16

Part Numbers	ID (Inch)	Cross Sect. (Inch)	ID (MM)	Cross Sect. (MM)	AS568A ISO	SWEDEN GERMANY	BRITAIN FRANCE	JAPAN
M1588-262	0.625	0.103	15.88	2.62			X	
M1600-150	0.630	0.059	16.00	1.50		X		
M1600-180	0.630	0.071	16.00	1.80	X			
M1600-190	0.630	0.075	16.00	1.90			X	
M1600-200	0.630	0.079	16.00	2.00		X		
M1600-250	0.630	0.098	16.00	2.50		X		
M1600-265	0.630	0.104	16.00	2.65	X			
M1600-300	0.630	0.118	16.00	3.00		X		
M1600-350	0.630	0.138	16.00	3.50		X		
M1600-355	0.630	0.140	16.00	3.55	X			
M1600-400	0.630	0.157	16.00	4.00		X		
M1600-500	0.630	0.197	16.00	5.00		X		
M1610-160	0.634	0.063	16.10	1.60		X	X	
M1630-240	0.642	0.094	16.30	2.40		X		
3-908	0.644	0.087	16.36	2.21	X		X	
M1660-240	0.654	0.094	16.60	2.40			X	
2-313	0.662	0.210	16.81	5.33	X		X	
M1690-270	0.665	0.106	16.90	2.70			X	
M1700-150	0.669	0.059	17.00	1.50		X		
M1700-180	0.669	0.071	17.00	1.80	X			
M1700-200	0.669	0.079	17.00	2.00		X		
M1700-250	0.669	0.098	17.00	2.50		X		
M1700-265	0.669	0.104	17.00	2.65	X			
M1700-300	0.669	0.118	17.00	3.00		X		
M1700-350	0.669	0.138	17.00	3.50		X		
M1700-355	0.669	0.140	17.00	3.55	X			
M1700-400	0.669	0.157	17.00	4.00		X		
M1700-500	0.669	0.197	17.00	5.00		X		
2-209	0.671	0.139	17.04	3.53	X		X	
M1710-160	0.673	0.063	17.10	1.60		X	X	
2-115	0.674	0.103	17.12	2.62	X		X	
2-017	0.676	0.070	17.17	1.78	X		X	
M1720-300	0.677	0.118	17.20	3.00		X		
M1730-240	0.681	0.094	17.30	2.40		X		
M1746-262	0.687	0.103	17.46	2.62			X	
M1750-150	0.689	0.059	17.50	1.50				S18
M1760-240	0.693	0.094	17.60	2.40			X	
M1780-240	0.701	0.094	17.80	2.40				P18
M1786-262	0.703	0.103	17.86	2.62			X	
3-909	0.706	0.097	17.93	2.46	X		X	
M1800-150	0.709	0.059	18.00	1.50		X		
M1800-180	0.709	0.071	18.00	1.80	X			
M1800-200	0.709	0.079	18.00	2.00		X		
M1800-250	0.709	0.098	18.00	2.50		X		
M1800-265	0.709	0.104	18.00	2.65	X			
M1800-300	0.709	0.118	18.00	3.00		X		
M1800-350	0.709	0.138	18.00	3.50		X		
M1800-355	0.709	0.140	18.00	3.55	X			
M1800-400	0.709	0.157	18.00	4.00		X		
M1800-500	0.709	0.197	18.00	5.00		X		
M1810-160	0.713	0.063	18.10	1.60		X	X	
M1820-300	0.717	0.118	18.20	3.00		X		
M1830-240	0.720	0.094	18.30	2.40		X		
M1830-360	0.720	0.142	18.30	3.60			X	
M1840-270	0.724	0.106	18.40	2.70				X
2-314	0.725	0.210	18.42	5.33	X		X	
M1860-240	0.732	0.094	18.60	2.40			X	
2-210	0.734	0.139	18.64	3.53	X		X	

**Chart for comparison only. Not all sizes stocked.*



O-Ring Size Comparison Chart, cont'd.

Part Numbers	ID (Inch)	Cross Sect. (Inch)	ID (MM)	Cross Sect. (MM)	AS568A ISO	SWEDEN	GERMANY	BRITAIN	FRANCE	JAPAN
2-116	0.737	0.103	18.72	2.62	X		X			
2-018	0.739	0.070	18.77	1.78	X		X			
M1900-150	0.748	0.059	19.00	1.50		X				
M1900-180	0.748	0.071	19.00	1.80	X					
M1900-200	0.748	0.079	19.00	2.00		X				
M1900-250	0.748	0.098	19.00	2.50		X				
M1900-265	0.748	0.104	19.00	2.65	X					
M1900-300	0.748	0.118	19.00	3.00		X				
M1900-350	0.748	0.138	19.00	3.50		X				
M1900-355	0.748	0.140	19.00	3.55	X					
M1900-400	0.748	0.157	19.00	4.00		X				
M1900-500	0.748	0.197	19.00	5.00		X				
M1910-160	0.752	0.063	19.10	1.60		X	X			
3-910	0.755	0.097	19.77	2.46	X		X			
M1920-300	0.756	0.118	19.20	3.00		X				
M1930-240	0.760	0.094	19.30	2.40		X				
M1950-150	0.768	0.059	19.50	1.50						S20
M1960-240	0.772	0.094	19.60	2.40			X			
M1980-240	0.780	0.094	19.80	2.40				X		P20
M1980-360	0.780	0.142	19.80	3.60				X		
M2000-150	0.787	0.059	20.00	1.50		X				
M2000-180	0.787	0.071	20.00	1.80	X					
M2000-200	0.787	0.079	20.00	2.00		X				
M2000-250	0.787	0.098	20.00	2.50		X				
M2000-265	0.787	0.104	20.00	2.65	X					
M2000-300	0.787	0.118	20.00	3.00		X				
M2000-350	0.787	0.138	20.00	3.50		X				
M2000-355	0.787	0.140	20.00	3.55	X					
M2000-400	0.787	0.157	20.00	4.00		X				
M2000-500	0.787	0.197	20.00	5.00		X				
2-315	0.787	0.210	19.99	5.33	X		X			
M2010-160	0.791	0.063	20.10	1.60		X	X			
M2020-300	0.795	0.118	20.20	3.00		X				
2-211	0.796	0.139	20.22	3.53	X		X			
M2030-240	0.799	0.094	20.30	2.40		X				
2-117	0.799	0.103	20.29	2.62	X		X			
2-019	0.801	0.070	20.35	1.78	X		X			
M2064-262	0.813	0.103	20.64	2.62			X			
M2080-240	0.819	0.094	20.80	2.40						P21
M2100-150	0.827	0.059	21.00	1.50		X				
M2100-200	0.827	0.079	21.00	2.00		X				
M2100-250	0.827	0.098	21.00	2.50		X				
M2100-300	0.827	0.118	21.00	3.00		X				
M2100-350	0.827	0.138	21.00	3.50		X				
M2100-400	0.827	0.157	21.00	4.00		X				
M2100-500	0.827	0.197	21.00	5.00		X				
M2110-160	0.831	0.063	21.10	1.60		X	X			
M2120-180	0.835	0.071	21.20	1.80	X					
M2120-265	0.835	0.104	21.20	2.65	X					
M2120-300	0.835	0.118	21.20	3.00		X				
M2120-355	0.835	0.140	21.20	3.55	X					
M2130-240	0.839	0.094	21.30	2.40		X				
M2130-360	0.839	0.142	21.30	3.60				X		
M2150-150	0.846	0.059	21.50	1.50						S22
M2160-240	0.850	0.094	21.60	2.40			X			
2-316	0.850	0.210	21.59	5.33	X		X			
M2170-350	0.854	0.138	21.70	3.50						P22A
M2180-240	0.858	0.094	21.80	2.40						P22

Part Numbers	ID (Inch)	Cross Sect. (Inch)	ID (MM)	Cross Sect. (MM)	AS568A ISO	SWEDEN	GERMANY	BRITAIN	FRANCE	JAPAN
2-212	0.859	0.139	21.82	3.53	X		X			
M2190-200	0.862	0.079	21.90	2.00						S22.4
2-118	0.862	0.103	21.89	2.62	X		X			
3-911	0.863	0.116	21.92	2.95	X		X			
2-020	0.864	0.070	21.95	1.78	X		X			
M2200-150	0.866	0.059	22.00	1.50		X				
M2200-200	0.866	0.079	22.00	2.00		X				
M2200-250	0.866	0.098	22.00	2.50		X				
M2200-300	0.866	0.118	22.00	3.00		X				
M2200-350	0.866	0.138	22.00	3.50		X				
M2200-400	0.866	0.157	22.00	4.00		X				
M2200-500	0.866	0.197	22.00	5.00		X				
M2210-160	0.870	0.063	22.10	1.60		X	X			
M2210-350	0.870	0.138	22.10	3.50						P22.4
M2220-300	0.874	0.118	22.20	3.00		X				
M2222-262	0.875	0.103	22.22	2.62			X			
M2230-240	0.878	0.094	22.30	2.40		X				
M2240-180	0.882	0.071	22.40	1.80	X					
M2240-265	0.882	0.104	22.40	2.65	X					
M2240-355	0.882	0.140	22.40	3.55	X					
M2300-150	0.906	0.059	23.00	1.50		X				
M2300-200	0.906	0.079	23.00	2.00		X				
M2300-250	0.906	0.098	23.00	2.50		X				
M2300-300	0.906	0.118	23.00	3.00		X				
M2300-350	0.906	0.138	23.00	3.50		X				
M2300-360	0.906	0.142	23.00	3.60				X		
M2300-400	0.906	0.157	23.00	4.00			X			
M2300-500	0.906	0.197	23.00	5.00			X			
2-317	0.912	0.210	23.16	5.33	X		X			
M2330-240	0.917	0.094	23.30	2.40		X				
2-213	0.921	0.139	23.39	3.53	X		X			
2-119	0.924	0.103	23.47	2.62	X		X			
3-912	0.924	0.116	23.47	2.95	X		X			
M2350-200	0.925	0.079	23.50	2.00						S24
M2350-400	0.925	0.157	23.50	4.00						V24
2-021	0.926	0.070	23.52	1.78	X		X			
M2360-180	0.929	0.071	23.60	1.80		X				
M2360-265	0.929	0.104	23.60	2.65		X				
M2360-355	0.929	0.140	23.60	3.55		X				
M2370-350	0.933	0.138	23.70	3.50						P24
M2381-262	0.937	0.103	23.81	2.62			X			
M2400-150	0.945	0.059	24.00	1.50			X			
M2400-200	0.945	0.079	24.00	2.00			X			
M2400-250	0.945	0.098	24.00	2.50			X			
M2400-300	0.945	0.118	24.00	3.00			X			
M2400-350	0.945	0.138	24.00	3.50			X			
M2400-400	0.945	0.157	24.00	4.00			X			
M2400-500	0.945	0.197	24.00	5.00			X			
M2420-300	0.953	0.118	24.20	3.00		X				
M2440-310	0.961	0.122	24.40	3.10		X				G25
M2450-200	0.965	0.079	24.50	2.00						S25
M2460-240	0.969	0.094	24.60	2.40			X			
M2460-360	0.969	0.142	24.60	3.60				X		
M2470-350	0.972	0.138	24.70	3.50						P25
2-318	0.975	0.210	24.77	5.33	X		X			
M2500-150	0.984	0.059	25.00	1.50		X				
M2500-180	0.984	0.071	25.00	1.80		X				
M2500-200	0.984	0.079	25.00	2.00		X				

**Chart for comparison only. Not all sizes stocked.*

O-Ring Size Comparison Chart, cont'd.

Part Numbers	ID (Inch)	Cross Sect. (Inch)	ID (MM)	Cross Sect. (MM)	AS568A ISO	SWEDEN GERMANY	BRITAIN	FRANCE	JAPAN
M2500-240	0.984	0.094	25.00	2.40				X	
M2500-250	0.984	0.098	25.00	2.50		X			
M2500-265	0.984	0.104	25.00	2.65	X				
M2500-300	0.984	0.118	25.00	3.00		X			
M2500-350	0.984	0.138	25.00	3.50		X			
2-214	0.984	0.139	24.99	3.53	X		X		
M2500-355	0.984	0.140	25.00	3.55	X				
M2500-400	0.984	0.157	25.00	4.00		X			
M2500-500	0.984	0.197	25.00	5.00		X			
3-913	0.986	0.116	25.04	2.95	X		X		
2-120	0.987	0.103	25.07	2.62	X		X		
M2510-160	0.988	0.063	25.10	1.60		X	X		
2-022	0.989	0.070	25.12	1.78	X		X		
M2520-300	0.992	0.118	25.20	3.00		X			
M2520-350	0.992	0.138	35.20	3.50					P25.5
M2530-240	0.996	0.094	25.30	2.40		X			
M2550-200	1.004	0.079	25.50	2.00					S26
M2570-350	1.012	0.138	25.70	3.50					P26
M2580-180	1.016	0.071	25.80	1.80	X				
M2580-265	1.016	0.104	25.80	2.65	X				
M2580-353	1.016	0.139	25.80	3.53			X		
M2580-355	1.016	0.140	25.80	3.55	X				
M2600-150	1.024	0.059	26.00	1.50		X			
M2600-200	1.024	0.079	26.00	2.00		X			
M2600-250	1.024	0.098	26.00	2.50		X			
M2600-300	1.024	0.118	26.00	3.00		X			
M2600-350	1.024	0.138	26.00	3.50		X			
M2600-400	1.024	0.157	26.00	4.00		X			
M2600-500	1.024	0.197	26.00	5.00		X			
M2620-300	1.031	0.118	26.20	3.00		X			
M2620-360	1.031	0.142	26.20	3.60				X	
2-319	1.037	0.210	26.34	5.33	X		X		
M2650-180	1.043	0.071	26.50	1.80	X				
M2650-265	1.043	0.104	26.50	2.65	X				
M2650-355	1.043	0.140	26.50	3.55	X				
2-215	1.046	0.139	26.57	3.53	X		X		
3-914	1.047	0.116	26.59	2.95	X		X		
2-121	1.049	0.103	26.64	2.62	X		X		
2-023	1.051	0.070	26.70	1.78	X		X		
M2700-150	1.063	0.059	27.00	1.50		X			
M2700-200	1.063	0.079	27.00	2.00		X			
M2700-250	1.063	0.098	27.00	2.50		X			
M2700-300	1.063	0.118	27.00	3.00		X			
M2700-350	1.063	0.138	27.00	3.50		X			
M2700-400	1.063	0.157	27.00	4.00		X			
M2700-500	1.063	0.197	27.00	5.00		X			
M2710-160	1.067	0.063	27.10	1.60		X	X		
M2730-240	1.075	0.094	27.30	2.40		X			
M2730-270	1.075	0.106	27.30	2.70				X	
M2750-200	1.083	0.079	27.50	2.00					S28
M2760-240	1.087	0.094	27.60	2.40			X		
M2770-350	1.091	0.138	27.70	3.50					P28
M2780-360	1.094	0.142	27.80	3.60				X	
2-320	1.100	0.210	27.94	5.33	X		X		
M2800-150	1.102	0.059	28.00	1.50		X			
M2800-180	1.102	0.071	28.00	1.80	X				
M2800-200	1.102	0.079	28.00	2.00		X			
M2800-250	1.102	0.098	28.00	2.50		X			

Part Numbers	ID (Inch)	Cross Sect. (Inch)	ID (MM)	Cross Sect. (MM)	AS568A ISO	SWEDEN GERMANY	BRITAIN	FRANCE	JAPAN
M2800-265	1.102	0.104	28.00	2.65	X				
M2800-300	1.102	0.118	28.00	3.00		X			
M2800-350	1.102	0.138	28.00	3.50		X			
M2800-355	1.102	0.140	28.00	3.55	X				
M2800-400	1.102	0.157	28.00	4.00		X			
M2800-500	1.102	0.197	28.00	5.00		X			
2-216	1.109	0.139	28.17	3.53	X		X		
M2820-300	1.110	0.118	28.20	3.00		X			
2-122	1.112	0.103	28.24	2.62	X		X		
2-024	1.114	0.070	28.30	1.78	X		X		
M2850-200	1.122	0.079	28.50	2.00					S29
M2870-350	1.130	0.138	28.70	3.50					P29
M2900-150	1.142	0.059	29.00	1.50		X			
M2900-200	1.142	0.079	29.00	2.00		X			
M2900-250	1.142	0.098	29.00	2.50		X			
M2900-300	1.142	0.118	29.00	3.00		X			
M2900-350	1.142	0.138	29.00	3.50		X			
M2900-400	1.142	0.157	29.00	4.00		X			
M2900-500	1.142	0.197	29.00	5.00		X			
M2910-160	1.146	0.063	29.10	1.60		X	X		
M2910-255	1.146	0.100	29.10	2.55				X	
M2920-300	1.150	0.118	29.20	3.00		X			
M2920-350	1.150	0.138	29.20	3.50					P29.5
M2930-360	1.154	0.142	29.30	3.60			X		
M2940-310	1.157	0.122	29.40	3.10					G30
M2950-200	1.161	0.079	29.50	2.00					S30
2-321	1.162	0.210	29.51	5.33	X		X		
M2960-240	1.165	0.094	29.60	2.40			X		
M2970-350	1.169	0.138	29.70	3.50					P30
3-916	1.171	0.116	29.74	2.95	X		X		
2-217	1.171	0.139	29.74	3.53	X		X		
2-123	1.174	0.103	29.82	2.62	X		X		
2-025	1.176	0.070	29.87	1.78	X		X		
M3000-150	1.181	0.059	30.00	1.50		X			
M3000-180	1.181	0.071	30.00	1.80	X				
M3000-200	1.181	0.079	30.00	2.00		X			
M3000-250	1.181	0.098	30.00	2.50		X			
M3000-265	1.181	0.104	30.00	2.65	X				
M3000-300	1.181	0.118	30.00	3.00		X			
M3000-350	1.181	0.138	30.00	3.50		X			
M3000-355	1.181	0.140	30.00	3.55	X				
M3000-400	1.181	0.157	30.00	4.00		X			
M3000-500	1.181	0.197	30.00	5.00		X			
M3020-300	1.189	0.118	30.20	3.00		X			
M3030-240	1.193	0.094	30.30	2.40		X			
M3070-350	1.209	0.138	30.70	3.50					P31
M3080-360	1.213	0.142	30.80	3.60				X	
M3100-150	1.220	0.059	31.00	1.50		X			
M3100-200	1.220	0.079	31.00	2.00		X			S31.5
M3100-250	1.220	0.098	31.00	2.50		X			
M3100-300	1.220	0.118	31.00	3.00		X			
M3100-350	1.220	0.138	31.00	3.50		X			
M3100-400	1.220	0.157	31.00	4.00		X			
M3100-500	1.220	0.197	31.00	5.00		X			
2-322	1.225	0.210	31.12	5.33	X		X		
M3120-300	1.228	0.118	31.20	3.00		X			
M3120-350	1.228	0.138	31.20	3.50					P31.5
2-218	1.234	0.139	31.34	3.53	X		X		

**Chart for comparison only. Not all sizes stocked.*



O-Ring Size Comparison Chart, cont'd.

Part Numbers	ID (Inch)	Cross Sect. (Inch)	ID (MM)	Cross Sect. (MM)	AS568A ISO	SWEDEN	GERMANY	BRITAIN	FRANCE	JAPAN
2-124	1.237	0.103	31.42	2.62	X		X			
2-026	1.239	0.070	31.47	1.78	X		X			
M3150-180	1.240	0.071	31.50	1.80	X					
M3150-200	1.240	0.079	31.50	2.00						S32
M3150-265	1.240	0.104	31.50	2.65	X					
M3150-355	1.240	0.140	31.50	3.55	X					
M3160-240	1.244	0.094	31.60	2.40			X			
M3170-350	1.248	0.138	31.70	3.50						P32
M3200-150	1.260	0.059	32.00	1.50			X			
M3200-200	1.260	0.079	32.00	2.00			X			
M3200-250	1.260	0.098	32.00	2.50			X			
M3200-300	1.260	0.118	32.00	3.00			X			
M3200-350	1.260	0.138	32.00	3.50			X			
M3200-400	1.260	0.157	32.00	4.00			X			
M3200-500	1.260	0.197	32.00	5.00			X			
M3210-160	1.264	0.063	32.10	1.60		X	X			
M3220-300	1.268	0.118	32.20	3.00		X				
M3250-180	1.280	0.071	32.50	1.80	X					
M3250-265	1.280	0.104	32.50	2.65	X					
M3250-355	1.280	0.140	32.50	3.55	X					
M3250-360	1.280	0.142	32.50	3.60				X		
2-323	1.287	0.210	32.69	5.33	X		X			
2-219	1.296	0.139	32.92	3.53	X		X			
M3300-150	1.299	0.059	33.00	1.50			X			
M3300-200	1.299	0.079	33.00	2.00			X			
M3300-250	1.299	0.098	33.00	2.50			X			
2-125	1.299	0.103	32.99	2.62	X		X			
M3300-300	1.299	0.118	33.00	3.00			X			
M3300-350	1.299	0.138	33.00	3.50			X			
M3300-400	1.299	0.157	33.00	4.00			X			
M3300-500	1.299	0.197	33.00	5.00			X			
2-027	1.301	0.070	33.05	1.78	X		X			
M3330-240	1.311	0.094	33.30	2.40		X				
M3350-180	1.319	0.071	33.50	1.80	X					
M3350-200	1.319	0.079	33.50	2.00						S34
M3350-265	1.319	0.104	33.50	2.65	X					
M3350-355	1.319	0.140	33.50	3.55	X					
M3350-400	1.319	0.157	33.50	4.00						V34
M3370-350	1.327	0.138	33.70	3.50						P34
M3400-150	1.339	0.059	34.00	1.50			X			
M3400-200	1.339	0.079	34.00	2.00			X			
M3400-250	1.339	0.098	34.00	2.50			X			
M3400-300	1.339	0.118	34.00	3.00			X			
M3400-350	1.339	0.138	34.00	3.50			X			
M3400-400	1.339	0.157	34.00	4.00			X			
M3400-500	1.339	0.197	34.00	5.00			X			
M3410-360	1.343	0.142	34.10	3.60				X		
M3420-300	1.346	0.118	34.20	3.00		X				
2-324	1.350	0.210	34.29	5.33	X		X			
M3440-310	1.354	0.122	34.40	3.10						G35
3-918	1.355	0.116	34.42	2.95	X		X			
M3450-180	1.358	0.071	34.50	1.80	X					
M3450-200	1.358	0.079	34.50	2.00						S35
M3450-265	1.358	0.104	34.50	2.65	X					
M3450-355	1.358	0.140	34.50	3.55	X					
2-220	1.359	0.139	34.52	3.53	X		X			
M3460-240	1.362	0.094	34.60	2.40			X			
2-126	1.362	0.103	34.59	2.62	X		X			

Part Numbers	ID (Inch)	Cross Sect. (Inch)	ID (MM)	Cross Sect. (MM)	AS568A ISO	SWEDEN	GERMANY	BRITAIN	FRANCE	JAPAN
2-028	1.364	0.070	34.65	1.78	X		X			
M3470-350	1.366	0.138	34.70	3.50						P35
M3500-150	1.378	0.059	35.00	1.50			X			
M3500-200	1.378	0.079	35.00	2.00			X			S35.5
M3500-250	1.378	0.098	35.00	2.50			X			
M3500-300	1.378	0.118	35.00	3.00			X			
M3500-350	1.378	0.138	35.00	3.50			X			
M3500-400	1.378	0.157	35.00	4.00			X			
M3500-500	1.378	0.197	35.00	5.00			X			
M3510-160	1.382	0.063	35.10	1.60		X	X			
M3520-300	1.386	0.118	35.20	3.00		X				
M3520-350	1.386	0.138	35.20	3.50						P35.5
M3520-570	1.386	0.224	35.20	5.70		X	X			
M3550-180	1.398	0.071	35.50	1.80	X					
M3550-200	1.398	0.079	35.50	2.00						S36
M3550-265	1.398	0.104	35.50	2.65	X					
M3550-355	1.398	0.140	35.50	3.55	X					
M3560-360	1.402	0.142	35.60	3.60				X		
M3570-350	1.406	0.138	35.70	3.50						P36
M3600-150	1.417	0.059	36.00	1.50			X			
M3600-200	1.417	0.079	36.00	2.00			X			
M3600-250	1.417	0.098	36.00	2.50			X			
M3600-300	1.417	0.118	36.00	3.00			X			
M3600-350	1.417	0.138	36.00	3.50			X			
M3600-400	1.417	0.157	36.00	4.00			X			
M3600-500	1.417	0.197	36.00	5.00			X			
2-221	1.421	0.139	36.09	3.53	X		X			
2-127	1.424	0.103	36.17	2.62	X		X			
M3620-300	1.425	0.118	36.20	3.00		X				
M3620-570	1.425	0.224	36.20	5.70		X				
M3650-180	1.437	0.071	36.50	1.80	X					
M3650-265	1.437	0.104	36.50	2.65	X					
M3650-355	1.437	0.140	36.50	3.55	X					
M3700-150	1.457	0.059	37.00	1.50			X			
M3700-200	1.457	0.079	37.00	2.00			X			
M3700-250	1.457	0.098	37.00	2.50			X			
M3700-300	1.457	0.118	37.00	3.00			X			
M3700-350	1.457	0.138	37.00	3.50			X			
M3700-400	1.457	0.157	37.00	4.00			X			
M3700-500	1.457	0.197	37.00	5.00			X			
M3710-160	1.461	0.063	37.10	1.60		X	X			
M3720-300	1.465	0.118	37.20	3.00		X				
M3720-570	1.465	0.224	37.20	5.70		X				
M3730-360	1.469	0.142	37.30	3.60				X		
3-920	1.475	0.118	37.47	3.00	X		X			
2-325	1.475	0.210	37.47	5.33	X		X	X		
2-401	1.475	0.275	37.47	6.99	X					
M3750-180	1.476	0.071	37.50	1.80		X				
M3750-200	1.476	0.079	37.50	2.00						S38
M3750-265	1.476	0.104	37.50	2.65	X					
M3750-355	1.476	0.140	37.50	3.55	X					
M3750-530	1.476	0.209	37.50	5.30	X					
M3760-240	1.480	0.094	37.60	2.40			X			
M3770-350	1.484	0.138	37.70	3.50						P38
2-222	1.484	0.139	37.69	3.53	X		X			
2-128	1.487	0.103	37.77	2.62	X		X			
2-029	1.489	0.070	37.82	1.78	X		X			
M3800-150	1.496	0.059	38.00	1.50			X			

**Chart for comparison only. Not all sizes stocked.*

O-Ring Size Comparison Chart, cont'd.

Part Numbers	ID (Inch)	Cross Sect. (Inch)	ID (MM)	Cross Sect. (MM)	AS568A ISO	SWEDEN	GERMANY	BRITAIN	FRANCE	JAPAN
M3800-200	1.496	0.079	38.00	2.00			X			
M3800-250	1.496	0.098	38.00	2.50			X			
M3800-300	1.496	0.118	38.00	3.00			X			
M3800-350	1.496	0.138	38.00	3.50			X			
M3800-400	1.496	0.157	38.00	4.00			X			
M3800-500	1.496	0.197	38.00	5.00			X			
M3850-200	1.516	0.079	38.50	2.00						S39
M3870-180	1.524	0.071	38.70	1.80	X					
M3870-265	1.524	0.104	38.70	2.65	X					
M3870-350	1.524	0.138	38.70	3.50						P39
M3870-355	1.524	0.140	38.70	3.55	X					
M3870-530	1.524	0.209	38.70	5.30	X					
M3900-150	1.535	0.059	39.00	1.50			X			
M3900-200	1.535	0.079	39.00	2.00			X			
M3900-250	1.535	0.098	39.00	2.50			X			
M3900-300	1.535	0.118	39.00	3.00			X			
M3900-350	1.535	0.138	39.00	3.50			X			
M3900-400	1.535	0.157	39.00	4.00			X			
M3900-500	1.535	0.197	39.00	5.00			X			
M3920-300	1.543	0.118	39.20	3.00		X				
M3920-570	1.543	0.224	39.20	5.70		X				
2-129	1.549	0.103	39.34	2.62	X		X			
M3940-310	1.551	0.122	39.40	3.10						G40
M3950-200	1.555	0.079	39.50	2.00						S40
M3950-400	1.555	0.157	39.50	4.00						V40
M3960-240	1.559	0.094	39.60	2.40				X		
M3970-350	1.563	0.138	39.70	3.50						P40
M3969-353	1.563	0.139	39.69	3.53			X			
M4000-150	1.575	0.059	40.00	1.50		X				
M4000-180	1.575	0.071	40.00	1.80	X					
M4000-200	1.575	0.079	40.00	2.00		X				
M4000-250	1.575	0.098	40.00	2.50		X				
M4000-265	1.575	0.104	40.00	2.65	X					
M4000-300	1.575	0.118	40.00	3.00		X				
M4000-350	1.575	0.138	40.00	3.50		X				
M4000-355	1.575	0.140	40.00	3.55	X					
M4000-400	1.575	0.157	40.00	4.00		X				
M4000-500	1.575	0.197	40.00	5.00		X				
M4000-530	1.575	0.209	40.00	5.30	X					
M4020-300	1.583	0.118	40.20	3.00		X				
2-326	1.600	0.210	40.64	5.33	X		X	X		
2-402	1.600	0.275	40.64	6.99	X					
M4070-350	1.602	0.138	40.70	3.50						P41
2-223	1.609	0.139	40.87	3.53	X		X			
2-130	1.612	0.103	40.94	2.62	X		X			
M4100-150	1.614	0.059	41.00	1.50			X			
2-030	1.614	0.070	41.00	1.78	X		X			
M4100-200	1.614	0.079	41.00	2.00			X			
M4100-250	1.614	0.098	41.00	2.50			X			
M4100-300	1.614	0.118	41.00	3.00			X			
M4100-350	1.614	0.138	41.00	3.50			X			
M4100-400	1.614	0.157	41.00	4.00			X			
M4100-500	1.614	0.197	41.00	5.00			X			
M4120-180	1.622	0.071	41.20	1.80	X					
M4120-265	1.622	0.104	41.20	2.65	X					
M4120-355	1.622	0.140	41.20	3.55	X					
M4120-530	1.622	0.209	41.20	5.30	X					
M4120-570	1.622	0.224	41.20	5.70		X				

Part Numbers	ID (Inch)	Cross Sect. (Inch)	ID (MM)	Cross Sect. (MM)	AS568A ISO	SWEDEN	GERMANY	BRITAIN	FRANCE	JAPAN
M4128-353	1.625	0.139	41.28	3.53				X		
M4140-530	1.630	0.209	41.40	5.30					X	
M4150-200	1.634	0.079	41.50	2.00						S42
M4160-240	1.638	0.094	41.60	2.40				X		
M4170-350	1.642	0.138	41.70	3.50						P42
M4200-150	1.654	0.059	42.00	1.50				X		
M4200-200	1.654	0.079	42.00	2.00			X			
M4200-250	1.654	0.098	42.00	2.50			X			
M4200-300	1.654	0.118	42.00	3.00			X			
M4200-350	1.654	0.138	42.00	3.50			X			
M4200-400	1.654	0.157	42.00	4.00			X			
M4200-500	1.654	0.197	42.00	5.00			X			
M4220-300	1.661	0.118	42.20	3.00			X			
M4250-180	1.673	0.071	42.50	1.80	X					
M4250-265	1.673	0.104	42.50	2.65	X					
M4250-355	1.673	0.140	42.50	3.55	X					
M4250-530	1.673	0.209	42.50	5.30	X					
2-131	1.674	0.103	42.52	2.62	X			X		
M4286-353	1.687	0.139	42.86	3.53				X		
M4300-150	1.693	0.059	43.00	1.50				X		
M4300-200	1.693	0.079	43.00	2.00				X		
M4300-250	1.693	0.098	43.00	2.50				X		
M4300-300	1.693	0.118	43.00	3.00				X		
M4300-350	1.693	0.138	43.00	3.50				X		
M4300-400	1.693	0.157	43.00	4.00				X		
M4300-500	1.693	0.197	43.00	5.00				X		
M4340-360	1.709	0.142	43.40	3.60					X	
M4350-200	1.713	0.079	43.50	2.00						S44
M4370-180	1.720	0.071	43.70	1.80	X					
M4370-265	1.720	0.104	43.70	2.65	X					
3-924	1.720	0.118	43.69	3.00	X			X		
M4370-350	1.720	0.138	43.70	3.50						P44
M4370-355	1.720	0.140	43.70	3.55	X					
M4370-530	1.720	0.209	43.70	5.30	X					
2-327	1.725	0.210	43.82	5.33	X			X	X	
2-403	1.725	0.275	43.82	6.99	X					
M4400-150	1.732	0.059	44.00	1.50				X		
M4400-200	1.732	0.079	44.00	2.00				X		
M4400-250	1.732	0.098	44.00	2.50				X		
M4400-300	1.732	0.118	44.00	3.00				X		
M4400-350	1.732	0.138	44.00	3.50				X		
M4400-400	1.732	0.157	44.00	4.00				X		
M4400-500	1.732	0.197	44.00	5.00				X		
2-224	1.734	0.139	44.04	3.53	X			X		
2-132	1.737	0.103	44.12	2.62	X			X		
2-031	1.739	0.070	44.17	1.78	X			X		
M4420-300	1.740	0.118	44.20	3.00			X			
M4430-570	1.744	0.224	44.30	5.70			X	X		
M4440-310	1.748	0.122	44.40	3.10						G45
M4445-353	1.750	0.139	44.45	3.53				X		
M4450-200	1.752	0.079	44.50	2.00						S45
M4460-240	1.756	0.094	44.60	2.40				X		
M4470-350	1.760	0.138	44.70	3.50						P45
M4500-150	1.772	0.059	45.00	1.50				X		
M4500-180	1.772	0.071	45.00	1.80	X					
M4500-200	1.772	0.079	45.00	2.00				X		
M4500-250	1.772	0.098	45.00	2.50				X		
M4500-265	1.772	0.104	45.00	2.65	X					

*Chart for comparison only. Not all sizes stocked.



O-Ring Size Comparison Chart, cont'd.

Part Numbers	ID (Inch)	Cross Sect. (Inch)	ID (MM)	Cross Sect. (MM)	AS568A ISO	SWEDEN	GERMANY	BRITAIN	FRANCE	JAPAN
M4500-300	1.772	0.118	45.00	3.00		X				
M4500-350	1.772	0.138	45.00	3.50		X				
M4500-355	1.772	0.140	45.00	3.55	X					
M4500-400	1.772	0.157	45.00	4.00		X				
M4500-500	1.772	0.197	45.00	5.00		X				
M4500-530	1.772	0.209	45.00	5.30	X					
M4520-300	1.780	0.118	45.20	3.00		X				
M4530-570	1.783	0.224	45.30	5.70		X	X			
M4550-200	1.791	0.079	45.50	2.00						S46
2-133	1.799	0.103	45.69	2.62	X		X			
M4570-350	1.799	0.138	45.70	3.50						P46
M4600-150	1.811	0.059	46.00	1.50			X			
M4600-200	1.811	0.079	46.00	2.00			X			
M4600-250	1.811	0.098	46.00	2.50			X			
M4600-300	1.811	0.118	46.00	3.00			X			
M4600-350	1.811	0.138	46.00	3.50			X			
M4600-400	1.811	0.157	46.00	4.00			X			
M4600-500	1.811	0.197	46.00	5.00			X			
M4604-353	1.813	0.139	46.04	3.53			X			
M4620-265	1.819	0.104	46.20	2.65	X					
M4620-300	1.819	0.118	46.20	3.00		X				
M4620-355	1.819	0.140	46.20	3.55	X					
M4620-530	1.819	0.209	46.20	5.30	X					
M4700-150	1.850	0.059	47.00	1.50			X			
M4700-200	1.850	0.079	47.00	2.00			X			
M4700-250	1.850	0.098	47.00	2.50			X			
M4700-300	1.850	0.118	47.00	3.00			X			
M4700-350	1.850	0.138	47.00	3.50			X			
M4700-400	1.850	0.157	47.00	4.00			X			
M4700-500	1.850	0.197	47.00	5.00			X			
2-328	1.850	0.210	46.99	5.33	X		X	X		
2-404	1.850	0.275	46.99	6.99	X					
2-225	1.859	0.139	47.22	3.53	X		X			
2-134	1.862	0.103	47.29	2.62	X		X			
M4730-570	1.862	0.224	47.30	5.70		X	X			
2-032	1.864	0.070	47.35	1.78	X		X			
M4750-180	1.870	0.071	47.50	1.80	X					
M4750-200	1.870	0.079	47.50	2.00						S48
M4750-265	1.870	0.104	47.50	2.65	X					
M4750-355	1.870	0.140	47.50	3.55	X					
M4750-530	1.870	0.209	47.50	5.30	X					
M4760-240	1.874	0.094	47.60	2.40			X			
M4760-570	1.874	0.224	47.60	5.70						P48A
M4763-353	1.875	0.139	47.63	3.53			X			
M4770-350	1.878	0.138	47.70	3.50						P48
M4800-150	1.890	0.059	48.00	1.50			X			
M4800-200	1.890	0.079	48.00	2.00			X			
M4800-250	1.890	0.098	48.00	2.50			X			
M4800-300	1.890	0.118	48.00	3.00			X			
M4800-350	1.890	0.138	48.00	3.50			X			
M4800-400	1.890	0.157	48.00	4.00			X			
M4800-500	1.890	0.197	48.00	5.00			X			
M4870-265	1.917	0.104	48.70	2.65	X					
M4870-350	1.917	0.138	48.70	3.50						P49
M4870-355	1.917	0.140	48.70	3.55	X					
M4870-530	1.917	0.209	48.70	5.30	X					
2-135	1.925	0.103	48.90	2.62	X		X			
M4900-150	1.929	0.059	49.00	1.50			X			

Part Numbers	ID (Inch)	Cross Sect. (Inch)	ID (MM)	Cross Sect. (MM)	AS568A ISO	SWEDEN	GERMANY	BRITAIN	FRANCE	JAPAN
M4900-200	1.929	0.079	49.00	2.00			X			
M4900-250	1.929	0.098	49.00	2.50			X			
M4900-300	1.929	0.118	49.00	3.00			X			
M4900-350	1.929	0.138	49.00	3.50			X			
M4900-400	1.929	0.157	49.00	4.00			X			
M4900-500	1.929	0.197	49.00	5.00			X			
M4921-353	1.937	0.139	49.21	3.53			X			
M4930-570	1.941	0.224	49.30	5.70		X	X			
M4940-310	1.945	0.122	49.40	3.10						G50
M4950-200	1.949	0.079	49.50	2.00						S50
M4950-300	1.949	0.118	49.50	3.00		X	X			
M4960-240	1.953	0.094	49.60	2.40			X			
M4960-570	1.953	0.224	49.60	5.70						P50A
M4970-350	1.957	0.138	49.70	3.50						P50
M5000-150	1.969	0.059	50.00	1.50			X			
M5000-180	1.969	0.071	50.00	1.80	X					
M5000-200	1.969	0.079	50.00	2.00			X			
M5000-250	1.969	0.098	50.00	2.50			X			
M5000-265	1.969	0.104	50.00	2.65	X					
M5000-300	1.969	0.118	50.00	3.00			X			
M5000-350	1.969	0.138	50.00	3.50			X			
M5000-355	1.969	0.140	50.00	3.55	X					
M5000-400	1.969	0.157	50.00	4.00			X			
M5000-500	1.969	0.197	50.00	5.00			X			
M5000-530	1.969	0.209	50.00	5.30	X					
2-329	1.975	0.210	50.17	5.33	X		X	X		
2-405	1.975	0.275	50.17	6.99	X					
M5020-300	1.976	0.118	50.20	3.00		X				
2-226	1.984	0.139	50.39	3.53	X		X			
2-136	1.987	0.103	50.47	2.62	X		X			
2-033	1.989	0.070	50.52	1.78	X		X			
M5080-353	2.000	0.139	50.80	3.53			X			
M5100-150	2.008	0.059	51.00	1.50			X			
M5100-200	2.008	0.079	51.00	2.00			X			
M5100-250	2.008	0.098	51.00	2.50			X			
M5100-300	2.008	0.118	51.00	3.00			X			
M5100-350	2.008	0.138	51.00	3.50			X			
M5100-400	2.008	0.157	51.00	4.00			X			
M5100-500	2.008	0.197	51.00	5.00			X			
M5130-570	2.020	0.224	51.30	5.70		X	X			
M5150-265	2.028	0.104	51.50	2.65	X					
M5150-355	2.028	0.140	51.50	3.55	X					
M5150-530	2.028	0.209	51.50	5.30	X					
M5160-240	2.031	0.094	51.60	2.40			X			
M5160-570	2.031	0.224	51.60	5.70						P52
M5200-150	2.047	0.059	52.00	1.50			X			
M5200-200	2.047	0.079	52.00	2.00			X			
M5200-250	2.047	0.098	52.00	2.50			X			
M5200-300	2.047	0.118	52.00	3.00			X			
M5200-350	2.047	0.138	52.00	3.50			X			
M5200-400	2.047	0.157	52.00	4.00			X			
M5200-500	2.047	0.197	52.00	5.00			X			
2-137	2.050	0.103	52.07	2.62	X		X			
M5230-570	2.059	0.224	52.30	5.70		X	X			
M5239-353	2.063	0.139	52.39	3.53			X			
M5250-200	2.067	0.079	52.50	2.00						S53
M5260-570	2.071	0.224	52.60	5.70						P53
M5300-150	2.087	0.059	53.00	1.50			X			

**Chart for comparison only. Not all sizes stocked.*

O-Ring Size Comparison Chart, cont'd.

Part Numbers	ID (Inch)	Cross Sect. (Inch)	ID (MM)	Cross Sect. (MM)	AS568A ISO	SWEDEN GERMANY	BRITAIN FRANCE	JAPAN
M5300-180	2.087	0.071	53.00	1.80	X			
M5300-200	2.087	0.079	53.00	2.00		X		
M5300-250	2.087	0.098	53.00	2.50		X		
M5300-265	2.087	0.104	53.00	2.65	X			
M5300-300	2.087	0.118	53.00	3.00		X		
M5300-350	2.087	0.138	53.00	3.50		X		
M5300-355	2.087	0.140	53.00	3.55	X			
M5300-400	2.087	0.157	53.00	4.00		X		
M5300-500	2.087	0.197	53.00	5.00		X		
M5300-530	2.087	0.209	53.00	5.30	X			
3-928	2.090	0.118	53.09	3.00	X		X	
2-330	2.100	0.210	53.34	5.33	X		X	X
2-406	2.100	0.275	53.34	6.99	X			
2-227	2.109	0.139	53.57	3.53	X		X	
2-138	2.112	0.103	53.64	2.62	X		X	
2-034	2.114	0.070	53.70	1.78	X		X	
M5398-353	2.125	0.139	53.98	3.53		X		
M5400-150	2.126	0.059	54.00	1.50		X		
M5400-200	2.126	0.079	54.00	2.00		X		
M5400-250	2.126	0.098	54.00	2.50		X		
M5400-300	2.126	0.118	54.00	3.00		X		
M5400-350	2.126	0.138	54.00	3.50		X		
M5400-400	2.126	0.157	54.00	4.00		X		
M5400-500	2.126	0.197	54.00	5.00		X		
M5430-570	2.138	0.224	54.30	5.70		X	X	
M5440-310	2.142	0.122	54.40	3.10				G55
M5440-530	2.142	0.209	54.40	5.30			X	
M5450-250	2.146	0.079	54.50	2.00				S55
M5450-265	2.146	0.104	54.50	2.65	X			
M5450-300	2.146	0.118	54.50	3.00		X	X	
M5450-355	2.146	0.140	54.50	3.55	X			
M5450-400	2.146	0.157	54.50	4.00				V55
M5450-530	2.146	0.209	54.50	5.30	X			
M5460-240	2.150	0.094	54.60	2.40			X	
M5460-570	2.150	0.224	54.60	5.70				P55
M5500-150	2.165	0.059	55.00	1.50		X		
M5500-200	2.165	0.079	55.00	2.00		X		
M5500-250	2.165	0.098	55.00	2.50		X		
M5500-300	2.165	0.118	55.00	3.00		X		
M5500-350	2.165	0.138	55.00	3.50		X		
M5500-400	2.165	0.157	55.00	4.00		X		
M5500-500	2.165	0.197	55.00	5.00		X		
M5520-300	2.173	0.118	55.20	3.00		X		
2-139	2.175	0.103	55.25	2.62	X		X	
M5550-200	2.185	0.079	55.50	2.00				S56
M5556-353	2.187	0.139	55.56	3.53			X	
M5560-570	2.189	0.224	55.60	5.70				P56
M5600-150	2.205	0.059	56.00	1.50		X		
M5600-180	2.205	0.071	56.00	1.80	X			
M5600-200	2.205	0.079	56.00	2.00		X		
M5600-250	2.205	0.098	56.00	2.50		X		
M5600-265	2.205	0.104	56.00	2.65	X			
M5600-300	2.205	0.118	56.00	3.00		X		
M5600-350	2.205	0.138	56.00	3.50		X		
M5600-355	2.205	0.140	56.00	3.55	X			
M5600-400	2.205	0.157	56.00	4.00		X		
M5600-500	2.205	0.197	56.00	5.00		X		
M5600-530	2.205	0.209	56.00	5.30	X			

Part Numbers	ID (Inch)	Cross Sect. (Inch)	ID (MM)	Cross Sect. (MM)	AS568A ISO	SWEDEN GERMANY	BRITAIN FRANCE	JAPAN
M5620-300	2.213	0.118	56.20	3.00		X		
2-331	2.225	0.210	56.52	5.33	X		X	X
2-407	2.225	0.275	56.52	6.99	X			
2-228	2.234	0.139	56.74	3.53	X		X	
2-140	2.237	0.103	56.82	2.62	X		X	
2-035	2.239	0.070	56.87	1.78	X		X	
M5700-150	2.244	0.059	57.00	1.50			X	
M5700-200	2.244	0.079	57.00	2.00			X	
M5700-250	2.244	0.098	57.00	2.50			X	
M5700-300	2.244	0.118	57.00	3.00			X	
M5700-350	2.244	0.138	57.00	3.50			X	
M5700-400	2.244	0.157	57.00	4.00			X	
M5700-500	2.244	0.197	57.00	5.00			X	
M5715-353	2.250	0.139	57.15	3.53			X	
M5720-300	2.252	0.118	57.20	3.00		X		
M5730-570	2.256	0.224	57.30	5.70		X	X	
M5760-240	2.268	0.094	57.60	2.40			X	
M5760-570	2.268	0.224	57.60	5.70				P58
M5800-150	2.283	0.059	58.00	1.50			X	
M5800-200	2.283	0.079	58.00	2.00			X	
M5800-250	2.283	0.098	58.00	2.50			X	
M5800-265	2.283	0.104	58.00	2.65	X			
M5800-300	2.283	0.118	58.00	3.00			X	
M5800-350	2.283	0.138	58.00	3.50			X	
M5800-355	2.283	0.140	58.00	3.55	X			
M5800-400	2.283	0.157	58.00	4.00			X	
M5800-500	2.283	0.197	58.00	5.00			X	
M5800-530	2.283	0.209	58.00	5.30	X			
2-141	2.300	0.103	58.42	2.62	X		X	
M5874-353	2.313	0.139	58.74	3.53			X	
M5900-150	2.323	0.059	59.00	1.50			X	
M5900-200	2.323	0.079	59.00	2.00			X	
M5900-250	2.323	0.098	59.00	2.50			X	
M5900-300	2.323	0.118	59.00	3.00			X	
M5900-350	2.323	0.138	59.00	3.50			X	
M5900-400	2.323	0.157	59.00	4.00			X	
M5900-500	2.323	0.197	59.00	5.00			X	
M5930-570	2.335	0.224	59.30	5.70		X	X	
3-932	2.337	0.118	59.36	3.00	X		X	
M5940-310	2.339	0.122	59.40	3.10				G60
M5950-200	2.343	0.079	59.50	2.00				S60
M5950-300	2.343	0.118	59.50	3.00		X	X	
M5960-240	2.346	0.094	59.60	2.40			X	
M5960-570	2.346	0.224	59.60	5.70				P60
2-332	2.350	0.210	59.69	5.33	X		X	X
2-408	2.350	0.275	59.69	6.99	X			
2-229	2.359	0.139	59.92	3.53	X		X	
M6000-150	2.362	0.059	60.00	1.50			X	
M6000-180	2.362	0.071	60.00	1.80	X			
M6000-200	2.362	0.079	60.00	2.00			X	
M6000-250	2.362	0.098	60.00	2.50			X	
2-142	2.362	0.103	59.99	2.62	X		X	
M6000-265	2.362	0.104	60.00	2.65	X			
M6000-300	2.362	0.118	60.00	3.00			X	
M6000-350	2.362	0.138	60.00	3.50			X	
M6000-355	2.362	0.140	60.00	3.55	X			
M6000-400	2.362	0.157	60.00	4.00			X	
M6000-500	2.362	0.197	60.00	5.00			X	

* Chart for comparison only. Not all sizes stocked.



O-Ring Size Comparison Chart, cont'd.

Part Numbers	ID (Inch)	Cross Sect. (Inch)	ID (MM)	Cross Sect. (MM)	AS568A ISO	SWEDEN	GERMANY	BRITAIN	FRANCE	JAPAN
M6000-530	2.362	0.209	60.00	5.30	X					
2-036	2.364	0.070	60.05	1.78	X		X			
M6033-353	2.375	0.139	60.33	3.53			X			
M6050-300	2.382	0.118	60.50	3.00		X	X			
M6100-150	2.402	0.059	61.00	1.50			X			
M6100-200	2.402	0.079	61.00	2.00			X			
M6100-250	2.402	0.098	61.00	2.50			X			
M6100-300	2.402	0.118	61.00	3.00			X			
M6100-350	2.402	0.138	61.00	3.50			X			
M6100-400	2.402	0.157	61.00	4.00			X			
M6100-500	2.402	0.197	61.00	5.00			X			
M6130-570	2.413	0.224	61.30	5.70		X	X			
M6150-265	2.421	0.104	61.50	2.65	X					
M6150-355	2.421	0.140	61.50	3.55	X					
M6150-530	2.421	0.209	61.50	5.30	X					
M6160-240	2.425	0.000	61.60	2.40			X			
2-143	2.425	0.103	61.60	2.62	X		X			
M6160-570	2.425	0.224	61.60	5.70						P62
M6191-353	2.437	0.139	61.91	3.53			X			
M6200-150	2.441	0.059	62.00	1.50			X			
M6200-200	2.441	0.079	62.00	2.00			X			
M6200-250	2.441	0.098	62.00	2.50			X			
M6200-300	2.441	0.118	62.00	3.00			X			
M6200-350	2.441	0.138	62.00	3.50			X			
M6200-400	2.441	0.157	62.00	4.00			X			
M6200-500	2.441	0.197	62.00	5.00			X			
M6220-300	2.449	0.118	62.20	3.00		X				
M6230-570	2.453	0.224	62.30	5.70		X	X			
M6250-200	2.461	0.079	62.50	2.00						S63
M6260-570	2.465	0.224	62.60	5.70						P63
2-333	2.475	0.210	62.87	5.33	X		X	X		
2-409	2.475	0.275	62.87	6.99	X					
M6300-150	2.480	0.059	63.00	1.50			X			
M6300-180	2.480	0.071	63.00	1.80	X					
M6300-200	2.480	0.079	63.00	2.00			X			
M6300-250	2.480	0.098	63.00	2.50			X			
M6300-265	2.480	0.104	63.00	2.65	X					
M6300-300	2.480	0.118	63.00	3.00			X			
M6300-350	2.480	0.138	63.00	3.50			X			
M6300-355	2.480	0.140	63.00	3.55	X					
M6300-400	2.480	0.157	63.00	4.00			X			
M6300-500	2.480	0.197	63.00	5.00			X			
M6300-530	2.480	0.209	63.00	5.30	X					
2-230	2.484	0.139	63.09	3.53	X		X			
2-144	2.487	0.103	63.17	2.62	X		X			
2-037	2.489	0.070	63.22	1.78	X		X			
M6350-353	2.500	0.139	63.50	3.53			X			
M6400-150	2.520	0.059	64.00	1.50			X			
M6400-200	2.520	0.079	64.00	2.00			X			
M6400-250	2.520	0.098	64.00	2.50			X			
M6400-300	2.520	0.118	64.00	3.00			X			
M6400-350	2.520	0.138	64.00	3.50			X			
M6400-400	2.520	0.157	64.00	4.00			X			
M6400-500	2.520	0.197	64.00	5.00			X			
M6430-570	2.531	0.224	64.30	5.70		X	X			
M6440-310	2.535	0.122	64.40	3.10						G65
M6450-200	2.539	0.079	64.50	2.00						S65
M6450-300	2.539	0.118	64.50	3.00		X	X			

Part Numbers	ID (Inch)	Cross Sect. (Inch)	ID (MM)	Cross Sect. (MM)	AS568A ISO	SWEDEN	GERMANY	BRITAIN	FRANCE	JAPAN
M6460-570	2.543	0.224	64.60	5.70						P65
2-145	2.550	0.103	64.77	2.62	X			X		
M6500-150	2.559	0.059	65.00	1.50			X			
M6500-200	2.559	0.079	65.00	2.00			X			
M6500-250	2.559	0.098	65.00	2.50			X			
M6500-265	2.559	0.104	65.00	2.65		X				
M6500-300	2.559	0.118	65.00	3.00			X			
M6500-350	2.559	0.138	65.00	3.50			X			
M6500-355	2.559	0.140	65.00	3.55		X				
M6500-400	2.559	0.157	65.00	4.00			X			
M6500-500	2.559	0.197	65.00	5.00			X			
M6500-530	2.559	0.209	65.00	5.30		X				
M6510-353	2.563	0.139	65.10	3.53				X		
M6600-150	2.598	0.059	66.00	1.50			X			
M6600-200	2.598	0.079	66.00	2.00			X			
M6600-250	2.598	0.098	66.00	2.50			X			
M6600-300	2.598	0.118	66.00	3.00			X			
M6600-350	2.598	0.138	66.00	3.50			X			
M6600-400	2.598	0.157	66.00	4.00			X			
M6600-500	2.598	0.197	66.00	5.00			X			
2-334	2.600	0.210	66.04	5.33	X			X	X	
2-410	2.600	0.275	66.04	6.99	X					
2-231	2.609	0.139	66.27	3.53	X		X			
2-146	2.612	0.103	66.34	2.62	X		X			
2-038	2.614	0.070	66.40	1.78	X		X			
M6650-200	2.618	0.079	66.50	2.00						S67
M6660-570	2.622	0.224	66.60	5.70						P67
M6667-353	2.625	0.139	66.67	3.53				X		
M6700-150	2.638	0.059	67.00	1.50			X			
M6700-180	2.638	0.071	67.00	1.80		X				
M6700-200	2.638	0.079	67.00	2.00			X			
M6700-250	2.638	0.098	67.00	2.50			X			
M6700-265	2.638	0.104	67.00	2.65		X				
M6700-300	2.638	0.118	67.00	3.00			X			
M6700-350	2.638	0.138	67.00	3.50			X			
M6700-355	2.638	0.140	67.00	3.55		X				
M6700-400	2.638	0.157	67.00	4.00			X			
M6700-500	2.638	0.197	67.00	5.00			X			
M6700-530	2.638	0.209	67.00	5.30		X				
M6730-570	2.650	0.224	67.30	5.70			X	X		
M6760-240	2.661	0.094	67.60	2.40				X		
2-147	2.675	0.103	67.95	2.62	X			X		
M6800-150	2.677	0.059	68.00	1.50			X			
M6800-200	2.677	0.079	68.00	2.00			X			
M6800-250	2.677	0.098	68.00	2.50			X			
M6800-300	2.677	0.118	68.00	3.00			X			
M6800-350	2.677	0.138	68.00	3.50			X			
M6800-400	2.677	0.157	68.00	4.00			X			
M6800-500	2.677	0.197	68.00	5.00			X			
M6826-353	2.687	0.139	68.26	3.53				X		
M6900-150	2.717	0.059	69.00	1.50			X			
M6900-200	2.717	0.079	69.00	2.00			X			
M6900-250	2.717	0.098	69.00	2.50			X			
M6900-265	2.717	0.104	69.00	2.65		X				
M6900-300	2.717	0.118	69.00	3.00			X			
M6900-350	2.717	0.138	69.00	3.50			X			
M6900-355	2.717	0.140	69.00	3.55		X				
M6900-400	2.717	0.157	69.00	4.00			X			V70

**Chart for comparison only. Not all sizes stocked.*

O-Ring Size Comparison Chart, cont'd.

Part Numbers	ID (Inch)	Cross Sect. (Inch)	ID (MM)	Cross Sect. (MM)	AS568A	ISO	SWEDEN	GERMANY	BRITAIN	FRANCE	JAPAN
M6900-500	2.717	0.197	69.00	5.00			X				
M6900-530	2.717	0.209	69.00	5.30		X					
2-335	2.725	0.210	69.22	5.33	X			X	X		
2-411	2.725	0.275	69.22	6.99	X						
M6930-570	2.728	0.224	69.30	5.70			X	X			
M6940-310	2.732	0.122	69.40	3.10							G70
2-232	2.734	0.139	69.44	3.53	X			X			
M6950-200	2.736	0.079	69.50	2.00							S70
M6950-300	2.736	0.118	69.50	3.00			X	X			
2-148	2.737	0.103	69.52	2.62	X			X			
2-039	2.739	0.070	69.57	1.78	X			X			
M6960-240	2.740	0.000	69.60	2.40				X			
M6960-570	2.740	0.224	69.60	5.70							P70
M6985-353	2.750	0.139	69.85	3.53				X			
M7000-150	2.756	0.059	70.00	1.50			X				
M7000-200	2.756	0.079	70.00	2.00			X				
M7000-250	2.756	0.098	70.00	2.50			X				
M7000-300	2.756	0.118	70.00	3.00			X				
M7000-350	2.756	0.138	70.00	3.50			X				
M7000-400	2.756	0.157	70.00	4.00			X				
M7000-500	2.756	0.197	70.00	5.00			X				
M7050-200	2.776	0.079	70.50	2.00							S71
M7060-570	2.780	0.224	70.60	5.70							P71
M7100-150	2.795	0.059	71.00	1.50				X			
M7100-180	2.795	0.071	71.00	1.80		X					
M7100-200	2.795	0.079	71.00	2.00			X				
M7100-250	2.795	0.098	71.00	2.50			X				
M7100-265	2.795	0.104	71.00	2.65		X					
M7100-300	2.795	0.118	71.00	3.00			X				
M7100-350	2.795	0.138	71.00	3.50			X				
M7100-355	2.795	0.140	71.00	3.55		X					
M7100-400	2.795	0.157	71.00	4.00			X				
M7100-500	2.795	0.197	71.00	5.00			X				
M7100-530	2.795	0.209	71.00	5.30		X					
2-149	2.800	0.103	71.12	2.62	X			X			
M7130-570	2.807	0.224	71.30	5.70			X	X			
M7144-353	2.813	0.139	71.44	3.53				X			
M7200-150	2.835	0.059	72.00	1.50			X				
M7200-200	2.835	0.079	72.00	2.00			X				
M7200-250	2.835	0.098	72.00	2.50			X				
M7200-300	2.835	0.118	72.00	3.00			X				
M7200-350	2.835	0.138	72.00	3.50			X				
M7200-400	2.835	0.157	72.00	4.00			X				
M7200-500	2.835	0.197	72.00	5.00			X				
M7230-570	2.846	0.224	72.30	5.70			X	X			
2-336	2.850	0.210	72.39	5.33	X			X	X		
2-412	2.850	0.275	72.39	6.99	X						
2-233	2.859	0.139	72.62	3.53	X			X			
2-150	2.862	0.103	72.69	2.62	X			X			
2-040	2.864	0.070	72.75	1.78	X			X			
M7300-150	2.874	0.059	73.00	1.50			X				
M7300-200	2.874	0.079	73.00	2.00			X				
M7300-250	2.874	0.098	73.00	2.50			X				
M7300-265	2.874	0.104	73.00	2.65		X					
M7300-300	2.874	0.118	73.00	3.00			X				
M7300-350	2.874	0.138	73.00	3.50			X				
M7300-355	2.874	0.140	73.00	3.55		X					
M7300-400	2.874	0.157	73.00	4.00			X				
M7300-500	2.874	0.197	73.00	5.00			X				
M7300-530	2.874	0.209	73.00	5.30			X				
M7302-353	2.875	0.139	73.02	3.53							
M7400-150	2.913	0.059	74.00	1.50				X			
M7400-200	2.913	0.079	74.00	2.00				X			
M7400-250	2.913	0.098	74.00	2.50				X			
M7400-300	2.913	0.118	74.00	3.00				X			
M7400-350	2.913	0.138	74.00	3.50				X			
M7400-400	2.913	0.157	74.00	4.00				X			
M7400-500	2.913	0.197	74.00	5.00				X			
M7430-262	2.925	0.103	74.30	2.62					X		
M7430-570	2.925	0.224	74.30	5.70			X	X			
M7440-310	2.929	0.122	74.40	3.10							G75
M7450-200	2.933	0.079	74.50	2.00							S75
M7450-300	2.933	0.118	74.50	3.00			X	X			
M7461-353	2.937	0.139	74.61	3.53				X			
M7460-570	2.937	0.224	74.60	5.70							P75
M7463-533	2.938	0.210	74.63	5.33					X		
M7500-150	2.953	0.059	75.00	1.50				X			
M7500-180	2.953	0.071	75.00	1.80		X					
M7500-200	2.953	0.079	75.00	2.00				X			
M7500-250	2.953	0.098	75.00	2.50				X			
M7500-265	2.953	0.104	75.00	2.65		X					
M7500-300	2.953	0.118	75.00	3.00				X			
M7500-350	2.953	0.138	75.00	3.50				X			
M7500-355	2.953	0.140	75.00	3.55		X					
M7500-400	2.953	0.157	75.00	4.00				X			
M7500-500	2.953	0.197	75.00	5.00				X			
M7500-530	2.953	0.209	75.00	5.30		X					
2-337	2.975	0.210	75.57	5.33	X				X	X	
2-413	2.975	0.275	75.57	6.99	X						
2-234	2.984	0.139	75.79	3.53	X				X		
2-151	2.987	0.103	75.87	2.62	X				X		
2-041	2.989	0.070	75.92	1.78	X				X		
M7600-150	2.992	0.059	76.00	1.50				X			
M7600-200	2.992	0.079	76.00	2.00				X			
M7600-250	2.992	0.098	76.00	2.50				X			
M7600-300	2.992	0.118	76.00	3.00				X			
M7600-350	2.992	0.138	76.00	3.50				X			
M7600-400	2.992	0.157	76.00	4.00				X			
M7600-500	2.992	0.197	76.00	5.00				X			
M7700-150	3.031	0.059	77.00	1.50				X			
M7700-200	3.031	0.079	77.00	2.00				X			
M7700-250	3.031	0.098	77.00	2.50				X			
M7700-300	3.031	0.118	77.00	3.00				X			
M7700-350	3.031	0.138	77.00	3.50				X			
M7700-400	3.031	0.157	77.00	4.00				X			
M7700-500	3.031	0.197	77.00	5.00				X			
M7730-570	3.043	0.224	77.30	5.70			X	X			
M7750-355	3.051	0.140	77.50	3.55		X					
M7750-530	3.051	0.209	77.50	5.30		X					
M7800-150	3.071	0.059	78.00	1.50				X			
M7800-200	3.071	0.079	78.00	2.00				X			
M7800-250	3.071	0.098	78.00	2.50				X			
M7800-300	3.071	0.118	78.00	3.00				X			
M7800-350	3.071	0.138	78.00	3.50				X			
M7800-400	3.071	0.157	78.00	4.00				X			
M7800-500	3.071	0.197	78.00	5.00				X			

*Chart for comparison only. Not all sizes stocked.



O-Ring Size Comparison Chart, cont'd.

Part Numbers	ID (Inch)	Cross Sect. (Inch)	ID (MM)	Cross Sect. (MM)	AS568A ISO	SWEDEN	GERMANY	BRITAIN	FRANCE	JAPAN
2-338	3.100	0.210	78.74	5.33	X		X	X		
2-414	3.100	0.275	78.74	6.99	X					
2-235	3.109	0.139	78.97	3.53	X		X			
M7900-150	3.110	0.059	79.00	1.50			X			
M7900-200	3.110	0.079	79.00	2.00			X			
M7900-250	3.110	0.098	79.00	2.50			X			
M7900-300	3.110	0.118	79.00	3.00			X			
M7900-350	3.110	0.138	79.00	3.50			X			
M7900-400	3.110	0.157	79.00	4.00			X			
M7900-500	3.110	0.197	79.00	5.00			X			
M7930-570	3.122	0.224	79.30	5.70		X	X			
M7940-310	3.126	0.122	79.40	3.10						G80
M7950-200	3.130	0.079	79.50	2.00						S80
M7950-300	3.130	0.118	79.50	3.00		X	X			
M7960-570	3.134	0.224	79.60	5.70						P80
M7977-533	3.141	0.210	79.77	5.33			X			
M8000-150	3.150	0.059	80.00	1.50			X			
M8000-180	3.150	0.071	80.00	1.80	X					
M8000-200	3.150	0.079	80.00	2.00			X			
M8000-250	3.150	0.098	80.00	2.50			X			
M8000-265	3.150	0.104	80.00	2.65	X					
M8000-300	3.150	0.118	80.00	3.00			X			
M8000-350	3.150	0.138	80.00	3.50			X			
M8000-355	3.150	0.140	80.00	3.55	X					
M8000-400	3.150	0.157	80.00	4.00			X			
M8000-500	3.150	0.197	80.00	5.00			X			
M8000-530	3.150	0.209	80.00	5.30	X					
M8100-150	3.189	0.059	81.00	1.50			X			
M8100-200	3.189	0.079	81.00	2.00			X			
M8100-250	3.189	0.098	81.00	2.50			X			
M8100-300	3.189	0.118	81.00	3.00			X			
M8100-350	3.189	0.138	81.00	3.50			X			
M8100-400	3.189	0.157	81.00	4.00			X			
M8100-500	3.189	0.197	81.00	5.00			X			
M8130-570	3.201	0.224	81.30	5.70		X	X			
2-339	3.225	0.210	81.92	5.33	X		X	X		
2-415	3.225	0.275	81.92	6.99	X					
M8200-150	3.228	0.059	82.00	1.50			X			
M8200-200	3.228	0.079	82.00	2.00			X			
M8200-250	3.228	0.098	82.00	2.50			X			
M8200-300	3.228	0.118	82.00	3.00			X			
M8200-350	3.228	0.138	82.00	3.50			X			
M8200-400	3.228	0.157	82.00	4.00			X			
M8200-500	3.228	0.197	82.00	5.00			X			
2-236	3.234	0.139	82.14	3.53	X		X			
2-152	3.237	0.103	82.22	2.62	X		X			
2-042	3.239	0.070	82.27	1.78	X		X			
M8230-570	3.240	0.224	82.30	5.70		X	X			
M8250-355	3.248	0.140	82.50	3.55	X					
M8250-530	3.248	0.209	82.50	5.30	X					
M8300-150	3.268	0.059	83.00	1.50			X			
M8300-200	3.268	0.079	83.00	2.00			X			
M8300-250	3.268	0.098	83.00	2.50			X			
M8300-300	3.268	0.118	83.00	3.00			X			
M8300-350	3.268	0.138	83.00	3.50			X			
M8300-400	3.268	0.157	83.00	4.00			X			
M8300-500	3.268	0.197	83.00	5.00			X			
M8380-262	3.299	0.103	83.80	2.62			X			

Part Numbers	ID (Inch)	Cross Sect. (Inch)	ID (MM)	Cross Sect. (MM)	AS568A ISO	SWEDEN	GERMANY	BRITAIN	FRANCE	JAPAN
M8400-150	3.307	0.059	84.00	1.50			X			
M8400-200	3.307	0.079	84.00	2.00			X			
M8400-250	3.307	0.098	84.00	2.50			X			
M8400-300	3.307	0.118	84.00	3.00			X			
M8400-350	3.307	0.138	84.00	3.50			X			
M8400-400	3.307	0.157	84.00	4.00			X			V85
M8400-500	3.307	0.197	84.00	5.00			X			
M8430-570	3.319	0.224	84.30	5.70		X	X			
M8440-310	3.323	0.122	84.40	3.10						G85
M8450-200	3.327	0.079	84.50	2.00						S85
M8450-300	3.327	0.118	84.50	3.00		X	X			
M8460-570	3.331	0.224	84.60	5.70						P85
M8500-150	3.346	0.059	85.00	1.50			X			
M8500-180	3.346	0.071	85.00	1.80	X					
M8500-200	3.346	0.079	85.00	2.00			X			
M8500-250	3.346	0.098	85.00	2.50			X			
M8500-265	3.346	0.104	85.00	2.65	X					
M8500-300	3.346	0.118	85.00	3.00			X			
M8500-350	3.346	0.138	85.00	3.50			X			
M8500-355	3.346	0.140	85.00	3.55	X					
M8500-400	3.346	0.157	85.00	4.00			X			
M8500-500	3.346	0.197	85.00	5.00			X			
M8500-530	3.346	0.209	85.00	5.30	X					
2-340	3.350	0.210	85.09	5.33	X		X	X		
2-416	3.350	0.275	85.09	6.99	X					
2-237	3.359	0.139	85.32	3.53	X		X			
M8600-150	3.386	0.059	86.00	1.50			X			
M8600-200	3.386	0.079	86.00	2.00			X			
M8600-250	3.386	0.098	86.00	2.50			X			
M8600-300	3.386	0.118	86.00	3.00			X			
M8600-350	3.386	0.138	86.00	3.50			X			
M8600-400	3.386	0.157	86.00	4.00			X			
M8600-500	3.386	0.197	86.00	5.00			X			
M8700-150	3.425	0.059	87.00	1.50			X			
M8700-200	3.425	0.079	87.00	2.00			X			
M8700-250	3.425	0.098	87.00	2.50			X			
M8700-300	3.425	0.118	87.00	3.00			X			
M8700-350	3.425	0.138	87.00	3.50			X			
M8700-400	3.425	0.157	87.00	4.00			X			
M8700-500	3.425	0.197	87.00	5.00			X			
M8730-570	3.437	0.224	87.30	5.70		X	X			
M8750-355	3.445	0.140	87.50	3.55	X					
M8750-530	3.445	0.209	87.50	5.30	X					
M8800-150	3.465	0.059	88.00	1.50			X			
M8800-200	3.465	0.079	88.00	2.00			X			
M8800-250	3.465	0.098	88.00	2.50			X			
M8800-300	3.465	0.118	88.00	3.00			X			
M8800-350	3.465	0.138	88.00	3.50			X			
M8800-400	3.465	0.157	88.00	4.00			X			
M8800-500	3.465	0.197	88.00	5.00			X			
2-341	3.475	0.210	88.27	5.33	X		X	X		
2-417	3.475	0.275	88.27	6.99	X					
2-238	3.484	0.139	88.49	3.53	X		X			
2-153	3.487	0.103	88.57	2.62	X		X			
2-043	3.489	0.070	88.62	1.78	X		X			
M8900-150	3.504	0.059	89.00	1.50			X			
M8900-200	3.504	0.079	89.00	2.00			X			
M8900-250	3.504	0.098	89.00	2.50			X			

**Chart for comparison only. Not all sizes stocked.*

O-Ring Size Comparison Chart, cont'd.

Part Numbers	ID (Inch)	Cross Sect. (Inch)	ID (MM)	Cross Sect. (MM)	AS568A ISO	SWEDEN	GERMANY	BRITAIN	FRANCE	JAPAN
M8900-300	3.504	0.118	89.00	3.00			X			
M8900-350	3.504	0.138	89.00	3.50			X			
M8900-400	3.504	0.157	89.00	4.00			X			
M8900-500	3.504	0.197	89.00	5.00			X			
M8930-570	3.516	0.224	89.30	5.70		X	X			
M8940-310	3.520	0.122	89.40	3.10						G90
M8950-200	3.524	0.079	89.50	2.00						S90
M8950-300	3.524	0.118	89.50	3.00		X	X			
M8960-570	3.528	0.224	89.60	5.70						P90
M8969-533	3.531	0.210	89.69	5.33				X		
M9000-150	3.543	0.059	90.00	1.50			X			
M9000-180	3.543	0.071	90.00	1.80	X					
M9000-200	3.543	0.079	90.00	2.00		X				
M9000-250	3.543	0.098	90.00	2.50		X				
M9000-265	3.543	0.104	90.00	2.65	X					
M9000-300	3.543	0.118	90.00	3.00		X				
M9000-350	3.543	0.138	90.00	3.50		X				
M9000-355	3.543	0.140	90.00	3.55	X					
M9000-400	3.543	0.157	90.00	4.00		X				
M9000-500	3.543	0.197	90.00	5.00		X				
M9000-530	3.543	0.209	90.00	5.30	X					
M9100-150	3.583	0.059	91.00	1.50		X				
M9100-200	3.583	0.079	91.00	2.00		X				
M9100-250	3.583	0.098	91.00	2.50		X				
M9100-300	3.583	0.118	91.00	3.00		X				
M9100-350	3.583	0.138	91.00	3.50		X				
M9100-400	3.583	0.157	91.00	4.00		X				
M9100-500	3.583	0.197	91.00	5.00		X				
2-342	3.600	0.210	91.44	5.33	X		X	X		
2-418	3.600	0.275	91.44	6.99	X					
2-239	3.609	0.139	91.67	3.53	X		X			
M9200-150	3.622	0.059	92.00	1.50		X				
M9200-200	3.622	0.079	92.00	2.00		X				
M9200-250	3.622	0.098	92.00	2.50		X				
M9200-300	3.622	0.118	92.00	3.00		X				
M9200-350	3.622	0.138	92.00	3.50		X				
M9200-400	3.622	0.157	92.00	4.00		X				
M9200-500	3.622	0.197	92.00	5.00		X				
M9230-570	3.634	0.224	92.30	5.70		X	X			
M9250-355	3.642	0.140	92.50	3.55	X					
M9250-530	3.642	0.209	92.50	5.30	X					
M9300-150	3.661	0.059	93.00	1.50		X				
M9300-200	3.661	0.079	93.00	2.00		X				
M9300-250	3.661	0.098	93.00	2.50		X				
M9300-300	3.661	0.118	93.00	3.00		X				
M9300-350	3.661	0.138	93.00	3.50		X				
M9300-400	3.661	0.157	93.00	4.00		X				
M9300-500	3.661	0.197	93.00	5.00		X				
M9400-150	3.701	0.059	94.00	1.50		X				
M9400-200	3.701	0.079	94.00	2.00		X				
M9400-250	3.701	0.098	94.00	2.50		X				
M9400-300	3.701	0.118	94.00	3.00		X				
M9400-350	3.701	0.138	94.00	3.50		X				
M9400-400	3.701	0.157	94.00	4.00		X				
M9400-500	3.701	0.197	94.00	5.00		X				
M9430-570	3.713	0.224	94.30	5.70		X	X			
M9440-310	3.717	0.122	94.40	3.10						G95
M9450-200	3.720	0.079	94.50	2.00						S95

Part Numbers	ID (Inch)	Cross Sect. (Inch)	ID (MM)	Cross Sect. (MM)	AS568A ISO	SWEDEN	GERMANY	BRITAIN	FRANCE	JAPAN
M9450-300	3.720	0.118	94.50	3.00		X	X			
M9460-570	3.724	0.224	94.60	5.70						P95
2-343	3.725	0.210	94.62	5.33	X		X	X		
2-419	3.725	0.275	94.62	6.99	X					
2-240	3.734	0.139	94.84	3.53	X		X			
2-154	3.737	0.103	94.92	2.62	X		X			
2-044	3.739	0.070	94.97	1.78	X		X			
M9500-150	3.740	0.059	95.00	1.50			X			
M9500-180	3.740	0.071	95.00	1.80	X					
M9500-200	3.740	0.079	95.00	2.00			X			
M9500-250	3.740	0.098	95.00	2.50			X			
M9500-265	3.740	0.104	95.00	2.65	X					
M9500-300	3.740	0.118	95.00	3.00			X			
M9500-350	3.740	0.138	95.00	3.50			X			
M9500-355	3.740	0.140	95.00	3.55	X					
M9500-400	3.740	0.157	95.00	4.00			X			
M9500-500	3.740	0.197	95.00	5.00			X			
M9500-530	3.740	0.209	95.00	5.30	X					
M9600-150	3.780	0.059	96.00	1.50			X			
M9600-200	3.780	0.079	96.00	2.00			X			
M9600-250	3.780	0.098	96.00	2.50			X			
M9600-300	3.780	0.118	96.00	3.00			X			
M9600-350	3.780	0.138	96.00	3.50			X			
M9600-400	3.780	0.157	96.00	4.00			X			
M9600-500	3.780	0.197	96.00	5.00			X			
M9700-150	3.819	0.059	97.00	1.50			X			
M9700-200	3.819	0.079	97.00	2.00			X			
M9700-250	3.819	0.098	97.00	2.50			X			
M9700-300	3.819	0.118	97.00	3.00			X			
M9700-350	3.819	0.138	97.00	3.50			X			
M9700-400	3.819	0.157	97.00	4.00			X			
M9700-500	3.819	0.197	97.00	5.00			X			
M9730-570	3.831	0.224	97.30	5.70		X	X			
M9750-355	3.839	0.140	97.50	3.55	X					
M9750-530	3.839	0.209	97.50	5.30	X					
2-344	3.850	0.210	97.79	5.33	X		X	X		
2-420	3.850	0.275	97.79	6.99	X					
M9800-150	3.858	0.059	98.00	1.50			X			
M9800-200	3.858	0.079	98.00	2.00			X			
M9800-250	3.858	0.098	98.00	2.50			X			
M9800-300	3.858	0.118	98.00	3.00			X			
M9800-350	3.858	0.138	98.00	3.50			X			
M9800-400	3.858	0.157	98.00	4.00			X			
M9800-500	3.858	0.197	98.00	5.00			X			
2-241	3.859	0.139	98.02	3.53	X		X			
M9900-150	3.898	0.059	99.00	1.50			X			
M9900-200	3.898	0.079	99.00	2.00			X			
M9900-250	3.898	0.098	99.00	2.50			X			
M9900-300	3.898	0.118	99.00	3.00			X			
M9900-350	3.898	0.138	99.00	3.50			X			
M9900-400	3.898	0.157	99.00	4.00			X			V100
M9900-500	3.898	0.197	99.00	5.00			X			
M9930-570	3.909	0.224	99.30	5.70		X	X			
M9940-310	3.913	0.122	99.40	3.10						G100
M9950-200	3.917	0.079	99.50	2.00						S100
M9950-300	3.917	0.118	99.50	3.00			X	X		
M9960-570	3.921	0.224	99.60	5.70						P100
M10000-150	3.937	0.059	100.00	1.50			X			

***Chart for comparison only. Not all sizes stocked.**

O-Ring Size Comparison Chart, cont'd.

Part Numbers	ID (Inch)	Cross Sect. (Inch)	ID (MM)	Cross Sect. (MM)	AS568A ISO	SWEDEN	GERMANY	BRITAIN	FRANCE	JAPAN
M10000-180	3.937	0.071	100.00	1.80	X					
M10000-200	3.937	0.079	100.00	2.00		X				
M10000-250	3.937	0.098	100.00	2.50		X				
M10000-265	3.937	0.104	100.00	2.65	X					
M10000-300	3.937	0.118	100.00	3.00		X				
M10000-350	3.937	0.138	100.00	3.50		X				
M10000-355	3.937	0.140	100.00	3.55	X					
M10000-400	3.937	0.157	100.00	4.00		X				
M10000-500	3.937	0.197	100.00	5.00		X				
M10000-530	3.937	0.209	100.00	5.30	X					
M10000-533	3.937	0.210	100.00	5.33			X			
2-345	3.975	0.210	100.97	5.33	X		X	X		
2-421	3.975	0.275	100.97	6.99	X					
M10100-250	3.976	0.098	101.00	2.50		X				
M10100-300	3.976	0.118	101.00	3.00		X				
M10100-350	3.976	0.138	101.00	3.50		X				
M10100-400	3.976	0.157	101.00	4.00		X				
M10100-500	3.976	0.197	101.00	5.00		X				
2-242	3.984	0.139	101.19	3.53	X		X			
2-155	3.987	0.103	101.27	2.62	X		X			
2-045	3.989	0.070	101.32	1.78	X		X			
M10160-570	4.000	0.224	101.60	5.70						P102
M10200-250	4.016	0.098	102.00	2.50			X			
M10200-300	4.016	0.118	102.00	3.00			X			
M10200-350	4.016	0.138	102.00	3.50			X			
M10200-400	4.016	0.157	102.00	4.00			X			
M10200-500	4.016	0.197	102.00	5.00			X			
M10300-250	4.055	0.098	103.00	2.50			X			
M10300-300	4.055	0.118	103.00	3.00			X			
M10300-350	4.055	0.138	103.00	3.50			X			
M10300-355	4.055	0.140	103.00	3.55	X					
M10300-400	4.055	0.157	103.00	4.00			X			
M10300-500	4.055	0.197	103.00	5.00			X			
M10300-530	4.055	0.209	103.00	5.30	X					
M10400-250	4.094	0.098	104.00	2.50			X			
M10400-300	4.094	0.118	104.00	3.00			X			
M10400-350	4.094	0.138	104.00	3.50			X			
M10400-400	4.094	0.157	104.00	4.00			X			
M10400-500	4.094	0.197	104.00	5.00			X			
2-346	4.100	0.210	104.14	5.33	X		X	X		
2-422	4.100	0.275	104.14	6.99	X					
M10430-570	4.106	0.224	104.30	5.70		X	X			
2-243	4.109	0.139	104.37	3.53	X		X			
M10440-310	4.110	0.122	104.40	3.10						G105
M10450-200	4.114	0.079	104.50	2.00						S105
M10450-300	4.114	0.118	104.50	3.00		X	X			
M10460-570	4.118	0.224	104.60	5.70						P105
M10500-250	4.134	0.098	105.00	2.50			X			
M10500-300	4.134	0.118	105.00	3.00			X			
M10500-350	4.134	0.138	105.00	3.50			X			
M10500-400	4.134	0.157	105.00	4.00			X			
M10500-500	4.134	0.197	105.00	5.00			X			
M10600-180	4.173	0.071	106.00	1.80	X					
M10600-250	4.173	0.098	106.00	2.50		X				
M10600-265	4.173	0.104	106.00	2.65	X					
M10600-300	4.173	0.118	106.00	3.00			X			
M10600-350	4.173	0.138	106.00	3.50			X			
M10600-355	4.173	0.140	106.00	3.55	X					

Part Numbers	ID (Inch)	Cross Sect. (Inch)	ID (MM)	Cross Sect. (MM)	AS568A ISO	SWEDEN	GERMANY	BRITAIN	FRANCE	JAPAN
M10600-400	4.173	0.157	106.00	4.00			X			
M10600-500	4.173	0.197	106.00	5.00			X			
M10600-530	4.173	0.209	106.00	5.30	X					
M10700-250	4.213	0.098	107.00	2.50			X			
M10700-300	4.213	0.118	107.00	3.00			X			
M10700-350	4.213	0.138	107.00	3.50			X			
M10700-400	4.213	0.157	107.00	4.00			X			
M10700-500	4.213	0.197	107.00	5.00			X			
2-347	4.225	0.210	107.32	5.33	X			X	X	
2-423	4.225	0.275	107.32	6.99	X					
2-244	4.234	0.139	107.54	3.53	X		X			
2-156	4.237	0.103	107.62	2.62	X		X			
2-046	4.239	0.070	107.67	1.78	X		X			
M10800-250	4.252	0.098	108.00	2.50			X			
M10800-300	4.252	0.118	108.00	3.00			X			
M10800-350	4.252	0.138	108.00	3.50			X			
M10800-400	4.252	0.157	108.00	4.00			X			
M10800-500	4.252	0.197	108.00	5.00			X			
M10900-250	4.291	0.098	109.00	2.50			X			
M10900-300	4.291	0.118	109.00	3.00			X			
M10900-350	4.291	0.138	109.00	3.50			X			
M10900-355	4.291	0.140	109.00	3.55	X					
M10900-400	4.291	0.157	109.00	4.00			X			
M10900-500	4.291	0.197	109.00	5.00			X			
M10900-530	4.291	0.209	109.00	5.30	X					
M10900-700	4.291	0.276	109.00	7.00	X					
M10930-570	4.303	0.224	109.30	5.70		X	X			
M10940-310	4.307	0.122	109.40	3.10						G110
M10950-200	4.311	0.079	109.50	2.00						S110
M10950-300	4.311	0.118	109.50	3.00		X	X			
M10950-533	4.311	0.210	109.54	5.33			X			
M10960-570	4.315	0.224	109.60	5.70						P110
M11000-250	4.331	0.098	110.00	2.50			X			
M11000-300	4.331	0.118	110.00	3.00			X			
M11000-350	4.331	0.138	110.00	3.50			X			
M11000-400	4.331	0.157	110.00	4.00			X			
M11000-500	4.331	0.197	110.00	5.00			X			
2-348	4.350	0.210	110.49	5.33	X			X	X	
2-424	4.350	0.275	110.49	6.99	X					
2-245	4.359	0.139	110.72	3.53	X		X			
M11100-250	4.370	0.098	111.00	2.50			X			
M11100-300	4.370	0.118	111.00	3.00			X			
M11100-350	4.370	0.138	111.00	3.50			X			
M11100-400	4.370	0.157	111.00	4.00			X			
M11100-500	4.370	0.197	111.00	5.00			X			
M11150-200	4.390	0.079	111.50	2.00						S112
M11160-570	4.394	0.224	111.60	5.70						P112
M11200-180	4.409	0.071	112.00	1.80		X				
M11200-250	4.409	0.098	112.00	2.50			X			
M11200-265	4.409	0.104	112.00	2.65	X					
M11200-300	4.409	0.118	112.00	3.00			X			
M11200-350	4.409	0.138	112.00	3.50			X			
M11200-355	4.409	0.140	112.00	3.55	X					
M11200-400	4.409	0.157	112.00	4.00			X			
M11200-500	4.409	0.197	112.00	5.00			X			
M11200-700	4.409	0.276	112.00	7.00	X					
M11300-250	4.449	0.098	113.00	2.50			X			
M11300-300	4.449	0.118	113.00	3.00			X			

*Chart for comparison only. Not all sizes stocked.

O-Ring Size Comparison Chart, cont'd.

Part Numbers	ID (Inch)	Cross Sect. (Inch)	ID (MM)	Cross Sect. (MM)	AS568A ISO	SWEDEN	GERMANY	BRITAIN	FRANCE	JAPAN
M11300-350	4.449	0.138	113.00	3.50			X			
M11300-400	4.449	0.157	113.00	4.00			X			
M11300-500	4.449	0.197	113.00	5.00			X			
2-349	4.475	0.210	113.67	5.33	X		X	X		
2-425	4.475	0.275	113.67	6.99	X		X			
2-246	4.484	0.139	113.89	3.53	X		X			
2-157	4.487	0.103	113.97	2.62	X		X			
M11400-250	4.488	0.098	114.00	2.50			X			
M11400-300	4.488	0.118	114.00	3.00			X			
M11400-350	4.488	0.138	114.00	3.50			X			
M11400-400	4.488	0.157	114.00	4.00			X			
M11400-500	4.488	0.197	114.00	5.00			X			
2-047	4.489	0.070	114.02	1.78	X		X			
M11430-570	4.500	0.224	114.30	5.70		X	X			
M11440-310	4.504	0.122	114.40	3.10						G115
M11450-200	4.508	0.079	114.50	2.00						S115
M11450-300	4.508	0.118	114.50	3.00		X	X			
M11460-570	4.512	0.224	114.60	5.70						P115
M11470-699	4.516	0.275	114.70	6.99			X			
M11500-250	4.528	0.098	115.00	2.50			X			
M11500-300	4.528	0.118	115.00	3.00			X			
M11500-350	4.528	0.138	115.00	3.50			X			
M11500-355	4.528	0.140	115.00	3.55	X					
M11500-400	4.528	0.157	115.00	4.00			X			
M11500-500	4.528	0.197	115.00	5.00			X			
M11500-530	4.528	0.209	115.00	5.30	X					
M11500-700	4.528	0.276	115.00	7.00	X					
M11600-250	4.567	0.098	116.00	2.50			X			
M11600-300	4.567	0.118	116.00	3.00			X			
M11600-350	4.567	0.138	116.00	3.50			X			
M11600-400	4.567	0.157	116.00	4.00			X			
M11600-500	4.567	0.197	116.00	5.00			X			
2-350	4.600	0.210	116.84	5.33	X		X			
2-426	4.600	0.275	116.84	6.99	X		X			
M11700-250	4.606	0.098	117.00	2.50			X			
M11700-300	4.606	0.118	117.00	3.00			X			
M11700-350	4.606	0.138	117.00	3.50			X			
M11700-400	4.606	0.157	117.00	4.00			X			
M11700-500	4.606	0.197	117.00	5.00			X			
2-247	4.609	0.139	117.07	3.53	X		X			
M11748-533	4.625	0.210	117.48	5.33			X			
M11800-180	4.646	0.071	118.00	1.80	X					
M11800-250	4.646	0.098	118.00	2.50			X			
M11800-265	4.646	0.104	118.00	2.65	X					
M11800-300	4.646	0.118	118.00	3.00			X			
M11800-350	4.646	0.138	118.00	3.50			X			
M11800-355	4.646	0.140	118.00	3.55	X					
M11800-400	4.646	0.157	118.00	4.00			X			
M11800-500	4.646	0.197	118.00	5.00			X			
M11800-530	4.646	0.209	118.00	5.30	X					
M11800-700	4.646	0.276	118.00	7.00	X					
M11900-250	4.685	0.098	119.00	2.50			X			
M11900-300	4.685	0.118	119.00	3.00			X			
M11900-350	4.685	0.138	119.00	3.50			X			
M11900-400	4.685	0.157	119.00	4.00			X			V120
M11900-500	4.685	0.197	119.00	5.00			X			
M11930-570	4.697	0.224	119.30	5.70		X	X			
M11940-310	4.701	0.122	119.40	3.10						G120

Part Numbers	ID (Inch)	Cross Sect. (Inch)	ID (MM)	Cross Sect. (MM)	AS568A ISO	SWEDEN	GERMANY	BRITAIN	FRANCE	JAPAN
M11950-200	4.705	0.079	119.50	2.00						S120
M11950-300	4.705	0.118	119.50	3.00		X	X			
M11960-570	4.709	0.224	119.60	5.70						P120
M12000-250	4.724	0.098	120.00	2.50			X			
M12000-300	4.724	0.118	120.00	3.00			X			
M12000-350	4.724	0.138	120.00	3.50			X			
M12000-400	4.724	0.157	120.00	4.00			X			
M12000-500	4.724	0.197	120.00	5.00			X			
2-351	4.725	0.210	120.02	5.33	X		X			
2-427	4.725	0.275	120.02	6.99	X		X			
2-248	4.734	0.139	120.24	3.53	X		X			
2-158	4.737	0.103	120.32	2.62	X		X			
2-048	4.739	0.070	120.37	1.78	X		X			
M12065-533	4.750	0.210	120.65	5.33				X		
M12100-250	4.764	0.098	121.00	2.50			X			
M12100-300	4.764	0.118	121.00	3.00			X			
M12100-350	4.764	0.138	121.00	3.50			X			
M12100-400	4.764	0.157	121.00	4.00			X			
M12100-500	4.764	0.197	121.00	5.00			X			
M12200-250	4.803	0.098	122.00	2.50			X			
M12200-300	4.803	0.118	122.00	3.00			X			
M12200-350	4.803	0.138	122.00	3.50			X			
M12200-355	4.803	0.140	122.00	3.55		X				
M12200-400	4.803	0.157	122.00	4.00			X			
M12200-500	4.803	0.197	122.00	5.00			X			
M12200-530	4.803	0.209	122.00	5.30		X				
M12200-700	4.803	0.276	122.00	7.00		X				
M12300-250	4.843	0.098	123.00	2.50			X			
M12300-300	4.843	0.118	123.00	3.00			X			
M12300-350	4.843	0.138	123.00	3.50			X			
M12300-400	4.843	0.157	123.00	4.00			X			
M12300-500	4.843	0.197	123.00	5.00			X			
2-352	4.850	0.210	123.19	5.33	X		X			
2-428	4.850	0.275	123.19	6.99	X		X			
2-249	4.859	0.139	123.42	3.53	X		X			
M12383-533	4.875	0.210	123.83	5.33				X		
M12400-250	4.882	0.098	124.00	2.50			X			
M12400-300	4.882	0.118	124.00	3.00			X			
M12400-350	4.882	0.138	124.00	3.50			X			
M12400-400	4.882	0.157	124.00	4.00			X			
M12400-500	4.882	0.197	124.00	5.00			X			
M12430-570	4.894	0.224	124.30	5.70		X	X			
M12440-310	4.898	0.122	124.40	3.10						G125
M12450-200	4.902	0.079	124.50	2.00						S125
M12450-300	4.902	0.118	124.50	3.00		X	X			
M12460-570	4.906	0.224	124.60	5.70						P125
M12460-699	4.906	0.275	124.60	6.99				X		
M12500-180	4.921	0.071	125.00	1.80		X				
M12500-250	4.921	0.098	125.00	2.50			X			
M12500-265	4.921	0.104	125.00	2.65		X				
M12500-300	4.921	0.118	125.00	3.00			X			
M12500-350	4.921	0.138	125.00	3.50			X			
M12500-355	4.921	0.140	125.00	3.55		X				
M12500-400	4.921	0.157	125.00	4.00			X			
M12500-500	4.921	0.197	125.00	5.00			X			
M12500-530	4.921	0.209	125.00	5.30		X				
M12500-700	4.921	0.276	125.00	7.00		X				
M12600-250	4.961	0.098	126.00	2.50			X			

*Chart for comparison only. Not all sizes stocked.



O-Ring Size Comparison Chart, cont'd.

Part Numbers	ID (Inch)	Cross Sect. (Inch)	ID (MM)	Cross Sect. (MM)	AS568A ISO	SWEDEN	GERMANY	BRITAIN	FRANCE	JAPAN
M12600-300	4.961	0.118	126.00	3.00			X			
M12600-350	4.961	0.138	126.00	3.50			X			
M12600-400	4.961	0.157	126.00	4.00			X			
M12600-500	4.961	0.197	126.00	5.00			X			
2-353	4.975	0.210	126.37	5.33	X		X			
2-429	4.975	0.275	126.37	6.99	X		X	X		
2-250	4.984	0.139	126.59	3.53	X		X			
2-159	4.987	0.103	126.67	2.62	X		X			
2-049	4.989	0.070	126.72	1.78	X		X			
M12700-250	5.000	0.098	127.00	2.50			X			
M12700-300	5.000	0.118	127.00	3.00			X			
M12700-350	5.000	0.138	127.00	3.50			X			
M12700-400	5.000	0.157	127.00	4.00			X			
M12700-500	5.000	0.197	127.00	5.00			X			
M12700-533	5.000	0.210	127.00	5.33				X		
M12800-250	5.039	0.098	128.00	2.50			X			
M12800-300	5.039	0.118	128.00	3.00			X			
M12800-350	5.039	0.138	128.00	3.50			X			
M12800-355	5.039	0.140	128.00	3.55	X					
M12800-400	5.039	0.157	128.00	4.00			X			
M12800-500	5.039	0.197	128.00	5.00			X			
M12800-530	5.039	0.209	128.00	5.30	X					
M12800-700	5.039	0.276	128.00	7.00	X					
M12900-250	5.079	0.098	129.00	2.50			X			
M12900-300	5.079	0.118	129.00	3.00			X			
M12900-350	5.079	0.138	129.00	3.50			X			
M12900-400	5.079	0.157	129.00	4.00			X			
M12900-500	5.079	0.197	129.00	5.00			X			
M12930-570	5.091	0.224	129.30	5.70		X	X			
M12940-310	5.094	0.122	129.40	3.10						G130
M12950-200	5.098	0.079	129.50	2.00						S130
M12950-300	5.098	0.118	129.50	3.00		X	X			
2-354	5.100	0.210	129.54	5.33	X		X			
2-430	5.100	0.275	129.54	6.99	X		X	X		
M12960-570	5.102	0.224	129.60	5.70						P130
2-251	5.109	0.139	129.77	3.53	X		X			
M13000-250	5.118	0.098	130.00	2.50			X			
M13000-300	5.118	0.118	130.00	3.00			X			
M13000-350	5.118	0.138	130.00	3.50			X			
M13000-400	5.118	0.157	130.00	4.00			X			
M13000-500	5.118	0.197	130.00	5.00			X			
M13018-533	5.125	0.210	130.18	5.33				X		
M13100-250	5.157	0.098	131.00	2.50			X			
M13100-300	5.157	0.118	131.00	3.00			X			
M13100-350	5.157	0.138	131.00	3.50			X			
M13100-400	5.157	0.157	131.00	4.00			X			
M13100-500	5.157	0.197	131.00	5.00			X			
M13150-200	5.177	0.079	131.50	2.00						S132
M13160-570	5.181	0.224	131.60	5.70						P132
M13200-250	5.197	0.098	132.00	2.50			X			
M13200-265	5.197	0.104	132.00	2.65	X					
M13200-300	5.197	0.118	132.00	3.00			X			
M13200-350	5.197	0.138	132.00	3.50			X			
M13200-355	5.197	0.140	132.00	3.55	X					
M13200-400	5.197	0.157	132.00	4.00			X			
M13200-500	5.197	0.197	132.00	5.00			X			
M13200-530	5.197	0.209	132.00	5.30	X					
M13200-700	5.197	0.276	132.00	7.00	X					

Part Numbers	ID (Inch)	Cross Sect. (Inch)	ID (MM)	Cross Sect. (MM)	AS568A ISO	SWEDEN	GERMANY	BRITAIN	FRANCE	JAPAN
2-355	5.225	0.210	132.72	5.33	X		X			
2-431	5.225	0.275	132.72	6.99	X		X	X		
2-252	5.234	0.139	132.94	3.53	X		X			
M13300-250	5.236	0.098	133.00	2.50			X			
M13300-300	5.236	0.118	133.00	3.00			X			
M13300-350	5.236	0.138	133.00	3.50			X			
M13300-400	5.236	0.157	133.00	4.00			X			
M13300-500	5.236	0.197	133.00	5.00			X			
2-160	5.237	0.103	133.02	2.62	X		X			
2-050	5.239	0.070	133.07	1.78	X		X			
M13335-533	5.250	0.210	133.35	5.33			X			
M13400-250	5.276	0.098	134.00	2.50			X			
M13400-300	5.276	0.118	134.00	3.00			X			
M13400-350	5.276	0.138	134.00	3.50			X			
M13400-400	5.276	0.157	134.00	4.00			X			
M13400-500	5.276	0.197	134.00	5.00			X			
M13430-570	5.287	0.224	134.30	5.70		X	X			
M13440-310	5.291	0.122	134.40	3.10						G135
M13450-200	5.295	0.079	134.50	2.00						S135
M13450-300	5.295	0.118	134.50	3.00		X	X			
M13450-699	5.295	0.275	134.50	6.99			X			
M13460-570	5.299	0.224	134.60	5.70						P135
M13500-250	5.315	0.098	135.00	2.50			X			
M13500-300	5.315	0.118	135.00	3.00			X			
M13500-350	5.315	0.138	135.00	3.50			X			
M13500-400	5.315	0.157	135.00	4.00			X			
M13500-500	5.315	0.197	135.00	5.00			X			
2-356	5.350	0.210	135.89	5.33	X		X			
2-432	5.350	0.275	135.89	6.99	X		X	X		
M13600-250	5.354	0.098	136.00	2.50			X			
M13600-300	5.354	0.118	136.00	3.00			X			
M13600-350	5.354	0.138	136.00	3.50			X			
M13600-355	5.354	0.140	136.00	3.55		X				
M13600-400	5.354	0.157	136.00	4.00			X			
M13600-500	5.354	0.197	136.00	5.00			X			
M13600-530	5.354	0.209	136.00	5.30		X				
M13600-700	5.354	0.276	136.00	7.00		X				
2-253	5.359	0.139	136.12	3.53	X		X			
M13653-533	5.375	0.210	136.53	5.33			X			
M13700-250	5.394	0.098	137.00	2.50			X			
M13700-300	5.394	0.118	137.00	3.00			X			
M13700-350	5.394	0.138	137.00	3.50			X			
M13700-400	5.394	0.157	137.00	4.00			X			
M13700-500	5.394	0.197	137.00	5.00			X			
M13800-250	5.433	0.098	138.00	2.50			X			
M13800-300	5.433	0.118	138.00	3.00			X			
M13800-350	5.433	0.138	138.00	3.50			X			
M13800-400	5.433	0.157	138.00	4.00			X			
M13800-500	5.433	0.197	138.00	5.00			X			
M13900-250	5.472	0.098	139.00	2.50			X			
M13900-300	5.472	0.118	139.00	3.00			X			
M13900-350	5.472	0.138	139.00	3.50			X			
M13900-400	5.472	0.157	139.00	4.00			X			
M13900-500	5.472	0.197	139.00	5.00			X			
2-357	5.475	0.210	139.07	5.33	X		X			
2-433	5.475	0.275	139.07	6.99	X		X	X		
2-254	5.484	0.139	139.29	3.53	X		X			
M13930-570	5.484	0.224	139.30	5.70		X	X			

***Chart for comparison only. Not all sizes stocked.**

O-Ring Size Comparison Chart, cont'd.

Part Numbers	ID (Inch)	Cross Sect. (Inch)	ID (MM)	Cross Sect. (MM)	AS568A ISO	SWEDEN	GERMANY	BRITAIN	FRANCE	JAPAN
2-161	5.487	0.103	139.37	2.62	X		X			
M13940-310	5.488	0.122	139.40	3.10						G140
M13950-200	5.492	0.079	139.50	2.00						S140
M13950-300	5.492	0.118	139.50	3.00		X	X			
M13960-570	5.496	0.224	139.60	5.70						P140
M13970-533	5.500	0.210	139.70	5.33			X			
M14000-250	5.512	0.098	140.00	2.50		X				
M14000-265	5.512	0.104	140.00	2.65	X					
M14000-300	5.512	0.118	140.00	3.00		X				
M14000-350	5.512	0.138	140.00	3.50		X				
M14000-355	5.512	0.140	140.00	3.55	X					
M14000-400	5.512	0.157	140.00	4.00		X				
M14000-500	5.512	0.197	140.00	5.00		X				
M14000-530	5.512	0.209	140.00	5.30	X					
M14000-700	5.512	0.276	140.00	7.00	X					
M14100-250	5.551	0.098	141.00	2.50		X				
M14100-300	5.551	0.118	141.00	3.00		X				
M14100-350	5.551	0.138	141.00	3.50		X				
M14100-400	5.551	0.157	141.00	4.00		X				
M14100-500	5.551	0.197	141.00	5.00		X				
M14200-250	5.591	0.098	142.00	2.50		X				
M14200-300	5.591	0.118	142.00	3.00		X				
M14200-350	5.591	0.138	142.00	3.50		X				
M14200-400	5.591	0.157	142.00	4.00		X				
M14200-500	5.591	0.197	142.00	5.00		X				
2-358	5.600	0.210	142.24	5.33	X		X			
2-434	5.600	0.275	142.24	6.99	X		X X			
2-255	5.609	0.139	142.47	3.53	X		X			
M14288-533	5.625	0.210	142.88	5.33			X			
M14300-250	5.630	0.098	143.00	2.50		X				
M14300-300	5.630	0.118	143.00	3.00		X				
M14300-350	5.630	0.138	143.00	3.50		X				
M14300-400	5.630	0.157	143.00	4.00		X				
M14300-500	5.630	0.197	143.00	5.00		X				
M14400-250	5.669	0.098	144.00	2.50		X				
M14400-300	5.669	0.118	144.00	3.00		X				
M14400-350	5.669	0.138	144.00	3.50		X				
M14400-400	5.669	0.157	144.00	4.00		X				
M14400-500	5.669	0.197	144.00	5.00		X				
M14410-840	5.673	0.331	144.10	8.40		X X				
M14430-570	5.681	0.224	144.30	5.70		X X				
M14440-310	5.685	0.122	144.40	3.10						G145
M14450-200	5.689	0.079	144.50	2.00						S145
M14450-300	5.689	0.118	144.50	3.00		X	X			
M14460-570	5.693	0.224	144.60	5.70						P145
M14500-250	5.709	0.098	145.00	2.50		X				
M14500-300	5.709	0.118	145.00	3.00		X				
M14500-350	5.709	0.138	145.00	3.50		X				
M14500-355	5.709	0.140	145.00	3.55	X					
M14500-400	5.709	0.157	145.00	4.00		X				
M14500-500	5.709	0.197	145.00	5.00		X				
M14500-530	5.709	0.209	145.00	5.30		X				
M14500-700	5.709	0.276	145.00	7.00		X				
2-359	5.725	0.210	145.42	5.33	X		X			
2-435	5.725	0.275	145.42	6.99	X		X X			
2-256	5.734	0.139	145.64	3.53	X		X			
2-162	5.737	0.103	145.72	2.62	X		X			
M14600-250	5.748	0.098	146.00	2.50		X				

Part Numbers	ID (Inch)	Cross Sect. (Inch)	ID (MM)	Cross Sect. (MM)	AS568A ISO	SWEDEN	GERMANY	BRITAIN	FRANCE	JAPAN
M14600-300	5.748	0.118	146.00	3.00			X			
M14600-350	5.748	0.138	146.00	3.50			X			
M14600-400	5.748	0.157	146.00	4.00			X			
M14600-500	5.748	0.197	146.00	5.00			X			
M14605-533	5.750	0.210	146.05	5.33				X		
M14700-250	5.787	0.098	147.00	2.50			X			
M14700-300	5.787	0.118	147.00	3.00			X			
M14700-350	5.787	0.138	147.00	3.50			X			
M14700-400	5.787	0.157	147.00	4.00			X			
M14700-500	5.787	0.197	147.00	5.00			X			
M14800-250	5.827	0.098	148.00	2.50			X			
M14800-300	5.827	0.118	148.00	3.00			X			
M14800-350	5.827	0.138	148.00	3.50			X			
M14800-400	5.827	0.157	148.00	4.00			X			
M14800-500	5.827	0.197	148.00	5.00			X			
M14850-400	5.846	0.157	148.50	4.00						V150
2-360	5.850	0.210	148.59	5.33	X		X			
2-436	5.850	0.275	148.59	6.99	X		X X			
2-257	5.859	0.139	148.82	3.53	X		X			
M14900-250	5.866	0.098	149.00	2.50			X			
M14900-300	5.866	0.118	149.00	3.00			X			
M14900-350	5.866	0.138	149.00	3.50			X			
M14900-400	5.866	0.157	149.00	4.00			X			
M14900-500	5.866	0.197	149.00	5.00			X			
M14910-840	5.870	0.331	149.10	8.40		X	X			
M14923-533	5.875	0.210	149.23	5.33			X			
M14930-570	5.878	0.224	149.30	5.70		X	X			G150
M14950-200	5.886	0.079	149.50	2.00						S150
M14950-840	5.886	0.331	149.50	8.40						P150A
M14960-570	5.890	0.224	149.60	5.70						P150
M15000-250	5.906	0.098	150.00	2.50			X			
M15000-265	5.906	0.104	150.00	2.65		X				
M15000-300	5.906	0.118	150.00	3.00			X			
M15000-350	5.906	0.138	150.00	3.50			X			
M15000-355	5.906	0.140	150.00	3.55		X				
M15000-400	5.906	0.157	150.00	4.00			X			
M15000-500	5.906	0.197	150.00	5.00			X			
M15000-530	5.906	0.209	150.00	5.30		X				
M15000-700	5.906	0.276	150.00	7.00		X				
M15100-300	5.945	0.118	151.00	3.00			X			
M15100-350	5.945	0.138	151.00	3.50			X			
M15100-400	5.945	0.157	151.00	4.00			X			
M15100-500	5.945	0.197	151.00	5.00			X			
2-361	5.975	0.210	151.77	5.33	X		X			
2-437	5.975	0.275	151.77	6.99	X		X X			
M15200-300	5.984	0.118	152.00	3.00			X			
M15200-350	5.984	0.138	152.00	3.50			X			
2-258	5.984	0.139	151.99	3.53	X		X			
M15200-400	5.984	0.157	152.00	4.00			X			
M15200-500	5.984	0.197	152.00	5.00			X			
2-163	5.987	0.103	152.07	2.62	X		X			
M15300-300	6.024	0.118	153.00	3.00			X			
M15300-350	6.024	0.138	153.00	3.50			X			
M15300-400	6.024	0.157	153.00	4.00			X			
M15300-500	6.024	0.197	153.00	5.00			X			
M15400-300	6.063	0.118	154.00	3.00			X			
M15400-350	6.063	0.138	154.00	3.50			X			
M15400-400	6.063	0.157	154.00	4.00			X			

***Chart for comparison only. Not all sizes stocked.**



O-Ring Size Comparison Chart, cont'd.

Part Numbers	ID (Inch)	Cross Sect. (Inch)	ID (MM)	Cross Sect. (MM)	AS568A ISO	SWEDEN	GERMANY	BRITAIN	FRANCE	JAPAN
M15400-500	6.063	0.197	154.00	5.00			X			
M15410-840	6.067	0.331	154.10	8.40		X	X			
M15430-570	6.075	0.224	154.30	5.70		X	X			G155
M15450-840	6.083	0.331	154.50	8.40						P155
M15500-300	6.102	0.118	155.00	3.00			X			
M15500-350	6.102	0.138	155.00	3.50			X			
M15500-355	6.102	0.140	155.00	3.55	X					
M15500-400	6.102	0.157	155.00	4.00			X			
M15500-500	6.102	0.197	155.00	5.00			X			
M15500-530	6.102	0.209	155.00	5.30	X					
M15500-533	6.102	0.210	155.00	5.33				X		
M15500-700	6.102	0.276	155.00	7.00	X					
M15560-699	6.126	0.275	155.60	6.99				X		
M15600-300	6.142	0.118	156.00	3.00			X			
M15600-350	6.142	0.138	156.00	3.50			X			
M15600-400	6.142	0.157	156.00	4.00			X			
M15600-500	6.142	0.197	156.00	5.00			X			
M15700-300	6.181	0.118	157.00	3.00			X			
M15700-350	6.181	0.138	157.00	3.50			X			
M15700-400	6.181	0.157	157.00	4.00			X			
M15700-500	6.181	0.197	157.00	5.00			X			
M15800-300	6.220	0.118	158.00	3.00			X			
M15800-350	6.220	0.138	158.00	3.50			X			
M15800-400	6.220	0.157	158.00	4.00			X			
M15800-500	6.220	0.197	158.00	5.00			X			
2-362	6.225	0.210	158.12	5.33	X		X			
2-438	6.225	0.275	158.12	6.99	X		X	X		
2-259	6.234	0.139	158.34	3.53	X		X			
2-164	6.237	0.103	158.42	2.62	X		X			
M15900-300	6.260	0.118	159.00	3.00			X			
M15900-350	6.260	0.138	159.00	3.50			X			
M15900-400	6.260	0.157	159.00	4.00			X			
M15900-500	6.260	0.197	159.00	5.00			X			
M15910-840	6.264	0.331	159.10	8.40		X	X			
M15930-570	6.272	0.224	159.30	5.70		X	X			G160
M15950-699	6.280	0.275	159.50	6.99			X			
M15950-840	6.280	0.331	159.50	8.40						P160
M16000-265	6.299	0.104	160.00	2.65	X					
M16000-300	6.299	0.118	160.00	3.00			X			
M16000-350	6.299	0.138	160.00	3.50		X				
M16000-355	6.299	0.140	160.00	3.55	X					
M16000-400	6.299	0.157	160.00	4.00			X			
M16000-500	6.299	0.197	160.00	5.00			X			
M16000-530	6.299	0.209	160.00	5.30	X					
M16000-700	6.299	0.276	160.00	7.00	X					
M16100-300	6.339	0.118	161.00	3.00			X			
M16100-350	6.339	0.138	161.00	3.50			X			
M16100-400	6.339	0.157	161.00	4.00			X			
M16100-500	6.339	0.197	161.00	5.00			X			
M16130-533	6.350	0.210	161.30	5.33				X		
M16190-699	6.374	0.275	161.90	6.99				X		
M16200-300	6.378	0.118	162.00	3.00			X			
M16200-350	6.378	0.138	162.00	3.50			X			
M16200-400	6.378	0.157	162.00	4.00			X			
M16200-500	6.378	0.197	162.00	5.00			X			
M16300-300	6.417	0.118	163.00	3.00			X			
M16300-350	6.417	0.138	163.00	3.50			X			
M16300-400	6.417	0.157	163.00	4.00			X			

Part Numbers	ID (Inch)	Cross Sect. (Inch)	ID (MM)	Cross Sect. (MM)	AS568A ISO	SWEDEN	GERMANY	BRITAIN	FRANCE	JAPAN
M16300-500	6.417	0.197	163.00	5.00			X			
M16400-300	6.457	0.118	164.00	3.00			X			
M16400-350	6.457	0.138	164.00	3.50			X			
M16400-400	6.457	0.157	164.00	4.00			X			
M16400-500	6.457	0.197	164.00	5.00			X			
M16410-840	6.461	0.331	164.10	8.40		X	X			
M16430-570	6.469	0.224	164.30	5.70		X	X			G165
2-363	6.475	0.210	164.47	5.33	X		X			
2-439	6.475	0.275	164.47	6.99	X		X	X		
M16450-840	6.476	0.331	164.50	8.40						P165
2-260	6.484	0.139	164.69	3.53	X		X			
2-165	6.487	0.103	164.77	2.62	X		X			
M16500-300	6.496	0.118	165.00	3.00			X			
M16500-350	6.496	0.138	165.00	3.50			X			
M16500-355	6.496	0.140	165.00	3.55	X					
M16500-400	6.496	0.157	165.00	4.00			X			
M16500-500	6.496	0.197	165.00	5.00			X			
M16500-530	6.496	0.209	165.00	5.30	X					
M16500-700	6.496	0.276	165.00	7.00	X					
M16600-300	6.535	0.118	166.00	3.00			X			
M16600-350	6.535	0.138	166.00	3.50			X			
M16600-400	6.535	0.157	166.00	4.00			X			
M16600-500	6.535	0.197	166.00	5.00			X			
M16670-699	6.563	0.275	166.70	6.99				X		
M16700-300	6.575	0.118	167.00	3.00			X			
M16700-350	6.575	0.138	167.00	3.50			X			
M16700-400	6.575	0.157	167.00	4.00			X			
M16700-500	6.575	0.197	167.00	5.00			X			
M16770-533	6.602	0.210	167.70	5.33				X		
M16800-300	6.614	0.118	168.00	3.00			X			
M16800-350	6.614	0.138	168.00	3.50			X			
M16800-400	6.614	0.157	168.00	4.00			X			
M16800-500	6.614	0.197	168.00	5.00			X			
M16830-699	6.626	0.275	168.30	6.99				X		
M16900-300	6.654	0.118	169.00	3.00			X			
M16900-350	6.654	0.138	169.00	3.50			X			
M16900-400	6.654	0.157	169.00	4.00			X			
M16900-500	6.654	0.197	169.00	5.00			X			
M16910-840	6.657	0.331	169.10	8.40		X	X			
M16930-570	6.665	0.224	169.30	5.70		X	X			G170
M16950-840	6.673	0.331	169.50	8.40						P170
M17000-265	6.693	0.104	170.00	2.65	X					
M17000-300	6.693	0.118	170.00	3.00			X			
M17000-350	6.693	0.138	170.00	3.50			X			
M17000-355	6.693	0.140	170.00	3.55	X					
M17000-400	6.693	0.157	170.00	4.00			X			
M17000-500	6.693	0.197	170.00	5.00			X			
M17000-530	6.693	0.209	170.00	5.30	X					
M17000-700	6.693	0.276	170.00	7.00	X					
2-364	6.725	0.210	170.82	5.33	X			X		
2-440	6.725	0.275	170.82	6.99	X			X	X	
M17100-300	6.732	0.118	171.00	3.00			X			
M17100-350	6.732	0.138	171.00	3.50			X			
M17100-400	6.732	0.157	171.00	4.00			X			
M17100-500	6.732	0.197	171.00	5.00			X			
2-261	6.734	0.139	171.04	3.53	X			X		
2-166	6.737	0.103	171.12	2.62	X			X		
M17200-300	6.772	0.118	172.00	3.00			X			

***Chart for comparison only. Not all sizes stocked.**

O-Ring Size Comparison Chart, cont'd.

Part Numbers	ID (Inch)	Cross Sect. (Inch)	ID (MM)	Cross Sect. (MM)	AS568A ISO	SWEDEN	GERMANY	BRITAIN	FRANCE	JAPAN
M17200-350	6.772	0.138	172.00	3.50			X			
M17200-400	6.772	0.157	172.00	4.00			X			
M17200-500	6.772	0.197	172.00	5.00			X			
M17300-300	6.811	0.118	173.00	3.00			X			
M17300-350	6.811	0.138	173.00	3.50			X			
M17300-400	6.811	0.157	173.00	4.00			X			V175
M17300-500	6.811	0.197	173.00	5.00			X			
M17400-300	6.850	0.118	174.00	3.00			X			
M17400-350	6.850	0.138	174.00	3.50			X			
M17400-400	6.850	0.157	174.00	4.00			X			
M17400-500	6.850	0.197	174.00	5.00			X			
M17400-533	6.850	0.210	174.00	5.33				X		
M17410-840	6.854	0.331	174.10	8.40			X	X		
M17430-570	6.862	0.224	174.30	5.70			X	X		G175
M17450-840	6.870	0.331	174.50	8.40						P175
M17460-699	6.874	0.275	174.60	6.99				X		
M17500-300	6.890	0.118	175.00	3.00			X			
M17500-350	6.890	0.138	175.00	3.50			X			
M17500-355	6.890	0.140	175.00	3.55	X					
M17500-400	6.890	0.157	175.00	4.00			X			
M17500-500	6.890	0.197	175.00	5.00			X			
M17500-700	6.890	0.276	175.00	7.00	X					
M17600-300	6.929	0.118	176.00	3.00			X			
M17600-350	6.929	0.138	176.00	3.50			X			
M17600-400	6.929	0.157	176.00	4.00			X			
M17600-500	6.929	0.197	176.00	5.00			X			
M17700-300	6.969	0.118	177.00	3.00			X			
M17700-350	6.969	0.138	177.00	3.50			X			
M17700-400	6.969	0.157	177.00	4.00			X			
M17700-500	6.969	0.197	177.00	5.00			X			
2-365	6.975	0.210	177.17	5.33	X			X		
2-441	6.975	0.275	177.17	6.99	X			X	X	
2-262	6.984	0.139	177.39	3.53	X			X		
2-167	6.987	0.103	177.47	2.62	X			X		
M17800-300	7.008	0.118	178.00	3.00			X			
M17800-350	7.008	0.138	178.00	3.50			X			
M17800-400	7.008	0.157	178.00	4.00			X			
M17800-500	7.008	0.197	178.00	5.00			X			
M17900-300	7.047	0.118	179.00	3.00			X			
M17900-350	7.047	0.138	179.00	3.50			X			
M17900-400	7.047	0.157	179.00	4.00			X			
M17900-500	7.047	0.197	179.00	5.00			X			
M17910-840	7.051	0.331	179.10	8.40			X	X		
M17930-570	7.059	0.224	179.30	5.70			X	X		G180
M17950-840	7.067	0.331	179.50	8.40						P180
M18000-265	7.087	0.104	180.00	2.65	X					
M18000-300	7.087	0.118	180.00	3.00			X			
M18000-350	7.087	0.138	180.00	3.50			X			
M18000-355	7.087	0.140	180.00	3.55	X					
M18000-400	7.087	0.157	180.00	4.00			X			
M18000-500	7.087	0.197	180.00	5.00			X			
M18000-530	7.087	0.209	180.00	5.30	X					
M18000-700	7.087	0.276	180.00	7.00	X					
M18100-300	7.126	0.118	181.00	3.00			X			
M18100-350	7.126	0.138	181.00	3.50			X			
M18100-400	7.126	0.157	181.00	4.00			X			
M18100-500	7.126	0.197	181.00	5.00			X			
M18100-699	7.126	0.275	181.00	6.99				X		

Part Numbers	ID (Inch)	Cross Sect. (Inch)	ID (MM)	Cross Sect. (MM)	AS568A ISO	SWEDEN	GERMANY	BRITAIN	FRANCE	JAPAN
M18200-300	7.165	0.118	182.00	3.00			X			
M18200-350	7.165	0.138	182.00	3.50			X			
M18200-400	7.165	0.157	182.00	4.00			X			
M18200-500	7.165	0.197	182.00	5.00			X			
M18300-300	7.205	0.118	183.00	3.00			X			
M18300-350	7.205	0.138	183.00	3.50			X			
M18300-400	7.205	0.157	183.00	4.00			X			
M18300-500	7.205	0.197	183.00	5.00			X			
2-366	7.225	0.210	183.52	5.33	X			X		
2-442	7.225	0.275	183.52	6.99	X			X	X	
2-263	7.234	0.139	183.74	3.53	X			X		
2-168	7.237	0.103	183.82	2.62	X			X		
M18400-300	7.244	0.118	184.00	3.00			X			
M18400-350	7.244	0.138	184.00	3.50			X			
M18400-400	7.244	0.157	184.00	4.00			X			
M18400-500	7.244	0.197	184.00	5.00			X			
M18410-840	7.248	0.331	184.10	8.40			X	X		
M18430-570	7.256	0.224	184.30	5.70			X	X		G185
M18450-840	7.264	0.331	184.50	8.40						P185
M18500-300	7.283	0.118	185.00	3.00			X			
M18500-350	7.283	0.138	185.00	3.50			X			
M18500-355	7.283	0.140	185.00	3.55	X					
M18500-400	7.283	0.157	185.00	4.00			X			
M18500-500	7.283	0.197	185.00	5.00			X			
M18500-530	7.283	0.209	185.00	5.30	X					
M18500-700	7.283	0.276	185.00	7.00	X					
M18600-300	7.323	0.118	186.00	3.00			X			
M18600-350	7.323	0.138	186.00	3.50			X			
M18600-400	7.323	0.157	186.00	4.00			X			
M18600-500	7.323	0.197	186.00	5.00			X			
M18700-300	7.362	0.118	187.00	3.00			X			
M18700-350	7.362	0.138	187.00	3.50			X			
M18700-400	7.362	0.157	187.00	4.00			X			
M18700-500	7.362	0.197	187.00	5.00			X			
M18730-699	7.374	0.275	187.30	6.99					X	
M18800-300	7.402	0.118	188.00	3.00			X			
M18800-350	7.402	0.138	188.00	3.50			X			
M18800-400	7.402	0.157	188.00	4.00			X			
M18800-500	7.402	0.197	188.00	5.00			X			
M18900-300	7.441	0.118	189.00	3.00			X			
M18900-350	7.441	0.138	189.00	3.50			X			
M18900-400	7.441	0.157	189.00	4.00			X			
M18900-500	7.441	0.197	189.00	5.00			X			
M18910-840	7.445	0.331	189.10	8.40			X	X		
M18930-570	7.453	0.224	189.30	5.70			X	X		G190
M18950-840	7.461	0.331	189.50	8.40						P190
2-367	7.475	0.210	189.87	5.33	X			X		
2-443	7.475	0.275	189.87	6.99	X			X	X	
M19000-265	7.480	0.104	190.00	2.65	X					
M19000-300	7.480	0.118	190.00	3.00			X			
M19000-350	7.480	0.138	190.00	3.50			X			
M19000-355	7.480	0.140	190.00	3.55	X					
M19000-400	7.480	0.157	190.00	4.00			X			
M19000-500	7.480	0.197	190.00	5.00			X			
M19000-530	7.480	0.209	190.00	5.30	X					
M19000-700	7.480	0.276	190.00	7.00	X					
2-264	7.484	0.139	190.09	3.53	X			X		
2-169	7.487	0.103	190.17	2.62	X			X		

*Chart for comparison only. Not all sizes stocked.



O-Ring Size Comparison Chart, cont'd.

Part Numbers	ID (Inch)	Cross Sect. (Inch)	ID (MM)	Cross Sect. (MM)	AS568A ISO	SWEDEN	GERMANY	BRITAIN	FRANCE	JAPAN
M19100-300	7.520	0.118	191.00	3.00			X			
M19100-350	7.520	0.138	191.00	3.50			X			
M19100-400	7.520	0.157	191.00	4.00			X			
M19100-500	7.520	0.197	191.00	5.00			X			
M19200-300	7.559	0.118	192.00	3.00			X			
M19200-350	7.559	0.138	192.00	3.50			X			
M19200-400	7.559	0.157	192.00	4.00			X			
M19200-500	7.559	0.197	192.00	5.00			X			
M19300-300	7.598	0.118	193.00	3.00			X			
M19300-350	7.598	0.138	193.00	3.50			X			
M19300-400	7.598	0.157	193.00	4.00			X			
M19300-500	7.598	0.197	193.00	5.00			X			
M19370-699	7.626	0.275	193.70	6.99				X		
M19400-300	7.638	0.118	194.00	3.00			X			
M19400-350	7.638	0.138	194.00	3.50			X			
M19400-400	7.638	0.157	194.00	4.00			X			
M19400-500	7.638	0.197	194.00	5.00			X			
M19410-840	7.642	0.331	194.10	8.40		X	X			
M19430-570	7.650	0.224	194.30	5.70		X	X		G195	
M19450-840	7.657	0.331	194.50	8.40					P195	
M19500-300	7.677	0.118	195.00	3.00			X			
M19500-350	7.677	0.138	195.00	3.50			X			
M19500-355	7.677	0.140	195.00	3.55	X					
M19500-400	7.677	0.157	195.00	4.00			X			
M19500-500	7.677	0.197	195.00	5.00			X			
M19500-530	7.677	0.209	195.00	5.30	X					
M19500-700	7.677	0.276	195.00	7.00	X					
M19600-300	7.717	0.118	196.00	3.00			X			
M19600-350	7.717	0.138	196.00	3.50			X			
M19600-400	7.717	0.157	196.00	4.00			X			
M19600-500	7.717	0.197	196.00	5.00			X			
2-368	7.725	0.210	196.22	5.33	X		X			
2-444	7.725	0.275	196.22	6.99	X		X	X		
2-265	7.734	0.139	196.44	3.53	X		X			
2-170	7.737	0.103	196.52	2.62	X		X			
M19700-300	7.756	0.118	197.00	3.00			X			
M19700-350	7.756	0.138	197.00	3.50			X			
M19700-400	7.756	0.157	197.00	4.00			X			
M19700-500	7.756	0.197	197.00	5.00			X			
M19800-300	7.795	0.118	198.00	3.00			X			
M19800-350	7.795	0.138	198.00	3.50			X			
M19800-400	7.795	0.157	198.00	4.00			X			
M19800-500	7.795	0.197	198.00	5.00			X			
M19900-300	7.835	0.118	199.00	3.00			X			
M19900-350	7.835	0.138	199.00	3.50			X			
M19900-400	7.835	0.157	199.00	4.00			X			
M19900-500	7.835	0.197	199.00	5.00			X			
M19910-840	7.839	0.331	199.10	8.40		X	X			
M19930-570	7.846	0.224	199.30	5.70		X	X		G200	
M19950-840	7.854	0.331	199.50	8.40					P200	
M20000-265	7.874	0.104	200.00	2.65	X					
M20000-300	7.874	0.118	200.00	3.00			X			
M20000-350	7.874	0.138	200.00	3.50			X			
M20000-355	7.874	0.140	200.00	3.55	X					
M20000-400	7.874	0.157	200.00	4.00			X			
M20000-500	7.874	0.197	200.00	5.00			X			
M20000-530	7.874	0.209	200.00	5.30	X					
M20000-699	7.874	0.275	200.00	6.99				X		

Part Numbers	ID (Inch)	Cross Sect. (Inch)	ID (MM)	Cross Sect. (MM)	AS568A ISO	SWEDEN	GERMANY	BRITAIN	FRANCE	JAPAN
M20000-700	7.874	0.276	200.00	7.00		X				
M20100-300	7.913	0.118	201.00	3.00			X			
M20100-350	7.913	0.138	201.00	3.50			X			
M20100-400	7.913	0.157	201.00	4.00			X			
M20100-500	7.913	0.197	201.00	5.00			X			
M20200-300	7.953	0.118	202.00	3.00			X			
M20200-350	7.953	0.138	202.00	3.50			X			
M20200-400	7.953	0.157	202.00	4.00			X			
M20200-500	7.953	0.197	202.00	5.00			X			
2-369	7.975	0.210	202.57	5.33	X			X		
2-445	7.975	0.275	202.57	6.99	X			X	X	
2-266	7.984	0.139	202.79	3.53	X			X		
2-171	7.987	0.103	202.87	2.62	X			X		
M20300-300	7.992	0.118	203.00	3.00			X			
M20300-350	7.992	0.138	203.00	3.50			X			
M20300-400	7.992	0.157	203.00	4.00			X			
M20300-500	7.992	0.197	203.00	5.00			X			
M20400-300	8.031	0.118	204.00	3.00			X			
M20400-350	8.031	0.138	204.00	3.50			X			
M20400-400	8.031	0.157	204.00	4.00			X			
M20400-500	8.031	0.197	204.00	5.00			X			
M20430-570	8.043	0.224	204.30	5.70		X	X			
M20450-840	8.051	0.331	204.50	8.40						P205
M20500-300	8.071	0.118	205.00	3.00			X			
M20500-350	8.071	0.138	205.00	3.50			X			
M20500-400	8.071	0.157	205.00	4.00			X			
M20500-500	8.071	0.197	205.00	5.00			X			
M20600-300	8.110	0.118	206.00	3.00			X			
M20600-350	8.110	0.138	206.00	3.50			X			
M20600-400	8.110	0.157	206.00	4.00			X			
M20600-500	8.110	0.197	206.00	5.00			X			
M20600-530	8.110	0.209	206.00	5.30		X				
M20600-700	8.110	0.276	206.00	7.00		X				
M20700-300	8.150	0.118	207.00	3.00			X			
M20700-350	8.150	0.138	207.00	3.50			X			
M20700-400	8.150	0.157	207.00	4.00			X			
M20700-500	8.150	0.197	207.00	5.00			X			
M20800-300	8.189	0.118	208.00	3.00			X			
M20800-350	8.189	0.138	208.00	3.50			X			
M20800-400	8.189	0.157	208.00	4.00			X			
M20800-500	8.189	0.197	208.00	5.00			X			
M20850-840	8.209	0.331	208.50	8.40						P209
2-370	8.225	0.210	208.92	5.33	X			X		
M20892-699	8.225	0.275	208.92	6.99				X		
M20900-300	8.228	0.118	209.00	3.00			X			
M20900-350	8.228	0.138	209.00	3.50			X			
M20900-400	8.228	0.157	209.00	4.00			X			
M20900-500	8.228	0.197	209.00	5.00			X			
M20910-840	8.232	0.331	209.10	8.40		X	X			
2-267	8.234	0.139	209.14	3.53	X			X		
2-172	8.237	0.103	209.22	2.62	X			X		
M20930-570	8.240	0.224	209.30	5.70		X	X		G210	
M20950-840	8.248	0.331	209.50	8.40					P210	
M21000-300	8.268	0.118	210.00	3.00			X			
M21000-350	8.268	0.138	210.00	3.50			X			
M21000-400	8.268	0.157	210.00	4.00			X			
M21000-500	8.268	0.197	210.00	5.00			X			
M21100-300	8.307	0.118	211.00	3.00			X			

**Chart for comparison only. Not all sizes stocked.*

O-Ring Size Comparison Chart, cont'd.

Part Numbers	ID (Inch)	Cross Sect. (Inch)	ID (MM)	Cross Sect. (MM)	AS568A ISO	SWEDEN GERMANY	BRITAIN FRANCE	JAPAN
M21100-350	8.307	0.138	211.00	3.50		X		
M21100-400	8.307	0.157	211.00	4.00		X		
M21100-500	8.307	0.197	211.00	5.00		X		
M21200-265	8.346	0.104	212.00	2.65	X			
M21200-300	8.346	0.118	212.00	3.00		X		
M21200-350	8.346	0.138	212.00	3.50		X		
M21200-355	8.346	0.140	212.00	3.55	X			
M21200-400	8.346	0.157	212.00	4.00		X		
M21200-500	8.346	0.197	212.00	5.00		X		
M21200-530	8.346	0.209	212.00	5.30	X			
M21200-700	8.346	0.276	212.00	7.00	X			
M21300-300	8.386	0.118	213.00	3.00		X		
M21300-350	8.386	0.138	213.00	3.50		X		
M21300-400	8.386	0.157	213.00	4.00		X		
M21300-500	8.386	0.197	213.00	5.00		X		
M21400-300	8.425	0.118	214.00	3.00		X		
M21400-350	8.425	0.138	214.00	3.50		X		
M21400-400	8.425	0.157	214.00	4.00		X		
M21400-500	8.425	0.197	214.00	5.00		X		
M21450-840	8.445	0.331	214.50	8.40				P215
M21500-300	8.465	0.118	215.00	3.00		X		
M21500-350	8.465	0.138	215.00	3.50		X		
M21500-400	8.465	0.157	215.00	4.00		X		
M21500-500	8.465	0.197	215.00	5.00		X		
2-371	8.475	0.210	215.27	5.33	X	X		
2-446	8.475	0.275	215.27	6.99	X	X	X	
2-268	8.484	0.139	215.49	3.53	X	X		
2-173	8.487	0.103	215.57	2.62	X	X		
M21600-300	8.504	0.118	216.00	3.00		X		
M21600-350	8.504	0.138	216.00	3.50		X		
M21600-400	8.504	0.157	216.00	4.00		X		
M21600-500	8.504	0.197	216.00	5.00		X		
M21700-300	8.543	0.118	217.00	3.00		X		
M21700-350	8.543	0.138	217.00	3.50		X		
M21700-400	8.543	0.157	217.00	4.00		X		
M21700-500	8.543	0.197	217.00	5.00		X		
M21800-300	8.583	0.118	218.00	3.00		X		
M21800-350	8.583	0.138	218.00	3.50		X		
M21800-400	8.583	0.157	218.00	4.00		X		
M21800-500	8.583	0.197	218.00	5.00		X		
M21800-530	8.583	0.209	218.00	5.30	X			
M21800-700	8.583	0.276	218.00	7.00	X			
M21900-300	8.622	0.118	219.00	3.00		X		
M21900-350	8.622	0.138	219.00	3.50		X		
M21900-400	8.622	0.157	219.00	4.00		X		
M21900-500	8.622	0.197	219.00	5.00		X		
M21910-840	8.626	0.331	219.10	8.40		X	X	
M21930-570	8.634	0.224	219.30	5.70		X	X	G220
M21950-840	8.642	0.331	219.50	8.40				P220
M22000-300	8.661	0.118	220.00	3.00		X		
M22000-350	8.661	0.138	220.00	3.50		X		
M22000-400	8.661	0.157	220.00	4.00		X		
M22000-500	8.661	0.197	220.00	5.00		X		
M22100-300	8.701	0.118	221.00	3.00		X		
M22100-350	8.701	0.138	221.00	3.50		X		
M22100-400	8.701	0.157	221.00	4.00		X		
M22100-500	8.701	0.197	221.00	5.00		X		
2-372	8.725	0.210	221.62	5.33	X	X		

Part Numbers	ID (Inch)	Cross Sect. (Inch)	ID (MM)	Cross Sect. (MM)	AS568A ISO	SWEDEN GERMANY	BRITAIN FRANCE	JAPAN
M22162-699	8.725	0.275	221.62	6.99			X	
2-269	8.734	0.139	221.84	3.53	X		X	
2-174	8.737	0.103	221.92	2.62	X		X	
M22200-300	8.740	0.118	222.00	3.00		X		
M22200-350	8.740	0.138	222.00	3.50		X		
M22200-400	8.740	0.157	222.00	4.00		X		
M22200-500	8.740	0.197	222.00	5.00		X		
M22300-300	8.780	0.118	223.00	3.00		X		
M22300-350	8.780	0.138	223.00	3.50		X		
M22300-400	8.780	0.157	223.00	4.00		X		
M22300-500	8.780	0.197	223.00	5.00		X		
M22400-265	8.819	0.104	224.00	2.65	X			
M22400-300	8.819	0.118	224.00	3.00		X		
M22400-350	8.819	0.138	224.00	3.50		X		
M22400-355	8.819	0.140	224.00	3.55	X			
M22400-400	8.819	0.157	224.00	4.00		X		
M22400-500	8.819	0.197	224.00	5.00		X		
M22400-530	8.819	0.209	224.00	5.30	X			
M22400-700	8.819	0.276	224.00	7.00	X			
M22450-840	8.839	0.331	224.50	8.40				P225
M22500-300	8.858	0.118	225.00	3.00		X		
M22500-350	8.858	0.138	225.00	3.50		X		
M22500-400	8.858	0.157	225.00	4.00		X		
M22500-500	8.858	0.197	225.00	5.00		X		
M22500-600	8.858	0.236	225.00	6.00				V225
M22600-300	8.898	0.118	226.00	3.00		X		
M22600-350	8.898	0.138	226.00	3.50		X		
M22600-400	8.898	0.157	226.00	4.00		X		
M22600-500	8.898	0.197	226.00	5.00		X		
M22700-300	8.937	0.118	227.00	3.00		X		
M22700-350	8.937	0.138	227.00	3.50		X		
M22700-400	8.937	0.157	227.00	4.00		X		
M22700-500	8.937	0.197	227.00	5.00		X		
2-373	8.975	0.210	227.97	5.33	X		X	
2-447	8.975	0.275	227.97	6.99	X		X	X
M22800-300	8.976	0.118	228.00	3.00		X		
M22800-350	8.976	0.138	228.00	3.50		X		
M22800-400	8.976	0.157	228.00	4.00		X		
M22800-500	8.976	0.197	228.00	5.00		X		
2-270	8.984	0.139	228.19	3.53	X		X	
2-175	8.987	0.103	228.27	2.62	X		X	
M22900-300	9.016	0.118	229.00	3.00		X		
M22900-350	9.016	0.138	229.00	3.50		X		
M22900-400	9.016	0.157	229.00	4.00		X		
M22900-500	9.016	0.197	229.00	5.00		X		
M22910-840	9.020	0.331	229.10	8.40		X	X	
M22930-570	9.028	0.224	229.30	5.70		X	X	G230
M22950-840	9.035	0.331	229.50	8.40				P230
M23000-300	9.055	0.118	230.00	3.00		X		
M23000-350	9.055	0.138	230.00	3.50		X		
M23000-400	9.055	0.157	230.00	4.00		X		
M23000-500	9.055	0.197	230.00	5.00		X		
M23000-530	9.055	0.209	230.00	5.30	X			
M23000-700	9.055	0.276	230.00	7.00	X			
M23100-300	9.094	0.118	231.00	3.00		X		
M23100-350	9.094	0.138	231.00	3.50		X		
M23100-400	9.094	0.157	231.00	4.00		X		
M23100-500	9.094	0.197	231.00	5.00		X		

*Chart for comparison only. Not all sizes stocked.



O-Ring Size Comparison Chart, cont'd.

Part Numbers	ID (Inch)	Cross Sect. (Inch)	ID (MM)	Cross Sect. (MM)	AS568A ISO	SWEDEN	GERMANY	BRITAIN	FRANCE	JAPAN
M23200-300	9.134	0.118	232.00	3.00			X			
M23200-350	9.134	0.138	232.00	3.50			X			
M23200-400	9.134	0.157	232.00	4.00			X			
M23200-500	9.134	0.197	232.00	5.00			X			
M23300-300	9.173	0.118	233.00	3.00			X			
M23300-350	9.173	0.138	233.00	3.50			X			
M23300-400	9.173	0.157	233.00	4.00			X			
M23300-500	9.173	0.197	233.00	5.00			X			
M23400-300	9.213	0.118	234.00	3.00			X			
M23400-350	9.213	0.138	234.00	3.50			X			
M23400-400	9.213	0.157	234.00	4.00			X			
M23400-500	9.213	0.197	234.00	5.00			X			
2-374	9.225	0.210	234.32	5.33	X		X			
M23432-699	9.225	0.275	234.32	6.99			X			
M23450-840	9.232	0.331	234.50	8.40						P235
2-271	9.234	0.139	234.54	3.53	X		X			
2-176	9.237	0.103	234.62	2.62	X		X			
M23500-300	9.252	0.118	235.00	3.00			X			
M23500-350	9.252	0.138	235.00	3.50			X			
M23500-400	9.252	0.157	235.00	4.00			X			
M23500-500	9.252	0.197	235.00	5.00			X			
M23600-265	9.291	0.104	236.00	2.65	X					
M23600-300	9.291	0.118	236.00	3.00			X			
M23600-350	9.291	0.138	236.00	3.50			X			
M23600-355	9.291	0.140	236.00	3.55	X					
M23600-400	9.291	0.157	236.00	4.00			X			
M23600-500	9.291	0.197	236.00	5.00			X			
M23600-530	9.291	0.209	236.00	5.30	X					
M23600-700	9.291	0.276	236.00	7.00	X					
M23700-300	9.331	0.118	237.00	3.00			X			
M23700-350	9.331	0.138	237.00	3.50			X			
M23700-400	9.331	0.157	237.00	4.00			X			
M23700-500	9.331	0.197	237.00	5.00			X			
M23800-300	9.370	0.118	238.00	3.00			X			
M23800-350	9.370	0.138	238.00	3.50			X			
M23800-400	9.370	0.157	238.00	4.00			X			
M23800-500	9.370	0.197	238.00	5.00			X			
M23900-300	9.409	0.118	239.00	3.00			X			
M23900-350	9.409	0.138	239.00	3.50			X			
M23900-400	9.409	0.157	239.00	4.00			X			
M23900-500	9.409	0.197	239.00	5.00			X			
M23910-840	9.413	0.331	239.10	8.40		X	X			
M23930-570	9.421	0.224	239.30	5.70		X	X			G240
M23950-840	9.429	0.331	239.50	8.40						P240
M24000-300	9.449	0.118	240.00	3.00			X			
M24000-350	9.449	0.138	240.00	3.50			X			
M24000-400	9.449	0.157	240.00	4.00			X			
M24000-500	9.449	0.197	240.00	5.00			X			
2-375	9.475	0.210	240.67	5.33	X		X			
2-448	9.475	0.275	240.67	6.99	X		X	X		
2-272	9.484	0.139	240.89	3.53	X		X			
2-177	9.487	0.103	240.97	2.62	X		X			
M24100-300	9.488	0.118	241.00	3.00			X			
M24100-350	9.488	0.138	241.00	3.50			X			
M24100-400	9.488	0.157	241.00	4.00			X			
M24100-500	9.488	0.197	241.00	5.00			X			
M24200-300	9.528	0.118	242.00	3.00			X			
M24200-350	9.528	0.138	242.00	3.50			X			
M24200-400	9.528	0.157	242.00	4.00			X			
M24300-300	9.567	0.118	243.00	3.00			X			
M24300-350	9.567	0.138	243.00	3.50			X			
M24300-400	9.567	0.157	243.00	4.00			X			
M24300-500	9.567	0.197	243.00	5.00			X			
M24300-530	9.567	0.209	243.00	5.30		X				
M24300-700	9.567	0.276	243.00	7.00		X				
M24400-300	9.606	0.118	244.00	3.00			X			
M24400-350	9.606	0.138	244.00	3.50			X			
M24400-400	9.606	0.157	244.00	4.00			X			
M24400-500	9.606	0.197	244.00	5.00			X			
M24450-840	9.626	0.331	244.50	8.40						P245
M24500-300	9.646	0.118	245.00	3.00			X			
M24500-350	9.646	0.138	245.00	3.50			X			
M24500-400	9.646	0.157	245.00	4.00			X			
M24500-500	9.646	0.197	245.00	5.00			X			
M24600-300	9.685	0.118	246.00	3.00			X			
M24600-350	9.685	0.138	246.00	3.50			X			
M24600-400	9.685	0.157	246.00	4.00			X			
M24600-500	9.685	0.197	246.00	5.00			X			
M24700-300	9.724	0.118	247.00	3.00			X			
M24700-350	9.724	0.138	247.00	3.50			X			
M24700-400	9.724	0.157	247.00	4.00			X			
M24700-500	9.724	0.197	247.00	5.00			X			
M24700-699	9.724	0.275	247.00	6.99					X	
2-376	9.725	0.210	247.02	5.33	X		X			
2-273	9.734	0.139	247.24	3.53	X		X			
2-178	9.737	0.103	247.32	2.62	X		X			
M24800-300	9.764	0.118	248.00	3.00			X			
M24800-350	9.764	0.138	248.00	3.50			X			
M24800-400	9.764	0.157	248.00	4.00			X			
M24800-500	9.764	0.197	248.00	5.00			X			
M24900-300	9.803	0.118	249.00	3.00			X			
M24900-350	9.803	0.138	249.00	3.50			X			
M24900-400	9.803	0.157	249.00	4.00			X			
M24900-500	9.803	0.197	249.00	5.00			X			
M24910-840	9.807	0.331	249.10	8.40		X	X			
M24930-570	9.815	0.224	249.30	5.70		X	X			G250
M24950-840	9.823	0.331	249.50	8.40						P250
M25000-265	9.843	0.104	250.00	2.65		X				
M25000-300	9.843	0.118	250.00	3.00			X			
M25000-350	9.843	0.138	250.00	3.50			X			
M25000-355	9.843	0.140	250.00	3.55		X				
M25000-400	9.843	0.157	250.00	4.00			X			
M25000-500	9.843	0.197	250.00	5.00			X			
M25000-530	9.843	0.209	250.00	5.30		X				
M25000-700	9.843	0.276	250.00	7.00		X				
M25100-350	9.882	0.138	251.00	3.50			X			
M25100-400	9.882	0.157	251.00	4.00			X			
M25100-500	9.882	0.197	251.00	5.00			X			
M25200-350	9.921	0.138	252.00	3.50			X			
M25200-400	9.921	0.157	252.00	4.00			X			
M25200-500	9.921	0.197	252.00	5.00			X			
M25300-350	9.961	0.138	253.00	3.50			X			
M25300-400	9.961	0.157	253.00	4.00			X			
M25300-500	9.961	0.197	253.00	5.00			X			
2-377	9.975	0.210	253.37	5.33	X		X			

**Chart for comparison only. Not all sizes stocked.*

O-Ring Size Comparison Chart, cont'd.

Part Numbers	ID (Inch)	Cross Sect. (Inch)	ID (MM)	Cross Sect. (MM)	AS568A ISO	SWEDEN	GERMANY	BRITAIN	FRANCE	JAPAN
2-449	9.975	0.275	253.37	6.99	X		X	X		
2-274	9.984	0.139	253.59	3.53	X		X			
M25400-350	10.000	0.138	254.00	3.50			X			
M25400-400	10.000	0.157	254.00	4.00			X			
M25400-500	10.000	0.197	254.00	5.00			X			
M25430-570	10.012	0.224	254.30	5.70						G255
M25450-840	10.020	0.331	254.50	8.40						P255
M25500-350	10.039	0.138	255.00	3.50			X			
M25500-400	10.039	0.157	255.00	4.00			X			
M25500-500	10.039	0.197	255.00	5.00			X			
M25600-350	10.079	0.138	256.00	3.50			X			
M25600-400	10.079	0.157	256.00	4.00			X			
M25600-500	10.079	0.197	256.00	5.00			X			
M25700-350	10.118	0.138	257.00	3.50			X			
M25700-400	10.118	0.157	257.00	4.00			X			
M25700-500	10.118	0.197	257.00	5.00			X			
M25800-350	10.157	0.138	258.00	3.50			X			
M25800-400	10.157	0.157	258.00	4.00			X			
M25800-500	10.157	0.197	258.00	5.00			X			
M25800-530	10.157	0.209	258.00	5.30	X					
M25800-700	10.157	0.276	258.00	7.00	X					
M25900-350	10.197	0.138	259.00	3.50			X			
M25900-400	10.197	0.157	259.00	4.00			X			
M25900-500	10.197	0.197	259.00	5.00			X			
M25930-570	10.209	0.224	259.30	5.70		X	X			G260
M25950-840	10.217	0.331	259.50	8.40						P260
M25970-699	10.224	0.275	259.70	6.99			X			
M26000-350	10.236	0.138	260.00	3.50			X			
M26000-400	10.236	0.157	260.00	4.00			X			
M26000-500	10.236	0.197	260.00	5.00			X			
M26100-350	10.276	0.138	261.00	3.50			X			
M26100-400	10.276	0.157	261.00	4.00			X			
M26100-500	10.276	0.197	261.00	5.00			X			
M26200-350	10.315	0.138	262.00	3.50			X			
M26200-400	10.315	0.157	262.00	4.00			X			
M26200-500	10.315	0.197	262.00	5.00			X			
M26300-350	10.354	0.138	263.00	3.50			X			
M26300-400	10.354	0.157	263.00	4.00			X			
M26300-500	10.354	0.197	263.00	5.00			X			
M26400-350	10.394	0.138	264.00	3.50			X			
M26400-400	10.394	0.157	264.00	4.00			X			
M26400-500	10.394	0.197	264.00	5.00			X			
M26450-840	10.413	0.331	264.50	8.40						P265
M26500-350	10.433	0.138	265.00	3.50			X			
M26500-355	10.433	0.140	265.00	3.55	X					
M26500-400	10.433	0.157	265.00	4.00			X			
M26500-500	10.433	0.197	265.00	5.00			X			
M26500-530	10.433	0.209	265.00	5.30	X					
M26500-700	10.433	0.276	265.00	7.00	X					
M26600-350	10.472	0.138	266.00	3.50			X			
M26600-400	10.472	0.157	266.00	4.00			X			
M26600-500	10.472	0.197	266.00	5.00			X			
2-378	10.475	0.210	266.07	5.33	X		X			
2-450	10.475	0.275	266.07	6.99	X		X	X		
2-275	10.484	0.139	266.29	3.53	X		X			
M26700-350	10.512	0.138	267.00	3.50			X			
M26700-400	10.512	0.157	267.00	4.00			X			
M26700-500	10.512	0.197	267.00	5.00			X			

Part Numbers	ID (Inch)	Cross Sect. (Inch)	ID (MM)	Cross Sect. (MM)	AS568A ISO	SWEDEN	GERMANY	BRITAIN	FRANCE	JAPAN
M26800-350	10.551	0.138	268.00	3.50			X			
M26800-400	10.551	0.157	268.00	4.00			X			
M26800-500	10.551	0.197	268.00	5.00			X			
M26900-350	10.591	0.138	269.00	3.50			X			
M26900-400	10.591	0.157	269.00	4.00			X			
M26900-500	10.591	0.197	269.00	5.00			X			
M26930-570	10.602	0.224	269.30	5.70		X	X			G270
M26950-840	10.610	0.331	269.50	8.40						P270
M27000-350	10.630	0.138	270.00	3.50			X			
M27000-400	10.630	0.157	270.00	4.00			X			
M27000-500	10.630	0.197	270.00	5.00			X			
M27100-350	10.669	0.138	271.00	3.50			X			
M27100-400	10.669	0.157	271.00	4.00			X			
M27100-500	10.669	0.197	271.00	5.00			X			
M27200-350	10.709	0.138	272.00	3.50			X			
M27200-400	10.709	0.157	272.00	4.00			X			
M27200-500	10.709	0.197	272.00	5.00			X			
M27200-530	10.709	0.209	272.00	5.30	X					
M27200-600	10.709	0.236	272.00	6.00						V75
M27200-700	10.709	0.276	272.00	7.00	X					
M27240-699	10.724	0.275	272.40	6.99			X			
M27300-350	10.748	0.138	273.00	3.50			X			
M27300-400	10.748	0.157	273.00	4.00			X			
M27300-500	10.748	0.197	273.00	5.00			X			
M27400-350	10.787	0.138	274.00	3.50			X			
M27400-400	10.787	0.157	274.00	4.00			X			
M27400-500	10.787	0.197	274.00	5.00			X			
M27450-840	10.807	0.331	274.50	8.40						P275
M27500-350	10.827	0.138	275.00	3.50			X			
M27500-400	10.827	0.157	275.00	4.00			X			
M27500-500	10.827	0.197	275.00	5.00			X			
M27600-350	10.866	0.138	276.00	3.50			X			
M27600-400	10.866	0.157	276.00	4.00			X			
M27600-500	10.866	0.197	276.00	5.00			X			
M27700-350	10.906	0.138	277.00	3.50			X			
M27700-400	10.906	0.157	277.00	4.00			X			
M27700-500	10.906	0.197	277.00	5.00			X			
M27800-350	10.945	0.138	278.00	3.50			X			
M27800-400	10.945	0.157	278.00	4.00			X			
M27800-500	10.945	0.197	278.00	5.00			X			
2-379	10.975	0.210	278.77	5.33	X		X			
2-451	10.975	0.275	278.77	6.99	X		X	X		
M27900-350	10.984	0.138	279.00	3.50			X			
2-276	10.984	0.139	278.99	3.53	X		X			
M27900-400	10.984	0.157	279.00	4.00			X			
M27900-500	10.984	0.197	279.00	5.00			X			
M27930-570	10.996	0.224	279.30	5.70		X	X			G280
M27950-840	11.004	0.331	279.50	8.40						P280
M28000-350	11.024	0.138	280.00	3.50			X			
M28000-355	11.024	0.140	280.00	3.55	X					
M28000-400	11.024	0.157	280.00	4.00			X			
M28000-500	11.024	0.197	280.00	5.00			X			
M28000-530	11.024	0.209	280.00	5.30	X					
M28000-700	11.024	0.276	280.00	7.00	X					
M28100-350	11.063	0.138	281.00	3.50			X			
M28100-400	11.063	0.157	281.00	4.00			X			
M28100-500	11.063	0.197	281.00	5.00			X			
M28200-350	11.102	0.138	282.00	3.50			X			

***Chart for comparison only. Not all sizes stocked.**



O-Ring Size Comparison Chart, cont'd.

Part Numbers	ID (Inch)	Cross Sect. (Inch)	ID (MM)	Cross Sect. (MM)	AS568A ISO	SWEDEN	GERMANY	BRITAIN	FRANCE	JAPAN
M28200-400	11.102	0.157	282.00	4.00			X			
M28200-500	11.102	0.197	282.00	5.00			X			
M28300-350	11.142	0.138	283.00	3.50			X			
M28300-400	11.142	0.157	283.00	4.00			X			
M28300-500	11.142	0.197	283.00	5.00			X			
M28400-350	11.181	0.138	284.00	3.50			X			
M28400-400	11.181	0.157	284.00	4.00			X			
M28400-500	11.181	0.197	284.00	5.00			X			
M28450-840	11.201	0.331	284.50	8.40						P285
M28500-350	11.220	0.138	285.00	3.50			X			
M28500-400	11.220	0.157	285.00	4.00			X			
M28500-500	11.220	0.197	285.00	5.00			X			
M28510-699	11.224	0.275	285.10	6.99				X		
M28600-350	11.260	0.138	286.00	3.50			X			
M28600-400	11.260	0.157	286.00	4.00			X			
M28600-500	11.260	0.197	286.00	5.00			X			
M28700-350	11.299	0.138	287.00	3.50			X			
M28700-400	11.299	0.157	287.00	4.00			X			
M28700-500	11.299	0.197	287.00	5.00			X			
M28800-350	11.339	0.138	288.00	3.50			X			
M28800-400	11.339	0.157	288.00	4.00			X			
M28800-500	11.339	0.197	288.00	5.00			X			
M28900-350	11.378	0.138	289.00	3.50			X			
M28900-400	11.378	0.157	289.00	4.00			X			
M28900-500	11.378	0.197	289.00	5.00			X			
M28930-570	11.390	0.224	289.30	5.70		X	X			G290
M28950-840	11.398	0.331	289.50	8.40						P290
M29000-350	11.417	0.138	290.00	3.50			X			
M29000-400	11.417	0.157	290.00	4.00			X			
M29000-500	11.417	0.197	290.00	5.00			X			
M29000-530	11.417	0.209	290.00	5.30	X					
M29000-700	11.417	0.276	290.00	7.00	X					
M29100-350	11.457	0.138	291.00	3.50			X			
M29100-400	11.457	0.157	291.00	4.00			X			
M29100-500	11.457	0.197	291.00	5.00			X			
2-380	11.475	0.210	291.47	5.33	X			X		
2-452	11.475	0.275	291.47	6.99	X		X	X		
2-277	11.484	0.139	291.69	3.53	X		X			
M29200-350	11.496	0.138	292.00	3.50			X			
M29200-400	11.496	0.157	292.00	4.00			X			
M29200-500	11.496	0.197	292.00	5.00			X			
M29300-350	11.535	0.138	293.00	3.50			X			
M29300-400	11.535	0.157	293.00	4.00			X			
M29300-500	11.535	0.197	293.00	5.00			X			
M29400-350	11.575	0.138	294.00	3.50			X			
M29400-400	11.575	0.157	294.00	4.00			X			
M29400-500	11.575	0.197	294.00	5.00			X			
M29450-840	11.594	0.331	294.50	8.40						P295
M29500-350	11.614	0.138	295.00	3.50			X			
M29500-400	11.614	0.157	295.00	4.00			X			
M29500-500	11.614	0.197	295.00	5.00			X			
M29600-350	11.654	0.138	296.00	3.50			X			
M29600-400	11.654	0.157	296.00	4.00			X			
M29600-500	11.654	0.197	296.00	5.00			X			
M29700-350	11.693	0.138	297.00	3.50			X			
M29700-400	11.693	0.157	297.00	4.00			X			
M29700-500	11.693	0.197	297.00	5.00			X			
M29780-699	11.724	0.275	297.80	6.99				X		

Part Numbers	ID (Inch)	Cross Sect. (Inch)	ID (MM)	Cross Sect. (MM)	AS568A ISO	SWEDEN	GERMANY	BRITAIN	FRANCE	JAPAN
M29800-350	11.732	0.138	298.00	3.50			X			
M29800-400	11.732	0.157	298.00	4.00			X			
M29800-500	11.732	0.197	298.00	5.00			X			
M29900-350	11.772	0.138	299.00	3.50			X			
M29900-400	11.772	0.157	299.00	4.00			X			
M29900-500	11.772	0.197	299.00	5.00			X			
M29930-570	11.783	0.224	299.30	5.70		X	X			G300 P300
M29950-840	11.791	0.331	299.50	8.40						
M30000-350	11.811	0.138	300.00	3.50			X			
M30000-355	11.811	0.140	300.00	3.55	X					
M30000-400	11.811	0.157	300.00	4.00			X			
M30000-500	11.811	0.197	300.00	5.00			X			
M30000-530	11.811	0.209	300.00	5.30	X					
M30000-700	11.811	0.276	300.00	7.00	X					
M30100-350	11.850	0.138	301.00	3.50			X			
M30100-400	11.850	0.157	301.00	4.00			X			
M30100-500	11.850	0.197	301.00	5.00			X			
M30200-350	11.890	0.138	302.00	3.50			X			
M30200-400	11.890	0.157	302.00	4.00			X			
M30200-500	11.890	0.197	302.00	5.00			X			
M30300-350	11.929	0.138	303.00	3.50			X			
M30300-400	11.929	0.157	303.00	4.00			X			
M30300-500	11.929	0.197	303.00	5.00			X			
M30400-350	11.969	0.138	304.00	3.50			X			
M30400-400	11.969	0.157	304.00	4.00			X			
M30400-500	11.969	0.197	304.00	5.00			X			
2-381	11.975	0.210	304.17	5.33	X			X		
2-453	11.975	0.275	304.17	6.99	X		X	X		
2-278	11.984	0.139	304.39	3.53	X		X			
M30500-350	12.008	0.138	305.00	3.50			X			
M30500-400	12.008	0.157	305.00	4.00			X			
M30500-500	12.008	0.197	305.00	5.00			X			
M30600-350	12.047	0.138	306.00	3.50			X			
M30600-400	12.047	0.157	306.00	4.00			X			
M30600-500	12.047	0.197	306.00	5.00			X			
M30700-350	12.087	0.138	307.00	3.50			X			
M30700-400	12.087	0.157	307.00	4.00			X			
M30700-500	12.087	0.197	307.00	5.00			X			
M30700-530	12.087	0.209	307.00	5.30		X				
M30700-700	12.087	0.276	307.00	7.00		X				
M30800-350	12.126	0.138	308.00	3.50			X			
M30800-400	12.126	0.157	308.00	4.00			X			
M30800-500	12.126	0.197	308.00	5.00			X			
M30900-350	12.165	0.138	309.00	3.50			X			
M30900-400	12.165	0.157	309.00	4.00			X			
M30900-500	12.165	0.197	309.00	5.00			X			
M31000-350	12.205	0.138	310.00	3.50			X			
M31000-400	12.205	0.157	310.00	4.00			X			
M31000-500	12.205	0.197	310.00	5.00			X			
M31050-699	12.224	0.275	310.50	6.99				X		
M31100-350	12.244	0.138	311.00	3.50			X			
M31100-400	12.244	0.157	311.00	4.00			X			
M31100-500	12.244	0.197	311.00	5.00			X			
M31200-350	12.283	0.138	312.00	3.50			X			
M31200-400	12.283	0.157	312.00	4.00			X			
M31200-500	12.283	0.197	312.00	5.00			X			
M31300-350	12.323	0.138	313.00	3.50			X			
M31300-400	12.323	0.157	313.00	4.00			X			

*Chart for comparison only. Not all sizes stocked.

O-Ring Size Comparison Chart, cont'd.

Part Numbers	ID (Inch)	Cross Sect. (Inch)	ID (MM)	Cross Sect. (MM)	AS568A ISO	SWEDEN	GERMANY	BRITAIN	FRANCE	JAPAN
M31300-500	12.323	0.197	313.00	5.00			X			
M31400-350	12.362	0.138	314.00	3.50			X			
M31400-400	12.362	0.157	314.00	4.00			X			
M31400-500	12.362	0.197	314.00	5.00			X			
M31450-840	12.382	0.331	314.50	8.40						P315
M31500-350	12.402	0.138	315.00	3.50			X			
M31500-355	12.402	0.140	315.00	3.55	X					
M31500-400	12.402	0.157	315.00	4.00			X			
M31500-500	12.402	0.197	315.00	5.00			X			
M31500-530	12.402	0.209	315.00	5.30	X					
M31500-700	12.402	0.276	315.00	7.00	X					
M31600-350	12.441	0.138	316.00	3.50			X			
M31600-400	12.441	0.157	316.00	4.00			X			
M31600-500	12.441	0.197	316.00	5.00			X			
2-454	12.475	0.275	316.87	6.99	X			X	X	
M31700-350	12.480	0.138	317.00	3.50			X			
M31700-400	12.480	0.157	317.00	4.00			X			
M31700-500	12.480	0.197	317.00	5.00			X			
M31800-350	12.520	0.138	318.00	3.50			X			
M31800-400	12.520	0.157	318.00	4.00			X			
M31800-500	12.520	0.197	318.00	5.00			X			
M31900-350	12.559	0.138	319.00	3.50			X			
M31900-400	12.559	0.157	319.00	4.00			X			
M31900-500	12.559	0.197	319.00	5.00			X			
M31930-570	12.571	0.224	319.30	5.70		X	X			
M31950-840	12.578	0.331	319.50	8.40						P320
M32000-350	12.598	0.138	320.00	3.50			X			
M32000-400	12.598	0.157	320.00	4.00			X			
M32000-500	12.598	0.197	320.00	5.00			X			
M32100-350	12.638	0.138	321.00	3.50			X			
M32100-400	12.638	0.157	321.00	4.00			X			
M32100-500	12.638	0.197	321.00	5.00			X			
M32150-600	12.657	0.236	321.50	6.00						
M32200-350	12.677	0.138	322.00	3.50			X			
M32200-400	12.677	0.157	322.00	4.00			X			
M32200-500	12.677	0.197	322.00	5.00			X			
M32300-350	12.717	0.138	323.00	3.50			X			
M32300-400	12.717	0.157	323.00	4.00			X			
M32300-500	12.717	0.197	323.00	5.00			X			
M32320-699	12.724	0.275	323.20	6.99				X		
M32400-350	12.756	0.138	324.00	3.50			X			
M32400-400	12.756	0.157	324.00	4.00			X			
M32400-500	12.756	0.197	324.00	5.00			X			
M32500-350	12.795	0.138	325.00	3.50			X			
M32500-400	12.795	0.157	325.00	4.00			X			
M32500-500	12.795	0.197	325.00	5.00			X			
M32500-530	12.795	0.209	325.00	5.30	X					
M32500-700	12.795	0.276	325.00	7.00	X					
M32600-350	12.835	0.138	326.00	3.50			X			
M32600-400	12.835	0.157	326.00	4.00			X			
M32600-500	12.835	0.197	326.00	5.00			X			
M32700-350	12.874	0.138	327.00	3.50			X			
M32700-400	12.874	0.157	327.00	4.00			X			
M32700-500	12.874	0.197	327.00	5.00			X			
M32800-350	12.913	0.138	328.00	3.50			X			
M32800-400	12.913	0.157	328.00	4.00			X			
M32800-500	12.913	0.197	328.00	5.00			X			
M32900-350	12.953	0.138	329.00	3.50			X			

Part Numbers	ID (Inch)	Cross Sect. (Inch)	ID (MM)	Cross Sect. (MM)	AS568A ISO	SWEDEN	GERMANY	BRITAIN	FRANCE	JAPAN
M32900-400	12.953	0.157	329.00	4.00			X			
M32900-500	12.953	0.197	329.00	5.00			X			
2-382	12.975	0.210	329.57	5.33	X			X		
2-455	12.975	0.275	329.57	6.99	X			X	X	
2-279	12.984	0.139	329.79	3.53	X			X		
M33000-350	12.992	0.138	330.00	3.50			X			
M33000-400	12.992	0.157	330.00	4.00			X			
M33000-500	12.992	0.197	330.00	5.00			X			
M33100-350	13.031	0.138	331.00	3.50			X			
M33100-400	13.031	0.157	331.00	4.00			X			
M33100-500	13.031	0.197	331.00	5.00			X			
M33200-350	13.071	0.138	332.00	3.50			X			
M33200-400	13.071	0.157	332.00	4.00			X			
M33200-500	13.071	0.197	332.00	5.00			X			
M33300-350	13.110	0.138	333.00	3.50			X			
M33300-400	13.110	0.157	333.00	4.00			X			
M33300-500	13.110	0.197	333.00	5.00			X			
M33400-350	13.150	0.138	334.00	3.50			X			
M33400-400	13.150	0.157	334.00	4.00			X			
M33400-500	13.150	0.197	334.00	5.00			X			
M33450-840	13.169	0.331	334.50	8.40						P335
M33500-350	13.189	0.138	335.00	3.50			X			
M33500-355	13.189	0.140	335.00	3.55	X					
M33500-400	13.189	0.157	335.00	4.00			X			
M33500-500	13.189	0.197	335.00	5.00			X			
M33500-530	13.189	0.209	335.00	5.30	X					
M33500-700	13.189	0.276	335.00	7.00	X					
M33600-350	13.228	0.138	336.00	3.50			X			
M33600-400	13.228	0.157	336.00	4.00			X			
M33600-500	13.228	0.197	336.00	5.00			X			
M33700-350	13.268	0.138	337.00	3.50			X			
M33700-400	13.268	0.157	337.00	4.00			X			
M33700-500	13.268	0.197	337.00	5.00			X			
M33800-350	13.307	0.138	338.00	3.50			X			
M33800-400	13.307	0.157	338.00	4.00			X			
M33800-500	13.307	0.197	338.00	5.00			X			
M33900-350	13.346	0.138	339.00	3.50			X			
M33900-400	13.346	0.157	339.00	4.00			X			
M33900-500	13.346	0.197	339.00	5.00			X			
M33930-570	13.358	0.224	339.30	5.70		X	X			
M33950-840	13.366	0.331	339.50	8.40						P340
M34000-350	13.386	0.138	340.00	3.50			X			
M34000-500	13.386	0.197	340.00	5.00			X			
M34100-350	13.425	0.138	341.00	3.50			X			
M34100-400	13.425	0.157	341.00	4.00			X			
M34100-500	13.425	0.197	341.00	5.00			X			
M34200-350	13.465	0.138	342.00	3.50			X			
M34200-400	13.465	0.157	342.00	4.00			X			
M34200-500	13.465	0.197	342.00	5.00			X			
2-456	13.475	0.275	342.27	6.99	X			X	X	
M34300-350	13.504	0.138	343.00	3.50			X			
M34300-400	13.504	0.157	343.00	4.00			X			
M34300-500	13.504	0.197	343.00	5.00			X			
M34400-350	13.543	0.138	344.00	3.50			X			
M34400-400	13.543	0.157	344.00	4.00			X			
M34400-500	13.543	0.197	344.00	5.00			X			
M34500-350	13.583	0.138	345.00	3.50			X			
M34500-400	13.583	0.157	345.00	4.00			X			

***Chart for comparison only. Not all sizes stocked.**



O-Ring Size Comparison Chart, cont'd.

Part Numbers	ID (Inch)	Cross Sect. (Inch)	ID (MM)	Cross Sect. (MM)	AS568A ISO	SWEDEN GERMANY	BRITAIN FRANCE	JAPAN
M34500-500	13.583	0.197	345.00	5.00		X		
M34500-530	13.583	0.209	345.00	5.30	X			
M34500-700	13.583	0.276	345.00	7.00	X			
M34600-350	13.622	0.138	346.00	3.50		X		
M34600-400	13.622	0.157	346.00	4.00		X		
M34600-500	13.622	0.197	346.00	5.00		X		
M34700-350	13.661	0.138	347.00	3.50		X		
M34700-400	13.661	0.157	347.00	4.00		X		
M34700-500	13.661	0.197	347.00	5.00		X		
M34800-350	13.701	0.138	348.00	3.50		X		
M34800-400	13.701	0.157	348.00	4.00		X		
M34800-500	13.701	0.197	348.00	5.00		X		
M34900-350	13.740	0.138	349.00	3.50		X		
M34900-400	13.740	0.157	349.00	4.00		X		
M34900-500	13.740	0.197	349.00	5.00		X		
M35000-350	13.780	0.138	350.00	3.50		X		
M35000-400	13.780	0.157	350.00	4.00		X		
M35000-500	13.780	0.197	350.00	5.00		X		
M35100-350	13.819	0.138	351.00	3.50		X		
M35100-400	13.819	0.157	351.00	4.00		X		
M35100-500	13.819	0.197	351.00	5.00		X		
M35200-350	13.858	0.138	352.00	3.50		X		
M35200-400	13.858	0.157	352.00	4.00		X		
M35200-500	13.858	0.197	352.00	5.00		X		
M35300-350	13.898	0.138	353.00	3.50		X		
M35300-400	13.898	0.157	353.00	4.00		X		
M35300-500	13.898	0.197	353.00	5.00		X		
M35400-350	13.937	0.138	354.00	3.50		X		
M35400-400	13.937	0.157	354.00	4.00		X		
M35400-500	13.937	0.197	354.00	5.00		X		
M35450-840	13.957	0.331	354.50	8.40				P355
2-383	13.975	0.210	354.97	5.33	X		X	
2-457	13.975	0.275	354.97	6.99	X		X X	
M35500-350	13.976	0.138	355.00	3.50		X		
M35500-355	13.976	0.140	355.00	3.55	X			
M35500-400	13.976	0.157	355.00	4.00		X		
M35500-500	13.976	0.197	355.00	5.00		X		
M35500-530	13.976	0.209	355.00	5.30	X			
M35500-700	13.976	0.276	355.00	7.00	X			
2-280	13.984	0.139	355.19	3.53	X		X	
M35600-350	14.016	0.138	356.00	3.50		X		
M35600-400	14.016	0.157	356.00	4.00		X		
M35600-500	14.016	0.197	356.00	5.00		X		
M35700-350	14.055	0.138	357.00	3.50		X		
M35700-400	14.055	0.157	357.00	4.00		X		
M35700-500	14.055	0.197	357.00	5.00		X		
M35800-350	14.094	0.138	358.00	3.50		X		
M35800-400	14.094	0.157	358.00	4.00		X		
M35800-500	14.094	0.197	358.00	5.00		X		
M35900-350	14.134	0.138	359.00	3.50		X		
M35900-400	14.134	0.157	359.00	4.00		X		
M35900-500	14.134	0.197	359.00	5.00		X		
M35930-570	14.146	0.224	359.30	5.70		X	X	
M35950-840	14.154	0.331	359.50	8.40				P360
M36000-350	14.173	0.138	360.00	3.50		X		
M36000-400	14.173	0.157	360.00	4.00		X		
M36000-500	14.173	0.197	360.00	5.00		X		
M36100-350	14.213	0.138	361.00	3.50		X		
M36100-400	14.213	0.157	361.00	4.00		X		
M36100-500	14.213	0.197	361.00	5.00		X		
M36200-350	14.252	0.138	362.00	3.50		X		
M36200-400	14.252	0.157	362.00	4.00		X		
M36200-500	14.252	0.197	362.00	5.00		X		
M36300-350	14.291	0.138	363.00	3.50		X		
M36300-400	14.291	0.157	363.00	4.00		X		
M36300-500	14.291	0.197	363.00	5.00		X		
M36400-350	14.331	0.138	364.00	3.50		X		
M36400-400	14.331	0.157	364.00	4.00		X		
M36400-500	14.331	0.197	364.00	5.00		X		
M36500-350	14.370	0.138	365.00	3.50		X		
M36500-400	14.370	0.157	365.00	4.00		X		
M36500-500	14.370	0.197	365.00	5.00		X		
M36500-530	14.370	0.209	365.00	5.30		X		
M36500-700	14.370	0.276	365.00	7.00		X		
M36600-350	14.409	0.138	366.00	3.50		X		
M36600-400	14.409	0.157	366.00	4.00		X		
M36600-500	14.409	0.197	366.00	5.00		X		
M36700-350	14.449	0.138	367.00	3.50		X		
M36700-400	14.449	0.157	367.00	4.00		X		
M36700-500	14.449	0.197	367.00	5.00		X		
2-458	14.475	0.275	367.67	6.99	X		X X	
M36800-350	14.488	0.138	368.00	3.50		X		
M36800-400	14.488	0.157	368.00	4.00		X		
M36800-500	14.488	0.197	368.00	5.00		X		
M36900-350	14.528	0.138	369.00	3.50		X		
M36900-400	14.528	0.157	369.00	4.00		X		
M36900-500	14.528	0.197	369.00	5.00		X		
M37000-350	14.567	0.138	370.00	3.50		X		
M37000-400	14.567	0.157	370.00	4.00		X		
M37000-500	14.567	0.197	370.00	5.00		X		
M37100-350	14.606	0.138	371.00	3.50		X		
M37100-400	14.606	0.157	371.00	4.00		X		
M37100-500	14.606	0.197	371.00	5.00		X		
M37200-350	14.646	0.138	372.00	3.50		X		
M37200-400	14.646	0.157	372.00	4.00		X		
M37200-500	14.646	0.197	372.00	5.00		X		
M37300-350	14.685	0.138	373.00	3.50		X		
M37300-400	14.685	0.157	373.00	4.00		X		
M37300-500	14.685	0.197	373.00	5.00		X		
M37400-350	14.724	0.138	374.00	3.50		X		
M37400-400	14.724	0.157	374.00	4.00		X		
M37400-500	14.724	0.197	374.00	5.00		X		
M37450-840	14.744	0.331	374.50	8.40				P375
M37500-350	14.764	0.138	375.00	3.50		X		
M37500-400	14.764	0.157	375.00	4.00		X		
M37500-500	14.764	0.197	375.00	5.00		X		
M37500-530	14.764	0.209	375.00	5.30		X		
M37500-700	14.764	0.276	375.00	7.00		X		
M37600-350	14.803	0.138	376.00	3.50		X		
M37600-400	14.803	0.157	376.00	4.00		X		
M37600-500	14.803	0.197	376.00	5.00		X		
M37600-600	14.803	0.236	376.00	6.00				V380
M37700-350	14.843	0.138	377.00	3.50		X		
M37700-400	14.843	0.157	377.00	4.00		X		
M37700-500	14.843	0.197	377.00	5.00		X		
M37800-350	14.882	0.138	378.00	3.50		X		

**Chart for comparison only. Not all sizes stocked.*

O-Ring Size Comparison Chart, cont'd.

Part Numbers	ID (Inch)	Cross Sect. (Inch)	ID (MM)	Cross Sect. (MM)	AS568A ISO	SWEDEN	GERMANY	BRITAIN	FRANCE	JAPAN
M37800-400	14.882	0.157	378.00	4.00			X			
M37800-500	14.882	0.197	378.00	5.00			X			
M37900-350	14.921	0.138	379.00	3.50			X			
M37900-400	14.921	0.157	379.00	4.00			X			
M37900-500	14.921	0.197	379.00	5.00			X			
M37930-570	14.933	0.224	379.30	5.70		X	X			
M38000-350	14.961	0.138	380.00	3.50			X			
M38000-400	14.961	0.157	380.00	4.00			X			
M38000-500	14.961	0.197	380.00	5.00			X			
2-384	14.975	0.210	380.37	5.33	X		X			
2-459	14.975	0.275	380.37	6.99	X		X	X		
2-281	14.984	0.139	380.59	3.53	X		X			
M38100-350	15.000	0.138	381.00	3.50			X			
M38100-400	15.000	0.157	381.00	4.00			X			
M38100-500	15.000	0.197	381.00	5.00			X			
M38200-350	15.039	0.138	382.00	3.50			X			
M38200-400	15.039	0.157	382.00	4.00			X			
M38200-500	15.039	0.197	382.00	5.00			X			
M38300-350	15.079	0.138	383.00	3.50			X			
M38300-400	15.079	0.157	383.00	4.00			X			
M38300-500	15.079	0.197	383.00	5.00			X			
M38400-350	15.118	0.138	384.00	3.50			X			
M38400-400	15.118	0.157	384.00	4.00			X			
M38400-500	15.118	0.197	384.00	5.00			X			
M38450-840	15.138	0.331	384.50	8.40						P385
M38500-350	15.157	0.138	385.00	3.50			X			
M38500-400	15.157	0.157	385.00	4.00			X			
M38500-500	15.157	0.197	385.00	5.00			X			
M38600-350	15.197	0.138	386.00	3.50			X			
M38600-400	15.197	0.157	386.00	4.00			X			
M38600-500	15.197	0.197	386.00	5.00			X			
M38700-350	15.236	0.138	387.00	3.50			X			
M38700-400	15.236	0.157	387.00	4.00			X			
M38700-500	15.236	0.197	387.00	5.00			X			
M38700-530	15.236	0.209	387.00	5.30	X					
M38700-700	15.236	0.276	387.00	7.00	X					
M38800-350	15.276	0.138	388.00	3.50			X			
M38800-400	15.276	0.157	388.00	4.00			X			
M38800-500	15.276	0.197	388.00	5.00			X			
M38900-350	15.315	0.138	389.00	3.50			X			
M38900-400	15.315	0.157	389.00	4.00			X			
M38900-500	15.315	0.197	389.00	5.00			X			
M39000-350	15.354	0.138	390.00	3.50			X			
M39000-400	15.354	0.157	390.00	4.00			X			
M39000-500	15.354	0.197	390.00	5.00			X			
M39100-350	15.394	0.138	391.00	3.50			X			
M39100-400	15.394	0.157	391.00	4.00			X			
M39100-500	15.394	0.197	391.00	5.00			X			
M39200-350	15.433	0.138	392.00	3.50			X			
M39200-400	15.433	0.157	392.00	4.00			X			
M39200-500	15.433	0.197	392.00	5.00			X			
M39300-350	15.472	0.138	393.00	3.50			X			
M39300-400	15.472	0.157	393.00	4.00			X			
M39300-500	15.472	0.197	393.00	5.00			X			
2-460	15.475	0.275	393.07	6.99	X		X	X		
M39400-350	15.512	0.138	394.00	3.50			X			
M39400-400	15.512	0.157	394.00	4.00			X			
M39400-500	15.512	0.197	394.00	5.00			X			

Part Numbers	ID (Inch)	Cross Sect. (Inch)	ID (MM)	Cross Sect. (MM)	AS568A ISO	SWEDEN	GERMANY	BRITAIN	FRANCE	JAPAN
M39450-840	15.531	0.331	394.50	8.40						X
M39500-350	15.551	0.138	395.00	3.50			X			
M39500-400	15.551	0.157	395.00	4.00			X			
M39500-500	15.551	0.197	395.00	5.00			X			
M39600-350	15.591	0.138	396.00	3.50			X			
M39600-400	15.591	0.157	396.00	4.00			X			
M39600-500	15.591	0.197	396.00	5.00			X			
M39700-350	15.630	0.138	397.00	3.50			X			
M39700-400	15.630	0.157	397.00	4.00			X			
M39700-500	15.630	0.197	397.00	5.00			X			
M39800-350	15.669	0.138	398.00	3.50			X			
M39800-400	15.669	0.157	398.00	4.00			X			
M39800-500	15.669	0.197	398.00	5.00			X			
M39900-350	15.709	0.138	399.00	3.50			X			
M39900-400	15.709	0.157	399.00	4.00			X			
M39930-570	15.720	0.224	399.30	5.70		X		X		
M39950-840	15.728	0.331	399.50	8.40						P400
M40000-350	15.748	0.138	400.00	3.50			X			
M40000-400	15.748	0.157	400.00	4.00			X			
M40000-530	15.748	0.209	400.00	5.30	X					
M40000-700	15.748	0.276	400.00	7.00	X					
M40100-350	15.787	0.138	401.00	3.50			X			
M40100-400	15.787	0.157	401.00	4.00			X			
M40200-350	15.827	0.138	402.00	3.50			X			
M40200-400	15.827	0.157	402.00	4.00			X			
M40300-350	15.866	0.138	403.00	3.50			X			
M40300-400	15.866	0.157	403.00	4.00			X			
M40400-350	15.906	0.138	404.00	3.50			X			
M40400-400	15.906	0.157	404.00	4.00			X			
M40500-350	15.945	0.138	405.00	3.50			X			
M40500-400	15.945	0.157	405.00	4.00			X			
2-282	15.955	0.139	405.26	3.53	X			X		
2-385	15.955	0.210	405.26	5.33	X			X		
2-461	15.955	0.275	405.26	6.99	X			X		
M40600-350	15.984	0.138	406.00	3.50			X			
M40600-400	15.984	0.157	406.00	4.00			X			
M40700-350	16.024	0.138	407.00	3.50			X			
M40700-400	16.024	0.157	407.00	4.00			X			
M40800-350	16.063	0.138	408.00	3.50			X			
M40800-400	16.063	0.157	408.00	4.00			X			
M40900-350	16.102	0.138	409.00	3.50			X			
M40900-400	16.102	0.157	409.00	4.00			X			
M41000-350	16.142	0.138	410.00	3.50			X			
M41000-400	16.142	0.157	410.00	4.00			X			
M41100-350	16.181	0.138	411.00	3.50			X			
M41100-400	16.181	0.157	411.00	4.00			X			
M41200-350	16.220	0.138	412.00	3.50			X			
M41200-400	16.220	0.157	412.00	4.00			X			
M41200-700	16.220	0.276	412.00	7.00	X					
M41300-350	16.260	0.138	413.00	3.50			X			
M41300-400	16.260	0.157	413.00	4.00			X			
M41400-350	16.299	0.138	414.00	3.50			X			
M41400-400	16.299	0.157	414.00	4.00			X			
M41500-350	16.339	0.138	415.00	3.50			X			
M41500-400	16.339	0.157	415.00	4.00			X			
M41600-350	16.378	0.138	416.00	3.50			X			
M41600-400	16.378	0.157	416.00	4.00			X			
M41700-350	16.417	0.138	417.00	3.50			X			

**Chart for comparison only. Not all sizes stocked.*



O-Ring Size Comparison Chart, cont'd.

Part Numbers	ID (Inch)	Cross Sect. (Inch)	ID (MM)	Cross Sect. (MM)	AS568A ISO	SWEDEN	GERMANY	BRITAIN	FRANCE	JAPAN
M41700-400	16.417	0.157	417.00	4.00			X			
2-462	16.455	0.275	417.96	6.99	X		X			
M41800-350	16.457	0.138	418.00	3.50			X			
M41800-400	16.457	0.157	418.00	4.00			X			
M41900-350	16.496	0.138	419.00	3.50			X			
M41900-400	16.496	0.157	419.00	4.00			X			
M41930-570	16.508	0.224	419.30	5.70		X	X			
M42000-350	16.535	0.138	420.00	3.50			X			
M42000-400	16.535	0.157	420.00	4.00			X			
M42100-350	16.575	0.138	421.00	3.50			X			
M42100-400	16.575	0.157	421.00	4.00			X			
M42200-350	16.614	0.138	422.00	3.50			X			
M42200-400	16.614	0.157	422.00	4.00			X			
M42300-350	16.654	0.138	423.00	3.50			X			
M42300-400	16.654	0.157	423.00	4.00			X			
M42400-350	16.693	0.138	424.00	3.50			X			
M42400-400	16.693	0.157	424.00	4.00			X			
M42500-350	16.732	0.138	425.00	3.50			X			
M42500-400	16.732	0.157	425.00	4.00			X			
M42550-600	16.752	0.236	425.50	6.00					V430	
M42600-350	16.772	0.138	426.00	3.50			X			
M42600-400	16.772	0.157	426.00	4.00			X			
M42700-350	16.811	0.138	427.00	3.50			X			
M42700-400	16.811	0.157	427.00	4.00			X			
M42800-350	16.850	0.138	428.00	3.50			X			
M42800-400	16.850	0.157	428.00	4.00			X			
M42900-350	16.890	0.138	429.00	3.50			X			
M42900-400	16.890	0.157	429.00	4.00			X			
M43000-350	16.929	0.138	430.00	3.50			X			
M43000-400	16.929	0.157	430.00	4.00			X			
2-283	16.955	0.139	430.66	3.53	X		X			
2-386	16.955	0.210	430.66	5.33	X		X			
2-463	16.955	0.275	430.66	6.99	X		X			
M43100-350	16.969	0.138	431.00	3.50			X			
M43100-400	16.969	0.157	431.00	4.00			X			
M43200-350	17.008	0.138	432.00	3.50			X			
M43200-400	17.008	0.157	432.00	4.00			X			
M43300-350	17.047	0.138	433.00	3.50			X			
M43300-400	17.047	0.157	433.00	4.00			X			
M43400-350	17.087	0.138	434.00	3.50			X			
M43400-400	17.087	0.157	434.00	4.00			X			
M43500-350	17.126	0.138	435.00	3.50			X			
M43500-400	17.126	0.157	435.00	4.00			X			
M43600-350	17.165	0.138	436.00	3.50			X			
M43600-400	17.165	0.157	436.00	4.00			X			
M43700-350	17.205	0.138	437.00	3.50			X			
M43700-400	17.205	0.157	437.00	4.00			X			
M43700-700	17.205	0.276	437.00	7.00	X					
M43800-350	17.244	0.138	438.00	3.50			X			
M43800-400	17.244	0.157	438.00	4.00			X			
M43900-350	17.283	0.138	439.00	3.50			X			
M43900-400	17.283	0.157	439.00	4.00			X			
M43930-570	17.295	0.224	439.30	5.70		X	X			
M44000-350	17.323	0.138	440.00	3.50			X			
M44000-400	17.323	0.157	440.00	4.00			X			
M44100-400	17.362	0.157	441.00	4.00			X			
M44200-400	17.402	0.157	442.00	4.00			X			
M44300-400	17.441	0.157	443.00	4.00			X			
2-464	17.455	0.275	443.36	6.99	X		X			
M44400-400	17.480	0.157	444.00	4.00			X			
M44500-400	17.520	0.157	445.00	4.00			X			
M44600-400	17.559	0.157	446.00	4.00			X			
M44700-400	17.598	0.157	447.00	4.00			X			
M44800-400	17.638	0.157	448.00	4.00			X			
M44900-400	17.677	0.157	449.00	4.00			X			
M45000-400	17.717	0.157	450.00	4.00			X			
M45000-700	17.717	0.276	450.00	7.00		X				
M45100-400	17.756	0.157	451.00	4.00			X			
M45200-400	17.795	0.157	452.00	4.00			X			
M45300-400	17.835	0.157	453.00	4.00			X			
M45400-400	17.874	0.157	454.00	4.00			X			
M45500-400	17.913	0.157	455.00	4.00			X			
M45600-400	17.953	0.157	456.00	4.00			X			
2-284	17.955	0.139	456.06	3.53	X		X			
2-387	17.955	0.210	456.06	5.33	X		X			
2-465	17.955	0.275	456.06	6.99	X		X			
M45700-400	17.992	0.157	457.00	4.00			X			
M45800-400	18.031	0.157	458.00	4.00			X			
M45900-400	18.071	0.157	459.00	4.00			X			
M45930-570	18.083	0.224	459.30	5.70		X	X			
M46000-400	18.110	0.157	460.00	4.00			X			
M46100-400	18.150	0.157	461.00	4.00			X			
M46200-400	18.189	0.157	462.00	4.00			X			
M46200-700	18.189	0.276	462.00	7.00		X				
M46300-400	18.228	0.157	463.00	4.00			X			
M46400-400	18.268	0.157	464.00	4.00			X			
M46500-400	18.307	0.157	465.00	4.00			X			
M46600-400	18.346	0.157	466.00	4.00			X			
M46700-400	18.386	0.157	467.00	4.00			X			
M46800-400	18.425	0.157	468.00	4.00			X			
2-466	18.455	0.275	468.76	6.99	X		X			
M46900-400	18.465	0.157	469.00	4.00			X			
M47000-400	18.504	0.157	470.00	4.00			X			
M47100-400	18.543	0.157	471.00	4.00			X			
M47200-400	18.583	0.157	472.00	4.00			X			
M47300-400	18.622	0.157	473.00	4.00			X			
M47400-400	18.661	0.157	474.00	4.00			X			
M47500-1000	18.701	0.394	475.00	10.00					V480	
M47500-700	18.701	0.276	475.00	7.00		X				
M47700-400	18.780	0.157	477.00	4.00			X			
M47800-400	18.819	0.157	478.00	4.00			X			
M47900-400	18.858	0.157	479.00	4.00			X			
M47930-570	18.870	0.224	479.30	5.70		X	X			
M48000-400	18.898	0.157	480.00	4.00			X			
M48100-400	18.937	0.157	481.00	4.00			X			
2-388	18.955	0.210	481.46	5.33	X		X			
2-467	18.955	0.275	481.46	6.99	X		X			
M48200-400	18.976	0.157	482.00	4.00			X			
M48300-400	19.016	0.157	483.00	4.00			X			
M48400-400	19.055	0.157	484.00	4.00			X			
M48500-400	19.094	0.157	485.00	4.00			X			
M48600-400	19.134	0.157	486.00	4.00			X			
M48700-400	19.173	0.157	487.00	4.00			X			
M48700-700	19.173	0.276	487.00	7.00		X				
M48800-400	19.213	0.157	488.00	4.00			X			
M48900-400	19.252	0.157	489.00	4.00			X			

**Chart for comparison only. Not all sizes stocked.*

O-Ring Size Comparison Chart, cont'd.

Part Numbers	ID (Inch)	Cross Sect. (Inch)	ID (MM)	Cross Sect. (MM)						
					AS568A ISO	SWEDEN	GERMANY	BRITAIN	FRANCE	JAPAN
M49000-400	19.291	0.157	490.00	4.00			X			
M49100-400	19.331	0.157	491.00	4.00			X			
M49200-400	19.370	0.157	492.00	4.00			X			
M49300-400	19.409	0.157	493.00	4.00			X			
M49400-400	19.449	0.157	494.00	4.00			X			
2-468	19.455	0.275	494.16	6.99	X			X		
M49500-400	19.488	0.157	495.00	4.00			X			
M49600-400	19.528	0.157	496.00	4.00			X			
M49700-400	19.567	0.157	497.00	4.00			X			
M49800-400	19.606	0.157	498.00	4.00			X			
M49900-400	19.646	0.157	499.00	4.00			X			
M49930-570	19.657	0.224	499.30	5.70		X		X		
M50000-400	19.685	0.157	500.00	4.00			X			
M50000-700	19.685	0.276	500.00	7.00	X					
2-389	19.955	0.210	506.86	5.33	X			X		
2-469	19.955	0.275	506.86	6.99	X			X		
M51500-700	20.276	0.276	515.00	7.00	X					
M52450-1000	20.650	0.394	524.50	10.00						V530
M53000-700	20.866	0.276	530.00	7.00	X					
2-390	20.955	0.210	532.26	5.33	X			X		
2-470	20.955	0.275	532.26	6.99	X			X		

Part Numbers	ID (Inch)	Cross Sect. (Inch)	ID (MM)	Cross Sect. (MM)						
					AS568A ISO	SWEDEN	GERMANY	BRITAIN	FRANCE	JAPAN
M54500-700	21.457	0.276	545.00	7.00		X				
2-391	21.955	0.210	557.66	5.33	X			X		
2-471	21.955	0.275	557.66	6.99	X			X		
M56000-700	22.047	0.276	560.00	7.00		X				
M57900-1000	22.795	0.394	579.00	10.00						V585
M58000-700	22.835	0.276	580.00	7.00		X				
2-392	22.940	0.210	582.68	5.33	X			X		
2-472	22.940	0.275	582.68	6.99	X			X		
M60000-700	23.622	0.276	600.00	7.00		X				
2-393	23.940	0.210	608.08	5.33	X			X		
2-473	23.940	0.275	608.08	6.99	X			X		
M61500-700	24.213	0.276	615.00	7.00		X				
M63000-700	24.803	0.276	630.00	7.00		X				
2-394	24.940	0.210	633.48	5.33	X			X		
2-474	24.940	0.275	633.48	6.99	X			X		
M63350-1000	24.941	0.394	633.50	10.00						V640
M65000-700	25.591	0.276	650.00	7.00		X				
2-395	25.940	0.210	658.88	5.33	X			X		
2-475	25.940	0.275	658.88	6.99	X			X		
M67000-700	26.378	0.276	670.00	7.00		X				

*Chart for comparison only. Not all sizes stocked.

O-Rings For Boss Fittings (Sizing)

SIZE CHART			
UNIVERSAL SERIES	FITTING SIZE	ACTUAL SIZE	
		I.D.	W.
DASH NOS.			
3-901	3/32	0.185 ±.005	0.056 ±.003
3-902	1/8	0.239 ±.005	0.064 ±.003
3-903	3/16	0.301 ±.005	0.064 ±.003
3-904	1/4	0.351 ±.005	0.072 ±.003
3-905	5/16	0.414 ±.005	0.072 ±.003
3-906	3/8	0.468 ±.005	0.078 ±.003
3-907	7/16	0.530 ±.007	0.082 ±.003
3-908	1/2	0.644 ±.009	0.087 ±.003
3-909	9/16	0.706 ±.009	0.097 ±.003
3-910	5/8	0.755 ±.009	0.097 ±.004
3-911	11/16	0.863 ±.009	0.116 ±.004
3-912	3/4	0.924 ±.009	0.116 ±.004
3-913	13/16	0.986 ±.010	0.116 ±.004
3-914	7/8	1.047 ±.010	0.116 ±.004
3-916	1	1.171 ±.006	0.116 ±.003
3-918	1-1/8	1.355 ±.012	0.116 ±.004
3-920	1-1/4	1.475 ±.014	0.118 ±.004
3-924	1-1/2	1.720 ±.014	0.118 ±.004
3-928	1-3/4	2.090 ±.018	0.118 ±.004
3-932	2	2.337 ±.018	0.118 ±.004

Standard Nitrile and FKM O-Ring Pricing

Part No.	70 Duro Nitrile	90 Duro Nitrile	75 Duro FKM
	Price	Price	Price
2-001	\$0.06	\$0.13	\$0.35
2-002	\$0.06	\$0.13	\$0.35
2-003	\$0.06	\$0.13	\$0.35
2-004	\$0.06	\$0.13	\$0.36
2-005	\$0.06	\$0.11	\$0.36
2-006	\$0.03	\$0.11	\$0.36
2-007	\$0.03	\$0.11	\$0.37
2-008	\$0.03	\$0.11	\$0.37
2-009	\$0.03	\$0.11	\$0.37
2-010	\$0.07	\$0.11	\$0.38
2-011	\$0.07	\$0.11	\$0.39
2-012	\$0.07	\$0.11	\$0.41
2-013	\$0.07	\$0.12	\$0.43
2-014	\$0.07	\$0.12	\$0.45
2-015	\$0.08	\$0.13	\$0.49
2-016	\$0.08	\$0.15	\$0.49
2-017	\$0.09	\$0.16	\$0.50
2-018	\$0.09	\$0.17	\$0.51
2-019	\$0.10	\$0.20	\$0.53
2-020	\$0.10	\$0.21	\$0.60
2-021	\$0.10	\$0.24	\$0.63
2-022	\$0.11	\$0.25	\$0.68
2-023	\$0.12	\$0.26	\$0.71
2-024	\$0.13	\$0.27	\$0.79
2-025	\$0.18	\$0.28	\$0.85
2-026	\$0.20	\$0.29	\$0.92
2-027	\$0.20	\$0.30	\$0.95
2-028	\$0.19	\$0.32	\$1.06
2-029	\$0.22	\$0.35	\$1.17
2-030	\$0.25	\$0.38	\$1.26
2-031	\$0.28	\$0.45	\$1.40
2-032	\$0.30	\$0.53	\$1.51
2-033	\$0.34	\$0.57	\$1.81
2-034	\$0.36	\$0.61	\$1.88
2-035	\$0.37	\$0.68	\$1.96
2-036	\$0.38	\$0.70	\$2.31
2-037	\$0.44	\$0.77	\$2.37
2-038	\$0.48	\$0.82	\$2.45
2-039	\$0.49	\$0.87	\$2.60
2-040	\$0.55	\$0.89	\$2.72
2-041	\$0.60	\$0.95	\$3.08
2-042	\$0.68	\$1.02	\$3.61
2-043	\$0.72	\$1.29	\$3.74
2-044	\$0.84	\$1.38	\$3.90
2-045	\$0.87	\$1.41	\$4.15
2-046	\$0.94	\$1.68	\$4.35
2-047	\$1.03	\$1.80	\$4.54
2-048	\$1.15	\$1.93	\$5.40
2-049	\$1.21	\$2.21	\$7.17
2-050	\$1.37	\$2.51	\$7.69
2-102	\$0.09	\$0.16	\$0.45
2-103	\$0.09	\$0.16	\$0.46
2-104	\$0.06	\$0.12	\$0.47
2-105	\$0.06	\$0.12	\$0.49
2-106	\$0.07	\$0.12	\$0.50
2-107	\$0.07	\$0.12	\$0.50
2-108	\$0.07	\$0.12	\$0.53
2-109	\$0.07	\$0.12	\$0.57
2-110	\$0.08	\$0.12	\$0.59
2-111	\$0.08	\$0.12	\$0.63
2-112	\$0.08	\$0.15	\$0.72
2-113	\$0.08	\$0.15	\$0.73

Part No.	70 Duro Nitrile	90 Duro Nitrile	75 Duro FKM
	Price	Price	Price
2-114	\$0.10	\$0.15	\$0.74
2-115	\$0.10	\$0.15	\$0.82
2-116	\$0.10	\$0.16	\$0.85
2-117	\$0.10	\$0.22	\$0.95
2-118	\$0.12	\$0.24	\$0.98
2-119	\$0.12	\$0.26	\$1.05
2-120	\$0.12	\$0.28	\$1.09
2-121	\$0.13	\$0.28	\$1.20
2-122	\$0.13	\$0.29	\$1.29
2-123	\$0.13	\$0.30	\$1.35
2-124	\$0.20	\$0.32	\$1.41
2-125	\$0.20	\$0.33	\$1.45
2-126	\$0.21	\$0.35	\$1.57
2-127	\$0.23	\$0.37	\$1.62
2-128	\$0.24	\$0.41	\$1.71
2-129	\$0.25	\$0.41	\$1.85
2-130	\$0.29	\$0.45	\$1.89
2-131	\$0.29	\$0.48	\$1.90
2-132	\$0.29	\$0.48	\$1.96
2-133	\$0.32	\$0.50	\$1.99
2-134	\$0.32	\$0.52	\$2.05
2-135	\$0.32	\$0.57	\$2.15
2-136	\$0.33	\$0.60	\$2.30
2-137	\$0.33	\$0.61	\$2.39
2-138	\$0.39	\$0.64	\$2.47
2-139	\$0.39	\$0.65	\$2.59
2-140	\$0.40	\$0.66	\$2.63
2-141	\$0.44	\$0.70	\$2.70
2-142	\$0.45	\$0.71	\$2.73
2-143	\$0.45	\$0.73	\$2.85
2-144	\$0.50	\$0.75	\$2.85
2-145	\$0.50	\$0.76	\$2.91
2-146	\$0.51	\$0.80	\$3.02
2-147	\$0.51	\$0.82	\$3.08
2-148	\$0.51	\$0.83	\$3.21
2-149	\$0.53	\$0.86	\$3.32
2-150	\$0.53	\$0.92	\$3.52
2-151	\$0.57	\$0.94	\$3.80
2-152	\$0.68	\$1.12	\$4.21
2-153	\$0.72	\$1.20	\$4.59
2-154	\$0.72	\$1.38	\$4.96
2-155	\$0.92	\$1.95	\$5.33
2-156	\$1.11	\$1.84	\$5.75
2-157	\$1.12	\$1.98	\$6.43
2-158	\$1.15	\$2.32	\$6.67
2-159	\$1.20	\$2.58	\$7.52
2-160	\$1.42	\$2.86	\$8.58
2-161	\$1.54	\$3.20	\$9.51
2-162	\$1.65	\$3.24	\$10.13
2-163	\$1.71	\$3.28	\$10.75
2-164	\$1.78	\$3.42	\$11.56
2-165	\$1.94	\$3.61	\$12.42
2-166	\$2.08	\$3.98	\$12.52
2-167	\$2.20	\$4.40	\$13.05
2-168	\$2.41	\$5.19	\$13.45
2-169	\$2.52	\$5.36	\$13.80
2-170	\$2.59	\$5.51	\$15.10
2-171	\$2.99	\$5.21	\$15.48
2-172	\$3.20	\$5.42	\$17.36
2-173	\$3.33	\$5.55	\$17.96
2-174	\$3.51	\$5.75	\$19.14
2-175	\$3.84	\$5.79	\$19.56

Part No.	70 Duro Nitrile	90 Duro Nitrile	75 Duro FKM
	Price	Price	Price
2-176	\$4.15	\$5.95	\$20.07
2-177	\$4.48	\$6.07	\$20.58
2-178	\$4.80	\$6.24	\$20.86
2-201	\$0.07	\$0.15	\$0.72
2-202	\$0.07	\$0.15	\$0.80
2-203	\$0.08	\$0.15	\$0.86
2-204	\$0.08	\$0.16	\$0.95
2-205	\$0.08	\$0.16	\$0.98
2-206	\$0.10	\$0.20	\$1.05
2-207	\$0.10	\$0.20	\$1.08
2-208	\$0.11	\$0.24	\$1.10
2-209	\$0.11	\$0.25	\$1.17
2-210	\$0.12	\$0.26	\$1.23
2-211	\$0.13	\$0.27	\$1.35
2-212	\$0.13	\$0.28	\$1.44
2-213	\$0.13	\$0.29	\$1.59
2-214	\$0.18	\$0.30	\$1.71
2-215	\$0.20	\$0.33	\$1.83
2-216	\$0.20	\$0.34	\$1.93
2-217	\$0.21	\$0.38	\$1.95
2-218	\$0.21	\$0.42	\$2.08
2-219	\$0.22	\$0.44	\$2.21
2-220	\$0.23	\$0.47	\$2.31
2-221	\$0.25	\$0.49	\$2.41
2-222	\$0.28	\$0.51	\$2.61
2-223	\$0.32	\$0.55	\$2.69
2-224	\$0.35	\$0.62	\$2.94
2-225	\$0.35	\$0.64	\$3.28
2-226	\$0.43	\$0.66	\$3.62
2-227	\$0.43	\$0.76	\$3.88
2-228	\$0.45	\$0.80	\$4.03
2-229	\$0.51	\$0.84	\$4.21
2-230	\$0.55	\$0.90	\$4.49
2-231	\$0.56	\$0.97	\$4.73
2-232	\$0.57	\$1.03	\$4.79
2-233	\$0.60	\$1.06	\$5.08
2-234	\$0.63	\$1.07	\$5.46
2-235	\$0.67	\$1.12	\$5.76
2-236	\$0.71	\$1.19	\$5.92
2-237	\$0.71	\$1.23	\$6.14
2-238	\$0.76	\$1.27	\$6.51
2-239	\$0.77	\$1.30	\$6.74
2-240	\$0.79	\$1.37	\$6.90
2-241	\$0.80	\$1.42	\$7.15
2-242	\$0.87	\$1.51	\$7.30
2-243	\$0.93	\$1.55	\$7.66
2-244	\$0.97	\$1.61	\$7.75
2-245	\$1.06	\$1.72	\$8.28
2-246	\$1.17	\$2.02	\$8.59
2-247	\$1.24	\$2.18	\$8.75
2-248	\$1.30	\$2.30	\$8.97
2-249	\$1.35	\$2.30	\$9.09
2-250	\$1.37	\$2.33	\$9.50
2-251	\$1.41	\$2.40	\$9.59
2-252	\$1.43	\$2.51	\$10.20
2-253	\$1.46	\$2.69	\$10.66
2-254	\$1.60	\$2.91	\$11.27
2-255	\$1.62	\$3.12	\$11.61
2-256	\$1.70	\$3.32	\$11.69
2-257	\$1.74	\$3.67	\$11.72
2-258	\$1.90	\$3.69	\$12.10
2-259	\$2.07	\$3.74	\$12.60

Standard Nitrile and FKM O-Ring Pricing, cont'd.

Part No.	70 Duro Nitrile	90 Duro Nitrile	75 Duro FKM
	Price	Price	Price
2-260	\$2.14	\$3.99	\$13.31
2-261	\$2.26	\$4.22	\$13.83
2-262	\$2.35	\$4.57	\$14.64
2-263	\$2.60	\$4.94	\$16.16
2-264	\$2.67	\$5.05	\$17.09
2-265	\$2.87	\$5.41	\$17.54
2-266	\$2.94	\$5.58	\$18.95
2-267	\$3.01	\$5.98	\$19.90
2-268	\$3.09	\$6.50	\$20.70
2-269	\$3.22	\$6.64	\$21.53
2-270	\$3.57	\$7.21	\$22.37
2-271	\$3.60	\$7.41	\$23.14
2-272	\$3.61	\$7.44	\$23.99
2-273	\$3.64	\$8.16	\$23.54
2-274	\$3.64	\$8.19	\$25.76
2-275	\$3.88	\$8.23	\$26.40
2-276	\$4.30	\$8.48	\$26.98
2-277	\$4.32	\$9.34	\$28.24
2-278	\$4.68	\$9.63	\$28.98
2-279	\$5.75	\$9.82	\$30.48
2-280	\$7.03	\$9.94	\$31.65
2-281	\$8.07	\$10.07	\$34.16
2-282	\$9.05	\$10.64	\$37.55
2-283	\$10.09	\$13.49	\$39.77
2-284	\$11.65	\$10.96	\$40.60
2-309	\$0.19	\$0.32	\$2.82
2-310	\$0.20	\$0.34	\$2.86
2-311	\$0.20	\$0.35	\$3.07
2-312	\$0.23	\$0.39	\$3.25
2-313	\$0.23	\$0.45	\$3.34
2-314	\$0.23	\$0.46	\$3.53
2-315	\$0.25	\$0.47	\$3.70
2-316	\$0.25	\$0.49	\$3.74
2-317	\$0.25	\$0.51	\$3.84
2-318	\$0.25	\$0.53	\$3.87
2-319	\$0.31	\$0.55	\$4.03
2-320	\$0.32	\$0.57	\$4.13
2-321	\$0.32	\$0.63	\$4.16
2-322	\$0.32	\$0.64	\$4.16
2-323	\$0.32	\$0.68	\$4.67
2-324	\$0.32	\$0.72	\$4.91
2-325	\$0.35	\$0.74	\$5.28
2-326	\$0.35	\$0.76	\$5.60
2-327	\$0.46	\$0.80	\$5.75
2-328	\$0.51	\$0.86	\$6.12
2-329	\$0.55	\$0.99	\$6.98
2-330	\$0.61	\$1.05	\$7.43
2-331	\$0.65	\$1.10	\$7.68
2-332	\$0.72	\$1.18	\$8.46
2-333	\$0.78	\$1.30	\$8.84
2-334	\$0.80	\$1.38	\$9.06
2-335	\$0.87	\$1.40	\$9.74
2-336	\$0.92	\$1.47	\$10.55
2-337	\$0.95	\$1.55	\$11.14
2-338	\$0.97	\$1.65	\$11.64
2-339	\$1.09	\$1.73	\$11.98
2-340	\$1.16	\$1.79	\$13.20
2-341	\$1.16	\$1.91	\$13.24
2-342	\$1.24	\$1.97	\$13.94
2-343	\$1.27	\$2.02	\$14.46
2-344	\$1.31	\$2.05	\$14.51
2-345	\$1.43	\$2.11	\$14.86
2-346	\$1.43	\$2.19	\$15.60

Part No.	70 Duro Nitrile	90 Duro Nitrile	75 Duro FKM
	Price	Price	Price
2-347	\$1.43	\$2.42	\$16.24
2-348	\$1.43	\$2.56	\$16.67
2-349	\$1.59	\$2.65	\$17.08
2-350	\$1.65	\$2.68	\$17.53
2-351	\$1.65	\$2.73	\$18.27
2-352	\$1.73	\$2.85	\$18.39
2-353	\$1.82	\$3.12	\$19.09
2-354	\$1.94	\$3.17	\$19.33
2-355	\$2.15	\$3.30	\$19.56
2-356	\$2.15	\$3.60	\$21.21
2-357	\$2.22	\$3.65	\$22.41
2-358	\$2.37	\$3.84	\$23.27
2-359	\$2.37	\$3.90	\$23.93
2-360	\$2.49	\$4.27	\$24.38
2-361	\$2.60	\$4.30	\$26.74
2-362	\$2.63	\$4.41	\$27.13
2-363	\$2.74	\$4.74	\$27.96
2-364	\$2.87	\$4.93	\$28.44
2-365	\$2.99	\$5.19	\$29.15
2-366	\$3.03	\$5.24	\$32.36
2-367	\$3.03	\$5.29	\$34.33
2-368	\$3.03	\$5.51	\$35.60
2-369	\$3.29	\$6.26	\$36.09
2-370	\$3.57	\$6.34	\$37.41
2-371	\$3.85	\$6.51	\$39.11
2-372	\$3.91	\$6.56	\$39.51
2-373	\$4.29	\$6.68	\$41.13
2-374	\$4.41	\$6.79	\$42.55
2-375	\$4.47	\$7.25	\$43.23
2-376	\$4.55	\$7.66	\$45.08
2-377	\$4.58	\$8.21	\$46.62
2-378	\$5.73	\$9.22	\$48.21
2-379	\$6.04	\$9.54	\$50.89
2-380	\$6.27	\$9.90	\$53.21
2-381	\$6.51	\$10.14	\$62.13
2-382	\$6.51	\$10.41	\$68.33
2-383	\$8.60	\$11.83	\$72.00
2-384	\$8.67	\$11.85	\$75.03
2-385	\$10.06	\$12.19	\$76.21
2-386	\$10.81	\$18.55	\$81.33
2-387	\$12.22	\$21.07	\$84.85
2-388	\$12.53	\$27.54	\$93.01
2-389	\$12.60	\$33.17	\$96.51
2-390	\$12.63	\$35.38	\$99.02
2-391	\$13.02	\$37.56	\$101.01
2-392	\$13.04	\$39.41	\$103.07
2-393	\$20.75	\$42.08	\$107.82
2-394	\$20.90	\$45.44	\$112.70
2-395	\$23.04	\$47.37	\$121.31
2-401	\$3.37	POA	\$26.78
2-402	\$3.57	POA	\$27.14
2-403	\$3.59	POA	\$27.95
2-404	\$3.60	POA	\$28.86
2-405	\$3.66	POA	\$29.29
2-406	\$3.69	POA	\$29.45
2-407	\$3.74	POA	\$29.76
2-408	\$3.82	POA	\$30.01
2-409	\$3.90	POA	\$30.66
2-410	\$3.95	POA	\$31.14
2-411	\$4.02	POA	\$32.01
2-412	\$4.05	POA	\$32.61
2-413	\$4.11	POA	\$32.73
2-414	\$4.15	POA	\$33.40

Part No.	70 Duro Nitrile	90 Duro Nitrile	75 Duro FKM
	Price	Price	Price
2-415	\$4.23	POA	\$33.82
2-416	\$4.28	POA	\$34.27
2-417	\$4.32	POA	\$34.96
2-418	\$4.37	POA	\$35.65
2-419	\$4.43	POA	\$36.01
2-420	\$4.48	POA	\$36.68
2-421	\$4.55	POA	\$37.41
2-422	\$4.61	POA	\$38.45
2-423	\$4.70	POA	\$39.46
2-424	\$4.82	POA	\$40.32
2-425	\$1.81	\$3.48	\$23.57
2-426	\$1.81	\$3.55	\$23.70
2-427	\$1.81	\$3.64	\$23.97
2-428	\$1.94	\$3.71	\$25.76
2-429	\$2.03	\$3.80	\$26.06
2-430	\$2.03	\$3.94	\$26.28
2-431	\$2.32	\$3.97	\$26.46
2-432	\$2.35	\$4.19	\$27.10
2-433	\$2.35	\$4.29	\$28.49
2-434	\$2.37	\$4.39	\$29.20
2-435	\$2.50	\$4.49	\$29.88
2-436	\$2.52	\$4.64	\$32.07
2-437	\$2.71	\$4.99	\$32.22
2-438	\$2.89	\$5.22	\$32.61
2-439	\$3.00	\$5.50	\$33.93
2-440	\$3.23	\$5.57	\$35.45
2-441	\$3.54	\$6.01	\$37.61
2-442	\$3.60	\$6.28	\$39.74
2-443	\$3.75	\$6.52	\$41.13
2-444	\$3.95	\$6.76	\$41.58
2-445	\$4.12	\$7.11	\$44.61
2-446	\$4.25	\$7.53	\$46.48
2-447	\$4.48	\$7.79	\$48.64
2-448	\$4.50	\$8.13	\$52.92
2-449	\$4.60	\$9.10	\$56.42
2-450	\$5.41	\$11.31	\$61.29
2-451	\$5.64	\$12.15	\$62.56
2-452	\$6.14	\$14.00	\$65.75
2-453	\$6.49	\$14.65	\$68.05
2-454	\$6.87	\$15.10	\$70.40
2-455	\$8.35	\$15.44	\$72.64
2-456	\$8.41	\$15.60	\$74.59
2-457	\$8.53	\$15.81	\$77.78
2-458	\$8.65	\$16.01	\$79.23
2-459	\$8.93	\$16.25	\$81.65
2-460	\$9.37	\$16.59	\$83.35
2-461	\$10.48	\$20.26	\$105.78
2-462	\$10.80	\$20.67	\$109.17
2-463	\$11.51	\$21.20	\$113.29
2-464	\$12.38	\$21.48	\$114.82
2-465	\$13.76	\$22.28	\$118.66
2-466	\$14.06	\$22.67	\$120.61
2-467	\$14.21	\$23.07	\$125.03
2-468	\$14.50	\$24.83	\$128.22
2-469	\$14.52	\$26.08	\$138.26
2-470	\$14.65	\$28.73	\$145.02
2-471	\$14.75	\$29.16	\$147.79
2-472	\$14.74	\$34.71	\$151.79
2-473	\$14.78	\$35.65	\$155.50
2-474	\$15.07	\$36.62	\$159.44
2-475	\$17.77	\$37.60	\$164.43

O-Rings For Boss Fittings (Pricing)

Part No.	70 Duro Nitrile	90 Duro Nitrile	75 Duro FKM
	Price	Price	Price
3-901	\$0.08	\$0.15	\$0.79
3-902	\$0.08	\$0.15	\$0.83
3-903	\$0.09	\$0.17	\$0.86
3-904	\$0.09	\$0.20	\$0.93
3-905	\$0.09	\$0.22	\$1.05
3-906	\$0.09	\$0.23	\$1.11
3-907	\$0.09	\$0.24	\$1.15

Part No.	70 Duro Nitrile	90 Duro Nitrile	75 Duro FKM
	Price	Price	Price
3-908	\$0.11	\$0.25	\$1.28
3-909	\$0.12	\$0.26	\$1.59
3-910	\$0.14	\$0.27	\$1.77
3-911	\$0.18	\$0.30	\$2.08
3-912	\$0.21	\$0.35	\$2.31
3-913	\$0.24	\$0.36	\$2.58
3-914	\$0.27	\$0.40	\$2.84

Part No.	70 Duro Nitrile	90 Duro Nitrile	75 Duro FKM
	Price	Price	Price
3-916	\$0.29	\$0.42	\$3.18
3-918	\$0.33	\$0.49	\$3.31
3-920	\$0.36	\$0.53	\$3.85
3-924	\$0.43	\$0.68	\$5.46
3-928	\$0.58	\$0.87	\$6.27
3-932	\$0.65	\$1.05	\$7.33

O-Ring Cord Stock 70 Durometer Nitrile

Cord Types can be square, quad, or round

ROUND CROSS SECTION			
Part Number.	Actual Cross Section	Nominal Cross Section	Price/ft.
050 O-CORD N70	0.050	1.25 MM	\$1.04
063 O-CORD N70	0.063	1.6 MM	\$0.66
070 O-CORD N70	0.070	1/16	\$0.68
079 O-CORD N70	0.079	2 MM	\$0.79
093 O-CORD N70	0.093	3/32	\$0.81
094 O-CORD N70	0.094	2.4 MM	\$0.82
098 O-CORD N70	0.098	2.5 MM	\$0.88
103 O-CORD N70	0.103	3/32	\$0.90
118 O-CORD N70	0.118	3 MM	\$1.05
125 O-CORD N70	0.125	1/8	\$0.90
138 O-CORD N70	0.138	3.5 MM	\$1.05
139 O-CORD N70	0.139	1/8	\$0.93
157 O-CORD N70	0.157	4 MM	\$1.35
177 O-CORD N70	0.177	4.5 MM	\$1.25
187 O-CORD N70	0.187	3/16	\$1.25
197 O-CORD N70	0.197	5 MM	\$1.58
210 O-CORD N70	0.210	3/16	\$1.32
224 O-CORD N70	0.224	5.7 MM	\$1.71
236 O-CORD N70	0.236	6 MM	\$1.92
250 O-CORD N70	0.250	1/4	\$1.88
275 O-CORD N70	0.275	1/4	\$1.61

STANDARD EXAMPLE: 125 O-CORD N70		
Cross Section	Cord Type	Material
125	O-CORD	N70
1/8"	O-RING CORD	70A NBR

ROUND CROSS SECTION			
Part Number.	Actual Cross Section	Nominal Cross Section	Price/ft.
312 O-CORD N70	0.312	5/16	\$2.23
315 O-CORD N70	0.315	8 MM	\$2.81
331 O-CORD N70	0.331	8.4 MM	\$2.99
375 O-CORD N70	0.375	3/8	\$3.15
394 O-CORD N70	0.394	10 MM	\$4.09
437 O-CORD N70	0.437	7/16	\$3.45
472 O-CORD N70	0.472	12 MM	\$5.60
500 O-CORD N70	0.500	1/2	\$5.70
625 O-CORD N70	0.625	5/8	\$8.05
750 O-CORD N70	0.750	3/4	\$14.24

SQUARE CROSS SECTION			
Part Number.	Actual Cross Section	Nominal Cross Section	Price/ft.
099 SQ-CORD N70	0.099	3/32	\$1.01
203 SQ-CORD N70	0.203	3/16	\$1.62
266 SQ-CORD N70	0.266	1/4	\$2.33
375 SQ-CORD N70	0.375	3/8	\$4.81
394 SQ-CORD N70	0.394	10 MM	\$5.89
500 SQ-CORD N70	0.500	1/2	\$13.14

Metric O-Rings - 70 Durometer Nitrile

EXAMPLE: M125-140 N70				
Prefix	Inside Diameter		Cross Section	Material
M	125	-	140	N70
	1.25mm		1.40mm	70A NBR

Part No.	Price
M125-140 N70	\$0.13
M150-100 N70	\$0.15
M178-102 N70	\$0.16
M180-100 N70	\$0.16
M190-125 N70	\$0.16
M200-100 N70	\$0.16
M200-150 N70	\$0.16
M220-160 N70	\$0.12
M240-190 N70	\$0.12
M250-100 N70	\$0.13
M250-150 N70	\$0.16
M260-190 N70	\$0.11
M280-190 N70	\$0.10
M300-100 N70	\$0.10
M300-150 N70	\$0.13
M300-200 N70	\$0.10
M310-160 N70	\$0.13
M330-240 N70	\$0.10
M350-100 N70	\$0.22
M350-120 N70	\$0.24
M350-150 N70	\$0.13
M360-240 N70	\$0.24
M380-190 N70	\$0.10
M400-100 N70	\$0.18
M400-150 N70	\$0.18
M400-180 N70	\$0.18
M400-200 N70	\$0.18
M400-250 N70	\$0.21
M400-300 N70	\$0.22
M410-160 N70	\$0.14
M430-240 N70	\$0.29
M450-100 N70	\$0.32
M450-150 N70	\$0.25
M450-180 N70	\$0.33
M450-200 N70	\$0.33
M460-200 N70	\$0.34
M460-240 N70	\$0.30
M476-178 N70	\$0.30
M480-190 N70	\$0.10
M490-190 N70	\$0.11
M500-100 N70	\$0.23
M500-120 N70	\$0.23
M500-150 N70	\$0.10
M500-200 N70	\$0.10
M500-250 N70	\$0.21
M500-300 N70	\$0.21
M510-160 N70	\$0.18
M530-240 N70	\$0.29
M550-100 N70	\$0.32
M550-150 N70	\$0.32
M550-160 N70	\$0.32
M560-180 N70	\$0.25
M560-240 N70	\$0.30
M580-190 N70	\$0.25

Part No.	Price
M600-100 N70	\$0.10
M600-150 N70	\$0.10
M600-200 N70	\$0.10
M600-220 N70	\$0.36
M600-250 N70	\$0.10
M600-300 N70	\$0.14
M610-160 N70	\$0.20
M630-240 N70	\$0.32
M640-190 N70	\$0.27
M650-150 N70	\$0.23
M650-160 N70	\$0.23
M650-200 N70	\$0.24
M650-300 N70	\$0.32
M660-240 N70	\$0.30
M675-178 N70	\$0.21
M680-190 N70	\$0.14
M700-100 N70	\$0.15
M700-120 N70	\$0.18
M700-150 N70	\$0.22
M700-200 N70	\$0.10
M700-250 N70	\$0.22
M700-300 N70	\$0.35
M700-400 N70	\$0.30
M710-160 N70	\$0.30
M730-240 N70	\$0.32
M750-150 N70	\$0.37
M750-180 N70	\$0.37
M757-114 N70	\$0.43
M760-240 N70	\$0.37
M780-190 N70	\$0.13
M794-178 N70	\$0.22
M800-100 N70	\$0.10
M800-125 N70	\$0.33
M800-150 N70	\$0.22
M800-190 N70	\$0.26
M800-200 N70	\$0.10
M800-250 N70	\$0.10
M800-300 N70	\$0.13
M800-350 N70	\$0.35
M800-400 N70	\$0.50
M800-500 N70	\$0.67
M810-160 N70	\$0.30
M830-240 N70	\$0.32
M850-150 N70	\$0.24
M850-180 N70	\$0.27
M850-200 N70	\$0.27
M860-240 N70	\$0.33
M873-178 N70	\$0.28
M880-190 N70	\$0.14
M900-100 N70	\$0.16
M900-120 N70	\$0.27
M900-150 N70	\$0.10
M900-200 N70	\$0.21
M900-250 N70	\$0.10

Part No.	Price
M900-300 N70	\$0.14
M900-350 N70	\$0.50
M900-400 N70	\$0.17
M910-160 N70	\$0.29
M930-240 N70	\$0.30
M950-180 N70	\$0.33
M960-120 N70	\$0.33
M960-240 N70	\$0.33
M980-190 N70	\$0.17
M980-240 N70	\$0.20
M992-262 N70	\$0.62
M1000-100 N70	\$0.15
M1000-150 N70	\$0.10
M1000-200 N70	\$0.10
M1000-250 N70	\$0.21
M1000-300 N70	\$0.18
M1000-350 N70	\$0.33
M1000-400 N70	\$0.51
M1000-450 N70	\$0.64
M1010-160 N70	\$0.67
M1030-240 N70	\$0.32
M1050-150 N70	\$0.25
M1050-180 N70	\$0.30
M1060-240 N70	\$0.32
M1080-240 N70	\$0.26
M1100-150 N70	\$0.26
M1100-200 N70	\$0.18
M1100-250 N70	\$0.15
M1100-300 N70	\$0.15
M1100-400 N70	\$0.25
M1110-160 N70	\$0.30
M1120-180 N70	\$0.30
M1120-240 N70	\$0.30
M1130-240 N70	\$0.30
M1150-114 N70	\$0.38
M1150-130 N70	\$0.44
M1150-150 N70	\$0.27
M1150-200 N70	\$0.29
M1160-240 N70	\$0.32
M1180-180 N70	\$0.92
M1180-240 N70	\$0.32
M1191-262 N70	\$0.35
M1200-100 N70	\$0.32
M1200-120 N70	\$0.32
M1200-150 N70	\$0.10
M1200-200 N70	\$0.24
M1200-250 N70	\$0.13
M1200-300 N70	\$0.29
M1200-400 N70	\$0.26
M1200-450 N70	\$0.76
M1210-160 N70	\$0.35
M1230-240 N70	\$0.35
M1250-200 N70	\$0.29
M1250-265 N70	\$0.35

Part No.	Price
M1252-114 N70	\$0.30
M1260-240 N70	\$0.35
M1300-100 N70	\$0.33
M1300-150 N70	\$0.20
M1300-200 N70	\$0.18
M1300-250 N70	\$0.18
M1300-300 N70	\$0.22
M1310-160 N70	\$0.35
M1310-262 N70	\$0.35
M1320-178 N70	\$0.25
M1320-180 N70	\$0.25
M1330-240 N70	\$0.35
M1350-130 N70	\$0.43
M1350-150 N70	\$0.31
M1360-240 N70	\$0.33
M1380-240 N70	\$0.13
M1400-100 N70	\$0.28
M1400-125 N70	\$0.47
M1400-150 N70	\$0.29
M1400-200 N70	\$0.13
M1400-250 N70	\$0.14
M1400-265 N70	\$0.26
M1400-300 N70	\$0.22
M1400-350 N70	\$0.43
M1400-400 N70	\$0.32
M1410-160 N70	\$0.42
M1430-240 N70	\$0.42
M1460-240 N70	\$0.42
M1480-240 N70	\$0.43
M1500-100 N70	\$0.10
M1500-150 N70	\$0.10
M1500-200 N70	\$0.12
M1500-250 N70	\$0.14
M1500-300 N70	\$0.25
M1500-350 N70	\$0.43
M1500-400 N70	\$0.30
M1500-500 N70	\$0.40
M1500-700 N70	\$5.70
M1508-262 N70	\$0.35
M1510-160 N70	\$0.40
M1530-240 N70	\$0.40
M1550-150 N70	\$0.25
M1550-250 N70	\$0.41
M1550-450 N70	\$0.72
M1560-240 N70	\$0.37
M1580-240 N70	\$0.13
M1600-100 N70	\$0.38
M1600-125 N70	\$0.38
M1600-150 N70	\$0.24
M1600-180 N70	\$0.25
M1600-200 N70	\$0.13
M1600-250 N70	\$0.34
M1600-300 N70	\$0.27
M1600-350 N70	\$0.50

Metric O-Rings - 70 Durometer Nitrile, cont'd.

Part No.	Price
M1600-400 N70	\$0.61
M1600-500 N70	\$0.68
M1610-160 N70	\$0.35
M1630-240 N70	\$0.44
M1660-240 N70	\$0.45
M1700-150 N70	\$0.44
M1700-200 N70	\$0.13
M1700-250 N70	\$0.15
M1700-300 N70	\$0.27
M1700-400 N70	\$0.65
M1700-600 N70	\$0.86
M1710-160 N70	\$0.35
M1717-119 N70	\$0.87
M1730-240 N70	\$0.50
M1760-240 N70	\$0.35
M1780-240 N70	\$0.14
M1786-262 N70	\$0.36
M1800-150 N70	\$0.14
M1800-200 N70	\$0.13
M1800-250 N70	\$0.42
M1800-265 N70	\$0.32
M1800-300 N70	\$0.29
M1800-350 N70	\$0.68
M1800-355 N70	\$0.80
M1800-400 N70	\$0.85
M1810-160 N70	\$0.38
M1820-300 N70	\$0.91
M1830-240 N70	\$0.38
M1840-270 N70	\$1.14
M1860-240 N70	\$0.45
M1900-100 N70	\$0.37
M1900-150 N70	\$0.14
M1900-200 N70	\$0.14
M1900-250 N70	\$0.41
M1900-265 N70	\$0.56
M1900-300 N70	\$0.30
M1900-350 N70	\$0.73
M1900-400 N70	\$0.33
M1900-500 N70	\$0.50
M1900-700 N70	\$2.38
M1910-160 N70	\$0.52
M1920-300 N70	\$0.28
M1930-220 N70	\$0.51
M1930-240 N70	\$0.52
M1950-150 N70	\$0.46
M1950-200 N70	\$0.42
M1950-300 N70	\$0.49
M1960-240 N70	\$0.52
M1980-240 N70	\$0.52
M2000-100 N70	\$0.59
M2000-150 N70	\$0.12
M2000-200 N70	\$0.26
M2000-250 N70	\$0.46
M2000-265 N70	\$0.52
M2000-300 N70	\$0.30
M2000-400 N70	\$0.35
M2000-500 N70	\$0.52
M2000-600 N70	\$0.95
M2000-800 N70	\$2.16
M2010-160 N70	\$0.46
M2030-240 N70	\$0.58
M2064-262 N70	\$0.60

Part No.	Price
M2080-240 N70	\$0.25
M2100-100 N70	\$0.42
M2100-150 N70	\$0.43
M2100-200 N70	\$0.25
M2100-250 N70	\$0.20
M2100-300 N70	\$0.45
M2100-350 N70	\$0.31
M2100-400 N70	\$0.44
M2100-500 N70	\$0.52
M2120-240 N70	\$0.62
M2150-200 N70	\$0.26
M2150-250 N70	\$0.42
M2150-300 N70	\$0.56
M2160-240 N70	\$0.56
M2170-350 N70	\$0.45
M2180-240 N70	\$0.16
M2190-200 N70	\$0.35
M2200-150 N70	\$0.23
M2200-200 N70	\$0.47
M2200-250 N70	\$0.25
M2200-300 N70	\$0.32
M2200-350 N70	\$0.40
M2200-400 N70	\$0.69
M2200-500 N70	\$0.55
M2210-160 N70	\$0.55
M2220-300 N70	\$0.37
M2250-300 N70	\$0.57
M2300-150 N70	\$0.12
M2300-200 N70	\$0.25
M2300-250 N70	\$0.26
M2300-300 N70	\$0.38
M2300-350 N70	\$0.56
M2300-400 N70	\$0.37
M2300-500 N70	\$1.30
M2360-265 N70	\$0.51
M2370-350 N70	\$0.67
M2381-262 N70	\$0.65
M2400-150 N70	\$0.65
M2400-200 N70	\$0.32
M2400-250 N70	\$0.37
M2400-300 N70	\$0.39
M2400-400 N70	\$0.40
M2400-500 N70	\$0.66
M2400-600 N70	\$6.70
M2440-310 N70	\$0.40
M2450-180 N70	\$0.48
M2450-300 N70	\$0.58
M2460-240 N70	\$0.63
M2470-350 N70	\$0.40
M2500-100 N70	\$0.46
M2500-150 N70	\$0.18
M2500-200 N70	\$0.53
M2500-250 N70	\$0.53
M2500-300 N70	\$0.40
M2500-350 N70	\$0.40
M2500-400 N70	\$0.49
M2500-500 N70	\$0.95
M2500-600 N70	\$1.14
M2500-800 N70	\$2.63
M2510-160 N70	\$0.64
M2520-300 N70	\$0.71
M2530-240 N70	\$0.65

Part No.	Price
M2550-300 N70	\$0.86
M2570-350 N70	\$0.53
M2600-150 N70	\$0.56
M2600-200 N70	\$0.32
M2600-250 N70	\$0.32
M2600-300 N70	\$0.39
M2600-350 N70	\$0.50
M2600-400 N70	\$0.84
M2620-300 N70	\$0.69
M2620-360 N70	\$0.70
M2650-265 N70	\$0.70
M2650-300 N70	\$0.69
M2700-150 N70	\$0.14
M2700-200 N70	\$0.33
M2700-250 N70	\$0.72
M2700-300 N70	\$0.40
M2700-350 N70	\$0.61
M2700-400 N70	\$0.65
M2700-500 N70	\$0.68
M2710-160 N70	\$0.70
M2750-300 N70	\$0.70
M2760-240 N70	\$0.94
M2770-350 N70	\$0.56
M2800-100 N70	\$0.52
M2800-150 N70	\$0.32
M2800-200 N70	\$0.35
M2800-250 N70	\$0.32
M2800-300 N70	\$0.40
M2800-350 N70	\$0.73
M2800-400 N70	\$0.50
M2800-500 N70	\$0.66
M2850-200 N70	\$0.56
M2870-350 N70	\$0.53
M2900-200 N70	\$0.55
M2900-250 N70	\$0.34
M2900-300 N70	\$0.47
M2900-350 N70	\$0.91
M2900-400 N70	\$1.14
M2910-160 N70	\$0.78
M2920-300 N70	\$0.78
M2930-360 N70	\$1.06
M2940-100 N70	\$0.78
M2940-310 N70	\$0.54
M2950-300 N70	\$0.67
M2960-240 N70	\$0.76
M2970-350 N70	\$0.53
M2990-100 N70	\$0.73
M3000-150 N70	\$0.54
M3000-200 N70	\$0.41
M3000-250 N70	\$0.34
M3000-265 N70	\$0.47
M3000-300 N70	\$0.47
M3000-350 N70	\$0.54
M3000-355 N70	\$0.68
M3000-400 N70	\$0.60
M3000-500 N70	\$0.80
M3070-350 N70	\$0.56
M3100-150 N70	\$0.62
M3100-200 N70	\$0.41
M3100-250 N70	\$0.72
M3100-300 N70	\$0.46
M3100-400 N70	\$0.86

Part No.	Price
M3100-500 N70	\$1.05
M3150-200 N70	\$0.62
M3150-300 N70	\$1.03
M3160-240 N70	\$0.98
M3170-350 N70	\$0.55
M3200-150 N70	\$0.70
M3200-200 N70	\$0.76
M3200-250 N70	\$0.32
M3200-300 N70	\$0.50
M3200-350 N70	\$0.63
M3200-400 N70	\$0.64
M3200-450 N70	\$0.75
M3200-500 N70	\$0.85
M3210-160 N70	\$0.66
M3220-300 N70	\$0.88
M3250-300 N70	\$0.68
M3300-150 N70	\$0.61
M3300-200 N70	\$0.62
M3300-250 N70	\$0.81
M3300-300 N70	\$0.50
M3300-350 N70	\$0.95
M3300-400 N70	\$0.63
M3300-600 N70	\$2.70
M3330-240 N70	\$0.67
M3350-265 N70	\$1.21
M3350-300 N70	\$1.11
M3370-350 N70	\$0.67
M3400-200 N70	\$0.39
M3400-250 N70	\$0.77
M3400-300 N70	\$0.49
M3400-350 N70	\$1.04
M3400-400 N70	\$0.64
M3400-500 N70	\$1.21
M3400-700 N70	\$4.64
M3420-300 N70	\$0.72
M3440-310 N70	\$0.68
M3450-300 N70	\$0.88
M3460-240 N70	\$1.15
M3470-350 N70	\$1.24
M3500-150 N70	\$0.67
M3500-200 N70	\$0.70
M3500-250 N70	\$0.71
M3500-300 N70	\$0.54
M3500-350 N70	\$0.64
M3500-400 N70	\$0.68
M3500-500 N70	\$0.92
M3510-160 N70	\$0.86
M3550-200 N70	\$0.80
M3570-350 N70	\$1.31
M3600-150 N70	\$0.78
M3600-200 N70	\$0.40
M3600-250 N70	\$0.80
M3600-300 N70	\$0.54
M3600-350 N70	\$1.20
M3600-400 N70	\$1.51
M3600-500 N70	\$1.81
M3600-600 N70	\$1.72
M3620-300 N70	\$0.60
M3650-200 N70	\$0.75
M3650-265 N70	\$0.73
M3650-300 N70	\$1.05
M3700-150 N70	\$0.66

Metric O-Rings - 70 Durometer Nitrile, cont'd.

Part No.	Price
M3700-200 N70	\$0.49
M3700-250 N70	\$0.49
M3700-300 N70	\$0.73
M3700-350 N70	\$0.73
M3700-400 N70	\$0.75
M3700-500 N70	\$1.30
M3710-160 N70	\$1.82
M3750-300 N70	\$0.63
M3760-240 N70	\$1.15
M3770-350 N70	\$0.70
M3800-150 N70	\$0.73
M3800-200 N70	\$0.76
M3800-250 N70	\$0.52
M3800-300 N70	\$0.63
M3800-350 N70	\$0.75
M3800-400 N70	\$0.75
M3800-500 N70	\$1.42
M3870-265 N70	\$0.98
M3870-350 N70	\$0.73
M3900-150 N70	\$1.33
M3900-200 N70	\$0.56
M3900-250 N70	\$0.60
M3900-300 N70	\$0.61
M3900-500 N70	\$1.78
M3920-300 N70	\$1.28
M3920-570 N70	\$1.80
M3940-310 N70	\$0.73
M3950-150 N70	\$0.71
M3950-200 N70	\$0.75
M3950-300 N70	\$0.87
M3960-240 N70	\$0.99
M3970-350 N70	\$0.91
M3970-353 N70	\$1.20
M4000-150 N70	\$0.75
M4000-200 N70	\$0.76
M4000-250 N70	\$0.62
M4000-300 N70	\$0.64
M4000-350 N70	\$1.02
M4000-355 N70	\$1.35
M4000-400 N70	\$0.75
M4000-450 N70	\$1.43
M4000-500 N70	\$1.15
M4000-530 N70	\$1.15
M4000-800 N70	\$5.16
M4070-350 N70	\$0.88
M4100-200 N70	\$1.06
M4100-300 N70	\$0.94
M4100-400 N70	\$1.73
M4120-570 N70	\$2.23
M4128-353 N70	\$1.33
M4150-300 N70	\$1.24
M4170-350 N70	\$0.73
M4200-100 N70	\$0.75
M4200-150 N70	\$0.96
M4200-200 N70	\$0.52
M4200-250 N70	\$0.62
M4200-300 N70	\$0.70
M4200-350 N70	\$0.85
M4200-400 N70	\$0.85
M4200-500 N70	\$1.14
M4220-300 N70	\$0.97
M4250-300 N70	\$0.97

Part No.	Price
M4286-353 N70	\$1.02
M4300-150 N70	\$0.35
M4300-200 N70	\$0.51
M4300-250 N70	\$0.95
M4300-300 N70	\$0.70
M4300-400 N70	\$1.77
M4370-350 N70	\$0.95
M4400-200 N70	\$0.55
M4400-250 N70	\$0.86
M4400-300 N70	\$0.73
M4400-350 N70	\$0.84
M4400-400 N70	\$0.75
M4400-500 N70	\$1.16
M4420-300 N70	\$1.34
M4430-570 N70	\$1.35
M4440-310 N70	\$1.40
M4445-353 N70	\$1.42
M4450-300 N70	\$1.47
M4460-240 N70	\$1.26
M4470-350 N70	\$1.73
M4500-100 N70	\$2.42
M4500-150 N70	\$0.37
M4500-200 N70	\$0.51
M4500-250 N70	\$0.64
M4500-300 N70	\$0.71
M4500-350 N70	\$2.11
M4500-355 N70	\$1.79
M4500-400 N70	\$0.76
M4500-500 N70	\$1.17
M4500-530 N70	\$1.42
M4530-570 N70	\$1.34
M4550-150 N70	\$1.07
M4570-350 N70	\$0.98
M4600-150 N70	\$0.98
M4600-200 N70	\$0.72
M4600-250 N70	\$1.45
M4600-300 N70	\$0.81
M4600-450 N70	\$1.43
M4700-150 N70	\$0.95
M4700-200 N70	\$0.95
M4700-250 N70	\$0.68
M4700-300 N70	\$0.75
M4700-350 N70	\$0.98
M4700-400 N70	\$1.01
M4720-570 N70	\$2.13
M4760-240 N70	\$1.60
M4760-570 N70	\$2.40
M4770-350 N70	\$0.97
M4800-200 N70	\$0.75
M4800-250 N70	\$0.70
M4800-300 N70	\$0.75
M4800-350 N70	\$1.89
M4800-400 N70	\$0.97
M4800-450 N70	\$2.69
M4800-500 N70	\$2.70
M4870-350 N70	\$1.37
M4900-200 N70	\$0.88
M4900-300 N70	\$1.05
M4900-350 N70	\$1.55
M4900-400 N70	\$1.78
M4920-570 N70	\$1.93
M4930-570 N70	\$2.04

Part No.	Price
M4940-310 N70	\$1.55
M4950-200 N70	\$1.79
M4950-300 N70	\$0.85
M4950-650 N70	\$8.77
M4960-240 N70	\$1.53
M4960-570 N70	\$1.91
M4970-350 N70	\$1.01
M5000-150 N70	\$0.86
M5000-200 N70	\$0.71
M5000-250 N70	\$0.68
M5000-300 N70	\$0.98
M5000-350 N70	\$0.97
M5000-400 N70	\$1.06
M5000-500 N70	\$1.30
M5000-530 N70	\$1.40
M5000-600 N70	\$2.29
M5080-353 N70	\$1.78
M5100-200 N70	\$1.05
M5100-300 N70	\$0.92
M5100-400 N70	\$2.87
M5160-240 N70	\$1.63
M5160-570 N70	\$2.60
M5200-200 N70	\$0.71
M5200-250 N70	\$1.22
M5200-300 N70	\$0.83
M5200-350 N70	\$0.95
M5200-400 N70	\$1.08
M5200-500 N70	\$1.34
M5230-570 N70	\$2.36
M5260-570 N70	\$2.52
M5300-150 N70	\$0.65
M5300-250 N70	\$0.75
M5300-300 N70	\$1.17
M5300-350 N70	\$2.80
M5300-355 N70	\$2.55
M5300-400 N70	\$1.58
M5400-250 N70	\$0.75
M5400-300 N70	\$0.91
M5400-400 N70	\$1.18
M5400-500 N70	\$2.66
M5430-570 N70	\$2.66
M5440-310 N70	\$1.08
M5450-200 N70	\$1.28
M5450-300 N70	\$0.92
M5460-570 N70	\$2.42
M5500-150 N70	\$1.15
M5500-200 N70	\$0.84
M5500-250 N70	\$0.84
M5500-300 N70	\$0.87
M5500-350 N70	\$1.41
M5500-400 N70	\$1.12
M5500-500 N70	\$1.41
M5500-800 N70	\$6.75
M5530-570 N70	\$4.20
M5560-570 N70	\$2.68
M5600-200 N70	\$0.88
M5600-300 N70	\$0.91
M5600-350 N70	\$1.02
M5600-400 N70	\$1.08
M5600-530 N70	\$3.50
M5700-150 N70	\$0.86
M5700-200 N70	\$0.89

Part No.	Price
M5700-250 N70	\$0.89
M5700-300 N70	\$0.89
M5700-350 N70	\$1.82
M5700-400 N70	\$1.08
M5700-500 N70	\$2.43
M5700-800 N70	\$5.94
M5720-570 N70	\$3.03
M5740-310 N70	\$1.29
M5760-240 N70	\$1.74
M5760-570 N70	\$2.26
M5800-100 N70	\$3.39
M5800-200 N70	\$0.88
M5800-250 N70	\$0.88
M5800-300 N70	\$0.93
M5800-350 N70	\$1.08
M5800-400 N70	\$1.17
M5800-500 N70	\$1.41
M5874-353 N70	\$1.64
M5900-200 N70	\$1.12
M5900-250 N70	\$0.91
M5900-300 N70	\$0.95
M5900-400 N70	\$2.02
M5920-570 N70	\$2.14
M5930-500 N70	\$2.32
M5930-570 N70	\$2.32
M5940-310 N70	\$1.30
M5950-200 N70	\$1.64
M5950-300 N70	\$0.98
M5960-240 N70	\$1.67
M5960-570 N70	\$2.42
M6000-100 N70	\$1.75
M6000-200 N70	\$1.33
M6000-250 N70	\$0.78
M6000-300 N70	\$0.91
M6000-350 N70	\$1.03
M6000-355 N70	\$2.42
M6000-400 N70	\$1.33
M6000-500 N70	\$1.55
M6000-800 N70	\$5.77
M6100-150 N70	\$3.11
M6100-350 N70	\$3.11
M6100-500 N70	\$1.90
M6160-240 N70	\$2.23
M6160-570 N70	\$4.13
M6200-200 N70	\$1.23
M6200-300 N70	\$0.98
M6200-400 N70	\$1.31
M6200-600 N70	\$3.25
M6230-570 N70	\$3.47
M6260-570 N70	\$4.12
M6300-100 N70	\$1.06
M6300-200 N70	\$0.85
M6300-250 N70	\$1.14
M6300-300 N70	\$1.08
M6300-350 N70	\$1.27
M6300-400 N70	\$2.85
M6300-500 N70	\$2.97
M6300-530 N70	\$3.06
M6400-150 N70	\$2.16
M6400-200 N70	\$1.35
M6400-250 N70	\$1.40
M6400-300 N70	\$1.12



Metric O-Rings - 70 Durometer Nitrile, cont'd.

Part No.	Price
M6400-350 N70	\$2.10
M6400-400 N70	\$1.40
M6400-500 N70	\$2.66
M6430-570 N70	\$3.00
M6440-310 N70	\$1.30
M6450-200 N70	\$0.97
M6450-300 N70	\$1.14
M6460-240 N70	\$2.12
M6460-570 N70	\$2.79
M6500-150 N70	\$0.76
M6500-200 N70	\$1.90
M6500-250 N70	\$1.15
M6500-300 N70	\$1.18
M6500-350 N70	\$1.34
M6500-355 N70	\$3.60
M6500-400 N70	\$1.40
M6500-500 N70	\$1.70
M6510-353 N70	\$2.61
M6600-200 N70	\$1.26
M6600-300 N70	\$1.34
M6600-400 N70	\$1.55
M6600-500 N70	\$4.16
M6600-600 N70	\$5.95
M6650-200 N70	\$6.25
M6660-570 N70	\$4.17
M6700-200 N70	\$1.26
M6700-250 N70	\$1.15
M6700-300 N70	\$1.33
M6700-350 N70	\$1.38
M6700-400 N70	\$1.66
M6720-570 N70	\$4.35
M6760-240 N70	\$2.34
M6800-150 N70	\$2.21
M6800-200 N70	\$1.21
M6800-250 N70	\$2.53
M6800-300 N70	\$1.83
M6800-400 N70	\$1.56
M6800-500 N70	\$1.69
M6800-600 N70	\$5.22
M6800-800 N70	\$7.85
M6900-300 N70	\$1.31
M6900-350 N70	\$1.38
M6930-570 N70	\$2.70
M6940-310 N70	\$1.60
M6950-200 N70	\$1.33
M6960-240 N70	\$2.23
M6960-570 N70	\$2.94
M7000-200 N70	\$1.25
M7000-250 N70	\$1.29
M7000-300 N70	\$1.30
M7000-400 N70	\$1.60
M7000-500 N70	\$1.72
M7060-570 N70	\$3.51
M7100-150 N70	\$2.22
M7100-200 N70	\$1.49
M7100-350 N70	\$1.51
M7100-400 N70	\$1.42
M7100-530 N70	\$3.68
M7120-570 N70	\$4.05
M7200-150 N70	\$0.93
M7200-200 N70	\$1.25
M7200-250 N70	\$1.33

Part No.	Price
M7200-300 N70	\$1.36
M7200-350 N70	\$2.01
M7200-400 N70	\$1.68
M7220-570 N70	\$4.48
M7300-200 N70	\$1.33
M7300-300 N70	\$2.42
M7300-350 N70	\$1.55
M7300-400 N70	\$2.91
M7300-500 N70	\$1.91
M7400-200 N70	\$1.28
M7400-300 N70	\$1.31
M7400-350 N70	\$3.56
M7400-400 N70	\$2.62
M7420-570 N70	\$6.29
M7430-570 N70	\$2.34
M7440-310 N70	\$1.85
M7450-300 N70	\$1.37
M7460-570 N70	\$4.81
M7500-150 N70	\$1.90
M7500-200 N70	\$1.92
M7500-250 N70	\$1.30
M7500-300 N70	\$1.41
M7500-355 N70	\$2.75
M7500-400 N70	\$1.67
M7500-500 N70	\$1.91
M7500-530 N70	\$2.71
M7600-150 N70	\$1.93
M7600-200 N70	\$1.35
M7600-250 N70	\$1.31
M7600-300 N70	\$1.45
M7600-400 N70	\$1.93
M7600-500 N70	\$2.40
M7700-400 N70	\$2.47
M7720-570 N70	\$3.17
M7800-250 N70	\$1.70
M7800-300 N70	\$1.47
M7800-350 N70	\$2.51
M7800-400 N70	\$1.87
M7800-500 N70	\$2.15
M7900-200 N70	\$3.27
M7900-250 N70	\$4.55
M7900-300 N70	\$1.50
M7900-350 N70	\$2.27
M7905-262 N70	\$3.24
M7920-570 N70	\$4.81
M7930-570 N70	\$2.62
M7940-310 N70	\$1.94
M7950-300 N70	\$1.50
M7960-570 N70	\$3.48
M7977-533 N70	\$3.88
M8000-150 N70	\$2.85
M8000-200 N70	\$1.39
M8000-250 N70	\$1.55
M8000-300 N70	\$1.46
M8000-350 N70	\$2.79
M8000-400 N70	\$1.90
M8000-500 N70	\$2.11
M8000-530 N70	\$3.86
M8000-700 N70	\$10.69
M8100-150 N70	\$2.91
M8100-250 N70	\$3.21
M8100-400 N70	\$3.37

Part No.	Price
M8120-570 N70	\$6.61
M8200-1000 N70	\$20.16
M8200-300 N70	\$1.61
M8200-350 N70	\$2.08
M8200-400 N70	\$1.92
M8200-500 N70	\$2.05
M8220-570 N70	\$4.48
M8300-150 N70	\$2.31
M8300-300 N70	\$2.44
M8300-350 N70	\$2.59
M8300-400 N70	\$3.28
M8300-450 N70	\$3.51
M8400-300 N70	\$1.94
M8400-500 N70	\$4.53
M8420-570 N70	\$4.55
M8430-570 N70	\$2.59
M8440-310 N70	\$3.00
M8450-300 N70	\$2.09
M8460-570 N70	\$4.69
M8500-200 N70	\$1.45
M8500-250 N70	\$1.58
M8500-300 N70	\$1.60
M8500-350 N70	\$2.84
M8500-355 N70	\$3.10
M8500-400 N70	\$3.21
M8500-450 N70	\$5.17
M8500-500 N70	\$2.13
M8600-200 N70	\$1.45
M8600-250 N70	\$4.11
M8600-300 N70	\$1.68
M8600-350 N70	\$2.48
M8600-400 N70	\$2.82
M8700-200 N70	\$2.66
M8700-300 N70	\$3.78
M8720-570 N70	\$5.16
M8800-200 N70	\$2.05
M8800-300 N70	\$1.72
M8800-350 N70	\$3.00
M8800-400 N70	\$4.13
M8800-500 N70	\$4.98
M8800-840 N70	\$10.84
M8822-262 N70	\$2.06
M8900-300 N70	\$1.72
M8900-400 N70	\$2.04
M8900-500 N70	\$4.69
M8910-570 N70	\$3.10
M8930-570 N70	\$2.61
M8940-310 N70	\$1.97
M8960-570 N70	\$3.44
M9000-200 N70	\$1.46
M9000-250 N70	\$1.62
M9000-300 N70	\$1.68
M9000-350 N70	\$3.59
M9000-400 N70	\$1.90
M9000-500 N70	\$2.31
M9000-530 N70	\$5.22
M9000-800 N70	\$7.53
M9100-400 N70	\$3.70
M9200-200 N70	\$2.16
M9200-300 N70	\$1.71
M9200-350 N70	\$2.67
M9200-400 N70	\$2.15

Part No.	Price
M9200-500 N70	\$2.30
M9220-570 N70	\$5.33
M9300-200 N70	\$1.56
M9300-300 N70	\$3.10
M9300-350 N70	\$4.75
M9300-400 N70	\$3.63
M9400-200 N70	\$1.99
M9400-250 N70	\$1.67
M9400-300 N70	\$2.81
M9400-350 N70	\$3.80
M9400-400 N70	\$5.37
M9410-570 N70	\$4.32
M9430-570 N70	\$3.24
M9440-310 N70	\$2.68
M9450-300 N70	\$2.49
M9460-570 N70	\$5.30
M9500-150 N70	\$3.65
M9500-200 N70	\$2.81
M9500-250 N70	\$2.58
M9500-300 N70	\$1.71
M9500-355 N70	\$3.02
M9500-400 N70	\$2.11
M9500-450 N70	\$3.70
M9500-500 N70	\$2.49
M9600-200 N70	\$2.30
M9600-300 N70	\$1.73
M9600-350 N70	\$2.36
M9600-400 N70	\$2.42
M9700-500 N70	\$2.62
M9730-570 N70	\$5.63
M9800-300 N70	\$2.47
M9800-400 N70	\$2.34
M9800-500 N70	\$3.11
M9800-840 N70	\$12.03
M9900-300 N70	\$1.94
M9930-570 N70	\$3.25
M9940-310 N70	\$2.15
M9950-300 N70	\$2.15
M9960-570 N70	\$3.86
M10000-200 N70	\$1.71
M10000-250 N70	\$1.91
M10000-300 N70	\$1.91
M10000-400 N70	\$2.41
M10000-500 N70	\$2.79
M10000-530 N70	\$4.99
M10000-570 N70	\$4.86
M10000-600 N70	\$5.24
M10000-800 N70	\$5.12
M10000-1000 N70	\$13.78
M10100-250 N70	\$3.64
M10100-300 N70	\$4.49
M10100-400 N70	\$4.89
M10100-430 N70	\$8.94
M10160-570 N70	\$4.77
M10200-300 N70	\$1.75
M10200-400 N70	\$2.49
M10200-500 N70	\$3.31
M10200-840 N70	\$14.92
M10300-200 N70	\$2.16
M10300-250 N70	\$2.31
M10300-350 N70	\$3.11
M10300-400 N70	\$4.36

Metric O-Rings - 70 Durometer Nitrile, cont'd.

Part No.	Price
M10400-300 N70	\$2.01
M10400-400 N70	\$2.49
M10400-500 N70	\$5.65
M10410-570 N70	\$3.59
M10430-570 N70	\$3.36
M10440-310 N70	\$2.38
M10450-300 N70	\$1.94
M10460-570 N70	\$4.00
M10500-150 N70	\$10.32
M10500-200 N70	\$3.03
M10500-250 N70	\$2.68
M10500-300 N70	\$2.94
M10500-350 N70	\$2.49
M10500-400 N70	\$2.60
M10500-500 N70	\$2.80
M10600-240 N70	\$2.42
M10600-300 N70	\$1.93
M10600-350 N70	\$3.47
M10600-355 N70	\$3.94
M10600-500 N70	\$4.73
M10700-250 N70	\$3.94
M10700-300 N70	\$4.04
M10700-400 N70	\$4.12
M10700-500 N70	\$2.88
M10800-300 N70	\$1.93
M10800-400 N70	\$2.53
M10800-500 N70	\$2.86
M10900-200 N70	\$3.25
M10900-300 N70	\$3.64
M10900-350 N70	\$4.93
M10930-570 N70	\$3.57
M10940-310 N70	\$3.29
M10950-300 N70	\$1.88
M10960-570 N70	\$6.21
M11000-200 N70	\$1.92
M11000-250 N70	\$1.92
M11000-300 N70	\$1.94
M11000-350 N70	\$3.22
M11000-400 N70	\$2.58
M11000-450 N70	\$6.02
M11000-500 N70	\$2.93
M11000-600 N70	\$6.82
M11000-800 N70	\$9.64
M11100-400 N70	\$6.27
M11100-500 N70	\$6.55
M11160-570 N70	\$6.25
M11200-350 N70	\$2.62
M11200-400 N70	\$2.66
M11200-450 N70	\$6.61
M11200-500 N70	\$2.97
M11200-530 N70	\$7.85
M11200-600 N70	\$9.13
M11300-350 N70	\$3.97
M11300-500 N70	\$5.70
M11400-300 N70	\$5.18
M11400-400 N70	\$2.73
M11400-500 N70	\$5.90
M11400-600 N70	\$6.03
M11430-570 N70	\$4.28
M11440-310 N70	\$2.91
M11450-300 N70	\$1.94
M11460-570 N70	\$5.36

Part No.	Price
M11500-250 N70	\$3.36
M11500-300 N70	\$1.91
M11500-350 N70	\$3.80
M11500-400 N70	\$2.54
M11500-450 N70	\$4.98
M11500-500 N70	\$4.87
M11600-350 N70	\$4.03
M11600-500 N70	\$4.18
M11700-400 N70	\$2.60
M11710-178 N70	\$4.06
M11800-200 N70	\$4.26
M11800-250 N70	\$2.74
M11800-300 N70	\$1.95
M11800-350 N70	\$2.63
M11800-355 N70	\$4.46
M11800-400 N70	\$2.72
M11800-500 N70	\$2.92
M11800-600 N70	\$5.19
M11900-300 N70	\$3.07
M11930-570 N70	\$3.94
M11940-310 N70	\$3.11
M11950-300 N70	\$2.84
M11960-570 N70	\$4.24
M12000-200 N70	\$4.20
M12000-250 N70	\$2.42
M12000-300 N70	\$2.12
M12000-350 N70	\$2.77
M12000-400 N70	\$2.77
M12000-500 N70	\$3.25
M12000-600 N70	\$3.74
M12100-300 N70	\$3.88
M12100-400 N70	\$6.15
M12100-500 N70	\$3.30
M12200-200 N70	\$2.93
M12200-300 N70	\$3.92
M12200-500 N70	\$5.81
M12200-600 N70	\$6.95
M12300-300 N70	\$2.98
M12400-200 N70	\$4.35
M12400-300 N70	\$3.87
M12400-400 N70	\$4.02
M12430-570 N70	\$3.89
M12440-310 N70	\$3.43
M12450-300 N70	\$3.45
M12460-570 N70	\$4.71
M12500-300 N70	\$1.92
M12500-350 N70	\$4.78
M12500-500 N70	\$3.38
M12500-530 N70	\$5.23
M12600-300 N70	\$4.48
M12600-400 N70	\$2.90
M12600-500 N70	\$6.50
M12700-300 N70	\$3.15
M12700-400 N70	\$2.92
M12800-300 N70	\$2.20
M12800-400 N70	\$3.30
M12800-500 N70	\$4.51
M12900-250 N70	\$2.79
M12900-350 N70	\$3.72
M12900-400 N70	\$3.68
M12930-570 N70	\$3.78
M12940-178 N70	\$6.11

Part No.	Price
M12940-310 N70	\$3.16
M12950-300 N70	\$3.18
M12960-570 N70	\$5.55
M13000-250 N70	\$4.25
M13000-300 N70	\$2.19
M13000-400 N70	\$2.89
M13000-500 N70	\$3.47
M13160-570 N70	\$5.69
M13200-300 N70	\$2.38
M13200-350 N70	\$3.41
M13200-500 N70	\$5.29
M13200-600 N70	\$9.79
M13200-1000 N70	\$76.37
M13300-400 N70	\$3.69
M13400-300 N70	\$3.51
M13400-400 N70	\$2.92
M13400-570 N70	\$5.03
M13400-600 N70	\$7.80
M13430-570 N70	\$4.32
M13440-310 N70	\$2.05
M13450-300 N70	\$3.54
M13460-570 N70	\$5.67
M13500-300 N70	\$2.34
M13500-400 N70	\$5.19
M13500-500 N70	\$5.32
M13600-250 N70	\$3.66
M13600-300 N70	\$3.67
M13600-400 N70	\$3.77
M13700-250 N70	\$3.90
M13700-300 N70	\$4.07
M13700-400 N70	\$3.74
M13800-500 N70	\$3.74
M13900-500 N70	\$5.42
M13900-600 N70	\$9.34
M13930-570 N70	\$4.40
M13940-310 N70	\$2.38
M13960-570 N70	\$6.04
M14000-250 N70	\$2.63
M14000-300 N70	\$4.17
M14000-350 N70	\$4.25
M14000-355 N70	\$4.37
M14000-400 N70	\$3.76
M14000-450 N70	\$6.74
M14000-500 N70	\$3.79
M14000-530 N70	\$9.13
M14100-300 N70	\$7.53
M14200-300 N70	\$6.52
M14200-400 N70	\$3.12
M14200-600 N70	\$7.27
M14200-700 N70	\$6.79
M14300-150 N70	\$5.23
M14300-500 N70	\$8.13
M14400-400 N70	\$5.07
M14400-500 N70	\$6.38
M14410-840 N70	\$12.37
M14430-570 N70	\$4.52
M14440-310 N70	\$3.74
M14460-570 N70	\$5.04
M14500-300 N70	\$2.40
M14500-350 N70	\$3.73
M14500-400 N70	\$6.14
M14500-500 N70	\$6.28

Part No.	Price
M14600-300 N70	\$8.09
M14600-400 N70	\$4.78
M14700-350 N70	\$5.97
M14800-250 N70	\$9.59
M14800-300 N70	\$5.50
M14800-500 N70	\$6.39
M14800-600 N70	\$9.24
M14800-1000 N70	\$17.09
M14900-300 N70	\$3.31
M14910-840 N70	\$11.92
M14930-570 N70	\$5.50
M14950-300 N70	\$4.39
M14950-840 N70	\$13.43
M14960-570 N70	\$7.13
M15000-250 N70	\$3.91
M15000-300 N70	\$3.30
M15000-350 N70	\$7.69
M15000-400 N70	\$3.35
M15000-450 N70	\$7.39
M15000-500 N70	\$3.50
M15000-530 N70	\$4.64
M15164-178 N70	\$5.51
M15200-200 N70	\$5.24
M15200-400 N70	\$7.57
M15200-500 N70	\$7.97
M15300-200 N70	\$8.62
M15300-300 N70	\$6.35
M15300-350 N70	\$6.35
M15400-300 N70	\$5.61
M15430-570 N70	\$5.77
M15450-840 N70	\$12.83
M15500-250 N70	\$5.91
M15500-300 N70	\$3.51
M15500-400 N70	\$4.10
M15500-500 N70	\$4.68
M15600-250 N70	\$12.44
M15600-300 N70	\$4.39
M15800-400 N70	\$8.12
M15800-500 N70	\$7.33
M15900-400 N70	\$7.76
M15900-500 N70	\$9.87
M15930-570 N70	\$6.35
M15950-840 N70	\$13.87
M16000-300 N70	\$3.65
M16000-400 N70	\$3.54
M16000-500 N70	\$5.32
M16000-600 N70	\$5.65
M16100-300 N70	\$7.20
M16200-450 N70	\$16.17
M16300-300 N70	\$7.92
M16400-400 N70	\$5.26
M16430-570 N70	\$6.51
M16440-310 N70	\$12.11
M16450-300 N70	\$5.18
M16450-840 N70	\$13.40
M16500-300 N70	\$7.90
M16500-400 N70	\$8.88
M16500-450 N70	\$10.57
M16500-500 N70	\$4.88
M16600-300 N70	\$5.73
M16600-600 N70	\$13.69
M16700-400 N70	\$9.91

Metric O-Rings - 70 Durometer Nitrile, cont'd.

Part No.	Price
M16700-500 N70	\$10.44
M16800-300 N70	\$5.98
M16800-350 N70	\$6.99
M16800-600 N70	\$13.97
M16830-699 N70	\$8.37
M16930-570 N70	\$6.55
M16950-840 N70	\$13.93
M17000-300 N70	\$3.70
M17000-350 N70	\$4.31
M17000-355 N70	\$7.85
M17000-400 N70	\$3.68
M17000-500 N70	\$9.24
M17000-530 N70	\$6.42
M17000-1000 N70	\$17.13
M17100-300 N70	\$5.44
M17100-400 N70	\$13.08
M17100-500 N70	\$15.40
M17200-400 N70	\$6.33
M17300-400 N70	\$7.78
M17400-300 N70	\$5.47
M17400-350 N70	\$9.37
M17400-400 N70	\$9.24
M17430-570 N70	\$8.36
M17440-310 N70	\$13.21
M17450-840 N70	\$16.97
M17500-300 N70	\$4.25
M17500-350 N70	\$4.80
M17500-500 N70	\$5.50
M17600-300 N70	\$5.54
M17700-200 N70	\$10.77
M17700-300 N70	\$9.89
M17700-400 N70	\$6.90
M17700-500 N70	\$12.88
M17700-600 N70	\$12.43
M17800-400 N70	\$9.97
M17900-500 N70	\$13.36
M17930-570 N70	\$11.55
M17940-310 N70	\$13.65
M17950-840 N70	\$14.81
M18000-300 N70	\$4.12
M18000-350 N70	\$4.44
M18000-400 N70	\$6.44
M18000-500 N70	\$5.23
M18000-530 N70	\$10.05
M18000-1000 N70	\$58.26
M18100-700 N70	\$13.15
M18200-500 N70	\$7.69
M18400-300 N70	\$8.82
M18400-400 N70	\$12.17
M18400-500 N70	\$12.85
M18430-570 N70	\$8.72
M18450-300 N70	\$9.14
M18450-840 N70	\$14.77
M18500-300 N70	\$11.72
M18500-400 N70	\$12.17
M18500-500 N70	\$12.40
M18500-1000 N70	\$58.64
M18600-300 N70	\$14.58
M18700-300 N70	\$14.96
M18700-500 N70	\$16.57
M18800-300 N70	\$12.33

Part No.	Price
M18800-500 N70	\$17.97
M18900-300 N70	\$6.92
M18930-570 N70	\$8.77
M18950-300 N70	\$7.27
M18950-840 N70	\$15.42
M19000-530 N70	\$10.72
M19000-600 N70	\$13.81
M19000-700 N70	\$15.60
M19100-350 N70	\$12.22
M19100-500 N70	\$13.67
M19200-400 N70	\$13.83
M19300-350 N70	\$14.38
M19370-699 N70	\$14.56
M19400-300 N70	\$5.93
M19430-570 N70	\$8.89
M19450-840 N70	\$18.11
M19500-300 N70	\$10.61
M19500-400 N70	\$11.43
M19500-500 N70	\$6.12
M19700-300 N70	\$10.59
M19900-600 N70	\$16.83
M19930-570 N70	\$10.20
M19950-840 N70	\$15.75
M20000-300 N70	\$12.74
M20000-350 N70	\$6.94
M20000-400 N70	\$8.08
M20000-500 N70	\$6.25
M20000-600 N70	\$15.35
M20000-1000 N70	\$21.50
M20200-350 N70	\$6.44
M20410-840 N70	\$17.03
M20440-310 N70	\$26.41
M20450-840 N70	\$15.75
M20500-300 N70	\$4.70
M20500-400 N70	\$10.41
M20500-500 N70	\$11.11
M20500-600 N70	\$12.47
M20600-350 N70	\$17.29
M20600-700 N70	\$24.22
M20850-840 N70	\$17.42
M20892-699 N70	\$18.23
M20900-300 N70	\$19.76
M20930-570 N70	\$11.04
M20940-310 N70	\$15.18
M20950-840 N70	\$19.08
M21000-200 N70	\$9.77
M21000-300 N70	\$9.77
M21000-350 N70	\$7.01
M21000-500 N70	\$13.45
M21100-350 N70	\$21.39
M21200-500 N70	\$16.67
M21400-400 N70	\$17.19
M21450-840 N70	\$17.55
M21500-300 N70	\$6.27
M21500-400 N70	\$14.71
M21500-500 N70	\$18.44
M21600-500 N70	\$19.26
M21700-500 N70	\$10.75
M21800-300 N70	\$16.78
M21800-530 N70	\$38.43
M21900-300 N70	\$10.85

Part No.	Price
M21930-570 N70	\$11.10
M21950-840 N70	\$17.36
M22000-400 N70	\$18.30
M22000-500 N70	\$9.35
M22000-800 N70	\$25.39
M22000-1000 N70	\$33.38
M22000-1400 N70	\$60.53
M22150-570 N70	\$15.47
M22200-500 N70	\$18.38
M22400-350 N70	\$11.98
M22400-700 N70	\$19.18
M22450-840 N70	\$17.36
M22500-300 N70	\$6.77
M22500-500 N70	\$9.96
M22800-400 N70	\$14.83
M22900-500 N70	\$19.82
M22930-570 N70	\$11.21
M22950-300 N70	\$17.39
M22950-840 N70	\$32.57
M23000-500 N70	\$11.75
M23300-300 N70	\$7.33
M23400-300 N70	\$24.85
M23430-570 N70	\$12.18
M23432-699 N70	\$25.67
M23450-840 N70	\$26.93
M23500-400 N70	\$22.04
M23500-500 N70	\$10.85
M23500-600 N70	\$15.02
M23600-500 N70	\$16.76
M23600-700 N70	\$27.48
M23900-350 N70	\$24.37
M23930-570 N70	\$12.08
M23950-840 N70	\$27.76
M24000-200 N70	\$23.50
M24000-300 N70	\$7.59
M24000-400 N70	\$10.80
M24000-500 N70	\$11.90
M24200-250 N70	\$31.37
M24200-300 N70	\$31.39
M24200-400 N70	\$16.28
M24200-600 N70	\$17.74
M24300-500 N70	\$21.59
M24450-840 N70	\$28.50
M24500-300 N70	\$16.83
M24500-500 N70	\$11.78
M24700-699 N70	\$20.78
M24900-400 N70	\$19.39
M24930-570 N70	\$12.91
M24950-840 N70	\$28.59
M25000-300 N70	\$12.05
M25000-400 N70	\$10.33
M25000-500 N70	\$11.17
M25400-300 N70	\$15.08
M25440-310 N70	\$16.16
M25450-840 N70	\$27.01
M25500-300 N70	\$8.31
M25500-400 N70	\$15.03
M25500-500 N70	\$11.93
M25500-800 N70	\$34.21
M25930-570 N70	\$13.76
M25950-840 N70	\$26.87

Part No.	Price
M25970-699 N70	\$24.45
M26000-400 N70	\$23.61
M26000-500 N70	\$23.99
M26300-400 N70	\$24.14
M26430-570 N70	\$25.53
M26450-840 N70	\$34.58
M26500-400 N70	\$11.19
M26500-500 N70	\$12.52
M26800-600 N70	\$26.38
M26900-300 N70	\$29.58
M26930-570 N70	\$14.35
M26950-840 N70	\$30.79
M27000-300 N70	\$16.81
M27000-400 N70	\$11.13
M27000-500 N70	\$19.08
M27200-700 N70	\$29.84
M27240-699 N70	\$24.01
M27450-840 N70	\$28.07
M27500-500 N70	\$12.52
M27800-400 N70	\$15.27
M27800-1200 N70	\$83.49
M27930-570 N70	\$14.33
M27950-840 N70	\$28.77
M28000-300 N70	\$13.16
M28000-500 N70	\$23.55
M28200-350 N70	\$23.58
M28200-600 N70	\$24.46
M28450-840 N70	\$34.84
M28500-300 N70	\$13.67
M28500-400 N70	\$13.58
M28500-500 N70	\$20.49
M28510-699 N70	\$25.05
M28700-500 N70	\$32.02
M28930-570 N70	\$15.87
M28950-840 N70	\$32.06
M29000-250 N70	\$14.11
M29000-500 N70	\$15.53
M29000-600 N70	\$21.19
M29100-500 N70	\$33.84
M29100-800 N70	\$33.33
M29200-200 N70	\$27.95
M29450-840 N70	\$35.10
M29500-500 N70	\$20.20
M29700-400 N70	\$23.32
M29780-699 N70	\$15.00
M29930-570 N70	\$16.05
M29950-840 N70	\$33.74
M30000-300 N70	\$12.57
M30000-350 N70	\$26.75
M30000-400 N70	\$21.09
M30000-500 N70	\$15.17
M30000-800 N70	\$96.69
M30400-570 N70	\$45.60
M30900-400 N70	\$69.21
M31000-500 N70	\$26.95
M31050-699 N70	\$31.86
M31400-400 N70	\$29.25
M31450-840 N70	\$39.49
M31930-570 N70	\$26.18
M31950-840 N70	\$43.32
M32000-350 N70	\$28.52

Metric O-Rings - 70 Durometer Nitrile, cont'd.

Part No.	Price
M32000-400 N70	\$20.28
M32320-699 N70	\$33.68
M32500-700 N70	\$38.45
M32930-570 N70	\$30.48
M33000-500 N70	\$15.38
M33500-300 N70	\$13.71
M33500-500 N70	\$19.83
M33500-600 N70	\$25.68
M33600-600 N70	\$26.17
M33700-570 N70	\$54.92
M33900-300 N70	\$26.18
M33930-570 N70	\$33.02
M34000-400 N70	\$25.26
M34000-800 N70	\$54.15
M34200-500 N70	\$26.20
M34500-350 N70	\$22.08
M34500-500 N70	\$18.19
M34800-353 N70	\$23.49
M34950-840 N70	\$43.24
M35000-300 N70	\$20.43
M35000-500 N70	\$24.04
M35000-600 N70	\$36.25

Part No.	Price
M35500-600 N70	\$37.17
M35900-700 N70	\$50.89
M35930-570 N70	\$26.87
M36000-400 N70	\$23.25
M36400-500 N70	\$31.14
M36500-600 N70	\$39.25
M36500-700 N70	\$42.63
M36700-350 N70	\$35.56
M36800-300 N70	\$27.15
M36800-353 N70	\$27.27
M37500-500 N70	\$25.96
M37500-840 N70	\$43.68
M37930-570 N70	\$24.92
M38000-300 N70	\$18.41
M38200-800 N70	\$119.09
M38450-840 N70	\$66.96
M38930-570 N70	\$66.17
M39200-350 N70	\$20.27
M39200-400 N70	\$21.35
M39300-350 N70	\$20.47
M39400-350 N70	\$20.68
M39500-350 N70	\$23.58

Part No.	Price
M39930-570 N70	\$26.72
M39950-840 N70	\$71.79
M40000-700 N70	\$56.86
M40200-200 N70	\$67.27
M40500-1500 N70	\$159.06
M41200-700 N70	\$50.03
M41500-200 N70	\$42.92
M41900-350 N70	\$35.85
M42300-570 N70	\$38.57
M42950-840 N70	\$107.21
M43000-400 N70	\$37.21
M43930-570 N70	\$42.56
M44000-400 N70	\$42.29
M44000-500 N70	\$43.87
M44000-1000 N70	\$130.51
M45000-300 N70	\$40.17
M45930-570 N70	\$34.64
M46300-1000 N70	\$56.15
M46500-530 N70	\$150.94
M46950-840 N70	\$40.79
M47000-800 N70	\$133.49
M47000-1000 N70	\$70.84

Part No.	Price
M48200-400 N70	\$26.16
M49000-800 N70	\$99.91
M49100-400 N70	\$91.13
M49500-570 N70	\$45.36
M49500-840 N70	\$192.36
M49900-500 N70	\$82.00
M49950-840 N70	\$95.66
M51000-600 N70	\$64.65
M51600-600 N70	\$44.17
M51930-570 N70	\$106.25
M52200-840 N70	\$99.06
M52500-800 N70	\$83.43
M52700-800 N70	\$86.72
M54400-600 N70	\$66.45
M54500-700 N70	\$58.42
M57000-1000 N70	\$105.78
M59627-700 N70	\$89.50
M66500-600 N70	\$91.23
M68000-700 N70	\$158.49
M73600-700 N70	\$114.51
M74500-600 N70	\$160.99

Metric O-Rings - 90 Durometer Nitrile

Part No.	Price
M380-190 N90	\$0.09
M480-190 N90	\$0.12
M500-150 N90	\$0.20
M510-160 N90	\$0.20
M580-190 N90	\$0.20
M700-150 N90	\$0.25
M720-190 N90	\$0.25
M730-240 N90	\$0.25
M780-190 N90	\$0.25
M800-190 N90	\$0.25
M800-250 N90	\$0.25
M875-178 N90	\$0.25
M880-190 N90	\$0.25
M890-270 N90	\$0.25
M900-150 N90	\$0.25
M900-200 N90	\$0.16
M980-190 N90	\$0.20
M1000-200 N90	\$0.20
M1000-250 N90	\$0.26
M1030-240 N90	\$0.30
M1100-200 N90	\$0.31
M1130-240 N90	\$0.48
M1150-150 N90	\$0.31
M1200-200 N90	\$0.31
M1230-240 N90	\$0.58
M1300-250 N90	\$0.25
M1380-240 N90	\$0.55
M1400-200 N90	\$0.23
M1430-240 N90	\$0.56
M1500-150 N90	\$0.55
M1510-270 N90	\$0.55
M1530-240 N90	\$0.55
M1580-240 N90	\$0.59
M1600-200 N90	\$0.23

Part No.	Price
M1610-160 N90	\$0.27
M1630-240 N90	\$0.65
M1730-240 N90	\$0.65
M1780-240 N90	\$0.59
M1786-262 N90	\$0.77
M1800-200 N90	\$0.45
M1800-250 N90	\$0.43
M1900-200 N90	\$0.28
M1900-250 N90	\$0.45
M1900-300 N90	\$0.54
M1950-200 N90	\$0.28
M2000-150 N90	\$1.95
M2000-200 N90	\$0.35
M2000-250 N90	\$0.51
M2000-400 N90	\$1.20
M2030-240 N90	\$0.71
M2080-240 N90	\$0.75
M2100-150 N90	\$0.28
M2100-250 N90	\$0.56
M2100-300 N90	\$0.85
M2130-240 N90	\$0.77
M2160-350 N90	\$0.58
M2170-350 N90	\$0.48
M2180-240 N90	\$0.80
M2200-250 N90	\$0.41
M2200-300 N90	\$0.49
M2210-350 N90	\$0.72
M2300-300 N90	\$0.75
M2370-350 N90	\$0.76
M2400-200 N90	\$0.64
M2400-300 N90	\$0.77
M2440-310 N90	\$0.70
M2470-350 N90	\$0.76
M2500-200 N90	\$1.50

Part No.	Price
M2500-250 N90	\$0.46
M2600-300 N90	\$0.57
M2770-350 N90	\$1.07
M2800-300 N90	\$0.63
M2870-350 N90	\$1.24
M2900-250 N90	\$0.89
M2920-300 N90	\$0.85
M2940-310 N90	\$0.72
M2970-350 N90	\$1.22
M3000-400 N90	\$1.76
M3030-240 N90	\$1.80
M3170-350 N90	\$1.33
M3200-300 N90	\$0.93
M3300-400 N90	\$1.95
M3400-300 N90	\$1.40
M3400-350 N90	\$1.35
M3440-310 N90	\$0.72
M3470-350 N90	\$1.46
M3500-300 N90	\$1.12
M3620-300 N90	\$1.45
M3770-350 N90	\$1.45
M3800-180 N90	\$0.82
M3800-300 N90	\$1.90
M3940-310 N90	\$0.75
M3970-353 N90	\$2.50
M4100-300 N90	\$2.55
M4190-300 N90	\$1.34
M4200-300 N90	\$2.56
M4200-500 N90	\$2.12
M4400-300 N90	\$1.41
M4440-310 N90	\$1.48
M4445-353 N90	\$2.94
M4450-300 N90	\$1.55
M4700-200 N90	\$0.89

Part No.	Price
M4870-350 N90	\$2.25
M4940-310 N90	\$1.57
M4960-570 N90	\$2.51
M4970-350 N90	\$2.29
M5400-300 N90	\$2.41
M5420-300 N90	\$1.81
M5440-310 N90	\$1.76
M5500-400 N90	\$3.25
M5600-300 N90	\$2.22
M5700-500 N90	\$2.85
M5940-310 N90	\$1.82
M6200-300 N90	\$2.10
M6220-300 N90	\$2.16
M6300-300 N90	\$3.12
M6400-300 N90	\$2.47
M6430-570 N90	\$4.10
M6440-310 N90	\$1.98
M6450-300 N90	\$2.42
M6660-570 N90	\$4.56
M6800-300 N90	\$2.67
M6800-400 N90	\$2.71
M6900-300 N90	\$2.94
M6930-570 N90	\$4.50
M6940-310 N90	\$2.03
M6960-570 N90	\$4.53
M7000-400 N90	\$4.14
M7060-570 N90	\$4.69
M7200-400 N90	\$4.37
M7440-310 N90	\$2.58
M7940-310 N90	\$2.50
M7960-570 N90	\$4.98
M8000-400 N90	\$5.58
M8410-570 N90	\$9.28
M8430-570 N90	\$11.25

Metric O-Rings - 90 Durometer Nitrile, cont'd.

Part No.	Price
M8440-310 N90	\$2.43
M8900-570 N90	\$5.76
M8910-570 N90	\$10.05
M8930-570 N90	\$10.05
M8940-310 N90	\$2.45
M8960-570 N90	\$5.85
M9200-300 N90	\$3.02
M9430-570 N90	\$4.50
M9440-310 N90	\$2.51
M9930-570 N90	\$6.45
M9940-310 N90	\$2.73
M9960-570 N90	\$6.45
M10000-500 N90	\$5.59
M10420-570 N90	\$7.18
M10440-310 N90	\$2.77
M10930-570 N90	\$7.27
M10940-310 N90	\$2.81
M10950-300 N90	\$3.10
M10960-570 N90	\$7.28

Part No.	Price
M11200-400 N90	\$9.22
M11420-570 N90	\$7.98
M11440-310 N90	\$2.87
M11460-570 N90	\$7.53
M11700-400 N90	\$8.42
M11940-310 N90	\$3.10
M11960-570 N90	\$7.65
M12430-570 N90	\$7.89
M12440-310 N90	\$3.27
M12460-570 N90	\$7.79
M12930-570 N90	\$8.32
M12940-310 N90	\$3.31
M12960-570 N90	\$7.92
M13000-400 N90	\$11.25
M13430-570 N90	\$8.58
M13440-310 N90	\$4.77
M13460-570 N90	\$7.98
M13500-300 N90	\$3.30
M13930-570 N90	\$9.92

Part No.	Price
M13940-310 N90	\$6.78
M13960-570 N90	\$8.01
M14430-570 N90	\$9.84
M14440-310 N90	\$4.10
M14460-570 N90	\$8.26
M14930-570 N90	\$8.57
M14950-840 N90	\$27.14
M14960-570 N90	\$9.57
M15000-840 N90	\$27.17
M15430-570 N90	\$9.84
M15930-570 N90	\$10.24
M16430-570 N90	\$11.81
M16550-400 N90	\$9.78
M16930-570 N90	\$11.93
M17400-400 N90	\$12.15
M17430-570 N90	\$12.42
M17930-570 N90	\$14.15
M18200-300 N90	\$21.34
M18450-840 N90	\$27.76

Part No.	Price
M18930-570 N90	\$14.46
M19200-400 N90	\$29.44
M20430-570 N90	\$19.24
M20930-570 N90	\$22.24
M20950-840 N90	\$29.14
M21930-570 N90	\$25.37
M22930-570 N90	\$26.33
M23450-840 N90	\$42.78
M24930-570 N90	\$28.50
M25930-570 N90	\$34.17
M25950-840 N90	\$49.57
M26930-570 N90	\$34.43
M27500-250 N90	\$63.04
M29930-570 N90	\$37.40
M33930-570 N90	\$52.14
M35400-250 N90	\$91.33
M51500-840 N90	\$147.92

Metric O-Rings - 75 Durometer FKM

These O-Rings may be Black or Brown

Part No.	Price
M340-190 V75	\$0.98
M350-100 V75	\$0.54
M360-240 V75	\$1.16
M400-100 V75	\$1.37
M400-150 V75	\$0.55
M430-240 V75	\$1.19
M450-150 V75	\$1.98
M500-150 V75	\$0.58
M510-160 V75	\$0.85
M530-240 V75	\$1.21
M550-100 V75	\$0.66
M550-150 V75	\$0.66
M580-190 V75	\$0.64
M600-100 V75	\$0.60
M600-120 V75	\$0.62
M600-150 V75	\$0.65
M600-200 V75	\$0.67
M600-300 V75	\$1.57
M630-240 V75	\$1.26
M700-150 V75	\$0.61
M700-175 V75	\$4.68
M700-200 V75	\$0.77
M710-160 V75	\$0.80
M730-240 V75	\$1.27
M750-200 V75	\$0.82
M800-100 V75	\$2.58
M800-150 V75	\$0.76
M800-200 V75	\$1.04
M830-240 V75	\$1.28
M880-190 V75	\$0.87
M890-190 V75	\$0.62
M900-120 V75	\$0.87
M930-220 V75	\$0.94

Part No.	Price
M930-240 V75	\$1.31
M950-250 V75	\$1.39
M980-240 V75	\$1.53
M1000-200 V75	\$1.14
M1000-250 V75	\$1.52
M1000-400 V75	\$3.65
M1010-160 V75	\$1.08
M1030-240 V75	\$1.54
M1050-200 V75	\$1.22
M1100-150 V75	\$1.03
M1100-200 V75	\$1.24
M1100-250 V75	\$1.57
M1110-150 V75	\$3.60
M1110-160 V75	\$1.59
M1130-220 V75	\$1.15
M1130-240 V75	\$1.55
M1160-240 V75	\$1.69
M1180-240 V75	\$1.75
M1200-150 V75	\$1.08
M1200-200 V75	\$1.35
M1200-250 V75	\$1.66
M1200-300 V75	\$1.96
M1210-160 V75	\$1.21
M1300-100 V75	\$1.75
M1300-200 V75	\$1.44
M1300-250 V75	\$1.71
M1330-240 V75	\$1.76
M1360-240 V75	\$1.93
M1400-150 V75GR	\$1.41
M1400-200 V70GR	\$1.50
M1400-400 V75	\$5.11
M1410-160 V75	\$1.80
M1450-165 V75	\$6.31

Part No.	Price
M1480-240 V75	\$1.98
M1500-150 V75	\$1.01
M1500-300 V75	\$2.15
M1500-500 V75	\$8.62
M1530-240 V75	\$2.00
M1550-250 V75	\$2.00
M1600-150 V75	\$0.60
M1600-200 V75	\$1.60
M1600-400 V75	\$5.68
M1630-240 V75	\$2.04
M1700-200 V75	\$1.75
M1700-250 V75	\$2.03
M1700-300 V75	\$2.36
M1700-400 V75	\$6.04
M1750-150 V75	\$2.27
M1760-240 V75	\$2.31
M1786-262 V75	\$2.59
M1800-300 V75	\$2.39
M1810-160 V75	\$6.78
M1900-100 V75	\$2.30
M1900-175 V75	\$3.58
M1900-180 V75	\$3.43
M1900-300 V75	\$2.57
M1950-300 V75	\$2.64
M2000-200 V75	\$1.81
M2000-250 V75	\$2.16
M2000-300 V75	\$3.11
M2100-200 V75	\$2.01
M2130-240 V75	\$2.62
M2200-150 V75	\$1.27
M2200-250 V75	\$2.58
M2250-200 V75	\$2.58
M2250-300 V75	\$2.74

Part No.	Price
M2300-200 V75	\$2.51
M2350-300 V75	\$2.84
M2370-350 V75	\$6.67
M2400-150 V75	\$1.43
M2400-175 V75	\$10.63
M2400-300 V75	\$2.99
M2130-240 V75	\$2.36
M2450-300 V75	\$3.05
M2460-300 V75	\$3.01
M2500-150 V75	\$2.44
M2500-200 V75	\$2.09
M2500-250 V75	\$2.82
M2500-400 V75	\$6.46
M2600-200 V75	\$2.24
M2600-300 V75	\$4.11
M2600-500 V75	\$10.81
M2700-200 V75	\$2.30
M2710-160 V75	\$3.42
M2750-300 V75	\$3.33
M2800-200 V75	\$2.70
M2800-300 V75	\$3.46
M2910-160 V75	\$3.50
M2940-310 V75	\$4.78
M3000-200 V75	\$3.08
M3000-250 V75	\$3.38
M3000-350 V75	\$9.54
M3100-200 V75	\$3.40
M3200-200 V75	\$2.75
M3200-300 V75	\$3.85
M3300-150 V75	\$2.28
M3300-400 V75	\$4.87
M3350-200 V75	\$2.85
M3400-150 V75	\$2.91

Metric O-Rings - 75 Durometer FKM, cont'd.

Part No.	Price
M3400-200 V75	\$2.98
M3420-300 V75	\$4.27
M3440-310 V75	\$4.99
M3500-150 V75	\$2.96
M3500-300 V75	\$4.39
M3520-570 V75	\$10.08
M3600-200 V75	\$3.42
M3600-250 V75	\$3.73
M3600-500 V75	\$14.97
M3700-300 V75	\$4.73
M3730-360 V75	\$10.07
M3800-200 V75	\$3.80
M3800-250 V75	\$4.47
M3800-350 V75	\$10.81
M3800-400 V75	\$6.68
M3800-600 V75	\$21.44
M3900-250 V75	\$4.52
M3900-300 V75	\$4.77
M3920-300 V75	\$4.86
M3940-310 V75	\$6.09
M3970-353 V75	\$6.97
M4000-200 V75	\$3.93
M4000-250 V75	\$5.11
M4000-500 V75	\$16.65
M4100-300 V75	\$5.00
M4160-240 V75	\$4.61
M4200-200 V75	\$4.16
M4200-300 V75	\$5.04
M4200-500 V75	\$17.48
M4300-150 V75	\$4.51

Part No.	Price
M4370-350 V75	\$12.13
M4400-400 V75	\$7.61
M4500-300 V75	\$5.16
M4500-400 V75	\$8.22
M4600-200 V75	\$5.23
M4700-300 V75	\$5.42
M5000-200 V75	\$4.35
M5000-300 V75	\$5.55
M5000-400 V75	\$8.71
M5200-250 V75	\$5.16
M5200-300 V75	\$5.88
M5200-350 V75	\$12.50
M5200-500 V75	\$20.98
M5300-250 V75	\$6.77
M5300-300 V75	\$5.71
M5400-300 V75	\$5.98
M5450-300 V75	\$6.15
M5500-150 V75	\$5.94
M5700-300 V75	\$6.25
M5760-570 V75	\$19.64
M6000-300 V75	\$6.79
M6100-500 V75	\$24.62
M6300-400 V75	\$10.97
M6440-310 V75	\$11.12
M6500-200 V75	\$6.20
M6500-300 V75	\$7.03
M6700-400 V75	\$10.55
M6940-310 V75	\$10.63
M7200-400 V75	\$12.53
M7430-570 V75	\$14.77

Part No.	Price
M7450-300 V75	\$8.13
M7500-300 V75	\$8.52
M7500-500 V75	\$30.28
M7600-300 V75	\$8.94
M7600-400 V75	\$11.45
M7900-250 V75	\$10.09
M8000-250 V75	\$12.21
M8400-500 V75	\$31.53
M8500-300 V75	\$10.00
M8500-350 V75	\$20.44
M8500-400 V75	\$10.46
M8534-178 V75	\$12.57
M8600-300 V75	\$10.89
M8920-570 V75	\$25.74
M9000-350 V75	\$22.13
M9200-400 V75	\$16.02
M9450-300 V75	\$11.11
M9500-450 V75	\$30.62
M9600-300 V75	\$11.33
M9600-400 V75	\$16.72
M9700-400 V75	\$17.00
M9940-310 V75	\$14.61
M9960-570 V75	\$27.19
M10000-250 V75	\$14.72
M10000-400 V75	\$17.86
M10500-200 V75	\$10.01
M10500-800 V75	\$52.60
M10700-300 V75	\$12.62
M10700-500 V75	\$29.41
M10800-500 V75	\$40.55

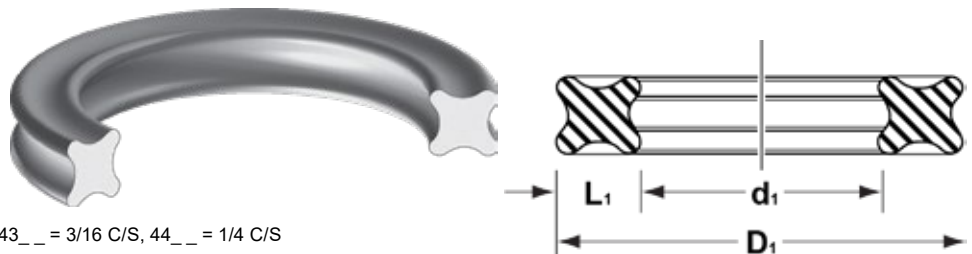
Part No.	Price
M11300-300 V75	\$13.33
M11450-300 V75	\$14.78
M11500-400 V75	\$20.80
M11800-500 V75	\$49.57
M12450-300 V75	\$16.28
M13000-300 V75	\$17.09
M14000-300 V75	\$20.27
M14900-300 V75	\$27.23
M15200-400 V75	\$27.49
M15500-300 V75	\$31.06
M15950-300 V75	\$34.94
M16600-300 V75	\$45.58
M16700-400 V75	\$30.44
M16930-570 V75	\$52.17
M18400-300 V75	\$47.74
M19900-570 V75	\$59.21
M20000-300 V75	\$49.46
M20300-350 V75	\$49.92
M20320-942 V75	\$352.55
M20600-350 V75	\$50.66
M20600-500 V75	\$74.84
M21930-570 V75	\$78.53
M22500-500 V75	\$81.74
M23000-570 V75	\$92.48
M23600-700 V75	\$83.95
M24930-570 V75	\$100.24
M32000-500 V75	\$127.17
M36500-600 V75	\$209.33
M46200-700 V75	\$193.12

Quad Rings - 70 Durometer Nitrile - Inch

ALTERNATIVE SEALS: Can interchange with Standard AS568A Series O-Rings or Lathe Cuts. If static application can use DR or HS (Head Seal)

EXAMPLE: 4209 366Y		
Prefix	AS568A DASH #	Material
*4_ _ _	209	366Y
		N70

* 40_ _ = 1/16 C/S, 41_ _ = 3/32 C/S, 42_ _ = 1/8 C/S, 43_ _ = 3/16 C/S, 44_ _ = 1/4 C/S



Quad rings are four-lobed seals that provide twice the sealing surface of an o-ring. They are free of mold parting lines (flash) or blemishes on those surfaces. The quad design resists spiral twist as is common with o-rings in reciprocating situations. Standard material is 70 durometer nitrile. Other materials available upon request.

Part No.	Price
4002 366Y	\$1.15
4003 366Y	\$1.15
4004 366Y	\$1.16
4005 366Y	\$1.16
4006 366Y	\$1.16
4007 366Y	\$1.17
4008 366Y	\$1.18
4009 366Y	\$1.20
4010 366Y	\$1.19
4011 366Y	\$1.20
4012 366Y	\$1.21
4013 366Y	\$1.21
4014 366Y	\$1.22

Part No.	Price
4015 366Y	\$1.23
4016 366Y	\$1.46
4017 366Y	\$1.47
4018 366Y	\$1.48
4019 366Y	\$1.52
4020 366Y	\$1.53
4021 366Y	\$1.53
4022 366Y	\$1.85
4023 366Y	\$1.86
4024 366Y	\$1.87
4025 366Y	\$1.98
4026 366Y	\$2.04
4027 366Y	\$2.20

Part No.	Price
4028 366Y	\$2.23
4029 366Y	\$2.29
4030 366Y	\$2.43
4031 366Y	\$2.44
4032 366Y	\$2.54
4033 366Y	\$2.39
4034 366Y	\$2.42
4035 366Y	\$2.47
4036 366Y	\$2.94
4037 366Y	\$2.72
4038 366Y	\$3.23
4039 366Y	\$3.13
4041 366Y	\$3.20

Part No.	Price
4042 366Y	\$3.29
4043 366Y	\$3.72
4044 366Y	\$5.21
4045 366Y	\$4.86
4046 366Y	\$5.11
4047 366Y	\$5.89
4048 366Y	\$6.19
4049 366Y	\$8.56
4050 366Y	\$7.75
4104 366Y	\$0.97
4105 366Y	\$0.98
4106 366Y	\$1.00
4107 366Y	\$1.01

Quad Rings - 70 Durometer Nitrile, cont'd.

Part No.	Price
4108 366Y	\$1.07
4109 366Y	\$1.18
4110 366Y	\$1.26
4111 366Y	\$1.35
4112 366Y	\$1.38
4113 366Y	\$1.40
4114 366Y	\$1.42
4115 366Y	\$1.44
4116 366Y	\$1.48
4117 366Y	\$1.52
4118 366Y	\$1.60
4119 366Y	\$1.64
4120 366Y	\$1.64
4121 366Y	\$1.64
4122 366Y	\$1.66
4123 366Y	\$1.69
4124 366Y	\$1.71
4125 366Y	\$1.73
4126 366Y	\$1.75
4127 366Y	\$1.77
4128 366Y	\$1.78
4129 366Y	\$1.80
4130 366Y	\$1.82
4131 366Y	\$1.93
4132 366Y	\$1.96
4133 366Y	\$1.98
4134 366Y	\$2.02
4135 366Y	\$2.45
4136 366Y	\$2.54
4137 366Y	\$2.71
4138 366Y	\$2.83
4139 366Y	\$2.99
4140 366Y	\$3.13
4141 366Y	\$3.29
4142 366Y	\$3.41
4143 366Y	\$3.20
4144 366Y	\$3.63
4145 366Y	\$3.69
4146 366Y	\$3.78
4147 366Y	\$3.86
4148 366Y	\$3.90
4149 366Y	\$3.82
4150 366Y	\$4.14
4151 366Y	\$3.99
4152 366Y	\$4.01
4153 366Y	\$4.07
4154 366Y	\$4.09
4155 366Y	\$4.32
4156 366Y	\$4.11
4157 366Y	\$4.17
4158 366Y	\$4.89
4159 366Y	\$5.05
4160 366Y	\$8.75
4161 366Y	\$7.17
4162 366Y	\$9.16
4163 366Y	\$9.28
4164 366Y	\$9.61
4165 366Y	\$11.61
4166 366Y	\$13.12
4167 366Y	\$13.30
4169 366Y	\$13.72
4170 366Y	\$13.85
4171 366Y	\$54.18
4172 366Y	\$55.06
4173 366Y	\$61.94

Part No.	Price
4174 366Y	\$62.85
4177 366Y	\$69.46
4178 366Y	\$70.81
4201 366Y	\$3.79
4202 366Y	\$1.55
4203 366Y	\$2.08
4204 366Y	\$1.55
4205 366Y	\$1.55
4206 366Y	\$1.55
4207 366Y	\$1.55
4208 366Y	\$1.55
4209 366Y	\$1.55
4210 366Y	\$1.55
4211 366Y	\$1.55
4212 366Y	\$1.56
4213 366Y	\$1.59
4214 366Y	\$1.62
4215 366Y	\$1.63
4216 366Y	\$1.68
4217 366Y	\$1.74
4218 366Y	\$1.83
4219 366Y	\$1.86
4220 366Y	\$2.04
4221 366Y	\$2.05
4222 366Y	\$2.06
4223 366Y	\$2.42
4224 366Y	\$2.43
4225 366Y	\$2.44
4226 366Y	\$2.47
4227 366Y	\$2.48
4228 366Y	\$2.68
4229 366Y	\$2.72
4230 366Y	\$2.79
4231 366Y	\$2.81
4232 366Y	\$2.82
4233 366Y	\$2.82
4234 366Y	\$2.82
4235 366Y	\$2.82
4236 366Y	\$2.82
4237 366Y	\$2.82
4238 366Y	\$4.44
4239 366Y	\$4.61
4240 366Y	\$4.78
4241 366Y	\$4.96
4242 366Y	\$4.96
4243 366Y	\$5.13
4244 366Y	\$5.15
4245 366Y	\$5.14
4246 366Y	\$5.14
4247 366Y	\$5.16
4248 366Y	\$5.30
4249 366Y	\$5.32
4250 366Y	\$5.34
4251 366Y	\$5.37
4252 366Y	\$6.32
4253 366Y	\$8.00
4254 366Y	\$8.03
4255 366Y	\$8.35
4256 366Y	\$8.68
4257 366Y	\$9.70
4258 366Y	\$9.89
4259 366Y	\$10.21
4260 366Y	\$10.03
4261 366Y	\$11.38
4262 366Y	\$11.97

Part No.	Price
4263 366Y	\$12.28
4264 366Y	\$12.66
4265 366Y	\$12.33
4266 366Y	\$13.29
4267 366Y	\$16.79
4268 366Y	\$18.50
4269 366Y	\$19.96
4270 366Y	\$20.99
4271 366Y	\$22.10
4272 366Y	\$23.12
4273 366Y	\$23.59
4274 366Y	\$24.76
4275 366Y	\$27.28
4276 366Y	\$27.44
4277 366Y	\$37.13
4279 366Y	\$50.48
4310 366Y	\$3.50
4311 366Y	\$3.50
4312 366Y	\$2.04
4313 366Y	\$2.04
4314 366Y	\$2.04
4315 366Y	\$2.08
4316 366Y	\$2.09
4317 366Y	\$2.14
4318 366Y	\$2.18
4319 366Y	\$2.27
4320 366Y	\$2.33
4321 366Y	\$2.37
4322 366Y	\$2.41
4323 366Y	\$2.44
4324 366Y	\$2.44
4325 366Y	\$2.59
4326 366Y	\$2.64
4327 366Y	\$2.67
4328 366Y	\$2.74
4329 366Y	\$2.96
4330 366Y	\$3.04
4331 366Y	\$3.04
4332 366Y	\$2.98
4333 366Y	\$3.28
4334 366Y	\$3.33
4335 366Y	\$3.54
4336 366Y	\$3.69
4337 366Y	\$3.80
4338 366Y	\$3.80
4339 366Y	\$3.85
4340 366Y	\$5.05
4341 366Y	\$5.40
4342 366Y	\$5.70
4343 366Y	\$5.75
4344 366Y	\$6.74
4345 366Y	\$7.50
4346 366Y	\$8.71
4347 366Y	\$8.94
4348 366Y	\$8.72
4349 366Y	\$8.75
4350 366Y	\$8.90
4351 366Y	\$9.62
4352 366Y	\$9.73
4353 366Y	\$9.96
4354 366Y	\$11.27
4355 366Y	\$11.54
4356 366Y	\$12.03
4357 366Y	\$12.40
4358 366Y	\$12.71

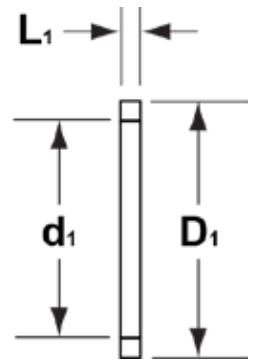
Part No.	Price
4359 366Y	\$13.58
4360 366Y	\$14.09
4361 366Y	\$14.66
4362 366Y	\$15.67
4363 366Y	\$16.01
4364 366Y	\$17.82
4365 366Y	\$18.81
4366 366Y	\$19.64
4367 366Y	\$20.15
4368 366Y	\$21.70
4369 366Y	\$23.15
4370 366Y	\$24.82
4371 366Y	\$25.81
4372 366Y	\$26.82
4373 366Y	\$28.85
4374 366Y	\$26.68
4375 366Y	\$31.69
4376 366Y	\$33.73
4378 366Y	\$38.69
4379 366Y	\$39.32
4380 366Y	\$40.62
4388 366Y	\$58.97
4425 366Y	\$8.32
4426 366Y	\$8.36
4427 366Y	\$8.44
4428 366Y	\$8.56
4429 366Y	\$9.42
4430 366Y	\$9.45
4431 366Y	\$9.68
4432 366Y	\$10.43
4433 366Y	\$10.43
4434 366Y	\$10.62
4435 366Y	\$10.65
4436 366Y	\$10.67
4437 366Y	\$11.08
4438 366Y	\$11.18
4439 366Y	\$11.36
4440 366Y	\$12.08
4441 366Y	\$12.35
4442 366Y	\$12.94
4443 366Y	\$13.31
4444 366Y	\$15.43
4445 366Y	\$17.99
4446 366Y	\$19.14
4447 366Y	\$19.24
4448 366Y	\$27.82
4449 366Y	\$30.25
4450 366Y	\$33.50
4451 366Y	\$36.17
4452 366Y	\$36.29
4453 366Y	\$37.72
4454 366Y	\$50.68
4455 366Y	\$44.05
4456 366Y	\$54.90
4457 366Y	\$56.02
4458 366Y	\$43.80
4459 366Y	\$58.23
4460 366Y	\$62.31
4461 366Y	\$65.32
4462 366Y	\$68.14
4464 366Y	\$76.21
4465 366Y	\$94.36
4466 366Y	\$92.47
4471 366Y	\$132.83
4472 366Y	\$125.54

Square Cut Ring - 70 Durometer Nitrile - Inch



ALTERNATIVE SEALS: Will interchange with Standard AS568A Series O-Rings & Quad Rings

EXAMPLE: -252S N70			
Prefix	568 DASH #	Material	
-	252	S	N70
			70A NBR



*All measurements are nominal

Part Number	I.D. d ₁	O.D. D ₁	HT L ₁	Price
-005S N70	3/32	7/32	0.066	\$0.58
-006S N70	1/8	1/4	0.066	\$0.58
-007S N70	5/32	9/32	0.066	\$0.58
-008S N70	3/16	5/16	0.066	\$0.58
-009S N70	7/32	11/32	0.066	\$0.58
-011S N70	5/16	7/16	0.066	\$0.58
-012S N70	3/8	1/2	0.066	\$0.24
-013S N70	7/16	9/16	0.066	\$0.58
-014S N70	1/2	5/8	0.066	\$0.24
-015S N70	9/16	11/16	0.066	\$0.24
-016S N70	5/8	3/4	0.066	\$0.24
-017S N70	11/16	13/16	0.066	\$0.27
-018S N70	3/4	7/8	0.066	\$0.28
-019S N70	13/16	15/16	0.066	\$0.29
-020S N70	7/8	1	0.066	\$0.30
-021S N70	15/16	1 1/16	0.066	\$0.31
-022S N70	1	1 1/8	0.066	\$0.31
-023S N70	1 1/16	1 3/16	0.066	\$0.32
-024S N70	1 1/8	1 1/4	0.066	\$0.33
-025S N70	1 3/16	1 5/16	0.066	\$0.35
-026S N70	1 1/4	1 3/8	0.066	\$0.36
-027S N70	1 5/16	1 7/16	0.066	\$0.36
-028S N70	1 3/8	1 1/2	0.066	\$0.36
-029S N70	1 1/2	1 5/8	0.066	\$0.38
-030S N70	1 5/8	1 3/4	0.066	\$0.47
-031S N70	1 3/4	1 7/8	0.066	\$0.62
-032S N70	1 7/8	2	0.066	\$0.65
-033S N70	2	2 1/8	0.066	\$0.66
-034S N70	2 1/8	2 1/4	0.066	\$0.67
-035S N70	2 1/4	2 3/8	0.066	\$0.71
-036S N70	2 3/8	2 1/2	0.066	\$0.72
-037S N70	2 1/2	2 5/8	0.066	\$0.73
-038S N70	2 5/8	2 3/4	0.066	\$0.74
-039S N70	2 3/4	2 7/8	0.066	\$0.77
-040S N70	2 7/8	3	0.066	\$0.83

Part Number	I.D. d ₁	O.D. D ₁	HT L ₁	Price
-041S N70	3	3 1/8	0.066	\$0.98
-042S N70	3 1/4	3 3/8	0.066	\$0.99
-043S N70	3 1/2	3 5/8	0.066	\$1.03
-044S N70	3 3/4	3 7/8	0.066	\$1.05
-045S N70	4	4 1/8	0.066	\$1.13
-046S N70	4 1/4	4 3/8	0.066	\$1.19
-047S N70	4 1/2	4 5/8	0.066	\$1.34
-048S N70	4 3/4	4 7/8	0.066	\$1.76
-049S N70	5	5 1/8	0.066	\$1.83
-109S N70	5/16	1/2	0.099	\$0.35
-110S N70	3/8	9/16	0.099	\$0.34
-111S N70	7/16	5/8	0.099	\$0.49
-112S N70	1/2	11/16	0.099	\$0.52
-113S N70	9/16	3/4	0.099	\$0.55
-114S N70	5/8	13/16	0.099	\$0.58
-115S N70	11/16	7/8	0.099	\$0.61
-116S N70	3/4	15/16	0.099	\$0.53
-117S N70	13/16	1	0.099	\$0.36
-118S N70	7/8	1 1/16	0.099	\$0.36
-119S N70	15/16	1 1/8	0.099	\$0.36
-120S N70	1	1 3/16	0.099	\$0.36
-121S N70	1 1/16	1 1/4	0.099	\$0.38
-122S N70	1 1/8	1 5/16	0.099	\$0.63
-123S N70	1 3/16	1 3/8	0.099	\$0.75
-124S N70	1 1/4	1 7/16	0.099	\$0.80
-125S N70	1 5/16	1 1/2	0.099	\$0.82
-126S N70	1 3/8	1 9/16	0.099	\$0.82
-127S N70	1 7/16	1 5/8	0.099	\$0.83
-128S N70	1 1/2	1 11/16	0.099	\$0.83
-129S N70	1 9/16	1 3/4	0.099	\$0.83
-130S N70	1 5/8	1 13/16	0.099	\$0.84
-131S N70	1 11/16	1 7/8	0.099	\$0.84
-132S N70	1 3/4	1 15/16	0.099	\$0.86
-133S N70	1 13/16	2	0.099	\$0.87
-134S N70	1 7/8	2 1/16	0.099	\$0.87

Square Ring - 70 Durometer Nitrile, cont'd.

Part Number	I.D. d ₁	O.D. D ₁	HT L ₁	Price
-135S N70	1 15/16	2 1/8	0.099	\$0.87
-136S N70	2	2 3/16	0.099	\$0.88
-137S N70	2 1/16	2 1/4	0.099	\$0.88
-138S N70	2 1/8	2 5/16	0.099	\$0.88
-139S N70	2 3/16	2 3/8	0.099	\$0.89
-140S N70	2 1/4	2 7/16	0.099	\$0.89
-141S N70	2 5/16	2 1/2	0.099	\$0.89
-142S N70	2 3/8	2 9/16	0.099	\$0.89
-143S N70	2 7/16	2 5/8	0.099	\$0.91
-144S N70	2 1/2	2 11/16	0.099	\$0.91
-145S N70	2 9/16	2 3/4	0.099	\$0.91
-146S N70	2 5/8	2 13/16	0.099	\$0.91
-147S N70	2 11/16	2 7/8	0.099	\$0.91
-148S N70	2 3/4	2 15/16	0.099	\$0.93
-149S N70	2 13/16	3	0.099	\$0.93
-150S N70	2 7/8	3 1/16	0.099	\$0.93
-151S N70	3	3 3/16	0.099	\$0.94
-152S N70	3 1/4	3 7/16	0.099	\$0.95
-153S N70	3 1/2	3 11/16	0.099	\$0.98
-154S N70	3 3/4	3 15/16	0.099	\$1.07
-155S N70	4	4 3/16	0.099	\$1.28
-156S N70	4 1/4	4 7/16	0.099	\$1.58
-157S N70	4 1/2	4 11/16	0.099	\$1.94
-158S N70	4 3/4	4 15/16	0.099	\$2.03
-159S N70	5	5 3/16	0.099	\$2.30
-160S N70	5 1/4	5 7/16	0.099	\$2.44
-162S N70	5 3/4	5 15/16	0.099	\$2.93
-163S N70	6	6 3/16	0.099	\$3.04
-164S N70	6 1/4	6 7/16	0.099	\$3.17
-165S N70	6 1/2	6 11/16	0.099	\$3.59
-166S N70	6 3/4	6 15/16	0.099	\$3.75
-167S N70	7	7 3/16	0.099	\$5.11
-203S N70	5/16	9/16	0.134	\$0.97
-204S N70	3/8	5/8	0.134	\$0.98
-205S N70	7/16	11/16	0.134	\$1.00
-206S N70	1/2	3/4	0.134	\$0.46
-207S N70	9/16	13/16	0.134	\$0.47
-208S N70	5/8	7/8	0.134	\$0.48
-209S N70	11/16	15/16	0.134	\$0.48
-210S N70	3/4	1	0.134	\$0.48
-211S N70	13/16	1 1/16	0.134	\$0.49
-212S N70	7/8	1 1/8	0.134	\$0.49
-213S N70	15/16	1 3/16	0.134	\$0.49
-214S N70	1	1 1/4	0.134	\$0.49
-215S N70	1 1/16	1 5/16	0.134	\$0.49
-216S N70	1 1/8	1 3/8	0.134	\$0.49
-217S N70	1 3/16	1 7/16	0.134	\$0.59

Part Number	I.D. d ₁	O.D. D ₁	HT L ₁	Price
-218S N70	1 1/4	1 1/2	0.134	\$0.59
-219S N70	1 5/16	1 9/16	0.134	\$0.60
-220S N70	1 3/8	1 5/8	0.134	\$0.59
-221S N70	1 7/16	1 11/16	0.134	\$0.61
-222S N70	1 1/2	1 3/4	0.134	\$0.61
-223S N70	1 5/8	1 7/8	0.134	\$0.62
-224S N70	1 3/4	2	0.134	\$0.62
-225S N70	1 7/8	2 1/8	0.134	\$0.62
-226S N70	2	2 1/4	0.134	\$0.65
-227S N70	2 1/8	2 3/8	0.134	\$0.67
-228S N70	2 1/4	2 1/2	0.134	\$0.68
-229S N70	2 3/8	2 5/8	0.134	\$0.68
-230S N70	2 1/2	2 3/4	0.134	\$0.68
-231S N70	2 5/8	2 7/8	0.134	\$0.69
-232S N70	2 3/4	3	0.134	\$0.69
-233S N70	2 7/8	3 1/8	0.134	\$0.69
-234S N70	3	3 1/4	0.134	\$0.69
-235S N70	3 1/8	3 3/8	0.134	\$0.96
-236S N70	3 1/4	3 1/2	0.134	\$0.96
-237S N70	3 3/8	3 5/8	0.134	\$0.98
-238S N70	3 1/2	3 3/4	0.134	\$0.98
-239S N70	3 5/8	3 7/8	0.134	\$0.98
-240S N70	3 3/4	4	0.134	\$1.04
-241S N70	3 7/8	4 1/8	0.134	\$1.10
-242S N70	4	4 1/4	0.134	\$1.05
-243S N70	4 1/8	4 3/8	0.134	\$1.10
-244S N70	4 1/4	4 1/2	0.134	\$1.18
-245S N70	4 3/8	4 5/8	0.134	\$1.23
-246S N70	4 1/2	4 3/4	0.134	\$1.40
-247S N70	4 5/8	4 7/8	0.134	\$1.71
-248S N70	4 3/4	5	0.134	\$1.86
-249S N70	4 7/8	5 1/8	0.134	\$1.92
-250S N70	5	5 1/4	0.134	\$2.04
-251S N70	5 1/8	5 3/8	0.134	\$2.10
-252S N70	5 1/4	5 1/2	0.134	\$2.22
-253S N70	5 3/8	5 5/8	0.134	\$2.28
-254S N70	5 1/2	5 3/4	0.134	\$2.35
-256S N70	5 3/4	6	0.134	\$2.52
-258S N70	6	6 1/4	0.134	\$2.76
-259S N70	6 1/4	6 1/2	0.134	\$3.00
-260S N70	6 1/2	6 3/4	0.134	\$3.12
-261S N70	6 3/4	7	0.134	\$3.19
-262S N70	7	7 1/4	0.134	\$3.24
-263S N70	7 1/4	7 1/2	0.134	\$3.34
-264S N70	7 1/2	7 3/4	0.134	\$3.42
-265S N70	7 3/4	8	0.134	\$3.49
-266S N70	8	8 1/4	0.134	\$3.69

Square Ring - 70 Durometer Nitrile, cont'd.

Part Number	I.D. d ₁	O.D. D ₁	HT L ₁	Price
-270S N70	9	9 1/4	0.134	\$4.45
-273S N70	9 3/4	10	0.134	\$26.02
-274S N70	10	10 1/4	0.134	\$35.04
-310S N70	1/2	7/8	0.204	\$2.30
-312S N70	5/8	1	0.204	\$2.77
-316S N70	7/8	1 1/4	0.204	\$3.44
-317S N70	15/16	1 5/16	0.204	\$3.45
-318S N70	1	1 3/8	0.204	\$3.49
-319S N70	1 1/16	1 7/16	0.204	\$4.08
-320S N70	1 1/8	1 1/2	0.204	\$2.23
-322S N70	1 1/4	1 5/8	0.204	\$0.95
-323S N70	1 5/16	1 11/16	0.204	\$1.07
-324S N70	1 3/8	1 3/4	0.204	\$1.07
-325S N70	1 1/2	1 7/8	0.204	\$1.07
-326S N70	1 5/8	2	0.204	\$1.07
-327S N70	1 3/4	2 1/8	0.204	\$0.94
-328S N70	1 7/8	2 1/4	0.204	\$1.07
-329S N70	2	2 3/8	0.204	\$1.07
-330S N70	2 1/8	2 1/2	0.204	\$1.22
-331S N70	2 1/4	2 5/8	0.204	\$1.22
-332S N70	2 3/8	2 3/4	0.204	\$1.22
-333S N70	2 1/2	2 7/8	0.204	\$1.22
-334S N70	2 5/8	3	0.204	\$1.40
-335S N70	2 3/4	3 1/8	0.204	\$1.40
-336S N70	2 7/8	3 1/4	0.204	\$1.40
-337S N70	3	3 3/8	0.204	\$1.64
-338S N70	3 1/8	3 1/2	0.204	\$1.64
-339S N70	3 1/4	3 5/8	0.204	\$1.64
-340S N70	3 3/8	3 3/4	0.204	\$1.64
-341S N70	3 1/2	3 7/8	0.204	\$1.78
-342S N70	3 5/8	4	0.204	\$1.78
-343S N70	3 3/4	4 1/8	0.204	\$1.78
-344S N70	3 7/8	4 1/4	0.204	\$1.78
-345S N70	4	4 3/8	0.204	\$1.78
-346S N70	4 1/8	4 1/2	0.204	\$1.81
-347S N70	4 1/4	4 5/8	0.204	\$1.91
-348S N70	4 3/8	4 3/4	0.204	\$1.94
-349S N70	4 1/2	4 7/8	0.204	\$1.94
-350S N70	4 5/8	5	0.204	\$2.34
-351S N70	4 3/4	5 1/8	0.204	\$2.34
-352S N70	4 7/8	5 1/4	0.204	\$2.34
-353S N70	5	5 3/8	0.204	\$2.46
-354S N70	5 1/8	5 1/2	0.204	\$2.50
-355S N70	5 1/4	5 5/8	0.204	\$2.53
-356S N70	5 3/8	5 3/4	0.204	\$2.54
-357S N70	5 1/2	5 7/8	0.204	\$2.95
-358S N70	5 5/8	6	0.204	\$3.40

Part Number	I.D. d ₁	O.D. D ₁	HT L ₁	Price
-359S N70	5 3/4	6 1/8	0.204	\$3.88
-361S N70	6	6 3/8	0.204	\$4.44
-362S N70	6 1/4	6 5/8	0.204	\$6.38
-363S N70	6 1/2	6 7/8	0.204	\$6.68
-366S N70	7 1/4	7 5/8	0.204	\$4.43
-371S N70	8 1/2	8 7/8	0.204	\$14.15
-373S N70	9	9 3/8	0.204	\$17.25
-378S N70	10 1/2	10 7/8	0.204	\$64.43
-422S N70	4	4 1/2	0.204	\$3.22
-424S N70	4 3/8	4 7/8	0.204	\$3.66
-425S N70	4 1/2	5	0.266	\$3.08
-426S N70	4 5/8	5 1/8	0.266	\$3.08
-427S N70	4 3/4	5 1/4	0.266	\$3.14
-428S N70	4 7/8	5 3/8	0.266	\$3.14
-429S N70	5	5 1/2	0.266	\$3.15
-430S N70	5 1/8	5 5/8	0.266	\$3.15
-431S N70	5 1/4	5 3/4	0.266	\$3.15
-432S N70	5 3/8	5 7/8	0.266	\$4.94
-433S N70	5 1/2	6	0.266	\$3.42
-434S N70	5 5/8	6 1/8	0.266	\$4.01
-435S N70	5 3/4	6 1/4	0.266	\$3.97
-436S N70	5 7/8	6 3/8	0.266	\$5.90
-437S N70	6	6 1/2	0.266	\$4.64
-438S N70	6 1/4	6 3/4	0.266	\$3.92
-439S N70	6 1/2	7	0.266	\$4.14
-440S N70	6 3/4	7 1/4	0.266	\$5.40
-441S N70	7	7 1/2	0.266	\$5.94
-442S N70	7 1/4	7 3/4	0.266	\$6.24
-443S N70	7 1/2	8	0.266	\$6.47
-444S N70	7 3/4	8 1/4	0.266	\$5.50
-445S N70	8	8 1/2	0.266	\$5.17
-446S N70	8 1/2	9	0.266	\$6.39
-447S N70	9	9 1/2	0.266	\$6.66
-448S N70	9 1/2	10	0.266	\$13.31
-449S N70	10	10 1/2	0.266	\$18.19
-450S N70	10 1/2	11	0.266	\$26.55
-451S N70	11	11 1/2	0.266	\$37.41
-452S N70	11 1/2	12	0.266	\$42.90
-453S N70	12	12 1/2	0.266	\$43.22
-455S N70	13	13 1/2	0.266	\$44.39
-456S N70	13 1/2	14	0.266	\$47.96
-457S N70	14	14 1/2	0.266	\$49.31
-458S N70	14 1/2	15	0.266	\$51.46
-459S N70	15	15 1/2	0.266	\$53.25
-464S N70	17 1/2	18	0.266	\$61.02
-467S N70	19	19 1/2	0.266	\$63.38

Backup Ring Interchange Guide

O-Ring Specifications				Contoured Backup Nitrile	Leather AN6244 AN6246	PTFE Solid MS27595/ Split MS28774	PTFE Spiral MS28782 MS28783	Leather MS35803 Dash No.
Dash #	ID (Nom)	OD (Nom)	CS (Nom)					
004	5/64	13/64	1/16	8-004		004		004
005	3/32	7/32	1/16	8-005		005		005
006	1/8	1/4	1/16	8-006	AN6246-1	006	MS28782-1	006
007	5/32	9/32	1/16	8-007	AN6246-2	007	MS28782-2	007
008	3/16	5/16	1/16	8-008	AN6246-3	008	MS28782-3	008
009	7/32	11/32	1/16	8-009	AN6246-4	009	MS28782-4	009
010	1/4	3/8	1/16	8-010	AN6246-5	010	MS28782-5	010
011	5/16	7/16	1/16	8-011	AN6246-6	011	MS28782-6	011
012	3/8	1/2	1/16	8-012	AN6246-7	012	MS28782-7	012
013	7/16	9/16	1/16	8-013		013		013
014	1/2	5/8	1/16	8-014		014		014
015	9/16	11/16	1/16	8-015		015		015
016	5/8	3/4	1/16	8-016		016		016
017	11/16	13/16	1/16	8-017		017		017
018	3/4	7/8	1/16	8-018		018		018
019	13/16	15/16	1/16	8-019		019		019
020	7/8	1	1/16	8-020		020		020
021	15/16	1-1/16	1/16	8-021		021		021
022	1	1-1/8	1/16	8-022		022		022
023	1-1/16	1-3/16	1/16	8-023		023		023
024	1-1/8	1-1/4	1/16	8-024		024		024
025	1-3/16	1-5/16	1/16	8-025		025		025
026	1-1/4	1-3/8	1/16	8-026		026		026
027	1-5/16	1-7/16	1/16	8-027		027		027
028	1-3/8	1-1/2	1/16	8-028		028		028
110	3/8	9/16	3/32	8-110	AN6246-8	110	MS28782-8	110
111	7/16	5/8	3/32	8-111	AN6246-9	111	MS28782-9	111
112	1/2	11/16	3/32	8-112	AN6246-10	112	MS28782-10	112
113	9/16	3/4	3/32	8-113	AN6246-11	113	MS28782-11	113
114	5/8	13/16	3/32	8-114	AN6246-12	114	MS28782-12	114
115	11/16	7/8	3/32	8-115	AN6246-13	115	MS28782-13	115
116	3/4	15/16	3/32	8-116	AN6246-14	116	MS28782-14	116
117	13/16	1	3/32	8-117		117		117
118	7/8	1-1/16	3/32	8-118		118		118
119	15/16	1-1/8	3/32	8-119		119		119
120	1	1-3/16	3/32	8-120		120		120
121	1-1/16	1-1/4	3/32	8-121		121		121
122	1-1/8	1-5/16	3/32	8-122		122		122
123	1-3/16	1-3/8	3/32	8-123		123		123
124	1-1/4	1-7/16	3/32	8-124		124		124
125	1-5/16	1-1/2	3/32	8-125		125		125
126	1-3/8	1-9/16	3/32	8-126		126		126
127	1-7/16	1-5/8	3/32	8-127		127		127
128	1-1/2	1-11/16	3/32	8-128		128		128
129	1-9/16	1-3/4	3/32	8-129		129		129
130	1-5/8	1-13/16	3/32	8-130		130		130
131	1-11/16	1-7/8	3/32	8-131		131		131
132	1-3/4	1-15/16	3/32	8-132		132		132
133	1-13/16	2	3/32	8-133		133		133
134	1-7/8	2-1/16	3/32	8-134		134		134
135	1-15/16	2-1/8	3/32	8-135		135		135

Backup Ring Interchange Guide, cont'd.

O-Ring Specifications				Contoured Backup Nitrile	Leather AN6244 AN6246	PTFE Solid MS27595/ Split MS28774	PTFE Spiral MS28782 MS28783	Leather MS35803 Dash No.
Dash #	ID (Nom)	OD (Nom)	CS (Nom)					
136	2	2-3/16	3/32	8-136		136		136
137	2-1/16	2-1/4	3/32	8-137		137		137
138	2-1/8	2-5/16	3/32	8-138		138		138
139	2-3/16	2-3/8	3/32	8-139		139		139
140	2-1/4	2-7/16	3/32	8-140		140		140
141	2-5/16	2-1/2	3/32	8-141		141		141
142	2-3/8	2-9/16	3/32	8-142		142		142
143	2-7/16	2-5/8	3/32	8-143		143		143
144	2-1/2	2-11/16	3/32	8-144		144		144
145	2-9/16	2-3/4	3/32	8-145		145		145
146	2-5/8	2-13/16	3/32	8-146		146		146
147	2-11/16	2-7/8	3/32	8-147		147		147
148	2-3/4	2-15/16	3/32	8-148		148		148
149	2-13/16	3	3/32	8-149		149		149
210	3/4	1	1/8	8-210	AN6246-15	210	MS28782-15	210
211	13/16	1-1/16	1/8	8-211	AN6246-16	211	MS28782-16	211
212	7/8	1-1/8	1/8	8-212	AN6246-17	212	MS28782-17	212
213	15/16	1-3/16	1/8	8-213	AN6246-18	213	MS28782-18	213
214	1	1-1/4	1/8	8-214	AN6246-19	214	MS28782-19	214
215	1-1/16	1-5/16	1/8	8-215	AN6246-20	215	MS28782-20	215
216	1-1/8	1-3/8	1/8	8-216	AN6246-21	216	MS28782-21	216
217	1-3/16	1-7/16	1/8	8-217	AN6246-22	217	MS28782-22	217
218	1-1/4	1-1/2	1/8	8-218	AN6246-23	218	MS28782-23	218
219	1-5/16	1-9/16	1/8	8-219	AN6246-24	219	MS28782-24	219
220	1-3/8	1-5/8	1/8	8-220	AN6246-25	220	MS28782-25	220
221	1-7/16	1-11/16	1/8	8-221	AN6246-26	221	MS28782-26	221
222	1-1/2	1-3/4	1/8	8-222	AN6246-27	222	MS28782-27	222
223	1-5/8	1-7/8	1/8	8-223	AN6244-1	223	MS28783-1	223
224	1-3/4	2	1/8	8-224	AN6244-2	224	MS28783-2	224
225	1-7/8	2-1/8	1/8	8-225	AN6244-3	225	MS28783-3	225
226	2	2-1/4	1/8	8-226	AN6244-4	226	MS28783-4	226
227	2-1/8	2-3/8	1/8	8-227	AN6244-5	227	MS28783-5	227
228	2-1/4	2-1/2	1/8	8-228	AN6244-6	228	MS28783-6	228
229	2-3/8	2-5/8	1/8	8-229	AN6244-7	229	MS28783-7	229
230	2-1/2	2-3/4	1/8	8-230	AN6244-8	230	MS28783-8	230
231	2-5/8	2-7/8	1/8	8-231	AN6244-9	231	MS28783-9	231
232	2-3/4	3	1/8	8-232	AN6244-10	232	MS28783-10	232
233	2-7/8	3-1/8	1/8	8-233	AN6244-11	233	MS28783-11	233
234	3	3-1/4	1/8	8-234	AN6244-12	234	MS28783-12	234
235	3-1/8	3-3/8	1/8	8-235	AN6244-13	235	MS28783-13	235
236	3-1/4	3-1/2	1/8	8-236	AN6244-14	236	MS28783-14	236
237	3-3/8	3-5/8	1/8	8-237	AN6244-15	237	MS28783-15	237
238	3-1/2	3-3/4	1/8	8-238	AN6244-16	238	MS28783-16	238
239	3-5/8	3-7/8	1/8	8-239	AN6244-17	239	MS28783-17	239
240	3-3/4	4	1/8	8-240	AN6244-18	240	MS28783-18	240
241	3-7/8	4-1/8	1/8	8-241	AN6244-19	241	MS28783-19	241
242	4	4-1/4	1/8	8-242	AN6244-20	242	MS28783-20	242
243	4-1/8	4-3/8	1/8	8-243	AN6244-21	243	MS28783-21	243
244	4-1/4	4-1/2	1/8	8-244	AN6244-22	244	MS28783-22	244
245	4-3/8	4-5/8	1/8	8-245	AN6244-23	245	MS28783-23	245
246	4-1/2	4-3/4	1/8	8-246	AN6244-24	246	MS28783-24	246

Backup Ring Interchange Guide, cont'd.

O-Ring Specifications				Contoured Backup Nitrile	Leather AN6244 AN6246	PTFE Solid MS27595/ Split MS28774	PTFE Spiral MS28782 MS28783	Leather MS35803 Dash No.
Dash #	ID (Nom)	OD (Nom)	CS (Nom)					
247	4-5/8	4-7/8	1/8	8-247	AN6244-25	247	MS28783-25	247
248	4-3/4	5	1/8	8-248	AN6244-26	248	MS28783-26	248
249	4-7/8	5-1/8	1/8	8-249	AN6244-27	249		249
250	5	5-1/4	1/8	8-250	AN6244-28	250		250
251	5-1/8	5-3/8	1/8	8-251	AN6244-29	251		251
252	5-1/4	5-1/2	1/8	8-252	AN6244-30	252		252
253	5-3/8	5-5/8	1/8	8-253	AN6244-31	253		253
254	5-1/2	5-3/4	1/8	8-254	AN6244-32	254		254
255	5-5/8	5-7/8	1/8	8-255	AN6244-33	255		255
256	5-3/4	6	1/8	8-256	AN6244-34	256		256
257	5-7/8	6-1/8	1/8	8-257	AN6244-35	257		257
258	6	6-1/4	1/8	8-258	AN6244-36	258	MS28783-36	258
259	6-1/4	6-1/2	1/8	8-259	AN6244-37	259		259
260	6-1/2	6-3/4	1/8	8-260	AN6244-38	260		260
261	6-3/4	7	1/8	8-261	AN6244-39	261		261
262	7	7-1/4	1/8	8-262	AN6244-40	262		262
263	7-1/4	7-1/2	1/8	8-263	AN6244-41	263		263
264	7-1/2	7-3/4	1/8	8-264	AN6244-42	264		264
265	7-3/4	8	1/8	8-265	AN6244-43	265		265
266	8	8-1/4	1/8	8-266	AN6244-44	266		266
267	8-1/4	8-1/2	1/8	8-267	AN6244-45	267		267
268	8-1/2	8-3/4	1/8	8-268	AN6244-46	268		268
269	8-3/4	9	1/8	8-269	AN6244-47	269		269
270	9	9-1/4	1/8	8-270	AN6244-48	270		270
271	9-1/4	9-1/2	1/8	8-271	AN6244-49	271		271
272	9-1/2	9-3/4	1/8	8-272	AN6244-50	272		272
273	9-3/4	10	1/8	8-273	AN6244-51	273		273
274	10	10-1/4	1/8	8-274	AN6244-52	274		274
325	1-1/2	1-7/8	3/16	8-325	AN6246-28	325	MS28782-28	325
326	1-5/8	2	3/16	8-326	AN6246-29	326	MS28782-29	326
327	1-3/4	2-1/8	3/16	8-327	AN6246-30	327	MS28782-30	327
328	1-7/8	2-1/4	3/16	8-328	AN6246-31	328	MS28782-31	328
329	2	2-3/8	3/16	8-329	AN6246-32	329	MS28782-32	329
330	2-1/8	2-1/2	3/16	8-330	AN6246-33	330	MS28782-33	330
331	2-1/4	2-5/8	3/16	8-331	AN6246-34	331	MS28782-34	331
332	2-3/8	2-3/4	3/16	8-332	AN6246-35	332	MS28782-35	332
333	2-1/2	2-7/8	3/16	8-333	AN6246-36	333	MS28782-36	333
334	2-5/8	3	3/16	8-334	AN6246-37	334	MS28782-37	334
335	2-3/4	3-1/8	3/16	8-335	AN6246-38	335	MS28782-38	335
336	2-7/8	3-1/4	3/16	8-336	AN6246-39	336	MS28782-39	336
337	3	3-3/8	3/16	8-337	AN6246-40	337	MS28782-40	337
338	3-1/8	3-1/2	3/16	8-338	AN6246-41	338	MS28782-41	338
339	3-1/4	3-5/8	3/16	8-339	AN6246-42	339	MS28782-42	339
340	3-3/8	3-3/4	3/16	8-340	AN6246-43	340	MS28782-43	340
341	3-1/2	3-7/8	3/16	8-341	AN6246-44	341	MS28782-44	341
342	3-5/8	4	3/16	8-342	AN6246-45	342	MS28782-45	342
343	3-3/4	4-1/8	3/16	8-343	AN6246-46	343	MS28782-46	343
344	3-7/8	4-1/4	3/16	8-344	AN6246-47	344	MS28782-47	344
345	4	4-3/8	3/16	8-345	AN6246-48	345	MS28782-48	345
346	4-1/8	4-1/2	3/16	8-346	AN6246-49	346	MS28782-49	346
347	4-1/4	4-5/8	3/16	8-347	AN6246-50	347	MS28782-50	347

Backup Ring Interchange Guide, cont'd.

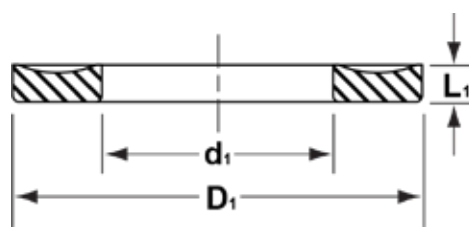
O-Ring Specifications				Contoured Backup Nitrile	Leather AN6244 AN6246	PTFE Solid MS27595/ Split MS28774	PTFE Spiral MS28782 MS28783	Leather MS35803 Dash No.
Dash #	ID (Nom)	OD (Nom)	CS (Nom)					
348	4-3/8	4-3/4	3/16	8-348	AN6246-51	348	MS28782-51	348
349	4-1/2	4-7/8	3/16	8-349	AN6246-52	349	MS28782-52	349
425	4-1/2	5	1/4	8-425	AN6246-88	425	MS28782-88	425
426	4-5/8	5-1/8	1/4	8-426	AN6246-53	426	MS28782-53	426
427	4-3/4	5-1/4	1/4	8-427	AN6246-54	427	MS28782-54	427
428	4-7/8	5-3/8	1/4	8-428	AN6246-55	428	MS28782-55	428
429	5	5-1/2	1/4	8-429	AN6246-56	429	MS28782-56	429
430	5-1/8	5-5/8	1/4	8-430	AN6246-57	430	MS28782-57	430
431	5-1/4	5-3/4	1/4	8-431	AN6246-58	431	MS28782-58	431
432	5-3/8	5-7/8	1/4	8-432	AN6246-59	432	MS28782-59	432
433	5-1/2	6	1/4	8-433	AN6246-60	433	MS28782-60	433
434	5-5/8	6-1/8	1/4	8-434	AN6246-61	434	MS28782-61	434
435	5-3/4	6-1/4	1/4	8-435	AN6246-62	435	MS28782-62	435
436	5-7/8	6-3/8	1/4	8-436	AN6246-63	436	MS28782-63	436
437	6	6-1/2	1/4	8-437	AN6246-64	437	MS28782-64	437
438	6-1/4	6-3/4	1/4	8-438	AN6246-65	438	MS28782-65	438
439	6-1/2	7	1/4	8-439	AN6246-66	439	MS28782-66	439
440	6-3/4	7-1/4	1/4	8-440	AN6246-67	440	MS28782-67	440
441	7	7-1/2	1/4	8-441	AN6246-68	441	MS28782-68	441
442	7-1/4	7-3/4	1/4	8-442	AN6246-69	442	MS28782-69	442
443	7-1/2	8	1/4	8-443	AN6246-70	443	MS28782-70	443
444	7-3/4	8-1/4	1/4	8-444	AN6246-71	444	MS28782-71	444
445	8	8-1/2	1/4	8-445	AN6246-72	445	MS28782-72	445
446	8-1/2	9	1/4	8-446	AN6246-73	446	MS28782-73	446
447	9	9-1/2	1/4	8-447	AN6246-74	447	MS28782-74	447
448	9-1/2	10	1/4	8-448	AN6246-75	448	MS28782-75	448
449	10	10-1/2	1/4	8-449	AN6246-76	449	MS28782-76	449
450	10-1/2	11	1/4	8-450	AN6246-77	450	MS28782-77	450
451	11	11-1/2	1/4	8-451	AN6246-78	451	MS28782-78	451
452	11-1/2	12	1/4	8-452	AN6246-79	452	MS28782-79	452
453	12	12-1/2	1/4	8-453	AN6246-80	453	MS28782-80	453
454	12-1/2	13	1/4	8-454	AN6246-81	454	MS28782-81	454
455	13	13-1/2	1/4	8-455	AN6246-82	455	MS28782-82	455
456	13-1/2	14	1/4	8-456	AN6246-83	456	MS28782-83	456
457	14	14-1/2	1/4	8-457	AN6246-84	457	MS28782-84	457
458	14-1/2	15	1/4	8-458	AN6246-85	458	MS28782-85	458
459	15	15-1/2	1/4	8-459	AN6246-86	459	MS28782-86	459
460	15-1/2	16	1/4	8-460	AN6246-87	460	MS28782-87	460



90 Duro. Nitrile Contoured Backup Rings - Inch



ALTERNATIVE SEALS:
19-, 51-, MS28774, MS27595,
MS28782, MS28783



Molded from a high modulus 90 durometer nitrile material, these contoured backup rings can be easily stretched for installation. The contoured design allows the ring to mate with the o-ring. Dash sizes are equivalent to AS568A o-ring sizes. For metric sizes see MBH type backups in this section.

EXAMPLE: 8-352 N90

Prefix	568 DASH #	Material
8-	352	N90
		90A NBR

Part No.	Price
8-004 N90	\$0.43
8-005 N90	\$0.44
8-006 N90	\$0.37
8-007 N90	\$0.37
8-008 N90	\$0.37
8-009 N90	\$0.37
8-010 N90	\$0.36
8-011 N90	\$0.38
8-012 N90	\$0.39
8-013 N90	\$0.39
8-014 N90	\$0.41
8-015 N90	\$0.43
8-016 N90	\$0.44
8-017 N90	\$0.45
8-018 N90	\$0.46
8-019 N90	\$0.46
8-020 N90	\$0.49
8-021 N90	\$0.50
8-022 N90	\$0.51
8-023 N90	\$0.53
8-024 N90	\$0.54
8-025 N90	\$0.55
8-026 N90	\$0.57
8-027 N90	\$0.60
8-028 N90	\$0.62
8-029 N90	\$0.64
8-030 N90	\$0.69
8-031 N90	\$0.73
8-032 N90	\$0.74
8-033 N90	\$0.81
8-034 N90	\$0.92
8-035 N90	\$0.94
8-036 N90	\$0.99
8-037 N90	\$1.04
8-038 N90	\$1.10
8-039 N90	\$1.21
8-040 N90	\$1.39
8-041 N90	\$1.68
8-042 N90	\$1.77

Part No.	Price
8-043 N90	\$1.81
8-044 N90	\$2.41
8-045 N90	\$2.52
8-046 N90	\$2.62
8-047 N90	\$2.65
8-048 N90	\$2.93
8-049 N90	\$2.99
8-050 N90	\$3.07
8-102 N90	\$0.38
8-103 N90	\$0.38
8-104 N90	\$0.38
8-105 N90	\$0.38
8-106 N90	\$0.38
8-107 N90	\$0.37
8-108 N90	\$0.38
8-109 N90	\$0.38
8-110 N90	\$0.38
8-111 N90	\$0.39
8-112 N90	\$0.39
8-113 N90	\$0.40
8-114 N90	\$0.40
8-115 N90	\$0.42
8-116 N90	\$0.43
8-117 N90	\$0.44
8-118 N90	\$0.45
8-119 N90	\$0.46
8-120 N90	\$0.48
8-121 N90	\$0.53
8-122 N90	\$0.54
8-123 N90	\$0.55
8-124 N90	\$0.57
8-125 N90	\$0.60
8-126 N90	\$0.64
8-127 N90	\$0.66
8-128 N90	\$0.66
8-129 N90	\$0.68
8-130 N90	\$0.70
8-131 N90	\$0.72
8-132 N90	\$0.72

Part No.	Price
8-133 N90	\$0.73
8-134 N90	\$0.76
8-135 N90	\$0.79
8-136 N90	\$0.82
8-137 N90	\$0.84
8-138 N90	\$0.92
8-139 N90	\$0.97
8-140 N90	\$0.98
8-141 N90	\$0.99
8-142 N90	\$1.04
8-143 N90	\$1.05
8-144 N90	\$1.08
8-145 N90	\$1.09
8-146 N90	\$1.14
8-147 N90	\$1.17
8-148 N90	\$1.17
8-149 N90	\$1.18
8-150 N90	\$1.33
8-151 N90	\$1.44
8-152 N90	\$1.93
8-153 N90	\$2.13
8-154 N90	\$2.63
8-155 N90	\$2.98
8-156 N90	\$3.51
8-157 N90	\$3.54
8-158 N90	\$3.74
8-159 N90	\$3.81
8-160 N90	\$3.89
8-161 N90	\$3.99
8-162 N90	\$4.09
8-163 N90	\$4.78
8-164 N90	\$4.91
8-165 N90	\$5.05
8-166 N90	\$5.08
8-167 N90	\$5.11
8-168 N90	\$5.19
8-169 N90	\$6.17
8-170 N90	\$6.52
8-171 N90	\$7.14

Part No.	Price
8-172 N90	\$7.14
8-173 N90	\$7.14
8-174 N90	\$7.18
8-175 N90	\$7.24
8-176 N90	\$8.40
8-177 N90	\$8.67
8-178 N90	\$8.96
8-201 N90	\$0.39
8-202 N90	\$0.39
8-203 N90	\$0.39
8-204 N90	\$0.39
8-205 N90	\$0.42
8-206 N90	\$0.42
8-207 N90	\$0.42
8-208 N90	\$0.44
8-209 N90	\$0.44
8-210 N90	\$0.44
8-211 N90	\$0.45
8-212 N90	\$0.46
8-213 N90	\$0.49
8-214 N90	\$0.50
8-215 N90	\$0.51
8-216 N90	\$0.53
8-217 N90	\$0.54
8-218 N90	\$0.55
8-219 N90	\$0.60
8-220 N90	\$0.63
8-221 N90	\$0.63
8-222 N90	\$0.66
8-223 N90	\$0.71
8-224 N90	\$0.78
8-225 N90	\$0.86
8-226 N90	\$0.92
8-227 N90	\$0.99
8-228 N90	\$1.06
8-229 N90	\$1.13
8-230 N90	\$1.14
8-231 N90	\$1.22
8-232 N90	\$1.38

90 Durometer Nitrile Contoured Backup Rings - Inch, cont'd.

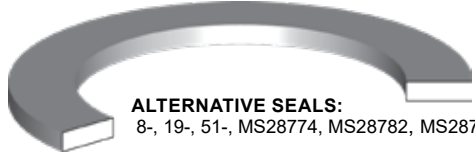
Part No.	Price
8-233 N90	\$1.41
8-234 N90	\$1.49
8-235 N90	\$1.63
8-236 N90	\$1.66
8-237 N90	\$1.70
8-238 N90	\$1.73
8-239 N90	\$1.73
8-240 N90	\$1.92
8-241 N90	\$1.94
8-242 N90	\$2.10
8-243 N90	\$2.18
8-244 N90	\$2.19
8-245 N90	\$2.38
8-246 N90	\$2.47
8-247 N90	\$2.70
8-248 N90	\$2.86
8-249 N90	\$2.91
8-250 N90	\$3.19
8-251 N90	\$3.37
8-252 N90	\$3.62
8-253 N90	\$3.72
8-254 N90	\$3.99
8-255 N90	\$4.00
8-256 N90	\$4.28
8-257 N90	\$4.42
8-258 N90	\$4.57
8-259 N90	\$4.81
8-260 N90	\$4.92
8-261 N90	\$5.21
8-262 N90	\$5.68
8-263 N90	\$5.96
8-264 N90	\$6.86
8-265 N90	\$6.96
8-266 N90	\$7.31
8-267 N90	\$7.62
8-268 N90	\$7.87
8-269 N90	\$8.04
8-270 N90	\$8.43
8-271 N90	\$8.76
8-272 N90	\$9.09
8-273 N90	\$9.41
8-274 N90	\$9.76
8-275 N90	\$10.20
8-276 N90	\$10.30
8-277 N90	\$10.50
8-278 N90	\$10.59
8-279 N90	\$10.63
8-280 N90	\$10.79

Part No.	Price
8-281 N90	\$14.04
8-282 N90	\$15.95
8-283 N90	\$17.34
8-284 N90	\$17.39
8-309 N90	\$0.44
8-310 N90	\$0.46
8-311 N90	\$0.47
8-312 N90	\$0.48
8-313 N90	\$0.51
8-314 N90	\$0.53
8-315 N90	\$0.55
8-316 N90	\$0.55
8-317 N90	\$0.59
8-318 N90	\$0.62
8-319 N90	\$0.63
8-320 N90	\$0.67
8-321 N90	\$0.72
8-322 N90	\$0.75
8-323 N90	\$0.78
8-324 N90	\$0.83
8-325 N90	\$0.91
8-326 N90	\$0.97
8-327 N90	\$1.02
8-328 N90	\$1.10
8-329 N90	\$1.22
8-330 N90	\$1.30
8-331 N90	\$1.33
8-332 N90	\$1.38
8-333 N90	\$1.43
8-334 N90	\$1.51
8-335 N90	\$1.61
8-336 N90	\$1.62
8-337 N90	\$1.71
8-338 N90	\$1.74
8-339 N90	\$1.82
8-340 N90	\$1.95
8-341 N90	\$1.98
8-342 N90	\$2.12
8-343 N90	\$2.35
8-344 N90	\$2.49
8-345 N90	\$2.59
8-346 N90	\$2.68
8-347 N90	\$2.73
8-348 N90	\$2.94
8-349 N90	\$2.97
8-350 N90	\$3.16
8-351 N90	\$3.21
8-352 N90	\$3.26

Part No.	Price
8-353 N90	\$3.47
8-354 N90	\$3.72
8-355 N90	\$3.93
8-356 N90	\$4.05
8-357 N90	\$4.31
8-358 N90	\$4.50
8-359 N90	\$4.56
8-360 N90	\$4.66
8-361 N90	\$4.72
8-362 N90	\$5.39
8-363 N90	\$5.74
8-364 N90	\$5.88
8-365 N90	\$6.23
8-366 N90	\$6.26
8-367 N90	\$6.27
8-368 N90	\$6.33
8-369 N90	\$6.63
8-370 N90	\$6.69
8-371 N90	\$6.75
8-372 N90	\$6.79
8-373 N90	\$6.82
8-374 N90	\$8.30
8-375 N90	\$8.32
8-376 N90	\$8.78
8-377 N90	\$8.62
8-378 N90	\$8.65
8-379 N90	\$8.70
8-380 N90	\$8.75
8-381 N90	\$8.84
8-382 N90	\$8.94
8-383 N90	\$8.96
8-384 N90	\$9.30
8-385 N90	\$13.11
8-386 N90	\$14.13
8-387 N90	\$14.55
8-388 N90	\$16.17
8-389 N90	\$17.27
8-390 N90	\$21.07
8-391 N90	\$21.86
8-392 N90	\$27.83
8-393 N90	\$29.75
8-394 N90	\$31.64
8-395 N90	\$34.67
8-425 N90	\$3.78
8-426 N90	\$3.87
8-427 N90	\$3.90
8-428 N90	\$3.98
8-429 N90	\$4.03

Part No.	Price
8-430 N90	\$4.54
8-431 N90	\$4.83
8-432 N90	\$4.96
8-433 N90	\$5.13
8-434 N90	\$5.16
8-435 N90	\$5.21
8-436 N90	\$5.28
8-437 N90	\$5.72
8-438 N90	\$6.73
8-439 N90	\$6.79
8-440 N90	\$6.90
8-441 N90	\$7.31
8-442 N90	\$7.66
8-443 N90	\$8.09
8-444 N90	\$8.13
8-445 N90	\$8.18
8-446 N90	\$8.24
8-447 N90	\$8.32
8-448 N90	\$8.37
8-449 N90	\$8.46
8-450 N90	\$8.54
8-451 N90	\$8.60
8-452 N90	\$8.67
8-453 N90	\$8.82
8-454 N90	\$8.95
8-455 N90	\$9.37
8-456 N90	\$9.44
8-457 N90	\$9.56
8-458 N90	\$10.32
8-459 N90	\$11.60
8-460 N90	\$11.77
8-461 N90	\$12.39
8-462 N90	\$13.06
8-463 N90	\$13.69
8-464 N90	\$14.31
8-465 N90	\$14.97
8-466 N90	\$15.65
8-467 N90	\$16.07
8-468 N90	\$17.06
8-469 N90	\$18.03
8-470 N90	\$19.33
8-471 N90	\$20.57
8-472 N90	\$21.87
8-473 N90	\$23.16
8-474 N90	\$25.59
8-475 N90	\$29.20

MS27595 Solid PTFE Backups - Inch



ALTERNATIVE SEALS:
8-, 19-, 51-, MS28774, MS28782, MS28783



These solid PTFE backup rings are machined from virgin PTFE to military drawings and are popular in commercial applications requiring low friction, fluid compatibility or high temperature. The solid design is easier to install in larger bore sizes as there are no ends to catch. These parts do not meet Mil-Spec testing requirements. Prices can be quoted for military applications requiring additional testing and certification.

EXAMPLE: MS27595-352

Prefix	568
	DASH #
MS27595 -	352

Part No.	Price
MS27595-004	\$0.99
MS27595-005	\$0.99
MS27595-006	\$0.71
MS27595-007	\$0.98
MS27595-008	\$0.85
MS27595-009	\$0.74
MS27595-010	\$0.84
MS27595-011	\$0.98
MS27595-012	\$0.98
MS27595-013	\$1.03
MS27595-014	\$1.07
MS27595-015	\$1.15
MS27595-016	\$1.21
MS27595-017	\$1.24
MS27595-018	\$1.25
MS27595-019	\$1.30
MS27595-020	\$1.37
MS27595-021	\$1.63
MS27595-022	\$1.74
MS27595-023	\$1.79
MS27595-024	\$1.92
MS27595-025	\$1.95
MS27595-026	\$2.10
MS27595-027	\$2.16
MS27595-028	\$2.34
MS27595-032	\$2.45
MS27595-035	\$2.79
MS27595-036	\$8.54
MS27595-038	\$8.58
MS27595-040	\$9.76
MS27595-041	\$10.71
MS27595-044	\$10.78
MS27595-049	\$10.78
MS27595-106	\$1.02
MS27595-108	\$1.03
MS27595-109	\$1.10
MS27595-110	\$1.13
MS27595-111	\$1.17
MS27595-112	\$1.23
MS27595-113	\$1.33
MS27595-114	\$1.40
MS27595-115	\$1.45
MS27595-116	\$1.52
MS27595-117	\$1.57
MS27595-118	\$1.64
MS27595-119	\$1.67
MS27595-120	\$1.77
MS27595-121	\$1.88
MS27595-122	\$2.00
MS27595-123	\$2.18

Part No.	Price
MS27595-124	\$2.22
MS27595-125	\$2.40
MS27595-126	\$2.54
MS27595-127	\$2.58
MS27595-128	\$2.73
MS27595-129	\$2.90
MS27595-130	\$3.07
MS27595-131	\$2.80
MS27595-132	\$3.10
MS27595-133	\$2.99
MS27595-134	\$3.67
MS27595-135	\$3.73
MS27595-136	\$3.80
MS27595-137	\$3.92
MS27595-138	\$4.01
MS27595-139	\$5.80
MS27595-140	\$6.14
MS27595-141	\$6.31
MS27595-142	\$6.48
MS27595-143	\$6.65
MS27595-144	\$6.82
MS27595-145	\$6.91
MS27595-146	\$6.99
MS27595-147	\$7.08
MS27595-148	\$7.16
MS27595-149	\$7.25
MS27595-150	\$9.41
MS27595-151	\$10.57
MS27595-152	\$10.46
MS27595-154	\$10.77
MS27595-156	\$13.84
MS27595-157	\$14.99
MS27595-158	\$15.17
MS27595-166	\$19.06
MS27595-210	\$1.72
MS27595-211	\$2.04
MS27595-212	\$2.15
MS27595-213	\$2.15
MS27595-214	\$2.15
MS27595-215	\$2.44
MS27595-216	\$2.63
MS27595-217	\$2.81
MS27595-218	\$2.92
MS27595-219	\$3.04
MS27595-220	\$2.80
MS27595-221	\$3.48
MS27595-222	\$3.62
MS27595-223	\$3.84
MS27595-224	\$4.07
MS27595-225	\$4.21

Part No.	Price
MS27595-226	\$4.28
MS27595-227	\$4.44
MS27595-228	\$4.49
MS27595-229	\$4.72
MS27595-230	\$5.13
MS27595-231	\$5.40
MS27595-232	\$5.56
MS27595-233	\$5.61
MS27595-234	\$5.88
MS27595-235	\$5.92
MS27595-236	\$6.00
MS27595-237	\$6.16
MS27595-238	\$6.49
MS27595-239	\$6.48
MS27595-240	\$6.66
MS27595-241	\$7.05
MS27595-242	\$7.64
MS27595-243	\$8.06
MS27595-244	\$8.40
MS27595-245	\$8.45
MS27595-246	\$8.58
MS27595-247	\$8.83
MS27595-248	\$12.11
MS27595-249	\$13.21
MS27595-250	\$14.27
MS27595-251	\$14.83
MS27595-252	\$15.50
MS27595-253	\$15.66
MS27595-254	\$16.59
MS27595-255	\$17.73
MS27595-256	\$17.98
MS27595-257	\$19.78
MS27595-258	\$20.40
MS27595-259	\$21.89
MS27595-260	\$22.12
MS27595-261	\$25.38
MS27595-262	\$29.04
MS27595-263	\$29.77
MS27595-264	\$30.05
MS27595-265	\$30.62
MS27595-266	\$39.47
MS27595-267	\$31.73
MS27595-268	\$40.44
MS27595-269	\$36.34
MS27595-270	\$53.01
MS27595-272	\$53.66

Part No.	Price
MS27595-273	\$59.02
MS27595-277	\$60.77
MS27595-278	\$61.12
MS27595-319	\$7.47
MS27595-321	\$7.51
MS27595-324	\$7.52
MS27595-325	\$7.56
MS27595-326	\$7.64
MS27595-327	\$8.13
MS27595-328	\$8.17
MS27595-329	\$8.18
MS27595-330	\$8.22
MS27595-331	\$8.31
MS27595-332	\$8.33
MS27595-333	\$8.40
MS27595-334	\$8.45
MS27595-335	\$8.84
MS27595-336	\$9.19
MS27595-337	\$10.07
MS27595-338	\$9.18
MS27595-339	\$10.25
MS27595-340	\$10.43
MS27595-341	\$10.52
MS27595-342	\$10.60
MS27595-343	\$10.96
MS27595-344	\$11.31
MS27595-345	\$11.66
MS27595-346	\$12.02
MS27595-347	\$12.37
MS27595-348	\$12.73
MS27595-349	\$13.26
MS27595-350	\$17.05
MS27595-351	\$20.84
MS27595-354	\$21.23
MS27595-357	\$21.40
MS27595-358	\$21.53
MS27595-359	\$22.23
MS27595-360	\$22.90
MS27595-361	\$28.53
MS27595-363	\$31.77
MS27595-364	\$26.38
MS27595-365	\$27.00
MS27595-366	\$38.13
MS27595-367	\$41.23
MS27595-368	\$45.29
MS27595-369	\$52.51

MS27595 Solid PTFE Backups, cont'd.

Part No.	Price
MS27595-370	\$57.08
MS27595-377	\$60.67
MS27595-378	\$62.31
MS27595-379	\$64.40
MS27595-382	\$65.44
MS27595-383	\$71.29
MS27595-425	\$22.98
MS27595-426	\$24.35
MS27595-427	\$25.45
MS27595-428	\$27.04
MS27595-429	\$28.54
MS27595-430	\$30.40

Part No.	Price
MS27595-431	\$31.64
MS27595-432	\$31.98
MS27595-433	\$32.47
MS27595-434	\$33.26
MS27595-435	\$34.09
MS27595-436	\$36.15
MS27595-437	\$38.38
MS27595-438	\$40.64
MS27595-439	\$42.89
MS27595-440	\$44.02
MS27595-441	\$45.15
MS27595-442	\$46.29

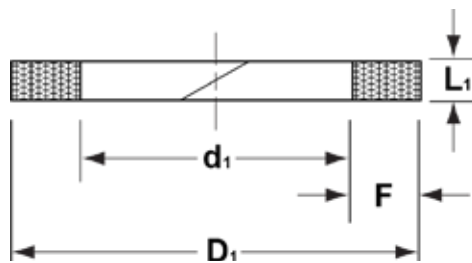
Part No.	Price
MS27595-443	\$47.42
MS27595-444	\$48.54
MS27595-445	\$49.67
MS27595-446	\$56.44
MS27595-447	\$63.21
MS27595-448	\$63.40
MS27595-449	\$69.10
MS27595-450	\$74.76
MS27595-451	\$78.23
MS27595-452	\$82.25
MS27595-453	\$84.43
MS27595-454	\$87.04

Part No.	Price
MS27595-455	\$96.51
MS27595-456	\$105.69
MS27595-457	\$112.09
MS27595-458	\$129.10
MS27595-459	\$130.82
MS27595-460	\$132.54
MS27595-462	\$136.65
MS27595-465	\$140.56
MS27595-468	\$143.41
MS27595-469	\$336.50
MS27595-472	\$190.50

MS28774 Split PTFE Backups - Inch



EXAMPLE: MS28774-352	
Prefix	568 DASH #
MS28774 -	352



These split PTFE backup rings are machined from virgin PTFE to military specifications and are popular in commercial applications requiring low friction, fluid compatibility or high temperature. These parts do not meet Mil-Spec testing requirements. Prices can be quoted for Mil-Spec applications requiring additional testing and certification.

Part No.	Price
MS28774-004	\$1.25
MS28774-005	\$1.25
MS28774-006	\$1.25
MS28774-007	\$1.28
MS28774-008	\$1.30
MS28774-009	\$1.34
MS28774-010	\$1.34
MS28774-011	\$1.44
MS28774-012	\$1.49
MS28774-013	\$1.58
MS28774-014	\$1.72
MS28774-015	\$1.82
MS28774-016	\$1.64
MS28774-017	\$1.86
MS28774-018	\$1.89
MS28774-019	\$1.94
MS28774-020	\$2.03
MS28774-021	\$2.07
MS28774-022	\$2.19
MS28774-023	\$2.31
MS28774-024	\$2.47
MS28774-025	\$2.59
MS28774-026	\$2.67
MS28774-027	\$2.88
MS28774-028	\$3.18
MS28774-029	\$3.42
MS28774-031	\$3.61
MS28774-036	\$4.45
MS28774-042	\$5.39
MS28774-108	\$1.04
MS28774-109	\$1.11
MS28774-110	\$1.20
MS28774-111	\$1.34
MS28774-112	\$1.55
MS28774-113	\$1.79

Part No.	Price
MS28774-114	\$2.01
MS28774-115	\$2.26
MS28774-116	\$2.41
MS28774-117	\$2.55
MS28774-118	\$2.78
MS28774-119	\$2.93
MS28774-120	\$3.13
MS28774-121	\$3.25
MS28774-122	\$3.39
MS28774-123	\$3.53
MS28774-124	\$3.58
MS28774-125	\$3.66
MS28774-126	\$3.87
MS28774-127	\$3.99
MS28774-128	\$4.18
MS28774-129	\$4.37
MS28774-130	\$4.51
MS28774-131	\$4.59
MS28774-132	\$4.85
MS28774-133	\$5.07
MS28774-134	\$5.22
MS28774-135	\$5.40
MS28774-136	\$5.61
MS28774-137	\$5.93
MS28774-138	\$6.22
MS28774-139	\$6.62
MS28774-140	\$6.86
MS28774-141	\$7.08
MS28774-142	\$7.29
MS28774-143	\$7.48
MS28774-144	\$7.59
MS28774-145	\$7.97
MS28774-146	\$8.52
MS28774-154	\$10.27
MS28774-162	\$13.44

Part No.	Price
MS28774-204	\$2.36
MS28774-206	\$2.45
MS28774-208	\$2.69
MS28774-210	\$2.83
MS28774-211	\$3.07
MS28774-212	\$3.18
MS28774-213	\$3.27
MS28774-214	\$3.36
MS28774-215	\$3.40
MS28774-216	\$3.49
MS28774-217	\$3.66
MS28774-218	\$3.75
MS28774-219	\$3.87
MS28774-220	\$4.06
MS28774-221	\$4.22
MS28774-222	\$4.34
MS28774-223	\$4.45
MS28774-224	\$4.55
MS28774-225	\$4.74
MS28774-226	\$4.93
MS28774-227	\$5.07
MS28774-228	\$5.19
MS28774-229	\$5.31
MS28774-230	\$5.50
MS28774-231	\$5.89
MS28774-232	\$6.13
MS28774-233	\$6.49
MS28774-234	\$6.81
MS28774-235	\$7.10
MS28774-236	\$7.38
MS28774-237	\$7.61
MS28774-238	\$7.85
MS28774-239	\$8.16
MS28774-240	\$8.46
MS28774-241	\$8.67

Part No.	Price
MS28774-242	\$8.91
MS28774-243	\$9.20
MS28774-244	\$9.62
MS28774-245	\$9.92
MS28774-246	\$10.25
MS28774-247	\$10.73
MS28774-271	\$37.80
MS28774-272	\$37.92
MS28774-324	\$6.62
MS28774-325	\$7.17
MS28774-326	\$7.20
MS28774-327	\$7.41
MS28774-328	\$7.41
MS28774-329	\$7.76
MS28774-330	\$8.02
MS28774-331	\$8.21
MS28774-332	\$8.60
MS28774-333	\$8.84
MS28774-334	\$9.19
MS28774-335	\$9.86
MS28774-336	\$9.98
MS28774-337	\$10.21
MS28774-338	\$10.71
MS28774-339	\$10.96
MS28774-340	\$11.20
MS28774-341	\$11.44
MS28774-342	\$11.60
MS28774-343	\$11.84
MS28774-344	\$11.94
MS28774-345	\$11.99
MS28774-346	\$12.49
MS28774-347	\$16.43
MS28774-348	\$16.53
MS28774-349	\$17.36
MS28774-355	\$18.82

MS28774 Split PTFE Backups, cont'd.

Part No.	Price
MS28774-360	\$21.69
MS28774-362	\$26.36
MS28774-367	\$33.45
MS28774-379	\$77.30
MS28774-425	\$24.07
MS28774-426	\$24.07
MS28774-427	\$25.35
MS28774-428	\$27.96

Part No.	Price
MS28774-429	\$29.05
MS28774-430	\$29.66
MS28774-431	\$30.54
MS28774-432	\$32.29
MS28774-433	\$35.96
MS28774-434	\$49.03
MS28774-435	\$39.21
MS28774-436	\$40.08

Part No.	Price
MS28774-437	\$40.98
MS28774-438	\$42.48
MS28774-439	\$43.07
MS28774-440	\$44.28
MS28774-441	\$60.14
MS28774-442	\$68.33
MS28774-443	\$70.80
MS28774-444	\$71.31

Part No.	Price
MS28774-446	\$74.90
MS28774-447	\$85.57
MS28774-448	\$92.30
MS28774-450	\$128.59
MS28774-451	\$130.65
MS28774-452	\$133.96
MS28774-454	\$137.61
MS28774-455	\$151.54

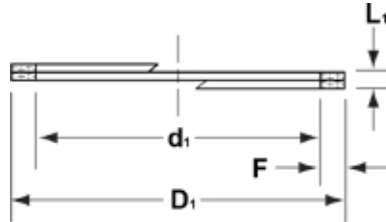
MS28782 Spiral PTFE Backups - Inch



ALTERNATIVE SEALS:

8-, 19-, 51-, MS28774, MS28783, MS27595

These spiral PTFE backup rings are machined from virgin PTFE to military drawings and are popular in commercial applications requiring low friction, fluid compatibility or high temperature. The spiral design allows for ease of installation. These parts do not meet Mil-Spec testing requirements. Prices can be quoted for Mil-Spec applications requiring additional testing and certification.



EXAMPLE: MS28782-15	
Prefix	AN # System
MS28782 -	15

Part No.	ID	Price
MS28782-1	0.125	\$3.57
MS28782-2	0.156	\$3.68
MS28782-3	0.188	\$5.90
MS28782-4	0.219	\$3.82
MS28782-5	0.250	\$6.15
MS28782-6	0.312	\$6.28
MS28782-7	0.375	\$3.88
MS28782-8	0.375	\$6.34
MS28782-9	0.438	\$6.41
MS28782-10	0.500	\$5.14
MS28782-11	0.562	\$6.53
MS28782-12	0.625	\$5.50
MS28782-13	0.688	\$5.63
MS28782-14	0.750	\$5.70
MS28782-15	0.750	\$5.82
MS28782-16	0.812	\$6.39
MS28782-17	0.875	\$6.32
MS28782-18	0.938	\$6.58

Part No.	ID	Price
MS28782-19	1.000	\$6.68
MS28782-20	1.062	\$6.73
MS28782-21	1.125	\$7.97
MS28782-22	1.188	\$6.83
MS28782-23	1.250	\$6.85
MS28782-24	1.312	\$6.61
MS28782-25	1.375	\$6.69
MS28782-26	1.438	\$8.80
MS28782-27	1.500	\$6.30
MS28782-28	1.500	\$15.57
MS28782-29	1.625	\$6.57
MS28782-30	1.750	\$9.74
MS28782-31	1.875	\$9.85
MS28782-32	2.000	\$6.20
MS28782-33	2.125	\$12.37
MS28782-34	2.250	\$12.95
MS28782-35	2.375	\$9.02
MS28782-36	2.500	\$9.90

Part No.	ID	Price
MS28782-37	2.625	\$18.90
MS28782-38	2.750	\$10.75
MS28782-39	2.875	\$20.41
MS28782-40	3.000	\$12.40
MS28782-41	3.125	\$12.96
MS28782-42	3.250	\$13.28
MS28782-43	3.375	\$14.74
MS28782-44	3.500	\$14.87
MS28782-45	3.625	\$15.05
MS28782-46	3.750	\$15.20
MS28782-47	3.875	\$15.56
MS28782-48	4.000	\$22.04
MS28782-49	4.125	\$16.82
MS28782-50	4.250	\$18.03
MS28782-51	4.375	\$22.48
MS28782-52	4.500	\$19.36
MS28782-53	4.625	\$31.27
MS28782-54	4.750	\$21.34
MS28782-55	4.875	\$23.29
MS28782-56	5.000	\$25.30
MS28782-57	5.125	\$25.54
MS28782-58	5.250	\$26.88
MS28782-59	5.375	\$27.82
MS28782-60	5.500	\$28.80

Part No.	ID	Price
MS28782-61	5.625	\$30.70
MS28782-62	5.750	\$32.68
MS28782-63	5.875	\$34.44
MS28782-64	6.000	\$35.15
MS28782-65	6.250	\$37.25
MS28782-66	6.500	\$39.65
MS28782-67	6.750	\$43.08
MS28782-68	7.000	\$43.33
MS28782-69	7.250	\$43.83
MS28782-70	7.500	\$47.22
MS28782-71	7.750	\$46.82
MS28782-72	8.000	\$47.95
MS28782-73	8.500	\$48.55
MS28782-74	9.000	\$49.22
MS28782-75	9.500	\$49.88
MS28782-76	10.000	\$50.48
MS28782-78	11.000	\$52.47
MS28782-79	11.500	\$53.07
MS28782-80	12.000	\$53.73
MS28782-81	12.500	\$53.82
MS28782-82	13.000	\$53.93
MS28782-83	13.500	\$54.27
MS28782-84	14.000	\$54.91
MS28782-85	14.500	\$55.49
MS28782-86	15.000	\$56.13
MS28782-87	15.500	\$57.41
MS28782-88	4.500	\$30.08

MS28783 Spiral PTFE Backups - Inch

Part No.	ID	Price
MS28783-1	1.625	\$8.62
MS28783-2	1.750	\$9.40
MS28783-3	1.875	\$9.83
MS28783-4	2.000	\$6.27
MS28783-5	2.125	\$10.04
MS28783-6	2.250	\$10.79
MS28783-7	2.375	\$11.11

Part No.	ID	Price
MS28783-8	2.500	\$11.62
MS28783-9	2.625	\$12.06
MS28783-10	2.750	\$10.69
MS28783-11	2.875	\$12.65
MS28783-12	3.000	\$12.73
MS28783-13	3.125	\$13.31
MS28783-14	3.250	\$13.57

Part No.	ID	Price
MS28783-15	3.375	\$13.83
MS28783-16	3.500	\$12.36
MS28783-17	3.625	\$14.62
MS28783-18	3.750	\$11.94
MS28783-19	3.875	\$15.13
MS28783-20	4.000	\$15.50
MS28783-21	4.125	\$15.76

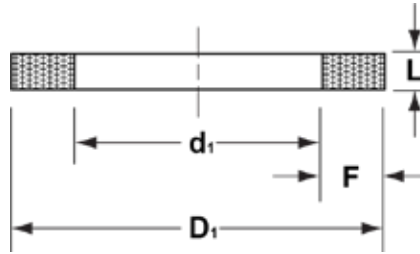
Part No.	ID	Price
MS28783-22	4.250	\$16.02
MS28783-23	4.375	\$16.60
MS28783-24	4.500	\$16.86
MS28783-25	4.625	\$17.12
MS28783-26	4.750	\$18.93
MS28783-30	5.250	\$21.30
MS28783-36	6.000	\$27.38

PTFE Backup Rings for U-Cups - Inch

EXAMPLE: BU-2000-2375-062-T

Pre fix	Inside Dia	Outside Dia	Height	Material
BU-	2000	- 2375	- 062	T
	2"	2-3/8"	1/16"	PTFE

ALTERNATIVE SEALS: 8700, BU-N



These solid backup rings are machined from virgin PTFE and are normally used with 8400 and 6226 series U-Cups when additional extrusion resistance is required. Parts marked with suffix "S" are split.

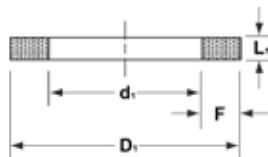
Part Number	Inside Dia. d_1	Outside Dia. D_1	Height L_1	Price
BU-0395-0554-050-T	0.395	0.554	0.050	\$4.14
BU-0500-1000-062-T	0.500	1.000	0.062	\$9.52
BU-0625-0875-062-T	0.625	0.875	0.062	\$9.52
BU-0750-1000-031-T	0.750	1.000	0.031	\$11.37
BU-0750-1000-062-T	0.750	1.000	0.062	\$12.71
BU-0875-1125-020-T	0.875	1.125	0.020	\$9.53
BU-0875-1120-060-1@1	0.875	1.125	0.060	\$11.27
BU-1000-1250-060-T	1.000	1.250	0.060	\$8.01
BU-1000-1312-062-T	1.000	1.312	0.062	\$8.25
BU-1125-1381-062-1@1	1.125	1.381	0.062	\$13.60
BU-1187-1500-062-T	1.187	1.500	0.062	\$14.14
BU-1250-1750-062-T	1.250	1.750	0.062	\$12.13
BU-1375-1625-093-T	1.375	1.625	0.093	\$13.74
BU-1375-1687-062-T	1.375	1.687	0.062	\$14.13
BU-1375-1750-062-T	1.375	1.750	0.062	\$14.50
BU-1625-2000-062-T	1.625	2.000	0.062	\$14.16
BU-1750-2125-062-T	1.750	2.125	0.062	\$15.50
BU-1875-2250-092-T	1.875	2.250	0.092	\$16.26
BU-2000-2375-062-T	2.000	2.375	0.062	\$15.57
BU-2125-2500-062-T	2.125	2.500	0.062	\$16.21
BU-2250-2750-062-T	2.250	2.750	0.062	\$16.61
BU-2250-2750-125-T	2.250	2.750	0.125	\$29.66
BU-2499-2730-150-T	2.499	2.730	0.150	\$16.70
BU-2500-2937-062-T	2.500	2.937	0.062	\$16.95
BU-2500-3000-062-T	2.500	3.000	0.062	\$15.76
BU-2562-3000-062-T	2.562	3.000	0.062	\$17.12
BU-2750-3250-062-T	2.750	3.250	0.062	\$18.73
BU-2812-3250-062-T	2.812	3.250	0.062	\$11.37
BU-3000-3437-062-T	3.000	3.437	0.062	\$17.34
BU-3500-4000-062-T	3.500	4.000	0.062	\$19.42
BU-3625-4000-062-T	3.625	4.000	0.062	\$27.70
BU-3875-4500-125-T	3.875	4.500	0.125	\$48.31

Part Number	Inside Dia. d_1	Outside Dia. D_1	Height L_1	Price
BU-4000-4500-062-T	4.000	4.500	0.062	\$21.41
BU-4250-4500-062-T	4.250	4.500	0.062	\$20.44
BU-4250-4750-062-T	4.250	4.750	0.062	\$23.06
BU-4250-5000-125-T	4.250	5.000	0.125	\$33.80
BU-4437-5000-062-T	4.437	5.000	0.062	\$28.14
BU-4500-4875-125-T	4.500	4.875	0.125	\$33.88
BU-4500-5000-062-T	4.500	5.000	0.062	\$24.72
BU-5000-5562-062-T	5.000	5.562	0.062	\$29.30
BU-5125-6000-125-T-S	5.125	6.000	0.125	\$51.37
BU-5250-5750-125-T-S	5.250	5.750	0.125	\$41.53
BU-5250-6000-062-T	5.250	6.000	0.062	\$38.92
BU-5375-6000-062-T	5.375	6.000	0.062	\$35.01
BU-5437-6000-062-T	5.437	6.000	0.062	\$39.62
BU-5500-6000-125-T	5.500	6.000	0.125	\$50.16
BU-6125-7000-125-T-S	6.125	7.000	0.125	\$62.70
BU-6375-7000-062-T	6.375	7.000	0.062	\$36.06
BU-6437-7000-062-T	6.437	7.000	0.062	\$42.11
BU-6500-7250-125-T	6.500	7.250	0.125	\$76.17
BU-7000-7625-062-T	7.000	7.625	0.062	\$56.60
BU-7000-8000-125-T	7.000	8.000	0.125	\$69.70
BU-7375-8000-062-T	7.375	8.000	0.062	\$41.19
BU-7500-8250-125-TFE	7.500	8.250	0.125	\$52.13
BU-7500-8500-125-T	7.500	8.500	0.125	\$53.88
BU-8000-8750-062-T	8.000	8.750	0.062	\$49.12
BU-8375-9375-187-T	8.375	9.375	0.187	\$58.22
BU-8500-9500-187-T	8.500	9.500	0.187	\$106.14
BU-9312-10000-062-T	9.312	10.000	0.062	\$53.01
BU-11000-12000-062-T	11.000	12.000	0.062	\$56.25
BU-11250-12000-062-T	11.250	12.000	0.062	\$55.19
BU-13000-14000-062-T	13.000	14.000	0.062	\$72.32
BU-13187-14000-062-T	13.187	14.000	0.062	\$74.67
BU-27528-28000-108-T	27.528	28.000	0.108	\$307.01

Nylon Backup Rings for U-Cups - Inch



ALTERNATIVE SEALS: BU-T



EXAMPLE: BU-0875-1250-187-N1

Prefix	Inside Dia	Outside Dia	Height	Material
BU-	0875	- 1250	- 187"	N1
	7/8"	1 1/4"	3/16"	Nylon

These Nylon rings are supplied solid and are normally used to backup U-Cups. They are highly extrusion resistant and are compatible with petroleum based fluids up to temperatures of 275° F. Parts marked with Suffix "S" are split.

Temperature: -40° to 275°F

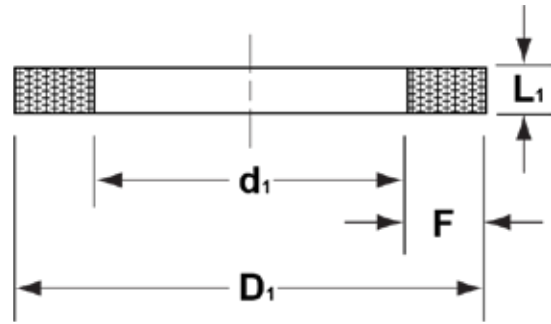
Part Number	Inside Dia. d_1	Outside Dia. D_1	Height L_1	Price
BU-0875-1250-187-N1	0.875	1.250	0.187	\$7.04
BU-2500-3000-075-N@1	2.500	3.000	0.075	\$6.10
BU-2750-3375-062-N1	2.750	3.375	0.062	\$5.10
BU-3500-4000-075-N@1	3.500	4.000	0.075	\$7.56
BU-3750-4375-062-N1	3.750	4.375	0.062	\$5.56
BU-4000-4500-075-N@1	4.000	4.500	0.075	\$8.18
BU-4250-4750-075-N@1	4.250	4.750	0.075	\$9.48
BU-4500-5000-075-N@1	4.500	5.000	0.075	\$8.52
BU-4500-5000-125-N@1	4.500	5.000	0.125	\$11.06
BU-4750-5375-062-N1	4.750	5.375	0.062	\$5.91

Part Number	Inside Dia. d_1	Outside Dia. D_1	Height L_1	Price
BU-4890-5350-156-Z@1	4.890	5.350	0.156	\$21.70
BU-5000-6000-125-N1	5.000	6.000	0.125	\$16.86
BU-5750-6375-062-N1	5.750	6.375	0.062	\$6.68
BU-6000-6500-062-N1	6.000	6.500	0.062	\$15.06
BU-6000-6750-125-N-S	6.000	6.750	0.125	\$25.52
BU-6750-7375-062-N1	6.750	7.375	0.062	\$7.13
BU-7905-8543-062-N1	7.905	8.543	0.062	\$10.32
BU-8500-9500-125-N-S	8.500	9.500	0.125	\$31.56
BU-9375-10000-062-N1	9.375	10.000	0.062	\$12.80

8700 Hytrel® Backup Rings - Inch



ALTERNATIVE SEALS: BU-T, BU-N



These Hytrel® rings are supplied solid and are normally used to backup 8400 series U-Cups. They are highly extrusion resistant and are compatible with water and petroleum based fluids up to temperatures of 275° F. Unlike PTFE, they can be stretched over larger diameters and will quickly return to their original size.

Temperature: -40° to 275°F

EXAMPLE: 8708-0150			
Prefix	Cross Section	Inside Diameter	
87	*08	-	0150
	1/4"		1-1/2'

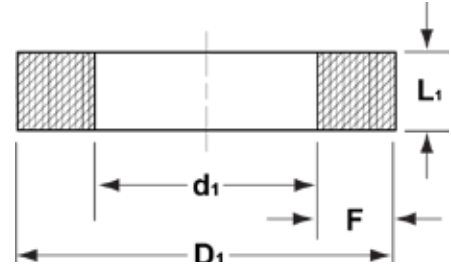
* REFERS TO #/32 FOR C/S

(Coordinates with 8400 U-Cup Part# 8408-0150)

Part Number	Inside Diameter d_1	Outside Diameter D_1	Height L_1	Price
8704-0037	0.375	0.625	0.062	\$1.52
8704-0062	0.625	0.875	0.062	\$1.56
8704-0075	0.750	1.000	0.062	\$1.60
8704-0100	1.000	1.250	0.062	\$1.67
8705-0100	1.000	1.312	0.062	\$2.00
8705-0118	1.187	1.500	0.062	\$2.07
BU-1187-1687-062-H	1.187	1.687	0.062	\$4.46
8708-0125	1.250	1.750	0.062	\$2.79
8705-0137	1.375	1.687	0.062	\$2.14
8706-0137	1.375	1.750	0.062	\$2.43
8705-0150	1.500	1.812	0.062	\$2.18
8706-0150	1.500	1.875	0.062	\$2.50
8708-0150	1.500	2.000	0.062	\$2.94
8706-0162	1.625	2.000	0.062	\$2.58
8706-0175	1.750	2.125	0.062	\$2.68
8708-0175	1.750	2.250	0.062	\$16.74
8706-0200	2.000	2.375	0.062	\$2.87
8708-0200	2.000	2.500	0.062	\$3.27
BU-2062-2562-093-H	2.062	2.562	0.093	\$7.67
8706-0212	2.125	2.500	0.062	\$2.90
8706-0215	2.156	2.531	0.062	\$3.01
8708-0225	2.250	2.750	0.062	\$12.20
BU-2500-2875-062-H	2.500	2.875	0.062	\$3.11

Part Number	Inside Diameter d_1	Outside Diameter D_1	Height L_1	Price
8707-0250	2.500	2.937	0.062	\$3.30
8707-0281	2.812	3.250	0.062	\$3.45
8707-0300	3.000	3.437	0.062	\$3.84
BU-3000-3750-093-H	3.000	3.750	0.093	\$8.67
8708-0350	3.500	4.000	0.062	\$5.55
8708-0400	4.000	4.500	0.062	\$5.84
8709-0443	4.437	5.000	0.062	\$18.14
8709-0446	4.468	5.031	0.062	\$8.88
8708-0450	4.500	5.000	0.062	\$6.06
8709-0500	5.000	5.562	0.062	\$6.97
8710-0537	5.375	6.000	0.062	\$7.11
8710-0540	5.406	6.031	0.062	\$7.22
8709-0543	5.437	6.000	0.062	\$8.76
8710-0550	5.500	6.125	0.062	\$11.03
8710-0637	6.375	7.000	0.062	\$29.08
8709-0643	6.437	7.000	0.062	\$37.63
8710-0700	7.000	7.625	0.062	\$39.23
8710-0737	7.375	8.000	0.062	\$34.69
8711-0931	9.312	10.000	0.062	\$51.34
8711-0934	9.343	10.031	0.062	\$54.79
8716-1100	11.000	12.000	0.062	\$66.58
8712-1125	11.250	12.000	0.062	\$50.58
8713-1318	13.187	14.000	0.062	\$57.71

Urethane Modular Backup Rings - Inch



Made from 65 D durometer urethane, these devices are designed to absorb shock loads and are used to prevent extrusion of loaded lip seals at high pressure. Please call our staff for other compounds and sizes. Parts with a 4652 suffix are manufactured from polymite.

Temperature: -65° to 200°F

EXAMPLE: 25002750-MB			
Cross Section	Inside Diameter	Suffix	
250	02750	-	MB
1/4	2-3/4"		

Part Number	Inside Dia. d_1	Outside Dia. D_1	Height L_1	Price
1/8" CROSS SECTION ("F")				
12500125-MB	0.125	0.375	0.125	\$9.29
12500250-MB	0.250	0.500	0.125	\$6.54
12500312-MB	0.312	0.562	0.125	\$26.51
12500437-MB	0.437	0.687	0.125	\$20.45
12500500-MB	0.500	0.750	0.125	\$6.54
12500625-MB	0.625	0.875	0.125	\$7.12
12500687-MB	0.687	0.937	0.125	\$7.22
12500750-MB	0.750	1.000	0.125	\$7.47
12500812-MB	0.812	1.062	0.125	\$20.84
12500937-MB	0.937	1.187	0.125	\$7.71
12501000-MB	1.000	1.250	0.125	\$7.84
12501250-MB	1.250	1.500	0.125	\$8.23
12501375-MB	1.375	1.625	0.125	\$33.19
12501500-MB	1.500	1.750	0.125	\$8.82
3/16" CROSS SECTION ("F")				
18700500-MB	0.500	0.875	0.187	\$8.19
18700625-MB	0.625	1.000	0.187	\$8.81
18701000-MB	1.000	1.375	0.187	\$9.49
18701250-MB	1.250	1.625	0.187	\$9.68
18701500-MB	1.500	1.875	0.187	\$9.76
18701625-MB	1.625	2.000	0.187	\$10.01
18701875-MB	1.875	2.250	0.187	\$10.57
18702000-MB	2.000	2.375	0.187	\$10.60
18702125-MB	2.125	2.500	0.187	\$11.07
18702500-MB	2.500	2.875	0.187	\$11.91
18702625-MB	2.625	3.000	0.187	\$12.26
18702750-MB	2.750	3.125	0.187	\$12.83
18703000-MB	3.000	3.375	0.187	\$14.23
18703125-MB	3.125	3.500	0.187	\$16.67
18703250-MB	3.250	3.625	0.187	\$31.56
18703500-MB	3.500	3.875	0.187	\$17.79
18703625-MB	3.625	4.000	0.187	\$18.64

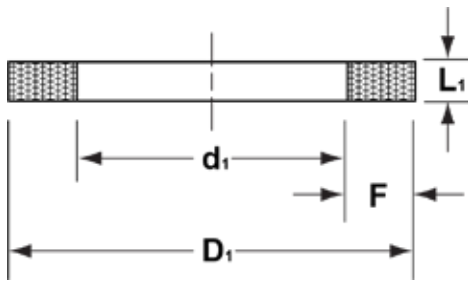
Part Number	Inside Dia. d_1	Outside Dia. D_1	Height L_1	Price
1/4" CROSS SECTION ("F")				
25000750-MB	0.750	1.250	0.250	\$9.20
25000875-MB	0.875	1.375	0.250	\$9.29
25001000-MB	1.000	1.500	0.250	\$9.65
25001000-125-MB 4652	1.000	1.500	0.125	\$9.56
25001250-MB	1.250	1.750	0.250	\$10.35
25001375-MB	1.375	1.875	0.250	\$11.25
25001500-MB	1.500	2.000	0.250	\$11.43
25001750-MB	1.750	2.250	0.250	\$20.24
25001875-MB	1.875	2.375	0.250	\$31.66
25002000-MB	2.000	2.500	0.250	\$13.46
25002250-MB	2.250	2.750	0.250	\$15.45
25002500-MB	2.500	3.000	0.250	\$16.52
25002750-MB	2.750	3.250	0.250	\$34.31
25002875-MB	2.875	3.375	0.250	\$35.83
25003000-MB	3.000	3.500	0.250	\$18.60
25003250-MB	3.250	3.750	0.250	\$18.77
25003500-MB	3.500	4.000	0.250	\$18.13
25003750-MB	3.750	4.250	0.250	\$24.56
25004000-MB	4.000	4.500	0.250	\$23.96
25004250-MB	4.250	4.750	0.250	\$25.78
25004500-MB	4.500	5.000	0.250	\$27.15
25005000-MB	5.000	5.500	0.250	\$56.34
25005250-187MB	5.250	5.750	0.187	\$41.59
25005250-MB	5.250	5.750	0.250	\$31.78
25005500-MB	5.500	6.000	0.250	\$34.58
25006000-MB	6.000	6.500	0.250	\$39.47
25007500-MB	7.500	8.000	0.250	\$51.88
25007750-MB	7.750	8.250	0.250	\$53.15
5/16" CROSS SECTION ("F")				
31201250-MB	1.250	1.875	0.312	\$11.99
31201500-MB	1.500	2.125	0.312	\$28.73
31201750-MB	1.750	2.375	0.312	\$28.93

Urethane Modular Backup Rings - Inch, cont'd.

Part Number	Inside Dia. d ₁	Outside Dia. D ₁	Height L ₁	Price
5/16" CROSS SECTION ("F")				
31201875-MB	1.875	2.500	0.312	\$14.97
31202000-MB	2.000	2.625	0.312	\$28.64
31202250-MB	2.250	2.875	0.312	\$16.32
31202375-MB	2.375	3.000	0.312	\$18.66
31202500-MB	2.500	3.125	0.312	\$20.57
31203000-MB	3.000	3.625	0.312	\$36.61
31203125-MB	3.125	3.750	0.312	\$41.59
31203500-MB	3.500	4.125	0.312	\$38.51
31203750-MB	3.750	4.375	0.312	\$28.33
31204125-MB	4.125	4.750	0.312	\$28.76
31204375-MB	4.375	5.000	0.312	\$34.17
31204500-MB	4.500	5.125	0.312	\$32.42
31205375-MB	5.375	6.000	0.312	\$41.44
3/8" CROSS SECTION ("F")				
37501000-MB	1.000	1.750	0.375	\$42.57
37501250-MB	1.250	2.000	0.375	\$15.98
37501375-MB	1.375	2.125	0.375	\$16.58
37501500-MB	1.500	2.250	0.375	\$18.02
37501625-MB	1.625	2.375	0.375	\$19.32
37501750-MB	1.750	2.500	0.375	\$20.66
37502000-MB	2.000	2.750	0.375	\$26.17
37502250-MB	2.250	3.000	0.375	\$26.33
37502375-MB	2.375	3.125	0.375	\$27.09
37502500-MB	2.500	3.250	0.375	\$27.28
37502625-MB	2.625	3.375	0.375	\$28.70
37502750-MB	2.750	3.500	0.375	\$31.34
37502750-250MB	2.750	3.500	0.250	\$41.94
37503000-MB	3.000	3.750	0.375	\$42.82
37503250-MB	3.250	4.000	0.375	\$35.58
37503500-MB	3.500	4.250	0.375	\$43.38
37503750-MB	3.750	4.500	0.375	\$40.29
37504000-MB	4.000	4.750	0.375	\$43.20
37504250-MB	4.250	5.000	0.375	\$45.43
37504500-MB	4.500	5.250	0.375	\$47.81
37504750-MB	4.750	5.500	0.375	\$51.27
37505000-250MB	5.000	5.750	0.250	\$72.78
37505000-MB	5.000	5.750	0.375	\$53.58
37505250-MB	5.250	6.000	0.375	\$56.34
37506000-MB	6.000	6.750	0.375	\$72.07
37506250-MB	6.250	7.000	0.375	\$76.26
37506500-MB	6.500	7.250	0.375	\$87.35
37507000-MB	7.000	7.750	0.375	\$68.75
37507250-MB	7.250	8.000	0.375	\$91.90

Part Number	Inside Dia. d ₁	Outside Dia. D ₁	Height L ₁	Price
3/8" CROSS SECTION ("F")				
37507500-MB	7.500	8.250	0.375	\$93.74
37507750-MB	7.750	8.500	0.375	\$106.26
37508000-MB	8.000	8.750	0.375	\$114.48
37509000-MB	9.000	9.750	0.375	\$107.32
37509250-MB	9.250	10.000	0.375	\$107.60
37510000-MB	10.000	10.750	0.375	\$111.59
37511000-MB	11.000	11.750	0.375	\$114.87
37511250-MB	11.250	12.000	0.375	\$120.74
7/16" CROSS SECTION ("F")				
43703875-266MB	3.875	4.750	0.266	\$44.12
1/2" CROSS SECTION ("F")				
50002000-MB	2.000	3.000	0.500	\$33.44
50002250-MB	2.250	3.250	0.500	\$36.64
50002500-MB	2.500	3.500	0.500	\$40.04
50003000-MB	3.000	4.000	0.500	\$46.61
50003500-MB	3.500	4.500	0.500	\$52.87
50004000-MB	4.000	5.000	0.500	\$59.90
50004500-MB	4.500	5.500	0.500	\$66.44
50005000-MB	5.000	6.000	0.500	\$73.07
50005500-MB	5.500	6.500	0.500	\$79.37
50006000-MB	6.000	7.000	0.500	\$83.41
50006500-MB	6.500	7.500	0.500	\$86.01
50007000-MB	7.000	8.000	0.500	\$98.39
50008000-MB	8.000	9.000	0.500	\$100.37
50008000-MB 4652	8.000	9.000	0.500	\$119.62
50008500-MB	8.500	9.500	0.500	\$109.43
50009000-MB	9.000	10.000	0.500	\$111.68
50009500-MB	9.500	10.500	0.500	\$155.56
50010000-MB	10.000	11.000	0.500	\$123.94
50010000-MB 4652	10.000	11.000	0.500	\$160.63
50010500-MB	10.500	11.500	0.500	\$129.94
50010500-MB 4652	10.500	11.500	0.500	\$159.32
50011500-MB	11.500	12.500	0.500	\$142.04
50012000-MB	12.000	13.000	0.500	\$148.08
50013000-MB 4652	13.000	14.000	0.500	\$187.39
50013500-MB	13.500	14.500	0.500	\$192.55
50015000-MB	15.000	16.000	0.500	\$233.82
50019000-MB	19.000	20.000	0.500	\$290.41
5/8" CROSS SECTION ("F")				
62502750-MB	2.750	4.000	0.625	\$52.16
62506750-MB	6.750	8.000	0.625	\$106.47
62506875-MB	6.875	8.125	0.625	\$113.34
62512750-MB	12.750	14.000	0.625	\$234.98

MBH Hytrel® Backup Rings - Metric



Made from 55 shore D Hytrel®, these rings are extremely resistant to extrusion, compatible with water and petroleum based fluids, and can be used at temperatures to 275°F. Unlike PTFE, they can be stretched over larger diameters and will return quickly to their original size.



Temperature: -40° to 275°F
ALTERNATIVE SEALS: MBT, MBN

EXAMPLE: MBH-50X55X1.5				
Prefix	Inside Diameter		Outside Diameter	Height
MBH-	50	x	55	x 1.5
	50mm		55mm	1.5mm

Part Number					Price
Prefix	I. D. d ₁	O. D. D ₁	Height L ₁		
MBH -	15	x 19	x 1.2		\$2.90
MBH -	16	x 20	x 1.2		\$2.96
MBH -	20	x 25	x 1.5		\$3.32
MBH -	22	x 30	x 1.5		\$3.78
MBH -	25	x 30	x 1.5		\$3.37
MBH -	25	x 33	x 1.5		\$3.82
MBH -	30	x 35	x 1.5		\$3.42
MBH -	30	x 40	x 1.5		\$3.85
MBH -	35	x 40	x 1.5		\$3.46
MBH -	35.5	x 45	x 1.5		\$3.95
MBH -	38	x 50	x 1.5		\$4.37
MBH -	40	x 45	x 1.5		\$3.50
MBH -	40	x 50	x 1.5		\$4.08
MBH*	40	x 53	x 2		\$5.05
MBH -	40	x 53	x 2.5		\$5.05
MBH*	42	x 55	x 2		\$5.14
MBH -	42	x 55	x 2.5		\$5.14
MBH -	44	x 50	x 1.5		\$6.54
MBH -	45	x 50	x 1.5		\$3.55
MBH -	45	x 55	x 1.5		\$4.20
MBH -	49	x 55	x 1.5		\$5.69
MBH -	50	x 55	x 1.5		\$3.59
MBH -	50	x 60	x 1.5		\$4.35
MBH*	50	x 63	x 2		\$5.88
MBH -	50	x 63	x 2.5		\$5.88
MBH -	50	x 65	x 2.5		\$6.04
MBH -	53	x 63	x 1.5		\$4.44
MBH -	55	x 60	x 1.5		\$3.66
MBH -	55	x 65	x 1.5		\$4.51
MBH*	55	x 70	x 2.5		\$6.23
MBH -	55	x 70	x 3		\$6.23
MBH -	56	x 66	x 1.5		\$4.58
MBH -	58	x 63	x 1.5		\$3.69
MBH -	60	x 65	x 1.5		\$3.72
MBH -	60	x 70	x 1.5		\$4.65
MBH -	60	x 73	x 3		\$6.44
MBH*	60	x 75	x 2.5		\$6.44
MBH -	60	x 75	x 3		\$6.44
MBH -	65	x 70	x 1.5		\$3.78
MBH -	65	x 75	x 2		\$4.80
MBH -	65	x 75	x 3		\$4.80
MBH -	65	x 78	x 3		\$6.63
MBH*	65	x 80	x 2.5		\$6.63
MBH -	65	x 80	x 3		\$6.63
MBH -	70	x 75	x 1.5		\$3.87
MBH -	70	x 80	x 2		\$4.94
MBH -	70	x 83	x 3		\$6.84
MBH*	70	x 85	x 2.5		\$6.84
MBH -	70	x 85	x 3		\$6.84
MBH -	75	x 80	x 1.5		\$3.95
MBH -	75	x 85	x 2		\$5.10
MBH -	75	x 88	x 3		\$7.03
MBH*	75	x 90	x 2.5		\$7.03

Part Number					Price
Prefix	I. D. d ₁	O. D. D ₁	Height L ₁		
MBH -	75	x 90	x 3		\$7.03
MBH -	80	x 85	x 1.5		\$4.06
MBH -	80	x 90	x 2		\$5.25
MBH -	80	x 93	x 3		\$7.22
MBH*	80	x 95	x 2.5		\$7.22
MBH -	80	x 95	x 3		\$7.22
MBH -	80	x 100	x 3		\$11.63
MBH -	85	x 90	x 1.5		\$4.12
MBH -	85	x 95	x 2		\$5.37
MBH -	85	x 100	x 3		\$7.46
MBH -	90	x 95	x 1.5		\$4.20
MBH -	90	x 100	x 2		\$5.50
MBH*	90	x 105	x 2.5		\$7.67
MBH -	90	x 105	x 3		\$7.67
MBH -	90	x 110	x 3		\$12.22
MBH -	95	x 100	x 1.5		\$4.31
MBH -	95	x 105	x 2		\$5.64
MBH*	95	x 110	x 2.5		\$7.90
MBH -	95	x 110	x 3		\$7.90
MBH -	95	x 115	x 3		\$12.51
MBH -	100	x 105	x 1.5		\$4.41
MBH -	100	x 110	x 2		\$5.76
MBH*	100	x 115	x 2.5		\$8.16
MBH -	100	x 115	x 3		\$8.16
MBH -	100	x 120	x 3		\$12.82
MBH -	105	x 110	x 1.5		\$4.52
MBH -	105	x 115	x 2		\$5.89
MBH*	105	x 120	x 2.5		\$8.38
MBH -	105	x 120	x 3		\$8.38
MBH -	105	x 125	x 3		\$13.13
MBH -	110	x 115	x 1.5		\$4.62
MBH -	110	x 120	x 2		\$6.01
MBH*	110	x 125	x 2.5		\$8.64
MBH -	110	x 125	x 3		\$8.64
MBH -	110	x 130	x 3		\$13.47
MBH -	115	x 120	x 1.5		\$4.73
MBH -	115	x 125	x 2		\$6.13
MBH -	120	x 125	x 1.5		\$4.86
MBH -	120	x 130	x 2		\$6.29
MBH*	120	x 135	x 2.5		\$9.46
MBH -	120	x 135	x 3		\$9.46
MBH -	120	x 140	x 3		\$14.12
MBH -	125	x 130	x 1.5		\$4.99
MBH -	125	x 135	x 2		\$6.43
MBH*	125	x 140	x 2.5		\$9.62
MBH -	125	x 140	x 2.75		\$9.62
MBH -	130	x 135	x 1.5		\$5.12
MBH -	130	x 140	x 2		\$6.58
MBH -	130	x 145	x 2.75		\$9.38
MBH -	130	x 150	x 3		\$14.77
MBH -	135	x 140	x 1.5		\$5.25
MBH -	135	x 145	x 2		\$6.74
MBH -	135	x 150	x 2.75		\$9.70

Part Number					Price
Prefix	I. D. d ₁	O. D. D ₁	Height L ₁		
MBH -	140	x 145	x 1.5		\$5.25
MBH -	140	x 150	x 2		\$6.88
MBH*	140	x 155	x 2.5		\$10.61
MBH -	140	x 155	x 2.75		\$10.61
MBH -	140	x 160	x 3		\$15.44
MBH -	145	x 150	x 1.5		\$5.52
MBH -	145	x 155	x 2		\$7.03
MBH -	145	x 160	x 2.75		\$10.40
MBH -	150	x 160	x 2		\$7.17
MBH -	150	x 165	x 2.75		\$10.79
MBH -	150	x 170	x 3		\$16.14
MBH -	155	x 165	x 2		\$7.33
MBH*	155	x 170	x 2		\$11.84
MBH -	155	x 170	x 2.75		\$11.84
MBH -	160	x 170	x 2		\$7.48
MBH -	160	x 175	x 2.75		\$11.42
MBH -	160	x 180	x 3		\$16.89
MBH -	165	x 175	x 2		\$7.62
MBH*	165	x 180	x 2		\$12.36
MBH -	165	x 180	x 2.75		\$12.36
MBH -	170	x 180	x 2		\$7.80
MBH*	170	x 185	x 2		\$12.62
MBH -	170	x 185	x 2.75		\$12.62
MBH -	175	x 185	x 2		\$7.94
MBH -	175	x 190	x 2		\$12.91
MBH -	175	x 190	x 2.75		\$12.91
MBH -	180	x 190	x 2		\$8.13
MBH -	180	x 195	x 2.75		\$12.57
MBH -	180	x 200	x 3		\$18.86
MBH -	185	x 195	x 2		\$8.28
MBH -	185	x 200	x 2.75		\$12.75
MBH -	190	x 200	x 2		\$8.44
MBH*	190	x 205	x 2		\$13.13
MBH -	190	x 205	x 2.75		\$13.13
MBH -	200	x 210	x 2		\$8.82
MBH*	200	x 215	x 2		\$13.43
MBH -	200	x 215	x 2.75		\$13.43
MBH -	205	x 220	x 2.75		\$13.73
MBH -	210	x 220	x 2		\$9.20
MBH -	210	x 225	x 2.75		\$14.14
MBH -	220	x 230	x 2		\$9.62
MBH*	225	x 240	x 2.5		\$15.48
MBH -	225	x 240	x 2.75		\$15.48
MBH -	230	x 240	x 2		\$9.99
MBH -	235	x 250	x 2.75		\$15.53
MBH -	240	x 250	x 2		\$10.41
MBH -	245	x 260	x 2.75		\$16.15
MBH -	250	x 260	x 2		\$10.78
MBH -	260	x 270	x 2		\$11.20
MBH -	265	x 280	x 2.75		\$18.90
MBH -	270	x 280	x 2		\$11.60
MBH -	280	x 290	x 2		\$11.99
MBH -	290	x 300	x 2		\$12.38

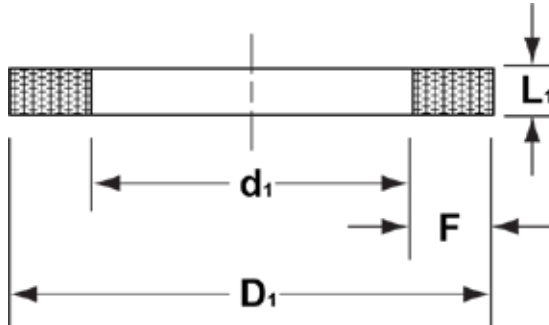
* Items marked with an asterisk indicate limited quantity.

MBT Solid Teflon® Backups - Metric



EXAMPLE: MBT-25X31X1.25

Prefix	Inside Diameter		Outside Diameter		Height
MBT-	25	x	31	x	1.25
	25mm		31mm		1.25mm

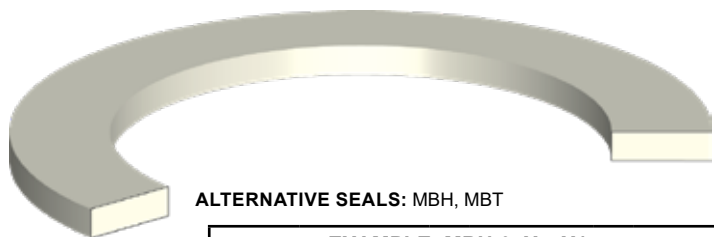


These solid PTFE backup rings are popular in commercial applications requiring low friction, fluid compatibility and / or high temperature. The solid design is easier to install in larger bore sizes as there are no ends to catch.

Part Number						Price
Prefix	I. D. d ₁		O. D. D ₁		Height L ₁	
MBT -	8	x	11	x	1.25	\$2.30
MBT -	9	x	12	x	1.25	\$2.30
MBT -	10	x	13	x	1.25	\$2.30
MBT -	12	x	16	x	1.25	\$2.32
MBT -	14	x	18	x	1.25	\$2.32
MBT -	18	x	22	x	1.25	\$2.37
MBT -	20	x	24	x	1.25	\$2.37
MBT -	21	x	25	x	1.25	\$2.37
MBT -	22	x	26	x	1.25	\$2.37
MBT -	22	x	28	x	1.25	\$2.37
MBT -	24	x	30	x	1.25	\$2.45
MBT -	25	x	30	x	1.25	\$1.77
MBT -	25	x	31	x	1.25	\$2.45
MBT -	26	x	32	x	1.25	\$2.50
MBT -	28	x	34	x	1.25	\$2.50
MBT -	29	x	35	x	1.25	\$2.50
MBT -	30	x	35	x	1.25	\$3.07
MBT -	30	x	36	x	1.25	\$2.53
MBT -	31	x	37	x	1.25	\$2.53
MBT -	32	x	38	x	1.25	\$2.53
MBT -	34	x	40	x	1.25	\$2.73
MBT -	35	x	40	x	1.25	\$2.42
MBT -	35	x	41	x	1.25	\$2.73
MBT -	36	x	42	x	1.25	\$2.93
MBT -	38	x	44	x	1.25	\$2.93
MBT -	39	x	45	x	1.25	\$2.93
MBT -	40	x	45	x	1.25	\$2.93
MBT -	40	x	50	x	1.9	\$3.10
MBT -	41	x	47	x	1.25	\$3.13
MBT -	42	x	48	x	1.25	\$3.13
MBT -	44	x	50	x	1.25	\$3.52
MBT -	45	x	50	x	1.25	\$2.59
MBT -	45	x	51	x	1.25	\$3.56
MBT -	45	x	55	x	1.9	\$5.50
MBT -	48	x	54	x	1.25	\$3.60
MBT -	48	x	58	x	1.9	\$5.52
MBT -	50	x	55	x	1.25	\$3.03
MBT -	50	x	56	x	1.25	\$3.62
MBT -	50	x	60	x	1.9	\$5.53
MBT -	52	x	57	x	1.25	\$5.57
MBT -	53	x	63	x	1.9	\$5.63
MBT -	55	x	60	x	1.25	\$5.63
MBT -	55	x	65	x	1.9	\$5.63
MBT -	56	x	66	x	1.9	\$6.04
MBT -	58	x	68	x	1.9	\$6.11
MBT -	60	x	70	x	1.9	\$6.16
MBT -	62	x	67	x	1.25	\$6.20
MBT -	62	x	72	x	1.9	\$6.24
MBT -	65	x	75	x	1.9	\$6.56
MBT -	70	x	75	x	1.25	\$6.13
MBT -	70	x	80	x	1.9	\$7.08
MBT -	75	x	80	x	1.25	\$5.20
MBT -	75	x	85	x	1.9	\$7.59
MBT -	80	x	90	x	1.9	\$8.17
MBT -	85	x	90	x	1.25	\$5.44

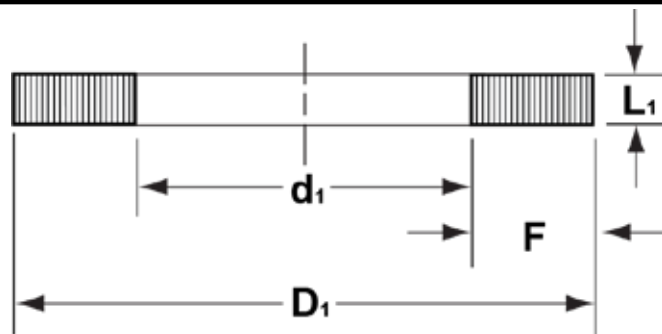
Part Number						Price
Prefix	I. D. d ₁		O. D. D ₁		Height L ₁	
MBT -	85	x	95	x	1.9	\$8.38
MBT -	90	x	95	x	1.25	\$5.67
MBT -	90	x	100	x	1.9	\$9.27
MBT -	95	x	100	x	1.25	\$5.91
MBT -	95	x	105	x	1.9	\$9.62
MBT -	100	x	105	x	1.25	\$6.15
MBT -	100	x	110	x	1.9	\$9.98
MBT -	102	x	112	x	1.9	\$10.36
MBT -	105	x	110	x	1.25	\$6.87
MBT -	105	x	115	x	1.9	\$10.77
MBT -	110	x	115	x	1.25	\$7.09
MBT -	110	x	120	x	1.9	\$10.95
MBT -	112	x	122	x	1.9	\$11.18
MBT -	115	x	120	x	1.25	\$7.33
MBT -	115	x	125	x	1.9	\$11.26
MBT -	120	x	125	x	1.25	\$7.56
MBT -	120	x	130	x	1.9	\$11.79
MBT -	125	x	130	x	1.25	\$7.80
MBT -	125	x	135	x	1.9	\$12.32
MBT -	128	x	133	x	1.25	\$8.27
MBT -	130	x	135	x	1.25	\$8.39
MBT -	130	x	140	x	1.9	\$12.55
MBT -	135	x	140	x	1.25	\$8.75
MBT -	135	x	145	x	1.9	\$13.07
MBT -	140	x	145	x	1.25	\$9.69
MBT -	140	x	150	x	1.9	\$13.63
MBT -	145	x	150	x	1.25	\$10.40
MBT -	145	x	155	x	1.9	\$14.08
MBT -	150	x	160	x	1.9	\$14.37
MBT -	155	x	165	x	1.9	\$14.84
MBT -	160	x	170	x	1.9	\$15.84
MBT -	165	x	175	x	1.9	\$16.10
MBT -	170	x	180	x	1.9	\$16.46
MBT -	175	x	185	x	1.9	\$16.76
MBT -	180	x	190	x	1.9	\$17.42
MBT -	185	x	195	x	1.9	\$17.68
MBT -	190	x	200	x	1.9	\$18.20
MBT -	195	x	205	x	1.9	\$18.69
MBT -	200	x	210	x	1.9	\$19.23
MBT -	205	x	215	x	1.9	\$19.57
MBT -	210	x	220	x	1.9	\$20.02
MBT -	215	x	225	x	1.9	\$25.04
MBT -	220	x	230	x	1.9	\$20.98
MBT -	225	x	235	x	1.9	\$21.15
MBT -	230	x	240	x	1.9	\$21.81
MBT -	235	x	245	x	1.9	\$22.28
MBT -	240	x	250	x	1.9	\$23.04
MBT -	245	x	255	x	1.9	\$23.50
MBT -	260	x	270	x	1.9	\$25.67
MBT -	270	x	280	x	1.9	\$27.31
MBT -	280	x	290	x	1.9	\$30.06
MBT -	290	x	300	x	1.9	\$33.95
MBT -	295	x	305	x	1.9	\$38.06
MBT -	300	x	310	x	1.9	\$43.78

MBN Nylon Backup Rings - Metric



ALTERNATIVE SEALS: MBH, MBT

EXAMPLE: MBN-35X45X1.5				
Prefix	Inside Diameter		Outside Diameter	Height
MBN-	35	x	45	x 1.5
	35mm		45mm	1.5mm



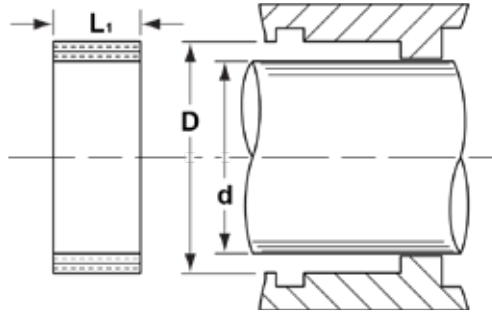
These nylon backup rings are used to increase the pressure rating for u-cups, and are machined to close tolerances. Some sizes are stocked solid and may be split with a sharp razor knife for ease of installation. Many sizes are already split. Please consult with sales for more information.

Temperature range is -65°F to +225°F.

Part Number					Price
Prefix	I.D. d_1	O.D. D_1	Height L_1		
MBN -	35	x	45	x 1.5	\$5.98
MBN -	36	x	46	x 3	\$6.16
MBN -	40	x	50	x 1.5	\$6.72
MBN -	40	x	50	x 3	\$6.55
MBN -	50	x	63	x 2	\$5.36
MBN -	50	x	63	x 3	\$5.51
MBN -	50	x	65	x 3	\$8.64
MBN -	55	x	68	x 3	\$8.43
MBN -	55	x	70	x 3	\$9.50
MBN -	55	x	71	x 3	\$9.31
MBN -	60	x	70	x 4	\$9.93
MBN -	60	x	73	x 3	\$8.97
MBN -	60	x	75	x 3	\$9.57
MBN -	63	x	78	x 3	\$9.83
MBN -	65	x	75	x 3	\$9.93
MBN -	65	x	78	x 3	\$10.04
MBN -	65	x	80	x 3	\$10.04
MBN -	70	x	80	x 3	\$10.53
MBN -	70	x	83	x 3	\$10.09
MBN -	70	x	85	x 3	\$10.18
MBN -	70	x	90	x 3	\$10.12
MBN -	75	x	85	x 3	\$11.52
MBN -	75	x	88	x 3	\$10.21
MBN -	75	x	90	x 3	\$10.38
MBN -	75	x	95	x 3	\$10.23
MBN -	75	x	100	x 3	\$18.35
MBN -	80	x	90	x 3	\$12.11
MBN -	80	x	93	x 3	\$12.31
MBN -	80	x	95	x 3	\$10.68
MBN -	80	x	100	x 3	\$11.00
MBN -	85	x	100	x 3	\$11.15
MBN -	85	x	105	x 3	\$11.50
MBN -	90	x	100	x 3	\$13.31
MBN -	90	x	105	x 3	\$11.44
MBN -	90	x	110	x 3	\$11.99

Part Number					Price
Prefix	I.D. d_1	O.D. D_1	Height L_1		
MBN -	95	x	110	x 3	\$11.90
MBN -	95	x	110	x 4	\$12.22
MBN -	95	x	115	x 3	\$12.37
MBN -	98	x	112	x 3	\$17.30
MBN -	100	x	115	x 3	\$12.36
MBN -	100	x	120	x 3	\$12.99
MBN -	100	x	125	x 3	\$22.77
MBN -	105	x	115	x 3	\$12.62
MBN -	105	x	120	x 3	\$12.60
MBN -	105	x	125	x 3	\$13.55
MBN -	110	x	125	x 3	\$13.03
MBN -	110	x	130	x 3	\$14.12
MBN -	115	x	130	x 3	\$13.37
MBN -	115	x	135	x 3	\$15.03
MBN -	120	x	135	x 3	\$13.78
MBN -	120	x	140	x 3	\$15.40
MBN -	130	x	145	x 3	\$15.11
MBN -	130	x	150	x 3	\$18.42
MBN -	140	x	150	x 3	\$19.86
MBN -	140	x	155	x 3	\$16.73
MBN -	140	x	160	x 3	\$24.21
MBN -	150	x	165	x 3	\$18.50
MBN -	150	x	170	x 3	\$25.86
MBN -	160	x	175	x 3	\$19.72
MBN -	160	x	180	x 3	\$27.44
MBN -	160	x	185	x 3	\$33.83
MBN -	180	x	200	x 4	\$35.76
MBN -	190	x	210	x 5	\$36.07
MBN -	200	x	215	x 3	\$20.12
MBN -	200	x	225	x 4	\$45.55

MDU Metal Rod Bushings - Metric



EXAMPLE: MDU-75X80X30					
Prefix	Inside Diameter		Outside Diameter		Height
MDU-	75	x	80	x	30
	75mm		80mm		30mm

Allegheny York offers a wide variety of metric DU bushings that are commonly found in Asian-built heavy equipment. These bushings are self-lubricating and made from a bronze alloy with a PTFE lining. They are split for ease of installation. Other sizes are available upon request. Contact sales for more information.

Part Number						
Prefix	Rod Dia. d	Groove Dia. D	Height L ₁	Price		
MDU -	6	x	8	x	6	\$1.65
MDU -	6	x	8	x	8	\$1.65
MDU -	8	x	10	x	10	\$2.47
MDU -	8	x	10	x	12	\$2.52
MDU -	8	x	10	x	15	\$2.68
MDU -	10	x	12	x	10	\$1.43
MDU -	10	x	12	x	12	\$1.49
MDU -	12	x	14	x	10	\$2.42
MDU -	12	x	14	x	20	\$1.74
MDU -	16	x	18	x	12	\$1.89
MDU -	16	x	18	x	15	\$2.42
MDU -	16	x	18	x	20	\$2.54
MDU -	16	x	18	x	25	\$2.64
MDU -	18	x	20	x	20	\$2.81
MDU -	20	x	23	x	15	\$3.97
MDU -	20	x	23	x	25	\$4.40
MDU -	20	x	23	x	30	\$5.01
MDU -	20	x	23	x	40	\$6.98
MDU -	22	x	25	x	20	\$4.16
MDU -	22	x	25	x	25	\$4.51
MDU -	25	x	28	x	15	\$4.15
MDU -	25	x	28	x	20	\$4.36
MDU -	25	x	28	x	25	\$5.67
MDU -	25	x	28	x	30	\$6.32
MDU -	25	x	28	x	40	\$7.81
MDU -	28	x	32	x	25	\$6.38
MDU -	30	x	34	x	12	\$3.79
MDU -	30	x	34	x	20	\$5.06
MDU -	30	x	34	x	25	\$6.88
MDU -	30	x	34	x	30	\$7.58
MDU -	30	x	34	x	35	\$9.12
MDU -	30	x	34	x	40	\$10.12
MDU -	32	x	36	x	40	\$9.96
MDU -	35	x	39	x	12	\$3.85
MDU -	35	x	39	x	20	\$5.78
MDU -	35	x	39	x	25	\$7.89

Part Number						
Prefix	Rod Dia. d	Groove Dia. D	Height L ₁	Price		
MDU -	35	x	39	x	30	\$8.69
MDU -	35	x	39	x	40	\$11.61
MDU -	35	x	39	x	50	\$14.47
MDU -	38	x	42	x	32	\$10.78
MDU -	40	x	44	x	12	\$4.40
MDU -	40	x	44	x	15	\$4.90
MDU -	40	x	44	x	20	\$4.90
MDU -	40	x	44	x	25	\$9.28
MDU -	40	x	44	x	30	\$9.79
MDU -	40	x	44	x	40	\$11.53
MDU -	40	x	44	x	50	\$16.34
MDU -	40	x	45	x	25	\$8.75
MDU -	40	x	45	x	30	\$11.76
MDU -	45	x	50	x	12	\$4.95
MDU -	45	x	50	x	20	\$9.01
MDU -	45	x	50	x	25	\$10.60
MDU -	45	x	50	x	30	\$13.41
MDU -	45	x	50	x	40	\$15.57
MDU -	45	x	50	x	50	\$18.87
MDU -	50	x	55	x	12	\$8.58
MDU -	50	x	55	x	20	\$11.94
MDU -	50	x	55	x	25	\$13.59
MDU -	50	x	55	x	30	\$15.22
MDU -	50	x	55	x	35	\$15.56
MDU -	50	x	55	x	40	\$17.11
MDU -	50	x	55	x	50	\$22.49
MDU -	50	x	55	x	60	\$26.08
MDU -	55	x	60	x	12	\$8.86
MDU -	55	x	60	x	20	\$10.17
MDU -	55	x	60	x	25	\$12.68
MDU -	55	x	60	x	30	\$15.19
MDU -	55	x	60	x	35	\$17.76
MDU -	55	x	60	x	40	\$20.27
MDU -	55	x	60	x	50	\$24.74
MDU -	55	x	60	x	60	\$27.70
MDU -	60	x	65	x	15	\$9.38

MDU Metal Rod Bushings - Metric, cont'd.

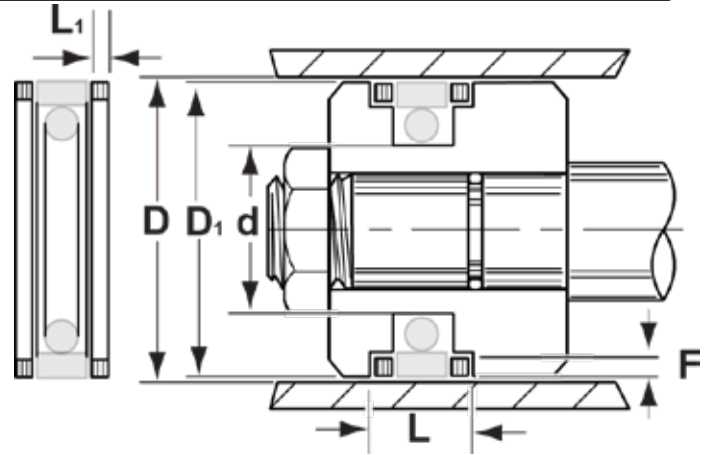
Part Number							Price	Part Number							Price
Prefix	Rod Dia. d	Groove Dia. D		Height L ₁		Prefix		Rod Dia. d	Groove Dia. D		Height L ₁				
MDU -	60	x	65	x	30	\$16.51	MDU -	95	x	100	x	60	\$54.71		
MDU -	60	x	65	x	35	\$19.20	MDU -	95	x	100	x	100	\$72.28		
MDU -	60	x	65	x	40	\$22.95	MDU -	100	x	105	x	15	\$17.41		
MDU -	60	x	65	x	50	\$27.45	MDU -	100	x	105	x	20	\$20.48		
MDU -	60	x	65	x	60	\$32.95	MDU -	100	x	105	x	30	\$26.61		
MDU -	60	x	65	x	70	\$37.36	MDU -	100	x	105	x	35	\$31.04		
MDU -	65	x	70	x	15	\$10.21	MDU -	100	x	105	x	40	\$35.46		
MDU -	65	x	70	x	30	\$17.76	MDU -	100	x	105	x	50	\$44.37		
MDU -	65	x	70	x	35	\$20.69	MDU -	100	x	105	x	60	\$50.51		
MDU -	65	x	70	x	40	\$23.68	MDU -	100	x	105	x	70	\$62.13		
MDU -	65	x	70	x	50	\$29.60	MDU -	100	x	105	x	80	\$70.98		
MDU -	65	x	70	x	60	\$34.10	MDU -	105	x	110	x	30	\$27.87		
MDU -	70	x	75	x	15	\$12.22	MDU -	105	x	110	x	35	\$32.53		
MDU -	70	x	75	x	20	\$14.03	MDU -	105	x	110	x	40	\$37.20		
MDU -	70	x	75	x	25	\$15.85	MDU -	105	x	110	x	45	\$41.80		
MDU -	70	x	75	x	30	\$19.02	MDU -	105	x	110	x	50	\$46.47		
MDU -	70	x	75	x	35	\$22.19	MDU -	105	x	110	x	60	\$55.79		
MDU -	70	x	75	x	40	\$25.36	MDU -	110	x	115	x	20	\$22.15		
MDU -	70	x	75	x	50	\$31.69	MDU -	110	x	115	x	30	\$29.12		
MDU -	70	x	75	x	60	\$38.03	MDU -	110	x	115	x	35	\$34.03		
MDU -	70	x	75	x	70	\$44.77	MDU -	110	x	115	x	40	\$38.87		
MDU -	75	x	80	x	30	\$20.27	MDU -	110	x	115	x	45	\$43.71		
MDU -	75	x	80	x	40	\$27.03	MDU -	110	x	115	x	50	\$48.56		
MDU -	75	x	80	x	50	\$33.79	MDU -	110	x	115	x	55	\$53.46		
MDU -	75	x	80	x	60	\$40.55	MDU -	110	x	115	x	60	\$58.31		
MDU -	75	x	80	x	80	\$54.06	MDU -	110	x	115	x	70	\$67.99		
MDU -	80	x	85	x	15	\$15.20	MDU -	110	x	115	x	95	\$92.33		
MDU -	80	x	85	x	25	\$17.94	MDU -	110	x	115	x	115	\$111.77		
MDU -	80	x	85	x	30	\$22.88	MDU -	115	x	120	x	35	\$36.82		
MDU -	80	x	85	x	40	\$28.70	MDU -	115	x	120	x	45	\$45.63		
MDU -	80	x	85	x	50	\$35.88	MDU -	115	x	120	x	50	\$50.71		
MDU -	80	x	85	x	60	\$43.12	MDU -	115	x	120	x	60	\$60.82		
MDU -	80	x	85	x	70	\$44.52	MDU -	115	x	120	x	70	\$70.98		
MDU -	80	x	85	x	100	\$71.76	MDU -	120	x	125	x	20	\$25.18		
MDU -	85	x	90	x	30	\$24.20	MDU -	120	x	125	x	35	\$36.96		
MDU -	85	x	90	x	40	\$30.44	MDU -	120	x	125	x	40	\$42.28		
MDU -	85	x	90	x	50	\$39.23	MDU -	120	x	125	x	50	\$52.80		
MDU -	85	x	90	x	60	\$45.63	MDU -	120	x	125	x	60	\$63.39		
MDU -	85	x	90	x	70	\$53.22	MDU -	120	x	125	x	70	\$73.91		
MDU -	85	x	90	x	100	\$76.07	MDU -	120	x	125	x	95	\$100.35		
MDU -	85	x	90	x	125	\$95.08	MDU -	125	x	130	x	35	\$41.16		
MDU -	90	x	95	x	20	\$25.17	MDU -	125	x	130	x	50	\$54.90		
MDU -	90	x	95	x	30	\$26.82	MDU -	125	x	130	x	60	\$65.90		
MDU -	90	x	95	x	35	\$29.47	MDU -	125	x	130	x	70	\$76.90		
MDU -	90	x	95	x	40	\$32.11	MDU -	125	x	130	x	100	\$109.86		
MDU -	90	x	95	x	45	\$36.12	MDU -	130	x	135	x	35	\$44.02		
MDU -	90	x	95	x	50	\$40.13	MDU -	130	x	135	x	40	\$48.35		
MDU -	90	x	95	x	60	\$48.14	MDU -	130	x	135	x	50	\$63.05		
MDU -	90	x	95	x	100	\$80.25	MDU -	130	x	135	x	60	\$68.47		
MDU -	95	x	100	x	30	\$28.07	MDU -	130	x	135	x	65	\$74.15		
MDU -	95	x	100	x	35	\$30.97	MDU -	130	x	135	x	80	\$91.26		
MDU -	95	x	100	x	40	\$35.61	MDU -	135	x	140	x	60	\$72.98		
MDU -	95	x	100	x	45	\$38.03	MDU -	135	x	140	x	80	\$94.67		
MDU -	95	x	100	x	50	\$44.28	MDU -	140	x	145	x	35	\$46.95		

MDU Metal Rod Bushings - Metric, cont'd.

Part Number						
Prefix	Rod Dia. d	Groove Dia. D		Height L ₁	Price	
MDU -	140	x	145	x	40	\$51.76
MDU -	140	x	145	x	50	\$61.24
MDU -	140	x	145	x	55	\$67.40
MDU -	140	x	145	x	60	\$73.50
MDU -	140	x	145	x	70	\$85.76
MDU -	140	x	145	x	80	\$98.01
MDU -	145	x	150	x	60	\$76.07
MDU -	150	x	155	x	40	\$54.94
MDU -	150	x	155	x	50	\$66.85
MDU -	150	x	155	x	60	\$78.58

Part Number						
Prefix	Rod Dia. d	Groove Dia. D		Height L ₁	Price	
MDU -	150	x	155	x	80	\$116.89
MDU -	150	x	155	x	100	\$130.96
MDU -	160	x	165	x	40	\$64.87
MDU -	160	x	165	x	50	\$91.47
MDU -	160	x	165	x	100	\$139.40
MDU -	170	x	175	x	35	\$68.28
MDU -	170	x	175	x	50	\$73.91
MDU -	180	x	185	x	50	\$78.16
MDU -	180	x	185	x	90	\$140.71
MDU -	200	x	205	x	32	\$53.62

PSBU Nylon Piston Seal Backup Rings - Metric



EXAMPLE: PSBU-120X3X3					
Prefix	Outside Diameter		Cross Section		Height
PSBU-	120	x	3	x	3
	120mm		3mm		3mm

This nylon backup ring is used next to PTFE piston seals for added extrusion resistance, and can boost pressure ratings for the seal. They are commonly found on Asian-manufactured construction equipment. They are used in pairs, but sold individually.

See piston seal section page 182 for the seals.

Other sizes are available upon request. Contact sales for more information.

* Seal not included

Temperature: -65° to 220°F

Pressure: 0 to 7,500 PSI

Part Number						
Prefix	Bore Dia. D	C/S F		Height L ₁	Price	
PSBU-	90	x	2.5	x	2.5	\$9.12
PSBU-	95	x	2.5	x	2.5	\$9.20
PSBU-	100	x	2.5	x	2.5	\$9.24
PSBU-	105	x	2.5	x	2.5	\$9.87
PSBU-	110	x	2.5	x	2.5	\$9.87
PSBU-	110	x	3	x	3	\$10.35
PSBU-	115	x	2.5	x	2.5	\$13.93
PSBU-	115	x	3	x	3	\$11.51
PSBU-	120	x	3	x	3	\$11.51
PSBU-	125	x	3	x	3	\$12.70
PSBU-	130	x	3	x	3	\$12.70

Part Number						
Prefix	Bore Dia. D	C/S F		Height L ₁	Price	
PSBU-	135	x	3	x	3	\$13.84
PSBU-	140	x	3	x	3	\$15.00
PSBU-	145	x	3	x	3	\$15.00
PSBU-	150	x	3	x	3	\$16.14
PSBU-	160	x	3	x	3	\$17.31
PSBU-	165	x	3	x	3	\$22.88
PSBU-	170	x	3	x	3	\$19.48
PSBU-	180	x	3	x	3	\$22.19
PSBU-	190	x	3	x	3	\$22.88
PSBU-	215	x	3	x	3	\$24.36

NRB Nylon Rod Bearings - Inch


EXAMPLE: NRB-2250-2750-750

Prefix	Inside Diameter	Outside Diameter	Height
NRB-	2250	-	750
	2-1/4"	2-3/4"	3/4"

These bearings are manufactured from a special filled nylon material offering high compressive strength and dimensional stability. They are an ideal replacement for many bronze and phenolic applications and can be split for use in piston bearing applications.

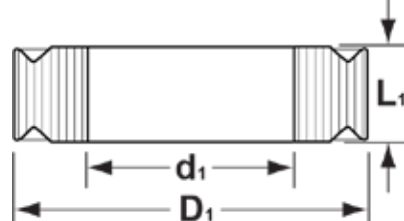
Part Number	Inside Dia. d ₁	Outside Dia. D ₁	Height L ₁	Price
NRB-0425-0866-260	0.425	0.866	0.260	\$7.03
NRB-875-1250-187	0.875	1.250	0.187	\$7.86
NRB-875-1375-250	0.875	1.375	0.250	\$13.17
NRB-1000-1187-687	1.000	1.875	0.687	\$32.89
NRB-1000-1500-750	1.000	1.500	0.750	\$9.78
NRB-1250-1750-750	1.250	1.750	0.750	\$10.53
NRB-1250-1875-500	1.250	1.875	0.500	\$10.95
NRB-1500-1750-1000	1.500	1.750	1.000	\$12.44
NRB-1500-2000-750	1.500	2.000	0.750	\$15.57
NRB-1750-2000-1000	1.750	2.000	1.000	\$15.63
NRB-1750-2250-437	1.750	2.250	0.437	\$6.73
NRB-1750-2250-750	1.750	2.250	0.750	\$10.07
NRB-1750-2375-500	1.750	2.375	0.500	\$13.33
NRB-1750-2500-500	1.750	2.500	0.500	\$13.61
NRB-1875-2250-1000	1.875	2.250	1.000	\$15.23
NRB-2000-2250-1000	2.000	2.250	1.000	\$9.82
NRB-2000-2375-875	2.000	2.375	0.875	\$13.26
NRB-2000-2500-580	2.000	2.500	0.580	\$8.45
NRB-2000-2500-750	2.000	2.500	0.750	\$10.61
NRB-2000-2500-1000	2.000	2.500	1.000	\$15.17
NRB-2000-2750-500	2.000	2.750	0.500	\$14.10
NRB-2125-2625-1000	2.125	2.625	1.000	\$19.63
NRB-2250-2500-1250	2.250	2.500	1.250	\$19.96
NRB-2250-2500-2250	2.250	2.500	2.250	\$30.53
NRB-2250-2750-750	2.250	2.750	0.750	\$34.80
NRB-2375-2875-1000	2.375	2.875	1.000	\$14.90
NRB-2500-2750-1250	2.500	2.750	1.250	\$13.82
NRB-2500-2750-1546	2.500	2.750	1.546	\$22.63
NRB-2500-2750-1562	2.500	2.750	1.562	\$22.89
NRB-2500-3000-250	2.500	3.000	0.250	\$16.75
NRB-2500-3000-375	2.500	3.000	0.375	\$27.23
NRB-2500-3000-625	2.500	3.000	0.625	\$17.59
NRB-2500-3000-750	2.500	3.000	0.750	\$14.22
NRB-2500-3000-1000	2.500	3.000	1.000	\$20.23
NRB-2500-3000-1500	2.500	3.000	1.500	\$22.63
NRB-2625-3375-500	2.625	3.375	0.500	\$15.22
NRB-2625-3375-562	2.625	3.375	0.562	\$15.78
NRB-2750-3000-1547	2.750	3.000	1.547	\$16.49
NRB-2750-3250-500	2.750	3.250	0.500	\$15.60
NRB-2750-3250-750	2.750	3.250	0.750	\$20.12
NRB-2750-3250-B750	2.750	3.250	0.750	\$20.12
NRB-2750-3250-1000	2.750	3.250	1.000	\$19.36
NRB-2970-3520-810	2.970	3.520	0.810	\$21.34
NRB-3000-3500-250	3.000	3.500	0.250	\$18.57
NRB-3000-3500-500	3.000	3.500	0.500	\$14.15

Part Number	Inside Dia. d ₁	Outside Dia. D ₁	Height L ₁	Price
NRB-3000-3500-750	3.000	3.500	0.750	\$13.54
NRB-3000-3500-1000	3.000	3.500	1.000	\$16.87
NRB-3000-3500-1500	3.000	3.500	1.500	\$22.16
NRB-3125-3500-750	3.125	3.500	0.750	\$18.12
NRB-3125-3500-875	3.125	3.500	0.875	\$18.32
NRB-3187-3687-750	3.187	3.687	0.750	\$23.09
NRB-3250-3625-375	3.250	3.625	0.375	\$17.68
NRB-3250-3625-375B	3.250	3.625	0.375	\$18.56
NRB-3250-3625-500B	3.250	3.625	0.500	\$20.80
NRB-3250-3625-1000	3.250	3.625	1.000	\$31.20
NRB-3500-3750-250	3.500	3.750	0.250	\$17.76
NRB-3500-4000-250	3.500	4.000	0.250	\$17.89
NRB-3500-4000-750	3.500	4.000	0.750	\$23.96
NRB-3500-4125-1100	3.500	4.125	1.100	\$26.31
NRB-3625-4375-500	3.625	4.375	0.500	\$27.70
NRB-3750-4250-1000	3.750	4.250	1.000	\$21.74
NRB-3750-4375-1000	3.750	4.375	1.000	\$18.28
NRB-3970-4520-810	3.970	4.520	0.810	\$20.85
NRB-3970-4520-1000	3.970	4.520	1.000	\$20.29
NRB-4000-4375-203	4.000	4.375	0.203	\$10.43
NRB-4000-4500-250	4.000	4.500	0.250	\$12.89
NRB-4000-4500-750	4.000	4.500	0.750	\$12.91
NRB-4000-4500-875	4.000	4.500	0.875	\$18.93
NRB-4000-4500-875B	4.000	4.500	0.875	\$18.93
NRB-4000-4500-937	4.000	4.500	0.937	\$23.91
NRB-4000-4500-1000	4.000	4.500	1.000	\$18.30
NRB-4000-4525-750	4.000	4.525	0.750	\$19.59
NRB-4500-5000-750	4.500	5.000	0.750	\$24.89
NRB-4750-5125-203	4.750	5.125	0.203	\$11.85
NRB-4750-5250-1000	4.750	5.250	1.000	\$22.81
NRB-4750-5250-2000	4.750	5.250	2.000	\$41.15
NRB-4750-5375-1000	4.750	5.375	1.000	\$26.24
NRB-4750-5375-1100	4.750	5.375	1.100	\$48.06
NRB-4970-5520-750	4.970	5.520	0.750	\$22.66
NRB-4970-5520-1000	4.970	5.520	1.000	\$24.30
NRB-5000-5500-750	5.000	5.500	0.750	\$13.54
NRB-5000-5500-937	5.000	5.500	0.937	\$24.81
NRB-5000-5500-1000	5.000	5.500	1.000	\$22.66
NRB-5000-5525-750	5.000	5.525	0.750	\$20.73
NRB-5000-5525-875	5.000	5.525	0.875	\$26.85
NRB-5500-5875-203	5.500	5.875	0.203	\$12.83
NRB-5500-6000-750	5.500	6.000	0.750	\$24.57
NRB-5500-6000-1000	5.500	6.000	1.000	\$25.31
NRB-5750-6250-1000	5.750	6.250	1.000	\$24.40
NRB-5750-6375-1000	5.750	6.375	1.000	\$30.59

NRB Nylon Rod Bearings - Inch, cont'd.

Part Number	Inside Dia. d_1	Outside Dia. D_1	Height L_1	Price	Part Number	Inside Dia. d_1	Outside Dia. D_1	Height L_1	Price
NRB-5970-6520-800	5.970	6.520	0.800	\$26.23	NRB-7000-7525-750	7.000	7.525	0.750	\$26.34
NRB-6000-6500-750	6.000	6.500	0.750	\$15.66	NRB-7250-7750-203	7.250	7.750	0.203	\$16.47
NRB-6000-6500-937	6.000	6.500	0.938	\$26.30	NRB-7875-8875-937	7.875	8.875	0.938	\$49.56
NRB-6000-6500-1000	6.000	6.500	1.000	\$24.29	NRB-7900-8575-1000	7.900	8.575	1.000	\$49.29
NRB-6000-6525-750	6.000	6.525	0.750	\$24.04	NRB-7905-8543-1000	7.905	8.543	1.000	\$38.79
NRB-6000-6525-875	6.000	6.525	0.875	\$30.09	NRB-7970-8520-750	7.970	8.520	0.750	\$32.14
NRB-6000-6625-1100	6.000	6.625	1.100	\$45.90	NRB-7970-8520-1000	7.970	8.520	1.000	\$32.14
NRB-6375-6875-203	6.375	6.875	0.203	\$14.77	NRB-8000-8500-750	8.000	8.500	0.750	\$21.74
NRB-6750-7250-1000	6.750	7.250	1.000	\$27.81	NRB-8000-8500-1000	8.000	8.500	1.000	\$26.75
NRB-6750-7375-1000	6.750	7.375	1.000	\$32.00	NRB-8000-8525-750	8.000	8.525	0.750	\$28.31
NRB-6970-7520-750	6.970	7.520	0.750	\$30.08	NRB-8000-8750-1000	8.000	8.750	1.000	\$44.80
NRB-6970-7520-835	6.970	7.520	0.835	\$30.80	NRB-8250-9000-750	8.250	9.000	0.750	\$43.04
NRB-6970-7520-1000	6.970	7.520	1.000	\$30.80	NRB-8250-9250-500	8.250	9.250	0.500	\$70.12
NRB-7000-7500-750	7.000	7.500	0.750	\$18.90	NRB-9000-9750-750	9.000	9.750	0.750	\$64.89
NRB-7000-7500-1000	7.000	7.500	1.000	\$25.69	NRB-9125-9750-750	9.125	9.750	0.750	\$58.23

FCB Nylon Female Center Bearings - Inch & Metric



FCB bearings are made from glass filled nylon giving them excellent compressive strength. They are used in piston applications between sets of vee packing.

EXAMPLE: FCB-4000-625			
Prefix	Outside Diameter		Height
FCB-	4000	-	625
	4"		5/8"

EXAMPLE: FCB-90MM-17			
Prefix	Outside Diameter		Height
FCB-	90	MM-	17
	90mm		17mm

Part Number	Bearing Size			Packing Size		Price
	I.D. d_1	O.D. D_1	Height L_1	I.D.	O.D.	
FCB-2500-625	1.500	2.500	0.625	2.000	x 2.500	\$21.22
FCB-3000-625	2.000	3.000	0.625	2.500	x 3.000	\$23.14
FCB-4000-625	3.000	4.000	0.625	3.500	x 4.000	\$26.91
FCB-4500-625-1	3.500	4.500	0.625	3.500	x 4.500	\$63.62
FCB-7000-1000	5.750	7.000	1.000	6.250	x 7.000	\$259.14
FCB-8000-625	6.750	8.000	0.625	7.250	x 8.000	\$302.20

Part Number	Bearing Size			Packing Size		Price
	I.D. d_1	O.D. D_1	Height L_1	I.D.	O.D.	
FCB-80MM-17	55	80	17	65	x 80	\$25.33
FCB-90MM-17	65	90	17	75	x 90	\$25.93
FCB-100MM-17	75	100	17	85	x 100	\$27.14
FCB-110MM-17	85	110	17	95	x 110	\$29.42
FCB-115MM-17	90	115	17	100	x 115	\$31.14
FCB-125MM-17	100	125	17	110	x 125	\$33.33
FCB-150MM-17	125	150	17	135	x 150	\$35.04

Wearband Formulas

Calculating Piston Wear Ring Grooves

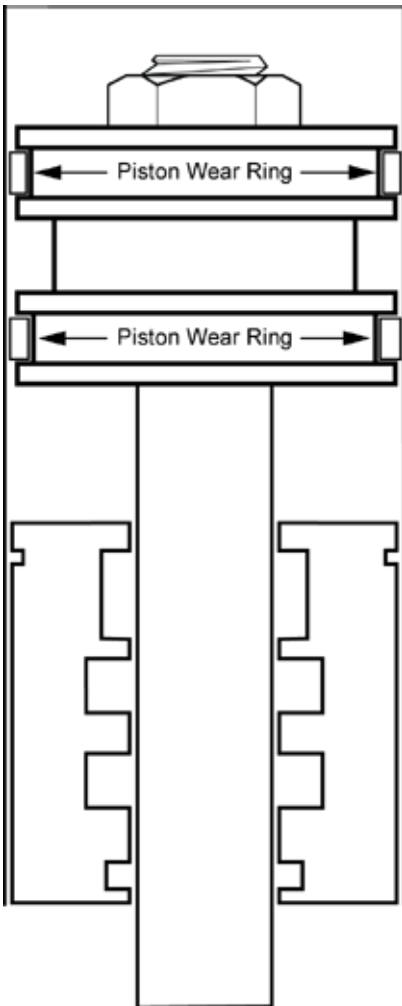
$$\begin{aligned} \text{Maximum Groove Diameter} &= \text{Minimum Bore Diameter} - 2x \text{ Maximum Wear Ring Cross Section} \\ \text{Tolerance} &= \begin{matrix} +.000'' \\ -.005'' \end{matrix} \end{aligned}$$

$$\begin{aligned} \text{Groove Length} &= \text{Actual Part Length} + .010'' \\ \text{Tolerance} &= \begin{matrix} +.010'' \\ -.000'' \end{matrix} \end{aligned}$$

NOTES:

1 - The piston diameter will not correspond to diameters called out for piston seals. Additional clearances are required for wear ring use. Piston seal material should provide sufficient extrusion resistance to prevent extrusion of the piston seal with the increase in diametral clearance caused by wear ring use.

2 - Radii **MUST NOT EXCEED .010" MAXIMUM** at corners on bottom of piston wear ring gland.



Calculating Rod Wear Ring Grooves

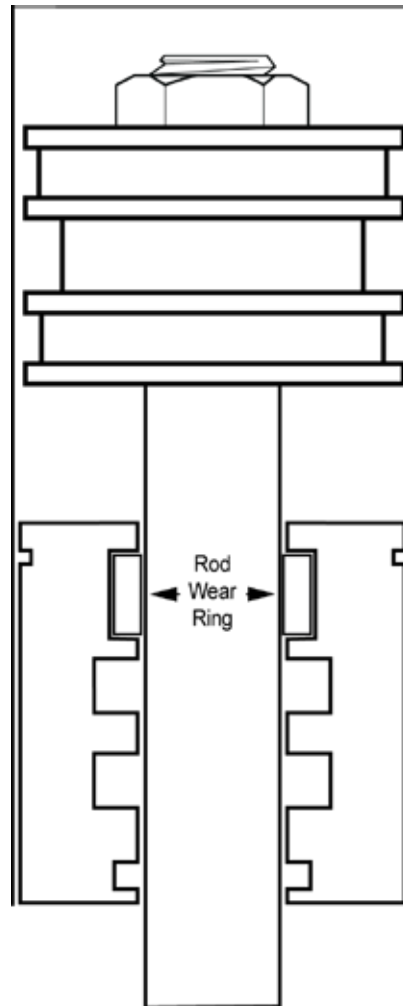
$$\begin{aligned} \text{Minimum Groove Diameter} &= \text{Maximum Rod Diameter} + 2x \text{ Maximum Wear Ring Cross Section} \\ \text{Tolerance} &= \begin{matrix} +.003'' \\ -.000'' \end{matrix} \end{aligned}$$

$$\begin{aligned} \text{Groove Length} &= \text{Actual Part Length} + .010'' \\ \text{Tolerance} &= \begin{matrix} +.010'' \\ -.000'' \end{matrix} \end{aligned}$$

NOTES:

1 - The rod throat diameter is a new diameter over and above the diameter which is called out for the rod seal. Additional diametral clearances are required as noted for the wear ring to function properly. Since a larger clearance gap results, an extrusion resistant material should be specified for the rod seal when using wear rings.

2 - Radii **MUST NOT EXCEED .010" MAXIMUM** at corners on bottom of piston wear ring gland.



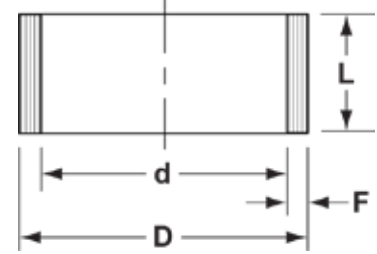
WB Nylon & Phenolic Wearbands - Inch



ALTERNATIVE SEALS:

Wearband Tape

Wearbands numbered for Piston.
For Rod Application deduct C/Sx2
from O.D.



Wear rings are used to prevent metal to metal contact of moving parts in hydraulic and pneumatic cylinders. They also center the piston and rod for optimum seal life. The glass-filled nylon or phenolic material offer compressive strengths similar to most metals used for this purpose and will ingest contaminants such as metal chips, thus avoiding scoring and seal damage. Nylon wearbands are easily cut down from larger sizes to fit any size piston or rod. Consult sales for sizes not shown

EXAMPLE: WB0425-1750-125-N1-B

Prefix	Bore Diameter	Groove Height	Cross Section	Material	Cut
WB	0425	1750	125	N1	B
	4-1/4"	1-3/4"	1/8"	NYLON	BUTT

"N1" Suffix = Nylon "N2" Suffix = Tight Tolerance Nylon "P1" Suffix = Phenolic "A" Suffix = Angle Cut "B" Suffix = Butt Cut "S" Suffix = Step Cut

Part Number	ID d	Bore Dia. D	Groove Height L	C/S F	Price
WB0091-0375-080-N1-A	0.750	0.910	0.375	0.080	\$4.75
WB0100-0125-045-N1-B	0.910	1.000	0.125	0.045	\$3.59
WB0100-0187-093-N1-B	0.814	1.000	0.187	0.093	\$3.71
WB0100-0500-125-N1-B	0.750	1.000	0.500	0.125	\$4.91
WB0115-0375-078-P1-A	1.000	1.156	0.375	0.078	\$5.43
WB0116-0500-080-N1-B	1.000	1.160	0.500	0.080	\$7.51
WB0116-0625-080-N1-A	1.000	1.160	0.625	0.080	\$7.51
WB0125-0187-093-N1-B	1.064	1.250	0.187	0.093	\$3.88
WB0125-0250-076-N1-B	1.098	1.250	0.250	0.076	\$3.82
WB0125-0250-125-N1-B	1.000	1.250	0.250	0.125	\$3.84
WB0125-0375-093-N1-B	1.064	1.250	0.375	0.093	\$4.08
WB0125-0375-125-N1-B	1.000	1.250	0.375	0.125	\$4.31
WB0125-0437-125-N1-B	1.000	1.250	0.437	0.125	\$4.51
WB0125-0500-080-N1-B	1.090	1.250	0.500	0.080	\$6.27
WB0125-0500-125-N1-B	1.000	1.250	0.500	0.125	\$4.32
WB0125-1000-125-N1-B	1.000	1.250	1.000	0.125	\$5.08
WB0125-1500-062-N1-B	1.125	1.250	1.500	0.062	\$5.32
WB0137-0375-062-P1-A	1.250	1.375	0.375	0.062	\$4.52
WB0137-0500-062-N1-B	1.250	1.375	0.500	0.062	\$5.25
WB0137-1000-062-P1-A	1.250	1.375	1.000	0.062	\$10.56
WB0141-0625-080-N1-A	1.250	1.410	0.625	0.080	\$7.95
WB0143-0500-125-N1-B	1.180	1.430	0.500	0.125	\$7.80
WB0150-0093-032-N-A	1.436	1.500	0.093	0.032	\$9.72
WB0150-0160-125-P1-A	1.250	1.500	0.160	0.125	\$4.68
WB0150-0187-091-N1-B	1.318	1.500	0.187	0.091	\$4.40
WB0150-0250-125-N1-B	1.250	1.500	0.250	0.125	\$3.44
WB0150-0375-062-P1-A	1.375	1.500	0.375	0.062	\$11.08
WB0150-0375-125-N1-B	1.250	1.500	0.375	0.125	\$4.31
WB0150-0375-127-N1-A	1.246	1.500	0.375	0.127	\$5.15
WB0150-0500-062-N1-B	1.375	1.500	0.500	0.062	\$5.46
WB0150-0500-125-N1-B	1.250	1.500	0.500	0.125	\$4.31
WB0150-0750-125-N1-B	1.250	1.500	0.750	0.125	\$4.68
WB0150-1000-125-N1-B	1.250	1.500	1.000	0.125	\$5.39
WB0153-0250-062-N1-B	1.406	1.530	0.250	0.062	\$4.73
WB0153-0250-125-N1-B	1.280	1.530	0.250	0.125	\$4.99
WB0153-0750-080-N1-B	1.370	1.530	0.750	0.080	\$7.85

Part Number	ID d	Bore Dia. D	Groove Height L	C/S F	Price
WB0162-0500-125-N1-B	1.375	1.625	0.500	0.125	\$4.25
WB0162-0750-085-N1-B	1.455	1.625	0.750	0.085	\$14.26
WB0162-1000-062-N1-A	1.500	1.625	1.000	0.062	\$6.55
WB0162-1000-125-N1-B	1.375	1.625	1.000	0.125	\$6.59
WB0162-1250-062-P1-A	1.500	1.625	1.250	0.062	\$28.24
WB0166-0500-080-P1-A	1.500	1.660	0.500	0.080	\$4.76
WB0166-0625-080-N1-A	1.500	1.660	0.625	0.080	\$20.35
WB0167-0500-085-N1-B	1.500	1.670	0.500	0.085	\$5.50
WB0168-0187-098-N1-B	1.491	1.687	0.187	0.098	\$4.54
WB0175-0160-125-P1-A	1.500	1.750	0.160	0.125	\$4.68
WB0175-0165-125-N1-B	1.500	1.750	0.165	0.125	\$20.51
WB0175-0190-125-N1-B	1.500	1.750	0.190	0.125	\$4.32
WB0175-0354-128-N1-B	1.494	1.750	0.354	0.128	\$4.36
WB0175-0375-125-N1-B	1.500	1.750	0.375	0.125	\$4.36
WB0175-0500-125-N1-B	1.500	1.750	0.500	0.125	\$4.37
WB0175-0625-125-N1-B	1.500	1.750	0.625	0.125	\$5.29
WB0175-0750-125-N1-B	1.500	1.750	0.750	0.125	\$5.38
WB0175-1000-125-N1-B	1.500	1.750	1.000	0.125	\$5.94
WB0177-0375-093-N1-B	1.584	1.770	0.375	0.093	\$5.22
WB0187-0190-125-N1-B	1.625	1.875	0.190	0.125	\$4.54
WB0187-0193-098-N1-B	1.679	1.875	0.193	0.098	\$5.01
WB0187-0375-125-N1-B	1.625	1.875	0.375	0.125	\$4.45
WB0187-0500-125-N1-B	1.625	1.875	0.500	0.125	\$4.49
WB0187-0750-125-N1-B	1.625	1.875	0.750	0.125	\$4.80
WB0187-1000-062-N1-A	1.750	1.875	1.000	0.062	\$5.31
WB0200-0187-125-N1-B	1.750	2.000	0.187	0.125	\$4.56
WB0200-0193-098-N1-B	1.804	2.000	0.193	0.098	\$4.93
WB0200-0250-062-P1-A	1.875	2.000	0.250	0.062	\$5.04
WB0200-0250-125-N1-B	1.750	2.000	0.250	0.125	\$3.81
WB0200-0250-125-N2-B	1.750	2.000	2.500	0.125	\$9.77
WB0200-0312-125-N1-B	1.750	2.000	0.312	0.125	\$4.80
WB0200-0375-125-N1-B	1.750	2.000	0.375	0.125	\$4.36
WB0200-0375-127-N1-A	1.746	2.000	0.375	0.125	\$8.20
WB0200-0500-125-N1-B	1.750	2.000	0.500	0.125	\$4.56
WB0200-0500-125-P1-A	1.750	2.000	0.500	0.125	\$8.04
WB0200-0625-125-N1-B	1.750	2.000	0.625	0.125	\$4.64

WB Nylon & Phenolic Wearbands - Inch, cont'd.

Part Number	ID d	Bore Dia. D	Groove Height L	C/S F	Price	Part Number	ID d	Bore Dia. D	Groove Height L	C/S F	Price
WB0200-0720-062-P1-A	1.875	2.000	0.720	0.062	\$8.90	WB0262-0256-062-P1-A	2.500	2.625	0.256	0.062	\$17.41
WB0200-0750-125-N1-B	1.750	2.000	0.750	0.125	\$4.88	WB0262-0500-125-N1-B	2.375	2.625	0.500	0.125	\$8.24
WB0200-0984-062-P1-A	1.875	2.000	0.984	0.062	\$11.43	WB0262-0625-125-N1-B	2.375	2.625	0.625	0.125	\$5.15
WB0200-1000-062-P1-A	1.875	2.000	1.000	0.062	\$9.77	WB0262-0750-125-P1-A	2.375	2.625	0.750	0.125	\$5.78
WB0200-1000-125-P1-A	1.750	2.000	1.000	0.125	\$8.41	WB0262-1000-062-N1-A	2.500	2.625	1.000	0.062	\$6.76
WB0200-1500-125-N1-B	1.750	2.000	1.500	0.125	\$9.03	WB0262-1250-062-N1-A	2.500	2.625	1.250	0.062	\$19.99
WB0203-0250-093-N1-B	1.844	2.030	0.250	0.093	\$4.56	WB0262-1500-062-N1-A	2.500	2.625	1.500	0.062	\$7.15
WB0203-0250-093-P1-A	1.844	2.030	0.250	0.093	\$4.56	WB0262-1687-062-P1-A	2.500	2.625	1.687	0.062	\$17.67
WB0212-0375-125-N1-B	1.875	2.125	0.375	0.125	\$4.57	WB0268-0268-062-P1-A	2.563	2.687	0.268	0.062	\$18.54
WB0212-0500-125-P1-A	1.875	2.125	0.500	0.125	\$5.00	WB0275-0250-125-N1-B	2.500	2.750	0.250	0.125	\$5.05
WB0212-0750-125-N1-B	1.875	2.125	0.750	0.125	\$4.82	WB0275-0312-093-N1-A	2.564	2.750	0.312	0.093	\$11.82
WB0212-0980-062-P1-A	2.000	2.125	0.980	0.062	\$9.91	WB0275-0312-125-N1-B	2.500	2.750	0.312	0.125	\$4.78
WB0212-1000-062-N1-A	2.000	2.125	1.000	0.062	\$6.00	WB0275-0375-125-N1-B	2.500	2.750	0.375	0.125	\$4.81
WB0212-1250-062-N1-B	2.000	2.125	1.250	0.062	\$24.74	WB0275-0437-125-N1-B	2.500	2.750	0.437	0.125	\$5.03
WB0218-0187-125-N1-B	1.937	2.187	0.187	0.125	\$4.14	WB0275-0500-125-N1-B	2.500	2.750	0.500	0.125	\$4.82
WB0221-0375-125-N1-B	1.968	2.218	0.375	0.125	\$4.29	WB0275-0625-125-N1-B	2.500	2.750	0.625	0.125	\$5.09
WB0225-0125-125-N1-B	2.000	2.250	0.125	0.125	\$4.41	WB0275-0750-125-N1-B	2.500	2.750	0.750	0.125	\$5.85
WB0225-0187-125-N1-B	2.000	2.250	0.187	0.125	\$4.76	WB0275-0937-125-P1-A	2.500	2.750	0.937	0.125	\$14.05
WB0225-0250-125-N1-B	2.000	2.250	0.250	0.125	\$3.86	WB0275-1000-125-N1-B	2.500	2.750	1.000	0.125	\$6.22
WB0225-0312-125-N1-B	2.000	2.250	0.312	0.125	\$4.43	WB0275-1250-125-N1-B	2.500	2.750	1.250	0.125	\$8.57
WB0225-0375-125-N1-B	2.000	2.250	0.375	0.125	\$4.58	WB0275-1500-125-N1-B	2.500	2.750	1.500	0.125	\$9.45
WB0225-0500-125-N1-B	2.000	2.250	0.500	0.125	\$4.60	WB0275-2000-125-N1-B	2.500	2.750	2.000	0.125	\$17.87
WB0225-0625-125-N1-B	2.000	2.250	0.625	0.125	\$4.82	WB0287-0500-125-P1-A	2.625	2.875	0.500	0.125	\$6.41
WB0225-0750-125-N1-B	2.000	2.250	0.750	0.125	\$4.76	WB0287-0750-127-N1-A	2.621	2.875	0.750	0.127	\$7.25
WB0225-0750-127-N1-A	1.996	2.250	0.750	0.127	\$6.90	WB0287-1000-062-N1-A	2.750	2.875	1.000	0.062	\$8.62
WB0225-0875-125-N1-A	2.000	2.250	0.875	0.125	\$8.64	WB0287-1000-062-P1-A	2.750	2.875	1.000	0.062	\$9.96
WB0225-1000-125-N1-B	2.000	2.250	1.000	0.125	\$8.76	WB0287-1000-125-N1-B	2.625	2.875	1.000	0.125	\$6.24
WB0225-1500-125-P1-A	2.000	2.250	1.500	0.125	\$10.44	WB0287-1500-062-N1-B	2.750	2.875	1.500	0.062	\$9.81
WB0236-0250-125-N1-B	2.110	2.360	0.250	0.125	\$9.44	WB0295-0375-125-N1-B	2.703	2.953	0.375	0.125	\$5.69
WB0237-0187-125-N1-B	2.125	2.375	0.187	0.125	\$4.58	WB0295-1960-100-P1-A	2.750	2.950	1.960	0.100	\$22.74
WB0237-0500-125-N1-B	2.125	2.375	0.500	0.125	\$4.74	WB0300-0125-125-N1-B	2.750	3.000	0.125	0.125	\$4.46
WB0237-0750-125-N1-B	2.125	2.375	0.750	0.125	\$5.66	WB0300-0160-125-P1-A	2.750	3.000	0.160	0.125	\$5.08
WB0237-1000-062-N1-A	2.250	2.375	1.000	0.062	\$6.76	WB0300-0160-128-N1-B	2.744	3.000	0.160	0.128	\$5.27
WB0237-1000-125-N1-B	2.125	2.375	1.000	0.125	\$7.00	WB0300-0212-096-N1-B	2.808	3.000	0.212	0.096	\$4.95
WB0237-1187-062-P1-A	2.250	2.375	1.187	0.062	\$16.03	WB0300-0250-125-N1-B	2.750	3.000	0.250	0.125	\$4.43
WB0237-1500-062-N1-A	2.250	2.375	1.500	0.062	\$6.87	WB0300-0312-125-N1-B	2.750	3.000	0.312	0.125	\$4.75
WB0250-0165-125-N1-B	2.250	2.500	0.165	0.125	\$9.92	WB0300-0375-125-N1-B	2.750	3.000	0.375	0.125	\$4.81
WB0250-0187-125-N1-B	2.250	2.500	0.187	0.125	\$4.76	WB0300-0500-125-N1-B	2.750	3.000	0.500	0.125	\$4.88
WB0250-0250-125-N1-B	2.250	2.500	0.250	0.125	\$4.27	WB0300-0500-187-P1-A	2.626	3.000	0.500	0.187	\$36.13
WB0250-0312-062-N1-B	2.375	2.500	0.312	0.062	\$15.89	WB0300-0625-125-N1-B	2.750	3.000	0.625	0.125	\$6.41
WB0250-0312-091-N1-A	2.318	2.500	0.312	0.091	\$10.22	WB0300-0750-125-N1-B	2.750	3.000	0.750	0.125	\$5.61
WB0250-0312-093-P1-A	2.314	2.500	0.312	0.093	\$4.96	WB0300-0990-100-P1-A	2.800	3.000	0.990	0.100	\$15.12
WB0250-0312-125-N1-B	2.250	2.500	0.312	0.125	\$4.33	WB0300-1000-125-N1-B	2.750	3.000	1.000	0.125	\$5.45
WB0250-0375-125-N1-B	2.250	2.500	0.375	0.125	\$4.69	WB0300-1250-125-N1-B	2.750	3.000	1.250	0.125	\$13.92
WB0250-0375-127-N1-A	2.246	2.500	0.375	0.127	\$5.90	WB0312-0500-125-N1-B	2.875	3.125	0.500	0.125	\$5.04
WB0250-0500-125-N1-B	2.250	2.500	0.500	0.125	\$4.78	WB0312-1000-062-P1-A	3.000	3.125	1.000	0.062	\$16.21
WB0250-0625-125-N1-B	2.250	2.500	0.625	0.125	\$5.04	WB0312-1000-187-P1-A	2.750	3.125	1.000	0.187	\$28.60
WB0250-0750-125-N1-B	2.250	2.500	0.750	0.125	\$5.67	WB0312-1250-062-P1-A	3.000	3.125	1.250	0.062	\$19.84
WB0250-1000-125-N1-B	2.250	2.500	1.000	0.125	\$6.32	WB0312-1250-187-P1-A	2.750	3.125	1.250	0.187	\$32.33
WB0250-1250-062-P1-A	2.375	2.500	1.250	0.062	\$11.43	WB0312-1500-062-N1-A	3.000	3.125	1.500	0.062	\$28.03
WB0250-1500-125-N1-B	2.250	2.500	1.500	0.125	\$13.05	WB0312-1562-062-P1-A	3.000	3.125	1.562	0.062	\$29.51
WB0250-1562-125-N1-E	2.250	2.500	1.562	0.125	\$26.27	WB0312-1625-062-P1-A	3.000	3.125	1.625	0.062	\$29.80
WB0253-0250-062-N1-B	2.406	2.530	0.250	0.062	\$4.75	WB0318-0875-093-PSOL	3.000	3.187	0.875	0.093	\$24.80

WB Nylon & Phenolic Wearbands - Inch, cont'd.

Part Number	ID d	Bore Dia. D	Groove Height L	C/S F	Price
WB0318-1500-093-P1-A	3.000	3.187	1.500	0.093	\$30.84
WB0320-1187-100-P1-A	3.000	3.200	1.187	0.100	\$28.29
WB0322-0625-125-N1-B	2.970	3.220	0.625	0.125	\$6.40
WB0325-0160-128-N1-B	2.994	3.250	0.160	0.128	\$4.76
WB0325-0212-096-N1-B	3.058	3.250	0.212	0.096	\$5.07
WB0325-0250-125-N1-B	3.000	3.250	0.250	0.125	\$4.72
WB0325-0312-125-N1-B	3.000	3.250	0.312	0.125	\$4.79
WB0325-0375-125-N1-B	3.000	3.250	0.375	0.125	\$4.91
WB0325-0500-125-N1-B	3.000	3.250	0.500	0.125	\$4.95
WB0325-0500-187-N1-B	2.875	3.250	0.500	0.187	\$7.31
WB0325-0625-125-N1-B	3.000	3.250	0.625	0.125	\$5.47
WB0325-0750-125-N1-B	3.000	3.250	0.750	0.125	\$5.63
WB0325-0750-125-N1@1	3.000	3.250	0.750	0.125	\$7.30
WB0325-1000-125-N1-B	3.000	3.250	1.000	0.125	\$6.05
WB0325-1125-125-P1-A	3.000	3.250	1.125	0.125	\$13.67
WB0325-1250-125-N1-B	3.000	3.250	1.250	0.125	\$15.45
WB0325-1500-125-N1-B	3.000	3.250	1.500	0.125	\$12.08
WB0325-1960-100-P1-A	3.050	3.250	1.960	0.100	\$39.59
WB0325-2000-125-N1-B	3.000	3.250	2.000	0.125	\$18.86
WB0331-0625-093-N1-B	3.126	3.312	0.625	0.093	\$7.02
WB0337-0750-125-N1-B	3.125	3.375	0.750	0.125	\$5.64
WB0337-1740-062-P1-A	3.250	3.375	1.740	0.062	\$33.74
WB0343-1000-125-N1-B	3.187	3.437	1.000	0.125	\$7.98
WB0345-1625-100-P1-A	3.250	3.450	1.625	0.100	\$29.02
WB0345-1990-100-P1-A	3.250	3.450	1.990	0.100	\$31.32
WB0345-2375-100-P1-A	3.250	3.450	2.375	0.100	\$35.52
WB0345-2750-100-P1-A	3.250	3.450	2.750	0.100	\$38.35
WB0350-0160-125-P1-A	3.250	3.500	0.160	0.125	\$5.16
WB0350-0212-095-N1-B	3.310	3.500	0.212	0.095	\$5.18
WB0350-0250-125-N1-B	3.250	3.500	0.250	0.125	\$5.30
WB0350-0312-125-N1-B	3.250	3.500	0.312	0.125	\$5.33
WB0350-0375-125-N1-B	3.250	3.500	0.375	0.125	\$5.04
WB0350-0437-125-N1-B	3.250	3.500	0.437	0.125	\$5.54
WB0350-0500-095-N1-B	3.310	3.500	0.500	0.095	\$6.40
WB0350-0500-125-N1-B	3.250	3.500	0.500	0.125	\$5.01
WB0350-0500-187-N1-B	3.125	3.500	0.500	0.187	\$8.50
WB0350-0625-125-N1-B	3.250	3.500	0.625	0.125	\$5.41
WB0350-0750-093-N1-B	3.314	3.500	0.750	0.093	\$7.98
WB0350-0750-125-N1-B	3.250	3.500	0.750	0.125	\$5.66
WB0350-0875-125-N1-A	3.250	3.500	0.875	0.125	\$8.89
WB0350-1000-125-N1-B	3.250	3.500	1.000	0.125	\$6.12
WB0350-1000-187-N1-B	3.125	3.500	1.000	0.187	\$12.54
WB0350-1125-125-N1-A	3.250	3.500	1.125	0.125	\$13.98
WB0350-1250-125-N1-B	3.250	3.500	1.250	0.125	\$15.76
WB0350-1500-125-N1-B	3.250	3.500	1.500	0.125	\$17.24
WB0362-0500-125-N1-B	3.375	3.625	0.500	0.125	\$6.17
WB0362-1000-125-N1-B	3.375	3.625	1.000	0.125	\$8.35
WB0362-1050-062-P1-A	3.500	3.625	1.050	0.062	\$19.70
WB0362-1250-187-P1-A	3.250	3.625	1.250	0.187	\$31.45
WB0370-1770-100-P1-A	3.500	3.700	1.770	0.100	\$34.02
WB0370-1890-100-P1-A	3.500	3.700	1.890	0.100	\$35.77
WB0370-2375-100-P1-A	3.500	3.700	2.375	0.100	\$41.11
WB0375-0250-125-N1-B	3.500	3.750	0.250	0.125	\$5.20

Part Number	ID d	Bore Dia. D	Groove Height L	C/S F	Price
WB0375-0312-125-N1-B	3.500	3.750	0.312	0.125	\$5.33
WB0375-0375-125-N1-B	3.500	3.750	0.375	0.125	\$5.61
WB0375-0500-125-N1-B	3.500	3.750	0.500	0.125	\$5.13
WB0375-0625-125-N1-B	3.500	3.750	0.625	0.125	\$5.77
WB0375-0750-125-N1-B	3.500	3.750	0.750	0.125	\$5.94
WB0375-1000-125-N1-B	3.500	3.750	1.000	0.125	\$6.16
WB0375-1250-125-N1-B	3.500	3.750	1.250	0.125	\$16.72
WB0375-1500-125-N1-B	3.500	3.750	1.500	0.125	\$20.58
WB0375-2000-125-N1-B	3.500	3.750	2.000	0.125	\$26.26
WB0387-1000-062-P1-A	3.750	3.875	1.000	0.062	\$13.04
WB0387-1000-125-P1-A	3.625	3.875	1.000	0.125	\$16.06
WB0387-1250-187-P1-A	3.500	3.875	1.250	0.187	\$25.97
WB0387-1562-062-P1-A	3.750	3.875	1.562	0.062	\$29.30
WB0387-1750-187-P1-A	3.500	3.875	1.750	0.187	\$40.45
WB0393-0212-095-N1-B	3.747	3.937	0.212	0.095	\$6.34
WB0395-2437-100-P1-A	3.750	3.950	2.437	0.100	\$56.23
WB0400-0125-125-N1-B	3.750	4.000	0.125	0.125	\$4.91
WB0400-0250-125-N1-B	3.750	4.000	0.250	0.125	\$5.50
WB0400-0312-125-N1-B	3.750	4.000	0.312	0.125	\$5.61
WB0400-0320-062-P1-A	3.875	4.000	3.200	0.062	\$15.13
WB0400-0375-125-N1-B	3.750	4.000	0.375	0.125	\$5.98
WB0400-0500-125-N1-B	3.750	4.000	0.500	0.125	\$5.88
WB0400-0500-187-N1-B	3.625	4.000	0.500	0.187	\$15.01
WB0400-0500-187-P1-A	3.625	4.000	0.500	0.187	\$15.66
WB0400-0625-125-N1@2	3.750	4.000	0.625	0.125	\$55.65
WB0400-0625-125-N1-B	3.750	4.000	0.625	0.125	\$6.00
WB0400-0710-125-P1-A	3.750	4.000	0.710	0.125	\$12.25
WB0400-0750-125-N1-B	3.750	4.000	0.750	0.125	\$5.67
WB0400-0875-125-N1-B	3.750	4.000	0.875	0.125	\$9.48
WB0400-0875-187-N1-B	3.625	4.000	0.875	0.187	\$13.94
WB0400-1000-125-N1-B	3.750	4.000	1.000	0.125	\$6.62
WB0400-1000-187-N1-B	3.625	4.000	1.000	0.187	\$16.72
WB0400-1250-125-N1-B	3.750	4.000	1.250	0.125	\$14.61
WB0400-1500-125-N1-B	3.750	4.000	1.500	0.125	\$17.52
WB0418-0875-093-PSOL	4.000	4.187	0.875	0.093	\$26.89
WB0418-1500-093-P1-A	4.000	4.187	1.500	0.093	\$102.13
WB0420-1562-100-P1-A	4.000	4.200	1.562	0.100	\$39.57
WB0420-2562-100-P1-A	4.000	4.200	2.562	0.100	\$53.60
WB0425-0312-125-N1-B	4.000	4.250	0.312	0.125	\$6.81
WB0425-0375-125-N1-B	4.000	4.250	0.375	0.125	\$6.58
WB0425-0500-125-N1-B	4.000	4.250	0.500	0.125	\$5.29
WB0425-0625-125-N1-B	4.000	4.250	0.625	0.125	\$6.07
WB0425-0750-125-N1-B	4.000	4.250	0.750	0.125	\$6.27
WB0425-0875-125-P1-A	4.000	4.250	0.875	0.125	\$9.02
WB0425-1000-125-N1-B	4.000	4.250	1.000	0.125	\$8.07
WB0425-1250-125-P1-A	4.000	4.250	1.250	0.125	\$18.08
WB0425-1500-125-N1-B	4.000	4.250	1.500	0.125	\$18.74
WB0425-1750-125-P1-A	4.000	4.250	1.750	0.125	\$24.28
WB0425-1875-125-P1-A	4.000	4.250	1.875	0.125	\$51.26
WB0425-2500-125-P1-A	4.000	4.250	2.500	0.125	\$56.24
WB0437-1250-187-P1-A	4.000	4.375	1.250	0.187	\$54.29
WB0450-0250-125-N1-B	4.250	4.500	0.250	0.125	\$6.71
WB0450-0312-125-N1-B	4.250	4.500	0.312	0.125	\$6.83

WB Nylon & Phenolic Wearbands - Inch, cont'd.

Part Number	ID d	Bore Dia. D	Groove Height L	C/S F	Price	Part Number	ID d	Bore Dia. D	Groove Height L	C/S F	Price
WB0450-0375-125-N1-B	4.250	4.500	0.375	0.125	\$6.70	WB0550-0750-125-N1-B	5.250	5.500	0.750	0.125	\$6.26
WB0450-0500-125-N1-B	4.250	4.500	0.500	0.125	\$5.43	WB0550-1000-125-N1-B	5.250	5.500	1.000	0.125	\$8.13
WB0450-0500-187-N1-B	4.125	4.500	0.500	0.187	\$45.78	WB0550-1250-125-P1-A	5.250	5.500	1.250	0.125	\$36.60
WB0450-0625-125-N1-B	4.250	4.500	0.625	0.125	\$6.02	WB0550-1375-125-P1-A	5.250	5.500	1.375	0.125	\$40.32
WB0450-0750-125-N1@1	4.250	4.500	0.750	0.125	\$8.79	WB0550-1500-125-N1-B	5.250	5.500	1.500	0.125	\$21.42
WB0450-0750-125-N1-B	4.250	4.500	0.750	0.125	\$6.05	WB0550-1750-125-N1-A	5.250	5.500	1.750	0.125	\$27.37
WB0450-0875-125-N1-A	4.250	4.500	0.875	0.125	\$13.67	WB0550-1750-187-P1-A	5.125	5.500	1.750	0.187	\$57.11
WB0450-1000-125-N1-B	4.250	4.500	1.000	0.125	\$8.10	WB0550-2000-125-P1-A	5.250	5.500	2.000	0.125	\$56.65
WB0450-1250-125-N1-B	4.250	4.500	1.250	0.125	\$11.87	WB0550-2250-125-P1-A	5.250	5.500	2.250	0.125	\$59.80
WB0450-1500-125-P1-A	4.250	4.500	1.500	0.125	\$24.31	WB0575-0500-125-N1-B	5.500	5.750	0.500	0.125	\$6.21
WB0468-0865-093-PSOL	4.500	4.687	0.865	0.093	\$29.12	WB0575-0625-125-N1-B	5.500	5.750	0.625	0.125	\$11.94
WB0470-1960-100-P1-A	4.500	4.700	1.960	0.100	\$50.64	WB0575-0750-125-N1-B	5.500	5.750	0.750	0.125	\$7.94
WB0475-0375-125-N1-B	4.500	4.750	0.375	0.125	\$6.90	WB0575-0875-125-N1-B	5.500	5.750	0.875	0.125	\$16.42
WB0475-0500-125-N1-B	4.500	4.750	0.500	0.125	\$5.40	WB0575-1000-125-N1-B	5.500	5.750	1.000	0.125	\$8.31
WB0475-0625-125-N1-B	4.500	4.750	0.625	0.125	\$7.17	WB0575-1500-125-N1-B	5.500	5.750	1.500	0.125	\$21.80
WB0475-0750-125-N1-B	4.500	4.750	0.750	0.125	\$6.26	WB0575-1625-125-P1-A	5.500	5.750	1.625	0.125	\$49.44
WB0475-1000-125-N1-B	4.500	4.750	1.000	0.125	\$8.12	WB0575-2360-125-P1-A	5.500	5.750	2.360	0.125	\$57.64
WB0475-1000-125-P1-A	4.500	4.750	1.000	0.125	\$24.08	WB0575-2375-125-P1-A	5.500	5.750	2.375	0.125	\$57.64
WB0475-1250-125-P1-A	4.500	4.750	1.250	0.125	\$24.52	WB0600-0187-125-P1-A	5.750	6.000	0.187	0.125	\$15.67
WB0475-1500-125-N1-B	4.500	4.750	1.500	0.125	\$23.54	WB0600-0250-125-P1-A	5.750	6.000	0.250	0.125	\$8.85
WB0475-2000-125-N1-B	4.500	4.750	2.000	0.125	\$27.59	WB0600-0375-125-N1-B	5.750	6.000	0.375	0.125	\$7.76
WB0487-0375-125-N1-B	4.625	4.875	0.375	0.125	\$8.51	WB0600-0500-125-N1-B	5.750	6.000	0.500	0.125	\$6.16
WB0487-1000-062-P1-A	4.750	4.875	1.000	0.062	\$30.09	WB0600-0500-127-N1-A	5.746	6.000	0.500	0.127	\$7.08
WB0487-1500-187-P1-A	4.500	4.875	1.500	0.187	\$51.16	WB0600-0625-125-N1-A	5.750	6.000	0.625	0.125	\$8.13
WB0500-0250-125-N1-B	4.750	5.000	0.250	0.125	\$6.85	WB0600-0625-125-N1-B	5.750	6.000	0.625	0.125	\$6.63
WB0500-0375-125-N1-B	4.750	5.000	0.375	0.125	\$6.89	WB0600-0625-187-P1-A	5.625	6.000	0.625	0.187	\$25.85
WB0500-0500-125-N1-B	4.750	5.000	0.500	0.125	\$5.52	WB0600-0750-125-N1-B	5.750	6.000	0.750	0.125	\$6.91
WB0500-0625-125-N1-B	4.750	5.000	0.625	0.125	\$6.07	WB0600-0875-125-N1-B	5.750	6.000	0.875	0.125	\$10.77
WB0500-0750-125-N1-B	4.750	5.000	0.750	0.125	\$6.26	WB0600-1000-125-N1-B	5.750	6.000	1.000	0.125	\$8.23
WB0500-1000-125-N1-B	4.750	5.000	1.000	0.125	\$8.14	WB0600-1000-187-P1-A	5.625	6.000	1.000	0.187	\$39.78
WB0500-1000-187-N1-B	4.625	5.000	1.000	0.187	\$30.68	WB0600-1062-125-P1-A	5.750	6.000	1.062	0.125	\$38.87
WB0500-1125-125-P1-A	4.750	5.000	1.125	0.125	\$20.13	WB0600-1250-125-N1-B	5.750	6.000	1.250	0.125	\$17.73
WB0500-1250-125-N1-B	4.750	5.000	1.250	0.125	\$18.95	WB0600-1250-187-N1-P	5.625	6.000	1.250	0.187	\$33.28
WB0500-1500-125-N1-B	4.750	5.000	1.500	0.125	\$20.55	WB0600-1312-125-P1-A	5.750	6.000	1.312	0.125	\$32.98
WB0500-1550-125-P1-A	4.750	5.000	1.550	0.125	\$39.08	WB0600-1500-125-N1-B	5.750	6.000	1.500	0.125	\$21.99
WB0500-1750-127-N1-A	4.746	5.000	1.750	0.127	\$24.82	WB0600-1750-125-P1-A	5.750	6.000	1.750	0.125	\$55.60
WB0500-2000-125-N1-B	4.750	5.000	2.000	0.125	\$36.68	WB0600-2740-125-P1-A	5.750	6.000	2.740	0.125	\$103.37
WB0512-0500-125-N1-B	4.875	5.125	0.500	0.125	\$7.68	WB0600-2750-187-P1-A	5.625	6.000	2.750	0.187	\$129.02
WB0525-0375-125-N1-B	5.000	5.250	0.375	0.125	\$6.92	WB0600-3625-062-P1-A	5.875	6.000	3.625	0.062	\$118.77
WB0525-0500-125-N1-B	5.000	5.250	0.500	0.125	\$5.49	WB0625-0500-125-P1-A	6.000	6.250	0.500	0.125	\$7.07
WB0525-0625-125-N1-B	5.000	5.250	0.625	0.125	\$6.11	WB0625-0625-125-N1-B	6.000	6.250	0.625	0.125	\$6.66
WB0525-0750-125-N1-B	5.000	5.250	0.750	0.125	\$6.26	WB0625-0625-187-N1-B	5.875	6.250	0.625	0.187	\$99.53
WB0525-1000-125-N1-B	5.000	5.250	1.000	0.125	\$8.67	WB0625-0750-125-N1-B	6.000	6.250	0.750	0.125	\$7.28
WB0525-1250-125-P1-A	5.000	5.250	1.250	0.125	\$19.67	WB0625-1000-125-N1-B	6.000	6.250	1.000	0.125	\$8.53
WB0525-1500-125-N1-B	5.000	5.250	1.500	0.125	\$26.61	WB0625-1500-125-N1-B	6.000	6.250	1.500	0.125	\$20.55
WB0525-1750-125-N1-B	5.000	5.250	1.750	0.125	\$32.79	WB0625-1750-125-P1-A	6.000	6.250	1.750	0.125	\$53.39
WB0525-2000-125-N1-B	5.000	5.250	2.000	0.125	\$35.49	WB0625-2000-125-N1-B	6.000	6.250	2.000	0.125	\$40.78
WB0525-3625-125-P1-A	5.000	5.250	3.625	0.125	\$85.86	WB0625-2750-125-P1-A	6.000	6.250	2.750	0.125	\$73.49
WB0537-2000-187-N1-A	5.000	5.375	2.000	0.187	\$109.44	WB0637-2500-125-P1-A	6.125	6.375	2.500	0.125	\$65.20
WB0550-0250-125-N1-B	5.250	5.500	0.250	0.125	\$6.71	WB0650-0250-250-P1-A	6.000	6.500	0.250	0.250	\$21.42
WB0550-0375-125-N1-B	5.250	5.500	0.375	0.125	\$5.45	WB0650-0500-125-N1-B	6.250	6.500	0.500	0.125	\$7.13
WB0550-0500-125-N1-B	5.250	5.500	0.500	0.125	\$5.55	WB0650-0625-125-N1-B	6.250	6.500	0.625	0.125	\$7.18
WB0550-0625-125-N1-B	5.250	5.500	0.625	0.125	\$6.42	WB0650-0750-125-N1-B	6.250	6.500	0.750	0.125	\$7.25

WB Nylon & Phenolic Wearbands - Inch, cont'd.

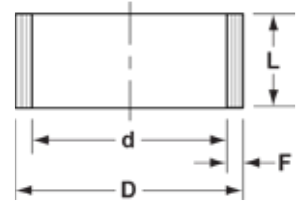
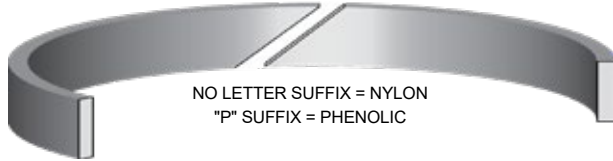
Part Number	ID d	Bore Dia. D	Groove Height L	C/S F	Price
WB0650-0750-187-N1-B	6.125	6.500	0.750	0.187	\$66.93
WB0650-1000-125-N1-B	6.250	6.500	1.000	0.125	\$8.93
WB0650-1250-125-P1-A	6.250	6.500	1.250	0.125	\$31.93
WB0650-1375-125-N1-A	6.250	6.500	1.375	0.125	\$23.58
WB0650-1500-125-N1-B	6.250	6.500	1.500	0.125	\$24.91
WB0650-1750-125-P1-A	6.250	6.500	1.750	0.125	\$29.77
WB0650-2000-125-N1-A	6.250	6.500	2.000	0.125	\$54.29
WB0650-2750-125-P1-A	6.250	6.500	2.750	0.125	\$85.08
WB0650-3500-125-P1-A	6.250	6.500	3.500	0.125	\$117.55
WB0650-3500-250-P1-A	6.000	6.500	3.500	0.250	\$120.73
WB0675-0500-125-N1-B	6.500	6.750	0.500	0.125	\$8.35
WB0675-0625-125-N1-B	6.500	6.750	0.625	0.125	\$10.00
WB0675-1000-125-N1-B	6.500	6.750	1.000	0.125	\$11.55
WB0675-1250-125-N1-B	6.500	6.750	1.250	0.125	\$36.13
WB0675-1500-125-N1-B	6.500	6.750	1.500	0.125	\$27.11
WB0700-0375-125-N1-B	6.750	7.000	0.375	0.125	\$8.07
WB0700-0500-125-N1-B	6.750	7.000	0.500	0.125	\$8.23
WB0700-0500-127-N1-A	6.746	7.000	0.500	0.127	\$9.93
WB0700-0625-125-P1-A	6.750	7.000	0.625	0.125	\$10.02
WB0700-0750-125-N1-B	6.750	7.000	0.750	0.125	\$9.21
WB0700-0750-187-P1-A	6.625	7.000	0.750	0.187	\$38.75
WB0700-1000-125-N1-B	6.750	7.000	1.000	0.125	\$12.01
WB0700-1250-187-P1-A	6.625	7.000	1.250	0.187	\$40.99
WB0700-1500-125-N1-B	6.750	7.000	1.500	0.125	\$14.67
WB0700-1740-125-N1-A	6.750	7.000	1.740	0.125	\$34.88
WB0700-2000-125-N1-A	6.750	7.000	2.000	0.125	\$39.58
WB0700-2375-125-P1-A	6.750	7.000	2.375	0.125	\$86.64
WB0712-1000-187-P1-A	6.750	7.125	1.000	0.187	\$52.70
WB0720-3150-100-P1-A	7.000	7.200	3.150	0.100	\$103.13
WB0725-0500-125-N1-B	7.000	7.250	0.500	0.125	\$12.50
WB0725-0625-125-N1-B	7.000	7.250	0.625	0.125	\$14.14
WB0725-0750-125-N1-B	7.000	7.250	0.750	0.125	\$11.89
WB0725-1000-125-N1-B	7.000	7.250	1.000	0.125	\$16.71
WB0725-1375-125-P1-A	7.000	7.250	1.375	0.125	\$64.12
WB0725-2000-127-N1-B	6.996	7.250	2.000	0.127	\$57.45
WB0725-3062-187-P1-A	6.875	7.250	3.062	0.187	\$170.94
WB0725-7125-125-P1-A	7.000	7.250	7.125	0.125	\$285.80
WB0737-1625-187-P1-A	7.000	7.375	1.625	0.187	\$62.73
WB0737-7375-187-P1-A	7.000	7.375	7.375	0.187	\$294.47
WB0750-0500-125-N1-B	7.250	7.500	0.500	0.125	\$7.14
WB0750-0625-125-N1-B	7.250	7.500	0.625	0.125	\$11.55
WB0750-0750-125-N1-B	7.250	7.500	0.750	0.125	\$11.55
WB0750-1000-125-N1-B	7.250	7.500	1.000	0.125	\$18.69
WB0750-1500-125-N1-B	7.250	7.500	1.500	0.125	\$25.40
WB0750-1500-125-N2-B	7.250	7.500	1.500	0.125	\$51.13
WB0750-1625-187-P1-A	7.125	7.500	1.625	0.187	\$80.28
WB0750-2000-125-P1-A	7.250	7.500	2.000	0.125	\$97.56
WB0750-2360-124-P1-A	7.252	7.500	2.360	0.124	\$94.75
WB0750-2375-125-P1-A	7.250	7.500	2.375	0.125	\$94.75
WB0750-2500-125-P1-A	7.250	7.500	2.500	0.125	\$92.30
WB0750-7375-187-P1-A	7.125	7.500	7.375	0.187	\$306.15
WB0775-0250-250-P1-A	7.250	7.750	0.250	0.250	\$20.25
WB0775-0500-125-N1-B	7.500	7.750	0.500	0.125	\$17.12

Part Number	ID d	Bore Dia. D	Groove Height L	C/S F	Price
WB0775-1000-125-N1-B	7.500	7.750	1.000	0.125	\$20.17
WB0775-2000-100-P1-A	7.550	7.750	2.000	0.100	\$79.45
WB0800-0375-125-N1-B	7.750	8.000	0.375	0.125	\$9.14
WB0800-0500-125-N1-B	7.750	8.000	0.500	0.125	\$7.72
WB0800-0500-187-N1-B	7.625	8.000	0.500	0.187	\$37.01
WB0800-0625-125-P1-A	7.750	8.000	0.625	0.125	\$15.80
WB0800-0750-125-N1-B	7.750	8.000	0.750	0.125	\$11.76
WB0800-0750-125-P1-A	7.750	8.000	0.750	0.125	\$18.25
WB0800-0875-125-P1-A	7.750	8.000	0.875	0.125	\$32.16
WB0800-1000-125-N1-B	7.750	8.000	1.000	0.125	\$18.29
WB0800-1000-187-P1-A	7.625	8.000	1.000	0.187	\$58.79
WB0800-1250-125-P1-A	7.750	8.000	1.250	0.125	\$50.37
WB0800-1500-125-N1-B	7.750	8.000	1.500	0.125	\$35.27
WB0800-1500-187-P1-A	7.625	8.000	1.500	0.187	\$57.54
WB0800-2375-125-P1-A	7.750	8.000	2.375	0.125	\$94.92
WB0800-5000-125-P1-A	7.750	8.000	5.000	0.125	\$122.53
WB0820-3133-100-P1-A	8.000	8.200	3.133	0.100	\$133.02
WB0825-0250-250-P1-A	7.750	8.250	0.250	0.250	\$20.04
WB0825-0625-125-N1-B	8.000	8.250	0.625	0.125	\$20.18
WB0825-0750-125-N1-B	8.000	8.250	0.750	0.125	\$19.29
WB0825-1000-125-N1-B	8.000	8.250	1.000	0.125	\$20.07
WB0825-1250-127-N1-B	7.996	8.250	1.250	0.127	\$27.19
WB0825-1500-125-N1-A	8.000	8.250	1.500	0.125	\$33.60
WB0825-1750-125-N1-B	8.000	8.250	1.750	0.125	\$42.46
WB0825-2000-125-N1-B	8.000	8.250	2.000	0.125	\$84.39
WB0825-2125-125-P1-A	8.000	8.250	2.125	0.125	\$89.69
WB0825-2250-125-P1-A	8.000	8.250	2.250	0.125	\$95.35
WB0825-2500-125-P1-A	8.000	8.250	2.500	0.125	\$137.67
WB0825-2750-187-P1-A	7.875	8.250	2.750	0.187	\$172.26
WB0825-3500-250-P1-A	7.750	8.250	3.500	0.250	\$179.80
WB0825-4062-125-P1-A	8.000	8.250	4.062	0.125	\$167.15
WB0842-0750-125-N1@1	8.170	8.420	0.750	0.125	\$17.53
WB0850-0250-125-N1-B	8.250	8.500	0.250	0.125	\$14.21
WB0850-0500-125-N1-B	8.250	8.500	0.500	0.125	\$8.66
WB0850-0625-125-N1-B	8.250	8.500	0.625	0.125	\$12.36
WB0850-0750-125-N1@1	8.250	8.500	0.750	0.125	\$35.60
WB0850-0750-125-N1-B	8.250	8.500	0.750	0.125	\$14.76
WB0850-0750-187-P1-A	8.125	8.500	0.750	0.187	\$40.69
WB0850-1000-125-N1-B	8.250	8.500	1.000	0.125	\$18.38
WB0850-1000-187-N1-B	8.125	8.500	1.000	0.187	\$68.75
WB0850-1500-125-P1-A	8.250	8.500	1.500	0.125	\$45.80
WB0850-1500-187-N1-B	8.125	8.500	1.500	0.187	\$225.45
WB0850-1500-187-P1-A	8.125	8.500	1.500	0.187	\$91.69
WB0850-2000-125-N1-B	8.250	8.500	2.000	0.125	\$63.03
WB0850-2375-125-P1-A	8.250	8.500	2.375	0.125	\$75.22
WB0850-3000-125-P1-A	8.250	8.500	3.000	0.125	\$143.34
WB0875-1000-125-N1-B	8.500	8.750	1.000	0.125	\$27.51
WB0875-2000-125-N1-B	8.500	8.750	2.000	0.125	\$64.79
WB0900-0375-125-N1-B	8.750	9.000	0.375	0.125	\$16.47
WB0900-0500-125-N1-B	8.750	9.000	0.500	0.125	\$14.01
WB0900-0750-125-N1-B	8.750	9.000	0.750	0.125	\$15.46
WB0900-1000-125-N1-B	8.750	9.000	1.000	0.125	\$19.97
WB0900-1500-125-N1-B	8.750	9.000	1.500	0.125	\$34.16

WB Nylon & Phenolic Wearbands - Inch, cont'd.

Part Number	ID d	Bore Dia. D	Groove Height L	C/S F	Price	Part Number	ID d	Bore Dia. D	Groove Height L	C/S F	Price
WB0900-2000-125-N1-B	8.750	9.000	2.000	0.125	\$99.19	WB1200-0500-125-N1-B	11.750	12.000	0.500	0.125	\$35.96
WB0900-2000-187-P1-A	8.625	9.000	2.000	0.187	\$124.82	WB1200-0750-125-N1-B	11.750	12.000	0.750	0.125	\$46.21
WB0925-0500-125-N1-B	9.000	9.250	0.500	0.125	\$19.29	WB1200-1000-125-N1-B	11.750	12.000	1.000	0.125	\$29.82
WB0925-1000-125-N1-B	9.000	9.250	1.000	0.125	\$22.80	WB1200-1000-187-P1-A	11.625	12.000	1.000	0.187	\$85.77
WB0925-1500-125-N1-B	9.000	9.250	1.500	0.125	\$51.77	WB1200-1000-195-P1-A	11.610	12.000	1.000	0.195	\$110.35
WB0925-1750-125-P1-A	9.000	9.250	1.750	0.125	\$108.61	WB1200-1250-125-P1-A	11.750	12.000	1.250	0.125	\$118.76
WB0925-1950-127-N1-A	9.000	9.250	1.950	0.125	\$130.60	WB1200-1250-187-P1-A	11.625	12.000	1.250	0.187	\$121.18
WB0925-2250-125-P1-A	9.000	9.250	2.250	0.125	\$129.49	WB1200-1500-125-P1-A	11.750	12.000	1.500	0.125	\$129.97
WB0950-0250-250-P1-A	9.000	9.500	0.250	0.250	\$31.82	WB1200-1500-187-N1-B	11.625	12.000	1.500	0.187	\$220.19
WB0950-0500-125-N1-B	9.250	9.500	0.500	0.125	\$14.38	WB1200-2000-125-P1-A	11.750	12.000	2.000	0.125	\$148.89
WB0950-0625-125-N1-B	9.250	9.500	0.625	0.125	\$14.57	WB1200-2000-187-N1-B	11.625	12.000	2.000	0.187	\$216.92
WB0950-0750-125-N1-B	9.250	9.500	0.750	0.125	\$20.11	WB1225-2000-125-P1-A	12.000	12.250	2.000	0.125	\$168.91
WB0950-1000-125-N1-B	9.250	9.500	1.000	0.125	\$21.67	WB1275-4000-125-P1-A	12.500	12.750	4.000	0.125	\$263.68
WB0950-1625-187-N1-A	9.125	9.500	1.625	0.187	\$122.55	WB1300-1000-125-N1-B	12.750	13.000	1.000	0.125	\$29.64
WB0950-3000-125-P1-A	9.250	9.500	3.000	0.125	\$140.70	WB1300-1250-125-P1-A	12.750	13.000	1.250	0.125	\$123.88
WB0950-9000-187-N1-A	9.125	9.500	9.000	0.187	\$347.12	WB1300-1250-187-P1-A	12.625	13.000	1.250	0.187	\$151.84
WB0975-1000-125-N1-B	9.500	9.750	1.000	0.125	\$19.87	WB1300-1500-125-P1-A	12.750	13.000	1.500	0.125	\$157.10
WB0975-2000-125-P1-A	9.500	9.750	2.000	0.125	\$92.14	WB1300-1500-187-P1-A	12.625	13.000	1.500	0.187	\$181.05
WB1000-0250-125-N1-B	9.750	10.000	0.250	0.125	\$17.09	WB1300-3000-125-P1-A	12.750	13.000	3.000	0.125	\$249.67
WB1000-0500-125-N1-B	9.750	10.000	0.500	0.125	\$20.72	WB1300-3937-187-P1-A	12.625	13.000	3.937	0.187	\$303.87
WB1000-0625-125-N1-B	9.750	10.000	0.625	0.125	\$22.60	WB1300-4000-125-P1-B	12.750	13.000	4.000	0.125	\$529.68
WB1000-0750-125-N1-B	9.750	10.000	0.750	0.125	\$24.40	WB1300-6000-127-P1-A	12.746	13.000	6.000	0.127	\$475.05
WB1000-0750-191-P1-A	9.618	10.000	0.750	0.191	\$28.00	WB1312-7875-192-P1-A	12.741	13.125	7.875	0.192	\$793.75
WB1000-1000-125-P1-A	9.750	10.000	1.000	0.125	\$27.89	WB1350-0500-125-P1-A	13.250	13.500	0.500	0.125	\$61.65
WB1000-1250-125-N1-B	9.750	10.000	1.250	0.125	\$32.80	WB1400-1000-125-P1-A	13.750	14.000	1.000	0.125	\$139.53
WB1000-1250-187-N1-B	9.625	10.000	1.250	0.187	\$90.44	WB1400-1500-125-P1-A	13.750	14.000	1.500	0.125	\$165.53
WB1000-1500-125-N1-B	9.750	10.000	1.500	0.125	\$63.78	WB1400-2000-125-P1-A	13.750	14.000	2.000	0.125	\$176.03
WB1000-1500-187-P1-A	9.625	10.000	1.500	0.187	\$137.54	WB1425-2000-125-P1-A	14.000	14.250	2.000	0.125	\$198.51
WB1000-1500-191-P1-B	9.618	10.000	1.500	0.191	\$137.54	WB1475-1500-187-N1-B	14.375	14.750	1.500	0.187	\$252.54
WB1000-2750-125-P1-A	9.750	10.000	2.750	0.125	\$149.87	WB1600-1000-125-P1-A	15.750	16.000	1.000	0.125	\$107.58
WB1000-3250-125-P1-A	9.750	10.000	3.250	0.125	\$115.59	WB1600-2000-125-P1-A	15.750	16.000	2.000	0.125	\$209.30
WB1025-0250-250-P1-A	9.750	10.250	0.250	0.250	\$35.47	WB1600-2000-187-P1-A	15.625	16.000	2.000	0.187	\$275.64
WB1025-1000-125-N1-B	10.000	10.250	1.000	0.125	\$21.03	WB1600-2000-250-P1-A	15.500	16.000	2.000	0.250	\$330.02
WB1050-0500-125-N1-B	10.250	10.500	0.500	0.125	\$31.99	WB1750-2000-187-N1-B	17.125	17.500	2.000	0.187	\$547.00
WB1050-1000-125-N1-B	10.250	10.500	1.000	0.125	\$43.94	WB1800-1000-125-P1-A	17.750	18.000	1.000	0.125	\$167.07
WB1050-3500-125-P1-A	10.250	10.500	3.500	0.125	\$179.24	WB1800-1500-125-P1-A	17.750	18.000	1.500	0.125	\$208.83
WB1050-3750-125-P1-A	10.250	10.500	3.750	0.125	\$192.90	WB1800-1500-187-P1-A	17.625	18.000	1.500	0.187	\$295.29
WB1050-4000-125-P1-A	10.250	10.500	4.000	0.125	\$172.12	WB1825-1250-125-P1-A	18.000	18.250	1.250	0.125	\$157.57
WB1075-2000-125-N1-B	10.500	10.750	2.000	0.125	\$220.74	WB1825-1500-125-P1-A	18.000	18.250	1.500	0.125	\$186.17
WB1100-0500-125-N1-B	10.750	11.000	0.500	0.125	\$35.05	WB1825-2000-125-P1-A	18.000	18.250	2.000	0.125	\$232.55
WB1100-0750-125-P1-A	10.750	11.000	0.750	0.125	\$51.84	WB1850-1000-125-P1-A	18.250	18.500	1.000	0.125	\$178.69
WB1100-1000-125-N1-B	10.750	11.000	1.000	0.125	\$28.04	WB1850-1250-125-P1-A	18.250	18.500	1.250	0.125	\$204.94
WB1100-1250-127-N1-B	10.746	11.000	1.250	0.127	\$67.25	WB1850-1500-125-P1-A	18.250	18.500	1.500	0.125	\$233.81
WB1100-2000-125-P1-A	10.750	11.000	2.000	0.125	\$149.00	WB2000-1000-125-P1-A	19.750	20.000	1.000	0.125	\$204.19
WB1100-3250-125-P1-A	10.750	11.000	3.250	0.125	\$238.13	WB2000-1250-125-P1-A	19.750	20.000	1.250	0.125	\$250.09
WB1125-1000-125-N1-B	11.000	11.250	1.000	0.125	\$29.53	WB2000-1500-125-P1-A	19.750	20.000	1.500	0.125	\$296.00
WB1137-1097-187-P1-A	11.000	11.375	11.000	0.187	\$901.01	WB2025-1000-125-P1-A	20.000	20.250	1.000	0.125	\$209.91
WB1137-2625-187-P1-A	11.000	11.375	2.625	0.187	\$149.82	WB2025-1250-125-P1-A	20.000	20.250	1.250	0.125	\$237.11
WB1150-0625-125-N1-B	11.250	11.500	0.625	0.125	\$24.09	WB2025-1500-125-P1-A	20.000	20.250	1.500	0.125	\$262.06
WB1150-1000-125-N1-B	11.250	11.500	1.000	0.125	\$28.45	WB2025-1750-125-P1-A	20.000	20.250	1.750	0.125	\$278.34
WB1150-3875-125-P1-A	11.250	11.500	3.875	0.125	\$128.46	WB2025-2000-125-P1-A	20.000	20.250	2.000	0.125	\$315.06
WB1200-0375-125-N1-B	11.750	12.000	0.375	0.125	\$31.26						

MWB Nylon & Phenolic Wearbands - Metric


ALTERNATIVE SEALS:

Wearband Tape

A large percentage of our metric wearbands are supplied in a glass-filled nylon material due to their low cost and good load-bearing properties. Phenolic wearbands are commonly found in many European and Asian cylinders, so we make them available in many sizes.

EXAMPLE: MWB-150X9.7X2.5

Prefix	Outside Diameter		Groove Height		Cross Section	Material
MWB-	150	x	9.7	x	2.5	
	150mm		9.7mm		2.5mm	Nylon

Part Number	ID d	Bore Dia. D	Groove Height L	C/S F	Price
MWB-16X9.6X2	12.0	16.0	9.6	2.00	\$3.13
MWB-18X9.6X2	14.0	18.0	9.6	2.00	\$3.54
MWB-20X9.6X2	16.0	20.0	9.6	2.00	\$5.98
MWB-25X5.6X1.5	22.0	25.0	5.6	1.50	\$2.77
MWB-25X5.6X2.5	20.0	25.0	5.6	2.50	\$4.79
MWB-25X9.6X2	21.0	25.0	9.6	2.00	\$6.11
MWB-25X9.7X2.5P	20.0	25.0	9.7	2.50	\$3.84
MWB-26X9.6X3	20.0	26.0	9.6	3.00	\$6.89
MWB-27X5.6X2.5	22.0	27.0	5.6	2.50	\$5.36
MWB-29X9.6X2P	25.0	29.0	9.6	2.00	\$5.78
MWB-30X5.6X2.5	25.0	30.0	5.6	2.50	\$4.48
MWB-30X9.6X2	26.0	30.0	9.6	2.00	\$6.34
MWB-31X9.6X3	25.0	31.0	9.6	3.00	\$4.65
MWB-32X5.6X2.5	27.0	32.0	5.6	2.50	\$4.12
MWB-32X9.6X2	28.0	32.0	9.6	2.00	\$6.48
MWB-32X9.7X2.5P	27.0	32.0	9.7	2.50	\$3.99
MWB-32X9.8X3	26.0	32.0	9.8	3.00	\$11.19
MWB-33X5.6X1.5P	30.0	33.0	5.6	1.50	\$4.98
MWB-33X5.7X2.5	28.0	33.0	5.7	2.50	\$5.34
MWB-34X9.6X2P	30.0	34.0	9.6	2.00	\$6.63
MWB-34X9.6X3	28.0	34.0	9.6	3.00	\$6.66
MWB-35X3.8X1.5	32.0	35.0	3.8	1.50	\$4.21
MWB-35X5.6X2.5	30.0	35.0	5.6	2.50	\$4.58
MWB-35X8X2P	31.0	35.0	8.0	2.00	\$7.64
MWB-35X9.5X2.5	30.0	35.0	9.5	2.50	\$5.06
MWB-35X9.6X2	31.0	35.0	9.6	2.00	\$5.30
MWB-35X9.7X2.5P	30.0	35.0	9.7	2.50	\$5.15
MWB-35X16X1.5P	32.0	35.0	16.0	1.50	\$5.83
MWB-36X5.1X3P	30.0	36.0	5.1	3.00	\$4.87
MWB-36X8.2X2P	32.0	36.0	8.2	2.00	\$4.39
MWB-36X9.5X2	32.0	36.0	9.5	2.00	\$4.33
MWB-38X9.6X3	32.0	38.0	9.6	3.00	\$4.78
MWB-40X5.6X2.5	35.0	40.0	5.6	2.50	\$4.78
MWB-40X5.6X2.5P	35.0	40.0	5.6	2.50	\$4.76
MWB-40X9.6X3	34.0	40.0	9.6	3.00	\$6.77
MWB-40X9.7X2	36.0	40.0	9.7	2.00	\$5.26
MWB-40X9.7X2.5	35.0	40.0	9.7	2.50	\$4.78
MWB-41X5.6X2.5	36.0	41.0	5.6	2.50	\$4.41
MWB-41X6.3X2.5P	36.0	41.0	6.3	2.50	\$4.86
MWB-43X9.7X2.5P	38.0	43.0	9.7	2.50	\$7.57
MWB-43X15.9X1.5P	40.0	43.0	15.9	1.50	\$8.23
MWB-44X9.6X2	40.0	44.0	9.6	2.00	\$6.60
MWB-45X5X3	39.0	45.0	5.0	3.00	\$4.62

Part Number	ID d	Bore Dia. D	Groove Height L	C/S F	Price
MWB-45X5.6X2.5	40.0	45.0	5.6	2.50	\$4.57
MWB-45X9.7X2.5	40.0	45.0	9.7	2.50	\$5.22
MWB-45X9.7X2.5P	40.0	45.0	9.7	2.50	\$7.88
MWB-45X10X2	41.0	45.0	10.0	2.00	\$6.91
MWB-45X15X2.5P	40.0	45.0	15.0	2.50	\$5.67
MWB-46X9.6X3	40.0	46.0	9.6	3.00	\$7.42
MWB-46X20X3P	40.0	46.0	20.0	3.00	\$11.80
MWB-48X22.5X1.5P	45.0	48.0	22.5	1.50	\$5.83
MWB-49X15X2P	45.0	49.0	15.0	2.00	\$8.41
MWB-49X25X2P	45.0	49.0	25.0	2.00	\$8.57
MWB-49.9X19X3.2	43.5	49.9	19.0	3.20	\$8.90
MWB-50X5X3	44.0	50.0	5.0	3.00	\$4.83
MWB-50X5.6X2.5P	45.0	50.0	5.6	2.50	\$6.40
MWB-50X6.3X2.5P	45.0	50.0	6.3	2.50	\$6.94
MWB-50X7X2.5P	45.0	50.0	7.0	2.50	\$7.22
MWB-50X9.5X2.5	45.0	50.0	9.5	2.50	\$7.50
MWB-50X9.6X3	44.0	50.0	9.6	3.00	\$7.87
MWB-50X9.7X2.5	45.0	50.0	9.7	2.50	\$7.97
MWB-50X10X1.5P	47.0	50.0	10.0	1.50	\$13.95
MWB-50X10X2.5P	45.0	50.0	10.0	2.50	\$8.73
MWB-50X12X2P	46.0	50.0	12.0	2.00	\$12.00
MWB-50X14.5X2P	46.0	50.0	14.5	2.00	\$5.20
MWB-50X15X2.5P	45.0	50.0	15.0	2.50	\$5.23
MWB-50X25X2.5P	45.0	50.0	25.0	2.50	\$13.61
MWB-50.8X15X2.5P	45.8	50.8	15.0	2.50	\$11.30
MWB-51X9.6X3	45.0	51.0	9.6	3.00	\$4.37
MWB-51X12.8X3	45.0	51.0	12.8	3.00	\$5.42
MWB-51X22.5X3P	45.0	51.0	22.5	3.00	\$14.11
MWB-51X38X3P	45.0	51.0	38.0	3.00	\$20.89
MWB-52X12.8X3	46.0	52.0	12.8	3.00	\$13.45
MWB-53X25X1.5P	50.0	53.0	25.0	1.50	\$15.70
MWB-54X9.7X3P	48.0	54.0	9.7	3.00	\$8.51
MWB-55X5.6X2.5	50.0	55.0	5.6	2.50	\$5.84
MWB-55X6X2.5P	50.0	55.0	6.0	2.50	\$7.35
MWB-55X9.7X2.5	50.0	55.0	9.7	2.50	\$5.70
MWB-55X12.8X3P	49.0	55.0	12.8	3.00	\$7.98
MWB-55X15X2.5P	50.0	55.0	15.0	2.50	\$9.63
MWB-55X15X3P	49.0	55.0	15.0	3.00	\$11.55
MWB-55X20X2.5P	50.0	55.0	20.0	2.50	\$11.63
MWB-55X25X2.5P	50.0	55.0	25.0	2.50	\$14.52
MWB-55X25X3P	49.0	55.0	25.0	3.00	\$15.53
MWB-55X35X2.5P	50.0	55.0	35.0	2.50	\$16.25
MWB-56X5X3	50.0	56.0	5.0	3.00	\$5.12

MWB Nylon & Phenolic Wearbands - Metric, cont'd.

Part Number	ID d	Bore Dia. D	Groove Height L	C/S F	Price
MWB-56X9.6X3	50.0	56.0	9.6	3.00	\$7.97
MWB-56X25X3P	50.0	56.0	25.0	3.00	\$14.31
MWB-56X28X3	50.0	56.0	28.0	3.00	\$8.98
MWB-59.9X19X3.2	53.5	59.9	19.0	3.20	\$9.52
MWB-60X5.6X2.5	55.0	60.0	5.6	2.50	\$6.81
MWB-60X7X2.5	55.0	60.0	7.0	2.50	\$6.90
MWB-60X7.5X3.8	52.4	60.0	7.5	3.80	\$8.00
MWB-60X8X3P	54.0	60.0	8.0	3.00	\$7.89
MWB-60X9.7X2.5	55.0	60.0	9.7	2.50	\$6.49
MWB-60X9.7X2.5P	55.0	60.0	9.7	2.50	\$6.51
MWB-60X10X2	56.0	60.0	10.0	2.00	\$5.95
MWB-60X12.8X3	54.0	60.0	12.8	3.00	\$8.38
MWB-60X15X2.5P	55.0	60.0	15.0	2.50	\$7.62
MWB-60X15X3P	54.0	60.0	15.0	3.00	\$9.24
MWB-61X5.6X2.5P	56.0	61.0	5.6	2.50	\$5.64
MWB-61X8X3P	55.0	61.0	8.0	3.00	\$5.40
MWB-61X9.7X2.5	56.0	61.0	9.7	2.50	\$6.51
MWB-61X9.7X2.5P	56.0	61.0	9.7	2.50	\$7.36
MWB-61X9.6X3	55.0	61.0	9.7	3.00	\$6.42
MWB-61X12.7X3	55.0	61.0	12.7	3.00	\$6.17
MWB-61X15X2.5P	56.0	61.0	15.0	2.50	\$10.26
MWB-62X12.8X3	56.0	62.0	12.8	3.00	\$8.72
MWB-62X25X3P	56.0	62.0	25.0	3.00	\$14.68
MWB-62X28X3	56.0	62.0	28.0	3.00	\$8.79
MWB-62X31.5X3P	56.0	62.0	31.5	3.00	\$17.31
MWB-63X5.6X2.5	58.0	63.0	5.6	2.50	\$5.22
MWB-63X5.6X2.5P	58.0	63.0	5.6	2.50	\$10.29
MWB-63X9.7X2.5	58.0	63.0	9.7	2.50	\$6.51
MWB-63X10X3	57.0	63.0	10.0	3.00	\$5.01
MWB-63X10X3P	57.0	63.0	10.0	3.00	\$5.52
MWB-63X12.8X3	57.0	63.0	12.8	3.00	\$8.72
MWB-63X15X2.5	58.0	63.0	15.0	2.50	\$7.16
MWB-63X15.88X3P	57.0	63.0	15.88	3.00	\$9.98
MWB-63X31.5X3P	57.0	63.0	31.5	3.00	\$21.02
MWB-64X12.8X3	58.0	64.0	12.8	3.00	\$8.97
MWB-65X5.6X2.5	60.0	65.0	5.6	2.50	\$6.99
MWB-65X9.7X2.5	60.0	65.0	9.7	2.50	\$6.99
MWB-65X9.7X2.5P	60.0	65.0	9.7	2.50	\$7.57
MWB-65X10X2P	61.0	65.0	10.0	2.00	\$7.76
MWB-65X12.8X2.5P	60.0	65.0	12.8	2.50	\$11.38
MWB-65X12.8X3	59.0	65.0	12.8	3.00	\$8.99
MWB-65X15X2.5P	60.0	65.0	15.0	2.50	\$7.92
MWB-65X20X2.5P	60.0	65.0	20.0	2.50	\$13.84
MWB-65X20X2.5	60.0	65.0	20.0	2.50	\$7.12
MWB-66X12.8X3	60.0	66.0	12.8	3.00	\$9.12
MWB-66X20X3P	60.0	66.0	20.0	3.00	\$16.32
MWB-68X5.6X2.5	63.0	68.0	5.6	2.50	\$7.29
MWB-68X9.7X2.5	63.0	68.0	9.7	2.50	\$6.98
MWB-68X9.7X2.5P	63.0	68.0	9.7	2.50	\$8.49
MWB-68X40X2.5P	63.0	68.0	40.0	2.50	\$21.25
MWB-69X12.8X3	63.0	69.0	12.8	3.00	\$9.79
MWB-69X12.8X3P	63.0	69.0	12.8	3.00	\$11.93
MWB-69X15X2P	65.0	69.0	15.0	2.00	\$11.28
MWB-69X28X3	63.0	69.0	28.0	3.00	\$9.46

Part Number	ID d	Bore Dia. D	Groove Height L	C/S F	Price
MWB-69X30X3	63.0	69.0	30.0	3.00	\$8.37
MWB-69X31.5X3P	63.0	69.0	31.5	3.00	\$14.55
MWB-70X5.6X2.5	65.0	70.0	5.6	2.50	\$5.09
MWB-70X6X2.5P	65.0	70.0	6.0	2.50	\$7.83
MWB-70X7X2.5	65.0	70.0	7.0	2.50	\$4.94
MWB-70X7.5X3.8	62.4	70.0	7.5	3.80	\$5.76
MWB-70X9.7X2.5	65.0	70.0	9.7	2.50	\$6.72
MWB-70X9.7X2.5P	65.0	70.0	9.7	2.50	\$6.81
MWB-70X10X3	64.0	70.0	10.0	3.00	\$5.39
MWB-70X10X3.2P	63.6	70.0	10.0	3.20	\$8.40
MWB-70X10.38X3	64.0	70.0	10.38	3.00	\$5.23
MWB-70X12.8X3	64.0	70.0	12.8	3.00	\$8.78
MWB-70X15X2.5	65.0	70.0	15.0	2.50	\$8.23
MWB-70X15X2.5P	65.0	70.0	15.0	2.50	\$6.90
MWB-70X19.5X3P	64.0	70.0	19.5	3.00	\$17.46
MWB-70X20X2.5	65.0	70.0	20.0	2.50	\$8.68
MWB-70X20X4P	62.0	70.0	20.0	4.00	\$14.29
MWB-70X35X2.5P	65.0	70.0	35.0	2.50	\$20.97
MWB-71X12.8X3	65.0	71.0	12.8	3.00	\$8.93
MWB-72X12.8X3	66.0	72.0	12.8	3.00	\$9.37
MWB-74.4X25X3.2	68.0	74.4	25.0	3.20	\$9.95
MWB-75X5.6X2.5	70.0	75.0	5.6	2.50	\$7.95
MWB-75X6X2.5P	70.0	75.0	6.0	2.50	\$9.09
MWB-75X9.7X2.5	70.0	75.0	9.7	2.50	\$7.51
MWB-75X9.7X2.5P	70.0	75.0	9.7	2.50	\$6.76
MWB-75X10X2P	71.0	75.0	10.0	2.00	\$7.77
MWB-75X10X2.5P	70.0	75.0	10.0	2.50	\$7.98
MWB-75X12.8X3	69.0	75.0	12.8	3.00	\$9.78
MWB-75X15X2P	71.0	75.0	15.0	2.00	\$15.78
MWB-75X15X2.5	70.0	75.0	15.0	2.50	\$7.25
MWB-75X15X2.5P	70.0	75.0	15.0	2.50	\$12.89
MWB-75X20X2.5P	70.0	75.0	20.0	2.50	\$15.15
MWB-75X25X2.5P	70.0	75.0	25.0	2.50	\$19.97
MWB-75X30X2.5	70.0	75.0	30.0	2.50	\$12.22
MWB-76X12.8X3	70.0	76.0	12.8	3.00	\$9.64
MWB-78X12.8X3	72.0	78.0	12.8	3.00	\$9.74
MWB-78X12.8X3P	72.0	78.0	12.8	3.00	\$10.05
MWB-80X4X3	74.0	80.0	4.0	3.00	\$6.23
MWB-80X5.6X2.5	75.0	80.0	5.6	2.50	\$6.15
MWB-80X6X2.5P	75.0	80.0	6.0	2.50	\$8.16
MWB-80X7.5X4.8	70.4	80.0	7.5	4.80	\$7.44
MWB-80X9.7X2.5	75.0	80.0	9.7	2.50	\$7.51
MWB-80X9.7X2.5P	75.0	80.0	9.7	2.50	\$7.86
MWB-80X10X2.5P	75.0	80.0	10.0	2.50	\$7.22
MWB-80X10X3	74.0	80.0	10.0	3.00	\$4.27
MWB-80X10X3.12P	73.76	80.0	10.0	3.12	\$10.20
MWB-80X10.38X3	74.0	80.0	10.38	3.00	\$5.78
MWB-80X12.8X3P	74.0	80.0	12.8	3.00	\$9.40
MWB-80X13X2.5P	75.0	80.0	13.0	2.50	\$9.47
MWB-80X15X2	76.0	80.0	15.0	2.00	\$5.70
MWB-80X15X2.5P	75.0	80.0	15.0	2.50	\$8.83
MWB-80X20X2.5P	75.0	80.0	20.0	2.50	\$16.28
MWB-80X20X3P	74.0	80.0	20.0	3.00	\$13.49
MWB-80X25X2.5P	75.0	80.0	25.0	2.50	\$21.48

MWB Nylon & Phenolic Wearbands - Metric, cont'd.

Part Number	ID d	Bore Dia. D	Groove Height L	C/S F	Price
MWB-81X12.8X3	75.0	81.0	12.8	3.00	\$9.91
MWB-84X12.8X3	78.0	84.0	12.8	3.00	\$10.08
MWB-85X5.6X2.5	80.0	85.0	5.6	2.50	\$4.34
MWB-85X6X2.5P	80.0	85.0	6.0	2.50	\$8.44
MWB-85X9.7X2.5	80.0	85.0	9.7	2.50	\$8.35
MWB-85X9.7X2.5P	80.0	85.0	9.7	2.50	\$12.07
MWB-85X12.8X3	79.0	85.0	12.8	3.00	\$8.73
MWB-85X15X2.5P	80.0	85.0	15.0	2.50	\$14.71
MWB-85X18X2.5P	80.0	85.0	18.0	2.50	\$9.02
MWB-85X20X2.5P	80.0	85.0	20.0	2.50	\$17.73
MWB-85X25X2.5P	80.0	85.0	25.0	2.50	\$22.98
MWB-85X35X2.5P	80.0	85.0	35.0	2.50	\$27.79
MWB-86X12.8X3P	80.0	86.0	12.8	3.00	\$10.24
MWB-86X30X3	80.0	86.0	30.0	3.00	\$9.55
MWB-86X40X3P	80.0	86.0	40.0	3.00	\$33.89
MWB-90X5.6X2.5	85.0	90.0	5.6	2.50	\$7.89
MWB-90X6X4P	82.0	90.0	6.0	4.00	\$8.42
MWB-90X7.5X3.8	82.4	90.0	7.5	3.80	\$7.26
MWB-90X7.5X4.8	80.4	90.0	7.5	4.80	\$9.07
MWB-90X9.7X2.5	85.0	90.0	9.7	2.50	\$7.95
MWB-90X9.7X2.5P	85.0	90.0	9.7	2.50	\$7.80
MWB-90X12.5X4.5P	81.0	90.0	12.5	4.50	\$18.94
MWB-90X12.8X3	84.0	90.0	12.8	3.00	\$10.86
MWB-90X15X2.5	85.0	90.0	15.0	2.50	\$15.56
MWB-90X15X2.5P	85.0	90.0	15.0	2.50	\$10.74
MWB-90X15X3	84.0	90.0	15.0	3.00	\$9.19
MWB-90X15X3.15P	83.7	90.0	15.0	3.15	\$6.72
MWB-90X15.38X3	84.0	90.0	15.38	3.00	\$9.64
MWB-90X20X2.5P	85.0	90.0	20.0	2.50	\$19.81
MWB-90X24.5X3	84.0	90.0	24.5	3.00	\$12.66
MWB-90X25X3P	84.0	90.0	25.0	3.00	\$19.35
MWB-90X30X2.5P	85.0	90.0	30.0	2.50	\$28.36
MWB-91X12.8X3	85.0	91.0	12.8	3.00	\$10.40
MWB-91X40X3P	85.0	91.0	40.0	3.00	\$32.21
MWB-94X32X2P	90.0	94.0	32.0	2.00	\$27.79
MWB-95X5.6X2.5	90.0	95.0	5.6	2.50	\$7.81
MWB-95X6X2.5P	90.0	95.0	6.0	2.50	\$8.68
MWB-95X9.7X2.5	90.0	95.0	9.7	2.50	\$8.14
MWB-95X9.7X2.5P	90.0	95.0	9.7	2.50	\$13.16
MWB-95X12.5X4.5P	86.0	95.0	12.5	4.50	\$27.55
MWB-95X12.8X3	89.0	95.0	12.8	3.00	\$6.49
MWB-95X15X2.5	90.0	95.0	15.0	2.50	\$14.91
MWB-95X15X2.5P	90.0	95.0	15.0	2.50	\$16.41
MWB-95X20X2.5P	90.0	95.0	20.0	2.50	\$18.78
MWB-95X25X2.5P	90.0	95.0	25.0	2.50	\$24.64
MWB-96X12.8X3	90.0	96.0	12.8	3.00	\$10.12
MWB-96X25X3P	90.0	96.0	25.0	3.00	\$25.26
MWB-96X30X3	90.0	96.0	30.0	3.00	\$10.34
MWB-96X40X3P	90.0	96.0	40.0	3.00	\$37.15
MWB-100X5.6X2.5	95.0	100.0	5.6	2.50	\$8.61
MWB-100X6X2.5P	95.0	100.0	6.0	2.50	\$10.27
MWB-100X6X3P	94.0	100.0	6.0	3.00	\$12.15
MWB-100X7.9X2.5P	95.0	100.0	7.9	2.50	\$11.77
MWB-100X8X3	94.0	100.0	8.0	3.00	\$9.16

Part Number	ID d	Bore Dia. D	Groove Height L	C/S F	Price
MWB-100X8.5X3P	94.0	100.0	8.5	3.00	\$11.55
MWB-100X9.7X2.5	95.0	100.0	9.7	2.50	\$8.64
MWB-100X9.7X2.5P	95.0	100.0	9.7	2.50	\$12.72
MWB-100X12X3P	94.0	100.0	12.0	3.00	\$15.34
MWB-100X12.5X4.5P	91.0	100.0	12.5	4.50	\$13.82
MWB-100X12.8X3	94.0	100.0	12.8	3.00	\$10.69
MWB-100X15X2.5	95.0	100.0	15.0	2.50	\$9.07
MWB-100X15X2.5P	95.0	100.0	15.0	2.50	\$14.41
MWB-100X15X3	94.0	100.0	15.0	3.00	\$10.91
MWB-100X15X3P	94.0	100.0	15.0	3.00	\$17.47
MWB-100X15X3.15P	93.7	100.0	15.0	3.15	\$16.29
MWB-100X15X5P	90.0	100.0	15.0	5.00	\$43.34
MWB-100X15.38X3.18	93.64	100.0	15.38	3.18	\$10.29
MWB-100X20X2.5P	95.0	100.0	20.0	2.50	\$22.05
MWB-100X22.5X3P	94.0	100.0	22.5	3.00	\$16.60
MWB-100X25X2.5P	95.0	100.0	25.0	2.50	\$19.66
MWB-100X25X3	94.0	100.0	25.0	3.00	\$15.18
MWB-100X25X3P	94.0	100.0	25.0	3.00	\$23.51
MWB-100X30X3P	94.0	100.0	30.0	3.00	\$25.83
MWB-101X12.8X3P	95.0	101.0	12.8	3.00	\$11.06
MWB-104X15X2P	100.0	104.0	15.0	2.00	\$28.61
MWB-105X5.6X2.5	100.0	105.0	5.6	2.50	\$10.12
MWB-105X6X2.5P	100.0	105.0	6.0	2.50	\$11.12
MWB-105X9.5X2.5P	100.0	105.0	9.5	2.50	\$11.44
MWB-105X9.7X2.5	100.0	105.0	9.7	2.50	\$9.28
MWB-105X9.7X2.5P	100.0	105.0	9.7	2.50	\$12.01
MWB-105X12.5X4.5P	96.0	105.0	12.5	4.50	\$18.45
MWB-105X12.8X3P	99.0	105.0	12.8	3.00	\$11.15
MWB-105X15X2.5P	100.0	105.0	15.0	2.50	\$12.70
MWB-105X15X3P	99.0	105.0	15.0	3.00	\$21.37
MWB-105X15.88X3.18	98.64	105.0	15.88	3.18	\$12.56
MWB-105X24.5X3	99.0	105.0	24.5	3.00	\$12.57
MWB-105X25X2.5P	100.0	105.0	25.0	2.50	\$23.92
MWB-105X35X2.5P	100.0	105.0	35.0	2.50	\$30.47
MWB-105X60X2.5P	100.0	105.0	60.0	2.50	\$42.16
MWB-106X12.8X3	100.0	106.0	12.8	3.00	\$12.26
MWB-106X19.2X3	100.0	106.0	19.2	3.00	\$16.85
MWB-106X40X3P	100.0	106.0	40.0	3.00	\$31.26
MWB-110X6X2.5P	105.0	110.0	6.0	2.50	\$12.48
MWB-110X6X3P	104.0	110.0	6.0	3.00	\$12.75
MWB-110X6X4P	102.0	110.0	6.0	4.00	\$17.40
MWB-110X7.9X2.5	105.0	110.0	7.9	2.50	\$11.51
MWB-110X9.7X2.5	105.0	110.0	9.7	2.50	\$9.88
MWB-110X9.7X2.5P	105.0	110.0	9.7	2.50	\$13.35
MWB-110X12.5X4.5P	101.0	110.0	12.5	4.50	\$19.71
MWB-110X12.8X3	104.0	110.0	12.8	3.00	\$12.40
MWB-110X15X2.5P	105.0	110.0	15.0	2.50	\$12.38
MWB-110X15X3	104.0	110.0	15.0	3.00	\$12.55
MWB-110X15X3.15P	103.7	110.0	15.0	3.15	\$18.46
MWB-110X22.5X3P	104.0	110.0	22.5	3.00	\$28.80
MWB-110X25X3	104.0	110.0	25.0	3.00	\$14.65
MWB-110X27.5X3P	104.0	110.0	27.5	3.00	\$30.31
MWB-110X30X3P	104.0	110.0	30.0	3.00	\$25.31
MWB-111X12.8X3P	105.0	111.0	12.8	3.00	\$13.08

MWB Nylon & Phenolic Wearbands - Metric, cont'd.

Part Number	ID d	Bore Dia. D	Groove Height L	C/S F	Price
MWB-115X7.9X2.5	110.0	115.0	7.9	2.50	\$11.24
MWB-115X8X3.15P	108.7	115.0	8.0	3.15	\$11.86
MWB-115X9.5X2.5P	110.0	115.0	9.5	2.50	\$11.40
MWB-115X9.7X2.5	110.0	115.0	9.7	2.50	\$11.46
MWB-115X9.7X2.5P	110.0	115.0	9.7	2.50	\$12.85
MWB-115X12.8X3	109.0	115.0	12.8	3.00	\$13.17
MWB-115X15X2.5P	110.0	115.0	15.0	2.50	\$18.57
MWB-115X15X3	109.0	115.0	15.0	3.00	\$12.93
MWB-115X15X4.5P	106.0	115.0	15.0	4.50	\$22.17
MWB-115X15.38X3	109.0	115.0	15.38	3.00	\$12.87
MWB-115X25X2.5P	110.0	115.0	25.0	2.50	\$24.06
MWB-115X30X2.5P	110.0	115.0	30.0	2.50	\$35.33
MWB-116X9.7X3P	110.0	116.0	9.7	3.00	\$12.47
MWB-116X12.8X3	110.0	116.0	12.8	3.00	\$12.56
MWB-119X12.8X3	113.0	119.0	12.8	3.00	\$19.60
MWB-120X7.9X2.5	115.0	120.0	7.9	2.50	\$12.27
MWB-120X8X2.5P	115.0	120.0	8.0	2.50	\$12.99
MWB-120X9.7X2.5	115.0	120.0	9.7	2.50	\$11.06
MWB-120X9.7X2.5P	115.0	120.0	9.7	2.50	\$12.92
MWB-120X12.8X3	114.0	120.0	12.8	3.00	\$14.51
MWB-120X14.8X3.5P	113.0	120.0	14.8	3.50	\$17.86
MWB-120X15X2.5	115.0	120.0	15.0	2.50	\$12.15
MWB-120X15X2.5P	115.0	120.0	15.0	2.50	\$12.40
MWB-120X15X3P	114.0	120.0	15.0	3.00	\$15.30
MWB-120X15X4.5P	111.0	120.0	15.0	4.50	\$29.05
MWB-120X20X2.5P	115.0	120.0	20.0	2.50	\$29.97
MWB-120X22.5X3P	114.0	120.0	22.5	3.00	\$32.08
MWB-120X30X3P	114.0	120.0	30.0	3.00	\$27.81
MWB-120X35X3P	114.0	120.0	35.0	3.00	\$48.30
MWB-121X12.8X3	115.0	121.0	12.8	3.00	\$13.95
MWB-122X30X3P	116.0	122.0	30.0	3.00	\$39.34
MWB-125X5.6X2.5	120.0	125.0	5.6	2.50	\$11.34
MWB-125X7.9X2.5	120.0	125.0	7.9	2.50	\$13.20
MWB-125X8X2.5P	120.0	125.0	8.0	2.50	\$13.96
MWB-125X9.5X2.5P	120.0	125.0	9.5	2.50	\$14.76
MWB-125X9.7X2.5	120.0	125.0	9.7	2.50	\$10.72
MWB-125X9.7X2.5P	120.0	125.0	9.7	2.50	\$16.13
MWB-125X12.8X3	119.0	125.0	12.8	3.00	\$14.20
MWB-125X15X2.5	120.0	125.0	15.0	2.50	\$12.22
MWB-125X15X2.5P	120.0	125.0	15.0	2.50	\$24.04
MWB-125X19.2X3P	119.0	125.0	19.2	3.00	\$26.97
MWB-125X20X2.5P	120.0	125.0	20.0	2.50	\$24.25
MWB-125X20X3	119.0	125.0	20.0	3.00	\$13.05
MWB-125X20X3.18P	118.64	125.0	20.0	3.18	\$21.25
MWB-125X22X2P	121.0	125.0	22.0	2.00	\$19.49
MWB-125X25X2.5P	120.0	125.0	25.0	2.50	\$21.46
MWB-125X30X3P	119.0	125.0	30.0	3.00	\$33.99
MWB-126X9.7X3P	120.0	126.0	9.7	3.00	\$16.77
MWB-126X12.8X3	120.0	126.0	12.8	3.00	\$15.30
MWB-128X35X4P	120.0	128.0	35.0	4.00	\$37.73
MWB-130X7.9X2.5	125.0	130.0	7.9	2.50	\$14.21
MWB-130X9.7X2.5P	125.0	130.0	9.7	2.50	\$14.90
MWB-130X12.8X3	124.0	130.0	12.8	3.00	\$14.33
MWB-130X15X2.5P	125.0	130.0	15.0	2.50	\$14.92

Part Number	ID d	Bore Dia. D	Groove Height L	C/S F	Price
MWB-130X15X3.5P	123.0	130.0	15.0	3.50	\$23.86
MWB-130X15X5P	120.0	130.0	15.0	5.00	\$20.65
MWB-130X18.1X3.5P	123.0	130.0	18.1	3.50	\$34.35
MWB-130X30X3.5	123.0	130.0	30.0	3.50	\$20.54
MWB-131X12.8X3	125.0	131.0	12.8	3.00	\$14.60
MWB-131X25X3P	125.0	131.0	25.0	3.00	\$27.80
MWB-135X7.9X2.5	130.0	135.0	7.9	2.50	\$13.96
MWB-135X9.5X2.5P	130.0	135.0	9.5	2.50	\$10.52
MWB-135X9.7X2.5	130.0	135.0	9.7	2.50	\$11.33
MWB-135X12.8X3	129.0	135.0	12.8	3.00	\$14.94
MWB-135X14.8X3.5	128.0	135.0	14.8	3.50	\$16.26
MWB-135X15X5P	125.0	135.0	15.0	5.00	\$33.59
MWB-135X16X4P	127.0	135.0	16.0	4.00	\$20.95
MWB-135X25X2.5P	130.0	135.0	25.0	2.50	\$23.17
MWB-135X25X3.5P	128.0	135.0	25.0	3.50	\$32.43
MWB-136X12.8X3	130.0	136.0	12.8	3.00	\$15.12
MWB-140X7.9X2.5	135.0	140.0	7.9	2.50	\$15.28
MWB-140X9.5X2.5	135.0	140.0	9.5	2.50	\$9.57
MWB-140X9.7X2.5P	135.0	140.0	9.7	2.50	\$15.90
MWB-140X12.8X3	134.0	140.0	12.8	3.00	\$15.44
MWB-140X14.8X3.5P	133.0	140.0	14.8	3.50	\$23.27
MWB-140X15X2.5	135.0	140.0	15.0	2.50	\$16.23
MWB-140X15X2.5P	135.0	140.0	15.0	2.50	\$20.87
MWB-140X15X3P	134.0	140.0	15.0	3.00	\$13.43
MWB-140X15X3.5	133.0	140.0	15.0	3.50	\$12.38
MWB-140X17.5X6P	128.0	140.0	17.5	6.00	\$33.48
MWB-140X20X2.5P	135.0	140.0	20.0	2.50	\$31.28
MWB-140X20X3	134.0	140.0	20.0	3.00	\$14.62
MWB-140X20X3.5P	133.0	140.0	20.0	3.50	\$29.78
MWB-140X25X2.5P	135.0	140.0	25.0	2.50	\$34.81
MWB-140X25X3P	134.0	140.0	25.0	3.00	\$31.04
MWB-140X30X3P	134.0	140.0	30.0	3.00	\$31.35
MWB-140X35X3.5	133.0	140.0	35.0	3.50	\$13.40
MWB-140X40X3.5P	133.0	140.0	40.0	3.50	\$52.69
MWB-140X45X3.5P	133.0	140.0	45.0	3.50	\$68.92
MWB-141X12.8X3	135.0	141.0	12.8	3.00	\$15.71
MWB-145X5.6X2.5P	140.0	145.0	5.6	2.50	\$9.72
MWB-145X9.7X2.5P	140.0	145.0	9.7	2.50	\$18.93
MWB-145X12.8X3P	139.0	145.0	12.8	3.00	\$22.47
MWB-145X15X2.5P	140.0	145.0	15.0	2.50	\$22.58
MWB-145X15X3.5	138.0	145.0	15.0	3.50	\$17.38
MWB-145X20X3.5P	138.0	145.0	20.0	3.50	\$23.91
MWB-145X25X2.5P	140.0	145.0	25.0	2.50	\$22.65
MWB-146X12.8X3	140.0	146.0	12.8	3.00	\$16.05
MWB-150X7.9X2.5P	145.0	150.0	7.9	2.50	\$18.19
MWB-150X9.7X2.5P	145.0	150.0	9.7	2.50	\$19.72
MWB-150X12.5X6P	138.0	150.0	12.5	6.00	\$28.01
MWB-150X12.8X3	144.0	150.0	12.8	3.00	\$16.14
MWB-150X14.8X3.5	143.0	150.0	14.8	3.50	\$17.52
MWB-150X14.8X3.5P	143.0	150.0	14.8	3.50	\$20.87
MWB-150X15X2.5P	145.0	150.0	15.0	2.50	\$22.07
MWB-150X20X2.5P	145.0	150.0	20.0	2.50	\$20.36
MWB-150X20X3.5P	143.0	150.0	20.0	3.50	\$28.88
MWB-150X20X4P	142.0	150.0	20.0	4.00	\$34.46

MWB Nylon & Phenolic Wearbands - Metric, cont'd.

Part Number	ID d	Bore Dia. D	Groove Height L	C/S F	Price
MWB-150X21X3.5P	143.0	150.0	21.0	3.50	\$25.96
MWB-150X22X3.5P	143.0	150.0	22.0	3.50	\$26.93
MWB-150X25X4P	142.0	150.0	25.0	4.00	\$38.71
MWB-150X35X3.5	143.0	150.0	35.0	3.50	\$21.58
MWB-150X40X3P	144.0	150.0	40.0	3.00	\$49.88
MWB-150X40X3.5P	143.0	150.0	40.0	3.50	\$51.21
MWB-150X40X4P	142.0	150.0	40.0	4.00	\$57.88
MWB-150X45X3.5P	143.0	150.0	45.0	3.50	\$70.62
MWB-151X12.8X3	145.0	151.0	12.8	3.00	\$18.36
MWB-155X12.8X3P	149.0	155.0	12.8	3.00	\$20.21
MWB-155X15X2.5P	150.0	155.0	15.0	2.50	\$20.76
MWB-155X19.2X3	149.0	155.0	19.2	3.00	\$17.86
MWB-155X19.2X3P	149.0	155.0	19.2	3.00	\$34.11
MWB-155X85X2.5P	150.0	155.0	85.0	2.50	\$115.18
MWB-156X12.8X3	150.0	156.0	12.8	3.00	\$16.34
MWB-156X19X3	150.0	156.0	19.0	3.00	\$16.19
MWB-160X9.1X4P	152.0	160.0	9.1	4.00	\$15.79
MWB-160X9.7X2.5P	155.0	160.0	9.7	2.50	\$20.43
MWB-160X15X2P	156.0	160.0	15.0	2.00	\$25.44
MWB-160X15X2.5	155.0	160.0	15.0	2.50	\$20.43
MWB-160X15X2.5P	155.0	160.0	15.0	2.50	\$24.01
MWB-160X15X3P	154.0	160.0	15.0	3.00	\$20.10
MWB-160X19.2X3	154.0	160.0	19.2	3.00	\$18.42
MWB-160X20X3	154.0	160.0	20.0	3.00	\$18.67
MWB-160X20X3.5P	153.0	160.0	20.0	3.50	\$28.42
MWB-160X20X6P	148.0	160.0	20.0	6.00	\$38.09
MWB-160X20.5X3.5P	153.0	160.0	20.5	3.50	\$32.63
MWB-160X22.5X4	152.0	160.0	22.5	4.00	\$32.03
MWB-160X25X3P	154.0	160.0	25.0	3.00	\$33.14
MWB-160X30X3P	154.0	160.0	30.0	3.00	\$35.47
MWB-160X30X3.5P	153.0	160.0	30.0	3.50	\$46.87
MWB-160X35X5	150.0	160.0	35.0	5.00	\$28.52
MWB-160X40X3.5	153.0	160.0	40.0	3.50	\$25.05
MWB-160X45X3.5P	153.0	160.0	45.0	3.50	\$74.68
MWB-161X19.2X3	155.0	161.0	19.2	3.00	\$17.77
MWB-165X19.2X3	159.0	165.0	19.2	3.00	\$19.49
MWB-165X20X3P	159.0	165.0	20.0	3.00	\$28.83
MWB-165X20X3.25P	158.5	165.0	20.0	3.25	\$34.48
MWB-165X25X2.5P	160.0	165.0	25.0	2.50	\$36.20
MWB-165X25X3P	159.0	165.0	25.0	3.00	\$35.19
MWB-165X30X3P	159.0	165.0	30.0	3.00	\$38.37
MWB-165X100X2.5P	160.0	165.0	100.0	2.50	\$180.03
MWB-165.5X25X3.25P	159.0	165.5	25.0	3.25	\$46.92
MWB-166X19.2X3P	160.0	166.0	19.2	3.00	\$19.51
MWB-170X9.5X4P	162.0	170.0	9.5	4.00	\$20.22
MWB-170X9.7X2.5P	165.0	170.0	9.7	2.50	\$21.07
MWB-170X9.7X3P	164.0	170.0	9.7	3.00	\$23.10
MWB-170X14.8X3.5P	163.0	170.0	14.8	3.50	\$35.98
MWB-170X15X2.5P	165.0	170.0	15.0	2.50	\$25.08
MWB-170X15X4P	162.0	170.0	15.0	4.00	\$30.99
MWB-170X20X6	158.0	170.0	20.0	6.00	\$44.23
MWB-170X20X6P	158.0	170.0	20.0	6.00	\$47.32
MWB-170X25X4P	162.0	170.0	25.0	4.00	\$43.45
MWB-170X30X2.5P	165.0	170.0	30.0	2.50	\$60.71

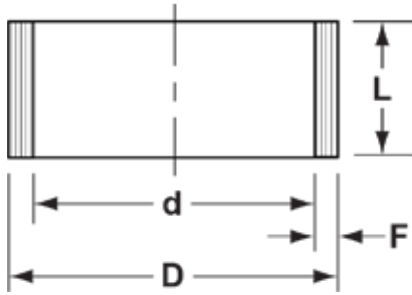
Part Number	ID d	Bore Dia. D	Groove Height L	C/S F	Price
MWB-170X30X3P	164.0	170.0	30.0	3.00	\$55.56
MWB-170X30X3.5P	163.0	170.0	30.0	3.50	\$43.62
MWB-170X45X2.5P	165.0	170.0	45.0	2.50	\$69.01
MWB-170X50X4P	162.0	170.0	50.0	4.00	\$81.11
MWB-170.5X30X2.75P	165.0	170.5	30.0	2.75	\$50.43
MWB-175X9.7X2.5P	170.0	175.0	9.7	2.50	\$23.83
MWB-175X15X2.5P	170.0	175.0	15.0	2.50	\$30.70
MWB-175X19.2X3	169.0	175.0	19.2	3.00	\$21.42
MWB-175X30X2.5P	170.0	175.0	30.0	2.50	\$39.75
MWB-175X40X4P	167.0	175.0	40.0	4.00	\$63.56
MWB-176X19.2X3	170.0	176.0	19.2	3.00	\$21.61
MWB-180X9.7X2.5P	175.0	180.0	9.7	2.50	\$22.08
MWB-180X14.8X3.5P	173.0	180.0	14.8	3.50	\$36.76
MWB-180X15X2.5P	175.0	180.0	15.0	2.50	\$29.28
MWB-180X19.2X3	174.0	180.0	19.2	3.00	\$21.82
MWB-180X20X3P	174.0	180.0	20.0	3.00	\$20.83
MWB-180X22.5X4P	172.0	180.0	22.5	4.00	\$45.04
MWB-180X23X5P	170.0	180.0	23.0	5.00	\$84.04
MWB-180X25X2.5P	175.0	180.0	25.0	2.50	\$35.47
MWB-180X25X4P	172.0	180.0	25.0	4.00	\$68.86
MWB-180X30X2.5P	175.0	180.0	30.0	2.50	\$40.62
MWB-180X45X4P	172.0	180.0	45.0	4.00	\$76.32
MWB-185X15X2.5P	180.0	185.0	15.0	2.50	\$21.68
MWB-185X19.2X3	179.0	185.0	19.2	3.00	\$21.06
MWB-185X22.5X6P	173.0	185.0	22.5	6.00	\$54.24
MWB-185X25X2.5P	180.0	185.0	25.0	2.50	\$39.54
MWB-186X19.2X3	180.0	186.0	19.2	3.00	\$22.32
MWB-190X9X4P	182.0	190.0	9.0	4.00	\$18.28
MWB-190X9.7X2.5P	185.0	190.0	9.7	2.50	\$26.37
MWB-190X9.7X3P	184.0	190.0	9.7	3.00	\$27.01
MWB-190X15X2.5P	185.0	190.0	15.0	2.50	\$31.29
MWB-190X19.2X3	184.0	190.0	19.2	3.00	\$23.07
MWB-190X25X2.5P	185.0	190.0	25.0	2.50	\$48.40
MWB-190X25X4P	182.0	190.0	25.0	4.00	\$47.92
MWB-190X28.5X4P	182.0	190.0	28.5	4.00	\$52.26
MWB-190X30X3.5P	183.0	190.0	30.0	3.50	\$48.03
MWB-190X35X3.5P	183.0	190.0	35.0	3.50	\$61.04
MWB-190X38X6.5P	177.0	190.0	38.0	6.50	\$124.63
MWB-190X45X4	182.0	190.0	45.0	4.00	\$35.09
MWB-190X50X4P	182.0	190.0	50.0	4.00	\$135.65
MWB-195X19.2X3	189.0	195.0	19.2	3.00	\$24.13
MWB-196X19.2X3	190.0	196.0	19.2	3.00	\$24.41
MWB-200X9.7X2.5P	195.0	200.0	9.7	2.50	\$17.84
MWB-200X15X2.5	195.0	200.0	15.0	2.50	\$18.97
MWB-200X15X2.5P	195.0	200.0	15.0	2.50	\$26.16
MWB-200X19.2X3	194.0	200.0	19.2	3.00	\$25.74
MWB-200X20X3	194.0	200.0	20.0	3.00	\$26.06
MWB-200X22X4	192.0	200.0	22.0	4.00	\$24.90
MWB-200X22.5X4P	192.0	200.0	22.5	4.00	\$46.27
MWB-200X22.5X4.3	191.4	200.0	22.5	4.30	\$159.81
MWB-200X25X2.5P	195.0	200.0	25.0	2.50	\$50.95
MWB-200X25X4P	192.0	200.0	25.0	4.00	\$56.85
MWB-200X40X5P	190.0	200.0	40.0	5.00	\$155.71
MWB-200X45X4	192.0	200.0	45.0	4.00	\$38.22

MWB Nylon & Phenolic Wearbands - Metric, cont'd.

Part Number	ID d	Bore Dia. D	Groove Height L	C/S F	Price
MWB-205X15X2.5P	200.0	205.0	15.0	2.50	\$29.83
MWB-205X25X2.5P	200.0	205.0	25.0	2.50	\$35.95
MWB-206X19.2X3	200.0	206.0	19.2	3.00	\$25.98
MWB-210X9.7X2.5P	205.0	210.0	9.7	2.50	\$27.59
MWB-210X15X2.5P	205.0	210.0	15.0	2.50	\$29.85
MWB-210X19.2X3	204.0	210.0	19.2	3.00	\$26.71
MWB-210X35X2.5P	205.0	210.0	35.0	2.50	\$54.03
MWB-215X30X2.5P	210.0	215.0	30.0	2.50	\$50.42
MWB-216X19.2X3	210.0	216.0	19.2	3.00	\$28.34
MWB-220X19.2X3	214.0	220.0	19.2	3.00	\$26.37
MWB-220X20X2.5P	215.0	220.0	20.0	2.50	\$36.60
MWB-220X45X4P	212.0	220.0	45.0	4.00	\$92.68
MWB-220X60X3.2P	213.6	220.0	60.0	3.20	\$158.03
MWB-224X30X2.5P	219.0	224.0	30.0	2.50	\$45.42
MWB-224X45X4	216.0	224.0	45.0	4.00	\$34.52
MWB-225X20X2.5P	220.0	225.0	20.0	2.50	\$37.07
MWB-225X25X2.5P	220.0	225.0	25.0	2.50	\$45.05
MWB-225X25X4P	217.0	225.0	25.0	4.00	\$34.74
MWB-225X30X2.5P	220.0	225.0	30.0	2.50	\$62.61
MWB-225X30X2.75P	219.5	225.0	30.0	2.75	\$66.78
MWB-225X50X4P	217.0	225.0	50.0	4.00	\$84.33
MWB-226X19.2X3	220.0	226.0	19.2	3.00	\$31.28
MWB-230X15X2.5P	225.0	230.0	15.0	2.50	\$31.93
MWB-230X19.2X3	224.0	230.0	19.2	3.00	\$31.71
MWB-230X40X4.5P	221.0	230.0	40.0	4.50	\$104.83
MWB-235X30X2.5P	230.0	235.0	30.0	2.50	\$92.56
MWB-236X19.2X3	230.0	236.0	19.2	3.00	\$35.05
MWB-236.3X25.4X3.65P	229.0	236.3	25.4	3.65	\$76.56
MWB-236.6X25.4X3.8P	229.0	236.6	25.4	3.80	\$83.75
MWB-240X15X2.5P	235.0	240.0	15.0	2.50	\$27.72
MWB-240X19.2X3	234.0	240.0	19.2	3.00	\$42.91
MWB-240X25X2.5P	235.0	240.0	25.0	2.50	\$42.64
MWB-240X25X4P	232.0	240.0	25.0	4.00	\$108.75
MWB-240X30X2.5P	235.0	240.0	30.0	2.50	\$73.21
MWB-245X15X2.5P	240.0	245.0	15.0	2.50	\$27.60
MWB-246X19.2X3	240.0	246.0	19.2	3.00	\$43.36
MWB-250X15X2.5P	245.0	250.0	15.0	2.50	\$43.92
MWB-250X19.2X3	244.0	250.0	19.2	3.00	\$44.50
MWB-250X25X2.5P	245.0	250.0	25.0	2.50	\$53.71
MWB-250X30X2.5P	245.0	250.0	30.0	2.50	\$59.16
MWB-250X35X2.5P	245.0	250.0	35.0	2.50	\$61.84
MWB-250X50X4P	242.0	250.0	50.0	4.00	\$107.66
MWB-250X55X4	242.0	250.0	55.0	4.00	\$193.92
MWB-250X60X4P	242.0	250.0	60.0	4.00	\$194.55
MWB-250.5X30X2.75P	245.0	250.5	30.0	2.75	\$87.04
MWB-251X30X3P	245.0	251.0	30.0	3.00	\$90.96
MWB-251.5X30X3.25P	245.0	251.5	30.0	3.25	\$94.71
MWB-252X30X3.5P	245.0	252.0	30.0	3.50	\$98.62
MWB-252.5X30X3.75P	245.0	252.5	30.0	3.75	\$102.55
MWB-255X30X2.5P	250.0	255.0	30.0	2.50	\$57.88
MWB-255X38X6.5P	242.0	255.0	38.0	6.50	\$166.78
MWB-256X19.2X3	250.0	256.0	19.2	3.00	\$46.23
MWB-260X15X2.5P	255.0	260.0	15.0	2.50	\$45.39
MWB-260X19.2X3	254.0	260.0	19.2	3.00	\$47.08

Part Number	ID d	Bore Dia. D	Groove Height L	C/S F	Price
MWB-260X25X2.5P	255.0	260.0	25.0	2.50	\$58.48
MWB-260X30X2.5P	255.0	260.0	30.0	2.50	\$106.50
MWB-260X55X2.5	255.0	260.0	55.0	2.50	\$220.86
MWB-266X19.2X3	260.0	266.0	19.2	3.00	\$47.15
MWB-270X19.2X3	264.0	270.0	19.2	3.00	\$47.55
MWB-270X25X2.5P	265.0	270.0	25.0	2.50	\$59.36
MWB-270X30X2.5P	265.0	270.0	30.0	2.50	\$63.92
MWB-270.5X30X2.75P	265.0	270.5	30.0	2.75	\$103.14
MWB-271X30X3P	265.0	271.0	30.0	3.00	\$106.48
MWB-276X19.2X3	270.0	276.0	19.2	3.00	\$64.26
MWB-280X15X2.5P	275.0	280.0	15.0	2.50	\$40.00
MWB-280X19.2X3P	274.0	280.0	19.2	3.00	\$60.57
MWB-280X25X2.5P	275.0	280.0	25.0	2.50	\$65.77
MWB-280X30X6P	268.0	280.0	30.0	6.00	\$136.39
MWB-280X60X4P	272.0	280.0	60.0	4.00	\$160.15
MWB-285X25X2.5P	280.0	285.0	25.0	2.50	\$61.46
MWB-286X19.2X3	280.0	286.0	19.2	3.00	\$61.00
MWB-290X19.2X3	284.0	290.0	19.2	3.00	\$61.59
MWB-290X25X5P	280.0	290.0	25.0	5.00	\$65.95
MWB-296X19.2X3	290.0	296.0	19.2	3.00	\$62.73
MWB-300X19.2X3	294.0	300.0	19.2	3.00	\$64.25
MWB-300X25X2.5P	295.0	300.0	25.0	2.50	\$69.52
MWB-310X20X2.5P	305.0	310.0	20.0	2.50	\$74.87
MWB-310X25X2.5P	305.0	310.0	25.0	2.50	\$76.33
MWB-320X25X2.5P	315.0	320.0	25.0	2.50	\$87.82
MWB-325X30X2.5P	320.0	325.0	30.0	2.50	\$111.71
MWB-330X25X2.5P	325.0	330.0	25.0	2.50	\$132.63
MWB-330X30X2.5P	325.0	330.0	30.0	2.50	\$186.99
MWB-340X25X2.5P	335.0	340.0	25.0	2.50	\$136.38
MWB-345X25X2.5P	340.0	345.0	25.0	2.50	\$164.45
MWB-345X30X2.5P	340.0	345.0	30.0	2.50	\$192.72
MWB-345.5X30X2.75P	340.0	345.5	30.0	2.75	\$202.14
MWB-346X30X3P	340.0	346.0	30.0	3.00	\$203.58
MWB-346.5X30X3.25P	340.0	346.5	30.0	3.25	\$213.09
MWB-347X30X3.5P	340.0	347.0	30.0	3.50	\$227.39
MWB-350X20X2.5P	345.0	350.0	20.0	2.50	\$173.88
MWB-350X25X2.5P	345.0	350.0	25.0	2.50	\$146.78
MWB-350X30X5P	340.0	350.0	30.0	5.00	\$165.06
MWB-355X30X2.5P	350.0	355.0	30.0	2.50	\$151.05
MWB-356.3X25.4X3.65P	349.0	356.3	25.4	3.65	\$160.67
MWB-356.5X25.4X3.75P	349.0	356.5	25.4	3.75	\$167.87
MWB-360X25X2.5P	355.0	360.0	25.0	2.50	\$98.14
MWB-365X25X2.5P	360.0	365.0	25.0	2.50	\$161.28
MWB-370X25X2.5P	365.0	370.0	25.0	2.50	\$163.32
MWB-370X25X5P	350.0	360.0	25.0	5.00	\$163.49
MWB-380X25X2.5P	375.0	380.0	25.0	2.50	\$104.39
MWB-380X30X2.5P	375.0	380.0	30.0	2.50	\$133.60
MWB-380.5X30X2.75P	375.0	380.5	30.0	2.75	\$205.83
MWB-381X30X3P	375.0	381.0	30.0	3.00	\$211.03
MWB-395X25X2.5P	390.0	395.0	25.0	2.50	\$156.60
MWB-400X25X2.5P	395.0	400.0	25.0	2.50	\$104.52
MWB-400X40X4P	392.0	400.0	40.0	4.00	\$208.96
MWB-480X30X5P	470.0	480.0	30.0	5.00	\$241.85

KZT BTFE Wear Rings - Metric



EXAMPLE: KZT-80X4X4					
	Outside Diameter		Height		Cross Section
KZT-	80	x	4	x	4
	80mm		4mm		4mm

The KZT Waste Discharge Ring is comprised of bronze filled PTFE. When used in conjunction with a piston seal or guide ring, these medium duty wearbands ingest metal particles before they contaminate the seal. A unique channel groove facilitates a smoother flow of oil.

Temperature: -100° to 500°

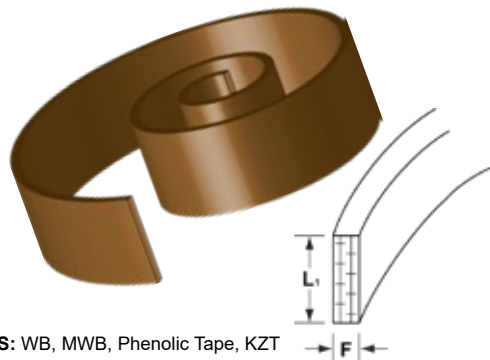
Pressure: 2200 PSI

Part Number	Groove Dia. d	Bore Dia. D	Groove Height L	C/S F	Price
KZT-80X4X4	72	80	4.0	4	\$15.38
KZT-85X4X4	77	85	4.0	4	\$15.57
KZT-85X6.1X4	77	85	6.1	4	\$20.99
KZT-90X9.7X4	82	90	9.7	4	\$22.63
KZT-100X6.1X4	92	100	6.1	4	\$22.84
KZT-105X6.1X4	97	105	6.1	4	\$23.79
KZT-110X6.1X4	102	110	6.1	4	\$25.69
KZT-115X7.9X4	107	115	7.9	4	\$26.64
KZT-115X9.7X4	107	115	9.7	4	\$27.58
KZT-120X6.1X4	112	120	6.1	4	\$28.03
KZT-120X8X4	112	120	8.0	4	\$30.43
KZT-125X6.1X4	117	125	6.1	4	\$31.38
KZT-125X8X4	117	125	8.0	4	\$33.28
KZT-125X9.7X4	117	125	9.7	4	\$34.22
KZT-130X6.1X4	122	130	6.1	4	\$35.17
KZT-130X8X4	122	130	8.0	4	\$36.11
KZT-130X9.7X4	122	130	9.7	4	\$30.80
KZT-135X6.1X4	127	135	6.1	4	\$38.83
KZT-135X8X4	127	135	8.0	4	\$45.54
KZT-135X9.7X4	127	135	9.7	4	\$50.90
KZT-140X6.1X4	132	140	6.1	4	\$41.11

Part Number	Groove Dia. d	Bore Dia. D	Groove Height L	C/S F	Price
KZT-140X8X4	132	140	8.0	4	\$49.57
KZT-140X9.7X4	132	140	9.7	4	\$39.72
KZT-145X6.1X4	137	145	6.1	4	\$41.41
KZT-145X7.9X4	137	145	7.9	4	\$43.03
KZT-145X9.7X4	137	145	9.7	4	\$44.68
KZT-150X6.1X4	142	150	6.1	4	\$36.35
KZT-150X8X4	142	150	8.0	4	\$49.66
KZT-150X9.7X4	142	150	9.7	4	\$31.37
KZT-160X6.1X4	152	160	6.1	4	\$46.19
KZT-160X9.7X4	152	160	9.7	4	\$50.21
KZT-165X6.1X4	157	165	6.1	4	\$52.21
KZT-170X6.1X4	162	170	6.1	4	\$54.22
KZT-170X7.9X4	162	170	7.9	4	\$56.23
KZT-170X9.7X4	162	170	9.7	4	\$58.24
KZT-175X6.1X4	167	175	6.1	4	\$60.24
KZT-180X9.7X4	172	180	9.7	4	\$64.25
KZT-190X7.9X4	182	190	7.9	4	\$68.28
KZT-190X9.7X4	182	190	9.7	4	\$72.29
KZT-200X7.9X4	192	200	7.9	4	\$69.31
KZT-215X9.7X4	207	215	9.7	4	\$86.35
KZT-225X9.7X4	217	225	9.7	4	\$90.36

WBTAPE BTFE Wearband Tape - Inch & Metric

This Wearband strip is supplied in 60% bronze-filled PTFE. PTFE strip is supplied in roll form by the inch. Lightly filled PTFE materials are fine for light duty pneumatic applications. Bronze filled PTFE strip will form to any size easily and can be skive-cut to almost any width and thickness. For full rolls or coils, call sales for pricing, availability and length. Part #'s were created in inches. To convert to metric, multiply by .0254.



ALTERNATIVE SEALS: WB, MWB, Phenolic Tape, KZT

EXAMPLE: WBTAPE-0500-093-BTFE

Prefix	Height	Wall	Material
WBTAPE-	0500	- 093	- BTFE
	1/2"	3/32"	BRONZE FILLED PTFE

Inch Sizes

Part Number	Seal Ht. L ₁	C/S F	Price/Inch
WBTAPE-0250-062BTFE	0.250	0.062	\$1.45
WBTAPE-0375-062BTFE	0.375	0.062	\$1.54
WBTAPE-0500-062BTFE	0.500	0.062	\$1.60
WBTAPE-0625-062BTFE	0.625	0.062	\$1.59
WBTAPE-0750-062BTFE	0.750	0.062	\$1.99
WBTAPE-1000-062BTFE	1.000	0.062	\$2.40
WBTAPE-0250-093BTFE	0.250	0.093	\$1.23
WBTAPE-0375-093BTFE	0.375	0.093	\$1.58
WBTAPE-0500-093BTFE	0.500	0.093	\$1.88
WBTAPE-0750-093BTFE	0.750	0.093	\$1.99
WBTAPE-1000-093BTFE	1.000	0.093	\$2.14

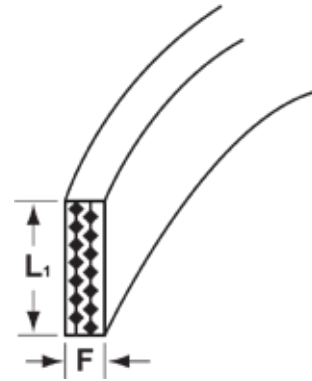
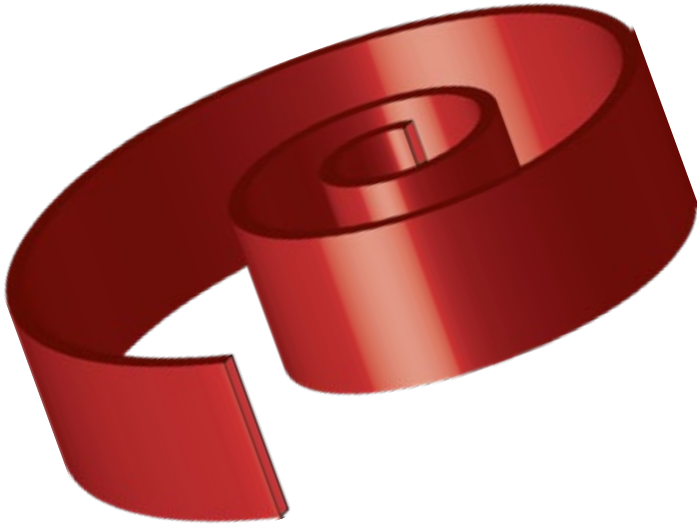
Part Number	Seal Ht. L ₁	C/S F	Price/Inch
WBTAPE-0250-125BTFE	0.250	0.125	\$1.35
WBTAPE-0375-125BTFE	0.375	0.125	\$1.35
WBTAPE-0500-125BTFE	0.500	0.125	\$1.45
WBTAPE-0562-125BTFE	0.562	0.125	\$2.02
WBTAPE-0625-125BTFE	0.625	0.125	\$1.68
WBTAPE-0750-125BTFE	0.750	0.125	\$3.35
WBTAPE-1000-125BTFE	1.000	0.125	\$3.39
WBTAPE-1250-125BTFE	1.250	0.125	\$4.55
WBTAPE-1500-125BTFE	1.500	0.125	\$4.58
WBTAPE-2000-125BTFE	2.000	0.125	\$6.36

Metric Sizes

Part Number	Seal Ht. L ₁	C/S F	Price/Inch
WBTAPE-0098-059BTFE	2.5	1.5	\$1.00
WBTAPE-0157-059BTFE	4.0	1.5	\$1.19
WBTAPE-0221-059BTFE	5.6	1.5	\$1.20
WBTAPE-0248-059BTFE	6.3	1.5	\$1.39
WBTAPE-0250-059BTFE	6.35	1.5	\$1.47
WBTAPE-0394-059BTFE	10.0	1.5	\$1.52
WBTAPE-0591-059BTFE	15.0	1.5	\$2.03
WBTAPE-0381-061BTFE	9.7	1.55	\$1.77
WBTAPE-0236-079BTFE	6.0	2.0	\$1.71
WBTAPE-0250-079BTFE	6.3	2.0	\$1.81
WBTAPE-0315-079BTFE	8.1	2.0	\$2.00
WBTAPE-0381-079BTFE	9.7	2.0	\$2.12
WBTAPE-0394-079BTFE	10.0	2.0	\$2.43
WBTAPE-0472-079BTFE	12.0	2.0	\$2.46
WBTAPE-0591-079BTFE	15.0	2.0	\$2.09
WBTAPE-0787-079BTFE	20.0	2.0	\$2.28
WBTAPE-0984-079BTFE	25.0	2.0	\$3.06
WBTAPE-1181-079BTFE	30.0	2.0	\$3.76
WBTAPE-0157-098BTFE	4.0	2.5	\$1.51
WBTAPE-0165-098BTFE	4.2	2.5	\$1.75
WBTAPE-0221-098BTFE	5.6	2.5	\$1.79
WBTAPE-0250-098BTFE	6.3	2.5	\$1.83
WBTAPE-0311-098BTFE	7.9	2.5	\$1.87
WBTAPE-0315-098BTFE	8.0	2.5	\$2.28
WBTAPE-0374-098BTFE	9.5	2.5	\$2.32

Part Number	Seal Ht. L ₁	C/S F	Price/Inch
WBTAPE-0381-098BTFE	9.7	2.5	\$2.58
WBTAPE-0472-098BTFE	12.0	2.5	\$2.89
WBTAPE-0500-098BTFE	12.7	2.5	\$2.89
WBTAPE-0504-098BTFE	12.8	2.5	\$2.94
WBTAPE-0591-098BTFE	15.0	2.5	\$3.04
WBTAPE-0630-098BTFE	16.0	2.5	\$3.13
WBTAPE-0787-098BTFE	20.0	2.5	\$3.48
WBTAPE-0984-098BTFE	25.0	2.5	\$3.76
WBTAPE-1181-098BTFE	30.0	2.5	\$3.83
WBTAPE-0315-118BTFE	8.0	3.0	\$3.20
WBTAPE-0381-118BTFE	9.7	3.0	\$3.30
WBTAPE-0504-118BTFE	12.8	3.0	\$3.48
WBTAPE-0591-118BTFE	15.0	3.0	\$3.61
WBTAPE-0756-118BTFE	19.2	3.0	\$3.74
WBTAPE-1968-118BTFE	50.0	3.0	\$4.77
WBTAPE-0197-157BTFE	5.0	4.0	\$2.03
WBTAPE-0236-157BTFE	6.0	4.0	\$2.05
WBTAPE-0311-157BTFE	7.9	4.0	\$3.36
WBTAPE-0354-157BTFE	9.0	4.0	\$3.73
WBTAPE-0374-157BTFE	9.5	4.0	\$3.79
WBTAPE-0381-157BTFE	9.7	4.0	\$3.79
WBTAPE-0571-157BTFE	14.5	4.0	\$4.53
WBTAPE-0591-157BTFE	15.0	4.0	\$4.77
WBTAPE-0787-157BTFE	20.0	4.0	\$4.88
WBTAPE-0984-157BTFE	25.0	4.0	\$5.34

WBTAPE Poly Resin Wearband Tape - Inch & Metric



ALTERNATIVE SEALS: WB, MWB, BFTE Tape, KZT

EXAMPLE: WBTAPE-0787-118P

Prefix	Height	Wall	Material
WBTAPE-	0787	-	P
	20mm	3mm	PHENOLIC

Part #'s were created in inches. To convert to metric, multiply by .0254

Metric Sizes

Part Number	Seal Ht. L ₁	Wall F	Price/Inch
WBTAPE-0591-079P	15.0	2.0	\$3.10
WBTAPE-0221-098P	5.6	2.5	\$1.44
WBTAPE-0250-098P	6.3	2.5	\$1.90
WBTAPE-0311-098P	7.9	2.5	\$1.94
WBTAPE-0315-098P	8.0	2.5	\$2.19
WBTAPE-0381-098P	9.7	2.5	\$1.57
WBTAPE-0472-098P	12.0	2.5	\$2.97
WBTAPE-0511-098P	13.0	2.5	\$1.85
WBTAPE-0591-098P	15.0	2.5	\$1.96
WBTAPE-0787-098P	20.0	2.5	\$2.61
WBTAPE-0984-098P	25.0	2.5	\$2.68
WBTAPE-1181-098P	30.0	2.5	\$3.59
WBTAPE-0381-118P	9.7	3	\$2.25
WBTAPE-0503-118P	12.8	3	\$3.36
WBTAPE-0591-119P	15.0	3.02	\$3.40
WBTAPE-0787-118P	20.0	3	\$3.45
WBTAPE-0984-118P	25.0	3	\$4.37
WBTAPE-1181-118P	30.0	3	\$4.64
WBTAPE-1575-118P	40.0	3	\$5.39
WBTAPE-0240-157P	6.1	4	\$3.60
WBTAPE-0381-157P	9.7	4	\$3.12
WBTAPE-0787-157P	20.0	4	\$3.22
WBTAPE-0984-157P	25.0	4	\$3.90
WBTAPE-1181-157P	30.0	4	\$4.09
WBTAPE-1579-157P	40.1	4	\$5.69

This Wearband strip is supplied in poly resin. Poly Resin strip is supplied by the inch.

Poly Resin strip offers excellent compressive strength, but may be harder to form in some applications. For full rolls or coils, call sales for pricing, availability and length.

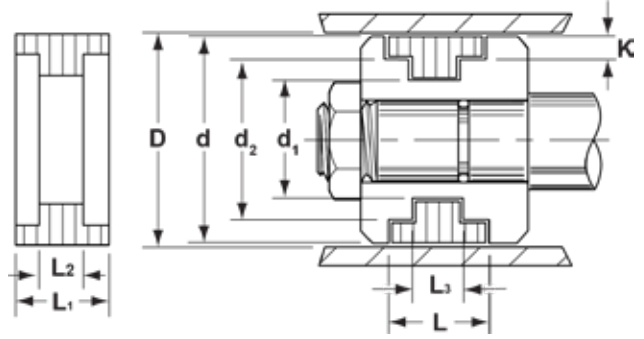
EXAMPLE: WBTAPE-1250-125P

Prefix	Height	Wall	Material
WBTAPE-	1250	-	P
	1-1/4"	1/8"	PHENOLIC

Inch Sizes

Part Number	Seal Ht. L ₁	Wall F	Price/ Inch
WBTAPE-0375-125P	0.375	0.125	\$1.45
WBTAPE-0500-125P	0.500	0.125	\$1.58
WBTAPE-0625-125P	0.625	0.125	\$1.91
WBTAPE-0750-125P	0.750	0.125	\$2.47
WBTAPE-1000-125P	1.000	0.125	\$2.61
WBTAPE-1250-125P	1.250	0.125	\$3.96
WBTAPE-1500-125P	1.500	0.125	\$5.39
WBTAPE-2000-125P	2.000	0.125	\$5.90
WBTAPE-1000-187P	1.000	0.187	\$9.05

WBT/F1 Nylon T Shaped Wearbands - Inch & Metric



Inch Sizes

T-Shaped wearbands are manufactured from glass reinforced nylon and are found in some forklift and telescopic cylinders. They offer space saving advantages by allowing full piston length bearing contact and do not require side lands.

EXAMPLE: WBT0400-0562-125-N1B							
Prefix	Bore Diameter		Overall Bearing Ht		Cross Section	Material	Cut Type
WBT	0400	-	0562	-	125	N1	B
	4"		9/16"		1/8"	NYLON	BUTT

Part Number	Bore Dia. D	Overall Groove Ht L	Overall Bearing Ht L ₁	Bearing-Inner Ht L ₂	Wall Thickness K	Price
WBT0162-0562-125-N1B	1.625	0.567	0.562	0.187	0.062	\$4.86
WBT0200-0437-125-N1B	2.000	0.442	0.437	0.187	0.062	\$5.15
WBT0225-0437-125-N1B	2.250	0.442	0.437	0.187	0.062	\$5.37
WBT0275-0562-125-N1B	2.750	0.567	0.562	0.187	0.062	\$5.60
WBT0300-0562-125-N1B	3.000	0.570	0.562	0.187	0.062	\$5.86
WBT0400-0562-125-N1B	4.000	0.570	0.562	0.187	0.062	\$6.12
WBT0550-0750-125-N1B	5.500	0.755	0.750	0.234	0.062	\$9.26
WBT0600-0625-125-N1B	6.000	0.630	0.625	0.234	0.062	\$10.08
WBT0650-0750-125-N1B	6.500	0.755	0.750	0.234	0.062	\$12.53
WBT0750-0750-125-N1B	7.500	0.755	0.750	0.234	0.062	\$16.79
WBT0850-0750-125-N1B	8.500	0.755	0.750	0.234	0.062	\$29.19

Metric Sizes

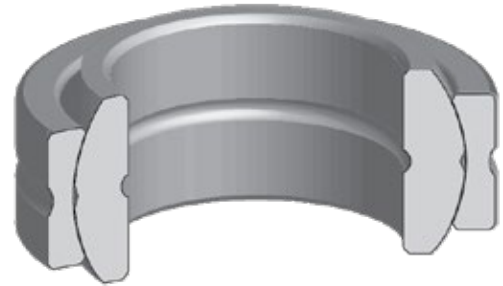
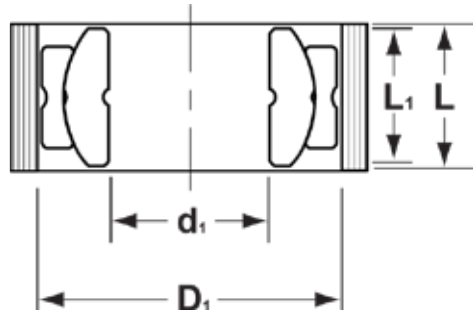
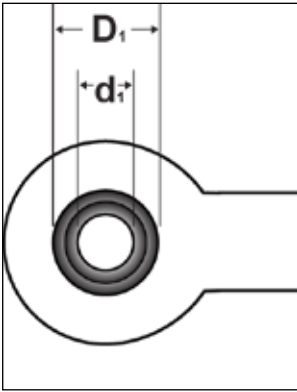
F1 style T-Shaped wearbands are manufactured from glass filled Polyamide material and are primarily used in hydraulic cylinders, but may also be used in lubricated pneumatics with steel or cast iron pistons. They offer space saving advantages by allowing full piston length bearing contact and do not require side lands.

EXAMPLE: F1-125X14.3			
Prefix	Outside Diameter		Total Bearing Ht
F1-	125	X	14.3
	125mm		14.3mm

Part Number				Groove Dimensions					Gap	Price
Prefix	Bore Dia. D	Bearing Height L ₁	Piston Dia. d	Groove Dia. d ₁	Groove Dia. d ₂	Groove Height L	Groove Height L ₃			
F1*	50	x 9.8	49.6	42.5	46.8	10.5	3.5	3	\$11.28	
F1	80	x 14.3	79.5	71	76.5	15	5	5	\$19.85	
F1	100	x 14.3	99.4	91	96.5	15	5	8	\$20.14	

*Limited Quantities

GEZ Self Aligning Bearings



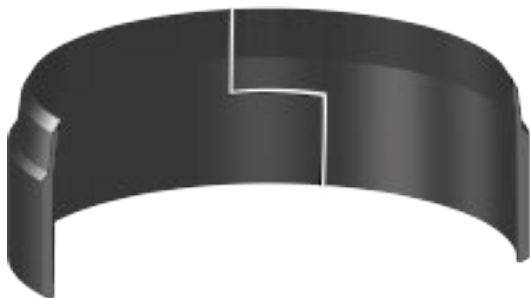
EXAMPLE: GEZ12ES		
Prefix	Bearing I.D.	Suffix
GEZ	12	ES
*1/2"		

*Divide Bearing I.D. by 25.4 and round up.

These GEZ Self Aligning Spherical Bearings fit in the cylinder eyes and allow a certain amount of play connecting the cylinder to the application.

Part Number	I.D. d ₁	O.D. D ₁	Bearing Height L ₁	Housing Height L	Price
GEZ12ES	0.500	0.875	0.437	0.375	\$21.02
GEZ15ES	0.625	1.063	0.547	0.469	\$21.57
GEZ19ES	0.750	1.250	0.656	0.562	\$23.48
GEZ22ES	0.875	1.437	0.756	0.656	\$24.62
GEZ25ES	1.000	1.625	0.875	0.750	\$21.54
GEZ31ES	1.250	2.000	1.093	0.937	\$27.25
GEZ38ES	1.500	2.437	1.312	1.125	\$37.57
GEZ44ES	1.750	2.812	1.531	1.312	\$52.84
GEZ50ES	2.000	3.187	1.750	1.500	\$70.81
GEZ63ES	2.500	3.937	2.187	1.875	\$132.31

Replacement Case® Style Wearband / Wiper Combo



These Nylon Step Cut Wearband / Wiper Combos are an exact replacement for Case® Equipment. On the rod, they act as both a bearing and a wiper.

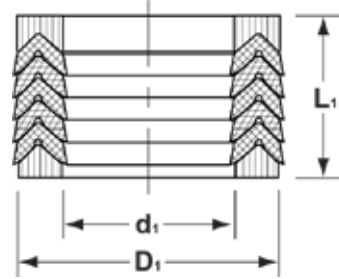
Part Number	I.D. d	O.D. D	Height L ₁	Price
D27705	1.250	1.376	0.687	\$15.32
D27706	1.500	1.626	0.687	\$15.89
D27432	1.750	1.876	0.687	\$16.75
D27380	2.000	2.126	0.687	\$19.35

We do not imply that these seals are a product of Case®.

Vee Packing Sets - Inch



ALTERNATIVE SEALS: U-CUP with Back Up



EXAMPLE: VS25003000-1321			
Prefix	Inside Diameter	Outside Diameter	Assembly Instruction
VS	2500	3000	- 1321
	2-1/2"	3"	1-MN, 3-VF, 2-VH, 1-FN

The sets in this section are supplied with both Hytrel[®], fabric and rubber vees, and nylon adapters. Hytrel[®] Vees are added to these sets to aid in low pressure sealing, and to wipe the rod dry. Nylon adapters are superior to fabric and rubber for extrusion resistance. Pressure ratings increase with the number of vee rings. Consult sales for more information. Temperature: -40° to 225°F

OTHER SIZES AND CONFIGURATIONS AVAILABLE

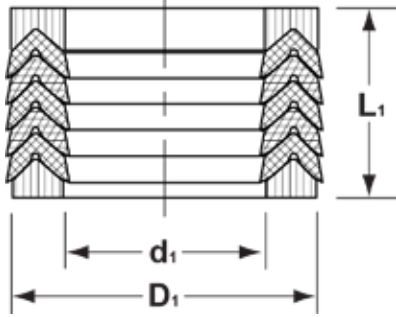
Part Number	Inside Dia. d ₁	Outside Dia. D ₁	Stack Height L ₁	Price
VS500875-1221	0.500	0.875	.750	\$10.50
VS500875-1321	0.500	0.875	.859	\$12.23
VS5001000-1221	0.500	1.000	.843	\$10.24
VS5001000-1321	0.500	1.000	.968	\$11.80
VS6251000-1221	0.625	1.000	.750	\$12.37
VS6251000-1321	0.625	1.000	.859	\$12.84
VS6251125-1221	0.625	1.125	.843	\$12.67
VS6251125-1321	0.625	1.125	.968	\$13.45
VS7501125-1321	0.750	1.125	.859	\$16.36
VS7501250-1221	0.750	1.250	.843	\$13.72
VS7501250-1321	0.750	1.250	.968	\$13.79
VS7501375-1221	0.750	1.375	1.000	\$12.78
VS7501375-1321	0.750	1.375	1.156	\$15.14
VS7501500-1211	0.750	1.500	.968	\$14.40
VS7501500-1221	0.750	1.500	1.156	\$14.93
VS7501500-1321	0.750	1.500	1.343	\$18.20
VS8121312-1221	0.812	1.312	.843	\$11.91
VS8121312-1321	0.812	1.312	.968	\$19.56
VS8751250-1321	0.875	1.250	.859	\$13.20
VS8751375-1221	0.875	1.375	.843	\$13.25
VS8751375-1321	0.875	1.375	.968	\$13.39
VS8751500-1221	0.875	1.500	1.000	\$15.68
VS8751500-1321	0.875	1.500	1.156	\$17.28
VS10001375-1321	1.000	1.375	.859	\$13.89
VS10001500-1221	1.000	1.500	.843	\$11.53
VS10001500-1321	1.000	1.500	.968	\$13.50
VS10001625-1221	1.000	1.625	1.000	\$12.13
VS10001625-1321	1.000	1.625	1.156	\$14.73
VS10001750-1221	1.000	1.750	1.156	\$18.69
VS11251625-1221	1.125	1.625	.843	\$11.87
VS11251625-1321	1.125	1.625	.968	\$13.91
VS11251750-1211	1.125	1.750	.968	\$10.71
VS11251750-1221	1.125	1.750	1.000	\$13.58
VS11251750-1321	1.125	1.750	1.156	\$15.84
VS12501750-1211	1.250	1.750	.718	\$9.97
VS12501750-1221	1.250	1.750	.843	\$12.30
VS12501750-1321	1.250	1.750	.968	\$14.49
VS12501875-1221	1.250	1.875	1.000	\$16.62

Part Number	Inside Dia. d ₁	Outside Dia. D ₁	Stack Height L ₁	Price
VS12501875-1321	1.250	1.875	1.156	\$16.73
VS12502000-1211	1.250	2.000	.968	\$16.81
VS12502000-1321	1.250	2.000	1.343	\$20.85
VS13751875-1321	1.375	1.875	.968	\$14.27
VS13752000-1211	1.375	2.000	.843	\$16.44
VS13752000-1221	1.375	2.000	1.000	\$17.84
VS15001875-1321	1.500	1.875	.859	\$21.86
VS15002000-1211	1.500	2.000	.718	\$10.40
VS15002000-1221	1.500	2.000	.843	\$10.40
VS15002000-1311	1.500	2.000	.843	\$12.27
VS15002000-1321	1.500	2.000	.968	\$13.69
VS15002125-1211	1.500	2.125	.843	\$14.21
VS15002125-1221	1.500	2.125	1.000	\$16.22
VS15002125-1321	1.500	2.125	1.156	\$19.78
VS15002250-1211	1.500	2.250	.968	\$13.23
VS15002250-1221	1.500	2.250	1.156	\$19.13
VS15002250-1321	1.500	2.250	1.343	\$22.32
VS15002500-1211	1.500	2.500	1.218	\$25.74
VS15002500-1221	1.500	2.500	1.468	\$30.22
VS15002500-1321	1.500	2.500	1.718	\$32.51
VS16252250-1211	1.625	2.250	.843	\$17.14
VS16252250-1221	1.625	2.250	1.000	\$18.52
VS16252250-1321	1.625	2.250	1.156	\$26.85
VS17502125-1321	1.750	2.125	.859	\$33.20
VS17502250-1221	1.750	2.250	.843	\$11.98
VS17502250-1311	1.750	2.250	.843	\$11.98
VS17502250-1321	1.750	2.250	.968	\$17.56
VS17502375-1221	1.750	2.375	1.000	\$19.07
VS17502375-1321	1.750	2.375	1.156	\$22.31
VS17502500-1211	1.750	2.500	.968	\$20.97
VS17502500-1221	1.750	2.500	1.156	\$27.95
VS17502500-1321	1.750	2.500	1.343	\$30.94
VS18752375-1321	1.875	2.375	.968	\$17.36
VS18752500-1221	1.875	2.500	1.000	\$20.02
VS18752625-1321	1.875	2.625	1.343	\$25.67
VS20002500-1221	2.000	2.500	.843	\$14.04
VS20002500-1321	2.000	2.500	.968	\$16.22
VS20002625-1221	2.000	2.625	1.000	\$19.10

Vee Packing Sets - Inch, cont'd.

Part Number	Inside Dia. d ₁	Outside Dia. D ₁	Stack Height L ₁	Price	Part Number	Inside Dia. d ₁	Outside Dia. D ₁	Stack Height L ₁	Price
VS20002625-1321	2.000	2.625	1.156	\$21.67	VS35004250-1321	3.500	4.250	1.343	\$46.38
VS20002750-1211	2.000	2.750	0.968	\$20.53	VS35004500-1221	3.500	4.500	1.468	\$46.53
VS20002750-1221	2.000	2.750	1.156	\$23.90	VS35004500-1321	3.500	4.500	1.718	\$49.69
VS20002750-1321	2.000	2.750	1.343	\$27.39	VS37504250-1221	3.750	4.250	.843	\$23.61
VS20003000-1221	2.000	3.000	1.468	\$36.61	VS37504250-1321	3.750	4.250	.968	\$26.26
VS21252750-1221	2.125	2.750	1.000	\$21.26	VS37504375-1221	3.750	4.375	1.000	\$38.32
VS21872937-1321	2.187	2.937	1.343	\$30.95	VS37504375-1321	3.750	4.375	1.156	\$44.71
VS22502750-1321	2.250	2.750	.968	\$19.60	VS37504500-1221	3.750	4.500	1.156	\$45.79
VS22502875-1221	2.250	2.875	1.000	\$21.77	VS37504500-1321	3.750	4.500	1.343	\$52.97
VS22502875-1321	2.250	2.875	1.156	\$24.72	VS40004500-1321	4.000	4.500	.968	\$28.50
VS22503000-1211	2.250	3.000	.968	\$22.32	VS40004750-1221	4.000	4.750	1.156	\$51.15
VS22503000-1221	2.250	3.000	1.156	\$27.28	VS40004750-1321	4.000	4.750	1.343	\$59.68
VS22503000-1321	2.250	3.000	1.343	\$21.05	VS40005000-1221	4.000	5.000	1.468	\$54.79
VS23752875-1321	2.375	2.875	.968	\$20.73	VS40005000-1321	4.000	5.000	1.718	\$62.41
VS23753000-1221	2.375	3.000	1.000	\$22.58	VS41254625-1321-C	4.125	4.625	.968	\$38.91
VS23753000-1321	2.375	3.000	1.156	\$26.26	VS42504750-1321	4.250	4.750	.968	\$38.53
VS25003000-1211	2.500	3.000	.718	\$15.92	VS42505000-1211	4.250	5.000	.968	\$42.83
VS25003000-1221	2.500	3.000	.843	\$16.27	VS42505000-1221	4.250	5.000	1.156	\$54.16
VS25003000-1321	2.500	3.000	.968	\$19.81	VS42505000-1321	4.250	5.000	1.343	\$65.38
VS25003125-1221	2.500	3.125	1.000	\$26.40	VS42505125-1221	4.250	5.125	1.312	\$60.06
VS25003125-1321	2.500	3.125	1.156	\$28.35	VS45005000-1321	4.500	5.000	.968	\$30.98
VS25003250-1211	2.500	3.250	.968	\$25.36	VS45005250-1211	4.500	5.250	.968	\$41.18
VS25003250-1221	2.500	3.250	1.156	\$31.96	VS45005250-1311	4.500	5.250	1.156	\$47.67
VS25003250-1321	2.500	3.250	1.343	\$34.92	VS45005250-1321	4.500	5.250	1.343	\$55.61
VS25003500-1211	2.500	3.500	1.218	\$36.09	VS45005375-1311	4.500	5.375	1.312	\$74.49
VS25003500-1221	2.500	3.500	1.468	\$39.86	VS45005500-1211	4.500	5.500	1.218	\$56.00
VS25003500-1321	2.500	3.500	1.718	\$44.48	VS45005500-1221	4.500	5.500	1.468	\$67.20
VS26253250-1321	2.625	3.250	1.156	\$20.24	VS47505250-1321	4.750	5.250	.968	\$32.29
VS27503250-1211	2.750	3.250	.718	\$15.12	VS47505375-1321	4.750	5.375	1.156	\$54.73
VS27503250-1321	2.750	3.250	.968	\$19.78	VS47505500-1311	4.750	5.500	1.156	\$59.34
VS27503375-1221	2.750	3.375	1.000	\$26.02	VS47505500-1321	4.750	5.500	1.343	\$66.43
VS27503375-1321	2.750	3.375	1.156	\$29.39	VS50005500-1221	5.000	5.500	.843	\$32.22
VS27503500-1211	2.750	3.500	.968	\$28.45	VS50005500-1321	5.000	5.500	.968	\$32.77
VS27503500-1221	2.750	3.500	1.156	\$34.08	VS50005750-1221	5.000	5.750	1.156	\$63.61
VS27503500-1321	2.750	3.500	1.343	\$37.24	VS50006000-1211	5.000	6.000	1.218	\$68.18
VS27753525-1221	2.775	3.525	1.156	\$37.55	VS50006000-1221	5.000	6.000	1.468	\$75.24
VS29503500-1321	2.950	3.500	1.062	\$31.26	VS50625562-1321-C	5.062	5.562	.968	\$67.37
VS30003500-1221	3.000	3.500	.843	\$18.19	VS52505750-1321	5.250	5.750	.968	\$35.47
VS30003500-1321	3.000	3.500	.968	\$19.86	VS52506000-1221	5.250	6.000	1.156	\$60.99
VS30003625-1221	3.000	3.625	1.000	\$28.19	VS52506000-1311	5.250	6.000	1.156	\$65.53
VS30003625-1321	3.000	3.625	1.156	\$32.75	VS55006000-1321	5.500	6.000	.968	\$36.66
VS30003750-1221	3.000	3.750	1.156	\$37.96	VS55006250-1321	5.500	6.250	1.343	\$78.43
VS30003750-1321	3.000	3.750	1.343	\$41.57	VS55006500-1211	5.500	6.500	1.218	\$76.46
VS30004000-1221	3.000	4.000	1.468	\$49.26	VS57506375-1321	5.750	6.375	1.156	\$61.63
VS32503750-1221	3.250	3.750	.843	\$18.77	VS57506500-1311	5.750	6.500	1.156	\$67.52
VS32503750-1321	3.250	3.750	.968	\$23.22	VS57506500-1321	5.750	6.500	1.343	\$75.61
VS32504000-1221	3.250	4.000	1.156	\$40.00	VS60006500-1321	6.000	6.500	.968	\$39.10
VS32504000-1321	3.250	4.000	1.343	\$47.71	VS60007000-1311	6.000	7.000	1.468	\$86.80
VS33753875-1321	3.375	3.875	.968	\$25.57	VS60007000-1321	6.000	7.000	1.718	\$101.26
VS33754000-1221	3.375	4.000	1.000	\$27.39	VS65007000-1321	6.500	7.000	.968	\$44.64
VS33754000-1321	3.375	4.000	1.156	\$31.95	VS65007250-1321	6.500	7.250	1.343	\$83.00
VS35004000-1221	3.500	4.000	.843	\$21.89	VS67507375-1321	6.750	7.375	1.156	\$70.23
VS35004000-1321	3.500	4.000	.968	\$24.40	VS70007500-1321	7.000	7.500	.968	\$48.61
VS35004250-1221	3.500	4.250	1.156	\$38.89	VS80008500-1321	8.000	8.500	.968	\$59.47

Vee Packing Sets - Metric



* Some sets may contain fabric & rubber adapters.

Most sets in this section are supplied with buna & fabric / rubber vees & nylon adapters but compounds may vary by manufacturer. Pressure ratings increase with the number of vee rings. Please call our sales office for more information regarding sizes or configurations not listed. Temperature: -40° to 225°F

EXAMPLE: MVS-50X60X22.5				
Prefix	Inside Diameter		Outside Diameter	Stack Height
MVS-	50	x	60	x 22.5
	50mm		60mm	22.5mm

Part Number					Price
Prefix	Inside Dia. d_1	Outside Dia. D_1	Height L_1		
MVS -	20	x	30	x 18.5	\$21.43
MVS -	20	x	32	x 22.5	\$23.78
MVS -	22	x	32	x 18.5	\$25.28
MVS -	22	x	34	x 22.5	\$26.49
MVS -	25	x	37	x 22.5	\$24.33
MVS -	25	x	40	x 22.5	\$25.66
MVS -	28	x	40	x 22.5	\$25.20
MVS -	28	x	43	x 22.5	\$28.21
MVS -	30	x	42	x 22.5	\$31.08
MVS -	32	x	44	x 22.5	\$29.28
MVS -	35	x	47	x 22.5	\$30.12
MVS -	35	x	50	x 22.5	\$37.31
MVS -	40	x	52	x 22.5	\$38.74
MVS -	40	x	55	x 22.5	\$41.75
MVS -	45	x	60	x 22.5	\$43.64
MVS -	48	x	63	x 22.5	\$46.06
MVS -	50	x	65	x 22.5	\$46.94
MVS -	50	x	70	x 30	\$53.75
MVS -	55	x	70	x 22.5	\$35.44
MVS -	55	x	75	x 30	\$58.71
MVS -	56	x	71	x 22.5	\$52.56
MVS -	56	x	76	x 37	\$72.22
MVS -	60	x	75	x 22.5	\$64.81
MVS -	60	x	80	x 37	\$67.91
MVS -	63	x	78	x 22.5	\$57.40
MVS -	63	x	83	x 37	\$80.44
MVS -	65	x	80	x 22.5	\$64.20
MVS -	70	x	85	x 22.5	\$66.05
MVS -	70	x	90	x 40	\$92.69
MVS -	75	x	90	x 22.5	\$63.78
MVS -	80	x	95	x 22.5	\$68.72
MVS -	80	x	100	x 40	\$90.62
MVS -	85	x	100	x 22.5	\$83.71
MVS -	85	x	105	x 40	\$99.46
MVS -	90	x	105	x 22.5	\$75.13
MVS -	90	x	110	x 40	\$114.67
MVS -	100	x	115	x 30	\$92.25
MVS -	100	x	120	x 40	\$118.32

Part Number					Price
Prefix	Inside Dia. d_1	Outside Dia. D_1	Height L_1		
MVS -	105	x	120	x 30	\$97.16
MVS -	105	x	130	x 40	\$164.91
MVS -	110	x	125	x 30	\$83.53
MVS -	110	x	130	x 40	\$124.88
MVS -	110	x	140	x 56.3	\$144.33
MVS -	115	x	140	x 46	\$147.98
MVS -	120	x	140	x 49	\$164.41
MVS -	120	x	145	x 46	\$150.39
MVS -	125	x	140	x 34	\$120.13
MVS -	125	x	150	x 46	\$163.66
MVS -	135	x	160	x 55	\$205.27
MVS -	140	x	155	x 34	\$157.22
MVS -	140	x	165	x 46	\$185.29
MVS -	150	x	170	x 40	\$187.26
MVS -	150	x	180	x 60	\$257.41
MVS -	160	x	180	x 40	\$278.36
MVS -	160	x	190	x 60	\$294.03
MVS -	165	x	195	x 50.5	\$389.61
MVS -	170	x	190	x 40	\$208.42
MVS -	180	x	210	x 60	\$322.75
MVS -	190	x	220	x 42	\$392.15
MVS -	200	x	220	x 40	\$300.92
MVS -	200	x	230	x 60	\$396.10
MVS -	210	x	240	x 50	\$399.25
MVS -	220	x	240	x 40	\$312.49
MVS -	230	x	260	x 58	\$455.80
MVS -	240	x	270	x 60	\$492.66
MVS -	290	x	320	x 35	\$441.65
MVS -	300	x	330	x 60	\$627.52
MVS -	310	x	340	x 60	\$637.91
MVS -	320	x	350	x 60	\$706.65
MVS -	320	x	360	x 46	\$769.80
MVS -	330	x	360	x 60	\$788.08
MVS -	360	x	390	x 60	\$833.60
MVS -	360	x	400	x 55	\$873.36
MVS -	400	x	430	x 46	\$848.16
MVS -	400	x	440	x 65	\$891.98

Vee Packing Components - Inch

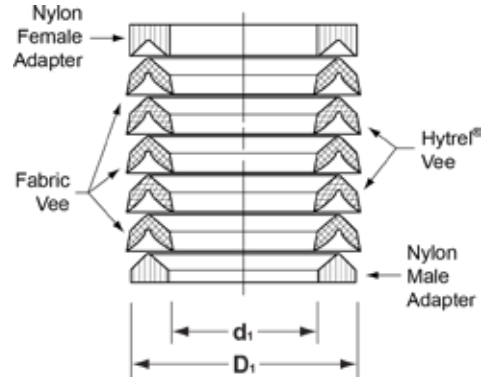
Suffix Listing

* Add suffix to Size Number to specify component Part Number

- FN = Nylon Female Adapter
- FF = Fabric Female Adapter
- VF = Fabric Vee
- VH = Hytrel® Vee
- VB = Homogeneous Nitrile Vee
- MN = Nylon Male Adapter
- MF = Fabric Male Adapter



ALTERNATIVE SEALS:6225



EXAMPLE: VP37504375VF

Prefix	Inside Diameter	Outside Diameter	Style	Material
VP	3750	4375	V	F
	3-3/4"	4-3/8"	VEE PACKNG	NBR/FAB

The next few pages contain a listing of solid vee packing. Most of these sizes correspond to the stack height chart below. Glass filled nylon adapters (for extrusion resistance) and Hytrel® vees (for dry wiping action) are standard in most sizes under 10" O.D. Also available, are plus and minus adapters for meeting your non-standard stack height requirements.

NOTE: Not all sizes available in all materials or all components. Please contact our sales department for more information.

Virtually any size packing, up to 40", can be made. The stack height chart does not apply for spiral packing sets or fabric adapters.

Standard material: Cotton reinforced nitrile rubber is compatible

with most petroleum based fluids including gasoline, and can be used in constant temperatures to 250°F. Hytrel® is an engineered thermoplastic with a low friction coefficient and high abrasion resistance. It works well when alternated between fabric and rubber vees. Up to three Hytrel® vees may be used in a set or by themselves. Cotton reinforced FKM will work in constant temperatures to 300°F, with good resistance to swell. Glass filled nylon adapters are compatible with most fluids and will withstand constant temperatures up to 275°F, making them suitable for use with FKM and duck for semi-high temperature and fluid applications. Vitex (FKM and nomex; a very high temperature fabric containing kevlar and fiberglass) can be used at constant temperatures up to 400°F. Contact our sales office with application for material recommendations.

NOTE: VEE SPLITTING CHARGE - \$.15 / RING, VEE CUT DOWNS - \$1.00 / RING

Stack Height Chart

Cross Section (fraction)	Cross Section (decimal)	Height Per Vee	2 Vee Rings	3 Vee Rings	4 Vee Rings	5 Vee Rings	6 Vee Rings
3/16	0.187	0.109	0.532	0.641	0.750	0.859	0.968
1/4	0.250	0.125	0.592	0.718	0.843	0.968	1.093
.275	0.275	0.138	0.640	0.781	0.921	1.062	1.203
5/16	0.312	0.156	0.687	0.843	1.000	1.156	1.312
3/8	0.375	0.187	0.781	0.968	1.156	1.343	1.531
7/16	0.437	0.218	0.875	1.093	1.312	1.531	1.750
1/2	0.500	0.250	0.968	1.218	1.468	1.718	1.968
5/8	0.625	0.312	1.156	1.468	1.781	2.093	2.406
3/4	0.750	0.375	1.343	1.718	2.093	2.468	2.843

Recommended Number of Vees per Set

The information shown in the following chart is for general guidance only. Because of the many variables in design and application, no inflexible formula for determining the number of vees can be prepared. Therefore, this chart should be used

as a guide, and testing should be done prior to implementation. Furthermore, pressure ratings can be increased by using machined adapters with close tolerances and minimal extrusion gaps.

Diameter of Rod	Up to 1,000 PSI		1,000 to 2,500 PSI		2,500 to 6,000 PSI	
	Cross Section	Pressure Rings	Cross Section	Pressure Rings	Cross Section	Pressure Rings
1" to 3"	1/4"	4	1/4"	5	1/4"	6
3" to 6"	1/4"	4	1/4"	5	3/8"	6
6" to 8"	3/8"	4	3/8"	5	1/2"	6
8" to 14"	1/2"	4	1/2"	5	1/2"	6
14" to 24"	5/8"	4	5/8"	5	5/8"	6
24" to 36"	3/4"	4	3/4"	5	3/4"	6

Vee Packing Components - Inch, cont'd.

Size Number*	Inside Dia. d ₁	Outside Dia. D ₁	Price	Size Number*	Inside Dia. d ₁	Outside Dia. D ₁	Price
VP250625	0.250	0.625	\$2.68	VP13752000	1.375	2.000	\$2.96
VP250750	0.250	0.750	\$3.68	VP13752125	1.375	2.125	\$5.51
VP250875	0.250	0.875	\$3.00	VP13752250	1.375	2.250	\$5.52
VP2501000	0.250	1.000	\$4.57	VP14371937	1.437	1.937	\$4.36
VP375625	0.375	0.625	\$4.96	VP14372062	1.437	2.062	\$6.26
VP375750	0.375	0.750	\$3.28	VP14372187	1.437	2.187	\$18.89
VP375875	0.375	0.875	\$3.54	VP15001875	1.500	1.875	\$3.51
VP375937	0.375	0.937	\$3.82	VP15002000	1.500	2.000	\$3.01
VP437812	0.437	0.812	\$6.69	VP15002125	1.500	2.125	\$2.75
VP500875	0.500	0.875	\$2.10	VP15002250	1.500	2.250	\$4.88
VP500937	0.500	0.937	\$5.02	VP15002375	1.500	2.375	\$6.07
VP5001000	0.500	1.000	\$3.06	VP15002500	1.500	2.500	\$5.33
VP5001125	0.500	1.125	\$3.97	VP15622062	1.562	2.062	\$4.44
VP562937	0.562	0.937	\$2.92	VP16252000	1.625	2.000	\$13.60
VP625875	0.625	0.875	\$7.56	VP16252125	1.625	2.125	\$2.22
VP625937	0.625	0.937	\$4.03	VP16252250	1.625	2.250	\$4.34
VP6251000	0.625	1.000	\$3.11	VP16252375	1.625	2.375	\$4.71
VP6251125	0.625	1.125	\$2.46	VP16252625	1.625	2.625	\$11.15
VP6251250	0.625	1.250	\$3.52	VP17502125	1.750	2.125	\$3.70
VP6871187	0.687	1.187	\$3.52	VP17502250	1.750	2.250	\$3.29
VP7501125	0.750	1.125	\$3.15	VP17502265	1.750	2.265	\$4.25
VP7501250	0.750	1.250	\$2.62	VP17502375	1.750	2.375	\$3.20
VP7501375	0.750	1.375	\$3.96	VP17502500	1.750	2.500	\$3.20
VP7501500	0.750	1.500	\$4.05	VP17502750	1.750	2.750	\$7.29
VP8121187	0.812	1.187	\$3.14	VP17662875	1.766	2.875	\$15.89
VP8121312	0.812	1.312	\$3.45	VP17752525	1.775	2.525	\$5.57
VP8751250	0.875	1.250	\$2.20	VP18752375	1.875	2.375	\$3.33
VP8751375	0.875	1.375	\$3.38	VP18752390	1.875	2.390	\$4.34
VP8751500	0.875	1.500	\$3.67	VP18752500	1.875	2.500	\$3.50
VP8751625	0.875	1.625	\$4.04	VP18752530	1.875	2.530	\$5.09
VP9371437	0.937	1.437	\$4.95	VP18752625	1.875	2.625	\$5.62
VP10001375	1.000	1.375	\$3.10	VP19702520	1.970	2.520	\$5.01
VP10001500	1.000	1.500	\$2.69	VP20002375	2.000	2.375	\$3.65
VP10001625	1.000	1.625	\$4.33	VP20002500	2.000	2.500	\$3.33
VP10001750	1.000	1.750	\$4.82	VP20002515	2.000	2.515	\$4.13
VP10002000	1.000	2.000	\$6.40	VP20002562	2.000	2.562	\$4.54
VP10621562	1.062	1.562	\$3.89	VP20002625	2.000	2.625	\$3.17
VP11251500	1.125	1.500	\$3.54	VP20002687	2.000	2.687	\$5.39
VP11251625	1.125	1.625	\$2.66	VP20002750	2.000	2.750	\$4.16
VP11251750	1.125	1.750	\$3.96	VP20002875	2.000	2.875	\$6.96
VP11251875	1.125	1.875	\$4.58	VP20003000	2.000	3.000	\$8.76
VP11871562	1.187	1.562	\$3.36	VP20003250	2.000	3.250	\$15.63
VP11871687	1.187	1.687	\$3.64	VP21252562	2.125	2.562	\$4.19
VP11871750	1.187	1.750	\$3.66	VP21252625	2.125	2.625	\$4.31
VP12501625	1.250	1.625	\$3.41	VP21252640	2.125	2.640	\$4.83
VP12501750	1.250	1.750	\$2.77	VP21252750	2.125	2.750	\$5.01
VP12501875	1.250	1.875	\$3.22	VP21252875	2.125	2.875	\$6.29
VP12502000	1.250	2.000	\$3.20	VP21253000	2.125	3.000	\$8.22
VP12502125	1.250	2.125	\$5.84	VP21253125	2.125	3.125	\$12.98
VP12502250	1.250	2.250	\$7.03	VP21872937	2.187	2.937	\$6.20
VP12502500	1.250	2.500	\$7.70	VP22002765	2.200	2.765	\$5.46
VP13121812	1.312	1.812	\$3.77	VP22502750	2.250	2.750	\$2.76
VP13122062	1.312	2.062	\$7.96	VP22502875	2.250	2.875	\$5.12
VP13751750	1.375	1.750	\$3.30	VP22503000	2.250	3.000	\$5.82
VP13751875	1.375	1.875	\$2.95				

*Add suffix to size number for complete part number.
See Page 344 for suffix listing.

Vee Packing Components - Inch, cont'd.

Size Number*	Inside Dia. d ₁	Outside Dia. D ₁	Price
VP22503125	2.250	3.125	\$8.97
VP22503250	2.250	3.250	\$9.81
VP22503500	2.250	3.500	\$16.49
VP22753025	2.275	3.025	\$6.79
VP23752875	2.375	2.875	\$4.81
VP23753000	2.375	3.000	\$5.72
VP23753125	2.375	3.125	\$6.72
VP24373187	2.437	3.187	\$6.94
VP24503000	2.450	3.000	\$5.13
VP24503020	2.450	3.020	\$5.73
VP25002875	2.500	2.875	\$5.24
VP25003000	2.500	3.000	\$3.00
VP25003125	2.500	3.125	\$4.02
VP25003250	2.500	3.250	\$4.85
VP25003375	2.500	3.375	\$11.41
VP25003500	2.500	3.500	\$7.80
VP25003750	2.500	3.750	\$27.05
VP25253025	2.525	3.025	\$5.27
VP25803110	2.580	3.110	\$5.38
VP26253125	2.625	3.125	\$5.96
VP26253250	2.625	3.250	\$3.87
VP26253375	2.625	3.375	\$7.17
VP26603410	2.660	3.410	\$13.87
VP27503250	2.750	3.250	\$4.58
VP27503270	2.750	3.270	\$5.30
VP27503375	2.750	3.375	\$4.41
VP27503500	2.750	3.500	\$5.92
VP27503530	2.750	3.530	\$7.85
VP27503625	2.750	3.625	\$32.33
VP27503750	2.750	3.750	\$12.50
VP27504000	2.750	4.000	\$21.64
VP27753525	2.775	3.525	\$7.43
VP28283578	2.828	3.578	\$19.47
VP28753375	2.875	3.375	\$5.34
VP28753500	2.875	3.500	\$6.29
VP28753625	2.875	3.625	\$7.49
VP29503450	2.950	3.450	\$8.31
VP29503500	2.950	3.500	\$6.57
VP29503625	2.950	3.625	\$11.65
VP29703520	2.970	3.520	\$6.67
VP30003500	3.000	3.500	\$3.01
VP30003520	3.000	3.520	\$5.91
VP30003625	3.000	3.625	\$6.38
VP30003750	3.000	3.750	\$6.87
VP30003820	3.000	3.820	\$19.30
VP30003875	3.000	3.875	\$20.46
VP30004000	3.000	4.000	\$12.75
VP30004250	3.000	4.250	\$22.99
VP30004500	3.000	4.500	\$26.32
VP31253500	3.125	3.500	\$5.14
VP31253625	3.125	3.625	\$5.61
VP31253750	3.125	3.750	\$9.84
VP31253875	3.125	3.875	\$10.05
VP31254000	3.125	4.000	\$10.28
VP31873687	3.187	3.687	\$9.48

Size Number*	Inside Dia. d ₁	Outside Dia. D ₁	Price
VP31874250	3.187	4.250	\$19.51
VP32003770	3.200	3.770	\$6.45
VP32503625	3.250	3.625	\$3.15
VP32503750	3.250	3.750	\$4.20
VP32503770	3.250	3.770	\$5.09
VP32503875	3.250	3.875	\$6.68
VP32504000	3.250	4.000	\$6.84
VP32504020	3.250	4.020	\$8.60
VP32504250	3.250	4.250	\$12.41
VP32504500	3.250	4.500	\$24.44
VP33753875	3.375	3.875	\$6.16
VP33754000	3.375	4.000	\$6.91
VP33754125	3.375	4.125	\$8.28
VP33754375	3.375	4.375	\$33.11
VP33754625	3.375	4.625	\$23.80
VP34504000	3.450	4.000	\$8.15
VP34504250	3.450	4.250	\$23.23
VP35004000	3.500	4.000	\$4.66
VP35004020	3.500	4.020	\$6.76
VP35004125	3.500	4.125	\$6.91
VP35004250	3.500	4.250	\$6.27
VP35004270	3.500	4.270	\$9.12
VP35004500	3.500	4.500	\$10.95
VP35004750	3.500	4.750	\$24.93
VP35005000	3.500	5.000	\$33.80
VP35204020	3.520	4.020	\$6.48
VP35804110	3.580	4.110	\$6.56
VP36254250	3.625	4.250	\$8.47
VP36254375	3.625	4.375	\$9.25
VP36904190	3.690	4.190	\$6.31
VP37004270	3.700	4.270	\$7.08
VP37504250	3.750	4.250	\$3.97
VP37504375	3.750	4.375	\$8.62
VP37504500	3.750	4.500	\$7.93
VP37504520	3.750	4.520	\$9.36
VP37504750	3.750	4.750	\$13.57
VP37505000	3.750	5.000	\$46.64
VP37754525	3.775	4.525	\$11.78
VP38754375	3.875	4.375	\$6.76
VP38754500	3.875	4.500	\$8.05
VP38754625	3.875	4.625	\$17.40
VP39504500	3.950	4.500	\$7.10
VP39504750	3.950	4.750	\$23.21
VP39704520	3.970	4.520	\$7.41
VP40004500	4.000	4.500	\$4.98
VP40004525	4.000	4.525	\$6.81
VP40004562	4.000	4.562	\$7.17
VP40004625	4.000	4.625	\$7.63
VP40004750	4.000	4.750	\$8.48
VP40004875	4.000	4.875	\$13.22
VP40005000	4.000	5.000	\$11.73
VP40005250	4.000	5.250	\$28.16
VP40005500	4.000	5.500	\$39.69
VP40624812	4.062	4.812	\$11.13

*Add suffix to size number for complete part number.
See Page 344 for suffix listing.

Vee Packing Components - Inch, cont'd.

Size Number*	Inside Dia. d ₁	Outside Dia. D ₁	Price	Size Number*	Inside Dia. d ₁	Outside Dia. D ₁	Price
VP41254625	4.125	4.625	\$7.04	VP52756025	5.275	6.025	\$11.76
VP41255000	4.125	5.000	\$22.76	VP53756000	5.375	6.000	\$14.03
VP41255025	4.125	5.025	\$27.56	VP53756250	5.375	6.250	\$19.95
VP41255125	4.125	5.125	\$30.55	VP54455945	5.445	5.945	\$8.12
VP41875500	4.187	5.500	\$29.27	VP54506000	5.450	6.000	\$8.95
VP42004750	4.200	4.750	\$7.67	VP54756025	5.475	6.025	\$9.28
VP42504750	4.250	4.750	\$5.88	VP55006000	5.500	6.000	\$5.26
VP42504875	4.250	4.875	\$8.65	VP55006125	5.500	6.125	\$13.64
VP42505000	4.250	5.000	\$8.80	VP55006250	5.500	6.250	\$14.26
VP42505030	4.250	5.030	\$10.16	VP55006375	5.500	6.375	\$19.95
VP42505125	4.250	5.125	\$11.95	VP55006500	5.500	6.500	\$18.72
VP42505250	4.250	5.250	\$16.01	VP55006750	5.500	6.750	\$33.30
VP42755025	4.275	5.025	\$10.19	VP55007000	5.500	7.000	\$38.24
VP43754875	4.375	4.875	\$6.85	VP56256250	5.625	6.250	\$12.28
VP43755000	4.375	5.000	\$7.99	VP56256625	5.625	6.625	\$24.68
VP43755375	4.375	5.375	\$24.00	VP57006450	5.700	6.450	\$18.90
VP44374937	4.437	4.937	\$8.08	VP57506250	5.750	6.250	\$8.37
VP44505000	4.450	5.000	\$7.88	VP57506375	5.750	6.375	\$9.70
VP45005000	4.500	5.000	\$4.44	VP57506500	5.750	6.500	\$12.95
VP45005125	4.500	5.125	\$8.34	VP57506750	5.750	6.750	\$21.08
VP45005250	4.500	5.250	\$11.27	VP57507000	5.750	7.000	\$35.75
VP45005375	4.500	5.375	\$12.75	VP57507250	5.750	7.250	\$39.07
VP45005500	4.500	5.500	\$15.61	VP57756525	5.775	6.525	\$13.22
VP45005530	4.500	5.530	\$16.33	VP58126812	5.812	6.812	\$19.64
VP45005750	4.500	5.750	\$32.80	VP59506500	5.950	6.500	\$9.68
VP45006000	4.500	6.000	\$33.05	VP59706520	5.970	6.520	\$9.69
VP45805080	4.580	5.080	\$7.63	VP60006500	6.000	6.500	\$6.76
VP46255250	4.625	5.250	\$8.59	VP60006525	6.000	6.525	\$9.09
VP47005250	4.700	5.250	\$8.33	VP60006625	6.000	6.625	\$10.23
VP47005290	4.700	5.290	\$14.12	VP60006750	6.000	6.750	\$12.30
VP47005445	4.700	5.445	\$11.96	VP60007000	6.000	7.000	\$17.46
VP47505250	4.750	5.250	\$7.24	VP60007040	6.000	7.040	\$20.75
VP47505375	4.750	5.375	\$8.43	VP60007250	6.000	7.250	\$36.04
VP47505500	4.750	5.500	\$11.49	VP60007500	6.000	7.500	\$39.05
VP47505625	4.750	5.625	\$13.18	VP60056505	6.005	6.505	\$8.39
VP47505750	4.750	5.750	\$16.27	VP60306780	6.030	6.780	\$13.35
VP48755625	4.875	5.625	\$12.76	VP62506750	6.250	6.750	\$11.49
VP49505500	4.950	5.500	\$9.71	VP62506875	6.250	6.875	\$10.45
VP49705520	4.970	5.520	\$9.71	VP62507000	6.250	7.000	\$15.40
VP50005500	5.000	5.500	\$4.80	VP62507250	6.250	7.250	\$17.72
VP50005525	5.000	5.525	\$7.78	VP63757000	6.375	7.000	\$11.56
VP50005562	5.000	5.562	\$9.94	VP64456945	6.445	6.945	\$9.26
VP50005625	5.000	5.625	\$10.00	VP64507000	6.450	7.000	\$10.23
VP50005750	5.000	5.750	\$11.32	VP64507250	6.450	7.250	\$21.14
VP50005875	5.000	5.875	\$13.59	VP65007000	6.500	7.000	\$9.03
VP50006000	5.000	6.000	\$15.22	VP65007062	6.500	7.062	\$13.59
VP50006040	5.000	6.040	\$17.05	VP65007250	6.500	7.250	\$14.68
VP50006250	5.000	6.250	\$31.11	VP65007500	6.500	7.500	\$19.66
VP50006500	5.000	6.500	\$33.87	VP65007750	6.500	7.750	\$38.69
VP50625562	5.062	5.562	\$10.09	VP65008000	6.500	8.000	\$43.61
VP51255625	5.125	5.625	\$10.17	VP66257250	6.625	7.250	\$13.37
VP51256000	5.125	6.000	\$20.63	VP67007250	6.700	7.250	\$10.87
VP52505750	5.250	5.750	\$4.97	VP67007500	6.700	7.500	\$40.44
VP52506000	5.250	6.000	\$11.15	VP67507250	6.750	7.250	\$9.65
VP52506250	5.250	6.250	\$16.23				

*Add suffix to size number for complete part number.
See Page 344 for suffix listing.

Vee Packing Components - Inch, cont'd.

Size Number*	Inside Dia. d ₁	Outside Dia. D ₁	Price
VP67507375	6.750	7.375	\$11.36
VP67507500	6.750	7.500	\$18.28
VP67507750	6.750	7.750	\$23.95
VP67508000	6.750	8.000	\$39.84
VP68757625	6.875	7.625	\$18.01
VP68757875	6.875	7.875	\$28.16
VP69507500	6.950	7.500	\$11.08
VP69707520	6.970	7.520	\$11.11
VP70007500	7.000	7.500	\$9.45
VP70007525	7.000	7.525	\$10.43
VP70007750	7.000	7.750	\$16.48
VP70008000	7.000	8.000	\$26.56
VP70008250	7.000	8.250	\$43.08
VP70008500	7.000	8.500	\$62.99
VP72507750	7.250	7.750	\$16.87
VP72508000	7.250	8.000	\$16.84
VP72508250	7.250	8.250	\$24.76
VP73758000	7.375	8.000	\$15.88
VP74457945	7.445	7.945	\$10.40
VP75008000	7.500	8.000	\$10.15
VP75008125	7.500	8.125	\$12.69
VP75008250	7.500	8.250	\$18.72
VP75008500	7.500	8.500	\$29.79
VP75008750	7.500	8.750	\$47.42
VP75009000	7.500	9.000	\$63.05
VP77008500	7.700	8.500	\$26.49
VP77508250	7.750	8.250	\$12.30
VP77508375	7.750	8.375	\$15.65
VP77508500	7.750	8.500	\$17.29
VP77509000	7.750	9.000	\$44.63
VP78758500	7.875	8.500	\$32.20
VP78758875	7.875	8.875	\$29.89
VP78759000	7.875	9.000	\$33.24
VP79058543	7.905	8.543	\$16.00
VP79259170	7.925	9.170	\$39.37
VP79508500	7.950	8.500	\$12.18
VP79708520	7.970	8.520	\$12.21
VP80008500	8.000	8.500	\$11.46
VP80008525	8.000	8.525	\$11.73
VP80008750	8.000	8.750	\$18.06
VP80009000	8.000	9.000	\$30.61
VP80009040	8.000	9.040	\$30.98
VP80009250	8.000	9.250	\$49.81
VP80009500	8.000	9.500	\$63.79
VP80509050	8.050	9.050	\$30.00
VP810010000	8.100	10.000	\$99.95
VP81258625	8.125	8.625	\$11.98
VP81258655	8.125	8.655	\$12.80
VP81879437	8.187	9.437	\$49.94
VP82509000	8.250	9.000	\$19.58
VP82509250	8.250	9.250	\$30.05
VP83759125	8.375	9.125	\$23.69
VP84459195	8.445	9.195	\$27.30
VP85009000	8.500	9.000	\$19.46
VP85009250	8.500	9.250	\$21.33

Size Number*	Inside Dia. d ₁	Outside Dia. D ₁	Price
VP85009500	8.500	9.500	\$30.81
VP850010000	8.500	10.000	\$68.16
VP850010062	8.500	10.062	\$70.42
VP875010000	8.750	10.000	\$60.27
VP88759875	8.875	9.875	\$32.25
VP887510000	8.875	10.000	\$39.17
VP89509500	8.950	9.500	\$14.27
VP89509750	8.950	9.750	\$58.77
VP90009500	9.000	9.500	\$18.14
VP90009750	9.000	9.750	\$20.16
VP900010000	9.000	10.000	\$33.29
VP900010250	9.000	10.250	\$52.28
VP900010500	9.000	10.500	\$59.60
VP91259675	9.125	9.675	\$19.07
VP91259750	9.125	9.750	\$20.32
VP912510125	9.125	10.125	\$35.87
VP92409790	9.240	9.790	\$25.50
VP92509750	9.250	9.750	\$41.58
VP925010250	9.250	10.250	\$39.35
VP925010500	9.250	10.500	\$66.13
VP931210562	9.312	10.562	\$56.26
VP93759875	9.375	9.875	\$18.46
VP93759910	9.375	9.910	\$21.63
VP937510000	9.375	10.000	\$28.88
VP950010000	9.500	10.000	\$40.60
VP950010500	9.500	10.500	\$37.11
VP975010500	9.750	10.500	\$30.59
VP987510625	9.875	10.625	\$31.98
VP987510875	9.875	10.875	\$39.11
VP987511000	9.875	11.000	\$44.34
VP987511375	9.875	11.375	\$75.41
VP1000010500	10.000	10.500	\$33.84
VP1000011000	10.000	11.000	\$42.60
VP1000011250	10.000	11.250	\$60.56
VP1000011500	10.000	11.500	\$64.40
VP1025011500	10.250	11.500	\$62.77
VP1025011750	10.250	11.750	\$69.78
VP1037511375	10.375	11.375	\$47.07
VP1045011250	10.450	11.250	\$61.00
VP1047011020	10.470	11.020	\$42.19
VP1050011000	10.500	11.000	\$44.21
VP1050011250	10.500	11.250	\$50.55
VP1050011500	10.500	11.500	\$57.51
VP1062512125	10.625	12.125	\$87.91
VP1075011500	10.750	11.500	\$74.70
VP1075012000	10.750	12.000	\$68.79
VP1087511875	10.875	11.875	\$50.97
VP1087512000	10.875	12.000	\$52.98
VP1095011750	10.950	11.750	\$65.92
VP1100012000	11.000	12.000	\$50.04
VP1100012500	11.000	12.500	\$75.02
VP1100012750	11.000	12.750	\$91.26
VP1125012000	11.250	12.000	\$50.55
VP1137512375	11.375	12.375	\$53.50

*Add suffix to size number for complete part number.
See Page 344 for suffix listing.

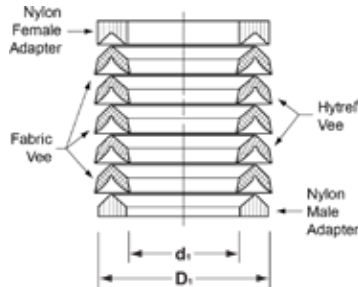
Vee Packing Components - Inch, cont'd.

Size Number*	Inside Dia. d ₁	Outside Dia. D ₁	Price
VP1143712437	11.437	12.437	\$54.32
VP1187512875	11.875	12.875	\$54.88
VP1187513000	11.875	13.000	\$60.38
VP1195012500	11.950	12.500	\$53.29
VP1195012750	11.950	12.750	\$66.34
VP1200012750	12.000	12.750	\$71.42
VP1200013000	12.000	13.000	\$58.50
VP1200013250	12.000	13.250	\$76.26
VP1200013500	12.000	13.500	\$81.82
VP1250013250	12.500	13.250	\$84.15
VP1250014000	12.500	14.000	\$88.78
VP1275013250	12.750	13.250	\$46.70
VP1300014000	13.000	14.000	\$70.49
VP1318714187	13.187	14.187	\$68.59
VP1325014000	13.250	14.000	\$68.90
VP1325014250	13.250	14.250	\$69.64

Size Number*	Inside Dia. d ₁	Outside Dia. D ₁	Price
VP1375014500	13.750	14.500	\$58.77
VP1381214812	13.812	14.812	\$71.64
VP1400015000	14.000	15.000	\$90.37
VP1400015500	14.000	15.500	\$90.83
VP1500016000	15.000	16.000	\$109.74
VP1500016250	15.000	16.250	\$114.76
VP1600017500	16.000	17.500	\$172.13
VP1700018000	17.000	18.000	\$142.46
VP1750019000	17.500	19.000	\$137.70
VP1900020500	19.000	20.500	\$152.09
VP2000021000	20.000	21.000	\$136.06
VP2000021500	20.000	21.500	\$158.98
VP2175023250	21.750	23.250	\$264.53
VP2300024500	23.000	24.500	\$326.94
VP2400025500	24.000	25.500	\$357.47

*Add suffix to size number for complete part number.
See Page 344 for suffix listing.

Vee Packing Components - Metric



* Add suffix to Size Number to specify component Part Number

- FN = Nylon Female Adapter
- FF = Fabric Female Adapter
- VF = Fabric Vee
- VH = Hytrel® Vee
- VB = Homogeneous Nitrile Vee
- MN = Nylon Male Adapter
- MF = Fabric Male Adapter

NOTE: Not all sizes have availability of tops, bottoms and vees. Please consult sales.

PART #'S WERE CREATED IN INCHES.
TO CONVERT TO METRIC MULTIPLY BY .0254

EXAMPLE: VP15752165FN

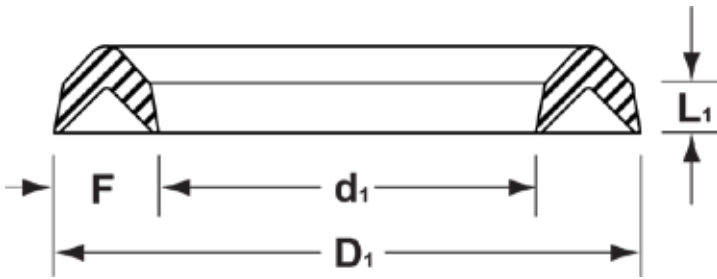
Prefix	Inside Diameter	Outside Diameter	Style	Material
VP	1575	2165	F	N
	40mm	50mm	FEMALE	NYLON

Size Number*	Inside Dia. d ₁	Outside Dia. D ₁	Price
VP15752165	40	x 55	\$5.53
VP19692559	50	x 65	\$6.88
VP21652756	55	x 70	\$7.06
VP23622953	60	x 75	\$7.47
VP24803071	63	x 78	\$8.11
VP25593150	65	x 80	\$8.76
VP27563347	70	x 85	\$8.92
VP27563543	70	x 90	\$11.79
VP29533543	75	x 90	\$11.32
VP31503740	80	x 95	\$11.67
VP31503937	80	x 100	\$12.79
VP33463937	85	x 100	\$12.58
VP35434134	90	x 105	\$13.30
VP35434331	90	x 110	\$14.96

Size Number*	Inside Dia. d ₁	Outside Dia. D ₁	Price
VP43314921	110	x 125	\$15.81
VP44105197	112	x 132	\$16.46
VP53156299	135	x 160	\$19.87
VP55126299	140	x 160	\$18.10
VP55126693	140	x 170	\$29.73
VP59056889	150	x 175	\$33.09
VP59057087	150	x 180	\$37.12
VP62997087	160	x 180	\$34.96
VP62997284	160	x 185	\$36.25
VP82689055	210	x 230	\$43.51
VP86629843	220	x 250	\$65.04
VP984310630	250	x 270	\$50.01
VP984311024	250	x 280	\$86.44
VP1141712205	290	x 310	\$82.55

*Add suffix to size number for complete part number.
See above for suffix listing.

AN Style Homogeneous Nitrile Vees - Inch



ALTERNATIVE SEALS: VP

EXAMPLE: 6225-20 N90		
Prefix	Inside Diameter	Material
6225-	20	N90
	1"	90A NBR

This short profile 90 durometer Nitrile vee is used in sets for pneumatic and hydraulic applications. Normally they are stacked together, or in conjunction with leather or PTFE vees of the same profile for hydraulic applications. This profile is also available in other compounds including FKM, EPR, and Leather. Consult sales office for price and availability.

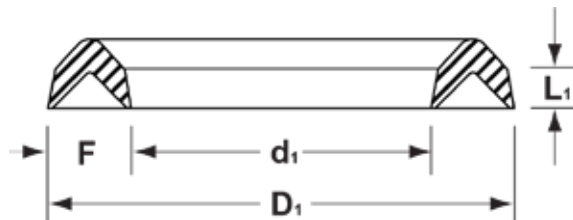
AN # SYSTEM

Temperature: -40° to 225°F Pressure: Consult technical service

Part Number	Inside Dia. d_1	Outside Dia. D_1	Stack Height L_1	Price
6225-1 N90	0.125	0.500	.083	\$4.81
6225-2 N90	0.187	0.562	.083	\$4.85
6225-3 N90	0.250	0.625	.083	\$4.96
6225-4 N90	0.312	0.687	.083	\$5.82
6225-5 N90	0.375	0.750	.083	\$3.31
6225-6 N90	0.437	0.812	.083	\$4.43
6225-7 N90	0.500	0.875	.083	\$2.34
6225-8 N90	0.250	0.750	.083	\$4.32
6225-9 N90	0.312	0.812	.083	\$5.47
6225-10 N90	0.375	0.875	.083	\$4.53
6225-11 N90	0.437	0.937	.083	\$6.56
6225-12 N90	0.500	1.000	.083	\$4.19
6225-13 N90	0.562	1.062	.083	\$6.56
6225-14 N90	0.625	1.125	.083	\$4.52
6225-15 N90	0.687	1.187	.083	\$5.32
6225-16 N90	0.750	1.250	.083	\$5.55
6225-17 N90	0.812	1.312	.083	\$6.56
6225-18 N90	0.875	1.375	.083	\$6.82
6225-19 N90	0.937	1.437	.083	\$8.17
6225-20 N90	1.000	1.500	.083	\$3.22
6225-21 N90	1.062	1.562	.083	\$6.73
6225-22 N90	1.125	1.625	.083	\$3.32
6225-23 N90	1.187	1.687	.083	\$6.40
6225-24 N90	1.250	1.750	.083	\$3.44
6225-25 N90	1.250	1.875	.140	\$3.60
6225-26 N90	1.375	2.000	.140	\$3.70
6225-27 N90	1.500	2.125	.140	\$3.80
6225-28 N90	1.625	2.250	.140	\$4.94
6225-29 N90	1.750	2.375	.140	\$4.92
6225-30 N90	1.875	2.500	.140	\$5.83
6225-31 N90	2.000	2.625	.140	\$5.68

Part Number	Inside Dia. d_1	Outside Dia. D_1	Stack Height L_1	Price
6225-32 N90	2.125	2.750	.140	\$7.12
6225-33 N90	2.250	2.875	.140	\$7.22
6225-34 N90	2.375	3.000	.140	\$8.23
6225-35 N90	2.500	3.125	.140	\$8.21
6225-36 N90	2.500	3.250	.156	\$9.11
6225-37 N90	2.625	3.375	.156	\$10.44
6225-38 N90	2.750	3.500	.156	\$9.15
6225-40 N90	3.000	3.750	.156	\$9.11
6225-42 N90	3.250	4.000	.156	\$9.54
6225-44 N90	3.500	4.250	.156	\$10.67
6225-46 N90	3.750	4.500	.156	\$16.83
6225-47 N90	3.875	4.625	.156	\$40.82
6225-48 N90	3.875	4.750	.197	\$18.77
6225-49 N90	4.000	4.875	.197	\$22.27
6225-50 N90	4.250	5.125	.197	\$20.99
6225-51 N90	4.500	5.375	.197	\$21.34
6225-52 N90	4.750	5.625	.197	\$21.91
6225-53 N90	5.000	5.875	.197	\$22.17
6225-54 N90	5.250	6.125	.197	\$23.15
6225-55 N90	5.500	6.375	.197	\$19.81
6225-56 N90	5.500	6.500	.197	\$26.65
6225-57 N90	5.750	6.750	.197	\$21.65
6225-58 N90	6.000	7.000	.197	\$28.77
6225-60 N90	6.500	7.500	.197	\$30.83
6225-62 N90	7.000	8.000	.197	\$38.49
6225-63 N90	7.250	8.250	.197	\$39.69
6225-64 N90	7.500	8.500	.197	\$41.36
6225-66 N90	8.000	9.000	.197	\$64.01
6225-67 N80	8.500	9.500	.197	\$68.22
6225-70 N90	10.000	11.000	.197	\$54.28

Homogeneous Nitrile Vee Packing - Inch & Metric


EXAMPLE: VP37504375VF

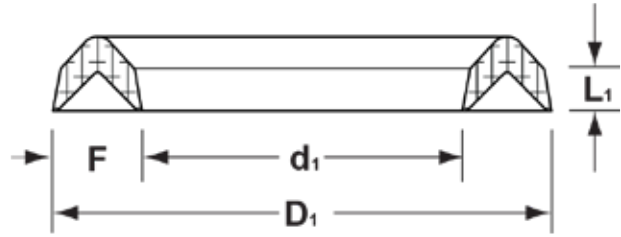
Prefix	Inside Diameter	Outside Diameter	Style	Material
VP	3750	4375	V	F
	3-3/4"	4-3/8"	VEE PCKNG	NBR/FAB

This regular profile 90 durometer Nitrile vee is used in sets for pneumatic and hydraulic applications. Normally they are stacked together, or in conjunction with leather or TFE vees of the same profile for hydraulic applications. This profile is also available in other compounds including FKM, EPR, and Leather.

Temperature: -40° to 225°F Pressure: Consult technical service

Part Number	Inside Dia. d_1	Outside Dia. D_1	C/S F	Stack Height L_1	Price
VP394787VB	10mm	20mm	0.197	0.098	\$6.53
VP7501125VB.083	0.750	1.125	0.187	0.083	\$3.18
VP8121375VB.081	0.812	1.375	0.282	0.081	\$3.67
VP10001500VB	1.000	1.500	0.250	0.125	\$5.60
VP12501750VB	1.250	1.750	0.250	0.125	\$4.07
VP15002000VB	1.500	2.000	0.250	0.125	\$7.53
VP15002000VB.083	1.500	2.000	0.250	0.083	\$4.67
VP18122363VB.083	1.812	2.363	0.276	0.083	\$5.54
VP18752625VB.156	1.875	2.625	0.375	0.156	\$8.52
VP20002500VB	2.000	2.500	0.250	0.125	\$4.47
VP20002500VB.083	2.000	2.500	0.250	0.083	\$4.57
VP20002500VB.140	2.000	2.500	0.250	0.140	\$7.33
VP22502750VB	2.250	2.750	0.250	0.125	\$5.54
VP25003000VB	2.500	3.000	0.250	0.125	\$5.60
VP27003200VB.083	2.700	3.200	0.250	0.083	\$5.84
VP28753250VB N90	2.875	3.250	0.187	0.094	\$8.74
VP32504000VB	3.250	4.000	0.375	0.187	\$9.98
VP33464134VB	85mm	105mm	0.394	0.197	\$19.40
VP39374528VB	100mm	115mm	0.296	0.148	\$16.56
VP39374724VB	100mm	120mm	0.394	0.197	\$20.12
VP39504750VB	3.950	4.750	0.400	0.200	\$25.18
VP44374937VB.187	4.437	4.937	0.250	0.187	\$29.93
VP55006000VB	5.500	6.000	0.250	0.125	\$8.07
VP59056693VB	150mm	170mm	0.394	0.197	\$55.01
VP60006500VB	6.000	6.500	0.250	0.125	\$12.35
VP62507000VB	6.250	7.000	0.375	0.187	\$22.56
VP65007000VB	6.500	7.000	0.250	0.125	\$12.63
VP65007125VB.140	6.500	7.125	0.312	0.140	POA
VP65007500VB	6.500	7.500	0.500	0.250	\$21.83
VP67007500VB	6.700	7.500	0.400	0.200	\$23.97
VP75008250VB	7.500	8.250	0.375	0.187	\$24.71
VP77008500VB	7.700	8.500	0.400	0.200	\$25.14
VP79259170VB	7.925	9.170	0.623	0.311	\$28.11
VP80009000VB	8.000	9.000	0.500	0.250	\$39.63
VP82509000VB	8.250	9.000	0.375	0.187	\$22.24
VP84459195VB	8.445	9.195	0.375	0.187	\$27.14
VP85009250VB	8.500	9.250	0.375	0.187	\$27.69
VP89509500VB	8.950	9.500	0.275	0.138	\$20.91
VP92409790VB	9.240	9.790	0.275	0.138	\$21.99
VP92509750VB	9.250	9.750	0.250	0.125	\$20.16
VP931210562VB	9.312	10.562	0.625	0.312	\$27.99
VP937510000VB	9.375	10.000	0.312	0.156	\$27.80
VP1000011250VB	10.000	11.250	0.625	0.312	\$61.16
VP1045011250VB	10.450	11.250	0.400	0.200	\$50.60
VP1195012750VB	11.950	12.750	0.400	0.200	\$51.73

AN Style PTFE Vees - Inch



EXAMPLE: 6225-20 TFE		
Prefix	Inside Diameter	Material
6225-	20	PTFE
	1"	VIRGIN PTFE

This short profile PTFE Vee is used in sets for pneumatic and hydraulic applications. Normally they are stacked together, or in conjunction with Nitrile vees of the same profile. Please call sales office for price and availability.

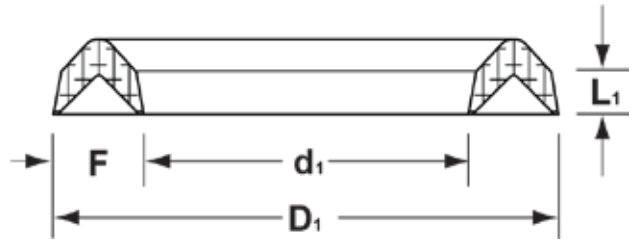
Temperature: -100° to 400°F

Pressure: Consult technical service

AN # SYSTEM

Part Number	Inside Dia. d_1	Outside Dia. D_1	C/S F	Stack Height L_1	Price
6225-2 TFE	0.187	0.562	0.187	0.083	POA
6225-3 TFE	0.250	0.625	0.187	0.083	\$7.48
6225-4 TFE	0.312	0.687	0.187	0.083	\$9.84
6225-8 TFE	0.250	0.750	0.250	0.083	\$7.48
6225-12 TFE	0.500	1.000	0.250	0.083	\$7.86
6225-14 TFE	0.625	1.125	0.250	0.083	\$8.04
6225-16 TFE	0.750	1.250	0.250	0.083	POA
6225-17 TFE	0.812	1.312	0.250	0.083	POA
6225-19 TFE	0.937	1.437	0.250	0.083	POA
6225-20 TFE	1.000	1.500	0.250	0.083	\$8.03
6225-22 TFE	1.125	1.625	0.250	0.083	POA
6225-24 TFE	1.250	1.750	0.250	0.083	\$16.92
6225-26 TFE	1.375	2.000	0.312	0.140	\$11.02
6225-27 TFE	1.500	2.125	0.312	0.140	\$9.11
6225-29 TFE	1.750	2.375	0.312	0.140	\$10.01
6225-31 TFE	2.000	2.625	0.312	0.140	\$11.68
6225-32 TFE	2.125	2.750	0.312	0.140	\$11.94
6225-33 TFE	2.250	2.875	0.312	0.140	POA
6225-35 TFE	2.500	3.125	0.312	0.140	\$15.93
6225-36 TFE	2.500	3.250	0.375	0.156	\$26.39
6225-38 TFE	2.750	3.500	0.375	0.156	\$16.81
6225-40 TFE	3.000	3.750	0.375	0.156	POA
6225-41 TFE	3.125	3.875	0.375	0.156	POA
6225-42 TFE	3.250	4.000	0.375	0.156	\$18.25
6225-43 TFE	3.375	4.125	0.375	0.156	POA
6225-44 TFE	3.500	4.250	0.375	0.156	POA
6225-46 TFE	3.750	4.500	0.375	0.156	\$22.75
6225-48 TFE	3.875	4.750	0.437	0.156	\$28.21
6225-49 TFE	4.000	4.875	0.437	0.197	POA
6225-50 TFE	4.250	5.125	0.437	0.197	POA
6225-51 TFE	4.500	5.375	0.437	0.197	POA
6225-52 TFE	4.750	5.625	0.437	0.197	POA
6225-54 TFE	5.250	6.125	0.437	0.197	\$64.44
6225-62 TFE	7.000	8.000	0.500	0.197	POA

PTFE Vee Packing - Inch



EXAMPLE: VP20002500VT				
Prefix	Inside Diameter	Outside Diameter	Style	Material
VP	2000	2500	V	T
	2"	2 1/2"	VEE PACKNG	PTFE

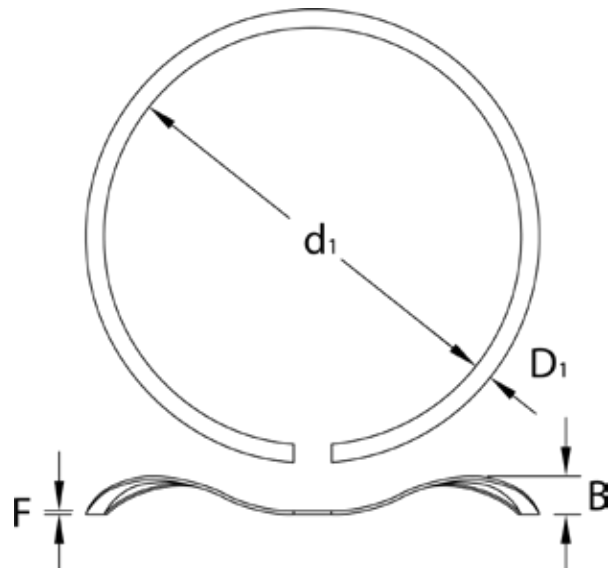
We stock many standard Vee Packing sizes in PTFE for pneumatic and hydraulic applications. Consult our sales department for sizes not listed.

Temperature: -100° to 400°F Pressure: Consult technical service

Part Number	Inside Dia. d_1	Outside Dia. D_1	C/S F	Stack Height L_1	Price
VP250875VT	0.250	0.875	0.312	0.156	\$4.93
VP375875VT	0.375	0.875	0.250	0.125	\$7.12
VP500875VT	0.500	0.875	0.187	0.093	\$6.93
VP528842VT.083	0.528	0.842	0.157	0.083	\$3.44
VP5941094VT.083	0.594	1.094	0.250	0.083	\$3.97
VP7501250VT.200	0.750	1.250	0.250	0.200	\$51.35
VP8391344VT.083	0.839	1.344	0.253	0.083	\$8.17
VP11251625VT.200	1.125	1.625	0.250	0.200	\$11.68
VP13751875VT.083	1.375	1.875	0.250	0.083	\$7.25
VP14372062VT.140	1.437	2.062	0.312	0.140	\$8.27
VP17502250VT.083	1.750	2.250	0.250	0.083	\$17.98
VP17502250VT.203	1.750	2.250	0.250	0.203	\$20.14
VP18122363VT.083	1.812	2.363	0.276	0.083	\$13.38
VP18752375VT	1.875	2.375	0.250	0.125	\$10.60
VP20002500VT	2.000	2.500	0.250	0.125	\$25.10
VP20002750VT.156	2.000	2.750	0.375	0.156	\$12.24
VP20003000VT	2.000	3.000	0.500	0.250	\$23.52
VP20003250VT	2.000	3.250	0.625	0.312	\$33.51
VP22503000VT.156	2.250	3.000	0.375	0.156	\$65.86
VP27003200VT.083	2.700	3.200	0.250	0.083	\$15.03
VP30003500VT.083	3.000	3.500	0.250	0.083	\$38.21
VP40004625VT.140	4.000	4.625	0.312	0.140	\$17.99
VP40005000VT.250	4.000	5.000	0.500	0.250	\$63.83
VP42505000VT.140	4.250	5.000	0.375	0.140	\$26.04
VP57506375VT.140	5.750	6.375	0.312	0.140	\$34.79
VP65007125VT.140	6.500	7.125	0.312	0.140	POA



Wave / Compression Springs



Wave springs are typically used in conjunction with vee packing sets to apply a constant load to the seals. They are also found in some telescopic cylinders.

Please consult sales for sizes not listed.

EXAMPLE: SSR-0537	
Prefix	Inside Diameter
SSR-	0537
	5-3/8"

See Page 391 for Commercial® Telescopic Sizes.

Part Number	Operates in Bore Dia.	Clears Shaft Dia. d_1	Work Height	Free Height B	Thickness F	Radial Wall D_1	Vee Packing		Price
							Rod	Gland	
SSR-0112	1.120	0.840	0.078	0.13	0.016	0.133	0.625	1.125	\$8.07
SSR-0150	1.500	1.170	0.078	0.17	0.018	0.143	1.000	1.500	\$8.07
SSR-0175	1.750	1.440	0.078	0.14	0.018	0.143	1.250	1.750	\$8.07
SSR-0187	1.870	1.560	0.078	0.15	0.018	0.143	1.250	1.875	\$5.46
SSR-0200	2.000	1.680	0.093	0.14	0.024	0.150	1.375	2.000	\$5.80
SSR-0212	2.120	1.800	0.093	0.15	0.024	0.150	1.500	2.125	\$23.40
SSR-0225	2.250	1.930	0.093	0.17	0.024	0.150	1.625	2.250	\$6.19
SSR-0237	2.375	1.990	0.093	0.16	0.024	0.178	1.750	2.375	\$11.40
SSR-0250	2.500	2.120	0.093	0.17	0.024	0.178	1.875	2.500	\$6.84
SSR-0262	2.625	2.240	0.093	0.19	0.024	0.178	2.000	2.625	\$6.84
SSR-0275	2.750	2.340	0.109	0.17	0.030	0.188	2.125	2.750	\$7.37
SSR-0300	3.000	2.590	0.109	0.19	0.030	0.188	2.375	3.000	\$7.77
SSR-0325	3.250	2.750	0.109	0.20	0.030	0.233	2.500	3.250	\$8.33
SSR-0350	3.500	3.000	0.109	0.23	0.030	0.233	2.750	3.500	\$15.76
SSR-0362-N	3.625	3.190	0.109	0.27	0.030	0.188	3.000	3.625	\$15.88
SSR-0375	3.750	3.250	0.109	0.26	0.030	0.233	3.000	3.750	\$10.11
SSR-0400	4.000	3.500	0.109	0.19	0.030	0.233	3.250	4.000	\$26.63
SSR-0425	4.250	3.740	0.109	0.21	0.030	0.233	3.500	4.250	\$31.86
SSR-0537	5.375	4.860	0.125	0.36	0.030	0.233	4.500	5.375	\$70.66
SSR-0625	6.250	5.730	0.125	0.34	0.030	0.233	5.375	6.250	\$98.78
SSR-0750-N	7.500	6.980	0.156	0.36	0.032	0.233	6.875	7.500	\$63.73
SSR-0900	9.000	8.180	0.156	0.29	0.032	0.375	8.000	9.000	\$107.21
SSR-0950	9.500	8.680	0.156	0.24	0.032	0.375	8.500	9.500	\$193.96
SSR-1100	11.000	10.170	0.156	0.35	0.032	0.375	10.000	11.000	\$245.93

Oil Seal Information

The next few pages contain a listing of popular inch and metric oil seals. Most are low pressure nitrile seals. These seals are primarily used to seal grease and lubricating oils up to 10 PSI at temperatures from -40° F to 250° F. Seals should be lubricated during installation for best results.

Application parameters

For the best results from these shaft seals, we must consider the shaft material, hardness, roughness, eccentricity and tolerance according to the following points.

Shaft

Shaft Material - Seals perform best on a medium carbon steel or stainless steel shaft. Heat treatment or nitriding is especially recommended. To seal water at low surface velocity, stainless steel is more suitable.

Shaft Hardness - In the area where the sealing lip contacts the shaft, we recommend that the minimum hardness is 45 HRc. Where lubrication is doubtful, abrasive matter is present or shaft speed is greater than 2,750 fpm, 55 HRc is preferred.

Shaft Roughness - We recommend the shaft be machined to a surface roughness of Ra = 10 to 20 (Ra = 0.2 to 0.8 µm).

In the area of the contact surface, any rifling marks are not permitted.

Shaft Eccentricity - Two types of shaft eccentricity affect seal performance. They are dynamic runout (double dynamic eccentricity) and offset (shaft to bore misalignment or static eccentricity). The allowable eccentricity decreases as shaft size increases.

Shaft Speed - The shaft speed limitation decreases as shaft size increases.

Shaft Tolerance in Inch:

Nominal shaft diameter	Tolerance
Up to 4.000	+/- .003
Over 4.000 to 6.000	+/- .004

INCH EXAMPLE: 05082TC			
Inside Diameter	Outside Diameter	Height	Style
05	08	2	TC
1/2" (.5)	7/8" (.875)	1/4" (.25)	DBL LIP

Housing - For optimum seal performance, consideration must also be given to the housing:

Housing Material - Steel and cast iron provide a good surface for both rubber and metal O.D. seals. For soft alloy (aluminum) housings, seals with rubber O.D. provide a better sealing capacity.

Housing Roughness - The housing inside diameter roughness is 32 to 64 Ra for metal O.D. seals and 100 to 200 Ra for rubber covered O.D.

Housing Tolerance in Inch:

Bore diameter	Bore tolerance
Up to 3.000	+/- 0.001
3.001 to 6.000	+/- 0.0015

METRIC EXAMPLE: MOS-17X35X7-BABSL				
Prefix	Inside Diameter	Outside Diameter	Height	Style
MOS-	17	x 35	x 7	- BABSL
	17mm	35mm	7mm	MED PRS/ DBL LIP

Seal Tolerance:

Seal Outside Diameter Tolerances - Inch

Bore Diameter	Press-fit Allowance		Tolerance	
	Metal Case	Rubber Covered Case	Metal Case	Rubber Covered Case
up to 1.000	+ 0.004	+ 0.006	+/- 0.002	+/- 0.003
1.001 to 2.000	+ 0.004	+ 0.007	+/- 0.002	+/- 0.003
2.001 to 3.000	+ 0.004	+ 0.008	+/- 0.002	+/- 0.003
3.001 to 4.000	+ 0.005	+ 0.010	+/- 0.002	+/- 0.004
4.001 to 6.000	+ 0.005	+ 0.010	+0.003/-0.002	+/- 0.004

Oil Seals - Inch

TA Profile Oil Seal
5 PSI - Double Lip



TB Profile Oil Seal
5 PSI - Double Lip



TC / AS - Profile Oil Seal - 7 PSI
BABSL - Medium Pressure - 50 PSI
Double Lip



SA / C Profile Oil Seal
5 PSI - Single Lip



SB Profile Oil Seal
5 PSI - Single Lip



SC / A Profile Oil Seal
7 PSI - Single Lip



SM Profile Oil Seal
7 PSI - Single Lip



Part Number	Shaft Dia. d	Bore Dia. D	Height L ₁	Style	Price
01072SC	0.187	0.750	0.250	SC	\$9.84
03061VM	0.375	0.687	0.156	VM	\$7.11
03072SC	0.375	0.750	0.250	SC	\$8.24
03082VM	0.375	0.875	0.250	VM	\$9.52
04092TC	0.434	0.999	0.250	TC	\$8.74
04082SM	0.438	0.875	0.250	SM	\$10.30
0506809VC	0.500	0.687	0.093	VC	\$5.30
050681VM	0.500	0.685	0.125	VM	\$6.53
050716TC	0.500	0.749	0.165	TC	\$8.33
05082TB	0.500	0.875	0.250	TB	\$8.47
05082TC	0.500	0.875	0.250	TC	\$8.71
05083TBY	0.500	0.875	0.312	TBY	\$7.11
05092SB	0.500	0.999	0.250	SB	\$10.05
05092TB	0.500	0.999	0.250	TB	\$6.71
050102TC	0.500	1.000	0.250	TC	\$8.94
05112TB	0.500	1.124	0.250	TB	\$7.20
05112TB-H	0.500	1.250	0.250	TB-H	\$9.38
05112VTB	0.500	1.124	0.250	VTB	\$25.54
05122TC	0.500	1.250	0.250	TC	\$9.60
05132TB-H	0.500	1.375	0.250	TB-H	\$14.03
05630875-188 SBYP2	0.563	0.875	0.187	SBYP2	\$6.13
05092TC	0.562	0.999	0.250	TC	\$8.28
056112TB	0.563	1.124	0.250	TBY	\$8.41
06091VB	0.625	0.938	0.188	VB	\$6.16
06092TB	0.625	0.999	0.250	TB	\$8.32
061062SL-H	0.625	1.063	0.250	SL-H	\$14.33
061118VL	0.625	1.125	0.093	VL	\$11.26
06112SB	0.625	1.124	0.250	SB	\$9.11
06112TB	0.625	1.124	0.250	TB	\$7.17
06112VTB	0.625	1.124	0.250	VTB	\$27.01
06112TC	0.625	1.125	0.250	TC	\$8.91
06122TC	0.625	1.250	0.250	TC	\$11.49
06132TB	0.625	1.375	0.250	TB	\$9.52
0615731TB-H	0.625	1.575	0.312	TB	\$12.36
0680918VM	0.687	0.999	0.187	VM	\$7.86
068112SB	0.687	1.125	0.250	TC	\$9.52
068112TC	0.687	1.125	0.250	TC	\$9.53
06111SB	0.687	1.187	0.188	SB	\$9.82
071061TB	0.750	1.062	0.187	TB	\$11.10
071061VCY	0.750	1.062	0.187	VCY	\$12.19
07111VM	0.750	1.124	0.156	VM	\$6.52
071118SM-H	0.750	1.124	0.187	SM-H	\$18.14
07111SB	0.750	1.124	0.125	SB	\$9.36
07111TB	0.750	1.124	0.188	TB	\$8.64
07112TB-H	0.750	1.125	0.250	TB-H	\$9.52
07112SB	0.750	1.187	0.250	SB	\$9.59
07112SC	0.750	1.187	0.250	SC	\$9.11
07122TC-G	0.750	1.250	0.250	TCG	\$8.02
07123TC	0.750	1.250	0.312	TC	\$10.77

Oil Seals - Inch, cont'd.

Part Number	Shaft Dia. d	Bore Dia. D	Height L ₁	Style	Price	Part Number	Shaft Dia. d	Bore Dia. D	Height L ₁	Style	Price
07123VTC	0.750	1.250	0.312	VTC	\$26.96	11141SM	1.125	1.500	0.187	SB	\$16.05
07132TB	0.750	1.312	0.250	TB	\$13.76	11152SB	1.125	1.562	0.250	SB	\$9.33
075132TB	0.750	1.375	0.250	TB	\$8.99	11162TB	1.125	1.625	0.250	TB	\$9.44
07142TB-H	0.750	1.499	0.250	TB-H	\$10.85	11172VSB-H	1.125	1.750	0.250	VSB-H	\$47.20
07142SB	0.750	1.500	0.250	SB	\$10.31	11172TB	1.125	1.752	0.250	TB	\$10.81
07153SA-H	0.750	1.561	0.375	SA-H	\$28.94	11174VB	1.125	1.780	0.469	VB	\$8.77
07162TB	0.750	1.624	0.250	TB	\$11.05	11182VH	1.125	1.828	0.250	VH	\$14.43
071731TZ	0.750	1.750	0.312	TZ	\$9.30	111872TB	1.125	1.875	0.250	TB	\$9.61
078122TB-H	0.781	1.250	0.250	TB-H	\$12.58	111872TB-H	1.125	1.875	0.250	TB-H	\$17.38
081101VC	0.813	1.063	0.125	VC	\$6.56	11195VB	1.125	1.938	0.562	VB	\$15.10
081133SB-H	0.813	1.375	0.375	SB-H	\$17.44	111992TEC	1.125	1.998	0.252	TEC	\$17.85
081142TL	0.813	1.500	0.250	TL	\$8.97	11202SB	1.125	2.000	0.250	SB	\$9.21
08122SC	0.875	1.250	0.250	SC	\$7.03	11203TC	1.125	2.000	0.375	TC	\$10.71
08122TC	0.875	1.250	0.250	TC	\$7.54	11213SB	1.125	2.125	0.312	SB	\$14.50
08132TC	0.875	1.375	0.250	TC	\$8.46	118172SB	1.187	1.752	0.250	SB	\$15.69
08132VSB	0.875	1.375	0.250	VSB	\$33.72	11182TF	1.187	1.875	0.250	TF	\$13.72
081442WPBY	0.875	1.442	0.250	WPBY	\$7.71	118202TB	1.187	2.000	0.250	TB	\$14.82
08142TB-H	0.875	1.500	0.250	TB-H	\$9.78	1182062TB	1.187	2.062	0.250	TB	\$15.69
08153TC	0.875	1.500	0.312	TC	\$11.09	121618SB	1.250	1.625	0.187	SB	\$11.85
08162TB	0.875	1.625	0.250	TB	\$10.29	121622TC	1.250	1.625	0.250	TC	\$10.76
08172TB-H	0.875	1.752	0.250	TB-H	\$12.72	12162TC	1.250	1.687	0.250	TC	\$9.43
08183TB	0.875	1.828	0.375	TB	\$11.91	121752TB	1.250	1.750	0.250	TB	\$9.27
08182SB	0.875	1.874	0.250	SB	\$14.72	12182TB	1.250	1.874	0.250	TB	\$8.43
08202SB-H	0.875	2.000	0.250	SB-H	\$27.65	12202TB	1.250	2.000	0.250	TB	\$11.57
093152SB-H	0.937	1.500	0.250	SB-H	\$10.69	12203TC	1.250	2.000	0.312	TC	\$15.42
093162SAY	0.938	1.624	0.250	SAY	\$18.53	12212TB	1.250	2.125	0.250	TB	\$16.39
09162TB-H	0.969	1.624	0.250	TB-H	\$20.29	12223TC	1.250	2.250	0.375	TC	\$16.97
091683TC	0.968	1.688	0.312	TC	\$12.97	9057-9	1.312	1.818	0.156		\$57.31
09181WPB	0.984	1.828	0.187	WPB	\$9.39	131204TB	1.312	2.062	0.437	TB	\$17.28
10121VM	1.000	1.250	0.125	VM	\$8.32	132231SB	1.328	2.227	0.312	SB	\$17.57
10132TBY	1.000	1.375	0.250	TBY	\$8.79	13172TB	1.375	1.750	0.219	TB	\$17.37
100142SC	1.000	1.437	0.250	SC	\$9.74	13183SB	1.375	1.828	0.312	SB	\$11.87
100142TC	1.000	1.438	0.250	TC	\$15.76	131831UVM	1.375	1.834	0.187	UVM	\$13.70
10142SB-H	1.000	1.499	0.250	SB	\$10.27	131872VTCN	1.375	1.875	0.250	VTCN	\$36.75
10142TC	1.000	1.499	0.250	TC	\$9.29	13192TB	1.375	1.938	0.250	TB	\$9.32
10142TB-H	1.000	1.500	0.250	TB-H	\$9.22	13203TB	1.375	2.000	0.312	TB	\$11.88
101503TC	1.000	1.500	0.312	TC	\$7.60	132031TCN2	1.375	2.000	0.312	TCN2	\$21.09
101562TB	1.000	1.561	0.250	TB	\$13.03	132123TB	1.375	2.125	0.312	TB	\$9.59
101572TB-H	1.000	1.575	0.250	TB-H	\$14.24	132123TC	1.375	2.125	0.312	TC	\$9.48
10162TC	1.000	1.624	0.250	TC	\$11.69	13223TB	1.375	2.250	0.312	TB	\$12.87
101682TB	1.000	1.686	0.250	TB	\$18.07	13233TB	1.375	2.374	0.312	TB	\$16.82
101572TC	1.000	1.750	0.250	TC	\$10.63	470989	1.375	3.000	0.500	TB	\$80.15
10202TB	1.000	2.000	0.250	TB	\$12.36	151715VB	1.500	1.750	0.156	VB	\$16.24
10205TC	1.000	2.000	0.500	TC	\$12.25	15182TB	1.500	1.875	0.250	TB	\$14.78
102042TB	1.000	2.047	0.250	TB	\$20.81	150202SC	1.500	2.000	0.250	SC	\$16.15
1061311VCY	1.062	1.312	0.125	VCY	\$9.80	15213TB	1.500	2.125	0.312	TB	\$13.20
9057-1	1.062	1.330	0.156		\$10.08	152223TB	1.500	2.222	0.312	TB	\$19.76
1061431SM	1.062	1.438	0.187	SM	\$5.73	15223TB	1.500	2.250	0.312	TB	\$14.93
9057-14	1.062	1.475	0.125		\$30.42	152375SA	1.500	2.374	0.500	SA	\$21.49
106202TB-H	1.062	2.004	0.250	TB-H	\$16.71	15253TB	1.500	2.500	0.312	TB	\$12.75

Oil Seals - Inch, cont'd.

Part Number	Shaft Dia. d	Bore Dia. D	Height L ₁	Style	Price
15253SB	1.500	2.502	0.312	SB	\$9.43
152723TC	1.500	2.721	0.325	TC	\$16.05
156213SB	1.563	2.125	0.312	SB	\$15.73
152623TB	1.563	2.623	0.312	TB	\$15.90
16202SB	1.625	2.000	0.250	SB	\$14.25
16212SB-H	1.625	2.125	0.250	SB-H	\$17.04
16212VB	1.625	2.125	0.250	VB	\$11.73
16233TB	1.625	2.374	0.312	TB	\$12.45
16232SB	1.625	2.375	0.250	SB	\$35.47
1625031SB	1.625	2.500	0.312	SB	\$15.23
162564VHY	1.625	2.562	0.437	VHY	\$16.15
16263TB	1.625	2.623	0.312	TB	\$18.89
16303SA	1.625	3.000	0.312	SA	\$21.55
168213KC	1.688	2.166	0.312	KC	\$10.06
168255TC	1.688	2.561	0.500	TC	\$24.98
17221VSB	1.750	2.250	0.188	VSB	\$53.31
172231SB	1.750	2.250	0.312	SB	\$16.35
172231TC	1.750	2.250	0.312	TC	\$11.33
172373TB	1.750	2.374	0.312	TB	\$14.62
175223SA	1.750	2.250	0.312	SA	\$16.10
17252VH	1.750	2.502	0.250	VH	\$11.11
17253TB	1.750	2.502	0.312	TB	\$17.65
17253TC	1.750	2.502	0.375	TC	\$23.68
172753SC	1.750	2.756	0.375	SC	\$20.03
17393TB	1.750	3.937	0.312	TB	\$35.79
17293TC	1.766	2.950	0.312	TC	\$16.99
181243SB	1.812	2.437	0.315	SB	\$25.35
18263TC	1.875	2.625	0.250	TC	\$21.54
18273TB	1.875	2.750	0.312	TB	\$17.18
19242TB-H	1.937	2.437	0.250	TB-H	\$26.11
19262TCN	1.937	2.675	0.250	TCN	\$24.43
19273TB-H	1.937	2.750	0.312	TB-H	\$34.66
20252TC	2.000	2.502	0.250	TC	\$14.41
202562VB	2.000	2.563	0.227	VB	\$15.63
20263TB	2.000	2.623	0.312	TB	\$12.51
202683SB	2.000	2.686	0.375	SB	\$15.71
20273TB	2.000	2.750	0.312	TB	\$16.77
20283TA	2.000	2.875	0.312	TA	\$15.73
202874SA	2.000	2.875	0.500	SA	\$21.36
202843VSEC	2.000	2.884	0.375	VSEC	\$75.10
20303TB	2.000	3.000	0.312	TB	\$13.83
203031TC	2.000	3.000	0.312	TC	\$17.92
21294SA	2.125	2.997	0.437	SA	\$32.18
473243	2.125	3.250	0.375	TB	\$38.54
22302VHY	2.250	3.000	0.250	VHY	\$16.90
22303TC	2.250	3.000	0.375	TC	\$28.77
22304TA	2.250	3.000	0.437	TA	\$36.28
223184TA-H	2.250	3.189	0.437	TA-H	\$34.41
22323SB	2.250	3.250	0.375	SB	\$21.37
231355SA	2.312	3.500	0.500	SA	\$29.91

**TA Profile Oil Seal
5 PSI - Double Lip**

**TB Profile Oil Seal
5 PSI - Double Lip**

**TC / AS - Profile Oil Seal - 7 PSI
BABSL - Medium Pressure - 50 PSI
Double Lip**

**SA / C Profile Oil Seal
5 PSI - Single Lip**

**SB Profile Oil Seal
5 PSI - Single Lip**

**SC / A Profile Oil Seal
7 PSI - Single Lip**

**SM Profile Oil Seal
7 PSI - Single Lip**


Oil Seals - Inch, cont'd.
TA Profile Oil Seal
 5 PSI - Double Lip

TB Profile Oil Seal
 5 PSI - Double Lip

TC / AS - Profile Oil Seal - 7 PSI
BABSL - Medium Pressure - 50 PSI
 Double Lip

SA / C Profile Oil Seal
 5 PSI - Single Lip

SB Profile Oil Seal
 5 PSI - Single Lip

SC / A Profile Oil Seal
 7 PSI - Single Lip

SM Profile Oil Seal
 7 PSI - Single Lip


Part Number	Shaft Dia. d	Bore Dia. D	Height L ₁	Style	Price
232831TC	2.375	2.875	0.312	TC	\$28.44
23302VH	2.375	3.000	0.250	VH	\$11.90
23354TA-H	2.375	3.500	0.437	TA-H	\$39.51
25323TC	2.500	3.250	0.375	TC	\$16.24
25324SA	2.500	3.250	0.437	SA	\$38.89
25324TA	2.500	3.251	0.437	TA	\$21.84
25353TA	2.500	3.500	0.375	TA	\$30.77
25354TA	2.500	3.505	0.437	TA	\$25.45
455147	2.500	3.505	0.500	SA	\$39.20
253544SA	2.500	3.543	0.437	SA	\$28.98
415001	2.500	3.548	0.500	TA	\$48.48
25363SA-H	2.500	3.623	0.375	SA-H	\$50.77
25374SA	2.500	3.750	0.437	SA	\$28.70
415483	2.625	3.505	0.375	TA	\$41.27
26353TB	2.625	3.500	0.375	TB	\$18.20
26363TB	2.625	3.623	0.375	TB	\$31.86
26298	2.625	3.751	0.437	TA	\$41.49
26373TA	2.625	3.751	0.375	TA	\$34.48
26434TA	2.625	4.370	0.437	TA	\$28.68
27352VB	2.750	3.500	0.250	VB	\$20.11
27374TA	2.750	3.751	0.437	TA	\$29.35
30373TB	3.000	3.751	0.375	TB	\$24.39
30373TB-H	3.000	3.751	0.375	TB-H	\$31.94
32424TA	3.250	4.250	0.500	TA	\$30.40
32465TA-H	3.250	4.626	0.500	TA-H	\$51.85
33436SA	3.375	4.376	0.625	SA	\$35.41
35004000-250SB	3.500	4.000	0.250	SB	\$19.87
9370 H1L5	3.500	4.000	0.500	LUP	\$69.50
354505SA	3.500	4.501	0.500	SA	\$67.77
35454SA	3.500	4.506	0.437	SA	\$29.95
35465TA-H	3.500	4.625	0.500	TA-H	\$44.50
35472VH	3.500	4.750	0.250	VH	\$38.90
35494SA	3.500	4.999	0.437	SA	\$75.44
36475TA-H	3.625	4.751	0.500	TA-H	\$70.81
38534SA-H	3.875	5.375	0.437	SA-H	\$71.99
40004500-250VB	4.000	4.500	0.250	VB	\$22.27
39933	4.000	4.999	0.437	SA	\$123.49
40494TA	4.000	4.999	0.437	TA	\$35.22
4049946	4.000	5.000	0.468	SA	\$50.88
40524SA	4.000	5.251	0.437	SA	\$71.01
23X2579	4.062	5.500	0.500	23	\$135.76
45005000-250SC	4.500	5.000	0.250	SC	\$30.89
455502VL	4.500	5.500	0.250	VL	\$68.67
9170 LUP	4.500	5.500	0.500	LUP	\$70.85
45555TA	4.500	5.500	0.500	TA	\$49.29
45625TA-H	4.500	6.250	0.500	TA-H	\$116.33
9044 LUP H1/L5	5.000	6.500	0.562	LUP	\$88.42
56685TA	5.625	6.880	0.500	TA	\$156.61
58715TA-H	5.875	7.125	0.500	TA-H	\$153.84

Oil Seals - Metric

Part Number							Price	Part Number							Price
Prefix	Shaft Dia. d	Bore Dia. D	Height L ₁	Style		Prefix		Shaft Dia. d	Bore Dia. D	Height L ₁	Style				
MOS-	6	x	16	x	5	- TC	\$7.25	MOS-	16	x	28	x	7	- BABSL	\$5.90
MOS-	8	x	16	x	7	- A	\$4.79	MOS-	16	x	28	x	7	- SC	\$6.50
MOS-	8	x	16	x	7	- AS	\$6.58	MOS-	16	x	30	x	6	- AS	\$8.01
MOS-	8	x	18	x	5	- A	\$9.08	MOS-	16	x	35	x	7	- TC	\$7.57
MOS-	8	x	22	x	5	- TC	\$6.11	MOS-	17	x	25	x	3	- VM	\$9.34
MOS-	8	x	22	x	7	- AS	\$7.28	MOS-	17	x	28	x	4	- TC	\$6.18
MOS-	8	x	22	x	7	- BABSL	\$6.63	MOS-	17	x	28	x	6	- BABSL	\$6.63
MOS-	9	x	20	x	6	- BABSL	\$6.63	MOS-	17	x	28	x	7	- BABSL	\$5.90
MOS-	10	x	17	x	3	- VG	\$6.65	MOS-	17	x	28	x	7	- TC	\$6.18
MOS-	10	x	19	x	7	- SC	\$5.67	MOS-	17	x	30	x	6	- BABSL	\$5.90
MOS-	10	x	20	x	6	- BABSL	\$6.63	MOS-	17	x	30	x	7	- A	\$6.51
MOS-	10	x	20	x	7	- TC	\$6.20	MOS-	17	x	35	x	7	- BABSL	\$6.63
MOS-	10	x	21	x	5	- TC	\$7.57	MOS-	17	x	35	x	7	- SB	\$7.98
MOS-	10	x	22	x	6	- BABSL	\$7.18	MOS-	17	x	35	x	7	- SC	\$7.28
MOS-	10	x	22	x	7	- AS	\$6.22	MOS-	17	x	35	x	8	- AS	\$7.96
MOS-	10	x	25	x	7	- AS	\$7.48	MOS-	17	x	40	x	7	- TC	\$8.00
MOS-	11	x	22	x	7	- A	\$6.93	MOS-	17	x	47	x	8	- AS	\$11.73
MOS-	11	x	22	x	7	- BABSL	\$6.63	MOS-	18	x	24	x	4	- A	\$5.46
MOS-	12	x	18	x	3	- VC	\$6.65	MOS-	18	x	25	x	3	- VC	\$7.72
MOS-	12	x	19	x	5	- AS	\$5.36	MOS-	18	x	25	x	7	- TC	\$7.10
MOS-	12	x	20	x	5	- AS	\$6.54	MOS-	18	x	26	x	4	- A	\$7.42
MOS-	12	x	22	x	5	- A	\$4.92	MOS-	18	x	28	x	4	- SC	\$6.54
MOS-	12	x	22	x	5	- TC	\$5.15	MOS-	18	x	28	x	7	- AS	\$7.64
MOS-	12	x	22	x	6	- BABSL	\$8.04	MOS-	18	x	30	x	6	- AHS	\$7.73
MOS-	12	x	22	x	7	- SCV	\$14.87	MOS-	18	x	30	x	6	- BABSL	\$11.87
MOS-	12	x	24	x	4.5	- SC	\$6.06	MOS-	18	x	30	x	7	- A	\$5.66
MOS-	12	x	24	x	6	- AS	\$19.93	MOS-	18	x	30	x	7	- AS	\$8.01
MOS-	12	x	24	x	7	- AS	\$6.19	MOS-	18	x	30	x	7	- BABSL	\$6.83
MOS-	12	x	24	x	7	- BABSL	\$6.63	MOS-	18	x	30	x	8	- AS	\$6.29
MOS-	12	x	24	x	7	- VTC	\$46.19	MOS-	18	x	32	x	7	- AS	\$8.89
MOS-	12	x	25	x	5	- AS	\$6.37	MOS-	18	x	32	x	7	- TC	\$7.48
MOS-	12	x	25	x	7	- AS	\$6.23	MOS-	18	x	35	x	6	- BABSL	\$8.73
MOS-	12	x	26	x	8	- TC	\$8.15	MOS-	18	x	38	x	6	- TC	\$8.45
MOS-	12	x	32	x	7	- SC	\$6.34	MOS-	19	x	27	x	4	- VG	\$7.71
MOS-	13	x	30	x	7	- TC	\$11.81	MOS-	19	x	30	x	6	- A	\$7.72
MOS-	14	x	22	x	4	- AS	\$8.65	MOS-	19	x	32	x	7	- AS	\$9.81
MOS-	14	x	24	x	7	- BABSL	\$7.80	MOS-	19.5	x	30	x	6	- TCVRV	\$7.02
MOS-	14	x	24	x	7	- TC	\$5.96	MOS-	20	x	26	x	4	- VC	\$6.68
MOS-	14	x	25	x	5	- AS	\$7.28	MOS-	20	x	28	x	4	- VC	\$7.45
MOS-	14	x	25	x	7	- AS	\$10.56	MOS-	20	x	28	x	6	- SC	\$5.92
MOS-	14	x	27	x	7	- TC	\$6.20	MOS-	20	x	28	x	6	- TC	\$7.57
MOS-	14	x	28	x	7	- AS	\$6.33	MOS-	20	x	30	x	5	- A	\$6.54
MOS-	14	x	28	x	7	- TC	\$15.54	MOS-	20	x	30	x	5	- BABSL	\$6.83
MOS-	15	x	21	x	3	- VC	\$14.71	MOS-	20	x	30	x	5	- TC	\$7.61
MOS-	15	x	22	x	3	- VC	\$5.55	MOS-	20	x	30	x	7	- AS	\$7.07
MOS-	15	x	24	x	5	- TC	\$5.55	MOS-	20	x	30	x	7	- BABSL	\$6.83
MOS-	15	x	24	x	7	- BABSL	\$5.49	MOS-	20	x	31	x	7	- AS	\$8.24
MOS-	15	x	25	x	7	- TC	\$5.90	MOS-	20	x	34	x	7	- A	\$9.54
MOS-	15	x	25	x	7	- AS	\$8.65	MOS-	20	x	35	x	6	- BABSL	\$8.74
MOS-	15	x	25	x	7	- BABSL	\$5.90	MOS-	20	x	35	x	7	- A	\$6.86
MOS-	15	x	26	x	7	- BABSL	\$5.89	MOS-	20	x	35	x	7	- BABSL	\$7.82
MOS-	15	x	27	x	7	- TC	\$8.75	MOS-	20	x	35	x	8	- AS	\$7.24
MOS-	15	x	30	x	5	- TC	\$8.02	MOS-	20	x	38	x	5	- TC	\$15.04
MOS-	15	x	30	x	7	- WASY	\$35.61	MOS-	20	x	40	x	6	- SC	\$9.56
MOS-	15	x	30	x	10	- A	\$7.83	MOS-	20	x	40	x	10	- AS	\$10.06
MOS-	15	x	35	x	6	- BABSL	\$8.39	MOS-	20	x	40	x	10	- VDC	\$36.67
MOS-	16	x	22	x	3	- VG	\$12.65	MOS-	20	x	42	x	7	- SB	\$14.05
MOS-	16	x	24	x	4	- A	\$7.91	MOS-	20	x	45	x	5	- AS	\$10.77
MOS-	16	x	24	x	4	- TC	\$14.06	MOS-	20	x	45	x	7	- AS	\$8.55
MOS-	16	x	24	x	4	- VC	\$7.03	MOS-	20	x	47	x	7	- A	\$8.96
MOS-	16	x	24	x	7	- A	\$6.32	MOS-	20	x	47	x	7	- AS	\$9.42
MOS-	16	x	26	x	6	- AS	\$9.72	MOS-	20	x	52	x	10	- AS	\$12.40

Oil Seals - Metric, cont'd.
TA Profile Oil Seal
 5 PSI - Double Lip

TB Profile Oil Seal
 5 PSI - Double Lip

TC / AS - Profile Oil Seal - 7 PSI
BABSL - Medium Pressure - 50 PSI
 Double Lip

SA / C Profile Oil Seal
 5 PSI - Single Lip

SB Profile Oil Seal
 5 PSI - Single Lip

SC / A Profile Oil Seal
 7 PSI - Single Lip

SM Profile Oil Seal
 7 PSI - Single Lip


Prefix	Part Number					Price
	Shaft Dia. d	Bore Dia. D	Height L ₁	Style		
MOS-	22	x 30	x 4	- VB	\$11.49	
MOS-	22	x 31	x 6	- AS	\$8.04	
MOS-	22	x 32	x 6	- BABSL	\$7.54	
MOS-	22	x 32	x 7	- BABSL	\$7.04	
MOS-	22	x 32	x 7	- SC	\$6.51	
MOS-	22	x 32	x 8	- SC	\$9.16	
MOS-	22	x 35	x 5	- TC	\$7.17	
MOS-	22	x 35	x 5	- BABSL	\$7.40	
MOS-	22	x 35	x 7	- A	\$7.16	
MOS-	22	x 35	x 8	- TC	\$7.20	
MOS-	22	x 42	x 10	- TC	\$9.16	
MOS-	22	x 47	x 7	- SC	\$10.45	
MOS-	23	x 37	x 6	- TC	\$8.22	
MOS-	24	x 31	x 7	- TC	\$9.42	
MOS-	24	x 35	x 7	- TC	\$9.24	
MOS-	24	x 37	x 7	- AS	\$8.49	
MOS-	24	x 40	x 7	- AS	\$9.16	
MOS-	24	x 40	x 7	- BABSL	\$8.46	
MOS-	24	x 42	x 8	- AS	\$11.15	
MOS-	24	x 43	x 6	- AS	\$21.47	
MOS-	24	x 52	x 7	- AS	\$24.23	
MOS-	25	x 33	x 4	- VG	\$5.42	
MOS-	25	x 35	x 6	- BABSL	\$9.15	
MOS-	25	x 35	x 6	- BABSL-V	\$27.16	
MOS-	25	x 35	x 7	- A	\$10.29	
MOS-	25	x 35	x 7	- AS	\$8.47	
MOS-	25	x 35	x 8	- AS	\$8.62	
MOS-	25	x 36	x 7	- TC	\$8.90	
MOS-	25	x 37	x 7	- TC	\$9.55	
MOS-	25	x 38	x 8	- AS	\$11.36	
MOS-	25	x 40	x 7	- BABSL	\$7.62	
MOS-	25	x 42	x 6	- A	\$7.64	
MOS-	25	x 42	x 6	- BABSL	\$8.41	
MOS-	25	x 43	x 6	- TC	\$9.28	
MOS-	25	x 45	x 10	- AS	\$8.62	
MOS-	25	x 47	x 6	- BABSL	\$10.51	
MOS-	25	x 52	x 7	- A	\$10.59	
MOS-	25	x 52	x 10	- TC	\$10.27	
MOS-	25	x 52	x 12	- AS	\$13.46	
MOS-	26	x 37	x 7	- A	\$8.17	
MOS-	27	x 37	x 7	- SC	\$9.75	
MOS-	27	x 42	x 7	- BABSL	\$9.36	
MOS-	27	x 43	x 7	- TC	\$26.81	
MOS-	27	x 43	x 9	- AS	\$9.62	
MOS-	28	x 35	x 4	- VG	\$6.63	
MOS-	28	x 36	x 5	- VM	\$10.32	
MOS-	28	x 37	x 6	- TC	\$12.79	
MOS-	28	x 38	x 7	- A	\$8.24	
MOS-	28	x 40	x 5	- AS	\$13.86	
MOS-	28	x 40	x 7	- AS	\$8.51	
MOS-	28	x 40	x 7	- BABSL	\$7.32	
MOS-	28	x 40	x 8	- SC	\$7.40	
MOS-	28	x 41	x 7	- TC	\$13.57	
MOS-	28	x 42	x 8	- AS	\$8.76	
MOS-	28	x 47	x 10	- AS	\$9.17	
MOS-	28	x 50	x 6	- AS	\$11.43	
MOS-	29	x 40	x 7	- TC	\$16.50	
MOS-	30	x 37	x 4	- VG	\$10.97	
MOS-	30	x 38	x 4	- A	\$7.14	
MOS-	30	x 40	x 5	- TC	\$17.87	
MOS-	30	x 40	x 7	- A	\$7.26	
MOS-	30	x 40	x 7	- AS	\$7.65	
MOS-	30	x 40	x 7	- BABSL	\$8.94	

Oil Seals - Metric, cont'd.

Part Number						Price	Part Number						Price		
Prefix	Shaft Dia. d	Bore Dia. D	Height L ₁	Style			Prefix	Shaft Dia. d	Bore Dia. D	Height L ₁	Style				
MOS-	30	x	40	x	8	- TC	\$10.07	MOS-	40	x	48	x	4	- VZ	\$32.84
MOS-	30	x	42	x	4.5	- A	\$8.76	MOS-	40	x	50	x	6.5	- TC	\$14.77
MOS-	30	x	42	x	5	- A	\$15.23	MOS-	40	x	52	x	7	- A	\$9.08
MOS-	30	x	42	x	5	- AS	\$19.95	MOS-	40	x	52	x	7	- AS	\$12.69
MOS-	30	x	42	x	6	- BABSL	\$12.12	MOS-	40	x	52	x	7	- BABSL	\$11.44
MOS-	30	x	42	x	7	- A	\$7.85	MOS-	40	x	52	x	9	- AS	\$16.28
MOS-	30	x	42	x	7	- AS	\$7.05	MOS-	40	x	54	x	7	- TC	\$13.78
MOS-	30	x	44	x	7	- AS	\$9.71	MOS-	40	x	55	x	6	- BABSL	\$9.80
MOS-	30	x	45	x	10	- TC	\$10.43	MOS-	40	x	55	x	7	- A	\$9.82
MOS-	30	x	46	x	5	- AS	\$15.09	MOS-	40	x	55	x	7	- BABSL	\$11.44
MOS-	30	x	47	x	7	- AS	\$9.41	MOS-	40	x	55	x	8	- AS	\$12.51
MOS-	30	x	47	x	7	- BABSL	\$10.40	MOS-	40	x	56	x	6	- BABSL	\$12.78
MOS-	30	x	47	x	7	- TC	\$11.58	MOS-	40	x	56	x	7	- A	\$16.11
MOS-	30	x	47	x	10	- TC	\$8.53	MOS-	40	x	56	x	7	- AS	\$13.49
MOS-	30	x	48	x	7	- TC	\$23.72	MOS-	40	x	56	x	10	- TC	\$13.49
MOS-	30	x	50	x	7	- BABSL	\$10.40	MOS-	40	x	58	x	8	- AS	\$12.87
MOS-	30	x	50	x	8	- AS	\$11.23	MOS-	40	x	56	x	8	- SB-H	\$17.97
MOS-	30	x	52	x	7	- A	\$8.34	MOS-	40	x	58	x	10	- AS	\$11.35
MOS-	30	x	52	x	8	- AS	\$10.20	MOS-	40	x	60	x	7	- BABSL	\$12.69
MOS-	30	x	62	x	10	- TC	\$12.64	MOS-	40	x	60	x	10	- A	\$13.42
MOS-	32	x	40	x	5	- TC	\$12.39	MOS-	40	x	60	x	10	- AS	\$14.37
MOS-	32	x	42	x	5	- TC	\$12.67	MOS-	40	x	60	x	10	- BABSL	\$12.78
MOS-	32	x	44	x	7	- AS	\$9.80	MOS-	40	x	62	x	6	- BABSL	\$17.52
MOS-	32	x	44	x	7	- BABSL	\$10.54	MOS-	40	x	62	x	10	- TC-V	\$25.44
MOS-	32	x	44	x	8	- AS	\$8.91	MOS-	40	x	62	x	12	- AS	\$12.52
MOS-	32	x	44	x	9	- AS	\$12.05	MOS-	40	x	68	x	12	- A	\$14.66
MOS-	32	x	44	x	10	- ADL	\$33.12	MOS-	42	x	55	x	7	- AS	\$11.76
MOS-	32	x	47	x	7	- BABSL	\$10.40	MOS-	42	x	56	x	7	- A	\$10.39
MOS-	32	x	47	x	7	- SC	\$9.29	MOS-	42	x	58	x	7	- AS	\$16.01
MOS-	32	x	47	x	10	- A	\$8.97	MOS-	42	x	60	x	9	- AS	\$13.98
MOS-	32	x	48	x	8	- AS	\$9.56	MOS-	42	x	62	x	8	- A	\$11.88
MOS-	32	x	50	x	7	- TB	\$12.38	MOS-	42	x	62	x	8	- BABSL	\$14.28
MOS-	32	x	54	x	10	- TC-T	\$12.98	MOS-	42	x	65	x	12	- TC	\$18.39
MOS-	33	x	45	x	7	- A	\$10.55	MOS-	44	x	62	x	10	- AS	\$12.49
MOS-	34	x	48	x	7	- AS	\$10.52	MOS-	45	x	55	x	7	- AS	\$9.93
MOS-	35	x	42	x	4	- VC	\$9.09	MOS-	45	x	58	x	6	- BABSL	\$12.78
MOS-	35	x	46	x	7	- TC	\$13.19	MOS-	45	x	58	x	7	- BABSL	\$12.78
MOS-	35	x	47	x	6	- TC	\$11.64	MOS-	45	x	60	x	7	- AS	\$11.10
MOS-	35	x	47	x	7	- A	\$8.84	MOS-	45	x	60	x	8	- A	\$11.60
MOS-	35	x	47	x	7	- AS	\$10.10	MOS-	45	x	60	x	8	- AS	\$14.86
MOS-	35	x	47	x	7	- BABSL	\$10.40	MOS-	45	x	62	x	7	- AS	\$11.99
MOS-	35	x	47	x	10	- BABSL	\$10.40	MOS-	45	x	62	x	7	- BABSL	\$16.84
MOS-	35	x	48	x	8	- AS	\$10.72	MOS-	45	x	62	x	9	- SC	\$11.01
MOS-	35	x	48	x	9/11	- AHS	\$13.63	MOS-	45	x	62	x	12	- AS	\$15.24
MOS-	35	x	50	x	7	- BABSL	\$10.40	MOS-	45	x	65	x	7	- BABSL	\$16.05
MOS-	35	x	50	x	8	- AS	\$10.72	MOS-	45	x	65	x	8	- ASV	\$25.44
MOS-	35	x	52	x	6	- BABSL	\$14.66	MOS-	45	x	65	x	8	- BABSL	\$13.84
MOS-	35	x	52	x	7	- AS	\$11.94	MOS-	45	x	65	x	12	- TC	\$16.53
MOS-	35	x	52	x	8	- AS	\$9.58	MOS-	45	x	68	x	8	- AS	\$13.54
MOS-	35	x	52	x	10	- A	\$9.59	MOS-	45	x	68	x	10	- AS	\$13.32
MOS-	35	x	52	x	12	- AS	\$12.84	MOS-	45	x	68	x	12	- AS	\$15.65
MOS-	35	x	55	x	8	- TC	\$11.94	MOS-	45	x	78	x	8	- AS	\$19.61
MOS-	35	x	55	x	10	- A	\$8.39	MOS-	45	x	80	x	7	- TC	\$24.65
MOS-	35	x	55	x	10	- TC	\$14.69	MOS-	47	x	62	x	7	- BABSL	\$14.11
MOS-	35	x	55	x	11	- TC	\$11.94	MOS-	47	x	65	x	10	- BABSL	\$14.11
MOS-	35	x	55	x	11	- TCN	\$23.08	MOS-	48	x	60	x	7	- TC	\$12.85
MOS-	35	x	62	x	7	- BABSL	\$14.11	MOS-	48	x	62	x	8	- AS	\$12.44
MOS-	35	x	68	x	6	- A	\$14.97	MOS-	48	x	70	x	9	- AS	\$16.61
MOS-	35	x	72	x	12	- TC	\$18.48	MOS-	48	x	72	x	8	- A	\$14.67
MOS-	38	x	50	x	6	- BABSL	\$11.57	MOS-	50	x	58	x	4	- VCY	\$9.57
MOS-	38	x	52	x	7	- AS	\$15.80	MOS-	50	x	62	x	7	- TC-V	\$19.26
MOS-	38	x	58	x	10	- AS	\$13.96	MOS-	50	x	63	x	6	- KB	\$16.99
MOS-	38	x	62	x	7	- BABSL	\$15.29	MOS-	50	x	64	x	10	- AS	\$15.29

Oil Seals - Metric, cont'd.
TA Profile Oil Seal
 5 PSI - Double Lip

TB Profile Oil Seal
 5 PSI - Double Lip

TC / AS - Profile Oil Seal - 7 PSI
BABSL - Medium Pressure - 50 PSI
 Double Lip

SA / C Profile Oil Seal
 5 PSI - Single Lip

SB Profile Oil Seal
 5 PSI - Single Lip

SC / A Profile Oil Seal
 7 PSI - Single Lip

SM Profile Oil Seal
 7 PSI - Single Lip

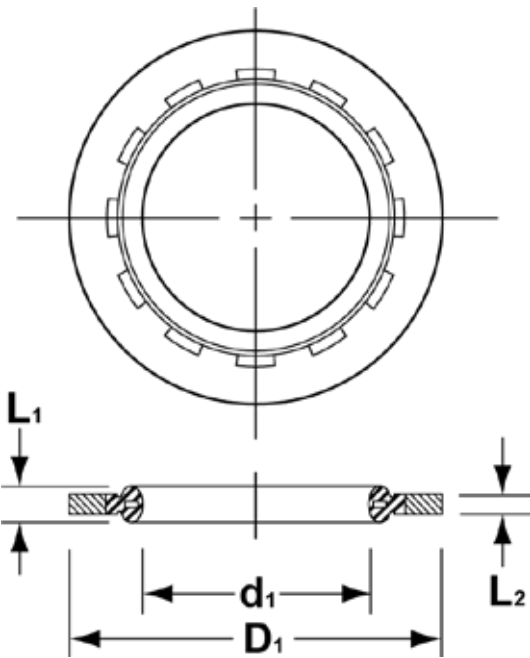

Prefix	Part Number				Price
	Shaft Dia. d	Bore Dia. D	Height L ₁	Style	
MOS-	50	x 65	x 8	- AS	\$11.99
MOS-	50	x 65	x 8	- BABSL	\$15.36
MOS-	50	x 65	x 10	- A	\$11.35
MOS-	50	x 66.5	x 13	- AS	\$18.86
MOS-	50	x 68	x 8	- BABSL	\$15.60
MOS-	50	x 70	x 12	- AS	\$15.23
MOS-	50	x 72	x 7	- BABSL	\$18.83
MOS-	50	x 72	x 8	- A	\$12.98
MOS-	50	x 72	x 8	- AS	\$14.50
MOS-	50	x 72	x 10	- AS	\$17.38
MOS-	50	x 80	x 8	- TC	\$16.45
MOS-	50	x 90	x 10	- TC	\$19.11
MOS-	52	x 65	x 8	- SC	\$13.72
MOS-	52	x 66	x 9	- SC	\$19.75
MOS-	52	x 72	x 8	- A	\$13.31
MOS-	52	x 75	x 8	- SC	\$14.90
MOS-	55	x 68	x 8	- AS	\$13.01
MOS-	55	x 70	x 8	- A	\$13.44
MOS-	55	x 70	x 8	- ASV	\$27.57
MOS-	55	x 70	x 8	- BABSL	\$15.60
MOS-	55	x 70	x 10	- A	\$12.54
MOS-	55	x 70	x 10	- AS	\$16.49
MOS-	55	x 72	x 7	- BABSL	\$17.23
MOS-	55	x 72	x 7	- BABSL-V	\$43.09
MOS-	55	x 75	x 10	- AS	\$11.10
MOS-	55	x 75	x 12	- AS	\$15.63
MOS-	55	x 78	x 12	- AS	\$19.19
MOS-	55	x 78	x 12	- ASV	\$34.40
MOS-	55	x 80	x 10	- A	\$14.23
MOS-	55	x 80	x 10	- SC	\$15.61
MOS-	58	x 75	x 8	- TB	\$29.36
MOS-	58	x 80	x 8	- A	\$15.30
MOS-	58	x 80	x 10	- BABSL	\$18.73
MOS-	58	x 80	x 13	- AS	\$20.02
MOS-	60	x 75	x 8	- BABSL	\$17.23
MOS-	60	x 78	x 9	- A	\$18.59
MOS-	60	x 80	x 7	- AS	\$19.95
MOS-	60	x 80	x 7	- BABSL	\$21.30
MOS-	60	x 80	x 7	- TCV	\$39.87
MOS-	60	x 80	x 7	- VTC	\$59.58
MOS-	60	x 80	x 12	- A	\$22.44
MOS-	60	x 80	x 12	- TC	\$19.89
MOS-	60	x 80	x 13	- TB	\$26.89
MOS-	60	x 82	x 12	- A	\$21.18
MOS-	60	x 82	x 12	- TC	\$15.88
MOS-	60	x 85	x 8	- AS	\$21.26
MOS-	60	x 90	x 10	- TC	\$14.53
MOS-	62	x 80	x 10	- AS	\$15.88
MOS-	62	x 85	x 7	- BABSL	\$20.51
MOS-	62	x 85	x 10	- AS	\$16.63
MOS-	63	x 80	x 8	- SB	\$13.27
MOS-	63	x 80	x 8	- TC	\$19.96
MOS-	63	x 85	x 10	- A	\$21.51
MOS-	65	x 80	x 7	- BABSL	\$21.08
MOS-	65	x 80	x 10	- AS	\$21.20
MOS-	65	x 85	x 8	- BABSL	\$20.31
MOS-	65	x 85	x 8	- TC	\$20.36
MOS-	65	x 85	x 10	- AS	\$17.52
MOS-	65	x 88	x 12	- TC	\$19.03
MOS-	65	x 90	x 10	- BABSL	\$21.84
MOS-	65	x 90	x 10	- SC	\$18.71
MOS-	65	x 90	x 13	- AS	\$27.77
MOS-	66	x 85	x 10	- TCHP	\$33.44

Oil Seals - Metric, cont'd.

Part Number						Price
Prefix	Shaft Dia. d	Bore Dia. D	Height L ₁	Style		
MOS-	66	x 90	x 13	- TC	\$23.98	
MOS-	68	x 90	x 10	- BABSL	\$21.84	
MOS-	70	x 88	x 12	- AS	\$21.14	
MOS-	70	x 90	x 7	- BABSL	\$23.08	
MOS-	70	x 90	x 7	- BABSL-V	\$62.25	
MOS-	70	x 90	x 7	- VTCN1	\$79.89	
MOS-	70	x 90	x 10	- A	\$15.88	
MOS-	70	x 90	x 10	- AS	\$19.29	
MOS-	70	x 90	x 10	- BABSL	\$25.14	
MOS-	70	x 90	x 10	- A	\$22.69	
MOS-	70	x 92	x 12	- TC	\$19.54	
MOS-	70	x 100	x 6	- A	\$24.97	
MOS-	70	x 100	x 10	- AS	\$21.10	
MOS-	70	x 100	x 10	- BABSL	\$28.36	
MOS-	70	x 110	x 10	- AS	\$27.37	
MOS-	75	x 90	x 10	- BABSL	\$21.84	
MOS-	75	x 95	x 7	- BABSL	\$22.21	
MOS-	75	x 95	x 10	- BABSL	\$23.93	
MOS-	75	x 95	x 10	- SC	\$20.77	
MOS-	75	x 95	x 12	- A	\$19.66	
MOS-	75	x 100	x 13	- A	\$29.56	
MOS-	75	x 100	x 13	- AS	\$33.03	
MOS-	75	x 100	x 13	- TC	\$33.03	
MOS-	80	x 100	x 7	- BABSL	\$31.03	
MOS-	80	x 100	x 10	- A	\$21.57	
MOS-	80	x 100	x 12	- A	\$27.85	
MOS-	80	x 100	x 12	- TC	\$28.51	
MOS-	80	x 105	x 13	- AS	\$25.08	
MOS-	80	x 105	x 13	- BABSL	\$118.24	
MOS-	80	x 110	x 12	- AS	\$27.90	
MOS-	80	x 120	x 13	- SC	\$40.95	
MOS-	84	x 104	x 11	- HTC	\$39.73	
MOS-	85	x 105	x 12	- BABSL	\$31.95	
MOS-	85	x 110	x 12	- TC	\$27.99	
MOS-	85	x 110	x 13	- A	\$32.84	
MOS-	85	x 120	x 7.5	- BABSL	\$39.07	
MOS-	85	x 130	x 12	- TC	\$35.69	
MOS-	90	x 110	x 7	- TC	\$27.55	
MOS-	90	x 110	x 7.5	- BABSL	\$34.33	
MOS-	90	x 110	x 8	- AS	\$48.71	
MOS-	90	x 110	x 8	- SA	\$46.53	
MOS-	90	x 110	x 10	- TC	\$35.00	
MOS-	90	x 110	x 12	- A	\$27.47	
MOS-	90	x 110	x 12	- A-V	\$50.21	
MOS-	90	x 110	x 12	- BABSL	\$34.33	
MOS-	90	x 115	x 12	- AS	\$18.14	
MOS-	90	x 115	x 13	- AS	\$18.14	
MOS-	90	x 115	x 13	- TBV	\$52.30	
MOS-	90	x 120	x 12	- A	\$29.68	
MOS-	90	x 120	x 13	- AS	\$33.72	
MOS-	90	x 125	x 12	- BABSL	\$25.37	
MOS-	90	x 125	x 15	- A	\$20.05	
MOS-	95	x 115	x 12	- TC	\$42.12	
MOS-	95	x 115	x 13	- A	\$35.68	
MOS-	95	x 115	x 13	- TC	\$26.92	
MOS-	95	x 120	x 12	- BABSL	\$30.17	
MOS-	95	x 120	x 13	- BABSL	\$39.07	
MOS-	98	x 125	x 13	- A	\$60.70	
MOS-	100	x 120	x 12	- A	\$29.68	
MOS-	100	x 120	x 12	- AS	\$30.56	
MOS-	100	x 120	x 12	- BABSL	\$39.07	
MOS-	100	x 125	x 13	- AS	\$45.06	
MOS-	100	x 125	x 13	- SB	\$38.42	

Part Number						Price
Prefix	Shaft Dia. d	Bore Dia. D	Height L ₁	Style		
MOS-	100	x 125	x 13	- TB	\$51.95	
MOS-	100	x 125	x 13	- TBV	\$147.05	
MOS-	100	x 130	x 12	- A	\$21.98	
MOS-	100	x 130	x 12	- TC-V	\$92.34	
MOS-	105	x 130	x 12	- A	\$23.95	
MOS-	105	x 130	x 12	- AS	\$44.27	
MOS-	105	x 130	x 13	- A	\$54.54	
MOS-	105	x 140	x 12	- BABSL	\$47.31	
MOS-	110	x 130	x 12	- AS	\$43.08	
MOS-	110	x 130	x 12	- BABSL	\$33.66	
MOS-	110	x 140	x 12	- AS	\$45.03	
MOS-	110	x 140	x 13	- RST	\$45.57	
MOS-	110	x 170	x 12	- TC	\$63.55	
MOS-	115	x 140	x 12	- A	\$38.27	
MOS-	115	x 140	x 13	- A	\$40.66	
MOS-	115	x 145	x 14	- AS	\$45.59	
MOS-	115	x 145	x 14	- SB	\$37.19	
MOS-	115	x 145	x 14	- TBV	\$70.88	
MOS-	120	x 140	x 10	- A	\$50.57	
MOS-	120	x 140	x 13	- A	\$60.77	
MOS-	120	x 140	x 13	- TC	\$40.79	
MOS-	120	x 140	x 13	- BABSL	\$31.05	
MOS-	120	x 150	x 12	- A	\$38.96	
MOS-	120	x 150	x 12	- BABSL	\$32.86	
MOS-	120	x 150	x 13	- TB	\$39.34	
MOS-	120	x 150	x 14	- AS	\$63.48	
MOS-	120	x 150	x 14	- VTF	\$174.11	
MOS-	120	x 150	x 15	- BABSL	\$60.31	
MOS-	125	x 150	x 13	- SA	\$55.33	
MOS-	125	x 160	x 12	- A	\$49.80	
MOS-	130	x 160	x 12	- A	\$51.28	
MOS-	130	x 160	x 12	- BABSL	\$65.58	
MOS-	130	x 160	x 14	- A	\$52.75	
MOS-	130	x 160	x 14	- TBV	\$282.19	
MOS-	130	x 160	x 15	- AS	\$65.67	
MOS-	140	x 170	x 13	- AS	\$46.28	
MOS-	140	x 170	x 14	- AS	\$46.28	
MOS-	140	x 170	x 14	- SB	\$35.40	
MOS-	140	x 170	x 14	- TBV	\$133.38	
MOS-	140	x 170	x 15	- BABSL	\$70.27	
MOS-	145	x 165	x 13	- AS	\$86.47	
MOS-	145	x 165	x 13	- SC	\$73.26	
MOS-	145	x 175	x 14	- TBV	\$296.58	
MOS-	145	x 175	x 14	- TC	\$79.67	
MOS-	150	x 170	x 15	- A	\$54.98	
MOS-	150	x 180	x 13	- A	\$58.41	
MOS-	150	x 180	x 13	- AS	\$75.87	
MOS-	150	x 180	x 13	- SA2V	\$157.02	
MOS-	160	x 190	x 15	- A	\$51.73	
MOS-	160	x 190	x 16	- AS	\$47.78	
MOS-	170	x 200	x 15	- A	\$78.56	
MOS-	170	x 200	x 16	- AS	\$101.30	
MOS-	175	x 200	x 15	- AS	\$102.83	
MOS-	180	x 210	x 15	- A	\$104.17	
MOS-	180	x 210	x 16	- TBV	\$162.14	
MOS-	190	x 225	x 16	- SC	\$89.80	
MOS-	200	x 230	x 15	- TC	\$96.69	
MOS-	220	x 250	x 15	- A	\$124.45	
MOS-	240	x 270	x 15	- TC	\$132.43	
MOS-	250	x 290	x 15	- SC	\$264.08	
MOS-	274.5	x 310	x 10	- KXCY	\$520.64	
MOS-	420	x 460	x 20	- SA	\$711.28	

600 Series Stat-O-Seals® - Inch



Stat-o-Seals® are one-piece, molded in place seals with the rubber sealing element mechanically locked to the metal retainer. Stat-O-Seals® are designed to seal beneath the head of the fastener as shown for both internal and external pressure systems. The principle of controlled confinement is utilized in the Stat-O-Seal®. As the fastener is tightened the rubber seal is compressed, forcing the sealing surface securely around the fastener shank, but without squeezing the rubber beyond its elastic limit, or destroying its inherent "memory". With the Stat-O-Seal®, there is full metal to metal contact of facing surfaces. The unique Stat-O-Seal® design provides:

- Self-centering of seal
- Vacuum-sealing to positive high pressure sealing
- High re-usability factor
- Long, reliable service
- Fool-proof installation
- Moderate torquing
- No retorquing
- Quick visual inspection

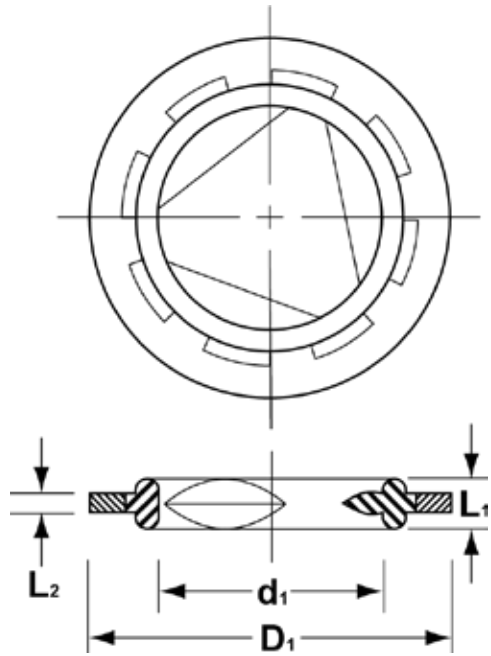
Standard material is 60 durometer nitrile and cadmium plated steel.

Temperature range is -65° to 225°F.

EXAMPLE: 600-001-3/4			
Prefix	Material	Screw Size or Seal ID	
600-	-	001	3/4
NBR / Steel			3/4"

Part Number	Maximum Shaft Size	Screw Size	Inside Dia. d_1	Outside Dia. D_1	Steel Thickness L_2	Rubber Thickness L_1	Price
600-001-6	0.138	#6	0.130	0.385	0.040	0.050	\$1.97
600-001-8	0.164	#8	0.156	0.385	0.040	0.050	\$1.57
600-001-10	0.190	#10	0.180	0.443	0.050	0.072	\$2.00
600-001-10 OS	0.190	#10	0.186	0.468	0.050	0.072	\$2.00
600-001-1/4	0.250	1/4	0.240	0.505	0.050	0.072	\$2.10
600-001-1/4 OS	0.250	1/4	0.245	0.531	0.050	0.072	\$2.10
600-001-5/16	0.312	5/16	0.301	0.603	0.050	0.072	\$2.21
600-001-3/8	0.375	3/8	0.364	0.666	0.050	0.072	\$2.39
600-001-7/16	0.437	7/16	0.427	0.760	0.050	0.072	\$2.89
600-001-1/2	0.500	1/2	0.490	0.880	0.050	0.072	\$3.28
600-001-9/16	0.562	1	0.552	1.067	0.050	0.072	\$4.01
600-001-5/8	0.625	5/8	0.615	1.193	0.050	0.072	\$4.98
600-001-3/4	0.750	3/4	0.740	1.322	0.064	0.096	\$6.34
600-001-7/8	0.875	7/8	0.864	1.510	0.064	0.096	\$9.09
600-001-1	1.000	1	0.988	1.760	0.064	0.096	\$11.90

7500 Series Thread Seals - Inch

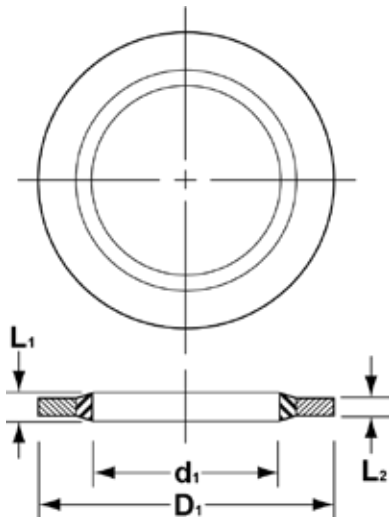


7500 series thread seals are reusable, safe, reliable seals for threaded devices. Their design is unique... the first and only seal recommended for sealing directly against threads. Thread seals require no special machining or style of bolt, screw or thread. They are self-centering, non-directional and are low in original cost; can provide considerable savings because they make possible the use of low cost standard fasteners and full threaded fittings. No special tools or skill is needed to assemble - simply push them on with a slight twisting motion, and tighten fastener.

EXAMPLE: 7500-6	
Prefix	Screw Size or Seal ID
7500-	6
# 6 SCREW	

Part Number	Shaft Size	Screw Size	Outside Dia. D_1	Metal Thickness L_2	Rubber Thickness L_1	Price
7500-6	.138	#6	0.406	0.051	0.080	\$3.07
7500-8	.164	#8	0.406	0.051	0.085	\$3.13
7500-10	.190	#10	0.469	0.051	0.085	\$3.13
7500-1/4	1/4	1/4	0.562	0.051	0.090	\$3.22
7500-5/16	5/16	5/16	0.687	0.064	0.118	\$3.98
7500-3/8	3/8	3/8	0.750	0.064	0.118	\$4.19
7500-7/16	7/16	7/16	0.906	0.078	0.150	\$5.85
7500-1/2	1/2	1/2	1.000	0.078	0.150	\$5.93
7500-9/16	9/16	9/16	1.094	0.094	0.170	\$10.35
7500-5/8	5/8	5/8	1.187	0.094	0.170	\$11.72
7500-3/4	3/4	3/4	1.375	0.109	0.218	\$13.85
7500-7/8	7/8	7/8	1.562	0.109	0.218	\$21.19
7500-1	1	1	1.750	0.120	0.218	\$24.95
7500-1-1/8	1-1/8	1 1/8	1.875	0.120	0.218	\$27.36
7500-1-1/4	1-1/4	1 1/4	2.000	0.120	0.218	\$31.46
7500-1-1/2	1-1/2	1 1/2	2.250	0.120	0.218	\$33.08

400 Series Bonded Seals - Inch



OEM Numbering System

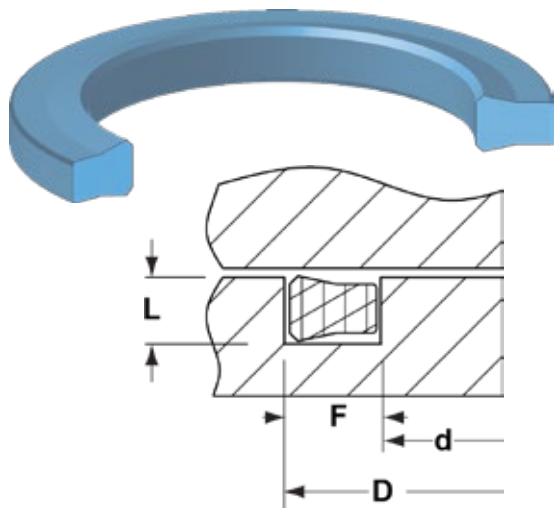
400 Series bonded seals are similar to 600 series Stat-O-Seals® in application. One major manufacturing difference is that while the 600 series are chemically and mechanically bonded to the metal retainer, the 400 series is only chemically bonded. These are more commonly associated with metric sizes; however, British standard and inch size seals are available.

Part Number	Bolt Size	BSP Size	Outside Dia. D ₁	Inside Dia. d ₁	Metal Thickness L ₂	Total Height L ₁	Price
400-002-4490-41	4BA		0.286	0.162	0.051	0.074	\$1.78
400-003-4490-41	2BA		0.330	0.205	0.051	0.074	\$1.68
400-004-4490-41	1/4		0.520	0.270	0.051	0.074	\$1.68
400-006-4490-41	5/16		0.525	0.327	0.051	0.074	\$2.08
400-007-4490-41	5/16		0.560	0.340	0.051	0.074	\$1.71
400-020-4490-41	3/8	1/8	0.625	0.408	0.083	0.113	\$1.75
400-008-4490-41		0.4	0.723	0.443	0.083	0.113	\$1.77
400-009-4490-41	7/16		0.750	0.460	0.083	0.113	\$1.79
400-021-4490-41	1/2	1/4	0.810	0.541	0.083	0.113	\$1.82
400-010-4490-41	9/16		0.875	0.585	0.083	0.113	\$1.84
400-022-4490-41	0.6		0.875	0.623	0.083	0.113	\$1.87
400-011-4490-41	5/8		1.000	0.650	0.083	0.113	\$1.98
400-023-4490-41		3/8	0.937	0.680	0.083	0.113	\$2.09
400-012-4490-41	11/16		1.000	0.715	0.097	0.127	\$2.15
400-024-4490-41	3/4		1.060	0.775	0.097	0.127	\$2.29
400-025-4490-41	13/16	1/2	1.125	0.848	0.097	0.127	\$2.45
400-026-4490-41	7/8	5/8	1.250	0.925	0.097	0.127	\$2.60
400-027-4490-41	1	3/4	1.375	1.065	0.097	0.127	\$3.45
400-028-4490-41	1-1/16		1.520	1.095	0.097	0.127	\$3.47
400-029-4490-41	1-3/16	7/8	1.500	1.213	0.097	0.127	\$5.04
400-015-4490-41	1-1/4		1.630	1.285	0.133	0.163	\$5.07
400-030-4490-41	1-5/16	1	1.685	1.334	0.133	0.163	\$5.16
400-031-4490-41	1-5/16	1	1.685	1.334	0.097	0.127	\$5.64
400-016-4490-41	1-3/8		1.750	1.415	0.133	0.163	\$9.48
400-017-4490-41	1-1/2		1.880	1.534	0.133	0.163	\$10.12
400-032-4490-41	1-5/8	1-1/4	2.062	1.690	0.133	0.163	\$9.67
400-018-4490-41	1-3/4		2.250	1.785	0.133	0.163	\$13.47
400-033-4490-41	1-7/8	1-1/2	2.307	1.907	0.133	0.163	\$11.64
400-019-4490-41	2		2.500	2.040	0.133	0.163	\$15.09
400-034-4490-41	2-1/8	1-3/4	2.750	2.161	0.133	0.163	\$18.01
400-035-4490-41	2-1/4		2.770	2.285	0.133	0.163	\$18.63
400-036-4490-41		2	2.875	2.385	0.133	0.163	\$16.49
400-039-4490-41		2-1/2	3.555	2.995	0.133	0.163	\$29.51

400 Series Bonded Seals - Metric

Part Number	Bolt Size	BSP Size	Outside Dia. D ₁	Inside Dia. d ₁	Metal Thickness L ₂	Total Height L ₁	Price
400-203-4490-41	5		9	5.7	1.0	1.6	\$1.79
400-207-4490-41	6		11	6.7	1.0	1.6	\$1.91
400-209-4490-41	6.5		12	7.1	1.0	1.6	\$6.19
400-213-4490-41	8		14	8.7	1.0	1.6	\$1.99
400-215-4490-41			13.3	9.3	1.0	1.6	\$2.01
400-510-4490-41	10		14.7	10.4	1.0	1.6	\$2.03
400-216-4490-41	10		16	10.35	2.0	2.8	\$2.04
400-217-4490-41	10		16	10.7	1.5	2.3	\$2.14
400-220-4490-41	11		18.5	11.8	1.5	2.3	\$2.40
400-222-4490-41			18	12.7	1.5	2.3	\$2.55
400-223-4490-41	12		20	12.7	1.5	2.3	\$2.97
400-226-4490-41	13.5		18.7	14	1.5	2.3	\$3.01
400-228-4490-41			22.7	16	1.5	2.3	\$3.09
400-229-4490-41	16		24	16.7	1.5	2.3	\$3.17
400-230-4490-41	17		24	17.4	1.5	2.3	\$3.40
400-232-4490-41	18		26	18.7	1.5	2.3	\$3.50
400-233-4490-41	20		28	20.7	1.5	2.3	\$6.33
400-234-4490-41	21		28.7	21.5	2.5	3.3	\$3.57
400-236-4490-41			30	22.7	2.0	2.8	\$3.65
400-240-4490-41	27		36	27.2	2.0	2.8	\$3.82
400-242-4490-41	30		39	31	2.0	2.8	\$3.88
400-248-4490-41			59	48.7	3.0	3.8	\$4.81
400-306-4490-41	6		11.4	7	1.0	1.6	\$1.80
400-307-4490-41	8		13	8.6	1.0	1.6	\$1.95
400-332-4490-41			42	33.7	2.0	2.8	\$2.92

OV Urethane Split Flange Seals - Inch



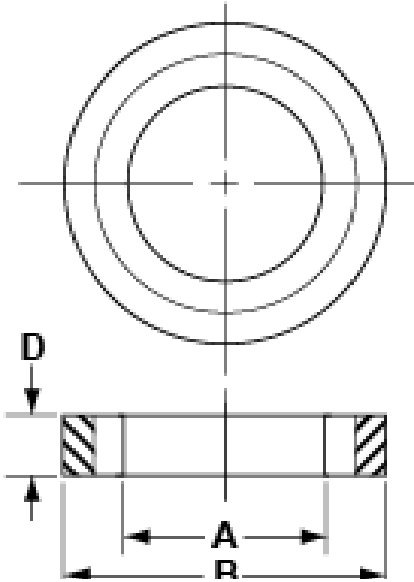
In many cases standard o-rings are not suitable for flange sealing due to marginal conditions such as high pressures or unsuitable surface finish of the flanges. As a result the new polyurethane flange seal profile OV was developed especially for SAE flanges.

The particularly low compression set ensures dimensional stability of the seal over a large temperature range. Its high extrusion resistance prevents gap extrusion even if the flanges "breathe" under pressure. Due to the good abrasion resistance less gland preparation is necessary on the surface finish of the sealing area of the flange. The frequently occurring "pumping" phenomenon of close fitting o-rings is prevented by the shape of the new flange seal profile OV.

EXAMPLE: OV-31.3X39.7X2.85					
Prefix	Inside Diameter		Outside Diameter		Groove Height
OV-	31.3	x	39.7	x	2.85
	31.3mm		39.7mm		2.85mm

Part Number					SAE Flange Size	Price
Prefix	Groove ID d	Groove OD D	Groove Depth L			
OV -	17	x 25.4	x	2.85	1/2"	\$2.82
OV -	23.4	x 31.8	x	2.85	3/4"	\$2.82
OV -	26.3	x 33.5	x	2.2		\$7.39
OV -	31.3	x 39.7	x	2.85	1"	\$3.68
OV -	36.1	x 44.5	x	2.85	1-1/4"	\$4.36
OV -	45.4	x 53.8	x	2.85	1-1/2"	\$5.05
OV -	55.4	x 63.4	x	2.85	2"	\$5.31

SFS Universal Urethane Split Flange Seals - Inch



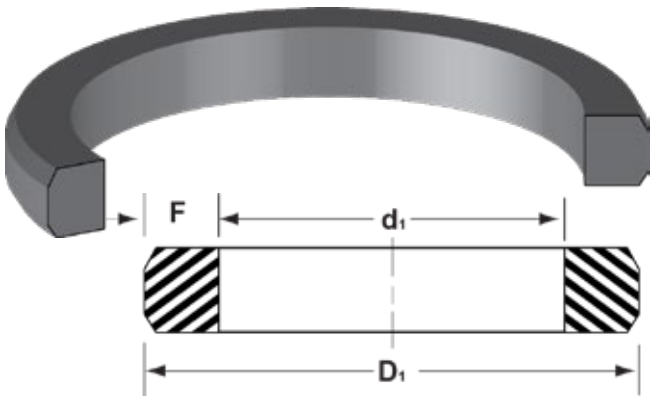
These one piece, dual durometer, polyurethane static seals were designed to be a direct replacement to o-rings without any modifications to the grooves. The hard outer layer provides maximum extrusion resistance for the softer inner sealing layer giving it improved sealing capabilities and longer life than o-rings.

EXAMPLE: SFS-08	
Prefix	Flange Size/Seal ID
SFS-	08
	1/2" (FLANGE SZ -8)

FLANGE SIZES IN MULTIPLES OF 1/16"

Part Number	Nominal Flange Size	Flange Dash Size	Replaces O-Ring Size	Price
SFS-08	1/2	-08	-210	\$2.80
SFS-12	3/4	-12	-214	\$2.94
SFS-16	1	-16	-219	\$3.35
SFS-20	1-1/4	-20	-222	\$3.55
SFS-24	1-1/2	-24	-225	\$3.58
SFS-32	2	-32	-228	\$4.73
SFS-40	2-1/2	-40	-232	\$5.82
SFS-48	3	-48	-237	\$7.37
SFS-56	3-1/2	-56	-241	\$8.79

Cat[®] Nitrile D-Ring Split Flange Seals - Inch



EXAMPLE: 1P3702	
Prefix	Flange Size
1P	3702
	3/4"

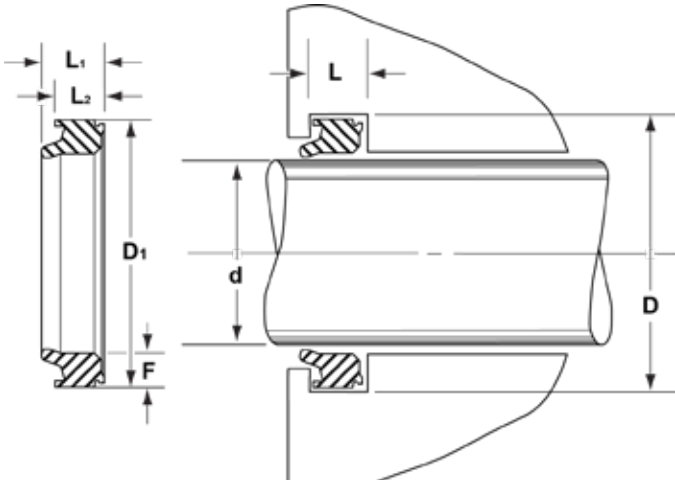
OEM NUMBERING SYSTEM
1/4" INCREMENTS BETWEEN SIZES

Cat[®] Nitrile D-ring seals meet SAE specifications, and safeguard longer life and lower costs.

*We do not imply that these seals are a product of Cat[®].
Part numbers are used for reference purposes only.*

Part Number	Inside Diameter A	Outside Diameter D ₁	Seal Height C	Cross Section F	Flange Size	Price
1P3700	0.744	1	0.195	0.134	1/2	\$1.51
1P3702	0.994	1 1/4	0.195	0.134	3/4	\$1.72
1P3703	1.244	1 1/2	0.195	0.134	1	\$1.83
1P3704	1.494	1 3/4	0.195	0.134	1-1/4	\$2.27
1P3705	1.747	2	0.195	0.134	1-1/2	\$2.42
1P3706	1.997	2 1/4	0.195	0.134	1-3/4	\$2.70
1P3707	2.134	2.4	0.195	0.134	1-7/8	\$2.71
1P3708	2.247	2 1/2	0.195	0.134	2	\$2.79
1P3709	2.497	2 3/4	0.195	0.134	2-1/4	\$2.98

PP Cushion Seals - Metric



This pneumatic cushion seal profile PP is specially designed for cushioning in pneumatic cylinders. The seal functions as a check valve, so no separate valve is needed. The PP seal floats axially in the groove, so it works well even under misalignment. Easily installed into groove. Parts with P90 suffix are Urethane. Parts with no suffix are Nitrile

90 Duro, NBR Temperature: -5°F to 175°F
 Pressure: PSI ≤ 165

92 Duro, PU Temperature: -30°F to 175°F
 Pressure: PSI ≤ 225

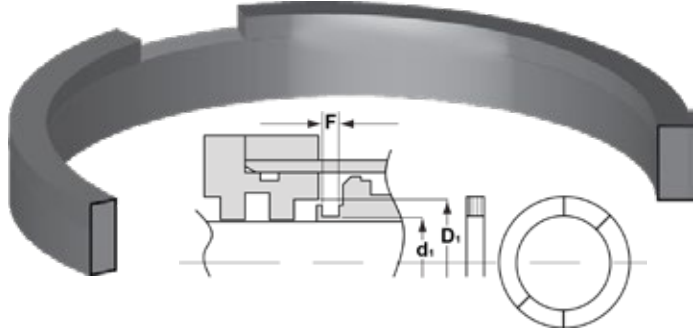
EXAMPLE: PP-12x18x5 P90

Prefix	Inside Diameter		Outside Diameter		Total Height	Suffix
PP-	12	x	18	x	5	P90
	12mm		18mm		5mm	92A URE

Part Number	Inside Dia. d	Outside Dia. D1	Base Height L2	Total Height L1	Price
PP-8X11.6X3.5	8	11.6	2.0	3.5	\$3.17
PP-12X18X5	12	18	4.1	5.0	\$3.17
PP-12X18X5 P90	12	18	4.1	5.0	\$3.31
PP-12X20X7.8	12	20	6.2	7.8	\$3.31
PP-12X20X7.8 P90	12	20	6.2	7.8	\$3.31
PP-14X22X7.8	14	22	6.2	7.8	\$3.31
PP-14X22X7.8 P90	14	22	6.2	7.8	\$3.31
PP-16X22X5.5	16	22	4.7	5.5	\$3.31
PP-16X22X5.5 P90	16	22	4.7	5.5	\$3.49
PP-16X24X7.8	16	24	6.2	7.8	\$3.34
PP-16X24X7.8 P90	16	24	6.2	7.8	\$3.49
PP-18X26X7.8 P90	18	26	6.2	7.8	\$4.41
PP-20X28X7.8	20	28	6.2	7.8	\$4.53
PP-20X28X7.8 P90	20	28	6.2	7.8	\$3.68
PP-22X30X7.8	22	30	6.2	7.8	\$3.70
PP-24X32X7.8	24	32	6.2	7.8	\$4.90
PP-25X33X7.8	25	33	6.2	7.8	\$3.49
PP-25X33X7.8 P90	25	33	6.2	7.8	\$3.64
PP-25X35X7.8 P90	25	35	6.2	7.8	\$4.71
PP-28X36X7.8 P90	28	36	6.2	7.8	\$5.00
PP-30X40X7.8	30	40	6.2	7.8	\$4.22
PP-30X40X7.8 P90	30	40	6.2	7.8	\$4.26
PP-32X40X7.8	32	40	6.2	7.8	\$4.92
PP-32X42X7.8 P90	32	42	6.2	7.8	\$5.62
PP-36X46X7.8	36	46	6.2	7.8	\$5.19
PP-36X46X7.8 P90	36	46	6.2	7.8	\$5.27
PP-40X50X7.8	40	50	6.2	7.8	\$5.67
PP-40X50X7.8 P90	40	50	6.2	7.8	\$5.84
PP-50X60X7.8 P90	50	60	6.2	7.8	\$6.60
PP-70X87X11 P90	70	87	10.0	11.0	\$8.15

MRT Cushion Seals - Metric

These cushion seals are made from nylon or phenolic, and are found in Asian manufactured heavy equipment cylinders. As their name implies, they cushion the stroke of the cylinder rod by limiting fluid from passing through the port.

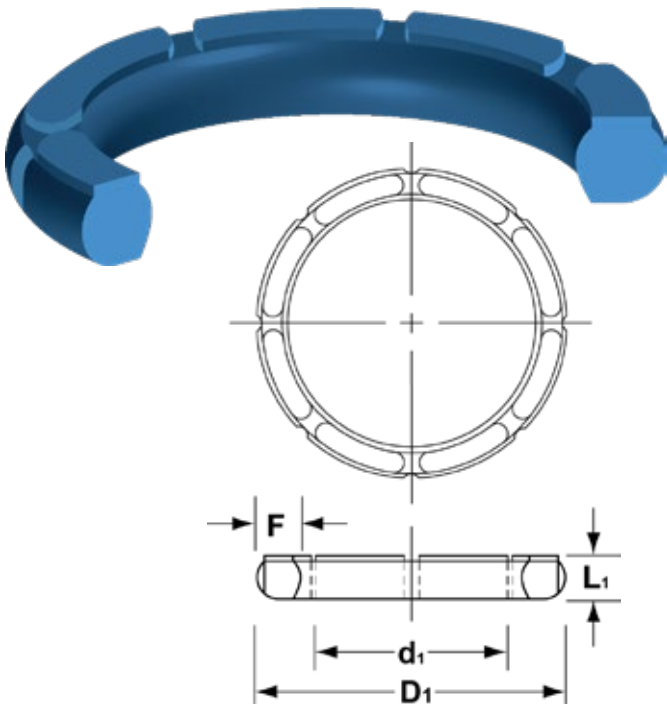


EXAMPLE: MRT-95X100X6					
Prefix	Inside Diameter (d ₁)		Outside Diameter (D ₁)		Total Height (F)
MRT-	95	x	100	x	6
	95mm		100mm		6mm

Prefix	Part Number					Price
	d ₁		D ₁		F	
MRT -	32	x	38	x	6	\$22.77
MRT -	33	x	39	x	6	\$22.83
MRT -	35	x	40	x	6	\$23.22
MRT -	39	x	45	x	6	\$23.44
MRT -	41	x	46	x	6	\$17.33
MRT -	46	x	52	x	6	\$21.76
MRT -	48	x	54	x	6	\$24.32
MRT -	54	x	64	x	6	\$26.73
MRT -	58	x	64	x	6	\$28.31
MRT -	59	x	69	x	6	\$30.05
MRT -	60	x	65	x	6	\$27.14
MRT -	63	x	69	x	6	\$27.56
MRT -	64	x	74	x	6	\$30.14
MRT -	64	x	74	x	8	\$30.27
MRT -	66	x	72	x	6	\$28.54
MRT -	66	x	72	x	6	\$28.72
MRT -	66	x	72	x	8	\$28.93
MRT -	68	x	74	x	6	\$30.62
MRT -	69	x	79	x	8	\$27.22
MRT -	69	x	79	x	10	\$21.85
MRT -	70	x	75	x	6	\$33.45
MRT -	74	x	80	x	6	\$30.02

Prefix	Part Number					Price
	d ₁		D ₁		E	
MRT -	74	x	84	x	8	\$27.33
MRT -	75	x	80	x	6	\$35.45
MRT -	75	x	85	x	10	\$27.72
MRT -	79	x	89	x	8	\$28.15
MRT -	79	x	89	x	10	\$31.27
MRT -	80	x	85	x	6	\$25.26
MRT -	84	x	90	x	6	\$31.30
MRT -	84	x	94	x	8	\$26.54
MRT -	89	x	95	x	6	\$28.18
MRT -	89	x	99	x	8	\$28.64
MRT -	89	x	99	x	10	\$31.42
MRT -	90	x	95	x	6	\$44.61
MRT -	90	x	100	x	10	\$46.16
MRT -	94	x	100	x	6	\$29.97
MRT -	94	x	104	x	8	\$33.16
MRT -	94	x	104	x	10	\$34.71
MRT -	95	x	100	x	6	\$26.40
MRT -	95	x	105	x	10	\$28.12
MRT -	100	x	110	x	10	\$31.74
MRT -	109	x	119	x	8	\$34.01
MRT -	116	x	128	x	10	\$31.02
MRT -	122	x	134	x	10	\$31.57

V6 Cushion Seals - Inch



Made from Urethane these cushion seals act not only as a seal but also as a check valve. They are easy to install and work well in small housings and simple grooves. Total Height = C / S

Temperature: -20°F to 175°F

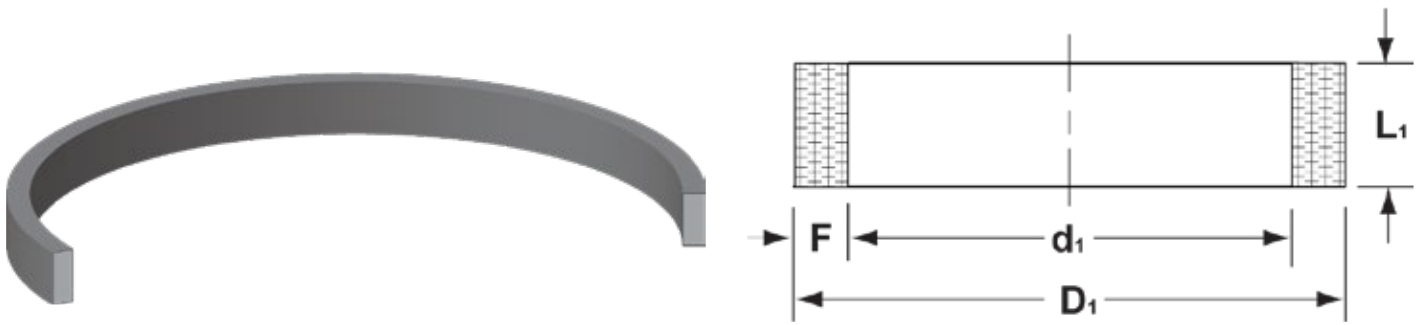
Pressure: 225 PSI

ALTERNATIVE SEALS: Custom

EXAMPLE: V6-15702250		
Prefix	C/S & Total Height	Inside Diameter
V6-	157	02250
	5/32"	2 - 1/4"

Inch				
Part Number	Inside Dia. d ₁	Outside Dia. D ₁	Height L ₁	Price
V6-15700375	0.375	0.688	0.156	\$6.12
V6-15700625	0.625	0.938	0.156	\$6.35
V6-15700875	0.875	1.188	0.156	\$6.55
V6-15701250	1.250	1.562	0.156	\$6.80
V6-15701625	1.625	1.937	0.156	\$7.03
V6-15702250	2.250	2.562	0.156	\$32.76

Solid PTFE End Cap Seals - Inch



These end cap seals are machined from virgin Teflon®. They seal between the end caps and tubes of industrial cylinders by crushing (compressing) them while the tie rods are tightened.

OEM NUMBERING SYSTEM

Hydroline® N2 Series

AY Part Number	Hydroline® Part Number	Tube Size	Cross Section F	Seal Height C	Price
995325	H-C-124-03	1-1/2	0.068	0.142	\$11.62
994815	H-C-124-04	2	0.068	0.142	\$13.90
995849	H-C-124-05	2-1/2	0.068	0.142	\$15.97
994816	H-C-124-065	3-1/4	0.068	0.142	\$20.19
996090	H-C-124-08	4	0.068	0.142	\$21.54
994388	H-C-124-10	5	0.068	0.142	\$23.83
995503	H-C-124-12	6	0.068	0.142	\$26.88
995167	H-C-124-16	8	0.068	0.142	\$38.67
994389	H-C-124-20	10	0.068	0.142	\$63.62
995831	H-C-124-24	12	0.068	0.142	\$83.67

Hydroline® N5 Series

AY Part Number	Hydroline® Part Number	Tube Size	Cross Section F	Seal Height C	Price
995324	H-C-255-03	1-1/2	0.027	0.104	\$12.12
994862	H-C-255-04	2	0.027	0.104	\$13.86
995277	H-C-255-05	2-1/2	0.027	0.104	\$14.94
995650	H-C-255-065	3-1/4	0.027	0.104	\$15.13
995850	H-C-255-08	4	0.027	0.104	\$17.53
995266	H-C-255-10	5	0.027	0.104	\$19.16
995906	H-C-255-12	6	0.027	0.104	\$22.63
995261	H-C-255-14	7	0.027	0.104	\$25.45
995001	H-C-255-16	8	0.027	0.104	\$28.61

We do not imply that these seals are a product of Hydroline®.
Part numbers are used for reference purposes only.

Solid PTFE End Cap Seals - Inch (Cont.)
Hydroline® R2 & R5 Series

AY Part Number	Hydroline® Part Number	Tube Size	Cross Section F	Seal Height C	Price
994832	H-C-221-03	1-1/2	0.032	0.082	\$9.08
994577	H-C-221-04	2	0.032	0.082	\$9.94
995706	H-C-221-05	2-1/2	0.032	0.082	\$10.95
995130	H-C-221-065	3-1/4	0.032	0.082	\$13.53
994874	H-C-221-08	4	0.032	0.082	\$14.87
995354	H-C-221-10	5	0.032	0.082	\$19.88
995736	H-C-221-12	6	0.063	0.093	\$24.83
995842	H-C-221-16	8	0.063	0.093	\$42.68
995960	H-C-221-20	10	0.063	0.093	\$56.10

We do not imply that these seals are a product of Hydroline®.
Part numbers are used for reference purposes only.

Miller® Solid PTFE End Cap Seals

Pneumatic					
AY Part Number	Miller® Part Number	Tube Size	Cross Section F	Seal Height C	Price
995035	M-090-ES009-150	1-1/2	0.072	0.072	\$9.71
995745	M-090-ES009-200	2	0.072	0.072	\$12.03
995583	M-090-ES009-250	2-1/2	0.072	0.072	\$14.65
995554	M-090-ES009-325	3-1/4	0.072	0.072	\$16.58
995546	M-090-ES009-400	4	0.072	0.072	\$19.18
995190	M-090-ES009-500	5	0.072	0.072	\$23.17
995270	M-090-ES009-600	6	0.072	0.072	\$25.89
994934	M-090-ES009-700	7	0.072	0.072	\$35.87
994386	M-090-ES009-800	8	0.072	0.072	\$42.23
995818	M-090-ES009-1000	10	0.072	0.072	\$72.67
995191	M-090-ES009-1200	12	0.072	0.072	\$80.92

Hydraulic					
AY Part Number	Miller® Part Number	Tube Size	Cross Section F	Seal Height C	Price
995535	M-170-ES010-150	1-1/2	0.072	0.072	\$12.28
995746	M-170-ES010-200	2	0.072	0.072	\$14.02
995666	M-170-ES010-250	2-1/2	0.072	0.072	\$17.00
995171	M-170-ES010-325	3-1/4	0.072	0.072	\$26.72
995172	M-170-ES010-400	4	0.072	0.072	\$30.01
995478	M-170-ES010-500	5	0.072	0.072	\$35.98
996798	M-170-ES010-600	6	0.072	0.072	\$39.80
997290	M-170-ES010-700	7	0.072	0.072	\$43.29
996182	M-170-ES010-800	8	0.072	0.072	\$58.80
997347	M-170-ES010-1000	10	0.072	0.072	\$78.12
997349	M-170-ES010-1200	12	0.072	0.072	\$86.68

We do not imply that these seals are a product of Miller®.
Part numbers are used for reference purposes only.

HS Urethane Head Seals - Inch



EXAMPLE: HS-250	
Prefix	568 DASH #
HS-	250

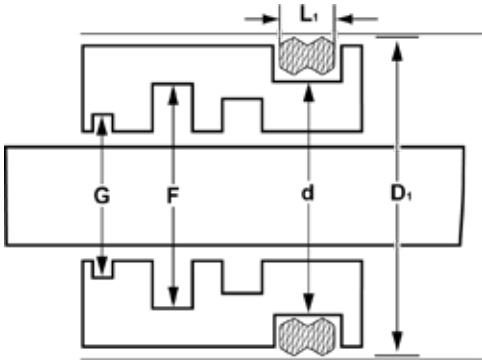
ALTERNATIVE SEALS: O-Ring / Quad-Ring

Part Number	Outside Diameter D ₁	Inside Diameter d	Groove Height L	Price
HS-228	2.500	2.278	0.208	\$10.74
HS-232	3.000	2.778	0.208	\$11.42
HS-234	3.250	3.028	0.208	\$12.15
HS-236	3.500	3.278	0.208	\$13.29
HS-238	3.750	3.528	0.208	\$13.78
HS-240	4.000	3.778	0.208	\$15.08
HS-242	4.250	4.028	0.208	\$16.58
HS-244	4.500	4.278	0.208	\$17.42
HS-246	4.750	4.528	0.208	\$18.24
HS-248	5.000	4.778	0.208	\$19.73
HS-250	5.250	5.028	0.208	\$20.33
HS-254	5.750	5.528	0.208	\$24.78
HS-256	6.000	5.778	0.208	\$26.02
HS-259	6.500	6.278	0.208	\$27.60
HS-338	3.500	3.160	0.311	\$19.16
HS-350	5.000	4.660	0.311	\$23.92
HS-354	5.500	5.160	0.311	\$20.12
HS-358	6.000	5.660	0.311	\$27.51
HS-360	6.250	5.910	0.311	\$28.32

HS is a static seal used to seal the barrel to the head of the cylinder. The difficulties faced during an o-ring assembly such as twisting & ripping was solved with this design. It can be used without a back-up ring at high pressures. Due to the material, HS has good wear resistance to extrusion and shows good sealing performance in static applications.

Temp : -30° to 230°F Pressure : 8700 PSI

DIAGRAM REPRESENTS DIMENSIONS FOR BOTH ITEMS ON THIS PAGE



DR Urethane Head Seals - Metric

EXAMPLE: DR-90X83X5.1					
Prefix	Outside Diameter	Inside Diameter	Seal Height		
DR-	90	x	83	x	5.1
	90mm		83mm		5.1mm

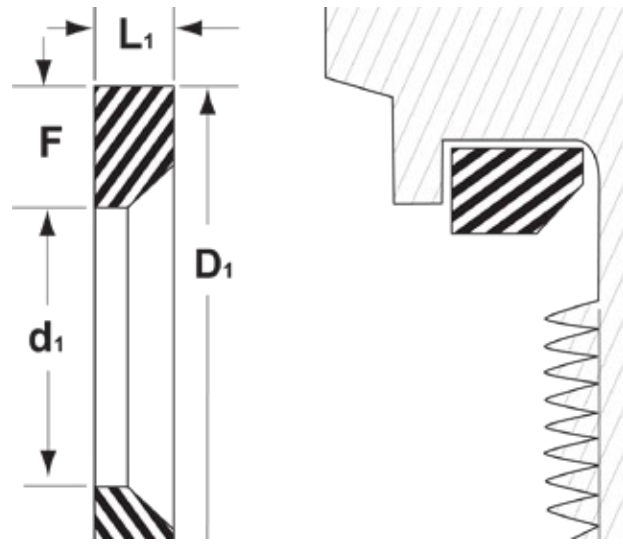
ALTERNATIVE SEALS: Head Seals can be interchanged with O-Rings
Ask for Groove Dimensions

Prefix	Part Number				Price	
	Outside Diameter D ₁		Inside Diameter d	Seal Height L ₁		
DR -	90	x	83	x	5.1	\$62.43
DR -	90	x	83	x	5.5	\$13.64
DR -	132.9	x	124.5	x	5	\$41.31
DR -	175	x	167	x	7.2	\$54.12
DR -	190	x	178.4	x	12.3	\$53.79
DR -	225	x	213.44	x	10	\$119.96

DR is a static seal used to seal the barrel to the head of the cylinder. The difficulties faced during an o-ring assembly such as twisting & ripping was solved with this design. It can be used without a back-up ring at high pressures. Due to the material, DR does have good wear resistance to extrusion and shows good sealing performance in static applications.

Temp : -30° to 230°F Pressure : 8700 PSI

3869 NBR Fluid Connector Seals - Metric



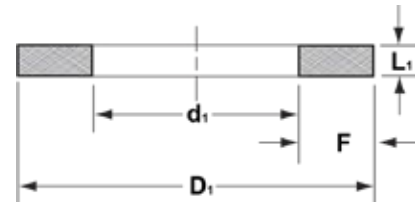
Part Number	Inside Diameter d_1	Outside Diameter D_1	Seal Height L_1	Price
3869-10	8.4	11.9	1	\$0.93
3869-12	9.8	14.4	1.5	\$0.95
3869-14	11.6	16.5	1.5	\$1.24
3869-16	13.8	18.9	1.5	\$1.28
3869-17	14.7	18.9	1.5	\$1.30
3869-18	15.7	20.9	1.5	\$1.35
3869-20	17.8	22.9	1.5	\$1.53
3869-21	18.5	23.9	1.5	\$1.61
3869-22	19.6	24.3	1.5	\$1.72
3869-27	23.9	29.2	1.5	\$1.75
3869-33	29.7	35.7	2	\$2.20
3869-42	38.8	45.8	2	\$3.52
3869-48	44.7	50.7	2	\$3.68
3869-KIT12	12 SIZES	146 PC		\$199.77

The 3869 fluid connector seal is specially designed for static applications. Made from 85 Shore A nitrile, this seal offers a long service life with superior sealing performance with no twisting in the groove.

Temperature : -20° to +220°F

EXAMPLE: 3869-10	
Prefix	ROUNDUP (ID+OD)/2
3869-	10
	10mm

Vegetable Fiber End Cap Seals - Inch



EXAMPLE: BU-2000-2250-031-VEG				
Prefix	Inside Diameter	Outside Diameter	Height	Material
BU-	2000	- 2250	- 031	VEG
	2"	2-1/4"	1/32"	Veg Fiber

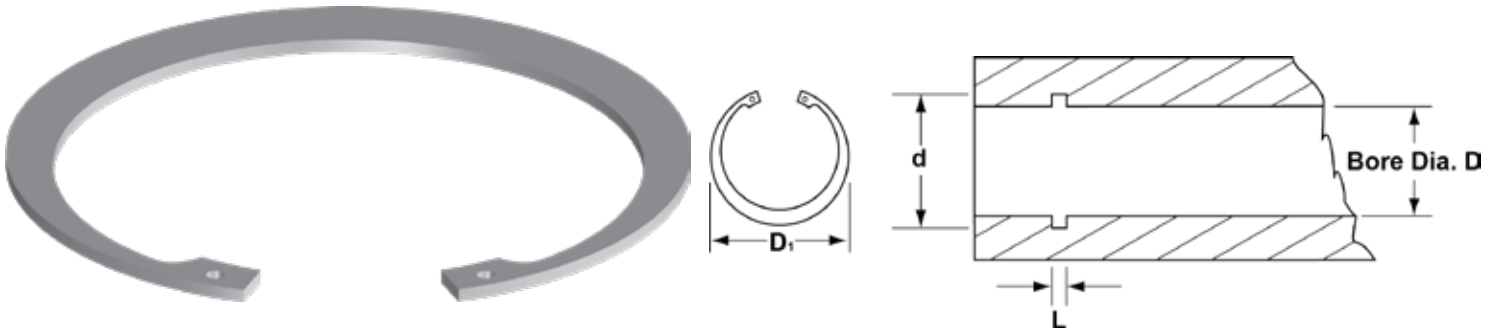
These gaskets are made from vegetable fibers and offer an inexpensive alternative to Teflon. They are primarily used as tube end seals.

Temperature : up to 250°F

Part Number	Inside Dia. d_1	Outside Dia. D_1	Height L_1	C/S F	Price
BU-1250-1500-031-VEG	1.250	1.500	0.031	0.125	\$4.32
BU-1500-1687-031-VEG	1.500	1.688	0.031	0.094	\$4.45
BU-1500-1750-031-VEG	1.500	1.750	0.031	0.125	\$5.71
BU-2000-2187-031-VEG	2.000	2.188	0.031	0.094	\$6.03
BU-2000-2250-031-VEG	2.000	2.250	0.031	0.125	\$6.39
BU-2000-2750-032-VEG	2.000	2.750	0.031	0.375	\$6.76
BU-2500-2687-031-VEG	2.500	2.688	0.031	0.094	\$6.06
BU-2500-2750-031-VEG	2.500	2.750	0.031	0.125	\$6.44

Part Number	Inside Dia. d_1	Outside Dia. D_1	Height L_1	C/S F	Price
BU-3000-3187-031-VEG	3.000	3.188	0.031	0.094	\$6.57
BU-3000-3250-031-VEG	3.000	3.250	0.031	0.125	\$5.05
BU-3250-3500-031-VEG	3.250	3.500	0.031	0.125	\$5.08
BU-3500-3750-031-VEG	3.500	3.750	0.031	0.125	\$5.08
BU-4000-4250-031-VEG	4.000	4.250	0.031	0.125	\$5.15
BU-5000-5250-031-VEG	5.000	5.250	0.031	0.125	\$5.17
BU-6000-6250-031-VEG	6.000	6.250	0.031	0.125	\$5.43
BU-8000-8250-031-VEG	8.000	8.250	0.031	0.125	\$5.74

1300 Internal Tru[®]-Arc Type Retaining Rings - Inch & Metric



Retaining rings are precision-engineered components; which when applied in bores provides a shoulder that accurately positions, locates or retains other parts of an assembly.

They can be used to replace pins and washers, threaded sections, collars, machine shoulders and other costly or time consuming methods.

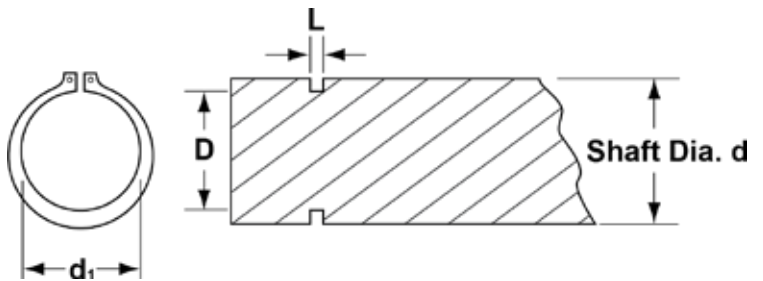
EXAMPLE: 1300-25	
Prefix	Bore Diameter
1300-	25
	1/4"

Inch						
Part Number	Bore Dia. D	Free O.D. D ₁	Groove Dia. d	Ring Height	Groove Height L	Price
1300-25	0.250	0.280	0.268	0.015	0.018	\$0.76
1300-31	0.312	0.346	0.330	0.015	0.018	\$0.76
1300-37	0.375	0.415	0.397	0.025	0.029	\$0.76
1300-43	0.438	0.482	0.461	0.025	0.029	\$0.76
1300-50	0.500	0.548	0.530	0.035	0.039	\$0.76
1300-56	0.562	0.620	0.596	0.035	0.039	\$0.76
1300-62	0.625	0.694	0.665	0.035	0.039	\$0.76
1300-68	0.688	0.763	0.732	0.035	0.039	\$0.79
1300-75	0.750	0.831	0.796	0.035	0.039	\$0.82
1300-81	0.812	0.901	0.862	0.042	0.046	\$0.82
1300-87	0.875	0.971	0.931	0.042	0.046	\$0.82
1300-93	0.938	1.041	1.000	0.042	0.046	\$0.82
1300-100	1.000	1.111	1.066	0.042	0.046	\$0.82
1300-102	1.023	1.136	1.091	0.042	0.046	\$0.82
1300-106	1.062	1.180	1.130	0.050	0.056	\$1.28
1300-112	1.125	1.249	1.197	0.050	0.056	\$0.93
1300-118	1.188	1.388	1.262	0.050	0.056	\$1.10
1300-125	1.250	1.388	1.330	0.050	0.056	\$0.99
1300-131	1.312	1.456	1.396	0.050	0.056	\$1.14
1300-137	1.375	1.526	1.461	0.050	0.056	\$1.06
1300-143	1.438	1.596	1.528	0.050	0.056	\$1.23
1300-150	1.500	1.660	1.594	0.050	0.056	\$1.23
1300-156	1.562	1.734	1.658	0.062	0.068	\$1.79
1300-162	1.625	1.804	1.725	0.062	0.068	\$1.79
1300-168	1.688	1.874	1.792	0.062	0.068	\$3.19
1300-175	1.750	1.942	1.858	0.062	0.068	\$2.03
1300-187	1.875	2.072	1.989	0.062	0.068	\$2.17
1300-193	1.938	2.141	2.056	0.062	0.068	\$2.01
1300-200	2.000	2.210	2.122	0.062	0.068	\$2.16
1300-206	2.062	2.280	2.186	0.078	0.086	\$3.38

1300 Internal Tru®-Arc Type Retaining Rings cont'd.

Part Number	Bore Dia. D	Free O.D. D ₁	Groove Dia. d	Ring Height	Groove Height L	Price
1300-212	2.125	2.350	2.251	0.078	0.086	\$3.46
1300-218	2.188	2.415	2.318	0.078	0.086	\$3.58
1300-225	2.250	2.490	2.382	0.078	0.086	\$3.79
1300-231	2.312	2.560	2.450	0.078	0.086	\$3.81
1300-237	2.375	2.630	2.517	0.078	0.086	\$3.81
1300-244	2.440	2.702	2.584	0.078	0.086	\$3.95
1300-250	2.500	2.775	2.648	0.078	0.086	\$4.17
1300-256	2.562	2.844	2.714	0.093	0.103	\$4.87
1300-262	2.625	2.910	2.781	0.093	0.103	\$6.73
1300-275	2.750	3.050	2.914	0.093	0.103	\$6.29
1300-281	2.812	3.121	2.980	0.093	0.103	\$8.54
1300-287	2.875	3.191	3.051	0.093	0.103	\$9.90
1300-300	3.000	3.325	3.182	0.093	0.103	\$6.51
1300-312	3.125	3.488	3.315	0.109	0.120	\$10.27
1300-325	3.250	3.623	3.446	0.109	0.120	\$10.27
1300-350	3.500	3.890	3.710	0.109	0.120	\$10.27
1300-362	3.625	4.024	3.841	0.109	0.120	\$11.47
1300-375	3.750	4.157	3.974	0.109	0.120	\$15.26
1300-393	3.937	4.344	4.161	0.109	0.120	\$16.43
1300-400	4.000	4.424	4.240	0.109	0.120	\$13.26
1300-412	4.125	4.558	4.365	0.109	0.120	\$17.58
1300-425	4.250	4.691	4.490	0.109	0.120	\$19.53
1300-450	4.500	4.940	4.740	0.109	0.120	\$15.28
1300-462	4.625	5.076	4.865	0.109	0.120	\$23.09
1300-475	4.750	5.213	4.995	0.109	0.120	\$23.81
1300-500	5.000	5.485	5.260	0.109	0.120	\$19.90
1300-525	5.250	5.770	5.520	0.125	0.139	\$19.97
1300-550	5.500	6.066	5.770	0.125	0.139	\$55.28
1300-600	6.000	6.620	6.270	0.125	0.139	\$65.62
1300-625	6.250	6.895	6.530	0.156	0.174	\$89.34
1300-650	6.500	7.170	6.790	0.156	0.174	\$100.21
1300-675	6.750	7.445	7.055	0.156	0.174	\$110.98
1300-700	7.000	7.720	7.315	0.156	0.174	\$129.03
1300-725	7.250	7.995	7.575	0.187	0.209	\$149.83
1300-750	7.500	8.270	7.840	0.187	0.209	\$160.86
1300-875	8.750	9.558	9.145	0.187	0.209	\$201.27
Metric						
1300-90MM	90	95.50	93.50	3	3.15	\$8.21
1300-110MM	110	116.99	114.00	4	4.14	\$20.28
1300-120MM	120	127.00	124.00	4	4.14	\$18.11
1300-160MM	160	169.01	165.00	4	4.14	\$27.70
1300-200MM	200	209.50	205.00	4	4.14	\$76.98
1300-210MM	210	222.00	216.00	5	5.16	\$158.30
1300-220MM-1	220	232.00	226.01	5	5.16	\$158.30
1300-260MM	260	275.01	268.00	5	5.16	\$176.11
1300-280MM	280	295.00	288.01	5	5.16	\$222.62
1300-290MM	290	305.00	297.99	5	5.16	\$247.35

1400 External Tru[®]-Arc Type Retaining Rings - Inch



EXAMPLE: 1400-125	
Prefix	Shaft Diameter
1400-	125
	1-1/4"

Retaining rings are precision-engineered components; which when applied on shafts provides a shoulder that accurately positions, locates or retains other parts of an assembly.

They can be used to replace pins and washers, threaded sections, collars, machine shoulders and other costly or time consuming methods.

Part Number	Shaft Dia. d	Free I.D. d ₁	Groove Dia. D	Ring Height	Groove Height L	Price
1400-12	0.125	0.112	0.117	0.010	0.012	\$0.60
1400-15	0.156	0.142	0.146	0.010	0.012	\$0.61
1400-18	0.188	0.168	0.175	0.015	0.018	\$0.61
1400-21	0.219	0.196	0.205	0.015	0.018	\$0.61
1400-25	0.250	0.225	0.230	0.025	0.029	\$0.61
1400-31	0.312	0.281	0.290	0.025	0.029	\$0.61
1400-37	0.375	0.338	0.352	0.025	0.029	\$0.61
1400-43	0.438	0.395	0.412	0.025	0.029	\$0.70
1400-50	0.500	0.461	0.468	0.035	0.039	\$0.73
1400-56	0.562	0.521	0.530	0.035	0.039	\$0.79
1400-62	0.625	0.579	0.588	0.035	0.039	\$0.73
1400-68	0.688	0.635	0.646	0.042	0.046	\$0.74
1400-75	0.750	0.693	0.704	0.042	0.046	\$0.74
1400-78	0.781	0.722	0.733	0.042	0.046	\$0.78
1400-81	0.812	0.751	0.762	0.042	0.046	\$0.81
1400-87	0.875	0.810	0.821	0.042	0.046	\$0.81
1400-93	0.938	0.867	0.882	0.042	0.046	\$0.81
1400-98	0.984	0.910	0.926	0.042	0.046	\$0.86
1400-100	1.000	0.925	0.940	0.042	0.046	\$0.86
1400-102	1.023	0.946	0.961	0.042	0.046	\$0.95
1400-106	1.062	0.982	0.998	0.050	0.056	\$1.04
1400-112	1.125	1.041	1.059	0.050	0.056	\$1.13
1400-118	1.188	1.098	1.118	0.050	0.056	\$1.13
1400-125	1.250	1.156	1.176	0.050	0.056	\$0.98
1400-131	1.312	1.214	1.232	0.050	0.056	\$1.13
1400-137	1.375	1.272	1.291	0.050	0.056	\$1.13
1400-143	1.438	1.333	1.350	0.050	0.056	\$1.50
1400-150	1.500	1.387	1.406	0.050	0.056	\$1.18
1400-156	1.562	1.446	1.468	0.062	0.068	\$1.55

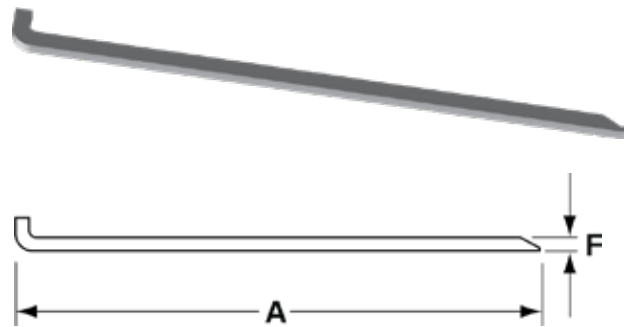
Part Number	Shaft Dia. d	Free I.D. d ₁	Groove Dia. D	Ring Height	Groove Height L	Price
1400-162	1.625	1.503	1.529	0.062	0.068	\$1.61
1400-168	1.688	1.560	1.589	0.062	0.068	\$1.98
1400-175	1.750	1.618	1.650	0.062	0.068	\$2.87
1400-187	1.875	1.743	1.775	0.062	0.068	\$2.87
1400-200	2.000	1.850	1.886	0.062	0.068	\$3.10
1400-212	2.125	1.964	2.003	0.078	0.086	\$3.64
1400-225	2.250	2.081	2.120	0.078	0.086	\$3.64
1400-237	2.375	2.197	2.239	0.078	0.086	\$5.35
1400-243	2.438	2.255	2.299	0.078	0.086	\$5.45
1400-250	2.500	2.313	2.360	0.078	0.086	\$6.69
1400-275	2.750	2.543	2.602	0.093	0.103	\$6.97
1400-300	3.000	2.775	2.838	0.093	0.103	\$7.07
1400-315	3.156	2.920	2.986	0.093	0.103	\$14.89
1400-325	3.250	3.000	3.076	0.093	0.103	\$13.93
1400-334	3.346	3.092	3.166	0.093	0.103	\$16.38
1400-343	3.437	3.179	3.257	0.093	0.103	\$18.05
1400-350	3.500	3.237	3.316	0.109	0.120	\$13.07
1400-362	3.625	3.362	3.441	0.109	0.120	\$24.46
1400-375	3.750	3.487	3.566	0.109	0.120	\$21.07
1400-400	4.000	3.700	3.792	0.109	0.120	\$23.80
1400-425	4.250	3.989	4.065	0.109	0.120	\$22.47
1400-437	4.375	4.106	4.190	0.109	0.120	\$34.29
1400-450	4.500	4.223	4.310	0.109	0.120	\$28.68
1400-475	4.750	4.458	4.550	0.109	0.120	\$36.79
1400-500	5.000	4.692	4.790	0.109	0.120	\$25.75
1400-525	5.250	4.927	5.030	0.125	0.139	\$74.85
1400-550	5.500	5.162	5.265	0.125	0.139	\$76.61
1400-575	5.750	5.396	5.505	0.125	0.139	\$79.18
1400-600	6.000	5.631	5.745	0.125	0.139	\$97.21

1400 External Tru[®]-Arc Type Retaining Rings - Metric

Part Number	Shaft Dia. d	Free I.D. d ₁	Groove Dia. D	Ring Height	Groove Height L	Price
1400-6MM	6	5.6	5.7	0.70	0.80	\$2.21
1400-13MM	13	11.9	12.4	1.00	1.10	\$2.47
1400-14MM	14	12.9	13.4	1.00	1.10	\$2.47
1400-20MM	20	18.5	19.0	1.20	1.30	\$3.12
1400-25MM	25	23.2	23.9	1.20	1.30	\$3.27
1400-30MM	30	27.9	28.6	1.50	1.60	\$3.53
1400-45MM	45	41.5	42.5	1.75	1.85	\$5.40
1400-75MM	75	70.5	72.0	2.50	2.65	\$5.33
1400-80MM	80	74.5	76.5	2.50	2.65	\$6.55
1400-120MM	120	113.0	116.0	4.00	4.15	\$15.84
1400-155MM	155	146.0	150.0	4.00	4.15	\$40.02
1400-220MM	220	208.0	214.0	5.00	5.15	\$101.40

Hook Lock Retainers

Part Number	Bore	Overall Length A	Cross Section F	Price
HLR4-450	1.500	4.500	0.125	\$12.93
HLRD4-471	1.500	4.710	0.125	\$13.10
HLR4-775	2.500	7.750	0.125	\$13.20
HLR4-925	3.000	9.250	0.125	\$13.51
HLR4-1075	3.500	10.750	0.125	\$13.57
HLR3-1089	3.500	10.890	0.093	\$20.34
HLR4-1250	4.000	12.500	0.125	\$14.08
HLR6-1250	4.000	12.500	0.187	\$14.94
HLR4-1400	4.500	14.000	0.125	\$14.94
HLR4-1550	5.000	15.500	0.125	\$15.46
HLR6-1550	5.000	15.500	0.187	\$16.73
HLR6-1875	6.000	18.750	0.187	\$17.40
HLR4-1937	6.250	19.375	0.125	\$15.28
HLR6-2175	7.000	21.750	0.187	\$20.18
079SQUARESTEEL		Per/ft.	0.079	\$8.02
093SQUARESTEEL		Per/ft.	0.093	\$12.26
118SQUARESTEEL		Per/ft.	0.118	\$10.60
125SQUARESTEEL		Per/ft.	0.125	\$4.30
187SQUARESTEEL		Per/ft.	0.187	\$4.73
125ROUNDSTEEL		Per/ft.	0.125	\$3.49



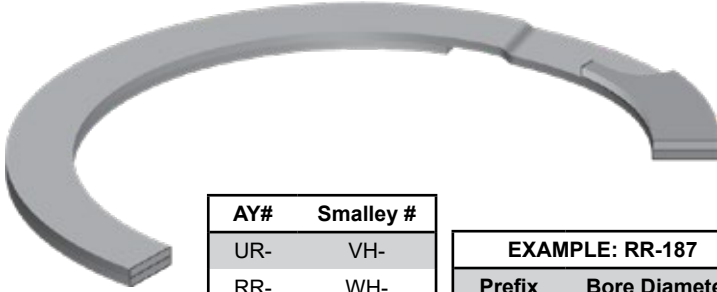
Square steel hook lock retainers are used to hold the rod gland in place within the cylinder tube. They are sold in common lengths and may be cut down with a hacksaw for "in-between" sizes.

Square steel stock may be purchased by the foot in bulk to make your own retainers. Lengths over 1 ft. may have to be slightly coiled for shipping but may be restraightened without harm.

EXAMPLE: HLR4-1250			
Prefix	Cross Section		Overall Length
HLR	4	-	1250
	1/8"		12-1/2"

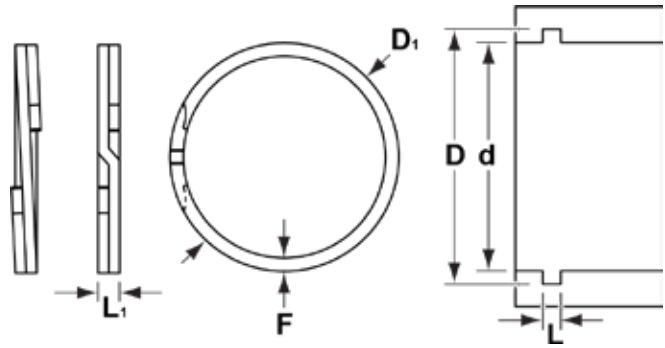
CROSS SECTION IN MULTIPLES OF 1/32
BORE SIZE = Overall Length/3.14

Internal Spiral Retaining Rings



AY#	Smalley #
UR-	VH-
RR-	WH-
RRN-	WHN-
RRT-	WHT-

EXAMPLE: RR-187	
Prefix	Bore Diameter
RR-	187
	1-7/8"



Part Number	Housing Diameter d	Groove Diameter D	Groove Height L	Free Ring Diameter D ₁	Ring Height L ₁	Radial Wall F	Price
RRN-068	0.687	0.732	0.039	0.743	0.035	0.065	\$6.87
UR-75	0.750	0.779	0.022	0.783	0.018	0.045	\$0.92
UR-93	0.937	0.979	0.026	0.989	0.021	0.065	\$0.95
RR-100	1.000	1.043	0.042	1.054	0.037	0.075	\$1.90
RR-112	1.125	1.167	0.042	1.180	0.037	0.075	\$1.97
RRN-112SS	1.125	1.197	0.056	1.205	0.050	0.103	\$7.44
RR-115	1.156	1.198	0.042	1.210	0.037	0.075	\$2.16
RRT-118	1.187	1.250	0.056	1.260	0.050	0.088	\$1.18
UR-118	1.187	1.231	0.031	1.242	0.025	0.088	\$1.34
RR-125	1.250	1.298	0.048	1.312	0.043	0.085	\$3.53
RR-137	1.375	1.427	0.048	1.442	0.043	0.095	\$2.26
UR-137	1.375	1.419	0.031	1.433	0.025	0.088	\$1.57
RRT-143	1.438	1.515	0.056	1.526	0.050	0.103	\$9.05
RR-145	1.456	1.508	0.048	1.523	0.043	0.095	\$2.70
RR-150	1.500	1.552	0.048	1.567	0.043	0.095	\$2.70
RRT-150	1.500	1.580	0.056	1.591	0.050	0.108	\$2.77
UR-150	1.500	1.544	0.031	1.559	0.025	0.088	\$5.22
RRN-156	1.562	1.658	0.068	1.675	0.062	0.128	\$5.33
RR-162	1.625	1.684	0.056	1.701	0.049	0.108	\$4.39
RR-168	1.687	1.751	0.056	1.768	0.049	0.108	\$4.76
RR-175	1.750	1.813	0.056	1.834	0.049	0.118	\$3.93
RRT-175	1.750	1.845	0.068	1.853	0.062	0.118	\$3.18
RRT-181	1.812	1.910	0.068	1.923	0.062	0.123	\$3.50
RR-187	1.875	1.942	0.056	1.960	0.049	0.118	\$4.29
RRT-187	1.875	1.975	0.068	1.984	0.062	0.128	\$3.32
RR-200	2.000	2.071	0.056	2.091	0.049	0.128	\$4.07
RRT-200	2.000	2.110	0.068	2.125	0.062	0.138	\$3.09
RRN-200	2.000	2.122	0.068	2.142	0.062	0.158	\$6.41
RR-204	2.047	2.118	0.056	2.138	0.049	0.128	\$36.23
RR-206	2.062	2.132	0.056	2.154	0.049	0.128	\$4.94
RRN-206	2.062	2.186	0.086	2.201	0.078	0.168	\$6.09
UR-206	2.062	2.138	0.039	2.162	0.031	0.158	\$4.73
RRT-212	2.125	2.240	0.086	2.255	0.078	0.141	\$3.48
RRT-218	2.188	2.305	0.086	2.321	0.078	0.141	\$8.02
RR-225	2.250	2.324	0.056	2.347	0.049	0.138	\$6.95
RRT-225	2.250	2.370	0.086	2.386	0.078	0.141	\$5.70
RR-231	2.312	2.390	0.056	2.413	0.049	0.138	\$4.80
RR-237	2.375	2.453	0.056	2.476	0.049	0.138	\$6.19
RR-250	2.500	2.582	0.056	2.606	0.049	0.148	\$7.53
RRT-250	2.500	2.635	0.086	2.653	0.078	0.188	\$5.25
RRT-253	2.531	2.668	0.086	2.687	0.078	0.188	\$9.22
RRT-256	2.562	2.700	0.103	2.720	0.093	0.188	\$11.00
RRN-256	2.562	2.714	0.103	2.733	0.093	0.225	\$11.23
RRT-262	2.625	2.765	0.103	2.785	0.093	0.188	\$11.55
RRT-268	2.688	2.834	0.103	2.855	0.093	0.188	\$12.67

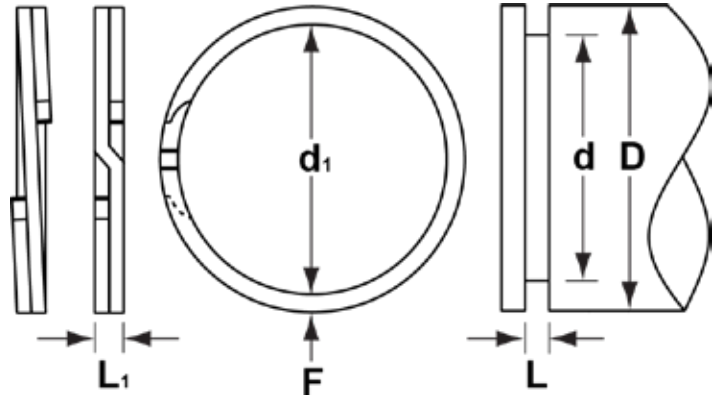
Internal Spiral Retaining Rings, cont'd.

Part Number	Housing Diameter d	Groove Diameter D	Groove Height L	Free Ring Diameter D ₁	Ring Height L ₁	Radial Wall F	Price
RRN-268	2.688	2.848	0.103	2.868	0.093	0.225	\$6.29
RR-275	2.750	2.841	0.056	2.865	0.049	0.158	\$10.58
RRN-275	2.750	2.914	0.103	2.934	0.093	0.225	\$12.36
RRT-275	2.750	2.900	0.103	2.921	0.093	0.188	\$9.19
RRN-283	2.834	3.006	0.103	3.027	0.093	0.225	\$11.28
RRN-287	2.875	3.051	0.103	3.072	0.093	0.225	\$13.14
RRT-287	2.875	3.030	0.103	3.053	0.093	0.188	\$11.78
UR-300	3.000	3.076	0.039	3.110	0.031	0.158	\$2.89
RR-300	3.000	3.096	0.068	3.122	0.061	0.168	\$4.40
RRT-300	3.000	3.165	0.103	3.188	0.093	0.188	\$6.31
RRN-300	3.000	3.182	0.103	3.204	0.093	0.225	\$14.12
UR-306	3.062	3.154	0.044	3.187	0.039	0.188	\$6.03
RR-312	3.125	3.223	0.068	3.251	0.061	0.178	\$11.20
RR-318	3.187	3.283	0.068	3.311	0.061	0.178	\$11.35
RRT-325	3.250	2.426	0.120	3.450	0.111	0.250	\$15.07
RR-325	3.250	3.350	0.068	3.379	0.061	0.178	\$7.21
RRN-325	3.250	3.446	0.120	3.470	0.111	0.281	\$20.21
RR-350	3.500	3.606	0.068	3.636	0.061	0.188	\$9.12
RRT-350	3.500	3.690	0.120	3.716	0.111	0.250	\$11.57
RRN-350	3.500	3.710	0.120	3.736	0.111	0.281	\$11.96
UR-350	3.500	3.592	0.044	3.630	0.039	0.188	\$6.22
RR-354	3.543	3.653	0.068	3.684	0.061	0.198	\$10.49
UR-362	3.625	3.717	0.044	3.766	0.039	0.188	\$7.04
RRT-375	3.750	3.955	0.120	3.982	0.111	0.250	\$21.78
RR-393	3.938	4.056	0.068	4.089	0.061	0.208	\$12.24
RR-400	4.000	4.124	0.068	4.157	0.061	0.218	\$6.44
RRT-400	4.000	4.220	0.120	4.248	0.111	0.250	\$18.59
RRN-400	4.000	4.240	0.120	4.270	0.111	0.312	\$31.76
UR-412	4.125	4.235	0.052	4.279	0.046	0.225	\$8.89
RR-412	4.125	4.249	0.068	4.284	0.061	0.218	\$13.90
RR-425	4.250	4.380	0.068	4.416	0.061	0.228	\$13.98
RR-437	4.375	4.505	0.068	4.543	0.061	0.228	\$14.52
RR-450	4.500	4.636	0.068	4.674	0.061	0.238	\$6.58
RRN-450	4.500	4.740	0.120	4.770	0.111	0.312	\$27.51
RRT-450	4.500	4.735	0.120	4.768	0.111	0.312	\$15.66
RR-475	4.750	4.890	0.079	4.930	0.072	0.250	\$16.09
RRT-475	4.750	4.995	0.120	5.028	0.111	0.312	\$31.97
UR-487	4.875	4.985	0.052	5.036	0.046	0.225	\$10.12
RR-500	5.000	5.144	0.079	5.185	0.072	0.250	\$17.84
RRN-500	5.000	5.260	0.120	5.297	0.111	0.312	\$35.99
RRT-500	5.000	5.260	0.120	5.295	0.111	0.312	\$29.09
RR-511	5.118	5.262	0.079	5.304	0.072	0.250	\$18.59
RR-525	5.250	5.393	0.079	5.436	0.072	0.250	\$8.42
RRN-525	5.250	5.520	0.139	5.559	0.127	0.350	\$37.33
UR-525	5.250	5.381	0.067	5.435	0.061	0.225	\$9.47
RR-550	5.500	5.647	0.079	5.693	0.072	0.250	\$10.57
RRT-550	5.500	5.770	0.139	5.810	0.127	0.375	\$21.11
RR-570	5.708	5.861	0.079	5.909	0.072	0.250	\$16.55
RR-575	5.750	5.903	0.079	5.950	0.072	0.250	\$9.88
RR-600	6.000	6.153	0.079	6.202	0.072	0.250	\$9.98
RRN-600	6.000	6.270	0.139	6.314	0.127	0.350	\$38.05
RRT-600	6.000	6.270	0.139	6.314	0.127	0.375	\$26.14
RR-612	6.120	6.297	0.094	6.349	0.086	0.312	\$19.53
RR-625	6.250	6.422	0.094	6.474	0.086	0.312	\$19.74
UR-625	6.250	6.406	0.067	6.470	0.061	0.265	\$10.55
RR-650	6.500	6.672	0.094	6.726	0.086	0.312	\$16.50
RRT-650	6.500	6.790	0.174	6.837	0.165	0.312	\$57.93
RR-675	6.750	6.932	0.094	6.987	0.086	0.312	\$16.74
RRT-675	6.750	7.055	0.174	7.104	0.165	0.312	\$53.44
RRN-700	7.000	7.315	0.174	7.366	0.156	0.380	\$89.39

Internal Spiral Retaining Rings, cont'd.

Part Number	Housing Diameter d	Groove Diameter D	Groove Height L	Free Ring Diameter D ₁	Ring Height L ₁	Radial Wall F	Price
RRT-700	7.000	7.315	0.174	7.366	0.165	0.312	\$65.57
RR-712	7.125	7.317	0.094	7.376	0.086	0.312	\$54.76
RRT-725	7.250	7.575	0.209	7.628	0.189	0.375	\$60.29
RRT-750	7.500	7.840	0.209	7.895	0.189	0.375	\$40.93
RR-800	8.000	8.202	0.094	8.266	0.086	0.312	\$37.39
RRT-825	8.250	8.620	0.209	8.680	0.189	0.375	\$106.56
RR-850	8.500	8.712	0.094	8.780	0.086	0.375	\$32.92
RR-885	8.858	9.080	0.094	9.151	0.086	0.375	\$38.23
RR-925	9.250	9.482	0.094	9.555	0.086	0.375	\$44.48
RRT-975	9.750	10.189	0.209	10.260	0.189	0.375	\$104.17
RRT-1050	10.500	10.970	0.209	11.036	0.189	0.375	\$117.86

External Spiral Retaining Rings



AY#	Smalley #
US-	VS-
RS-	WS-
RSN-	WST-
RST-	WSN-

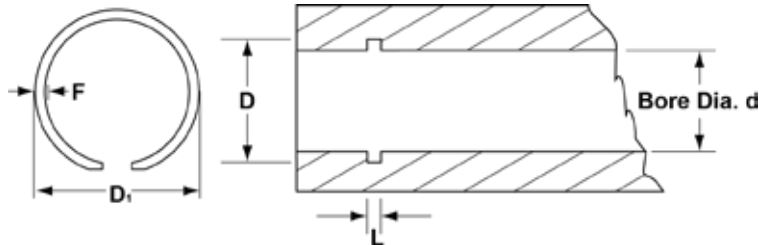
EXAMPLE: RS-250	
Prefix	Shaft Diameter
RS-	250
	2-1/2"

Part Number	Shaft Diameter D	Groove Diameter d	Groove Height L	Free Ring Diameter d ₁	Ring Height L ₁	Radial Wall F	Price
RST-75	0.750	0.715	0.046	0.708	0.042	0.065	\$3.17
US-75	0.750	0.722	0.022	0.715	0.018	0.045	\$1.87
RST-78	0.781	0.745	0.046	0.738	0.042	0.065	\$4.03
RS-93	0.937	0.900	0.036	0.889	0.031	0.065	\$1.92
RST-98	0.984	0.940	0.046	0.934	0.042	0.075	\$1.96
RST-100	1.000	0.955	0.046	0.947	0.042	0.075	\$2.61
RS-100	1.000	0.957	0.042	0.946	0.037	0.075	\$2.69
RST-112	1.125	1.075	0.056	1.064	0.050	0.088	\$5.22
RS-118	1.188	1.140	0.048	1.127	0.043	0.085	\$3.91
US-118	1.187	1.143	0.031	1.132	0.025	0.088	\$1.28
RS-125	1.250	1.202	0.048	1.188	0.043	0.085	\$4.11
US-137	1.375	1.331	0.031	1.318	0.025	0.088	\$3.34
RSN-150	1.500	1.406	0.056	1.385	0.050	0.118	\$5.68
RST-150	1.500	1.430	0.056	1.419	0.050	0.103	\$3.28
RS-150	1.500	1.448	0.048	1.433	0.043	0.095	\$3.37
RST-162	1.625	1.550	0.068	1.537	0.062	0.118	\$4.77
RSN-175	1.750	1.650	0.068	1.633	0.062	0.128	\$5.67
RST-175	1.750	1.670	0.068	1.657	0.062	0.118	\$5.98
RS-175	1.750	1.691	0.056	1.673	0.049	0.118	\$3.14
RSN-187	1.875	1.769	0.068	1.751	0.062	0.158	\$6.21

External Spiral Retaining Rings, cont'd.

Part Number	Shaft Diameter D	Groove Diameter d	Groove Height L	Free Ring Diameter d ₁	Ring Height L ₁	Radial Wall F	Price
RSN-200	2.000	1.886	0.068	1.867	0.062	0.158	\$7.52
RST-200	2.000	1.910	0.068	1.894	0.062	0.128	\$7.71
RS-200	2.000	1.929	0.056	1.909	0.049	0.128	\$6.20
US-206	2.062	1.986	0.039	1.963	0.031	0.158	\$6.25
RST-212	2.125	2.027	0.086	2.012	0.078	0.141	\$9.05
RS-215	2.156	2.082	0.056	2.060	0.049	0.138	\$7.32
RS-218	2.188	2.113	0.056	2.092	0.049	0.138	\$7.50
RST-225	2.250	2.145	0.086	2.129	0.078	0.141	\$10.08
RS-225	2.250	2.176	0.056	2.153	0.049	0.138	\$7.22
RS-237	2.375	2.297	0.056	2.273	0.049	0.138	\$10.10
RSN-237	2.375	2.239	0.086	2.223	0.078	0.200	\$13.35
RS-243	2.437	2.355	0.056	2.331	0.049	0.148	\$8.48
RSN-250	2.500	2.360	0.086	2.343	0.078	0.200	\$12.33
RST-250	2.500	2.385	0.086	2.366	0.078	0.188	\$8.38
RS-250	2.500	2.418	0.056	2.394	0.049	0.148	\$6.84
RST-262	2.625	2.505	0.086	2.485	0.078	0.188	\$9.60
RS-268	2.688	2.597	0.056	2.572	0.049	0.158	\$5.93
RSN-275	2.750	2.602	0.103	2.584	0.093	0.225	\$12.39
RS-275	2.750	2.660	0.056	2.635	0.049	0.158	\$5.32
US-275	2.750	2.674	0.039	2.644	0.031	0.158	\$6.50
RSN-300	3.000	2.838	0.103	2.818	0.093	0.225	\$15.28
RST-300	3.000	2.860	0.103	2.838	0.093	0.188	\$15.81
RS-300	3.000	2.904	0.068	2.877	0.061	0.168	\$15.72
US-300	3.000	2.924	0.039	2.892	0.031	0.158	\$6.18
RS-312	3.125	3.027	0.068	3.000	0.061	0.178	\$7.05
RS-325	3.250	3.150	0.068	3.121	0.061	0.178	\$8.47
RST-343	3.437	3.280	0.103	3.254	0.093	0.188	\$9.89
RST-350	3.500	3.340	0.120	3.315	0.111	0.250	\$15.92
RS-350	3.500	3.394	0.068	3.363	0.061	0.188	\$8.64
RS-362	3.625	3.515	0.068	3.483	0.061	0.198	\$9.79
RST-375	3.750	3.577	0.120	3.550	0.111	0.250	\$20.67
US-375	3.750	3.658	0.044	3.620	0.039	0.188	\$9.22
RSN-400	4.000	3.792	0.120	3.765	0.111	0.270	\$28.12
RS-400	4.000	3.876	0.068	3.842	0.061	0.218	\$15.37
US-412	4.125	4.015	0.120	3.973	0.046	0.225	\$9.71
RST-450	4.500	4.310	0.120	4.280	0.111	0.250	\$32.68
RS-450	4.500	4.364	0.068	4.326	0.061	0.238	\$14.33
RSN-500	5.000	4.790	0.120	4.756	0.111	0.270	\$33.31
RST-500	5.000	4.790	0.120	4.755	0.111	0.250	\$18.83
RS-500	5.000	4.856	0.079	4.820	0.072	0.250	\$26.48
RS-525	5.250	5.107	0.079	5.064	0.072	0.250	\$16.78
RS-537	5.375	5.228	0.079	5.187	0.072	0.250	\$17.63
RSN-550	5.500	5.265	0.139	5.228	0.127	0.350	\$47.50
RSN-575	5.750	5.505	0.139	5.466	0.127	0.350	\$48.44
RS-575	5.750	5.597	0.079	5.550	0.072	0.250	\$33.85
RSN-600	6.000	5.745	0.139	5.705	0.127	0.350	\$71.10
RS-625	6.250	6.078	0.094	6.026	0.086	0.312	\$31.99
RSN-700	7.000	6.705	0.174	6.648	0.156	0.418	\$110.93
RS-737	7.375	7.183	0.094	7.125	0.086	0.312	\$67.27
RSN-800	8.000	7.660	0.209	7.606	0.187	0.437	\$116.37

RSI Internal Round Section Retaining Rings

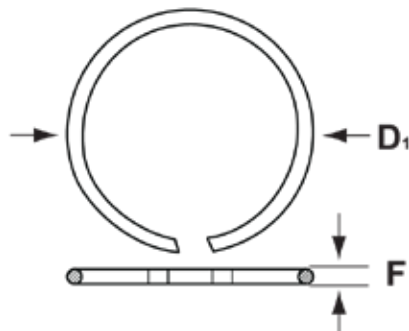


AY Part Number	Bore Size d	Wire Diameter F	Price
RSI-1000-080	1.000	0.080	\$10.44
RSI-1375-098	35mm	2.5mm	\$10.87
RSI-2250-093	2.250	0.093	\$14.03
RSI-2250-125	2.250	0.125	\$15.09
RSI-2500-125	2.500	0.125	\$15.30
RSI-2875-125	2.875	0.125	\$15.56
RSI-3000-125	3.000	0.125	\$15.65
RSI-3250-125	3.250	0.125	\$16.27
RSI-3500-187	3.500	0.187	\$23.56
RSI-4000-125	4.000	0.125	\$16.53
RSI-4000-187	4.000	0.187	\$22.01
RSI-4500-187	4.500	0.187	\$23.58
RSI-5000-125	5.000	0.125	\$17.80
RSI-5000-187	5.000	0.187	\$26.23
RSI-6125-187	6.125	0.187	\$28.66
RSI-7000-250	7.000	0.250	\$33.44

Internal Round Section Retaining Rings are wound from spring steel. They are made slightly oversized so they snap tightly into the groove in the bore of the cylinder. Some rings have recesses ground into the rings for removal. Consult sales for sizes not listed.

EXAMPLE: RSI-2250-093			
Prefix	Bore Diameter	Cross Section	
RSI-	2250	-	093
	2-1/4"		3/32"

RSE External Round Section Retaining Rings

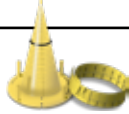


EXAMPLE: RSE-3500-125		
Prefix	Shaft Diameter	Cross Section
RSE-	3500	125
	3-1/2"	1/8"

AY Part Number	Shaft Diameter D	Wire Diameter F	Price
RSE-1000-059	1.000	0.059	\$5.50
RSE-1125-075	1.125	0.075	\$4.41
RSE-1375-092	1.375	0.092	\$6.12
RSE-1750-092	1.750	0.092	\$6.40
RSE-2000-092	2.000	0.092	\$4.34
RSE-2000-157	2.000	0.157	\$5.57
RSE-3500-125	3.500	0.125	\$17.82

External Round Section Retaining rings are wound from spring steel. They are made slightly undersized so they snap tightly into the groove of the shaft. Some rings have recesses ground into the rings for removal. Consult sales for sizes not listed.

O-Ring Accessories & Supplies



Parker® O-Ring Sizing Cone and Tape

These two unique items make simple work of determining the correct o-ring number without measuring them. O-rings up to about 4 inches are measured on the cone, and up to 8 inches by the tape. Standard cross sections are easily determined by inserting the o-ring into notches in the base of the cone.

Part Number	Price
887-300.....	\$92.46



O-Ring Splicing Kit

These kits contain 4 sizes of 70 durometer cord, razor blade, splicing jig, and bonding cement. Extra cord and cement may be ordered separately. See O-Ring section for replacement cord stock.

Part Number	Price
#100 - Inch Kit.....	\$100.33
#104 - Metric Kit.....	\$101.20
MC-120 - Bonding Cement.....	\$9.88



Parker® Super O-Lube

Parker® Super O-Lube is a silicone based lubricant that can be used with virtually any rubber polymer. High pressure systems, as well as vacuum uses, are typical applications where Super O-Lube is beneficial. Temperature range is -65° F to 400° F.

Parker® Super O-Lube will not clog 30 micron filters and is extremely moisture resistant.

Part Number	Price
884-2 SLUBE.....(2 oz).....	\$47.89
884-25.....(-.25oz).....	\$2.25

O-Ring Extraction Tool Set



This kit consists of 2 double ended brass tools in a vinyl case.

Part Number	Price
887-200-1.....	\$27.23

Parker® O-Lube

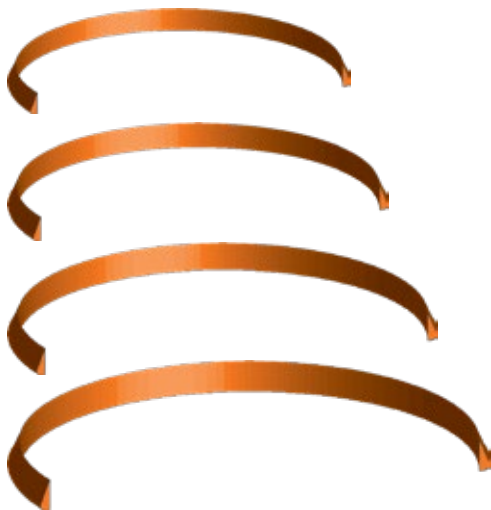
Parker® O-Lube is a barium base petroleum grease formulated to ease installation and prolong the service life of synthetic rubber o-rings and seals. It is well suited for compounds compatible with petroleum based fluids and a temperature range of -20°F to 300°F.



DO NOT USE IN SYSTEMS WHERE PURE OXYGEN IS PRESENT - FIRE OR EXPLOSION MAY RESULT!

Part Number	Price
884-2 OLUBE...(2 oz.).....	\$23.08

John Deere® Tear Drop Shaped Hytrel® Retaining Ring Groove Filler



Part Number	OEM Ref. Number	Metric			Price/ea.
		Bore Diameter	Cross Section	Height	
JD-TD45	H174490	45	1.5	4.6	\$5.06
JD-TD50	H180788	50	1.5	4.6	\$5.17
JD-TD56	R88748	56	1.6	5.3	\$5.52
JD-TD63	R91727	63	1.6	5.3	\$8.20
JD-TD70		70	2.0	6.0	\$8.87
JD-TD80	R91729	80	2.0	6.0	\$9.46
JD-TD90	R91730	90	2.0	6.0	\$10.05
JD-TD100	R91731	100	2.0	6.0	\$10.64
JD-TD110	H212793	110	2.0	6.0	\$11.24
JD-TD115	R91624	115	2.0	6.0	\$11.82
JD-TD120		120	2.0	6.0	\$12.01
JD-TD125	H170543	125	3.0	10.1	\$12.65
		Inch			
JD-TD6000		6.00	0.125	0.40	\$21.83

These John Deere® replacement installation tools slip right into the retaining groove making removal of the piston a snap. They also protect the seals during installation.

We do not imply that these seals are a product of John Deere®. Part numbers are used for reference purposes only.


O-Ring / Backup / Face / Flange / Fluid Connector / Quad Ring / Lathe Cut Kits AS568 Standard


These kits consist of a series of sizes for different applications, assembled into one assortment kit for one low price.


Several series of kits are available, in metric and standard and come in a variety of compounds. These kits are convenient, and provide a way to find the exact fit for each of your applications.


Many kits are in stock, for same day shipment.


Check alleghenyork.com or call for sale pricing on many of these kits.


Part Number	Price
ORKIT380	\$36.99
Buna N70 Duro 380 PC / 30 SIZE 	
Sizes	Quantity
-006 through -012	16 pcs/EA
-110 through -116	16 pcs/EA
-210 through -219	12 pcs/EA
-220 through -222	7 pcs/EA
-325 through -327	5 pcs/EA


Part Number	Price
ORKIT380-V75BR	\$482.93
75 Duro Brown FKM 382 PC / 30 SIZE 	
Sizes	Quantity
-006 through -012	20 pcs/EA
-110 through -116	13 pcs/EA
-210 through -222	10 pcs/EA
-325 through -327	7 pcs/EA

Part Number	Price
BUKIT382-T	\$198.72
PTFE Back-ups 382 PC / 30 SIZE 	
Sizes	Quantity
-006 through -012	20 pcs/EA
-110 through -116	13 pcs/EA
-210 through -222	10 pcs/EA
-325 through -327	7 pcs/EA


Part Number	Price
ORKIT382-90	\$153.57
90 Duro Nitrile 382 PC / 30 SIZE 	
Sizes	Quantity
-006 through -012	20 pcs/EA
-110 through -116	13 pcs/EA
-210 through -222	10 pcs/EA
-325 through -327	7 pcs/EA


Part Number	Price
BUKIT382	\$105.97
90 Duro Nitrile 382 PC / 30 SIZE 	
Sizes	Quantity
-006 through -012	20 pcs/EA
-110 through -116	13 pcs/EA
-210 through -222	10 pcs/EA
-325 through -327	7 pcs/EA


Part Number	Price
ORKIT485-N70	\$226.20
70 Duro Nitrile 485 PC / 36 SIZE 	
Sizes	Quantity
-006 through -012	32 pcs/EA
-110 through -116	12 pcs/EA
-210 through -222	9 pcs/EA
-325 through -334	6 pcs/EA

Part Number	Price
ORKIT485-V75BR	\$548.12
75 Duro Brown FKM 485 PC / 36 SIZE 	
Sizes	Quantity
-006 through -012	32 pcs/EA
-110 through -116	12 pcs/EA
-210 through -222	9 pcs/EA
-325 through -334	6 pcs/EA


Part Number	Price
ORKITFS132	\$29.66
Face Seal N90 132 PC / 8 SIZE 	
Sizes	Quantity
-011, -012, -014	24 pcs/EA
-016, -018, -021, -025, -029	12 pcs/EA
Fits Flange Sizes: 1/4", 3/8", 1/2", 5/8", 3/4", 1", 1 1/4", 1 1/2"	

Part Number	Price
ORKITSF70 N90	\$25.19
N90 70 PC / 7 SIZE 	
Sizes	Quantity
-210, -214, -219, -222, -225, -228, -232	10 pcs/EA
SAE CODE 61 & 62 Flange Seal Kit	

Part Number	Price
3869-KIT12	\$199.77
NBR 146 PC / 12 SIZE 	
Sizes	Quantity
-10, -12, -14, -16, -17, -18, -20, -21, -22, -27	12 pcs/EA
-33	10 pcs/EA
-42	8 pcs/EA
NBR Fluid Connector Kit	

Part Number	Price
991604C	\$247.54
90 Duro Buna 485 PC / 36 SIZE 	
Sizes	Quantity
-006 through -012	32 pcs/EA
-110 through -116	12 pcs/EA
-210 through -222	9 pcs/EA
-325 through -334	6 pcs/EA


Part Number	Price
QRKIT382	\$149.36
Nitrile 70 Duro 382 PC / 30 SIZE 	
Sizes	Quantity
-006 through -012	20 pcs/EA
-110 through -116	13 pcs/EA
-210 through -222	10 pcs/EA
-325 through -327	7 pcs/EA
Quad Ring Kit	

Part Number	Price
LCKIT382	\$169.99
Nitrile 70 Duro 382 PC / 30 SIZE 	
Sizes	Quantity
-006 through -012	20 pcs/EA
-110 through -116	13 pcs/EA
-210 through -222	10 pcs/EA
-325 through -327	7 pcs/EA
Lathe Cut Kit / Square O-Rings	

O-Ring Kits - Metric

Part Number		Price	
MORKIT380		\$62.99	

Sizes	Quantity	Sizes	Quantity	Sizes	Quantity	Sizes	Quantity	Sizes	Quantity
M300-200	16 pcs/EA	M1400-200	16 pcs/EA	M2600-250	16 pcs/EA	M1900-300	12 pcs/EA	M3000-300	7 pcs/EA
M600-200	16 pcs/EA	M1400-250	16 pcs/EA	M2800-250	16 pcs/EA	M2000-300	12 pcs/EA	M3200-300	7 pcs/EA
M800-200	16 pcs/EA	M1600-200	16 pcs/EA	M1000-300	12 pcs/EA	M2200-300	12 pcs/EA	M3400-300	7 pcs/EA
M1000-200	16 pcs/EA	M1600-250	16 pcs/EA	M1200-300	12 pcs/EA	M2500-300	12 pcs/EA	M3600-300	5 pcs/EA
M1000-250	16 pcs/EA	M2000-200	16 pcs/EA	M1600-300	12 pcs/EA	M2600-300	12 pcs/EA	M3800-300	5 pcs/EA
M1200-250	16 pcs/EA	M2000-250	16 pcs/EA	M1800-300	12 pcs/EA	M2800-300	12 pcs/EA	M4000-300	5 pcs/EA




Buna N 70 Duro
380 PC / 30 SIZE

Part Number		Price	
MORKIT-500		\$100.72	

Sizes	Quantity	Sizes	Quantity
16mmx2mm	10pcs/EA	9.1mmx1.6mm	15pcs/EA
17mmx2.5mm	10pcs/EA	9mmx2mm	15pcs/EA
18mmx2.5mm	10pcs/EA	8.3mmx2.4mm	15pcs/EA
19mmx2mm	10pcs/EA	10.1mmx1.6mm	15pcs/EA
19mmx2.5mm	10pcs/EA	8.6mmx2.4mm	15pcs/EA
20mmx2mm	10pcs/EA	10mmx2mm	15pcs/EA
13.1mmx1.6mm	15pcs/EA	6mmx1.5mm	20pcs/EA
13mmx2.5mm	10pcs/EA	5.3mmx2.4mm	15pcs/EA
14mmx2mm	10pcs/EA	7.1mmx1.6mm	20pcs/EA
14mmx2.5mm	10pcs/EA	5.6mmx2.4mm	15pcs/EA
16mmx1.5mm	10pcs/EA	8mmx2mm	15pcs/EA
15mmx2.5mm	10pcs/EA	7.6mmx2.4mm	15pcs/EA
9mmx3mm	10pcs/EA	2.2mmx1.6mm	20pcs/EA
10mmx2.5mm	10pcs/EA	3.1mmx1.6mm	20pcs/EA
10mmx3mm	10pcs/EA	4.1mmx1.6mm	20pcs/EA
12mmx2mm	15pcs/EA	4mmx2mm	20pcs/EA
13mmx1.5mm	15pcs/EA	5mmx1.5mm	20pcs/EA
11mmx3mm	10pcs/EA	4.3mmx2.4mm	15pcs/EA


N70
500 PC / 36 SIZE



Part Number		Price	
MORKIT-500 V75		\$251.72	

Sizes	Quantity	Sizes	Quantity
16mmx2mm	10pcs/EA	9.1mmx1.6mm	15pcs/EA
17mmx2.5mm	10pcs/EA	9mmx2mm	15pcs/EA
18mmx2.5mm	10pcs/EA	8.3mmx2.4mm	15pcs/EA
19mmx2mm	10pcs/EA	10.1mmx1.6mm	15pcs/EA
19mmx2.5mm	10pcs/EA	8.6mmx2.4mm	15pcs/EA
20mmx2mm	10pcs/EA	10mmx2mm	15pcs/EA
13.1mmx1.6mm	15pcs/EA	6mmx1.5mm	20pcs/EA
13mmx2.5mm	10pcs/EA	5.3mmx2.4mm	15pcs/EA
14mmx2mm	10pcs/EA	7.1mmx1.6mm	20pcs/EA
14mmx2.5mm	10pcs/EA	5.6mmx2.4mm	15pcs/EA
16mmx1.5mm	10pcs/EA	8mmx2mm	15pcs/EA
15mmx2.5mm	10pcs/EA	7.6mmx2.4mm	15pcs/EA
9mmx3mm	10pcs/EA	2.2mmx1.6mm	20pcs/EA
10mmx2.5mm	10pcs/EA	3.1mmx1.6mm	20pcs/EA
10mmx3mm	10pcs/EA	4.1mmx1.6mm	20pcs/EA
12mmx2mm	15pcs/EA	4mmx2mm	20pcs/EA
13mmx1.5mm	15pcs/EA	5mmx1.5mm	20pcs/EA
11mmx3mm	10pcs/EA	4.3mmx2.4mm	15pcs/EA

FKM 75 Duro
500 PC / 36 SIZE




O-Ring Kits - BOSS

Part Number	Price
ORKIT250BOSSN90	\$36.38

N90
250 PC / 12 SIZE


Sizes	Quantity
-904 through -906	30 pcs/EA
-907 through -910	20 pcs/EA
-911 through -916	16 pcs/EA



Part Number	Price
ORKIT212BOSSN90	\$66.22

N90
212 PC / 20 SIZE

Sizes	Quantity
-901 through -904	10 pcs/EA
-905 through -910	12 pcs/EA
-911 through -932	10 pcs/EA




Coupling O-Ring Kits - Metric

Part Number	Price
MORKITBSP	\$38.79

British Standard
Parallel Pipe Coupling Kit
N70
70 PC / 7 SIZE

Sizes	Quantity
M1110-160	10 pcs/EA
M1210-160	10 pcs/EA
M1510-160	10 pcs/EA
M2010-160	10 pcs/EA
M2710-160	10 pcs/EA
M550-100	10 pcs/EA
M710-160	10 pcs/EA



Part Number	Price
MORKITDINH VY	\$44.87

Megacrimp® & Global®
Spiral Heavy Coupling Kit
N70
90 PC / 9 SIZE

Sizes	Quantity
M1050-180	10 pcs/EA
M1180-180	10 pcs/EA
M1660-240	10 pcs/EA
M2160-240	10 pcs/EA
M2760-240	10 pcs/EA
M3460-240	10 pcs/EA
M600-150	10 pcs/EA
M710-160	10 pcs/EA
M910-160	10 pcs/EA



Part Number	Price
MORKITDINLT	\$44.87

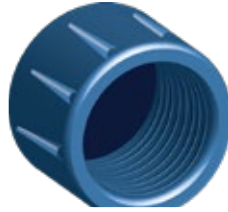
Megacrimp® & Global®
Spiral Light Coupling Kit
N70
150 PC / 15 SIZE

Sizes	Quantity	Sizes	Quantity
M1000-200	10 pcs/EA	M3200-250	10 pcs/EA
M1200-200	10 pcs/EA	M3330-240	10 pcs/EA
M1500-200	10 pcs/EA	M3800-250	10 pcs/EA
M1630-240	10 pcs/EA	M400-150	10 pcs/EA
M2000-200	10 pcs/EA	M600-150	10 pcs/EA
M2030-240	10 pcs/EA	M750-150	10 pcs/EA
M2530-240	10 pcs/EA	M900-150	10 pcs/EA
M2600-200	10 pcs/EA		



Cap Plugs


CP-JTM

CP-MP

CP-JTF

CP-FP

CP-SPF

These cap plugs are manufactured from low density polyethylene and are designed to protect and plug hose ends and cylinder ports.

Part Number	Tube Size O.D.	Thread Size	Qty. Per Pkg.	Price/ea
CP-JTM-04	1/4	7/16-20	75	\$0.30
CP-JTM-06	3/8	9/16-18	65	\$0.31
CP-JTM-08	1/2	3/4-16	55	\$0.31
CP-JTM-10	5/8	7/8-14	50	\$0.34
CP-JTM-12	3/4	1-1/16-12	45	\$0.40
CP-JTM-14	7/8	1-3/16-12	35	\$0.48
CP-JTM-16	1	1-5/16-12	40	\$0.51
CP-JTM-20	1-1/4	1-5/8-12	20	\$0.84
CP-JTM-24	1-1/2	1-7/8-12	10	\$1.89
CP-MP-02	1/8	1/8 JIC	175	\$0.16
CP-MP-04	1/4	1/4 JIC	175	\$0.17
CP-MP-06	3/8	3/8 JIC	150	\$0.19
CP-MP-08	1/2	1/2 JIC	150	\$0.22
CP-MP-12	3/4	3/4 JIC	100	\$0.28
CP-MP-16	1	1 JIC	100	\$0.31
CP-MP-20	1-1/4	1-1/4 JIC	40	\$0.41
CP-MP-24	1-1/2	1-1/2 JIC	50	\$0.51
CP-MP-32	2	2 JIC	35	\$0.65
CP-JTF-04	1/4	7/16-20	80	\$0.25
CP-JTF-05	5/16	1/2-20	75	\$0.25
CP-JTF-06	3/8	9/16-18	75	\$0.26

Part Number	Tube Size O.D.	Thread Size	Qty. Per Pkg.	Price/ea
CP-JTF-08	1/2	3/4-16	55	\$0.28
CP-JTF-10	5/8	7/8-14	65	\$0.30
CP-JTF-12	3/4	1-1/16-12	55	\$0.34
CP-JTF-14	7/8	1-3/16-12	45	\$0.40
CP-JTF-16	1	1-5/16-12	45	\$0.42
CP-FP-02	1/8	1/8 JIC	175	\$0.18
CP-FP-04	1/4	1/4 JIC	150	\$0.19
CP-FP-06	3/8	3/8 JIC	150	\$0.24
CP-FP-08	1/2	1/2 JIC	125	\$0.26
CP-FP-12	3/4	3/4 JIC	90	\$0.29
CP-FP-16	1	1 JIC	80	\$0.39
CP-FP-20	1-1/4	1-1/4 JIC	65	\$0.45
CP-FP-24	1-1/2	1-1/2 JIC	50	\$0.55
CP-FP-32	2	2 JIC	30	\$0.65
CP-SPF-08	1/2		20	\$1.58
CP-SPF-12	3/4		20	\$1.63
CP-SPF-16	1		15	\$1.74
CP-SPF-20	1-1/4		15	\$1.86
CP-SPF-24	1-1/2		15	\$1.99
CP-SPF-32	2		15	\$2.20
CP-SPF-40	2-1/2		15	\$2.36

Accessories & Supplies

Nylon Slugs

Nylon slugs are used in front of set screws to protect the threads from damage.



Nylon Balls

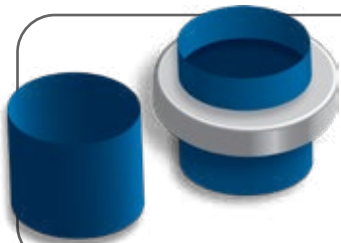
Nylon balls are used like nylon slugs in some cases and can also be used as seals in valves.



Item Number	Dia	Ht	Min	Price/ea.
NYSLUG-125125	1/8	1/8	26	\$0.50
NYSLUG-187187	3/16	3/16	25	\$0.50
NYSLUG-250125	1/4	1/8	25	\$0.50
NYSLUG-250250	1/4	1/4	25	\$0.54
NYSLUG-312125	5/16	1/8	20	\$0.63
NYSLUG-375250	3/8	1/4	15	\$0.69

Item Number	Dia	Min	Price/ea.
NYBALL-125	1/8	25	\$0.54
NYBALL-187	3/16	25	\$0.56
NYBALL-12MM	12mm	15	\$0.98
NYBALL-13MM	13mm	10	\$1.21
NYBALL-562	9/16	5	\$2.45
NYBALL-625	5/8	5	\$2.61

Accessories & Supplies



Oil Seal Installation Tool

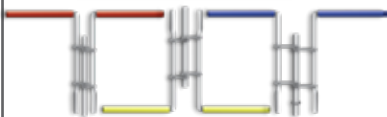
This sleeve enables damage-free installation of Teflon® lip oil seals - particularly the Commerical M25^o motor and C101^o pump seals. This tool fits a 1-3/16" shaft. Contact sales office for other sizes.

Part Number: OSIT-118 Price: \$3.89



Rod Seal Installation Tools

These tools make easy work of an otherwise tough job. Just simply fold seal with tool, insert in gland, and release tool. Saves seal and fingers from damage. American made in three sizes for your convenience.



- IT-100 for 1" inside diameter and up.
- IT-150 for 1-1/2" inside diameter and up.
- IT-200 for 2" inside diameter and up.
- IT-K Buy all three & get a convenient plastic carrying case FREE.

Part Number	Price
IT-100	\$121.60
IT-150	\$121.60
IT-200	\$121.60
IT-K.....	\$367.20



PTFE Tape

This industrial grade low density PTFE tape can be used on pipe threads and is approved for oxygen service.

Part Number	Description	Price
500520TFETAPE	1/2" x 520"	\$3.27/roll



PTFE Joint Sealant

This pure PTFE joint sealant is supplied in continuous low density cord with double sided tape. Simply lay over surface to be sealed, overlap joint and tighten flanges to normal torque.

Part Number	Description	Price
EXPTFE125	1/8" X 100'	\$221.21
EXPTFE187	3/16" X 75'	\$212.94
EXPTFE250	1/4" X 50'	\$212.94
EXPTFE375	3/8" X 25'	\$177.90
EXPTFE500	1/2" X 15'	\$177.90
EXPTFE625	5/8" X 15'	\$242.12
EXPTFE750	3/4" X 15'	\$372.32
EXPTFE1000	1" X 15'	\$540.84



Screw Tip Packing Pullers

No shop or mechanic should be without these flexible packing pullers. Tips can be removed by unscrewing (except*) and are available in different configurations.

Part Number	Length	Tip Diameter	Price
F-00	6-1/2"	5/32"	\$43.25*
F-1	7-1/2"	1/4"	\$37.32
F-2	11"	5/16"	\$40.11
F-3	14"	3/8"	\$51.27
F-4	19"	1/2"	\$74.68*
F-5	23"	5/8"	\$109.66*
F-6	30"	5/8"	\$129.21*

Part Number	Corkscrew Replacement Tip	Price
C-1	F-1	\$13.16
C-2	F-2	\$17.21
C-3	F-3	\$22.71

Vegetable Fiber Gasket Sheet

Top quality glue glycerine vegetable fiber sheet is good up to 250° F.

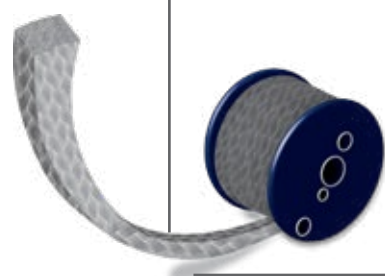
Part Number	Thickness	Price/sq. yd
VEGFIB.006-36006	\$9.13
VEGFIB.010-36010	\$9.28
VEGFIB.015-36	1/64	\$10.05
VEGFIB.021-36021	\$13.81
VEGFIB.032-36	1/32	\$17.44
VEGFIB.046-36	3/64	\$29.79
VEGFIB.062-36	1/16	\$36.74
VEGFIB.125-36125	\$84.34



Punch Set (Self Centering)

This heavy duty hardened steel punch set has a spring loaded centering device that enables accurate punching of piston cup holes and small gaskets.

Part Number	Price
K-156	\$259.50



Braided Packing

This general service packing is manufactured from a graphite lubricated non-asbestos material. It can be used at speeds to 1885 FPM and temperatures up to 400° F. It can be used in both rotary and reciprocating applications in a PH range of 4-10.

All items are sold in Pound Increments.

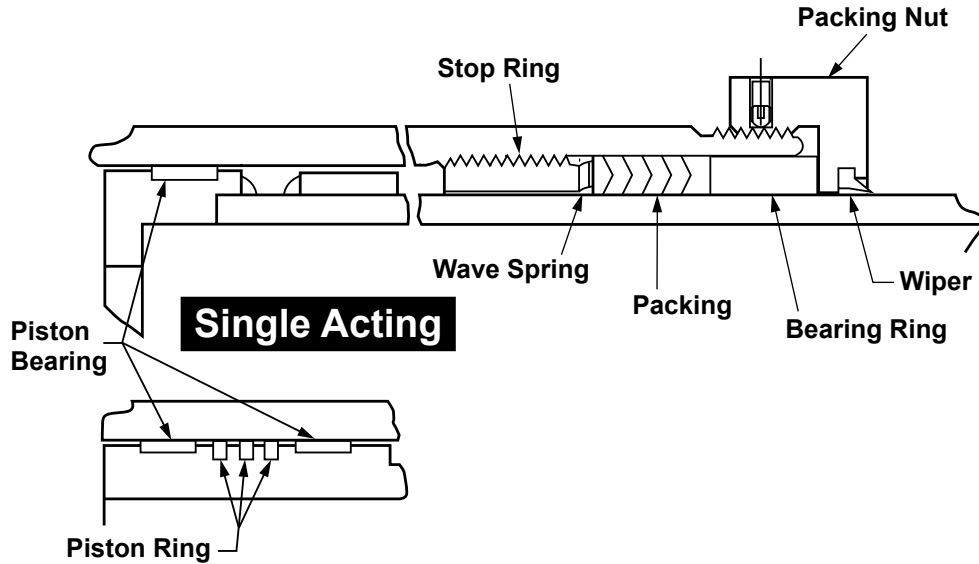
Part Number	C/S	Approx Ft / LB	Price/Lb.
8005-125-1LB	1/8"	@ 186Ft/LB	\$169.58
8005-187-1LB	3/16"	@ 82.7Ft/LB	\$169.58
8005L-250-1LB	1/4"	@ 30.5Ft/LB	\$161.96
8005L-312-1LB	5/16"	@ 17Ft/LB	\$130.09
8005L-375-1LB	3/8"	@ 14.5Ft/LB	\$95.48
8005L-437-1LB	7/16"	@ 9.3Ft/LB	\$95.48
8005L-500-1LB	1/2"	@ 7.5Ft/LB	\$95.48
8005L-625-1LB	5/8"	@ 5.7Ft/LB	\$95.48
8005L-750-5LB	3/4"	@ 3.4Ft/LB	\$84.81
8005L-1000-5LB	1"	@ 1Ft/LB	\$84.81

Repair Accessories

Item Number	Description	Price
STEEL BALLS		
BALL-187CRS	3/16" CHROME STEEL BALL	\$0.53
BALL-250CRS	1/4" CHROME STEEL BALL	\$0.78
BALL-312CRS	5/16" CHROME STEEL BALL	\$1.02
BALL-375CRS	3/8" CHROME STEEL BALL	\$1.74
CAP SCREWS		
CAPSCREW-H-1/4-20X@1	1/4-20 HEXHEAD CAPSCREW X 1/2" GR8	\$0.89
CAPSCREW-S-M6X12 SS	6 X 12mm STAINLESS STEEL CAPSCREW	\$2.67
CAPSCREW-S-1/4-20X@1	1/4-20 SOCKET HEAD CAPSCREW X 1/2" GR8	\$0.78
CAPSCREW-S-1/4-28X12	SOCKET HEAD CAPSCREW 1/4-28X1-1/4"	\$1.56
CAPSCREW-S-3/8-24X@2	SOCKET HEAD CAPSCREW 3/8-24-3/8" GR8	\$2.83
CAPSCREW-S-6-32-3/@1	6-32 X 3/8" SOCKET HEAD CAPSCREW	\$0.62
COTTER PINS		
CPIN-0750-125	3/4" X 1/8" COTTER PIN	\$0.33
CPIN-1500-125	1-1/2 X 1/8 COTTER PIN	\$0.35
CPIN-1500-187	1-1/2 X 3/16 COTTER PIN	\$0.34
CPIN-1750-125	1-3/4 X 1/8 COTTER PIN	\$0.33
CPIN-2000-125	2 X 1/8 COTTER PIN	\$0.33
CPIN-2000-156	2 X 5/32 COTTER PIN	\$0.38
CPIN-2000-187	2 X 3/16 COTTER PIN	\$0.57
CPIN-2000-250	2 X 1/4 COTTER PIN	\$0.46
CPIN-2500-125	2-1/2 X 1/8 COTTER PIN	\$0.35
CPIN-2500-156	2-1/2 X 5/32 COTTER PIN	\$0.56
CPIN-2500-187	2-1/2 X 3/16 COTTER PIN	\$0.67
CPIN-2500-250	2-1/2 X 1/4 COTTER PIN	\$0.63
CPIN-3000-156	3 X 5/32 COTTER PIN	\$0.59
CPIN-3500-156	3-1/2 X 5/32 COTTER PIN	\$2.07
CPIN-3500-187	3-1/2 X 3/16 COTTER PIN	\$1.36
NUTS		
HEXNUT-1-1/2-12	1-1/2 12 X 1-9/32 HEXNUT	\$13.43
HEXNUT-7/8-14GR8	7/8-14 X 3/4 X 1-5/16 HEXNUT GD8	\$3.27
LOCKNUT-1-1/2-12	1-1/2 - 12 NYLON INSERT LOCK NUT	\$41.76
LOCKNUT-7/8-14N	Nylon Locknut 7/8" 14 thread	\$17.82
LOCKNUT-2-12-THIN	2"-12 THREAD THIN ELASTIC LOCK NUT	\$181.03
SET SCREWS		
SETSCREW-M8-1.25-8	M8-1.25 x 8mm SOCKET HEAD SET SCREW	\$0.55
SETSCREW-M10-1.5X16C	SET SCREW 10mm x16 long	\$0.86
SETSCREW-1/4-20-1/4	1/4-20 X 1/4" CUP POINT SET SET SCREW	\$0.53
SETSCREW-1/4-20-5/16	CUP POINT SET SCREW-1/4-20-5/16"	\$0.69
SETSCREW-10-24-3/16	SET SCREW-10-24-3/16"	\$0.98
SETSCREW-10-24-3/8	SET SCREW-10-24-3/8"	\$1.24
SETSCREW-10-32-3/16	10-32 X 3/16" SET SCREW	\$0.65
SETSCREW-10-32-5/16	10-32 X 5/16" CUP POINT SET SCREW	\$0.71
SETSCREW-3/8-16-3/8	3/8-16 X 3/8" CUP POINT SET SCREW	\$0.79
SETSCREW-3/8-16-5/8	3/8-16 X 5/8" CUP POINT SET SCREW	\$0.97
SETSCREW-5/16-18-3/8	CUP POINT SET SCREW-5/16-18-3/8"	\$1.04
SETSCREW-5/16-24-1/2	5/16-24 X 1/2" CUP POINT SET SCREW	\$1.05
SETSCREW-5/16-24-1/4	5/16-24 X 1/4" CUP POINT SET SCREW	\$0.51
SETSCREW-5/16-24-3/8	5/16-24 3/8" CUPPOINT SET SCREW	\$1.44
SETSCREW-5/16-24-5@1	SET SCREW-5/16-24-5/16"	\$0.45
SETSCREW-8-32-3/16	SET SCREW-8-32-3/16"	\$2.45

Item Number	Description	Price
WASHERS		
LOCKWASHER-1/4	1/4" LOCKWASHER	\$0.13
LOCKWASHER-6	#6 LOCKWASHER	\$0.12
LOCKWASHER-6MM SS	STAINLESS STEEL 6MM LOCKWASHER	\$1.34
SW-1192-1685-032YZ	1-3/16 x 1-11/16 x 1/32 WASHER	\$16.82
SW-1382-1998-062YZ	1-3/8 x 2 x 1/16 WASHER	\$17.26
SW-2067-2560-062YZ	2-1/16 x 2-9/16 x 1/16 WASHER	\$24.61
SW-3005-3748-093YZ	3 x 3-3/4 x 3/32 WASHER	\$54.91
SW-3755-4495-093YZ	3-3/4 x 4-1/2 x 3/32 WASHER	\$22.16
WASHER-0196-0312-032	196 x .312 x .032 COPPER WASHER	\$3.20
WASHER-0260-0375-032	260 x .375 x .032 COPPER WASHER	\$3.20
WASHER-0260-0500-032	260 x .500 x .032 COPPER WASHER	\$4.05
WASHER-0281-0625-0@1	1/4" SAE STEEL WASHER ZINC	\$0.38
WASHER-0314-0441-032	BLACK ZINC COATED 5/16" STEEL	\$0.42
WASHER-0315-0453-0@1	8X11.5X1 DIN7603 COPPER WASHER	\$1.07
WASHER-0354-0551-0@2	DIN 7603 COPPER WASHER	\$5.79
WASHER-0380-0560-035	3/8 x 9/16 COPPER WASHER	\$5.79
WASHER-0394-0531-0@1	DIN 7603 10X 13.5X1 COPPER WASHER	\$1.78
WASHER-0394-0551-0@1	10 X 14 X 1 DIN 7603A COPPER WASHER	\$2.00
WASHER-0454-0787-0@1	454 X .787 X .040 COPPER WASHER	\$8.02
WASHER-0472-0669-0@1	12 X 17 X 1.5 DIN 7603A WASHER	\$5.41
WASHER-0512-0709-0@1	13 X 18 X 1.5 DIN 7603 COPPER WASHER	\$3.79
WASHER-0551-0709-0@1	14 X 18 X 1.5 DIN 7603A WASHER	\$2.43
WASHER-0591-0787-0@1	15 X 20 X 1 DIN 7603A COPPER WASHER	\$2.96
WASHER-0630-0866-0@1	16 X 22 X 1.5 7603A COPPER WASHER	\$4.45
WASHER-0753-0965-031	YELLOW ZINC COATED STEEL WASHER	\$2.67
WASHER-0887-1312-0@1887 X 1.312 X .040 STEEL WASHER	\$16.71
WASHER-0937-1250-0@1	15/16 X 1-1/4 X 1/32 WASHER	\$1.70
WASHER-0963-1430-0@1963 X 1.430 X 1/16 COPPER WASHER	\$8.24
WASHER-0977-1200-0@1977 X 1.200 X .040 COPPER WASHER	\$9.13
WASHER-1024-1220-0@1	26 X 31 X 2 DIN 7603 COPPER WASHER	\$11.07
WASHER-1062-1451-0@1	1.062 X 1.451 X .016 BRASS WASHER	\$6.53
WASHER-1181-1417-0@1	30 X 36 METRIC COPPER WASHER	\$17.58
WASHER-1299-1535-0@1	DIN 7603 33 X 39 X 2 COPPER WASHER	\$20.21
WASHER-1378-1614-0@1	35 X 41 X 2 DIN 7603 COPPER WASHER	\$15.99
WASHER-1417-1654-0@1	36 X 42 METRIC COPPER WASHER	\$23.17
WASHER-1583-1750-0@1	1.583 X 1.750 X .036 STEEL WASHER	\$31.97
WASHER-1772-2047-0@1	45 X 52 X 2 DIN 7603 COPPER WASHER	\$41.56
WASHER-1806-2170-0@1	STEEL WASHER 1.806X2.170X.039	\$42.20
FELT		
SQFELT-187F1	3/16" SQUARE FELT STRIP	\$3.78
SQFELT-250F1	1/4" SQUARE F1 FELT STRIP	\$5.85
SQFELT-500F7	1/2" SQUARE FELT F7	\$5.99
SQFELT-750F1	3/4" SQUARE FELT STRIP F1	\$7.43
3300478	1/4" X .220 X 5.800 LONG F1	\$5.90
3300479	3/16" X 3/8 X 6" LONG F1 FELT	\$4.23

Replacement Parts for Parker® / Commercial® Telescopic Cylinders



1. Stage outside diameters 2-3/4", 3-3/4" etc.
2. Threaded internal stop rings.
3. Small 3/16" square base wiper.
4. Cylinder tag at bottom end of outside tube.
5. Bronze or nylon bearings above packing.
6. Older cylinders have bronze internal headnuts.
7. Uses 5/16 c/s. packing.

Single Acting

Double Acting

Gland Bearings

OEM Part No.	AY Part No.	Stage Size	Price
J1003-1-1	690530	2-3/4 X 3-3/8	\$19.39
J1003-1-2	690531	3-3/4 X 4-3/8	\$19.64
J1003-1-3	690532	4-3/4 X 5-3/8	\$29.50
J1003-1-4	690533	5-3/4 X 6-3/8	\$33.04
J1003-1-5	690534	6-3/4 X 7-3/8	\$35.71
J1003-1-6	690535	7.905 X 8.543	\$51.87
J1003-1-7	690536	9-3/8 X 10	\$99.27

Cylinder Rebuild Kits

OEM Part No.	AY Part No.	Stage Sizes	Price
375-1804-017	69050WR-3-5	2-3/4 - 4-3/4	\$177.73
375-1804-021	69050WR-3-6	2-3/4 - 5-3/4	\$266.26
375-1804-018	69050WR-4-6	3-3/4 - 5-3/4	\$220.67
375-1804-022	69050WR-4-7	3-3/4 - 6-3/4	\$362.14
375-1804-024	69050WR-4-8	3-3/4 - 7.905	\$511.65
375-1804-020	69050WR-5-6	4-3/4 - 5-3/4	\$161.69
375-1804-019	69050WR-5-7	4-3/4 - 6-3/4	\$280.80
375-1804-023	69050WR-5-8	4-3/4 - 7.905	\$424.61
375-1804-025	69050WR-5-9	4-3/4 - 9-3/8	\$723.98

Includes Packing, Wiper, Gland Bearings, Piston Bearings, Wave Springs, Set Screws, and Nylon Balls

Gland Bearing Kits

OEM Part No.	AY Part No.	Stage Sizes	Price
CM-NP-B35	69053-3-5	2-3/4 - 4-3/4	\$63.10
CM-NP-B36	69053-3-6	2-3/4 - 5-3/4	\$95.38
CM-NP-B46	69053-4-6	3-3/4 - 5-3/4	\$79.18
CM-NP-B47	69053-4-7	3-3/4 - 6-3/4	\$109.74
CM-NP-B48	69053-4-8	3-3/4 - 7.905	\$160.26
CM-NP-B49	69053-4-9	3-3/4 - 9-3/8	\$277.03
CM-NP-B57	69053-5-7	4-3/4 - 6-3/4	\$92.04
CM-NP-B58	69053-5-8	4-3/4 - 7.905	\$140.76
CM-NP-B59	69053-5-9	4-3/4 - 9-3/8	\$238.39
CM-NP-B68	69053-6-8	5-3/4 - 7.905	\$115.62

Packing & Wiper Assemblies (Includes Shims)

OEM Part No.	AY Part No.	Stage Size	Price
D4009	690500W	2-3/4 X 3-3/8	\$24.99
D3009	690501W	3-3/4 X 4-3/8	\$28.74
D6009	690502W	4-3/4 X 5-3/8	\$35.93
D5009	690503W	5-3/4 X 6-3/8	\$45.24
D7009	690504W	6-3/4 X 7-3/8	\$62.03
D8009-1	690505W	7.905 X 8.543	\$68.58
D9009	690506W	9-3/8 X 10	\$131.54

Packing & Wiper Kits (Packing, Wiper, Shims)

OEM Part No.	AY Part No.	Stage Sizes	Price
391-1804-020	69050W-3-5	2-3/4 - 4-3/4	\$77.18
391-1804-237	69050W-3-6	2-3/4 - 5-3/4	\$118.24
391-1804-109	69050W-4-6	3-3/4 - 5-3/4	\$98.06
375-1804-003	69050W-4-7	3-3/4 - 6-3/4	\$154.67
391-1804-060	69050W-4-8	3-3/4 - 7.905	\$217.61
	69050W-4-9	3-3/4 - 9-3/8	\$354.01
375-1804-002	69050W-5-7	4-3/4 - 6-3/4	\$124.00
391-1804-054	69050W-5-8	4-3/4 - 7.905	\$209.78
375-1804-004	69050W-5-9	4-3/4 - 9-3/8	\$331.32

Equipment manufacturer's part numbers are used for reference purpose only. We do not imply that any part shown is the product of these manufacturers. Trademarks are the property of their respective owners.

Replacement Parts for Parker® / Commercial® Telescopic Cylinders, cont'd.
Piston Bearings

OEM Part No.	AY Part No.	Stage Size / (Bore)	Price/ each
U3023-32	690540	2-3/4 (3-1/4)	\$4.78
U3023-42	690541	3-3/4 (4-1/4)	\$6.53
U3023-52	690542	4-3/4 (5-1/4)	\$6.94
U3023-62	690543	5-3/4 (6-1/4)	\$7.75
U3023-72	690544	6 3/4 (7-1/4)	\$9.27
U3023-84	690545	7.905 (8-7/16)	\$11.04
U3023-98	690546	9-3/8 (9-7/8)	\$22.07

Piston Bearing Kits

(contains 1 bearing per stage); (order 2 kits for 2 bearings per stage)

OEM Part No.	AY Part No.	Stage Sizes	Price
NPB46	69054-4-6	3-3/4 - 5-3/4	\$21.23
NPB47	69054-4-7	3-3/4 - 6-3/4	\$30.50
NPB48	69054-4-8	3-3/4 - 7.905	\$41.54
NPB57	69054-5-7	4-3/4 - 6-3/4	\$23.97
NPB58	69054-5-8	4-3/4 - 7.905	\$35.01

Piston Rings

OEM Part No.	AY Part No.	Stage Size / (Bore)	Price
X78-3-25	690520	2-3/4 (3-1/4)	\$12.85
X78-4-25	690521	3-3/4 (4-1/4)	\$12.85
X78-5-25	690522	4-3/4 (5-1/4)	\$16.49
X78-6-25	690523	5-3/4 (6-1/4)	\$19.48
X78-7-25	690524	6-3/4 (7-1/4)	\$28.60
X78-8-437	690525	7.905 (8-7/16)	\$41.97
X78-9-88	690526	9-3/8 (9-7/8)	\$84.44

Piston Ring Kits*

OEM Part No.	AY Part No.	Stage Sizes	Price
CM-PR48	69052-4-7	3-3/4 - 6-3/4	\$253.41
CM-PR48	69052-4-8	3-3/4 - 7.905	\$378.96
CM-PR58	69052-5-8	4-3/4 - 7.905	\$331.51

 * Contains 3 piston rings per stage.
 Order 1 Kit per cylinder.

Stop Rings

OEM Part No.	AY Part No.	Stage Size	Price
F4020	690550	2-3/4	POA
F3020	690551	3-3/4	POA
F6020	690552	4-3/4	POA
F5020	690553	5-3/4	POA
F7020	690554	6-3/4	POA
F8020	690555	7.905	POA
F9020	690556	9-3/8	POA

Wave Springs

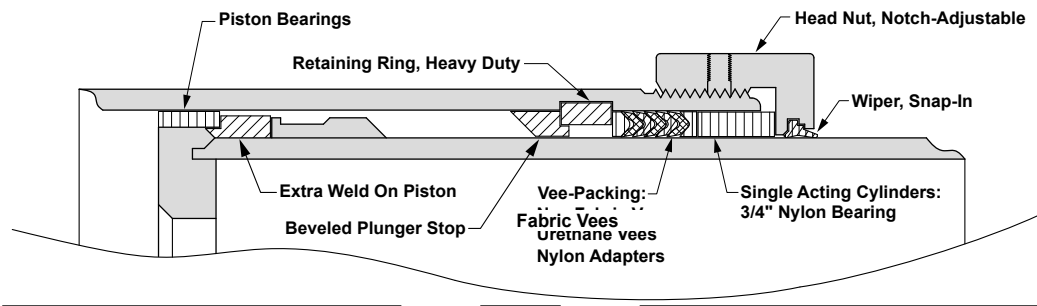
OEM Part No.	AY Part No.	Stage Size	Price
P1327-27	690560	2-3/4	\$12.36
P1327-37	690561	3-3/4	\$12.78
P1327-47	690562	4-3/4	\$15.09
P1327-57	690563	5-3/4	\$18.06
P1327-67	690564	6-3/4	\$24.60
P1327-79	690565	7.905	\$29.75
P1327-93	690566	9-3/8	\$69.91

Medium and High Pressure Oil Seals for Commercial® Pumps and Motors

OEM Part No.	AY Part No.	Size	Price
X73-50-3, 391-2883-096	991168	1-3/16"	\$23.13
X73-50-1, 391-2883-094	994915	1-3/8"	\$23.13
X73-50-11, 391-2883-126	995226	1"	\$23.13
X73-50-9, 391-2883-119	995230	1-1/16"	\$23.13
X73-50-8, 391-2883-115	994678	1-9/32"	\$23.13
X73-37-16, 391-2883-058	994878	1-1/16"	\$7.45
X73-37-15, 391-2883-057	994685	1-5/16"	\$6.22
X73-37-17, 391-2883-103	993271	1-9/32"	\$6.47
X73-37-20, 391-2883-106	994686	1-3/16"	\$7.29
X73-37-10, 391-2883-052	994683	1-3/8"	\$14.02
X73-37-13, 391-2883-055	994684	1-3/16"	\$7.45
X73-37-1, 391-2883-043	994682	1-1/8"	\$13.57

Equipment manufacturer's part numbers are used for reference purpose only. We do not imply that any part shown is the product of these manufacturers. Trademarks are the property of their respective owners.

Replacement Parts for Custom Hoist® Telescopic Cylinders



Custom Hoist® 700

1. Headnut height 1-1/2"
2. One 3/8" wide retaining ring on larger stages.
3. Nylon bearings (3/4") above packing.
4. Nylon piston wear bands.
5. Stage outside diameters 3-3/16, 4-1/8 x 5-1/16, 6.00" & 7.00"
6. Cylinder identification on tag and stamped near bottom end of outside tube.
7. Uses 1/4" c/s packing.

Packing & Wiper Kits

OEM Part No.	AY Part No.	Stage Sizes	Price
CH-SK-53-700	69013W-3-5	3-3/16" - 5-1/16"	\$116.50
CH-SK-63-700	69013W-4-6	4-1/8" - 6"	\$120.15
CH-SK-64-700	69013W-3-6	3-3/16" - 6"	\$158.24
CH-SK-74-700	69013W-4-7	4-1/8" - 7"	\$161.64

Packing & Wiper Assemblies

AY Part No.	Stage Sizes	Price
690131W	3-3/16" x 3-11/16"	\$41.40
690132W	4-1/8" x 4-5/8"	\$34.40
690133W	5-1/16" x 5-9/16"	\$39.15
690104CW	6" x 6-1/2"	\$40.90
690105CW	7" x 7-1/2"	\$45.99

Minor Packing Kits

(Includes Packing, Wiper and Top Bearing)

OEM Part No.	AY Part No.	Stage Sizes	Price
CH-MPK-53-700	69013BW-3-5	3-3/16" - 5-1/16"	\$179.35
CH-MPK-63-700	69013BW-4-6	4-1/8" - 6"	\$187.51
CH-MPK-64-700	69013BW-3-6	3-3/16" - 6"	\$239.42
CH-MPK-74-700	69013BW-4-7	4-1/8" - 7"	\$251.71

Piston Wear Rings

OEM Part No.	AY Part No.	Stage Sizes	Price
CH-2PS44-3-3/16	690160	3-11/16"	\$5.60
CH-2PS44-4-1/8	690168	4-5/8"	\$6.86
CH-2PS44-5-1/16	690169	5-9/16"	\$8.08
CH-2PS44-6	690164	6-1/2"	\$9.83
CH-2PS44-7	690165	7-1/2"	\$11.66

Nylon Top Bearings

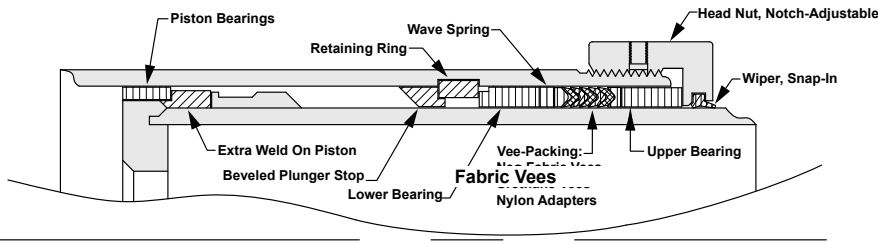
OEM Part No.	AY Part No.	Stage Sizes	Price
CH-1BU11-3-3/16	690131A	3-3/16"	\$20.21
CH-1BU11-4-1/8	690132A	4-1/8"	\$20.66
CH-1BU11-5-1/16	690133A	5-1/16"	\$21.97
CH-1BU11-6	690104A	6"	\$18.02
CH-1BU11-7	690105A	7"	\$20.02

Retaining Rings

AY Part No.	Bore Size	Price
CH-2RR58-550	5-1/2"	\$43.27
CH-2RR58-650	6-1/2"	\$45.79
CH-2RR58-750	7-1/2"	\$49.37

Equipment manufacturer's part numbers are used for reference purpose only. We do not imply that any part shown is the product of these manufacturers. Trademarks are the property of their respective owners.

Replacement Parts for Custom Hoist® Telescopic Cylinders, cont'd.



Custom Hoist® 400

1. Headnut height 1-1/2"
2. Heavy spring steel retaining ring.
3. Rectangular nylon bearing above packing, stepped nylon bearing below.
4. Nylon piston wear bands.
5. Stage outside diameters 3.00", 4.00" etc.
6. Cylinder identification on tag and stamped near bottom end of outside tube.
7. Uses 1/4" c/s packing.

Packing & Wiper Assemblies

OEM Part No.	AY Part No.	Size	Price
CH-400-3VSW	690141CW	3 x 3-1/2	\$22.72
CH-400-4VSW	690142CW	4 x 4-1/2	\$29.87
CH-400-5VSW	690143CW	5 x 5-1/2	\$39.12
CH-400-6VSW	690144CW	6 x 6-1/2	\$47.56
CH-400-7VSW	690145CW	7 x 7-1/2	\$57.34
CH-400-8VSW	690146CW	8 x 8-1/2	\$66.62
CH-400-8.25VSW	690207W	8-1/4 x 9	\$98.65
CH-400-9.12VSW	690210W	9-1/8 x 9-3/4	\$139.72

Retaining Rings

AY Part No.	Bore Size	Price
CH-2RR58-350	3-1/2"	\$46.31
CH-2RR58-450	4-1/2"	\$42.86
CH-2RR58-550	5-1/2"	\$43.27
CH-2RR58-650	6-1/2"	\$45.79
CH-2RR58-750	7-1/2"	\$49.37
CH-2RR58-850	8-1/2"	\$70.12
CH-2RR58-975	9-1/4"	\$119.77

Bottom Bearings

OEM Part No.	AY Part No.	Size	Price
1BU195-3	690101BC	3-1/2 X 3/4	\$17.99
1BU195-4	690102BC	4-1/2 X 3/4	\$18.49
1BU195-5	690103BC	5-1/2 X 3/4	\$20.15
1BU195-6	690104BC	6-1/2 X 3/4	\$21.73
1BU195-7	690105BC	7-1/2 X 3/4	\$23.82
1BU195-8	690106BC	8-1/2 X 3/4	\$27.09
1BU195-82	690107BC	9 X 3/4	\$59.02
1BU195-91	690110BC	9-3/4 X 3/4	\$62.22

Upper End Rebuild Kits

Includes: Packing Set, Wiper, Two (2) Nylon Bearings

AY Part No.	Stage Sizes	Price
69014W-3-5	3-5	\$191.02
69014W-3-6	3-6	\$287.04
69014W-4-6	4-6	\$226.47
69014W-4-7	4-7	\$308.13
69014W-4-8	4-8	\$413.56
69014W-4-8-1/4	4- 8-1/4	\$509.31
69014W-5-7	5-7	\$247.55
69014W-5-8	5-8	\$420.26
69014W-5-9-1/8	5- 9-1/8	\$635.54

Piston Wear Rings

OEM Part No.	AY Part No.	Bore Size	Price
2WG1-3	690161	3-1/2	\$5.79
2WG1-4	690162	4-1/2	\$6.56
2WG1-5	690163	5-1/2	\$6.68
2WG1-6	690164	6-1/2	\$8.94
2WG1-7	690165	7-1/2	\$11.66
2WG1-8	690166	8-1/2	\$19.97
2WG1-91	690167	9-3/4	\$23.44

Top Bearings

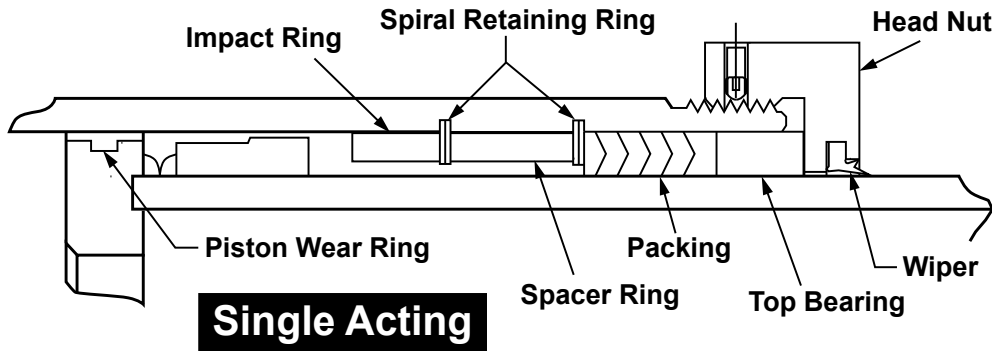
OEM Part No.	AY Part No.	Size	Price
1BU11-3	690101A	3-1/2 X 3/4	\$13.78
1BU11-4	690102A	4-1/2 X 3/4	\$13.83
1BU11-5	690103A	5-1/2 X 3/4	\$15.07
1BU11-6	690104A	6-1/2 X 3/4	\$18.02
1BU11-7	690105A	7-1/2 X 3/4	\$20.02
1BU11-8	690106A	8-1/2 X 3/4	\$23.04
1BU11-82	690107A	9 X 3/4	\$43.43
1BU11-91	690110A	9-3/4 X 3/4	\$68.60

Wipers

OEM Part No.	AY Part No.	Stage Size	Price
1WR1-3	690211	3"	\$6.88
1WR1-4	690212	4"	\$8.04
1WR1-5	690213	5"	\$9.86
1WR1-6	690214	6"	\$11.82
1WR1-7	690215	7"	\$14.22
1WR1-8	690216	8"	\$17.63
1WR1-8.25	690217	8-1/4"	\$25.56
1WR1-91	690220	9-1/8"	\$36.97

Equipment manufacturer's part numbers are used for reference purpose only. We do not imply that any part shown is the product of these manufacturers. Trademarks are the property of their respective owners.

Replacement Parts for Custom Hoist® Telescopic Cylinders, cont' d.



1. Headnut height 1-1/2"
2. Two spiral retaining rings.
3. Bronze or nylon bearings (3/4" or 1-1/2") above packing.
4. Bronze or nylon T-shaped piston wear bands.
5. Stage outside diameters 3.00", 4.00" etc.
6. Cylinder identification on tag and stamped near bottom end of outside tube.
7. Uses 1/4" c/s packing stages 3-8.

Packing & Wiper Assemblies

OEM Part No.	AY Part No.	Size	Price
CH-3VSW	690101CW	3 x 3-1/2	\$19.76
CH-4VSW	690102CW	4 x 4-1/2	\$23.21
CH-5VSW	690103CW	5 x 5-1/2	\$26.91
CH-6VSW	690104CW	6 x 6-1/2	\$33.55
CH-7VSW	690105CW	7 x 7-1/2	\$37.70
CH-8VSW	690106CW	8 x 8-1/2	\$41.57
CH-8.25VSW	690207W	8-1/4 x 9	\$98.65
CH-9.12VSW	690210W	9-1/8 x 9-3/4	\$139.72
CH-9.75VSW	690209W	9-3/4 x 10-1/2	\$195.36

Piston Wear Rings (Bore)

OEM Part No.	AY Part No.	Size	Price
2GR6-5	WBT0550-0750-125-N1B	5-1/2	\$9.26
2GR6-6	WBT0650-0750-125-N1B	6-1/2	\$12.53
2GR6-7	WBT0750-0750-125-N1B	7-1/2	\$16.79
2GR6-8	WBT0850-0750-125-N1B	8-1/2	\$29.19

Upper End Rebuild Kits Includes Packing, 2 Bearings, and Wiper

AY Part No.	Stage Sizes	Price
69014WB-3-5	3-5	\$156.36
69014WB-3-6	3-6	\$238.27
69014WB-4-6	4-6	\$179.44
69014WB-4-7	4-7	\$258.69
69014WB-4-8	4-8	\$348.05
69014WB-4-8-1/4	4- 8-1/4	\$449.75
69014WB-4-9-1/8	4- 9-1/8	\$630.34
69014WB-5-7	5-7	\$208.14
69014WB-5-8	5-8	\$297.51
69014WB-5-9-1/8	5- 9-1/8	\$579.79

Spiral Retaining Rings

OEM Part No.	AY Part No.	Bore Size	Price
1RR1-3-1/2	690080	3-1/2	\$9.73
1RR1-4-1/2	690081	4-1/2	\$10.84
1RR1-5-1/2	690082	5-1/2	\$11.14
1RR1-6-1/2	690224	6-1/2	\$13.66
1RR1-7-1/2	690225	7-1/2	\$13.54
1RR1-8-1/2	690226	8-1/2	\$14.94
1RR1-9	690227	9	\$59.29
1RR1-97	690230	9-3/4	\$85.49

Piston Rings

OEM Part No.	AY Part No.	Bore Size	Price
2PR3-35	690251	3-1/2	\$12.11
2PR3-45	690252	4-1/2	\$16.26
2PR3-55	690253	5-1/2	\$20.91
2PR3-637	690259	6-3/8	\$107.51
2PR3-65	690254	6-1/2	\$33.74
2PR3-75	690255	7-1/2	\$32.46
2PR3-85	690256	8-1/2	\$42.57
2PR3-97	690258	9-3/4	\$88.37

Headnuts

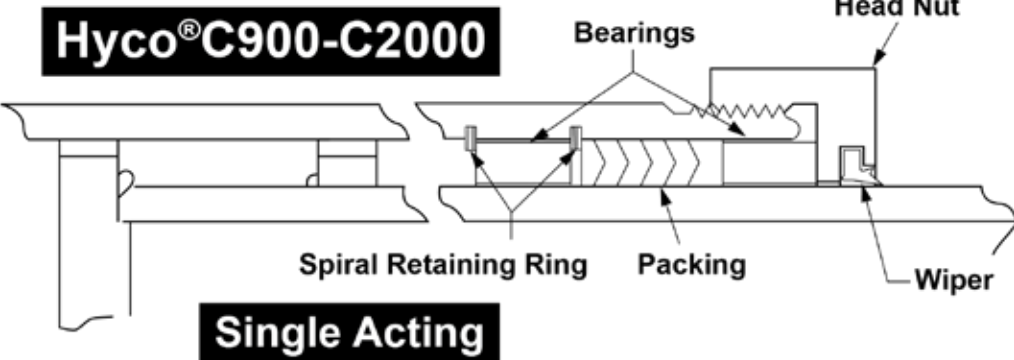
OEM Part No.	AY Part No.	Stage Size	Price
2HN-4	690171	3	POA
2HN-5	690172	4	POA
2HN-6	690173	5	POA
2HN-7	690174	6	POA
2HN-8	690175	7	POA
2HN-82	690180	7	POA
2HN-9	690176	8	POA
2HN-10	690177	8-1/4	POA
2HN-106	690178	9-1/8	POA
3HN1-7A	690181	5-7/8	POA
3HN1-975	690182	8-1/4	POA
3HN1-1125	690183	9-3/4	POA

Bearings

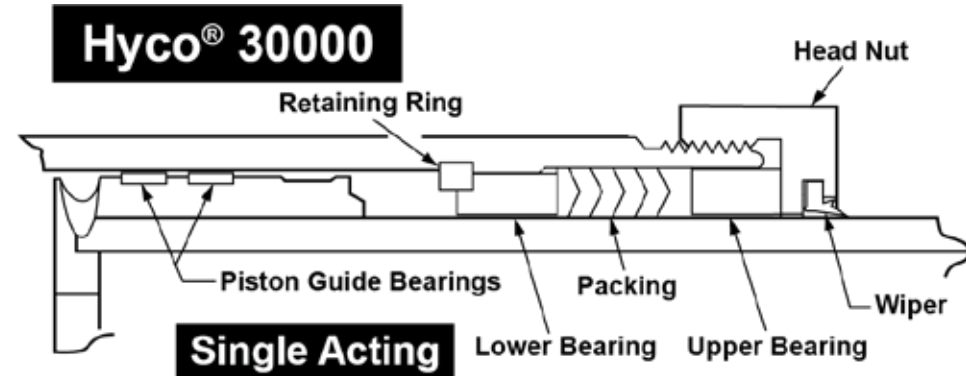
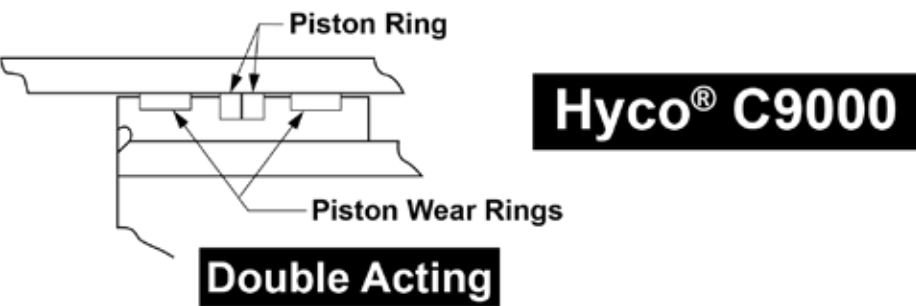
OEM Part No.	AY Part No.	Size	Price
1BU11-3	690101A	3-1/2 X 3/4	\$13.78
1BU11-4	690102A	4-1/2 X 3/4	\$13.83
1BU11-5	690103A	5-1/2 X 3/4	\$15.07
1BU11-6	690104A	6-1/2 X 3/4	\$18.02
1BU11-7	690105A	7-1/2 X 3/4	\$20.02
1BU11-8	690106A	8-1/2 X 3/4	\$23.04
1BU11-82	690107A	9 X 3/4	\$43.43
1BU11-91	690110A	9-3/4 X 3/4	\$68.60

Equipment manufacturer's part numbers are used for reference purpose only. We do not imply that any part shown is the product of these manufacturers. Trademarks are the property of their respective owners.

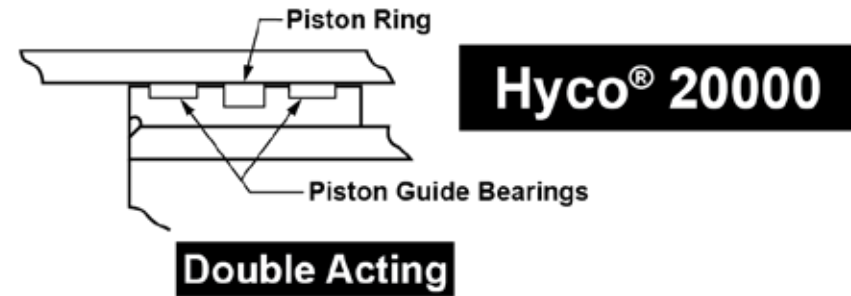
Replacement Parts for Hyco® Telescopic Cylinders



1. Headnut height 1-1/2"
2. Two spiral retaining rings.
3. Bronze (or aftermarket nylon) bearings above and below packing.
4. Bronze overlay piston bearings on single acting cylinders.
5. Stage outside diameters 3.00", 4.00" etc.
6. Cylinder identification on tag and stamped near bottom end of outside tube.
7. Uses 1/4" c/s packing.



1. Headnut height 1-1/2"
2. One 3/8" wide retaining ring.
3. Packing and nylon bearing set with many sets using "black & blue vees".
4. Stepped bottom bearing that fits over 3/8" wide spring steel retaining ring.
5. Nylon wear bands on piston.
6. Stage outside diameters 3.000", 4.000" etc.
7. Cylinder identification on tag and stamped near bottom of outside tube.
8. Uses .263" c/s packing on cylinders manufactured after 8/1/81. Uses 1/4" c/s on cylinders prior to 8/1/81.



Replacement Parts for Hyco® Telescopic Cylinders, cont'd.

Packing & Wiper Assemblies

This style packing fits **all standard telescopic cylinders** manufactured by Hyco® before 8-1-81. The wipers will fit all glands except C10,000 series manufactured between 7-74 and 8-76. During that period Hyco® used a glass filled nylon wiper that pressed against the top bearing.

AY Part No.	Size		Price
690201W	3	x 3-1/2	\$20.65
690202W	4	x 4-1/2	\$23.02
690203W	5	x 5-1/2	\$27.24
690204W	6	x 6-1/2	\$33.35
690205W	7	x 7-1/2	\$39.15
690206W	8	x 8-1/2	\$44.07
690207W	8-1/4	x 9	\$98.65
690208W	9	x 9-3/4	\$109.43
690209W	9-3/4	x 10-1/2	\$195.36

Packing & Wiper Kits

AY Part No.	Stage Sizes	Price
69020W-3-5	3-5	\$75.60
69020W-3-6	3-6	\$113.67
69020W-3-8	3-8	\$210.19
69020W-4-6	4-6	\$92.41
69020W-4-7	4-7	\$134.43
69020W-4-8	4-8	\$159.38
69020W-4-8-1/4	4- 8-1/4	\$237.78
69020W-4-9	4-9	\$312.16
69020W-4-9-1/8	4-9-1/8	\$333.10
69020W-5-7	5-7	\$116.88
69020W-5-8	5-8	\$164.71
69020W-5-9-3/4	5- 9-3/4	\$416.97

Upper End Rebuild Kits

These kits include: Packing Set, Wiper, Top & Bottom Nylon Bearings

Packing, Bearing & Wiper Assemblies

Packing, Bearing & Wiper Kits

C10,000 Series

OEM Part No.	AY Part No.	Stage Size	Price
11426-300	690101N	3	\$66.61
11426-400	690102N	4	\$69.68
11426-500	690103N	5	\$82.34
11426-600	690104N	6	\$92.22
11426-700	690105N	7	\$117.15
11426-800	690106N	8	\$149.07
11426-825	690107N	8-1/4	\$283.90

OEM Part No.	AY Part No.	Stage Sizes	Price
11426-47	69010N-4-7	4 - 7	\$353.62
11426-48	69010N-4-8	4 - 8	\$499.95

C900 - C2000, C9000 Series

AY Part No.	Stage Sizes	Price
69020WB-3-8	3-8	\$421.25
69020WB-4-6	4-6	\$186.88
69020WB-4-7	4-7	\$274.98
69020WB-4-8	4-8	\$373.60
69020WB-4-8-1/4	4-8-1/4	\$479.23
69020WB-4-9	4-9	\$633.81
69020WB-5-7	5-7	\$222.33
69020WB-5-8	5-8	\$319.30

Used on all C20,000 and C30,000 Series manufactured before August 1, 1981

OEM Part No.	AY Part No.	Stage Size	Price
14411-300N	690101W	3-1/2	\$46.15
14411-400N	690102W	4-1/2	\$46.61
14411-500N	690103W	5-1/2	\$64.32
14411-600N	690104W	6-1/2	\$67.90
14411-700N	690105W	7-1/2	\$86.57
14411-800N	690106W	8-1/2	\$129.55
14411-812N	690109W	8-5/8	\$177.74
14411-825N	690107W	9	\$229.02
14411-900N	690108W	9-3/4	\$284.00
14411-912N	690110W	9-3/4	\$255.33
14411-938N	690111W	9-7/8	\$244.01

OEM Part No.	AY Part No.	Stage Size	Price
14411-46N	69010W-4-6	4-6	\$175.59
14411-47N	69010W-4-7	4-7	\$265.49
14411-48N	69010W-4-8	4-8	\$313.64
14411-49N	69010W-4-9	4-9	\$653.23
14411-491N	69010W-4-9-1/8	4- 9-1/8	\$640.25

Equipment manufacturer's part numbers are used for reference purpose only. We do not imply that any part shown is the product of these manufacturers. Trademarks are the property of their respective owners.

Replacement Parts for Hyco® Telescopic Cylinders, cont'd.

Upper End Rebuild Kits (Cont'd)

These kits include: Packing Set, Wiper, Top & Bottom Nylon Bearings

Packing, Bearing & Wiper Assemblies

Packing, Bearing & Wiper Kits

C20,000 Series with K Style Wiper

OEM Part No.	AY Part No.	Stage Size	Price
034-00020-300N	690101K	3	\$55.79
034-00020-400N	690102K	4	\$59.20
034-00020-500N	690103K	5	\$82.24
034-00020-600N	690104K	6	\$89.90
034-00020-700N	690105K	7	\$108.37
034-00020-800N	690106K	8	\$159.97
034-00020-812N	690109K	8-1/8	\$228.15
034-00020-912N	690110K	9-1/8	\$275.63
034-00020-938N	690111K	9-3/8	\$283.08

Used on C20,000 and C30,000 Series manufactured after August 1, 1981

OEM Part No.	AY Part No.	Stage Size	Price
14750-300	690121W	3.525	\$50.41
14750-400	690122W	4.525	\$51.67
14750-500	690123W	5.525	\$53.76
14750-600	690124W	6.525	\$62.78
14750-700	690125W	7.525	\$97.11
14750-800	690126W	8.525	\$117.68
14750-812	690127W	8.650	\$165.79
14750-825	690128W	9.025	\$184.66
14750-912	690129W	9.650	\$220.67
14750-938	690130W	9.910	\$214.01

OEM Part No.	AY Part No.	Stage Sizes	Price
14750-46	69012W-4-6	4-6	\$168.51
14750-47	69012W-4-7	4-7	\$271.74
14750-48	69012W-4-8	4-8	\$326.85
14750-482	69012W-4-8-1/4	4- 8-1/4	\$442.02
14750-57	69012W-5-7	5-7	\$219.17
14750-58	69012W-5-8	5-8	\$331.47

Rectangular Nylon Bearings

Rectangular Nylon Bearing Kits

Used on C900, C2000, and C9000

OEM Part No.	AY Part No.	Size	Price
A2475N	690101A	3 x 3-1/2 X 3/4	\$13.78
A2227N	690102A	4 x 4-1/2 X 3/4	\$13.83
A2226N	690103A	5 x 5-1/2 X 3/4	\$15.07
A2225N	690104A	6 x 6-1/2 X 3/4	\$18.02
A2411N	690105A	7 x 7-1/2 X 3/4	\$20.02
A2447N	690106A	8 x 8-1/2 X 3/4	\$23.04
A3438N	690107A	8-1/4 x 9 X 3/4	\$43.43
A18415N	690108A	9 x 9-3/4 X 3/4	\$69.72

OEM Part No.	AY Part No.	Stage Sizes	Price
NYB35	69010A-3-5	3-5	\$79.26
NYB36	69010A-3-6	3-6	\$113.40
NYB38	69010A-3-8	3-8	\$189.15
NYB46	69010A-4-6	4-6	\$72.05
NYB47	69010A-4-7	4-7	\$131.69
NYB48	69010A-4-8	4-8	\$135.19
NYB48-1/4	69010A-4-8-1/4	4- 8-1/4	\$218.91
NYB49	69010A-4-9	4-9	\$329.24
NYB57	69010A-5-7	5-7	\$101.36
NYB58	69010A-5-8	5-8	\$140.23

Spiral Retaining Rings

3/8" Wide Spring Steel Retaining Rings

This style retaining ring fits all standard telescopic cylinders manufactured by Hyco® that use spiral retaining rings.

This style retaining ring fits all standard telescopic cylinders manufactured by Hyco® that use spring steel retaining rings.

OEM Part No.	AY Part No.	Bore Size	Price
A2477	690221	3	\$4.50
A2229	690222	4	\$10.13
A17794	690081 (thick)	4	\$10.84
A2237	690223	5	\$10.91
A17793	690082 (thick)	5	\$11.14
A2228	690224	6	\$13.66
A3012	690225	7	\$13.54
A3013	690226	8	\$15.40
A18387	690228	9	\$70.83
A8246	690229	9-3/4	\$116.96

OEM Part No.	AY Part No.	Bore Size	Price
B9971-3.5	B9971-3.5	3-1/2	POA
B9971-4.5	B9971-4.5	4-1/2	POA
B9971-5.5	B9971-5.5	5-1/2	POA
B9971-6.5	B9971-6.5	6-1/2	POA
B9971-7.5	B9971-7.5	7-1/2	POA
B9971-8.5	B9971-8.5	8-1/2	POA
B9971-862	B9971-862	8-5/8	POA
B9971-900	B9971-9	9	POA
B9971-962	B9971-9.6	9-5/8	POA
B9971-970	B9971-9.7	9-1/8	POA
B9971-988	B9971-9.8	9-3/8	POA

Replacement Parts for Hyco® Telescopic Cylinders, cont'd.

1/4" Wide Piston Rings

This style retaining ring fits all standard telescopic cylinders manufactured by Hyco® that use 1/4" wide piston rings.

OEM Part No.	AY Part No.	Bore Size	Price
A18029	690252	4-1/2	\$14.24
A18028	690253	5-1/2	\$18.59
A18027	690254	6-1/2	\$21.94
A18026	690255	7-1/2	\$33.52
A18025	690256	8-1/2	\$44.51
A18385	690258	9-3/4	\$75.48

1/2" Wide Piston rings

This style retaining ring fits all standard telescopic cylinders manufactured by Hyco® that use 1/2" wide piston rings.

OEM Part No.	AY Part No.	Bore Size	Price
B12071-3	690251A	3-1/2	\$52.63
B12071-4	690252A	4-1/2	\$50.14
B12071-5	690253A	5-1/2	\$37.87
B12071-6	690254A	6-1/2	\$50.14
B12071-7	690255A	7-1/2	\$52.63
B12071-8	690256A	8-1/2	\$57.58
B12071-812	690257A	8-5/8	\$108.43
B12071-9	690258A	9-3/4	\$90.31
B12071-938	690259A	9-7/8	\$114.67

Piston Guide Bearings (Wear Bands)

This style retaining ring fits all standard telescopic cylinders manufactured by Hyco®.

OEM Part No.	AY Part No.	Bore Size	Price
10764-300	690241	3-1/2	\$5.20
10764-400	690242	4-1/2	\$5.42
10764-500	690243	5-1/2	\$5.55
10764-600	690244	6-1/2	\$7.06
10764-700	690245	7-1/2	\$7.25
10764-800	690246	8-1/2	\$8.54
10764-812	690249	8-5/8	\$14.17
10764-825	690247	9	\$16.57
10764-900	690248	9-3/4	\$19.34
10764-938	690250	9-7/8	\$23.48

Head Nuts

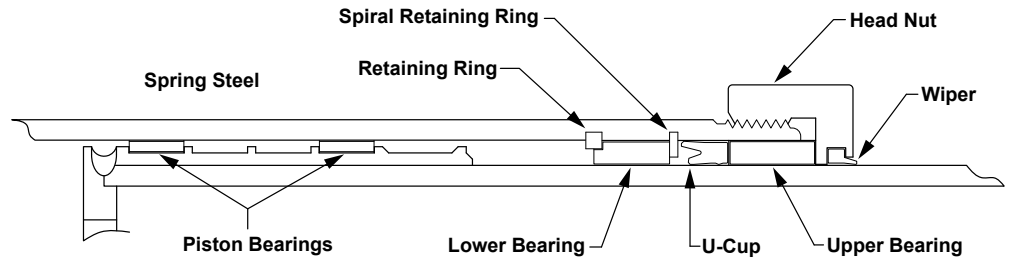
This style retaining ring fits all standard telescopic cylinders manufactured by Hyco®. They are 12 thread per inch unless noted.

OEM Part No.	AY Part No.	Wiper I.D.	Price
A2527	690261	3	POA
A2217	690262	4	POA
A14522	690270	4 (16 Thread)	POA
A2216	690263	5	POA
A2215	690264	6	POA
A2406	690265	7	POA
A14523	690271	7 (10 Thread)	POA
A3535	690274	7 (On 9-3/4 Cyl)	POA
A14524	690272	8 (10 Thread)	POA
A2442	690266	8 (12 Thread)	POA
A20621	690276	8 (C30000)	POA
A22747	690275	8 (C30000)	POA
A20558	690277	8-1/8	POA
A8285	690278	8-1/4	POA
A3534	690273	8-1/4	POA
A18411	690268	9	POA
A22483	690279	9-1/8	POA
A22746	690280	9-1/8	POA
A20599	690260	9-3/8	POA
A8253	690269	9-3/4	POA

Equipment manufacturer's part numbers are used for reference purpose only. We do not imply that any part shown is the product of these manufacturers. Trademarks are the property of their respective owners.

Replacement Parts for Hyco® Telescopic Cylinders, cont'd.

1. Headnut height 1-1/2"
2. One spiral and one spring steel retaining ring.
3. U-cup and nylon bearing set.
Optional Vee Packing Retrofit.
4. Nylon wear bands on piston.
5. Some use K Style Wiper.
6. Stage outside diameters 3.000",
4.000" etc.
7. Cylinder identification on tag
and stamped near bottom of
outside tube.



Hyco® C70,000

Packing, Bearings, Spiral Retaining Ring, & Wiper Assemblies

Packing, Bearings, Spiral Retaining Ring, & Wiper Kits

C70,000 Series with U-Cup and Standard Wiper

OEM Part No.	AY Part No.	Stage Size	Price
B15252-300	690151W	3	\$74.06
B15252-400	690152W	4	\$92.73
B15252-500	690153W	5	\$98.95
B15252-600	690154W	6	\$116.85
B15252-700	690155W	7	\$137.83
B15252-812	690156W	8-1/8	\$223.80
B15252-938	690157W	9-3/8	\$298.72

OEM Part No.	AY Part No.	Stage Sizes	Price
B15252-46	69015W-4-6	4 thru 6	\$292.17
B15252-47	69015W-4-7	4 thru 7	\$417.65
B15252-48-1/8	69015W-4-8-1/8	4 thru 8-1/8	\$660.04
B15252-49-3/8	69015W-4-9-3/8	4 thru 9-3/8	\$932.34
B15252-5-7	69015W-5-7	5 thru 7	\$334.31
B15252-581/8	69015W-5-8-1/8	5 thru 8-1/8	\$531.17

C70,000 Series with U-Cup and K Style Wiper

OEM Part No.	AY Part No.	Stage Size	Price
034-00070-300	690151K	3	\$79.36
034-00070-400	690152K	4	\$105.16
034-00070-500	690153K	5	\$120.16
034-00070-600	690154K	6	\$137.47
034-00070-700	690155K	7	\$155.64
034-00070-812	690156K	8-1/8	\$251.28
034-00070-938	690157K	9-3/8	\$351.10

OEM Part No.	AY Part No.	Stage Sizes	Price
034-00070-46	69015K-4-6	4 thru 6	\$358.83
034-00070-47	69015K-4-7	4 thru 7	\$490.73
034-00070-48-1/8	69015K-4-8-1/8	4 thru 8-1/8	\$761.45
034-00070-49-3/8	69015K-4-9-3/8	4 thru 9-3/8	\$1,108.98
034-00070-57	69015K-5-7	5 thru 7	\$408.27
034-00070-58-1/8	69015K-5-8-1/8	5 thru 8-1/8	\$656.91

C70,000 Series Vee Packing Retrofit with Standard Wiper

OEM Part No.	AY Part No.	Stage Size	Price
B15255-300	690151VW	3	\$63.10
B15255-400	690152VW	4	\$78.03
B15255-500	690153VW	5	\$90.17
B15255-600	690154VW	6	\$103.73
B15255-700	690155VW	7	\$120.01
B15255-812	690156VW	8-1/8	\$188.68
B15255-938	690157VW	9-3/8	\$253.92

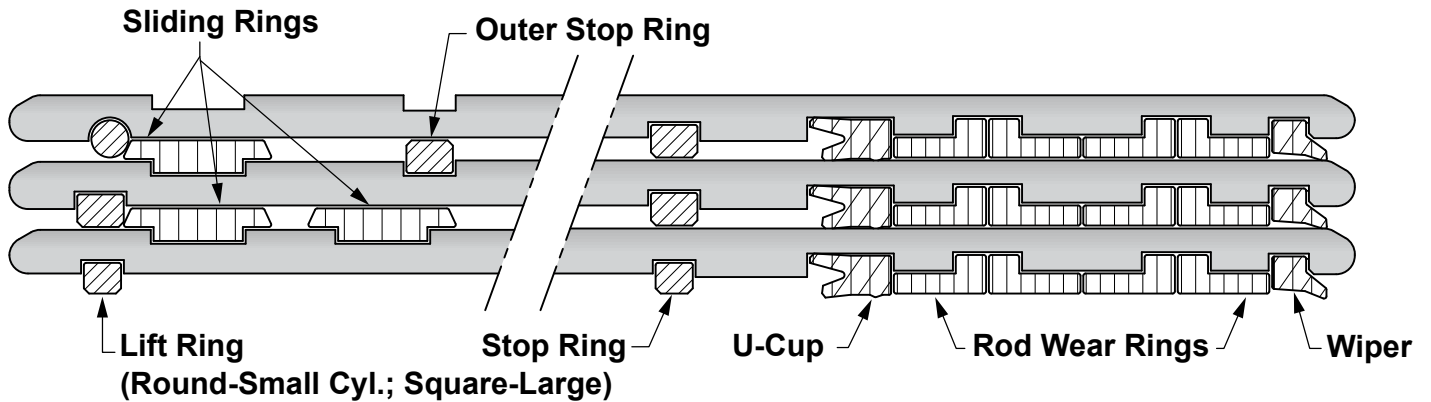
OEM Part No.	AY Part No.	Stage Sizes	Price
B15255-46	69015VW-4-6	4 thru 6	\$275.36
B15255-47	69015VW-4-7	4 thru 7	\$397.74
B15255-48-1/8	69015VW-4-8-1/8	4 thru 8-1/8	\$636.74
B15255-49-3/8	69015VW-4-9-3/8	4 thru 9-3/8	\$883.28
B15255-57	69015VW-5-7	5 thru 7	\$318.70
B15255-58-1/8	69015VW-5-8-1/8	5 thru 8-1/8	\$508.65

C70,000 Series Vee Packing Retrofit with K Style Wiper

OEM Part No.	AY Part No.	Stage Size	Price
034-00072-300	690151VK	3	\$72.90
034-00072-400	690152VK	4	\$92.35
034-00072-500	690153VK	5	\$108.10
034-00072-600	690154VK	6	\$123.27
034-00072-700	690155VK	7	\$142.94
034-00072-812	690156VK	8-1/8	\$251.77
034-00072-938	690157VK	9-3/8	\$311.33

OEM Part No.	AY Part No.	Stage Sizes	Price
034-00072-46	69015VK-4-6	4 thru 6	\$329.56
034-00072-47	69015VK-4-7	4 thru 7	\$471.96
034-00072-48-1/8	69015VK-4-8-1/8	4 thru 8-1/8	\$738.07
034-00072-49-3/8	69015VK-4-9-3/8	4 thru 9-3/8	\$1,063.41
034-00072-57	69015VK-5-7	5 thru 7	\$378.38
034-00072-58-1/8	69015VK-5-8-1/8	5 thru 8-1/8	\$605.42

Replacement Parts for Hyva® Telescopic Cylinders



Packing Kits

OEM Part No.	AY Part No.	Stage Size	Price
01760087K	HYV-01760087K	60mm	\$43.65
01760075K	HYV-01760075K	78mm	\$55.23
01760063K	HYV-01760063K	99mm	\$66.45
01760051K	HYV-01760051K	120mm	\$74.27
01760040K	HYV-01760040K	141mm	\$82.09
01760038K	HYV-01760038K	162mm	\$97.73
01760026K	HYV-01760026K	183mm	\$115.77
01760014K	HYV-01760014K	207mm	\$155.52

Multi-Stage Kits

AY Part No.	Stage Sizes	Price
HYV-120-3	78, 99, & 120 stages	\$171.16
HYV-141-4	78, 99, 120, & 141 stages	\$253.55
HYV-162-4	99, 120, 141, & 162 stages	\$319.27
HYV-183-5	99, 120, 141, 162, & 183 stages	\$393.91
HYV-207-5	120, 141, 162, 183, & 207 stages	\$477.89

Packing Kits

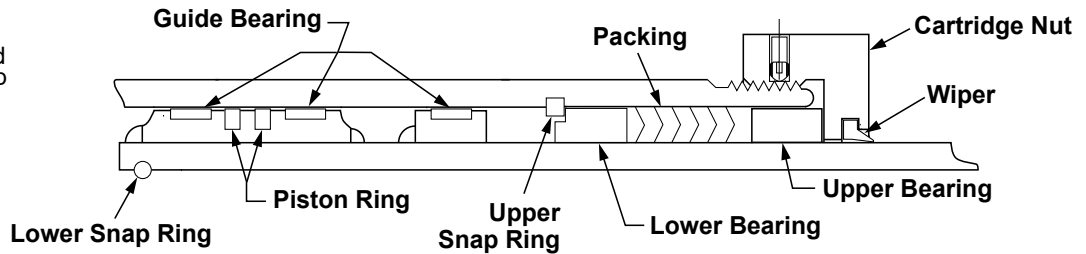
OEM Part No.	AY Part No.	Stage Size	Price
	HYV-072STK	72mm	\$62.37
	HYV-091STK	91mm	\$69.27
	HYV-110STK	110mm	\$73.36
	HYV-129STK	129mm	\$82.39
	HYV-149STK	149mm	\$93.57
	HYV-169STK	169mm	\$107.71
	HYV-191STK	191mm	\$133.89

Includes Wiper, U-Cup, and Wear Rings

Equipment manufacturer's part numbers are used for reference purpose only. We do not imply that any part shown is the product of these manufacturers. Trademarks are the property of their respective owners.

Replacement Parts for Ward® Telescopic Cylinders

1. Outside stage diameters are .050" under even inch. (i.e. 2.95", 3.95" etc...)
1. Identification numbers stamped on steady rest groove near top of outside tube.
3. Upper and lower bearings made of nylon, nylon over a metal core or phenolic.
4. Cast head nuts with spanner wrench slots at top.
5. Lower bearing has step to accommodate 3/16" c/s snap ring.
6. Uses .275" c/s packing.



Double Acting

Packing & Wiper Assemblies

OEM Part No.	AY Part No.	Size	Price
510-9-0738-30	690401W	2.95 x 3.5	\$23.77
510-9-0738-40	690402W	3.95 x 4.5	\$28.27
510-9-0738-50	690403W	4.95 x 5.5	\$35.77
510-9-0738-60	690404W	5.95 x 6.5	\$45.03
510-9-0738-70	690405W	6.95 x 7.5	\$54.75
510-9-0738-80	690406W	7.95 x 8.5	\$64.78
510-9-0738-90	690407W	8.95 x 9.5	\$87.89

Upper Bearings

OEM Part No.	AY Part No.	Stage Size	Price
310-9-0448-03	690441	2.95	\$38.39
310-9-0448-05	690442	3.95	\$42.10
310-9-0448-07	690443	4.95	\$43.57
310-9-0448-09	690444	5.95	\$45.34
310-9-0448-11	690445	6.95	\$49.38
310-9-0448-13	690446	7.95	\$53.75
310-9-0448-15	690447	8.95	\$61.02

Packing, Bearings, and Wiper Sets

OEM Part No.	AY Part No.	Stage Size	Price
	690401WB	2.95	\$105.48
	690402WB	3.95	\$125.47
	690403WB	4.95	\$132.73
	690404WB	5.95	\$149.84
	690405WB	6.95	\$165.73
	690406WB	7.95	\$187.49
	690407WB	8.95	\$225.93

Lower Bearings

OEM Part No.	AY Part No.	Stage Size	Price
310-9-0447-03	690451	2.95	\$49.40
310-9-0447-05	690452	3.95	\$53.07
310-9-0447-07	690453	4.95	\$57.77
310-9-0447-09	690454	5.95	\$65.00
310-9-0447-11	690455	6.95	\$72.69
310-9-0447-13	690456	7.95	\$84.78
310-9-0447-15	690457	8.95	\$102.03

Piston Guide Bearings

OEM Part No.	AY Part No.	Bore Size	Price
310-9-0737-30	690421	3-1/2	\$6.51
310-9-0737-40	690422	4-1/2	\$5.53
310-9-0737-50	690423	5-1/2	\$5.78
310-9-0764-60	690424	6-1/2	\$12.29
310-9-0764-70	690425	7-1/2	\$13.10
310-9-0764-80	690426	8-1/2	\$15.05
310-9-0764-90	690427	9-1/2	\$21.62

Upper Snap Rings

OEM Part No.	AY Part No.	Bore Size	Price
	690460	2	\$35.13
	690461	3	\$36.54
560-9-0009-40	690462	4-1/2	\$53.10
560-9-0009-50	690463	5-1/2	\$59.31
560-9-0009-60	690464	6-1/2	\$67.49
560-9-0009-70	690465	7-1/2	\$72.78
560-9-0009-80	690466	8-1/2	\$80.04
560-9-0009-90	690467	9-1/2	\$92.13

Piston Rings

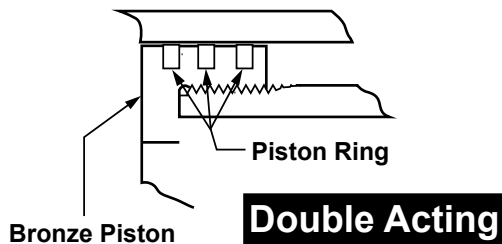
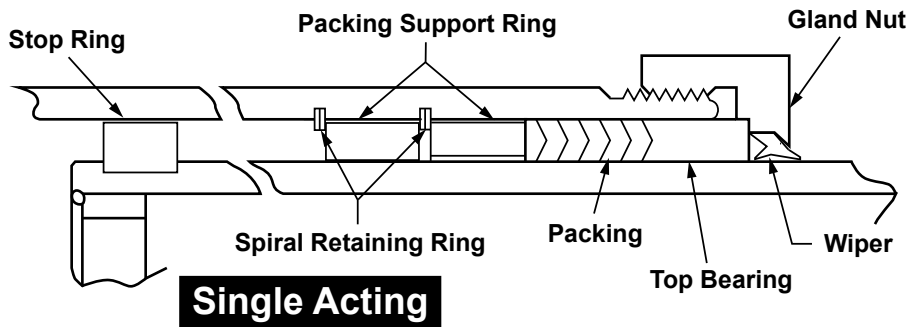
OEM Part No.	AY Part No.	Bore Size	Price
505-9-0066	690431	3-1/2	\$16.34
505-9-0066-17	690432	4-1/2	\$17.17
505-9-0066-24	690433	5-1/2	\$22.37
505-9-0066-28	690434	6-1/2	\$24.78
505-9-0066-35	690435	7-1/2	\$43.20
505-9-0066-38	690436	8-1/2	\$51.42
505-9-0066-40	690437	9-1/2	\$145.34

Lower Snap Rings

OEM Part No.	AY Part No.	Bore Size	Price
560-9-0812-25	690473	4-1/2	\$25.17
560-9-0812-42	690474	5-1/2	\$27.72
560-9-0812-36	690475	6-1/2	\$31.31
560-9-0812-07	690476	7-1/2	\$33.82
560-9-0812-08	690477	8-1/2	\$38.52

Equipment manufacturer's part numbers are used for reference purpose only. We do not imply that any part shown is the product of these manufacturers. Trademarks are the property of their respective owners.

Replacement Parts for Galion® Telescopic Cylinders



1. Stage outside diameters measure .030" under even inch, i.e. 2.970", 3.970", 4.970"
2. Top bearing is cast iron with machined female adapter (aftermarket parts are nylon with separate female).
3. Uses one spiral snap ring on smaller stages, two on 5" and above.
4. Wiper is a K-type 5/32 c/s or a flat bottom single lip K-type 5/32 c/s.
5. Uses .275" c/s packing.

Packing, Bearing & Wiper Assemblies

OEM Part No.	AY Part No.	Stage Size	Price
20-25501	690051BW	2.97 x 3.52	\$53.38
20-25500	690052BW	3.97 x 4.52	\$57.74
20-25499	690053BW	4.97 x 5.52	\$65.78
20-25498	690054BW	5.97 x 6.52	\$69.09
20-25497	690055BW	6.97 x 7.52	\$80.43
20-25496	690056BW	7.97 x 8.52	\$112.26
20-25562	690057BW	9.125 x 9.675	\$218.18

Multi-Stage Kits

OEM Part No.	AY Part No.	Stage Sizes	Price
	69005BW-3-5	2.97 - 4.97	\$160.08
	69005BW-4-6	3.97 - 5.97	\$182.55
	69005BW-4-7	3.97 - 6.97	\$260.97
	69005BW-4-8	3.97 - 7.97	\$370.43
	69005BW-4-9	3.97 - 9.125	\$584.81
	69005BW-5-7	4.97 - 6.97	\$207.13
	69005BW-5-8	4.97 - 7.97	\$316.58

Retaining Rings

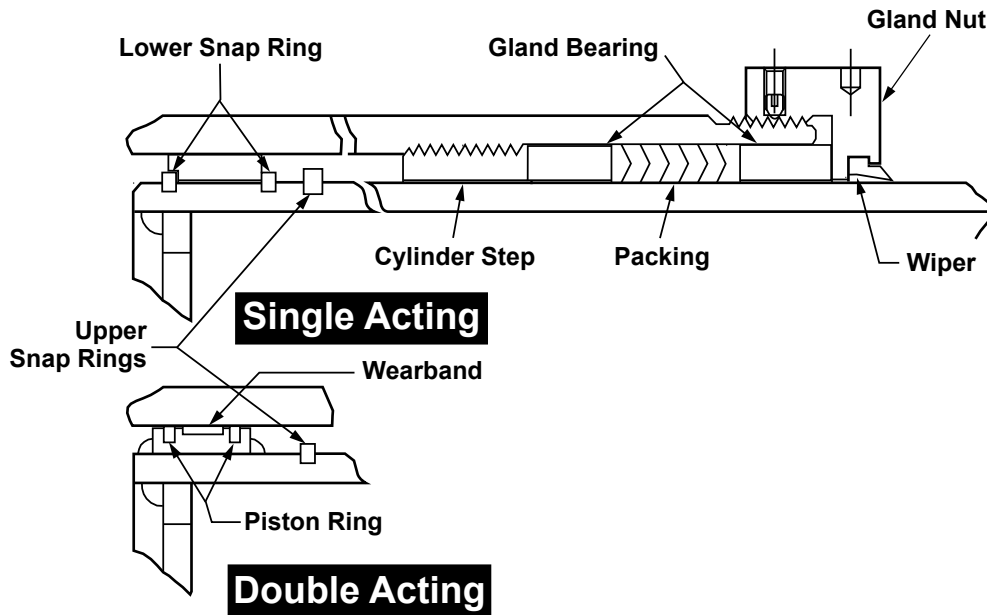
OEM Part No.	AY Part No.	Bore Size	Price
10-5304	690079	2.52	\$9.63
10-25689	690080	3.52	\$9.73
10-25688	690081	4.52	\$10.84
10-25687	690082	5.52	\$11.14
10-25686	690083	6.52	\$13.32
10-25718	690084	7.52	\$16.68
10-25729	690085	8.52	\$17.82
10-26982	690086	9.675	\$39.74

Piston Rings

OEM Part No.	AY Part No.	Bore Size	Price
10-27073	690040	3.52	\$12.95
10-27074	690041	4.52	\$14.01
10-27075	690042	5.52	\$18.01
10-27076	690043	6.52	\$31.78
10-27077	690044	7.52	\$37.93
10-27360	690045	8.52	\$42.92
10-27358	690046	9.675	\$60.44

Equipment manufacturer's part numbers are used for reference purpose only. We do not imply that any part shown is the product of these manufacturers. Trademarks are the property of their respective owners.

Replacement Parts for Perfection® Telescopic Cylinders



1. Stage outside diameters 2.580", 3.580", 4.580", 5.445", 6.445", etc.
2. Wiper is 3/16" c/s nitrile or urethane and measures 7/16" high.
3. Bronze (or after market nylon) bearings above and below packing on smaller stages. One bearing on 6.445", 7.445" and 8.445" stages.
4. Threaded internal stop ring with two flats for spanner wrench.
5. Cast headnuts with large spanner wrench holes.

Packing & Wiper Assemblies

OEM Part No.	AY Part No.	Size	Price
25372	690301W	2.580 x 3.110	\$24.31
25373	690302W	3.580 x 4.110	\$40.27
25374	690303W	4.580 x 5.080	\$60.95
25375	690304W	5.445 x 5.945	\$53.35
25376	690305W	6.445 x 6.945	\$64.48
25377	690306W	7.445 x 7.945	\$72.68
54283	690307W	8.445 x 9.195	\$202.72

Piston Rings

OEM Part No.	AY Part No.	Size Stage(Bore)	Price
28027	690371	3.580 (4)	\$15.85
28028	690372	4.580 (4-7/8)	\$19.27
28029	690373	5.445 (5-3/4)	\$24.52
54709	690374	6.445 (6-3/4)	\$60.66
54710	690375	7.445 (7-3/4)	\$36.09
57711	690376	8.445 (9)	\$64.11

Nylon Gland Bearings

OEM Part No.	AY Part No.	Stage Size	Price
56542	690320	2.580	\$33.27
56542	690321	3.580	\$33.12
56543	690322	4.580	\$36.68
56544	690323	5.445	\$45.15
56545	690324	6.445	\$53.37
56546	690325	7.445	\$155.40

Equipment manufacturer's part numbers are used for reference purpose only. We do not imply that any part shown is the product of these manufacturers. Trademarks are the property of their respective owners.

Seal Materials

Urethane

A formulation of copolymers of ether or ester based urethanes, it is used in a number of applications such as seals, wipers, back-up rings and custom molded parts. Characteristics: High resilience, high tensile strength, excellent cut resistance, and high resistance to oil swell, ozone, oxidation and abrasion. Urethane is an excellent choice in hydraulic systems using petroleum based fluids. Operating temperature ranges from -65° F to 200°F (-54°C to 93°C)

Ultrathane K-24

A new polyurethane material offering up to 43% reduced friction over conventional urethane materials. Because of this reduced friction and the resulting lowering of frictional heat build-up at the seal interface, the operating temperature is -65° F to 225°F (-54°C to 107°C). Urethane fluid compatibility is the same as above and is good for service to 5,000 PSI at recommended dimensions and tolerances.

Hytrel®

An engineered thermoplastic elastomer featuring high resistance to fatigue, chemicals, oils, solvents and abrasion. Hytrel® can be custom molded and features many of the most desirable characteristics of high performance elastomers. Common parts made from Hytrel® are wipers, vee rings and polypaks. Working temperature range is -40°F to 250°F (-40°C to 121°C).

Nitrile

The most common nitrile copolymer blend is the compound known as Buna-N. Possessing very good resistance to petroleum based hydraulic oils, Buna-N also works well with fuels such as diesel or gasoline. Nitrile seals have a good resistance to compression set, but their flexibility suffers somewhat in lower temperatures. Working temperature range is -40°F to 250°F (-40°C to 121°C). Special Nitrile formulations may have a higher upper limit to 300°F (149°C).

Nitroxile

Nitroxile is a Carboxylated Nitrile material offering 3 to 5 times greater resistance to abrasion than conventional nitrile compounds. This material is also available with internal lubrication to reduce friction. Nitroxile is suitable for general hydraulic service in petroleum based fluids, water-oil emulsions, water-glycol fluids and water based fluids (HWBF). Nitroxiles operating temperature range is -40°F to 250°F (-40°C to 121°C).

Teflon®

This material offers high heat resistance, low temperature flexibility, low running friction, chemical inertness and non-adhesive characteristics. Most Teflon® seals are fortified with short glass fibers, bronze flashes, carbon, graphite, or a combination of these fillers. Temperature range is -65° F to 500°F (-54°C to 260°C) although this temperature range may be reduced by the addition of certain fillers.

Nylon

Nylon is an engineered thermoplastic which has many uses, including, adapter rings, bearings, and guide rings. To enhance the physical properties, additives such as glass-fibers, lubricants, heat and ultraviolet stabilizers are combined. Nylon features high resistance to fatigue, chemicals, oils, solvents and abrasion. Temperature range is -65°F to 275°F (-54°C to 135°C) and can be extended with the addition of certain fillers.

PolyMyte®

Parker PolyMyte® is an "elastoplastic" material with exceptionally high tear strength and abrasion resistance. PolyMyte®'s high modulus and high durometer (53 & 65 Shore D) make it very suitable for high pressure service where extrusion is a problem. PolyMyte® is suitable for service in petroleum based fluids, water base fluids (HWBF), phosphate ester fluids, some chlorinated fluids and solvents. Temperature range is -65°F to 275°F (-54°C to 135°C) and 180°F (82°C) in water and water based fluids.

FluoroMyte®

Developed to meet seal needs in high pressure hydraulic systems. FluoroMyte® has exceptionally high tear strength and abrasion resistance. It also has lower friction than PolyMyte® due to special lubricants dispersed in the base material. FluoroMyte® has excellent resistance to oxygen, ozone, petroleum and phosphate ester based fluids. Temperature range is -65°F to 300°F (-54°C to 149°C)

Fluorocarbon (FKM, Viton®, Fluorel®)

The combination of high temperature resistance with excellent chemical resistance often results in reduced seal inventory requirements. Excellent for use with most hydraulic fluids, alcohol and aromatic fuels and highly resistant to ultraviolet light and ozone. However it is not recommended for use in low temperatures, or with fire retardant fluids, or in aircraft hydraulics. Temperature range is -15°F to 400°F (-29°C to 204°C).

Ethylene Propylene

Not suited for petroleum based fluids, but is a useful seal material for phosphate ester (Fire retardant) hydraulic fluids. Also suitable for use with automotive brake fluids, weak caustics, steam, acetone, acids and alkalies. Temperature range is -65°F to 300°F (-54°C to 149°C) and to 400°F (204°C) in steam.

Silicone

A stable elastomer combining silicon, oxygen, hydrogen and carbon. Silicone is not recommended for dynamic situations due to high friction and poor abrasion resistance, but the material is unsurpassed for use in static seals subjected to dry heat, ultraviolet light and ozone. The temperature range is -75°F to 450°F (-59°C to 232°C)

Glossary of Terms

Abrasion Resistance - The ability of a compound to resist mechanical wear.

Brittleness - Tendency to crack when deformed.

Compression Set - The amount by which a rubber specimen fails to return to original shape after release of a compressive load.

Durometer - A generic term referring to the instrument and the scale used to measure the relative hardness of various elastomers (Shore A and Shore D scales). The higher the durometer rating the higher the resistance to an indenter point penetrating into the surface of the rubber material.

Dynamic Seal - A sealing device used between mating surfaces that have relative motion.

Elastomer - A synthetic or natural material having the capacity for large deformation and rapid, complete recovery from the deforming force.

Elongation - The percent increase in the original length of a specimen when it breaks.

Extrusion - Distortion or flow, under pressure, of a portion of the seal into clearance between mating metal parts.

Filler - Chemically inert, finely divided material added to the elastomer to aid in processing and improving the physical properties, i.e., temperature or abrasion resistance, strength or to give it varying degrees of hardness.

Flash - Excessive rubber left around the part after molding due to space between mating mold surfaces. Typically removed by trimming.

Friction - Resistance to motion due to the contact of surfaces.

Gland - A groove or open area machined into the head or piston that houses the sealing device.

Hardness - Resistance to a distorting force. Measured by the relative resistance of the material to an indenter point of any one of a number of standard hardness testing instruments.

Hardness SHORE A - The rubber durometer hardness as measured on a Shore "A" gauge. Higher numbers indicate harder material. 35 Shore "A" durometer reading is considered soft. 90 is considered hard.

Memory - Tendency of a material to return to original shape after deformation.

Modulus - Tensile stress at a specified elongation. (Usually 100% elongation for elastomers.)

Nominal Dimension - Nearest fractional equivalent to actual dimensions.

Oxidation - The reaction of oxygen on a compound usually detected by a change in the physical properties, appearance or feel of the surface.

Permanent Set - The deformation remaining after a specimen has been stressed in tension for a definite period and released for a definite period.

Permeability - The rate at which a liquid or gas under pressure passes through a solid material by diffusion and solution. In rubber terminology, it is the rate of gas flow expressed in atmospheric cubic centimeters per second through an elastomeric material one centimeter square and one centimeter thick (atm cc/cm²/cm/cm/sec).

Resilient - Capable of returning to original size and shape after deformation.

Static Seal - A sealing device used between mating surfaces that have no relative motion.

Squeeze - Diametral compression of o-ring between surface of the groove bottom and surface of other mating metal part in the gland assembly.

Swell - Increased volume of a specimen caused by immersion in a fluid (usually a liquid).

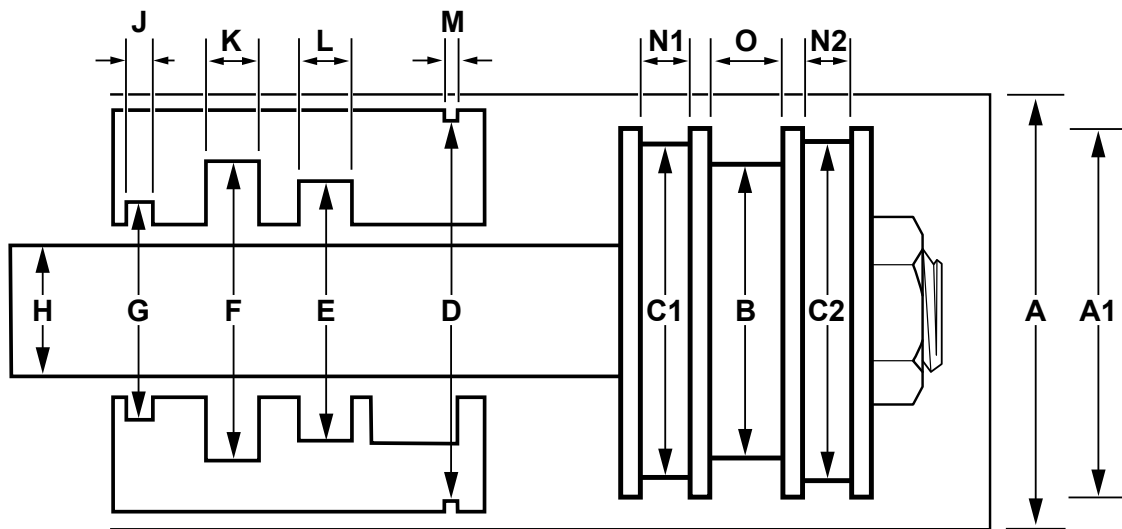
Tear Resistance - Resistance to growth of a cut or nick when tension is applied to the specimen. Commonly expressed as pounds per inch thickness.

Tensile Strength - Force in pounds per square inch required to cause a rupture of a specimen of a rubber material.

Thermal Expansion - Expansion caused by increase in temperature. May be linear or volumetric.

Viscosity - The property of fluids and plastic solids by which they resist an instantaneous change of shape, i.e., resistance to flow.

Cylinder Specifications



A _____ Cylinder Bore
A1 _____ Piston Diameter
B _____ Piston Seal Groove Diameter
C1 _____ Wear Ring Groove Diameter
C2 _____ Wear Ring Groove Diameter
D _____ O-Ring Head Seal Groove Diameter
E _____ Buffer or Wear Ring Groove Diameter
F _____ Rod Seal Groove Diameter

G _____ Wiper Groove Diameter
H _____ Rod Diameter
J _____ Wiper Groove Width
K _____ Rod Seal Groove Width
L _____ Buffer or Wear Ring Groove Width
M _____ O-Ring Head Seal Groove Width
N1 _____ Wear Ring Groove Width
N2 _____ Wear Ring Groove Width
O _____ Piston Seal Groove Width

Troubleshooting

Here is a simple process to follow for correcting any type of seal failure:

- 1 Re-examine seal selection process.
- 2 Examine complete system.
- 3 Carefully examine failed seal for evidence of:
 - a. Softening or hardening of seal material
 - b. Dimensional changes in seal.
 - c. Surface tears, scratches, extrusion or other physical damage.
 - d. Obtain sample of system hydraulic fluid.
- 4 Contact Allegheny York Technical Services to assist in analysis of failure and recommended solution.

1. Spiral Failure is often the result of a combination of factors such as basic seal geometry, long stroke and/or too soft an elastomer. The classic spiral failure usually is found in a simple o-ring seal but will sometimes be evident in unsupported lip type seals as well. The use of T-seals, harder durometer materials and seals with rectangular cross-sections will usually solve this problem.

2. Extrusion of the seal element is usually caused by excessive clearances in metal components, high axial loading, high pressure and use of too low a durometer seal material. Extrusion causes a loss in seal volume and stability. The prevention of extrusion usually requires a type of seal with built-in backup rings or use of a high durometer "extrusion-resistant" material. Seals for this purpose include PolyPaks, SCL seals, T-seals and auxilliary devices such as modular back-ups.

3. Slip-Stick is an expression of the differential between the static and dynamic coefficient of friction as it relates to start-up of a sliding mechanism. Slip-Stick occurs when the seal hangs-up in the transition period between static and dynamic modes or there is a variation in the system fluid pressure, or shock loads cause the piston to jump back to the static mode. The most noticeable result of Slip-Stick is erratic or jerky movement of the actuator rod. Slip-Stick often creates an audible noise and excessive heat and seal wear can occur. To prevent this problem, consider the use of internally lubricated compounds and/or change to a seal design with a lower friction potential and better bearing-to-stroke ratio.

4. Heat Degradation is to be suspected when the failed seal exhibits a hard, brittle appearance and/or shows a breaking away of parts of the seal lip or body. Heat degradation results in loss of sealing lip effectiveness through excessive compression set and/or loss of seal material. Causes of this condition may be use of incorrect seal material, high dynamic friction, excessive lip loading, no heel clearance and proximity to outside heat source. Correction of heat degradation problems may involve reducing seal lip interference, increasing lubrication or a change of seal material. In borderline situations consider all upper temperature limits to be increased by 50°F in dynamic reciprocating seals at the seal interface due to running friction.

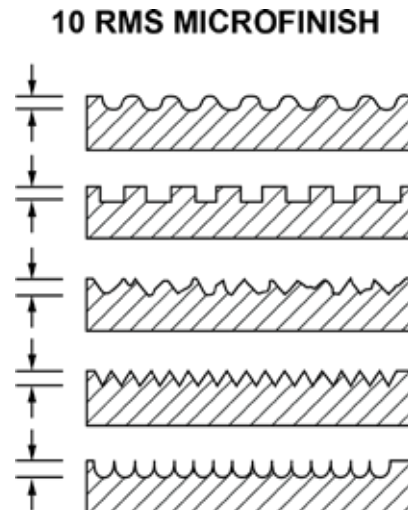
5. Improper Installation is a major cause of seal failure. The three broad areas to be watched during seal installation are: cleanliness, protecting the seal from nicks and cuts, and proper lubrication. Other problem areas are overtightening of the seal gland where there is an adjustable gland follower or folding over a seal lip during installation.

6. System Contamination is usually caused by external elements such as dirt, grit, mud, dust, even ice and internal contamination from circulating metal chips, breakdown products of the fluid, hoses or other degradable system components. As most external contamination enters the system during rod retraction, the proper installation of a rod wiper/scrapper is the best solution. Internal contamination is best prevented by proper filtering of system fluid. Contamination is indicated by scored rod and cylinder bore surfaces, excessive seal wear and leakage.

7. Chemical Breakdown of the seal material is most often the result of incorrect material selection in the first place or subsequent change of system fluid. Misapplication or use of non-compatible materials can lead to chemical attack on the seal by fluid additives, hydrolysis and oxidation/reduction of seal elements. Chemical breakdown can result in loss of seal lip interface, softening of seal durometer, excessive swelling or shrinkage. The solution to chemical breakdown problems may be solved using special compounds such as Elastalloys, Nitroxiles, Fluorocarbons.

Surface Finish

This is a subject of much controversy in the hydraulic industry. The current "RMS" method of defining surface finish leaves much to be desired as the "RMS" measurement alone can be deceiving. The graphic examples on right illustrates the problem. All the surface finishes shown measure 10 RMS but, the actual microscopic surfaces are quite different. A low RMS finish alone is not enough to insure good seal performance. In some cases, an 8 RMS finish will cause more wear than a 30 RMS finish. Be sure to specify the "type" of finish as well as it's RMS value.



Index

- A**
- Accessories & supplies 388
 - Braided packing..... 389
 - Nylon balls..... 388
 - Nylon slugs 388
 - Oil seal installation tool..... 389
 - O-ring accessories & supplies..... 385
 - O-ring extraction tool set..... 385
 - O-ring splicing kit..... 385
 - Parker® o-lube 385
 - Parker® super o-lube..... 385
 - O-rings accessories & supplies
 - O-ring sizing cone..... 385
 - Punch set (self centering)..... 389
 - Repair accessories..... 390
 - Cap screws..... 390
 - Cotter pins..... 390
 - Nuts 390
 - Set screws 390
 - Steel balls 390
 - Washers..... 390
 - Retaining ring groove filler
 - Tear drop shaped
 - John Deere® 385
 - Rod seal installation tools 389
 - Screw tip packing pullers 389
 - Ptfe joint sealant 389
 - Ptfe tape 389
 - Vegetable fiber gasket sheet..... 389
 - B**
 - Backup ring interchange guide 302
 - Backup rings
 - Inch
 - Hytrel® 312
 - Nitrile
 - Contoured 306
 - Ptfe
 - Solid 308
 - Spiral 310
 - Split 309
 - Urethane
 - Modular 313
 - Metric
 - Hytrel® 315
 - Nylon..... 317
 - Ptfe 316
 - Backup rings for u-cups
 - Inch
 - Nylon..... 311
 - Ptfe 311
 - Balls
 - Nylon..... 388
 - Bearings 26
 - Custom Hoist®..... 395
 - Hyco®
 - Rectangular nylon 398
 - Rectangular nylon bearing kits..... 398
 - Inch
 - Metal
 - Self aligning..... 340
 - Nylon
 - Female center bearing..... 322
 - Rod bearings 321
 - Wearbands..... 324
 - Metric
 - Bronze filled Ptfé
 - Wear rings 336
 - Bronze/Ptfe lining
 - Rod bushing 318
 - Nylon
 - Female center bearing..... 322
 - Psbu..... 320
 - Wearbands..... 330
 - Phenolic
 - Wearbands..... 330
 - Perfection®
 - Nylon gland..... 404
 - T shaped wearbands..... 339
 - Ward® 402
 - Bonded seals
 - Inch 367
 - Bottom bearings
 - Custom Hoist® 394
 - Braided packing 389
 - Buffer rings 15
 - Inch
 - Bronze filled Ptfé 109
 - Rod..... 110
 - Urethane
 - U-cup 116
 - Metric
 - Bronze filled Ptfé
 - Rod..... 111
 - Urethane
 - Rod..... 114
 - U-cup 116
 - Bushings
 - Metric
 - Bronze/Ptfe lining
 - Bearing..... 318
 - C**
 - Calculating piston wear ring grooves .. 323
 - Calculating rod wear ring grooves..... 323
 - Cap plugs 388
 - Cap screws 390
 - Compression springs..... 354
 - Contoured backup rings
 - Inch
 - Nitrile
 - Backup rings 306
 - Cotter pins 390
 - Credit policy..... 5
 - Crew tip packing pullers 389
 - Cushion seals 27
 - Inch
 - Urethane 371
 - Custom Hoist® telescopic 393
 - Custom made seals..... 8
 - Custom seal profiles..... 10
 - Cylinder rebuild kits 391
 - Cylinder specifications..... 407
 - D**
 - Delta seals
 - Inch
 - Nitrile/thermoplastic
 - Piston seals 201
 - Metric
 - Nitrile/thermoplastic
 - Piston seals 201
 - D-rings
 - Inch
 - Nitrile
 - Split flange seals..... 369
 - E**
 - End cap seals
 - Inch
 - Ptfe 372
 - Vegetable fiber 375
 - Excluders
 - Metric
 - Bronze filled Ptfé
 - Wipers..... 167
 - F**
 - Face seals 27
 - Metric
 - Nitrile
 - V style axial 242
 - Felt 390
 - Female center bearings
 - Inch
 - Nylon..... 322
 - Metric
 - Nylon..... 322
 - Fill pattern reference chart..... 29
 - Flange..... 27

Index - cont'd.

Flange seals		Modular backup rings		O-rings for boss fittings (sizing).....	285
Inch		Inch		O-ring size and installation chart.....	251
Nitrile		Urethane.....	313	O-ring size comparison chart.....	257
D-ring.....	369	Multi-stage kits		O-ring splicing kit.....	385
Urethane.....	368	Galion®.....	403		
Universal split.....	369	Hyva®.....	401		
Fluid compatibility.....	33	N			
Fluid connector seals		NO 2pc. Piston Seals - Metric.....	189		
Metric		Notice.....	5		
Nitrile.....	375	Nuts.....	390		
G		Nylon balls.....	388		
Gland bearing kits.....	391	Nylon gland bearings			
Gland bearings.....	391	Perfection®.....	404		
Glossary of terms.....	406	Nylon slugs.....	388		
H		Nylon top bearings.....	393		
Headnuts		O			
Custom Hoist®.....	395	Oil seal information.....	355		
Hyco®.....	399	Application parameters.....	355		
Head seals.....	27	Housing.....	355		
Inch		Housing roughness.....	355		
Urethane.....	374	Housing tolerance in inch.....	355		
Metric		Seal tolerance.....	355		
Urethane.....	374	Shaft.....	355		
Hook lock retainers.....	379	Shaft eccentricity.....	355		
H wipers		Shaft hardness.....	355		
Inch		Shaft material.....	355		
Urethane		Shaft roughness.....	355		
Double lip.....	139	Shaft speed.....	355		
High lip.....	140	Shaft tolerance.....	355		
I		Oil seal installation tool.....	389		
Index.....	409-413	Oil seals.....	27, 392		
K		Metric.....	360		
K wipers		Oils seals			
Inch		Inch 356			
Nitrile		Online tools.....	33		
Double lip.....	138	Opening an account.....	4		
Urethane.....	137	Ordering.....	4		
Double lip.....	136	O-ring accessories & supplies.....	385		
L		O-ring cord stock			
Loaded Lip Seals, Standard - Inch... 39-44		Inch			
Loaded Lip Seals, Type B - Inch..... 50-56		Nitrile.....	288		
Lower bearings		Metric			
Ward®.....	402	Nitrile.....	288		
Lower snap rings		O-ring extraction tool set.....	385		
Ward®.....	402	O-ring kits.....	386, 387		
Lubricants.....	385	O-rings.....	24		
M		Accessories & supplies.....	385		
Material selection guide.....	9	Inch			
Minimum order.....	4	FKM.....	286		
Minor packing kits.....	393	Nitrile.....	286		
Mission statement.....	2	Quad rings.....	297		
		Square cut.....	299		
		Metric			
		FKM.....	296		
		Nitrile.....	289, 295		
		O-rings For boss fittings (pricing).....	288		

Index - cont'd.

<p>Piston guide bearings Ward®402</p> <p>Piston ring kits392</p> <p>Piston rings.....392 Custom Hoist®395 Galion®403 Hyco®399</p> <p>Inch Cast iron Piston seals 216 Perfection®404 Ward®402</p> <p>Piston rotary seals Inch Ptfе 2 piece 240</p> <p>Metric Ptfе 2 piece 241</p> <p>Piston seal backup rings Metric Nylon Bearings 320</p> <p>Piston seals.....19 Groove Measurement Guide.....32</p> <p>Inch 5 piece 208 Bronze filled Ptfе 2 piece 174, 181 3 piece 200 4 piece 203 Step.....180</p> <p>Cast iron Piston rings 216</p> <p>Chemcast 2 piece 191</p> <p>Hytrel® 2 piece 184</p> <p>Nitrile/nylon 3 piece 195, 197</p> <p>Nitrile/thermoplastic 3 piece 201</p> <p>Nylon 2 piece 190, 193 Step-cut.....193</p> <p>Ptfе 2 piece 171, 172, 176, 178, 179 3 piece 199 4 piece 204, 205</p> <p>Unitized piston 222</p> <p>Urethane 2 piece 175 Uni-ring.....215</p> <p>Metric 5 piece 209, 212 JCB 213 6 piece 214</p>	<p>Bronze filled Ptfе 2 piece 182, 183, 190 3 piece 200 4 piece 203 Step.....180</p> <p>Fabric rubber 2 piece 187</p> <p>Fabric/rubber/thermoplastic 3 piece 198</p> <p>Fabric/thermoplastic 3 piece 202</p> <p>Hytrel® 2 piece 186</p> <p>Nitrile/thermoplastic 3 piece 201</p> <p>Nylon 2 piece 192, 194 Step-cut.....194</p> <p>Ptfе 4 piece 206</p> <p>Urethane 2 piece 185</p> <p>Piston Seals, 2pc. NO - Metric..... 189-190</p> <p>Piston Seals, PSP-A - Inch 188</p> <p>Piston Seals, PSP - Inch 188</p> <p>Piston wear rings Custom Hoist®393, 394, 395</p> <p>Pneumatic seals Metric Metal/nitrile Rod seal/wiper 246</p> <p>Nitrile Piston seals248, 249 Piston u-cups 250 Rod seal/wiper 243, 245, 247</p> <p>Urethane Piston u-cups 250 Rod seal/wiper 243, 244, 247</p> <p>PolyPaks®, B-Lip - Inch 50-56</p> <p>PolyPaks®, Standard - Inch..... 39-44</p> <p>PSP-A Piston Seals - Inch 188-190</p> <p>PSP Piston Seals - Inch 188-190</p> <p>Punch set (self centering)..... 389</p>	<p>Retaining rings 393, 394 Custom Hoist® 394, 395</p> <p>External Round section 384 Spiral 382 Tru-arc type Inch 378 Metric..... 379</p> <p>Galion®403</p> <p>Inch Nylon Piston 92</p> <p>Internal Round section 384 Spiral 380 Tru-arc type..... 376</p> <p>Spiral Hyco® 398</p> <p>Spring steel Hyco® 398</p> <p>Returns 4</p> <p>Rod bearings Inch Nylon..... 321</p> <p>Rod bushings Metric Bronze/Ptfе lining Bearing..... 318</p> <p>Rod rotary seals Inch Carbon/graphite filled Ptfе 2 piece 237</p> <p>Metric Ptfе 2 piece 238 Urethane 238</p> <p>Rod seal installation tools 389</p> <p>Rod seals 15 Inch Bronze filled Ptfе Rod 110</p> <p>Nitrile Rod 107</p> <p>Ptfе Buffer ring 109 Urethane U-cup 116</p> <p>Metric Bronze filled Ptfе 111 Fabric reinforced rubber Squeeze seal..... 118</p> <p>Hytrel® 3 piece 117</p> <p>Nitrile 3 piece 117 Squeeze seal..... 119</p>
---	--	---

Q

Quad rings	
Inch	
Nitrile.....	297
Quotations	4

R

Rectangular nylon bearing kits	
Hyco®.....	398
Rectangular nylon bearings	
Hyco®.....	398
Repair accessories.....	390
Retaining ring groove filler.....	385

Index - cont'd.

Rod seals(continued)	
POM	
3 piece	117
Urethane	
3 piece	117
Buffer ring	114
U-cup	116
Rotary seals	23

S

Scrapers	
Inch	
Bronze	
Wipers.....	149
Copper	
Wiper	151
Nitrile / brass / steel	
Wipers.....	150
Nylon	
Wipers.....	135
Metric	
Nylon	
Wipers.....	135
Seal materials	405-407
Self aligning bearings	
Inch	
Metal	340
Set screws.....	390
Shipping policy	3
Slugs	
Nylon.....	388
Spiral retaining rings	
Custom Hoist®	395
Hyco®	398
Split flange seals	
Inch	
Nitrile	
D-ring	369
Urethane.....	368
Universal.....	369
Spring steel retaining rings	
Hyco®	398
Square cut rings	
Inch	
Nitrile	
O-rings.....	299
Squeeze seal	
Metric	
Fabric reinforced rubber	
Rod	118
Nitrile	
Rod	119
Stat-o-seals	
Inch	365
Steel balls.....	390
Stop rings	392
Surface finish	408
Swivel seals.....	23

T

Table of contents	1
Tear drop shaped	385
Telescopic	391
Custom Hoist®	393
Bearings	395
Bottom bearings	394
Headnuts	395
Minor packing kits	393
Nylon top bearings.....	393
Packing & wiper assemblies	393
Packing & wiper assemblies.....	395
Packing & wiper kits	393
Piston rings	395
Piston wear rings	393, 394, 395
Retaining rings.....	393, 394
Spiral retaining rings.....	395
Top bearings.....	394
Upper end rebuild kits.....	394, 395
Wipers.....	394
Galion®	
Multi-stage kits	403
Packing, bearing & wiper assemblies....	403
Piston rings	403
Retaining rings.....	403
Hyco®	396
Head nuts	399
Multi-stage kits	401
Packing, bearings, spiral retaining ring,	
& wiper assemblies.....	400
Packing, bearings, spiral retaining ring,	
& wiper kits.....	400
Packing, bearing & wiper assemblies.....	397, 398
Packing, bearing & wiper kits.....	397
Packing kits	401
Packing & wiper assemblies.....	397
Packing & wiper kits	397
Piston rings	399
Rectangular nylon bearings	398
Spiral retaining rings.....	398
Spring steel retaining rings	398
Wearbands.....	399
Parker®/Commercial®	
Cylinder rebuild kits	391
Gland bearing kits	391
Gland bearings.....	391
Medium and high pressure oil seals.....	392
Packing & wiper assemblies.....	391
Packing & wiper kits	391
Piston bearing kits.....	392
Piston bearings	392
Piston ring kits.....	392
Piston rings	392
Stop rings.....	392
Wave springs	392

Perfection®	404
Nylon gland bearings.....	404
Packing & wiper assemblies.....	404
Piston rings	404
Ward®	402
Lower bearings	402
Lower snap rings	402
Packing, bearings, and wiper sets....	402
Packing & wiper assemblies.....	402
Piston guide bearings.....	402
Piston rings	402
Upper bearings	402
Upper snap rings	402
Ptfe joint sealant.....	389
Ptfe tape	389
Thread seals	
Inch	366
Top bearings	
Custom Hoist®	394
Troubleshooting	408
T seals	
Inch	
Nitrile/nylon	
Piston seals	195, 197
T shaped wearbands	
Inch	
Nylon.....	339
Metric	
Nylon.....	339

U

U-cups	12
Inch	
Fabric reinforced nitrile.....	103
Leather	104
Nitrile.....	94, 96, 102
Nylon	
Piston	92
Symmetrical	
Urethane	78
Urethane	39, 45, 59
Piston	87, 88, 92
Rod.....	62, 69, 70, 72
Metric	
NBR / Cotton	106
Nitrile	
Piston	91, 93, 100, 101
Rod	76, 97, 99
Symmetrical	85, 86
Urethane	60
Piston	89, 105
Rod.....	65, 70, 71, 73, 77, 115, 116
Symmetrical	80
Uni-rings	
Inch	
Urethane	
Piston seals.....	215

Index - cont'd.

<p>Unitized pistons Inch Piston seals 222</p> <p>Upper bearings Ward® 402</p> <p>Upper end rebuild kits Custom Hoist® 394, 395 Hyco® 397</p> <p>Upper snap rings Ward® 402</p>	<p>Wiper cord K style Nitrile 124</p> <p>U style Nitrile 124</p> <p>Wipers Custom Hoist® 394</p> <p>Inch Brass / nitrile / steel Scrapers 150</p> <p>Bronze Scrapers 149</p> <p>Copper Scrapers 151</p> <p>Enerpac® 127</p> <p>Metal encased 153 Double lip 156</p> <p>Nitrile 134, 145 Double lip 138, 141</p> <p>Nylon Scrapers 135</p> <p>Urethane 120, 126, 137, 148 Double lip 136, 139, 143 High lip 140 Non-standard 127 O.d. lip 144 Ribbed heel 125 U type 122</p>
V	
<p>Vee packing components Compression springs 354 Inch 344 Homogeneous nitrile 350, 351 Ptfе 352, 353</p> <p>Metric 349 Homogeneous nitrile 351</p> <p>Recommended number of vees per set 344</p> <p>Stack height chart 344</p> <p>Wave springs 354</p> <p>Vee packing sets Inch 341 Metric 343</p> <p>Vegetable fiber gasket sheet 389</p>	<p>Metric Bronze filled Ptfе Excluders 167, 169</p> <p>Metal encased nitrile 160, 161 Pin 159</p> <p>Metal encased urethane 157, 160, 163 Pin 166</p> <p>Nitrile 128, 133, 146, 147 Double lip 142 Double metal can 165 Pin 165</p> <p>Nylon Scrapers 135</p> <p>Urethane 126, 128, 133, 146, 148 O.D. lip 144</p>
W	
<p>Warranty 5</p> <p>Washers 390</p> <p>Wave springs 354, 392</p> <p>Wearband formulas Calculating piston wear ring grooves 323 Calculating rod wear ring grooves 323</p> <p>Wearbands Hyco® 399</p> <p>Inch Case Style 340 Nylon 324 T shaped 339 Phenolic 324</p> <p>Metric Nylon 330 T shaped 339 Phenolic 330</p> <p>Wearband tape Inch Bronze filled Ptfе 337 Poly resin 338</p> <p>Metric Bronze filled Ptfе 337 Poly resin 338</p> <p>Wearband tape calculator 33</p>	
<p>Wear rings Metric Bronze filled Ptfе 336</p>	



AllegHENy York

3995 N George St. Ext • Manchester, PA 17345

Tel: (717) 266-6617 • Fax: (717) 266-6371

www.allegHENyork.com • sales@allegHENyork.com

CONVERSION TABLES & FORMULAS

MULTIPLY BY TO OBTAIN			MULTIPLY BY TO OBTAIN								
INCHES 25.400 MILLIMETERS			CUBIC INCHES 16.387 CUBIC CENTIMETERS								
MILLIMETERS 0.039 INCHES			LITERS 61.025 CUBIC INCHES								
Fraction	Dec.	MM	Fraction	Dec.	MM	Fraction	Dec.	MM	Fraction	Dec.	MM
-	0.004	0.100	17/32	0.531	13.500	-	1.299	33.000	2-1/2	2.500	63.500
-	0.01	0.250	35/64	0.547	13.900	1-5/16	1.312	33.340	-	2.520	64.000
1/64	0.016	0.400	-	0.551	14.000	-	1.339	34.000	-	2.559	65.000
-	0.020	0.500	9/16	0.563	14.290	1-11/32	1.344	34.130	2-9/16	2.562	65.090
-	0.030	0.750	-	0.571	14.500	1-3/8	1.375	34.930	-	2.598	66.000
1/32	0.031	0.790	37/64	0.578	14.680	-	1.378	35.000	2-5/8	2.625	66.680
-	0.039	1.000	-	0.591	15.000	1-13/32	1.406	35.720	-	2.638	67.000
3/64	0.047	1.190	19/32	0.594	15.080	-	1.417	36.000	-	2.677	68.000
-	0.059	1.500	39/64	0.609	15.480	1-7/16	1.438	36.510	2-11/16	2.688	68.260
1/16	0.063	1.590	5/8	0.625	15.880	-	1.457	37.000	-	2.717	69.000
5/64	0.078	1.980	-	0.630	16.000	1-15/32	1.469	37.310	2-3/4	2.750	69.850
-	0.079	2.000	41/64	0.641	16.270	-	1.496	38.000	-	2.756	70.000
3/32	0.094	2.380	-	0.650	16.500	1-1/2	1.500	38.100	-	2.795	71.000
-	0.098	2.500	21/32	0.656	16.670	1-17/32	1.531	38.890	2-13/16	2.810	71.440
7/64	0.109	2.780	-	0.669	17.000	-	1.535	39.000	-	2.835	72.000
-	0.118	3.000	43/64	0.672	17.010	1-9/16	1.562	39.690	-	2.874	73.000
1/8	0.125	3.180	11/16	0.688	17.460	-	1.575	40.000	2-7/8	2.875	73.030
-	0.138	3.500	45/64	0.703	17.860	1-19/32	1.594	40.480	-	2.913	74.000
9/64	0.141	3.570	-	0.709	18.000	-	1.614	41.000	2-15/16	2.938	74.610
5/32	0.156	3.970	23/32	0.719	18.260	1-5/8	1.625	41.280	-	2.953	75.000
-	0.158	4.000	-	0.728	18.500	-	1.654	42.000	-	2.992	76.000
11/64	0.172	4.370	47/64	0.734	18.650	1-21/32	1.656	42.070	3	3.000	76.200
-	0.177	4.500	-	0.748	19.000	1-11/16	1.688	42.860	-	3.032	77.000
3/16	0.188	4.760	3/4	0.750	19.050	-	1.693	43.000	3-1/16	3.062	77.790
-	0.197	5.000	49/64	0.766	19.450	1-23/32	1.719	43.660	-	3.071	78.000
13/64	0.203	5.160	25/32	0.781	19.840	-	1.732	44.000	-	3.110	79.000
-	0.217	5.500	-	0.787	20.000	1-3/4	1.750	44.500	3-1/8	3.125	79.380
7/32	0.219	5.560	51/64	0.797	20.240	-	1.772	45.000	-	3.150	80.000
15/64	0.234	5.950	13/16	0.813	20.640	1-25/32	1.781	45.240	3-3/16	3.188	80.960
-	0.236	6.000	-	0.827	21.000	-	1.811	46.000	-	3.189	81.000
1/4	0.250	6.350	53/64	0.828	21.030	1-13/16	1.813	46.040	-	3.228	82.000
-	0.256	6.500	27/32	0.844	21.430	1-27/32	1.844	46.830	3-1/4	3.250	82.550
17/64	0.266	6.750	55/64	0.859	21.830	-	1.850	47.000	-	3.268	83.000
-	0.276	7.000	-	0.866	22.000	1-7/8	1.875	47.630	-	3.307	84.000
9/32	0.281	7.140	7/8	0.875	22.230	-	1.890	48.000	3-5/16	3.312	84.140
-	0.295	7.500	57/64	0.891	22.620	1-29/32	1.906	48.420	-	3.346	85.000
19/64	0.297	7.540	-	0.906	23.000	-	1.929	49.000	3-3/8	3.375	85.730
5/16	0.313	7.940	29/32	0.906	23.020	1-15/16	1.938	49.210	-	3.386	86.000
-	0.315	8.000	59/64	0.922	23.420	-	1.970	50.000	-	3.425	87.000
21/64	0.328	8.330	15/16	0.938	23.810	1-31/32	1.970	50.010	3-7/16	3.438	87.310
-	0.335	8.500	-	0.945	24.000	2	2.000	50.800	-	3.465	88.000
11/32	0.344	8.730	61/64	0.953	24.210	-	2.008	51.000	3-1/2	3.500	88.900
-	0.354	9.000	31/32	0.969	24.610	-	2.047	52.000	-	3.504	89.000
23/64	0.359	9.130	-	0.984	25.000	2-1/16	2.062	52.390	-	3.543	90.000
-	0.374	9.500	1	1.000	25.400	-	2.087	53.000	3-9/16	3.562	90.490
3/8	0.375	9.530	-	1.024	26.000	2-1/8	2.125	53.980	-	3.583	91.000
25/64	0.391	9.920	1-1/32	1.031	26.190	-	2.126	54.000	-	3.622	92.000
-	0.394	10.000	1-1/16	1.062	26.990	-	2.165	55.000	3-5/8	3.625	92.080
13/32	0.405	10.320	-	1.063	27.000	2-3/16	2.188	55.560	-	3.661	93.000
-	0.413	10.500	1-3/32	1.094	27.780	-	2.205	56.000	3-11/16	3.688	93.660
27/64	0.422	10.720	-	1.102	28.000	-	2.244	57.000	-	3.701	94.000
-	0.433	11.000	1-1/8	1.125	28.580	2-1/4	2.250	57.150	-	3.740	95.000
7/16	0.438	11.110	-	1.148	29.000	-	2.284	58.000	3-3/4	3.750	95.250
29/64	0.453	11.510	1-5/32	1.156	29.370	2-5/16	2.312	58.740	-	3.780	96.000
15/32	0.469	11.910	-	1.181	30.000	-	2.323	59.000	3-13/16	3.813	96.840
-	0.472	12.000	1-3/16	1.188	30.160	-	2.362	60.000	-	3.819	97.000
31/64	0.484	12.300	1-7/32	1.219	30.960	2-3/8	2.375	60.330	-	3.858	98.000
-	0.492	12.500	-	1.221	31.000	-	2.402	61.000	3-7/8	3.875	98.430
1/2	0.500	12.700	1-1/4	1.250	31.750	2-7/16	2.438	61.910	-	3.898	99.000
-	0.512	13.000	-	1.260	32.000	-	2.441	62.000	-	3.937	100.000
33/64	0.516	13.100	1-9/32	1.281	32.540	-	2.480	63.000			



Allegheny York

3995 N George St. Ext • Manchester, PA 17345

Tel: (717) 266-6617 • Fax: (717) 266-6371

www.alleghenyork.com • sales@alleghenyork.com

O-RING AS568A DASH NUMBERS

I.D.	CROSS SECTION				
	1/16	3/32	1/8	3/16	1/4
1/32	001				
3/64	002				
1/16	003	102			
5/64	004				
3/32	005	103			
1/8	006	104			
5/32	007	105			
3/16	008	106			
7/32	009	107			
1/4	010	108	202		
5/16	011	109	203		
3/8	012	110	204		
7/16	013	111	205	309	
1/2	014	112	206	310	
9/16	015	113	207	311	
5/8	016	114	208	312	
11/16	017	115	209	313	
3/4	018	116	210	314	
13/16	019	117	211	315	
7/8	020	118	212	316	
15/16	021	119	213	317	
1	022	120	214	318	
1-1/16	023	121	215	319	
1-1/8	024	122	216	320	
1-3/16	025	123	217	321	
1-1/4	026	124	218	322	
1-5/16	027	125	219	323	
1-3/8	028	126	220	324	
1-7/16		127	221		
1-1/2	029	128	222	325	
1-9/16		129			
1-5/8	030	130	223	326	
1-11/16		131			
1-3/4	031	132	224	327	
1-13/16		133			
1-7/8	032	134	225	328	
1-15/16		135			
2	033	136	226	329	
2-1/16		137			
2-1/8	034	138	227	330	
2-3/16		139			
2-1/4	035	140	228	331	
2-5/16		141			
2-3/8	036	142	229	332	
2-7/16		143			
2-1/2	037	144	230	333	
2-9/16		145			
2-5/8	038	146	231	334	
2-11/16		147			
2-3/4	039	148	232	335	
2-13/16		149			

I.D.	CROSS SECTION				
	1/16	3/32	1/8	3/16	1/4
2-7/8	040	150	233	336	
3	041	151	234	337	
3-1/8			235	338	
3-1/4	042	152	236	339	
3-3/8			237	340	
3-1/2	043	153	238	341	
3-5/8			239	342	
3-3/4	044	154	240	343	
3-7/8			241	344	
4	045	155	242	345	
4-1/8			243	346	
4-1/4	046	156	244	347	
4-3/8			245	348	
4-1/2	047	157	246	349	425
4-5/8			247	350	426
4-3/4	048	158	248	351	427
4-7/8			249	352	428
5	049	159	250	353	429
5-1/8			251	354	430
5-1/4	050	160	252	355	431
5-3/8			253	356	432
5-1/2		161	254	357	433
5-5/8			255	358	434
5-3/4		162	256	359	435
5-7/8			257	360	436
6		163	258	361	437
6-1/4		164	259	362	438
6-1/2		165	260	363	439
6-3/4		166	261	364	440
7		167	262	365	441
7-1/4		168	263	366	442
7-1/2		169	264	367	443
7-3/4		170	265	368	444
8		171	266	369	445
8-1/4		172	267	370	
8-1/2		173	268	371	446
8-3/4		174	269	372	
9		175	270	373	447
9-1/4		176	271	374	
9-1/2		177	272	375	448
9-3/4		178	273	376	
10			274	377	449
10-1/2			275	378	450
11			276	379	451
11-1/2			277	380	452
12			278	381	453
12-1/2					454
13			279	382	455
13-1/2					456
14			280	383	457
14-1/2					458



AllegHENy York sets
 3995 N. George St. Ext. Manchester, PA 17345
 Tel: (717) 266-6617 • Fax: (717) 266-6371
 www.allegHENyyork.com • sales@allegHENyyork.com

Credit Application

Company Information		
Name:		
Web Site:		
Billing Address:		
City:	State:	Zip:
Email Address:		
Shipping Address:		
City:	State:	Zip:
Email address:		
Telephone:	Fax:	
Sales Tax/Resale Certificate (Include Copy):		
Type of Business: Corporation:	Partnership:	
Federal Tax ID (Include W9 Copy) or President/Owner SSN:		
President or Owner:		
Email Address:		
Manager:		
Email Address:		
<i>If this is a subsidiary of another company, Indicate parent company name, address and zip code below:</i>		
Name:		
Address:		
City:	State:	Zip:
Bank Reference		
Name of Bank:	Telephone:	Fax:
Address:		
City:	State:	Zip:
Bank Officer to Contact:		
Trade References		
Firm Name:	Address:	FAX
1		
2		
3		