

Project: _____

Fixture Type: _____

Location: _____

Contact/Phone: _____

Cat. No.: _____

Designer Color: _____
 Custom Color Combination: _____

PRODUCT DESCRIPTION

The Exeter™ E3 LED luminaire is designed for high bay and low bay applications in commercial and retail settings. With a multitude of lumen packages, reflector sizes and materials, colors, and accessories, the Exeter E3 can be customized to fit the specific look and light output today's lighting designs require. The robust and powerful LED engine adds another dimension to this family of fixtures that has been one of AccuLite's most popular since its initial roll out.

PRODUCT SPECIFICATIONS

Construction Extruded aluminum housing, aluminum reflector optics. Cast and formed accessory bands, rods, and rings can be added to customize the look of the fixture. Tempered glass lenses (deco discs) in clear or frosted finish can also be supplied with or without a center hole for a decorative look.

Finish White, black or silver polyester powder coat finishes are standard • Optional custom colors • Deco-Bands and rings are painted to match housing color

Optional Deco-Trim Deco-Bands • Deco-Disc (glass bottom lens with or without handhole) • Deco-Ring for bottom of the luminaire • Deco-Rods

Optics Standard reflectors are spun aluminum • 12", 16" and 22" diameter • Glass and Acrylic reflectors are also available.

Mount Hub for stem • Cable suspension

Thermal Management An exclusive active cooling system design forces air through the housing cooling the internal heat sink and drivers

Driver Electronic driver with universal 120-277V input • Also available for 347V or 480V

Certification Certified to UL1598/CSA C22.2 250 • Suitable for damp locations • Assembled in the USA • Union made • 5 year limited warranty.

Specifications subject to change without notice.

LED PERFORMANCE DATA

Item Number	System Watts	Delivered Lumens	Efficacy
E3-A090-4K-UN-S12	125	10,287	82
E3-A075-4K-UN-S12	105	8,573	82
E3-A060-4K-UN-S12	85	6,858	81
E3-A045-4K-UN-S12	65	5,144	79
E3-A090-4K-UN-S16	125	10,244	82
E3-A075-4K-UN-S16	105	8,537	81
E3-A060-4K-UN-S16	85	6,829	80
E3-A045-4K-UN-S16	65	5,122	79
E3-A090-4K-UN-S22	125	10,339	83
E3-A075-4K-UN-S22	105	8,616	82
E3-A060-4K-UN-S22	85	6,893	81
E3-A045-4K-UN-S22	65	5,170	80

Note: For 3000K lumens use a 0.88 multiplier.



12" Reflector Silver Finish



16" Reflector Silver Finish



22" Reflector Silver Finish



12" Reflector with Deco-Disc with Center Hole and Deco-Bands



16" Reflector with Deco-Ring and Deco-Rods



22" Reflector with Deco-Disc and Deco-Rods



12" Reflector with Deco-Ring and Deco-Bands



16" Reflector Special Color Accessories: Louvre



16" Reflector with Deco-Ring and Deco-Bands Special Color

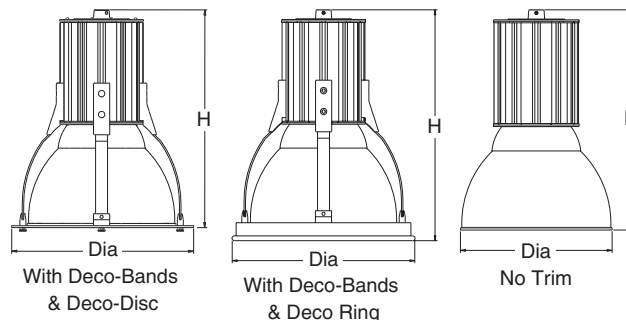


22" Reflector with Deco-Ring and Deco-Bands Silver Finish

DIMENSIONS

Deduct 3/4" when ordered with cable suspension

Reflector	Trim Suffix	Dia.	H
S12	With Deco-Disc	14"	18 5/8"
	With Deco-Ring	14 1/2"	19 3/4"
	No Trim	12"	18"
S16	With Deco-Disc	18"	22 1/4"
	With Deco-Ring	18 3/8"	23 5/8"
	No Trim	16"	21 7/8"
S22	With Deco-Disc	24"	27 7/8"
	With Deco-Ring	24 5/8"	25 1/2"
	No Trim	22"	23 1/2"



ORDERING INSTRUCTIONS

Series	Light Engine	CCT	Driver/Voltage	Optics	Trim & Lens	Housing Color	Mounting/Options
E3	A090	3K	UN	S16	WF	SR	CS
E3 Exeter	A090 LED 10,000 Lumens 125 Watts	3K 3000K	UN 120-277VAC	Aluminum Reflector, Anodized S12 12" dia. S16 16" dia. S22 22" dia.	Blank No trim or lens Bands and Deco-Disc Four Deco-Bands attach to the trim accessory. Deco-Bands are painted to match the housing color. Deco-Discs are tempered glass. WG Deco-Disc, clear WF Deco-Disc, frosted WJ Deco-Disc with center hole, clear WK Deco-Disc with center hole, frosted	WH White BL Black SR Silver Custom Colors Consult Factory. Provide RAL color number.	Mounting No Suffix 1/2" or 3/4" hub CS Provision for cable suspension kit (order kit separately) Dimming D Dimming Driver 0-10V DC (not available with CS option)
	A075 LED 8,000 Lumens 105 Watts	4K 4000K	E1 120V E2 277V	Aluminum Reflector, Painted Outside of reflector is painted to match the housing color. Inside of reflector is anodized. S12R 12" dia. S16R 16" dia. S22R 22" dia. (not available with SR housing color)	Bands and Deco-Ring Four Deco-Bands attach to the trim accessory. Deco-Bands and Deco-Rings are painted to match the housing color. WB Deco-Ring only WBJ Deco-Ring with glass lens, clear with center hole WBK Deco-Ring with glass lens, frosted with center hole		
	A060 LED 7,000 Lumens 85 Watts		E3 347V E4 480V		Rods and Deco-Disc With four Deco-Rods attached to the trim accessory. Deco-Rods are chrome plated. Deco-Discs are tempered glass. TG Deco-Disc, clear TF Deco-Disc, frosted TJ Deco-Disc with center hole, clear TK Deco-Disc with center hole, frosted		
	A045 LED 5,000 Lumens 65 Watts				Rods and Deco-Ring With four Deco-Rods attached to the trim accessory. Deco-Rods are chrome plated. TB Deco-Ring only TBJ Deco-Ring with clear bottom lens with center hole TBK Deco-Ring with frosted bottom lens with center hole		
					Cross Baffle Louver X Cross Baffle Louver (not available with lens)		



ACCESSORIES

Accessories are ordered and shipped separately

Description	Catalog #
Silver Concentric Ring Louver for 12" reflector	LV12S-SR
Silver Concentric Ring Louver for 16" reflector	LV16S-SR
Silver Concentric Ring Louver for 22" reflector	LV22S-SR
Can NOT be combined with lenses, rings, or other decorative accessories.	
Other finishes available	

CABLE SUSPENSION KIT

Features

- Mount** 1/16" aircraft cable • Secured with an "Auto-Lock" cable grip
- Cords** Straight or coiled in black or white • Straight cords are also available in silver • Standard lengths are 18", 48" and 120"
- Finish** Canopy is powder coated steel, suspension hardware is nickel plated • Designer colors available.



ORDERING INFORMATION EXAMPLE: E-CSK-48-SS-JSR-2C-PW-60

Luminaire Style	Series	Fixture Drop	Cord	Canopy	Number of Circuits	Options
E	CSK	48	SS	JSR	2C	PW-60
E Exeter	CSK Cable Suspension Kit	Cable Length (in inches) 18 18" 48 48" 120 120"	300V Straight Cord SW White SB Black SS Silver 300V Coiled Cord CW White CB Black Note: Silver is not available with coiled cord	Junction Box Canopy Mount on 4" junction box JWH White finish JBL Black finish JSR Silver finish	Number of Circuits No suffix One circuit 2 wires + ground 2C Two circuits 3 wires + ground	-60 600V Cord Available with silver cord.

HANG STRAIGHT KIT

Remote hang straight kits for decorative luminaires

Features

- Installation** Mounts on 4" octagonal box • 3/8" stem • Suitable for any plumb hanging luminaire
- Cushion Hanger** 3/4" hangers feature a spring loaded cushion hanger assembly



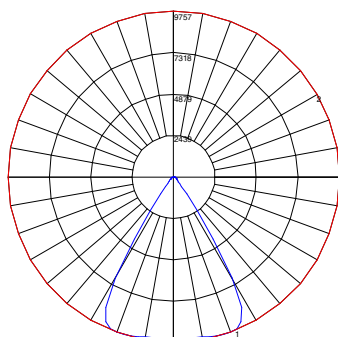
ORDERING INFORMATION EXAMPLE: H38-36-WH

Series	Stem Diameter	Stem Length	Color
H	38	36	WH
H	38 3/8" dia., 45° swivel	Stem length (in inches) 12 12" 18 18" 24 24" 36 36"	WH White BL Black SR Silver
	75 3/4" dia., 15° swivel		
For custom length, consult factory			

PHOTOMETRY

E3-A090-4K-UN-S12

12" Aluminum Reflector
125W LED source; 10,308 delivered lumens
Spacing Criteria (0-180): 1.14
Spacing Criteria (90-270): 1.14
Spacing Criteria (Diagonal): 0.92



Maximum Candela = 9757.3 Located At Horizontal Angle = 0, Vertical Angle = 17.5
1 - Vertical Plane Through Horizontal Angles (0 - 180) (Through Max. Cd.)
2 - Horizontal Cone Through Vertical Angle (17.5) (Through Max Cd.)

COEFFICIENT OF UTILIZATION - ZONAL CAVITY METHOD

Effective Floor Cavity Reflectance 0.20

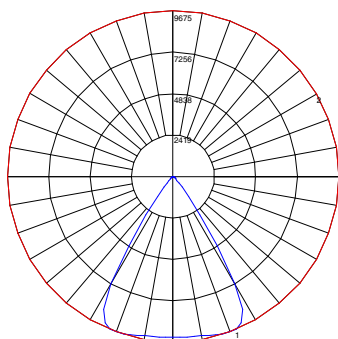
RC	80				70				50			30			10			0	
	RW	70	50	30	10	70	50	30	10	50	30	10	50	30	10	50	30	10	0
0	1.19	1.19	1.19	1.19	1.16	1.16	1.16	1.16	1.11	1.11	1.11	1.06	1.06	1.06	1.02	1.02	1.02	1.00	0
1	1.13	1.11	1.08	1.06	1.11	1.08	1.06	1.04	1.04	1.03	1.01	1.01	0.99	0.98	0.97	0.96	0.95	0.93	0
2	1.08	1.03	0.99	0.95	1.05	1.01	0.97	0.94	0.98	0.95	0.92	0.95	0.92	0.90	0.92	0.90	0.88	0.87	0
3	1.02	0.96	0.91	0.87	1.00	0.94	0.90	0.86	0.92	0.88	0.85	0.89	0.86	0.83	0.87	0.84	0.82	0.80	0
4	0.97	0.89	0.84	0.79	0.95	0.88	0.83	0.79	0.86	0.82	0.78	0.84	0.80	0.77	0.82	0.79	0.76	0.75	0
5	0.92	0.84	0.78	0.73	0.90	0.83	0.77	0.73	0.81	0.76	0.72	0.79	0.75	0.72	0.78	0.74	0.71	0.70	0
6	0.87	0.78	0.72	0.68	0.86	0.78	0.72	0.68	0.76	0.71	0.67	0.75	0.70	0.67	0.73	0.70	0.66	0.65	0
7	0.83	0.74	0.68	0.63	0.82	0.73	0.67	0.63	0.72	0.67	0.63	0.71	0.66	0.63	0.69	0.65	0.62	0.61	0
8	0.79	0.69	0.63	0.59	0.78	0.69	0.63	0.59	0.68	0.63	0.59	0.67	0.62	0.59	0.66	0.62	0.58	0.57	0
9	0.75	0.66	0.60	0.56	0.74	0.65	0.59	0.55	0.64	0.59	0.55	0.63	0.58	0.55	0.62	0.58	0.55	0.54	0
10	0.72	0.62	0.56	0.52	0.71	0.61	0.56	0.52	0.61	0.56	0.52	0.60	0.55	0.52	0.59	0.55	0.52	0.50	0

ZONAL LUMEN SUMMARY

ZONE	LUMENS	%OF FIXTURE	ZONE	LUMENS	%OF FIXTURE
0-30	7,804	75.7	90-120	0	0.0
0-40	9,591	93.0	90-130	0	0.0
0-60	10,139	98.4	90-150	0	0.0
0-90	10,308	100.0	90-180	0	0.0
0-180	10,308	100.0			

E3-A090-4K-UN-S16

16" Aluminum Reflector
125W LED source; 10,265 delivered lumens
Spacing Criteria (0-180): 1.16
Spacing Criteria (90-270): 1.16
Spacing Criteria (Diagonal): 0.94



Maximum Candela = 9675.2 Located At Horizontal Angle = 0, Vertical Angle = 20
1 - Vertical Plane Through Horizontal Angles (0 - 180) (Through Max. Cd.)
2 - Horizontal Cone Through Vertical Angle (20) (Through Max Cd.)

COEFFICIENT OF UTILIZATION - ZONAL CAVITY METHOD

Effective Floor Cavity Reflectance 0.20

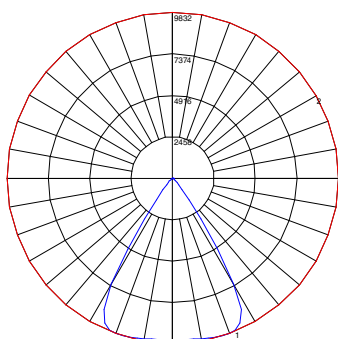
RC	80				70				50			30			10			0	
	RW	70	50	30	10	70	50	30	10	50	30	10	50	30	10	50	30	10	0
0	1.19	1.19	1.19	1.19	1.16	1.16	1.16	1.16	1.11	1.11	1.11	1.06	1.06	1.06	1.02	1.02	1.02	1.00	0
1	1.14	1.11	1.08	1.06	1.11	1.09	1.06	1.04	1.05	1.03	1.01	1.01	0.99	0.98	0.97	0.96	0.95	0.94	0
2	1.08	1.03	0.99	0.96	1.06	1.01	0.98	0.95	0.98	0.95	0.93	0.95	0.93	0.91	0.92	0.90	0.89	0.87	0
3	1.03	0.96	0.91	0.87	1.01	0.95	0.90	0.87	0.92	0.88	0.85	0.90	0.87	0.84	0.87	0.85	0.83	0.81	0
4	0.97	0.90	0.84	0.80	0.96	0.89	0.84	0.80	0.87	0.82	0.79	0.85	0.81	0.78	0.83	0.80	0.77	0.75	0
5	0.92	0.84	0.78	0.74	0.91	0.83	0.78	0.74	0.81	0.77	0.73	0.80	0.76	0.72	0.78	0.75	0.72	0.70	0
6	0.88	0.79	0.73	0.69	0.86	0.78	0.73	0.69	0.77	0.72	0.68	0.75	0.71	0.68	0.74	0.70	0.67	0.66	0
7	0.83	0.74	0.68	0.64	0.82	0.74	0.68	0.64	0.72	0.67	0.64	0.71	0.67	0.63	0.70	0.66	0.63	0.61	0
8	0.79	0.70	0.64	0.60	0.78	0.69	0.64	0.60	0.68	0.63	0.59	0.67	0.63	0.59	0.66	0.62	0.59	0.58	0
9	0.76	0.66	0.60	0.56	0.74	0.65	0.60	0.56	0.64	0.59	0.56	0.64	0.59	0.56	0.63	0.58	0.55	0.54	0
10	0.72	0.62	0.56	0.53	0.71	0.62	0.56	0.53	0.61	0.56	0.52	0.60	0.56	0.52	0.60	0.55	0.52	0.51	0

ZONAL LUMEN SUMMARY

ZONE	LUMENS	%OF FIXTURE	ZONE	LUMENS	%OF FIXTURE
0-30	7,792	75.9	90-120	0	0.0
0-40	9,767	95.1	90-130	0	0.0
0-60	10,184	99.2	90-150	0	0.0
0-90	10,265	100.0	90-180	0	0.0
0-180	10,265	100.0			

E3-A090-4K-UN-S22

22" Aluminum Reflector
125W LED source; 10,361 delivered lumens
Spacing Criteria (0-180): 1.16
Spacing Criteria (90-270): 1.16
Spacing Criteria (Diagonal): 0.94



Maximum Candela = 9831.6 Located At Horizontal Angle = 0, Vertical Angle = 17.5
1 - Vertical Plane Through Horizontal Angles (0 - 180) (Through Max. Cd.)
2 - Horizontal Cone Through Vertical Angle (17.5) (Through Max Cd.)

COEFFICIENT OF UTILIZATION - ZONAL CAVITY METHOD

Effective Floor Cavity Reflectance 0.20

RC	80				70				50			30			10			0	
	RW	70	50	30	10	70	50	30	10	50	30	10	50	30	10	50	30	10	0
0	1.19	1.19	1.19	1.19	1.16	1.16	1.16	1.16	1.11	1.11	1.11	1.06	1.06	1.06	1.02	1.02	1.02	1.00	0
1	1.14	1.11	1.08	1.06	1.11	1.09	1.07	1.05	1.05	1.03	1.01	1.01	1.00	0.98	0.98	0.96	0.95	0.94	0
2	1.08	1.03	0.99	0.96	1.06	1.02	0.98	0.95	0.98	0.95	0.93	0.95	0.93	0.91	0.93	0.91	0.89	0.87	0
3	1.03	0.96	0.92	0.88	1.01	0.95	0.91	0.87	0.92	0.89	0.86	0.90	0.87	0.84	0.88	0.85	0.83	0.81	0
4	0.98	0.90	0.85	0.81	0.96	0.89	0.84	0.80	0.87	0.83	0.79	0.85	0.81	0.78	0.83	0.80	0.77	0.76	0
5	0.93	0.85	0.79	0.75	0.91	0.84	0.78	0.74	0.82	0.77	0.74	0.80	0.76	0.73	0.79	0.75	0.72	0.71	0
6	0.88	0.79	0.73	0.69	0.87	0.79	0.73	0.69	0.77	0.72	0.69	0.76	0.71	0.68	0.74	0.71	0.68	0.66	0
7	0.84	0.75	0.69	0.65	0.82	0.74	0.68	0.64	0.73	0.68	0.64	0.71	0.67	0.64	0.70	0.66	0.63	0.62	0
8	0.80	0.70	0.64	0.60	0.78	0.70	0.64	0.60	0.69	0.64	0.60	0.68	0.63	0.60	0.67	0.62	0.59	0.58	0
9	0.76	0.66	0.60	0.56	0.75	0.66	0.60	0.56	0.65	0.60	0.56	0.64	0.59	0.56	0.63	0.59	0.56	0.54	0
10	0.72	0.63	0.57	0.53	0.71	0.62	0.57	0.53	0.61	0.56	0.53	0.61	0.56	0.53	0.60	0.56	0.53	0.51	0

ZONAL LUMEN SUMMARY

ZONE	LUMENS	%OF FIXTURE	ZONE	LUMENS	%OF FIXTURE
0-30	7,897	76.2	90-120	0	0.0
0-40	9,952	96.1	90-130	0	0.0
0-60	10,337	99.8	90-150	0	0.0
0-90	10,361	100.0	90-180	0	0.0
0-180	10,361	100.0			



1300 S. Wolf Road • Des Plaines, IL 60018 • Phone (847) 827-9880 • Fax (847) 827-2925
220 Chrysler Drive • Brampton, Ontario • Canada L6S 6B6 • Phone (905) 792-7335 • Fax (905) 792-0064
Visit us at www.junolightinggroup.com Specifications are subject to change with out notice