

# PRODUCT CATALOG

RETAIL & COMMERCIAL FUELING PRODUCTS



BELOW GROUND PRODUCTS

ABOVE GROUND PRODUCTS

CLEAN ENERGY FUELING PRODUCTS

FUEL MANAGEMENT SYSTEMS

PDQ VEHICLE WASH SYSTEMS



[www.opwglobal.com](http://www.opwglobal.com)

OPW-CATALOG-01/2021

DEFINING | WHAT'S NEXT





## DEFINING | WHAT'S NEXT IN FLUID HANDLING SOLUTIONS WORLDWIDE



Kevin Long | President

Since 1892, OPW has been Leading the Way in Fluid Handling Solutions Worldwide. The OPW brand represents an implicit promise of trust to its customers and distributors. A promise backed by an unparalleled heritage of innovation, quality, reliability, safety, efficiency and availability.

As an organization, OPW consists of five primary business units, three global operating units worldwide and multiple manufacturing operations in North America, Europe, UK, Brazil, China and India and sales offices around the globe. OPW is part of the Fluids segment of Dover Corporation (NYSE: DOV).

It is our mission to revolutionize fluid handling operations globally by optimizing safety, efficiency, reliability and environmental sustainability through innovative fluid handling and information management solutions.

Combine OPW Retailing Fueling above ground and below ground solutions with OPW Electronic Systems and you get ***the only end-to-end solution from a single source in the industry*** – an integrated solution where every component is designed and manufactured to work in unison.

We are a brand known as much for our character as for our great products. Operators around the world know they can trust OPW to consistently deliver the kind of high-quality fluid handling solutions they need to meet their business requirements and to help them fulfill their individual goals of social and environmental responsibility today and into the future.



Nozzles & Accessories

Underground Storage

Piping & Containment

CleanEnergy

### RETAIL FUELING

OPW Retail Fueling consists of four key areas of operation – Nozzles and Accessories, Underground Storage Equipment, Piping and Containment and CleanEnergy Fueling Products. Specifically designed to optimize fuel transfer efficiency and environmental protection at commercial and retail fueling sites, OPW is the brand specified by more fueling operators worldwide than any other.

## TABLE OF CONTENTS



### BELOW GROUND PRODUCTS

#### PIPING & CONTAINMENT SYSTEMS

FlexWorks Next Generation Supply Piping .....	6 - 8
Flexible Piping Systems .....	10 - 11
Access Pipe .....	12
Pipe Couplings & Fittings .....	13 - 16
Flexible Piping Installation Tools .....	17 - 18
Tank Sumps .....	19 - 25
Sump Mounting Flanges .....	26
FlexWorks Loop System .....	28 - 34
Dispenser Sump Selection Chart .....	35 - 36
Dispenser Sumps / Pans .....	37 - 41
Dispenser Sump Accessories .....	42
Fire Suppression System .....	43
Sump Entry Fittings .....	44 - 45
Test Boots and Testing Equipment .....	47
Fuel Oil & Generator Piping Systems .....	48
Transition & Special Application Sumps .....	49 - 50

#### EMERGENCY SHUT-OFF VALVES

Emergency Shut-off Valves .....	51 - 55
Vapor Line Shear Valves .....	56 - 57
DEF Shear Valve .....	58
Island Forms and Protective Curbing .....	59 - 62
Pipe Guards .....	63
Flex Connectors .....	64 - 65
Suction System Accessories .....	66 - 67

#### UNDERGROUND STORAGE TANK EQUIPMENT

Phase I CARB Certified Enhanced Vapor Recovery (EVR) Product Overview .....	70-71
Phase I CARB Certified Enhanced Vapor Recovery (EVR) Torque Specs.....	72
Spill Containment Manholes .....	73 - 88
Multi-Port Spill Containment .....	89 - 97
Fill Pipe Connection Equipment .....	98 - 109
Overfill Prevention Equipment .....	110 - 121
Tank Venting Equipment .....	122 - 125
Manholes and Monitoring Well Equipment .....	126 - 136

## TABLE OF CONTENTS (cont.)

### ABOVE GROUND PRODUCTS

#### CONVENTIONAL AUTOMATIC NOZZLES

Automatic Nozzles .....	140 - 144
Extreme Cold Weather Nozzles .....	145
21Ge™ Series Ethanol Nozzles .....	146
Custom Hand Insulator Imprinting .....	147
OPW AdMaster™ .....	148
VR and Balance ConVRsion Packages .....	149
11AF® 3/4" Automatic Nozzles .....	150
Heavy-Duty, High-Flow Truck, Bus & Fleet Service Nozzle .....	151 - 152
OPW NEWGARD™ Hand Insulators .....	153
21Gu™ DEF Nozzle .....	154 - 156

#### SWIVELS AND BREAKAWAYS

Swivels and Breakaways .....	157 - 165
Flow Limiters .....	166

#### ABOVEGROUND STORAGE TANK EQUIPMENT

– Non-EVR Direct Fill AST Application .....	200 - 201
– Non-EVR Remote Fill / Remote Dispensing AST Application .....	202 - 203
Spill Containment .....	204 - 205
Overfill Prevention .....	206 - 207
Fuel Delivery Coupler/Accessories .....	208 - 209
Mechanical Tank Gauges .....	210

#### CLEAN ENERGY FUELING

CNG Fueling Nozzles .....	221 - 222
---------------------------	-----------

#### VEHICLE WASH SYSTEMS

PDQ .....	225 - 226
-----------	-----------

For more information, visit us at: <http://www.pdqinc.com/>

#### VACUUM-ASSIST SWIVELS AND BREAKAWAYS

12VW Vacuum Assist Nozzle .....	168
Vapor Recovery Nozzle Accessories .....	169
Vacuum-Assist Swivels, Breakaways and Accessories .....	170 - 172

#### BALANCE VAPOR RECOVERY HANGING HARDWARE

Balance Breakaways and Accessories .....	173 - 175
--	-----------

#### INDUSTRIAL PRODUCTS

DEF Bulk Nozzle .....	178
Automatic Bulk Fueling and Aircraft Nozzles .....	180 - 183
Manual High-Flow Bulk Fill Nozzles .....	184 - 188
Manual Nozzle Accessories .....	189
Manual Utility Farm Nozzle .....	190
Swivels and Breakaways .....	191 - 192

#### RETRACTORS

Spring Balance Hose Retractors .....	194 - 196
Counterweight Hose Retractors .....	197 - 198

Tank Alarms .....	211
Tank Venting .....	212 - 215
Anti-Siphon Valves .....	216
Solenoid Valves .....	217
Two-Way Ball Valve .....	218
Emergency Shut-Off Valves .....	219
Swing Check Valves .....	220

#### ELECTRONIC FUEL MANAGEMENT SYSTEMS

OPW Fuel Management Systems (FMS) .....	223 - 224
---	-----------

Fuel Compatibility Matrix .....	228 - 230
Approvals, Listings and Certifications .....	231 - 239
Alphanumeric Product Index .....	241 - 254

Instruction Manual Index .....	256 - 258
Standard OPW Warranty .....	268



# ONE<sup>1</sup> SITE



**One Company. One Call. One Package.**

One-Site by OPW is the Industry's most Innovative,  
Integrated and Complete Underground  
Fueling and Containment Package.

# BELOW GROUND PRODUCTS

## Environmental Sustainability by Design



### PIPING & CONTAINMENT SYSTEMS

FlexWorks Next Generation Supply Piping .....	6 - 8
Flexible Piping Systems .....	10 - 11
Access Pipe .....	12
Pipe Couplings & Fittings .....	13 - 16
Flexible Piping Installation Tools .....	17 - 18
Tank Sumps .....	19 - 25
Sump Mounting Flanges .....	26
FlexWorks Loop System .....	28 - 34
Dispenser Sump Selection Chart .....	35 - 36
Dispenser Sumps / Pans .....	37 - 41
Dispenser Sump Accessories .....	42
Fire Suppression System .....	43
Sump Entry Fittings .....	44 - 45
Test Boots and Testing Equipment .....	47
Fuel Oil & Generator Piping Systems .....	48
Transition & Special Application Sumps .....	49 - 50

### EMERGENCY SHUT-OFF VALVES

Emergency Shut-off Valves .....	51 - 55
Vapor Line Shear Valves .....	56 - 57
DEF Shear Valve .....	58
Island Forms and Protective Curbing .....	59 - 62
Pipe Guards .....	63
Flex Connectors .....	64 - 65
Suction System Accessories .....	66 - 67

### UNDERGROUND STORAGE TANK EQUIPMENT

Phase I CARB Certified Enhanced Vapor Recovery (EVR) Product Overview .....	70-71
Phase I CARB Certified Enhanced Vapor Recovery (EVR) Torque Specs .....	72
Spill Containment Manholes .....	73 - 88
Multi-Port Spill Containment .....	89 - 97
Fill Pipe Connection Equipment .....	98 - 109
Overfill Prevention Equipment .....	110 - 121
Tank Venting Equipment .....	122 - 125
Manholes and Monitoring Well Equipment .....	126 - 136

# Piping Layout (Pressure System)

## Tank Sumps, Tank Sump Systems and Accessories

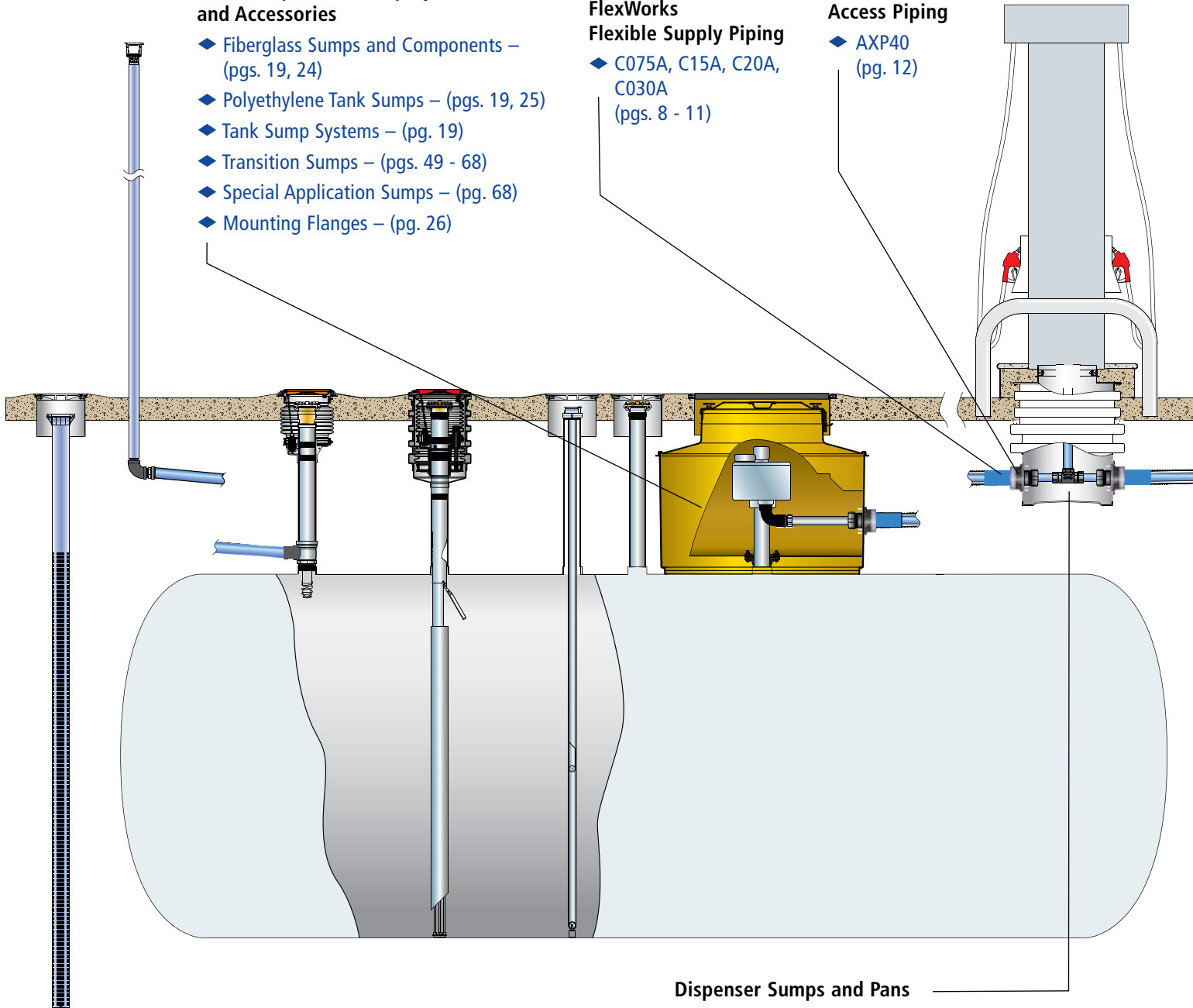
- ◆ Fiberglass Sumps and Components – (pgs. 19, 24)
- ◆ Polyethylene Tank Sumps – (pgs. 19, 25)
- ◆ Tank Sump Systems – (pg. 19)
- ◆ Transition Sumps – (pgs. 49 - 68)
- ◆ Special Application Sumps – (pg. 68)
- ◆ Mounting Flanges – (pg. 26)

## FlexWorks Flexible Supply Piping

- ◆ C075A, C15A, C20A, C030A (pgs. 8 - 11)

## Access Piping

- ◆ AXP40 (pg. 12)



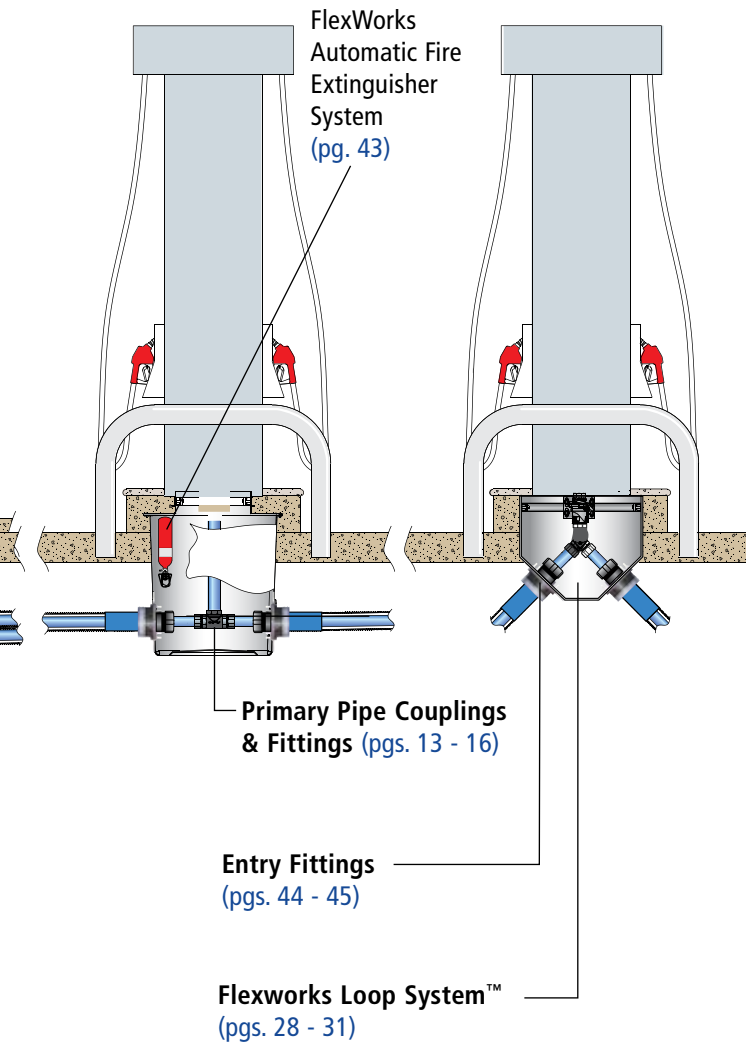
## Dispenser Sumps and Pans

- ◆ Polyethylene Sumps (pg. 39)
- ◆ Wide Access Polyethylene (pg. 38)
- ◆ Polyethylene Pans (pg. 40)
- ◆ Fiberglass (pg. 37)
- ◆ Wide Access Fiberglass (pg. 37)
- ◆ Dispenser Sump Accessories (pg. 42)
- ◆ Dispenser Sump Selection Chart (pgs. 35 - 36)



The complete Environmental System for underground fuel transfer and containment for the 21st century.





## OPW Innovative Fueling Solutions

The heart of FlexWorks is an advanced, flexible piping system that can be installed quickly and easily in a variety of configurations. Flexible piping eliminates the need for buried piping joints, which are notorious leak points in rigid piping systems. In a pressure system, the submersible pump is connected in series directly to the dispensers with a continuous run of flexible pipe. In a suction system, a continuous run of flexible pipe connects the tank to the suction pump dispenser. All piping connections at the tank and dispensers are contained in sumps.

The primary fuel pipe is available with an integral secondary containment pipe, which can be inserted into a dual layer, corrugated access pipe. The crush-resistant access pipe protects the primary pipe from the backfill while serving as an added layer of protection. The access pipe also affords the added advantage of primary pipe retractability. Future inspection, repair or replacement of the primary pipe is achievable without excavation.

The FlexWorks System features highly integrated components that interconnect seamlessly to provide reliable Secondary Containment. FlexWorks dispenser sumps are custom made for each particular dispenser footprint. FlexWorks tank sumps afford raintight containment for and accessibility to submersible pumps and UST equipment. A variety of FlexWorks entry fitting styles and sizes ensure the availability of a custom-designed solution for virtually every piping application.

FlexWorks by OPW is the complete Environmental System for underground fuel transfer and containment for the 21st century.

Listings and  
Certifications



## FlexWorks Supply Piping

### Why flex pipe?

OPW developed FlexWorks Pipe in response to customer feedback. You asked and we delivered! The pipe is more flexible, lighter and has reduced memory. Pipe can also be replaced without breaking concrete.

### Elimination of potential underground leak points

- ◆ No underground fittings or joints
- ◆ No hand-built field joints
- ◆ All termination points are contained safely inside sumps
- ◆ Termination joints precision coupled to simulate factory made assemblies

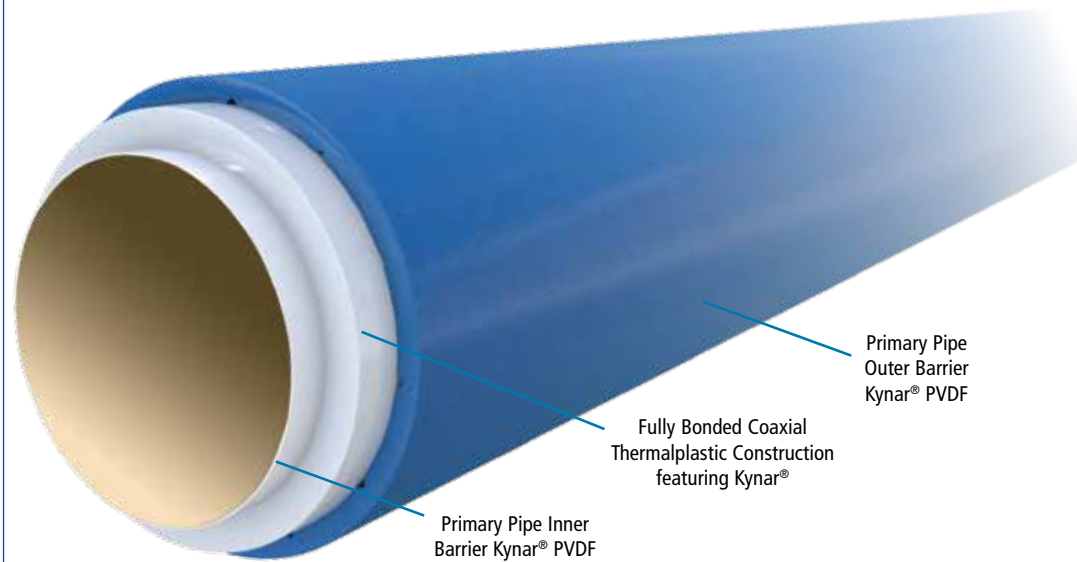
## Light, Flexible, & Easy to Install. ULC Approved for All Fuels

**ULC APPROVAL**

- ✓ Motor Vehicle Fuels
- ✓ High Blend Fuels
- ✓ Concentrated Fuels
- ✓ Aviation and Marine

# FlexWORKS

## Celebrating Over 20 Years of Success Through Piping Excellence



### What Makes This Pipe Different? Lower installation costs

- ◆ **Eliminates the hassles** – installation time and potential leak points of rigid pipe installations
- ◆ **Fast and easy installation** – results in less installation labor, time and cost
- ◆ **Eliminates burdensome cutting, fitting, and cleaning**
- ◆ **No adhesives** – heat assists, curing problems or electrofusion welding of joints
- ◆ **Easy to bend** – no special fittings to install in order to make bends

## FlexWorks Supply Piping

OPW's FlexWorks Pipe is more flexible, lighter and has reduced memory to aid installation and is UL approved for all fuels.

### Ordering Specifications - Sizing Matrix

Double Wall Pipe					
Part #	Description	Packaged		Specifications	
C075A-250	3/4" Double Wall Primary Pipe	250 ft	Box		
C075A-1000	3/4" Double Wall Primary Pipe	1000 ft	Reel		
C075A-CLXXX	3/4" Double Wall Primary Pipe	10-990 ft	Box	Custom Box/ Reel 10-990 ft (XXX enter feet in 10 ft increments)	
C10A-250	1" Double Wall Primary Pipe	250 ft	Box		
C010A-CLXXX	1" Double Wall Primary Pipe	10-990 ft	Box	Custom Box/Reel 10-990 ft (XXX enter feet in 10 ft increments)	
C15A-250	1.5" Double Wall Primary Pipe	250 ft	Reel		
C15A-500	1.5" Double Wall Primary Pipe	500 ft	Reel		
C15A-1000	1.5" Double Wall Primary Pipe	1000 ft	Reel		
C15A-1400	1.5" Double Wall Primary Pipe	1400 ft	Reel		
C15A-1225	1.5" Stick Pipe Double Wall - 25 ft	25 ft each	12 per Box	Sold Box of 12 – Minimum order 300 ft	
C15A-1228	1.5" Stick Pipe Double Wall - 28 ft	28 ft each	12 per Box	Sold Box of 12 – Minimum order 336 ft	
C15A-1233	1.5" Stick Pipe Double Wall - 33 ft	33 ft each	12 per Box	Sold Box of 12 – Minimum order 396 ft	
C15A-1240	1.5" Stick Pipe Double Wall - 40 ft	40 ft each	12 per Box	Sold Box of 12 – Minimum order 480 ft	
C20A-250	2" Double Wall Primary Pipe	250 ft	Reel		
C20A-500	2" Double Wall Primary Pipe	500 ft	Reel		
C20A-800	2" Double Wall Primary Pipe	800 ft	Reel		
C20A-1225	2" Stick Pipe Double Wall - 25 ft	25 ft each	12 per Box	Sold Box of 12 – Minimum order 300 ft	
C20A-1228	2" Stick Pipe Double Wall - 28 ft	28 ft each	12 per Box	Sold Box of 12 – Minimum order 336 ft	
C20A-1233	2" Stick Pipe Double Wall - 33 ft	33 ft each	12 per Box	Sold Box of 12 – Minimum order 396 ft	
C30A-100	3" Double Wall Primary Pipe	100 Ft	Reel		
C30A-250	3" Double Wall Primary Pipe	250 Ft	Reel		
C30A-500	3" Double Wall Primary Pipe	500 Ft	Reel		
C30A-600	3" Double Wall Primary Pipe	600	Reel		
C30A-0528	3" Stick Pipe Double Wall - 28 ft	28 ft each	Box	Maximum 6 pieces to a box	
Single Wall Pipe					
Part #	Description	Packaged		Specifications	
S20-250	2" Single Wall Primary Pipe	250 ft	Box	If no stock, minimum 2,500 ft run.	
S20-750	2" Single Wall Primary Pipe	750 ft	Reel		

**Note:** Discounted short runs available while supplies last. Please contact Customer Service for availability and pricing.



## Flexible Supply Piping

OPW FlexWorks flexible piping utilizes fully bonded, premium Kynar® PVDF construction throughout to offer complete peace-of-mind protection, performance, installation ease and advantages over rigid and semi-rigid pipe.

## Features & Benefits:

- ◆ **Lower installation costs**
  - ◆ **Eliminates the hassles** – installation time and potential leak points of rigid pipe installations
  - ◆ **Easy installation** – results in less installation time
  - ◆ **Eliminates burdensome cutting, fitting, and cleaning**
  - ◆ **No adhesives** – heat assists, curing problems or electrofusion welding of joints
  - ◆ **Easy to bend** – no special fittings to install in order to make bends
- Eliminates potential underground leak points:**
- ◆ **No underground** – fittings or joints
  - ◆ **No hand-built field joints**
  - ◆ **All termination points are contained in sumps**
  - ◆ **Termination joints precision swaged to simulate factory-made assemblies**

### Double Wall Flexible Piping:

#### UL 971 Listed, Integral Primary/Secondary, Normal Vent & Vapor Piping, Gasoline, Aviation & Marina Fuels:

A UL-listed, double-wall, flexible supply piping system is designed for installation within Access piping (not required but recommended). The outer containment pipe includes inner stand-off ribs to create a small interstitial space which allows for optimum fluid migration, continuous monitoring and easy periodic testing. This piping features an enhanced construction that meets the new UL971 standard. OPW's FlexWorks double-wall piping has both the primary and secondary containment pipe UL-listed and is labeled as follows: INTEGRAL PRIMARY/SECONDARY FOR MOTOR VEHICLE FUELS.

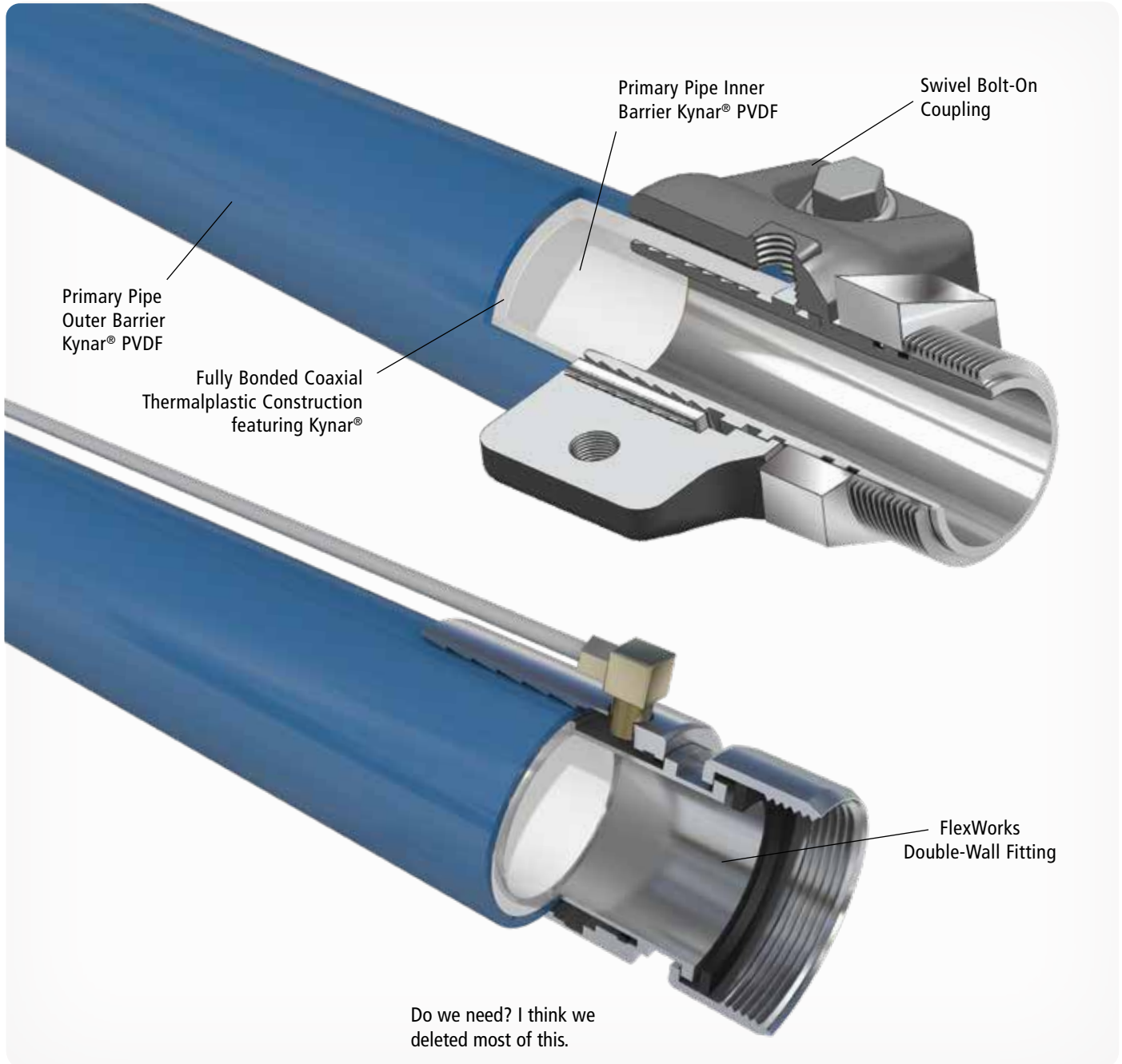
## Ordering Specifications\* - FlexWorks Double-Wall Product Piping

Part #	Application	Minimum Bend Radius		Packaging		Dimensions				Box/Reel Size (in.)	Box/Reel Weight	
		in.	mm			I.D.	O.D.	lbs.	kg			
						in.	mm	in.	mm			
C075A-250	Double-Wall Primary Pipe, ¾"	18	457	Box	250 ft	.75	19	1.18	29	44x44x25	134	61
C075A-1000	Double-Wall Primary Pipe, ¾"	18	457	Reel	1000 ft	.75	19	1.18	29	58x58x48	527	239
C10A-250	Double-Wall Primary Pipe, 1"	18	457	Box	250 ft	1.0	25	1.50	38	44x44x25	169	77
C10A-1000	Double-Wall Primary Pipe, 1"	18	457	Reel	1000 ft.	1.0	25	1.50	38	58x58x48	605	274
C15A-250	Double-Wall Primary Pipe, 1.5"	24	610	Box	250 ft.	1.5	38	2.00	51	38x45x30	240	109
C15A-500	Double-Wall Primary Pipe, 1.5"	24	610	Reel	500 ft.	1.5	38	2.00	51	58x58x48	605	274
C15A-1000	Double-Wall Primary Pipe, 1.5"	24	610	Reel	1000 ft.	1.5	38	2.00	51	58x58x48	980	444
C20A-250	Double-Wall Primary Pipe, 2"	36	914	Box	250 ft	2	51	2.50	63.5	63x63x33	192	87
C20A-500	Double-Wall Primary Pipe, 2"	36	914	Reel	500 ft.	2	51	2.50	63.5	68x68x48	770	349
C30A-200	Double-Wall Primary Pipe, 3"	72	1828	Reel	200 ft	3	76	3.50	88	63x63x33	652	296

\* OPW also offers short and custom lengths of pipe, as well as pipe packaged and shipped on Mega Reels. Please contact our Customer Service department at 1-800-422-2525, or visit us on the web at [www.opwglobal.com](http://www.opwglobal.com) for the most up-to-date information.

Flexible Piping Manual  
Order Number: **UPM-0001**

### Flexible Supply Piping



Product #	Size		Description	Working Pressure		Temperature Rating		Burst Pressure	Max Vacuum for Suction
	in.	cm		PSIG	BAR	F	C		
C075A	3/4	1.9	Double-Wall Primary Pipe	145	10 bar	-20° to +120° F	-29° to +49° C	Exceeds 5X Working Pressure	26" of Mercury for All Pipe
C10A	1	2.54	Double-Wall Primary Pipe	125	8.6 bar				
C15A	1.5	3.8	Double-Wall Primary Pipe	100	6.9 bar				
C20A	2	5	Double-Wall Primary Pipe	75	5 bar				
C30A	3	7.6	Double-Wall Primary Pipe	75	5 bar				

Listings and Certifications

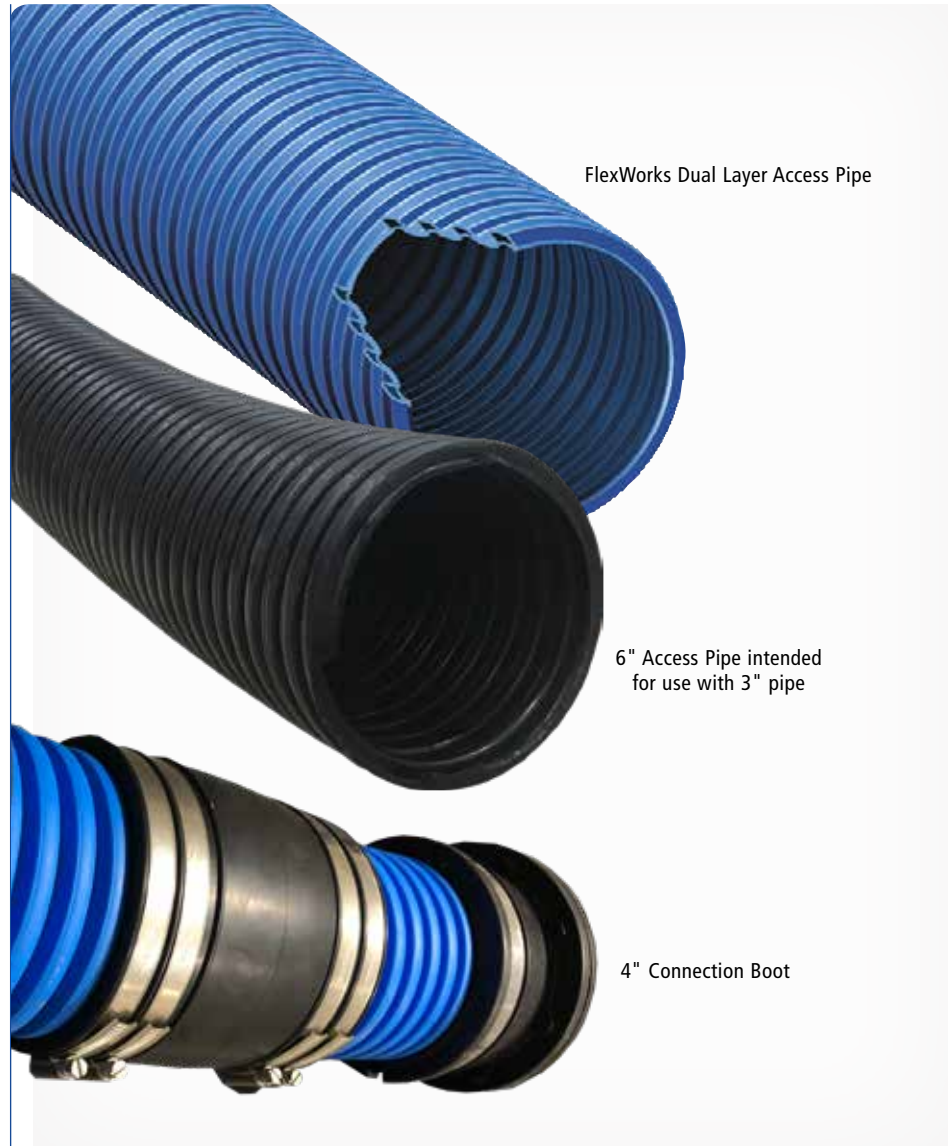


## Dual Layer Access Pipe

A 4" diameter corrugated flexible conduit is used to provide access to and permit the future replacement of the Flex piping if desired. This corrugated pipe is strong enough to withstand H-20 loading requirements when properly buried and thick enough to minimize damage from shipping and jobsite handling. Access pipe can accommodate the 3/4", 1", 1-1/2", 2" and 3" FlexWorks supply pipe.

### Features & Benefits:

- ◆ Crush and puncture-resistant
- ◆ Semi-smooth liner facilitates ease of installation
- ◆ Saves you time and money
- ◆ No buried joints



## Ordering Specifications - FlexWorks Dual Layer Access Pipe

Part #	Application	Minimum Bend Radius		Packaging	Dimensions				Box Size		Weight	
					I.D.		O.D.		in.	lbs.	kg	
		in.	mm		in.	mm	in.	mm				
AXP40-100	4" Dual Layer Access Pipe	18"	457	Box 100 ft.	4	102	4.760	121.0	42x42x32	115	52	
AXP40-250	4" Dual Layer Access Pipe	18"	457	Box 250 ft.	4	102	4.760	121.0	60x60x32	218	99	
AXP60-250	6" Dual Layer Access Pipe	36"	914	Box 250 ft.	6	152	7.100	180.0	60x60x32	243	113	
<b>NEW</b> AXP60-500	6" Dual Layer Access Pipe	36"	914	Box 500 ft.	6	152	7.100	180.0	96x60x32	485	220	
<b>NEW</b> AXP60-100	6" Dual Layer Access Pipe	36"	914	Box 100 ft.	6	152	7.100	180.0	48x48x32	125	57	
<b>NEW</b> AXP40-Connect	4" Connection Boot											

Access Pipe Installation Instructions Sheet Order Number: **API-0001**





FlexWorks Double  
Wall Pipe Coupling  
(DPC Model)

Swivel Elbow Fitting (SEF Model)

Swivel Male Adaptor (SMA Model)

Swivel Tee Fitting (STF Model)

## Swivel Couplings and Fittings for Primary Pipe

FlexWorks swivel couplings and fittings are used to interconnect flexible piping. These UL/ULC-listed stainless steel couplings must be contained within containment sumps and not directly buried. The pipe connection system includes an internally expanded stainless steel coupling attached to the end of a flexible pipe section.

### Double-Wall Couplings

Double-wall swivel couplings eliminate the need for cutting back the secondary jacket and rubber test boots. They have an integral interstitial access port for connector and test tubes.

These double-wall couplings permit higher interstitial testing pressures and eliminate added parts and labor costs.

### Features & Benefits:

- ◆ UL/ULC-listed for use with Flex piping
- ◆ Quick, easy to install
- ◆ All stainless steel couplings
- ◆ Internally expanded couplings
- ◆ Permanent Interstitial Test Port

### 3" Double Wall Coupling **NEW**

- ◆ Fully compatible with our 3" FlexWorks Piping
- ◆ Interstice integrated with the pipe secondary

## Double-Wall Swivel Pipe Couplings

Double-Wall Swivel Pipe Couplings are a proven coupling and fitting system designed exclusively for use with FlexWorks Piping.

Double-Wall swivel couplings and fittings are a double-wall design and are used to interconnect FlexWorks flexible piping. These UL/ULC-listed stainless steel couplings must be contained within containment sumps and not directly buried.

This pipe connection system includes an internally expanded stainless steel coupling attached to the end of a FlexWorks pipe section. The swivel coupling has a smooth sealing face fitted with a Viton® ring gasket.

Double-wall swivel couplings eliminate the need for cutting back the secondary jacket and rubber test boots. They have an integral interstitial access port for connector and test tubes.

These double-wall couplings permit higher interstitial testing pressures and eliminate added parts and labor costs.



Double Wall Pipe Coupling (DPC Model)

Double-wall pipe couplings require the use of an OPW Retail Fueling coupling machine to internally expand the stainless steel fitting onto the end of a FlexWorks pipe section.

Internally expanded couplings have a long, successful history of reliable performance.

### Features & Benefits:

- ◆ UL / ULC listed for use with Flex piping
- ◆ Quick, easy to install
- ◆ All stainless steel couplings
- ◆ Internally expanded couplings
- ◆ Permanent Interstitial Test Port

### **NEW** 3" Double Wall Coupling

- ◆ Fully compatible with our 3" FlexWorks Piping
- ◆ Interstice integrated with the pipe secondary

## Ordering Specifications - FlexWorks Double Wall Swivel Couplings and Fittings

Part #	Application	Weight	Packaging
DPC-2150A	1.5" Double-Wall Swivel Pipe Coupling, Flat Gasket	1.05	EA
DPC-2200A	2" Double-Wall Swivel Pipe Coupling, Flat Gasket	1.35	
DPC-2300A	3" Double-Wall Swivel Pipe Coupling, Flat Gasket	2.35	

## Ordering Specifications\* - FlexWorks Fittings and Accessories for DPC Coupler

For Single-wall fittings contact customer service at 1-800-422-2525.

Model	Application	Weight/lbs
SGP-0150	1.5" Swivel Gasket Pack for SPC-0150 (6 ea.)	.05
SGP-0200	2" Swivel Gasket Pack for SPC-0200 (6 ea.)	.10
SGP-0300	3" Swivel Gasket Pack for SPC-0300 (6 ea.)	.15
STC-0150	1.5" Swivel Test Cap	1.0
STC-0200	2" Swivel Test Cap	1.2
STC-0300	3" Swivel Test Cap	3.65
SFA-7575	3/4" Adaptor, 3/4" Female NPT to 3/4" Female NPT	.35
SMA-7575	3/4" Adaptor, 3/4" Female NPT to 3/4" Male NPT	.50
SFA-1010	1" Adaptor, 1" Female NPT to 1" Female NPT	.60
<b>NEW</b> SMA-1010	1" Adaptor, 1" Male NPT to 1" Female NPT	.55
SMA-1515	1.5" Adaptor, 1.5" NPSH to 1.5" NPT	1.10
SMA-1520	1.5" Adaptor, 1.5" NPSH to 2" Male NPT	1.30
SMA-2020	2" Adaptor, 2" NPSH to 2" Male NPT	1.25
SMA-3030	3" Adaptor, 3" NPSH to 3" NPT	2.50
STF-1515	1.5" Tee, 1.5" NPSH x 1.5" NPSH x 1.5" NPT	2.20
STF-2020	2" Tee, 2" NPSH x 2" NPSH x 2" NPT	4.25
STF-2215	2" Tee, 2" NPSH x 2" NPSH x 1.5" NPT	4.32
STF-3030	3" Tee, 3" NPSH x 3" NPSH x 3" NPT	5.70
SEF-1515	1.5" Elbow, 1.5" NPSH x 1.5" NPT	1.50
SEF-2020	2" Elbow, 2" Female NPT to 2" Male NPSH*	2.60
SEF-3030	3" Elbow, 3" NPSH x 3" NPT	4.10
SRE-2015	2" Elbow Reducer, 2" NPSH x 1.5" NPT	2.85
SCC-2015	2" Reducer, 2" NPSH to 1.5" NPSH	3.00
SRT-2151	2" Reducer, 2" NPSH x 1.5" NPSH x 1.5" NPT	3.00
SCC-1515	1.5" Connector, 1.5" NPSH to 1.5" NPSH	0.75
SCC-2020	2" Connector, 2" NPSH to 2" NPSH	1.00
SCC-3030	3" Connector, 3" NPSH to 3" NPSH	1.50

Riser adaptors can be used to extend riser with any thread-on OPW spill container, including EDGE 2100 and 2200.

\*British Fittings are available in Europe. Please contact OPW-EMEA Customer Service at +420-474-624-025.

Model	Size (in.)	Weight/lbs
21BV-0050	1/2	3/4
21BV-0075	3/4	1.00
21BV-0100	1	1.00
21BV-0150	1 1/2	3.00
21BV-0200	2	3.50
21BV-0200SS*	2	3.50
21BV-0300	3	4.50

\*SS denotes Stainless Steel.



Adaptor (SMA Model)



Tee (STF Model)



Elbow (SEF Model)



21BV

## OPW Retail Fueling Introduces a New Generation of Swivel Bolt-On Couplings

Announcing our revolutionary new SBC Swivel Bolt-On Double Wall Pipe Coupling. The new patent pending technology gives users the same great features as our revolutionary DPC swage on double wall fittings in a Bolt-on design. The SBC eliminates the need to trim back the secondary jacket – and eliminates the need for rubber test boots!

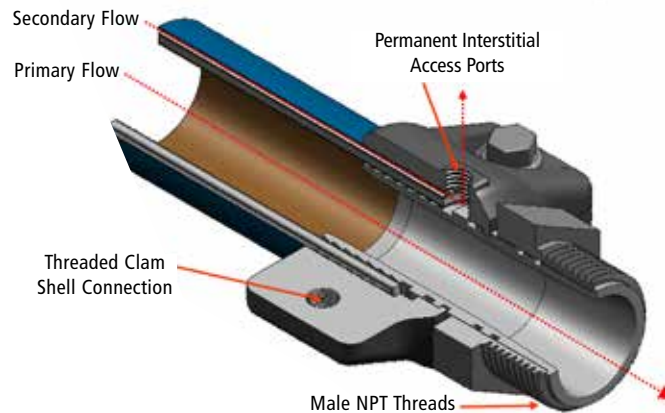
### Features and Benefits

- ◆ All Stainless Steel Wetted Surfaces
- ◆ No Jacket Stripping
- ◆ No Test Boots
- ◆ Male NPT Thread allows this coupling to be used with standard plumbing Tees and Elbows
- ◆ Decreased Installation Time
- ◆ Provides quick and effective means to monitor or retest secondary containment
- ◆ State-of-the-Art Clam Shell Interlock Design only available through OPW
- ◆ Double O-Ring Swivel Design for easy and secure connections



### New patent-pending Swivel Bolt-On Coupling system simplifies the interstitial connection process for FlexWorks Flexible Piping.

Our new FlexWorks Swivel Bolt-On Coupling features a double wall design that eliminates the need to trim back the secondary jacket. The need for rubber test boots is eliminated. Permanent access to the pipes interstice allows for future integrity testing or continuous interstitial monitoring. Swivel Bolt-On Couplings have an integral interstitial fluid path and a threaded access port located directly on the coupling collar. This state of the art method of connection is a cost effective solution that allows rapid system integrity testing as well as interstitial monitoring capability, at installation and in the future to accommodate new monitoring regulations.



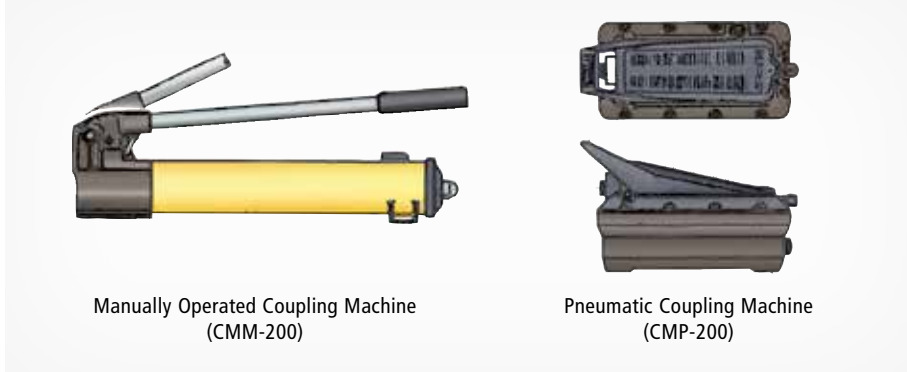
### Ordering Specifications Swivel Bolt-On Coupling

Model	Description
SBC-2075	Swivel Bolt-On Coupling, 3/4" NPT
SBC-2100	Swivel Bolt-On Coupling, 1" NPT
SBC-2150	Swivel Bolt-On Coupling, 1.5" NPT
SBC-2200	Swivel Bolt-On Coupling, 2" NPT

### Ordering Specifications Replacement Gasket Kits

Model	Description
BGP-2075	3/4" Pack of (6) incl. pads & O-rings
BGP-2100	1" Pack of (6) incl. pads & O-rings
BGP-2150	1.5" Pack of (6) incl. pads & O-rings
BGP-220	2" Pack of (6) incl. pads & O-rings



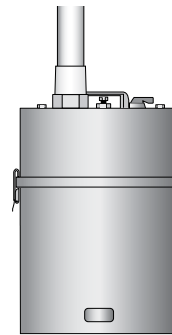


Manually Operated Coupling Machine (CMM-200)

Pneumatic Coupling Machine (CMP-200)

**Electronic Coupling Machine (CME-0110, CME-0220 and CME-0110R)**

The OPW Electronic Coupling Machine can couple the entire swivel and coax fitting line. Swage kits are required. The CME-0110R model is our Remote Electronic Coupling Machine. This machine comes with the hydraulics on the outside of the machine so pipe can be coupled in tight areas like inside a sump. All of the functions of the CME-0110 apply to this unit as well.



Electronic Coupling Machine  
220 Volt: (CME-0220)  
110 Volt: (CME-0110)  
110 Volt, Remote (CME-0110R)

**Manually Operated and Pneumatic Coupling Machines (CMM-200 and CMP-200)**

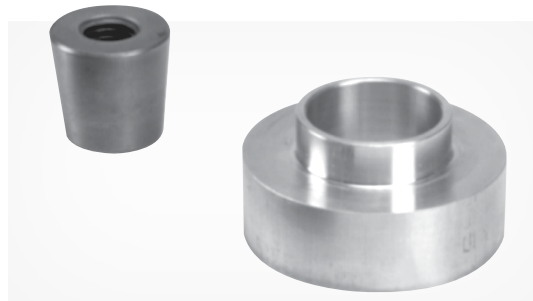
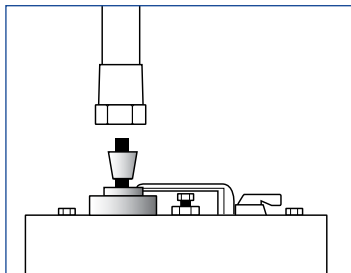
The OPW Manually Operated and Pneumatic Coupling Machines can couple Stainless Steel (SSPFC), Swivel (SPC) and Double-Wall (DPC) fittings for 1.5" and 2" only. Swage kits are required.

**Installation Tools  
Coupling Machines**

The OPW Coupling Machine is required for the installation of both coax and swivel pipe couplings. The Coupling Machine is designed to internally expand the metal pipe insert installed at the end of a flexible pipe section. Coupling machines are available in both 110 and 220 volt models. Coupling swage kits are available to couple both coax and swivel couplings for a variety of pipe sizes.

**Ordering Specifications  
Coupling Machine**

Model	Application
CME-0110R	Coupling Machine, 110 Volt, Remote
CME-0110	Coupling Machine, 110 Volt
CME-0220	Coupling Machine, 220 Volt
CMM-200	Coupling Machine, Manual
CMP-200	Coupling Machine, Pneumatic



**Swage Kits**

Swages are used with the OPW Coupling Machine to internally expand the coupling onto the end of the flexible pipe section. There are a variety of coupling swage kits available to accommodate a variety of coupling types and sizes. NOTE: 3/4" and 1" swage kits adapt to the 1-1/2" swivel faceplate that comes standard with each coupling machine.

**Ordering Specifications - Swage Kit**

Fitting Type & Model #	Coupling Machine Model				
	CME-0110	CME-0110R	CME-0220	CMM-200	CMP-200
3/4" Swivel (SPC-0075) *	CSK-0075S	CSK-0075S	CSK-0075S	N/A	N/A
1" Swivel (SPC-0100) *	CSK-0100S	CSK-0100S	CSK-0100S	N/A	N/A
1.5" Swivel (SPC-0150A)	Swage Kit Number	CSK-0150S	CSK-0150S	SBA2-0150	SBA2-0150
1.5" DW Swivel (DPC-2150A)		CSK-0150S	CSK-0150S	SBA2-0150	SBA2-0150
2" Swivel (SPC-0200A)		CSK-0200S	CSK-0200S	SBA2-0200	SBA2-0200
2" DW Swivel (DPC-2200A)		CSK-0200S	CSK-0200S	SBA2-0200	SBA2-0200
3" Swivel (SPC-0300)		CSK-0300S	CSK-0300S	N/A	N/A

**\*IMPORTANT:** When coupling 3/4" and 1" pipe, use the faceplate for the CSK-0150S swage kit as a base for the CSK-0075S and the CSK-0100S swage kits.

## Pipe Cutters & Jacket Strippers

The FlexWorks pipe cutter is designed to produce a clean and even pipe cut, which is necessary for proper coupling attachment. The FlexWorks Jacket Stripper is a tool used to remove a section of the secondary outer jacket of the FlexWorks Double-Wall piping. This is required for installation of swivel pipe couplings.

NOTE: When using double wall pipe couplings, do not trim piping secondary.



Pipe Cutter  
(PTC3000)

### Ordering Specifications - Pipe Cutter and Jacket Stripper

Model #	Application
SPC-400	4" Access Pipe Cutter
PTC-3000	Pipe Cutter

## Fishing Bullnose

An attachment for the end of a flexible pipe section, used to aid in fishing the flexible pipe section through the access pipe. There are a variety of bullnoses available to connect to swivel couplings.

NOTE: 3/4" and 1" fishing bullnose are female threaded to accommodate 3/4" or 1" couplings.



### Ordering Specifications - Fishing Bull Nose

Model #	Application
FBN-2075	3/4" Fishing Bullnose
FBN-2100	1" Fishing Bullnose
FBN-2150	1.5" Fishing Bullnose
FBN-2200	2" Fishing Bullnose
FBN-2300	3" Fishing Bullnose

## Urethane Sealant

An all-purpose sealant. Can be used as an entry fitting sealant as well as to bond dispenser tops.

### Ordering Specifications - Urethane Sealant

Model #	Application
SL-1100	Urethane Sealant (10.3 oz. Cartridge)

## OPW Offers a Variety of Tank Sump Models Made From Both Polyethylene and Fiberglass

OPW tank sumps function as a liquid-tight isolation container providing secondary containment for the tanks fittings, valves, pumps and FlexWorks pipe fittings.

They also provide surface access to the tank itself, as well as a clean, dry environment for future services and maintenance. All tank sump models have height-adjustable risers to accommodate different tank burial depths. Each sump model has its own specific range of height adjustability and are fabricated and assembled at the job site.

ElectroTite Tank Sump



FibreTite Tank Sump



Polyethylene Tank Sump with Mechanically Fastened Cover



# Is your site watertight?



## Defining a new standard in water intrusion prevention.

If water intrusion is causing you headaches, turn to OPW for immediate relief. From the engineering labs of OPW, FLEXWORKS and FIBRELITE, we've taken the best of the best in containment and covers and made them even better. From our FibreTite family of tank and multiport sumps to our Fibrelite covers and EDGE™ Double Wall series spill containers, we offer the world's most reliable watertight products on the market. Stop water intrusion once and for all.

Learn how by visiting [www.opwglobal.com/watertight-wonders](http://www.opwglobal.com/watertight-wonders) today.

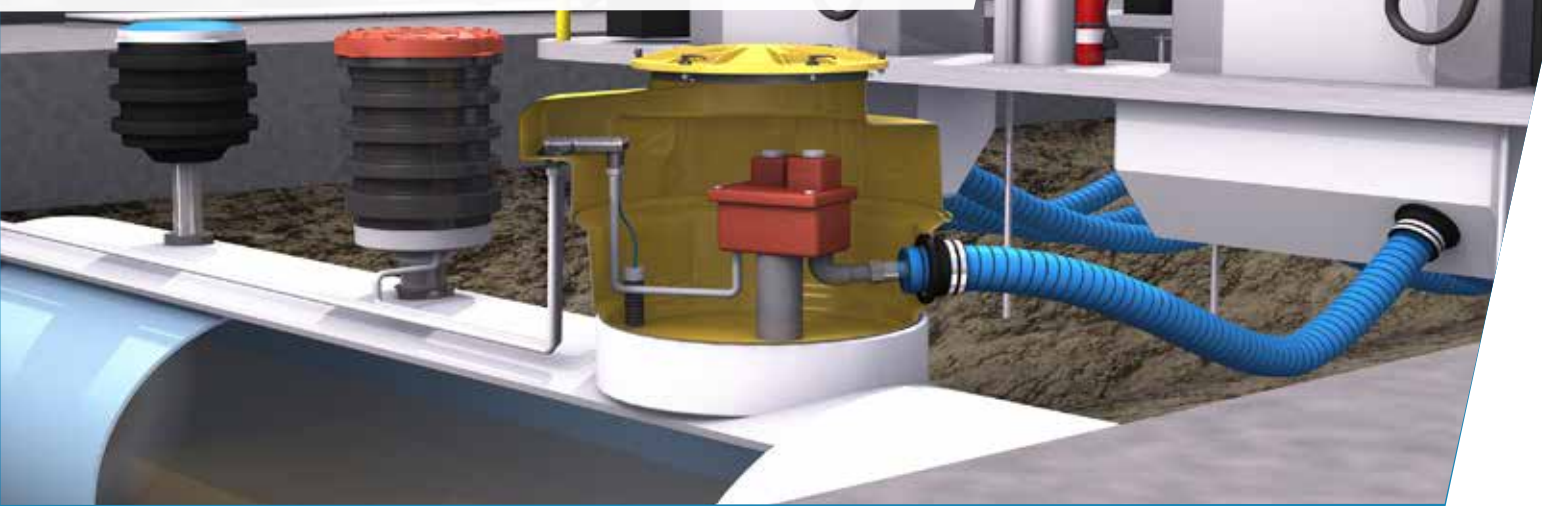




# ElectroTITE

**NO DRILL DRY SUMP TECHNOLOGY\***

\*Patent Pending



Factory Installed  
No On-Site Drilling\*

\*Patent Pending



Conduit Threads  
On Outside of Box\*

\*Patent Pending



UL Listed Explosion-Proof  
Junction Box\*

\*Patent Pending

## NO DRILL | WIRE READY | WATER TIGHT

- Eliminates electrician cutting holes in sump
- Easy inspection without entering confined sump area
- Available in a wide variety of models to accommodate virtually any tank sump application
- Kwik Wire™\* junction box allows for high voltage STP and low voltage sensor wires in same box. \*Patent Pending
- Sealed conduits above water table
- No conduit entry fittings

**Please contact your OPW District Manager to order or request more information.  
Visit us at [www.opwglobal.com/electrotite](http://www.opwglobal.com/electrotite)**

## ElectroTite Tank Sump

Introducing the latest OPW tank sump innovation from the engineering labs of FLEXWORKS and FIBRELITE. ElectroTite is the most watertight system on the market. It ships factory installed with conduit ports and electrical wiring box – eliminating unnecessary tank sump leak points at site installation. No drill, no water, no sweat.

### Features & Benefits:

#### Water Tight:

- ◆ Reduces the number of entry and leak points into sump
- ◆ Sealed conduit threads on outside of sump – enter above water table
- ◆ Factory installed fitting with proper torque guns, cutting tools and sealing compound

### Materials:

**Sump: Resin Transfer Molding (RTM) technology**



Uses built-in electrical seal-offs

**ElectroTITE**  
NO DRILL DRY SUMP TECHNOLOGY\*  
\*Patent Pending

# FXSX - X - XXXXXX

**FCS** = FibreTite Conduit Sump

**M** = Medium bury

**Only available on FCS**

**42** = 42" Sump Base Diameter

**33** = 33" Sump Lid Diameter (WT-33)

**CR** = Collar Ring Mount

**FTS** = FibreTite Tank Sump

**D** = Deep bury

**1** = One ElectroTite Conduit Box

**48** = 48" Sump Base Diameter

**37** = 37" Sump Lid Diameter (WT-37)

**SB** = Solid Bottom

**2** = Two ElectroTite Conduit Boxes

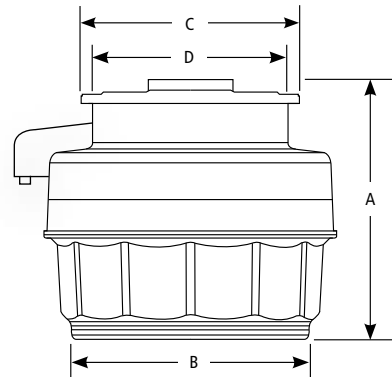
#### Versatile for Your Installation:

- ◆ UL Listed Explosion-Proof junction box allows space to re-route communication wires and loop additional sensors without entering sump
- ◆ Shield allows for high voltage and sensor wires to be separated in the same box
- ◆ Conduits can be potted entering box, exiting box, or both using built-in electrical seal-offs

- ◆ UL Listed Explosion-proof box is single-piece cast aluminum, with bolt-on access cover

#### Factory Installed:

- ◆ Eliminates the need to cut holes in sump for conduits
- ◆ No field-installed conduit penetrations



### Ordering Specs

Model Number	Sump Base Diameter (B)	Max Sump Height (A)	Minimum Sump Height (A)	Sump Mount Design	Sump Lid Diameter (C)	Minimum Diameter Opening (D)	# of Conduit Boxes
FCSM-1-4233CR	42"	46"	39"	Collar Ring Mount	34.8"	29"	Single
FCSM-1-4233SB	42"	46"	39"	Solid Bottom	34.8"	29"	Single
FCSD-1-4233CR	42"	53"	47"	Collar Ring Mount	34.8"	29"	Single
FCSD-1-4233SB	42"	53"	47"	Solid Bottom	34.8"	29"	Single
FCSM-2-4233CR	42"	46"	39"	Collar Ring Mount	34.8"	29"	Dual
FCSM-2-4233SB	42"	46"	39"	Solid Bottom	34.8"	29"	Dual
FCSD-2-4233CR	42"	53"	47"	Collar Ring Mount	34.8"	29"	Dual
FCSD-2-4233SB	42"	53"	47"	Solid Bottom	34.8"	29"	Dual
FCSM-1-4837CR	48"	46"	39"	Collar Ring Mount	39.5"	34.6"	Single
FCSD-1-4837CR	48"	53"	47"	Collar Ring Mount	39.5"	34.6"	Single
FCSM-2-4837CR	48"	46"	39"	Collar Ring Mount	39.5"	34.6"	Dual
FCSD-2-4837CR	48"	53"	47"	Collar Ring Mount	39.5"	34.6"	Dual

### Replacement Parts

Part Number	Sump Base Diameter
FTSMBASE-42CR	42" Medium Bury Collar Mount Base
FTSMBASE-42SB	42" Medium Bury Solid Bottom Base
FTSDBASE-42CR	42" Deep Bury Solid Collar Mount Base
FTSDBASE-42SB	42" Deep Bury Solid Bottom Base
FTSMBASE-48CR	48" Medium Bury Collar Mount
FTSDBASE-48CR	48" Deep Bury Collar Mount
FTS-4233TH	Top Hat for 42" Base Sump and 33" Lid

Part Number	Sump Base Diameter
FTS-4237TH	Top Hat for 42" Base Sump and 37" Lid
FTS-4837TH	Top Hat for 48" Base Sump and 37" Lid
WT-33SL	33" Fibretite Sump Lid
WT-37SL	37" Fibretite Sump Lid
FCS42-EX12	42" Diameter Sump 12" Extension
FCS48-EX12	48" Diameter Sump 12" Extension

## FibreTite Tank Sump

From the engineering labs of FLEXWORKS and FIBRELITE, OPW has made the best even better. Meet the newest member of the FibreTite Family of sumps, the most watertight sumps on the market today. Designed to meet all the new 2018 EPA UST regulations.

## Materials:

**Sump: Resin Transfer Molding (RTM) technology**



## Features & Benefits:

- ◆ The only sump manufactured using superior Resin Transfer Molding (RTM) technology. The RTM process utilizes a 2-sided mold to ensure consistent wall thickness and exceptionally smooth wall surfaces inside and out for an ultra-tight entry fitting sealing surface
- ◆ 2-piece top hat design allows for tailored height adjustments
- ◆ Inverted U-Channel allows for equal resin distribution, creating a superior bond between the base and the top hat to eliminate water intrusion
- ◆ Stainless steel ring and watertight sealing gasket provide the proven seal-ability of our world renowned Fibrelite sumps
- ◆ Available with and without bottom for collar or flange mounting
- ◆ Ergonomic "L-Handle" Provides Ease of Use and a visual indicator that the handle is in the locked position and the watertight lid is secure

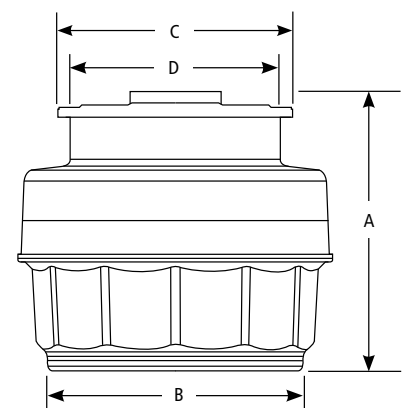
## Ordering Specifications - Tank Sump Systems

	New Name	Sump Base Diameter (B)	Max Sump Height (A)	Min Sump Height (A)	Sump Mount Design	Sump Lid Diameter (C)	Minimum Diameter Opening (D)	Additional RK-5000 Resin Kits Needed for Top Hat Attachment (Sold Separately)	Additional RK-5000 Resin Kits Needed for Collar Ring Attachment (Sold Separately)
42"	FTSM-4233CR	42"	46"	33.5"	Collar Ring Mount	33"	29"	1	1
	FTSM-4233SB	42"	46"	33.5"	Solid Bottom	33"	29"	1	-
	FTSD-4233CR	42"	53"	40.5"	Collar Ring Mount	33"	29"	1	1
	FTSD-4233SB	42"	53"	40.5"	Solid Bottom	33"	29"	1	-
	FTSM-4237CR	42"	46"	33.5"	Collar Ring Mount	37"	34.6"	1	1
	FTSM-4237SB	42"	46"	33.5"	Solid Bottom	37"	34.6"	1	-
	FTSD-4237CR	42"	53"	40.5"	Collar Ring Mount	37"	34.6"	1	1
	FTSD-4237SB	42"	53"	40.5"	Solid Bottom	37"	34.6"	1	-
48"	FTSM-4837CR	48"	46"	33.5"	Collar Ring Mount	37"	34.6"	1.5	1
	FTSD-4837CR	48"	53"	40.5"	Collar Ring Mount	37"	34.6"	1.5	1
	FTSM-4837SB	48"	46"	33.5"	Solid Bottom	37"	34.6"	1.5	-
	FTSD-4837SB	48"	53"	40.5"	Solid Bottom	37"	34.6"	1.5	-

## Replacement Parts/Accessories

Part #	Description
FTSMBASE-42CR	42" Medium Bury Collar Mount
FTSMBASE-42SB	42" Medium Bury Solid Bottom
FTSDBASE-42CR	42" Deep Bury Solid Bottom
FTSDBASE-42SB	42" Deep Bury Solid Bottom
FTSDBASE-48SB	48" Medium Bury Collar Mount
FTSDBASE-48CR	48" Deep Bury Collar Mount
FTS-4233TH	Top Hat for 42" Base Sump and 33" Lid
FTS-4237TH	Top Hat for 42" Base Sump and 37" Lid
FTS-4837TH	Top Hat for 48" Base Sump and 37" Lid

Part #	Description
WT-33SL	33" Fibretite Sump Lid
WT-37SL	37" Fibretite Sump Lid
FCS42-EX12	42" Diameter Sump 12" Extension (1 RK-5000 kit needed for attachment sold separately)
FCS48-EX12	48" Diameter Sump 12" Extension (1.5 RK-5000 kit needed for attachment sold separately)
RK-5000	1 Quart Epoxy Resin Kit
S-CR-FGK	Optional Glassing Kit for Collar Ring Attachment



# Old Style Fibrelite and FlexWorks Fiberglass Sumps

## Materials

Body: Fiberglass



## Ordering Specifications - Sump Accessories

Part #	Application
WSP-WTS-OPC	6" Nitrile Observation Port Cap for WSP
WTS-CAP-14	14" Nitrile Container Port Cap for WSP
WS-RING-31	31" Stainless Steel Retaining Ring for Top-Hat
WS-RING-33	33" Stainless Steel Retaining Ring for Top-Hat
WS-RING-37	37" Stainless Steel Retaining Ring for Top-Hat
212199	L Style Replacement Sump Lid Handle
WTS-THANDLE	T Style Replacement Sump Lid Handle



## Ordering Specifications New Latched Fiberglass Tank Sump Lids

Part #	Description
CLC-33	Latched Fiberglass Tank Sump Lid
LRK-CLC	Latch Replacement Kit for the CLC-33



## Ordering Specifications - Turbine Sump Watertight Cover Lids

Part #	Application	Dia.	Weight (lbs)
WT-31	31" Dia. Watertight, Structural Spill Platform	31"	11
WT-33	33" Dia. Watertight, Structural Spill Platform	33"	13
WT-37	37" Dia. Watertight, Structural Spill Platform	37"	17

## Replacement Parts and Accessories

Part #	Description
H13257M	Knob
D02238	Cover
H13214M	Seal
D02223	Sump Top Assembly for TSMDF-4536
CLC-33	Latched Fiberglass Tank Sump Lid



## Polyethylene Tank Sumps with Mechanically Fastened Covers

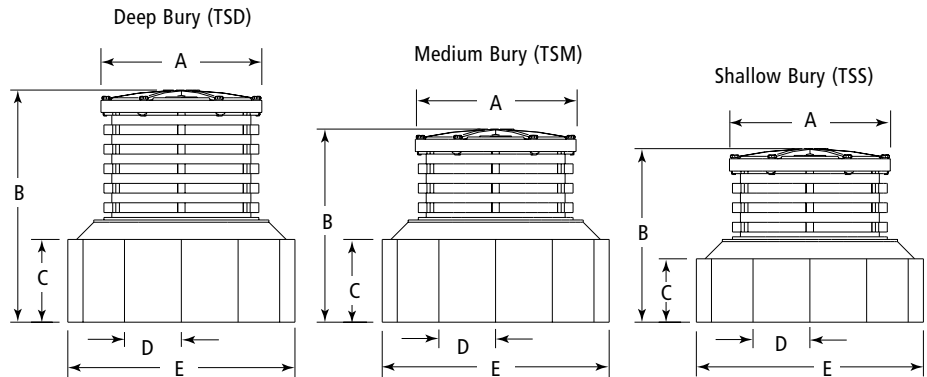
### Features & Benefits:

- ◆ **Long-Term Watertight Performance/Strength & Rigidity** – one-piece design provides reliable watertight integrity and long product life. Designed to resist deformation under burial and high water table forces
- ◆ **Installation Flexibility** – multiple flats provide maximum area for locating pipe entries
- ◆ **Easy Field Height Adjustability** – the special ribbed height adjustment design makes adjustments to finished grade, if necessary, quick and easy



### Replacement Parts & Accessories

Part #	Description
H13257M	Knob (each)
H13971	Knob Kit (6 Pack)
H13213M	Bracket
H13214M	Seal 33" (838 mm)
H13215M	Seal 39" (991 mm)
C04420M	Ring 33" (838 mm)
C04432M	Ring 39" (991 mm)
D02025M	Cover 33" (838 mm)
D02034M	Cover 39" (991 mm)
CLC-33	Latched Fiberglass Tank Sump Lid



## Ordering Specifications - Polyethylene Tank Sumps (with Mechanically Fastened Covers)

Part #	Application	Dimensions										Sump Base Burial Depth				Weight		
		Manway Dia.		A Cover		B Height		C x D Panel		No. of Panels	E Base		max.		min.		lbs.	kg
		in.	mm	in.	mm	in.	mm	in.	mm		in.	mm	in.	mm	in.	mm		
TSS-4536	Tank Sump Shallow Bury, 36" x 45"	36	914	33	838	34	864	12 x 12	305 x 305	12	45	1,143	39	991	28	711	84	38
TSM-4536	Tank Sump Medium Bury, 36" x 45"	36	914	33	838	39	991	17 x 12	432 x 305	12	45	1,143	44	1,118	33	838	86	40
TSM-4842	Tank Sump Medium Bury, 42" x 48"	42	1,066	39	991	39	991	17 x 11	423 x 279	14	48	1,219	44	1,118	33	838	88	40
TSD-4536	Tank Sump Deep Bury, 36" x 45"	36	914	33	838	51	1,295	17 x 11	423 x 279	14	48	1,219	56	1,422	33	838	90	41
TSD-4842	Tank Sump Deep Bury, 42" x 48"	42	1,067	39	991	51	1,295	17 x 11	432 x 279	14	48	1,219	56	1,422	33	838	92	42



6" Tank Fitting Adaptor (SMF-6)  
4" Tank Fitting Adaptor (SMF-4E)

4" Tank Fitting Adaptor –  
No Bolt Style (TFA-4090)

Tank Manway Adaptor  
(TMA-2224) (TMA-2424)

4" Sump Inspection Port  
(SIP-4) Includes Urethane Sealant  
(SL-1100)

## Tank Sump Mounting Flanges

FlexWorks tank sump mounting flanges are used to mount FlexWorks tank sumps to 4" and 6" underground storage tank bung fittings. Flange top models (SMF-6) provide added flexibility in positioning of pump or extractor outlets. First, the riser or extractor is threaded into the top flange. The top flange is then oriented and bolted to the mounting flange.

Our No-Bolt style mounting flange, model TFA-4090, is also used to mount FlexWorks tank sumps to 4" underground storage tank bung fittings and attaches to the bottom of the sump base to provide a secure and liquid tight connection. This model has compression studs for added stability and fast and easy installation with a socket wrench.

## Tank Manway Adaptors

FlexWorks Tank Manway Adaptors are used to mount tank sumps to a tank's outward flanged manway. This adaptor attaches to the tank's manway and compresses the fabricated sump base and gasket between two steel compression rings.

## Sump Inspection Ports

FlexWorks optional sight glass kits include urethane sealant (SL-1100).

### Ordering Specifications - Tank Fitting Adaptor

Part #	Application
TFA-4090	4" Tank Fitting Adaptor, No Bolt Style
SMF-4E	4" Tank Fitting Adaptor, Bolt Style
SMF-4EFT	4" Tank Fitting Adaptor, Bolt Style, Extended Flange
SMF-6	6" Tank Fitting Adaptor, Bolt Style

### Ordering Specifications - Tank Manway Adaptor

Part #	Application
TMA-2224	Tank Manway Adaptor (22 inch)
TMA-2424	Tank Manway Adaptor (24 inch)

### Ordering Specifications - Sump Inspection Port

Part #	Application
SIP-4	4" Sump Inspection Port

# ABOVE GROUND, BELOW GROUND & What's in Between.



**Equipment is just the beginning** of our full-service promise for fueling stations. Our integrated, plug-and-play piping system, underground containment products and above ground hanging hardware dispensing solutions provide unmatched performance. These products are supported from your team at OPW and a dedicated network of channel partners. See how these pieces fit together for your fueling station.

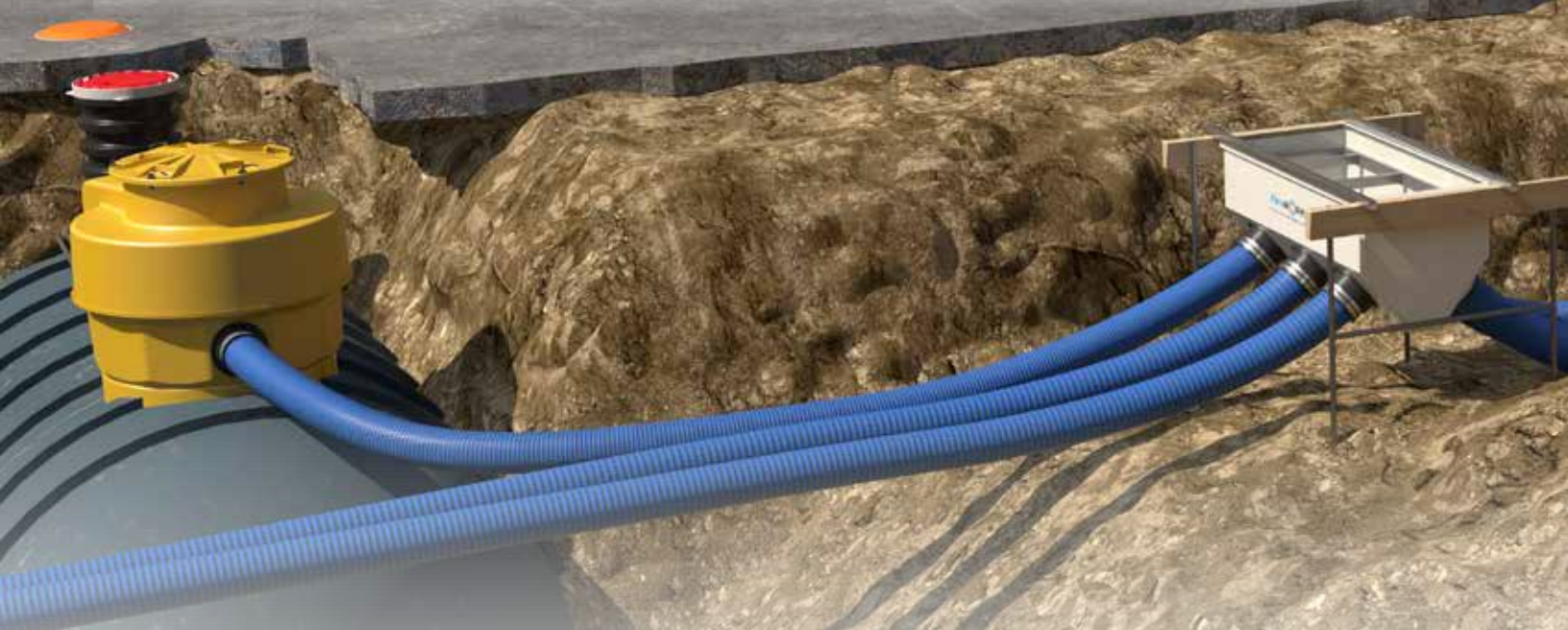


**DEFINING | WHAT'S NEXT**



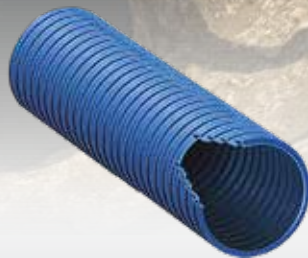
# Loop SYSTEM

The state-of-the-art **Loop System** is made possible by a collection of completely integrated, environmentally secure components. These pre-fabricated, factory-assembled pieces translate into dramatically less field labor, associated cost and potential for installation errors. Total underground access once installed provides hassle-free inspection, maintenance and repair without excavation. Learn more about each of the contributing parts.



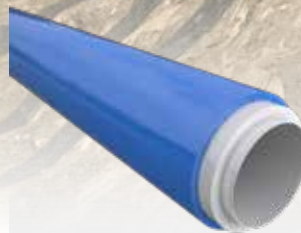
## ELECTROTITE TANK SUMPS

- Eliminate the need to cut holes in sump for conduits
- Reduce the number of entry and leak points
- Allow space to re-route communication wires and loop additional sensors without entering sump
- Integrated factory-installed junction box for seal-offs and wiring connections



## DUAL-LAYER ACCESS PIPES

- Resist crushing
- Add extra layer of protection
- Allow for easy maintenance, repair, removal and replacement without breaking concrete



## UL 971-LISTED COAXIAL PIPES

- Easy installation
- Eliminate leak points and exposed joints and fittings buried in the ground
- Do not require adhesives, glues or welding



## DUAL-SIDED RIGID ENTRY FITTINGS

- Provide double containment protection
- Prevent groundwater intrusion
- Eliminate contamination between sump and access pipe
- Designed for long-term exposure inside sump

Variety of Options Available

Available in 4" and NEW 6"

Available in .75", 1", 1.5", 2" and NEW 3"

Available in 1.5", 2" and NEW 3"



# The Loop System contains fewer parts to stock and install



## DOUBLE-WALL PIPE COUPLINGS (DPC)

- Eliminate need for rubber test boot
- No trimming back secondary jackets
- Allow for continuous monitoring
- Stainless-steel construction compatible with all fuel brands

Available in 1.5", 2" and NEW 3"



## 10 PLUS EMERGENCY VALVES

- Protect against low-impact fractures in the shear groove
- Eliminate contamination and fire hazards created by leaks from fractured valves

Available in 1.5" and NEW 2"



## PRE-FABRICATED QUICK-COUPLE DISPENSER SUMPS

- Easy to spec
- Quick access for maintenance
- Fast and simple installation
- Pre-assembled at factory

Variety of Options Available



## HIFLO DISPENSER SUMPS

- Handle HiFlo applications, such as retail truck stops.
- Accommodate fuel dispensing on both sides of truck
- New sizes to handle more demanding throughput

Variety of Options Available

# The Loop System™ Ordering Guide



Loop System Dispenser Sumps are shipped complete with factory installed pipe entry fittings, OPW 10Plus Shear Valves, and Stabilizer Bars. Each Dispenser Sump has been assigned a custom Sump Configuration Number based on the number and position of pipe entries into the sump. Each Sump Product Number reflects this configuration number as well as materials used and for the application needed. The guide below explains the Product Number in detail.



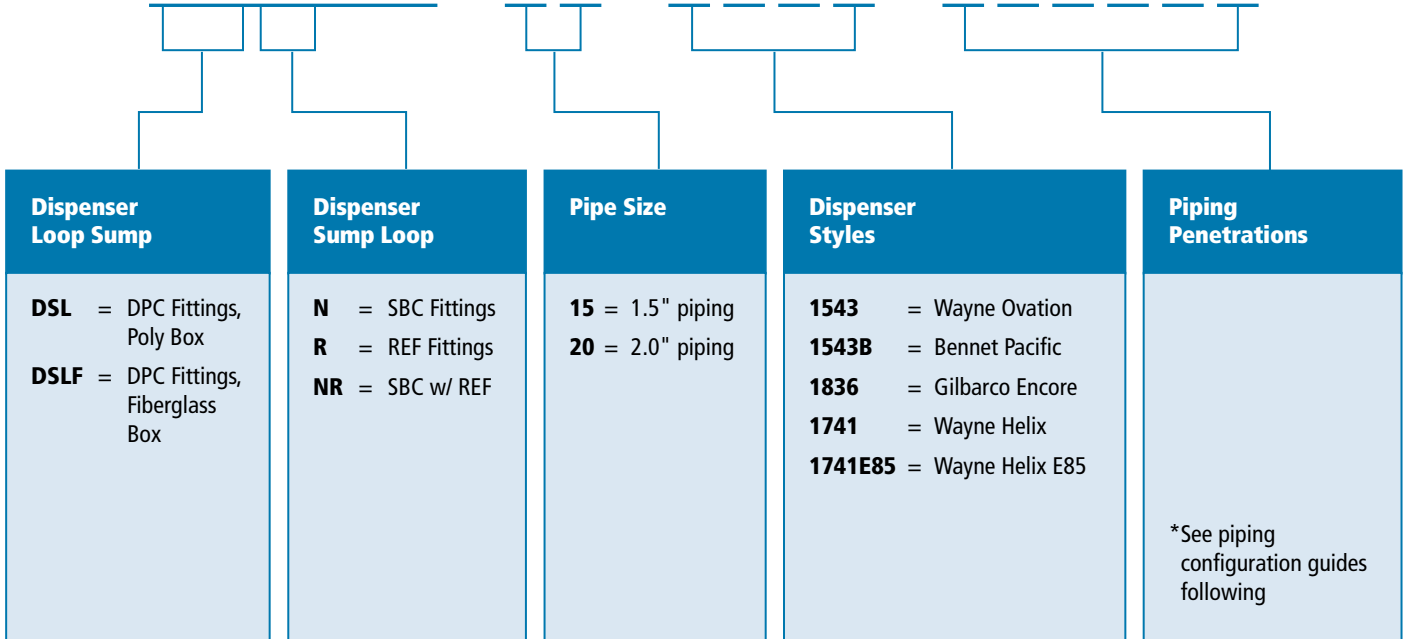
## Benefits

- 50% Faster Installation Times
- 100% Accessible No Breaking Concrete
- Double Containment Protection
- Completely Testable
- End-to-End Monitoring
- Fewer Parts to Stock and Install

For high-flow applications, see HiFlo Ordering Guide on page 7.

## Ordering Guide

**DSL(F)(NR)(-DW\*)**

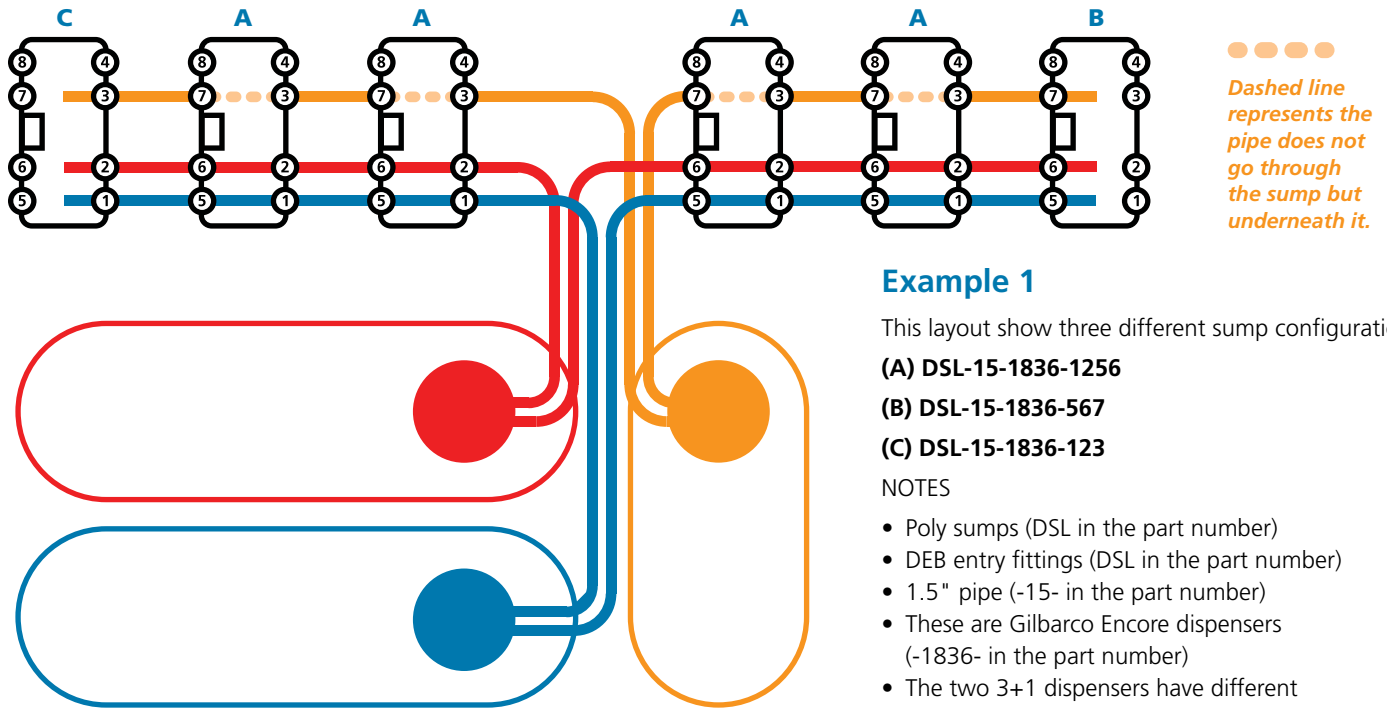


(-DW\*) Double-wall loop offered on select models. Please contact customer service.

# The Loop System™ Ordering Guide



## Forecourt Examples



### Example 1

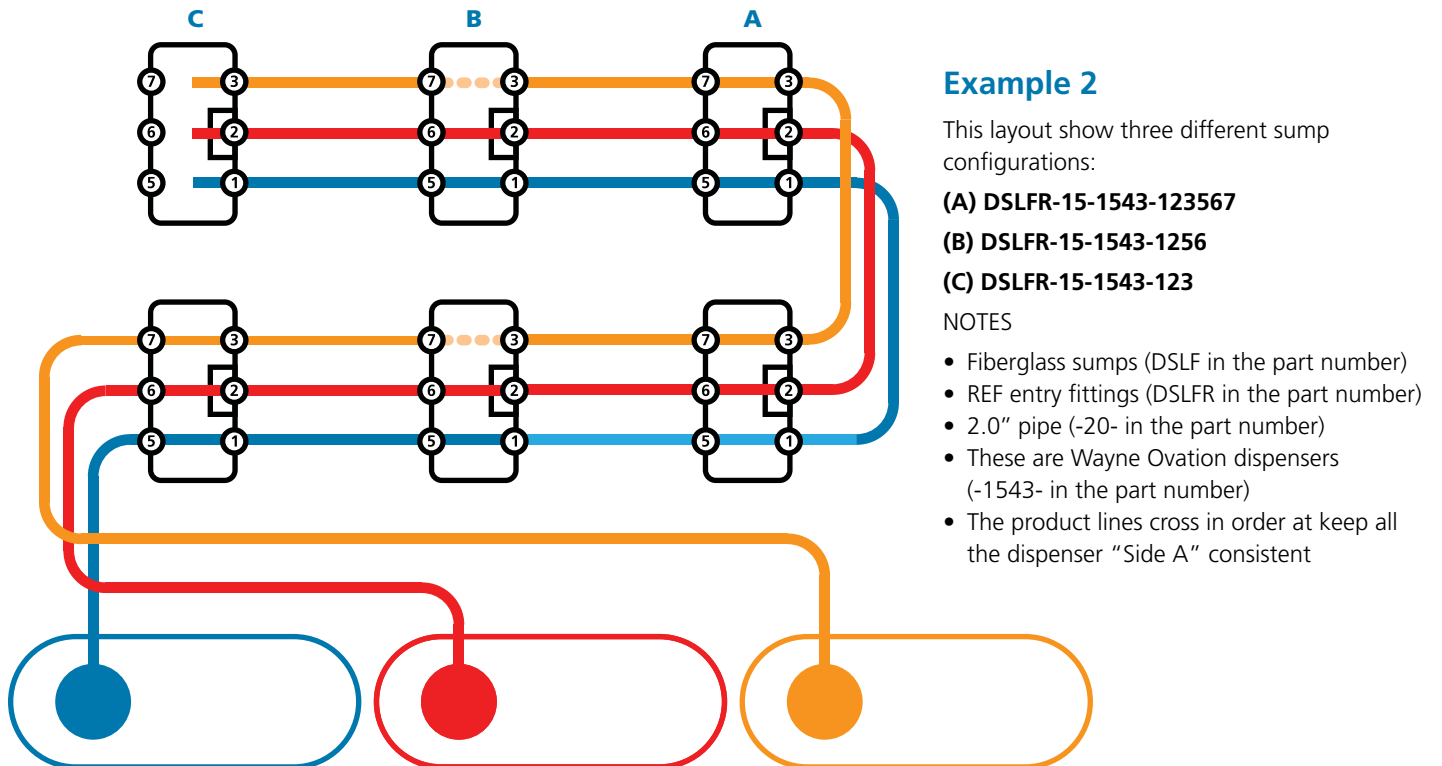
This layout show three different sump configurations:

- (A) DSL-15-1836-1256**
- (B) DSL-15-1836-567**
- (C) DSL-15-1836-123**

NOTES

- Poly sumps (DSL in the part number)
- DEB entry fittings (DSL in the part number)
- 1.5" pipe (-15- in the part number)
- These are Gilbarco Encore dispensers (-1836- in the part number)
- The two 3+1 dispensers have different configurations, B and C

CONTACT CUSTOMER SERVICE FOR CUSTOM CONFIGURATIONS



### Example 2

This layout show three different sump configurations:

- (A) DSLFR-15-1543-123567**
- (B) DSLFR-15-1543-1256**
- (C) DSLFR-15-1543-123**

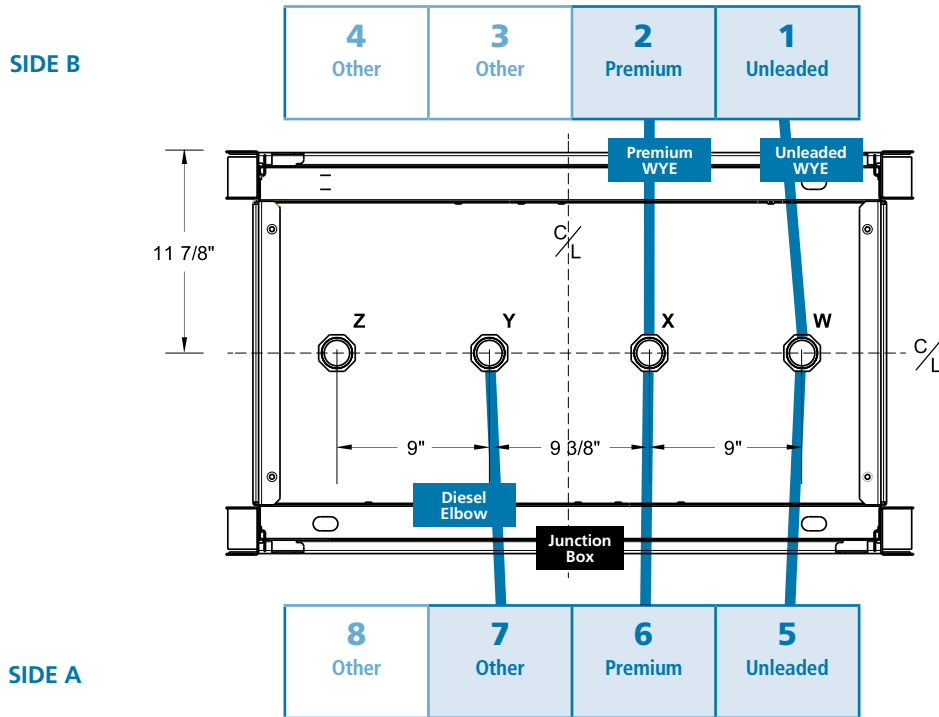
NOTES

- Fiberglass sumps (DSLFR in the part number)
- REF entry fittings (DSLFR in the part number)
- 2.0" pipe (-20- in the part number)
- These are Wayne Ovation dispensers (-1543- in the part number)
- The product lines cross in order at keep all the dispenser "Side A" consistent

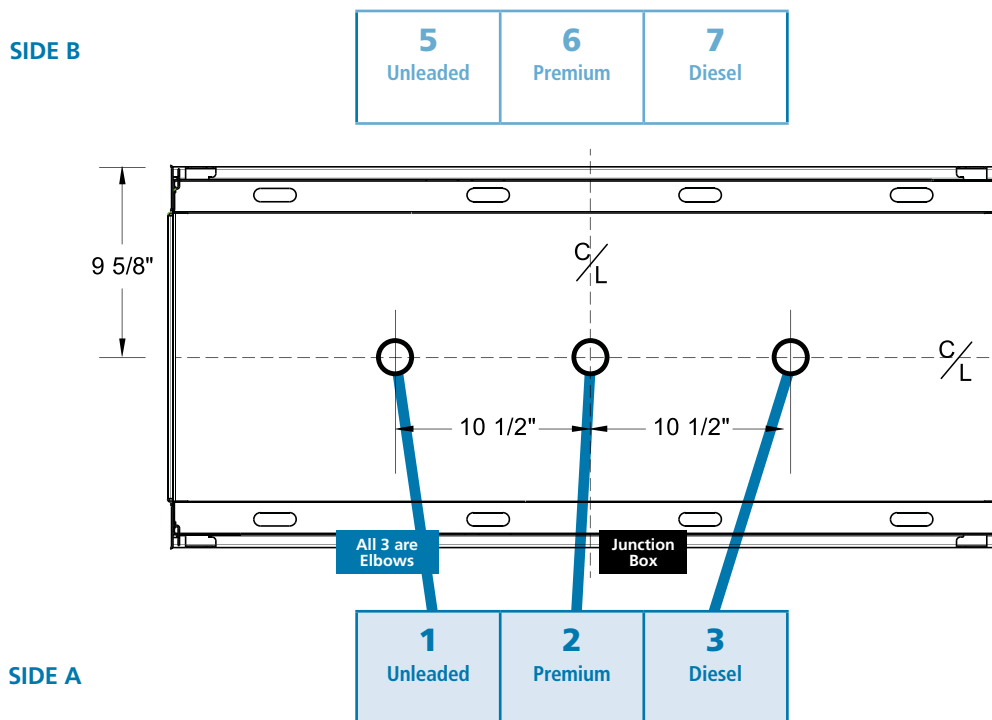
CONTACT CUSTOMER SERVICE FOR CUSTOM CONFIGURATIONS

# The Loop System™ Ordering Guide

## Gilbarco Encore



## Wayne Ovation



TOP VIEW OF BASES



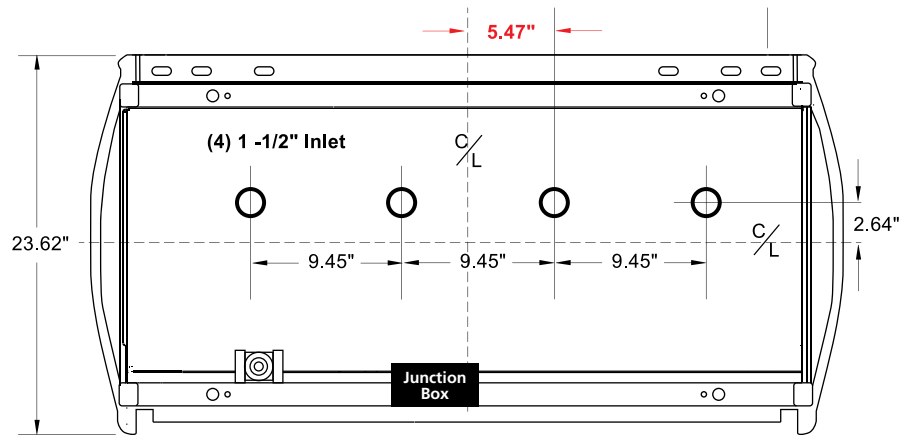
# The Loop System™ Ordering Guide



## Wayne Helix

SIDE B

<b>4</b> Other	<b>3</b> Other	<b>2</b> Premium	<b>1</b> Unleaded
-------------------	-------------------	---------------------	----------------------



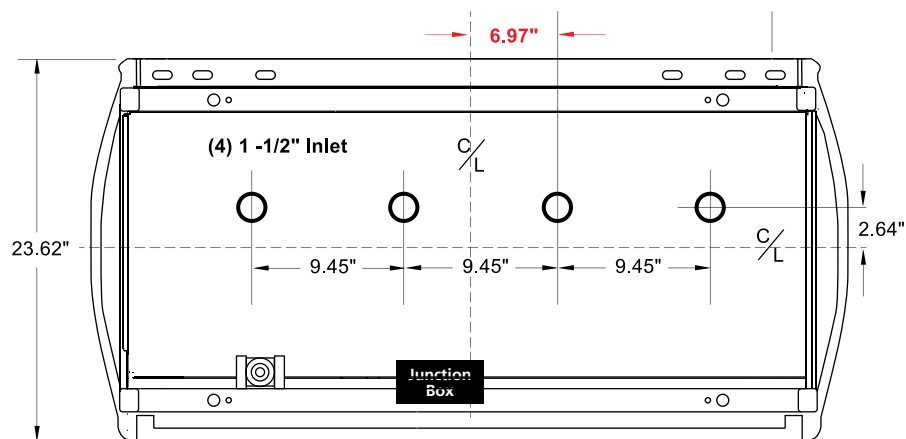
SIDE A

<b>8</b> Other	<b>7</b> Other	<b>6</b> Premium	<b>5</b> Unleaded
-------------------	-------------------	---------------------	----------------------

## Wayne Helix E85

SIDE B

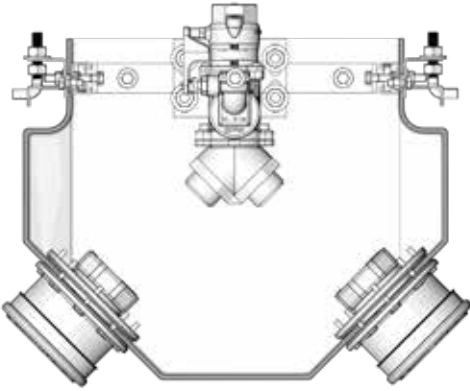
<b>4</b> Other	<b>3</b> Other	<b>2</b> Premium	<b>1</b> Unleaded
-------------------	-------------------	---------------------	----------------------



SIDE A

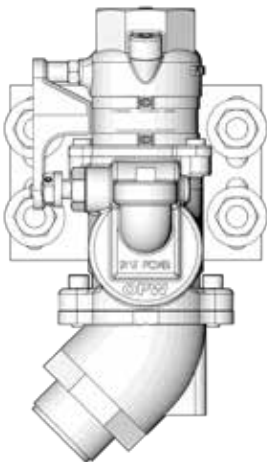
<b>8</b> Other	<b>7</b> Other	<b>6</b> Premium	<b>5</b> Unleaded
-------------------	-------------------	---------------------	----------------------

TOP VIEW OF BASES

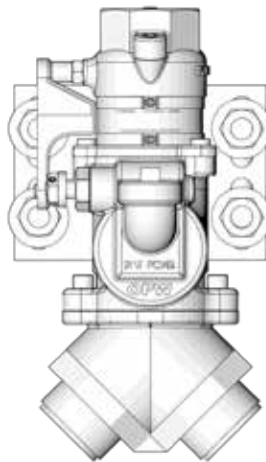


## Loop Replacement Parts

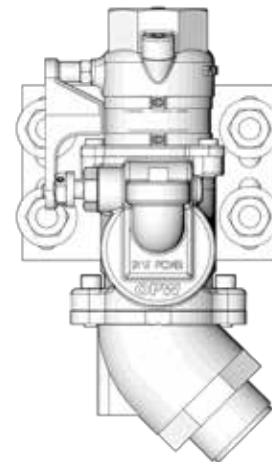
Part #	Threads	Thread Size	Description
SVD-1522	NPSH	1.5"	Double poppet shear valve, Junction fitting and Mounting Plate
SVD-1522E85	NPSH	1.5"	E-85 Double poppet shear valve, Junction fitting and Mounting Plate
SVD-1522N	NPT	1.5"	Double poppet shear valve, Junction fitting and Mounting Plate
SVD-2022	NPSH	2.0"	Double poppet shear valve, Junction fitting and Mounting Plate
SVD-2022E85	NPSH	2.0"	Double poppet shear valve, Junction fitting and Mounting Plate
SVD-2022E85	NPSH	2.0"	Double poppet shear valve, Junction fitting and Mounting Plate
SVD-2022N	NPT	2.0"	Double poppet shear valve, Junction fitting and Mounting Plate
SVD-2522	NPSH	1.5" x 2"	Double poppet shear valve, Junction fitting and Mounting Plate
SVD-1524L	NPSH	1.5"	Double poppet shear valve, Elbow and Mounting Plate
SVD-1524E85L	NPSH	1.5"	E-85 Double poppet shear valve, Elbow and Mounting Plate
SVD-1524NL	NPT	1.5"	Double poppet shear valve, Elbow and Mounting Plate
SVD-2024L	NPSH	2.0"	Double poppet shear valve, Elbow and Mounting Plate
SVD-2024E85L	NPSH	2.0"	E-85 Double poppet shear valve, Elbow and Mounting Plate
SVD-2024NL	NPT	2.0"	Double poppet shear valve, Elbow and Mounting Plate
SVD-1524R	NPSH	1.5"	Double poppet shear valve, Elbow and Mounting Plate
SVD-1524E85R	NPT	1.5"	Double poppet shear valve, Elbow and Mounting Plate
SVD-1524NR	NPT	1.5"	Double poppet shear valve, Elbow and Mounting Plate
SVD-2024E85R	NPSH	2.0"	Double poppet shear valve, Elbow and Mounting Plate
SVD-2024NR	NPT	2.0"	E-85 Double poppet shear valve, Elbow and Mounting Plate
SVD-2024R	NPSH	2.0"	Double poppet shear valve, Elbow and Mounting Plate
10RPLUS-0152			1.5" 10 PLUS Replacement top, Double Poppet
10RPLUS-0202			2" 10 PLUS Replacement top, Double Poppet



SVD - XX24L



SVD - XX22



SVD - XX24R

## Ordering Specifications - FlexWorks Dispenser Sump Selection Chart

Dispenser Manufacturer & Model	Dispenser Footprint Dimensions		FlexWorks One-Piece Polyethylene Sump	FlexWorks Wide-Access Polyethylene Sump	FlexWorks One-Piece Polyethylene Pan	FlexWorks One-Piece Fiberglass Sump	FlexWorks Wide-Access Fiberglass Sump	Stabilizer Bar Kit	
	in.	cm							
<b>GILBARCO</b>									
Commercial 625, 650, 684 Series (21" / 53" cm Frame)	15 <sup>11</sup> / <sub>16</sub> " x 21"	40 x 53	DS-1117F	---	DP-1117F	---	---	SBK-1100J	
Salesmaker-2 Series (21" / 53 cm Frame)	15 <sup>11</sup> / <sub>16</sub> " x 21"	40 x 53	DS-1117F	---	DP-1117F	---	---	SBK-1100J	
Highline 11B Series (21" Frame / 53 mm)	15 <sup>11</sup> / <sub>16</sub> " x 21"	40 x 53	DS-1117F	---	---	---	---	SBK-1100J	
Highline 111B Series (27" / 69 cm Frame)	15 <sup>11</sup> / <sub>16</sub> " x 27"	40 x 53	DS-1123F	DSW-1123F	DP-1123F	---	---	SBK-1100J	
Trimline 251, 252, 261, 262 (27" / 69 cm Frame)	15 <sup>11</sup> / <sub>16</sub> " x 27"	40 x 69	DS-1123F	DSW-1123F	DP-1123F	---	DSF-1123F	SBK-1100J	
Trimline 154, 164, 251, 262 (27" / 69 cm Frame)	15 <sup>11</sup> / <sub>16</sub> " x 21"	40 x 69	DS-1117F	---	---	---	---	SBK-1100J	
Commercial 650 Series (27" / 69 cm Frame)	15 <sup>11</sup> / <sub>16</sub> " x 27"	40 x 69	DS-1123F	DSW-1123F	DP-1123F	---	DSF-1123F	SBK-1100J	
Highline Salesmaker Series	15 <sup>11</sup> / <sub>16</sub> " x 21"	40 x 69	DS-1117F	---	DP-1117F	---	---	SBK-1100J	
Highline Salesmaker Series (27" / 69 cm Frame)	15 <sup>11</sup> / <sub>16</sub> " x 27"	40 x 69	DS-1123F	DSW-1123F	DP-1123F	---	DSF-1123F	SBK-1100J	
Salesmaker-4 Series (27" / 69 cm Frame)	15 <sup>11</sup> / <sub>16</sub> " x 27"	40 x 69	DS-1123F	DSW-1123F	DP-1123F	---	DSF-1123F	SBK-1100J	
Legacy Series	15 <sup>11</sup> / <sub>16</sub> " x 27"	40 x 69	DS-1123F	DSW-1123F	DP-1123F	---	DSF-1123F	SBK-1100J	
Encore Series	<b>LOOP SYSTEM-READY</b>	23 <sup>1</sup> / <sub>2</sub> " x 40 <sup>9</sup> / <sub>16</sub> "	60 x 103	DS-1836	DSW-1836 DSW-1836CL	DP-1836	FDS-4021	DSF-1836 DSF-1836C	SBK-1800*
Advantage (36" / 91 cm Frame Models)	21 <sup>1</sup> / <sub>2</sub> " x 36"	55 x 91	DS-1630	DSW-1630	DP-1630	---	DSF-1630	SBK-1600	
Quad or Dual	---	---	---	---	---	---	---	---	
Blender X + 0 (36" / 91 cm)	---	---	---	---	---	---	---	---	
Advantage (48" / 122 cm Frame Models)	21 <sup>1</sup> / <sub>2</sub> " x 48"	55 x 122	DS-1642	---	---	---	---	SBK-1600*	
Blender Six-Hose	---	---	---	---	---	---	---	---	
Blender Single-Hose	---	---	---	---	---	---	---	---	
Blender X + 0 (48" / 122 cm) or X + 1 (48" / 122 cm)	---	---	---	---	---	---	---	---	
MPD-1, MPD-2, MPD-3	16" x 48"	41 x 122	DS-1036	---	---	---	---	SBK-1000J	
MPD Fixed Blender	16" x 48"	41 x 122	DS-1036	---	---	---	---	SBK-1000J	
	---	---	---	---	---	---	---	---	
<b>BENNETT</b>									
Bennett Pacific	<b>LOOP SYSTEM-READY</b>	19 <sup>1</sup> / <sub>2</sub> " x 43 <sup>1</sup> / <sub>2</sub> "	49 x 110	DS-1543A	---	---	---	SBK-1500	
Bennett 3000 Series		20" x 30"	51 x 76	DS-1123B	---	---	---	SBK-1100J	
<b>PD MCLAREN</b>									
RDR HSx (Single Product, Single Hose)	21" x 17.75"	53 x 45	---	DSW-1922	---	---	---	SBK-1900	
RDR HSx-D1 (Single Product, Dual Hose)	21" x 17.75"	53 x 45	---	DSW-1922	---	---	---	SBK-1900	
RDR HSx-D2 (Dual Product, Dual Hose)	21" x 17.75"	53 x 45	---	DSW-1922	---	---	---	SBK-1900	
RDR HSx-SAT (Master Unit and Satellites)	21" x 17.75"	53 x 45	---	DSW-1922	---	---	---	SBK-1900	
RDR HSx-X2 (Single Product, Dual Hose, One at a Time)	21" x 17.75"	53 x 45	---	DSW-1922	---	---	---	SBK-1900	



\* For FDS-4021 Models, use Stabilizer Bar SBK-1800.

## Ordering Specifications - FlexWorks Dispenser Sump Selection Chart

Dispenser Manufacturer & Model	Dispenser Footprint Dimensions		FlexWorks One-Piece Polyethylene Sump	FlexWorks Wide-Access Polyethylene Sump	FlexWorks One-Piece Polyethylene Pan	FlexWorks One-Piece Fiberglass Sump	FlexWorks Wide-Access Fiberglass Sump	Stabilizer Bar Kit
	in.	cm						
0215A, 216A (19 <sup>7</sup> / <sub>8</sub> " Frame / 50.5 mm)	17 <sup>1</sup> / <sub>4</sub> " x 19 <sup>7</sup> / <sub>8</sub> "	49 x 50.5	DS-1117F	---	DP-1117F	----	---	SBK-1100J
52 and 53 Series	17" x 19 <sup>7</sup> / <sub>8</sub> "	44 x 50.5	DS-1117F	---	DP-1117F	----	---	SBK-1100J
8700, 8800, 9100, 9800 Series	17 <sup>1</sup> / <sub>4</sub> " x 25"	44 x 63.5	DS-1120	----	----	----	----	SBK-1100J
25" Frame 63.5 mm	17 <sup>1</sup> / <sub>4</sub> " x 25"	44 x 63.5	----	----	----	----	----	----
8700, 8800, 9100, 9800 Series (28 <sup>1</sup> / <sub>4</sub> " Frame / 72 mm)	17 <sup>1</sup> / <sub>4</sub> " x 28"	44 x 71	DS-1123	DSW-1123	DP-1123	----	DSF-1123F	SBK-1100J
9850A	15 <sup>1</sup> / <sub>16</sub> " x 21"	40 x 69	DS-1120	DSW-1120	----	----	DSF-1120	SBK-1100J

\* Stabilizer bar is installed widthwise in dispenser sump

### DRESSER / WAYNE

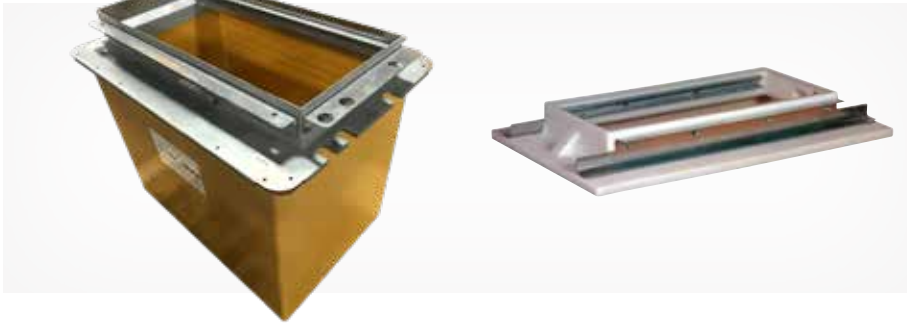
350, 357, 358, 360, 370 Series	15" x 25 <sup>7</sup> / <sub>8</sub> "	30 x 66	DS-1123F	DSW-1123F	DP-1123F	----	DSF-1123F	SBK-1100J
Vista 380 Series (387, 389)	20" x 35"	51 x 89	DS-1229	---	----	----	---	SBK-1200J
Vista 590 Series (590, 595)	20" x 48"	51 x 122	DS-1242	---	----	----	---	SBK-1200J
Vista 390 Series (395, 399)	20" x 48"	51 x 122	DS-1242	---	----	----	---	SBK-1200J
Vista 490 Series	20" x 48"	51 x 122	DS-1242	---	----	----	---	SBK-1200J
DL390, 395, 399 Series	20" x 48"	51 x 122	DS-1242	---	----	----	---	SBK-1200J
HS1 Satellite / 287 Series	20" x 35"	51 x 89	DS-1229	---	----	----	---	SBK-1200J
Ovation 	19 <sup>1</sup> / <sub>2</sub> " x 43 <sup>1</sup> / <sub>2</sub> "	50 x 110	DS-1543A	DSW-1543 DSW-1543C	DP-1543	FDS-4319*	DSF-1543 DSF-1543C	SBK-1500
Select	19 <sup>3</sup> / <sub>8</sub> " x 32 <sup>5</sup> / <sub>16</sub> "	49 x 82	DS-1928	----	----	----	DSF-1630	SBK-1500
Global Century	19 <sup>3</sup> / <sub>8</sub> " x 32 <sup>5</sup> / <sub>16</sub> "	49 x 82	DS-1928	----	----	----	DSF-1630	SBK-1500
Reliance	19 <sup>3</sup> / <sub>8</sub> " x 32 <sup>5</sup> / <sub>16</sub> "	49 x 82	DS-1928	----	----	----	DSF-1630	SBK-1500
HS4 / HS3 / Vista	19 <sup>3</sup> / <sub>8</sub> " x 32 <sup>5</sup> / <sub>16</sub> "	49 x 82	DS-1630	DSW-1630	DP-1630	----	DSF-1630	SBK-1600
Narrow Frame Helix (2000, 4000)	20" x 33"	51 x 84	DS-1630	----	----	----	----	SBK-1600
Wide Frame Helix (5000) 	26" x 44"	51 x 112	DS-1741	----	----	----	----	SBK-1700

### TOKHEIM

1200, 1248, 1250 Series	17 <sup>1</sup> / <sub>4</sub> " x 25"	44 x 64	DS-1120	DSW-1120	----	----	DSF-1120	SBK-1100J
330B, 333B Series	17 <sup>1</sup> / <sub>4</sub> " x 44"	44 x 112	DS-1642	---	----	----	---	SBK-1600

\* For FDS-4319 Model use Stabilizer Bar SBO-0250

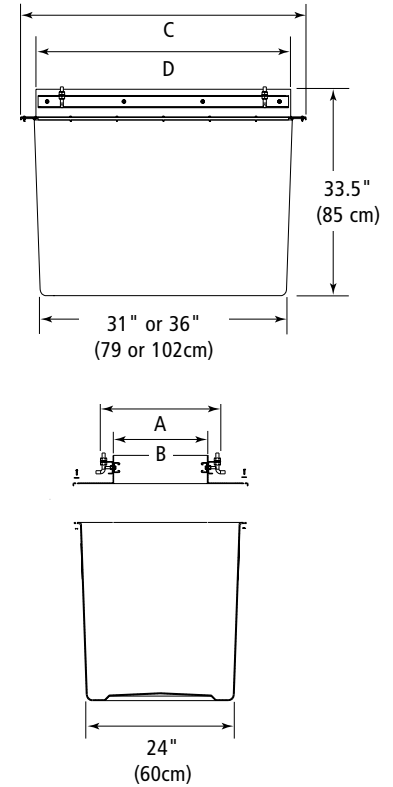




## Wide-Access Fiberglass Dispenser Sumps

### Features & Benefits:

- ◆ **Conduitless Design** – the fiberglass base and metal cap and frame are designed to direct conduit into the dispenser along the side of the sump to avoid requiring additional entry boot penetrations
- ◆ **Multi-Product Flexible** – the wide sump surface area is designed to accommodate up to 4 product lines into the sump
- ◆ **Structural Integrity** – engineered with thick side walls to withstand backfill and high water table forces. Precise glass and resin metering throughout the molding process ensures material consistency and maximizes the strength-to-weight ratio
- ◆ **Full-Perimeter Liquid Collection Channel** – facilitates quick leak detection and allows flexibility in locating leak sensors
- ◆ **Smooth Sealing Surfaces For Leak-Tight Sump Entry Fittings** – our fully enclosed molding manufacturing method produces a uniform wall thickness while eliminating air entrapment. The result is a flat, smooth finish, both inside and out, which provides leak-tight pipe entries
- ◆ **Convenient Shipping and Storage** – sump boxes are nestable. Two sizes accept multiple frames to accommodate all common dispensers
- ◆ **Full-Access Working Area** – frame is attached after plumbing is complete
- ◆ **Mounting Flange** – sump rests on island form crossbars for support during installation



### Ordering Specifications - Wide Access Fiberglass Dispenser Sumps

Sump Model #	Dimensions								Weight with Top		Box Part #	Top Assembly Part #
	A	B		C		D		lbs.	kg			
	in.	cm	in.	cm	in.	cm	in.	cm				
DSF-1120	15	38	11	28	37	94	20	51	94	43	D02198M	D02210
DSF-1123	15	38	11	28	37	94	23	58	94	43	D02198M	D02212
DSF-1123F *	15	38	11	28	37	94	23	58	94	43	D02198M	D02213
DSF-1543 **	18.5	47	14.375	37	46	117	42.5	108	95	43	210034	211351
DSF-1543C**	18.5	47	14.375	37	46	117	36.3	92	95	43	210034	211351
DSF-1630	20	51	16	41	37	94	30	76	87	40	D02198M	D02536
DSF-1741C	20.7	52.5	16.7	42.4	40.5	103	37	94	90	41	210051	212272
DSF-1836	21	53	17	43	46	117	36	91	95	43	E00591M	D02511
DSF-1836C**	21	53	17	43	46	117	36	91	95	43	210051	211350
DSF-1836CL***	21.1	53.5	16.7	42.4	41	104	37	94	95	43	206725	206726

SL-1100 Urethane Sealant - One Tube required per Sump (Packaged 12 tubes/case)

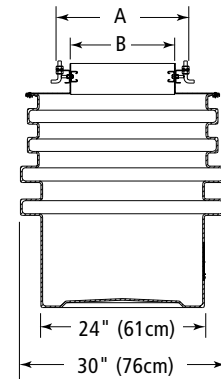
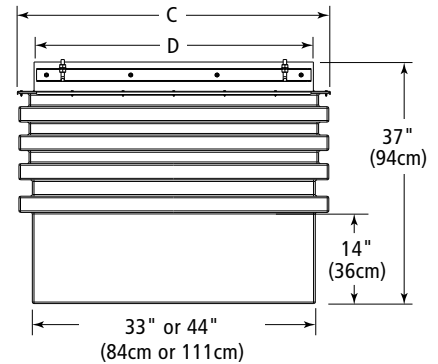
\* Flush Mount model supplied without rain lip due to dispenser frame clearance limitations; Frame Gasket Included. Anchor bolts provided, Stabilizer Bar Kits ordered separately; One kit required for each emergency & vapor valve. Refer to FlexWorks Dispenser Sump Selection Chart (See Pages 35 - 36 of this catalog) to select sumps for particular dispensers. **Yellow indicates metal top model.**

\*\* These sumps are designed for Conduitless applications.

\*\*\* C Conduitless



## Wide Access Polyethylene Dispenser Sumps



### Features & Benefits:

- ◆ **Contractor-Friendly Installation** – open top provides unrestricted access to the inside of the containment chamber to facilitate entry fitting and piping installation. Dispenser mounting frame is attached after plumbing is complete
- ◆ **Deeper Burial Capability** – 37" burial depth allows piping slope requirements to be met more easily in layouts with long piping runs
- ◆ **Simple Field Height Adjustment** – the top portion of the chamber can be quickly and easily trimmed along the ribs to ensure maximum installation flexibility
- ◆ **Full Perimeter Liquid Collection Channel** – facilitates quick leak detection and allows flexibility in locating leak sensors
- ◆ **Convenient Shipping and Storage** – sump boxes are partially nestable. Two chamber sizes accept multiple frames to accommodate all common dispensers
- ◆ **Polyethylene Top** – polyethylene top will not corrode

### Ordering Specifications - Wide Access Polyethylene Dispenser Sumps

Sump Model #	Dimensions								Weight with Top		Box Part #	Top Assembly Part #
	A in.	A cm	B in.	B cm	C in.	C cm	D in.	D cm	lbs.	kg		
DSW-1120	15	38	11	28	37	94	20	51	94	43	E00590M	D02210
DSW-1123	15	38	11	28	37	94	23	58	94	43	E00590M	D02212
DSW-1123F *	15	38	11	28	37	94	23	58	94	43	E00590M	D02213
DSW-1543 **	18.5	47	14.375	37	46	117	42.5	108	95	43	E00591M	D02550
DSW-1543C	18.5	47	14.375	37	46	117	36.3	92	95	43	E00591M	201491
DSW-1630	20	51	16	41	37	94	30	76	87	40	E00590M	D02536
DSW-1836	21	53	17	43	46	117	36	91	95	43	E00591M	D02511
DSW-1836C **	21	53	17	43	46	117	36	91	95	43	E00590M	201339
DSW-1836CL ***	21.1	53.5	16.7	42.4	41	104	37	94	95	43	206725	206726

SL-1100 Urethane Sealant - One Tube required per Sump (Packaged 12 tubes/case)

\* Flush Mount model supplied without rain lip due to dispenser frame clearance limitations; Frame Gasket Included. Anchor bolts provided, Stabilizer Bar Kits ordered separately; One kit required for each emergency & vapor valve. Refer to FlexWorks Dispenser Sump Selection Chart (See Pages 35 - 36 of this catalog) to select sumps for particular dispensers. **Yellow indicates metal top model.**

\*\* Conduitless with Offset Top.

\*\*\* Conduitless Narrow Base.

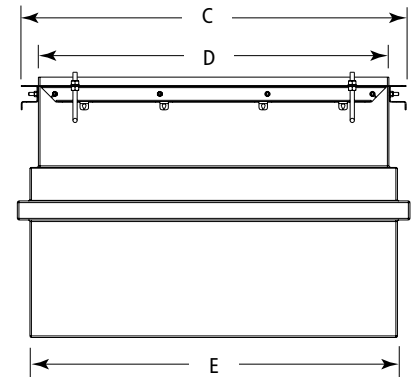
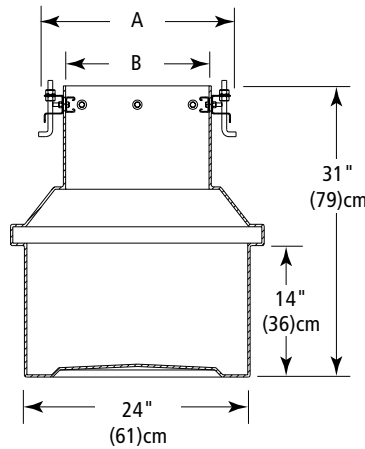
## One-Piece Polyethylene Dispenser Sumps

FlexWorks Dispenser Sumps are installed beneath fuel dispensers to provide access to and secondary containment of dispenser plumbing, emergency shear valves and underground piping connections. Stabilizer Bar Kits are installed in FlexWorks Dispenser Sumps to provide reliable support for boss-mounted emergency shear valves.



### Features & Benefits:

- ◆ **Multiple Models** – ensure a custom fit.
- ◆ **Structural Reinforcing on Large MPD Models** – prevents sump deformation from backfill and high water table forces.
- ◆ **Light Color** – preserves rigidity in sunlight before backfill and provides maximum visibility after installation.
- ◆ **Full Perimeter Liquid Collection Channel** – facilitates quick leak detection and allows flexibility in locating leak sensors.
- ◆ **Integral Rain Lip** – protrudes into the dispenser frame to prevent surface water entry.
- ◆ **Easy Installation** – field height adjustment capability and large pipe entry area ensures installation flexibility.
- ◆ **Many Are Available in a Conduitless Model** – eliminates conduit entry fittings and prevents a notorious leak point inside dispenser sumps.



### Ordering Specifications\* - One-Piece Polyethylene Dispenser Sumps

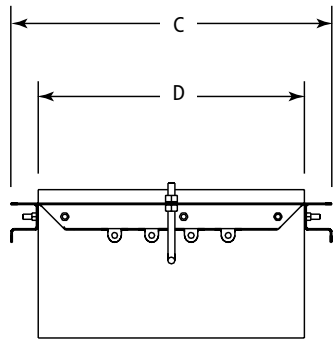
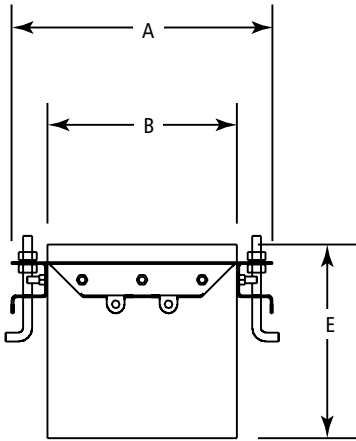
Model #	A		B		C		D		E		Weight	
	in.	cm	in.	cm	in.	cm	in.	cm	in.	cm	lbs.	kg.
DS-1036	14	36	10	25	40	102	36	91	38	97	65	65
DS-1117F**	14.5	37	10.5	27	20.5	52	16.5	42	18.5	47	32	15
DS-1120	15	38	11	28	24	61	20	51	25	64	33	15
DS-1123	15	38	11	28	27	69	23	58	25	64	33	15
DS-1123B	18.5	47	11	28	27	69	23	58	25	64	33	15
DS-1123F**	15	38	11	28	27	69	23	58	25	64	33	15
DS-1229	15.5	39	11.5	29	33	84	29	74	31	79	49	22
DS-1242	15.5	38	11.5	29	46	117	42	107	44	112	84	38
DS-1543A	19	48	15	38	43	109	39	99	41	104	84	38
DS-1630	20	51	16	41	34	86	30	76	32	81	52	23
DS-1630B	20	51	16	41	34	86	30	76	32	81	52	23
DS-1642	20	51	16	41	46	117	42	107	44	112	84	38
DS-1836	21.5	55	17.5	44	40.5	103	36.5	93	39	99	70	32
DS-1928	18	46	14.8	38	30	76	26	66	28.5	72	50	23
DS-1741	21	53	17	43	44.7	114	40.6	103	42.6	108	80	36

\* Refer to FlexWorks Dispenser Sump Selection Chart to select sumps for particular dispensers (See pages 35 - 36 of this catalog)

\*\* Flush mount model supplied without rain lip due to dispenser frame clearance limitations; Frame gasket included. Anchor bolts provided, Stabilizer Bar Kits ordered separately; One kit required for each emergency and vapor shear valve.

## FlexWorks Polyethylene Dispenser Pans

FlexWorks Dispenser Pans are installed beneath fuel dispensers to provide secondary containment of dispenser plumbing and emergency shear valves. Dispenser pans are commonly used with rigid fuel pipe and to retrofit existing dispensers.



### Ordering Specifications FlexWorks Polyethylene Dispenser Pan

Model *	Dimensions										Weight	
	A		B		C		D		E		lbs.	kg
	in.	cm	in.	cm	in.	cm	in.	cm	in.	cm		
DP-1117F	14 1/2	37	10 1/2	27	20 1/2	52	16 1/2	42	11	28	20	9
DP-1123	15	38	11	28	27	69	23	58	11	28	23	10
DP-1123F	15	38	11	28	27	69	23	58	11	28	23	10
DP-1543	19	48	15	38	43	109	38.8	99	11	28	44	20
DP-1630	20	51	16	41	34	86	30	76	11	28	38	17
DP-1836	21 1/2	55	17 1/2	44	40	102	36	91	11	28	50	23

\*Flush Mount Model (F) Supplied without Rain Lip Due to Dispenser Frame Clearance Limitations; Supplied with Frame Gasket. Anchor Bolts Provided, Stabilizer Bar Kits Ordered Separately; One Kit Required for each Emergency Shut-Off Valve.





DSK-DEF-1836

### Features & Benefits:

- ◆ Provides a below-grade mounting point for our DEF Shear Valve, part number 60V-DEF
- ◆ Fits Dispenser Sumps DS-1836, DSF-1836, DSF-1836C and FDS-4021

### Ordering Specifications

Model #	Description
DSK-DEF-1836	DEF Skirt for Gilbarco Encore
DSK-DEF-1630	DEF Skirt for Wayne Ovation
DSK-DEF-1836	DEF Pan for Gilbarco Encore with Solid Base
DSK-DEF-1630	DEF Pan for Wayne Ovation with Solid Base

### DEF Skirt

OPW Retail Fueling is proud to announce our new DEF Skirt for our 1836 Series of Dispenser Sumps for the Gilbarco Encore High Speed Diesel with a DEF cabinet.

NOTE: This skirt is not made for the DSW-1836 or DSW-1836CL Sump.



## Dispenser Pan Fittings and Accessories

FlexWorks Dispenser Pan fittings are installed in the bottom of FlexWorks Dispenser Pans to accommodate Pipe and Flex Connector Entries. "The FIT-3530 is used to isolate and contain Flex Connectors".

### Ordering Specifications - Dispenser Pan Fittings & Accessories

Model	Application	Nominal Boot I.D.		Hole Saw Required	Weight	
		in.	cm		lbs.	kg
PEF-3520R	Pan Entry Fitting, 2" (5 cm) FRP Pipe Entry	2 <sup>3</sup> / <sub>8</sub>	6	3" (8 cm)	2.5	1
PEF-3515R	Pan Entry Fitting, 1.5" (4 cm) Pipe Entry	2	5	3" (8 cm)	2.5	1
PEF-3515X	Pan Entry Fitting, 1.5" (4 cm) Flex Connector (Hex Seal)	2 (Hex)	5	3" (8 cm)	2.5	1
FIT-3530	Flexible Isolation Jacket, 30" (76 cm) Long x 3.5" (9 cm) I.D.				2	1
ITR-3015	Isolation Tube Reducer, 3" x 1.5"				1	.5
ITR-3020	Isolation Tube Reducer, 3" x 2"				1	.5

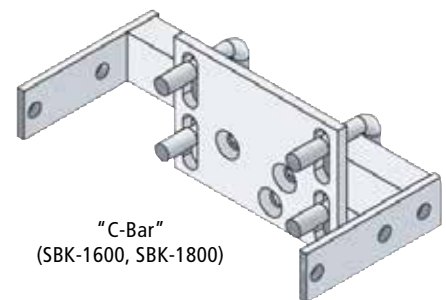
### Dispenser Sump Accessories

FlexWorks pipe Stabilizer Bar Kits provide reliable support inside dispenser sumps/pans for boss-mounted emergency shear valves. One kit is required for each emergency valve and vapor shear valve.

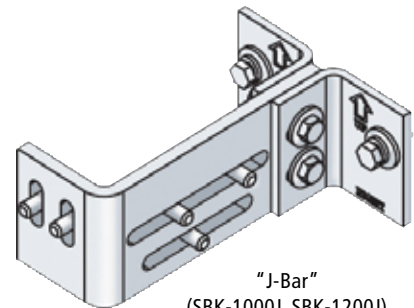
### Ordering Specifications - Stabilizer Bar Kit

Model #	0 (for Sump/Pan) DS-, DSW, DSF, FDS	Weight	
		lbs.	kg
SBK-1000J	1036	5	2.3
SBK-1100J	1117F, 1123, 1123F, 1120	5	2.3
SBK-1200J	1229, 1242	6	2.8
SBK-1500	Ovation Product Line (DS-1543A, DSW-1543, DSF-1543, 1543C, DS-1928)	7	3
SBK-1500V	Ovation Vapor Line (DSW-1543, DS1543A, DSF-1543, 1543C)	7	3
SBK-1600	1630, 1642	7	3
SBK-1700	DSF-1741C	7	3
SBK-1800	DS-1836, FDS-4021	7	3
SBO-0250	Ovation FDS-4319	6	2.8
SBO-0300	FDS-4319-DW	6	2.8
SBO-0700	FDS-4021-DW	6	2.8
MPK-10*	Extra Mounting Plate Kit	2	1
C04400M	Stabilizer Bar Mounting Plate Only under the MPK-10*		

\* Stabilizer bar is installed widthwise in dispenser sump. One valve mounting plate is included. Additional MPK-10 mounting plate kit is required for additional valves.



"C-Bar"  
(SBK-1600, SBK-1800)



"J-Bar"  
(SBK-1000, SBK-1200)

## Automatic Fire Extinguisher System

The FlexWorks Automatic Fire Extinguisher System is a small, non-rechargeable fire extinguisher designed specifically to be installed in a containment sump underneath an above-ground fuel dispenser, and to automatically extinguish a fuel fire in the event of a dispenser knock-over. The FlexWorks Fire Extinguisher System will automatically activate and discharge its extinguishing agent when the surrounding temperature reaches 175°F (79°C). The fire extinguisher comes with its own mounting bracket and can be mounted to a variety of surfaces. The fire extinguisher contains enough extinguishing agent to protect dispenser containment sumps up to a maximum capacity of 50 cubic feet.

### Features

- ◆ Charged with a clean agent – HFC-227ea
- ◆ Operating temperatures of 0°F to 130°F
- ◆ One-year replacement warranty
- ◆ Low-cost solution to a potentially expensive problem

### Benefits

- ◆ Extinguishes fuel fires quickly
- ◆ Provides year-round fire protection
- ◆ No certified annual testing required
- ◆ May reduce fire insurance premiums



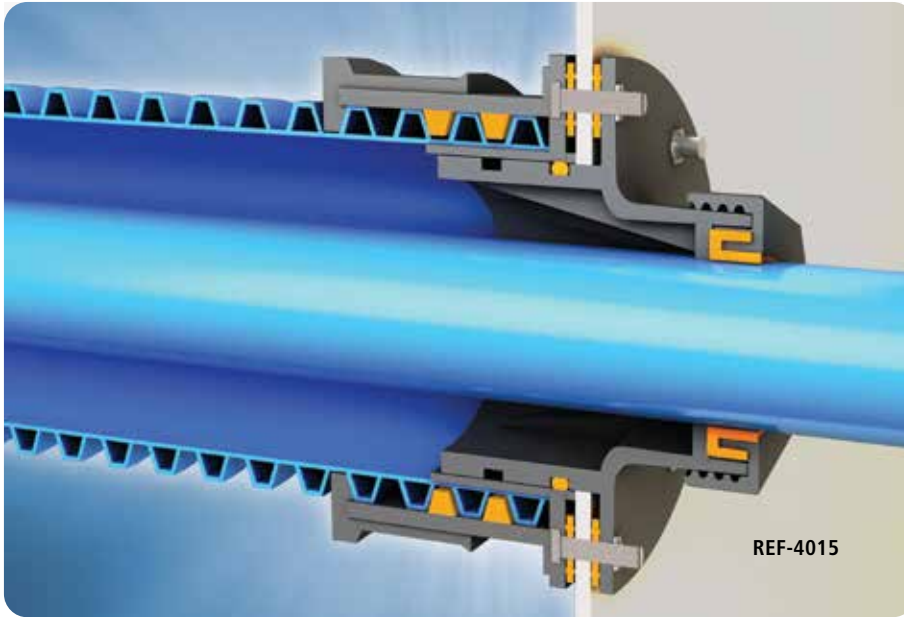
### Fire Prevention

Dispenser and UST containment sumps offer significant environmental protection by providing secondary containment and corrosion protection of valves and pipe fittings. Under certain conditions, a potential fire hazard could develop. Should a fire occur inside the containment chamber, the FlexWorks Automatic Fire Extinguisher System automatically extinguishes the fire in a matter of seconds, protecting patrons, underground piping, shear valves and sump.

Application	Dispenser Containment Sump
Agent	HFC-227
Coverage Area:	50 ft. <sup>3</sup> (1.42m <sup>3</sup> )
Atmospheric Life	Less than one day
Activation Temp:	175°F (79°C)
Operating Temp Range:	0°F to 130°F (-17.7°C to 54.4°C)

### Ordering Specifications - FlexWorks Automatic Fire Extinguisher System

Model	Description
FSS-50	FlexWorks Automatic Fire Extinguisher System



## The "REF" Rigid Entry Fitting

As a result of OPW's all inclusive development program to bring Next Generation Solutions to the market, OPW is proud to announce the release of our new state-of-the-art Rigid Entry Fitting.

How is this fitting different than other fittings in the industry? Our new Rigid Entry Fitting has minimal exposed rubber, yet still accommodates ground movement. The sealing redundancy throughout the fitting provides maximum containment and unmatched protection from water intrusion.

### Features & Benefits:

- ◆ Sealing redundancy throughout – Maximum containment and unmatched protection from water intrusion
- ◆ Preserves total accessibility – For monitoring, maintenance, testing and repair
- ◆ Maintains flexibility to accommodate pipe and ground movement
- ◆ Hard shell exterior – to weather the elements and abuse of the underground environment

### Ordering Specifications - REF Rigid Entry Fitting

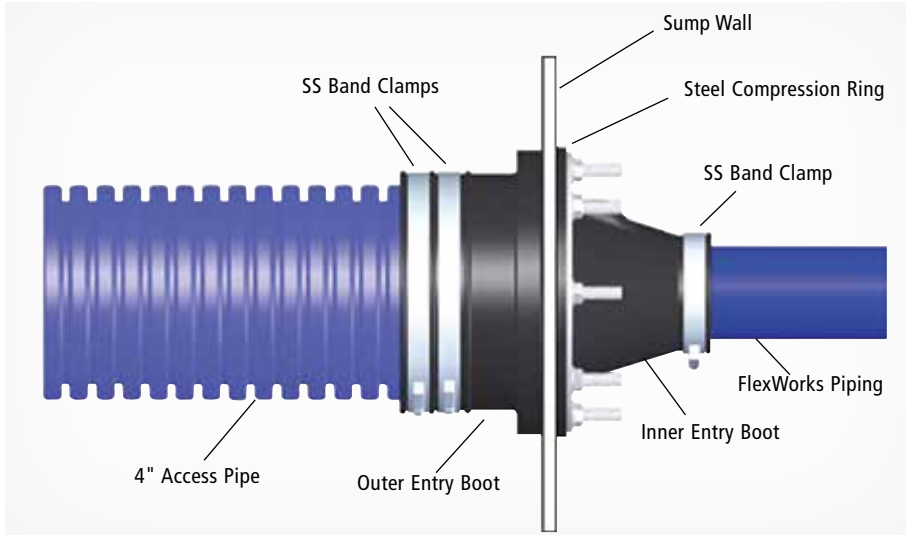
Model #	Description	Weight	
		lbs.	kg
REF-0075C	Rigid Entry Fitting, ¾" Rigid Conduit, Nylon	.90	0.40
REF-0100C	Rigid Entry Fitting, 1.0" Rigid Conduit, Nylon	.95	0.43
REF-0150	Rigid Direct Bury Entry Fitting for 1.5" Flexworks	2.35	1.06
REF-0200	Rigid Direct Bury Entry Fitting for 2" Flexworks	2.45	1.11
REF-0200F	Rigid Direct Bury Entry Fitting for 2.0" Smith SW FRP	2.45	1.11
REF-0200X	Rigid Direct Bury Entry Fitting for 2" LCX DW FRP	2.45	1.11
REF-0300F	Rigid Direct Bury Entry Fitting for 3" Smith SW FRP	2.85	1.30
REF-0300F	Rigid Direct Bury Entry Fitting for 3" Smith SW FRP	2.85	1.30
REF-4015	FlexWorks Rigid Entry Fitting 4" x 1.5"	2.75	1.25
<b>NEW</b> REF-4015DC*	Double-wall Compatibile (DC) FlexWorks Rigid Entry Fitting 4" x 1.5"	2.75	1.25
REF-4020	FlexWorks Rigid Entry Fitting 4" x 2.0"	2.85	1.30
<b>NEW</b> REF-4020DC*	Double-wall Compatibile (DC) FlexWorks Rigid Entry Fitting 4" x 2.0"	2.85	1.30
<b>NEW</b> HEF-6030	FlexWorks Rigid Entry Fitting 6" x 3.0"	2.95	1.34

\*Compatible with any double-wall sump up to 0.52 inches thick.  
Ships with customer "acorn nuts" and o-rings to ensure interstice integrity.

### Hole Saw Size Table

Entry Fitting Model #	Hole Saw Dimension
REF-0075C, REF-0100C	2.5"
REF-0150, REF-0200, REF-0200F, REF-0200X, REF-4015, REF-4020	4"
REF-0300F	5"
HEF-6030	5.75"





### Ordering Specifications - Double Flexible Entry Boot & Fitting

Model #	Application	Hole Saw		Weight	
		in.	cm	lbs.	kg
DEB-0751	1/2", 3/4" and 1" Conduit Double Entry Boot Fitting	2 3/8"	6.03	1.45	0.66
DEB-0150	1.5" Double Entry Boot Fitting for 1.5" DW FlexWorks Pipe	4 1/4"	10.79	2.50	1.13
DEB-0200	2" Double Entry Boot Fitting for 2" DW FlexWorks Pipe or 2" Rigid Pipe	4 1/4"	10.79	2.50	1.13
DEB-0200X	2" LCX Double Entry Boot Fitting for 2" Ameron LCX / MCX Pipe	5 1/2"	13.97	3.90	1.77
DEB-0300	3" Double Entry Boot Fitting for 3" DW FlexWorks or 3" Rigid Pipe	5 1/2"	13.97	3.05	1.38
DEB-0300X	3" LCX Double Entry Boot Fitting for 3" Ameron LCX / MCX Pipe	5 1/2"	13.97	3.50	1.59
DEB-0400	4" Double Entry Boot Fitting for 4" Rigid Pipe/AXP LCX Pipe	5 1/2"	13.97	3.20	1.45
DEB-4015(A)	4" to 1.5" Double Entry Boot Fitting for 4" FlexWorks Access Pipe to 1.5" DW FlexWorks Pipe - (A) with Air Stem	4"	10.79	3.15	1.43
DEB-4020(A)	4" to 2" Double Entry Boot Fitting for 4" FlexWorks Access Pipe to 2" DW FlexWorks Pipe - (A) with Air Stem	4"	10.79	3.20	1.45

## Double Flexible Entry Boots

FlexWorks Double Flexible Entry Boots are designed to seal the sump penetration. These entry boots incorporate both internal and external band clamps to provide additional sealing in harsh environments. Boots firmly fasten and seal to the sump wall using steel studs, fasteners and a galvanized compression ring. These entry boots are available in a variety of sizes and designs to accommodate rigid and flexible piping, ducting and conduit.

### Features & Benefits:

- ◆ Watertight pipe and conduit entries
- ◆ Installation on flat or round surface
- ◆ Added flexibility permitting angled
- ◆ Provides clean dry environment
- ◆ Accommodates various site installations
- ◆ Allows for easy field adjustments
- ◆ Can be repaired if damaged
- ◆ Third-party tested and approved
- ◆ Internal and external clamps for positive seal off

## Flexible Entry Boots

FlexWorks Flexible Entry Boots are reliable, safe seals for pipe and conduit entries into underground containment sumps. These entry boots allow for angled pipe entries and have no exposed metal parts to the underground environment. These entry boots are available in a variety of sizes and designs to accommodate rigid and flexible piping, ducting and access pipe.

### Features & Benefits:

- ◆ Watertight pipe and conduit entries
- ◆ Installation on flat or round surface
- ◆ Added flexibility permitting angled entries up to 15 degrees
- ◆ Third-Party testing approved

### Sump Entry

Flexible entry boots have been tested to withstand a minimum of 6' of liquid head pressure. These seals provide a studded flange connection to create a positive and secure seal where the rubber contacts the sump wall and also around the pipe or conduit. Tightening down on a series of stud fasteners with a compression ring provides a high compression mechanical seal compared to screw on type bulkhead seals.



### Angled Entries

Primary pipe and access pipe entering the containment sumps may not be perpendicular with the sump wall. Angled entries are generally a result of directional plumbing restrictions on the inside of the containment chamber due to space limitations. Flexible entry boots are flexible enough to permit angled pipe or conduit entries (on two axes) into the sidewall of a containment chamber. All flexible entry boots permit angled entries up to a 15-degree angle off the perpendicular center line in any direction without leaking or putting undue stress on the pipe or conduit seal.

### Ordering Specifications - Single Flexible Entry Boot & Fitting

Model #	Application	Weight		Hole Saw	
		lbs.	kg	in.	cm
EBF-0751	1/2", 3/4" and 1" Conduit Entry Boot Fitting	1.2	0.5	2 3/8"	6.03
EBF-0150	1.5" Entry Boot Fitting for 1.5" DW FlexWorks Pipe	1.5	0.7	3 3/4"	9.52
EBF-0200	2" Entry Boot Fitting for 2" DW FlexWorks Pipe or 2" LCX	1.8	0.8	3 3/4"	9.52
EBF-0200F	2" Entry Boot Fitting for 2" Rigid Pipe	1.3	0.6	3 3/4"	9.52
EBF-0300	3" Entry Boot Fitting for 3" DW FlexWorks Pipe or 3" Rigid Pipe/LCX	1.8	0.8	5"	12.7
EBF-0400	4" Entry Boot Fitting for 4" Rigid Pipe/AXP Pipe	2.0	0.9	5 1/2"	13.97
EBF-0600	6" Entry Boot Fitting for 6" Rigid Pipe Saber Saw	3.0	1.3	7 1/4"	18.47
SAB-7400	4" Sump Access Boot – Can be used as a repair boot plug for EBF fittings	2.0	0.9	5"	12.7

Flexible Entry Boot Manual Order Number: EBM-0001

### Test Boots

FlexWorks Test Boots are used to isolate and air-test the interstitial space between the primary and secondary pipe. One test boot is required for each pipe end.

The QCJ-2512 and our QCT-2512 allows users to quickly close the interstitial space of the pipe for testing. New EPA regulations maintain that secondarily contained areas must be tested for tightness after repairs and this new hardware saves time and money on labor when tests are necessary.

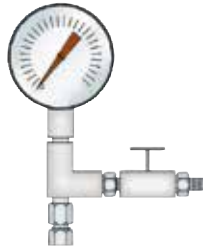
- QCJ-2512 (Junction) is used for pass through UDC's, and the QCT-2512 (Termination) is used to terminate the run.
- Quick close system allows for open systems to be closed and tested in minutes.



Models TBA-3015, TBA-3020, TBA-4015 and TBA-4020



Models TBA-0075, TBA-0100, TBA-0150, TBA-0200 and TBA-0300



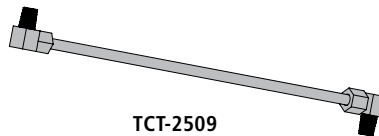
Test Gauge Assembly (TGA-15)



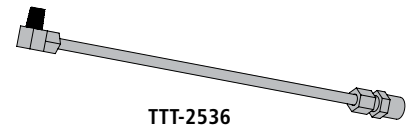
Test Jumper for Air Stems (TJ-200A)



Test Line Termination Kit for Air Stems (TLT-36A)



TCT-2509



TTT-2536

### Ordering Specifications - Test Boot & Testing Equipment

Model #	Application	Weight	
		lbs.	kg
QCJ-2512	Junction		
QCT-2512	Termination		
TBA-0075	3/4" Test Boot with Air Stem	0.20	0.09
TBA-0100	1" Test Boot with Air Stem	0.20	0.09
TBA-0150	1.5" Test Boot with Air Stem	0.35	0.16
TBA-0200	2" Test Boot with Air Stem	0.40	0.18
TBA-0300	3" Test Boot with Air Stem	0.70	0.32
TBA-3015	3" to 1.5" Test Boot with Air Stem	0.35	0.16
TBA-3020	3" to 2" FRP Test Boot with Air Stem	0.40	1.18
TBA-4015	4" to 1.5" Test Boot with Air Stem	0.75	0.34
TBA-4020	4" to 2" Test Boot with Air Stem	0.75	0.34
TBA-4030	4" to 3" FRP Test Boot with Air Stem	0.70	0.32
TJ-200A	Test Jumper for Air Stems		
TLT-36A	Test Line Termination Kit for Air Stems		
TGA-15	Test Gauge Assembly		
TCT-2509	Test Jumper for Double-Wall Coupling (DPC and SBC Series)		
TTE-5	Replacement Brass Elbows for Test Tubes (5 per bag)		
TTT-2536	Test Tube Termination Kit for Double-Wall Coupling (DPC and SBC Series)		



QCT-2512



QCJ-2512

## Flexible Piping Systems for Fuel Oil & Generator Applications

The FlexWorks Fuel Oil Piping System is designed to provide a reliable fuel supply system to generators and boilers from remote fuel tanks. Typical applications include both a 3/4" supply and a 1" overflow return line running from a remote AST or UST to a generator engine or boiler day tank. Both lines are typically inserted into a common FlexWorks Access Pipe to provide retractable access to the fuel lines. See page 10 for fuel oil pipe. OPW will cut fuel oil pipe to length at no charge.



DEB-4175 Double Entry Boot Fitting



3/4" Primary Pipe with SBC Fitting



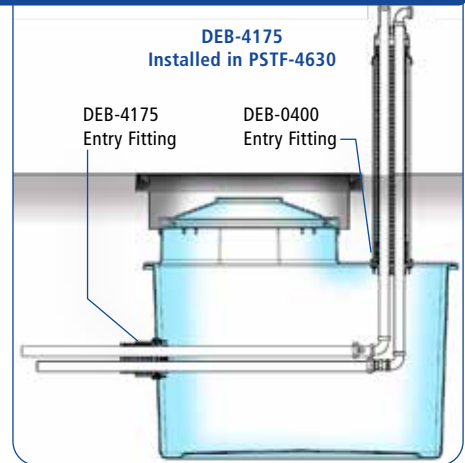
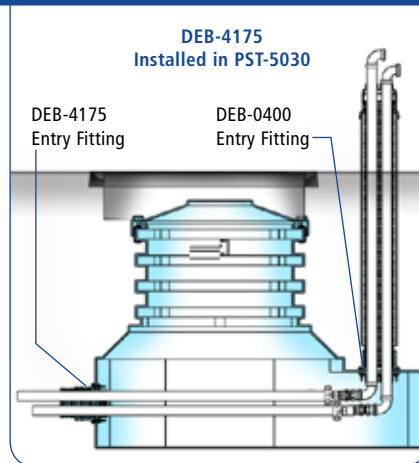
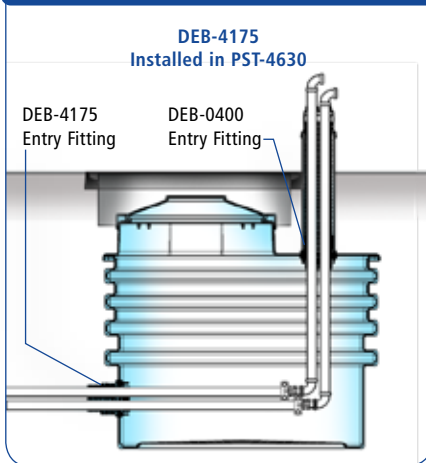
1" Primary Pipe with SBC Fitting

### Ordering Specifications Specialty Fittings

Model #	Application	Weight	
		lbs.	kg
PDT-411	4" x 1" x 1" Double Tap Bushing	12	5
PJK-4175	4" x 1" x 3/4" Pipe Joining Kit	10	4.5
PTA-4175	Transition Assembly	8	3.5
TBA-4175	4" Fuel Oil Boot Transition Assembly	1	0.5
TBA-4175A	4" Fuel Oil Boot Transition Assembly with Air Stem	1	0.5

Model #	Application	Weight	
		lbs.	kg
SBC-2075	Swivel Bolt-On Coupling 3/4" NPT		
SBC-2100	Swivel Bolt-On Coupling 1" NPT		
DEB-4175	4" to 3/4" or 1" Double Entry Boot Fitting	3.25	1.47

### AST APPLICATIONS



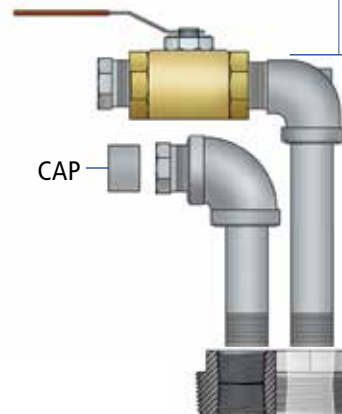
### Transition Assembly Specialty Fittings - 3/4" and 1"



**TBP-100**  
Plug for the Port on TBA-4175 Series Test Boots: For use when running only one fuel line inside AXP Pipes.



**PTA-4175**  
FlexWorks Fuel Oil Piping Pipe Above/Below Ground Transition Assembly –  
For slab penetration of 4" (10 cm) access pipe with 3/4" (2 cm) or 1" (3 cm) Fuel Oil Pipes



**PDT-411** FlexWorks Double-Tapped Tank Bung Fitting, 4" (10 cm) MNPT w/Dual 1" (3 cm) FNPT Taps - Used in 4" (10 cm) Tank Bung to accommodate FOP Supply and Return Lines

**PJK-4175** FlexWorks Fuel Oil Piping Pipe Joint Kit – includes nipples, ball valve and fittings used to connect 3/4" (2 cm) or 1" (3 cm) FOPs to PDT-411 Tank Bung Fitting



### Transition Sumps

#### FlexWorks Above-Grade / Below-Grade Transition Sumps

#### Model PSTF-4630 Transition Sump (Fiberglass Sump/Fiberglass Top)

- ◆ Large, injection-molded FRP containment chambers are stackable for convenient shipping and storage
- ◆ Removable FRP top allows maximum access during installation of fittings and equipment, and provides a rigid entry fitting area adjacent to the cover for vertical entry of above-grade piping
- ◆ The PSTF-4630 is not adjustable, but FRP Sump Height Extenders (DSFE-4612) are available for the PSTF-4630 to accommodate deeper bury applications

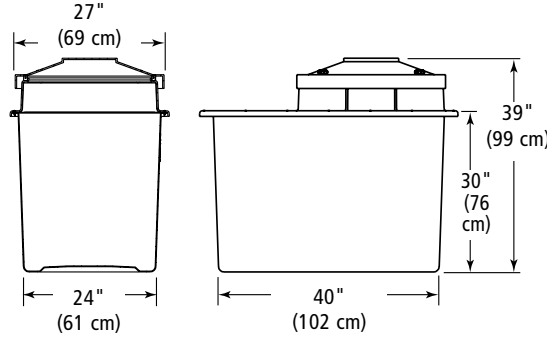
#### Model PST-4630 Transition Sump (Polyethylene Sump/Fiberglass Top)

- ◆ Large, heavily ribbed polyethylene containment chamber provides structural rigidity
- ◆ Adjustable to a minimum of 26"

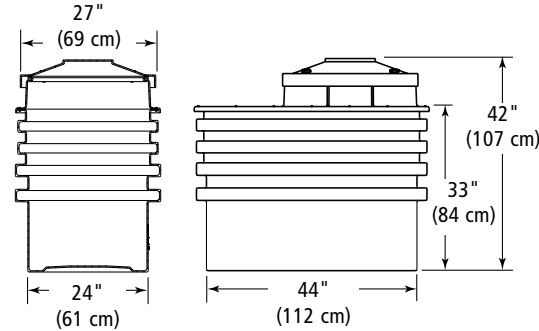
#### Model PST-5030 One-Piece Polyethylene Transition Sump

- ◆ Flat entry fitting area extending from the sump base accommodates vertical pipe entries
- ◆ Heavily ribbed riser provides strength and rigidity
- ◆ Adjustable to a minimum of 29"

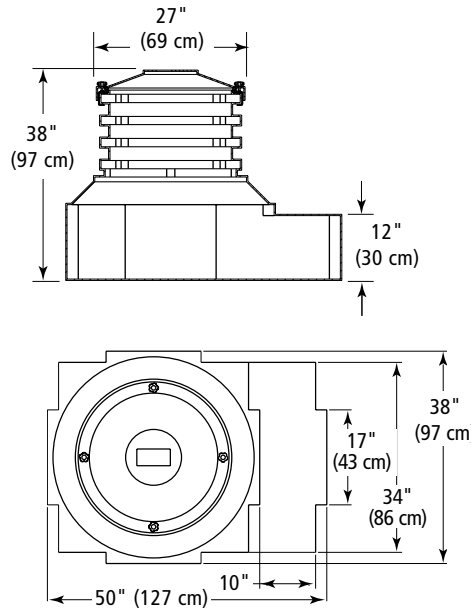
#### Model PSTF-4630 Transition Sump (Fiberglass Sump/Fiberglass Top)



#### Model PST-4630 Transition Sump (Polyethylene Sump/Fiberglass Top)



#### Model PST-5030 One-Piece Polyethylene Transition Sump

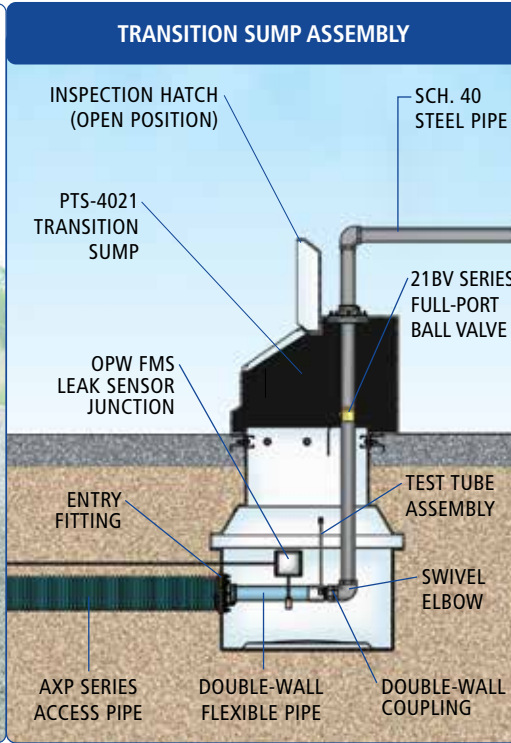


### Ordering Specifications - Specialty Fitting

Model #	Application	Height		Weight	
		in	cm	lbs	kg
PSTF-4630	Fiberglass Transition Sump with Fiberglass Top	39	99	90	41
PST-4630	Poly Transition Sump with Fiberglass Top	42	107	100	45
PST-5030	One-Piece Poly Transition Sump with Poly Top, 38" x 50"	38	97	100	45
PTS-4021	Two-Piece Poly Transition Sump with Poly Top	46.5	118	110	49

### Replacement Parts

Part #	Description
H13257M	Knob (each)
H13971M	Knob Kit (6 Pack)
H13214M	33" Seal
D02025M	33" Poly Cover
DSC-4021B	Top Assembly for PTS-4021



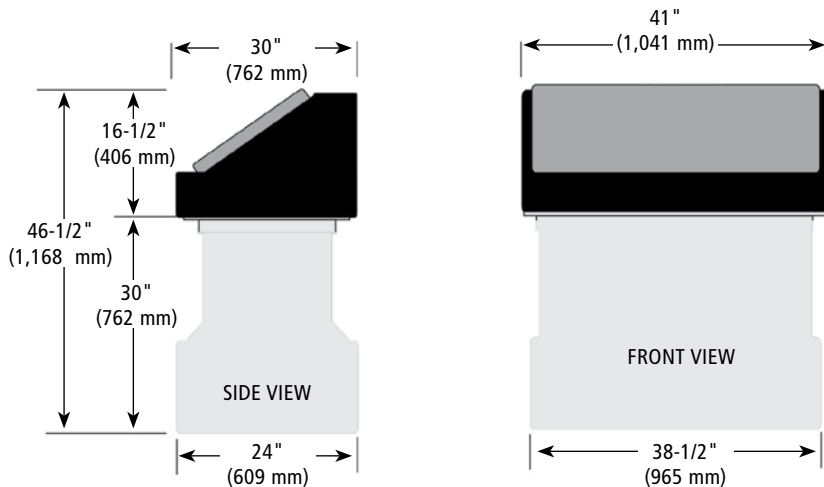
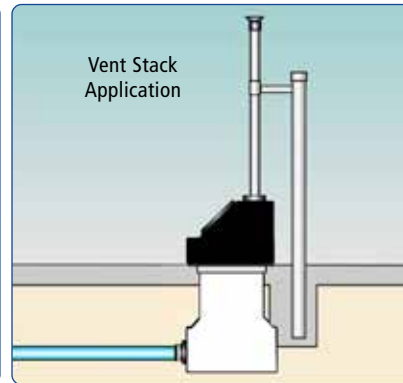
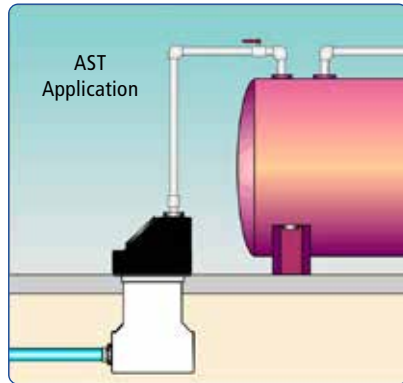
## Transition Sumps

**Model PTS-4021 Transition Sump**  
(2 Piece - Polyethylene Sump/  
Polyethylene Top)

- ◆ Non-corroding, polyethylene sump container
- ◆ Weatherproof lockable cover
- ◆ Exterior anchoring system

**AST Application:** Provides secondary containment and accessibility to the fittings that connect the underground supply piping to the rigid supply piping that leads from an above ground storage tank.

**Vent Stack Application:** Transition sump is used for containment and accessibility to the fittings. At the vent stack, where the underground vent piping connects to the rigid vent stack piping.



The complete Environmental System for underground fuel transfer and containment for the 21st century.

# Emergency Shut-Off & Vapor-Line Shear Valves



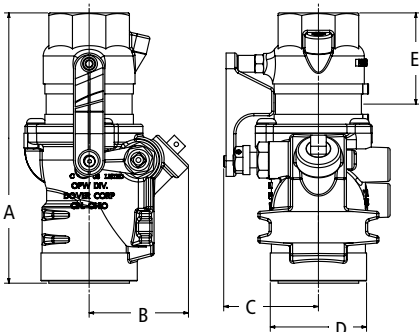
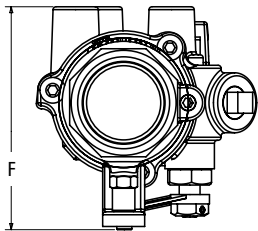
Emergency Shut-off Valves .....	51 - 55
Vapor Line Shear Valves .....	56 - 57
DEF Shear Valve .....	58
Island Forms and Protective Curbing .....	59 - 62
Pipe Guards .....	63
Flex Connectors .....	64 - 65
Suction System Accessories .....	66 - 67
Fuel Oil & Generator Piping Systems .....	48
Transition & Special Application Sumps .....	49 - 68

## 10 Plus Series Emergency Shut-Off Valves

OPW raised the protection standard in emergency valves when it introduced the first double-poppet valve back in 1989. This industry-changing OPW innovation helped to significantly reduce the risk of fire, explosion, personal injury, property damage and environmental contamination at sites around the world. Major oil companies and jobbers agreed that providing added protection for their customers, investments and the environment were the three most convincing reasons for switching to the innovative new valves.

### Dimensions

	1.5 in.	2.0 in.
A	7 <sup>9</sup> / <sub>16</sub>	8 <sup>7</sup> / <sub>8</sub>
B	2 <sup>25</sup> / <sub>32</sub>	3 <sup>1</sup> / <sub>2</sub>
C	2 <sup>21</sup> / <sub>32</sub>	
D	2 <sup>11</sup> / <sub>16</sub>	3 <sup>1</sup> / <sub>2</sub>
E	2 <sup>9</sup> / <sub>16</sub>	3 <sup>3</sup> / <sub>16</sub>
F	4 <sup>21</sup> / <sub>32</sub>	5 <sup>31</sup> / <sub>32</sub>



### Listings and Certifications



10 Plus Series Instruction Sheet Order Number: **201614**

## Materials

**Top:** Cast iron  
**Body:** Cast iron



1.5"  
10 Plus

2"  
10 Plus (B100)

1.5"  
10 Plus (E85)

2"  
10 Plus

## Features

- ◆ The ONLY emergency shut-off valve in the world designed to protect your customers, investments, and the environment against the potential hazards of undetected shear groove leaks caused by low-impact incidents
- ◆ The patented SmartGuard™ design contains shear groove leaks, preventing fuel from leaking into sumps to help reduce the risk of fire, explosion, personal injury, property damage, environmental contamination, product loss and costly clean-up
- ◆ Superior shear groove design and engineering results in reliable valve shut-off in the event of a pull-over or dislodged dispenser. The 10 Plus utilizes the same time-tested field-proven design of the OPW 10 Series Emergency Shut-off Valve – the most specified emergency shut-off valve in the world
- ◆ Fusible link releases to automatically close the valve to reduce fire hazard
- ◆ Rigorously tested to meet OPW's rigid quality standards
- ◆ E85 model has orange arm for visual indicator

## Ordering Specifications

Model #	Body Size		Body Weight		Connection Threads	Poppet Configuration	Application	Mounting System
	in.	cm	lb.	kg				
10P-0150	1 1/2	4	6.7	3.05	NPT	Single	Pressure	Combination
10P-0152	1 1/2	4	6.8	3.10	NPT	Double	Pressure	Combination
10P-0152E85 *E85	1 1/2	4	6.8	3.10	NPT	Double	Pressure	Combination
10P-0200	2	5	11.2	5.12	NPT	Single	Pressure	Combination
10P-0202	2	5	11.2	5.12	NPT	Double	Pressure	Combination
10P-0202RF *B100	2	5	11.2	5.12	NPT	Double	Pressure	Combination



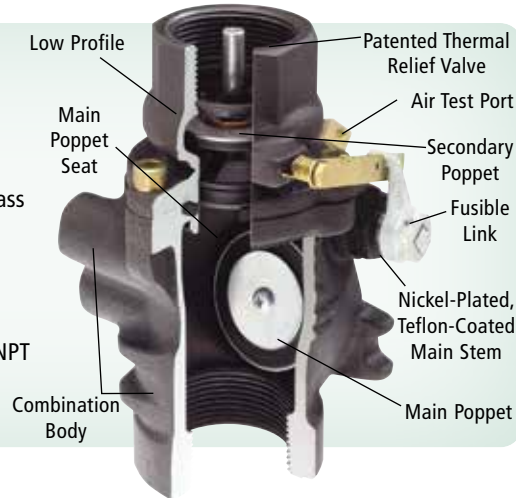
## 10 Plus Replacement Parts

Part #	Description
10RPLUS-0150	10 Plus Single Poppet Replacement Top
10RPLUS-0152	10 Plus Double Poppet Replacement Top
202950	1 1/2" Tetra Seal
200143	Safety Hub/Fusible Link
213273	E85 Safety Hub S/A Orange
H11361M	2" Tetra Seal



## Materials

- Top:** Cast iron
- Body:** Cast iron
- Disc:** M-19
- Carrier:** Zinc-plated steel
- Stem:** Copper-nickel-chrome-plated brass
- Poppet Spring:** Stainless steel
- Seal:** M-19 O-Ring
- Packing nut:** Brass, Teflon®-coated
- Inlet and outlet thread:** 1-1/2" (4 cm) NPT (British threads available)
- \*With black Duragard® E-Coating**



## Features

- ◆ **High Flow Capacity** – the primary poppet is held out of the flow stream while the secondary poppet is held normally open to minimize head loss across the valve and to protect the poppet seals from damage and erosion. True 1-1/2" (4 cm) and 2" (5 cm) body sizes ensure maximum flow.
- ◆ **Fire Protection** – a fusible link trips the valve closed at 165° F to shut off fuel supply to the dispenser.
- ◆ **Main Poppet Seat Integral to the Top Assembly** – having the main poppet seat as an integral part of the valve top ensures a new, clean seating surface is installed each time the top is replaced. This design also ensures that the integrity of the seal between the valve top and bottom is verified during line testing and allows full inspection of the main poppet when the top is removed.
- ◆ **Duragard®-Coat Finish** – provides superior corrosion resistance.
- ◆ **Reliable Shut-off** – a stainless steel main spring, a teflon-coated brass packing nut and a copper/nickel/ chrome-plated brass stem are designed to prevent tar build-up and corrosion from interfering with poppet operation after long periods of normal service without activation.
- ◆ **Integral Test Port** – a 3/8" (9.5 mm) test port allows the piping system to be air-tested without breaking any piping connections.
- ◆ **Patented Thermal Relief Valve** – relieves excessive pressure over 25 psi caused by thermal expansion of fuel in the dispenser piping system in the event of fire (double-poppet models only).
- ◆ **Low-Profile Tops** – female and union-top double-poppet valves have a low-profile top to allow upgrading from OPW single-poppet valves without changing existing piping.
- ◆ **Multiple Mounting Options** – valves are boss-mounted to stabilizer bars in sumps and pans or mounted to bars embedded in the island with optional U-Bolt kits 10UBK-015 (not included). Versatile Combination Body (boss mount/ U-Bolt mount) models are available to accommodate most mounting applications with one valve style.
- ◆ **Underwriters Laboratories** – listed for use with gasoline and 85% and 100% methanol. All OPW 10 Emergency Shut-Off Valves meet requirements of UL STANDARD 842.
- ◆ **Compatible with 85% ethanol (E85)**

## 10 Series Emergency Shut-Off Valves

OPW 10 Series Emergency Shut-off Valves are installed on fuel supply lines beneath dispensers at grade level to minimize hazards associated with collision or fire at the dispenser. If the dispenser is pulled over or dislodged by collision, the top of the valve breaks off at the integral shear groove, activating poppets and shutting off the flow of fuel. Single-poppet models shut off supply flow, while double-poppet models shut off supply as well as prevent release of fuel from the dispenser's internal piping. The base of the emergency valve is securely anchored to the concrete dispenser island through a stabilizer bar system within the dispenser sump or pan to ensure proper shearing action. The valve base is secured to the stabilizer bar using a three-point boss mount system or a U-Bolt Kit (not included) 10UBK-015 (1-1/2") and 10URK-0200 (2 sold separately). Valve inlet (bottom) connections are female pipe threads and outlet (top) connections are available with female threads, male threads or a union fitting. Other options include suction system models with a normally closed secondary poppet which maintains prime, and models with external threads on the inlet body which connect to secondary containment systems.

## PA15 Offset Adaptor

The OPW PA15 Offset Adaptor is designed for adjusting misalignment of pipe in dispenser sumps and suction stubs. The PA15 has a low profile feature, and is designed for maximum flow.



### Materials

Ductile Iron  
Black Duragard  
E-Coating

## Ordering Specifications

Part #	Thread Size		Offset		Height		Width		Body Weight	
	in.	mm	in.	mm	in.	mm	in.	mm	lb.	kg
PA15-10	1 1/2	38.1	1	25	2 1/4	57.2	3 5/8	92.1	2	.9
PA15-15	1 1/2	38.1	1 1/2	38.1	2 1/4	57.2	4 1/8	104.8	2	.9
PA15-20	1 1/2	38.1	2	51	2 1/4	57.2	4 5/8	117.5	2	.9

## OPW 10 Series Emergency Shut-Off Valves

### Ordering Specifications

#### Female Threaded Top (Outlet) Connection Valves

Model #	Body Size		Connection Threads	Poppet Configuration	Application	Replacement Top
	in.	cm				
10BF-5725	1½	4	NPT	Single	Pressure	10RFT-5750
10BFP-5726	1½	4	NPT	Double	Pressure	10FTP-5701
10RF-2001	2	5	NPT	Single	Pressure	10RFT-5742
10RFP-2002	2	5	NPT	Double	Pressure	10RFTP-5752

#### Male Threaded-Top (Outlet) Connection Valves

Model #	Body Size		Connection Threads	Poppet Configuration	Application	Replacement Top
	in.	kg				
10BM-5825	1½	4	NPT	Single	Pressure	10RMT-5850
10BHMP-5830	1½	4	NPT	Double	Pressure	10RMTP-5851
10SBHMP-5830	1½	4	NPT	Double	Suction	10SHMTP-5811
10RM-2003	2	5	NPT	Single	Pressure	10RMT-5842
10RMP-2004	2	5	NPT	Double	Pressure	10RMTP-5852

#### Union-Top (Outlet) Connection Valves

Model #	Body Size		Connection Threads	Poppet Configuration	Application	Replacement Top
	in.	kg				
10BU-5925	1½	4	NPT	Single	Pressure	10RUTC-5975
10BUP-5926	1½	4	NPT	Double	Pressure	10UTCP-5901
10SBUP-5926	1½	4	NPT	Double	Suction	10SUTCP-5911
10RU-2005	2	5	NPT	Single	Pressure	10RUTC-5962
10RUP-2006	2	5	NPT	Double	Pressure	10RUTCP-5972

NOTE: All BSPP Thread Shear Valves must be ordered through OPW's Europe or Asia office.

#### IMPORTANT NOTICE:

When mounting the OPW 10 Series Emergency Shut-off Valves, the anchoring system employed must withstand a force greater than 650 ft. pounds per valve. NFPA Code 30A, Automotive and Marine Service Station Code, requires that the automatic closing feature of emergency shut-off valves be checked at least once per year by manually tripping the hold-open linkage. OPW recommends the use of Flexworks Stabilizer Bar Support System for proper mounting of 10 Series Valves.

#### NOTICE:

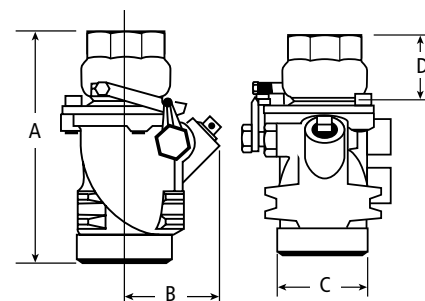
As per NFPA 30A, electrical supply to the submersible pump must always be disconnected before servicing meters, dispensers or emergency shut-off valves.

### Replacement Valve Tops

Model #	Body Size		Connection Threads	Poppet Configuration	Application	Top Connection	Profile
	in.	cm					
10RFT-5750	1½	4	NPT	Single	Pressure	Female	
10RFTP-5751	1½	4	NPT	Double	Pressure	Female	
10FTP-5701	1½	4	NPT	Double	Pressure	Female	Low Profile
10RMT-5850	1½	4	NPT	Single	Pressure	Male	
10RMTP-5851	1½	4	NPT	Double	Pressure	Male	
10SHMTP-5811	1½	4	NPT	Double	Suction	Male	
10RUTC-5975	1½	4	NPT	Single	Pressure	Complete Union	
10UTCP-5901	1½	4	NPT	Double	Pressure	Complete Union	Low Profile
10RFT-5742	2	4	NPT	Single	Pressure	Female	
10RFTP-5752	2	5	NPT	Double	Pressure	Female	
10RMT-5842	2	5	NPT	Single	Pressure	Male	
10RMTP-5852	2	5	NPT	Double	Pressure	Male	
10RUTC-5962	2	5	NPT	Single	Pressure	Complete Union	
10RUTCP-5972	2	5	NPT	Double	Pressure	Complete Union	

### 1½" Dimensions

	10BF		10BFP 10SBFP		10BM		10BHMP 10SBHMP		10BU		10BUP 10SBUP	
	in.	mm	in.	mm	in.	mm	in.	mm	in.	mm	in.	mm
A	6 <sup>21</sup> / <sub>64</sub>	161	6 <sup>21</sup> / <sub>64</sub>	161	6 <sup>13</sup> / <sub>16</sub>	173	7 <sup>11</sup> / <sub>16</sub>	195	7 <sup>1</sup> / <sub>4</sub>	184	7 <sup>1</sup> / <sub>4</sub>	184
B	2 <sup>3</sup> / <sub>4</sub>	70	2 <sup>3</sup> / <sub>4</sub>	70	2 <sup>3</sup> / <sub>4</sub>	70	2 <sup>3</sup> / <sub>4</sub>	70	2 <sup>3</sup> / <sub>4</sub>	70	2 <sup>3</sup> / <sub>4</sub>	70
C	2 <sup>11</sup> / <sub>16</sub>	69	2 <sup>11</sup> / <sub>16</sub>	69	2 <sup>11</sup> / <sub>16</sub>	69	2 <sup>11</sup> / <sub>16</sub>	69	2 <sup>11</sup> / <sub>16</sub>	69	2 <sup>11</sup> / <sub>16</sub>	69
D	1 <sup>3</sup> / <sub>4</sub>	44	1 <sup>3</sup> / <sub>4</sub>	44	2 <sup>1</sup> / <sub>4</sub>	57	3 <sup>1</sup> / <sub>8</sub>	79	2 <sup>11</sup> / <sub>16</sub>	69	2 <sup>11</sup> / <sub>16</sub>	69



### 2" Dimensions

	10RF 10RFS		10RM 10RMS		10RU 10RUS		10RFP 10RFSP		10RMP 10RMSP		10RUP 10RUSP	
	in.	mm	in.	mm	in.	mm	in.	mm	in.	mm	in.	mm
A	8 <sup>3</sup> / <sub>8</sub>	213	9 <sup>27</sup> / <sub>32</sub>	250	9 <sup>13</sup> / <sub>32</sub>	239	8 <sup>3</sup> / <sub>8</sub>	213	9 <sup>27</sup> / <sub>32</sub>	250	9 <sup>13</sup> / <sub>32</sub>	239
B	3 <sup>7</sup> / <sub>64</sub>	79	3 <sup>7</sup> / <sub>64</sub>	79	3 <sup>7</sup> / <sub>64</sub>	79	3 <sup>7</sup> / <sub>64</sub>	79	3 <sup>7</sup> / <sub>64</sub>	79	3 <sup>7</sup> / <sub>64</sub>	79
C	3 <sup>1</sup> / <sub>4</sub>	83	3 <sup>1</sup> / <sub>4</sub>	83	3 <sup>1</sup> / <sub>4</sub>	83	3 <sup>1</sup> / <sub>4</sub>	83	3 <sup>1</sup> / <sub>4</sub>	83	3 <sup>1</sup> / <sub>4</sub>	83
D	3 <sup>1</sup> / <sub>16</sub>	78	4 <sup>9</sup> / <sub>16</sub>	116	3 <sup>7</sup> / <sub>8</sub>	98	3 <sup>1</sup> / <sub>16</sub>	78	4 <sup>9</sup> / <sub>16</sub>	116	3 <sup>7</sup> / <sub>8</sub>	98

### Other Replacement Parts

Part #	Description
202950	1½" Tetra Seal
H11361M	2" Tetra Seal
H07659M	Link Spring
H07643RB	Link Retaining Screw
H04788M	Hold-Open Link (Brass)
H05361	Safety Hub S/A-Fusible Link
10UBK-015	U-Bolt Kit for 1½"
10URK-020	U-Bolt Kit for 2"

## Materials

**Body:** Cast iron with black Duragard® E-coating

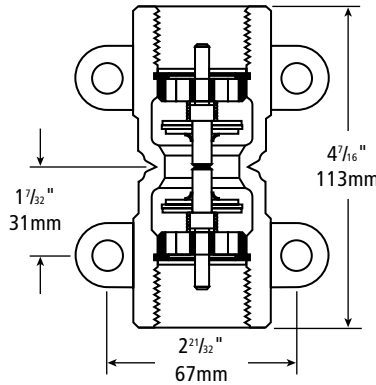
**Discs:** M-19 Viton®

**60VP-1001**



## Features


- ◆ **1" Female Connection to Both Dispenser and Underground Piping**
- ◆ **Multiple Mounting Methods** – mounting Boss accepts either U-Bolt or Straight Bolt mounting kits.
- ◆ **Duragard® E-Coat Finish** – provides superior corrosion resistance.



## OPW 60V Series Vapor Line Shear Valves


### OPW 60VP-1001

#### Poppeted Vapor Save

- ◆ Double-poppeted design incorporated to help prevent vapor loss in the event dispenser is toppled
- ◆ CARB approved
- ◆ UL-listed 

### OPW 60VSP-1001

#### Poppeted Vapor Saver

- ◆ Double-poppeted design incorporated to help prevent vapor loss in the event the dispenser is toppled
- ◆ CARB approved
- ◆ UL listed 
- ◆ 60VSPC-1001 features additional external threads on valve outlet for connection to a secondary containment system

## Ordering Specifications

Product #	Connections	Poppeted
60V-1000	1" x 1" (3 x 3 cm) FNPT	
60VP-1001	1" x 1" (3 x 3 cm) FNPT	•
60VK-1002	U-Bolt Mounting Kit Includes: (2) 3/8" (9.5 mm) U-bolts, (4) washers, (4) nuts	
60VK-1003	Straight Bolt Mounting Kit Includes: (4) 3/8" (9.5 mm) 16 bolts, (4) washers, (4) nuts	

60V Instruction Sheet  
Order Number: **H12133M**

### OPW 60VS-1000 Line Saver

- ◆ Shear section breaks on impact to minimize damage to underground piping.

### OPW 60V-1000 Line Saver

- ◆ Shear section breaks on impact to minimize damage to underground piping.

## OPW 60VS Series Vapor Line Shear Valves

OPW 60 Series Vapor Line Shear Valves are installed on vapor return lines beneath dispensers at grade level to minimize hazards associated with collision or fire at the dispenser. If the dispenser is pulled over or dislodged by collision, the top of the valve breaks free at the integral shear groove to minimize damage to the dispenser piping. Poppeted models afford additional protection by preventing the release of vapors from the dispenser's internal piping and the vapor line to the tank. The base of the Vapor Line Shear Valve is securely anchored to the concrete dispenser island through a stabilizer bar system within the dispenser sump or pan while the valve top is secured to the dispenser structure to ensure proper shearing action. OPW Vapor Line Shear Valves are designed to meet the requirements of NFPA-30A Section 4-3.7. Poppeted models are UL and CARB-approved.

### Materials

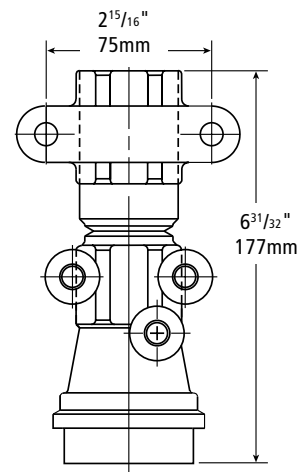
**Body:** Cast iron with black Duragard® E-Coating  
**Discs:** M -19 Viton®

60VSPC-1001



### Features

- ◆ 1-1/2" female connection to underground piping.
- ◆ 1" female connection to dispenser piping.
- ◆ Air-test port to enable vapor line testing without breaking pipe connections.
- ◆ Choice of top or side inlet connection.
- ◆ Three-Point Boss Mount stabilizer bar lower mounting connection; U-Bolt upper mounting connection.



### Ordering Specifications

Product #	Connections	Poppeted	Containment Threads
60VS-1000	1" x 1½" (3 x 4 cm) FNPT		
60VSP-1001	1" x 1½" (3 x 4 cm) FNPT	•	
60VSPC-1001	1" x 1½" (3 x 4 cm) FNPT	•	•
60VSK-1002	Mounting Kit Includes: (2) Lockwashers, (2) Nuts, (3) Hex Screws, (3) Washers		

60VS Instruction Sheet  
 Order Number: H12291M

**Listings and Certifications**





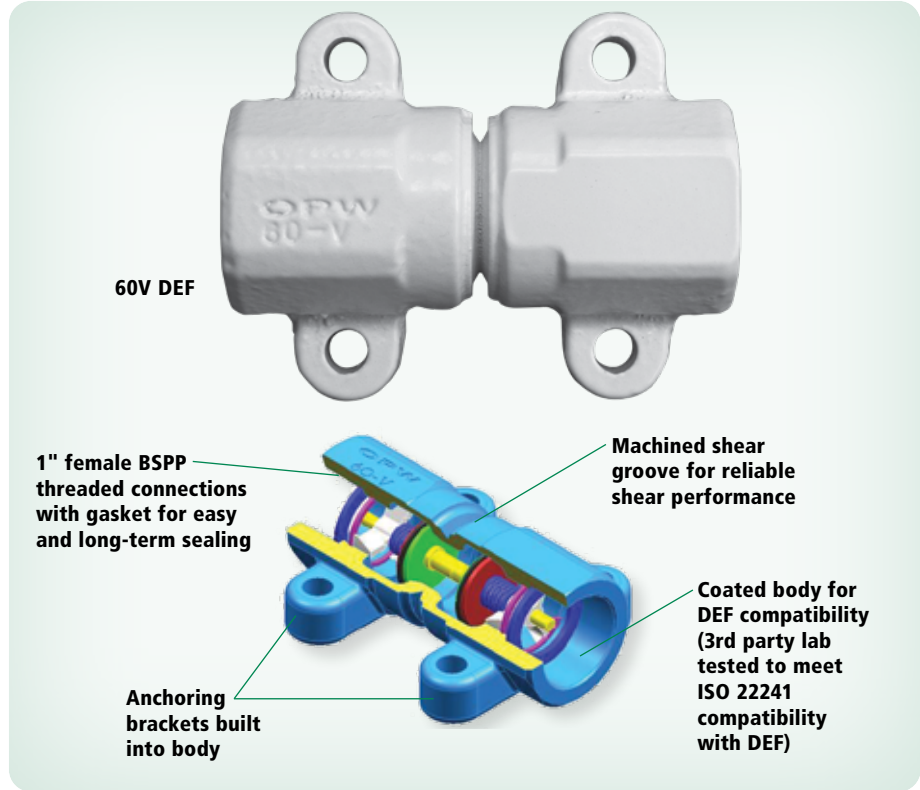
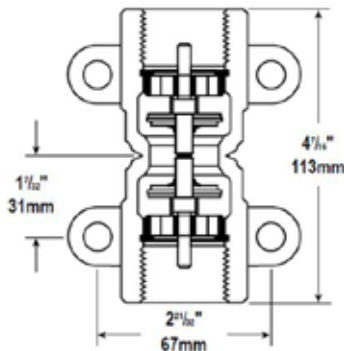
## 60V-DEF Shear Valve

Starting with 2010 Models, DEF was required in diesel-powered trucks utilizing Selective Catalytic Reduction (SCR) to meet federal emissions standards. The dispensing infrastructure at travel centers and fleet refueling sites continues to evolve as DEF compatible equipment is installed.

OPW's 60V-DEF Shear Valve has a unique coating that allows for DEF compatibility while maintaining the reliable shear performance of cast iron. Third-party tested to ensure compatibility with the ISO 22241 Standard, our new 60V-DEF Shear Valve provides peace of mind and minimizes damage to your DEF Dispensing Equipment in the case of impact collision while preventing product loss.

### Features & Benefits:

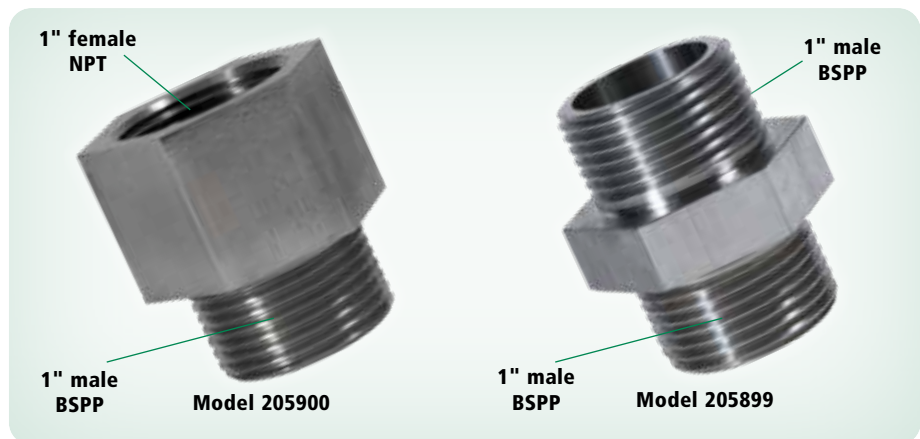
- ◆ Utilizes DEF Industry Standard BSPP Connections for Easy and Long-Term Sealing
- ◆ Machined Shear Groove for Reliable Shear Performance
- ◆ Versatile to other tread types with DEF compatible stainless steel adaptors
- ◆ Anchoring Brackets Built into Body



### Ordering Specifications - 60V-DEF Shear Valve

Model #	Description
60V-DEF	60V DEF Shear Valve
205900	1" Female NPT Adaptor
205899	1" Male BSPP Adaptor

### Adaptors Available For Installation Flexibility



## OPW Island Forms and Protective Curbing

OPW is the world leader in commercial and industrial protective curbing products. The company designs, engineers and manufactures island forms, curb fascia, pipe and bumper guards to meet virtually any protective curbing application.

### OPW Island Forms Feature:

- ◆ **Variety of End Sections, Lengths, Widths and Styles** – allows for a customized fit to site constraints and requirements.
- ◆ **Spacious Mid-Section** – provides ample room to install standard and wide-access dispenser sumps from the top of the island.
- ◆ **Unique Sump Mounting System** – ensures the dispenser sump is anchored to the Island Form and adjustable to accommodate various width sumps.
- ◆ **Convenient Shipping and Storage** – revolutionary threaded-stud bracing system allows forms to stack together and enables boxing of the island assembly.
- ◆ **Easy Installation** – cross braces bolt onto threaded studs. Field welding is not required.
- ◆ **Attractive Appearance** – link plates impart a crisp, clean exterior joint between sections for a smooth, finished presentation.
- ◆ **Material** – Standard models are 12 gauge steel powder coated gray and stainless steel models are 304 stainless.

## OPW Island Forms

Designed to protect gasoline dispensers, electronic equipment, kiosks, bank teller and ATM equipment, as well as to restrict or route material handling equipment in warehouses, OPW Island Forms and Protective Curbing streamline traffic flows in toll booths and quick-serve restaurants and various other commercial traffic management applications.

**ADA-compliant island forms now available!**  
In order to meet both the 2010 ADA Regulations as well as NPFA Regulations without the need for bollards, use one of our two-level island forms.

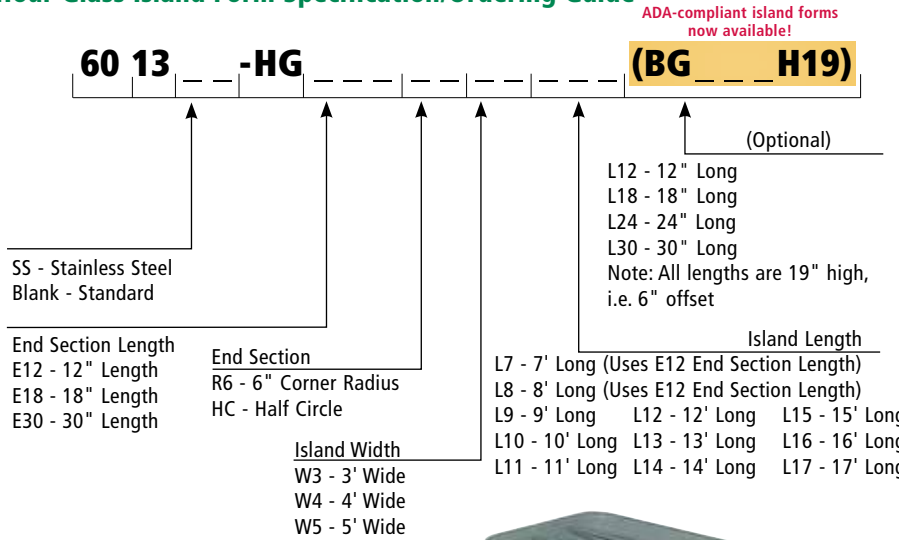


### Listings and Certifications

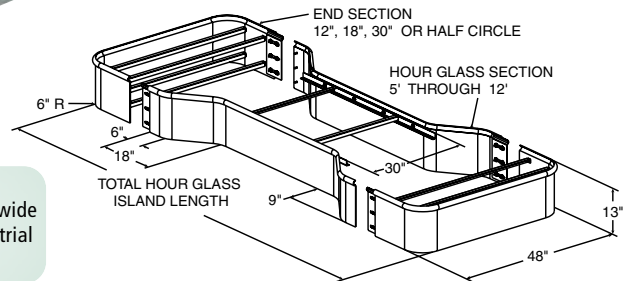


2005 UL Standard for safety for non-metallic underground piping for flammable liquids, UL971.

## Hour Glass Island Form Specification/Ordering Guide



Specify Standard Island Form configurations designed by OPW for a wide variety of retail, commercial and industrial traffic management applications.



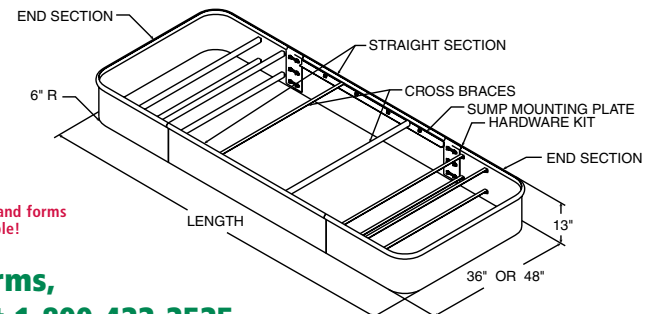
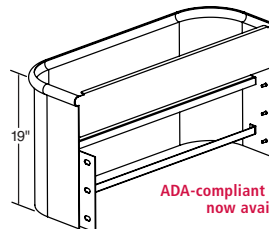
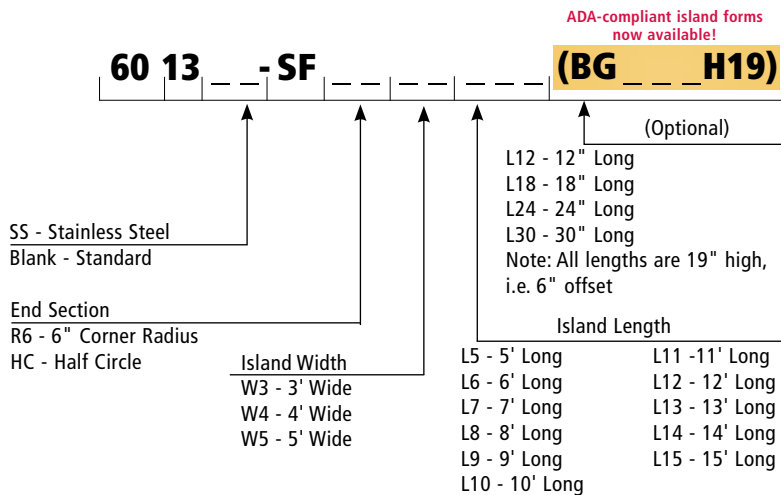
## OPW Standard Island Forms

Specify Standard Island Form configurations designed by OPW for a wide variety of retail, commercial and industrial traffic management applications. Available in hot-rolled 12-gauge primed gray steel and stainless steel models are 304 grade stainless.

### Hour Glass Island Forms

Hour Glass Island Forms are designed with side sections integrating a double-reverse 9" taper to provide easy access to multi-product gasoline dispensers while protecting expensive electronic equipment. Ends of these islands can be extended to wrap around canopy columns, hose bibs or trash receptacles by simply adding straight sections.

## Standard (Straight) Island Form Specification/Ordering Guide



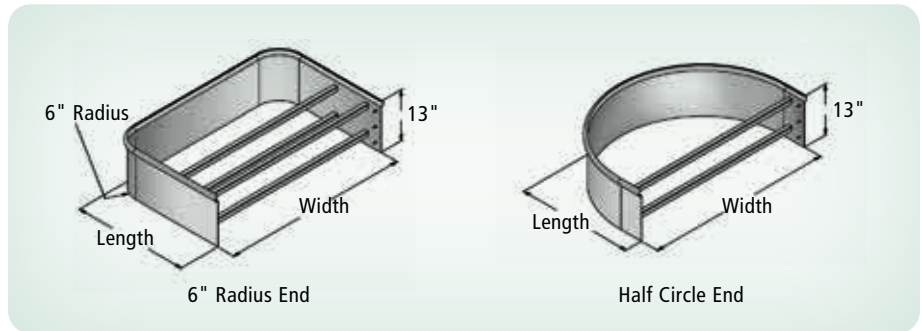
## Standard (Straight) Island Forms

Straight Island Forms are designed with straight side sections to provide a convenient means of installing multiple dispensers on a single island. Straight Island Forms are also used to protect teller and ATM equipment at banks, restrict or route material handling equipment in warehouses, streamline traffic flows in toll booths and quick-serve restaurants and various other commercial traffic routing applications. Standard models are steel and stainless steel models are 304 stainless.

**For Custom Island Forms,  
Contact OPW Customer Service at 1-800-422-2525**

## Build Your Own Island Form Or Curbing From Individual Sections

Build your own Island Forms and Protective Curbing to fit your particular application from standard sections. Standard models are steel and stainless steel models are 304 stainless.



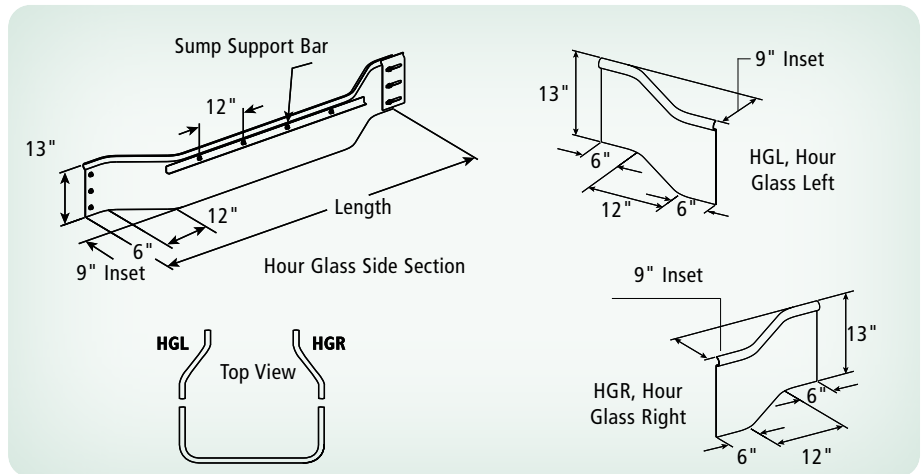
### Standard Island Form End Sections **Ordering Specifications (Standard End Sections)**

End Sections are available to build customized Island Forms from standard OPW Island Form components. Sections are available in Half Circle or 6" Radius configurations. Each End Section is pre-braced and includes all required hardware for assembly.

Model #	Radius (in.)	Width (ft)	Length	Weight
6013P-EHCW3L30	Half Circle	3	2' 6"	37 lbs.
6013P-EHCW4L30	Half Circle	4	2' 6"	40 lbs.
6013P-ER6W3L18	6	3	1' 6"	37 lbs.
6013P-ER6W3L30	6	3	2' 6"	45 lbs.
6013P-ER6W4L12	6	4	1'	35 lbs.
6013P-ER6W4L18	6	4	1' 6"	40 lbs.
6013P-ER6W4L30	6	4	2' 6"	52 lbs.

## Hour Glass Sections

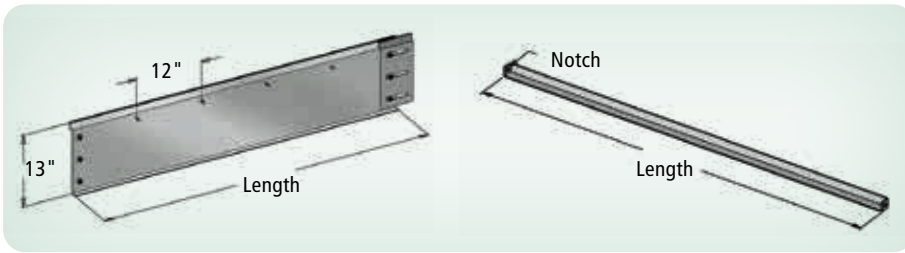
Hour Glass Sections are designed with double-reverse 9" tapers to provide easy access to multi-product gasoline dispensers. One-piece Hour Glass Sections are available from 5' through 9'. Sump Support Bars are included with individual Hour Glass Sections. HGL and HGR sections can be used in conjunction with Straight Sections when designing longer Hour Glass Islands, or for use in Protective Curbing applications.



### Ordering Specifications (Hour Glass)

Model #	Length	Comments	Wgt (lbs.)
6013P-HGL	2'	Hour Glass Left Side Section	13
6013P-HGR	2'	Hour Glass Right Side Section	13
6013P-HG05	5'	Hour Glass Side Section	35
6013P-HG06	6'	Hour Glass Side Section	40
6013P-HG07	7'	Hour Glass Side Section	45
6013P-HG08	8'	Hour Glass Side Section	50





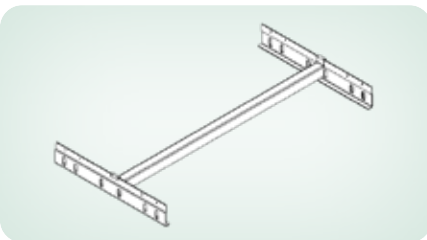
### Straight Sections

Straight Sections are designed with a 1" bottom flange to add rigidity for accurate alignment of sections. Island Form End Sections are easily extended with various-length Straight Sections. Sump Support Bars are not included with individual Straight Sections. Straight Sections are key to the design of Protective Curbing.

### Ordering Specifications

Model #	Length	Weight
6013P-S01	1'	6 lbs.
6013P-S015	1' 6"	9 lbs.
6013P-S02	2'	12 lbs.
6013P-S025	2' 6"	15 lbs.
6013P-S03	3'	18 lbs.
6013P-S035	3' 6"	21 lbs.
6013P-S04	4'	24 lbs.
6013P-S05	5'	30 lbs.
6013P-S06	6'	36 lbs.
6013P-S07	7'	42 lbs.

13" Mounting Plate  
(Includes Hardware)



### Sump Loop Mounting Bracket

### Ordering Specifications

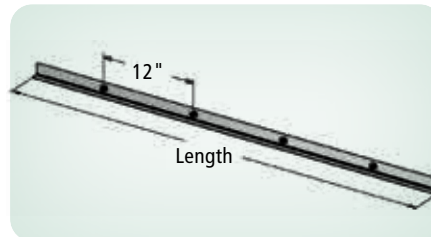
Model #	Mounting Kit Length
6000P-SMK3	3 Foot
6000P-SMK4	4 Foot
6000P-SMK5	5 Foot

### Cross Braces

Cross Braces are notched on both ends for use with Sump Support Bars. Holes punched in both ends slide over threaded studs to bolt the brace to the island. Bracing is recommended every 2 feet along the inside of Hour Glass and Straight Sections.

### Ordering Specifications

Model #	Length (in.)	Weight
6000P-B24	24	1 lbs.
6000P-B30	30	2 lbs.
6000P-B36	36	2 lbs.
6000P-B42	42	2 lbs.
6000P-B48	48	3 lbs.
6000P-B60	60	3 lbs.



### Sump Support Bars

Sump Support Bars are designed to allow OPW Island Forms to accept various-width sumps. The bars are positioned to locate the top of OPW Dispenser Sump Frames 1/2" above finished island grade to direct water drainage away from the sump. Sump Support Bars must be specified when designing Island Forms from individual Straight Sections.

### Ordering Specifications

Model #	Length (in.)	Weight
6000P-SMP	54	3 lbs.

## Build Your Own Island Form Or Curbing

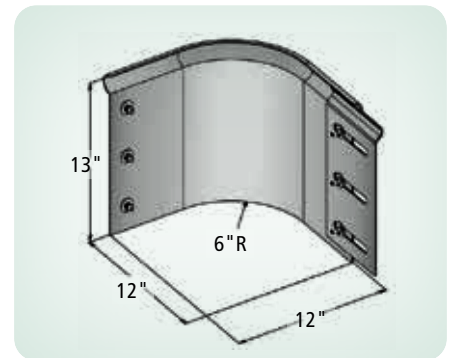
Build your own Island Forms and Protective Curbing to fit your particular application from standard sections. Standard models are steel and stainless steel models are 304 stainless.

### Corner Sections

Corner Sections are designed for use in various Island Form widths, or for use in Protective Curbing applications.

### Ordering Specifications

Model #	Length (in.)	Weight
6013P-R6C	12	10 lbs.



### Curb Fascia Brackets

Curb Fascia Brackets replace cross braces and are designed to brace section when utilized as protective curb fascia. The brackets are hole-punched for bolting to threaded studs, and allow for 1/2" diameter #4 reinforcement bars to secure the sections in place.

### Ordering Specifications

Model #	Length (in.)	Weight
6000P-CFB	11	1 lbs.
6013P-Link Steel (12K Plate)		
6013SSP-Link Stainless Steel Link		

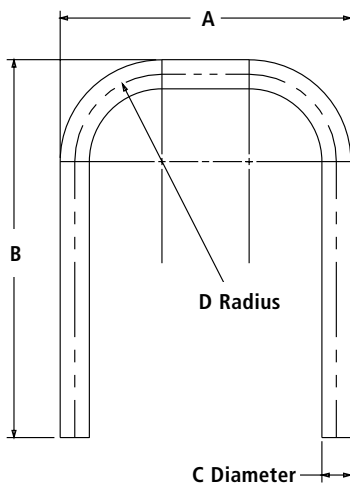


### OPW Pipe Guards

Pipe Guards help protect gasoline dispensers, light poles and other equipment or property from damage.

#### Features:

- ◆ **Choice of Styles** – OPW Pipe Guards are available in straight, half circle and double radius bends
- ◆ **Variety of Sizes Available** – 28", 36", 40" and 48" widths for mounting inside or outside of island forms
- ◆ **Various Lengths Available** – for deeper, more secure anchors in islands and concrete slabs
- ◆ **Sturdy Construction** – OPW Pipe Guards are manufactured from 4" O.D. and 3.5" O.D. schedule 40 steel pipe
- ◆ **Aesthetically-Pleasing Appearance** – OPW Pipe Guards are primer-finished



Double Radius Pipe Guards

### Ordering Specifications

#### Double Radius Pipe Guards

Model #	Material	Units (inches)			
		A	B	C	D
6PGR3-4153	Steel	41	53	3.5	14
6PGR3-4850	Steel	48	50	3.5	15.75
6PGR3-4859	Steel	48	59	3.5	15.75
6PGR3SS-3672	Stainless	36	72	3.5	14
6PGR3SS-4350	Stainless	43	50	3.5	19.5
6PGR3SS-5445	Stainless	54	45	3.5	19.5
6PGR4-4153	Steel	41	53	4	14
6PGR4-4174	Steel	41	74	4	14
6PGR4-4951	Steel	49	51	4	16
6PGR4-4972	Steel	49	72	4	16

For more information contact OPW Customer Service at 1-800-422-2525; International call 1-513-870-3315.

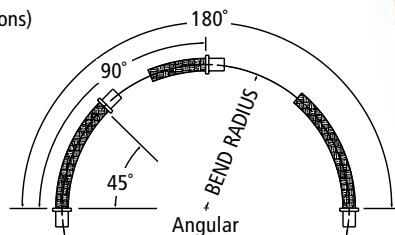
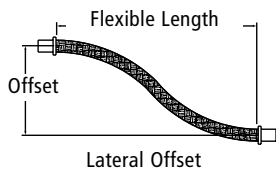
**Materials:**

- Hose:** 322 Stainless Steel
- Wire Braid:** 304 Stainless Steel
- Pipe Nipples:** SCH. #80 Stainless Steel
- Swivel:** Viton®/Buna Seals

**Features:**

- ◆ Maximum working pressure: 150 PSIG (10 bar)
- ◆ Service temperature range: -320° F to 1500° F
- ◆ Minimum burst pressure 750 PSIG (52 bar)
- ◆ Inherent hoop strength of convoluted hose allows full vacuum service

ULC/ORD-C536-1998  
(underground and above ground installations)



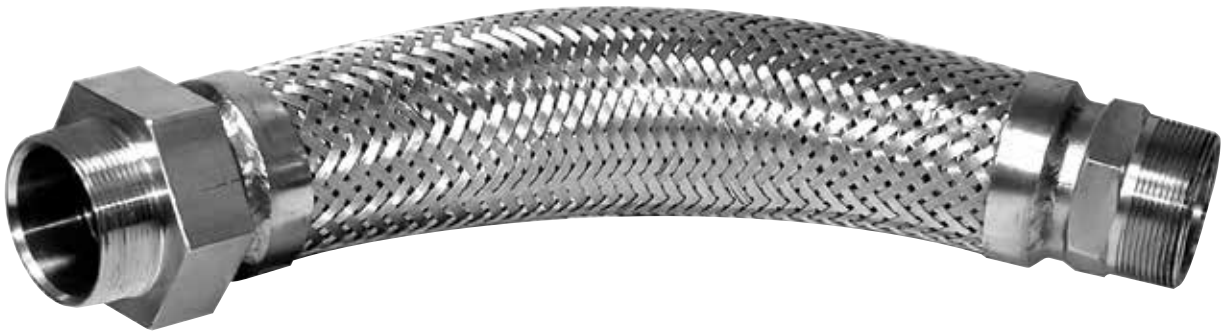
**OPW Stainless Steel Flexible Connectors**

Stainless Steel Flexible Connectors provide flexibility in the installation and operation of fuel piping systems. Flexible Connectors can be used as a convenient means of connecting piping to pumps and dispensers and throughout the piping systems where connections and changes of direction are necessary. Flexible Connectors dampen the effect of ground and/or piping movement. All stainless steel construction ensures long service life and corrosion protection. Flexible Connectors are rated for 150 psig (10 bar) working pressure, as well as for full vacuum service. Compatible with diesel, gasoline, methanol, ethanol and MTBE. Available as Male by Male and Male Swivel by Male, Male 90° and Easy Clamp Connectors.

NAFTA approved, can be used in any country.

**Ordering Specifications and Dimensions**

Model #	NPT Thread Size		Length		Hose O.D.		Max. Angular Bending (Degree)		Max. Lateral Offset				Min. Bend Radius			
	in.	mm	in.	mm	in.	mm	Static Position	Intermittent Flexing	Static Installation in.	Static Installation mm	Intermittent Flexing in.	Intermittent Flexing mm	Static Installation in.	Static Installation mm	Intermittent Flexing in.	Intermittent Flexing mm
FC075-MM12	.75	19.1	12	304.8	1.0	25.4	100°	55°	2.0	50.8	1.2	30.5	4.5	114.3	8	203.2
FC10-MM12	1	25.4	12	304.8	1.3	33.0	70°	45°	1.4	35.6	0.9	22.9	5.5	139.7	9	228.6
FC10-MM18	1	25.4	18	457.2	1.3	33.0	135°	85°	4.5	114.3	2.1	53.3	5.5	139.7	9	228.6
FC10-MM24	1	25.4	24	609.6	1.3	33.0	180°	125°	8.6	218.4	2.1	53.3	5.5	139.7	9	228.6
FC15-MM12	1.5	38.1	12	304.8	2.25	57.2	90°	35°	1.5	38.1	.75	19.1	4	101.6	11	279.4
FC15-MM14	1.5	38.1	14	355.6	2.25	57.2	90°	35°	1.5	38.1	.75	19.1	4	101.6	11	279.4
FC15-MM18	1.5	38.1	18	457.2	2.25	57.2	150°	55°	4.0	101.6	1.5	38.1	4	101.6	11	279.4
FC15-MM24	1.5	38.1	24	609.6	2.25	57.2	180°	85°	8.0	203.2	2.75	69.9	4	101.6	11	279.4
FC15-MM30	1.5	38.1	30	762.0	2.25	57.2	180°	115°	12.0	304.8	2.75	69.9	4	101.6	11	279.4
FC20-MM12	2	50.8	12	304.8	2.72	69.1	75°	30°	1.5	38.1	0.60	15.2	5	127.0	12	304.8
FC20-MM14	2	50.8	14	355.6	2.72	69.1	75°	30°	1.5	38.1	0.60	15.2	5	127.0	12	304.8
FC20-MM18	2	50.8	18	457.2	2.72	69.1	120°	50°	3.0	76.2	1.5	38.1	5	127.0	12	304.8
FC20-MM24	2	50.8	24	609.6	2.72	69.1	180°	75°	7.0	177.8	3.0	76.2	5	127.0	12	304.8
FC20-MM36	2	50.8	36	914.4	2.72	69.1	180°	105°	12.0	304.8	3.0	76.2	5	127.0	12	304.8
FC30-MM18	3	76.2	18	457.2	3.97	100.8	70°	35°	2.0	50.8	1.0	25.4	8	203.2	16	406.4
FC30-MM24	3	76.2	24	609.6	3.97	100.8	110°	55°	4.8	121.9	2.5	63.5	8	203.2	16	406.4



## Integral Swivel Flex Connector

### Ordering Specifications and Dimensions

MALE SWIVEL x MALE							Max. Angular Bending (Degree)		Max. Lateral Offset				Min. Bend Radius			
Model #	NPT Thread Size		Length		Hose O.D.		Static Position	Intermittent Flexing	Static Installation		Intermittent Flexing		Static Installation		Intermittent Flexing	
	in.	mm	in.	mm	in.	mm			in.	mm	in.	mm	in.	mm	in.	mm
FC15-SWM12	1.5	38.1	12	304.8	2.25	57.2	90°	35°	1.5	38.1	0.75	19.1	4	101.6	11	279.4
FC15-SWM14	1.5	38.1	14	355.6	2.25	57.2	90°	35°	1.5	38.1	0.75	19.1	4	101.6	11	279.4
FC15-SWM18	1.5	38.1	18	457.2	2.25	57.2	150°	55°	4.0	101.6	1.50	38.1	4	101.6	11	279.4
FC15-SWM24	1.5	38.1	24	609.6	2.25	57.2	180°	85°	8.0	203.2	2.75	69.9	4	101.6	11	279.4
FC20-SWM12	2	50.8	12	304.8	2.72	69.1	75°	30°	1.5	38.1	0.60	15.2	5	127.0	12	304.8
FC20-SWM14	2	50.8	14	355.6	2.72	69.1	75°	30°	1.5	38.1	0.60	15.2	5	127.0	12	304.8
FC20-SWM18	2	50.8	18	457.2	2.72	69.1	120°	50°	3.0	76.2	1.50	38.1	5	127.0	12	304.8
FC20-SWM24	2	50.8	24	609.6	2.72	69.1	180°	75°	7.0	177.8	3.0	76.2	5	127.0	12	304.8

Contact customer service for special sizes or other applications such as female threads, swivels and elbow fittings.

In North America call 800-422-2525.  
International call 513-870-3315.

Stainless Steel Flexible Connector models listed above are for use in NAFTA Countries only, such as Canada and Mexico.

# Suction System Accessories

## OPW 70 Vertical Check Valves (with Shear Groove)

### Materials

**Body:** Cast iron with black Duragard® E-coating  
**Disc:** M-19 Viton



### Features

- ◆ **Low Pressure Drop**
- ◆ **M-19 Viton Seals** – on main poppet for compatibility with methanol-blended fuels and reliable sealing
- ◆ **Protective Shear Groove** – designed to reduce the possibility of damage to buried piping in the event the dispenser is knocked over
- ◆ **Thermal Relief Valve** – to reduce pressure build-up in suction pumps. Opens between 25 & 35 PSI (1.7 & 2.4 bar)
- ◆ **Compatible with 85% Ethanol (E85) or Methanol (M85)**

### Additional Features (70S Model)

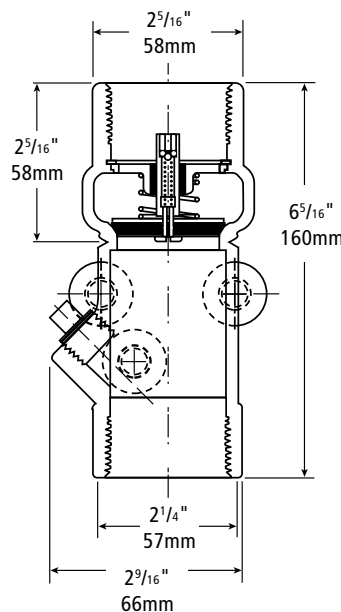
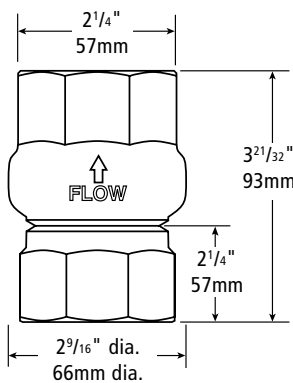
- ◆ **Stabilizer Mounting Bosses** – three bosses in the lower portion of the valve body allow for rigid mounting to stabilizer bars. Use FlexWorks mounting plate with appropriate stabilizer bar kit
- ◆ **Built-In Air-Test Port** – allows air testing of the entire pumping system without breaking the line. Also allows line to be drained from the valve to the tank (assuming there are no other check or foot valves below the 70S)

## OPW Vertical Check Valves

OPW Vertical Check Valves are installed on suction system fuel lines directly below the inlet to the pump in the dispenser island to maintain prime. The 70 Series Valves feature a built-in shear groove, which helps minimize piping damage if the dispenser is pulled over or dislodged by collision. The single-poppet provides redundant protection from losing prime and are also available without shear grooves. OPW Vertical Check Valves are recommended for use on suction lines where the pressure does not exceed 34 feet of head (approximately 15 psi [1 bar]). 70 Series valves need 1/2" of mercury to activate the poppet.

### Ordering Specifications

Model #	in.	mm	lbs.	kg
70-0070	1 1/2" NPT	38 mm	1.80	.8
70S-0075	1 1/2" NPT	38 mm	2.9	1.3



70 and 70S Vertical Check Valve Instruction Sheet  
 Order Number: H11055PA

**Warning:** The valve body must be rigidly anchored to a structural member within the island to ensure breakage at the shear groove in the event of severe impact. The shear groove must be at the same level or a maximum of 1/2" above or below the top of the pedestal island. Failure to provide rigid mounting or install the shear groove at the proper level may result in a failure of the valve to close or shear, resulting in an excessive loss of product and a hazardous condition.

## OPW 53 Bushings

OPW 53 Bushings are general-purpose bushings for use on tank vent lines, fill lines, suction lines or other lines where it is necessary or desirable to bush up or bush down.

## Materials

Bushing: Iron

53



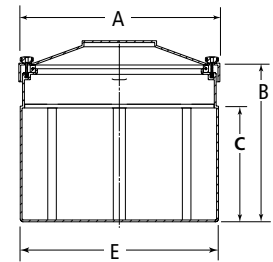
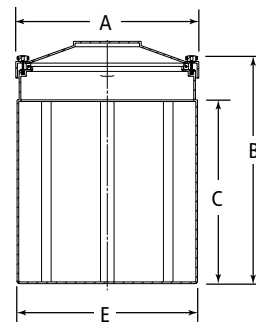
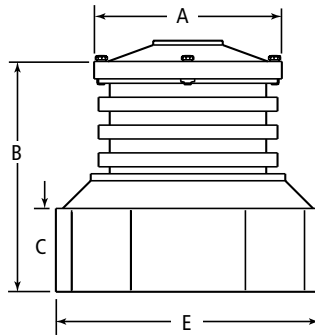
## Ordering Specifications

Model #	Threads	lbs.	kg
	(MNPT x FNPT)		
53-0012	2" x 1 1/2" (51 x 38 mm)	.9	.4
53-0020	3" x 2" (76 x 51mm)	1.9	.9
53-0034	4" x 1 1/2" (102 x 38 mm)	2.5	1.1
53-0036	4" x 2" (102 x 51mm)	2.5	1.1
53-0038	4" x 3" (102 x 76 mm)	3.4	1.5
53-0062	6" MNPT x 2" FNPT (152 x 51 mm)	4.75	2
53-0063	6" MNPT x 2" FNPT (152 x 51 mm)	4.75	2
PDT-411	4" x 1" x 1" Double Top Bushing	12	5



## Special Application Sumps & Extensions

FlexWorks Special Application Sumps are installed below-grade and provide a convenient means of housing a multitude of underground piping connections and equipment, including valves, filters, meters and pumps. The PSL-3830 Line Connection Sump has large horizontal flats to accommodate multiple piping entries. The PSL-3630 Tall Mini-Sump has long vertical flats to accommodate applications with varying pipe entry heights. The PSL-2430 Mini Sump is ideal for connecting long pipe runs in a contained area.



## Ordering Specifications - Polyethylene Tank Sumps (with Compression Fit Covers)

Model #	Application	Dimensions								# of Panels	Burial Depth				Weight			
		Manway Dia.		A Cover		B Height		Dimesions CXE			E Base		max.		min.		lbs.	kg
		in.	mm	in.	mm	in.	mm	in.	mm		in.	mm	in.	mm	in.	mm		
PSL-2430	Special Application Sump, 24" x 30"	30	762	27	686	24	914	16 x 10	406 x 254	8	26	660	36	914	26	660	36	16
PSL-3830	In-Line Sump, 38" x 30"	30	762	27	686	63	914	12 x 38	305 x 965	12	38	965	41	1041	29	737	85	38
PSL-3630	Special Application Sump, 36" x 30"	30	762	27	686	36	914	28 x 20	711 x 254	8	26	660	48	1219	40	1016	42	19

# Underground Storage Tank Equipment



Phase I CARB Certified Enhanced  
 Vapor Recovery (EVR) Product Overview ..... 70-71  
 Phase I CARB Certified Enhanced  
 Vapor Recovery (EVR) Torque Specs.....72  
 Spill Containment Manholes ..... 73 - 88  
 Multi-Port Spill Containment ..... 89 - 97  
 Fill Pipe Connection Equipment ..... 98 - 109  
 Overfill Prevention Equipment ..... 110 - 121  
 Tank Venting Equipment ..... 122 - 125  
 Manholes and Monitoring Well Equipment ..... 126 - 136

**Listings and  
 Certifications**

**CARB**  
 California Air  
 Resources Board



Look for this label for Authentic  
 OPW EVR Approved products.



**MOPETP**  
 MISSOURI

MEXICO  
 FLORIDA  
 WISCONSIN  
**kiwa**

# OPW Underground Storage Tank Equipment

## Tank Venting Equipment

- ◆ Pressure Vacuum – 523V and 623V Series (pgs. 122 & 124)
- ◆ Open Atmospheric – 23 Series (pg. 125)

## Spill Containment Manholes

1-2200 Series 1-2100-EVR, EDGE™, EDGE 1™ and 101BG Series (pgs. 73 - 88)

- ◆ Thread-On (pg. 81)
- ◆ Slip-On (pg. 85)
- ◆ Below Grade (pg. 87)
- ◆ Sealable Cover (pg. 83)
- ◆ Secondary Contained (pg. 74 - 79)
- ◆ Replaceable Direct Bury (pg. 80)
- ◆ Multiport (pg. 89 - 97)

## Monitoring Well Manholes

- ◆ 104AOW (pg. 136)

## Vapor Recovery Caps and Adaptors

- ◆ 1711T (pg. 106)
- ◆ 61VSA (pg. 104)
- ◆ 1611AV (pg. 105)
- ◆ 633TC (pg. 100)
- ◆ 1711LPC (pg. 97)

## Tight-Fill Caps and Adaptors

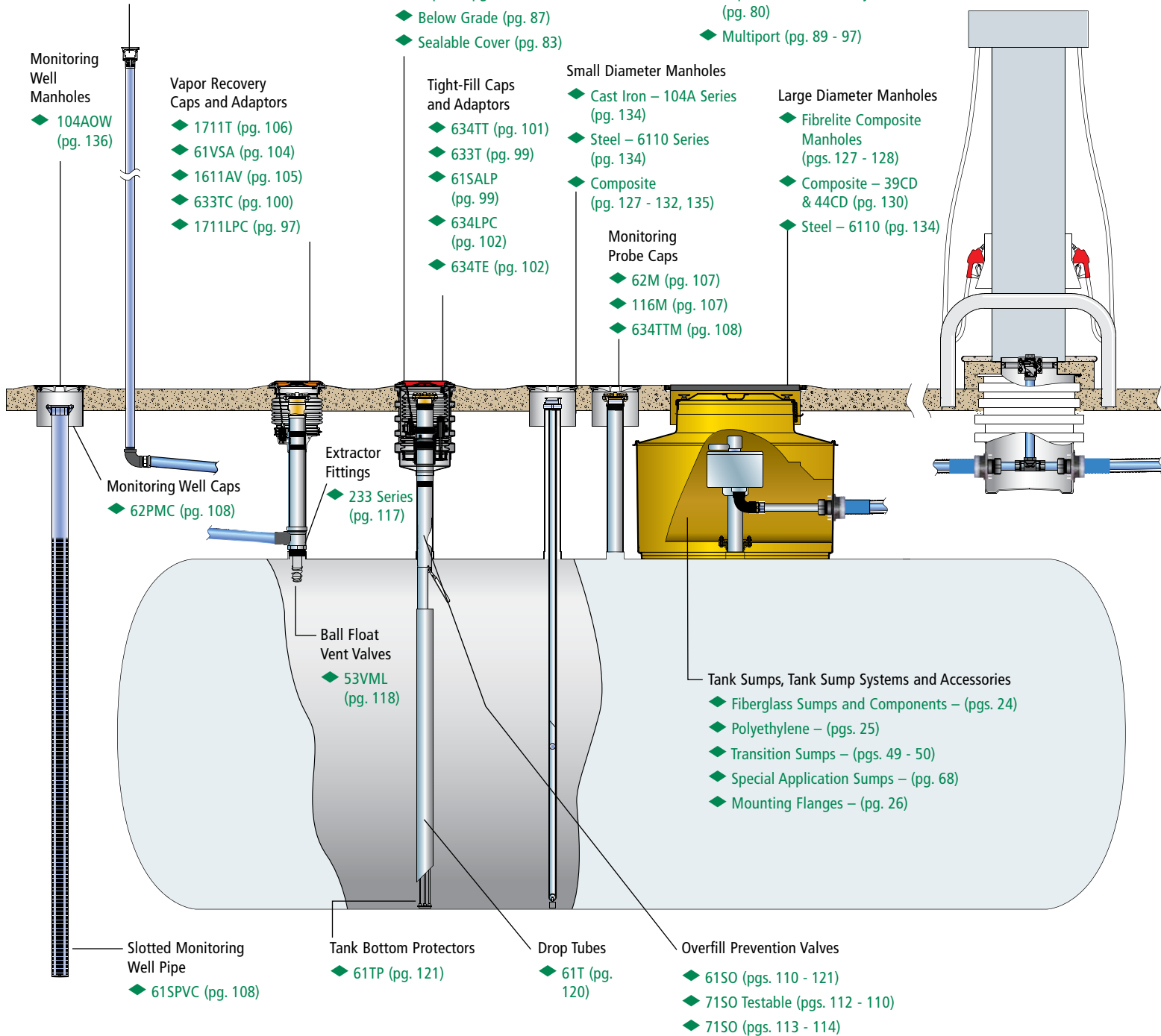
- ◆ 634TT (pg. 101)
- ◆ 633T (pg. 99)
- ◆ 61SALP (pg. 99)
- ◆ 634LPC (pg. 102)
- ◆ 634TE (pg. 102)

## Small Diameter Manholes

- ◆ Cast Iron – 104A Series (pg. 134)
- ◆ Steel – 6110 Series (pg. 134)
- ◆ Composite (pg. 127 - 132, 135)
- ◆ Monitoring Probe Caps
  - ◆ 62M (pg. 107)
  - ◆ 116M (pg. 107)
  - ◆ 634TTM (pg. 108)

## Large Diameter Manholes

- ◆ Fibrelite Composite Manholes (pgs. 127 - 128)
- ◆ Composite – 39CD & 44CD (pg. 130)
- ◆ Steel – 6110 (pg. 134)



- ◆ Monitoring Well Caps
- ◆ 62PMC (pg. 108)

- ◆ Extractor Fittings
- ◆ 233 Series (pg. 117)

- ◆ Ball Float Vent Valves
- ◆ 53VML (pg. 118)

- ◆ Slotted Monitoring Well Pipe
- ◆ 61SPVC (pg. 108)

- ◆ Tank Bottom Protectors
- ◆ 61TP (pg. 121)

- ◆ Drop Tubes
- ◆ 61T (pg. 120)

- ◆ Overfill Prevention Valves
- ◆ 61SO (pgs. 110 - 121)
- ◆ 71SO Testable (pgs. 112 - 110)
- ◆ 71SO (pgs. 113 - 114)

## Tank Sumps, Tank Sump Systems and Accessories

- ◆ Fiberglass Sumps and Components – (pgs. 24)
- ◆ Polyethylene – (pgs. 25)
- ◆ Transition Sumps – (pgs. 49 - 50)
- ◆ Special Application Sumps – (pg. 68)
- ◆ Mounting Flanges – (pg. 26)

**Listings and Certifications**

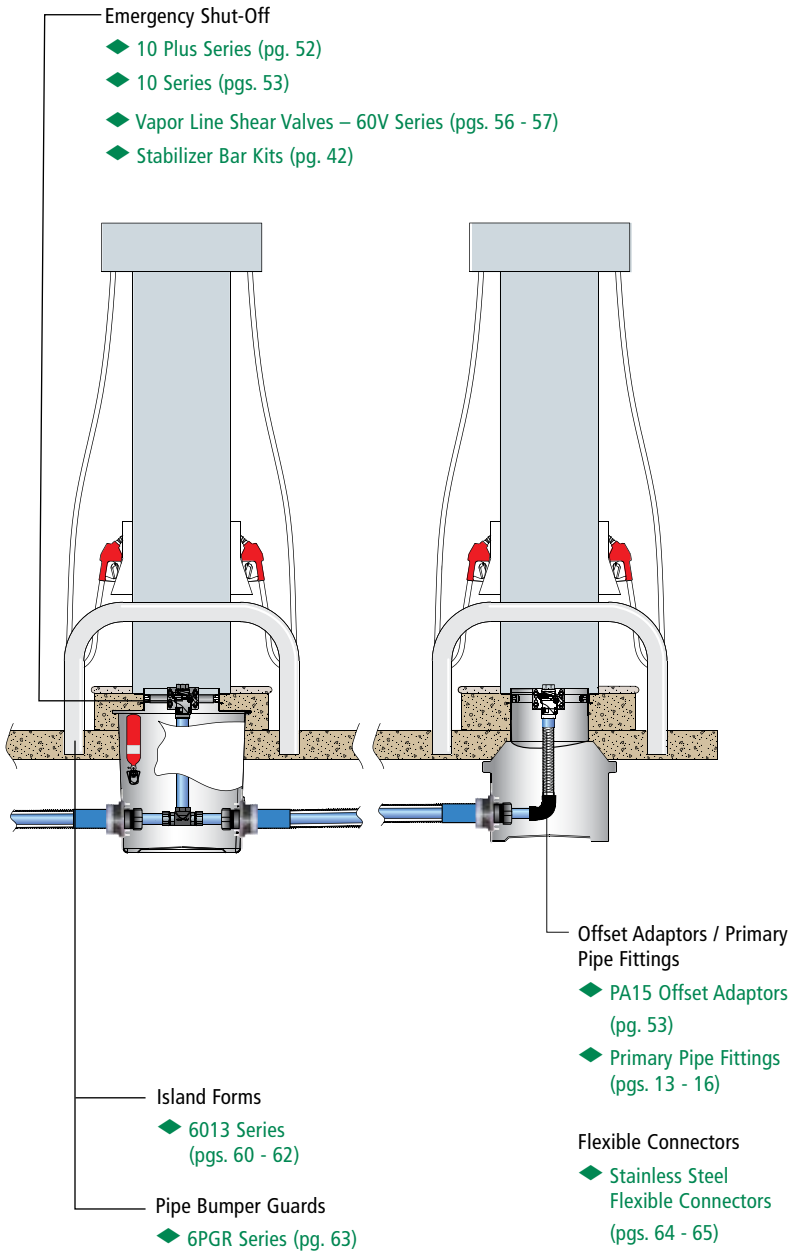
**CARB**  
California Air Resources Board



**MOPETP**  
MISSOURI

MEXICO  
FLORIDA  
WISCONSIN  
**kiwa**

Look for this label for Authentic OPW EVR Approved products.



## OPW Underground and Aboveground Storage Tank Fuel Transfer and Containment Systems

OPW offers a wide selection of underground storage tank equipment. This equipment is designed to help protect the environment by providing fuel operations with spill containment manholes, manholes and monitoring equipment, fill pipe connection equipment, overfill prevention equipment and tank venting equipment.

OPW offers a wide variety of different spill containment products, including innovative double-wall spill containment and Phase 1 Enhanced Vapor Recovery (EVR) products, designed to prevent spilled product from entering the soil near the fill and vapor return riser connections on USTs during normal tank filling operation, or in the event of tank overfill. OPW spill containers are designed to catch spillage to help prevent soil contamination and groundwater pollution.

OPW manholes provide access from grade level to underground equipment including tank sumps, tank riser pipes, monitoring equipment, submersible pumps, valves and piping connections. OPW also offers a wide selection of tight-fill adaptors and caps, Stage I adaptors and caps and monitoring probe and well caps.

OPW overfill prevention valves are designed to help prevent the overfill of USTs during product drops. OPW offers a wide selection, including 6150 and vaportight and testable 7150 positive shut-off valves, and ball float vent valves.

NOTE: See OPW's Website at [www.opwglobal.com](http://www.opwglobal.com) for product instruction sheets, trouble-shooting guides, how-to-use guide and to view the Do's & Don'ts at the Gas Pump video.

## OPW Phase 1 Enhanced Vapor Recovery / Torque Specifications

In March 2000, The California Air Resources Board adopted new, more stringent vapor recovery requirements for gasoline dispensing facilities. The new program, titled "Enhanced Vapor Recovery" (EVR), was developed to promote enhanced vapor recovery system reliability and to seek further reductions to meet both California and Federal Air Quality Requirements. Phase I EVR is now enforced in California.

On September 17, 2003, OPW received a second EVR certification for the Phase I Enhanced Vapor Recovery System. The new approval provides the option of using the ball float with a straight drop tube or the positive shut-off overfill prevention valve. OPW can offer the flexibility for installing an appropriate certified EVR system to meet the regulations in any jurisdiction for virtually any Phase I UST application. To review the EVR requirements visit: [www.arb.ca.gov/vapor/vapor.htm](http://www.arb.ca.gov/vapor/vapor.htm)

For the purpose of reducing fugitive vapor emissions at gasoline dispensing facilities, the California Air Resources Board has formally adopted new compliance requirements and certification procedures for vapor recovery equipment. These new requirements, know as Enhanced Vapor Recovery (EVR), define the most stringent and comprehensive performance and reliability requirements for Phase I Vapor Recovery Systems. Some important new requirements for a certified EVR Phase I system include:

- ◆ **EVR System Certification Test Protocol** – all components must now be installed and tested as a complete integral Phase I system
- ◆ **EVR System Efficiency** – must now exceed 98% versus 95% previously allowed
- ◆ **EVR System Performance** – allowable leak rates for components such as spill container drain valves, overfill valves, and pressure vacuum vents have been cut by 50%
- ◆ **EVR System Reliability** – operating test period for a complete system increased from 90 days to 180 days

### EVR Phase I Components Installation Torque Specifications (Oct 26, 2004)

Component	Torque Specification Foot Pounds (Inch Pounds)
All 4" NPT pipe. See note 1	125 to 250 ft.lb.
FSA-400, FSA-400-S. See note 1	125 to 250 ft.lb.
Spill containment bucket. See note 1	125 to 250 ft.lb.
Spill bucket cover perimeter bolts/nuts	20 to 25 ft.lb.
Drain valve retaining bolts/nuts	11 to 13 ft.lb.
61S0 Inlet adaptor	11 to 13 ft.lb.
61JSK-4400	3 to 4 ft.lb. (36 to 52 in.lb.)
61JSK-4410	3 to 5 ft.lb. (42 to 60 in.lb.)
61JSK-44CB	3 to 5 ft.lb. (42 to 60 in.lb.)
61VSA Swivel Vapor Adaptor	90 to 110 ft.lb.
61SALP Low Profile Swivel Fill Adaptor	90 to 110 ft.lb.
623V Pressure Vacuum Vent base	30 to 35 ft.lb.
233V Extractor Fitting. See note 1	125 to 250 ft.lb.
3" NPT	125 to 300 ft.lb.
2" NPT	100 to 150 ft.lb.
53VML Ball Float Vent Valve and extractor cage - 3 3/4" threads	75 to 150 ft.lb.

Note 1: All 4" NPT threads are to be torqued progressively lower from the tank up.

### Listings and Certifications



NOTE: See OPW's Website at [www.opwglobal.com](http://www.opwglobal.com) for product instruction sheets, trouble-shooting guides, how-to-use guide and to view the Do's & Don'ts at the Gas Pump video.



## OPW Multi-Ports and Spill Containment Manholes

OPW Spill Containment Manholes are designed to prevent spilled product from entering the soil near the fill and vapor return riser connections on underground storage tanks during normal tank filling operation, or in the event of tank overflow. The spill containers catch spillage to help prevent soil contamination and groundwater pollution.

### Single-Wall Spill Containment Manholes

The new OPW 1-2200 Series Single-Wall Spill Containers are advanced, rugged, easier to install and service, upgrades to a double-wall and is more reliable than current single-wall spill containers available today. Never break concrete again with our new EPA Compliant UST Solution for today, tomorrow and the future.

### Double-Wall Spill Containment Manholes

The new OPW EDGE™ 3100 Series Double-Wall Spill Container is leading-edge spill containment technology. Designed to help prevent spilled product from entering the backfill in the event the primary spill container is damaged, the new OPW EDGE™ is dimensionally identical to single-wall spill buckets (from riser to grade), making single-to-double-wall upgrades quick, easy and affordable. No need to break concrete or replace riser pipes. Florida and North Carolina compliant.

### Thread-On Spill Containment Manholes

OPW Thread-On Spill Containment Manholes are generally used on new tank or riser pipe installations. The spill bucket is threaded directly onto 4" NPT fill and vapor return riser pipes. An integral drain valve allows contained product to be drained into the tank. OPW Thread-On Spill Containers are available in 5, 10 and 15-gallon capacities. Thread-On Double-Wall spill containers are also available in 5-gallon capacities.

### Sealable Cover Spill Containment Manholes

OPW Sealable Cover Spill Containment Manholes are designed to eliminate problems associated with water entering grade level spill containers, and are ideal for areas with poor drainage, areas subject to tropical rain and standing water, and cold regions where melting snow and road salt can enter standard spill containers. An expandable cover seal is latched down, sealing against the I.D. of the mounting ring and preventing ingress of surface water. Sealable spill containers are available in thread-on and slip-on configurations in 5 and 15-gallon capacities.

### Slip-On Spill Containment Manholes

OPW Slip-On Spill Containment Manholes are used on new or existing UST riser pipes. The spill bucket slides onto 3" or 4" fill and vapor return riser pipes and is then secured in place. Slip-on spill containers provide a fast, economical way to replace uncontained manholes or fill boxes. An optional suction hand pump allows contained product to be evacuated into the tank. OPW Slip-On Spill Containers are available in 5, and 15-gallon capacities.

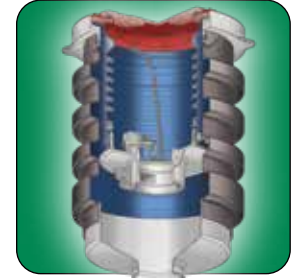
### Below-Grade Spill Containment Manholes

OPW Below-Grade Spill Containment Manholes are used in new tank or riser pipe installations. The watertight spill containment chamber is installed completely below grade level. A grade level manhole cover lies flush with the driveway grade to reduce a tripping hazard and the potential for damage from snow plows and traffic. Surface water drains into the backfill between the manhole skirt and the exterior of the containment bucket. Below-grade spill containers are available in thread-on and slip-on configurations in 5 and 15-gallon capacities.

### Fibrelite Multi-Port Spill Containment Manholes

OPW "Fibrelite" Multi-Port Spill Containment Manholes provide spill containment for underground storage tank (UST) fill pipes and vapor recovery risers.

Multi-Ports are installed over the top of tank sumps to preserve future access to the tank top and to facilitate containment of tank bung fittings.



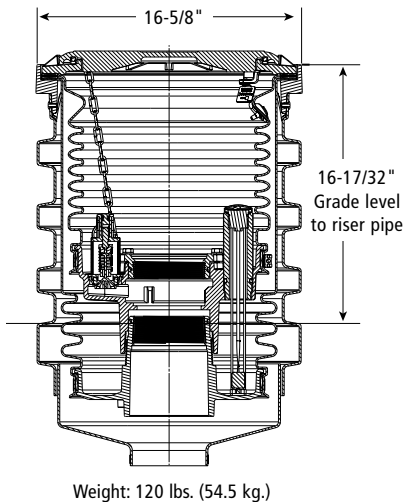
## OPW EDGE™ Double-Wall Spill Containers

Designed in collaboration with contractors and end-users, the OPW EDGE™ Double-Wall Spill Container installs in the same space as single-wall buckets. The EDGE™ delivers best-in-class features that significantly improve reliability, installation, testing and ease of serviceability. The EDGE™ exceeds the performance levels of all other double-wall spill containers.

- ◆ Fully Testable
- ◆ Unbeatable installation ease
- ◆ Uses existing riser pipe
- ◆ Unparalleled serviceability
- ◆ Superior quality
- ◆ Significantly reduces installation time and labor costs



### Sealable Cover Option Available



## Materials

- Cover:** Cast iron
- Mounting Ring:** Duragard® coated ductile iron
- Bellows:** Polyethylene
- Base:** Cast iron E-coating
- Clamps:** Stainless steel
- Seals:** Buna-N

## Features

- ◆ **Top Mounted Vacuum Test Port**
  - For quick and easy access
- ◆ **Superior Visual Gauge**
  - No messy dipsticks to contend with
  - Significantly simplifies and reduces testing time
- ◆ **Ease of Access to the Electronic Sensor for Testing**
  - Easy access for testing
  - Located to eliminate damage potential during product drops
- ◆ **Roto-Molded Primary & Secondary Buckets**
  - Thicker walls for greater durability and reliability
- ◆ **Ribbed Polyethylene Skirt Design**
  - Roto-molded for long-life durability
  - Provides rigidity for added durability
  - Provides handles on all sides for ease of installation
- ◆ **Patent-Pending Socket Design**
  - Enables the EDGE™ to install into the space of a single-wall spill container
  - Helps to align bucket on riser
- ◆ **Patent-Pending Ledge Design**
  - Provides machined sealing face for drop tube
  - Improves overall drop tube sealing integrity
  - Eliminates face seal adaptors or de-burring of the riser pipe to obtain a flat surface for the drop tube
- ◆ **Patent-Pending Removable Adaptor**
  - Allows for quick and easy access to drop tube
  - Eliminates the need for cumbersome chain wrenches
- ◆ **Bellow Seals**
  - Improves overall sealing integrity
  - Eliminates mess and curing time found in sealants
  - Reduces service time and costs
- ◆ **SC Test**
  - Vacuum Testing Lid for Edge, 2200, 21000 and Multiports



## Listings and Certifications



## Ordering Specifications

### The Edge™ Double-Wall Models - Fill Ports with Drain Valves

Part #	Gal.	liter	Cover	Gauge / Sensor	lbs.	kg.
1C-3112D	5	19	Cast Iron	Float Gauge	127	58
1C-3122D	5	19	Cast Iron	Port Only (sensor not included)	127	58
1C-3132D	5	19	Cast Iron	Electronic Sensor; 2 Stage, Normally Closed	127	58
1C-3142D	5	19	Cast Iron	Electronic Sensor; Tri-State	127	58
1C-31512D	15	57	Cast Iron	Float Gauge	185	84
1C-31532D	15	57	Cast Iron	Electronic Sensor; 2 Stage, Normally Closed	185	84
1C-31542D	15	57	Cast Iron	Electronic Sensor; Tri-State	185	84
1SC-3112D	5	19	Sealable	Float Gauge	127	58
1SC-3122D	5	19	Sealable	Port Only (sensor not included)	127	58
1SC-3132D	5	19	Sealable	Electronic Sensor; 2 Stage, Normally Closed	127	58
1SC-3142D	5	19	Sealable	Electronic Sensor; Tri-State	127	58
1SC-31512D	15	57	Sealable	Float Gauge	185	84
1SC-31532D	15	57	Sealable	Electronic Sensor; 2 Stage, Normally Closed	185	84
1SC-31542D	15	57	Sealable	Electronic Sensor; Tri-State	185	84

### Installation Tools & Testing Equipment

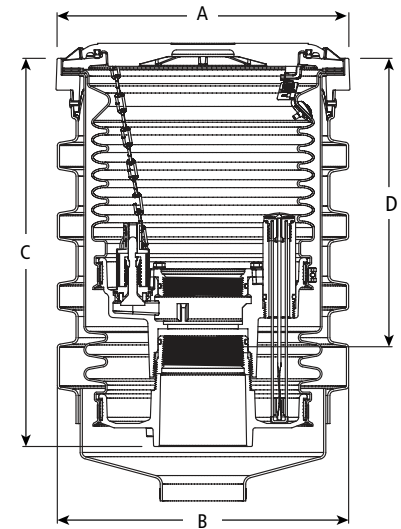
1-3100-TOOL	Installation Tool for the EDGE™ DW Spill Container
DW-VAC-TEST	Double-Wall Vacuum Tester
SC-VAC-TEST	Vacuum Testing Lid for OPW Spil Buckets

### The Edge™ Double-Wall Models - Vapor Ports with Plug

Part #	Gal.	liter	Cover	Gauge	lbs.	kg.
1C-3112P	5	19	Cast Iron	Float Gauge	127	58
1C-3122P	5	19	Cast Iron	Port Only (sensor not included)	127	58
1C-3132P	5	19	Cast Iron	Electronic Sensor; 2 Stage, Normally Closed	127	58
1C-3142P	5	19	Cast Iron	Electronic Sensor; 2 Stage, Tri-State	127	58
1C-31512P	15	57	Cast Iron	Float Gauge	185	84
1C-31532P	15	57	Cast Iron	Electronic Sensor; 2 Stage, Normally Closed	185	84
1C-31542P	15	57	Cast Iron	Electronic Sensor; Tri-State	185	84
1SC-3112P	5	19	Sealable	Float Gauge	127	58
1SC-3122P	5	19	Sealable	Port Only (sensor not included)	127	58
1SC-3132P	5	19	Sealable	Electronic Sensor; 2 Stage, Normally Closed	127	58
1SC-3142P	5	19	Sealable	Electronic Sensor; Tri-State	127	58
1SC-31512P	15	57	Sealable	Float Gauge	185	84
1SC-31532P	15	57	Sealable	Electronic Sensor; 2 Stage, Normally Closed	185	84
1SC-31542P	15	57	Sealable	Electronic Sensor; Tri-State	185	84

Add the following to part number for colored powder coated covers and Rings. Example 1C-3XXXD-W

<input type="checkbox"/> White	-W	<input type="checkbox"/> Orange	-O	<input type="checkbox"/> Yellow	-Y
<input type="checkbox"/> Red	-R	<input type="checkbox"/> Blue	-B	<input type="checkbox"/> Bronze	-BZ



EDGE™

### Dimensions 5-gallon EDGE™

	in.	cm
A	16 <sup>5</sup> / <sub>8</sub>	42
B	16 <sup>19</sup> / <sub>32</sub>	42
C	22 <sup>1</sup> / <sub>8</sub>	56
D	16 <sup>7</sup> / <sub>16</sub>	42

### Dimensions 15-gallon EDGE™

	in.	cm
A	24 <sup>7</sup> / <sub>8</sub>	63
B	24 <sup>1</sup> / <sub>2</sub>	62
C	24 <sup>1</sup> / <sub>2</sub>	62
D	18	46

## Replacement Parts/Accessories

Part #	Description	Part #	Description	Part #	Description
1-21CC	5 Gallon Cast Iron RT cover	211465	Visigauge S/A	H12267	Wood Block Leveling Kit
				202136-KIT	5 Gallon Primary Bucket with Plug
1-21AC	5 Gallon Aluminum RT Cover	206017	Sensor Adaptor S/A (Primary)	205987-KIT	15 Gallon Primary Bucket with Drain Valve
H12229M	5 Gallon Cover Seal for 1-21AC and 1-21CC	211064	Visigauge	206215-KIT	15 Gallon Primary Bucket with Plug
201530	5 Gallon Snow-Plow Ring	201972	O-Ring, Visigauge Adaptor	202137-KIT	5 Gallon Secondary Replacement Kit for Float Gauge
201689	5 Gallon Seal for Snow-Plow Ring	202013	O-Ring, Visigauge	206010-KIT	5 Gallon Secondary Replacement Kit for Sensor Buckets
203340	15 Gallon Rain Tight Rings	1DK-2100-EVR	Drain Valve Sub Assembly	206011-KIT	5 Gallon Secondary Replacement Kit for Electronic Sensor
H12229M	15 Gallon RT Cover Seal	201739	Nipple Adaptor	205988-KIT	15 Gallon Secondary Bucket Assembly
SC-XXXX (XXX =Color)	5 or 15 Gallon Sealable Covers Powder Coated	C05446M	15 Gallon Main cover Seal	203269	Replacement 2 Stage, Normally Closed Sensor and Sealed Base Plug; Used in 1C-xx32 series Edge
203035	5 Gallon Sealable Cover Replacement Snow-Plow Ring	201686	S/A Secondary Gravel Guard	210490	Replacement Tri-State Sensor and Sealed Base Plug, Used in 1C-xx42x Series Edge
1DP-2100	Plug Kit	201686	S/A Secondary Gravel Guard	211079	Sensor Only Standard
SCR Series	15 Gallon Sealable Cover Replacement Snow-Plow Ring	202135-KIT	5 Gallon Primary Bucket with Drain Valve	210488	Sensor Only
				201692	O-Ring for 201739

Float Gauge & Sensor Adaptor not included with replacement buckets

## EDGE™ Replacement Cartridge Kit

Original Edge Model	Original Product Description	Primary Containment Replacement Kit	Secondary Containment Replacement Kit	Primary and Secondary Containment Replacement Kit / EDGE 1 Upgrade Kits
1C-3112D / 1SC-3112D	DW EDGE: Drain Valve + Gauge	202135-KIT	202137-KIT	202135-KIT + 202137-KIT + 211465
1C-3112P / 1SC-3112P	DW EDGE: Plug and Gauge	202136-KIT	202137-KIT	202136-KIT + 202137-KIT + 211465
1C-3122D / 1SC-3122D	DW EDGE: Drain Valve and Sensor Access Port	202135-KIT	206010-KIT	202135-KIT + 206010-KIT + 206017
1C-3122P / 1SC-3122P	DW EDGE: Plug and Sensor Access Port	202136-KIT	206010-KIT	202136-KIT + 206010-KIT + 206017
1C-3132D / 1SC-3132D	DW EDGE: Drain Valve & 2 Stage Norm. Closed Sensor	202135-KIT	206011-KIT	202135-KIT + 206011-KIT + 206017
1C-3132P / 1SC-3132P	DW EDGE: Plug & 2 Stage Norm. Closed Sensor	202136-KIT	206011-KIT	202136-KIT + 206011-KIT + 206017
1C-3101D / 1SC-3101D	EDGE 1: Drain Valve	203193-KIT		
1C-3101P / 1SC-3101P	EDGE 1: Plug	203194-KIT		
1C-31512D / 1SC-31512D	DW Edge: 15 Gallon Drain Valve + Gauge	205987-KIT	205988-KIT	205987-KIT + 205988-KIT + 211465
1C-31512P / 1SC-31512P	DW Edge: 15 Gallon Plug + Gauge	206215-KIT	205988-KIT	206215-KIT + 205988-KIT + 211465
1C-3142D / 1SC-3142D	DW Edge: Drain and Tri-State Sensor	202135-KIT	210493-KIT	202135-KIT + 210493-KIT + 206017
1C-3142P / 1SC-3142P	DW Edge: Plug and Tri-State Sensor	202136-KIT	210493-KIT	202136-KIT + 210493-KIT + 206017

## Replacement Parts/Accessories

Part #	Description
SC-Test	Testable Sealable cover for SC Edge or 1-2200 buckets



**SC Tester**

## 4" Threaded Nipples for Mating Spill Bucket to Adaptor

Part #	Description
TC-400	4" Torque Cap
H15144M	4" NPT Nipple, 4" Length
H12806M	4" NPT Nipple, 5" Length
VPN4X7	4" NPT Nipple, 7" Length
H15271M	4" NPT Nipple, 8" Length
H15268M	4" NPT Nipple, 10" Length



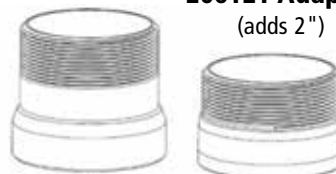
**Threaded Nipple**

## 4" Riser Extenders

Part #	Description
206121	4" NPT Riser Pipe Extender, adds 2" to Height
206122	4" NPT Riser Pipe Extender, adds 3.25" to Height

**206122 Adapter**  
(adds 3.25")

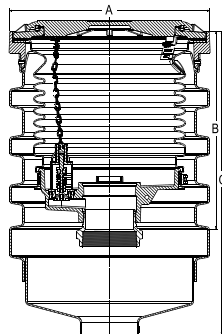
**206121 Adapter**  
(adds 2")



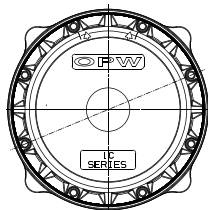
## OPW EDGE 1™ Single-Wall Spill Container

Introducing an advanced single-wall spill container – the new EDGE 1™ by OPW. The new EDGE 1™ is rugged, easier to install and service, upgrades to a double-wall and is more reliable than current single-wall spill containers available today. Leading-EDGE design features and superior materials of construction combine with expert spill containment engineering excellence to deliver more benefits than any other single-wall spill container, making the EDGE 1™ number one in:

- ◆ Installation & upgradeability ease
- ◆ Serviceability ease
- ◆ Durability & long-life reliability



A = 16 5/8"  
 B = 16 15/32"  
 C = 25 1/4"

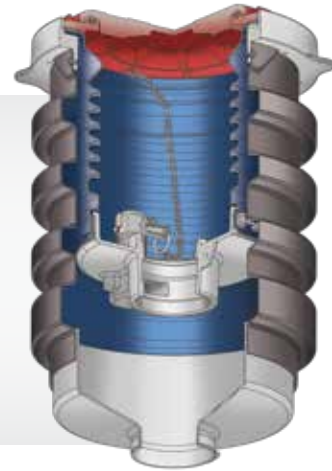


### Replacement Parts/Accessories

Part #	Description
201689	Mounting Ring Seal
201530	Snow-Plow Ring
201692	O-Ring, Nipple Adaptor
1-21CC	Cover
203035	Sealable Cover Ring
H12229M	Cover Seal
SC-xxxx	(Xxxx=Color) Sealable Cover
1DK-2100-EVR	Drain Valve Sub Assembly
203193-KIT	Replacement 5-Gallon with Drain Valve
203194-KIT	Replacement 5-Gallon with Drain Plug
IP-2105	Hand Pump

### Materials

- Cover:** Cast iron
- Mounting Ring:** Duragard® coated ductile iron
- Bellows:** Polyethylene
- Base:** Cast iron E-coating
- Clamps:** Stainless steel
- Seals:** Buna-N



### Features

- ◆ **Upgradeable to a double-wall bucket without breaking concrete**
- ◆ **Quick, easy replacement of spill bucket and mounting ring without breaking concrete** – significantly reduces labor time and cost
- ◆ **High-quality materials of construction**
  - Roto-molded technology - provides for thicker, more robust bellows
  - Heavy-duty ductile iron mounting ring - provides superior long-term reliability and damage protection against traffic drive-over and snow plows
- The integral pull-to-open drain valve uses non-corrosive and stainless-steel materials, unlike our competitors, which have corrosive materials in their design (a drain plug version is also available)
- ◆ **Thread-on bucket design** - ensures leak-free integrity, especially in the event of ground movement
- ◆ **Corrosion-resistant polyethylene skirt** – increased rigidity and durability, superior reliability over corrosive metallic skirts
- ◆ **Unique concrete anchoring ring** – wide-lip and four (4) convenient anchoring ears provide for better

### Ordering Specifications

Model #	Description	Weight	
		lbs.	kg
1C-3101D	The EDGE 1™ SW Spill Container, 5 Gallon capacity, with Cast Iron Cover and Drain Valve	117	53
1C-3101P	The EDGE 1™ SW Spill Container, 5 Gallon capacity, with Cast Iron Cover and Drain Plug	117	53

**NOTE:** Any model can be purchased with a sealable cover option by using part number 1SC-XXXXD or 1SC-XXXXP.

**NOTE:** FSA-400-S must be installed with the EDGE 1™ to be upgraded to a double-wall spill bucket.

Add the following to part number for colored powder coated covers and rings. Example 1C-3XXXD-W

<input type="checkbox"/> White	-W	<input type="checkbox"/> Orange	-O	<input type="checkbox"/> Yellow	-Y
<input type="checkbox"/> Red	-R	<input type="checkbox"/> Blue	-B	<input type="checkbox"/> Bronze	-BZ

### Installation Tool

Model #	Description
61SA-TOOL	Wrench for Installation of the EDGE 1™ SW Spill Container

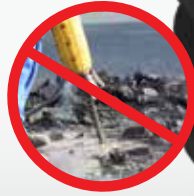
### Listings and Certifications





**Materials**

- Cover:** Black Epoxy Coated Cast Iron
- Mounting ring:** Duragard® coated ductile iron
- Bellows:** Polyethylene
- Base:** Cast iron E-coating
- Seals:** Buna-N



**OPW 1-2200 Series  
Replaceable Single-Wall  
Spill Container**

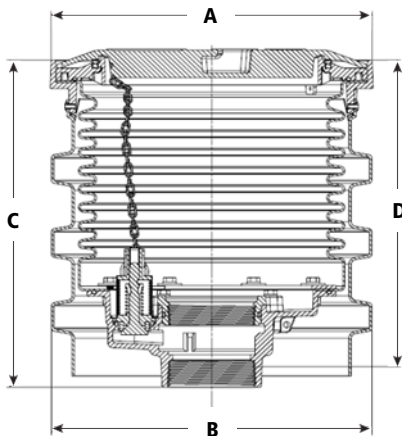
Introducing an affordable, all-accessible, all-replaceable and all-maintainable spill container from OPW. Never break concrete again with our new EPA Compliant UST Solution for today, tomorrow and the future.

**Features**

- ◆ **Designed for proposed 2014 EPA Regulations and beyond**
- ◆ **Prepares you for future compliance**
- ◆ Removable Bellows and Ring
- ◆ **Unique Flange Adaptor Feature-** Allows quick and easy removal of overflow valve without torquing base
- ◆ Built-In Face Seal Adaptor
- ◆ Innovative Snow-plow Ring-less, Liquid-Tight Cover with Integrated Lift Handle design
- ◆ Easy access for overflow prevention valve testing and inspection
- ◆ Replaceable bucket without breaking concrete
- ◆ **ULC Approved**

**Ordering Specifications**

Model #	Description
1C-2200D	Single-Wall, Field Replaceable Spill Container with Drain Valve
1C-2200P	Single Wall, Field Replaceable Spill Container with Drain Plug
1-3100-TOOL	Installation Tool, Used for Edge and 1-2200 Spill Containers



**Dimensions**

	in.	cm	lbs.	kg
A	16 <sup>5</sup> / <sub>8</sub>	42	77	34.9
B	16 <sup>19</sup> / <sub>32</sub>	42	77	34.9
C	17 <sup>2</sup> / <sub>3</sub>	45	77	34.9
D	16 <sup>7</sup> / <sub>16</sub>	42	77	34.9

**Listings and  
Certifications**



### Replace Bellows in 3 Easy Steps



Remove Upper Bolts and Ring



Remove Lower Bolts and Ring and Remove Bellows



Replace Bellows, Reinstall Upper and Lower Rings

**No Need to Remove Base in order to Replace Bellows**

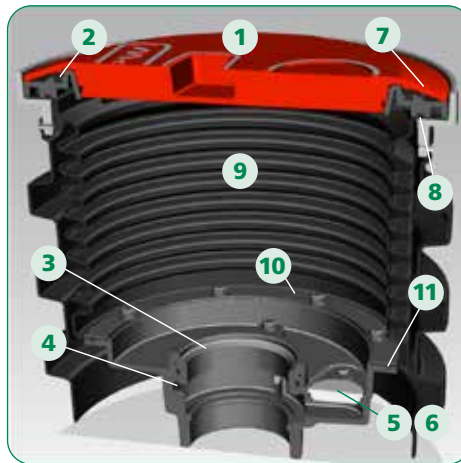
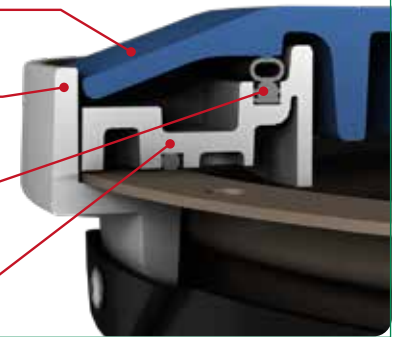
### Liquid-Tight Cover

Special Cover and Ring Design  
Seals Out Water and Debris

Eliminates Need for Snow Plow Ring  
Flush with Finish Grade

Proven "Bubble Seal"

Removable Compression Ring



#### 1-2200 Series Replacement Parts

Part/Kit Number	Description
1	207235 Cover
2	H12229M Cover Seal
3	201739 Flange Adaptor
4	201692 Flange Adaptor O-ring
5	1DK-2100-EVR Drain Valve Sub Assembly
6	1DP-2100 Drain Plug Kit
7	208951 Upper Ring Replacement Kit (Includes; O-ring and Hardware)
8	207243 Upper Ring O-ring
9	208952 Bellows Replacement Kit (Includes; O-rings, Split Rings, and Hardware)
10	207212 Lower Split Ring, Each (2 Required per Spill Container)
11	207211 Lower Bellows O-ring
	208197 Installation Instructions

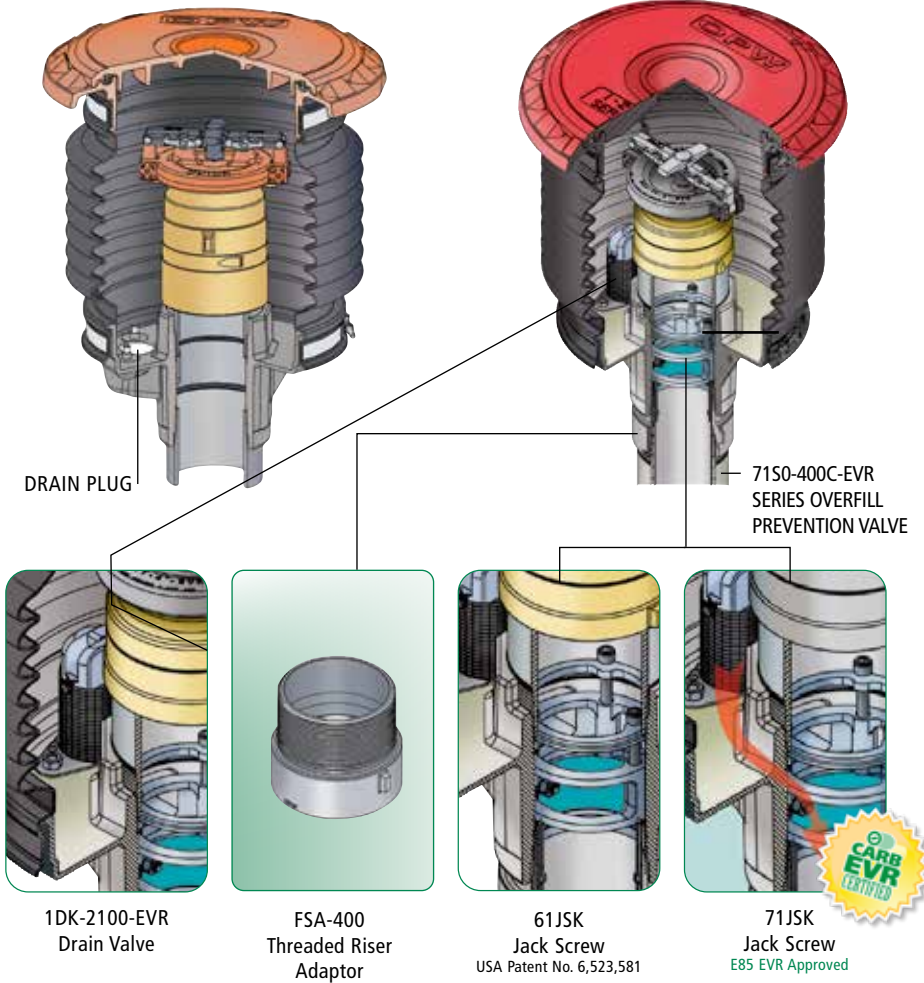
**1-2100-PEVR Series  
Vapor Recovery Spill Container**

**1-2100-DEVR Series  
Product Fill Spill Container**

**OPW 1-2100-EVR  
Series Direct Bury  
Spill Containment  
For CARB/EVR**

The OPW Thread-On 1-2100-EVR Series Spill Containers are certified for installation on OPW Phase I EVR Systems. All Fill Port Spill Containers feature an enhanced 1DK-2100-EVR vapor tight drain valve (DEVR Models). The Vapor Return Spill Containers (PEVR Models) feature a permanent plug in the drain port as per EVR requirements. The 1-2100-EVR Series Thread-On Spill Containers are available in Composite or Cast Iron bases with either 5 or 15-gallon buckets.

The FSA-400 Threaded Riser Face Seal Adaptor is installed on the fill pipe below the spill container to provide a true sealing surface for the drop tube flange on the 61SO and 71SO overfill prevention valve. The 61SO and 71SO series valves are installed in the base of the OPW EVR spill container with the patent-pending 61JSK Jack Screw device. This configuration allows liquid in the spill container to be drained directly into the drop tube thereby isolating the drain valve from the tank ullage, eliminating a notorious leak point in previous systems.



**OPW Threaded Riser Adaptor (Face Seal Adaptor)**

An OPW FSA-400 Threaded Riser Face Seal Adaptor provides a flat, true sealing surface on threaded pipes where a gasket seal exists per EVR requirements. The FSA-400 is installed on the fill pipe riser below the spill container to provide a true sealing surface for the drop tube flange on the overfill prevention valves. The FSA-400 is also required on tank gauging risers and optional on vapor risers and rotatable adaptors.

**61JSK, 71JSK (Jack Screw Device)  
Ordering Specifications**

Product #	Description
FSA-400	4" Face Seal Adaptor
FSA-400-S	4" Short Face Seal Adaptor for Cast Iron Base Only
61JSK-4410	Jack Screw Kit for Composite Base Spill Bucket
61JSK-44CB	Jack Screw Kit for Cast Iron Base Spill Bucket
71JSK-4RMT	Remote Fueling Jack Screw Kit E85 EVR Approved
71JSK-44MA	Jack Screw Kit for Cast Iron Base Spill Buckets E85 EVR Approved

## OPW 1-2100 Series Thread-On Spill Containers

OPW Spill Containment Manholes are designed to prevent spilled product from entering the soil near the fill and vapor return riser connections on underground storage tanks during normal tank filling operation, or in the event of tank overflow. The spill containers catch spillage to help prevent soil contamination and groundwater pollution. OPW Thread-On Spill Containment Manholes are generally used on new tank or riser pipe installations.

### Materials

**Cover:** Cast aluminum or cast iron

**Mounting Ring:** Cast iron E-coating

**Bellows:** Polyethylene

**Base:** Cast iron E-coating or Duratuff II

**Clamps:** Stainless steel

**Seals:** Nitrile

1-2115,  
15-Gallon



### Features

- ◆ **Easy Installation** – reduces job-site time and installation costs. OPW Thread-On Spill Containers screw directly onto 4" NPT riser. No external connections to make; adjust the final grade height and support the unit with backfill
- ◆ **Integral Pull-to-Open Drain Valve** – allows high-speed drainage of excess product into the tank. Designed with a convenient self-cleaning seal and removable screen for easier component cleaning
- ◆ **Capacity** – available in a true 5-gallon capacity as well as 15-gallon capacity
- ◆ **Rain-Shedding Cover** – available in either cast aluminum or cast iron, this unique design incorporates a seal in the underside of the cover. The seal seats between two dams on the mounting ring to prevent surface water from entering the spill container
- ◆ **Fuel Compatibility** – designed to accommodate the fuels of the future, including methanol, ethanol and fuels with MTBE additives
- ◆ **Product Identification Tags** – available for both the cover and bucket to positively identify the product contained in the UST with standard API symbols (See product I.D. tag specification page for more information: page 97.)
- ◆ **Heavy-Duty Mounting Ring** – the angled ramp design offers superior protection against snow plow and traffic damage, and provides for secure concrete anchoring
- ◆ **Corrugated Bellows** – can be adjusted +/- 1 inch for desired grade level
- ◆ **Duratuff® II or Cast Iron Base** – composite Duratuff® II material is lightweight, durable, and conductive. A rugged, optional, cast-iron base is also available
- ◆ **Highway 20 Rated (H20)** – all OPW spill containers and manholes exceed the requirements of the Highway 20 rating

### Listings and Certifications



Look for this label for authentic OPW EVR Approved products.



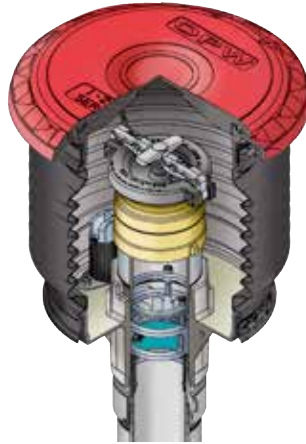
## DEVR Models – Fill Port with Drain Valve

### Duratuff® II Base with Drain Valve Models

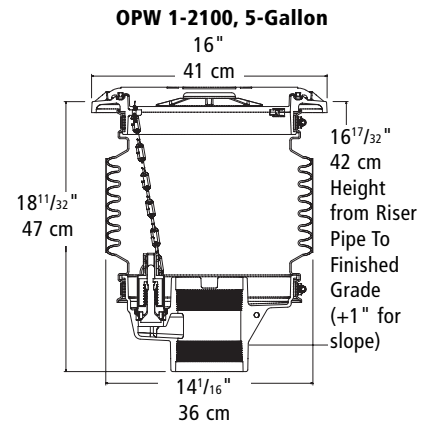
Model #	Gal.	Liter	Cover	lbs.	kg
1-2100-DEVR	5	19	Aluminum	40	18
1C-2100-DEVR	5	19	Cast Iron	53	24
1-2115-DEVR	15	57	Aluminum	47	21
1C-2115-DEVR	15	57	Cast Iron	60	27

### Cast Iron Base with Drain Valve Models

Model #	Gal.	Liter	Cover	lbs.	kg
1-2100C-DEVR	5	19	Aluminum	40	18
1C-2100C-DEVR	5	19	Cast Iron	53	24
1-2115C-DEVR	15	57	Aluminum	47	21
1C-2115C-DEVR	15	57	Cast Iron	60	27



**1-2100-DEVR Series  
Product Fill Spill Container**



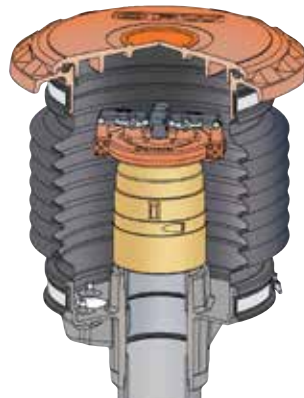
## PEVR Models – Vapor Port with Plug

### Duratuff® II Base with Plug Models

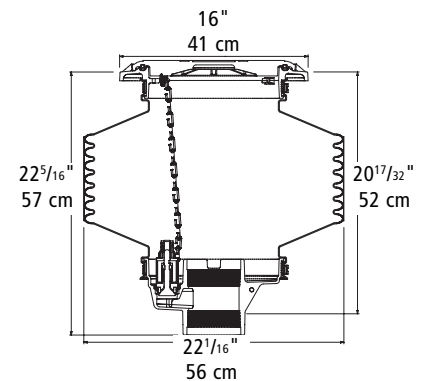
Model #	Gal.	Liter	Cover	lbs.	kg
1-2100-PEVR	5	19	Aluminum	40	18
1C-2100-PEVR	5	19	Cast Iron	53	24

### Cast Iron Base with Plug Models

Model #	Gal.	Liter	Cover	lbs.	kg
1-2100C-PEVR	5	19	Aluminum	40	18
1C-2100C-PEVR	5	19	Cast Iron	53	24



**1-2100-PEVR Series  
Vapor Recovery Spill Container**



\*Subtract 2" from height dimension for Cast Iron Base Models.

NOTE: 20<sup>17/32</sup>" dimension is height from riser pipe to finish grade (+1" for slope)

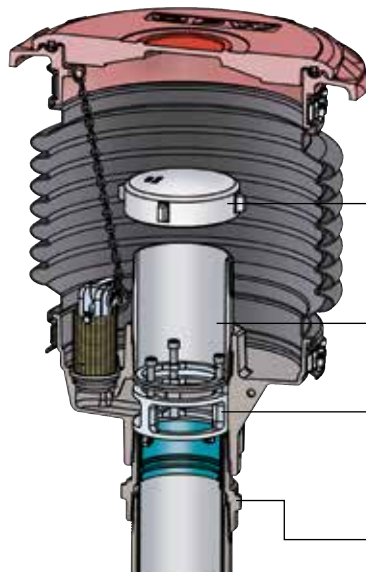


### 4" Threaded Nipples for Mating Spill Bucket to Adaptor

Part #	Description
TC-400	4" Torque Cap
H15144M	4" NPT Nipple, 4" Length
H12806M	4" NPT Nipple, 5" Length
VPN4X7	4" NPT Nipple, 7" Length
H15271M	4" NPT Nipple, 8" Length
H15268M	4" NPT Nipple, 10" Length

## Replacement Parts

Part #	Description
1DK-2100-EVR	Drain Valve Kit
1-21AC	Aluminum Cover w/ Seal
1-21CC	Cast Iron Cover w/ Seal
H12229M	Cover Seal
1PPK-2100	Hand Pump & Plug Kit for 1-2100
1DP-2100	Replacement Drain Plug Kit for 1-2100



#### TC-400 Torque Cap

Provides an easy means of threading a 4" NPT nipple into a spill container. The OPW TC-400 coupled with the OPW 61SA-TOOL can provide the necessary torque requirements for installing adaptor nipples for spill containers. The TC-400 can easily be removed without disturbing the installed threaded nipple. The TC-400 also eliminates the need for a strap or chain wrench.

#### 4" Threaded Pipe Nipple

OPW pipe nipples are CNC machined, providing a smooth sealing surface where a gasket seal exists. Available in various lengths to custom fit the necessary height requirements for Fill and Vapor Adaptors.

#### 61JSK Jack Screw Device

See page 80 for detailed information.

#### FSA-400 Face Seal Adaptor

See page 80 for detailed information.

The following products are in compliance with California Water Resources Control Board (W.R.C.B.) for coating of buried metal components, such as stainless steel clamps or entire Spill Containment Bucket bottoms.

Part #	Description
SL-1100	Urethane Sealant (10.3 oz.)
W.R.C.B. approved CCR Title 23, Div. 16, Sec. 1631 & 2636	



## OPW 1SC-2100-EVR Series Sealable Cover Spill Containers

OPW Spill Containment Manholes are designed to prevent spilled product from entering the soil near the fill and vapor return riser connections on underground storage tanks during normal tank filling operation, or in the event of tank overflow. The spill containers catch spillage to help prevent soil contamination and groundwater pollution. The OPW 1SC-2100-EVR Series Sealable Cover Spill Containers are designed to eliminate the problems associated with water entering grade level spill containers. The operation of the cover is similar to that of a "plumbers plug." When the lever is latched down, the plates are drawn together, expanding the seal against the machined mounting ring wall. The 1SC-2100-EVR spill containers are ideal for areas with a high water table, areas subject to tropical rain and standing water, and cold regions where melting snow and road salt can enter standard spill containers.

### Materials

**Cover:** Cast aluminum  
**Cover Seal:** Low swell nitrile  
**Lever:** Bronze  
**Mounting Ring:** Teflon® plasma-coated cast iron  
**Bellows:** Polyethylene  
**Base:** Duratuff® II or cast iron E-coating  
**Clamps:** Stainless steel  
**Seals:** Low swell nitrile



### Lid Features

- ◆ **Simple "Plumbers Plug" Operation** – cover seal is expanded against mounting ring wall
- ◆ **Vertical Sealing Surface** – prevents gravel and debris from damaging or interfering with the cover seal
- ◆ **Machined Sealing Surface** – ensures watertight seal. Teflon coated stainless steel
- ◆ **Field Replaceable Seal** – designed for all-weather performance
- ◆ **Clear Anodized Aluminum Top Plate** – deters cover theft
- ◆ **Potted Hinge Mechanism** – prevents ice and debris from hindering lever operation

### Additional Features

- ◆ **Product Identification Tags** – available for both the spill container cover and bucket to positively identify the product contained in the UST with standard API symbols (See product I.D. tag specification page for more information: page 97.)
- ◆ **Capacities** – 5 and 15-gallon
- ◆ **Fuel Compatibility** – designed to accommodate all fuels, including methanol, ethanol and MTBE
- ◆ **Highway 20 Rated (H20)** – all OPW spill containers and manholes exceed the requirements of the Highway 20 rating

### Listings and Certifications



Look for this label for authentic OPW EVR Approved products.

## Ordering Specifications

### Plug or Drain Valve Models

Model	Gal.	Liter	Base	Drain Valve or Drain Plug	Cover	lbs.	kg
1SC-2100-DEVR	5	19	Composite	Drain Valve	Aluminum	47	21
1SC-2115-DEVR	15	57	Composite	Drain Valve	Aluminum	47	21
1SC-2100-PEVR	5	19	Composite	Drain Plug	Aluminum	47	21
1SC-2115-PEVR	15	57	Composite	Drain Plug	Aluminum	47	21
1SC-2100C-DEVR	5	19	Cast Iron	Drain Valve	Aluminum	53	24
1SC-2115C-DEVR	15	57	Cast Iron	Drain Valve	Aluminum	53	24
1SC-2100C-PEVR	5	19	Cast Iron	Drain Plug	Aluminum	53	24
1SC-2115C-PEVR	15	57	Cast Iron	Drain Plug	Aluminum	53	24

### Dimensions

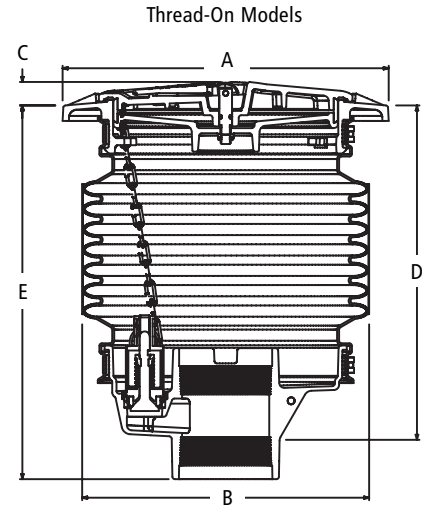
#### Slip-On Models (see drawing on right)

	1SC-2105		1SC-2155	
	in.	cm	in.	cm
A	16	41	16 <sup>7</sup> / <sub>32</sub>	41
B	14	36	22	56
C	1 <sup>5</sup> / <sub>32</sub>	3	1 <sup>5</sup> / <sub>32</sub>	3
D*	10 <sup>1</sup> / <sub>16</sub>	26	14 <sup>1</sup> / <sub>8</sub>	36
E*	17	43	21	53

\*Subtract 2" from "E" dimension for Cast Iron Base Models.

#### Thread-On Models (see drawing on right)

	1SC-2100		1SC-2115	
	in.	cm	in.	cm
A	16	40	16 <sup>7</sup> / <sub>32</sub>	41
B	14 <sup>1</sup> / <sub>16</sub>	36	22	56
C	1 <sup>5</sup> / <sub>32</sub>	3	1 <sup>5</sup> / <sub>32</sub>	3
D	16 <sup>3</sup> / <sub>8</sub>	42	20 <sup>1</sup> / <sub>2</sub>	52
E*	18 <sup>5</sup> / <sub>16</sub>	47	22 <sup>1</sup> / <sub>2</sub>	57



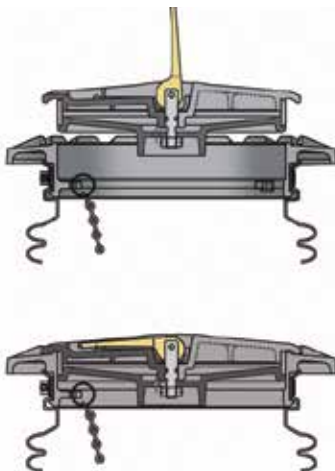
### Replacement Parts

Part #	Description
SC-PLAIN	Replacement Cover
H13931M	Cover Gasket
C04101B	Bronze Lever Arm
D01874M	Lower Plate
C04141M	Rubber Insert
H12927M	Adjustment Nut
1SC-TOOL	Optional Easy Opening Tool
1DK-2100-EVR	Drain Valve Kit

### 4" Threaded Nipples for Mating Spill Bucket to Adaptor

Part #	Description
TC-400	4" Torque Cap
H15144M	4" NPT Nipple, 4" Length
H12806M	4" NPT Nipple, 5" Length
VPN4X7	4" NPT Nipple, 7" Length
H15271M	4" NPT Nipple, 8" Length
H15268M	4" NPT Nipple, 10" Length

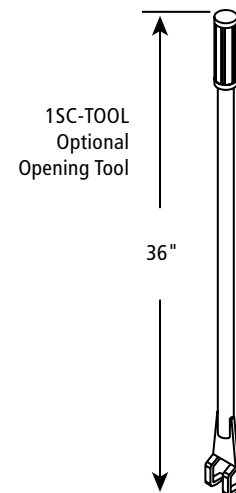
### Sealable Cover Operation



Lid in Closed Position



1DK-2100 Drain Valve Kit  
Instruction Sheet Order  
Number: **H11471M**



## OPW 1-2105 Series Slip-On Spill Containers

OPW Slip-On Spill Containment Manholes are used on new or existing UST riser pipes. The spill bucket slides onto 3" or 4" fill and vapor return riser pipes and is then secured in place. Slip-on spill containers provide a fast, economical way to replace uncontained manholes or fill boxes.

### Materials

**Cover:** Cast aluminum or cast iron  
**Mounting Ring:** Duragard® coated cast iron  
**Bellows:** Polyethylene  
**Base:** Duratuff®  
**Clamps:** Stainless steel  
**Seals:** Nitrile

1-2105, 5-Gallon  
Slip-On Spill Container



### Features

- ◆ **Easy Installation** – clamps directly onto a 4" riser pipe. Reduces job-site time and installation costs; no need to remove, cut or thread riser pipe
- ◆ **Capacity** – available in a true 5-gallon capacity as well as a 15-gallon capacity
- ◆ **Rain-Shedding Cover** – available in either cast aluminum or cast iron, this unique design incorporates a seal in the underside of the cover. The seal seats between two dams on the mounting ring to prevent surface water from entering the spill container
- ◆ **Fuel Compatibility** – designed to accommodate the fuels of the future, including methanol, ethanol and fuels with MTBE additives
- ◆ **Optional Suction Hand Pump** – 8 oz. per stroke capacity for high-speed evacuation of excess liquid. Allows user to pump product back into the tank or out of the spill container for proper disposal
- ◆ **Product Identification Tags** – available for both the spill container cover and bucket to positively identify the product contained in the UST with standard API symbols (See product I.D. tag specification page for more information: page 97.)
- ◆ **Offset Base Pipe Entry** – 1" offset allows for proper clearance with close fill/vapor riser spacing on tanks
- ◆ **Heavy-Duty Mounting Ring** – the angled ramp design offers superior protection against snow plows and provides for secure concrete anchoring
- ◆ **Highway 20 Rated (H20)** – all OPW spill containers and manholes exceed the requirements of the Highway 20 rating

Spill Container Slip-on Model  
Instruction Sheet Order Number:  
**H12262M**

### Listings and Certifications



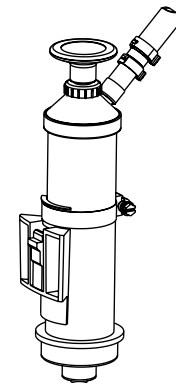
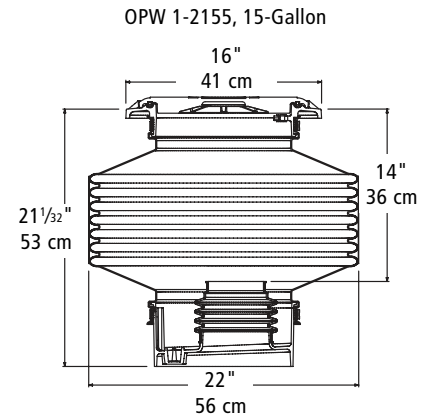
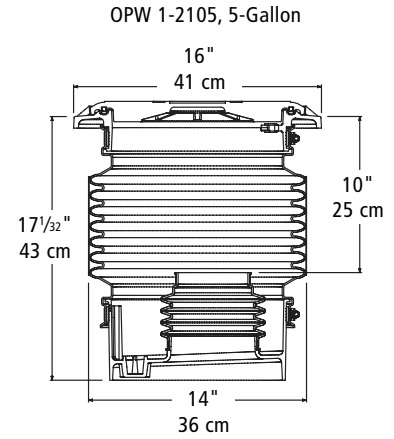
## Ordering Specifications

Model	Gal.	Liter	Cover	lbs.	kg
1-2105	5	19	Aluminum	39	18
1C-2105	5	19	Cast Iron	53	24
1-2155	15	56	Aluminum	45	21
1C-2155	15	56	Cast Iron	55	25
1SC-2105	5	19	Sealable	39	18
1SC-2115	15	56	Sealable	45	21

## Replacement Parts/Accessories

Part #	Description	Part #	Description
1-21AC	Aluminum Cover w/ Seal	H12229M	Cover Seal
1-21CC	Cast Iron Cover w/ Seal	201567	Inner Bellows
1P-2105	Optional Hand Pump Kit	201759	4 x 3 Reducer Insert

## OPW 1-2105 Series Slip-On Containers



1P-2105 Suction Hand Pump

## OPW 101BG-2100 Series Below-Grade Spill Containers

OPW Below-Grade Spill Containment Manholes are used in new tank or riser pipe installations. The watertight spill containment chamber is installed completely below grade level. A grade level manhole cover lies flush with the driveway grade to reduce a tripping hazard and the potential for damage from snow plows and traffic. Surface water drains into the backfill between the manhole skirt and the exterior of the containment bucket. Below-grade spill containers are available in thread-on and slip-on configurations in 5 and 15-gallon capacities.

101BG Slip-on Model Instruction Sheet Order Number: **H12579M**

101BG-2100 Instruction Sheet Order Number: **H12260M**

**Important Notice:** The OPW101BG-2100 Spill Container Series does not prevent contamination of the soil or backfill resulting from spills flowing between the spill container and the outer shell. Ground contamination may result if the spill container is filled beyond capacity, or if a spill occurs outside the spill containment cell.

- ◆ **Highway 20 Rated (H20)** – all OPW spill containers and manholes exceed the requirements of the Highway 20 rating.

## Materials

**Grade Cover:** Fiberglass reinforced composite (steel optional)

**Lid:** Glass reinforced composite

**Lever, top case:** Polyethylene

**Outer shell:** Polyethylene, powder-coated steel

**Containment cell:** Polyethylene

**Base:** Duratuff® II or cast iron

**101BG-2115,  
15-Gallon**



## Features

- ◆ **Pull-to-Open Drain Valve** – allows high-speed drainage of excess product into the tank. Designed with a convenient self-cleaning seal and removable screen for easier component cleaning (CARB Approved)
- ◆ **Capacity** – 5-gallon and 15-gallon capacities
- ◆ **Outer Shell** – the outer shell isolates the containment vessel from the surrounding concrete and gravel. This high-density polyethylene shell is designed to provide space between the outer shell and the containment vessel to allow any surface water that enters to flow into the backfill, not the containment vessel. Elimination of water in the spill container reduces product contamination and ice formation during cold winter months
- ◆ **Vapor-Tight Lid** – a unique, hinged and sealed containment vessel lid provides a vapor-tight seal, designed to prevent vapors from escaping at ground level while eliminating the accumulation of dirt and water that contaminate fuel. Incorporating a special lid interlock design, the grade level cover cannot be replaced on the outer shell without the lever being in the closed and locked position
- ◆ **Composite Grade Level Cover** – made of sturdy fiberglass-reinforced composite, the grade cover is less prone to theft than aluminum covers, and lighter in weight than cast iron. In addition, the cover lies flush with the actual grade so no ramps are required to support the cover, eliminating snow plow hazards and “speed bumps” (Optional steel plate cover is also available)
- ◆ **Fuel Compatibility** – designed to accommodate the fuels of the future, including methanol, ethanol and fuels with MTBE additives
- ◆ **Easy Installation** – reduces job-site time and installation costs. Simply thread the Duratuff® II base (cast iron base is optional) onto a standard 4" schedule 40 pipe. Guides are provided to assure proper positioning of the spill container. The hinged lid orientation is adjustable during installation for site-specific placement
- ◆ **Product Identification Tags** – available for both the spill container cover and bucket to positively identify the product contained in the UST with standard API symbols (See product I.D. tag specification page for more information: page 97.)

## Listings and Certifications

### CARB Certifications and Listings

101BG(S)-2100  
101BG(S)-2115

Approval Letter #93-26





## Ordering Specifications

### Duratuff® II Base Models

Model	Gal.	Liter	Drain Valve	lbs.	kg
101BG-2100	5	19	Pull	60	27
101BG-2105**	5	19	None	60	27
101BG-2115	15	57	Pull	65	29

\*\*Slip-on Base

### Cast Iron Base Models

Model	Gal.	Liter	Drain Valve	lbs.	kg
101BG-2100C	5	19	Pull	72	33
101BG-2115C	15	57	Pull	77	35

### Dimensions

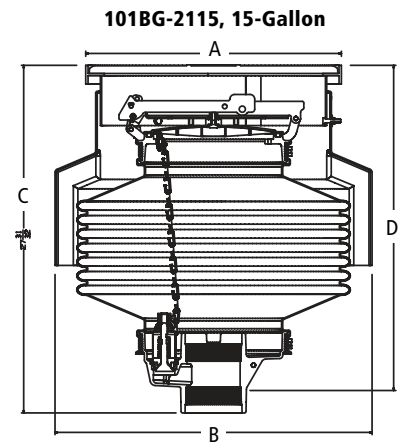
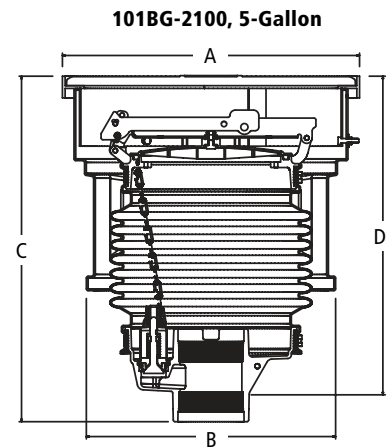
	101BG-2100		101BG-2115	
	in.	cm	in.	cm
A	20 <sup>9</sup> / <sub>16</sub>	52	20 <sup>9</sup> / <sub>16</sub>	52
B	17 <sup>1</sup> / <sub>4</sub>	44	25 <sup>1</sup> / <sub>2</sub>	65
C*	23 <sup>29</sup> / <sub>32</sub>	76	27 <sup>31</sup> / <sub>32</sub>	71
D	22 <sup>1</sup> / <sub>16</sub>	56	26 <sup>5</sup> / <sub>32</sub>	66

\*Subtract 2" from "C" dimension for Cast Iron Base Models.

### Replacement Parts/Accessories

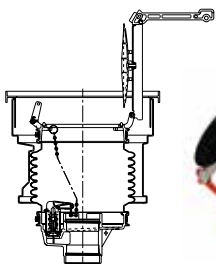
Part #	Description
1DK-2100-EVR	Pull Drain Valve
101BG-21AR	Inside Hatch Height Extender
101BG-21LA	Red Lever & Crossarm Assembly
101BG-LATCH	Latch Kit; Yoke, Cotterpin & Spring
101BG-BUCKET	5 Gallon Replacement Spill Container
C04785M	5 Gallon Insert Support

Part #	Description
101BG-COVER	Composite Manhole Cover
E00491	Complete Replacement Top Assembly
H11671M	Steel Manhole Cover
H12280M	Ring Seal
H12620	Inside Hatch
P110-20LID	Steel Manhole Cover w/ID Tag System

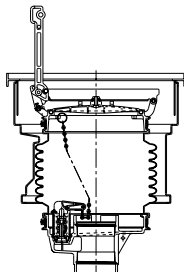


NOTE: "D" dimension is height from riser pipe to finish grade (+1" for slope)

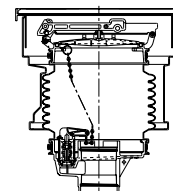
### Operation of 101BG Lid



Lid and lever in open position.



Lid down, but not closed. Lever still in upright position preventing replacement of grade cover.



Lid and lever in closed and locked position. Grade cover now easily replaced on rim.



1DK-2100 Drain Valve Kit Instruction Sheet Order Number: H11471M

## OPW FibreTite Multi-Port Spill Containment

OPW "FibreTite" Multi-Port Spill Containment Manholes provide spill containment for underground storage tank (UST) fill pipes and vapor recovery risers.

Multi-Ports are installed over the top of tank sumps to preserve future access to the tank top and to facilitate containment of tank bung fittings.

OPW "FibreTite" watertight covers are easy to remove composite manhole covers are available with center or offset port for access to fill risers.

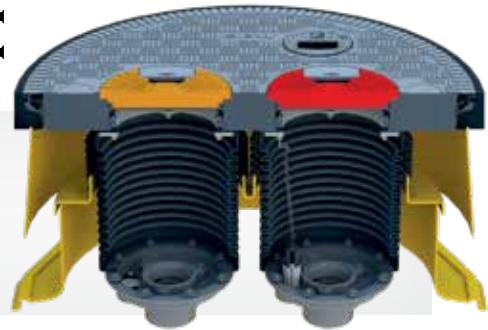


### Materials:

Cover: Fiberglass

Frame: Fiberglass

Skirt: Fiberglass



### Features & Benefits:

- ◆ Lightweight - reduce risk of back, foot and hand injuries
- ◆ UV resistant
- ◆ Standard duty (20 ton load rating)
- ◆ No Bolts Required to Seal Top Cover
- ◆ Anti-slip surface
- ◆ Composite construction; does not corrode
- ◆ Watertight, sealed design
- ◆ Monolithic structure eliminates delaminating
- ◆ Ergonomic, single person removal and replacement with Fibrelite lifting handle
- ◆ Easy Access Watertight Sump Inspection Port
- ◆ Replaceable Double Wall Spill Containment
- ◆ Easy access to Overfill Prevention Valve

## OPW FibreTite Multi-Port and Sump System Kit

### Includes:

- Multiport Cover
- Frame
- Skirt
- Spill Containers
- Port Covers
- Shroud Boot
- Clamping Kits
- Water Spill Platform
- Top Hat
- Sump Base

## Ordering Specifications

Part Number	Application	Tank Collar	Sump				Bonded Manhole			
			Dia.	Height	Base	WT Cover	Skirt ID	FRP Cover	Fill & Vapor Cover	
S8CR-3100G-MP3716S-W	5 Gallon Regular Gasoline MP System	42"	45"	48"	Collar Ring	37" WSP37-16S	40"	Gray	White/Orange	
S8CR-3100G-MP3716S-R	5 Gallon Premium Gasoline MP System	42"	45"	48"	Collar Ring	37" WSP37-16S	40"	Gray	Red/Orange	
S8CR-3100G-MP3716S-BU	5 Gallon Mid-Grade Gasoline MP System	42"	45"	48"	Collar Ring	37" WSP37-16S	40"	Gray	Blue/Orange	
S8CR-3100G-OF378S-Y	5 Gallon Diesel Offset System	42"	45"	48"	Collar Ring	37" WSP37-8S	40"	Gray	Yellow	
S8CRD-3100G-MP3716S-W	5 Gallon Regular Gasoline MP System	42"	45"	63"	Collar Ring	37" WSP37-16S	40"	Gray	White/Orange	
S8CRD-3100G-MP3716S-R	5 Gallon Premium Gasoline MP System	42"	45"	63"	Collar Ring	37" WSP37-16S	40"	Gray	Red/Orange	
S8CRD-3100G-MP3716S-BU	5 Gallon Mid-Grade Gasoline MP System	42"	45"	63"	Collar Ring	37" WSP37-16S	40"	Gray	Blue/Orange	
S8CRD-3100G-OF378S-Y	5 Gallon Diesel Offset System	42"	45"	63"	Collar Ring	37" WSP37-8S	40"	Gray	Yellow	
S8SB-3100G-MP3716S-W	5 Gallon Regular Gasoline MP System	48"	45"	39"	Solid	37" WSP37-16S	40"	Gray	White/Orange	
S8SB-3100G-MP3716S-R	5 Gallon Premium Gasoline MP System	48"	45"	39"	Solid	37" WSP37-16S	40"	Gray	Red/Orange	
S8SB-3100G-MP3716S-BU	5 Gallon Mid-Grade Gasoline MP System	48"	45"	39"	Solid	37" WSP37-16S	40"	Gray	Blue/Orange	
S8SB-3100G-OF378S-Y	5 Gallon Diesel Offset System	48"	45"	39"	Solid	37" WSP37-8S	40"	Gray	Yellow	
S8SBD-3100G-MP3716S-W	5 Gallon Regular Gasoline MP System	48"	45"	48"	Solid	37" WSP37-16S	40"	Gray	White/Orange	
S8SBD-3100G-MP3716S-R	5 Gallon Premium Gasoline MP System	48"	45"	48"	Solid	37" WSP37-16S	40"	Gray	Red/Orange	
S8SBD-3100G-MP3716S-BU	5 Gallon Mid-Grade Gasoline MP System	48"	45"	48"	Solid	37" WSP37-16S	40"	Gray	Blue/Orange	
S8SBD-3100G-OF378S-Y	5 Gallon Diesel Offset System	48"	45"	48"	Solid	37" WSP37-8S	40"	Gray	Yellow	

All Fill & Vapor Covers ship with Composite FC-11 Spill Port Covers.\*



Add "SC" to the end of the part for Sealable Covers.



Listings and Certifications

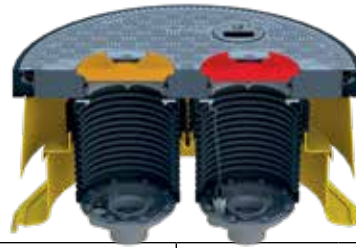


\*Does not come with FLMP-IP as pictured. Must order separately.

## New Style OPW FibreTite Multi-Port Kit to Install on Existing Tank Sump

### Includes Spill Containers

Kit includes; Multiport Cover, Frame, Skirt, Spill Containers, Port Covers, Shroud Boot, Clamping Kits, Water Spill Platform and Top Hat



### Ordering Specifications

Part Number	Application	WT Cover	Bonded Manhole			
			Round Sump Riser Diameter	Skirt ID	FRP Cover	Fill & Vapor Cover
S42-3100G-MP3716S-W	5 Gallon Regular Gasoline MP System	37" WSP37-16S	42"	40"	Gray	White/Orange
S42-3100G-MP3716S-R	5 Gallon Premium Gasoline MP System	37" WSP37-16S	42"	40"	Gray	Red/Orange
S42-3100G-MP3716S-BU	5 Gallon Mid-Grade Gasoline MP System	37" WSP37-16S	42"	40"	Gray	Blue/Orange
S42-3100G-OF378S-Y	5 Gallon Diesel Offset System	37" WSP37-8S	42"	40"	Gray	Yellow
S48-3100G-MP3716S-W	5 Gallon Regular Gasoline MP System	37" WSP37-16S	48"	40"	Gray	White/Orange
S48-3100G-MP3716S-R	5 Gallon Premium Gasoline MP System	37" WSP37-16S	48"	40"	Gray	Red/Orange
S48-3100G-MP3716S-BU	5 Gallon Mid-Grade Gasoline MP System	37" WSP37-16S	48"	40"	Gray	Blue/Orange
S48-3100G-OF378S-Y	5 Gallon Diesel Offset System	37" WSP37-8S	48"	40"	Gray	Yellow

### Replacement for Existing FL100 MP System includes Spill Containers

Kit includes; Multiport Cover, Spill Containers, Port Covers, Shroud Boot, Clamping Kits and Water Spill Platform

### Ordering Specifications

Part Number	Application	WT Cover	Bonded Manhole		
			Skirt ID	FRP Cover	Fill & Vapor Cover
FL100G-RETRO-MP3716S-W	5 Gallon Regular Gasoline MP System	37" WSP37-16S	40"	Gray	White/Orange
FL100G-RETRO-MP3716S-R	5 Gallon Premium Gasoline MP System	37" WSP37-16S	40"	Gray	Red/Orange
FL100G-RETRO-MP3716S-BU	5 Gallon Mid-Grade Gasoline MP System	37" WSP37-16S	40"	Gray	Blue/Orange
FL100G-RETRO-OF378S-Y	5 Gallon Diesel Offset System	37" WSP37-8S	40"	Gray	Yellow

### Multi-Port Kit Only, No Sump Includes Spill Containers

Kit includes; Multiport Cover, Frame, Skirt, Spill Containers, Port Covers, Shroud Boot and Clamping Kits

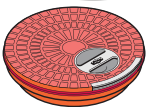
### Ordering Specifications

Part Number	Application	Skirt ID	Bonded Manhole	
			FRP Cover	Fill & Vapor Cover
FL100GRAY-MP16S-SK12-W	5 Gallon Regular Gasoline MP System	40"	Gray	White/Orange
FL100GRAY-MP16S-SK12-R	5 Gallon Premium Gasoline MP System	40"	Gray	Red/Orange
FL100GRAY-MP16S-SK12-BU	5 Gallon Mid-Grade Gasoline MP System	40"	Gray	Blue/Orange
FL100GRAY-OF8S-SK12-Y	5 Gallon Diesel Offset System	40"	Gray	Yellow

### Replacement Parts/Accessories



Spill Container



Replacement Fill Cover\*



Replacement 2-Port Cover

Part Number	Description
P761C-FLDV	5 Gallon Fill Bucket for Fibrelite MP with Drain Valve and Cast Iron Base
P761C-FLPL	5 Gallon Vapor Bucket for Fibrelite MP with Plug and Cast Iron Base
FC-11-Orange	11" Orange Vapor Cover
FC-11-RED	11" Red Fill Cover
FC-11-WHITE	11" White Fill Cover
FC-11-YELLOW	11" Yellow Fill Cover
FC-11-BLUE	11" Blue Fill Cover
FL100GRAY-MP16S*	FL100 Gray Composite Multiport Cover- 16" Centers
FL100GRAY-OF8S	FL100 Gray Composite Cover Offset Port
WSP37-16S	37" Dia. WT MP Spill Platform w Dual Access Part 16" Centers

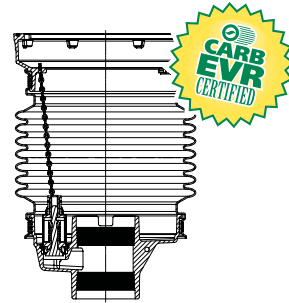
Part Number	Description
FLMP-SB	MPS Shroud Boot Kit (Includes WSP-CRKS, Clamp Kit)
FLMP-IP	Inspection Port Kit for Fibrelite Multiport
FC-11-SEAL	Seal for FC-11 Covers
WSP37-8S	37" Multi-Port Water Shroud for Single Offset Port
WS-RING-37	37" Dia. Stainless Steel Retaining Ring Kit
S-CR-FGK	FRP Kit for Bonding Collar Ring Sump to FGRP Tank Collar (Includes Resin, Catalyst & Glass Tape)
S-TH-FGK	FRP Kit for Top Hat to Sump (Includes Resin, Catalyst & Glass Tape)
RK-5000	Fiberglass Epoxy Kit (Qt. Size)
211300	Epoxy pack to bond 1TAG to composite cover

See 1TAG section for I.D. markers for new multiport

\* Does not come with FLMP-IP as pictured. Must order separately.

**Old Style Fibrelite Multiport without Inspection Port Replacement Parts/Accessories**

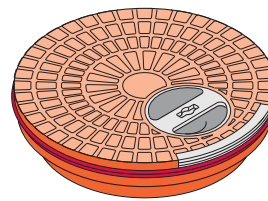
Part Number	Description
P711-EVRDV	5 Gal. Spill Bucket, Composite Base, Drain Valve
P711-EVRPL	5 Gal. Spill Bucket, Composite Base, Plug
P761C-EVRDV	5 Gal. Spill Bucket, Cast Iron Base, Drain Valve
P761C-EVRPL	5 Gal. Spill Bucket, Cast Iron Base, Plug
P511-15-EVRDV	15 Gal. Bucket w/Drain Valve, Composite Base
ID-D	ID Plate-Diesel
ID-M	ID Plate-MidGrade
ID-P	ID Plate-Premium
ID-R	ID Plate-Regular
ID-E85	ID Plate-E85
ID-U	ID Plate-Unleaded
ID-T	ID Plate-Turbine
ID-MW	ID Plate-Monitoring Well
FC-10-BLACK	10" Black Fill Cover
FC-10-BLUE	10" Blue Fill Cover
FC-10-GRAY	10" Gray Fill Cover
FC-10-ORANGE	10" Orange Fill Cover
FC-10-RED	10" Red Fill Cover
FC-10-WHITE	10" White Fill Cover
FC-10-YELLOW	10" Yellow Fill Cover
FC-10-SEAL	Replacement Gasket For FC -10 Covers
FL90GRAY-MP16	36" Gray Replacement Cover 2 Ports, with 16" Centers
FL90GRAY-OF	36" Gray Replacement Cover 1 Port, with 8" Offset
FL100GRAY-MP16	40" Gray Replacement Cover 2 Ports, with 16" Centers
FL100GRAY-OF8	40" Gray Replacement Cover 1 Port, with 8" Offset



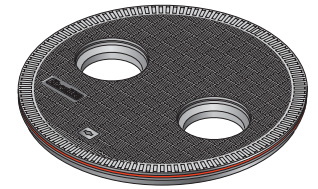
5 Gallon Fill or Vapor Spill Bucket



ID Plate 6" square fiberglass, adhesive backed product ID plates to fit into the cover recess area



Replacement Fill-Port Covers



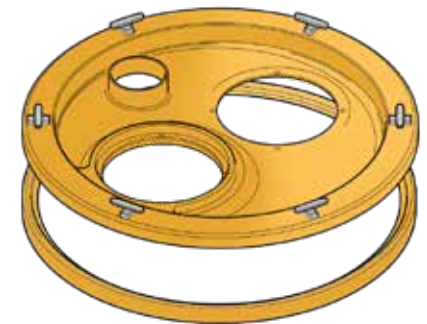
Replacement 2-Port Covers

**Ordering Specifications**

**Multi-Port Watertight Spill Platform**

Part #	Application	Dia.	Height	Base	Weight (lbs)
WSP33-16	Dual Access Ports 16" Centers Slope to Fill bucket	33"	(2) 5 Gallon	16" Center	13
WSP33-8	Single Access Port At 8" Off Center Slope to Fill bucket	33"	(1) 5 Gallon	8" Offset	13
WSP37-16	Dual Access Ports At 16" Center Slope to Fill bucket	37"	(2) 5 Gallon	16" Center	17
WSP37-8	Single Access Port At 8" Off Center Slope to Fill bucket	37"	(1) 5 Gallon	8" Offset	17
WTS37-16	Dual Access Ports At 16" Center No Slope to Fill bucket	37"	(2) 5 Gallon	16" Center	17
WTS37-8	37" Dia Single Access Port At 8" Center No Slope to Fill bucket	37"	(1) 5 Gallon	8" Offset	17
WSP37-550	Dual Access Ports At 21.5" Center Slope to Fill Bucket	37"	(2) 15 Gallon	21.5" Center	17
WSP37-275	Single Access Port At 11" Off Center Slope to Fill Bucket	37"	(1) 15 Gallon	11" Offset	17

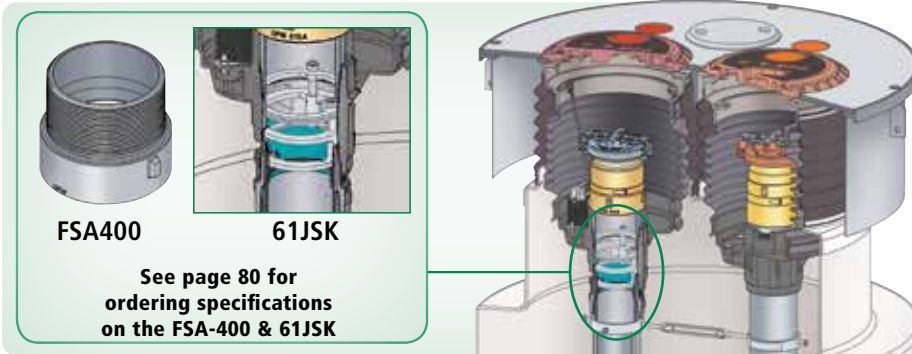
All Multi-Port Platforms include WSP/CRK bucket clamping Kits



**Replacement Parts**

Part #	Description
WSP-WTS-OPC	6" Observation Port Cap
WTS-CAP-14	14" Container Port Cap
209939	Replacement Handle for FCID Cover





FSA400

61JSK

See page 80 for ordering specifications on the FSA-400 & 61JSK

## Model Descriptions

- ◆ **OPW 411 Series** – features a flush-mounted manhole lid and raised dual dam and groove spill container rings, with P2105 Buckets using OPW 1-2105 Style Slip-On 5-gallon containers. Base is standard 1" offset from center and can be used for 12", 14", 16" or wider riser spacing. Optional 1P-2105 Hand Pump available
- ◆ **OPW 500 Series (511 / 521) EVR Multi-Port** – features a flush-mounted manhole lid and raised dual dam and groove spill container ring, with P511-EVR Buckets using OPW 1-2100 Style Thread-On Spill Containers. All Fill Ports in these spill containers feature an enhanced 1DK-2100-EVR vapor tight drain valve. The Vapor Return Spill Container features a permanent plug in the drain port as per EVR requirements. EVR

Multi-Port Thread-On Spill containers are available in Composite or Cast Iron bases with 5 gallon buckets. Drain Valve Spill Bucket & Plug Spill Bucket standard on Dual Ports, Drain Valve Spill Bucket standard on Single Port

- ◆ **Required for EVR APPLICATIONS** – the FSA-400 Threaded Riser Face Seal Adaptor is installed on the fill pipe below the spill container to provide a true sealing for the drop tube flange on the 71SO overflow prevention valve. The 61SO and/or 71SO series valve is installed in the base of the OPW EVR spill container with the patent pending 61JSK jack screw device. This configuration allows liquid in the spill container to be drained directly into the drop tube, thereby isolating the drain valve from the tank ullage, eliminating a notorious leak point in previous systems

## Features

- ◆ **Contractor-Friendly Installation** – studded mounting ring simply bolts together inside the spill containment bucket. No need to align bolt holes in the manhole cover
- ◆ **Raintight Service** – nitrile gaskets on the manhole and spill bucket mounting rings help prevent contamination of the sump area from surface water intrusion
- ◆ **Highway 20 Load Rating** – the rugged diamond plate steel manhole covers, as well as the ductile iron (RT) or aluminum (SC) spill container covers meet H20 Load Rating requirements
- ◆ **Spill Container and Manhole Positive I.D. System** – special recesses cast into spill container covers allow product I.D. tags to be attached to the lids. Matching bucket tags can be affixed to the inside of the spill container to prevent covers from getting switched

- ◆ **Fill/Vapor Ports** – configurations are available to accommodate a single fill riser, dual ports for both a fill and vapor riser, and triple and quad ports for multiple fill and vapor risers. Ports can be supplied with or without containment buckets
- ◆ **Port Configurations** – standard port locations match the popular riser spacings (16" or 24") and bung configurations on underground storage tanks. Custom port locations are easily accommodated. For riser spacings less than 16", old style buckets must be used
- ◆ **CARB Certified** – 500 Series CARB EVR Approved Executive Order #VR-102
- ◆ **Manhole Cover Sizes** – standard bolt-down manhole cover diameters of 30" (76 cm), 37" (94 cm), 42" (107 cm) and 48" (122 cm) allow ample access to the sump area. Heavy-duty reinforced lid options are also available upon request

## OPW 400 and 500 Series Multi-Port Spill Containment Manholes

OPW Multi-Port Spill Containment Manholes provide spill containment for underground storage tank (UST) fill pipes and vapor recovery risers in a completely integrated single manhole package. Multi-ports are installed over the top of tank sumps to preserve future access to the tank top and to facilitate containment of tank bung fittings. OPW offers a vast array of standard multi-port configurations and options, in addition to an almost unlimited ability to provide custom solutions for virtually any spill containment application.

- ◆ **Spill Container Cover Options** – standard spill container options include the patented OPW dam and groove raintight (RT) design and the watertight Sealable Cover (SC) "plumber's plug" design. The raintight cover features a finger-grip lifting facility and an integral seal. The Sealable Cover features a cam-operated mechanism that expands the seal against the vertical wall of the mounting ring. Both of these water-shedding covers are protected by raised mounting rings.
- ◆ **Fastener Options** – two types of fasteners are available to secure the manhole lid and monitoring port to mounting rings. Standard are 5/16" -18 hex head bolts. Optional are OPW Roto-Lock Fasteners. The OPW Roto-Lock system enables a secure, watertight connection without the need to locate threaded bolt holes on the mounting ring.
- ◆ **Powder Coated Rings & Covers** – available upon request.
- ◆ **Replacement Covers** – see Part Number Configurations at [www.opwglobal.com](http://www.opwglobal.com).

## Listings and Certifications

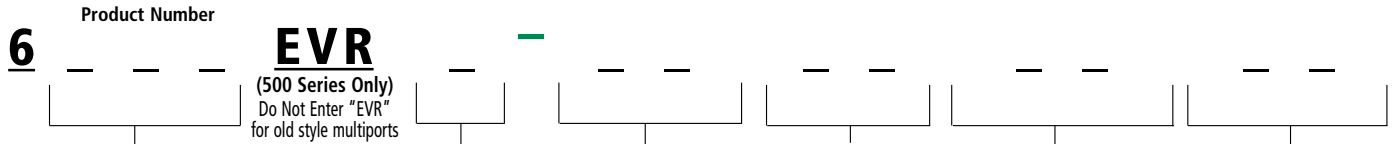


Look for this label for authentic OPW EVR Approved products.

CARB EVR Executive Order #VR-102  
NYCFD Certified (6571 Series) #5053  
Florida EQ-145



## OPW Multi-Port Spill Containment Ordering Specifications



### Bolt Down Model Number

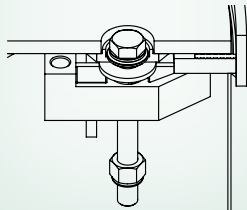
- 511EVR - HDPE Bellows, Thread-On Composite Base, Bolt-Down
- 561EVR - HDPE Bellows, Thread-On Cast Iron Base, Bolt-Down

### Roto-Lock Model Number

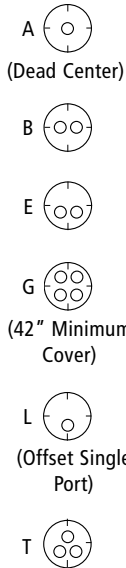
- 521EVR - HDPE Bellows, Thread-On Composite Base, Roto-Lock
- 571EVR - HDPE Bellows, Thread-On Cast Iron Base, Roto-Lock

### Optional Roto-Lock Fastener System

The OPW Roto-Lock system enables a secure raintight connection without the need to locate threaded bolt holes on the mounting ring.



### Fill/Vapor Port Configurations



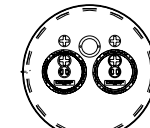
NOTE: 43 or 49 style Gauge Port must be used if a water shroud is to be used with L style

### Replacement / Retrofit Manhole RP\* - (No Ring / Skirt)

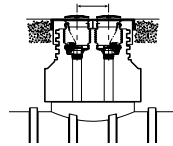
OPW recommends a field survey form on custom RP covers. Incorrect custom models are not eligible for return.

### Riser Spacing

- 00 - Single Port (A Configurations)
- 16 - 16" Centers
- 24 - 24" Centers (42" Minimum Cover)
- Old Style - 14" Centers Available



### Riser Spacing

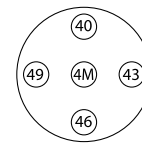


### Dimensions

O.D.		I.D.		Thickness	
in.	cm	in.	cm	in.	cm
30	76	26 <sup>5</sup> / <sub>8</sub>	68	3 <sup>3</sup> / <sub>8</sub>	0.952
37	94	34 <sup>5</sup> / <sub>8</sub>	88	3 <sup>3</sup> / <sub>8</sub>	0.952
42	107	39 <sup>5</sup> / <sub>8</sub>	101	1 <sup>1</sup> / <sub>2</sub>	1.27
48	122	44 <sup>5</sup> / <sub>8</sub>	113	1 <sup>1</sup> / <sub>2</sub>	1.27

### Gauge Port Location

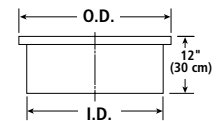
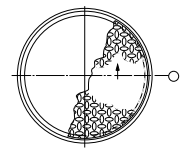
- 00 - No Gauge Port
- 40 - Port at 12 o'clock
- 43 - Port at 3 o'clock
- 46 - Port at 6 o'clock
- 49 - Port at 9 o'clock
- 4M - Port in Center
- 7X - Flush Mount



### Port Location Example

NOTE: 3M Style gauge port must be used with port in the center of "G" Style

- Manhole Cover Size\*
- 30" (Configurations)
  - 36 - 36" Retrofit Only
  - 37 - 37"
  - 39 - 39" Retrofit Only
  - 42 - 42"
  - 48 - 48"
  - \* 42" is standard



### EVR Multi-Ports

Thread-On Spill Containers are available in composite or cast iron bases with either 5 or 15-gallon buckets. (1) Drain Valve Spill Bucket & (1) Plug Spill Bucket standard on Dual Ports. Drain Valve Spill Bucket standard on Single Port.

### Optional Accessories

Part #	Description
6511-RB16	12" to 18" Riser Spacer
6511-RB24	20" to 26" Riser Spacer
H15144M	4" NPT Nipple, 4" Length
H12806M	4" NPT Nipple, 5" Length
VPN4X7	4" NPT Nipple, 7" Length
H15271M	4" NPT Nipple, 8" Length
H15268M	4" NPT Nipple, 10" Length
H15888M	4" NPT Nipple, 9" Length
209502	4" NPT Nipple, 14" Length
209501	4" NPT Nipple, 10" Length
TC-400	4" Torque Cap for 16" Nipples
6521-XAR37	36", 37" OR 38" Roto-Lock Adaptor Ring to convert from Bolt Down
6521-XAR42	39" OR 42" Roto-Lock Adaptor to convert from Bolt Down
6521-XAR48	48" OR 52" Roto-Lock Adaptor to convert from Bolt Down

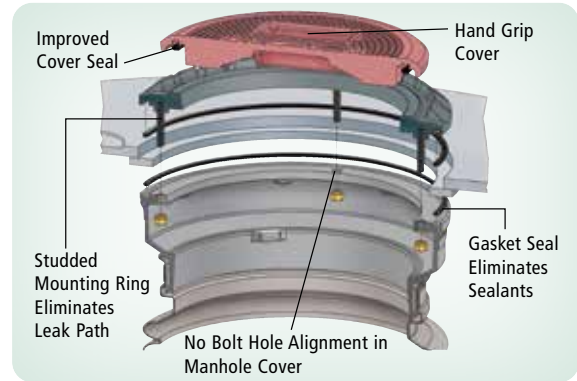
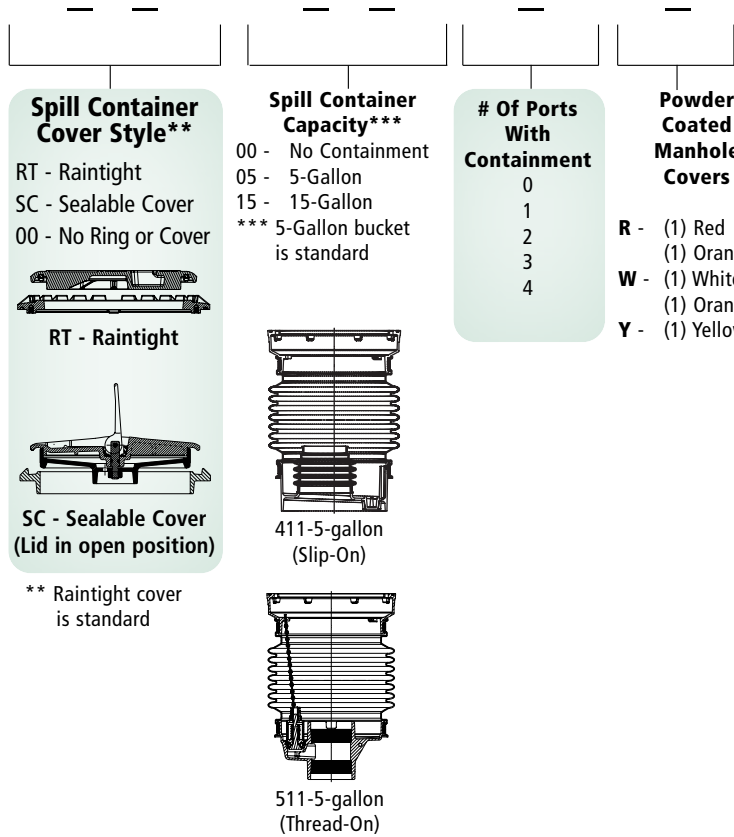


6511-RB16 Riser Spacer



Torque Cap

4" Nipple



**Current Replacement Parts**

**For New 500 Series EVR Multi-Ports 6511/6521, 6561/571 made post 11/2003**

Part #	Description
P711-EVRDV	Replacement 5-Gallon Bucket, w/ Drain Valve
P711-EVRPL	Replacement 5-Gallon Bucket, w/ Plug (Vapor)
P761C-EVRDV	Replacement 5-Gallon Bucket, C.I. Base w/ Drain Valve
P761C-EVRPL	Replacement 5-Gallon Bucket, C.I.
P411-EVRPL	Replacement 5-Gallon Slip-On Bucket
P511-15-EVRDV	Replacement 15-Gallon Bucket, Comp Base, W/ Drain Valve
C05170M	Gasket, Spill Bucket & Mounting Ring
H15187M	Replacement Seal for New Rain Tight Cover

Note: New P711 & P761 EVR buckets will only work with New "EVR" Multi-Port covers. (made post 11/2003)

See page 95 for replacement rings and covers part numbers.

Old Style Replacement Parts	
311/411/511/521 Series Multi-Ports	
Note: 511/521 parts are for Multi-Ports made prior to Nov. 2003	
Part #	Description
1DK-2100-EVR	511/521 Series Drain Valve
H13931M	Replacement Seal for SC Cover
P110-37G	34"-37" Manhole Gasket
P110-42G	42" Manhole Gasket
P110-48G	48" Manhole Gasket
PROTO-LOCK	(1) Roto-Lock
P40-ROTOLID	Replacement 40 Style Gauge Port Roto-Lock Lid
H15240M	Replacement Gasket for 40 Style Gauge Port
<b>ALL</b> C05501	Flush Mount Gauge Port Cover Only
P571-GK3T	Gasket Kit For New Style 571 Roto Multiport
203148	Replacement 3M Style Bolt Down Gauge Port, 4.8" diameter
205322	Replacement 30 Style Bolt Down Gauge Port, 6.5" diameter
P311-G	Bucket Top Flange Gasket
P511BUCKETBOLT	Spill Bucket RT Ring Kit (4) Bolts, Washers & Gaskets
H15238M	Replacement Gasket, 30 Style (Bolt Down)
1-2100-DSH	5 Gallon Fill Bucket with Composite Base & Drain Valve
1-2100-PSH	5 Gallon Vapor Bucket with Composite Base & Plug

Part #	Description
<b>411</b> P2105BUCKET	411 Replacement Bucket 5-Gallon
<b>Parts</b> 1P-2105	Hand Pump Kit for 411/P2105
P111-WTL	Replacement Cover (RT)
P111WTL-S	Replacement Seal for RT Cover
P311-1R	Replacement RT Ring
P311-14	RT Ring for 14" Riser
P511YBUCKET	Replacement Waste Oil Bucket
P511-DEVRBUCKET	Replacement 5-Gallon Bucket with Drain Valve
P511-G14	Bucket Top Flange Gasket for Notched Gasket Set
P511-PEVRBUCKET	Replacement 5-Gallon Bucket with Plug
P511C-DEVRBUCKET	Replacement 5-Gallon Bucket With C.I. Base & Drain Valve
<b>511/521</b> P511C-PEVRBUCKET	Replacement 5-Gallon Bucket With C.I. Base & Plug
<b>Parts</b> P511-DEVRB-14	Replacement 5-Gallon Bucket with Drain Valve 12" & 14" Risers
P511-PEVRB-14	Replacement 5-Gallon Bucket with Plug - 12" & 14" Risers
P511C-DEVRB-14	Replacement 5-Gallon Bucket W/ C.I. Base, Drain Valve for 12" & 14" Risers
P511C-PEVRB-14	Replacement 5-Gallon Bucket W/ C.I. Base, Plug, for 12" & 14" Risers
P521-GKIT	521 Multi-Port Complete Gasket Kit
P511-GKIT	511 Multi-Port Complete Gasket Kit

See page 95 for additional cover options.  
See page 97 for replacement cover options.

### Multi-Port Manhole Water Shroud System Option

The new OPW Multi-Port Manhole Water Shroud System (MPWS) is designed to completely isolate surface water and condensation from the tank sump. The MPWS features an injection-molded fiberglass Water Shroud lid that mates to a standard tank sump top hat reducer. This new bolt down design allows even compression to facilitate water-tight sump access. Shroud Boots isolate the spill container buckets using stainless steel band clamps, which provide a tight seal between the water shroud top hat and the underside of the spill container mounting rings. A 6" Sump Inspection Port is provided on each FRP Cover, allowing full inspection access through the Multi-Port Gauge Port. The OPW Water Shroud system is available in 33" and 36" models. The MPWS Water Shroud is sold separately.



**Rubber Shroud Cap**



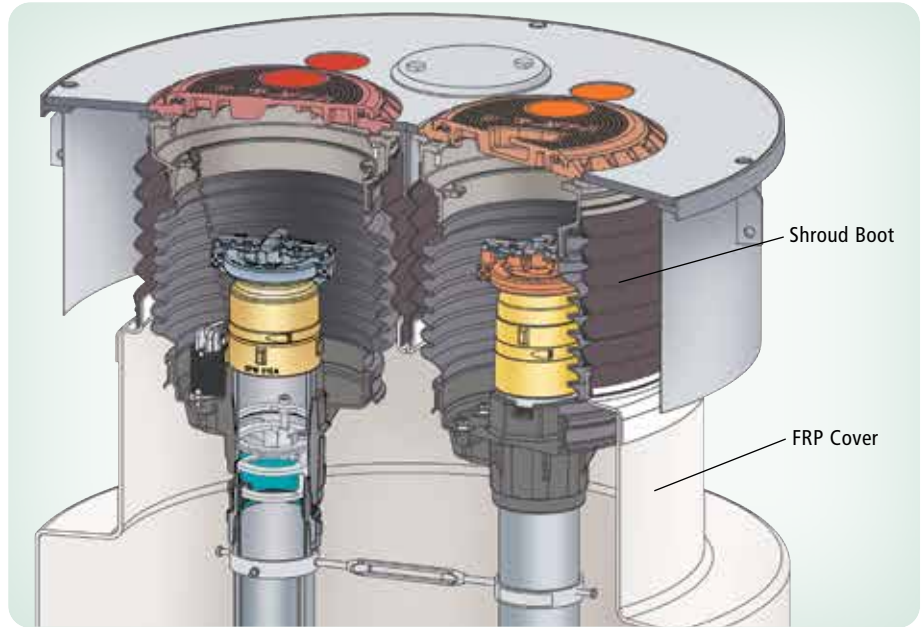
**Shroud Boots Vinyl Plastisol**



**Sump Inspection Port (SIP) – Clear ABS Construction Inspection Port**



**FRP Cover Injection Molded Fiberglass Cover**



### Ordering Specifications

Part #	Description
MPWS-33	33" FRP Cover with (2) 5-gallon Water Shroud Boots & Clamps
MPWS-33BD	33" Bolt Down Water Shroud
MPWS-33BDD	33" Bolt Down Water Shroud for Diesel
MPWS-36	36" FRP Cover with (2) 5-gallon Water Shroud Boots & Clamps
MPWS-39BD	39" Bolt Down Water Shroud

### Replacement Parts

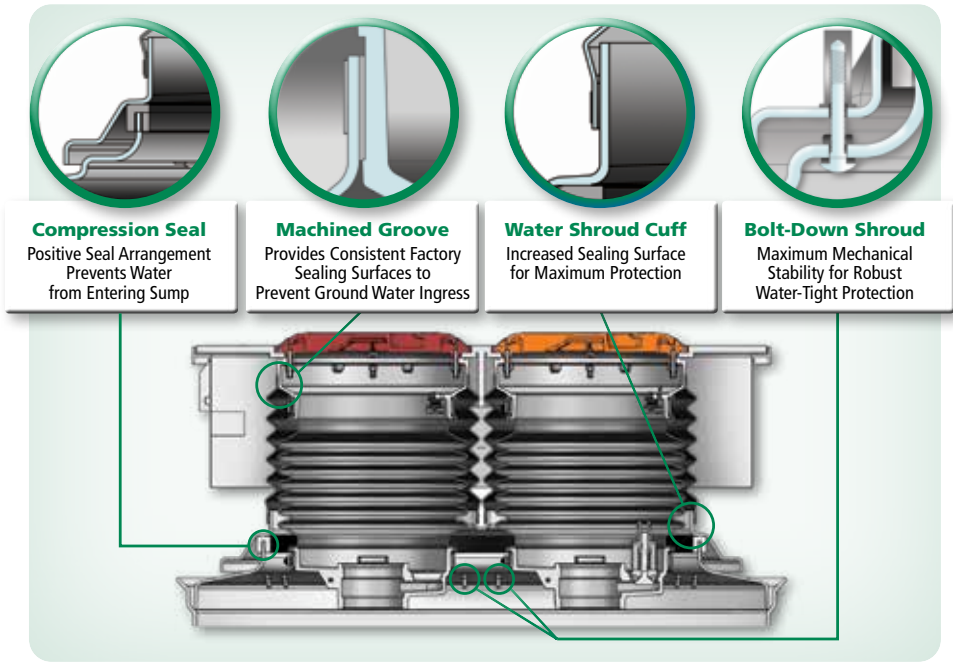
Part #	Description
C05223M	Shroud Boot Cap to Isolate One FRP Cover Port
D02571M	33" FRP Replacement Cover
D02575M	5-Gallon Shroud Boot
H15188M	Lower Clamp for 5-Gallon Shroud Boot
H15190M	Upper Clamp for 5 or 15-Gallon Shroud Boot
SIP-6	6" Sump Inspection Port Sight Glass
SLPK	Gasket and Sealant Kit for Shroud
201393	36" Riser Cover with Gauge Port Tote
205181	Lower Clamp for 5 Gallon Shroud
205183	Upper Clamp for 5 Gallon Shroud

**Listings and Certifications**

**Florida EQ-145 NY Approval**



NOTE: Part numbers do not include rings or covers. Rings and Covers must be ordered separately.



## Bolt Down Manhole Water Shroud System Option

The Bolt Down Multi-Port Water Shroud (MPWS-BD) is designed to mate with the OPW Multi-Port. The MPWS-BD isolates surface water and condensation from Tank Sumps.

Shroud boots isolate the spill container buckets using stainless steel band clamps, providing a tight seal between the water shroud top hat and the underside of the spill container-mounting ring. Bolts on the outer edge of the shroud cover secure it to the top hat. Available in 33" and 39" Diameter Covers.

## Ordering Specifications

Part #	Description
<b>Bolt-Down FRP Top Hat Options</b>	
203246	42" x 33" FRP Bolt-Down Top Hat
203272	42" x 39" FRP Bolt-Down Top Hat

## New Ring and Cover Part Numbers

Raintight Covers		Raintight Cover Rings		Sealable Covers		Sealable Cover Rings	
RTC-WHITE		RTR-WHITE		SC-WHITE		SCR-WHITE	
RTC-RED		RTR-RED		SC-RED		SCR-RED	
RTC-YELLOW		RTR-YELLOW		SC-YELLOW		SCR-YELLOW	
RTC-GREEN		RTR-GREEN		SC-ORANGE		SCR-ORANGE	
RTC-ORANGE		RTR-ORANGE		SC-BLACK		SCR-BLACK	
RTC-BLACK		RTR-BLACK		SC-PLAIN			

## Replacement Parts

Part #	Description
C05223M	Shroud Boot Cap to Isolate One FRP Cover Port
D02571M	33" FRP Replacement Cover
201393	36" FRP Replacement Cover
D02575M	5-Gallon Shroud Boot
H15187M	Raintight Cover Replacement Gasket
H15188M	Lower Clamp for 5-Gallon Shroud Boot
H15190M	Upper Clamp for 5 or 15-Gallon Shroud Boot
SIP-6	6" Sump Inspection Port Sight Glass
SLPK	Gasket and Sealant Kit for Shroud
205181	Lower Clamp for 5 Gallon Shroud
205183	Upper Clamp for 5 Gallon Shroud

## OPW 106 Identification Marker

OPW 106 Identification Markers are used to identify the grade product stored in underground tanks. These markers are easily set in concrete, and once set, are permanent. The letter plate is recessed into the face of the base and fastened with two screws. The raised letters are easy to change when the product is changed. Letters available are P, R, U, SU, X, DL. Numbers 1, 2, 3, 4.

## OPW 107 Nameplate Holder

OPW 107 Nameplate Holders, when secured to storage tank fill pipes, provide a method to permanently identify the product in the tanks.

## Spill Container Product Identification Tags

OPW Color-Coded Spill Container Tags positively and conspicuously identify tanks, preventing costly and dangerous product drop mistakes. Simply "peel and stick" the high-visibility color inserts into the special recesses cast into the spill container cover.

Matching bucket tags, supplied with tie wraps, are permanently affixed inside the spill container to help prevent covers from getting switched.

### Materials

- Base And Anchor Shank: Aluminum
- Letter Plate: Cast aluminum
- Screws (2): Brass



### Ordering Specifications

Product #	Fuel Type	lbs.	kg
106DL-0095	Diesel	.43	.20
106P-0150	Premium	.41	.19
106R-0175	Regular	.44	.20
106SU-0185	Super Unleaded	.43	.20
106U-0125	Unleaded	.44	.20

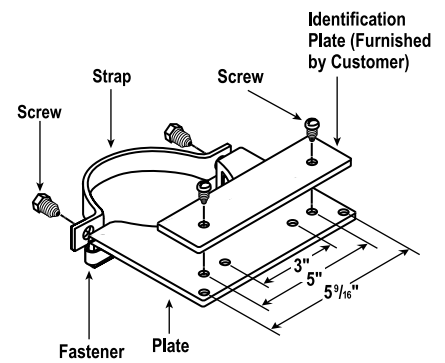
Product #	Fuel Type	lbs.	kg
106UP-0125	Unleaded "Plus"	.44	.20
106N-1100	I.D. Marker #1	.44	.20
106N-2200	I.D. Marker #2	.44	.20
106N-3300	I.D. Marker #3	.44	.20
106N-4400	I.D. Marker #4	.44	.20

### Materials

- Plate: Plated steel
- Straps: Plated steel

### Ordering Specifications

Product #	in.	mm	lbs.	kg
107-0300	4	102	.39	.18



### Features

- ◆ **Unique Fiberglass Embedment Process** - ensures that the color identifiers won't scratch, crack, peel, weather or fade, even in gasoline and the harshest of environments
- ◆ **Compatible** – with all OPW 1-2100 Series Spill Containers, including aluminum, cast iron, sealable cover and 101BG Composite Cover models. Also compatible with 111 Series, Multi-Port Spill Containers and OPW 104FG/104C Manhole Covers
- ◆ **Available in All API Product I.D. Designations**



Product	Product Designations	Cover I.D. Tag Product #	Bucket I.D. Tag Product #
Regular Unleaded	White w/ Black Cross	1TAG-1000	1TAG-1010
Mid-Grade Unleaded	Blue w/ White Cross	1TAG-2000	1TAG-2010
Premium Unleaded	Red w/ White Cross	1TAG-3000	1TAG-3010
Diesel	Yellow Hex	1TAG-4000	1TAG-4010
Vapor Recovery	Solid Orange	1TAG-7000	1TAG-7010
85% Ethanol (E85)	Bronze Diamond Black letters (E85)	1TAG-CE85	1TAG-BE85
Ultra Low Sulfur	Yellow Hex / Black letter (U)	1TAG-4200	
Epoxy for Bonding to composite covers		1TAG-211300	



## UST Fill Pipe Connection Equipment

### Tight-Fill Adaptors and Caps

Tight-Fill Adaptors are installed in spill containment manholes on the fill riser pipe from an underground fuel storage tank. They mate with the gravity drop delivery elbow on the transport truck. Tight-Fill Caps are installed on adaptors, when not in use, to prevent gasoline vapors from escaping and to prevent water, dust and debris from entering the tank.

### Stage I Vapor Recovery Adaptors and Caps

Stage I Vapor Recovery Adaptors are installed in spill containment manholes on the vapor recovery riser pipe from an underground gasoline storage tank. They mate with the vapor recovery elbow on the delivery transport truck when recovery of gasoline vapors is required. Stage I Caps are installed on adaptors, when not in use, to prevent gasoline vapors from escaping and to prevent water, dust and debris from entering the tank.

### Monitor Probe and Monitoring Well Caps

Monitoring Probe Caps are installed on tank riser pipes to help prevent vapors from escaping or water from entering the tank. Monitoring Probe Caps include a wire grommet fitting to accommodate the electric tank gauge probe. Lockable Monitoring Well Caps are installed on slotted PVC pipe monitoring wells to help prevent contamination from surface water intrusion or inadvertent fuel deliveries.

## OPW Adaptor & Cap Height Profiles

The adaptor and cap dimensions below reflect the overall height and installed height of OPW adaptors and adaptor and cap combinations. The installed height is from the gasket seal to the top of the component. For example, the 61VSA height is 6 1/2", but only adds 4-7/8" to the overall height when added to the riser.



**61VSA Vapor Recovery Swivel Adaptors**

Overall Height Installed Height  
6-1/2" 4-7/8"



**1611AV Standard Vapor Adaptors**

Overall Height Installed Height  
5-7/16" 4-3/4"



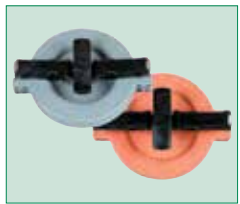
**61SALP Fill Swivel Adaptor**

Overall Height Installed Height  
4-3/8" 2-7/8"



**633T Standard Fill Adaptor**

Overall Height Installed Height  
3" 2"



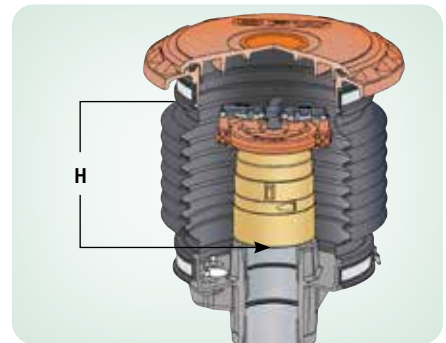
**634TT Fill and 1711T Vapor Caps**

Overall Height Installed Height  
2-9/16" 1-1/2"



**634LPC Fill and 1711LPC Low Profile Caps**

Overall Height Installed Height  
7/8" 1/2"



### Dimensions

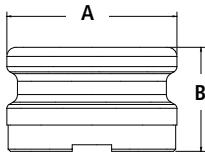
Product Combinations	H = Total Installed Height	
	in	mm
61VSA & 1711T	6 <sup>3</sup> / <sub>8</sub>	162
61VSA & 1711LPC	5 <sup>3</sup> / <sub>8</sub>	137
1611AV & 1711T	6 <sup>1</sup> / <sub>4</sub>	159
1611AV & 1711LPC	5 <sup>3</sup> / <sub>8</sub>	136
61SALP & 634TT	4 <sup>3</sup> / <sub>8</sub>	111
61SALP & 634LPC	4 <sup>7</sup> / <sub>8</sub>	124
633T & 634TT	4 <sup>1</sup> / <sub>2</sub>	114
633T & 634LPC	3 <sup>1</sup> / <sub>2</sub>	89

## OPW Tight-Fill Top-Seal Adaptors

Tight-Fill Top-Seal Adaptors are installed in spill containment manholes on the fill riser pipe from an underground fuel storage tank. They mate with the gravity drop delivery elbow on the transport truck.



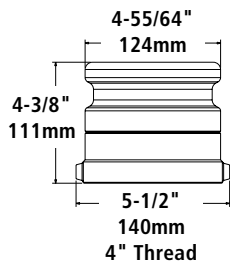
633T-8076



61SALP-1020-EVR



61SALP-MA  
E85 EVR Approved



## OPW 633T

OPW 633T Top-Seal Adaptors thread onto the fill pipe of underground storage tanks, and are designed to mate with top-seal delivery elbows. Use OPW 634TT, 634TE or 634TTP Top-Seal Caps with 633T Adaptors.

### Features

- ◆ **Easy Installation** – integral internal wrenching lugs are provided for installing in the confined space of spill containers
- ◆ **Accommodate 633LC Lock Clamp** – 4" x 4" 633T (E) models incorporate dual notches in the base to accept 633LC clamps
- ◆ **Manufactured from Durable, Corrosion-Resistant Materials** – bronze and hardcoat aluminum

### Ordering Specifications

Product #	Elbow Size	Riser Thread	A		B		Weight		Material	Replacement Parts	
			in.	mm	in.	mm	lbs.	kg		Part #	Description
633T-8060	3"	3"	3 <sup>19</sup> / <sub>32</sub>	41	1 <sup>5</sup> / <sub>8</sub>	92	0.96	.44	Bronze	H05289M	Gasket
633T-8070	3"	4"	3 <sup>19</sup> / <sub>32</sub>	68	2 <sup>11</sup> / <sub>16</sub>	92	0.71	.32	Hardcoated Al.	H04150M	Gasket
633T-8075	4"	4"	4 <sup>55</sup> / <sub>64</sub>	75	2 <sup>31</sup> / <sub>32</sub>	124	0.82	.37	Hardcoated Al.	H04150M	Gasket
633T-8076	4"	4"	4 <sup>55</sup> / <sub>64</sub>	75	2 <sup>31</sup> / <sub>32</sub>	124	2.70	1.23	Bronze	H04150M	Gasket

Note: Maximum height of adaptor is 2<sup>11</sup>/<sub>16</sub>" (68mm).

## OPW 61SA Swivel Adaptor

Pressure decay testing of underground storage tank systems has identified the joint between the tight-fill adaptor and the nipple or tank riser as a persistent leak point. Considerable movement takes place along the hose while the fill elbow is connected. Walk-downs and changes from one compartment to another move the hose across the pavement, rotating the elbow along with it. The result can be a loosening of the adaptor. As the adaptor backs off, the seal between it and the nipple is relaxed and a leak path is created allowing vapors to escape to the atmosphere. Vacuum-assist dispensing systems can aggravate this situation due to the slight pressurization of the UST.

The 61SA Swivel Adaptor mates with 4" top-seal delivery elbows and features a top section that rotates with hose movement while the bottom section remains securely in place maintaining seal integrity.

### Features

- ◆ **Dual Seals** – ensure a vapor and liquid-tight seal
- ◆ **Conductive, Self-Lubricating Retaining Rod** – ensures maintenance-free, reliable service life
- ◆ **Same Internal Dimension as Standard 633T Adaptors** – to minimize pressure drop and maximize flow rates for quick product delivery
- ◆ **61SALP-MA – EVR Approved for E85**

### Ordering Specifications

Product #	Base Material	Adaptor Material	Weight	
			lbs.	kg
61SALP-1020-EVR*	Bronze	Bronze	7.1	3.2
61SALP-MA	Nickel	Nickel	7.1	3.2
61SA-Tool**	Wrench		11.0	5.0
H09039M	Replacement Gasket			

\*Low Profile Fill Adaptor \*\*See description on page 99.

### Materials

- Retaining Ring: Conductive nylon
- Set Screws: Stainless steel
- Seals: Buna-N

## Listings and Certifications



Look for this label for authentic OPW EVR Approved products. **61SALP-1020 & 61SALP-MA are EVR Approved for E85**  
USA Patent No. 5,664,951

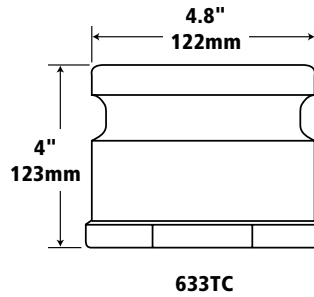


## Materials

Available in bronze or anodized aluminum for corrosion and wear resistance



633TC



633TC

## Ordering Specifications

Product #	Elbow Size		Riser Thread		lbs.	kg	Description
	in.	mm	in.	mm			
633TC-8090	4	102	4	102	1.45	.66	Anodized Aluminum
633TCP-3803	4	102	4	102	1.26	.57	Anodized Aluminum

## Matching Adaptors & Caps

	Description	Adaptor Part #	Seal	Cap Part #
<b>Fill</b>	3" Fill Elbow	633T, 633TE	Top	634TE
	4" Fill Elbow	633T, 633TE, 61SA, 61SALP	Top	634TT, 634LPC
	4" Coaxial Fill Elbow	633TC, 633TCP	Top	634TT, 634LPC
	3" Fill Elbow	61AS-3"	Side	62
<b>Vapor</b>	4" Fill Elbow	61AS-4"	Side	62, 62TT
	3" Vapor Elbow	1611AV, 1611AVB, 1611VR	Top	1711T, 1711LPC
<b>Monitoring</b>	Monitoring Well Pipe Caps	62M, 116M, 116, 634TTM, 62PMC	Complete Adaptor & Cap Kit	
<b>Loose-Fill</b>	Loose-Fill Pipe Caps 83, 269		Complete Adaptor & Cap Kit	

\* Any variation of desired Adaptors will mate with corresponding Caps

## OPW Tight-Fill Top-Seal Adaptors

### Coaxial Adaptors OPW 633TC

OPW coaxial vapor recovery fittings provide an easy, inexpensive means to convert existing conventional 4" underground storage tank fill pipes to coaxial vapor recovery installations when Stage I Vapor Recovery is required. Normally, little or no digging or breaking of concrete is necessary. Simply remove existing tight-fill adaptor and drop tube (if installation is so equipped), and insert an OPW 61TC Coaxial Drop Tube and the 633TC Adaptor. The OPW 633TC Adaptor is designed to mate with a coaxial delivery elbow.

### OPW 633TCP Use On 61SOP

The OPW 633TCP Coaxial Adaptor features a poppeted vapor return path that opens only when connected to a fill elbow. When not in use, the vapor path is sealed, preventing fugitive emissions. The 633TCP is a replacement adaptor for the 61TCP Coaxial Drop Tube, and is designed to mate with a coaxial delivery elbow.

NOTE: Poppeted fittings are certified by California Air Resources Board (CARB).

### OPW 633LC

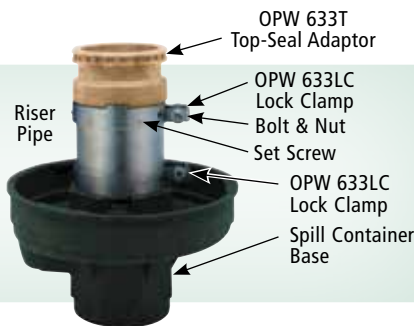
OPW 633LC Lock Clamp is designed to lock the OPW adaptor onto the riser pipe, preventing any potential vapor leaks from pressurized systems. The locking clamp slips over the riser pipe. The 633T, 633TE, or 1611 Adaptor is then threaded onto the riser pipe. Next, the lock clamp should be slid up the riser until the protrusions in the lock clamp line up with the notches in the adaptor. Once the adaptor and clamp are engaged, the lock clamp can be tightened and the adaptor will be locked onto the riser pipe, preventing it from being loosened by a delivery elbow.

Additionally, the lock clamp can be turned upside down on the riser pipe to lock the riser into the base of all OPW spill containers, which have notches in them similar to the adaptors. Using the lock clamp in this manner will lock the riser pipe into the spill container.

633TC & 633TCP Instruction Sheet Order Number: **H10013PA**

## Materials

**Clamp:** Stainless steel  
**Bolt:** Zinc plated steel  
**Set Screw:** Stainless steel



633LC

## Ordering Specifications

Part #	in.	cm	Description
633LC-1000	4"	10.16	Stainless Steel Locking Clamp



OPW 61SA-TOOL

## OPW 61SA-TOOL

The 61SA-TOOL is a wrench designed to thread on the 61SA Fill and 61VSA Vapor Adaptors. The OPW 61SA-TOOL Adaptor installation tool is required to insure proper installation of OPW rotatable swivel adaptors, thread-on spill containers, fill and vapor adaptors, TC-400 torque cap for pipe nipples and threaded riser adaptors as per EVR requirements. The 61SA-TOOL includes provisions for the use of a torque wrench to facilitate accurate installation and testing.

## OPW 634 Series Tight-Fill Top-Seal Caps

Tight-Fill Top-Seal Caps are installed on top-seal adaptors, when not in use, to prevent gasoline vapors from escaping and to prevent water, dust and debris from entering the tank.



Look for this label for authentic OPW EVR Approved products.  
EVR Approved for E85

### Materials

**Cap & Links:** Duratuff®  
**Pins:** Stainless steel  
**Gasket:** Nitrile  
**Color:** Grey

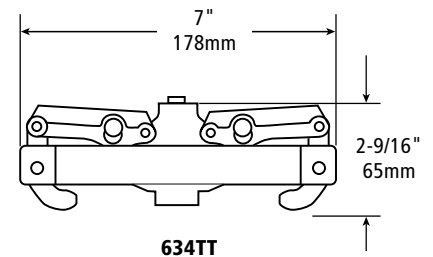


### Ordering Specifications

Product #	in.	mm	lbs.	kg
634TT-7085-EVR	4	102	1.01	.46

### Replacement Parts

Part #	Description
H15005M	Nitrile Gasket



NOTE: Effective height above adaptor: 1-19/32"

## OPW 634TT

The OPW 634TT is designed to mate with 4" 633T, 633TE, 61SA, 633TC, and 633TCP Top-Seal Adaptors. Heavy duty and corrosion resistant, the body is made of Duratuff® to help eliminate rust and oxidation for a long, maintenance-free life. The toggle lever distributes downward pressure to compress its Buna-N gasket evenly, ensuring a positive, water and vapor-tight seal. The 634TT can be locked with a padlock or wire seal.

The OPW 633TE adaptor is similar to the 633T, except it does not have internal wrenching lugs.

## OPW 634TT - Metal

The 634TT-4000 is a metal top-seal cap with the same dimensions as the 634TT-7085.

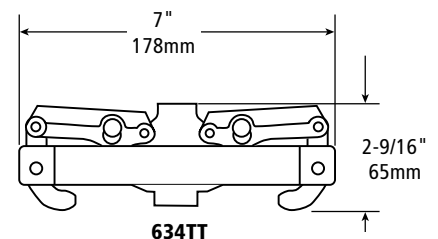
### Materials

**Cap:** Die cast zinc (powder coated black)  
**Lever:** Duratuff®  
**Pins:** Stainless steel  
**Gasket:** Nitrile



### Ordering Specifications

Product #	in.	mm	lbs.	kg
634TT-4000	4	102	1.01	.46



### Listings and Certifications



Look for this label for authentic OPW EVR Approved products.

**OPW 634TT & 634LPC**  
are EVR Approved for E85





## Materials

**Cap:** Cast zinc alloy  
(powder coated  
yellow or grey)

**Lever:** Ductile iron

**Gasket:** Nitrile

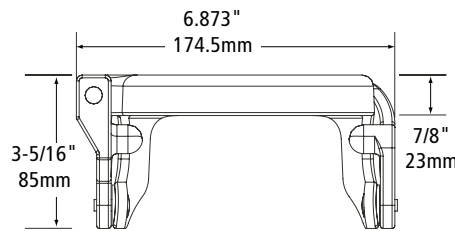


## Ordering Specifications

Product #	in.	mm	lbs.	kg
634LPC-0400 - Gray	4	102	3.5	1.59
634LPC-0400D - Yellow	4	102	3.5	1.59

## Replacement Parts

Part #	Description
H15005M	Buna-N Gasket



**634LPC**

Note: Effective height above adaptor: 1/2"

## OPW 634LPC Low Profile Top-Seal Fill Cap

The OPW 634LPC Low Profile Top-Seal Fill Cap is designed for tight installations where the clearance between the top of the fill adaptor and the underside of the spill container cover is limited. The rugged iron lever provides a positive cam-action that seats the cap firmly in the adaptor groove for a water and vapor-tight seal. When engaged, the lockable cap adds only 1/2" to the final height of the adaptor. The 634LPC can be used with the 4" OPW 633T, 633TE, 633TC, and 615A series top-seal fill adaptors.



Look for this label for authentic OPW EVR Approved products. EVR Approved for E85

## Materials

**Cap:** Duratuff®

**Lever:** Brass

**Gasket:** Nitrile

**Pivot pin:** Stainless steel

**Color:** Grey

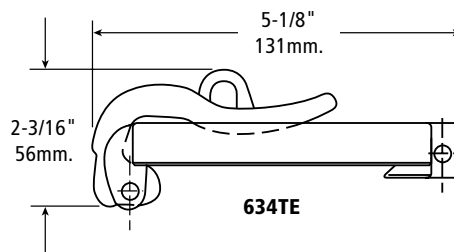


## Ordering Specifications

Product #	in.	mm	lbs.	kg
634TE-7085	3	76	1.11	.50

## Replacement Parts

Part #	Description
C01094RB	Lever
H10765M	Gasket
H10731RE	Pivot Pin



**634TE**

## OPW 634TE Single Lever Action Top-Seal Cap

The OPW 634TE is a Single Lever Action Top-Seal Cap designed to mate with 3" OPW 633T Top-Seal Adaptors.

The locking lever seats in the groove in the adaptor, providing a cam-down action on the cap for a positive water and vapor-tight seal. The 634TE can be locked with a padlock or wire seal. Patent #3,118,561.



### OPW Tight-Fill Side-Seal Adaptors

OPW 61AS Side-Seal Adaptors thread onto the fill pipe of underground storage tanks, and are designed to mate with side-seal delivery elbows.

#### Materials

Body: Bronze  
Gasket: Nitrile



61AS

#### Ordering Specifications

Part #	Elbow Size		Riser Thread		lbs.	kg
	in.	mm	in.	mm		
61AS-2477	4	102	4	102	1.99	.90

NOTE: Maximum height of adaptor is 2" (51 mm).

#### Replacement Parts

Part #	Size		Description
	in.	mm	
H04145M	3 x 3	76 x 76	Gasket
H09039M	4 x 4	102 x 102	Gasket

### OPW Tight-Fill Side-Seal Caps

Tight-Fill Side-Seal Caps are installed on side-seal adaptors, when not in use, to prevent gasoline vapors from escaping and to prevent water, dust and debris from entering the tank.

#### OPW 62TT

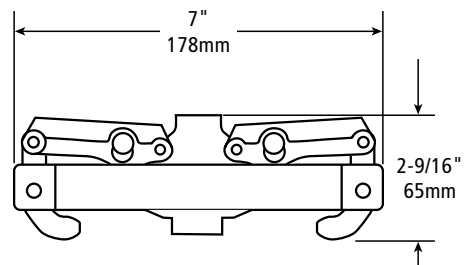
The OPW 62TT Side-Seal Cap is designed to mate with the 61AS Side-Seal Adaptor. The cap has a lever and gasoline-resistant Buna-N gasket to help assure a positive seal. The 62TT is constructed of Duratuff®, a high-impact composite that helps eliminate rust and oxidation to assure a long, maintenance-free life.

#### Materials

Cap & Links: Duratuff®  
Pins: Stainless steel  
Color: Black



62TT



#### Ordering Specifications

Product #	in.	mm	lb.	kg
62TT-7085	4	102	1.15	.52

#### Replacement Parts

Part #	Description
C03485M	Gasket

## Materials

**Adaptor:** Bronze  
**Base:** Bronze  
**Retaining Ring:**  
 Conductive nylon  
**Set Screws:**  
 Stainless steel  
**Seals:** Nitrile



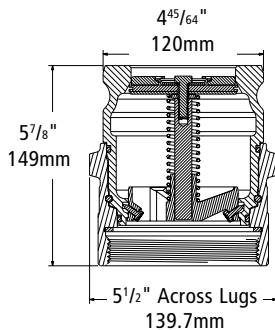
**61VSA-1020-EVR**  
 USA Patent No. 5,664,951

## Features

- ◆ **Dual Seals** – ensure a vapor and liquid-tight seal
- ◆ **Conductive, Self-Lubricating Retaining Rod** – ensures maintenance-free, reliable service life
- ◆ **Same Internal Dimension as Standard 633T Adaptors** – to minimize pressure drop and maximize flow rates for quick product delivery
- ◆ **Self Guiding Poppet** – for consistent tight seal

## Ordering Specifications

Product #	Base Material	Adaptor Material	Weight	
			lbs.	kg
61VSA-1020-EVR	Bronze	Bronze	10.5	4.8
61SA-TOOL	Wrench		11.0	5.0
H09039M	Replacement Gasket			



## OPW Stage I Vapor Recovery Adaptors and Caps

Stage I Vapor Recovery Adaptors are installed in spill containment manholes on the vapor recovery riser pipe from an underground gasoline storage tank. They mate with the vapor recovery elbow on the delivery transport truck when recovery of gasoline vapors is required.

## OPW 61VSA Vapor Swivel Adaptor

The OPW 61VSA Vapor Swivel Adaptor is a poppeted adaptor, designed to mate with a vapor recovery elbow, featuring a top section that rotates with hose movement while the bottom section remains securely sealed to the 4-inch tank riser.



**61SA-TOOL**

## OPW 61VSA-MA Vapor Recovery Swivel Adaptor

**Adaptor:** Nickel coated brass  
**Base:** Nickel coated brass  
**E85 EVR Approved**

## Ordering Specifications

Product #	Base Material	Adaptor Material	Weight	
			lbs.	kg
61VSA-MA	Nickel Coated Brass	Nickel Coated Brass	10.5	4.8
H09039M	Replacement Gasket			



## OPW 61SA-TOOL

The 61SA-TOOL is a wrench designed to thread on the 61SA Fill and 61VSA Vapor Adaptors. The OPW 61SA-TOOL Adaptor installation tool is required to insure proper installation of OPW rotatable swivel adaptors, thread-on spill containers, fill and vapor adaptors, TC-400 torque cap for pipe nipples and threaded riser adaptors as per EVR requirements. The 61SA-TOOL includes provisions for the use of a torque wrench to facilitate accurate installation and testing.

## Listings and Certifications



Look for this label for authentic OPW EVR Approved products.

**OPW 61VSA Series Adaptors are EVR Approved for E85**



## OPW 1611 Series Vapor Recovery Adaptor

The OPW 1611AV and 1611AVB are poppeted adaptors, designed to mate with a vapor recovery elbow, for returning gasoline vapor to the tank truck during a fuel delivery to an underground tank.

### Materials

- Body:** Clear anodized aluminum or cast bronze
- Stem:** Chrome-plated steel
- Stem Guide:** Acetal resin
- Spring:** Stainless steel
- Gasket:** Nitrile



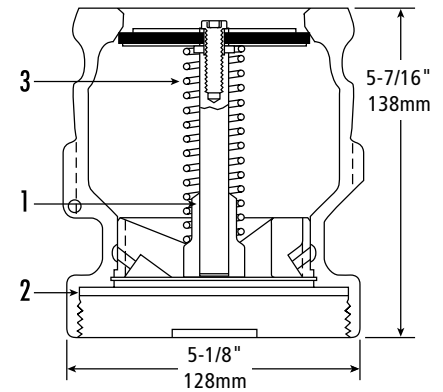
1611AV 3" x 4"  
(76 x 102mm)

### Ordering Specifications

Product #	Elbow Size		Riser Thread		Body Material		
	in.	mm	in.	mm	lbs.	kg	
1611AV-1605	3	76	3	76	2.91	1.32	Clear Anodized Aluminum
1611AV-1620	3	76	4	102	3.25	1.48	Clear Anodized Aluminum
1611AVB-1625	3	76	4	102	7.97	3.62	Cast Bronze

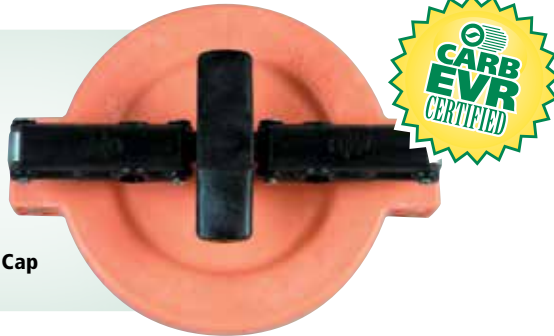
### Replacement Parts

Key	Part #	Description
1	C02642M	Bridge Guide
Not Shown	H15294M	Screw (3") (76mm)
2	H04145M H04150M	Gasket (3") (76mm) Gasket (3" x 4") (76 x 102mm)
3	H08989M	Spring
61VSA-KIT Complete Replacement Kit		



## Materials

**Body:** Duratuff®  
**Pins:** Stainless steel  
**Links:** Duratuff®  
**Gasket:** Nitrile  
**Color:** Orange



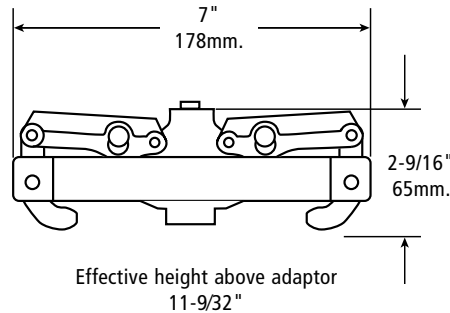
1711T Cap

## Ordering Specifications

Product #	in.	mm	lbs.	kg
1711T-7085-EVR	3	76	1.1	.50

## Replacement Parts

Part #	Description
H10886M	Nitrile Gasket



## OPW Stage I Vapor Recovery Caps

### OPW 1711T

The OPW 1711T Vapor Recovery Cap is for use with the OPW 1611AV, 61VSA, 1611AVB and 1611VR Adaptors. The 1711T is installed on the vapor recovery adaptor, when not in use, to prevent vapors from escaping and to prevent water, dust and debris from entering the tank. Constructed of Duratuff® to help prevent corrosion, the OPW 1711T will couple to Civacon/OPW 4" Kamloks, and features a center post that allows an even distribution of force when coupling to the adaptor. The 1711T can be locked with a padlock.

### OPW 1711LPC Low Profile Vapor Cap

The OPW 1711LPC Low Profile Top-Seal Vapor Cap is designed for tight installations where the clearance between the top of the vapor adaptor and the underside of the spill container or manhole cover is limited. The rugged iron lever provides a positive cam-action that seats the cap firmly in the adaptor groove for a water and vapor-tight seal. When engaged, the lockable cap adds only 1/2" to the final height of the adaptor. The cap is powder-coated API Orange to signify vapor recovery. The 1711LPC can be used with the OPW 3" 1611AV, 1611AVB and 61VSA series vapor adaptors.

## Materials

**Cap:** Cast zinc alloy (powder-coated orange)  
**Lever:** Ductile iron  
**Gasket:** Nitrile



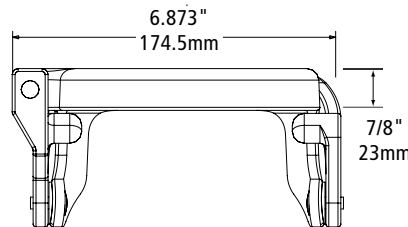
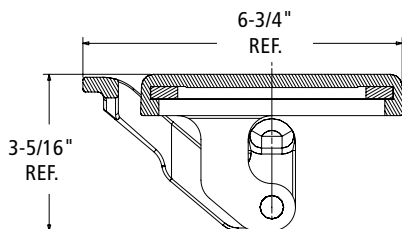
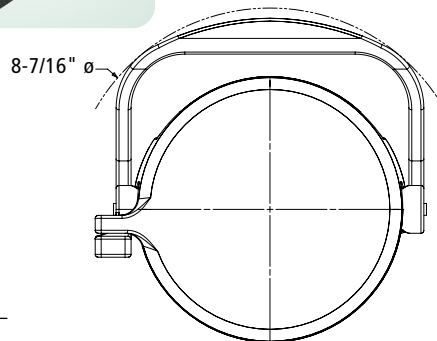
1711LPC Cap

## Ordering Specifications

Product #	in.	mm	lbs.	kg
1711LPC-0300	3	76	3.5	1.59

## Replacement Parts

Part #	Description
H15005M	Nitrile Gasket



## Listings and Certifications



Look for this label for authentic OPW EVR Approved products.  
**OPW 1711 Series Caps are EVR Approved for E85**



### OPW Monitoring Well/Pipe/Probe Caps

Monitoring Probe Caps are installed on tank riser pipes to help prevent vapors from escaping or water from entering the tank. Monitoring Probe Caps include a wire grommet fitting to accommodate the electronic tank gauge probe.

### OPW 62M Monitor Probe Cap & Adaptor Kit

The 62M Monitoring Probe & Adaptor Kit includes a 4" side-sealing adaptor, 4" side-sealing cap (tapped), and a 3/8" or 1/2" wire grommet to secure the cable from an electronic tank gauge probe in the tank riser pipe. A bracket, located on the underside of the cap, is provided to install a tension wire to relieve strain on probe cables. The 62M is gasketed to seal against water and debris entering, or vapors from escaping the tank. The cap includes provisions for a padlock to secure entry.

### OPW 116M

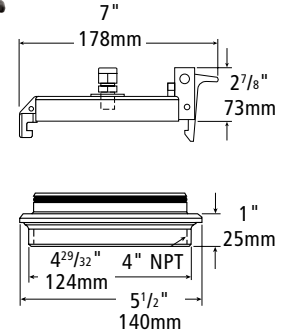
The OPW 116M Monitor Probe Cap is a standard 116 4" threaded pipe cap, drilled and tapped to accept a 3/8" or 1/2" wire grommet to secure an electronic tank gauge probe in a tank riser pipe. The 116M is gasketed for vapor and watertight service.

### OPW 116

The OPW 116 Pipe Cap threads onto 4" riser pipes and provides access to ball float extractor fittings and underground storage tank bung openings. The 116 is constructed of composite Duratuff® to prevent rusting or corroding of steel riser pipes.

### 62M Monitor Probe Cap

- Body: Cast aluminum
- Cap: Cast aluminum
- Seals: Nitrile
- Latch: Duratuff®



### 62M-MA Monitor Probe Cap

- Body: Anodized aluminum
- Cap: Anodized aluminum
- E85 EVR Approved



### Ordering Specifications

Product #	Body	Cap	Grommet		Riser Thread		lbs.	kg	
			in.	mm	in.	mm			
62M-0375	Alum.	Alum.	3/8	9.5	4	102	1.3	.59	Accepts .069" - .178" diameter wire
62M-0500	Alum.	Alum.	1/2	13	4	102	1.3	.59	Accepts .170" - .470" diameter wire
62M-MA	Nickel	Nickel	3/8	9.5	4	102	1.3	.59	Accepts .170" - .470" diameter wire
201478	Alum.	Alum.	N/A	N/A	4	102	1.3	.59	No Grommet
H09039M	Replacement Gasket								

### Materials



116M Cap

- OPW 116M
- Body: 4" Duratuff®
- Cross bar: Zinc-plated steel

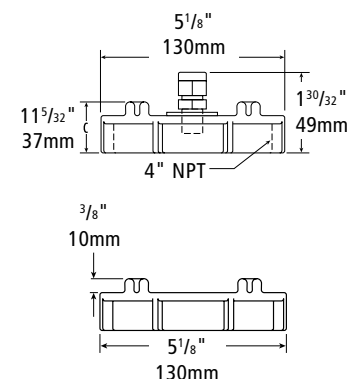


- OPW 116
- Body: 4" Duratuff®
- Seal: Nitrile
- 116-7085

### Ordering Specifications

#### OPW 116M

Product #	Description	Riser Thread	lbs.	kg
116M-0375	3/8" Grommet	4" (102mm)	.45	.2
	Accepts .069" - .178" diameter wire			
116M-0500	1/2" Grommet	4" (102mm)	.45	.2
	Accepts .170" - .470" diameter wire			
H11199M	Replacement Gasket			
<b>OPW 116</b>				
116-7085			.40	.18



62M Series Instruction Sheet Order Number: H14491PA



## Materials

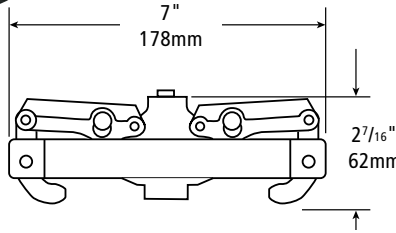
Cap: Duratuff®  
Adaptor Ring:  
Cast aluminum



634TTM

## Ordering Specifications

Product #	lbs.	kg
634TTM-7087	1.42	.65



## OPW Monitoring Well / Pipe Caps

### OPW 634TTM Well Cap Kit

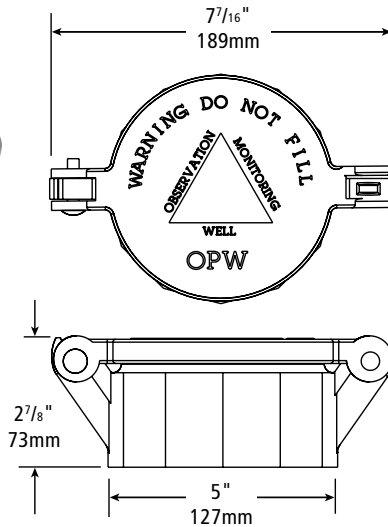
The OPW 634TTM Well Cap Kit is designed to install onto a 4" slotted PVC monitoring well. The cap is marked "Do Not Fill" to clearly identify the monitoring well. A cast aluminum adaptor ring is set-screwed to the top of the slotted PVC well, and the cap mates with the ring. The 634TTM can be locked with a padlock or a wire seal.



62PMC

## Ordering Specifications

Product #	Description	lbs.	kg
62PMC-0400	Monitoring Cap	1.3	.59



### OPW 62PMC Lockable Monitoring Cap

The OPW 62PMC is designed to thread or solvent-weld to a 61SPVC 4" slotted PVC monitoring well pipe. The 62PMC is constructed of durable PVC with a stainless steel hinge pin for resistance to rust and corrosion. An API warning statement, "Monitoring Well...Do Not Fill," is permanently molded into the cap. The 62PMC can be locked with a long-shank padlock.

61SPVC



### OPW 61SPVC Slotted PVC Pipe

The OPW 61SPVC Slotted PVC Pipe is designed for monitoring well applications. The 61SPVC is constructed of durable schedule 40 PVC pipe, PVC bottom plug with slot thickness of .020".

## Ordering Specifications

Product #	Description	Length		Slotted Section		Weight	
		ft.	m	ft.	m	lbs.	kg
61SPVC-4000	4" x 13' Slotted PVC Pipe	13	3.96	10	3.04	26.5	12.0
61SPVC-4015	4" x 15' Slotted PVC Pipe	15	4.97	12	3.65	30.5	13.8
61SPVC-4020*	4" x 20' Slotted PVC Pipe	20	6.09	18	5.48	41.0	18.6

\*20 ft. Models come in two (2) 10 ft. pieces.

634TTM-7087 Instruction Sheet Order Number: **H10772PA**

### OPW Loose-Fill Pipe Cap Assemblies

Loose-Fill Pipe Cap Assemblies are installed in spill containment manholes on fill riser pipes from an underground fuel storage tank. They are used when a tight-fill connection is not required.

### OPW 83

The OPW 83 Fill Cap Assembly threads onto the fillpipe of an underground or aboveground tank. The screw-on cap is gasketed to ensure a tight seal against air, water, dust and debris. The 83 can be locked with a padlock or wire seal.

### Materials

Body: ZA alloy  
 Cap: Cast iron  
 Gasket: Nitrile



83 Fill Cap

### Ordering Specifications

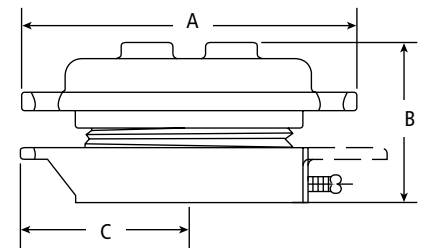
Product #	Riser Thread			
	in.	mm	lbs.	kg
83-0022	2	51	2.46	1.12

### Replacement Parts

Part #	in.	mm	Description
H04898M	2	51	Cap
H01608M	2	51	Gasket

### Dimensions

	2" (51mm)	
	in.	mm
A	4 <sup>5</sup> / <sub>8</sub>	118
B	2 <sup>7</sup> / <sub>16</sub>	62
C	2 <sup>11</sup> / <sub>32</sub>	60

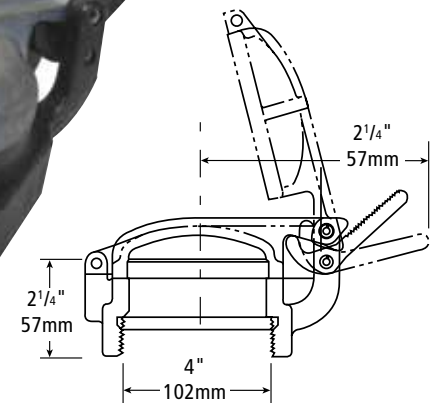


### OPW 269 Sanitary Tank Hatch

The OPW 269 Sanitary Tank Hatch threads onto the fill pipe of an underground sanitary waste disposal tank. The 269 is foot-operated and quick-opening/closing for clean emptying of sanitary waste from RVs, campers and travel trailers. The non-recessed design provides straight-through flow to eliminate entrapment of waste materials.

### Materials

Body: Coated ductile iron  
 Cap: Zinc

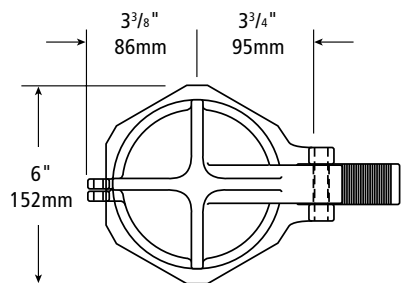


### Ordering Specifications

Product #	Riser Thread			
	in.	mm	lbs.	kg
269-0085	4	102	10.92	4.91

### Replacement Parts

Part #	Description
D00800B	Cap
H05783DI	Treadles
H05784M	Pin

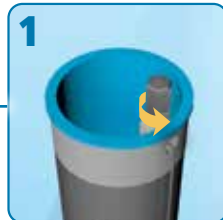
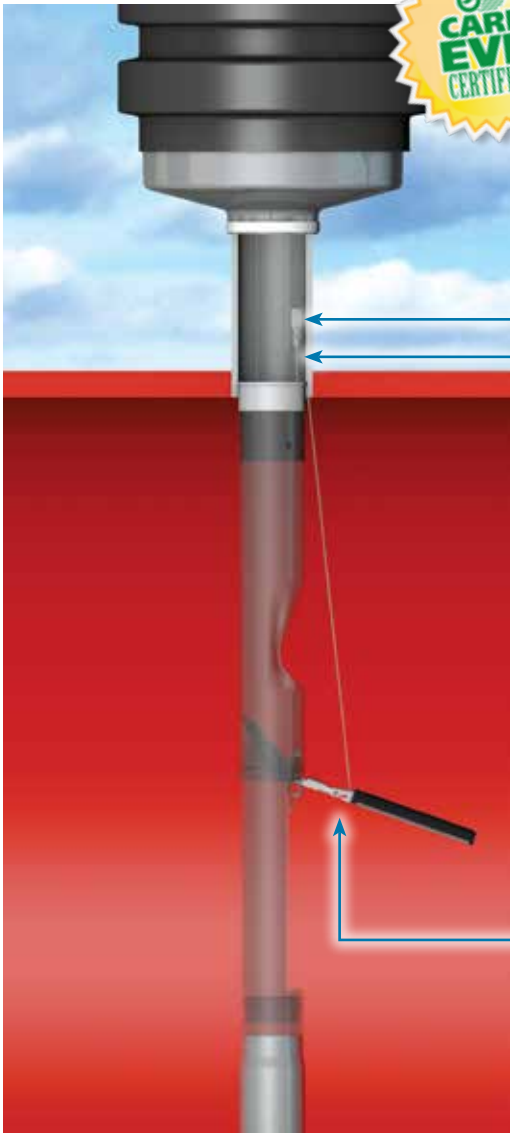


## Testable 7150 Overfill Prevention Valve

Patent Pending



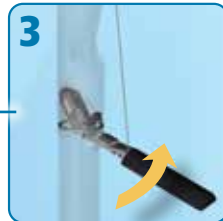
# Testing & Verification Easy as 1·2·3



Loosen test plug



Lift float with cable to simulate fill



Validate proper poppet operation

### The OPW Testable 7150 helps you be in compliance with the NEW EPA Regulations

- ◆ The Only UST Overfill Prevention Valve that is testable without removal from the tank
- ◆ A testable feature is attached to a sealed plug in the inlet Adaptor
- ◆ The plug is easily accessed with a standard socket extension
- ◆ Attached to the extension, the testable feature can be raised and lowered, allowing the user to inspect the valve operation from the inside of the tube
- ◆ The plug is then easily reinstalled to the inlet Adaptor from grade
- ◆ No fill components, overfill valves, or vapor tight seals have to be removed - avoids compromising vapor tight compliance
- ◆ The Testable 7150 uses the same industry leading overfill prevention technology for strong vapor tight compliance
- ◆ B100 Compatible (ULC)

NOTE: The OPW 7150 is designed for use on tight-fill gravity drop applications only. Do not use for pressure fill applications.

## Ordering Specifications

Product #	Description	A- Upper Tube Length		B- Lower Tube Length		C- Overall Length		Max. Riser Length		Max. Nominal Tank Dia.		Max. Actual Tank Dia.		Weight	
		in.	m	in.	m	in.	m	in.	m	in.	m	in.	m	lbs.	kg
7150-400CT*	Testable Vapor-Tight Overfill Valve, 5 Ft. Bury, 8 Foot Tank	60	1.5	83	2.1	154 <sup>3</sup> / <sub>4</sub>	3.9	53 <sup>1</sup> / <sub>2</sub>	1.4	96	2.4	107	2.7	16	7
7150-410CT*	Testable Vapor-Tight Overfill Valve, 10 Ft. Bury, 10 Foot Tank	120	3.1	102	2.6	234 <sup>3</sup> / <sub>4</sub>	5.9	113 <sup>1</sup> / <sub>2</sub>	2.9	120	3.1	126	3.2	25	11
7150-420CT*	Testable Vapor-Tight Overfill Valve, 10 Ft. Bury, 12 Foot Tank	120	3.1	126	3.2	258 <sup>3</sup> / <sub>4</sub>	6.5	113 <sup>1</sup> / <sub>2</sub>	2.9	144	3.7	150	3.8	26	12
206740-Kit	Replacement Cable Kit														
206741-Kit	Replacement Inlet Tube w/ 206740 Cable Kit														

\* ULC B100 Compatible

## Listings and Certifications



Look for this label for authentic OPW EVR Approved products.

Patent Pending

# Testable 7150 Overfill Prevention Valve

Are you Compliant  
with the New EPA  
Overfill Valve Test  
Requirements?



Now you can be, with the  
New OPW Testable 7150  
Overfill Prevention Valve

*The easiest, most affordable way  
to ensure overfill compliance*

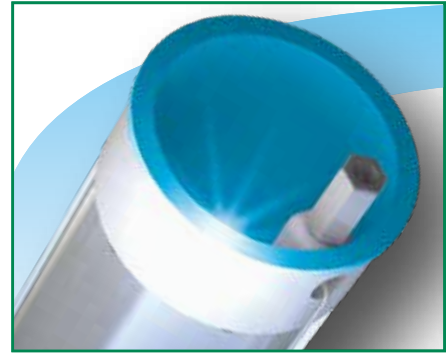
- ◆ UST systems (drop tube, overfill prevention valve, spill containers) must be tested for vapor tightness
- ◆ Overfill prevention valves shut off devices must be manually inspected
- ◆ OPW offers the only overfill prevention valve that can be tested without removal from the tank – test in 60 seconds versus 60 minutes per tank



## Overfill Prevention and Venting Equipment

### 7150 Testable Overfill Valve

The OPW new patent-pending Testable 7150-T Overfill Prevention Valve is the easiest, quickest and most cost efficient way to ensure that your overfill valves will operate when called upon - verifiable without removing them from the tanks. The OPW 7150-T Testable Overfill Prevention Valve is the first UST Overfill Prevention Valve that is testable from the surface without removal from the tank.



### 6150 & 7150 Overfill Prevention Valves

The OPW 6150 and 7150 vapor-tight Overfill Prevention Valves are two-stage shut-off valves designed to prevent the overfill of underground storage tanks by providing a positive shut-off of product delivery. Models of the 6150 and 7150 are available to meet virtually any UST application, including two-point, coaxial, poppeted coaxial and remote fill. The 7150 vapor-tight model is designed for enhanced vapor recovery (EVR) applications. Both the 6150 and 7150 are designed for use on tight-fill gravity drop applications only, and can be installed in the fill riser of both new and existing underground storage tanks.



### Ball Float Vent Valves and Extractor Fittings

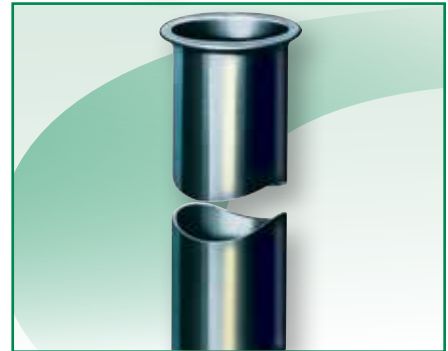
OPW Ball Float Vent Valves protrude into underground storage tanks from the Stage I vapor return riser pipe. As the tank becomes full during a product drop, the ball seats – restricting the flow of vapors back to the transport truck or through the tank vent. As the vapors are compressed in the tank, product flow into the tank is severely restricted.

OPW ball floats are mounted in OPW extractor fittings to maintain access through grade-level manholes.



### Drop Tubes and Accessories

OPW drop tubes are installed inside tank fill risers to prevent fuel from contacting riser joints. Drop tubes extend close to the bottom of the tank to minimize turbulence and vapor production. Tank bottom protectors are installed on the bottom of drop tubes to prevent tank erosion at the fill point.



### Pressure Vacuum Vents and Adaptors

Pressure Vacuum Vents are installed on the top of vent pipes from underground or aboveground fuel storage tanks. The vent cap and internal wire screen are designed to protect the tank vent lines against intrusion and blockage from water, debris or insects. A normally closed poppet in the valve opens at a predetermined pressure or vacuum setting to allow the tank to vent.





## OPW 7150 Overfill Prevention Valves

The CARB-certified OPW 7150 vapor-tight Overfill Prevention Valve is designed to prevent the overfill of underground storage tanks by providing a positive shut-off of product delivery. The shut-off valve is an integral part of the drop tube used for gravity filling. The OPW 7150 allows easy installation (without breaking concrete) and requires no special manholes.

The OPW 7150 is a vapor-tight two-stage shut-off valve. When the liquid level rises to about 95% of tank capacity, the valve mechanism is released, closing automatically with the flow. This reduces the flow rate to approximately 5 gpm through a bypass valve. The operator may then stop the filling process and disconnect and drain the delivery hose. As long as the liquid exceeds the 95% level, the valve will close automatically each time delivery is attempted.

If the delivery is not stopped and the liquid rises to about 98% of tank capacity, the bypass valve closes completely. No additional liquid can flow into the tank until the level drops below a reset point.

NOTE: The 7150 Overfill Prevention Valve can be adjusted to shutoff at any desired tank capacity. Please contact the Authority Having Jurisdiction (AHJ) and review local, state, and national codes to determine the regulatory requirements governing shut-off capacity in your region, as well as take into account other considerations such as extreme tank tilt. In all cases, the upper tube must protrude into the tank at least 6 1/2" to ensure that the valve can shut off flow into the tank completely before the top of the tank is wetted as per EPA requirements.

7150 Instruction Sheet Order Number: **H15524PA**

### Listings and Certifications



## Materials

- Valve Body:** Cast aluminum
- Float:** Nitrile rubber, closed cell foam
- Valve:** Aluminum
- Seals:** Viton®
- Upper & lower Drop Tube:** Aluminum
- Plastic parts:** Acetal
- Hardware:** Stainless steel

## Features

- ◆ **Simple, Easy and Quick Installation** – no excavation or special manholes required.
- ◆ **Economical** – costs a fraction of expensive, complicated and difficult-to-install valves.
- ◆ **Furnished Complete** – supplied with new upper and lower drop tubes, mounting hardware and thorough instructions for quick job site time.
- ◆ **Completely Automatic Operation** – no prechecks to perform, no resets and no overrides to be broken or abused.
- ◆ **No Pressurization of the Tank** – operates directly from liquid level.
- ◆ **Will Accept a Dipstick for Gauging**

## Advantages of Overfill Prevention Compared to Overfill Warning Systems:

- ◆ **Completely Automatic Operation** – does not rely on the alertness or speed of response of the delivery attendant for certainty of overfill prevention.
- ◆ **Keeps the Top of UST "Dry," per EPA Requirements** – eliminating possible leaks at loose bung fittings and the need for double containment on vent lines.
- ◆ **Does Not Rely on Pressure in the UST to Stop Flow** – allowing faster fill times and reducing spill risk.
- ◆ **Speeds Delivery Operations** – product flows unimpeded into the tank until the hose "kick" that accompanies the valve shut-off provides a clear signal that the liquid has reached the shut-off level.
- ◆ **Simple and Inexpensive Installation** – in both two-point and coaxial fill applications, no additional excavation, manholes or vent piping are required.



Look for this label for authentic OPW EVR Approved products.  
**OPW 7150M is EVR Approved for E85**



## Important

In order to prevent product spillage from the Underground Storage Tank (UST), properly maintained delivery equipment and a proper connection at the tight-fill adaptor are essential. Delivery personnel should be managed and trained to inspect delivery elbows and hoses for damaged and missing parts. They should always make certain there is a positive connection between the adaptor and elbow. If delivery equipment is not properly maintained, or the elbow is not securely coupled to the adaptor, a serious spill may result when the OPW 7150 closes, causing a hazard and environmental contamination.

NOTE: The OPW 7150 is designed for use on tight-fill gravity drop applications only. Do not use for pressure fill applications.

- ◆ **Retrofits Directly** – for both new and existing tanks with 4" fill risers.
- ◆ **Quick Drain Feature** – automatically drains hose when head pressure is relieved.
- ◆ **Best Flow Rate in The Industry\***

\* OPW Test Lab results

## Raising The Standard In Overfill Prevention

From the company that brought you the industry standard OPW 6150, OPW raises the standard with the introduction of the **7150 Overfill Prevention Valve** – breakthrough innovation that takes overfill prevention to a whole new level of overfill perfection.

- **Eliminates curing issues due to hot or cold temperatures**
- **Easier, quicker, installation**
- **Higher quality, more reliable installation**
- **Lower costs**
- **Greater protection against fugitive emissions and pressure decay**
- **Fastest flow rate in the industry**

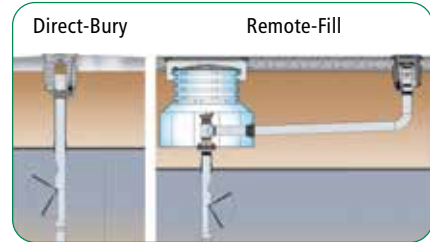
The new 7150 is a two-stage, positive shut-off valve, providing completely automatic operation with no pre-checks to perform, no resets, and no overrides to be broken or abused. The valve closes when the tank level rises to 95% capacity and provides a special bypass valve so the tank can be filled to a maximum capacity of 98%. The 7150 is available for direct-bury and remote applications.



All Vapor-Tight Overfill Valves are CARB EVR Certified



**No Epoxy Sealants Required!**



### Replacement Parts

Part #	Description
6150K-0001	Replacement Float Kit
H11931M	Drop Tube Seal
H14840M	Lower Tube Seal
C05117	Lower Tube
C03899M	Non-Vapor-Tight Inlet Tube
7150-Inlet	Vapor-Tight Inlet Kit

## 7150 Ordering Specifications

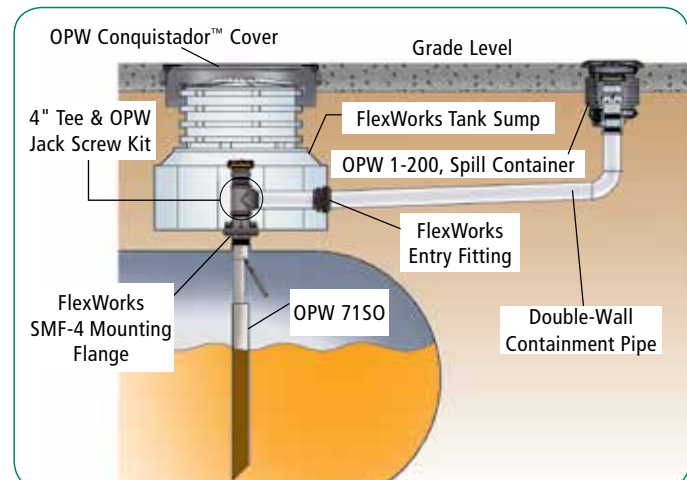
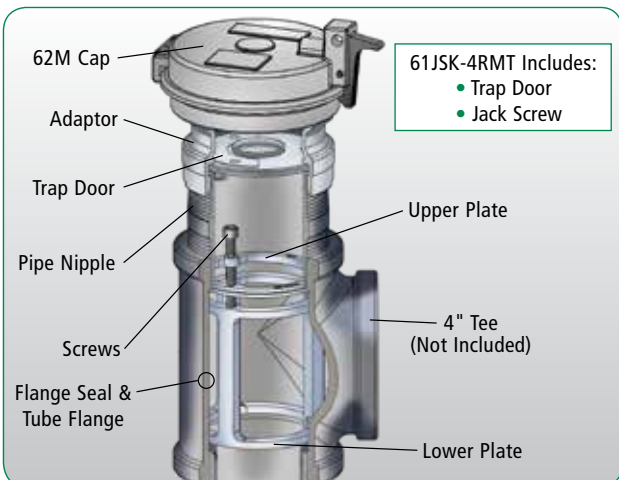
Product #	Description	Bury Depth		Tank Diameter		Upper Tube Length		Lower Tube Length		Overall Length		Max. Riser Length		Max. Nominal Tank Dia.		Max. Actual Tank Dia.		Weight		
		ft.	m	ft.	m	in.	m	in.	m	in.	m	in.	m	in.	m	in.	m	lbs.	kg	
7150-400B*	Vapor-Tight Overfill Valve	5	1.5	8	2.4	60	1.5	83	2.1	155 <sup>3</sup> / <sub>4</sub>	3.9	53 <sup>1</sup> / <sub>2</sub>	1.4	96	2.4	107	2.7	16	7	
7150-410B*	Vapor-Tight Overfill Valve	10	3.0	10	3.0	120	3.1	102	2.6	234 <sup>3</sup> / <sub>4</sub>	5.9	113 <sup>1</sup> / <sub>2</sub>	2.9	120	3.1	126	3.2	25	11	
7150-420B*	Vapor-Tight Overfill Valve	10	3.0	12	3.6	120	3.1	126	3.2	258 <sup>3</sup> / <sub>4</sub>	6.5	113 <sup>1</sup> / <sub>2</sub>	2.9	144	3.7	150	3.8	26	12	
7150-400C*	Vapor-Tight Overfill Valve	5	1.5	8	2.4	60	1.5	83	2.1	155 <sup>3</sup> / <sub>4</sub>	3.9	53 <sup>1</sup> / <sub>2</sub>	1.4	96	2.4	107	2.7	16	7	
7150-410C*	Vapor-Tight Overfill Valve	10	3.0	10	3.0	120	3.1	102	2.6	234 <sup>3</sup> / <sub>4</sub>	5.9	113 <sup>1</sup> / <sub>2</sub>	2.9	120	3.1	126	3.2	25	11	
7150-420C*	Vapor-Tight Overfill Valve	10	3.0	12	3.6	120	3.1	126	3.2	258 <sup>3</sup> / <sub>4</sub>	6.5	113 <sup>1</sup> / <sub>2</sub>	2.9	144	3.7	150	3.8	26	12	
7150-4000	Non Vapor-tight Overfill Valve	5	1.5	8	2.4	60	1.5	83	2.1	155 <sup>3</sup> / <sub>4</sub>	3.9	53 <sup>1</sup> / <sub>2</sub>	1.4	96	2.4	107	2.7	16	7	
7150-4010	Non Vapor-tight Overfill Valve	10	3.0	10	3.0	120	3.1	102	2.6	234 <sup>3</sup> / <sub>4</sub>	5.9	113 <sup>1</sup> / <sub>2</sub>	2.9	120	3.1	126	3.2	25	11	
7150M-412C	<b>E85 Vapor-tight Overfill Valve</b>	10	3.0	10	3.0	120	3.1	102	2.6	234 <sup>3</sup> / <sub>4</sub>	5.9	113 <sup>1</sup> / <sub>2</sub>	2.9	120	3.1	126	3.2	38	17.3	
7150-TOOLCT	7150 Installation Tool																	2.5	1	
61JSK-4RMT	Jack Screw Kit For Vapor-Tight Remote Applications																		1.5	0.7
61JSK-4410	Jack Screw Kit For Composite Base Spill Bucketst																		1	0.5
61JSK-44CB	Jack Screw Kit For Cast Iron Base Spill Buckets																		1	0.5
71JSK-4RMT	<b>E85 Jack Screw for Remote-Fill Applications</b>																		1	0.5
71JSK-44MA	<b>E85 Jack Screw for Direct-Fill Applications</b>																		1.5	0.7

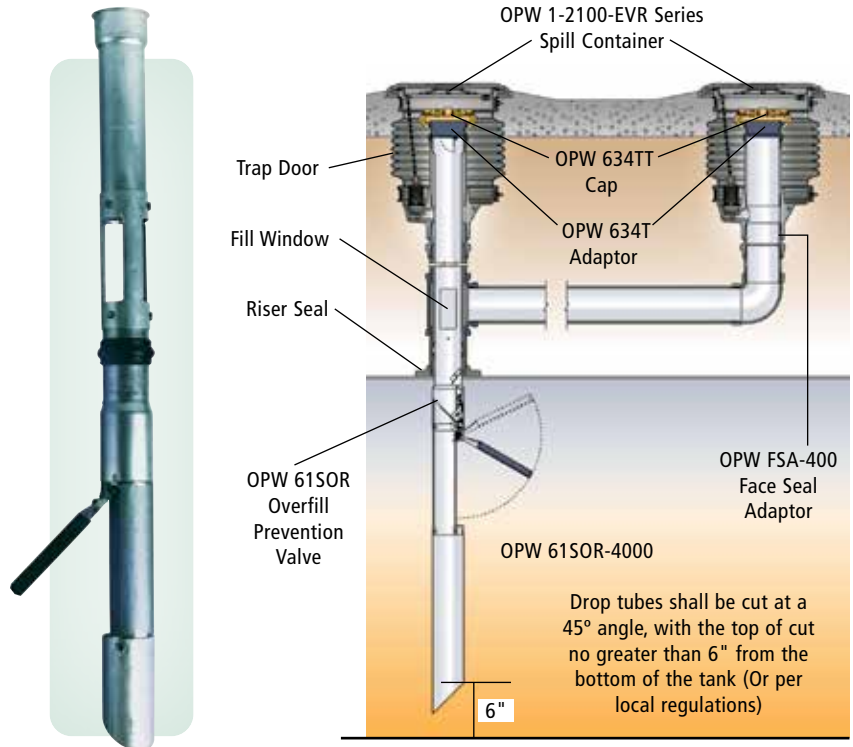
61JSK-4410 AND 61JSK-44CB Instruction Sheet Order Number: **H15289M**

\*ULC B100 Compatible

## 7150 Vapor-Tight Remote Fill

The OPW Vapor-Tight Remote Fill is designed for two-point vapor-tight remote-fill applications, where the fill point is not directly over the UST. A CARB approved vapor-tight 7150 overfill valve is installed in the sump through a riser pipe directly over the tank.



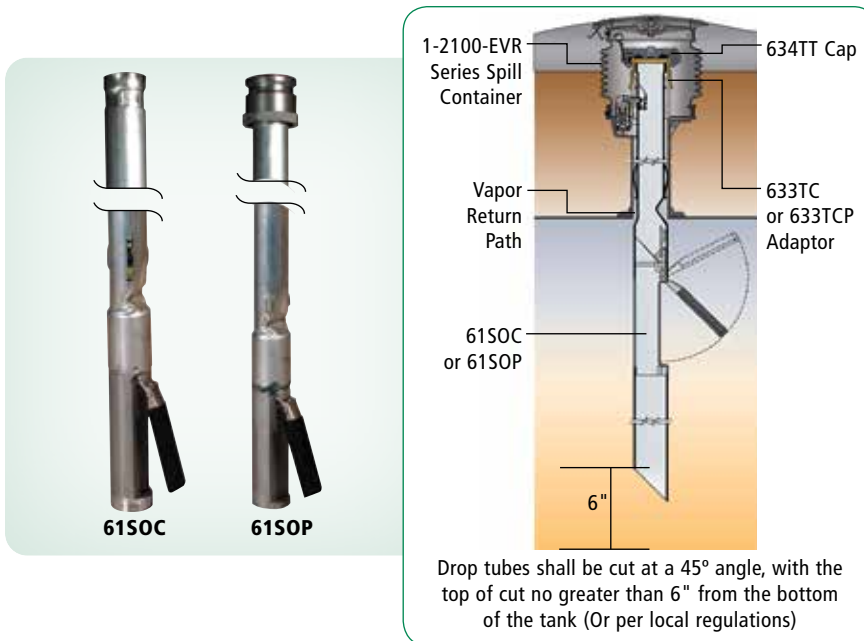


### 61SOR Remote-Fill

The OPW 61SOR is designed for two-point remote-fill applications, where the fill point is not directly over the UST. The valve is installed in the tank through a riser pipe directly over the tank. A window in the drop tube is aligned with the entrance of the fill pipe from the remote-fill location to allow product to flow into the drop tube and down through the valve. A riser seal prevents product from flowing into the tank from outside the drop tube. A "trap door" assembly installed in the riser above the tank provides access for a gauging stick. Trap door, adaptor and cap are included with 61SOR.

### 61SOC Coaxial

The OPW 61SOC is used for coaxial fill applications, tanks equipped with a single product/vapor return connection. The 61SOC replaces the standard coaxial fill drop tube in a 4" riser fill pipe.



61SO-4000 Series Instruction Sheet Order Number: **H11764M**

61SOC Coaxial Fill Tube Instruction Sheet Order Number: **C03634PA**

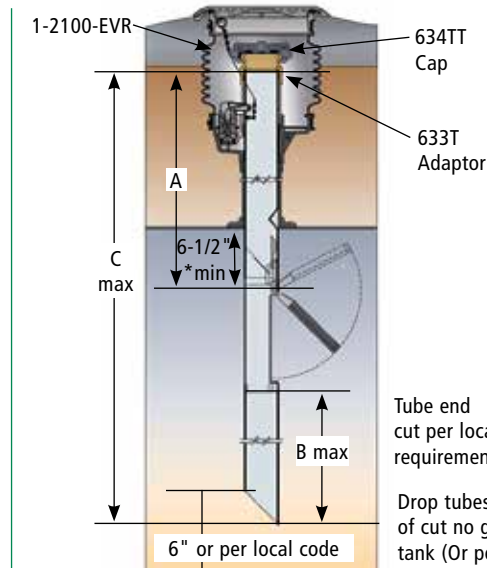
61SOR Remote Fill Tube Instruction Sheet Order Number: **H11964M**

## Typical Application Assembly

Installation schematic typical; exact dimensions will vary with tank configuration.

\* From inside wall of tank to bottom of upper tube

61SOK Float Kit Instruction Sheet Order Number: **H11403PA**



## Replacement Parts

Part #	Description
61SOK-0001	Float Kit
C03899M	Two-Point Inlet Tube
C03632M	Coaxial Inlet Tube
D01756	Inlet Tube/Adaptor Assy. for 61SOP
H11931M	Drop Tube O-Ring
C03749	Trap Door Assy. (Remote)

Tube end cut per local requirements

Drop tubes shall be cut at a 45° angle, with the top of cut no greater than 6" from the bottom of the tank (Or per local regulations)

## Ordering Specifications

Product/ Suffix #	Description	A-Upper Tube Length		B-Lower Tube Length		C-Overall Length		Max. Riser Length		Max. Nominal Tank Dia.		Max. Actual Tank Dia.		Weight	
		in.	m	in.	m	in.	m	in.	m	in.	m	in.	m	lbs.	kg
61SOK-4001	Coaxial	60	1.5	83	2.1	154 <sup>3</sup> / <sub>8</sub>	3.9	53 <sup>1</sup> / <sub>2</sub>	1.4	96	2.4	107	2.7	16	7
61SOK-4011	Coaxial	120	3.1	102	2.6	233 <sup>3</sup> / <sub>8</sub>	5.9	113 <sup>1</sup> / <sub>2</sub>	2.9	120	3.1	126	3.2	25	11
61SOP-4002	CARB, pop. coaxial	60	1.5	83	2.1	154 <sup>3</sup> / <sub>8</sub>	3.9	53 <sup>1</sup> / <sub>2</sub>	1.4	96	2.4	107	2.7	20	9
61SOP-4012	CARB, pop. coaxial	108	2.7	102	2.6	221 <sup>3</sup> / <sub>8</sub>	5.6	101 <sup>1</sup> / <sub>2</sub>	2.6	120	3.1	126	3.2	27	12
61SOR-4000*	Remote	72	1.8	83	2.1	166 <sup>3</sup> / <sub>8</sub>	4.2	65 <sup>1</sup> / <sub>2</sub>	1.7	96	2.4	107	2.7	19	9

\*Remote fill applications



**Materials**

**Body:** Duragard®  
Coated Cast Iron  
**Cage Assembly:** ZA12 Zinc/Alloy

(TEE)



**Features**

- ◆ **Duragard® Coated Cast Iron Body** – helps prevent rust and corrosion for long service life
- ◆ **ZA12 Zinc/Alloy Cage Assembly** – eases installation and removal of ball float vent valves and test plugs
- ◆ **Precision Machined Threads** – help prevent cross threading of the ball float or tank riser pipe
- ◆ **Compatible with 85% Ethanol (E85) or Methanol (M85)**



CROSS



233 VP Test Plug



(H11930 2" CAGE SA)

**OPW 233 Series Extractor Fittings**

OPW 233 Series Extractor Fittings thread into 4 NPT openings on underground storage tanks. A 4" riser pipe threads into the top of the 233 for use in Stage I Vapor Recovery or to access a ball float. The 233 Extractor Fittings have threaded single-outlet connections for attaching tank vent lines or multiple outlets used to manifold tank vents or accommodate Stage II vapor return lines from dispensers. Internal threads on the 233 are designed to install a ball float or test plug in the extractor.

**OPW 233**

The OPW 233 Extractor Fittings are designed for use with all OPW 53VML Ball Float Vent Valves that include an extractor cage (the OPW 233 does not include an extractor cage). The 233 Extractor incorporates either single-outlet or multiple-outlet threads.

**OPW 233VP Extractor Test Plug**

The OPW 233VP Extractor Fitting Test Plug is used on all OPW 233 Series Extractor Fittings. The 233VP incorporates an O-Ring above the threads (on the plug) to isolate the tank from the vent piping systems during a tank test.

**Ordering Specifications**

Product #	Top Thread		Outlet Thread		Bottom Thread		Weight	
	in.	mm	in.	mm	in.	mm	lbs.	kg
233-4420 (Tee)*	4	102	2	51	4	102 Ext.	13.89	6.31
233-4430 (Tee)*	4	102	3	76	4	102 Ext.	14.06	6.39
233-4422 (Cross)*	4	102	2 x 2	51 x 51	4	102 Ext.	15.18	6.90
233-4433 (Cross)*	4	102	3 x 3	76 x 76	4	102 Ext.	15.54	7.06
233-4432 (Cross)*	4	102	3 x 2	76 x 51	4	102 Ext.	17.29	7.86

\* Without cage assembly      NOTE: Use OPW89 Extractor Wrenches (See page 119)

**Replacement Parts**

**OPW 233V and 233VM**

Part #	Description
H11930	2" Cage SA
H14578M	O-Ring for 233VP-6046

**Listings and Certifications**



Look for this label for authentic OPW EVR Approved products.  
**OPW 233 Series Extractor Fittings are EVR Approved for E85**



## OPW 53VML (30MV) Ball Float Vent Valves

The OPW 53VML Ball Float Vent Valves protrude into underground storage tanks from OPW 233 Series Extractor Fittings at the Stage I vapor return riser pipe or tank vent line. During a product delivery, as the tank level rises, a counterweight stainless steel ball seats on the valve body and restricts flow of vapors back to the transport truck. As the vapors become compressed in the tank (ullage), product flow into the tank is severely restricted. The 53VML Series Ball Float meets the U.S. EPA 90% requirement for product flow restriction into underground storage tanks. The 53VML-0060 and 53VML-0065 are designed as "back-up" overfill protection for overfill prevention valves, and to minimize product mixing with underground manifold vent lines.

### Ordering Specifications and Dimensions

Product #	Pipe Dia.	Length (A)		Weight	
		in.	mm	lbs.	kg
53VML-0060	2*	6 <sup>1</sup> / <sub>8</sub>	157	2	0.9
53VML-2070	2	7	178	3	1.5
53VML-0120	2	12	305	4	1.8
53VML-0160	2	16	407	5	2.3
53VML-0180	2	18	457	6	2.7
53VML-3050	3	5	127	5	2.3
53VML-3110	3	11	279	7.6	3.5
53VML-3120	3	12	305	7.7	3.5

\* 1/16" Vapor Flow Orifice

### 30MV-KIT Ordering Specifications

Part #	Description
30MV-KIT	O-Ring 1/16" Brass orifice insert

### Materials

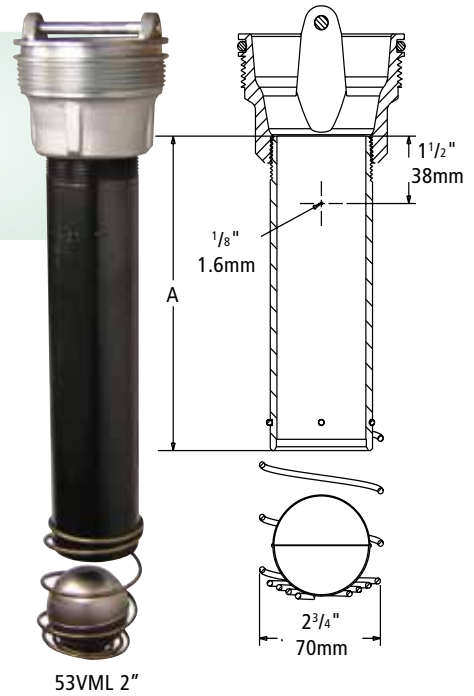
- Pipe Nipple:** Steel
- Coating:** Black Duragard®
- Basket:** Stainless steel
- Ball:** Stainless steel

### Features

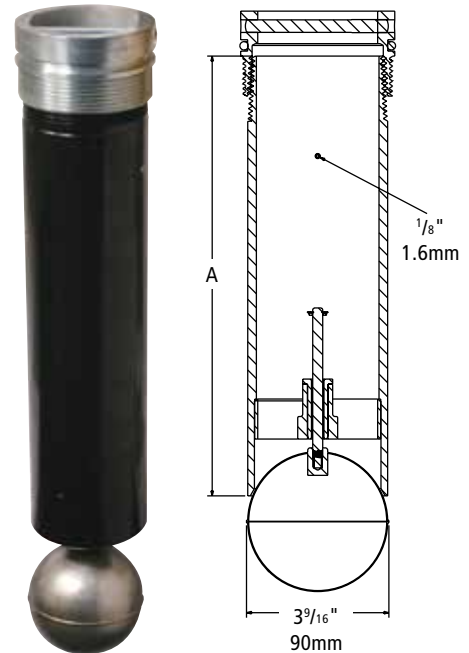
- ◆ **Stainless Steel Counterweight Ball Float** – corrosion-resistant for a long service life. Counterweight ensures proper seating of the ball for precision "slow-down" of product flow into the tank
- ◆ **Vapor Flow Orifice** – a "bleed" hole machined into the body of the valve, sized to properly "slow-down" the delivery flow rate
- ◆ **Duragard® Body Coating** – helps prevent rust and corrosion build-up for a smooth seating surface and long service life
- ◆ **Various Body Lengths** – accommodate virtually any size tank
- ◆ **2" and 3" Body Sizes** – 3" size increases vapor flow to reduce product delivery time
- ◆ **Easy Installation, Service and Testing** – both 2" and 3" valves install in OPW 233 Series Extractor Fittings and are easily removed for inspection or tank testing with OPW 89 Extractor Wrench
- ◆ **Compatible with 85% Ethanol (E85) or Methanol (M85)**

### Convert your 53VML into the 30MV Ball Float

The 30MV Series ball float has the same function as the 53VML, but allows for higher storage capacity in larger volume tanks. The 30MV meets the U.S. EPA 30-minute warning requirement for product flow restriction in the underground storage tank. Using the Tank Ullage calculation on page 119, convert your desired length 53VML by adding the 30MV-KIT.



53VML 2"



53VML 3"

53VML/30MV Instruction Sheet  
Order Number: **H14111PA**

**Warning** OPW Overfill Warning Systems should only be used on submerged pumping systems, not suction pump systems. For special applications, contact OPW Fueling Components. OPW Overfill Warning Systems should only be used on gravity drop systems. DO NOT use where Pump-Off Unloading or coax fills are used.

## Specifying the Proper Length 53VML or 30MV Series Ball Float

**Step 1:** Determine Dimension "X": Consult the tank chart (provided by the tank manufacturer) to determine the distance that corresponds to 10% of the total tank capacity for 53VML or 308 gallons for 30MV.

**Step 2:** Determine Dimension "Y": Measure the dimension from the inside top of the tank to the top of the 4" threaded tank "bung" fitting.

**Step 3:** Add measurements "X" and "Y". Then subtract 1/4" and round up to the nearest length ball float.

### Tank Ullage Calculator

- ◆ 30 minutes x 5GPM = 150 gallons
- ◆ Ullage compression rate\* is 27% after the ball seats
- ◆ 150 gallons ÷ .73 (1- ullage compression rate) = 205.48 gallons
- ◆ 205.48 x 1.5 (OPW recommended safety factor) = 308.22 gallons
- ◆ Approximately 308 gallons required ullage

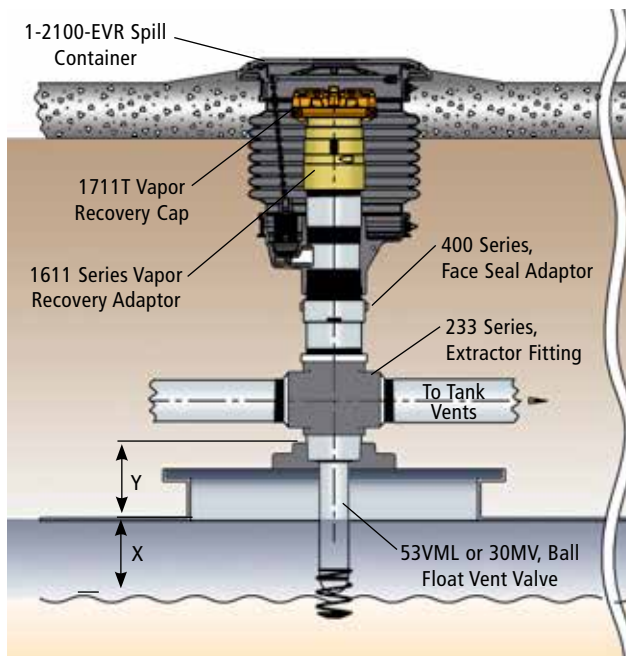
\*Ullage compression rate will vary with head pressure.

## OPW 53VML and 30MV Ball Float Sizing / OPW 89 Extractor Wrench

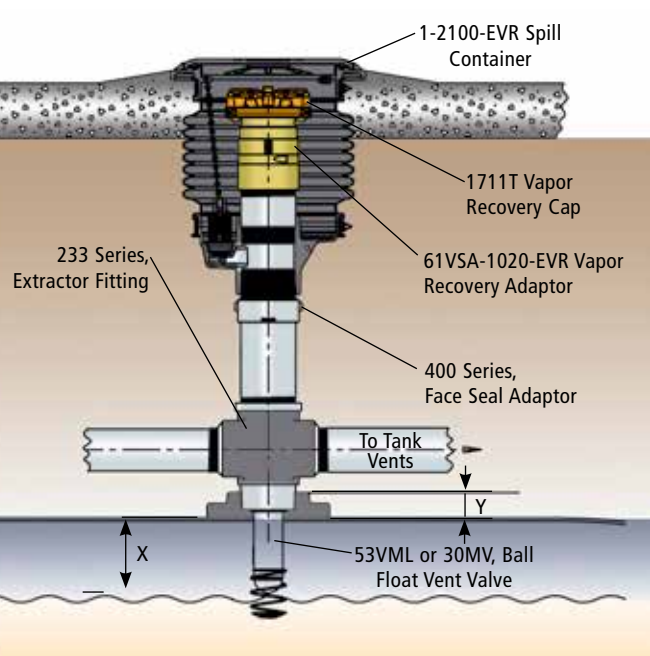
### IMPORTANT:

Installing the incorrect length OPW 53VML or 30MV Ball Float Vent Valve for your specific application may result in delivery flow restriction at unacceptable levels. Always consult the appropriate tank charts and determine the specifics of your tank installation to determine the appropriate length OPW 53VML or 30MV. The illustration and instructions below are intended to serve as a guide in this determination.

### Tank Manway Mounted Extractor

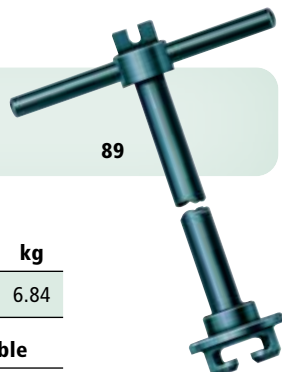


### Tank Top Mounted Extractor



## Materials

**Pipe:** Extra heavy black iron  
**Handle and Hook:** Ductile iron



89

## Ordering Specifications

Product #	in.	mm	lbs.	kg
89-0044	2	51	3	6.84

Size	Wrench	Product Compatible
2"	89-0044	233E, 88E Series

## OPW 89 Extractor Wrench

The OPW 89 Extractor Wrench is designed to install or remove OPW 53VML and 30MV Ball Float Vent Valves or OPW 233VP and 233VMP Test Plugs in OPW 233, 233V, and 233VM Extractor Fittings. The 89 is also designed to work with the cage assemblies on the 233E Suction Tube Extractor Fitting and 88E Extractable Angle Check Valve in suction system applications. The 89 wrench consists of a 4" section of pipe welded to a "T" handle with a 2" hook section. The 2" hook section mates with current OPW ball floats and extractable cages.

## OPW 61T Drop Tube

The OPW 61T Drop Tube is installed in the fill riser pipe to an underground storage tank. It is designed to transfer product from the fill connection point (between the delivery drop elbow and tight-fill adaptor) to within 6" (or per local requirements) of the bottom of the tank. This allows for submerged filling of the tank, resulting in a more efficient delivery flow rate while reducing the build-up of vapors or foam in the tank.

## OPW 61TC Coaxial Fill Drop Tubes

The OPW 61TC Coaxial Drop Tube is designed to replace an OPW 61T Conventional Drop Tube when Stage I Vapor Recovery is required and a vapor recovery riser pipe is not available on the tank or would require excavation to the top of the tank. The 61TC is used in conjunction with OPW 633TC Coaxial Vapor Recovery Adaptors to return vapors to the tank truck through one riser pipe during a fuel delivery to an underground storage tank. The upper section of the 61TC is tapered to allow vapors to return to the tank truck through the interstitial space between the riser pipe and outside wall of the drop tube. Simultaneously, product is delivered to the tank through the center of the 61TC.

## OPW 61TCP Poppeted Coaxial Fill Drop Tubes

The OPW 61TCP Poppeted Coaxial Fill Drop Tube is similar to the 61TC, but is spring-loaded. When used in conjunction with the OPW 633TCP, the 61TCP acts as a poppet to close off the vapor return side of the coaxial fill tube.



### Features

- ◆ **.062" Thick Drop Tube Walls** – deter denting and damage to the tube upon installation or removal for long service life.
- ◆ **Various Lengths and Diameters** – accommodate a variety of tank diameters and fill riser pipe sizes.

### Ordering Specifications

Product #					Drop Tube Length	
	in.	mm	lbs.	kg	ft.	m
61T-7268	4	102	6.18	2.80	12	3.66
61T-7368	4	102	7.65	3.48	15	4.57
61T-7468	4	102	13	5.9	17	5.19
<b>E85 EVR Approved:</b>						
61T-SS-0412	4	102	6.18	2.80	12	3.66
61T-SS-0418	4	102	13	5.9	19	5.19
61T-DEF-0412*	4	102	6.18	2.8	12	3.66

\*For DEF Applications Only

Replacement gaskets for the 61T-4" and the 61SO Series are available. Order the OPW 61TG (4000).

### Features

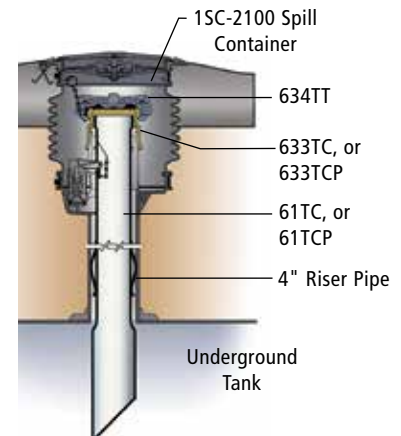
- ◆ **.052" Thick Drop Tube Walls** – deter denting and damage to the tube upon installation or removal for long service life
- ◆ **Various Lengths and Diameters** – accommodate a variety of tank diameters and fill riser pipe sizes
- ◆ **Fully Welded Retaining Brackets** – ensure a secure installation in the riser pipe
- ◆ **Three Centering Springs** – enable even flow of vapors back to the tank truck

### Ordering Specifications

Product #	Diameter		Length		Weight	
	in.	mm	ft.	m	lbs.	kg
61TC-7270	4	102	13	3.05	8.64	3.93
61TC-7272	4	102	16	4.88	13.82	6.28
61TCP-3800	4	102	13	3.96	8.96	4.07

61T Drop Tube Instruction Sheet Order Number: **200652**

61TCP-3800 Instruction Sheet Order Number: **H12064M**



**Materials**

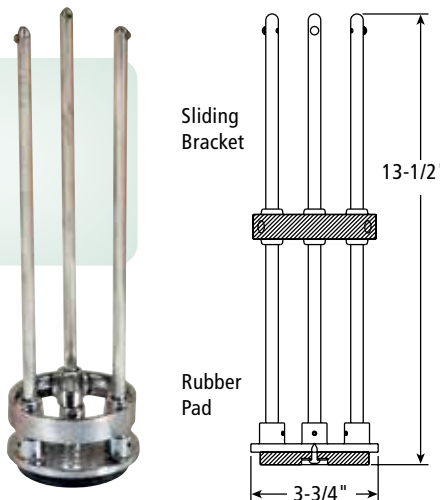
**Body:** Aluminum and stainless steel components

**Viton Base Pad**

6111-1400

**Features**

- ◆ **Viton® Base Pad** – ensures compatibility with current fuel formulations and absorbs impact of wooden gauge sticks to protect the bottom of the tank from punctures
- ◆ **Corrosion-Resistant** – aluminum and stainless steel components provide for a long service life
- ◆ **Unencumbered Vertical Movement** – assures the pad rests on the bottom of the tank and absorbs shock evenly
- ◆ **CARB Approved** – approval Letter #98-12
- ◆ **EVR Approved**



**OPW Tank Bottom Protectors**

OPW Tank Bottom Protectors are installed at the bottom of overflow prevention valves or drop tubes to help prevent the underground storage tank from damage or leakage at the fill point due to manual tank gauging with wooden sticks and erosion from dirt or debris.

**OPW 6111-1400 Tank Bottom Protector**

The OPW 6111-1400 incorporates a sliding bracket that is pop-riveted to the bottom of the drop tube. This secures the tank bottom protector to the drop tube for easy, reliable installation and removal for servicing the tank.

**Ordering Specifications**

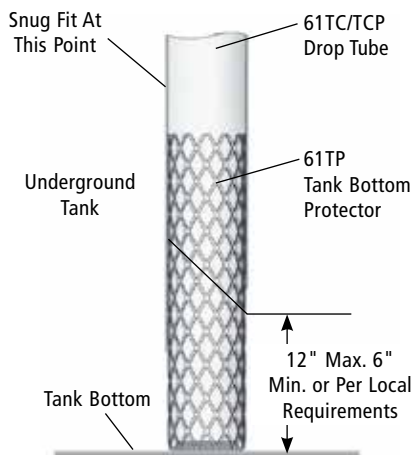
Product #	Height		Diameter		Weight	
	in.	mm	in.	mm	lbs.	kg
6111-1400	13 1/2	333	3 3/4	96	3	1.4

**Features**

- ◆ **Zinc-Plated Steel Cage** – ensures corrosion resistance for a long service life
- ◆ **Mesh Screen Design** – helps prevent debris or other foreign matter from obstructing the submersible pump or suction line foot valve

**Ordering Specifications**

Product #	Height		Weight	
	in.	mm	lbs.	kg
61TP-2398	4	102	1.02	.46



**OPW 61TP Tank Bottom Protector**

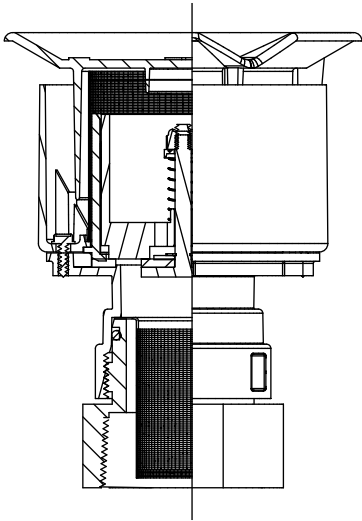
The OPW 61TP is a flanged, mesh screen design that slides to the bottom of the drop tube. The 61TP is held in place by the flanged spring action of the mesh screen. The mesh screen helps keep debris or other foreign matter from obstructing the submersible pump or suction line foot valve.

6111-1400 Tank Bottom Protector Instruction Sheet  
Order Number: **H14977PA**



## OPW 723V Pressure Vacuum Vents

Pressure Vacuum Vents are installed on the top of vent pipes from underground or above ground fuel storage tanks. The vent cap and internal wire screen are designed to protect the tank vent lines against intrusion and blockage from water, debris or insects. A normally closed poppet in the valve opens at a predetermined pressure or vacuum setting to allow the tank to vent.



### Conversion Table

Measurement Units	=	Oz.	PSI	In H <sub>2</sub> O (WC)	In Hg (Merc)	Bar
Bar	x	236.0	14.5	401.4	29.53	
In. Hg (Mercury)	x	7.843	0.49	13.6		0.034
In H <sub>2</sub> O (WC)	x	0.578	0.04		0.074	0.002
PSI	x	16.00		27.68	2.04	0.069
Oz.	x		0.063	1.73	0.128	0.004

### Listings and Certifications



### Materials

- Top/Body:** Polypropylene
- Base:** Anodized aluminum
- Poppet:** Anodized aluminum
- Screen:** Stainless steel mesh
- Gasket:** Cellular rubber



**723V**  
Vent Must Be Mounted Vertically



### Features

- ◆ **Preset and Tested Factory Settings** - 2.5" to 6" water column pressure settings and -6" to -10" water column vacuum settings
- ◆ **Cycle Tested For Reliability** - tested to the equivalent of 80 years of service in the most severe environment without leakage problems
- ◆ **Long Service Life** – corrosion-resistant Duratuff® composite construction
- ◆ **Easy Installation** – the 723V is available in 2" and 3" threaded versions
- ◆ **Certifications** – California Air Resources Board and Enhanced Vapor Recovery (CARB EVR)
- ◆ **UL Approved to CARB CP-201 Requirements**
- ◆ Underwriters Laboratory 2583 Listed
- ◆ Complies with NFPA 30 Requirements for venting gasoline vapors upward
- ◆ **High Maximum Flow Rate** – 6450 SCFH at 2 psi (0.1 bar) pressure drop
- ◆ **Manifold Vent Pipes** – vent pipes may be manifolded to produce a single Pressure Vacuum Vent line. The 723V exceeds California's requirements of a maximum vapor leak rate of 0.17 SCFH at 2.00 inches H<sub>2</sub>O
- ◆ **Leak Rate** – multiple pressure vacuum vents may be installed on a single site. The 723V exceeds California standards with a leak rate of 0.05 SCFH or less at 2.00 inches H<sub>2</sub>O
- ◆ **Screened Tank Vent Lines** – a 65 micron stainless steel screen helps prevent debris and insects from entering the lines. An added screen installed at the base prevents debris from intruding from the vent stack
- ◆ **No Tools Required** – A removable snap fit top allows for easy maintenance (recommended yearly)
- ◆ **Removable Threaded Bushing** – designed for easy installation on NPT threaded risers. Allows easy access to lower screen

723V Instruction Sheet  
Order Number: 211276

### Ordering Specifications

Product #	Description	Identification Label Color	lb.	kg
723V-2203	2" to 3" WC Pres., 8" WC Vac. Thread-On	Yellow	1.55	.70
723V-3203	2" to 3" WC Pres., 8" WC Vac. Thread-On	Yellow	2.20	1.00

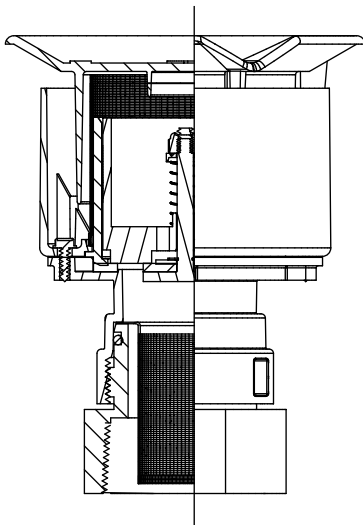
### Replacement Parts

Part Number	Description
C05086M	Lower Screen
209817	Upper Screen
C05089	2" Threaded Base Adaptor
C05122	3" Threaded Base Adaptor



## OPW 623V Pressure Vacuum Vent

Pressure Vacuum Vents are installed on the top of vent pipes from underground or above ground fuel storage tanks. The vent cap and internal wire screen are designed to protect the tank vent lines against intrusion and blockage from water, debris or insects. A normally closed poppet in the valve opens at a predetermined pressure or vacuum setting to allow the tank to vent.



### Materials

- Top/Body:** Polypropylene
- Base:** Anodized aluminum
- Poppet:** Anodized aluminum
- Screen:** Stainless steel mesh
- Gasket:** Closed cell foam



**623V**  
Vent Must Be Mounted Vertically

### Features

- ◆ **Pressure/Vacuum Setting** – 2.5" to 6" water column pressure settings and -6" to -10" water column vacuum settings are factory preset and tested
- ◆ **Reliable Service** – cycle tested to the equivalent of 80 years of service in the most severe environment without leakage problems
- ◆ **Corrosion-Resistant Construction** – a Duratuff® composite body ensures a long service life
- ◆ **Easy Installation** – the 623V is available in 2" and 3" threaded versions
- ◆ **Complies with NFPA 30 Requirements** – for venting gasoline vapors upward
- ◆ **Manifold Vent Pipes** – vent pipes may be manifolded to produce a single Pressure Vacuum Vent line. The 623V is designed to exceed California's requirements of a maximum vapor leak rate of 0.17 SCFH at 2.00 inches H2O
- ◆ **High Maximum Flow Rate** – 6450 SCFH at 2 psi (0.1 bar) pressure drop
- ◆ **Leak Rate** – multiple pressure vacuum vents may be installed on a single site. The 623V exceeds California standards with a leak rate of 0.05 SCFH or less at 2.00 inches H2O
- ◆ **Maintenance** – no tools required. A removable snap fit top allows for easy maintenance (recommended yearly)
- ◆ **100-Mesh Stainless Steel Wire Screens** – helps prevent debris and insects from entering the tank vent lines. An added screen installed at the base prevents debris from intruding from the vent stack
- ◆ **Adaptor Bushing** – removable hex threaded bushing designed for easy installation on NPT threaded risers. Allows easy access to lower screen
- ◆ **ATEX Approved** – for flame arrestor applications

### Ordering Specifications

Product #	Description	Identification Label Color	lb.	kg
623V-2203	2.5" to 6" WC Pres., -6" to -10" WC Vac. Thread-On	Yellow	1.55	.70
623V-3203	2.5" to 6" WC Pres., -6" to -10" WC Vac. Thread-On	Yellow	2.20	1.00

### Replacement Parts

Part #	Description
C05086M	Lower Screen
H14895M	Upper Screen
C05089	2" Threaded Base Adaptor
C05122	3" Threaded Base Adaptor

Conversion Table						
Measurement Units		Oz.	PSI	In H2O (WC)	In Hg (Merc)	Bar
Bar	=					
	x	236.0	14.5	401.4	29.53	
In. Hg (Mercury)	x	7.843	0.49	13.6		0.034
	x	0.578	0.04		0.074	0.002
In H2O (WC)	x	16.00		27.68	2.04	0.069
	x		0.063	1.73	0.128	0.004

623V Instruction Sheet  
Order Number: H14898M

### Listings and Certifications



OPW 623V & 523V



ATEX Approved

Patent No. WO2004/036096AZ

## Features

- ◆ **A Variety of Pressure/Vacuum Settings** – 3" water column, 1 oz., 8 oz., 12 oz. pressure settings and 8" water column or 1/2 oz. vacuum settings are factory preset and tested
- ◆ **Reliable Service** – self-guided poppet assembly ensures consistent seating of the pressure/vacuum valve
- ◆ **Corrosion-Resistant Construction** – Duratuff® composite body assures a long service life
- ◆ **Easy Installation** – 523V is available in 2" and 3" threaded versions or slip-on models that provide for attachment to the vent line with allen head screws and radial sealing O-ring



- ◆ **Complies with NFPA 30 Requirements** – for venting gasoline vapors upward
- ◆ **High Maximum Flow Rate** – 7000 SCFH at 2 psi pressure drop
- ◆ **40-Mesh Stainless Steel Wire Screen** – helps prevent debris and insects from entering the tank vent lines

## Ordering Specifications

Product #	Description	Identification Label Color	lb.	kg
523V-1100	2" 8 oz Pres., 1/2 oz. vac. thread-on	Red	1.65	.75
523V-1150	2" 8 oz Pres., 1/2 oz. vac. slip-on	Red	1.65	.75
523V-3100	3" 8 oz Pres., 1/2 oz. vac. thread-on	Red	3.2	1.45
523V-3150	3" 8 oz Pres., 1/2 oz. vac. slip-on	Red	3.2	1.45
523V-2200	2" 1 oz Pres., 1/2 oz. vac. thread-on	Silver	1.65	.75
523V-2250	2" 1 oz Pres., 1/2 oz. vac. slip-on	Silver	1.65	.75
523V-3200	3" 1 oz Pres., 1/2 oz. vac. thread-on	Silver	3.2	1.45
523V-2203	2" 3" WC Pres., 8" WC vac. thread-on	Yellow	1.65	.75
523V-2253	2" 3" WC Pres., 8" WC vac. slip-on	Yellow	1.65	.75
523V-3203	3" 3" WC Pres., 8" WC vac. thread-on	Yellow	3.2	1.45
523V-3253	3" 3" WC Pres., 8" WC vac. slip-on	Yellow	3.2	1.45

## Materials

Body: Aluminum  
O-Ring: Nitrile



523SA  
(Top View)



## Ordering Specifications

Product #	Description	in.	mm	lb.	kg
523A-1003	4" Thread-On Adaptor for use with 523V Pressure / Vacuum Vents	2x3	51x76	.47	.213
523SA-1003	3" Slip-On Adaptor for use with 523V Pressure / Vacuum Vents	2x3	51x76	.63	.286
523SA-1002	2.5" Slip-On Adaptor for use with 523V Pressure / Vacuum Vents	2x2	51x51	.31	.141

## OPW 523V Pressure Vacuum Vent

Pressure Vacuum Vents are installed on the top of vent pipes from underground or above ground fuel storage tanks. The vent cap and internal wire screen are designed to protect the tank vent lines against intrusion and blockage from water, debris or insects. A normally closed poppet in the valve opens at a predetermined pressure or vacuum setting to allow the tank to vent.

### Conversion Table

Measurement Units		In H <sub>2</sub> O		In Hg		
	=	Oz.	PSI	(WC)	(Merc)	Bar
Bar	x	236.0	14.5	401.4	29.53	
	x	7.843	0.49	13.6		0.034
In H <sub>2</sub> O (WC)	x	0.578	0.04		0.074	0.002
	x	16.00		27.68	2.04	0.069
PSI Oz.	x		0.063	1.73	0.128	0.004

## Replacement Parts

Part #	Description
H11432M	O-Ring for 2" Thread
H11456M	O-Ring for 3" Thread

523V Instruction Sheet  
Order Number: **H11972M**

## OPW 523V Series Adaptor Bushings

The 523V Series Adaptor Bushings are designed to thread into the base of 2" threaded 523V vents. The adaptor bushings convert a 2" 523V to 3" threaded, 2" slip-on or 3" slip-on connection.

**Materials**

**Body:** Aluminum  
**Screen:** 40-mesh brass  
**Set Screws:** Brass

23



**Features**

- ◆ Reliable Service – vent cap drain spouts extend outward to deter rainwater entry.
- ◆ Corrosion-Resistant Construction – aluminum body and cap assure a long service life.
- ◆ Easy Installation – 23 series is available in 2" and 3" slip-on models that provide for attachment to the vent line with set screws.
- ◆ Complies with NFPA 30 Requirements – for venting gasoline vapors upward.
- ◆ High-Maximum Flow Rate – 7000 SCFH at 2 psi (0.14 bar) pressure drop.
- ◆ 40-Mesh Brass Wire Screen – Helps prevent debris and insects from entering the tank vent lines.

**Replacement Parts**

Part #	Description
H00122M	Screw
H01967M	Nut
H01969M	Screen

**Ordering Specifications**

Product #	Description	in.	mm	oz.	kg	Weight	
						lbs.	kg
23-0044	Open Vent	1½	38	3.8	.11	0.25	0.11
23-0033	Open Vent	2	51	4.3	.12	0.25	0.11
23-0055	Open Vent	3	76	5.0	.14	1.00	0.45

**Materials**

**Body:** Zinc/aluminum  
**Screen:** brass  
**Cap:** 2" - Steel 4" - cast iron  
**Screen:** 40-mesh stainless steel

113

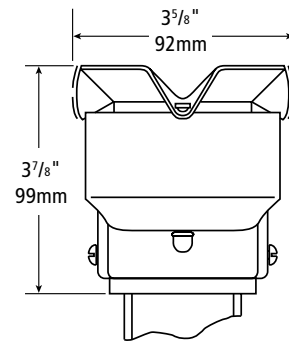


**Ordering Specifications**

Product #	in.	mm	lbs.	kg
113-0099	4	102	7.50	3.41

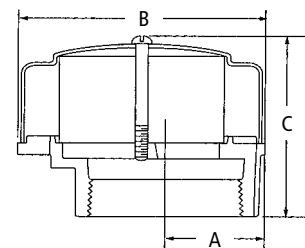
**OPW 23 Series Open Atmospheric Vents**

Open Atmospheric Vents are installed on the top of vent pipes from underground or above ground fuel storage tanks. The vent cap and internal wire screen are designed to protect the tank vent lines against intrusion and blockage from water, debris or insects. These vents are always open to atmosphere and allow any pressure or vacuum into the tank to vent.



**OPW 113 Series Open Atmospheric Utility Vents**

OPW 113 Open Atmospheric Utility Vents are installed on the top of above ground fuel storage tanks. The vent cap and internal wire screen are designed to protect the tank vent lines against intrusion and blockage from water, debris or insects. These vents are always open to atmosphere and allow any pressure or vacuum into the tank to vent. The 113 vents vapors downward and is used primarily on diesel, fuel oil, waste-oil and motor-oil tanks, but can also be used on a wide variety of above ground storage tank venting applications.



**Fibrelite Composite Access Covers**

Fibrelite manufactures the widest range of composite manhole covers for the Retail Fueling industry. After 30 years Fibrelite remains number one in the market, supplying globally innovative new designs.

**Manholes & Monitoring Well Equipment**

OPW Manholes are designed for use in a wide variety of service station, commercial and industrial driveway applications. They provide access from grade level to underground equipment including tank sumps, tank riser pipes, monitoring equipment, submersible pumps, valves and piping connections.

**Composite Manholes**

Lightweight and extremely durable, composite cover manholes make sump accessibility safer and easier than ever before. Designed for use in many service station, commercial and industrial driveway applications, these manholes offer a wide variety of features to ensure the ultimate in safety, user-friendly convenience and long-lasting performance.

**Cast Iron Manholes and Fill Boxes**

Heavily ribbed cast iron covers and body rings ensure maximum load-bearing capacity on cast iron manholes and fill boxes. These manholes are ideal for connecting underground tank lines directly to the surface without sump enclosures. A variety of features available on cast iron manholes and fill boxes make them the perfect choice for many applications.

**Steel Manholes**

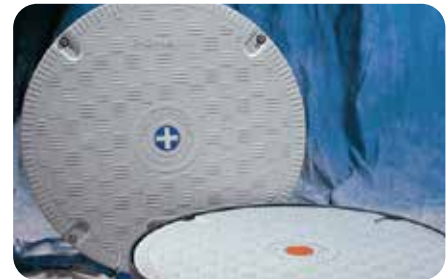
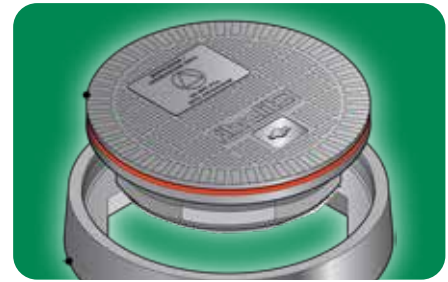
Steel Manholes are designed for use in a variety of service station driveway, industrial and commercial applications, and are used to provide access to all types of underground equipment, including vapor recovery connections, UST monitoring equipment, submersible pumps and tank gauging equipment.

**Monitoring Well Manholes**

OPW Monitoring Well Manholes are designed for monitoring and observation well applications where limited access and clear identification are essential. Rugged cast iron covers meet H20 load rating requirements for long-lasting and reliable performance. The covers feature a permanently cast-in "Do Not Fill" warning statement and a black equilateral triangle inset into a white background in accordance with API Recommended Practice 1615.

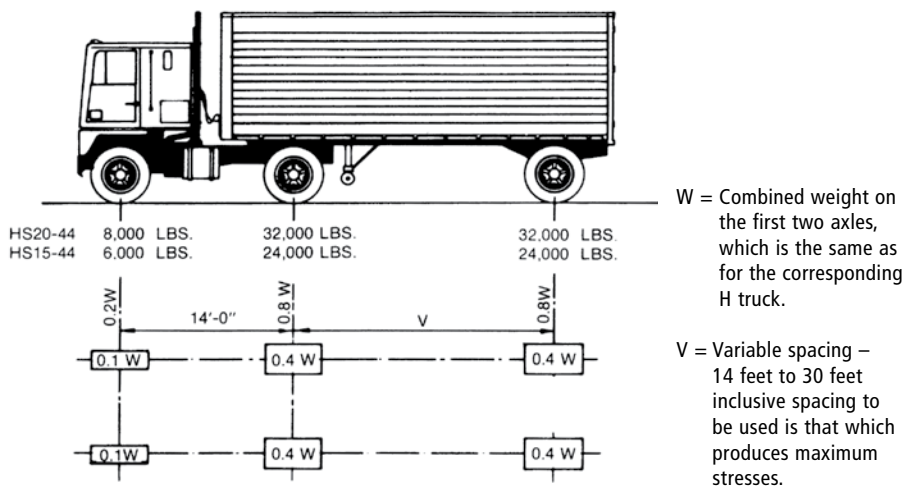
**OPW Manhole Covers Exceed Highway Specification-20 (H20)**

**Manholes & Monitoring Well Equipment**



Highway Specification-20 (H20) is contained in the "Standard Specifications for Highway Bridges" and is intended to serve as a standard or guide of preparation of state specifications.

H20 incorporates rear axle loading of 32,000 lbs. over rear axle (4 wheel on single axle) or wheel loading of 8,000 lbs. per tire.





## Fibrelite Composite Manholes

Fibrelite offers the retail petroleum industry's leading watertight, easy to remove, non-bolted composite manhole covers in a large selection of shapes and sizes. From general tank sump access to multiport and single port fill sump applications to interstitial sumps and monitoring wells, Fibrelite has every application covered.

Multiple colors are available – Contact OPW Customer Service for pricing, availability, and lead times.

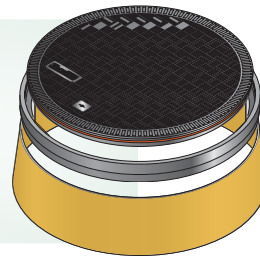
### Materials:

**Cover:** Fiberglass

**Frame:** Fiberglass

**Skirt:** Fiberglass

**Cover Includes Frame and Skirt**



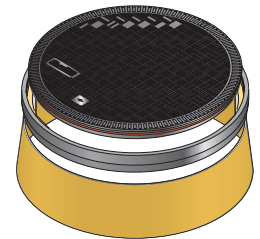
### Features & Benefits:

- ◆ UV resistant
- ◆ Round, square and rectangular (wide range of sizes)
- ◆ Anti-slip surface - no costly injury claims
- ◆ Will not corrode
- ◆ Watertight, sealed design
- ◆ No bolts required
- ◆ Monolithic structure eliminates delaminating
- ◆ Ergonomic, single person removal and replacement with Fibrelite lifting handle
- ◆ Locks available for all covers
- ◆ Available in any color
- ◆ Heavy Duty (HD40) covers available for truck stops, bus depots and industrial applications

## Complete Cover Assemblies

### Ordering Specifications - Complete Grade Level "Flat" Composite Manholes

Part #	Description	Color	Skirt I.D.	Cover O.D.	Skirt Length	Wt.
FL120BLACK-SK12	12" Black Flat Composite Manhole Cover Bonded	Black	12"	15"	12"	26 lbs
FL180BLACK-SK12	18" Black Flat Composite Manhole Cover Bonded	Black	18"	21.2"	12"	40 lbs
FL600BLACK-SK12	24" Black Flat Composite Manhole Cover Bonded	Black	24"	27"	12"	76 lbs
FL760BLACK-SK12	30" Black Flat Composite Manhole Cover Bonded	Black	30"	33"	12"	89 lbs
FL90BLACK-SK12	36" Black Flat Composite Manhole Cover Bonded	Black	36"	38.5"	12"	109 lbs
FL90GRAY-SK12	36" Gray Flat Composite Manhole Cover Bonded	Gray	36"	38.5"	12"	109 lbs
FL100BLACK-SK12	40" Black Flat Composite Manhole Cover Bonded	Black	40"	44"	12"	142 lbs
FL100GRAY-SK12	40" Gray Flat Composite Manhole Cover Bonded	Gray	40"	44"	12"	142 lbs



Complete Grade Level "Flat" Composite Manholes

Contact OPW for custom length skirts, heavy duty or colored covers 1-800-422-2525.

### Replacement Parts - Replacement Covers

Part #	Description	Color	Skirt I.D.	Cover O.D.	Cover Ht.	Wt.
FL120BLACK	12" Dia. Black Flat Sealed Composite Cover	Black	12"	15"	3.91"	13 lbs
FL180BLACK	18" Dia. Black Flat Sealed Composite Cover	Black	18"	21.2"	3.84"	22 lbs
FL600BLACK	24" Dia. Black Flat Sealed Composite Cover	Black	24"	27"	3.84"	46 lbs
FL760BLACK	30" Dia. Black Flat Sealed Composite Cover	Black	30"	33"	3.84"	59 lbs
FL90BLACK	36" Dia. Black Flat Sealed Composite Cover	Black	36"	38.5"	3.84"	75 lbs
FL100BLACK	40" Dia. Black Flat Sealed Composite Cover	Black	40"	44"	3.84"	110 lbs
FL100GRAY	40" Dia. Gray Flat Sealed Composite Cover	Gray	40"	44"	3.84"	110 lbs
FL36BLACK	36" Dia. Black Raised Composite Cover	Black	36"	40"	3.84"	66 lbs
FL36GRAY	36" Dia. Gray Raised Composite Cover	Gray	36"	40"	3.84"	66 lbs
FL42BLACK	42" Dia. Black Raised Composite Cover	Black	42"	46.5"	3.84"	93 lbs

\*Add HD to Part Numbers above to specify Heavy-Duty H40 Rated Covers

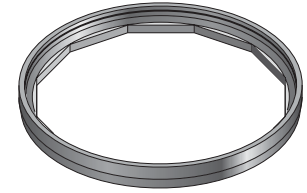




## Ordering Specifications

### Frames "Mounting Frame"

Part #	Description	Skirt I.D.	Manhole Type	Weight (lbs)
FL120F	12" Composite Frame For FL120 Covers	12"	Flat	7.7
FL180F	18" Flat Composite Frame For FL180 Covers	18"	Flat	11
FL600F	24" Flat Composite Frame For FL600 Covers	24"	Flat	17
FL760F	30" Flat Composite Frame For FL760 Covers	30"	Flat	18
FL90F	36" Flat Composite Frame For FL90 Covers	36"	Flat	20
FL100F	40" Composite Frame For FL100 Covers	40"	Flat	26

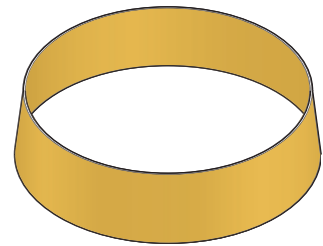


Frames - Flat Fiberglass Mounting Ring

## Ordering Specifications

### Skirts

Part #	Description	Skirt I.D.	Manhole Type	Skirt Length	Weight (lbs)
FL120-SK12	12" Deep FRP Skirt To Fit FL120	12"	Flat	12"	5
FL180-SK12	12" Deep FRP Skirt To Fit FL180	18"	Flat	12"	7
FL600-SK12	12" Deep FRP Skirt To Fit FL600	24"	Flat	12"	10
FL760-SK12	12" Deep FRP Skirt To Fit FL760	30"	Flat	12"	12
FL90-SK12	12" Deep FRP Skirt To Fit FL90 Flat	36"	Flat	12"	14
FL100-SK12	12" Deep FRP Skirt To Fit FL100	40"	Flat	12"	16
FL100-SK10-46	10" Deep FRP Stepped Skirt To Fit FL100	40"	Flat	10"	15



Skirt

## Ordering Specifications

### Cover Accessories

Part #	Description
FL7	Lifting Handle For Raised Covers - FL42/FL36
FL7A	Lifting Handle With Foot Pedal For Watertight Covers - FL100/FL90/FL180
FL7A-ENCL	Enclosure To House FL7A Handles
KEY-HREP-10-76-90	Key Housing Repair Kit & Compound
FIB-KHB	Replacement Rubber Bung
FIB-KHP	Rubber Key Housing Plug
FIB2-RL-KEY	Key For FIB2-RL Cover Lock
FL120-SEAL	12" Replacement Gasket For FL120
FL180-SEAL	18" Replacement Gasket For FL180
FL600-SEAL	24" Replacement Gasket For FL600
FL760-SEAL	30" Replacement Gasket For FL760
FL90-SEAL	36" Replacement Gasket For FL90
FL100-SEAL	40" Replacement Gasket For FL100



FL7A Keylift



FL7 Keylift

Replacement Gasket



FL7A-ENCL Enclosure

## OPW Conquistador™ Plus Composite Cover Manholes

Lightweight and extremely durable, composite cover manholes make sump accessibility safer and easier than ever before. Designed for use in many service station, commercial and industrial driveway applications, these manholes offer a wide variety of features to ensure the ultimate in user-friendly convenience and long-lasting performance.

The Conquistador™ Duratuff® helps put an end to the risk of back, foot and hand injuries with a slip-resistant tread pattern and lightweight, low-profile construction for easier and safer access to tank sumps and other underground equipment.



### Replacement Parts

Product #	Description
<b>New Recessed Handle Replacement Parts</b>	
205749	Handle
203174	Screw
<b>Recessed Handle Replacement Parts</b>	
RPHK	Replacement Handle Kit
H13439M	Handle
H13441M	Weld Nut
H14462M	Screw
H11620M	Washer
<b>Key-Lift Kit Replacement Parts</b>	
203541	Keylift
203569	Screw
<b>Key-Lift Kit 2 Replacement Parts</b>	
RPCLK	Replacement Key-Lift Kit
DO2677M	Key Lift Plate
H13441M	Weld Nut
H14463M	Screw



### Features

- ◆ Slip-resistant tread pattern
- ◆ Easy removal and replacement
- ◆ Two lifting options; stainless steel recessed handle or key-lift provision
- ◆ Reduced risk of back, foot and hand injuries
- ◆ Unmatched deflection performance
- ◆ Outstanding long-term durability in rigorous cycle tests
- ◆ Three mounting options
- ◆ Unique structural fiberglass reinforcement matrix
- ◆ Water-resistant models available
- ◆ Roto-Lock and Bolt-Down models available
- ◆ Interchangeable with other manufacturers' covers
- ◆ Painted ring and brass bolts help to prevent rust and corrosion
- ◆ Ribbed gasket peel and stick design for easy replacement
- ◆ Roto-Lock Models – for securing a raintight connection without the need to locate threaded bolt holes on the mounting ring. The Roto-Lock offers quick and easy access, while maintaining a secure sump application
- ◆ H2O Rating – Exceeds Highway Specification - 20 (H2O) Rating

### Lifting Options



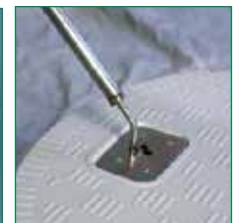
NEW Recessed Handle  
203666



Recessed Handle  
RPHK



Key-Lift  
203541



Key-Lift  
RPCLK

Key-Lift Provision (90K-KLS Stick Not Included)

### Replacement Handles and Keylifts by Model Year

Item	Part #	Conquistador Model Years	Description
Replacement Handle	RPHK	2000-2008	2 Thru Hole Bolt Pattern Design Handle
Replacement Handle	203666	2009-Present	2 Threaded Hole Bolt Pattern Design Handle
Replacement Keylift	RPCLK	2000-2008	4 Thru Hole Bolt Pattern Design Keylift
Replacement Keylift	203667	2009-Present	2 Threaded Hole Bolt Pattern Design Keylift

## Materials

**Cover:** Fiberglass  
**Ring:** Painted steel  
**Skirt:** Galvanized steel  
**Key Lift / Recessed Handles:** Stainless steel  
**Bolts:** Stainless steel  
**Roto-lock:** Brass



## Dimensions

Cover	A (Ring I.D.)		B (Skirt I.D.)		Cover Wt.		Assembly Wt.	
39 1/2"	36 1/8"	92 cm	38 5/8"	98 cm	76 lbs.	34.4 kg	134 lbs.	60.8 kg
44 1/4"	40 29/32"	104 cm	43 3/8"	110 cm	89 lbs.	40.4 kg	163 lbs.	74 kg

## Ordering Specifications

### Plain Cover-Grey

Product #	Description	Cover Only
39CD-PL10	39 1/2" Plain Cover w/ Recess Handle	E00618
39CD-PLKL	39 1/2" Plain Cover w/ Key-Lift Provision	E00620
44CD-PL10	44 1/4" Plain Cover w/ Recess Handle	E00626
44CD-PLKL	44 1/4" Plain Cover w/ Key-Lift Provision	E00628

### Bolt-Down Cover-Grey

Product #	Description	Cover Only
39CD-WT10	39 1/2" Bolt Down Cover w/ Recess Handle	E00622
39CD-WTKL	39 1/2" Bolt Down w/ Key-Lift Provision	E00624
44CD-WT10	44 1/4" Bolt Down Cover w/ Recess Handle	E00630
44CD-WTKL	44 1/4" Bolt Down w/ Key-Lift Provision	E00632

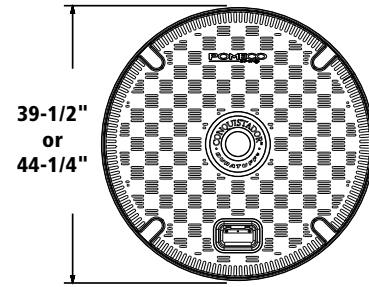
### Roto-Lock Cover-Grey

Product #	Description	Cover Only
39CD-RL10	39 1/2" Roto-Lock w/ Recess Handle	E00714
39CD-RLKL	39 1/2" Roto-Lock w/ Key-Lift Provision	E00715
44CD-RL10	44 1/4" Roto-Lock w/ Recess Handle	E00713
44CD-RLKL	44 1/4" Roto-Lock w/ Key-Lift Provision	E00712

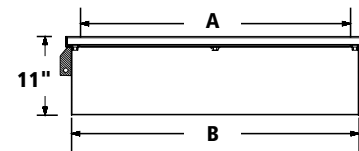
### Steel Cover Only

Product #	Description
P110-3950L	39 1/2" Plain Cover Only
P110-4425L	44 1/4" Plain Cover Only

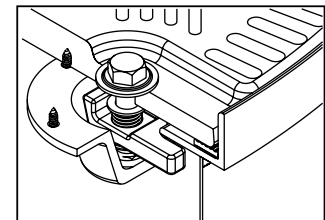
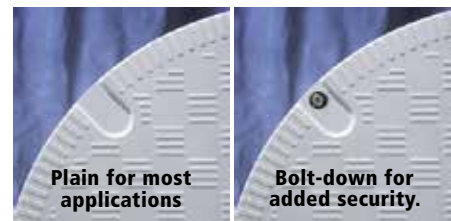
## OPW Conquistador™ Plus Composite Cover Manholes



Cover 1" Thick

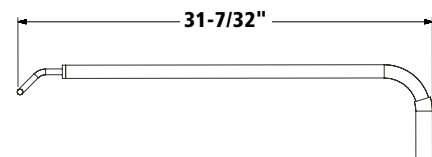


### Mounting Options:



Roto-Lock Fastening System

### Key Lift Provision Stick



### Replacement Parts

Product #	Description
90K-KLS	Key-Lift Provision Stick
H14858	Replacement Gasket for 39CD and 44CD
H14460M	Replacement Bolts
H14461M	Replacement Washers
1RL-KIT	Replacement Roto-Lock Kit

# MATADOR

COMPOSITE COVER

Gain independence from heavy steel covers with this all-new composite cover. OPW engineered the Matador with next generation composite technology to make it the lightest cover in the industry, and priced it to compete with any cover on the market for use at petroleum retail operations, in addition to use for commercial and industrial driveway applications.

Available in 37" and 42" options, the Matador Composite Cover is lightweight, water resistant and extremely durable. Standout features include a steel frame, stainless steel recessed lift handle and a polyethylene skirt with a flair that prevents corrosion and rust. The lightweight design and slip-resistant tread pattern helps to prevent the risk of back, foot and hand injuries. The Matador makes sump accessibility safer and easier than ever before.



- Materials**
- Cover:** Fiberglass
  - Ring:** Painted Steel
  - Skirt:** Polyethelene
  - Recessed Handle:** Stainless steel
  - Roto Locks:** Ductile iron



## Features & Benefits

- ◆ **Lightweight design helps to reduce risk of back, foot and hand injuries**
- ◆ **Slip-resistant tread pattern**
- ◆ **Water resistant**
- ◆ **Easy removal and replacement**
- ◆ **Stainless steel recessed handle**
- ◆ **Exceptional deflection performance**
- ◆ **Long-life performance** – comparable to heavier competitor models in cycle tests
- ◆ **Special structural fiberglass reinforcement matrix**
- ◆ **Two mounting options**
- ◆ **Roto-Lock Option** – for providing a secure locking mechanism without the need to locate threaded bolt holes on the mounting ring. The Roto-Lock offers quick and easy access while maintaining a secure sump application.
- ◆ **Painted steel frame**
- ◆ **Polyethylene skirt with flair**
- ◆ **H2O Rating** – Exceeds Highway Specification – 20 (H2O) Rating
- ◆ **Flared skirt allows equivalent water percolation to 39" and 44" covers**

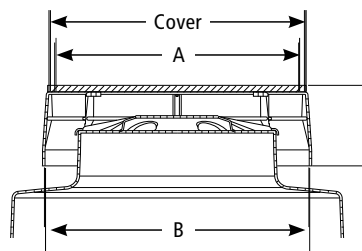
## Ordering Specifications

Product #	Description	Covers Only	lb.	kg
37MAT-PL12	37" Plain Matador Composite Cover, Includes Ring and Skirt	212529	63.00	28.58
37MAT-CM12	37" Cam-Lock Matador Composite Cover, Includes Ring and Skirt	212168	66.00	29.94
42MAT-PL12	42" Plain Matador Composite Cover, Includes Ring and Skirt	212518	83.00	37.65
42MAT-CM12	42" Cam-Lock Matador Composite Cover, Includes Ring and Skirt	212164	87.00	39.46
203666	Replacement Handle Kit (same as conquistador)	Equivalent to Conquistador replacement numbers		
205749	Replacement Handle Only (same as conquistador)			
203174	Replacement Handle Screw Only (same as conquistador)			
1CL-KIT	Replacement Cam Kit			

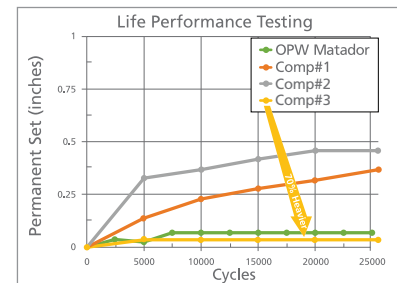
## Dimensions



Cover 1" Thick



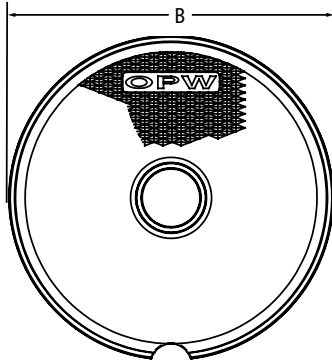
## Performance Chart



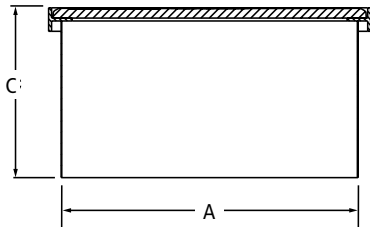
Cover	A (Ring I.D.)		B (Skirt I.D.)		Assembly Weight (Plain)		Assembly Weight (Cam-Lock)	
37.50	35.50 in	90.17 cm	38.62 in	98.09 cm	83.00 lbs	37.63 kg	105.00 lbs	47.63 kg
42.00	40.00 in	101.60 cm	43.50 in	110.49 cm	86.00 lbs	39.00 kg	109.00 lbs	49.44 kg

## OPW 104C Composite Cover Manholes

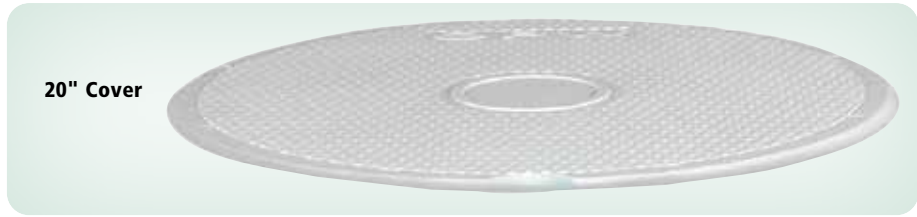
The OPW 104C 20" (500mm) Composite Cover Manholes allow easy access to UST monitoring equipment and provide additional space for electrical junction boxes.



OPW 104C Cover



OPW 104C Composite Cover Manholes



20" Cover

### Features

- ◆ **Lightweight Cover** – provides safe, easy removal and replacement
- ◆ **Durable Composite Construction** – never rusts, fades or needs to be painted
- ◆ **Spark-Free Cover Design** – fiberglass construction eliminates the possibility of sparks caused by replacing cover on mounting ring
- ◆ **Flush-Mount, Rolled Steel Mounting Ring** – eliminates the need for sloping concrete to reduce snow plow and traffic hazards
- ◆ **Highway 20 Rated (H20)** – all OPW spill containers and manholes exceed the requirements of the Highway 20 rating

### Ordering Specifications

Product #	ID (in.)	ID (mm)	lbs.	kg
104C-2000	20	500	22	10.0

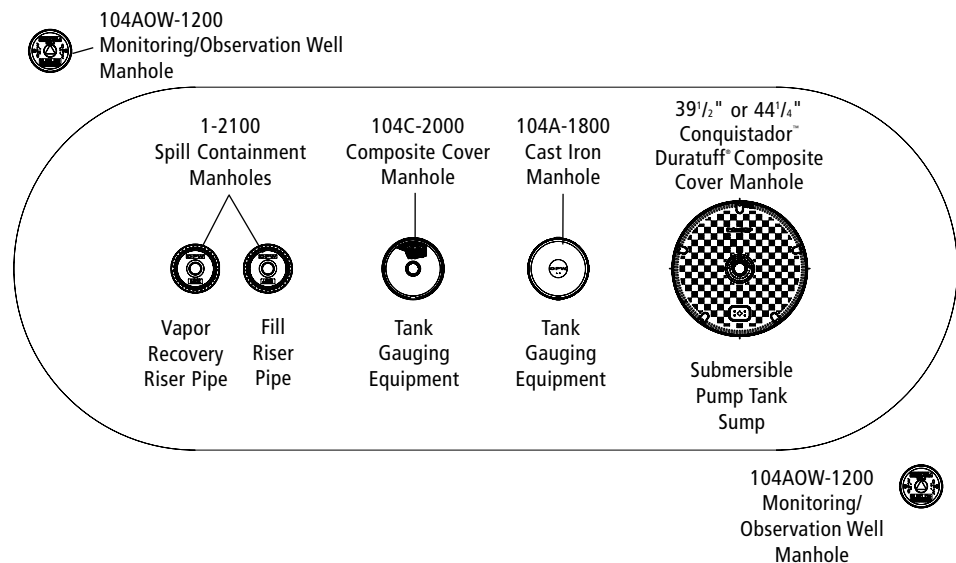
### Replacement Parts

Part #	Description
101BG-Cover	Cover for 104C-2000

### Dimensions

Product #	A		B		C	
	in.	cm	in.	cm	in.	cm
104C-2000	19	48.26	20 <sup>3</sup> / <sub>4</sub>	52.7	11	27.9

### Typical Underground Storage Tank Manhole Layout





## Materials

- Body Ring:** Cast iron
- Cover:** Cast iron
- Skirt:** Galvanized steel



### OPW 104A Cast Iron Manhole

A sturdy steel skirt on the standard 104A extends nearly a foot below grade to ensure trouble-free installation in deep concrete, and optional skirts that extend a full 19-1/4" below grade are available in 12" and 18" diameters for sandy soil locations.

### OPW 104FG Cast Iron Manhole

The 104FG provides a convenient finger grip feature on the cover to facilitate cover removal.

### Features

- ◆ Full-size internal diameters for maximum access and working area
- ◆ Highway 20 Rated (H20) – All OPW spill containers and manholes exceed the requirements of the Highway 20 rating
- ◆ Rugged cast iron covers and body rings
- ◆ Cast-in, non-skid finish on covers
- ◆ Sturdy, extra long steel skirts
- ◆ Individually boxed for ease of handling

## Ordering Specifications

Product #	ID (in.)	ID (mm)	lbs.	kg
104A-0800	8	203	15	6.8
104A-0800WT	8	203	15	6.8
104A-1200	12	305	28	12.7
104A-1200WT	12	305	33	15.0
104A-1219	12	305	33	15.0
104FG-1200*	12	305	28	12.7
104FG-1219*	12	305	33	15.0
104A-1800	18	457	50	22.7
104A-1800WT	18	457	50	22.7
104A-1819	18	457	57	25.9
104A-1819WT	18	457	57	25.9

\* Finger Grip Cover Manhole

### Replacement Parts

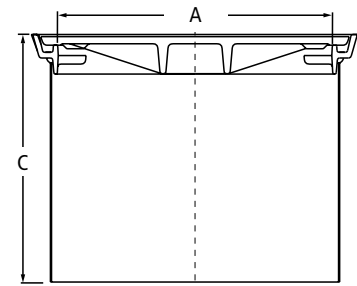
Part #	Description
E00508M	Cover for 8" 104A-0800
E00510M	Cover for 12" 104A-1200
E00584M	Cover for 12" 104FG-1200
E00512M	Cover for 18" 104A-1800
206118	Cover for 8" 104A-0800WT
206119	Cover for 12" 104A-1200WT
206120	Cover for 18" 104A-1800WT

### Replacement Parts

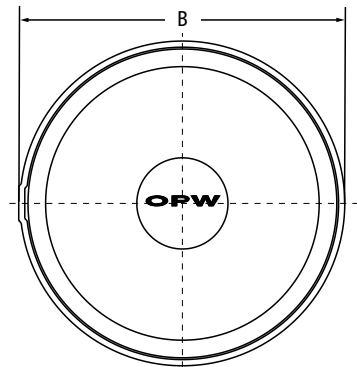
Part #	Description
H12872M	Cover for 8" w/ Ring Seal
H12873M	Cover for 12" w/ Ring Seal
H12874M	Cover for 18" w/ Ring Seal

## OPW 104 Series Cast Iron Manholes

Heavily ribbed cast iron covers and body rings ensure maximum load bearing capacity on cast iron manholes and fill boxes. These manholes are ideal for connecting underground tank lines directly to the surface without sump enclosures. A variety of features available on cast iron manholes and fill boxes make them the perfect choice for many applications.



OPW 104A/FG Cast Iron Cover Manholes



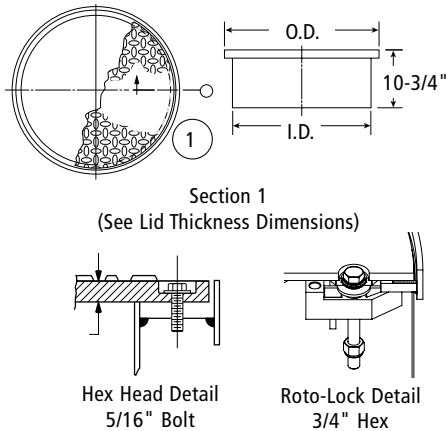
OPW 104A & 104FG Cover

### Dimensions

Product #	A		B		C	
	in	cm	in	cm	in	cm
104A-0800	8	20.3	10 <sup>1</sup> / <sub>8</sub>	25.7	11 <sup>1</sup> / <sub>4</sub>	28.6
104A/FG-1200	12	30.5	14 <sup>1</sup> / <sub>4</sub>	36.2	11 <sup>1</sup> / <sub>4</sub>	28.6
104A/FG-1219	12	30.5	14 <sup>1</sup> / <sub>4</sub>	36.2	19 <sup>1</sup> / <sub>4</sub>	48.9
104A-1800	18	45.7	20 <sup>1</sup> / <sub>8</sub>	51.1	11 <sup>1</sup> / <sub>4</sub>	28.6
104A-1819	18	45.7	20 <sup>1</sup> / <sub>8</sub>	51.1	19 <sup>1</sup> / <sub>4</sub>	48.9

## OPW 110/120 Series Steel Round Manholes

OPW 110/120 Series Round Manholes are designed for use in a wide range of service station driveway, industrial and commercial applications. The 110s and 120s are used to provide access to all types of underground equipment, including vapor recovery connections, UST monitoring equipment and submersible pumps. The 120 Series includes Roto-Lock fasteners on 24" and larger manholes.



### Replacement Parts

Part #	Description
P110-8G	8" Replacement Gasket
P110-12G	12" Replacement Gasket
P110-16G	16" Replacement Gasket
P110-18G	18" Replacement Gasket
P110-24G	24" Replacement Gasket
P110-30G	30" Replacement Gasket
P110-37G	37" Replacement Gasket
P110-40G	40" Replacement Gasket
P110-42G	42" Replacement Gasket
P110-48G	48" Replacement Gasket
PROTO-LOCK	(1) Replacement Roto-Lock
P110-8L	Replacement Cover 8"
P110-12L	Replacement Cover 12"
P110-16L	Replacement Cover 16"
P110-18L	Replacement Cover 18"
P110-24L	Replacement Cover 24"
P110-37L	Replacement Cover 37"
P110-40L	Replacement Cover 40"
P110-42L	Replacement Cover 42"
P110-48L	Replacement Cover 48"
P110-18WT	Replacement Cover 18" Bolt Down
P110-24WLT	Replacement Cover 24" Bolt Down
P110-37WLT	Replacement Cover 37" Bolt Down
P110-42WLT	Replacement Cover 42" Bolt Down
P110-48WTL	Replacement Cover 48" Bolt Down
P120-37L	Replacement Cover 37" Roto-Lock
P120-42L	Replacement Cover 42" Roto-Lock
RPHK	Replacement Handle

## Materials

- Skirt:** Galvanized steel
- Cover:** Steel diamond plate
- Ring:** Cast iron or fabricated steel
- Gasket:** Nitrile



## Features

- ◆ **Standard and Raintight Models Available** – raintight models include Buna-N gaskets and recessed hex-head bolts or Roto-Lock fasteners to help prevent water intrusion
- ◆ **Wide Range of Sizes** – sizes range from 24" to 48" (61 to 122 cm) to accommodate a wide range of applications. Custom sizes and configurations are also available
- ◆ **Easy Cover Removal** – an integral recessed handle is included on all raintight and plain manholes 24" and larger. Manholes 42" and larger include dual recessed handles and provision for centered 1/2" - 13 threaded allen head blind plug for easy removal so that a 1/2" - 13 eyebolt can be threaded into the hole for easier removal of covers
- ◆ **Highway 20 Rated (H20)** – all OPW spill containers and manholes exceed the requirements of the Highway 20 rating

## Ordering Specifications

Model #	Description	Cover O.D.		Skirt I.D.		Thickness		Weight		Ring
		in.	cm	in.	cm	in.	cm	lbs.	kg	
6110-24WT	Raintight*	24	61	21 <sup>5</sup> / <sub>8</sub>	55	<sup>3</sup> / <sub>8</sub>	9	88	40	Fab. Steel
6110-2410	Standard*	24	61	21 <sup>5</sup> / <sub>8</sub>	55	<sup>3</sup> / <sub>8</sub>	9	88	40	Fab. Steel
6110-30WT	Raintight*	30	76	27 <sup>5</sup> / <sub>8</sub>	70	1/2	13	160	73	Fab. Steel
6110-3010	Standard*	30	76	27 <sup>5</sup> / <sub>8</sub>	70	<sup>3</sup> / <sub>8</sub>	9	160	73	Fab. Steel
6110-37WT	Raintight*	37	94	34 <sup>5</sup> / <sub>8</sub>	88	1/2	13	178	81	Fab. Steel
6110-3710	Standard*	37	94	34 <sup>5</sup> / <sub>8</sub>	88	<sup>3</sup> / <sub>8</sub> **	9	178	81	Fab. Steel
6110-4010	Standard*	40	102	37 <sup>5</sup> / <sub>8</sub>	96	<sup>3</sup> / <sub>8</sub>	9	198	90	Fab. Steel
6110-42WT	Raintight*	42	107	39 <sup>5</sup> / <sub>8</sub>	101	1/2**	13	290	132	Fab. Steel
6110-4200	Standard	42	107	39 <sup>5</sup> / <sub>8</sub>	101	1/2**	13	290	132	Fab. Steel
6110-48WT	Raintight*	48	122	45 <sup>5</sup> / <sub>8</sub>	116	1/2**	19	390	177	Fab. Steel
6110-42WT18	Raintight with 18" skirt*	42	107	39 <sup>5</sup> / <sub>8</sub>	101	1/2**	13	290	132	Fab. Steel
6120-24WT	Roto-Lock Raintight 24WT*	24	61	22 <sup>5</sup> / <sub>8</sub>	55	<sup>3</sup> / <sub>8</sub>	9	88	40	Fab. Steel
6120-30WT	Roto-Lock Raintight 30WT*	30	76	28 <sup>5</sup> / <sub>8</sub>	70	1/2	13	160	73	Fab. Steel
6120-37WT	Roto-Lock Raintight 37WT*	37	94	35 <sup>5</sup> / <sub>8</sub>	88	<sup>3</sup> / <sub>8</sub>	13	178	81	Fab. Steel
6120-42WT	Roto-Lock Raintight 42WT*	42	107	40 <sup>5</sup> / <sub>8</sub>	101	1/2**	13	290	132	Fab. Steel
6120-48WT	Roto-Lock Raintight 48WT*	48	122	46 <sup>5</sup> / <sub>8</sub>	116	1/2**	19	390	177	Fab. Steel

\* Recessed Handle

\*\* Reinforced Cover

Standard - Plain No Bolts

Raintight - Bolt Down

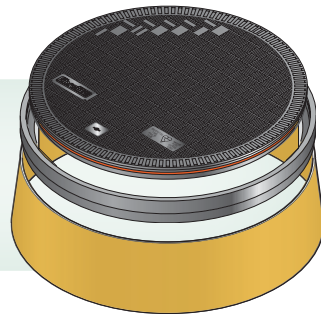
Deep skirts available upon request

**Materials:**

Cover: Fiberglass  
 Frame: Fiberglass  
 Skirt: Fiberglass

Cover Includes Frame  
 and Skirt

Monitoring Well Manholes



**Fibrelite Composite Monitoring Manholes**

Fibrelite offers the retail petroleum industry's leading watertight, easy to remove, non-bolted composite manhole covers in a large selection of shapes and sizes. From general tank sump access to multiport and single port fill sump applications to interstitial sumps and monitoring wells, Fibrelite has every application covered.

Multiple colors are available – Contact OPW Customer Service for pricing, availability, and lead times.

**Features & Benefits:**

- ◆ UV resistant
- ◆ Round, square and rectangular (wide range of sizes)
- ◆ Anti-slip surface – no costly injury claims
- ◆ Will not corrode
- ◆ Watertight, sealed design
- ◆ No bolts required
- ◆ Ergonomic, single person removal and replacement with Fibrelite lifting handle

**Ordering Specifications - Monitoring Well Manholes**

Part #	Description	Color	Skirt I.D.	Cover O.D.	Skirt Length	Wt.
FL120BLACK-MW	Flat Sealed Composite Cover - Labeled	Black	12"	15"	3.91"	13 lbs
FL120BLACK-MW-SK12	Bonded	Black	12"	15"	12"	26 lbs

Bonded - Assembled Cover, Ring And Skirt

**Replacement Covers**

FL120BLACK-MW

Sealed - Labeled Monitoring Well Cover

Color	Skirt I.D.	Cover O.D.	Cover Ht.	Wt.
Black	12"	15"	3.91"	13 lbs



**Brine Monitoring Reservoir**

Deep solid base sump, with a spill container, integrated drainback system to the tank

**Ordering Specifications**

Part #	Description	Weight (lbs)
S45-1180BL	18" dia. x 18" DP FRP Sump w/ FL180F & FL180BLACK Cover	76
S45-1180G	18" dia. x 18" DP FRP Sump w/ FL180F & FL180GRAY Cover	76

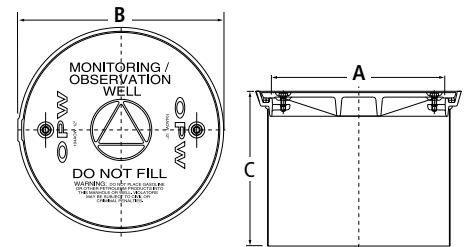
**OPW Monitoring / Observation Well Manholes**

Designed to be installed at grade level over a slotted PVC monitoring well where limited access and clear identification are essential. Ring gasket prevents water contamination.

**Materials**

Body Ring: Cast iron  
 Cover: Cast iron  
 Skirt: Steel (104 AOW)  
 Gasket: Neoprene

104AOW-1200



**Dimensions**

Product #	A		B		C	
	in.	mm	in.	mm	in.	mm
104AOW-0800	8	203	10 <sup>1</sup> / <sub>8</sub>	257	11 <sup>1</sup> / <sub>4</sub>	286
104AOW-1200	12	305	14 <sup>1</sup> / <sub>4</sub>	362	11 <sup>1</sup> / <sub>4</sub>	286
104AOW-1219	12	305	14 <sup>1</sup> / <sub>4</sub>	362	19 <sup>1</sup> / <sub>4</sub>	489
104AOW-1800	18	457	20 <sup>1</sup> / <sub>8</sub>	511	11 <sup>1</sup> / <sub>4</sub>	286
104AOW-1819	18	457	20 <sup>1</sup> / <sub>8</sub>	511	19 <sup>1</sup> / <sub>4</sub>	489

**Ordering Specifications**

Product #	ID (in.)	ID (mm)	lbs.	kg
104AOW-0800	8	203	15	6.8
104AOW-1200	12	305	28	12.7
104AOW-1219	12	305	33	15.0
104AOW-1800	18	457	50	22.7
104AOW-1819	18	457	57	25.9

**Replacement Parts**

Part #	Description
E00514I	Cover for 8" 104AOW-0800
E00515I	Cover for 12" 104AOW-1200
E00514I	Cover for 8" 104MW-0800
E00516I	Cover for 18" 104AOW-1800
H12872M	Gasket for 104AOW 8"
H12873M	Gasket for 104AOW 12"
H12874M	Gasket for 104AOW 18"



### Replacement Manhole Covers (Old & New)

Product #	Replacement Cover	Cover O.D.
104A-1066	D00173M	13 <sup>1</sup> / <sub>8</sub> "
104A-0800	E00508M	9 <sup>1</sup> / <sub>2</sub> "
104A-1200 & 1219	E00510M	13 <sup>1</sup> / <sub>2</sub> "
104A-1800 & 1819	E00512M	19 <sup>1</sup> / <sub>2</sub> "
104AOW-0800	E00514M	9 <sup>1</sup> / <sub>2</sub> "
104AOW-1200 & 1219	E00515I	13 <sup>1</sup> / <sub>2</sub> "
104AOW-1800 & 1819	E00516I	19 <sup>1</sup> / <sub>2</sub> "
104AOW-1218	Obsolete E00319I – No Replacement	13"
104MW-0018	Obsolete C03436RS – No Replacement	16 <sup>7</sup> / <sub>8</sub> "
6310-37" COMPOSITE	Obsolete – Pomeco can make Steel	37"
6310-42" COMPOSITE	Obsolete – Pomeco can make Steel	42"
39CD-39"	P110-3950L	39 <sup>1</sup> / <sub>2</sub> "
44CD-44"	P110-4425L	44 <sup>1</sup> / <sub>4</sub> "

### Replacement Fill Boxes (Old & New)

Product #	Replacement Cover	Cover O.D.
122-0033	Obsolete – No Replacement	NA
122-0055	Obsolete – No Replacement	NA
122-0077	Obsolete – No Replacement	NA
126A-1044	Obsolete – No Replacement	4 <sup>7</sup> / <sub>8</sub> "

# Above Ground Products

## Setting the Industry Standard for More Than 120 Years

### Conventional Automatic Nozzles

Automatic Nozzles .....	137 - 144
Extreme Cold Weather Nozzles .....	145 - 146
Custom Hand Insulator Imprinting .....	147
OPW AdMaster™ .....	148
VR and Balance ConVRsion Packages .....	149
11AF® 3/4" Automatic Nozzles .....	150
Heavy-Duty, High-Flow Truck, Bus & Fleet Service Nozzle .....	151 - 152
OPW NEWGARD™ Hand Insulators .....	153
21Gu™ DEF Nozzle .....	154 - 156

### Swivels and Breakaways

Swivels and Breakaways .....	157 - 165
Flow Limiters .....	166

### Vacuum-Assist Swivels and Breakaways

12VW Vacuum Assist Nozzle .....	168 - 169
Vapor Recovery Nozzle Accessories .....	169 - 170
Vacuum-Assist Swivels, Breakaways and Accessories .....	170 - 174

### Balance Vapor Recovery Hanging Hardware

Balance Breakaways and Accessories .....	173 - 175
--	-----------

### Industrial Products

DEF Bulk Nozzle .....	178
Automatic Bulk Fueling and Aircraft Nozzles .....	180 - 183
• Manual High-Flow Bulk Fill Nozzles .....	184 - 188
• Manual Nozzle Accessories .....	189
• Manual Utility Farm Nozzle .....	190
• Swivels and Breakaways .....	191 - 192

### Retractors

• Spring Balance Hose Retractors .....	195 - 197
• Counterweight Hose Retractors (MPD) .....	197

### OPW NEWGARD™ Two-Piece Hand Insulator

OPW 11A® and 11B® Series nozzles are furnished complete with NEWGARD™ 2-piece hand insulators. 2-Piece NEWGARD™ Hand Insulator is the most comfortable nozzle in the industry to use.



### OPW NEWGARD™ Full Hand Insulator

All OPW 7 Series, Astro Series, and 1A Series nozzles are furnished complete with NEWGARD™ one-piece hand insulators. Available in a variety of colors.



## OPW AUTOMATIC NOZZLE FEATURES – MULTIPLE SOLUTIONS FOR MULTIPLE CUSTOMERS

#### No Pressure No Flow Device

- ◆ Safety feature to prevent spills when system is not pressurized

#### Durable Spout

- ◆ Highest flow rates in industry
- ◆ Quick/easy replacement
- ◆ Stainless steel tip (11B only)

#### Automatic Shut-Off Sensing Port

- ◆ Highly accurate sensing port ensures nozzle shut-off reliability

#### Flow Lock™

- ◆ Shuts off nozzle automatically when spout is tipped up, limiting spillage

#### Blocker on the Lever Guard

- ◆ Prevents use of foreign objects to jam nozzle open in pre-pay applications

#### Trigger Spring

- ◆ Great durability & service life
- ◆ Improves clip disengagement at shut-off

#### Accu-Stop™ Flow Control

- ◆ Allows customer to top off tank to exact amounts
- ◆ Easily stops the flow of gasoline precisely

#### Hand Insulator

- ◆ Attractive visual appeal
- ◆ Comfortable to the touch in cold or hot weather
- ◆ Ergonomic for smaller hands
- ◆ Available in a variety of colors

#### Low Profile Aluminum Body

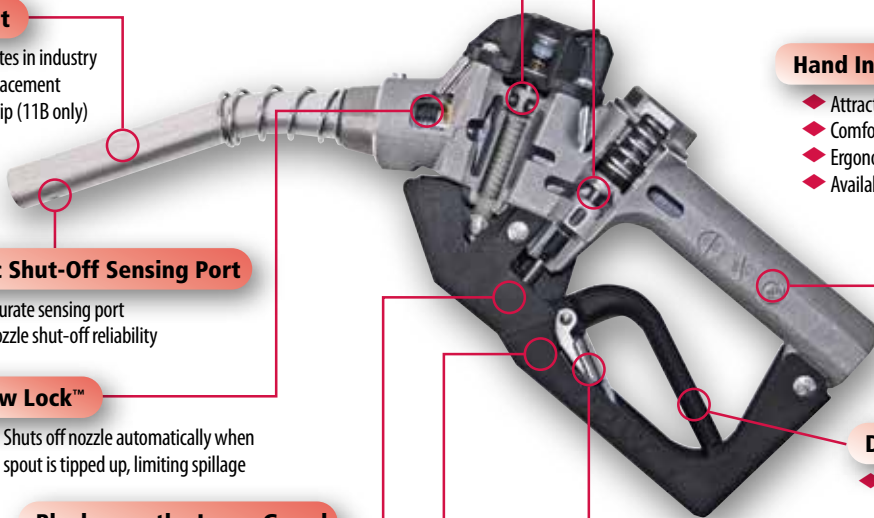
- ◆ Lightweight and durable
- ◆ Attractive design

#### Duratuff® Lever & Guard

- ◆ Toughest, most durable handguard & lever in the industry
- ◆ Comfortable to the touch in hot or cold weather

#### Hold-Open Rack

- ◆ Easy, one-finger control to set flow rate



\*Patent Pending



**WHY**

**new OPW 14 Series nozzles  
are ideal for ensuring a  
spotless reputation.**



**NEW** Cleaner Nozzle Technology



Because new 14 Series clean fueling nozzles by OPW feature patent-pending free-draining spout technology that significantly reduces retained fuel in the spout after fueling. This unique innovation provides a cleaner, greener fueling experience for your customers and a spotless reputation for your site.

Visit [opwclean14.com](http://opwclean14.com) to learn **WHY** the OPW 14 Series is the right choice for ensuring you a spotless reputation.



**OPW 14 Series Nozzles**

- 14E Dripless Gasoline Nozzle with interlock.
- 14C Diesel Capture Technology Nozzle



**OPW**   
RETAIL FUELING  
a **DOVER** company



## PUMPING OUT INNOVATIVE PRODUCTS SINCE 1892.

The name in nozzles has always been OPW. We build each new model on a heritage of over 125 years in fueling excellence, and we don't plan on stopping. No matter the grade of gasoline or the type of fuel, we provide solutions, including a whole new series of clean fueling nozzles, to keep fueling stations operating at peak performance and in perfect compliance. Expert guidance and responsive service come standard too. Do your nozzles carry the OPW name?



## OPW CARB-Certified 14E ECO Enhanced Conventional Gasoline Nozzle

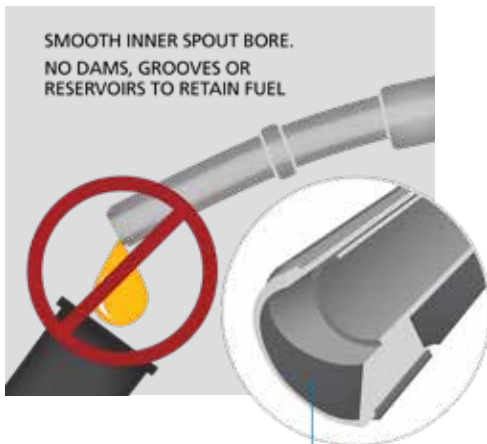
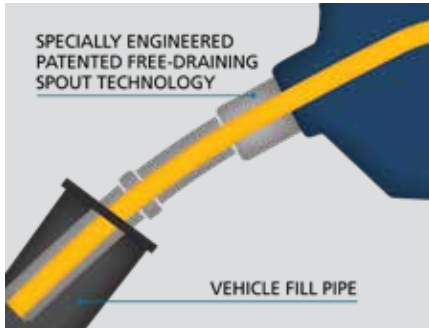
The OPW 14E ECO Enhanced Conventional Gasoline nozzle is part of the new OPW 14 Series cleaner fueling experience nozzles, featuring innovative patented\* driplless free-draining spout technology. Other driplless technologies capture fuel in the spout where it is allowed to evaporate and increase VOC emissions.

The new OPW 14E driplless spout technology is designed to keep gasoline from dripping on your customers' hands, clothing, vehicles and the ground to provide a cleaner, greener, and more satisfying customer experience.

The CARB ECO OPW 14E utilizes a special interlock system inside the bellows to activate the flow of fuel.

**View the 14E Nozzle CARB  
Executive Order.**

### Driplless Nozzle Technology



UNIQUE SPOUT DESIGN PREVENTS FUEL DRIPS ONCE THE NOZZLE'S AUTOMATIC SHUTOFF FEATURE IS ACTIVATED

### MATERIALS

- Body:** Aluminum
- Lever & Lever Guard:** Duratuff®
- Packing:** Graphite with Teflon®
- Disc:** Viton®
- Spout:** Aluminum with Stainless-Steel tip and Teflon-coated inside
- Inlet Size:** 3/4" NPT
- Weight:** 2.73 lbs. each  
1.25 kg each



### FEATURES & BENEFITS

#### Safe for Use

- ◆ True Driplless Technology\* – patented driplless, free-draining spout with no dams or hidden reservoirs to catch liquid. Designed to exceed CARB driplless requirements.
- ◆ Rugged Durability – designed to meet the rigorous demands of high-volume sites.
- ◆ FlowLock™ allows nozzle to shut off when falling out of a vehicle or is tipped up, limiting spillage and unsafe conditions.
- ◆ Enhanced Drip Control (14E Models only) - specially designed interlock prevents fuel from flowing unless the spout is fully inserted in the vehicle fill pipe and the actuator is engaged. This is a CARB requirement.

#### Durable and Long-Lasting Design

- ◆ Cycle tested and proven to last longer than 1 million cycles.

- ◆ Durable lever guard that won't scratch your customers' vehicles – made from Duratuff®.

#### Cleaner Fueling Experience for Customers

- ◆ Easy to use – utilizing Accu-Stop® to-the-penny Flow Control Technology.
- ◆ Attractive two-piece hand insulator which includes NEWGARD™ barrel cover and colored scuff guard, is the most comfortable nozzle in the industry to use.
- ◆ Convenient – one-finger hold-open clip that is easy to set the flow rate.

#### Design Working Pressure

- ◆ 50 psi (3.45 bar) maximum pressure.

### LISTINGS & CERTIFICATIONS

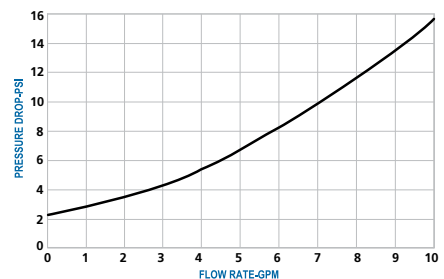


\*US PATENTS 7,134,580 AND 9,126,820.  
OTHER PATENTS-PENDING

### ORDERING SPECIFICATIONS

Scuff Guard Color	14E Unleaded Nozzles
Green	14E-0100
Silver	14E-0200
Red	14E-0300
Black	14E-0400
Blue	14E-0500
Gold	14E-0750
Orange	14E-0800
Yellow	14E-0900

### GPM FLOW CHART





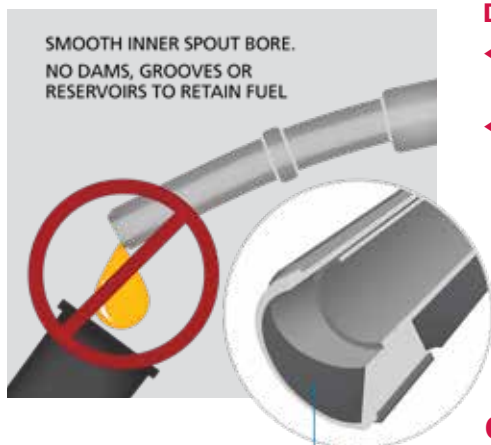
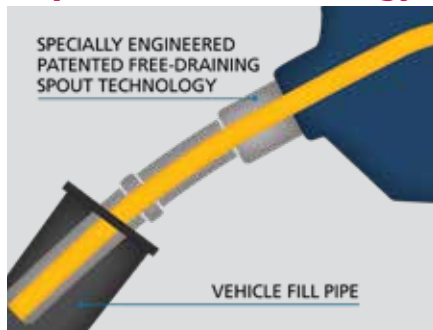
## OPW 14BP Gasoline Nozzle

The OPW 14BP Conventional Gasoline Nozzle is part of the new OPW 14 Series cleaner fueling experience nozzles, featuring innovative patented and patent-pending driplless spout technology.

The new OPW 14BP driplless nozzle spout technology is designed to keep gasoline from dripping on your customers' hands, clothing, vehicles and the ground to provide a cleaner, greener and more satisfying customer experience.

The OPW 14BP is a standard fueling nozzle without the interlock device.

### Driplless Nozzle Technology



UNIQUE SPOUT DESIGN PREVENTS FUEL DRIPS ONCE THE NOZZLE AUTOMATIC SHUTOFF FEATURE IS ACTIVATED

## MATERIALS

- Body:** Aluminum
- Lever & Lever Guard:** Duratuff®
- Packing:** Graphite with Teflon®
- Disc:** Viton®
- Spout:** Aluminum with Stainless Steel tip and Teflon-coated inside
- Inlet Size:** 3/4" NPT
- Weight:** 2.73 lbs. each  
1.25 kg each



## FEATURES & BENEFITS

### Safe for Use

- ◆ True Driplless Technology\* – patented and patent-pending, driplless spout, no dams or hidden reservoirs to catch liquid. Designed to exceed CARB driplless requirements.
- ◆ Rugged Durability – designed to meet the rigorous demands of high-volume sites.
- ◆ FlowLock™ allows nozzle to shut off when falling out of a vehicle or is tipped up, limiting spillage and unsafe conditions.

### Durable and Long-Lasting Design

- ◆ Cycle tested and proven to last longer than 1 million cycles.
- ◆ Durable lever guard that won't scratch your customers' vehicles – made from Duratuff®.

### Cleaner Fueling Experience for Customers

- ◆ Easy to use – utilizing Accu-Stop® to-the-penny Flow Control Technology.
- ◆ Attractive two-piece NEWGARD™ Hand Insulator is the most comfortable nozzle in the industry to use.
- ◆ Convenient – one-finger hold-open clip that is easy to set the flow rate.

### Design Working Pressure

- ◆ 50 psi (3.45 bar) maximum pressure.

## LISTINGS & CERTIFICATIONS

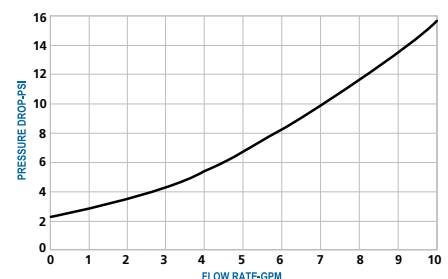


\*US PATENTS 7,134,580 AND 9,126,820. OTHER PATENTS-PENDING

## ORDERING SPECIFICATIONS

2-Piece Hand Insulator Color	14BP Unleaded
Green	14BP-0100
Silver	14BP-0200
Red	14BP-0300
Black	14BP-0400
Blue	14BP-0500
Yellow	14BP-0750
Gold	14BP-0800
Orange	14BP-0900
Bare	14BP-0009

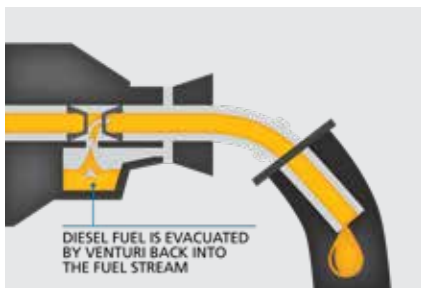
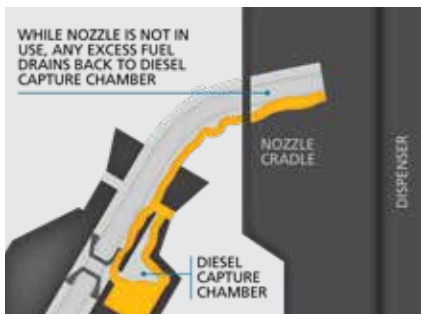
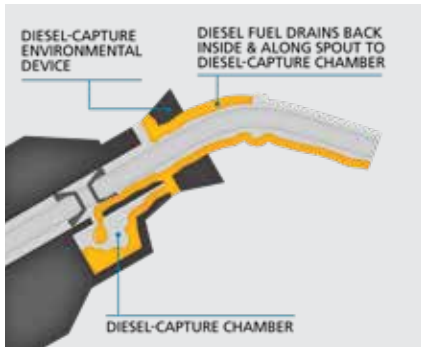
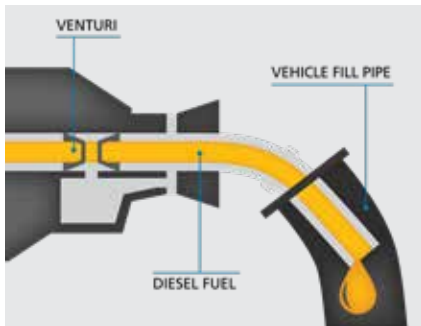
## GPM FLOW CHART



## OPW 14C Diesel Capture Technology Nozzle

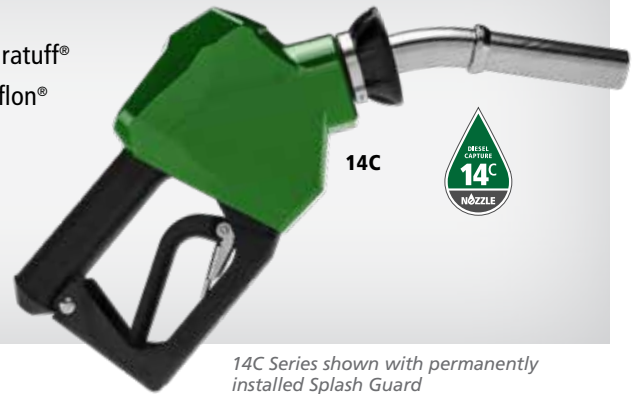
The OPW 14C is part of the new OPW 14 Series cleaner fueling experience nozzles, featuring innovative patented\* diesel-capture technology. This innovation is designed to provide a cleaner, greener fueling experience for customers while keeping diesel fuel off their hands and off the ground.

### Diesel Capture Technology



## MATERIALS

- Body:** Aluminum
- Lever & Lever Guard:** Duratuff®
- Packing:** Graphite with Teflon®
- Disc:** Viton®
- Spout:** Aluminum
- Inlet Size:** 3/4" NPT
- Weight:** 2.73 lbs. each  
1.25 kg each



14C Series shown with permanently installed Splash Guard

## FEATURES & BENEFITS

### Safe for Use

- ◆ Diesel Fuel Capture Technology\* – the patented technology allows excess diesel fuel to drain into a uniquely engineered chamber located in the body of the nozzle located at the base of the spout. This excess diesel fuel is then introduced back into the fuel stream.
- ◆ Drip Guard – designed to capture any fuel that runs out onto the outside of the nozzle.
- ◆ Compatible for diesel-fuel blends up to B20.
- ◆ Rugged Durability – designed to meet the rigorous demands of high-volume sites.
- ◆ FlowLock™ allows nozzle to shut off when falling out of a vehicle or is tipped up, limiting spillage and unsafe conditions.

### Durable and Long-Lasting Design

- ◆ Cycle tested and proven to last longer than 1 million cycles.

- ◆ Durable lever guard that won't scratch your customers' vehicles – made from Duratuff®.

### Cleaner Fueling Experience for the Customer

- ◆ Easy to use – utilizing Accu-Stop® to-the-penny Flow Control Technology.
- ◆ Attractive two-piece hand insulator which includes NEWGARD™ barrel cover and colored scuff guard, is the most comfortable nozzle in the industry to use..
- ◆ Convenient – one-finger hold-open clip that is easy to set the flow rate.

### Design Working Pressure

- ◆ 50 psi (3.45 bar) maximum pressure.

## LISTINGS & CERTIFICATIONS

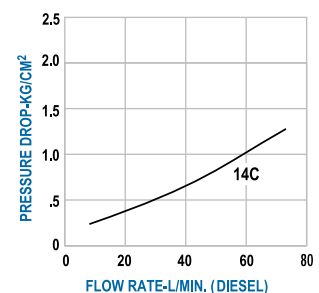


\*US PATENTS 7,134,580 AND 9,126,820.  
OTHER PATENTS-PENDING

## ORDERING SPECIFICATIONS

Scuff Guard Color	14C Diesel Nozzles
Green	14C-0100
Silver	14C-0200
Red	14C-0300
Black	14C-0400
Blue	14C-0500
Gold	14C-0750
Orange	14C-0800
Yellow	14C-0900

## GPM FLOW CHART

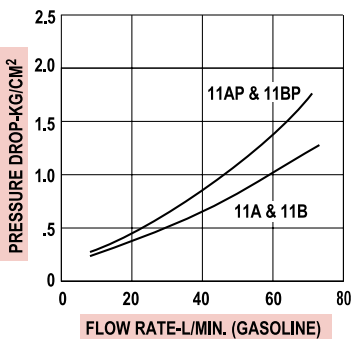
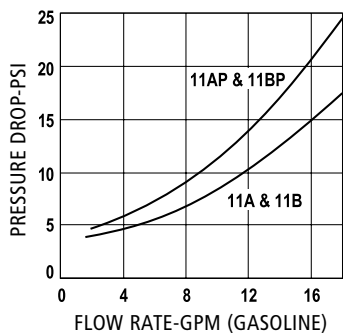




**FIRST to Meet NEW  
UL 2586 Requirements**

**OPW 11A® and 11B®  
Automatic Nozzles**

The OPW 11® Series automatic nozzles are OPW's premium conventional nozzles for safe retail and commercial petroleum filling. The OPW 11® Series is the most trusted conventional nozzle in the world for full service use. The OPW 11B® Series is designed for use in retail and commercial filling applications including prepay, self- and full-service, credit/debit card readers or card-lock systems to help prevent gasoline spills. The OPW 11B® will not open until the pumping system is pressurized, and closes automatically when the pressure is removed.

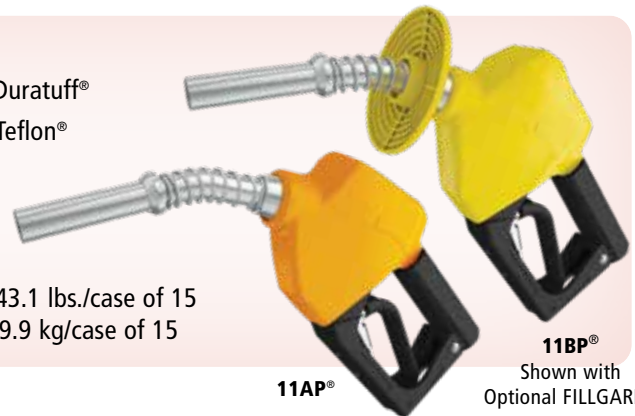


**Accessories**

Name	Product #	Description	Used For:
3/4" to 1" Bushing	28S-0350	3/4" MNPT to 1" FNPT Bushing	Converting 11 Series Nozzle for use on 1" Hose
1" to 3/4" Bushing	28R-2404	1" MNPT x 3/4" FNPT Bushing	Converting 7 Series Nozzle for use on 3/4" Hose

**Materials**

- Body:** Aluminum
- Lever & Lever Guard:** Duratuff®
- Packing:** Graphite with Teflon®
- Disc:** Viton®
- Spout:** Aluminum
- Inlet Size:** 3/4" NPT
- Weight:** 2.73 lbs. each, 43.1 lbs./case of 15  
1.25 kg each, 19.9 kg/case of 15



**Features**

**Safe for Use**

- ◆ UL- and ULC-Listed for use in gasoline, diesel, and up to 10% ethanol blends. Specific listings available at [www.opwglobal.com](http://www.opwglobal.com).
- ◆ Prevents gasoline spills in prepay or card-lock systems utilizing OPW's unique No Pressure – No Flow Device. The nozzle cannot be opened until the pumping system is pressurized, and closes automatically when the pressure is removed (11B Series only).
- ◆ Prevents consumer from jamming the nozzle in an open position – blocker on lever guard.
- ◆ FlowLock™ allows nozzle to shut-off when falling out of a vehicle, and is tipped up, limiting spillage and unsafe conditions.

**Durable and Long-Lasting Design**

- ◆ Cycle-tested and proven to last longer than 1 million cycles – better than any other nozzle available on the market today\*.

- ◆ Durable lever guard that won't scratch your customers' vehicles – made from Duratuff®.
- ◆ New hold-open clip spring lasts longer than previous designs.

**Appealing to Customers**

- ◆ Easy to use – utilizing Accu-Stop® to-the-penny Flow Control Technology.
- ◆ Attractive 2-Piece NEWGARD™ Hand Insulator is the most comfortable nozzle in the industry to use.
- ◆ Convenient – one-finger hold-open clip that is easy to set the flow rate (not on all models).

**Design working pressure**

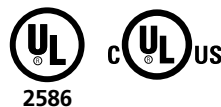
- ◆ 50 psi (3.45 bar) maximum pressure.

\* OPW internal lab testing results as of August 2010.

**Replacement Parts**

Name	Product #	Description	Used For:
11A Leaded Spout Kit	5BS-2110	11A, 15/16" O.D. Leaded Spout	11A Spout Replacement
11AP Unleaded Spout Kit	5BPS-2117	11AP, 13/16" O.D. Unleaded Spout	11AP Spout Replacement
11B Leaded Spout Kit	5BBS-2135	11B, 15/16" O.D. Leaded Spout	11B Spout Replacement
11BP Unleaded Spout Kit	5BBPS-2137	11BP, 13/16" O.D. Unleaded Spout	11BP Spout Replacement
NEWGARD Kits	See pg. 153	Replacement Hand Insulators	11A, 11AP, 11B, 11BP NEWGARD Replacements
Instruction Sheet	H15985M	Installation and Instruction Sheet	11A, 11AP, 11B, 11BP Instruction Sheet

**Listings and Certifications**



See pages 231 - 239 for certification number

NOTE: 11A and 11B nozzles models are available with 1- or 2-piece Hand Insulators.

## Ordering Specifications

### E-10 Automatic Nozzles with Hold-Open Devices compatible up to E10 (10% Ethanol)

Hand-warmer Color	11BP Unleaded 2 Piece Handwarmer	11BP Unleaded 1 Piece Handwarmer	11BP AdMaster™ 2 Piece Handwarmer	11BP 2 Piece Handwarmer Extreme Cold
Green	11BP-0100	11BP-0100-1P	11BP-0100-AD	11BP-0100-XC
Silver	11BP-0200	11BP-0200-1P	–	–
Red	11BP-0300	11BP-0300-1P	11BP-0300-AD	11BP-0300-XC
Black	11BP-0400	11BP-0400-1P	11BP-0400-AD	11BP-0400-XC
Blue	11BP-0500	11BP-0500-1P	11BP-0500-AD	–
Gold	11BP-0750	11BP-0750-1P	–	–
Orange	11BP-0800	11BP-0800-1P	–	–
Yellow	11BP-0900	11BP-0900-1P	11BP-0900-AD	–
Bare	11BP-0009	11BP-0009	–	–

Contact Customer Service for special color applications.

### E-10 Automatic Nozzles without Hold-Open Devices compatible up to E10 (10% Ethanol)

Handwarmer Color	11AP Unleaded* 2 Piece Handwarmer	11AP Unleaded* 1 Piece Handwarmer	11AP* AdMaster™ 2 Piece Handwarmer
Green	11AP-0100	11AP-0100-1P	11AP-0100-AD
Silver	11AP-0200	11AP-0200-1P	–
Red	11AP-0300	11AP-0300-1P	11AP-0300-AD
Black	11AP-0400	11AP-0400-1P	11AP-0400-AD
Blue	11AP-0500	11AP-0500-1P	11AP-0500-AD
Gold	11AP-0750	11AP-0750-1P	–
Orange	11AP-0800	11AP-0800-1P	–
Yellow	11AP-0900	11AP-0900-1P	11AP-0900-AD
Bare	11AP-0009	11AP-0009	–

\*11A Nozzles are no longer permitted and sold with Hold-Open Clips per UL 2586 requirements.

### E-25 Nozzles compatible up to E25 (25% Ethanol)

Handwarmer Color	11AP* Unleaded 2 Piece Handwarmer	11BP Unleaded 2 Piece Handwarmer
Green	11AP-0100-E25	11BP-0100-E25
Red	11AP-0300-E25	11BP-0300-E25
Black	11AP-0400-E25	11BP-0400-E25
Blue	11AP-0500-E25	11BP-0500-E25
Orange	11AP-0800-E25	11BP-0800-E25
Yellow	11AP-0900-E25	11BP-0900-E25

\*11A Nozzles are no longer permitted and sold with Hold-Open Clips per UL 2586 requirements.

### E-85 Nozzles compatible up to E85 (100% Ethanol)

Handwarmer Color	11BP Unleaded 2 Piece Handwarmer	11BP AdMaster™ 2 Piece Handwarmer
Green	11BP-0192-E85	–
Red	11BP-0392-E85	–
Black	11BP-0492-E85	11BP-0492-E85-AD
Yellow	11BP-0992-E85	11BP-0992-E85-AD

### B-5 Nozzles compatible up to B5 (5% Biodiesel), Fuel Oil and Kerosene

Hand-warmer Color	11A Leaded* 2 Piece Handwarmer	11A Leaded* 1 Piece Handwarmer	11A Leaded* AdMaster™	11B Leaded 2 Piece Handwarmer	11B Leaded 1 Piece Handwarmer	11B Leaded AdMaster™
Green	11A-0100	11A-0100-1P	11A-0100-AD	11B-0100	11B-0100-1P	11B-0100-AD
Silver	11A-0200	11A-0200-1P	–	–	11B-0200-1P	–
Red	11A-0300	11A-0300-1P	–	11B-0300	11B-0300-1P	–
Black	11A-0400	11A-0400-1P	11A-0400-AD	11B-0400	11B-0400-1P	11B-0400-AD
Blue	11A-0500	11A-0500-1P	11A-0500-AD	11B-0500	11B-0500-1P	–
Gold	11A-0750	11A-0750-1P	–	11B-0750	11B-0750-1P	–
Orange	11A-0800	11A-0800-1P	–	11B-0800	11B-0800-1P	–
Yellow	11A-0900	11A-0900-1P	11A-0900-AD	11B-0900	11B-0900-1P	11B-0900-AD
Bare	11A-0009	–	–	11B-0009	11B-0009	–

\*11A Nozzles are no longer permitted and sold with Hold-Open Clips per UL 2586 requirements.

### B-20 Nozzles compatible up to B20 (20% Biodiesel)

Handwarmer Color	11A Leaded* 2 Piece Handwarmer	11B Leaded 2 Piece Handwarmer	11B Leaded 2 Piece Handwarmer for Extreme Cold
Green	11A-0100-B20	11B-0100-B20	11B-0100-XCB20
Black	11A-0400-B20	11B-0400-B20	11B-0400-XCB20
Yellow	11A-0900-B20	11B-0900-B20	11B-0900-XCB20

\*11A Nozzles are no longer permitted and sold with Hold-Open Clips per UL 2586 requirements.

### ⚠ WARNING

In order to be UL2586 approved effective April 30, 2015, the use of a Hold-Open device is only permitted on dispensing nozzles equipped with a "B-Cap" (no pressure - no flow) or interlock feature. The use of foreign objects to hold open automatic nozzles could result in shut-off failure and personal injury.

### Custom Colors

With minimum quantities.  
Contact OPW Customer Service.

<input type="checkbox"/> White	<input type="checkbox"/> Dark Blue
<input type="checkbox"/> Light Red	<input type="checkbox"/> Brown
<input type="checkbox"/> Azure Blue	



**28S-0350**  
Bushing Adaptor



**28R-2404**  
Bushing Adaptor



OPW 5BS and 5BBS  
Leaded, Diesel, Kerosene



OPW 5BBS and OPW 5BPS  
Unleaded

NOTE: See OPW's Website at [www.opwglobal.com](http://www.opwglobal.com) for product instruction sheets, trouble-shooting guides, how-to-use guide and to view the Do's & Don'ts at the Gas Pump video.



**OPW 11A® AND 11B® Automatic Nozzles**

The OPW 11® Series automatic nozzles are OPW's premium conventional nozzles for safe retail and commercial petroleum filling. The OPW 11® Series is the most trusted conventional nozzle in the world for full service use. The OPW 11B® Series is designed for use in retail and commercial filling applications including prepay, self and full service, credit/debit card readers or card-lock systems to help prevent gasoline spills. The OPW 11B® will not open until the pumping system is pressurized, and closes automatically when the pressure is removed.

**OPW 7H® AND 7HB® Automatic Shut-OFF Nozzles**

**For Heavy-Duty, High-Flow Truck, Bus and Fleet Service**

If you operate a full-service truckstop, refuel your own fleet or manage a card-lock refueling location, the low-cost, long-life and durability of the OPW 7H® high flow nozzle can help increase your productivity, sales and profits. The OPW 7HB® will not open until the pumping system is pressurized, and closes automatically when the pressure is removed.

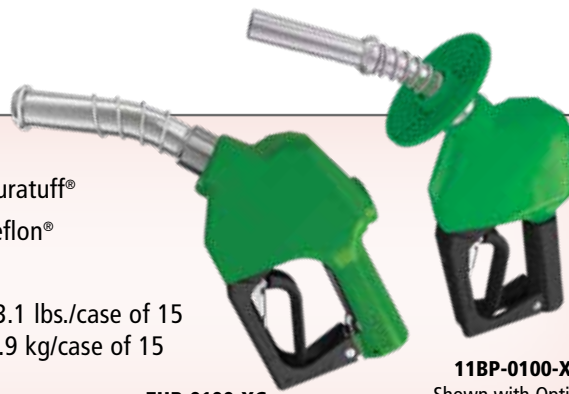
**Listings and Certifications**



See pages 231 - 239 for certification number

**Materials**

- Body: Aluminum
- Lever & Lever Guard: Duratuff®
- Packing: Graphite with Teflon®
- Disc: Viton®
- Weight: 2.73 lbs. each, 43.1 lbs./case of 15  
1.25 kg each, 19.9 kg/case of 15



7HB-0100-XC

11BP-0100-XC  
Shown with Optional FILLGARD™

Nozzles (above) shown with optional hand insulator. Hand insulator not included.

**Features**

**Safe for Use**

- ◆ UL-Listed for use in gasoline, diesel, and up to 10% ethanol blends. Specific listings available at [www.opwglobal.com](http://www.opwglobal.com)
- ◆ Prevents gasoline and/or diesel spills in prepay or card lock systems utilizing OPW's unique No Pressure – No Flow Device. The nozzles cannot be opened until the pumping system is pressurized, and close automatically when the pressure is removed. (OPW 11B® and 7HB® Series Only)
- ◆ Prevents consumer from jamming the nozzle in an open position – Blocker on lever guard.
- ◆ FlowLock™ allows nozzle to shut-off when falling out of

a vehicle, and tipped up limiting spillage and unsafe conditions.

**Durable & Long Lasting Design**

- ◆ Compatible to -54°C [-65°F]\*
- ◆ Cycle-tested and proven to last longer than 1 million cycles - Better than any other nozzle available on the market today\*
- ◆ Durable lever guard that won't scratch your customers' vehicles – Made from Duratuff®.
- ◆ New hold open clip spring lasts longer than previous designs. (OPW 11B® and 7HB® Series Only)
- ◆ Easy to use – Utilizing Accu-Stop® to-the-penny Flow Control Technology.

\* OPW internal lab testing results as of August 2010.

**Ordering Specifications**

Product #	Description
11B-0100-XC	Extreme Cold Weather, 3/4" NPT Auto-Diesel Nozzle, 11B, Green
11B-0400-XC	Extreme Cold Weather, 3/4" NPT Auto-Diesel Nozzle, 11B, Black
11B-0900-XC	Extreme Cold Weather, 3/4" NPT Auto-Diesel Nozzle, 11B, Yellow
11BP-0100-XC	Extreme Cold Weather, 3/4" NPT Gasoline Nozzle, 11BP, Green
11BP-0300-XC	Extreme Cold Weather, 3/4" NPT Gasoline Nozzle, 11BP, Red
11BP-0400-XC	Extreme Cold Weather, 3/4" NPT Gasoline Nozzle, 11BP, Black
7HB-0100-XC	Extreme Cold Weather, 1" NPT Diesel Nozzle, 7HB, Green
7HB-0400-XC	Extreme Cold Weather, 1" NPT Diesel Nozzle, 7HB, Black
7HB-0900-XC	Extreme Cold Weather, 1" NPT Diesel Nozzle, 7HB, Yellow
66 REC-1000	Cold Weather Breakaway – See page 163
11B-0100-XCB20	Extreme Cold Weather, 3/4" NPT Auto-Diesel Nozzle, 11B, B20, Green
11B-0400-XCB20	Extreme Cold Weather, 3/4" NPT Auto-Diesel Nozzle, 11B, B20, Black
11B-0900-XCB20	Extreme Cold Weather, 3/4" NPT Auto-Diesel Nozzle, 11B, B20, Yellow

**Replacement Parts**

Name	Product #	Description	Used For:
11AK Leaded Spout Kit	5BS-2110XC	11A, 1 1/16" O.D. Leaded Spout	11AK Spout Replacement
11AKP Unleaded Spout Kit	5BPS-2117XC	11AP, 1 3/16" O.D. Unleaded Spout	11AKP Spout Replacement
11B Leaded Spout Kit	5BBS-2135XC	11B, 1 1/16" O.D. Leaded Spout	11B Spout Replacement
11BP Unleaded Spout Kit	5BPPS-2137XC	11BP, 1 3/16" O.D. Unleaded Spout	11BP Spout Replacement

\*Beginning April 30, 2015; nozzles with Hold-Open clips must have a B-Cap no-pressure no-flow device or an Interlock feature to be UL2586 approved.

## Materials

- Body:** Aluminum w/ nickel plating
- Lever & Lever Guard:** Duratuff®
- Packing:** Graphite with Teflon®
- Seals:** Viton®
- Spout:** Aluminum w/ nickel plating
- Inlet Size:** 3/4" NPT
- Weight:** 2.73 lbs. each  
1.25 kg each



11BP-0992-E85

## Features

### Safe for Use

- ◆ UL-Listed for up to 85% Ethanol.
- ◆ Prevents gasoline spills in prepay or card-lock systems utilizing OPW's unique No Pressure – No Flow Device. It cannot be opened until the pumping system is pressurized, and closes automatically when the pressure is removed.
- ◆ Prevents consumer from jamming the nozzle in an open position – blocker on lever guard.
- ◆ FlowLock™ allows nozzle to shut-off when falling out of a vehicle, and is tipped up, limiting spillage and unsafe conditions.

### Durable and Long Lasting Design

- ◆ Cycle-tested and proven to last longer than 1 million cycles – Better than any other nozzle available on the market today\*.

- ◆ Durable lever guard that won't scratch your customers' vehicles – made from Duratuff®.
- ◆ New hold-open clip spring lasts longer than previous designs.

### Appealing to Customers

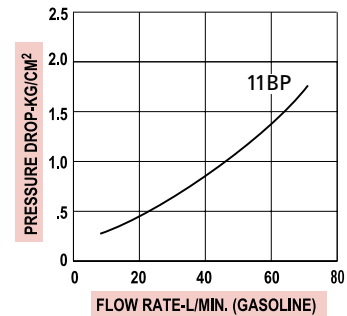
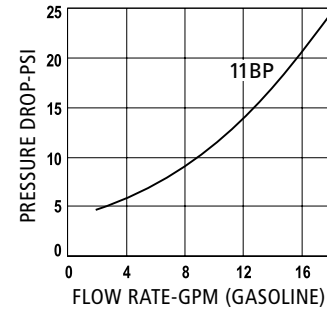
- ◆ Easy to use – utilizing Accu-Stop® to-the-penny Flow Control Technology.
- ◆ Attractive 2-Piece NEWGARD™ Hand Insulator is the most comfortable nozzle in the industry to use.
- ◆ Convenient – one-finger hold-open clip that is easy to set the flow rate (not on all models).

### Design working pressure

- ◆ 50 psi (3.45 bar) maximum pressure.
- \* **OPW internal lab testing results as of August 2010.**

## OPW 11BP E-85 Series Ethanol Nozzles

The OPW 11BP E-85 Series nozzles are designed and rigorously tested for use in today's alternative fuels. It's the first nozzle of its kind to be UL-Listed for use in Ethanol-blended fuels up to 85%.



## Ordering Specifications

### E-85 Nozzles compatible up to E85 (85% Ethanol)

Handwarmer Color	11BP Unleaded 2 Piece Handwarmer	11BP AdMaster™ 2 Piece Handwarmer
Green	11BP-0192-E85	–
Red	11BP-0392-E85	–
Black	11BP-0492-E85	11BP-0492-E85-AD
Yellow	11BP-0992-E85	11BP-0992-E85-AD

## 241TPS Ordering Specifications E85 Approved

Product #	Inlet/Outlet	Length A	Depth B
241TPS-0492	3/4" F x 3/4" M (NPT) 19 mm x 19 mm	4 7/8" 124 mm	2 3/16" 56 mm

## Replacement Parts

Product	Product #	O.D.		Length		Weight	
		in.	mm	in.	mm	lbs.	kg
11BP spout replacement kit	5BBPI-0492	1 3/16"	21	7"	178	.47	.22

NEWGARD™ Kits See page 153.

11BP Instruction Sheet Order Number: **H15889PAE**

## 66V Ordering Specifications E85 Approved

Product #	Size	Weight		Pull Force
		lbs.	kg	
66V-0492	3/4" F x 3/4" F (NPT) 19 F x 19 F	0.60	0.27	300 lbs.

66V Series 3/4" Instruction Sheet Order Number: **H10993PA**

## Listings and Certifications



**UL Listed for up to 85% Ethanol**



# Customize and Colorize



*Imprint  
your company  
logo or custom  
message  
here!*

**Imprint your company logo or custom message to any color hand insulator**

OPW can help you enhance your brand image, drive traffic into your store, and deliver important messages to your customers with its new Enhanced Nozzle Program.

Now you can imprint company names, logos and/or special promotional messages on to your nozzles!

Differentiate your store from all others. Choose from a wide array of standard hand insulator colors or create your own custom color hand insulator.

We Offer You The Convenience of Choice.

**Simply provide high-resolution PDF your Logo Artwork.**



**Top and Side of Nozzle**

**Hundreds of Hand Insulator Colors to Choose From**





**NEW**



**Easy Snap-on Rubber Cover**

**OPW AdMaster™**

**A highly effective and affordable way of advertising that drives traffic from the island to your in-store profit centers.**

- ◆ Installs quickly and easily on your OPW nozzle!
- ◆ Increase In-store Sales - Get Customers from the Island into Your Profit Centers
- ◆ Puts Your Message Right in Your Customer's Hand
- ◆ Replaceable - Easily Updated to Current Promotions
- ◆ Available on New Nozzles or Can Be Installed Quickly on Existing Nozzles
- ◆ Available in a Variety of Colors

**Ordering Specifications**

Part #	Description
11A-0100-AD	11A Leaded Nozzle with GREEN Advertising Hand Insulator & Clear Cover
11A-0400-AD	11A Leaded Nozzle with BLACK Advertising Hand Insulator & Clear Cover
11A-0500-AD	11A Leaded Nozzle with BLUE Advertising Hand Insulator & Clear Cover
11A-0900-AD	11A Leaded Nozzle with YELLOW Advertising Hand Insulator & Clear Cover
11AP-0100-AD	11A Unleaded Nozzle with GREEN Advertising Hand Insulator & Clear Cover
11AP-0300-AD	11A Unleaded Nozzle with RED Advertising Hand Insulator & Clear Cover
11AP-0400-AD	11A Unleaded Nozzle with BLACK Advertising Hand Insulator & Clear Cover
11AP-0500-AD	11A Unleaded Nozzle with BLUE Advertising Hand Insulator & Clear Cover
11AP-0900-AD	11A Unleaded Nozzle with YELLOW Advertising Hand Insulator & Clear Cover
11B-0100-AD	11B Leaded Nozzle with GREEN Advertising Hand Insulator & Clear Cover
11B-0400-AD	11B Leaded Nozzle with BLACK Advertising Hand Insulator & Clear Cover
11B-0900-AD	11B Leaded Nozzle with YELLOW Advertising Hand Insulator & Clear Cover
11BP-0100-AD	11B Unleaded Nozzle with GREEN Advertising Hand Insulator & Clear Cover
11BP-0300-AD	11B Unleaded Nozzle with RED Advertising Hand Insulator & Clear Cover
11BP-0400-AD	11B Unleaded Nozzle with BLACK Advertising Hand Insulator & Clear Cover
11BP-0500-AD	11B Unleaded Nozzle with BLUE Advertising Hand Insulator & Clear Cover
11BP-0900-AD	11B Unleaded Nozzle with YELLOW Advertising Hand Insulator & Clear Cover
11BP-0492-E85-AD	11BP E-85 Nozzle with BLACK Advertising Hand Insulator and Cover
11BP-0992-E85-AD	11BP E-85 Nozzle with YELLOW Advertising Hand Insulator and Cover
NTK11-0100	11 Series GREEN Advertising Insulator and Clear Cover Kit
NTK11-0300	11 Series RED Advertising Insulator and Clear Cover Kit
NTK11-0400	11 Series BLACK Advertising Insulator and Clear Cover Kit
NTK11-0500	11 Series BLUE Advertising Insulator and Clear Cover Kit
NTK11-0900	11 Series YELLOW Advertising Insulator and Clear Cover Kit
206252	Clear Cover



3 in. x 3 in.  
Message Area

**Clear Cover**

## OPW Factory Assembled Hose Kits

OPW Hose Kits are factory assembled from the whip hose to the nozzle. Every connection is checked for pressure tightness and continuity. Use the OPW Vac-Assist and Balance Packages when converting or decommissioning your State II Vapor Recovery System.

### Features

- ◆ **Factory Assembled**
- ◆ **100% Tested and Certified**
- ◆ **Quick, Easy Installation**
- ◆ **Reduced Dispenser Downtime**



### Listings and Certifications



### Unleaded and Diesel Packages Include

<b>A</b>	11BP Nozzle	3/4" Nozzle	
<b>B</b>	241TPS-0241	3/4" 2-Plane Swivel	
<b>C</b>	66H-0975 Standard or 66H-0975-LP Low Permeation	3/4" Whip Hose, 9 inch long, 3/4" NPT	
<b>D</b>	68EZR-7575	3/4" Reconnectable Breakaway	
<b>E</b>	66H-08575 Standard or 66H-08575-LP Low Permeation	3/4" Hose, 8-1/2" feet long, 3/4" NPT	
<b>F</b>	FILLGARD™ Splash Guard - Color will match Hand Insulator		

### Vac-Assist and Balance Packages Include

<b>A</b>	11BP Nozzle	3/4" Nozzle	
<b>B</b>	241TPS-0241	3/4" 2-Plane Swivel	
<b>C</b>	66H-0975 Standard or 66H-0975-LP Low Permeation	3/4" Whip Hose, 9 inch long, 3/4" NPT	
<b>D</b>	68EZR-7575	3/4" Reconnectable Breakaway	
<b>E</b>	66H-08575 Standard or 66H-08575-LP Low Permeation	3/4" Hose, 8-1/2" feet long, 3/4" NPT	
<b>F</b>	FILLGARD™ Splash Guard - Color will match Hand Insulator		
<b>G</b>	VAR75* 28C-0028*	Vac-Assist to Conventional Adaptor Balance to Conventional Adaptor	

### Ordering Specifications

#### Unleaded Kits

PK-EZR0100	3/4" Unleaded Green Nozzle, Standard Hose
PK-EZR0300	3/4" Unleaded Red Nozzle, Standard Hose
PK-EZR0400	3/4" Unleaded Black Nozzle, Standard Hose
VA-EZR0400-LP	3/4" Unleaded Black Nozzle, Low Permeation Hose

7H High Flow kits also available by request.

#### Diesel Kits

PK-EZR0100-L1	3/4" Leaded Green Nozzle, Standard Hose
PK-EZR0900-L1	3/4" Leaded Yellow Nozzle, Standard Hose
PK-EZR0400-L1	3/4" Leaded Black Nozzle, Standard Hose

Contact OPW Customer Service for custom models.

### Ordering Specifications

#### Vac-Assist Decommissioning Kits

VA-EZR0100	3/4" Unleaded Green Nozzle, Standard Hose
VA-EZR0300	3/4" Unleaded Red Nozzle, Standard Hose
VA-EZR0400	3/4" Unleaded Black Nozzle, Standard Hose
VA-EZR0400-LP	3/4" Unleaded Black Nozzle, Low Permeation Hose

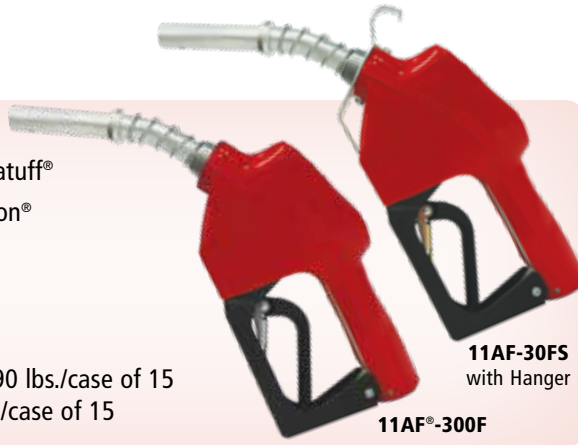
#### Balance Decommissioning Kits

BA-EZR0100	3/4" Unleaded Green Nozzle, Standard Hose
BA-EZR0300	3/4" Unleaded Red Nozzle, Standard Hose
BA-EZR0400	3/4" Unleaded Black Nozzle, Standard Hose

Contact OPW Customer Service for custom models.

## Materials

- Body:** Aluminum
- Lever & Lever Guard:** Duratuff®
- Packing:** Graphite with Teflon®
- Disc:** Viton®
- Spouts:** Aluminum
- Inlet Size:** 3/4" NPT
- Weight:** 2.85 lbs. each, 44.90 lbs./case of 15  
1.3kg each, 20.4kg/case of 15



## Features

- ◆ The new and improved farm hanger is now made from stamped metal and bolted to the nozzle, making it stronger and sturdier than ever.
- ◆ UL- and ULC-Listed for use in gasoline, diesel and up to 10% ethanol blends. Specific listings available at [www.opwglobal.com](http://www.opwglobal.com).
- ◆ New bleeder poppet orifices allow for use in transfer pumps with or without air elimination systems.
- ◆ Prevents consumer from jamming the nozzle in an open position – blocker on lever guard.
- ◆ Durable lever guard that won't scratch

your customers' vehicles – made from Duratuff®.

- ◆ Easy to use – utilizing Accu-Stop® to-the-penny Flow Control Technology.
- ◆ Works with self-priming and non self-priming pumps.

### Design working pressure

- ◆ 50 psi (3.45 bar) maximum pressure.
- ◆ When bushing from 1" hose on the 1A nozzle, use a 28S Bushing Adaptor

## Ordering Specifications

Full Hand Insulator Color	Includes spout, hanger, spring and no hold-open rack UL Listed		Includes spout, standard spring and no hold-open rack UL Listed		Includes spout, hanger, spring and no hold-open rack UL and ULC Listed	
	For Unleaded Service	For Diesel Service	For Unleaded Service	For Diesel Service	For Unleaded Service	For Diesel Service
Green	11AF-10FS					
Red	11APF-30FS		11APF-300F	11AF-300F		
Black	11APF-40FS	11AF-40FS			11APF-4FSC	11AF-4FSC

\*Nozzles without a no-pressure no-flow or interlock device can not be ULC listed with Hold-Open Clips.

## Replacement Spout Kits

Product #	O.D.		Length		Weight		Used On
	in.	mm	in.	mm	lbs.	kg	
5BF-0112	15/16	24	7	178	.59	.27	11AF®
5BPF-0172	13/16	21	7	178	.59	.27	11APF

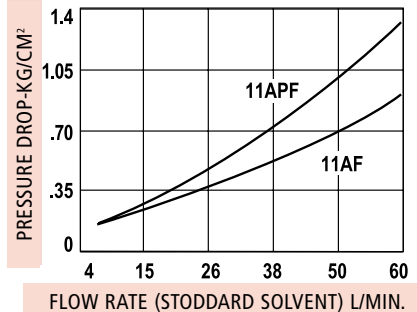
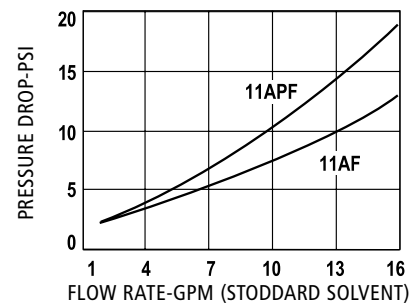
NEWGARD™ Kits See page 153.

## OPW 11AF® 3/4" Automatic Nozzles

The OPW 11AF® Nozzle is a sturdy industry-proven standard used primarily for fueling up to 15 gallons per minute. The 11AF® is an automatic dispensing nozzle designed for use in transfer pump. This nozzle should not be used for retail applications, and does not include a No Pressure – No Flow or Interlock Device.

### WARNING

Do not use OPW 11AF Nozzles for any retail application. It is only intended for use in non-retail applications. Use of foreign objects to hold open automatic nozzles could result in failure to shut off and personal injury.



**28S-0350**  
Bushing Adaptor



**28R-2404**  
Bushing Adaptor

## Listings and Certifications



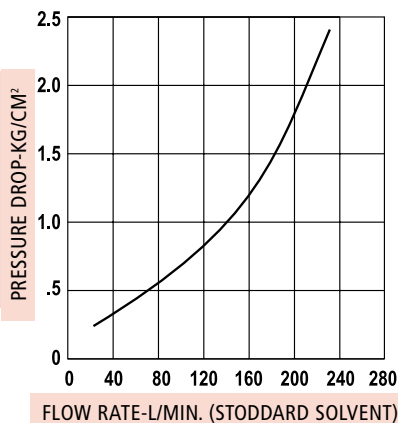
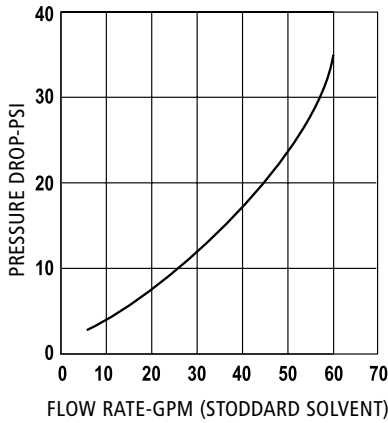
See pages 231 - 239 for certification number

**FIRST to Meet NEW  
UL 2586 Requirements**

**OPW 7H® and 7HB®  
Automatic Shut-off Nozzles**

**For Heavy-Duty, High-Flow Truck,  
Bus and Fleet Service**

If you operate a full-service truckstop, refuel your own fleet or manage a card-lock refueling location, the low-cost, long-life and durability of the OPW 7H® high-flow nozzle can help increase your productivity, sales and profits.



**Materials**

- Body:** Aluminum
- Lever & Lever Guard:** Duratuff®
- Packing:** Graphite with Teflon®
- Disc:** Viton®
- Spout:** Aluminum
- Inlet Size:** 1" NPT
- Weight:** 3.35 lbs. each, 52.05 lbs./case of 15  
1.51 kg each, 23.6 kg/case of 15



**Features**

**Safe for Use**

- ◆ UL- and ULC-Listed for use in gasoline, diesel and up to 10% ethanol blends. Specific listings available at [www.opwglobal.com](http://www.opwglobal.com).
- ◆ Prevents gasoline spills in prepay or card-lock systems utilizing OPW's unique No Pressure – No Flow Device. The nozzle cannot be opened until the pumping system is pressurized, and closes automatically when the pressure is removed. (7HB Series only)
- ◆ Prevents consumer from jamming the nozzle in an open position – blocker on lever guard.
- ◆ FlowLock™ allows nozzle to shut-off when falling out of a fill pipe, and is tipped up, limiting spillage and unsafe conditions.
- ◆ Low reliable shut-off – specifically designed to ensure proper automatic shut-off as low as 5 gallons per minute.

**Durable and Long Lasting Design**

- ◆ Cycle-tested and proven to last longer than 1 million cycles – better than any other nozzle available on the market today.\*

- ◆ Durable lever guard that won't scratch your customers' vehicles – made from Duratuff®.
- ◆ New hold-open clip spring lasts longer than previous designs.

**Appealing to Customers**

- ◆ Easy to use – utilizing Accu-Stop® to-the-penny Flow Control Technology.
- ◆ Easy to open, even at high pressures, utilizing Dual Poppets.
- ◆ Even, smooth spray pattern – minimizes diesel foaming and false shut-offs.
- ◆ Smooth closing action and reduced line shock from incorporated dashpot technology.
- ◆ Convenient – one-finger hold-open clip that is easy to set the flow rate. (not on all models)
- ◆ Spout Retaining Ring – adds extra measure in securing nozzle spout in fill pipe where required. (not on all models)

**Design working pressure**

- ◆ 50 psi (3.45 bar) maximum pressure.
- \* **OPW internal lab testing results as of August 2010.**

**Listings and Certifications**



See pages 231 - 239 for certification number

**⚠ WARNING**

In order to be UL2586 approved effective April 30, 2015, the use of a Hold-Open device is only permitted on dispensing nozzles equipped with a "B-Cap" (no pressure - no flow) or interlock feature. The use of foreign objects to hold open automatic nozzles could result in shut-off failure and personal injury.

**Ordering Specifications**

<b>B-5 Nozzles compatible up to B5 (5% Biodiesel), Fuel Oil and Kerosene</b>				
Handwarmer Color	7H <sup>®</sup> * with Spout Ring	7H <sup>®</sup> * without Spout Ring	7HB <sup>®</sup> with Spout Ring	7HB <sup>®</sup> without Spout Ring
Green	7H-0100	7H-5100	7HB-0100	7HB-5100
Black	7H-0400	7H-5400	7HB-0400	7HB-5400
Yellow	7H-0900	7H-5900	7HB-0900	7HB-5900
Bare	-	-	7HB-0090	7HB-5009

NOTE: All new 7H and 7HB nozzles now come with FILLGARD™. For replacement FILLGARDs, see page 153.  
\*7H Nozzles are no longer permitted and sold with Hold-Open Clips per UL 2586 requirements.

<b>B-20 Nozzles compatible up to B20 (20% Biodiesel)</b>				
Handwarmer Color	7H <sup>®</sup> * with Spout Ring	7H <sup>®</sup> * without Spout Ring	7HB <sup>®</sup> with Spout Ring	7HB <sup>®</sup> without Spout Ring
Green	7H-0100-B20	7H-5100-B20	7HB-0100-B20	7HB-5100-B20
Black	7H-0400-B20	7H-5400-B20	7HB-0400-B20	7HB-5400-B20
Yellow	7H-0900-B20	7H-5900-B20	7HB-0900-B20	7HB-5900-B20

NOTE: All new 7H and 7HB nozzles now come with FILLGARD™. For replacement FILLGARDs, see page 153.  
\*7H Nozzles are no longer permitted and sold with Hold-Open Clips per UL 2586 requirements.

**Custom Colors**

With minimum quantities.  
Contact OPW customer service.

- Blue
- Red
- Silver

**Replacement Parts**

Product	Part #	O.D.*		Length		Weight		Used On
		in.	mm	in.	mm	lbs.	kg	
		<b>7H<sup>®</sup></b>						
7H Spout Kit w/ spout ring	5BH-0115	1 3/16*	30	7	178	.66	.30	7H <sup>®</sup>
7H Spout Kit w/o spout ring	5BH-5115	1 3/16	30	7	178	.66	.30	7H <sup>®</sup> (w/o ring)
12-inch 7H Spout Kit	5BHB-0125	1 3/16	30	12	305			7H <sup>®</sup>

NEWGARD™ Kits See page 153

Product	Part #	O.D.*		Length		Weight		Used On
		in.	mm	in.	mm	lbs.	kg	
		<b>7HB<sup>®</sup></b>						
7HB Spout Kit w/ spout ring	5BBH-0136	1 3/16*	30	7	178	.65	.30	7HB <sup>®</sup>
7HB Spout Kit w/o spout ring	5BBH-5136	1 3/16	30	7	178	.66	.30	7HB <sup>®</sup> (w/o ring)
NEWGARD™ Kits See page 153								7HB <sup>®</sup>

\* Spout end with anchor ring is 1 31/64" O.D.

7H<sup>®</sup>, 7HB<sup>®</sup> Series Instruction Sheet Order Number: **H15985M**



OPW 5BH  
7H<sup>®</sup> Spout with ring



OPW 5BBH  
7HB<sup>®</sup> Spout without ring

NOTE: See OPW's Website at [www.opwglobal.com](http://www.opwglobal.com) for product instruction sheets, trouble-shooting guides, how-to-use guide and to view the Do's & Don'ts at the Gas Pump video.



### OPW NEWGARD™ Full Hand Insulator

All OPW 7 Series, Astro Series, and 1A Series nozzles are furnished complete with NEWGARD™ hand insulators. Available in a variety of colors.

### OPW NEWGARD™ Two-Piece Hand Insulator

OPW 11A® and 11B® nozzles are furnished complete with NEWGARD™ 2-piece hand insulators. For a more unique appearance, try our new two-piece design. OPW NEWGARD™ 2-piece hand insulators make it easy to match new color schemes or replace soiled insulators without removing the nozzle from the hose.

### OPW 8 FILLGARD™ Splash Guard

FILLGARD™ also enhances the appearance of your gasoline nozzle, and makes dispensing gasoline more pleasant for your customers. FILLGARD™ won't deform or crack in cold weather. FILLGARD™ is not standard on new 7 Series nozzles.



### Ordering Specifications

Hand Insulator Color	NEWGARD™ 1 piece				NEWGARD™ 2 piece		FILLGARD™	
	11A®	11B®	7H®	7HB®	11A®	11B®	11A® & 11B®	7H® / 7HB®
Green	D01246M	C03647M	E00307M	E00325M	D01773M	D01529M	8G-0100	8HG-0100
Silver	D01174M	C03648M	207113		205217	D02078M	8S-0200	
Red	D00907M	E00304M		211218	D01775M	D01789M	8R-0300	8HR-0300
Black	D00909M	E00308M	E00306M	E00324M	D01719M	D01532M	8BL-0400	8HBL-0400
Blue	D00908M	C03649M		H14846M	D01774M	D01790M	8B-0500	
Yellow	D00917M	C03655M	E00368M	H11923M	D01776M	D01791M	8Y-0900	8HY-0900
Gold	D01295M	C03653M			205219	205206	8GL-0750	
Orange	D01245M	C03654M	205598	205599	205248	205252	8O-0800	8HO-0800
					D01530M Barrel			

Note: Barrel and Hand Insulator sold separately.

**Custom Colors:** With minimum quantities. Contact OPW Customer Service.

- White
- Azure Blue
- Brown
- Light Red
- Dark Blue

- Notes:**
- 1) OPW may add or delete colors without notice.
  - 2) Actual color may vary from production run to production run.
  - 3) Custom colors available, minimum quantities applicable.\*\*
  - 4) Custom logos available for additional charge.\*\*

\*\* For ordering specifications not listed in this catalog, visit our website at [www.opwglobal.com](http://www.opwglobal.com) or contact Customer Service at 1-800-422-2525.

## Materials

**Body:** Special resin coated aluminum

**Lever & Lever Guard:** Duratuff®

**Seals:** Viton®

**Inlet Size:** M34  
(adaptor required for each nozzle)

**Weight:** 2.41 lbs. each, 36 lbs./case of 15  
1.1 kg each, 16.5 kg/case of 15



Meets ISO 22241  
Compatibility  
Testing for DEF  
Contamination

21Gu-0500

Mis-Filling Prevention  
Device (MFPD)

## Features – Benefits

- ◆ Automatic Shutoff Feature shuts off nozzle when the tank is full
- ◆ Mis-filling prevention device eliminates the risk of accidental DEF filling or environmental contamination.
- ◆ Spout with magnetic interface prevents mis-filling mishaps.
- ◆ Durable streamlined nozzle design for easy, comfortable nozzle handling makes it easy to differentiate DEF products.
- ◆ Total end-to-end affordable solution is a convenient and complete system from the Industry Leader.

- ◆ Comes with Integral Contaminant-Prevention Filter; this replaceable, stainless steel, 40-mesh filter provides an added level of protection against DEF contaminants.
- ◆ Outfitted in that familiar and unmistakable "DEF Blue" with slogan badge for instant product identification.



21GU-FLTR



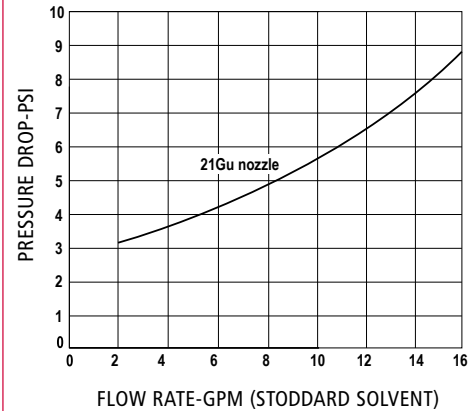
### Maximum pressure and flow rate

- ◆ 40 psi (2.75 bar) maximum pressure.
- ◆ 10 gpm (37.8 lpm) maximum flow rate

## OPW 21Gu™ DEF Nozzle

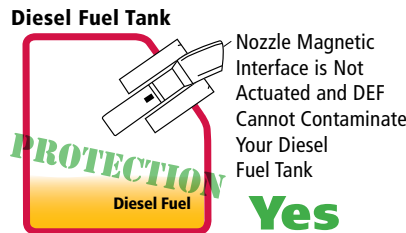
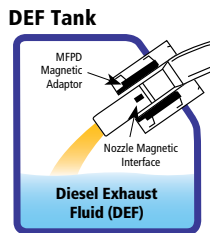
### The Industry's Most Comprehensive DEF-Filling Solution

- ◆ End-to-end dispensing hardware solution for reliable, efficient DEF-filling
- ◆ Industry standard DEF-filling solution in Europe
- ◆ Unique Mis-Filling Prevention Device (MFPD) provides unparalleled filling assurance and peace of mind
- ◆ Affordable mis-filling prevention insurance designed to protect your investment against potential mis-filling mishaps



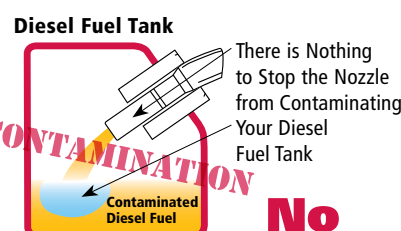
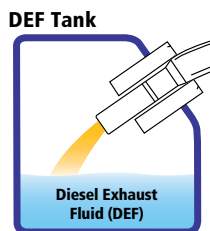
## MIS-FILLING PREVENTION

WITH the OPW 21Gu nozzle and Mis-Filling Prevention Device (MFPD), your investment is safe.



### Other DEF Nozzle

WITHOUT the OPW 21Gu nozzle and Mis-Filling Prevention Device (MFPD), your investment is at risk.



### Are You Protected?

A fixed magnetic field within the Mis-Filling Prevention Device actuates a magnetic interface in the spout of the 21Gu nozzle to allow the flow of DEF. Without the Mis-Filling Prevention Device, the DEF nozzle will not flow. Put the nozzle in the wrong tank – say, your diesel tank – no problem, the nozzle will not flow. No other DEF-filling nozzle has this DEF mis-filling protection capability.

**Listings and Certifications ISO 22241 Compliant**

## Nozzle Ordering Specifications

Product #	Description
21GU-0400	Wayne® / Bennett® / Gasboy® (Model 9862XX-ZWW) Nozzle designed for use WITHOUT Mis-Filling Prevention Device
21GU-040G	Gilbarco® / Gasboy® (Model 9862KX-Z) Nozzle designed for use WITHOUT Mis-Filling Prevention Device
21GU-0500	Wayne® / Bennett® / Gasboy® (Model 9862XX-ZWW) Nozzle designed for use WITH Mis-Filling Prevention Device
21GU-050G	Gilbarco® / Gasboy® (Model 9862KX-Z) Nozzle designed for use WITH Mis-Filling Prevention Device

NOTE: Each nozzle requires one adaptor fitting to convert from M34 to 1" BSPP threads.

### Replacement Parts

Product #	Description
206466	21GU-0500 & 050G Blue Hand Insulator
205077	21GU-0400 & 040G Black Hand Insulator
21GU-SPOUT	DEF Replacement Spout designed for use WITH Mis-Filling Prevention Device
21GU-SPOUT-N	DEF Replacement Spout WITHOUT Mis-Filling Prevention Device
204133	DEF Replacement Slogan Badge
21GU-FLTR	Strainer and Spacer Washer



Bennett®, Separation by Design®, Wayne® Guard (Standard) and Gasboy®



Gilbarco® Guard

### 21GU-SSB

Stainless Steel Swivel / Reconnectable Breakaway



#### Features

- ◆ SST construction and compatible with ISO 22241 Standard
- ◆ Converts nozzle from M34 threads to 1" BSPP
- ◆ Integral reconnectable breakaway 175-330 (lbs.) 80-150 (kg)
- ◆ Includes 21GU-BCS for attractive installation and protection of vehicles



## OPW MIS-FILLING PREVENTION DEVICE (MFPD)

DEF mis-filling can be expensive. The OPW 21Gu MFPD offers the industry's most effective and affordable insurance policy against mis-filling mishaps – actually stopping them before they happen. There is no better way to protect your investment and the environment.



## 21Gu Nozzle Adaptor Ordering Specifications

Product #	Description
21GU-SSB	DEF Stainless Steel Reconnectable Breakaway / Swivel - NOTE: One (1) 21GU-SSB is required for each nozzle. Hose connection end is 1" BSPP male thread.
21GU-SCS	Replacement DEF Swivel Cover Sleeve
21GU-BCS	Replacement DEF Swivel/Breakaway Cover Sleeve (Comes with 21GU-SSB)

## 21Gu Mis-Filling Prevention Device

Product #	Description
MFPD	21GU Mis-Filling Prevention Device (MFPD). Order one MFPD or Bulk Packed for OEM sales (420 per case) NOTE: The MFPD is permanently installed in DEF tank fill pipe. Contact your vehicle supplier and specify the OPW DEF Mis-Filling Prevention Device.
MFPD-Pak	Retail Packaged Mis-Fill Prevention (Each)

Note: Want them individually packaged for retail? Contact OPW customer service at 1-800-422-2525.

## Materials

### Hose:

O.D.: 1" (26 mm)

I.D.: 5/8" (16 mm)

Minimum bend radius: 3-1/2" (90 mm)

Thread connections: 1" BSPP female at both ends

Torque specification: 30-37 ft. lbs (40-50 Nm)



## Features

- ◆ Specially designed for DEF-flow applications.
- ◆ Lightweight and highly flexible for easy customer handling.
- ◆ Smooth bore, seamless fluoropolymer lining for exceptional flow performance.
- ◆ Swivel end couplings provide for easy installation.
- ◆ Durable, reliable, long-life performance and maximum flow efficiency.
- ◆ Anti-kinking sleeve at nozzle end to reduce wear on hose during use.

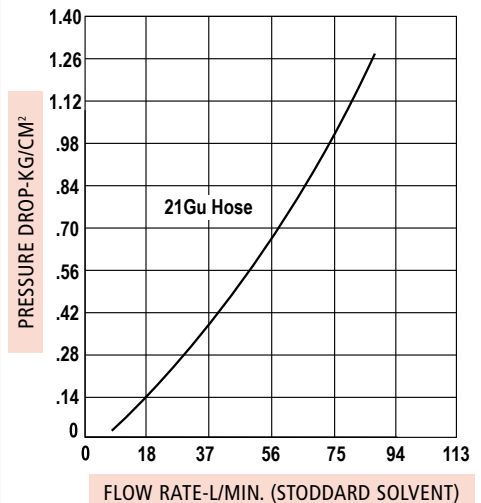
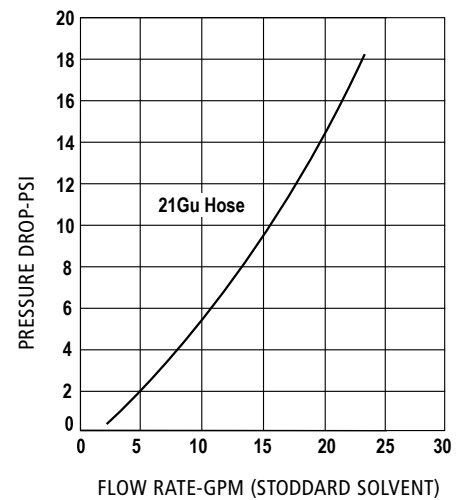
## Ordering Specifications

Product #	Description
21GU-H8	DEF Hose Assembly, 8 ft.
21GU-H11	DEF Hose Assembly, 11 ft. for Bennett® & Gasboy® Dispensers
21GU-H12	DEF Hose Assembly, 12 ft.
21GU-H15	DEF Hose Assembly, 15 ft. for Separation by Design® Dispensers
21GU-H17G	DEF Hose Assembly, 17.4 ft. for Gilbarco® Retail and Wayne® Dispensers
21GU-H21	DEF Hose Assembly, 21 ft.
21GU-HRS	DEF Hose Replacement Seals (10 per pack)
204129	DEF Hose Coupling (comes with hose seal)
204130	DEF Anti-kinking Sleeve

Note: Need a different custom length? Contact OPW customer service at 1-800-422-2525.

## OPW 21Gu Hose Assembly

The OPW 21Gu Series DEF Hose is the de facto standard for hoses in Europe. Designed with integral swivel couplings and an anti-kinking sleeve, the 21Gu hose is easy to install and use. The OPW 21Gu Hose meets compatibility testing as specified in ISO 22241 so that you can rest assured that your hose will last.



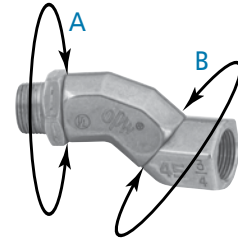
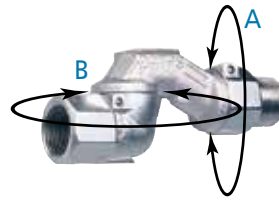
# Conventional Swivels & Breakaways



- Swivel Breakaway Selection Chart..... 158
- Hose Swivels..... 159-160
- Swivel/Breakaways ..... 161
- Reconnectable Breakaways ..... 162-165
- Single Use Breakaways..... 163
- 66H Series Hose..... 165



## SWIVELS



Model	36S	241TPS	45
Rotation A	360°	360°	360°
Rotation B	N/A	270°	360°
O-Ring Design	Dual O-Ring – Viton®/Buna-N	Dual O-Ring – Viton®/Buna-N	Dual Seal – Viton®
<sup>3</sup> / <sub>4</sub> " Model	Yes	Yes	Yes
1" Model	Yes	Yes	Yes
Page	159	160	159
Cold Weather Option	No	No	Yes

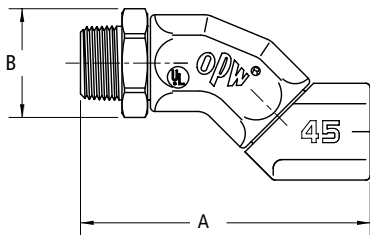
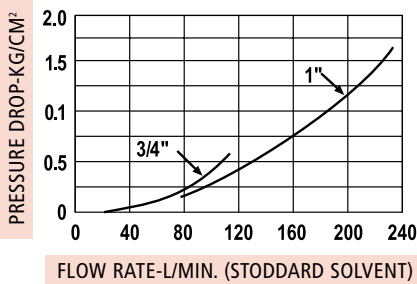
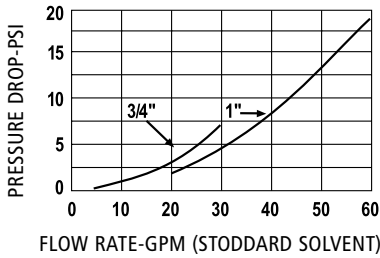
## BREAKAWAYS



Model	66V	68EZR	66REC	66SB
Style	Single Use	Reconnectable	Reconnectable	Reconnectable
Cost	<ul style="list-style-type: none"> <li>• Low Initial Unit Cost</li> <li>• Requires Service Call To Replace</li> </ul>	<ul style="list-style-type: none"> <li>• Higher Initial Unit Cost</li> <li>• No Service Call Required To Reconnect</li> </ul>	<ul style="list-style-type: none"> <li>• Higher Initial Unit Cost</li> <li>• No Service Call Required To Reconnect</li> </ul>	<ul style="list-style-type: none"> <li>• Higher Initial Unit Cost</li> <li>• No Service Call Required To Reconnect</li> </ul>
Application	<ul style="list-style-type: none"> <li>• High Hose Dispensing</li> <li>• Requires Whip Hose</li> </ul>	<ul style="list-style-type: none"> <li>• High Hose Dispensing</li> <li>• Requires Whip Hose</li> </ul>	<ul style="list-style-type: none"> <li>• High Hose Dispensing</li> <li>• Requires Whip Hose</li> </ul>	<ul style="list-style-type: none"> <li>• No Whip Hose Requiredz</li> </ul>
<sup>3</sup> / <sub>4</sub> " Model	Yes	Yes	Yes	Yes
1" Model	Yes	Yes	N/A	Yes
Other Features	Available with a Whip Hose Combination	Audible Click	Audible Click	Combines Swivel & Breakaway
Page	163	162	163	161
Cold Weather Option	No	Yes	Yes	Yes

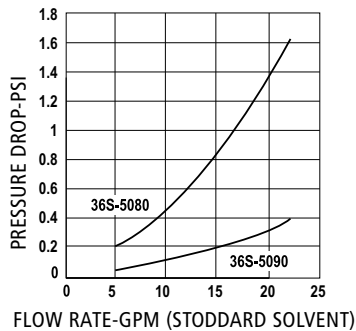
### OPW 45 Hose Swivel

The OPW 45 swivel is designed for gasoline self-service applications where easy nozzle and hose handling is important for customer convenience. The 45 is installed between the nozzle and hose to reduce strain, providing flexibility so fueling hoses last longer.



### OPW 36S Hose Swivel

Designed for use with fuel oil nozzles (at inlet only), the OPW 36S provides 360° swivel action. The full-circle swivel reduces the physical strain of aligning the nozzle with the fillpipe.



### Materials

- Body:** Aluminum
- Outlet Adaptor:** Zinc
- Inlet Adaptor:** Zinc
- Seals:** Buna-N
- Weight:** 3/4": .65 lbs. each; 30 kg  
1": 1.16 lbs. each; .53 kg
- Packed:** 20 per Case (45-5060)  
30 per Case (45-5075)



OPW 45

### Features

- ◆ UL and ULC listed for use in gasoline, diesel, and up to 10% ethanol blends. Specific listings available at [www.opwglobal.com](http://www.opwglobal.com).
- ◆ Compact, attractive profile for a sleek, modern appearance.
- ◆ Secure design not repairable or rebuildable for certainty of operation. Every OPW 45 is factory assembled and tested.
- ◆ Better flow performance less restriction means higher refueling speeds.
- ◆ Unique 2 planes of rotation for easy nozzle positioning and hose life.
- ◆ 50 psi (3.45 bar) maximum pressure.

### Ordering Specifications

Product #	Size	Overall Length	Across Corners	Weight	
		A	B	lbs.	kg
45-5060 20 per case	3/4" F x 3/4" M (NPT)	4 1/8"	1 9/16"	.65	.30
	19 mm x 19 mm	105 mm	40 mm		
45-5075 20 per case	1" F x 1" M (NPT)	4 3/4"	1 7/8"	1.16	.53
	25 mm x 25 mm	121 mm	48 mm		

### Materials

- Body:** Aluminum
- Adaptor:** Zinc  
Aluminum
- Seals:** Buna-N O-Ring,  
Viton® O-Ring
- Bearings:** Nylon

36S-5080



### Ordering Specifications

Product Number	Inlet Thread x Outlet Thread	lbs.	kg
36S-5080	3/4" M x 3/4" F (NPT)	0.30	0.14
	(19 mm x 19 mm)		
36S-5090	1" M x 1" F (NPT)	0.40	0.18
	(25 mm x 25 mm)		

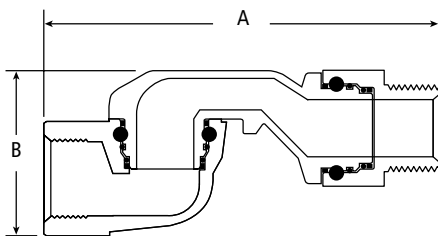
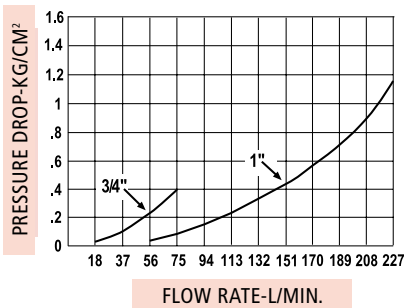
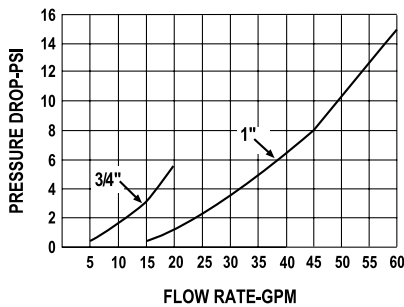
### Listings and Certifications



NOTE: See OPW's Website at [www.opwglobal.com](http://www.opwglobal.com) for product instruction sheets, trouble-shooting guides, how-to-use guide and to view the Do's & Don'ts at the Gas Pump video.

## OPW 241TPS Series Hose Swivels

The OPW 241TPS Series of swivels are designed and rigorously tested for applications where easy nozzle and hose handling is important for customer convenience. Swivels are installed in between the nozzle and the hose to provide flexibility in the system to reduce customer strain, position the nozzle properly and reduce premature hose wear.



## Materials

- Body:** Aluminum
- Inlet Adaptor:** Zinc
- Outlet Adaptor:** Zinc
- Seals:** Buna-N, Viton®
- Bearing:** Nylon
- Weight:** 3/4": .65 lbs., .30 kg  
1": 1.55 lbs., .703 kg
- Packed:** 60 per Case



241TPS - 3/4"



241TPS - 1"



## Features

- ◆ UL and ULC listed for use in gasoline, diesel, and up to 10% ethanol blends. Specific listings available at [www.opwglobal.com](http://www.opwglobal.com).
- ◆ Allows for easy nozzle positioning in fill pipes – utilizing two planes of rotation.
- ◆ Reduces premature hose wear – utilizing two planes of rotation.
- ◆ Added protection vs. thermal and chemical degradation – Dual Seals.
- ◆ 50 psi (3.45 bar) maximum pressure.

## Ordering Specifications

Product #	Inlet/Outlet	Length A	Depth B
241TPS-0241	3/4" F x 3/4" M (NPT)	4 7/8"	2 3/16"
241TPS-0492* (E85)			
241TPS-75RF** (E25/B20)	19 mm x 19 mm	124 mm	56 mm
241TPS-1000	1" F x 1" M (NPT)	6 1/32"	2 17/32"
241TPS-10RF*** (B20)	25 mm x 25 mm	153 mm	64 mm

\*241TPS-0492 is UL Listed for up to 85% Ethanol.

\*\*241TPS-75RF is UL Listed for up to 25% Ethanol and 20% Biodiesel.

\*\*\*241TPS-10RF is UL Listed for up to 20% Biodiesel.

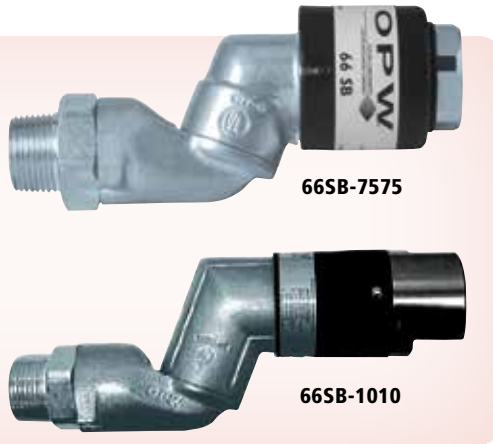
## Listings and Certifications



NOTE: See OPW's Website at [www.opwglobal.com](http://www.opwglobal.com) for product instruction sheets, trouble-shooting guides, how-to-use guide and to view the Do's & Don'ts at the Gas Pump video.

## Materials

- Body:** Aluminum
- Sleeve:** Nylon, HDPE
- Seals:** Viton®
- Spring:** Stainless steel
- Poppet:** Aluminum
- Packed:** 20 per Case



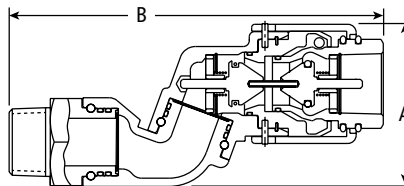
## Features

- ◆ UL and ULC listed for use in gasoline, diesel and up to 10% ethanol blends. Specific listings available at [www.opwglobal.com](http://www.opwglobal.com).
- ◆ Pull Force – the 66SB will break away with a pull force of no more than 350 lbs.
- ◆ Easily Reconnected at Waist Height – after relieving line pressure, simply push coupling halves together until latched. Reconnection force is approximately 15 lbs.
- ◆ Protected Coupling and Poppet – the breakaway’s poppet and sealing surface are protected from impact during separation by a plastic sleeve.

- ◆ Reduces Connections – the single-unit design replaces the standard swivel, breakaway and whip hose, eliminating possible leak points.
- ◆ Double O-Ring Seal – both swivel joints are protected by a double O-Ring design.

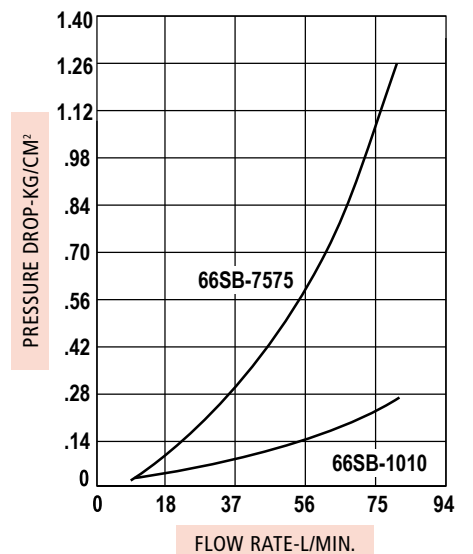
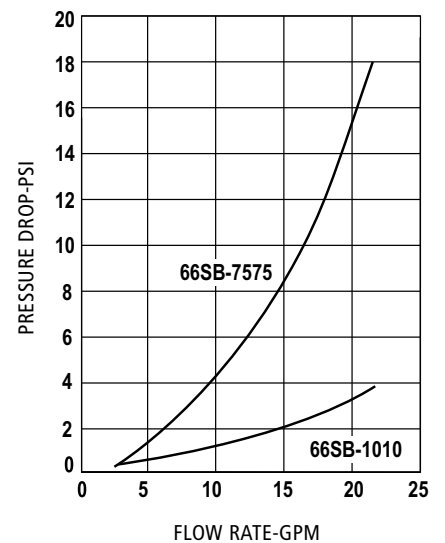
### Design working pressure

- ◆ 50 psi (3.45 bar) maximum pressure.



## OPW 66SB Swivel Breakaway

The OPW 66SB Swivel Breakaway is intended for easy installation at the nozzle inlet. The compact, lightweight design incorporates a 360° swivel rotation at both the male end and middle joint, with a simple and easily-reconnectable breakaway on the opposite end.



## Ordering Specifications

Product #	Size	Weight	
		lbs.	kg
66SB-7575	3/4" x 3/4" (NPT)	1	0.45
66SB-1010	1" x 1" (NPT)	1.82	0.83

## Dimensions

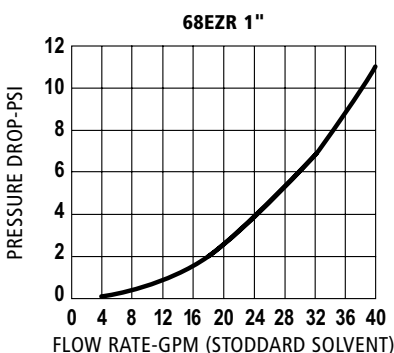
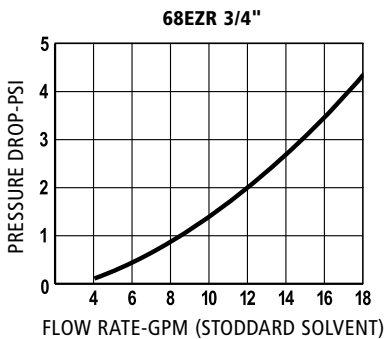
Product #	A		B	
	in.	mm	in.	mm
66SB-7575	2 1/2"	64	5 29/32"	150
66SB-1010	3 11/32"	85	8 1/2"	216

66SB Instruction Sheet Order Number: **F-69**

Listings and Certifications 

## OPW 68EZR Series 3/4" and 1" Dry Reconnectable Breakaway

The OPW 68EZR Reconnectable Breakaway has been designed for retail fueling operations to deliver an increased level of security in the event of a drive off. Not only is it the fastest and easiest breakaway in the industry to reconnect, but also the one that delivers the greatest peace of mind that it is securely reconnected. Built on the 66REC breakaway technology platform, the 68EZR delivers trusted OPW quality and proven technology at the lowest cost of ownership. The 68EZR is installed on fuel dispensing hoses and will separate when subjected to a designated pull force. Upon separation, the dual valves seat automatically, stopping the flow of fuel and limiting any fuel spillage, while protecting the dispensing equipment. For proper operation on high-hanging hoses, the OPW 68EZR must always be installed with a "straightening" hose, such as the OPW 66H. For low hose applications, the OPW 68EZR should be installed downstream of the retractor cable.



## Materials

**3/4" 68EZR**  
**Body:** Die-cast zinc  
**Protective Sleeves:** Impact Resistant Super-tough Nylon  
**Main Seals:** Viton® & Fluorosilicone  
**Main Spring:** Stainless steel  
**Guide and Poppets:** Acetal / Delrin  
**Packed:** 20 per Case

**1" 68EZR**  
**Body:** Aluminum  
**Protective Sleeves:** Impact Resistant Super-tough Nylon  
**Main Seals:** Viton® & Fluorosilicone  
**Main Spring:** Stainless steel  
**Guide and Poppets:** Acetal / Delrin  
**Packed:** 20 per Case



## Features

- ◆ UL and ULC listed for use in gasoline, ethanol blends up to 25% (E25), diesel, and biodiesel blends up to 20% (B20). Specific listings available at [www.opwglobal.com](http://www.opwglobal.com).
- ◆ Pull Force – the 68EZR will break away with a pull force of no more than 350 lbs.
- ◆ Unique Double-Poppet Design – features low pressure drop.
- ◆ Coupling Halves – protected by proven plastic sleeves.
- ◆ Easily Reconnected – features "Push-Twist-Click" technology; simply realign the valve, push in and then twist until you hear the audible click.
- ◆ Cold weather compatible
- ◆ Reconnection force of approximately 7 lbs.
- ◆ Line Shock – the OPW 68EZR is able to absorb the effects of normal line shock through the unique design of the disconnecting features.
- ◆ 50 psi (3.45 bar) maximum allowable operating pressure.

## Ordering Specifications

Product #	Size	mm	Weight	
			lbs.	kg
68EZR-7575	3/4" (NPT)	19	1.2	0.54
68EZR-75RF*	3/4" (NPT)	19	1.2	0.54
68EZR-1010	1" (NPT)	25	1.2	0.54
68EZR-10RF**	1" (NPT)	25	1.2	0.54

\*68EZR-75RF is UL and ULC listed for use in gasoline, ethanol blends up to 25% (E25), diesel, and biodiesel blends up to 20% (B20).

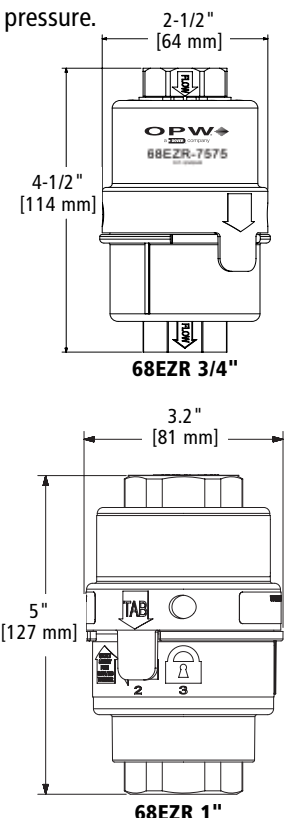
\*\*68EZR-10RF is UL and ULC listed for use in diesel, and biodiesel blends up to 20% (B20).

## Replacement Parts

Part #	Description
211143	3/4" Main Seal
8509	1" Main Seal

68EZR Series Instruction Sheet Order Number: **208080**

## Listings and Certifications





## Materials

- Body:** Die-cast zinc
- Protective Sleeves:** Impact resistant nylon
- Main Seals:** Viton®
- Main Spring:** Stainless steel
- Guide and Poppets:** Acetal
- Packed:** 20 per Case

66REC



## OPW 66REC 3/4" Dry Reconnectable Breakaway

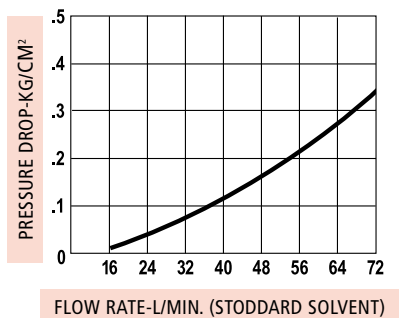
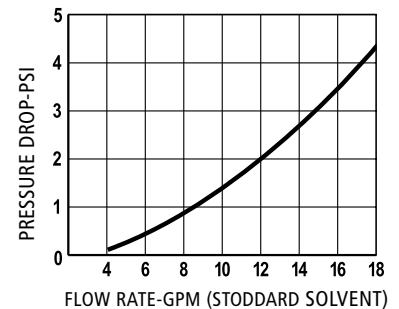
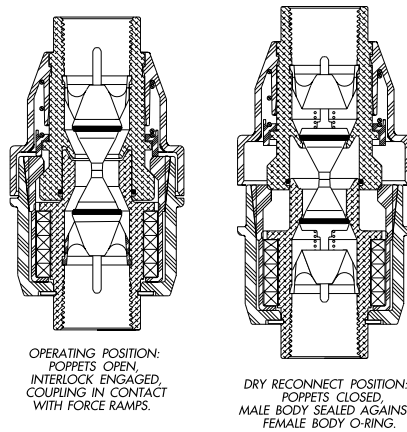
The OPW 66REC is the first dry reconnectable breakaway for the conventional dispensing market. It is designed to be installed on fuel dispensing hoses and will separate when subjected to a designated pull force. The dual valves seat automatically, stopping the flow of fuel and limiting any fuel spillage, while protecting the dispensing equipment. When reconnecting the separated halves, the 66REC seals tightly on an O-ring before the poppet stems engage to open the valve. For proper operation on high-hanging hoses, the OPW 66REC 3/4" must always be installed with a "straightening" hose with a minimum length of 9", such as the OPW 66H. For low hose applications, the OPW 66REC should be installed downstream of the retractor cable.

## Features

- ◆ UL and ULC listed for use in gasoline, diesel and up to 10% ethanol blends. Specific listings available at [www.opwglobal.com](http://www.opwglobal.com).
- ◆ Pull Force – the 66REC-1000 will break away with a pull force of no more than 350 lbs.
- ◆ Unique Double-Poppet Design – features low pressure drop.
- ◆ Coupling Halves – protected by proven plastic sleeves.
- ◆ Easily Reconnected – just "push and twist" until you hear the audible click, signifying the unit has been correctly reconnected. Reconnection force approximately 15 lbs.
- ◆ May be reconnected under wet or dry hose conditions.
- ◆ Cold weather compatible
- ◆ Line Shock – the OPW 66REC is able to absorb the effects of normal line shock through the unique design of the disconnecting features.

### Design working pressure

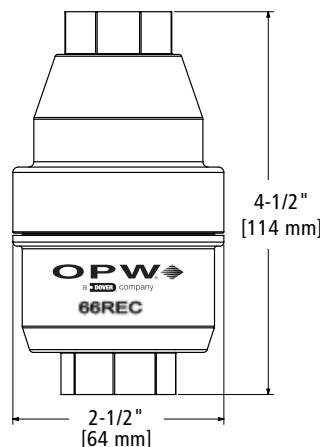
- ◆ 50 psi (3.45 bar) maximum pressure.



## Ordering Specifications

Product #	in.	mm	lbs.	kg
66REC-1000	3/4" (NPT)	19	1.2	.54

NOTE: See OPW's Website at [www.opwglobal.com](http://www.opwglobal.com) for product instruction sheets, trouble-shooting guides, how-to-use guide and to view the Do's & Don'ts at the Gas Pump video.



Listings and  
Certifications



## Materials

**Body:** Aluminum

**Seals:** Buna-N and Viton®

**Weight:** See matrix below



66V Breakaway Scuff Guard

66V



## Features

- ◆ UL and ULC listed for use in gasoline, diesel and up to 10% ethanol blends. Specific listings available at [www.opwglobal.com](http://www.opwglobal.com).
- ◆ Prevents Costly Damage to Dispensers – pulls apart at less the designed pull force during drive-offs.
- ◆ Certainty of Operation – designed for single use, so you know it is replaced instead of re-assembled.

- ◆ Prevents Hazardous and Costly Clean Up – unique double poppet design closes leak path from both dispenser and separated hose side.

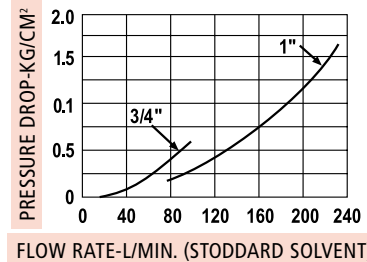
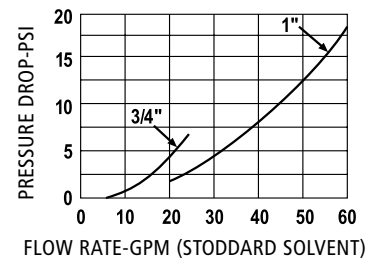
### Design working pressure

- ◆ 50 psi (3.45 bar) maximum pressure.

NOTE: OPW 66V Series Breakaways must always be installed with a "straightening" hose with a minimum length of 9" for the 3/4" Series and a minimum length of 12" for the 1" Series, such as the 66H Series hoses.

## OPW 66V Series Breakaways

The OPW 66V Series breakaways are designed and rigorously tested for use in today's fuels. Installed on fuel dispensing hoses, they will separate at the designed pull force, reducing expensive damage to the dispenser and piping system. Internal dual valves close automatically during separation, stopping the flow of fuel from both the dispenser and the separated hose, reducing environmental and health risks of potential spilled fuel.



66V Series 3/4" Instruction Sheet Order Number: H10993PA  
66V Series 1" Instruction Sheet Order Number: H10993PA  
66S Series Instruction Sheet Order Number: H11015PA

## Listings and Certifications



## Ordering Specifications

Product #	Connection Size		Weight		Description - Pull Force
	in.	mm	lbs.	kg	
66V-0300	3/4" F x 3/4" F (NPT)	19 F x 19 F	0.60	0.27	Valve / No More Than 300 lb.
66V-030RF**	3/4" F x 3/4" F (NPT)	19 F x 19 F	0.60	0.27	Valve / No More Than 300 lb.
66V-0492*	3/4" F x 3/4" F (NPT)	19 F x 19 F	0.60	0.27	Valve for up to E85 / No More Than 300 lb.
66V-1300	1" F x 1" F (NPT)	25 F x 25 F	0.98	0.45	Valve / No More Than 300 lb.
66V-130RF***	1" F x 1" F (NPT)	25 F x 25 F	0.98	0.45	Valve / No More Than 300 lb.
66V-1350	1" F x 1" F (NPT)	25 F x 25 F	0.98	0.45	Valve / No More Than 350 lb.
66V-135RF***	1" F x 1" F (NPT)	25 F x 25 F	0.98	0.45	Valve / No More Than 350 lb.

\* 66V-0492 is UL Listed for up to 85% Ethanol  
\*\* 66V-030RF is UL Listed for up to 25% Ethanol and 20% Biodiesel  
\*\*\* 66V-130RF and 66V-135RF are UL Listed for up to 20% Biodiesel

### Accessories

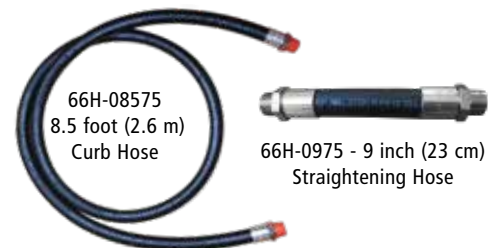
66-0075	3/4" F x 3/4" M (NPT)	19 F x 19 M	1.46	0.66	Valve w/ 9" Hose / No More Than 300 lb.
66-1300	1" F x 1" M (NPT)	25 F x 25 M	2.50	1.13	Valve w/ 12" Hose / Maximum 300 lb.
66S-0075	3/4"	19	0.20	0.10	Black Vinyl Scuff Guard Cover
66S-1300	1"	25	0.20	0.10	Black Vinyl Scuff Guard Cover

## 66H Series of Hoses

The 66H Series Hoses are UL approved, steel reinforced hardwall flexible to -40°F. 3/4 inch inside diameter with 3/4 inch male NPT chrome crimped ends. Compatible with fuel blends up to E-15 & B-20. Maximum working pressure 50PSI. Also available in Low Permeation per UL330.

## Ordering Specifications

Product #	Length	Connection Size		Weight		Description
		in.	mm	lbs.	kg	
66H-0975	9 inch (23 cm)	3/4" M x 3/4" M (NPT)	19 M x 19 M	0.75	0.34	Straightening Hose
66H-0975-LP	9 inch (23 cm)	3/4" M x 3/4" M (NPT)	19 M x 19 M	0.75	0.34	Straightening Hose LOW PERMEATION per UL330
66H-1300	12 inch (30 cm)	1" M x 1" M (NPT)	25 M x 25 M	1.40	0.63	Straightening Hose
66H-08575	8.5 feet (2.6 m)	3/4" M x 3/4" M (NPT)	19 M x 19 M	4	1.8	Curb Hose
66H-08575-LP	8.5 feet (2.6 m)	3/4" M x 3/4" M (NPT)	19 M x 19 M	4	1.8	Curb Hose LOW PERMEATION per UL330



# We don't stop at the nozzle. We've got you covered with swivels, breakaways and hoses.

## OPW Swivels Compatibility



Model	365	241TPS	45
Up to E10	365-5080	241TPS-0241	45-5060
Up to E25		241TPS-75RF	
Up to E85		241TPS-0492	
Up to B5	365-5080, 365-5090	241TPS-0241, 241TPS-1000	45-5060, 45-5075
Up to B20		3/4" 241TPS-75RF, 1" 241TPS-10RF	

## OPW Breakaway Compatibility



Model	66V	68EZR	66REC	66SB
Up to E10	66V-0300	68EZR-7575	66REC-1000	66SB-7575 66SB-1010
Up to E25	66V-030RF	68EZR-75RF		
Up to E85	66V-0492			
Up to B5	66V-0300 66V-1300 66V-1350	68EZR-7575 68EZR-1010	66REC-1000	66SB-7575 66SB-1010
Up to B20	3/4" 66V-030RF 1" 66V-130RF 1" 66V-135RF	68EZR-75RF 68EZR-10RF		

## Hose Compatibility



Straightening Hose:  
66H-0975 - 9 inch (23 cm)



Curb Hose: 66H-08575  
8.5 foot (2.6 m)

Model	Whip Hose (9 in)	Curb Hose (8.5 ft)
Up to E10	66H-0975	66H-08575
Up to E25	66H-0975-E25	66H-08575-E25
Up to E85	66H-0975-E85	66H-08575-E85
Up to B5	66H-0975	66H-08575
Up to B20	66H-0975	66H-08575
Low Perm	66H-0975-LP	66H-08575-LP

## E25, B20 Hose Kits Available

Contact Your OPW Distributor or Sales Representative



## Materials

**Body:** Aluminum nickel-plated  
**Spring:** Steel zinc-plated  
**Guide:** Ceramic-filled plastic  
**Adaptor:** Steel zinc-plated  
**Inlet and Outlet Size:** 3/4" NPT



44-0044

44N-1044

## Features

- ◆ UL and ULC listed for use in gasoline, diesel and up to 10% ethanol blends. Specific listings available at [www.opwglobal.com](http://www.opwglobal.com).
- ◆ Compact, attractive profile – for a sleek, modern appearance.
- ◆ Includes a 3/4" NPT pipe nipple.
- ◆ The OPW 44-0044 is designed to be installed at the dispenser outlet or between the dispenser and the breakaway valve, thus removing it from the abusive action sometimes

seen at the nozzle.

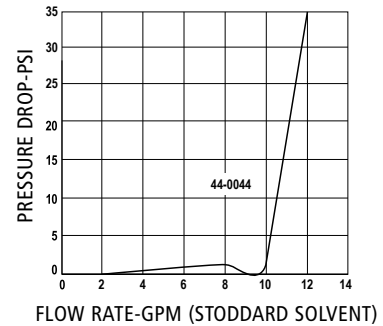
- ◆ A flow indication arrow – is indicated on the flow limiter for easy installation.

### Design working pressure

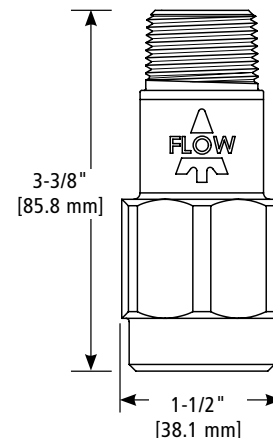
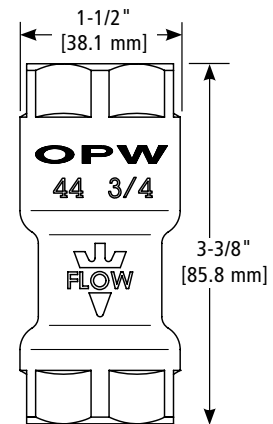
- ◆ 50 psi (3.45 bar) maximum pressure.

## OPW 44 Flow Limiter

The OPW 44 Flow Limiter allow your customers to comply with the EPA 10 gpm maximum flow rate mandate which went into effect July 1, 1996. The OPW 44-0044 Flow Limiter is designed to control the maximum fuel flow rate to 10 gpm.



44-0044



## Ordering Specifications

Product #	Length	Weight	
	in.	lbs	kg
44-0044	3/4 F x 3/4 F (NPT)	1.2	.54

44 Series Instruction Sheet Order Number: **H12918PA**

NOTE: See OPW's Website at [www.opwglobal.com](http://www.opwglobal.com) for product instruction sheets, trouble-shooting guides, how-to-use guide and to view the Do's & Don'ts at the Gas Pump video.

## Listings and Certifications



See pages 231 - 239 for certification

# Vacuum-Assist Vapor Recovery Hanging Hardware

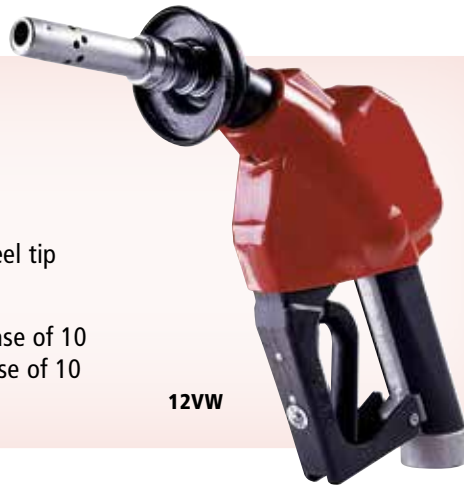


- 12VW Nozzles..... 168
- Vapor Recovery Nozzle Accessories and Replacement Parts..... 169
- Hose Swivels..... 170
- Swivel Breakaway Combos..... 171
- Reconnectable Breakaways ..... 172
- Single-Use Breakaways..... 159
- Accessories, Adaptors and Converters ..... 174



## Materials

- Body:** Aluminum
- Lever & Lever Guard:** Duratuff®
- Packing:** Graphite with Teflon®
- Disc:** Viton®
- Spout:** Aluminum w/ Stainless Steel tip
- Inlet Size:** M34 Metric
- Weight:** 3.1 lbs. each; 31.0 lbs./case of 10  
1.41 kg each; 14.1 kg/case of 10



12VW

## Features

### Safe for Use

- ◆ UL listed for use in gasoline, diesel and up to 10% ethanol blends. Specific listings available at [www.opwglobal.com](http://www.opwglobal.com).
- ◆ Prevents gasoline spills in prepay or card-lock systems utilizing OPW's unique No Pressure – No Flow Device. – The nozzle cannot be opened until the pumping system is pressurized and closes automatically when the pressure is removed.
- ◆ Prevents consumer from jamming the nozzle in an open position – blocker on lever guard.
- ◆ FlowLock™ allows nozzle to shut off when falling out of a vehicle, and is tipped up, limiting spillage and unsafe conditions.
- ◆ Vapor Escape Guard (VEG) improves vapor collection.
- ◆ Lever-activated vapor valve only opens when product is flowing controlling the amount of vapors collected from the vehicle.
- ◆ Stainless steel insert in spout to last longer than standard aluminum-only spouts.
- ◆ Durable lever guard that won't scratch your customers' vehicles – made from Duratuff®.
- ◆ New hold-open clip spring lasts longer than previous designs.
- ◆ Internal vapor path – no replacement parts needed.

### Appealing to Customers

- ◆ Easy to use – utilizing Accu-Stop® to-the-penny Flow Control Technology.
- ◆ Attractive 2-Piece NEWGARD™ Hand Insulator is the most comfortable nozzle in the industry to use.
- ◆ Convenient – one-finger hold-open clip that is easy to set the flow rate (not on all models).

### Design working pressure

- ◆ 50 psi (3.45 bar) maximum pressure.
- \* **OPW internal lab testing results as of August 2010.**

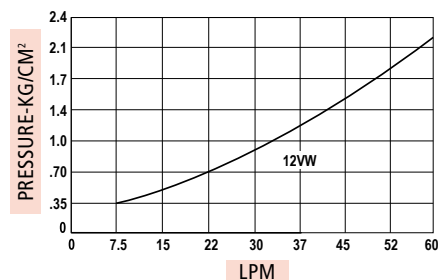
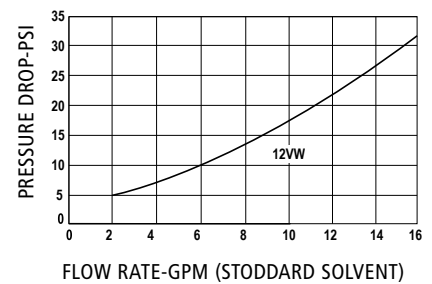
### Durable and Long Lasting

- ◆ Cycle tested and proven to last longer than 1 million cycles – better than any other nozzle available on the market today\*.

## OPW 12VW Vacuum-Assist Nozzles

The OPW 12VW Series automatic nozzles are one of OPW's premium nozzles for Vacuum-Assist vapor recovery systems. Designed with an integrated vapor-valve, they are certified on the most used vapor recovery systems in the world. The 12VW is the most trusted vapor recovery nozzle in the world for the applications it is certified on including:

- Dresser/Wayne Wayne® Vac
- Gilbarco® VaporVac®
- Schlumberger
- Vacurite



**Listings and  
Certifications**



**CARB**  
California Air Resources Board

## Listings and Certifications

### Certifications and Listings

### Gilbarco® VaporVac®

CARB Initial Certification Date	April 2000	July 2000
CARB Certification Number	G-70-153* / G-70-199**	G-70-150* / G-70-199**

\* Latest version.

\*\*Approval for 350ml liquid retention requirement.

### Ordering Specifications

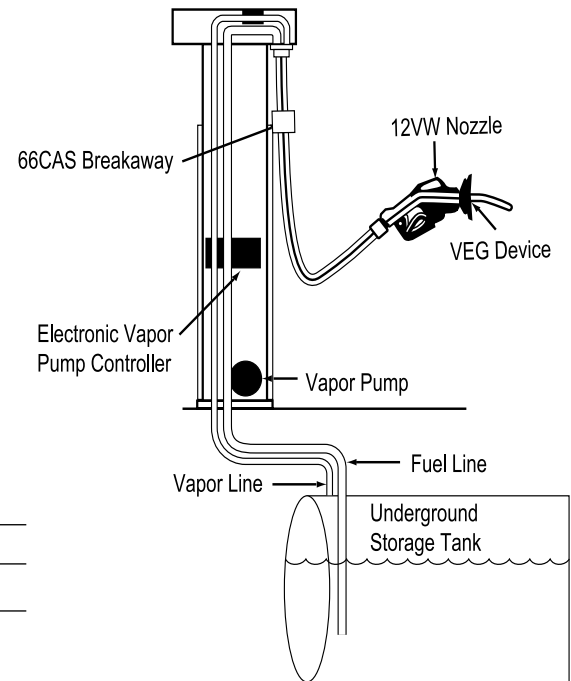
Standard Hand Insulator Color	12VW New Unleaded, with Hold-open Rack	12VW w/ AdMaster™
Green	12VW-0100	
Silver	12VW-0200	
Red	12VW-0300	
Black	12VW-0400	12VW-0400-AD
Blue	12VW-0500	
Gold	12VW-0750	
Yellow	12VW-0900	
Bare	12VW-0000	

### Replacement and Repair Parts

Product	Description	Part#
Spout Kit	Replacement aluminum unleaded spout with VEG	5VW-2000
ECD Kit	Replacement ECD and hardware	3VW-0450

12VW Series Instruction Sheet Order Number: **H15890PAE**

### Typical Installation



## OPW 6 NEWGARD™ Two-Piece Hand Insulator

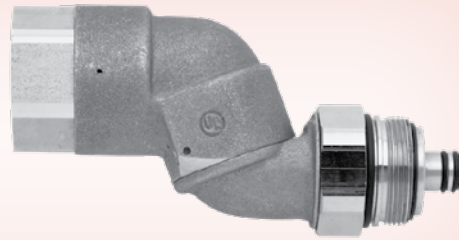
### Ordering Specifications

Hand Insulator Color	12VW New Unleaded, with Hold-Open Rack
Green	H13964M
Silver	H14662M
Red	H13942M
Black	H13941M
Blue	H14580M
Gold	H14661M
Yellow	H13943M
Hand Insulator Barrel	D02141M



## Materials

- Body:** Aluminum
- Outlet Adaptor:** Aluminum
- Inlet Adaptor:** Aluminum
- Seals:** Viton and Buna-N
- Weight:** 1.5 lbs. each, 0.68 kg



MFVA

## Features

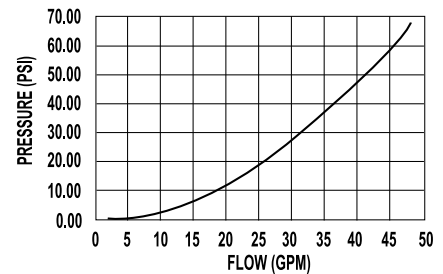
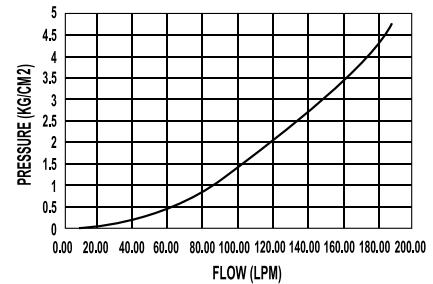
- ◆ **UL listed** for use in gasoline, diesel and up to 10% ethanol blends. Specific listings available at [www.opwglobal.com](http://www.opwglobal.com).
- ◆ **Easier Hose Movement** – filling the vehicle is much easier, because hoses do not kink and are much freer to move.
- ◆ **Improved Wear** – reduces stress and wear on hoses.
- ◆ **Two-Plane Rotation** – the first swivel plane allows for 360° of motion perpendicular to the axis of the nozzle.
- ◆ The second swivel plane allows for 360° of motion parallel to the axis of the nozzle for easy nozzle positioning in the fillpipe.
- ◆ **Compact, Attractive Profile** – provides a sleek, modern appearance, allowing hoses to hang straight down instead of at an angle.
- ◆ **Secure Design** – not repairable or rebuildable for certainty of operation. Every MFVA is factory assembled and tested.
- ◆ **Special Swivel Outlet Design** – male adaptor is specially designed so that tightening of the threaded joint will not inhibit swivel rotation.

### Design working pressure

- ◆ 50 psi (3.45 bar) maximum pressure.

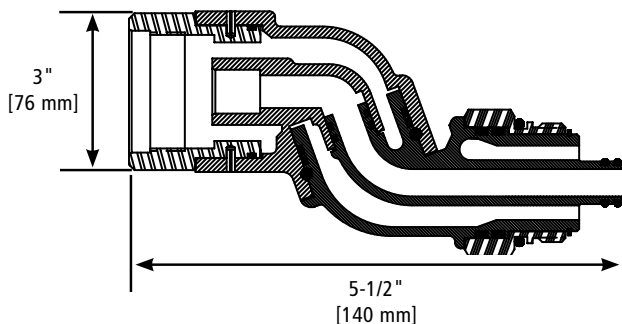
## OPW MFVA Inverted Swivel

The OPW MFVA Inverted Swivel is designed for vapor recovery applications where easy nozzle and hose handling is important for customer convenience. When attached between the nozzle and the hose, the OPW MFVA two-plane swivel allows your customer a much fuller range of motion in positioning the nozzle to fill the vehicle. Your customer can access the fillpipe from virtually any angle with minimal effort. The OPW MFVA attaches between the hose and the nozzle to reduce strain, providing flexibility so fueling hoses last longer. The OPW MFVA provides 360° swivel action for easy nozzle positioning into the fillpipe.



## Ordering Specifications

Product #	Description	Threads
MFVA	Vacuum Assist Swivel	M34 Metric



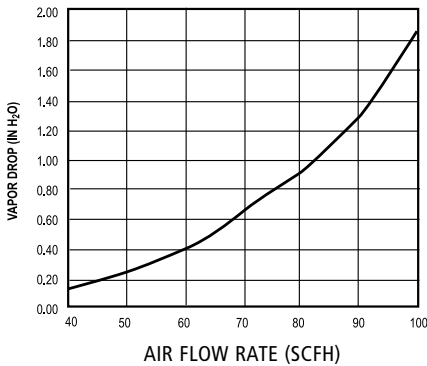
**Listings and Certifications**



**CARB**  
California Air Resources Board

## OPW 66ISB Vacuum-Assist Stage II Vapor Recovery Reconnectable Swivel/Breakaways

Reconnectable, vapor popped Stage II Vacuum-Assist Swivel/Breakaways available. Designed for those who want to provide customers with the convenience of a 2-plane swivel and the added safety of a breakaway.



### Materials

- Body:** Aluminum
- Sleeve:** Nylon, HDPE
- Seals:** Viton®
- Spring:** Stainless steel
- Poppet:** Aluminum
- Weight:** 1.3 lbs., 0.60 kg



66ISB-5100

### Features

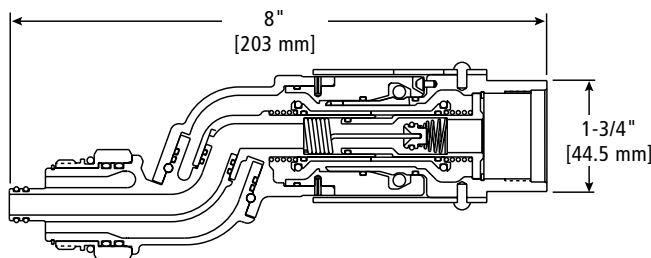
- ◆ UL and ULC listed for use in gasoline, diesel and up to 10% ethanol blends. Specific listings available at [www.opwglobal.com](http://www.opwglobal.com).
- ◆ Engineered to separate with an axial pull force of no more than 350 lbs.
- ◆ 66ISB-5100 comes with vapor poppet.
- ◆ Swivel rotation of 360° in both planes.
- ◆ Push-back reconnect style.
- ◆ Easier reconnection at waist height.
- ◆ Extends hose life.
- ◆ Double O-rings at each joint.

### Design working pressure

- ◆ 50 psi (3.45 bar) maximum pressure.

### Ordering Specifications

Product #	Threads
66ISB-5100	M34 Metric Breakaway



### Listings and Certifications



### CARB

California Air Resources Board

CARB Certified and UL Listed Per Standard 567.

## Materials

**Body:** Aluminum  
**Main Seals:** Viton  
**Guide and Poppets:** Acetal  
**Protective Sleeves:** Impact Resistant Nylon®  
**Main Spring:** Stainless steel  
**Weight:** 1.0 lbs., 0.96 kg



66CAS-0300

## Features

- ◆ UL listed for use in gasoline, diesel and up to 10% ethanol blends. Specific listings available at [www.opwglobal.com](http://www.opwglobal.com).
- ◆ Dual Poppets – close to prevent product spillage and vapor leakage.
- ◆ Dual poppeted breakaways are recommended for use in any vacuum-assist systems, especially nozzles with integral vapor valves.
- ◆ Sleek, Attractive Appearance – to enhance station image.
- ◆ Quick Reconnect – requires only 15 lbs. of force to reconnect.
- ◆ Dry Reconnect – designed to help prevent liquid from spraying the operator during the reconnection operation.
- ◆ Rugged, Durable Construction – outer sleeve to protect coupling and sealing parts from damage for long, trouble-free service life.

- ◆ Nozzle and Hose Compatibility – interfaces with Stage II vapor recovery nozzles by OPW, and with all manufacturers of vapor recovery hoses (features the popular M34 metric thread).

## Construction/Design

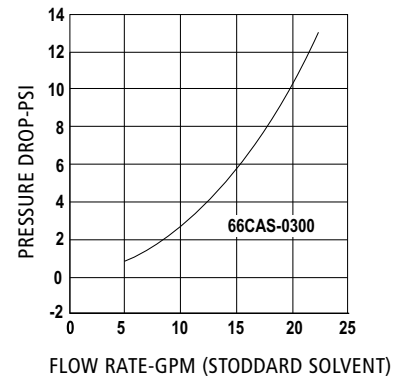
- ◆ Outer sleeve to protect sealing and coupling parts in a driveaway.
- ◆ Field-proven, double-poppet design that seals both ends of the product line and the dispenser side of the vapor line in a driveaway.
- ◆ Inverted metric coaxial hose fitting for installation into any vacuum-assist dispenser.
- ◆ Easily replaces any inverted breakaway currently in use today.

## Design working pressure

- ◆ 50 psi (3.45 bar) maximum pressure.

## OPW 66CAS Dry Reconnect Inverted Breakaways

The OPW 66CAS Dual Poppeted, Dry Reconnect Inverted Breakaway is designed to close off the liquid path and the vapor path in the event of a drive-away. Engineered to separate at maximum of 350 pounds of axial pull force, the OPW 66CAS Breakaway is also designed to handle line shock better than a single use breakaway, while protecting your dispensing system from catastrophic damage. The OPW 66CAS is developed for use with inverted coaxial metric hoses and designed to meet today's demanding standards.



FLOW RATE-GPM (STODDARD SOLVENT)

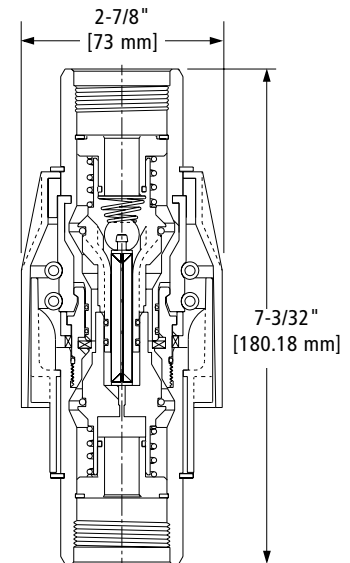
## Ordering Specifications

Product #	Threads
66CAS-0300	M34 Metric Breakaway

66CAS Series Instruction Sheet  
 Order Number: **H13008M**

## Replacement Parts

Product #	Threads
66SRK-1000	Seal Replacement Kit



**Listings and Certifications**



**CARB**

California Air Resources Board



# Balance Vapor Recovery Hanging Hardware



- Reconnectable Breakaways ..... 175

## Materials

**Body:** Aluminum  
**Seals:** Buna-N  
**Weight:** 0.75 lbs.,  
0.34 kg



**VAR75**

## Features

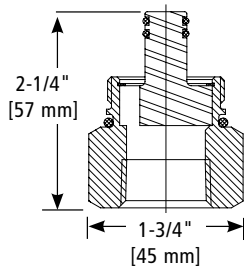
- ◆ Lightweight, maintenance free and easy to install.
- ◆ Adapts M-34 thread to a 3/4" NPT thread.

## Design working pressure

- ◆ 50 psi (3.45 bar) maximum pressure.

## Ordering Specifications

Part No.	Description
VAR75	Vac-assist to 3/4" NPT Conventional Converter



## Materials

**Body:** Aluminum  
**Seals:** Buna-N  
**Weight:** 0.75 lbs.,  
0.34 kg



**28C**

## Features

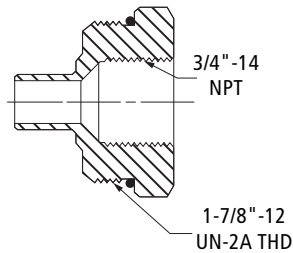
- ◆ Lightweight, maintenance free and easy to install.
- ◆ Adapts 1-7/8 – 12 UN thread to a 3/4" NPT thread

## Design working pressure

- ◆ 50 psi (3.45 bar) maximum pressure.

## Ordering Specifications

Part No.	Description
28C-0028	Coax Vapor Recovery x 3/4" NPT Bushing



## OPW VAR75 Converter Vac-Assist to 3/4" NPT

Converts vacuum-assist nozzle to a conventional hose or a vacuum-assist dispenser for use with a conventional hose.

## OPW 28C Balance Coax Adaptor

The OPW Balance Adaptor is designed to convert Balance Coax dispensers into a conventional hose point. Simply remove the existing balance hose and thread the 28C into the existing dispenser; then thread in your new Conventional hose.

### Materials

- Body: Die-cast zinc
- Protective Sleeves: Impact modified nylon
- Main Seals: Viton®
- Main Spring: Stainless steel
- Guide and Poppets: Acetal
- Weight: 0.97 lbs., 0.44 kg

**66CLP-5100**



California Air Resources Board Certified – Executive Order VR-203-N & VR-204-N

### OPW 66CLP Balance Phase II Enhanced Vapor Recovery Reconnectable Breakaway

For more than a decade, the 66CLP has earned the reputation as the industry standard in preventing fuel vapors from escaping during a separation incident on balance systems. Its proven design minimizes downtime and allows all hose points to be put back in service as quickly and easily as possible after a separation event. The OPW 66CLP is also approved for VST Phase II Enhanced Vapor Recovery Systems.

### Features

- ◆ UL listed for use in gasoline, diesel and up to 10% ethanol blends. Specific listings available at [www.opwglobal.com](http://www.opwglobal.com).
- ◆ Separates at 350 pounds of axial force.
- ◆ Push-back reconnect style.
- ◆ Durable, lightweight construction.
- ◆ Minimal pressure drop.

#### Design working pressure

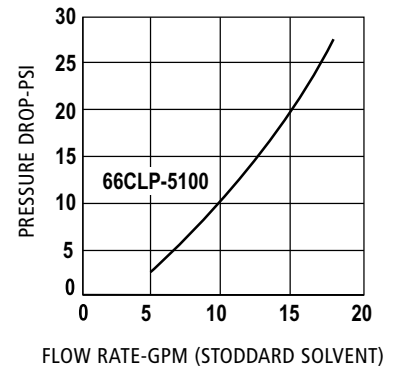
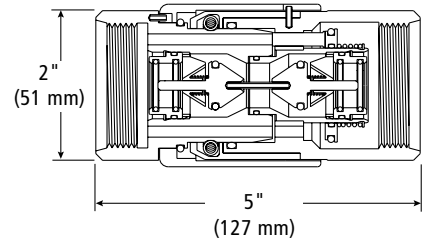
- ◆ 50 psi (3.45 bar) maximum pressure.

### Ordering Specifications

Product #	Description
66CLP-5100	Vapor Poppeted Reconnectable Balance Breakaway
66CLP Instruction Sheet Order Number: <b>F-70</b>	

### Replacement Parts

Product #	Description
204870	O-ring
204872	Spring
204811	Outer Cover



### Listings and Certifications

**CARB Certification Numbers**

- Executive Order VR-203-N** (for Balance Phase II Enhanced Vapor Recovery (EVR) Systems Not Including In-Station Diagnostics (ISD))
- Executive Order VR-204-N** (for Balance Phase II Enhanced Vapor Recovery (EVR) Systems Including In-Station Diagnostics (ISD) Systems)

**Listings and Certifications**



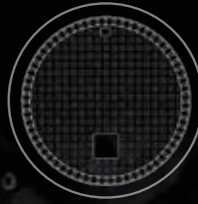
**CARB**  
California Air Resources Board

FlexWorks

Edge DWSC

71SD-T

Fibrelite



OPW 14E



ECO Nozzle

ElectroTite



Fueling Site 2020 - Phase 1: Above and Below Ground Assembly

## DEFINING | WHAT'S NEXT

For more than 125 years, OPW has been leading the way in fueling innovation worldwide. We have built our legendary reputation by advancing business partnerships with our distributors that help petroleum marketers provide an optimum fueling experience for their consumers.

At OPW, we are constantly looking to the future, refining our existing solutions and pioneering new technologies in a never-ending quest to deliver what matters most to consumers: a safe, clean, efficient, comfortable, environmentally conscious, water-tight, compliant and reliable fueling environment.

We are doing more than leading the way. We are *defining what's next*.



# Industrial Products



- DEF Nozzle..... 178
- Automatic Nozzles ..... 180
- Overwing Aircraft Nozzles ..... 180-183
- Manual High-Flow Bulk Fill Nozzles ..... 184-188
- Manual Nozzle Accessories..... 189
- Manual Utility Farm Nozzle ..... 190
- Reconnectable Breakaways ..... 191
- Hose Swivels..... 192





## OPW 19DEF Series Industrial Automatic Nozzle

When you're responsible for ensuring the safe, reliable and affordable dispensing of Diesel Exhaust Fluid (DEF) for on-road, off-road, commercial and industrial heavy-duty trucks, farming or other diesel powered vehicles, you rely on the most trusted name in dispensing nozzles – OPW.

The NEW OPW 19DEF Series Industrial Automatic Nozzle is specifically designed for your commercial and industrial fleet operations, offering unmatched reliability with the features you want.

## OPW 19DEF Series Swivels

### Reconnectable Swivel Breakaway



- Designed to connect to the inlet of the nozzle. - No whip hose needed
- The industries best swiveling ability
- Breakaway is reconnectable with built in swivel / Retaining jaws and seals are replaceable
- Breakaway will separate at no more than 350 pounds of force. (axial or angular)

### Hose Swivel



- Hose swivel designed for 3/4" DEF hose (Clamps not included)
- The industries best swiveling ability

### Swivel



- The industries best swiveling ability

## Design Working Pressure

- ◆ 50 PSI (3.45 bar) maximum pressure

NOTE: The OPW 19DEF Equipment is for commercial fleet applications only and are not UL Listed for gasoline dispensing facilities.

## Materials

- Packing & Disc:** Fluorocarbon
- Lever & Lever Guard:** Duratuff®
- Spout:** Stainless Steel  
O.D. 19mm (0.75 in) per ISO 22241 Specifications
- Inlet Size:** 3/4" NPT or 3/4" BSPP
- Weight:** 2.73 lbs. each, 43.1 lbs./case of 15, 1.25 kg each, 19.9 kg/case of 15



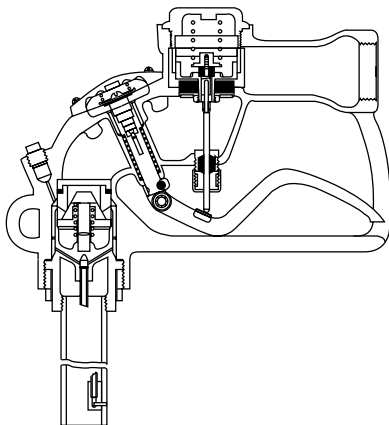
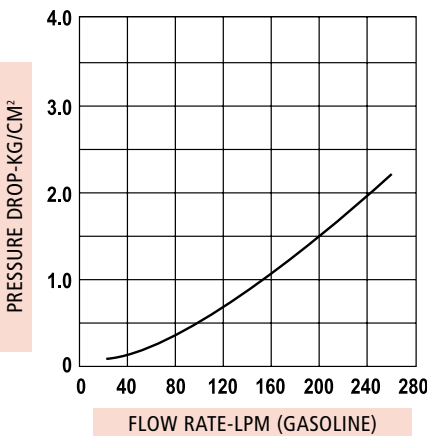
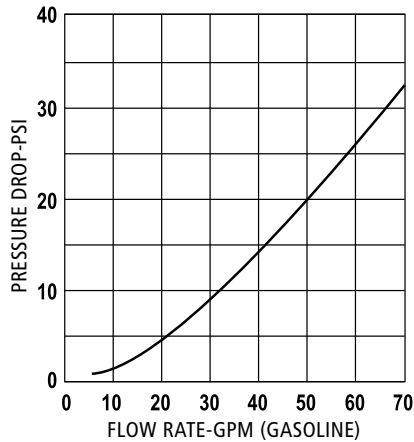
## Features - Benefits

- ◆ Stainless Steel Spout – provides optimum DEF purity and prevents corrosion
- ◆ Lowest Overall Cost of Ownership – reliable, long lasting design based on proven OPW quality platform and industry standard-setting technology
- ◆ Ease of Use – sleek, lightweight design with patented Accu-Stop® Flow Control Technology and convenient one-finger hold-open clip to set flow rate
- ◆ User Comfort – attractive 2-Piece NEWGARD™ Hand Insulator is the most comfortable nozzle in the industry in hot or cold weather
- ◆ Vehicle Protection – our Duratuff® lever guard not only provides for rugged durability when dropped but also won't scratch your fleet vehicle
- ◆ Meets ISO 22241 Requirements – all materials of construction are 100% 3rd party tested and approved for DEF compatibility

Product #	Description
<b>Nozzles</b>	
19DEF-0500SS	Nozzle, DEF - 3/4" Female NPT inlet, for use WITHOUT Mis-Filling Prevention Device
19DEF-050LSS	Nozzle, DEF - 3/4" Female BSPP inlet, for use WITHOUT Mis-Filling Prevention Device
19DEFM-0500SS	Nozzle, DEF - 3/4" Female NPT inlet, for use WITH Mis-Filling Prevention Device
19DEFM-050LSS	Nozzle, DEF - 3/4" Female BSPP inlet, for use WITH Mis-Filling Prevention Device
<b>Swivel Breakaway</b>	
19DB-0075	Breakaway, DEF, 3/4" NPT
19DB-0075L	Breakaway, DEF, 3/4" BSPP
<b>Hose Swivel</b>	
19DHS-0075	Hose Swivel, DEF, 3/4" NPT
19DHS-0075L	Hose Swivel, DEF, 3/4" BSPP
<b>Swivel</b>	
19DS-0075	Swivel, DEF, 3/4" NPT
19DS-0075L	Swivel, DEF, 3/4" BSPP
<b>Hose Adaptors</b>	
19DM-0100	3/4" MNPT to 1" MNPT - Connecting nozzle to 1" NPT Female hose
19DF-0100	3/4" MNPT to 1" FNPT - Connecting nozzle to 1" NPT Male hose
19DML-0100	3/4" MBSPP to 1" MBSPP - Connecting nozzle to 1" BSPP Female hose
19DFL-0100	3/4" MBSPP to 1" FBSPP - Connecting nozzle to 1" BSPP Male hose
19DML-0075	3/4" MBSPP to 3/4" MBSPP - Connecting nozzle to 3/4" BSPP Female hose

## OPW 1290 and 1291C Automatic Shut-Off Nozzles

For Heavy-Duty, High-Flow Truck, Bus and Home Fuel Oil Delivery Service



### Materials

- Body: Aluminum
- Main stem: Stainless steel
- Packing: Graphite with Teflon®
- Main Disc: Viton®
- Inlet Size: 1-1/2" NPT



1291C-0050

### Features

- ◆ Venturi-Type Shut-Off Mechanism – for automatic shut-off.
- ◆ Aluminum Body – lighter in weight and easier to maneuver than other nozzles on the market.
- ◆ Two-position hold-open device\*.
- ◆ One-Hand Control of Hold-Open Mechanism – means easy setting of flow rate.
- ◆ Right Angle Design – provides larger lever area for better grips and easier control, permitting the nozzle to fit into awkward spaces close to walls and into corners.
- ◆ Easily-Replaced Spout – simply remove the spout retainer nut.
- ◆ Built-In Outlet Check Valve – meets all known requirements of the Division of Measurement Standards.
- ◆ Dual Poppets – make nozzle easy to open against high inlet pressure.

### Design working pressure

- ◆ 50 psi (3.45 bar) maximum pressure.
- ◆ Service Temperature range: -20° F to 140° F

### Ordering Specifications

Product #	Description	Inlet Thread			
		in.	mm	lbs.	kg
1290-0050	New	1 1/2"	38	6.8	3.1
1291C-0050*	New	1 1/2"	38	6.8	3.1
1290G-0050	New	1 1/2"	38	6.8	3.1

Government National Stock #s:  
 1290-0050; NSN 4930-01-290-0756  
 1290G-0050; NSN 4930-01-352-1660 green anodized  
 1290GS-0050; NSN 4930-01-352-1661 tan anodized  
 (1290GS-AR50; tan anodized without Kamlok coupler and dust plug)

### Replacement Spout

Product #	Description	O.D.		Length		Weight	
		in.	mm	in.	mm	lbs.	kg
5D-0125	8-1/2", 1290, Spout Kit	1 3/8"	35	8 1/2"	215	1.5	0.68
5D-0126C	8-1/2", 1291C, Spout Kit	1 3/8"	35	8 1/2"	215	1.5	0.68

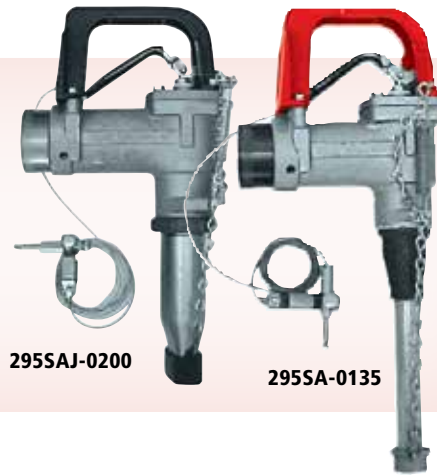
1290 Series Instruction Sheet Order Number: **H09238PA**

Listings and Certifications

**\*1291C Nozzles are not permitted and sold with Hold-Open Clips per ULC S620 requirements.**

## Materials

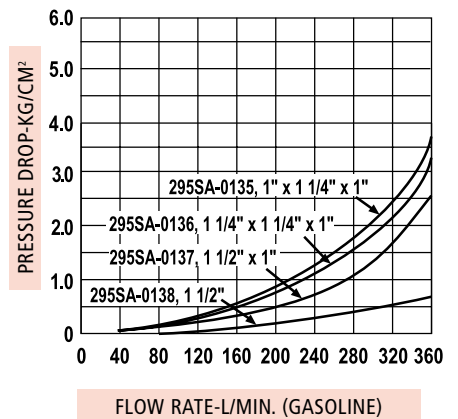
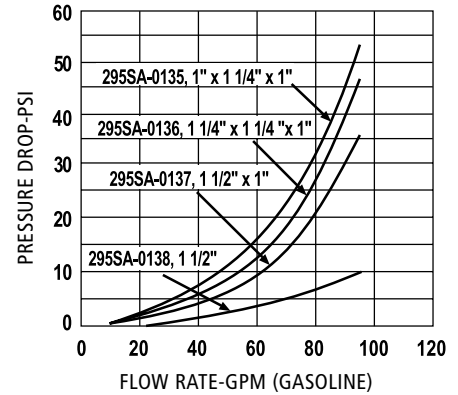
- Body:** Cast aluminum
- Main Stem:** Stainless steel
- Stem Seal:** Buna-N O-Ring
- Disc:** Viton®
- Spout:** Aluminum



## Manual Overwing Aircraft Nozzles

### 295SA – AVGAS

### 295SAJ – Jet Fuel



## Features

- ◆ Aluminum Body – lighter weight, easier to maneuver.
- ◆ Dual Poppets – easy-to-open nozzle against high inlet pressures.
- ◆ Color-Coded Composite Lever Guards – helps distinguish between AVGAS and Jet A. Easily replaced in lever guard kit.
- ◆ Right Angle Design – provides larger lever area for better grip and easier control.
- ◆ Vinyl-Coated Lever – insulates fingers against cold.
- ◆ 100 Mesh Strainer – prevents foreign matter from entering fuel tank; easy to remove and clean.
- ◆ Dust Cap – keeps spout free from dirt and stops fuel drippage when connected.
- ◆ Adjustable Dash Pot – permits adjusting the main poppet closure rate over a wide range of flows to overcome line shock with minimum afterflow.
- ◆ Easily replaced spout – the spout is easily threaded into the body. Replacement spouts are readily available from OPW.
- ◆ Built-In Swivel – eliminates twisting and kinking of the hose. This swivel is electroless nickel-plated and has full-bearing surfaces.
- ◆ NPT Female Threads at Inlet End of 295SA – accepts all 1", 1-1/4" or 1-1/2" male connections.
- ◆ NPT Female Threads At Inlet End Of 295SAJ – accepts all 1-1/2" male connections.
- ◆ Unique Jet Aircraft Spout Design of 295SAJ – to help prevent inadvertent fueling of piston engine aircraft with turbine fuel.
- ◆ Ground Wire Assembly – included on all aviation nozzles.

### Design working pressure

- ◆ 110 psi (7.58 bar) maximum pressure

## Level Guard Replacement Kits

Product #	Nozzle
295KLG-0300	295SA-0135, 0136, 0137, 295SAC-0156, 0157 Red
295KLG-0350	295SA-0138, 275SAC-0158 Red
295KLG-0400	295SAJ-0200, 295SACJ-0200 Black

All lever guard kits include new lever sub-assembly.  
295 Series Instruction Sheet Order Number: **H09237PA**

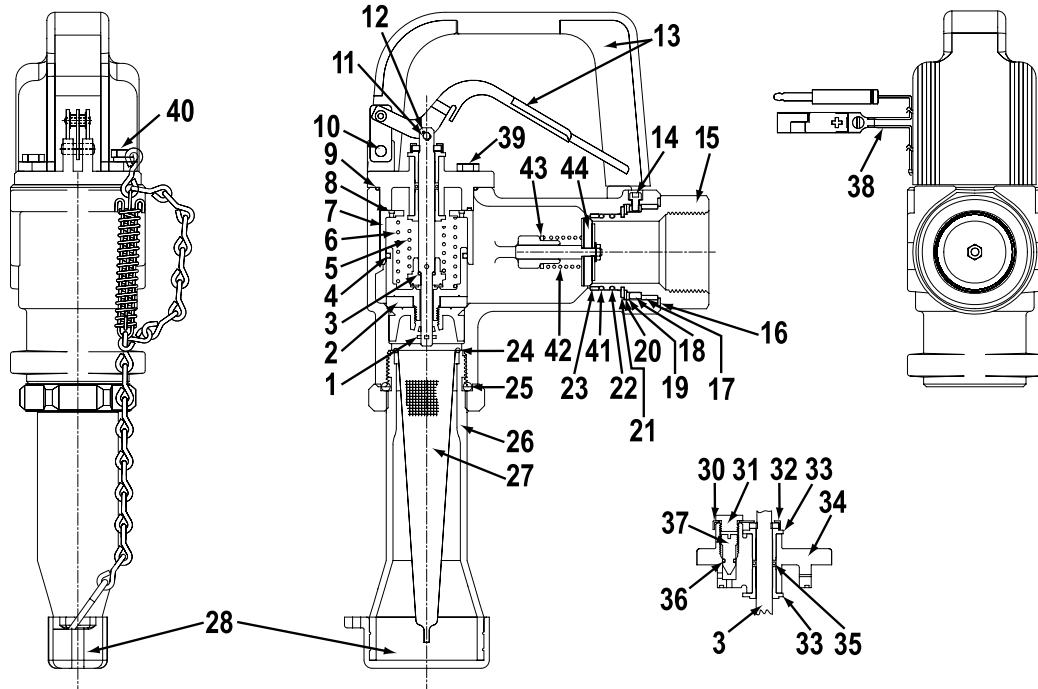
## Ordering Specifications

Product #	Inlet Thread		Spout O.D			
	in.	mm	lbs.	kg	in.	mm
295SA-0135	1	25	4.60	2.10	1	25
295SA-0136	1/4	32	4.50	2.00	1	25
295SA-0137	1/2	38	4.50	2.00	1	25
295SA-0138	1/2	38	5.10	2.30	1 3/8	41
295SAJ-0200	1/2	38	5.60	2.50	2 2/3	54
295SAC-0156*	1/4	32	4.50	2.00	1	25
295SAC-0157*	1/2	38	4.50	2.00	1	25
295SAC-0158*	1/2	38	5.15	2.30	1 3/8	41
295SACJ-0200*	1/2	38	5.65	2.60	2 2/3	54

\*Check Valve

NOTE: See OPW's Website at [www.opwglobal.com](http://www.opwglobal.com) for product instruction sheets, trouble-shooting guides, how-to-use guide and to view the Do's & Don'ts at the Gas Pump video.

Replacement Parts - OPW 295SA/295SAC & 295SAJ



Key	Part #	Description	295SA-0135 inlet/ spout 1" x 1"	295SA-0136 & 295SAC-0156 inlet/ spout 1 1/4" x 1"	295SA-0137 & 295SAC-0157 inlet/ spout 1 1/2" x 1"	295SA-0138 & 295SAC-0158 inlet/ spout 1 1/2" x 1 1/2"	295SAJ-0200 & 295SACJ-0200 inlet/ spout 1 1/2" x 1 1/2"
1	H02477M	Cotter Pin	•	•	•	•	•
2	H07719	Main Poppet S/A	•	•	•	•	•
3	H09420	Stem & Sec. Poppet	•	•	•	•	•
3	H09417	Stem & Sec. Poppet	•	•	•	•	•
4	H12706M	O-Ring	•	•	•	•	•
5	H09367M	Spring	•	•	•	•	•
6	H05064M	Spring	•	•	•	•	•
7	H05088M	Skirt	•	•	•	•	•
8	H05198M	Seal	•	•	•	•	•
9	H04828M	Seal	•	•	•	•	•
10	H03981RE	Pin	•	•	•	•	•
11	215290	Cotter Pin	•	•	•	•	•
12	H07580M	Rivet	•	•	•	•	•
13	295KLG-0300	Lever Guard Kit*	•	•	•	•	•
13	295KLG-0350	Lever Guard Kit*	•	•	•	•	•
13	295KLG-0400	Lever Guard Kit*	•	•	•	•	•
14	H13774M	Screw (3 req'd)*	•	•	•	•	•
15	295SWK-0007	Swivel Repair Kit**	•	•	•	•	•
15	295SWK-0009	Swivel Repair Kit**	•	•	•	•	•
15	295SWK-0014	Swivel Repair Kit**	•	•	•	•	•
15	295SWK-0013	Swivel Repair Kit**	•	•	•	•	•
16	H08886M	Dust Seal	•	•	•	•	•
16	H01227M	Dust Seal	•	•	•	•	•
17	H08887M	Bearing	•	•	•	•	•
17	H08879M	Bearing	•	•	•	•	•
18	H09713RS	Retainer	•	•	•	•	•
18	H09712RS	Retainer	•	•	•	•	•

\* Replacement part for nozzles built after 08/1998. Part is unavailable for nozzles built before this date.

\*\* Includes 295SRK-0001 or 295SRK-0002 and contact ring.

## Replacement Parts-OPW 295SA/SAC & SAJ Aircraft Nozzles

Key	Part #	Description	295SA-0135 inlet/ spout 1" x 1"	295SA-0136 & 295SAC- 0156 inlet/spout 1 1/2" x 1"	295SA-0137 & 295SAC- 0157 inlet/spout 1 1/2" x 1"	295SA-0138 & 295SAC- 0158 inlet/spout 1 1/2" x 1 1/2"	295SAJ-0200 & 295SACJ-0200 inlet/ spout 1 1/2" x 1 1/2"
19	H08881M	Thrust Bearing	•	•	•		
19	H08889M	Thrust Bearing				•	•
20	H08882M	Lock Ring	•	•	•		
20	H08890M	Lock Ring				•	•
21	H09365M	Retaining Ring	•	•	•		
21	H09366M	Retaining Ring				•	•
22	H12319M	O-Ring, Buna-N	•	•	•		
22	H12320M	O-Ring, Buna-N				•	•
23	H08884M	Bearing	•	•	•		
23	H08892M	Bearing				•	•
24	H06026M	O-Ring	•	•	•		
24	H07670M	O-Ring				•	
24	H11499M	O-Ring					•
25	H05297M	O-Ring	•	•	•		
25	H07766M	O-Ring				•	
25	H10458M	O-Ring					•
26	297SA-9050	Spout S/A	•	•	•		
26	297SA-9060	Spout S/A				•	
26	696J-7010	Spout S/A					•
27	190S-7063	Strainer	•	•	•		
27	153-0910	Strainer				•	
27	153J-0100	Strainer					•
28	H10387	Cap & Chain S/A	•	•	•		
28	H10388	Cap & Chain S/A				•	
28	296CJ-0100	Cap & Chain S/A					•
29	H09212	Body Cap S/A**	•	•	•		
29	H09213	Body Cap S/A**				•	•
30	H05135M	Retainer	•	•	•	•	•
31	H08441RS	Screw	•	•	•	•	•
32	H05087M	Felt Wiper	•	•	•	•	•
33	H05063M	Bushing	•	•	•	•	•
34	C02115A	Cap	•	•	•		
34	C02117A	Cap				•	•
35	H12707M	O-Ring	•	•	•	•	•
36	H12705M	O-Ring	•	•	•	•	•
37	H04825M	Adj. Screw	•	•	•	•	•
38	190WM-8001	Ground Wire S/A	•	•	•	•	•
39	H07062M	Screw (4 req'd)	•	•	•	•	•
40	H06045M	Screws (2 req'd)	•	•	•	•	•
41	H13776M	O-Ring, Viton®				•	•
41	H13775M	O-Ring, Viton®	•	•	•		

\*\* Body Cap sub-assembly includes parts 30-37.

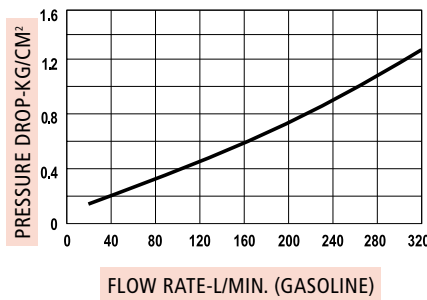
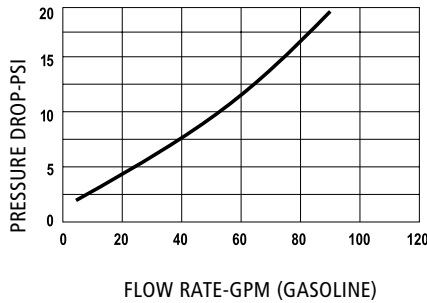
## Replacement Parts - OPW 295SAC & 295SACJ Only

Key	Part #	Description	295SAC-0156	295SAC-0157	295SAC-0158	295SACJ-0200
42	H07595M	Spring SST	•	•		
42	H07593M	Spring SST			•	•
43	H07613M	Washer, nylon	•	•	•	•
44	H09214	Poppet S/A	•	•		
44	H09215	Poppet S/A			•	•



## OPW 295AF - Manual Aircraft Nozzles

For Overwing Aircraft Service



### Replacement Parts

Part #	Description
153AF-0100	100 Mesh Strainer
190WF-8002	Ground Wire S/A w/ Dust Cap
C03420NM	Protector Ring
C03422	Dust Cap
297AF-9070	1 1/2" Aluminum Spout for 295AF
E00274AG	Arctic Guard for 295AF

### Materials

- Body:** Cast aluminum
- Main Stem:** Stainless steel
- Stem Seal:** Buna-N O-Ring
- Main Poppet Disc:** Viton®
- Spout:** 297AF-9070



### Features

- ◆ Aluminum Body – lighter weight, easier to maneuver.
- ◆ Dual Poppets – easy-to-open nozzle against high inlet pressures.
- ◆ Replaceable Lever Guard – easy, low-cost replacement.
- ◆ Right Angle Design – provides larger lever area for better grip and easier control.
- ◆ Vinyl-Coated Lever – insulates fingers against cold.
- ◆ 100 Mesh Strainer – prevents foreign matter from entering fuel tank; easy to remove and clean.
- ◆ Dust Cap – keeps spout free from dirt and stops fuel drippage when connected.
- ◆ Spout Protector Ring – to protect aircraft tanks and wing surface; adjustable. Furnished as standard.
- ◆ Special Heavy-Duty Spout – knurled to facilitate daily strainer service.
- ◆ NPT Female Threads at Inlet End – standard pipe threads all 1-1/2" male connections.
- ◆ Static Ground Wire – with air force plug meets MS 25384-5.
- ◆ Dash-Pot Action – for smoother closing action and reduced line shock.

### Design working pressure

- ◆ 110 psi (7.58 bar) maximum pressure

### Ordering Specifications

Product #	Inlet Thread			
	in.	mm	lbs.	kg
295AF-0100	1 1/2"	38	6.40	2.90

Gov't. Nat'l. Stock #: 4930-01-293-4472  
 295 Series Instruction Sheet Order Number: **H09237PA**

## Materials

- Body:** Cast aluminum
- Main Stem:** Stainless steel
- Stem Seal:** Graphite with Teflon®
- Disc:** Viton®
- Spout:** OPW 296 brass or 297 aluminum (optional)



**190-0115**  
(Spout optional, see Page 189)

## Features

- ◆ Aluminum Body – lighter weight, easier to maneuver.
- ◆ Dual Poppets – allow for low flow metering (this nozzle is not intended for high pressure pump applications).
- ◆ Replaceable Hold-Open Rack – for use when fueling large-capacity tanks. Nozzle must be attended at all times during usage.
- ◆ Right Angle Design – provides larger lever area for better grip and easier control; permits nozzle to fit into awkward spaces close to walls and into corners.
- ◆ Drag Lugs – protect the nozzle when dragged across rough surfaces; enhances long-life durability.
- ◆ Easily Replaced Spout – the spout is easily threaded into the body. Replacement spouts are readily available from OPW.
- ◆ NPT Female Threads at Inlet End – standard pipe threads accept all standard 1", 1-1/4", 1-1/2" and 2" male connections.

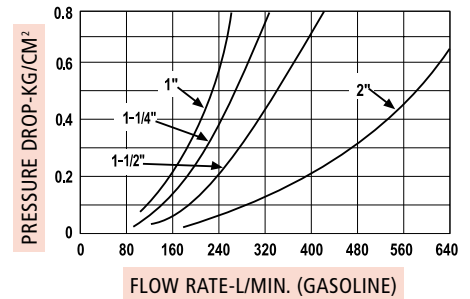
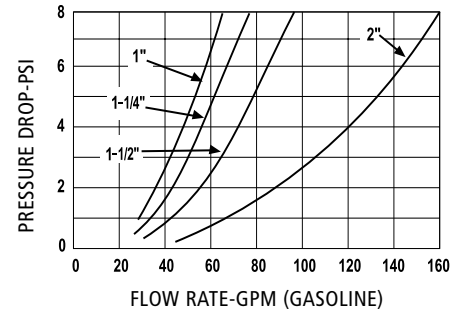
### Design working pressure

- ◆ 50 psi (3.45 bar) maximum pressure

## OPW 190 High-Flow Manual Nozzles

### For High-Flow, Bulk Fuel Oil Delivery Service

Designed to handle high flow when line pressure is not a critical consideration or otherwise absorbed.



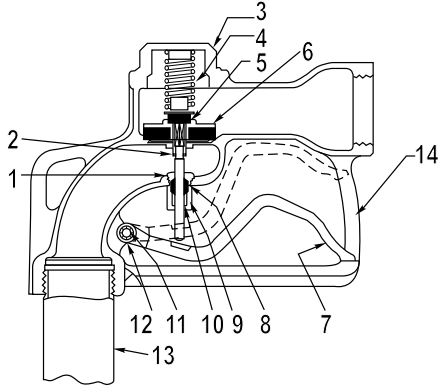
## Ordering Specifications

Product #	Inlet Thread		Spout Diameter		lbs.	kg
	in.	mm	in.	mm		
190-0112	1"	25	1 1/4"	32	2.3	1.0
190-0113	1 1/4"	32	1 1/4"	32	2.3	1.0
190-0114	1 1/2"	38	1 1/2"	38	3.0	1.4
190-0115	2"	51	2"	51	5.8	2.6
190G-B104	1 1/2"	38	1 1/2"	38	5.1	2.3

w/ Spout and Ground Wire  
Gov't. Nat'l. Stock #: 4930-01-360-5540

NOTE: See OPW's Website at [www.opwglobal.com](http://www.opwglobal.com) for product instruction sheets, trouble-shooting guides, how-to-use guide and to view the Do's & Don'ts at the Gas Pump video.

**Replacement Parts - OPW 190 Nozzles**



Key	Part #	Description	190-0112	190-0113	190-0114	190-0115	190-B104
1	H00195RB	Stuffing Box	•	•	•		•
1	H00250RB	Stuffing Box				•	
2	H00538RE	Stem	•	•	•		
2	H06742RE	Stem				•	
3	H09600AH	Cap	•	•	•		
3	H09601AH	Cap				•	
3	H11592AH	Cap					•
4	H00136M	Spring	•	•	•		•
4	H03666M	Spring				•	
5	190K-0001	Upper Poppet S/A	•	•	•		•
5	H01814	Upper Poppet S/A				•	
6	H01817	Lower Poppet S/A	•	•	•		•
6	H01818	Lower Poppet S/A				•	
7	H11925M	Lever	•	•	•		•
7	H06733M	Lever				•	
8	C04495M	Packing	•	•	•	•	•
9	H07012M	Packing Gland	•	•	•		•
9	H00520RB	Packing Gland				•	
10	H00113RA	Packing Nut	•	•	•		
10	H00252RA	Packing Nut				•	
10	H00113RAG	Packing Nut					•
11	H08163M	Push Nut	•	•	•	•	•
12	H08164RE	Pin	•	•	•		•
12	H08165RE	Pin				•	
13	297-9020	Spout (optional)	•	•			
13	297-9030	Spout (optional)			•		
13	297-9040	Spout (optional)				•	
13	296-0040	Spout, Brass (optional)		•			
13	296-0060	Spout, Brass (optional)			•		
13	296-0080	Spout, Brass (optional)			•		
14	C04698M	Rack	•	•	•	•	•
14	H14105M	Screw	•	•	•	•	•
Not Shown							
	296CA-4000	Dust Cap*					•
	153-0910	Strainer					•

\*See page 189 for Dust Caps

## Materials

- Body:** Cast aluminum
- Main Stem:** Stainless steel
- Stem Seal:** Buna-N O-Ring
- Main Poppet Disc:** Viton®
- Spout:** OPW 297 aluminum (optional)



**295SC-0141**  
(Spout optional, see Page 189)

## Features

- ◆ Aluminum Body – lighter weight, easier to maneuver.
- ◆ Dual Poppets – easy-to-open nozzle against high inlet pressures.
- ◆ Replacement Hold-Open Rack – one-hand control of hold-open mechanism means easy setting of flow speed. Nozzle must be attended at all times during usage.
- ◆ Replaceable Composite Lever Guard – easy, low-cost replacement.
- ◆ Right Angle Design – provides larger lever area for better grip and easier control; permits nozzle to fit into awkward spaces close to walls and into corners.
- ◆ Adjustable Dash Pot – permits adjusting the main poppet closure rate over a wide range of flows to overcome line shock with minimum afterflow.
- ◆ Built-In Swivel – eliminates twisting and kinking of the hose. This swivel is hard-coated aluminum and has full-bearing surfaces.
- ◆ Built-In Check Valve – prevents hose drainage after pump is turned off.
- ◆ Vinyl-Coated Lever – insulates fingers against cold.
- ◆ Easily Replaced Spout – the spout is easily threaded into the body. Replacement spouts are readily available from OPW.
- ◆ NPT Female Threads at Inlet End – standard pipe threads accept all 1-1/4" or 1-1/2" male connections.

### Design working pressure

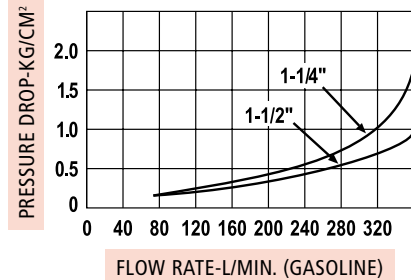
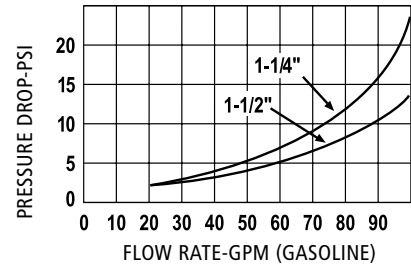
- ◆ 110 psi (7.58 bar) maximum pressure

## Ordering Specifications

Product #	Inlet Thread			
	in.	mm	lbs.	kg
295SC-0139	1 1/4"	32	3.75	1.7
295SC-0141	1 1/2"	38	4.33	2.0

## OPW 295SC High-Flow Manual Nozzles

**For High-Flow, Bulk Fuel Oil Delivery Service**



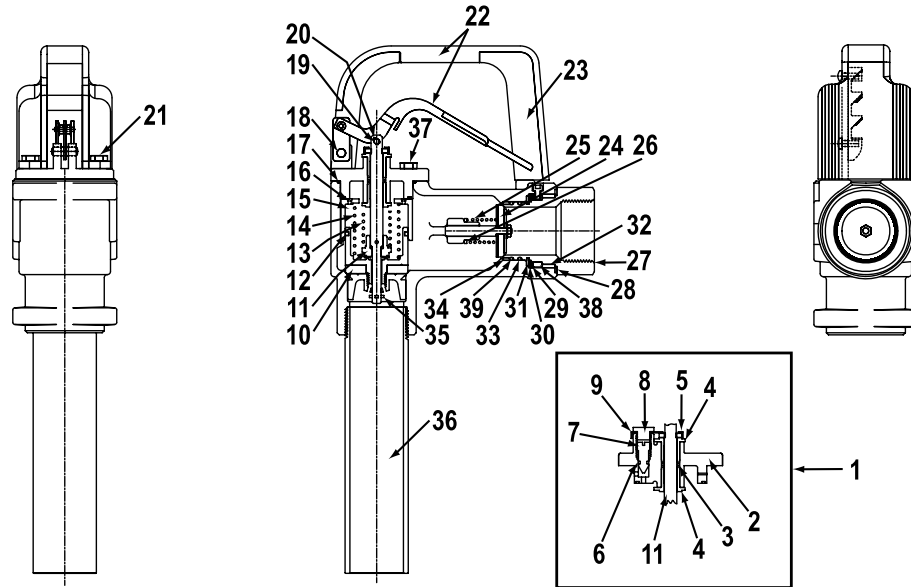
### Lever Guard Replacement Kit

Part #	Description
295KLG-0200	Short Grey for 295SC-0139
295KLG-0250	Long Grey for 295SC-0141

295 Series Instruction Sheet Order Number:  
**H09237PA**

NOTE: See OPW's Website at [www.opwglobal.com](http://www.opwglobal.com) for product instruction sheets, trouble-shooting guides, how-to-use guide and to view the Do's & Don'ts at the Gas Pump video.

**Replacement Parts - OPW 295SC High-Flow Nozzles**



Key	Part #	Description	1 1/4" 1 1/2" NPT	1 1/2" 1 1/2" NPT
1	H09212	Cap S/A	•	
1	H09213	Cap S/A		•
2	C02115A	Cap	•	
2	C02117A	Cap		•
3	H12707M	O-Ring	•	•
4	H05063M	Bushing (2 req'd)	•	•
5	H05087M	Felt Wiper	•	•
6	H12705M	O-Ring	•	•
7	H04825M	Adjusting Screw	•	•
8	H08441RS	Screw	•	•
9	H05135M	Retainer	•	•
10	H07719	Main Poppet S/A	•	•
11	H09417	Stem & Sec. Poppet	•	
11	H09420	Stem & Sec. Poppet		•
12	H12706M	O-Ring	•	•
13	H09367M	Spring	•	•
14	H05064M	Spring	•	•
15	H05088M	Skirt	•	•
16	H05198M	Seal	•	•
17	H04828M	Seal	•	•
18	H03981RE	Pin	•	•
19	H05000M	Cotter Pin	•	•
20	H07580M	Rivet	•	•
21	H06045M	Screw (2 req'd)	•	•
22	295KLG-0200	Guard Kit	•	
22	295KLG-0250	Guard Kit		•
23	C04698M	Hold-Open Rack	•	•
23	H14105M	Screw	•	•
24	H09214	Poppet S/A	•	

Key	Part #	Description	1 1/4" 1 1/2" NPT	1 1/2" 1 1/2" NPT
24	H09215	Poppet S/A		•
25	H07593M	Spring		•
25	H07595M	Spring	•	
26	H07613M	Washer	•	•
27	295SWK-0009	Swivel Repair Kit*	•	
27	295SWK-0014	Swivel Repair Kit*		•
28	H08886M	Dust Seal		•
28	H01227M	Dust Seal	•	
29	H08881M	Thrust Bearing	•	
29	H08889M	Thrust Bearing		•
30	H08882M	Lock Ring	•	
30	H08890M	Lock Ring		•
31	H09365M	Retaining Ring	•	
31	H09366M	Retaining Ring		•
32	H08879M	Bearing	•	
32	H08887M	Bearing		•
33	H12319M	O-Ring	•	
33	H12320M	O-Ring		•
34	H08884M	Bearing	•	
34	H08892M	Bearing		•
35	H02477M	Cotter Pin	•	•
36	297-9020	Spout	•	
36	297-9030	Spout		•
37	H07062M	Screw (4 req'd)	•	•
38	H09712RS	Retainer	•	
38	H09713RS	Retainer		•
39	H13776M	O-Ring, Viton®		•
39	H13775M	O-Ring, Viton®	•	

\* Includes 295SRK-0001 or 295SRK-0002 and contact ring.



## Materials

- Body:** Cast aluminum
- Main Stem:** Stainless steel
- Stem Seal:** Graphite with Teflon®
- Disc:** Viton®
- Spout:** OPW 296 brass or 297 alum. (optional)



**210-0105**  
(Spout optional, see Page 189)

## Features

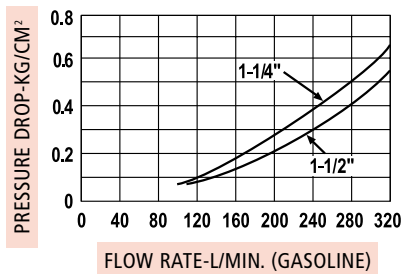
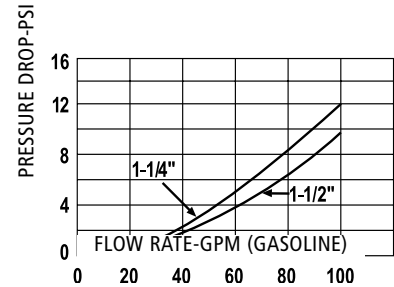
- ◆ Aluminum Body – lighter weight, easier to maneuver.
- ◆ Dual Poppets – allows for low-flow metering.
- ◆ Replaceable Hold-Open Rack – for use when fueling large-capacity tanks. Nozzle must be attended at all times during usage.
- ◆ Dash Pot – non-adjustable, to minimize closing line shock.
- ◆ Right Angle Design – provides larger lever area for better grip and easier control; permits nozzle to fit into awkward spaces close to walls and into corners.
- ◆ Drag Lugs – protect the nozzle when dragged across rough surfaces; adds to long life with rough usage.
- ◆ Easily Replaced Spout – the spout is simply threaded into the body. Replacement spouts are readily available from OPW.
- ◆ NPT Female Threads at Inlet End – standard pipe threads accept all standard 1 1/4" and 1 1/2" male connections.

### Design working pressure

- ◆ 50 psi (3.45 bar) maximum pressure

## OPW 210 High-Flow Manual Nozzles

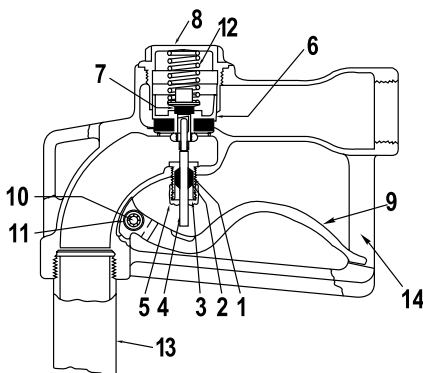
**For High-Flow, Bulk Fuel Oil Delivery Service**



## Replacement Parts

Key	Part #	Description
1	H00195RB	Stuffing Box
2	C04495M	Packing
3	H07012M	Packing Gland
4	H05719RE	Stem*
5	H00113RA	Packing Nut
6	H01841	Lower Disc S/A*
7	190K-0001	Upper Poppet
8	H01461AH	Cap
9	H00999M	Lever
10	H08165RE	Pin
11	H08163M	Push Nut (2 required)
12	H00136M	Spring
13	297-9020	Spout (optional) - 1 1/4" aluminum
13	297-9030	Spout (optional) - 1 1/2" aluminum
13	296-0040	Spout (optional) - 1 1/4" brass
13	296-0060	Spout (optional) - 1 1/2" brass
14	C04698M	Rack
14	H14105M	Screw

\* Replacement part for nozzles built after 04/1998. Part is unavailable for nozzles built before this date.



## Ordering Specifications

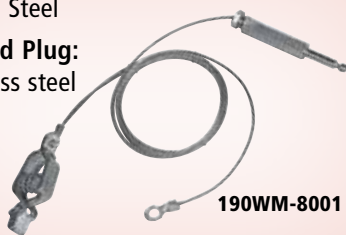
Product #	in.	mm	lbs.	kg
210-0104	1 1/4"	32	3.95	1.8
210-0105	1 1/2"	38	4.40	2.0

NOTE: See OPW's Website at [www.opwglobal.com](http://www.opwglobal.com) for product instruction sheets, trouble-shooting guides, how-to-use guide and to view the Do's & Don'ts at the Gas Pump video.

### Materials

Cable: Steel

Ground Plug:  
Stainless steel



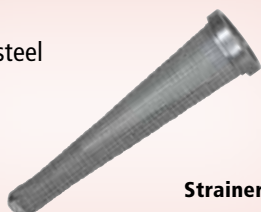
190WM-8001

### Ordering Specifications

Product #	Length		Used On
	ft.	m	
190WM-8001	6'	1.83	295SA
190WF-8002	6'	1.83	295AF

### Materials

Screen:  
Stainless steel



Strainer

### Ordering Specifications

Product #	in.	mm	Used On
153-0910	1 1/2"	38	190G, 295SA
153J-0100	1 1/2"	38	295SAJ
190S-7063	1"	25	295SA Series w/ 1" Spout
153AF-0100	1 1/2"	38	295AF

### Materials

Body: Anodized  
Aluminum

Spring: Bronze

Stem: Bronze

Disc: Buna-N



296CA

Body: Rubber

Spring: Stainless

Stem: Bronze

Disc: Buna-N



296CJ

### Ordering Specifications

Product #	Size		Spout	Used On
	in.	mm		
296CA-4000	1 5/8"	41	296	190 1"
296CA-4005	1 5/8"	41	296	1 1/4", 1 1/2"
296CJ-0100	1 1/2"	38	696J only	295SAJ 1 1/2"
H10387	1"	26	297SA 1"	295SA
H10388	1 1/2"	38	297SA 1 1/2"	295SA

### Manual Nozzle Accessories OPW 190 Ground Wire

The OPW 190 ground wire assembly is designed for use on 295 series aircraft nozzles. The OPW 190WM is designed for use with the 295SA and includes a cable, attaching eyelet, ground plug and clamp. The OPW 190WF is for use with the 295AF aircraft nozzle and includes a cable, eyelet, ground plug and dust cap.

### OPW Strainers

OPW strainers prevent foreign matter from entering fuel tanks. They are held in position by a tube and have a 100-mesh screen.

### OPW 296 Protective Caps

OPW 296 Protective Caps are for use with OPW 296 and 297SA nozzle spouts. Each cap also comes with a chain and tension spring. The size ordered should be the same size as the spout O.D.

### Spout Ordering Specifications

Product #	Size		O.D.		Length		Weight		Used On	Description
	in.	mm	in.	mm	in.	mm	lbs.	kg		
296-0040	1 1/4 (NPT)	32	1 3/8	35	9	229	0.90	0.41	190-0113; 210-0104; 190-0112	Brass
296-0060	1 1/2 (NPT)	38	1 3/8	35	9	229	0.98	0.45	190-0114; 210-0105	Brass
296-0080	1 1/2 (NPT)	38	1 5/8	41	9	229	1.05	0.48	190-0114; 210-0105	Brass
297-9020	1 1/4 (NPT)	32	1 21/32	42	8	203	0.50	0.23	190-0113; 210-0104; 295SC-0139; 190-0112	Aluminum
297-9030	1 1/2 (NPT)	38	1 29/32	48	8	203	0.60	0.27	190-0114; 210-0105; 295SC-0141	Aluminum
297-9040	2 (NPT)	51	2 3/8	60	8	203	0.80	0.36	190-0115	Aluminum
297SA-9050	1 1/4 (NPSM)	32	1	25	9	229	0.60	0.27	295SA-0135, 0136,0137 & 295SAC-0156	Aluminum
297SA-9060	1 1/2 (NPSM)	38	1 5/8	41	7	178	0.80	0.36	295SA-0138, 295SAC-0157, 295SAC-0158	Aluminum
696J-7010	1 1/2 (NPSM)	38	2 2/3	54	7 1/4	184	0.80	0.36	295SAJ-0200	Aluminum



OPW 296



OPW 297



OPW 297SA  
(9050)



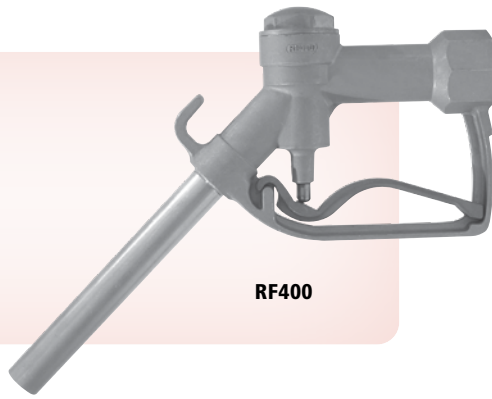
OPW 297SA  
(9060)



OPW 696J

## Materials

- Body:** Aluminum
- Main Stem:** Brass
- Main Poppet Disc:** Viton®
- Spout:** Aluminum
- Weight:** 0.5 lbs, 0.23 kg



## OPW RF400 Manual Utility Farm Nozzle

### For General Utility Farm Usage

The OPW RF400 nozzle is designed for use in non retail, commercial, industrial and agriculture use where an automatic nozzle is not needed.

## Features

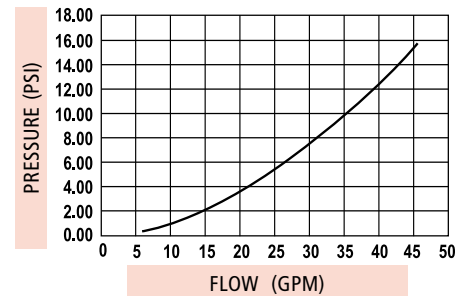
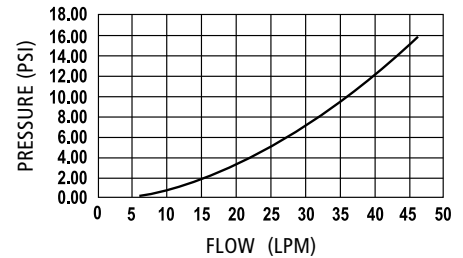
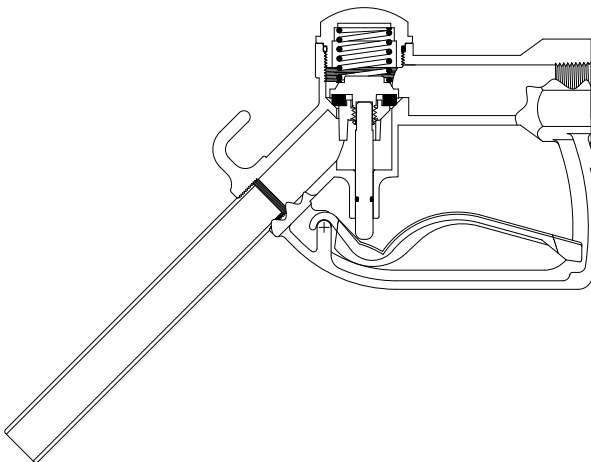
- ◆ UL listed for use in gasoline, diesel and up to 10% ethanol blends. Specific listings available at [www.opwglobal.com](http://www.opwglobal.com)
- ◆ Manual Nozzle – no automatic shut-off.
- ◆ Built in hanger for quick use in field.

### Design working pressure

- ◆ 50 psi (3.45 bar) maximum pressure

## Ordering Specifications

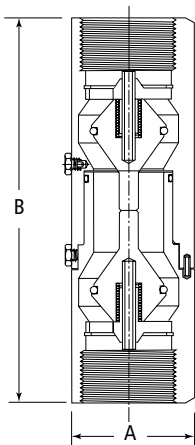
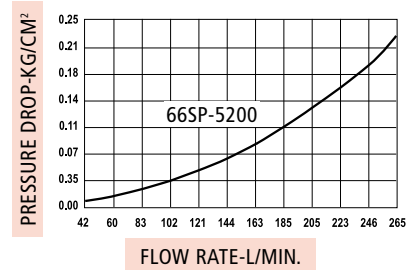
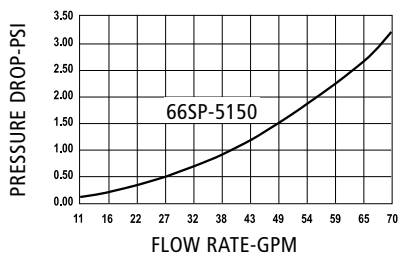
Product #	Description	Inlet Thread		Spout Diameter	
		in.	mm	in.	mm
RF400-75	3/4", leaded spout	3/4	19	1 5/16	23
RF400-75P	3/4", unleaded spout	3/4	19	1 3/16	20
RF400-10	1", leaded spout	1	25	1 5/16	23
RF400-10P	1", unleaded spout	1	25	1 3/16	20



## OPW 66SP High-Volume Breakaways

The 66SP is designed for installation on fuel dispensing hoses that require a substantial volume of flow, and therefore the potential for a high-volume spill.

The 66SP utilizes shear pin technology to ensure separation at proper pull forces, and limit unwanted valve closures that stop or limit fuel flow. Once separated, a qualified service technician can easily repair the breakaway with an OPW 66PRK Shear Pin Replacement Kit.



## Materials

**Body:** Aluminum

**Seals:** Viton®, Buna-N and Fluorosilicone

**Spring:** Stainless steel

**Poppet:** Aluminum

**Weight:**

66SP-5150: 1.93 lbs, .87 kg

66SP-5200: 3.80 lbs, 1.72 kg

66SP-5150



66SP-5200



## Features

- ◆ Pull Force – the 66SP will separate with a maximum pull force of 600 lbs., and limits fuel spillage from either hose end.
- ◆ Easily Repaired – after separation, the 66SP can be repaired and put back in service with the OPW 66PRK Shear Pin Replacement Kit.
- ◆ Heavy-Duty Construction – physically designed for durability in high-volume environments, including a protective, nickel plated body.
- ◆ Low Pressure Drop – valve design ensures superior flow rate for high-volume fills.
- ◆ Special Seals – special fluorosilicone (66SP-5200 only) O-rings help protect the valve in harsh, high-volume environments.

### Design working pressure

- ◆ 50 psi (3.45 bar) maximum pressure

## Ordering Specifications

Product #	Inlet Thread	Weight		A		B	
		lbs.	kg	in.	mm	in.	mm
66SP-5150	1½" (NPT)	1.93	0.87	2¼"	57	7⅝"	194
66SP-5200	2" (NPT)	3.80	1.72	3½"	89	7⅞"	197

## Replacement Parts

Product #	Description
66PRK-5015	Shear Pin Replacement Kit for 66SP-5150
66PRK-5020	Shear Pin Replacement Kit for 66SP-5200

66SP Series Instruction Sheet Order Number: **H40128M**

## Materials

**Body:** Aluminum

**Adaptor:** Zinc  
Aluminum

**Seals:** Buna-N O-Ring,  
Viton® O-Ring

**Bearings:** Nylon  UL Listed MH4542



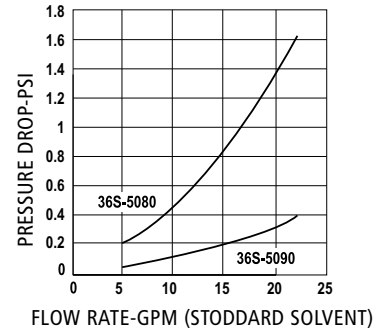
36S-5080

## Ordering Specifications

Product Number	Inlet Thread x Outlet Thread	lbs.	kg
36S-5080	3/4" M x 3/4" F (NPT) (19 mm x 19 mm)	0.30	0.14
36S-5090	1" M x 1" F (NPT) (25 mm x 25 mm)	0.40	0.18

## OPW 36S Hose Swivel

Designed for use with fuel oil nozzles (at inlet only), the OPW 36S provides 360° swivel action. The full-circle swivel reduces the physical strain of aligning the nozzle with the fillpipe.



## Materials

**Body:** Electroless nickel-plated

**Bearings:** Molded plastic

**Seals:** Buna-N O-Ring,  
felt dust seal, Viton® O-Ring



25-0110

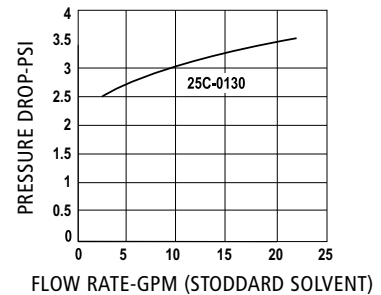
## Ordering Specifications

Product #	Inlet Thread		Weight	
	in.	mm	lbs.	kg
25-0110	1 1/4" (NPT)	32	0.95	.43
25-0120	1 1/2" (NPT)	38	1.06	.48
25C-0130*	1 1/4" (NPT)	32	0.95	.43

\*With Check Valve

## OPW 25 Hose Swivel

Designed for use with fuel oil nozzles (at inlet only), the OPW 25 provides 360° swivel action. The full-circle swivel reduces the physical strain of aligning the nozzle with the fillpipe.



## OPW 2" Single-Plane Hose Swivel

Durable brass construction with high flow rate.

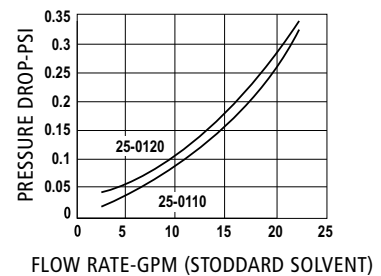
## Materials

**Body:** Brass

**Seals:** Buna-N O-Rings



Product #	in.	mm	lbs.	kg
2-0055	2	50.8	1	.45





## Materials

**Body:** Electroless nickel-plated

**Bearings:** Molded plastic

**Seals:** Buna-N O-Ring,  
felt dust seal, Viton® O-Ring

Product #	Description
295SRK-0001	25 and 295 Series 1", 1¼" NPT
295SRK-0002	25 and 295 Series 1½" NPT

## OPW 295SRK

Designed for use on 25 Series swivels and 295 nozzles, the OPW 295SRK consists of a dust seal, 2 O-rings, 3 button-head screws, hex key and thread sealant.

## OPW 29 Check Valve

The OPW 29 is designed for use between the hose and nozzle, and helps prevent draining of the hose when the power is shut-off.

## Materials

**Body:** Bronze

**Spring:** Bronze

**Stem:** Bronze

**Disc:** Buna-N



29-0004

## Ordering Specifications

Product #	Inlet		Outlet	
	in.	mm	in.	mm
29-0004	1" F (NPT)	25	1" M	25
29-0016	1½" F (NPT)	38	1½" M	38

## Features

- ◆ External-type inlet check valve.
- ◆ Standard pipe threads.
- ◆ Poppet opens at 2½ PSI for 1" size;  
1½ PSI for 1½" size

# Hose Retractors



- Spring Balance Hose Retractors..... 195 - 197
- Counterweight Hose Retractors..... 198

## Materials

**Housing:** Cast aluminum

**Cable:** Black polyester

**Post:** Aluminum



Nozzle Hook  
and Hood Kit Not  
Sold by OPW.

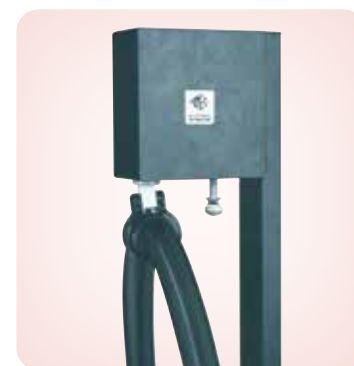
## POMECO 102 Spring Balance Single Hose Retractors

POMECO 102 Spring Balance Single Hose Retractors keep excess hose off the ground and out of the way, prolonging hose life and reducing potential hazards. The POMECO 102 is a California Air Resources Board (CARB) certified Stage II component for use with single and dual hose dispensers as per Executive Order G-70-52-AM.

## Features

- ◆ Easy to Use – the spring-loaded reel and stretch-resistant cable provide smooth and steady tension throughout hose extension and return.
- ◆ Easy to maintain – the removable sideplate provides full access to the mechanism for easy tension adjustment and unit maintenance. A convenient safety thumb screw is provided to lock the reel in place during tension adjustment.
- ◆ Field Adjustable for Various Hose, Nozzle, Swivel, Breakaway Combinations – no need for upgrading components if a breakaway or swivel is added to the hose assembly. Simply change the tension setting on the spring-loaded hose reel.
- ◆ Multiple Mounting Options – the POMECO 102 retractor housing is tapped on the top for bolting to overhead crossbars, and on the side for mounting to vertical posts. The 102 is available as a retractor kit (including post, retractor and mounting hardware) or as separate components. Models are also available for aboveground storage tank (AST) applications. AST models include a 44" (112 cm) post with a freestanding base.

102 Spring Balance Hose Retractor  
Instruction Sheet Order Number:  
**H15853PA**



**Post Mounted**

NOTE: See OPW's Website at [www.opwglobal.com](http://www.opwglobal.com) for product instruction sheets, trouble-shooting guides, how-to-use guide and to view the Do's & Don'ts at the Gas Pump video.

## Ordering Specifications

### Vertical Retractor Kits (Box, Post, Bracket, Foot & Hardware)

Model Number	Mounting Method	Clamp Fits	Weight	
			lbs.	kg
6102-1039P	39" Retractor/Post Kit	(Hose Clamp Not Included)	12	5.4
6102-1078P	78" Retractor/Post Kit	(Hose Clamp Not Included)	14	6.4
6102-AST	44" AST Retractor /Post Kit	(Hose Clamp Not Included)	9	4.1

## Ordering Specifications

### Separate Retractor Components (Box Only)

Model Number	Description	Mounting Method	Clamp Fits				Weight	
			Hose O.D.		Hose I.D.		lbs.	kg
			in.	mm	in.	mm		
6102-1000	Standard Duty Retractor Box, 2 -10 lb retraction strength	Overhead Crossbar/Vertical Post	<b>(Hose Clamp Not Included)</b>				7	3.2
6102-1100	Heavy Duty Retractor Box, 12-20 lb retraction strength	Overhead Crossbar/Vertical Post					7	3.2
6102-4000		Overhead Crossbar/Vertical Post	1 <sup>3</sup> / <sub>8</sub> "	35	1"	25	7	3.2
6102-6000		Overhead Crossbar	1 <sup>1</sup> / <sub>32</sub> "	26	<sup>5</sup> / <sub>8</sub> " or <sup>3</sup> / <sub>4</sub> "	16 or 19	7	3.2
6102-8000		Overhead Crossbar	1"	25	<sup>5</sup> / <sub>8</sub> "	16	7	3.2

\*POMECO recommends using C05238M, C05261M or P100-3F/P100-44/P100-2AST for use with 102 Series retractors. Other size tubes and clamps available upon request.



Hose Clamp

## Ordering Specifications

### Hose Clamps

Model Number	Hose Clamp Size †
PB-1340	Coaxial Hose
PB-1344	Balanced Coaxial, Goodyear Premier
PB-1373	Standard 1" O.D. Hose ( <sup>5</sup> / <sub>8</sub> " I.D.)
PB-1394	Standard 1 <sup>1</sup> / <sub>8</sub> " O.D. Hose ( <sup>3</sup> / <sub>4</sub> " I.D.)
PB-1396	Standard 1 <sup>3</sup> / <sub>8</sub> " O.D. Hose (1" I.D.)
PB-1398	Standard Hose ( <sup>3</sup> / <sub>4</sub> " I.D.)
PB-1527	Standard Hose ( <sup>1</sup> / <sub>2</sub> " I.D.)

† Other sizes available upon request

### Options Replacement Parts

Model Number	Hose Clamp Size
C05238M	Post Kit, 39" (99 cm), 1 <sup>1</sup> / <sub>8</sub> " x 2"
C05261M	Post Kit, 78" (198 cm), 1 <sup>1</sup> / <sub>8</sub> " x 2"
H15212M	10 ft. Replacement Cable
P338SPOOL	Spool of Retractor Cable, 338 ft.
H15210M (P102-02)	Replacement Cable Guide
H15211M	Replacement Reel
P100-4STF	AST Replacement Base
P100-2AST	Sliding Bracket (AST)
P33P	Head Kit

## Materials

**Housing:** Cast aluminum  
**Cable:** Black polyester  
**Bracket:** Steel

## Features

- ◆ Easy to Install – each model number designates a custom designed retractor package that mounts in the canopy of a particular manufacturer's MPD. Packages are shipped complete with the appropriate number of retractors and all the necessary mounting hardware for a clean, professional installation.
- ◆ Easy to Use – the spring-loaded reels and stretch-resistant cables provide smooth and steady tension throughout hose extension and return.



- ◆ Easy to Maintain – the removable sideplate provides full access to the mechanism for easy tension adjustment and unit maintenance. A convenient safety thumb screw is provided on each retractor to lock the reel in place during tension adjustment.

## Ordering Specifications

Model Number	Manufacturer/Dispenser	Hoses Per Side***	Weight	
			lbs.	kg
6102-DW1037	Dresser Wayne (37" Frame)	1	40	18.2
6102-DW1048	Dresser Wayne (48" Frame)	1	50	22.7
6102-DW2037	Dresser Wayne (37" Frame)	2	50	22.7
6102-DW2048	Dresser Wayne (48" Frame)	2	58	26.3
6102-DW3048	Dresser Wayne (48" Frame)	3	72	32.6
6102-GB1N	Gilbarco (Advantage Narrow)	1	46	20.9
6102-GB1W	Gilbarco (Advantage Wide)	1	50	22.7
6102-EC01	Gilbarco (Encore)	1	77	34.9
6102-EC02	Gilbarco (Encore)	2	77	34.9

\*Specify dispenser model and serial number when ordering

\*\*\*Hose clamps must be ordered separately for MPD models

NOTE: All 6102 MPDs come with two brackets and the number of hose retractors per side.

## Options Replacement Parts

Model Number	Hose Clamp Size	Model Number	Hose Clamp Size
H15210M	Replacement Cable Guide	H15265M (P102-2)	Sliding Bracket
H15212M	Replacement Cable -10 ft.	C05239M	Foot (Bottom)
H15211M	Replacement Reel	D02628M	Bracket Only for 06102-DW3
D02147M	Replacement Housing	D02629M	Bracket Only for 06102-DW4

## POMECO 102 Spring Balance MPD Hose Retractor Packages

POMECO 102 Spring Balance MPD Hose Retractors keep excess hose off the ground and out of the way, prolonging hose life and preventing extra length hoses from cluttering the island. The 102 MPD hose retractors are especially well-suited for use on Multiple Product Dispensers (MPD) with Stage II Vapor Recovery hose/nozzle assemblies. The POMECO 102 is a California Air Resources Board (CARB) certified Stage II component for use with MPDs as per Executive Order G-70-52-AM.



Hose Clamp

## Ordering Specifications Hose Clamps

Model Number	Hose Clamp Size †
PB-1344	Balanced Coaxial, Goodyear Premier
PB-1373	Standard 1" O.D. Hose (5/8" I.D.)
PB-1394	Standard 1 1/8" O.D. Hose (3/4" I.D.)
PB-1396	Standard 1 3/8" O.D. Hose (1" I.D.)
PB-1398	Standard Hose (3/4" I.D.)

† Other sizes available upon request



## POMECO 100 Counterweight Hose Retractors

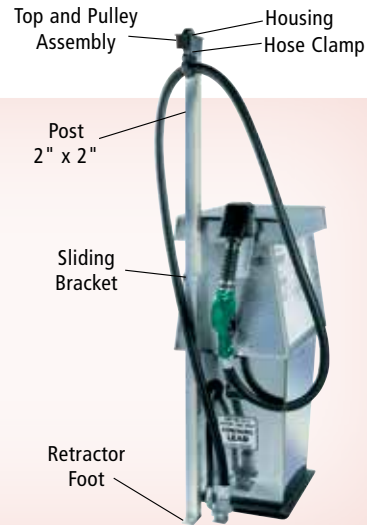
POMECO 100 Counterweight Hose Retractors keep excess hose off the ground and out of the way, prolonging hose life and reducing potential hazards. The POMECO 100 is a California Air Resources Board (CARB) certified Stage II component for use with single and dual hose dispensers as per Executive Order G-70-52-AM.

### Features

- ◆ Easy to Use – counterweights are precisely matched to each hose configuration to ensure that a minimal pulling force is needed throughout hose extension.
- ◆ Easy to Maintain – the 100 has just two moving parts, ensuring a long service life with a minimum of maintenance.
- ◆ Multiple Hose Configurations – the 100 is available in a multitude of configurations to meet virtually any conventional or vapor recovery hose/nozzle configuration. Models are also available for air and water hose applications to keep hoses clear of vehicles when not in use.

### Materials

**Housing:** Impact-resistant plastic  
**Cable:** Black polyester  
**Post:** Aluminum (2" x 2")



### Ordering Specifications

#### Conventional and Vapor Recovery Applications

Model #	Hose Configuration	Hose Length		Clamp Fits Hose O.D.		Hose I.D.		Height		Weight	
		ft.	m	in.	mm	in.	mm	in.	cm	lbs.	kg
6100-4000	Conventional	12-14	3.7- 4.3	1 3/8	35	1	25	79	201	33	15.0
6100-5000	Conventional	15-18	4.6 - 5.5	1 3/8	35	1	25	92	234	38	17.2
6100-6000	Conventional	12-14	3.7 - 4.3	1 1/2	26	5/8 or 3/4	16 or 19	79	201	30	13.6
6100-7000	Conventional	15-20	4.6 - 6.1	1 1/2	26	5/8 or 3/4	16 or 19	92	234	31	14.1
6100-8000	Conventional	12-14	3.7 - 4.3	1	25	5/8	16	79	201	29	13.2
6100-9000	Conventional	15-20	4.6 - 6.1	1	25	5/8	16	92	234	30	13.6
6100-AGNV	Inverted Coaxial	11-13	3.4 - 4.0	(Hose Clamp Not Included)				79	201	33	15.0
6100-AGLC	Coaxial	11-13	3.4 - 4.0	(Hose Clamp Not Included)				79	201	26	11.8
6100-AGBR	Coaxial w/ Breakaway	11-13	3.4 - 4.0	(Hose Clamp Not Included)				79	201	31	14.1

100 Series Counterweight Hose Retractor Instruction Sheet  
 Order Number: **H15852PA**

See page 197 for hose clamp Ordering Specifications

NOTE: See OPW's Website at [www.opwglobal.com](http://www.opwglobal.com) for product instruction sheets, trouble-shooting guides, how-to-use guide and to view the Do's & Don'ts at the Gas Pump video.

### Options and Replacement Parts

Part #	Description	Counterweight Length		Weight	
		in.	cm	lbs.	kg
H15262	Counterweight for 4000/AGNV Models	27	68.5	24	10.8
H15263	Counterweight for 5000 Model	31	78.7	27	12.2
H15260	Counterweight for 6000, 8000 and AGLC Models	20	50.8	17	7.7
H15261	Counterweight for 7000, 9000, AGRB Models	25	63.5	22	9.9
H15265M	Sliding Bracket, Dispenser Mount				
C05235M	Replacement Tube, 2" x 2" x 75" (191 cm)				
C05236M	Replacement Tube, 2" x 2" x 88" (224 cm)				

Part #	Description
D02671M	Replacement Housing, Plastic
H15266	Top and Pulley Assembly
H15264	12 ft. Replacement Cable
C05239M	Retractor Foot
P100-4STF	Freestanding Retractor Base
P338SPOOL	Replacement Cable Spool, 338 ft. of wire
H15210M	Cable Guide
H13588M	Retaining Ring

# Aboveground Storage Tank Equipment

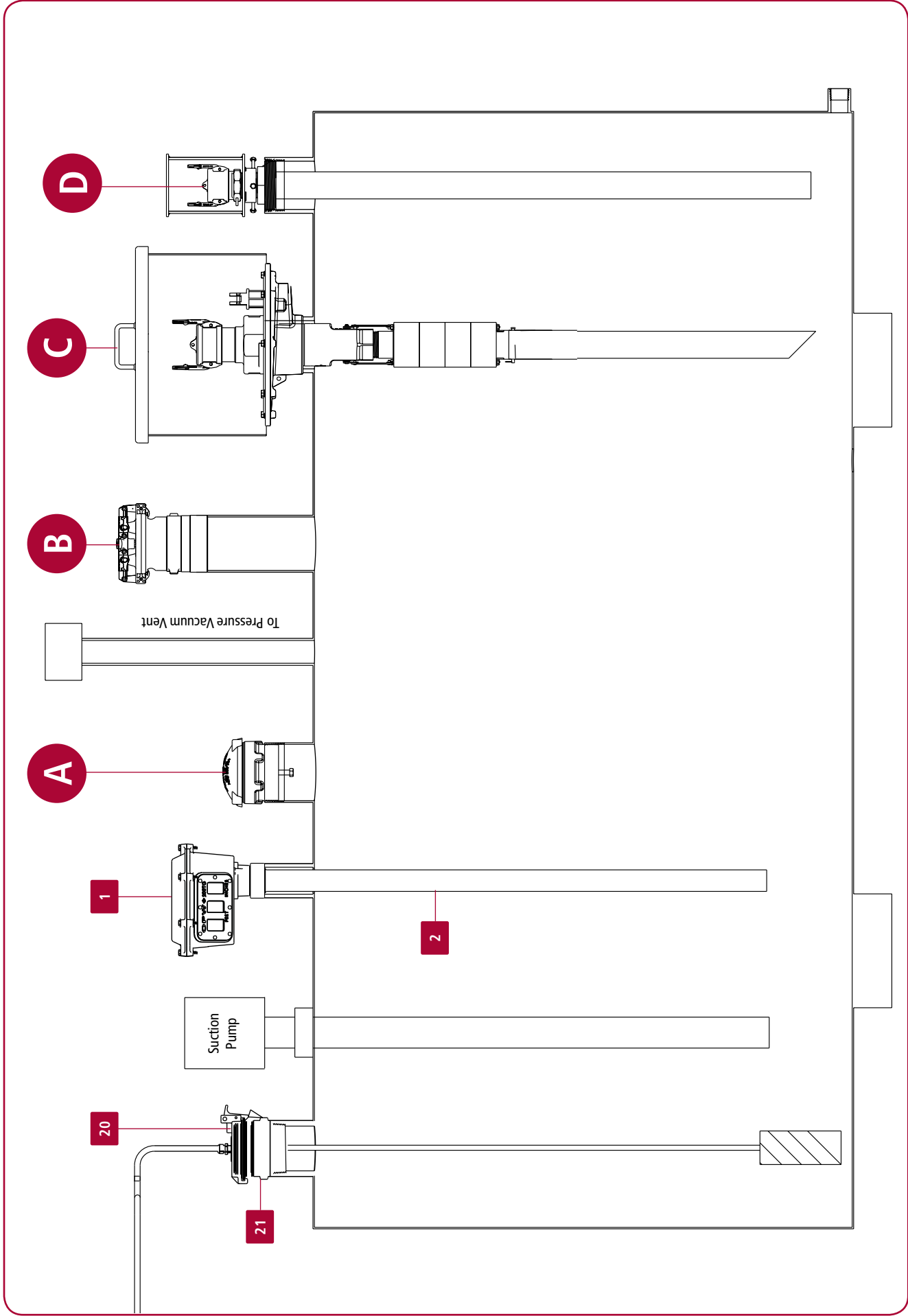


## Above Ground Tank Diagrams

- Non-EVR Direct Fill AST Application ..... 200 - 201
- Non-EVR Remote Fill / Remote Dispensing AST Application..... 202 - 203
- Spill Containment ..... 204 - 205
- Overfill Prevention ..... 206 - 207
- Fuel Delivery Coupler / Accessories ..... 208 - 209
- Mechanical Tank Gauges ..... 210
- Tank Alarms ..... 211
- Tank Venting ..... 212 - 215
- Anti-Siphon Valves ..... 216
- Solenoid Valves ..... 217
- Two-Way Ball Valve ..... 218
- Emergency Shut-Off Valves ..... 219
- Swing Check Valves ..... 220

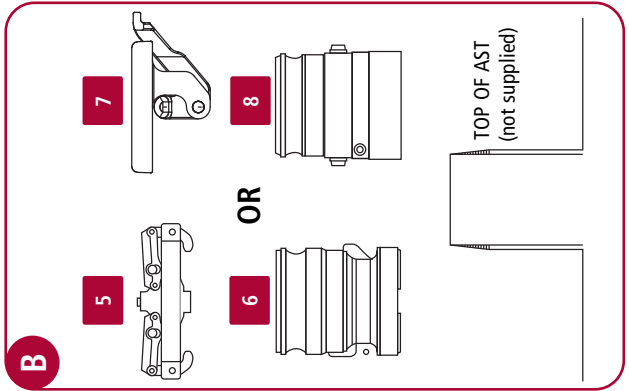
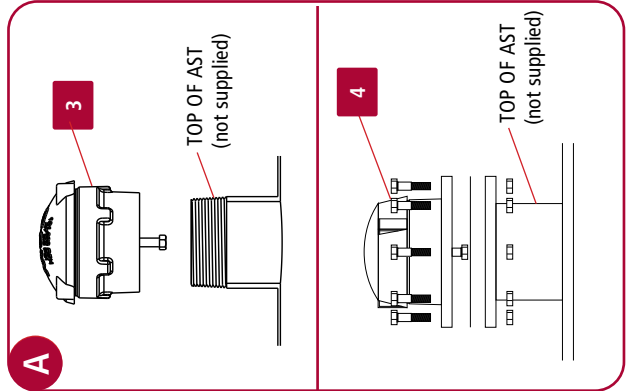
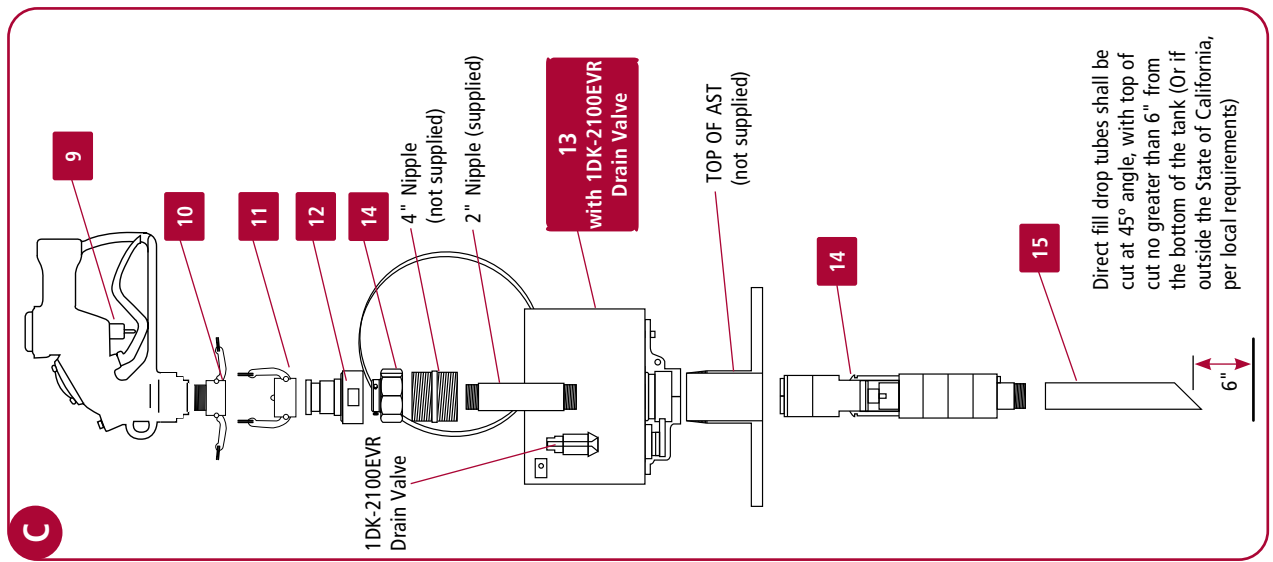
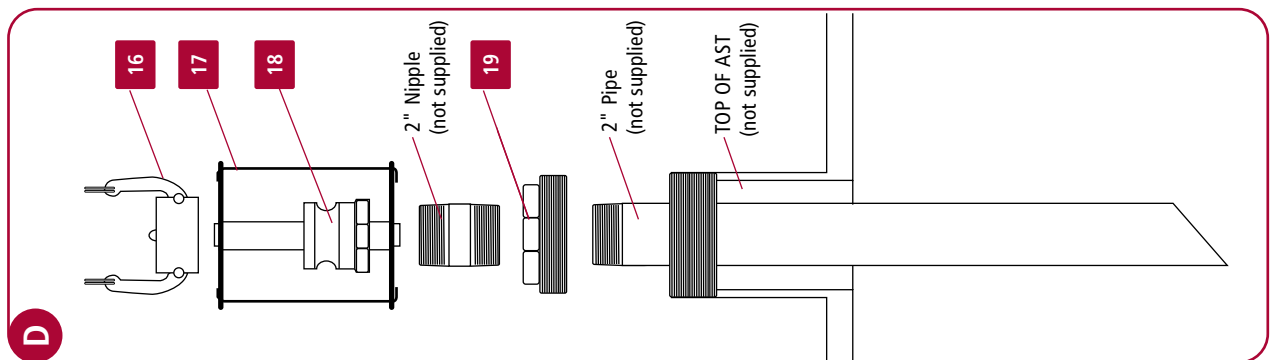
# Above Ground Storage Tank - Direct Fill

## Typical Non-EVR Direct Fill AST Application



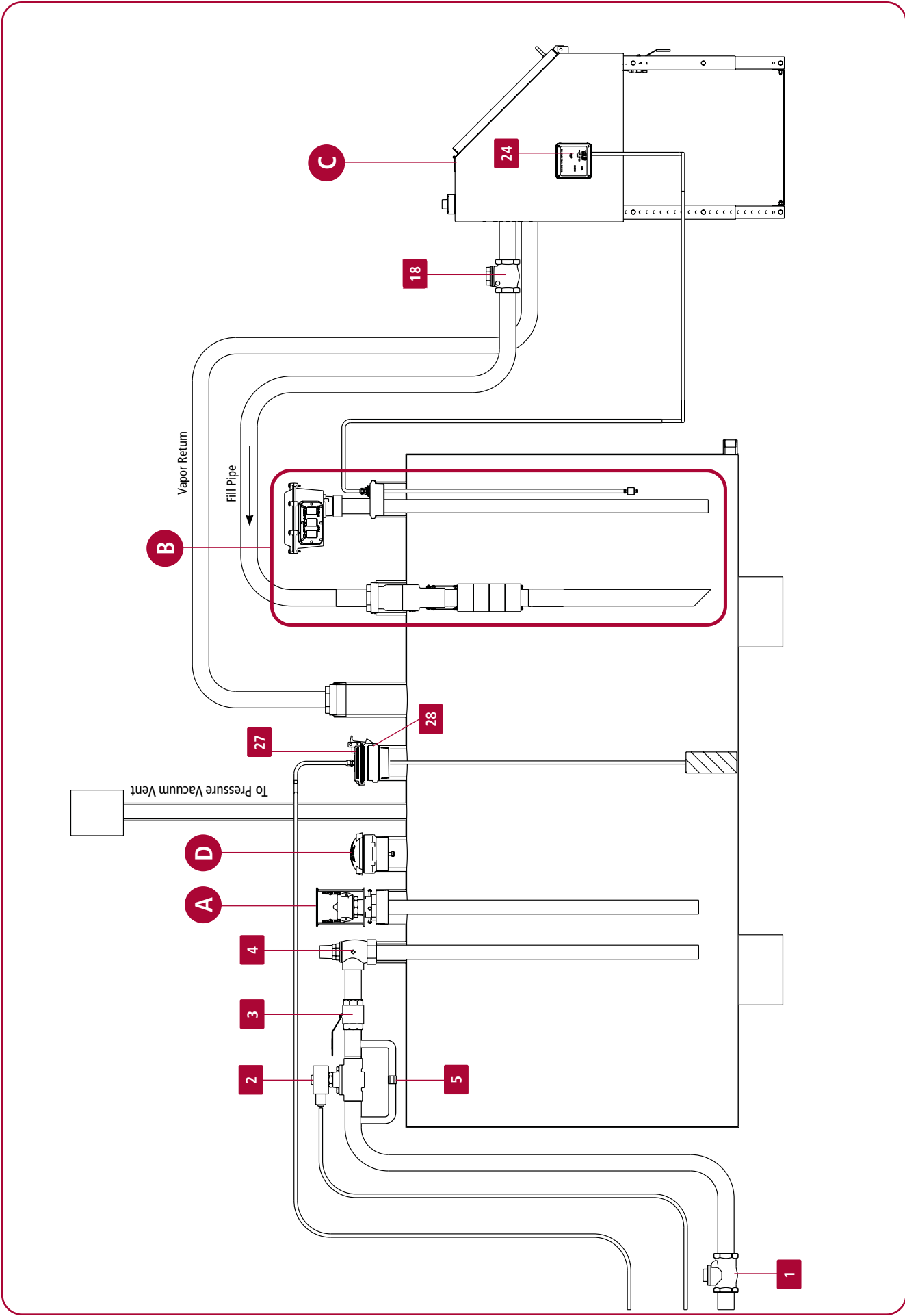
PRODUCT KEY		
	OPW PART / DESCRIPTION	PAGE
1	200TG-ENG Series Tank Gauge (optional / see Note below)	210
2	61T Series Drop Tube	210
3	301 Series Emergency Vent - NPT Mount	212
4	301 Series Emergency Vent - Flanged Mount	212
5	1711T-7085-EVR Cap	106
6	1611AV Series Vapor Recovery Adaptor	220
7	1711LPC-0300 Low Profile Cap	220
8	61VSA Series Vapor Recovery Adaptor	105
9	190 or 210 High-Flow Bulk Nozzle	220-220
10	633BD Kamlok™ Coupler	208
11	A) 634B-0150 Dust Cap or 634BK-0090 Lockable Dust Cap fits 633AST-2061 Spout Adaptor B) 634B-0170 Dust Cap or 634BK-0100 Lockable Dust Cap fits 633AST-3061 Spout Adaptor	208
12	633AST-2061 (2" x 2") or 633AST-3061 (3" x 3") - Tank Inlet Spout Adaptor	208
13	332 Series Spill Container	204
14	61fSTOP-XXXX Series Overfill Prevention Valve	206
15	61FT Series Drop Tube	208
16	634B-0150 or 634BK-0090 Cap	208-209
17	204247 Fill Prevention Cage	208
18	633AST Series Adaptor	208
19	53-00XX Series Double Tapped Bushing	133
20	62M Series Monitoring Probe Cap & Adaptor	107
21	FSA-400 Face Seal Adaptor	80

**NOTE:** The OPW 200TG and 144TA/44TA are not required for EVR compliance, but if a tank gauge or tank alarm is used on your tank that these two OPW products are the only CARB AST EVR certified tank gauge and alarm.



# Above Ground Storage Tank - Remote Fill - Remote Dispensing

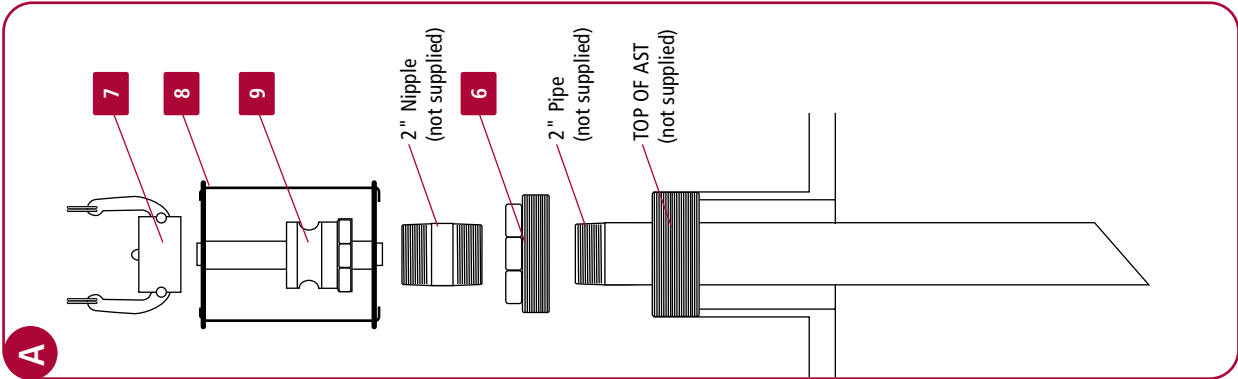
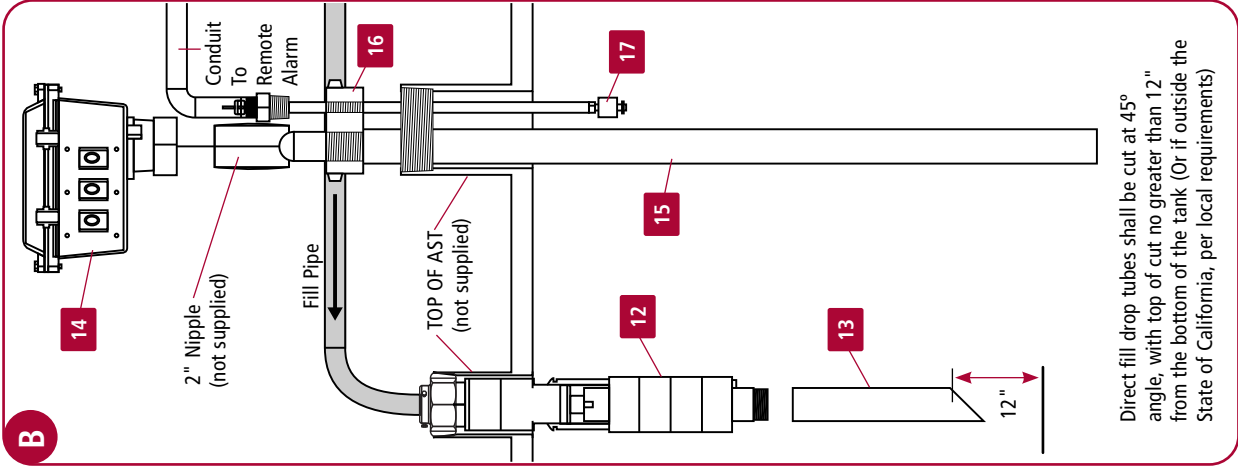
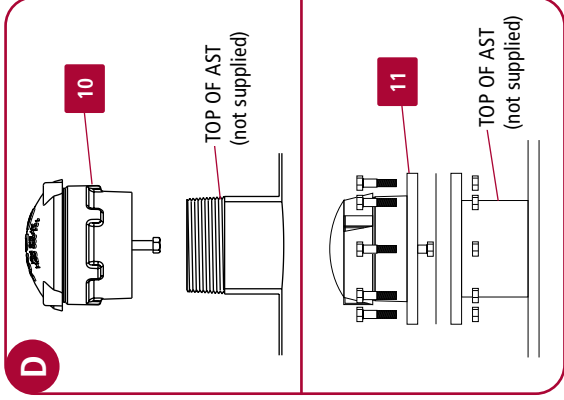
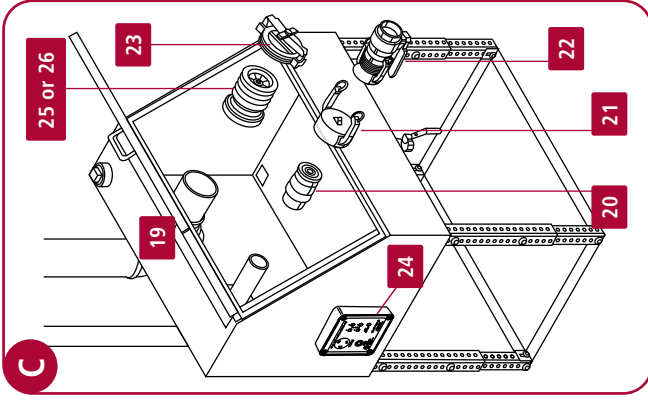
## Typical Non-EVR Remote Fill / Remote Dispensing AST Application





PRODUCT KEY

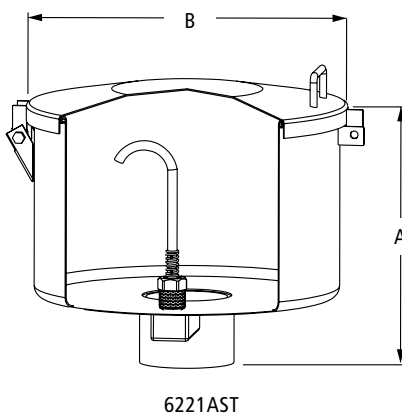
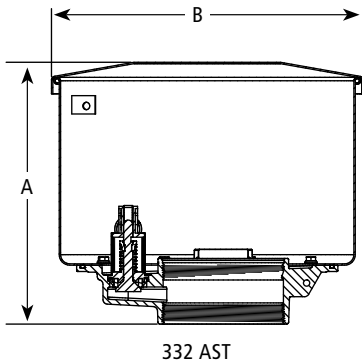
KEY	OPW PART / DESCRIPTION	PAGE
1	178S Series Emergency Valve	219
2	821 Series Solenoid Valve	217
3	21BV Series Ball Valve	218
4	199ASV Series Anti-Siphon Valve	216
5	82RV Series Pressure Relief Valve	217
6	53-00XX Series Double Tapped Bushing	133
7	634B-0150 or 634BK-0090 Cap	208-209
8	204247 Fill Prevention Cage	208
9	633AST-2190 Adaptor	208
10	301 Series Emergency Vent - Threaded Mount	212
11	301 Series Emergency Vent - Flanged Mount	212
12	61FSTOP-XXXX Series Overfill Prevention Valve	206-207
13	61FT Series Drop Tube	207
14	200TG-ENG Series Tank Gauge (optional / see Note below)	210
15	61T Series Drop Tube	210
16	TGTA-0400 4" Gauge/Alarm Combo Fitting (optional)	211
17	44TA-LLFS Liquid Level Float Switch	211
18	175 Series Swing Check Valve	220
19	6211R Series Remote Spill Container	205
20	1611AN-0200 or 1612AN-0200 - 2" Remote Fill or 1611AN-0300 or 1612AN-0300 - 3" Remote Fill Kamvalok Adaptor	209
21	A) 634B-0140 Dust Cap fits 633AST-0150 Adaptor B) 634B-0150 Dust Cap fits 633AST-2061 or 633AST-0200 Adaptor C) 634B-0160 Dust Cap fits 1611AN-0200 or 633ST-0250 or 1611AN-2040 or 1612AN-2040 Adaptors D) 634B-0170 Dust Cap fits 1611AN-3060 or 1612AN-3060 Adaptors	208
22	1711D / 1712D Series Kamvalok Coupler	209
23	1711T-7085-EVR Cap or 1711LPC-0300 Low Profile Cap	106
24	144TA/444TA Series Tank Alarm (optional / see Note below)	211
25	1611AV Vapor Recovery Adaptor	105
26	61VSA Series Vapor Recovery Adaptor	104
27	62M Series Monitoring Probe Cap & Adaptor	107
28	FSA-400 Face Seal Adaptor	80



**NOTE:** The OPW 200TG and 144TA/444TA are not required for EVR compliance, but if a tank gauge or tank alarm is used on your tank that these two OPW products are the only CARB AST EVR certified tank gauge and alarm.

## POMECO/OPW 332AST & 6221AST Direct-Fill Above Ground Storage Tank Spill Containers

POMECO/OPW Direct-Fill AST Spill Containers are designed to prevent spilled product from entering soil near the fill and vapor return riser connections on an above ground storage tank during normal tank filling operation. The spill containers catch spillage to help prevent soil contamination and groundwater pollution. POMECO/OPW Direct-Fill AST Spill Containers thread on the top of an above ground tank and allow for drainage of spilled product back into the tank.



### Dimensions

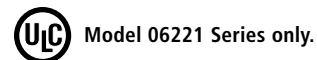
Model #	Capacity		A		B	
	gal.	liter	in.	cm	in.	cm
6221	7	26.5	14½	37	17	43
	3.5	13.2	9¼	24	17	43
332	7	26.5	14	35	17	43

### Features

- ◆ **Easy Installation** – 4" NPT threaded base screws directly to the tank riser pipe. No further adjustments are needed
- ◆ **Integral Drain Valve** – allows high-speed drainage of spilled product back into the tank
- ◆ **Capacity** – available in 7-gallon (26.5 liter) container capacity. Larger 7-gallon capacity spill containers provide additional clearance for 61 fSTOP Overfill Prevention Valves (3.5 gallon-221 only)
- ◆ **Rain-Shedding Cover Design** – hooded cover design helps prevent water or snow entry by extending the lip of the cover over the body of the spill container
- ◆ **Welded-Hinge, Lockable Hatch** – the cover includes a provision for a padlock and a welded-hinge assembly for added security
- ◆ **12 Gauge Epoxy-Powder Coated Construction** – heavy-duty materials, compatible with hydrocarbons, for long service life and added security
- ◆ **332AST and 6221AST Spun Steel Design** – spun steel construction provides a lightweight, one-piece design for easy installation and a clean, sleek appearance on above ground tanks.



- ◆ **6211AST Heavyweight, Welded Base Design** – Thick, welded stainless steel base and walls provide solid strength for heavy-duty applications
- ◆ **All Models Are ULC Listed** – clearly labeled to identify the listing
- ◆ **CARB EVR Certified**



**332AST Spill Containers**  
Instruction Sheet Order Number: 203168

**6211-AST Spill Containers**  
Instruction Sheet Order Number: 202207

### Ordering Specifications:

#### CARB APPROVED AST EQUIPMENT

Product #	Description	Liters	lbs.	kg
332-ASTW74	7 gallon, 4.0" NPT EVR Approved	26.4 liter, 4.0" NPT	38	17.23
6221-ASTW32	3.5 gallon, 2.0" NPT White - No Drain Valve	13.2 liter, 4.0" NPT	18	8.16
6221-ASTW34	3.5 gallon, 4.0" NPT White - No Drain Valve	13.2 liter, 4.0" NPT	19	8.61
6221-ASTW72	7 gallon, 2.0" NPT White	26.4 liter, 2.0" NPT	20	9.07
6221-ASTW74	7 gallon, 4.0" NPT White	26.4 liter, 4.0" NPT	25	11.33
6211SS-AST74	7 gallon, AST Stainless Steel Spill Container	26.4 liter, 4.0" NPT	25	11.33

### Listings and Certifications

### CARB Certified AST Phase I Enhanced Vapor Recovery (EVR) System

### Features

- ◆ **Easy Installation** – a 4" flexible boot on the back panel allows for a quick, simple connection to the remote fill or vapor lines. Optional reducer inserts are available to accommodate 3" and 2" piping connections
- ◆ **Models to Accommodate Various Fill Pipe Configurations** – available in 15, 20 and 30-gallon container capacity. Smaller 15-gallon models are designed for a single-fill or vapor return connection. Larger 20 and 30-gallon models accept both fill and vapor return piping in a dual-port configuration. The 30-gallon model will accommodate both fill and vapor return piping in a single-port configuration and allow the use of 3" Dry Disconnects (OPW 1611AN and 1711D) in a dual-port configuration
- ◆ **Rain-Shedding Cover Design** – hooded cover design helps prevent water or snow entry by extending the lip of the cover over the body of the spill container
- ◆ **12-Gauge Epoxy-Powder Coated Steel or Stainless Steel Containment Box** – heavy duty materials, compatible with hydrocarbons, for long service life and added security



See Pomeco Product Configurator

6211-R

- ◆ **Welded-Hinge, Lockable Hatch** – cover includes a provision for a padlock and a welded-hinge assembly for added security
- ◆ **Easy Product Drainage** – lockable ball valve drain provides for quick and easy product removal
- ◆ **Height Adjustable** – adjustable legs enable the spill container to be set at a variety of heights, from 16½" to 30". Each leg is independently adjustable to account for uneven ground conditions
- ◆ **CARB Certified**
- ◆ **Custom Sizes Available Upon Request**

### Ordering Chart

6	R-					
211		15	0	B2	L	
211SS		20	1	B3	LD	
		30	2	B4	N	
				N	ND	

211 – 12 Gauge Powder-Coated Steel Construction  
211SS – Stainless Steel Construction

15 – 15 Gallon Capacity  
20 – 20 Gallon Capacity  
30 – 30 Gallon Capacity

0 – No entry holes  
1 – 1, 4" Entry hole  
2 – 2, 4" Entry holes (30 Gallon Only)

B – Booted entry fittings in holes  
N – No fittings in holes  
2 – 2" Fitting  
3 – 3" Fitting  
4 – 4" Fitting

L – Adjustable legs and No base drain valve  
LD – Adjustable legs with base drain valve  
N – No legs and No base drain valve  
ND – No legs with base drain valve

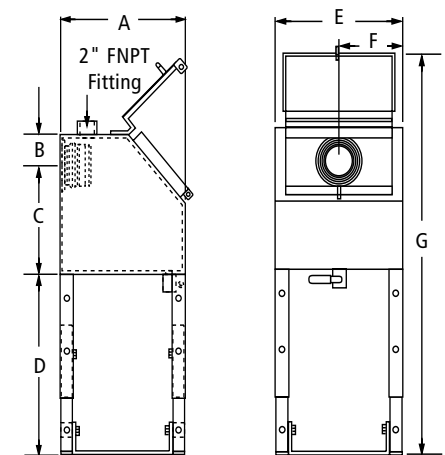
Note: an item must be selected for each column.

### Dimensions

	15 Gallon		20 Gallon		30 Gallon	
	Weight 91 lbs. (41 kg)		Weight 135 lbs. (61 kg)		Weight 175 lbs. (79 kg)	
	in.	cm	in.	cm	in.	cm
A	18¼	46	24	61	21	53
B	7⅝	19	7½	19	10½	27
C	13⅝	35	16½	42	16½	42
D	16½ to 30	42 to 76	16½ to 30	42 to 76	16½ to 30	42 to 76
E	18¼	46	24	61	34	86
F	9⅞	23	12	30½	9½	24
G	47 to 60½	119 to 154	56½ to 80	144 to 203	56½ to 80	144 to 203

### POMECO/OPW 211-RMOT Remote-Fill Above Ground Storage Tank Spill Containers

POMECO/OPW Remote-Fill AST Spill Containers are designed to prevent spilled product from entering soil near the remote, horizontal-fill and vapor return connections on an above ground storage tank during normal tank filling operation. The spill containers catch spillage to help prevent soil contamination and groundwater pollution. POMECO/OPW Remote-Fill AST Spill Containers slip on the remote-fill and vapor return piping connected to an above ground tank. Compatible with methanol, ethanol, jet and AV-Gas fuels.



### Replacement Parts

Part #	Description
201758	4 x 2 Reducer Insert
201759	4 x 3 Reducer Insert
PBOOT	Nitrile (Fuel-Resistant) Boot
H14228M	Band Clamp for PBOOT
202312	Aluminum Flange
21BV-0075	Fullport ¾"
6211R-15-LegKit	Galvanized Steel Leg Kit - 15 Gal.
6211R-20-LegKit	Galvanized Steel Leg Kit - 20 Gal.
6211R-30-LegKit	Galvanized Steel Leg Kit - 30 Gal.
PC04427	Brass Drain Valve

211R Instruction Sheet Order Number: **H15857PA**

## OPW 61fSTOP "THE STOPPER" Overfill Prevention Valves

The OPW 61fSTOP Overfill Prevention Valve ("The Stopper") is designed to prevent overfilling of above ground storage tanks by providing a positive shut-off during a pressurized-fill (pump-on fill) delivery. "The Stopper" threads into the fill opening and is an integral part of the fill tube. The OPW61fSTOP is fully adjustable to allow for easy installation in new or existing above ground tanks of various heights and storage capacities.

The Stopper is a single-action, complete shut-off valve. When the liquid level rises to your specific, pre-determined tank capacity, the valve mechanism is released and automatically closes with the flow of the product. Any excess product left between the valve and the fuel delivery coupler is drained into the tank through internal drain vents. The drain vents on the 61fSTOP act as an anti-siphon, by introducing air/vapor into the fill line, to help isolate the tank from a potential siphon due to a broken or leaking fill pipe.

The 61fSTOP, available in either 2" or 3" full-flow models, maximizes flow rates and minimizes delivery times. The 2" 61fSTOP requires a 4" tank opening and minimum tank ullage (space from the top of the stored product to the inside top of the tank) of 8" on the 61fSTOP-1000 Cylindrical Float model and a minimum ullage of 4" on the 61fSTOP-2000 Float Arm model. The 61fSTOP-1000, with the cylindrical float, eliminates the need to position the valve to avoid tank walls or cross-bracing. The 61fSTOP-2000 with the float arm allows for increased usable storage capacity in the tank, and is well-suited for small capacity rectangular ASTs. The 3" 61fSTOP requires a 6" tank opening and incorporates a cylindrical float requiring 8" of tank ullage space.

### Materials

- Valve Body, Adaptor and Collar:** Cast aluminum
- Poppet:** Cast aluminum, hard-coated
- Cam:** Stainless steel
- Follower:** Brass
- Shaft:** CRS zinc-plated
- Bearing:** Sintered bronze
- Float:** Closed-cell nitrile
- Nipple:** 2" - 3" schedule 40 steel pipe
- Lower Nipple:** 2" - 3" schedule 40 steel pipe with Duragard® coating



### Features

- ◆ **A Special Crossbar Tank-Inlet Adaptor** – is provided with each Stopper to provide for tight-fills and help prohibit open-fills. Mounting hardware, upper drop tube and 14" lower drop tube provided (longer-length drop tubes can be purchased or added)
- ◆ **Completely Automatic Operation** – no pre-checks to perform, no resets, and no overrides to be broken or abused
- ◆ **Direct or Remote-Fill Compatible** – fuel delivery couplers can be connected directly to the 61fSTOP, or steel pipe can be threaded into the top of the valve and piped to a remote location where the couplers are contained in a 211-RMOT Spill Container
- ◆ **Integral Anti-Siphon Valve** – drain vents on the 61fSTOP act as an anti-siphon, by introducing air/vapor into the fill line after the valve actuates, to help isolate the tank from a potential siphon due to a broken or leaking remote-fill pipe
- ◆ **150 psi (10 bar) Pressure Rated\* with Low Pressure Drop** – to enable quick, safe delivery of fuel into the tank
- ◆ **25 GPM (95 lpm) Minimum Flow Rate Required**
- ◆ **UL and ULC Listed** – to satisfy Third Party accreditation requirements of many jurisdictions
- ◆ **CARB Approved**

\*OPW does not recommend pumping pressures above 100 psi for Class 1B fuels and we make no warranties for products use in conjunction with the 61fSTOP.

NOTE: OPW recommends the use of the 61fSTOP with clean product only. Debris and other products such as contaminated waste oil may cause improper operation of the valve.

NOTE: The 61fStop can be used in gravity drop provided the minimum flow rate is maintained.

A tight shut-off is not achieved in the closed position. However with a minimum tank size of 1,000 gallons, the leak rate will provide a 30-minute warning before the tank is full.

**Approvals  
and Listings**

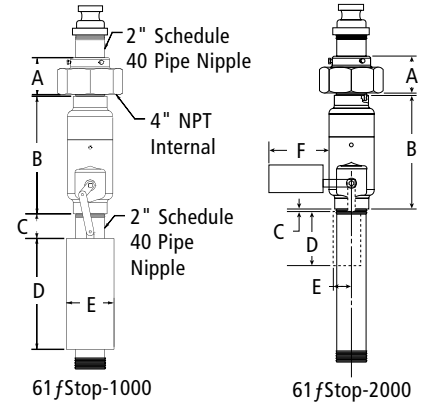


**CARB Certified  
AST Phase I Enhanced Vapor Recovery (EVR) System**

### Ordering Specifications and Dimensions

Product #	Description	A		B		C		D		E		F	
		in.	cm	in.	cm	in.	cm	in.	cm	in.	cm	in.	cm
61fSTOP-1000	2" Cyl. Float	3	7.6	10	25.4	2	5.1	9	22.4	3 <sup>15</sup> / <sub>16</sub>	10	n/a	n/a
61fSTOP-100M*	2" Cyl. Float for Methanol	3	7.6	10	25.4	2	5.1	9	22.4	3 <sup>15</sup> / <sub>16</sub>	10	n/a	n/a
61fSTOP-2000	2" Float Arm	3	7.6	10	25.4	1/2	3.8	5-18	22.4	1 <sup>3</sup> / <sub>2</sub>	5	6	15.2
61fSTOP-200M*	2" Float Arm for Methanol	3	7.6	10	25.4	1/2	3.8	5-18	22.4	1 <sup>3</sup> / <sub>2</sub>	5	6	15.2
61fSTOP-3050	3" Cyl. Float	3	7.6	10 <sup>5</sup> / <sub>8</sub>	27	2	5.1	8	20.3	5 <sup>1</sup> / <sub>8</sub>	13	n/a	n/a
61fSTOP-305A*	3" Cyl. Float for Aviation, Methanol and AV-GAS	3	7.6	10 <sup>5</sup> / <sub>8</sub>	27	2	5.1	8	20.3	5 <sup>1</sup> / <sub>8</sub>	13	n/a	n/a
61fSTOP-100M*	2" Cyl. Float for E85	3	7.6	10	25.4	2	5.1	9	22.4	3 <sup>15</sup> / <sub>16</sub>	10	n/a	n/a
61fSTOP-200M*	2" Cyl. Float for E85	3	7.6	10	25.4	1/2	3.8	5-18	22.4	1 <sup>3</sup> / <sub>2</sub>	5	6	15.2

\*Recommended for E85



#### Replacement Parts 2"

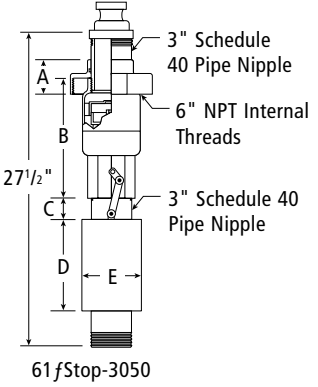
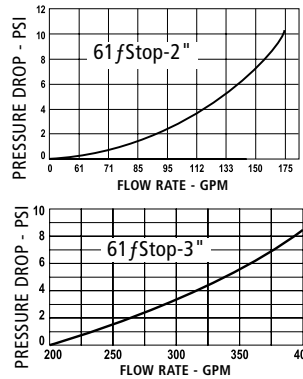
Product #	Description
C04093M	4" Retaining Collar
C04114RS	14" Nipple

#### Replacement Parts 3"

Product #	Description
D02037M	6" Retaining Collar
C04474RS	14" Nipple

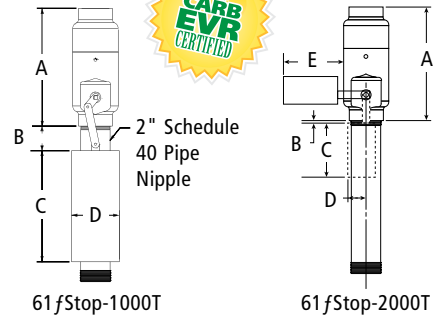
#### 61fSTOP Weights

Product #	Weight	
	lbs.	kg
61fSTOP-1000	13	5.89
61fSTOP-2000	12	5.44
61fSTOP-3050	22	9.97



### CARB Approved AST Equipment

Product #	Description	A		B		C		D		E	
		in.	cm	in.	cm	in.	cm	in.	cm	in.	cm
61FSTOP-1000T	2" NPT with cylindrical float	10	25.4	2	5.1	9	22.4	3 <sup>15</sup> / <sub>16</sub>	10	n/a	n/a
61FSTOP-2000T	2" NPT with float arm	10	25.4	1/2	3.8	5-18	22.4	1 <sup>3</sup> / <sub>2</sub>	5	6	15.2
61FSTOP-3050T	3" NPT with cylindrical float	10 <sup>5</sup> / <sub>8</sub>	27	2	5.1	8	20.3	5 <sup>1</sup> / <sub>8</sub>	13	n/a	n/a



#### Replacement Parts 2"

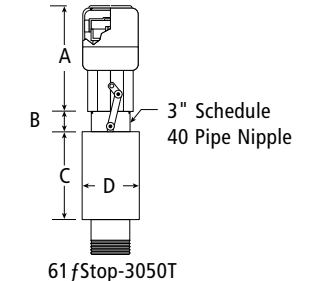
Product #	Description
H12617M	Float for 1000 (4 pieces required)
61ARM-2000	Floating Arm Retrofit Kit For 2000

#### Replacement Parts 3"

Product #	Description
C04438M	Float (4 pieces required for 3050)

### OPW 61FT Drop Tube

The OPW 61FT Drop Tube is designed to install on the bottom of the 61fSTOP AST Overfill Prevention Valves when a lightweight, longer, lower drop tube is required. Constructed of extruded aluminum, the OPW 61FT is connected to the bottom of the 61fSTOP by a clevis and cotter pin assembly, and allows for submerged filling of ASTs.



### Ordering Specifications and Dimensions

#### CARB APPROVED AST EQUIPMENT

Product #	Description
61FT-0206	2" x 6' Drop Tube Kit
61FT-0312	3" x 12' Drop Tube Kit
205-0340	2- <sup>13</sup> / <sub>16</sub> " x 1" Fill Pipe Strainer

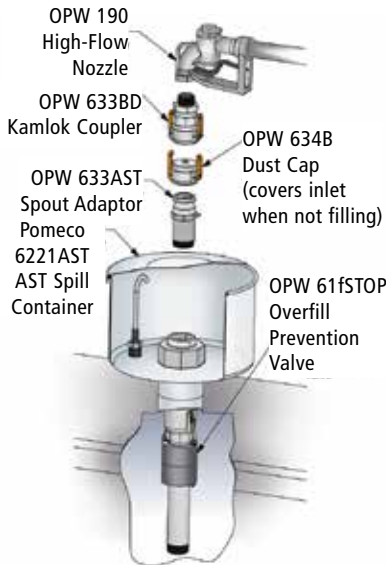
61FSTOP-1000, 100M, 200M Instruction Sheet Order Number: **H12676M**  
 61FSTOP-2000 Instruction Sheet Order Number: **H13337M**  
 61FSTOP-3000, 3050, 305A Instruction Sheet Order Number: **H13315M**  
 61FT-0312, 0206 Instruction Sheet Order Number: **H14428PA**  
 61FSTOP-1000T, 2000T, 3050T Instruction Sheet Order Number: **203163**

NOTE: When ordering a CARB EVR Certified OPW 61f STOP, the Fill Adaptor must be ordered separately.

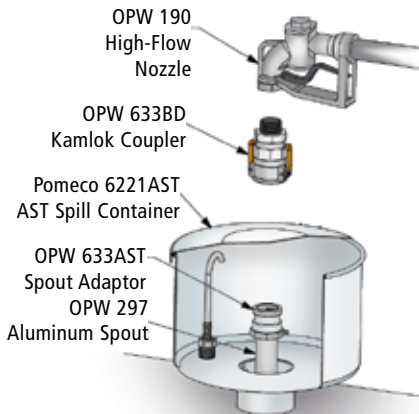


## Fuel Delivery Couplers And Accessories

Fuel Delivery Couplers and Accessories are designed to connect fuel delivery transport truck hoses or nozzles to the fill pipe of an aboveground storage tank.



Typical AST Filling Application



Typical AST Filling Application



### Dedicated Gauging Port

For use with 633AST-XXXX Female NPT Kamlok Gauging Port.

## Ordering Specifications

### CARB APPROVED AST EQUIPMENT

Product #	Description
204247	Dedicated Gauging Port



## Kamlok® Couplers

The 633BD has a Kamlok® Coupler on one end and external threads on the other end. This coupler should be threaded into an OPW 190 Nozzle and then coupled to the 61fSTOP for filling ASTs.

## Ordering Specifications

Product #	Elbow/Thread	
	in.	mm
633BD-1261	2 x 1-1/2	51 x 38
633B-0150	2 x 2	51 x 51



633B Coupler

## Tank Inlet Spout Adaptors With Crossbar

The 633AST Series Adaptors, with a boss installed across the inlet, are designed to prohibit open-fills. Adaptors are supplied with the 61fSTOP to provide for tight-fills.

## Ordering Specifications

Product #	Elbow/Thread	
	in.	mm
633AST-2061	2 x 2	51 x 51
633AST-3061	3 x 3	77 x 77



633AST Spout Adaptor

## Tank Inlet Spout Adaptors

The 633AST is an adaptor that can be threaded onto a 297 Spout. The spout and adaptor assembly may then be attached to a 190 Nozzle equipped with a 633BD Kamlok® coupler for open filling of ASTs when a 61fSTOP is not installed.

## Ordering Specifications

### CARB APPROVED AST EQUIPMENT

Product #	Elbow/Thread	
	in.	mm
633AST-0200	2 x 2	51 x 51
633AST-0250	2.5 x 2.5	64 x 64
633AST-0300	3 x 3	76 x 76
633AST-0400	4 x 4	102 x 102

633FAST-XXXX, Male Thread Equivalent of Adaptors above



633AST Spout Adaptor

## Dust Caps

The 634B Dust Caps are installed on 633AST Adaptors when not in use to deter dust, debris and water from entering the tank.

## Ordering Specifications

### CARB APPROVED AST EQUIPMENT

Product #	Description	in.	mm
634B-0140	For 633AST-0150	1 1/2	38
634B-0150	Caps 633AST-2061 or 633AST-0200 Adaptor	2	51
634B-0160	Caps 1611AN-0200 or 633AST-0250 or 1611AN-2040 or 1612AN-2040 Adaptors	2 1/2	64
634B-0170	Caps 61fSTOP (633AST-3061) or 366AST-0300 or 1611AN-3060 or 1612AN-3060 Adaptors	3	77
634B-0180	1611AN-0300 Kamvalok® Adaptor or 633AST-0400 Adaptor	4	103



Dust Cap

### 1611 & 1612 Series Kamvalok® Adaptors

Installed onto the 61fSTOP overfill prevention valve. Contains an internal spring loaded valve assembly that automatically closes to help prevent fuel spillage.

#### Ordering Specifications

**CARB APPROVED AST EQUIPMENT**

Product #	Seal	in.	mm
1611AN-2040	Direct Fill with Buna seal	2	51
1612AN-2040	Direct Fill with Viton seal	2	51
1611AN-3060	Direct Fill with Buna seal	3	77
1612AN-3060	Direct Fill with Viton seal	3	77

1611AN Adaptor Instruction Sheet Order Number: 204016



**Kamvalok® Adaptor for Direct Fill**

### Poppeted Kamvalok® Adaptors

The 1611AN Series Kamvalok® Adaptor is installed at the fill pipe and replaces the 633AST. The 1611AN contains an internal spring-loaded valve assembly that automatically closes to help prevent fuel spillage. The 1611AN mates with the 1711D Coupler to open the spring-loaded valve and proceed with a delivery 204016.

#### Ordering Specifications

**CARB APPROVED AST EQUIPMENT**

Product #	Seal	in.	mm
1611AN-0200	Remote Fill with Buna Seal	2	51
1611AN-0300	Remote Fill with Buna Seal	3	77
1612AN-0150	Remote Fill with Viton® Seal	1½	38
1612AN-0200	Remote Fill with Viton® Seal	2	51
1612AN-0300	Remote Fill with Viton® Seal	3	77
1672AN-SS20	2" Stainless Steel Kamvalok® Adaptor	2	51
1672AN-SS30	3" Stainless Steel Kamvalok® Adaptor	3	77

\* Thread and Kamvalok® same size



**Poppeted Kamvalok® Couplers for Remote Fill**

1611AN Adaptor Instruction Sheet Order Number: 204016

### Poppeted Kamvalok® Couplers

The 1711D Series Kamvalok® Couplers are installed on the fuel delivery transport truck hose and mate with the 1611AN Adaptors. The combination of the 1711D and 1611AN enable dry connection and dry disconnection of delivery fittings to help prevent accidental spillage of product.

#### Ordering Specifications

**CARB APPROVED AST EQUIPMENT**

Product #	Seal	in.	mm
1711D-1075	Buna	2	51
1711D-1080	Buna	3	77
1712D-1085	Viton®	1½	38
1712D-1090	Viton®	2	51
1712D-1095	Viton®	3	77
1772DL-SS20	2" Stainless Steel Poppeted Kamvalok® Coupler w/ Locking Arms and Lever	2	51
1772DL-SS30	3" Stainless Steel Poppeted Kamvalok® Coupler w/ Locking Arms and Lever	3	77

\* Thread and Kamvalok® same size



**Poppeted Kamvalok® Couplers**

H32116PA Coupler Instruction Sheet Order Number: 204016

### Dust Plugs

The 634A Dust Plug is installed in the end of the 1711D, and is designed to help prevent dust, dirt and debris from damaging the internal components of the Coupler.

#### Ordering Specifications

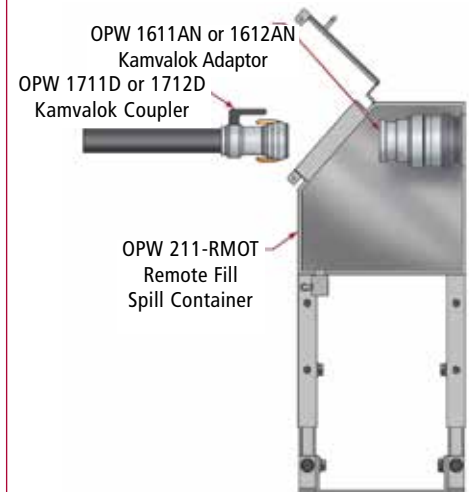
Product #	Description	in.	mm
634A-0160	Plugs 1711D or 1712D - 2" Kamvalok® Coupler	2½	64
634A-0180	Plugs 1711D or 1712D - 3" Kamvalok® Coupler	4	103



**Dust Plug**

## Spout Kits And Delivery Couplers And Accessories

Fuel Delivery Couplers and Accessories are designed to connect fuel delivery transport truck hoses or nozzles to the fill pipe of an aboveground storage tank.



Typical AST Filling Application



Lockable Dust Plug

### Lockable Dust Caps

The 634BK-0090 is a 2" lockable dust cap for the 61fSTOP. It will cap off any 2" 633AST Tank Inlet Spout Adaptor and offers the added feature of being lockable.

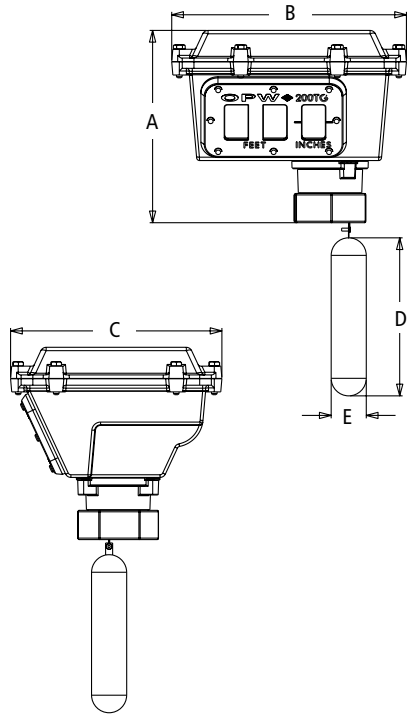
#### Ordering Specifications

**CARB APPROVED AST EQUIPMENT**

Product #	Description	in.	mm
634BK-0090	Caps 633AST Adaptor	2	51
634BK-0100	Caps 633AST Adaptor	3	77
634BK-0200	Caps 633AST Adaptor	4	103

## OPW 200TG AST Mechanical Tank Gauge

The OPW 200TG Tank Gauge is designed for reading liquid levels in horizontal or vertical above ground storage tanks. The 200TG Tank Gauge provides an accurate numerical counter readout, eliminating the need for any on-site manual gauging.



### Dimensions:

	in.	cm
A	8 1/4	21
B	10 1/4	26
C	9	22.75
D	6 3/4	17.25
E	1 1/2	3.75

### Replacement Parts:

Part #	Description
C05165M	Float
H15325M	Lens
H15267M	Lens Gasket
H14909M	Lid Gasket



Underwriters Laboratory Listed UL Listing MH29367. Liquid level gauges which are intended to be used on above ground storage tanks and monitor the level of petroleum-based flammable or combustible fluids.

## Materials

- Enclosure:** Powder-coated aluminum
- Swivel Base:** Hard-coat aluminum
- Float:** 304 stainless steel
- Lenses:** Tempered borosilicate
- Gears:** Acetal
- Gaskets & O-Rings:** Nitrile\*
- All Hardware:** Stainless steel
- Accuracy:** + or - 2"



## Features

- ◆ **Vapor-Tight** – allows for standard tank pressure testing and sealing up to 25-psig (1.72 bar)
- ◆ **Angled Face** – improves visibility from ground on large diameter tanks. May be read easily up to 30 feet away (9.14 m)
- ◆ **Swivel Adaptor Base** – allows for 360° of rotation of gauge face for easy viewing wherever needed
- ◆ **Easy Installation** – 2" NPT-threaded base reduces labor time, and comes standard with female thread. A H11421RS may be purchased for male threaded applications
- ◆ **Corrosion-Resistant Construction** – powder-coated die cast-aluminum body assures for long service life in many fluids
- ◆ **Drop Tube** – prevents float entanglement in the tank, and gives the gauge a more accurate reading when turbulence is present (Drop Tubes sold separately. They are recommended for use in tanks with high turbulence, and where other piping and structures inside the tank may cause entanglement)
- ◆ **Float Buoyancy** – designed to float in all approved fuels with a specific gravity of 0.65 and greater
- ◆ **Tank Height** – unit designed for use on any horizontal or vertical aboveground tank up to 18 feet (5.5 m) in depth. Specials available upon request
- ◆ **Numbering** – black letters on white background for ultimate contrast and better visibility. Characters stand over 1" (25 mm) tall
- ◆ **Unit Measurement** – Can be purchased in metric units to read in meters, 1/10, 1/100, or in English units to read in feet and inches
- ◆ **Maintenance** – No annual maintenance required
- ◆ **Compatible Fuels** – see chart on page 228
- ◆ **Temperature Rating** – 120°F to -40°F (49°C to -40°C)

200TG Tank Gauge Instruction Sheet  
Order Number: **H14912PA**

## Ordering Specifications:

Product #	Description	lb.	kg
200TG-ENG	English Unit Tank Gauge up to 18 ft.	7.75	3.52
200TG-ENG40	English Unit Tank Gauge - 40 ft.	7.75	3.52
200TG-MET	Metric Unit Tank Gauge up to 6 m	7.75	3.52
200TGMET40	Metric Unit Tank Gauge - 10 m	7.75	3.52

## (Ancillary Equipment)

Product #	Description	lb.	kg
H11421RS	2" NPT Male x Male Nipple	1.5	0.68

## CARB CERTIFIED AST EQUIPMENT

Product #	Description	lb.	kg
61T-0208	2" Dia. x 8' Long Drop Tube	2.67	1.21
61T-0212	2" Dia. x 12' Long Drop Tube	4.00	1.81
61T-0216	2" Dia. x 16' Long Drop Tube	5.33	2.42

**Materials**

- Enclosure:** Polybutylene terephthalate
- Wire Grommet:** Nylon w/ buna seal
- Float Switch:** Closed cell buna float & stainless steel rod
- Pipe:** Stainless steel
- Tank Adaptor:** Aluminum hardcoat anodized

444TA



**Features**

- ◆ **Up to four alarm signals (444TA)** – can be used for high or low liquid level sensing, interstitial monitoring, and/or other signals in one to 4 separate tanks
- ◆ **Self-Powered** – lithium battery with a 10-year shelf life for long service life.
- ◆ **Audible Alarm** – sounds a 90-decibel alarm at 4 feet away
- ◆ **Visual Notifications** – red alarm light will flash during use for notification to the user. Low battery light indicates when battery needs replaced
- ◆ **Corrosion-Resistant Construction** – petroleum and environmental resistant housing and all stainless steel pipe fitting ensure a long product life
- ◆ **Product / Alarm Identification Label** – located on top of the alarm for quick and easy identification, allowing you to correspond alarms to signals. Label has a protective covering
- ◆ **Intrinsically Safe** – complies with ANSI/UL 913 for Class 1, Division 1 & 2 for Groups C & D hazardous locations
- ◆ **Cold Weather Resistant** – all components are safe for temperatures down to -40°F operation (and up to 120° F)
- ◆ **Long Life Lithium Battery** – self-powered by a lithium battery which includes a 10-year shelf life to ensure peace of mind for the owner
- ◆ **Easy Installation** – requires no calibration and installs easily into a 1" tank bung. May be assembled remotely or directly on top of tank



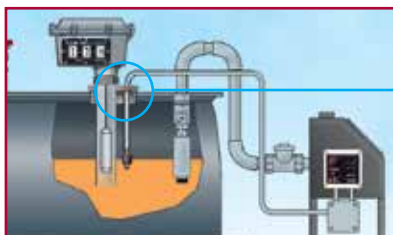
TGTA-0400 4" Tank Bung Combo Fitting  
Note: Drop Tube must be used with TGTA-0400.

444TA and 144TA Instruction Sheet  
Order Number: 200655

**Ordering Specifications:**

Product #	Description	lb.	kg
444TA-0100*	Four Signal Tank Alarm, does not include Float Switch	4	1.8
44TA-LLFS**	36" Liquid-Level Float Switch Sub-Assembly	0	0.0
144TA-0100	Single Channel Liquid Level Tank Alarm, does not include Float Switch	4	1.8
TGTA-0400	4" Tank Bung Gauge and Alarm Combo Fitting (OPW 61T required for use)	10	4.5

\*\*The OPW 144TA Requires the OPW 44TA-LLFS, the OPW 44TA-LLFS must be purchased as a separate item.



**Replacement Parts:**

Part #	Description
44TA-LLFS	Liquid-Level Float Switch ASSY
H15412M	Wire Fitting
H15411M	Float Switch
Items to Convert to a Low Level Alarm:	
C05295M	SST Tube
H15937M	444TA-0100 Battery Module
202891	144TA Battery Module

**OPW 444TA AST Four Signal Tank Alarm and OPW 144TA AST Liquid Level Tank Alarm**

The OPW AST remote Four Signal Tank Alarm is designed to sense up to four different liquid levels or other signals using just one device.

The OPW 144TA Tank Alarm is designed for liquid level sensing.

**Alarm Technical Information:**

- Hazardous Location Approval: Class I, Groups C & D
- Maximum Voltage: 7.2 Volts
- Maximum Current: 8 ma. per input (32 ma. total)
- Maximum Internal Capacitance: 23 uF
- Maximum Internal Inductance: 33 mH
- Maximum Ambient Temperature Rating: 60° C
- Maximum Surface Temperature Classification: T4 Surface Code
- Wiring limitations:** 1000 foot maximum between the 144TA/444TA unit and any remote switch for each channel of the alarm. This assumes that maximum capacitance for any input is 60 nanoFarads and that the maximum inductance is 0.2 milliHenry per input (UL-913 A7.3)
- Note:** This device is designed to work independently and should not be wired in parallel with another device, except as defined in the following instructions.

Requirements for devices wired to the 144TA/444TA:

- Attached wiring and devices must be classed Intrinsically Safe
- No voltage or current source
- Maximum capacitance: 60 nanoFarads (.06 uF) per input
- Maximum inductance: 200 microHenrys (.2 mH) per input

**Float Switch Technical Information:**

- Minimum liquid specific gravity: 0.45.
- Stem material: Stainless steel. Float Material: Closed Cell Buna-N (UL Approved) for gasoline services
- Max Pressure: 150 psi @ 70° F. Thread 1/8" NPT.

**444TA Dimensions:**

	in.	cm
A	5 1/32	12.8
B	5 1/32	12.8
C	4 3/16	10.6

**144TA Dimensions:**

	in.	cm
A	5 1/32	12.8
B	5 1/32	12.8
C	3	7.6
D	4 3/16	10.6
E	1 15/16	4.9
F	35	88.9
G	1 15/16	4.9
H	1	2.5

**Approvals and Listings**

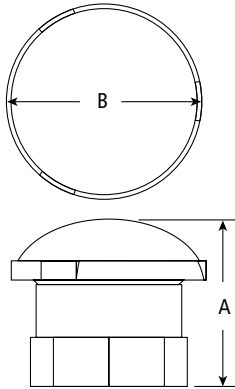


Conforms to ANSI / UL STD 913  
Certified to CAN / CSA STD C22.2 No. 157-92  
Florida EQ-610  
CARB Certified



## OPW 301 Emergency Vents

The OPW 301 Emergency Vent is designed to prevent an above ground storage tank from becoming over-pressurized by providing high-capacity venting in the event of a fire or blockage. The 301 is a weighted, mushroom-style emergency vent. When the AST builds pressure, the weighted cast iron lid is forced up off its seat to relieve the pressure. When pressure is relieved, the lid lowers and is automatically reset. The appropriate 301 Series vent is determined by the emergency venting capacity requirements of the AST and the type of connection at the tank's emergency vent opening. The OPW 301 Emergency Vent is available in 4", 6", 8" and 10" openings with female NPT, male NPT or flanged connections (8"-10") to allow for easy installation in new or existing above ground tanks. Various lid pressure settings determine the initial venting of the valve.



### Replacement Parts

Part #	Description
201877	4" Seal
202721	6" Seal
203325	8" Seal

## Materials

**Lid:** Cast iron with powder-coated finish  
**Body:** Aluminum  
**Shaft:** Zinc-plated steel  
**O-Ring:** Buna-N

301 SCFH @ 2 1/2 PSI  
 (0.17 bar)  
 4" - 101,000  
 6" - 250,000  
 8" - 471,000



## Features

- ◆ **Automatically Resets** – weighted cast iron cover reseats once the pressure in the tank is relieved
- ◆ **Aluminum Body and Cast Iron Lid**
- ◆ **Epoxy Powder-Coated Cover** – prevents rusting of the cover to protect expensive finishes on ASTs
- ◆ **UL Listed** – to satisfy third party accreditation requirements of many jurisdictions
- ◆ **CARB Certified** – AST Phase 1 Enhanced Vapor Recovery (EVR) System

301 Series Instruction Sheet Order Number: **203568**

## Ordering Specifications

### CARB APPROVED AST EQUIPMENT

Model #	in.	mm	Pressure Setting	Mounting Connection	A		B		Weight	
					in.	mm	in.	mm	lbs.	kg
301-3080	3	76	8 oz.	Female NPT	4.7	119.4	5.1	129.5	6.7	3
301M-3081	3	76	8 oz.	Male NPT	4.7	119.4	5.1	129.5	6.7	3
301-3160	3	76	16 oz.	Female NPT	5.7	144.8	5.1	129.5	11.4	5.2
301M-3161	3	76	16 oz.	Male NPT	5.7	144.8	5.1	129.5	11.4	5.2
301-4080	4	101.5	8 oz.	Female NPT	4.9	124.5	6.1	154.9	10.6	4.8
301M-4081	4	101.5	8 oz.	Male NPT	4.9	124.5	6.1	154.9	10.6	4.8
301-4160	4	101.5	16 oz.	Female NPT	6.1	154.9	6	152.4	18.1	8.2
301M-4161	4	101.5	16 oz.	Male NPT	6.1	154.9	6	152.4	18.1	8.2
301-6080	6	152	8 oz.	Female NPT	5.9	149.9	8.1	205.7	20.9	9.5
301M-6081	6	152	8 oz.	Male NPT	5.9	149.9	8.1	205.7	20.9	9.5
301-6160	6	152	16 oz.	Female NPT	7.4	188	8.1	205.7	37.5	17
301M-6161	6	152	16 oz.	Male NPT	7.4	188	8.1	205.7	37.5	17
301-8080	8	203	8 oz.	Female NPT	6.2	157.5	10.1	256.5	33.9	15.4
301M-8081	8	203	8 oz.	Male NPT	6.2	157.5	10.1	256.5	33.9	15.4
301-8160	8	203	16 oz.	Female NPT	7.8	198.1	10.1	256.5	61.9	28
301M-8161	8	203	16 oz.	Male NPT	7.8	198.1	10.1	256.5	61.9	28
301F-8085	8	203	8 oz.	Flange	6.2	157.5	10.1	256.5	41.8	19
301F-8165	8	203	16 oz.	Flange	7.8	198.1	10.1	256.5	70	31.8
301F-1085	10	254	8 oz.	Flange	6.5	165.1	13	330.2	65.2	29.6

## Approvals and Listings

**CARB Certified**  
**AST Phase 1 Enhanced Vapor Recovery (EVR) System**



## Materials

**Cover and body:** Aluminum  
**Link:** Duratuff®  
**Spring:** Stainless steel  
**Sealing surface:**  
 Teflon®-coated aluminum

202 SCFH @ 2 1/2 PSI  
 (0.17 bar)  
 4" 125,000 SCFH @ 2.5 psi  
 6" 280,000 SCFH @ 2.5 psi  
 8" 455,000 SCFH @ 2.5 psi



## Features

- ◆ **Lightweight Construction** – allows for safe, easy installation on large aboveground tanks
- ◆ **Spring-Loaded, O-Ring Sealed Cover with Teflon-Coated Seat** – Ensures smooth, vapor-tight sealing surface and reliable service life
- ◆ **Full-Bore, High-Capacity Upward Venting** – enables smaller diameter vents, with higher venting capacity, to be used on ASTs when compared to weighted, mushroom-style vents
- ◆ **Aluminum Cover and Body with Stainless Steel Components** – corrosion-resistant construction to protect expensive finish or epoxy coatings on ASTs
- ◆ **Mounts Vertical or Horizontal**
- ◆ **Alerts Tank Operators of Possible Venting Problems** – when the emergency vent is actuated, the lid remains open for inspection until manually reset. The actuation of the emergency vent indicates abnormal excessive pressure build-up in the tank due to either a blockage in the normal tank vent or in the event of a rapid expansion of vapors possibly from a fire
- ◆ **Easy Vent Reset** – no extra parts required. Simply push the vent lid closed until an audible “click” is heard, indicating the vent is back in operation
- ◆ **UL Listed** – to satisfy Third Party accreditation requirements of many jurisdictions

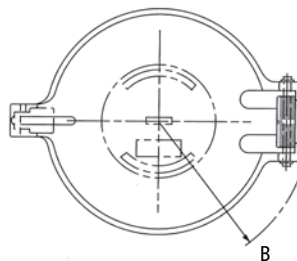
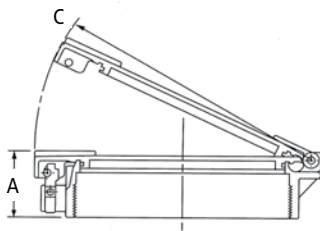
202 Series Instruction Sheet Order Number: **H11792M**

## Ordering Specifications

Model #	in.	mm	lbs.	kg
202-0640	4	102	2.05	.95
202-0660	6	152	3.55	1.6
202-0680	8	203	5.1	2.3

## Dimensions 202

	4" (102mm)		6" (152mm)		8" (203mm)	
	in.	mm	in.	mm	in.	mm
A	2 3/8	60	2 3/8	60	2 5/8	67
B	4	102	5	127	5 7/8	149
C	6 1/2	165	8 9/16	218	10 3/4	273

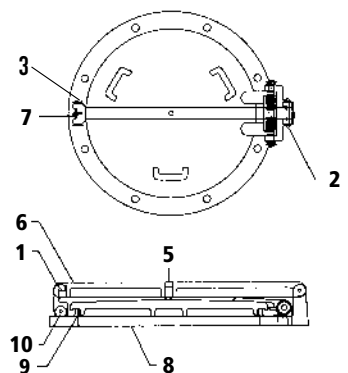


## OPW 202 Emergency Vents

The OPW 202 Emergency Vent is designed to prevent an aboveground storage tank from becoming over-pressurized by providing full-bore, high-capacity venting in the event of a fire or blockage of the OPW 23, 113, 523V, or 623V. The 202 is a vapor-tight, spring-loaded emergency vent. When the AST builds pressure to 2.5 psi, the spring-loaded lid opens full-bore and discharges vapors upward to relieve the pressure. The lid remains open for inspection to indicate a problem with the normal tank venting, or if a fire has taken place, until manually reset. The appropriate 202 Series vent is determined by the emergency venting capacity requirements of the AST and the type of connection at the tank’s emergency vent opening. The OPW 202 Emergency Vent is available in 4", 6", and 8" openings with female NPT connections.

## Ordering Specifications Flange Mount

Model #	in.	mm	lbs.	kg
202F-0600 (Flange Mount)	8	203	5.2	2.4



## 202F Replacement Parts

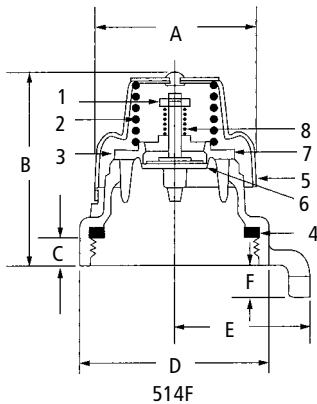
Key	Part #	Description
1	H04869RE	Break Link
2	H06475RE	Rivet
3	H04981M	Cotter Pin
4	H04928	Parts S/A
5	H04929M	Screw
6	C01288I	Bar
7	H04871M	Break Pin
8	C01289M	Gasket
9	H04873M	O-Ring
10	H06449RE	Rivet

**Approvals and Listings**



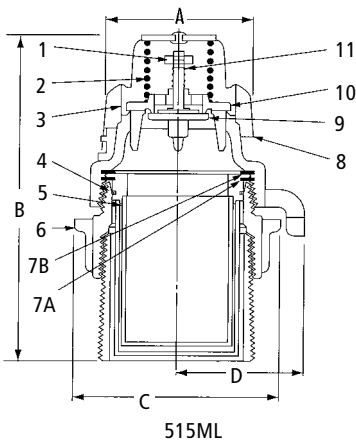
## OPW Utility Tank Vents

OPW Utility Tank Vents are installed directly on the top of above ground storage tank or utility tank vent pipes. The vent cap is designed to protect the tank against intrusion of water, debris or insects. The 515ML incorporates a flame arrestor screen for jurisdictions that require these on tanks. A normally closed poppet in the valve opens at a predetermined pressure or vacuum setting to allow the tank to vent.



### Dimensions (514F)

	in.	mm
A	2 <sup>5</sup> / <sub>16</sub>	59
B	2 <sup>5</sup> / <sub>16</sub>	75
C	1 <sup>5</sup> / <sub>16</sub>	24
D	2 <sup>21</sup> / <sub>32</sub>	67
E	1 <sup>15</sup> / <sub>16</sub>	49
F	7 <sup>7</sup> / <sub>16</sub>	11



### Dimensions (515ML)

	in.	mm
A	2 <sup>5</sup> / <sub>16</sub>	59
B	5 <sup>1</sup> / <sub>4</sub>	133
C	3 <sup>3</sup> / <sub>8</sub>	79
D	1 <sup>15</sup> / <sub>16</sub>	49

## Materials

**Cap body:** High-tensile aluminum alloy construction. Has straight pipe threads with Nitrile for tight seal to tank. 2" - 11<sup>1</sup>/<sub>2</sub>" NPSH threads.

**Dome:** Plated steel

**Screen:** 40-mesh brass

514F



## Features

- ◆ 3-Pound Pressure and 1 oz. Vacuum Settings – factory preset and tested to protect against product vapor loss and allow for rapid withdrawal of product from the tank.
- ◆ Reliable Service – precision-machined, lapped bronze pressure and vacuum seats ensure consistent seating of the pressure/vacuum valve.
- ◆ Corrosion-Resistant Construction – zinc/aluminum alloy body and zinc-plated steel dome assure a long service life.
- ◆ Easy Installation – 514F is available in 2" (11<sup>1</sup>/<sub>2</sub>" NPSH) female straight threads with a Buna-N gasket.

- ◆ High Maximum Flow Rate – 3500 SCFH at 4.5 psi (0.31 bar) pressure drop.
- ◆ Lockable Base - a provision for padlocking the vent to the tank is integrated into the base.

## Replacement Parts

Key	Part #	Description
1	H01967M	Nut
2	H10096M	Pressure Spring
3	H07355M	Screen
4	H11432M	Seal
5	C03991M	Dome
6	H07356B	Vacuum Disc
7	H08380AH	Pressure Disc
8	H07353M	Vacuum Spring

## Ordering Specifications

Product #	in.	mm	lbs.	kg
514F-3050	2	51	.46	.21

## Materials

**Cap Body:** High-tensile aluminum alloy construction. Has straight pipe threads with Nitrile gasket for tight seal to tank.

**Dome:** Plated steel

**Screen:** 40 mesh brass

515ML



## Features

- ◆ Flame Arrestor Screen – for jurisdictions that require flame arrestors on tank vents.
- ◆ 5 PSI (0.34 bar) Pressure and 1 oz. Vacuum Settings – factory preset and tested to protect against product vapor loss and allow for rapid withdrawal of product from the tank.
- ◆ Reliable Service – precision-machined, lapped bronze pressure and vacuum seats ensure consistent seating of the pressure/vacuum valve.

- ◆ Corrosion-Resistant Construction – zinc/aluminum alloy body and zinc-plated steel dome assure a long service life.
- ◆ Easy Installation – 515ML is available in 2" (11<sup>1</sup>/<sub>2</sub>" NPSH) male straight threads.
- ◆ High-Maximum Flow Rate – 3500 SCFH at 7.5 psi (0.52 bar) pressure drop.

## Replacement Parts

Key	Part #	Description
7A	H11211M	O-Ring
7B	H03636M	Cap Gasket
8	C03991M	Dome
9	H07356B	Vacuum Disc
10	H08380AH	Pressure Disc
11	H07353M	Vacuum Spring

## Ordering Specifications

Product #	in.	mm	lbs.	kg
515ML-1030	2	51	1.80	.82

## Materials

- Body: Zinc/aluminum
- Screen: brass
- Cap: 2" - Steel 4" - cast iron
- Screen: 40-mesh stainless steel

113



## Ordering Specifications

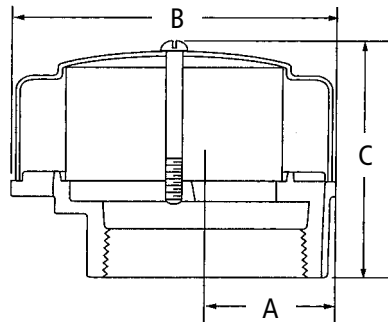
Product #	in.	mm	lbs.	kg
113-0066	2	51	.88	.40
113-0099	4	102	7.50	3.41

## Dimensions

	2" (51mm)		4" (102mm)	
	in.	mm	in.	mm
A	1 1/2	38	2 3/4	70
B	3 3/4	95	7 7/16	189
C	2 3/4	70	4 15/16	125

## OPW 113 Series Open Atmospheric Utility Vents

OPW 113 Open Atmospheric Utility Vents are installed on the top of above ground fuel storage tanks. The vent cap and internal wire screen are designed to protect the tank vent lines against intrusion and blockage from water, debris or insects. These vents are always open to atmosphere and allow any pressure or vacuum into the tank to vent. The 113 vents vapors downward and is used primarily on diesel, fuel oil, waste-oil and motor-oil tanks, but can also be used on a wide variety of above ground storage tank venting applications.



## OPW 723V Pressure Vacuum Vents



See page 122

## OPW 623V Pressure Vacuum Vent



See page 123

## OPW 523V Pressure Vacuum Vent

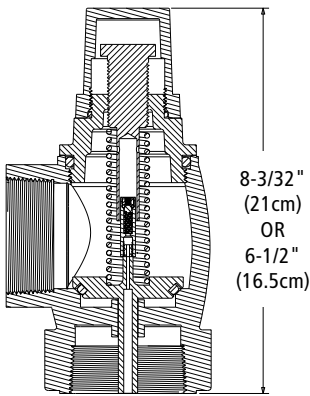


See page 124

For more information contact OPW Customer Service at 1-800-422-2525; International call 1-513-870-3315.

## OPW 199ASV Anti-Siphon Valve

The OPW 199ASV Anti-Siphon Valve is designed to help prevent siphoning of an above ground storage tank should a leak or break occur in the fuel supply line. The 199ASV installs on the top of an above ground storage tank with a suction rod on the inlet and the fuel supply line (to a remote pump) on the outlet of the valve. A poppet in the valve remains normally closed, isolating the tank from siphoning. When the remote pump is activated, it overcomes a factory-adjusted spring set to a predetermined hydrostatic head pressure and allows flow of fuel out of the AST. An internal pressure relief valve helps absorb thermal expansion in the fuel supply line. The 199ASV is available in female NPT threads with four different factory-adjusted hydrostatic head pressure settings.



- ◆ 8<sup>3</sup>/<sub>32</sub>" model for 1½" and 2" (20.55 cm model for 3.81 cm and 5.08 cm)
- ◆ 6½" model for ¾" and 1" (16.51 cm model for 1.90 cm and 2.54 cm)

## Materials

- Body:** Clear anodized aluminum
- Bonnet:** Powder-coated aluminum
- Cap:** Powder-coated aluminum
- Spring:** Stainless steel
- Poppet:** Hard-coated aluminum
- Screw:** Hard-coated aluminum
- Poppet Seal:** Nitrile



199ASV

## Features

- ◆ **Factory-Adjusted Hydrostatic Head Pressure Settings** – allow for quick, safe and easy installation on above ground tanks
- ◆ **Internal Pressure Relief Valve** – helps protect piping and fittings from damage due to thermal expansion. Set to operate between 20 to 40 PSI (1.3 to 2.7 bar)
- ◆ **Aluminum Bodies** – compatible with gasoline, diesel, kerosene, ethanol, methanol, fuel oil and jet fuels
- ◆ **Temperature Rating** – -20°F - 120°F (29°C - 49°C)

Valve Rating  
ft of gasoline  
S.G. = 0.7

## Approximate Cracking Pressure

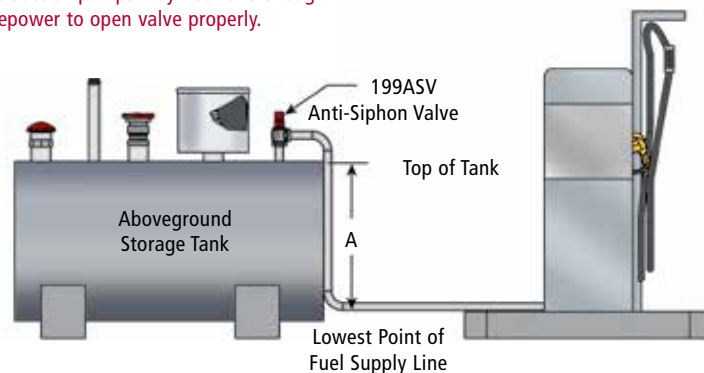
	PSI	ft. H <sub>2</sub> O	in. H <sub>2</sub> O	in. Hg	ft. Gas	ft. Diesel
0-5	1.88	4.33	51.96	3.85	6.2	5.35
5-10	3.68	8.48	101.76	7.53	12.12	10.47
10-15	5.6	12.92	155.04	11.47	18.51	15.95
15-20	7.4	17.07	204.84	15.16	24.4	21.07

\*Note: Some suction pumps may not have enough horsepower to open valve properly.

## Ordering Specifications

Product #	in.	mm	lbs.	kgs	Hydrostatic Head Pressure* (Dimension A)
199ASV-1075	¾"	19	1.6	.725	0'-5'
199ASV-2075	¾"	19	1.6	.725	5'-10'
199ASV-3075	¾"	19	1.6	.725	10'-15'
199ASV-1100	1"	25	1.6	.725	0'-5'
199ASV-2100	1"	25	1.6	.725	5'-10'
199ASV-3100	1"	25	1.6	.725	10'-15'
199ASV-1150	1½"	38	2.0	.907	0'-5'
199ASV-2150	1½"	38	2.0	.907	5'-10'
199ASV-3150	1½"	38	2.0	.907	10'-15'
199ASV-1200	2"	51	2.0	.907	0'-5'
199ASV-2200	2"	51	2.0	.907	5'-10'
199ASV-3200	2"	51	2.0	.907	10'-15'

\*Note: Head Pressure calculated for gasoline.



## Listings and Certifications



**Warning:** Do not disassemble.  
Do not field adjust.

### Materials

- Body: Aluminum
- Diaphragm: Viton®
- Seals & Disc: Viton®
- Spring: Stainless steel
- Rider Rings: Teflon®
- Disc Holder: Nylon
- Core Guide: Acetal, delrin
- Core & Plugnut: Stainless steel



### Features

- ◆ **Aluminum Body** - compatible with gasoline, diesel, kerosene, low grades ethanol/methanol, fuel oil and jet fuels
- ◆ **Strainer** - strainer with 100-mesh screen is recommended at the inlet
- ◆ **Mount** - vertical
- ◆ **Explosion Proof Shell & Water-Tight**
- ◆ **Standard Operation** - 120/60 volts AC
- ◆ **Thermal Expansion**
- ◆ **Power Draw** - 20 Watts @ 60 Hz

### Ordering Specifications

Product #	NPT Size in.	General Purpose	*CV Flow	Fluid Temp.	Operating Pressure Differential (PSI)		Operating Pressure Differential (BAR)		Weight		Mounting Position
					Min.	Max.	Min.	Max.	lbs.	kg	
821-0075AC	3/4	AC	5.1	125	0	50	0	3.4	2.75	1.25	Any Position
821-0100AC	1	AC	21	125	0	25	0	1.7	5.25	2.38	Upright & Vertical
821-0150AC	1 1/2	AC	35	125	0	25	0	1.7	7.25	3.29	Upright & Vertical
821-0200AC	2	AC	60	125	0	25	0	1.7	7.25	3.29	Upright & Vertical

\*CV Flow: GPM @ 1 psi Pressure Drop

### Dimensions

Product #	A		B		C		D	
	in.	mm	in.	mm	in.	mm	in.	mm
821-0075AC	3.31	84	3.64	92	4.46	113	2.33	59
821-0100AC	5.00	127	5.59	142	6.84	174	5.38	137
821-0150AC	5.00	127	5.59	142	6.84	174	5.38	137
821-0200AC	6.09	155	5.94	151	7.47	190	6.31	160

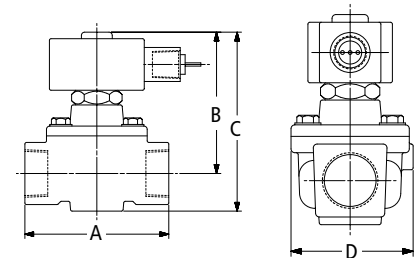
### OPW 82RV - Thermal Pressure Relief Valve

Product #	NPT Size in.	Operating Pressure 25 psi, Stainless Steel Construction	Weight	
			lbs.	kg
82RV-2505	1/2		.25	.113

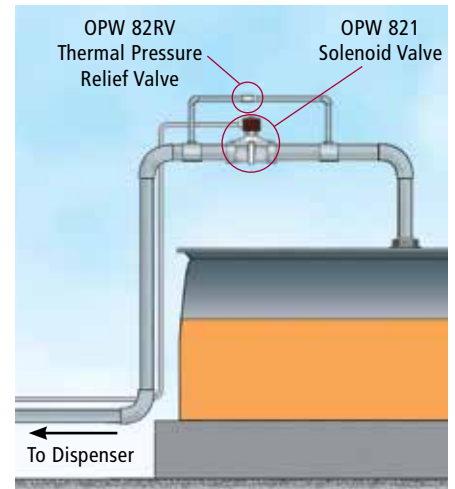


### OPW 821 Solenoid Valve

The OPW 821 Solenoid Valve is designed to prevent accidental siphoning of above ground storage tanks if a leak or break occurs in the fuel supply line. The 821 valve is a two-way, normally closed diaphragm valve that opens when energized to allow fuel to flow to the pump or dispenser. Available in female NPT threads.



82RV-2505 Series Pressure Relief Valve  
Instruction Sheet Order Number: 200517



### OPW 82RV

The 82RV is designed to give thermal pressure relief to our 821 Series Solenoid Valve line. Made of all stainless steel construction with a Viton® seal, it is suitable for all petroleum products. The 82RV is precision set at the factory at 25 PSI (1.7 bar), and is field adjustable from 5 to 30 psi (.34 to 2 bar).

### Listings and Certifications



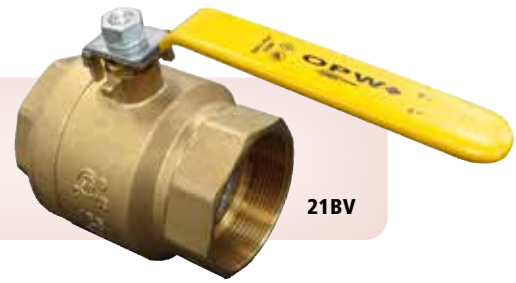


## OPW 21BV Full Port Two-Way Ball Valve

OPW Ball Valves are used throughout fueling systems where a shut-off point is desirable to isolate a section of the piping system. These full-port, forged brass valves feature a manual open-close arm and a quick quarter-turn handle, allowing easy shut down of your AST or UST system. Compatible with gasoline, alcohol fuels, diesel and MTBE. Available with Lockable Handle (LH).

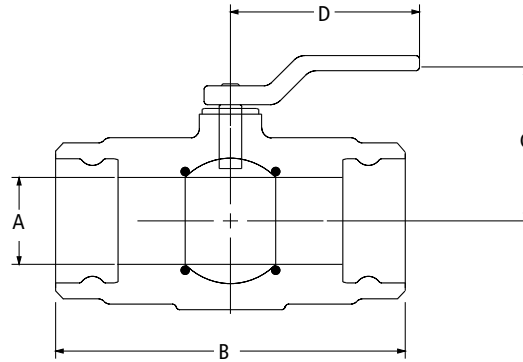
### Materials

**Body:** Brass  
**Ball:** Hard chrome plated  
**Seal:** Teflon®



### Features

- ◆ Pressure rated to 600 psig (41 bar) WOG
- ◆ Blowout-proof stem
- ◆ Chrome-plated brass ball
- ◆ Secondary O-ring stem seal
- ◆ PTFE seats, thrust bearing and stem packing



### Ordering Specifications and Dimensions

Model #	Size (in.)	Dimensions (in.)			
		A	B	C	D
21BV-0050	1/2	0.59	2.28	1.81	3.35
21BV-0075	3/4	0.78	2.51	2.36	4.29
21BV-0100	1	0.98	2.97	2.52	4.29
21BV-0150	1 1/2	1.57	3.87	2.72	5.63
21BV-0200	2	1.96	4.29	3.03	5.63
21BV-0200SS*	2	1.96	4.80	3.66	7.09
21BV-0300	3	3.15	6.10	5.12	8.35
*SS denotes Stainless Steel.					
202233	Lockable Handle Kit for 1/2" Model (Handles sold separately)				
202234	Lockable Handle Kit for 3/4" and 1" Models (Handles sold separately)				
202235	Lockable Handle Kit for 1-1/2" and 2" Models (Handles sold separately)				

### Listings and Certifications



## Materials

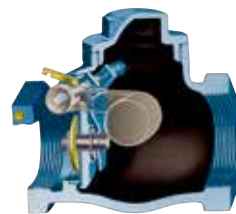
- Body and Cap:** Ductile iron
- Packing Nut and Stem:** Stainless steel
- Disc:** Viton®
- Stem Seat:** Viton®
- Seat Ring:** Brass
- Cap and Packing Nut Seals:** Viton®



(Valve Shown in Open Position)



(Valve Shown in Closed Position)

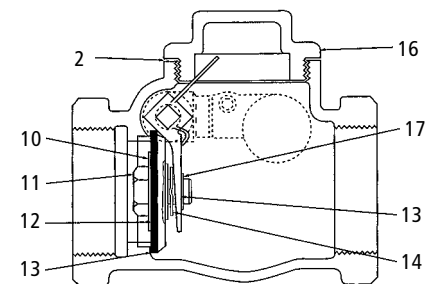
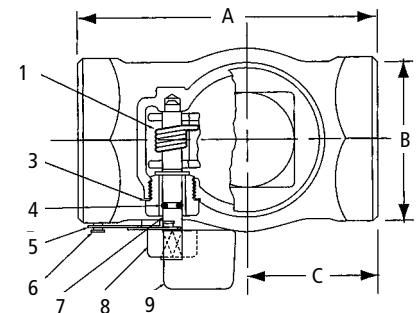


## Features

- ◆ **178S Ductile Iron Construction** – valve is manufactured from a ferrous metal to resist fracturing from high temperatures
- ◆ **Full-Bore Inside Diameter for Superior Flow Rates** – maximizes flow rates in the fuel supply lines
- ◆ **Protected Main Poppet Disc** – main poppet seal is held out of the main flow stream and protected from damage due to dirt or debris in the fuel
- ◆ **Compensator Ring on Main Poppet Carrier** – ensures full seating of the main poppet for a tight seal
- ◆ **Viton® Main Disc and Stem Seat** – compatible with gasoline, diesel, kerosene, ethanol, methanol, MTBE, fuel oil, mogas, motor oil and various other blends of fuel
- ◆ **Rated at Normal Pressure Limit of 125 psi (8.6 bar) (cold)**
- ◆ **Non-Shock Pressure Limit of 200 psi (13.8 bar)**
- ◆ **Temperature Limit 225° F**

## OPW 178S Series External AST Emergency Shut-Off Valve

The OPW 178S Series External AST Shut-Off Valve is designed to shut off product flow from an above ground storage tank, bulk loading rack or any place in the fuel supply line in the event of a fire. The 178S installs in-line on fuel supply piping. A fusible link attached to a spring-operated lever holds the poppet normally open. In the event of a fire, the fusible link melts at 160° F, allowing the spring-actuated poppet to shut off the flow of product in the fuel supply line. The 178S is available in 2" female NPT connections.



## Replacement Parts

Key	Part #	Description
1	H05973M	Spring
2	H12070M	O-ring (Viton®)
3	H7635RB	Packing Nut
4	H10445M	O-ring (Viton®)
5	H01344M	Fusible Link Sub-Assy.
6	H01505RB	Pin
7	C01533RB	Stem
8	H07644M	Set Screw
9	H07642ZA	Lever
10	H03295M	Washer
11	H04035M	Disc Nut
12	H12071R	Disc (Viton®)
13	H10004A	Disc Holder
14	H11293M	Compensating Ring
15	C03144M	Carrier
16	H11547DI	Cap
17	H10003M	Retaining Ring

## Ordering Specifications

Product #	in.	mm	lbs.	kg
178S-6130	2	51	5.35	2.43

## Dimensions

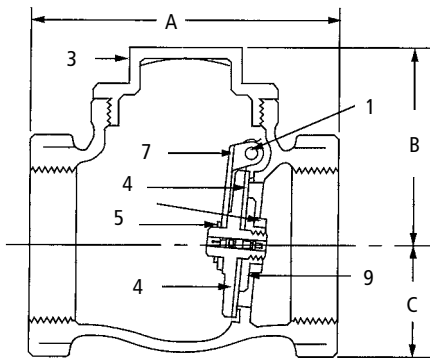
	in.	mm
A	5 <sup>17</sup> / <sub>32</sub>	140
B	3 <sup>1</sup> / <sub>16</sub>	78
C	3 <sup>1</sup> / <sub>16</sub>	62



**For more information contact OPW Customer Service at 1-800-422-2525; International call 1-513-870-3315.**

## OPW Swing Check Valve

The OPW Swing Check Valves are designed to allow one-way product flow in fuel supply lines. OPW Swing Check Valves are installed in-line on fuel supply or transfer piping. A free-swinging poppet in the valve opens with flow of product and closes to prevent back-flow. The swing check valves can be located in either horizontal or vertical piping. The 175 is available in 2" female NPT connections. The 175B is similar to the 175 except it has an internal pressure relief valve to help absorb thermal expansion in the fuel supply or transfer line, pressure relief set at approx. 25 psi (1.7 bar). The 1175 is available in 3" female NPT connections.



### Dimensions

	in.	mm
A	7 <sup>1</sup> / <sub>2</sub>	191
B	7 <sup>3</sup> / <sub>16</sub>	183
C	2 <sup>19</sup> / <sub>32</sub>	66

## Materials

**Body:** Bronze  
**Seat Ring:** Brass  
**Disc:** Viton®  
**Cap:** Bronze



Swing Check Valve

## Features

- ◆ **Viton Main Disc** - compatible with gasoline, diesel, kerosene, ethanol, methanol, MTBE, fuel oil, mogas, motor oil and various other blends of fuel
- ◆ **Full-Bore Inside Diameter for Superior Flow Rates** – maximizes flow rates in the fuel supply lines
- ◆ **Easy Service Entry** – threaded cap assembly allows removal, replacement or servicing of the carrier, disc or disc holder
- ◆ **Rated Normal Pressure Limit:** 125 psi (8.6 bar)
- ◆ **Cold Non-Shock Pressure Limit:** 200 psi. (13.8 bar)
- ◆ **Temperature Limit:** 225° F

## Ordering Specifications

Product #	in.	mm	lbs.	kg
175-0044	2	51	4.7	2.14
175B-1544	2	51	4.6	2.10
1175-0050	3	76	16.8	7.60

## Replacement Parts

### OPW 175, 175B, 1175

Key	Part #	Description
1 (175,175B)	H00409RB	Pin
1 (1175)	H06797RB	Stem
2 (175,175B)	H00404RB	Plug
2 (1175)	H06798RB	Plug
3 (175,175B)	H00642B	Cap
3 (1175)	H06800B	Cap
4 (175,175B)	H12071R	Disc
4 (1175)	H06799	Disc Sub-Assy.
5 (175, 175B)	H04035M	Disc Nut
6 (175)	H07488A	Disc Holder
6 (175B)	H07495A	Disc Holder
7 (175, 175B)	H07610RB	Carrier
7 (1175)	H06796B	Carrier
8 (175, 175B)	H05792M	Retaining Ring
9 (175, 175B)	H03295M	Washer
10 (1175)	H04250M	Lock Nut



# CLEANENERGY

## FUELING PRODUCTS

We are dedicated to continuous innovation in the design, engineering and manufacture of high-quality components used for alternative fueling applications, such as CNG (compressed natural gas). A division of OPW, the global leader in fueling solutions since 1892, CleanEnergy Fueling Products is a name synonymous with innovation, quality, reliability and Customer service. OPW CleanEnergy Fueling Products offers you a complete selection of alternative fueling products to meet your specification. Each product is designed and built to exacting standards for your fueling safety and efficiency.







## CNG Fueling Nozzles (NGV1 & ISO14469)

OPW CleanEnergy Fueling Products offers an extensive line of CNG Fueling Nozzles to meet a wide variety of fueling applications. OPW CNG nozzles are used throughout the world.



### NT2AP30 (Type 2 or 3)

The NEW NT2A Series nozzle is designed to be versatile for all of your Type-2 CNG fueling applications. The NT2A has true Class-A specified durability and will optimize your time-fill, fast-fill and fleet fueling sites. The ergonomic design, positive locking jaws and best in class internal seals will make this nozzle the preferred choice of your operators.



### NT2AP36 (Type 2 or 3)



### CNG Type 2 Fueling System

The OPW CleanEnergy CNG 3-Way Valve and Type 2 Nozzle features the latest in industrial and commercial fueling innovations. A Fueling System which bridges the gap between convenience and comfort, without sacrificing flow or reliability. Ergonomically designed to be easy to use and prevent unnecessary wear and tear during the fueling process.



### 1000 Series (Type 1)

OPW 1000 Series self-service nozzles are designed for high-flow public and private CNG fueling systems. Applications include quick-fill, self-service fueling of automobiles, light trucks, shuttle buses and vans.



### Pistol Grip Series Self-Service Nozzles (Type 1)

OPW Pistol Grip Series Self-Service Nozzles are designed for high-flow public and private CNG fueling systems. Applications include quick-fill, self-service fueling of automobiles, light trucks, shuttle buses and vans.



### 5000 Series (Type 1)

OPW 5000 Series nozzles are designed for extremely high-flow public and private CNG fueling systems. Applications include quick-fill, self-service fueling of transit buses and large trucks.



### 6000 Series (Type 2)

OPW 6000 Series nozzles are designed for extremely high-flow public and private CNG fueling systems when connected to OPW CL50 series receptacles. Applications include quick-fill, self-service fueling of transit buses and large trucks.



### BDN Vehicle Defueling Nozzle

OPW has developed this tool to safely depressurize vehicles. This valve can also be used to transfer fuel from one vehicle to another in the event of a breakdown on the side of the road, or be used in areas where no refueling station is available.



# Electronic Fuel Management Systems

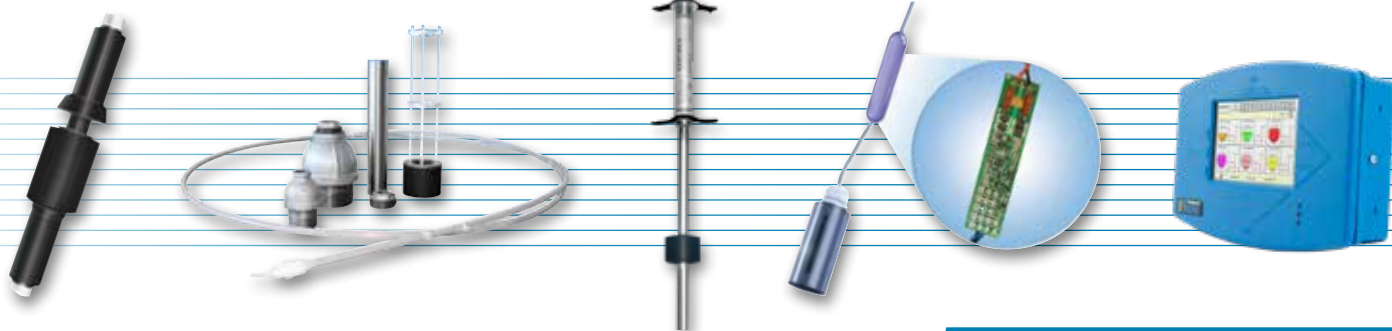
Making Sure You're in Complete Control, From Anywhere, All The Time.

Innovation is a defining value principle at OPW Fuel Management Systems (FMS).

OPW FMS provides the industry's most innovative tank gauging systems to retail and commercial operations all over the world. OPW's leading tank monitoring systems, including the SiteSentinel® Nano®, Integra 100™, and Integra 500™ ensure that you know exactly how much fuel you have.

For more than 50 years, OPW FMS has delivered product excellence and a broad line of tank gauge solutions engineered to streamline operations, reduce fuel losses and improve compliance management. From OPW's powerful tank gauging and proprietary multi-drop tank-monitoring technology, OPW FMS provides a portfolio of solutions engineered to be both cutting edge and cost saving.

Call: **(708) 485-4200** for more information



# Comprehensive Fuel Management



**1 BEST-IN-CLASS SITESENTINEL® INTEGRA 100™, INTEGRA 500™, NANO® CONSOLE**



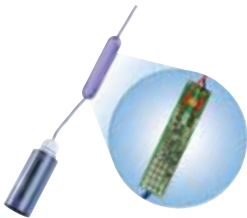
**2 BEST-IN-CLASS VSMART MODULE**



**3 BEST-IN-CLASS LINE LEAK DETECTION**



**4 BEST-IN-CLASS AQUEOUS ETHANOL FLOAT SENSOR**



**5 BEST-IN-CLASS INTELLISENSE™ SMART SENSORS**



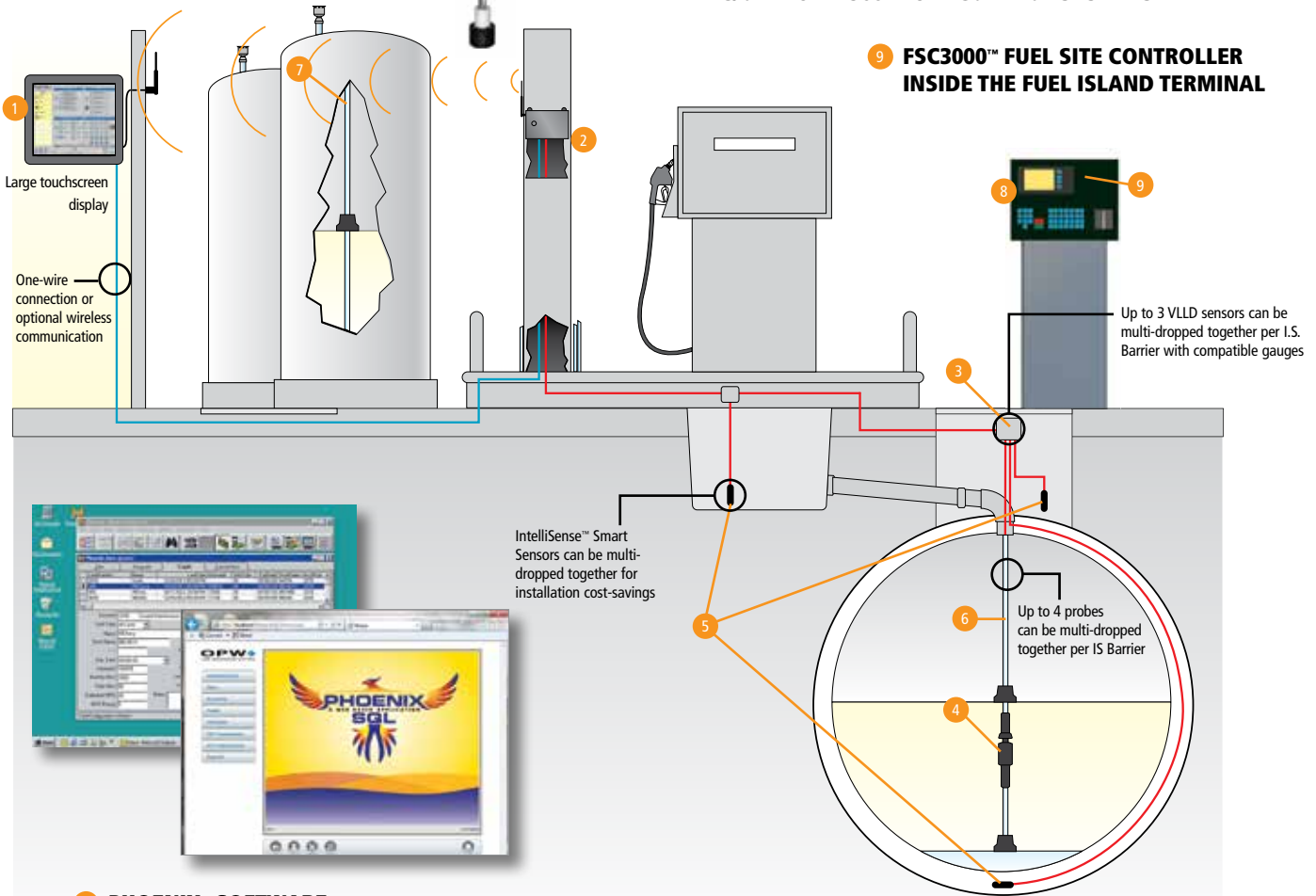
**6 BEST-IN-CLASS 924B MAGNETOSTRICTIVE PROBE**



**7 BEST-IN-CLASS AST FLEXIBLE PROBE**

**8 PETRO VEND 100®, DTC, vvz™ HYBRID, C/OPT™ & FIT500™ FUEL CONTROL SYSTEMS**

**9 FSC3000™ FUEL SITE CONTROLLER INSIDE THE FUEL ISLAND TERMINAL**



**10 PHOENIX® SOFTWARE**





## SURF'S UP.

With the newly redesigned Tandem Surfline, throughput and profits will be up too. Now faster and more efficient than ever before, the most innovative automatic friction wash just got better.

A second side brush helps get customers through quicker, and our wall-mount system and Ultimate Cover package is now standard. Pumps and solution controls are off-board. And with all non-corrosive materials and optional Ultimate Lighting packages, the Tandem Surfline will always look as good as it cleans.

**DRIVE | CLEAN.**



Copyright 2018 PDQ Manufacturing, Inc., part of OPW, a **DOVER** company

**TANDEM**  
SURFLINE



pdqinc.com | 800.227.3373



# PDQ VEHICLE WASH SYSTEMS

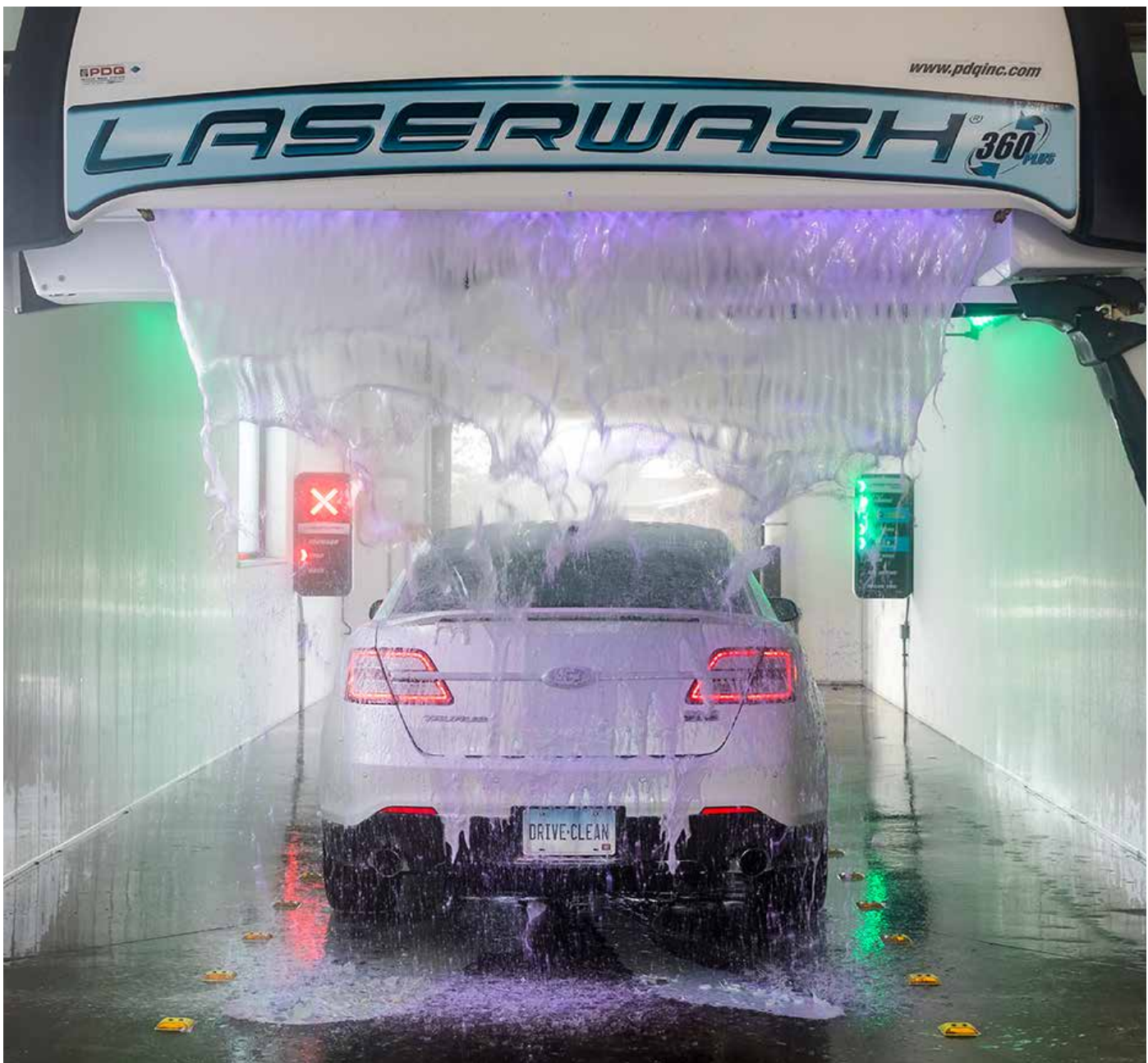
Helping to Make Car Wash Operators Successful Since 1984



For the past 30 years, PDQ has provided the car wash industry with cutting-edge technological advances in car wash equipment and car wash systems, including the first contouring arch and the Virtual Treadle.

PDQ has always been recognized as the world-leading manufacturer of touch-free car wash equipment with one of the most powerful names in the industry – LaserWash®.

That same energy and passion that we bring to the touch-free industry is being unleashed onto the friction market with our ProTouch® line of in-bay automatic brush equipment.



## OPW Listing and Certifications

Every year we introduce more safety and environmental-protection innovations to the industry than any other petroleum equipment manufacturer. Leading-edge innovations such as the new 1-2200™ single-wall replaceable spill container, 68EZR™ reconnectable breakaway, Fibrelite covers and tank sumps,

decommissioning hanging hardware kits, the SiteSentinel® Integra 100™ automated tank gauge systems all serve to illustrate how OPW is **Leading the Way** in helping to protect the well-being of people and the environment – today, tomorrow and into the future. That's the nature of OPW.

OPW products may hold one or more listings or certifications with the following agencies:

**CARB**  
California Air Resources Board



**kiwa**



OPW is a member of the following associations:



ISO 9001:  
2000 Registered Company  
Reference #A12174



MEMBER  
**PEI**  
EQUIPMENT INSTITUTE  
National  
Association  
of Truck Stop  
Operators



**NATIONAL COUNCIL OF  
WEIGHTS AND MEASURES**

**NFPA**  
(National Fire Protection Agency)

National Association  
of Convenience Stores





## Below Ground Products Fuel Compatibility Matrix

Updated 12/2018

OPW Product Number	Description	Standard Fuels: ≤15% Ethanol Gasoline ≤5% Bio-Diesel*	High Ethanol Content Gasoline: 15-100% Ethanol	High Biodiesel Content 5-20% Biodiesel*	High Biodiesel Content 5-100% Biodiesel*	Av-Gas/ Jet Fuel	Kerosene/ Fuel Oil	DEF (Diesel Exhaust Fluid)
CXXA Double Wall Piping	Double Wall Primary Piping	X	X	X	X	X	X	X
DPC Series	Double Wall Pipe Couplings	X	X	X	X	X	X	
SPC Series	Single Wall Pipe Coupling	X	X	X	X	X	X	
SBC Series	Stainless Steel Swivel Bolt On Coupling	X	X	X	X	X	X	X
SMA-1515, SMA-1520, SMA-2020, SMA-3030	E-Coated Male Adaptors	X	X	X	X	X	X	
SMA-7575, SMA-1010	Swivel Male Adaptor (Brass or Zinc Plated)	X					X	
STF-1515, STF-2020, STF-2215, STF-2020	E-Coated Swivel Tees	X	X	X	X	X	X	
SFA-7575, SFA-1010	Swivel Female Adaptor (Brass or Zinc Plated)	X					X	
SEF-1515, SRE-2015, SEF-2020, SEF-3030	E-Coated Swivel Elbows	X	X	X	X	X	X	
Polyethylene and Fiberglass Sumps	Dispenser, Tank, Loop, and Transition Sumps	X	X	X	X	X	X	X
REF Series Entry Fittings	Entry Fittings	X	X	X	X	X	X	X
DEB and EBF Series	Entry Boots	X	X	X		X	X	X
1-2100 Series / Multiports / 1-2200 Series	Spill Containers	X	X	X	X	X	X	***
FibreTite Multiports	Spill Containers	X	X	X	X	X	X	***
101BG-Series	Spill Containers	X	X	X	X	X	X	***
1-3100 Series (Edge)	Double Wall & Single Wall Spill Container Series	X	X	X	X	X	X	***
60V Series	Vapor Line Shear Valve	X	X	X	X	X	X	
10 Series	Emergency Shut Off Valve	X	X	X	X	X	X	
10 Plus Series	Emergency Shut Off Valve	X	X	X	X	X	X	
60V-DEF	DEF Series Shear Valve							X
61SALP Series	Fill Swivel Adaptor	X	X	X	X	X	X	
633T-8076	Fill Adaptor	X	X	X	X	X	X	
61VSA Series	Vapor Swivel Adaptor	X	X	X	X	X	X	
1611AVB-1625	Vapor Adaptor	X	X	X	X	X	X	
634TT-7085-EVR	Fill Cap	X	X	X	X	X	X	
1711T-7085-EVR	Vapor Cap	X	X	X	X	X	X	
634LPC-040	Low Profile Fill Cap	X	X	X	X	X	X	
1711LPC-0300	Low Profile Vapor Cap	X	X	X	X	X	X	
62M Series	Monitoring Probe Cap	X	X	X	X	X	X	X
6150 & 7150 Series	Overfill Valve	X				X	X	
6150M & 7150M Series	Overfill Valve Anodized	X	X			X	X	
7150-B Series	High BioDiesel Overfill Valve	X		X	X	X	X	
6111 & 61TP Series	Tank Bottom Protectors	X				X	X	
61T Series	Drop Tubes	X				X	X	
61T-SS Series	Stainless Steel Drop Tube	X	X	X	X	X	X	
61T-DEF Series	Stainless Steel DEF Drop Tube							X
233 Series	Extractor Valve	X	X	X	X	X	X	X
FCXX Series	Stainless Flex Connectors	X	X	X	X	X	X	X
53VML/30MV Series	Ball Floats	X	X	X	X	X	X	
523V Series	Pressure Vacuum Vent	X	X	X	X	X	X	X
623V Series	Pressure Vacuum Vent	X	X	X	X	X	X	X
723V Series	EVR Pressure Vacuum Vent	X	X	X	X	X	X	X

\* Bio-Diesel must meet ASTM Standard for fuel quality to maintain compatibility with products above

\*\*\* Drain plug versions compatible with DEF if installed with Stainless Steel Drop Tube between Nipple and Fill Adaptor

≤ Refers to less than or equal to the fuel standard rating for percentage of content



## Above Ground Products Fuel Compatibility Matrix

Updated 1/2015

OPW Product Number	Description	Unleaded Fuels up to 10% Ethanol (≤E10)	Petroleum Diesel	Up to 25% Ethanol (≤E25)	Up to 85% Ethanol (≤E85)	Up to 100% Ethanol (≤E100)	Bio-Diesel		Av-Gas	Jet Fuel	Kerosene/Fuel Oil
							Up to 5% (≤B5)	Up to 20% (≤B20)			
11A Series	Automatic Conventional Nozzles		UL/ULC				UL	UL			X
11AP Series	Automatic Conventional Nozzles	UL/ULC		UL/ULC							
11AF Series	Farm Nozzles		UL/ULC				UL	UL			X
11APF Series	Farm Nozzles	UL/ULC		UL/ULC							
11B Series	Pressure Sensing Automatic Conventional Nozzles		UL/ULC				UL	UL			X
11BP Series	Pressure Sensing Automatic Conventional Nozzles	UL/ULC		UL/ULC							
11BP E85 Series	Pressure Sensing Automatic Nickel Plated Conventional Nozzles	UL		UL	UL	X					
7H Series	Automatic High Flow Conventional Nozzles		UL/ULC				UL	UL			X
7HB Series	Pressure Sensing Automatic High Flow Conventional Nozzles		UL/ULC				UL	UL			X
12VW Series	Vacuum Assist Nozzles	UL									
311 Series	General Duty Manual Nozzles	UL	UL				X	X			X
190/210/295SC Series	Manual Bulk Nozzles	X	X	X			X	X			X
295SAJ	Manual Jet Fuel Nozzle								X	X	X
295SA/SAC Series	Manual Av-Gas Nozzles	X		X					X	X	X
1290 Series	Automatic Bulk Fueling Nozzles	X	X	X			X	X			X
1291 Series	Automatic Bulk Fueling Nozzles	ULC	ULC				ULC				ULC
241 Swivels	Two Plane Hose Swivels	UL/ULC	UL/ULC	UL			UL	UL			X
241TPS-0492	Nickel Plated Two Plane Hose Swivels	UL		UL	UL	X	UL	UL			X
45 Swivels	Two Plane Hose Swivels	UL/ULC	UL/ULC	UL			UL	UL			X
36S Swivels	Straight Swivels	UL	UL				X	X			X
25 Swivels	Bulk Straight Swivel	X	X	X			X	X	X	X	X
68EZR Breakaway	Various Reconnectable and Single Use Vac Assist Breakaways	UL/ULC	UL/ULC	UL			UL	X			X
VaporSaver™ 1	Tank Pressure Management System	UL / ATEX									
CVS2™	Central Vacuum System	UL									

UL - UL listed X - Compatible ULC - UL Canada



## Above Ground Storage Tank Equipment Fuel Compatibility Matrix

Updated 1/2015

OPW Product Number	Description	Unleaded Fuels up to 10% Ethanol (≤E10)	Up to 25% Ethanol (≤E25)	Up to 85% Ethanol (≤E85)	Petroleum Diesel	Bio-Diesel		Av- Gas	Jet Fuel	Kerosene/ Fuel Oil
						Up to 5% (≤B5)	Up to 20% (≤B20)			
523V Series	Pressure Vacuum Vent	UL	X	X	UL	X	X	X	X	X
623V Series	Pressure Vacuum Vent	UL	X	X	UL	X	X	X	X	X
61VSA-1020-EVR	Vapor Swivel Adaptor	X	X	X	X	X	X	X	X	X
1611AVB-1625	Vapor Adaptor	X	X	X	X	X	X	X	X	X
1711T-7085-EVR	Vapor Cap	X	X	X	X	X	X	X	X	X
1711LPC-0300	Low Profile Vapor Cap	X	X	X	X	X	X	X	X	X
301 & 201 Series	Emergency Vents	UL/ULC	X	X	UL/ULC	X	X	X	X	X
200TG Series	AST Mechanical Gauge	UL	X	X	UL	X	X	X	X	X
444TA Series	Tank Alarms	ETL	X	X	ETL	X	X	X	X	X
821 Series	Solenoid Valves	UL	X		UL	X		X	X	X
21BV SS	Full Port Stainless Steel Ball Valves	UL/ULC	X	X	UL/ULC	X		X		X
331 / 332 Series	AST Spill Containers	UL/ULC	X	X	UL/ULC	X	X	X	X	X
61f STOP	AST Overfill Valve	UL/ULC	X		UL/ULC	X				X
61f STOP - A or M Version	AST Overfill Valve Anodized	UL/ULC	X	X	UL/ULC	X		X	X	X

UL - UL listed    X - Compatible    ULC - UL Canada

## OPW Approvals / Listings

## FlexWorks Third-Party Approvals - FlexWorks Products

Product	Certifying Agency:	Specification/Standard:
Tank Sumps, Piping Sumps, Tank Adaptor Fittings for Tank Sumps, Dispenser Pans, Shallow Dispenser Sumps, and Deep Dispenser Sumps with or without Emergency Valve Mounting Frame Systems and Penetration Fittings. Product #: DS/DSW/DP-XXXX, SBK-XXXX, TSS/TSM/TSD-XXXX	Underwriters Laboratories Inc. UL Listed per: File MH19391	Flammable and Combustible Liquid Tank Accessories (EGVV)
Dispenser Sumps/Pans, Risers, Tank Sumps, Entry Fittings Product #: DS/DSW/DSF/DP-XXXX, SBK-XXXX, TSS/TSM/TSD-XXXX, CS-XXX, BF-XXX, PST, PSTF, PSL, TSD, TSM, TSS, FDS, DSL, DBS, EBF and REF series	Underwriters Laboratories of Canada File: MH27190	ULC Listed per: ULC/ORD-107.21, Under Dispenser Sumps & Tank Risers for Flammable and Combustible Liquids
AXP40, DS, DP, DBS, DSW, MBS, PSL, TSD, TSS, TSM, PTS, and DSL series	Underwriters Laboratories Inc. UL Listed per: File MH60659	UL Listed per: UL 2447, Containment Sumps, Fittings, and Accessories for Fuels
Primary/Secondary Pipe and Couplings C075A, C10A, C15A, C20A, and C30A Series	Underwriters Laboratories Inc. File: MH16678 EN 4	UL Listed per: UL 971 - Non-metallic Underground Piping for Flammable and Combustible Liquids (Motor Vehicles, Aviation, Marine Fuels)
Primary/Secondary Pipe and Couplings CEN-xxxx	ERA Technology Ltd EN14125	
Sealant Polyurethane Adhesive/Sealant Product #: FlexWorks SL-1100 and BOSTIK-1100FS	State of California Registered Professional Engineer Approval (RHL Design Group) OPW Test Report #3505 Dated 11/16/99 May National Associates, Inc. Project Report #PU051502 06/26/02 May National Associates, Inc. Project Report	CCR Title 23 Division 3, Chapter 16, Section 2631 (d) AB2481 requires secondary containment for all underground piping in UST system

## FlexWorks Third-Party Approvals - ERA Certified Products

Product No.	Description	Certification
FlexWorks	Primary/Secondary Containment Pipe & Couplings	BC63/0433/98.003

## FlexWorks Florida EQ Certifications

Product No.	Description	Certification
C075, C075A, C10, C10A, C15, C15A, C20, C20A, C30, C30A	Primary Pipe	Florida EQ-649 & EQ-772
Loop System	Piping/ Piping With Enclosed Secondary Containment Equipped with Sump Liner, Dispenser Liner, and Interstitial Release Detection (Flexible Piping)	Florida EQ-709

## OPW Patents - FlexWorks Piping Systems, Sumps, Fittings

### United States Patents

5,813,797	6,099,202	6,729,797	8,020,576	8,667,687
5,819,975	6,116,817	7,073,976	8,066,024	
5,950,860	6,371,154	7,104,727	8,393,647	
6,039,201	6,565,127	7,578,308	8,622,097	

### Ireland, Scandinavia, Luxumborg Patents

213-530

### Poland Patents

11,401,010-00-203373-USDCURRO1-59

### Taiwan Patents

8,920,312

### Europe Patents

3356-54EP

### Brazil Patents

PI9908225-0

### China Patents

05-100023269

### Canada Patents

2,322,216	2,492,346	2,782,925
-----------	-----------	-----------

### Mexican (Patent Application No.)

002,952	209,733	221,155	984,583	993,305
194,949	218,307	984,582	993,304	999,158

### Spain (Patent Application No.)

97,909,839.9

### Argentina (Patent Application No.)

AR008317B1	AR008316B1	AR008312B1
------------	------------	------------



## California Air Resources Board, EVR, State of Missouri and Mexico Approvals

Product #	Description	Approval #	EVR Executive Order #	MOPETP #	Mexico Approvals
1611AV-1620	Vapor Recovery Adaptor	MO. No. 99-03 / 98-06		APCP-0002-001-99	
1-2100	Spill Container	CARB No. 93-26	VR-102	APCP-0002-001-99	
1-2100 (EVR) (ISC)	Spill Container (with drain valve)	MO. No. 99-03	VR-102	APCP-0002-001-99	
1C-2100 (EVR)	Spill Container	CARB No. 93-26	VR-102	APCP-0002-001-99	
1C-2200	Spill Container		VR-102		
1-2115 (EVR)	Spill Container	CARB No. 93-26	VR-102	APCP-0002-001-99	
1C-2115 (EVR)	Spill Container	CARB No. 93-26	VR-102	APCP-0002-001-99	
1DK-2100	Replacement Drain Valve Kit	Approval CARB No. 95-7	VR 102		
1DP-2100	Replacement Drain Plug Kit		VR-102		
1-3100	Spill Container	MO. No. 06-01A	VR-102		
101BG(S)-2100	Spill Container	CARB No. 93-26			
101BG(S)-2115	Spill Container	CARB No. 93-26			
30MV	Ball Float Vent Valve	CARB No. 95-33			
P500 Series	Spill Container		VR-102		
P700 Series	Spill Container		VR-102		
53FC	Float Vent Valve	MO. No. 99-03		APCP-0002-001-99	
53VML	Ball Float Vent Valve	CARB No. 92-4		APCP-0002-001-99	
60VP	Vapor Shear Valve	CARB No. 94-27			
60VSP	Vapor Shear Valve	CARB No. 97-15			
60VSPC	Vapor Shear Valve	CARB No. 97-15			
61SA	Swivel Adaptor	CARB No. 95-1		APCP-0002-001-99	SEGEMDGPCCAT-MTSR-VDOVER/001/2004
61SA Tool	Installation Tool		VR-102		
61SO	Overfill Valve	CARB No. 92-5/93-2/97-04/95-17			
61SOM	Overfill Valve	CARB No. 92-5			
61SOP	Overfill Valve	CARB No. 92-8			
61VSA (EVR)	Vapor Swivel Adaptor	CARB No. 00-11	VR-102	APCP-0002-001-99	SEGEMDGPCCAT-MTSR-VDOVER/001/2004
61JSK (EVR)	Jack Screw Kit for 61SO		VR-102	APCP-0002-001-99	
61SALP-EVR	Fill Swivel Adaptor		VR-102	APCP-0002-001-99	
FSA-400	Face Adaptor		VR-102	APCP-0002-001-99	
61AS	Side-Seal Adaptor	CARB No. G70-97A			
61T	Drop Tube	CARB No. G70-97A	VR-101 & VR-102	APCP-0002-001-99	
61TCP	Coaxial Drop Tube	CARB No. 93-1			
62	Side-Seal Cap	CARB No. G70-97A			
62M	Monitoring Cap		VR 102	APCP-0002-001-99	
62TT	Side-Seal Cap	CARB No. G70-97A			
116	Cap	CARB No. G70-97A			
7150-400C/410C/420C (T)	Vapor-Tight Overfill Valve		VR-102	APCP-0002-001-99	
233V	Extractor	CARB No. G70-97A		APCP-0002-001-99	
233VM	Extractor	CARB No. G70-97A		APCP-0002-001-99	
233SD	Extractor	CARB No. G70-97A			
233VTS	Extractor/Assembly	CARB No. G70-97A			
311	Multi-Port Spill Container	CARB No. 93-25			
511	Multi-Port Spill Container	CARB No. 92-12			
500L	Replaceable Spill Bucket		VR-102	APCP-0002-001-99	
6500 Series (EVR)	Multi-Port		VR-102	APCP-0002-001-99	
523	Pressure/Vacuum Vent	CARB No. 94-22/92-28/94-11			
523V	Pressure/Vacuum Vent	CARB No. 98-1		APCP-0002-001-99	
633LC	Locking Clamp	CARB No. 97-14		APCP-0002-001-99	
633T	Top-Seal Adaptor	CARB No. G70-97A		APCP-0002-001-99	
633TCP	Top-Seal Adaptor	CARB No. G70-97A			
634TT (EVR)	Top-Seal Cap	CARB No. G70-97A	VR-101 & VR-102	APCP-0002-001-99	
700L	Testable/Replaceable Spill Bucket		VR-102		
1711T (EVR)	Vapor Recovery Cap	CARB No. G70-97A	VR-101 & VR-102	APCP-0002-001-99	
1711TK	Cap	CARB No. G70-97A			
6111-1400 (EVR)	Tank Bottom Protector	CARB No. 98-21	VR-102	APCP-0002-001-99	
211	Spill Container	CARB No. AGT-94-01			
1711LPC	Low Profile Vapor Cap		VR-101, VR-102, VR-103, VR-104, & VR-105	APCP-0002-001-99	
634LPC	Low Profile Fill Cap		VR-101, VR-102, VR-103, VR-104, & VR-105	APCP-0002-001-99	

## UL Listed Products - Below Ground Products

## OPW Approvals / Listings

Product	Description	File #
10 Series	Emergency Shut-Off Valves	MH6535
523V, 623V	Pressure/Vacuum Vents, tested per UL 2583	MH19391
62M, 62MAB, & 62MBB, 633T, 61AS, 61SALP, 1611AV, 61VSA Series. EGVV per UL 2583	Caps & Adaptors	MH19391
60V, 60VP, 60VSP, & 60VSPC	Vapor Shear Valves	MH6535

## ULC Listed Products - Below Ground Products

Product	Description	File #
10 Series	Emergency Shut-Off Valves	MH27238
6150 & 7150	Overfill Valve	MH21147
7150	Vapor-Tight Overfill Valve	MH21147
705	Vertical Check Valve	MH27238
1, 1SC & 101BG	Spill Containers	MH27236
Flex Connectors	Stainless Steel Flexible Connectors	MH48310
Fibrelite Multiport	Spill Containment Manholes	MH27236

## ERA Certified Products - Below Ground Products

Product	Description	File #
FlexWorks	Primary/Secondary Containment Pipe & Couplings	BC63/0681/97/003; BC63/0681/97/004

## ATEX Certified / Compliant - OPW Below Ground Products

Product	Description	Certificate #
523 P/V Vent	Type 523 P/V vent - End-of-line Deflagration Flame Arresters, 523 METAL UK, 523 METAL UKDI	Sira 05ATEX9050X
623 V Vent	End-of-Line Deflagration Flame Arresters 623-V 2203, 0623-V 3203	Sira 05ATEX9049X
66VL Breakaway Valves	66VL-01AT, 66VL-02AT	Sira 06ATEX9326U
Model 10 Series Shear Valves	Emergency Shut-Off Valves	Sira 06ATEX9341U
7150, 6150	Overfill Valve	Sira 08ATEX9047

**Florida EQ Certifications**

Product #	Description	Certification
111/211/311/511	Multi-Port Spill Containers	EQ-145
1, 1SC, 101BG, 111, 211 Series	Spill Containers	EQ-224
1C-3101D, 1C3101P	EDGE 1" Series Single Spill Container	EQ-718
1C-3100 Series	EDGE" Double Wall Spill Container	EQ-708
500L	Secondary Containment Spill Containers	EQ-588
700L	Secondary Containment Spill Containers	EQ-640
61SO, 61TNG, 53V, 30MV Series	Overfill Valves & Ball Floats	EQ-123
6591B	Dual Port Spill Containers	EQ-638
71SO Series	Overfill Prevention Valve	EQ-697
71SO Testable Series	Overfill Prevention Valve	EQ-815
1-3100 15 Gallon Series	Spill Containment	EQ-794
1-3700 Retrofit Series	Spill Containment Replacement	EQ-795
331 / 332 AST Series	Direct-Fill Spill Container	EQ-814
1-2200 Series	Spill Container	EQ-829
Fibrelite Multiport	Spill Containment Manholes	EQ-859

**North Carolina**

Product #	Description	Certification
IC-3100	Double Wall Spill Container	EQ-708

**Wisconsin Department of Commerce**

Product #	Description	Certification
FC XX-XXXX	OPW Flex Connectors	

**Arizona Department of Weights and Measures**

Product #	Description	Certification
61SO-EVR	Overfill Protection in Vaulted Systems	VR Alert No. 12

## OPW Patents - Below Ground Products

### Emergency Shut-Off Valves (10 Plus Series)

Patent #	Country
7,578,308	USA
8,020,576	USA
8,066,024	USA
P10703905-0	Brazil
2605139	Canada
017913	EPC
017913	Eurasian Patent Convention
200710166890.3	China
1916221 and 2314541	France
2314541	Germany
1916221	Great Britain
2314541	Great Britain
300952	India
1916221 and 2314541	Italy
5128901	Japan
1497148	Korea
277128	Mexico
2314541	Poland
017913	Russia
1916221 and 2314541	Spain
I337236	Taiwan

### Spill Containers

Patent #	Country
8,622,097	USA
2717743	Canada

### Coax Couplings

Patent #	Country
6,565,127	USA

### Loop System

Patent #	Country
7,073,976	USA

### Drop Tube (7150)

Patent #	Country
7069965, 7243675, 6913047, 7128102, 7213610, 7437815, 7,243,675	USA
2503927, 2503671, 2503923, 2503667, 2503924, 2503676	Canada
I344920, I333920, I347918, I331115	Taiwan
290614, 304329, 278650, 297969, and 294422	India
4813085 and 4871525	Japan
10-1050556 and 10-1057906	Korea

### DPC with Test Port

Patent #	Country
7,104,727	USA

### SBC Coupling

Patent #	Country
8,393,647	USA

### REF Fitting

Patent #	Country
8,667,687	USA
2782925	Canada

### Electrotite Junction Box

Patent #	Country
10,218,163	USA
2,965,929	Canada

### Matador Backfill Protector

Patent #	Country
10,294,627	USA

### Testable Overfill Valve

Patent #	Country
9,463,971	USA
2801784	Canada
2631211	Germany, France, UK
13155871.4	Europe
16185737.0	Europe

## UL Listed Products - Above Ground Products









## OPW Approvals / Listings

Product	Description	File #	UL Online Certifications	
11A Series & Astro	Automatic Nozzle	MH1942	 MH1942	
11B Series & AstroB	Pressure-Sensing Automatic Nozzle	MH1942		
1A Series	Automatic Nozzle	MH1942		
7H Series	Automatic Nozzle	MH1942		
7HB Series	Pressure-Sensing Automatic Nozzle	MH1942		
11AF	Farm Nozzle	MH1942		
21Ge	Pressure-Sensing Automatic Nozzle for E85	MH1942		
12VW	Vacuum-Assist Nozzle	MH1942		
20S	Hose Swivel	MH4542		 MH4542
21BV Series	Ball Valves	MH15855		
241TPS	Two-Plane Swivel	MH4542	 MH4542	
241TPS-0492	Two-Plane Swivel for E85	MH4542		
36S	Hose Swivel	MH4542		
45	Hose Swivel	MH4542		
MFVA	Vacuum-Assist Vapor Recovery Swivel	MH4542		
199ASV	Anti-Siphon Valve	MH8488		 MH8488
44 & 44N	Flow Limiters	MH8488		
66FL-1000	Vacuum-Assist Flow Limiter	MH8488		
VaporSaver™ 1	Tank Pressure Management System	MH10040		 MH10040
523, 523V, 523AV	Pressure/Vacuum Vents	MH19391		
623V XXXX	Pressure Vacuum Vent	MH19391		
821 Series	Solenoid Valve	E12264		
66RB	1" Reconnectable Breakaway	MH18037	 MH18037	
665B	Swivel Breakaway	MH18037		
66ISU	Vacuum-Assist Vapor Recovery Breakaway	MH18037		
66ISB	Vacuum-Assist Vapor Recovery Breakaway	MH18037		
66REC	3/4" Reconnectable Breakaway	MH18037		
66V	Breakaway	MH18037		
66V-0492	Breakaway for E85	MH18037		
66CAS	Dry Reconnect Inverted Breakaway	MH18037		
66EZR	Dry Reconnect Inverted Breakaway	MH18037		
66CL/CSU/CLP	Coaxial Breakaways	MH18037		
202 Series	Emergency Vents	MH25724	 MH25724	
301 Series	Emergency Vents	MH25724		
61f STOP-XXXT Version	AST Overfill Valve	MH25724	 MH29367	
200TG	Mechanical Tank Gauge	MH29367		
44TA-LLFS	Liquid-Level Float Switch Sub Assembly	E177423		
X44TA-0100	Liquid-Level and Overfill Alarm	ETL302278-H01		



## UL Listed for Canada and ULC - Above Ground Products

## OPW Approvals / Listings

Product	Description	File #	UL Canada Online Certifications	
11A Series & Astro	Automatic Nozzle	MH1942		
11B Series & AstroB	Pressure-Sensing Automatic Nozzle	MH1942		
7H Series	Automatic Nozzle	MH1942		
7HB Series	Pressure-Sensing Automatic Nozzle	MH1942		
44 & 44N	Flow Limiters	MH8488		
11AKF & 11AKPF	Farm Nozzle	MH1942		
241TPS	Two-Plane Swivel	MH4542		
20S	Hose Swivel	MH4542		
45	Hose Swivel	MH4542		
66SB	3/4" Swivel Breakaway	MH18037		
66REC	Reconnectable Breakaway	MH18037		
66RB	1" Reconnectable Breakaway	MH18037		
66V	Breakaway	ULC MH27235, UL for Canada MH18037		
61fSTOP-XXXX Series	Overfill Prevention Valve	MH25724		
61fSTOP-XXXXT Series	Overfill Prevention Valve	MH25724		
6211 Series	Remote-Fill AST Spill Containers	MH27236		
6221 Series	Direct-Fill AST Spill Containers	MH27236		
331 / 332 Series	AST Spill Containers	MH19391		

### MoPETP (Missouri Performance Evaluation Testing Procedures)

11VF-47	Balance Nozzle	MoPETP 99-03
66CL/CSU/CLP	Coaxial Breakaway	MoPETP 99-03
523V	Pressure/Vacuum Vent	APCP-0002-001-99
62M	Monitoring Cap	MoPETP APCP-0002-001-99

### Florida

211AST, 211 REMOTE, 221AST	AST Spill Containers	EQ-226
61fSTOP Series	AST Overfill Prevention Valve	EQ-225

### New York City Fire Department Certification Number

61fStop	AST Overfill Prevention Valve	4949
---------	-------------------------------	------

### KIWA Approvals

199-ASV	Anti-Siphon Valve	K22656/01
---------	-------------------	-----------

### Other VaporSaver Approvals

ATEX – SIRA 03ATEX 9535	Texas ORVR Certification Approval Letter: 12/01/04
TUV – 97-11.1	Mexico – SEGEMDGPCCAT- MTSR- VDOVER/001/2004
Independent 3rd Party Certified C-030501	Japan – KHK File# 16-4-5
MDE Regulation Chapter 02.03 c(5)b	

## CARB EVR Certified Products - Above Ground Storage Tank Equipment

Product	Description	EO Number
301-XXXX	Emergency Vent	VR 401
61fSTOP-XXXX	Overfill Prevention Valve	VR 401
331-ASTWXX & 332-ASTWXX	Direct Fill Spill Container	VR 401
1611AN-XXXX & 1612AN-XXXX	Kamvalok Adaptor	VR 401
634B-XXXX & 634BK-XXXX	Dust Cap	VR 401
61VSA-1020-EVR	Rotatable Swivel Adaptor	VR 401
1711T-7085-EVR & 1711LPC-0300	Vapor Recovery Caps	VR 401
61FT-XXXX	Drop Tube	VR 401
200TG-ENG, 200TG-ENG40, 200TG-MET, 200TG-MET40	Mechanical Tank Gauge	VR 401
144TA-XXX	Tank Alarm	VR 401
44TA-LLFS	Liquid Level Float Switch	VR 401
66CLP-5100	Balance, Reconnectable Breakaway	VR 204, VR-203

Product	Description	CARB Certification	CA Fire Marshal
12VW	Vacuum-Assist Nozzle	G-70-153, G-70-150, G-70-199	GVRC: 005:008:059
66CAS	Dry Reconnect Inverted Breakaway	96-18	GVRC: 005:008:056
66ISU	Vacuum-Assist Breakaway	94-9	GVRC: 005:031:009
66ISB	Swivel/Breakaways	95-35	GVRC: 005:031:016
66CL/CSU/CLP	Coaxial Breakaway	91-14	GVRC: 005:008:047
Vacurite® 00-40005C	Centralized Vacuum-Assist Vapor Recovery System	G-70-164-AA, G-70-175	GVRC: 004:001:001
Max Vacurite® AST 00-40001C	Centralized Vacuum-Assist Vapor Recovery System	G-70-164-AA, G-70-175-AST	GVRC: 004:001:001
Micro Vacurite® 00-40003.UL	Centralized Vacuum-Assist Vapor Recovery System	98-13, G-70-164-AA	GVRC: 004:001:002
VacuSmart™	Air to Liquid Test Equipment	CARB Approved Alternative to TP-201.5	N/A
VacuChek™	Air to Liquid Test Equipment	CARB Approved Alternative to TP-201.5	N/A
VaporSaver™	Tank Pressure Management System	G-70-204A	GVRC: 005:008:062
61fSTOP	AST Overfill Valve	CARB No. ATG-01-01	N/A
523V	Pressure/Vacuum Vent	CARB No. 98-1	N/A

## OPW Patents - Above Ground Products

### Nozzles

Patent #	Country
5,645,115	USA
5,454,602	USA
5,813,443	USA
5,620,030	USA
5,4353,57	USA
5,577,538	USA
6,851,628	USA
6,951,229	USA
8,371,341	USA
8,616,252	USA
8,528,609	USA
8,631,837	USA
8,636,027	USA
7,134,580	USA
6,024,140	USA
9,126,820	USA
9,260,286	USA
5,832,970	USA
D728,736	USA
D738,461	USA
2011316968	Australia
348967	Australia
349307	Australia
ZL201180056513.9	China
ZL201180058887.4	China
ZL 201330216105.7	China
9178054.4	EPC
002145748-0001 and 002145748-00002	European Union
254172	India
254173	India
326551	Mexico
417587	New Zealand
417970	New Zealand
598980	New Zealand
609846	New Zealand
91392	Russia
2013119834	Russia
2013/02827	South Africa
93130770	Taiwan

### Breakaways

Patent #	Country
5,695,221	USA
5,564,471	USA
5,570,719	USA
8,931,499	USA
5,529,085	USA

### Island Forms

Patent #	Country
6,099,202, 6,375,384B1	USA
1227417C	China
2,322,216	Canada
221,155	Mexico

### Storage Tank Emergency Vent Valve (AST)

Patent #	Country
5,141,020	USA

### Storage Tank Shut-Off Valve (61fSTOP) AST

Patent #	Country
5,472,012	USA
5,850,849	USA

### Tank Gauge (AST)

Patent #	Country
6,523,404, 7,174,784	USA
P10501119-1	Brazil
2492346	Canada
94100860	Taiwan
05-10002326.9	China
22/che/2005	India
2005-7183	Japan
4005/2005	Korea

## OPW Alphanumeric Product Index

Product Number	Page	Product Number	Page	Product Number	Page	Product Number	Page
1000 Series.....	222	106DL-0095 .....	97	10RPLUS-0152 .....	34, 52	1-3100-TOOL.....	75, 78
101BG Series.....	70,	106N-1100.....	97	10RPLUS-0202 .....	34	113 Series.....	125, 215
	87, 88, 97, 132,	106N-2200.....	97	10RU-2005.....	54	113-0066.....	215
	228, 234, 235	106N-3300.....	97	10RUP-2006.....	54	113-0099.....	215
101BG-2100.....	87, 88	106N-4400.....	97	10RUTC-5962.....	54, 55	116-7085.....	107
101BG-2100C .....	88	106P-0150.....	97	10RUTC-5975.....	54, 55	116 Series.....	107
101BG-2105.....	88	106R-0175 .....	97	10RUTCP-5972 .....	54, 55	116M.....	70, 100, 107
101BG-2115.....	87, 88	106SU-0185 .....	97	10SBHMP-5830 .....	54	116M-0375 .....	107
101BG-2115C .....	88	106U-0125 .....	97	10SBUP-5926.....	54	116M-0500 .....	107
101BG-21AR.....	88	106UP-0125.....	97	10SHMTP-5811 .....	54, 55	1175-0050.....	220
101BG-21LA.....	88	107-0300.....	97	10SUTCP-5911 .....	54	11A.....	143,
101BG-BUCKET.....	88	10BF-5725.....	54	10UBK-015.....	53, 55		144, 145, 148, 153
101BG-COVER .....	88, 132	10BFP-5726.....	54	10URK-020.....	53, 55	11A-0009 .....	144
101BG-LATCH.....	88	10BHMP-5830 .....	54	10UTC-5901.....	54, 55	11A-0100 .....	144
104A Series.....	70, 133, 134	10BM-5825 .....	54	11A Series .....	143, 153, 229,	11A-0100-AD.....	144, 148
104A-0800WT.....	133	10BU-5925 .....	54		237, 238, 257, 258	11A-0200 .....	144
104A-1066 .....	136	10BUP-5926.....	54	11B Series .....	35, 137,	11A-0300 .....	144
104A-1200 .....	133, 136	10FTP-5701 .....	54, 55		143-146, 149, 153, 229,	11A-0400 .....	144
104A-1200WT.....	133	10P-0150.....	52		237, 238	11A-0400-AD.....	144, 148
104A-1219 .....	133, 136	10P-0152.....	52	110/120 Series .....	134	11A-0500 .....	144
104A-1800 .....	132, 133, 136	10P-0152E85 .....	52	1-2100.....	81, 82, 92,	11A-0500-AD.....	144, 148
104A-1800WT.....	133	10P-0200.....	52		97, 132, 228, 233	11A-0750 .....	144
104A-1819 .....	133, 136	10P-0202RF.....	52	1-2100-DEVR .....	80, 82	11A-0800 .....	144
104A-1819WT.....	133	10 Plus Series.....	52	1-2100-DSH.....	94	11A-0900 .....	144
104AOW .....	70,	10 Series.....	53, 54, 55	1-2100-EVR.....	70, 80, 115,	11A-0900-AD.....	144, 148
	135, 136, 256	10RF-2001.....	54		116, 119	11AF .....	150, 237, 229
104AOW-0800.....	135, 136	10RFP-2002.....	54	1-2100-PEVR.....	80, 82	11AF-10FS .....	150
104AOW-1200.....	132, 135, 136	10RFT-5742.....	54, 55	1-2100-PSH.....	94	11AF-30FS .....	150
104AOW-1218.....	136	10RFT-5750.....	54, 55	1-2100C-DEVR .....	82	11AF-300F .....	150
104AOW-1219.....	135, 136	10RFTP-5751.....	55	1-2100C-PEVR .....	82	11AF-40FS .....	150
104AOW-1800.....	135, 136	10RFTP-5752.....	54, 55	1-2105.....	85, 86, 92	11AF-4FSC .....	150
104AOW-1819.....	135, 136	10RM-2003 .....	54	1-2115-DEVR .....	82	11AK.....	145
104C.....	97, 132	10RMP-2004.....	54	1-2115C-DEVR .....	82	11AKP .....	145
104C-2000 .....	132	10RMT-5842 .....	54, 55	1-2105.....	85, 86, 92	11AP.....	143, 144, 145, 229
104FG.....	97, 133	10RMT-5850 .....	54, 55	1-2155.....	86	11AP-0009 .....	144
104FG-1200 .....	133	10RMTP-5851 .....	54, 55	1-21CC.....	76, 77, 82, 86	11AP-0100 .....	144
104FG-1219 .....	133	10RMTP-5852 .....	54, 55	1-2200 Series .....	70, 73,	11AP-0200 .....	144
104MW-0018.....	136	10RPLUS-0150 .....	52		78, 79, 228, 235	11AP-0300 .....	144

## OPW Alphanumeric Product Index

Product Number	Page	Product Number	Page	Product Number	Page	Product Number	Page
11AP-0400	144	11BP-0009	144	11B-0900-XCB20	144, 145	14C-0100	142
11AP-0500	144	11BP-0100	144	11BP-0992-E85	144, 146, 153	14C-0200	142
11AP-0750	144	11BP-0200	144	11BP-0992-E85-AD	144, 146, 148	14C-0300	142
11AP-0800	144	11BP-0300	144	122-0033	136	14C-0400	142
11AP-0900	144	11BP-0400	144	122-0055	136	14C-0500	142
11AP-0009-1P	144	11BP-0500	144	122-0077	136	14C-0750	142
11AP-0100-1P	144	11BP-0750	144	126A-1044	136	14C-0800	142
11AP-0100-AD	144, 148	11BP-0800	144	1290	179, 229, 258	14C-0900	142
11AP-0100-E25	144	11BP-0900	144	1290-0050	179	14E	138, 140
11AP-0200-1P	144	11BP-0100-1P	144	1290G-0050	179	14E-0100	140
11AP-0300-1P	144	11BP-0100-AD	144, 148	1291	179, 229, 258	14E-0200	140
11AP-0300-AD	144, 148	11BP-0100-E25	144	1291C-0050	179	14E-0300	140
11AP-0300-E25	144	11BP-0100-XC	144, 145	12VW	137, 168, 169, 229, 237, 239, 258	14E-0400	140
11AP-0400-1P	144	11B-0100-XCB20	144, 145	12VW-0000	169	14E-0500	140
11AP-0400-AD	144, 148	11BP-0192-E85	144	12VW-0100	169	14E-0600	140
11AP-0400-E25	144	11BP-0200-1P	144	12VW-0200	169	14E-0700	140
11AP-0500-1P	144	11BP-0300-1P	144	12VW-0300	169	14E-0800	140
11AP-0500-AD	144, 148	11BP-0300-AD	144, 148	12VW-0400	169	14E-0900	140
11AP-0500-E25	144	11BP-0300-E25	144	12VW-0400-AD	169	153-0910	182, 185, 189
11AP-0750-1P	144	11BP-0300-XC	144, 145	12VW-0500	169	153AF-0100	183, 189
11AP-0800-1P	144	11BP-0392-E85	144	12VW-0750	169	153J-0100	182, 189
11AP-0800-E25	144	11BP-0400-1P	144	12VW-0900	169	1611 Series	105, 119
11AP-0900-1P	144	11BP-0400-AD	144, 148	14 Series	138, 140-142	1611AN-0200	203, 208, 209
11AP-0900-AD	144, 148	11BP-0400-E25	144	144TA-0100	211	1611AN-0300	203, 208, 209
11AP-0900-E25	144	11BP-0400-XC	144, 145	14BP	141	1611AN-2040	203, 208, 209
11APF	150, 229	11B-0400-XCB20	144, 145	14BP-0009	141	1611AN-3060	203, 208, 209
11APF-300F	150	11BP-0492-E85	144	14BP-0100	141	1611AV	70, 98, 100, 105, 106, 201, 203, 234
11APF-30FS	150	11BP-0492-E85-AD	144, 146, 148	14BP-0200	141	1611AV-1605	105
11APF-40FS	150	11BP-0500-1P	144	14BP-0300	141	1611AV-1620	105, 233, 242
11APF-4FSC	150	11BP-0500-AD	144, 148	14BP-0400	141	1611AVB-1625	105, 228, 230, 242
11B	143, 145	11BP-05100-E25	144	14BP-0500	141	1611VR	100, 106
11B-0100-AD	144, 148	11BP-0750-1P	144	14BP-0750	141	1612	209
11B-0100-XC	145	11BP-0800-1P	144	14BP-0800	141	1612AN-0150	209
11B-0400-AD	144, 148	11BP-0800-E25	144	14BP-0900	141	1612AN-0200	203, 209
11B-0400-XC	145	11BP-0900-1P	144	14C	138, 142	1612AN-0300	209
11B-0900-AD	144, 148	11BP-0900-AD	144, 148			1612AN-2040	209
11B-0900-XC	145	11BP-0900-E25	144				
11BP	143, 145, 146, 149						



## OPW Alphanumeric Product Index

Product Number	Page	Product Number	Page	Product Number	Page	Product Number	Page
1612AN-3060	209	199ASV-1100	216	1C-3101D	77, 235	1SC-2100-DEVR	84
1672AN-SS20	209	199ASV-1150	216	1C-3101D / 1SC-3101D	76	1SC-2100-EVR	83
1672AN-SS30	209	199ASV-1200	216	1C-3101P	77	1SC-2100-PEVR	84
1711D	203, 205, 209	199ASV-2075	216	1C-3101P / 1SC-3101P	76	1SC-2100C-DEVR	84
1711D-1075	209	199ASV-2100	216	1C-3112D	75	1SC-2100C-PEVR	84
1711D-1080	209	199ASV-2150	216	1C-3112D / 1SC-3112D	76	1SC-2105	84, 86
1711LPC	70, 98, 100, 106, 233, 239	199ASV-2200	216	1C-3112P	75	1SC-2115	84, 86
1711LPC-0300	106, 201, 203, 228, 230, 239	199ASV-3075	216	1C-3112P / 1SC-3112P	76	1SC-2115-DEVR	84
1711T	70, 98, 100, 106, 119, 228, 233	199ASV-3100	216	1C-3122D	75	1SC-2115-PEVR	84
1711T-7085-EVR	106, 201, 203, 228, 230, 239	199ASV-3150	216	1C-3122D / 1SC-3122D	76	1SC-2115C-DEVR	84
1712D	203, 205, 209	199ASV-3200	216	1C-3122P	75	1SC-2115C-PEVR	84
1712D-1085	209	19DB-0075	178	1C-3122P / 1SC-3122P	76	1SC-3112D	75
1712D-1090	209	19DB-0075L	178	1C-3132D	75	1SC-3112P	75
1712D-1095	209	19DEF	178	1C-3132D / 1SC-3132D	76	1SC-3122D	75
175	203, 220	19DEF-0500SS	178	1C-3132P	75	1SC-3122P	75
175-0044	220	19DEF-050LSS	178	1C-3132P / 1SC-3132P	76	1SC-3132D	75
175B-1544	220	19DEFM-0500SS	178	1C-3142D	75	1SC-3132P	75
1772DL-SS20	209	19DEFM-050LSS	178	1C-3142D / 1SC-3142D	76	1SC-3142D	75
1772DL-SS30	209	19DF-0100	178	1C-3142P	75	1SC-3142P	75
178S	203, 219	19DFL-0100	178	1C-3142P / 1SC-3142P	76	1SC-31512D	75
178S-6130	219	19DHS-0075	178	1C-31512D	75	1SC-31512P	75
190	185, 184, 189, 201, 208, 258	19DHS-0075L	178	1C-31512D / 1SC-31512D	76	1SC-31532D	75
190-0112	184, 185, 189	19DM-0100	178	1C-31512P	75	1SC-31532P	75
190-0113	184, 185, 189	19DML-0075	178	1C-31512P / 1SC-31512P	76	1SC-31542D	75
190-0114	184, 185, 189	19DML-0100	178	1C-31532D	75	1SC-31542P	75
190-0115	184, 185, 189	19DS-0075	178	1C-31532P	75	1SC-TOOL	84
190G-B104	184	19DS-0075L	178	1C-31542D	75	2" Single-Plane Hose Swivel	192
190K-0001	185, 188	1A Series	137, 153, 237	1C-31542P	75	2-0055	192
190S-7063	182, 189	1C-2100-DEVR	82	1CL-KIT	131	200TG	210
190WF-8002	183, 189	1C-2100-PEVR	82	1DK-2100-EVR	76, 77, 79, 80, 82, 84, 94	200TG-ENG	201, 203, 210, 239
190WM-8001	182, 189	1C-2100C-DEVR	82	1DP-2100	76, 79, 82, 233	200TG-ENG40	210, 239
199ASV	203, 216, 237	1C-2100C-PEVR	82	1P-2105	86, 92, 94, 257	200TG-MET	210, 239
199ASV-1075	216	1C-2105	86	1PPK-2100	82	200TGMET40	210, 239
		1C-2115-DEVR	82	1RL-KIT	130	200143	52
		1C-2115C-DEVR	82	1SC-2100	84, 120	201393	95, 96
		1C-2155	86			201478	107
		1C-2200D	78			201491	37, 38
		1C-2200P	78				

## OPW Alphanumeric Product Index

Product Number	Page	Product Number	Page	Product Number	Page	Product Number	Page
201530	76, 77	203666	129, 131	206725	37, 38	21BV-0050	15, 218
201567	86	203667	129	206726	37, 38	21BV-0075	15, 205, 218
201686	76	204129	156	206740-KIT	110	21BV-0100	15, 218
201689	76, 77	204130	156	206741-KIT	110	21BV-0150	15, 218
201692	76, 77, 79	204133	155	207113	153	21BV-0200	15, 218
201739	76, 79	204247	201, 203, 208	207211	79	21BV-0200SS*	15, 218
201758	205	204811	175	207212	79	21BV-0300	15, 218
201759	86, 205	204870	175	207235	79	21GU Hose Assembly	156
201877	212	204872	175	207243	79	21GU-0400	155
201972	76	205987-KIT	76	208197	79	21GU-040G	155
202	213	205077	155	208951	79	21GU-0500	154, 155
202-0640	213	205181	95, 96	208952	79	21GU-050G	155
202-0660	213	205183	95, 96	209501	93	21GU-BCS	155
202-0680	213	205206	153	209502	93	21GU-FLTR	154, 155
202013	76	205217	153	209817	122	21GU-H8	156
202233	218	205219	153	209939	91	21GU-H11	156
202234	218	205248	153	210	188	21GU-H12	156
202235	218	205252	153	210488	76	21GU-H15	156
202312	205	205322	94	210490	76	21GU-H17G	156
202721	212	205598	153	210493-KIT	76	21GU-H21	156
202891	211	205599	153	210-0104	188, 189	21GU-HRS	156
202950	52, 55	205749	129, 131	210-0105	188, 189	21Gu MFPD	155
202135-KIT	76	205899	58	211064	76	21GU-SCS	155
202136-KIT	76	205900	58	211079	76	21GU-SPOUT	155
202137-KIT	76	205987-KIT	76	211143	162	21GU-SPOUT-N	155
202F-0600	213	205988-KIT	76	211218	153	21GU-SSB	155
203035	76, 77	205-0340		211300	90	23 Series	70, 125
203148	94	207206010-KIT	76	211465	76	23-0033	125
203174	129, 131	206011-KIT	76	211-RMOT	205	23-0044	125
203193-KIT	76, 77	206017	76	212164	131	23-0055	125
203194-KIT	76, 77	206118	133	212168	131	233	70, 117, 118, 119, 228
203246	96	206119	133	212199	24	233-4420 (Tee)	117
203269	76	206120	133	212518	131	233-4422 (Cross)	117
203272	96	206121	76	212529	131	233-4430 (Tee)	117
203325	212	206122	76	213273	52	233-4432 (Cross)	117
203340	76	206215-KIT	76	215290	181	233-4433 (Cross)	117
203541	129	206252	148	21BV	15, 50, 218, 230, 237	233V	72, 117, 119, 233
203569	129	206466	155				

## OPW Alphanumeric Product Index

Product Number	Page	Product Number	Page	Product Number	Page	Product Number	Page
233VP .....	117	181, 182, 189		297AF-9070 .....	183	39CD-39 .....	136
241TPS .....	146, 158, 160, 165, 237, 238	295SAC-0157* .....	180, 181, 182, 189	297SA .....	189	39CD-PL10 .....	130
241TPS-0241 .....	149, 160, 165	295SAC-0158* .....	180, 181, 182, 189	297SA-9050 .....	182, 189	39CD-PLKL .....	130
241TPS-0492 .....	146, 160, 165, 229, 237	295SAC-0200* .....	180, 181, 182	297SA-9060 .....	182, 189	39CD-RL10 .....	130
241TPS-1000 .....	160, 165	295SAJ .....	180, 181, 182, 189, 229	301 .....	201, 203, 212	39CD-RLKL .....	130
241TPS-10RF .....	160, 165	295SAJ-0200 .....	180, 181, 182, 189	301-3080 .....	212	39CD-WT10 .....	130
241TPS-75RF .....	160, 165	295SAJ-0200 .....	180, 181, 182, 189	301-3160 .....	212	39CD-WTKL .....	130
241TPS-75RF (E25/B20) .....	160	295SC .....	186, 187, 229	301-4080 .....	212	3VW-0450 .....	169
25 .....	192, 193, 229	295SC-0139 .....	186, 190	301-4160 .....	212	400 Series .....	92, 119
25-0110 .....	192	295SC-0141 .....	186, 190	301-6080 .....	212	42MAT-CM12 .....	131
25-0120 .....	192	295SRK .....	193	301-6160 .....	212	42MAT-PL12 .....	131
25C-0130* .....	192	295SRK-0001 .....	181, 187, 193	301-8080 .....	212	44-0044 .....	166
269 .....	109	295SRK-0002 .....	187, 193	301-8160 .....	212	444T .....	201, 203, 211, 230
269-0085 .....	109	295SWK-0007 .....	181	301F-1085 .....	212	444TA-0100* .....	211, 256
28R-2404 .....	143, 144, 150	295SWK-0009 .....	181, 187	301F-8085 .....	212	44CD .....	70, 130, 136
28S-0350 .....	143, 144, 150	295SWK-0013 .....	181	301F-8165 .....	212	44CD-44" .....	136
28C-0028 .....	149, 174	295SWK-0014 .....	181, 187	301M-3081 .....	212	44CD-PL10 .....	130
29 Check Valve .....	193	296 .....	184, 188, 189	301M-3161 .....	212	44CD-PLKL .....	130
29-0004 .....	193	296-0040 .....	185, 188, 189	301M-4081 .....	212	44CD-RL10 .....	130
29-0016 .....	193	296-0060 .....	185, 188, 189	301M-4161 .....	212	44CD-RLKL .....	130
295AF .....	183, 189	296-0080 .....	185, 189	301M-6081 .....	212	44CD-WT10 .....	130
295AF-0100 .....	183	296CA .....	189	301M-6161 .....	212	44CD-WTKL .....	130
295KLG-0200 .....	186, 187	296CA-4000 .....	185, 189	301M-8081 .....	212	44TA-LLFS .....	203, 211, 237, 239
295KLG-0250 .....	186, 187	296CA-4005 .....	189	301M-8161 .....	212	45 .....	158, 159, 165, 229, 237, 238
295KLG-0300 .....	180, 181	296CJ .....	189	30MV .....	118, 119, 228, 233, 235, 256	45-5060 .....	159, 165
295KLG-0350 .....	180, 181	296CJ-0100 .....	182, 189	30MV-KIT .....	118, 256	45-5075 .....	159, 165
295KLG-0400 .....	180, 181	297 .....	184, 186, 188, 189, 208	332 .....	201, 204, 230, 235, 238	500 Series .....	92, 93, 94
295SA .....	180, 181, 182, 189, 229	297-9020 .....	185, 187, 188, 189	332-AST .....	204	5000 Series .....	222
295SA-0135 .....	180, 181, 182, 189	297-9030 .....	185, 187, 188, 189	332-ASTW74 .....	204	514F .....	214
295SA-0136 .....	180, 181, 182	297-9040 .....	185, 189	365 .....	158, 165, 192, 229, 237	514F-3050 .....	214
295SA-0137 .....	180, 181, 182			365-5080 .....	159, 165, 192	515ML .....	214
295SA-0138 .....	180, 181, 182, 189			365-5090 .....	159, 165, 192	515ML-1030 .....	214
295SAC-0156* .....	180,			37MAT-CM12 .....	131	523A-1003 .....	124
				37MAT-PL12 .....	131	523SA-1002 .....	124
				39CD .....	70, 130, 136	523SA-1003 .....	124

## OPW Alphanumeric Product Index

Product Number	Page	Product Number	Page	Product Number	Page	Product Number	Page
523V Series	70, 124, 228, 230, 233, 234, 238, 239, 256	5BF-0112	150	6013P-HGL	61	6102-4000	196
523V-1100	124	5BBH	152	6013P-HGR	61	6102-6000	196
523V-1150	124	5BH	152, 258	6013P-Link	62	6102-8000	196
523V-2200	124	5BH-0115	152	6013P-R6C	62	6102-AST	196
523V-2203	124	5BH-5115	152	6013P-S01	62	6102-DW1037	197
523V-2250	124	5BHB-0125	152	6013P-S015	62	6102-DW1048	197
523V-2253	124	5BPF-0172	150	6013P-S02	62	6102-DW2037	197
523V-3100	124	5BPS-2117	143	6013P-S025	62	6102-DW2048	197
523V-3150	124	5BPS-2117XC	145	6013P-S03	62	6102-DW3048	197
523V-3200	124	5BS-2110	143	6013P-S035	62	6102-EC01	197
523V-3203	124	5BS-2110XC	145	6013P-S04	62	6102-EC02	197
523V-3253	124	5D-0125	179	6013P-S05	62	6102-GB1N	197
53-0012	67	5D-0126C	179	6013P-S06	62	6102-GB1W	197
53-0020	67	5VW-2000	169	6013P-S07	62	6110 Series	70, 134
53-0034	67	6000 Series	222	6013SSP-Link	62	6110-2410	134
53-0036	67	6000P-B24	62	60V	56	6110-24WT	134
53-0038	67	6000P-B30	62	60V-1000	56	6110-3010	134
53-0062	67	6000P-B36	62	60V-DEF	41, 58, 228	6110-30WT	134
53-0063	50	6000P-B42	62	60VK-1002	56	6110-3710	134
53VML	70, 72, 117, 118, 119, 228, 233, 256, 256	6000P-B48	62	60VK-1003	56	6110-37WT	134
53VML-0060	118	6000P-B60	62	60VP-1001	56	6110-4010	134
53VML-0120	118	6000P-CFB	62	60VS-1000	56, 57	6110-4200	134
53VML-0160	118	6000P-SMK3	62	60VSK-1002	57	6110-42WT	134
53VML-0180	118	6000P-SMK4	62	60VSP-1001	56, 57	6110-48WT	134
53VML-2070	118	6000P-SMK5	62	60VSPC-1001	56, 57	6110-42WT18	134
53VML-3050	118	6000P-SMP	62	6100-4000	198	6111-1400	121, 233, 257
53VML-3110	118	6013 Series	60-62, 71	6100-5000	198	6120-24WT	134
53VML-3120	118	6013P-EHCW3L30	61	6100-6000	198	6120-30WT	134
5BBH-0136	152	6013P-EHCW4L30	61	6100-7000	198	6120-37WT	134
5BBPI-0492	146	6013P-ER6W3L18	61	6100-8000	198	6120-42WT	134
5BBPS-2137	143	6013P-ER6W3L30	61	6100-9000	198	6120-48WT	134
5BBPS-2137XC	145	6013P-ER6W4L12	61	6100-AGBR	198	61ARM-2000	207
5BBS-2135	143	6013P-ER6W4L18	61	6100-AGLC	198	61AS	100, 103, 233, 234
5BBS-2135XC	145	6013P-ER6W4L30	61	6100-AGNV	198	61AS-2477	103
		6013P-HG05	61	6102-1000	196	61fSTOP	
		6013P-HG06	61	6102-1039P	196	61fSTOP-1000	207, 256
		6013P-HG07	61	6102-1078P	196	61fSTOP-1000T	207
		6013P-HG08	61	6102-1100	196	61fSTOP-100M	207

## OPW Alphanumeric Product Index

Product Number	Page	Product Number	Page	Product Number	Page	Product Number	Page
61fSTOP-2000.....	207, 256	61T-0208.....	210	62M .....	70, 100, 107, 114,	633TCP-3803 .....	100
61fSTOP-2000T .....	207	61T-0212.....	210		201, 203, 228, 233,	633TE .....	100, 101, 102
61fSTOP-200M.....	207	61T-0216.....	210		234, 238, 257	634 Series.....	101
61fSTOP-3050.....	207	61T-7268.....	120	62M-0375 .....	107	634A-0160 .....	209
61fSTOP-3050T .....	207	61T-7368.....	120	62M-0500 .....	107	634A-0180 .....	209
61fSTOP-305A .....	207	61T-7468.....	120	62M-MA.....	107	634B .....	208, 237
61FT.....	201, 203, 207	61T-DET-0412 .....	120	62PMC .....	70, 100, 108	634B-0140 .....	203, 208
61FT-0206.....	207	61T-SS-0412.....	120	62PMC-0400.....	108	634B-0150 .....	201, 203, 208
61FT-0312 .....	207, 257	61T-SS-0418.....	120	62TT.....	100, 103, 233	634B-0160 .....	203, 208
61JSK-4400 .....	72	61TC .....	100, 120	62TT-7085.....	103	634B-0170 .....	201, 203, 208
61JSK-4410 .....	72,	61TC-7270 .....	120	6310-37" COMPOSITE .....	136	634B-0180 .....	208
	80, 114, 257	61TC-7272 .....	120	6310-42" COMPOSITE .....	136	634BK-0090.....	201, 203, 209
61JSK-44CB.....	72,	61TCP .....	100, 120, 233	633AST.....	201, 208, 209	634BK-0100 .....	201, 209
	80, 114, 257	61TCP-3800 .....	120, 257	633AST-0150 .....	203, 208	634BK-0200 .....	209
61JSK-4RMT.....	114, 257	61TP .....	70, 121, 228	633AST-0200.....	203, 208	634LPC.....	70, 98, 100,
61SA.....	99, 100, 101,	61TP-2398.....	121, 257	633AST-0250.....	208		101, 102, 228, 233,
	102, 233	61VSA.....	70, 72, 98,	633AST-0300 .....	208	634T .....	115
61SA-TOOL.....	77, 99,		100, 104-106, 201, 203,	633AST-0400 .....	208,	634TE .....	70, 99, 100, 102
	104, 257		233, 234, 228, 247, 257	633AST-2061.....	201, 203, 208	634TE-7085.....	102, 228
61SALP .....	70, 72, 98,	61VSA-1020-EVR.....	104, 119	633AST-3061 .....	201, 208	634TT .....	70, 98-101, 115,
	99, 100, 228, 234, 257		230, 239	633B.....	208		116, 120, 233
61SALP-1020-EVR.....	99	61VSA-Kit.....	105	633B-0150 .....	208	634TT-4000.....	101
61SALP-MA.....	99	61VSA-MA .....	104	633BD .....	201, 208	634TT-7085-EVR.....	101, 228
61SO.....	70-72, 80, 92,	6211-R.....	205	633BD -1261 .....	208	634TTM.....	70, 100, 108
	100, 112, 114-116, 120,	6211R-15-LegKit.....	205	633LC .....	99, 100, 233	634TTM-7087 .....	108, 257
	228, 233-235, 257	6211R-20-LegKit.....	205	633LC-1000.....	100	6511-RB16 .....	93
61SOC-4001 .....	116	6211R-30-LegKit.....	205	633T .....	70, 98, 99,	6511-RB24 .....	93
61SOC-4011 .....	116	6221 .....	204, 208, 238, 257		100, 101, 102, 104,	6521-XAR37.....	93
61SOK-0001 .....	114, 116	6211SS-AST74.....	204		116, 233, 234	6521-XAR42.....	93
61SOP-4002 .....	116	6221-AST.....	204, 208	633T-8060.....	99	6521-XAR48.....	93
61SOP-4012 .....	116	6221-ASTW32.....	204	633T-8070.....	99	66 REC-1000 .....	145
61SOR-4000* .....	115, 116	6221-ASTW34.....	204	633T-8075.....	99	66-0075.....	164
61SPVC .....	70, 108	6221-ASTW72.....	204	633T-8076.....	99, 228	66-1300.....	164
61SPVC-4000.....	108	6221-ASTW74.....	204	633TC .....	70, 100, 101,	66CAS.....	172, 237, 239, 258
61SPVC-4015 .....	108	623V Series .....	70, 72,		102, 115, 120, 257	66CAS-0300.....	172
61SPVC-4020* .....	108		123, 228, 230, 237	633TC-8090 .....	100	66CLP .....	175, 258
61T .....	70, 120, 201, 203,	623V-2203 .....	123	633TCP.....	100, 101, 115,	66CLP-5100.....	175, 239
	211, 228, 233, 257	623V-3203 .....	123		120, 233, 257	66H.....	162, 163, 164



## OPW Alphanumeric Product Index

Product Number	Page	Product Number	Page	Product Number	Page	Product Number	Page
66H-08575	149, 164, 165	68EZR-10RF	162, 165	71SOM-412C	114	821-0075AC	217
66H-08575-E25	165	68EZR-7575	149, 162, 165	723V		821-0100AC	217
66H-08575-E85	165	68EZR-75RF	162, 165	723V-2203	122	821-0150AC	217
66H-08575-LP	164, 165	696J	189	7H	145, 149, 151, 152, 153, 229, 237, 238	821-0200AC	217
66H-0975	149, 164, 165	696J-7010	182, 189	7HB	145, 149, 151, 152, 153, 229, 237, 238	82RV	203, 217
66H-0975-E25	165	6PGR3 Series	63, 71	7H-0100	152	82RV-2505	217, 257
66H-0975-E85	165	6PGR3-4153	63	7H-0100-B20	152	83	109
66H-0975-LP	164, 165	6PGR3-4850	63	7H-0400	152	83-0022	109
66H-1300	164	6PGR3-4859	63	7H-0400-B20	152	8509	162
66ISB	171, 237, 239, 258	6PGR3SS-3672	63	7H-0900	152	89	119
66ISB-5100	171	6PGR3SS-4350	63	7H-0900-B20	152	89-0044	119
66PRK-5015	191	6PGR3SS-5445	63	7H-5100	152	8B-0500	153
66PRK-5020	191	6PGR4-4153	63	7H-5100-B20	152	8BL-0400	153
66REC	158, 163, 165, 237, 238	6PGR4-4174	63	7H-5400	152	8G-0100	153
66REC-1000	163, 165	6PGR4-4951	63	7H-5400-B20	152	8GL-0750	153
66S-0075	164	6PGR4-4972	63	7H-5900	152	8HBL-0400	153
66S-1300	164	7 Series	137, 143, 153	7H-5900-B20	152	8HG-0100	153
66SB	158, 161, 165, 237, 238, 258	70	66	7HB-0090	152	8HO-0800	153
66SB-1010	161, 166	70S	66	7HB-0100	152	8HR-0300	153
66SB-7575	161, 166	70-0070	66	7HB-0100-B20	152	8HY-0900	153
66SP	191	70S-0075	66	7HB-0400	152	8R-0300	153
66SP-5150	191	71JSK-44MA	80, 114	7HB-0400-B20	152	8S-0200	153
66SP-5200	191	71JSK-4RMT	80, 114	7HB-0400-XC	145	8Y-0900	153
66SRK-1000	172, 258	71SO	70, 71, 80, 92, 110-114, 228, 233-236, 257	7HB-0400-B20	152	90K-KLS	129, 130
66V	146, 158, 163, 164, 165, 234, 237, 238	71SO-4000	114	7HB-0400-XC	145	Astro Series	137, 153
66V-130RF	164, 165	71SO-400B	114	7HB-0900	152	AXP40	6, 12, 48, 231
66V-135RF	164, 165	71SO-400C	114	7HB-0900-B20	152	AXP40-100	12
66V-0300	164, 165	71SO-4010	114	7HB-0900-XC	145	AXP40-250	12
66V-1300	164, 165	71SO-410B	114	7HB-5009	152	AXP40-Connect	12
66V-030RF	164, 165	71SO-410C	114	7HB-5100	152	AXP60-100	12
66V-1350	164, 165	71SO-420B	114	7HB-5100-B20	152	AXP60-250	12
66V-0492	146, 165	71SO-420C	114	7HB-5400	152	AXP60-500	12
68EZR	158, 162, 165, 229, 257	71SO-Inlet	114	7HB-5400-B20	152	B20	142, 144, 145, 152, 160, 162, 165, 229, 230
68EZR-1010	162, 165	71SO Testable	70, 110, 112, 235	7HB-5900	152	BA-EZR0100	149
		71SO-TOOLCT	114	7HB-5900-B20	152	BA-EZR0300	149
				80-0800	153	BA-EZR0400	149
				821	203, 217, 230, 237	BDN	222

## OPW Alphanumeric Product Index

Product Number	Page	Product Number	Page	Product Number	Page	Product Number	Page
BGP-2075	16	C05089	122, 123	C30A	11, 232	D01790M	153
BGP-2100	16	C05117	114	C30A-0528	9	D01791M	153
BGP-2150	16	C05122	122, 123	C30A-100	9	D01874M	84
BGP-220	16	C05165M	210	C30A-200	10	D02025M	25, 49
C01094RB	102	C05170M	94	C30A-250	9	D02034M	25
C01288I	213	C05223M	95, 96	C30A-500	9	D02037M	207
C01289M	213	C05235M	198	C30A-600	9	D02078M	153
C01533RB	219	C05236M	198	CLC-33	24, 25	D02141M	169
C02115A	182, 187	C05238M	196	CME-0110	17	D02147M	197
C02117A	182, 187	C05239M	197, 198	CME-0110R	17	D02210	37, 38
C02642M	105	C05261M	196	CME-0220	17	D02212	37, 38
C03144M	219	C05295M	211	CMM-200	17	D02213	37, 38
C03420AG	183	C05446M	76	CMP-200	17	D02223	24
C03422	183	C05501	94	CNG Type 2		D02229	24
C03485M	103	C075A	11, 231	222CSK-0075S	17	D02238	24
C03632M	116	C075A-1000	9, 10	CSK-0100S	17	D02511	37, 38
C03647M	153	C075A-250	9, 10	CSK-0150S	17	D02536	37, 38
C03648M	153	C075A-CLXXX	9	CSK-0200S	17	D02550	37, 38
C03649M	153	C10A	11, 232	CSK-0300S	17	D02571M	95, 96
C03653M	153	C10A-1000	10	D00800B	109	D02575M	95, 96
C03654M	153	C10A-250	9, 10	D00907M	153	D02628M	197
C03655M	153	C010A-CLXXX	9	D00908M	153	D02629M	197
C03749	116	C15A	6, 11, 232	D00909M	153	D02671M	198
C03899M	114, 116	C15A-1000	9, 10	D00917M	153	DEB-0150	45
C03991M	214	C15A-1225	9	D01174M	153	DEB-0200	45
C04093M	207	C15A-1228	9	D01245M	153	DEB-0200X	45
C04101B	84	C15A-1233	9	D01246M	153	DEB-0300	45
C04114RS	207	C15A-1240	9	D01295M	153	DEB-0300X	45
C04141M	84	C15A-1400	9	D01529M	153	DEB-0400	45, 48
C04400M	42	C15A-250	9, 10	D01530M Barrel	153	DEB-0751	45
C04420M	25	C15A-500	9, 10	D01532M	153	DEB-4015(A)	45
C04432M	25	C20A	6, 11, 232	D01719M	153	DEB-4020(A)	45
C04438M	207	C20A-1225	9	D01756	116	DEB-4175	48
C04474RS	207	C20A-1228	9	D01773M	153	DO2677M	129
C04495M	185, 188	C20A-1233	9	D01774M	153	DP-1117F	35, 36, 40
C04698M	185, 187, 188	C20A-250	9, 10	D01775M	153	DP-1123	35, 36, 40
C04785M	88	C20A-500	9, 10	D01776M	153	DP-1123F	35, 36, 40
C05086M	122, 123	C20A-800	9	D01789M	153	DP-1543	36, 40

## OPW Alphanumeric Product Index

Product Number	Page	Product Number	Page	Product Number	Page	Product Number	Page
DP-1630	35, 36, 40	DSW-1123	36, 38	E00714	130	FC15-MM18	64
DP-1836	35, 40	DSW-1123F	35, 36	E00715	130	FC15-MM24	64
DPC-2150A	14, 17	DSW-1543	36, 38, 42	E00779	18	FC15-MM30	64
DPC-2200A	14, 17	DSW-1543C	36, 38	E25	142, 144, 145, 152, 160, 162, 165, 229, 230	FC15-SWM12	65
DPC-2300A	14	DSW-1630	35, 36	EBF-0150	46	FC15-SWM14	65
DS-1036	35, 39	DSW-1836	35, 38	EBF-0200	46	FC15-SWM18	65
DS-1117F	35, 36, 39	DSW-1836C	35, 38	EBF-0200F	46	FC15-SWM24	65
DS-1120	36, 39	DSW-1836CL	35, 38, 41	EBF-0300	46	FC20-MM12	64
DS-1123	36, 39	DSW-1922	35	EBF-0400	46	FC20-MM14	64
DS-1123B	35, 39	DW-VAC-TEST	75	EBF-0600	46	FC20-MM18	64
DS-1123F	35, 36, 39	E00274AG	183	EBF-0751	46	FC20-MM24	64
DS-1229	36, 39	E00304M	153	EDGE 1™	70, 76, 77, 235	FC20-MM36	64
DS-1242	36, 39	E00306M	153	FBN-2075	18	FC20-SWM12	65
DS-1543A	35, 36, 39, 42	E00307M	153	FBN-2100	18	FC20-SWM14	65
DS-1630	35, 36, 39	E00308M	153	FBN-2150	18	FC20-SWM18	65
DS-1630B	39	E00324M	153	FBN-2200	18	FC20-SWM24	65
DS-1642	35, 36, 39	E00325M	153	FBN-2300	18	FC30-MM18	64
DS-1741	36, 39	E00368M	153	FC-10-BLACK	91	FC30-MM24	64
DS-1836	35, 39, 41, 42	E00491	88	FC-10-BLUE	91	FCS42-EX12	22, 23
DS-1928	36, 39, 42	E00508M	133, 136	FC-10-GRAY	91	FCS48-EX12	22, 23
DSC-4021B	49	E00510M	133, 136	FC-10-ORANGE	91	FCSD-1-4233CR	22
DSF-1123	35, 36, 37	E00512M	133, 136	FC-10-RED	91	FCSD-1-4233SB	22
DSF-1123	35, 36, 37	E00514I	135	FC-10-SEAL	91	FCSD-1-4837CR	22
DSF-1123F	35, 36, 37	E00514M	136	FC-10-WHITE	91	FCSD-2-4233CR	22
DSF-1543	36, 37	E00515I	135, 136	FC-10-YELLOW	91	FCSD-2-4233SB	22
DSF-1543C	36, 37	E00516I	135, 136	FC-11-BLUE	90	FCSD-2-4837CR	22
DSF-1630	35, 36, 37, 38	E00584M	133	FC-11-ORANGE	90	FCSM-1-4233CR	22
DSF-1741C	37, 42	E00591	37, 38	FC-11-RED	90	FCSM-1-4233SB	22
DSF-1836	35, 37, 41	E00618	130	FC-11-SEAL	90	FCSM-1-4837CR	22
DSF-1836C	35, 37, 41	E00620	130	FC-11-WHITE	90	FCSM-2-4233CR	22
DSF-1836CL	37,	E00622	130	FC-11-YELLOW	90	FCSM-2-4233SB	22
DSFE-4612	49	E00624	130	FC075-MM12	64	FCSM-2-4837CR	22
DSK-DEF-1630	41	E00626	130	FC10-MM12	64	FDS-4021	35, 41, 42
DSK-DEF-1836	41	E00628	130	FC10-MM18	64	FDS-4319	36, 42
DSW-1120	36, 38	E00630	130	FC10-MM24	64	FIB-KHB	128
		E00632	130	FC15-MM12	64	FIB-KHP	128
		E00712	130	FC15-MM14	64	FIB2-RL-KEY	128
		E00713	130				

## OPW Alphanumeric Product Index

Product Number	Page	Product Number	Page	Product Number	Page	Product Number	Page
Fibrelite Composite Manholes		FL120BLACK-MW-SK12....	135	FTS-4233TH.....	22, 23	H01505RB.....	219
.....	70, 127, 128	FL120BLACK-SK12.....	127	FTS-4237TH.....	22, 23	H01608M.....	109
FILLGARD™.....	145, 149, 152, 153	FL120F.....	128	FTS-4837TH.....	22, 23	H01814.....	185
FIT-3530.....	42	FL180-SEAL.....	128	FTSD-4233CR.....	23	H01817.....	185
FIT500, C/OPT or		FL180-SK12.....	128	FTSD-4233SB.....	23	H01818.....	185
K800 Hybrid.....	224	FL180BLACK.....	127, 135	FTSD-4237CR.....	23	H01841.....	200
FL100-SEAL.....	128	FL180BLACK-SK12.....	127	FTSD-4237SB.....	23	H01967M.....	125, 214
FL100-SK10-46.....	128	FL180F.....	128, 135	FTSD-4837CR.....	23	H01969M.....	125
FL100-SK12.....	128	FL36BLACK.....	127	FTSD-4837SB.....	23	H02477M.....	181, 187
FL100BLACK.....	127	FL36GRAY.....	127	FTSDBASE-42CR.....	22, 23	H03295M.....	219, 220
FL100BLACK-SK12.....	127	FL42BLACK.....	127	FTSDBASE-42SB.....	22, 23	H03636M.....	214
FL100F.....	128	FL600-SEAL.....	128	FTSDBASE-48CR.....	22, 23	H03666M.....	185
FL100G-RETRO-		FL600-SK12.....	128	FTSDBASE-48SB.....	22, 23	H03981RE.....	181, 187
MP3716S-BU.....	90	FL600BLACK.....	127	FTSM-4233CR.....	23	H04035M.....	219, 220
FL100G-RETRO-		FL600BLACK-SK12.....	127	FTSM-4233SB.....	23	H04145M.....	103, 105
MP3716S-R.....	90	FL600F.....	128	FTSM-4237CR.....	23	H04150M.....	99, 105
FL100G-		FL7.....	128	FTSM-4237SB.....	23	H04250M.....	245
RETRO-MP3716S-W.....	90	FL760-SEAL.....	128	FTSM-4837CR.....	23	H04788M.....	55
FL100G-RETRO-		FL760-SK12.....	128	FTSM-4837SB.....	23	H04825M.....	182, 187
OF378S-Y.....	90	FL760BLACK.....	127	FTSMBASE-42CR.....	22, 23	H04828M.....	181, 187
FL100GRAY.....	127	FL760BLACK-SK12.....	127	FTSMBASE-42SB.....	22, 23	H04869RE.....	213
FL100GRAY-MP16.....	91	FL760F.....	128	H00113RA.....	185, 188	H04871M.....	213
FL100GRAY-MP16S.....	90	FL7A.....	128	H00113RAG.....	185	H04873M.....	213
FL100GRAY-		FL7A-ENCL.....	128	H00122M.....	125	H04898M.....	109
MP16S-SK12-BU.....	90	FL90-SEAL.....	128	H00136M.....	185, 188	H04928.....	213
FL100GRAY-		FL90-SK12.....	128	H00195RB.....	185, 188	H04929M.....	213
MP16S-SK12-R.....	90	FL90BLACK.....	127	H00250RB.....	185	H04981M.....	213
FL100GRAY-		FL90BLACK-SK12.....	127	H00252RA.....	185	H05000M.....	187
MP16S-SK12-W.....	90	FL90F.....	128	H00404RB.....	220	H05063M.....	182, 187
FL100GRAY-OF8.....	91	FL90GRAY-MP16.....	91	H00409RB.....	220	H05064M.....	181, 187
FL100GRAY-OF8S.....	90	FL90GRAY-OF.....	91	H00520RB.....	185	H05087M.....	182, 187
FL100GRAY-OF8S-SK12-Y.....	90	FL90GRAY-SK12.....	127	H00538RE.....	185	H05088M.....	181, 187
FL100GRAY-SK12.....	127	FLMP-IP.....	89, 90	H00642B.....	185	H05135M.....	182, 187
FL120-SEAL.....	128	FLMP-SB.....	90	H00999M.....	188	H05198M.....	181, 187
FL120-SK12.....	128	FSA-400.....	80, 82, 92, 115, 203, 233	H01227M.....	181, 187	H05289M.....	99
FL120BLACK.....	127	FSA-400-S.....	72, 77, 80	H01344M.....	219	H05297M.....	182
FL120BLACK-MW.....	135	FSS-50.....	43	H01461AH.....	219	H05361.....	55
				H01500B.....	67	H05719RE.....	188

## OPW Alphanumeric Product Index

Product Number	Page	Product Number	Page	Product Number	Page	Product Number	Page
H05783DI	109	H08441RS	182, 187	H11293M	219	H13588M	198
H05784M	109	H08879M	181, 187	H11361M	52, 55	H13774M	181
H05792M	220	H08881M	182, 187	H11421RS	210	H13775M	182, 187
H05973M	219	H08882M	182, 187	H11432M	124, 214	H13776M	182, 187
H06026M	182	H08884M	182, 187	H11456M	124	H13931M	84, 94
H06045M	182, 187	H08886M	181, 187	H11499M	182	H13941M	169
H06449RE	213	H08887M	181, 187	H11547DI	219	H13942M	169
H06475RE	213	H08889M	182, 187	H11592AH	185	H13943M	169
H06733M	185	H08890M	182, 187	H11620M	129	H13964M	169
H06742RE	185	H08892M	182, 187	H11671M	88	H13971M	49
H06796B	220	H08989M	105	H11923M	153	H14105M	185, 187, 188
H06797RB	220	H09039M	99,	H11925M	185	H14228M	205
H06798RB	220		103, 104, 107	H11930	117	H14578M	117
H06799	220	H09212	182, 187	H11931M	114, 116	H14460M	130
H06800B	220	H09213	182, 187	H12070M	219	H14461M	130
H07012M	185, 188	H09214	182, 187	H12071R	219, 220	H14462M	129
H07062M	182, 187	H09215	182, 187	H12229M	76, 77	H14463M	129
H07353M	214	H09365M	182, 187		79, 82, 86	H14578M	117
H07355M	214	H09366M	182, 187	H12280M	88	H14580M	169
H07356B	214	H09367M	181, 187	H12319M	182, 187	H14661M	169
H07488A	220	H09417	181, 187	H12320M	182, 187	H14662M	169
H07495A	220	H09420	181, 187	H12617M	207	H14840M	114
H07580M	181, 187	H09600AH	185	H12620	88	H14846M	153
H07593M	182, 187	H09601AH	185	H12705M	182, 187	H14858	130
H07595M	182, 187	H09712RS	181, 187	H12706M	181, 187	H14895M	123
H07610RB	220	H09713RS	181, 187	H12707M	182, 187	H14909M	210
H07613M	182, 187	H10003M	219	H12806M	76,	H15005M	101, 102, 106
H07642ZA	219	H10004A	219		82, 84, 93	H15144M	76,
H07643RB	55	H10096M	214	H12872M	133, 135		82, 84, 93
H07644M	219	H10387	182, 189	H12873M	133, 135	H15187M	94, 96, 252
H07659M	55	H10388	182, 189	H12874M	133, 135	H15188M	95, 96
H07670M	182	H10445M	219	H12927M	84	H15190M	95, 96
H07719	181, 187	H10458M	182	H13213M	25	H15210M	197, 198
H07766M	182	H10731RE	102	H13214M	24, 25, 49	H15210M (P102-02)	196
H08163M	185, 188	H10765M	102	H13215M	25	H15211M	196, 197
H08164RE	185	H10886M	106	H13257M	24, 25, 49	H15212M	196, 197
H08165RE	185, 188	H11199M	107	H13439M	129	H15238M	94
H08380AH	214	H11211M	214	H13441M	129	H15240M	94



## OPW Alphanumeric Product Index

Product Number	Page	Product Number	Page	Product Number	Page	Product Number	Page
H15260.....	198	MFVA .....	170, 237	P110-40L.....	134	P711-EVRPL .....	91, 94
H15261.....	198	MPK-10* .....	42	P110-42G.....	94, 134	P761C-EVRDV .....	91, 94
H15262.....	198	MPWS-33 .....	95, 257	P110-42L.....	134	P761C-EVRPL.....	91, 91
H15263.....	198	MPWS-33BD .....	95	P110-42WLT.....	134	P761C-FLDV .....	90
H15264.....	198	MPWS-33BDD.....	95	P110-4425L.....	130, 136	P761C-FLPL .....	90
H15265M .....	197, 198	MPWS-36 .....	95	P110-48G .....	94, 134	PA15 Offset Adaptor .....	53, 71
H15266.....	198	MPWS-39BD .....	95	P110-48L.....	134	PA15-10 .....	53
H15267M .....	210	Newgard .....	137,	P110-48WTL.....	134	PA15-15 .....	53
H15268M .....	76,	140-143, 146, 150,		P110-8G .....	134	PA15-20 .....	53
	82, 84, 93	152, 153, 168, 169, 178		P110-8L.....	91	PB-1340.....	196
H15271M .....	76,	NGV1 .....	222	P111-WTL.....	94	PB-1344.....	196, 197
	82, 84, 93	NT2AP30 .....	222	P111WTL-S.....	94	PB-1373.....	196, 197
H15294M .....	105	NT2AP36.....	222	P120-37L.....	134	PB-1394.....	196, 197
H15325M .....	210	NTK11-0100.....	148	P120-42L.....	134	PB-1396.....	196, 197
H15411M .....	211	NTK11-0300.....	148	P2105BUCKET.....	94	PB-1398.....	196, 197
H15412M .....	211	NTK11-0400.....	148	P311-14.....	94	PB-1527.....	196
H15857PA.....	205, 257	NTK11-0500.....	148	P311-1R.....	94	PBOOT.....	205
H15888M .....	93	NTK11-0900.....	148	P311-G .....	94	PC04427.....	205
H15937M .....	211	P100-2AST .....	196	P338SPOOL.....	196, 198	PCB-2000 .....	18
H15985M .....	143, 253	P100-4STF .....	196, 198	P33P .....	196	PCT-1000.....	18
HEF-6030.....	44	P102-2.....	197	P40-ROTOLID .....	94	PCT-3000.....	18
HFC-227 .....	43	P110-12G.....	134	P411-EVRPL .....	94	PDT-411 .....	48, 67
H7635RB .....	219	P110-12L.....	134	P511-15-EVRDV .....	91, 94	PEF-3515R.....	42
ID-D .....	91	P110-16G.....	134	P511-DEVRB-14 .....	94	PEF-3515X.....	42
ID-E85.....	91	P110-16L.....	134	P511-DEVRBUCKET .....	94	PEF-3520R.....	42
ID-M .....	91	P110-18G.....	134	P511-G14.....	94	Pistol Grip Series.....	222
ID-MW.....	91	P110-18L.....	134	P511-GKIT .....	94	PJK-4175 .....	48
ID-P.....	91	P110-18WT .....	134	P511-PEVRB-14 .....	94	PK-EZR0100 .....	149
ID-R .....	91	P110-20LID .....	88	P511-PEVRBUCKET.....	94	PK-EZR0100-L1 .....	149
ID-T.....	91	P110-24G.....	134	P511BUCKETBOLT.....	94	PK-EZR0300 .....	149
ID-U .....	91	P110-24L.....	134	P511C-DEVRB-14.....	94	PK-EZR0400 .....	149
IP-2105.....	77	P110-24WLT.....	134	P511C-DEVRBUCKET .....	94	PK-EZR0400-L1 .....	149
ITR-3015.....	42	P110-30G .....	134	P511C-PEVRB-14 .....	94	PK-EZR0900-L1 .....	149
ITR-3020.....	42	P110-37G.....	94, 134	P511C-PEVRBUCKET .....	94	POMECO 100.....	198
KEY-HREP-10-76-90.....	128	P110-37L.....	134	P511YBUCKET .....	94	POMECO 102.....	195, 197
LRK-CLC.....	24	P110-37WLT.....	134	P521-GKIT.....	94	PROTO-LOCK.....	94, 134
MFPD.....	155	P110-3950L.....	130, 136	P571-GK3T.....	94	PSL-2430 .....	68
MFPD-Pak .....	155	P110-40G .....	134	P711-EVRDV .....	91, 94	PSL-3630 .....	68

## OPW Alphanumeric Product Index

Product Number	Page	Product Number	Page	Product Number	Page	Product Number	Page
PSL-3830 .....	68	S48-3100G-OF378S-Y .....	90	SCC-1515 .....	15	Steel (12K Plate) .....	62
PST-4630 .....	48, 49	S8CR-3100G-MP3716S-BU ....	89	SCC-2015 .....	15	STF-1515 .....	15, 228
PST-5030 .....	48, 49	S8CR-3100G-MP3716S-R .....	89	SCC-2020 .....	15	STF-2020 .....	15, 228
PSTF-4630 .....	48, 49	S8CR-3100G-MP3716S-W .....	89	SCC-3030 .....	15	STF-2215 .....	15, 228
PTA-4175 .....	48	S8CR-3100G-OF378S-Y .....	89	SCR Series .....	76	STF-3030 .....	15, 228
PTS-4021 .....	49, 50	S8CRD-3100G-MP3716S-BU ...	89	SEF-1515 .....	15, 228	Strainer .....	
QCJ-2512 .....	47	S8CRD-3100G-MP3716S-R ....	89	SEF-2020 .....	15, 228	155, 180, 182, 183, 185,	
QCT-2512 .....	47	S8CRD-3100G-MP3716S-W ....	89	SEF-3030 .....	15, 228	189, 205, 217	
REF-0075C .....	44	S8CRD-3100G-OF378S-Y ....	89	SFA-1010 .....	15, 228	SVD-1522 .....	34
REF-0100C .....	44	S8SB-3100G-MP3716S-BU ....	89	SFA-7575 .....	15, 228	SVD-1522E85 .....	34
REF-0150 .....	44	S8SB-3100G-MP3716S-R ...	89	SGP-0150 .....	15	SVD-1522N .....	34
REF-0200 .....	44	S8SB-3100G-MP3716S-W .....	89	SGP-0200 .....	15	SVD-1524E85L .....	34
REF-0200F .....	44	S8SB-3100G-OF378S-Y .....	89	SGP-0300 .....	15	SVD-1524E85R .....	34
REF-0200X .....	44	S8SBD-3100G-MP3716S-BU ...	89	SIP-4 .....	26	SVD-1524L .....	34
REF-0300F .....	44	S8SBD-3100G-MP3716S-R ....	89	SIP-6 .....	95, 96	SVD-1524NL .....	34
REF-4015DC .....	44	S8SBD-3100G-MP3716S-W ....	89	SL-1100 .....	18, 37, 38,	SVD-1524NR .....	34
REF-4020 .....	44	S8SBD-3100G-OF378S-Y ....	89	82, 231		SVD-1524R .....	34
REF-4020DC .....	44	SAB-7400 .....	46	SLPK .....	95, 96	SVD-2022 .....	34
RF400 .....	190	SBA2-0150 .....	17	SMA-1010 .....	15, 228	SVD-2022E85 .....	34
RF400-10 .....	190	SBA2-0200 .....	17	SMA-1515 .....	15, 228	SVD-2022N .....	34
RF400-10P .....	190	SBC-2075 .....	16, 48	SMA-1520 .....	15, 228	SVD-2024E85L .....	34
RF400-75 .....	190	SBC-2100 .....	16, 48	SMA-2020 .....	15, 228	SVD-2024E85R .....	34
RF400-75P .....	190	SBC-2150 .....	16	SMA-3030 .....	15, 228	SVD-2024L .....	34
RK-5000 .....	23, 90	SBC-2200 .....	16	SMA-7575 .....	15, 228	SVD-2024NL .....	34
RPHK .....	129, 134	SBK-1000J .....	35, 42	SMF-4E .....	26	SVD-2024NR .....	34
RPKLK .....	129	SBK-1100J .....	35, 36, 42	SMF-4EFT .....	26	SVD-2024R .....	34
S-CR-FGK .....	23, 90	SBK-1200J .....	35, 36, 42	SMF-6 .....	26	SVD-2522 .....	34
S-TH-FGK .....	90	SBK-1500 .....	35, 36, 42	SPC-0075 .....	17	Swing Check Valve ...	203, 220
S20-250 .....	9	SBK-1500V .....	42	SPC-0100 .....	17	TBA-0075 .....	47
S20-750 .....	9	SBK-1600 .....	35, 36, 42	SPC-0150A .....	17	TBA-0100 .....	47
S42-3100G-MP3716S-BU ...	90	SBK-1700 .....	36, 42	SPC-0200A .....	17	TBA-0150 .....	47
S42-3100G-MP3716S-R .....	90	SBK-1800 .....	35, 42	SPC-0300 .....	17	TBA-0200 .....	47
S42-3100G-MP3716S-W ...	90	SBK-1900 .....	35	SPC-400 .....	18	TBA-0300 .....	47
S42-3100G-OF378S-Y .....	90	SBO-0250 .....	36, 42	SRE-2015 .....	15, 228	TBA-3015 .....	47
S45-1180BL .....	135	SBO-0300 .....	42	SRT-2151 .....	15	TBA-3020 .....	47
S45-1180G .....	135	SBO-0700 .....	42	Stainless Steel Link .....	62	TBA-4015 .....	47
S48-3100G-MP3716S-BU ...	90	SC-PLAIN .....	84, 96	STC-0150 .....	15	TBA-4020 .....	47
S48-3100G-MP3716S-R .....	90	SC-VAC-TEST .....	75	STC-0200 .....	15	TBA-4030 .....	47
S48-3100G-MP3716S-W ....	90	SC-xxxx .....	76, 77	STC-0300 .....	15	TBA-4175 .....	48

## OPW Alphanumeric Product Index

TBA-4175A.....	48	WT-33SL.....	22, 23
TC-400.....	76, 82, 93,	WT-37.....	22, 24
	100, 104	WT-37SL.....	22, 23
TCT-2509.....	47	WTS-CAP-14.....	24, 91
TFA-4090.....	26	WTS-THANDLE.....	24
TGA-15.....	47	WTS37-16.....	91
TGTA-0400.....	203, 211	WTS37-8.....	91
TJ-200A.....	47		
TLT-36A.....	47		
TMA-2224.....	26		
TMA-2424.....	26		
TSD-4536.....	25		
TSD-4842.....	25		
TSM-4536.....	25		
TSM-4842.....	25		
TSS-4536.....	25		
TTE-5.....	47		
TTT-2536.....	47		
VA-EZR0100.....	149		
VA-EZR0300.....	149		
VA-EZR0400.....	149		
VA-EZR0400-LP.....	149		
VAR75.....	149, 174		
VPN4X7.....	76, 82, 84,		
	93		
WS-RING-31.....	24		
WS-RING-33.....	24		
WS-RING-37.....	24, 90		
WSP-WTS-OPC.....	24, 91		
WSP33-16.....	91		
WSP33-8.....	91		
WSP37-16.....	91		
WSP37-16S.....	89, 90		
WSP37-275.....	91		
WSP37-550.....	91		
WSP37-8.....	91		
WSP37-8S.....	89, 90		
WT-31.....	24		
WT-33.....	24		

## OPW Product Instruction Sheet Index

Description	Part Number	Description	Part Number
Access Pipe Installation Instructions .....	API-0001	1-3100 Series Double Wall Spill Container .....	202181
California Compliant Boot Info Flyer .....	CAB-0001	1-3100-TOOL .....	202395
California Compliant Pipe Info Flyer .....	CPF-0001	10 Plus Emergency Valve .....	201614
Coax Fitting Flyer .....	CFF-0001	10 Series .....	H11374PA
Cold Weather Flyer .....	CWF-0001	10 Series 2" .....	H11442M
Coupling Machine Operating Instructions .....	CMI-0001	100 Series Counterweight Hose Retractors .....	H15852PA
Dispenser Containment Flyer .....	DCF-0001	101BG Slip On .....	H12579M
Dispenser Containment Manual .....	DCM-0001	101BG-2100 .....	H12260M
Dispenser Pans and Entry Fitting Install .....	DPI-0001	101BG-21AR Spacer Ring .....	H12713PA
Dispenser Sumps & Stabilizer Bars .....	DSI-0001	101BG-LATCH .....	H13533M
Double Entry Boot Flyer .....	DBF-0001	104AOW Observation Well .....	H12892M
Entry Boot Flyer .....	EBF-0001	104AOW-12KIT .....	H14490M
E-Vac Installation Instructions .....	EII-0001	10R Replacement Top .....	H09683PA
Flexible Entry Boot Manual .....	EBM-0001	144TA and 444TA-0100 .....	200655
Flexible Entry Boots .....	FBI-0001	18KR RACK KIT .....	H10150PA
Flexible Isolation Tubes .....	P-ITI-5080	18KVA Rack Kit .....	H13156M
Flexible Piping Manual .....	UPM-0001	199ASV Series .....	H13422PA
Float Vent Valve Install .....	FVV-0001	1DK-2100 Drain Valve Kit .....	H11471M
Install Tips .....	FIT-0001	1DP Drain Plug Kit .....	H15199M
PetroTrip Flyer .....	PTF-0001	200TG Tank Gauges .....	H14912PA
Petro-Trip Installation .....	PTI-0001	201 Series .....	H14271PA
Pipe Cutaway Flyer .....	FPC-0001	202 Series .....	H11792M
Piping Flyer .....	FPF-0001	233's and 53VML's .....	H14111M
Piping Installation Instructions .....	PII-0001	295SRK .....	H9775PA
SB-989 Testing Procedures .....	P-SB-989	30MV-KIT .....	200172
Swivel Fitting Flyer .....	SFF-0001	505 Multi-port .....	H15225PA
Tank Fitting Adaptor .....	FAI-0001	523V .....	H11972M
Tank Sump Flyer .....	TSF-0001	523V 3" Water Column .....	H12988M
Tank Sump Manual .....	TSM-0001	53VML/30MV .....	H14111PA
Transition Sump Flyer .....	SFT-0001	60V .....	H12133M
1 Spill Container Slip-on Models .....	H12262M	60VS .....	H12291M
1-2100 Series Spill Container .....	H12295M	61FSTOP-1000, 100M, 200M .....	H12676M
1 TAG .....	H13773M	61FSTOP-2000 .....	H13337M
1-2100-DSH Shell/Fibrelite Spill Container .....	H15324PA	61FSTOP-3000, 3050, 305A .....	H13315M

## OPW Product Instruction Sheet Index

Description	Part Number	Description	Part Number
61FT-0312, 0206.....	H14428PA	71SO .....	H15524PA
61JSK .....	H15289M	700 Series Remote Replaceable .....	200242
61JSK-4410 AND 61JSK-44CB.....	H15289M	700 Series Replaceable Spill.....	200219
61JSK-4RMT .....	H14741PA	82RV-2505 Series Pressure Relief Valve	
61SOM EVR .....	H15057PA	Instruction Sheet.....	200517
61SA-TOOL .....	H14991PA	CPN PIPE - POLYWRAP REMOVAL .....	200453
61SALP.....	H12712M	Extractor Fittling 233E Style, 233VP, 233 VMP	
61SO Methanol Lower Tube Instructions .....	C04098M	Test Caps .....	H11223PA
61SO-4000 Series.....	H11764M	MPWS .....	H15226PA
61SO-4BYT.....	H12027M	MPWS-33TS .....	H15912PA
61SOC Coaxial Fill Tube.....	C03634PA	MPWS .....	H15861PA
61SOK Float Kit.....	H11403PA	MSDS Sheet For Loctite "Weld" .....	H12854M
61SOM EVR.....	H14790M	POMECO 211-RMOT Remote Fill Aboveground Storage	
61SOR Remote Fill Tube.....	H11964M	Tank Spill Container.....	H15857PA
61T Drop Tube .....	200652	POMECO 211, 221-AST Direct Fill Aboveground Storage	
61T-2" Drop Tube .....	H15392PA	Tank Spill Containers .....	
61TCP-3800 .....	H12064M	.....	H15854PA
61TNG.....	H12697M	POMECO 6111-KP Slip On Series Spill Container	
61TP-2398 .....	H09787PA	with Hand Pump Instruction Sheet.....	H15850PA
61VSA .....	H14656M	POMECO 7111SS-CSDW Double Wall Slip On Series	
1611 - 3" Vapor Adaptor .....	H08843PA	Spill Container Instruction Sheet.....	200639
6111-1400 .....	H14977M	POMECO Island Form Instruction Sheet.....	H15851PA
6111-1400 Tank Bottom Protector.....	H14977PA	Pump Kit 1P-2105 .....	H12302M
6211-AST and 6221-AST Spill Containers .....	202207	Registration Card .....	H15003PA
623V .....	H15208M	Threaded Carb Approved (61SOP) .....	H13792M
623V .....	H14898M	Threaded/Carb Approved (61SO) .....	H13791M
62M Series .....	H14491PA	100 Series Counterweight Hose Retractors .....	H15852PA
633TC & 633TCP .....	H10013PA	102 Spring Balance Hose Retractors .....	H15853PA
634TTM-7087 .....	H10772PA	11A Spout Replacement Kit Inst. Sheet, Canada ....	H15177PA
6521-XAR Adaptor Ring.....	201526	11A, 11B, 7H Nozzles Canada.....	H15987M
6591B Contained .....	H16047PA	11A, 11B, 7H Nozzles USA .....	H15985M
6591B Series .....	H16043PA	11B Spout Replacement Kit Inst. Sheet, Canada ..	H15178PA
68EZR Reconnectable Breakaway .....	208080	11VA & 11VAI Series Instruction Sheet.....	H13664M
70 and 70S Verticle Check Valve.....	H11055PA	11VA Hand Insulator Kit Instruction Sheet.....	H11935PA



## OPW Product Instruction Sheet Index

Description	Part Number	Description	Part Number
11VA Spout Replacement Kit Instruction Sheet ...	H13938M	66ISU Breakaway.....	F-71
11VAA Series Instruction Sheet.....	H13234M	66SB/RB .....	F-69
11VAI Spout Repl. Kit w/ Adap. Inst. Sheet.....	H12686M	66SRK-1000 O-ring kit (66CAS) .....	H14485PA
11VAI Spout Repl. Kit w/o Adap. Inst. Sheet.....	H12881M	OPW Hand Insulators.....	H11337PA
11VAI Vapor Path Rep. Kit Instruction Sheet .....	H13142M	Renewable Hand Insulators .....	H10652PA
11VAI, 12VW Vapor Recovery Nozzles.....	H15986M	RTC – RTR Covers and Rings	
11VF Balance Nozzle.....	H10655PA	and replacement gasket for the RTC.....	H15187M
11VF Balance Nozzle.....	H14380M		
11VF Bellows & Face Seal Rep. Kit Inst. Sheet....	H11011PA		
11VF Bellows Replacement Kit Instruction Sheet..	H11010PA		
11VF Face Seal Replacement Kit Inst. Sheet .....	H11009PA		
11VF Hand Insulator Instruction Sheet.....	H10791PA		
11VF Spout Replacement Kit Instruction Sheet...	H11007PA		
11VF Spout, Bellows, & Face Seal Repl. Kit Inst.	H11008PA		
1290 Automatic Bulk Nozzle.....	H09238PA		
12VW Hand Insulator Repl. Kit Instruction Sheet..	H14604PA		
12VW Series Instruction Sheet .....	H14072M		
12VW Spout Replacement Kit Instruction Sheet .	H14603PA		
190 Upper Poppet Replacement Inst. Sheet.....	H10969PA		
295 Guard Replacement Kit Instruction Sheet .....	H14519M		
295 Series Instruction Sheet.....	H09237PA		
295 Swivel Repair Kit Instruction Sheet .....	H15904PA		
3VW VEG Kit (Wayne Models) Instruction Sheet..	H12172M		
44 Series Instruction Sheet.....	H12918PA		
44N Series Instruction Sheet .....	H13168PA		
5B Leaded Spout Kit Instruction Sheet .....	H10426PA		
5B Series 11A, 11B Spout Kit Instruction Sheet....	H04872M		
5BH Series 7H, 7HB Spout Kit Instruction Sheet..	H08336PA		
5D Series 1290 Spout Kit Instruction Sheet.....	H09656PA		
66CAS, 66TEC, 66FLB Series Instruction Sheet.....	H13008M		
66CL Series Instruction Sheet.....	H11487PA		
66CLP Breakaway .....	F-70		
66CSU Breakaway.....	F-72		
66ISB Swivel Break .....	F-68		





## OPW STANDARD PRODUCT WARRANTY

NOTICE: FlexWorks by OPW, Inc., VAPORSAVER™ and all other OPW products must be used in compliance with all applicable federal, state, provincial and local laws, rules and regulations. Product selection is the sole responsibility of the customer and/or its agents and must be based on physical specifications and limitations, compatibility with the environment and material to be handled. All illustrations and specifications in this literature are based on the latest production information available at the time of publication. Prices, materials and specifications are subject to change at any time, and models may be discontinued at any time, in either case, without notice or obligation.

OPW warrants solely to its customer (the initial purchaser and any subsequent purchasers within the warranty period) that the following products sold by OPW will be free from defects in materials and workmanship under normal use and conditions for the periods indicated:

PRODUCT	WARRANTY PERIOD
FlexWorks Primary Pipe	10 years from date of manufacture
All Products and replacement parts installed in the State of California Certified to California CP-201 and/or CP-206 Standards*	1 year from date of installation (proof of purchase from certified contractors/technicians required) OPW warrants ongoing compliance with the standards and specifications for the duration of the warranty period required by the State of California; this limited warranty is under the condition the equipment was installed and maintained by trained and certified contractors/technicians unless noted in Installation Manual
All Other Products	1 year from date of manufacture
*Products certified to California CP-201 and/or CP-206 Standards have been factory tested and met all applicable performance standards and specifications and will have an OPW registration card enclosed/attached to the product	

OPW's exclusive obligation under this limited warranty is, at its option, to repair, replace or issue credit (in an amount not to exceed the list price for the product) for future orders for any product that may prove defective within the applicable warranty period (repairs or replacements are subject to prorated warranty coverage for remainder of the original warranty period). Complete and proper warranty claim documentation and proof of purchase required. All warranty claims must be made in writing and delivered during the applicable warranty period to OPW at OPW 9393 Princeton-Glendale Road Hamilton, Ohio, USA 45011, Attention: Customer Service Manager. No products may be returned to OPW without its prior written authority.

This limited warranty shall not apply to any FlexWorks or VAPORSAVER™ product unless it is installed by an OPW attested installer. This limited warranty also shall not apply to any FlexWorks, VAPORSAVER™ or other OPW product: unless all required site and warranty registration forms are completed and received by OPW within 60 days of installation; unless all piping connections are installed with a nationally-recognized or state-approved leak detection device in each tank and dispenser sump (which are not for storage and from which all discharge hydrocarbons must be removed, and the systems completely cleaned, within 24 hours); unless testable sumps utilize FlexWorks pipe and access fittings; unless a sump inspection log or an EPA recommended/required checklist is maintained and the results are furnished to OPW upon request; and unless OPW is notified within 24 hours of any known or suspected product failure and is provided with unrestricted access to the product and the site. This limited warranty also shall not apply to any product which has been altered in any way, which has been repaired by anyone other than a service representative authorized by OPW, or when failure or defect is due to: improper installation or maintenance (including, without limitation, failure to follow FlexWorks Quick Reference Manual Installation Guide and all product warning labels); abuse or misuse; violation of health or safety requirements; use of another manufacturer's, or otherwise unauthorized, substances or components; soil or other surface or subsurface conditions; or fire, flood, storm, lightning, earthquake, accident or any other conditions, events or circumstances beyond OPW's control.

THIS LIMITED WARRANTY IS IN LIEU OF ALL OTHER WARRANTIES, EXPRESS OR IMPLIED, AND ALL OTHER WARRANTIES INCLUDING, WITHOUT LIMITATION, THE WARRANTIES OF MERCHANTABILITY AND FITNESS FOR A PARTICULAR PURPOSE, ARE HEREBY EXCLUDED.

OPW shall have no other liability whatsoever, whether based on breach of contract, negligence, gross negligence, strict liability or any other claim, including, without limitation, for special, incidental, consequential or exemplary damages or for the cost of labor, freight, excavation, clean-up, downtime, removal, re-installation, loss of profit, or any other cost or charges. No person or entity is authorized to assume on behalf of OPW any liability beyond this limited warranty. This limited warranty is not assignable.



## Global Operations

### 1 OPW Corporate Headquarters

9393 Princeton-Glendale Road,  
Hamilton, OH 45011, USA  
Tel: (800) 422-2525  
Fax: (800) 421-3297  
domesticsales@opw-fc.com  
www.opwglobal.com

### 2 OPW Fuel Management Systems

6900 Santa Fe Drive,  
Hodgkins, IL 60525, USA  
Tel: +1 (708) 485-4200  
Fax: +1 (708) 485-7137  
info@opwfms.com  
www.opwglobal.com

### 3 OPW Retail Fueling

3250 US Highway  
70 Business West,  
Smithfield, NC 27577, USA  
Tel: (919) 934-2786  
Fax: +1 (919) 359-3687  
Customer Service:  
1(800) 422-2525  
Customer Service Fax:  
1(800) 421-3297  
www.opwglobal.com

### 4 OPW Engineered Systems

2726 Henkle Drive,  
Lebanon, OH 45036, USA  
Tel: +1 (513) 932-9114  
(800) 547-9393  
Fax: +1 (513) 932-9845  
(800) 245-8536  
www.opw-es.com

### 5 Midland Manufacturing

7733 Gross Point Road,  
Skokie, IL 60077, USA  
Tel: +1 (847) 677-0333  
Fax: +1 (847) 677-0138  
www.midlandmfg.com

### 6 Civacon

4304 Mattox Road,  
Kansas City, MO 64150, USA  
Tel: +1 (816) 741-6600  
Fax: +1 (816) 741-1061  
www.civacon.com

### 7 PDQ Manufacturing Inc.

1698 Scheuring Road,  
P.O. Box 5190,  
De Pere, WI 54115, USA  
Tel: +1 (920) 983-8333  
Fax: +1 (920) 983-8330  
www.pdqinc.com

### 8 OPW Mexico

Homero 136 Int. 403  
Col. Chapultepec Morales  
México DF CP 11570  
Delegación Miguel Hidalgo  
Tel: 52 55 5254-5672  
aanguiano@opw-fc.com

### 9 OPW FMS Poland

Petro Vend of Poland sp. z o.o.  
ul. Warszawska 184  
32-086 Węgrzce, Poland  
Tel: + 48 12 4106600  
Fax: + 48 12 4106690

### 10 OPW EMEA Headquarters

OPW Sweden AB  
Fabriksgatan 3  
Box 70  
S-736 22  
Kungsör, Sweden  
Tel: +46 227 422 00  
Fax: +46 227 422 01  
www.opwglobal.com/emea

### 11 OPW FTG Europe

Roggestraat 38  
2153 GC Nieuw-Vennep  
P.O. Box 32  
2150 AA Nieuw-Vennep  
The Netherlands  
Tel: +31 252 660 300  
Fax: +31 252 687 258  
www.opw-ftg.nl

### 12 OPW India

Dover India Pvt Ltd.  
OPW Fueling Components Div.  
A-93 , Wagle Industrial Estate  
Thane 400 604  
Maharashtra, India  
Tel: 91 22 6710 0812,13,14  
Fax: 91 22 6710 0815  
info@opwfc-in.com

### 13 OPW Asia Pacific

No.11 Weiwen Road  
Suzhou Industrial Park  
Suzhou, P.R.C. 215122  
Tel: 86-(0)512-6274-5328  
Fax: 86-(0)512-6274-5338  
info@opw-fc.com.cn  
www.opw-fc.com.cn

### 14 OPW Russia

Chistoprudniy blvd. 17,  
building 1, floor 8  
Moscow 101000, Russia  
www.opwglobal.ru

### 15 JUMP

Pearl River Road no. 2 Sinqo  
Development Zone  
Lianyungang Jiangsu, China,  
222000  
Tel: (86)0-013805122552

### 16 Liquip

13 Hume Road, Smithfield  
Sydney NSW Australia 2164  
PO Box 7049  
Wetherill Park BC 2164

### 17 OPW France

73 avenue Carnot  
FR-94230 Cachan  
France  
Tel: +33 1 4663 0400  
www.opwglobal.com/emea

### 18 Fibrelite Composites Ltd.

Snaygill Industrial Estate  
Keighley Road, Skipton  
North Yorkshire  
BD23 2QR  
UK  
Tel: + 44 (0) 1756 799 773  
Fax: + 44 (0)1756 799 539  
covers@fibrelite.com

### 19 OPW Brazil

Wayne Industria E Comercio  
Estrada Do Timbo 126  
Bonsucesso  
Rio De Janeiro, RJ 21061280  
Tel: +55 21 3725 8604  
www.opwbrasil.com.br

#### RETAIL FUELING

Components and products to protect the environment and the consumer at retail fueling sites for conventional and alternative fuels.

#### ELECTRONIC SYSTEMS

Innovative electronic tank gauges to ensure customers know how much fuel they have. Also, Automated Vehicle Wash Systems.

#### CHEMICAL & INDUSTRIAL

Safe and efficient loading and unloading of critical hazardous chemicals: loading arms, swivel joints, sight flow indicators, quick and dry disconnect couplers, and safety breakaways.

#### TRANSPORTATION

Components and systems for use on Tank Trucks and Rail Tank Cars to ensure the safe handling, loading, transport and unloading of hazardous bulk products, including: petroleum, chemical and dry bulk cargo.