



SUPREME

ECM Motor

The Supreme electric furnace with variable speed ECM motor.

The only furnace offering both 2 wires 208/240V models and 3 wires 120 – 240/208V models for a direct installation of accessories.

- Multi-position installation
- Sequential operation of electrical elements
- Approved for line voltage wiring in copper or aluminum
- Approved for zero clearance and mobile-home installations
- Separately framed elements allowing quick and easy replacement
- 20'' x 20'' supply air outlet
- Baked painted cabinet
- Breakers in front panel



ADVANTAGE SERIES

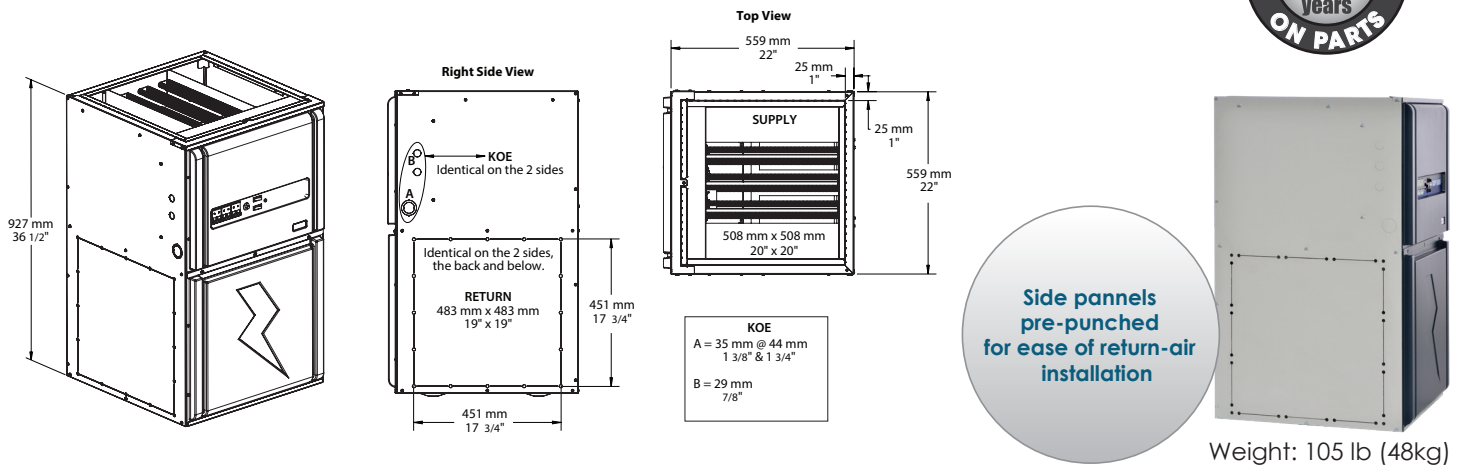
- Continuous ventilation selector switch in front panel
- Low/High power selector switch in front panel
- LED indicator for heating demand

MODULATING SERIES

- Semi-conductor modulation on the entire range (0-100%) for increased comfort and quiet operation
- Control board enabling total command of the unit and easy configuration
- Compatible with the Smart Duct System®
- Allows for our Right-Sized System®, in combination with our *Alizé* heat pump



SUPREME ECM Motor



ADVANTAGE SERIES

Model #	Volts (1 ph*) 2 wires ¹	Input kW (BTU/hr)	Motor HP	Air flow ² Max cfm ³	Max cooling (tons)
SUP10-A240V12	240/208	10 (34 100)	1/2	1200	3
SUP15-A240V12		15 (51 200)	1/2	1200	3
SUP18-A240V12		18 (61 400)	1/2	1200	3
SUP20-A240V12		20 (68 200)	1/2	1200	3
SUP23-A240V12		23 (78 500)	1/2	1200	3
SUP20-A240V20		20 (68 200)	1	2000	5
SUP23-A240V20		23 (78 500)	1	2000	5
SUP25-A240V20		25 (85 400)	1	2000	5
SUP27-A240V20		27 (92 100)	1	2000	5
SUP30-A240V20		30 (102 400)	1	2000	5

¹ Can be wired with 3 conductors for 120 – 208/240V supply, to allow direct installation of accessories such as humidifiers.

² Static Pressure at 0.5" W.C.

³ CFM adjustable in heating and cooling

* 3 phases model available, see with your distributor for more information.

MODULATING SERIES

Model #	Volts (1 ph) 2 wires ¹	Input kW (BTU/hr)	Motor HP	Traditionnal Ducts ²		Smart Ducts [®]	
				Airflow Max (cfm)	Max cooling (tons)	Airflow Max (cfm)	Max cooling (tons)
SUP10-M240V12	240/208	10 (34 100)	1/2	1400	3.5	1000	2.5
SUP15-M240V12		15 (51 200)	1/2	1400	3.5	1000	2.5
SUP18-M240V12		18 (61 400)	1/2	1400	3.5	1000	2.5
SUP20-M240V12		20 (68 200)	1/2	1400	3.5	1000	2.5
SUP23-M240V12		23 (78 500)	1/2	1400	3.5	1000	2.5
SUP20-M240V20		20 (68 200)	1	2200	5.5	1600	4
SUP23-M240V20		23 (78 500)	1	2200	5.5	1600	4
SUP25-M240V20		25 (85 400)	1	2200	5.5	1600	4
SUP27-M240V20		27 (92 100)	1	2200	5.5	1600	4
SUP30-M240V20		30 (102 400)	1	2200	5.5	1600	4

¹ Can be wired with 3 conductors for 120 – 208/240V supply, to allow direct installation of accessories such as humidifiers.

² Static Pressure at 0.5" W.C.



3400, boulevard Industriel
Sherbrooke, Québec
J1L 1V8 Canada

T 1.819.346.8493
TF 1.800.567.2733
F 1.819.822.4227
info@dettson.ca
www.dettson.com

Specifications subject to change without notice.