

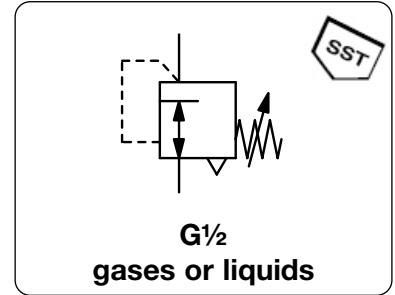
STAINLESS STEEL DEVICES

	DESCRIPTION	PRESSURE RANGE bar	CONNECTION thread	DEVICE	PAGE
PRESSURE REGULATOR	Midi-Series	0.2 ... 4.0 / 17	G½	R10-S	15.02
	Mini-Series	0.2 ... 1.8 / 9	G¼	R364-S	15.03
	for clean room enviroment, precise	0.05 ... 2 / 4	M5 and G½	RE1	15.04
	precise, also FDA	0.02 ... 1.5 / 10	G¼ and G½	R3150	15.05
	many variations, also FDA	0.1 ... 1.5 / 50	G½ - DN100	R3000	15.06
	with flange	0.2 ... 3 / 16	DN15 - DN50	REF	15.10
	also FDA	0.2 ... 3 / 16	G¼ - G2	REA	15.11
	Tri-Clamp	0.2 ... 1,5 / 8	ASME-BPE ½" - 1½"	RTC	15.12
	Tri-Clamp, low pressure	0.2 ... 1,5 / 8	ASME-BPE ½" - 1½"	RTCN	15.13
low pressure	0.005 ... 0.045 / 1.5	G¼ - G2	R3100	15.14	
VOLUME BOOSTER	for many gases	1 ... 15 / 60	G¼ - G2	R3000-J	15.19
	precise	0 ... 10	¾"NPT u. 1"NPT	R601	15.21
	with ratio	3 ... 42 / 104	½"NPT and ¾"NPT	RH3-JS1	6.14
	pressure reducer	0.1 ... 24 / 99	G1	RLE	6.16
BACK PRESSURE REG.	for many gases	0.1 ... 1.5 / 50	G½ - G2	D3000	15.23
	low pressure	0.005 ... 0.045 / 1.5	G¼ - G2	D3100	15.26
HIGH PRESSURE REG.	for many gases	1 ... 8 / 200	G¼ - G1¼	RH3000	15.17
	regulator P1: 241 bar	0 ... 2 / 7	⅛"NPT and ¼"NPT	RHO-S	4.15
	regulator P1: 690 bar	0.3 ... 35 / 414	¼"NPT	HP300-S	4.17
	regulator P1: 414 bar	0.7 ... 104 / 172	¼"NPT	HP400-S	4.17
	regulator P1: 300 bar	0.1 ... 1.7 / 35	¼"NPT	HP500-S	4.18
	regulator P1: 260 bar	0.7 ... 21 / 104	½"NPT and ¾"NPT	RH3-S	4.19
differential pressure regulator	0 ... 1 / 24	½"NPT and ¾"NPT	RH44-S	15.22	
FOR PHARMACY	and food	0.25 ... 0.46 / 53	G¼ - G2½	R70	www
	low pressure	0.005 ... 0.007 / 0.45	G¼ - G2½	R74	www
FRL SERVICE UNITS	FR, for many gases, also FDA	0.8 ... 1.5 / 50	G½ - G2	B3000	15.30
	filter, also FDA	max. 50	G½ - G2	F3000	15.34
	filter	max. 220	G¼ - G1	FH3	15.36
	lubricator	max. 50	G½ - G2	L3000	15.37
	FRL	0.5 ... 8 / 15	G½ - G2	C3002, C3003	15.38
	FR, Mini- and Midi-Series	0.2 ... 1.8 / 17	G¼ and G½	B548-S, B11-S	www
FRL, Mini- and Midi-Series	max. 21	G¼ and G½	C/F/L10-S	www	
PINCH VALVES	2/2-solenoid valve	max. 4	G¼ - G2	QE	15.40
MOUNTING FLANGES	single or mounted	up to PN100 / ANSI	G½ - G3	F / VS	15.41



15

Description	diaphragm-operated pressure regulator in small design
Media	compressed air, gases or liquids
Supply pressure	max. 21 bar
Adjustment	by plastic knob with snap-lock
Relieving function	relieving, optionally non-relieving
Gauge port	G $\frac{1}{4}$ on both sides of the body, screw plugs supplied
Mounting position	any
Temperature range	0 °C to 65 °C / 32 °F to 149 °F, for appropriately conditioned compressed air down to -30 °C / -22 °F 0 °C to 80 °C / 32 °F to 176 °F for spring cage made of fiberglass or stainless steel
Material	Body: stainless steel 316 Spring cage: glass fibre-reinforced plastic Elastomer: FKM Inner valve: stainless steel 316



Dimensions			Description	K _v -rate	Flow thread	Connection range	Pressure number	Order
A	B	C	value	rate	thread	range	bar	
mm	mm	mm		(m ³ /h)	m ³ /h*1	G		

Stainless steel pressure regulator								supply pressure max. 21 bar	R10-S
60	124	35	relieving for compressed air	2.6	144	2400	G $\frac{1}{2}$	0.2 ... 4.0	R10-04BS
								0.3 ... 9.0	R10-04CS
								0.5 ... 17	R10-04DS
60	124	35	non-relieving for liquids	2.6	2.6	43	G $\frac{1}{2}$	0.2 ... 4.0	R10-04BSK
								0.3 ... 9.0	R10-04CSK
								0.5 ... 17	R10-04DSK



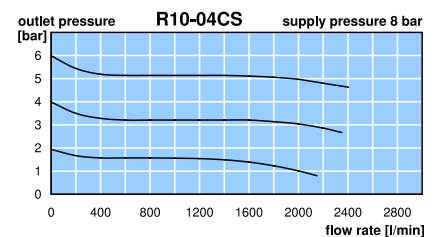
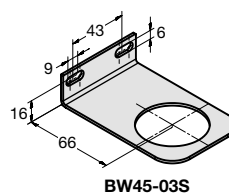
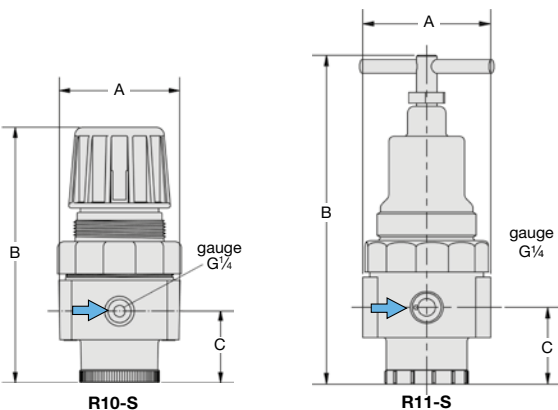
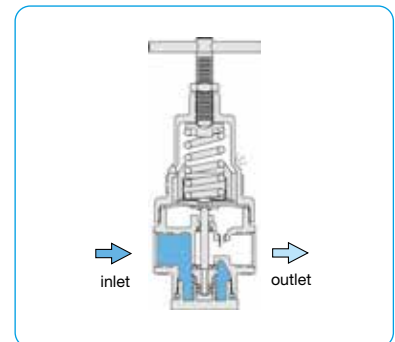
R10-S

Special options, add the appropriate letter

NPT	connection thread	R1. -0. . . N
spring cage made of SST	incl. SST-adjusting screw, total height= 154 mm	R11-04 . .

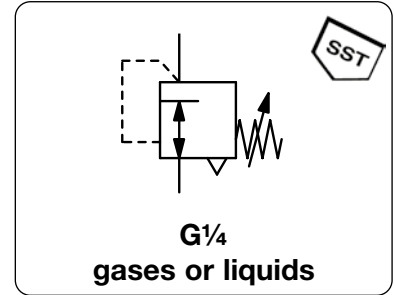
Accessories, enclosed

pressure gauge	Ø 50 mm, 0 ... *2 bar, G $\frac{1}{4}$	MS5002-..*2
mounting bracket		BW45-03S
mounting nut		M45X1,5S



*1 at 8 bar supply pressure, 6 bar outlet pressure and 1 bar pressure drop
*2 02 = 0...2.5 bar, 04 = 0...4 bar, 10 = 0...10 bar, 16 = 0...16 bar, 25 = 0...25 bar

Description	diaphragm-operated pressure regulator in small design
Media	compressed air, gases or liquids
Supply pressure	max. 21 bar
Adjustment	by plastic knob with snap-lock, by hexagonal spindle at R354
Relieving function	relieving, optionally non-relieving
Gauge port	G $\frac{1}{4}$ on both sides of the body, screw plugs supplied
Mounting position	any
Temperature range	0 °C to 65 °C / 32 °F to 149 °F, for appropriately conditioned compressed air down to -30 °C / -22 °F
Material	Body: stainless steel 316 Spring cage: glass fibre-reinforced plastic at R364, stainless steel 316 at R354, optionally fibreglass at R364 Elastomer: FKM Inner valve: stainless steel 316



Dimensions			Description	K _v -value	Flow rate		Connection thread	Pressure range	Order number
A	B	C			m ³ /h	l/min*1			
mm	mm	mm					G	bar	

Stainless steel pressure regulator									supply pressure max. 21 bar	R364-S
35	75	13	relieving for compressed air	0.4	27	450	G $\frac{1}{4}$	0.2 ... 1.8	R364-02AS	
								0.2 ... 4.0	R364-02BS	
								0.3 ... 9.0	R364-02CS	
35	75	13	non-relieving for liquids	0.4	0.4	6	G $\frac{1}{4}$	0.2 ... 1.8	R364-02ASK	
								0.2 ... 4.0	R364-02BSK	
								0.3 ... 9.0	R364-02CSK	

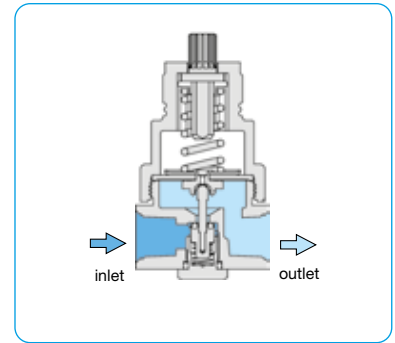


R364-S

Special options, add the appropriate letter
free of oil and grease specially cleaned R3.4-0...L

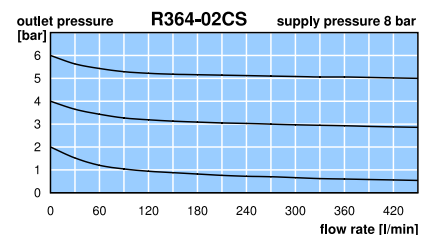
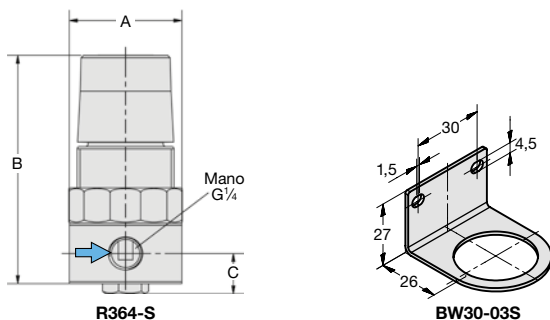
Accessories, enclosed

pressure gauge	Ø 40 mm, 0... ^{*2} bar, G $\frac{1}{4}$	MS4002-.. ^{*2}
mounting bracket		BW30-03S
mounting nut	made of stainless steel	M30x1,5S
	made of plastic	M30x1,5K



cross-section

SST
15



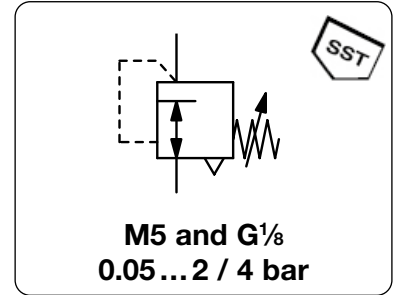
*1 at 8 bar supply pressure, 6 bar outlet pressure and 1 bar pressure drop
 *2 02 = 0...2.5 bar, 04 = 0...4 bar, 10 = 0...10 bar, 16 = 0...16 bar, 25 = 0...25 bar

Gauges: see chapter for measuring devices

PDF CAD
www.aircom.net

Order example:
R364-02AS

Description	Diaphragm pressure regulator made of stainless steel suitable for cleanroom environment and panel mounting.	
Media	compressed air or gases	Supply pressure max. 10 bar
Accuracy	setting accuracy: < 0.3% FS	Repeatability: < 1% FS
Air consumption	max. 0.5 l/min, subject to outlet pressure The compressed air can be directly transmitted into the cleanroom without any piping.	
Adjustment	by plastic knob with snap-lock	
Relieving function	relieving	Mounting position any
Gauge port	M5 or G½ on both sides of the body, depending on connection thread, screw plugs supplied	
Clean room condition	Cleaned, assembled, inspected and sealed in a class 10,000 environment. All parts without oil use. HFC1416 ultrasonic cleaning of all fluid-contact parts.	
Temperature range	0 °C to 60 °C / 32 °F to 140 °F	
Material	Body: stainless steel 316, material no. 1.4436 Spring cage: PPS plastic	Elastomer: FKM Valve seat: PTFE



Dimensions			K _v -value (m³/h)	Flow rate		Connection thread M5/G	Pressure range bar	Order number
A	B	C		m³/h*1	l/min*1			

Precision pressure regulator							supply max. 10 bar, relieving, with internal air consumption	RE1
30	75	14	0,20	3.6	60	M5	0.05 ... 2	RE1-M5B
							0.10 ... 4	RE1-M5C
40	75	15	0,25	6	100	G½	0.05 ... 2	RE1-01B
							0.10 ... 4	RE1-01C



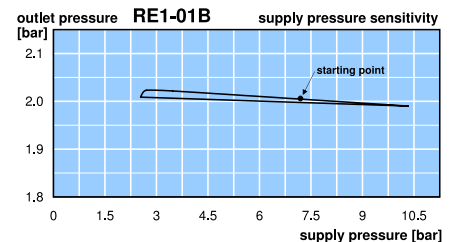
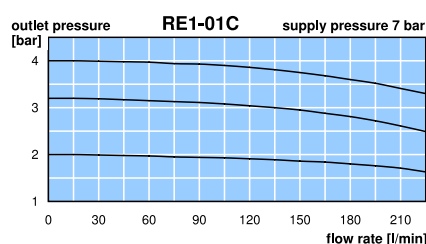
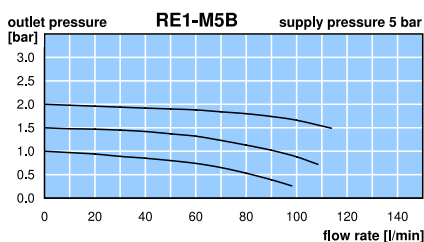
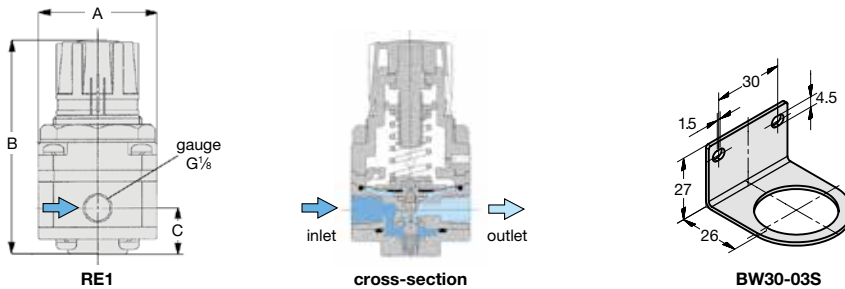
RE1-M5,
incl. mounting nut

Accessories, enclosed

mounting bracket mounting nut at the device **BW30-03S**



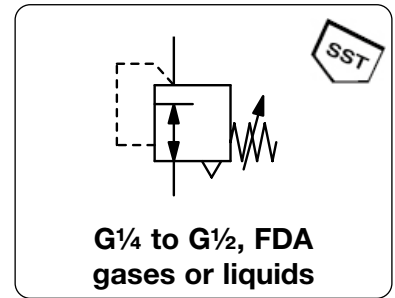
RE1-01,
incl. mounting nut



*1 at 7 bar supply pressure and 4 bar outlet pressure



Description	Diaphragm pressure regulator made of stainless steel in robust design. Pre-pressure compensated and independent of supply pressure fluctuation.		
Media	compressed air, gases or liquids		
Supply pressure	max. 20 bar		
Accuracy	setting accuracy: < 0.5% FS;	Repeatability:	< 1.5% FS
Air Consumption	without air consumption		
Adjustment	by adjusting screw, with lock nut		
Relieving function	relieving, optionally non-relieving		
Gauge port	G $\frac{1}{4}$ on both sides of the body, one screw plug supplied		
Mounting position	any		
Temperature range	0 °C to 80 °C / 32 °F to 176 °F, for appropriately conditioned compressed air down to -20 °C / -4 °F		
Material	Body: stainless steel 316L, W.-Nr. 1.4436	O-ring: FKM	Internal parts: stainless steel 302
	Diaphragm: NBR/Buna-N with PTFE coating		



Dimensions			Kv-value	Flow rate	Connection thread	Pressure range	Order number
A	B	C	(m 3 /h)	m 3 /h*1		bar	
mm	mm	mm			G		

Precision pressure regulator							supply pressure max. 20 bar, relieving	R3150
109	160	39	1.4	78	1300	G $\frac{1}{4}$	0.02 ... 1.5	R3150-02A
							0.10 ... 3.0	R3150-02B
							0.10 ... 8.0	R3150-02C
109	160	39	1.4	78	1300	G $\frac{3}{8}$	0.02 ... 1.5	R3150-03A
							0.10 ... 3.0	R3150-03B
							0.10 ... 8.0	R3150-03C
109	160	39	1.4	78	1300	G $\frac{1}{2}$	0.02 ... 1.5	R3150-04A
							0.03 ... 3.0	R3150-04B
							0.05 ... 10	R3150-04C



R3150

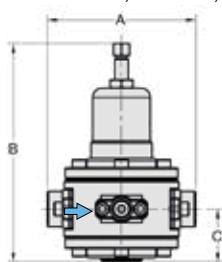
Special options, add the appropriate letter or number

pilot operated	G $\frac{1}{8}$, max. 30 bar, 0...8 bar	R3150-0. J
NPT	connection thread	R3150-0. N
non-relieving	for liquids	R3150-0. K
EPDM o-ring		R3150-0. E
EPDM o-ring	FDA approval	R3150-0. TD
SST diaphragm	FKM o-ring	R3150-0. S
	EPDM o-ring	R3150-0. SE
ammonia	NH $_3$	P $_1$ max. 15 bar
carbon dioxide	CO $_2$	R3150-0. K02
argon	Ar	R3150-0. K03
nitrogen	N $_2$	R3150-0. K05
helium	He	R3150-0. K07
hydrogen	H $_2$	R3150-0. K09
methane	CH $_4$	R3150-0. K11
natural gas *3		R3150-0. K13
oxygen	O $_2$	R3150-0. K14
propane	C $_3$ H $_8$	R3150-0. K15
nitrous oxide	N $_2$ O	R3150-0. K16
water	H $_2$ O	R3150-0. K17
		R3150-0. KW

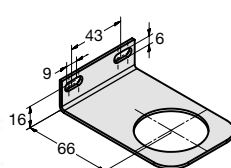
Accessories, enclosed

pressure gauge \varnothing 50 mm, 0...*2 bar, G $\frac{1}{4}$

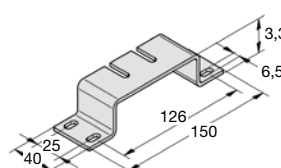
mounting bracket
mounting nut
mounting bracket



R3150



BW45-03S



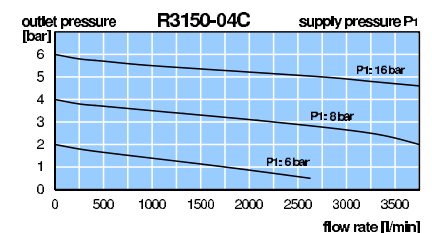
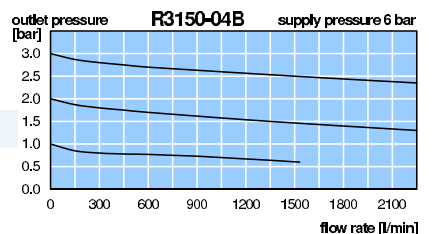
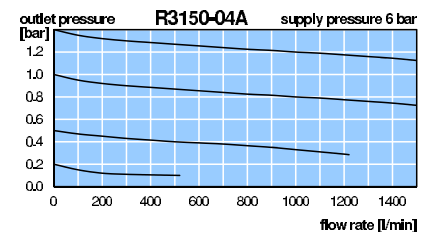
BW00-59S

MS5002-...*2

BW45-03S

M45x1,5S

BW00-59S



*1 see diagramm

*2 02 = 0...2.5 bar, 04 = 0...4 bar, 10 = 0...10 bar

*3 without DVGW-approval

Gauges: see chapter for measuring devices

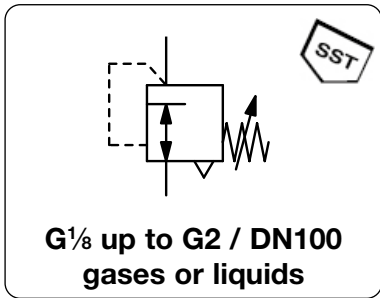
PDF CAD
www.aircom.net



Order example:
R3150-02A

PRESSURE REGULATOR MADE OF STAINLESS STEEL THROUGHOUT, UP TO 60 BAR R3000

Description	Pressure regulator made of stainless steel, diaphragm- or piston-operated, up to P ₁ = 60 bar.
Media	compressed air, gases or liquids
Supply pressure	see chart, max. 60 bar, for liquids Δp _{max.} = 25 bar
Adjustment	by adjusting screw at R3000-01 to -A8, and -24 to -32 by T-handle at R3000-08 to -16C, with pilot-regulator by adjusting screw at -16D
Relieving function	non-relieving, optionally relieving
Gauge port	G _{1/8} at R3000-01 and -A2, all others G _{1/4} on both sides of the body, one screw plug supplied
Temperature range	0 °C to 80 °C / 32 °C to 176 °F for FKM or EPDM 0 °C to 130 °C / 32 °C to 266 °F for high temperature version for appropriately conditioned compressed air down to -20 °C / -4 °F or low temperature version down to -40 °C / -40 °F
Material	Body: stainless steel 316L, material no. 1.4404 Diaphragm: NBR/Buna-N with PTFE coating, optionally stainless steel O-rings: FKM, optionally EPDM Internal parts: stainless steel 316L, material no. 1.4404

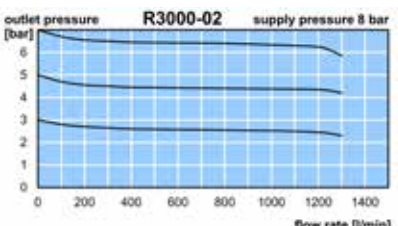
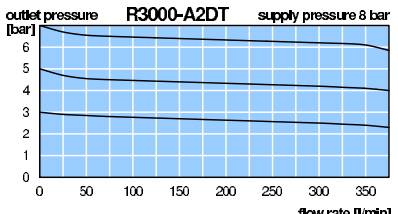
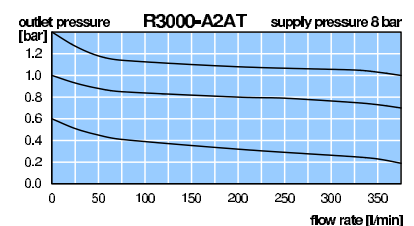
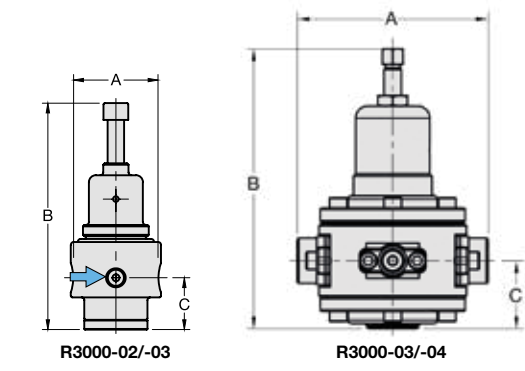


Dimensions			Regul. system	K _v	Flow rate	P ₁ max.	Connection thread	Pressure range	Order number
A	B	C	D: Diaphragm P: Piston	value (m ³ /h)	m ³ /h*1 l/min*1	bar	G	bar	

SST Pressure regulator										supply pressure max. 30/50 bar, non-relieving, PTFE diaphragm and FKM o-ring	R3000
40	88	18	M	0,35	20	330	30	G _{1/8}	0,1...1,5	R3000-01AT	
									0,2...3,0	R3000-01BT	
									0,5...8,0	R3000-01DT	
									1,0...15	R3000-01ET	
40	88	18	M	0,35	20	330	30	G _{1/4}	0,1...1,5	R3000-A2AT	
									0,2...3,0	R3000-A2BT	
									0,5...8,0	R3000-A2DT	
									1,0...15	R3000-A2ET	
64	160	38	M	1,4	78	1300	30	G _{1/4}	0,1...1,5	R3000-02AT	
									0,2...3,0	R3000-02BT	
									0,5...8,0	R3000-02CT	
									1,0...15	R3000-02DT	
							50		2,0...30	R3000-02ET	
									3,0...50	R3000-02FT	
64	175	38	K	1,4	78	1300	50	G _{3/8}	0,1...1,5	R3000-03AT	
									0,2...3,0	R3000-03BT	
									0,5...8,0	R3000-03CT	
									1,0...15	R3000-03FT	
109	160	39	M	3,0	168	2800	50	G _{3/8}	0,1...1,5	R3000-03AT	
									0,2...3,0	R3000-03BT	
									0,5...8,0	R3000-03CT	
									1,0...15	R3000-03FT	
109	178	39	K	3,0	168	2800	50	G _{3/8}	0,1...1,5	R3000-03AT	
									0,2...3,0	R3000-03BT	
									0,5...8,0	R3000-03CT	
									1,0...15	R3000-03FT	
109	160	39	M	3,0	168	2800	50	G _{1/2}	0,1...1,5	R3000-04AT	
									0,2...3,0	R3000-04BT	
									0,5...8,0	R3000-04CT	
									1,0...15	R3000-04FT	
109	178	39	K	3,0	168	2800	50	G _{1/2}	0,1...1,5	R3000-04AT	
									0,2...3,0	R3000-04BT	
									0,5...8,0	R3000-04CT	
									1,0...15	R3000-04FT	
									2,0...30	R3000-04GT	
									3,0...50	R3000-04LT	



Accessories, see following pages

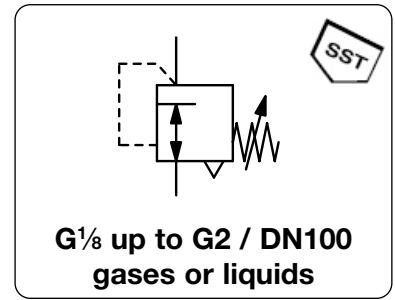


*1 at 8 bar supply pressure, 6 bar outlet pressure and 1 bar pressure drop

* Product group

PRESSURE REGULATOR MADE OF STAINLESS STEEL THROUGHOUT, UP TO 60 BAR R3000

Description	Pressure regulator made of stainless steel, diaphragm- or piston-operated, up to $P_1 = 60$ bar.
Media	compressed air, gases or liquids
Supply pressure	see chart, max. 60 bar, for liquids $\Delta p_{max.} = 25$ bar
Adjustment	by adjusting screw at R3000-01 to -A8, and -24 to -32 by T-handle at R3000-08 to -16C, with pilot-regulator by adjusting screw at -16D
Relieving function	non-relieving, optionally relieving
Gauge port	Mounting position any
Temperature range	$G\frac{3}{4}$ at R3000-01 and -A2, all others $G\frac{1}{2}$ on both sides of the body, one screw plug supplied
Material	Body: stainless steel 316L, material no. 1.4404 Diaphragm: NBR/Buna-N with PTFE coating, optionally stainless steel O-rings: FKM, optionally EPDM Internal parts: stainless steel 316L, material no. 1.4404



Dimensions			Regul. system	K_v	Flow	P_1	Connection	Pressure	Order
A	B	C	D: diaphragm	value	rate	max.	thread	range	number
mm	mm	mm	P: piston	(m^3/h)	m^3/h^*1	l/min*1	G	bar	

SST Pressure regulator										supply pressure max. 30/50/60 bar, non-relieving, PTFE diaphragm and FKM o-ring	R3000
137	187	51	P	8.4	228	3800	50	$G\frac{3}{4}$	0.1...1.5	R3000-06AT	
									0.2...3.0	R3000-06BT	
									0.5...8.0	R3000-06CT	
									1.0...15	R3000-06FT	
									2.0...30	R3000-06GT	
									3.0...50	R3000-06LT	
137	187	51	P	8.4	228	3800	50	$G1$	0.1...1.5	R3000-A8AT	
									0.2...3.0	R3000-A8BT	
									0.5...8.0	R3000-A8CT	
									1.0...15	R3000-A8FT	
									2.0...30	R3000-A8GT	
									3.0...50	R3000-A8LT	
165	287	60	D	9.7	480	8000	60	$G1$	0.1...1.5	R3000-08AT	
									0.2...3.0	R3000-08BT	
									0.5...8.0	R3000-08CT	
									1.0...15	R3000-08FT	
165	302	60	P	9.7	480	8000	60		2.0...30	R3000-08GT	
165	311	60							3.0...50	R3000-08LT	
269	287	60	D	6.0	480	8000	60	$G1\frac{1}{2}$	0.1...1.5	R3000-10AT	
									0.2...3.0	R3000-10BT	
									0.5...8.0	R3000-10CT	
									1.0...15	R3000-10FT	
269	302	60	P	9.7	480	8000	60		2.0...30	R3000-10GT	
269	311	60							3.0...50	R3000-10LT	
269	287	60	D	9.7	480	8000	60	$G1\frac{1}{2}$	0.1...1.5	R3000-1AAT	
									0.2...3.0	R3000-1ABT	
									0.5...8.0	R3000-1ACT	
									1.0...15	R3000-1AFT	
269	302	60	P	9.7	480	8000	60		2.0...30	R3000-1AGT	
269	311	60							3.0...50	R3000-1ALT	



R3000-06/-A8

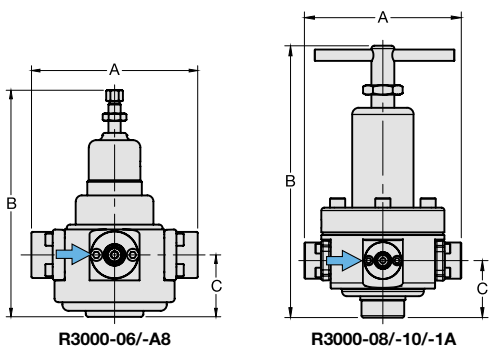


R3000-08/-10/-1A



R3000-06/A8.TF.

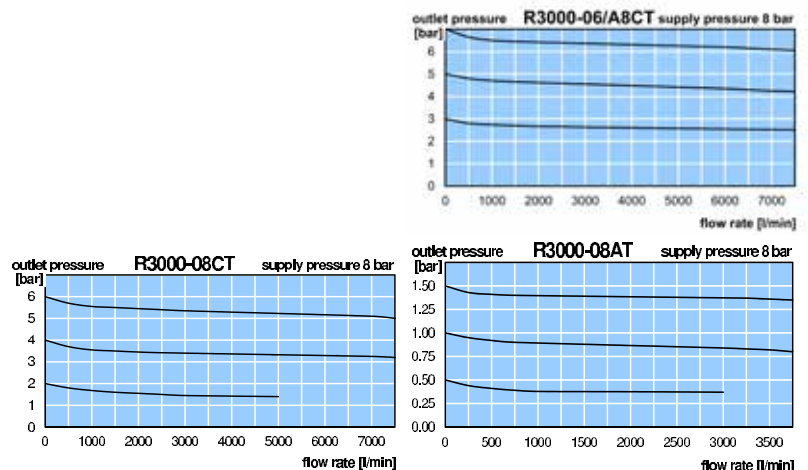
Accessories, see following pages



R3000-06/-A8

R3000-08/-10/-1A

*1 at 8 bar supply pressure, 6 bar outlet pressure and 1 bar pressure drop



* Product group

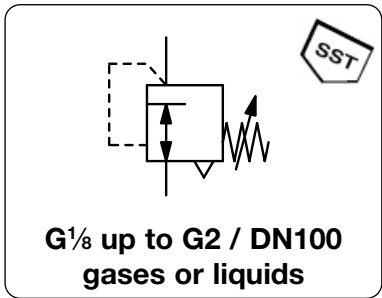
PDF CAD
www.aircom.net



Order example:
R3000-06AT

PRESSURE REGULATOR MADE OF STAINLESS STEEL THROUGHOUT, UP TO 60 BAR R3000

Description	Pressure regulator made of stainless steel, diaphragm- or piston-operated, up to P ₁ = 60 bar.
Media	compressed air, gases or liquids
Supply pressure	see chart, max. 60 bar, for liquids Δp _{max.} = 25 bar
Adjustment	by adjusting screw at R3000-01 to -A8, and -24 to -32 by T-handle at R3000-08 to -16C, with pilot-regulator by adjusting screw at -16D
Relieving function	non-relieving, optionally relieving
Gauge port	G $\frac{1}{8}$ at R3000-01 and -A2, all others G $\frac{1}{4}$ on both sides of the body, one screw plug supplied
Temperature range	0 °C to 80 °C / 32 °C to 176 °F for FKM or EPDM 0 °C to 130 °C / 32 °C to 266 °F for high temperature version for appropriately conditioned compressed air down to -20 °C / -4 °F or low temperature version down to -40 °C / -40 °F
Material	Body: stainless steel 316L, material no. 1.4404 Diaphragm: NBR/Buna-N with PTFE coating, optionally stainless steel O-rings: FKM, optionally EPDM Internal parts: stainless steel 316L, material no. 1.4404



Dimensions			Regul. system	K _v	Flow		P ₁	Connection	Pressure	Order
A	B	C	D: diaphragm	value	rate	rate	max.	thread	range	number
mm	mm	mm	P: piston	(m ³ /h)	m ³ /h*1	l/min*1	bar	G	bar	

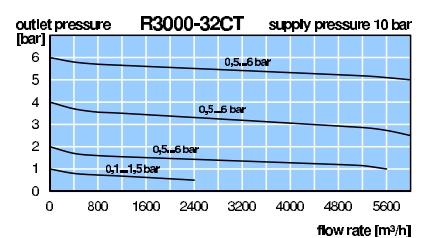
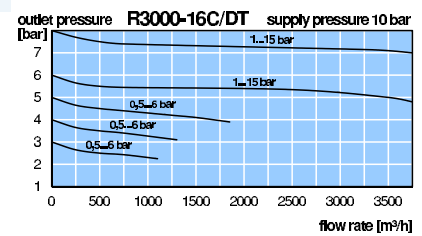
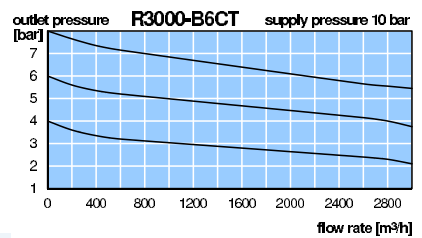
SST Pressure regulator										supply pressure max. 30/50 bar, non-relieving, PTFE diaphragm and FKM o-ring	R3000
174	393	126	P	25	900	15000	30	G1½	0.1 ... 1.5	R3000-12AT	
									0.2 ... 3.0	R3000-12BT	
									0.5 ... 8.0	R3000-12CT	
							50		1.0 ... 15	R3000-12ET	
									2.0 ... 30	R3000-12GT	
									3.0 ... 50	R3000-12LT	
174	393	126	P	25	900	15000	30	G2	0.1 ... 1.5	R3000-B6AT	
									0.2 ... 3.0	R3000-B6BT	
									0.5 ... 8.0	R3000-B6CT	
							50		1.0 ... 15	R3000-B6ET	
									2.0 ... 30	R3000-B6GT	
									3.0 ... 50	R3000-B6LT	
171	421	128	D	25	1800	30000	30	G2	0.1 ... 1.5	R3000-16AT	
									0.2 ... 3.0	R3000-16BT	
									0.5 ... 6.0	R3000-16CT	
									1.0 ... 15	R3000-16DT	
171	417	128	D	25	1800	30000	30		0.1 ... 1.5	R3000-24AT	
									0.2 ... 3.0	R3000-24BT	
									0.5 ... 6.0	R3000-24CT	
									1.0 ... 15	R3000-24DT	
405	446	118	D	65	4500	75000	30	DN80	0.1 ... 1.5	R3000-32AT	
									0.2 ... 3.0	R3000-32BT	
									0.5 ... 6.0	R3000-32CT	
									1.0 ... 15	R3000-32DT	
405	427	118							0.1 ... 1.5	R3000-12AT	
405	446	118	D	65	5500	90000	30	DN100	0.1 ... 1.5	R3000-32AT	
									0.2 ... 3.0	R3000-32BT	
									0.5 ... 6.0	R3000-32CT	
									1.0 ... 15	R3000-32DT	



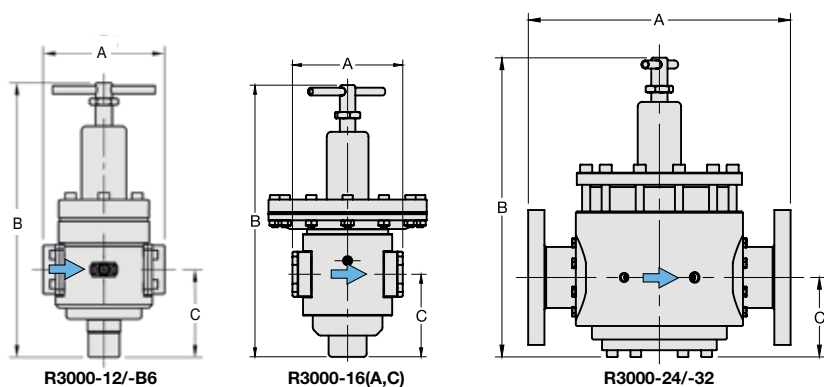
R3000-12/-B6



R3000-16
accessory: gauge



Accessories, see following pages



*1 at 8 bar supply pressure, 6 bar outlet pressure and 1 bar pressure drop

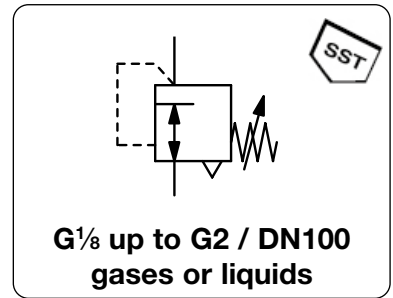
* Product group

PDF CAD
www.aircom.net

Order example:
R3000-12AT

PRESSURE REGULATOR MADE OF STAINLESS STEEL THROUGHOUT, UP TO 60 BAR R3000

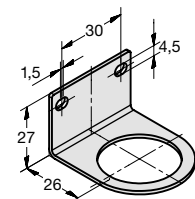
Description	Pressure regulator made of stainless steel, diaphragm- or piston-operated, up to P ₁ = 60 bar.
Media	compressed air, gases or liquids
Supply pressure	see chart, max. 60 bar, for liquids Δp _{max.} = 25 bar
Adjustment	by adjusting screw at R3000-01 to -A8, and -24 to -32 by T-handle at R3000-08 to -16C, with pilot-regulator by adjusting screw at -16D
Relieving function	non-relieving, optionally relieving
Gauge port	G _{1/8} at R3000-01 and -A2, all others G _{1/4} on both sides of the body, one screw plug supplied
Temperature range	0 °C to 80 °C / 32 °C to 176 °F for FKM or EPDM 0 °C to 130 °C / 32 °C to 266 °F for high temperature version for appropriately conditioned compressed air down to -20 °C / -4 °F or low temperature version down to -40 °C / -40 °F
Material	Body: stainless steel 316L, material no. 1.4404 Diaphragm: NBR/Buna-N with PTFE coating, optionally stainless steel O-rings: FKM, optionally EPDM Internal parts: stainless steel 316L, material no. 1.4404



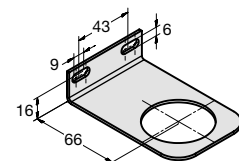
Dimensions	Regul. system	K _v	Flow	P ₁	Connection	Pressure	Order
A B C	D: diaphragm	value	rate	max.	thread	range	number
mm mm mm	P: piston	(m ³ /h)	m ³ /h*1 l/min*1	bar	G	bar	

Special options, add the appropriate letter or number

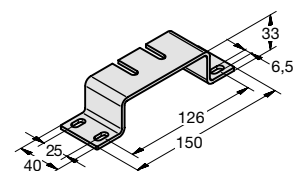
NPT	connection thread	R3000-N
with T-handle	instead of hexagonal screw	for G _{1/4} (02) to G ₁ (A8) R3000-P
relieving		R3000-R
tapped exhaust		for R3000-01/A2 R3000-X12
down to -40 °C	low temperature version	from G _{1/4} (02) on R3000-X51
up to 130 °C	high temperature version	from G _{1/4} (02) on R3000-X54
spring cowling m. of POM	for G _{1/8} and G _{1/4} (A2)	R3000-X57
FKM o-ring	for piston or PTFE diaphragm	R3000-T
EPDM o-ring		R3000-TE
EPDM o-ring	FDA-approval	R3000-TD
SST diaphragm	FKM o-ring	for G _{1/4} (02) to G ₁ (A8) R3000-S
	EPDM o-ring	for G _{1/4} (02) to G ₁ (A8) R3000-SE
ammonia	NH ₃	R3000-02
carbon dioxide	CO ₂	R3000-03
argon	Ar	R3000-05
nitrogen	N ₂	R3000-07
helium	He	R3000-09
hydrogen	H ₂	R3000-11
methane	CH ₄	R3000-13
natural gas *3		R3000-14
oxygen	O ₂	R3000-15
propane	C ₃ H ₈	R3000-16
nitrous oxide	N ₂ O	R3000-17
water	H ₂ O	R3000-W
flange connection	see end of the chapter / flanges	R3000-F.



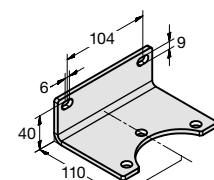
BW30-03S



BW45-03S



BW00-59S



BW00-68S

Accessories, enclosed

pressure gauge	Ø 40 mm, 0...*2 bar, G _{1/8}	for G _{1/8} and G _{1/4} (A2)	MS4001-..*2
	Ø 50 mm, 0...*2 bar, G _{1/4}	for G _{1/4} (02) to G _{1/2}	MS5002-..*2
	Ø 63 mm, 0...*2 bar, G _{1/4}	for G _{3/4} (06) to G ₂	MS6302-..*2
mounting bracket		for G _{1/8} and G _{1/4} (A2)	BW30-03S
mounting nut		for G _{1/8} and G _{1/4} (A2)	M30x1,5SS
mounting bracket		for G _{1/4} (02) to G ₁ (A8)	BW45-03S
mounting nut		for G _{1/4} (02) to G ₁ (A8)	M45x1,5S
mounting bracket		for G ₁ (08) + G _{1 1/2} (1A)	BW00-59S
		for G _{1 1/2} (12) + G ₂ (B6)	BW00-68S

*1 at 8 bar supply pressure, 6 bar outlet pressure and 1 bar pressure drop

*2 02 = 0...2.5 bar, 04 = 0...4 bar, 06 = 0...6 bar, 10 = 0...10 bar, 16 = 0...16 bar, 60 = 0...60 bar

*3 without DVGW-approval

* Product group

Gauges: see chapter for measuring devices

PDF CAD
www.aircom.net

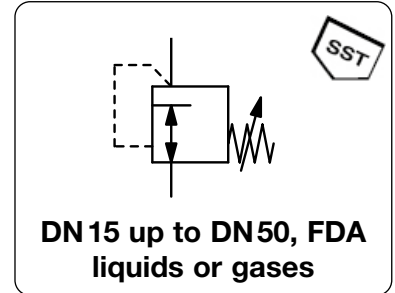


Order example:
MS4001-02

PRESSURE REGULATOR WITH FLANGE, MADE OF SPECIAL STEEL CASTING

REF

Description	Diaphragm-operated pressure regulator made of stainless steel throughout. Even when spindle is unscrewed the indicated minimum outlet pressure is existent.
Media	compressed air, neutral gases or liquids
Supply pressure	see chart, max. 25 bar
Adjustment	by T-handle, with locknut
Relieving function	non-relieving
Gauge port	G $\frac{1}{4}$ on both sides of the body, one screw plug supplied
Mounting position	any
Temperature range	0 °C to 120 °C / 32 °F to 248 °F for FKM, for appropriately conditioned compr. air down to -30 °C / -22 °F 0 °C to 130 °C / 32 °F to 266 °F for EPDM, for appropriately conditioned compr. air down to -30 °C / -22 °F 0 °C to 150 °C / 32 °F to 302 °F for PTFE, for appropriately conditioned compr. air down to -30 °C / -22 °F
Material	Body: stainless steel 316L, mat. no. 1.4408 Diaphragm: FKM, optionally EPDM or PTFE



Dimensions			K _v -value	Flow rate		Supply pressure	Connection flange	Pressure range	Order number
A	B	C	(m ³ /h)	air	water	max. bar	DN	bar	

Pressure regulator with flange										for liquids, P: max. 8/25 bar, non-relieving, FKM, PN40	REF
210	255	95	4.0	4200	66	8	DN 15	0.2...3.0		REF-04B	
						25		2.0... 10		REF-04D	
						25		6.0... 16		REF-04E	
220	260	105	4.0	4200	66	8	DN 20	0.2...3.0		REF-06B	
						25		2.0... 10		REF-06D	
						25		6.0... 16		REF-06E	
220	265	115	4.0	4200	66	8	DN 25	0.2...3.0		REF-08B	
						25		2.0... 10		REF-08D	
						25		6.0... 16		REF-08E	
220	273	115	7.5	8000	125	8	DN 25	0.2...3.0		REF-A8B	
						25		2.0... 10		REF-A8D	
						25		6.0... 16		REF-A8E	
280	290	150	7.5	8000	125	8	DN 40	0.2...3.0		REF-12B	
						25		2.0... 10		REF-12D	
						25		6.0... 16		REF-12E	
320	298	165	7.5	8000	125	8	DN 50	0.2...3.0		REF-16B	
						25		2.0... 10		REF-16D	
						25		6.0... 16		REF-16E	

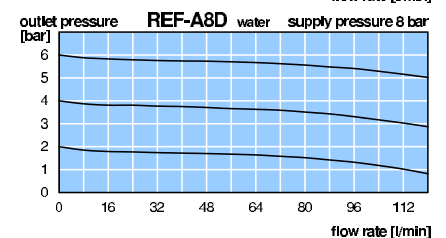
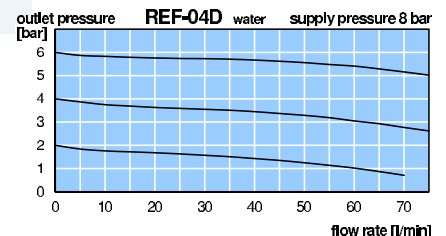
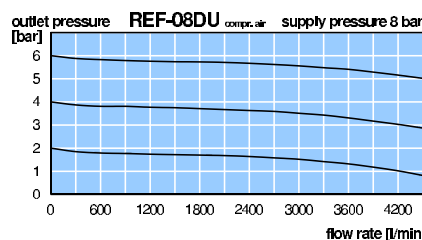
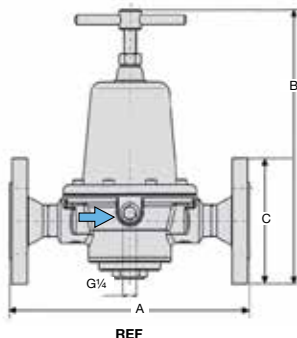


Special Options, add the appropriate letter

gaseous media	non-relieving, height +43 mm	RE U
EPDM diaphragm	FDA approved	RE E
PTFE diaphragm	FKM with PTFE coating and FKM o-ring	RE I
free of oil and grease	suitable for oxygen	RE L
flange connection*3	DIN 3239 / DIN 11850-2 / ISO 4200, DN8 to DN25, instead of connection thread	RE A
milk pipe connection		RE M

Accessories, enclosed

pressure gauge	Ø 50 mm, 0...*2 bar, G $\frac{1}{4}$	for DN 8 to DN 15 (04)	MS5002-...*2
	Ø 63 mm, 0...*2 bar, G $\frac{1}{4}$	for DN 15 (A4) to DN 50	MS6302-...*2



*1 at 8 bar supply pressure, 6 bar outlet pressure and 1 bar pressure drop
*2 04 = 0...4 bar, 10 = 0...10 bar, 16 = 0...16 bar

*3 version has to be indicate in clear words

Gauges: see chapter for measuring devices

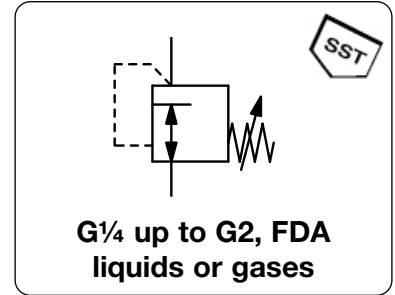
PDF CAD
www.aircom.net

Order example:
REF-04B

PRESSURE REGULATOR MADE OF SPECIAL STEEL CASTING

REA

Description	Diaphragm-operated pressure regulator made of stainless steel throughout. Even when spindle is unscrewed the indicated minimum outlet pressure is existent.
Media	compressed air, gases or liquids
Supply pressure	see chart, max. 25 bar
Adjustment	by T-handle, with locknut
Relieving function	non-relieving
Gauge port	G $\frac{1}{4}$ on both sides of the body, one screw plug supplied
Mounting position	any
Temperature range	0 °C to 120 °C / 32 °F to 248 °F for FKM, for appropriately conditioned compr. air down to -30 °C / -22 °F 0 °C to 130 °C / 32 °F to 302 °F for EPDM, for appropriately conditioned compr. air down to -30 °C / -22 °F 0 °C to 150 °C / 32 °F to 302 °F for PTFE, for appropriately conditioned compr. air down to -30 °C / -22 °F
Material	Body: stainless steel 316L, mat. no. 1.4408 Diaphragm: FKM, optionally EPDM or PTFE

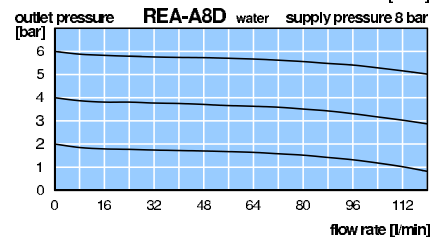
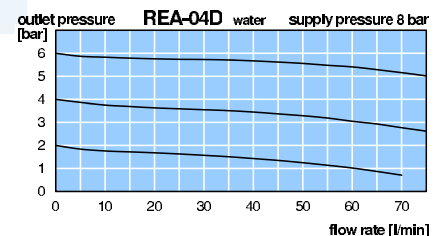
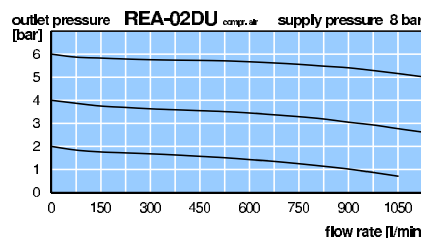
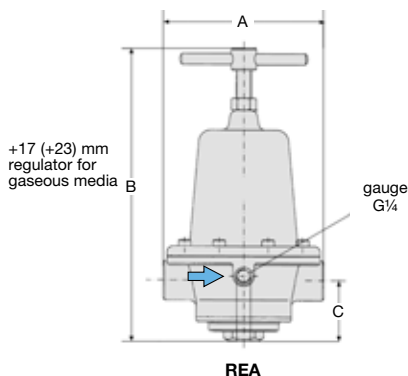


Dimensions			K _v -value	Flow rate		Supply pressure max. bar	Nom. size DN	Connection thread G	Pressure range bar	Order number
A	B	C		air	water					

Regulator made of Special Steel Casting										for liquids, P ₁ : max. 8/25 bar, non-relieving, FKM	REA											
92	190	42	1.0	1100	17	8	DN 8	G $\frac{1}{4}$	0.2...3.0	REA-02B												
						25			2.0... 10	REA-02D												
						25			6.0... 16	REA-02E												
						122	240	49	4.0	4200	66	8	DN 10	G $\frac{3}{8}$	0.2...3.0	REA-03B						
												25			2.0... 10	REA-03D						
												25			6.0... 16	REA-03E						
												150	250	53	7.5	8000	125	8	DN 15	G $\frac{1}{2}$	0.2...3.0	REA-04B
																		25			2.0... 10	REA-04D
																		25			6.0... 16	REA-04E
222	250	53	7.5	8000	125													8	DN 20	G $\frac{3}{4}$	0.2...3.0	REA-06B
																		25			2.0... 10	REA-06D
																		25			6.0... 16	REA-06E
						222	250	53	7.5	8000	125							8	DN 25	G1	0.2...3.0	REA-08B
																		25			2.0... 10	REA-08D
																		25			6.0... 16	REA-08E
												222	250	53	7.5	8000	125	8	DN 32	G1 $\frac{1}{4}$	0.2...3.0	REA-10B
																		25			2.0... 10	REA-10D
																		25			6.0... 16	REA-10E
235	250	53	7.5	8000	125													8	DN 40	G1 $\frac{1}{2}$	0.2...3.0	REA-12B
																		25			2.0... 10	REA-12D
																		25			6.0... 16	REA-12E
						235	250	53	7.5	8000	125							8	DN 50	G2	0.2...3.0	REA-16B
																		25			2.0... 10	REA-16D
																		25			6.0... 16	REA-16E



Special options and Accessories, see page 15.10. REF



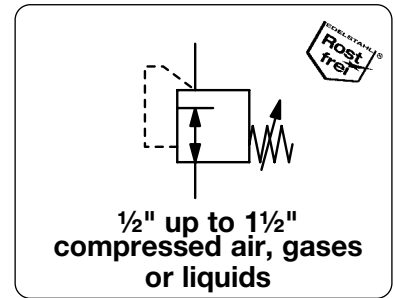
*1 at 8 bar supply pressure, 6 bar outlet pressure and 1 bar pressure drop



STAINLESS STEEL TRI CLAMP PRESSURE REGULATOR

RTC

Description Pressure regulator with flange, piston operated, made of stainless steel
Media compressed air, gases or liquids
Supply pressure max. 25 bar
Surface Electropolished body with roughness Ra <4 µm on inside wetted surfaces. All metallic parts are machined from the solid bar. No threaded connections exposed to the fluid. The regulator is virtually pocket and sterilizable with steam.
Adjustment by adjusting screw RTC-04 and -06, by T-handle RTC-08 and -12
Relieving function non-relieving
Gauge port no pressure gauge connection, optionally G¼
Temperature range -40°C to 175°C / -40°F to 347°F
Material Body, bonnet, piston and inner parts: AISI 316L, gasket: EPDM or FKM corresponding to FDA
 Main valve spring: AISI 302, Adjusting spring: C85, nickel plated NiP/Fe 15 µm
 All springs are not in contact with fluid.



Dimensions				K _v - value	Flow rate	Connection ASME- BPE	Pressure range bar	Order number
A	B	C	ØD					
mm	mm	mm	mm	m³/h ¹	l/min ¹			

Tri Clamp Pressure Regulator							supply pressure max. 25 bar, EPDM for compressed air, gases, liquids and steam	RTC
140	183	57	25	1,4	2200	1/2"	0,2 ... 1,5 0,3 ... 3,0 0,8 ... 8,0	RTC-04A RTC-04B RTC-04D
140	183	57	25	1,4	2200	3/4"	0,2 ... 1,5 0,3 ... 3,0 0,8 ... 8,0	RTC-06A RTC-06B RTC-06D
180	327	77	50,5	8,4	22000	1"	0,2 ... 1,5 0,3 ... 3,0 0,8 ... 8,0	RTC-08A RTC-08B RTC-08D
180	327	75	50,5	8,4	22000	1 1/2"	0,2 ... 1,5 0,3 ... 3,0 0,8 ... 8,0	RTC-12A RTC-12B RTC-12D



RTC-04.M/-06.M



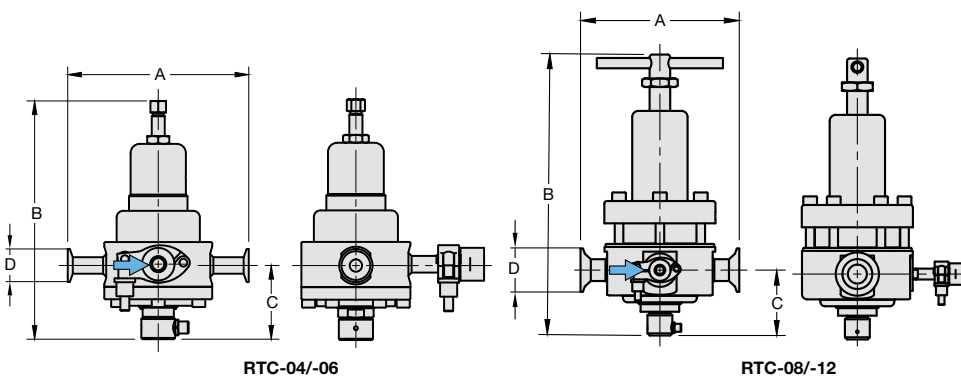
RTC-08/-12

Special Options, add the appropriate letter

FKM o-ring		RTC... T
EPDM o-ring	FDA approval	RTC... TD
to 200 °C	high temperature version	RTC... X68
ammonia	NH ₃	P ₁ max. 15 bar RTC... 02
nitrogen	N ₂	RTC... 07
oxygen	O ₂	RTC... 15
water	H ₂ O	RTC... W
neutral gas	CO ₂ , Ar, He, H ₂ , CH ₄ , C ₃ H ₈ , N ₂ O	RTC... XX
pressure gauge	G¼	RTC... M

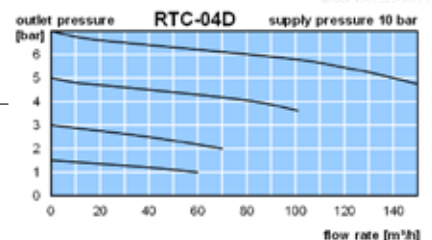
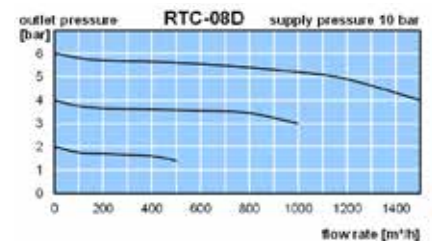
Accessories, enclosed

pressure gauge	Ø 50 mm, 0... ^{*2} bar	G¼	for 1/2" a. 3/4"	MS5002-... ^{*2}
	Ø 63 mm, 0... ^{*2} bar	G¼	for 1" a. 1 1/2"	MS6302-... ^{*2}
mounting bracket			for 1/2" a. 3/4"	BW45-03S
mounting nut			for 1/2" a. 3/4"	M45x1,5S
mounting bracket			for 1" a. 1 1/2"	BW00-27S



RTC-04/-06

RTC-08/-12



*1 at 10 bar supply pressure, 7 bar outlet pressure and 2 bar pressure drop
 *2 02 = 0...2,5 bar, 04 = 0...4 bar, 10 = 0...10 bar

Gauges: see chapter for measuring devices

PDF CAD
www.aircom.net

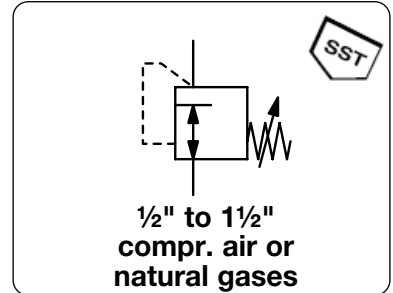


Order example:
RTC-04A

TRI CLAMP LOW PRESSURE REGULATOR

RTCN

Description	Precision low pressure regulator with flange and big spring cage, made of stainless steel. Preferably in pharmaceutical, bio, solar, brewery and food industry, if highest purity, maximum of hygiene and optimal protection against pollution and crosswise contamination is important	
Media	Compressed air or natural gases.	Supply pressure: max. 7 bar, min. 1 bar
Surface inside	Electropolished body with roughness Ra <4 µm on inside wetted surfaces.	
Adjustment	by adjusting screw	
Relieving function	non-relieving	Mounting position: any
Tightness	Class VI; (IEC 60534-4)	Gauge port: no pressure gauge connection, optionally G1/4
Temperature Range	-20°C to 80°C	
Material	Body, spring cage and internal parts: SST 316L Main valve spring: SST 302 Diaphragm: NBR/Buna-N with PTFE coating	Gasket: EPDM, FKM Adjusting spring: C85, nickel plated NIP, not in contact with fluid.



Dimensions			K _v - Value	Supply pressure max. bar	Flow rate m³/h¹	Flow rate l/min¹	Connection ASME- BPE	Pressure Range mbar	Order Number
A	B	C							

Tri Clamp low pressure regulator									Supply pressure max. 7 bar, SST, EPDM for compr. air, natural gases, not relieving	RTCN
140	179	42	0,75	7	60	1000	1/2"	5 ... 45	RTCN-04A	
								20 ... 200	RTCN-04C	
								150 ... 700	RTCN-04D	
140	179	42	0,75	7	60	1000	3/4"	5 ... 45	RTCN-06A	
								20 ... 200	RTCN-06C	
								150 ... 700	RTCN-06D	
170	237	66	1,4	7	84	1400	1"	5 ... 45	RTCN-08A	
								10 ... 120	RTCN-08B	
								10 ... 400	RTCN-08C	
								15 ... 700	RTCN-08D	
								200 ... 1200	RTCN-08E	
170	237	66	1,4	7	84	1400	1 1/2"	5 ... 45	RTCN-12A	
								10 ... 120	RTCN-12B	
								10 ... 400	RTCN-12C	
								15 ... 700	RTCN-12D	
								200 ... 1200	RTCN-12E	



RTCN-04-06

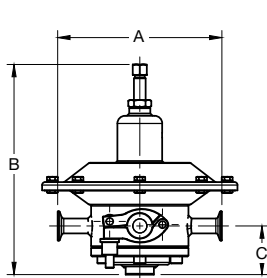


Special options, add the appropriate letter

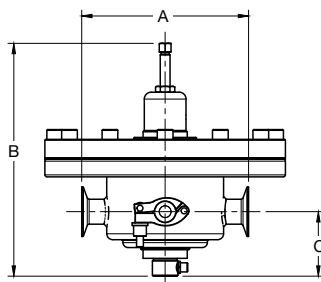
FKM o-ring		RTCN-... T
EPDM o-ring	FDA-approval	RTCN-... TD
up to 200 °C	high temperature version	RTCN-... X68
ammonia	NH ₃	RTCN-... 02
carbon dioxide	CO ₂	RTCN-... 03
nitrogen	N ₂	RTCN-... 07
oxygen	O ₂	RTCN-... 15
nitrous oxide	N ₂ O	RTCN-... 17
natural gas	Ar, He, Hz, CH ₄ , C ₃ H ₆	RTCN-... XX
pressure gauge connection		RTCN-... M

Accessories, enclosed

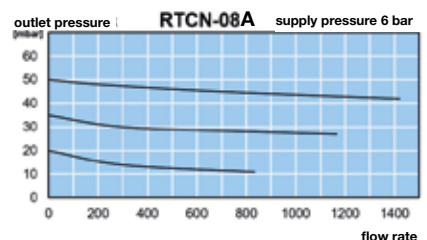
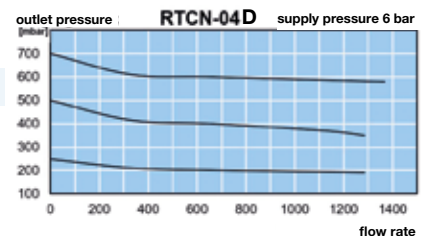
Pressure gauge	Ø 63 mm, 0...*2 mbar capsule spring, 1/4" bis 600 mbar	MS6302-..*2
	Ø 63 mm, 0...*2 bar bourdon tube, 1/4" ab 1 bar	MS6302-..*2



RTCN-04/06



RTCN-08/12



*1 at 7 bar supply pressure and max. outlet pressure

*2 B6 = 0...60 mbar, C3 = 0...250 mbar, C4 = 0...400 mbar, C6 = 0...600 mbar, O1 = 0 ... 1 bar, O2 = 0 ... 2,5 bar

Gauges: see chapter for measuring devices

PDF CAD
www.aircom.net

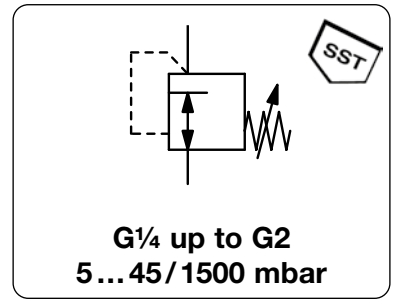


Order example:
RTCN-04A

LOW PRESSURE REGULATOR MADE OF STAINLESS STEEL THROUGHOUT

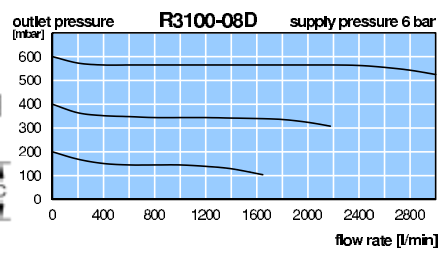
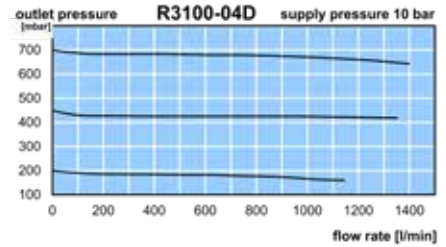
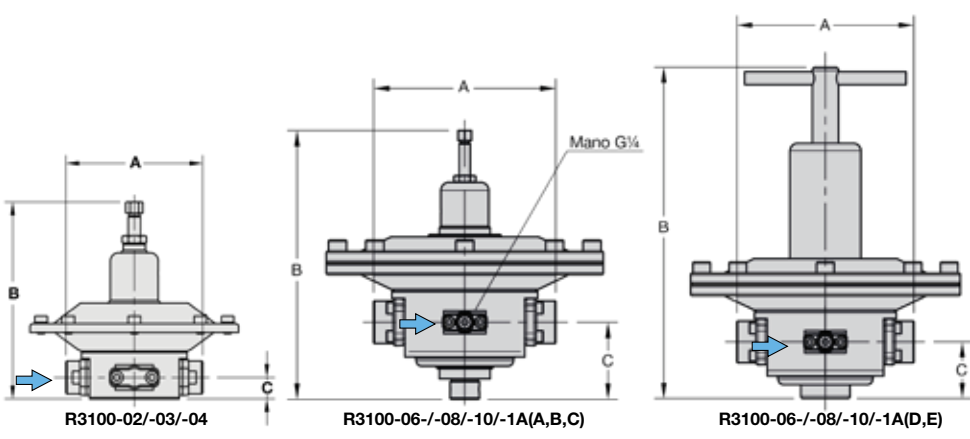
R3100

Description	Precision low pressure regulator with large diaphragm, completely made of stainless steel.	
Media	compressed air or gases	
Supply pressure	see table, max. 10 bar, min. 1 bar	
Air consumption	without constant bleed	
Adjustment	by adjusting screw	
Relieving function	non-relieving	
Gauge port	G $\frac{1}{4}$ on both sides of the body, one screw plug supplied	
Mounting position	any	
Temperature range	0 °C bis 80 °C / 32 °C to 176 °F, FKM or EPDM 0 °C bis 130 °C / 32 °C to 266 °F, high temperature version, for appropriately conditioned compr. air down to -20 °C / - 4 °F, or low temperature down to -40 °C/-40°F	
Material	Body: stainless steel 316L, material no. 1.4404 Diaphragm: NBR/Buna-N with PTFE coating	O-rings: FKM Inner valve: stainless steel 316L / 1.4404



Dimensions			K _v -value	Flow rate		Supply pressure max. bar	Connection-thread G	Pressure range mbar	Order number
A	B	C		m ³ /h	l/min*1				

Low pressure regulator										made of SST, supply pressure max. 6/7/10 bar, non-relieving diaphragm NBR/Buna-N with PTFE coating, FKM o-ring	R3100
109	181	39	1.4	84	1400	10	G $\frac{1}{4}$	5 ... 45	R3100-02A		
								10 ... 400	R3100-02C		
								20 ... 1000	R3100-02D		
								50 ... 1500	R3100-02E		
109	181	39	1.4	84	1400	10	G $\frac{3}{8}$	5 ... 45	R3100-03A		
								10 ... 400	R3100-03C		
								20 ... 1000	R3100-03D		
								50 ... 1500	R3100-03E		
109	181	39	1.4	84	1400	10	G $\frac{1}{2}$	5 ... 45	R3100-04A		
								10 ... 400	R3100-04C		
								20 ... 1000	R3100-04D		
								50 ... 1500	R3100-04E		
161	234	69	1.4	84	1400	7	G $\frac{3}{4}$	5 ... 45	R3100-06A		
								10 ... 120	R3100-06B		
								10 ... 400	R3100-06C		
								15 ... 700	R3100-06D		
								200 ... 1200	R3100-06E		
161	234	69	1.4	84	1400	7	G1	5 ... 45	R3100-08A		
								10 ... 120	R3100-08B		
								10 ... 400	R3100-08C		
								15 ... 700	R3100-08D		
								200 ... 1200	R3100-08E		

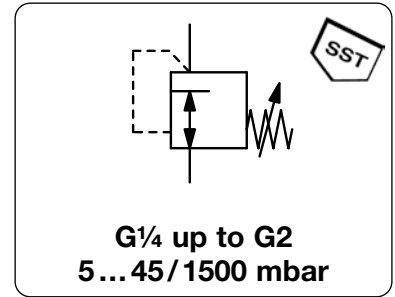


*1 at 6 bar supply pressure and max. outlet pressure

LOW PRESSURE REGULATOR MADE OF STAINLESS STEEL THROUGHOUT

R3100

Description	Precision low pressure regulator with large diaphragm, completely made of stainless steel.
Media	compressed air or gases
Supply pressure	see table, max. 10 bar, min. 1 bar
Air consumption	without constant bleed
Adjustment	by adjusting screw
Relieving function	non-relieving
Gauge port	G $\frac{1}{4}$ on both sides of the body, one screw plug supplied
Mounting position	any
Temperature range	0 °C bis 80 °C / 32 °C to 176 °F, FKM or EPDM 0 °C bis 130 °C / 32 °C to 266 °F, high temperature version, for appropriately conditioned compr. air down to -20 °C / - 4 °F, or low temperature down to -40 °C/-40°F
Material	Body: stainless steel 316L, material no. 1.4404 O-rings: FKM Diaphragm: NBR/Buna-N with PTFE coating Inner valve: stainless steel 316L / 1.4404

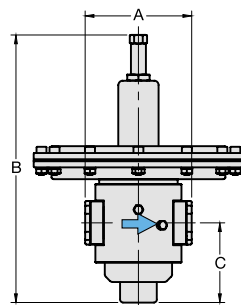


Dimensions			K _v -value	Flow rate	Supply pressure	Connection- thread	Pressure range	Order number
A	B	C						
mm	mm	mm	(m ³ /h)	m ³ /h*1	l/min*1	max. bar	G	mbar

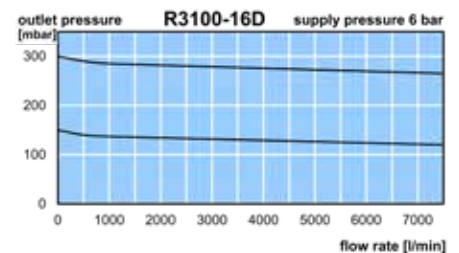


R3100-12/-16

Low pressure regulator									made of SST, supply pressure max. 6/7 bar, non-relieving diaphragm NBR/Buna-N with PTFE coating, FKM o-ring	R3100
265	234	69	1.4	84	1400	7	G $\frac{1}{4}$	5 ... 45		R3100-10A
								10 ... 120		R3100-10B
								10 ... 400		R3100-10C
265	296	53	8.4	576	9600			15 ... 700		R3100-10D
								200 ... 1200		R3100-10E
265	234	69	1.4	84	1400	7	G $\frac{1}{2}$	5 ... 45		R3100-1AA
								10 ... 120		R3100-1AB
								10 ... 400		R3100-1AC
265	296	53	8.4	576	9600			15 ... 700		R3100-1AD
								200 ... 1200		R3100-1AE
171	431	97	6.2	420	7000	6	G $\frac{1}{2}$	20 ... 50		R3100-12A
								50 ... 150		R3100-12B
171	467	97						150 ... 300		R3100-12D
171	430	97	25	1470	24500			100 ... 1000		R3100-12E
171	431	97	6.2	420	7000	6	G2	20 ... 50		R3100-16A
								50 ... 150		R3100-16B
171	467	97						150 ... 300		R3100-16D
171	430	97	25	1470	24500			100 ... 1000		R3100-16E



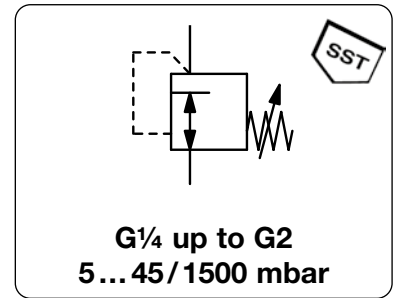
R3100-12/-16



*1 at 6 bar supply pressure and max. outlet pressure



Description	Precision low pressure regulator with large diaphragm, completely made of stainless steel.	
Media	compressed air or gases	
Supply pressure	max. 7 bar, min. 1 bar	
Air consumption	without constant bleed	
Adjustment	by adjusting screw	
Relieving function	non-relieving	
Gauge port	G $\frac{1}{4}$ on both sides of the body, one screw plug supplied	
Mounting position	any	
Temperature range	0 °C bis 80 °C / 32 °C to 176 °F, FKM or EPDM 0 °C bis 130 °C / 32 °C to 266 °F, high temperature version, for appropriately conditioned compr. air down to -20 °C / - 4 °F, or low temperature down to -40 °C/-40°F	
Material	Body: stainless steel 316L, material no. 1.4404	O-rings: FKM Diaphragm: NBR/Buna-N with PTFE coating Inner valve: stainless steel 316L / 1.4404



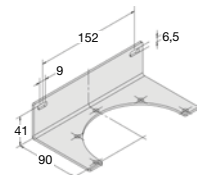
Dimensions			K _v -	Flow	Supply	Connection-	Pressure	Order
A	B	C	value	rate	pressure	thread	range	number
mm	mm	mm	(m ³ /h)	m ³ /h*1	l/min*1	max. bar	G	mbar

Special options, add the appropriate letter

NPT	connection thread	R3100- ... N
EPDM o-ring		R3100- ... E
EPDM o-ring	FDA-approval	R3100- ... TD
down to -40 °C/-40 °F	low temperature version	R3100- ... X51
up to 130 °C/266 °F	high temperature version	R3100- ... X54
ammonia	NH ₃	R3100- ... 02
carbon dioxide	CO ₂	R3100- ... 03
argon	Ar	R3100- ... 05
nitrogen	N ₂	R3100- ... 07
helium	He	R3100- ... 09
hydrogen	H ₂	R3100- ... 11
methane	CH ₄	R3100- ... 13
natural gas *2		R3100- ... 14
oxygen	O ₂	R3100- ... 15
propane	C ₃ H ₈	R3100- ... 16
nitrous oxide	N ₂ O	R3100- ... 17
flange connection	see end of the chapter / flanges	R3100- ... F .

Accessories, enclosed

pressure gauge	Ø 63 mm, 0... ^{*3} mbar, G $\frac{1}{4}$, capsule type	up to 600 mbar	MS6302- .. *3
	Ø 63 mm, 0... ^{*4} bar, G $\frac{1}{4}$, Bourdon tube	from 1 bar on	MS6302- .. *4
mounting bracket		for G $\frac{1}{4}$ to G $\frac{1}{2}$	BW00-26S



BW00-26S

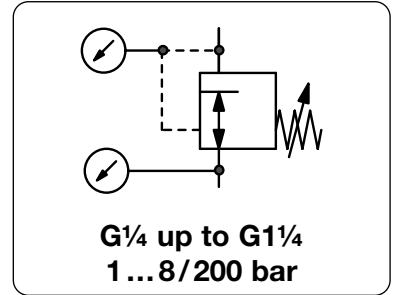


*1 at 6 bar supply pressure and 1 bar / 0.7 bar (-04) outlet pressure
*3 B6 = 0...60 mbar, C3 = 0...250 mbar, C4 = 0...400 mbar, C6 = 0...600 mbar

*2 without DVGW-approval
*4 02 = 0...2 bar, 04 = 0...4 bar, 06 = 0...6 bar



Description	Hand-operated, spring-loaded high pressure regulator for maximum supply pressure of 220 bar and maximum outlet pressure of 200 bar. For outlet pressures up to 15 bar the regulator has a diaphragm, for higher outlets a piston. A sintered bronze filter at the inlet port protects against contamination.	
Media	compressed air or non-corrosive gases	
Supply pressure	max. 220 bar	
Adjustment	by hexagon head screw at RH3000-02 to -A3; T-handle at RH3000-06 to -10, with locknut	
Gauge port	All regulators are equipped with both one supply pressure gauge and one outlet pressure gauge.	
Relief valve	prevents from overpressure, see chart	
Compensation	All regulators are equipped with supply pressure variation compensation, so that a change in supply pressure has no effect on the outlet pressure's stability.	
Temperature range	-20 °C to 60 °C / -4 °F to 140 °F	
Material	Body: stainless steel 316 Diaphragm: stainless steel 316 O-ring: FKM / PTFE	Mounting position any Filter: stainless steel 316 Valve seat: FKM Piston: stainless steel 316



Dimensions			Relief valve	K _v -value	Flow rate	Connection thread	Pressure range	Order number
A	B	C	S: with valve	(m ³ /h)	m ³ /h*1	inlet/outlet	bar	

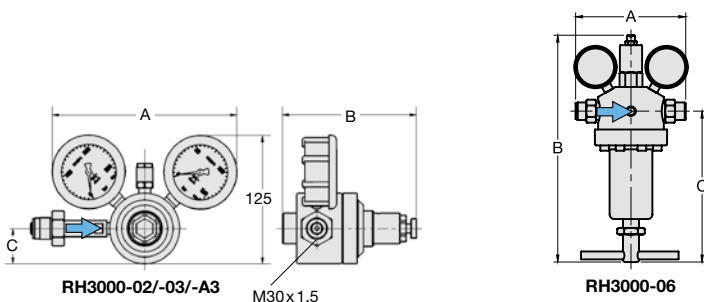
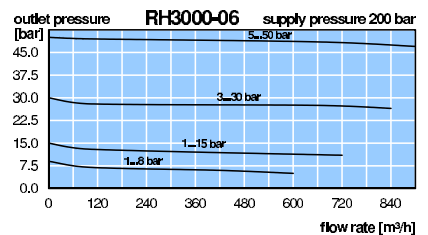
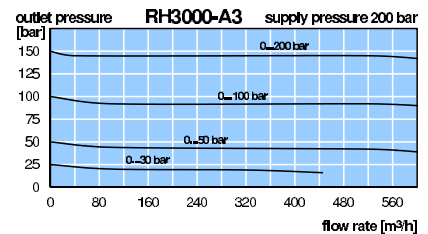
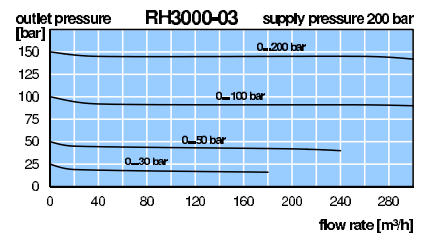
High pressure regulator 220 bar							non-relieving, for compressed air with supply and outlet pressure gauges	RH3000	
170	159	32	S	0.05	30	500	DIN 477 / G _{1/4} f	1 ... 8	RH3000-02A
			S		45	750		1 ... 15	RH3000-02B
170	172	32	S	60	1000			3 ... 30	RH3000-02C
			S	60	1000			5 ... 50	RH3000-02D
			S	60	1000			10 ... 100	RH3000-02E
			-		60	1000		20 ... 200	RH3000-02F
186	172	40	S	0.15	70	1150	DIN 477 / G _{3/8} f	1 ... 8	RH3000-03A
			S		155	2580		1,5 ... 15	RH3000-03B
			S	210	3500			3 ... 30	RH3000-03C
186	175	46	S	250	4100			5 ... 50	RH3000-03D
				350	5800			10 ... 100	RH3000-03E
			-		390	6500		20 ... 200	RH3000-03F
178	241	40	S	0.25	370	6170	G _{3/4} f / G _{3/8} f	1 ... 15	RH3000-A3B
178	244	40	S		460	7700		3 ... 30	RH3000-A3C
			S		650	10830		5 ... 50	RH3000-A3D
					680	11300		10 ... 100	RH3000-A3E
			-		700	11670		20 ... 200	RH3000-A3F
178	241	40	S	0,25	370	6170	G _{3/4} i / G _{1/2} i	1 ... 15	RH3000-04B
178	244	40	S		460	7700		3 ... 30	RH3000-04C
			S		650	10830		5 ... 50	RH3000-04D
			-		680	11300		10 ... 100	RH3000-04E
			-		700	11670		20 ... 200	RH3000-04F
166	345	232	S	1.5	600	10000	G _{3/4} m / G _{3/4} m	1 ... 8	RH3000-06A
			S		720	12000		1 ... 15	RH3000-06B
166	358	245	S		850	14170		3 ... 30	RH3000-06C
			S		1000	16670		5 ... 50	RH3000-06D
			-		1050	17500		10 ... 100	RH3000-06E



RH3000-02



RH3000-03

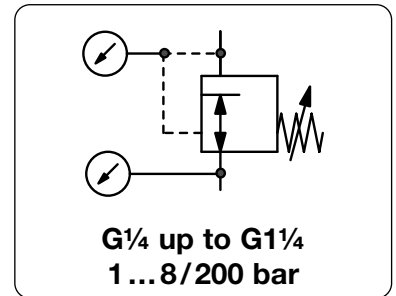


*1 at 200 bar supply pressure and max. outlet pressure

STAINLESS STEEL HIGH PRESSURE REGULATOR, P1: UP TO 200 BAR

RH3000

Description	Hand-operated, spring-loaded high pressure regulator for maximum supply pressure of 220 bar and maximum outlet pressure of 200 bar. For outlet pressures up to 15 bar the regulator has a diaphragm, for higher outlets a piston. A sintered bronze filter at the inlet port protects against contamination.	
Media	compressed air or non-corrosive gases	
Supply pressure	max. 220 bar	
Adjustment	by hexagon head screw at RH3000-02 to -A3; T-handle at RH3000-06 to -10, with locknut	
Gauge port	All regulators are equipped with both one supply pressure gauge and one outlet pressure gauge.	
Relief valve	prevents from overpressure, see chart	
Compensation	All regulators are equipped with supply pressure variation compensation, so that a change in supply pressure has no effect on the outlet pressure's stability.	
Temperature range	-20 °C to 60 °C / -4 °F to 140 °F	
Material	Body: stainless steel 316 Diaphragm: stainless steel 316 O-ring: FKM / PTFE	Mounting position any Filter: stainless steel 316 Valve seat: FKM Piston: stainless steel 316



Dimensions			Relief valve	K _v -value	Flow rate	Connection thread	Pressure range	Order number
A	B	C	S: with valve	(m ³ /h)	m ³ /h*1	inlet/outlet	bar	

High pressure regulator 220 bar								non-relieving, for compressed air with supply and outlet pressure gauges	RH3000
253	365	242	S	1,8	1100	18330	G1a / G1 a	1 ... 8	RH3000-08A
			S		1300	21670		1 ... 15	RH3000-08B
253	406	278	S	1500	25000			3 ... 30	RH3000-08C
			S	1650	27500			5 ... 50	RH3000-08D
			-	1850	30830			20 ... 200	RH3000-08F
248	370	270	S	3,1	3850	65830	G1a / G1 1/4 i	1 ... 8	RH3000-10A
								1 ... 15	RH3000-10B
								3 ... 30	RH3000-10C
								5 ... 50	RH3000-10D



RH3000-08



RH3000-10

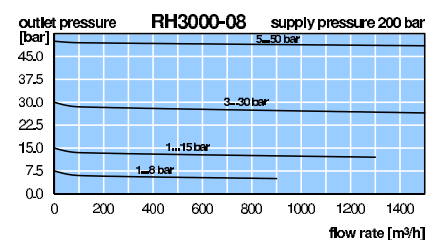
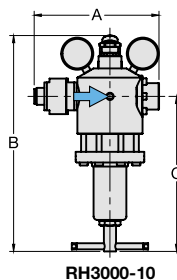
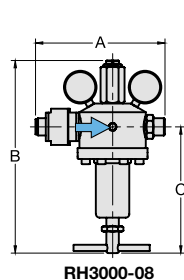
Special options, add the appropriate letter

diaphragm relieving		RH3000-... R
piston relieving		RH3000-... R
EPDM elastomer		RH3000-... E
for panel mounting	for RH3000-02 to -A3	RH3000-... P
carbon dioxide*2	CO ₂	RH3000-... 03
argon	Ar	RH3000-... 05
nitrogen	N ₂	RH3000-... 07
helium	He	RH3000-... 09
hydrogen	H ₂	RH3000-... 11
methane	CH ₄	RH3000-... 13
natural gas *3		RH3000-... 14
propane	C ₃ H ₈	RH3000-... 16
nitrous oxide	N ₂ O	RH3000-... 17
without cylinder connection		RH3000-... X40



Accessories, enclosed

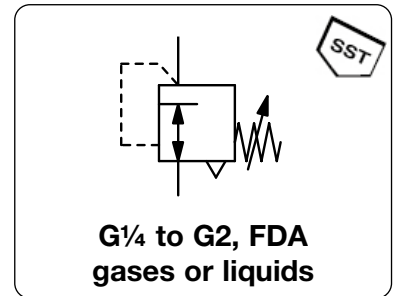
mounting bracket	for RH3000-02	BW45-03S
mounting nut	for RH3000-02	M45x1,5S
mounting bracket	for RH3000-03 and -A3	BW50-01S
mounting nut	for RH3000-03 and -A3	M50x1,5S
mounting bracket	for RH3000-06	BW00-31S
	for RH3000-08	BW00-35S



*1 at 200 bar supply pressure and max. outlet pressure *2 max. 80 bar *3 without DVGW-approval

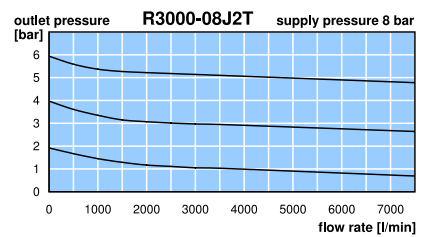
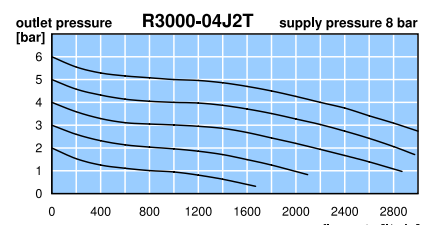
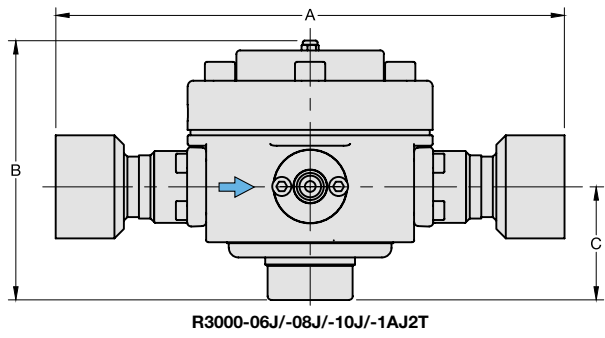
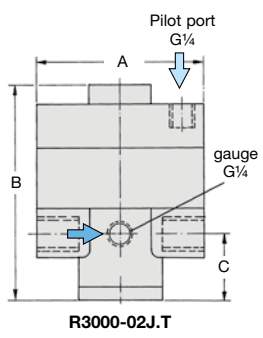
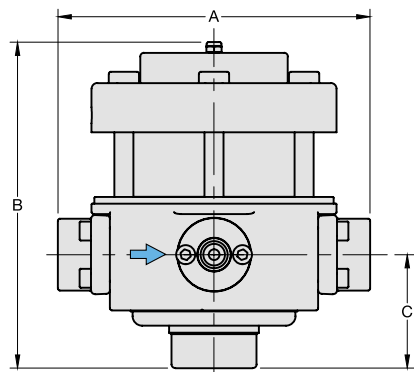
VOLUME BOOSTER MADE OF STAINLESS STEEL THROUGHOUT, UP TO 50 BAR R3000-J

Description	Volume booster made of stainless steel throughout, without constant bleed, transmission ratio 1:1.	
Media	compressed air, gases or liquids	
Supply pressure	max. 60 bar for R3000-06J/-1A, max. 30 bar for -16J, all others 50 bar, for liquids $\Delta p_{max} = 25$ bar	
Pilot pressure	max. 15 bar for R3000-...J2, max. 50 bar for R3000-...J5, pilot port G $\frac{1}{4}$	
Relieving function	non-relieving, optionally relieving	
Exhaust	DN 2, optionally DN 4	
Gauge port	G $\frac{1}{4}$ on both sides of the body, one screw plug supplied	Mounting position any
Temperature range	0 °C to 80 °C / 32 °C to 176 °F for FKM or EPDM 0 °C to 130 °C / 32 °C to 266 °F for high temperature version for appropriately conditioned compressed air down to -20 °C / -4 °F or low temperature version down to -40 °C / -40 °F	
Material	Body: stainless steel 316L, material no. 1.4404 Diaphragm: NBR/Buna-N with PTFE coating, optionally SST	O-rings: FKM, optionally EPDM Inner valve: SST 316L, W.-Nr. 1.4404



Dimensions			Regulating System	K _v -value	Flow rate	Connection thread	Pilot pressure	Pressure range	Order number
A	B	C	D: Diaphragm P: Piston	(m ³ /h)	m ³ /h*1 l/min*1	G	max. bar	bar	

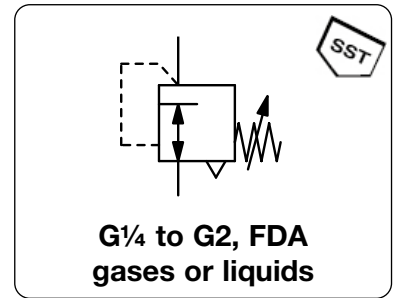
Stainless steel booster										supply pressure max. 60 bar, non-relieving, ratio 1:1, PTFE-diaphragm and FKM-o-ring	R3000-J
64	79	38	M	1.4	78	1300	G $\frac{1}{4}$	15	1...15	R3000-02J2T	
64	92	38	K					50	1...50	R3000-02J5T	
109	90	39	M	3.0	168	2800	G $\frac{1}{2}$	15	1...15	R3000-04J2T	
109	108	39	K					50	1...50	R3000-04J5T	
165	137	60	M	9.7	540	9000	G $\frac{3}{4}$	15	1...15	R3000-06J2T	
165	172	60	K					50	1...50	R3000-06J5T	
165	137	60	M	9.7	540	9000	G1	15	1...15	R3000-08J2T	
165	172	60	K					50	1...50	R3000-08J5T	
269	137	60	M	9.7	540	9000	G1 $\frac{1}{4}$	15	1...15	R3000-10J2T	
269	172	60	K					50	1...50	R3000-10J5T	
269	137	60	M	9.7	540	9000	G1 $\frac{1}{2}$	15	1...15	R3000-1AJ2T	
269	172	60	K					50	1...50	R3000-1AJ5T	
171	237	128	K	25.0	1440	24000	G1 $\frac{1}{2}$	50	1...50	R3000-12J5T	
171	237	128	K	25.0	1440	24000	G2	50	1...15	R3000-B6J2T	
171	237	128	K					50	1...50	R3000-B6J5T	
171	268	128	K	25.0	1440	24000	G2	15	1...15	R3000-16J2T	



*1 at 8 bar supply pressure, 6 bar outlet pressure and 1 bar pressure drop
*2 02 = 0...2.5 bar, 04 = 0...4 bar, 06 = 0...6 bar, 10 = 0...10 bar, 16 = 0...16 bar, 60 = 0...60 bar

VOLUME BOOSTER MADE OF STAINLESS STEEL THROUGHOUT, UP TO 50 BAR R3000-J

Description	Volume booster made of stainless steel throughout, without constant bleed, transmission ratio 1:1.		
Media	compressed air, gases or liquids		
Supply pressure	max. 60 bar for R3000-06J/-1A, max. 30 bar for -16J, all others 50 bar, for liquids $\Delta p_{max} = 25$ bar		
Pilot pressure	max. 15 bar for R3000-...J2, max. 50 bar for R3000-...J5, pilot port G $\frac{1}{4}$		
Relieving function	non-relieving, optionally relieving		
Exhaust	DN 2, optionally DN 4		
Gauge port	G $\frac{1}{4}$ on both sides of the body, one screw plug supplied	Mounting position	any
Temperature range	0 °C to 80 °C / 32 °C to 176 °F for FKM or EPDM 0 °C to 130 °C / 32 °C to 266 °F for high temperature version for appropriately conditioned compressed air down to -20 °C / -4 °F or low temperature version down to -40 °C / -40 °F		
Material	Body: stainless steel 316L, material no. 1.4404 Diaphragm: NBR/Buna-N with PTFE coating, optionally SST	O-rings: FKM, optionally EPDM Inner valve: SST 316L, W.-Nr. 1.4404	



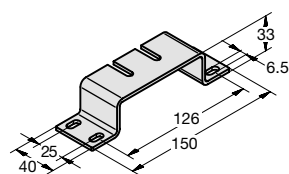
Dimensions	Regulating System	K _v -value	Flow rate	Connection thread	Pilot pressure	Pressure range	Order number
A B C	D: Diaphragm	P: Piston	(m ³ /h) m ³ /h*1 l/min*1	G	max. bar	bar	
mm mm mm							

Special options, add the appropriate letter

diaphragm relieving		for R3000-02J2 to 1A8J2	R3000-...J2.R
piston relieving		for R3000-...J5	R3000-...J...R
down to -40 °C/ -40°F	low temperature version		R3000-...J...X51
up to 130 °C/266 °F	high temperature version		R3000-...J...X54
FKM -o-ring	for piston regulator or PTFE diaphragm		R3000-...J...T
EPDM-o-ring			R3000-...J...TE
EPDM-o-ring	FDA-approval		R3000-...J...TD
SST diaphragm	FKM -o-ring		R3000-...J...S
	EPDM-o-ring		R3000-...J...SE
tapped exhaust			R3000-...J...X12
ammonia	NH ₃	P ₁ max. 15 bar	R3000-...J...02
carobon dioxide	CO ₂		R3000-...J...03
argon	Ar		R3000-...J...05
nitrogen	N ₂		R3000-...J...07
helium	He		R3000-...J...09
hydrogen	H ₂		R3000-...J...11
methane	CH ₄		R3000-...J...13
natural gas *3			R3000-...J...14
oxygen	O ₂		R3000-...J...15
propane	C ₃ H ₈		R3000-...J...16
nitrous oxide	N ₂ O		R3000-...J...17
water	H ₂ O		R3000-...J...W
flange connection	see end of the chapter / flanges		R3000-...J...F.

Accessories, enclosed

pressure gauge	Ø 50 mm, 0...*2 bar, G $\frac{1}{4}$	for G $\frac{1}{4}$ and G $\frac{1}{2}$	MS5002-...*2
	Ø 63 mm, 0...*2 bar, G $\frac{1}{4}$	for G $\frac{3}{4}$ to G2	MS6302-...*2
mounting bracket		for G $\frac{3}{4}$ and G1	BW00-59S



*1 at 8 bar supply pressure, 6 bar outlet pressure and 1 bar pressure drop *3 without DVGW-approval
*2 02 = 0...2.5 bar, 04 = 0...4 bar, 06 = 0...6 bar, 10 = 0...10 bar, 16 = 0...16 bar, 60 = 0...60 bar

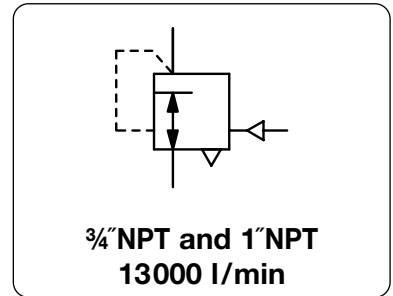
Gauges: see chapter for measuring devices

PDF CAD
www.aircom.net

Order example:
MS5002-02

SST
15

Description	The volume booster amplifies the volume at a 1:1 ratio of pilot pressure to outlet pressure. The booster is robust, highly accurate and sensitive. The hysteresis between the outlet pressure and the relieving pressure is very small and constant. Caused of the inlet pressure compensation of the control valve the regulator is stable against fluctuations in inlet pressure vibrations due to sudden changes of the volume flow are prevented by damping in the diaphragm chamber.	
Media	compressed air or non-corrosive gases	Supply pressure max. 17 bar
Pilot pressure	max. 10 bar	
Accuracy	response sensitivity 15 mbar	
Air consumption	no air consumption	Relieving function relieving, tapped exhaust function ¼ NPT
Relief capacity	4245 l/min at 5 bar outlet pressure and 0.35 bar over pressure	
Gauge port	¼" NPT on both sides of the body	Mounting position: any
Temperature range	-40 to 93 °C / -72 to 167.4 °F; optionally to -52 °C / -93.6 °F	
Material	Body and inner valve stainless steel 316L	Elastomer: NBR



Dimensions			K _v -value	Flow rate	Connection thread	Supply pressure	Pilot pressure	Order number
A	B	C						
mm	mm	mm	(m³/h)	m³/h*1	l/min*1	NPT	max. bar	signal : outlet

Booster			Transmission ratio 1:1, inlet pressure max. 17 bar, reversible, without internal air consumption					R601	
117	177	45	8	690	11500	¾" NPT	17	0 ... 10	R601-06N
			9	780	13000	1" NPT	17	0 ... 10	R601-08N



R601

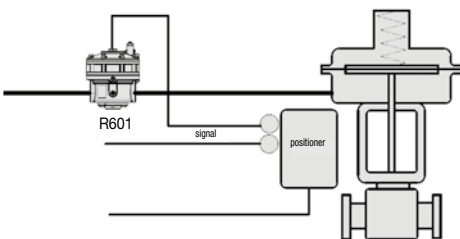
Special options, add the appropriate letter

Low temperature option to -52 °C / -93 °F R600-0.NX51

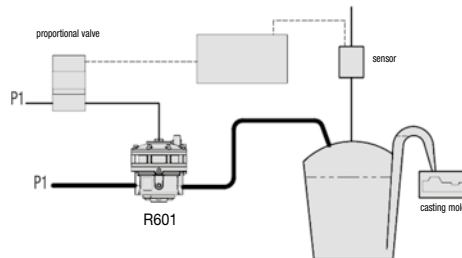
Accessories, enclosed

Pressure gauge Ø 63 mm, 0...*2 bar, G¼
Connection part pressure gauge 1/4" NPTa-G1/4
Mounting bracket

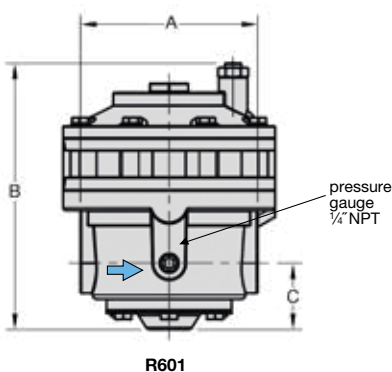
MA6302-..*2
VP-0202N
BW00-66S



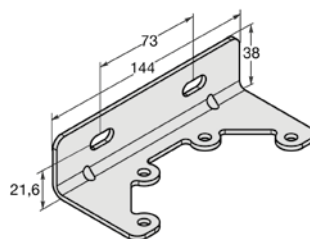
Volume flow booster with single-acting positioner and diaphragm actuator



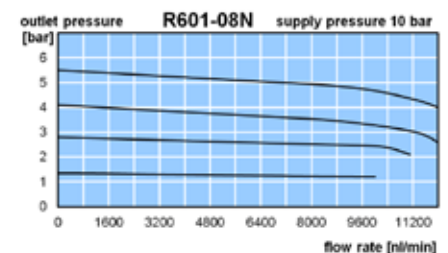
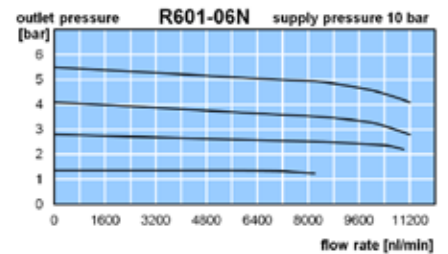
Volume flow booster in a casting plant



R601



BW00-66S



*1 at 7 bar supply pressure and 1,4 bar outlet pressure
 *2 02 = 0...2,5 bar, 04 = 0...4 bar, 06 = 0...6 bar, 10 = 0...10 bar

Gauge: see chapter for measuring devices

PDF CAD
www.aircom.net

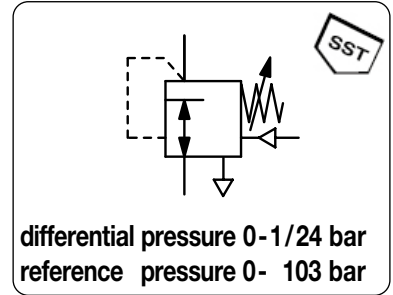
* Product group



Order example:
R601-06N

DIFFERENTIAL PRESSURE REGULATOR P1: MAX. 414 BAR, P2: 0-103 BAR RH44-S

Description	The dome loaded, spring biased regulator is designed for pressure tracking applications to maintain a constant differential pressure. Venting allows for pressure tracking increases and decreases.		
Media	compressed air or gases (depending on selected materials)		
Supply pressure	max. 414 bar	Outlet pressure	max. 103 bar
Exhaust	tapped exhaust 1/4" NPT	Control port	1/8" NPT
Adjustment	hexagonal screw for spring tension	Leakage	bubble-tight
Gauge port	not available	Mounting position	any
Temperature range	-26 °C to 74 °C / -14 °F to 165 °F		
Material	Body: stainless steel 302		
	Valve seat and gasket: CTFE, Vespel		
	O-Rings: NBR/Buna-N		



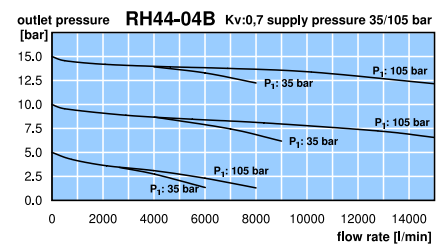
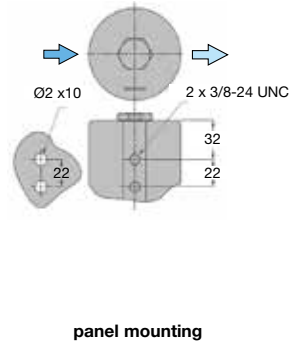
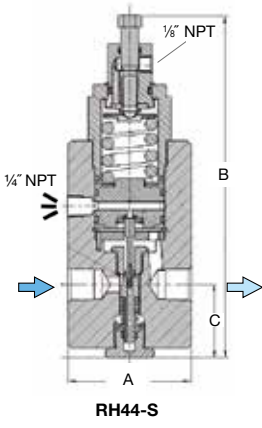
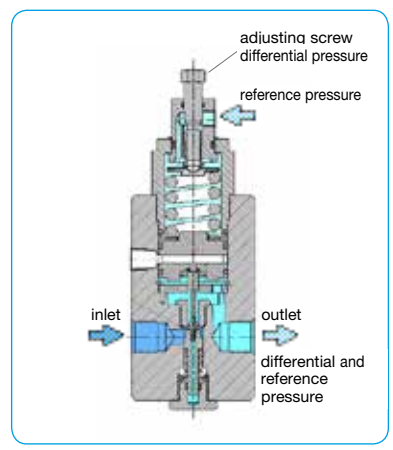
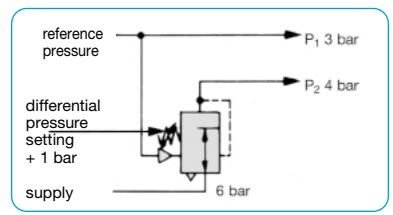
Dimensions			K _v -value (m³/h)	Flow rate l/min*1	Connection thread NPT	Differential pressure range bar	Order number
A mm	B mm	C mm					

Differential pressure regulator						P ₁ max: 414 bar, P ₁ max: 103 bar, SST 302 relieving, P ₂ : 0 ... 103 bar, Viton / CTFE	RH44
76	212	46	0.7	10000	1/2" NPT	0... 1 0... 7 0... 14 0... 24	RH44-04AS RH44-04BS RH44-04CS RH44-04DS
76	212	46	2.0	21000	3/4" NPT	0... 1 0... 7 0... 14 0... 24	RH44-06AS RH44-06BS RH44-06CS RH44-06DS



Special options, add the appropriate letter

brass body (s. page 4.22) RH44-0..

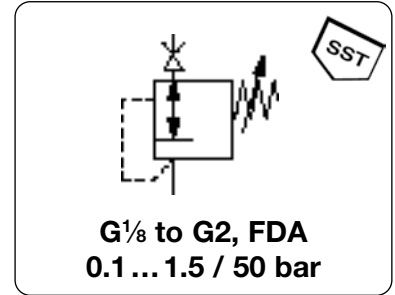


*1 at P₁ = 105 bar, P₂ = 15 bar and Δp = 1 bar

BACK PRESSURE REGULATOR MADE OF STAINLESS STEEL THROUGHOUT

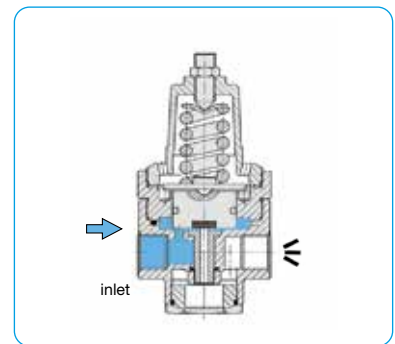
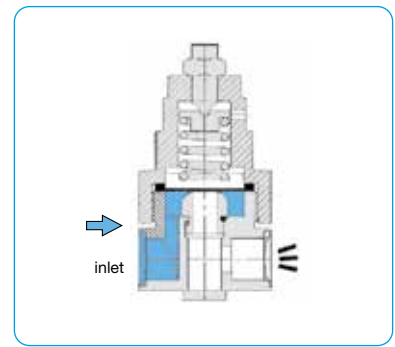
D3000

Description	The back pressure regulator protects compressed air devices from excessive pressure. If the pressure setpoint is exceeded, overpressure is vented into the atmosphere until the setpoint is reached again. It is recommended to choose a pressure range as low as possible. compressed air, gases or liquids
Media	compressed air, gases or liquids
System pressure	see chart, max. 70 bar
Adjustment	by adjusting screw at D3000-01 to -A6, with locknut by T-handle at D3000-06 to -16, with locknut
Gauge port	for inlet pressure, G $\frac{1}{8}$ on both sides, all others G $\frac{1}{4}$, screw plugs supplied
Mounting position	any
Temperature range	0 °C to 80 °C / 32 °C to 176 °F for FKM or EPDM 0 °C to 130 °C / 32 °C to 266 °F for high temperature version for appropriately conditioned compressed air down to -20 °C / -4 °F or low temperature version down to -40 °C / -40 °F
Material	Body: stainless steel 316L, material no 1.4404 O-rings: FKM, optionally NBR/Buna-N or EPDM Diaphragm: NBR/Buna-N with PTFE coating, optionally stainless steel Inner valve: stainless steel 316L, material no 1.4404

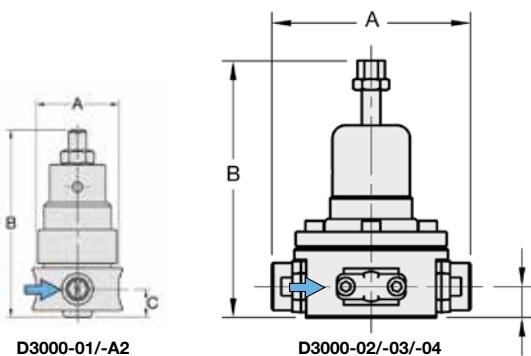


Dimensions			Regul. system	Exhaust	Over-	Connection	Adjustment	Order
A	B	C	D: Diaphragm	rate	pressure	thread	range	number
mm	mm	mm	P: Piston	l/min*1	max. bar	G	bar	

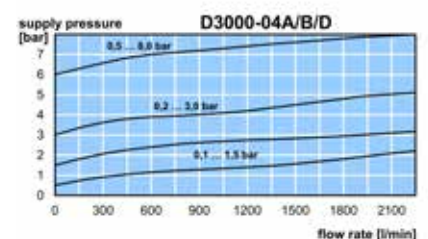
Back pressure regulator			overpressure max. 22.5 / 30 / 70 bar, PTFE diaphragm and FKM o-ring				D3000	
40	83	13	M	400	30	G $\frac{1}{8}$	0,1 ... 1,5	D3000-01AT
							0,2 ... 3,0	D3000-01BT
							0,5 ... 8,0	D3000-01DT
							1,0 ... 15	D3000-01ET
40	83	13	M	400	30	G $\frac{1}{4}$	0,1 ... 1,5	D3000-A2AT
							0,2 ... 3,0	D3000-A2BT
							0,5 ... 8,0	D3000-A2DT
							1,0 ... 15	D3000-A2ET
109	140	17	M	2300	22,5	G $\frac{1}{4}$	0,1 ... 1,5	D3000-02AT
							0,2 ... 3,0	D3000-02BT
							0,5 ... 8,0	D3000-02DT
							1,0 ... 15	D3000-02ET
109	153	17	K	2300	70		2,0 ... 30	D3000-02FT
							3,0 ... 50	D3000-02GT
109	140	17	M	2300	22,5	G $\frac{3}{8}$	0,1 ... 1,5	D3000-03AT
							0,2 ... 3,0	D3000-03BT
							0,5 ... 8,0	D3000-03DT
							1,0 ... 15	D3000-03ET
109	153	17	K	2300	70		2,0 ... 30	D3000-03FT
							3,0 ... 50	D3000-03GT
109	140	17	M	2300	22,5	G $\frac{1}{2}$	0,1 ... 1,5	D3000-04AT
							0,2 ... 3,0	D3000-04BT
							0,5 ... 8,0	D3000-04DT
							1,0 ... 15	D3000-04ET
109	153	17	K	2300	70		2,0 ... 30	D3000-04FT
							3,0 ... 50	D3000-04GT



Accessories, see next pages



*1 at 7 bar overpressure and open outlet



Gauges: see chapter for measuring devices

PDF CAD
www.aircom.net

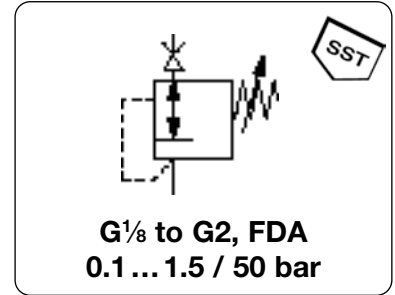


Order example:
D3000-02AT

BACK PRESSURE REGULATOR MADE OF STAINLESS STEEL THROUGHOUT

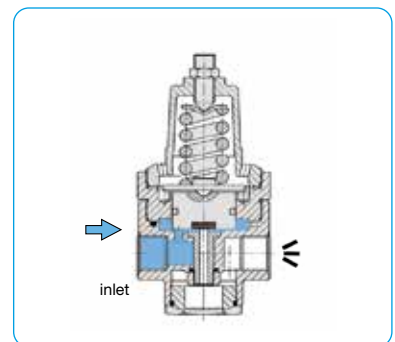
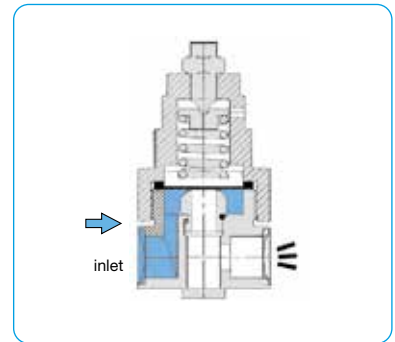
D3000

Description	The back pressure regulator protects compressed air devices from excessive pressure. If the pressure setpoint is exceeded, overpressure is vented into the atmosphere until the setpoint is reached again. It is recommended to choose a pressure range as low as possible. compressed air, gases or liquids
Media	compressed air, gases or liquids
System pressure	see chart, max. 70 bar
Adjustment	by adjusting screw at D3000-01 to -A6, with locknut by T-handle at D3000-06 to -16, with locknut
Gauge port	for inlet pressure, G $\frac{1}{4}$ on both sides, screw plugs supplied
Mounting position	any
Temperature range	0 °C to 80 °C / 32 °C to 176 °F for FKM or EPDM 0 °C to 130 °C / 32 °C to 266 °F for high temperature version for appropriately conditioned compressed air down to -20 °C / -4 °F or low temperature version down to -40 °C / -40 °F
Material	Body: stainless steel 316L, material no 1.4404 O-rings: FKM, optionally EPDM Diaphragm: NBR/Buna-N with PTFE coating, optionally stainless steel Inner valve: stainless steel 316L, material no 1.4404



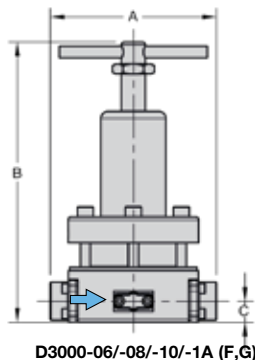
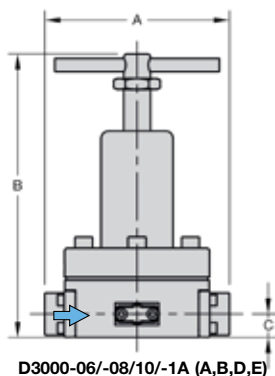
Dimensions			Regul. system	Exhaust	Over-	Connection	Adjustment	Order
A	B	C	D: Diaphragm	rate	pressure	thread	range	number
mm	mm	mm	P: Piston	l/min*1	max. bar	G	bar	

Back pressure regulator				overpressure max. 30 / 65 bar, PTFE diaphragm and FKM o-ring	D3000			
165	246	21	M	8000	30	G $\frac{3}{4}$	0,1 ... 1,5	D3000-06AT
							0,2 ... 3,0	D3000-06BT
							0,5 ... 8,0	D3000-06DT
							1,0 ... 15	D3000-06ET
165	270	21	K	8000	65		2,0 ... 30	D3000-06FT
							3,0 ... 50	D3000-06GT
165	246	21	M	8000	30	G1	0,1 ... 1,5	D3000-08AT
							0,2 ... 3,0	D3000-08BT
							0,5 ... 8,0	D3000-08DT
							1,0 ... 15	D3000-08ET
165	270	21	K	8000	65		2,0 ... 30	D3000-08FT
							3,0 ... 50	D3000-08GT
269	246	21	M	8000	30	G1 $\frac{1}{4}$	0,1 ... 1,5	D3000-10AT
							0,2 ... 3,0	D3000-10BT
							0,5 ... 8,0	D3000-10DT
							1,0 ... 15	D3000-10ET
269	270	21	K	8000	65		2,0 ... 30	D3000-10FT
							3,0 ... 50	D3000-10GT
269	246	21	M	8000	30	G1 $\frac{1}{2}$	0,1 ... 1,5	D3000-1AAT
							0,2 ... 3,0	D3000-1ABT
							0,5 ... 8,0	D3000-1ADT
							1,0 ... 15	D3000-1AET
269	270	21	K	8000	65		2,0 ... 30	D3000-1AFT
							3,0 ... 50	D3000-1AGT

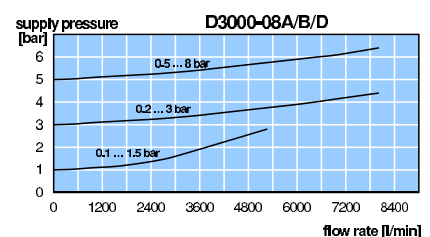


SST
SST
15

Accessories, see next pages



*1 at 7 bar overpressure and open outlet



Gauges: see chapter for measuring devices

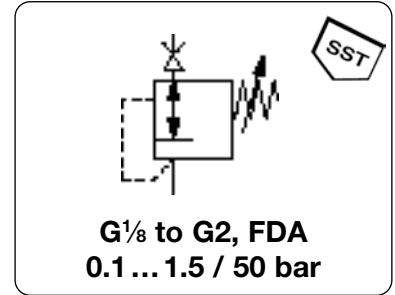
PDF CAD
www.aircom.net

Order example:
D3000-06AT

BACK PRESSURE REGULATOR MADE OF STAINLESS STEEL THROUGHOUT

D3000

Description	The back pressure regulator protects compressed air devices from excessive pressure. If the pressure setpoint is exceeded, overpressure is vented into the atmosphere until the setpoint is reached again. It is recommended to choose a pressure range as low as possible. compressed air, gases or liquids
Media	compressed air, gases or liquids
System pressure	see chart, max. 70 bar
Adjustment	by adjusting screw at D3000-01 to -A6, with locknut by T-handle at D3000-06 to -16, with locknut
Gauge port	for inlet pressure, G $\frac{1}{4}$ on both sides, screw plugs supplied
Mounting position	any
Temperature range	0 °C to 80 °C / 32 °C to 176 °F for FKM or EPDM 0 °C to 130 °C / 32 °C to 266 °F for high temperature version for appropriately conditioned compressed air down to -20 °C / -4 °F or low temperature version down to -40 °C / -40 °F
Material	Body: stainless steel 316L, material no 1.4404 O-rings: FKM, optionally EPDM Diaphragm: NBR/Buna-N with PTFE coating, optionally stainless steel Inner valve: stainless steel 316L, material no 1.4404

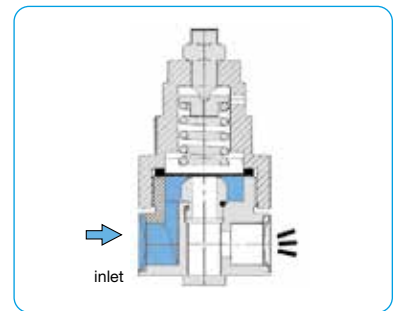


Dimensions			Regul. system	Exhaust	Over-	Connection	Adjustment	Order
A	B	C	D: Diaphragm	rate	pressure	thread	range	number
mm	mm	mm	P: Piston	l/min*1	max. bar	G	bar	

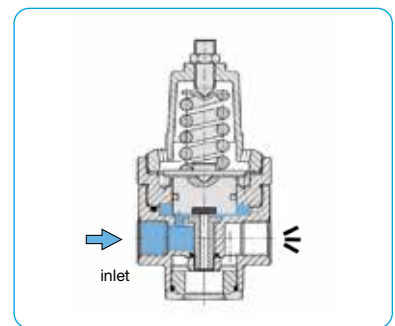
Back pressure regulator							overpressure max. 70 bar, PTFE diaphragm and FKM o-ring	D3000
174	283	35	M	28000	70	G1 $\frac{1}{2}$	0.1 ... 1.5	D3000-12AT
							0.2 ... 3.0	D3000-12BT
							0.5 ... 8.0	D3000-12DT
							1.0 ... 15	D3000-12ET
							2.0 ... 30	D3000-12FT
							3.0 ... 50	D3000-12GT
174	283	35	M	28000	70	G2	0.1 ... 1.5	D3000-16AT
							0.2 ... 3.0	D3000-16BT
							0.5 ... 8.0	D3000-16DT
							1.0 ... 15	D3000-16ET
							2.0 ... 30	D3000-16FT
							3.0 ... 50	D3000-16GT
171								



D3000-12/-16

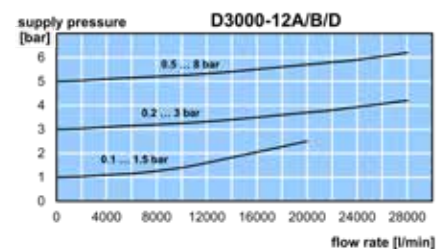
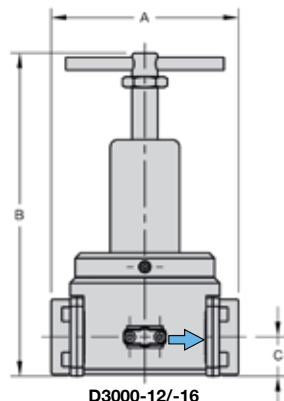


with diaphragm



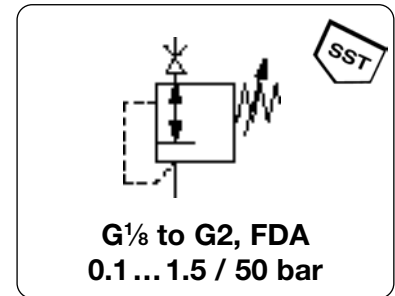
with piston

Accessories, see next page



*1 at 7 bar overpressure and open outlet

Description	The back pressure regulator protects compressed air devices from excessive pressure. If the pressure setpoint is exceeded, overpressure is vented into the atmosphere until the setpoint is reached again. It is recommended to choose a pressure range as low as possible.
Media	compressed air, gases or liquids
System pressure	see chart, max. 70 bar
Adjustment	by adjusting screw at D3000-01 to -A6, with locknut by T-handle at D3000-06 to -16, with locknut
Gauge port	for inlet pressure, G $\frac{1}{4}$ on both sides, screw plugs supplied
Mounting position	any
Temperature range	0 °C to 80 °C / 32 °C to 176 °F for FKM or EPDM 0 °C to 130 °C / 32 °C to 266 °F for high temperature version for appropriately conditioned compressed air down to -20 °C / -4 °F or low temperature version down to -40°C / -40 °F
Material	Body: stainless steel 316L, material no 1.4404 O-rings: FKM, optionally EPDM Diaphragm: NBR/Buna-N with PTFE coating, optionally stainless steel Inner valve: stainless steel 316L, material no 1.4404



Dimensions			Regul. system	Exhaust	Over-	Connection	Adjustment	Order
A	B	C	D: Diaphragm	rate	pressure	thread	range	number
mm	mm	mm	P: Piston	l/min*1	max. bar	G	bar	

Special options, add the appropriate letter

pilot operated	Diaphragm version, control press. max. 15 bar, 1 ... 15 bar	D3000-... J2
pilot operated	Piston version, control press. max. 50 bar, 1 ... 50 bar	D3000-... J5
NPT	connection thread	D3000-... N
down to -40 °C/ -40°F	low temperature version	D3000-... X51
up to 130 °C/266 °F	high temperature version	D3000-... X54
FKM -o-ring	for piston regulator or PTFE diaphragm	D3000-... T
EPDM-o-ring		D3000-... TE
EPDM-o-ring	FDA-approval	D3000-... TD
SST diaphragm	FKM -o-ring	D3000-... S
	NBR -o-ring	D3000-... SB
	EPDM-o-ring	D3000-... SE
	EPDM-o-ring, FDA-approval	D3000-... SD
ammonia	NH ₃	D3000-... 02
carbon dioxide	CO ₂	D3000-... 03
argon	Ar	D3000-... 05
nitrogen	N ₂	D3000-... 07
helium	He	D3000-... 09
hydrogen	H ₂	D3000-... 11
methane	CH ₄	D3000-... 13
natural gas *3		D3000-... 14
oxygen	O ₂	D3000-... 15
propane	C ₃ H ₈	D3000-... 16
nitrous oxide	N ₂ O	D3000-... 17
water	H ₂ O	D3000-... W
flange connection	see end of the chapter / flanges	D3000-... F.

Accessories, enclosed

pressure gauge	Ø 50 mm, 0...*2 bar, G $\frac{1}{4}$	for G $\frac{1}{4}$ to G $\frac{1}{2}$	MS5002-...*2
	Ø 63 mm, 0...*2 bar, G $\frac{1}{4}$	for G $\frac{3}{4}$ to G2	MS6302-...*2
mounting bracket		for G $\frac{1}{4}$ and G $\frac{1}{2}$	BW45-03S
mounting nut			M45x1,5S
mounting bracket		for G $\frac{3}{4}$ to G1 $\frac{1}{2}$ (1A)	BW00-59S
		for G1 $\frac{1}{2}$ (12) and G2	BW00-63S

*1 at 7 bar overpressure and open outlet

*2 02 = 0...2.5 bar, 04 = 0...4 bar, 06 = 0...6 bar, 10 = 0...10 bar, 16 = 0...16 bar, 60 = 0...60 bar

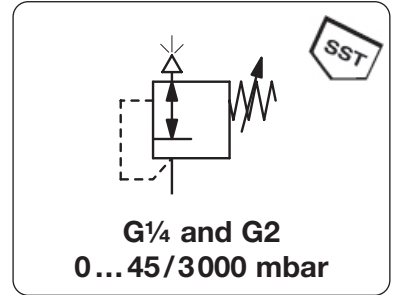
*3 without DVGW-approval



STAINLESS STEEL LOW BACK PRESSURE REGULATOR

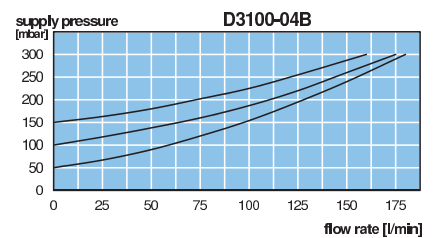
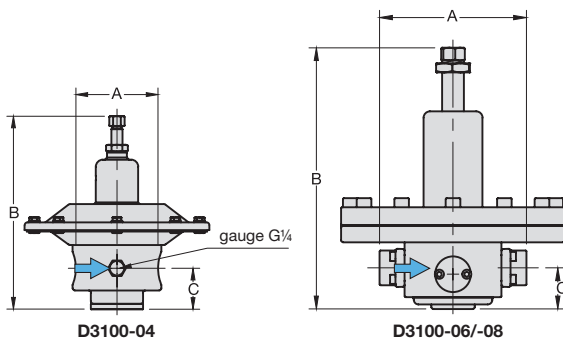
D3100

Description	The diaphragm back pressure regulator protects compressed air devices from excessive pressure. If the pressure setpoint is exceeded, overpressure is vented into the atmosphere until the setpoint is reached again. It is recommended to choose a pressure range as low as possible.	
Media	compressed air, gases	System pressure max. 10 bar
Adjustment	by adjusting screw for D3100-02 to -1A, with locknut by T-handle for D3100-12 and -16, with locknut	
Gauge port	G $\frac{1}{4}$ on both sides of the body, screw plugs supplied	Mounting position any
Temperature range	0 °C to 80 °C / 32 °F to 176 °F, FKM or EPDM 0 °C to 130 °C / 32 °F to 266 °F, high temperature version for appropriately conditioned compressed air down to -20 °C / -4 °F or low temperature version down to -40 °C / -40 °F	
Material	Body: stainless steel 316L, material no. 1.4404 Diaphragm: NBR/Buna-N with PTFE coating Inner valve: stainless steel 316L, material no. 1.4404	O-rings: FKM, optionally EPDM



Dimensions			Exhaust rate l/min*1	Over-pressure max. bar	Connection thread G	Adjustment range mbar	Order number
A	B	C					

Back pressure regulator							overpressure max. 6/10 bar, PTFE-diaphragm and FKM-o-ring	D3100
109	181	39	450	10	G $\frac{1}{4}$	0 ... 45	D3100-02AT	
			750				D3100-02BT	
			1000				D3100-02CT	
			1400				D3100-02DT	
109	181	39	450	10	G $\frac{3}{8}$	0 ... 45	D3100-03AT	
			750				D3100-03BT	
			1000				D3100-03CT	
			1400				D3100-03DT	
109	181	39	450	10	G $\frac{1}{2}$	0 ... 45	D3100-04AT	
			750				D3100-04BT	
			1000				D3100-04CT	
			1400				D3100-04DT	
161	290	45	1500	6	G $\frac{3}{4}$	0 ... 300	D3100-06BT	
			2300				D3100-06CT	
			3000				D3100-06DT	
161	290	45	1500	6	G1	0 ... 300	D3100-08BT	
			2300				D3100-08CT	
			3000				D3100-08DT	



*1 at 6 bar overpressure and open outlet
*2 B6 = 0...60 mbar, C3 = 0...250 mbar

Gauges: see chapter for measuring devices

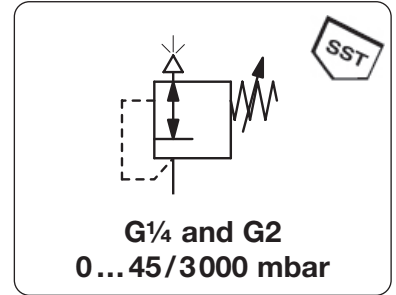
PDF CAD
www.aircom.net

Order example:
D3100-02AT

STAINLESS STEEL LOW BACK PRESSURE REGULATOR

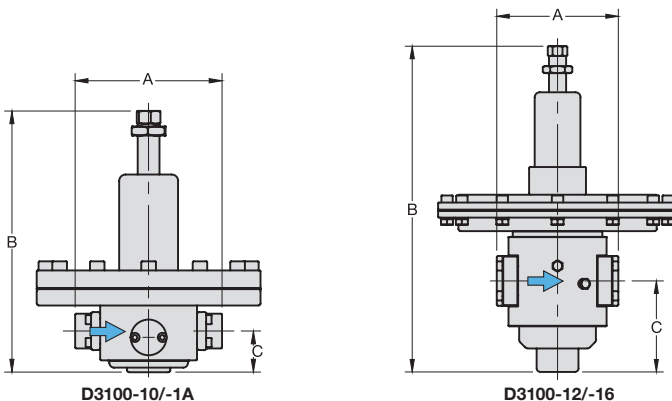
D3100

Description	The diaphragm back pressure regulator protects compressed air devices from excessive pressure. If the pressure setpoint is exceeded, overpressure is vented into the atmosphere until the setpoint is reached again. It is recommended to choose a pressure range as low as possible.	
Media	compressed air, gases	System pressure max. 10 bar
Adjustment	by adjusting screw for D3100-02 to -1A, with locknut by T-handle for D3100-12 and -16, with locknut	
Gauge port	G $\frac{1}{4}$ on both sides of the body, screw plugs supplied	Mounting position any
Temperature range	0 °C to 80 °C / 32 °F to 176 °F, FKM or EPDM 0 °C to 130 °C / 32 °F to 266 °F, high temperature version for appropriately conditioned compressed air down to -20 °C / -4 °F or low temperature version down to -40 °C / -40 °F	
Material	Body: stainless steel 316L, material no. 1.4404 Diaphragm: NBR/Buna-N with PTFE coating Inner valve: stainless steel 316L, material no. 1.4404	O-rings: FKM, optionally EPDM



Dimensions			Exhaust rate l/min*1	Over-pressure max. bar	Connection thread G	Adjustment range mbar	Order number
A	B	C					

Back pressure regulator				overpressure max. 6 / 10 bar, PTFE-diaphragm and FKM-o-ring		D3100	
265	290	45	2000	6	G $\frac{1}{4}$	0 ... 300	D3100-10BT
			4100			0 ... 700	D3100-10CT
			5000			0 ... 1200	D3100-10DT
265	290	45	2000	6	G $\frac{1}{2}$	0 ... 300	D3100-1ABT
			4100			0 ... 700	D3100-1ACT
			5000			0 ... 1200	D3100-1ADT
171	460	128	2500	6	G $\frac{1}{2}$	20 ... 50	D3100-12AT
			5000			50 ... 150	D3100-12BT
			7500			150 ... 300	D3100-12CT
171	420	128	10000	6	G2	300 ... 3000	D3100-12DT
			2500			20 ... 50	D3100-16AT
			5000			50 ... 150	D3100-16BT
171	460	128	7500	6	G2	150 ... 300	D3100-16CT
			10000			300 ... 3000	D3100-16DT



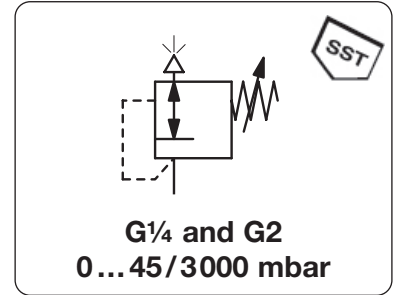
*1 at 6 bar overpressure and open outlet
*2 B6 = 0...60 mbar, C3 = 0...250 mbar

Gauges: see chapter for measuring devices

PDF CAD
www.aircom.net

Order example:
D3100-10BT

Description	The diaphragm back pressure regulator protects compressed air devices from excessive pressure. If the pressure setpoint is exceeded, overpressure is vented into the atmosphere until the setpoint is reached again. It is recommended to choose a pressure range as low as possible.	
Media	compressed air, gases	System pressure max. 6 bar
Adjustment	by adjusting screw for D3100-02 to -1A, with locknut by T-handle for D3100-12 and -16, with locknut	
Gauge port	G $\frac{1}{4}$ on both sides of the body, screw plugs supplied	Mounting position any
Temperature range	0 °C to 80 °C / 32 °F to 176 °F, FKM or EPDM 0 °C to 130 °C / 32 °F to 266 °F, high temperature version for appropriately conditioned compressed air down to -20 °C / -4 °F or low temperature version down to -40 °C / -40 °F	
Material	Body: stainless steel 316L, material no. 1.4404 Diaphragm: NBR/Buna-N with PTFE coating Inner valve: stainless steel 316L, material no. 1.4404	O-rings: FKM, optionally EPDM



Dimensions			Exhaust rate	Over-pressure	Connection thread	Adjustment range	Order number
A	B	C	l/min*1	max. bar	G	mbar	
mm	mm	mm					

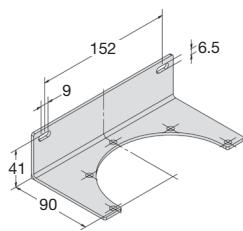
Special options, add the appropriate letter

NPT	connection thread	D3100-...N
FKM -o-ring		D3100-...T
EPDM-o-ring		D3100-...TE
EPDM-o-ring	FDA-approval	D3100-...TD
down to -40 °C/ -40°F	low temperature version	D3100-...X51
up to 130 °C/266 °F	high temperature version	D3100-...X54
ammonia	NH ₃	D3100-...02
carbon dioxide	CO ₂	D3100-...03
argon	Ar	D3100-...05
nitrogen	N ₂	D3100-...07
helium	He	D3100-...09
hydrogen	H ₂	D3100-...11
methane	CH ₄	D3100-...13
natural gas *3		D3100-...14
Sauerstoff	O ₂	D3100-...15
propane	C ₃ H ₈	D3100-...16
nitrous oxide	N ₂ O	D3100-...17
flange connection	see end of the chapter / flanges	D3100-...F.

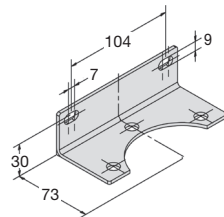


Accessories, enclosed

pressure gauge	Ø 63 mm, 0...*2 mbar, G $\frac{1}{4}$, capsule type	up to 600 mbar	MS6302-...*2
	Ø 63 mm, 0...*2 bar, G $\frac{1}{4}$, Bourdon tube	from 1 bar on	MS6302-01
gauge connection parts		for G $\frac{1}{2}$	AM-03S
mounting bracket		for G $\frac{1}{2}$	BW00-26S
		for G1	BW00-27S



BW00-26S



BW00-27S

*1 at 6 bar overpressure and open outlet
*2 B6 = 0...60 mbar, C3 = 0...250 mbar, C4 = 0...400 mbar, C6 = 0...600 mbar, 01 = 0...1 bar, 02 = 0...2 bar, 04 = 0...4 bar
*3 without DVGW-approval

FILTER REGULATOR MADE OF STAINLESS STEEL THROUGHOUT, P1: MAX. 80 BAR B3000

Description Filter pressure regulator with bowl without sight glass, completely made of stainless steel. Diaphragm-operated, from size G $\frac{3}{8}$ on piston-operated.

Media compressed air, gases or liquids

Supply pressure max. 16 bar, 50 bar or 80 bar (only with locking screw)

Adjustment by adjusting screw, from B3000-12 on with T-handle, max. 50 bar for B3000-02 to -16, optionally 80 bar

Relieving function relieving, optionally non-relieving

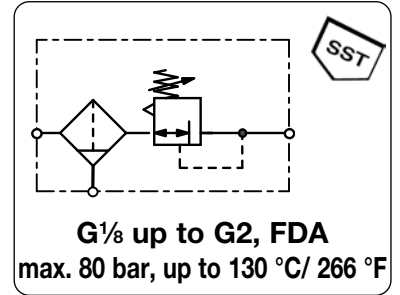
Gauge port G $\frac{1}{4}$ on both sides of the body, G $\frac{1}{8}$ for B3000-01/-A2, one screw plug supplied

Filter element 50 μ m and 5 μ m, made of stainless steel **Bowl** stainless steel version without sight glass

Drain manual drain (max. 30 bar), screw plug for 50 bar and 80 bar version automatic drain (max. 16 bar) for G $\frac{1}{4}$ (02) up to G1

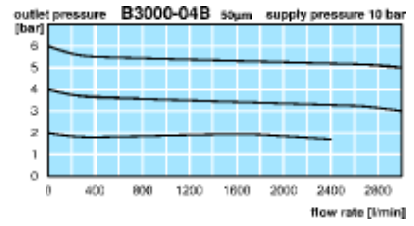
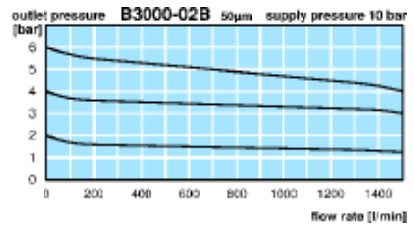
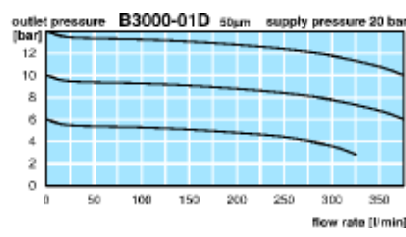
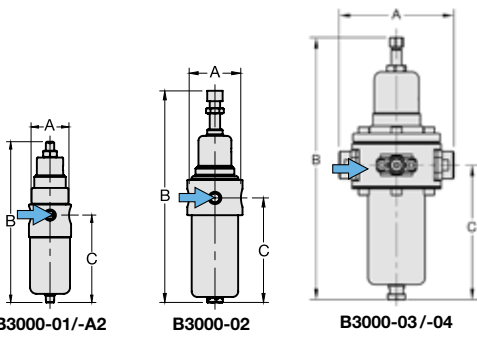
Temperature range -20 °C to 80 °C / -4 °F to 176 °F for NBR/Buna-N, EPDM or FKM
-20 °C to 130 °C / -4 °F to 266 °F for high temperature version or low temperature version down to -40 °C / -40 °F

Werkstoffe Body / Bowl / Inner valve : stainless steel 316L, material-no. 1.4404
O-rings: FKM, optionally EPDM Diaphragm: NBR/Buna-N with PTFE-coating



Dimensions			Bowl capacity l	Flow rate l/min*1	Filter element μ m	Connection thread G	Pressure range bar	Order number
A	B	C						

Filter pressure regulator					with screw plug, relieving, w/o gauge, supply pressure max. 30 / 50 bar			B3000	
40	147	83	0,03	200	5	G $\frac{1}{8}$	0.8 ... 8	B3000-01GH	B3000
							1.5 ... 15	B3000-01GDH	
40	147	83	0,03	280	50	G $\frac{1}{4}$	0.8 ... 8	B3000-01H	B3000
							1.5 ... 15	B3000-01DH	
40	147	83	0,03	200	5	G $\frac{1}{4}$	0.8 ... 8	B3000-A2GH	B3000
							1.5 ... 15	B3000-A2GDH	
40	147	83	0,03	280	50	G $\frac{1}{4}$	0.8 ... 8	B3000-A2H	B3000
							1.5 ... 15	B3000-A2DH	
64	249	128	0,14	600	5	G $\frac{1}{4}$	0.8 ... 8	B3000-02G	B3000
							1.5 ... 15	B3000-02GD	
64	249	128	0,14	800	50	G $\frac{1}{4}$	0.8 ... 8	B3000-02	B3000
							1.5 ... 15	B3000-02D	
109	246	125	0,2	2200	5	G $\frac{3}{8}$	0.8 ... 8	B3000-03G	B3000
							1.5 ... 15	B3000-03GD	
109	246	125	0,2	3000	50	G $\frac{3}{8}$	3.0 ... 30	B3000-03GE	B3000
							5.0 ... 50	B3000-03GF	
109	246	125	0,2	2200	5	G $\frac{1}{2}$	0.8 ... 8	B3000-03	B3000
							1.5 ... 15	B3000-03D	
109	246	125	0,2	3000	50	G $\frac{1}{2}$	3.0 ... 30	B3000-03E	B3000
							5.0 ... 50	B3000-03F	
109	246	125	0,2	2200	5	G $\frac{1}{2}$	0.8 ... 8	B3000-04G	B3000
							1.5 ... 15	B3000-04GD	
109	246	125	0,2	3000	50	G $\frac{1}{2}$	3.0 ... 30	B3000-04GE	B3000
							5.0 ... 50	B3000-04GF	
109	246	125	0,2	2200	5	G $\frac{1}{2}$	0.8 ... 8	B3000-04	B3000
							1.5 ... 15	B3000-04D	
109	246	125	0,2	3000	50	G $\frac{1}{2}$	3.0 ... 30	B3000-04E	B3000
							5.0 ... 50	B3000-04F	



*1 at 8 bar supply pressure, 6 bar outlet pressure and 1 bar pressure

PDF CAD
www.aircom.net

Order example:
B3000-01GH

FILTER REGULATOR MADE OF STAINLESS STEEL THROUGHOUT, P1: MAX. 80 BAR B3000

Description Filter pressure regulator with bowl without sight glass, completely made of stainless steel. Diaphragm-operated, from size G $\frac{3}{4}$ on piston-operated.

Media compressed air, gases or liquids

Supply pressure max. 16 bar, 50 bar or 80 bar (only with locking screw)

Adjustment by adjusting screw, from B3000-12 on with T-handle, max. 50 bar for B3000-02 to -16, optionally 80 bar

Relieving function relieving, optionally non-relieving

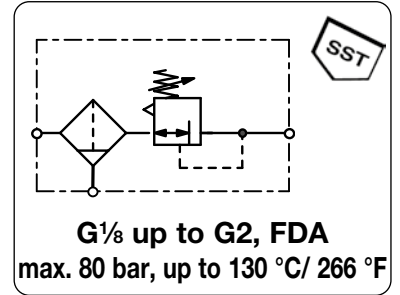
Gauge port G $\frac{1}{4}$ on both sides of the body, G $\frac{1}{8}$ for B3000-01/-A2, one screw plug supplied

Filter element 50 μ m and 5 μ m, made of stainless steel **Bowl** stainless steel version without sight glass

Drain manual drain (max. 30 bar), screw plug for 50 bar and 80 bar version automatic drain (max. 16 bar) for G $\frac{1}{4}$ (02) up to G1

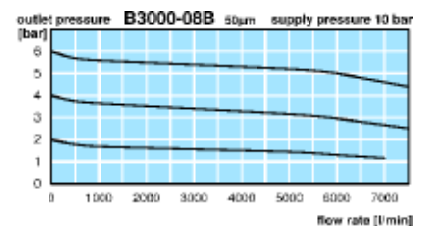
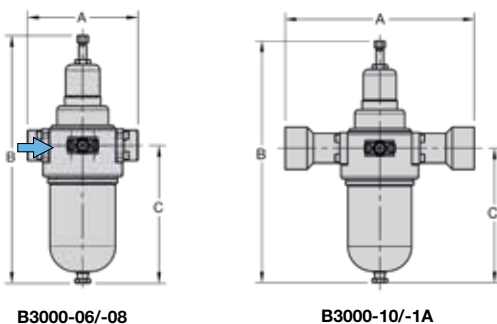
Temperature range -20 °C to 80 °C / -4 °F to 176 °F for NBR/Buna-N, EPDM or FKM
-20 °C to 130 °C / -4 °F to 266 °F for high temperature version or low temperature version down to -40 °C / -40 °F

Werkstoffe Body / Bowl / Inner valve : stainless steel 316L, material-no. 1.4404
O-rings: FKM, optionally EPDM Diaphragm: NBR/Buna-N with PTFE-coating



Dimensions			Bowl capacity l	Flow rate l/min*1	Filter element μ m	Connection thread G	Pressure range bar	Order number
A	B	C						

Filter pressure regulator				with screw plug, relieving, w/o gauge, supply pressure max. 30 / 50 bar			B3000	
137	304	168	0,5	4500	5	G $\frac{3}{4}$	0.8... 8	B3000-06G
							1.5... 15	B3000-06GD
							3.0... 30	B3000-06GE
							5.0... 50	B3000-06GF
							0.8... 8	B3000-06
							1.5... 15	B3000-06D
137	304	168	0,5	4500	5	G1	0.8... 8	B3000-08G
							1.5... 15	B3000-08GD
							3.0... 30	B3000-08GE
							5.0... 50	B3000-08GF
							0.8... 8	B3000-08
							1.5... 15	B3000-08D
137	304	168	0,5	4500	5	G1 $\frac{1}{4}$	0.8... 8	B3000-10G
							1.5... 15	B3000-10GD
							3.0... 30	B3000-10GE
							5.0... 50	B3000-10GF
							0.8... 8	B3000-10
							1.5... 15	B3000-10D
248	304	168	0,5	4500	5	G1 $\frac{1}{2}$	0.8... 8	B3000-1AG
							1.5... 15	B3000-1AGD
							3.0... 30	B3000-1AGE
							5.0... 50	B3000-1AGF
							0.8... 8	B3000-1A
							1.5... 15	B3000-1AD
				6000	50		0.8... 8	B3000-1A
							1.5... 15	B3000-1AD
							3.0... 30	B3000-1AE
							5.0... 50	B3000-1AF

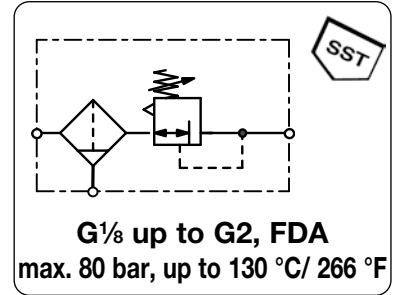


*1 at 8 bar supply pressure, 6 bar outlet pressure and 1 bar pressure



FILTER REGULATOR MADE OF STAINLESS STEEL THROUGHOUT, P1: MAX. 80 BAR B3000

Description	Filter pressure regulator with bowl without sight glass, completely made of stainless steel. Diaphragm-operated, from size G $\frac{1}{4}$ on piston-operated.
Media	compressed air, gases or liquids
Supply pressure	max. 16 bar, 50 bar or 80 bar (only with locking screw)
Adjustment	by adjusting screw, from B3000-12 on with T-handle, max. 50 bar for B3000-02 to -16, optionally 80 bar
Relieving function	relieving, optionally non-relieving
Gauge port	G $\frac{1}{4}$ on both sides of the body, G $\frac{1}{8}$ for B3000-01/-A2, one screw plug supplied
Filter element	50 μ m and 5 μ m, made of stainless steel Bowl stainless steel version without sight glass
Drain	manual drain (max. 30 bar), screw plug for 50 bar and 80 bar version automatic drain (max. 16 bar) for G $\frac{1}{4}$ (02) up to G1
Temperature range	-20 °C to 80 °C / -4 °F to 176 °F for NBR/Buna-N, EPDM or FKM -20 °C to 130 °C / -4 °F to 266 °F for high temperature version or low temperature version down to -40 °C / -40 °F
Werkstoffe	Body / Bowl / Inner valve : stainless steel 316L, material-no. 1.4404 O-rings: FKM, optionally EPDM Diaphragm: NBR/Buna-N with PTFE-coating



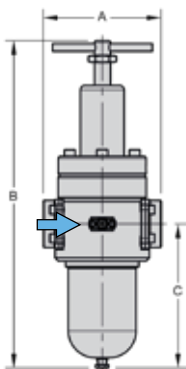
Dimensions			Bowl capacity	Flow rate	Filter element	Connection thread	Pressure range	Order number
A	B	C	l	l/min*1	μ m	G	bar	

Filter pressure regulator				with screw plug, relieving, w/o gauge, supply pressure max. 30 / 50 bar			B3000		
174	483	213	1,0	17500	5	G1 $\frac{1}{2}$	0.8 ... 8	B3000-12G	
							1.5 ... 15	B3000-12GD	
							3.0 ... 30	B3000-12GE	
							5.0 ... 50	B3000-12GF	
							0.8 ... 8	B3000-12	
							1.5 ... 15	B3000-12D	
174	483	213	1,0	17500	5	G2	0.8 ... 8	B3000-16G	
							1.5 ... 15	B3000-16GD	
							3.0 ... 30	B3000-16GE	
							5.0 ... 50	B3000-16GF	
							0.8 ... 8	B3000-16	
							1.5 ... 15	B3000-16D	
				23000	50		0.8 ... 8	B3000-16E	
				23000	50		1.5 ... 15	B3000-16F	



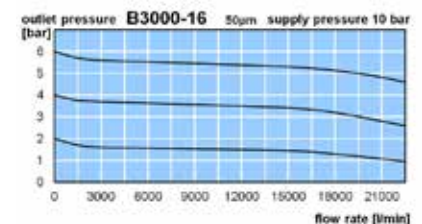
B3000-12/-16

Accessories, see next page



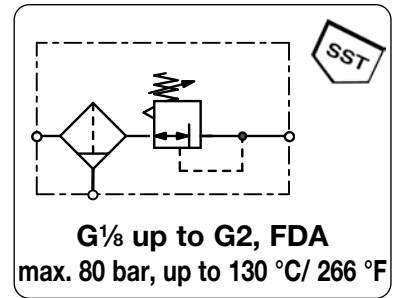
B3000-12/-16

*1 at 8 bar supply pressure, 6 bar outlet pressure and 1 bar pressure



FILTER REGULATOR MADE OF STAINLESS STEEL THROUGHOUT, P1: MAX. 80 BAR B3000

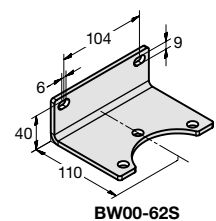
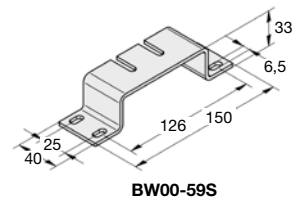
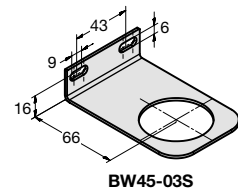
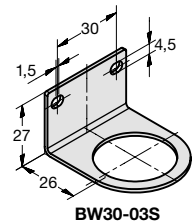
Description	Filter pressure regulator with bowl without sight glass, completely made of stainless steel. Diaphragm-operated, from size G $\frac{3}{8}$ on piston-operated.
Media	compressed air, gases or liquids
Supply pressure	max. 30 bar, 50 bar or 80 bar (only with locking screw)
Adjustment	by adjusting screw, from B3000-12 on with T-handle, max. 50 bar for B3000-02 to -16, optionally 80 bar relieving, optionally non-relieving
Relieving function	relieving, optionally non-relieving
Gauge port	G $\frac{1}{4}$ on both sides of the body, G $\frac{3}{8}$ for B3000-01/-A2, one screw plug supplied
Filter element	50 μ m and 5 μ m, made of stainless steel Bowl stainless steel version without sight glass
Drain	manual drain (max. 30 bar), screw plug for 50 bar and 80 bar version automatic drain (max. 16 bar) for G $\frac{1}{4}$ (02) up to G1
Temperature range	-20 °C to 80 °C / -4 °F to 176 °F for NBR/Buna-N, EPDM or FKM -20 °C to 130 °C / -4 °F to 266 °F for high temperature version or low temperature version down to -40 °C / -40 °F
Werkstoffe	Body / Bowl / Inner valve : stainless steel 316L, material-no. 1.4404 O-rings: FKM, optionally EPDM Diaphragm: NBR/Buna-N with PTFE-coating



Dimensions			Bowl capacity	Flow rate	Filter element	Connection thread	Pressure range	Order number
A	B	C	l	l/min*1	μ m	G	bar	
mm	mm	mm						

Special options, add the appropriate letter

NPT	connection thread	for G $\frac{1}{4}$ (02) to G2	B3000-... N
0,1 ... 1,5 bar regulating range			B3000-... A
0,2 ... 3 bar regulating range			B3000-... B
manual drain	max. 30 bar	for G $\frac{1}{4}$ (02) to G2	B3000-... H
automatic drain	max. 16 bar	for G $\frac{1}{4}$ (02) to G2	B3000-... R
non-relieving	without relieving function		B3000-... K
P1: max. 80 bar		for G $\frac{1}{4}$ (02) to G1 $\frac{1}{2}$ (1A)	B3000-... X48
down to -40 °C/ -40 °F	low temperature version		B3000-... X51
up to 130 °C/ 266 °F	high temperature version		B3000-... X54
spring cage made of POM		for G $\frac{1}{8}$ and G $\frac{1}{4}$ (A2)	R3000-... X57
EPDM-o-ring			B3000-... E
EPDM-o-ring	FDA approval		B3000-... TD
SST diaphragm	not suitable for water	for G $\frac{1}{4}$ (02) to G $\frac{1}{2}$	B3000-... S
ammonia NH₃		P ₁ max. 15 bar	B3000-... 02
carbon dioxide CO₂			B3000-... 03
argon Ar			B3000-... 05
nitrogen N₂			B3000-... 07
helium He			B3000-... 09
hydrogen H₂			B3000-... 11
Methan CH₄			B3000-... 13
natural gas*3			B3000-... 14
oxygen O₂			B3000-... 15
propane C₃H₈			B3000-... 16
nitrous oxide N₂O			B3000-... 17
flange connection	see end of the chapter / flanges		B3000-... F



Accessories, enclosed

pressure gauge	\varnothing 40 mm, 0...*2 bar, G $\frac{1}{8}$	for G $\frac{1}{8}$ and G $\frac{1}{4}$ (A2)	MS4001-..*2
	\varnothing 50 mm, 0...*2 bar, G $\frac{1}{4}$	for G $\frac{1}{4}$ to G $\frac{1}{2}$	MS5002-..*2
	\varnothing 63 mm, 0...*2 bar, G $\frac{1}{4}$	for G $\frac{3}{4}$ to G2	MS6302-..*2
mounting bracket		for G $\frac{1}{8}$ and G $\frac{1}{4}$ (A2)	BW30-03S
mounting nut			M30x1,5SS
mounting bracket		for G $\frac{1}{4}$ (02) to G1 $\frac{1}{2}$ (1A)	BW45-03S
mounting nut			M45x1,5S
mounting bracket		for G $\frac{3}{8}$ to G1 $\frac{1}{2}$ (1A)	BW00-59S
mounting bracket		for G1 $\frac{1}{2}$ (12) and G2	BW00-62S

*1 at 8 bar supply pressure, 6 bar outlet pressure and 1 bar pressure

*2 04 = 0...4 bar, 10 = 0...10 bar, 16 = 0...16 bar, 60 = 0...60 bar

*3 without DVGW-approval



STAINLESS STEEL COMPRESSED AIR FILTER, UP TO 80 BAR

F3000

Description Filter with bowl without sight glass completely made of stainless steel, extremely robust, suitable for compressed air, gases or liquids. Application examples are the chemistry, petroleum processing as well as food industry and medical technology.

Filter element 50 µm, optionally 5 µm, made of stainless steel, coalescing filter 0.1 µm at 99,99% stainless steel version without sight glass

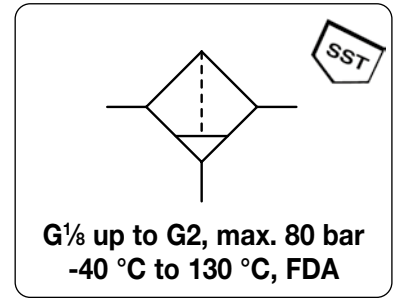
Bowl screw plug as standard,

Drainage optionally for compressed air only: manual drain (max. 30 bar), automatic drain (max. 16 bar)

Operating pressure max. 50 bar (without drain), optionally manual drain (max. 30 bar) or automatic drain (max. 16 bar)

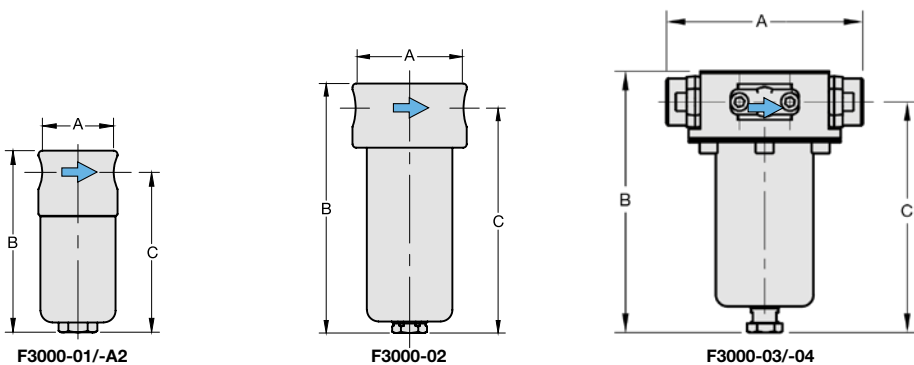
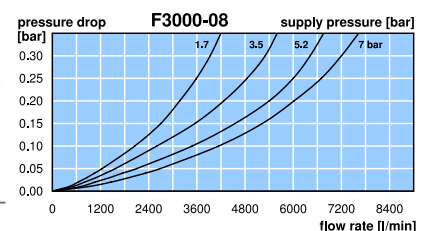
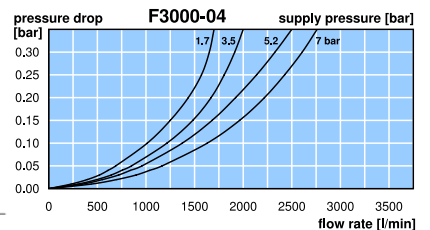
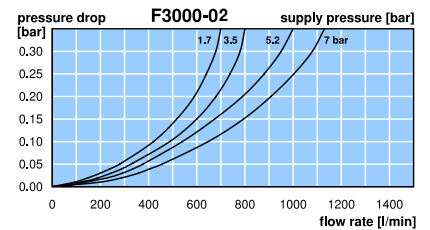
Temperature range 0 °C to 80 °C / 32 °F to 176 °F for FKM or EPDM
0 °C to 130 °C / 32 °F to 266 °F for high temperature version, for appropriately conditioned compressed air down to -20 °C / -4 °F, or low temperature version down to -40 °C / -40 °F

Material Body: stainless steel 316L, material no. 1.4404
Bowl: stainless steel 316L, material no. 1.4404
Elastomer: FKM, optionally EPDM
Inner valve: stainless steel 316L, material no. 1.4404



Dimensions			Bowl capacity l	Flow rate m ³ /h*1	P ₁ max. bar	Filter element µm	Connection thread G	Order number
A	B	C						

Stainless steel filter, up to 50 bar with screw plug								F3000	
40	92	81	0,03	45	750	50	50	G ^{1/8}	F3000-01 F3000-01G
40	92	81	0,03	45	750	50	50	G ^{1/4}	F3000-A2 F3000-A2G
64	140	125	0,14	54	900	50	50	G ^{1/4}	F3000-02 F3000-02G F3000-02I
109	140	123	0,2	150	2500	50	50	G ^{3/8}	F3000-03 F3000-03G F3000-03I
109	140	123	0,2	150	2500	50	50	G ^{1/2}	F3000-04 F3000-04G F3000-04I
79	150	130	0,2	150	2500	50	0,01	G ^{3/4}	F3000-06 F3000-06G F3000-06I
137	194	167	0,50	432	7200	50	50	G ¹	F3000-08 F3000-08G F3000-08I
137	194	167	0,50	432	7200	50	50	G ^{1 1/4}	F3000-10 F3000-10G F3000-10I
241	194	167	0,50	432	7200	50	50	G ^{1 1/2}	F3000-1A F3000-1AG F3000-1AI
174	248	218	1,00	1380	23000	50	50	G ^{1 1/2}	F3000-12 F3000-12G
174	248	218	1,00	1380	23000	50	50	G ²	F3000-16 F3000-16G



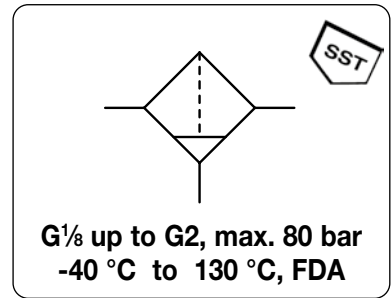
*1 at 7 bar operating pressure and 0.33 bar pressure drop

Extensions: see chapter for FRL service units
Spare parts: see separate spare parts list

PDF CAD
www.aircom.net

Order example:
F3000-01

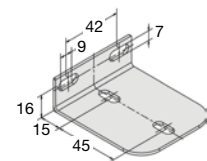
Description	Filter with bowl without sight glass completely made of stainless steel, extremely robust, suitable for compressed air, gases or liquids. Application examples are the chemistry, petroleum processing as well as food industry and medical technology.
Filter element	50 µm, optionally 5 µm, made of stainless steel, coalescing filter 0.1 µm at 99,99%
Bowl	stainless steel version without sight glass
Drainage	screw plug as standard, optionally for compressed air only: manual drain (max. 30 bar), automatic drain (max. 16 bar)
Operating pressure	max. 50 bar (without drain), optionally manual drain (max. 30 bar) or automatic drain (max. 16 bar)
Temperature range	0 °C to 80 °C / 32 °F to 176 °F for FKM or EPDM 0 °C to 130 °C / 32 °F to 266 °F for high temperature version, for appropriately conditioned compressed air down to -20 °C / -4 °F, or low temperature version down to -40 °C / -40 °F
Material	Body: stainless steel 316L, material no. 1.4404 Bowl: stainless steel 316L, material no. 1.4404 Elastomer: FKM, optionally EPDM Inner valve: stainless steel 316L, material no. 1.4404



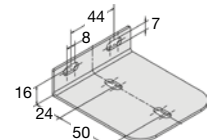
Dimensions			Bowl capacity l	Flow rate m ³ /h*1 l/min*1	P ₁ max. bar	Filter element µm	Connection thread G	Order number
A	B	C						
mm	mm	mm						

Special options, add the appropriate letter

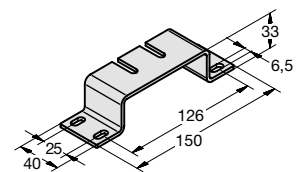
NPT	connection thread	F3000-...N
P₁: max. 80 bar		for G ¹ / ₄ (02) to G2
down to -40 °C / -40 °F	low temperature version	F3000-...X48 F3000-...X51
up to 130 °C / 266 °F	high temperature version	F3000-...X54
manual drain	max. 30 bar	F3000-...H
automatic drain	max. 16 bar	for G ¹ / ₄ (02) to G2
EPDM-elastomer		F3000-...E
EPDM-elastomer	FDA-approval	F3000-...TD
ammonia	NH ₃	P ₁ max. 15 bar
carbon dioxide	CO ₂	F3000-...02
argon	Ar	F3000-...03
nitrogen	N ₂	F3000-...05
helium	He	F3000-...07
hydrogen	H ₂	F3000-...09
methane	CH ₄	F3000-...11
natural gas *2		F3000-...13
oxygen	O ₂	F3000-...14
propane	C ₃ H ₈	F3000-...15
nitrous oxide	N ₂ O	F3000-...16
flange connection	see end of the chapter / flanges	F3000-...17
		F3000-...F.



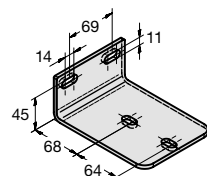
BW00-17S



BW00-18S



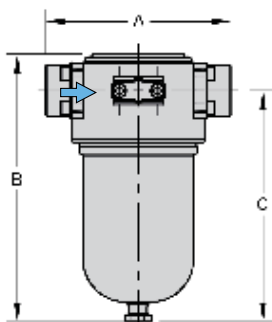
BW00-59S



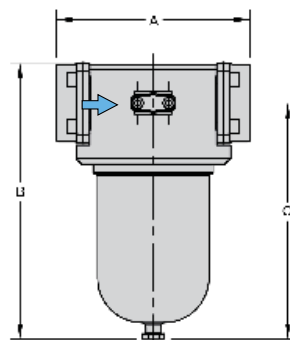
BW00-63S

Accessories, enclosed

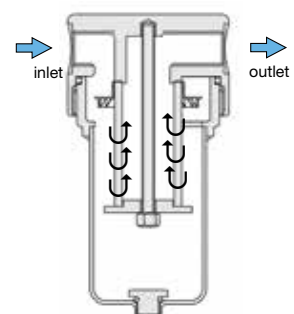
mounting bracket	for G ¹ / ₄ (02)	BW00-17S
	for G ¹ / ₂ (only 04I)	BW00-18S
	for G ³ / ₈ to G ¹ / ₂ (1A)	BW00-59S
	for G ¹ / ₂ (12) and G2	BW00-63S



F3000-06/-08/-10/1A



F3000-12/-16



cross-section

*1 at 7 bar operating pressure and 0.33 bar pressure drop

*2 without DVWG-approval

Extensions: see chapter for FRL service units
Spare parts: see separate spare parts list

PDF CAD
www.aircom.net

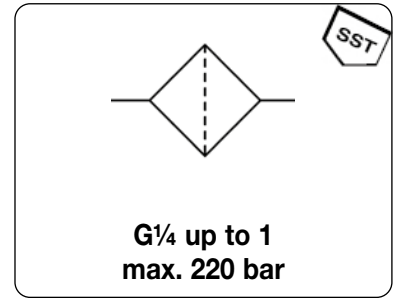


Order example:
BW00-17S

STAINLESS STEEL COMPRESSED AIR FILTER, UP TO 220 BAR

FH3

Description	Stainless steel filter, without sight glass, very robust design, for compressed air, gases or liquids. Application areas: Chemical industry, petroleum processing, food industry and medical technology.		
Filter element	50 µm, optionally 5 µm, made of SST or Coalescing 0.01 µm / 99,99 %		
Bowl	made of stainless steel, without sight glass		
Operating pressure	max. 220 bar		
Temperature range	-20 °C to 60 °C / -4 °F to 140 °F		
Material	Body: SST 316L, material-no. 1.4404, Bowl: SST 316L, material-no. 1.4404 Inner valve: SST 316L, material-no. 1.4404	optionally brass Filter elements 5/50 µm: SST 316L Elastomer: FKM, optionally EPDM	



Dimensions			Bowl capacity l	Flow rate		Filter element µm	Connection thread G	Order number
A	B	C		m³/h*1	l/min*1			

SST Filter, up to 220 bar				50 µm / 5 µm		FH3		
70	123	99	0.04	120	2000	5	G1/4	FH3-02G
				160	2670	50	G1/4	FH3-02
				120	2000	5	G3/8	FH3-03G
				160	2670	50	G3/8	FH3-03
170	123	99	0.04	120	2000	5	G1/2	FH3-04G
				160	2670	50	G1/2	FH3-04
204	145	125	0.08	240	4000	5	G3/4	FH3-06G
				320	5530	50	G3/4	FH3-06
204	145	125	0.08	240	4000	5	G1	FH3-08G
				320	5530	50	G1	FH3-08



FH3-02/-03/-04



FH3-06/-08

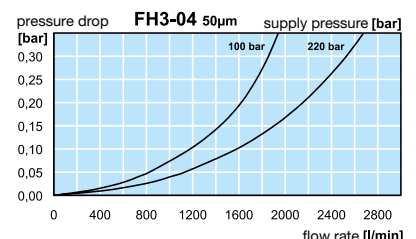
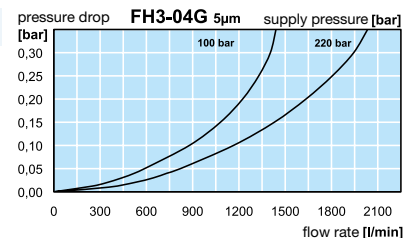
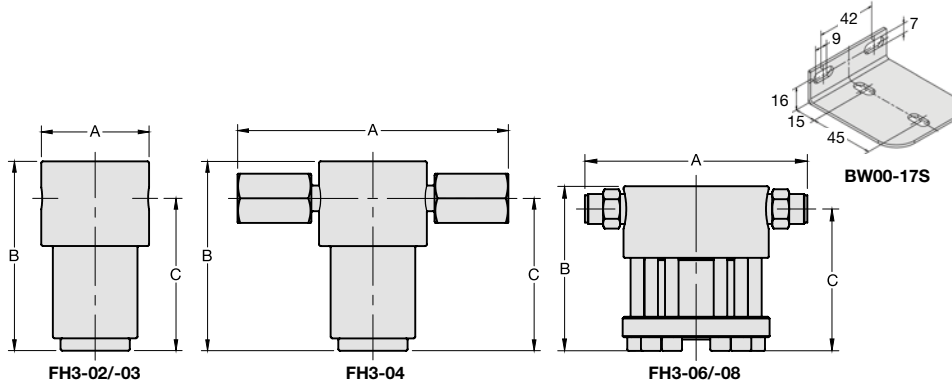
Special options, add the appropriate letter

Coalescing filter	0.01 µm / 99.99 %, brass version	for G1/4 to G1/2	FH3- .. IMS
	0.01 µm / 99.99 %, SST version	for G1/4 to G1/2	FH3- .. I
	0.01 µm / 99.99 %, SST and brass version	for G3/4 to G1	FH3- .. I
NPT	connection thread		FH3- .. N
EPDM-elastomer			FH3- .. E
brass body			FH3- .. MS
ammonia	NH ₃		FH3- ... 02
carbon dioxide	CO ₂		FH3- ... 03
argon	Ar		FH3- ... 05
nitrogen	N ₂		FH3- ... 07
helium	He		FH3- ... 09
hydrogen	H ₂		FH3- ... 11
methane	CH ₄		FH3- ... 13
oxygen	O ₂		FH3- ... 15
propane	C ₃ H ₈		FH3- ... 16
nitrous oxide	N ₂ O		FH3- ... 17
water	H ₂ O		FH3- ... W

Accessories, enclosed

mouting bracket with screws

BW00-17S



*1 at max. operating pressure

Extensions: see chapter for FRL service units
Spare parts: see separate spare parts list

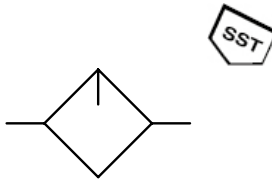
PDF CAD
www.aircom.net

Order example:
FH3-02G

LUBRICATOR MADE OF STAINLESS STEEL THROUGHOUT, UP TO 50 BAR

L3000

Description	Lubricator for compressed air with bowl without sight glass, extremely robust, with manual adjustment of oil drip rate.
Bowl	stainless steel version without sight glass
Operating pressure	max. 50 bar
Temperature range	0 °C to 80 °C / 32 °F to 176 °F for NBR/Buna-N, 0 °C to 130 °C / 32 °F to 266 °F for high temperature version for appropriately conditioned air down to -20 °C / -4 °F, or low temperature version down to -40 °C / -40 °F
Material	Body: stainless steel 316L, material no. 1.4404 Bowl: stainless steel 316L, material no. 1.4404 Elastomer: FKM Inner valve: stainless steel 316L, material no. 1.4404



G¹/₄ to G2, max. 50 bar
-40 °C / -40 °F to 130 °C / 266 °F

Dimensions			Bowl capacity l	Flow rate		Operating pressure max. bar	Connection thread G	Order number
A	B	C		m ³ /h*1	l/min*1			

Lubricator			operating pressure max. 50 bar					L3000	
64	174	130	0.14	54	900	50	G ¹ / ₄	L3000-02	
109	161	121	0,20	144	2400	50	G ³ / ₈	L3000-03	
				144	2400		G ¹ / ₂	L3000-04	
137	201	168	0.50	480	8000	50	G ³ / ₄	L3000-06	
				480	8000		G1	L3000-08	
241	201	168	0.50	480	8000	50	G ¹ / ₄	L3000-10	
				480	8000		G ¹ / ₂	L3000-1A	
171	278	218	1.00	720	12000	50	G ¹ / ₂	L3000-12	
				720	12000		G2	L3000-16	



L3000-02

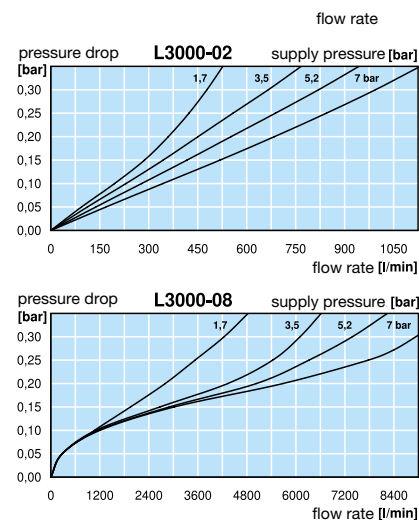
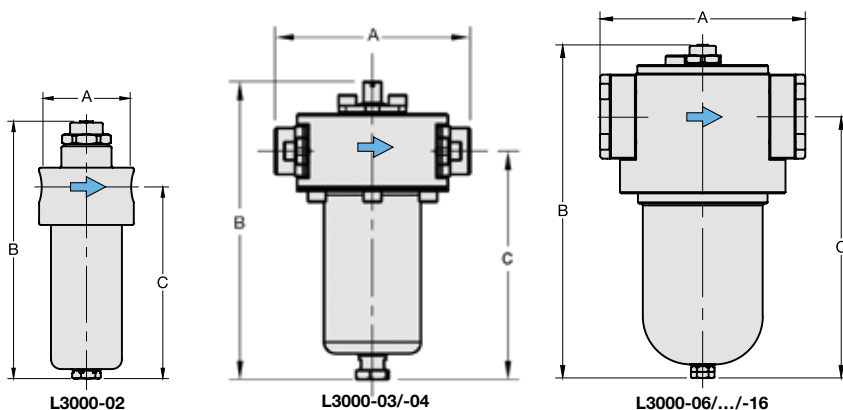


L3000-03/-04



Special options, add the appropriate letter

NPT	connection thread		L3000-.. N
down to -40 °C / -40 °F	low temperature version	from G ¹ / ₄ on	L3000-.. X51
up to 130 °C / 266 °F	high temperature version	from G ¹ / ₄ on	L3000-.. X54
flange connection	see end of the chapter / flanges		L3000-.. F.



*1 at 7 bar operating pressure and 0.33 bar pressure drop

Extensions: see chapter for FRL service units

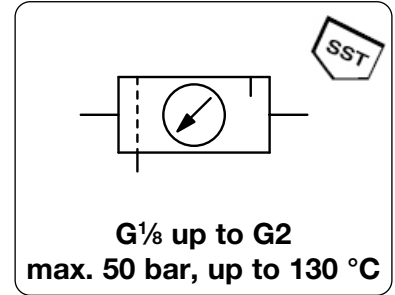
PDF CAD
www.aircom.net



Order example:
L3000-02

FRL SERVICE UNITS, 2-PART, COMPLETELY MADE OF STAINLESS STEEL, UP TO 50 BAR C3002

Description	FRL service unit completely made of stainless steel, very robust. Application examples are the chemistry, petroleum processing as well as food industry and medical technology.
Media	compressed air, gases or liquids
Supply pressure	max. 50 bar (without drain), optionally max. 30 bar (manual drain), max. 30 bar for C3002-01H
Adjustment	by hexagon socket screw Relieving function relieving, optionally non-relieving
Gauge port	G $\frac{1}{4}$ on both sides of the body, G $\frac{1}{8}$ at C3002-01, one screw plug supplied
Filter element	50 μ m, optionally 5 μ m, made of stainless steel Bowl stainless steel version without sight glass
Drainage	screw plug as standard, optionally manual drain (max. 30 bar) or automatic drain (max. 16 bar)
Temperature range	-20 °C to 80 °C / -4 °F to 176 °F for FKM or EPDM -20 °C to 130 °C / -4 °F to 266 °F for high temperature version, or low temperature version down to -40 °C / -40 °F
Material	Body / Bowl: stainless steel 316L, material no. 1.4404 Inner valve: stainless steel 316L / 1.4404 Diaphragm: NBR/Buna-N with PTFE coating, optionally EPDM or FKM O-rings: FKM, optionally EPDM



Dimensions			Combination existing of	Flow rate m ³ /h*1 l/min*1	Connection thread G	Order number
A mm	B mm	C mm				

FRL unit, 2-part			P ₁ : max. 50 bar, screw plug,	P ₂ : 0.5...8 bar, relieving,	50 μ m, with gauge	C3002
90	155	85	B+L3000	17	280	G $\frac{1}{8}$ C3002-01H
138	246	124		48	800	G $\frac{1}{4}$ C3002-02
138	246	124		48	800	G $\frac{3}{8}$ C3002-03
168	255	128		180	3000	G $\frac{1}{2}$ C3002-04
289	304	168		360	6000	G $\frac{3}{4}$ C3002-06
289	304	168		360	6000	G1 C3002-08
393	304	168		360	6000	G1 $\frac{1}{4}$ C3002-10
393	304	168		360	6000	G1 $\frac{1}{2}$ C3002-1A
362	482	213		1200	20000	G1 $\frac{1}{2}$ C3002-12
362	482	213		1200	20000	G2 C3002-16



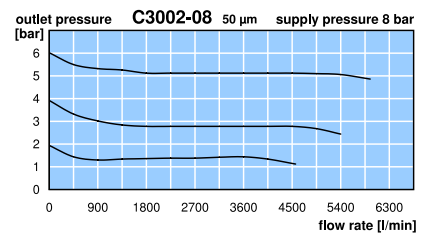
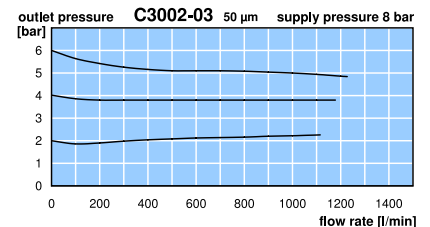
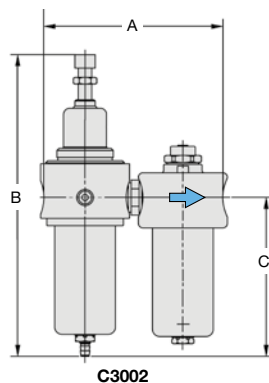
Special options, add the appropriate letter

5 μ m filter element		C3002-..G
NPT connection thread	for G $\frac{1}{4}$ to G2	C3002-..N
pressure range 0.2... 3 bar		C3002-..B
pressure range 1 ...15 bar P ₁ max. 50 bar		C3002-..D
manual drain max. 30 bar		C3002-..H
automatic drain max. 16 bar	for G $\frac{1}{4}$ to G1	C3002-..R
down to -40 °C / -40 °F	low temperature version	C3002-..X51
up to 130 °C / 266 °F	high temperature version	C3002-..X54
EPDM-elastomer		C3002-..E
flange connection	see end of the chapter / flanges	C3002-..F.



Accessories, enclosed

mounting bracket	for G $\frac{1}{8}$	BW30-03S
mounting nut		M30x1,5S
mounting bracket	for G $\frac{1}{4}$, G $\frac{3}{8}$, G $\frac{3}{4}$ to G1 $\frac{1}{2}$ (1A)	BW45-03S
mounting nut		M45x1,5S
mounting bracket	for G $\frac{1}{2}$	BW50-01S
mounting nut		M50x1,5S
mounting bracket	for G1 $\frac{1}{2}$ (12) and G2	BW00-62S



*1 at 8 bar supply pressure, 6 bar outlet pressure and 1 bar pressure drop

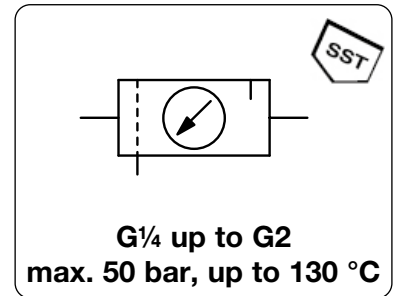
Further details: see chapter for single devices
Spare parts: see separate spare parts list

PDF CAD
www.aircom.net

Order example:
C3002-01H

FRL SERVICE UNITS, 3-PART, COMPLETELY MADE OF STAINLESS STEEL, UP TO 50 BAR C3003

Description	FRL service unit completely made of stainless steel, very robust. Application examples are the chemistry, petroleum processing as well as food industry and medical technology.
Media	compressed air, gases or liquids
Supply pressure	max. 30 bar, optionally max. 50 bar (for pressure range up to 15 bar)
Adjustment	by hexagon socket screw Relieving function relieving, optionally non-relieving
Gauge port	G $\frac{1}{4}$ on both sides of the body, one screw plug supplied
Filter element	50 μ m, optionally 5 μ m, made of stainless steel Bowl stainless steel version without sight glass
Drainage	screw plug as standard, optionally manual drain (max. 30 bar) or automatic drain (max. 16 bar)
Temperature range	-20 °C to 80 °C / -4 °F to 176 °F for FKM or EPDM -20 °C to 130 °C / -4 °F to 266 °F for high temperature version, or low temperature version down to -40°C / -40 °F
Material	Body / Bowl: stainless steel 316L, material no. 1.4404 Inner valve: stainless steel 316L / 1.4404 Diaphragm: NBR/Buna-N with PTFE coating, optionally EPDM or FKM O-rings: FKM, optionally EPDM



Dimensions			Combination existing of	Flow rate m ³ /h*1	l/min*1	Connection thread G	Order number
A	B	C					

FRL unit, 3-part			P ₁ : max. 50 bar, screw plug,	P ₂ : 0.5...8 bar, relieving,	50 μ m, with gauge	C3003	
212	168	130	F+R+L3000	42	700	G $\frac{1}{4}$	C3003-02
257	167	130		132	2200	G $\frac{1}{2}$	C3003-04
427	219	168		231	3850	G $\frac{3}{4}$	C3003-06
455	286	226		432	7200	G1	C3003-08
531	286	226		432	7200	G1 $\frac{1}{4}$	C3003-10
531	286	226		432	7200	G1 $\frac{1}{2}$	C3003-1A
553	390	262		720	12000	G1 $\frac{1}{2}$	C3003-12
553	390	262		780	13000	G2	C3003-16



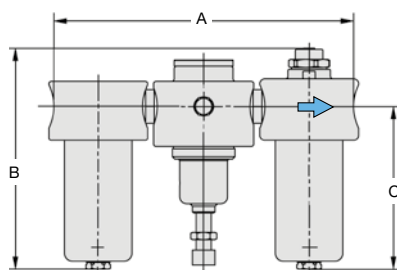
C3003-04

Special options, add the appropriate letter

5 μm filter element		C3003- . . G
NPT	connection thread	for G $\frac{1}{4}$ to G2 C3003- . . N
pressure range 0.2... 3 bar		C3003- . . B
pressure range 1 ...15 bar	P ₁ max. 50 bar	C3003- . . D
manual drain	max. 30 bar	C3003- . . H
automatic drain	max. 16 bar	for G $\frac{1}{4}$ to G1 C3003- . . R
down to -40 °C / -40 °F	low temperature version	C3003- . . X51
up to 130 °C / 266 °F	high temperature version	C3003- . . X54
EPDM-elastomer		C3003- . . E
flange connection	see end of the chapter / flanges	C3003- . . F.

Accessories, enclosed

mounting bracket	for G $\frac{1}{4}$	BW45-03S
mounting nut		M45x1,5S
mounting bracket	for G $\frac{1}{2}$	BW50-01S
mounting nut		M50x1,5S
mounting bracket	for G $\frac{3}{4}$ to G1 $\frac{1}{2}$ (1A)	BW00-59S
mounting bracket	for G1 $\frac{1}{2}$ (12) and G2	BW00-62S



C3003

*1 at 8 bar supply pressure, 6 bar outlet pressure and 1 bar pressure drop

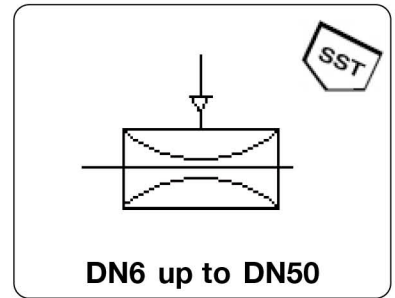
Further details: see chapter for single devices
Spare parts: see separate spare parts list

PDF CAD
www.aircom.net



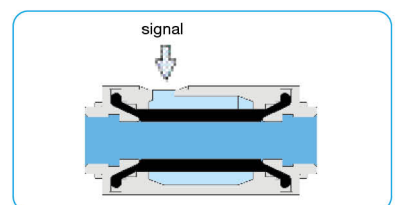
Order example:
C3003-02

Description	The 2-port/2-way valve functions as a pinch valve in a new design of housing with full flow cross-section. Since the straight valve passage has neither constrictions nor back-points, there is no danger of clogging or blockage. Frictional loss is at a minimum.	
Media	compressed air, gases, liquids or other paste-like or powdery media Solids are enclosed by the flexible sleeve at shut-off.	
Sleeve	Highly flexible with double woven reinforcement in eight different grades. Sleeve simple to change.	
Pressures	Operating pressure: max. 4.0 bar Differential pressure: max. 2.5 bar	Pilot pressure: max. 6.5 Closing pressure: P ₁ + 2.5 bar to DN32, P ₁ + 2 bar from DN40 on
Vacuum	If vacuum is greater than -100 mbar, vacuum compensation should be provided on the control side.	
Mounting position	any, at horizontal mounting pilot port preferably at the top	
Temperature range	0 °C to max. 100 °C / 32 °F to max. 212 °F, subject to sleeve material	
Material	Body: stainless steel 316L, material no. 1.4435	Sleeve: depending on selected version



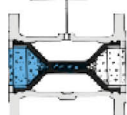
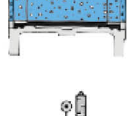
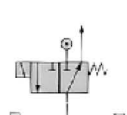
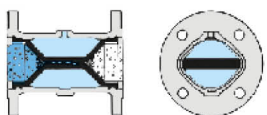
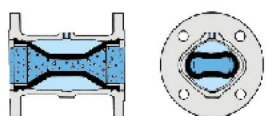
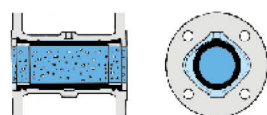
Dimensions	Nominal size	Chamber capacity	Control port	Operating pressure	Connection thread	Order number
A	Ø					
mm	mm	l	M5/G	max. bar	G	

Flow control valve							operating pressure max. 4 bar, pilot pressure max. 2.5 bar above operating pressure	QE
70	26	6	0.01	M5	4	G¼		QE06-02NR
80	38	10	0.03	M5	4	G⅜		QE10-03NR
95	44	15	0.04	G⅜	4	G½		QE15-04NR
110	55	20	0.05	G½	4	G¾		QE20-06NR
125	60	25	0.07	G½	4	G1		QE25-08NR
140	73	32	0.10	G¾	4	G1¼		QE32-10NR
150	83	40	0.13	G¾	4	G1½		QE40-12NR
185	99	50	0.28	G1¼	4	G2		QE50-16NR

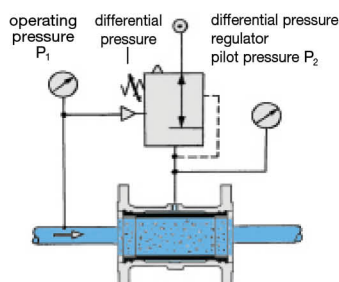
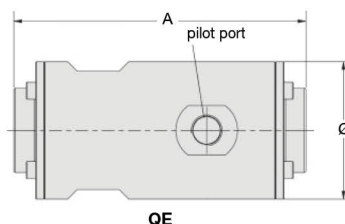


Special options, add the appropriate letter

sleeve NR	natural rubber, black	80°C/176 °F	QE...NR
sleeve NRL	rubber, suitable for food, black	70°C/158 °F	QE...NL
sleeve NRLH	rubber, suitable for food, light	70°C/158 °F	QE...NH
sleeve NBR	nitrile rubber/Buna-N, suitable for food	80°C/176 °F	QE...NB
sleeve EPDM	ethylene-propylene rubber, suitable for food, black	100°C/212 °F	QE...EP
sleeve FKM	fluorine rubber, black	not QE06 100°C/212 °F	QE...FK
sleeve CR	chloroprene rubber/neoprene, black	not QE06 80°C/176 °F	QE...CR
sleeve CSM	natural rubber, chlorosulphonyl polyethylene	not QE06 80°C/176 °F	QE...CS



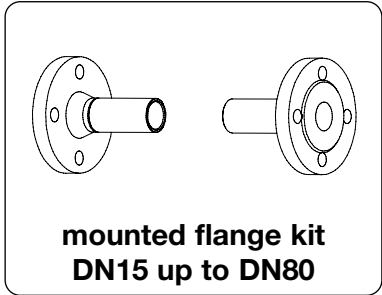
solenoid valve control



constant cross section at changing operating pressure

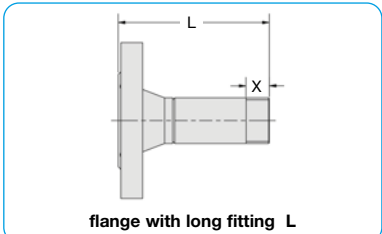
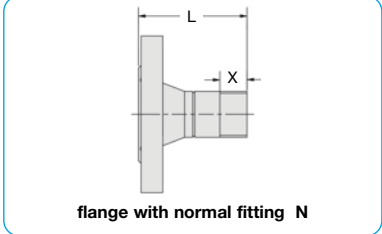


Total device width	device width between inlet and outlet, see catalogue page, dimension A	
	+ 2x total length of flange fitting, dimension L	
	- 2x screw-in depth of the device (on request)	
	= total device width including flange	
DIN-flange	according to DIN EN 1092-1	according to DIN 2637 at PN100
ANSI flange	optionally according to ASME B16.5 (150 lbs),	according to ASME B16.5 (300 lbs) on request
Material	stainless steel, material-no. 1.4571	



Nominal pressure max.	for Devices	Nominal size DN	Screw-In thread G	Order number affic
------------------------------	--------------------	------------------------	--------------------------	---------------------------

Flange kit, DIN, completely assembled				F		
PN40	BD + BM/40	F602	R119	15	G½	F1
	CM/40	F3000/40	R3000	20	G¾	F1
	C3000/40	L606	R3100/L	25	G1	F1
	D3100/L	LM/40	RZ/L	32	G1¼	F1
	DBC/L	L3000/40	R160/L	40	G1½	F1
	R120/40	FM/40		50	G2	F1
				65	G2½	F1
			80	G3	F1	
PN100	BM/100	FM	LM/100	15	G½	F6
	CM/100	F3000/100	L3000/100	20	G¾	F6
	C3000/100	R120/100	R3000/100	25	G1	F6
				32	G1¼	F6
				40	G1½	F6
				50	G2	F6
				65	G2½	F6



thread	fitting N		fitting L		thread
	PN40	PN100	PN40	PN100	
	L mm		L mm		X mm
G½	75	82	90	97	15
G¾	82	94	112	124	17
G1	82	100	112	130	20
G1¼	94	112	114	132	22
G1½	97	114	117	134	22
G2	100	120	120	140	26
G2½	114	138	124	148	32

Special options

ANSI-flange	150 lbs	F2
	300 lbs	F3
	600 lbs	F4

Filter regulator	PN	fitting*
BD	40	N
BM	40/100	N

Lubricator	PN	fitting*
L606	40	N
LM	40/100	N
L3000	40/100	N

Regulator	PN	fitting*
R119	40	N
R120	40/100	N
R3000	40/100	N

Filter	PN	fitting*
F602	40	N
FM	40/100	N
F3000	40/100	N

Booster	PN	fitting*
R119-J	40	N
R120-J	40/100	N
R3000-J	40/100	N

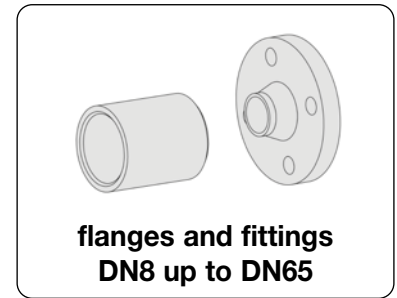
low pressure regulator	PN	fitting*
R3100	40	L
D3100	40	L
RZ	40	L
R160	40	L
DBC	40	L

FRL service unit	PN	fitting*
CM2	40/100	N
C3002	40/100	N

FRL service unit	PN	fitting*
C630	40	N
CM3	40/100	N
C3003	40/100	N

* N = normal fitting L = long fitting

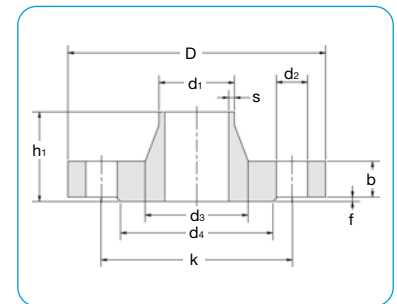
Threaded flange	according to DIN EN 1092-1 ANSI / ASME B16.5 (150 lbs), ASME B16.5 (300 lbs), ASME B16.5 (600 lbs)
Material	1.4571 (316Ti)
Weld-on fitting	with conical Whitworth-thread, according to DIN EN 10241
Material	1.4571



d1/s	Dimensions								Screws	Connection thread Rp	Nominal size DN	Order number
	D	h ₁	b	d ₄	f	k	d ₂	d ₃				

Welding neck flange, as per DIN EN 1092-1 Form B (PN40) VSV

21.3 x 2.0	95	36	16	45	2	65	14	32	4 x M12	-	15	VSV-1540
26.9 x 2.3	105	40	18	58	2	75	14	40	4 x M12	-	20	VSV-2040
33.7 x 2.6	115	40	18	68	2	85	14	46	4 x M12	-	25	VSV-2540
42.4 x 2.6	140	42	18	78	2	100	18	56	4 x M16	-	32	VSV-3240
48.3 x 2.6	150	45	18	88	3	110	18	64	4 x M16	-	40	VSV-4040
60.3 x 2.9	165	48	20	102	3	125	18	75	4 x M16	-	50	VSV-5040
76.1 x 2.9	185	52	22	122	3	145	18	90	4 x M16	-	65	VSV-6540
88.9 x 3.2	200	58	24	138	3	160	18	105	8 x M16	-	80	VSV-8040



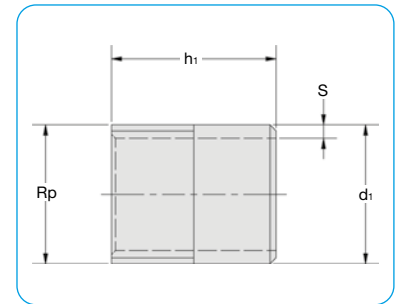
VSV welding neck flange

Special options, add the appropriate letter or number

PN100	according to DIN 2637	100	VSV-...100
ANSI/ASME-flange	B16.5 150 lbs	150 lbs	VSV-...150 lbs
ANSI/ASME-flange	B16.5 300 lbs	300 lbs	VSV-...300 lbs
ANSI/ASME-flange	B16.5 600 lbs up to DN25	600 lbs	VSV-...600 lbs

Weld-on fitting as per DIN 2999 with conical Whitworth thread (BSPT) VSA

13.5 x 2.35	30	PN50	1/4"	8	VSA-02
21.3 x 2.65	35	PN50	1/2"	15	VSA-04
26.9 x 2.65	40	PN50	3/4"	20	VSA-06
33.7 x 3.25	40	PN50	1"	25	VSA-08
42.4 x 3.25	50	PN40	1 1/4"	32	VSA-10
48.3 x 3.25	50	PN40	1 1/2"	40	VSA-12
60.3 x 3.65	50	PN40	2"	50	VSA-16
76.1 x 3.65	60	PN25	2 1/2"	65	VSA-20



VSA weld-on fitting

SST



15

