

Rasentraktor

LAWNBOSS

8017-H

8021-H

8022-X

8122-X

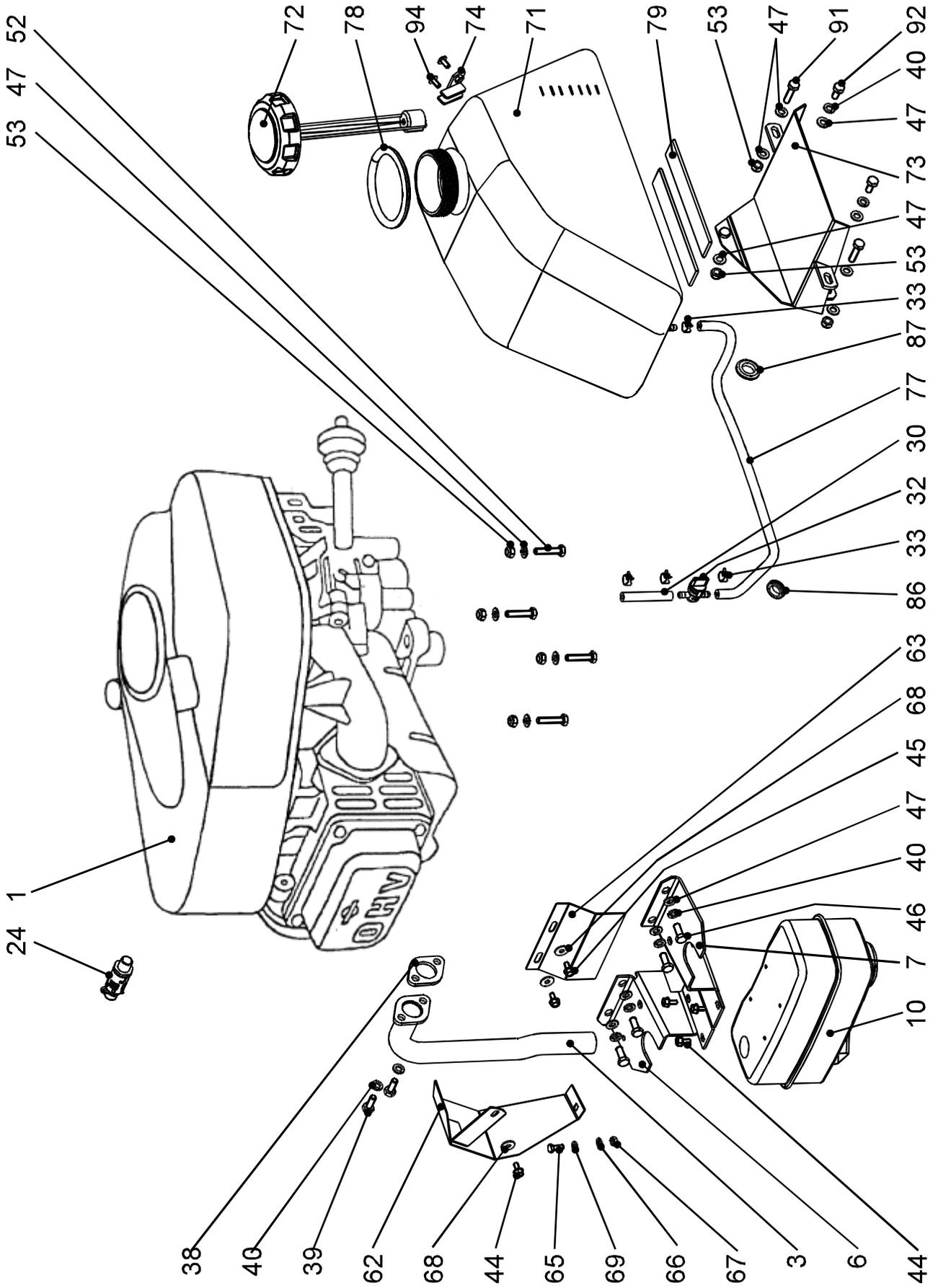


D Ersatzteilliste
UK Spare Parts List
FR Liste de pièces détachées

2010

MACHINE ASSEMBLIES

		page
1A	ENGINE ASSEMBLY 17,5 HP	2
1B	ENGINE ASSEMBLY 20/22 HP	4
2	FRONT AXLE	6
3	STEERING	8
4A	TRANSMISSION DRIVE K46	10
4B	TRANSMISSION DRIVE K 62	12
5	OPERATION MOWER/LIFT 102/122	14
6A	CUTTING PAN MOWER HOUSING 102	16
6A	CUTTING PAN DRIVE SYSTEM 102	18
6B	CUTTING PAN MOWER HOUSING 122	20
6B	CUTTING PAN DRIVE SYSTEM 122	22
7	OPERATION TRAVEL PEDALS	24
8	OPERATION BRAKE	26
9	ELECTRICAL WIRING HARNESS	28
9	ELECTRICAL ACCESSORIES	30
10	BODY ASSEMBLY-FENDER/SEAT	32
10	BODY ASSEMBLY-HOOD	34
11A	GRASS COLLECTOR ASSEMBLY 300L	36
11B	GRASS COLLECTOR ASSEMBLY 360L	38
12	CHUTE COLLECTOR ASSEMBLY	40
13	DECALS LABELS	42
14	FRAME	44
15	OPERATION DIFFERENTIAL LOCK	46



Section 1A

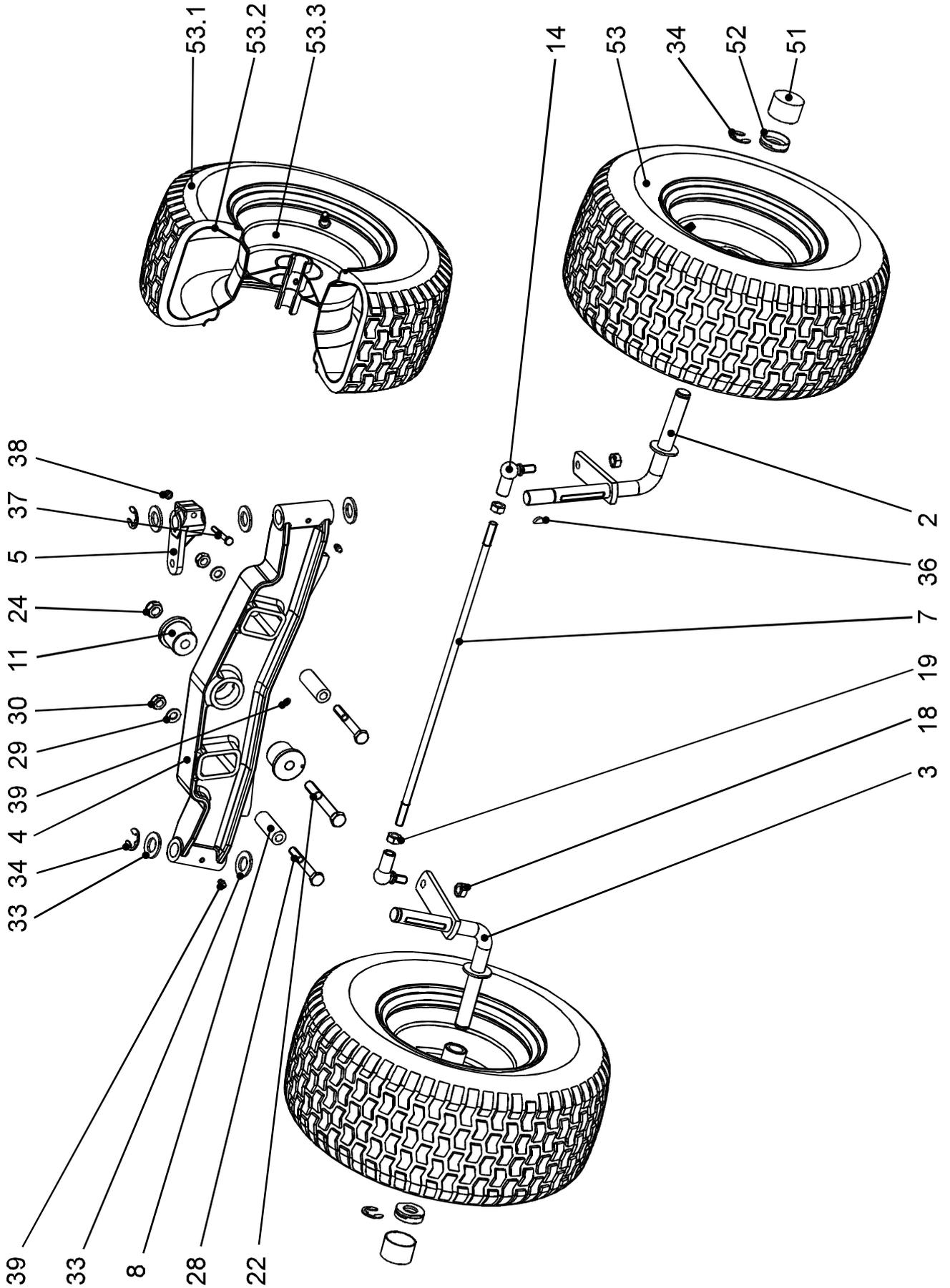
ENGINE ASSEMBLY 17,5 HP

position	part no.	name	qty.	drawing no.
8017-H				
1	205 777 130	ENGINE B&S 17,5 HP AVS	1	
3	595 900 042	COLLECTING PIPE B&S 15,5	1	9-5900-042
6	206 058 930	HOLDER "R"	1	0-5800-930
7	206 058 929	HOLDER "L"	1	0-5800-929
10	505 900 053	EXHAUST SILENCER	1	9-5900-364
24	000 888 305	VALVE-OIL DRAIN	1	0-5900-198
30	000 008 646	FUEL LINE L=70	1	1-9920-227
32	000 476 300	FUEL COCK 493960	1	0-5900-111
33	000 318 164	CLAMP UM 5008	4	0-5900-063
38	000 224 180	GASKET 15,5/17,5	1	
39	000 201 531	SCREW 5/16-18-3/4	2	
40	000 201 003	WASHER 8 DIN 127 B	8	
44	505 900 065	SCREW M6x12 DIN 7500 D	5	
45	205 204 143	SCREW M6x16 DIN 7500 D	2	
46	000 244 563	SCREW M8x20 DIN 933-8.8	4	
47	000 291 500	WASHER 8,4 DIN 125 A	15	
52	000 299 530	SCREW M8x35 DIN 933-8.8	4	
53	000 280 885	NUT M8 DIN 985 Kl.8	7	
62	201 958 451	PIPE COVER 15,5	1	9-5800-249
63	000 022 396	COVER-FRONT	1	0-8541-541
65	000 284 449	SCREW M6x16 DIN 933-8.8	1	
66	000 200 442	WASHER 6 DIN 127 B	1	
67	000 271 942	NUT M6 DIN 934 Kl.8	1	
68	000 298 210	WASHER 6,4 DIN 9021 B	3	
69	000 290 389	WASHER 6,4 DIN 125 A	1	
71	204 958 344	TANK KARSIT 13L	1	0-5600-344
72	204 959 306	KARSIT TANK COVER	1	9-5600-306
73	205 958 054	TANK HOLDER	1	9-5800-054
74	205 958 050	HOLDER	1	9-5800-050
77	204 056 368	FUEL LINE L=860	1	0-5600-368
78	204 056 367	RUBBER PURL	1	0-5600-367
79	204 056 363	RUBBER INSERT	2	0-5600-363
86	203 800 004	BUSH KD 7	1	
87	820 002 202	BUSH 18x2	1	
91	000 245 124	SCREW M8x30 DIN 933-8.8	2	
92	000 244 563	SCREW M8x20 DIN 933-8.8	2	
94	204 601 206	SCREW M6x12 BN 11252-10.9	2	

Section 1B

ENGINE ASSEMBLY 20/22 HP

position	part no.	name	qty.	drawing no.
	8022-X			
8021-H	8122-X			
1	-	208 577 122	ENGINE 20 HP - V twin	1
-	1	208 777 123	ENGINE 22 HP - V twin	1
3	3	595 900 102	EXHAUST TUBE INTEK - RIGHT	1 9-5900-102
4	4	595 900 101	EXHAUST TUBE INTEK - LEFT	1 9-5900-101
6	6	206 058 930	MUFFLER HEAT GUARD,RIGHT	1 0-5800-930
7	7	206 058 929	MUFFLER HEAT GUARD,LEFT	1 0-5800-929
9	9	209 055 531	HEAT SHIELD	1 0-5500-531
10	10	505 900 054	MUFFLER	1 9-5800-365
19	19	000 259 314	SCREW M 4,2x13 ECO-DRILL DIN 7504K	4
24	24	000 888 305	OIL DRAIN VALVE	1 0-5900-198
25	25	201 958 449	OIL DRAIN COUPLER	1 9-5800-449
30	-	206 056 712	FUEL LINE L=350	1 0-5600-712
-	30	200 058 527	FUEL LINE L=320	1 0-5800-527
32	32	000 476 300	FUEL TANK VALVE	1 0-5900-111
33	33	000 318 164	FUEL LINE CLAMP UM 5008	4 0-5900-063
38	38	571 001 801	EXHAUST GASKET 18 HP INTEK	2
39	39	000 201 531	EXHAUST SCREW 5/16-18-3/4	4
40	40	000 201 003	SPRING WASHER 8 DIN 127 B	10
44	44	505 900 065	SCREW M6x12 DIN 7500 D	4
46	46	000 244 563	SCREW M8x20 DIN 933-8.8	4
47	47	000 291 500	WASHER 8,4 DIN 125 A	15
52	52	000 299 530	SCREW M8x35 DIN 933-8.8	4
53	53	000 280 885	NUT M8 DIN 985 KI.8	7
71	71	204 056 344	FUEL TANK	1 0-5600-344
72	72	204 958 052	FUEL TANK CAP	1 9-5800-052
73	73	205 958 054	FUEL TANK HOLDER	1 9-5800-054
74	74	205 958 050	HOLDER	1 9-5800-050
77	-	206 056 831	FUEL LINE L=810	1 0-5600-831
-	77	204 056 368	FUEL LINE L=860	1 0-5600-368
78	78	204 056 367	SEAMING PROFIL	1 0-5600-367
79	79	204 056 363	INSERT	2 0-5600-363
86	86	203 800 004	BUSHING KD 7	1
87	87	820 002 202	BUSHING 18x2	1
91	91	000 245 124	SCREW M8x30 DIN 933-8.8	2
92	92	000 244 563	SCREW M8x20 DIN 933-8.8	2
94	94	204 601 206	SCREW M6x12 BN 11252-10.9	2

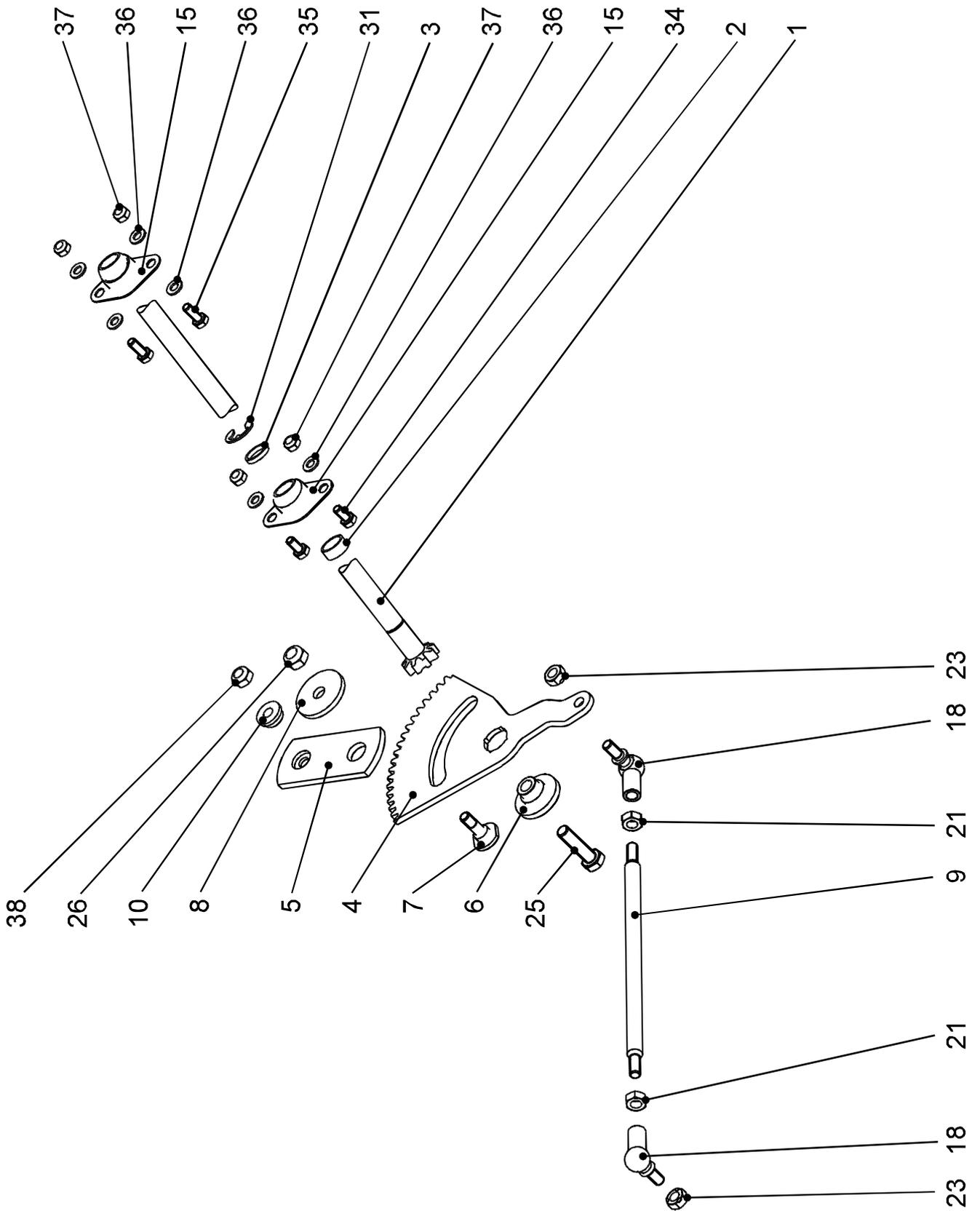


Section 2

FRONT AXLE

position	part no.	name	qty.	drawing no.
2	205 956 136	SPINDLE,LEFT	1	9-5600-136
3	200 958 718	SPINDLE,RIGHT	1	9-5800-718
4	000 093 852	FRONT AXLE	1	0-1654-202
5	200 058 647	STEERING SPINDLE LEVER	1	0-5800-647
7	000 069 080	TIE ROD FRONT AXLE	1	0-9010-517
8	201 058 447	SPACER	2	0-5800-447
11	505 900 004	FRONT AXLE BUSHING	2	9-5800-445
14	195 800 901	BALL ANGLE JOINT 16	2	9-5800-901
18	204 101 006	SELF LOCKING NUT M10 DIN 980 8/V	2	
19	000 273 625	NUT M10 DIN 934 KI.8	2	
22	221 012 090	SCREW M12x90 DIN 931-8.8	1	
24	000 282 557	NUT M12 DIN 985 KI.8	1	
28	201 221 175	SCREW M10x75 DIN 931-8.8	2	
29	000 292 061	WASHER 10,5 DIN 125 A	2	
30	000 281 446	NUT M10 DIN 985 KI.8	2	
33	000 295 966	WASHER 19 DIN 125 A	4	
34	000 230 230	SPRING CLIP 15 DIN 6799	4	
36	000 207 152	SQUARE KEY 5x7,5 DIN 6888	1	
37	221 006 045	SCREW M6x45 DIN 931-8.8	1	
38	000 283 118	NUT M6 DIN 985 KI.8	1	
39	000 740 113	GREASE FITTING MK6 DIN 71412	3	
51	000 407 121	HUB CAP SC 1 1/2	2	
52	204 958 041	WASHER WITH TUBE	2	9-5800-041
53	204 959 299	FRONT TYRE WHEEL ASSY 16x6,50-8	2	9-5900-299
53.1	204 598 001	TYRE 16x6,50-8	2	
53.2*	000 415 426	TUBE 16x6,50-8	2	
53.3	204 598 024	RIM COMPLETE 16x6,50-8	2	

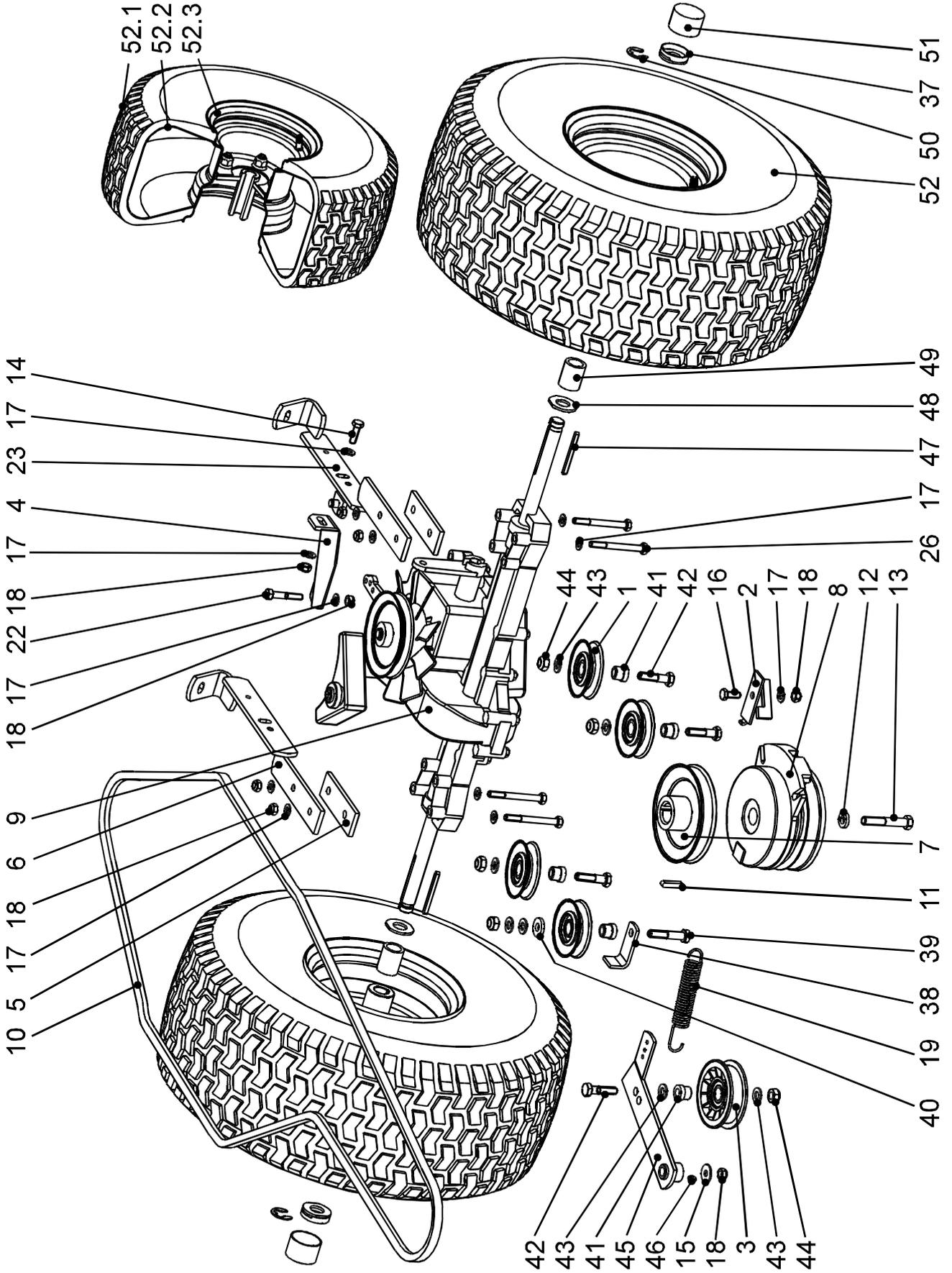
* - only for the spare parts



Section 3

STEERING

position	part no.	name	qty.	drawing no.
1	195 800 920	STEERING SHAFT PINION GEAR	1	9-5800-920
2	105 800 969	SPACER, LOWER	1	0-5800-969
3	105 800 970	SPACER, UPPER	1	0-5800-970
4	000 040 667	SECTOR GEAR	1	0-3332-205
5	201 058 248	STEERING PLATE	1	0-5800-248
6	201 058 247	STEERING PIN	1	0-5800-247
7	201 058 246	SHOULDER BOLT	1	0-5800-246
8	505 900 043	ECCENTRIC BOLT WASHER	1	0-5800-245
9	000 050 413	DRAG LINK	1	0-9010-525
10	201 058 244	BUSHING	1	0-5800-244
15	505 900 002	SPHERICAL BEARING FJB 12	2	0-5900-002
18	195 800 901	BALL ANGLE JOINT 16	2	9-5800-901
21	000 273 625	NUT M10 DIN 934 KI.8	2	
23	204 101 006	SELF LOCKING NUT M10 DIN 980 8/V	2	
25	220 012 045	SCREW M12x45 DIN 933-8.8	1	
26	000 282 557	NUT M12 DIN 985 KL.8	1	
31	000 230 230	SPRING CLIP 15 DIN 6799	1	
34	000 243 441	SCREW M8x16 DIN 933-8.8	2	
35	000 244 563	SCREW M8x20 DIN 933-8.8	2	
36	000 291 500	WASHER 8,4 DIN 125 A	6	
37	000 280 885	NUT M8 DIN 985 KI.8	4	
38	000 281 446	NUT M10 DIN 985 KI.8	1	

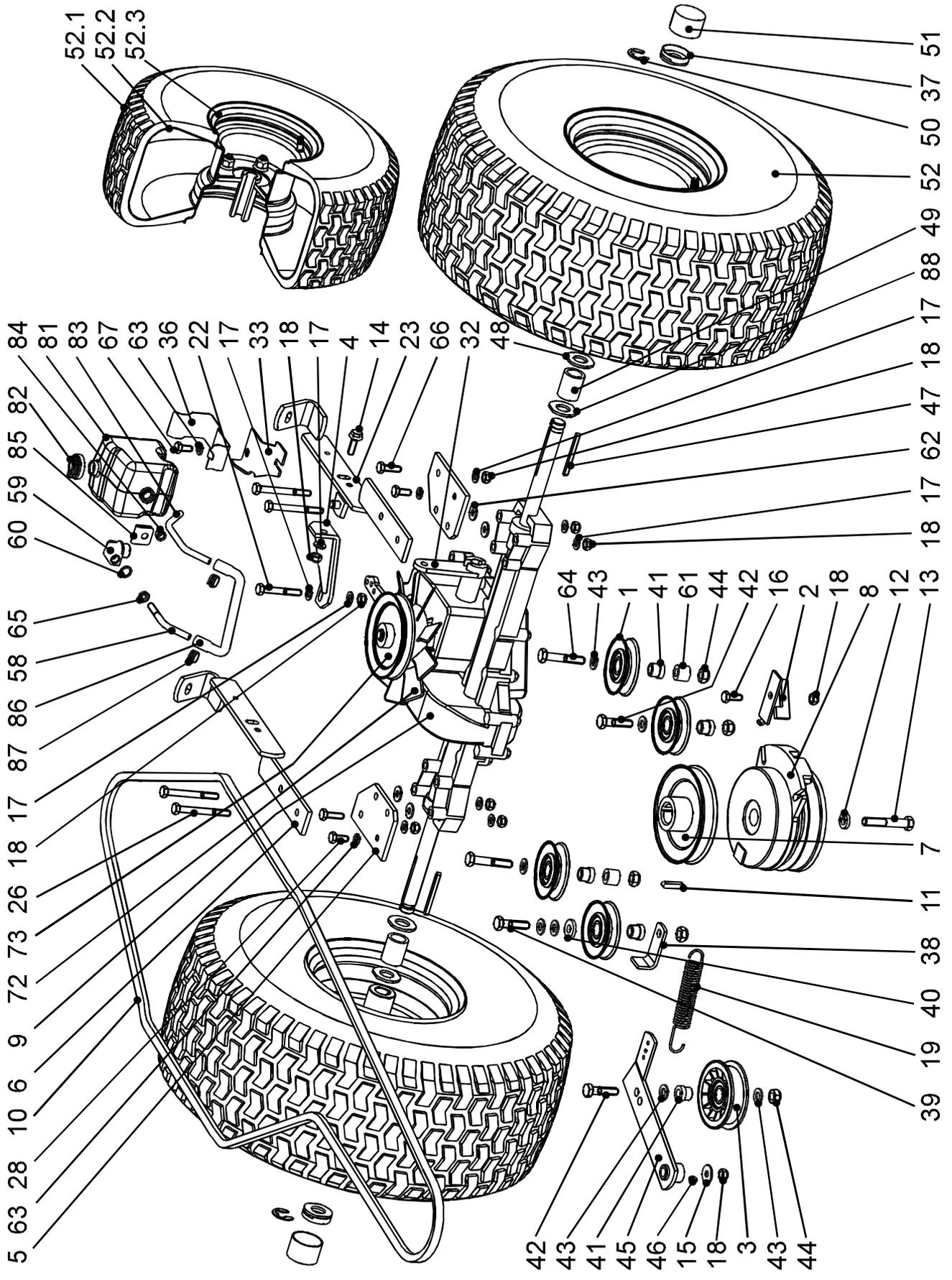


Section 4A

TRANSMISSION DRIVE K46

position	part no.	name	qty.	drawing no.
8017-H				
8021-H				
1	505 900 074	IDLER PULLEY V3000-3316	4	0-5900-074
2	000 924 605	RETAINER	1	9-3636-216
3	000 786 445	IDLER PULLEY F3000	1	0-5900-070
4	200 958 444	STABILIZER	1	9-5800-444
5	201 058 448	SUPPORT PLATE	2	0-5800-448
6	203 958 007	BRACKET RIGHT	1	9-5800-745
7	200 959 137	ENGINE PULLEY	1	9-5900-137
8	000 892 595	EL. MAGNET CLUTCH WARNER MSS	1	9-5900-071
9	208 959 061	TRANSMISSION TUFF-TORQ K46	1	9-5900-061
10	200 492 077	TRACTION V-BELT LA 103	1	
11	000 273 955	SQUARE KEY 1/4x1/4x1 1/4	1	
12	000 276 012	SPRING WASHER 7/16"	1	0-5900-062
13	000 294 833	CLUTCH BOLT 7/16-20x2 1/2	1	0-5900-005
14	000 246 235	SCREW M8x25 DIN 933-8.8	1	
15	000 298 760	WASHER 8,4 DIN 9021 B	1	
16	000 244 563	SCREW M8x20 DIN 933-8.8	1	
17	000 291 500	WASHER 8,4 DIN 125 A	12	
18	000 280 885	NUT M8 DIN 985 KI.8	8	
19	200 058 260	SPRING	1	0-5800-260
22	000 221 845	SCREW M8x45 DIN 931-10.9	1	
23	203 958 746	BRACKET,LEFT	1	9-5800-746
26	201 221 875	SCREW M8x75 DIN 931-8.8	4	
37	204 958 041	WASHER WITH TUBE	2	9-5800-041
38	201 058 144	RETAINER	1	0-5800-144
39	201 852 564	SCREW M10x50 DIN 931-8.8	1	
40	201 852 454	WASHER 10,5 DIN 7349	1	
41	000 091 993	IDLER BUSHING	5	0-9421-418
42	000 238 414	SCREW M10x40 DIN 931-8.8	4	
43	000 292 061	WASHER 10,5 DIN 125 A	7	
44	000 281 446	NUT M10 DIN 985 KI.8	5	
45	200 958 721	IDLER ARM	1	9-5800-721
46	000 740 113	GREASE FITTING MK6 DIN 71412	1	
47	000 299 299	SQUARE KEY 3/16x3/16x2 1/2	2	
48	000 096 349	WASHER	2	0-9220-739
49	200 058 432	SPACER,AXLE	2	0-5800-432
50	000 230 230	SPRING CLIP 15 DIN 6799	2	
51	000 407 121	HUB CAP SC 1 1/2	2	
52	203 959 262	REAR TYRE WHEEL ASSY 20x10,00-8	2	9-5900-262
52.1	204 598 004	TYRE 20x10,00-8	2	
52.2*	000 496 826	TUBE 20x10,00-8	2	
52.3	204 598 018	RIM COMPLETE 20x10,00-8	2	

* - only for the spare parts

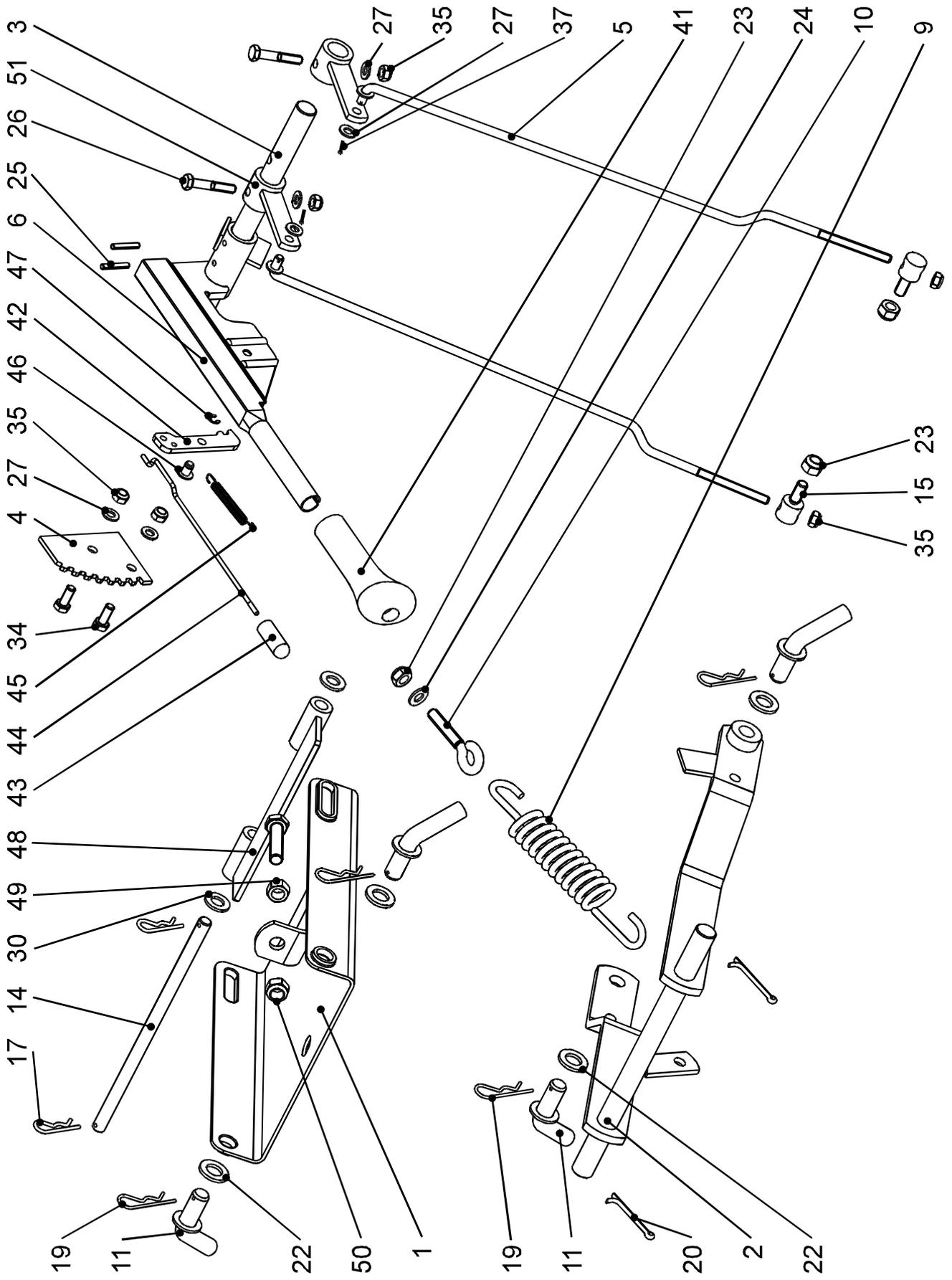


Section 4B

TRANSMISSION DRIVE K62

position	part no.	name	qty.	drawing no.
8022-X				
8122-X				
1	505 900 074	IDLER PULLEY V3000-3316	4	0-5900-074
2	000 924 605	RETAINER	1	9-3636-216
3	000 786 445	IDLER PULLEY F3000	1	0-5900-070
4	203 958 148	STABILIZER	1	9-5800-148
5	203 056 197	SUPPORT PLATE	2	0-5600-197
6	203 958 007	BRACKET,RIGHT	1	9-5800-745
7	200 959 137	ENGINE PULLEY	1	9-5900-137
8	000 892 595	EL.MAGNET CLUTCH WARNER MSS	1	9-5900-071
9	203 959 265	TRANSMISSION TUFF-TORQ K62	1	9-5900-115
10	200 492 077	TRACTION V-BELT LA 103	1	
11	000 273 955	SQUARE KEY 1/4x1/4x1 1/4	1	
12	000 276 012	SPRING WASHER 7/16"	1	0-5900-062
13	000 294 833	CLUTCH SCREW 7/16-20x2 1/2	1	0-5900-005
14	000 246 235	SCREW M8x25 DIN 933-8.8	1	
15	000 298 760	WASHER 8,4 DIN 9021 B	1	
16	000 244 563	SCREW M8x20 DIN 933-8.8	1	
17	000 291 500	WASHER 8,4 DIN 125 A	11	
18	000 280 885	NUT M8 DIN 985 KI.8	8	
19	200 058 260	SPRING	1	0-5800-260
22	000 272 635	SCREW M8x55 DIN 931-8,8	1	
23	203 958 746	BRACKET,LEFT	1	9-5800-746
26	201 221 875	SCREW M8x75 DIN 931-8.8	4	
28	000 246 235	SCREW M8x25 DIN 933-8.8	2	
32	203 958 146	TRANSMISSION ARM	1	9-5800-146
33	203 958 149	BRACKET	1	9-5800-149
36	203 059 271	RESERVOIR TANK BRACKET	1	0-5900-271
37	204 958 040	WASHER WITH TUBE	2	9-5800-040
38	201 058 144	RETAINER	1	0-5800-144
39	201 852 564	SCREW M10x50 DIN 931-8.8	1	
40	201 852 454	WASHER 10,5 DIN 7349	1	
41	000 091 993	IDLER BUSHING	5	0-9421-418
42	000 238 414	SCREW M10x40 DIN 931-8.8	2	
43	000 292 061	WASHER 10,5 DIN 125 A	8	
44	000 281 446	NUT M10 DIN 985 KI.8	5	
45	200 958 721	IDLER ARM	1	9-5800-721
46	000 740 113	GREASE FITTING MK6 DIN 71412	1	
47	204 277 238	SQUARE KEY 1/4"x1/4" 2 3/8"	2	
48	204 056 318	WASHER	2	0-5600-318
49	203 056 233	SPACER,AXLE	2	0-5600-233
50	000 296 076	LOCKING RING 25 DIN 471	2	
51	000 407 121	HUB CAP SC 1 1/2	2	
52	204 959 286	REAR TYRE WHEEL ASSY 20x10,00-8	2	9-5900-286
52.1	204 598 004	TYRE 20x10,00-8	2	
52.2*	000 496 826	TUBE 20x10,00-8	2	
52.3	204 598 020	RIM COMPLETE 20x10,00-8/1	2	
58	203 056 202	PIPE	1	0-5600-202
59	203 056 204	FITTING	1	0-5600-204
60	203 056 205	SEAL 12/15	1	0-5600-205
61	203 056 199	SPACER	2	0-5600-199
62	203 120 845	WASHER 8,4 BN 737	4	
63	000 201 003	WASHER 8 DIN 127 B	3	
64	203 210 551	SCREW M10x55 DIN 931-8,8	2	
65	204 100 813	NUT M8x1 DIN 439 B ISO 8675	1	
66	000 221 089	SCREW M8x18 DIN 933-8,8	2	
67	000 243 441	SCREW M8x16 DIN 933-8,8	2	
72	203 059 273	TRANSMISSION FAN	1	0-5900-273
73	203 059 274	TRANSMISSION PULLEY	1	0-5900-274
81	203 059 268	RESERVIOR TANK	1	0-5900-268
82	203 059 270	VENT VALVE	1	9-5900-270
83	203 056 196	PIPE	1	0-5600-196
84	203 059 269	SEAL	1	0-5900-269
85	203 056 195	LOCK	1	0-5600-195
86	203 056 203	OIL LINE	1	0-5600-203
87	000 318 164	OIL LINE CLAMP UM 5008	2	
88	204 056 320	WASHER	2	0-5600-320

* - only for the spare parts

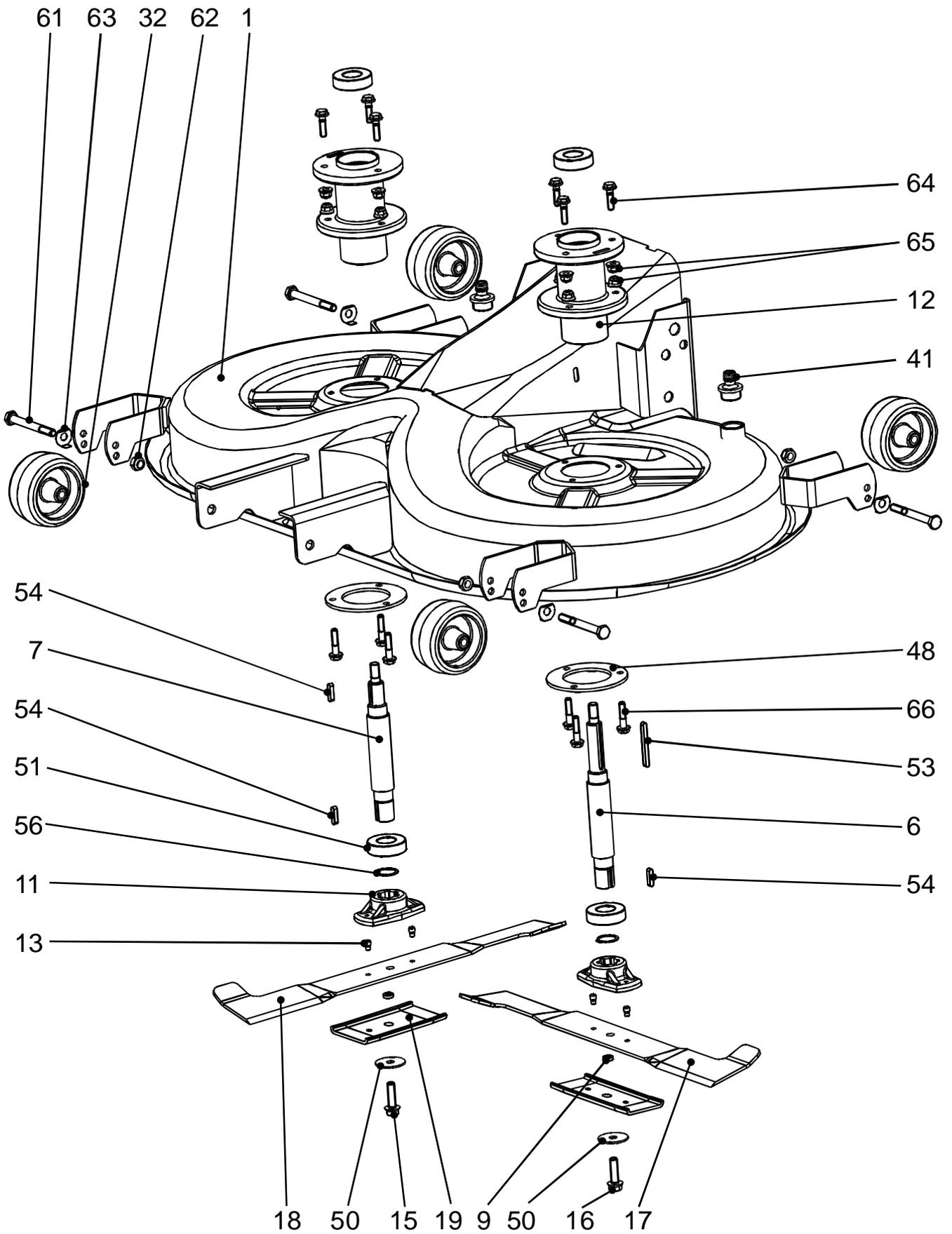


Section 5

OPERATION-MOWER/LIFT 102/122cm

position			part no.	name	qty.	drawing no.
8017-H						
8021-H	8022-X	8122-X				
1	1	-	000 965 305	FRONT SUSPENSION MOWER DECK	1	9-5800-993
-	-	1	203 958 340	FRONT SUSPENSION MOWER DECK	1	9-5800-340
2	2	2	000 957 110	PIVOT ARM ASSY	1	9-5800-770
3	3	-	201 958 365	HEIGHT ADJUSTER SHAFT	1	9-5800-365
-	-	3	200 958 538	HEIGHT ADJUSTER SHAFT	1	9-5800-538
4	4	4	201 058 107	GEAR SEGMENT	1	0-5800-107
5	-	-	200 958 670	HEIGHT ADJUSTMENT ROD	1	9-5800-670
-	5	5	204 958 064	HEIGHT ADJUSTMENT ROD	2	9-5800-064
6	6	6	000 926 222	HEIGHT ADJUSTMENT ARM LEVER	1	9-5800-102
9	9	9	000 080 608	LIFT SPRING	1	0-9746-446
10	10	10	000 910 283	EYE BOLT M10x50x14	1	0-5900-012
11	11	11	202 958 277	BENT PIN	4	9-5800-277
14	14	14	000 037 246	PIN	1	1-9310-289
15	15	15	000 072 985	LIFTING PIN	1	0-9016-426
17	17	17	000 075 812	HAIR PIN CLIP 3,15	2	0-5900-028
19	19	19	000 033 242	HAIR PIN 2,5	4	0-5900-027
20	20	20	000 235 323	COTTER PIN 5x50 DIN 94	2	
22	22	22	202 056 038	RUBBER WASHER	4	0-5600-038
23	23	-	000 281 446	NUT M10 DIN 985 KI.8	2	
-	-	23	000 281 446	NUT M10 DIN 985 KI.8	3	
24	24	24	000 292 061	WASHER 10,5 DIN 125 A	1	
25	25	25	000 324 467	SPRING PIN 5x30 DIN 1481	2	
-	-	26	000 221 845	SCREW M8x45 DIN 931-10,9	2	
27	27	-	000 291 500	WASHER 8,4 DIN 125 A	3	
-	-	27	000 291 500	WASHER 8,4 DIN 125 A	6	
30	30	30	000 293 172	WASHER 13 DIN 125 A	2	
34	34	34	000 244 563	SCREW M8x20 DIN 933-8.8	2	
35	35	-	000 280 885	NUT M8 DIN 985 KI.8	3	
-	-	35	000 280 885	NUT M8 DIN 985 KI.8	6	
37	37	-	000 282 218	COTTER PIN 2x18	1	
-	-	37	000 282 218	COTTER PIN 2x18	2	
41	41	41	000 784 256	HANDLE GRIP-BLACK	1	0-5700-015
42	42	42	000 015 994	RATCHET PIVOT PLATE	1	0-5800-103
43	43	43	000 403 535	PLUNGER BUTTON-BLACK	1	0-5900-055
44	44	44	000 045 639	CONNECTION ROD	1	0-8045-237
45	45	45	000 001 485	SPRING	1	0-9746-439
46	46	46	105 800 953	ARM LEVER PIN	1	0-5800-953
47	47	47	275 200 006	STIRRUP 6 DIN 6799	1	
48	48	-	000 918 005	HOLDER	1	9-1346-230
49	49	-	000 228 019	NUT M12 DIN 934 KI.8	1	
50	50	-	000 282 557	NUT M12 DIN 985 KI.8	1	
-	-	51	200 958 538	LIFTING MOWING LEVER	2	9-5800-538

CUTTING PAN MOWER HOUSING 102

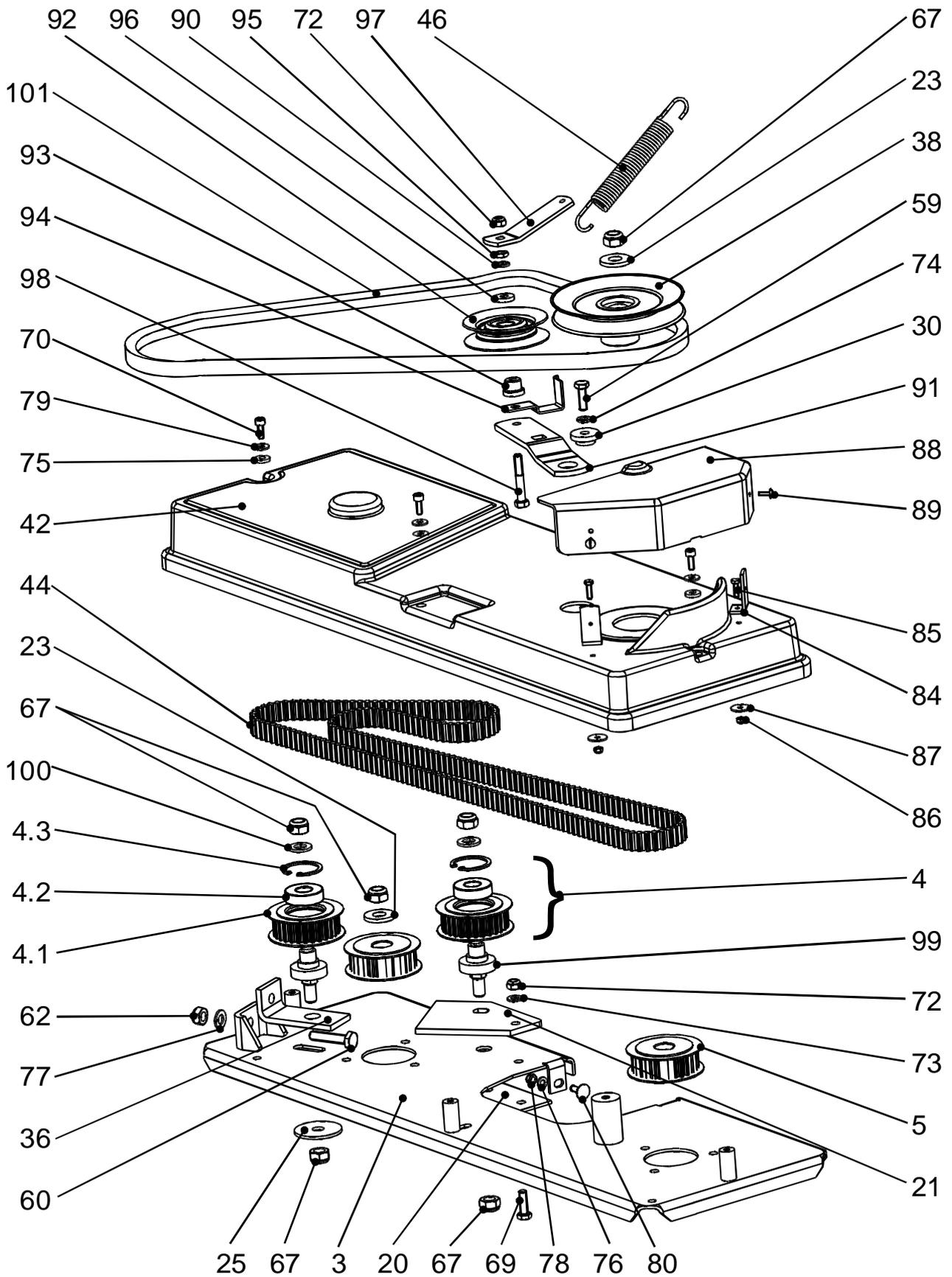


Section 6A

CUTTING PAN-MOWER HOUSING 102

position	part no.	name	qty.	drawing no.
8017-H				
8021-H				
8022-X				
1	200 958 647	BLADES COVER 102-K4-S	1	9-5800-647
6	202 056 032	BLADE SHAFT,LEFT	1	0-5600-032
7	202 056 031	BLADE SHAFT,RIGHT	1	0-5600-031
9	202 056 030	SPACER	2	0-5600-030
11	202 058 022	BLADE ADAPTOR	2	0-5800-022
12	203 056 136	QUILL HOUSING	2	0-5600-136
13	000 281 490	GROOVED SHEAR PIN	4	0-9311-736
15	202 059 224	SCREW M12x1,25x40 L	1	0-5900-224
16	202 059 223	SCREW M12x1,25x40 P	1	0-5900-223
17	202 059 226	BLADE,LEFT	1	0-5900-226
18	202 059 225	BLADE,RIGHT	1	0-5900-225
19	202 056 074	BLADE BRACE	2	0-5600-044
32	105 700 018	GAUGE WHEEL	4	9-5800-372
41	203 001 020	PLASTIC CONNECTION G 3/4"	2	
48	505 900 059	LINER	2	0-5900-059
50	202 056 028	BELLEVILLE WASHER 40x12,2x2x3,1	2	0-5600-028
51	201 878 010	BEARING 6205 2RS P6	4	
53	000 106 590	KEY 6h9x6x63	1	
54	000 206 030	KEY 6h9x6x25	3	
56	000 296 076	LOCKING RING 25 DIN 471	2	
61	221 010 090	SCREW M10x90 DIN 931-8.8	4	
62	000 281 446	NUT M10 DIN 985 KI.8	4	
63	201 852 163	WASHER 10,5 DIN 93	4	
64	201 852 083	SCREW M8x30 DIN 6921-8.8	6	
65	232 108 008	NUT M8 DIN 6926 KI.8	12	
66	222 008 035	SCREW M8x35 DIN 6921-8.8	6	
68	000 244 563	SCREW M8x20 DIN 933-8.8	8	
73	000 291 500	WASHER 8,4 DIN 125 A	8	

CUTTING PAN DRIVE SYSTEM 102



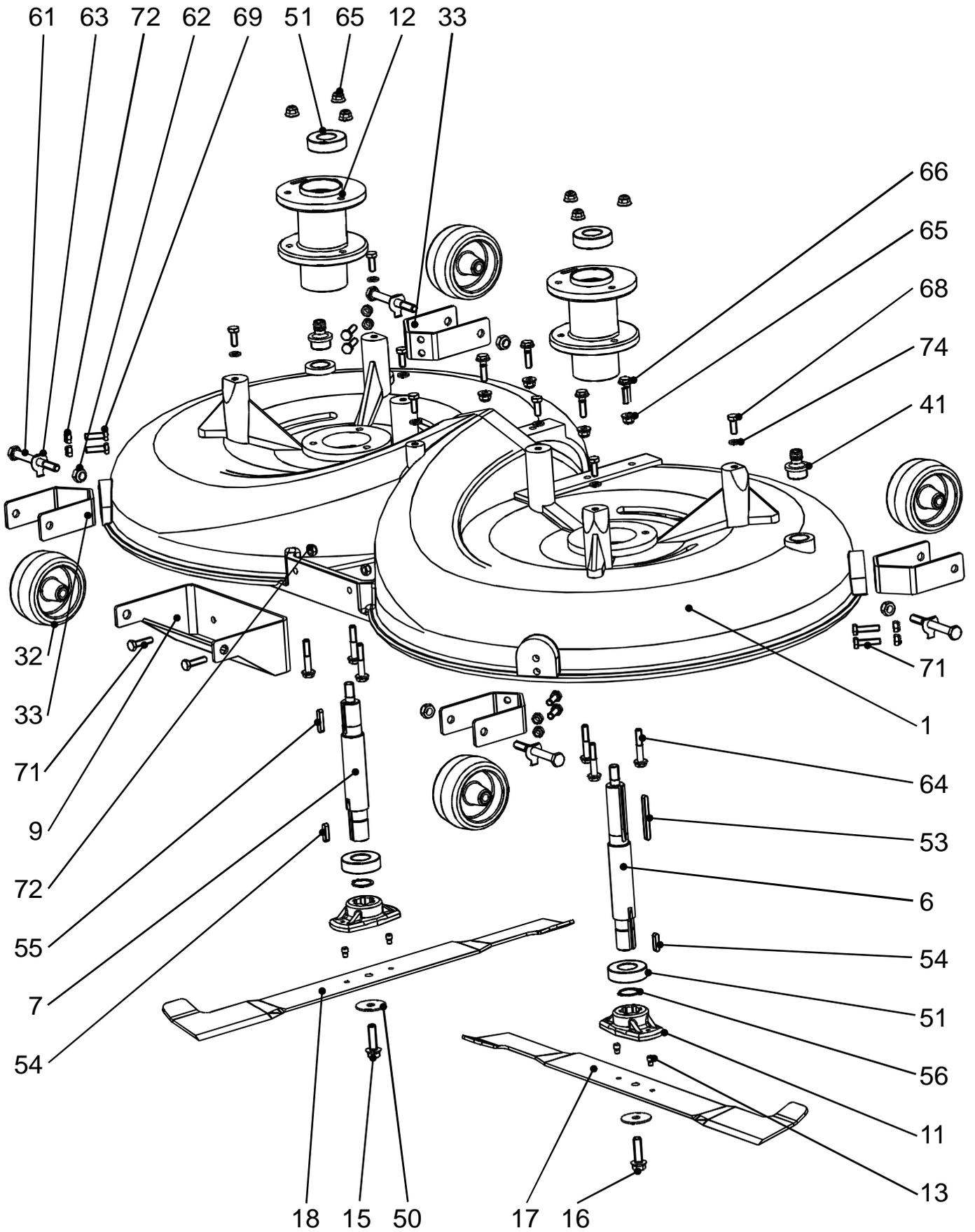
Section 6A

CUTTING PAN DRIVE SYSTEM 102

position		part no.	name	qty.	drawing no.
	8021-H				
8017-H	8022-X				
3	3	204 958 037	BLADE DRIVE PLATE ASSY	1	9-5800-037
4	4	195 800 954	COG PULLEY ASSY	2	9-5800-362
4.1	4.1	195 800 887	PULLEY 28z	2	9-5800-887
4.2	4.2	201 878 011	BEARING 6203-2RS P6	2	
4.3	4.3	275 100 040	LOCKING RING 40 DIN 472	2	
5	5	000 993 663	PULLEY 28z	2	9-3371-272
20	20	105 800 946	PULLEY SUPPORT	1	0-5800-946
21	21	105 800 945	PULLEY SUPPORT	1	0-5800-945
23	23	000 078 573	WASHER	2	0-9220-727
25	25	505 900 043	WASHER 12,4/50/3	1	0-5900-043
30	30	204 056 386	WASHER	1	0-5600-386
36	36	105 800 947	HOLDER	1	0-5800-947
38	38	000 903 606	PULLEY	1	9-5900-058
42	42	105 700 013	BELT COVER	1	0-5800-069
44	44	410 201 760	COG BELT 20DS/8M-1760	1	
46	46	000 320 870	SPRING	1	0-9746-460
59	59	000 267 476	SCREW M10x25 DIN 933-8.8	1	
60	60	220 010 045	SCREW M10x45 DIN 933-8.8	1	
62	62	000 281 446	NUT M10 DIN 985 KI.8	1	
67	67	000 282 557	NUT M12 DIN 985 KI.8	6	
69	69	000 246 235	SCREW M8x25 DIN 933-8.8	1	
70	70	203 258 354	SCREW M6x16 DIN 912-8.8	3	
72	72	000 280 885	NUT M8 DIN 985 KI.8	2	
73	73	000 291 500	WASHER 8,4 DIN 125 A	1	
74	74	000 202 114	SPRING WASHER 10 DIN 127 B	1	
75	75	105 800 863	RUBBER WASHER 6,4	3	0-5800-863
76	76	000 290 389	WASHER 6,4 DIN 125 A	1	
77	77	000 292 061	WASHER 10,5 DIN 125 A	1	
78	78	000 283 118	NUT M6 DIN 985 KI.8	1	
79	79	271 030 064	WASHER 6,4 BN 737	3	
80	80	240 306 016	SCREW M6x16 DIN 603-6.8	1	
84	84	203 056 019	COVER HOLDER	1	0-5600-193
85	85	000 254 067	SCREW M5x16 DIN 933-8.8	2	
86	86	000 285 912	NUT M5 DIN 985 KI.8	2	
87	87	203 125 377	WASHER 5x20 BN 732	2	
88	88	206 056 736	PULLEY COVER	1	0-5600-736
89	89	203 125 378	SCREW M4x12-4.6 BN 354	2	
90	90	000 201 003	SPRING WASHER 8 DIN 127 B	1	
91	91	105 800 944	PLATE	1	0-5800-944
92	92	000 785 884	PULLEY W3500-3712	1	0-5900-069
93	93	105 800 931	BUSHING	1	0-5800-931
94	94	105 800 943	BELT RETAINER	1	0-5800-943
95	95	000 224 730	NUT M8 DIN 439 B KI.04	1	
96	96	000 298 761	WASHER 8,4 DIN 7349	1	
97	97	000 013 783	ENGAGEMENT LEVER	1	1-1340-235
98	98	000 221 850	SCREW M8x50 DIN 931-8.8	1	
99	99	105 800 928	COG PULLEY PIN	2	9-5800-381
100	100	000 293 172	WASHER 13 DIN 125 A	2	
101	-	000 433 103	V-BELT 17x1400 Li (B55)	1	
-	101	000 492 063	V-BELT 17x1350 Li (B53)	1	
110*	110*	200 119 023	CUTTING SYSTEM,COMPLETE	1	536 954 119 023

* - WITHOUT V-BELT pos.101

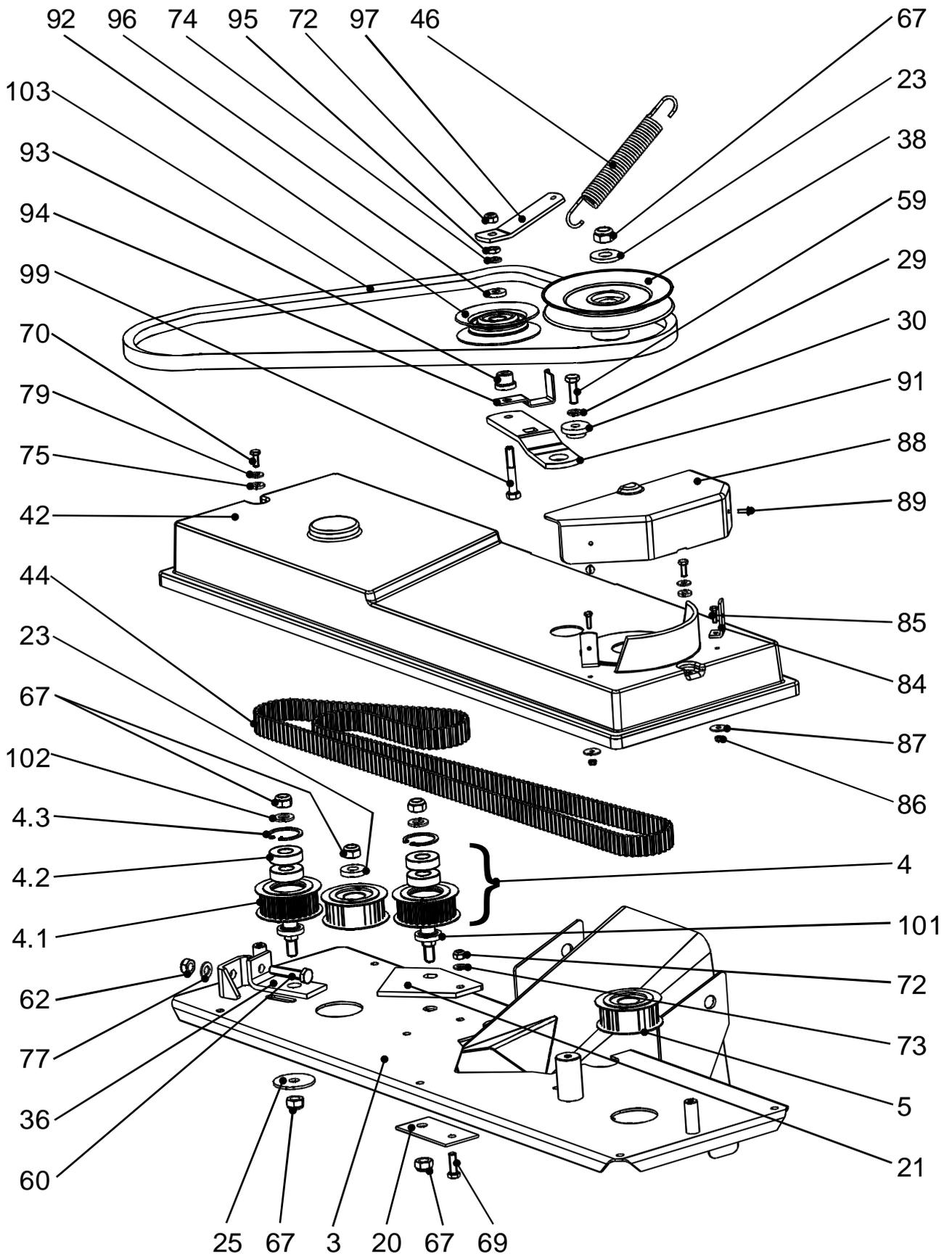
CUTTING PAN MOWER HOUSING 122



Section 6B

CUTTING PAN MOWER HOUSING 122

position	part no.	name	qty.	drawing no.
8122-X				
1	203 056 149	BLADES COVER 122	1	0-5600-149
6	200 058 311	BLADE SHAFT,LEFT	1	0-5800-311
7	200 058 310	BLADE SHAFT,RIGHT	1	0-5800-310
9	203 958 194	FRONT SUSPENSION MOWER DECK	1	9-5800-194
11	202 058 022	BLADE ADAPTOR	2	0-5800-022
12	203 056 136	QUILL HOUSING	2	0-5600-136
13	000 281 490	GROOVED SHEAR PIN	4	0-9311-736
15	000 245 025	SCREW M10x1x35 L	1	0-9011-283
16	000 233 453	SCREW M10x1x35	1	0-9011-287
17	204 058 240	BLADE,LEFT	1	0-5800-240
18	204 058 241	BLADE,RIGHT	1	0-5800-241
32	105 700 018	GAUGE WHEEL	4	9-5800-372
33	203 056 145	GAUGE WHEEL HOLDER	4	0-5600-145
41	203 001 020	PLASTIC CONNECTION G 3/4"	2	
50	505 900 073	BELLEVILLEWASHER 40x10,2x2x3,1	2	0-5900-073
51	201 878 010	BEARING 6205 2RS P6	4	
53	000 106 590	KEY 6h9x6x63	1	
54	000 206 030	KEY 6h9x6x25	2	
55	201 852 173	KEY 6h9x6x32	1	
56	000 296 076	LOCKING RING 25 DIN 471	2	
61	221 010 090	SCREW M10x90 DIN 931-8.8	4	
62	000 281 446	NUT M10 DIN 985 KI.8	4	
63	201 852 163	WASHER 10,5 DIN 93	4	
64	201 852 073	SCREW M8x45 DIN 6921-8.8	6	
65	232 108 008	NUT M8 DIN 6926 KI.8	12	
66	201 852 083	SCREW M8x30 DIN 6921-8.8	4	
68	000 244 563	SCREW M8x20 DIN 933-8.8	7	
69	000 246 235	SCREW M8x25 DIN 933-8.8	4	
71	000 245 124	SCREW M8x30 DIN 933-8.8	6	
72	000 280 885	NUT M8 DIN 985 KI.8	10	
74	000 201 003	SPRING WASHER 8 DIN 127 B	7	



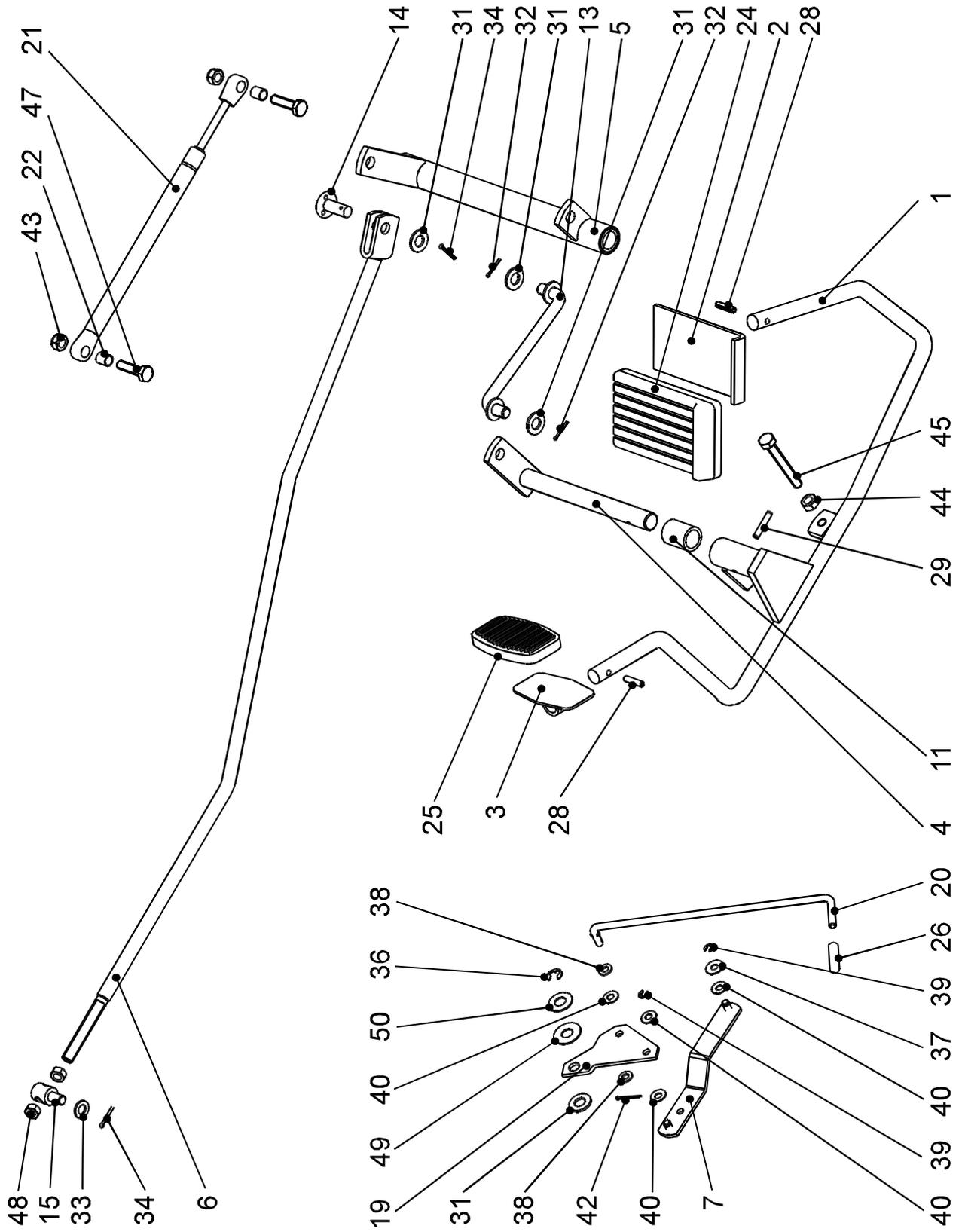
Section 6B

CUTTING PAN DRIVE SYSTEM 122

position	part no.	name	qty.	drawing no.
8122-X				
3	204 958 035	BLADE DRIVE PLATE ASSY	1	9-5800-035
4	195 800 954	PULLEY 25 WITH BEARING	2	9-5800-363
4.1	200 958 492	PULLEY 25	2	9-5800-492
4.2	201 878 011	BEARING 6203-2RS P6	4	
4.3	275 100 040	LOCKING RING 40 DIN 472	2	
5	200 958 491	PULLEY 25	2	9-5800-491
20	105 800 946	PULLEY SUPPORT	1	0-5800-946
21	105 800 945	PULLEY SUPPORT	1	0-5800-945
23	000 078 573	WASHER	2	0-9220-727
25	505 900 043	WASHER 12,4/50/3	1	0-5900-043
29	000 202 114	SPRING WASHER 10 DIN 127 B	1	
30	204 056 386	WASHER	1	0-5600-386
36	105 800 947	HOLDER	1	0-5800-947
38	200 959 490	PULLEY	1	9-5800-490
42	203 056 270	BELT COVER 122-04	1	0-5600-270
44	200 492 067	COG BELT 25DS/8M-2000	1	
46	000 320 870	SPRING	1	0-9746-460
59	000 267 476	SCREW M10x25 DIN 933-8.8	1	
60	201 852 183	SCREW M10x50 DIN 933-8.8	1	
62	000 281 446	NUT M10 DIN 985 KI.8	1	
67	000 282 557	NUT M12 DIN 985 KI.8	6	
69	000 246 235	SCREW M8x25 DIN 933-8.8	1	
70	000 284 449	SCREW M6x16 DIN 933-8.8	2	
72	000 280 885	NUT M8 DIN 985 KI.8	2	
73	000 291 500	WASHER 8,4 DIN 125 A	1	
74	000 201 003	SPRING WASHER 8 DIN 127 B	1	
75	105 800 863	RUBBER WASHER 6,4	2	0-5800-863
77	000 292 061	WASHER 10,5 DIN 125 A	1	
79	271 030 064	WASHER 6,4 BN 737	2	
84	203 056 019	COVER HOLDER	1	0-5600-193
85	000 254 067	SCREW M5x16 DIN 933-8.8	2	
86	000 285 912	NUT M5 DIN 985 KI.8	2	
87	203 125 377	WASHER 5x20 BN 732	2	
88	206 056 781	PULLEY COVER	1	0-5600-781
89	203 125 378	SCREW M4x12-4.6 BN 354	2	
91	105 800 944	PLATE	1	0-5800-944
92	000 785 884	PULLEY W3500-3712	1	0-5900-069
93	105 800 931	BUSHING	1	0-5800-931
94	105 800 943	BELT RETAINER	1	0-5800-943
95	000 224 730	NUT M8 DIN 439 B KI.04	1	
96	000 298 761	WASHER 8,4 DIN 7349	1	
97	000 013 783	ENGAGEMENT LEVER	1	1-1340-235
99	000 221 850	SCREW M8x50 DIN 931-8.8	1	
101	200 058 370	PULLEY PIN	2	9-5800-370
102	000 293 172	WASHER 13 DIN 125 A	2	
103	000 433 103	V-BELT 17x1400 Li (B55)	1	
110*	200 112 023	CUTTING SYSTEM,COMPLETE	1	536 954 122 023

* - WITHOUT V-BELT pos.103

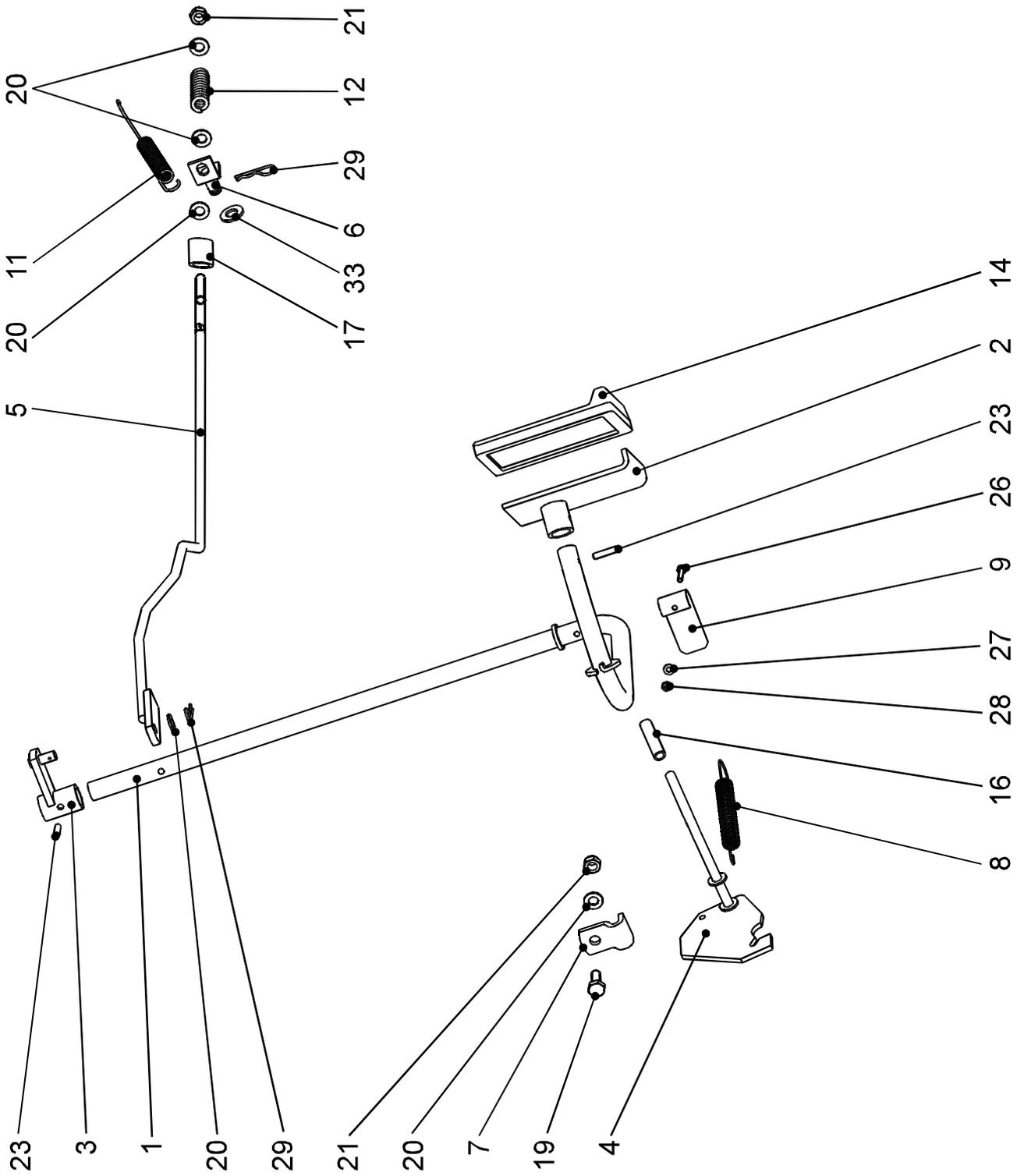
OPERATION TRAVEL PEDALS



Section 7

OPERATION TRAVEL PEDALS

position	part no.	name	qty.	drawing no.
8017-H	8022-X			
8021-H	8122-X			
1	-	200 958 752 TRAVEL PAD WELDMENT	1	9-5800-752
-	1	203 958 136 TRAVEL PAD WELDMENT	1	9-5800-136
2	2	203 958 202 TRAVEL PEDAL,FRONT	1	9-5800-202
3	3	200 958 756 TRAVEL PEDAL,REAR	1	9-5800-756
4	4	200 958 758 DIAGONAL SHAFT	1	9-5800-758
5	5	200 958 760 SHAFT	1	9-5800-760
6	-	200 958 755 TIE ROD	1	9-5800-755
-	6	203 958 145 TIE ROD	1	9-5800-145
7	-	201 958 399 BY-PASS ROD	1	9-5800-399
-	7	204 956 041 BY-PASS ROD	1	9-5600-041
11	11	200 058 606 SPACER	1	0-5800-606
13	13	203 958 216 FORMED LINK	1	9-5800-216
14	14	200 058 594 PIN	1	0-5800-594
15	-	200 058 618 PIN	1	0-5800-618
-	15	203 056 211 PIN	1	0-5600-211
19	-	201 058 193 LEVER	1	0-5800-193
-	19	204 056 447 LEVER	1	0-5600-447
20	-	200 058 634 BY-PASS ROD	1	0-5800-634
-	20	204 056 448 BY-PASS ROD	1	0-5600-448
-	21	000 719 422 DAMPER XP-3293	1	
-	22	000 029 425 BUSHING	2	0-9420-659
24	24	202 056 153 RUBBER COVER	1	0-5600-015
25	25	000 406 901 RUBBER COVER	1	0-5800-115
26	26	204 056 342 HUB CAP 6/30	1	0-5600-342
28	28	000 291 610 SPRING PIN 5x22 DIN 1481	2	
29	29	203 126 311 SPRING PIN 5x26 ISO 8748	1	
31	31	000 292 061 WASHER 10,5 DIN 125 A	4	
32	32	000 282 218 COTTER PIN 2x18 DIN 94	2	
33	33	200 296 000 WASHER 9 DIN 126	1	
34	34	000 255 530 COTTER PIN 2,5x18 DIN 94	2	
36	36	000 208 263 STIRRUP 7 DIN 6799	1	
37	37	201 780 006 WASHER 6,4 DIN 735	1	
38	38	000 290 389 WASHER 6,4 DIN 125 A	2	
39	39	200 208 243 STIRRUP 4 DIN 6799	2	
40	40	201 852 112 WASHER 6,4 DIN 137 A	4	
42	42	200 258 742 COTTER PIN 1,6x12 DIN 94	1	
-	43	000 280 885 NUT M8 DIN 985-KL.8	2	
44	44	000 272 503 NUT M8 DIN 934 KL.8	1	
45	45	204 208 605 SCREW M8x60 DIN 933-8.8	1	
46	46	000 246 235 SCREW M8x25 DIN 933-8.8	1	
-	47	000 245 124 SCREW M8x30 DIN 933-8,8	2	
-	48	000 273 625 NUT M10 DIN 934	2	
49	49	201 878 008 WASHER 10,5 BN 735	1	
50	50	201 852 111 WASHER 10,5 DIN 137 A	1	

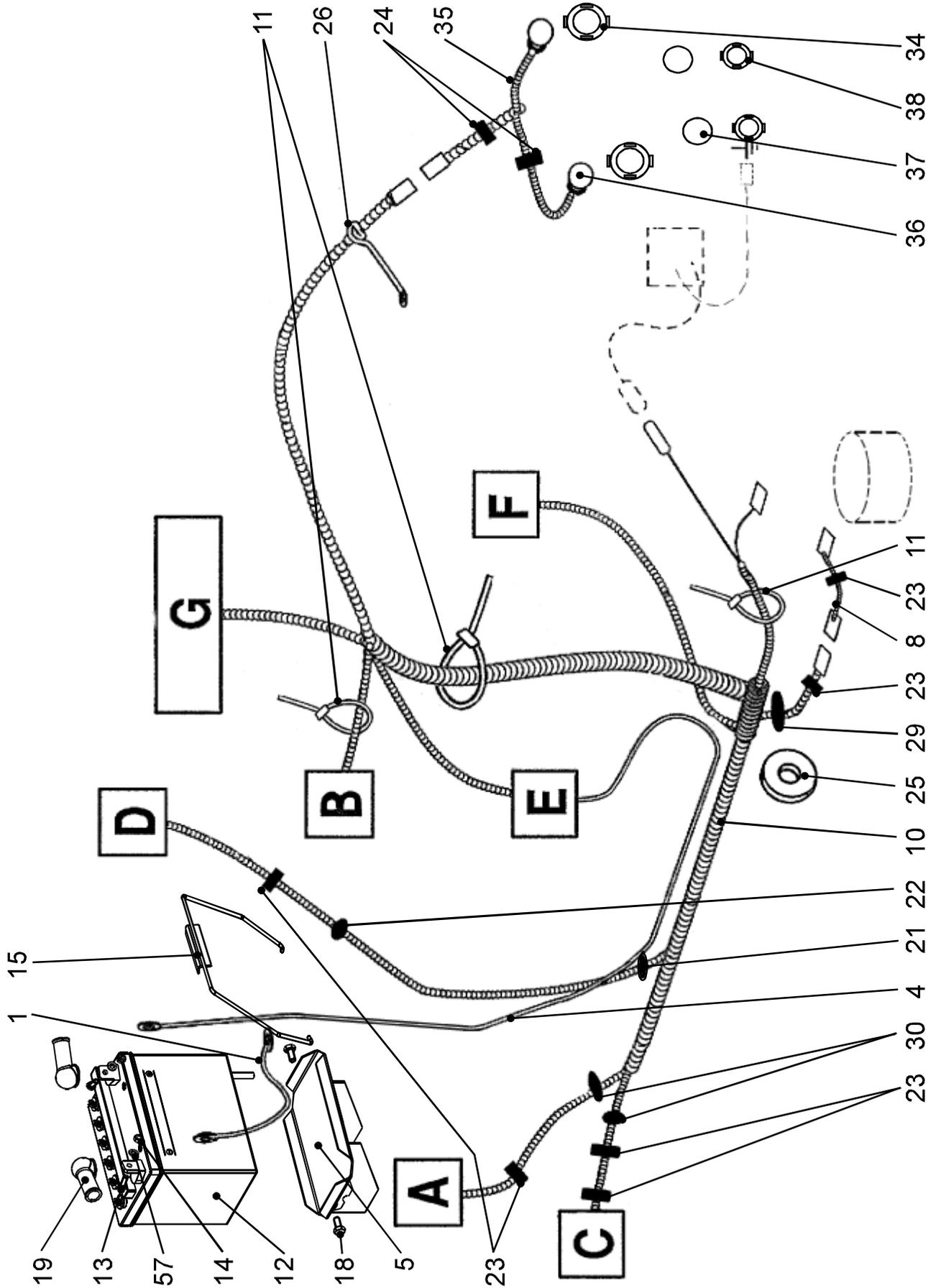


Section 8

OPERATION BRAKE

position	part no.	name	qty.	drawing no.
8017-H	8022-X			
8021-H	8122-X			
1	1	200 958 707	1	9-5800-707
2	2	195 800 998	1	9-5800-998
3	3	200 958 754	1	9-5800-754
4	4	195 800 964	1	9-5800-964
5	5	200 958 651	1	9-5800-651
6	-	200 958 761	1	9-5800-761
-	6	203 958 144	1	9-5800-144
7	7	000 048 400	1	0-8041-236
8	8	000 060 280	1	0-9746-444
9	9	105 800 975	1	0-5800-975
11	11	200 058 690	1	0-5800-690
12	12	000 054 340	1	0-5800-979
14	14	000 411 312	1	0-8832-232
16	16	000 406 560	1	
-	17	203 056 212	1	0-5600-212
19	19	000 244 563	1	
20	20	000 291 500	5	
21	21	000 280 885	2	
23	23	000 291 610	2	
26	26	220 004 025	1	
27	27	000 200 090	1	
28	28	000 284 240	1	
29	29	200 059 136	2	0-5900-136
33	33	000 292 061	1	

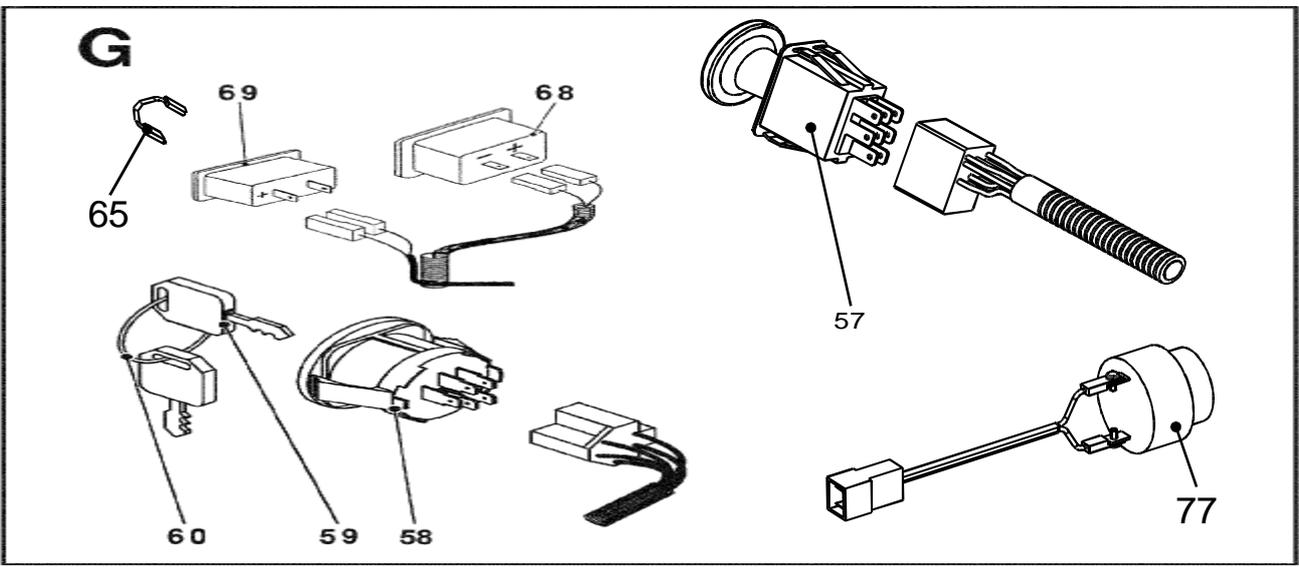
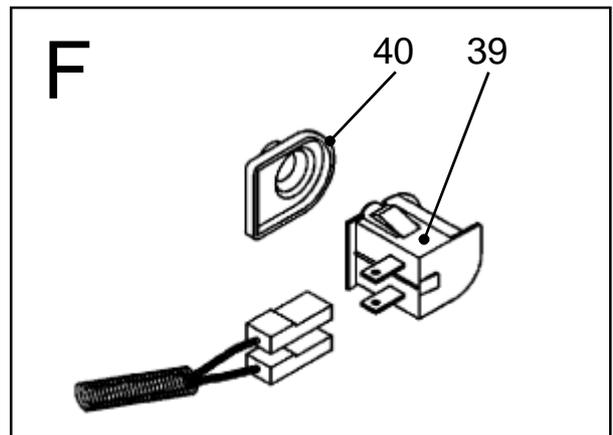
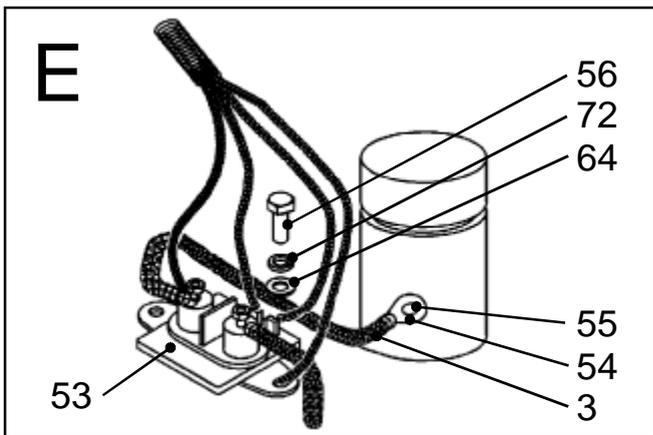
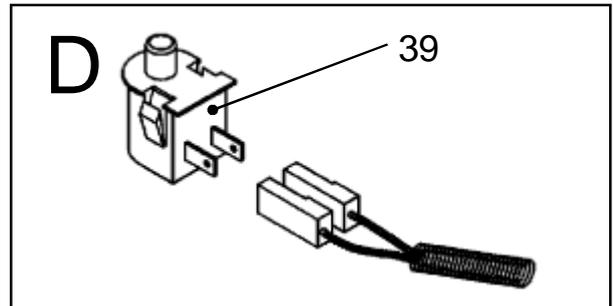
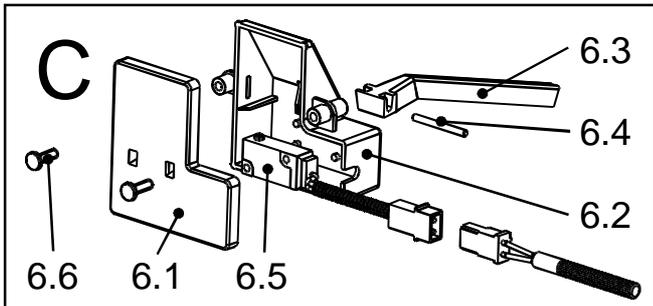
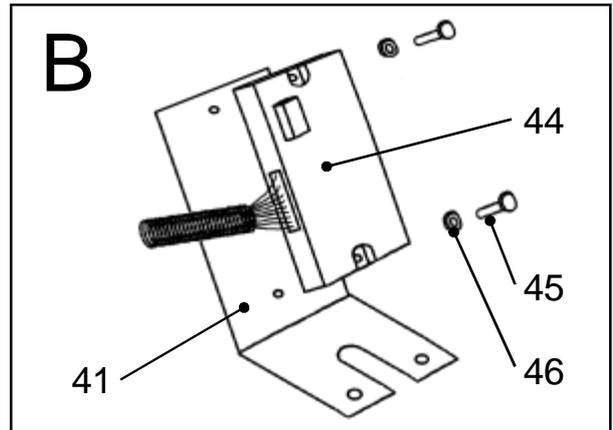
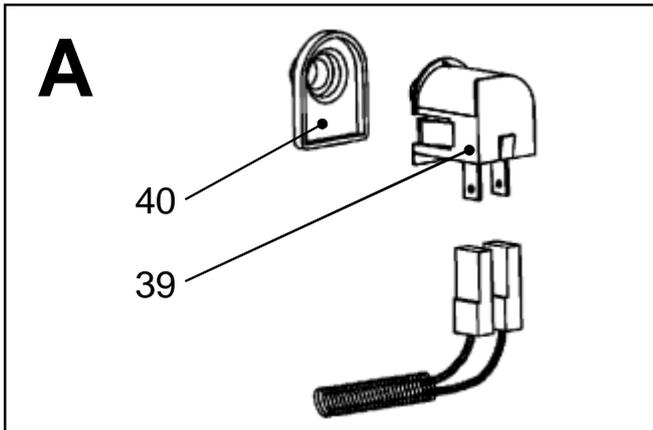
ELECTRICAL WIRING HARNESS



Section 9

ELECTRICAL WIRING HARNESS

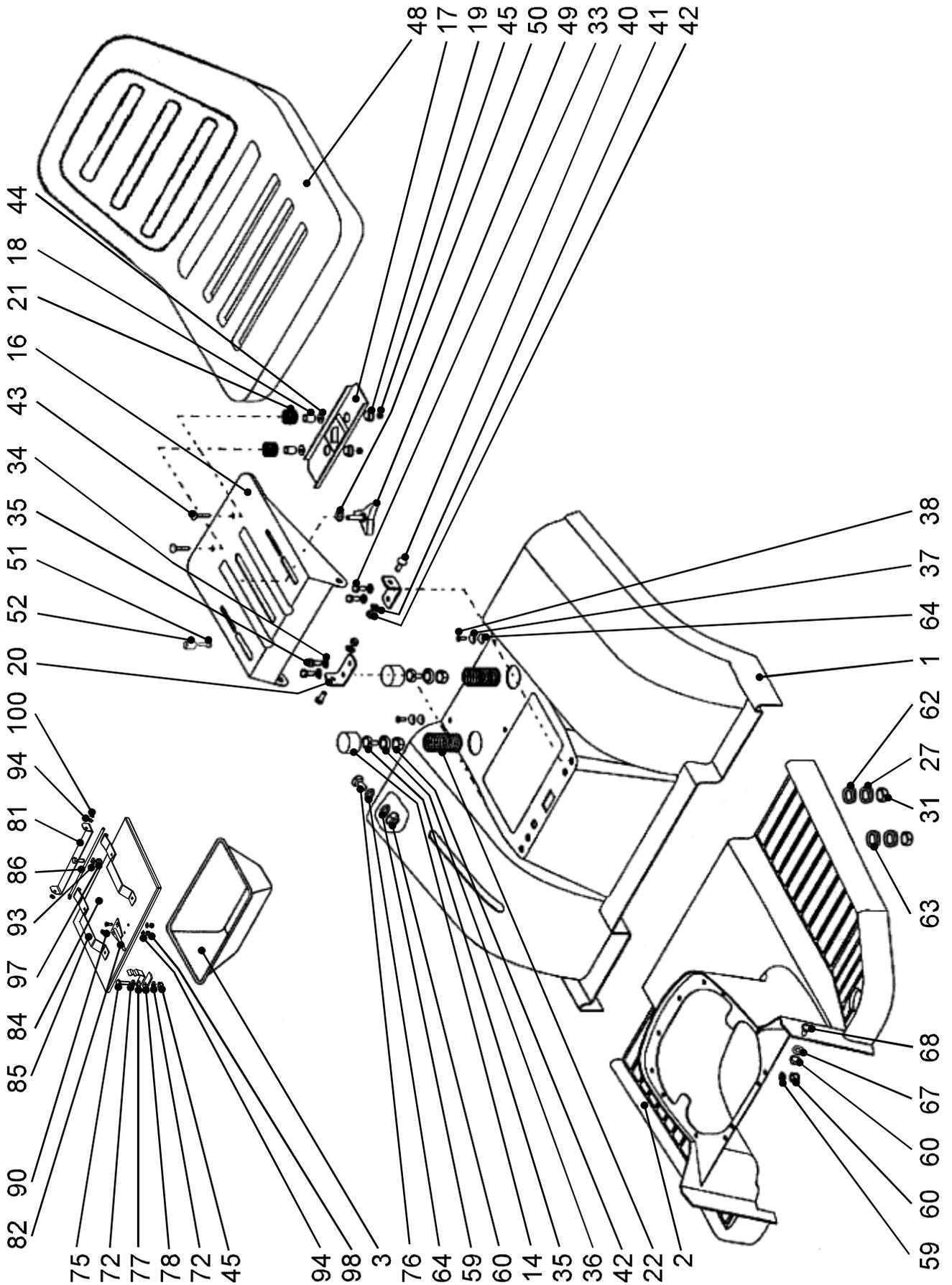
position	part no.	name	qty.	drawing no.	
	8021-H				
	8022-X				
8017-H	8122-X				
1	1	204 958 054	BATTERY CABLE "-"	1	9-5800-054
4	4	204 958 053	BATTERY CABLE "+"	1	9-5800-053
5	5	204 958 056	BATTERY SUPPORT	1	9-5800-056
8	8	195 800 914	CLUTCH HARNESS WITH DIODE	1	9-5800-914
10	10	209 956 637	MAIN WIRING HARNESS - 09	1	9-5600-637
11	11	000 323 356	CABLE TIES RT 360	3	0-5800-256
12	12	000 866 712	BATTERY 12V - 22Ah	1	
13	13	000 284 449	SCREW M6x16 DIN 933-8.8	2	
14	14	000 271 942	NUT M6 DIN 934 KI.8	2	
15	15	207 956 431	BATTERY HOLDER	1	9-5600-431
18	18	000 243 441	SCREW M8x16 DIN 933-8.8	2	
19	19	000 652 388	RUBBER BOOT 16x15,4	2	
21	21	203 800 004	BUSHING 16x2 KD7	1	
22	22	000 430 595	BUSHING 9x1,5 KD 712	1	
23	23	000 829 191	CLIP-SNAP IN 1903-00-F/A	6	
24	24	000 692 054	NYLON CLIPS-ADHESIVE 1/4 PCNY 250-9	2	
25	25	000 890 670	CAP	1	
26	26	000 059 004	CABLE HOLDER	1	0-8345-204
29	29	000 820 699	BUSHING	1	
30	30	820 002 202	BUSHING	2	
34	34	207 100 449	LAMP SOCKET MR 16	2	
35	35	207 956 402	LIGHT WIRING HARNESS	1	9-5600-402
36	36	207 100 451	LIGHT BULB ø50mm 12V10W38°	2	
37	37	207 100 452	LIGHT BULB ø30mm 12V10W30°	2	
38	38	207 100 450	LAMP SOCKET MR11	2	
57	57	000 290 389	WASHER 6,4 DIN 125 A	2	



Section 9

ELECTRICAL ACCESSORIES

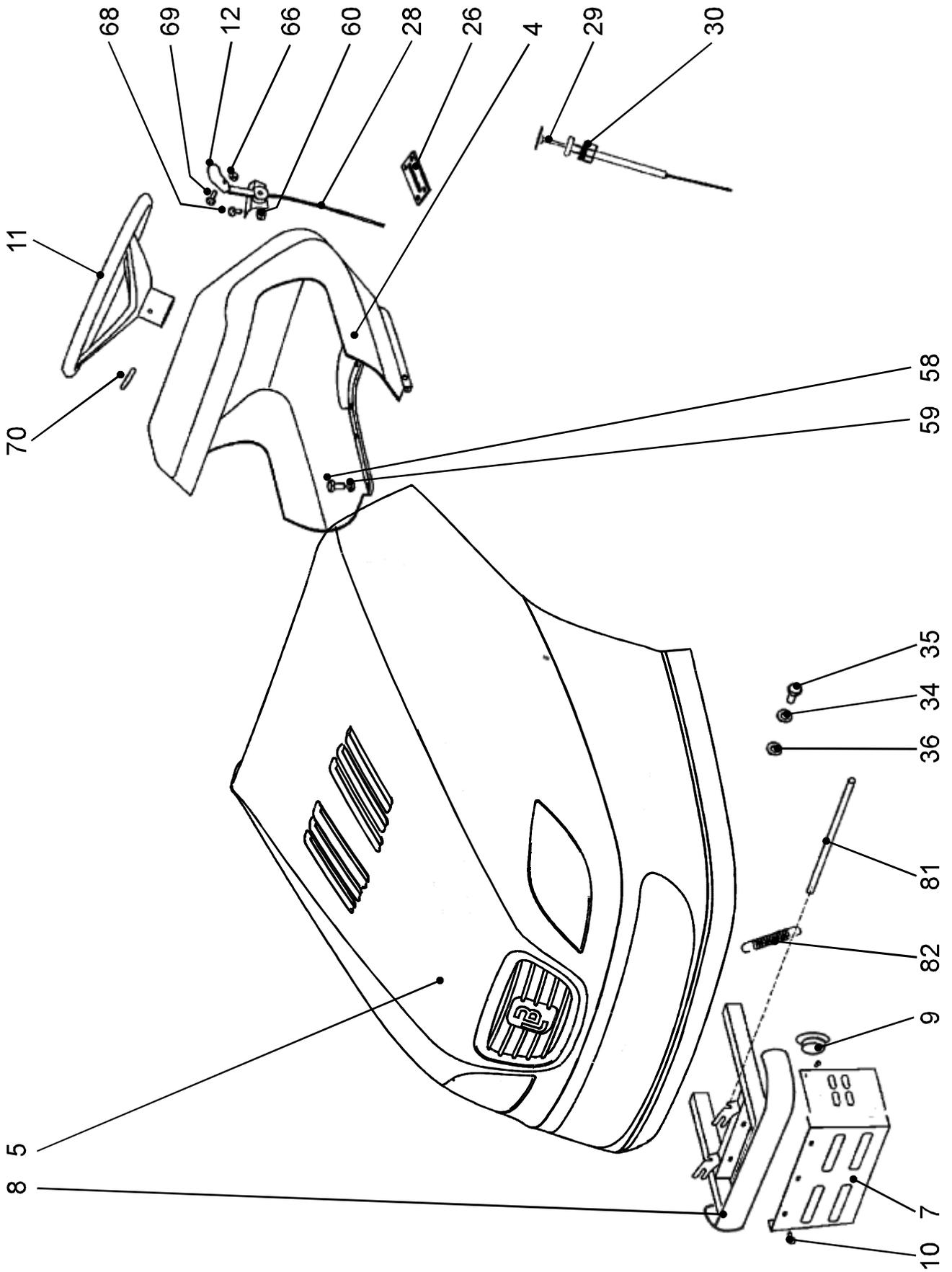
position	part no.	name	qty.	drawing no.
	8021-H			
	8022-X			
8017-H	8122-X			
3	3	195 800 916	1	9-5800-916
6	6	200 958 656	1	9-5800-292
6.1	6.1	201 058 120	1	0-5800-120
6.2	6.2	201 058 121	1	0-5800-121
6.3	6.3	201 058 119	1	0-5800-119
6.4	6.4	200 059 134	1	0-5900-134
6.5	6.5	200 810 845	1	
6.6	6.6	203 356 752	2	
39	39	000 877 943	3	0-5900-008
40	40	505 900 049	2	0-5900-049
41	41	200 058 252	1	0-5800-252
44	44	204 958 025	1	9-5800-025
45	45	201 852 333	2	
46	46	201 852 334	2	
53	53	000 821 117	1	
54	54	000 453 332	1	
55	55	000 277 816	1	
56	56	000 247 357	2	
57	57	204 059 307	1	0-5900-307
58	58	200 830 600	1	
59	59	200 800 001	2	
60	60	000 304 909	1	
64	64	000 290 389	2	
65	-	195 800 895	1	9-5800-380
-	68	205 059 317	1	0-5900-317
-	69	505 900 108	1	
72	72	000 200 442	2	
77	77	209 023 650	1	



Section 10

BODY ASSEMBLY-FENDER/SEAT

position			part no.	name	qty.	drawing no.
		8022-X				
8017-H	8021-H	8122-X				
1	1	1	209 055 533	FENDER Senoplast 1597	1	0-5500-533
2	2	-	200 057 102	FOOTREST ASSY	1	0-5600-071
-	-	2	203 056 230	FOOTREST ASSY	1	0-5600-230
3	3	3	201 058 111	STORAGE BOX	1	0-5800-111
14	14	14	000 407 121	HUB CAP SC 1 1/2	2	
16	16	16	105 800 939	SEAT SUPPORT	1	0-5800-939
17	17	17	105 800 938	BRACKET	1	0-5800-938
18	18	18	105 800 935	SPACER	2	0-5800-935
19	19	19	000 002 156	BUSHING	2	0-9421-424
20	20	20	105 800 940	SEAT SUPPORT BRACKET	2	0-5800-940
21	21	21	000 331 386	SEAT SPRING	2	0-5900-011
22	22	22	000 098 692	SPRING	2	0-9746-434
27	27	27	000 292 061	WASHER 10,5 DIN 125 A	4	
31	31	31	000 281 446	NUT M10 DIN 985 KI.8	4	
33	33	33	000 246 235	SCREW M8x25 DIN 933-8.8	1	
34	34	34	000 201 003	SPRING WASHER 8 DIN 127 B	4	
35	35	35	000 244 563	SCREW M8x20 DIN 933-8.8	5	
36	36	36	000 298 760	WASHER 8,4 DIN 9021 B	2	
37	37	37	000 268 774	WASHER 5,3 SN 213 912	2	
38	38	38	204 200 001	SCREW M5x16 DIN 7991-10.9	2	
40	40	40	000 074 690	SEAT SUPPORT SCREW	2	0-5800-927
41	41	41	000 291 500	WASHER 8,4 DIN 125 A	2	
42	42	42	000 280 885	NUT M8 DIN 985 KI.8	4	
43	43	43	240 306 030	SCREW M6x30 DIN 603-6.8	2	
44	44	44	000 298 210	WASHER 6,4 DIN 9021 B	2	
45	45	45	000 283 118	NUT M6 DIN 985 KI.8	3	
48	-	-	505 900 119	SEAT QUATTRO 400 071	1	0-5900-119
-	48	48	505 900 120	SEAT DE LUXE INI 063	1	0-5900-120
49	49	49	203 150 000	ADJ.KNOB KRG	2	
50	50	50	000 290 642	SPRING WASHER 8 DIN 137 A	2	
51	51	51	222 008 020	SCREW M8x20 DIN 6921-8.8	2	
52	52	52	201 058 223	SPACER	2	0-5800-223
59	59	59	000 239 448	WASHER 5,3 DIN 9021 B	12	
60	60	60	000 285 912	NUT M5 DIN 985 KI.8	14	
62	62	62	105 800 870	RUBBER WASHER	2	0-5800-870
63	63	63	105 800 864	WASHER 10,5/20/2	2	0-5800-864
64	64	64	105 800 862	WASHER 5	8	0-5800-862
67	67	67	000 289 828	WASHER 5,3 DIN 125 A	2	
68	68	68	254 505 016	SCREW M5x16 DIN 965A-4.8	2	
72	72	72	000 290 389	WASHER 6,4 DIN 125 A	2	
75	75	75	204 206 201	SCREW M6x20 DIN 933-8.8	1	
76	76	76	000 207 086	SCREW M5x16 DIN 603-6.8	6	
77	77	77	204 056 354	SPRING	1	0-5600-354
78	78	78	204 056 353	SUPPORT PLATE	1	0-5600-353
81	81	81	204 958 060	DOOR BRACKET	1	9-5800-060
82	82	82	204 958 059	LATCH	1	9-5800-059
84	84	84	205 956 135	STORAGE BOX DOOR	1	9-5600-135
85	85	85	204 056 350	JOINT	1	0-5600-350
86	86	86	204 056 349	PIN	1	0-5600-349
90	90	90	204 041 206	SCREW M4x12 DIN 965 A 4.8	2	
93	93	93	000 290 389	WASHER 6,4 DIN 125 A	1	
94	94	94	000 200 090	WASHER 4,3 DIN 125 A	4	
97	97	97	000 283 118	NUT M6 DIN 985 KI.8	1	
98	98	98	000 284 240	NUT M4 DIN 985 KI.8	2	
100	100	100	200 258 742	COTTER PIN 1.6x12 DIN 94	1	

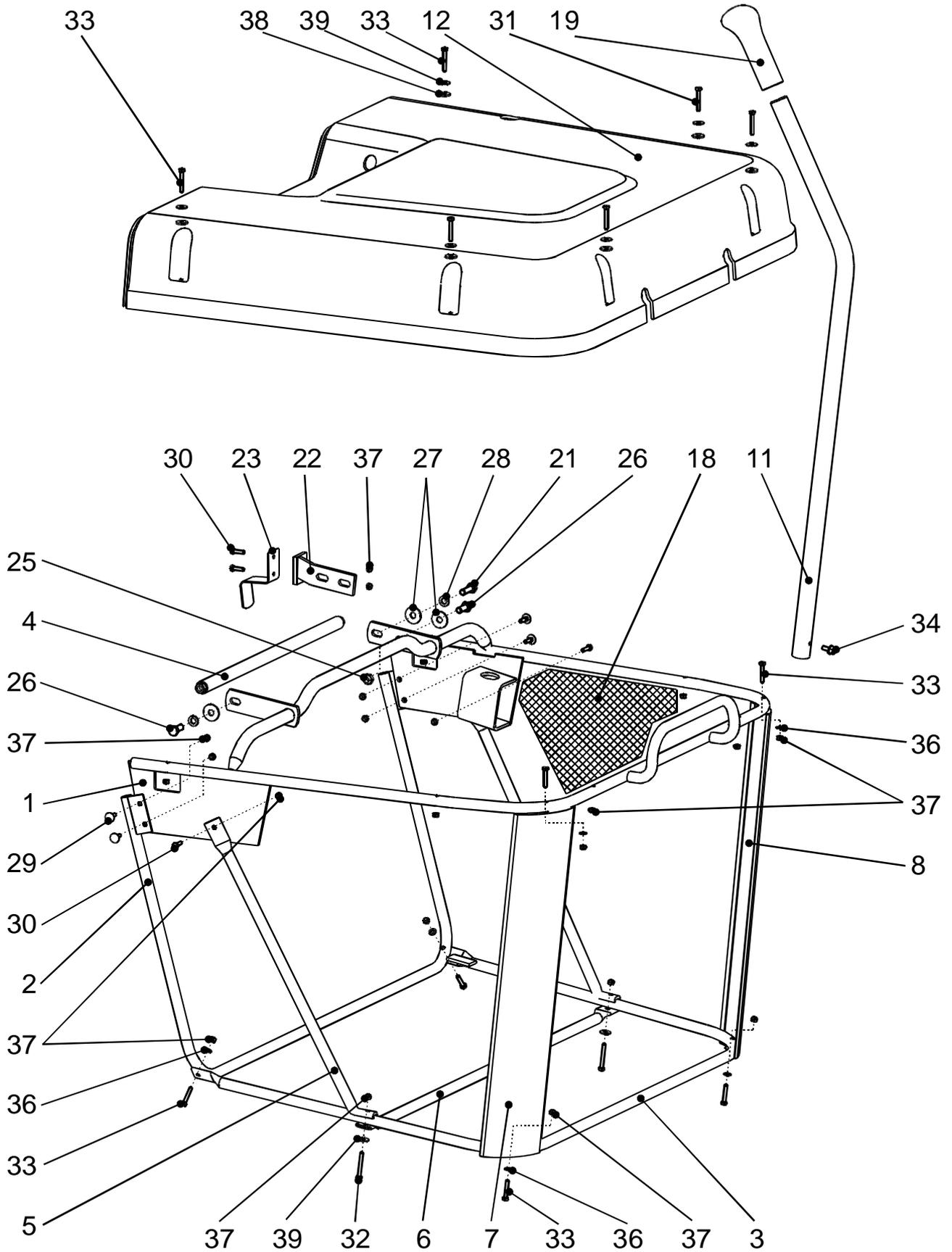


Section 10

BODY ASSEMBLY-HOOD

position			part no.	name	qty.	drawing no.
		8022-X				
8017-H	8021-H	8122-X				
4	-	-	208 055 406	DASH PANEL	1	0-5500-408
-	4	4	207 056 973	DASH PANEL	1	0-5600-973
5	-	-	209 956 701	HOOD LAWNBOSS 1V	1	9-5600-701
-	5	5	209 956 702	HOOD LAWNBOSS 2V	1	9-5600-702
7	7	7	209 956 720	MUFFLER HOLDER	1	9-5600-720
8	8	8	209 956 688	BUMPER	1	9-5600-688
9	9	9	000 305 025	HUB CAP GL 50x1-2,5	2	
10	10	10	000 259 314	SCREW 4,2x13 eco-drill DIN 7504 K	5	
11	11	11	204 958 063	STEERING WHEEL	1	9-5800-063
12	12	12	000 084 414	THROTTLE KNOB	1	0-5700-016
-	23	23	201 852 111	SPRING WASHER 10 DIN 137 A	1	
26	26	26	105 800 812	BRACE	1	0-5800-812
28	-	-	000 717 739	THROTTLE LEVER ASSY	1	9-5900-202
-	28	28	000 770 880	THROTTLE LEVER ASSY	1	9-5900-201
-	29	29	000 978 450	CHOKE-CAPRO	1	9-5900-240
-	30	30	505 900 084	NUT 3/8"-24	1	0-5900-084
34	34	34	000 201 003	SPRING WASHER 8 DIN 127 B	4	
35	35	35	000 244 563	SCREW M8x20 DIN 933-8.8	4	
36	36	36	000 298 760	WASHER 8,4 DIN 9021 B	4	
58	58	58	220 005 020	SCREW M5x20 DIN 933-8.8	6	
59	59	59	000 239 448	WASHER 5,3 DIN 9021 B	6	
60	60	60	000 285 912	NUT M5 DIN 985 KI.8	4	
66	66	66	000 284 240	NUT M4 DIN 985 KI.8	1	
68	68	68	254 505 016	SCREW M5x16 DIN 965A-4.8	4	
69	69	69	250 004 014	SCREW M4x14 DIN 84 A	1	
70	70	70	204 160 001	SPRING PIN 6x45 ISO 8750	1	
81	81	81	105 800 818	SPRING HOLDER	1	0-5800-818
82	82	82	105 800 801	HOOD SPRING	1	0-5800-801

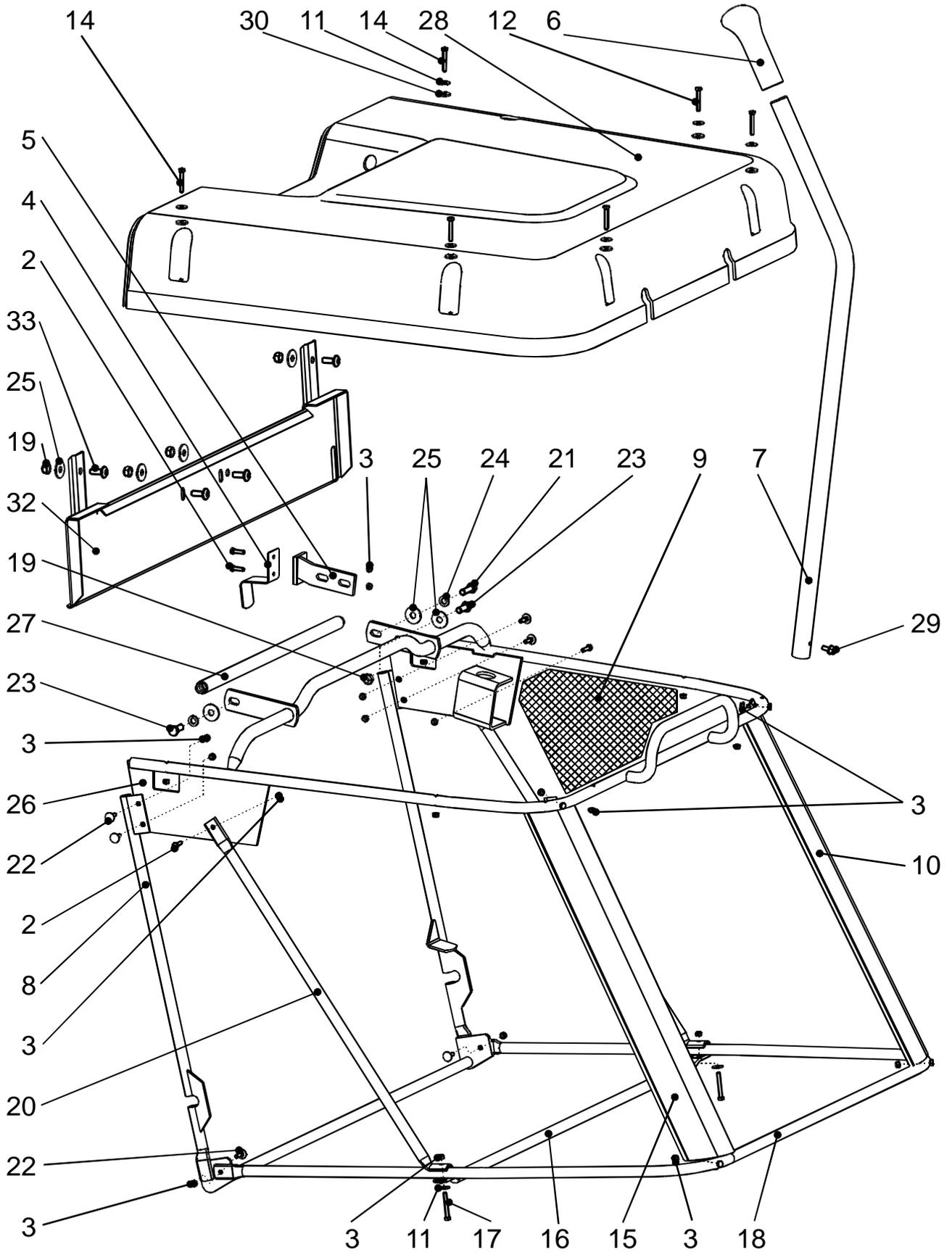
GRASS COLLECTOR ASSEMBLY 300L



GRASS COLLECTOR ASSEMBLY 300L

position	part no.	name	qty.	drawing no.
8017-H				
8021-H				
1	201 958 328	TOP FRAME ASSY	1	9-5800-328
2	000 975 249	FRONT FRAME ASSY	1	9-7444-201
3	200 958 657	BOTTOM FRAME ASSY	1	9-5800-657
4	000 978 604	LIFT HANDLE	1	9-8020-210
5	000 026 048	BRACE	2	0-7426-202
6	000 024 937	CONNECTING BRACE	1	0-7426-201
7	000 060 269	CORNER SUPPORT-LEFT	1	0-7442-227
8	000 019 063	CORNER SUPPORT-RIGHT	1	0-7442-226
11	105 800 952	DUMPING LEVER	1	0-5800-952
12	209 055 532	COLLETOR COVER Senoplast 1597	1	0-5500-532
18	200 058 278	GRASS COLLECTOR BAG 2000	1	0-5800-278
19	000 489 951	HANDLE GRIP,DUMP LEVER	1	0-5700-017
21	000 246 235	SCREW M8x25 DIN 933-8.8	1	
22	201 958 329	SPRING HOLDER	1	9-5800-329
23	105 800 918	COLLECTOR SPRING,INTERLOCK	1	0-5800-918
25	000 280 885	NUT M8 DIN 985 KI.8	1	
26	000 244 563	SCREW M8x20 DIN 933-8.8	2	
27	000 298 760	WASHER 8,4 DIN 9021 B	3	
28	000 201 003	SPRING WASHER 8 DIN 127 B	2	
29	000 207 086	SCREW M5x16 DIN 603-6.8	4	
30	000 254 067	SCREW M5x16 DIN 933-8.8	4	
31	000 272 635	SCREW M5x30 DIN 933-8.8	4	
32	000 283 250	SCREW M5x35 DIN 933-8.8	2	
33	000 286 605	SCREW M5x25 DIN 933-8.8	8	
34	505 900 065	SCREW M6x12 DIN 7500 D	1	
36	000 289 828	WASHER 5,3 DIN 125 A	6	
37	000 285 912	NUT M5 DIN 985 KI.8	22	
38	105 800 862	RUBBER WASHER 5	6	0-5800-862
39	000 239 448	WASHER 5,3 DIN 9021 B	8	
41	209 956 689	GRASS COLLECTOR COMPLETE	1	9-5600-689

GRASS COLLECTOR ASSEMBLY 360L

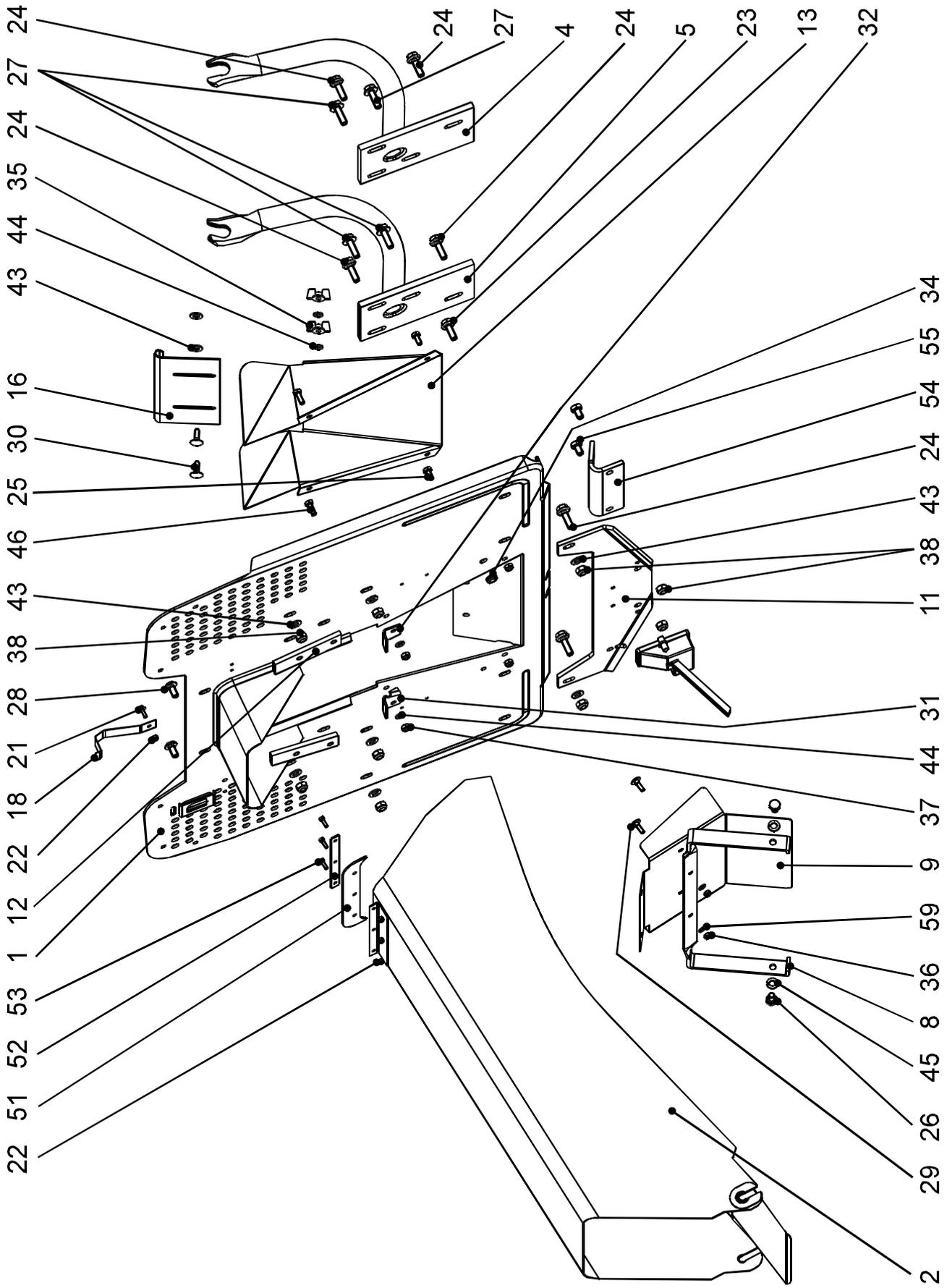


Section 11B

GRASS COLLECTOR ASSEMBLY 360L

position	part no.	name	qty.	drawing no.
8022-X				
8122-x				
1	209 956 690	GRASS COLLECTOR ASSY COMPLETE	1	9-5600-690
2	000 254 067	SCREW M5x16 DIN 933-8,8	4	
3	000 285 912	NUT M5 DIN 985 KL.8	22	
4	105 800 918	COLLECTOR SPRING,INTERLOCK	1	
5	201 958 329	SPRING BRACKET	1	9-5800-329
6	000 489 951	HANDLE GRIP,DUMP LEVER	1	
7	105 800 952	DUMPING LEVER	1	0-5800-952
8	205 956 019	FRONT FRAME ASSY	1	9-5600-019
9	205 056 445	GRASS COLLECTOR BAG	1	0-5600-445
10	205 956 039	CORNER SUPPORT-RIGHT	1	9-5600-039
11	000 239 448	WASHER 5,3 DIN 9021 B	8	
12	000 272 635	SCREW M5x30 DIN 933-8,8	4	
14	000 286 605	SCREW M5x25 DIN 933-8,8	2	
15	205 956 040	CORNER SUPPORT-LEFT	1	9-5600-040
16	205 056 425	CONNECTING BRACE	1	0-5600-425
17	000 283 250	SCREW M5x35 DIN 933-8,8	2	
18	205 956 042	BOTTOM FRAME ASSY	1	9-5600-042
19	000 280 885	NUT M8 DIN 985 KL.8	5	
20	205 056 418	BRACE	2	0-5600-418
21	000 246 235	SCREW M8x25 DIN 933-8,8	1	
22	000 207 086	CARRIAGE BOLT M5x16 DIN 603 6,8	6	
23	000 244 563	SCREW M8x20 DIN 933-8,8	2	
24	000 201 003	SPRING WASHER 8 DIN 127 B	2	
25	000 298 760	WASHER 8,4 DIN 9021 B	7	
26	205 956 043	TOP FRAME ASSY	1	9-5600-043
27	000 978 604	LIFT HANDLE	1	
28	209 055 532	COLLECTOR COVER SENOPLAST 1597	1	0-5500-532
29	505 900 065	SCREW M6x12 DIN 7500 D	1	
30	105 800 862	RUBBER WASHER 5	6	0-5800-862
32	205 956 020	PLATE	1	9-5600-020
33	205 204 139	SCREW M8x20 BN 11252	4	

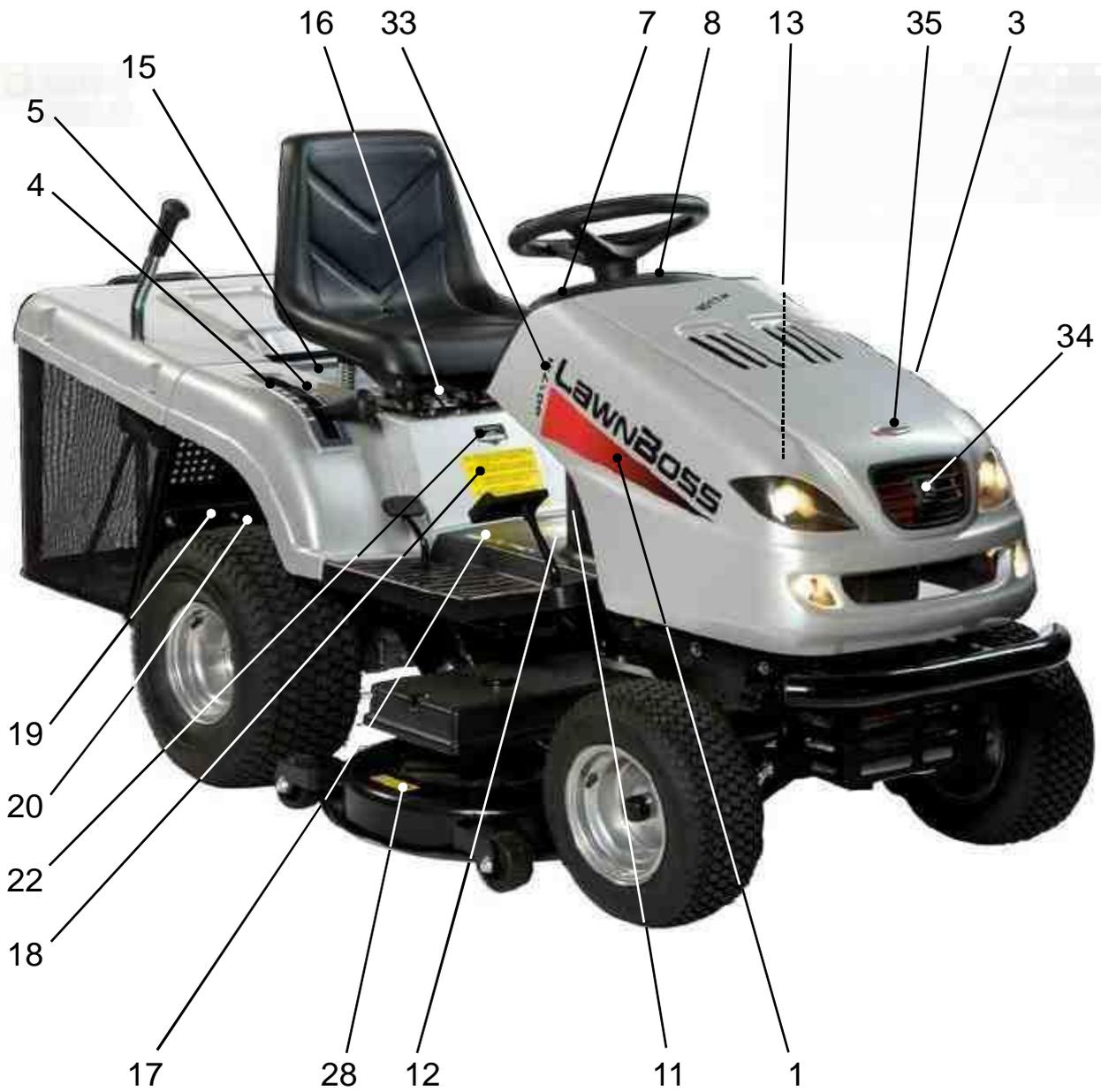
CHUTE COLLECTOR ASSEMBLY



Section 12

CHUTE COLLECTOR ASSEMBLY

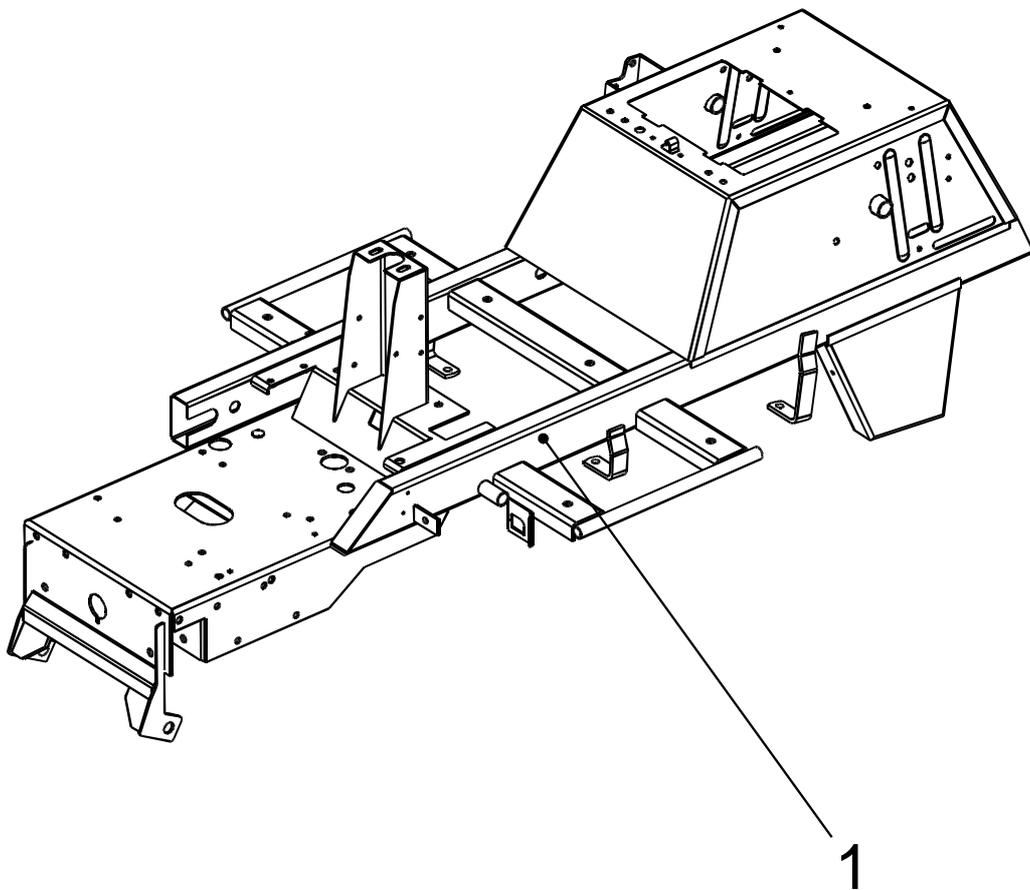
position			part no.	name	qty.	drawing no.
8017-H						
8021-H	8022-X	8122-X				
1	1	1	200 958 766	COLLECTOR PLATE ASSY	1	9-5800-766
2	-	-	202 958 270	TUNNEL	1	9-5800-199
-	2	-	204 958 067	TUNNEL	1	9-5800-067
-	-	2	203 958 137	TUNNEL	1	9-5800-137
4	4	4	200 958 652	COLLECTOR SUPPORT,LEFT	1	9-5800-652
5	5	5	200 958 653	COLLECTOR SUPPORT,RIGHT	1	9-5800-653
8	8	8	200 058 627	PROTECTIVE SHIELD BRACKET	1	0-5800-627
9	9	9	201 058 222	PROTECTIVE SHIELD	1	0-5800-222
11	11	11	200 058 623	TOW HITCH SUPPORT	1	0-5800-623
12	12	12	201 115 853	REINFORCING	1	1-1530-853
13	13	13	201 058 238	REAR PLATE CHUTE	1	0-5800-238
16	16	16	201 058 237	ADJUSTABLE SHIELD	1	0-5800-237
18	18	18	209 055 500	SWITCH COVER	1	0-5500-500
21	21	21	253 504 012	SCREW M4x12 Eco-fix 4.8	1	
22	22	22	000 284 240	NUT M4 DIN 985 KI.8	4	
23	23	23	222 008 020	SCREW M8x20 DIN 6921-8.8	2	
24	24	24	000 213 312	SCREW M8x25 DIN 6921-8.8	6	
25	25	25	000 247 357	SCREW M6x12 DIN 933-8.8	2	
26	26	26	202 359 367	SCREW M8x12 DIN 933-8.8	2	
27	27	27	000 251 691	SCREW M8x25 Verb. Ripp 100	4	
28	28	28	255 108 016	SCREW M8x16 10.9 BN 11252	2	
29	29	29	000 207 086	SCREW M5x16 DIN 603 -6,8	2	
30	30	30	240 306 016	SCREW M6x16 DIN 603 Mu	2	
31	31	31	202 056 033	TUNNEL SUPPORT,RIGHT	1	0-5600-033
32	32	32	202 056 034	TUNNEL SUPPORT,LEFT	1	0-5600-034
34	34	34	203 125 379	BUSHING KD 716	1	
35	35	35	000 846 802	PLASTIC WING NUT 1/4"-20	2	
36	36	36	000 285 912	NUT M5 DIN 985 KI.8	2	
37	37	37	000 283 118	NUT M6 DIN 985 KI.8	4	
38	38	38	000 280 885	NUT M8 DIN 985 KI.8	7	
43	43	43	000 291 500	WASHER 8,4 DIN 125 A	9	
44	44	44	000 290 389	WASHER 6,4 DIN 125 A	4	
45	45	45	000 201 003	SPRING WASHER 8 DIN 127 B	2	
46	46	46	000 284 449	SCREW M6x16 DIN 933-8.8	2	
51	51	51	000 071 082	RUBBER SEAL	1	1-13332-271
52	52	52	000 072 765	SUPPORT PLATE	1	1-1530-857
53	53	53	000 262 911	SCREW M4x12 DIN 84A-8.8	3	
54	54	54	200 058 625	REAR TOW	1	0-5800-625
55	55	55	000 244 563	SCREW M8x20 DIN 933-8.8	2	



Section 13

DECALS LABELS

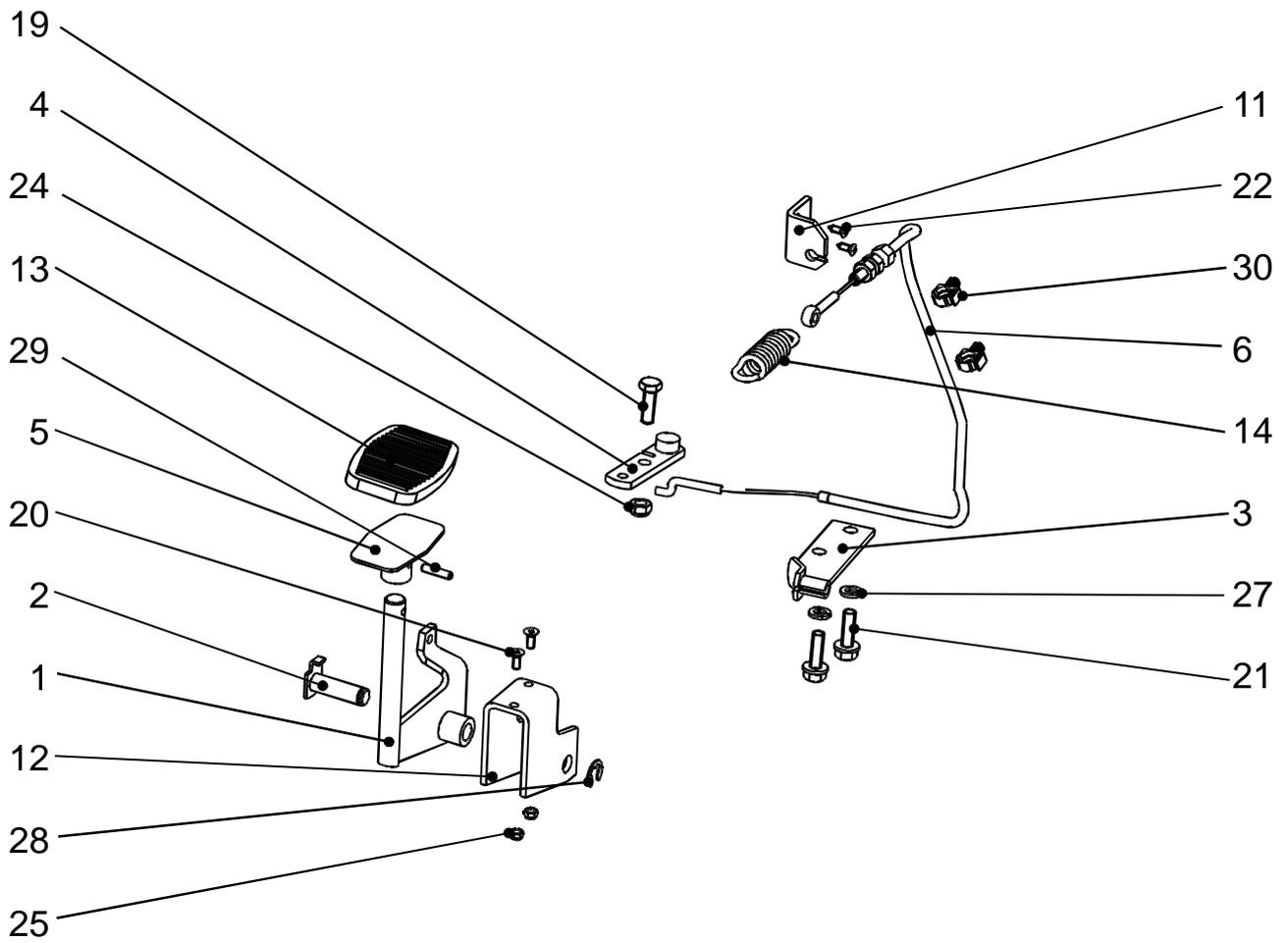
position				part no.	name	qty.	drawing no.
8017-H	8021-H	8022-X	8122-X				
1	1	1	1	209 055 543	DECAL LAWNBOSS "P"	1	0-5500-543
3	3	3	3	209 055 544	DECAL LAWNBOSS "L"	1	0-5500-544
4	4	4	4	105 800 819	LABEL OF LIFTING,RIGHT	1	0-5800-819
5	5	5	5	000 697 521	LABEL OF LFTING,LEFT	1	0-5800-904
7	-	-	-	208 055 409	DECAL,DASH PANEL,RIGHT	1	0-5500-409
-	7	7	7	207 056 974	DECAL,DASH PANEL,RIGHT	1	0-5600-974
8	-	-	-	105 800 803	DECAL,DASH PANEL,LEFT	1	0-5800-803
-	8	8	8	207 058 802	DECAL,DASH PANEL,LEFT	1	0-5800-802
11	11	11	11	000 686 620	USERS INFORMATION	1	0-5600-295
12	12	12	12	000 668 041	SAFETY LABEL	1	0-5600-294
13	13	13	13	000 689 315	BRAKE LOCKING	1	0-5600-293
15	15	15	15	000 639 144	DECAL ARROW	1	0-5600-289
16	16	16	16	000 604 945	BATTERY LABEL	1	0-5600-298
17	17	17	17	000 641 179	TRAVEL DIRECTION DECAL	1	0-5600-296
18	18	18	18	201 058 186	SAFETY DECAL	1	0-5800-186
19	19	-	-	200 058 280	"BYPASS" DECAL	1	0-5800-280
-	-	19	19	204 048 845	"BYPASS" DECALS	1	0-4800-845
20	20	20	20	201 058 253	REAR PLATE CHUTE DECAL	1	0-5800-253
22	22	22	22	505 900 075	DECAL B&S	1	0-5900-075
28	28	28	28	000 601 920	SAFETY LABEL-CUTTING	2	0-5600-290
33	-	-	-	210 055 617	DECAL 8017-H	2	0-5500-617
-	33	-	-	209 055 540	DECAL 8021-H	2	0-5500-540
-	-	33	-	209 055 541	DECAL 8022-X	2	0-5500-541
-	-	-	33	209 055 543	DECAL 8122-X	2	0-5500-542
34	34	34	34	209 055 536	DECAL LOGO "LB"	1	0-5500-536
35	35	35	35	209 055 537	DECAL LOGO "LAWNBOSS"	1	0-5500-537



Section 14

FRAME

position		part no.	name	qty.	drawing no.
8017-H	8022-X				
8021-H	8122-X				
1	-	200 958 705	FRAME HYDRO DE LUXE	1	9-5800-705
-	1	203 958 131	FRAME HYDRO FG	1	9-5800-131



Section 15

OPERATION DIFFERENTIAL LOCK

position	part no.	name	qty.	drawing no.
8022-X				
8122-X				
1	203 958 141	DIF. LOCK PEDAL	1	9-5800-141
2	203 958 139	LOCK PIN	1	9-5800-139
3	203 958 143	LEAD	1	9-5800-143
4	203 958 142	CONTROL LEVER	1	9-5800-142
5	203 958 140	PEDAL	1	9-5800-140
6	203 958 138	DIF. LOCK CABLE	1	9-5800-138
11	203 056 219	CABLE HOLDER	1	0-5600-219
12	203 056 223	PEDAL BRACKET	1	0-5600-223
13	000 406 901	RUBBER COVER	1	0-5800-115
14	203 056 229	DIF. LOCK SPRING	1	0-5600-229
19	000 246 235	SCREW M8x25 DIN 933-8,8	1	
20	203 845 122	SCREW M5x12 DIN 965 A-4,8	2	
21	203 208 258	SCREW M8x25 DIN 7500-D	2	
22	203 204 133	SCREW 4,2x13 DIN 7983 C	2	
24	000 280 885	NUT M8 DIN 985-KL.8	1	
25	000 285 912	NUT M5 DIN 985-KL.8	2	
27	000 201 003	SPRING WASHER 8 DIN 127 B	2	
28	201 208 273	STIRRUP 9 DIN 6799	1	
29	000 291 610	SPRING PIN 5x22 DIN 1481	1	
30	000 829 191	CLIP-SNAP IN 1903-00-F/A	2	



AXXOM International sprl

**Avenue Vésale, 6
B - 1300 Wavre
Belgium**

parts@axxom-sprl.be

+32-10-68 62 10

+32-10-68 62 19

www.axxom-sprl.be

