



Agilent Technologies

Vacuum Products Division

CE

***TriScroll™ 600
Inverter Dry Scroll
Vacuum Pump***

*INSTALLATION AND
OPERATION MANUAL*

Manual No. 699904360
Revision E
October 2014

TriScroll™ 600 Inverter Dry Scroll Vacuum Pump



TriScroll is a trademark of Agilent, Inc.

Copyright 2014
Agilent, Inc.

Table of Contents

Warranty	vii
Warranty Replacement and Adjustment.....	vii
Instructions for Use	1
General Information	1
Storage	1
Unpacking and Inspection.....	1
Installation Requirements	2
Safety	2
Operation.....	4
Startup Procedure	4
Shutdown Procedure	4
Maintenance	4
Technical Information	5
Pump Electrical Controller.....	8
Technical Specifications.....	8
Serial Interface Specification RS485 and RS232	9
Gas Ballast	10
Bearing Purge.....	11
Purge Kit	11
Isolation Valve Kit	11
CT-100 Speed Control Kit.....	12
VPI and CT100 Speed Control Kit.....	13
Exhaust Silencer Kit	14
Vibration Isolation Kit.....	14
HEPA Inlet filter.....	14
Troubleshooting	15
Maintenance	16
General Information	16
Related TriScroll Manuals.....	16
Maintenance and Tooling Kits	17
Factory Service Options.....	18
Accessories.....	18
Contacting Agilent.....	19

This page intentionally left blank.

TriScroll 600 Inverter Vacuum Pump

List of Figures

Figure	Caption	Page
1	Interface Drawing with Dimensions	6
2	Pumping Speed Curves	6
3	TriScroll 600 Inverter Vacuum Pump	7
4	Inverter Interface	7
5	Driving Frequency vs. Analog Input	8
6	T+ Pumps List	10
7	T-Unknown Pump	10
8	Isolation Valve Position	11
9	Pumping Speed Percentage Drop.	12
10	VPI and CT100 Kit	13
11	Serial Number Location	13

List of Tables

Table	Title	Page
1	Power Cord Selection	3
2	Circuit Breaker Requirements	3
3	Specifications	5
4	P1 Interlock	8
5	J2 - Serial Port	8
6	T-Plus Software Variables	8
7	Status LEDs	9
8	Troubleshooting Chart	11
9	Other Related Manuals	12
10	Maintenance and Tooling Kits	13
11	Factory Service Options	14
12	Accessories	14

This page intentionally left blank.

Warranty

Products manufactured by Seller are warranted against defects in materials and workmanship for twelve (12) months from date of shipment thereof to Customer, and Seller's liability under valid warranty claims is limited, at the option of Seller, to repair, to replace, or refund of an equitable portion of the purchase price of the Product. Items expendable in normal use are not covered by this warranty. All warranty replacement or repair of parts shall be limited to equipment malfunctions which, in the sole opinion of Seller, are due or traceable to defects in original materials or workmanship. All obligations of Seller under this warranty shall cease in the event of abuse, accident, alteration, misuse, or neglect of the equipment. In-warranty repaired or replaced parts are warranted only for the remaining unexpired portion of the original warranty period applicable to the repaired or replaced parts. After expiration of the applicable warranty period, Customer shall be charged at the then current prices for parts, labor, and transportation.

Reasonable care must be used to avoid hazards. Seller expressly disclaims responsibility for loss or damage caused by use of its Products other than in accordance with proper operating procedures.

Except as stated herein, Seller makes no warranty, express or implied (either in fact or by operation of law), statutory or otherwise; and, except as stated herein, Seller shall have no liability under any warranty, express or implied (either in fact or by operation of law), statutory or otherwise. Statements made by any person, including representatives of Seller, which are inconsistent or in conflict with the terms of this warranty shall not be binding upon Seller unless reduced to writing and approved by an officer of Seller.

Warranty Replacement and Adjustment

All claims under warranty must be made promptly after occurrence of circumstances giving rise thereto, and must be received within the applicable warranty period by Seller or its authorized representative. Such claims should include the Product serial number, the date of shipment, and a full description of the circumstances giving rise to the claim. Before any Products are returned for repair and/or adjustment, written authorization from Seller or its authorized representative for the return and instructions as to how and where these Products should be returned must be obtained. Any Product returned to Seller for examination shall be prepaid via the means of transportation indicated as acceptable by Seller. Seller reserves the right to reject any warranty claim not promptly reported and any warranty claim on any item that has been altered or has been returned by non-acceptable means of transportation. When any Product is returned for examination and inspection, or for any other reason, Customer shall be responsible for all damage resulting from improper packing or handling, and for loss in transit, notwithstanding any defect or non-conformity in the Product. In all cases, Seller has the sole responsibility for determining the cause and nature of failure, and Seller's determination with regard thereto shall be final.

If it is found that Seller's Product has been returned without cause and is still serviceable, Customer will be notified and the Product returned at its expense; in addition, a charge for testing and examination may be made on Products so returned.

This page intentionally left blank.

Instructions for Use

General Information

This equipment is designed for use by professionals. The user should read this instruction manual and any other additional information supplied by Agilent before operating the equipment. Agilent will not be held responsible for any events that occur due to non-compliance with these instructions, improper use by untrained persons, non-authorized interference with the equipment, or any action contrary to that provided for by specific national standards.

The TriScroll™ 600 is a dry scroll vacuum pump. This pump is suitable for pumping air or inert gases. The pump is not intended to pump toxic, corrosive, explosive, or particulate-forming gases.

The following paragraphs contain all the information necessary to guarantee the safety of the operator when using the equipment. Detailed information is supplied in "Technical Information" on page 5.

This manual uses the following standard safety protocol:

WARNING



The warning messages are for attracting the attention of the operator to a particular procedure or practice which, if not followed correctly, could lead to serious injury.

CAUTION



The caution messages are displayed before procedures, which if not followed, could cause damage to the equipment.

NOTE



The notes contain important information taken from the text.

Storage

When transporting and storing the pump, the following environmental requirements should not be exceeded:

- Temperature: -20 °C to 60 °C (-4 °F to 140 °F)
Relative humidity: 0 to 95% (non-condensing)

Unpacking and Inspection

The shipping container is a double carton.

1. After opening the outer box, remove the foam packing.
2. Slit open the inner box.
3. Lift the pump with the plywood base out of the inner box. Attach a hoist cable capable of lifting 250 lbs onto the eye bolt on top of the pump.
4. Remove the four bolts securing the pump frame to the plywood base.
5. Locate the NW25 exhaust fitting and set it aside.
6. Inspect the pump for damage.

If there is shipping damage, contact the freight carrier and your local Agilent sales office immediately.

7. Save the carton and packing materials.

Total weight of the package, including the pump, is approximately 39 kg (85 lbs).

WARNING



When unpacking the pump, be sure not to drop it, and avoid any kind of sudden impact or shock vibration to it.

WARNING



The TriScroll 600 weighs 31 kg (68 lbs). To avoid injury, use proper lifting techniques when moving the pump.

NOTE



Normal exposure to the environment cannot damage the pump. Nevertheless, it is advisable to keep the pump inlet closed until the pump is installed in the system.

Installation Requirements

Safety

Do not remove or modify any safety or insulating equipment from the pump. To do so may create a serious safety hazard and may void the warranty.

WARNING



- ❑ *This pump is designed to pump and exhaust air and inert gases only; it is not designed to pump explosive, flammable, toxic, or corrosive gases. They can cause bodily injury, explosion, or fire.*
- ❑ *Install in an area that is not exposed to rain, steam, or excessive humidity. They can cause electric shock, short circuits, and severe bodily injury.*
- ❑ *Before inspecting or servicing the pump, be sure the electrical supply is disconnected.*
- ❑ *Consult a qualified electrician whenever wiring the pump.*
- ❑ *An exhaust silencer option is available for those applications in which it is desirable to diminish the sound level produced by the pump.*
- ❑ *To prevent bodily injury, avoid exposing any part of the human body to vacuum.*
- ❑ *The pump is a heavy object. To avoid muscle strain or back injury, use lifting aides and proper lifting techniques when removing or replacing.*

CAUTION



Although the pump can pump trace particulates normally found in the atmosphere, it is not designed for process solids, chemicals, powders, solvents, condensates, or other particulates. They can damage the equipment, degrade its performance, or shorten its useful life.

The pump operates in a clockwise direction when viewed from the motor end. (Note the arrow on the pump frame.) Improper rotation can cause permanent damage to the pump.

During operation, the following environmental conditions should not be exceeded:

Temperature: +5 °C to +40 °C (41 °F to 104 °F)

Relative humidity: 0 to 95% (non-condensing)

CAUTION



Do not block the fan ducts because the pump can become overheated. A pump surface temperature in excess of 55 °C (131 °F) is potentially damaging. If such conditions are observed, turn pump off and allow to cool. Disassemble, inspect for damage, and repair if necessary.

CAUTION



To reduce the risk of electric shock, do not expose to rain; store indoors.

TriScroll 600 Inverter Vacuum Pump

Power Cord

Several power cord options are available from your Agilent dealer. Descriptions of the available power cords and their ordering numbers are given in Table 1.

NOTE



The pump must be connected to the power supply using a high voltage IEC-320 type power cord of at least 10 A capacity.

Table 1 Power Cord Selection

Country	Power Cord Specification	Order
Europe	10 A / 220-230 VAC, 2.5 m	656494220
Denmark	10 A / 220-230 VAC, 2.5 m	656494225
Switzerland	10 A / 230 VAC, 2.5 m	656494235
UK/Ireland	13 A / 230 VAC, 2.5 m	656494250
India	10 A / 220-250 VAC, 2.5 m	656494245
Israel	10 A / 230 VAC, 2.5 m	656494230
North America	10 A / 230 VAC, 2.5 m	656494255

Grounding Instructions

This product should be grounded. In the event of an electrical short circuit, grounding reduces the risk of electric shock by providing an escape wire for the electric current. This pump is equipped with a power cord that has a grounding wire with an appropriate grounding plug. The plug must be inserted into an outlet that is properly installed and grounded in accordance with all local codes and ordinances.

WARNING



Check with a qualified electrician or serviceman if the grounding instructions are not completely understood, or if you are in doubt as to whether the product is properly grounded.

Do not modify the plug provided; if it does not fit the outlet, have the proper outlet installed by a qualified electrician.

Connect the product only to an outlet that has the same configuration as the plug.

Do not use an adapter with this product.

Extension Cords

If you must use an extension cord with this product:

- Agilent recommends using only extension cords with a minimum of 16-gauge wire and a maximum length of 25' (7.6 m).
- Use only a 3-wire extension cord that accepts the plug.
- Ensure the extension is in good condition.
- Ensure the extension cord is rated high enough to carry the current the products draws. An undersized cord causes a drop in line voltage, resulting in loss of power and overheating.

Circuit Breakers

WARNING



- Protect against short circuits by installing a circuit breaker of the proper capacity.*
- The circuit breaker must be suitably located and easily reached.*
- The circuit breaker must be marked at the disconnecting device for the equipment with the on/off symbol I/O and meet the relevant requirements of IEC60947-1 and IEC60947-3.*

Table 2 lists the circuit breaker capacity required for the pump. Locate the switch or circuit breaker near the pump.

Table 2 Circuit Breaker Requirements

PTS06001INV	200-240 VAC 50/60 Hz
Breaker capacity	10 Amperes

Operation

In order to reach ultimate vacuum, the pump must be left running for about one hour with the inlet sealed.

Unlike conventional oil-sealed pumps, Agilent's dry scroll pumps do not have fluid to cleanse them of accumulated dust and debris. Run the pump periodically at atmosphere for a minute or two to flush out the pump. Flush the pump regularly and adjust this schedule according to your specific conditions.

Startup Procedure

1. Be sure that the vacuum system isolation valve is closed.
2. Turn on power to the pump.

NOTE



Pump operation is interlock dependent. The provided mating connector must be plugged into P1 to start the pump.

NOTE



When the controller is switched on, an electronic self-test occurs, during which an orange LED illuminates for one second and the turns off for two seconds. During this time, the pump will not start.

This self-test time is not required if the pump is already powered, as when remotely or serially operated.

3. Open the isolation valve.

Shutdown Procedure

1. Close the vacuum system isolation valve. This prevents debris in pump from being transported into the vacuum system.
2. Turn off power to the pump.

Maintenance

Personnel responsible for pump operation and maintenance must be well-trained and aware of the accident prevention rules.

WARNING



- ❑ *Death may result from contact with high voltages. Always take extreme care and observe the accident prevention regulations in force.*
- ❑ *When the machine is powered up, be careful of moving parts and high voltages.*
- ❑ *If you have to perform maintenance on the pump after a considerable time in operation, allow the pump to cool as the temperature of the outer surface may be in excess of 55 °C (131 °F).*
- ❑ *Always disconnect your power supply to the pump before beginning maintenance work.*

NOTE



Before returning the pump to the factory for repair, the "Health and Safety" sheet attached to this instruction manual must be completed and sent to the local sales office. A copy of the sheet must be inserted in the pump package before shipping.

If a pump is to be discarded, it must be disposed of in accordance with specific national and local standards.

Technical Information

Table 3 Specifications

Model	TriScroll™ 600 Inverter Dry Scroll Vacuum Pump (PTS06001INV)
Interface dimensions	See Figure 1
Peak pumping speed	500 l/m, 30 m ³ /hr (17.7 cfm) See Figure 2
Media	Clean air. No toxic, corrosive, explosive or particulate forming gases
Ultimate pressure (Torr)	7.0 x 10 ⁻³ Torr (9.3 x 10 ⁻³ mbar)
Maximum inlet pressure	1.0 atmosphere (0 psig)
Maximum continuous inlet pressure	100 Torr
Maximum outlet pressure	1.1 atmosphere (1.5 psig)
Inlet connection	NW40
Exhaust connection	Female 3/8" National Pipe Thread (NW25 adapter provided)
Gas ballast	Female 1/4" National Pipe Thread (40 Micron sintered filter provided)
Ambient operating temperature	5 °C to 40 °C (41 °F to 104 °F)
Storage temperature	-20 °C to 60 °C (-4 °F to 140 °F)
Motor rating	0.67 HP (0.5 kW)
Operating voltage	50-60 Hz:200-240 VAC Single-phase ±10%
Maximum line current	200 VAC; 5 A 240 VAC: 4.2 A
Motor thermal protection	Automatic
Operating speed	35-65 Hz Factory setting: 62 Hz, 1800 RPM
Cooling system	Air-cooled
Weight	Pump only: 31 kg (68 lbs) Shipping weight: 39 kg (85 lbs)
Noise level (per ISO 11201)	Variable with frequency, 55-68 dB(A)
Vibration level at inlet (per ISO 10816-1)	Variable with frequency
Main fuse	Type H; 10 A, 250 V (Littlefuse 0216010.HxP or equivalent)
Installation and storage	Installation category 2, indoor usage and storage
Pollution degree	2
Altitude	2000 m

TriScroll 600 Inverter Vacuum Pump

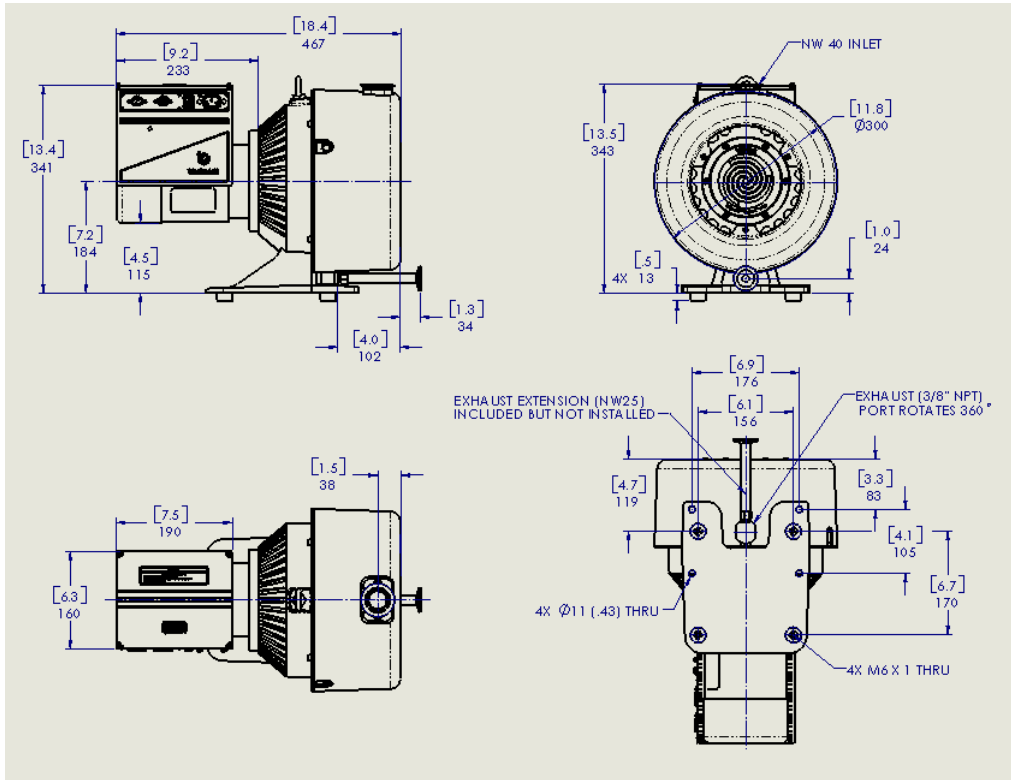


Figure 1 Interface Drawing with Dimensions

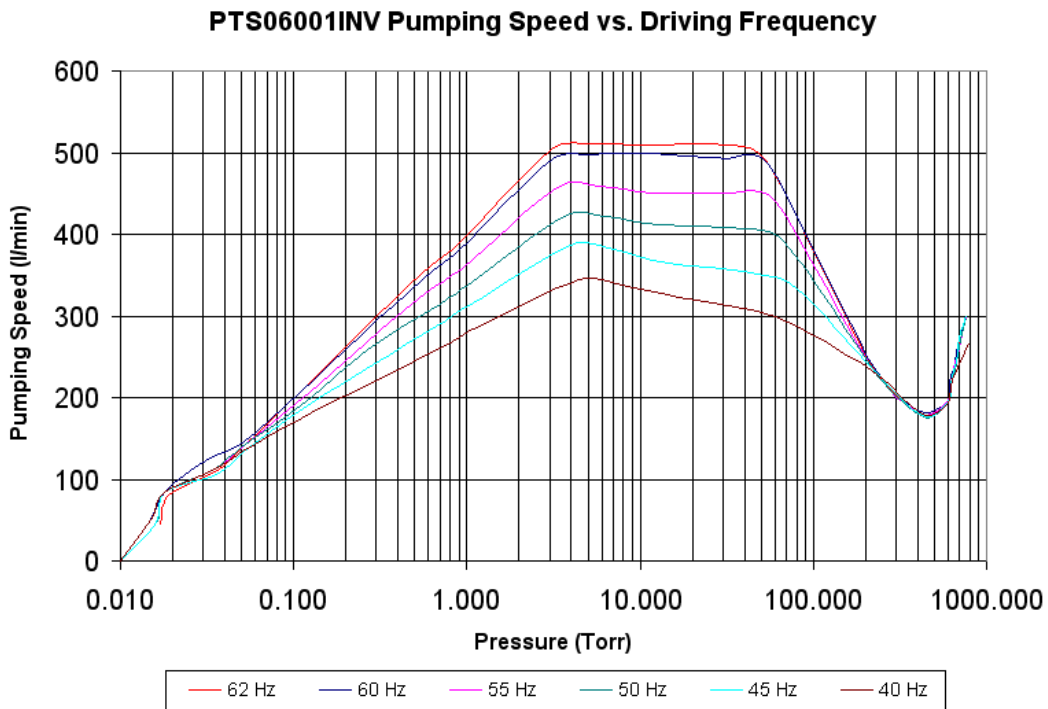
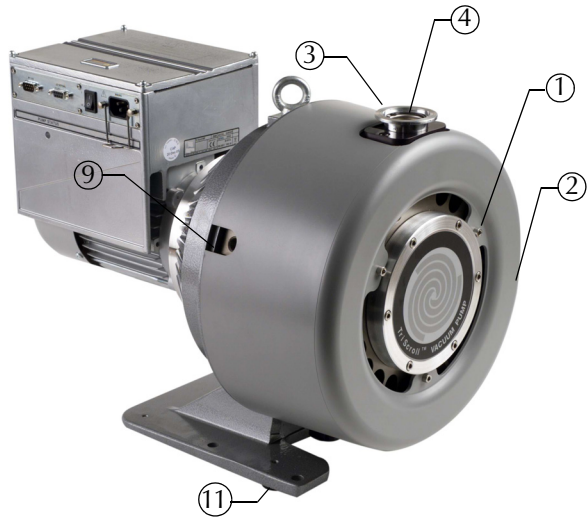


Figure 2 Pumping Speed Curves

TriScroll 600 Inverter Vacuum Pump



1. Cowling Screws; M5 (3)
2. Cowling
3. Inlet (NW40)
4. Inlet Screen
5. NW25 Exhaust Adapter (Not shown)
6. Bearing Purge Port (1/4" National Pipe Thread)
7. Pump Frame
8. Frame Screws; M6 (4)
9. Gas Ballast Port (1/4" National Pipe Thread)
10. Mounting Holes; 11 mm diameter thru (8)
11. Rubber Feet (4)

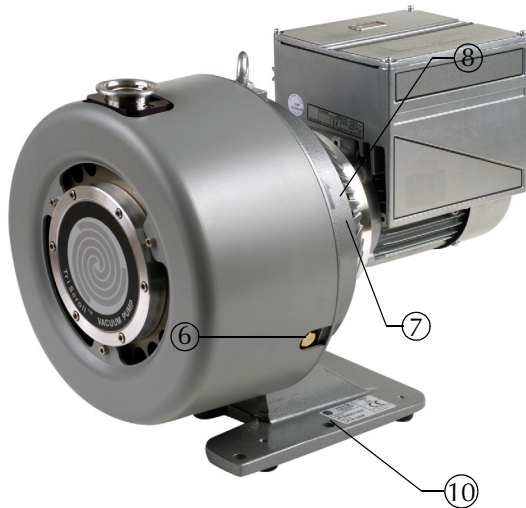
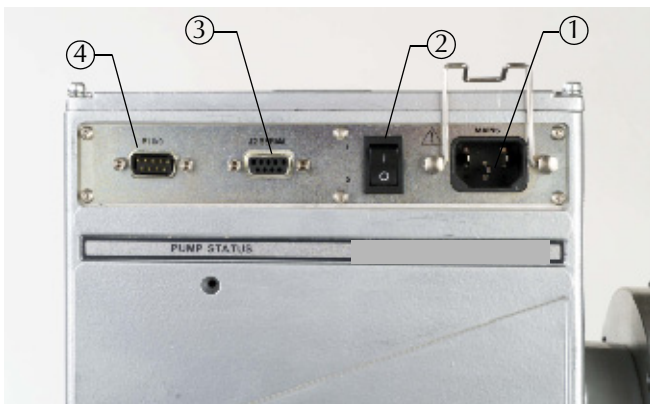


Figure 3 TriScroll 600 Inverter Vacuum Pump



1. Power Connector (IEC 320)
2. On/Off Switch
3. Serial Port J2
4. Interlock Port P1

Figure 4 Inverter Interface

Pump Electrical Controller

The pump is powered by an inverter that converts single phase line power into 3-phase power that drives an induction motor at a user selectable frequency.

Several operational variables are modifiable through the J2 serial port when using Agilent T-Plus software. A number of additional system variables are also viewable.

Pump operation is interlocked through the P1 connector. Pins 4 and 5, and Pins 8 and 9, must be connected together to enable operation. A prewired connector is supplied with the pump and should be plugged into P1. The maximum power output of the inverter is 750 Watts. At pump inlet pressures above approximately 50 Torr, the pump will be power limited and the output frequency will be reduced. This mode is known as *autotuning*.

At pump start, the drive frequency is ramped up over several seconds. This provides for smooth starting and eliminates large in-rush currents.

Technical Specifications

- ❑ Input voltage: 200 V-240 V / 50-60 Hz
- ❑ Max frequency: 65 Hz, factory set @ 62Hz
- ❑ Normal Operation maximum power: 750 W
- ❑ Protection level: IP 20

Table 4 P1 Interlock

PIN #	SIGNAL NAME	IN/OUT
1	VPI relay contact 1	Out
2	0-10V remote control	In
3	No Connection	
4	Start (-) - Connect to Pin 5	In
5	Groundout	Out
6	VPI relay contact 2	Out
7	No Connection	
8	Start (+) - Connect to Pin 9	In
9	24 V	Out

Remote speed setting allows you to control rotational speed using a 0-10 V analog input:

- ❑ $V_{in} > 9\text{ V}$: Driving frequency will be the full speed (factory set @62 Hz)
- ❑ $V_{in} < 1\text{ V}$: Driving frequency will be the minimum speed (35 Hz)

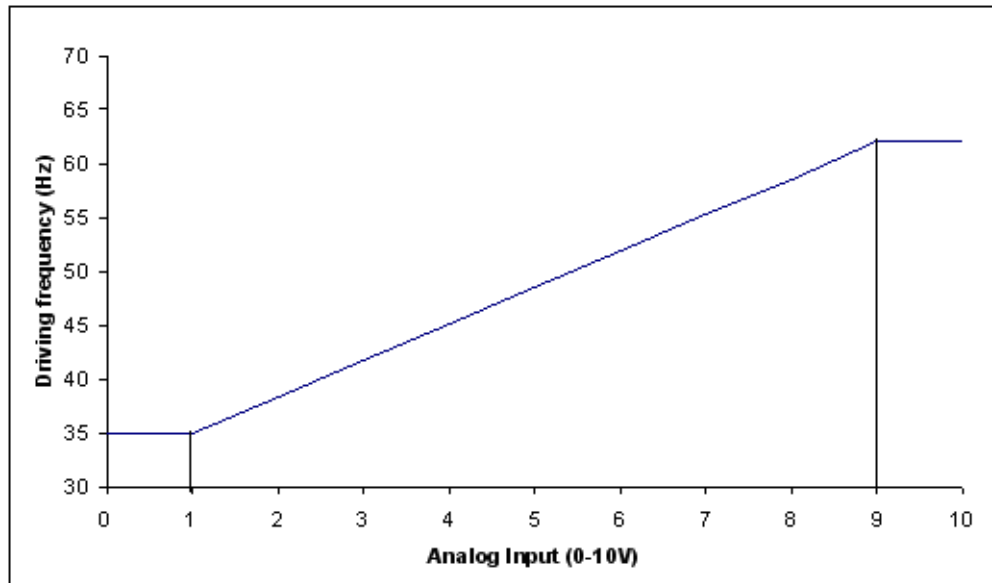


Figure 5 Driving Frequency vs. Analog Input

NOTE



Pump operation is interlock dependent. The provided mating connector must be plugged into P1 to start the pump.

TriScroll 600 Inverter Vacuum Pump

Serial Interface Specification RS485 and RS232

Table 5 J2 - Serial Port

PIN #	SIGNAL NAME
1	+ 5 V out
2	TX (RS232)
3	RX (RS232)
4	Spare
5	GND
6	A+ (RS485)
7	Spare
8	B- (RS485)
9	Spare

Physical level: RS232 or RS485
 Maximum baud: 9600, 8 data bit, no parity, 1 stop bit.

Table 6 T-Plus Software Variables

WIN	TYPE	DESCRIPTION
000	Logical	Start/Stop (1=START; 0=STOP)
001	Logical	Low Speed [0=OFF / 1=ON]
008	Logical	Remote/Serial Configuration (1=REMOTE; 0=SERIAL)
102	Numerical	Set Point Value (Hz)
105	Numerical	Set Point Hysteresis (%) [0-100]
108	Numerical	Baud Rate (0-4) [600-1200-2400-4200-9600]
117	Numerical	Low Speed Adjust (Hz)
120	Numerical	Rotational Frequency Setting (Hz) (High speed adjust)

Table 6 T-Plus Software Variables (Continued)

WIN	TYPE	DESCRIPTION
200	Numerical	Bus Current [mA]
201	Numerical	3 Phase Voltage [Vrms]
202	Numerical	Power [W]
203	Numerical	Driving Frequency [Hz]: (current driving frequency)
205	Numerical	Status: <input type="checkbox"/> 0=stop <input type="checkbox"/> 2=ramp <input type="checkbox"/> 3=autotuning <input type="checkbox"/> 5=normal <input type="checkbox"/> 6=fail
206	Numerical	Error Code: <input type="checkbox"/> Bit 7: motor block <input type="checkbox"/> Bit 6: short circuit <input type="checkbox"/> Bit 5: undervoltage <input type="checkbox"/> Bit 4: spare <input type="checkbox"/> Bit 3: power fail <input type="checkbox"/> Bit 2: controller overt <input type="checkbox"/> Bit 1: pump overt <input type="checkbox"/> Bit 0: spare
211	Numerical	Controller Temperature [°C]
216	Numerical	Environment Temperature [°C]
300	Numerical	Cycle Time [min]
301	Numerical	Cycle Number
302	Numerical	Pump Life [h]
319	Alphanumeric	Controller Model
323	Alphanumeric	Controller Serial Number
325	Alphanumeric	Electrical Modification Level
500	Logical	Monitor Mode (write only)

TriScroll 600 Inverter Vacuum Pump

Table 6 T-Plus Software Variables (Continued)

WIN	TYPE	DESCRIPTION
503	Numerical	RS485 Serial Address Setting [0-31]
504	Logical	Serial Type Select (0=RS323; 1=RS485)

Table 7 Status LEDs

LED STATUS	CONTROLLER STATUS
Off	Stop
Green flashing	Ramp or Autotuning
Green	Normal Operation
Red	Fail
Orange + Off	Reset + selftest

NOTE



When the controller is switched on, an electronic self-test occurs, during which an orange LED illuminates for one second and the turns off for two seconds. During this time, the pump will not start.

This self-test time is not required if the pump is already powered, as when remotely or serially operated.

Using T-Plus Software To Change The Target Frequency

1. Install T-Plus software on your PC by running setup.exe.
2. Using a 9-pin serial cable, connect your PC to the J2 serial port on the inverter (Figure 4).
3. Start the pump using the On/Off switch. The provided Interlock Connector must be installed in P1.
4. Start the T-Plus software and Figure 6 appears.

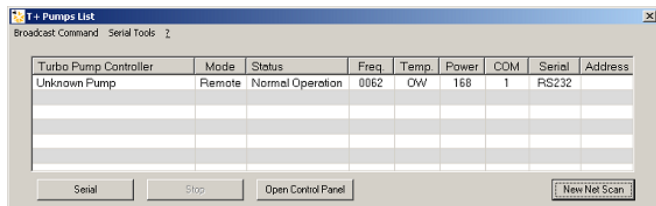


Figure 6 T+ Pumps List

5. Click **Open Control Panel** and Figure 7 appears.

6. Open the *Speed Settings* directory, and click **Target Frequency**.

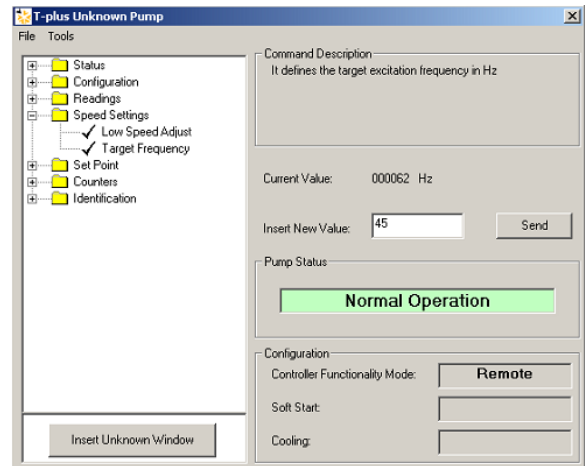


Figure 7 T-Unknown Pump

7. Enter the desired operating frequency into *Insert New Value*. This must be an integer between 35 and 65.
8. Click **Send**. The pump immediately tries to change to the new target frequency. If the pump requires more than 750 Watts to attain the target frequency, the pump is power limited and will run at a lower frequency (auto-tuning mode). This condition continues until the power required drops below 750 Watts.

The target frequency is stored in the inverter even when power to the pump is removed.

Gas Ballast

The pump incorporates an automatic gas ballast to prevent water and other condensates from accumulating within the pump. The standard configuration is a sintered filter installed in the 1/4" National Pipe Thread gas ballast port (item 9 on Figure 3 on page 7). This allows enough atmospheric air to enter the pump in order to purge condensates while not affecting pump ultimate pressure or pumping speed.

For applications where the ingress of atmospheric air is undesirable, dry nitrogen at a flow rate of ≈5 lpm can be bled into the gas ballast port. See "Purge Kit" below. Blocking of the gas ballast port is not recommended.

TriScroll 600 Inverter Vacuum Pump

Bearing Purge

A 1/4" National Pipe Thread bearing purge port (item 6 on Figure 3 on page 7) protects the main crankshaft bearings in applications where large amounts of water are being pumped. In the standard configuration, this port is sealed. To enable the bearing purge, dry nitrogen at a flow rate of ≈ 5 lpm can be bled into the bearing purge port. This gas supply should be maintained at 2 psig or less and must be kept below 5 psig. See "Purge Kit" below.

Purge Kit

A purge kit (Agilent part number PTSPURGEKIT) is available to properly purge either the bearing purge or the gas ballast. This kit contains a flowmeter and all necessary valving and tubing.

Isolation Valve Kit

Scroll pumps return to atmospheric pressure quickly when shut off. Thus, the installation of a fast acting, automatic, normally closed isolation valve is strongly recommended to prevent pump debris from being transported back into the vacuum chamber when the pump is turned off:

- The opening of this valve must occur ≥ 350 ms after pump startup.

- Valve closing must occur ≤ 250 ms after pump shut off.

Use an NW25 or an NW40 valve and mount it as close as possible to the pump inlet. Mounting to the pump inlet is ideal.

Agilent offers a variety of manual, electromagnetic and electropneumatic controlled vacuum valves for vacuum applications. The Agilent Vacuum Pump Isolation (VPI) Valve is highly recommended for vacuum pump isolation applications (Figure 8).

When used with the TriScroll inverter pump, the VPI Valve status is controlled by motor operation. The VPI Valve:

- Opens when the pump is running and
- Closes when it is stopped due to switch off or overload protection.

This VPI kit includes a 24 VDC VPI valve, a communication cable, a 24 VDC power supply, and a splitter cord. The order numbers for NW25 and NW40 inlets are VPI25INV24DC and VPI40INV24DC, respectively.

NOTE



Use the provided VPI valve kit only with Agilent TriScroll inverter pumps using inverters with part numbers S4896001Z and/or S4897001.

See manual (P/N 699912117) for installation details.



Figure 8 Isolation Valve Position

TriScroll 600 Inverter Vacuum Pump

CT-100 Speed Control Kit

Agilent offers an optional speed control kit (P/N#: PTSCNTRLKIT1 for an NW25 port, and PTSCNTRLKIT2 for an NW40) for use with the TriScroll inverter pumps (P/N#: TS0X00INVXX), which allows automatic switching from full pumping speed to a lower speed. Operation at lower speed reduces noise and can extend maintenance intervals.

This speed control kit consists of a CT-100 Active Rough Vacuum Gauge, a communication cable, a 24 VDC power supply, a power splitter cord, a tee, a centering ring, and a clamp.

Two set points can be set on the CT100 gauge. When the pressure is:

- ❑ Over the high set point (SP1), the inverter drives the pump at full speed*.
- ❑ Below the lower set point value (SP2), the scroll is driven at minimum speed**.
- ❑ Higher than set point 2, but lower than set point 1, the driving frequency is: (full speed + minimum speed)/2.

Set points are user-selected. For a faster pumpdown, lower SP1 and the pump can stay longer at full speed. For quieter operation, increasing SP2 and the pump runs longer at the lower frequency.

* Full speed: customized frequency setting via Agilent T-plus software if used. Factory setting is 62 Hz.

** Minimum speed: 35 Hz

Pumping speed changes compared with factory setting, but the effect is less at lower inlet pressures. Figure 9 shows the pumping speed percentage drop at peak pumping speed and at 100 mTorr inlet pressure.

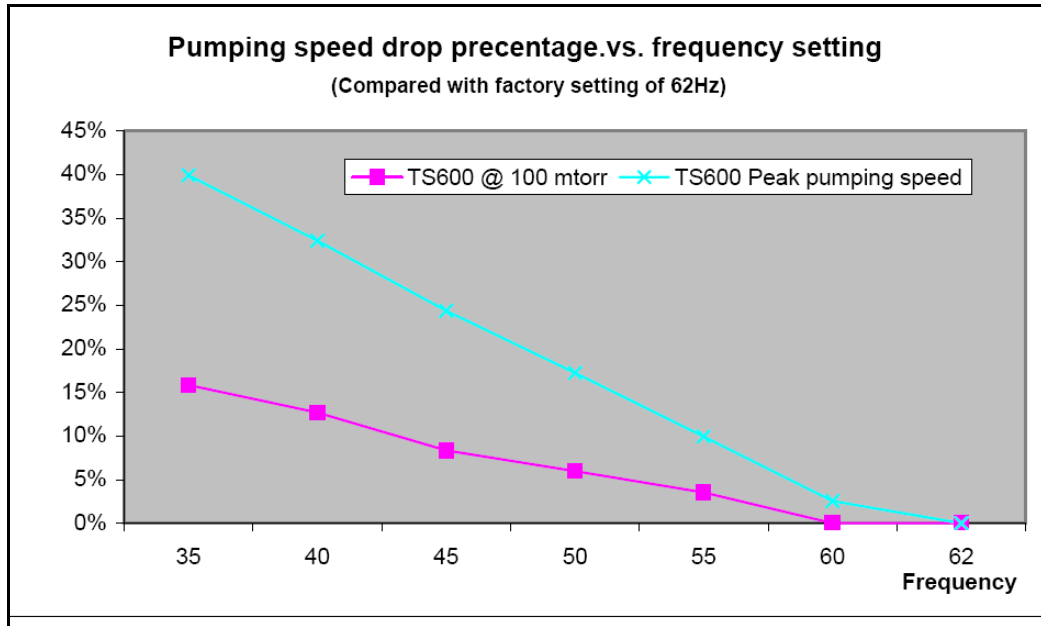


Figure 9 Pumping Speed Percentage Drop

Please refer to manual (P/N 699904375) for installation and operation details.

TriScroll 600 Inverter Vacuum Pump

VPI and CT100 Speed Control Kit

Agilent's combination VPI and CT100 speed control kit (Agilent P/N PTSCNTRLKIT3 for NW25 and PTSCNTRLKIT4 for NW40), consists of the CT-100 Active Rough Vacuum Gauge, Communication Cable, 24 VDC Power Supply, Power Splitter Cord, Tee, Centering Ring(s), Clamp(s), and a VPI valve (Figure 10).



Figure 10 VPI and CT100 Kit

For the speed control kit with a VPI valve, the pump inverter serial number starts with an A (Figure 11).

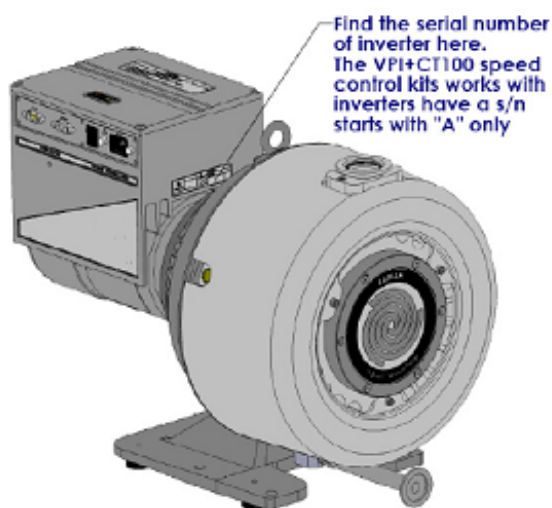


Figure 11 Serial Number Location

Refer to manual (P/N 699904375) for installation and operation details.

Exhaust Silencer Kit

In certain applications it is desired to lower the noise level emitted by the pump. For these cases, Agilent offers Exhaust Silencer Kits (P/N EXSLRTRISCROLL, Manual P/N: 699904380), which breaks up noise pulsation in the discharge line.

The Exhaust Silencer Kits contain two basic components, as well as installation hardware. A cylindrical resonator chamber has been selected to attenuate the frequencies associated with the exhaust gas pulsation noise. The resonator is then plumbed to an exhaust muffler/filter. This muffler provides the majority of the actual noise reduction. It also contains an integral 5-micron paper filter element to capture any tip seal debris. This paper filter is replaceable; the recommended service interval is whenever the pump tip seal or module maintenance is performed.

Replacement polyester filter element rated 99% efficient at the 5-micron particle size, P/N: REPLSLR FILTER,

Vibration Isolation Kit

A set of vibration isolation mounts (P/N PTSVIBISOKIT, Manual P/N: 699904385) are available for Agilent scroll pumps. These are used in place of the standard feet installed on the pump for applications that require minimal vibration transmission from the pump to the installation. They can be used alone, or with inlet flexible bellows to provide pump isolation.

The vibration isolation mounts in the Vibration Isolation Kit have been designed to ensure the lowest vibration level transmitted at the base of the pump.

Vibration level in every direction (axis), transmitted to the surface the pump sits on, is reduced by a significant amount. Typical vibration reduction levels are 75% for the TriScroll 600 pump.

The TriScroll Vibration Isolation Kit consists of (4) vibration isolation mounts. They have a M6 metric threaded screw to attach to the TriScroll frame; the screw is provided.

These mounts increase the height of the TriScroll pumps by 0.75" compared to the standard mounting feet.

HEPA Inlet filter

Agilent now offers inlet filters for the scroll pumps, which protect the pump from ingested particles, and keep particles from migrating out of the pump. These HEPA filters provide a rated 99.97% efficiency in trapping particles > 0.3 microns.

NW 40 Inlet Trap with HEPA filter insert: P/N#: #SCRINTRPNW40.

Replacement HEPA filter element (NW25 or NW40): P/N#: # RPLHEPAFILTER1

TriScroll 600 Inverter Vacuum Pump

Troubleshooting

Table 8 contains a list of possible problems, their probable causes, and corrective actions.

Table 8 Troubleshooting Chart

Problem	Probable Cause	Corrective Action
Pump won't start	P1 interlock missing	Plug in connector (provided).
	Wrong input voltage	Plug inverter into 200-240 VAC 50/60 Hz.
	Circuit breaker open	Close breaker. Identify cause of overload.
	Motor thermal protector open	Allow motor to cool. Identify cause of overload.
	Main fuse open	Inspect and replace fuse (Type H, 10 A, 250 V (Littlefuse 0216010.HxP or equivalent)).
	Wiring loose or cut	Repair or replace.
	Excessive voltage drop	Check size and length of power supply cable.
	Defective motor	Inspect. Contact Agilent.
Poor ultimate pressure	System leak	Locate and repair leak.
	Water in pump	Flush pump with air or dry nitrogen.
	Gas ballast plugged	Replace breather vent. Contact Agilent.
	Solvent in pump	Flush pump with air or dry nitrogen. Install trap or filter.
	Seals worn out	Replace tip seals. (Table 9 and Table 10 on page 17 list maintenance kits and service options.)
	Poor conductance to pump	Replumb with shorter and/or larger diameter tubing.
Pump makes hammering noise	Pump overheated	Check ambient temperature. Check ventilation to pump.
	Debris in pump	Check inlet screen. Flush pump. Disassemble pump and inspect. (Table 9 and Table 10 on page 17 list maintenance kits and service options.)

Maintenance

General Information

Agilent TriScroll 600 Inverter pump is designed to provide years of trouble-free service if maintenance procedures and intervals are observed. Bearing grease replenishment and tip seal replacement is recommended when pump base pressure has risen to an unacceptably high level for your application. Bearings, rotary seals and O-rings should also be replaced if the pump exhibits humming or grinding noises from the bearings. Main bearing life may be shortened if your application requires the pumping of high quantities of water vapor. Use of the bearing purge kit (PTSPURGEKIT) mentioned earlier will keep this water from impacting bearing life.

Maintenance should be performed in accordance with procedures, tooling and materials specified in the manuals listed below.

Related TriScroll Manuals

Other manuals related to tip seal replacement, pump module replacement, and major maintenance of the TriScroll 600 Inverter pump are listed in Table 9.

Table 9 Other Related Manuals

Title	Applicable TriScroll Model	Part Number
Tip Seal Replacement Manual	All TriScroll 600 Series models	699904310
Pump Module Replacement Manual	All TriScroll 600 Series models	699904305
Major Maintenance Manual	All TriScroll 600 Series models	699904300

TriScroll 600 Inverter Vacuum Pump

Maintenance and Tooling Kits

Material and tooling required to perform maintenance on TriScroll pumps is provided in kit form. A description of each kit and ordering information is provided in Table 10.

Table 10 Maintenance and Tooling Kits

Description	Contents	Applicable TriScroll Model	Part Number
Major Maintenance Kit	All bearings, bearing seals, bearing lubricant, O-rings, and tip seals required to rebuild TriScroll 600 series pumps.	All TriScroll 600 Series models	PTSS0600MK
Maintenance Tool Kit	All fixtures and tools required to perform any maintenance on TriScroll 600 Series pumps.	All TriScroll 600 Series models	PTSS0600TK
Tip Seal Tool Kit	All tools required to change the tip seals on the TriScroll 600 Series pumps.	All TriScroll 600 Series models	PTSTSTKIT
Replacement Tip Seal Set	Replacement tip seals and static O-rings for TriScroll 600 Series pumps.	All TriScroll 600 Series models	PTSS0600TS

NOTE



After tip seal replacement, the TriScroll 600 Inverter pump may require up to 100 hours run time to achieve full rotational speed.

TriScroll 600 Inverter Vacuum Pump

Factory Service Options

Table 11 lists the lists the service options that Agilent offers for the TriScroll 600 Inverter pump.

Table 11 Factory Service Options

Factory Service Options	Part Number
Advance Exchange TriScroll 600 Inverter Pump Module Only	EXPTS0600SC
Service/Rebuild TriScroll 600 Inverter Pump	PTS0600KMA

Accessories

The accessories listed in Table 12 are available for use with the TriScroll 600 Inverter pump. Contact your local Agilent office to place an order. A list of offices is included on the rear cover of this manual.

Table 12 Accessories

Purge Kit	PTSPURGEKIT
Exhaust Extension	S4807001
Exhaust Filter Kit	PTS600EXFIL
Isolation Valve Kit	VPI40INV24DC
CT100 Speed Control Kit	PTSCNTRLKIT2
Exhaust Silencer Kit	EXSLRTRISCROLL
Vibration Isolation Kit	PTSVIBISOKIT
HEPA Inlet Filters	SCRINTRPNW40

Contacting Agilent

In the United States, you can contact Agilent Customer Service at 1-800-882-7426. See the back cover of this manual for a listing of our sales and service offices.

Visit our web site at: <http://www.chem.agilent.com/en-US/Products/Instruments/vacuum/pages/default.aspx>.

This page intentionally left blank.



**Vacuum Products Division
Instructions for returning products**

Dear Customer:

Please follow these instructions whenever one of our products needs to be returned.

1) Complete the attached Request for Return form and send it to Agilent Technologies (see below), taking particular care to identify all products that have pumped or been exposed to any toxic or hazardous materials.

2) After evaluating the information, Agilent Technologies will provide you with a Return Authorization (RA) number via email or fax, as requested.

Note: Depending on the type of return, a Purchase Order may be required at the time the Request for Return is submitted. We will quote any necessary services (evaluation, repair, special cleaning, eg).

3) **Important steps for the shipment of returning product:**

- Remove all accessories from the core product (e.g. inlet screens, vent valves).
- Prior to shipment, drain any oils or other liquids, purge or flush all gasses, and wipe off any excess residue.
- If ordering an Advance Exchange product, **please use the packaging from the Advance Exchange to return the defective product.**
- Seal the product in a plastic bag, and package product carefully to avoid damage in transit. You are responsible for loss or damage in transit.
- Agilent Technologies is not responsible for returning customer provided packaging or containers.
- **Clearly label package with RA number.** Using the shipping label provided will ensure the proper address and RA number are on the package. Packages shipped to Agilent without a RA clearly written on the outside cannot be accepted and will be returned.

4) Return only products for which the RA was issued.

5) **Product being returned under a RA must be received within 15 business days.**

6) **Ship to the location specified on the printable label, which will be sent, along with the RA number, as soon as we have received all of the required information.** Customer is responsible for freight charges on returning product.

7) Return shipments must comply with all applicable **Shipping Regulations** (IATA, DOT, etc.) and carrier requirements.

RETURN THE COMPLETED **REQUEST FOR RETURN** FORM TO YOUR NEAREST LOCATION:

EUROPE:

Fax: 00 39 011 9979 330
Fax Free: 00 800 345 345 00
Toll Free: 00 800 234 234 00
vpt-customer@agilent.com

NORTH AMERICA:

Fax: 1 781 860 9252
Toll Free: 800 882 7426, Option 3
vpl-ra@agilent.com

PACIFIC RIM:

please visit our website for individual office information
<http://www.agilent.com>



Please read important policy information on Page 3 that applies to all returns.

1) CUSTOMER INFORMATION

Company Name:		Contact Name:	
Tel:	Email:	Fax:	
Customer Ship To:		Customer Bill To:	
Europe only: VAT reg. Number:		USA/Canada only: <input type="checkbox"/> Taxable <input type="checkbox"/> Non-taxable	

2) PRODUCT IDENTIFICATION

Product Description	Agilent P/N	Agilent S/N	Original Purchasing Reference

3) TYPE OF RETURN (Choose one from each row and supply Purchase Order if requesting a billable service)

- 3A. Non-Billable Billable **➔** New PO # (hard copy must be submitted with this form):
- 3B. Exchange Repair Upgrade Consignment/Demo Calibration Evaluation Return for Credit

4) HEALTH and SAFETY CERTIFICATION

AGILENT TECHNOLOGIES CANNOT ACCEPT ANY PRODUCTS CONTAMINATED WITH BIOLOGICAL OR EXPLOSIVE HAZARDS, RADIOACTIVE MATERIAL, OR MERCURY AT ITS FACILITY.
Call Agilent Technologies to discuss alternatives if this requirement presents a problem.

The equipment listed above (check one):

HAS NOT pumped or been exposed to any toxic or hazardous materials. OR

HAS pumped or been exposed to the following toxic or hazardous materials. If this box is checked, the following information must also be filled out. Check boxes for all materials to which product(s) pumped or was exposed:

Toxic Corrosive Reactive Flammable Explosive Biological Radioactive

List all toxic/hazardous materials. Include product name, chemical name, and chemical symbol or formula:

NOTE: If a product is received at Agilent which is contaminated with a toxic or hazardous material that was not disclosed, **the customer will be held responsible** for all costs incurred to ensure the safe handling of the product, and **is liable** for any harm or injury to Agilent employees as well as to any third party occurring as a result of exposure to toxic or hazardous materials present in the product.

Print Name: _____ **Authorized Signature:** **Date:** _____

5) FAILURE INFORMATION:

Failure Mode (REQUIRED FIELD. See next page for suggestions of failure terms):
Detailed Description of Malfunction: (Please provide the error message)
Application (system and model):

I understand and agree to the terms of Section 6, Page 3/3.		
Print Name:	Authorized Signature:	Date:



**Vacuum Products Division
Request for Return Form
(Health and Safety Certification)**

Please use these Failure Mode to describe the concern about the product on Page 2.

TURBO PUMPS and TURBO CONTROLLERS

APPARENT DEFECT/MALFUNCTION	POSITION	PARAMETERS
- Does not start - Does not spin freely - Does not reach full speed - Mechanical Contact - Cooling defective	- Noise - Vibrations -Leak -Overtemperature -Clogging	- Vertical -Horizontal -Upside-down -Other: OPERATING TIME:

ION PUMPS/CONTROLLERS

- Bad feedthrough	- Poor vacuum
- Vacuum leak	- High voltage problem
- Error code on display	- Other

VALVES/COMPONENTS

- Main seal leak	- Bellows leak
- Solenoid failure	- Damaged flange
- Damaged sealing area	-Other

LEAK DETECTORS

- Cannot calibrate	-No zero/high background
- Vacuum system unstable	- Cannot reach test mode
- Failed to start	- Other

INSTRUMENTS

- Gauge tube not working	- Display problem
- Communication failure	- Degas not working
- Error code on display	- Other

SCROLL AND ROTARY VANE PUMPS

- Pump doesn't start	- Noisy pump (describe)
- Doesn't reach vacuum	- Over temperature
- Pump seized	- Other

DIFFUSION PUMPS

- Heater failure	- Electrical problem
- Doesn't reach vacuum	- Cooling coil damage
- Vacuum leak	- Other

Section 6) **ADDITIONAL TERMS**

Please read the terms and conditions below as they apply to all returns and are in addition to the Agilent Technologies Vacuum Product Division – Products and Services Terms of Sale.

- Customer is responsible for the freight charges for the returning product. Return shipments must comply with all applicable **Shipping Regulations** (IATA, DOT, etc.) and carrier requirements.
- Customers receiving an Advance Exchange product agree to return the defective, rebuildable part to Agilent Technologies **within 15 business days**. Failure to do so, or returning a non-rebuildable part (crashed), will result in an invoice for the non-returned/non-rebuildable part.
- Returns for credit toward the purchase of new or refurbished Products are subject to prior Agilent approval and may incur a restocking fee. Please reference the original purchase order number.
- Units returned for evaluation will be evaluated, and a quote for repair will be issued. If you choose to have the unit repaired, the cost of the evaluation will be deducted from the final repair pricing. A Purchase Order for the final repair price should be issued within 3 weeks of quotation date. Units without a Purchase Order for repair will be returned to the customer, and the evaluation fee will be invoiced.
- A Special Cleaning fee will apply to all exposed products per Section 4 of this document.
- If requesting a calibration service, units must be functionally capable of being calibrated.

This page intentionally left blank.

Service & Support

North America

Agilent Technologies
Vacuum Products Division
121 Hartwell Avenue
Lexington, MA 02421 USA
Tel.: +1 781 861 7200
Toll-Free: +1 800 882 7426
Fax: +1 781 860 5437

Benelux

Agilent Technologies Netherlands B.V.
Vacuum Products Division
Herculesweg 8
4338 PL Middelburg
The Netherlands
Tel: +31 118 671570
Fax: +31 118 671569
Toll free: 00 800 234 234 00

Canada

Central coordination through
Agilent Technologies
Vacuum Products Division
121 Hartwell Avenue
Lexington, MA 02421 USA
Tel.: +1 781 861 7200
Toll-Free: +1 800 882 7426
Fax: +1 781 860 5437

China

Agilent Technologies (China) Co. Ltd
Vacuum Products Division
No.3, Wang Jing Bei Lu, Chao Yang
District
Beijing, 100102 China
Tel.: +86 (0)10 64397888
Fax: +86 (0)10 64391318
Toll-Free: 800 820 3278

France

Agilent Technologies France
Vacuum Products Division
3 avenue du Canada, Parc Technopolis
Z.A. Courtaboeuf - CS 90263
91978 Les Ulis cedex
France
Tel.: +33 (0)1 64 53 61 15
Fax: +33 (0)1 64 53 50 01
Toll free: 00 800 234 234 00
e-Mail: vpf.sales@agilent.com

Germany & Austria

Agilent Technologies
Sales & Services GmbH & Co. KG
Vacuum Products Division
Lyoner Str. 20
60 528 Frankfurt am Main
Germany
Tel.: +49 69 6773 43 2230
Fax: +49 69 6773 43 2250

India

Agilent Technologies India Pvt. Ltd.
Vacuum Products Division
G01. Prime corporate Park,
230/231, Sahar Road,
Opp. Blue Dart Centre,
Andheri (East), Mumbai – 400 099. India
Tel: +91 22 30648287/8200
Fax: +91 22 30648250
Toll Free: 1800 113037

Italy

Agilent Technologies Italia S.p.A.
Vacuum Products Division
Via F.lli Varian 54
10040 Leini, (Torino) ITALY
Tel.: +39 011 997 9111
Fax: +39 011 997 9350
Toll-Free: 00 800 234 234 00

Japan

Agilent Technologies Japan, Ltd.
Vacuum Products Division
8th Floor, Sumitomo Shibaura Building
4-16-36 Shibaura Minato-ku
Tokyo 108-0023 JAPAN
Tel.: +81 3 5232 1253
Toll-Free: 0120 655 040
Fax: +81 3 5232 1710

Korea

Agilent Technologies
Vacuum Products Division
Shinsa 2nd Bldg. 2F
966-5 Daechi-dong
Kangnam-gu, Seoul KOREA 135-280
Tel.: +82 (0)2 3452 2455
Toll-Free: 080 222 2452
Fax: +82 (0)2 3452 3947

Singapore

Agilent Technologies Singapore Pte. Ltd
Vacuum Products Division
Agilent Technologies Building,
No.1 Yishun Avenue 7
Singapore 768923
Tel: +65 6215 8045
Fax : +65 6754 0574

Southeast Asia

Agilent Technologies Sales Sdn Bhd
Vacuum Products Division
Unit 201, Level 2 uptown 2,
2 Jalan SS21/37, Damansara Uptown
47400 Petaling Jaya,
Selangor, Malaysia
Tel : +603 7712 6106
Fax: +603 6733 8121

Taiwan

Agilent Technologies Taiwan Limited
Vacuum Products Division (3F)
20 Kao-Shuang Rd.,
Pin-Chen City, 32450
Taoyuan Hsien, Taiwan, R.O.C.
Tel. +886 34959281
Toll Free: 0800 051 342

UK & Ireland

Agilent Technologies
Vacuum Products Division
6 Mead Road
Oxford Industrial Park
Yarnton, Oxford OX5 1QU UK
Tel.: +44 (0) 1865 291570
Fax: +44 (0) 1865 291571
Toll free: 00 800 234 234 00

Other Countries

Agilent Technologies Italia S.p.A.
Vacuum Products Division
Via F.lli Varian 54
10040 Leini, (Torino) ITALY
Tel.: +39 011 997 9111
Fax: +39 011 997 9350
Toll-Free: 00 800 234 234 00

Customer Service and Support

North America
Toll Free: 800 882 7426, Option 3
vpf-ra@agilent.com

Europe:
Toll Free: 00 800 234 234 00
vpt-customer@agilent.com

Pacific Rim:
Please visit our website for individual
office information <http://www.agilent.com>

Worldwide Web Site, Catalog and Order

On-line:
www.agilent.com
Representatives in most countries

This information is subject to change
without notice.

© Agilent Technologies, Inc., 2014



Agilent Technologies

