

Feeding bowls

BB10 - BB63

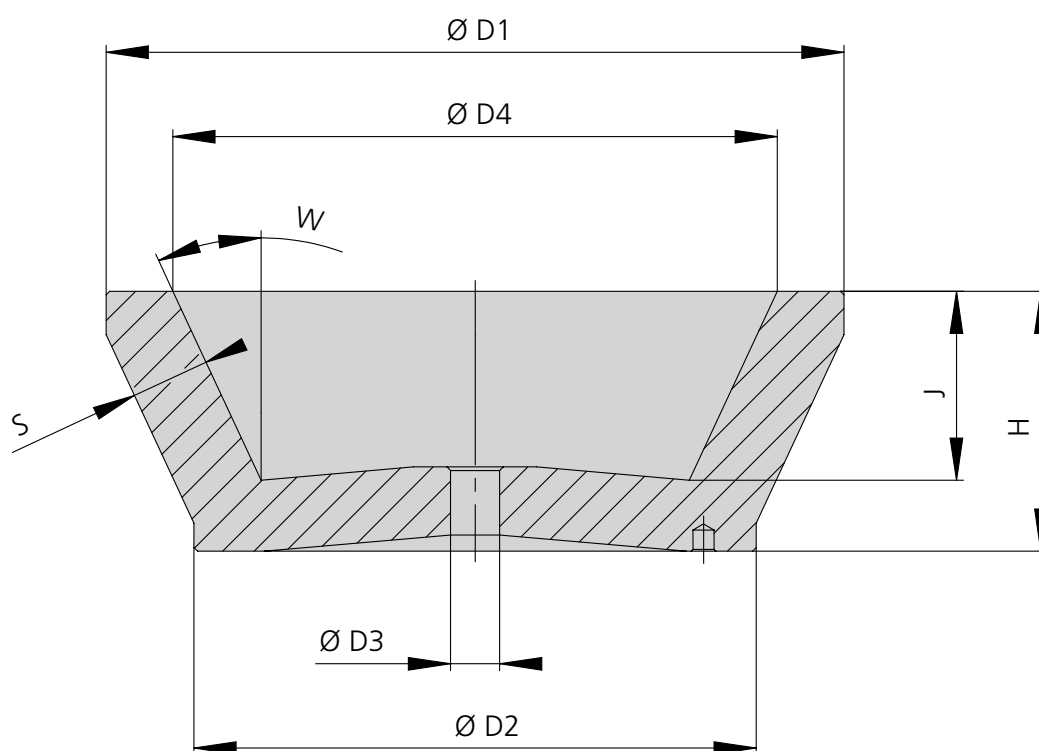


- Perfect adaptation to workpiece shapes and tolerances
- Complete reproducibility and available as FDA version
- Optionally available with standard helix in 3 versions (stepped, grooved, or radial helix)

Dimensions and dimension drawings

Blank bowls BB10 - BB63

Type	BB10	BB15	BB20	BB25	BB30	BB35	BB40	BB50	BB63
D1	105 mm	155 mm	210 mm	260 mm	310 mm	365 mm	415 mm	510 mm	630 mm
D2	80 mm	117 mm	170 mm	208 mm	250 mm	275 mm	300 mm	380 mm	450 mm
D3	7 mm	7 mm	9 mm	12 mm	12 mm	12 mm	14 mm	20 mm	22 mm
D4	86 mm	130 mm	179 mm	217 mm	260 mm	305 mm	350 mm	436 mm	500 mm
H	37 mm	52 mm	65 mm	84 mm	98 mm	127 mm	157 mm	224 mm	255 mm
J	26.9 mm	41 mm	50 mm	66.7 mm	78.1 mm	103.9 mm	129.7 mm	185.3 mm	193 mm
S	11.2 mm	14.2 mm	19.4 mm	26.1 mm	30.5 mm	33.7 mm	37.4 mm	56 mm	70 mm
W	25 °	25 °	25 °	25 °	25 °	25 °	25 °	25 °	25 °



Technical data



Blank bowls BB10 - BB63

Blank bowls BB10 - BB63

Type	BB10	BB10	BB15	BB15	BB20	BB20	BB25	BB25	BB30	BB30
Order number	50201071 50238273 50201075 50238298 50201076 50238299 50201077 50238302 50201081 50238303									
Net weight	0.2 kg	0.2 kg	0.4 kg	0.4 kg	1.1 kg	1.1 kg	2.2 kg	2.2 kg	3.7 kg	3.7 kg
Load volume	0.07 l	0.07 l	0.25 l	0.25 l	0.6 l	0.6 l	1.1 l	1.1 l	1.8 l	1.8 l
Moment of inertia	*0.025 kgdm ²	*0.025 kgdm ²	*0.15 kgdm ²	*0.15 kgdm ²	*0.7 kgdm ²	*0.7 kgdm ²	*2.15 kgdm ²	*2.15 kgdm ²	*5.1 kgdm ²	*5.1 kgdm ²
Material	FDA-polyamide (white)		FDA-polyamide (white)		FDA-polyamide (white)		FDA-polyamide (white)		FDA-polyamide (white)	
Recommended drive	BF10	BF10	BF15, WV151-1	BF15, WV151-1	BF20, WV151-1	BF20, WV151-1	BF25, WV201-1	BF25, WV201-1	BF30, WV201-1	BF30, WV201-1

Type	BB35	BB35	BB40	BB40	BB50	BB50	BB63	BB63
Order number	50201085	50238304	50201086	50238306	50201091	50238308	50196141	50238309
Net weight	5.9 kg	5.9 kg	9 kg	9 kg	21.2 kg	21.2 kg	35.7 kg	35.7 kg
Load volume	3.2 l	3.2 l	5.1 l	5.1 l	9.2 l	9.2 l	15.3 l	15.3 l
Moment of inertia	*11 kgdm ²	*11 kgdm ²	*21.3 kgdm ²	*21.3 kgdm ²	*79.6 kgdm ²	*79.6 kgdm ²	*192.2 kgdm ²	*192.2 kgdm ²
Blind plug FDA-polyamide including	---	---	---	---	---	---	•	•
Blind plug polyamide including	---	---	---	---	---	---	•	•
Material	polyamide	FDA-polyamide (white)	polyamide	FDA-polyamide (white)	polyamide	FDA-polyamide (white)	polyamide	FDA-polyamide (white)
Recommended drive	BF35, WV310-1	BF35, WV310-1	BF40	BF40	BF50	BF50	WV401-1, WV402-1	WV401-1, WV402-1

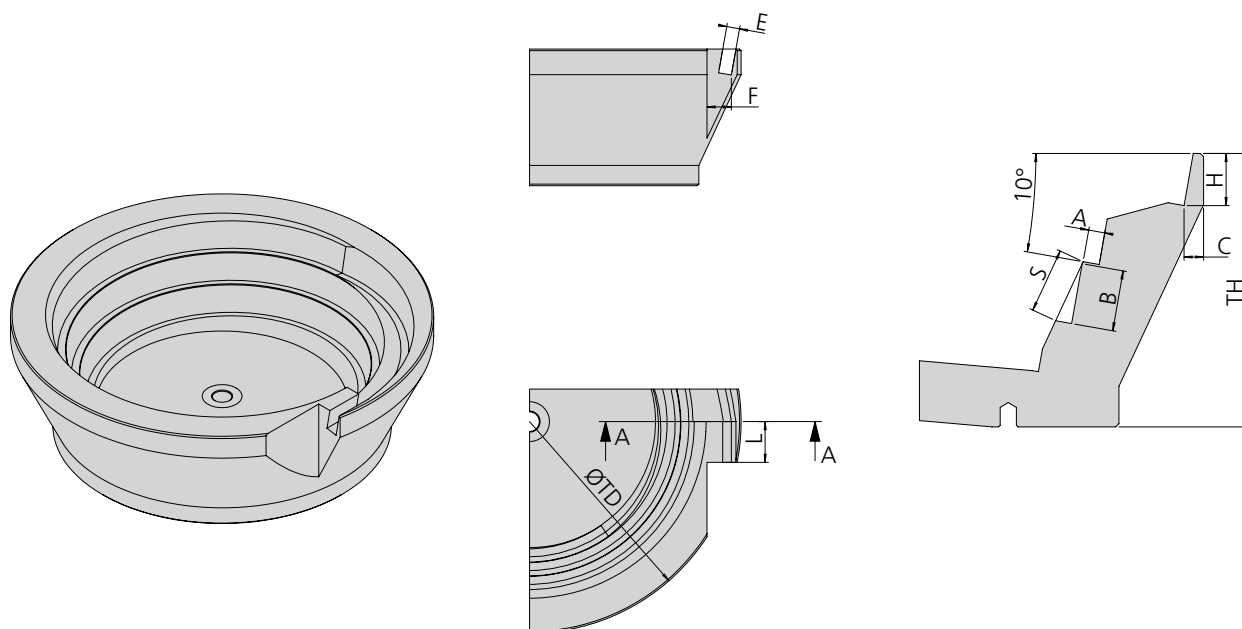
Note: • = existent --- = nonexistent

* Theoretical value, actual filling volume strongly dependent on the component to be fed and the project-specific framework conditions.

Dimensions and dimension drawings

Step helix BB-S

Type	BB10-S	BB15-S	BB20-S	BB25-S	BB30-S	BB35-S	BB40-S	BB50-S
A	2 mm	2.5 mm	4.5 mm	5 mm	6 mm	7.5 mm	9 mm	10 mm
B	7.5 mm	9 mm	16.5 mm	18.5 mm	22 mm	28 mm	33 mm	37 mm
C	2.5 mm	3.5 mm	5 mm	6 mm	7 mm	8.5 mm	11.5 mm	15 mm
E	4 mm	5 mm	6 mm	8 mm	10 mm	12 mm	14 mm	20 mm
F	6 mm	9 mm	12 mm	15 mm	18 mm	21 mm	24 mm	27 mm
H	5 mm	8 mm	12 mm	16 mm	18 mm	20 mm	25 mm	40 mm
L	10 mm	15 mm	20 mm	25 mm	30 mm	35 mm	40 mm	50 mm
S	8 mm	10 mm	18 mm	20 mm	25 mm	30 mm	35 mm	45 mm
TD	105 mm	155 mm	210 mm	260 mm	310 mm	365 mm	415 mm	510 mm
TH	37 mm	52 mm	65 mm	84 mm	98 mm	127 mm	157 mm	219.5 mm





Step helix BB-S								
Type	BB10-S	BB10-S	BB10-S	BB10-S	BB15-S	BB15-S	BB15-S	BB15-S
Order number	50279239	50279240	50409457	50409555	50279241	50279242	50343381	50409459
Net weight	0.2 kg	0.2 kg	0.2 kg	0.2 kg	0.4 kg	0.4 kg	0.4 kg	0.4 kg
Delivery direction	right	left	right	left	right	left	right	left
Material	polyamide	polyamide	FDA- polyamide (white)	FDA- polyamide (white)	polyamide	polyamide	FDA- polyamide (white)	FDA- polyamide (white)

Type	BB20-S	BB20-S	BB20-S	BB20-S	BB25-S	BB25-S	BB25-S	BB25-S
Order number	50279243	50279244	50409460	50409461	50279245	50279246	50409463	50409464
Net weight	1 kg	1 kg	1 kg	1 kg	2.1 kg	2.1 kg	2.1 kg	2.1 kg
Delivery direction	right	left	right	left	right	left	right	left
Material	polyamide	polyamide	FDA- polyamide (white)	FDA- polyamide (white)	polyamide	polyamide	FDA- polyamide (white)	FDA- polyamide (white)

Type	BB30-S	BB30-S	BB30-S	BB30-S	BB35-S	BB35-S	BB35-S	BB35-S
Order number	50279247	50279248	50409466	50409468	50279249	50279250	50409469	50409470
Net weight	3.4 kg	3.4 kg	3.4 kg	3.4 kg	5.4 kg	5.4 kg	5.4 kg	5.4 kg
Delivery direction	right	left	right	left	right	left	right	left
Material	polyamide	polyamide	FDA- polyamide (white)	FDA- polyamide (white)	polyamide	polyamide	FDA- polyamide (white)	FDA- polyamide (white)

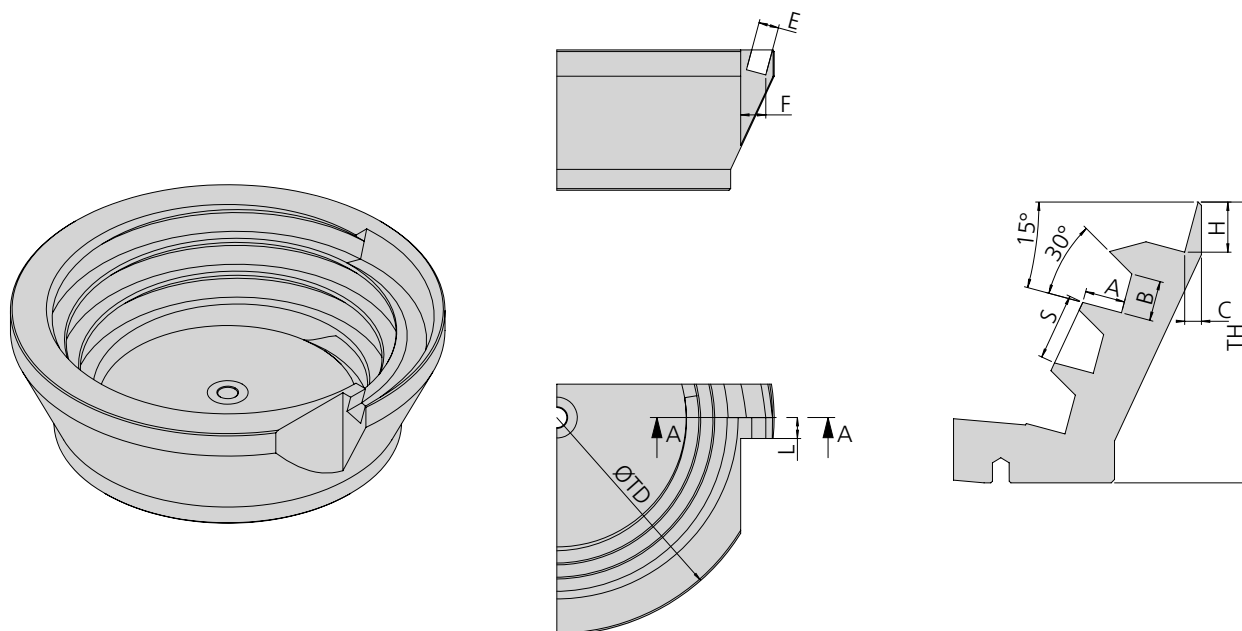
Type	BB40-S	BB40-S	BB40-S	BB40-S	BB50-S	BB50-S	BB50-S	BB50-S
Order number	50279251	50279252	50409474	50409477	50279253	50279254	50409479	50409480
Net weight	8.2 kg	8.2 kg	8.2 kg	8.2 kg	19.8 kg	19.8 kg	19.8 kg	19.8 kg
Delivery direction	right	left	right	left	right	left	right	left
Material	polyamide	polyamide	FDA- polyamide (white)	FDA- polyamide (white)	polyamide	polyamide	FDA- polyamide (white)	FDA- polyamide (white)

Note: For recommended drives and further information, see technical data for bowl blanks. Bowl with FDA approval on request.

Dimensions and dimension drawings

Groove helix BB-N

Type	BB10-N	BB15-N	BB20-N	BB25-N	BB30-N	BB35-N	BB40-N	BB50-N
A	4 mm	5 mm	8 mm	12 mm	15 mm	17 mm	19 mm	24 mm
B	4 mm	5 mm	8 mm	12 mm	15 mm	17 mm	19 mm	24 mm
C	2.5 mm	3.5 mm	5 mm	5 mm	7 mm	8.5 mm	10 mm	13 mm
E	4 mm	5 mm	8 mm	12 mm	15 mm	17 mm	19 mm	24 mm
F	6.5 mm	8 mm	11 mm	15 mm	17 mm	20 mm	22 mm	27 mm
H	5 mm	8 mm	12 mm	15 mm	18 mm	20 mm	24 mm	40 mm
L	5 mm	7.5 mm	10 mm	12.5 mm	15 mm	17.5 mm	20 mm	25 mm
S	8 mm	10 mm	18 mm	20 mm	25 mm	30 mm	35 mm	45 mm
TD	105 mm	155 mm	210 mm	260 mm	310 mm	365 mm	415 mm	510 mm
TH	37 mm	52 mm	65 mm	84 mm	98 mm	127 mm	157 mm	219.5 mm





Groove helix BB-N

Type	BB10-N	BB10-N	BB10-N	BB10-N	BB15-N	BB15-N	BB15-N	BB15-N
Order number	50279255	50279256	50409481	50409482	50279257	50279258	50409483	50409484
Net weight	0.1 kg	0.1 kg	0.1 kg	0.1 kg	0.4 kg	0.4 kg	0.4 kg	0.4 kg
Delivery direction	right	left	right	left	right	left	right	left
Material	polyamide	polyamide	FDA- polyamide (white)	FDA- polyamide (white)	polyamide	polyamide	FDA- polyamide (white)	FDA- polyamide (white)

Type	BB20-N	BB20-N	BB20-N	BB20-N	BB25-N	BB25-N	BB25-N	BB25-N
Order number	50279259	50279260	50409485	50409487	50279261	50279262	50409489	50409493
Net weight	1 kg	1 kg	1 kg	1 kg	1.8 kg	1.8 kg	1.8 kg	1.8 kg
Delivery direction	right	left	right	left	right	left	right	left
Material	polyamide	polyamide	FDA- polyamide (white)	FDA- polyamide (white)	polyamide	polyamide	FDA- polyamide (white)	FDA- polyamide (white)

Type	BB30-N	BB30-N	BB30-N	BB30-N	BB35-N	BB35-N	BB35-N	BB35-N
Order number	50279263	50279264	50409496	50409499	50279265	50279266	50409500	50409501
Net weight	3 kg	3 kg	3 kg	3 kg	4.7 kg	4.7 kg	4.7 kg	4.7 kg
Delivery direction	right	left	right	left	right	left	right	left
Material	polyamide	polyamide	FDA- polyamide (white)	FDA- polyamide (white)	polyamide	polyamide	FDA- polyamide (white)	FDA- polyamide (white)

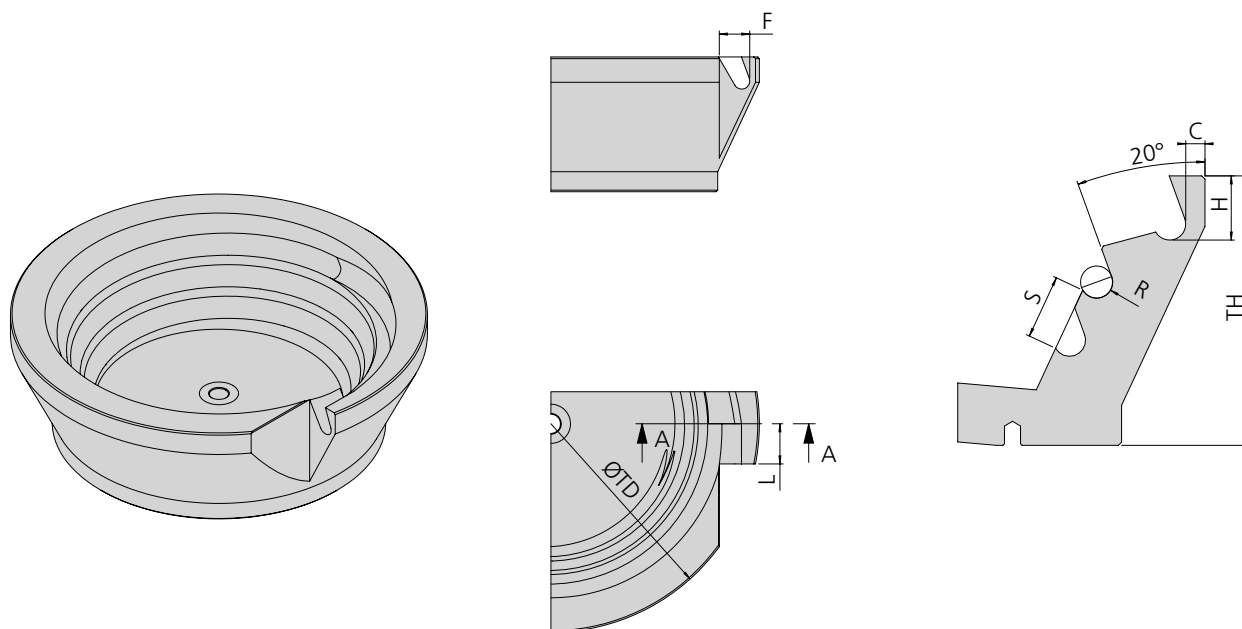
Type	BB40-N	BB40-N	BB40-N	BB40-N	BB50-N	BB50-N	BB50-N	BB50-N
Order number	50279267	50279268	50409503	50409505	50279269	50279270	50409508	50409509
Net weight	7.2 kg	7.2 kg	7.2 kg	7.2 kg	17.3 kg	17.3 kg	17.3 kg	17.3 kg
Delivery direction	right	left	right	left	right	left	right	left
Material	polyamide	polyamide	FDA- polyamide (white)	FDA- polyamide (white)	polyamide	polyamide	FDA- polyamide (white)	FDA- polyamide (white)

Note: For recommended drives and further information, see technical data for bowl blanks. Bowl with FDA approval on request.

Dimensions and dimension drawings

Radius helix BB-R

Type	BB10-R	BB15-R	BB20-R	BB25-R	BB30-R	BB35-R	BB40-R	BB50-R
C	1.5 mm	2.6 mm	4 mm	6 mm	6.5 mm	9 mm	10 mm	7.5 mm
F	9 mm	10.5 mm	14 mm	19 mm	22 mm	23.8 mm	27.5 mm	39.5 mm
H	8 mm	10 mm	15 mm	20 mm	25 mm	30 mm	35 mm	45 mm
L	10 mm	15 mm	20 mm	25 mm	30 mm	35 mm	40 mm	50 mm
S	8 mm	10 mm	18 mm	20 mm	25 mm	30 mm	35 mm	45 mm
R	2 mm	2.5 mm	4 mm	5 mm	6.5 mm	8 mm	9 mm	12.5 mm
TD	105 mm	155 mm	210 mm	260 mm	310 mm	365 mm	415 mm	510 mm
TH	37 mm	52 mm	65 mm	84 mm	98 mm	127 mm	157 mm	219.5 mm





Radius helix BB-R

Type	BB10-R	BB10-R	BB10-R	BB10-R	BB15-R	BB15-R	BB15-R	BB15-R
Order number	50279271	50279272	50409510	50409511	50279273	50279274	50403835	50403837
Net weight	0.2 kg	0.2 kg	0.2 kg	0.2 kg	0.4 kg	0.4 kg	0.4 kg	0.4 kg
Delivery direction	right	left	right	left	right	left	right	left
Material	polyamide	polyamide	FDA- polyamide (white)	FDA- polyamide (white)	polyamide	polyamide	FDA- polyamide (white)	FDA- polyamide (white)

Type	BB20-R	BB20-R	BB20-R	BB20-R	BB25-R	BB25-R	BB25-R	BB25-R
Order number	50279275	50279276	50409517	50409518	50279277	50279278	50409520	50409521
Net weight	1 kg	1 kg	1 kg	1 kg	2 kg	2 kg	2 kg	2 kg
Delivery direction	right	left	right	left	right	left	right	left
Material	polyamide	polyamide	FDA- polyamide (white)	FDA- polyamide (white)	polyamide	polyamide	FDA- polyamide (white)	FDA- polyamide (white)

Type	BB30-R	BB30-R	BB30-R	BB30-R	BB35-R	BB35-R	BB35-R	BB35-R
Order number	50279279	50279280	50403839	50403840	50279281	50279282	50409524	50409525
Net weight	3.3 kg	3.3 kg	3.3 kg	3.3 kg	5.2 kg	5.2 kg	5.2 kg	5.2 kg
Delivery direction	right	left	right	left	right	left	right	left
Material	polyamide	polyamide	FDA- polyamide (white)	FDA- polyamide (white)	polyamide	polyamide	FDA- polyamide (white)	FDA- polyamide (white)

Type	BB40-R	BB40-R	BB40-R	BB40-R	BB50-R	BB50-R	BB50-R	BB50-R
Order number	50279283	50279284	50409526	50409528	50279286	50279285	50409529	50409530
Net weight	7.8 kg	7.8 kg	7.8 kg	7.8 kg	18.2 kg	18.2 kg	18.2 kg	18.2 kg
Delivery direction	right	left	right	left	left	right	right	left
Material	polyamide	polyamide	FDA- polyamide (white)	FDA- polyamide (white)	polyamide	polyamide	FDA- polyamide (white)	FDA- polyamide (white)

Note: For recommended drives and further information, see technical data for bowl blanks. Bowl with FDA approval on request.