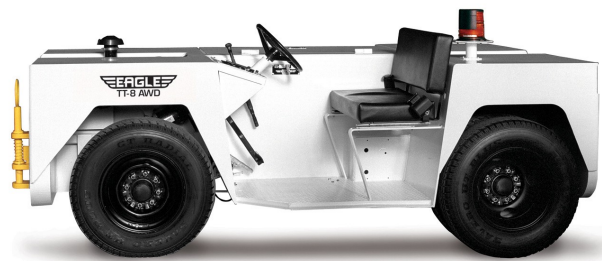


EAGLE TUGS



PARTS & SERVICE MANUAL



Vehicle Types: TT-4, TT-5, TT-6, & TT-8

Engine Type: Ford Gasoline 2.5L

INTRODUCTION

From everyone at Eagle Tugs, we would like to say Thank You for purchasing an Eagle TT-series tow tractor. We take a lot of pride in the quality of the products that we build, as well as our continued customer service. Our goal is to build a long term relationship with our customers. We want you, the customer, to be 100% satisfied with your Eagle experience. To us, this means that your Eagle TT-series tractor is functionally superior to any other products you have used. This also means that your Eagle product is continually supported in a professional, timely manner.

PURPOSE & USE OF THIS MANUAL

This manual is designed as a reference guide to make the reader more familiar with the components of the Eagle TT-4, TT-5, TT-6, and TT-8 tow tractor models. This manual includes part numbers and descriptions to assist the reader in ordering component spare/service parts. The manual also outlines the Scheduled Maintenance Intervals recommended by Eagle in order to keep your vehicle running properly. In this manual you will also find the Eagle Standard Warranty on all of the TT-series tow tractors. However, for more detailed information on the Eagle Warranty and procedure, as well as information pertaining to the safe operation of your Eagle product, please see the Eagle Operations Manual that was also included with your vehicle.

TECHNICAL ASSISTANCE

When addressing a repair procedure or operational problem, please remember that Eagle technical support is only a phone call away. Eagle technicians are available to assist you in vehicle diagnostics and recommended repair procedures. We encourage you to use this service to reduce machine down-time and to gain a better understanding of proper repair procedures.

ORDERING SPARE/SERVICE PARTS

Eagle inventories most of the component parts found in its TT-series tow tractors, and most spare/service parts can be shipped the same day the order is received. Parts orders need to be received at Eagle by 12:00 pm (Noon) EST in order for the parts to be shipped that same day. Parts ordered after 12:00 pm EST will most likely be shipped the following day.

CONTACT INFORMATION

Eagle Corporate Office

26111 Northline Rd

Taylor, MI 48180

(800) 671-0431

www.eagletugs.com

Customer Service

customerservice@eagletugs.com

(734) 442-1000 -- (800) 671-0431

Parts & Service

parts@eagletugs.com

(734) 442-1000 -- (800) 671-0431

Technical Support

support@eagletugs.com

(734) 442-1000 -- (800) 671-0431

TABLE OF CONTENTS

INTRODUCTION.....	2
PURPOSE & USE OF MANUAL.....	2
TECHNICAL ASSISTANCE.....	2
ORDERING SPARE/SERVICE PARTS.....	2
CONTACT INFORMATION.....	2
WARRANTY.....	5
VEHICLE ID INFORMATION	5
WARRANTY REGISTRATION	6
STANDARD WARRANTY.....	6
SCHEDULED MAINTENANCE.....	7
TT-4, 5, 6, & 8 GASOLINE MAINTENANCE INTERVALS.....	7
LUBRICATION CHART - TT SERIES-ALL WHEEL DRIVE	8
LUBRICATION CHART - TT SERIES-REAR WHEEL DRIVE.....	9
SERVICE PARTS ILLUSTRATIONS & DETAIL.....	10
IDENTIFICATION KEY	10
POWER TRAIN	12
Engine Dress—Engine To Transmission Stack-Up	12
Engine Dress— Sensor Placement WITHOUT Shutdown	13
Engine Dress— Sensor & Water Tube Placement WITH Shutdown	14
DRIVELINE	15
Drive Shaft Assembly—Front	15
Drive Shaft Assembly—Rear.....	16
TRANSMISSION	17
Cooling System—Transmission	17
Transaxle Mounting & Misc. Parts	18
Transaxle Mounting & Misc. Parts—Detail.....	19
Transaxle Case Extension & Retainer.....	20
Transaxle Case Extension & Retainer - Detail.....	21
COOLING SYSTEM.....	22
Cooling System—Ford 2.5L.....	23
AXLES.....	23
Axle Assembly—Front Non-Drive (2WD)	23
Axle Assembly—Front Drive (4WD).....	24
Axle Assembly—Rear.....	25
Axle Assembly Breakdown—Front Non-Drive (2WD)	26
Axle Assembly Breakdown—Front Non-Drive—Detail	27
Axle Assembly Breakdown—Front Drive (4WD)	28
Axle Assembly Breakdown—Front Drive –Detail	29
Axle Assembly Breakdown—Front Drive—Detail	31
Axle Assembly Breakdown – Rear Drive	32
Axle Assembly Breakdown – Rear Drive—Detail.....	33

BRAKES, WHEELS & TIRES	34
Brake Caliper Assembly - Rear	34
Brake Caliper Assembly - Rear—Detail	35
Brake System Hydraulic.....	36
Brake System Hydraulic—Detail	37
Brake Actuator Assembly	38
Brake Actuator Assembly—Detail	39
Parking Brake Actuator Assembly	40
Parking Brake Actuator Assembly — Detail	41
Wheel & Tire Assembly.....	42
Wheel & Tire Assembly — Dual Rear Wheel Model	43
STEERING SYSTEM	44
Steering System Breakdown.....	44
Steering System Breakdown—Detail	45
Hydraulic Actuation Braking System.....	46
AIR CLEANER, FUEL SYSTEM & EXHAUST	47
Air Cleaner Sub-Assembly	47
Air Cleaner Assembly—Ford 2.5L.....	48
Air Cleaner Assembly—Ford 2.5L—Detail	49
Fuel & EFI System.....	50
Fuel & EFI System—Detail	51
EFI Control—Ford 2.5L	52
Exhaust System—Ford 2.5L.....	53
OPERATOR COMPARTMENT.....	54
Transmission Control	54
Accelerator Pedal Assembly	55
Instrument Panel	56
Instrument Panel—Detail	57
LIGHTS & ELECTRICAL	58
Electrical Component Board.....	58
Headlight & Taillight Assembly	59
Wiring Harness.....	60
Wiring Diagram — EFI 2.5L	61
Wiring Diagram — EFI 2.5L	62
OTHER ASSEMBLIES.....	63
Body Assembly.....	63
Body Assembly—Detail	64
ENGINE DIAGNOSTICS	65
ENGINE MALFUNCTION INDICATOR LIGHT—WITH SHUTDOWN.....	65
ENGINE MALFUNCTION INDICATOR LIGHT—WITHOUT SHUTDOWN.....	65
FORD POWER PRODUCTS SERVICE INFORMATION.....	66

WARRANTY

VEHICLE ID INFORMATION

This information can be found on the tractor's I.D. Plate located on the firewall next to the driver's seat. Additionally, there is a permanent serial number located on the rear bulkhead inside the engine compartment.

MODEL _____

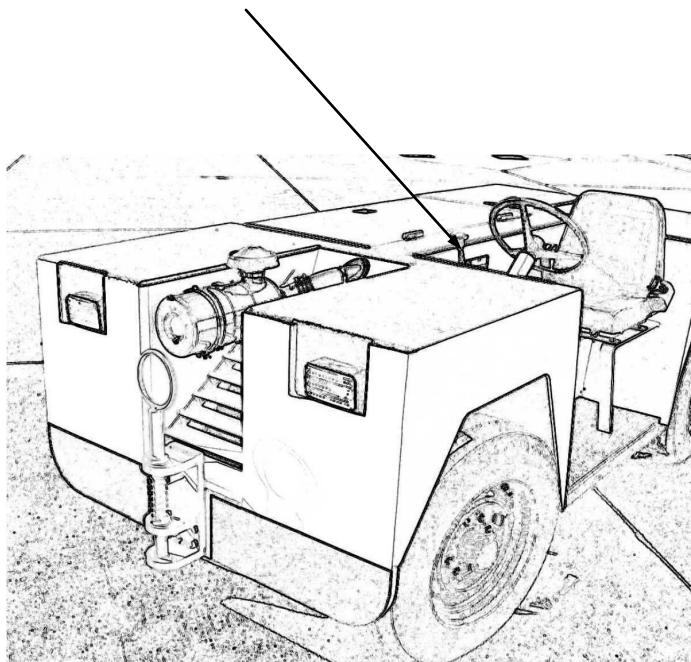
SERIAL # _____

MFG DATE _____

ENGINE TYPE _____

ENGINE SERIAL # _____

FORD 2.5L DISTRIBUTOR # Gas Engine: EC42907; LPG Engine: EC43908



WARRANTY REGISTRATION

Please fill out the engine warranty registration informations with your vehicle. This information is needed for completing warranty work on your engine if a problem occurs. *See Vehicle ID Information on previous page.*

EAGLE STANDARD WARRANTY

Standard Limited Warranty Information*

The Eagle Tugs (EAGLE) Standard Warranty covers all MTT, RTT-series and Transit Pro tow tractors, as well as all Eagle tow tractor models used in industrial applications. Eagle Tugs warrants that these tractors will be free from defects in material and workmanship for a period of 1 year or 2,000 operating hours, with the exception of the electrical system (see electrical component warranty below), from date of delivery to the first customer (or first use), whichever comes first. Written notice of any claimed defect must be given to Eagle within the warranty period and within thirty (30) days after such defect is discovered. Liability under this warranty is limited to either replacing or repairing, at Eagle's election, any part or parts deemed defective after examination by Eagle or an Authorized Service Representative. Any Eagle tractor or any of its parts returned by the customer to Eagle or an Authorized Service Representative via prepaid transportation, and which is found to be defective, will be repaired or replaced and returned to the customer prepaid. On the other hand, should a part be found not defective, inspection and handling charges may be charged to the customer or Authorized Service Representative by Eagle.

Electrical Component Warranty: Electrical components including but not limited to display, starters, alternators and electric fans shall be covered under the respective original manufacturers warranty for each individual component. Copies of the respective warranties are available upon request.

This warranty does not extend to the tires, batteries, and battery chargers as these are warranted directly to the user by their respective manufacturer and not by Eagle or an Authorized Service Representative.

This warranty does not apply to any Eagle tow tractor, or component part(s) that have been subjected to misuse, accident, vandalism, environmental conditions, improper handling or application, maintenance neglect, including lack of lubricants or fluids; nor does it extend to the Eagle tow tractor and/or parts which have been repaired or altered outside of Eagle's plant or the facility of an Authorized Service Representative without the permission of Eagle.

This warranty does not apply to routine maintenance or wearable parts of the Eagle tow tractor such as filters, seals, plugs, hoses, belts, brake pads or shoes, light bulbs, fuses or similar items. Moreover, this warranty does not extend beyond its original term for any Eagle tow tractor or part replaced or repaired under warranty.

This warranty does not cover or provide credit for the following: tractor rental or other substitute equipment; lodging; loss of time, income, sales or profits; loss of the use of tractor; telephone calls or communication expense; lift truck; storage fees; injury or death to persons or damage or destruction of property; or consequential, incidental or punitive damages.

Labor Allowance: A labor allowance may be issued upon request at Eagle's discretion. Allowable labor hours and a per hour labor rate will be determined by Eagle according to reasonable automotive standards.

Warranty Claim Procedure: When a warranty situation arises, it is essential that the customer contact Eagle's Warranty Department at +1 734-442-1000. The customer will need to provide Eagle with the tow tractor serial number and engine hours. A customer service representative will analyze the problem and determine the next steps. In many cases Eagle's technical support personnel will be able to analyze the problem and recommend adjustments that will solve the problem and reduce down time. If further service is required, an Eagle customer service representative will work with customer personnel to arrange a service provider and/or parts be sent to your facility for the repair as quickly as possible.

EXCEPT AS SET FORTH ABOVE, ALL WARRANTIES, CONDITIONS, REPRESENTATIONS, INDEMNITIES AND GUARANTEES, EXPRESS OR IMPLIED, WHETHER ARISING BY STATUTE, CUSTOM OF TRADE OR UNDER ORAL OR WRITTEN STATEMENTS MADE BY OR ON BEHALF OF EAGLE NEGOTIATIONS WITH CUSTOMER, DISTRIBUTOR, DEALER OR ANY REPRESENTATIVE, ARE HEREBY OVERWRITTEN AND EXCLUDED, AND NO LIABILITY SHALL ATTACH TO EAGLE, EITHER IN CONTRACT OR IN TORT, OR STRICT LIABILITY IN TORT, FOR ANY DAMAGE TO PROPERTY, LOSS OF PROFITS, DAMAGES, COSTS, CHARGES, LIABILITY OR EXPENSES, WHETHER DIRECT OR INDIRECT, CONSEQUENTIAL OR OTHERWISE, WHICH ARISE OUT OF OR IN CONNECTION WITH THE SALE OR USE OF ANY EAGLE MACHINE OR THE SUPPLY OF SERVICES.

SUBJECT TO CHANGE WITHOUT NOTICE

Please check our website www.eagletugs.com periodically for service bulletins and manual updates.

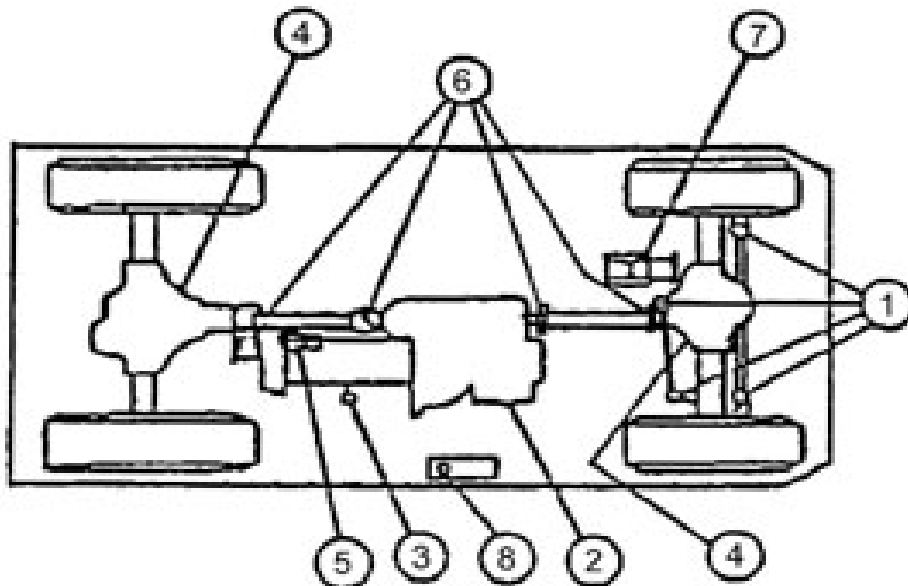
*Note - The Eagle Tugs **3-Year Warranty** covers TT-series, eTT-series, XL-series, eXL-series and USATS tow tractors which are used in aviation applications. All MTT and RTT-series, and Transit Pro models, as well as all Eagle tow tractor models which are used in industrial applications, are covered under the Eagle Standard Warranty of 1 Year or 2,000 hours. Eagle Bob Tails are covered under Ford Motor Company's Standard Warranty for each respective Ford truck model.

SCHEDULED MAINTENANCE

TT-4, 5, 6, & 8 GASOLINE MAINTENANCE INTERVALS

Interval	Check/Inspect	Service	Replace	
			Part #	Description
Daily	-Engine Oil -Power Steering Fluid -Transmission Fluid -Brake Fluid (Master Cylinder)	-Refill fluid levels as required	N/A	N/A
Every 50 Hours	<u>All of the above, plus:</u> -Valve Cover Gaskets -Engine Rubber Mountings -Inlet & Exhaust Pipe to Manifold -Throttle Controls -Coolant Levels -All Hoses for deterioration and/or chafing -All Belt Drives for wear and proper tension -Fuel System for leaks -Electrical System for frayed wires and/or loose connections -Steering arms bolts	-Components that show wear or appear damaged -Clean engine air cleaner Re-torque to 120 Ft lbs	N/A	N/A
Every 100 Hours	<u>All of the above, plus:</u> -Battery Cables for Corrosion -Steering arms bolts	-Components that show wear or appear damaged -Change oil and replace oil filter Re-torque to 120 Ft lbs	D9AZ6731A	Oil Filter
Every 500 Hours	<u>All of the above, plus:</u> -Drum Brake Linings, Lines & Hoses -Steering arms bolts	-Components that show wear or appear damaged -Replace Air Cleaner Element -Replace Fuel Filter -Replace Transmission Fluid & Filter -Rotate Tires Re-torque to 120 Ft lbs	P14-8966	Air Cleaner Element 2"
			P549271	Air Cleaner Element 3"
			85705	Trans. Filter & Gasket
			F8JL9A011AA	Fuel Filter
Every 1000 Hours	<u>All of the above</u> Steering arm bolts	-Components that show wear or appear damaged -Replace Hypoid Gear Lubricant in Drive Axles Re-torque to 120 Ft lbs	N/A	N/A
Every 2000 Hours	<u>All of the above</u> -Steering arms bolts	-Components that show wear or appear damaged Re-torque to 120 Ft lbs	RD52	Front Brake Pads
			FR357	Rear Brake Shoes
			E4EE8620NA	Alternator Belt
			A-TT4-00291-5	Headlight (Pre 12/04)
			A-TT10-00291	Headlight
			1157	Tail Light Bulb
			A-TT4-00282-1	Accelerator Cable
			E2JL8A570AA	Thermostat
4781661AA	Thermostat Gasket			
			N/A	

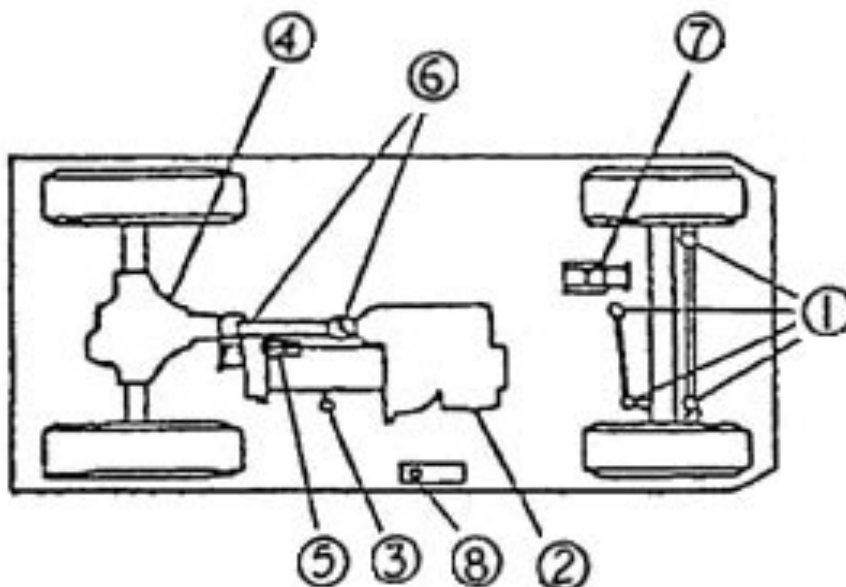
LUBRICATION CHART – TT SERIES-ALL WHEEL DRIVE



Item	Identification	Type Service	Lubricant
1	Steering Linkage	Lube	EP Multipurpose Grease
2	Transmission Oil*	Check	Dextron III
3	Engine Oil	Change	OE/HDO (MIL-L-2104)
4	Drive Axles	Check	GO 80-90 (MIL-L-2105)
5	Power Steering Pump	Check	Power Steering Fluid
6	Drive Shaft	Lube	EP Multipurpose Grease
7	Brake Master Cylinder	Check	Dot 3
8	Engine Coolant	Check	MIL-A-46153 (Ethylene Glycol)

*Check when engine is at operating temperature

LUBRICATION CHART — REAR WHEEL DRIVE



Item	Identification	Type Service	Lubricant
1	Steering Linkage	Lube	EP Multipurpose Grease
2	Transmission Oil*	Check	Dextron III
3	Engine Oil	Change	OE/HDO (MIL-L-2104)
4	Drive Axles	Check	GO 80-90 (MIL-L-2105)
5	Power Steering Pump	Check	Power Steering Fluid
6	Drive Shaft	Lube	EP Multipurpose Grease
7	Brake Master Cylinder	Check	Dot 3
8	Engine Coolant	Check	MIL-A-46153 (Ethylene Glycol)

*Check when engine is at operating temperature

SERVICE PARTS ILLUSTRATIONS & DETAIL

IDENTIFICATION KEY

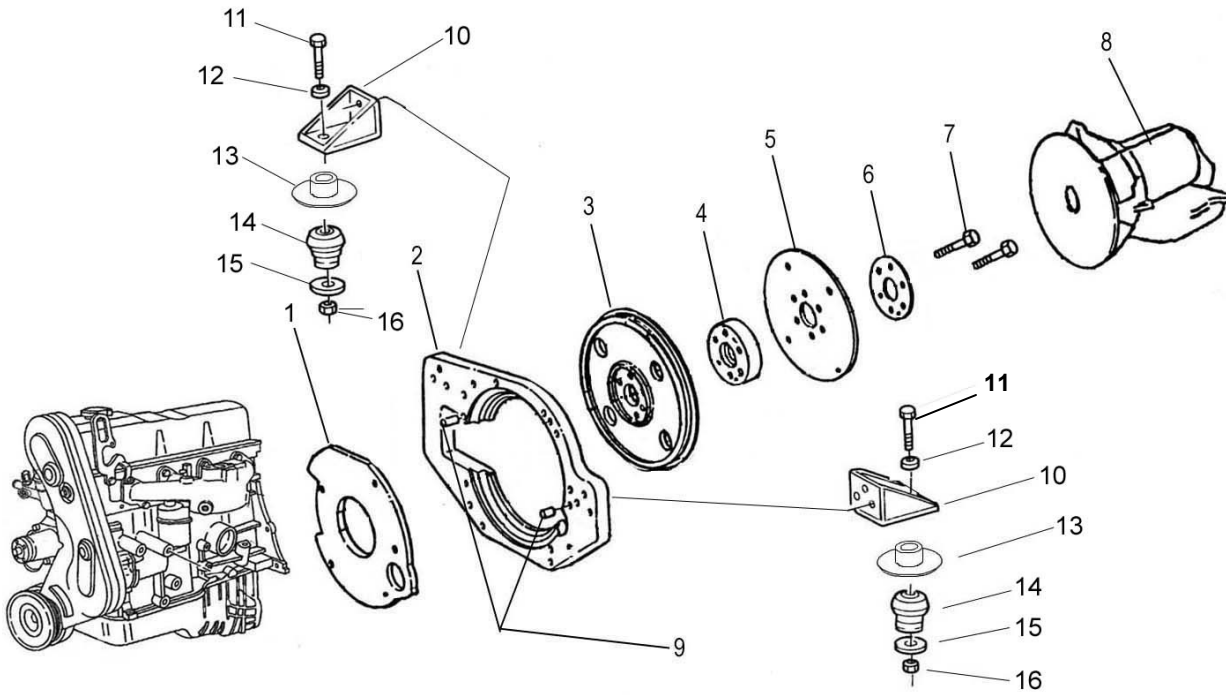
The following abbreviations are used throughout the parts lists in this section.

Abbreviation	Meaning	Purpose
NL	Not Listed	Part required but not shown on diagram
NPN	No Part Number	Parts shown and numbered, but not stocked and sold by Eagle. Typically used for bolts, clamps, etc...
AR	As required	

NOTES:

POWER TRAIN

ENGINE DRESS—ENGINE TO TRANSMISSION STACK-UP

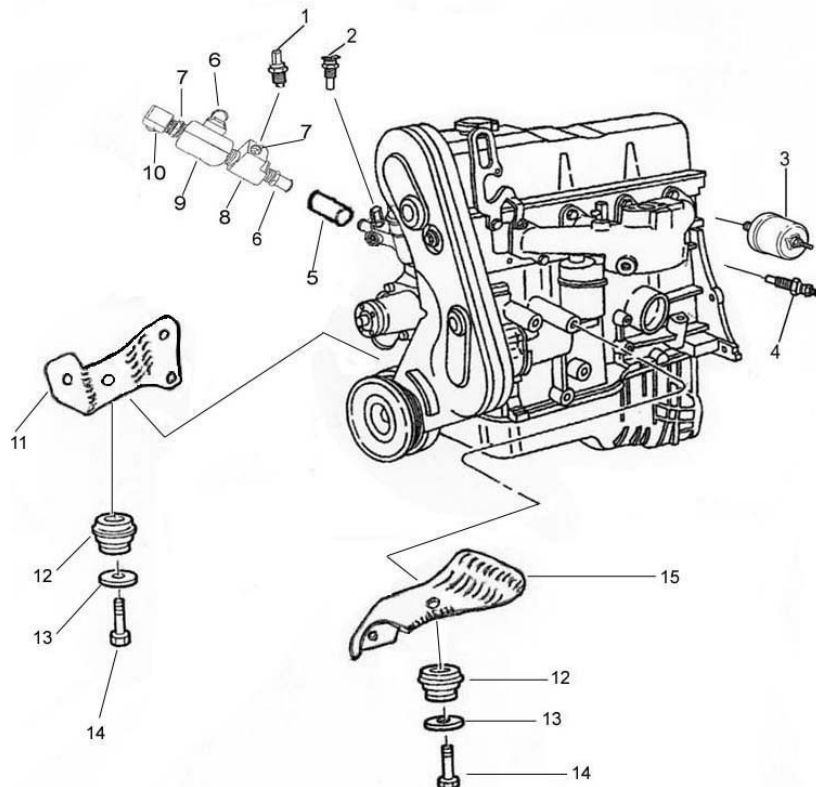


ENGINE DRESS—ENGINE TO TRANSMISSION STACK-UP—DETAIL

Item	Part Number	Qty	Description
1	TMD27B00521-F2.5	1	ENGINE PLATE
2	B-TT5G-00001-F2.5	1	TRANS PLATE
3	B-TT5G-00018-F2.5	1	FLY WHEEL
4	B-TT5G-00017-F2.5	1	FLEX HUB
5	B-TT5TG-00016-F2.5	1	FLEX PLATE
6	TM27COO305-F2.5	1	FLEX PLATE WASHER
7	NPN	6	10X1X70 BOLTS
8	A-TT5D-0018	1	TRANSAXLE
9	5240849	2	DOWEL PINS
10	B-TT5D-00009	1	TRANS MOUNTS
11	NPN	2	3/4"-16X3.5 GR8 HCS BOLT
12	NPN	2	3/4" WASHER
13	NPN	2	MOTOR MOUNT SPACER
14	A-TT5D-00013-1	2	ISOLATOR
15	A-TT5D-00010	2	LORD WASHER
16	NPN	2	3/4" LOCK NUT

POWER TRAIN

ENGINE DRESS– SENSOR PLACEMENT WITHOUT SHUTDOWN

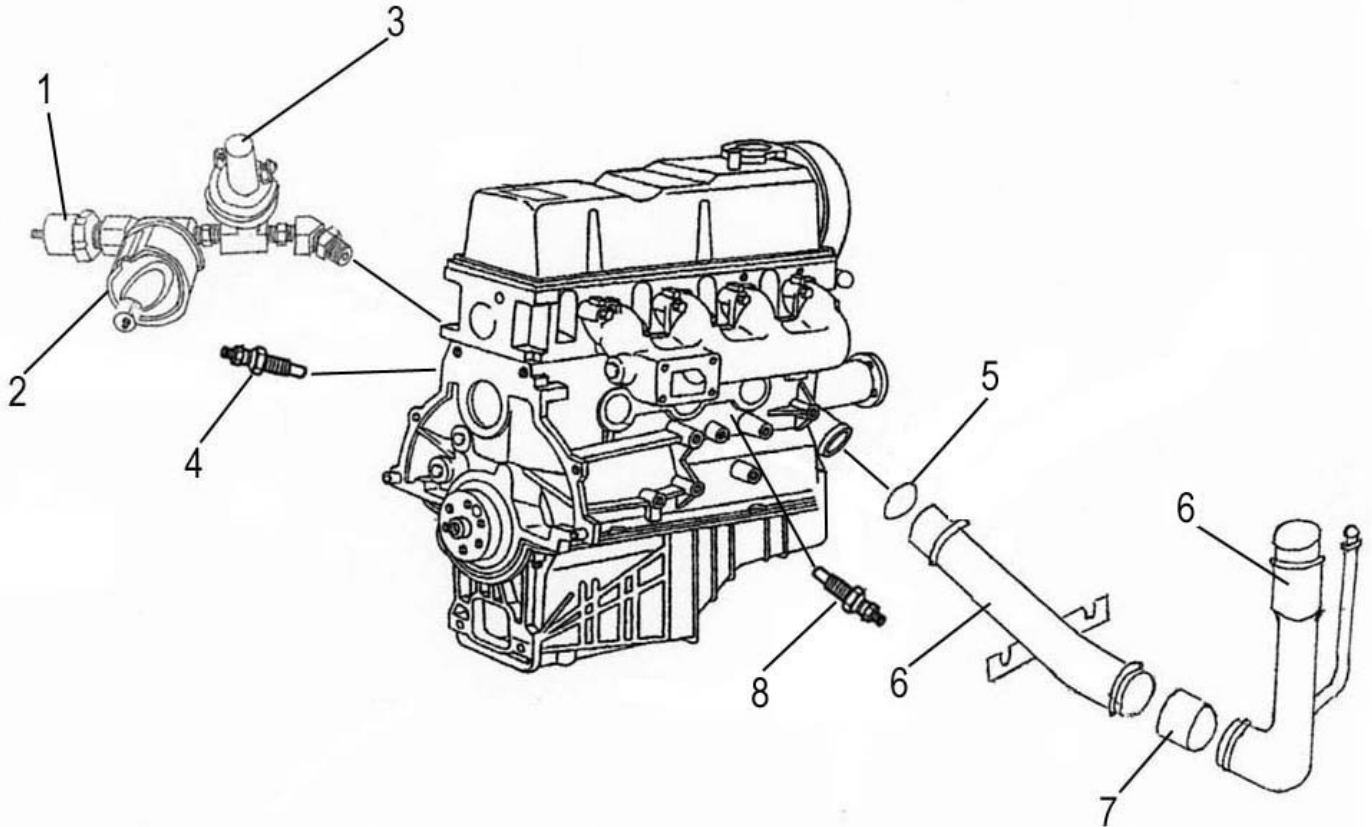


ENGINE DRESS – SENSOR PLACEMENT WITHOUT SHUTDOWN – DETAIL

Item	Part Number	Qty	Description
1	F4TZ108848	1	FORD COOLANT TEMP SENDER
2	A-TT4-00653-1	1	FAN SWITCH
3	A-TT4-00651	1	OIL PRESSURE SENDER
4	A-TT4-00652	1	COOLANT TEMP SENDER
5	NPN	1	BULK HOSE
6	05712B-108	2	NIPPLE
7	3220X8X6	2	BUSHING
8	3750X8	1	TEE W/ PIPE
9	3700X8	1	TEE
10	05710B-C06	1	90 DEGREE NIPPLE
11	F09Z6031A	1	MOTOR MOUNT
12	A-TT5D-00013-1	4	ISOLATOR
13	A-TT5D-00010	4	LORD WASHER
14	NPN	2	BOLT
15	NPN	1	MOTOR MOUNT

POWER TRAIN

ENGINE DRESS—SENSOR & COOLANT TUBE PLACEMENT WITH SHUTDOWN



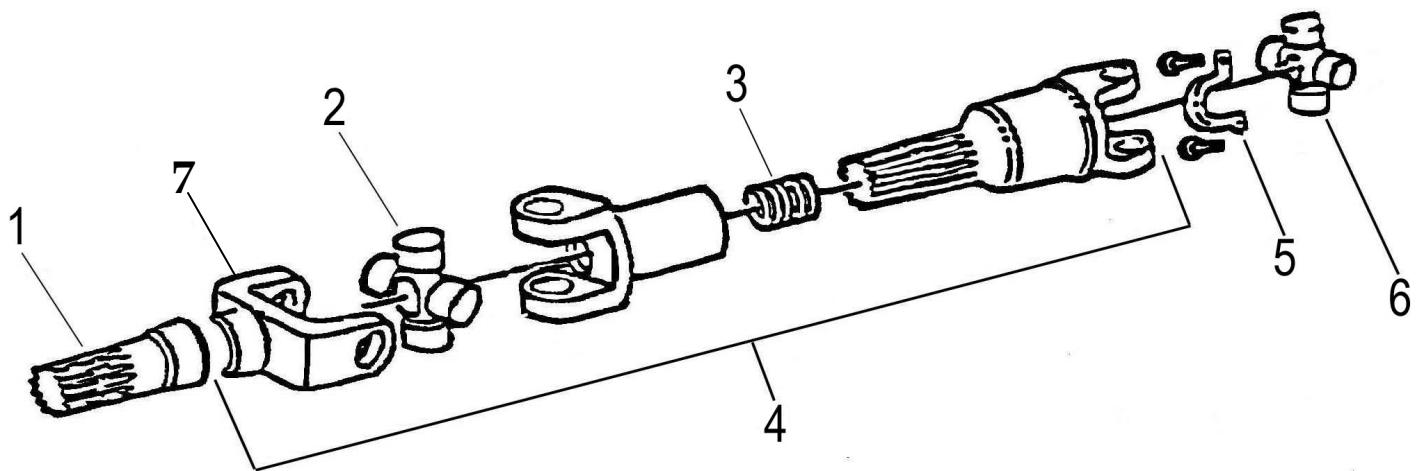
ENGINE DRESS—SENSOR & COOLANT TUBE PLACEMENT WITH SHUTDOWN—DETAIL

Item	Part Number	Qty	Description
1	E95Z9278B	1	FORD OIL PRESSURE SENDER
2	A-TT4-00651	1	OIL PRESSURE SENDER
3	H1004	1	SHUTDOWN PRESSURE SWITCH
4	A51208	1	COOLANT TEMP SWITCH
5	6282003	1	O-RING
6	6282002	1	COOLANT TUBE SET
7	NPN	1	BULK HOSE
8	A-TT4-00652	1	COOLANT TEMP SENDER

* Without shutdown option #4 is part number A-TT4-00653 and #8 is eliminated

DRIVELINE

DRIVE SHAFT ASSEMBLY—FRONT

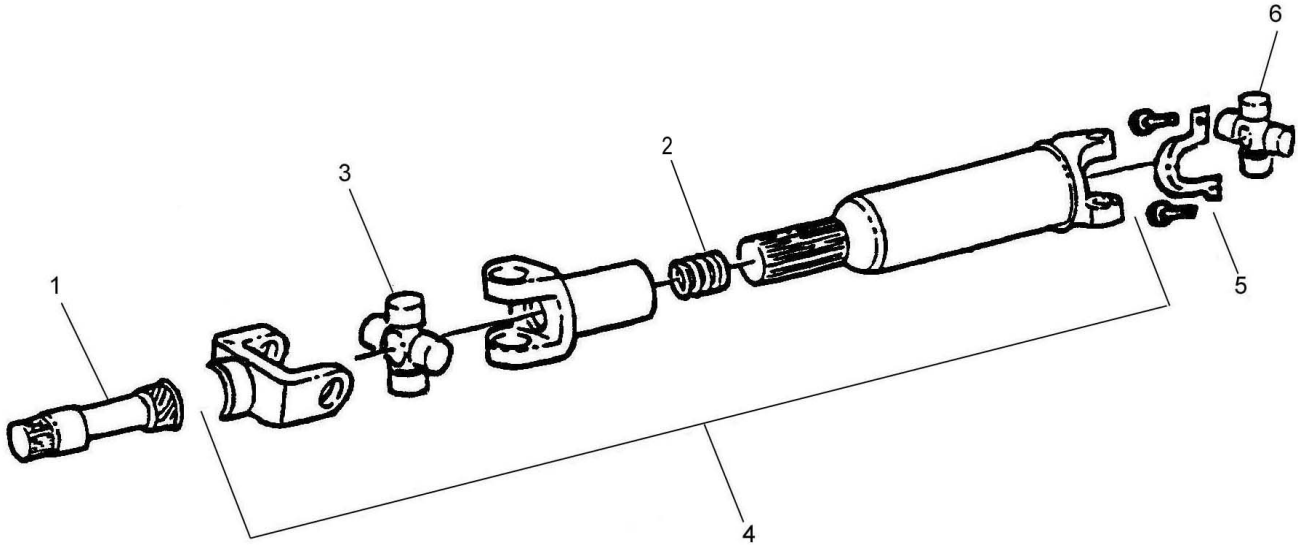


DRIVE SHAFT ASSEMBLY— FRONT DETAIL

ITEM	PART NUMBER	QTY.	DESCRIPTION
1	A-TT8-00201-1	1	TRANSMISSION OUTPUT YOKE SHAFT-FRONT
2	A-TT4-00132-1	1	CROSS BEARING FRONT D/S NEW STYLE
3	A-TT4-00134	1	DRIVE SHAFT SPRING
4	A-TT8-00202-4	1	DRIVE SHAFT
5	A-TT4-00130	2	END YOKE STRAP AND BOLT KIT
6	A-TT4-00137-1	1	CROSS BEARING FRONT D/S NEW STYLE
7	2-4-1921	1	END YOKE

DRIVELINE

DRIVESHAFT ASSEMBLY—REAR

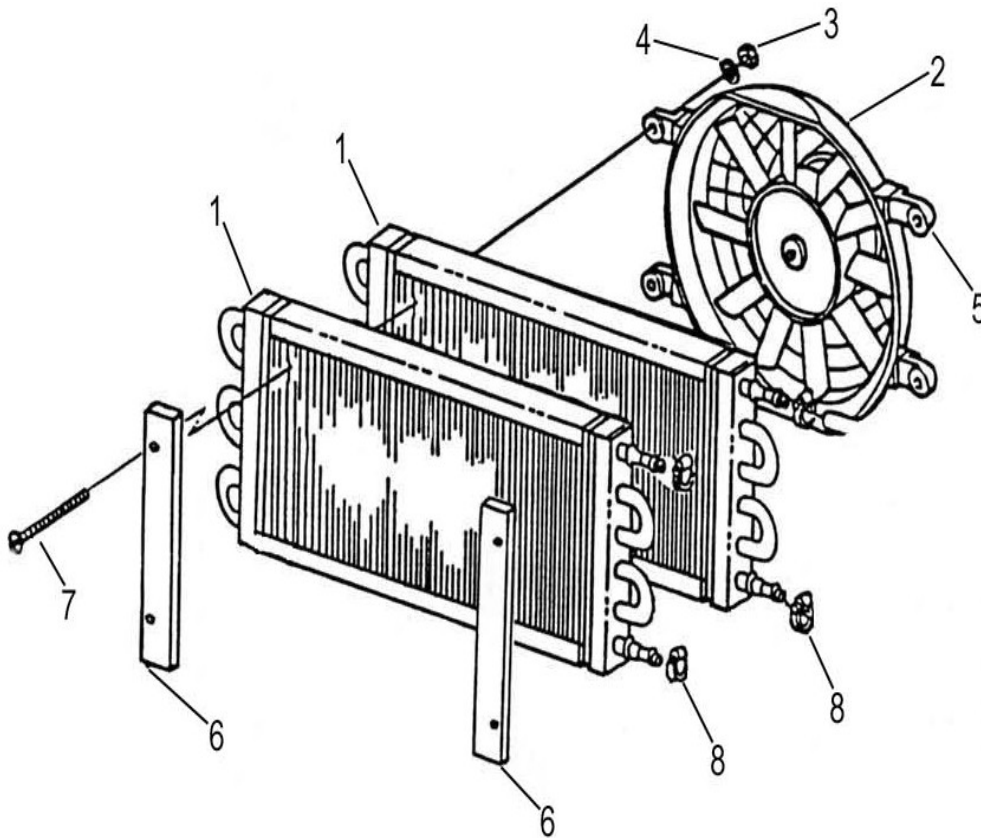


DRIVE SHAFT ASSEMBLY—REAR DETAIL

ITEM	PART NUMBER	QTY.	DESCRIPTION
1	A-TT8-00201-2	1	TRANSMISSION OUTPUT YOKE SHAFT-REAR
2	A-TT4-00134	1	DRIVE SHAFT SPRING
3	A-TT4-00132-1	1	CROSS BEARING FRONT D/S NEW STYLE
4	AB-TT4-00130-1	1	DRIVE SHAFT
5	A-TT4-00130	2	END YOKE STRAP KIT
6	A-TT4-00137	1	CROSS BEARING REAR D/S NEW STYLE

TRANSMISSION

COOLING SYSTEM— TRANSMISSION

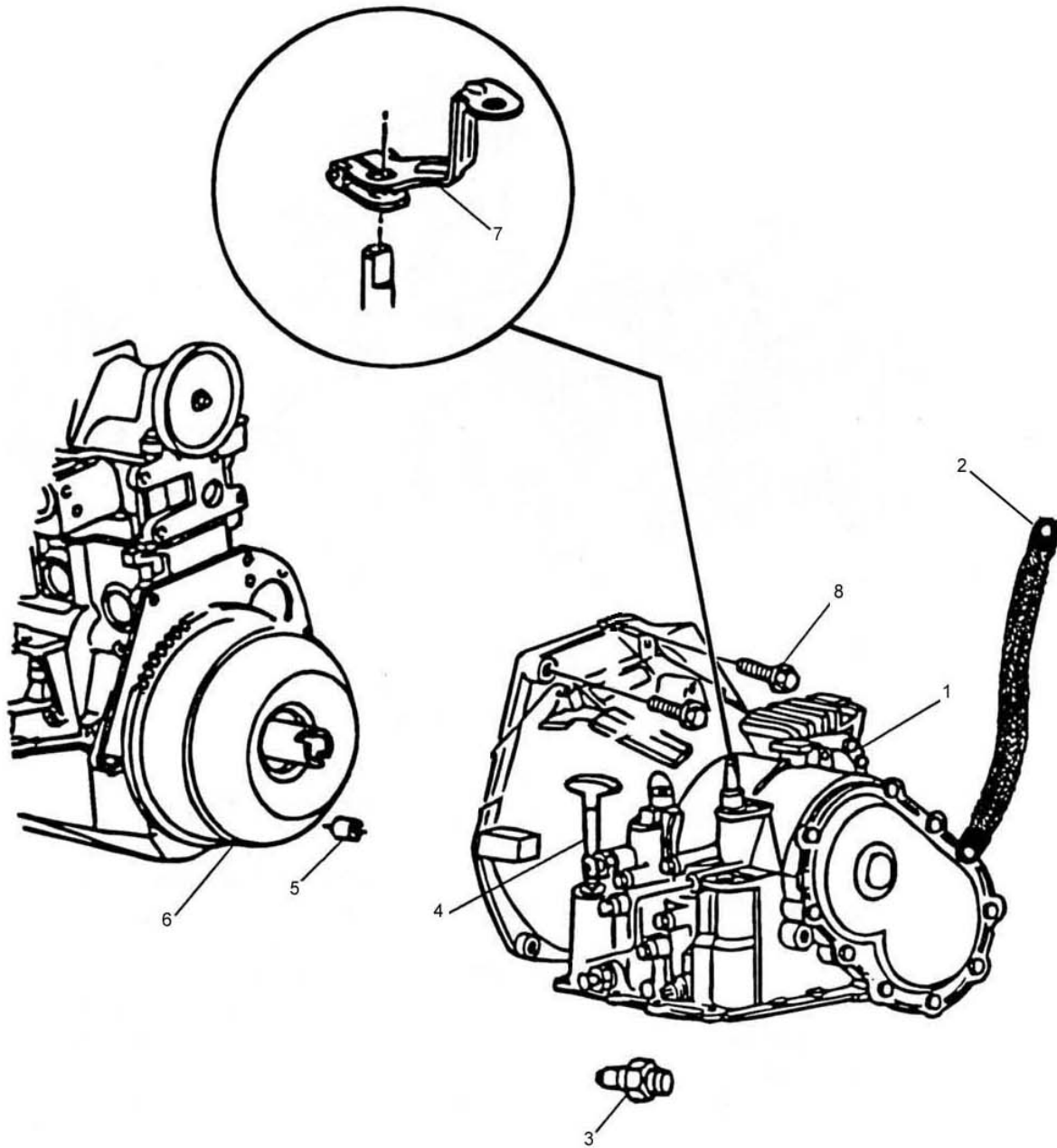


COOLING SYSTEM—TRANSMISSION DETAIL

ITEM	PART NUMBER	QTY.	DESCRIPTION
1	A-TT4-00221-1	2	TRANSMISSION COOLER
2	A-TT4-00312-1	1	ELECTRIC FAN
3	NPN	4	10-32 LOCK NUT
4	NPN	4	1/4" WASHER
5	XX50025	4	FAN MOUNTING BRACKETS
6	NPN	2	TRANS COOLER BRACKET
7	NPN	4	10-32 BOLT
8	NPN	4	#6 HOSE CLAMP

TRANSMISSION

TRANSAXLE MOUNTING & MISC. PARTS



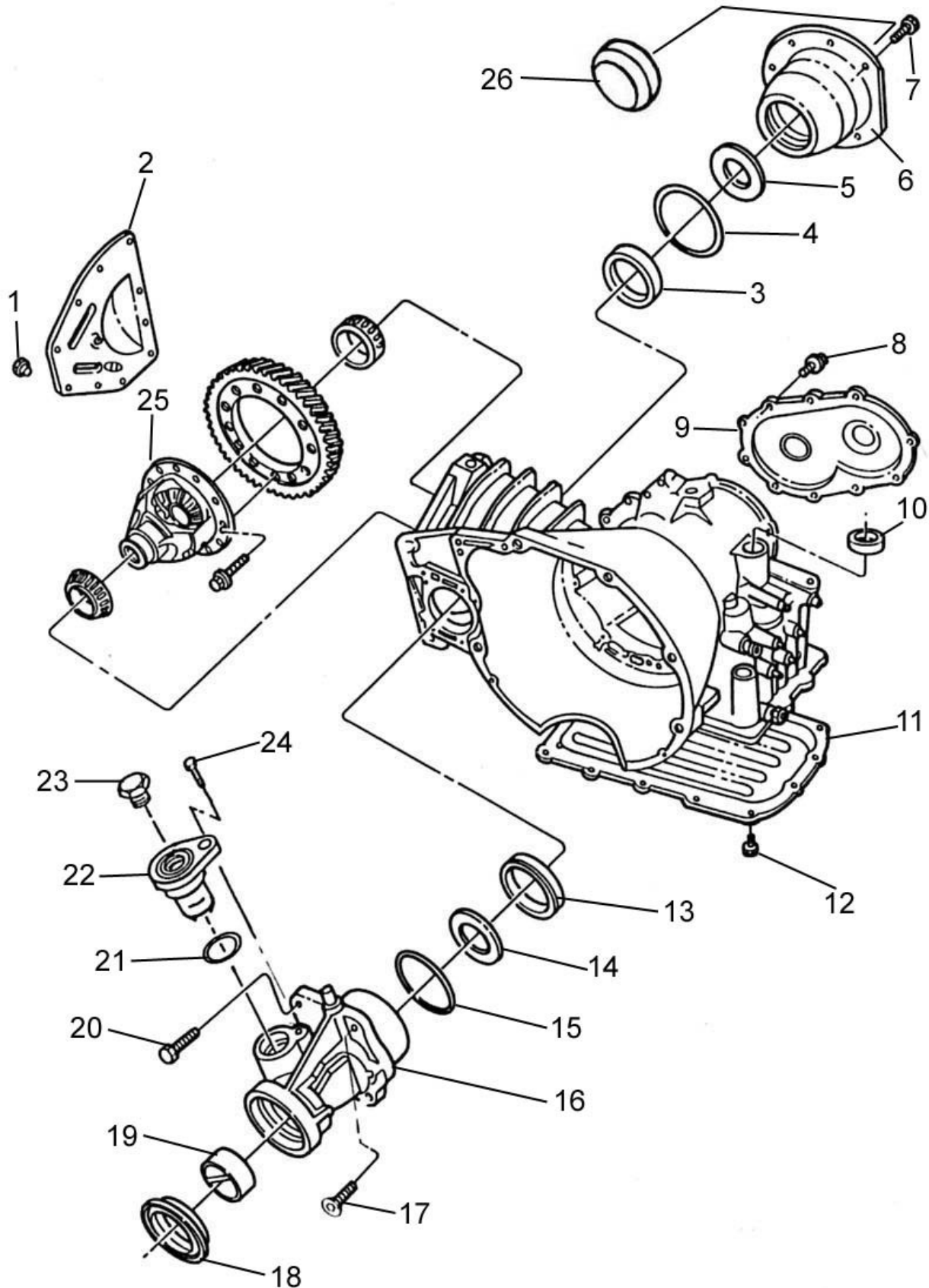
TRANSMISSION

TRANSAXLE MOUNTING & MISC. PARTS DETAIL

ITEM	PART NUMBER	QTY.	DESCRIPTION
1	A-TT5D-0018	1	TRANSAXLE (COMPLETE)
2	A-TN4-00707	1	GROUND STRAP
3	3747361	1	SWITCH-NEUTRAL STARTER & BACK UP LIGHT
4	4856444	1	INDICATOR-TRANSAXLE FLUID
5	5240849	2	DOWEL PIN-TRANSAXLE TO ENGINE ALIGNMENT
6	4778718	1	TORQUE CONVERTER
7	A-TT4-00419	1	TRANSAXLE SHIFT LEVER-MANUAL CONTROL
8	6501741	*	SCREW-HEX CAP-WITH WASHER M12-1.75 X 30
	85705	*	GASKET & FILTER MAINTENANCE PACKAGE
* CALL EAGLE PARTS DEPT. FOR DETAILS			

TRANSMISSION

TRANSAXLE CASE EXTENTION & RETAINER



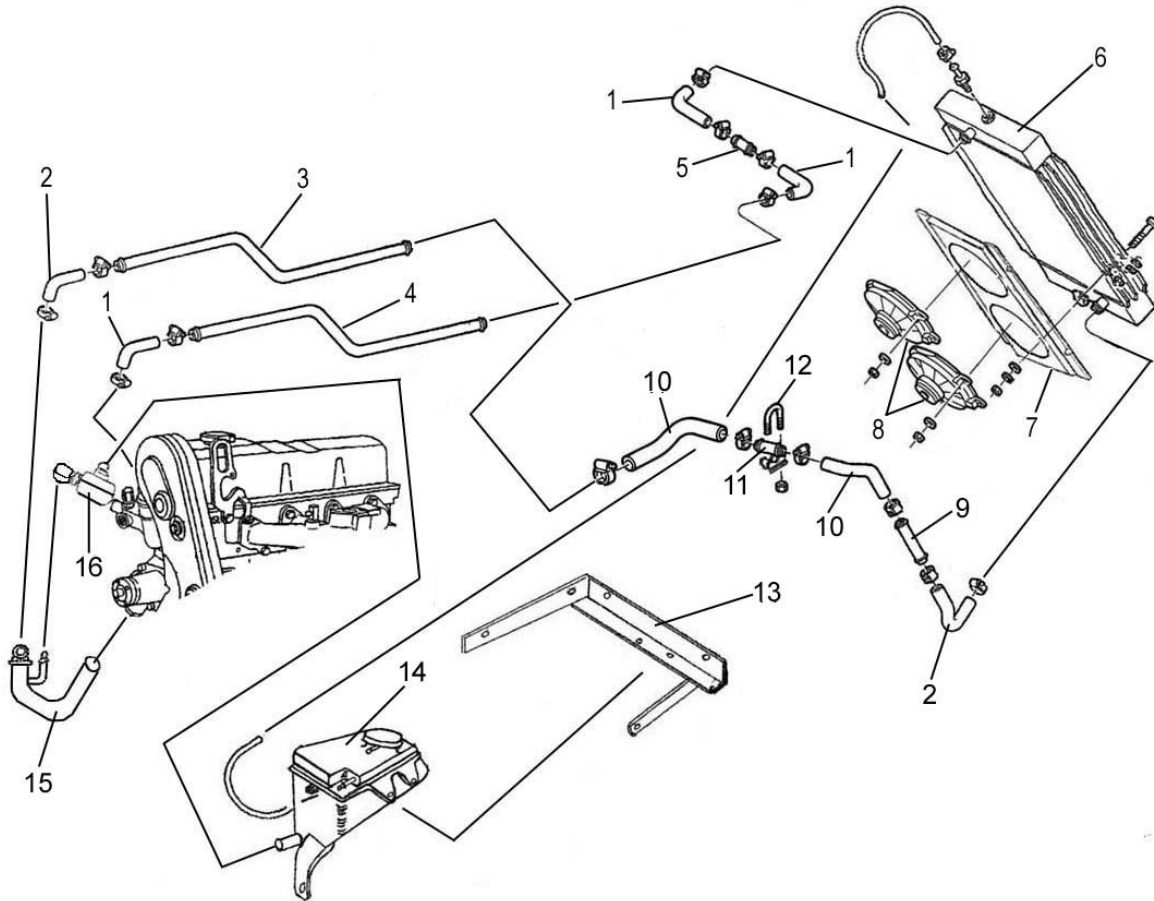
TRANSMISSION

TRANSAXLE CASE EXTENTION & RETAINER - DETAIL

Item	Part Number	Qty	Description
1	6501474	10	SCREW-HEX CAP-W/WASHER M8-1.25 X 16
2	4471573	1	PAN
3	NPN	1	CUP(NOT SOLD SEPARATELY)
4	4504568	1	SPACER KIT
5	4269787	1	RETAINER, OIL
6	4567493	1	RETAINER, BEARING
	6500368	6	SCREW-HEX CAP-M8 X 1.25 X 23
7	NPN	6	SCREW-HEX CAP-WASHER HEAD M8-1.25 X
8	NPN	10	SCREW-HEX CAP M8-1.25 X 15
9	4659342	1	COVER, TRANS. END
	82180	1	RTV SEALANT
	6501474	10	SCREW-HEX CAP W/WASHER M8-1.25 X 16
10	3878447	1	SEAL, MANUAL VALVE SHAFT
11	4471573	1	PAN, TRANSAXLE OIL
12	6501474	12	SCREW-HEX CAP W/WASHER M8-1.25 X 16
	6101285	1	SCREW-HEX CAP-W/WASHER M6-1 X 16
13	4567022	1	CUP
14	4567494	1	RETAINER
15	6500111	1	O-RING
16	4549219	1	OUTPUT HOUSING
	6500511	4	SCREW-HEX CAP-W/WASHER M8-1.25 X 33
17	NPN	2	M8 HEX HEAD SCREW
18	4412522	1	SEAL
19	NPN	1	BUSHING (SERVICED IN EXT.)
20	NPN	4	SCREW-HEX CAP WASHER HEAD M8-1.25 X
21	5212151	1	O-RING
22	4295857	1	SPEEDOMETER CABLE ADAPTOR
23	NPN	1	SCREW-FLAT HEAD HEX SOCKET M8-1.25 X
24	NPN	1	SCREW-HEX CAP-WASHER HEAD M6-1.0 X
25	A-TT5D-00021	1	DIFFERENTIAL-WELDED SPIDER GEAR
26	A-TT4-00657	1	TRANSMISSION PLUG (2WD ONLY)

COOLING SYSTEM

COOLING SYSTEM—FORD 2.5L

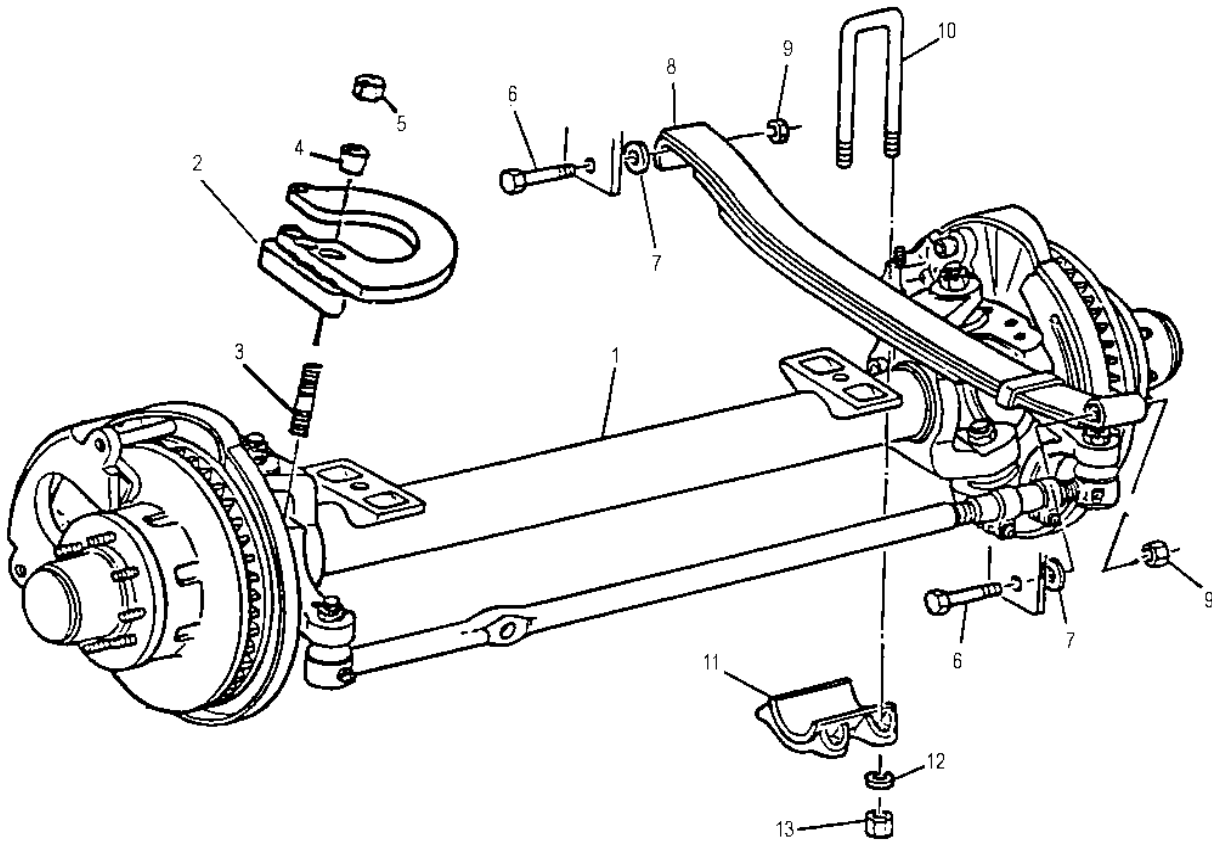


COOLING SYSTEM—FORD 2.5L

Item	Part Number	Qty	Description
1	A-TT4-00317	3	90 DEGREE HOSE
2	A-TT4-00314	2	BOTTOM RADIATOR HOSE
3	A-TT4F-00326	1	BOTTOM RADIATOR TUBE
4	A-TT4F-00320	1	TOP RADIATOR TUBE
5	NPN	1	CONNECTOR TUBE
6	A-TT4F-00311-1	1	RADIATOR 2.5L GAS
7	A-TT8-00341	1	FAN SHROUD
8	A-TT4-00312-1	2	COOLING FAN
9	NPN	1	CONNECTOR TUBE
10	A-TT4-00323	2	BOTTOM HOSE
11	NPN	1	CONNECTOR TUBE
12	A-TT4-00396	2	U-BOLT
13	NPN	1	RESERVOIR BRACKET
14	A-TT4-00322-2	1	RESERVOIR FILL TANK
15	NPN	1	SEE PAGE # 14 FOR BREAKDOWN
16	NPN	1	SEE PAGE # 13 FOR BREAKDOWN

AXLES

AXLE ASSEMBLY – FRONT NON-DRIVE TT4-TT6 2WD ONLY



AXLE ASSEMBLY – FRONT NON-DRIVE – DETAIL

Item	Part Number	Qty	Description
1	A-TT4-00111	1	AXLE ASSAY-FRONT NON-DRIVE
2	C-TT4-00113-1	1	STEERING ARM TT4-TT8/2AWD
3	A-TT8-00115	3	STUD-STEERING ARM
4	3965138	3	BUSHING
5	NPN	3	9/16-18 GR8 HEX NUT
6	NPN	4	SCREW-HEX CAP 3/8-16X3.5
7	A-TT4-00119	12	NYLON WASHER
8	A-TT4-00116	2	LEAF SPRING
9	NPN	8	3/8-16 LOCK NUT
10	A-TT4-00362-1	4	U-BOLT KIT
11	A-TT4-00363*	2	MACHINED AXLE CLAMP PLATE*
12	NPN**	8	WASHER**
13	NPN**	4	NUT, LOCK 9/16-18
14	NPN	2	3/8 FLAT WASHER

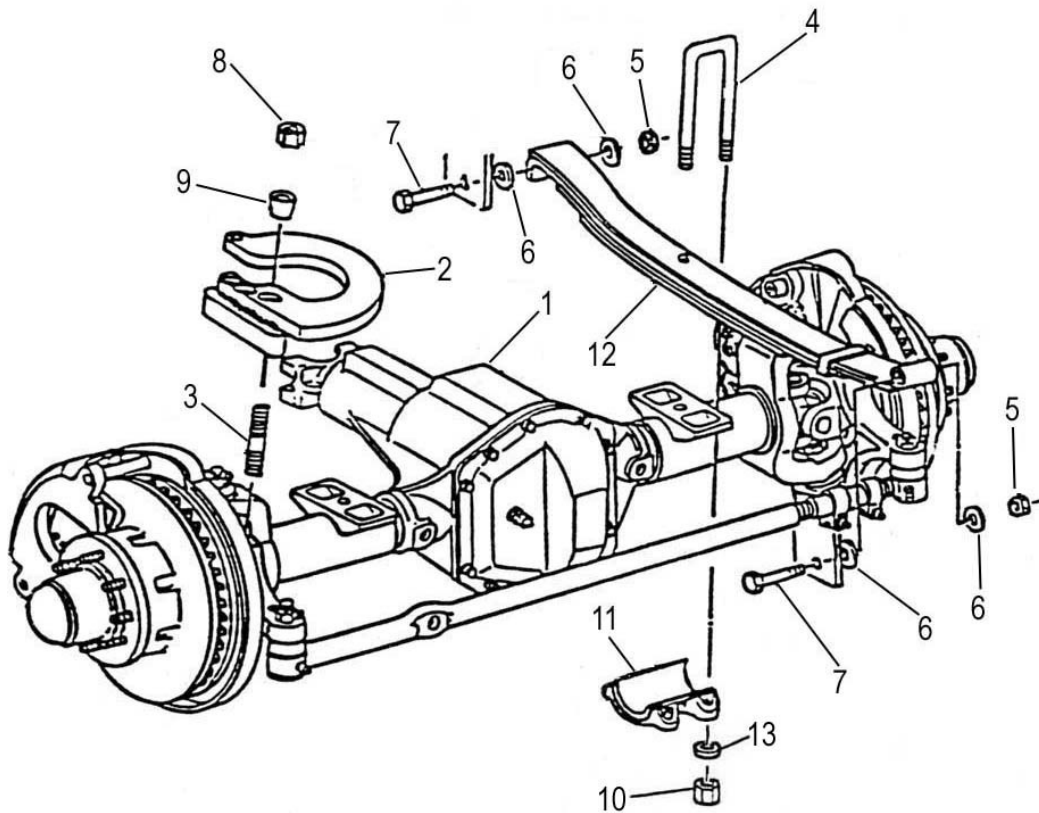
* AXLE CLAMP MUST BE MODIFIED - CALL EAGLE PARTS DEPARTMENT FOR DETAILS

**INCLUDED IN #7 U-BOLT KIT

NOTE: Steering arm bolts must be re-torqued to 120 Ft lbs. (# 5 in above drawing) after 50, 100, 250, 500, 1000 and 2000 hours. If not checked bolts could loosen causing the steering knuckle to break.

AXLES

AXLE ASSEMBLY – FRONT DRIVE (4WD)



AXLE ASSEMBLY – FRONT DRIVE – DETAIL

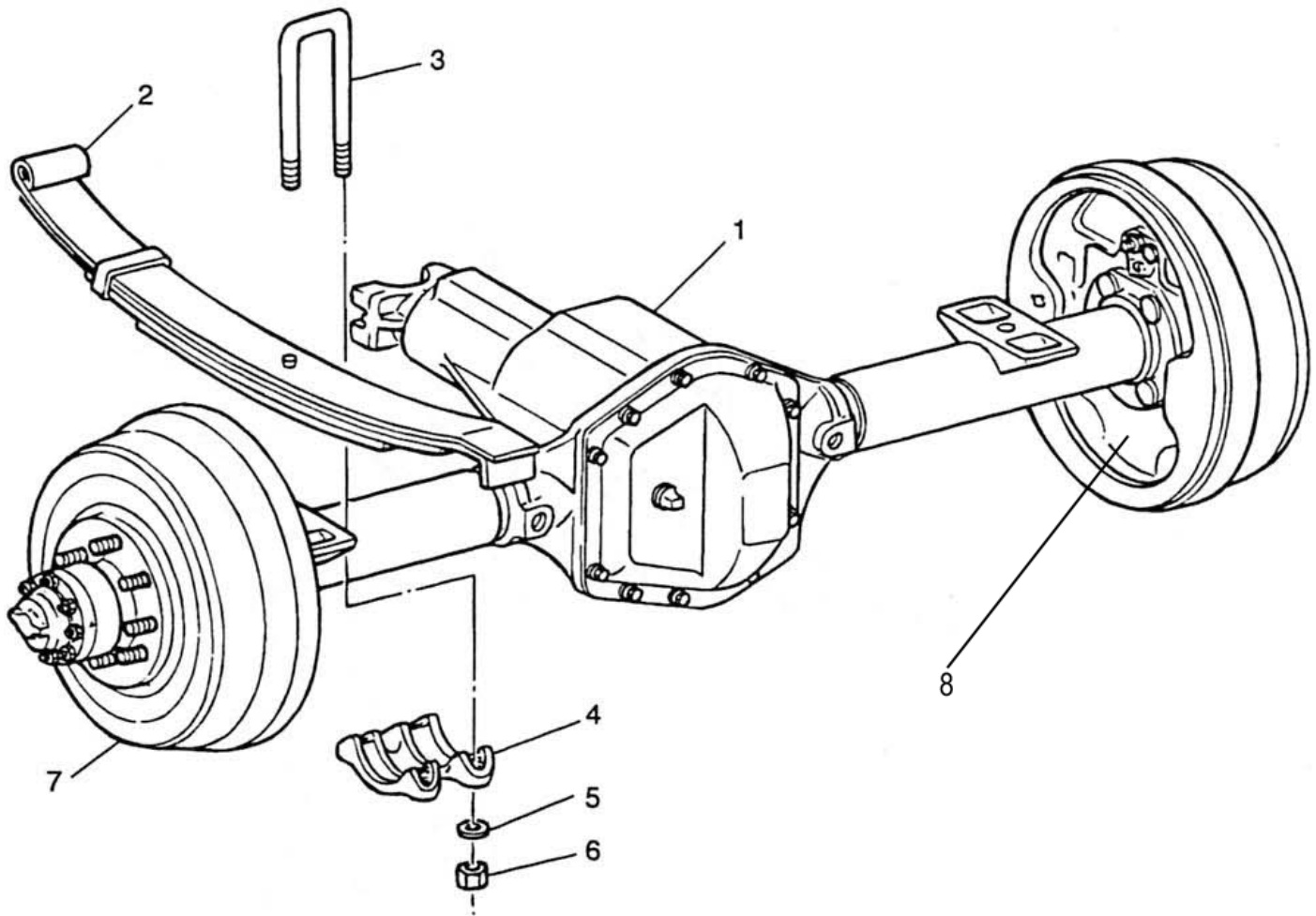
ITEM	PART NUMBER	QTY.	DESCRIPTION
1	A-TT8-00371	1	FRONT DRIVE AXLE ASSEMBLY
2	C-TT4-00113-2	1	STEERING ARM - TT4-TT8/2 AWD
3	A-TT8-00115	3	STUD - STEERING ARM
4	A-TT4-00362-1	4	KIT
5	NPN	4	3/8X16 LOCK NUT
6	A-TT4-00119	8	NYLON WASHER
7	NPN	4	SCREW - HEX CAP 3/8-16X3.5
8	NPN	3	NUT 9/16-18 GR8
9	3965138	3	BUSHING
10	NPN*	8	NUT-HIGH 9/16-18*
11	A-TT4-00118-3	2	MACHINED AXLE CLAMP PLATE
12	A-TT4-00116	2	LEAF SPRING
13	NPN*	8	WASHER

* INCLUDED IN #4 U-BOLT KIT

NOTE: Steering arm bolts must be re-torqued to 120 Ft lbs. (# 8 in above drawing) after 50, 100, 250, 500, 1000 and 2000 hours. If not checked bolts could loosen causing the steering knuckle to break.

AXLES

AXLE ASSEMBLY— REAR

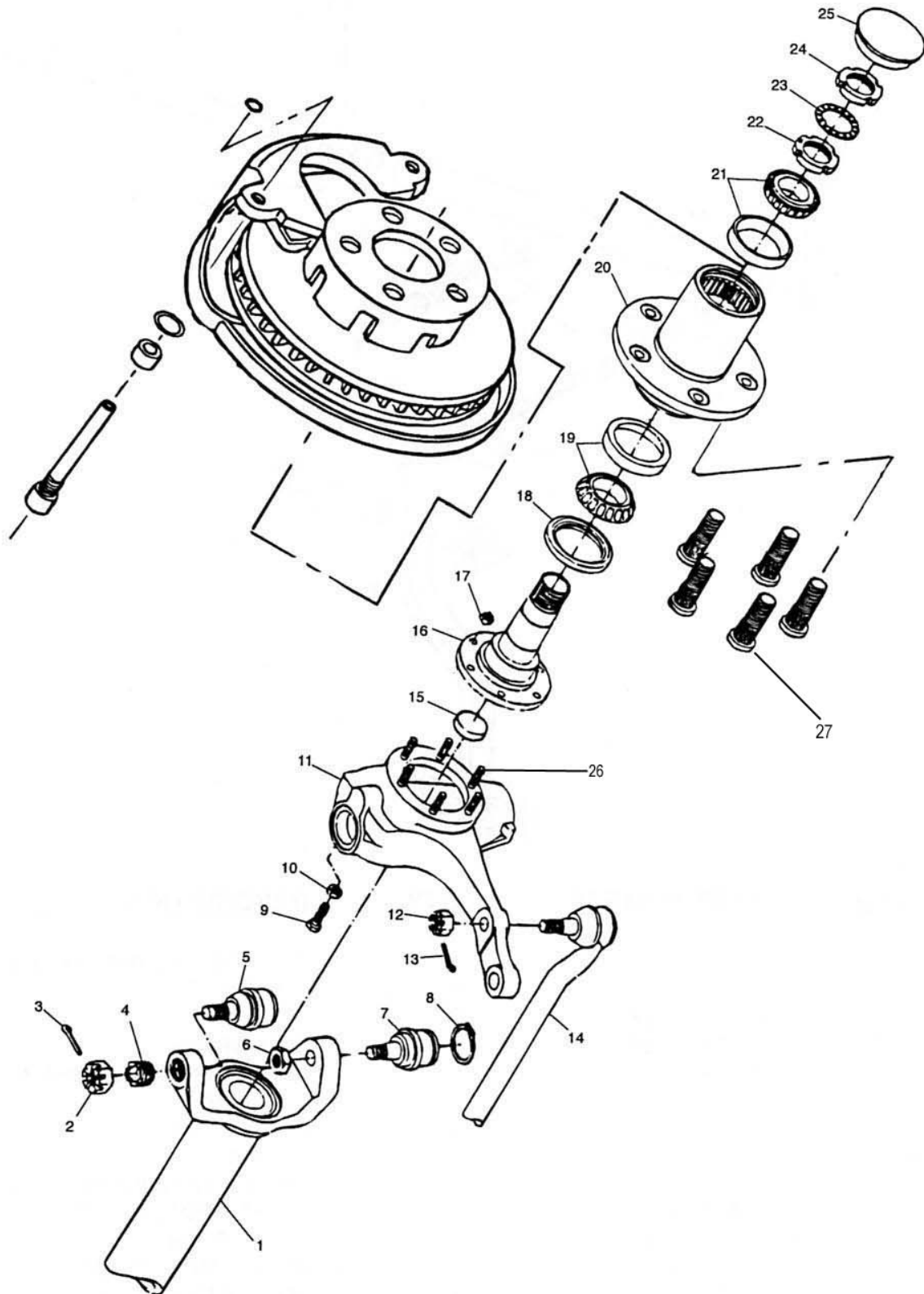


AXLE ASSEMBLY—REAR—DETAIL

1	A-TT4-00361	1	REAR AXLE ASSEMBLY
2	A-TT4-00116	2	LEAF SPRING
3	A-TT4-00362-1	4	U-BOLT
4	A-TT4-00363	2	AXLE CLAMP PLATE
5	A-TT4-00366	8	WASHER
6	A-TT4-00365	8	NUT
7	4313905	1	LEFT HAND BACKING PLATE
8	4313904	1	RIGHT HAND BACKING PLATE

AXLES

AXLE ASSEMBLY BREAKDOWN— FRONT NON-DRIVE (2WD)



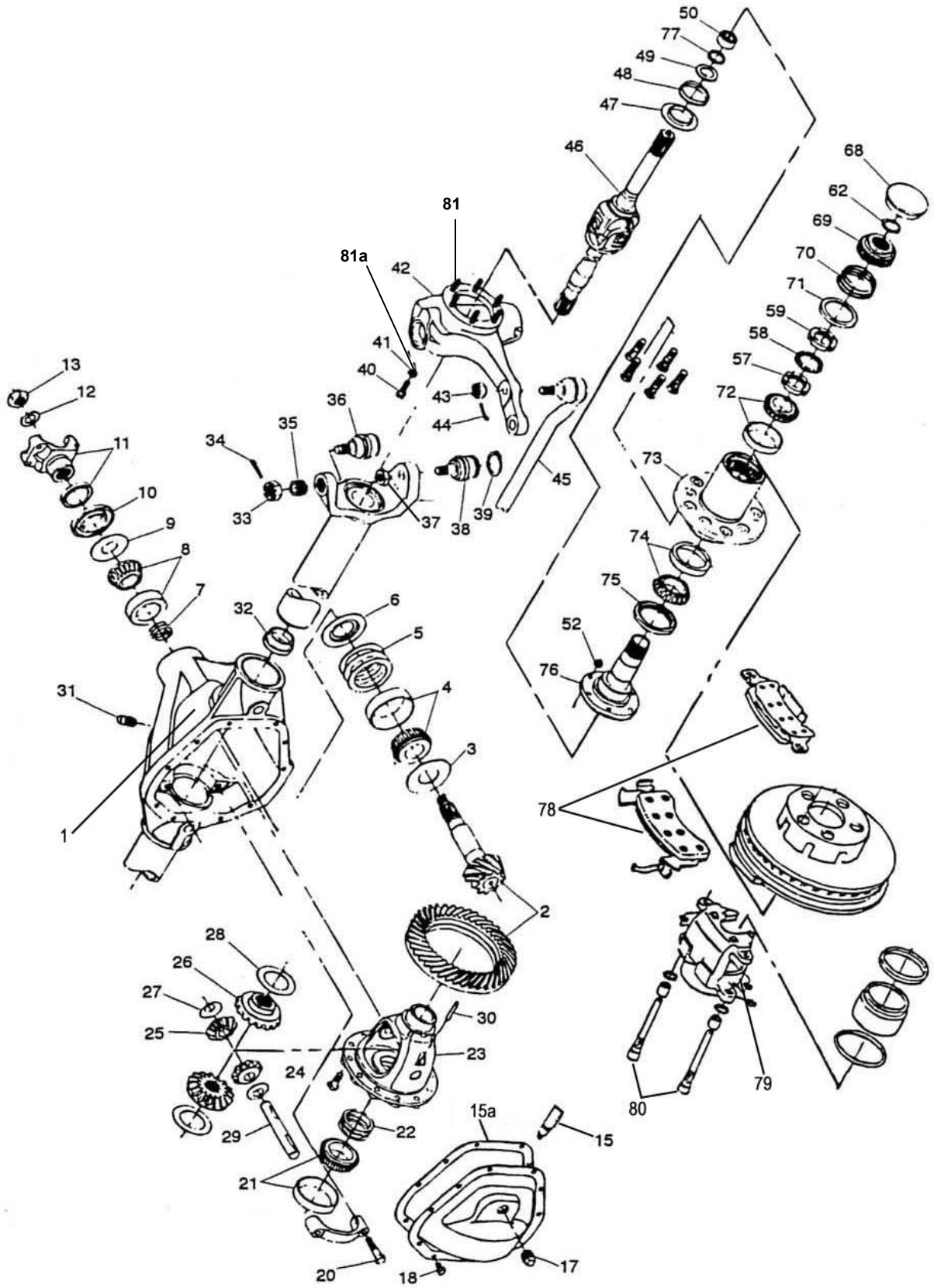
AXLES

AXLE ASSEMBLY BREAKDOWN –FRONT NON-DRIVE–DETAIL

Item	Part Number	Qty	Description
1	29775-29X	1	TUBE ASSEMBLY
2	44101	2	NUT-SLOTTED
3	500024-8	2	PIN-COTTER
4	35417	2	RING-ADJUSTING
5	40112	1	SOCKET ASSEMBLY UPPER
6	35566	2	NUT-LOCK
7	40113	1	SOCKET ASSEMBLY LOWER
8	35928	1	RING-SNAP
9	31026-1	2	BOLT-STOP
10	500381-3	2	NUT-JAM
11	706652X	KIT	STEERING KNUCKLE R/H
11	706653X	KIT	STEERING KNUCKLE L/H
12	44101	2	NUT-SLOTTED
13	500024-6	2	PIN-COTTER
14	044TR115-16X	1	TIE ROD ASSEMBLY
15	36544	2	PLUG-CAP
16	38428	2	SPINDLE-WHEEL BEARING
17	35704	12	NUT-LOCK
18	36361	2	SEAL-LOCK
19	706690-X	KIT	INNER WHEEL BEARING
20	044HU103	2	HUB & ROTOR ASSEMBLY
21	706111X	KIT	OUTER WHEEL BEARING
22	21588X	2	SPINDLE NUT
23	36569	2	LK WASHER-WHEEL BRG NUT
24	31139	2	NUT-SPINDLE
25	31552	2	CAP-HUB
26	36326-2	6	STUD STEERING KNUCKLE
N/S	044WC101-2	1	CALIPER ASSEMBLY R/H
N/S	044WC101-1	1	CALIPER ASSEMBLY L/H
N/S	044WB101-1	1	BRACKET ASSEMBLY-CALIPER L/H
N/S	044WB101-2	1	BRACKET ASSEMBLY-CALIPER R/H
27	610286	8	WHEEL STUDS

AXLES

AXLE ASSEMBLY BREAKDOWN – FRONT DRIVE (4WD)



AXLES

AXLE ASSEMBLY BREAKDOWN – FRONT DRIVE – DETAIL

Item	Part Number	Qty	Description
1	A-TT8-00371	1	COMPLETE AXLE ASSEMBLY
2	22404X	1	GEAR & PINION ASSEMBLY
3	30764	1	SLINGER-PINION OIL INNER
4	706031X	KIT	INNER PINION BEARING
5	706617X	KIT	SHIM-PINION ADJUSTING
6	30765	1	BAFFLE-PINION OIL
7	706617X	KIT	SHIM-PINION BEARING ADJUSTING
8	706030	KIT	OUTER PINION BEARING
9	13575	1	SLINGER-PINION OIL OUTER
10	39118	1	SEAL-OIL
11	345761X	1	END YOKE ASSEMBLY
12	30186	1	WASHER-PINION NUT
13	30185	1	NUT-PINION 3/4-16
15	82180	AR	RTV SEALANT
15a	34685	1	GASKET
17	36472	1	PLUG-PIPE SQ DRIVE
18	34279	10	PLUG-COVER PLATE
19	N/A	2	CAP DIFFERENTIAL BEARING
20	500400-20	2	BOLT DIF BEARING CAP
21	706032X	KIT	DIFFERENTIAL BEARING
22	706618X	KIT	DIFFERENTIAL SHIM
23	25806X	1	CASE-DIFFERENTIAL ASSY
	32684	1	CASE-DIFFERENTIAL
24	41221	10	SCREW-HEX
25	17717	2	PINION-DIFFERENTIAL
26	706027X	2	GEAR-DIFFERENTIAL KIT (INCLUDES 15a AND 24-29)
27	13338-3	2	THRUST WASHER DIFFERENTIAL PINION
28	39194	2	THRUST WASHER DIFFERENTIAL GEAR
29	117878	1	SHAFT-DIFFERENTIAL
30	13449	1	PIN-ROLL
31	16979	1	VENT
32	36352	2	SEAL & GUIDE-SHAFT
33	44101	2	NUT-SLOTTED
34	500024-8	2	PIN-COTTER
35	35417	2	RING-ADJUSTING
36	40112	1	SOCKET ASSEMBLY-UPPER
37	35566	2	NUT-LOCK
38	40113	1	SOCKET ASSEMBLY-LOWER
39	35928	1	RING-SNAP
40	310026-2	2	BOLT-STOP
41	500381-3	2	NUT-LOCK
42	706652X	KIT	STEERING KNUCKLE R/H
42	706653X	KIT	STEERING KNUCKLE L/H
43	44101	2	NUT-SLOTTED
44	500024-4	2	PIN-COTTER
45	044TR115-16X	1	TIE ROD ASSEMBLY
46	660091-18	2	SHAFT & JOINT ASSEMBLY
47	36364	1	SLINGER

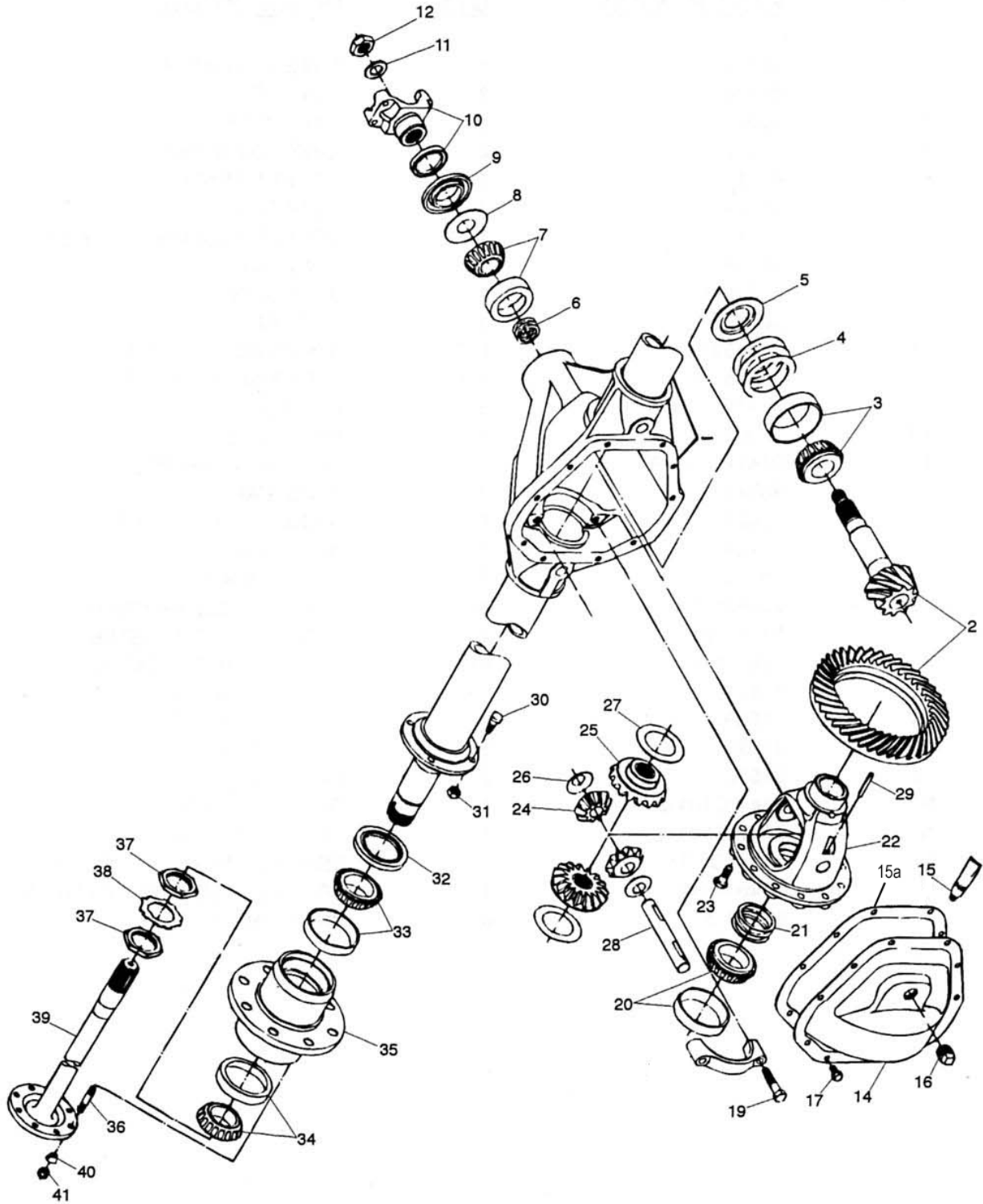
AXLES**AXLE ASSEMBLY BREAKDOWN – FRONT DRIVE – DETAIL**

Item	Part Number	Qty	Description
48	38128	2	SEAL-OIL
49	38106	2	SPACER
50	550759	2	BEARING-NEEDLE
52	35704	12	NUT-LOCK
57	21588X	2	SPINDLE NUT
58	36569	2	LOCK-RETAINING NUT
59	31139	2	NUT-SPINDLE
62	31624	2	RING-SNAP
68	31552	2	CAP-HUB
69	42667	2	GEAR-AXLE DRIVE
70	35218	2	SPRING PRESSURE
71	32589	2	PLATE-SPRING RETAINING
72	706111X	KIT	OUTER WHEEL BEARING
73	044HU103	2	HUB & ROTOR ASSEMBLY
74	706690-X	KIT	INNER WHEEL BEARING
75	36366	2	SEAL-OIL
76	706570	KIT	SPINDLE ASSEMBLY
	7065227X	KIT	SPINDLE SEAL & BEARING
77	36361	1	SEAL-OIL
78	RD52	1 SET	BRAKE PAD SET
79	18-4167	1	CALIPER ASSY LEFT
79	18-4166	1	CALIPER ASSY RIGHT
80	5468226	1SET	ANCHOR BOLTS
81	36326-2	6	STEERING KNUCKLE STUDS
81a	500381-3	6	NUT-LOCK

NOTES:

AXLES

AXLE ASSEMBLY BREAKDOWN—REAR DRIVE



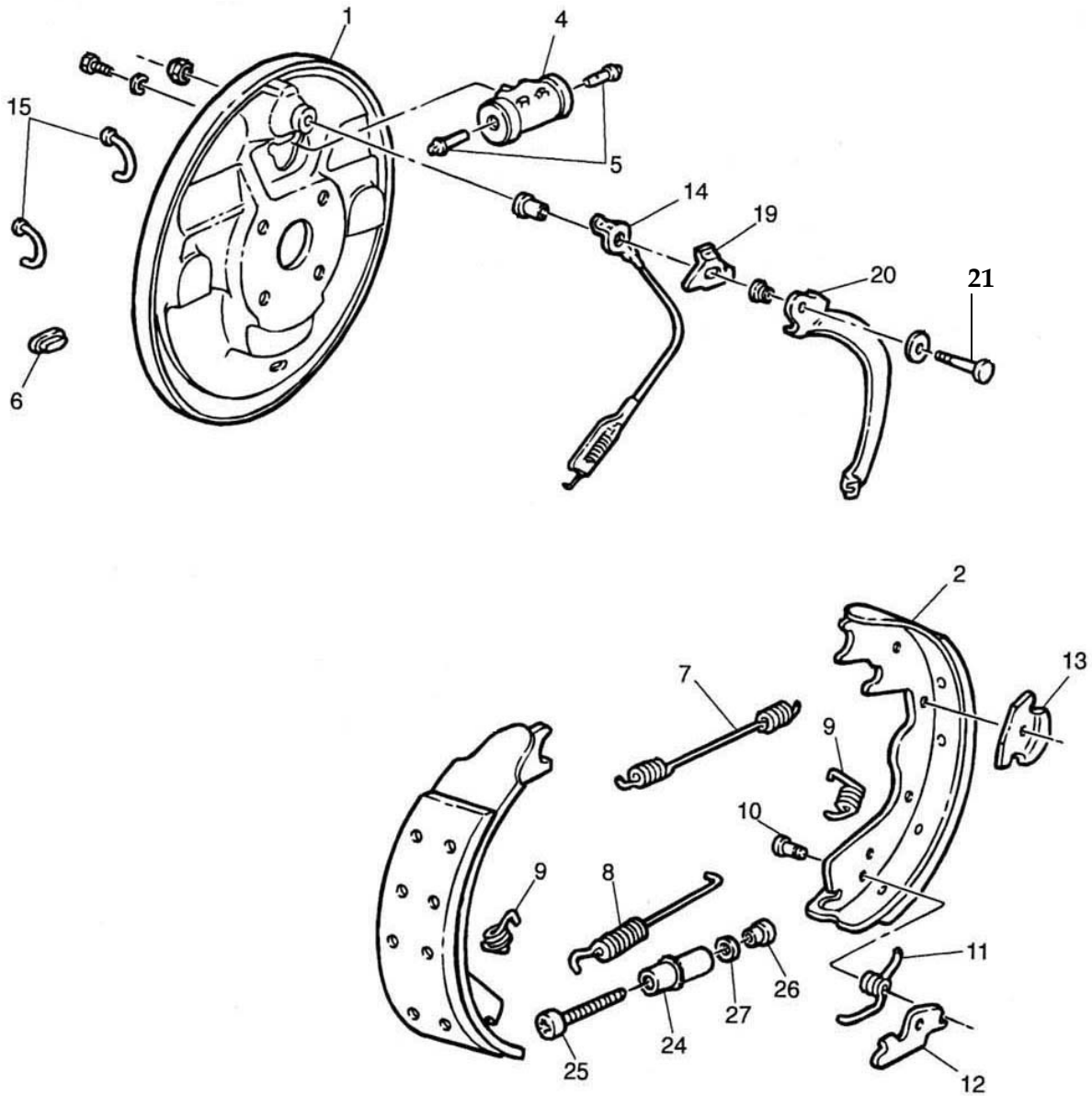
AXLES

AXLE ASSEMBLY BREAKDOWN – REAR DRIVE – DETAIL

Item	Part Number	Qty	Description
	A-TT4-00361	1	COMPLETE AXLE ASSEMBLY
2	706033-10X	KIT	DRIVE GEAR & PINION
3	706046X	KIT	INNER PINION BEARING
4	706672X	KIT	SHIM-DRIVE PINION ADJUSTING
5	30765	1	BAFFLE-PINION BEARING
6	706672X	KIT	SHIM-PINION BEARING ADJUSTING
7	706045X	KIT	OUTER PINION BEARING
8	30273	1	SLINGER-PINION BEARING
9	38427	1	SEAL-PINION
10	345731X	1	END YOKE ASSEMBLY
11	30275	1	WASHER-PINION NUT
12	30271	1	NUT-PINION
14	73597	1	COVER ASSEMBLY
15	82180		RTV SEALANT
15a	39697	1	GASKET
16	98785	1	PLUG-PIPE SLOTTED
17	34822	10	SCREW-FLANGE HD
18	N/A	1	CAP DIFFERENTIAL BEARING
19	48632-1	2	1/2-13 x 2.25 GRD8 BOLT BEARING CAP
20	706047X	KIT	BEARING
21	706673X	KIT	SHIM-DIFFERENTIAL BEARING
22	706669X	KIT	CASE-DIFFERENTIAL
23	30266	10	BOLT-DRIVE GEAR
24	SEE KIT	KIT	PINION-DIFFERENTIAL
25	SEE KIT	KIT	GEAR-DIFFERENTIAL
26	SEE KIT	KIT	THUST WASHER-PINION
27	SEE KIT	KIT	THRUST WASHER-GEAR
28	SEE KIT	KIT	SHAFT-DIFFERENTIAL
29	500598-21	1	LOCK-DIFFERENTIAL
30	36253	8	BOLT-BRAKE MANUFACTURING
31	36805	8	NUT-BRAKE MANUFACTURING
32	36240	2	SEAL-OIL
33	706071X	KIT	INNER WHEEL BEARING
34	706072	KIT	OUTER WHEEL BEARING
35	36241	2	HUB & DRUM ASSEMBLY
36	36847	8	STUD-HUB
37	30636	4	NUT-SPINDLE
38	30637	2	LOCK WASHER WHEEL BEARING
39	34887-7	1	SHAFT-AXLE FLANGE LONG
	34887-10	1	SHAFT-AXLE FLANGE SHORT
40	31534	16	ADAPTER-STUD
41	36805	24	NUT-LOCK
	16979	1	VENT
	060WD100	1	BRAKE ASSEMBLY-SHOE TYPE-RIGHT
	060WD101	1	BRAKE ASSEMBLY-SHOE TYPE-LEFT
KIT	706671X		DIFFERENTIAL PARTS (STANDARD) INCLUDES 15, 21-24, 29
KIT	707084		DIFFERENTIAL PARTS (LIMITED SLIP) INCLUDES 15, 21, 23, 24, 26, 28, 29, 43-48

BRAKES

DRUM BRAKE ASSEMBLY—REAR



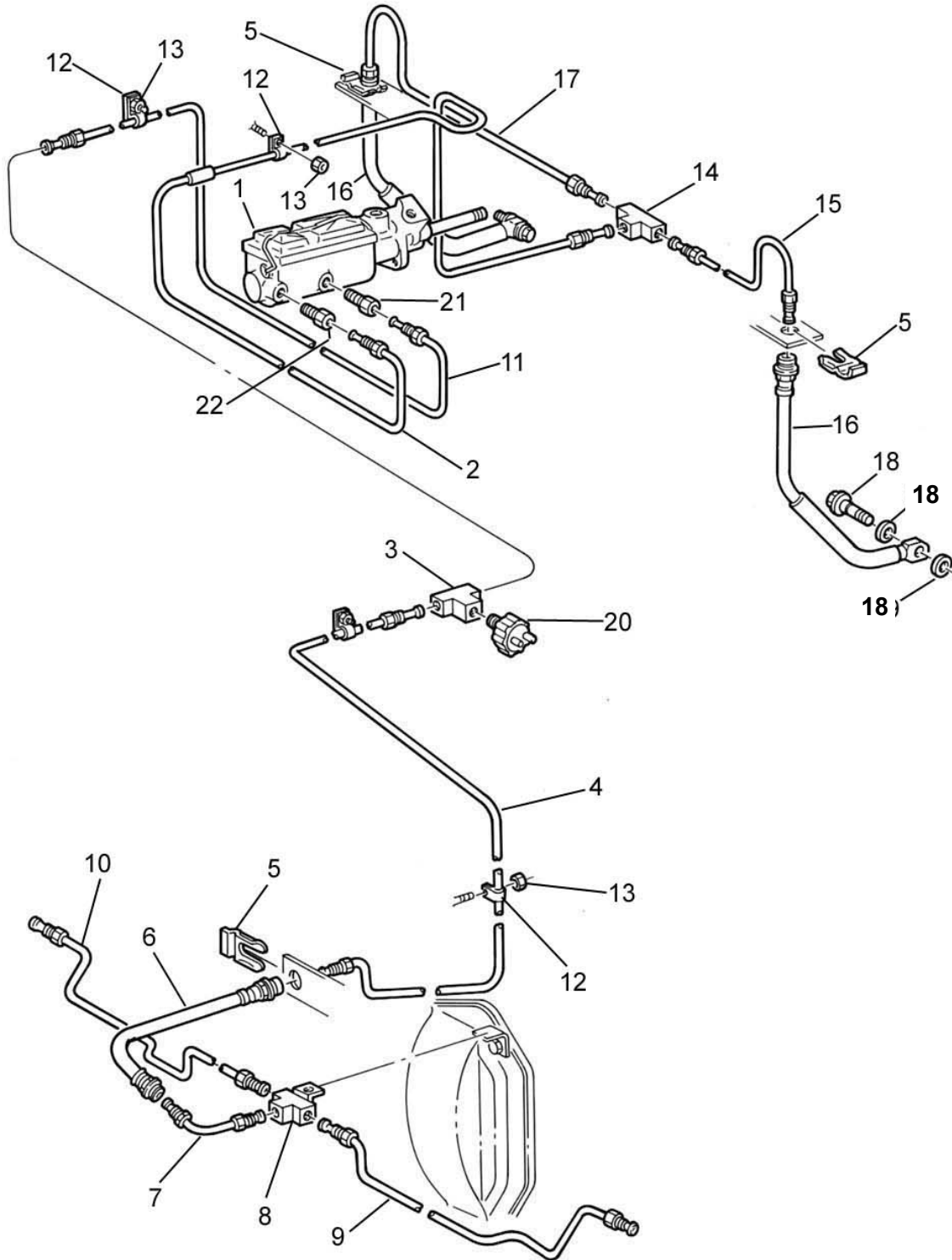
BRAKES

DRUM BRAKE ASSEMBLY—REAR—DETAIL

Item	Part Number	Qty	Description
	060WD101	1	BRAKE ASSEMBLY L/H
	060WD100	1	BRAKE ASSEMBLY R/H
1	4313905	1	BACKING PLATE L/H
1	4313904	1	BACKING PLATE R/H
2	FR357	1 SET	SHOE & LINING SET
4	2235585	1	CYLINDER ASSEMBLY L/H
4	2235586	1	CYLINDER ASSEMBLY R/H
5	315834	2	WHEEL CYLINDERS CONNECTING LINK
6	*SEE KIT BELOW	1	COVER
7	*SEE KIT BELOW	1	SPRING-UPPER
8	*SEE KIT BELOW	1	SPRING-LOWER
9	*SEE KIT BELOW	2	SPRING-HOLD DOWN
10	*SEE KIT BELOW	1	PIN
11	*SEE KIT BELOW	1	SPRING TENSION
12	*SEE KIT BELOW	1	BRAKE ADJUSTING LINK
13	*SEE KIT BELOW	1	CABLE GUIDE
14	*SEE KIT BELOW	1	CABLE ASSEMBLY
15	*SEE KIT BELOW	2	SPRING-HOLD DOWN
19	4383299	1	PARKING BRAKE CAM L/H
19	4383298	1	PARKING BRAKE CAM R/H
20	4383264	1	PARKING BRAKE LEVER (LEFT)
20	4383265	1	PARKING BRAKE LEVER (RIGHT)
21	4419698	1	BRAKE ANCHOR BOLT
24	*SEE KIT BELOW	1	BRAKE ADJUSTING SOCKET L/H
25	*SEE KIT BELOW	1	BRAKE ADJUSTING SCREW L/H
26	*SEE KIT BELOW	1	BRAKE ADJUSTING SOCKET
27	*SEE KIT BELOW	1	WASHER FLAT
KIT	H2588	LEFT	BRAKE ADJUSTING KIT INCLUDES PART 6,10,11,12,14,13,20,24,25,26,27
KIT	H2589	RIGHT	BRAKE ADJUSTING KIT INCLUDES PART 6,10,11,12,14,13,20,24,25,26,27
KIT	H7146		BRAKE SPRING KIT INCLUDES PART 7,8,9,15

BRAKES

BRAKE SYSTEM—HYDRAULIC

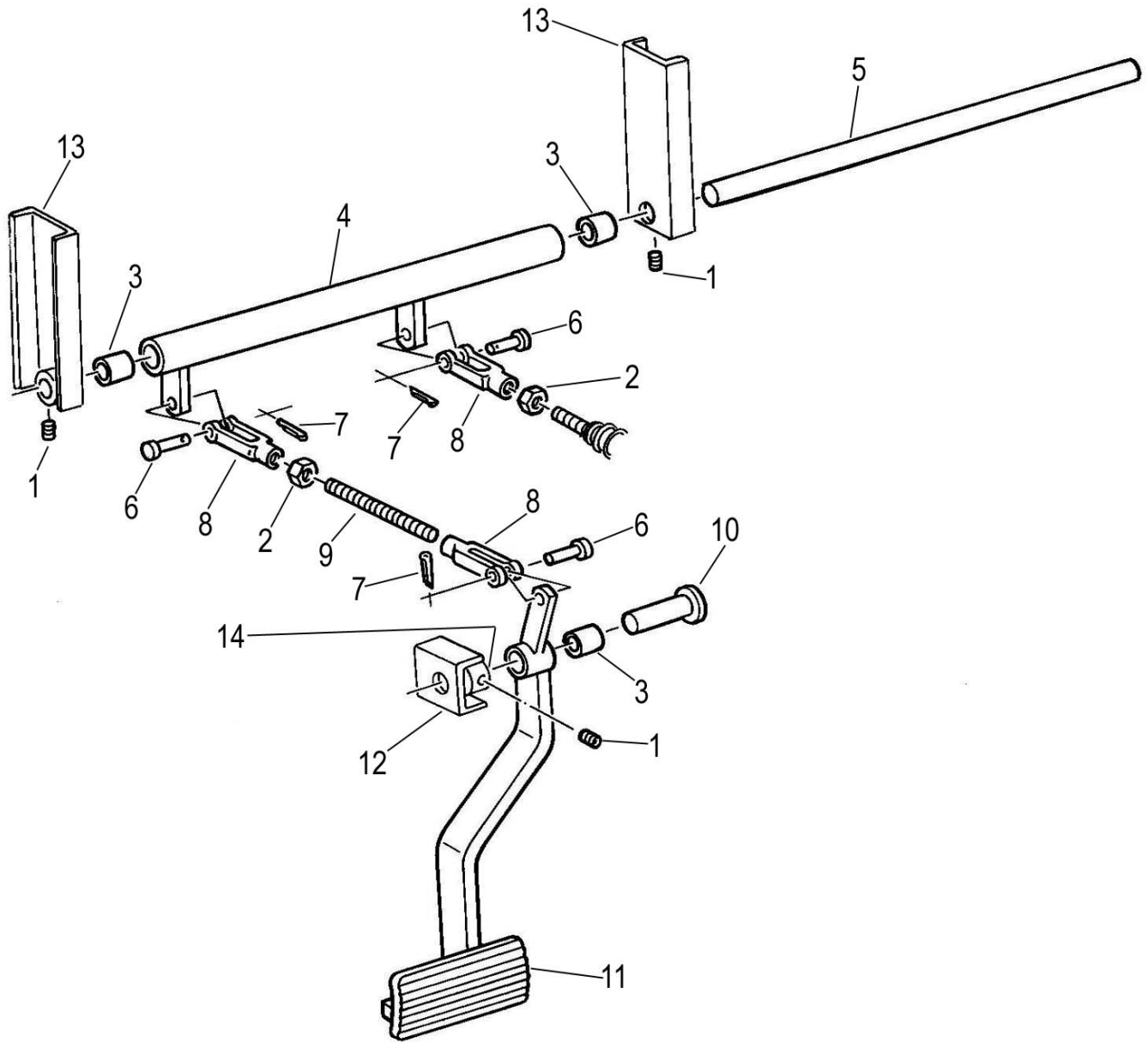


BRAKES**BRAKE SYSEM—HYDRAULIC—DETAIL**

Item	Part Number	Qty	Description
1	A-TT4-00161	1	MASTER CYLINDER
2	A-TT4-00162	1	BRAKE LINE MASTER CYLINDER
3	A-TT4-00163	1	BRAKE LIGHT SWITCH TEE
4	A-TT4-00164	1	BRAKE LINE REAR
5	A-TT4-00165	3	BRAKE HOSE CLIP
6	A-TT4-00166	1	BRAKE HOSE REAR
7	A-TT4-00167	1	BRAKE LINE
8	A-TT4-00168	1	CROSS TEE
9	A-TT4-00169	1	BRAKE LINE REAR RT
10	A-TT4-00170	1	BRAKE LINE LEFT REAR
11	A-TT4-00171	1	BRAKE LINE FRONT REAR
12	NPN	4	LINE CLAMP
13	NPN	4	NUT-10-32
14	A-TT4-00174	1	CROSS TEE
15	A-TT4-00175	1	BRAKE LINE FRONT RIGHT
16	A-TT4-00176-1	2	CALIPER BRAKE LINE
17	A-TT4-00177	1	BRAKE LINE FRONT LEFT
18	A-TT4-00178	2	BANJO BOLT WASHER KIT
20	A-TT4-00173	1	BRAKE LIGHT SWITCH
21	A-TT5-00180	1	FITTING-MASTER CYLINDER ADAPTER
22	A-TT5-00181	1	FITTING-MASTER CYLINDER ADAPTER

BRAKES

BRAKE ACTUATOR ASSEMBLY



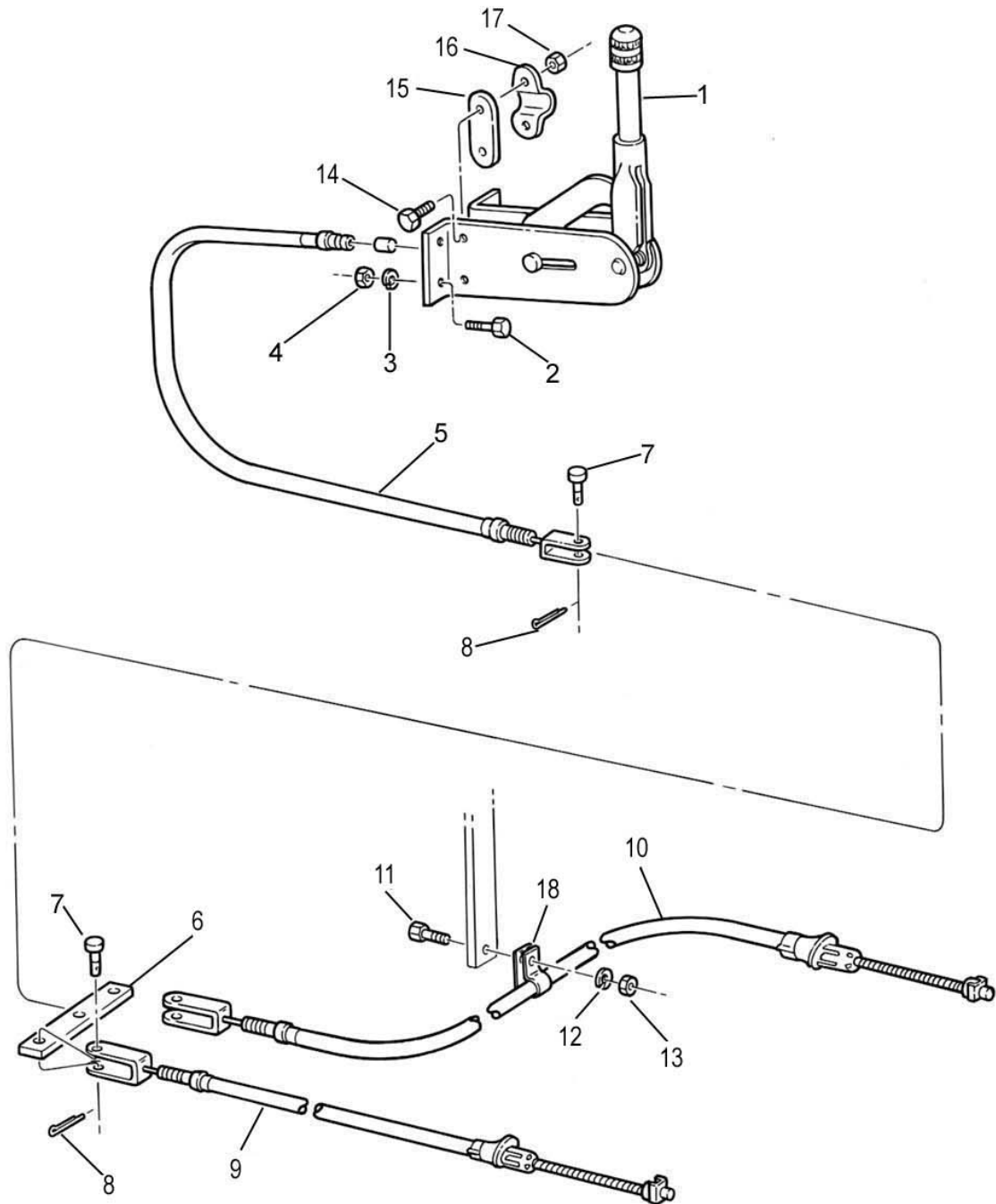
BRAKES**BRAKE ACTUATOR ASSEMBLY—DETAIL**

Item	Part Number	Qty	Description
1	NPN	4	1/4-20 SET SCREW
2	NPN	2	1/2-20 NUT
3	C-TT4-10188	3	THAMSON NYLINER BEARING
4	C-TT4-10186	1	BELL CRANK
5	C-TT4-10187	1	BELL CRANK PIVOT SHAFT
6	A-TT4-00193	3	CLEVIS PIN
7	NPN	3	COTTER PIN
8	A-TT4-10192	3	CLEVIS
9	NPN	1	1/2-20 X 12 ADJUSTING ROD
10	C-TT4-10182	1	BRAKE PEDAL PIVOT SHAFT
11	C-TT4-10181	1	BRAKE PEDAL
12*	NPN	1	BRAKE PEDAL PIVOT
13	NPN	2	BELL CRANK STANDOFF
14	A-TT2-0057	2	SHAFT COLLAR 3/4"

* Welded to truck

BRAKES

PARKING BRAKE ACTUATOR ASSEMBLY

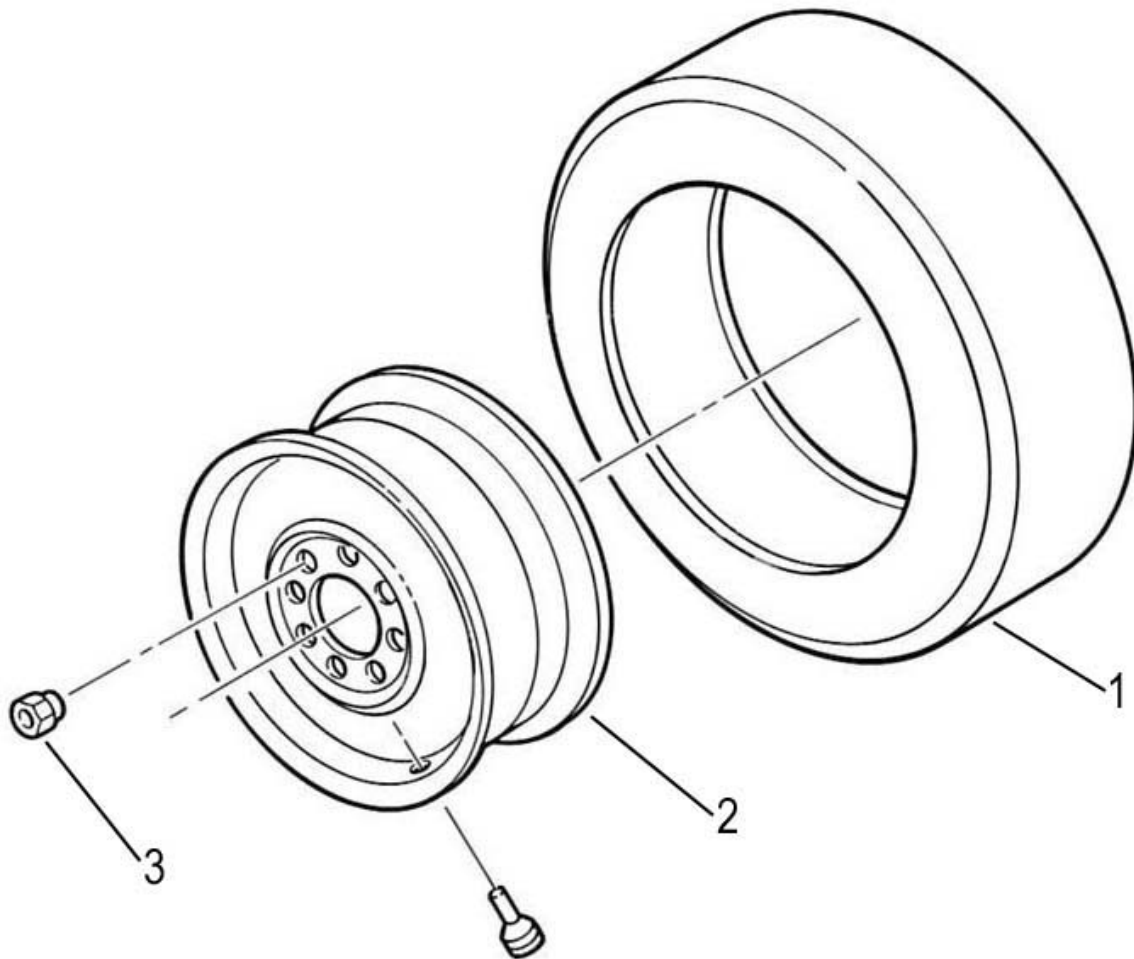


BRAKES**PARKING BRAKE ACTUATOR ASSEMBLY—DETAIL**

Item	Part Number	Qty	Description
1	A-TT4-00141	1	HAND BRAKE
2	NPN	4	SCREW-HEX CAP-5/16-18 X 1
3	NPN	4	WASHER-FLAT-5/16
4	NPN	4	NUT-LOCK-5/16-18
5	B-TT4-00145	1	CABLE PRIMARY
6	A-TT4-00146	1	BAR EQUALIZER
7	NPN	3	CLEVIS PIN
8	NPN	3	COTTER PIN
9	A-TT4-00151	1	PARKING BRAKE CABLE LEFT REAR
10	A-TT4-00150	1	PARKING BRAKE CABLE RIGHT REAR
11	NPN	1	SCREW-HEX CAP-14-20 X 1
12	NPN	1	WASHER-FLAT-1/4
13	NPN	1	NUT-LOCK-1/4-20
14	NPN	1	SCREW-HEX CAP-1/4-28 X 1
15	NPN	1	CABLE CLAMP PLATE
16	NPN	1	CABLE CLAMP HANDLE
17	NPN	2	NUT-LOCK-1/4-28
18	NPN	2	CABLE CLAMP

WHEELS & TIRES

WHEEL & TIRE ASSEMBLY



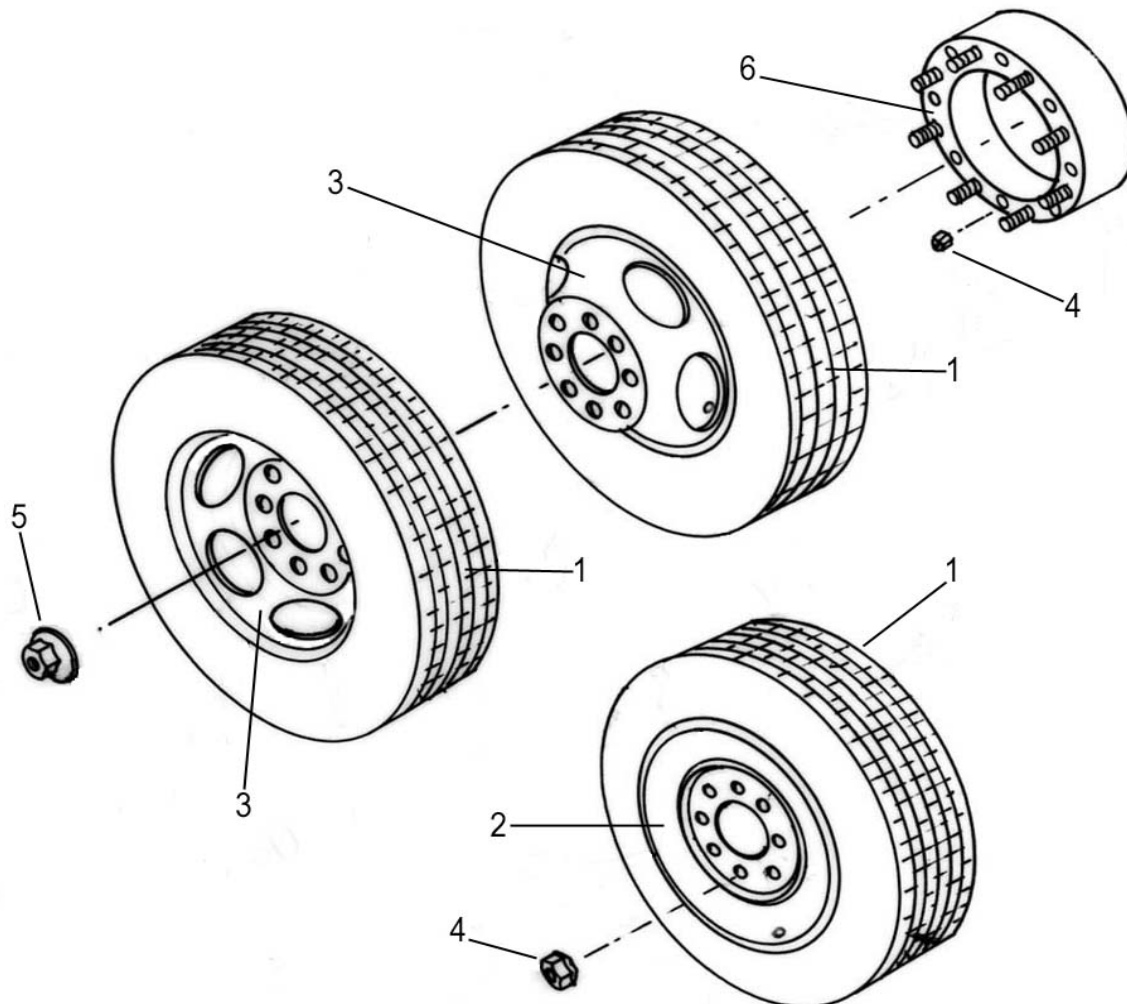
WHEEL & TIRE ASSEMBLY—DETAIL

Item	Part Number	Qty	Description
1	A-TT4-00121	4	TIRE 16.5
2	A-TT4-00122	4	STANDARD RIM
3	A-TT4-00123	32	LUG NUT
1	A-TT8/2-00121-1	4	TIRE 16"
2	A-TT4-00122-1	4	RIM 16"
*	AE-OPT-0068	4	SNOW TIRE (OPTION)

* All current models equipped with standard 16" tire & rim

WHEELS & TIRES

WHEEL & TIRE ASSEMBLY—DUAL REAR WHEEL MODELS

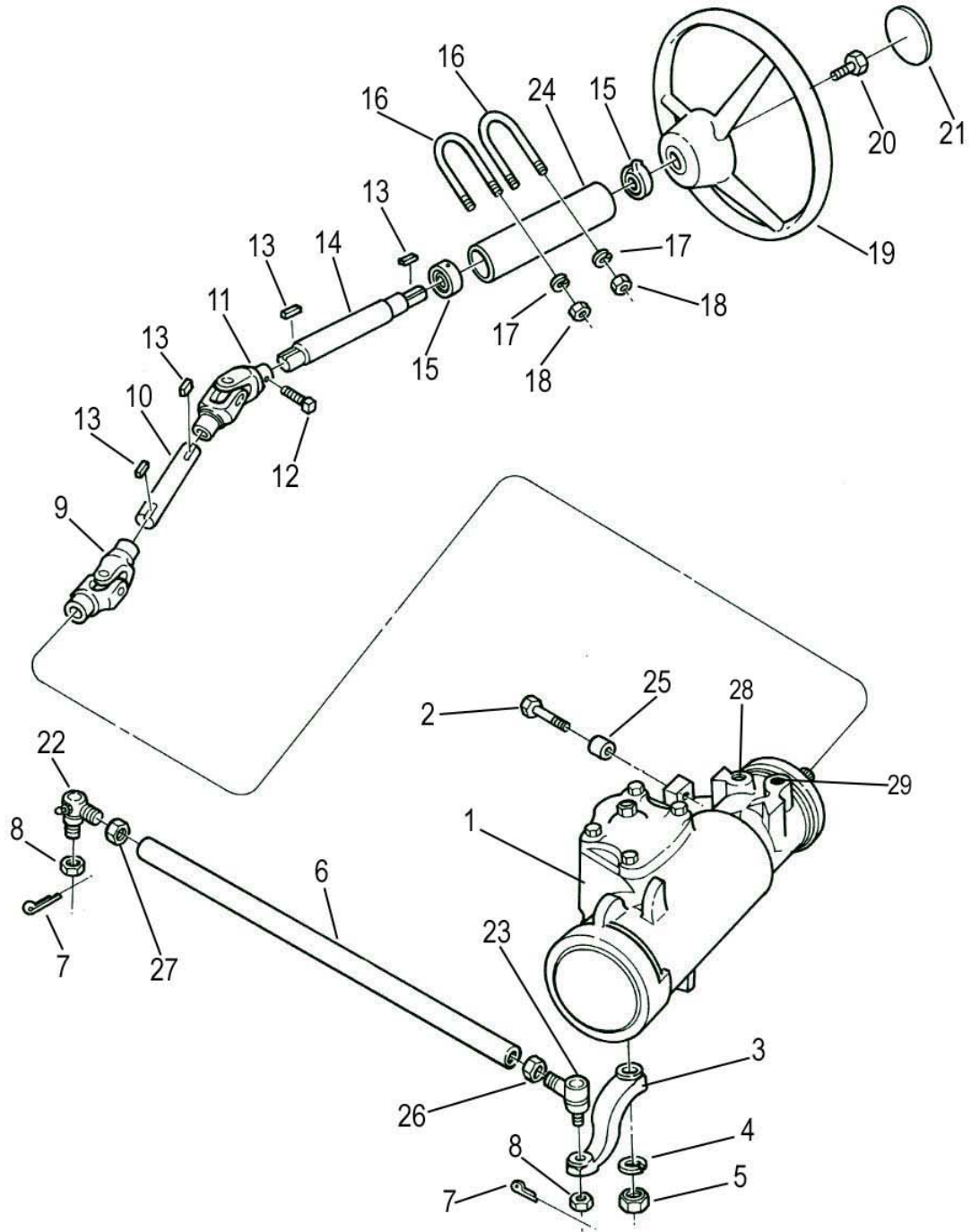


WHEEL & TIRE ASSEMBLY—DUAL REAR WHEEL MODEL—DETAIL

Item	Part Number	Qty	Description
1	A-TT8/2-00121-1	6	STANDARD TIRE 16"
2	A-TT8/2-00122	2	RIM-FRONT
3	A-TT8/2-00126	4	RIM-REAR
4	A-TT4-00123	32	ADAPTOR LUG NUT
5	A-TT8/2-00123	16	WHEEL LUG NUT
6	A-TT8/2-00127	2	WHEEL ADAPTER

STEERING SYSTEM

STEERING SYSTEM BREAKDOWN



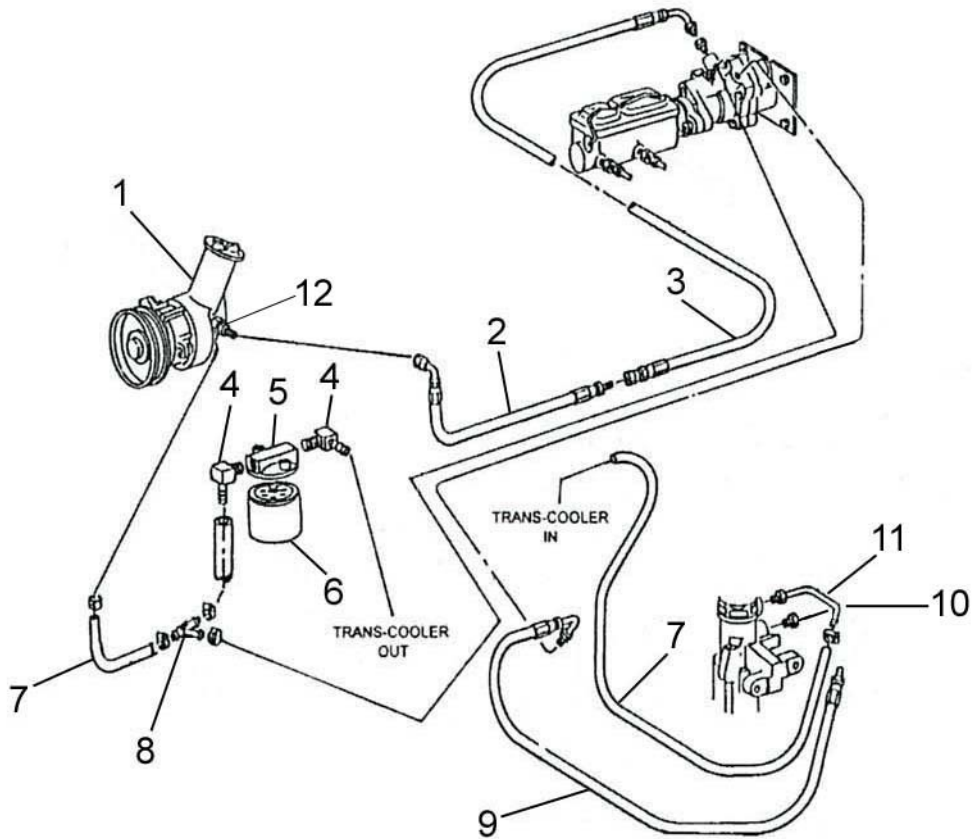
STEERING SYSTEM

STEERING SYSTEM BREAKDOWN – DETAIL

Item	Part Number	Qty	Description
1	A-TT4-00381	1	STEERING BOX
2	NPN	4	SCREW-HEX CAP-7/16-14 X 2 GR8
3	A-TT4-00382	1	PITTMAN ARM
4	NPN	1	WASHER-LOCK-3/4
5	NPN	1	NUT-LOW-3/4-10
6	A-TT4-00386	1	DRAG LINK
7	NPN*	2	COTTER PIN 1/8 X 1 ½
8	NPN*	2	NUT-TIE ROD ½-20
9	A-TT4-00389	1	UNIVERSAL COUPLER
10	A-TT4-00390	1	SHAFT COUPLING
11	A-TT4-00391	1	UNIVERSAL JOINT
12	NPN	2	LOCKING BOLT-DOG POINT 3/8-16
13	A-TT4-00393	4	GIBB KEY
14	A-TT4-00394-1	1	STEERING SHAFT
15	A-TT4-00395	2	BEARING
16	A-TT4-00396	2	2 1/8" U-BOLT 3/8" HD
17	NPN**	4	WASHER-FLAT-5/16
18	NPN**	4	NUT-LOCK-5/16-18
19	A-TT4-00399-1	1	STEERING WHEEL
20	N/A	1	SCREW-HEX CAP-3/8-24 X 1
21	A-TT4-00401-1	1	COVER PLATE
22	A-TT4-00402	1	TIE ROD END L/H
23	A-TT4-00403	1	TIE ROD END R/H
24	A-TT4-00404	1	STEERING TUBE
25	A-TT4-00405	4	SPACERS
26	A-TT4-00406	1	3/4-16 NUT-JAM-L/H
27	A-TT4-00407	1	3/4-16 NUT-JAM-R/H
28	A-TT4-00212	1	HIGH PRESSURE EXTENDER
29	A-TT4-00204	1	RETURN LINE EXTENDER
* 7& 8 NOT SOLD SEPERATELY - INCLUDED IN PART # 22 & 23			
** PARTS INCLUDED IN PART # 16			

STEERING SYSTEM

HYDRAULIC ACTUATION BRAKING SYSTEM

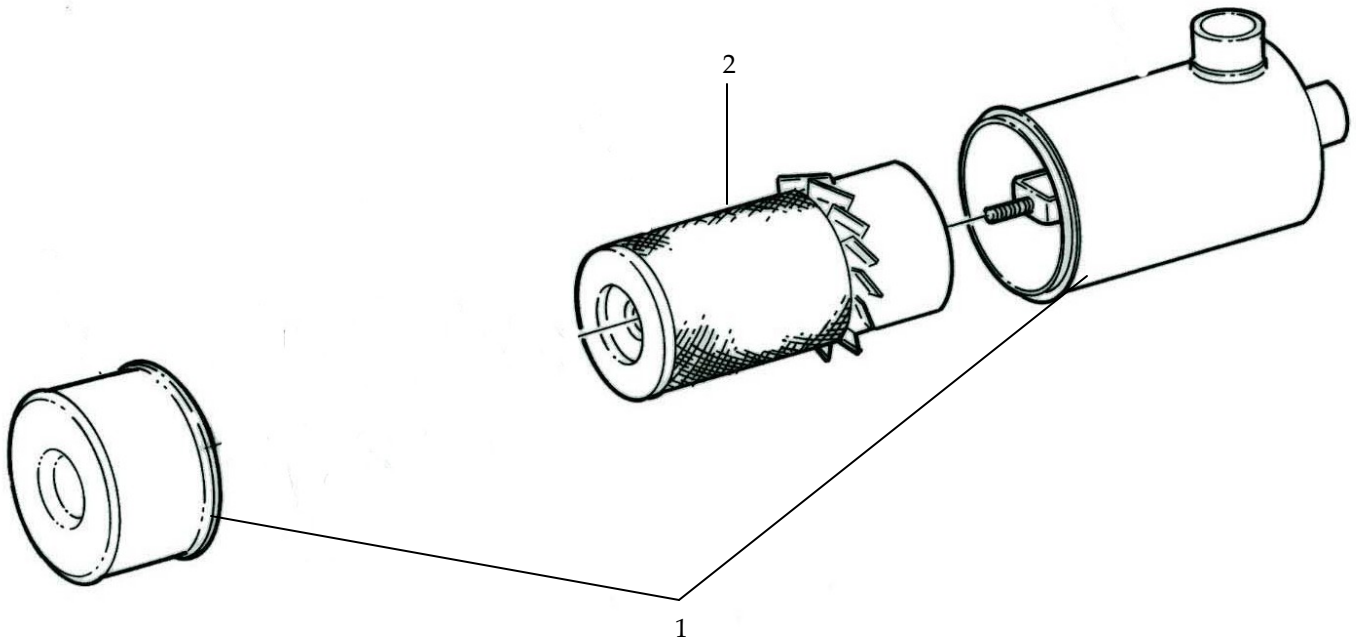


HYDRAULIC ACTUATION BRAKING SYSTEM—DETAIL

Item	Part Number	Qty	Description
1	FOTZ3A674A	1	POWER STEERING PUMP
2	A-TN4-00202	1	PUMP PRESSURE LINE
3	A-TN4-00201	1	PUMP PRESSURE LINE
4	5705B-CO4	2	90 DEGREE FITTINGS
5	A-TT10-00805	1	FILTER HEAD
6	A-TT10-00804	1	MICRON FILTER
7	NPN	1	3/8" HOSE - 350 WORKING PRESSURE
8	A-TT4-00207	1	Y FITTING
9	A-TT4-00203-1	1	PUMP PRESSURE LINE
10	A-TT4-00213	1	FITTING
11	A-TT4-00204	1	RETURN LINE EXTENDER
12	A-TT5D-00212	1	ADAPTOR, FORD POWER STEERING

AIR CLEANER

AIR CLEANER SUB-ASSEMBLY

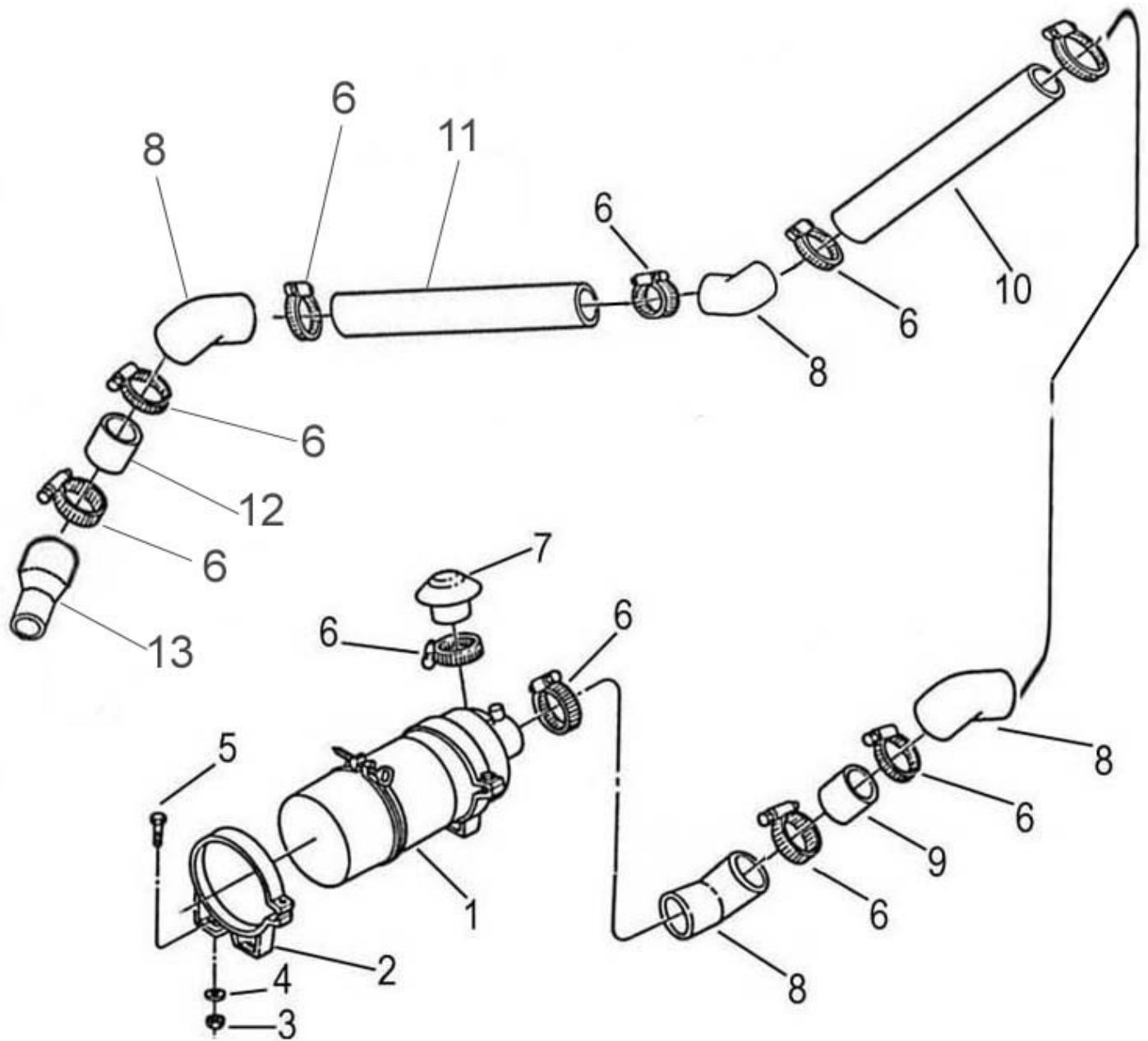


AIR CLEANER SUB-ASSEMBLY – DETAIL

Item	Part Number	Qty	Description
1	A-TT4-00091	1	AIR CLEANER 2"
	A-TT4-00091-1	1	AIR CLEANER 3"
2	P14-8966	1	AIR CLEANER ELEMENT 2"
	P549271	1	AIR CLEANER ELEMENT 3"

AIR CLEANER

AIR CLEANER ASSEMBLY—FORD 2.5L



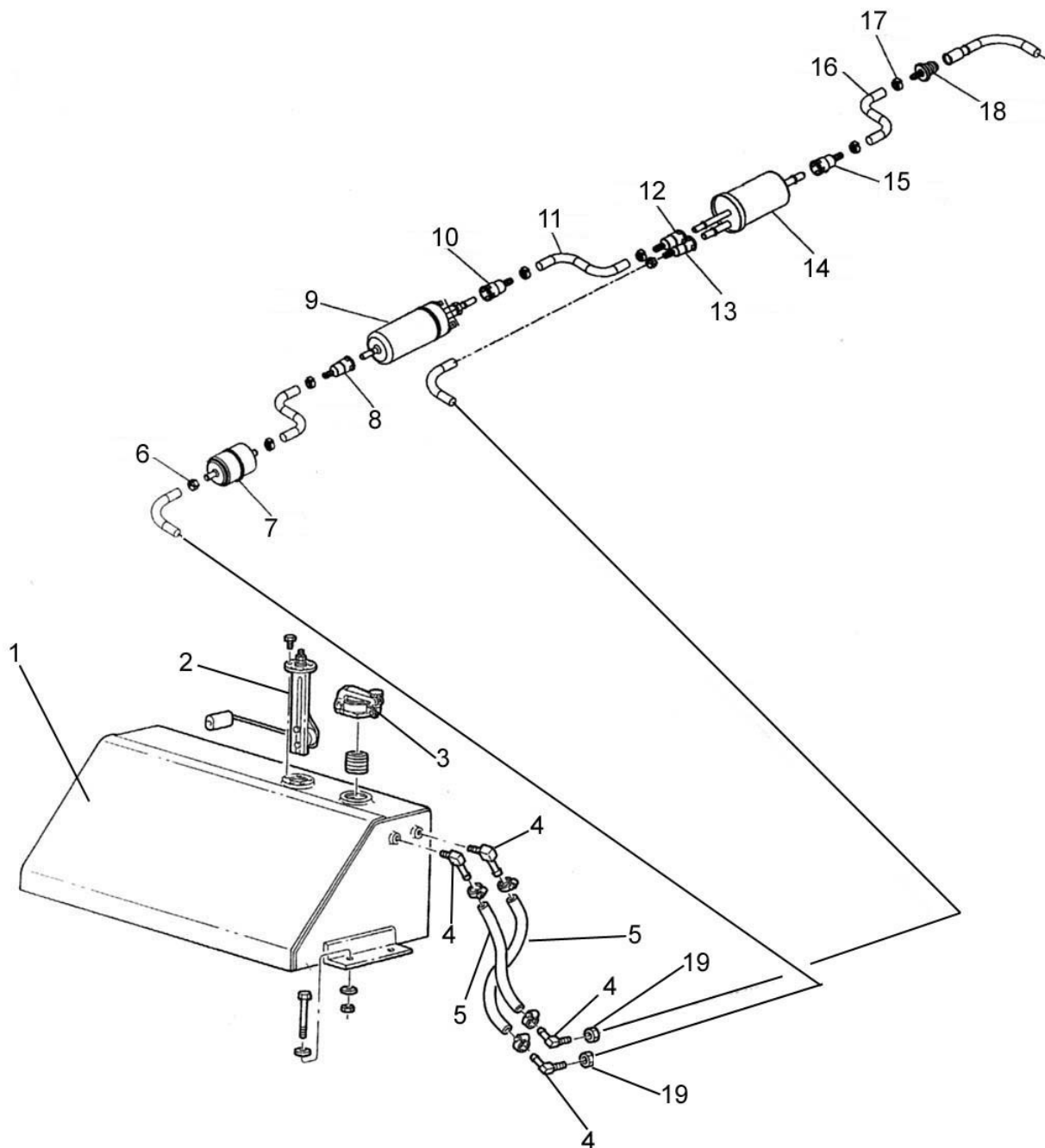
AIR CLEANER

AIR CLEANER ASSEMBLY – FORD 2.5L – DETAIL

Item	Part Number	Qty	Description
1	A-TT4-00091-1	1	AIR CLEANER ASSEMBLY 3"
	A-TT4-00091	1	AIR CLEANER ASSEMBLY 2"
2	A-TT4-00092	2	AIR CLEANER BRACKET
3	NPN	4	NUT-LOCK 3/8-16
4	NPN	4	WASHER-FLAT 3/8
5	NPN	4	SCREW-HEX CAP 3/8-16 X 1 GR.5
6	NPN	10	HOSE CLAMPS
7	A-TT4-00098-1	1	RAIN CAP 3"
	A-TT4-00091	1	RAIN CAP 2"
8	A-TT4-00094-3	4	45 DEGREE ELBOW 2.5
9	NPN	1	BULK-INTAKE TUBE - 3"
10	NPN	1	BULK-INTAKE TUBE - 29.5"
11	NPN	1	BULK-INTAKE TUBE - 11.5"
12	A-TT4-00096	1	INTAKE TUBE REDUCER 2 TO 2 1/4
13	NPN	1	90 DEGREE ELBOW 2.5

FUEL SYSTEM

FUEL & EFI SYSTEM



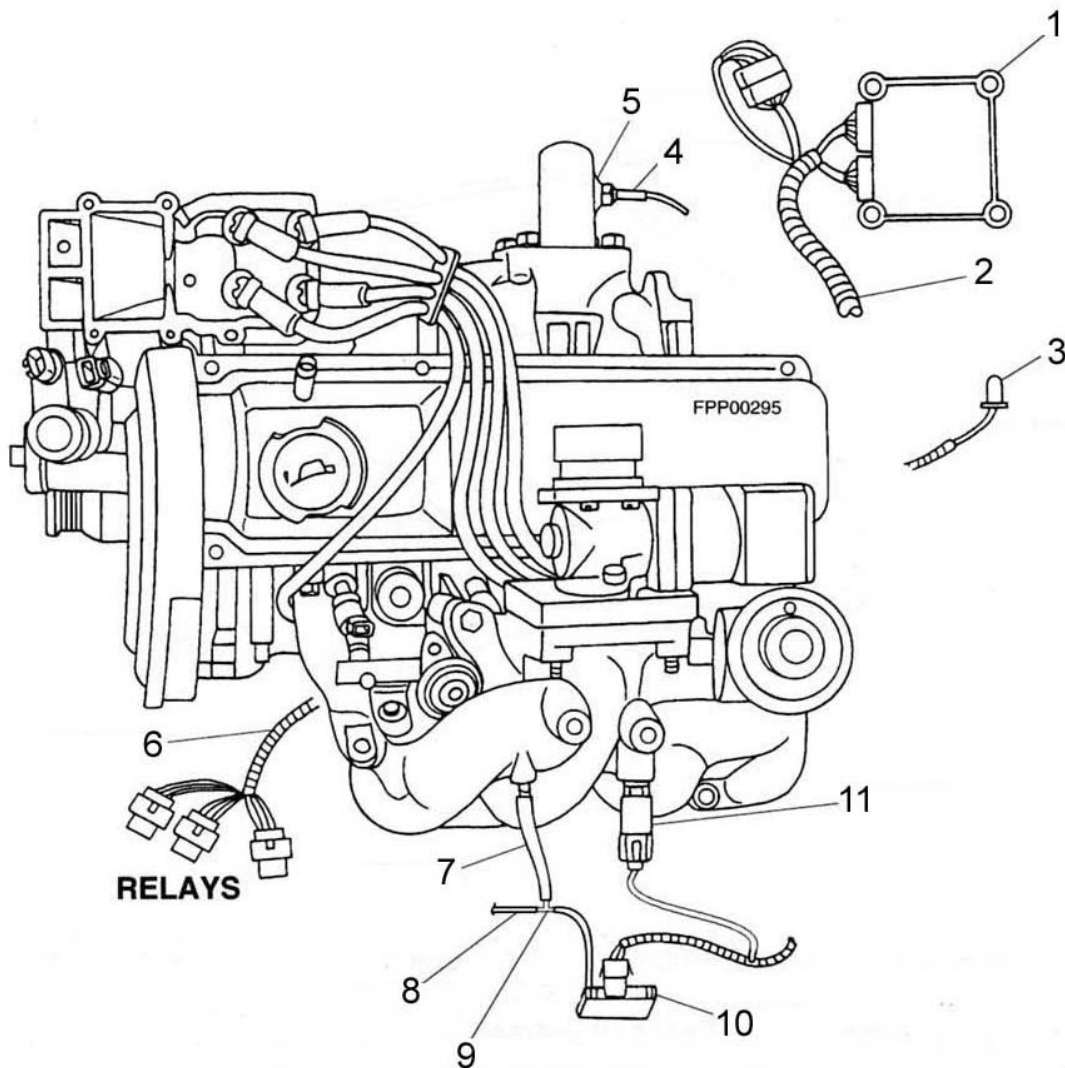
FUEL SYSTEM

FUEL & EFI SYSTEM—DETAIL

Item	Part Number	Qty	Description
1	A-TT4-00273	1	FUEL TANK
2	A-TT4-00276	1	FUEL SENDING UNIT
3	A-TT4-00271	1	FUEL CAP
4	A-TT4-00274	6	90 DEGREE ELBOW FITTING
5	NPN	2	5/16 HIGH PRESSURE LINE 350PSI
6	NPN	14	#4 HOSE CLAMP
7	F8JL9A011AA	1	FILTER - FUEL TANK
8	N806187	3	CONNECTOR
9	E7UZ9C407A	1	PUMP & ISOLATOR ASSY
10	N806187	1	CONNECTOR
11	NPN	2	5/16 HIGH PRESSURE LINE 350PSI
12	N806188S190	2	CONNECTOR ASSY 9.52XTUEXB.35 HOSE
13	N806207S190	1	CONNECTOR BODY 6.35HOSE X 14.1
14	F8JL9P917AA	2	PRUSSURE REGULATOR & FILTER
15	N806207S190	1	CONNECTOR BODY 6.35HOSE X 14.1
16	NPN	2	5/16 HIGH PRESSURE LINE 350PSI
17	NPN	14	#4 HOSE CLAMP
18	N806207S190	1	CONNECTOR BODY 6.35HOSE X 14.1
19	A-TT4-00280	2	BULKHEAD FITTING

FUEL SYSTEM

EFI CONTROL – FORD 2.5L

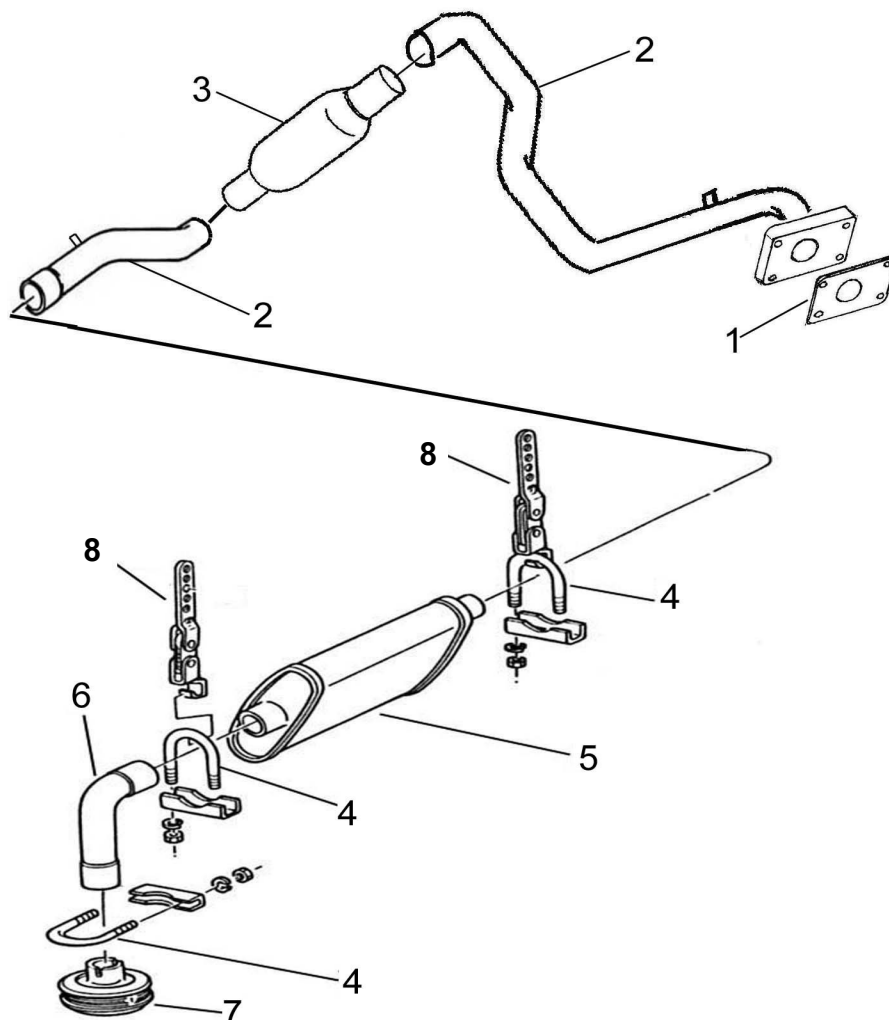


EFI CONTROL – FORD 2.5L – DETAIL

Item	Part Number	Qty	Description
1	F8JL12A650AD	1	PROCESSOR ASSY - ENG ELEC CTRL
2	F8JL12A581AF	1	WIRE ASSY ENGINE CONTROL
3	F8JL10A979AA	1	LIGHT - MALFUNCTION INDICATOR
4	F5729G444C	6	SENSOR ASSY - EXH GAS OXY (HEATED)
5	F5AC9J467CA	2	INSERT
6	F8JL14N089AA*	3	RELAYS
7	381162S220A	1	HOSE - 3/16ID X 22" LONG
8	381401S760A	3	HOSE - VACUUM 7/32ID X 76" LONG
9	388034S	1	TEE
10	F8JL9S428AB	1	MAP SENSOR - BLD# 3350-S
11	F6SZ12A697A	1	SENSOR ASSY-AIR CHANGE TEMP 13-16 Nm

EXHAUST

EXHAUST SYSTEM—FORD 2.5L

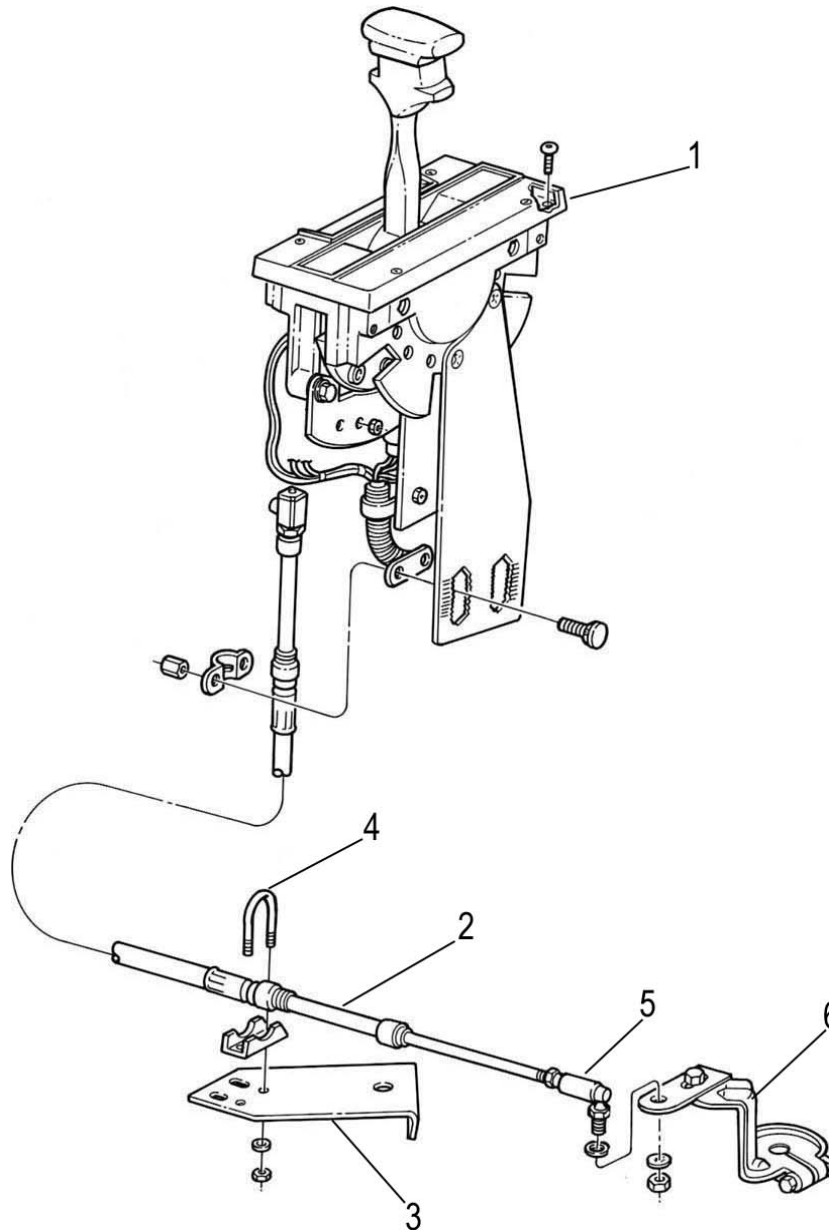


EXHAUST SYSTEM—DETAIL

Item	Part Number	Qty	Description
1	E3ZZ9450A	1	EXHAUST GASKET
2	A-TT4F-00253	1	EXHAUST PIPE
3	XUIL5E212AB	1	FORD CATALYTIC CONVERTER
4	A-TT4-00254	3	2" MUFFLER CLAMPS
5	A-TT4-00258-1	1	MUFFLER
6	A-TT4-00259-1	1	90 DEGREE TAIL PIPE
7	AE-OPT-0059	1	SPARK ARRESTER (OPTION)
8	A-TT4-00260	2	PIPE HANGER

OPERATOR COMPARTMENT

TRANSMISSION CONTROL

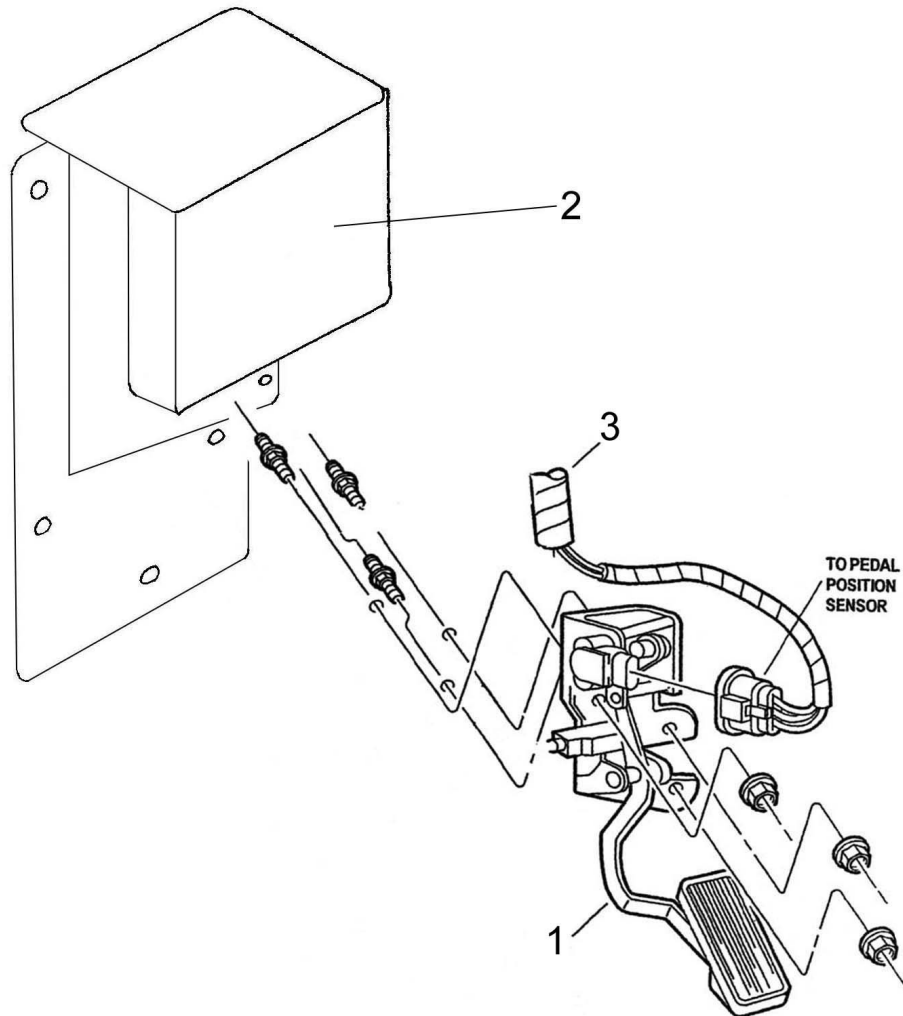


TRANSMISSION CONTROL – DETAIL

Item	Part Number	Qty	Description
1	A-TT4-00245	1	TRANSMISSION SHIFT CONTROL
2	A-TT4-00246	1	TRANSMISSION SHIFT CABLE
3	A-TT4-00248	1	TRANSMISSION CABLE BRACKET ASSEMBLY
4	A-TT4-00247	1	U-BOLT KIT
5	A-TT4-00249	1	BALL JOINT KIT
6	A-TT4-00419-1	1	TRANSMISSION LEVER

OPERATOR COMPARTMENT

ACCELERATOR PEDAL ASSEMBLY

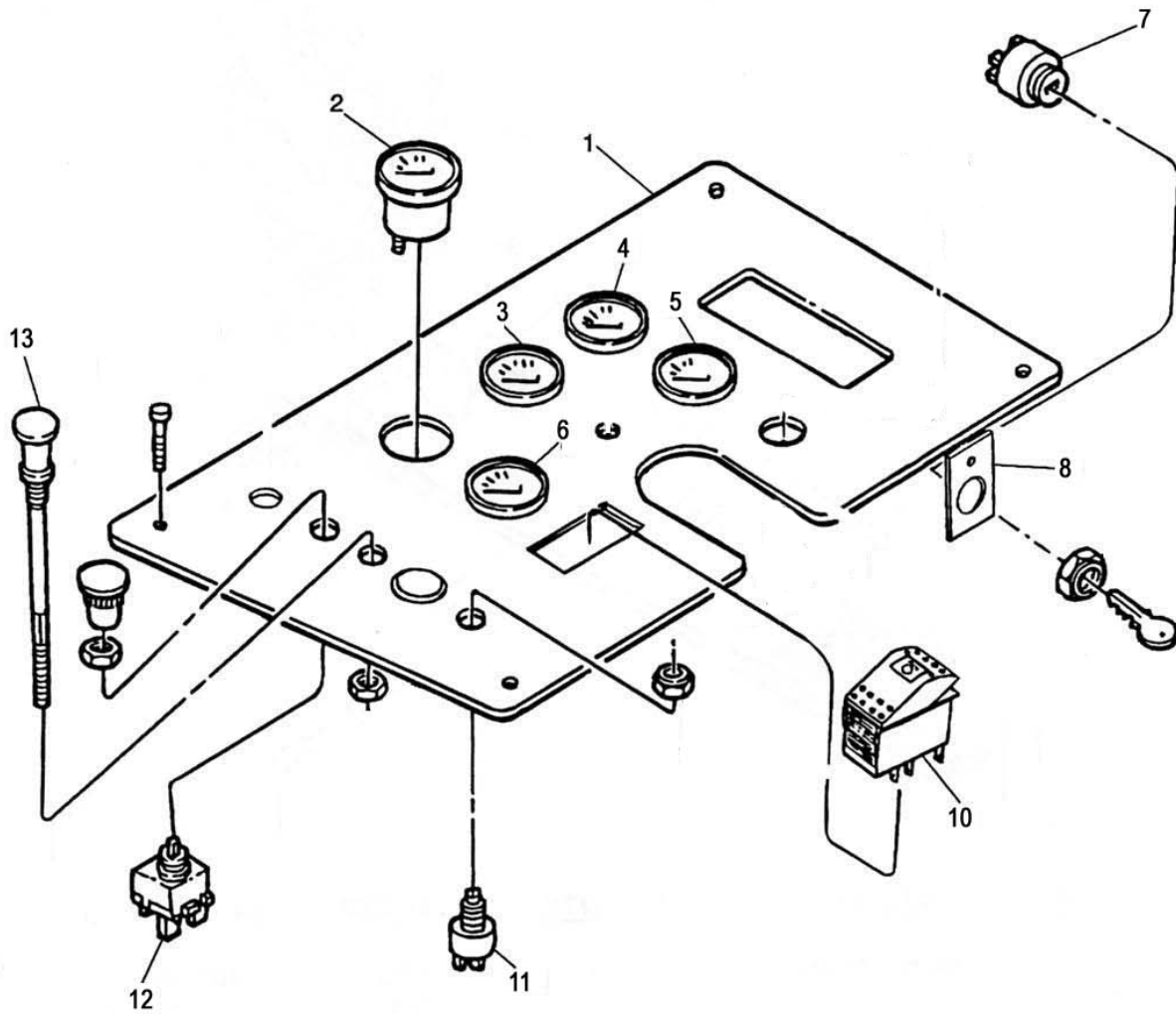


ACCELERATOR PEDAL ASSEMBLY—DETAIL

Item	Part Number	Qty	Description
1	F5TZ9F836A	1	FOOT PEDAL WITH TWO PLUGS
1A	F8JL12B476AA	1	WIRE HARNESS WITH TWO PLUGS
2	NPN	1	ELECTRONIC FOOT PEDAL BRACKET
3	1C329F836BA	1	FOOT PEDAL WITH ONE PLUG
3A	2U1L12B476AA	1	WIRE HARNESS WITH ONE PLUG

OPERATOR COMPARTMENT

INSTRUMENT PANEL



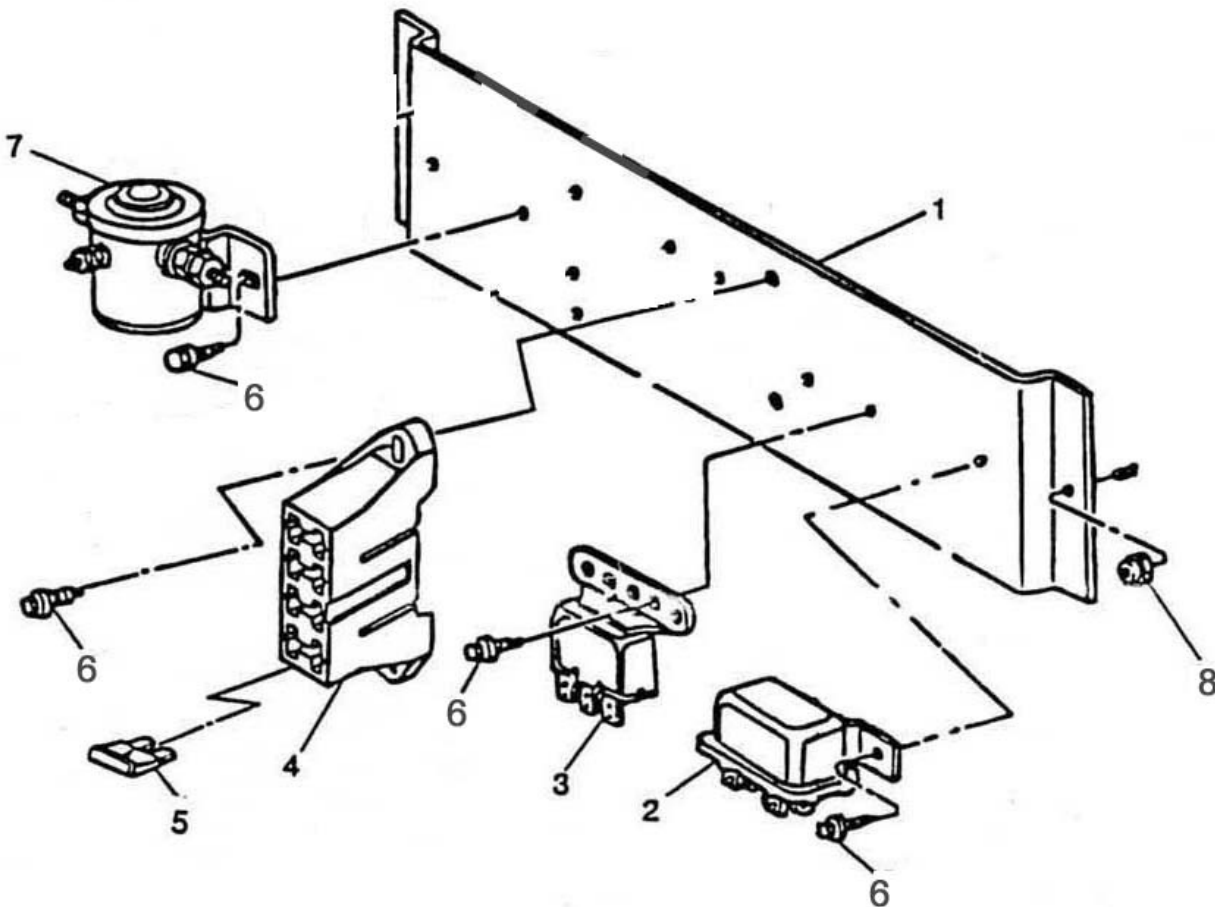
OPERATOR COMPARTMENT

INSTRUMENT PANEL – DETAIL

Item	Part Number	Qty	Description
1	C-TT4-00411	1	DASH PANEL (NO INSTRUMENTS)
2	A-TT4-00412	1	OIL PRESSURE GAUGE
3	A-TT4-00415	1	FUEL GAUGE
4	A-TT4-00416	1	VOLT-AMP GAUGE
5	A-TT4-00417	1	TEMP GAUGE
6	A-TT4-00418	1	HOUR METER
7	A-TT4-00422-2	1	IGNITION SWITCH (KEYED OPTION)
7	A-TT4-00422-3	1	IGNITION SWITCH (KEYLESS OPTION)
8	A-TT6-0015-1	1	PLATE, MOUNTING IGNITION SWITCH
10	A-TT4-0423-1	1	HEAD LIGHT SWITCH
11	A-TT4-00428	1	HORN BUTTON
12	A-TT4-00609	1	HEATER FAN SWITCH
13	A-TT4-00608	1	TEMPERATURE CONTROL CABLE (OPTION)
NS	A-TT4-00434-1	1	WIRE HARNESS (DASH ONLY)
NS	A-TT4-00435-1	1	80 AMP CIRCUIT BREAKER

LIGHTS & ELECTRICAL

ELECTRICAL COMPONENT BOARD

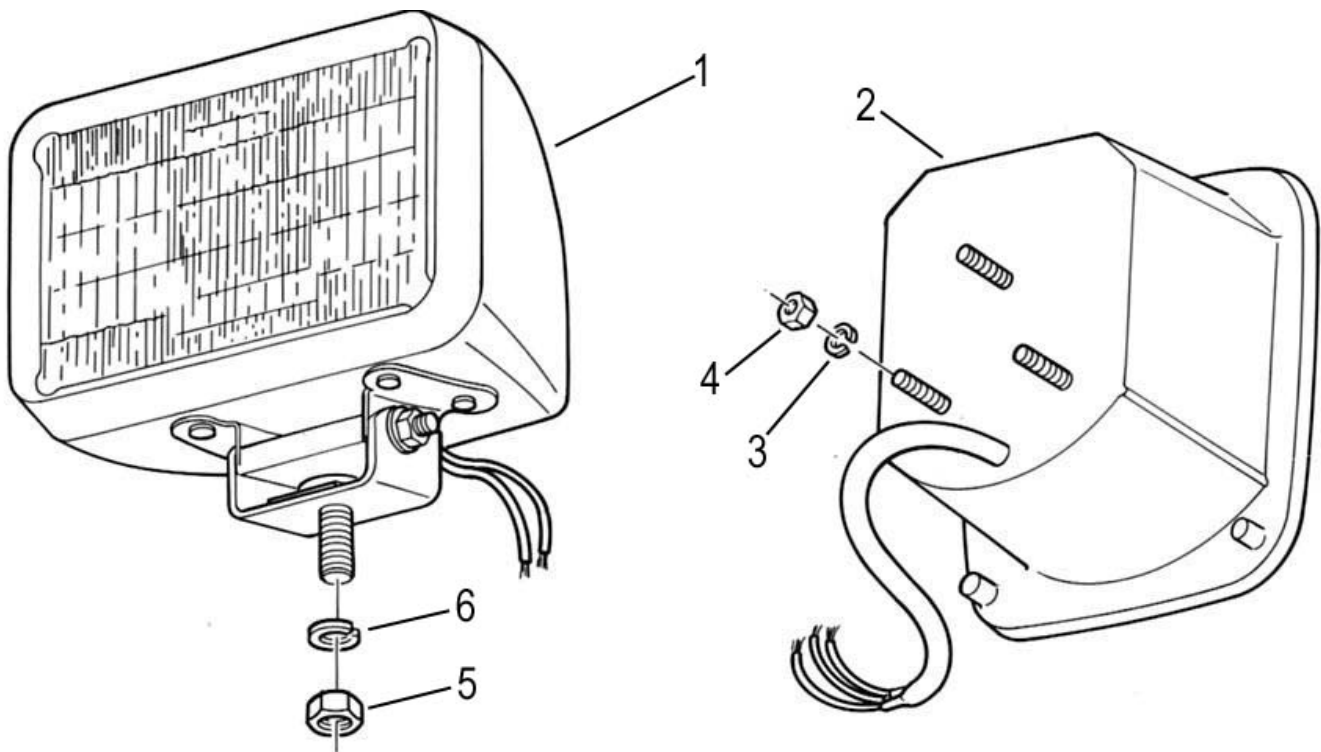


ELECTRICAL COMPONENT BOARD—DETAIL

Item	Part Number	Qty	Description
1	B-TT4-00301	1	MOUNTING BRACKET
2	A-TT4-00302	1	STARTER RELAY
3	A-TT4-00303-1	1	HORN RELAY
4	A-TT4-00307	1	FUSE BLOCK-SPADE TYPE
5	A-TT4-00309	4	FUSE (25 AMP)
6	NPN	10	SELF DRILLING SCREWS
7	A-TT4-00308	1	RELAY
8	NPN	2	LOCK NUT 10-32

LIGHTS & ELECTRICAL

HEADLIGHT & TAILLIGHT ASSEMBLY

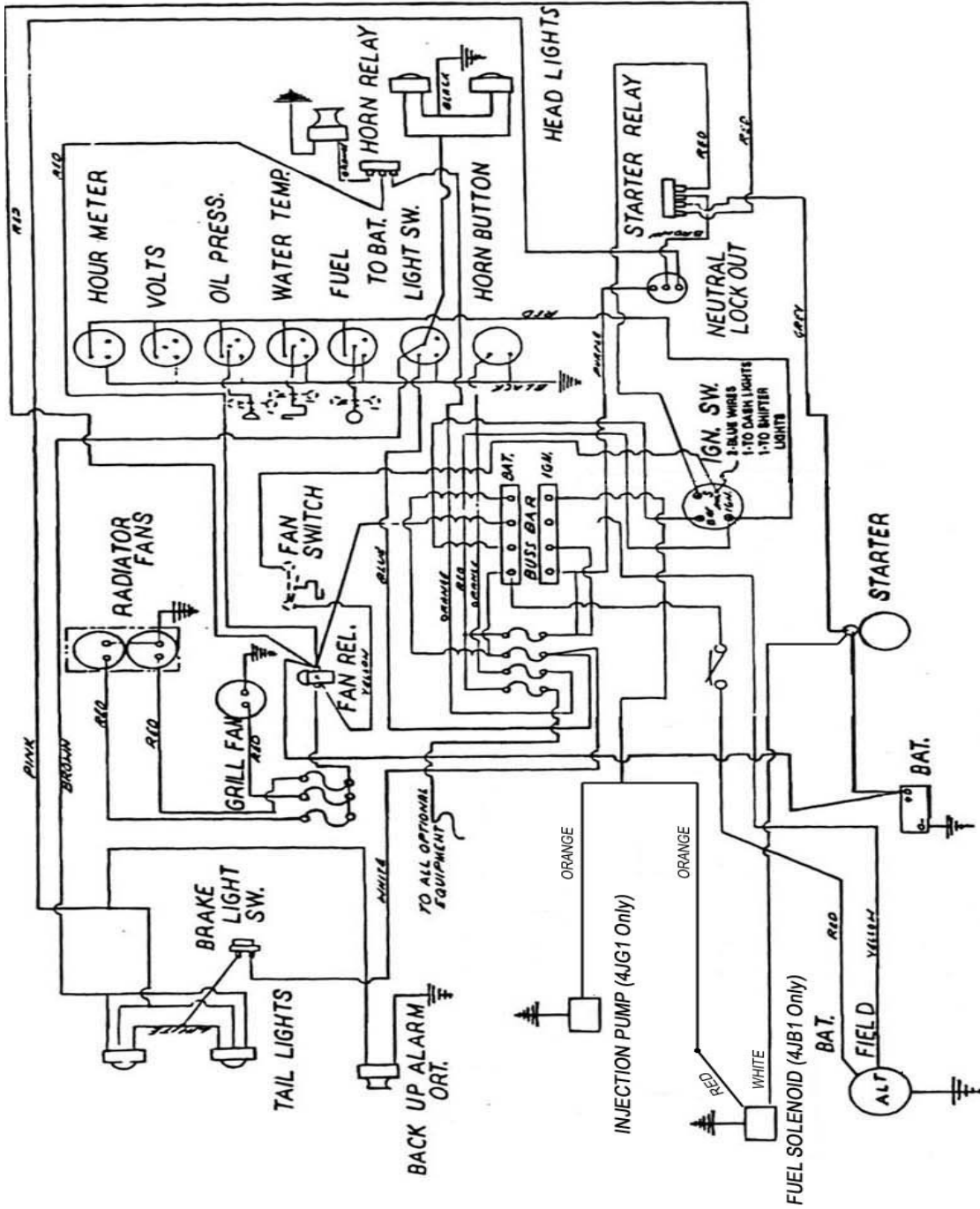


HEADLIGHT & TAILLIGHT ASSEMBLY – DETAIL

Item	Part Number	Qty	Description
1	A-TT10-00291-6	2	HEADLIGHT
2	A-TT4-00292	2	TAILLIGHT
3	NPN	2	WASHER-FLAT-1/2
4	NPN	6	WASHER-FLAT-1/4
5	NPN	2	NUT-1/2-13
6	NPN	6	NUT-1/4-20
7	AE-OPT-0075	2	HEADLIGHT WITH TURN SIGNAL (OPTION)

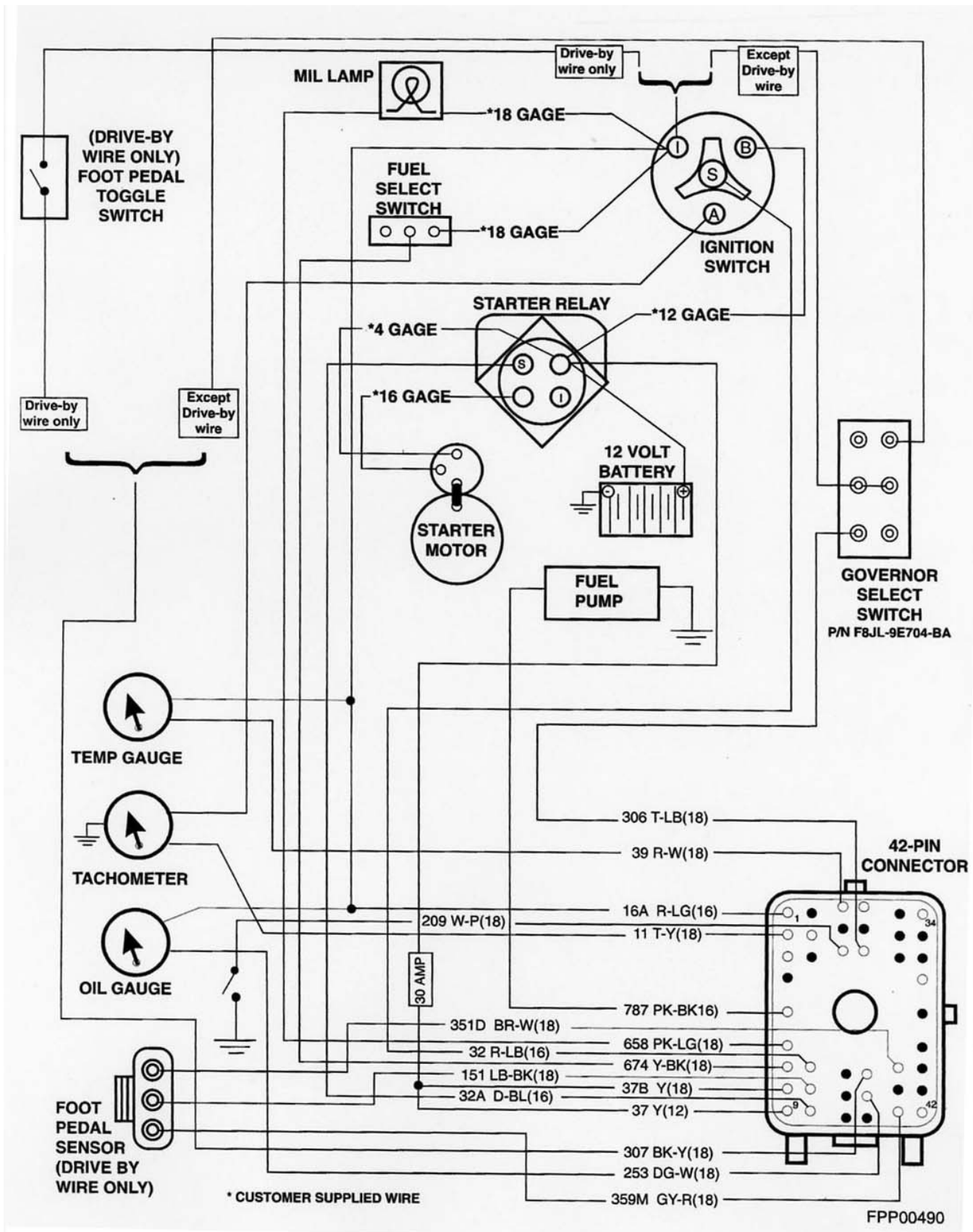
LIGHTS & ELECTRICAL

WIRING HARNESS



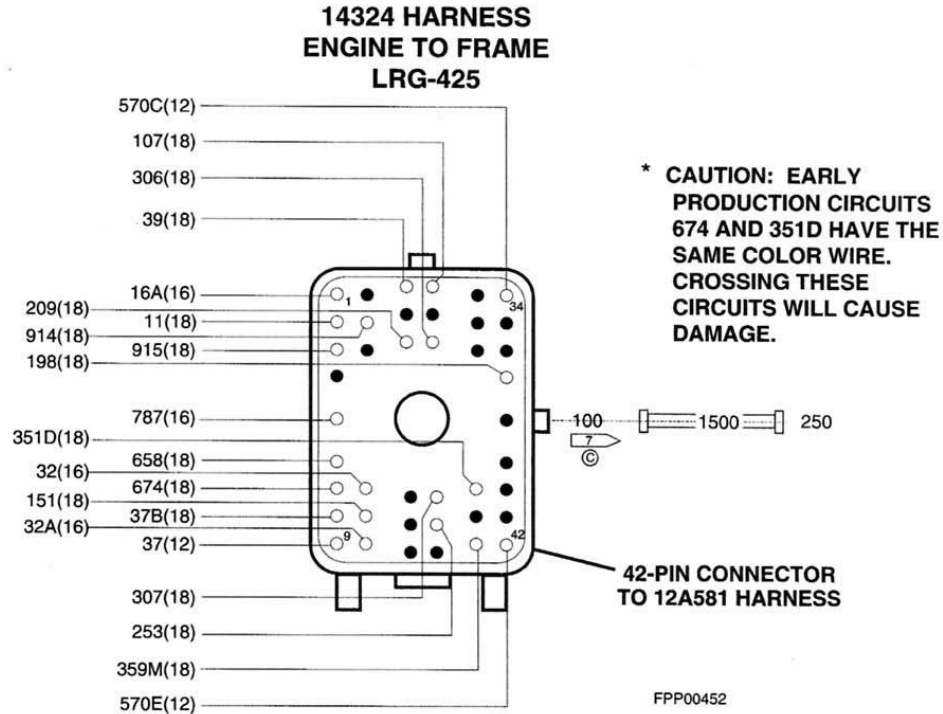
LIGHTS & ELECTRICAL

WIRING DIAGRAM—EFI 2.5L



LIGHTS & ELECTRICAL

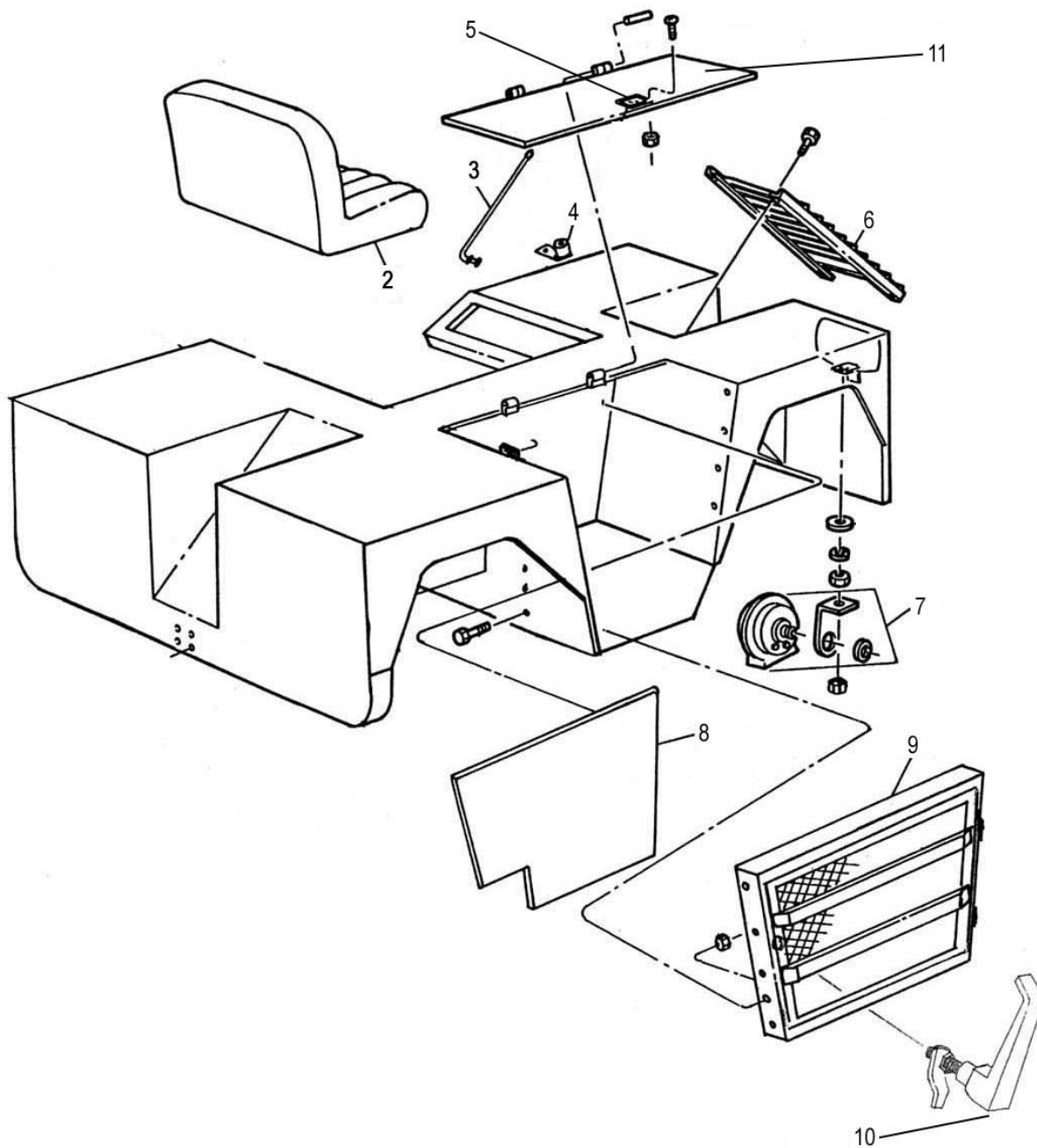
WIRING DIAGRAM – EFI 2.5L



CIRCUIT #	CIRCUIT DESCRIPTION	COLOR	GAUGE	42 PIN																				
915	DATA LINK CONNECTOR – RS485 (NEGATIVE)	PK-LB	18	3																				
914	DATA LINK CONNECTOR – RS485 (POSITIVE)	T-O	18	11																				
787	TO FUEL PUMP	PK-BK	16	5																				
* 674	FUEL SELECT (OPEN CIRCUIT = PRIMARY FUEL; 12V = SECONDARY FUEL)	Y-BK	18	7																				
658	MALFUNCTION INDICATOR LAMP (OPEN COLLECTOR OUTPUT – 500 mA MAX.)	PK-LG	18	6																				
570E	POWER GROUND – BATTERY (NEGATIVE)	BK-W	12	42																				
570C	POWER GROUND – BATTERY (NEGATIVE)	BK-W	12	34																				
359M	DRIVE BY WIRE – SIGNAL RETURN (SIGNAL RETURN FOR DRIVE BY WIRE POT)	GY-R	18	33																				
* 351D	DRIVE BY WIRE – VREF (5V REF VOLT FOR DRIVE BY WIRE POT)	BR-W	18	31																				
307	GOVERNOR SPEED SELECT #2 (GVS2) – SEE BELOW DESCRIPTION FOR GVS1	BK-Y	18	25																				
306	GOVERNOR SPEED SELECT #1 (GVS1) NOTE: (USE TRUTH TABLE – INPUT FROM GVS1 & GVS2) 0 = OPEN CIRCUIT 1 = 12V SIGNAL	T-LB	18	24																				
	<table border="0"> <tr> <td></td> <td>0</td> <td>0</td> <td></td> </tr> <tr> <td></td> <td>0</td> <td>1</td> <td></td> </tr> <tr> <td></td> <td>1</td> <td>0</td> <td></td> </tr> <tr> <td></td> <td>1</td> <td>1</td> <td></td> </tr> <tr> <td></td> <td>GVS1</td> <td>GVS2</td> <td></td> </tr> </table>		0	0			0	1			1	0			1	1			GVS1	GVS2				
	0	0																						
	0	1																						
	1	0																						
	1	1																						
	GVS1	GVS2																						
253	OIL PRESSURE – FOR INDICATOR LIGHT (OPEN = LOW PRESSURE; CLOSED = NORMAL PRESSURE)	DG-W	18	26																				
209	SELF TEST INPUT (SHORT TO GROUND TO ACCESS TROUBLE CODES)	W-P	18	18																				
198	AUXILIARY INPUT	DG-O	18	37																				
151	DRIVE BY WIRE – SIGNAL INPUT (0-5V SIGNAL)	LB-BK	18	14																				
107	DATA LINK CONNECTOR – RS485 (GROUND)	P	18	22																				
39	WATER TEMPERATURE INDICATOR SENDER TO GAUGE	R-W	18	16																				
37B	KEEP ALIVE POWER – BATTERY	Y	18	8																				
37	VPWR – POWER RELAY "SWITCHED SIDE" – 12V (BATT+)	Y	12	9																				
32A	TO STARTER SOLENOID "S" TERMINAL	DB	16	15																				
32	FROM IGNITION SWITCH "START MODE" TERMINAL	R-LB	16	13																				
16A	SWITCHED IGNITION – 12V	R-LG	16	1																				
11	TO TACHOMETER	T-Y	18	2																				

OTHER ASSEMBLIES

BODY ASSEMBLY



OTHER ASSEMBLY**BODY ASSEMBLY –DETAIL**

Item	Part Number	Qty	Description
2	A-TT4-0048-1	1	SEAT
2	A-TT10-00048	1	*BENCH SEAT (ON TT /2 MODELS)
3	NPN	1	HOOD PROP
4	NPN	1	HOOD PROP ASSEMBLY
5	C-TT4-0012-1	1	HOOD LATCH
6	D-TT4-0047	1	FRONT GRILL
7	A-TT4-0052	1	HORN ASSEMBLY
8	A-TT4-0049	1	HEAT SHIELD
9	D-TT4-0009	1	GRILL GUARD/ACCESS DOOR
10	62-10-603-20	1	LATCH FOR ACCESS DOOR
11	C-TT4-0012	1	HOOD
12**	AE-OPT-00033	1	STANDARD E-HITCH

* Option for TT-8/2 only

** Optional not shown

ENGINE DIAGNOSTICS

The Ford fuel injected engines are equipped with a diagnostic tool that will tell the operator that there is a problem with the engine. The Ford system uses an engine malfunction indicator light (installed on the instrument panel) that blinks when there is a problem. The indicator light blinks in different sequences that tell you what kind of problem exists depending on the sequence.

The steps below may be taken to verify what type of engine problem exists. Once the steps have been followed, and you have recorded a trouble code sequence, a Ford Power Products technician should be contacted to let you know what the problem is and what steps should be taken to fix the problem. *(Please see the listing of Ford Power Products service organizations on the next page.)*

ENGINE MALFUNCTION INDICATOR LIGHT – WITH SHUTDOWN

The following steps should be followed if your vehicle **is** equipped with a **Low Oil/High Temp. Shutdown System**:

1. In the right side of the engine compartment, find the ORANGE wire 26I next to the starter relay. It will be plugged into a RED wire with a Green Tracer.
2. Unplug the ORANGE and RED/GREEN wires.
3. Use a jumper wire to jump the RED/GREEN wire to the POSITIVE post on the battery. This will bypass the shutdown system. **CAUTION - DO NOT START ENGINE WITH BYPASS INSTALLED.**
4. Remove Dash Cover (under instrument panel)
5. Find WHITE test wire labeled “GROUND-TO TEST” on the left-hand side.
6. Plug the WHITE wire into the BLUE clip on the BLACK ground wire.
7. Turn key to “ON” position. (Not “Start”)
8. The malfunction indicator light on the dash will begin to flash a “test sequence”: (1) (1,2) (1,2,3) It will flash this sequence **3 TIMES**.
9. After 3 times, it will then flash a trouble code sequence if there is a problem with the engine. If the system is operating normally, with no problems, then the program will just keep repeating the test sequence.

ENGINE MALFUNCTION INDICATOR LIGHT – WITHOUT SHUTDOWN

1. Remove Dash Cover (under instrument panel)
2. Find WHITE test wire labeled “GROUND-TO TEST” on the left-hand side.
3. Plug the WHITE wire into the BLUE clip on the BLACK ground wire.
4. Turn key to “ON” position. (Not “Start”)
5. The malfunction indicator light on the dash will begin to flash a “test sequence”: (1) (1,2) (1,2,3) It will flash this sequence **3 TIMES**.
6. After 3 times, it will then flash a trouble code sequence if there is a problem with the engine. If the system is operating normally, with no problems, then the program will just keep repeating the test sequence.

FORD POWER PRODUCTS SERVICE INFORMATION

North America - Canada

IF YOU ARE IN	THEN CALL	ADDRESS	TELEPHONE NUMBERS
WORLD HEADQUARTERS	Ford Power Products, LLC	15700 Lundy Parkway Dr., Suite 200 Dearborn, MI 48126 USA	Tel: 1-313-845-1400 1-800-833-4773 Fax: 1-313-619-2600
BRITISH COLUMBIA,	Industrial Engines Ltd.	1020 Cliveden Ave. Delta, Annacis Island, British Columbia, Canada, V3M 5R5	Tel: 1-604-525-8529 1-877-438-6560 Fax: 1-604-525-0974
ONTARIO, QUEBEC, MONITOBA	M-K Power Products Corp.	5641 McAdam Road Mississauga, Ontario, Canada, L4Z-1N9	Tel: 1-905-890-5323 CAN 1-800-263-5011 Fax: 1-905-890-6660
ALBERTA, SASKATCHEWAN	Industrial Engines, Ltd.	14335 12th Avenue Edmonton, Alberta Canada, T5L 2R8	Tel: 1-780-484-6213 CAN 1-866-484-6213 Fax: 1-780-732-0400
NOVA SCOTIA, NEW BRUNSWICK, NEW FOUNDLAND PRINCE EDWARD ISLAND	Lunenburg Industrial Foundry & Engineering	53 Falkland Street, PO 1240 Lunenburg, Nova Scotia Canada, BOJ 2C0	Tel: 1-902-634-8827 Fax: 1-902-634-8886

North America - United States

IF YOU ARE IN	THEN CALL	ADDRESS	TELEPHONE NUMBERS
WORLD HEADQUARTERS	Ford Power Products, LLC	15700 Lundy Parkway Dr., Suite 200 Dearborn, MI 48126 USA	Tel: 1-313-845-1400 1-800-833-4773 Fax: 1-313-619-2600
ALABAMA	M&I Engine Company, Inc.	30762 State Highway 181 Daphne, AL 36526	Tel: 1-251-626-8080 1-800-633-1834 Fax: 1-251-626-2744
ALASKA	E.C. Power Systems	6051 S. 194th Street Kent, WA 98032	Tel: 1-253-872-7011 1-800-247-5899 Fax: 1-253-872-6947
ARIZONA	E.C. Power Systems	8360 E. Via de Ventura Blvd., Suite L-200 Scottsdale, AZ 85258	Tel: 1-480-905-5585 Fax: 1-503-224-3907
ARKANSAS (Northern)	Kansas City Power Products, Inc.	80 South James Kansas City, KS 66118	Tel: 1-913-321-7040 1-800-486-5277 Fax: 1-913-321-7341
(Southern)	Lightbourn Equipment Co.	13649 Beta Road Dallas, TX 75244	Tel: 1-972-233-5151 Fax: 1-972-661-0738
CALIFORNIA	Powertech Engines Inc. (Main Office)	2933 E. Hamilton Avenue Fresno, CA 93721	Tel: 1-559-264-1776 1-800-891-1776 Fax: 1-559-264-2933
	Powertech Engines Inc.	2003 Leghorn Street Mountainview, CA 94043	Tel: 1-650-968-2434 Fax: 1-650-969-1267
	Powertech Engines Inc.	1410 South Acacia Avenue, Suite B Fullerton, CA 92831	Tel: 1-714-635-1774 1-800-784-1776 Fax: 1-714-635-1771
COLORADO	Industrial Power Systems, Inc. Engine Division	3233 Oakland Street Aurora, CO 80010	Tel: 1-303-360-7110 1-800-678-3673 Fax: 1-303-360-7519

FORD POWER PRODUCTS SERVICE INFORMATION

North America - United States (Continued)

IF YOU ARE IN	THEN CALL	ADDRESS	TELEPHONE NUMBERS
CONNECTICUT	Engine Distributors, Inc.	400 University Court Blackwood, NJ 08012	Tel: 1-856-228-7298 1-800-220-2700 Fax: 1-856-228-5657(Parts) 1-856-228-5531(Sales)
DELAWARE	Engine Distributors, Inc.	400 University Court Blackwood, NJ 08012	Tel: 1-856-228-7298 1-800-220-2700 Fax: 1-856-228-5657(Parts) 1-856-228-5531(Sales)
DISTRICT OF COLUMBIA	Engine Distributors, Inc.	400 University Court Blackwood, NJ 08012	Tel: 1-856-228-7298 1-800-220-2700 Fax: 1-856-228-5657(Parts) 1-856-228-5531(Sales)
FLORIDA - (Panhandle)	Highway Equipment & Supply Co. (Main Office)	1016 West Church Street Orlando, FL 32805	Tel: 1-407-843-6310 1-800-827-6495 Fax: 1-407-849-0740
	Highway Equipment & Supply Co.	4850 Collins Rd. Unit 103, Jacksonville, FL 32073	Tel: 1-904-215-6356 1-800-827-3019 Fax: 1-904-215-7109
	Highway Equipment & Supply Co.	6015 U.S. Highway 301 North Tampa, FL 33610	Tel: 1-813-621-9634 1-800-827-9092 Fax: 1-813-621-6873
	M&I Engine Company, Inc.	30762 Highway 181 Daphne, AL 36526	Tel: 1-251-626-8080 1-800-633-1834 Fax: 1-251-626-2744
GEORGIA - (Western) - (Central) - (Southeastern)	Engine Distributors, Inc.	303 Interstate Drive Archdale, NC 27263	Tel: 1-336-434-6616 1-800-220-7080 Fax: 1-336-434-6612
	Highway Equipment & Supply Co.	4850 Collins Road, Unit 103 Jacksonville, FL 32073	Tel: 1-904-215-6356 1-800-827-3019 Fax: 1-904-215-7109
HAWAII	Powertech Engines Inc. (Main Office)	2933 E. Hamilton Avenue Fresno, CA 93721	Tel: 1-559-264-1776 1-800-891-1776 Fax: 1-559-264-2933
IDAHO	E.C. Power Systems	4499 Market Street Boise, ID 83705	Tel: 1-208-342-6541 1-800-354-6767 Fax: 1-208-345-4308
ILLINOIS - (Central) - (North Central) - (Northeastern) - (Southern) - (Northwestern)	Engine Power, Inc.	1830 Executive Drive Oconomowoc, WI 53066	Tel: 1-262-567-8575 1-800-242-2289 Fax: 1-262-567-2556
	Kansas City Power Products, Inc.	80 South James Kansas City, KS 66118	Tel: 1-913-321-7040 1-800-486-5277 Fax: 1-913-321-7341
	Anderson Industrial Engines	5532 Center Street Omaha, NE 68106	Tel: 1-402-558-8700 1-800-747-1438 Fax: 1-402-558-8249
INDIANA	Engine Power, Inc.	1830 Executive Drive Oconomowoc, WI 53066	Tel: 1-262-567-8575 1-800-242-2289 Fax: 1-262-567-2556
IOWA	Anderson Industrial Engines	5532 Center Street Omaha, NE 68106	Tel: 1-402-558-8700 1-800-747-1438 Fax: 1-402-558-8249

FORD POWER PRODUCTS SERVICE INFORMATION

North America - United States (Continued)

IF YOU ARE IN	THEN CALL	ADDRESS	TELEPHONE NUMBERS
KANSAS	Kansas City power Products, Inc.	80 South James Kansas City, KS 66118	Tel: 1-913-321-7040 1-800-486-5277 Fax: 1-913-321-7341
KENTUCKY - (Western) - (Eastern)	Engine Power, Inc.	1830 Executive Drive Oconomowoc, WI 53066	Tel: 1-262-567-8575 1-800-242-2289 Fax: 1-262-567-2556
	Pitt Auto Electric Co. Industrial Engine Division	1241 Freedom Road Cranberry Twp. PA 16066	Tel: 1-724-778-8200 US: 1-800-367-3463 Fax: 1-724-778-8206
LOUISIANA	Lightbourn Equipment Co.	13649 Beta Rd., Dallas, TX 75244	Tel: 1-972-233-5151 Fax: 1-972-661-0738
	Lightbourn Equipment Co.	8272 El Rio, Suite 110, Houston, TX 77054	Tel: 1-713-741-2003 Fax: 1-713-741-1909
MAINE	Engine Distributors, Inc.	400 University Court Blackwood, NJ 08012	Tel: 1-856-228-7298 1-800-220-2700 Fax: 1-856-228-5657(Parts) 1-856-228-5531(Sales)
MARYLAND	Engine Distributors, Inc.	400 University Court Blackwood, NJ 08012	Tel: 1-856-228-7298 1-800-220-2700 Fax: 1-856-228-5657(Parts) 1-856-228-5531(Sales)
MASSACHUSETTS	Engine Distributors, Inc.	400 University Court Blackwood, NJ 08012	Tel: 1-856-228-7298 1-800-220-2700 Fax: 1-856-228-5657(Parts) 1-856-228-5531(Sales)
MICHIGAN - (Lower Peninsula) - (Upper Peninsula)	EngineCenter, Inc.	2351 Hilton Road Ferndale, MI 48220	Tel: 1-248-399-0002 1-800-726-8870 Fax: 1-248-399-3142
	Engine Power, Inc.	1830 Executive Drive Oconomowoc, WI 53066	Tel: 1-262-567-8575 1-800-242-2289 Fax: 1-262-567-2556
MINNESOTA	Northern Power Products, Inc.	2859 Lexington Avenue S. Eagan, MN 55121	Tel: 1-651-452-8900 1-800-284-6247 Fax: 1-651-452-9182(Sales) 1-651-452-9047(Parts)
MISSISSIPPI - (Northern) - (Southern)	Kansas City Power Products, Inc.	80 South James Kansas City, KS 66118	Tel: 1-913-321-7040 1-800-486-5277 Fax: 1-913-321-7341
	Lightbourn Equipment Co.	8272 El Rio, Suite 110, Houston, TX 77054	Tel: 1-713-741-2003 Fax: 1-713-741-1909
MISSOURI	Kansas City Power Products, Inc.	80 South James Kansas City, KS 66118	Tel: 1-913-321-7040 1-800-486-5277 Fax: 1-913-321-7341
MONTANA - (Eastern) - (Central) - (Western)	Industrial Power Systems, Inc. Engine Division	3233 Oakland Street Aurora, CO 80010	Tel: 1-303-360-7110 1-800-678-3673 Fax: 1-303-360-7519
	E.C. Power Systems	4499 Market Street Boise, ID 83705	Tel: 1-208-342-6541 1-800-354-6767 Fax: 1-208-345-4308
NEBRASKA	Anderson Industrial Engines	5532 Center Street Omaha, NE 68106	Tel: 1-402-558-8700 1-800-747-1438 Fax: 1-402-558-8249

FORD POWER PRODUCTS SERVICE INFORMATION

North America - United States (Continued)

IF YOU ARE IN	THEN CALL	ADDRESS	TELEPHONE NUMBERS
NEVADA	Powertech Engines Inc.	2933 E. Hamilton Avenue Fresno, CA 93721	Tel: 1-559-264-1776 1-800-891-1776 Fax: 1-559-264-2933
NEW HAMPSHIRE	Engine Distributors, Inc.	400 University Court Blackwood, NJ 08012	Tel: 1-856-228-7298 1-800-220-2700 Fax: 1-856-228-5657(Parts) 1-856-228-5531(Sales)
NEW JERSEY	Engine Distributors, Inc.	400 University Court Blackwood, NJ 08012	Tel: 1-856-228-7298 1-800-220-2700 Fax: 1-856-228-5657(Parts) 1-856-228-5531(Sales)
NEW MEXICO - (Southern)	E.C. Power Systems	8360 E. Via de Ventura Blvd., Suite L-200 Scottsdale, AZ 85258	Tel: 1-480-905-5585 Fax: 1-503-224-3907
- (Northern)	Industrial Power Systems, Inc. Engine Division	3233 Oakland Street Aurora, CO 80010	Tel: 1-303-360-7110 1-800-678-3673 Fax: 1-303-360-7519
NEW YORK - (New York City) - (Nassau Co.) - (Suffolk Co.)	Engine Distributors, Inc.	400 University Court Blackwood, NJ 08012	Tel: 1-856-228-7298 1-800-220-2700 Fax: 1-856-228-5657(Parts) 1-856-228-5531(Sales)
- (Upstate) - (Hudson Valley)	Pitt Auto Electric Co. Industrial Engine Division	1241 Freedom Road Cranberry Twp. PA 16066	Tel: 1-724-778-8200 US: 1-800-367-3463 Fax: 1-724-778-8206
NORTH CAROLINA	Engine Distributors, Inc.	303 Interstate Drive Archdale, NC 27263	Tel: 1-336-434-6616 1-800-220-7080 Fax: 1-336-434-6612
NORTH DAKOTA	Northern Power Products, Inc.	2859 Lexington Avenue S. Eagan, MN 55121	Tel: 1-651-452-8900 1-800-284-6247 Fax: 1-651-452-9182(Sales) 1-651-452-9047(Parts)
OHIO - (Central)	Graham Ford, Inc.	707 W. Broad Street Columbus, OH 43216	Tel: 1-614-464-6006 1-800-837-7070 Fax: 1-614-464-6013
- (Northern)	North Coast Ford Industrial, Inc.	11885 Bellaire Road Cleveland, OH 44135	Tel: 1-216-251-5800 1-800-423-1316 Fax: 1-216-251-8675
- (Southern)	Pitt Auto Electric Co. Industrial Engine Division	1241 Freedom Road Cranberry Twp. PA 16066	Tel: 1-724-778-8200 US: 1-800-367-3463 Fax: 1-724-778-8206
OKLAHOMA - (Except Panhandle)	Kansas City Power Products	7714 Melrose Lane Oklahoma City, OK 73127	Tel: 1-405-491-9491 1-800-654-3673 Fax: 1-405-491-9495
- (Panhandle)	Lightbourn Equipment Co.	13649 Beta Road, Dallas, TX 75244	Tel: 1-972-233-5151 Fax: 1-972-661-0738
OREGON	E.C. Power Systems	1805 N.W. 21st Avenue Portland, OR 97210	Tel: 1-503-224-3623 1-800-452-1511 Fax: 1-503-224-3907

FORD POWER PRODUCTS SERVICE INFORMATION

North America - United States (Continued)

IF YOU ARE IN	THEN CALL	ADDRESS	TELEPHONE NUMBERS
PENNSYLVANIA - (Eastern). - (Western).	Engine Distributors, Inc.	400 University Court Blackwood, NJ 08012	Tel: 1-856-228-7298 1-800-220-2700 Fax: 1-856-228-5657(Parts) 1-856-228-5531(Sales)
	Pitt Auto Electric Co. Industrial Engine Division	1241 Freedom Road Cranberry Twp. PA 16066	Tel: 1-724-778-8200 US: 1-800-367-3463 Fax: 1-724-778-8206
RHODE ISLAND	Engine Distributors, Inc.	400 University Court Blackwood, NJ 08012	Tel: 1-856-228-7298 1-800-220-2700 Fax: 1-856-228-5657(Parts) 1-856-228-5531(Sales)
SOUTH CAROLINA	Engine Distributors, Inc.	303 Interstate Drive Archdale, NC 27263	Tel: 1-336-434-6616 1-800-220-7080 Fax: 1-336-434-6612
SOUTH DAKOTA	Northern Power Products, Inc.	2859 Lexington Avenue S. Eagan, MN 55121	Tel: 1-651-452-8900 1-800-284-6247 Fax: 1-651-452-9182(Sales) 1-651-452-9047(Parts)
TENNESSEE - (Central) - (Eastern) - (Western)	M&I Engine Company, Inc.	30762 Highway 181 Daphne, AL 36526	Tel: 1-251-626-8080 1-800-633-1834 Fax: 1-251-626-2744
	Kansas City power Products, Inc.	80 South James Kansas City, KS 66118	Tel: 1-913-321-7040 1-800-486-5277 Fax: 1-913-321-7341
TEXAS	Lightbourn Equipment Co.	13649 Beta Rd., Dallas, TX 75244	Tel: 1-972-233-5151 Fax: 1-972-661-0738
	Lightbourn Equipment Co.	8272 El Rio, Suite 110, Houston, TX 77054	Tel: 1-713-741-2003 Fax: 1-713-741-1909
UTAH - (Northern) - (Southern)	Industrial Power Systems, Inc. Engine Division	2492 W. Custer Road Salt Lake City, UT 84104	Tel: 1-801-908-8099 1-800-678-3673 Fax: 1-303-360-7519
	E.C. Power Systems	3683 West 2270 South, Suite A, Salt Lake City, UT 84120	Tel: 1-801-886-1424 1-800-462-3370 Fax: 1-801-886-1464
VERMONT	Engine Distributors, Inc.	400 University Court Blackwood, NJ 08012	Tel: 1-856-228-7298 1-800-220-2700 Fax: 1-856-228-5657(Parts) 1-856-228-5531(Sales)
VIRGINIA - (Central) - (Eastern) - (Southwestern)	Engine Distributors, Inc.	400 University Court Blackwood, NJ 08012	Tel: 1-856-228-7298 1-800-220-2700 Fax: 1-856-228-5657(Parts) 1-856-228-5531(Sales)
	Pitt Auto Electric Co. Industrial Engine Division	1241 Freedom Road Cranberry Twp. PA 16066	Tel: 1-724-778-8200 US: 1-800-367-3463 Fax: 1-724-778-8206
WASHINGTON	E.C. Power Systems	6051 S. 194th Street Kent, WA 98032	Tel: 1-253-872-7011 US 1-800-247-5899 Fax: 1-253-872-6947

FORD POWER PRODUCTS SERVICE INFORMATION

North America - United States (Continued)

IF YOU ARE IN	THEN CALL	ADDRESS	TELEPHONE NUMBERS
WEST VIRGINIA	Pitt Auto Electric Co. Industrial Engine Division	1241 Freedom Road Cranberry Twp. PA 16066	Tel: 1-724-778-8200 US: 1-800-367-3463 Fax: 1-724-778-8206
WISCONSIN - (Eastern) - (Central)	Engine Power, Inc.	1830 Executive Drive Oconomowoc, WI 53066	Tel: 1-262-567-8575 1-800-242-2289 Fax: 1-262-567-2556
	Northern Power Products, Inc.	2859 Lexington Avenue S. Eagan, MN 55121	Tel: 1-651-452-8900 1-800-284-6247 Fax: 1-651-452-9182(Sales) 1-651-452-9047(Parts)
WYOMING	Industrial Power Systems, Inc. Engine Division	3233 Oakland Street Aurora, CO 80010	Tel: 1-303-360-7110 1-800-678-3673 Fax: 1-303-360-7519

