

## Division 1 Explosionproof Panelboards

Designed for use in Class 1, Division 1 Zone 1 areas such as petroleum refineries, chemical or petrochemical facilities, the X1PB panelboards are used to control lighting & appliance, power circuits & power distribution in applications requiring branch power distribution, over current, and short circuit protection.

All X1PB panelboards are equipped with Eaton Pow-R-Line chassis with copper bus, isolated neutral and ground bar. Branch breakers and handles are sold separately. Gasketed covers provide IP66 and NEMA 4/4X rated protection for a watertight seal, and stainless steel cover bolts, removeable hinges, and breather/drain are included as standard features.

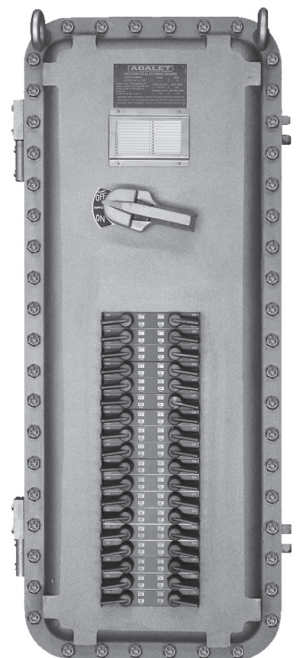
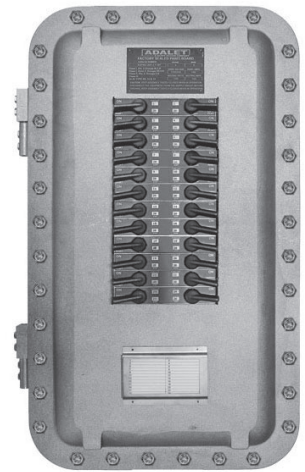
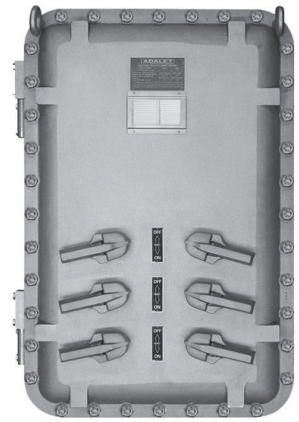
### STANDARD FEATURES

- Copper-free cast aluminum alloy with tumblast finish casting
- Stainless steel cover bolts
- Nitrile O-Ring cover gasket
- Copper-free cast aluminum alloy with stainless steel shafts breaker handles
- Extruded aluminum alloy hinges with stainless steel pins and bolts

### HOW TO ORDER

- 1. Locate our online catalog**  
Visit [www.adalet.com](http://www.adalet.com) to view our full product catalog
- 2. Specify Catalog Number**
- 3. Starting with Circuit #1**  
(Circuit #2 on back fed main breaker panelboards), specify circuit breaker type, number of poles, and ampacity.

Note: handles will be provided for each breaker specified; unused spaces will be plugged; for blank space requiring handles, specify handle catalog number and circuit number.



## X1PB1 Series

### STANDARD FEATURES

- Eaton Pow-R-Line C™ 1a Panelboard
- 12, 24, 30, 36 & 42 Circuit Main Lug Only
- 18 & 24 Circuit Back Fed Main Breaker(100A max)
- 12, 24, 36 & 42 Circuit Vertical Main Breaker
- Top or Bottom Fed
- 1-Phase 3-Wire 120/240 Volt, 3-Phase 4-Wire 120/208 Volt
- 100 or 225 Amp Copper Bus

## X1PB2 Series

### STANDARD FEATURES

- Eaton Pow-R-Line C™ 2a Panelboard
- 12, 24, 30, 36 & 42 Circuit Main Lug Only
- 18 & 24 Circuit Back Fed Main Breaker (100A max)
- 12, 24, 36 & 42 Circuit Vertical Main Breaker
- Top or Bottom Fed
- 3-Phase 4-Wire 277/480 Volt
- 100 or 225 Amp Copper Bus

## X1PB3 Series

### STANDARD FEATURES

- Eaton Pow-R-Line C™ 2a Panelboard
- 12, 24, 30, 36 & 42 Circuit Main Lug Only
- 18 & 24 Circuit Back Fed Main Breaker (100A max)
- 12, 24, 36 & 42 Circuit Vertical Main Breaker
- Top or Bottom Fed
- 3-Phase 4-Wire 277/480 Volt
- 100 or 225 Amp Copper Bus

### BRANCH CIRCUIT OPERATING HANDLES & PLUGS

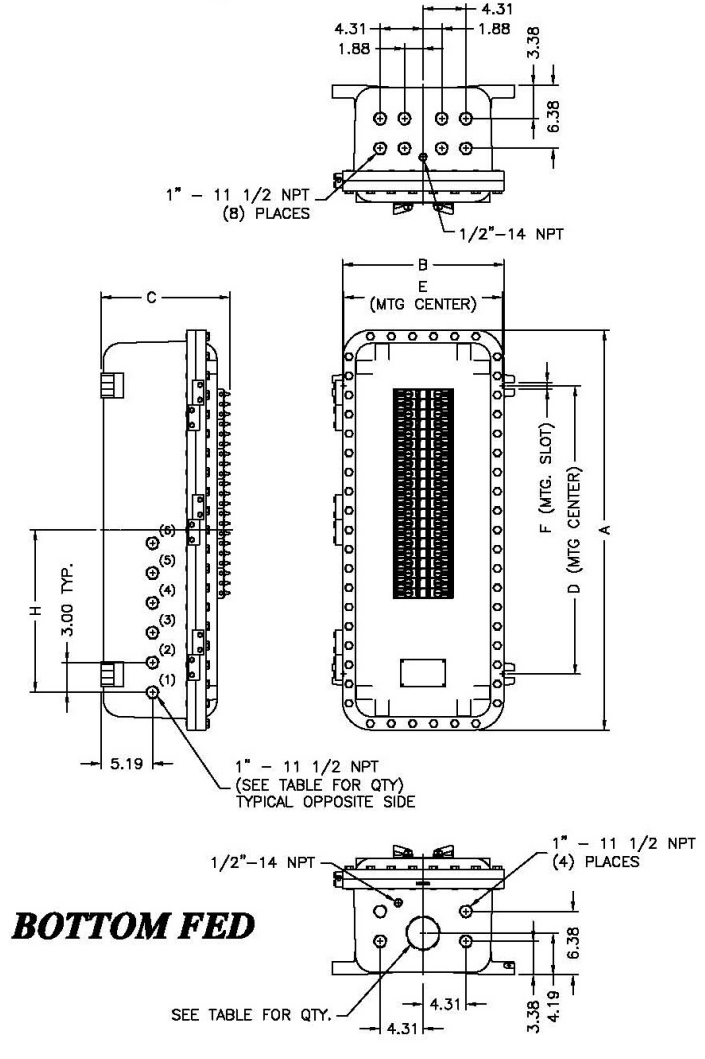
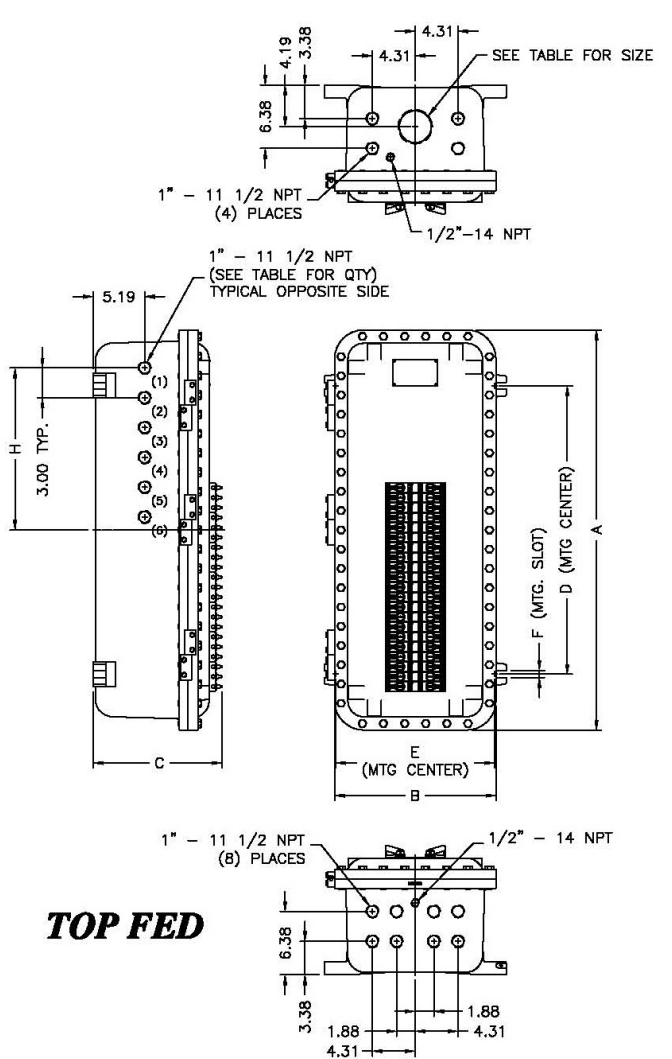
Catalog #	Description
X1PB1-H1	Single Pole PL1A Breaker Handle
X1PB1-H2	Two Pole PL1A Breaker Handle
X1PB1-H3	Three Pole PL1A Breaker Handle
X1PB1-H	PL2A Breaker Handle (ALL POLES)
X1PB1-HGL1	Single Pole PL1A GFI/EPD Breaker Handle - Left Hand
X1PB1-HGR1	Single Pole PL1A GFI/EPD Breaker Handle - Right Hand
X1PB1-HGL2	Two Pole PL1A GFI/EPD Breaker Handle - Left Hand
X1PB1-HGR2	Two Pole PL1A GFI/EPD Breaker Handle - Right Hand
X1PB-MB	PL1A/PL2A Vertical Main Breaker Assembly
X1P3-H	PL3A Circuit Breaker Handle
15562-7	PL1A/PL2A Branch Space Hole Plug
18023	PL3A Branch Space Hole Plug

### BRANCH CIRCUIT BREAKERS, GFI & EPD

Catalog #	Description
X1PB1-1*	1 Pole, 120/240 Volt, Branch Breaker (10-70, 100 Amp.)
X1PB1-2*	2 Pole, 120/240 Volt, Branch Breaker (10-125 Amp.)
X1PB1-3*	3 Pole, 240 Volt, Branch Breaker (10-100 Amp.)
X1PB2-1*	1 Pole, 277/480 Volt, Branch Breaker (15-100 Amp.)
X1PB2-2*	2 Pole, 277/480 Volt, Branch Breaker (15-100 Amp.)
X1PB2-3*	3 Pole, 277/480 Volt, Branch Breaker (15-100 Amp.)
XBP1-1GFCI*	1 Pole, 120 Volt, 5mA, Ground Fault Circuit Breaker (15-40 Amp.)
X1BP1-2GFCI*	2 Pole, 120/240 Volt, 5mA, Ground Fault Circuit Breaker (15-40 Amp.)
X1BP1-1GFEPD*	1 Pole, 120 Volt, 30mA, Ground Fault Equipment Protector (15-40 Amp.)
X1BP1-1GFEPD*	2 Pole, 120/240 Volt, 30mA, Ground Equipment Protector (15-40 Amp.)
X1PB3-43*	3 Pole, 480 Volt, Branch Breaker (10-100 Amp.)
X1PB3-63*	3 Pole, 600 Volt, Branch Breaker (10-100 Amp.)

\*Add the Ampere Rating of the Branch Breaker When Ordering

## Explosionproof Panelboards Lighting Panel Main Lug Only



### CERTIFICATIONS

- Class I, Groups B, C, D
- Class II, Groups F & G
- Class III
- Class I, Zone 1, AE x d IIB
- Ex d IIB+H2
- NEMA Type 4X, 7, 9
- IP66



**DIMENSIONAL OUTLINE**

Catalog #	A	B	C	D	E	F	MAIN CONDUIT FED SIZE	H	LEFT & RIGHT SIDE HOLE LOCATIONS AND QTY'S	XP ENCLOSURE
X1PB1-121-L1_	22.25	16.25	12.03	14.13	15.75	.50	2"	7.00	1 THRU 3	XCEX 121808 N4
X1PB1-241-L1_	28.25	16.25	12.54	18.38	15.75	.63	2.5"	10.00	1 THRU 4	XCEX 122408 N4
X1PB1-241-L2_	40.25	16.25	13.38	29.00	15.75	.68	3"	16.00	1 THRU 4	XCEX 123608 N4
X1PB1-301-L2_	40.25	16.25	13.38	29.00	15.75	.68	3"	16.00	1 THRU 5	XCEX 123608 N4
X1PB1-361-L2_	40.25	16.25	13.38	29.00	15.75	.68	3"	16.00	1 THRU 6	XCEX 123608 N4
X1PB1-421-L2_	40.25	16.25	13.38	29.00	15.75	.68	3"	16.00	1 THRU 6	XCEX 123608 N4
X1PB1-123-L1_	22.25	16.25	12.03	14.13	15.75	.50	2"	7.00	1 THRU 3	XCEX 121808 N4
X1PB1-243-L1_	28.25	16.25	12.54	18.38	15.75	.63	2.5"	10.00	1 THRU 4	XCEX 122408 N4
X1PB1-243-L2_	40.25	16.25	13.38	29.00	15.75	.68	3"	16.00	1 THRU 4	XCEX 123608 N4
X1PB1-303-L2_	40.25	16.25	13.38	29.00	15.75	.68	3"	16.00	1 THRU 5	XCEX 123608 N4
X1PB1-363-L2_	40.25	16.25	13.38	29.00	15.75	.68	3"	16.00	1 THRU 6	XCEX 123608 N4
X1PB1-423-L2_	40.25	16.25	13.38	29.00	15.75	.68	3"	16.00	1 THRU 6	XCEX 123608 N4
X1PB2-123-L1_	22.25	16.25	12.03	14.13	15.75	.50	2"	7.00	1 THRU 3	XCEX 121808 N4
X1PB2-243-L1_	28.25	16.25	12.54	18.38	15.75	.63	2.5"	10.00	1 THRU 4	XCEX 122408 N4
X1PB2-243-L2_	40.25	16.25	13.38	29.00	15.75	.68	3"	16.00	1 THRU 4	XCEX 123608 N4
X1PB2-303-L2_	40.25	16.25	13.38	29.00	15.75	.68	3"	16.00	1 THRU 5	XCEX 123608 N4
X1PB2-363-L2_	40.25	16.25	13.38	29.00	15.75	.68	3"	16.00	1 THRU 6	XCEX 123608 N4
X1PB2-423-L2_	40.25	16.25	13.38	29.00	15.75	.68	3"	16.00	1 THRU 6	XCEX 123608 N4

**LIGHTING PANELS**

Catalog #	# Branch Breakers	Eaton Cutler Hammer Pow-R-Line C Panelboards		Chassis Type
		Electrical Rating	Buss Amp	
X1PB1-121-L1_	12	1Ø-3W 120/240V	100	PRL1A
X1PB1-241-L1_	24	1Ø-3W 120/240V	100	PRL1A
X1PB1-241-L2_	24	1Ø-3W 120/240V	225	PRL1A
X1PB1-301-L2_	30	1Ø-3W 120/240V	225	PRL1A
X1PB1-361-L2_	36	1Ø-3W 120/240V	225	PRL1A
X1PB1-421-L2_	42	1Ø-3W 120/240V	225	PRL1A
X1PB1-123-L1_	12	3Ø-4W 120/208V	100	PRL1A
X1PB1-243-L1_	24	3Ø-4W 120/208V	100	PRL1A
X1PB1-243-L2_	24	3Ø-4W 120/208V	225	PRL1A
X1PB1-303-L2_	30	3Ø-4W 120/208V	225	PRL1A
X1PB1-363-L2_	36	3Ø-4W 120/208V	225	PRL1A
X1PB1-423-L2_	42	3Ø-4W 120/208V	225	PRL1A
X1PB2-123-L1_	12	3Ø-4W 277/480V	100	PRL2A
X1PB2-243-L1_	24	3Ø-4W 277/480V	100	PRL2A
X1PB2-243-L2_	24	3Ø-4W 277/480V	225	PRL2A
X1PB2-303-L2_	30	3Ø-4W 277/480V	225	PRL2A
X1PB2-363-L2_	36	3Ø-4W 277/480V	225	PRL2A
X1PB2-423-L2_	42	3Ø-4W 277/480V	225	PRL2A

**BRANCH CIRCUIT OPERATING HANDLES & PLUGS**

Catalog #	DESCRIPTION
X1PB1-H1	SINGLE POLE PL1A BREAKER HANDLE
X1PB1-H2	TWO POLE PL1A BREAKER HANDLE
X1PB1-H3	THREE POLE PL1A BREAKER HANDLE
X1PB2-H	PL2A BREAKER HANDLE (ALL POLES)
X1PB1-HGL1	SINGLE POLE PL1A GFI/EPD BREAKER HANDLE - LEFT HAND
X1PB1-HGR1	SINGLE POLE PL1A GFI/EPD BREAKER HANDLE - RIGHT HAND
X1PB1-HGL2	TWO POLE PL1A GFI/EPD BREAKER HANDLE - LEFT HAND
X1PB1-HGR2	TWO POLE PL1A GFI/EPD BREAKER HANDLE - RIGHT HAND
15562-7	BRANCH SPACE PLUG

**BRANCH BREAKERS**

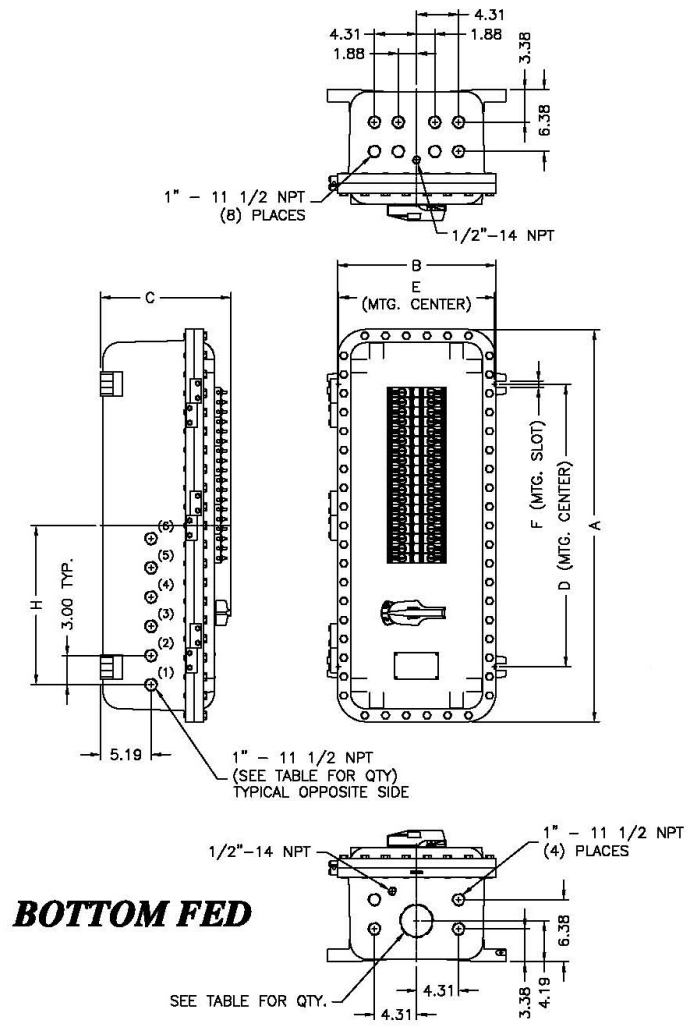
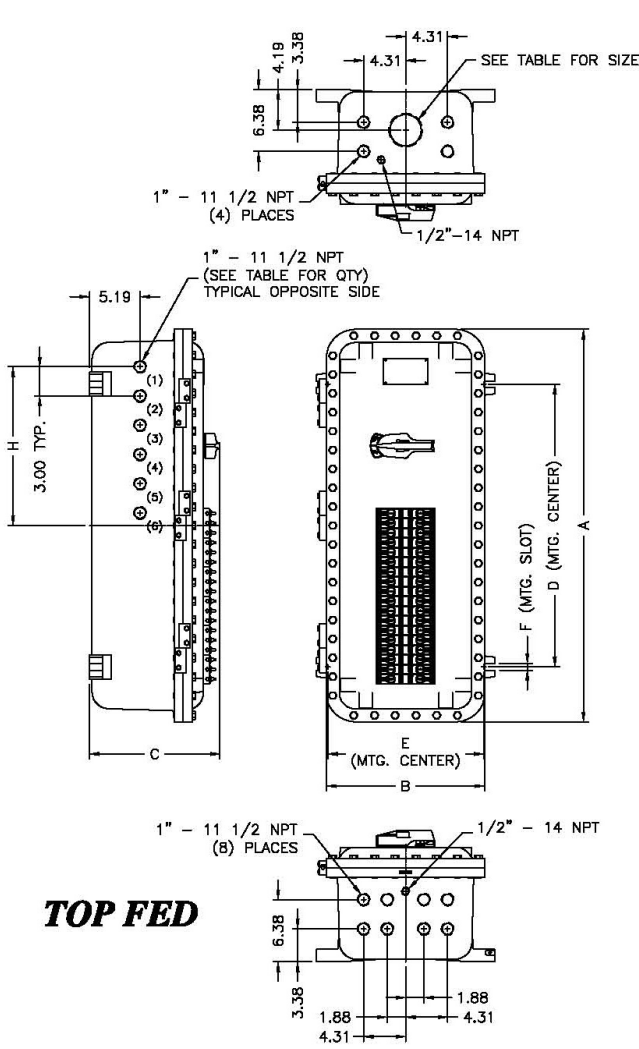
PRL1A	PRL2A
BAB	
QBGF	GHB
QBGFEP	

**NOTES:**

1. For Bottom Fed Model add suffix -B
2. For Top Fed Model add suffix -T
3. 10kA Maximum Interrupting Capacity (Sym.)

## Explosionproof Panelboards

### Vertical Main Breaker



#### CERTIFICATIONS

- Class I, Groups B, C, D
- Class II, Groups F & G
- Class III
- Class I, Zone 1, AE x d IIB
- Ex d IIB+H2
- NEMA Type 4X, 7, 9
- IP66



**DIMENSIONAL OUTLINE**

Catalog #	A	B	C	D	E	F	MAIN CONDUIT FED SIZE	H	LEFT & RIGHT SIDE HOLE LOCATIONS AND QTY'S	XP ENCLOSURE
X1PB1-121-M1_	28.25	16.25	12.94	18.38	15.75	.63	2"	10.00	1 THRU 3	XCEX 122408 N4
X1PB1-241-M1_	40.25	16.25	13.38	18.38	15.75	.68	2.5"	16.00	1 THRU 4	XCEX 123608 N4
X1PB1-241-M2_	40.25	16.25	13.38	29.00	15.75	.68	3"	16.00	1 THRU 4	XCEX 123608 N4
X1PB1-361-M2_	50.25	16.25	13.38	39.00	15.75	.68	3"	21.00	1 THRU 6	XCEX 124608 N4
X1PB1-421-M2_	50.25	16.25	13.38	39.00	15.75	.68	2"	21.00	1 THRU 6	XCEX 124608 N4
X1PB1-123-M1_	28.25	16.25	12.94	18.38	15.75	.63	2.5"	10.00	1 THRU 3	XCEX 122408 N4
X1PB1-243-M1_	40.25	16.25	13.38	29.00	15.75	.68	2.5"	16.00	1 THRU 4	XCEX123608 N4
X1PB1-243-M2_	40.25	16.25	13.38	29.00	15.75	.68	3"	16.00	1 THRU 4	XCEX 123608 N4
X1PB1-363-M2_	50.25	16.25	13.38	39.00	15.75	.68	3"	21.00	1 THRU 6	XCEX 124608 N4
X1PB1-423-M2_	50.25	16.25	13.38	39.00	15.75	.68	2"	21.00	1 THRU 6	XCEX 124608 N4
X1PB2-123-M1_	28.25	16.25	12.94	18.38	15.75	.63	2"	10.00	1 THRU 3	XCEX 122408 N4
X1PB2-243-M1_	40.25	16.25	13.38	29.00	15.75	.68	2.5"	16.00	1 THRU 4	XCEX 123608 N4
X1PB2-243-M2_	40.25	16.25	13.38	29.00	15.75	.68	2.5"	16.00	1 THRU 4	XCEX 123608 N4
X1PB2-363-M2_	50.25	16.25	13.38	39.00	15.75	.68	3"	21.00	1 THRU 6	XCEX 124608 N4
X1PB2-423-M2_	50.25	16.25	13.38	39.00	15.75	.68	3"	21.00	1 THRU 6	XCEX 124608 N4

**LIGHTING PANELS**

Catalog #	# Branch Breakers	Eaton Cutler Hammer Pow-R-Line C Panelboards			Chassis Type
		Electrical Rating	Main Brkr Type	Buss Amp	
X1PB1-121-M1_	12	1Ø-3W 120/240V	EHD2100	100	PRL1A
X1PB1-241-M1_	24	1Ø-3W 120/240V	EHD2100	100	PRL1A
X1PB1-241-M2_	24	1Ø-3W 120/240V	FD2225	225	PRL1A
X1PB1-361-M2_	36	1Ø-3W 120/240V	FD2225	225	PRL1A
X1PB1-421-M2_	42	1Ø-3W 120/240V	FD2225	225	PRL1A
X1PB1-123-M1_	12	3Ø-4W 120/208V	EHD2100	100	PRL1A
X1PB1-243-M1_	24	3Ø-4W 120/208V	EHD2100	100	PRL1A
X1PB1-243-M2_	24	3Ø-4W 120/208V	FD2225	225	PRL1A
X1PB1-363-M2_	36	3Ø-4W 120/208V	FD2225	225	PRL1A
X1PB1-423-M2_	42	3Ø-4W 120/208V	FD2225	225	PRL1A
X1PB2-123-M1_	12	3Ø-4W 277/480V	EHD3100	100	PRL2A
X1PB2-243-M1_	24	3Ø-4W 277/480V	EHD3100	100	PRL2A
X1PB2-243-M2_	24	3Ø-4W 277/480V	FD3225	225	PRL2A
X1PB2-363-M2_	36	3Ø-4W 277/480V	FD3225	225	PRL2A
X1PB2-423-M2_	42	3Ø-4W 277/480V	FD3225	225	PRL2A

**BRANCH CIRCUIT OPERATING HANDLES & PLUGS**

Catalog #	DESCRIPTION
X1PB1-H1	SINGLE POLE PL1A BREAKER HANDLE
X1PB1-H2	TWO POLE PL1A BREAKER HANDLE
X1PB1-H3	THREE POLE PL1A BREAKER HANDLE
X1PB2-H	PL2A BREAKER HANDLE (ALL POLES)
X1PB1-HGL1	SINGLE POLE PL1A GFI/EPD BREAKER HANDLE - LEFT HAND
X1PB1-HGR1	SINGLE POLE PL1A GFI/EPD BREAKER HANDLE - RIGHT HAND
X1PB1-HGL2	TWO POLE PL1A GFI/EPD BREAKER HANDLE - LEFT HAND
X1PB1-HGR2	TWO POLE PL1A GFI/EPD BREAKER HANDLE - RIGHT HAND
15562-7	BRANCH SPACE PLUG
X1PB-MB	VERTICAL MAIN BREAKER HANDLE ASSEMBLY
18023	XPPH-N4 MAIN BREAKER PLUG

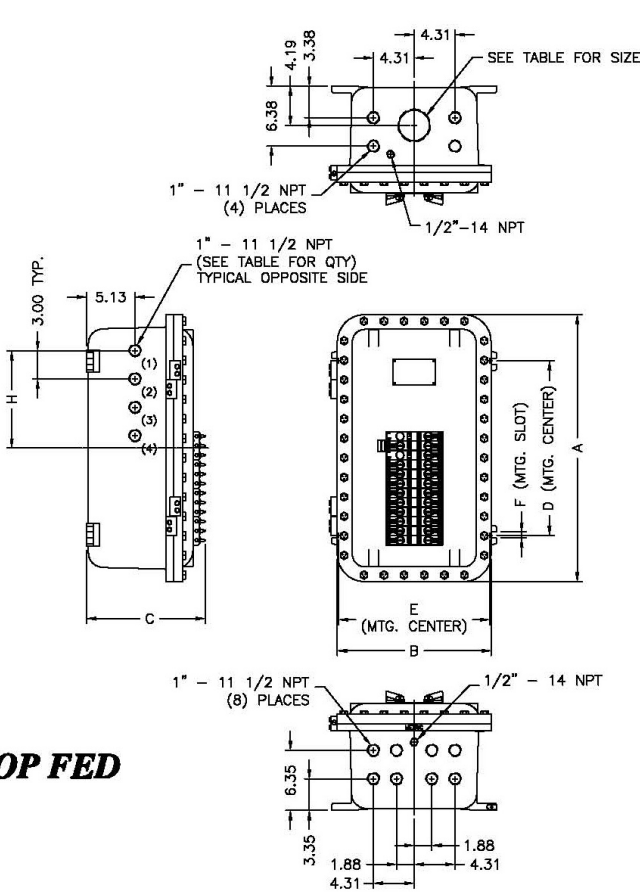
**BRANCH BREAKERS**

PRL1A	PRL2A
BAB	
QBGF	GHB
QBGFEP	

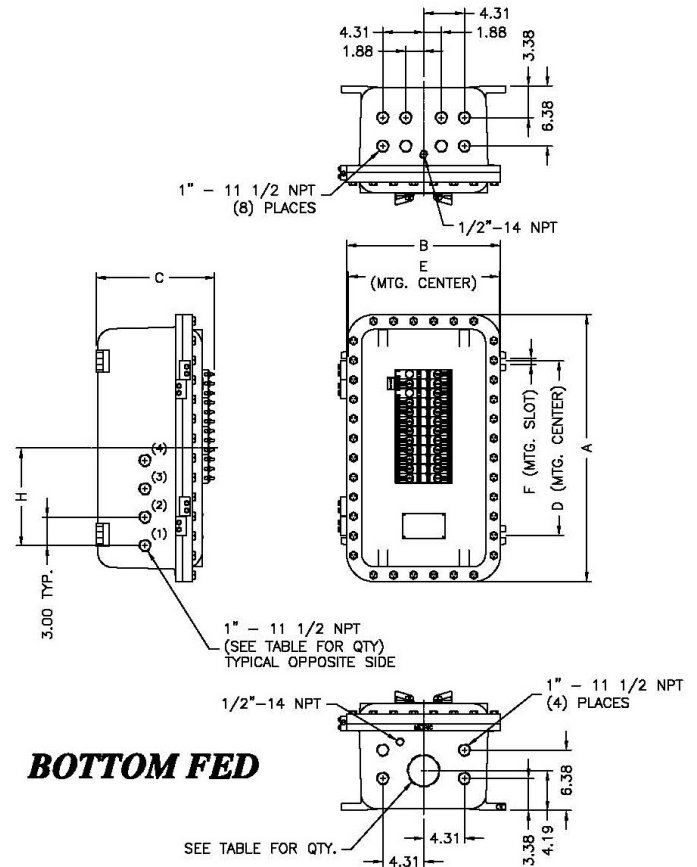
**NOTES:**

1. For Bottom Fed Model add suffix -B
2. For Top Fed Model add suffix -T
3. 10kA Maximum Interrupting Capacity (Sym.)

## Explosionproof Panelboards Back Fed Main Breaker



**TOP FED**



**BOTTOM FED**

**CERTIFICATIONS**

- Class I, Groups B, C, D
- Class II, Groups F & G
- Class III
- Class I, Zone 1, AE x d IIB
- Ex d IIB+H2
- NEMA Type 4X, 7, 9
- IP66



### DIMENSIONAL OUTLINE

Catalog #	A	B	C	D	E	F	MAIN CONDUIT FED SIZE	H	LEFT & RIGHT SIDE HOLE LOCATIONS AND QTY'S	XP ENCLOSURE
X1PB1-121-B1_	22.25	16.25	12.03	14.13	15.75	.50	2"	7.00	1 THRU 3	XCEX 121808 N4
X1PB1-181-B1_	28.25	16.25	12.54	18.38	15.75	.63	2.5"	10.00	1 THRU 4	XCEX 122408 N4
X1PB1-241-B1_	28.25	16.25	12.54	18.38	15.75	.63	2.5"	16.00	1 THRU 4	XCEX 122408 N4
X1PB1-123-B1_	22.25	16.25	12.03	14.13	15.75	.50	2"	16.00	1 THRU 3	XCEX 121808 N4
X1PB1-183-B1_	28.25	16.25	12.54	18.38	15.75	.63	2.5"	16.00	1 THRU 4	XCEX 122408 N4
X1PB1-243-B1_	28.25	16.25	12.54	18.38	15.75	.63	2.5"	16.00	1 THRU 4	XCEX 122408 N4
X1PB2-123-B1_	22.25	16.25	12.03	14.13	15.75	.50	2"	7.00	1 THRU 3	XCEX 121808 N4
X1PB2-183-B1_	28.25	16.25	12.54	18.38	15.75	.63	2.5"	10.00	1 THRU 4	XCEX122408 N4
X1PB2-243-B1_	28.25	16.25	12.54	18.38	15.75	.63	2.5"	16.00	1 THRU 4	XCEX 122408 N4

### LIGHTING PANELS

Catalog #	# Branch Breakers	Eaton Cutler Hammer Pow-R-Line C Panelboards			Chassis Type
		Electrical Rating	Main Brkr Type	Buss Amp	
X1PB1-121-B1_	10	1Ø-3W 120/240V	BAB2100	100	PRL1A
X1PB1-181-B1_	16	1Ø-3W 120/240V	BAB2100	100	PRL1A
X1PB1-241-B2_	22	1Ø-3W 120/240V	BAB2100	100	PRL1A
X1PB1-123-B1_	9	1Ø-3W 120/208V	BAB3100H	100	PRL1A
X1PB1-183-B1_	15	1Ø-3W 120/208V	BAB3100H	100	PRL1A
X1PB1-243-B2_	21	3Ø-4W 120/208V	BAB3100H	100	PRL1A
X2PB2-123-B1_	9	3Ø-4W 120/480V	GHB3100	100	PRL2A
X2PB1-183-B1_	15	3Ø-4W 120/480V	GHB3100	100	PRL2A
X1PB2-243-B2_	21	3Ø-4W 120/480V	GHB3100	100	PRL2A

### BRANCH CIRCUIT OPERATING HANDLES & PLUGS

Catalog #	DESCRIPTION
X1PB1-H1	SINGLE POLE PL1A BREAKER HANDLE
X1PB1-H2	TWO POLE PL1A BREAKER HANDLE
X1PB1-H3	THREE POLE PL1A BREAKER HANDLE
X1PB2-H	PL2A BREAKER HANDLE (ALL POLES)
X1PB1-HGL1	SINGLE POLE PL1A GFI/EPD BREAKER HANDLE - LEFT HAND
X1PB1-HGR1	SINGLE POLE PL1A GFI/EPD BREAKER HANDLE - RIGHT HAND
X1PB1-HGL2	TWO POLE PL1A GFI/EPD BREAKER HANDLE - LEFT HAND
X1PB1-HGR2	TWO POLE PL1A GFI/EPD BREAKER HANDLE - RIGHT HAND
15562-7	BRANCH SPACE PLUG

### BRANCH BREAKERS

PRL1A	PRL2A
BAB	
QBGF	GHB
QBGFEP	

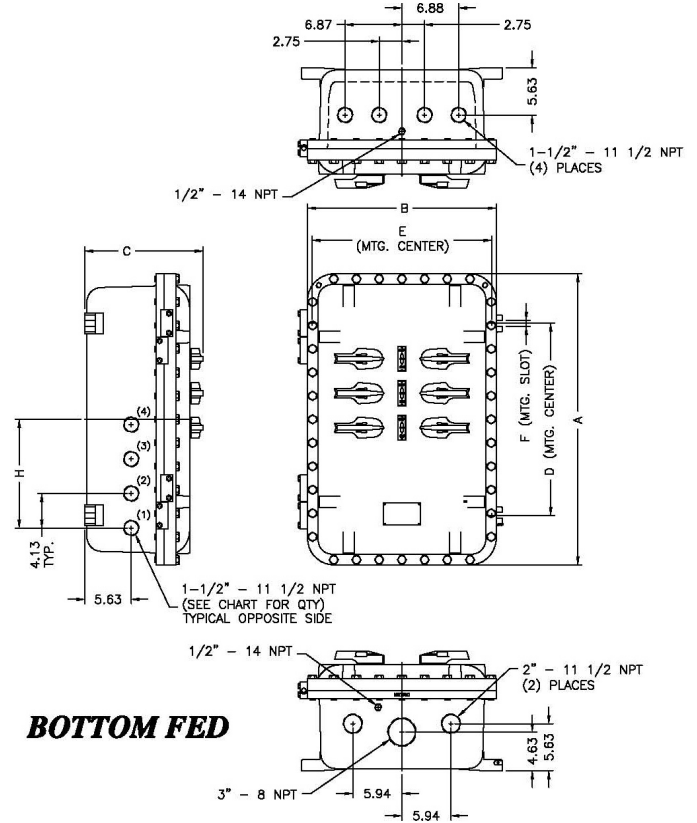
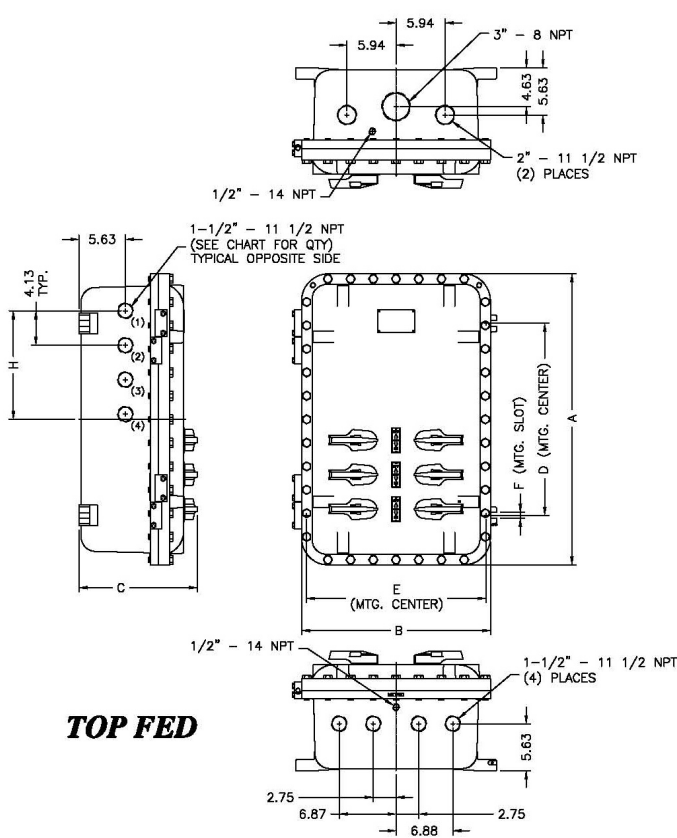
### NOTES:

1. For Bottom Fed Model add suffix -B
2. For Top Fed Model add suffix -T
3. 10kA Maximum Interrupting Capacity (Sym.)



# Explosionproof Panelboards

## Power Panel Main Lug Only



**CERTIFICATIONS**

- Class I, Groups B, C, D
- Class II, Groups F & G
- Class III
- Class I, Zone 1, AE x d IIB
- Ex d IIB+H2
- NEMA Type 4X, 7, 9
- IP66



### DIMENSIONAL OUTLINE

Catalog #	A	B	C	D	E	F	H	LEFT & RIGHT SIDE HOLE LOCATIONS AND QTY'S	BASE XP ENCLOSURE
X1PB3-4_	28.88	22.88	14.46	18.38	15.75	.69	10.00	1 & 2	XCEX 182408 N4
X1PB3-6_	34.88	22.88	14.35	23.00	15.75	.69	13.00	1 THRU 3	XCEX 183008 N4
X1PB3-8_	34.88	22.88	14.35	23.00	15.75	.69	13.00	1 THRU 3	XCEX 183008 N4
X1PB3-10_	40.88	22.88	14.54	29.00	21.75	.69	16.00	1 THRU 4	XCEX 183608 N4

### POWER PANELS

Catalog #	Eaton Cutler Hammer Pow-R-Line C Panelboards			
	# 3-Pole Branch Brkrs	Electrical Rating	Buss Amp	Chassis Type
X1PB3-434-L2_	4	3Ø-3W 480V	225	PRL3A
X1PB3-634-L2_	6	3Ø-3W 480V	225	PRL3A
X1PB3-834-L2_	8	3Ø-3W 480V	225	PRL3A
X1PB3-1034-L2_	10	3Ø-3W 480V	225	PRL3A
X1PB3-444-L2_	4	3Ø-4W 480V	225	PRL3A
X1PB3-644-L2_	6	3Ø-4W 480V	225	PRL3A
X1PB3-844-L2_	8	3Ø-4W 480V	225	PRL3A
X1PB3-1044-L2_	10	3Ø-4W 480V	225	PRL3A
X1PB3-436-L2_	4	3Ø-3W 600V	225	PRL3A
X1PB3-636-L2_	6	3Ø-3W 600V	225	PRL3A
X1PB3-836-L2_	8	3Ø-3W 600V	225	PRL3A
X1PB3-1036-L2_	10	3Ø-3W 600V	225	PRL3A
X1PB3-446-L2_	4	3Ø-4W 600V	225	PRL3A
X1PB3-646-L2_	6	3Ø-4W 600V	225	PRL3A
X1PB3-846-L2_	8	3Ø-4W 600V	225	PRL3A
X1PB3-1046-L2_	10	3Ø-4W 600V	225	PRL3A

### BRANCH CIRCUIT OPERATING HANDLES & PLUGS

Catalog #	DESCRIPTION
X1PB1-H1	SINGLE POLE PL1A BREAKER HANDLE
X1PB1-H2	TWO POLE PL1A BREAKER HANDLE
X1PB1-H3	THREE POLE PL1A BREAKER HANDLE
X1PB2-H	PL2A BREAKER HANDLE (ALL POLES)
X1PB1-HGL1	SINGLE POLE PL1A GFI/EPD BREAKER HANDLE - LEFT HAND
X1PB1-HGR1	SINGLE POLE PL1A GFI/EPD BREAKER HANDLE - RIGHT HAND
X1PB1-HGL2	TWO POLE PL1A GFI/EPD BREAKER HANDLE - LEFT HAND
X1PB1-HGR2	TWO POLE PL1A GFI/EPD BREAKER HANDLE - RIGHT HAND
15562-7	BRANCH SPACE PLUG

### BRANCH BREAKERS

Volts	Type
480	EHD
600	FDB

#### NOTES:

1. For Bottom Fed Model add suffix -B
2. For Top Fed Model add suffix -T
3. 10kA Maximum Interrupting Capacity (Sym.)

# Lighting and Power Distribution Panelboards

The design offers sufficient gutter space on sides to allow through wiring and easy lug connection. All enclosures are furnished with hinges, stainless steel quad lead cover bolts and are provided with Nema 4 gasketing. All covers are removable for clear access to breakers and gutter space. The compact design of rectangular housings permits close grouping on switch racks and other structures. No additional space is required for cover removal except from the front.

## STANDARD FEATURES

### ENCLOSURE

- Copper-free cast aluminum alloy
- Housings are Adalet XCE series and have precision ground cover and body joints.

### MECHANICAL

- Front mounted power panel and lighting panel branch breaker handles can be padlocked either in "off" or "on" position
- All breaker handles are spring loaded allowing closing of the cover with breaker toggle in any position
- Operating handle shafts have "V" ring gaskets for watertight application

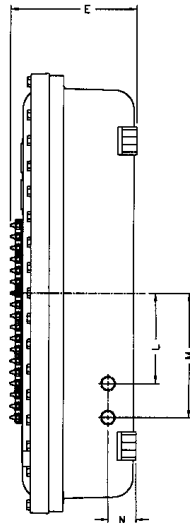
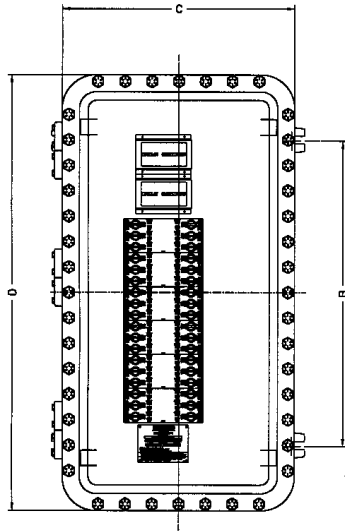
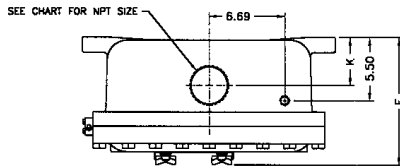
### ELECTRICAL

- In general, Adalet lighting and power distribution panels are designed with Cutler Hammer chassis copper buss with ground and isolated neutral bars.
- All branch breakers and operating handles are "optional adders".

## CERTIFICATIONS

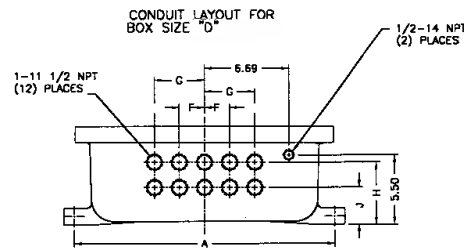
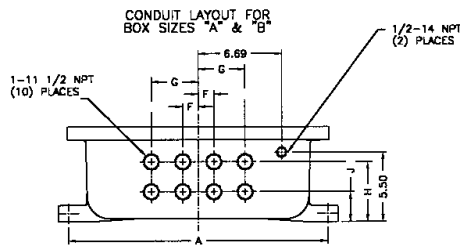
Class I, Div.1, Groups B, C, D  
 Class II, Div. 2 Groups F & G  
 Class III  
 NEMA Type 4, 7, 9 w/SS cover bolts)(w/N4 suffix)  
 UL1203  
 CSA C22.2 No. 25 & 30  
 UL 50





### CONDUIT ENTRIES

Box Size	Conduit Entries (NPT)			
	1/2"	1"	2"	3"
A	Top	(1)	—	(1)
	Side	—	(2)	—
	Bottom	(1)	(8)	—
B	Top	(1)	—	(1)
	Side	—	(2)	—
	Bottom	(1)	(8)	—
D	Top	(1)	—	(1)
	Side	—	(2)	—
	Bottom	(1)	(10)	—



### NOMINAL DIMENSIONS

Box Size	Box Inside Dimensions			Mtg. Width (A)	Mtg. Height (B)	Overall Cover (C)	Overall Hole (D)	Overall Each (E)	Mtg. Bolt Size
	W	L	D						
A	16	16	6	19 3/4	11	20 7/8	20 7/8	11	5/8
B	16	24	6	19 3/4	18 3/8	20 7/8	28 7/8	11 1/2	5/8
D	16	34	6	19 3/4	27	20 1/2	38 1/2	10 3/4	5/8

### NOMINAL DIMENSIONS

Box Size	F	G	H	J	K	L	M	N	Weight (lbs.)
A	1 1/4	3 3/4	4 3/4	2 3/8	3 3/8	1	3 1/2	2 1/2	160
B	1 1/4	3 3/4	4 3/4	2 3/8	3 3/8	3	5	2 1/2	220
D	2	4	4 15/16	2 15/16	4 3/8	8	11	2 1/2	285

## Lighting Panelboards

### STANDARD FEATURES

- Explosionproof circuit breaker lighting panelboards use cast aluminum alloy housings with hinged cover
- External operating handles can be padlocked in “on” or “off” position
- Incorporates Cutler-Hammer bolt-on breakers @ 240 volt max.
- Top feed standard

### HOW TO ORDER

1. Specify catalog number and voltage.
2. Number of operator handles, single pole, two pole and three pole as required.
3. Circuit breakers, number of poles and ampere rating.
4. Unused spaces will be plugged. Top feed standard.

#### BACK FED MAIN BREAKER PANELBOARDS

120/240 Volt, 1 phase 3 wire, solid neutral, Chassis without branch breakers or operating handles, 10,000 Ampere interrupting capacity (sym.).

BACK FED MAIN BREAKER PANELBOARDS			
Number of Available Poles	Catalog Number	Main Breaker Included	Box Size
10	XPB1-121 B1	100 Amp	A
22	XPB1-241 B1	100 Amp	B

#### BACK FED MAIN BREAKER PANELBOARDS

120/208 Volt, 3 phase 4 wire, solid neutral, Chassis without branch breakers or operating handles, 10,000 Ampere interrupting capacity (sym.).

BACK FED MAIN BREAKER PANELBOARDS			
Number of Available Poles	Catalog Number	Main Breaker Included	Box Size
9	XPB1-123 B1	100 Amp	A
21	XPB1-243 B1	100 Amp	B

#### MAIN LUG ONLY PANELBOARDS

1 Phase 3 wire 120/240 volt top feed main lug only, Chassis without branch breakers or operating handles, 10,000 Ampere interrupting capacity (sym).

MAIN LUG ONLY PANELBOARDS			
Number of Poles	Catalog Number	Main Lug Amperes	Box Size
12	XPB1-121L1	100	A
24	XPB1-241L1	100	B
24	XPB1-241L2	225	B
30	XPB1-301L2	225	D
36	XPB1-361L2	225	D

#### MAIN LUG ONLY PANELBOARDS

3 Phase 4 wire 120/208 volt top feed main lug only, Chassis without branch breakers or operating handles, 10,000 Ampere interrupting capacity (sym).

MAIN LUG ONLY PANELBOARDS			
Number of Poles	Catalog Number	Main Lug Amperes	Box Size
12	XPB1-123L1	100	A
24	XPB1-243L1	100	B
24	XPB1-243L2	225	B
30	XPB1-303L2	225	D
36	XPB1-363L2	225	D

# Lighting Panelboards Modifications and Options

## CIRCUIT BREAKER OPERATOR HANDLES

- Installed in XPB1 panel boards

Catalog #	Operator Description	Weight (lbs.)
XPB1-H1	For single pole BAB breakers	¼ lb.
XPB1-H2	For two pole BAB breakers	¼ lb.
XPB1-H3	For three pole BAB breakers	¼ lb.
XPB1-GL	For single pole GFI breaker left	¼ lb.
XPB1-GR	For single pole GFI breaker right	¼ lb.
XPB1-GR2	For two pole GFI breaker right	¼ lb.
XPB1-GL2	For two pole GFI breaker left	¼ lb.

### Optional Features - Modifications:

Suffix Letter	Description
E	Breather Drain (not type 4)
EE	Breather and drain (not type 4)
L1	Epoxy Coating Outside
L2	Epoxy Coating Inside/Outside

## BRANCH CIRCUIT BREAKERS

- Installed in XPB1 panel boards
- Bolt-on thermal magnetic breakers 120/240 volt 10,000 ampere I.C.

Catalog #	Operator Description
XPB1-1*	1 pole breaker (available in 10-70 amp)
XPB1-2*	2 pole breaker (available in 10-100 amp)
XPB1-3*	3 pole breaker (available in 10-100 amp)

\*Add ampere rating of the branch breaker when ordering.

## GROUND FAULT CIRCUIT PROTECTORS

- 120/240 Volt 10,000 Ampere I.C. Std., 22,000 Ampere I.C. Optional
- Available with special application Bell Alarm or Auxiliary Switch.

Catalog #	Operator Description
XPB1-1GFCl*	1 pole GFCI Breaker 5 MA Sensitivity
XPB1-2GFCl*	2 pole GFCI Breaker 5 MA Sensitivity
XPB1-1GFEPD*	1 pole GFCI Breaker 30 MA Sensitivity
XPB1-2GFEPD*	2 pole GFCI Breaker 30 MA Sensitivity

\*Add ampere rating of the branch breaker when ordering

## BOLT-ON SWITCHING NEUTRAL BREAKERS

- 120/240 Volt 10,000 Ampere I.C.

Catalog #	Operator Description
XPB1-N1*	1 pole switching to neutral. Requires two spaces (available in 15-30 amp)
XPB1-N2*	2 pole switching to neutral. Requires three spaces (available in 15-30 amp)

\*Add ampere rating of the branch breaker when ordering

## Power Distribution Panelboards

### STANDARD FEATURES

- Explosionproof circuit breaker power panelboards use cast aluminum alloy housings with hinged cover
- External operating handles can be padlocked in “on” or “off” positions
- Incorporates Cutler-Hammer bolt-on breakers @ 480 volt max.
- Top feed standard

### CERTIFICATIONS

Class I, Groups B, C, D  
 Class II, Groups F & G  
 Class III  
 NEMA Type 4, 7, 9  
 UL1203  
 CSA C22.2 No. 25 & 30  
 UL 50



### BACK FED MAIN BREAKER PANELBOARDS

277/480 Volt, 3 phase 4 wire, solid neutral, Chassis without branch breakers or operating handles, 10,000 Ampere interrupting capacity (sym.).

#### BACK FED MAIN BREAKER PANELBOARDS

Number of Available Poles	Catalog Number	Main Breaker Included	Box Size
9	XPB2-123B1	100 Amp	A
21	XPB2-243B1	100 Amp	B

### HOW TO ORDER

1. Specify catalog number and voltage.
2. Number of operator handles, single pole, two pole and three pole as required.
3. Circuit breakers, number of poles and ampere rating.
4. Unused spaces will be plugged. Top feed standard.

### MAIN LUG ONLY PANELBOARDS

277/480 Volt, 3 phase 4 wire, Chassis without branch breakers or operating handles, 10,000 Amperes interrupting capacity (sym).

#### MAIN LUG ONLY PANELBOARDS

Number of Poles	Catalog Number	Main Lug Amperes	Box Size
12	XPB2-123L1	100	A
24	XPB2-243L1	100	B
24	XPB2-243L2	225	B
30	XPB2-303L2	225	D
36	XPB2-363L2	225	D

### HOW TO ORDER

1. Specify catalog number, operator handles and circuit breakers as separate items.
2. Single pole breakers use 1 handle space, 1 handle. 2 pole, 2 spaces, 1 handle. 3 pole, 3 spaces, 1 handle.
3. 100 ampere main lugs conductor size #12 -1/0 CU/AL. 225 ampere main lugs conductor size #6-300 MCM CU/AL.
4. Unused spaces will be plugged. Top feed standard.

# Power Distribution Panelboards Modifications and Options

## CIRCUIT BREAKER OPERATOR HANDLES

- Installed in XPB2 panelboards

Catalog #	Operator Description	Weight (lbs.)
XPB2-H1	For 1, 2 or 3-pole GHB breaker	¼ lb.

## BRANCH CIRCUIT BREAKERS

- Installed in XPB2 panel boards
- Bolt-on thermal magnetic breakers

Catalog #	Operator Description
XPB2-1*	1 pole GHB breaker (available in 15-100 amp) 277 volt A.C.
XPB2-2*	2 pole GHB breaker (available in 15-100 amp) 480 volt A.C.
XPB2-3*	3 pole GHB breaker (available in 15-100 amp) 480 volt A.C.

\*Add ampere rating of the branch breaker when ordering.

### Optional Features - Modifications:

Suffix Letter	Description
E	Breather Drain (not type 4)
EE	Breather and drain (not type 4)
L1	Epoxy Coating Outside
L2	Epoxy Coating Inside/Outside