

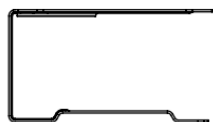
MA-MNT-ANT-3 Installation Guide

Overview

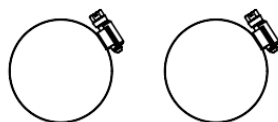
The MA-MNT-ANT-3 is a horizontal mounting bracket designed for the MA-ANT-3-C* and MA-ANT-3-D* omnidirectional antennas.

Package Contents

The MA-MNT-ANT-3 allows for mounting the MA-ANT-3-C* and MA-ANT-3-D* omnidirectional antennas to pole and ceiling surfaces.



Horizontal Mounting Bracket

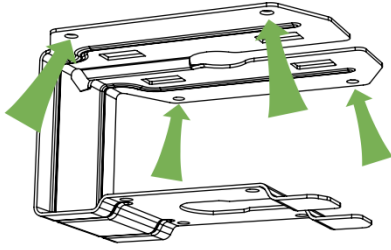


78-101mm Hose Clamps



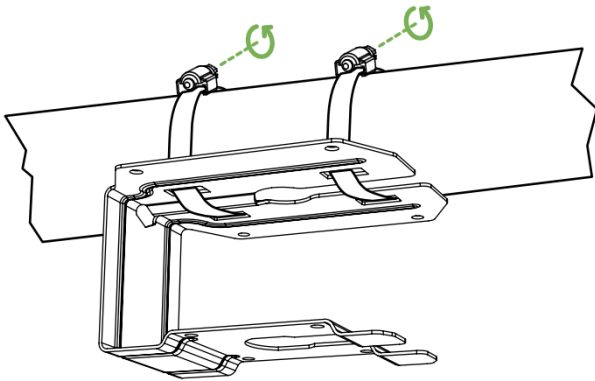
Mounting Hardware

Installation



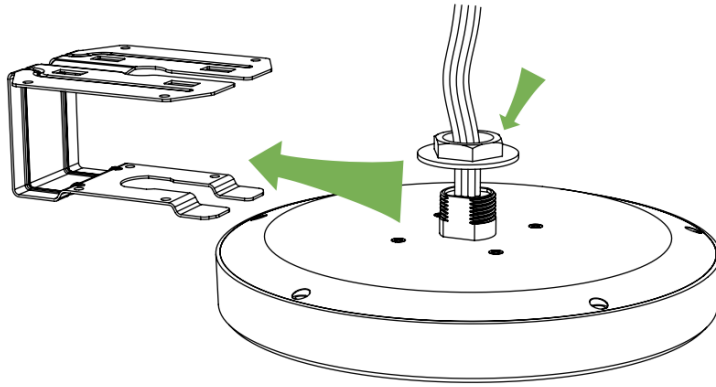
Step 1A: (Skip this step if using hose clamps)

Mount the bracket to the ceiling using the provided screws and anchors.



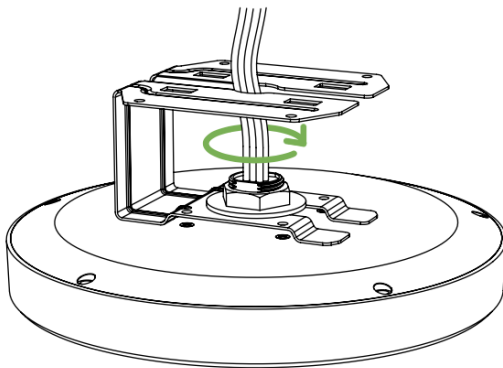
Step 1B: (Skip this step if using screws & anchors)

Mount the bracket to a 78-101mm diameter pole by feeding the adjustable hose clamps through the slots on the bracket then tightening the hose clamp fasteners.



Step 2:

Make sure the flange nut is threaded through the cables as shown before sliding the MA-ANT-3-C or MA-ANT-3-D into the slot on the bracket.



Step 3:

Turn the flange nut down until the antenna is tightly secured.