

---

## MA-MNT-ANT-1 Installation Guide

---

### Overview

The MA-MNT-ANT-1 is a standard-length mounting arm designed for the MA-ANT-3-E\* and MA-ANT-3-F\* wide patch and narrow patch antennas.

---

### Package Contents

The MA-MNT-ANT-1 is designed with an articulating arm that allows for mounting the MA-ANT-3-E\* and MA-ANT-3-F\* patch antennas to wall and ceiling surfaces. The mount comes with 5° mounting marks for precise coverage angles.



Standard Length Adjustable Arm



78-101mm Hose Clamps

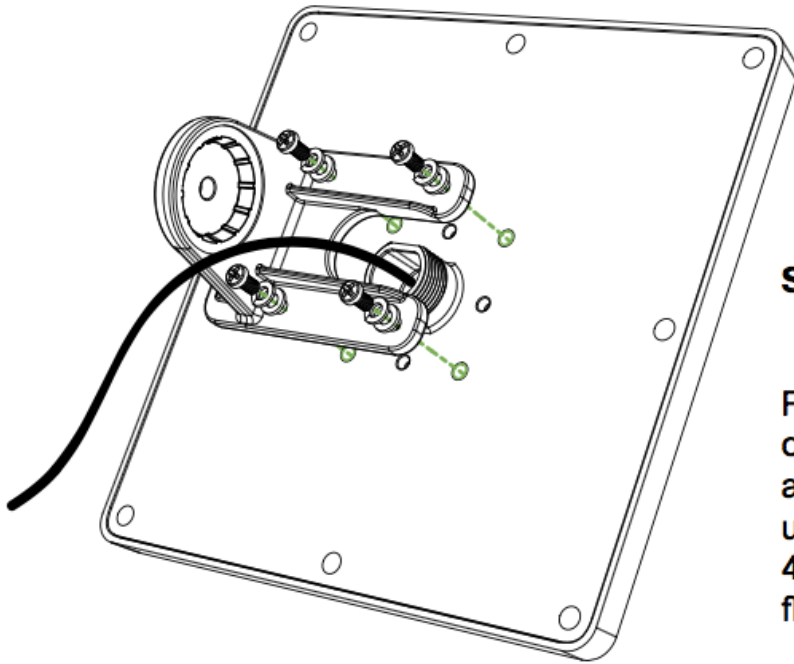


Mounting and Assembly Hardware

---

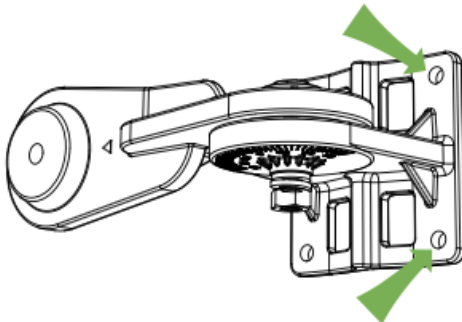
### Installation

---



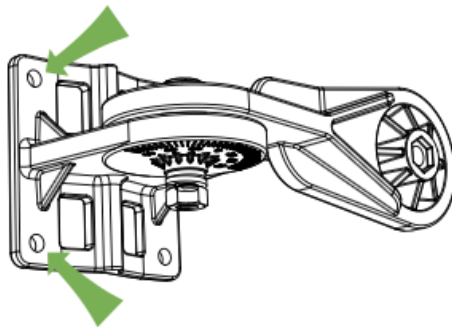
**Step 1:**

Fasten the MA-ANT-3-E or MA-ANT-3-F series antenna to the bracket using the 4x M6 bolts, 4x lock washers, and 4x flat washers provided.



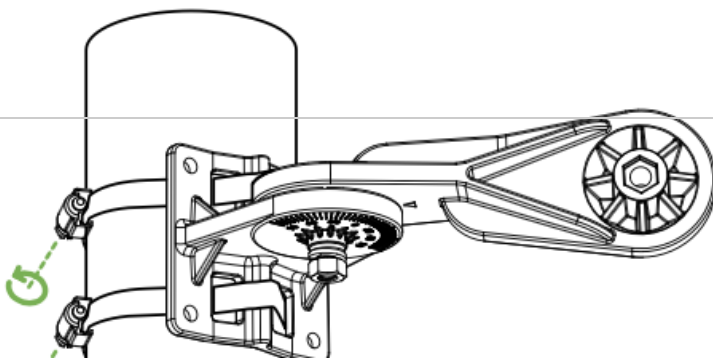
**Step 2A:** (Skip this step if using hose clamps)

Swivel arm out of the way to mount the arm to a wall using the provided screws and anchors.

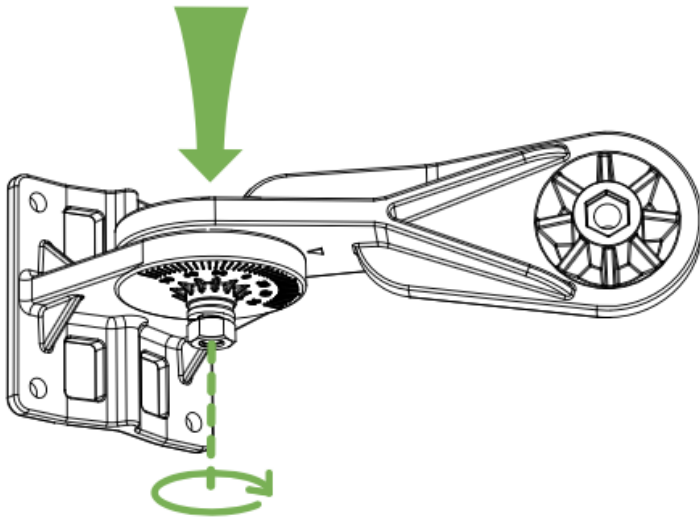


**Step 2B:** (Skip this step if using screws & anchors)

Mount the arm to a 78-101mm diameter pole by feeding the adjustable base clamps through the

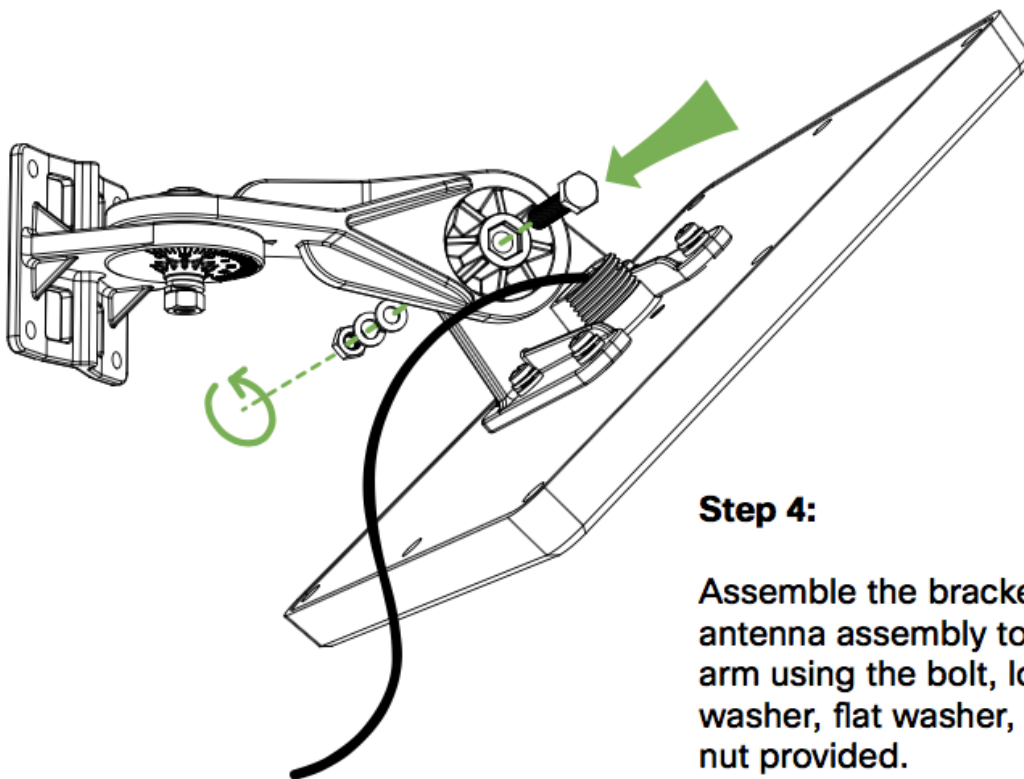






**Step 3:**

Adjust the arm to the desired direction and tighten the bolt fastening the arm and mount plate.



**Step 4:**

Assemble the bracket and antenna assembly to the arm using the bolt, lock washer, flat washer, and nut provided.

**Step 5:**

Connect each antenna

