

Unique offer - component guide on CD rom



ELECTRONICS WORLD

Denmark DKr. 65.00
Germany DM 15.00
Greece Dra.760
Holland Dfl. 14
Italy L. 7300
IR £3.30
Spain Pts. 780
Singapore S\$ 12.60
USA \$4.94

A REED BUSINESS PUBLICATION
SOR DISTRIBUTION

+ WIRELESS WORLD

July 1995 £2.10

SPECIAL FEATURE
PC INTERFACING

**Heart rate
monitor**

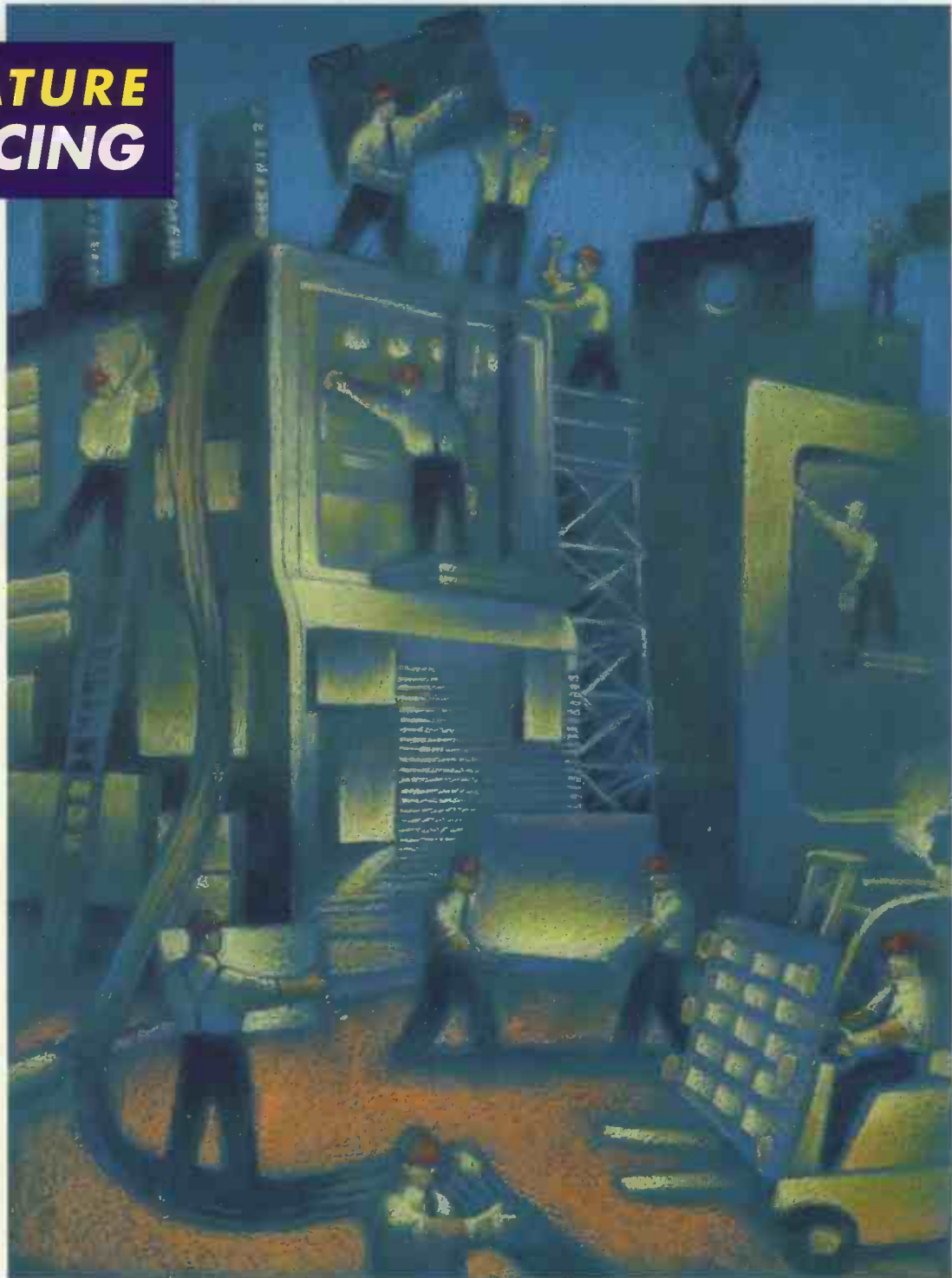
**Signal Centre
reviewed**

**Coaxial cable
analyser**

**Dual mirror
for faster
audio**

**Modulating
linearly**

**Oscillator
innovations**



Exclusive - PCBs for Self's trimodal amp

PCB Design Contest

Are You The ULTimate PCB Designer?

Test yourself against the best in the UK! The designer who manages to make the best quality Contest PCB Design (determined by total trace length and number of vias) will receive an ULTiboard Advanced Designer, valued at over £ 2,214.88 incl. VAT! 2-10 prize winners win an ULTiboard Entry Designer valued at £ 1,521.63.

Competition Entries will be judged by an independent jury, consisting of experts in the field of electronic design and production. So that we can judge your design, contenders need to provide us with:

- an ULTiboard ddf file or
 - a Gerber (photoplot) file of any PCB Design System plus printouts that clearly show trace widths, pad sizes number of vias and total trace length.
- The contest closes on 1st November, 1995. The 10 Winners will be personally informed, and the results published. No correspondence will be entered into and the judges decision is final!

The contest design may be perfectly designed with the ULTiboard Challenger Lite a 32 bit Schematic Entry and PCB Layout Tool with a design capacity of 500 pins. This Version includes an internal gridless autorouter, that routes by nets, component or block.

Minimum Hardware requirements are: 80386 (SX), 2 Mb RAM and Colour VGA. No Purchase is required to enter the competition and all employees & distributors of ULTimate Technology are excluded. For those who wish to purchase their own PCB Design System the 32 bit Challenger Lite is available on special offer for a limited period only.

Special Offer!

Challenger Lite £150 + £10 Delivery and VAT
Please order by Credit Card, Tel: 01734 812030 or Send a Cheque for £188 to: ULTimate Technology Ltd. 2 Bacchus House, Calleva Park, Aldermaston. Berks RG7 4QW

ENTRY FORM Please fax or send back this form (one design per entrant only) to ULTimate Technology (UK) Ltd, 2 Bacchus House, Calleva Park, Aldermaston, Berkshire RG7 4QW England, Fax: 01734 815323

Name : _____

Address : _____

Daytime Tel : _____

Design Tool Used : _____

Please send me a competition pack including: Net List on floppy disk and paper and design rules (minimum trace widths & clearances, pad and via sizes) etc.

ULTICAP + ULTIBOARD = MAXIMUM PRODUCTIVITY

ULTIMATE
TECHNOLOGY

Corporate Headquarters: Energiestraat 36 • 1411 AT Naarden The Netherlands
tel.: (+31) 2159 - 44444
fax: (+31) 2159 - 43345

UK/Ireland Sales-Office: 2 Bacchus House • Calleva Park Aldermaston Berkshire • RG7 4QW

tel.: 01734 - 812030
fax: 01734 - 815323

CIRCLE NO. 101 ON REPLY CARD

CONTENTS

549 I/O PROCESSING MADE EASY

Type Ascii commands on your PC and switch lamps or sense level via a PIC.

552 DESIGNING PC EXPANSION

Dave Robinson discusses designing the glue logic needed to interface i/o with pc expansion slots.

558 FREQUENCY-COUNTING INTERFACE

A few logic gates interfaced to the printer port turn a pc into a frequency counter capable of reading to 25MHz and beyond.

562 TECHNOLOGY LAG

Is hdtv new? When was cellular radio first mooted? Andy Emmerson has been finding out.

575 COAXIAL CABLE TESTER

Designed for checking antennas and coaxial cable, Dmitry Malinovsky's meter provides direct display of reflection index.

580 WAVEFORM GENERATION TRIO

VCO exceeds 100MHz, pll with variable phase shift, servo amplitude control..

584 TRIMODAL POWER

In this issue, Douglas Self presents the full three-mode power amplifier circuit. Includes details of pcb availability.

605 MONITORING HEARTBEAT

Baki Koyuncu describes a versatile yet economical circuit for monitoring the heart.

610 MODULATING LINEARLY

Ian Hickman looks at a way of reducing third-order intermodulation in rf modulator circuits.

REGULARS

539 COMMENT

Jobs for the boys

540 NEWS

Efficient solar cells, terahertz analyser, point-to-point satellite comms.

545 RESEARCH NOTES

Fully digital microphone, robotic ants, ignition solution.

594 LETTERS

EMI, mains change effects?

600 CIRCUIT IDEAS

Capacitance meter, zero-cross detector, crystal synchroniser.

615 NEW PRODUCTS

Pick of the month – classified for convenience .



Cover illustration – Hashim Akib



Andy Emmerson has been looking at apparatus that was invented long before the world was ready for it. See page 562



Want to acquire data on a pc and analyse it? See page 567.

567 SOFTWARE THAT PLAYS CARDS

Alan Brown has been acquiring data on Signal Centre.

571 DOUBLE MIRRORS REFLECT HIGHER SPEED

Bengt Olsson explains how boosting gain in a power amplifier's input pair reduces thd and increases speed.



SPECIAL OFFER – Component reference on CD ROM

Exclusively to EW+WW readers, NN11 is offering its very first CD ROM component database for just £99. See page 557.

Next month:

Active subwoofer design, GPS, 24cm antenna.

AUGUST ISSUE – ON SALE 27 JULY

M & B RADIO (LEEDS)

THE NORTH'S LEADING USED TEST EQUIPMENT DEALER

SPECTRUM ANALYSERS

HP3581A 15Hz-50kHz Wave analyser.....	£750
HP3581C 15Hz-50kHz Selective voltmeter.....	£450
HP8903A 20Hz-100kHz Audio analyser.....	£3000
BOONTON I 120 20Hz-100kHz Audio analyser.....	£3000
BRUEL & KJAER 2023 1Hz-20kHz.....	£2500
TEKTRONIX 7L12 10kHz-1800MHz Analyser/7000 mainframe.....	£2500
HP 1407/8552B/8553B 1kHz-110MHz Spectrum analyser.....	£450
HP 1417/8552B/8554B 100kHz-1250MHz+8553B unit.....	£1000
HP 1417/8552B/8555A 100kHz-18kHz + 8553B unit.....	£1700
MARCONI TF2370 30Hz-110MHz Spectrum analyser.....	£950
MARCONI TF2370 30Hz-110MHz latest version.....	£2000
MARCONI TF2370/2373 30Hz-1250MHz with frequency converter.....	£3000
HP1827/8558B 100kHz-1500MHz Spectrum analyser.....	£2000
HP8410/8414A 0.1-12.4GHz Network analyser.....	£1200

SIGNAL GENERATORS

HP8616A 1.8GHz-4.5GHz Generator.....	£1195
HP8605B 0.1Hz-20MHz Pulse generator.....	£200
HP8007B 10Hz-100MHz Pulse generator.....	£250
HP8620C Sweeper mainframe (as new).....	£300
HP8620C/86290B 2GHz-18.6GHz Sweeper.....	£2500
HP9019A Serial data generator.....	£275
HP8406A Comb generator.....	£1200
HP3325A 1Hz-21MHz Synthesizer/function generator.....	£1200
HP3335A 200Hz-81MHz Synthesizer/level generator.....	£3000
HP3336A 10Hz-21MHz Synthesizer/level generator (75/124/135/600 ohm).....	£650
HP3336C 10Hz-21MHz Synthesizer/level generator (50/75 ohm).....	£1850
HP3584A 50Hz-32.5MHz Selective level meter.....	£500
HP840A 500kHz-51.2MHz signal generator.....	£500
HP8483D 2.3GHz-13GHz OP7001/7003 Solid state generator (as new).....	£4500
HP8472A 2GHz-18GHz Synthesized signal generator.....	£6000
MARCONI TF2090 10kHz-51MHz Generator/sweeper.....	£250
MARCONI TF2015/2171 10MHz-520MHz with synchronizer.....	£325
MARCONI TF2015 10MHz-520MHz Generator.....	£195
MARCONI TF2016 10kHz-120MHz Generator.....	£175
GIGA GR1 101A 12Hz-18GHz Pulse generator (as new).....	£650
POLARAD 1106E T 1.8GHz-4.6GHz with modulator.....	£400
SAIROSA MA30 10Hz-10kHz Oscillator.....	£150
ADRET 2330A 200Hz-1MHz Synthesized source.....	£200
LINSTEAD G1000 10Hz-10MHz Synthesized oscillator.....	£200
EXACT 502LC 1Hz-5MHz Function generator.....	£195
WAVETEK 192A 1Hz-4MHz Function generator.....	£195
FARNELL SSG2000 10kHz-2GHz Synthesized generator (new).....	£2250
FARNELL TF2017 10kHz-102.4MHz generator.....	£2000
FARNELL SSG2000 10kHz-2000GHz Synthesized generator (as new).....	£2000
RACAL 9901 1.5MHz-520MHz Synthesized generator.....	£475
ADRET T100D 300kHz-650MHz Synthesized generator.....	£500
WILTRON 610D 1MHz-1500MHz Sweeper.....	£1000
WILTRON 501 Logarithmic level meter.....	£495
RHODES & SCHWARZ APN62 0.1Hz-260kHz LF generator (new).....	£2000
FARNELL DS62 0.1MHz-110kHz Synthesized (new).....	£400
SYSTEM DONNER 100kHz-1000MHz Synthesized generator.....	£600
MARCONI 6055B 850MHz-2150MHz Signal source.....	£225
MARCONI 6056B 2GHz-4GHz Signal source.....	£225

OSCILLOSCOPES

TEKTRONIX 2445A 150MHz 4 channel cursor readout (as new).....	£1550
TEKTRONIX SC304/TM503/DM501 80MHz scope/digital multimeter.....	£450
TEKTRONIX 7403/7A 18/7A/13/7B53A Scope.....	£400
TEKTRONIX 7633/7A 18/7A/18/7B53A Storage Scope.....	£500
TEKTRONIX 5113 Dual beam storage mainframe (new).....	£295
TEKTRONIX 7922R 1.5MHz 2 channel rackmount scope.....	£175
IWATSU S55704 20MHz 2 channel scope.....	£195

IWATSU S56122 100MHz 4 channel cursor readout.....	£895
HP1715A 100MHz Delta time measurements.....	£500
HP180 50MHz 2 channel scope.....	£150
TEKTRONIX 2445 150MHz 4 channel cursor readout.....	£1150
TEKTRONIX 475 50MHz 2 channel delayed sweep.....	£495
TEKTRONIX 434 25MHz 2 channel storage.....	£400
GOULD OS250B 1.5MHz 2 channel.....	£120
GOULD OS300 20MHz 2 channel.....	£300
LEADER L8051A 40MHz Delayed sweep.....	£300
PHILIPS PM3217 50MHz 2 channel delayed sweep.....	£300
PHILIPS PM3217 50MHz With X10 probes/manual (as new).....	£375
PHILIPS PM3240 50MHz 2 channel delayed sweep.....	£450
PHILIPS PM3305 35MHz Digital storage scope.....	£550

TEST EQUIPMENT

TEKTRONIX 1141/SPG1/TSG1 Pal generator.....	£1750
TEKTRONIX 521A Pal vectorscopes.....	£350
TEKTRONIX 6042 50MHz Current probe.....	£225
TEKTRONIX P4015 High voltage scope probe.....	£95
TEKTRONIX TM501/DM501 Bench multimeter.....	£125
SYSTEMS VIDEO 2360 Component video generator.....	£295
KEMCO D1 1Hz-100kHz Phase meter.....	£1500
PHILIPS PM5509 Pal TV pattern generator.....	£225
PHILIPS PM5203 Dual pen recorder.....	£225
FLUKE 3330B Prog constant current/voltage calibrator.....	£650
FLUKE 103A Frequency comparator.....	£250
EXACT 334 Precision current calibrator.....	£195
BALLANTINE 6125C Prog time/amplitude test set.....	£400
HALCYON 500B/521A Universal test system.....	£400
BRADLEY 192 Oscilloscope calibrator.....	£600
ATECH 5332C-11 Calibrator 1 HP355C/1 HP355D Attenuator inc.....	£300
GAY MILANO Fast transient probe.....	£150
KEMCO D1 1Hz-100kHz Phase meter (new).....	£150
SCHLUMBERGER 7702 Digital transmission analyser.....	£995
BRUEL & KJAER 2203 Precision sound level meter/WB0812 filter.....	£450
BRUEL & KJAER 1022 Beat frequency oscillator.....	£400
BRUEL & KJAER 4709 Frequency response analyser.....	£350
BRUEL & KJAER 2305 Level recorder.....	£200
BRUEL & KJAER 2425 0.5Hz-500kHz Electronic voltmeter.....	£195
BRUEL & KJAER 2971 Phase meter.....	£450
HP5142A 50MHz-18GHz Microwave Frequency meter OPT001/003.....	£1500
HP3779A Primary multiplex analyser.....	£500
HP3780A Pattern generator/error detector.....	£350
HP3762A Data generator.....	£300
HP11667A DC-18GHz Vector splitter (new).....	£495
HP8405A 1MHz-100MHz Vector voltmeter.....	£300
HP3400A True RMS voltmeter (analogue).....	£145
HP3403C True RMS voltmeter (digital).....	£150
HP3406A 10kHz-1200MHz Broadband sampling voltmeter.....	£200
HP3465A 4.5 Digit multimeter (LED).....	£150
HP3466A 4.4 Digit autorange multimeter (LED).....	£200
HP3468A 5.5 Digit multimeter/electronic auto calibration.....	£400
HP5004A Signature analyser.....	£200
HP5005A Signature multimeter.....	£400
HP355D DC 1000Hz VHF attenuator 50 ohm 0-120dB.....	£150
HP11710A Down converter.....	£250
HP423A 10MHz-12.4GHz Crystal detector.....	£150
HP110529A Logic comparator.....	£75
HP1600A/1607A 32 Bit logic analyser.....	£100
HP436A Digital RF power meter.....	£650
HP435A/8482H 100kHz-4.2GHz Power meter.....	£550
HP435B/8481A 10MHz-18GHz Power meter.....	£850
HP435B/8481A/8484A/1700A 10MHz-18GHz supplied new In hp case manuals.....	£1200
MARCONI 6590/6910 10MHz-10GHz.....	£850
MARCONI 6591A VSWR indicator.....	£495
MARCONI 6440/6421 10MHz-12.4GHz.....	£250

MARCONI TF2432A 10Hz-560MHz Frequency counter.....	£150
MARCONI TF2306 Programmable interface unit.....	£400
MARCONI TF260 50kHz-1500MHz RF millivoltmeter.....	£750
MARCONI TF2160 20Hz-20kHz Monitored AF attenuator.....	£50
MARCONI TF2913 Test line generator/insertor.....	£250
MARCONI TF2914A Insertion signal generator.....	£250
BIRD 81B Terminate 80 watt coaxial resistor.....	£85
BIRD 814B Terminate 100 watt 60dB attenuator.....	£85
BIRD 8325 Coaxial 500 watt 30dB attenuator.....	£200
BIRD 8329 Coaxial 2000 watt 30dB attenuator.....	£500
FARNELL RB 1030/35 Electronic load.....	£495
FARNELL TMB 10kHz-1000MHz True RMS sampling RF meter (as new).....	£350
FARNELL TOPS 3D Triple output digital power supply.....	£225
FARNELL L30 BT 0-30V Lamp digital power supply.....	£65
TEKTRONIX 318 50MHz 16 channel logic analyser.....	£400
SYSTEMS VIDEO 1152/1155 Compact 19" waveform monitor + vectorscope.....	£1000
WAYNE KERR CT 496 LCR meter battery portable.....	£95
RACKMETER TR1 RLC Component comparator.....	£150
WANDEL & GÖRLBER P5519 Level generator.....	£650
NARDA 7696 150 watt 6dB attenuators.....	£65
NARDA 2001 450MHz-950MHz Directional coupler 10dB 20dB or 30dB.....	£100
NARDA 3044B-20 3.7GHz-8.3GHz 20dB Directional coupler.....	£150
NARDA 3004-10 4-10GHz 10dB Directional coupler.....	£195
IWATSU SCT7104 10Hz-1000MHz Frequency counter (new).....	£295
SAIROSA AMH 1.5MHz-24MHz Automatic modulation meters.....	£195
SIEMENS U2233 Psophometer (new).....	£400
SIEMENS D2108 200kHz-30MHz Level meter.....	£650
SIEMENS W2108 200kHz-30MHz Level oscillator.....	£650
RACAL 9063 Two tone oscillator.....	£225
RACAL 9009 1500MHz Automatic modulation meter.....	£275
RACAL DANA 9904M 50MHz Timer counter.....	£100
RACAL DANA 9914 10Hz-200MHz Frequency counter.....	£125
RACAL DANA 9915 10Hz-560MHz Frequency counter.....	£150
RACAL DANA 9916 10Hz-560MHz Frequency counter.....	£200
RACAL DANA 9919 10Hz-110MHz Frequency counter.....	£200
RACAL DANA 9921 10Hz-3GHz Frequency counter.....	£425
RACAL DANA 6000 Microprocessing digital voltmeter.....	£250
RACAL DANA 9232 Dual output power supply 0-30 volt 0-2amp.....	£150
RACAL DANA 488 IEEE STD Bus analyser.....	£125
RACAL DANA 1002 Thermal printer.....	£100
POLAR B2000A uP Bus tester.....	£125
AVO 8 MKS Testmeters with test probes/case.....	£75
PHILIPS PM5567 Pal vectorscopes.....	£600
MARCONI TF2300B Modulation meter.....	£150
MARCONI TF2304 Modulation meter.....	£375
RACAL RA17 30MHz Receiver.....	£300
RACAL RA1218 30MHz Receiver.....	£300
RACAL RA1772 30MHz Receiver.....	£750
RACAL RA1779/MA107 30MHz Receiver.....	£1500
RHODES & SCHWARZ ESUJ Test receiver (1000MHz).....	£1250
RHODES & SCHWARZ NKS Power meter.....	£750
EDDYSTONE 1837/2+1529 30MHz Digital receiver.....	£600
RACAL 9008 1.5MHz-2GHz Automatic modulation meter.....	£335
RACAL DANA 9908 1GHz Timer counter.....	£400
SCHLUMBERGER 4900 RF AF measuring unit.....	£450
HP4815A RF vector impedance meter.....	£650
HP4261A LCR meter.....	£400
EIP 371 18GHz Source locking microwave counter.....	£1000
BIRD 43 RF Wattmeter.....	£100

ALL PRICES PLUS VAT AND CARRIAGE · ALL EQUIPMENT SUPPLIED WITH 30 DAYS WARRANTY

86 Bishopgate Street, Leeds LS1 4BB
Tel: (0113) 2435649 Fax: (0113) 2426881

CIRCLE NO. 104 ON REPLY CARD

Weller De-Soldering Stations



- Multi-function, electronically controlled rework station
- Supplied with hot gas pencil for Surface Mount rework
- ESD safe
- Built in pump generates air and vacuum
- Full range of de-soldering and soldering tools available
- Fast selection of alternative tool options

Cirkit Tel: 01992 444111 Fax: 01992 464457

CIRCLE NO. 105 ON REPLY CARD

COMPONENTS & SYSTEMS FROM IOSIS



INDUSTRIAL SPEC COMPONENTS AND SYSTEMS
 386SX-40 All-in-one CPU Board on PC half card from £215. Requires only display adapter and RAM to complete the core of a PC-compatible system. PC/104 or ISA bus expansion. PC/104 display adapter from £135. Desktop LCD mono VGA monitor with display adapter and passive backplane from £499. Please enquire for complete systems. Prices exclude VAT and carriage.

2c Chandos Road, Redland, Bristol BS6 6PE, UK
 Tel: 0117 973 0435 Fax: 0117 923 7295

CIRCLE NO. 106 ON REPLY CARD

EDITOR

Martin Eccles
0181-652 3128

CONSULTANTS

Jonathan Campbell
Philip Darrington
Frank Ogden

DESIGN & PRODUCTION

Alan Kerr

EDITORIAL ADMINISTRATION

Jackie Lowe
0181-652 3614

E-MAIL ORDERS

jackie.lowe@rbp.co.uk

E-MAIL ENQUIRIES

martin.eccles@rbp.co.uk

ADVERTISEMENT MANAGER

Richard Napier
0181-652 3620

DISPLAY SALES EXECUTIVE

Malcolm Wells
0181-652 3620

ADVERTISING PRODUCTION

Christina Budd
0181-652 8355

PUBLISHER

Mick Elliott

EDITORIAL FAX

0181-652 8956

CLASSIFIED FAX

0181-652 8956

SUBSCRIPTION HOTLINE

01622 721666
Quote ref INJ

SUBSCRIPTION QUERIES

01444 445566

NEWSTRADE DISTRIBUTION

Martin Parr
0181 652 8171

BACK ISSUES

Available at £2.50

ISSN 0959-8332



"Any house, any business, anywhere in the country could soon receive hundreds of broadcast quality tv channels when digital satellites start flying early next year."

Jobs for the boys

The Government currently has the future of British broadcasting under review through the debate on the BBC's Royal Charter. Like Peacock and Annan before, the result will probably support the status quo and be of little significance to the average viewer.

It shouldn't be thus. Technology has placed all aspects of broadcasting into the melting pot. The old duopoly of BBC and IBA no longer exists yet both the Corporation and the successors to the IBA act as if it does.

Technology can send us programmes and services any way we want... via terrestrial broadcast, through satellite or by cable. Any house, any business, anywhere in the country could soon receive hundreds of broadcast quality tv channels when the digital satellites start flying early next year. Everyone from Lands End to John O'Groats will shortly be able to receive what they want, when they want – if the existing terrestrial broadcasters were prepared to embrace it.

NTL, the independent transmission company responsible for ITV terrestrial broadcasts, is currently banging on about the unfairness of allowing the BBC to retain its engineering and transmission service. It sees it as wrong to allow a public body to compete openly with private companies such as itself using public money. It says that either the BBC should run autonomously, with a specific prohibition on the selling of its engineering facilities externally, or that the BBC's engineering should be privatised to

compete openly with other suppliers.

We invite a plague on both their houses.

The BBC and NTL want to create digital broadcast systems using a terrestrial network. While we accept totally that digital transmission should give the nation's viewers unparalleled choice of viewing, and offer excellent retailing and setmaking opportunities, all new digital tv services should go on satellite.

From a technical point of view, there is absolutely no reason to run digital tv from land based transmitters. The new technology will provide so many extra channels that the one remaining argument for terrestrial tv – regional programmes – completely loses significance. Satellite transponders cost far less than equivalent terrestrial networks yet the all-satellite option doesn't even enter discussion by the BBC or NTL.

Terrestrial television broadcasting occupies nearly half the available spectrum up to one gigahertz, a valuable and irreplaceable resource which could be freed up when analogue tv eventually closes down. Examples of the new applications for these frequencies include portable telephone and communications systems.

The NTL and BBC have a vested interest in maintaining terrestrial services. Satellite services make the organisations' terrestrial digital plans redundant. The Government should take this into account in submissions.

Frank Ogden.

Electronics World + Wireless World is published monthly. By post, current issue £2.25, back issues (if available) £2.50. Orders, payments and general correspondence to L333, Electronics World + Wireless World, Quadrant House, The Quadrant, Sutton, Surrey SM2 5AS. Tlx:892984 REED BP G. Cheques should be made payable to Reed Business Publishing Group.

Newstrade: Distributed by Marketforce (UK) Ltd, 247 Tottenham Court Road London W1P 0AU 0171 261-5108. Subscriptions: Quadrant Subscription Services, Oakfield House, Perrymount Road, Haywards Heath, Sussex RH16 3DH. Telephone 01444 445566. Please notify change of address. Subscription rates 1 year (normal rate) £30 UK and £43 outside UK.

USA: \$52.00 airmail. Reed Business Publishing (USA), Subscriptions office, 205 E. 42nd Street, NY 10117.

Overseas advertising agents: France and Belgium: Pierre Mussard, 18-20 Place de la Madeleine, Paris 75008. United States of America: Ray Barnes, Reed Business Publishing Ltd, 205 E. 42nd Street, NY 10117. Telephone (212) 867-2080. Tlx 23827.

USA mailing agents: Mercury Airfreight International Ltd Inc, 10(b) Englehard Ave, Avenel NJ 07001. 2nd class postage paid at Rahway NJ Postmaster. Send address changes to above.

Printed by BPCC Magazines (Carlisle) Ltd, Newtown Trading Estate, Carlisle, Cumbria, CA2 7NR. Typeset by Wace Publication Imaging 2-4 Powerscroft Road, Sidcup, Kent DA14 5DT

©Reed Business Publishing Ltd 1995 ISSN 0959 8332

Solar cell efficiency boost

Energy diagram of conventional (left) and quantum well p-n junctions compared. Photons of lower energy are absorbed by the right hand junction even though both band gaps are the same.

What will we do when the oil runs out? No one knows yet, few people are thinking about it and fewer are doing anything about it.

One man who is making his contribution is Dr Keith Barnham, Reader in Physics at Imperial College London. He and his colleagues, with a little help from industry, are working on ways to improve solar cell efficiency.

Semiconductor solar cells reduce electricity by absorbing photons in, or near, a p-n junction. The photons create electron-hole pairs which, once they are established, drift across the junction under the influence of the electric field from the doping of the p and n type semiconductors, resulting in current flow in an external circuit.

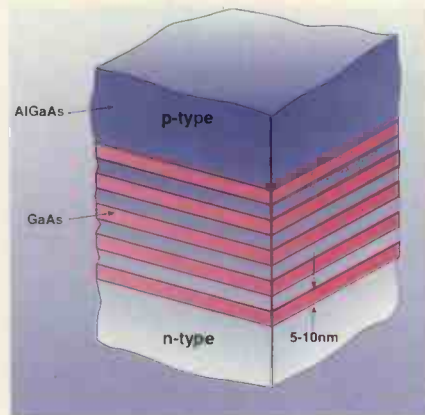
One of the features of sunlight that makes it so difficult to catch is that it has a spectrum. That is, it consists of light at a variety of wavelengths, or, has photons of varying energies.

A 'normal' solar cell has a fixed band gap and can only usefully absorb photons of sufficient energy to boost electron-hole pairs across the semiconductor's band gap.

Photons with less energy than the band gap are not absorbed at all. Higher energy photons give the pairs far more energy than is required to push them across the band gap. Any superfluous energy above the band gap is wasted as heat when the pair fall back to the band gap level.

All this means that conventional solar cells absorb light at one wavelength very well, but less effectively over the range of wavelengths in the solar spectrum.

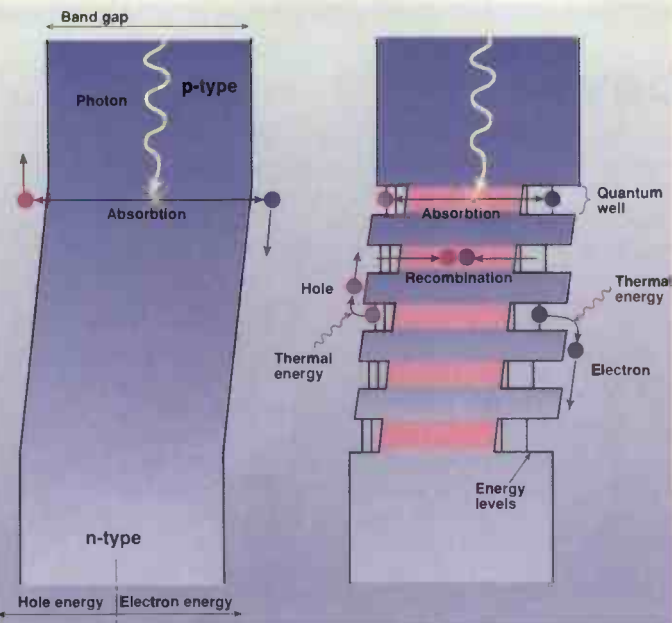
The choice of band gap becomes a compromise. A narrow band gap



Quantum wells are introduced into a p-n junction by interspersing very thin layers of lower band gap semiconductor with the bulk material.

material will capture a lot of photons and will produce a lot of current. But the narrow gap means low cell voltage. The cell voltage can be increased by using a wider band gap, but less photons will be usefully absorbed, so the current will be lower. The most effective band gap is the one whose energy corresponds with that of the amplitude peak of the incident spectrum.

Dr Barnham's group has introduced thin layers of material, called



Terahertz analyser on the cards

Researchers at AT&T's Bell Labs in the US have developed a one terahertz time domain spectroscopy - tds - analyser that can be developed into a commercial product. The device can be used to measure the

chemical composition of organic materials and gasses and to x-ray integrated circuits.

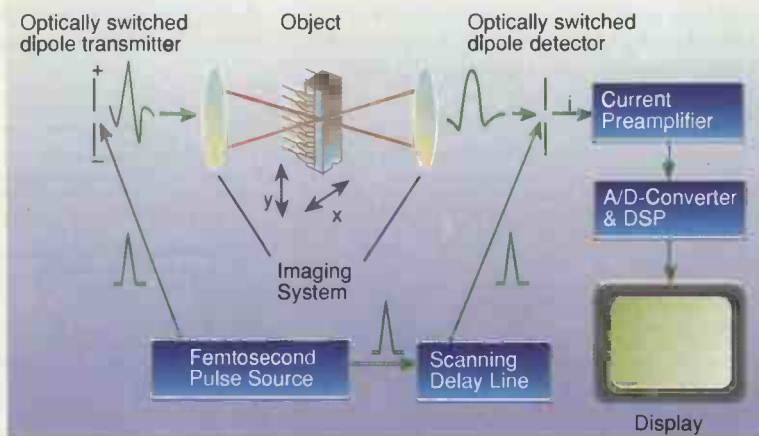
Currently, analysers using tds techniques are bulky and expensive but Martin Nuss and Binbin Hu,

researchers at the Advanced Photonics Research Department at Bell Labs, are said to have a commercially viable device using compact lasers and advanced integrated circuits.

Tds is a technique for determining the absorption spectrum of a sample by sending an energy pulse of known shape through it and measuring the shape of the pulse after it has been distorted by the sample. Fourier analysis of the incident and resultant pulses reveal the absorption spectrum.

The absorption spectrum of materials at frequencies around one terahertz gives information about the water content of organic materials, the fat content of meat and the chemical composition of gases. Since metals are opaque and plastics transparent at 1THz, the technique can also be used to x-ray integrated circuits.

A tds map of a leaf, showing the reduction of water content over 48 hours. The leaf was visibly unchanged.



quantum wells, into the semiconductor junction.

These thin layers, only a few nanometers thick, are interspersed between layers of the native semiconductor and have a lower band gap.

Extremely thin layers of semiconductor behave differently than the same material in bulk. The distinct energy levels that electrons occupy theoretically are 'blurred' in mass material but exist in thin layers.

Photons of insufficient energy to push pairs over the band gap of the host may still have sufficient energy to create useful pairs in the quantum well material.

The Imperial College group has shown that the electron-hole pairs last long enough, a few nanoseconds, to escape from the wells. They escape because thermal energy in the semiconductor is often enough to raise the energy in the electron or hole high enough to move it into the band gap of the adjoining native layer. It then drifts through this, falls into the next well and the process is repeated.

The native material can be chosen with a high band gap to give a high cell voltage, but the current remains high because a large number of photons are absorbed.

But there are problems. So far all the work has been done with expensive gallium arsenide (GaAs), rather than cheaper silicon. There are two related reasons for this. Silicon absorbs photons by a more complex, 'indirect', route that does not lend it

self to this kind of process. And quantum well technology in silicon is still in its infancy.

Dr Barnham said: "Our work is still in an early experimental stage. We have taken a simple, conventional solar cell material with a sunlight efficiency of eight percent and boosted it to 14 percent using quantum wells."

Although he realises that GaAs has cost limitations, Barnham said: "GaAs has two advantages. It needs 100 times less material than silicon to absorb the same number of photons and its theoretical efficiency is higher than that of silicon." He also noted that the increasing demand for GaAs for optical computing and lasers is bringing the price down.

Quantum well solar cells have the potential to extract more usable energy from sunlight than conventional cells. This is because they can absorb a wide range of photons but retain a high cell voltage. They can only be made in gallium arsenide and aluminium gallium arsenide at this time but the concepts may transfer to silicon as silicon quantum well technology improves. Dr Barnham had a final word to about the potential efficiency of this kind of cell: "The very best conventional GaAs solar cells are 25 per cent efficient, the theoretical limit is about 30 per cent. Whether quantum wells will allow the GaAs to exceed this upper limit is open to question but they seem to be a better way to approach the maximum."

Generating short energy pulses at 1THz has hitherto been difficult and expensive.

Nuss and Hu's analyser uses novel laser switched micro dipoles to transmit and detect the 1THz, single cycle, measurement pulse. The primary source of energy and timing in the Bell Labs set-up is a self-mode-locked Ti:sapphire laser. This type of laser inherently produces a stream of very short energy pulses. In this case the chosen laser produces a 100fs pulse of 800nm wavelength light at a repetition rate of 100MHz.

The laser output is split into transmit and receive beams. The transmit beam is used to trigger a photoconductive switch in the centre of a microscopic dipole.

The dipole is a conductive line 50[?]µm long on a GaAs substrate. A bias voltage, between 10 and 100V, is connected across the length of the line but current cannot flow due to a narrow gap in the middle. The laser pulse is directed at this gap and

generates electron-hole pairs that briefly connect the gap edges.

The resulting brief current flow causes the dipole to 'ring' and act as a transmitting antenna. The rf pulse that is generated is approximately 1ps long with a spectrum centred at 1THz. An 'optical' system, consisting of mirrors, focuses the spectral pulse onto the material under test. This pulse passes through (or is reflected by) the material which may be up to 1mm thick, and is shaped by the material's time domain response.

A second mirror focuses the resultant distorted spectral pulse onto a second, detector, dipole. This dipole has to be very fast and has been fabricated using silicon on sapphire technology. The electrical (e) field of the distorted spectral pulse creates a bias voltage across the detector dipole. The field, and therefore the bias voltage, changes with time as the spectral pulse passes the dipole.

The receive part of the original 100fs laser pulse is directed at the

Toshiba finds dvds ally

Time Warner says it will manufacture super density digital video discs (dvds) to be used by supporters of the Toshiba video disc standard to record and play digital films.

The company has formed a new subsidiary called Advanced Media Operations. The discs will be capable of storing as much as 270 minutes of mpeg-2 compressed digital video. The range of discs includes SD-5 with 5Gbytes storage capacity for digital films and multiple language soundtracks; SD-9, a double layer single-sided disc with 9Gbytes storage; SD-10, a double-sided disc with 5Gbytes storage on each side for double feature films or a digital movie plus a related video game; SD-R a recordable format with 3.2Gbytes storage on each side; and SD Rewriteable with 2.6Gbytes storage on each side.

Time Warner says that it has already produced more than 300,000 high density discs. The move is a further boost for the supporters of the Toshiba digital video disc standard which is competing with the Sony-Philips standard.



The digital video discs to be made by Time Warner can store 270 minutes of compressed digital video.

centre of the detector dipole. This laser pulse turns on the dipole briefly, converting the instantaneous e field derived bias voltage into a current pulse.

The whole process repeats at the 100MHz rate and the average of the current pulses represents the e field of the spectral pulse as the receive laser pulse samples it.

Varying a delay in the second laser path (using a moving mirror) allows a complete profile of the distorted spectral pulse to be obtained.

Fourier analysis of the original and distorted spectral pulses allow the transmission (or reflection) characteristics of the material under test to be derived.

The experimental rig measures two feet square but Nuss suggests a purpose built TDS would be considerably smaller.

The Bell Labs team has shown that the cost and size of this kind of TDS can be reduced enough to make commercial exploitation possible.

Smallest, fastest 256Mbyte DRAM announced

IBM, Siemens and Toshiba have claimed success in the development of a fully-functional 256Mbyte dynamic ram chip, the smallest and fastest yet developed.

The dynamic random access memory chip – less than half an inch in size – is the culmination of two and half years' research by leading scientists from the three companies at IBM's advanced Semiconductor Research and Development Centre in New York. A spokesman claimed that it was at least 13 per cent smaller and has an access time nearly twice as fast as any chip on the market. At the moment the chip is only available



Said to be the smallest and fastest yet developed, this 256Mbyte d-ram is a joint development by IBM, Siemens and Toshiba.

in sample quantities, and only for internal evaluation. No indication has been given as to when production quantities will be available.

D-rams are pervasive, fingernail-sized silicon devices that store electronic data in all manner of

products ranging from mainframe computers to home appliances. A single 256Mbyte d-ram can hold more than 25,000 pages of double-spaced typewritten text.

The smaller size and faster speed of the device will be required by the memory-hungry systems of the future such as high-definition digital video, multimedia pcs and telecommunications systems. For manufacturers and developers a smaller, faster chip means improved overall system performance and a reduced footprint for memory on printed circuit boards.

"This remarkable breakthrough in advanced research shows what can be achieved by a dedicated alliance of companies that brings leading-edge capabilities to a highly motivated program with clear aims," said Manaobu Ohyama, senior vice president of Toshiba and group executive of its semiconductor group. "The project and its achievements are clearly in the forefront of many international projects for advanced semiconductors."

Dr Michael J Attardo, general

manager of IBM's Microelectronics Division declared: "This is only the beginning. The best is yet to come."

The device uses 0.25 micron cmos process technology and is designed to support any proposed Joint Electron Device Engineering Council (JEDEC) standard for 256Mbyte DRAMs.

Details of the performance and technology aspects of the chip will be presented at the 1995 Symposium on VLSI Technology, and at the 1995 Symposium on VLSI Circuits, both held in June in Kyoto, Japan.

The 256Mbyte d-ram project is not the only area in which the three companies are willing to co-operate to share cost and expertise. IBM and Siemens currently work together in 16Mbyte d-ram manufacturing. IBM, Siemens and Toshiba are partners in 64Mbyte d-ram development, and a joint venture between IBM Japan and Toshiba manufactures advanced colour flat panel computer displays. Toshiba and Siemens have been collaborating in various semiconductor areas, including 1Mbit dynamic rams, standard cells and gate arrays.

Personal point-to-point satellite comms

Video-on-demand (vod) developer Online Media says it is involved in research which could lead to personalised point-to-point satellite communications services delivering 2Mbit/s channels to the home within three years.

Online Media is working with parent company Olivetti on a technique to use highly directional spot beam satellite

transmissions to turn today's point-to-multipoint satellite tv broadcasts into point-to-point services. The company is using Olivetti's satellite hardware joint venture with Hughes to adapt spot beam technology for interactive tv services. The return channel would be provided over a telephone line.

According to Online Media chief executive Malcom Bird, the cable TV

companies' window of opportunity for interactive tv is between three and five years. "Once the satellite boys can point-to-point download data they will knock the cable companies for six," he said.

Online Media's is currently conducting a vod trial with Cambridge Cable which have 200 users by the end of the year.

Emi analysis goes 3D

Quad Designs, a Viewlogic Systems subsidiary, has introduced an electromagnetic interference analysis tool that includes a three-dimensional simulation engine.

Quiet Version 2 has been designed to predict electric and magnetic field intensities radiated from backplanes, motherboards and mcms.

The package is claimed to be capable of allowing for cable radiation, enclosure resonances and multi-board screening.

Quiet uses a mixture of finite difference time domain analysis and what it describes as a full-wave simulation technique which solves Maxwell's equations for the whole structure.

Quiet 2 will be available before the end of the year.

Draft interface standard for sensor connect

The National Institute of Standards and Technology (NIST) have unveiled a draft of their sensor interface standard. The specification seeks to standardise output range – likely to be 0.5V to 4.5V – and supply voltage, probably at 5V. It also proposes a format for transducer electronic data sheet (teds) and a sensor model to be used in teds. A spokesman for NIST said that it aims to produce a definitive draft by the end of this year.

Broadcasters soon to get disk option

International test and measurement giant Tektronix is developing disk-based storage products aimed at the

television broadcast community. The professional video storage market – currently dominated by tape-based vers using the Betamax format – is worth £30bn and is dominated by electronics giants such as Sony and Panasonic.

Farnell buys CPC

Components and spares distributor CPC has been sold to Farnell Electronics for £30m. The company will be extending its product offerings and looking to expand into Europe, something it has been "looking at for quite some time", according to CPC managing director Chris Haworth. Farnell Group chief executive Howard Poulson said the move into Europe will be "sooner rather than later". He takes over as chairman of CPC from outgoing founder Keith Duckett. ■

ENERGY BANK KIT 100 6"x6" 6v 100mA panels, 100 diodes, connection details etc. £69.95 ref EF112.

CCTV CAMERA MODULES 46X70X29mm, 30 grams, 12v 100mA, auto electronic shutter, 3.6mm F2 lens, CCIR, 512x492 pixels, video outputs 1v p-p (75 ohm). Works directly into a scart or video input on a tv or video. IR sensitive. £79.95 ref EF137.

IR LAMP KIT Suitable for the above camera. enables the camera to be used in total darkness! £5.99 ref EF138.

PASTEL ACCOUNTS SOFTWARE, does everything for all sizes of businesses, includes wordprocessor, report writer, windowing, networkable up to 10 stations, multiple cash books etc. 200 page comprehensive manual, 90 days free technical support (0345-326009 try before you buy) **Current retail price is £129, ours? just £29** ref EF134. **SAVE £100!!!**

MINIMICRO FANS 12V 1.5" sq just £3.99 each. Ref EF199.

CITOH PRINTERS 80 cdl, 9 pin matrix, serial/parallel, NLQ/draft, 3 mth warranty, good condition, £49 ref EF133.

MICROSOFT TRACKBALL AND MOUSE Combined unit with 4 buttons and trackball, PS2 type connector. Complete with storage bracket. Our price just £11.99 ref EF201.

REUSEABLE HEAT PACKS. Ideal for fishermen, outdoor enthusiasts elderly or infirm, warming food, drinks etc, defrosting pipes etc.reusable up to 10 times, lasts for up to 8 hours per go, 2,000wh energy, gets up to 90 deg C. Price is £12 ref EF199. **mp £371**

1.44MB 3.5" DISC DRIVES Returns from a top PC manufacturer so they may need attention, bargain price £8.50 ea ref EF203.

1.2MB 6.25" DISC DRIVES Again returns so may need attention, bargain prices £8.50 ref EF204. (1 of each 1.2+1.44+1.44) 99 ref EF205

A4 DTP MONITORS Brand new, 300 DPI. Complete with diagram but no interface details. (so you will have to work it out!) Bargain at just £7.99 each!!! Ref EF185

OPD MONITORS 9" mono monitor, fully cased complete with rasterboard, switched mode psu etc. CGA/ATL input (15way D), IEC mains. £15.99 ref DEC23. Price including kit to convert to composite monitor for CCTV use etc is £21.99 ref DEC24.

12V ZAMP LAPTOP psu's 110x55x40mm (Includes standard IEC socket) and 2m lead with plug. 100-240v IP. £8.99 ref EF200.

PC CONTROLLED 4 CHANNEL TIMER Control (on/off times etc) up to 4 items (8A 240v each) with this kit. Complete with software, relays, PCB etc. £25.99 ref 95/26

COMPLETE PC 300 WATT UPS SYSTEM Top of the range UPS system providing protection for your computer system and valuable software against mains power fluctuations and cuts. New and boxed, UK made Provides up to 5 mins running time in the event of complete power failure to allow you to run your system down correctly. **SALE PRICE** just £118.00.

RACAL MODEM BONANZA! 1 Racal MPS1233 1200/75 modem, telephone lead, mains lead, manual and coss software, the cheapest you onto the net! all this for just £13 ref DEC13.

HOW LOW ARE YOUR FLOPPIES? 3.5" (1.44) unbranded. We have sold 100,000+ so ok! Pack of 50 £24.99 ref DEC16

6mw LASER POINTER. Supplied in kit form, complete with power adjuster, 1.5mw, and beam divergence adjuster. Runs on 2 AAA batteries. Produces thin red beam ideal for levels, gun sights, experiments etc. Cheapest in the UK! Just £39.95 ref DEC49

SHOP WOBLERS! Small assemblies designed to take D size batteries and 'wobble' signs about in shops! £3.99 Ref SEP42.

RADIO PAGER S Brand new, UK made pocket pagers clearance price is just £4.99 each 100x40x15mm packed with bits! Ref SEP5.

BULL TENS UNIT Fully built and tested TENS (Transcutaneous Electrical Nerve Stimulation) unit, complete with electrodes and full instructions. TENS is used for the relief of pain etc in up to 70% of sufferers. Drug free pain relief, safe and easy to use, can be used in conjunction with analgesics etc. £49 Ref TEN/1

COMPUTER RS232 TERMINALS. (LIBERTY) Excellent quality modem units. (like wyse 50, s) 2xRS232, 20 function keys, 50 thro to 38,400 baud, menu driven port, screen, cursor, and keyboard setup menus (18 menus). £29 REF NOV4.

OMRON TEMPERATURE CONTROLLERS (E6C2). Brand new controllers, adjustable from 0 deg C to +100 deg C using graduated dial, 2% accuracy, thermocouple input, long life relay output. 3A 240v o/p contacts. Perfect for exactly controlling a temperature. Normal trade £50+, ours £15. Ref E5C2.

ELECTRIC MOTOR BONANZA! 110x60mm. Brand new precision, cap start (or spln to start), virtually silent and features a moving outer case that acts as a fly wheel. Because of their unusual design we think that 2 of these in a tube with some homemade fan blades could form the basis for a wind tunnel etc. Clearance price is just £4.99 FOR A PAIR!! (note these will have to be wired in series for 240v operation Ref NOV1.

MOTOR NO 2 BARGAIN 110x90mm. Similar to the above motor but more suitable for mounting vertically (ie turntable etc). Again you will have to wire 2 in series for 240v use. Bargain price is just £4.99 FOR A PAIR!! Ref NOV3.

OMRON ELECTRONIC INTERVAL TIMERS.

*****NEW LOW PRICES TO CLEAR!!*****

Miniature adjustable timers, 4 pole o/o output 3A 240v,
HY1230S, 12vDC adjustable from 0-30 secs. £4.99
HY1210M, 12vDC adjustable from 0-10 mins. £4.99
HY1260M, 12vDC adjustable from 0-60 mins. £4.99
HY2460M, 24vAC adjustable from 0-60 mins. £2.99
HY241S, 24vAC adjustable from 0-1 secs. £2.99
HY2460S, 24vAC adjustable from 0-60 secs. £2.99
HY243H, 24vAC adjustable from 0-3 hours. £2.99
HY2401S, 240v adjustable from 0-1 secs. £4.99
HY2405S, 240v adjustable from 0-5 secs. £4.99
HY2406M, 240v adjustable from 0-60 mins. £6.99
PC PAL VGA TO TV CONVERTER Converts a colour TV into a basic VGA screen. Complete with built in psu, lead and s/ware. £49.95. Ideal for laptops or a cheap upgrade. We also can supply this in kit form for home assembly at £34.95 ref EF54.

DRINKING BIRD Remember these? hook onto wine glass (supplied) and they drink, standup, drink, standup ETC! £4 each Ref EF1
EMERGENCY LIGHTING UNIT Complete unit with 2 double bulb floodlights, built in charger and auto switch. Fully cased, 6v 8AH

lead acid req'd. (secondhand) £4 ref MAG4P11.

GUIDED MISSILE WIRE. 4,200 metre reel of ultra thin 4 core insulated cable, 28lbs breaking strain, less than 1mm thick! Ideal alarms, intercoms, fishing, dolls house etc. £14.99 ref MAG15P5

ASTEC SWITCHED MODE PSU BM41012 Gives +5 @ 3.75A, +12 @ 1.5A, -12 @ 4A. 230/110, cased, BM41012 £5.99 ref AUG6P3.

AUTO SUNCHARGER 155x300mm solar panel with diode and 3 metre lead fitted with a cigar plug. 12v 2watt. £9.99 ea ref AUG10P3.

FLOPPY DISCS DSDD Top quality 5.25" discs, these have been written to once and are unused. Pack of 20 is £4 ref AUG4P1.

ECLATRON FLASH TUBE As used in police car flashing lights etc, full spec supplied, 60-100 flashes a min. £9.99 ref APR10P5.

24v AC 96WATT Cased power supply. New. £13.99 ref APR14.

MILITARY SPEC GEIGER COUNTERS Unused straight from Her majesty's forces. £50 ref MAG 50P3.

OUTDOOR SOLAR PATH LIGHT Captures sunlight during the day and automatically switches on a built in lamp at dusk. Complete with sealed lead acid battery etc. £19.99 ref MAR20P1.

ALARM VERSION Of above unit comes with built in alarm and pir to deter intruders. Good value at just £24.99 ref MAR25P4.

CARETAKER VOLUMETRIC ALARM, will cover the whole of the ground floor against forced entry. Includes mains power supply and integral battery backup. Powerful internal siren, will take external bell if req'd. Retail £150+, ours? £49.99 ref MAR50P1.

TELEPHONE CABLE White 6 core 100m reel complete with a pack of 100 dpls. Ideal 'phone extns etc. £7.99 ref MAR8P3.

MICRODRIVE STRIPPERS Small cased tape drives ideal for stripping, lots of useful goods including a smart case, and lots of components £2 each ref JUN2P3. Box of 10 just £9.99 ref EF207.

SOLAR POWER LAB SPECIAL You get TWO 6"x6" 6v 130mA solar cells, 4 LEDs, wire, buzzer, switch plus 1 relay or motor. Superb value kit just £5.99 REF: MAG6P8

BUGGING TAPE RECORDER Small voice activated recorder, uses micro cassette complete with headphones. £28.99 ref MAR29P1.

ULTRAMINI BUG MIC 6mmx3.5mm made by AKG, 5-12v electret condenser. Cost £12 ea, Ours? just four for £9.99 REF MAG10P2.

RGB/CGA/EGA/ATL COLOUR MONITORS 12" in good condition. Back anodised metal case. £79 each REF JUN79

ANSWER PHONES Returns with 2 faults, we give you the bits for 1 fault, you have to find the other yourself. BT Response 200's £18 ea REF MAG18P1. PSU £5 ref MAG5P12.

SWITCHED MODE PSU ex equip, 60w +5v @5A, -5v @5A, +12v @2A, -12v @5A 120/220v cased 245x88x55mm IEC input socket £6.99 REF MAG7P1

PLUG IN PSU 9V 200mA DC £2.99 each REF MAG3P9

PLUG IN ACORN PSU 19v AC 14w, £2.99 REF MAG3P10

POWER SUPPLY fully cased with mains and o/p leads 17v DC 900mA output. Bargain price £5.99 ref MAG6P9

ACORN ARCHEDES PSU +5v @ 4A on/off sw uncased, selectable mains input. 145x100x45mm ET REF MAG7P2

9v DC POWER SUPPLY Standard plug in type 150ma 9v DC with lead and DC power plug. price for two is £2.99 ref AUG3P4.

AA NICAD PACK encapsulated pack of 8 AA nicad batteries (tagged) ex equip, 55x32x32mm. £3 a pack. REF MAG3P11

13.8V 1.9A psu cased with leads. Just £9.99 REF MAG10P3

PPC MODEM CARDS. These are high spec plug in cards made for the Amstrad laptop computers, 2400 baud dial up unit complete with leads. Clearance price is £5 REF: MAG5P1

INFRA RED REMOTE CONTROLLERS Originally made for hi spec satellite equipment but perfect for all sorts of remote control projects. Our clearance price is just £2 REF: MAG2

200 WATT INVERTER Converts 10-15v DC into either 110v or 240v AC. Fully cased 115x36x156mm, complete with heavy duty power lead, cigar plug, AC outlet socket. Auto overload shutdown, auto short circuit shut down, auto input over voltage shutdown, auto input under voltage shut down (with audible alarm), auto temp control, unit shuts down if overheated and sounds audible alarm. Fused reversed polarity protected, output frequency within 2%, voltage within 10%. A well built unit at a keen price. Just £64.99 ref AUG6S.

UNIVERSAL SPEED CONTROLLER KIT Designed by us for the C5 motor but ok for any 12v motor up to 30A. Complete with PCB etc. A heat sink may be required. £17.00 REF: MAG17

MAINS CABLE Precut black 2 core 2 metre lengths ideal for repairs, projects etc. 50 metres for £1.99 ref AUG2P7.

COMPUTER COMMUNICATIONS PACK Kit contains 100m of 6 core cable, 100 cable clips, 2 line drivers with RS232 interfaces and all connectors etc. Ideal low cost method of communicating between PC's over a long distance. Complete kit £8.99.

ELECTRIC MOTOR KIT Comprehensive educational kit includes all you need to build an electric motor. £9.99 ref MAR10P4.

VIEWDATA SYSTEMS made by Philips, complete with internal 1200/75 modem, keyboard, psu etc RGB and composite outputs, menu driven, autodialler etc £18 each Ref EF88.

BOOMERANG High tech, patented polypropylene, 34cm wing span. Get out and get some exercise for £4.99 ref EF83

AIR RIFLES. 22 As used by the Chinese army for training purposes, so there is a lot about! £39.95 Ref EF78. 500 pellets £4.50 ref EF80.

PLUG IN POWER SUPPLYS Plugs in to 13A socket with output lead. three types available. 9vdc 150mA £2 ref EF58, 9vdc 200mA £2.50 ref EF59, 6.5vdc 500mA £3 ref EF61.

VIDEO SENDER UNIT. Transmits both audio and video signals from either a video camera, video recorder, TV or Computer etc to any standard TV set in a 100' range (tune TV to a spare channel) 12v DC *SOME OF OUR PRODUCTS MAY BE UNLICENSABLE IN THE UK

WE BUY SURPLUS STOCK FOR CASH

FREE CATALOGUE

1995 100 PAGE CATALOGUE NOW AVAILABLE, 45P STAMP OR FREE WITH ORDER.

PORTABLE RADIATION DETECTOR
WITH NEW COMPUTER INTERFACE \$59

A Hand held personal Gamma and X Ray detector. This unit contains two Geiger Tubes, has a 4 digit LCD display with a Piezo speaker, giving an audio visual indication. The unit detects high energy electromagnetic quanta with an energy from 30K eV to over 1.2M eV and a measuring range of 5-9999 UR/h or 10-99990 Nr/h. ref NOV18

op. Price is £15 REF: MAG15 12v psu is £5 extra REF: MAG5P2

***FM CORDLESS MICROPHONE** Small hand held unit with a 500' range! 2 transmit power levels. Reqs PP3 9v battery. Tuneable to any FM receiver. Price is £15 REF: MAG15P1

LOW COST WALKIE TALKIES Pair of battery operated units with a range of about 200'. Ideal for garden use or as an educational toy. Price is £8 a pair REF: MAG 8P1 2 x PP3 req'd.

***MINIATURE RADIO TRANSCEIVERS** A pair of walkie talkies with a range up to 2kmin open country. Units measure 22x5x2x155mm. Including cases and earpieces. 2xPP3 req'd. £30.00 pr. REF: MAG30

COMPOSITE VIDEO KIT. Converts composite video into separate H sync, V sync, and video. 12v DC. £8.00 REF: MAG8P2.

LQ3600 PRINTER ASSEMBLIES Made by Amstrad they are entire mechanical printer assemblies including printhead, stepper motors etc etc In fact everything but the case and electronics, a good stripped £5 REF: MAG5P3 or 2 for £8 REF: MAG8P3

LED PACK of 100 standard red 5m leds £5 REF MAG5P4

UNIVERSAL PC POWER SUPPLY complete with flyleads, switch, fan etc. 200w at £20 REF: MAG20P3 (265x155x125mm).

GYROSCOPE About 3" high and an excellent educational toy for all ages! Price with instruction booklet £6 REF EF15.

FUTURE PC POWER SUPPLIES These are 295x135x60mm, 4 drive connectors 1 mother board connector, 150watt, 12v fan, IEC Inlet and on/off switch. £12 Ref EF6.

VENUS FLYTRAP KIT Grow your own carnivorous plant with this simple kit £3 ref EF34.

PC POWER SUPPLIES (returns) These are 140x150x90mm. of ps are +12,-12,+5 and -5v. Built in 12v fan. These are returns so they may well need repairing! £3.50 each ref EF42.

***FM TRANSMITTER KIT** housed in a standard working 13A adapter!! the bug runs directly off the mains so lasts forever! why pay £700? or price is £15 REF: EF62 Transmits to any FM radio (this is in kit form with full instructions)

***FM BUG KIT** New design with PCB embedded coil for extra stability. Works to any FM radio. 9v battery req'd. £5 REF: MAG5P5

***FM BUG BUILT AND TESTED** superior design to kit. Supplied to detective agencies. 9v battery req'd. £14 REF: MAG14

TALKING COINBOX STRIPPER Originally made to retail at £79 each, these units are designed to convert an ordinary phone into a payphone. The units have the locks missing and sometimes broken hinges. However they can be adapted for their original use or used for something else?? Price is just £3 REF: MAG3P1

TOP QUALITY SPEAKERS Made for Hi Fi televisions these are 10 watt 4R Jap made 4" round with large shielded magnets. Good quality. £2 each REF: MAG2P4 or 4 for £6 REF: MAG6P2

TWEETERS 2" diameter good quality tweeter 140R (ok with the above speaker) 2 for £2 REF: MAG2P5 or 4 for £3 REF: MAG3P4

AT KEYBOARDS Made by Apricot these quality keyboards need just a small mod to run on any AT, they work perfectly but you will have to put up with 1 or 2 foreign keycaps! Price £6 REF: MAG6P3

DOS PACKS Microsoft version 3.3 or higher complete with all manuals or price just £5 REF: MAG5P8 Worth it just for the very comprehensive manual! 5.25" only.

GAS HOBS Brand new made by Optimus, basic three burner suitable for small flat etc bargain price just £29.95 ref EF73.

GAT AIR PISTOL PACK Complete with pistol, darts and pellets £12.95 Ref EF82 extra pellets (500) £4.50 ref EF80.

DOS PACK Microsoft version 6 with manual £9.99 3.5" ref EF205

WINDOWS 3.1 3.5" with manual £24.99 ref EF210.

NOVELL NETWARE LITE (network s/ware) £24.99 ref EF211.

PIR DETECTOR Made by famous UK alarm manufacturer these are hi spec, long range internal units. 12v operation. Slight marks on case and unboxed (although brand new) £8 REF: MAG8P5

MOBILE CARPHONE £6.99 Well almost complete in car phone excluding the box of electronics normally hidden under seat. Can be made to illuminate with 12v also has built in light sensor so display only illuminates when dark. Totally convincing! REF: MAG6P6

6"x12" AMORPHOUS SOLAR PANEL 12v 155x310mm 130mA. Bargain price just £5.99 ea REF MAG6P12.

FIBRE OPTIC CABLE BUMPER PACK 10 metres for £4.99 ref MAG5P13 Ideal for experimenters! 30m for £12.99 ref MAG13P1

HEAT SINKS (finned) TO220, designed to mount vertically on a pcb 50x40x25mm you can have a pack of 4 for £1 ref JUN1P11.

STROBE LIGHT KIT Adjustable from 1 hz right up to 60hz! (electronic assembly kit with full instructions) £16 ref EF28.

ROCK LIGHTS Unusual things these, two pieces of rock that glow when rubbed together believed to cause rain! £3 a pair Ref EF29.

AMSTRAD GX4000 games machines, returns, untested, sold as seen. Just £2.99 ref EF186.

NEW HIGH POWER LASERS

15mW, Helium neon, 3 switchable wave lengths .63um, 1.15um, 3.39um (2 of them are infrared) 500:1 polarizer built in so good for holography. Supplied complete with mains power supply. 790x65mm. Use with EXTREME CAUTION AND QUALIFIED GUIDANCE.

NEW SALE PRICE TO CLEAR JUST £249+VAT

WE BUY SURPLUS STOCK FOR CASH

FREE CATALOGUE

1995 100 PAGE CATALOGUE NOW AVAILABLE, 45P STAMP OR FREE WITH ORDER.

Surplus always wanted for cash!

THE ORIGINAL SURPLUS WONDERLAND!

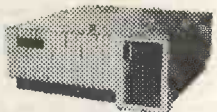
THIS MONTH'S SELECTION FROM OUR VAST EVER CHANGING STOCKS

Surplus always wanted for cash!

LOW COST PC's - ALL EXPANDABLE - ALL PC COMPATIBLE

SPECIAL BUY AT 286

40Mb HD + 3Mb Ram



LIMITED QUANTITY only of these 12MHz HI GRADE 286 systems Made in the USA to an industrial specification, the system was designed for total reliability. The compact case houses the motherboard, PSU and EGA video card with single 5 1/4" 1.2 Mb floppy disk drive & Integral 40Mb hard disk drive to the front. Real time clock with battery backup is provided as standard. Supplied in good used condition complete with enhanced keyboard, 640k + 2Mb RAM, DOS 4.01 and 90 DAY Full Guarantee. Ready to Run!

ONLY £149.00 (E)
CALL FOR QTY DISCOUNTS

Optional Fitted extras: VGA graphics card	£29.00
1.4Mb 3 1/2" floppy disk drive (instead of 1.2 Mb)	£24.95
NE2000 Ethernet (thick, thin or twisted) network card	£49.00

PC SCOOP COMPLETE COLOUR SYSTEM ONLY £79.00



A massive bulk purchase enables us to bring you a COMPLETE ready to run colour PC system at an unheard of price! The Display Electronics PC99 system comprises of fully compatible and expandable XT PC with 256k of RAM, 5 1/4" 360k floppy disk drive, 12" CGA colour monitor, standard 84 key keyboard, MS DOS and all connecting cables - Just plug in and go!! Ideal students, schools or anybody wishing to learn the world of PC's on an ultra low budget. Don't miss this opportunity. Good used condition - Fully guaranteed for 90 Days.

Order as PC99COL £79.00 (E)

Optional Fitted extras: 640k RAM	£29.00
2nd floppy drive, specify 5 1/4" 360k or 3 1/2" 720k	£29.95
Above prices for PC99 offer ONLY.	

19" RACK CABINETS

Superb quality 5 foot 40U Virtually New, Ultra Smart Less than Half Price!



Top quality 19" rack cabinets made in UK by Optima Enclosures Ltd. Units feature designer, smoked acrylic lockable front door, full height lockable half louvered back door and louvered removable side panels. Fully adjustable internal fixing struts, ready punched for any configuration of equipment mounting plus ready mounted integral 12 way 13 amp socket switched mains distribution strip make these racks some of the most versatile we have ever sold. Racks may be stacked side by side and therefore require only two side panels to stand singly or in multiple bays. Overall dimensions are: 77 1/2" H x 32 1/2" D x 22" W. Order as:

OPT Rack 1 Complete with removable side panels.	£335.00 (G)
OPT Rack 2 Rack, Less side panels	£225.00 (G)

32U - High Quality - All steel RakCab

Made by Eurocraft Enclosures Ltd to the highest possible spec, rack features all steel construction with removable side, front and back doors. Front and back doors are hinged for easy access and all are lockable with five secure 5 lever barrel locks. The front door is constructed of double walled steel with a 'designer style' smoked acrylic front panel to enable status indicators to be seen through the panel, yet remain unobtrusive. Internally the rack features full slotted reinforced vertical fixing members to take the heaviest of 19" rack equipment. The two movable vertical fixing struts (extras available) are pre punched for standard 'cage nuts'. A mains distribution panel internally mounted to the bottom rear, provides 8 x IEC 3 pin Euro sockets and 1 x 13 amp 3 pin switched utility socket. Overall ventilation is provided by fully louvered back door and double skinned top section with top and side louvers. The top panel may be removed for fitting of integral fans to the sub plate etc. Other features include: fitted castors and floor levelers, prepunched utility panel at lower rear for cable / connector access etc. Supplied in excellent, slightly used condition with keys. Colour Royal blue. External dimensions mm=1625H x 635D x 603 W. (64" H x 25" D x 23 3/4" W)



Sold at LESS than a third of makers price!! A superb buy at only £195.00 (G)

Over 1000 racks in all sizes 19" 22" & 24" 3 to 44 U. Available from stock!! Call with your requirements.

FLOPPY DISK DRIVES 3 1/2" - 8"

5 1/4" from £22.95 - 3 1/2" from £24.95

Massive purchases of standard 5 1/4" and 3 1/2" drives enables us to present prime product at industry beating low prices! All units (unless stated) are BRAND NEW or removed from often brand new equipment and are fully tested, aligned and shipped to you with a 90 day guarantee and operate from standard voltages and are of standard size. All are IBM-PC compatible (if 3 1/2" supported on your PC).

3 1/2" Panasonic JU363/4 720K or equivalent	£24.95(B)
3 1/2" Mitsubishi MF355C-L 1.4 Meg. Laptops only *	£36.95(B)
3 1/2" Mitsubishi MF355C-D 1.4 Meg. Non laptop	£29.95(B)
5 1/4" Teac FD-55GFR 1.2 Meg	£29.95(B)
5 1/4" BRAND NEW Mitsubishi MF501B 360K	£22.95(B)
* Data cable included in price.	
Shugart 800/801 8" SS refurbished & tested	£195.00(E)
Shugart 851 8" double sided refurbished & tested	£250.00(E)
Mitsubishi M2894-63 8" double sided NEW	£275.00(E)
Mitsubishi M2896-63-02U 8" DS slimline NEW	£285.00(E)
Dual 8" drives with 2 mbyte capacity housed in a smart case with built in power supply. Ideal as exterior drives!	£499.00(F)

HARD DISK DRIVES

End of line purchase scoop! Brand new NEC D2246 8" 85 Mbyte of hard disk storage! Full Industry standard SMD Interface. Ultra hi speed data transfer and access time, replaces Fujitsu equivalent model. Complete with manual. Only £299.00(E)

3 1/2" FUJI FK-309-26 20mb MFM I/F RFE	£59.95(C)
3 1/2" CONNER CP3024 20 mb IDE I/F (or equiv) RFE	£69.95(C)
3 1/2" CONNER CP3044 40mb IDE I/F (or equiv) RFE	£89.00(C)
3 1/2" RODIME R03057S 45mb SCSI I/F (Mac & Acorn)	£99.00(C)
5 1/4" MINISCRIBE 3425 20mb MFM I/F (or equiv) RFE	£49.95(C)
5 1/4" SEAGATE ST-238R 30 mb RLL I/F Refurb	£69.95(C)
5 1/4" CDC 94205-51 40mb HH MFM I/F RFE tested	£69.95(C)
8" FUJITSU M2322K 160Mb SMD I/F RFE tested	£195.00(E)
Hard disc controllers for MFM, IDE, SCSI, RLL etc. from	£16.95

THE AMAZING TELEBOX

Converts your colour monitor into a QUALITY COLOUR TV!!



TV SOUND & VIDEO TUNER!

The TELEBOX consists of an attractive fully cased mains powered unit, containing all electronics ready to plug into a host of video monitors made by makers such as MICROVITEC, ATARI, SANYO, SONY, COMMODORE, PHILIPS, TATUNG, AMSTRAD etc. The composite video output will also plug directly into most video recorders, allowing reception of TV channels not normally receivable on most television receivers (TELEBOX MB). Push button controls on the front panel allow reception of 8 fully tuneable 'off air' UHF colour television channels. TELEBOX MB covers virtually all television frequencies VHF and UHF including the HYPERBAND as used by most cable TV operators. A composite video output is located on the rear panel for direct connection to most makes of monitor or desktop computer video systems. For complete compatibility - even for monitors without sound - an integral 4 watt audio amplifier and low level Hi Fi audio output are provided as standard. TELEBOX ST for composite video input type monitors £34.95 TELEBOX STL as ST but with integral speaker £37.50 TELEBOX MB Multiband VHF/UHF/Cable/Hyperband tuner £69.95 For overseas PAL versions state 5.5 or 6 mhz sound specification. *For cable / hyperband reception Telebox MB should be connected to a cable type service. Shipping code on all Teleboxes is (B)

FANS & BLOWERS

MITSUBISHI MMF-D6D12DL 60x60x25 mm 12v DC	£4.95 10 / £42
MITSUBISHI MMF-09B12DH 92x92x25 mm 12v DC	£5.95 10 / £53
PANCAKE 12-3.5 92x92x18 mm 12v DC	£7.95 10 / £69
EX-EQUIP 120 x 38mm AC fans - tested specify 110 or 240 v	£6.95
EX-EQUIP 80 x 38mm AC fans - tested specify 110 or 240 v	£5.95
VERO rack mount 10U x 19" fan tray specify 110 or 240v	£45.95 (B)
IMHOF B26 1900 rack mnt 3U x 19" Blower 110/240V New	£79.95
Shipping on all fans (A). Blowers (B). 50,000 Fans Ex Stock CALL	

IC's - TRANSISTORS - DIODES

OBsolete - SHORT SUPPLY - BULK 5,000,000 items EX STOCK For MAJOR SAVINGS - Send SAE or CALL FOR LATEST LIST

VIDEO MONITOR SPECIALS

One of the highest specification monitors you will ever see - At this price - Don't miss it!!

Mitsubishi FA3415ETKL 14" SVGA Multisync monitor with fine 0.28 dot pitch tube and guaranteed resolution of 1024 x 768. A variety of inputs allows connection to a host of computers including IBM PC's in CGA, EGA, VGA & SVGA modes, BBC, COMMODORE (including Amiga 1200), ARCHIMEDES and APPLE. Many features: Etched faceplate, text switching and LOW RADIATION MPR specification. Full 90 day warranty. Supplied in EXCELLENT little used condition. Order as MITS-SVGA Only £139 (E)

Tilt & Swivel Base £8.00 Leads for IBM PC £8.95 (A) External Cables for other computers £ CALL

PHILIPS HCS35 (same style as CM8833) attractively styled 14" colour monitor with both RGB and standard composite 15.625 KHz video inputs via SCART socket and separate phono jacks. Integral audio power amp and speaker for all audio visual uses. Will connect direct to Amiga and Atari BBC computers. Ideal for all monitoring / security applications with direct connection to most colour cameras. High quality with many features such as front concealed flap controls, VCR correction button etc. Good used condition - fully tested with a 90 day guarantee. Dimensions: W14" x H12 3/4" x 15 1/2" D. Only £99 (E)

Special Offer save £16.95 - Order TELEBOX ST & HCS35 together - giving you a quality colour TV & AV system for Only £122.50 (E)

KME 10" high definition colour monitors. Nice tight 0.28' dot pitch for superb clarity and modern styling. Operates from any 15.625 khz sync RGB video source, with RGB analog and composite sync such as Atari, Commodore Amiga, Acorn Archimedes & BBC. Measures only 13 1/2" x 12" x 11". Only £125 (E) Good used condition. 90 day guarantee.

KME 10" as above for PC EGA standard £145.00 (E) PHILIPS HCS31 Ultra compact 9" colour video monitor with standard composite 15.625 KHz video input via SCART socket. Ideal for all monitoring / security applications. High quality, ex-equipment fully tested with a 90 day guarantee (possible minor screen burns). In attractive square black plastic case measuring W10" x H10" x 13 1/2" D. Mains powered Limited Quantity - Only £79.00 (D)

20" 22" and 26" AV SPECIALS Superbly made UK manufacture. PIL all solid state colour monitors, complete with composite video & optional sound inputs. Attractive teak style case. Perfect for Schools, Shops, Disco, Clubs, etc. In EXCELLENT little used condition with full 90 day guarantee.

20"....£135 22"....£155 26"....£185 (F)

DC POWER SUPPLIES

Virtually every type of power supply you can imagine. Over 10,000 Power Supplies Ex Stock Call for info / list.

SPECIAL INTEREST

MITS. FA3445ETKL 14" Industrial spec SVGA monitors	£245
Compartur MCA1613APC 16mm auto iris lenses 'C' motor	£125
Seaward PAT 2000 dual voltage computerised PAT tester	£585
INTEL SBC 486/133SE Multibus 486 system, 8Mb Ram	£1200
Zeta 3220-05 A0 4 pen HPGL RS232 fast drum plotter	£1950
MOTOROLA VME Bus Boards & Components SAE / CALL	EPOA
Trio 0-18 vdc linear, metered 30 amp bench PSU. New	£1470
Fujitsu M3041 600 LPM band printer	£1950
VU Electronics 1035 TELETEXT Decoding Margin Meter	£3750
Andrews LARGE 3.1 m Satellite Dish w mount (For Voyager)	£950
KNS EMC / Line interference tester NEW	£1200
Thurly LA 160B logic analyser	£375
GEC 1.5kw 115v 60hz power source	£950
Brush 2Kw 400 Hz 3 phase frequency converter	£850
Anton Pillar 75 kw 400 Hz 3 phase frequency converter	EPOA
Newton Derby 70 kW 400 Hz 3 phase frequency converter	EPOA
COMPONEED T1000 Portable TELEX tester NEW	£250
Sekonic SD 150H 18 channel digital Hybrid chart recorder	£1995
HP 7580A A1 8 pen HPGL high speed drum plotter	£1850
Densel MUD 0185AH 1KVA UPS system with baits NEW	£575

TOUCH SCREEN SYSTEM

The ultimate in 'Touch Screen Technology' made by the experts - MicroTouch - but sold at a price below cost!! System consists of a flat translucent glass laminated panel measuring 29.5 x 23.5 cm connected to an electronic controller PCB. The controller produces a standard serial RS232 or TTL output which continuously gives simple serial data containing positional X & Y co-ordinates as to where a finger is touching the panel - as the finger moves, the data instantly changes. The X & Y information is given at an incredible matrix resolution of 1024 x 1024 positions over the entire screen size!! A host of available translation software enables direct connection to a PC for a myriad of applications including: control panels, pointing devices, POS systems, controllers for the disabled or computer un-trained etc. Imagine using your finger with 'Windows', instead of a mouse!! (A driver is indeed available!) The applications for this amazing product are only limited by your imagination!! Complete system including Controller, Power Supply and Data supplied at an incredible price of only: £145.00 (B) Full MICROTOUCH Software Support Pack and Manuals for IBM compatible PC's £29.95 RFE - Tested

LOW COST RAM & CPU'S

INTEL 'ABOVE' Memory Expansion Board. Full length PC-XT and PC-AT compatible card with 2 Mbytes of memory on board. Card is fully selectable for Expanded or Extended (286 processor and above) memory. Full data and driver disks supplied. RFE. Fully tested and guaranteed. Windows compatible. Order as: ABOVE CARD £59.95 (A1) Half length 8 bit memory upgrade cards for PC AT XT expands memory either 256k or 512k in 64k steps. May also be used to fill in RAM above 640k DOS limit. Complete with data. Order as: XT RAM UG. 256k. £32.95 or 512k £38.95 (A1)

SIMM SPECIALS		
1 MB x 9 SIMM 9 chip 120ns	Only	£19.50 (A1)
1 MB x 9 SIMM 3 chip 80 ns	£23.50	or 70ns £26.00 (A1)
1 MB x 9 SIMM 9 chip 80 ns	£22.50	or 70ns £28.00 (A1)
4 MB 70 ns 72 pin SIMM with parity	Only	£105.00 (A1)
SPECIAL OFFER - INTEL 486-DX33 CPU		£79.99 (A1)

PHILIPS - LOW COST PRINTERS

A masterpiece of engineering, the PHILIPS model NMS 1436 fully featured MULTIMODE matrix printer packs a host of features into a unit weighing just over 4kg and measuring only 40 x 12 x 28 Cm! Fully Epson compatible with adjustable paper tractor which accepts upto 9.5" sprocket fed paper and adjusts down to handle the smallest labels. The 9 needle head produces Near Letter Quality in a host of fonts and type sizes and in draft mode 'whizzes' along at 120 characters per second! Many other features include most European character sets, IBM, EPSON, MSX & Prestel emulations. Good used condition, IBM Card £6.95 Only £49.95 (B)

Issue 13 of Display News now available - send large SAE - PACKED with bargains!



LONDON SHOP Open Mon - Sat 9:00 - 5:30 215 Whitehorse Lane South Norwood On 68A Bus Route N. Thornton Heath & Selhurst Park SR Rail Stations

ALL MAIL & OFFICES Open Mon-Fri 9:00-5:30 Dept WW. 32 Biggin Way Upper Norwood LONDON SE19 3XF

NEW DISTEL® The Original FREE On line Database Info on 15,000+ stock items! COMING SOON!!

ALL ENQUIRIES 0181 679 4414 FAX 0181 679 1927

All prices for UK Mainland. UK customers add 17.5% VAT to TOTAL order amount. Minimum order £10. Bona Fide account orders accepted from Government, Schools, Universities and Local Authorities - minimum account order £50. Cheques over £100 are subject to 10 working days clearance. Carriage charges (A)=£3.00, (A1)=£4.00, (B)=£5.50, (C)=£8.50, (D)=£12.00, (E)=£15.00, (F)=£18.00, (G)=CALL. Allow approx 6 days for shipping - faster CALL. Scotland surcharge CALL. All goods supplied to our Standard Conditions of Sale and unless stated guaranteed for 90 days. All guarantees on a return to base basis. All rights reserved to change prices / specifications without prior notice. Orders subject to stock. Discounts for volume. Top CASH prices paid for surplus goods. All trademarks etc acknowledged. © Display Electronics 1995. E & O.E. 6/5

RESEARCH NOTES

Jonathan Campbell

Analogue mics begin to sound a little creaky

In the increasingly digital domain of modern audio recording, the tried and tested microphone still stands out as an obvious link to our past. But a new digital design could break that link forever, enabling microphones to deliver digital output directly to mixing desks.

Conventionally, analogue microphones produce an output, proportional to incident sound pressure, which is converted to digital form for processing. But they can suffer noise, which a digital design should not. They also have outputs that are not so easy to filter and they can not be directly linked to digital recording systems.

Now F A Ghelmansarai, a Umist researcher in the Department of Electrical Engineering & Electronics, looks to have overcome those shortcomings with a design incorporating several innovative ideas.

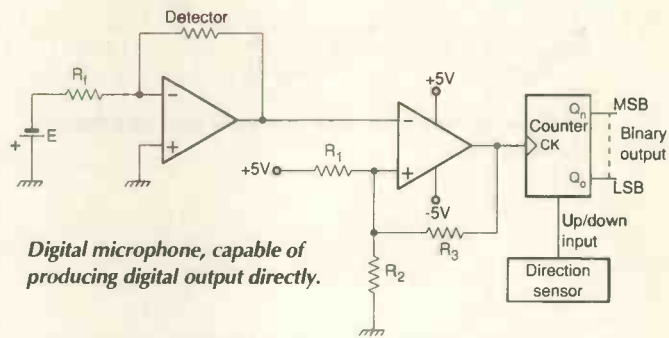
In Ghelmansarai's mic ("Digital optical microphone and digital transducer, *IEE Proc Circuits Devices Syst*, Vol 142, No 2, pp.135-139), a diode laser beam is directed through an optical scanner onto a photoconductive detector. The detector is designed to deliver a number of pulses, depending on the movement of the beam, and so

provides a direct measure of the microphone membrane deflection. Pulses are converted to logic pulses and counted, to produce a representation of the amplitude of sound pressure in binary.

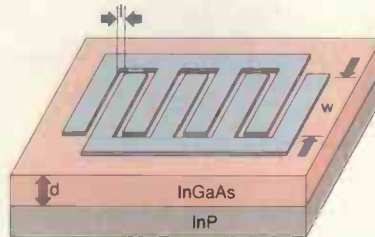
Key to operation is design of the interdigital photoconductive detector (idpc) itself. In it, two metallic electrodes are deposited as a series of separated interlocking fingers onto the surface of a conducting layer of InGaAs.

The electrodes are connected to a power supply, and conductivity of the semiconductor is greater when a conducting section is illuminated than when a non-conducting aluminium section is illuminated. So scanning the laser beam over the structure generates a series of pulses, which can be converted to logic pulses. In this way the design provides a precise indication of the position of the laser beam on the detector, generating a digital audio output.

Successful operation has only been made possible through simultaneous development of a novel method of scanning the detector – making use of a multi-reflecting scanner – a beam expander and a lens to scan the idpc without calling for any analogue driving voltage while also magnifying



Digital microphone, capable of producing digital output directly.



Laser beam from the optical scanner generates pulses as it moves across the photoconductive detector.

the angular movement of the membrane.

Using a 20V dc bias voltage and charge amplifier producing 250mV/pC, Ghelmansarai says a ten-bit microphone can provide a sensitivity of 0.09mV/nm and a bandwidth of 5MHz.

The principle of the idpc could also be applied to a digital transducer.

Robotic ants on the march

They're small, identical, hard workers and operate cooperatively in a group for the benefit of their community. But these insects don't have six legs and antennae, but rather rubber tracks and electronic sensors. Robot ants are here, crawling (still rather chaotically) out of the labs at MIT in Massachusetts, and Virginia Polytechnic, Virginia.

MIT's James McLurkin, a senior in electrical engineering and computer science there, has been concentrating on building colonies of robots using micro-robots developed as a basis for a remote-controlled colon surgery.

His robots are guided away from objects they hit and toward illumination sources by antennae and light sensors, and also have mandibles

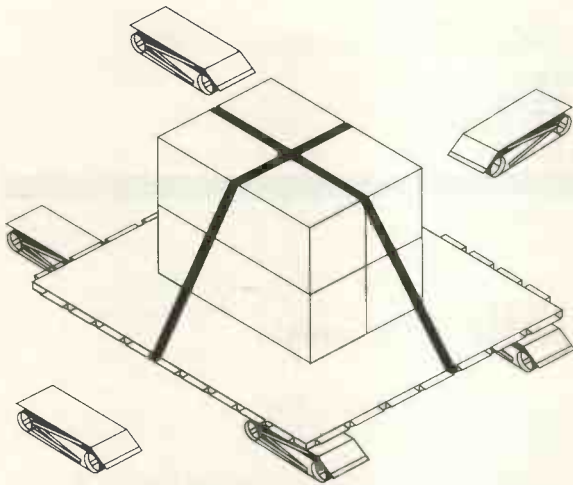
powered by a third motor to pick up bits of "food" – so far they have been feeding on quarter-inch balls of crumpled brass. Each has a pair of tiny treads powered by a battery and two motors taken from vibrating beepers.

McLurkin and colleagues have built six robot ants up to now, eventually aiming to have 21, which would be the largest robot community in the world.

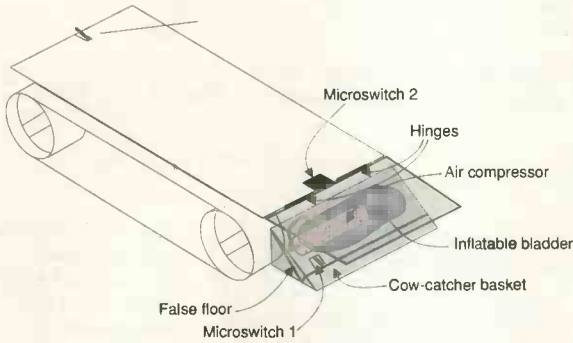
The goal is to have the robots behave cooperatively like an ant colony, seeking food and communicating with each other about where to find it. They do this with the aid of infrared transmitters and receivers. If one robot finds food, it sends out the message "I found food;"



MIT's McLurkin is looking to create the largest robot ant colony in the world. The CIA is watching carefully.



Multiple robotic ants could be used as the basis for a flexible handling system.



First attempts at a Virginia robot that can crawl in and out from under loads.

others in the vicinity respond by heading toward the sender and signalling "I found a robot that found food," eventually spreading the word to the entire group. The robots also

check once a second for the proximity of other ants to help avoid collisions.

In practice, the robots tend to get confused if they receive signals from more than four other robots at once. It's impossible to get robots to act exactly like ants because of the sophistication of ant behaviour, and because "nature solves a lot of problems differently from the way people think they should be solved," says McLurkin.

However, his task is made easier by the fact that individuals (either real ants or robots) can fail and yet the group as a whole can still succeed.

Potential applications for the MIT ants include groups of disposable micro-robots to inspect pipes in nuclear power plants, while the CIA is also said to be interested in equipping the micro-robots with cameras and microphones for staking out buildings.

John Bay at Bradley Department of Electrical Engineering, Virginia Polytechnic, has been working with much bigger ants. His aim is to develop an "army ant" approach to flexible handling problems, with small identical robots working together to move materials.

Unlike conventional handling solutions, his ants can deal with non-standard containers, and will handle loads heavier and more costly than themselves.

Bay and his team have been

concentrating on design of the robots themselves, with the main aim to produce a robot with a low profile able to crawl in and out from under a load ("Design of the army-ant cooperative lifting robot", *IEEE Robotics & Automation*, pp.36-43).

Sensors include infrared monitors for beacon-/direction-finding and obstacle detection, ultrasonic for range finding, and a whisker contact for collision detection.

Materials handling use requires that the ants must be able to detect the range and direction to a stationary beacon attached to a payload and must also be able to locate each other. In use they must be able to work together perhaps in a hierarchy of leaders and followers, to lift and move a load. They must also be able to share the load equally amongst themselves.

Robots so far constructed are costing £2000 in materials (plus a huge amount of goodwill from student teams). That could still add up to a sizeable sum for a complete robot ant handling system, but Bay points out that the ants can be acquired in a modular fashion, with each robot contributing to the overall solution, but with the system still operating if an individual unit fails.

Presumably the CIA is at this moment planning how it can use these ants too, to put the skids under Fidel

Getting (a lot) more out of optical storage

Optical disk system hardware manufacturers are already facing up to do battle with competing technologies looking to squeeze the latest Shwarznegger or Demi Moore

onto digital video. The problem is that Arnie's bulging biceps can soak up anything up to 5Gbytes of capacity, stretching to the limit current optical disk storage techniques. But two electrical engineers from the University of California have proposed a system that can double at a stroke the current capacity limits, on a single side of an optical disk, and can offer much higher capacities in the future.

Storing 5Gbytes of video is already possible – just. Philips-Sony technology can compress it onto a 3.7Gbyte disk; or a 5Gbyte disk system is being developed by Matsushita-Toshiba and others, in alliance with major film studios.

But S Homa and AE Wilner are proposing a technology (*Electronics Letters*, Vol 31, No 8, pp.621-623) that offers 9.7Gbytes as a starting figure, with far higher levels possible in the future.

The technique depends on combining two separate methods for reading and storing data – a multi-layer method that allows data to be

stored and read in three-dimensions in the disk, and wavelength-multiplexing where each layer contains different data channels accessible using different wavelengths.

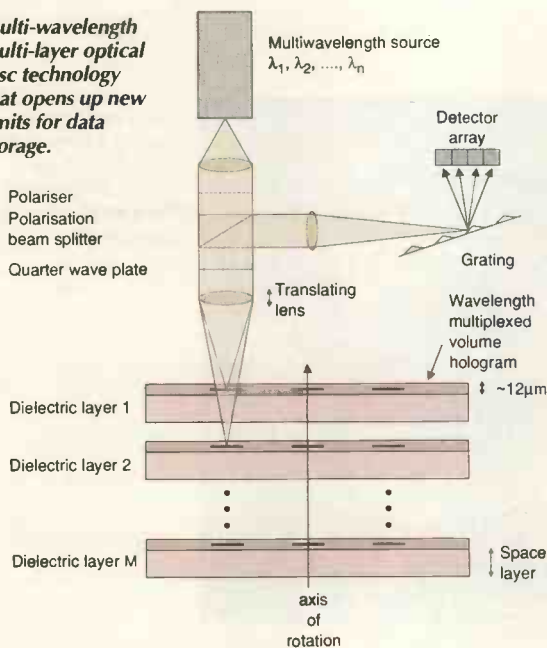
Use of a multi-wavelength source allows the various channels to be read from the same location in the same layer, with the wavelength dependent reflected signal being spatially separated and recovered by a detector.

Other layers are read by the same wavelength source, by mechanically translating the lens up and down to focus the source on each layer in turn.

Using this technique, a six wavelength source and six layer disk could store anything up to 40Gbytes – if the laser spot size were small enough and channel separation large enough.

But even with a 25nm channel separation and a 2µm spot size a total capacity of 9.7Gbyte has been achieved, a figure that will be improved upon with optimised manufacturing techniques, say the researchers.

Multi-wavelength multi-layer optical disc technology that opens up new limits for data storage.



Spark of genius?

Automotive engineers have long been searching for a simple technique to enable continuous monitoring of combustion parameters inside a petrol engine. Now H Zhao and N Collings, at the University of Cambridge, and T Ma of Ford Motor Company, seem to have come up with a simple answer: use the spark plug itself as the probe.

In fact, using the spark to find out more about what is happening inside the engine is not in itself new. Previous workers have used the spark plug to detect engine knock and even to investigate plug fouling. But where the new system differs is that it needs no expensive and unreliable high voltage diodes. Instead it builds on the recent appearance of one-coil-per-plug ignition systems, with circuitry integrated into the secondary winding of an ignition coil ('Engine performance monitoring by means of the spark plug', *Proc Instn Mech Engrs*, Vol 209, pp.143-146).

Inside a conventional engine, the spark plug ionisation current can be broken down into two stages. Stage 1 reflects the performance of the plug itself in terms of plug fouling, pre-spark ignition and spark plug voltage/resistance. An earlier team has already shown that the leakage current prior to spark is inversely proportional to the plug leakage resistance and so indicates any spark plug fouling. Any leakage peaks before sparking also identify pre-ignition, while the spark voltage slope and duration can be used to provide information on spark plug

gaps, open plug wires, shorted coils and other problems.

But it is stage 2 of the cycle that the researchers have now been concentrating on, where the ionic current flowing relates to the combustion processes. In the new system, the positive end of the secondary winding is connected to a $1\mu\text{F}$ capacitor in parallel to a $1\text{M}\Omega$ resistor and an isolated 370V transient suppressor – a combination that puts +400V bias across the spark plug.

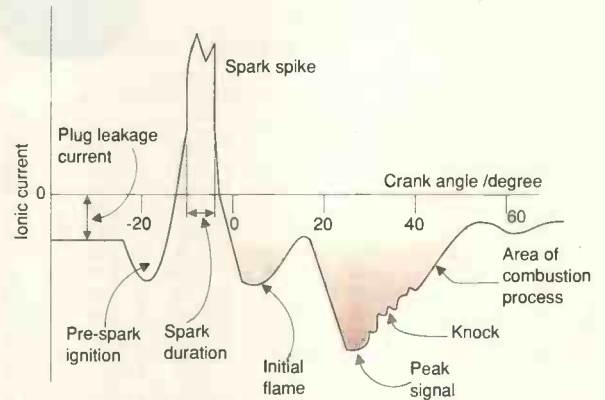
Ionic current flowing through the plug is then measured as a voltage appearing across a resistor, with a 4.7V zener diode in parallel to limit output voltage in the range -4.7 to 0.7V.

As the researchers point out, because the ionisation detection circuit is on the secondary winding, greater sensitivity can be obtained than by using the primary windings. More importantly, high voltage diodes are not necessary.

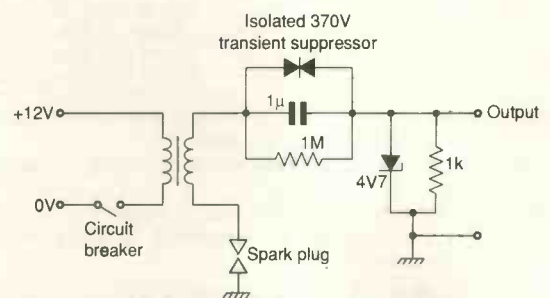
Testing the system using a single-cylinder engine with a pressure transducer mounted in it, enabled pressure and spark plug ionisation signals (spi) to be compared directly.

Results show a very good correlation between pressure and spi, suggesting the system would be a reliable and cheap way to detect knock. Similarly, tests showed that the maximum values of spi showed good indication of engine cyclic variations.

Plainly the system provides a practical way to enable spark plug monitoring to be applied directly to a



Ionisation current can reveal a surprising amount about the workings of a car engine.



Spark plug ionisation probe built into the secondary winding on a one-coil-per plug ignition system.

one-coil-per-plug system without any engine modification or mapping.

If car makers were to make full use of the system's potential, this simple approach could be used to supply information on everything from mis-firing and pre-spark ignition to changes in overall combustion performance.

Not bad for a spark of an idea.

LF noise is a real problem – sometimes

Complaints about low frequency environmental noise repeatedly surface (some in the letters column of *EW+WW*). But frequently complainants are frustrated that they are not taken seriously. Whether that situation will improve following a study carried out by the Building Research Establishment and Sound Research Laboratories is not clear. In most instances no noise was detected: in the few others it is mains hum. But in one case...

Some 500 people a year complain about low level noise. In the vast majority of instances, according to John Sargent of the BRE ('A study of environmental low frequency noise', *Acoustics Bulletin*), no sound can be measured.

In fact of the 31 cases investigated in detail as part of the study there were only three where noise could be detected. In

two, the noise was consistent with the 100Hz noise emitted by electrical substations.

But in the other there was a narrow band of measured noise centred on 104Hz, which, though low level, was audible. Sargent reports the noise was still present when the local electricity board switched off the nearby sub station. The noise was not audible or detectable outside the house, yet no-one could identify its source.

In another seven cases there was some evidence to suggest that a low level of noise may occasionally have been present.

Part of the difficulty with low frequency noise is that the extent of the problem is dependent on the perception of the individual. Mostly, the study, speculates, the problem is down to tinnitus or hypersensitivity to all sounds.

In one case a husband and wife both

complained of hearing low frequency noise, a noise that was subsequently measured in a particular room in their house.

But it became apparent that the woman was also able to register the sound in a sound-proof room, while her husband could not.

The conclusion was that the she had tinnitus, but that her drawing attention to the noise had sensitised her husband so that he began to experience the real noise. Amazingly this complex state of events was not unique in the study, says Sargent.

The survey advises that investigators looking into LF noise complaints should be armed with a frequency analyser, operable in real time with a narrow $1/24$ th octave bandwidth. If they don't find anything, any "opinions about the complainants hearing should be avoided". ■

TOROIDAL TRANSFORMERS

High Quality Low Prices

In addition to our standard range we will be pleased to quote for your special requirements.



PRICE LIST

VA	Mail Order	Quantity Price Excluding VAT & Carriage				
		2+	10+	25+	50+	100+
15	14.59	10.21	7.69	5.69	5.52	5.35
30	16.04	11.23	8.45	6.25	6.06	5.89
50	17.83	12.48	9.40	6.95	6.74	6.53
60	18.02	12.61	9.49	7.02	6.82	6.61
80	17.98	12.60	9.49	7.02	6.81	6.60
100	21.07	14.74	11.11	8.21	7.96	7.72
120	21.54	15.08	11.35	8.39	8.15	7.89
150	25.98	18.19	13.70	10.12	9.82	9.53
160	23.83	16.68	12.56	9.28	9.00	8.73
225	30.10	21.07	15.87	11.73	11.39	11.04
300	34.32	24.02	18.09	13.38	12.98	12.58
400	46.19	32.32	24.35	17.99	17.47	16.94
500	50.48	35.34	26.61	19.67	19.09	18.51
625	53.09	41.36	31.14	23.02	21.24	20.57
750	58.39	44.23	33.30	24.62	23.89	23.17
1000	78.80	55.16	41.54	30.70	29.80	28.89
1200	82.45	57.72	43.46	32.12	31.17	30.23
1500	105.10	73.63	55.40	40.94	39.74	38.53
2000	114.45	96.13	72.39	53.51	51.93	50.36
2500	163.04	114.13	85.94	63.51	61.64	59.79

These prices are for 240volt primary and two equal secondaries with 8" colour coded fly leads. Each transformer is supplied with a mounting kit (steel dish washer pads, nut and bolt) Mail order prices include vat and postage. Please do not hesitate to telephone or write with your particular requirements.



Airlink Sales Co

16 Knight Street, Sawbridgeworth, Herts CM21 9AT
Tel: 01279 600139 Fax: 01279 726379

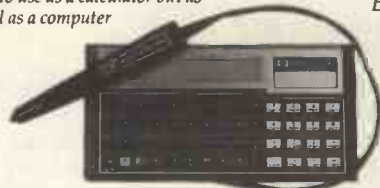
CIRCLE NO. 109 ON REPLY CARD

HEWLETT PACKARD HP71B

As easy to use as a calculator but as powerful as a computer

BARCODE READER

Smart wand - Automatically recognises and decodes all major bar-code standards.



- A powerful set of basic functions, statements and operators - over 230 in all - many larger computers don't have a set of basic instructions in this complete.
- Advanced statistics functions enabling computations on up to 15 independent variables.
- Recursive subprograms and user defined functions.
- An advanced internal file system for storing programs and data - the HP71 has continuous memory - when you turn the computer off it retains programs and data.
- A keyboard that can be easily customised for your specific application.
- HP-IL Interface pre-installed to create a system that can print, plot, store, retrieve and display information. Control or read instruments or speak to other computers, 5000 bytes/sec. Built in ROM includes 46 separate commands. Interface to HP-IL, HP-1B, RS232C, GPIO or series 80. Includes connection cables.

These are second user systems ex DHSS are fully tested and working but have no programming (THAT IS UP TO YOU)

HP71B £29.95
Bar-code Reader £12.95
AC Power Supply £4.95
(Works from batteries normally)
Keyboard Overlay £1.00
(Limited quantities)
Unknown Program -
Memory Modules £3.00
(Limited quantities)
Complete kit of HP71B, Bar-code Reader and power supply £39.50
(Prices include VAT - delivery £3.00)
(Currently selling in USA for US\$500)
Allow 7 days for delivery

SPECIAL OFFER

Buy 2 Kits For £59.00

Other products at give-away prices

Numeric keypad for 'AT' computer
£5 + £2 Carriage (Carriage FREE if ordered with above).

INTERCONNECTIONS LTD

Unit 51, InShops, Wellington Centre, Aldershot, Hants GU11 5DB
Tel: (01252) 341900 Fax: (01293) 822786

CIRCLE NO. 110 ON REPLY CARD

'OFF-AIR' FREQUENCY STANDARD



Variants from
£195+VAT

- * Provides 10MHz, 5MHz & 1MHz
- * Use it for calibrating equipment that relies on quartz crystals, TCXOs, VXCOs, oven crystals
- * Phase locks to DROITWICH (rubidium controlled and traceable to NPL)
- * For ADDED VALUE also phase locks to ALLOUIS (cesium controlled and traceable to OP - French eq to NPL)
- * British designed and British manufactured
- * Options available include enhanced receiver, sine wave outputs and 13MHz output for GSM. Prices on application.

Output frequencies -
10MHz, 5MHz, 1MHz
Short term stability - better than 1×10^{-9} (1 sec)
Typical - 4×10^{-9} (1 sec)
Long term - tends to 2×10^{-12} (1000 sec)

Call for 'Off-Air' Standard list

TEST EQUIPMENT

We are well known for our quality, new and used Test Equipment. Our list is extensive, the following will give some idea of our range and prices:

TIME 404S Precision mV source	£95	FEEDBACK SSO603 1MHz sine/square oscillator	£125
TIME 2003N DCV Pot/Cal, 0-10V, null, etc	£249	FEEDBACK DPM609 10Hz-100Hz phase meter	£125
TIME 2004 DC Volt standard 0.005%	£945	TEKTRONIX 2215 60MHz dual trace, dual delay T/B	£450
HP1340A X-Y displays	£95	TEKTRONIX 2455 300MHz 4 trace, dual delay T/B	£1950
E.V. EV4020A NTSC V/scope	£395	MARCONI TF2370 100MHz spectrum analyser	£995
LEADER LG396 NTSC pattern generator	£395	ADRET 740A 0.1MHz-1.2GHz sig. gen. AM/FM/PM	£1450
PHILIPS 5509 PAL pattern generator	£195	DRAKE MN2700 ATU/PSU	£380
PHILIPS PM 5716 pulse generator	£495	VIGILANT SR510 10kHz-30MHz, AM/CW/SSB, PLL	£750
PHILIPS PM5134 function generator	£1495	VIGILANT SR532 10kHz-30MHz, AM/CW/SSB, PLL	£1250

Call for Equipment list

SPECIAL OFFER

We have obtained an IMTEC 300 film/aperture card reader/printer which has had very little use. Output on plain paper from paper trays, sizes A5 to A3, including the 'B' sizes, and variable. This is high quality equipment, serious offers are invited.

HALCYON ELECTRONICS

423, KINGSTON ROAD, WIMBLEDON CHASE, LONDON SW20 8JR
SHOP HOURS 9-5.30 MON-SAT. TEL 0181-542 6383. FAX 0181-542 0340

CIRCLE NO. 111 ON REPLY CARD

SMART CARD READER/PROGRAMMER

On board ISO 7816 Card Reader Socket (Videocrypt etc). Software runs on IBM/PC enabling the user to Read & Write to ISO7816 and 2/3 chip D2mac Satellite cards. Board also contains a PIC16C84 programmer. Ideal smart card development tool £79.95
Requires external power 15-20v AC or DC @250 ma. (optional extra £6.50)

MICRO-ENGINE MCS80C31/51 Development board.

Tiny 72mm x 42mm PCB contains socketed 44 pin CPU, turned pin Rom socket, 12 MHz xtal and ports 1, 3 output on IDC connector. Ideal for stand alone projects or development work. Supplied with CIRCUIT & MCS8051/52 development software £49.95

PIC ICE II* In-Circuit Emulator for PIC16C54-55-56-57-71-84.

Replaces all 18 or 28 pin PICs. All ports Bi-directional, OSC2 output, RTCC input. On board A/D converter for PIC167C1. Supplied with PICDEV54 and PICDEV71 software, manual, connecting leads & headers, ASM examples, and hardware circuit projects. £159.95

PIC ICE STD In-Circuit Emulator for 18 pin PICs only no A/D.

Plugs into the printer port, appears to the target system as a normal Pic device including OSC2 and RTCC in/out. Runs in real time from the IBM PC changes made to File registers reflected on target. Supplied with Development software PicDev 54-57 and PicDev 71/84 £69.95

PIC PROGRAMMER* Programs Pic16C54-55-56-57-71-84. Centronics port interface.

Powerful editing software to Read, Write & Copy Pic devices including data memory in Pic16C84. Top quality components used throughout including production ZIF socket. Now includes a Text Editor/Assembler for all above PICs. £79.95
Requires external power 15-20v AC or DC @250ma. (optional extra £6.50).

MEGAPROM programmer, EPROMS, E2PROMS, and FLASH memories from 2k (2716) to 8 Meg (27C080). Runs on IBM/PC via the centronics port using standard printer cable. Works on all PC compatibles, laptops, and notebooks. No special port requirements. Top quality components used throughout including production ZIF socket £99.95
Requires external power supply 18-25v AC or DC @250ma. (optional extra £6.50).

EPROM EMULATOR Works on ANY computer with centronics printer port. Data sent to the printer appears in the target board Eprom socket. Emulates from 1k to 32k Byte (27C256) roms, board switchable. Very fast download. Works with or without our Development software. £59.95

DEVELOPMENT SOFTWARE.

Develop software on your IBM/PC for other Microprocessors, Controllers, Pic's etc. Software has fully integrated Text Editor, Assembler, Disassembler, and Simulator. Code can be downloaded directly to our EPROM Emulator. All software supplied with sample ASM files, and user documentation manual.

Available for the following:-

MCS8051/52/552	MCS8048/49	£19.95 each
PIC16C54/5/6/7	HD63/6809	PIC16C71/84
		R6502

All hardware carries a 12 months parts and labour Guarantee. No Vat payable. Please add £1.50 for Carriage.

Starred items also available from FARNELL (Leeds).

CREDIT CARD ORDERS SAME DAY DESPATCH

JOHN MORRISON DEPT WW

4 REIN GARDENS, TINGLEY,
WEST YORKSHIRE WF3 1JR
TEL (or FAX) 01132 537507



CIRCLE NO. 112 ON REPLY CARD

I/O processing made easy



Hamid Mustafa's i/o interface simplifies sensing and load switching by using a PIC microcontroller to respond to brief Ascii commands keyed in on a pc or terminal. Hamid's simple terminal emulator is also useful as a general-purpose RS232 receiver and generator.

My universal i/o processor is based on the Microchip *PIC16C55* single-chip computer. It provides eight inputs and eight outputs.

The interface is driven from any RS232 device capable of sending and receiving Ascii characters. This can be an Ascii terminal or a pc comms port.

I designed the circuit to provide digital i/o capabilities via a Psion Organiser. This i/o was

used to monitor the frequency and time of the day that a conveyor was stopped and re-started by operators on a production line. The i/o processor provides the status of three stop and two start buttons while the Psion organiser time stamps the event.

In another application the interface operates pneumatic cylinders to separate and apply labels to envelopes, printed by a label printer. The printer is driven by a pc via the parallel

Commands from the keyboard are translated into i/o functions.

Output commands:

- O=A3 sets the output port to byte A316
- O2=1 turns output 2 on, O2=0 turns output 2 off
- O2=1 toggles output 2

Input commands:

- Ox=1 and Ox=1 where x is 0-7. I=? gets the input port status in ascii hexadecimal form, e.g. 5F in ascii
- I4=? gets the status of input 4, e.g. 1 in ascii

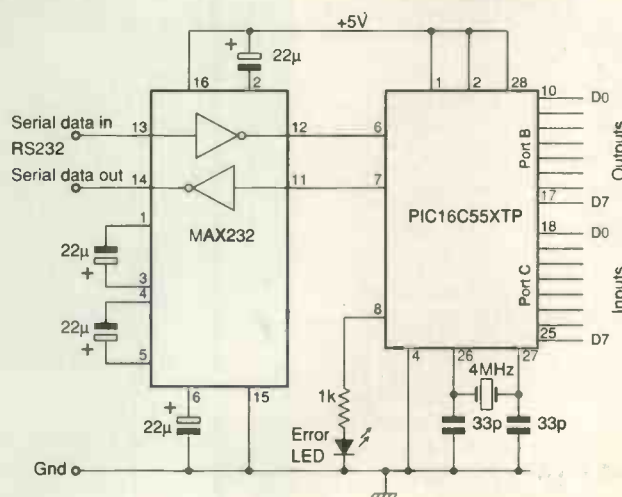


Fig. 1. PIC microcontroller and serial buffers produce a versatile i/o interface. Controlling relays, lamps and mains loads is achieved by simply buffering the micros' output and typing Ascii characters on a keyboard. Sensing switch contacts is even easier.

port, and the pneumatic solenoids are switched by the i/o processor via a serial port. This arrangement eliminates the need for i/o boards plugged into the pc when eight inputs and eight outputs are sufficient and speed is not critical.

Input and output commands are received by the i/o processor receives via the serial port, interfaced as shown in Fig. 1. Commands are made up of four Ascii characters. For example O=5A will put 5A₁₆ (01011010₂) on the output port, while O=00 will switch off all eight outputs. Input commands grab the status of the input port. For example, I=? returns two Ascii hexadecimal characters such as E4₁₆ (11100100₂). Commands may be in upper, or lower case, see Commands panel.

Communications parameters are fixed at 9600 baud, 7 data bits, no parity 2 stop bits, no handshake. The i/o processor is fast enough to work without the need for hardware handshake. At 9600 baud, a character is sent in 1ms. Therefore response time of the processor is 4ms. If inputs are to be checked and outputs updated, the update will take 8ms, 4 to read inputs and 4 to write outputs, plus processing time by the host.

The total time should be less than 10ms. To keep the speed as high as possible, no acknowledgement is returned to the host from the i/o processor. All the work is done by the PIC16C55 microprocessor. The processor acts only on valid commands, and recovers auto-

matically when a valid sequence is detected, therefore no reset button is needed. Any errors in transmission or invalid command sequence will switch on the error led. The error led will go off when a valid character is received.

RS232 receive and transmit signals are converted to ttl level by the MAX232, which needs a single 5V supply. All inputs and outputs are ttl or 5V c-mos compatible. To drive outputs at a higher voltage, one of the driver circuits may be used, Fig. 2.

Inputs may be via opto isolators, volt-free contacts, or voltage sources connected to input terminals through current limiting resistors, Fig. 3.

The i/o processor can be controlled by any device capable of sending and receiving ascii characters in RS232 format at 9600, 7, N, 2. To send output commands from a pc, at the dos prompt, type *mode com1 9600,e,7,2* and press enter. Then type *copy con com1* and press enter. Next type one of the i/o processor output commands, eg *o=5a*, then press function key F6 followed by the enter key. As a result 5A₁₆ will be written to the outputs. Function key F6 terminates the dos copy command.

The C program below can be used to communicate with the i/o processor. It sets COM1 parameters to 9600,7,N,2 and sends anything typed to the serial port, and displays anything received from the serial port.

When used with a pc with nine-pin serial

Object code for the PIC universal RS232 i/o processor.

```

:080000000C09000505250C00000600660CFF00072A
:08000800006808000C0E0A0E0C1D0A0E002B02EBF5
:080010000A0F08000300C47009006030A230C4131
:08001800009006030A250C3A009006030A230C30D0
:08002000009006030A2505030800040308000C30B5
:0800280000B00C0A009007030A300C0700B008006B
:0800300008000C0A009007030A370C0701F00C308F
:0800380001F008000300C61009006030A4105033E
:080040000800040308000C07002A0425090C0329FA
:0800480007030A4C05250A4D0425090C02EA0A4754
:080050000525090C090C080009000A5705450C0C80
:08005800002407050A5906050A5B090A06050A591C
:08006000090A090A0C07002A0403060505030328F0
:08006800090C02EA0A64040303280C4F01880643C2
:080070000AAB0C6F018807430A780C2000A80AAB7A
:080078000C49018806430AAB0C69018807430A83CF
:080080000C2000A80AAB0C3D018806430A990C2104
:08008800018806430A990C3F018806430A99020831
:08009000093A06030A950C2000A80208091206037B
:080098000A5604450208002002A40C100DE0018459
:0800A00007430A590C4F018C06430AB20C49018CDC
:0800A80006430B130A5604450C0C002402080020DA
:0800B00002A40A590C3D018D06430ABB0C3D018E82
:0800B80006430AD80A56020E091206030A56020E11
:0800C000003009270210002E020F091206030A5603
:0800C800020F003009270210002F020E0030040337
:0800D0000370037003700370020F011000260A57B3
:0800D8000C38008D06030A560C30008D07030A56B3
:0800E0000C30018F06430AEC0C31018F06430AEC01
:0800E8000C21018F07430A560C3000AD02AD0C30D5
:0800F000018F06430B090C31018F06430B000503F2
:0800F8000070037000ED07430AF9021001A60A57C9
:0801000005030070037000ED07430B02021001268F
:080108000A5704030CF0030037000ED07430B0C8B
:08011000021001660A570C3D018D06430B1C0C3D7D
:08011800018E06430B3B0A560C3F018E07430A56DD
:080120000C3F018F07430A560207003100300403E1
:0801280003300330033003300C0F0170093102102B
:0801300000290943021100300C0F01700931021037
:08013800002909430A570C3F018F07430A560C3820
:08014000008D06030A560C30008D07030A560C3052
:080148000AD02AD02070031033102ED0B4C060396
:070150000B530C300B540C31002909430A579C
:0101FF000A54A1
:00000001FF
    
```

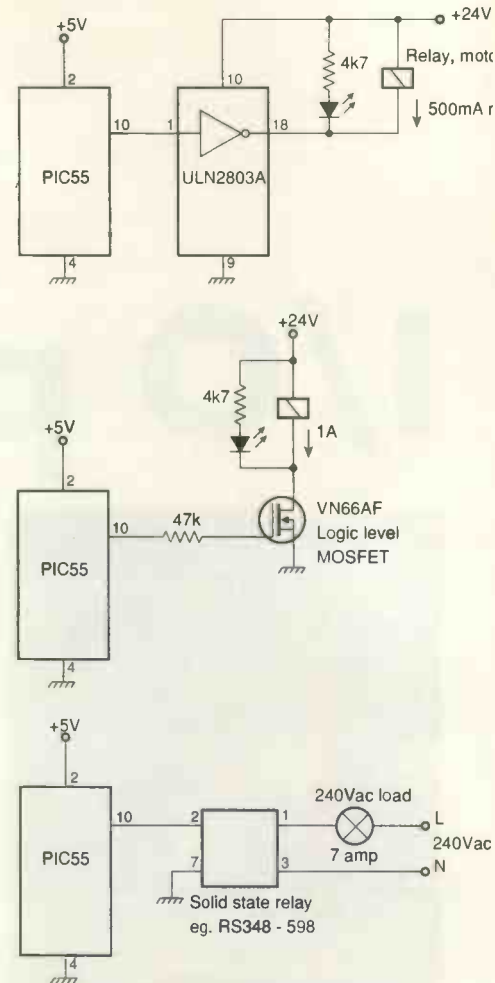


Fig. 2. All inputs and outputs are ttl or 5V c-mos compatible. To drive outputs at a higher voltage, one of these driver circuits may be used.

Simple terminal emulation program written in Turbo C. It sets up COM1 for 9600, 7,N,2, sends typed characters to COM1 and displays received characters.

```

#include <bios.h>
#include <stdio.h>
#include <conio.h>

#define DATA_READY 0x100
#define ESC '\x1b'
#define SETTINGS ( 0xe0 | 0x02 | 0x00 | 0x04) // 9600, 7, N, 2

void main(void)
{
    int char_in, key, status;

    bioscom(0, SETTINGS, 0);
    printf("TERMINAL EMULATION AT 9600, 7, N, 2. [ESC] to exit ...n");

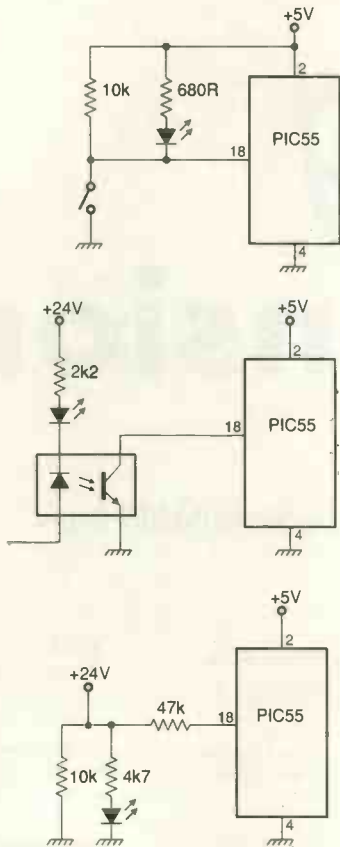
    while (1) { // Loop forever
        status = bioscom(3, 0, 0);
        if (status & DATA_READY) // Check for character in
            if ((char_in = bioscom(2, 0, 0) & 0x7F) != 0)
                putchar(char_in); // Display it

        if (kbhit()) { // Any key pressed?
            if ((key = getch()) == ESC) exit(); // ESC = Exit to DOS
            bioscom(1, key, 0); // Send it out
        }
    }
}
    
```


Software and programming services

Assembly-language listings for the RS232 universal i/o processor can be obtained on a pc formatted disk by sending £11.50 including postage and vat to EW+WW Editorial, Quadrant House, The Quadrant, Sutton, Surrey SM2 5AS. Please make cheques payable to Reed Business Publishing and mark your envelope 'RS232 processor'. Don't forget to include your address.

Hamid is supplying programmed PIC controllers for £12 each fully inclusive. Send a postal order or cheque payable to Hamid Mustafa at Rosslare Strand, Co. Wexford, Ireland.



connector, link pins 7-8 and 4-6, connect pin 3 (Tx) to pin 13 of MAX232, pin 2 (Rx) to pin 14 of MAX232 and pin 5 to ground.

If the pc has a 25-pin serial connector, link pins 4-5, 6-20, and connect pin 2 (Tx) to pin 13 of MAX232, pin 3 (Rx) to pin 14 of MAX232, and pin 7 to ground. ■

Fig. 3. Inputs may be via opto isolators, galvanically-isolated contacts, or voltage sources connected to input terminals through current limiting resistors.

Finally an upgradeable PCB CAD system to suit any budget ...

Board Capture

BoardCapture - Schematic Capture

- Direct netlist link to BoardMaker2
- Forward annotation with part values
- Full undo/redo facility (50 operations)
- Single-sheet, multi-paged and hierarchical designs
- Smooth scrolling
- Intelligent wires (automatic junctions)
- Dynamic connectivity information
- Automatic on-line annotation
- Integrated on-the-fly library editor
- Context sensitive editing
- Extensive component-based power control
- Back annotation from BoardMaker2

£395

Board Maker

BoardMaker1 - Entry level

- PCB and schematic drafting
- Easy and intuitive to use
- Surface mount support
- 90, 45 and curved track corners
- Ground plane fill
- Copper highlight and clearance checking

£95

BoardMaker2 - Advanced level

- All the features of BoardMaker1 plus
- Full netlist support - OrCad, Schema, Tango, CadStar
- Full Design Rule Checking - mechanical & electrical
- Top down modification from the schematic
- Component renumber with back annotation
- Report generator - Database ASCII, BOM
- Thermal power plane support with full DRC

£395

Board Router

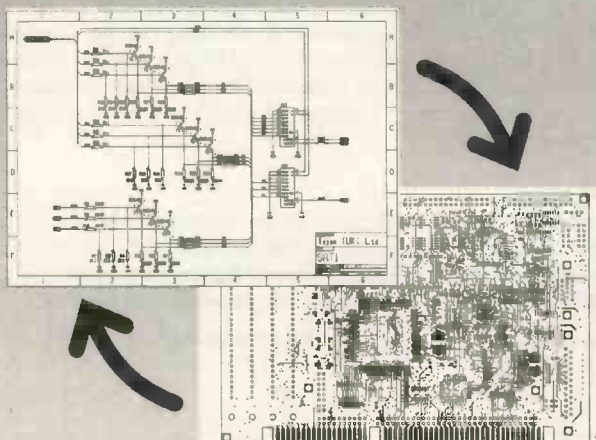
BoardRouter - Gridless autorouter

- Simultaneous multi-layer routing
- SMD and analogue support
- Full interrupt, resume, pan and zoom while routing

£200

Output drivers - Included as standard

- Printers - 9 & 24 pin Dot matrix, HPLaserjet and PostScript
- Penplotters - HP, Graphtec, Roland & Houston
- Photoplotters - All Gerber 3X00 and 4X00
- Excellon NC Drill / Annotated drill drawings (BM2)



Contact Tsien for further information on
Tel 01354 695959
Fax 01354 695957



All trademarks acknowledged

Tsien (UK) Ltd Ayleby House Wenny Road Chatteris Cambridge PE16 6UT

CIRCLE NO. 113 ON REPLY CARD

Designing pc expansion

Dave Robinson runs through the steps needed to design a programmable-logic based interface for controlling i/o via a pc expansion slot.

Here, I outline how to design a general purpose segment of a board, concentrating on the way the unit interfaces into the ISA bus. The interesting bit of the circuit design – turning the control signals into useful i/o – I leave to you.

When designing add on boards, you have two options for interfacing them – memory mapping or i/o mapping. Memory mapping makes the board appear as a segment of system memory. With some processors, such as the Motorola 68 series, this is the only option available.

While memory mapping is fine when you have total control of how the memory resource is distributed – as in the case of designing an embedded system – it is more difficult to accomplish safely in a computing system like the pc. If the software you are running expects to find memory in locations that you have allocated to your function card, then all kinds of problems can occur. My advice is, unless you have a good reason for using memory mapping in this context – don't do it.

Input/output mapping is the recommended method of interfacing to function cards. Whenever an i/o instruction is issued by the pc processor chip, it places a 16bit address on the address bus. This may be qualified by the i/o read signal going active if the cpu wants the peripheral to supply the data. Alternatively, if the processor is giving data to the peripheral then the processor activates the i/o write signal.

The peripheral must monitor both the address and i/o control lines continuously. If it recognises that the transaction is aimed at it – i.e. it recognises its own address – then it must respond. The pc has a number

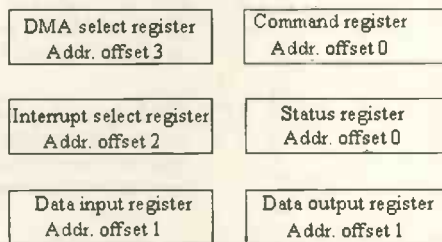


Fig. 1. Programmer's model of a pc interface card helps visualisation of the card's functions when writing the control software.

of i/o mapped peripherals built into the mother board, such as RS232 interfaces; dma controllers and printer ports. To allow the system to differentiate between these internal peripherals and peripherals plugged into the ISA bus, IBM defined the following protocol.

If an i/o instruction is issued by the cpu that has the tenth address bit, A₉, set to a zero then no card on the ISA bus may claim it. When low, A₉ specifies that the peripheral being addressed is mounted on the motherboard, and not to any add-in peripheral. Conversely if an i/o instruction is issued with A₉ high then it is aimed at an add-on card plugged into the expansion facilities.

In Table 1, the first row indicates the state of the address bus whenever an internal peripheral is accessed. The second indicates that a peripheral card in an ISA slot is expected to respond. Normally address bits A₁₀ upward are unused, while A₀₋₈ define the card and its register.

It is necessary to be able to uniquely define your function board from any other plugged into the ISA bus. Failure to do so results in bus contention – reading from or writing to two cards at once – and the computer will probably behave unpredictably.

To avoided contention, it is good practice to provide your function card with a modifiable address. I almost always define address lines A₅₋₈ to be the board identification address. The address that the board responds to can then be determined by a set of four switches or links.

Address lines A₀₋₄ provide local identification of up to 32 registers on the card. If this isn't enough then the upper address lines A₁₀₋₁₅ can be called into action.

Board specification

The example described comprises of an 8bit i/o-mapped peripheral consisting of nothing more than an 8bit input first in first out memory, fifo, and a similar output fifo. Whether you are building a data acquisition system or a communication controller, all you need to do is connect any

Power precautions

Modern pcs are equipped with large power supplies, capable of supplying 20A or more at 5V. Wiring a short circuit between a power line and ground, or even a solder splash across the power lines, could cause a catastrophic failure.

Chances are the wire you use to connect your circuitry is going to have a greater current carrying capacity than the pc traces on the mother board. The result will almost certainly be a pc-track burn out, and your pc may well be ruined. Similarly, polarised capacitors have a nasty habit of catching fire when inserted back to front.

However, if you follow this tried and tested procedure, such problems are highly unlikely.

Table 1. First row indicates state of the address bus when an internal peripheral is accessed. Second indicates that a peripheral card in an ISA slot is expected to respond.

A15	A14	A13	A12	A11	A10	A9	A8	A7	A6	A5	A4	A3	A2	A1	A0
x	x	x	x	x	x	0	?	?	?	?	?	?	?	?	?
x	x	x	x	x	x	1	?	?	?	?	?	?	?	?	?

input into one fifo and to extract any output from the other.

In order to explain how to handle interrupts, I will design the board so that the fifos will create an interrupt when they are half full. To help explain how to control a direct-memory-access, dma, channel, I will construct the system so that data can be deposited into, or extracted from the fifos under dma control.

Interrupt and dma channels will be software selectable at initialisation, and the interrupt operation will be configured to be optional. Data can also be extracted/deposited into the fifos by either dma or via straight forward i/o instructions. The i/o address of the board will be selected by means of four switches for the reasons mentioned earlier.

Now define what the board is going to look like with respect to the software, i.e. specifying the user interface, Fig. 1. This diagram shows that the programmer has access to six registers. In my design they are either read only or write only. You may prefer to use read back registers. If you do, you will not be able to use the same address for read and write only registers in the way that I have.

The address is specified in terms of an offset. This is because at this stage, the address that will be assigned to the board is not usually defined. Suppose the DIP switches are used to select address 0x300₁₆. Writing to i/o port 0x300₁₆ will deposit a value into the command register. Similarly reading i/o port 0x300₁₆ will result in the board status being read. Reading port 0x301₁₆ will pop a value from the input fifo. Writing to the same address pushes a value into the output fifo.

One of the two remaining registers holds the channel that the board is to use when operating under interrupt mode. The other holds information regarding which dma channel the input and output channels will use when operating in direct memory access mode. Note that these cannot share an address since they are both write only.

Having allocated the addresses to the overall functional registers, contents of the individual registers must be defined, Table 2.

Reset 1 is an active low signal. Writing a zero to it causes contents of the input fifo to be dumped, even though they have not been read by the pc. You must write a one back into this position in order that your circuitry can start to deposit data into the fifo.

Reset 2 is active low. Writing a zero to this position causes contents of the output fifo to be dumped, even though they have not been read by your circuitry. You must write a one back into this position so that the pc can start to deposit data into the FIFO.

Intr 1 is an active-high interrupt enable for the input signal. If a zero is written into this location then no interrupt will be given when the input fifo reaches half full. If a one is written, then the interrupt will be presented to the pc. on the software selected channel.

Intr 2 is the same as Intr 1, except that it operates on the output fifo.

Intr 3 allows the board to monitor the state of the pc dma controllers terminal count. If the pc has either received the required number of bytes or transmitted the required number of byte, then it activates the terminal count signal. If Intr 3 is set to zero nothing happens; if it is set to 1 then the board will produce an interrupt.

Note that all three sources of interrupt activate the same selected interrupt line. It is the job of the interrupt handler to identify which situation caused the interrupt by reading the status register.

DMA 1 is an active high signal that activates a dma request on the situation where space is available in the output fifo. If DMA 1 is set to zero nothing happens, if it is set to one then the board will produce an dma request.

Seven of the eight bits in this register have now been allocated. If your application needs more bits – for example you may have an input multiplexer that needs setting, or a programmable gain amplifier that needs to be configured – then all you have to do is include another command register, by modifying the programmer's model.

Table 2. PC command register bit definitions.

Bit 7	Bit 6	Bit 5	Bit 4	Bit 3	Bit 2	Bit 1	Bit 0
Unused	DMA 2	DMA 1	Intr 3	Intr 2	Intr 1	Reset 2	Reset

Table 3. Status register bit functions.

Bit 7	Bit 6	Bit 5	Bit 4	Bit 3	Bit 2	Bit 1	Bit 0
T.C. 2	T.C. 1	Full 2	Halffull 2	Empty 2	Full 1	Halffull 1	Empty

Status register requirements

Table 3 shows bit functions of the status register.

Empty 1 is an active low flag indicating that there is no data in the input fifo. If this bit read a 1 on interrogating this register it indicates that the fifo contains at least one byte of data.

Halffull 1 is an active low signal that indicates that the input fifo is full to half or more of its capacity.

Full 1 is an active low signal that indicates that the input fifo has been filled to capacity. This situation should be avoided, as it could mean that data has been actually lost.

The next three bits are identical flags belonging to the output fifo.

TC 1 reflects the state of the pc terminal count state, corresponding to the input fifo. It goes to a logic one when the pc has received all of the data that it is expecting from the input fifo.

TC 2 reflects the state of the pc terminal count state, corresponding to the output fifo. It goes to a logic one when the pc has transmitted all of the data that it is expecting from the input fifo.

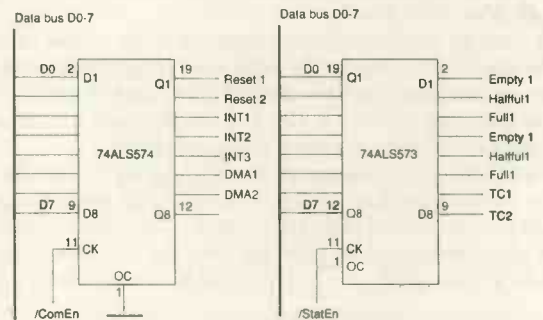
Note that the TC signals are generated by the dma controller in this case by logically combining the TC signal from the ISA bus together with the relevant dma acknowledge signal.

The status register has three primary purposes, these are:-

- Enables the board to be used without interrupts or dma.
- Allows the interrupt handler to recognise the interrupt source.
- The interrupt handler reading this port causes the board to remove its interrupt request.

The first option allows the board to be used in an entirely software polled mode. The control program can be written so that all interrupts and dma transfers are disabled by writing the required bit pattern into the control register. The software then sits in a software loop reading the status register. If the empty flag on the input fifo goes inactive (i.e. there is data available), then the software reads it. Similarly if the full flag on the output fifo goes inactive then it is safe to put data in the fifo.

The second and third option are tied in with the way that the ISA bus implements its interrupt control. Whenever a ISA bus peripheral requires servicing, it pulls its interrupt line active. However there is no mechanism to indicate that the interrupt is being serviced, so it is essential that the hardware designer includes some software mechanism that can be instigated from the interrupt handler that will remove the inter-



Implementing command and status registers is simply a matter of connecting LS series ICs to the data bus and applying enables.

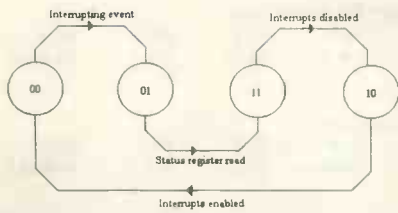


Fig. 3. State-machine structure adopted for the . Binary numbers within the circles represent the state variables

Table 4. Interrupt-select register bits. This register allows the programmer to select the desired interrupt channel via software.

Bit 2	Bit 1	Bit 0	Int. ch. selected
0	0	0	None
0	0	1	None
0	1	0	2
0	1	1	3
1	0	0	4
1	0	1	5
1	1	0	6
1	1	1	7

Table 5. DMA select register functions. This register allows software selection of the required DMA channel.

Bit 3	Bit 2	Bit 1	Bit 0	DMA channel
x	x	0	0	None
x	x	0	1	Channel 1
x	x	1	0	Channel 2
x	x	1	1	Channel 3
0	0	x	x	None
0	1	x	x	Channel 1
1	0	x	x	Channel 2
1	1	x	x	Channel 3

rupt request flag.

I have chosen a read from the status register to accomplish this task. Note that it is necessary for the software to take into account that there may be two or more interrupts pending, and the interrupt request will vanish when the status register is read. This is because all the interrupting sources produce the same interrupt. As a result, reading the status register could indicate that the input fifo had reached half full and that the output fifo dma transfer had terminated. Both situations should be dealt with from the one interrupt request.

Input data register. This is a simple 8bit data port. A read from this location, or a single byte dma transfer will result in the output value in the fifo being read into the pc and replaced by any subsequent value.

Output data register. This is a simple 8bit wide data port. A write to this location, or a single byte dma transfer, will result in another value being pushed into the output fifo. Note that if the output fifo is already full when this operation is undertaken, will lead to the data simply being lost. *It is not possible to deposit data into a full FIFO.*

Interrupt-select register. The interrupt-select register allows the programmer to select whatever interrupt channel to use via a software command. Note that this is not the only way of achieving interrupt-channel selection. Many boards accomplish the same task by using either a hardware DIP switch or link option to route the required interrupt channel. Both methods work superbly; you must decide whether mechanical setting or software selection is the better option for your own application, Table 4.

Note that interrupts on the first two channels are used by the pc system itself. If you experiment with them, your computer will become unstable. Consequently there is no access to these interrupts via the ISA bus. Selecting these forbidden channels is identical to disabling interrupts via the command register; which is the preferred way of doing it.

When allocating interrupt channels it is up to you to select a vacant channel that is not being used by any other hardware in your system.

DMA select register. The dma select register allows the programmer to select a dma channel via a software command. Note that this is not

the only way of achieving dma channel selection.

Many boards accomplish the same task by using either a hardware DIP switch or link option to route the required dma channel. Both methods work superbly; you must decide whether mechanical setting or software selection is the better option for your application, Table 5.

At this stage, you have control of the dma channels required for both the input and output fifos. These are totally independent. However there are two things to note. You cannot use channel 0, as this is used by the pc in connection with ram refreshing. Indeed although the dma acknowledge signal is distributed to the ISA bus, the corresponding request line is not accessible. Consequently selecting that channel is equivalent to disabling the dma transfer via the command register – the preferred method.

Secondly, you cannot use the same channel on both the input and output fifo simultaneously. The dma controller is configured to transfer a given number of bytes in a specified direction, so cannot be used to read and write.

When allocating dma channels it is up to you to select a vacant channel that is not being used by any other of your hardware in your system.

Designing decoding logic

Design of the board decoding logic is the first step. At the top level, the

Signals to the edge connector are as follows.

Solder side		Access	Panel	Component side	
		Sig. type	Sig. type		
B1	Gnd	Power	Output	I/O chck	A1
B2	RESET	Input	I/O	D7	A2
B3	'+5V'	Power	I/O	D6	A3
B4	Irq2	Output	I/O	D5	A4
B5	'-5V'	Power	I/O	D4	A5
B6	Drq2	Output	I/O	D3	A6
B7	'-12V'	Power	I/O	D2	A7
B8	Reserved		I/O	D1	A8
B9	'+12V'	Power	I/O	D0	A9
B10	Gnd	Power	Output	IO chrdy	A10
B11	!Memw	Input	Input	AEN	A11
B12	!Memr	Input	Input	A19	A12
B13	IIOw	Input	Input	A18	A13
B14	IIOr	Input	Input	A17	A14
B15	IDAck3	Input	Input	A16	A15
B16	Drq3	Output	Input	A15	A16
B17	IDAck1	Input	Input	A14	A17
B18	Drq1	Output	Input	A13	A18
B19	IDAck0	Input	Input	A12	A19
B20	Clock	Input	Input	A11	A20
B21	Irq7	Output	Input	A10	A21
B22	Irq6	Output	Input	A9	A22
B23	Irq5	Output	Input	A8	A23
B24	Irq4	Output	Input	A7	A24
B25	Irq3	Output	Input	A6	A25
B26	!DAck2	Input	Input	A5	A26
B27	T/C	Input	Input	A4	A27
B28	Ale	Input	Input	A3	A28
B29	'+5V'	Power	Input	A2	A29
B30	Osc	Input	Input	A1	A30
B31	Gnd	Power	Input	A0	A31

Anatomy of an 8bit expansion card

The eight bit expansion card was the first type available. You have around 12.5in by 3.5in of usable area on which to construct your circuit. Power and processor interface signals are provided by the 62 contact gold-plated edge connector at the edge of the board.

In many cases the connector used to interface with the outside world can be used as the mounting structure for the metal fixing plate. Various types of blank fixing plates are available. These are standard plates, some of which are already punched to take stock connectors. Others come equipped with pc mounting lugs, and some are ideal for mounting via the connector.

The signals to the edge connector are as in the table on the right. Signals prefixed by an exclamation mark are active low while the remainder are active high. Power lines are marked in quotation marks. Note that the sense of the signal type is with reference to your expansion card. The signal Osc is supplied by the computer to your board, whereas Irq3 is supplied by your board to the computer.

Data lines are of course bi-directional, and can source and sink data.

Listing 1. Pal assembly code for logic needed to produce a pc address decoding chip.

```

;PALASM Design Description
;----- Declaration Segment -----
TITLE ISA Board decoding PAL
PATTERN DCODE1
REVISION 0.0
AUTHOR Dave Robinson
COMPANY
DATE 03/05/95
CHIP_dcode1 MACH110
;----- PIN Declarations -----
PIN 1 Gnd ;
PIN 2 A0 ;INPUT
PIN 3 A1 ;INPUT
PIN 4 A2 ;INPUT
PIN 5 A3 ;INPUT
PIN 6 A4 ;INPUT
PIN 7 A5 ;INPUT
PIN 8 A6 ;INPUT
PIN 9 A7 ;INPUT
PIN 10 A8 ;INPUT
PIN 11 A9 ;INPUT
PIN 12 Gnd ;
PIN 13 NC ;
PIN 14 Switch0 ;INPUT
PIN 15 Switch1 ;INPUT
PIN 16 Switch2 ;INPUT
PIN 17 Switch3 ;INPUT
PIN 18 AEN ;INPUT
PIN 19 nIORd ;INPUT
PIN 20 nIOWr ;INPUT
PIN 21 NC ;
PIN 22 Vcc ;
PIN 23 Gnd ;
PIN 24 nComEn ;OUTPUT
PIN 25 nStatEn ;OUTPUT
PIN 26 nPOPEn ;OUTPUT
PIN 27 nPUSHEn ;OUTPUT
PIN 28 nIntrEn ;OUTPUT
PIN 29 nDMAEn ;OUTPUT
PIN 34 Gnd ;
PIN 36 nISME ;OUTPUT
PIN 40 Dummy0 ;OUTPUT
PIN 41 Dummy1 ;OUTPUT
PIN 42 Dummy2 ;OUTPUT
PIN 43 Dummy3 ;OUTPUT
PIN 44 Vcc ;
;----- PLD Description -----
; This PLD provides the main decode logic for use with the demonstration ISA board. It takes in from the
; ISA BUS the address signals A0 -> A9 and logically combines them with a valid IORd and IOWr signal to
; form the correct enable signals.
; The decoding is done in two stages. First the address bits A5 -> A8 are compared with the switch
; settings to insure that the I/O instruction is targeted at this board. (Note that the comparison generates
; some intermediate logic values called Dummyi. These are never used on the outside of the PLD but do not
; represent spare capacity). An address match during a valid I/O instruction leads to the generation of an
; active low 'ISME' signal. Subsequent decoding takes the valid ISME signal, and combines this with the
; lower parts of the address A0 -> A4 and the data direction, obtained from IORd and IOWr to form the
; active; low register enable signals
;----- Boolean Equation Segment -----
EQUATIONS
; Checks if A5 and Switch0 are both equal
Dummy0 = Switch0 * A5 ;Address and switch both high
+ /Switch0 * /A5 ;Address and switch both low
; Checks if A6 and Switch1 are both equal
Dummy1 = Switch1 * A6 ;Address and switch both high
+ /Switch1 * /A6 ;Address and switch both low
; Checks if A7 and Switch2 are both equal
Dummy2 = Switch2 * A7 ;Address and switch both high
+ /Switch2 * /A7 ;Address and switch both low
; Checks if A8 and Switch3 are both equal
Dummy3 = Switch3 * A8 ;Address and switch both high
+ /Switch3 * /A8 ;Address and switch both low
; Now forms the board address recognition signal nISME
/nISME = A9 ;Must be high for valid ISA transfer
* Dummy0 ;Switch0 matches A5
* Dummy1 ;Switch1 matches A6
* Dummy2 ;Switch2 matches A7
* Dummy3 ;Switch3 matches A8
* (/nIORd+nIOWr) ;Valid IO Instruction recognised
* /AEN ;Not a DMA transfer
; Now forms the individual enable signals
; (1) Command register Enable at offset &000 write only
/nComEn = /nISME ;This board recognised
* /A4*/A3*/A2*/A1*/A0 ;Offset &000
* /nIOWr ;ISA bus supplying data
; (2) Status register Enable at offset &000 read only
/nStatEn = /nISME ;This board recognised
* /A4*/A3*/A2*/A1*/A0 ;Offset &000
* /nIORd ;ISA bus requesting data
; (3) Push data into the output fifo at offset &001 write only
/nPUSHEn = /nISME ;This board recognised
* /A4*/A3*/A2*/A1* A0 ;Offset &001
* /nIOWr ;ISA bus supplying data
; (4) Pop data from the output fifo at offset &001 read only
/nPOPEn = /nISME ;This board recognised
* /A4*/A3*/A2*/A1* A0 ;Offset &001
* /nIORd ;ISA bus requesting data
; (5) Interrupt selection register Enable at offset &002 write only
/nIntrEn = /nISME ;This board recognised
* /A4*/A3*/A2* A1*/A0 ;Offset &002
* /nIOWr ;ISA bus supplying data
; (6) DMA selection register Enable at offset &003 write only
/nDMAEn = /nISME ;This board recognised
* /A4*/A3*/A2* A1* A0 ;Offset &003
* /nIOWr ;ISA bus supplying data

```

decoder is simply a logic block which takes in the address bus from A₀₋₉ and the two i/o strobes !IORd and !IOWr. It also requires the four address switch inputs which change the allocated board address; and vitally important is the signal AEN which is provided on the ISA bus. This signal becomes active during a dma cycle, as does the i/o strobes.

During this phase however the address on the address bus relates to the memory location in which the data to/from the i/o board is to be deposited. Hence decoding during this phase can lead to problems. *The decoder must be disabled while the AEN signal is active.*

The simplest way to implement the decoder is via an epld. This way the complete decoder can be implemented on one chip. An AMD MACH110 costing around £8 is suitable; Electromail supplies these, together with the Palasm software needed to compile the Boolean equations, and also offers a programming service.

Software is shown in List 1. Just a few words of explanation are needed. Signals beginning with a lower case 'n' are active low signals. the forward slash (/) is a logical inversion, the asterisk (*) is equivalent to an 'AND' gate, and the plus (+) is the logical OR operator. If you don't have access to the relevant epld programmers, or want to do it using standard ttl or cmos chips, converting the equations into a circuit diagram is relatively trivial Make sure that your gate delays do not become excessive.

Command register design

Designing the command register is easy. All you need is an octal latch, connected directly to the ISA data bus. One of the 74HC574 or HCT574 type will suffice here, as there is no real timing problem.

Output enable of the chip should be tied active, Fig. 2, as there is never any situation where the command register needs to be tristated off. The command register enable signal can be used directly as the chip clock signal. The device clocks on a low-to-high transition, which will occur as the !IOWr signal from the ISA bus deactivates. The chip itself has a zero hold time so the timing pans out correctly.

Status-register considerations

The status register can be implemented as simply as the command register, using just one chip. However this time use a 74x573 transparent octal latch.

Outputs of the chip connect to the ISA bus data lines, and both the latch enable and the tri-state control are connected directly to the status latch enable signal. Normally in an un enabled state the output of the latch will be in a high impedance state, but the latches themselves will be 'transparent'.

Immediately after status register is accessed the inputs get latched. This ensures that the outputs remain stable during the duration of the read process, and that outputs of the latch get enabled onto the data bus allowing the pc to read the status of the board. Once the access is over the latch resumes its high impedance transparent mode again waiting for the next access.

Interrupt controller design

From a hardware point of view, handling interrupts is slightly odd - especially if you are used to designing much closer to your cpu.

The first thing you will notice when scanning down the signals on the ISA bus connector is the absence of any form of interrupt acknowledge signal. Within the interrupt handler, the software must access an i/o port that the interrupting board will recognise as an 'interrupt acknowledge'. In response, the hardware removes the interrupt request.

In this example, one obvious choice is to use the status register read for this purpose. Because we have several sources of potential interrupt coming from our board, the interrupt handler will need to know which is the active source(s). It does this by interrogating the status register.

So arranging this read to also be interpreted as the interrupt acknowledge we can substantially increase the efficiency of our board and its associated interrupt handler.

There is a slight complication with this design example, that may not be present with any future board you may be designing. Consider that during the interrupt latency period - which could be many milliseconds if you are running under Windows - the fifo receives a very fast burst of data, virtually filling it up. As soon as the software exits the interrupt

Listing 2. Design specification for the interrupt controller PAL.

```

;PALASM Design Description
;----- Declaration Segment -----
TITLE interrupt controller
PATTERN INTCON1.PDS
REVISION 0.0
AUTHOR Dave Robinson
COMPANY
DATE 03/12/95
CHIP _intcon1 PALCE26V12
;----- PIN Declarations -----
PIN 1 nIntrEn ;INPUT
PIN 2 D2 ;INPUT
PIN 3 D1 ;INPUT
PIN 4 D0 ;INPUT
PIN 5 Intr3 ;INPUT
PIN 6 Intr2 ;INPUT
PIN 7 Vcc
PIN 8 Intr1 ;INPUT
PIN 9 Halffull2 ;INPUT
PIN 10 Halffull1 ;INPUT
PIN 11 TC2 ;INPUT
PIN 12 TC1 ;INPUT
PIN 13 nStatEn ;INPUT
PIN 27 Intr_Pending COMBINATORIAL
;OUTPUT
PIN 26 A COMBINATORIAL ;OUTPUT
PIN 25 B COMBINATORIAL ;OUTPUT
PIN 24 IntSel2 REGISTERED ;OUTPUT
PIN 23 IntSel1 REGISTERED ;OUTPUT
PIN 22 IntSel0 REGISTERED ;OUTPUT
PIN 21 Gnd
PIN 20 Intreq7 COMBINATORIAL ;OUTPUT
PIN 19 Intreq6 COMBINATORIAL ;OUTPUT
PIN 18 Intreq5 COMBINATORIAL ;OUTPUT
PIN 17 Intreq4 COMBINATORIAL ;OUTPUT
PIN 16 Intreq3 COMBINATORIAL ;OUTPUT
PIN 15 Intreq2 COMBINATORIAL ;OUTPUT
;----- PLD Description -----
;This PAL provides all of the interrupt control logic for use with
;demonstration ISA BUS board. It takes the signals D0 -> D2 from
;the ISA BUS, and the decode signals nStatEn and nIntrEn from the
;decoding PLD (DCODE 1). The terminal count signals TC1 and TC2 are
;generated by the DMA controller, whilst the half full flags are obtained
;from the fifo's. The interrupt enables are obtained from the command
;register.
;The PLD registers the three data bits on the rising edge of nIntrEn
;when these bits contain the required interrupt request pin to be used.
;It generates the interrupt pending flag whenever any of the interrupting
;states are true and enabled.
;It provides a simple four state state machine to handle the interrupt
;request generation as described in the text.
;All unselected interrupt channels are tristated off.
;----- Boolean Equation Segment -----
EQUATIONS
; Forms the interrupt register
IntSel2 := D2
IntSel1 := D1
IntSel0 := D0
; Generates the interrupt pending flag
Intr_Pending = Halffull1 * Intr1
+ Halffull2 * Intr2
+ TC2 * Intr3
+ TC1 * Intr3
; Implements the state machine for interrupt generation
A = /A*B*Intr_Pending
+ A*B
+ A*Intr1
+ A*Intr2
+ A*Intr3
B = A*B*/nStatEn
+ A*B*/Intr1*/Intr2*/Intr3
; Generate interrupt request signals
Intreq7 = IntSel2 * IntSel1 * IntSel0 * A * /B
Intreq7.trst = IntSel2 * IntSel1 * IntSel0
Intreq6 = IntSel2 * IntSel1 */IntSel0 * A * /B
Intreq6.trst = IntSel2 * IntSel1 */IntSel0
Intreq5 = IntSel2 */IntSel1 * IntSel0 * A * /B
Intreq5.trst = IntSel2 */IntSel1 * IntSel0
Intreq4 = IntSel2 */IntSel1 */IntSel0 * A * /B
Intreq4.trst = IntSel2 */IntSel1 */IntSel0
Intreq3 = /IntSel2 * IntSel1 * IntSel0 * A * /B
Intreq3.trst = /IntSel2 * IntSel1 * IntSel0
Intreq2 = /IntSel2 * IntSel1 */IntSel0 * A * /B
Intreq2.trst = /IntSel2 * IntSel1 */IntSel0

```

handler, it would receive another interrupt. Bear in mind that the fifo is still more than half full. The pc would essentially become interrupt bound, spending all its time dealing with the interrupts being sent to it.

To overcome this potential problem it can be arranged that reading the status register effectively turns off the interrupt-enable signals within the command register. After receiving confirmation that the first interrupt from the board is recognised, the interrupts from the board are automatically disabled and need re-enabling to resume.

This is a problem with many solutions. You could, for example, arrange the status read enable signal to clear the actual command register bits corresponding to the interrupt enables. However this requires a more complex command register structure than the one previously described, as not all of the command register positions need to be cleared. This is a viable solution, but the one that I have adopted makes use of a state machine structure, shown in Fig. 3.

Binary numbers within the circles represent the state variables, and as we have four states we need two of them. Note that they are grey coded – as opposed to being binary. As a result, only one bit is altered from each state to the next. This avoids the problem of any timing glitches. The interrupt request signal is obtained simply by forming the logic signal $A*B$. Immediately after a valid interrupting event has occurred the interrupt request occurs. Then when the status register is read, the interrupt request is removed. It remains inactive until the software firstly disables the interrupt enables, and then reestablishes them.

As with the decoder, you can either build the interrupt controller from discrete ttl or programmable logic. The device I have chosen is the PALCE26V12 from AMD. This is a stretched body PAL22V10, in which the controller logic fits comfortably. Should you have trouble obtaining it, then the logic equations can easily be transferred into one of the smaller MACH devices. The only thing to be wary of when using the 26V12 is the odd pin positions that the manufacturers have placed the power rails. (V_{cc} on pin 7, Gnd on pin 21).

Listing 2 is the design specification for the interrupt controller pal. An important aspect to note in this design is the Intreqi.trst signals. These control whether the interrupt request lines which connect directly onto the ISA BUS are operational, viz if the channel has been selected, then the driver for that request line is enabled, all others are tristated off. If you are not using interrupts then selecting channel 0 or channel 1 will ensure that all interrupt request lines are in a safe state.

DMA controller design

DMA on the pc isa bus is slightly idiosyncratic. However its use for transferring data from an isa peripheral device to pc memory at high speed can sometimes be invaluable. The protocol is as follows. The peripheral requires access to the pc memory – either to extract or deposit data. It does this by enabling the relevant dma request signal.

When the processor has relinquished control of the bus the peripheral receives the following indication:-

- /DACKi goes active
- AEN goes active
- /IORd or /IOWr goes active depending on data-flow direction.

Note that the address on the address bus is that of the memory location within the pc memory that is being serviced. It bears no relationship to any i/o port number on the i/o card requesting the service.

As soon as the peripheral recognises that the /DACKi matches the request line it has activated it can remove the request line. If the isa bus is sourcing the data, then the peripheral must latch the data bus with the rising edge of /IOWr

If the isa bus is receiving data, the peripheral tristate drivers must be enabled via /IORd. If your software has been set up to transfer a fixed size record from the peripheral, then the dma controller tells the peripheral that the transfer is complete by activating the terminal count signal.

Note that there is only one terminal count signal shared amongst all dma channels. You tell that it is 'yours' by qualifying it with the /DACKi signal. Also, there is no direct connection between the terminal count signal and the cpu in the pc. It is therefore the responsibility of the isa bus board designer to essentially take the correctly qualified terminal count signal, and cause a processor interrupt. ■



CD rom offer – A vast electronic component sourcing database for just £99*

NN11 is offering the first issue of the RE:SOURCE component-sourcing CD to EW+WW readers as an exclusive introductory offer for just £99 excluding VAT. Normally, the only way to obtain the RE:SOURCE CD is to take out a year's subscription at £395 plus VAT.

Additionally, readers taking up the introductory offer can obtain a discount of 20% should they decide to subscribe to RE-SOURCE. As a further bonus, the first ten orders will receive a free RE:SOURCE CD desk clock as shown in the photograph. Simply fill in the coupon right.

*Price excludes VAT. Offer does not apply to North America.

Anyone involved in specifying or sourcing electronic components will be only too aware of the amount of time spent in searching through paper catalogues to find the right item from the most cost effective source.

Comprising a huge and ever-expanding database of electronic components and technical specifications across the fields of Active and passive components – RE:SOURCE carries technical data from over 65 of the world's leading manufacturers and thousands of entries from UK based suppliers.

The RE:SOURCE CD-ROM provides the ability to source technical data, supplier listings and current prices within seconds. Product features include the ability to search on approved parts and/or preferred suppliers, search on limited component specification, build shopping lists and generate orders. In addition, you can view footprints, access trade directory and of course the obligatory diary/calendar and calculator.

A Supplier Trade Directory is also included, which gives access to an extensive A-Z listing of over 200 product categories sub categories and provides full supplier contact information for each listing from over 500 UK suppliers.

Operating under Windows, the product is

designed to offer a familiar environment with an intuitive interface, coupled to a rapid method of interrogation.

NN eleven Digital publishers of catalogues, directories and multi-media applications. NN11 is at 11 Warwick Street, Daventry, Northamptonshire NN11 4AJ. Tel: 01327 311353, fax: 01327 705669.

To receive your copy of the RE:SOURCE CD Rom, send your cheques to NN eleven at 11 Warwick Street Daventry Northants NN11 4AJ

Name

Address

Postcode Telephone

Cheques payable to NN Eleven please.

Frequency counting interface

On its own, even a fast pc or microprocessor is not fast enough to measure frequencies much outside the audio range. Interfacing a few ttl ics combined with a little software however increases the frequency measuring range to 25MHz and beyond, as Tony Fisher explains.

This frequency counter add on suits almost any type of computer or microcontroller. The prototype incorporates readily available and inexpensive ttl and requires only three input and three output signals to the computer or controller. Using 74LS series ttl, the minimum guaranteed operating frequency is 25MHz, but my prototype worked up to at least 30MHz – the top of the short wave band.

A 16-stage divider produces a maximum output frequency of around 460Hz at an input of 30MHz. This 460Hz output can easily be monitored by the computer. A pulse with a precise duration is needed to gate the input signal to the counter. Because of unknown quantities, such as interrupt timings and memory wait states, the computer cannot produce such a pulse.

The solution is to use the computer to generate a gate of the approximate duration and to

synchronise it to a crystal controlled clock of 1kHz to give a possible gate duration of any multiple of a millisecond.

Another requirement was to keep the number of i/o pins used to a minimum so a novel method of reading the 16bit counter was required. This was easily resolved by adding a single OR gate, Fig. 1.

Gate timing is derived from the crystal oscillator. Its frequency is divided down to 1kHz so the gate period can be any multiple of 1ms. The 1kHz clock feeds an input pin of the computer for monitoring.

To produce a precise 1ms pulse the computer waits for the 1kHz input to go from low to high and then sets the latch-in high within the next millisecond. This is then latched on the next positive transition of the 1kHz clock. After the positive transition the latch-in is set low and synchronised with the next positive transition of the clock. A pulse with a width of any multiple of 1ms can be produced by counting a number of positive transitions of the clock before setting the latch-in low.

The frequency to be measured is passed through by the and gate and the input to the OR gate is set low during the counting phase. The lower 16 bits of the frequency is counted by hardware counters while the higher bits are kept in the computer by detecting the high to low transitions of the most significant bit of the hardware counter.

Once counting has finished, the 16 bits of the hardware counter have to be read out and reset to zero ready for the next count. This is done by taking the clock input high and low repeatedly until the most significant bit of the counter changes from high to low. The contents of the counter are then 65536 minus the number of clocks provided by the clock input.

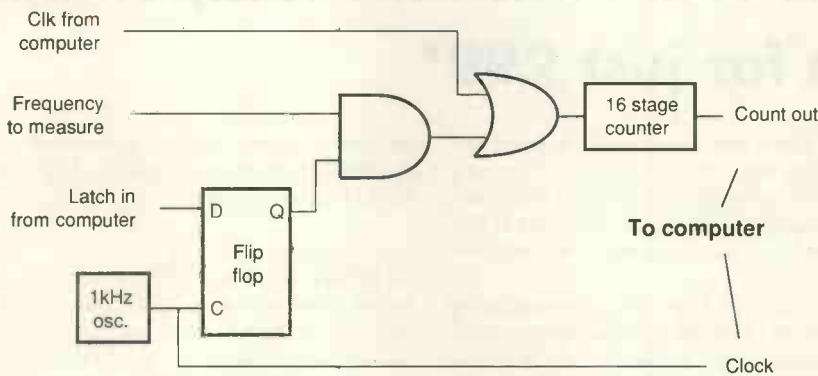


Fig. 1. Block circuitry needed for counting frequency via a pc or microcontroller. Although this configuration works, clocking the result out serially takes a long time.

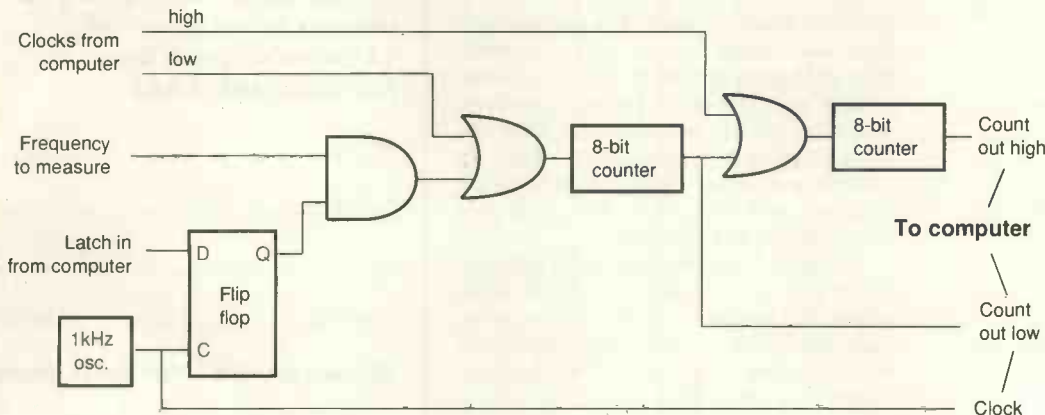


Fig. 2. Dividing the frequency count into two eight-bit chunks makes clocking the result out much quicker, at the expense of a couple of extra control lines.

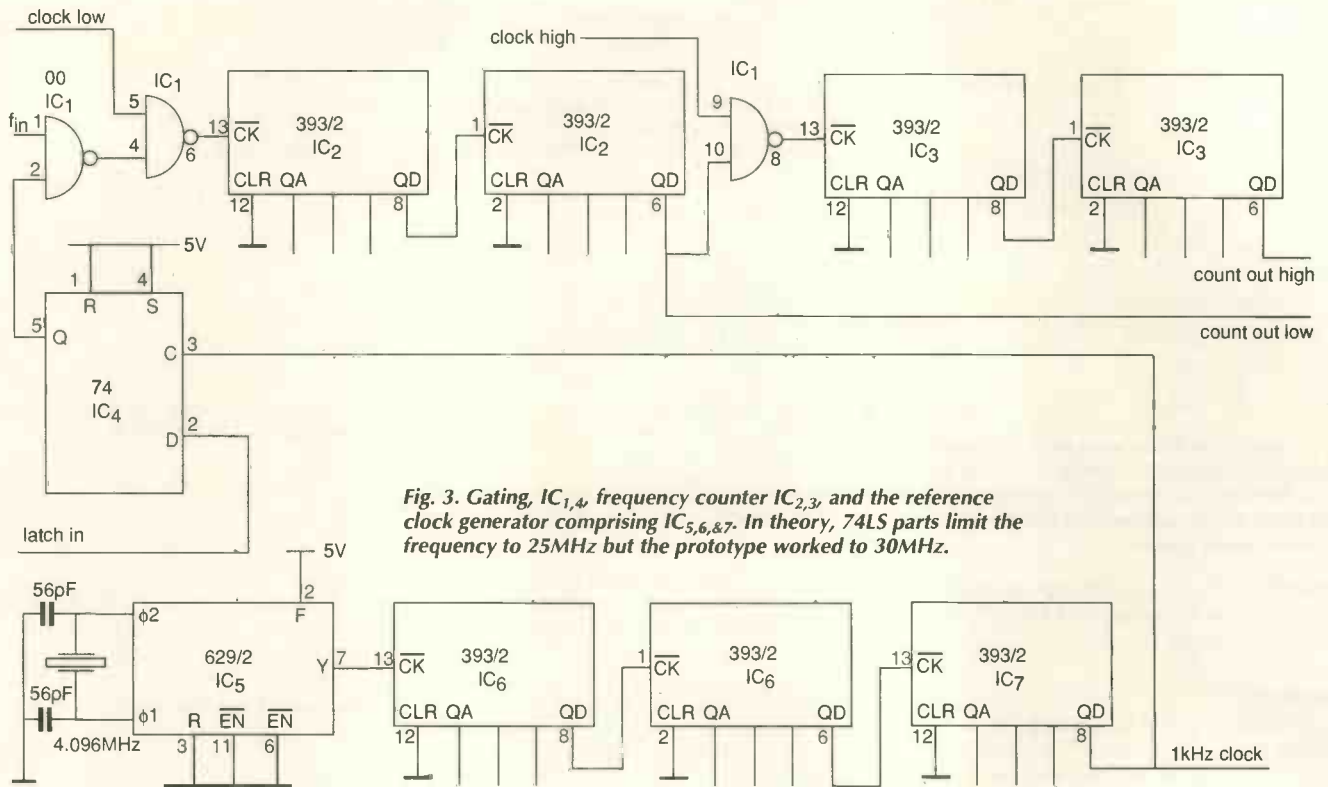


Fig. 3. Gating, IC_{1,4} frequency counter IC_{2,3}, and the reference clock generator comprising IC_{5,6,&7}. In theory, 74LS parts limit the frequency to 25MHz but the prototype worked to 30MHz.

This has the side-effect of resetting the counter to zero. For example if the counter contained 1 then 65535 pulses would be required on the clock input before the most-significant bit of the counter goes from high to low so the counter must have contained 65536-65535. A count of zero would require 65536 clock pulses. However I was felt that clocking up to 65536 times would take too long so the counter is split into two eight-bit stages. Each half can be read out independently so the number of clocks required is reduced from 65536 to 512, Fig. 2.

Frequency is easily determined by,

$$f(\text{in hertz}) = \frac{\text{counter} \times 1000}{\text{gate time (in milliseconds)}}$$

Any frequency offset or other adjustment can be done at this stage in software, making the system versatile.

Circuitry

All the ICs are 74LS types, Fig. 3. In theory, the ttl parts limit the frequency to 25MHz, but in practice the circuit worked up to 30MHz. By replacing IC_{1,2} with faster components higher speeds may be achievable.

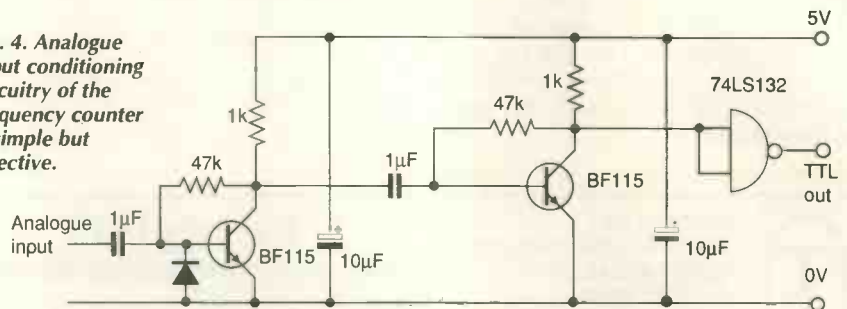
Component choice for the circuit was based on what was to hand so a reduction in component count may be possible.

Software

On reset both clock inputs are set high and the latch-in set low. The computer then waits for the clock to go from low to high. This ensures that any counting has stopped.

Contents of the counters are read back and the result discarded, this is to reset the counters so that the first frequency read is not

Fig. 4. Analogue input conditioning circuitry of the frequency counter is simple but effective.



List 1. C-like pseudo code for controlling the frequency counter interface via a pc, processor or controller.

```

/* this takes the gate period as a parameter and repeatedly
reads frequencies */
void counter(int gate)
{
/* stop counting */
clock_lo = HIGH;
clock_hi = HIGH;
latch_in = LOW;
/* wait for stop counting to take effect */
while (clock == HIGH); /* do nothing */
while (clock == LOW); /* do nothing */
/* clear contents of counter */
junk = readback_count();
while (1==1) /* do forever */
{
software_count = 0; /* counter bits above 16 = 0 */
gate_remain = gate; /* number of 1 ms periods remaining */
last_count_out_hi = count_out_hi;
last_clock = clock;
do
{
/* part to control gate timing */
if (last_clock == LOW && clock == HIGH)
{
if (gate_remain > 0)
latch_in = HIGH;
else
latch_in = LOW;
gate_remain = gate_remain - 1;
}
}
last_clock = clock;
}
}
    
```

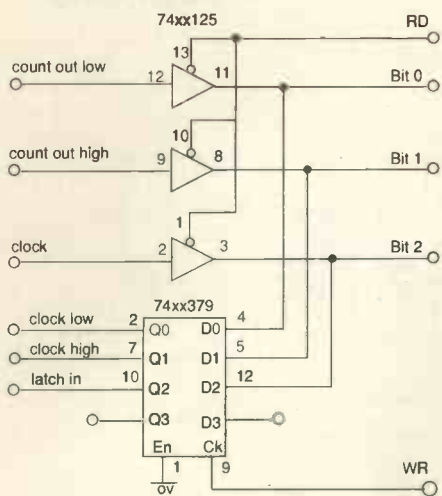


Fig. 5. Interfacing the counter to the pc needs only two gate ICs. If the counter is read by a microcontroller, the interface is even simpler since these ICs are only needed to cope with the bidirectional signals.

dependent on how the counters powered up. Operation can be summarised by the C-like pseudo-code of List 1.

Interfacing

The analogue front end is standard, Fig. 4. To interface the meter to my pc, I used an 8-bit parallel i/o port with separate read and write signals. As you need separate input and output lines, the circuit in Fig. 5 is required. If you use a microcontroller with dedicated i/o pins, such as the PIC165x or 8032, then interfacing can be simply done by dedicating three inputs and three outputs.

```

/* part to monitor counter output */
/* if a low to high transition of the counter
output then increment the software clock */
if (last_count_out_hi == LOW && count_out_hi == HIGH)
    software_count = software_count + 1;
last_count_out_hi = count_out_hi;
}
while (gate_remain >= 0);
/* combine hardware and software counts */
readback_count = readback_count | (software_count << 16);
/* now printout the readback or do something with it */
}
}
int readback_count( void )
{
    clock_hi = LOW;
    clock_lo = LOW;
    /* read back low 8 bits */
    count_lo = 0;
    last_count_out_lo = count_out_lo;
    do
    {
        clock_lo = HIGH;
        finish = last_count_out_lo == LOW && count_out_lo == HIGH;
        if (!finish)
            clock_lo = LOW;
        count_lo = count_lo + 1;
        last_count_out_lo = count_out_lo;
    }
    while (!finish);
    /* read back high 8 bits */
    count_hi = 0;
    last_count_out_hi = count_out_hi;
    do
    {
        clock_hi = HIGH;
        finish = last_count_out_hi == LOW && count_out_hi == HIGH;
        if (!finish)
            clock_hi = LOW;
        count_hi = count_hi + 1;
        last_count_out_hi = count_out_hi;
    }
    while (!finish);
    /* make a 16 bit result from two 8 bits */
    return (count_hi<<8) | count_lo;
}
    
```

**8 CAVANS WAY,
BINLEY INDUSTRIAL ESTATE,
COVENTRY CV3 2SF**
Tel: 01203 650702
Fax: 01203 650773
Mobile: 0860 400683

(Premises situated close to Eastern-by-pass in Coventry with easy access to M1, M6, M40, M42, M45 and M69)

OSCILLOSCOPES	
Gould OS4000, OS4200, OS4100, OS1000B	from £125
Gould OS3000 - 40MHz dual ch.	£250
Gould 4035 - 20MHz digital storage	£600
Gould 4050 - 35MHz digital storage	£750
Gould 5110 - 100MHz intelligent oscilloscope	£950
Hewlett Packard 1707A, 1707B - 75MHz dual ch.	from £275
Hewlett Packard 1740A, 1741A, 1744A, 100MHz dual ch.	from £350
Hewlett Packard 54201A - 50MHz D.S.O.	£1750
Hewlett Packard 54504 - 40MHz digitizing (As new)	£3500
Hitachi V-212 - 20MHz dual trace	£175
Hitachi V-422 - 40MHz dual ch.	£300
Nicolet 3091 - Low freq D.S.O.	£1100
Philips 3315 - 60MHz D.S.O.	£750
Tektronix 468 - 100MHz dual ch.	£800
Tektronix 2213 - 60MHz dual ch.	£425
Tektronix 2215 - 60MHz dual ch.	£425
Tektronix 2220 - 60MHz digital storage	£995
Tektronix 2225 - 50MHz dual trace	£450
Tektronix 2235 - 100MHz dual ch. (portable)	£750
Tektronix 2335 - 100MHz dual ch. (portable)	£750
Tektronix 2465A - 350MHz 4 ch.	£2950
Tektronix 464/466 - 100MHz storage	from £350
Tektronix 465/465B - 100MHz dual ch.	from £350
Tektronix 7313, 7603, 7613, 7623, 7633, 100MHz 4 ch.	from £300
Tektronix 7704 - 250MHz 4 ch.	from £650
Tektronix 7834 with 7842, 7860, 7885 - Plug-ins (Storage 400MHz)	£1500
Tektronix 7904 - 500MHz	from £850
Tequipment D68 - 50MHz dual ch.	£200
Philips 3206, 3211, 3212, 3217, 3226, 3240, 3243, 3244, 3261, 3262 (2ch + 4 ch.)	from £125 to £350
Philips PM3295A - 400MHz dual channel	£1950
Philips PM3296 - 350MHz dual channel	£1800
Hewlett Packard 54501A - 100MHz Digitising - 4 channel	£1950
Tektronix 2236 - 100MHz Dual Trace with Counter/Timer/Dmm	£995
hatsu TS 8123 - 100MHz Dig. Storage	£850

SPECTRUM ANALYSERS	
Hewlett Packard 3580A - 5Hz - 50KHz	£995
Hewlett Packard 3582A - 25KHz analyser, dual channel	£2500
Hewlett Packard 1827 with 8559A (10MHz - 21GHz)	£3750
Marconi 2370 - 110MHz	£995
Marconi 2371 - 30Hz - 200MHz	£1250
Rohde & Schwarz - SWG 6 S Polyskop 0.1 - 1300MHz	£2750
Schlumberger 1250 - Frequency response analyser	£2500
Alltech 727 - 22.4GHz	£2000
Alltech 7027 - Tracking Generator for 727 (10KHz - 12.4GHz)	£2000
Texscan AL51A - 1GHz	£995
Tektronix 7L14 with 7603 - Mainframe (1.8GHz)	£2000
Tektronix 7L12 with 7603 mainframe (1.8GHz)	£1500
Tektronix 7L18 with 7603 mainframe (1.8GHz)	£2950
Polrad 641-1 10MHz - 18GHz	£1500
Hewlett Packard 35601A - Spectrum Analyser Interface	£1000
Hewlett Packard 8754A Network Analyser - 4 - 1300MHz	£3250
Hewlett Packard 3709B Constellation Analyser with 15709A High Impedance Interface (as new)	£P.O.A.

TELNET

MISCELLANEOUS

Anritsu MG642A Pulse pattern generator	£1500
Balintine 323 True RMS voltmeter	£350
Databab DL 1080 - Programmable Transient Recorder	£350
Dynaport P20 - Intelligence tape peel tester, immaculate condition	£1950
Data I/O MODEL 29B (with 12 fixtures) + logic pack	£995
E.I.P. 331 18GHz frequency counter	£850
Farnell 2081 R/F Power meter	£350
Farnell TSV70 Mill - Power Supply (70V-5A or 35V-10A)	£225
Ferrograph RTS2 Audio test set with ATU1	£500
Fluke 5101A - Calibrator AC/DC	£3500
Fluke 5101B - Calibrator AC/DC	£6500
Fluke 5220A - Transconductance Amplifier (20A)	£3000
Heiden 1107 - 30v-10A Programmable power supply (IEEE)	£650
Gould K100D - 100MHz Logic Analyser with PODS	£350
Hewlett Packard 436A Power meter + 8481A sensor	£350
Hewlett Packard 3325A - 21MHz synthesiser/function gen	£1500
Hewlett Packard 3437A System voltmeter	£350
Hewlett Packard 3438A Digital multimeter	£200
Hewlett Packard 3490A Digital multimeter	£250
Hewlett Packard 3586A - Selective level meter	£1750
Hewlett Packard 3702B/3705A/3710A/3716A Microwave link analyser	£1500
Hewlett Packard 3711A/3712A/3791B/3793B Microwave link analyser	£3000
Hewlett Packard 3760/3761 Data gen + error detector	each £350
Hewlett Packard 3762/3763 Data gen + error detector	each £350
Hewlett Packard 3764A Opt.1002 - Digital Trans. Analyser	£2750
Hewlett Packard 3777A Channel selector	£250
Hewlett Packard 3779A/3779C Primary mult. analyser	£600/£1000
Hewlett Packard 5150A Thermal printer	£275
Hewlett Packard 5316A - Universal counter HP1B	£350
Hewlett Packard 5316B - Universal counter HP1B	£750
Hewlett Packard 5355A - Frequency counter 1GHz (HP1B) with Opt. 001/003/004/005	£995
Hewlett Packard 59501B HP 1B isolated D/A power supply programmer	£150
Hewlett Packard 6181C D.C. current source	£150

Hewlett Packard 6261B Power supply 20V-50A £500

DISCOUNT FOR QUANTITIES

Hewlett Packard 6453A - Power supply 15V-200A	£1100
Hewlett Packard 7402 Recorder with 17401 A x 2 plug-ins	£300
Hewlett Packard 8005B Pulse generator	£250
Hewlett Packard 8011A Pulse gen. 0.1Hz - 20MHz	£500
Hewlett Packard 8152A - optical average power meter	£1250
Hewlett Packard 8158B - optical attenuator with opt's 002 + 001	£1100
Hewlett Packard 8443A Tracking gen/counter with 1EEE	£300/£400
Hewlett Packard 8620C Sweep oscillator mainframe	£400
Hewlett Packard 8750A Storage normaliser	£375
Hewlett Packard 3456A Digital voltmeter	£750
Hewlett Packard 3488 - L-R switch and control	£350
Hewlett Packard 8684A - 5.4GHz to 12.5GHz Sig Gen	£3000
Hewlett Packard 3785A - Iter Generator + Receiver	£1150
Hewlett Packard 6632A - System Power Supply (HP1B)	£500
Hewlett Packard 8640B - AM/FM Signal Gen. (512MHz)	£850
Hewlett Packard 5340A - 18GHz Frequency Counter	£900
Hewlett Packard 5356A - 18GHz Frequency Converter Head	£450
Hewlett Packard 432A - Power Meter (with 478A Sensor)	£275
Hewlett Packard 435A or B - Power Meter (with 8481A/8484A)	from £750

International Light - IL 1700 research radiometer with Erythral sensor head	£1250
Lyons PG7M/PG7S/PG2B/PG Pulse generator	from £225
Marconi 2306 Programmable interface	£500
Marconi 2337A Automatic dist. meter	£150
Marconi 2356 20MHz level oscillator	£300
Marconi 2432A 500MHz digital freq. meter	£200
Marconi 2830 Multiplex tester	£850
Marconi 2831 Channel access switch	£250
Marconi 893B A/F power meter	£295
Multicore "Vapourer" bench top vapour phase SMD soldering machine (new and unused) (E1100 + new)	£650
Philips PM 5167 10MHz function gen.	£400
Philips PM 5190 LF synthesiser with GPIB	£800
Philips 5390 1GHz sig. gen.	£1250
Phoenix 5500A - telecomm analyser with various interface options	£3250
Racal 9301 A True RMS R/F millivoltmeter	£300
Racal Dana 1992 - 1300MHz frequency counter opt's 4B+55	£800
Racal Dana 3100 40-1300MHz synthesiser	£750
Racal Dana 5002 Wideband level meter	£650
Racal Dana 5003 Digital m/meter	£150
Racal Dana 9000 Microprocessing timer/count. 52MHz	£250
Racal Dana 9081 Synth sig. gen. 520MHz	£550
Racal Dana 9084 Synth. sig. gen. 104MHz	£450
Racal Dana 9242D Programmable PSU 25V-2A	£300
Racal Dana 9246S Programmable PSU 25V-10A	£400
Racal Dana 9303 True RMS/R/F level meter	£650
Racal Dana 9341 LCR datalogger	£250
Racal Dana 9500 Universal timer/counter 100MHz	£200
Racal Dana 9921 3GHz frequency counter	£450
Rohde & Schwarz BN36711 Digital Q meter	£400
Rohde & Schwarz LF2 Sweep generator 0.02 - 60MHz	£1500
Rohde & Schwarz SCUD Radio code test set	£1500
Rohde & Schwarz Precision Calibrator with Rotek 350A High Current Adaptor	£P.O.A.
Schlumberger SI 4040 - Stablock, high accuracy 1GHz radio test set	£5950
Schlumberger 4923 - Radio Code Test Set	£1750
Schlumberger 2720 - 1250MHz Freq. Counter	£600
Systems Video 1258 Waveform analyser + 1255 vector monitor + 1407 differential phase & gain module + 1270 remote control panel	£2250
Syston Donner 6054B or D - 18GHz or 24GHz Freq. Counter	from £800
Tektronix DA59100 Series Logic Analyser	£2000
Tektronix 577 Curve Tracer with Fixtures	£950
Tektronix - Plug-ins - Many available such as PG508, FG504, SC504, SW503, SG 502 etc	£500
Tektronix TM5003 + AFG5101 Arbitrary Function Gen.	£1750
Tektronix 1240 Logic Analyser	£750
Time 9811 Programmable resistance	£500
Time 9814 Voltage calibrator	£750
Watanabe WTR211 3 pen plotter	£250
Weiler D900 Desoldering station	£150
Wiltron 352 Low freq. differential input phase meter	£350
Wiltron 560 Scalar Network analyser	£800

MANY MORE ITEMS AVAILABLE - SEND LARGE S.A.E. FOR LIST OF EQUIPMENT ALL EQUIPMENT IS USED - WITH 30 DAYS GUARANTEE. PLEASE CHECK FOR AVAILABILITY BEFORE ORDERING - CARRIAGE & VAT TO BE ADDED TO ALL GOODS

Best rf article '95

Following the success of 1994's Writers Award, *Electronics World* and Hewlett-Packard are launching a new scheme to run from January to December 1995.

Only articles which have an element of rf design will be eligible for consideration by the judging panel. It is hoped that this year's award will focus writer interest on rf engineering in line with the growing importance of radio frequency systems to an increasingly cordless world.

The aim of the award scheme is to locate freelance authors who can bring applied electronics design alive for other people.

Qualifying topics might include direct digital synthesis, microstrip design, application engineering for commercially available rf ICs and modules, receiver design, PLL, frequency generation and rf measurement, wideband circuit design, spread spectrum systems, microstrip and planar aerials... The list will hopefully be endless.

All articles accepted for publication will be paid for – in the region of several hundred pounds for a typical design feature.

Win a £4000
programmable signal
generator from
Hewlett-Packard



The prize for the coming year's award is a £4000 Hewlett-Packard HP8647A 1GHz programmable signal generator. It features HP-IB interface, solid state programmable attenuator and built in AM-FM modulation capability.

For further details about our quest for the best, call or write to:
**Martin Eccles, Editor, Electronics World,
Quadrant House, The Quadrant, Sutton,
Surrey, SM2 5AS
Tel 081-652 3128**

Technology Lag

Not all of today's electronic wizardry is as new as we think – an anomalous factor called technology lag often comes into play.

Andrew Emmerson has been combing the archives with some prophetic results.

“It is conceivable that cables of telephone wires could be laid underground, or suspended overhead, communicating by branch wires with private dwellings, country houses, shops, manufactories etc., etc.,

uniting them through the main cable with a central office where wires could be connected as desired establishing direct communication between any two places in the city.

Such a plan as this, though impracticable at the present moment will, I firmly believe, be the outcome of the introduction of the telephone to the public. Not only so, but I believe, in the future, wires will unite the head offices of the Telephone Company in different cities, and a man in one part of the country may communicate by word of mouth with another in a distant place.

I am aware that such ideas may appear to you Utopian... Believing, however, as I do that such a scheme will be the ultimate result of the telephone to the public, I will impress upon you all the advisability of keeping this end in view, that all present arrangements of the telephone may be eventually realised in this grand system.” These words are now

“HDTV saw its first serious exploitation fifty years ago...”

sufficiently well known to become almost a cliché but when they were first uttered they must have sounded fanciful in the extreme. They were spoken in 1878 by Alexander Graham Bell some two years after he had invented the telephone.

Conventional wisdom of course knew better. After all back in 1865 the Boston Post had written solemnly: “Well-informed people know it is impossible to transmit the voice over wires. Even if it were, it would be of no practical value.” A memo attributed to the Western Union telegraph company in 1877 took an equally prosaic attitude. “This ‘telephone’ has too many shortcomings to be seriously consid-

Poserphones are not new. This Motorola ‘Handie-Talkie for Industrial Use’ was the business back in November 1948.



Five years before the Handie-Talkie, the original Walkie Talkie was introduced – a much more cumbersome affair weighing 35 pounds.



ered as a means of communication. The device is inherently of no value to us." A similar opinion is said to have been given by someone in the British Post Office.

There is no doubt, however, that competent engineers were not afraid of forecasting their view of the future; in November 1911, A.A. Campbell Swinton, addressing the Röntgen Society in London, proposed a fully electronic television system and back in 1897 an electrical engineer by the name of Ayrton addressed the Imperial Institute in London as follows. 'There is no doubt that the day will come, maybe when you and I are forgotten, when copper wires, gutta-percha coverings, and iron sheathings will be relegated to the Museum of Antiquities. Then, when a person wants to telegraph to a friend, he knows not where, he will call an electromagnetic voice, which will be heard loud by him who has the electromagnetic ear, but will be silent to everyone else. He will call "Where are you?" and the reply will come, "I am at the bottom of the coal-mine" or "Crossing the Andes" or "In the middle of the Pacific"; or perhaps no reply will come at all, and he may then conclude that his friend is dead.'

This is all excellent stuff but it is, we must also concede, highly speculative. It is also ancient history – what about the miracles of today, such as the cellphone, high-definition television and digital techniques for interleaving several programmes on the same TV channel?

Remarkably, they are not as new as you might think and they all developed from practical work – not fanciful postulating – carried out during the second world war. That they are only reaching commercial exploitation some forty or fifty years later can be put down to technology lag.

Let's take the cellphone first: all the basic technologies were in place by the end of the war, even the concept of frequency re-use. Here is a quote from a British book of 1946, 'The Miracle of Wireless' by Miles Henslow.

Maybe it will sound a far-fetched idea today, but the time is surely approaching when everyone will be able to carry about with him a small radio telephone. War-time development of apparatus to work on very short wavelengths has opened up many entrancing possibilities. Hundred of thousands of 'radio-telephone channels' can be used over short distances without interference; and the installation of a network of automatic telephone exchanges might well be utilized for handling the calls from a multitude of pedestrian or automobile telephone subscribers, to sort them out and pass them by line – or by radio link – to main exchanges. Certainly it is but a matter of time before the railway traveller is able to pick up the phone and dial his office or his home.

Indeed, but a matter of time – just a little under fifty years to be precise. But what were those war-time developments? Mobile radio was by no means new then: already in 1939 three vhf bands in the vicinity of 100MHz had been allocated by the Home Office to the police and fire services and tests had proved that 'two-way radiotelephone service of a good standard and reliability' was possible in built-up areas. The mobile equipment was extremely bulky and in no way a 'personal phone'; even the Walkie-Talkie portable fm two-way radio introduced by Motorola for US forces in 1943 was a hefty back-pack affair weighing 35lb. But there was a much more portable two-way radio operating on uhf frequencies (450MHz) known as S-Phone.

Developed in 1941 by Capt. Bert Lane and Major Hobday, both of Royal Signals, S-Phone became standard operational equipment in 138 and 161 Squadrons of the RAF

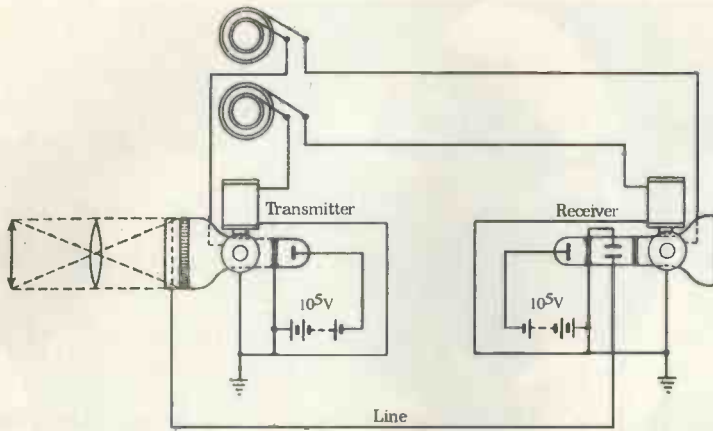
for covert air-to-ground communication. A similar short-range radio was developed in 1944 by the Americans for OSS agents working in Germany under the cover-name Joan-Eleanor; this set worked on 260MHz. Highly-directional vhf beam antenna systems were also developed for gun-laying radar and other purposes, so it can be argued that the key elements of the technology required for cellular radio were in place by 1946. The only elements missing were the finance and commercial pressure to turn concept into reality.

The same applies to the concept of multi-channel digital television – or something very

"euphoria for cellular radio, multi-channel television and high-definition pictures at the end of the war was fated to subside..."

close to it. This, as far as I can trace, was first revealed in print the same year, 1946. The author was Kenneth Ullyett in the long defunct publication *Courier*, a sort of all-British version of *Reader's Digest*. Just read this.

Radio experts have been disclosing the secrets of frequency modulation broadcasting, but this system is already out-dated by a new British discovery... The BBC Television section is very enthusiastic because the pulse sys-



Campbell Swinton had already devised all the elements of electronic television in 1911, only the technology to realise his project was missing.

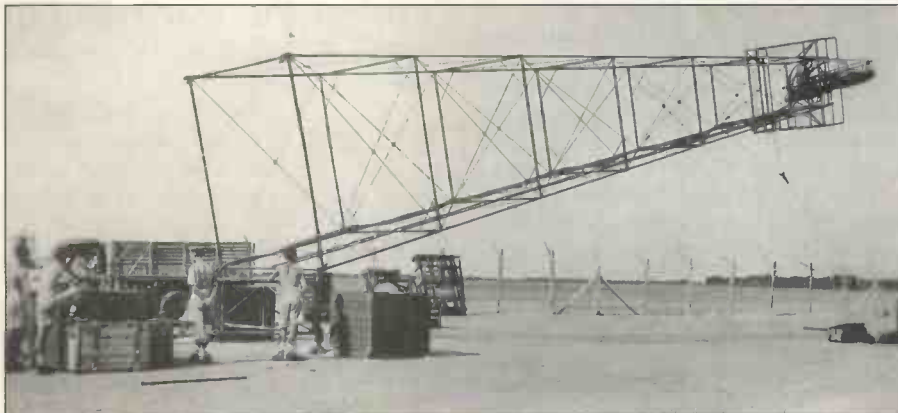
“Well-informed people know it is impossible to transmit the voice over wires...”

tem offers a very special advantage to television. Sight and vision can be broadcast on the same wavelength. In fact, a choice of television programmes, both sight and sound, could be put out on the same wave-length lane, leaving receiver pulse selectors to sort them out.

In his article Ulyett describes both pulse width and pulse time modulation and put his money on pulse time. He had witnessed tests, he said, which showed it was possible to get better sound definition and tonal quality by varying the timing of the pulses rather than their shape. Today we would call the technique pulse-position modulation and the alternative pulse width system which he refers to had recently been exploited during the war to best advantage in the Wireless Set No. 10, a somewhat prosaic designation that in fact conceals a fully mobile multi-channel radiotelephone system operating on a 6GHz carrier.

Entirely British in design and conception, this was undoubtedly the world's first multi-channel communication system and was yet another engineering achievement that helped 'save our bacon' in those dark days half a cen-

More than fifty years ago Britain successfully exploited the Wireless Set 10 – an eight-channel microwave radio systems for secure communication in the battlefield; at the end of the war the same technique was proposed for broadcasting multi-channel to the home. Here we see the mobile equipment of the Ten Set as a tower carrying dishes is raised. Photo courtesy Chris Hilton.



tury ago. The 'Ten Set' as it is also known used pulse-width modulation and after early trials in 1942 was first used to link the Isle of Wight to Cherbourg, just after D-Day. Subsequently it provided vital speech links, within the advancing forces and back to the War Office in London. It was flexible and secure, whilst there is no evidence that the Germans even knew of its existence, let alone that they succeeded in intercepting it.

Ulyett described the pulse system as being equally valid for sound broadcasting as for television although he conceded it would not see the light of day in the immediate future. 'The present position is that all radio manufacturers in Britain are committed for at least 18 months to a programme of over 60 per cent for export, and they could not possibly make home receivers for the pulse system.'

High-definition television, that is with more than 1000 lines, also saw its first serious

“digital television was revealed in print in 1946...”

exploitation fifty years ago as part of war efforts.

In Paris the Compagnie Française de Télévision maintained development work on television throughout the period of German occupation, producing a 1050-line system, described by an Allied Combined Intelligence Objectives Committee report compiled in October 1944.

A demonstration of a 1050-line system was seen on a cathode ray tube of 15in diameter. The picture was extremely good, definition and contrast were very good, even up to the corners of the picture. At a distance of eight feet the quality was comparable with that of an ordinary cinema. During the demonstration, films and a live scene from the studio were shown on both the 450 and the 1050-line systems. The improvement in the increase in entertainment value of the 1050-line picture was most marked. The same type of iconoscope [camera tube] was used in the 1050 and 450-line systems.

The report continues that although the 1050-line transmissions are well ahead, they were not yet ready to be put into service and that if television started again in the next two years, it would surely start with the 450-line transmissions. History proved the author of the report entirely right.

Whereas the French were devising high definition television for broadcast entertainment

purposes, the Germans had a different purpose in mind. In mid-1940 Fernseh technical experts developed and demonstrated a complete 1029-line television system, the purpose of which was said to be transmitting maps for military purposes.

Employing a slide-scanner as pickup device the apparatus gave exceptional results, exceeding 16mm film in resolution. Despite this apparent success, the authorities were apparently unconvinced of the system's strategic value and given its need for 15MHz transmission bandwidth, it is difficult to see how these pictures could have been transmitted with security over long distances.

What became of this work in France and Germany? In the latter case, not a lot. After the war German researchers remaining in the Russian Zone were spirited off to Leningrad, whilst the two installations which had been moved out into Sudetenland (then a part of Germany and now in the Czech Republic) to avoid Allied bombardment formed the nucleus of Czechoslovakia's television development scheme. In the western zones of

Germany the Allies initially prohibited any further research into television and thus any momentum was lost. In any case it was now considered that 625 lines were a more practical compromise for entertainment television.

That was not the thinking in France, however, and television was a field in which France intended to excel in the new era of peace. Again, however, a compromise was called for since their 1050-line system would occupy too much bandwidth over the air. So by 1948 an 819-line system, demonstrably superior to the existing British, American and new German systems, was devised and this remained in use for nearly 40 years. As well as demonstrating Gallic achievement, there was a notion that the unique 819-line system would discourage foreign manufacturers from entering the French market, a strategy that no longer succeeded when Sony and other Far Eastern manufacturers brought out transistor portable sets which included the 819-line standard in the late 1960s.

What lessons can be learned from each of these demonstrations of premature technical

achievement? Certainly that given the correct environment and resources, the timescale for new development can be compressed considerably, and the pride in achievement and the enthusiasm to take this further are hard to suppress at the time.

Technical virtuosity is of little value, however, if there is no commercial market for it and no means to apply it to mass production. For this reason it was sadly inevitable that the euphoria for cellular radio, multi-channel television and high definition pictures at the end of the war was fated to subside and not surprising that fifty years on we are only now really starting to enjoy the benefits of those predictions.

For technology to create a mass market it must offer something the broad public both desires and can afford, and back in 1946 most people's minds were on matters more prosaic than advanced home entertainment or convenience in communication. In those days even a normal telephone in the home was a luxury, whilst television was exclusively for the well-off. Times change. ■

PIC DEVELOPMENT TOOLS

High Specification PIC Tools from PARALLAX

ClearView In-Circuit Emulators

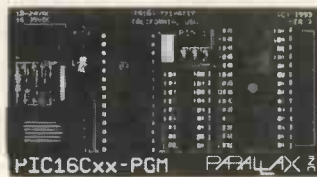


True real-time hardware emulation using genuine "Bond-out" chips.
Speeds up to 20MHz
PIC16C5x/64/71/74/84
Dos & Windows Environment
From **£479** separate units for "5x" and "xx" PICs)

PIC Programmer Pack

Programmer for PIC16C5x/64/71/84/...
Extensive manuals on disk.
User supplied cables and power supply.

Just £89



Programmer Emulator
Assembler
Software Simulator
16C5x
16C64
16C71
16C84
17C82
Execution speed (MHz)
Programming Adaptors

PIC 16Cxx Programmer	•	•	•	•	•	•	•	•	ZIF, SOIC, SSOP
BackDraft 17	•								PLCC
ClearView '5x		•	•	•					20
ClearView 'xx		•	•	•	•	•	•		20

NEW BASIC STAMPS

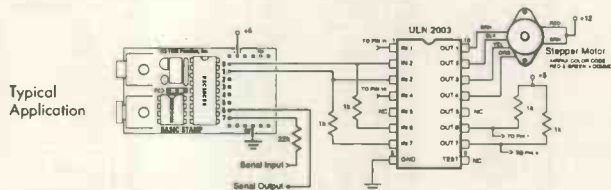
Stamp-sized Computer Modules Run BASIC



BS1-IC 8 I/O
100 line capacity: 4-MHz Clock
£29

BS2-IC 16 I/O
600 line capacity: 20-MHz Clock
£49

Two **NEW** BASIC Stamp Controllers offering even more flexibility to Industry, Education and the Hobbyist. Both run Parallax "PBASIC" with familiar BASIC commands plus serial I/O, pulse measurement and button debounce. The BS2-IC includes additional support for LCDs, keypad, DTMF encoding/decoding, X-10 transmit and external time clocks. The BASIC Stamp programming package at £66 contains editor software, cables, manual and extensive application notes; everything you need to program and re-program Stamps using your PC.



All prices exclude VAT and £3 shipping per order.
For further details on any of these products please 'phone for our new colour catalogue.

MILFORD INSTRUMENTS

Milford House, 120 High Street,
SOUTH MILFORD, Leeds LS25 5AQ
Telephone 01977-683665 (24 hour) 01977-681465 (Fax)

CIRCLE NO. 115 ON REPLY CARD

GRANDATA LTD

K.P. HOUSE, UNIT 15, POP IN COMMERCIAL CENTRE,
SOUTHWAY, WEMBLEY, MIDDLESEX, ENGLAND HA9 0HB

Telephone: 0181-900 2329 Fax: 0181-903 6126

OPEN Monday to Saturday.

Times: Mon-Fri 9.00-5.30 Sat 9.00-2.00

PLEASE PHONE US FOR TYPE NOT LISTED HERE AS WE ARE
HOLDING 30,000 ITEMS AND QUOTATIONS ARE GIVEN FOR
LARGE QUANTITIES

Please send £1 P&P and VAT at 17.5%. Govt. Colleges, etc.
Orders accepted. Please allow 7 days for delivery. Prices quoted
are subject to stock availability and may be changed without notice.
TV and video parts sold as replacement parts.

Access & Visa Card accepted

WE STOCK TV AND VIDEO SPARES, JAPANESE TRANSISTORS AND
TDA SERIES. PLEASE RING US FOR FURTHER INFORMATION.

TRANSISTORS

Part	Price	Part	Price	Part	Price	Part	Price	Part	Price	Part	Price	Part	Price	Part	Price	Part	Price		
AAV32	9p	BD285	45p	BF990	45p	MJ2501	100p	2N2102	50p	7815	25p	TC236D	85p	AN315	210p	BA6209	85p	LA4110	120p
AC107	40p	BD287	45p	BL148	85p	MJ3000	100p	2N2218A	24p	7818	25p	TIC2400V	105p	AN316	350p	BA6304	120p	LA4120	270p
AC125	30p	BD289	45p	BR100	37p	MJ3001	100p	2N2221	23p	7824	25p	TIC2460	140p	AN360	100p	BA6305	140p	LA4140	80p
AC126	30p	BD278	50p	BR103	37p	MJ3002	100p	2N2222	23p	7905	30p	16A/400V	190p	AN366	150p	BA6410	220p	LA4160	100p
AC127	30p	BD311	100p	BR303	85p	MJE29A	30p	2N2269	15p	7906	30p	TIC253D	190p	AN366	150p	BA6411	250p	LA4182	180p
AC128K	40p	BD314	100p	BS574	33p	MJE30A	30p	2N2369	15p	7908	30p	20A/400V	205p	AN610	160p	BA6993	150p	LA4190	300p
AC141K	45p	BD315	150p	BSX20	15p	MJE340	25p	2N2484	15p	7912	30p	TIC263D	205p	AN3312	350p	BA7001	150p	LA4192	140p
AC176	22p	BD317	150p	BT100A	70p	MJE350	80p	2N2646	40p	7915	30p	25A/400V		AN3821K	60p	BA7004	200p	LA4200	130p
ACV18	48p	BD331	40p	BT106	180p	MJE520	30p	2N2904	20p	7918	30p			AN3822K	60p	BA7007	200p	LA4201	120p
ACV19	48p	BD332	40p	BT109	90p	MPB112	45p	2N2905	20p	7924	30p			AN390K	40p	BA7021	180p	LA4260	230p
AD149	60p	BD361	60p	BT119	100p	MPSA05	15p	2N2906	18p	78L05	24p			AN391K	40p	BA7022	180p	LA4270	230p
AF125	50p	BD362	60p	BT146	99p	MPSA06	15p	2N2907	18p	78L08	24p	THYRISTORS		AN5025	250p	BA7751LS	150p	LA4270	300p
AF139	30p	BD370	30p	BTY79	140p	MPSA13	15p	2N3019	28p	78L12	24p	2N5061	20p	AN5033	400p	BA7752	250p	LA4420	140p
AF239	30p	BD371	30p	BU105	80p	MPSA20	15p	2N3053	18p	78L15	24p	1728B	100p	AN5132	250p	BA7755	150p	LA4422	130p
BB105B	24p	BD410	50p	BU108	100p	MPSA42	15p	2N3054	40p	78L24	24p	TIC116C	59p	AN5132	250p	BA7755	150p	LA4422	130p
BB205B	24p	BD433	28p	BU109	80p	MPSA43	15p	2N3055	38p	78L28	24p	8A/300V	70p	AN5150	400p	BA7767AS	150p	LA4430	130p
BC107	8p	BD434	30p	BU110	90p	MPSA47	15p	2N3055H	50p	79L05	35p	TIC160	200p	AN5151	600p	CA3011	110p	LA4440	150p
BC108	8p	BD435	31p	BU111	100p	MPSA92	20p	2N3442	85p	79L08	35p	TIC126D	75p	AN5256	150p	CA3048	190p	LA4445	150p
BC109	8p	BD436	30p	BU124	60p	MPSA93	20p	2N3422	85p	79L12	35p	12A/400V	90p	AN5262	175p	CA3054	95p	LA4460	120p
BC109C	10p	BD437	28p	BU126	65p	MRB10	35p	2N3703	9p	79L15	35p	TIC126M	90p	AN5265	80p	CA3085	135p	LA4500	200p
BC140	20p	BD438	28p	BU180	100p	TR185	100p	2N3704	9p	LM317T	100p	12A/600V	28p	AN5352	60p	CA3088E	200p	LA4505	220p
BC142	20p	BD439	40p	BU184	100p	OC28	36p	2N3705	9p	LM323K	350p	4A/400V	28p	AN5411	450p	CA3098E	150p	LA4508	200p
BC143	20p	BD440	40p	BU204	65p	OC29	250p	2N3706	9p	79H08KC	800p	BR103	37p	AN5421	450p	CA3109E	150p	LA4510	100p
BC147	8p	BD441	40p	BU205	70p	OC35	350p	2N3707	9p	79H12KC	700p	BR303	85p	AN5429	420p	CA3130E	100p	LA4520	170p
BC149	8p	BD533	30p	BU206	100p	OC36	250p	2N3710	12p	79H21KC	800p	BT106	180p	AN5512	100p	CA3134E	280p	LA4550	200p
BC159	8p	BD534	38p	BU208	70p	OC45	50p	2N3711	12p	79HGKC	800p	BT119	100p	AN5515	160p	CA3140E	38p	LA4555	120p
BC160	8p	BD535	38p	BU208A	75p	OC200	180p	2N3771	85p			BT119	100p	AN5521	100p	CA3189E	230p	LA4570	130p
BC171	10p	BD536	38p	BU208B	200p	P2008B	100p	2N4031	90p			1728B	200p	AN5521	100p	CA3193E	230p	LA4572	150p
BC172	10p	BD537	40p	BU208D	130p	R20108	100p	2N3773	100p			17127	200p	AN5512	100p	CA3260E	170p	LA5072	150p
BC177	14p	BD538	40p	BU209	90p	S2000AF	175p	2N3799	18p			1580H	200p	AN5512	100p	CA3290E	150p	LA5700	300p
BC178	14p	BD643	50p	BU225	120p	S2005AF	175p	2N3819	29p			1585R	200p	AN5512	100p	CX108	950p	LA7011	220p
BC179	14p	BD645	50p	BU226	120p	S2055AF	200p	2N3906	11p			SG284	830p	AN5622	275p	CX136	600p	LA7033	400p
BC182	7p	BD647	50p	BU228	100p	S2530A	100p	2N4031	12p			SG613	1500p	AN5625	400p	CX139A	750p	LA7042	280p
BC182L	7p	BD649	50p	BU228A	100p	S2800M	72p	2N4401	25p					AN5712	180p	CX141	750p	LA7046	300p
BC183	7p	BD675	40p	BU226A	75p	S2800M	72p	2N4403	12p					AN5712	140p	CX145	725p	LA7050	250p
BC183L	7p	BD676	40p	BU406	60p	TIP29	22p	2N5061	20p					AN5730	160p	CX150B	325p	LA7055	250p
BC184	7p	BD677	38p	BU406D	85p	TIP29C	25p	2N5088	20p					AN5732	120p	CX175	325p	LA7507	250p
BC184L	7p	BD678	40p	BU407	55p	TIP29C	25p	2N5088	20p					AN5732	120p	CX187	825p	LA7520	200p
BC212	7p	BD679	40p	BU407D	75p	TIP29E	40p	2N5192	50p					AN5732	120p	CX804A	775p	LA7620	500p
BC212L	7p	BD680	40p	BU408	60p	TIP30	25p	2N5192	50p					AN5732	120p	CX867	775p	LA7800	90p
BC213	7p	BD681	45p	BU408D	75p	TIP30C	25p	2N5245	30p					AN5732	120p	CX868	5375p	LA7802	100p
BC213L	7p	BD682	45p	BU409	85p	TIP31A	22p	2N5294	30p					AN5732	120p	CX877	500p	LA7802	300p
BC214	7p	BD705	50p	BU426A	60p	TIP31C	27p	2N5296	30p					AN5732	120p	CX877	500p	LA7802	300p
BC214L	7p	BD707	50p	BU500	100p	TIP32	24p	2N5448	12p					AN5732	120p	CX877	500p	LA7802	300p
BC237	7p	BD709	50p	BU505	90p	TIP32A	21p	2N6107	40p					AN5732	120p	CX877	500p	LA7802	300p
BC238	7p	BD711	50p	BU505D	90p	TIP32C	28p	2N6292	40p					AN5732	120p	CX877	500p	LA7802	300p
BC239	7p	BD736	50p	BU505DF	90p	TIP32C	28p	2N6385	120p					AN5732	120p	CX877	500p	LA7802	300p
BC300	20p	BD826	50p	BU506	100p	TIP33C	60p	2N6403	160p					AN5732	120p	CX877	500p	LA7802	300p
BC301	20p	BD828	50p	BU506D	70p	TIP34	50p							AN5732	120p	CX877	500p	LA7802	300p
BC302	20p	BD839	55p	BU506DF	120p	TIP34C	60p							AN5732	120p	CX877	500p	LA7802	300p
BC303	20p	BD897	50p	BU508A	70p	TIP35C	65p							AN5732	120p	CX877	500p	LA7802	300p
BC304	25p	BD958	50p	BU508AF	95p	TIP36C	65p							AN5732	120p	CX877	500p	LA7802	300p
BC327	7p	BD977	60p	BU508AF	95p	TIP36C	65p							AN5732	120p	CX877	500p	LA7802	300p
BC328	7p	BDX33	60p	BU508DF	115p	TIP41C	110p							AN5732	120p	CX877	500p	LA7802	300p
BC337	7p	BDX65	80p	BU508F	115p	TIP42A	20p							AN5732	120p	CX877	500p	LA7802	300p
BC338	7p	BDW24	55p	BU508FV	100p	TIP42C	22p							AN5732	120p	CX877	500p	LA7802	300p
BC441	28p	BDW93	55p	BU526	75p	TIP47	22p							AN5732	120p	CX877	500p	LA7802	300p
BC446	8p	BDW94	50p	BU536	100p	TIP48	40p							AN5732	120p	CX877	500p	LA7802	300p
BC477	10p	BF132	100p	BU546	125p	TIP50	60p							AN5732	120p	CX877	500p	LA7802	300p
BC516	22p	BF137	35p	BU608	120p	TIP51	120p							AN5732	120p	CX877	500p	LA7802	300p
BC537	25p	BF167	30p	BU626	120p	TIP52	80p							AN5732	120p	CX877	500p	LA7802	300p
BC546	8p	BF181	18p	BU705	130p	TIP54	85p							AN5732	120p	CX877	500p	LA7802	300p
BC547	8p	BF183	20p	BU706DF	175p	TIP105	65p							AN5732	120p	CX877	500p	LA7802	300p
BC548	8p	BF195	7p	BU706F	175p	TIP106	85p							AN5732	120p	CX877	500p	LA7802	300p
BC549	8p	BF205	8p	BU801	70p	TIP107	85p							AN5732	120p	CX877	500p	LA7802	300p
BC550	8p	BF206	8p	BU802	70p	TIP107	85p							AN5732	120p	CX877	500p	LA7802	300p
BC556	8p	BF225	30p	BU807	60p	TIP11	40p							AN5732	120p	CX877	500p	LA7802	300p
BC557	7p	BF240	16p	BU902	110p	TIP112	35p							AN5732	120p	CX877	500p	LA7802	300p
BC558	8																		

Software

that plays cards

Software can help get the most out of data-acquisition expansion cards. *Signal Centre* can help more than most, says **Allen Brown**

Data acquisition and processing used to be the preserve of engineering and physical science laboratories. Now pcs are routinely found in biology, chemistry and even psychology departments, with many machines dedicated to data acquisition applications.

Converting a pc into a data acquisition platform is simply a matter of inserting a suitable card, with analogue and i/o facilities. But software is needed to drive the card too, and this is where packages such as *Signal Centre* come in, automatically recognising the expansion card and providing all the processing features likely to be needed.

Signal Centre, version 2 from Computer Park Software – a British company for a change – runs under Microsoft Windows and can be used either for data acquisition, or as control software as it has the ability to output digital i/o and analogue signals.

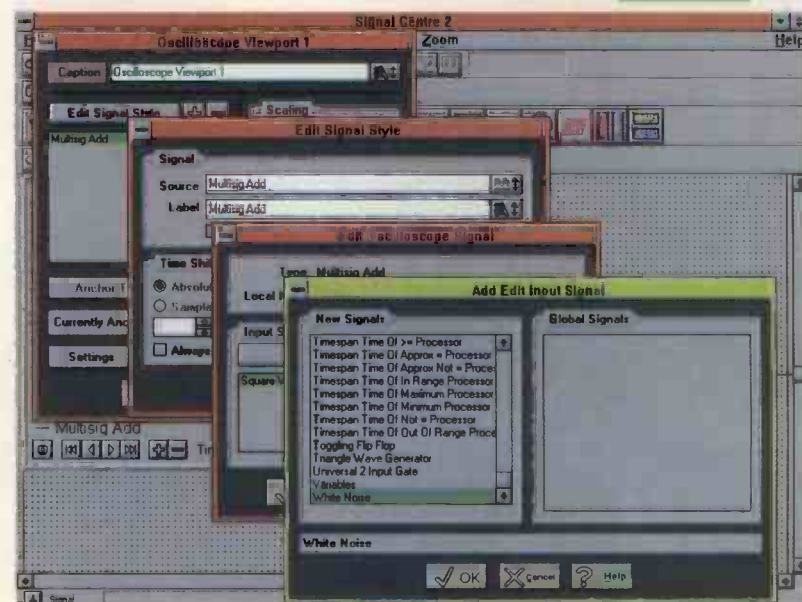
No programming skills are called for since everything is performed using dialogue boxes, and the user should feel at home with familiar 'viewports' such as an oscilloscope, chart recorder, meter, led display, rotary control, thermometer and other display and control items.

The heart of *Signal Centre* is a large 'processor' library containing all the operations and functions likely to be needed. Each processor (or range of processors) is used to feed information into the display items.

Designing a system is intrinsically quite straightforward, with the user working backwards from the final display.

For example, to show an oscilloscope displaying a square wave contaminated by noise (Fig. 1), the first step is to generate an oscilloscope by clicking on the appropriate icon. Clicking on the scope brings up a dialogue box that allows the multisig add processor to be included and generates another dialogue box, enabling an input to the adder to be selected. This in turn generates a processor dialogue box, so that square wave generator can be selected from a list.

Once that dialogue box is closed a second input can be



chosen. The processor list again appears and this time White Noise is chosen.

When all the dialogue boxes are closed, a noise-contaminated square wave appears on the oscilloscope screen, Fig. 2. Various parameters can be adjusted for each processor before it is accepted.

Initially the procedure appears somewhat awkward, but after a little practice it becomes surprisingly easy to generate and customise a design layout. However, real proficiency only comes through practice, as operation of the software is far from intuitive.

Expansion card drivers

A large range of device drivers is supplied for the popular analogue i/o cards, and this is an attractive feature. Drivers are included for the Amplicon PC range, ComputerBoard's CIO range and for Datel and IOtech expansion cards.

Many cards have multiple analogue channels. When the driver for the input card is selected the card can be configured, via its dialogue box, for the appropriate mode. So, with an eight-input analogue card the user can show all eight input channels on the chart recorder viewport (Fig. 3). Adjustments

Fig. 1. To construct a design in Signal Centre, the user works backwards through a series of dialogue boxes. Each processor has a dialogue box attached to it and the user configures it by changing the settings in the box.

can also be made to the gain and sampling frequency of the channels by choosing appropriate options in the dialogue box.

Configuring an analogue i/o card in this way, with little fuss, is very effective and is one of the best selling points of the package. Signals from the i/o cards are then available to any processor the user selects.

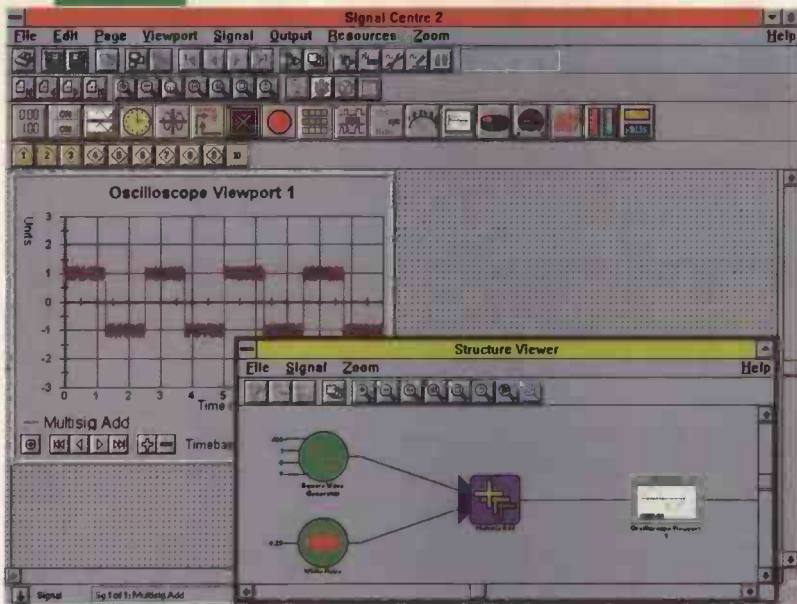


Fig. 2. A design completed, the oscilloscope viewport can be used to show output signals. In this case we see a noise-contaminated square waveform, the schematic of the processors and connections needed for its construction.

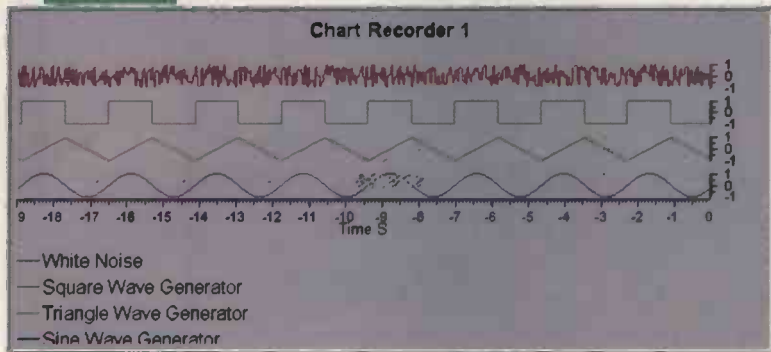


Fig. 3. One of the most useful viewports, the chart recorder, can be linked directly to an analogue i/o expansion card to give real-time signal monitoring.

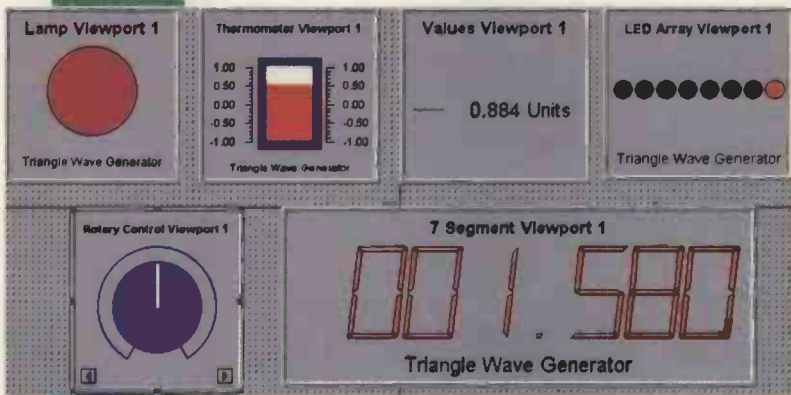


Fig. 4. Several viewports can be useful for monitoring a small scale system. Each viewport can have conditional settings attached to it.

Viewport visualisation

Visual aspects of *Signal Centre* are handled by viewports. Some serve only as quantitative devices – the thermometer and bulb for example – and various voltage thresholds can be set to give different colour displays (Fig. 4). If the pc has a sound card, audio (voice) outputs can be triggered when threshold or condition events occur.

When monitoring small-scale industrial processes these viewports and the audio warning features could prove to be quite useful. Should a record of the data displayed by each viewport be needed, a disk file can be attached to store the data for future analysis. Or real-time statistics can be performed on the data by constructing an array of processors from the processor library.

Controlling events

'Events' are important to *Signal Centre* and act in a similar way to interrupts. They are evoked once certain conditions are satisfied.

Typical events include buttons in a button-box viewport, pressing keys on the keyboard, threshold values from viewport thermometers and checkers (conditional comparisons). Determining these conditions is accomplished by means of more processors.

Events can also be triggered sequentially by using a timer, with each event added to an event list and evoked when the appropriate time has lapsed – so events can be scheduled at predetermined times.

Once they have been added to the event list with their respective start and reset times the sequence is started with the play button from the menu bar.

Fast-forward, rewind, pause and the all-important stop button are a nice idea if you want to automate a sequence of measurements and control outputs over a long time – certainly quite appealing in a laboratory environment for long-duration testing.

Processors

The impressive number of processors within the library is accessed by a drop-down menu. Simple examples range from a moving average (Fig. 5) to curve fitting following input data (Fig. 6).

Polynomials up to order twenty can be demonstrated. But computational time starts to become noticeable for high order curve fitting, even on a fast 486-PC.

A viewport for dealing with image allows pictures to be imported to improve the layout of a display. Appearance of images can be conditionally controlled with a suitable processor – which looks like a good idea for reminding the user pictorially of the origin of signals.

User manuals

Signal Centre's four manuals – Reference, Guide to Processors, User Guide and Guide to Drivers – are well laid out with a pleasing presentation. But certain aspects are acutely lacking, and the Guide to Processors is of questionable value in several respects. For example, it provides a discussion on all the processors but fails to explain how many of the processors can be used. Consequently several processors appear quite enigmatic in operation. Lack of examples illustrating processor application is also very irritating.

The Reference manual describes overall operation of the software in general terms, with particular attention focused on the viewports. But what is really needed in the User's manual are tutorials and actual examples showing how to use the processors.

Many *Signal Centre* operations are not intuitive and their operation is far from obvious, and some new users simply will not have the time to learn by trial and error.

Minimum system requirements

486-DX PC
 SVGA colour monitor
 8Mbyte ram
 10Mbyte hard disk
 Recognised analogue i/o expansion card

Availability

Computer Park Software, Broughton Grange, Headlands, Kettering, Northants NN15 6XA. Tel: 01536 417955 Fax: 01536 417466. Prices, professional version £795, standard £295. Multi-user and educational discounts are available.

But the tool is only suitable for small images. Moving a large memory image takes several seconds and is unacceptable in practice. So caution must be exercised when using this feature.

A variety of other data sources (and destinations) can be accessed by using the dynamic data exchange (dde) processors.

Spectral analysis

Discrete Fourier transform (dft) and fast Fourier transform (fft) processors are available in the library (Fig. 7).

Spectral outputs are displayed on an oscilloscope viewport. At first this can be rather confusing as the X axis is displayed as time (seconds). In a messy procedure, it is left to the user to make all the necessary changes to display frequency.

As potential users of the software are likely to place a high importance on frequency measurements, future versions could really do with a separate spectrum analyser viewport.

Another puzzling oversight is the default number of input data points into the dft or fft processors – not 512 or 256 or even 128 but only one!

Needless to say nothing happens when you first use these processors unless you spot the appropriate data button. Even the reference manual does not caution against using the default value.

Window functions to profile the data before using the dft or fft processors are also lacking. But, with these reservations, on the whole the package is pretty good.

Once you have acquired the technique of working backwards from display to source, you should be able construct a design for data acquisition within a couple of hours. The manufacturers must be complimented on the ease of configuring the i/o cards, and this must be a major selling point for the package.

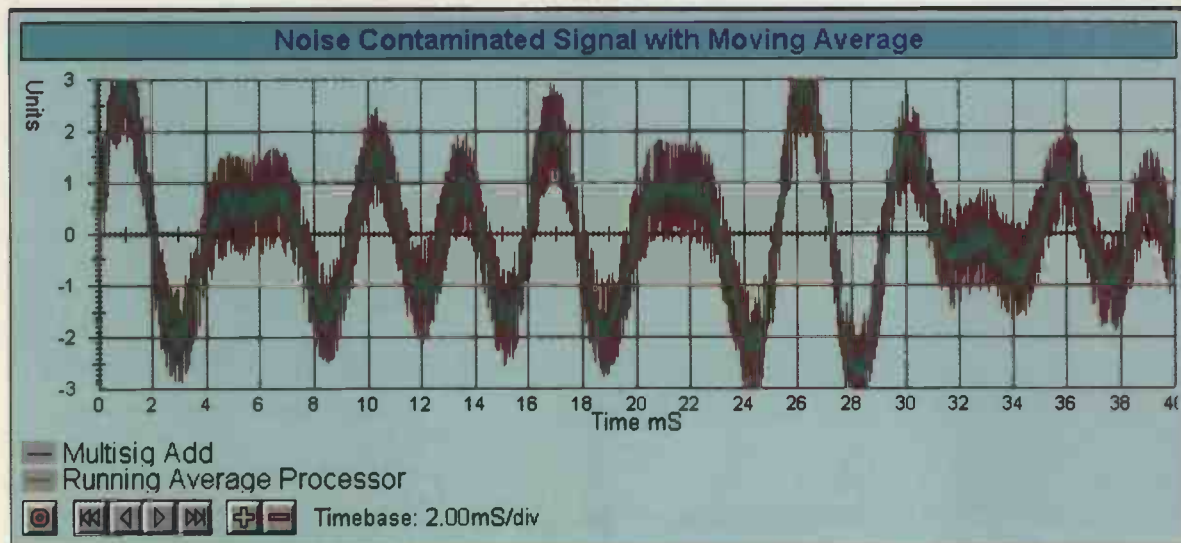


Fig. 5. When dealing with noisy signals it is sometimes convenient to use a running average processor to show the trend movement. In Signal Centre, this can be implemented in real time.

$$\text{Cubic Curve: } y = aa + bb.x + cc.x^2 + dd.x^3$$

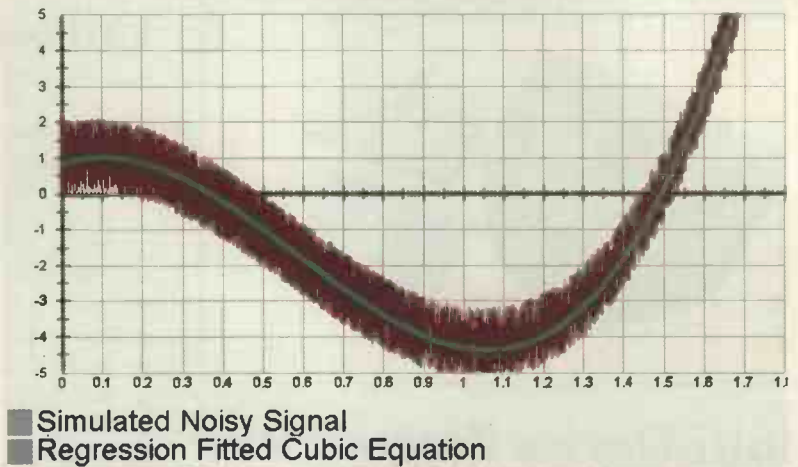


Fig. 6. Curve fitting can be performed and polynomials up to order 20 can be used. But processing time is much extended as the order is increased.

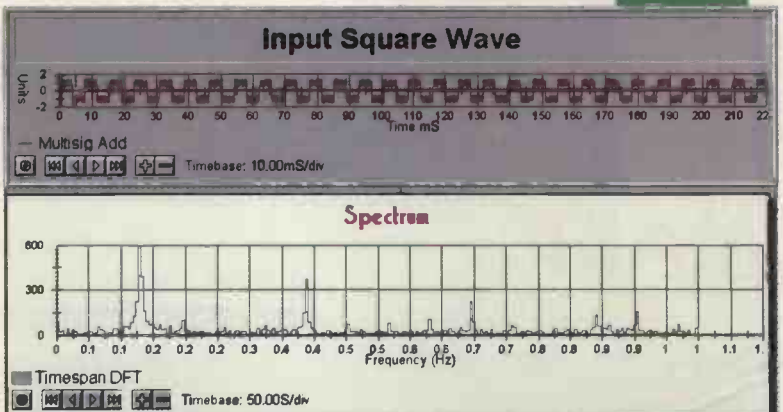


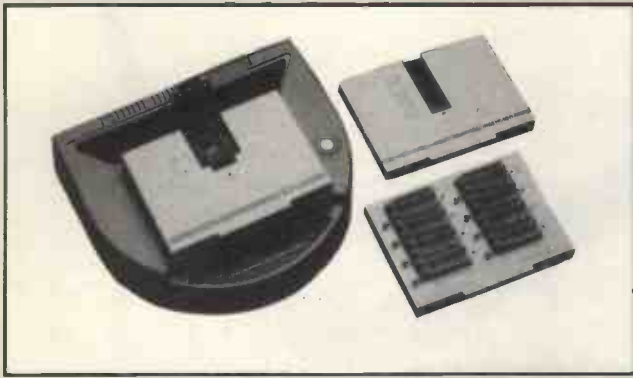
Fig. 7. The spectrum (bottom trace) you would expect from a square wave (top trace) after a fast Fourier transform.

Visual impact of the software is good and the instant access of the viewports is attractive.

For small scale control applications *Signal Centre* would probably serve quite adequately, provided real-time advanced signal processing techniques are not required.

Overall, for data acquisition, storage and display purposes *Signal Centre* is easy to use and is highly recommended. ■

Programming Solutions



Universal Programmer

- ◆ Uses standard pc printer port works with notebook and handbook pc's
- ◆ Pin driver expansion can drive up to 256 pins.
- ◆ Supports over 2000 IC's – 3 and 5 volt devices. EPROMs, E²PROMs, Bipolars, Flash, Serial EPROMs over 150 microcontrollers, WSI/Philips PSDs, PLDs, EPLDs, PEELs, PALs, GALs, FPGAs including MACH, MAX, MAPL & Xilinx parts
- ◆ Universal DIL (up to 48 pins), PLCC and gang PACs
- ◆ Powerful full colour menu driven software.
- ◆ Approved by AMD, TI, NatSemi, etc...
- ◆ Tests TTL, CMOS and SRAM devices (including SIMMS)

ONLY
£595

Multi-Device Programmer

- ◆ EPROMs, E²PROMs, Flash EPROMs, Serial E²PROMs, PLDs, GALs, PEELs, EPLDs, MACHs & WSI PSDs Micros – Intel, Microchip, Motorola, Zilog
- ◆ Fast programming algorithms.
- ◆ Connects direct to pc printer port.
- ◆ Simple full colour software.
- ◆ No expensive adapters.

ONLY
£325

Prices exclude VAT & Delivery

Eprom Programmer

EPROMs, E²PROMs, Flash and 8748/51 micros.

Fast programming algorithms. Simple colour menu operation.

ONLY
£139

EMULATORS • SIMULATORS • COMPILERS • ASSEMBLERS
PROGRAMMERS • 8051 8085 Z8 68020 77C82 80C552
320C25 68HC11 6301 6502 87C751 65816 Z80 6809
PIC 7720 MIPS etc.

SMART
COMMUNICATIONS

2 Field End • Arkley • Barnet • Herts • EN5 3EZ • England
Telephone +44 (0)181 441 3890 Fax +44 (0)181 441 1843



CIRCLE NO. 117 ON REPLY CARD

PROTEUS

The Complete Electronics Design System

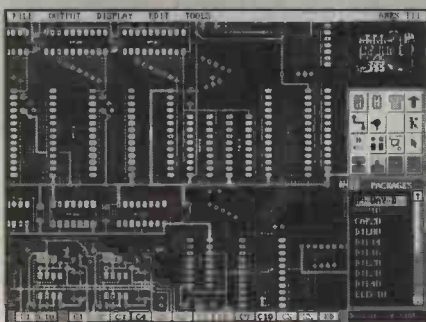
Schematic Capture

- Easy to Use Graphical Interface.
- Netlist, Parts List & ERC reports.
- Hierarchical Design.
- Extensive component/model libraries.
- Advanced Property Management.
- Seamless integration with simulation and PCB design.



Simulation

- Non-Linear & Linear Analogue Simulation.
- Event driven Digital Simulation with modelling language.
- Partitioned simulation of large designs with multiple analogue & digital sections.
- Graphs displayed directly on the schematic.



PCB Design

- Multi-Layer and SMT support.
- Unlimited Design Capacity.
- Full DRC and Connectivity Checking.
- Advanced Multi-Strategy Autorouting.
- Output to printers, plotters, Postscript, Gerber, DXF and DTP bitmaps.
- Gerber View and Import capability.

Write, phone or fax for your free demo disk, or ask about our full evaluation kit.

labcenter
Electronics

53-55 Main St, Grassington, N Yorks, BD23 5AA
Tel: 01756 753440 Fax: 01756 752857

Proteus software is for PC 386 compatibles and runs under MS-DOS. Prices start from £475 ex VAT; full system costs £1495. Call for information about our budget, educational & Windows products. All manufacturers' trademarks acknowledged.

CIRCLE NO. 118 ON REPLY CARD

DOUBLE MIRRORS REFLECT HIGHER SPEED

Boosting the gain of a power amplifier's long-tail pair can reduce distortion, increase speed. But will gain boosting cause instability? Not necessarily says Bengt Olsson.

Input stages of most power amplifiers are long-tailed pair, Fig. 1. They have a high output impedance, and are loaded by Miller capacitor C_3 , via the dotted line.

A frequent problem is that the open loop gain is too small to produce enough negative feedback*. As a result, thd is increased.

This current mirror booster replaces an extra stage. It acts as a buffer amplifier, preventing loading of the long-tail pair and supplying plenty of current to the next stage, Tr_9 . The high gain increases output slew-rate and gain-bandwidth product, reduces intermodulation and thd, and increases power bandwidth.

The circuit was first applied to my 'super-symmetrical' mosfet amplifier, but it is also applicable to bipolar voltage amplifier transistors, since Tr_9 can be a bipolar device.

Design details

A typical long-tail pair has a current mirror $Tr_{5,6}$, $R_{5,6}$, which assures that i_1 and i_2 are equal and in opposite phase. Adding Tr_7 and R_7 produces another output current i , which may be N times higher than i (since $R_5/R_7=N$). The output voltage of Tr_6 has low output impedance – approximately equal to R_6 – and is able to drive both Tr_5 and Tr_7 since gate current of Tr_7 is small.

The same voltage appearing on the three

transistors $Tr_{5,7}$ produces more current in Tr_7 since R_7 is smaller than R_5 by a factor of N . This means that Tr_7 works as a current booster without phase delay and with a high output impedance.

Adding Tr_8 provides a complementary current in opposite phase to that of Tr_7 . At low slew-rate, Tr_8 works in a linear mode around the idling current of Tr_7 . If the feedback signal tries to turn Tr_8 off, it also starts to turn Tr_7 on, pulling current negatively.

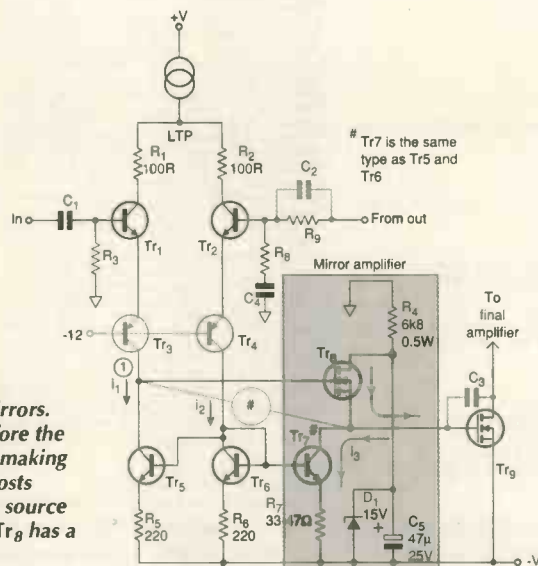
If Tr_8 sees a positive signal, it again has the idling current of Tr_7 as a high impedance source, but is also free to supply current. It will eventually be limited in some way. When limiting takes place, Tr_7 current falls to zero. Transistor Tr_8 now conducts twice the idling current – in Class A – and can supply even more. This only takes place if maximum signal output slew-rate is exceeded, and never with ordinary program material.

Note that Tr_8 normally conducts almost constant current, supplied by Tr_7 . Gain of the long-tail pair is thus extremely high, resulting in very low thd. This is true for increasing current modulation in Tr_8 , caused by increasing frequency. This is true until current amplitude in Tr_8 reaches the steady-state current in Tr_7 , which still is held almost constant. Output current is the difference between the currents in Tr_8 and Tr_7 , each being driven in its own way.

Output slew rate now reaches 50% of its maximum value, which may give a power bandwidth of, say, 50kHz. With further increasing frequency, still in Class A, the current may be twice this value. Current in either Tr_7 or Tr_8 on the other hand switches to zero as the signal approaches typically 100kHz at full amplitude.

The high current is justifiable if large gate-capacitance mosfets are used, or if maximum usable current in the capacitance C_2 can not normally be obtained from the long tail pair. This may be for example because the pair would need to supply too much Δi_1 current,

Fig. 1. Implementing dual current mirrors. Placing the dual mirror amplifier before the second voltage amplifying stage and making use of the existing current mirror boosts output current. This is a true current source since Tr_7 is a current generator and Tr_8 has a very high impedance driver.



*Above approx. 1kHz, open loop gain of the amplifier is half of $g_m/\omega C_3$, where g_m is transconductance of Tr_1 in series with R_1 and $\omega=2\pi f$. Increasing the g_m of the long-tail pair would help, but may involve much higher current in the input transistors, of the order of 10-20mA – an impossible solution.

SMALL SELECTION ONLY LISTED - EXPORT TRADE AND QUANTITY DISCOUNTS - RING US FOR YOUR REQUIREMENTS WHICH MAY BE IN STOCK

HP New Colour Spectrum Analysers

HP141T + 8552B IF + 8553B RF - 1KHz-110Mc/s - £700.
 HP141T + 8557B IF + 8554B RF - 100KHz-1250Mc/s - £900.
 HP141T + 8552B IF + 8556A RF - 20Hz-300KHz - £700.
Special Offer just in from MOD Qty 40 HP8555A RF Units 10Mc/s - 18GHz.
 HP141T + 8552B IF + 8555A 10Mc/s-18GHz - £1200.
HP ANZ Units Available separately - New Colours - Tested
 HP141T Mainframe - £350 - 8552BIF - £300.
 HP8553B RF 1KHz to 110Mc/s - £200.
 HP8554B RF 100KHz to 1250Mc/s - £400.
 HP8555A RF 10Mc/s to 18GHz - £800.
 HP8556A RF 20Hz to 300KHz - £250.
 HP8443A Tracking Generator Counter 100KHz-110Mc/s - £300.
 HP8445B Tracking Preselector DC to 18GHz - £350.
 HP3580A 5Hz - 50KHz ANZ - £750 - £1000.
 HP3582A .02Hz to 25.6KHz - £2k.
 HP8568A 100Hz-1500Mc/s ANZ - £6k.
 HP8569B 10Mc/s-22GHz ANZ - £6k.
HP Mixers are available for the above ANZ's to 40GHz
 TEK 492 - 50KHz - 18GHz Opt 1 + 2 + 3 - £4k-£4.2k.
 TEK 492 - 50KHz - 18GHz Opt 1 + 2 + 3 - £4.5k.
 TEK 492P - 50KHz - 21 GHz Opt 1 + 2 + 3 - £5k.
 TEK 494AP 1Kc/s - 21GHz - £7k.
 TEK 496P 1KHz-1.8GHz - £4k.
 TEK 5L4N 0-100KHz - £400.
 TEK 7L5 + L1 - 20Hz-5Mc/s - £700.
 TEK 7L5 + L3 - Opt 25 Tracking Gen - £900.
 TEK 7L12 - 100KHz-1800Mc/s - £1000.
 TEK 7L18 - 1.5-60GHz - £1500.
 TEK 491 10Mc/s-12.4GHz-40GHz - £750. 12.4GHz-40GHz with Mixers.
Tektronix Mixers are available for above ANZ to 60GHz
 Systron Donner 763 Spectrum ANZ + 4745B Preselector .01-18GHz + Two Mixers 18-40GHz in Transit Case - £3k.
 HP8673D Signal Generator .05-26.5GHz - £20k.
 Systron Donner 1618B Microwave AM FM Synthesizer 50Mc/s 2-18GHz R&S SWP Sweep Generator Synthesizer AM FM 4-2500Mc/s - £3.5k.
 ADRET 3310A FX Synthesizer 300Hz-60Mc/s - £600.
 HP8640A Signal Generators - 1024Mc/s - AM FM - £800.
 HP2717A 70Mc/s Modulator - Demodulator - £500.
 HP8651A RF Oscillator 22Kc/s - 22Mc/s.
 HP5316B Universal Counter A+B.
 HP6002A Power Unit 0-5V 0-10A 200W.
 HP8447A Amplifier .1-40Mc/s - Also Dual Opt 001.
 HP6825A Bipolar Power Supply Amplifier.
 HP461A-465A-467A Amplifiers.
 HP81519A Optical Receiver DC-400Mc/s.
 HP Plotters 7470A-7475A.
 HP3770A Amplitude Delay Distortion ANZ.
 HP3770B Telephone Line Analyser.
 HP8182A Data Analyser.
 HP59401A Bus System Analyser.
 HP6260B Power Unit 0-10V 0-100 Amps.
 HP3782A Error Detector.
 HP3781A Pattern Generator.
 HP3730A+3737A Down Converter Oscillator 3.5-6.5GHz.
 HP Microwave Amps 491-492-493-494-495-1GHz-12.4GHz - £250.
 HP105B Quartz Oscillator - £400.
 HP5087A Distribution Amplifier.
 HP6034A System Power Supply 0-60V 0-10A-200W - £500.
 HP6131C Digital Voltage Source + 100V 1/2 Amp.
 HP4275A Multi Frequency L.C.R. Meter.
 HP3779A Primary Multiplex Analyser.
 HP3779C Primary Multiplex Analyser.
 HP8150A Optical Signal Source.
 HP1630G Logic Analyser.
 HP5316A Universal Counter A+B.
 HP5335A Universal Counter A+B+C.
 HP59501B Isolated Power Supply Programmer.
 HP8901A Modulation Meter AM - FM.
 HP5370A Universal Time Interval Counter.
 Marconi TF2370 - 30Hz-110Mc/s 750HM Output (2 BNC Sockets+Resistor for 500HM MOD with Marconi MOD Sheet supplied - £650.
 Marconi TF2370 30Hz-110Mc/s 5000HM Output - £750.
 Marconi TF2370 as above but late type - £850.
 Marconi TF2370 as above but late type Brown Case - £1000.
 Marconi TF2374 Zero Loss Probe - £200.
 Marconi TF2440 Microwave Counter - 20GHz - £1500.
 Marconi TF2442 Microwave Counter - 26.5GHz - £2k.
 Marconi TF2305 Modulation Meter - £2.3k.
 Racal/Dana 2101 Microwave Counter - 10Hz-20GHz - £2k.
 Racal/Dana 1250-1261 Universal Switch Controller + 200Mc/s PI Cards.
 Racal/Dana 9303 True RMS Levelmeter + Head - £450.
 TEKA6902A also A6902B Isolator - £300-£400.
 TEK 1240 Logic Analyser - £400.
 TEK FG5010 Programmable Function Generator 20Mc/s - £600.
 TEK2465A 350Mc/s Oscilloscope C/W 2 Probes - £2.2k.
 TEK CT-5 High Current Transformer Probe - £250.
 TEK J16 Digital Photometer + J6523-2 Luminance Probe - £300.
 TEK J16 Digital Photometer + J6503 Luminance Probe - £250.
 ROTEK 320 Calibrator + 350 High Current Adaptor AC-DC - £500.
 FLUKE 5102B AC-DC Calibrator - £4k.
 FLUKE 1120A IEEE - 488 Translator - £250.
 Tinsley Standard Cell Battery 5644B - £500.
 Tinsley Transportable Voltage Reference - £500.
 FLUKE Y5020 Current Shunt - £150.
 HP745A+746A AC Calibrator - £600.
 HP8080A MF + 8091A 1GHz Rate Generator + 8092A Delay Generator + Two 8093A 1GHz Amps + 15400A - £800.
 HP54200A Digitizing Oscilloscope.
 HP11729B Carrier Noise Test Set .01-18GHz - £.25k.
 HP3311A Function Generator - £300.
 Marconi TF2008 - AM-FM signal generator - also sweeper - 10Kc/s - 510Mc/s - from £250 - tested to £400 as new with manual - probe kit in wooden carrying box.
 HP Frequency comb generator type 8406 - £400.
 HP Vector Voltmeter type 8405A - £400 new colour.
 HP Sweep Oscillators type 8690A & B + plug-ins from 10Mc/s to 18GHz also 18-40GHz. P.O.R.
 HP Network Analyser type 8407A + 8412A + 8501A - 100Kc/s - 110Mc/s - £500 - £1000.
 HP Amplifier type 8447A - 1-400Mc/s £200 - HP8447A Dual - £300.
 HP Frequency Counter type 5340A - 18GHz £1000 - rear output £800.
 HP 8410 - A - B - C Network Analyser 110Mc/s to 12GHz or 18GHz - plus most other units and displays used in this set-up - 8411A - 8412 - 8413 - 8414 - 8418 - 8740 - 8741 - 8742 - 8743 - 8746 - 8650. From £1000.
 Racal/Dana 9301A - 9302 RF Millivoltmeter - 1.5-2GHz - £250-£400.
 Racal/Dana Modulation Meter type 9009 - 8Mc/s - 1.5GHz - £250.
 Marconi RCL Bridge type TF2700 - £150.
 Marconi/Saunders Signal Sources type - 6058B - 6070A - 6055A - 6059A - 6057A - 6056 - £250-£350. 400Mc/s to 18GHz.
 Marconi TF1245 Circuit Magnification meter + 1246 & 1247 Oscillators - £100-£300.
 Marconi microwave 6600A sweep osc., mainframe with 6650 PI - 18-26.5GHz or 6651 PI - 26.5-40GHz - £1000 or PI only £600. MF only £250.
 Marconi distortion meter type TF2331 - £150. TF2331A - 200.

Tektronix Plug-ins 7A13 - 7A14 - 7A18 - 7A24 - 7A26 - 7A11 - 7M11 - 7S11 - 7D10 - 7S12 - S1 - S2 - S6 - S52 - PG506 - SC504 - SG502 - SG503 - SG504 - DC503 - DC508 - DD501 - WR501 - DM501A - FG501A - TG501 - PG502 - DC505A - FG504 - 7880 + 85-7892A
 Gould J3B test oscillator + manual - £150.
 Tektronix Mainframes - 7603 - 7623A - 7613 - 7704A - 7844 - 7904 - TM501 - TM503 - TM506 - 7904A - 7834 - 7623 - 7633.
 Marconi 6155A Signal Source - 1 to 2GHz - LED readout - £400.
 Barr & Stroud Variable filter EF3 0.1Hz - 100kc/s + high pass + low pass - £150.
 Marconi TF2163S attenuator - 1GHz. £200.
 Farnell power unit H60/50 - £400 tested. H60/25 - £250.
 Racal/Dana 9300 RMS voltmeter - £250.
 HP 8750A storage normalizer - £400 with lead + S.A or N.A Interface.
 Marconi TF2330 - or TF2330A wave analysers - £100-£150.
 Tektronix - 7S14 - 7T11 - 7S11 - 7S12 - S1 - S2 - S39 - S47 - S51 - S52 - S53 - 7M11.
 Marconi mod meters type TF2304 - £250.
 HP 5065A rubidium vapour FX standard - £1.5k.
 Systron Donner counter type 6054B - 20Mc/s - 24GHz - LED readout - £1k.
 Racal/Dana 9083 signal source - two tone - £250.
 Systron Donner - signal generator 1702 - synthesized to 1GHz - AM/FM - £600.
 Tektronix TM515 mainframe + TM5006 mainframe - £450 - £850.
 Farnell electronic load type RB1030-35 - £350.
 Racal/Dana counters - 9904 - 9905 - 9906 - 9915 - 9916 - 9917 - 9921 - 50Mc/s - 3GHz - £100-£450 - all fitted with FX standards.
 HP4815A RF vector impedance meter c/w probe - £500-£600.
 Marconi TF2092 noise receiver. A, B or C plus filters - £100-£350.
 Marconi TF2091 noise generator. A, B or C plus filters - £100-£350.
 HP180TR, HP182T mainframes £300-£500.
 Philips panoramic receiver type PM7900 - 1 to 20GHz - £400.
 Marconi 6700A sweep oscillator + 18GHz PI's available.
 HP8505A network ANZ + 8503A S parameter test set + 8501A normalizer - £4k.
 Racal/Dana VLF frequency standard equipment. Tracer receiver type 900A + difference meter type 527E + rubidium standard type 9475 - £2750.
 HP signal generators type 626 - 628 - frequency 10GHz - 21GHz.
 HP 432A - 435A or B - 436A - power meters + powerheads - Mc/s - 40GHz - £200-£1000.
 Bradley oscilloscope calibrator type 192 - £600.
 HP8614A signal generator 800Mc/s - 2.4GHz. new colour £400.
 HP8616A signal gen 1.8GHz - 4.5GHz. new colour £400.
 HP 3325A syn function gen 20Mc/s - £1500.
 HP 3336A or B syn level generator - £500-£600.
 HP 3586B or C selective level meter - £750-£1000.
 HP 3575A gain phase meter 1Hz - 13Mc/s - £400.
 HP 8663D S/G microwave 2.3 - 13GHz - opt 001 - 003 - £4.5k.
 HP 8660 A-B-C syn S/G. AM + FM + 10Kc/s to 110Mc/s PI - 1Mc/s to 1300Mc/s - 1Mc/s to 2600Mc/s - £500-£2000.
 HP 8640B S/G AM-FM 512Mc/s or 1024Mc/s. Opt 001 or 002 or 003 - £800-£1250.
 HP 86222B Sweep PI - 01 - 2.4GHz + ATT - £1750.
 HP 8629A Sweep PI - 2 - 18GHz - £1000.
 HP 86290B Sweep PI - 2 - 18GHz - £1250.
 HP 86 Series PI's in stock - splitband from 10Mc/s - 18.6GHz - £250-£1k.
 HP 8620C Mainframe - £250. IEEE - £500.
 HP 8615A Programmable signal source - 1MHz - 50Mc/s - opt 002 - £1k.
 HP 8601A Sweep generator .1 - 110Mc/s - £300.
 HP 3488A HP-IB switch control unit - £500 + control modules various - £175 each.
 HP 8160A 50Mc/s programmable pulse generator - £1000.
 HP 853A MF ANZ + 8558B - 0.1 - 1500Mc/s - £2500.
 HP 8349A Microwave Amp 2 - 20GHz Solid state - £1500
 HP 3585A Analyser 20Hz - 40Mc/s - £4k.
 HP 8569B Analyser .01 - 22GHz - £5k.
 HP 3580A Analyser 5Hz - 50KHz - £1k.
 HP 1980B Oscilloscope measurement system - £600.
 HP 3455A Digital voltmeter - £500.
 HP 3437A System voltmeter - £300.
 HP 3581C Selective voltmeter - £250.
 HP 5370A Universal time interval counter - £450.
 HP 5335A Universal counter - 200Mc/s - £500.
 HP 5328A Universal counter - 500Mc/s - £250.
 HP 6034A System power supply - 0 - 60V - 0 - 10 amps - £500.
 HP 5150A Thermal printer - £250.
 HP 1645A Data error analyser - £150.
 HP 4437A Attenuator - £150.
 HP 3717A 70Mc/s modulator - £400.
 HP 3710A - 3715A - 3716A - 3702B - 3703B - 3705A - 3711A - 3791B - 3712A - 3793B microwave link analyser - P.O.R.
 HP 3730A + B RF down converter - P.O.R.
 HP 3552A Transmission test set - £400.
 HP 3763A Error detector - £500.
 HP 3764A Digital transmission analyser - £600.
 HP 3770A Amp delay distortion analyser - £400.
 HP 3780A Pattern generator detector - £400.
 HP 3781A Pattern generator - £400.
 HP 3781B Pattern generator (bell) - £300.
 HP 3782A Error detector - £400.
 HP 3782B Error detector (bell) - £300.
 HP 3785A Jitter generator + receiver - £750-£1k.
 HP 8006A Word generator - £100-£150.
 HP 8016A Word generator - £250.
 HP 8170A Logic pattern generator - £500.
 HP 59401A Bus system analyser - £350.
 HP 59500A Multiprogrammer HP-IB - £300.
 Philips PMS390 RF syn - 0.1 - 1GHz - AM + FM - £1250.
 S.A. Spectral Dynamics SD345 spectroscope 111 - LF ANZ - £1500.
 Tektronix R7912 Transient waveform digitizer - programmable - £400.
 Tektronix TR503 + TM503 tracking generator 0.1 - 1.8GHz - £1k - or TR502.
 Tektronix 576 Curve tracer + adaptors - £900.
 Tektronix 577 Curve tracer + adaptors - £900.
 Tektronix 1502/1503 TDR cable test set - £1000.
 Tektronix 7L5 LF analyser - 0 - 5Mc/s - £800. OPT 25 - £1000.
 Tektronix AM503 Current probe + TM501 mfr frame - £1000.
 Tektronix SC501 - SC502 - SC503 - SC504 oscilloscopes - £75-£350.
 Tektronix 465 - 465B - 475 - 2213A - 2215 - 2225 - 2235 - 2245 - 2246 - £250-£1000.
 Kikusui 100Mc/s Oscilloscope COS6100M - £350.
 Nicolet 3091 LF oscilloscope - £400.
 Racal 1991 - 1992 - 1988 - 1300Mc/s counters - £500-£900.
 Fluke 80K-40 High voltage probe in case - BN - £100.
 Racal Recorders - Store 4 - 4D - 7 - 14 channels in stock - £250 - £500.
 Racal Store Horse Recorder & control - £400-£750 Tested.
 EIP 545 Microwave 18GHz counter - £1200.
 Fluke 510A AC ref standard - 400Hz - £200.
 Fluke 355A DC voltage standard - £300.
 Solartron 1170 FX response ANZ - LED display - £280.
 Wiltron 610D Sweep Generator + 6124C PI - 4 - 8GHz - £400.
 Wiltron 610D Sweep Generator + 61084D PI - 1Mc/s - 1500Mc/s - £500.
 Time Electronics 9814 Voltage calibrator - £750.
 Time Electronics 9811 Programmable resistance - £600.
 Time Electronics 2004 D.C. voltage standard - £1000.
 HP 8699B Sweep PI YIG oscillator .01 - 4GHz - £300. 8690B MF - £250. Both £500.
 Schlumberger 1250 Frequency response ANZ - £1500.
 Dummy Loads & power att up to 2.5 kilowatts FX up to 18GHz - microwave parts new and ex equip - relays - attenuators - switches - waveguides - Yigs - SMA - APC7 plugs - adaptors, etc.
 B&K Items in stock - ask for list.
 W&G Items in stock - ask for list.
 Power Supplies Heavy duty + bench in stock - Farnell - HP - Weir - Thurlby - Raca etc. Ask for list.

ITEMS BOUGHT FROM HM GOVERNMENT BEING SURPLUS. PRICE IS EX WORKS. SAE FOR ENQUIRIES. PHONE FOR APPOINTMENT OR FOR DEMONSTRATION OF ANY ITEMS, AVAILABILITY OR PRICE CHANGE. VAT AND CARRIAGE EXTRA

ITEMS MARKED TESTED HAVE 30 DAY WARRANTY. WANTED: TEST EQUIPMENT-VALVES-PLUGS AND SOCKETS-SYNCRS-TRANSMITTING AND RECEIVING EQUIPMENT ETC.

Johns Radio, Whitehall Works, 84 Whitehall Road East, Birkenshaw, Bradford BD11 2ER. Tel. No: (01274) 684007. Fax: 651160

CIRCLE NO. 119 ON REPLY CARD

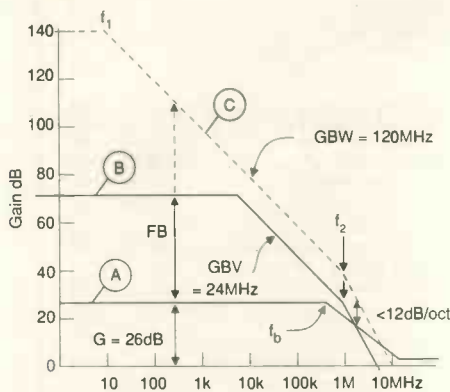


Fig. 2. Gain versus frequency for the dual current mirror. Curve A is closed-loop gain, typically 20x, while B is open-loop gain for a typical bipolar-transistor power amplifier. Curve C shows open-loop gain with a dual current booster.

Note that a higher gain-bandwidth product reduces the so-called tim-spike and improves the THD in general – especially at the sensitive lower frequencies. Curve A must cut the open loop curves B or C at less than 12dB/octave (<180°) for stability. A minor pole, f_2 , is in reality unavoidable. It reduces stability. In the super-symmetrical design, f_2 is generated at the output stage, but it is relatively easily dealt with. Note that the selection of C_2 is critical – a fact that every designer has experienced.

resulting in high thd – a frequent problem.

Push-pull action is advantageous since idling Class-A current is only 50% of the peak current. More current in C_3 means faster output slew-rate and other benefits relating to thd etc. as indicated above.

6dB/octave roll-off down to 10Hz

As a bonus, with T_{r8} a mosfet, the gain-bandwidth product will increase at all frequencies, down to a few hertz. In this case, local gain between the non-inverting input and T_{r8} is more than 10^5 . This will not cause oscillation, since the roll-off is 6dB/oct, but it will render thd at frequencies under 1kHz insignificant.

Transistor T_{r8} could also be bipolar. Any small 200MHz f_t device will do. Bipolar types have a smaller input capacitance than the 2N7000 mosfet. Even so, the mosfet performs well when used as a source follower. Loading on i_1 is around 10pF. This comprises feedback capacitance of the 2N7000 in a grounded-drain configuration of 5pF, plus the input capacitance reduced by the source-follower efficiency. It is difficult to measure any difference between the bit and the mosfet, except at low frequencies, due to the number of zeros in the thd figure.

Gain improves

This circuit is an example of a gain improver – a device, which increases the gain towards the low frequency end, without lowering the gain-bandwidth product.

It is a popular misconception that any increase of absolute gain has to be accompanied by an increase of the compensating capacitor C_3 .

The key to this design is that increasing the gain avoids increasing C_3 and in turn reducing the gain-bandwidth product†. The problem is to maximize gain-bandwidth product, without causing oscillation.

One way to improve gain is to use a current source as a collector load followed by another high input impedance mosfet, as in node 1 of Fig. 1. Bootstrapping and emitter followers can also improve gain.

These techniques for improving the gain of a stage can avoid additional stages of amplification. Any new stage introduces an additional 90° phase shift, increasing the chance of oscillation.

Ideally, there should only be one gain stage – the long-tail pair – and it should never be necessary to have more than two.

In this way, phase shift stays 180° or lower, allowing a high gain-bandwidth product since the minor poles are high in frequency. ■

†I assure readers concerned about intermodulation caused by high feedback that it is possible to use unlimited amounts of feedback without the slightest risk for tim – provided that the feedback is properly implemented. The common notion of tim has as much substance as other popular myths. It would be interesting to discuss these questions sometime in this paper.

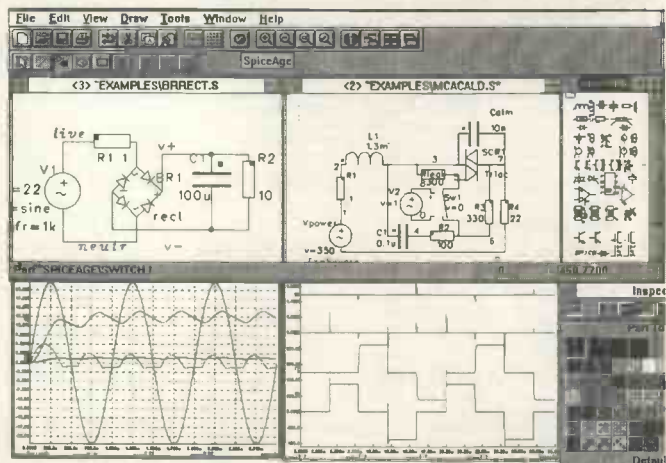
The new schematic capture program **Geswin (GESECA for Windows™)** adds more than a pretty face to **SpiceAge**. Upgrade for **£100+ VAT***

- **Geswin DDE** links with **SpiceAge** to provide instant circuit editing. Because this link enables **SpiceAge** to retain all its simulation settings, the schematic (produced by **Geswin**) is uncluttered so that you can create clean drawings that may be clipboarded into your other Windows applications.
- You can clipboard sections of your netlist from **SpiceAge** back into **Geswin's** attribute Inspector if you wish to use patches of existing circuits.
- **Geswin** has inherited **GESECA's** speed and ease of use. You will find it's best-loved "bucket of bits" components' store waiting for your instant use from a special self-replenishing window.
- The **SpiceAge** component library has been expanded and re-drawn into "stubbies". The new symbols allow more components to fit within a given screen area without compromising clarity.
- Multiple windows allow you to scratch pad your designs (simulating as you work) and clipboard them into a fair copy window.
- File compatible with **GESECA**: schematics and components from **GESECA** may be read.
- Comprehensive **HELP** provides reference material; tutorial style manual reassures you of your own intuition.
- **Geswin** automatically invokes (or switches to) **SpiceAge**; you can also invoke **Geswin** from **SpiceAge**.

Please contact Those Engineers Ltd, 31 Birkbeck Road, LONDON NW7 4BP.

Tel 0181-906 0155, FAX 0181-906 0969.

*upgrade price from **GESECA**; £295 + VAT new



Those Engineers Ltd



CIRCLE NO. 120 ON REPLY CARD

COMPUTER ICs

TMS 9900L-40 PULLS	£20 ea
S9900 NEW AND EQUIVALENT	£30 ea
TMS 9901L-40 PULLS	£20 ea
MC6802 PROCESSOR	£2 ea
TMS320	£5
TMS3201 1 SHOT	£3
AM27C020-125L1 SURFACE MOUNT EPROM USED/WIPED	£1.50
MM16450 UART CHIP	£5 ea
P8271 BBC DISC CONTROLLER CHIP EX EQPT	£25
2817A-20 (2Kx8) EEPROM ex eqpt.	£2
DA1256C-15 256Kx1 PULLS	9 FOR £5
80C31 MICR0	£2
P8749H MICR0	£5
08751-8 NEW	£10
MK48202-20 ZERO POWER RAM EQUIV 6116LP	£4
NEW 4164-15	£1
USED 41256-15	£1
USED 4164-15	60p
BBC VIDEO ULA	£10
8051 MICR0	£1.25
8 x 4164 SIP MODULE NEW	£8
FLOPPY DISC CONTROLLER CHIPS 1771	£16
FLOPPY DISC CONTROLLER CHIPS 1772	£17.50
68000-8 PROCESSOR NEW	£5
HD6384-8	£5
ALL USED EPROMS ERASED AND BLANK CHECKED	
2716-45 USED	£2 100/£1
2732-45 USED	£2 100/£1
2764-30 USED	£2 100/£1.60
27C256-30 USED	£2
27C512 USED	£3.50
1702 EPROM EX EQPT	£5
2114 EX EQPT 50p 4116 EX EQPT	70p
41612 64-WAY A/B/C SOCKET WIRE WRAP PINS	£1
GR281 8K NON VOLATILE RAM EQUIV 6116	£5
Z80A SIO-C	£1.25
7125 3 1/2 DIGIT LCD DRIVER CHIP	£2 ea
2816A-30 HOUSE MARKED	£2
USED TMS2523L	£2.50
HM6167LP-8	65p
68000-10 PROCESSOR	£5
8255-5	£1
2114 CMOS (RCA 5114)	£1.60
M27C4001-12 USED/WIPED 4M EPROM	£5
WD16C550-PC UART	£9

REGULATORS

LM338K	£6
LM323K 5V 3A PLASTIC	£3
LM323K 5V 3A METAL	£3
LM350K (VARIABLE 3A)	£3 **NEW
78H12ASC 12V 5A	£5
LM317H T05 CAN	£1
LM317T PLASTIC T0220 variable	£2
LM317 METAL	£2.20
7812 METAL 12V 1A	£1
7805/12/15/24	30p
7905/12/15/24	30p
CA3085 T099 variable reg	2/£1
78HGASC+79HGASC REGULATORS	£30 ea
LM123 ST93 5V 3A T03 REGS	£3 ea
UC3524AN SWITCHING REGULATOR IC	60p

CRYSTAL OSCILLATORS

2M4576 3M6664 5M0 5M76 6M14 7M000 7M3728 8M000 12M000	
14M3181 17M6256 16M257 18M000 20M000 23M587 24M000	
25M175 27M0 27M036 28M322 32M000 33M330 35M4816 40M000	
44M4444 44M900 48M000 64M000 1M000 1M8432 4M000 10M000	
16M000 18M43200 19M0500 20M0500 38M1 0000 56M6092 76M1	
84M0	£1.50 ea

CRYSTALS

4M0256 10M368 17M6256 18M432 25M000 28M4694 31M4456	
48M000 55M500 111M80 112M80 114M318 114M80 1M0 1M8432	
2M000 2M4576 2M77 3M00 3M2768 3M5795 3M58564 3M83216	
4M000 4M19304 4M433619 4M608 4M9152 5M000 5M0668 6M000	
6M400 8M000 8M488 9M8304 10M240 10M245 10M70000 11M000	
12M000 13M000 13M270 14M000 14M381818 15M000 16M000	
16M5888 17M000 20M000 21M300 21M855 22M1184 24M000	
34M368 36M75625 36M76875 36M78125 36M79375 36M80625	
36M81875 36M83125 36M84375 38M900 49M504 54M19166	
54M7416 57M75833 60M000 69M545 69M550 69M550 69M550	
RD27M045 OR27M095 YW27M145 GN27M195 BL27M245	
3M225	£1 ea

TRANSISTORS

MPSA92	10/£1
2N2907A	10/£1
BC477, BC488	10/£1
BC107 BCY70 PREFORMED LEADS	
full spec	£1 £4/100 £30/1000
BC557, BC238C, BC308B	£1.30 £3.50/100
2N3819 FETS short leads	4/£1
2N2907 PLASTIC CROPPED	£1/15 £4/100

POWER TRANSISTORS

OC29	£1.35 ea
P POWER FET IFR9531 8A 60V	3/£1
N POWER FET IFR531 8A 60V	2/£1
25C1520 sim BF259	3/£1 100/£22
TIP 141/2 £1 ea TIP 112/42B	2/£1
SE9301 100V 1DA DARL SIM TIP121	2/£1
PLASTIC 3055 OR 2955 equiv 50p	100/£35
BUZ31 POWER FET TO-220 200V 12.5A	2/£1

TEXTOL ZIF SOCKETS

28 PIN USED	£3
40 PIN NEW	£10
SINGLE IN LINE 32 WAY CAN BE GANGED FOR USE WITH ANY DUAL IN LINE DEVICES... COUPLING SUPPLIED	2/£1.50

MISCELLANEOUS

2 VOLT 920 Ahr LEAD ACID CELLS, UNFILLED 18" HIGH 12" x 7", WEIGHT 48kg each, RUBBERISED CASE, GAULTRETTED TUBULAR PLATE CONSTRUCTION, FOR DEEP CYCLE, HIGH CURRENT USE, MADE FOR BRITISH NAVY, 800 CELLS AVAILABLE, PHONE FOR PRICING ALSO AVAILABLE FILLED & CHARGED	
Narrow angle infra red emitter LED55C	2/£1
UM61 16M-2L surface mount 1000 available	£1
Z80B PIO 7000 available £1 each, qty, price	30/50p
CNY65 OPTO ISOL 3000 available	50p

OPTO ICS also available TLP550 TLP66GF

68 way PLCC SKT 1500 available	£1 each
100 wa PLCC SKT 100 available	£1.50 each
1250pP POSTAGE STAMP COMPRESSION TRIMMER	£1
XL593C54P-3 serial Eprom 10,700 available	£1,600/lot £25/100, £1/3
LM324 (Quad 741)	4/£1
MINIATURE FERRITE MAGNETS 4x4x3mm	10/£1
TOP HOLE OP AMP	5 for £1
TL081 OP AMP	4 for £1
47000u 25v SPRAGUE 36D	£3.50 (£2)
12 way dil sw	£3 for £1
10NF 63V X7R PHILIPS SURFACE MOUNT 100K available	£30/4000
SWITCHED MODE PSU 40 WATT UNCASED QTY. AVAILABLE +5v 5A, +12V 2A, 12V 500mA FLOATING	£9.95 (£2)
220R 2.5W WIREWOUND RESISTOR 60K AVAILABLE	£50/1000
CMOS 555 TIMERS	2/£1
2/3 AA LITHIUM cells as used in compact cameras	2/£1.50
ICM7126CL CMOS 3 1/2 DIGIT LCD DRIVER CHIP	£2ea
LITHIUM BATTERY 1/2 AA SIZE	2 FOR £1
PASSIVE INFRARED SENSOR CHIP + MIRROR + CIRCUIT £2 ea	
EUROCARD 28-SLOT BACK PLANE 96/96-WAY	£25 ea
PROTONIC 24 VARIBUS 16.7"x5" FIBREGLASS MULTILAYER PTH PCB	
EUROCARD 96-WAY EXTENDER BOARD	£10 ea
290x100mm	
DIN 41612 96-WAY A/B/C SOCKET PCB RIGHT ANGLE	£1.30
DIN 41612 96-WAY A/B/C SOCKET WIRE WRAP PINS	£1.30
DIN 41612 64-WAY A/C SOCKET WIRE WRAP PINS	£1
DIN 41612 64-WAY A/C PLUG PCB RIGHT ANGLE	£1
DIN 41612 64-WAY A/B SOCKET WIRE WRAP (2-ROW BODY)	£1
BT PLUG+LEAD	3/£1
MINI TOGGLE SWITCH 1 POLE 60 PCB type	5/£1
LCD MODULE sim. LM018 but needs 150 to 250V AC for display	
40x2 characters 182x35x13mm	£10
6-32 UNC 5/16 POZI PAN SCREWS	£1/100
NUTS	£1.25/100
PUSH SWITCH CHANGEOVER	2/£1
RS232 SERIAL CABLE D25 WAY MALE CONNECTORS	£5.90 ea (£1.30)
25 FEET LONG, 15 PINS WIRED BRAID + FOIL SCREENS	INMAC LIST PRICE £30
AMERICAN 2/3 PIN CHASSIS SOCKET	2/£1
WIRE ENDED FUSES 0.25A	30/£1
NEW ULTRASONIC TRANSDUCERS 32kHz	£2/pr
POWERFUL SMALL CYLINDRICAL MAGNETS	3/£1
BNC 50OHM SCREENED CHASSIS SOCKET	2/£1
SMALL MICROWAVE DIODES AE1 OC1026A	2/£1
D.I.L. SWITCHES 10-WAY £1 8-WAY 80p 4/5/6-WAY	80p
180VOLT 1WATT ZENERS also 12V & 75V	20/£1
MIN GLASS NEONS	10/£1
RELAY 5V 2-pole changeover looks like RS 355-741 marked STC 47WBost	£1 ea
MINIATURE CO-AX FREE PLUG RS 456-071	2/£1
MINIATURE CO-AX PCB SKT RS 456-093	2/£1
PCB WITH 2N2646 UNJUNCTION WITH 12V 4-POLE RELAY	£1
400 MEGOHM THICK FILM RESISTORS	4/£1
STRAIN GAUGES 40 ohm Foil type polyester backed balco grid alloy	£1.50 ea 10+ £1
ELECTRET MICROPHONE INSERT	2/£1
Linear Half effect IC Micro Switch no 619 354 sim RS 304-267	£2.50 100+ £1.50
HALL EFFECT IC UGS3040 + magnet	£1
1 pole 12v rotary switch	4/£1
AUDIO ICS LM386	£1 ea
555 TIMERS £1 741 OP AMP	6/£1
ZN414 AM RADIO CHIP	80p
COAX PLUGS nice ones	4/£1
COAX BACK TO BACK JOINERS	3/£1
INDUCTOR 20µH 1.5A	5/£1
1.25" PANEL FUSEHOLDERS	3/£1
12V 1, 2V small w/w lamps fit most modern cars	10/£1
ETHERNET SMALL SWITCH CHIP	£2
NON CASS. HEAD E1 ERASE HEAD	50p
THERMAL CUT OUTS 50 77.85 120°C	£1 ea
THERMAL FUSES 220°C/121°C 240V 15A	5/£1
TRANSISTOR MOUNTING PADS TO-5/TO-18	£3/1000
TO-3 TRANSISTOR COVERS	10/£1
PCB PINS FIT 0.1" VERO	200/£1
TO-220 micas + bushes	10/50p 100/£2
TO-3 micas + bushes	15/£1
Large heat shrink sleeving pack	£2
IEC chassis plug filter 10A	£3
POTS SHORT SPINDLES 2K5 10K 25K 1M 2M5	4/£1
40k U/S TRANSDUCERS EX-EQPT NO DATA	£1/pr
LM335Z 10MV/degree C	£1
MINI TOGGLE SWITCH 1 POLE 60 PCB type	5/£1
BNC TO 4MM BINDING POST SIM RS 455-961	£1
MIN PCB POWER RELAYS 10.5V COIL 6A CONTACTS 1 pole c/o	£1

BANDOLIERY COMPONENTS ASSORTED RS, Cs, ZENERS	£5/1000
LCD MODULE 16 CHAR. X 1 LINE (SIMILAR TO HITACHI LM10) ... £5	
OPTI1264A 10kV OPTO ISOLATOR	£1.35 ea 100+ £1 ea
"LOVE STORY" CLOCKWORK MUSICAL BOX MECHANISM MADE BY SANKYO	£1 ea
Telephone cable clips with hardened pins	500/£2
10,000uf 16V PCB TYPE PE 30mm DIA 31mm	2/£1
IEC CHASSIS FUSED PLUG B-LEE L2728	3/£1
2A CERAMIC FUSE 1.25" OB	10/£1
46 WAY IDC RIBBON CABLE 100 FOOT REEL	£5+CARR
20mm PCB FUSEHOLDER	5/£1
IEC CHASSIS FUSED PLUG B-LEE L2728	3/£1
ASTEC MODULATOR VIDEO + SOUND UM1287	£2.25
BARGRAPH DISPLAY 8 RED LEADS	£1.50
NE567 PHASE LOCKED LOOP	2/£1
NE564	£1
P8749H USED WIPED	£2
TL084	4/£1
IR2432 SHARP 12 LED VU BAR GRAPH DRIVER	£1.25

DIODES AND RECTIFIERS	
A11 5M 3A 600V FAST RECOVERY DIODE	4/£1
1N5407 3A 1000V	8/£1
1N4148	100/£1.50
1N4004 SD4 1A 300V	100/£3
1N5401 3A 100V	10/£1
IN5819RL 20K EX stock	1000+10p **NEW
BA158 1A 400V fast recovery	100/£3
BY254 800V 3A	8/£1

BY255 1300V 3A	6/£1
6A 100V SIMILAR MR751	4/£1
1A 600V BRIDGE RECTIFIER	4/£1
4A 100V BRIDGE	3/£1
6A 100V BRIDGE	2/£1
10A 200V BRIDGE	£1.50
25A 200V BRIDGE £2	10/£18
25A 400V BRIDGE £2.50	10/£22
2KBP02 IN LINE 2A 200V BRIDGE REC	8/£1
BY297	10/£1

SCRS

PULSE TRANSFORMERS 1:1+1	£1.25
TCV106D 800MA 400C SCR 3£1	100/£15
MEU21 PROG. UNJUNCTION	3/£1

TRIACS

NEC TRIAC AC08F 8A 600V TO220	5/£2 100/£30
TXAL225 8A 500V 5mA GATE	2/£1 100/£35
BTA 08-400 ISO TAB 400V 5mA GATE	90p
TRAL22300 30A 400V ISOLATED STUD	£5 ea
TRIAC 1A 800V TLC381T 16k AVAILABLE	5 FOR £1 £15/100

CONNECTORS

D25 IDC PLUG OR SOCKET	£1
34-way card edge IDCCONNECTOR (disk drive type)	£1.25
CENTRONICS 36 WAY IDC PLUG	£2.50
CENTRONICS 36 WAY IDC SKT	£4.00
BBC TO CENTRONICS PRINTER LEAD 1.5M	£3
CENTRONICS 36 WAY PLUG SOLDER TYPE	£4
USED CENTRONICS 36W PLUG+SKT	£3
14 WAY IDC BLOCK HEADER SKT	5/£1

PHOTO DEVICES

HI BRIGHTNESS LEDS COX24 RED	5/£1
SLOTTED OPTO-SWITCH OPCOA OPB815	£1.30
2N5777	50p
TIL81 PHOTO TRANSISTOR	£1
TIL38 INFRA RED LED	5/£1
4N25, OP12252 OPTO ISOLATOR	6/£2
PHOTO DIODE 50P	6/£2
MEL12 (PHOTO DARLINGTON BASE tv)	50p
LED'S RED 3 or 5mm 12/£1	100/£6
LED'S GREEN OR YELLOW 10/£1	100/£6
FLASHING RED LED 5mm 50p	100/£40
HIGH SPEED MEDIUM AREA PHOTODIODE RS651-995	£10 ea

STC NTC BEAD THERMISTORS

G22 220R, G13 1K, G23 2K, G24 20K, G54 50K, G25 200K, RES 20°C	
DIRECTLY HEATED TYPE	£1 ea
FS22BW NTC BEAD INSIDE END OF 1" GLASS PROBE RES 20°C 200R	£1 ea
A13 DIRECTLY HEATED BEAD THERMISTOR 1k res ideal for audio Wien Bridge Oscillator	£2 ea

CERMET MULTI TURN PRESETS 3/4"

10R 20R 100R 200R 250R 500R 2K 2K2 5K 10K 47K 50K 100K 200K 500K 2M	50p ea
---	--------

IC SOCKETS

14/16/18/20/24/28/40-WAY DIL SKTS	£1 per TUBE
8-WAY DIL SKTS	£2 per TUBE
32-WAY TURNED PIN SKTS	3 for £1
SIMM SOCKET FOR 2x30-way SIMMS	£1

POLYESTER/POLYCARB CAPS

330nF 10% 250V AC X2 RATED PHILIPS TYPE 330	£20/100
100n, 220n 63V 5mm	20/£1 100/£3
10n/15n/22n/33n/47n/66n 10mm rad	100/£3.50
100n 250V radial 10mm	100/£3
100n 600V Sprague axial 10/£1	100/£6 (£1)
2µ2 160V rad 22mm, 2µ2 100V rad 15mm	100/£10
10n/33n/47n 250V AC x rated 15mm	10/£1
1µ 600V MIXED DIELECTRIC	50p ea
1µ 100V rad 15mm, 1µ 22mm rad	100/£6
0.22µ 250V AC X2 RATING	4/£1
0.22µ 900V	4/£1

RF BITS

SAW FILTERS SW662/SW661 PLESSEY SIGNAL TECHNOLOGY 379.5 MHz	£1.50 ea
FX3286 FERRITE RING ID 5mm OD 10mm	10 for £1
ASTEC UM1233 UHF VIDEO MODULATORS (NO SOUND) 1250	£1.50
STOCK	£1.50
MARCONI MICROWAVE DIODES TYPES DC2929, DC2962, DC4229F1/F2	£1 EA
XTAL FILTERS 21M4 55M0	£2 ea
ALL TRIMMERS	3 for 50p
VIOLET	5-105pF
YELLOW 5-65pF RED 10-110pF GREY 5-25pF	
SMALL MULLARD 2 to 22pF	3 FOR 50p £10/100
TRANSISTORS 2N4427, 2N3866	80p ea
CERAMIC FILTERS 4M5/6M/9M/10M7	60p ea
FEED THRU CERAMIC CAPS 1000pF	10/£1
SL610	£5
6 VOLT TELEDYNE RELAYS 2 POLE CHANGEOVER	£2
BFY51 TRANSISTOR CAN SIZE	
2N2222 METAL	5/£1
P2N2222A PLASTIC	10/£1
2N2369A	5/£1
VN10KM	4/£1

MONOLITHIC CERAMIC CAPACITORS

10n 50V 2.5mm	100/£4.50
100n 50V 2.5mm or 5mm	100/£6
100n ax short leads	100/£3
100n ax long leads	100/£5
100n 50V dI package 0.3" rad	100/£8
1µF 50v 5mm	£6/100

QUARTZ HALOGEN LAMPS

12V 50watt LAMP TYPE M312	£1 ea HOLDERS 60p ea
6V 50watt	£1

NEW BITS

XENON STROBE TUBE	£1.60 **NEW
-------------------	-------------

KEYTRONICS

Although less complicated than some reflectometers, this experimental instrument by Dmitry Malinovsky provides a digital indication of reflection index, from which vswr and power loss are easily obtained.

COAXIAL cable tester

In time, even well designed coaxial signal distribution systems can need maintenance. The instrument described is an experimental cable tester that has been used under real conditions when installing and maintaining private cable tv networks.

As its block diagram in Fig.1 shows, it consists of an hf oscillator, broadband amplifier, directional coupler and reflectometer, forming an 'active' reflectometer with its own oscillator and working into 75Ω. It is smoothly tunable in three bands – 40-70MHz, 70-125MHz and 125-225MHz – to ensure the overlapping of the tv bands I and III, the cable tv band, the 144-146MHz amateur band and the communications frequencies. Amplifier output at 15mW goes to the directional coupler, which detects and separates the forward and reflected signals and feeds the results to the reflection index meter to give a digital indication of the ratio V_{ref}/V_{fwd} .

Oscillator

Figure 2 shows that the hf oscillator section consists of separate circuits for each band, using three J309 jfets, each Varicap-tuned oscillator covering one band. Diodes $D_{4,5}$ in the jfet gates help to stabilise the oscillator output amplitude at about 0.6Vpk-pk; there is no need for a diode in the highest-frequency oscillator since its output does not exceed 0.6V. Potentiometer P_1 tunes all the oscillators and is calibrated in frequency to within about

5%. Non-working oscillators are switched off to save power.

Directional coupler

Output from the wide-band amplifier goes to the input of the directional coupler, the circuit of which I 'borrowed' from Ref.1 and modernised slightly to simplify the design. Coupling coefficient in my version is -10dB; I know from experience that one should choose the largest possible signal level at the input of the directional coupler and use the maximum coupling coefficient, so that signals proportional to forward and reflected waves are fed to the measuring detectors at maximum possible amplitude.

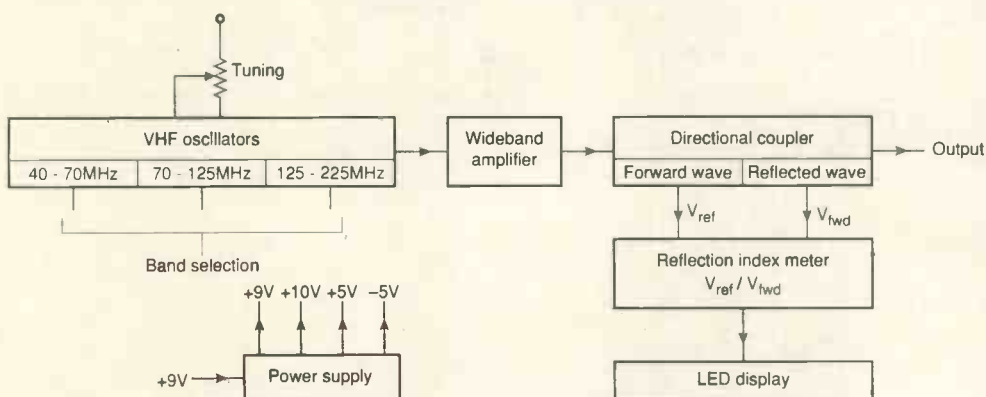
Semiconductor diodes work well as linear detectors when the hf signal amplitude is greater than 100-200mV for germanium diodes and more than 200-400mV for silicon types. If the directional coupler is connected to a matched feeder, the amplitude of the reflected wave can be less than 5% or 10% of the forward wave amplitude. Taking into account the -20dB gain of the directional coupler, one can see that when the signal level in the feeder is 2Vpk-pk and the reflection index is equal to 0.1 (a well matched feeder), there is 0.2Vpk-pk at the 'forward' coupler output and 0.02Vpk-pk at the 'reflected wave' output.

It is not easy to detect such signals linearly and the use of the usual diode detectors will lead to errors of up to 50% and perhaps more; the -10dB coupling coefficient and the use of logarithmic-amplifier detectors give an accuracy of better than ±5%. I used germanium diodes, selected in pairs; methods of diode selection are described in the appendix.

Detection

Two 741 op-amps are used as logarithmic amplifiers, the type having a moderate thermal drift. Both are balanced by potentiometers P_2 and P_3 to obtain zero voltage at their outputs with no hf input and potentiometers R_{adj} trim for best detection linearity, particularly when working with hf inputs in the range 30-800mVpk-pk. It turned out to be possible to measure a reflection coefficient of 0.06 to

Fig. 1. Block diagram of reflectometer coaxial-cable tester, working in the 40-225MHz frequency range. The instrument will measure a reflection coefficient of 0.06 to within ±10%.



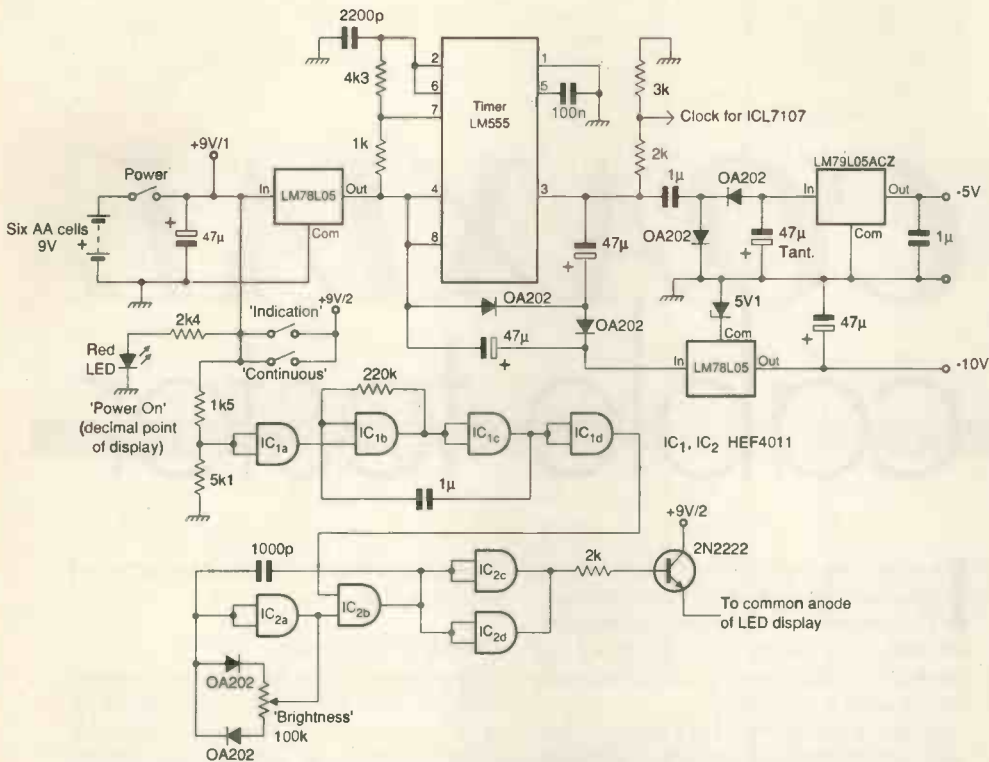


Fig. 2. Three frequency bands covered by three separate oscillators. Analogue-to digital converter acts as analogue voltage divider with digital output, since output n is proportional to V_{in}/V_{ref} .

an accuracy of about 10%.

An ICL7107 a-to-d converter fulfils two functions: it divides the two analogue signals, by virtue of the fact that the reference voltage is varied, and indicates the result in digital form; it helps to simplify this part of the circuit immeasurably and the accuracy of the ratio meter itself is better than 0.1% – negligible in comparison with the accuracy of the rest of the circuit.

Only two digits are used for the indication of tenths and hundredths of the value of the reflection coefficient; the thousandths are more or less irrelevant, bearing in mind the overall accuracy, and the indication of the permanent “zero” is an extravagance from the power point of view. Optimum display is in the form “XX”, the decimal point being a power-on indicator.

Selecting diodes

I use an ordinary analogue ohmmeter for this. When measuring resistances in the sub-bands 1, 10 and 100kΩ, the currents flowing differ according to the logarithmic law. Every selected diode is connected to the ohmmeter and its forward resistance in three sub-bands is measured. Two diodes are considered to have been selected in a pair if their forward resistances coincide in three points (in the three sub-bands) to within 5%. Usually, two pairs with the necessary accuracy can be selected from 20-30 diodes.

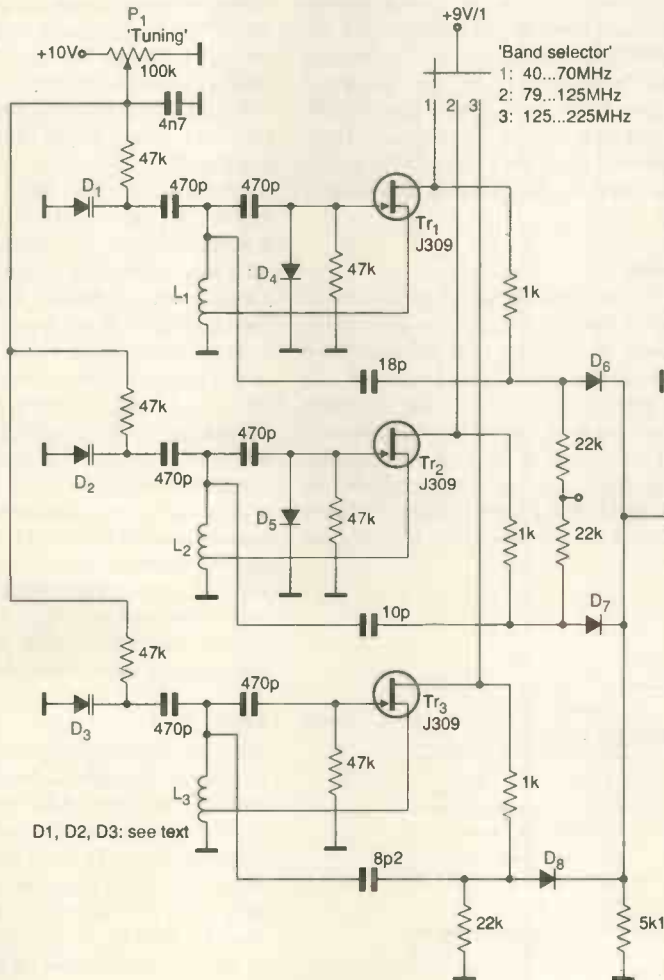
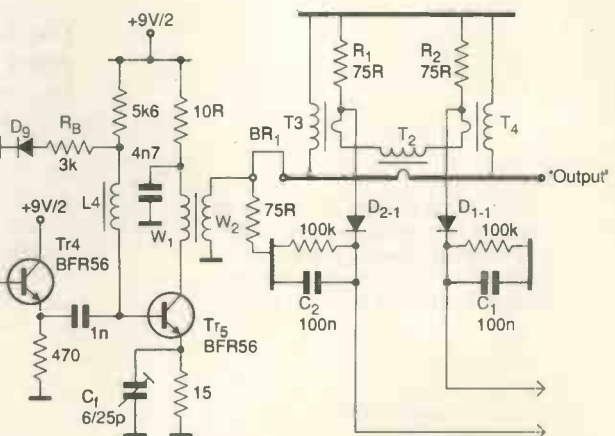


Fig. 3. Power supply giving four outputs from one 9V input. Logic circuitry forms a battery-management arrangement.



Power supply

This is rather complicated because it is intended for a portable device demanding several supply voltages. I calculated on the use of six AA-cells in the tester. Figure 3 shows the circuitry of the power supply with a 555 timer working as a multivibrator to drive the voltage converter to give -5V for the op-amps and a-to-d converter, regulated by the LM79L05ACZ; it also drives the voltage doubler to provide, via the LM78L05 fixed voltage regulator, +10V for the varicaps and op-amps. A positive 5V for the ICL7107 comes straight from the battery via an LM78L05 fixed regulator. Clock signals for the ICL7107 also come from the 555 oscillator.

Multivibrator IC_{1,2} and IC_{1,3} constitute a battery-management circuit; when battery voltage falls below 6.5V, the multivibrator starts up and the display flashes at about 1Hz. To extend battery life, display power comes from the brightness regulator, which is pulse-width modulator IC_{2,1}-IC_{2,4}.

An additional power economiser is the 'indicate/continuous' switch which, in the indicate position, turns on the power amplifier and indicators only during measurements, reducing power consumption between activities; it can be blocked by switching to 'continuous'.

Coupler details

Figure 4 shows the construction of the directional coupler, which consists of a pc board with a microstrip line and three current transformers wound on ferrite cores with an outside diameter of 7mm, inside diameter 4mm and 2mm thick; permeability is 400. One can use any cores of a suitable size and permeability from 400 to 1500.

Each transformer has a six-turn secondary of 0.2mm solid, Teflon-insulated conductor (it is easier to solder), all three cores being wound in the same direction. Transformer Tr₂ in Fig. 2 is held in the gap of the microstrip line, with its contacts up, by a staple that represents the

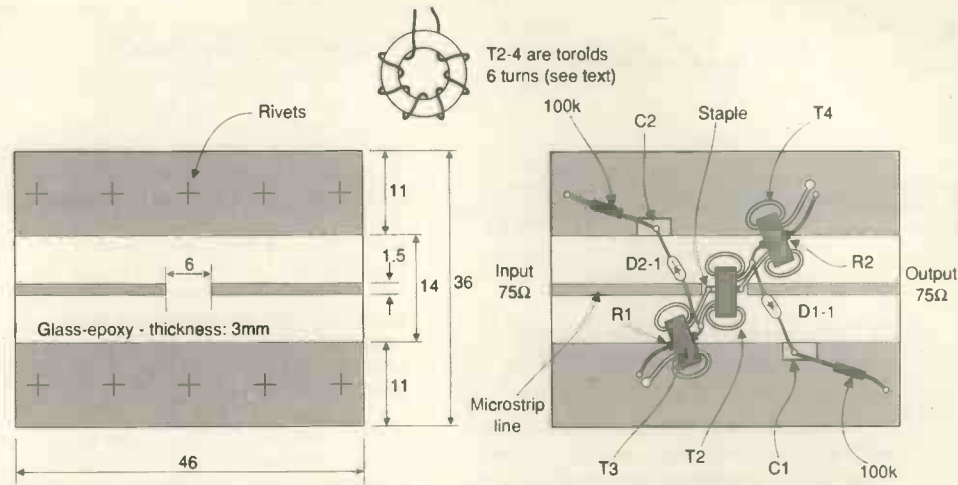


Fig. 4. Both sides of the directional coupler built on a stripline, part of the main board. Close adherence to this layout is advised.

Reflection index	0.05	0.1	0.2	0.3	0.4	0.5	0.6	0.7	0.8	0.9	1.0
VSWR	1.10	1.2	1.5	1.9	2.3	3.0	4.0	5.7	9.0	19	∞
Power losses, %	<1	1	4	9	16	25	36	49	64	81	100

The kind of losses caused by mismatching the transmission line with the source load.

primary coil of Tr₂. Transformers Tr₃ and Tr₄ are soldered with their contacts down – one contact to the staple and microstrip line and the other to ground.

Resistors R₁ and R₂, both 75Ω, 1/8W, are pushed through the cores of the transformers Tr₃ and Tr₄ and soldered to ground at one end and to the corresponding contact of the Tr₂ at the other. Leads of resistors and transformers should be cut as short as possible. Diodes D_{1,1} and D_{2,1} should have their anode ends soldered close up to resistors R₁ and R₂ and the contacts of Tr₂. Capacitors C₁ and C₂, are used as mounting contacts, soldered to ground

by one leg and supporting a diode cathode with the other.

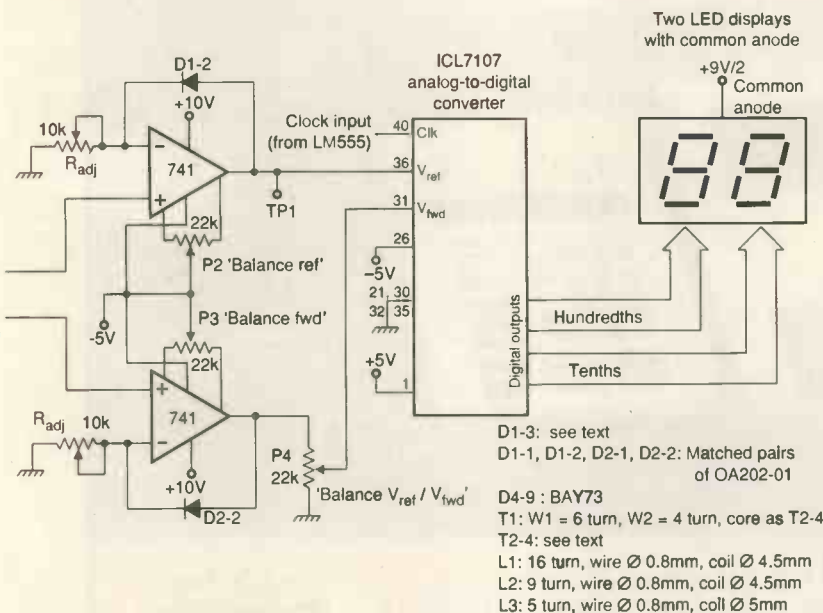
Note that the directional coupler is part of the pc board on which all other elements of the tester are assembled. A bnc connector, having an adaptor on the microstrip line, is soldered to the board. As regards general construction, my tester is in a 0.8mm sheet-steel case, measuring 180 by 100 by 60mm.

Setting up

Tuning the tester is not difficult. First, the three hf oscillators should be adjusted to their sub-bands by varying the spacing of the turns. Using the set of three identical Varicaps of the type used in broadcast fm receivers or tv channel selectors gives a 1.8:1 tuning ratio in all three sub-bands.

Then set the collector current of the transistor T₅ to 15mA by adjusting the resistor R_B. Connect a 75Ω hf signal generator equipped with a calibrated attenuator to the directional coupler input (remove the bridge Br₁ first) and load the directional coupler output by a 75Ω resistor. Set the output voltage of the generator equal to 2Vp/p and measure the direct voltage at the detector output on TP₁; it should be 300mV ±15%. Decrease the hf level by 10dB and check the voltage on TP₁, which should decrease linearly with the decrease of hf input. Tune the potentiometer R_{adj} in such way that the detector nonlinearity is less than ±7% when the hf signal changes from 70 to 2000mVpk-pk.

Tuning of the second detector is carried out in the same way, but the signal is fed to the directional coupler output and the input is loaded by a 75Ω resistor. Now check the frequency response of the tester's hf oscillators



- D1-3: see text
- D1-1, D1-2, D2-1, D2-2: Matched pairs of OA202-01
- D4-9: BAY73
- T1: W1 = 6 turn, W2 = 4 turn, core as T2-4
- T2-4: see text
- L1: 16 turn, wire Ø 0.8mm, coil Ø 4.5mm
- L2: 9 turn, wire Ø 0.8mm, coil Ø 4.5mm
- L3: 5 turn, wire Ø 0.8mm, coil Ø 5mm

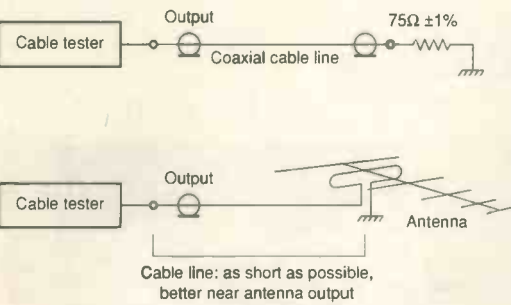


Fig. 5. Ways of using cable tester, checking coaxial cable, top, and an antenna, bottom.

by loading the tester output with 75Ω and watching the direct voltage on TP₁. Frequency response is adjustable by trimming capacitor C_f, but a little unevenness up to about 3dB in all bands is quite admissible.

Applying the tester

Figure 5 shows methods of connecting the tester for checking coaxial cable line and antenna. The only universal rule is: when checking any hf devices, one should make the connection between tester and tested as short as possible.

Reference

1. R.Lewallen. A Simple and Accurate QRP Directional Wattmeter. *QST*, February 1990, pp.19-23.

Processing the results

When a signal propagates in a transmission line there can be three cases:

- (a) the impedance of the signal source is equal to the characteristic impedance of the transmission line (W), and the line is loaded by a resistance $R = W$. This is the matched mode and signals in the transmission line propagate only from the signal source to the load;
- (b) impedance of the signal source is equal to the characteristic impedance of the transmission line, but the line is broken or shorted at the end. In this case, standing waves are formed in the line;
- (c) impedance of the signal source is not equal to the characteristic impedance of the transmission line or the line is loaded by an impedance $Z \neq W$, ($Z = r + jx$). This is a mixed-wave mode, in which the line simultaneously carries signal that propagates from the source to the load and that from load to source.

How well the signal source matches with the line or the line with the load is characterised by the voltage standing wave ratio ($vswr$), which is the ratio of characteristic impedance to load impedance (or the signal source impedance): $vswr = R/W$ when R is more than W or $vswr = W/R$ when W is more than R .

With a device that can measure the amplitudes of the forward wave (propagating from signal source to the load)

and of the reflected wave (propagating from the load to the source), you can measure the so-called reflection index:

$$\Gamma = V_{ref}/V_{fwd} = (R - W)/(R + W),$$

there being a simple correlation between Γ and $vswr$:

$\Gamma = (vswr - 1)/(vswr + 1)$ or $vswr = (1 + \Gamma)/(1 - \Gamma)$. Knowing reflection index or $vswr$, one always can define the power gain when the signal propagating in an unmatched transmission line

$$M = 4/(2 + vswr + 1/vswr) \text{ in absolute units or } M = \log(4/(2 + vswr + 1/vswr)) \text{ in decibels.}$$

When power losses arise, the line resistance is irrelevant – it can be equal to zero but the losses can make up 100% of the signal power if the matching is wrong. The table shows the kind of losses caused by mismatching the transmission line with the source or the load.

The application of the transmission line dictates what matching we can consider satisfactory. For vhf-fm broadcast transmitters, a $vswr$ of up to 1.2 is usually permissible and it is undesirable to have a $vswr$ of more than 1.5-2 in tv receiving antennae. A mismatch in long tv coaxial lines causes not only energy losses but also a very unpleasant double or ghost image that can be seen when light objects are on a dark background.

DEVELOPMENT AND PRODUCTION SOLUTIONS

- Gang Programmers
- Package Converters
- Development Programmers
- Development Tools
- Universal Cross Assembler
- Emulator Pods + Adapters



IRELAND 1-2800395
 GERMANY 089/4602071
 NORWAY 0702-17890
 ITALY 02 92 10 35 54
 FRANCE 1 69 30 13 79
 SWEDEN 08 590 32185
 Also from ELECTROSPEED UK



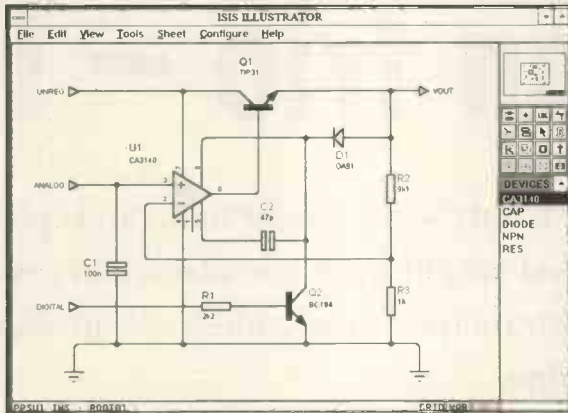
mqp ELECTRONICS Ltd
 Park Road Centre, Malmesbury, Wiltshire SN16 0BX UK
 Tel: 01 666 825146 Fax: 01 666 825141
 e/mail 100447.1124@compuserve.com

Ask for Free Information Pack and Demonstration Discs

CIRCLE NO. 122 ON REPLY CARD

CADPAK for Windows

CADPAK is especially suited to educational, hobby and small scale schematic and PCB design. CADPAK includes both schematic drawing and 32-bit PCB drafting tools but as an entry level product, there is no netlist link between them.



The schematic drawing module of CADPAK, ISIS ILLUSTRATOR, enables you to create circuit diagrams like the ones in the magazines.

- Runs under Windows 3.1 making full use of Windows features such as on-line help.
- Full control of appearance including line widths, fill styles, fonts, colours.
- Automatic wire routing & dot placement.
- Fully automatic annotator.
- Complete with device and comprehensive package libraries for both through hole and SMT parts.
- Advanced route editing allows deletion or modification of any section of track.
- Gerber, Excellon and DXF outputs as well as output via Windows drivers. Also includes Gerber viewer.
- Exports diagrams to other applications via the clipboard.
- CADPAK is also available for DOS.

CADPAK FOR WINDOWS £ 149

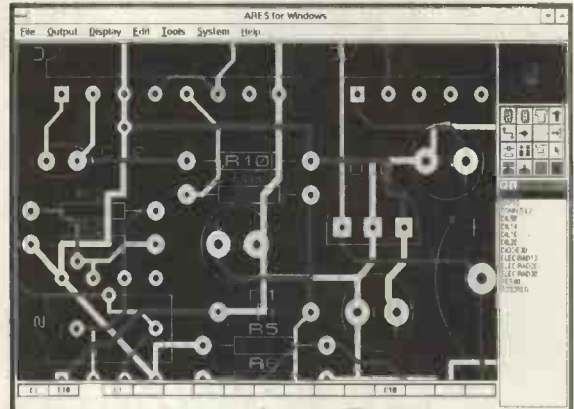
CADPAK FOR DOS £ 79

Call or fax us today for a demo pack. Please state whether you would like a DOS or Windows pack.

Prices exclude postage (£5 for UK) and VAT. ISIS ILLUSTRATOR and ARES for Windows are also available separately. All manufacturers trademarks acknowledged.

PROPAK for Windows

PROPAK has all of the features in CADPAK plus netlist based integration, automatic power plane generation and a powerful auto-router. PROPAK includes enough schematic capture and PCB design functionality for all but the most demanding applications.



PROPAK's schematic drawing editor ISIS ILLUSTRATOR+ includes even more features than ISIS ILLUSTRATOR. PROPAK's 32-bit PCB design tool, ARES for Windows, is our most powerful and easy to use yet.

- Multi-sheet and hierarchical designs.
- Netlist link between modules guarantees consistency between schematic and PCB.
- Netlists are also compatible with SPICE-AGE and most other electronics CAD packages.
- Generates a full bill of materials.
- ASCII data import facility.
- Electrical rules and connectivity checkers.
- Ratsnest display with automatic update during placement and routing.
- Multi-strategy autorouter gives high completion rates.
- Power plane generator creates ground planes with ease.
- PROPAK is also available for DOS.

PROPAK FOR WINDOWS £ 495

PROPAK FOR DOS £ 395

labcenter

E l e c t r o n i c s

53-55 Main St. Grassington, N. Yorks. BD23 5AA
Tel: 01756 753440 Fax: 01756 752857

Waveform generation trio – II

Oscillators based on saw filters: handy 4046 circuit that varies phase shift; and low distortion high-level output from a fundamental crystal oscillator. Three circuits demonstrate how simple ideas can produce useful effects. From *EDN* magazine.

High-frequency vcos top 100MHz

Surface-acoustic-wave (saw) filters are available from US, European and Japanese manufacturers in an increasing range of frequencies and styles. They permit the direct implementation of vhf and uhf high-stability oscillators without the doublers or triplers needed with crystals, and with a wider pulling range.

VCOs that use saw filters have higher operating frequencies and higher pull ranges than circuits using crystal oscillators.

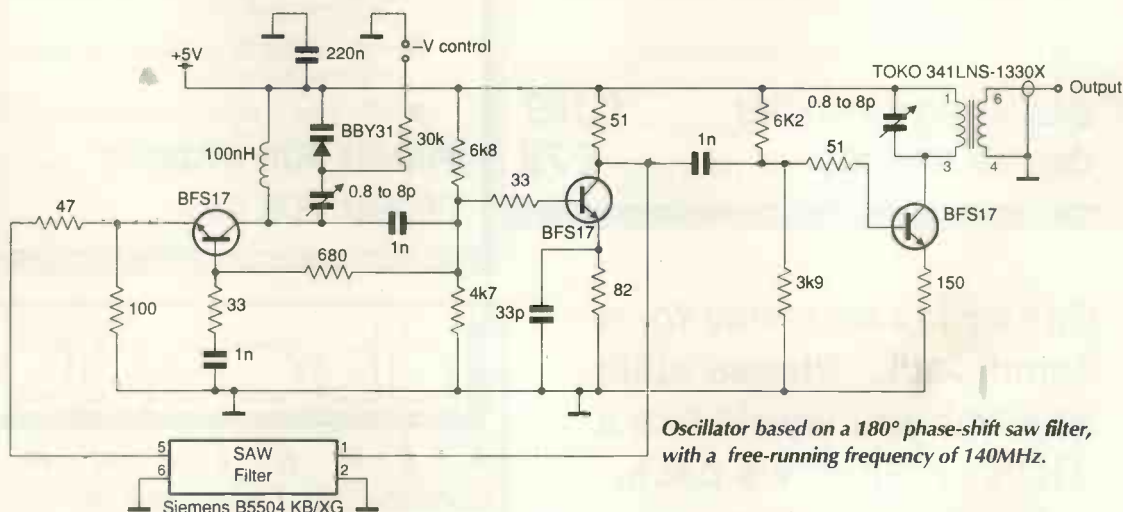
Two examples (see circuits) show how practical realisations of saw-filter-based vcos can have different operating frequencies – 140 and 181MHz – because of that fact that two types of saw filters are available. The first circuit uses a saw filter that has 180° of phase shift, while the second has a phase shift of 0°. Both circuits draw about 20mA and operate from a 5V supply. Operating frequency is solely dependent on the saw filter's pass-band centre frequency, which can be higher than 1000MHz.

The saw filters have a pull range near 500ppm when the *BBY31* varactor diode's control voltage $V_{control}$ varies by 4V. Typical pk-pk voltage of the circuits when driving a 50Ω load is 600mV, and the spectrum of the output signals is such that all the harmonics are below 25dB with respect to the carrier. Variation with temperature when the circuits run in the free-running mode is 100ppm – a typical value for saw filters.

Crystal oscillators tend to be more stable over their operational frequency range than saw-based oscillators. But that range is limited compared with the range of saw-based oscillators. SAW filters are available with centre frequencies starting at 120MHz.

Component cost of both circuits, without the saw filter, is about £0.80 with the saw filters costing about £20.

Di Paolo Franco
Ericsson Fatme
Rome
Italy



Offset varies pll's phase shift

Deliberately introducing a dc offset into the error-signal path of a phase-locked loop (pll), allows phase shift to be added between the input reference and the feedback signal driving the phase detector.

This circuit has a phase-shift range of $\pm 160^\circ$ over a reference-signal range of 1-10kHz: if the signals applied to pins 3 and 14 of the CD4046 are both divided by 2^N first, the available phase-shift range becomes 2^N times 320° . Because the loop uses an integrator, once set, the phase shift remains constant over the entire frequency range.

The positive-edge-triggered frequency/phase detector inside the CD4046B compares the frequency and phase of the input reference signal with the feedback signal from the 74HC193 counter. Since this phase detector is edge-triggered, the duty cycle of the reference can be arbitrary.

IC_{1A} level shifts the three-state output of the phase detector. When in lock, if the positive edge of the reference leads the positive edge of the feedback signal, the output of IC_{1A} swings to its lower rail for the time interval between the two edges.

The output then returns to 2.5 V until the next positive edge of the reference occurs.

If the positive edge of the reference lags the positive edge of the feedback, IC_{1A} output remains at the upper rail for the time interval between the two edges. It then returns to 2.5V until the next positive edge of the feedback occurs.

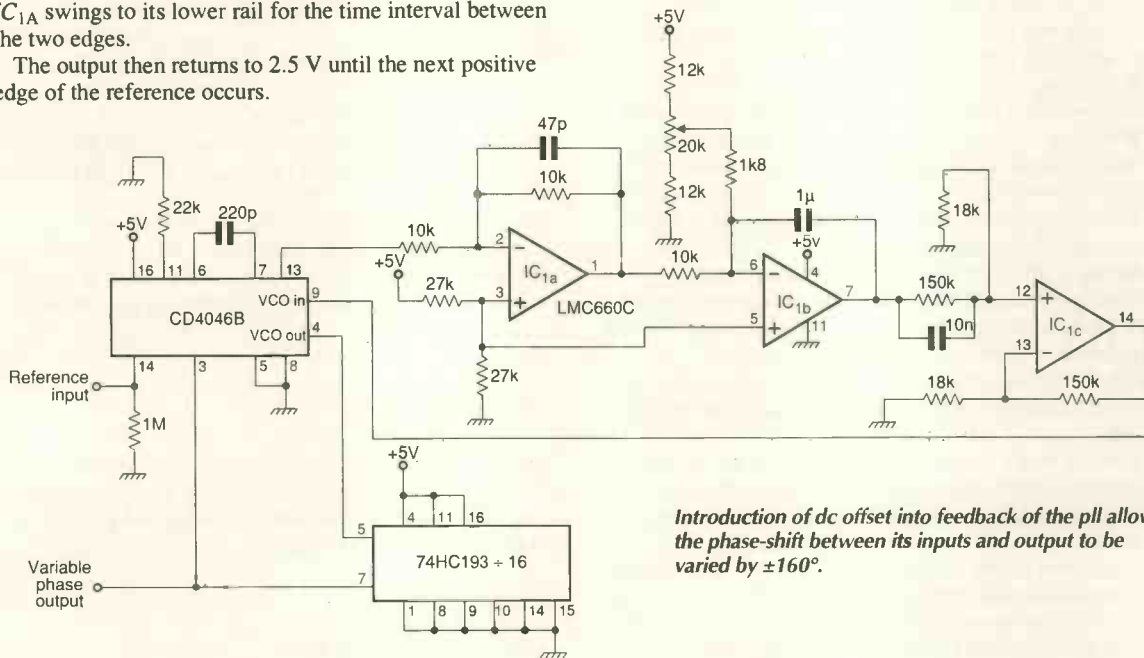
Using the quad LMC660C cmos op-amp for IC_{1A} permits dynamic-loop, error-voltage variations over almost the entire range of 0 to 5V. Adjusting the 20k Ω potentiometer causes the phase shift to change because the average voltage of the pulses at the output of IC_{1A} must change to maintain the constant-feedback-forced value of 2.5V at the inverting input of IC_{1B}. A unity-dc-gain lead network stabilises the loop.

Output of the vco is divided by 16 before applying it to the phase-detector input.

Donald G Stefani

LeRoy

New York



Introduction of dc offset into feedback of the pll allows the phase-shift between its inputs and output to be varied by $\pm 160^\circ$.

Servo loop controls oscillator amplitude

It may not provide the ultimate in low noise crystal oscillator design, but we can design a circuit that offers sufficient output level (combined with a good waveform having a low harmonic content) to drive a double balanced mixer directly. Crystal drive level may be set to optimise either long term or short term stability, as required.

The high-performance, fundamental-mode crystal oscillator uses an agc amplifier and a crystal to form a very-narrow-band filter at the crystal's series-resonant frequency. Phase noise and jitter are reasonably low because the design places the crystal between two low-impedance points of the CLC520 agc amplifier IC₁. The oscillator can drive a 50 Ω load easily and has a well-controlled output impedance, while the design exhibits low distortion and is adaptable to a variety of fundamental-mode crystals.

Unlike most oscillators, which use limiting to set the

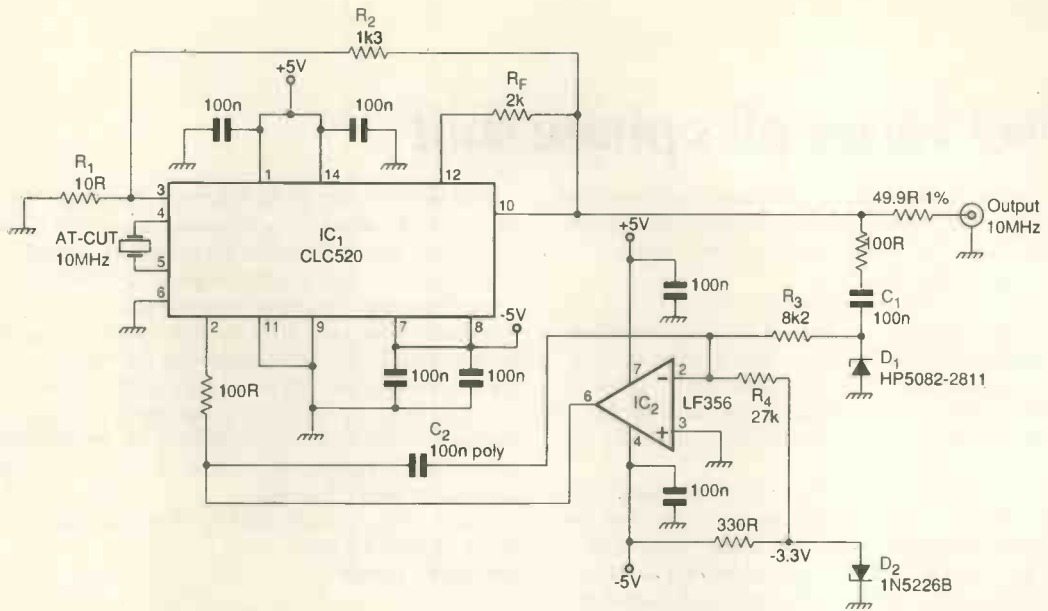
amplitude, this design uses a servo loop to control amplitude. D₁ and C₁ are the key components of a clamping circuit that produces an average voltage proportional to the pk-pk oscillator amplitude. The larger the amplitude, the more positive the dc component.

The LF356 (IC₂) is as an integrator that compares the dc signal against the reference voltage of D₂. If the oscillator's amplitude is too high, the integrator's output voltage drops, as does the gain of IC₁ and the loop gain of the oscillator.

When the loop gain drops below unity, the oscillator output amplitude begins to drop until it reaches the desired amplitude of the loop. If the amplitude is too low, the integrator output voltage increases, increasing the loop gain and increasing the amplitude to the desired value of the loop.

When the oscillator amplitude is stable, the average

Unlike most oscillators, which use limiting to set the amplitude, this 10MHz oscillator uses a servo loop to control amplitude. Six steps are necessary to tailor the design to individual requirements.



current flowing into the integrator capacitor (C_2) is zero. The average current through R_3 is equal in magnitude and opposite in sign to the current flowing through R_4 (assuming that bias currents for IC_2 are negligible) and the oscillator loop gain is exactly equal to one.

A levelling loop, not circuit limiting, sets the amplitude of this oscillator design, so distortion is low. The amount of distortion is mostly set by IC_1 and as its bandwidth (typically 140MHz for large signals) is approximately four to five times higher than the highest oscillation frequency of most fundamental mode AT-cut crystals, the effect of IC_1 bandwidth is negligible.

Design of the oscillator requires six major steps.

First step is to determine the range of equivalent series resistance for the crystal. – it should be consistent with the distribution of crystals to be used. If the range is to be tuned, the equivalent resistance of the crystal and tuning network at the new series-resonant frequency should be found.

In the case of a crystal and a tuning capacitor in series, the highest overall series resistance exists at the lowest tuning capacitance and highest crystal series resistance.

Second step is to choose the output amplitude. To determine the output voltage at pin 10 of IC_1 dBm should be converted to watts using $P_{out} = 10^{(0.1dBm - 3)}$ where P_{out} is the power delivered to the load in watts, and dBm is the power delivered to the load in dBm. RMS voltage delivered to the load is $V_{OL} = (R_{load} \times P_{out})^{0.5}$. For a doubly terminated load, the equation is,

$$V_{opamp} = 2 \times V_{OL} = (4R_{load} \times P_{out})^{0.5}$$

where V_{opamp} is in volts rms.

Third step is to select the crystal drive level. Drive levels should be 1 to 20 μ W for good long-term stability, or between 100 and 500 μ W for good short-term stability.

Equivalent series resistance of the crystal affects the drive level, so the drive level must be reasonable for all expected values of the resistance.

One way to start is to choose the maximum crystal drive level (D_{max}) and see if the minimum drive level is acceptable using:

$$D_{min} = D_{max} \left(\frac{R_{s(max)}}{R_{s(min)}} \right) \left[\frac{R_{s(min)} + 3}{R_{s(max)} + 3} \right]^2$$

where $R_{s(max)}$ and $R_{s(min)}$ are the maximum and minimum series resistances, respectively. If this calculated value of

D_{min} is acceptable, whether or not IC_1 can deliver D_{max} needs to be determined.

IC_1 will be most limited at the minimum series resistance, as $D_{limit} = (0.9113 \times 10^{-6}) R_{s(min)}$, where D_{limit} is the maximum drive available from IC_1 in W, and $R_{s(min)}$ is the minimum crystal series resistance in ohms.

If D_{limit} is greater than D_{max} , IC_1 can deliver the targeted maximum drive level. If not, substitute D_{limit} in place of D_{max} in the above equation for D_{min} to determine the lowest drive that will occur.

D_{limit} and the new D_{min} set the new drive-level range.

Step four is to set the forward gain of the oscillator.

Input voltage to IC_1 pin 3 must be determined at the maximum series resistance as follows (with D_{min} in W and V_{in} in V rms):

$$V_{in} = (R_{s(max)} + 3) \left(\frac{D_{min}}{R_{s(max)}} \right)^{0.5}$$

The equation accounts for the crystal's loading of the buffers of IC_1 (pins four and five). Now the voltage gain of IC_1 at the highest series resistance and highest gain-control voltage (A_v) can be determined:

$$A_v = \frac{V_{opamp}}{V_{in}}$$

To achieve this gain, set R_F as:

$$R_F = \frac{A_v (R_{s(max)} + 3)}{1.85}$$

In general, the value of R_F should be between 1 and 2k Ω .

Somewhat higher values are acceptable if the oscillator is running below 10MHz. If R_F needs to be lower than 1k Ω , refer to the data sheet for the output-amplifier loop-gain reduction techniques for IC_1 .

The penultimate step is to calculate values of the feedback network R_1 and R_2 . To keep the noise low at IC_1 input and provide reasonable resistor values, $R_1 \geq 10\Omega$ and $\leq 1k\Omega$.

Loss in the network should be set equal to $B = 1/A_v$, which means that $R_2 = R_1 (A_v - 1)$.

The sixth and final step requires setting up the levelling loop. Average voltage from the clamping circuit is (where V_{pk} is the peak output voltage of IC_1 , and V_D is the forward voltage drop for D_1):

$$V_{DC} = V_{pk} - V_d = 1.414V_{opamp} - V_D$$

Six steps to servo amplitude control

1. The crystal has a measured equivalent series resistance of approximately 7.3Ω . Range of R_S is $5\text{--}25\Omega$.
2. Output-power requirement is 7dBm into 50Ω so that the oscillator can drive a double-balanced mixer directly. The requirement translates into an output voltage at the op-amp of approximately 1V rms .
3. For a 5Ω minimum equivalent series resistance, IC_1 limits crystal drive level to $4.56\mu\text{W}$. At R_S of 25Ω , the drive level falls to $1.86\mu\text{W}$. These numbers produce good long-term stability.
4. Input voltage at IC_1 pin 3 is 7.64mV rms . Voltage gain is 131, so R_F must equal $1.98\text{k}\Omega$ (use $2\text{k}\Omega$).
5. R_1 is set to 10Ω , so R_2 must equal $1301\text{k}\Omega$.
6. Assuming a forward drop of 0.4V for D_1 yields approximately 1V dc from the clamping circuit. R_3 must then be approximately $8.3\text{k}\Omega$ (use $8.2\text{k}\Omega$). C_1 is set to $0.1\mu\text{F}$ because this design is for 10MHz oscillator.

Once the amplitude of the oscillator is stable, the current flowing through R_3 and R_4 must cancel at C_2 . For this condition to be met,

$$R_4 = R_3 \left(\frac{V_{D2}}{V_{DC}} \right)$$

where V_{D2} is the zener voltage of D_2 . To ensure stability of the amplitude-control loop, C_2 should be made equal to $0.01 \times F$, where C_2 is in μF and F is in MHz . ■

Thomas P Hack
Comlinear Corp
Fort Collins, US

EDN Designer's Companion is available by postal application to room L333 EW+WW, Quadrant House, The Quadrant, Sutton, Surrey, SM2.5AS.

Please make cheques out to Reed Business Publishing Group Ltd. Credit card orders accepted by 'phone on 0181 652 3614. 254pp hardback ISBN 0 7506 1721 7 Price £25.00+£2.50 UK postage, £5 Europe, £8 worldwide.



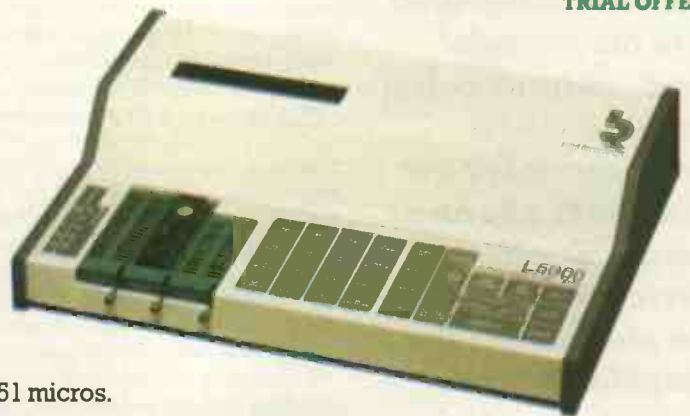
A NEW FORCE IN LOW COST PORTABLE PROGRAMMERS

The L5000 can program or emulate either a single 8 bit eeprom, a pair of 8 bit eeproms or a 40 pin - 16 bit - eeprom.

YOU GET MORE WITH THE L5000!

- ★ Approved algorithms, as used in our gang programmers, for eeproms & flash.
- ★ Programs up to 2M devices in one pass. Ram expandable to 8M bits.
- ★ Settings for numerous micros from Hitachi, NEC and Toshiba.
- ★ Use stand-alone or with a PC using bi-directional RS232, or Centronics ports. No internal card needed for portable PCs.
- ★ Batch file facility for repetitive operations.
- ★ Full set programming facilities including editing in words or bytes.
- ★ Optional facilities to program 40 pin eeproms and/or 8751 micros.
- ★ Emulation of either a single 8 bit eeprom, a 16 bit pair of 8 bit eeproms or a single 40 pin eeprom. You can even emulate ram.

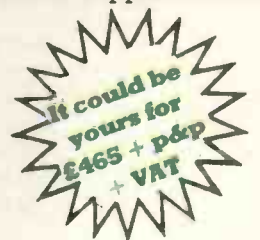
TEN DAY TRIAL OFFER



The L5000 already caters for tomorrow's devices. For example, the 2M user ram is twice the size normally found in most small programmers and it can be expanded to 8M bits for the largest 32 pin devices. Adequate ram saves multiple downloads and the need to program in blocks. The L5000 also has additional hardware to support sector protect/unprotect on flash devices such as 29F010/040.

LLOYD RESEARCH LTD.,
7 & 7A Brook Lane,
Warsash,
Southampton SO31 9FH.

Enquiries and credit card orders:
Tel: +44 (0) 1489 574040
Fax: +44 (0) 1489 885853



EXPORT SALES AND DISTRIBUTOR ENQUIRIES WELCOME

CIRCLE NO. 124 ON REPLY CARD

Trimodal Audio power



part 2

The same components that dominate amplifier noise performance also determine the output dc offset; if R_9 is reduced to minimise the source resistance seen by Tr_3 , then the value of R_8 is scaled to preserve the same closed-loop gain, and this reduces the voltage drops caused by input transistor base currents.

My previous amplifier designs assumed that a $\pm 50\text{mV}$ output dc offset is acceptable. This allowed dc trimming, offset servos, etc to be gratefully dispensed with. However, it is not in my nature to leave well enough alone, and it could be argued that $\pm 50\text{mV}$ is on the high side for a top-flight amplifier. For this reason, I have reduced this range as much as possible without resorting to a servo; the required changes were already made when impedance of the feedback network was reduced to minimise Johnson noise. There were details on this in last month's issue.

With the usual range of component values, the dc offset is determined not so much by input transistor V_{be} mismatch, which tends to be only 5mV or so, but more by a second mechanism—imbalance in beta. This causes imbalance of base currents, I_b , drawn through input bias resistor R_1 and feedback resistor R_8 . Cancellation of the voltage-drops across these components is therefore compromised.

A third source of dc offset is non-ideal matching of input degeneration resistors $R_{2,3}$. Here they are 100Ω , with 300mV dropped across each, so two 1% components at opposite ends of their tolerance bands could give a maximum offset of 6mV . In practice, it is unlikely that the error from this source will exceed 2mV .

There are several ways to reduce dc offset. Firstly, a Class-A amplifier with a single output pair must be run from modest ht rails, so the requirement for high- V_{ce} input transistors is relaxed. This allows higher beta devices to be used, directly reducing I_b . The 2SA970 devices used in this design have a beta range of 350 to 700, compared with 100 or less for MP5A06/56. Note the pinout is *not* the same.

In the first half of this article, we reduced the impedance of

the feedback network by a factor of 4.5, and the offset component due to I_b imbalance is reduced by the same ratio. We might therefore hope to keep the dc output offset for the improved amplifier to within $\pm 15\text{mV}$ without trimming or servos. Using high-beta input devices, the I_b errors did not exceed $\pm 15\text{mV}$ for ten sample pairs — *not* all from the same batch — and only three pairs exceeded $\pm 10\text{mV}$. Errors in I_b are now reduced to the same order of magnitude as V_{be} mismatches, and so no great improvement can be expected from further reduction of circuit resistances. Drift over time was measured at less than 1mV , and this seems to be entirely a function of temperature equality in the input pair.

Figure 1 shows the ideal dc conditions in a perfectly-balanced input stage, assuming a β of 400, compared with a set of real voltages and currents from the prototype amplifier. In the latter case, there is a typical partial cancellation of offsets from the three different mechanisms, resulting in a creditable output offset of -2.6mV .

Biasing for three modes

Figure 2 shows a simplified rendering of the Trimodal biasing system; the full version appears in Fig. 3. The voltage between points A and B is determined by one of two controller systems, only one of which can be in command at a time. Since both are basically shunt voltage regulators sitting between A and B, the result is that the lowest voltage wins. The novel Class-A current-controller introduced in the original article¹ is used here adapted for 0.1Ω emitter resistors, mainly by reducing the reference voltage to 300mV , which gives a quiescent current (I_q) of 1.5A when established across the total emitter resistance of 0.2Ω .

In parallel with the current-controller is the V_{be} -multiplier Tr_{13} . In Class-B mode, the current-controller is disabled, and critical biasing for minimal crossover distortion is provided in the usual way by adjusting preset Pr_1 to set the voltage across Tr_{13} . In Class-A/AB mode, the voltage Tr_{13} attempts to establish is increased (by shorting out Pr_1) to a value greater than that required for Class-A. The current-controller therefore takes charge of the voltage between X and Y, and unless it fails Tr_{13} does not conduct. Points A B X Y are the same circuit nodes as in reference 1.

Class A/AB mode

In Class-A/AB mode, the current-controller, comprising $Tr_{14,15,16}$ in Fig. 2, is active and Tr_{13} is off, as Tr_{20} has short-

Douglas Self has already shown how the low-impedance negative feedback network integrated into his trimodal amp reduces noise. Here he demonstrates how low-Z nfb improves output dc offset performance too. He also details the amplifier's mode-switching and bias control systems and looks at overall performance.

ed out Pr_1 . Transistors $Tr_{15,16}$ form a simple differential amplifier that compares the reference voltage across R_{31} with the V_{bias} voltage across output emitter resistors R_{16} and R_{17} ; as explained in reference 1, for Class-A this voltage remains constant despite delivery of current into the load. If the voltage across $R_{16,17}$ tends to rise, then Tr_{16} conducts more, turning Tr_{14} more on and reducing the voltage between A and B. $Tr_{14,15,16}$ all move up and down with the amplifier output, and so a tail current-source Tr_{17} is used.

I am aware that the current-controller is more complex than the simple V_{be} -multiplier used in most Class-B designs. There is an obvious risk that an assembly error could cause a massive current that would prompt the output devices to lay down their lives to save the rail fuses. The tail-source Tr_{17} is particularly vulnerable because any fault that extinguishes the tail current removes the drive to Tr_{14} , the controller is disabled, and the current in the output stage will be very large. In Fig. 2 the V_{be} -multiplier Tr_{13} acts as a safety-circuit which limits V_{bias} to about 600mV rather than the normal 300mV, even if the current-controller is completely non-functional and Tr_{14} fully off. This gives a 'quiescent' of 3A, and I can testify this is a survivable experience for the output devices in the short-term; however they may eventually fail from overheating if the condition is allowed to persist.

There are important points about the current-controller. The entire tail-current for the error-amplifier, determined by Tr_{17} , is syphoned off from the voltage amplifier stage current source Tr_5 . This must be taken into account when ensuring that the upper output half gets enough drive current.

There must be enough tail current available to turn on Tr_{14} , remembering that most of Tr_{16} collector-current flows through R_{15} , to keep the pair roughly balanced. If you feel moved to alter the voltage-amplifier stage current, remember also that the base current for driver Tr_6 is higher in Class-A than Class-B, so the positive slew-rate is slightly reduced in going from Class-B to A.

I must admit that the details of the voltage reference were rather glossed over in reference 1, because space was running out fast. The original amplifier shown last month used a National LM385/1.2, its output voltage fixed at 1.223V nominal; this was reduced to approx 0.6V by a 1k Ω /1k Ω divider.

The circuit also worked well with V_{ref} provided by a silicon diode, 0.6V being an appropriate bias voltage drop across two 0.22 Ω output emitter resistors. This is simple, and retains the immunity of I_q to heatsink and output device temperatures, but it does sacrifice the total immunity to ambient temperature that a band-gap reference gives.

The LM385/1.2 is the lowest voltage band-gap reference commonly available; however, the voltages shown in Fig. 2 reveal a difficulty with the new lower V_{bias} value and the complementary feedback pair stage; points A & Y are now only 960mV apart, which does not give the reference room to work in if powered from node A, as in the original circuit.

The solution is to power the reference from the positive rail, via $R_{42,43}$. The midpoint of these two resistors is bootstrapped from the amplifier output rail by C_5 , keeping the voltage across R_{43} effectively constant. Alternatively, a current-source could be used, but this might reduce positive headroom. Since there is no longer a strict upper limit on the reference voltage, a more easily obtainable 2.56V device could be used providing R_{30} is suitably increased to 5k Ω to maintain V_{ref} at 300mV across R_{31} .

In practice, stability of I_q is very good, staying within 1% for long periods. The most obvious limitation on stability is differential heating of $Tr_{15,16}$ due to the main heatsink. Transistor Tr_{14} should also be sited with this in mind, as heating it will increase its beta and slightly imbalance $Tr_{15,16}$.

Class-B mode

In Class-B mode, the current-controller is disabled, by turn-

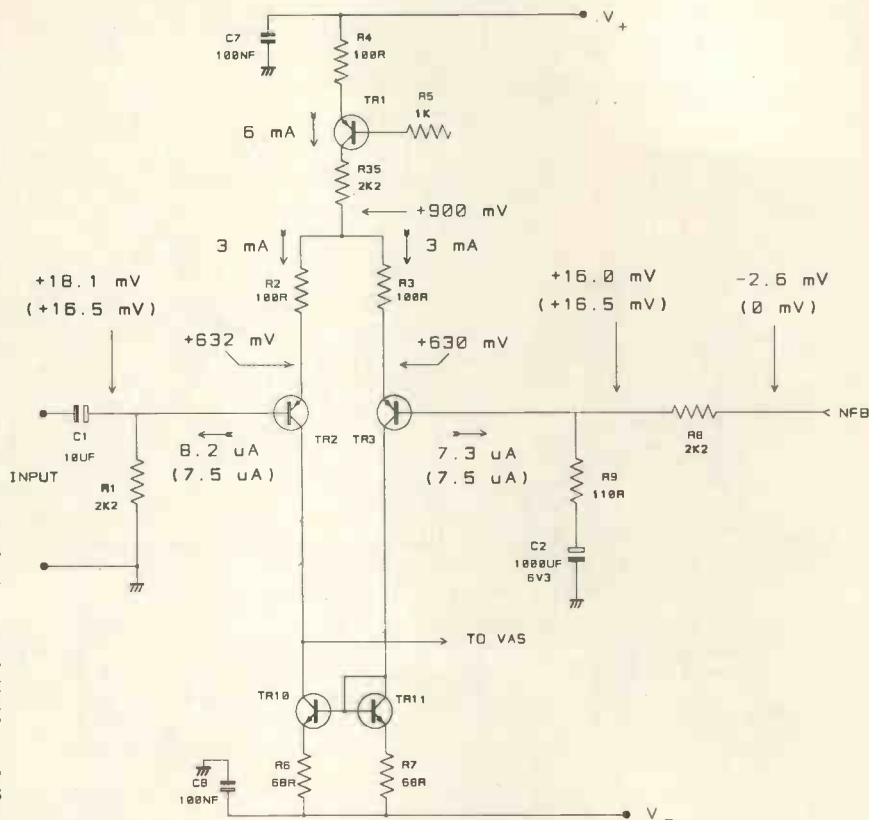


Fig. 1. A close look at input stage balance. Circuit conditions shown here are a real example. Ideal conditions for $\beta = 400$ are shown in brackets. All voltages measured to ground.

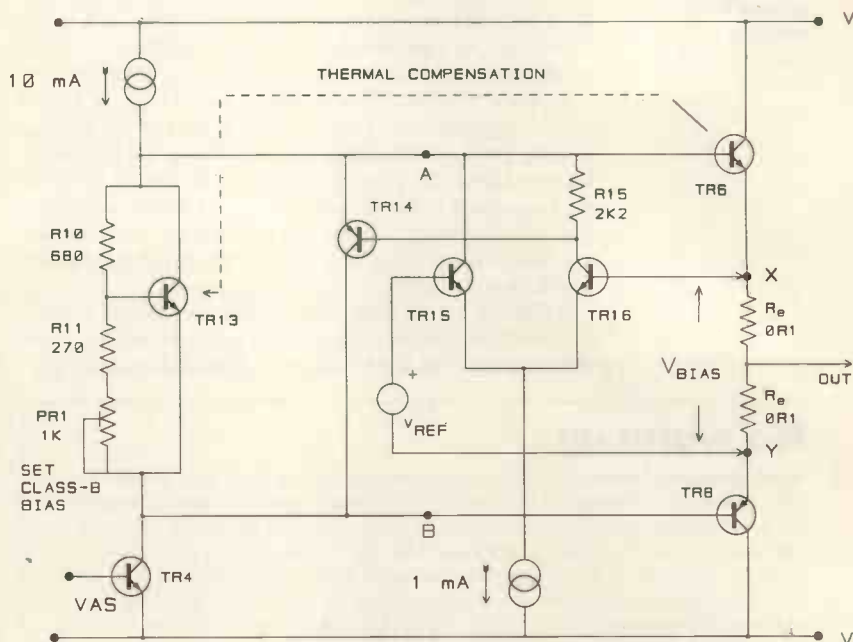


Fig. 2. Simplified current-controller in action, showing typical dc voltages in class-A. Points A, B, X and Y are the same as in the original class-A article. The grey panel on the left is the V_{be} multiplier, Class-B biasing and Class-A safety circuit. Panel in the middle is the Class-A current regulator. Voltage over points A,B is 1.5V while over X,Y, i.e. V_{bias} , there is 300mV.

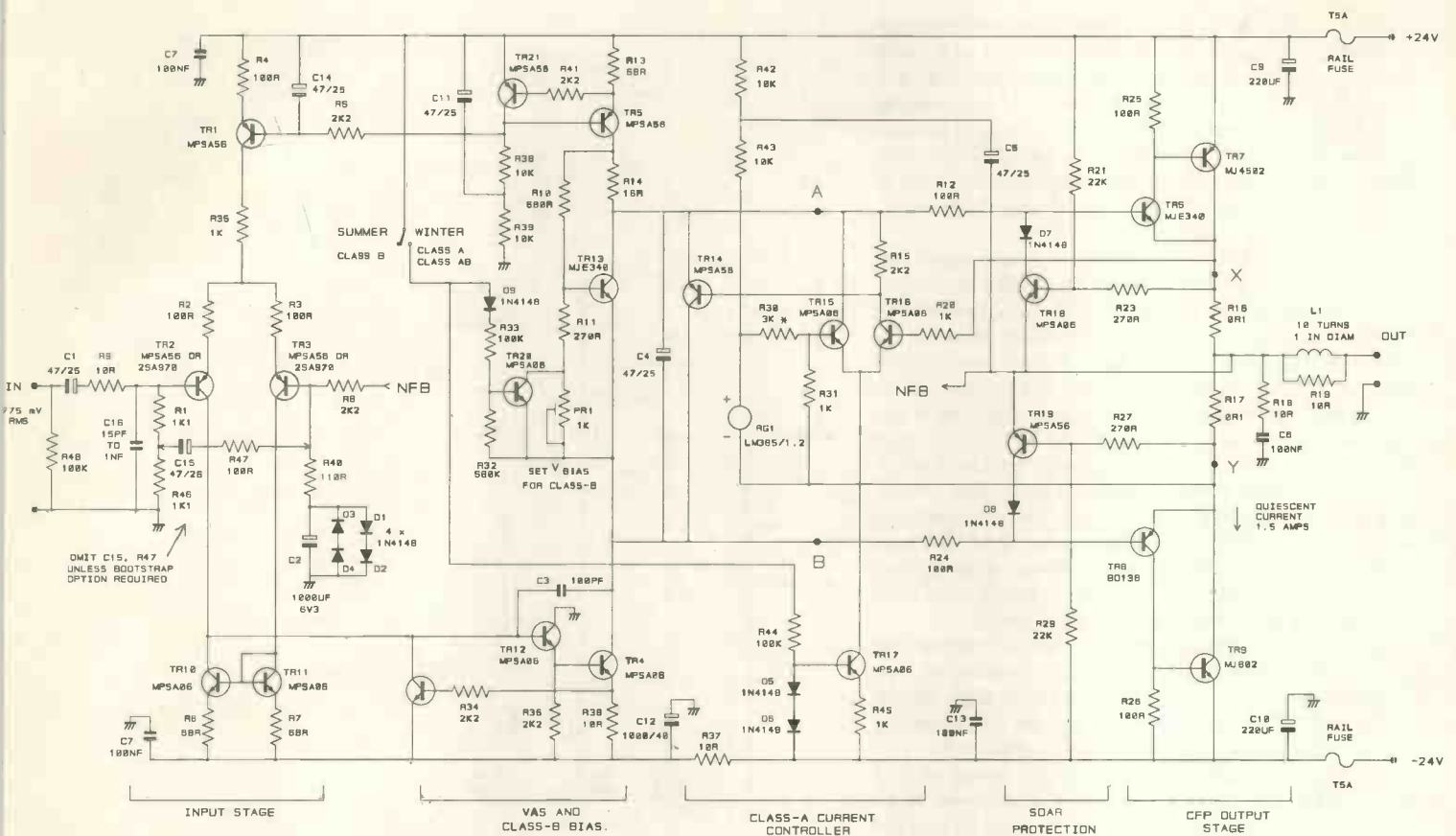


Fig. 3. Complete circuit diagram of class-A amplifier, including the optional bootstrapping components, R47 and C15.

ing off tail-source Tr_{17} so Tr_{14} is firmly off, and critical biasing for minimal crossover distortion is provided as usual by V_{be} -multiplier Tr_{13} . With 0.1Ω emitter resistors V_{bias} (between X and Y) is approx 10 mV. I would emphasise that in Class-B this design, if constructed correctly, will be as 'blameless' as a purpose-built Class-B amplifier. No compromises have been made in adding the mode-switching.

As in the previous Class-B design, the addition of R_{14} to the V_{be} -multiplier compensates against drift of the voltage amplifier stage current-source Tr_{15} . To make an old but much-neglected point, the preset potentiometer should always be in the bottom arm of the V_{be} divider $R_{10,11}$, because when presets fail it is usually by the wiper going open; in the bottom arm this gives minimum bias voltage, but in the upper arm it would give maximum.

In Class-B, temperature compensation for changes in driver dissipation remains vital. Thermal runaway with the complementary feedback pair is most unlikely, but accurate qui-

escent setting is the only way to minimise cross-over distortion. Tr_{13} is therefore mounted on the same small heatsink as driver Tr_6 . This is often called thermal feedback, but it is no such thing as Tr_{13} in no way controls the temperature of Tr_6 ; 'thermal feedforward' would be a more accurate term.

Switching modes

The dual nature of the biasing system means Class-A/Class-B switching is easily implemented, as in Fig. 3. A Class-A amplifier is an uneasy companion in hot weather, and so I was unable to resist the temptation to sub-title the mode switch 'Summer/Winter', by analogy with a car air intake.

Switchover is dc-controlled, as it is not desirable to have more signal than necessary running around inside the box, possibly compromising interchannel crosstalk. In Class-A/AB mode, S_1 is closed, so Tr_{17} is biased normally by $D_{5,6}$, and Tr_{20} is held on via R_{33} , shorting out preset Pr_1 and setting Tr_{13} to safety mode, maintaining a maximum V_{bias} limit of 600mV. For Class-B, S_1 is opened, turning off Tr_{17} and therefore $Tr_{15,16}$ and Tr_{14} . Transistor Tr_{20} also ceases to conduct, protected against reverse-bias by D_9 , and reduces the voltage set by Tr_{13} to a suitable level for Class-B. The two control pins of a stereo amplifier can be connected together, and the switching performed with a single-pole switch, without interaction or increased crosstalk.

Mode-switching affects the current flowing in the output devices, but the output voltage is controlled by the global feedback loop, and switching is completely silent in operation. The mode is switchable while the amplifier is handling audio, allowing some interesting 'A/B' listening tests.

It may be questioned why it is necessary to explicitly disable the current-controller in Class-B; Tr_{13} is establishing a lower voltage than the current-controller which latter subsystem will therefore turn Tr_{14} off as it strives futilely to increase V_{bias} . This is true for 8Ω loads, but 4Ω impedances increase the currents flowing in $R_{16,17}$ so they are transient-

No warm up

Audio magazines often state that semiconductor amplifiers sound better after hours of warm-up. If this is true – in most cases it almost certainly isn't – the admission represents truly spectacular design incompetence. Accusations of this type are applied with particular venom to class-A designs, because it is obvious that the large heat sinks required take time to reach final temperature. So it is important to record that in class-A operation this design stabilises its electrical operating conditions in less than a second, giving the full intended performance.

No "warm-up time" beyond this is required.

Obviously the heat sinks take time to reach thermal equilibrium. But as already described, measures have been taken to ensure that component temperature has no significant effect on operating conditions or performance.

Supplying power

Regulated supplies are quite unnecessary, and are virtually certain to do more harm than a good unregulated power supply (Fig. 4).

The supply must be designed for continuous operation at maximum current, so the bridge rectifier should be properly heat-sunk, and careful

consideration given to the ripple-current ratings of the reservoirs. This is one reason why reservoir capacitance has been doubled to 20,000µF per rail: the ripple voltage is halved, improving voltage efficiency as it is the ripple troughs that determine clipping onset. But the ripple current, although unchanged in total value, is now split between two components. (The

capacitance was *not* increased to reduce ripple injection. This is dealt with far more efficiently and economically by making amplifier psrr high³.)

Do not omit the secondary fuses. Even in these modern times rectifiers do fail, and transformers are horribly expensive...

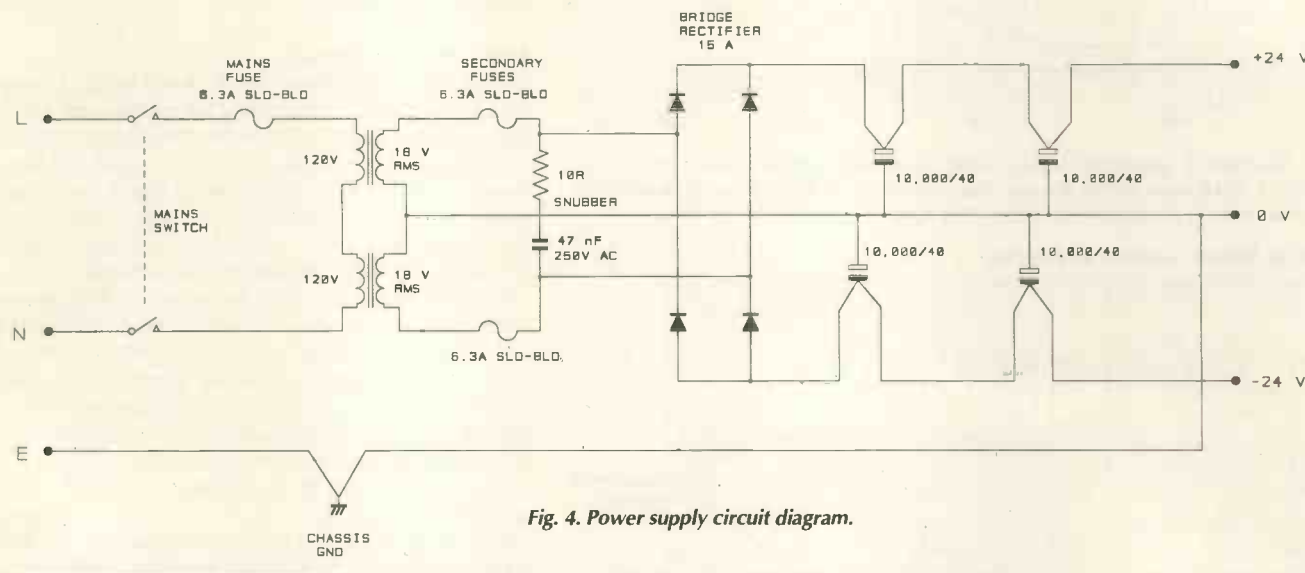


Fig. 4. Power supply circuit diagram.

ly greater than the Class-A I_q , and the controller will therefore intermittently take control in an attempt to reduce the average current to 1.5A. Disabling the controller by turning off T_{r17} via R_{44} prevents this.

Test mode

If the Class-A controller is enabled, but preset Pr_1 is left in circuit, (eg by shorting T_{r20} base-emitter) we have a test mode which allows suitably cautious testing; current I_q is zero with the preset fully down, as T_{r13} over-rides the current-controller, but increases steadily as Pr_1 is advanced, until it suddenly locks at the desired quiescent current. If the current-controller is faulty then I_q continues to increase to the defined maximum of 3A.

Thermal design

Class-A amplifiers are hot almost by definition, and careful thermal design is needed if they are to be reliable, and not take the varnish off the Sheraton. Since the internal dissipation of the amplifier is maximal with no signal, simply turning on the prototype and leaving it to idle for several hours will give an excellent idea of worst-case component temperatures. In Class-B the power dissipation is very programme-dependant, and estimates of actual device temperatures in realistic use are notoriously difficult.

Table 1 shows the output power available in the various modes, with typical transformer regulation, etc; the output mode diagram in Part 1, Fig. 1, showed exactly how the

Table 1. Power capability of the trimodal power amplifier.

Load resistance	W	W	W	Distortion
Class A	8Ω	6Ω	4Ω	low
Class AB	n/a	n/a	39	high
Class B	21	28	39	medium

AUDIO PRECISION APLASTS THD+N(%) vs FREQ(Hz)

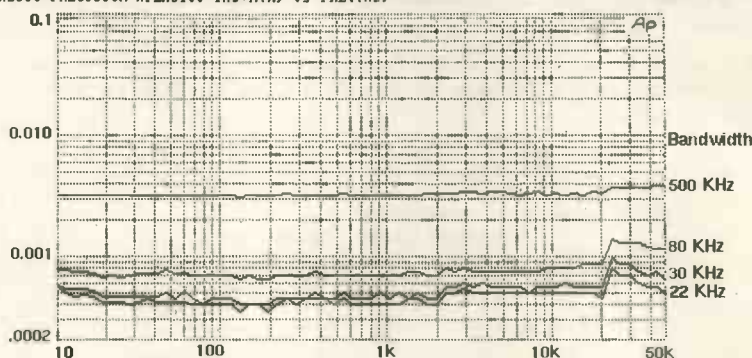


Fig. 5. Distortion plot of the Audio Precision oscillator/analyser combination alone, for measurement bandwidths of 500, 80, 30 and 22kHz. The saw-teeth below 1kHz are artefacts. The residual appears to be pure noise.

AUDIO PRECISION POWRAMP THD+N(%) vs FREQ(Hz)

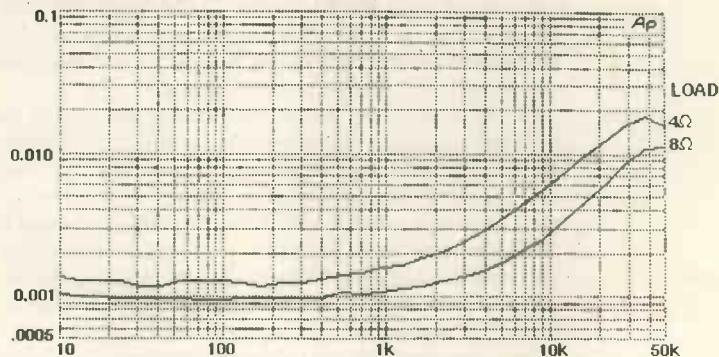


Fig. 6. Distortion in class-B (summer) mode. Distortion into 4Ω is always worse. Power was 20W in 8Ω and 40W in 4Ω, bandwidth 80kHz.

AUDIO PRECISION POWRAMP THD+N(%) vs FREQ(Hz)

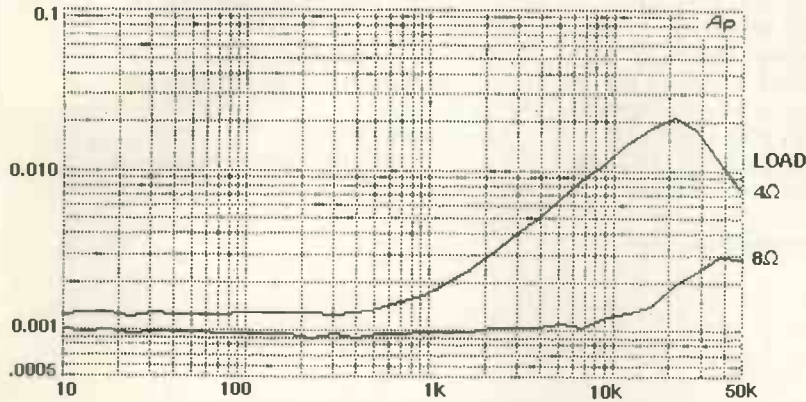


Fig. 7. Distortion in class-A/AB (winter, same power and bandwidth. The amplifier is in AB mode for the 4Ω case, and so distortion is higher than for class-B2. At 80kHz bandwidth, the class-A plot below 10kHz merely shows the noise floor.

AUDIO PRECISION POWRAMP THD+N(%) vs FREQ(Hz)

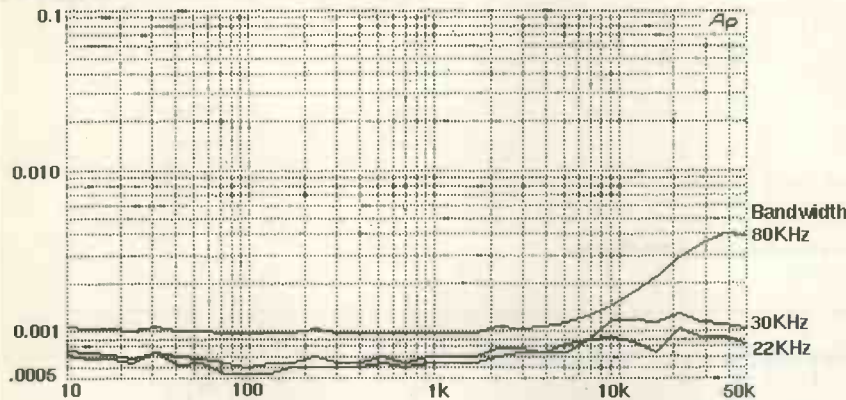


Fig. 8. Distortion in class-A only (20W/8Ω) for varying measurement bandwidths. The lower bandwidths ignore hf distortion, but give a much clearer view of the excellent linearity below 10kHz.

Table 2. Temperature considerations.

	Thermal resist °C/W	heat flow W	temp rise °C	temp °C
Juncn to to3 case	0.7	36	25	100 junction
Case to sink	0.23	36	8	75 TO3 case
Sink to air	0.65	72	47	67 heatsink
Total			80	20 ambient

amplifier changes mode from A to AB with decreasing load resistance. Remember that in this context 'high distortion' means 0.002% at 1kHz. This diagram was produced in the analysis section of PSpice simply by typing in equations, and without actually simulating anything at all.

The most important thermal decision is the size of the heatsink; it is going to be expensive, so there is a powerful incentive to make it no bigger than necessary. I have ruled out fan cooling as it tends to make concern for ultra-low electrical noise look rather foolish; let us rather spend the cost of the fan on extra cooling fins and convect in ghostly silence. The exact thermal design calculations are simple but tedious, with many parameters to enter; the perfect job for a spreadsheet. The final answer is the margin between the predicted junction temperatures and the rated maximum.

Once power output and impedance range is decided, the heatsink thermal resistance to ambient is the main variable to

manipulate; and this is a compromise between coolness and cost, for high junction temperatures always reduce semiconductor reliability, Table 2.

This shows that the transistor junctions will be 80°C above ambient, ie at around 100°C; the rated junction maximum is 200°C, but it isn't wise to get anywhere close to this very real limit. Note the Case-Sink thermal washers are made from high-efficiency material. Standard versions have a slightly higher thermal resistance.

The heatsinks used in the prototype had a thermal resistance of 0.65°C/W per channel. This is a substantial piece of metal, and is expensive.

The complete circuit

The complete Class-A amplifier is shown in Fig. 3, complete with optional input bootstrapping but omitting any balanced-line input amplifier or gain control. The circuitry may look a little complex at first, but we have only added four low-cost transistors to realise a high-accuracy Class-A quiescent controller, and one more to implement mode-switching. Since the biasing system has been described above, only the remaining amplifier subsystems are dealt with here.

The input stage follows my design methodology in running at a high tail current to maximise transconductance, and then linearising it by adding input degeneration resistors R_{2,3}. These reduce the final transconductance to a suitable level. Current-mirror Tr_{10,11} forces the collector currents of the two input devices Tr_{2,3} to be equal, balancing the input stage to prevent the generation of second-harmonic distortion. The mirror is degenerated by R_{6,7} to eliminate the effects of V_{be} mismatches in Tr_{10,11}.

With some misgivings I added the input network R₉, C₁₅, which is definitely not intended to define the system bandwidth, unless fed from a buffer stage; with practical values the hf rolloff could vary widely with the source impedance driving the amplifier. It is intended rather to give the possibility of dealing with rf interference without having to cut tracks. Resistor R₉ could be increased for bandwidth definition if the source impedance is known, fixed, and taken into account when choosing R₉; bear in mind that any value over 47Ω will measurably degrade the noise performance. The values given roll off above 150MHz to keep out uhf.

As a result of insights gained while studying the slewing behaviour of the generic/Lin configuration, I have increased the input-stage tail current from 4 to 6mA, and increased the voltage amplifier stage standing current from 6 to 10mA over the original circuit. This increases the maximum positive and negative slew rates from the basic +21, -48V/μs of reference 4 to +37, -52V/μs; as described elsewhere² this amplifier architecture is always assymetrical in slew rate. One reason is feedthrough in the voltage amplifier current source; in the original circuit an unexpected slew-rate limit was set by fast edges coupling through the current source c-b capacitance to reduce the bias voltage during positive slewing. This effect is minimised here by using the negative-feedback type of current source bias generator, with voltage amplifier collector current chosen as the controlled variable.

Transistor Tr₂₁ senses the voltage across R₁₃, and if it attempts to exceed V_{be}, turns on further to pull up the bases of Tr₁ and Tr₅. Capacitor C₁₁ filters the dc supply to this circuit and prevents ripple injection from the positive rail. Capacitor C₁₄, with R₅, provides decoupling. Increasing input tail-current also mildly improves input-stage linearity, as it raises the basic transistor g_m and allows R_{2,3} to apply more local feedback.

The voltage amplifier stage is linearised by beta-enhancing stage Tr₁₂, which increases the amount of local feedback through Miller dominant-pole capacitor C₃, often referred to as C_{dom}. Resistor R₃₆ has been increased to 2.2kΩ to minimise power dissipation, as there seems to be no significant

effect on linearity or slewing. Do not, however, attempt to omit it altogether, or linearity *will* be affected and slewing much compromised.

As described in reference 3, the simplest way to prevent ripple from entering the voltage amplifier via the negative rail is old-fashioned RC decoupling, with a small R and a big C. We have some 200mV in hand (see Part 1) in the negative direction, compared with the positive, and expending this as the voltage-drop through the RC decoupling will give symmetrical clipping. R₃₇ and C₁₂ perform this function; the low rail voltages in this design allow the 1000µF capacitor C₁₂ to be a fairly compact component.

The output stage is of the complementary feedback pair, or CFP, type. As described in Part 1, this gives the best linearity and quiescent stability, due to the two local negative feedback loops around driver and output device. Quiescent stability is particularly important with R_{16,17} as low as 0.1Ω, and this low value would probably be rather dicey in a double emitter-follower output stage.

Voltage efficiency of the complementary feedback pair is also higher than the emitter follower version. Resistor R_{25,26} define a suitable quiescent collector current for the drivers Tr_{6,8}, and pull charge carriers from the output device bases when they are turning off. The lower driver is now a BD136; this has a higher f_T than the MJE350, and seems to be more immune to odd parasitics at negative clipping.

The new lower values for the output emitter resistors R_{16,17} halve the distortion in Class-AB. This is equally effective when in Class-A with too low a load impedance, or in Class-B but with I_q maladjusted too high. It is now true in the latter case that too much I_q really is better than too little – but not much better, and AB still comes a poor third in linearity to Classes A and B.

Safe operating area protection is given by the networks around Tr_{18,19}. This is a single-slope safe operating area system that is simpler than two-slope safe area, and therefore somewhat less efficient in terms of snuggling the limiting

An adaptive trimodal design?

One interesting extension of the ideas presented here is the adaptive trimodal amplifier. This would switch into class-B on detecting device or heat-sink over-temperature, and would be a unique example of an amplifier that changed mode to suit the operating conditions.

Thermal protection would need to be latching as flipping from class-A to class-B every few minutes would subject the output devices to unnecessary thermal cycling.

characteristic up to the true safe operating area of the output transistor. However, in this application, with low rail voltages, maximum utilisation of the transistor safe area is not really an issue; the important thing is to observe maximum junction temperatures in the A/AB mode.

AUDIO PRECISION APLAST55 THD+N(%) vs FREQ(Hz)

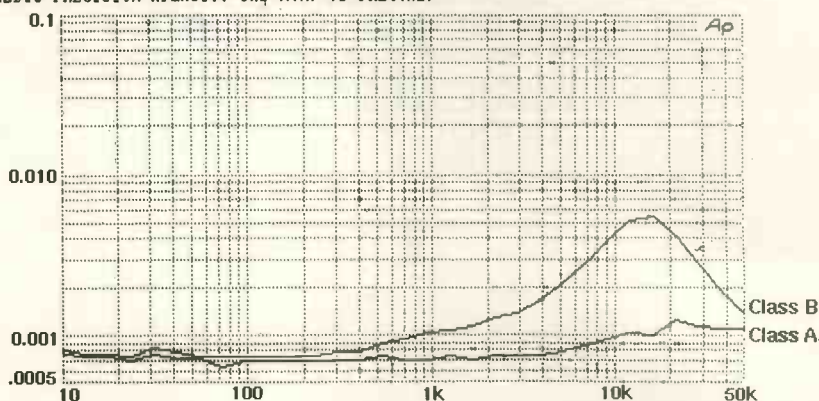


Fig. 9. Direct comparison of classes A and B (20W/8Ω) at 30kHz bandwidth. The hf rise for B is due to the inability of negative feedback that falls with frequency to linearise the high-order crossover distortion in the output stage.

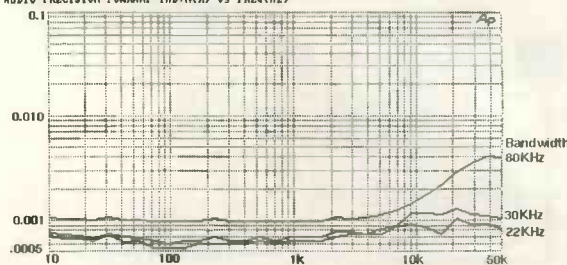
Trimodal power amplifier PCBs

“Performance of a properly-designed class-A amplifier challenges even the ability of an Audio Precision measurement system.”

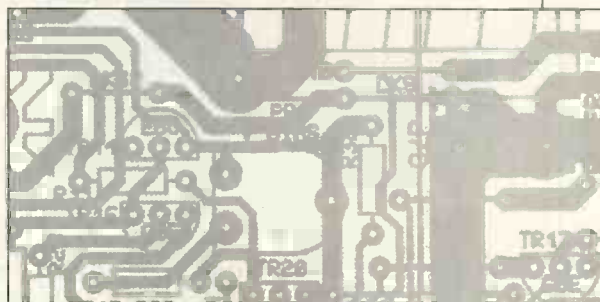
Printed circuit boards for Douglas Self's Trimodal audio power amplifier – detailed in the June and July issues of *EW+WW* – are available exclusively via *EW+WW*. This amplifier can be switched between Class A/AB and Class B to provide remarkable performance over a wide range of operating conditions. In Class A it delivers up to 27W with ultra-low distortion. But presented with a low impedance, the amplifier has recourse to an unusually linear AB configuration.

Designed by Gareth Connor and supplied with a 12 page manual, the silk-screened boards are supplied in pairs at £49.48 per pair, fully inclusive of VAT and UK or overseas postage. Send a postal order or cheque payable to Reed Business Publishing to Trimodal Power, *EW+WW*, room 1.333, Quadrant House, The Quadrant, Sutton, Surrey SM2 5AS, together with your address. Alternatively e-mail your address, credit-card number, credit-card type (i.e. Access/Visa) and the card's expiry date to jackie.lowe@rbp.co.uk or fax the same details on 0181 652 8956.

AUDIO PRECISION POWRAMP THD+N(%) vs FREQ(Hz)



Distortion of the Trimodal power amplifier in its class-A mode at 20W into 8Ω.



The global negative-feedback factor is 32dB at 20kHz, and this should give a good margin of safety against Nyquist-type oscillation. Global negative feedback increases at 6dB/octave with decreasing frequency to a plateau of around 64dB, the corner being at a rather ill-defined 300Hz; this is then maintained down to 10Hz. It is fortunate that magnitude and frequency here are non-critical, as they depend on transistor beta and other doubtful parameters.

Performance

The performance of a properly-designed Class-A amplifier challenges the ability of even the Audio Precision measurement system. To give some perspective on this, Fig. 5 shows the distortion of the AP oscillator driving the analyser section directly for various bandwidths. There appear to be internal mode changes at 2kHz and 20kHz, causing step increases in oscillator distortion content; these are just visible in the thd plots for Class-A mode.

Figure 6 shows Class-B distortion for 20W into 8 and 4Ω, while Fig. 7 shows the same in Class-A/AB.

I would like to acknowledge the invaluable help and encouragement of Gareth Connor. Credit goes to him for the tricky task of pcb layout – and not me, as previous adverts have implied. ■

References

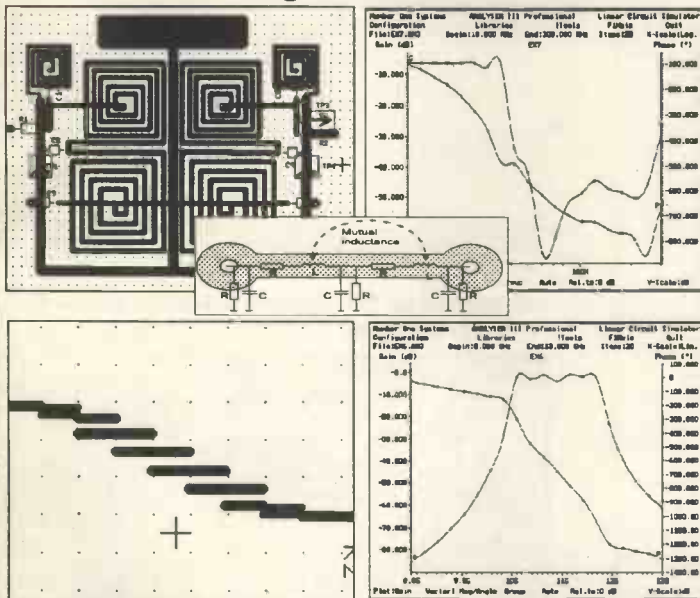
1. Self, D, "Distortion In Power Amplifiers; Part 8" *Electronics World & Wireless World*, March 94, p 225.
2. Self, D, "High Speed Audio Power", *Electronics World & Wireless World*, Sept 1994, p760.
3. Self, D, "Off the Rails" *Electronics World & Wireless World*, March 1995, p201.
4. Self, D, "Distortion In Power Amplifiers; Part 7." *Electronics World & Wireless World*, Feb 1994, p 139.

Notes on part 1

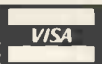
Regrettably, a couple of errors crept into the original article on Class-A¹. On page 229, second column: " $Tr_{15,16}$ then compares the reference voltage with that at point Y" should read "at point X". On page 229, third column: "This comes to the same thing as maintaining a constant V_{bias} across Tr_5 " should read "across Tr_{13} ". This is nobody's fault but mine, and I humbly apologise as it cannot have made understanding the current-controller action any easier. D.S.

Electronic Designs Right First Time?

NEW! - LAYAN - Affordable Electromagnetic Simulation



For less than £1000!



Affordable Electronics CAD

LAYAN: NEW Electromagnetic Layout Simulator. Links to EASY-PC Pro' XM and ANALYSER III Pro'.	£495.00
EASY-PC Professional: Schematic Capture and PCB CAD. Links to ANALYSER III and PULSAR.	From £195.00
PULSAR: Digital Circuit Simulator	From £98.00
ANALYSER III: Linear Analogue Circuit Simulator	From £98.00
Z-MATCH for Windows: Smith Chart based problem solving program for R.F. Engineers	£245.00
FILTECH: Active and Passive Filter design	From £145.00
STOCKIT: NEW, Comprehensive stock control program for small / medium sized businesses	£145.00
EASY-PC: Entry level PCB and Schematic CAD	£98.00

Technical Support FREE for life! Prices exclude P&P and VAT.

Special discount schemes for education

Number One Systems

Ref: WW, Harding Way, St. Ives, Huntingdon, Cambs. PE17 4WR, UK.

For Full Information Please Write, Phone or Fax.

Tel: +44 (0) 1480 461778

Fax: +44 (0) 1480 494042

CIRCLE NO. 125 ON REPLY CARD

ERT

WEEKLY. UP-TO-DATE. EVERY THURSDAY.



THE £1 A WEEK SPECIAL OFFER

There's only one way to ensure you are keeping pace with your industry - ERT, Electrical & Radio Trading. Without it you could be missing out on vital information affecting you and your business.

Every week ERT contains comprehensive information on all aspects of the electrical retailing industry including TV's, VCR's and satellite systems. Reporting on important industry developments, reviewing new products and equipment and examining topical issues in-depth.

We'd like you to test ERT for yourself, so are offering the chance to receive ERT for just £1 a week for one year, meaning a cash saving of £18 off the normal subscription rate of £70.

All this every week

- NEWS
- BUSINESS BRIEF - financial news
- NEW PRODUCTS
- LETTERS
- ANALYSIS
- EDITORIAL COMMENT
- JOBS
- DIARY OF EVENTS

STANDBY

DON'T MISS OUT ON VITAL INFORMATION AFFECTING YOU AND YOUR BUSINESS SUBSCRIBE TODAY

TO START YOUR SUBSCRIPTION IMMEDIATELY CALL

01622 - 778000

QUOTING REFERENCE "1VA"

ERT helps you make informed business decisions

SUBSCRIPTION ORDER FORM "The £1 A Week Special Offer"

Name: _____

Job title: _____

Company name: _____

Address: _____

Postcode: _____

Country: _____

Tel No: _____

SAVE 25% - SUBSCRIBE TODAY

Please enter my subscription to ERT for: (please tick as appropriate)
 ~~£70~~ £52 UK & Eire £95 £71.25/\$127.50 Overseas Airmail

3 WAYS TO PAY

1. I enclose a cheque/money order made payable to ERT for £ _____
2. Please charge my Mastercard/Access/Visa/Diners Club/American Express (please underline appropriate card) for the sum of £ _____

Card Number:

Card expiry date: _____

Signature: _____ Date: _____

3. Please invoice me/my company for £ _____
 Purchase order number: _____

Company VAT registration number: _____

Please tick here if you do not wish to receive direct mail from other companies.

All subscribers to ERT are covered by our Full Money Back Guarantee. You can cancel your subscription at anytime, for whatever reason and we will refund you the value of all unmailed issues. No questions asked.

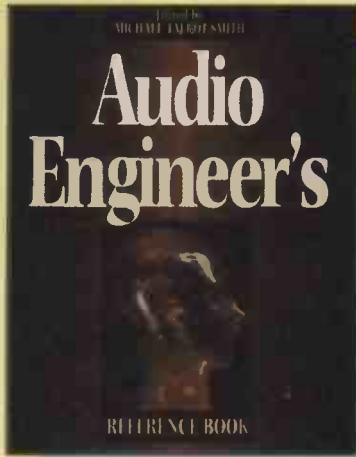
Please return to ERT, Reed Business Publishing Limited, FREEPOST RCC2619, Haywards Heath, West Sussex RH16 3 BR. NO STAMP REQUIRED

CIRCLE NO. 126 ON REPLY CARD

591 TVA

Reference books to buy

For Audio Engineers



Subjects include

Recording, microphones and loudspeakers

Digital audio techniques

Basic audio principles

Acoustics and psychoacoustics

Audio and television studios and their facilities

Radio and telephony

- Comprehensive – over 600 pages
- Written by leading authorities from the audio world
- Easy to read, compiled for maximum accessibility
- Concise and authoritative
- Covers topics from noise measurement to studio installation

Invaluable reference work for anyone involved with audio – from broadcast consultant to serious enthusiast. *Audio Engineer's Reference Book* is written by an international team of experts and edited by Michael Talbot-Smith – previously a trainer of audio engineers at BBC Wood Norton and now a freelance audio consultant and technical writer.

For TV & Video Engineers



Subjects include

Fundamentals of colour TV

TV studios

High definition TV

Satellite broadcasting

Distribution of broadband signals

TV receiver servicing

Video and audio recording and playback

Teletext

- Over sixty chapters on the latest techniques in video and television
- Up to date reference on EMC requirements, DBS and HDTV
- Easy-to-use reference, eminently suitable for students
- Topics range from materials and construction to medical and defence applications of television.

The *TV & Video Engineer's Reference Book* will be of immense value to anyone involved with modern tv & video techniques – in particular broadcast engineers. The new format makes it an excellent reference for students. Edited by KG Jackson and GB Townsend from contributions written by acknowledged international experts.

Please supply me _____ copies of the **Audio Engineer's Reference Book,**

(ISBN 0 7506 0386 0)

Fully-inclusive price – UK £62.50, Europe £68, Worldwide £78. Please add vat at local rate where applicable.

Please supply me _____ copies of the **TV & Video Engineer's Reference Book,**

(ISBN 0 7506 1953 8)

Fully-inclusive price – UK £42.50, Europe £48.00, Worldwide £58.00, Please add vat at local rate where applicable.

Remittance enclosed £ _____

Cheques should be made payable to Reed Business Publishing Group Ltd

Please return to: Jackie Lowe, Room L333, Quadrant House, The Quadrant, Sutton, Surrey, SM2 5AS

Please debit my credit card as follows:

Access/Master Barclay/Visa Amex Diners

Credit Card No. _____

Exp date _____

NAME (Please print) _____

ADDRESS _____

POST CODE _____

DATE _____ TEL _____

SIGNATURE _____

VAT RATES

6% Belgium, 25% Denmark, 5.5% France, 7% Germany, 4% Greece, 4% Italy, 3% Luxembourg, 6% Netherlands, 5% Portugal, 3% Spain. FOR COMPANIES REGISTERED FOR VAT, PLEASE SUPPLY YOUR REGISTRATION NUMBER BELOW (customers outside the EEC should leave this part blank)

VAT NO. _____

If in the UK please allow 28 days for delivery. All prices are correct at time of going to press but may be subject to change.

Please delete as appropriate. I do/do not wish to receive further details about books, journals and information services.

Business purchase: Please send me the book listed with an invoice. I will arrange for my company to pay the accompanying invoice within 30 days. I will attach my business card/letterhead and have signed the form below. Guarantee: If you are not completely satisfied, books may be returned within 30 days in a resalable condition for a full refund.

Credit card orders accepted by 'phone. Call 0181 652 3614

JPG Electronics

High quality stepping motor kits (all including stepping motors) complete independent controller stepping motors by (Via the parallel port) with 2 motors and software Kit £67.00
 Ready built £99.00
 Software support and 4 digital inputs kit £97.00
 Power interface 8A £36.00
 Power interface 8A kit £46.00
 Stepper kit 4 (manual control) includes 200 step stepping motor and control circuit £23.00

We are now stocking a range of stepping motors and kits to drive them, please ask for the stepping motor data sheet for full information.

Inverter to 5000 transformers 225VA 10.5-0-10.5 primary 0.260-0.280 secondary £29.95
 LEDs 3mm or 5mm red or green 7p each
 Yellow 11p each
 Cable uses, 1p each, £5.95 per 1000, £49.50 per 10,000
 High quality photo resist copper clad epoxy glass boards

Dimensions	single sided	double sided
3x4 inches	£1.09	£1.23
4x8 inches	£2.75	£2.95
6x12 inches	£6.20	£6.75
12x12 inches	£12.25	—

Rechargeable Batteries
 AA (HP7) 500MAH AA 500MAH with solder tags £1.55
 AA 700MAH £1.75
 C 2AH with solder tags £2.60
 D 4AH with solder tags £4.95
 1/2AA with solder tags £2.50
 AAA (HP16) 180MAH £1.75

Standard charger charges 4 AA cells in 5 hours or 4Cs or 4Ds in 12-14 hours + 1xPP3 (1, 2 or 4 cells may be charged at a time) £5.95
 High power charger as above but charges the Cs and Ds in 5 hours. AAs, Cs and Ds must be charged in 2s or 4s £9.95

Nickel Metal Hydride AA cells high capacity with no memory. If charged at 100ma and discharged at 250ma or less 1100MAH capacity (lower capacity for high discharge rates) £3.75
 1100MAH £3.75

Special offers, please check for availability.
 Stick of 4 42x16mm Nicad batteries 17x16mm dia with red & black leads 4.8v £5.95
 Computer grade capacitors with screw terminals 5000uf 50v £4.95

115V AC 80V DC motor 4x22mm shaft 50mm dia x 60 long body (excluding the shaft) it has a replaceable thermal fuse and brushes

7 segment common anode led display 12mm £0.45
 LM317K TO3 case variable regulator £1.95
 (£1.44 100+)

GAAs FET low leakage current 58875 £12.95 each (£9.95 10+, £7.95 100+)

BS250 P channel mosfet £0.45

BC559 transistor £3.95 per 100

All products advertised are new and unused unless otherwise stated.
 Wide range of CMOS TTL 74HC 74F Linear Transistors kits. Rechargeable batteries, capacitors, tools etc. always in stock. Please add £1.95 towards p&p. VAT included in all prices.

JPG Electronics, 276-278 Chatsworth Road, Chesterfield S40 2BH
 Access/Visa (01246) 211202 Fax: 550959 Callers welcome

CIRCLE NO. 127 ON REPLY CARD

KESTREL ELECTRONIC COMPONENTS LTD

☆ All items guaranteed to manufacturers' spec.
 ☆ Many other items available.

'Exclusive of V.A.T. and post and package'

	1+	100+		1+	100+
27C64-15	2.00	1.45	628128LP-85	8.30	7.20
27C128-15	2.40	1.80	62256LP10	3.00	2.20
27C256-15	2.20	1.65	6264LP-10	2.10	1.40
27C512-15	2.20	1.65	MM58274CN	4.90	3.75
27C010-15	3.60	2.20	ULN2003A	0.43	0.25
27C020-15	6.00	3.99	7805	0.32	0.25
27C040-15	8.60	6.45	MAX232	1.35	0.88
80C31-2	2.10	1.65	7406	0.35	0.23
8255AC-2	2.00	1.50	7407	0.35	0.23
Z80A CPU	1.80	1.00	74HC244	0.35	0.24
LM386N-3	0.50	0.35	74HC245	0.35	0.24
75176BP	1.35	0.85	74HC373	0.35	0.25
65w PLCC skt	0.90	0.70	74HC374	0.32	0.25

74LS, 74HC, 74HCT Series available

Phone for full price list

All memory prices are fluctuating daily, please phone to confirm prices

178 Brighton Road,
 Purley, Surrey CR8 4HA

Tel: 0181-668 7522. Fax: 0181-668 4190.

CIRCLE NO. 128 ON REPLY CARD

LANGREX SUPPLIES LTD

PHONE 0181 684 1166 FAX 0181 684 5056
 DISTRIBUTORS OF ELECTRONIC VALVES
 TUBES, SEMICONDUCTORS AND I.C.S.
 1 MAYO ROAD • CROYDON • SURREY CR0 2QP
 24 HOUR EXPRESS MAIL ORDER SERVICE ON STOCK ITEMS

AZ31	5.00	EL86	2.75	PY500A	4.00	68A7	5.00	6SK7	3.00
CB131	£12.50	EL91	3.00	PY800	1.50	68E5	1.50	6SL7GT	4.50
CL33	10.00	EL95	2.00	PY801	1.50	68H6	2.50	6SN7GT	4.50
DY86/7	1.50	EL360	18.50	QV02-6	12.00	68I6	2.25	6SS7	3.00
E88CC Mull	1.50	EL509	12.00	QV03-10	5.00	68N6	2.00	6J8A	1.50
E18F	6.00	EW34	15.00	QV03-20A	15.00	68Q7A	3.50	6V6GT	4.25
EM10F	22.00	EW84	4.00	QV03-12	10.00	68R7	11.50	6X4	6.00
EABC80	2.00	EW87	4.00	U19	10.00	68R8A	4.00	6X5GT	2.50
EB91	1.50	EN91 Mull	7.50	UABCQ	1.50	68S7	6.00	12AT7	3.00
EBF80	1.50	EY51	2.50	UBCA1	4.00	68W6	4.50	12AU7	3.00
EBF89	1.50	EY86	1.75	UBF89	£1.50	68W7	2.50	12AX7	3.50
EBL31	15.00	EY88	1.75	UCH42	4.00	68Z6	2.50	12AX7A GE	7.00
ECC33	7.50	EW34	3.50	UCH91	2.25	68A	2.00	12B6	2.50
ECC35	7.50	EZ81	3.50	UCL82	2.00	68C8A	3.00	12B6B	2.50
ECC81	3.00	GY501	3.00	UCL83	3.00	68D6GA	5.00	12B7A GE	5.50
ECC82	3.00	GZ32 Mull	8.50	UF89	4.00	68E6	3.75	12B7A GE	7.00
ECC83	3.50	GZ33	6.00	UL41	12.00	68G7	7.50	12E1	15.00
ECC85	3.50	GZ34 GE	7.50	UL84	3.50	68H6	6.00	30FL1/2	6.50
ECC88 Mull	6.00	GZ37	6.00	UY41	4.00	68W4	8.00	30P19	2.50
ECC91	2.00	KT61	10.00	UY85	2.25	68B	5.00	300B(PR)	110.00
ECS80	1.50	KT68	10.00	VR150/30	11.50	68D35 GE	17.50	572B	70.00
ECH35	3.50	KT88	15.00	VR150/30	2.50	68D6B	12.50	805	50.00
ECH42	3.50	N78	9.00	2759	25.00	68E8	3.50	807	5.75
ECH81	3.00	OA2	2.70	2803U	25.00	68E5	1.85	811A	18.50
ECL80	1.50	OB2	2.70	2D21	3.50	68F6	3.50	812A	8.50
ECL82	3.00	CC3	2.50	3B28	15.00	68F7	£7.50	813	27.50
ECL83	3.00	OD3	2.50	4CK250B STC	55.00	68G6	4.00	833A	85.00
ECL86 Mull	3.50	PCF80	2.00	5R4GY	6.00	68H6	3.00	856A	25.00
ECL1900	25.00	PCF82	1.50	5U4G	6.25	68H6	4.85	872A	20.00
EF34	3.50	PCF86	2.50	5V4C	4.00	615	3.00	931A	25.00
EF39	2.75	PCF801	2.50	5Y3GT	2.50	616	3.00	2050A GE	10.00
EF40	5.00	PCF802	2.50	5Z3	4.00	617	4.00	5751	6.00
EF41	4.50	PCL82	2.00	5Z4GT	2.50	618GA GE	19.00	5763	10.00
EF42	4.50	PCL83	3.00	6A86	4.00	61E6C	20.00	5814A	5.00
EF80	1.50	PCL84	2.00	6A85	1.50	61S6C GE	17.50	5842	12.00
EF85	1.50	PCL85	2.50	6A15	1.00	686GT	3.00	6080	7.50
EF86	7.50	PCL86	2.50	6A86	2.00	617	4.00	6146B GE	15.00
EF91	2.00	PCL805	2.50	6A85	5.00	618	4.00	6550A GE	20.00
EF92	2.00	PO500	6.00	6AN8A	4.50	61E6	8.50	6883B GE	18.00
EF183	2.00	PL36	2.50	6A05	3.25	61G6CSYL	12.50	7025 GE	7.00
EF184	2.00	PL81	1.75	6A85	25.00	61G6C Siemens	7.50	7027A GE	17.50
EL32	2.50	PL82	1.50	6A56	3.50	61G6C GE	12.50	7199	12.00
EL33	10.00	PL83	2.50	6A57G	9.50	617	3.50	7360	25.00
EL34 Siemens	8.00	PL84	2.00	6A76	2.00	61Q6	20.00	7581A	15.00
EL36	4.00	PL504	2.50	6A05GT	5.00	607	4.00	7586	15.00
EL41	3.50	PL508	5.50	6A05C	2.50	68H6B/GHNB	12.00	7587	23.00
EL180	25.00	PL509/PL519	8.00	6A86A	4.00	65A7	3.00	7868	12.00
EL81	5.00	PL802	6.00	6B7	4.00	65C7	3.00		
EL84	2.25	PY81	1.50	6B8	4.00	65G7	2.50		
EL84 Mull	6.00	PY82	1.50	6B86	1.50	65J7	3.00		

OPEN TO CALLERS MON-FRI 9AM-4PM, CLOSED SATURDAY.
 OVER 6,000 TYPES AVAILABLE FROM STOCK. OBSOLETE ITEMS
 A SPECIALITY. QUOTATIONS FOR ANY TYPES NOT LISTED.
 TERMS: CWO/VISA/ACCESS. POST & PACKING: 1-3 VALVES £2.00,
 4-6 VALVES £3.00. ADD 17.5% VAT TO TOTAL INC. P&P.

CIRCLE NO. 129 ON REPLY CARD

RADIO MODEM

- ★ MPT1329 licence exempt.
- ★ Range up to 20km in free space or 1km in buildings.
- ★ Half duplex asynchronous transmission at 4800/9600 bits/sec.
- ★ Serial interface with baud rates of 1200, 2400, 4800 and 9600.
- ★ 4K of buffer memory.
- ★ Predictor/corrector error checking.
- ★ Automatic repeater mode to extend range.
- ★ Station addressable.
- ★ Analogue and digital interfaces.
- ★ Low power battery operation.



Warwick Industrial Electronics Ltd
 The Manor Aston Flamville
 Leicestershire
 Tel: 01455 233616

CIRCLE NO. 130 ON REPLY CARD

LETTERS

Letters to "Electronics World + Wireless World" Quadrant House, The Quadrant, Sutton, Surrey SM2 5AS.

Emi still not understood

Laptop computers plunge planes into mid-air danger! In April the *Sunday Times* published a front page article with the above title suggesting that electromagnetic interference from personal computers and other electronic equipment used by passengers could interfere with the control and navigation equipment of modern aircraft. I think the issues raised warrant public debate.

I am a physicist and throughout my career have been involved with issues in the reliability of digital hardware and software. In the late 1970s I was working with CAM Consultants on the reliability of fast computer hardware. At that time we realised that interference problems – generally known as electromagnetic compatibility (emc) – were very poorly understood.

We were concerned that digital systems were finding increasing use in real time control applications where they would be vulnerable to catastrophic, though infrequent, failure. We were able to lay down guidelines which were propagated through our seminars and which, to some extent, helped to improve the situation.

Sadly, as emc standards were drawn up by bodies such as the Federal Communication Commission (and later incorporated into European emc standards), they failed to incorporate the sound principles we had developed and indeed are based on misconceptions of the nature of electromagnetic interference. A number of issues now arise:

1. The standards bodies need to explain why there is a need to ban computers etc from aircraft when they are compliant with the published standards designed to ensure compatibility.

2. The aircraft manufacturers should explain why we should have any confidence in the integrity of aircraft control systems which can be so easily affected. As an aside: how much electromagnetic energy is released by a thunderstorm and how can we be sure that the control and navigation systems are immune to this emi 'explosion' when they are clearly susceptible to the electronic

'whispers' emanating from in-cabin passenger equipment?

3. Will the CAA and other relevant government bodies please reassure us that they have given due consideration to the possible exposure to terrorist attack resulting from such vulnerable electronic systems?

Finally, if we can be sure that in-cabin passenger equipment is the source of the interference we must not make the mistake of simply banning it. Rather, we need to understand the problems and design reliable real-time systems. So, let us have some properly refereed tests carried out (on the ground!) to see whether the interference sources can be confirmed.

*Dr David S Walton
Tyne and Wear*

The right to ask questions

Reading your May Letters page, I was very pleased to see a missive from Ivor Catt. He comments on censorship, "publishable" material and other suppressed theories. He is, of course, right; as he always was. Way back when, in the real *Wireless World*, he outlined conundrums and puzzles which sat me back on my haunches, as he was clearly right and his thinking and reasoning was obviously on the right track. Questioning my night school tutors, I was never given answers, but told to read my text books; I never got reasoning a-la-Catt.

We now face a situation in the UK electronics industry which mimics textiles; the era of mass production is rapidly progressing to mainland China and will leave the West behind with only a waste disposal problem. Software experts are all well and good, but if you don't make 'something to sell, that the people want' you'll starve; and you can't eat microchips or software. Service industry is all well and good while someone is actually making the base product; but you can't service 'now'.

Your leader spells out a vision of a flagging, failing and faltering UK semiconductor industry; you are only just touching the truth with such comments. The real, live situation is a mass production

False assumption on mains changes?

Nigel Cook (Letters, May) has considered the problem caused by the Cenelec harmonisation document HD 472 S1:1988 from the point of view of an engineer. As a result he has made a false assumption with regard to the power supplied to consumers of mains electricity.

In fact the reduction of the low voltage electricity supply from a nominal 240V to a nominal 230V in this county has been carried out solely by legislators. Such people can change voltage without changing transformer taps or reducing delivered power. The Electricity Supply (Amendment) (No 2) Regulations 1994 [SI 1994 No 3021] alter the low voltage supply tolerances set in the Electricity Supply Regulations 1988. Previously the permitted 240V supply variation was plus or minus six per cent; now the 230V supply variations are plus ten per cent or minus six per cent. It will be noticed that ten per cent on 230V is the same as six per cent on 240V.

Plus ça change, plus ça meme chose (as they say in Bruxelles).
*Guy Selby-Lowndes
Billingshurst, West Sussex*

...or not?

Nigel Cook's letter in the *EW+WW*, May, rightly points out some of the domestic consequences of reducing standard mains voltage from nominal 240V to 230V. However, the effects are more significant than he suggests. At the moment the supply may vary some seven per cent up and down from nominal 240V giving a voltage range between 223 and 256. A shift to 230V nominal will give a range of 214 to 246.

I monitor the mains voltage here continuously, and find that it stays in the narrow band of 235 to 242. This has not always been so. Some years ago we found 240V light bulbs lasted only a few days, because the voltage seemed always over 250. The MEB put a voltage recorder on our domestic supply for a week. This showed a minimum of 250 and a maximum of 285!

The problem was caused by domestic users in this rural area taking less electric power for heating and cooking by changing to lpg and oil-fired systems, which dramatically reduced the voltage drop on the overhead 240V supply system. Needless to say, the local distribution transformer tapplings were quickly altered.

Although 230V is the new Euro-standard, inspection will show that many pieces of imported equipment like fridge and freezer compressors are already wound to 220V to cut copper costs. I'm told by service engineers that most of the motors they replace are 220V types where the wattage effect of the extra 20V causes early burnout in hot summer weather.

The only short term consumer benefit I can see from lowering the voltage will be the increased life of incandescent lamps (albeit at reduced emission) – a drop of 10 per cent in voltage doubles filament life – that is until the 240V bulb becomes a thing of the past in the rush to save tungsten...Time to stock up!

*Anthony Hopwood
Worcestershire*

industry on its knees, facing a challenge from labour exploitable nations worldwide. Useless, disconnected and unprofitable 'academics' supply the government with information. From that they generate decisions to propagate the future. Such bombastic, 'jobs-for-the

boys' jerrymandering and fake wage generation can only bleed dry the industry that feeds them.

Ivor, for god's sake, start writing letters to *EW+WW* again; I miss your openness and frankness.
*Peter Thornton G6NGR
Oldham, Lancashire*

The right to provide answers

At the risk of being still further misinterpreted, I would like to clarify a central point that appears to have been overlooked in discussions concerning the Establishment's 'suppression' of non-orthodox ideas and theories.

It is simply this: orthodox science is not, and does not claim to be 'Right' with a capital R. To paraphrase Arthur C Clarke, the universe is not only stranger than we imagine, it is probably stranger than we can imagine, and the best that we can do is to formulate workable approximations to reality (whatever it may be).

Pete Davies
Birmingham

Newtonian trap

I fear that Mr Lerwill (*EW+WW*, April) has fallen into the well-worn trap that catches out so many of us from time to time – that of trying to apply Newtonian thinking to a non-Newtonian situation.

Newton's second law is in essence the law of conservation of momentum. Only in the situation where one assumes, as Newton does, that mass is invariant does this result in the velocity remaining unchanged. Thus to assume as Mr Lerwill has done that the velocity remaining unchanged is directly contrary to what he says about the electron.

In order to obey the conservation of momentum, as the mass increases, the velocity has to decrease – as the text-books say it does. Perhaps they could have explained it better.

Alan Watson
Mallorca, Spain

Absence of proof

Mr Wheeler's response in your May issue to the question I posed in your April issue seems to have missed the point on several counts.

No scientific laws are provable; there are only those which we have been unable to disprove. While it would be unproductive to question the validity of well-established laws in familiar circumstances, when any new circumstance arises which might have implications for the assumptions behind the workings of a law, its validity in these new circumstances cannot be inferred by its demonstrated reliability in the old circumstances. It has to be tested.

Mr Wheeler does not say which particular laws he thinks my proposition would violate, but I am assuming they are Newton's laws of motion. Central to Newton's laws of motion is the concept of the conservation of mass. Newton

defines force both as rate of change of momentum and as mass times acceleration. These two quantities are only the same if mass is assumed to be constant. This assumption has been called into question by Relativity. In fact anyone who has studied and accepted Special Relativity will know that Newton's equations of motion can only be an approximation, valid when relative velocities are low.

Contrary to what he says, the effect described would not be very small compared to others occurring at the same time. Even in the oscilloscope set-up I described, it would amount to several per cent of the electron's upwards momentum. The reason the measurable effect is so small is because the electron's momentum is so small to start with.

There may be a flaw in my proposition, but I am sure it is not the one described. To start with, the question I am posing concerns all bodies with a velocity in a y axis that are accelerated along an x axis. They do not have to be charged. I am only suggesting the use of charged particles like electrons because it is easy to accelerate them to the required velocities and so be able to carry out experiments. It should in any case be clear that electrodynamic effects cannot balance the relativistic increase in upwards momentum because momentum depends on the mass of the charged particle whereas electrodynamic forces do not.

Finally, may I point out that while I am interested in theoretical views on this subject, the purpose of my letter was to ask whether any experimental work had been or could be applied to this question.

R Lerwill
Castle Mills, Chirk Clwyd

Hostile elements

In answer to your correspondent Nicolas Holliman (*EW+WW*, May, p 435). Yes, it's not surprising that "some components such as LEDs corroded and broke down after being exposed to the elements for a period of five weeks", especially after being left by a busy London road and in quite a lot of rain.

Seriously though, acid rain or no, the outside world is exceedingly hostile to the proper working of electronic apparatus, a fact first forcibly brought home through the failure of equipment in harsh climates during the Second World War. The subject has received extensive attention since then, as a tawl through the INSPEC/IEE abstracts would show.

Outside installations need to be fully encased in suitable enclosures, with gaskets on lids and windows, 'O' rings and rubber boots on switches and with suitable splashproof or waterproof

connectors. Water will even find a way into good enclosures by diffusion and through atmospheric pressure change, and reserves of 'drierite' or other proprietary drying agent may be obligatory. As a last resort, pressurising with dry nitrogen or total 'potting' in suitable compounds may offer a solution. On an everyday level, the use of generous clearances including air-space insulation and PTFE 'stand-offs' help with high-impedance signals, as do insulating lacquers. Batteries can pose problems in sealed containers, releasing corrosive gasses which cause havoc with contacts – they are best isolated in separate compartments.

Temperature is of vital importance – will the casework be white or black? Will it need to be shaded from the sun? Battery performance is drastically affected, particularly at low temperatures – will extra capacitive decoupling help with pulsed loads? Will individual temperature coefficients balance out, add, or multiply to cause disaster? Semiconductor gain is badly reduced at low temperatures. Many years ago, my father found that his pukka electrocardiograph would not work in the morning after being left in the boot of the car over a cold winter night.

What else can go wrong? Watch out for large slugs walking over the photovoltaics. Oh yes, and piles of bird droppings. I think I prefer the acid rain.

Dr TCH Going
Southend

Looking to build a better dynamo

I am a keen cyclist and have spent some time trying to make a decent dynamo-based lighting system. Dynamos that you can buy over the counter are designed to produce 3W into a 12Ω load over a wide speed range and are, unfortunately, good at this. Why unfortunately? Well, 3W is enough to give you a bright front or rear light but not both. I have found, through experience, that 5 – 6W at the front and 2 – 3W at the back reduces the occurrence of those "I didn't see you" incidents to reasonable limits. The other thing about bikes dynamos is that output is regulated by making them lossy. This makes them inefficient – hard work – at high speed. Is there a way to extract more power? Do you know of another type of small electrical machine that I could use as a generator? I can design and build any number of electrical circuits, but could write all I know about electromagnetic machines on a postage stamp.

Steve Bush
Epsom

Regarding mosfets

Reading recent articles it seems opinions are divided on the verdict on mosfets. Here are some of the characteristics of mosfets:

The obvious disadvantage is the linearity compared to bipolar transistors. However, there are mosfets that feature linearity as good as conventional bjt. The Hitachi 2SK213, although not suitable for output stages, makes very good driver stages due to its good linearity, bandwidth and high V_{ds} . Price also seems to be a drawback. (Pity I haven't got the $V_{gs}-I_d$ curves)

The main advantage of mosfets must be the negative temperature coefficient. If used at drain currents above the Q point, there is no need to apply thermal coupling or feedback. This reduces complications involved in designing a suitable bias network.

Output impedance for mosfets will be $1/g_m$ if used as source followers. This means there is no need to drive the output stage with a low impedance. Usually input stages and drive stages give output impedance around 2kΩ or higher. As most output devices have low g_m , around 40, the open loop output impedance would be too high to control the speaker. Using mosfets avoids this problem – this only needs concern when designing zero global feedback amplifiers.

In Japan there are people who prefer the sound of mosfets used in the output stages. Such people acknowledge the linearity problem and such like, but still prefer the 'mosfet sound'. This is pretty much up to individuals and is purely subjective.

If you look at the recent Technics hi-fi brochures, they state that mosfets are used for driving the bipolar output stages. They claim to combine the linearity of the mosfets with the current capacity of the bjt. If this is true, they must be using very good mosfets indeed – maybe the 2SK213 mentioned above.

Why doesn't Mr Self use J-fets for the input stage? By using J-fets instead of transistors, the input capacitor can be removed. There are various devices, such as the 2SK117 which offer very low noise and high enough gain. How about trying current feedback amplifiers? The current feedback amplifier is supposed to offer constant bandwidth regardless of gain/feedback levels. Also, if you look through *Hi-fi World* magazine, it offers a pair of very linear output bipolar transistors. Apparently these were designed for audio purposes and out perform anything on the market.

From the hi-fi magazines I have been reading for five years in the UK, Japan and the US it seems that the type of distortion is very

important. They say that even order harmonics are benign, whereas the odd ones may add a shrillness and sharpness to the sound. There are large numbers of people who support the sound of valve amps. The better sounding ones seem to employ single-ended output stages and do not use a differential input stage. Push/pull operation and differential amplifiers, if used correctly, cancel second order harmonics, but double third order harmonics. This may be the reason why so many modern transistor amplifiers sound sharp and shrill compared to the valve counterparts. Modern valve amps can sustain the full 20–20kHz, so bandwidth is probably not the reason for the valve smoothness.

During a two hour session at a hi-fi shop with two friends, I could only detect small differences between three amplifiers. The three are competently designed; which raises the question of what caused the differences in sound. Is it due to the three amplifiers having different capabilities, or was I hearing the differences in the amplifier/loudspeaker interface? Output impedance and the ability to drive low impedance differ from one amp to another, independent of distortion levels. Surely these affect the amplifier/speaker interface more than the distortion content?

I admire the articles written by Mr Self. The designs do not use exotic and expensive devices that are hard to source. They are all sound engineering practices not always pursued by manufacturers. Please keep up the good work.

Koji Kiyokawa
Derby

Douglas Self replies

I thank Mr Kiyokawa for his kind comments. Since he raises many points I hope he will not mind if I only answer a selected few of them.

I do not see why the negative temperature coefficient of V_{gs}/I_d in mosfets should be an advantage; it may give more security against thermal runaway, but this really should not be a problem in modern times. The use of silicon bjts, particularly in the CFP output configuration, makes thermal runaway virtually impossible in a competently designed amplifier.

My understanding is that a typical mosfet only has a negative temperature coefficient at reasonably high drain currents, and at low currents it goes positive. Since the positive coefficient only manifests itself at these low currents, thermal runaway is still guarded against, but surely this variable-sign coefficient must make thermal compensation of the biasing extremely difficult?

Perhaps the point here is that a bjt

output stage has not only a consistent temperature coefficient, but also a very well-defined and clearly visible bias which gives minimal crossover distortion. A fet output stage has much more latitude in bias simply because there is no such optimal point – just a range of varying shapes of crossover non-linearity. No bias value is obviously right. This means that there is no point in worrying over getting the thermal compensation exact.

I feel there is every need to drive an output stage from a reasonably low impedance, so the non-linear input impedance of the output stage does not cause distortion in the previous stage (Distortion 4 on my list). In the case of bjts it is the base currents that cause the trouble – with fets it seems to be the large and signal-dependent gate-input capacitances.

There may well be individuals that prefer 'the mosfet sound', if such a thing really exists, as there are those who clam to prefer 'the valve sound' or the 1922 directly-heated triode sound. The latter two are perhaps explicable, as second-harmonic distortion has been claimed to make things sound nicer, but it is hard to see the subjective attraction in crossover distortion; I would have thought that the 'mosfet sound' could only manifest itself in this way. I have always considered that audible crossover distortion was about the worst fault an amplifier could suffer from.

Single-ended stages tend to be inefficient, non-linear, and generally bad news. If generating lots of second harmonic distortion is felt to be a good thing, why not do it at low-level, (with a diode or two) where the exercise is going to be much cheaper? Personally I have no use for an amplifier that generates audible distortion of any kind.

I do accept that the nature of harmonic distortion can be important if it is audible, and that, for example, second harmonic is benign compared with third. However, to extrapolate from that and say that high-order even harmonics are more acceptable than high-order odd harmonics is very questionable; and this is of course the sort of distortion that amplifier crossover non-linearities generate. There has also been speculation that the exact rate at which the various types of harmonic fall off with increasing frequency has a complex significance beyond the generally accepted rule that higher order is worse. The only harmonic-weighting scheme that has received anything like acceptance is the n^2 approach, which says that the third harmonic is $3/4$ times worse than the second, and that the fourth is $16/9$ times worse than the third, and so on, presumably until our hearing gives out. This is hard to reconcile with

the statement that high-order even harmonics are always nicer than high-order odd harmonics, and shows that this is one area that really could benefit from a good deal more psychoacoustical research.

However, my design approach is to avoid these questions altogether. Rather than worry about the nature of the distortion, I have aimed to reduce it in total amplitude to such an extent that no matter what its composition is, it cannot plausibly be said to be audible. This approach may be thought to lack finesse or sonic correctness, but it is difficult to deny its effectiveness in making an accurate amplifier.

Impossible curves

In the May issue of EW+WW (p387) Mr Self suggests "that it is an established fact that mosfets...are a good deal less linear than bjts". His proof: the "wingspread" curves of his ref 2.

I do not know where these curves originate, but one thing is clear: they do not agree with presently known physical reality. Maybe they are the result of some technical blunder, perhaps from a less than perfect PSpice macro.

Evidence for my claim is provided by Mr Self's own Fig. 3. The curve 'g_m' shows a remarkable linearity up to: $V_g=3V$ and $I_d=10A$. Thus, the mosfet has a square-law characteristic, say $I_d=K_1(\Delta V_g)^2$ giving

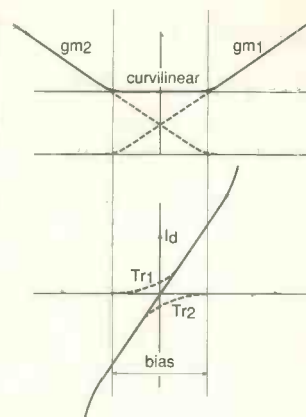
$$g_m = \frac{dI_d}{dV_g} = 2k_1 x \Delta V_g$$

Consequently the square-law for that transistor is accurate to 10A! Note that in Fig. 3 the g_m curve is ever increasing, with no down-fall. The is typical for all kinds of fets.

The Fig. 13 curves reflect the gain of the output stage, which is $g_m \times R_{load}$ (slightly reduced by emitter degeneration). Then it is impossible for these curves to have the shape they are supposed to have in Fig. 13. A peak in the middle, with dips on both sides, cannot be in agreement with g_m from Fig. 3. Qualitatively speaking, g_m is proportional to the wingspread gain, (see above) and g_m shows no dip.

Fig. 13 is definitely non-existent as described. A better argument for the superiority of the bjt is needed.

Again, Mr Self has given a clue to the real wing-shape. It is a horizontal line, flanked by tilted straight lines, as jotted down by me. Directions: for a mosfet pair, draw the two g_m curves from Fig. 3, one reversed, with overlap equal to bias voltage, and you will find the "curvilinear" straight cross-over characteristic with constant g_m. This curve is by no means as complicated as the wingspread, but it has the advantage of being in agreement with reality.



Top – linear g_m curves have constant cross-over gain. Source output impedance is linear, equal to $1/(g_{m1}+g_{m2})$ in this range, corresponding to the 'Curvilinear' characteristic in the second digram. The single mosfet gain increase (the wings) is also linear. Bottom – mosfet characteristics are the integral of those above. Current is shared between Tr_{1,2} in a way that produces linear output current.

A consequence of this is that there is no "best linearity" bias. The linear cross-over range is ever increasing with the bias current. Choosing a specific idling current is a matter of taste, where distortion can be traded for power dissipation, up to Class A.

But there is more to it, which I discovered when I was developing a set of design formulae for mosfet amplifiers. I calculate distortion products with a current sources – a natural way to drive the high impedance gates. Surprisingly enough the non-linear square-law area produced less distortion than did the linear cross-over – just the opposite of what one would expect. This, rather natural, property will have an impact on the ideas in mosfet design. The current driver will produce a very high gain, approaching infinity at low frequencies and makes a very low distortion level possible, which is confirmed by tests.

Regarding my super-symmetric design, I will not make any comments. It has to prove itself on its own merits. I just want to state, that in this design, like in any mosfet amplifier, the g_m change is entirely dependent on the amount of bias used. My amplifier is a pure embodiment of a typical mosfet stage, since the transistors are identical square-law types, which are directly acting on the output, with no load feedback (direct drive).

I think we ought to discuss amplifier design in a more unbiased way, and I invite Mr Self to do this, which most likely will forward the audio science.

Bengt G Olsson
Saltsjo-Boo, Sweden

Douglas Self replies

Readers may perhaps know that I have written an article analysing Mr Olsson's allegedly "super-symmetric" output stage, which will hopefully be appearing later this year, and I don't really want to anticipate this by discussing it in detail at this stage. Suffice it to say that my wingspread diagrams seem to match those of Robert Cordell, and I think they are correct. You can certainly get a nice flat centre-section if the bias is sufficiently advanced, but this is because you are now running in class A in that part of the plot.

My point is that the bjt output stage not only has about ten times better general linearity, but an obvious position of optimal Class-B bias that can be clearly seen to minimise the crossover distortion in the 3rd residual. However, in a Class-B or AB fet amplifier there is no such minimum, and as Mr Olsson says "choosing a specific idling current is a matter of taste"; this is not an approach that has much appeal to me.

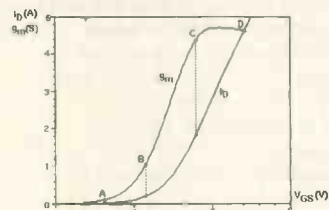
I have several points of disagreement with other parts of the letter, but these are all fully dealt with in my article, and so I would ask readers to be patient until it appears.

more mosfets

With reference to Douglas Self's recent article in your magazine – Fets versus bjts, May – I would like to point out that some of his statements about the characteristics of power mosfets seem to contradict various manufacturers' data books.

Douglas Self acquired his results by using computer simulation of electronic devices. In one of his figures (Fig 3, page 388) he shows the forward transconductance of a fet and states that "there is no question that fet transconductance increases in a beautifully linear manner". And, in accordance with this statement, the graph shows a perfectly linear relationship between g_m and V_{GS} . So much so that one becomes suspicious whether this perfect linearity is only an assumption of the program modelling the device. And in fact, if we examine the transfer characteristics of power mosfets, we see a very different picture.

Measured I_D (V_{GS}) and g_m (V_{GS}) Characteristics of an IRF 530 mosfet
The three regions on the transfer



characteristic curve of a power mosfet [1]. This Figure shows the typical $I_D - V_{GS}$ and $g_m - V_{GS}$ relationship of a power mosfet. Here I would refer to [1], which discusses the transfer characteristics of power mosfets in detail. The book distinguishes between three major regions on the characteristics of power mosfets. Region A to B is the sub-threshold region, where the relationship between V_{GS} and I_D is exponential. Region B to C is where the well-known square-law relationship is valid. The book states: "One can see that the transconductance increases linearly with V_{GS} in the square-law region, but then levels off to a constant value in the velocity saturated region" (Region C to D). In addition, it should be noted that above a certain drain current the transconductance droops off again. Douglas Self's graphs do not show region C to D at all. Nor do they show the behaviour in the initial sub-threshold region, where the $V_{GS} - I_D$ relationship also does not follow the square-law.

Data books from other manufacturers seem to confirm the validity of the above described model. For example, [2] contains the forward transconductance characteristic of several hundred power mosfets and none of them seem to have a "beautifully linear" $g_m - V_{GS}$ relationship.

Furthermore, Douglas Self writes: "the PSpice simulation shown was checked against manufacturers' curves for the devices, and the agreement was very good – almost unnervingly so". I wonder if any physical device is really capable of showing such perfect square-law characteristics as Douglas Self's IRF 240 – the majority of them seem to follow a much more complicated relationship.

Laszlo Gaspar
Nottingham Trent University

References:

1. MOSPOWER Applications Handbook. Siliconix Ltd, 1984. (ISBN 0-930519-00-0), p 3-3.
2. PowerMOS Transistors. Philips Semiconductors (Data Book SC13), 1991.

Douglas Self Replies

As Mr Gaspar says, I did indeed check the simulation output against manufacturers' published data, and found very good correspondence: in this case the source was Harris Semiconductors. I thought it not unreasonable to assume that the manufacturer knew how his own devices worked. In particular, the manufacturer's graphs for $I_{D, drain}$ versus V_{GS} look very much like my Fig. 2 up to 20A, which is actually just outside the continuous current maximum rating for the real device.

For the record, the PSpice simulation model here is a Level-4 bsim model that includes body effect, transverse-field mobility degradation, and velocity saturation sensitivity, and is widely accepted as accurate enough for use when millions of dollars of IC investment are based on the outcome. However, I do not claim to be an expert on simulator fet models, and so I had better leave it there.

The real question is: would acceptance of Mr Gaspar's alternative g_m curve make the fet look more linear than the bjt? As far as I can see it makes it less linear if anything, and so I stand by my conclusion that a bjt – with a little emitter degeneration to bring down its g_m to fet levels – will always be the more linear device.

Feedback on feedforward

I would like to thank Mr Self for his appreciation and comments on my recent article on a feed-forward error-correction audio power amplifier technique¹.

I am grateful to him for his constructive criticism which gives me the opportunity to provide some additional considerations to the content of my paper.

Mr Self is right in noting that the practical circuitry ends up being more complex than conventional amplifiers. This, on the other hand, was clearly stated in my paper (see paragraph "Feed-forward more promising?"), although the very aim of my work was to demonstrate that the improvement achievable from this technique can be worth the extra circuit complexity and cost.

However, the main point to stress is that 'feed-forward' is not proposed as an alternative to 'feedback'. On the contrary, it is intended to be applied to audio power amplifiers as a complement to feedback in order to achieve – when required – levels of distortion probably unattainable with feedback only, mainly in class B/AB amplifiers.

As for the main power amplifier circuit configuration (Fig 8 in the article), it is not to be considered my suggested choice for a true low distortion feed-forward amplifier.

I agree with Mr Self that better results in terms of distortion can be achieved by using, for instance, some of the techniques and suggestions given by himself in his comprehensive series of articles about distortion in power amplifiers², and others proposed by E M Cherry in well known articles and recently in EW+WW³.

However, it has to be pointed out that the demonstration prototypes were conceived and assembled (1988-1991) with the aim to prove –

first of all to myself – the effectiveness and viability of the feed-forward error correction technique in a wide range of both different output stage bias current and load conditions.

Therefore I decided to make use of a class B power amplifier configuration capable of providing good phase margin and overall stability over the whole output voltage/current range and on the following conditions:

- output stage bias current setting range: from 0mA to 300mA
- load impedance ($R/I/C$) range: (2 to 10) Ω /(0 to 2) μ F.

Fig. 8 has the above characteristics and was chosen for this purpose.

However, some degree of frequency over-compensation turned out to be needed to reach the goal. As a result, C_G was set to 100pF, leading to a distortion performance of the main amplifier which is not excellent, as properly noted by Mr Self, especially at high frequency.

Lower distortion can be achieved by the same configuration via optimised frequency compensation ($C_G = 60$ pF) for a fixed output stage total bias current of about 300mA and a load impedance of 8 Ω in parallel with no more than 0.33 μ F, and, eventually, incorporating suggestions from E M Cherry³.

This would lead to a complete feed-forward amplifier with proportionally lower distortion than 0.004% at 20kHz, as reported in the article – actually 10 to 20dB better.

Providing an optimised feed-forward amplifier design was not the aim of my paper, but I have been working on such a task.

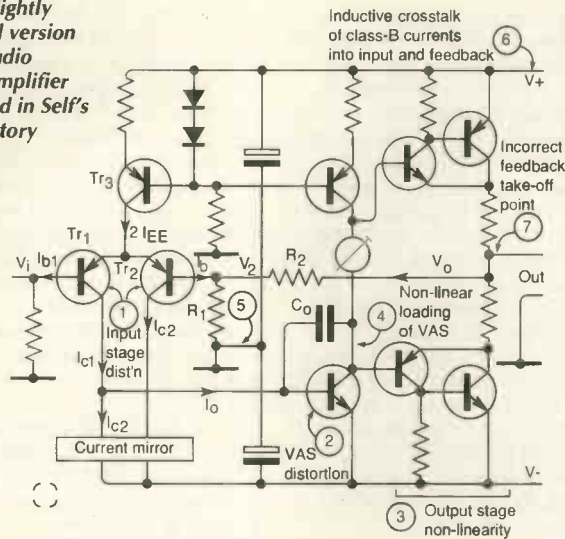
I would also like to provide some explanation for why a cascoded jfet input stage was used in the schematic of Fig. 8 instead of a standard bjt stage, despite the worse matching characteristics of jfet pairs.

Apart from the results provided by R R Cordell in his well known article⁴, and by other authors, which prove the benefits associated with jfet input stages, as well as of mosfet output stages, there is one more reason why I have a tendency to employ a differential jfet input stage in some amplifiers: it eliminates the distortion induced by non-linearities in the base current of bjts due to the following causes:

- β dependence on the operating conditions of transistors (I_c and V_{ce})
- the Early effect.

Bipolar transistor base-current induced distortion is often overlooked, while, in my opinion, it can constitute an important source of distortion in amplifiers (it should be considered a root cause of distortion to be added to the seven examined by Mr Self². This is mainly true when bjts are operated at relatively low emitter current densities, for which β variations are usually larger, and when the dynamic

Fig. 1. Slightly modified version of the audio power amplifier presented in Self's introductory article.



variations of the collector or current are a large fraction of the bias current. Both the above conditions normally apply to standard bipolar input stages.

There are effective techniques to counteract this kind of distortion. Among them:

- the use of low impedance level both in the input signal sources and in the feedback network, or the use of buffers in front of Tr_1 and Tr_2 .
- the reduction of the input stage transconductance g_m ($g_m = V_T/I_{EE}$ in Fig. 1, where $V_T=25mV @ 290K$ is the thermal voltage).
- use of appropriate bias current compensation, mainly in ICs.
- the use of specifically designed differential bjt input stages⁵;
- the use of a differential jfet cascoded input stage (eventually boot-strapped to reduce the Early

effect-induced distortion).

To the best of my knowledge, the influence of input stage bias current on amplifier distortion was dealt with and worked out to any extent in only a few works^{5,6}.

The influence of the base current non-linearities on the closed loop voltage gain A_{cl} of the amplifier, can be evaluated by determining its sensitivity to the incremental current gain $A_C = \Delta V_0/\Delta I_b$. Its formal expression is

$$S_{A_c}^{A_{cl}} = \frac{A_{cl}}{A_c} \times \frac{\partial A_{cl}}{\partial A_c}$$

Referring to Fig. 1, which represents a slightly modified version of Fig. 2 of Self's introductory article¹, the source of V_1 is supposed to have zero internal impedance, so we can ignore the effects due to I_{b1} and take into account in our analysis Tr_2 base current I_{b2} only.

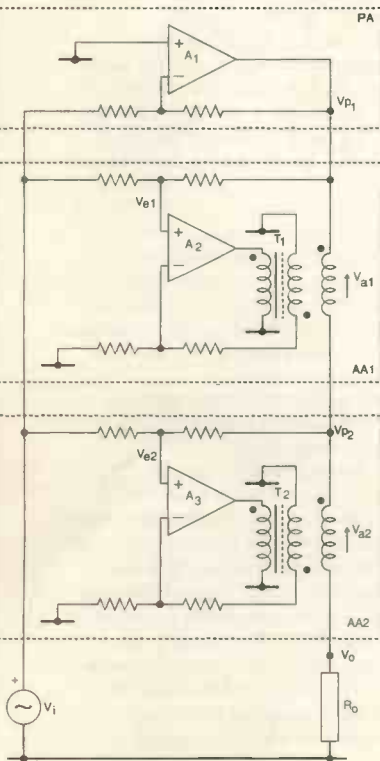
Assume the following: $\Delta I_b/\Delta I_0/2\beta$, $A_V = \Delta V_0/\Delta(V_1 - V_2) = f_T/f = g_m/(2\pi f C_0)$. This is a good approximation for an amplifier with a dominant pole (f_T is the unity gain frequency), and $A_C = A_V \beta/g_m$. The above sensitivity can then be calculated as,

$$S_{A_c}^{A_{cl}} = \frac{f}{f_T} \times \frac{g_m R_2}{\beta(1 + R_1/R_2)} = \frac{2\pi f C_0 R_2}{\beta(1 + R_1/R_2)}$$

Let us consider, as an example, the following case: $\beta=200$, $C_0=100pF$, $R_1=0.5k\Omega$ and $R_2=10k\Omega$.

For $f=20kHz$ the sensitivity of A_{cl} to the amplifier incremental current gain variation turns out to be $6 \cdot 10^{-4}$. This means that a change of 10% in

Fig. 2. Operating outside the feedback loop of the main power amplifier, true feed-forward offers designers the possibility confining distortion to unmeasurable levels.



β will produce a corresponding variation in A_{cl} of 0.006%.

If we now inspect the circuit of Fig. 1, where Tr_1 and Tr_2 are normally biased at a low current density ($I_{EE}=1-2mA$), we see that I_0 is mainly used to drive the compensation capacitance C_0 . That means that at the upper side of the audio frequency range, where the ratio $\Delta I_b/I_{EE}$ can be as high as 0.5 even in well designed amplifiers, you can expect β variations higher than 10%, depending on the bjt types used. As a consequence, higher values of deviation from linearity can be expected.

The amplifier deviation from linearity discussed so far does not translate directly into figures of the thd of the same amount.

Nevertheless it throws some light on the importance of base current-induced distortion in bjt input stages, and accounts for the benefits of using j-fets (preferably cascoded and boot-strapped).

As for the input-injected technique, I think that Mr Self refers to the techniques which were first proposed by Klaassen⁷ and Hawksford⁸, and subsequently applied by Cordell⁴ to correct the distortion of the output stage of class AB power amplifiers. I think that these techniques can really prove effective in reducing the distortion in feedback amplifiers. However, both entail the incorporation of additional negative and/or positive feedback loops - to be carefully balanced. This could lead again to the well known limitation of feedback, namely dynamic instability problems.

True feed-forward techniques, on the other hand, do not suffer from such problems, because they operate outside the feedback loop of the main power amplifier. This fact offers the designer the possibility of an iterative application, as shown in Fig. 2, for confining distortion below measurable level. Distortion reduction ranging from 50 to 70dB could be theoretically attained by a two step iteration, even for distortion components a high as 1MHz. Similar results are theoretically possible with feedback only, yet almost insurmountable stability problems, I think, have to be faced and worked out.

Finally, the remaining problem to be clarified, in order to understand the real potentiality of the proposed feed-forward technique, is the order of magnitude of the lowest achievable residual distortion (ie with $V_{e2} \geq 0$ at the input of the auxiliary amplifier) due to cross-modulation between the main and the auxiliary amplifiers under high load current conditions.

Personally I am convinced that this residual distortion should be less than 0.0001% in the full audio frequency range. This conviction is

based on the following considerations. Referring to the figure in the box 'Magnetic flux cancellation' of my article¹, consider the maximum output peak current $I_p = V_p/R_0$, which is flowing into the secondary winding of the transformer, while V_2 is coerced to zero by feedback. The auxiliary amplifier, in order to neutralise the flux in the transformer has to force a current $I_p = I_p/n$ into the primary winding and, consequently, produce an output-voltage $V_1 = R_1 I_p/n$, where $n = N_1/N_2$. Practical values are $R=5\Omega$ and $n=30$, so we can expect values of V_1 less than $1.6V_{peak}$ for $I_p < 10A$.

Now consider that amplifier A_2 is operated in class A and drives an equivalent load equal to $R_{eq} = R_0 n^2$ in parallel with the primary inductance L_1 . In the prototypes $L_1=400mH$ and $n=30$, so that $R_{eq} > 1.8k\Omega$ for $R_0 > 2\Omega$ which is high enough to allow low distortion operation. Problems can only arise at very low frequency, where the reactance of L_1 is as low as 50Ω at 20Hz. However, the available open loop gain of the auxiliary amplifier is so high at low frequency that driving L_1 without producing distortion should not represent a major task. Therefore, even assuming a conservative distortion component V_{1d} not better than $0.1\% V_1$ ($= 1.6mV_{peak}$ in the above worst case conditions), this would entail a distortion voltage at the secondary winding V_{2d} equal to $V_{1d}/n = 0.05mV_{peak}$. This value, if compared with a corresponding peak output voltage $V_{0peak} = 40V$ across a 4Ω load, yields a peak distortion of about 0.000125%.

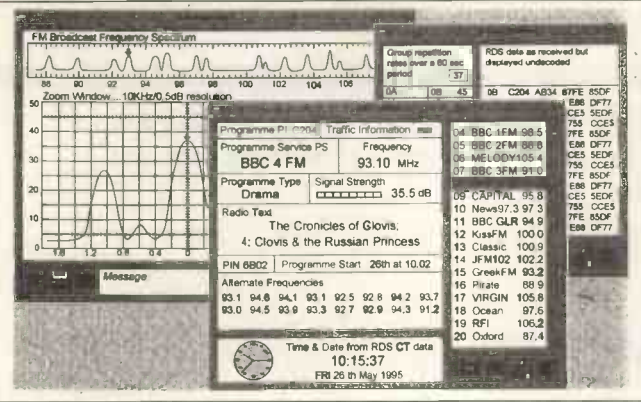
Giovanni Stochino
Italy

References:

1. G Stochino 'Audio Design Leaps Forward?', *EW+WW* Oct 1994, p818-827.
2. D Self 'Distortion in Power Amplifiers', *EW+WW* Aug 1993, p630-634, and following articles.
3. E M Cherry 'Ironing out Distortion', *EW+WW* Jan 1995, p14-20.
4. R R Cordell 'A MOSFET Power Amplifier with Error Correction' *JAES* Jan/Feb 1984, p2-17.
5. G Stochino 'Low Distortion Amplifier for Instrumentation', *Electronic Engineering* May 1983, p35-37.
6. W H Gross 'Source Resistance Induced Distortion in Op Amps', *Linear Technologies Design Note* 84 July 1994.
7. K B Klaassen, R J De Kok and J C L Van Peppelen 'Amplifier Systems with Quasi Feed-forward control', *Electronics Letters* Aug 1975 Vol 11, p400-401.
8. M J Hawksford 'Distortion Correction in Audio Power Amplifiers', *JAES* Jan/Feb 1981, p27-30.

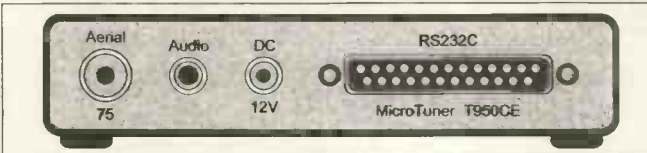
RDS for Windows

High quality FM Tuner with full RDS decoding



MicroTuner T950CE

Broadcast quality design, suitable for monitoring transmitted RDS data. Interfaces with PC serial port (RS232C). Decodes PI, PS, PTY, TP, TA, AF, EON, RT and CT. Specification: RISC microcontroller design. Crystal synthesised, 10kHz tuning steps.



Low noise MOSFET front end. Frequency spectrum of 87.6 to 108.8 MHz can be printed out as hard copy. Extensively filtered signal and supply lines. Internally regulated 12v supply input. Supplied with the latest V2.0 windows operating software.

Hardware: Fully screened, low profile, diecast aluminium enclosure (120x200x30mm). Software: Requires minimum of 386/33MHz/4 Mbytes ram, running Windows 3.1 or later

Microgen
ELECTRONICS

Call for full specification and Demonstration Disk
43 Salisbury Road, Carshalton, Surrey
SM5 3HA Tel/Fax 0181 647 8238

CIRCLE NO. 131 ON REPLY CARD

WE HAVE THE WIDEST CHOICE OF USED OSCILLOSCOPES IN THE COUNTRY

TEKTRONIX 7000 SERIES OSCILLOSCOPES AVAILABLE FROM £200. PLUG-INS SOLD SEPARATELY

TEKTRONIX 2465, 4 Ch, 300MHz Delay Sweep Cursors	£1750
TEKTRONIX 485 Dual Trace 350MHz Delay Sweep	£730
TEKTRONIX 475 Dual Trace 200MHz Delay Sweep	£500
TEKTRONIX 465 Dual Trace 100MHz Delay Sweep	£400
TEKTRONIX SC504 Dual Trace 80MHz in H503	£400
TEKTRONIX 2215 Dual Trace 50MHz Delay Sweep	£400
TEKTRONIX 455 Dual Trace 50MHz Delay Sweep	£400
PHILIPS PM2217 Dual Trace 50MHz Delay Sweep	£400
HITACHI V223 Dual Trace 20MHz Delay Sweep	£240
SECURAN 9221 Dual Trace 20MHz Delay Sweep	£240
HAMES 412 Dual Trace 20MHz Delay Sweep	£225
GUILD OS1100 Dual Trace 30MHz Delay Sweep	£240
GUILD OS1100S1 Dual Trace 30MHz	£200
GUILD OS300 Dual Trace 20MHz	£200
IWATSU SS702 Dual Trace 20MHz	£200
NITACM V6045 Dual Trace 20MHz Dig Storage Cursors 40MS/s	£1110
SECURAN 9221 Dual Trace 20MHz Digital Storage	£200
GUILD OS4000 Dual Trace 10MHz Digital Storage	£200
TEKTRONIX 464 Dual Trace 100MHz Analogue Storage	£350
N.P. 1741A Dual Trace 100MHz Analogue Storage	£400

THIS IS JUST A SAMPLE. MANY OTHERS AVAILABLE

KINUSUI 5530A - DUAL TRACE 35MHz - ONLY £180	
EATON/ALTECH 380K11 Syn Gen 1-200MHz with PM3602 AM/FM Phase Mod.	P.O.A.
H.P. 855A Syn AM/FM Sig Gen 100kHz - 990MHz	£1900
MARCONI 2018 Syn AM/FM Sig Gen 30kHz - 1040MHz	£1900
MARCONI 2018 Syn AM/FM Sig Gen 80kHz - 520MHz	£700
H.P. 8620C Sweep Osc: 5.9-12.4GHz or 8-12.4GHz	£350
H.P. 8620C Sweep Oscillator Main Frame only	£200
RUCA 9081 Syn AM/FM Sig Gen 5 - 520MHz	£450
FARNELL SS520 Syn AM/FM Sig Gen 10 - 520MHz	£400
MARCONI TF2377 Automatic Distortion Meter	£200
MARCONI TF2311 Distortion Factor Meter 30kHz - 30MHz 0.05%	£150
MARCONI TF838 Audio Power Meter Sinad	£250
MARCONI TF2163 Attenuator DC - 1GHz	£100
H.P. 8495B Attenuator DC-10GHz: 0-11dB in 1dB Steps	£350
WATFIELD 2105 Attenuator 50 Ohm	£75
TEKTRONIX TD1502	£1250
R&S Video Noise Meter UPSF2 with UPSF2E2	£750
R&S Mobile Tester SMP22 0.4 - 1000MHz	£1250

BRUEL & KJER EQUIPMENT AVAILABLE PLEASE ENQUIRE

SPECTRUM ANALYSERS

IFR A7550 Synthesized 1GHz	£4000
H.P. 855A 0.01 - 226Hz	£4500
ANBO AC8281 with AC821 1700MHz	£1500
POLAROID 64-1 110MHz - 180Hz	£1000
H.P. 1B2 with 8558B 100kHz - 1500MHz	from £1500
H.P. 141T with 8555A & 8552B 100kHz - 180Hz	£1700
H.P. 141T with 8554B & 8552A 500kHz - 1250MHz	£1700
H.P. 141T with 8553B & 8552B 100kHz - 110MHz	£800
H.P. 141T MAIN FRAMES ONLY. GOOD TUBES.	£225
MARCONI TF2370 30Hz - 110MHz	£1000
TEKTRONIX 712 with Main Frame 10kHz - 1800MHz	£1200
TEKTRONIX 7L5 with Main Frame 20MHz - 5MHz	£1000

NEW EQUIPMENT

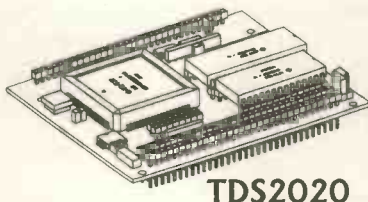
HAMEG OSCILLOSCOPE HM1005 Triple Trace 100MHz Delay Timebase	£847
HAMEG OSCILLOSCOPE HM604 Dual Trace 60MHz Delay Sweep	£653
HAMEG OSCILLOSCOPE HM303 Dual Trace 30MHz Component Tester	£392
HAMEG OSCILLOSCOPE HM205 3 Dual Trace 20MHz Digital Storage	£653
All other models available - all oscilloscopes supplied with 2 probes	
BLACK STAR EQUIPMENT (P&P all units £5)	
APOLLO 10-100MHz Counter Timer Ratio/Period/Time interval etc.	£234
APOLLO 100-100MHz (As above with more functions)	£332
METRO 100 FREQUENCY COUNTER 100MHz	£119
METRO 600 FREQUENCY COUNTER 600MHz	£145
METRO 1000 FREQUENCY COUNTER 100MHz	£189
JUPITOR 500 FUNCTION GEN 0.1Hz-500kHz Sine/Sq/Tri	£125
ORION COLOUR BAR GENERATOR Pal/TV/Video	£243
All other Black Star Equipment available	
OSCILLOSCOPE PROBES Switchable $\times 1$ $\times 10$ (P&P £3)	£12

Use Equipment - GUARANTEED. Manuals supplied if possible. This is a VERY SMALL SAMPLE OF STOCK. SAE or Telephone for lists. Please check availability before ordering. CARRIAGE all units £16. VAT to be added to Total of Goods and Carriage.

STEWART of READING
110 WYKEHAM ROAD, READING, BERKS RG6 1PL
Telephone: (01734) 268041. Fax: (01734) 351696
Callers Welcome 9am-5.30pm Monday to Friday (until 8pm Thursday)

CIRCLE NO. 132 ON REPLY CARD

EVERYTHING
Interactive development,
YOU WANT IN
easy to learn with
A CARD
ready-made libraries.
COMPUTER



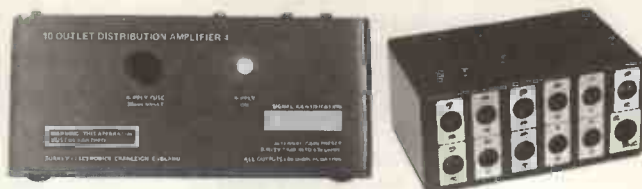
RAPID
Graphics and keypad interfaces,
APPLICATION
35 parallel and 2 serial, clock,
DEVELOPMENT
10-bit 8-ch A to D, multitasker,
IN HIGH LEVEL
300µA data logging, PCMCIA.
LANGUAGE



Triangle Digital
Services Ltd
Tel 0181-539 0285
Fax 0181-558 8110

CIRCLE NO. 133 ON REPLY CARD

10 OUTLET DISTRIBUTION AMPLIFIER 4



A compact mains powered unit with one balanced input and ten AC and DC isolated floating line outputs.

- Exemplary RF breakthrough specifications giving trouble-free operation in close proximity to radio telephones and links.
- Excellent figures for noise, THD, static and dynamic IMD.
- Any desired number of outlets may be provided at microphone level to suit certain video and audio recorders used at press conferences.
- Meets IEC65-2, BS415 standard.

*Advanced Active Aerial 4kHz-30MHz *PPM10 in-vision PPM and chart recorder *Twin Twin PPM Rack and Box Units *Stabilizers and Fixed Shift Circuit Boards for howl reduction *Broadcast Monitor Receiver 150kHz-30MHz *Stereo Variable Emphasis Limiter 3 *Stereo Disc Amplifier *Peak Deviation Meter *PPM5 hybrid, PPM9 microprocessor and PPM8 IEC/DIN -50/+6dB drives and movements *Broadcast Stereo Coders.

SURREY ELECTRONICS LTD
The Forge, Lucks Green, Cranleigh,
Surrey GU6 7BG
Telephone: 01483-275997 · Fax: 276477

CIRCLE NO. 134 ON REPLY CARD

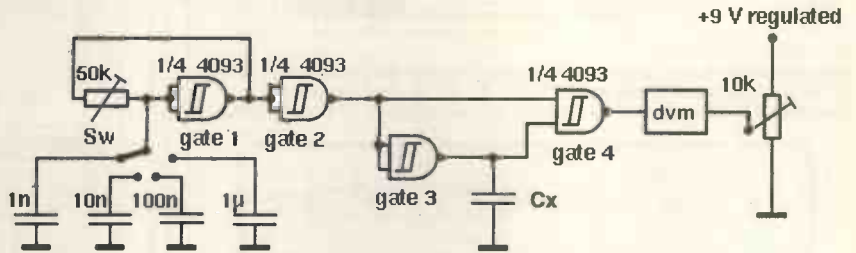
Do you have an original circuit idea for publication? We are giving **£100** cash for the month's top design. Additional authors will receive **£25** cash for each circuit idea published. We are looking for ingenuity in the use of modern components.

Capacitance meter for a DMM

In conjunction with a voltmeter, this circuit gives a direct reading of capacitance.

Two of the four gates in a 4093 Schmitt NAND form an oscillator and buffer, the frequency being set by the 50kΩ trimmer. Output goes to gate 4, one of whose inputs is inverted and delayed by the unknown component by time proportional to its value. At the output of gate 4, normally high, a negative-going pulse with a width proportional to the capacitance appears, the duty cycle of the output and, therefore, the average voltage indicating the value of capacitance.

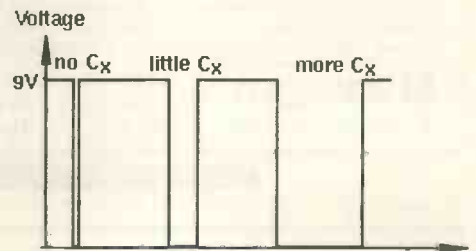
To calibrate, set the dvm to its 2V range and remove C_x , adjusting the 10kΩ trimmer for a zero reading (a very narrow pulse is present in this condition due to the inherent delay of gate 3). Connect a known capacitor in the C_x position, set the frequency switch and adjust the 50kΩ trimmer for the correct value.



Single-chip capacitance meter measures values in the pF-μF range.

Range is from a few picofarads to several microfarads. Supply voltage stability is required for accuracy and the oscillator capacitors must be exactly in the ratio 1:10:100:1000.

Rae Perälä
Helsinki
Finland



Zero-crossing detector copes with varying line voltage

Most power-line zero-crossing detectors show phase shift if mains voltage is not constant. For synchronising an audio tape-recorder to the mains, I needed a zero crossing-pulse that was independent of any mains voltage fluctuations and distortion.

This circuit is stable, even for line dips up to 150V. During the half-wave capacitor C_1 is charged to voltage V_d . Output of the op-amp is high. Momentarily before zero-

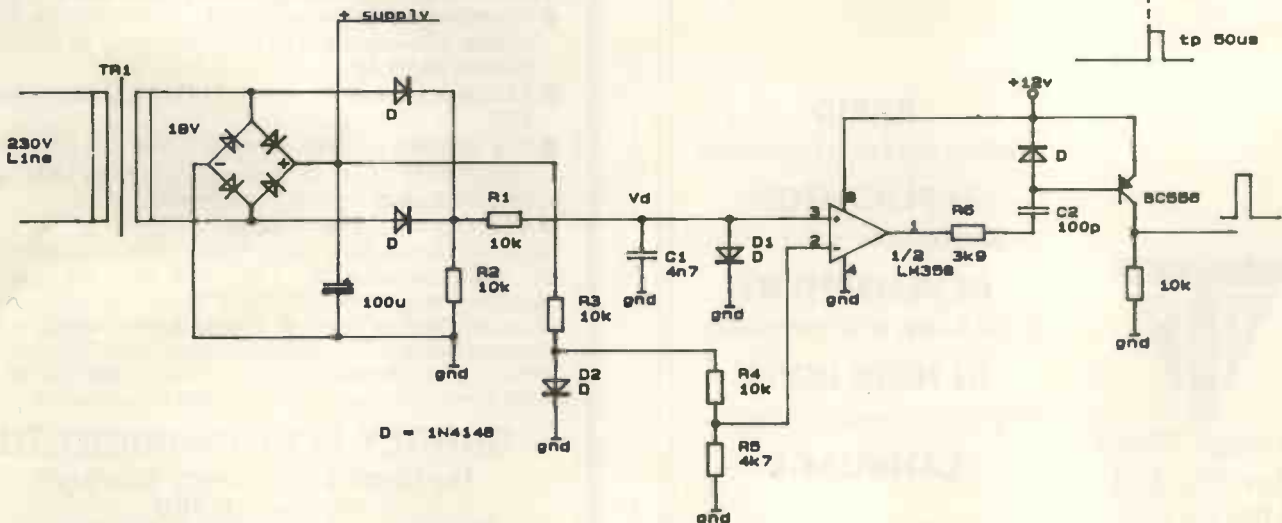
crossing takes place, C_1 starts to discharge through $R_{1,2}$.

After time $T=C_1(R_1+R_2)$, V_d falls below the voltage of pin 2 of the LM358. Now the output swings down and creates a base current pulse, through R_6 and C_2 for the pnp transistor.

Width of the output pulse is determined by R_6 and C_2 . Values shown produce a 50μs pulse. Diodes $D_{1,2}$ should be located close

together so that they will have the same temperature. This avoids thermal drift of the zero-crossing pulse.

Ernst Schmid
Munich
Germany



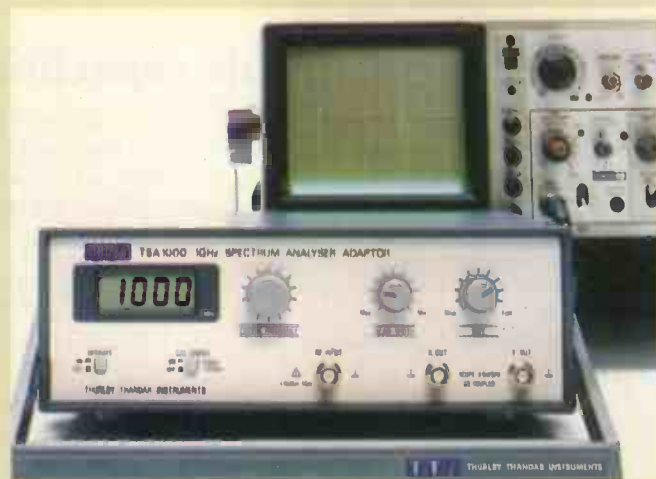
YOU COULD BE USING A 1GHz SPECTRUM ANALYSER ADAPTOR!

Got a good idea? Then this Thurlby-Thandar Instruments TSA1000 spectrum analyser adaptor could be yours.

Covering the frequency range 400kHz to over 1GHz with a logarithmic display range of 70dB \pm 1.5dB, it turns a basic oscilloscope into a precision spectrum analyser with digital readout calibration.

Recognising the importance of good design, TTI will be giving away one of these excellent instruments every six months to the best circuit idea published in the preceding period until further notice. This incentive will be in addition to our £100 monthly star author's fee, together with £25 for all other ideas published.

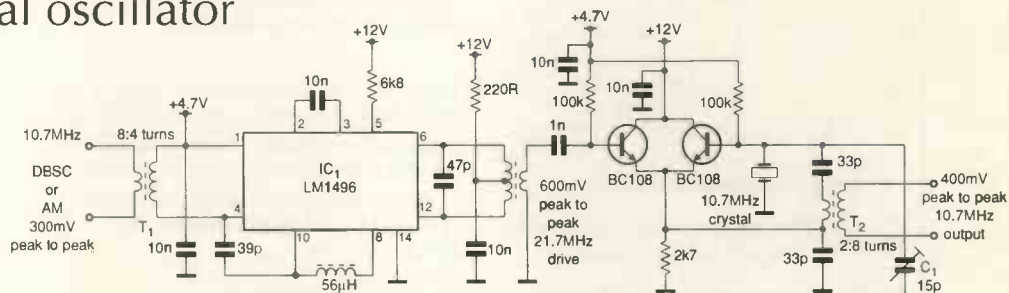
Our judging criteria are ingenuity and originality in the use of modern components – with simplicity particularly valued.



Synchronising a crystal oscillator

It is possible to synchronise a crystal oscillator – in phase – to an amplitude modulated signal near to its resonant frequency. The IC doubles the frequency of the incoming modulated signal. This is then injected into the crystal oscillator to provide synchronisation drive.

I use the oscillator output in a further circuit, not shown here, to demodulate the signal using another LM1496 double-balanced modulator. With a 600mV 21.4MHz peak-to-peak drive to the oscillator from the doubler, the circuit provides a lock-in range of \pm 500Hz. This proved useful for demodulating both DBSC and AM digital signals – provided that their carrier frequencies didn't drift beyond the lock range of the oscillator.



T₁ and T₄ are wound on FX1242 ferrite beads
The output from the oscillator is taken by sampling the crystal current to reduce the harmonic content

The inherent frequency stability of the crystal-controlled oscillator enables it to be locked easily by adjustment of C₁.

Colin Bamforth
Altrincham
Cheshire

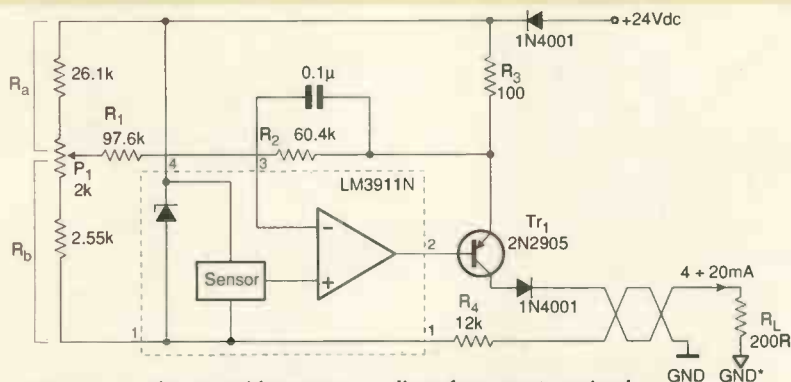
Using a frequency doubler, it is possible to lock a crystal – in phase – to an amplitude-modulated signal.

Simple current transmitter for thermometry

Temperature measurement often requires remote reading indication, the sensor output being transmitted in the form of a 4–20mA current. Commercial current

transmitters can be expensive; this circuit is simple and costs much less.

An LM3911 IC contains a 10mV/°C voltage source, a 6.8V reference and an



Current transmitter provides remote reading of temperature simply, at low cost and at \pm 1°C accuracy in the –20°C to 80°C range.

accessible op-amp; with the addition of a few passives and one transistor, the circuit becomes a temperature-controlled current source.

Resistor R₁ in series with the parallel combination of R_a and R_b, and R_{2,3} set the current gain to give a 16mA span for temperatures between –20°C and 80°C, R₅ allowing zero setting with negligible effect on sensitivity. Resistor R_L, at the indicator end of the line, converts the current to voltage, any differences between the two grounds having no effect on the reading while Tr₁ is conducting.

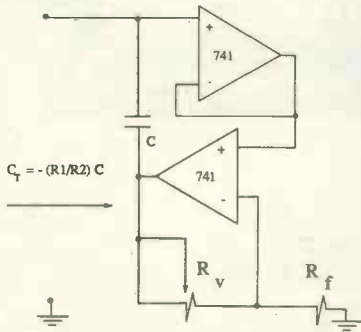
A 24V supply and R₄ limit supply current to 1mA to minimise local heating; in still air, the circuit takes a few minutes to respond to changes. Accuracy after a single-point calibration is around \pm 1°C.

Vittorio Ferrari
University of Brescia
Brescia
Italy

Bipolar programmable capacitor

Development of an idea by Dunn* produces a digitally programmable positive/negative capacitor.

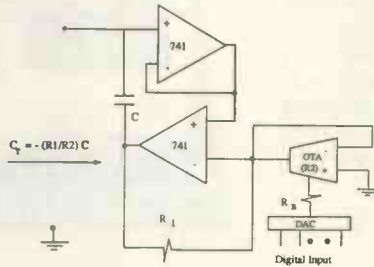
Originally as shown in Fig. 1, the circuit becomes the arrangement of Fig. 2, in which R_v is replaced by a fixed R_1 and R_f by the active resistor circuit composed of the operational transconductance amplifier. For example, R_1 is 25k Ω and



Original programmable capacitor.

R_2 , the OTA resistance $1/g_m$, is variable between 50 Ω and 50k Ω . Capacitance is found from, $C_T = C[1 - (R_1/R_1 + R_2)] = -C(R_1/R_2)$ and C_T is inversely proportional to R_2 . The conductance of the OTA is

$g_m = I_B/2V_T$, in which V_T is the thermal voltage of 25mV, and $C_T = -C(I_B/2V_T)R_1$. Total negative capacitance is therefore controllable by I_B . If digital programming is



New digitally programmable featuring positive or negative capacitance.

required, a d-to-a converter adjusts the OTA transconductance and therefore the capacitance. Adding a positive capacitor in parallel with the circuit produces a digitally programmed positive/negative capacitor. **A R Al-Ali and M T Abuelma'atti**
Dhahran
Saudi Arabia

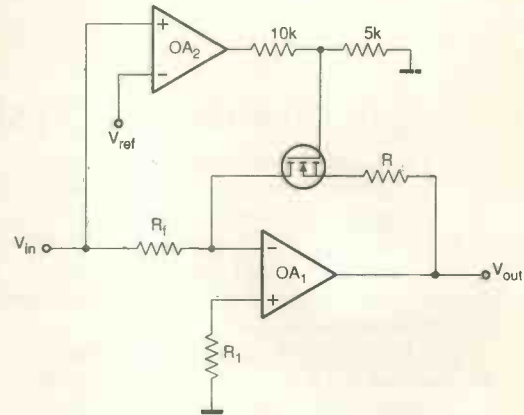
Reference
Dunn. *Electronic Design*. December 5, 1991.

Linear/non-linear amplifier

A control voltage determines whether this amplifier operates in a linear manner with a gain of about R/R_f or in a non-linear mode with open-loop gain.

If V_{ref} is greater than V_{in} , the comparator OA2 switches the mosfet off and the circuit is non-linear; a smaller V_{ref} turns the mosfet on, whereupon the amplifier receives feedback and is linear. Changing the input polarities of OA2 reverses the effect of V_{ref} .

K N Sunil Kumar
Visakhapatnam
India



Amplifier behaves as a high-gain, non-linear circuit or as a lower-gain, linear type, depending on control voltage.

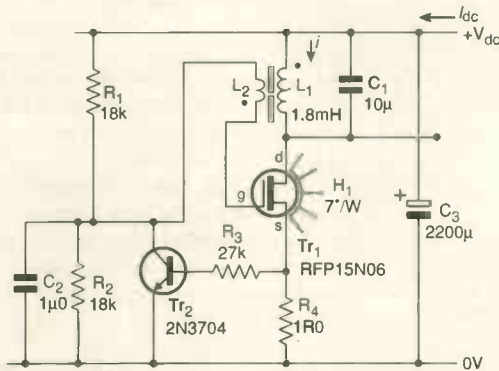
Amplified autobias

While similar in principle to automatic valve bias using a decoupled resistor, this bias loop for a low-frequency mosfet oscillator provides gain in the loop and a low reference voltage at the base/emitter junction of Tr_2 . Increase in current through R_4 causes Tr_2 to take more current and pull down the junction of $R_{1,2}$, the mosfet gate. Oscillator transistor Tr_1 operates stably

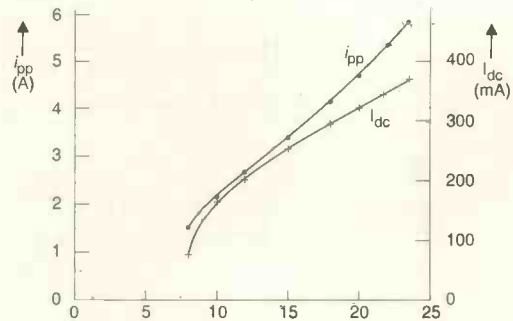
and efficiently with the tank connected as shown at a frequency of 1.1kHz and with an output of 58V pk-pk on a 24V supply. Voltage waveform at Tr_1 drain is as would be expected from a Class C circuit: rounded during cut-off and flat during conduction. However, the tuned circuit provides a relatively clean output current waveform. With a turns ratio of 10:1, oscillation starts when

the supply is around 7.5V, and the amplitude of the output current waveform is proportional to supply voltage.

As the diagram shows, at 24V supply, supply current I_{dc} is about one sixteenth of the oscillation current I_{pp} . Mount the transistors close together for best dc stability. **CJD Catto**
Cambridge

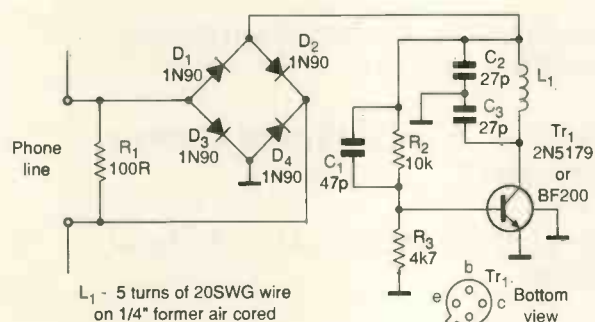


Gain in the source bias loop provides stable operation and efficiency in this low-frequency power oscillator.



Remote monitor for private exchange lines

Telephone conversations can be heard on an fm receiver via this simple transmitter. The circuit comprises a Colpitts



oscillator, based on 2N5179 or BF200, that derives its power from the telephone line.

A 100Ω resistor stops the circuit interfering with the telephone line. Performance is low and the range is about five to ten metres, but no antenna is required.

Diodes D_{1-4} form a bridge rectifier to produce a varying dc voltage according to audio signal on the line. Oscillation is at the resonant frequency of L_1 , C_2 and C_3 which should be 92 to 95MHz.

It may be necessary to increase or decrease the inductance of L_1 slightly to bring the frequency of oscillation in the range of fm receiver. This may be done by squeezing the turns of L_1 closer or pulling them apart.

Raj Krishna Gorkhali
Asian Commercial Enterprises, Nepal

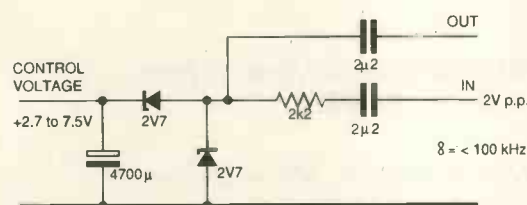
Electronic attenuator

Although 2-3V zener diodes make inefficient voltage stabilisers, they can work well as attenuators.

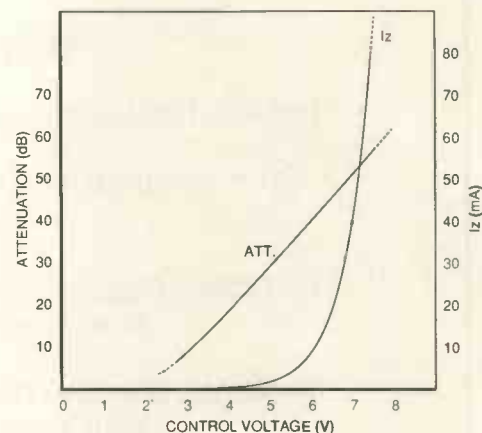
In the circuit shown, attenuation is from 6dB to 58dB as control voltage varies from 2.7V to 7.5V, with a zener current between

42μA to 77mA. If the control voltage is to exceed 7.5V, a current-limiting resistor is needed.

D Di Mario
Milan
Italy



Zener attenuator controls signals of up to 100kHz over a 50dB range. Injecting signal at mid-point of two zeners reduces distortion.



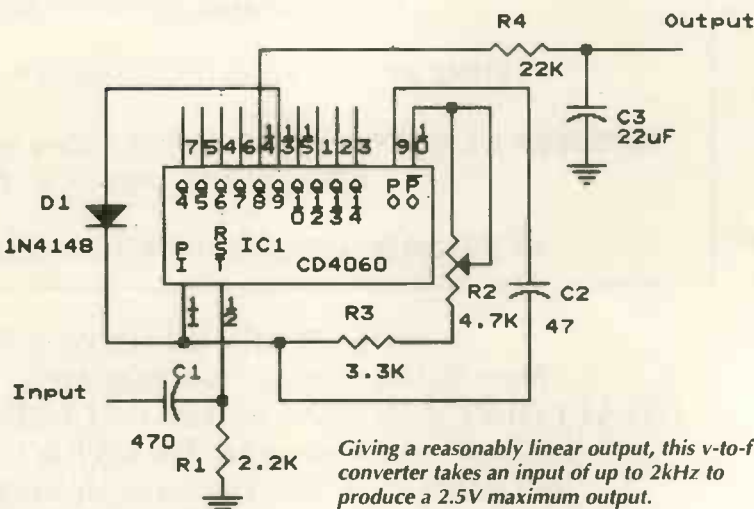
Single-chip voltage-to-frequency converter

Offering an input range of a few Hz to 2kHz, this v-to-f converter uses a single IC, the CD4060 cmos 14-bit binary counter.

An internal oscillator in the 4060 takes a signal from the Q_9 binary output, which switches the oscillator on and off. Input signals are differentiated by R_1C_1 to allow a very narrow reset pulse to start the oscillator, so that there is only one pulse from Q_8 during an input signal period.

If the width of the pulse on Q_8 is t_1 and the input signal period $1/f_{in}$, the duty cycle of the Q_8 pulse is $t_1 f_{in}$, a supply of 5V giving an output voltage of $5t_1 f_{in}$ V, and since t_1 is constant, output is proportional to frequency. Resistor R_2 adjusts the span; 1V/kHz is obtainable.

Yongping Xia
Torrance
California
USA



Giving a reasonably linear output, this v-to-f converter takes an input of up to 2kHz to produce a 2.5V maximum output.

ANCHOR SURPLUS Ltd

The Cattle Market Depot
Nottingham NG2 3GY. UK

Tele: +44 (0115) 986 4902/986 4041

Fax: +44 (0115) 986 4667



PYE UNICAM SP1900 Atomic Absorption Spectrophotometer, Good Condition.
One Only Available at this Special Price **£1500**

TADEKA RIKEN TR4132 Spectrum Analyser. One Only. Modern, Twin Digital
Readouts, 100KHZ – 1000MHz+ **£950**

NAGRA 'T' Twin Capstan Instrumentation Recorders 4 Track, 8 Speed, Excellent
Condition, Selection **£475**

Siemens P2030 Bit Error Measuring Set + Printer to 140 Mbit/sec, Multi Protocol,
One Only **£525**

Tecussel P60 Digital Ph Meters, Cased, Probe, Selection **£75**

OSCILLOSCOPES

Many More Available. Phone for Availability

TEK 466, 100MHz Analog Storage, Twin Trace, Twin Timebase, Selection **£395**

TEK 468 100MHz Digital Storage, X-Y Cursors, Twin Trace, Twin Timebase,
Selection **£725**

HP 54200A Digitising Oscilloscope, HPIB Fitted 200Msamples/sec, Menu driven,
Multi Cursors, Excellent Condition, One Only **£1475**

HP54502A Digitising Oscilloscope, HPIB Fitted 400Msamples/sec, Menu Driven,
Multi Cursors, Excellent Condition, One Only **£3600**

Digital Multimeters

More Available. Phone for Availability

FLUKE 77 Hand Helds, Incl Cases & Probes **Only £75**

HP3456A 6.5 digit Systems Voltmeter, 100nv resolution 300 samples/sec,
HPIB, 0.0001% accuracy **£695**

HP3478A 5.5 Digit LCD, HPIB, Non-Vol Memories **£695**

OPEN SEVEN DAYS A WEEK

Mon-Fri 9am-6pm Sat 8am-4pm Sun 10am-4pm

NO APPOINTMENTS NEEDED. CALLERS ALWAYS WELCOME

All Prices are Ex VAT & Carriage

**All items are Fully Tested with Verified Calibration
and carry our Unique 30 Day Un-Conditional Warranty**

CIRCLE NO. 135 ON REPLY CARD

Monitoring heartbeat

Worried about your heart? Baki Koyuncu* brings you a cheap monitor that puts an ecg in your pocket.

*Baki Koyuncu is in the Elec Eng Dept, King Fahd University, Dhahran, Saudi Arabia.

Many heart rate monitors on the market today are able to display heart pulse rates. Unfortunately they are not cheap. But it is possible to design an inexpensive monitor that can be as efficient as any of the commercial monitor units, with a PC interface that allows heart rhythm wave-forms to be stored and later analysed.

The system consists (Fig. 1) of a pair of probes and their differential amplifier, filters to clear the received probe signals and a frequency-to-voltage converter to convert the pulse rate frequency to a dc voltage. For displaying heart pulse rates, an lcd unit and its interface ic is also used.

Circuit description

Two pressure-sensitive miniature circular

transducers are used as probes. One probe is attached to the upper part of the chest on the left hand side, and the other to the lower part. Each probe is placed in a circular adhesive contact pad, with electrical contact to the skin maximised by a jelly lubricant placed between the skin and the probe contact surface.

Both probes are connected to an instrumentation amplifier formed around three ics, IC_1 , IC_2 and IC_3 (Figs. 2a and 2b). Probe one is also connected to an astable oscillator – the test signal generator – through spdt switch SW .

Amplification of the heart-beat signals is through the instrumentation amplifier circuit which also inhibits the noise picked up by the probes. All amplifiers are biased by +4.5V.

Amplified output signal of IC_3 is passed to capacitor filter $LMF10$, the first half of which is configured as a notch filter to attenuate 50Hz mains. Other frequencies are amplified by around a factor of ten.

Second half of the filter is configured as a low pass circuit, enabling frequencies below 50Hz to be used because of the low frequency of heart-beat signals. The filter's signal frequency mode is adjusted for 50Hz operation with an external 5kHz astable oscillator built around a 555.

Following $LMF10$, a variable gain amplifier is formed by IC_5 , to vary the signal gain between 10 and 500.

Two series diodes and a 1 μ F capacitor rectify the incoming signal and feed it to comparator circuit, IC_6 . Every time the heart beat signal is above the +4.5V reference voltage at IC_6 input, the comparator output goes high corresponding to a heart beat, and a led is included at IC_6 output to display the beats.

Individual pulse lengths vary from patient to patient at different heart beats so a monostable 4538 is used as a pulse shaper. Its effect is to act as a pulse-length standardiser and produce equal pulse lengths for every patient.

Output from IC_6 triggers the 4538 and makes its output go high for a fixed duration set by 1M and 100nF. The monostable is not retrigged again during this period.

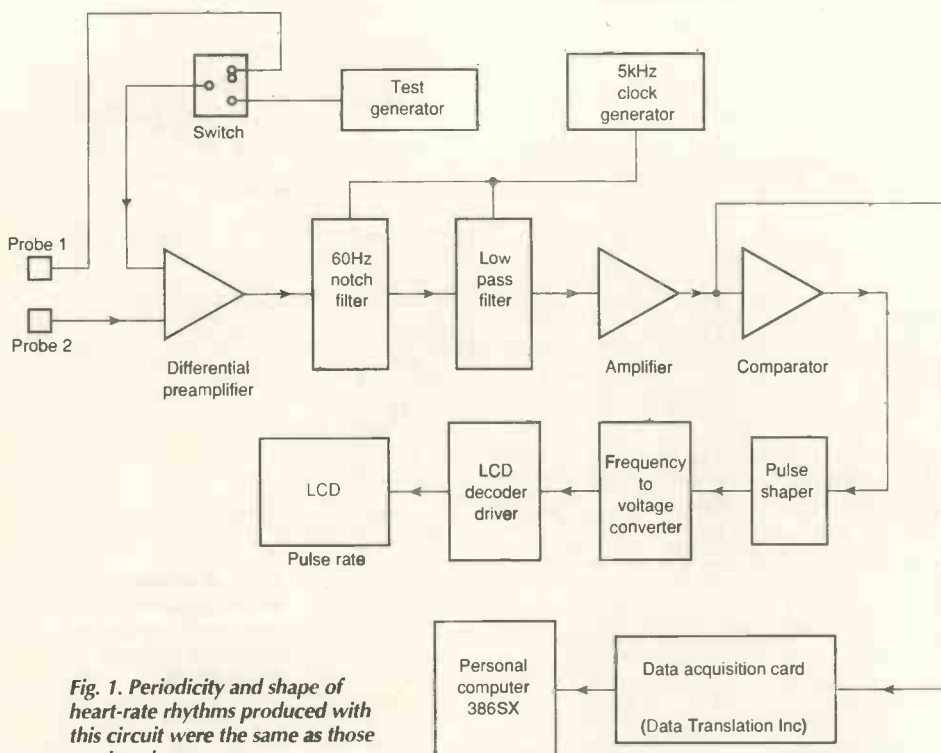


Fig. 1. Periodicity and shape of heart-rate rhythms produced with this circuit were the same as those produced on an ecg.

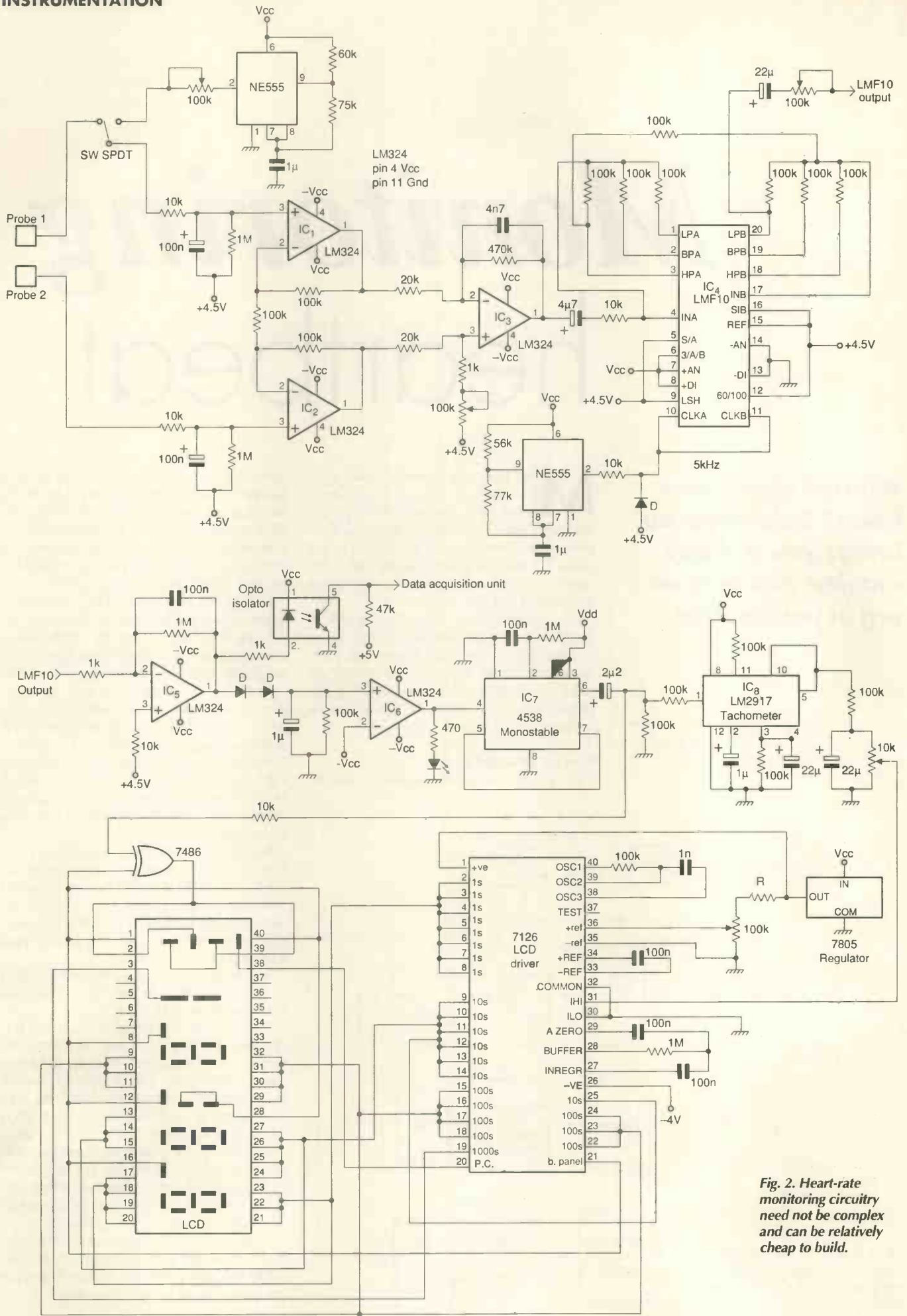


Fig. 2. Heart-rate monitoring circuitry need not be complex and can be relatively cheap to build.

Equal length pulses at the 4538 output are applied to an LM2917 frequency-to-voltage converter which turns the input pulse rates into a dc voltage. This is fed to lcd driver 7126, a digital panel meter IC, to decode the dc voltage from the LM2917 into an equivalent digital output format to drive a 3.5 digit lcd.

The dc voltage representing the heart pulse is compared to a reference voltage of 1V at the +ref pin of 7126, producing a calibration factor of 1mV input voltage/digit increment. Digital panel meter IC contains an internal clk generator with its frequency subdivided by internal counters to produce a signal sampling rate of one sample per 2s.

Heart rate uniformity

Patient's pulse rates are numerically displayed by the lcd in terms of pulse beats per minute and each pulse beat also triggers a plus symbol on the lcd, monitoring the uniformity of the heart rate.

On/off state of the plus symbol is determined by phase of the signal applied to it, a signal generated by X-or gating the 4538 output and the lcd's backplane clk. When 4538 output is high, the X-or gate inverts its output signal phase with respect to the lcd's backplane clk and turns on the symbol.

An additional low-frequency square-wave oscillator test circuit is built around a 555 to check operation of the heart rate monitor (Fig. 2a). Oscillation frequency is preset between 20pulses and 200pulses/min, and the oscillator output is applied to IC₁ input through spdt switch SW, instead of probe one.

In this mode, the signal is only amplified through the IC₁ path, the other path through IC₂ being held at reference level of +4.5V. The test circuit is used to check the lcd read-out against the pulse rate of the test circuit. A match between the oscillator generated pulse rate and the lcd read out verifies correct operation of the circuit.

Operation is from a V_{cc} = 9V supply provided by a 9V battery with a 20 mA supply current, making the monitor portable, though a mains adaptor can be used instead*.

PC interface

To observe the heart rhythm wave forms and compare them with the standard ecg wave forms, we use a PC interface. DC output voltage of the IC₅ amplifier is interfaced to an a-to-d channel of a data acquisition card using an opto-isolator circuit (Fig. 2b). The opto-isolator provides the computer with further noise isolation from the system, and the DT2801 card from Data Translation is placed into one of the PC i/o ports.

Output voltage from IC₅ is converted into digital form by a 12bit a-to-d converter on the card and stored in a data file in ascii form in PC memory.

Lotus 123 can make use of this file to display heart rhythm wave forms on the PC.

Measured pulse widths with the heart rate monitor are around 0.85s, producing a nominal pulse rate of 71beats/min.

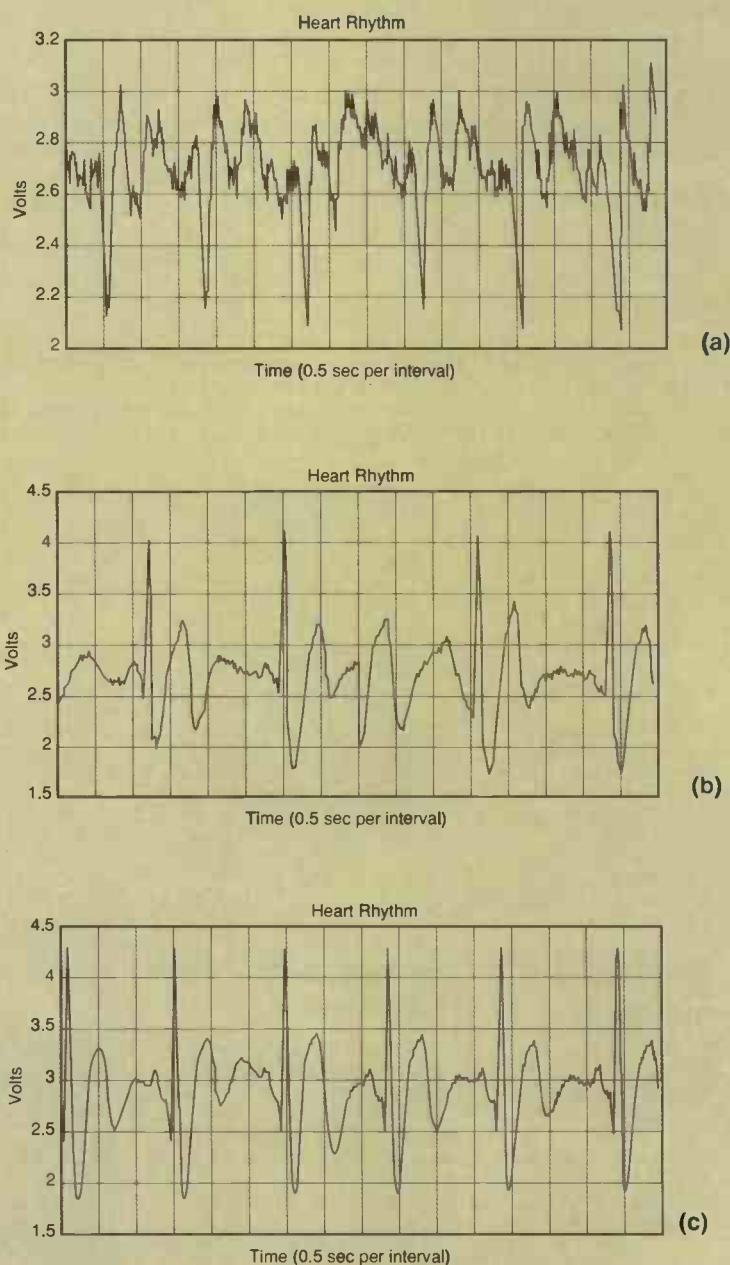
Comparing heart rhythm wave-forms, Fig. 3, with those taken via ecg devices shows that the periodicity and shape of the heart rhythm wave forms are the same for both ecg recordings and the heart monitor. ■

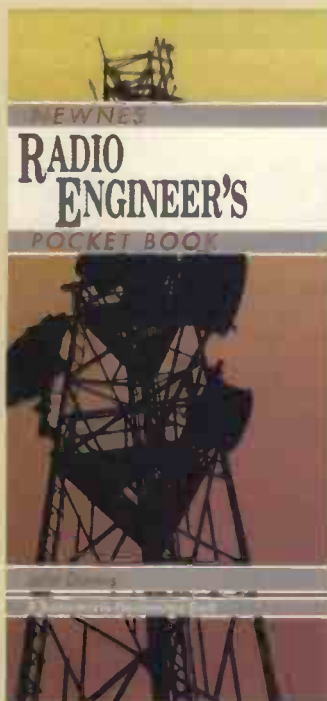
References

1. RS Catalogue, June 1993.
2. Moris Mano, *Digital Design*, Prentice Hall.
3. Sedra and Smith, *Microelectronic Circuits*, HRW Saunders, International Edition.

*In this application, any mains adaptor used must meet the medical safety requirements appropriate to your country - Ed.

Fig. 3. Sample heart rhythms from the heart rate monitor.





Radio Engineer's Pocket Book

by John Davies, 240pp, hardback
Order – ISBN 0 7506 1738 1
Price £12.99

Contains: Propagation; decibel scale; transmission lines; antennas; resonant circuits; oscillators; piezo-electric devices; bandwidth requirements and modulation; frequency planning; radio equipment; Microwave comms; Information privacy and encryption; multiplexing; speech digitisation and synthesis; vhf and uhf mobile communication; signalling; channel occupancy, trunking; mobile systems; base station management; instruments; batteries; satellite comms; connectors and interfaces; broadcasting; abbreviations and symbols; tables and data; glossary.

Covers all aspects of radio and communications engineering from very low frequencies to microwaves, with particular emphasis on mobile communications. Wave principles and the decibel scale, instrumentation and power supplies, equipment types and encryption methods, connectors and interfaces, are all included in this book.

Audio Recording and Reproduction

Michael Talbot-Smith, 204pp, paperback
Order – 0 7506 1917 1
Price £12.99

Contains: Physics of sound waves; hearing; basic acoustics; microphones; loudspeakers; public address; stereo; simple mixing equipment; recorders; introduction to digital audio; music and sound effects; miscellaneous data.

This book gives a simple and straightforward approach to audio techniques, detailing technical and practical information for those with no specific training in the subject.

Circuit Designer's Companion

by T Williams, 320pp, paperback
Order – 0 7506 1756 X
Price £15.99

Contains: grounding and wiring; printed circuits; passive components; active components; linear integrated circuits; digital circuits; power supplies; electromagnetic compatibility.

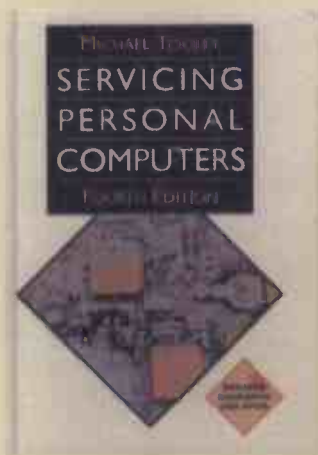
Valued by linear and digital designers alike, this guide explains and outlines solutions that take into account the imperfect behaviour of real components, interconnections and circuits.

Servicing Personal Computers

by Michael Tooley, 304pp, hardback
Order – ISBN 0 7506 1757 8
Price £25.00

Contains: Microcomputer systems; test equipment; fault diagnosis; tape and disk drives; printers and monitors; servicing IBM pc compatibles and 68000-based computers.

This completely rewritten fourth edition still covers the whole range of microcomputer equipment but now also includes a guide to developments and trends such as the new generation of diagnostic software – code included – and applications such as serial communication, and memory and hard disk management.



Newnes Audio and Hi-Fi Handbook

by Ian Sinclair, 656pp, hardback
Order – ISBN 0 7506 0932 X
Price £40.00

Contains: Sound waves and acoustics; studio acoustics; microphones; sound synthesis; introduction to digital principles; compact disc technology; other digital systems – DAT, NICAM, DCC, MD – analogue tape recording; noise reduction systems; LP records; disc reproduction; tuners and radio receivers; preamps and inputs; voltage amplifiers/controls; loudspeakers and enclosures; Headphones; public address; in-car audio; interconnections; the future.

Covers a wide perspective of high-quality sound reproduction, including reproduction under adverse circumstances, from less conventional sources and with regard to the whole technology from studio to ear.

TV & Video Engineer's Reference Book

by Boris Townsend, 876pp, paperback
Order – ISBN 0 7506 1953 8
Price £40.00

Contains: Materials; components and construction; colour tv fundamentals; broadcast transmission; distributing broadband; DBS; tv studios; mobile and portable equipment; tv sound; tv receivers; servicing tvs; video recorders; teletext etc; HDTV; other applications of tv; performance measurements.

Covers information on every aspect of modern broadcast technology. Of value to all practicing engineers and managers involved with broadcast, cable and satellite services.

Masts, Antennas and Service Planning

by Geoff Wiskin, 256pp, hardback
Order – ISBN 0 240 51336 3
Price £49.50

Contains: Antennas; antenna support structures; service planning.

Covers all aspects of information conveyance via radio-wave transmission. Invaluable to anyone planning for broadcast and mobile-radio coverage, or designing, installing and maintaining antenna systems.

Operational Amplifiers

by Jiri Dostal, 400pp, hardback
Order – 0 7506 9317 7
Price £40.00

Contents: The operational amplifier; basic concepts; operational amplifier parameters; operational amplifier properties; the operational circuit; the ideal operational circuit; analysis of the real operational circuit; static and dynamic errors in the frequency domain; dynamic errors in the time domain; input and output impedances;

offset; noise; stability; good laboratory practices.

Presents an extensive treatment of applications and a practically oriented, unified theory of operational circuits. Provides the reader with practical knowledge necessary to select and use operational amplifier devices.

Servicing Video Cassette Recorders

by Steve Beeching, 250pp, hardback
Order – ISBN 0 7506 0935 4
Price £25.00

Contains: Vcr systems; azimuth tilt; Frequency modulation; servo mechanisms; colour systems; systems control; long play; VHS-C & camcorders; a-v sockets.

Written for students and people involved with vcr servicing, this book is an invaluable guide and reference covering all aspects of modern vcrs. Contains new material on basic magnetic theory to C&G 224

Principles of Transistor Circuits

by S W Amos, 384pp, paperback
Order – 0 7506 1999 6
Price £17.99

Contains: Semiconductors and junction diodes; basic principles of transistors; common-base and common-gate amplifiers; common-emitter and common-source amplifiers; common-collector and common-drain amplifiers; bias and dc stabilisation; small-signal af amplifiers; large-signal af amplifiers; dc and pulse amplifiers; rf and if amplifiers; sinusoidal oscillators; modulators, demodulators, mixers and receivers; pulse generators; sawtooth generators; digital circuits; further applications of transistors and other semiconductor devices.

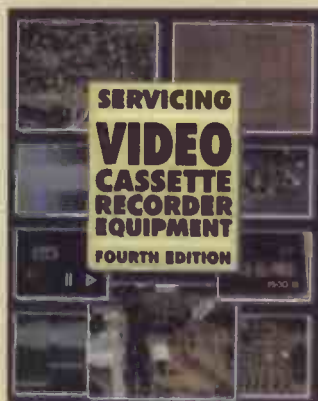
This seminal work has now been presented in a clear new format and completely updated to include the latest equipment such as laser diodes, Trapatt diodes, optocouplers and GaAs transistors, and the most recent line output stages and switch-mode power supplies.

Logic Designer's Handbook

by Andrew Parr, 488pp, paperback
Order – 0 7506 0535 9
Price £30.00

Contains: Simplified data on a comparative basis of ttl and cmos ic; storage devices; logic circuits; timers; counters; drivers; interface circuits; logic gates; definitions of ic characteristics; event driven logic; communication and highways; analogue interfacing; practical considerations; summaries by function of all relevant circuits; individual pin-out diagrams.

Easy-to-read, but nonetheless thorough, this book on digital circuits is for use by students and engineers, and is a readily accessible source of data on devices in the ttl and cmos families.



The Art of Digital Audio

John Watkinson, 490pp, hardback
Order – 0 240 51320 7
Price £49.50

Contains: Why digital?; conversion; AES/EBU; digital audio coding and processing; digital compact cassette (DCC); advanced digital audio processing; digital audio interconnects; digital recording and channel coding; error correction; rotary head recorders; stationary head recorders; NAGRA and data reduction; Digital Audio Broadcasting (DAB); the compact disc/mini disc.

New edition, completely updated to include all the latest developments, including DCC, the mini disc and digital audio broadcasting.

Microphone Engineering Handbook

by Michael Gayford, 384pp, hardback
Order – 0 7506 1199 5
Price £65.00

Contains: Microphone techniques; precision microphones; optical microphones; high quality of microphones and systems; radio microphones and ir systems; microphone testing; ribbon microphones; microphone preamplifiers; stereo microphones; microphone standards.

Comprehensive and authoritative book for engineers, technicians, students and anyone else concerned with the design and use of microphones.

MIDI Systems and Control

by Francis Rumsey, 256pp, paperback
Order – 0 240 51370 3
Price 19.95

Contains: Introduction to principles and terminology; synchronisation and external machine control; common implementations; systems control sequences and operating systems; implementation of midi with peripheral devices; practical systems designs.

Second edition is updated and enlarged to take MIDI evolution into account. More examples of real implementations, more diagrams and the whole book has been rewritten to include a far greater practical element, to complement its existing technical strengths. Several completely new sections and complete chapters have been added including a new opening chapter as an introduction to principles and terminology; MIDI timecode; librarians and editors.

Loudspeaker and Headphone Handbook

by John Borwick, 224pp, hardback
Order – 0 240 51371 1
Price £35.00

Contains: This book brings together in a single volume every aspect of loudspeaker and headphone theory and practice in sufficient depth to equip students and practitioners alike with a solid working knowledge of the subject. A comprehensive technical reference on the theory and practice of loudspeaker and headphone performance, design and operation.

The Art of Linear Electronics

by John L Hood, 400pp, paperback
Order – 0 7506 0868 4
Price £16.99

Contains: Electronic component symbols and circuit drawings; passive components; active components based on thermionic emission; active components based on semi-conductors; practical semi-conductor components; dc and low frequency amplifiers; feedback negative and positive; frequency response; modifying circuits and filters; audio amplifiers; low frequency oscillators and waveform generators; tuned circuits; high frequency amplifiers/oscillators; radio receiver circuitry; power supplies; noise and hum; test instruments and measurements.

This practical handbook gives a complete working knowledge of the basics and technology of linear electronics – with application examples in such fields as audio, radio, instrumentation and television.

Servicing Audio and Hi-Fi Equipment

by Nick Beer, 304pp, hardback
Order – 0 7506 2117 6
Price £25.00

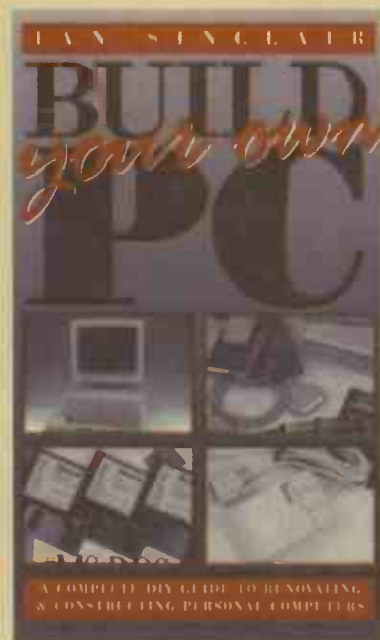
Contains: Introduction; tools and test equipment; radio receivers; amplifiers; power supply circuits; portable audio; cassette deck mechanics; cassette electronics; turntables; system control; motors and servo circuits; compact disc; mini disc; digital audio tape; digital compact cassette; speakers, headphones and microphones; repair, addresses.

As a bench-side companion and guide, this work has no equal. Its purpose is to ease and speed up the processes of fault diagnosis, repair and testing of all classes of home audio equipment: receivers, amplifiers, recorders and playback machines.

EMC for Product Designers

by Tim Williams, 304pp, hardback
Order – ISBN 0 7506 1264 9
Price £25.00

Contains: What is EMC? standards; EMC measurements; interference coupling mechanisms; circuits; layout and grounding; interfaces; filtering and shielding.



'This book is likely to become essential reading for those designing electronic products for the European market,' according to *New Electronics*. Widely regarded as the standard text on EMC, providing all the information needed to meet requirements of the EMC Directive.

Build Your Own PC

by Ian Sinclair, 256pp, paperback
Order – ISBN 0 7506 2006 4
Price 16.95

Contains: Assembly from scratch – mainly for masochists; fundamentals and buying guide; case, motherboard and keyboard; disk-drive details; improvers and modifiers for graphics and i/o; DOS operation and hints; Windows; connecting printers; glossary.

Covers Building your own pc from scratch or from modules. Written at a level suitable for beginners and those with experience of computers or electronics. In addition, this work provides a useful guide for anyone wanting to save money by upgrading their pc themselves.

Return to Jackie Lowe, Room L333, Quadrant House, The Quadrant, Sutton, Surrey, SM2 5AS

Please supply the following titles:

Qty	Title or ISBN	Price

Please add £2.50 UK Postage, £5.00 Europe £7.50 Rest of World

Total _____

Name _____

Address _____

Post code _____ Telephone _____

Method of payment (please circle)

Access/Mastercard/Visa/Cheque/PO

Cheques should be made payable to Reed Business Publishing

Credit card no _____

Card expiry date _____

Signed _____

Modulating *linearly*

Due to crowding in the radio spectrum, it is vital to reduce third-order intermodulation in rf modulators to an absolute minimum. Ian Hickman looks at a technique that promises significant benefits in terms of linearising modulation.

Receiving a given radio signal may be commercially important. It may even be a matter of life and death. But the ether is a crowded place, and a weak signal – even though it be in an otherwise unoccupied channel – may be drowned by the spillover of energy from a higher powered transmission in an adjacent channel. This is particularly the case on the crowded hf bands. There have been persistent rumours of an impending tightening of the specifications for the level of transmitter third order intermodulation products. Since I drafted an amendment to these, incorporated in the current issue of CCIR Recommendation 326, time has passed but the rumours persist.

In an hf ssb transmitter, it is likely to be the transmitter power amplifier output stage that is principally responsible for third order – and possibly even higher odd-order – intermodu-

lation products. But problems can also arise in the modulator stage, especially if poorly designed, while for test and measurement purposes, as clean a test signal as possible is desirable.

This reminded me of an article published

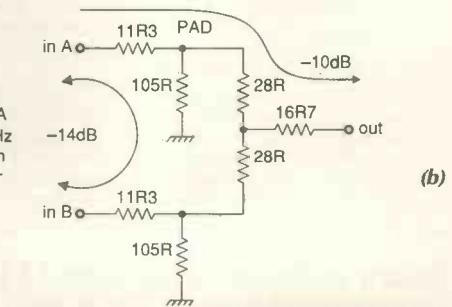
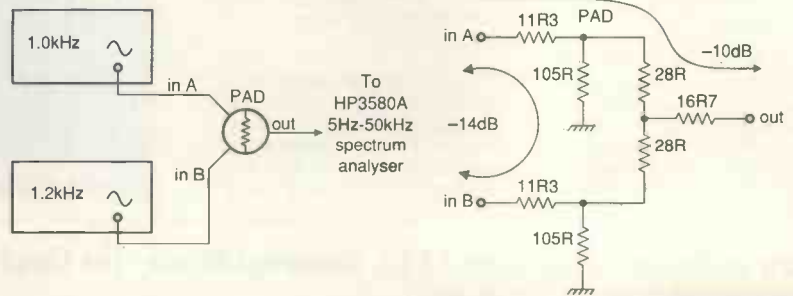
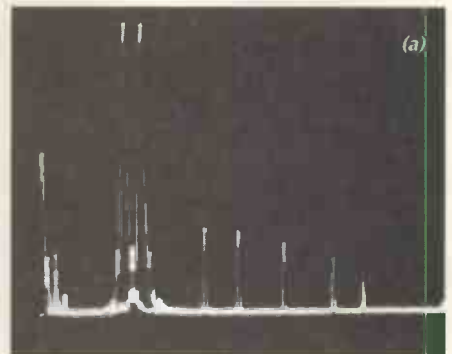
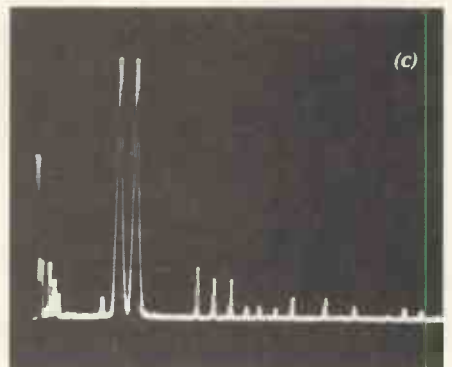


Fig. 1a). Spectra of the two oscillators used to provide the two-tone test signal. Span 0-5kHz, resolution bandwidth 10Hz, post detector smoothing off, reference level (top of screen) +10dBV, noise floor -90dBref. b) 50Ω resistive combining pad providing 10dB attenuation from each input to the output and 14dB isolation between inputs when terminated in 50Ω. (Nearest E24 values used.) c) Using the combining pad (unterminated), a third order intermod is visible at 800Hz, as well as sum and difference products. Spectrum analyser settings as a).



many years ago, concerning the linearisation of an active double balanced modulator, using op-amps. I failed to find it so I am unable to quote the reference, but the scheme is certainly attractive and well worth another look.

Since it was the principle of the scheme that was of interest, I decided to investigate it at very low frequencies. This would enable the investigation to be undertaken without needing careful and elaborate construction to avoid problems with parasitics.

To provide a two-tone test signal to the modulator, two video oscillators were used, one set to 1kHz and the other to 1.2kHz. Each was separately connected into a 5Hz to 50kHz spectrum analyser and its spectrum stored, both traces being shown in Fig. 1a). The two tones just reach up to the reference level (top of screen) which is at +10dBV. At the left of the display, adjacent to the 0Hz marker, low levels of 50, 150 and 250Hz can be seen, being odd multiples of the mains frequency and doubtless due to stray field from a mains transformer.

Also visible are 100Hz sidebands either side of each tone, at about 70dB down. Unfortunately the scale does not show up because the HP3580A used does not feature graticule illumination, and I have not yet added this facility to the camera. The second harmonic of each tone at 2kHz and 2.4kHz is also visible at over 60dB down, while higher harmonics are lower still.

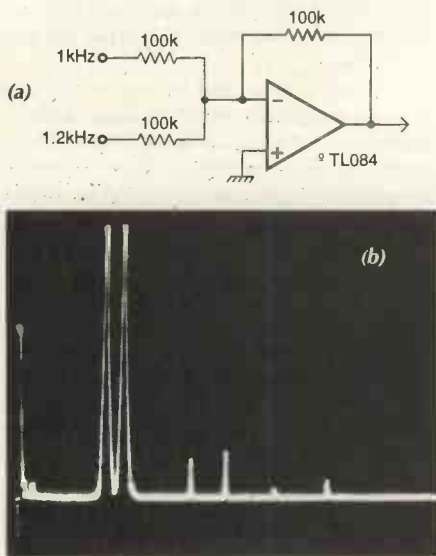


Fig. 2a). Combining the two tones at a virtual earth point provides near perfect isolation between sources, as the spectrum analysis, b), shows. Settings as Fig. 1a). Generator outputs reduced to ca. +7dBm in 50Ω, to give 0dBV unloaded.

When testing a modulator, it is obviously essential that the two-tone test signal is itself free of intermodulation products. This is not as straightforward as it sounds, requiring isolation between the outputs. The 50Ω outputs of the two video oscillators were therefore combined using a special resistive pad designed for this purpose, Fig. 1b). It is basically a three-port 6dB resistive combiner with an extra 4dB pad in series with two of the ports. Thus the attenuation from each input to the output is 10dB, while the isolation (attenuation) between inputs is 14dB.

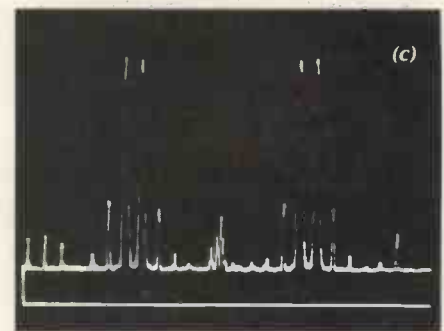
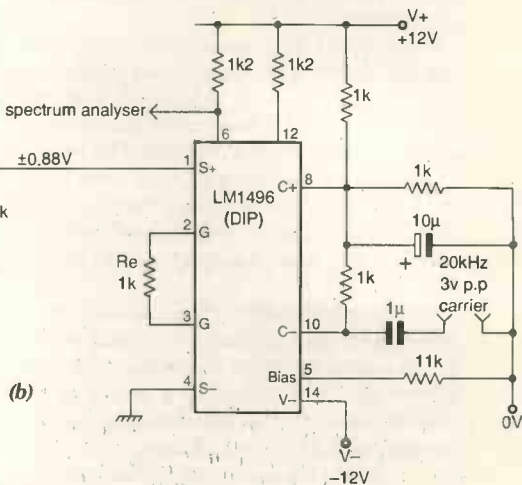
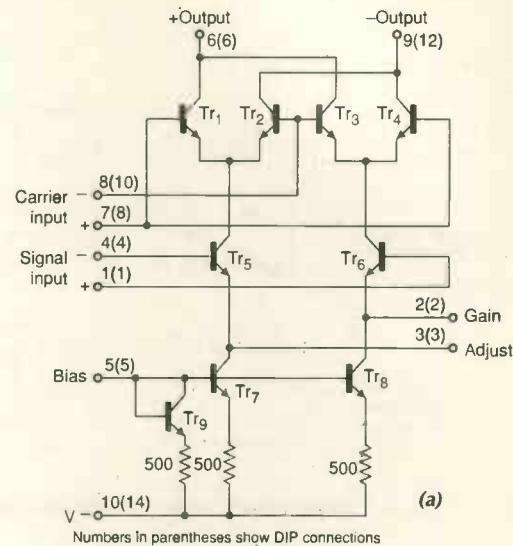
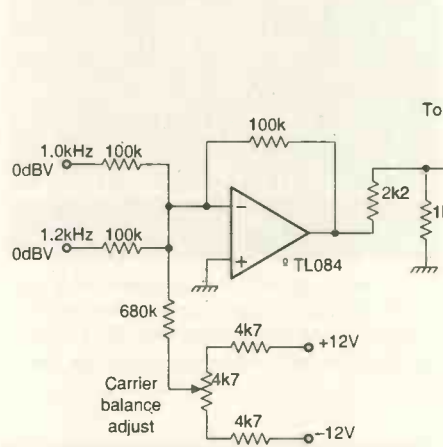


Fig. 3a). National's LM1496 double-balanced modulator internal circuit diagram. b) LM1496 connected as a double balanced modulator, with a two-tone test signal applied, modulating the 1mA standing current in Tr₅ and Tr₆ by ±90%. c) Resultant output spectrum, showing the (largely) suppressed carrier at centre screen, the two tones in the upper sideband with third order intermods either side, and a similar picture in the lower sideband. Third-order intermodulation products at 20.8kHz and 21.4kHz are 44dB down on either tone, i.e. 50dB down on PEP (and similarly in the lower sideband). Centre frequency 20kHz, span 5kHz, resolution bandwidth 10Hz, post detector smoothing off.

The two tones were combined using this pad and the output connected to the spectrum analyser, Fig. 1c). Due to the attenuation of the pad, the two tones are now 10dB down on the reference level. The spectrum analyser's sensitivity is unchanged, and all the other products are similarly 10dB lower. It is of course not permissible to increase the analyser's sensitivity to set the two tones back to the reference level. Their combined value when in phase – their PEP, or peak envelope power – is 6dB greater than either tone alone. This is enough to cause intermodulation products within the analyser itself, due to overload.

Isolation between the oscillators is evidently insufficient, as a number of products are visible. These include the difference frequency, visible as an additional 200Hz line at the left of the trace between the 150Hz and 250Hz lines of Fig. 1a), and the sum frequency at 2200Hz, between the two second harmonics.

More importantly, there is a third order intermodulation product at 200Hz below the 1kHz tone. Third-order intermods usually come in pairs, but there is only the barest hint of a product at 200Hz above the 1.2kHz tone. The reason may be that the output of each oscillator, feeding back into the output circuit of the other, is producing upper and lower

Linearity issues

Long-tailed pair $Tr_{5,6}$ in Fig. 3 operates very linearly, provided the signal input swing is not too large. This is due to the emitter degeneration provided by the gain setting resistor R_E . But the transistors themselves contribute some additional resistance, dependent on the emitter current. When a grounded-emitter transistor is driven from a very high impedance source, i.e. a constant current generator, the collector current is determined principally by the base current and the device's current gain. When driven from a very low impedance source however (a constant voltage generator), a different model is appropriate. Often, a very simple model, such as shown at a) in Fig. 5, suffices to give an understanding of how a circuit works, and of its limitations.

The diagram shows a transistor with infinite mutual conductance, g_m , so that as far as small changes of signal voltage are concerned, its internal emitter voltage follows exactly the base voltage. But between this notional internal emitter and the outside world, there is a resistance r_e . The value of this resistor depends on the emitter current and hence also on the signal-voltage.

Resistance r_e is inversely proportional to emitter current. In fact at room temperature the value of the resistance is given by,

$$r_e = 25/I_e \Omega$$

where I_e is in milliamps.

Imagine that the transistor is biased so that the standing dc is 1mA. When a $\pm 250\mu\text{V}$ ac signal is applied to the base, the current swing will be almost exactly $\pm 10\mu\text{A}$.

But not quite. For when the emitter current rises to 1.01mA, r_e will fall to $25/1.01\Omega$, and likewise will rise by 1% when the current falls to 0.99mA. So the increase in current at the positive peak will be slightly greater than the decrease at the negative peak.

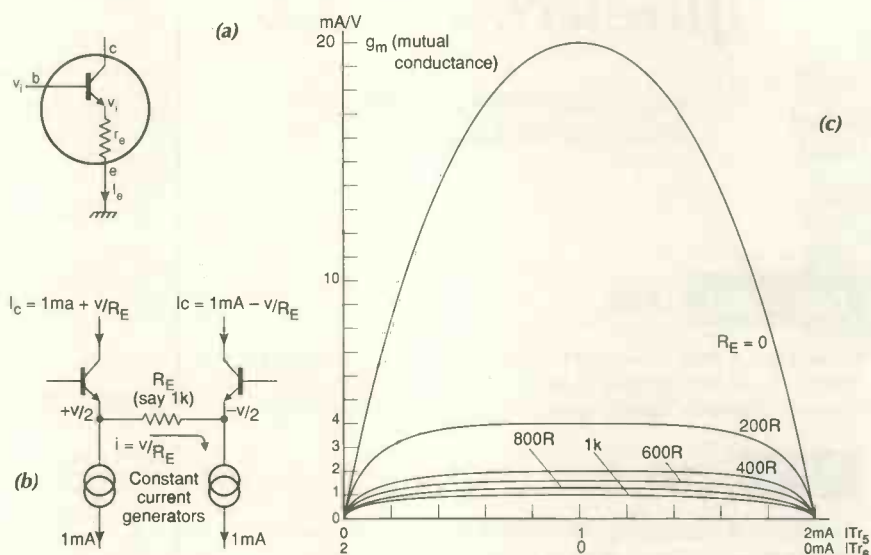


Fig. 5a) Simple model of a transistor driven from a constant voltage source.

b) In a long-tailed pair with ideal 'tails', the increase in current through one transistor must exactly match the decrease through the other.

c) Additional resistance R_E between the emitters linearises the stage, permitting a much larger percentage current swing for a given acceptable degree of distortion, at the expense of needing a much larger voltage swing at the input (reduced stage gain).

The disparity becomes greater as the fractional modulation of the emitter current is increased. This leads to significant second harmonic distortion unless some measure, such as negative feedback is used to control it.

In a balanced circuit, such as b) in the Figure, the internal emitter resistance r_e of each transistor must be added to any external resistance R_E connected between the transistors. With constant tail currents as shown, as the current through one transistor increases, that through the other must fall by the same amount.

If the current through Tr_5 decreases by 10% its r_e will rise to $25/0.9$, which is 27.78Ω while the r_e of Tr_6 will fall to 22.72Ω . Thus the effective emitter to

emitter resistance is $(R_E + 50.5)\Omega$.

This differs from $(R_E + 50)\Omega$, the value when both emitter currents are 1mA, by only 10% even if R_E is 0, and a mere 0.05% if R_E is 1k Ω . If the current variation is not $\pm 1\%$ but, say, $\pm 90\%$, then even when R_E is 1k Ω , significant peak crushing (third-harmonic distortion) will result, due to the variation of the effective emitter-emitter resistance. For when the current through one transistor doubles to 2mA, its r_e drops only to 12.5Ω , whereas for the other, when I_e falls to 0mA, r_e rises to infinity. The effect of different values of emitter-emitter resistance R_E in linearising the mutual conductance $g[m]$ of a long-tailed pair is illustrated in c) in the Figure.

equal the signal input at the op-amp non-inverting inputs.

Falling differential transconductance of the $Tr_{5,6}$ pair as one or other nears cutoff is within the loop feedback, and thus largely overcome. This is shown in Fig. 4b), where the analyser settings are as those in Fig. 3c). Now, the third order intermods are 65dB down on PEP, even with the input within 1dB of overload.

With both tones increased by 3dB, the signal input circuit is overdriven and a mass of odd-order intermod products of higher orders appear, Figure 4c). Thus the linearisation

allows the circuit to operate in an extremely linear manner, right up to just below the theoretical overload point. And although, for convenience, the results presented here were obtained when operating the LM1496 at very low frequencies, the scheme doubtless operates at much higher frequencies.

Data book typical performance curves for the LM1496 show its performance to 50MHz and beyond. Op-amps are now available with gain-bandwidth products of many hundreds of megahertz. As a result, it should be easy to implement the linearisation scheme at, say, 10.7MHz, or even higher frequencies. This

would provide a super-linear modulator for test and measurement purposes, or for use in transmitters of exceptional linearity, using perhaps class A output stages. ■

"moving from schematic to layout
could not be easier"

Electronics World & Wireless World Jan 1995

PRO+ now
with SPICE
file export
& SpiceAge
DDE Link!

quickroute 3.0

Integrated Schematic and PCB
Design for Windows 3.1

DESIGNER £99

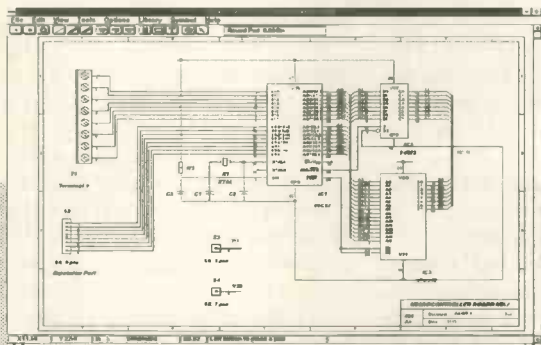
*Schematic & PCB Drawing *1/2 layer auto-router *Supports Windows printers/plotters *Full set of libraries *Clipboard support *Designer Special (manual on disk) also available.

PRO £199

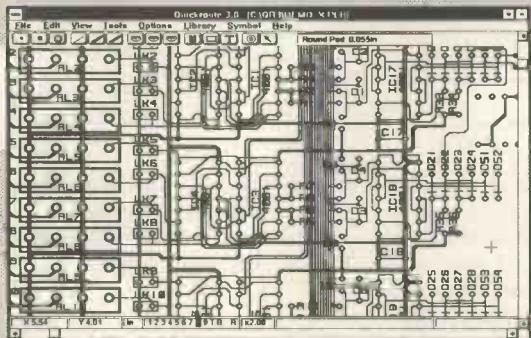
*Schematic & PCB Design *Schematic Capture *Integrated Rats-Nest Generation *1-8 layer Auto-router (faster than Designer) *Net-List Export *Supports Windows printers/plotters *CAD-CAM outputs.

PRO+ £299

As the PRO but also includes *Advanced Schematic Capture (Busses, Power rails, etc) *Larger Schematic & PCB Designs *Gerber file IMPORT for File Exchange *Extended libraries (CMOS, SMT, etc) *SPICE Export *SpiceAge DDE Link



Busses & power rails handled using Global Nets on PRO+



Integrated Schematic & PCB Design.

POWERware, 14 Ley Lane, Marple Bridge,
Stockport, SK6 5DD, U.K.

Tel/Fax 0161 449 7101

*Prices exclude P+P and V.A.T. *VISA/MasterCard
Accepted *Network versions available.

**FREE
Demo
Pack
Available.**

CIRCLE NO. 136 ON REPLY CARD

Field Electric Ltd.

Tel: 01438-353781 Fax: 01438 359397

Mobile: 0836-640328/0860-213370

Unit 2, Marymead Workshops,
Willows Link, Stevenage, Herts, SG2 8AB.



Conrac 7211 C19EK. 18" RGB/Video input broadcast quality monitors 240 VAC	£100	TEK: 7D12 A/D converter plug in	£150
Barco 18" RGB/Video input broadcast quality monitors	£85	TEK: TM504 mainframe	£125
360/720K 5.25" TEAC BBC compat. disk drives	£9.50 C/P £3.50	TEK: 184 time mark generator	£95
Yuasa NP10-6: 6v 10gh sealed lead acid battery	NEW £7.95 C/P £3.50	DATA I/O 29A Universal Programmer c/w/Unipak 2	£225
PC PSU 200watt square type	NEW £15 C/P £5	TEK: D10 o'scope mainframe	£95
NECC MV 123NE 12" colour monitor will work on PC SVGA/VGA/AMIGA/ATARI/BBC. Supplied with lead for PC VGA. Cased 240vac	£85 C/P £12	TEK: DAS9100 digital analysis system	£295
Intest Equip Section as follows: Under Racal 835.		TEK: 067 0508 00. 50 ohm amplitude cal.	£95
Elan E9B Copier/Programmer Epron/Eeprom Editing & Interface	£350	TEK: 7511 sampling unit	£180
High quality 750HM video cable 100 metre+ reel	£22.00 C/P £8.00	TEK: 453 o'scope 50MHz dual beam	£200
Sony 9" colour monitor Trinitron super fine pitch model KTM 1000ub Cased with data for RGB	£50	DATA I/O Romulator Data I/O Ram-Pak	£95
SONY 1.44Mb 3.5" F/Disk Drives	£15 C/P £5.00	Racal 835 Universal counter	£145
Intel flash memory cards 1Mb to 4Mb from	£80	Philips PM 8154 6 pen plotter IEEE	488 £280
Test equipment: please ring for C/P details		Calcomp 81 8 pen plotter (digitising)	£400
HP 7475A, RS232C/CCITT V-22 graphics/CAD pro: plotter A3/A4 IEEE 488	£150	Marconi inst= multiplex tester 2830	£600
HP 427A voltmeter	£145	Wandel & Goltermann LDE-2 measuring set for group delay & attenuation: receiver	£150
HP 7958s	£50	Wayne-Kerr 022D video oscilloscope	£95
HP 431C power meter cable and head	£195	Muirhead K-126A decade oscillator	£140
HP X532B frequency meter	£165	Spectra brightness spot meter 1514-UB	£125
HP 1332 X-Y display with options 215/300/315/570/631	£150	Bio-Tec inst: Model 501	£125
HP 693D sweep oscillator 4-8 GHz	£95	Greibach Inst. AC/DC microamp meter	£35
HP 10013A probe	£24.50 C/P £3.50	Pirelli Focum multiport repeater 5709	£140
HP 3015A distortion analyser	£150	Singer Gertsch phase angle voltmeter c/w 400Hz module	£125
HP 415E SWR meter	£195	Paratronics inc System 5000 PI-540 logic analyzer	£190
HP 9872A 4 pen plotter	£225	Optimization Inc Model AC125 calibrator	£90
HP 3550B test set	£275	Calrec ZN1232 Desk PSU	£85
HP 3551A transmission test set	£725	Systron Donner pulse gen: 100C	£95
HP 1610B Logic State Analyzer with Pods	£135	Hydrostatic stability indicator	£425
HP 1611A Logic State Analyzer	£125	Hughes Model 639 scan conversion memory	£300
TEK: 7A15A amp plug in	£175	Philips PM 8940 isolation amp etc	£85
TEK: 7C11N curve tracer plug in	£450	Wayne Kerr VHF admittance bndge B801	£85
TEK: 06 7-502 standard amplitude calibrator	£100	DLI delay gen: DG100	£80
TEK: swept frequency converter 015-0107-00	£59	Marconi TF 2602 diff: DC voltmeter	£65
		Bromma LKB 2210 recorder 1-channel	£60
		Fluke 893A AC-DC diff voltmeter	£250
		General Radio 1433-H decade resistor	£135
		Borg-Warner SWR Ind: M401	£120
		Barr & Stroud Argon Ion 5W laser system with PSU/Dye laser etc	£1250

PLEASE ADD 17.5% VAT. TO ORDER: RING FOR C/P PRICES NOT SHOWN:
OFFICIAL ORDERS AND OVERSEAS ENQUIRIES WELCOME

TO ALL SMALL BUSINESSES AND COMPANIES. WE WOULD LIKE TO
BUY YOUR SURPLUS OR REDUNDANT COMPUTER HARDWARE/GOOD
TEST EQUIPMENT ETC.

CIRCLE NO. 137 ON REPLY CARD

TRANSISTORS + ICS + SEMICONDUCTORS

£30
WORTH OF
VOUCHERS

in the new



Very Interesting Catalogue

- ☛ RESISTORS + CAPACITORS + INDUCTORS
- ☛ SURVEILLANCE + SECRECY + SECURITY
- ☛ PLUGS + SOCKETS + LEADS + CONNECTORS
- ☛ TV & VIDEO SPARES (INC. VIDEO HEADS)
- ☛ HI-FI + DISCO + HI-FI GADGETS + SPEAKERS
- ☛ AUDIOPHILE COMPONENTS (inc capacitors)
- ☛ IN CAR AUDIO + SPEAKERS (inc bass tubes)
- ☛ COMPUTER ACCESSORIES + BOARDS
- ☛ TOOLS + TEST EQUIPMENT + BENCHWARE

& much much more (over 10,000 lines).

send today for the very interesting catalogue.

Pay by PO, cheque, credit card or tape coins to paper.

Please send me.....copies of the 1995 Cricklewood Catalogue.
I enclose £2.50 per copy (UK & Europe) £5 overseas.

Name.....
Address.....

Please charge my credit card. No.:.....
Expiry Date..... Tel. No.:..... EWW

Cricklewood Electronics Ltd, 40-42 Cricklewood Broadway,
London NW2 3ET. Tel: 0181-450 0995 Fax: 0181-208 1441

CIRCLE NO. 138 ON REPLY CARD

NEW PRODUCTS CLASSIFIED

Please quote "Electronics World + Wireless World" when seeking further information

ACTIVE

A-to-d and d-to-a converters

Serial-output a-to-d. Harris has the *HI5816* 12-bit, sampling a-to-d converter with serial output, which takes only 3.5mA from 5V and allows direct digital input to microcontroller serial ports. Conversion time is 20µs and sampling rate 50ksample/s. Data is output either as the conversion proceeds or when it is completed, the mode being pin-selected. The in-built 1/4 amplifier has a 1MHz bandwidth. Harris Semiconductor UK. Tel., 01276 686886; fax, 01276 682323.

Dual delta-sigma a-to-d. Crystal's *CS5504* is a dual-channel delta-sigma converter allowing perfect differential non-linearity with no missing codes to 20 bits, with fast, on-chip calibration circuitry. It samples at up to 200sample/s and both 50Hz and 60Hz noise is rejected by built-in filtering. There is no need for the usual external integrating capacitor and control logic and the device uses

Microprocessors and controllers

Fastest Pentium. Intel has introduced a new version of the *Pentium* processor, which is in 3.3V, 0.35µm CMOS/bipolar technology, operates at 120MHz, gives 140 SPECint92 and 103 SPECfp92 and is now available. Die size is about half that of earlier 0.6µm, 75, 90 and 100MHz Pentiums. Intel Corporation UK Ltd. Tel., 01793 696000; fax, 01793 430763.

a cheap crystal as used in watches as the clock. The family includes single, dual and four-channel versions, all with direct interfacing to low-power microcontrollers, since these devices operate with supplies down to 3.3V. Crystal Semiconductor Corporation. Tel., (USA) 00 512 442 7555; fax, 00 512 445 7581.

'Fastest' a-to-d. Made by Signal Processing Technologies, the *SPT7760* is a full parallel flash converter with a guaranteed sample rate of 1000Msample/s and an analogue bandwidth of 900MHz. Input capacitance is 15pF, stabilised by the inclusion of 256 buffers, and output is in Gray code. Single-ended 5.2V is needed. Ambar Cascom Ltd. Tel., 01296 434141; fax, 01296 29670.

Little a-to-d. Said by Analog Devices to be the smallest 12-bit a-to-d converter to give 100ksample/s from one 2.7-5.5V supply, the *AD7896* is in an 8-pin SOIC or mini-dip. Input range matches the supply voltage and consumption from 3V is 9mW or 15µW in power-down, which is automatically timed to occur after a conversion and 6ns before the next one. Track-and-hold and a serial interface are on-chip. Analog Devices Ltd. Tel, 01932 266000; fax, 01932 247401.

Discrete active devices

Uhf silicon fet. *MHW916* from Motorola is a laterally diffused mosfet designed for European extended GSM base-station use, working in the 925-960MHz range. It operates from 26V and takes 15.5dBm of rf input, giving a gain of 26.5dB minimum, harmonics being 35dBc down. Input and output are both 50Ω. Motorola Inc. Tel., 01908 614614; fax, 01908 618650.

240V mosfet. Zetex's *ZVP4424G* SOT223 mosfet has a maximum on resistance of 12Ω at 100mA and 2V maximum V_{GS} . Rise and fall times are 8ns and 20ns at a 100mA drain current and the device controls a continuous 480mA drain current pulsed to 1A. Input capacitance is 100pF. Zetex plc. Tel., 0161-627 5105; fax, 0161-627 5467.

Low-voltage mosfets. Four power mosfets from Siliconix, in the company's *TSSOP Lite Foot* family turn on fully on 4.5V and operate down to 2.5V. The *Si6xxxDQ* series includes a single n-channel device, double n-channel and p-channel

types and a complementary version, breakdown for n-channel devices being 20V and 12V for the p-channel types, with a 35mΩ on resistance in the single n-channel unit (100mΩ for the dual p-channel type). Siliconix/Temic Marketing. Tel., 01344 485757; fax, 01344 427371.

Digital signal processors

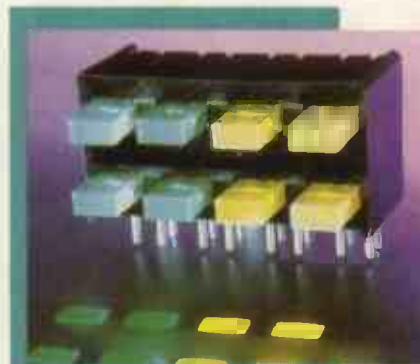
DSP56002 evaluator. Motorola offers an evaluation module for the *DSP56002* 24-bit audio dsp chip. The *EVM*, combined with 32Kword of on-board sram and a stereo codec, carries out a range of audio processing algorithms. It comes with the *DSP5600X* cross-assembler and debug software running under dos. Macro Group. Tel., 01628 604383; fax, 01628 666873/668071.

Linear integrated circuits

Rail-to-rail op-amp. Linear's *LT1366* dual precision op-amp offers rail-to-rail input and output, input voltage offset of 150µV and input bias current of 10nA over the whole input range. Common-mode rejection is 90dB and loop gain 10⁶ into 2kΩ. Linear Technology (UK) Ltd. Tel., 01276 677676; fax, 01276 64851.

Optical devices

Coaxial 1550nm laser. NEC says its *NDL7701P* is the first 1550nm distributed-feedback laser to go into a coaxial package. It and the 1350nm equivalent, the *7601P*, use NEC's multiple-quantum well laser diode, the dfb technique exhibiting very narrow spectra for long transmission distance. Output is 5mW and the devices are suitable for external modulation at up to 10Gbit/s. NEC Electronics (UK) Ltd. Tel., 01908 691133; fax, 01908 670290.



Displays

Colour tft. Colour displays from Hitachi are now obtainable from Eiger, including the model tersely known as the *TX26D60VC1CAB*, which is a 640 by 480 type weighing only 600g and having a thickness of 10mm. Backlighting is built in. Other colour and mono types offered include the *LM19520RPCC*, an 8mm thick unit with 320 by 240 resolution, and the *LMG4320* mono type, measuring 5.8mm thick and weighing 200g. Eiger Technologies Ltd. Tel., 01928 579009; fax, 01928 579123.

SM GaAs mmics. Anglia is handling the Samsung *SMP* range of plastic-packaged, low-cost, gallium arsenide, monolithic microwave ics, including a 0-8GHz voltage-variable attenuator (30dB/1GHz), the *SMP 10008-1*; the *SMP 10008-2* two-stage type giving 35dB at 1GHz; a 1.8-3GHz low-noise amplifier, the *SMP 22203* with a typical noise figure of 2.2dB; the *SMP 11206* 1.8-6GHz medium-power/driver amplifier; and the *SMP-13203* low-noise amplifier offering 2.5dB noise figure and 15.5dB gain at 2.4GHz. Anglia Microwaves Ltd. Tel., 01277 630000; fax, 01277 631111.

Mixed-signal ICs

Conferencing. Mitel's *MT8924* provides conference call capability in digital switching systems, allowing up to ten independent conferences of three parties or one of thirty parties to be set up using a 32 pcm voice channel supporting 2.048, 1.536 and 1.544Mbit/s data rates. It converts pcm a-law or µ-law data to linear form, processes it and reconverts the result to compacted form, sending it to the



NEW PRODUCTS CLASSIFIED

Please quote "Electronics World + Wireless World" when seeking further information

pcm output port. There is programmable noise suppression and individual channel gain. Mitel Semiconductor. Tel., 01291 430000; fax, 01291 436389.

Fast, low-noise plls. MB1516A and MB1517A from Fujitsu operate at 1.1GHz and 2GHz for GSM and DECT mobile work. Both have a pulse-swallow function to form a fast dual-modulus prescaler with selectable 64/65 and 128/129 ratios. In DECT tests, spurious noise levels are 72dB and phase noise 80dBc/Hz. Power needed is 6.5mA and 14mA respectively from single 3V supplies. Fujitsu Microelectronics Ltd. Tel., 01628 76100; fax, 01628 781484.

PLL for 'phones. Murata's HFQ351/361 series of miniature pll modules for E-AMPS and E-TACS radiophones are surface-mounted devices containing a low-pass filter, microstrip line resonator vco and a pll. They work on 3V and take a maximum of 18mA, providing an s:n ratio of over 45dB and carrier:noise of 72dB. Murata Electronics (UK) Ltd. Tel., 01252 811666; fax, 01252 811777.

Cameras

Video Imaging terminal. Harris's high-definition Compact Video Imaging Terminal weighs 12lb, is battery-powered and captures colour and monochrome images from analogue cameras, still and live video cameras and digital cameras, including the Associated Press NC2000 and Kodak's DCS 420 series, as well as images from infrared and radar sensors. Results are stored, manipulated, annotated, compressed and transmitted on hf, vhf or uhf channels, satellite links or landlines. There is a built-in 4in screen and an internal memory is enough to store 20 images, with room for a removable memory card. Harris Corporation. Tel., 00 1 716 244-5830.

PASSIVE

Passive components

Thin-film capacitor. In values of 0.1pF to 24pF at between 50V and 100V, AVX's ACCU-P range of thin-film rf/microwave capacitors are now available in 0603 size packages. Cover and substrate are alumina rather than glass for improved thermal matching, smaller size or better current handling. AVX Ltd. Tel., 01252 770000; fax, 01252 770001.

SM carbon trimmer. Murata's POZ3 series of surface-mounted trimmer potentiometers are constructed in two parts to give lower cost and better reliability. Special plating provides good solderability and the substrate used prevents flux wicking. Resistance range is 200 Ω -2M Ω at 0.1W. Murata Electronics (UK) Ltd. Tel., 01252 811666; fax, 01252 811777.

Connectors and cabling

Smart-card connector. Made by Jin Kwang, the JCA series of smart-card reader connectors have dual tension points to ensure stable card insertion and are designed to avoid damage to

Low-power smps. LCS25 from Gardners is a 25W switched-mode power supply possessing a range of industry approvals and interchangeable with many existing units; it has standard pinout and fixing centres on single, double and treble output units, the range covering several combinations of 5V, 12V and 15V in seven open-frame or cased models accepting 85-265V ac or 12V, 24V or 48V dc at the input. Gardners Ltd. Tel., 01202 482284; fax, 01202 470805.



the pcb when the housing cover is opened. They are available with eight or sixteen gold-plated contacts and can be supplied with blade or sealed detection options. Pedoka Ltd. Tel., 01462 422433; fax, 01462 422233.

Insulated BNCs. Multi-Contact has the HCK range of insulated BNC connector accessories, including test leads, connectors and adaptors for a range of hf needs in both male and female form in red, black or blue. The connectors are designed to handle 1kV to earth, with a maximum of 500V between inner and outer. Attachment to the lead is by solder or crimping. Multi-Contact UK Ltd. Tel., 01908 265544; fax, 01908 262080.

PC card connectors. Light-weight connectors from Fujitsu, the FCN-560H series, conform to both JEIDA and types I, II and III PCMCIA standards and are meant for completely automatic assembly. The ejector mechanism is assembled separately to allow the connector to be mounted using a pick and place machine. Special pins and solderable flanges prevent subsequent mounting stress and movement during soldering. Fujitsu Microelectronics Ltd. Tel., 01628 76100; fax, 01628 781484.

Crystals

Sm crystals. CMX 5000 crystals by C-MAC cover the 10-250MHz frequency range, with fundamentals up to 100MHz using a plasma etching technique and overtones above that. From -10°C to 60°C, stability is ± 5 ppm; ± 50 ppm in the -55°C to 105°C range. Surface-mounted packages are in ceramic and have an overall height of 2.7mm. C-MAC Quartz Crystals Ltd. Tel., 01279 626626; fax, 01279 454825.

Eight-led packages. New in Dialight's Series 567 circuit board indicator range is a two-level type containing two rows of four rectangular-window leds in yellow, green and other combinations in UL94V-0 black housings. Dialight. Tel., 01638 662317; fax, 01638 560455.

Printers and controllers

Thermal printers. Static head thermal printer mechanisms and interface boards by Panasonic are quiet and fast and are meant for use in instrumentation and data terminals. Six models in the EPL1100 range use paper 60, 80 and 112mm wide at print speeds of eight and 16 lines/second, the number of dots being in the 448-832 per line, depending on width, or up to 80 characters per line. They all handle graphics and can be fitted with an end-of-paper sensor. Able Systems Ltd. Tel., 01606 48621; fax, 01606 44903.

Colour vga lcd. LDH102T-10 is an active-matrix lcd module by FPD, which is a joint Philips, Thomson, Sagem and Merck concern, that provides vga resolution on a 10.4in diagonal screen. With its 24-bit driver, there are 16.7 million colours and performance is applicable to multi-media computing on notebook types. Although pixel drive is by way of diodes, rather than by transistors, drive electronics for tft displays are compatible and the smaller diodes allow more light to pass to give brighter presentation. Philips Components. Tel., 00 31 40 722790; fax, 00 31 40 724547.

Filters

Card-based filter system. Multi-channel electronic filters systems by Kemo take the form of cards, assembled in cases to users' requirements and allowing a wide range of frequency, gain and characteristic to be configured. The 21ST range, which is manually switched, offers filters from the simple fourth-order, 15:1 cut-off adjustment type to the 2555:1 cut-off model with a choice of four, six or eight poles. In the computer-controlled 21CC range of units, choices are one or two channels per card, differential input, jumper-selected gain and gain/offset



Please quote "Electronics World + Wireless World" when seeking further information

trim. Versions with programmable gain and adjustable frequency are available. Kemo Ltd. Tel., 0181 658 3838; fax, 0181 658 4084.

Instrumentation

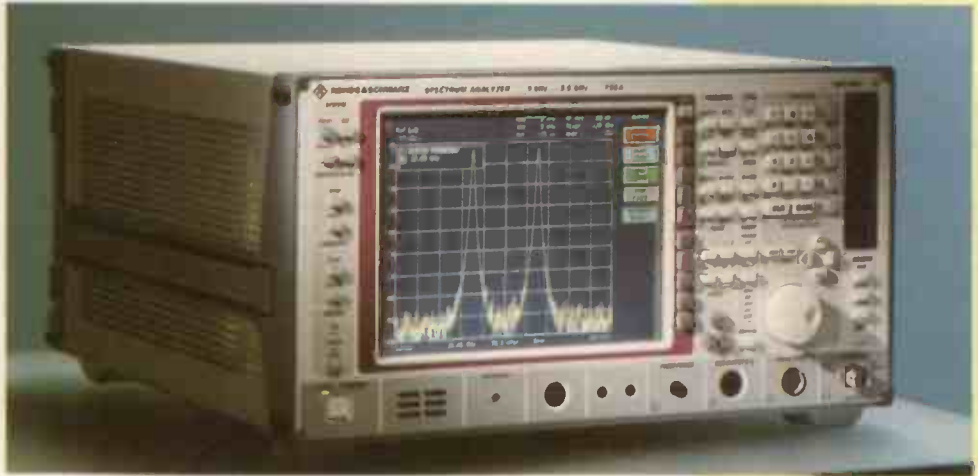
Bright panel meters. DMS-30PC-RL panel meters made by Datel use the newest, brightest, 0.56in red leds and take a mere 10mA from 5V. They are said to be readable from 20ft. The internal a-to-d converter is an autozero type, accurate to within ± 1 count. Three standard ranges are ± 200 mV, ± 2 V and ± 20 V, all having 1G Ω input impedance, protected to ± 250 V, with autopolarity and over-range indication. Datel (UK) Ltd. Tel., 01256 880444; fax, 01256 880706.

Satellite terminal tester. Racal's 6121 is said to be the world's first commercial test set for satellite mobile terminals and is meant for maintenance, servicing and production test of mobiles for geostationary satellites Optus, AMSC, TMI, Inmarsat-M and miniM, and the future low-earth orbit types such as Iridium and Globalstar. Tests carried out include call setup, call termination, voice loopback, data, facsimile, log-on, acquisition and transmission disable, with a number of transmitter tests. Racal Instruments Ltd. Tel., 01734 669969; fax, 01734 262121.

40GHz signal generator. Extending the coverage of the R&S SME and SMT range of signal generators is the SMP 04 40GHz instrument, which is available with am, fm, phase, ask and fsk modulation, with an optional internal pulse generator. Frequency coverage is 2GHz-40GHz, with the low end starting at 10MHz as an option, to 0.1Hz resolution. There is also frequency and level sweep and a list mode for fast frequency hopping. Rohde & Schwarz UK Ltd. Tel., 01252 811377; fax, 01252 811447.

Fibre tester. Using time-domain reflectometry, a new version of Tektronix's Fibremaster, the TFP2A/FM resolves faults in optical fibres at 850nm and 1310nm down to less than 20cm, with a very short dead zone. The instrument supports two optical modules with four wavelengths, allowing exact configuration without damage to the modules. Both multi-mode lans and single-mode wans can be tested, results being produced in hard copy and on floppy disk. Tektronix UK Ltd. Tel., 01628 486000; fax, 01628 474799.

Digital clampmeter. DL 235 is a clamp meter combining conventional operation with dmm versatility. It gives 4-digit readout of true rms current to 1000Apk, with an analogue display for transient capture and frequency measurement. Accuracy is 2% at 400A from 0.5Hz to 10kHz. Its features include detection and measurement of harmonics in neutral currents, alternating and direct voltage and resistance and continuity, a display hold facility assisting in difficult conditions. Di-Log



Instruments. Tel., 01942 222657; fax, 01942 227735.

Sound-level meter. B&K's Type 2236 sound-level meter is intended for use in measurements concerned with the Noise at Work legislation, containing no more than is necessary for this work. It measures noise levels and can be upgraded by built-in octave filters for frequency analysis to allow remedial measures to be determined. The instrument has standard international parameters for industrial noise measurement, and is provided with a serial interface to download results to a pc. Bruel &

Kjaer (UK) Ltd. Tel., 0181 954 2366; fax, 0181 954 9504.

Literature

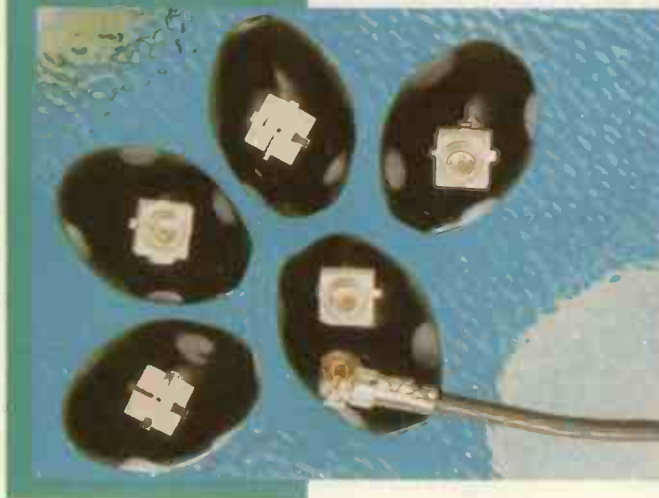
Enclosures. Vero's full range of plastic and metal enclosures and accessories is described in a new colour catalogue, with guides based on printed-board sizes and templates to help cost and specification of modifications that may be needed. Vero Electronics Ltd. Tel., 01703 266300; fax, 01703 265126

Esd. Baystat make bags to protect components against the effects of electrostatic discharge and now offer a free booklet on esd, its associated problems and how to prevent it. Teknis Ltd. Tel., 01823 481248; fax, 01823 481120.

Production equipment

Pcb miller. If you have a pc, you can mill printed-circuit boards using the German LPKF system, the Protomat. For around half the cost of some other systems, the package includes board design software and connects directly to the pc. Bed size is 420 by 375mm and repetition accuracy ± 0.02 mm. All standard materials can be handled, both single and double sided. Tracks CAD Systems Ltd. Tel., 01344 55046; fax, 01344 860547.

Smr rf connectors. An rf connector for 50 Ω application, the Hirose JAE CV10 has a 3GHz bandwidth with vswr of 1.3 and measures 3mm of the board with the right-angle plug inserted. Other versions are available: the S.F2-R-SMT is a 50 Ω type on tape for automated production, offering a vswr of 1.2 at 2GHz with a profile of 4.7mm after mating. Flint Distribution. Tel., 01530 510333; fax, 01530 510275.



Spectrum analysers. Intended, in the main, for the communications industry, the FSE range of spectrum analysers by R&S covers the 20Hz-7GHz range and could therefore be said to be universal in application. Speed is one of its claims to fame: it carries out 25 sweeps/s and synchronised tuning at sweep times of 5ms provide accuracy at every display point. Gap sweep and a resolution of 200ns/division for time domain analysis allow simultaneous measurement of pulse rise and fall times at high resolution. A phase noise of around -128 dBc/Hz at 10kHz eliminates the need for extra phase noise testing. Test functions include eight different markers, adjacent-channel power and occupied bandwidth measurement and a selectable-resolution counter. Hard and soft keys make for ease of operation, as does the large colour monitor, and output is provided for a range of printers and plotters and all Windows file formats. Rohde & Schwarz UK Ltd. Tel., 01252 811377; fax, 01252 811447.

Power supplies

Fast-response regulator. Linear's LT1585 4.6A, 3-5V linear regulator is claimed to have the best combination of low drop-out and fast transient response. Input is a maximum of 7V and fixed and adjustable versions are made. Thermal limiting is provided. Micro Call Ltd. Tel., 01844 261939; fax, 01844 261678.

Intelligent smps. Vero has a 300W single-voltage version of the ISI-Power switched-mode power supply, which is said to be the first 19-in rack pluggable psu to have an intelligent controller to allow programming, control and interrogation from a standard pc by way of an RS-232 link. Its 800kHz converter is over 80% efficient and the unit is in a 6U by 8HP module. Outputs currently

NEW PRODUCTS CLASSIFIED

Please quote "Electronics World + Wireless World" when seeking further information

available are 3.3V, 5V, 12V and 24V, with autoranging input from 115V ac to 230V ac. Vero Electronics Ltd. Tel., 01489 780078; fax, 01489 780798

Three-output dc-to-dc converters. Interpoint's *MHF* family of mil. spec. dc converters now includes the *MHF+28515T*, which provides both $\pm 5V$ and $\pm 15V$ ($\pm 12V$ from the *28512T*) outputs at a total power of 15W. The units are in the same package as the single and dual models, which measures 1.45 by 1.12 by 0.325in. Normal operation is obtained for inputs of 16-48V, coping with 80V surges without damage. Output noise is 30mV pk. Interpoint UK Ltd. Tel., 01252 815511; fax, 01252 815577.

Low-voltage converter. Operating from power supplied by alkaline, lithium, nickel-metal-hydride or nickel-cadmium battery packs, Micro Linear's *ML4863* converter chip still works when battery voltage is down to 3.15V for a $5V \pm 3\%$ output, so extending by up to 10% the time available to the user of a notebook. In addition to the 5V output, the device produces 3.3V and 12V for lcds. A 200kHz switching frequency reduces the size of the output transformer. Ambar Components Ltd. Tel., 01844 261144; fax, 01844 261789.

Power for 3V micros. Micrel's *MIC29150/MIC29300* series of 3V and 3.6V supplies provide up to 1.5A/3A, with a full-load drop-out of under 300mV. They are protected against overcurrent, reversed polarity and leads, over temperature and transients and have logic-level on/off control or an error flag to signify drop-out. Hawke Components Ltd. Tel., 01256 880800; fax, 01256 880325.

Radio communications products

Receiver protection. Broadband limiters by Anglia in the *ACLM-4553* series consist of pin diode limiters and passive hybrid circuits in a 50 Ω line structure, and are meant for use in radar, communications and ecm. They come in either stripline or coaxial mountings in eight models, the whole series covering 500MHz-18GHz, at a peak input-power capability of 100W (1-2W continuous). An internal dc return is provided to minimise vswr. Anglia Microwaves Ltd. Tel., 01277 630000; fax, 01277 631111.

Protection devices

S-m fuses. *SupraFuse* by Schurter is a range of miniature surface-mounted fuses that are laser-trimmed from metal-clad foil to allow special ratings in addition to a standard range, coverage being 63mA-6.3A. Main areas of usage are transient suppression, interface protection and conventional overcurrent protection. Packages measure 2.6 by 4.5 by 1.9mm. Radiatron Components Ltd. Tel., 01784 439393; fax, 01784 477333.

Transducers and sensors

Absolute shaft encoder. Model *AD* encoder by Control Transducers is a non-contacting device able to network up to 15 encoders on one six-wire telephone cable in a 330m cable run, interfaced to an RS-232 port, the interface being included. Models available have 2-65536 codes/rev. at up to 115.2kbaud with 9 or 12 bit accuracy. Maximum shaft speed is 10,000rev/min. Being an absolute encoder, rather than the incremental type, means that it always shows the correct position and needs no home pulse. Control Transducers. Tel., 01234 217704; fax, 01234 217083.

Pressure transmitter. From HBM, the *P19* pressure transmitter is robust both mechanically and electrically, having a welded steel diaphragm contained in a stainless steel case and an emc specification of 10V/m - to IEC803-2. Full-scale ranges of 10-500bar are available and there are twenty different connection threads to ease the problems of installation into existing equipment. HBM United Kingdom Ltd. Tel., 0181-420 7170; fax, 0181-420 7336.

Silicon accelerometer. Known, for some inscrutable reason, as 'Yoda', IC Sensors's *Model 3255* is a dual-chip device incorporating a silicon accelerometer die in the same case as the signal-conditioning ASIC. The device was originally meant for use in $\pm 50g$ automotive airbag activation and is now available for general use. Sensitivity is $\pm 40mV/g$ about 2.5V dc and response extends to zero frequency. Shocks and vibration up to 2000g do not degrade performance. Eurosensor. Tel., 0171 405 6060; fax, 0171 405 2040.

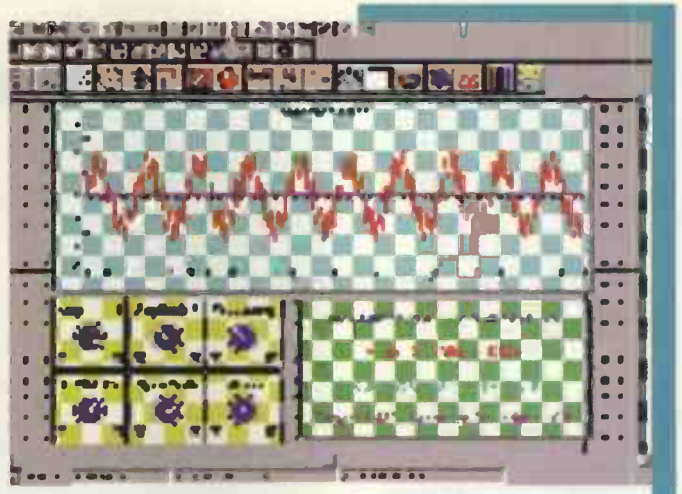
Vislon systems

Scan converter. Astrodesign's *SC-2020* scan converter converts computer graphics to television format for use with video recorders, projectors and monitors in real time. It automatically synchronises to horizontal scan rates from 15kHz to 80kHz and includes the hdtv frequency. Features include pan and zoom facilities, NTSC and PAL output, RS-232 control for remote operation and programming and Y, R-Y, B-Y, Y/C and Betacam output. Ginsbury (UK) Ltd. Tel., 01634 290903; fax, 01634 290904.

COMPUTER

Computer board-level products

Single-board computer. A 386/486 board from Blue Chip, the *Apex II*, conforms to the new A5 board size standard. It is suited to a variety of embedded and Industrial applications, providing processing, video and peripheral control on a single 5V board. Processors from a 386DX40 to a 486DX4 can be specified and standard 72-pin simms give a



maximum of 32Mbyte, with solid-state disk memory by way of 1Mbyte of flash memory, with sockets allowing more flash and sram to be added. The board supports 640 by 480 pixel lcds and 1024 by 768 on CRTs. There is one ISA slot for PC AT cards and two serial ports, a controller providing 24 lines of programmable digital i/o. A watchdog timer and real-time clock are backed by a 3.7V lithium battery, with external battery input provided. Blue Chip Technology. Tel., 01244 520222; fax, 01244 531043.

STEBus i/o. Arcom has an STEBus board with memory-backed a-to-d and d-to-a i/o, controlled by a 16-bit processor. It is supported by 32Kbyte of ram dual-ported to the bus and is capable of continuous data handling at sample rates to 9kHz. There are eight multiplexed, differential a-to-d channels and two 12-bit d-to-a outputs, 12 16-bit timers, three interrupt sources and two byte-wide latches to give ttl output. The Analog Devices *SP2105* dsp is programmed to control a-to-d trigger, memory storage and memory arbitration. Arcom Control Systems Ltd. Tel., 01223 411200; fax, 01223 410457.

Multi-function card. In the form of a short card with a D-type connector, Blue Chip's *ADC-44d* provides a PC with a combination of input, output and conversion functions. Sixteen analogue inputs with selectable ranges from $\pm 50mV$ to $\pm 10V$ can be used singly or doubled up to give a-to-d conversion to 12 bits at 3 μs . Programmable gain is 1-100. Four analogue voltage or current-loop outputs are available and there are 24 programmable digital input/output lines at ttl level. Analogue conversions are programmable under i/o control, interrupt control or by dma. Blue Chip Technology. Tel., 01244 520222; fax, 01244 531043.

PC/104 modules. Cards to the PC/104 standard by Advantech are PC-compatible and connect straight to an AT-bus. Those available include CPU core modules, PCMCIA controllers, super i/o modules, Ethernet controllers, solid-state disk modules, flat-panel/vga types and data converters. Fairchild Ltd. Tel., 01703 559090; fax, 01703 5559100.

Signal processing. *Signal Centre v.2*, which runs under Windows, is a data acquisition and analysis program providing DDE link to other software, sound for verbal commands and warnings and process control. Signals are monitored, created, recorded, displayed and processed without programming and data is saved in ASCII with automatic time and date to provide a record. Presentation is in the form of virtual instruments with all the relevant controls and indicators, including oscilloscope displays, all under the user's control; several displays can be used with mouse switching between them. There is a state machine interface for control applications with digital and analog output for motor or servo control. Discrete Fourier transforms and FFTs are incorporated and inputs for a range of thermocouples, while processing includes statistics, integration, differentiation, linearisation and signal generation. The package has been designed in co-operation with Amplicon Liveline with Amplicon's boards in mind. Amplicon Liveline Ltd. Tel., 0800 525 335 (free); fax, 01273 570215.

Computer systems

Industrial PC. *Pancon-PC* by Contec is a PC/AT in which is combined a 10-In touch-panel display, programmable membrane switches and i/o expansion slots in one panel-mounted unit. Tft, lcd, ei and sin colour displays are available and the silicon disk emulates a floppy drive to run dos, Windows and other operating systems. There are eight full-size expansion slots, six of them free. The processor is a 33/66MHz 486DX2, with 64Mbyte of dram. 256Kbyte cache, a 1.44Mbyte disk and two hard disk bays. Gothic Crellon Ltd. Tel., 01734 776161; fax, 01734 776095.

Data communications

Ir ic for IRDA. Conforming to the new Infra-red Data Association standard for cordless, 2400b/s-115.2kb/s communication between laptops, notebooks, desk-tops and all the other tops, Crystal Semiconductor's *CS8130* multi-standard IR chip handles communications between equipment from different manufacturers. It connects to a standard uart, output being to standard led and pin diodes. An evaluation kit is on offer. Sequoia Technology Ltd. Tel., 01734 258000; fax, 01734 258020.

Mass storage systems

PCMCIA disk drive. A 260Mbyte hard disk drive on a type III PCMCIA card allows data transfer between mobile and desk-top computers and to remove sensitive data for security, which is further enhanced by means of a two-level password. To increase battery life, the card automatically goes into idle mode if no access request is present. It is compatible with either PCMCIA-ATA or with 68-pin ATA (IDE) interfaces, configuring itself to the relevant type. Premier Electronics Ltd. Tel., 01922 700261; fax, 01922 787422.

Software

Emc guidance. Although it is less than a year to the effective start of the

European Directive on Electromagnetic Compatibility, it appears that some manufacturers are unclear about its exact requirements. With this in mind, Seaward has produced *Expert Consultant*, a Windows-based package that gives the required standards for any product and offers a guide on how to achieve them, showing how to effect countermeasures in a design. Emc tests defined by the program can then be carried out by the manufacturer if required as a preliminary to full compliance certification. All necessary paperwork is produced by the software, which runs on a 386SX or higher with Dos 5 and Windows 3.1, with an 800 by 60-pixel graphics card and 10Mbyte or more of hard disk space. An update service keeps the program current. Seaward Electronic Ltd. Tel., 0191 586 3511; fax, 0191 586 0227.

Fpga design. Actel's *Designer Series 3.0* is a set of tools to simplify the design of field-programmable gate arrays, while maintaining performance. It uses a graphical user interface and is, says Actel, very easy to learn. The tools produce fully deterministic fpga designs to meet timing requirements in one pass, in contrast to other software that requires multiple iterations; the *DirectTime* option allows specification of the design frequency and timing of important signals, the program then ensuring that the specification is met.

A spreadsheet-type timing analyser shows performance results, which can be compared with those specified, taking into account temperature and voltage. *PinEdit* shows an fpga package graphically and allows signals to be placed on selected pins. All versions of Windows after 3.1 are supported. Actel Europe Ltd. Tel., 01256 29209; fax, 01256 55420.

Pcb design. Now in the pcb design market, MicroSim announce two packages: *PCBoards for Windows* and *PCBoards with Autorouter for Windows*, both currently being offered at low prices as an introduction. There is no limit to the number of devices the packages or number of pins or layers that the packages can cope with, and even basic features of board design, such as board size, shape or number of layers, can be changed at any time. In many other respects, the software is equivalent to many other professional programs. MicroSim Corporation. Tel., 00 1 714 770-3022; fax, 00 1 714 455-0554.

Data acquisition. Version 4.6.1 of National's *NI-DAQ* driver software for the company's pc-based data acquisition equipment is available. Running under dos or Windows, the software allows users of E series boards to perform equivalent time sampling on boards with analogue trigger, change sampling rates without reprogramming delays and execute

new counter-timer operations. It also works with any card and socket services software at v2.0 or higher. Upgrade from older versions is offered free and the package is included with the company's boards. National Instruments UK. Tel., 01635 523545; fax, 01635 523154.

System modelling. SB Technology's *ModelMaker* for Windows is a mathematical modelling program simulating experiments and both event-driven and continuous processes in life sciences, engineering and commerce. Although it is said to be easy to use, it offers powerful tools for analysis, including optimisation, confidence intervals, minimisation, sensitivity and stochastic analysis. The package contains tutorials and examples. Models are built up using a screen diagram. Cherwell Scientific Publishing Ltd. Tel., 01865 784800; fax, 01865 784801. ■

Where would you be without your business magazine?



Quite simply you would be in the dark.

No other medium delivers such a rich diet of information - technical data, industry news, analysis, insight and career opportunity.

How else would you be able to keep in touch with change but through the pages of your business magazine? Only your magazine gives you all the issues - large and small - supported by detailed analysis of the technical developments and structural changes occurring within your industry or profession.

So you know precisely what the implications are for you and your business, both now and in the future.

And what else, when you are buying goods and services, helps you remain reliably informed about your options?

After all, the information you find in your industry magazine has been researched and written by experts.

That's why the most active marketplace for goods and services lies between the covers of business and professional publications.

It's small wonder, therefore, that the majority of people at the top of their professions and business make reading their magazine a regular priority.

Because only through a business magazine does an industry or profession keep seriously in touch with what really matters.

So if you're looking for information, prepared and presented with your specific needs in mind, then reach for your magazine.

It's the source of information you can trust.

To find out how business magazines can help you in your business, call Phil Cotts at PPA on 071 379 6268.











YOU GET MORE BUSINESS WITH BUSINESS MAGAZINES

Sponsored by: Argus Business Publications • The Builder Group • Construction Publications • Enapp Business Communications • Finlay Publications • Haymarket Business Publications • IBI Group • Lloyd's of London Press • Macmillan House • Macmillan Magazines • Morgan Grampian • News Business Communications • Reed Business Publishing • Thomas Telford • VNU Business Publications • William Reed

Dedicated to supporting the highest standards in business and professional publishing.

CIRCLE NO. 139 ON REPLY CARD

Toroidal Transformers

-  Large standard range approved to EN60742
-  Large and small production runs catered for
-  Custom designs from 10VA to 3kVA
-  Medical designs to IEC601/BS5724 & UL544
-  100% Final test approved to ISO 9003
-  All transformers manufactured at UK factory
-  Designs to most international standards
-  70V or 100V Line & low noise audio designs
-  Rapid quotation, design and prototype service
-  Centre potted & fully potted versions available

Antrim Transformers Ltd

Sales Department, 30 Bramley Avenue
Canterbury, Kent, CT1 3XW, England

Tel: 01227 450810 Fax: 01227 764609

Better Quality
Antrim
All Round

CIRCLE NO. 140 ON REPLY CARD

SEETRAX CAE RANGER PCB DESIGN

WITH COOPER & CHYAN AUTROUTER

RANGER3 - DOS £2500
- Windows\NT £2900

Hierarchical or flat schematic linked to artwork.
 Unlimited design size, 1 micron resolution
 Any shaped pad, definable outline library
 Pin, gate & outline swapping - auto back annotation
 Split power planes, switchable on - line DRC

COOPER & CHYAN SPECCTRA

autorouter (SP2)
 Inputs: OrCAD, Cadstar,
 PCAD, AutoCAD DXF

Outputs: Postscript, Windows bit map

R2 & R3 Outputs: 8/9 & 24 pin printers, HP
 Desk & Laser Jet, Cannon Bubble Jet,
 HP-GL, Gerber,
 NC Drill, AutoCAD DXF

RANGER2 £150

Upto 8 pages of schematic linked to artwork
 Gate & pin swapping - automatic back annotation
 Copper flood fill, Power planes, Track necking,
 Curved tracks, Clearance checking,
 Simultaneous multi-layer auto-router

RANGER2 UTILITIES £250

COOPER & CHYAN SPECCTRA auto-router (SPI)
 Gerber-in viewer, AutoCAD DXF in & out

UPGRADE YOUR PCB PACKAGE TO RANGER2 £60

TRADE IN YOUR EXISTING PACKAGE TODAY

Seetrax CAE, Hinton Daubnay House, Broadway Lane, Lovdean, Hants, PO8 0SO

Call 01705 591037 or Fax 01705 599036 + VAT & P.P

All Trademarks Acknowledged

CIRCLE NO. 141 ON REPLY CARD

TELFORD ELECTRONICS

OSCILLOSCOPES

Goldo DS250A 15MHz Dual Trace	£120
SE Labs 111 18MHz Dual Trace	£85
Tequipment D1011R 10MHz Dual Trace	£75
Tequipment DM63 50MHz 4 Trace storage	£150
Trio CS1555A 20MHz Dual Trace	£150
Cessor C01150 15MHz Dual Trace	£95
HP1740A 100MHz Dual Trace/storage	£325
HP180A + 1801A + 1821A 50MHz	£150
HP1742A 100MHz Dual Trace/storage	£350
Tektronik 453 100MHz Dual Trace	£150
Tektronik 465 100MHz Delay sweep Dual Trace	£375
Tektronik 7854 c/w 7511 plug-in 7111 fitted with S1 sampling head 1GHz	£1,600
Tektronik 7834 c/w 7425 k2 + 7892A x2 200MHz	£900

OTHER SCOPES AVAILABLE

SIGNAL GENERATORS	
HP8654B 10-50MHz	£400
HP8654A 10-50MHz	£350
HP8614A 0.8-2.4GHz signal generator	£300
HP8616A 1.8-4.5GHz signal generator	£400
Marconi TP2015 AM/FM 10MHz-50MHz	£185
Marconi TP2016 AM/FM 10Hz-110MHz	£170
Marconi TP2019 90kHz-1040MHz	£1,900
Racal 9081 50MHz synthesized	£480
Racal 9082 1.5-50MHz synthesized	£480
Wavetek 3000 1-50MHz	£300
Wavetek 193 sweep/modulation 20MHz	£250
Wavetek 184 30MHz Sweep generator	£300

LF OSCILLATORS

Goldo J3B 10Hz-100kHz sine/square wave metered; very low distortion	£150
HP4294A 10Hz-1MHz	£150
HP3200B VHF Oscillator	£200
HP651B Test Oscillator	£125
HP203A Variable phase LF generator	£125
Advance H1E 15-50kHz sine/square 200uV/20V	£50
Rafordford LD04 Low distortion Oscillator	£300
Rafordford LDM322 Low distortion measuring set	£300
Global Specialities 20MHz pulse/LF generator Type: R201 CPB	£90A
Philips PM5132 function generator 0.1Hz-2MHz AS NEW	£350
Philips PM5715 pulse generator 1Hz-50MHz	£750
Adret Type: 2230A	£250
Rhode & Schwarz Type: S0F2	£200

POWER SUPPLIES

Farneth TSV70 MK2 0-70V/5A 0-350V/0-10A	£200
Farneth TSV70 MK2 0-70V/5A 0-350V/0-10A	£250
HP5111A DC 0-20V 0-1A	£70
HP6291A DC 0-20V 0-5A	£100
HP6281B 0-20V 0-50A	£700
HP6002A 0-50V 0-10A 200W	£90A
HP6209B DC 0-320V 0-0.1A	£300
Lambda LPD422A FM regulated; DC 0-40V/1A x2	£100
Hedden Type: 1108/16 0-16V 0-20A	£90A

VARIOUS SWITCH MODE POWER SUPPLIES & HT TRANSFORMERS IN STOCK - PLEASE PHONE

CALIBRATION EQUIPMENT

Haven temperature calibrator DT85 oil/water bath	£500
Haven thermal I.S. thermocouple simulator/calibrator	£600
Time CD millivolt pot source Model 404N c/w DC current source Model 505	£250
Leader LOC705 Scope calibrator AS NEW	£1,200
Casekka W.B.G.T.	£250
PPM 411F Current reference	£75
Cropco resistance standards various in stock from	£350
H. Tinsley resistance bridge type: 5761	£250
Bradley AC calibrator type: 125B	£250
Bradley LF generator digital type: 235	£250
Bradley DC calibrator type: 123B c/w 126B	£250
Kerley Picometer type: 417	£250
Wallace & Tieman precision pneumatic calibrator	£90A
Schwarzbeck HF interference measuring receiver 8540Hz-30MHz	£700
Microline telemetry receiver c/w spectrum display unit 2.2-2.3GHz	£700

DIGITAL & ANALOGUE MULTI METERS

Avo 8 MK5 + 6 c/w case, leads, prods etc. (c/w Cal cert. MPL)	From £85
Solartron 7045 4.5 digit bench multimeter battery mains	£60
Avo DA11E	£50
Fluke 8000A	£45

FREQUENCY COUNTERS

HP5342A Microwave 18GHz	£1,400
HP5308A 75MHz counter/timer	£650
HP5305A 110MHz counter	£275
Marconi TP2431 200MHz digital frequency counter	£150
Marconi TP2438 520MHz universal counter/timer	£250
Marconi TP2440 20GHz	£1,300
EIP Type: 331 Microwave 25MHz 18GHz	£650
Racal 9904(M) 50MHz	£100
Racal 9913 10Hz-200MHz Fitted FX standard	£125
Racal 9914 10Hz-500MHz Fitted FX standard	£125
Racal 9915(M) 10Hz-500MHz Fitted FX standard	£125
Racal 9916 10Hz-500MHz Fitted FX standard	£125
Racal 9917(M) 10Hz-500MHz Fitted FX standard	£195
Racal 1992 1300MHz	£700
Systrom Donner 60548 microwave counter 20Hz-18GHz	£650

REEL TO REEL RECORDERS

Nagra I instrumentational tape recorder	£1,200
Nagra E mono single speed (7 1/2")	£350
Nagra IVS-1 stereo	£500
HP3964A instrumentation recorder	£600
Racal 4DS	£500
Racal 7DS	£700
Racal Wordsafe 8 track	£90A
Dic telephone 2x tape deck	£90A
Racal ICR recorder	£90A
SE Labs eight-hour	£90A
Uher 420B/440B in stock from	£125

TRANSMITTING EQUIPMENT

Racal TA1885 Auto tuned HF transmitter freq. 1.6-30MHz 1KW output	£90A
Racal TA1800 HF linear amplifier freq. 2-30MHz 10KW output ALL MODE OP.	£90A
Pye T300AM 68-174MHz 300W output	£350
Rediffon 64484 400W solid state amplifier c/w 1KW aerial filter unit/drive unit, PSU	£350
Harris ATU type: 601A 1-30MHz 1KW AS NEW	£850

MISCELLANEOUS

Datalab DK1080 programmable transient recorder	£300
Tektronix 1912 10MHz Storage scope	£175
Rotek AC/DC Precision Calibrator	£700
Racal 9084 Synthesized generator c/w GPIB Interface 9934A (As new condition)	£150
hwaits SS-9416A Synchroscope DC-40MHz	£350
Roland drafting plotter A2, D1P4-2200 Various interfaces 8 pen.	£1,200
Roland DG-X1 plotter A3, DNY-980A Various interfaces 8 pen.	£375
Kroh-Hite filter Model 3202R	£150
Cabletron Systems MR-3000 c/w Lanvech Multiport Ethernet/IEEE 802.3 Repeater	£90A
Cabletron Systems FR-3000 c/w Lanvech Multiport Ethernet/IEEE 802.3 Repeater Unit	£90A
Anritsu Channel Selector MS120A	£90A
Broel & Kjaer Vibration programmer ZH0100	£190
Watkins & Johnson Microwave Tuning Frame MF102A 4-8GHz	£250
Watkins & Johnson Frequency Extender FE2.4.5A 2.4-5GHz	£275
Watkins & Johnson Demodulator DM112.5	£450
Watkins & Johnson CEI Frequency Extender Unit FE1.4.5A 0.95-2GHz + 2-4.5GHz	£500
Watkins & Johnson Signal Monitor SM5403A	£400
Sullivan Automatic Component Analyzer AC5555	£90A
Yem Digital AC Power Meter 2503	£500A-828
Altech Noise Monitor	£90A
Minolta TV Colour Analyzer c/w Probe TVZ140	£1250

Phoenix Telecommunications Analyzer 5500A	£90A
2nd Unit: Phoenix MSU 5500-700	£500A-828
3rd Unit: Phoenix Control Module 5500-200 + 5500A-828	£90A
The above 3 items come as one unit	£90A
Comux 48-48 Audio Switch Matrix 9218-1	£1,200
HP8648B Signal Generator 5.4-12.5GHz	£3,000
Marconi Power Meter 6960 c/w RF Head 6910 10MHz-20GHz	£1,100
Racal Dana 1998 Frequency Counter 10Hz-1.3GHz	£900
Racal Dana 5303 True RMS Level Meter c/w Sensing Head 2GHz	£650
EIP Frequency Counter 545 10Hz-18GHz	£1,250
Tektronik 7162Z Programmable Digitizer	£90A
Bird Tenille Coaxial Attenuator 30dB 500W 50ohm Model 8325	£1,200
Brand New Boaz E200 VARIOUS OTHERS IN STOCK - PLEASE ASK	£350

MICROWAVE COAXIAL SWITCHES

TV Type connectors, R.L.C. Model S-2799	£45
2W @ 100MHz 400W @ 6GHz	£40
Teledyne SMA connectors Model CS38516	£40
22GHz 1 in - 6 out	£40

FLEXWELL COAXIAL CABLE

DUZ size 1 3/8" 50 ohm approx. 1200M available (NEW)	£90A
--	------

SPECIAL OFFER WHILE STOCKS LAST

HP180 50MHz Dual Trace/Delay timebase with probes	£150
---	------

AN EXTENSIVE RANGE OF TEST EQUIPMENT IS AVAILABLE. PLEASE SEND FOR OUR NEW CATALOGUE
 Postage and packing must be added. Please phone for price. VAT @ 17 1/2% to be added to all orders. Please send large SAE for details.

Telford Electronics, Old Officers Mess, Hoo Farm, Humbers Lane, Horton, Telford TF6 6DJ
 Tel: 01952 605451 Fax: 01952 677978

CIRCLE NO. 142 ON REPLY CARD

CLASSIFIED

TEL 0181 652 3620

FAX 0181 652 8956

RECRUITMENT

Are you a keen electronics graduate?

Leading electronics publication needs an enthusiastic editorial assistant.

No experience needed.

Hard work but rewarding – a unique opportunity to learn about magazine publishing with Britain's best.

Based in Sutton, Surrey

Ring 0181 652 8638 for more details.

ARTICLES WANTED

PURCHASE FOR CASH

SURPLUS – OBSOLETE – REDUNDANT – EXCESS stocks of electronic, electrical components/accessories, part processed and/or finished products. Please submit preliminary information or lists for immediate response to:

K.B. COMPONENTS, 21 Playle Chase, Gt Totham, Maldon, Essex CM9 8UT
Telephone 01621-893204. Facsimile 01621-893180.

ARTICLES FOR SALE

Used Test & Measurement Equipment

We buy and sell and service
For further information phone:

081-813 9946.
Fax: 081-574 2339
Mobile: 0374 759984

WANTED SCRAP Printed Circuit Boards

We are by far the best buyers of PCB'S
CASH OR CHEQUE AVAILABLE

Computer Salvage Specialists est. 1985 OPERATORS OF THE UK'S NATIONAL PCB BANK
TEL: 0635 552666
FAX: 0635 582990

DISTRIBUTORS

AN5521	1.35	STK4352	6.20	STRD6008	10.00	TEA2026C	4.50
AN5732	1.40	STK4372	5.65	TA7227	1.85	TEA5170	1.40
AN6327	9.85	STK4803	7.05	TA7271	2.50	TUA2000-4	4.25
AN6677	8.50	STK4843	7.05	TA7280	2.25	U8848	2.35
BA5114	1.55	STK5315	5.85	TA7281	2.20	U4606B	5.50
BA6218	1.85	STK5332	1.80	TA7698	5.00	UAA1008	3.00
BA6219	1.20	STK5338	3.25	TAB200	3.50	UPC1178	1.05
HA11423	1.65	STK5361	4.15	TAB210	3.00	UPC1182H	5.15
HA13119	2.50	STK5372	2.85	TAB214	3.00	UPC1278H	2.20
KA6210	4.99	STK5372H	4.15	TAB215	3.00	UPC1420	4.50
LA3220	0.60	STK5412	3.75	TAB205	3.95	UPD1937	3.00
LA4183	1.35	STK5471	3.85	TAB659	13.00	25A814	0.71
LA4445	1.90	STK5490	4.95	TA75339	0.75	25A839	1.40
LA4495	1.40	STK6732	14.00	TDA1908A	2.00	25A1062	1.00
LA4588	2.55	STK7226	7.50	TDA2170	3.00	BU426A	1.10
LA7835	2.35	STK7308	4.05	TDA2270	2.50	BU500	2.45
LB1416	2.25	STK7348	4.05	TDA3562A-TFK	3.25	BU506D	1.50
LM301	0.25	STK7356	4.75	TDA3562A-SG	3.00	BU508A(PHIL)	0.80
LM317T	1.50	STK7404	6.50	TDA3645	8.00	BU508AF(PHI)	1.00
M4918BI	4.75	STK73410	5.15	TDA3650	8.99	BU508DF(PHI)	1.25
M4948BI	6.75	STK73410/2	5.95	TDA3850	18.99	BU806A	1.40
M51393	5.95	STK73605	4.50	TDA4400	1.75	BU807	0.85
M58655	3.30	STR441	14.75	TDA4505A	4.10	BU908	1.15
MB3730	1.70	STR451	25.00	TDA4505B	4.10	BU932	1.50
MB3756	8.00	STR3125	5.50	TDA4505E	4.00	BUK444/500	2.15
STK078	6.00	STR4211	5.50	TDA4505M	6.80	BUK454/600	1.95
STK435	4.00	STR4090	11.15	TDA4505K	6.15	BUT11A	0.70
STK461	6.00	STR20005	5.00	TDA4560	4.50	BUT11AF(PHI)	1.20
STK2250	7.45	STR40090	4.00	TDA4950	1.40	BUT11F	1.20
STK4121/2	7.00	STR50103A	3.85	TDA5660P	2.50	BUT12A	1.10
STK4141/2	5.50	STR54041	3.75	TDA7072	3.99	BUT12AF	1.10
STK4142/2	6.50	STR58041	3.75	TDA8370	14.00	BUT56A	0.80
STK4162/2	6.25	STR80001	6.00	TDA8405	8.00	BUT76A	1.05
STK4171/2	8.10	STR1706	4.75	TDA8732	5.95	BUV48C	3.10
STK4191/2	8.50	STRD1806	4.50	TEA2018A	1.50	BUW13	1.50

When you have been let down by the rest come and try us for fast friendly service. Ask for our full, comprehensive catalogue, FREE OF CHARGE



Please phone us for the types not listed. Please add 60p post & packing and then add 17.5% VAT to the total. Callers by appointment only.

J.J. COMPONENTS

63 THE CHASE, EDGWARE, MIDDX. HA8 5DN, ENGLAND

Hotline No: 081-381 1700/081-952 4641

Free fax orderline ONLY: 0800 318498

General Fax: 081-381 1700

SERVICES

DESIGN SERVICES

Software Design: High and Low Level.
Hardware Design: Analogue, Digital, Micro and Embedded.
PCB, Schematic and Production Drawings.
Prototyping and Feasibility services.

Archimedes Custom Equipment: Tel 0974 282670

No PLOTTER?

View, print or paste HP plotter files produced via CAD systems, scopes or received via modem etc. on your PC with this handy Windows utility.

Contact: P. Handscomb at
SILICON VALE SOFTWARE
147 Manchester Road, Stockport SK4 1NL
Phone/Fax 0161 480 1451

RF DESIGN CONSULTANCY

- Design and Development
 - Technical Advice
 - CAD
- WATERBEACH ELECTRONICS LTD
34 Providence Way, Waterbeach
Cambridge CB5 9JQ
Tel: 0223 862550 Fax: 0223 440853

ADVERTISERS PLEASE NOTE

For all your future enquiries on advertising rates

Please contact Malcolm Wells on

Tel: 0181-652 3620
Fax: 0181-652 8956

CLASSIFIED

TEL 0181 652 3620

FAX 0181 652 8956

ARTICLES FOR SALE



Cooke International SUPPLIER OF QUALITY USED TEST INSTRUMENTS

ANALYSERS, BRIDGES, CALIBRATORS,
VOLTMETERS, GENERATORS, OSCILLOSCOPES,
POWER METERS, ETC. **ALWAYS AVAILABLE**

ORIGINAL SERVICE MANUALS FOR SALE
COPIES ALSO AVAILABLE

EXPORT, TRADE AND U.K. ENQUIRIES WELCOME,
SEND LARGE "A3" S.A.E. + 50P POSTAGE FOR LISTS
OF EQUIPMENT AND MANUALS.

ALL PRICES EXCLUDE VAT AND CARRIAGE
DISCOUNT FOR BULK ORDERS SHIPPING ARRANGED

OPEN MONDAY-FRIDAY 9AM-5PM

Cooke International

ELECTRONIC TEST & MEASURING INSTRUMENTS
Unit Four, Fordingbridge Site, Main Road, Barnham,
Bognor Regis, West Sussex, PO22 0EB

Tel: (+44) 01243 545111/2 Fax: (+44) 01243 542457

EQUIPMENT & ACCESSORIES PURCHASED

CIRCLE NO. 143 ON REPLY CARD

ARTICLES WANTED

WE WANT TO BUY !!

**IN VIEW OF THE EXREMELY
RAPID CHANGE TAKING PLACE
IN THE ELECTRONICS
INDUSTRY, LARGE QUANTITIES
OF COMPONENTS BECOME
REDUNDANT. WE ARE CASH
PURCHASERS OF SUCH
MATERIALS AND WOULD
APPRECIATE A TELEPHONE
CALL OR A LIST IF AVAILABLE.
WE PAY TOP PRICES AND
COLLECT.**

R.HENSON LTD.

**21 Lodge Lane, N.Finchley,
London N12 8JG.**

5 Mins, from Tally Ho Corner.

TELEPHONE

081-445-2713/0749

FAX 081-445-5702.

TURN YOUR SURPLUS TRANSISTORS, ICS ETC, INTO CASH

Immediate settlement.
We also welcome the opportunity to
quote for complete factory clearance.

Contact:
COLES-HARDING & CO, Unit 58,
Queens Road, Wisbech, Cambs. PE13 2PQ
ESTABLISHED OVER 15 YEARS

Buyers of Surplus Inventory
Tel: 01945 584188 Fax: 01945 475216

HAMEG 203-6 Scope used only few
hours. £300. Also Philips SBC530,
Portable Scope, new. Tel: 01702 522929

VALVES

ELECTRONICS VALVES & SEMICONDUCTORS

Phone for a most
courteous quotation

We are one of the largest
stockists of valves etc,
in the U.K.

COLOMOR ELECTRONICS LTD

170 Goldhawk Road,
London W12 8HJ
England.

Tel: 0181 743 0899
Fax: 0181 749 3934

TO ADVERTISE
HERE PLEASE CALL
MALCOLM WELLS

ON

0181 652 3620

↖ £45 + VAT

VALVES WANTED

FOR CASH: KT88, PX4, PX25 £45;
DA100 £75; EL34, FL37 £10; ECC81/
CV4024, CV4003, CV4004, ECC83 £3.

Valves must be Mullard/GEC, West
European to achieve the price.

Ask for our free wanted list.

Prompt & courteous service.

Visitors by appointment only (we are
a very busy Export Warehouse).

Billington Export Ltd,

Tel: 01403 784961 Fax: 01403 783519

WANTED

High-end Test Equipment, only
brand names as Hewlett-Packard,
Tektronix, Rhode & Schwarz,
Marconi etc. Top prices paid.
Please send or fax your offer to:

HTB ELEKTRONIK

Alter Apeler Weg 5,
27619 Schiffdorf, West Germany

TEL: 01049 4706 7044

FAX: 01049 4706 7049

WANTED

High-end Test, Communication &
Computer Equipment. Top prices paid.

Please send or fax your offer to:

Steigerwald GmbH
Neusserstrasse 9, 80807 Munich
South Germany

Tel: 01049 89 3615833

Fax: 01049 89 3615899

WANTED

Test equipment, receivers, valves,
transmitters, components, cable
and electronic scrap and quantity.
Prompt service and cash.

M & B RADIO
86 Bishopgate Street,
Leeds LS1 4BB
Tel: 0113 2435649
Fax: 0113 2426881

9956

SPECTRUM ANALYSERS



IFR MODEL A-7550 1GHz portable with inbuilt tracking gen & IEEE ops £5000
 HP141T 18GHz system (8552B, 8555A) £2000
 HP3580A 5Hz - 50kHz audio frequency spectrum analyser £1500
 HP3582A audio frequency fft analyser dual-channel £2500
 HP8557A 350MHz (opt 01 750) (requires mainframe) £1000
 HP8559A 21 GHz spec an in 853A digital mainframe HPIB £4500
 HP8568A high-specification 1.5GHz spectrum analyser £7500
 MARCONI 2386 100Hz-26.5GHz (in 1Hz steps) £15000
 TEKTRONIX 492 21GHz spectrum analyser £5000

MARCONI INSTRUMENTS



2019 synthesized AM/FM signal generator 80kHz - 1040MHz £2000
 2305 modulation analyser 50kHz - 2.3GHz £3250
 2828A/2829 digital simulator/analyser £1000
 2955 mobile radio test set ALL SOLD
 2386 spectrum analyser, superb specification, 100Hz-26.5GHz £15000
 6460/6421 power meter & sensor 10MHz-12.4GHz £350
 605X-series signal sources, all in range £500
 6500 amplitude analyser c/w 2c 6514 waveguide detectors £2500
 6960 microwave power meter with 6910 power sensor 10MHz-20GHz £1000
 OA2805A pcm regenerator test set £750
 TF2910/4 non-linear distortion (video) test set £500
 TF2910 TV interval timer £250

RALFE ELECTRONICS

36 EASTCOTE LANE, S. HARROW, MIDDLESEX HA2 8DB
 TEL: 0181-422 3593. FAX: 0181-423 4009

NOW
 IN
 40th
 YEAR



DISTRIBUZIONE E ASSISTENZA ITALY: TLC RADIO. ROMA (06) 871 90254

TEST EQUIPMENT

ANRISU MES18A portable error rate test set £2000
 BRUEL & KJAER 2511 vibration meter (file set 1621 filter) £2000
 BRUEL & KJAER 2317 portable level recorder £1500
 BRUEL & KJAER 2635 charge amplifier £950
 BRUEL & KJAER 2610 measuring amplifier £1250
 BRUEL & KJAER 2318 graphics printer £750
 BRUEL & KJAER 2308 analogue X-Y pen recorder £750
 BRUEL & KJAER 2639 preampifier £275
 DATRON 1065 digital multimeter £500
 FARNELL 2081/100 RF power meter to 100W & 1GHz £250
 FLUKE PM97 scopemeter £500
 FOTEK M200 fibre optic cd power meter & test source £250
 HITACHI V509 50MHz portable battery powered oscilloscope (includes batts) £550

• *ralfe electronics* • exclusively
 a professional T&M

★★ HP8566A high specification 22GHz ★★
 (extended to 200GHz) spectrum analyser £12500

★ HP8508A high specification 1.5GHz ★
 spectrum analyser £7500

(Prices includes new calibration)

£3000 KIKUSUI 8520 frequency response analyser 20Hz-200kHz £750
 NARDA bi-directional coaxial coupler 1-4GHz £250
 RACAL-DANA 1992 frequency counter 1.3GHz IEEE option £800
 SCHLUMBERGER 1250 frequency response analyser £3000
 SCHLUMBERGER 4040 communications test set, many options included £5000
 SYSTRON-DONNER 6054B frequency counter 20Hz-24GHz GPIB £1250
 TEKTRONIX P6303 scope probes NEW 250MHz X10X10 with readout pin £50ea
 TEKTRONIX transistor curve tracer type 577 with standard test fixture £1500
 TEKTRONIX PC502 250MHz pulse generator (requires TM-series mainframe) £750
 UHER report 4200 portable tape recorder £250
 WAYNE KERR SR268 source & detector £350

HEWLETT PACKARD



1640B serial data analyser £500
 334A distortion meter £300
 3325A function generator £1600
 3456A digital multimeter £250
 3580A audio frequency spectrum analyser £750
 3581C selective voltmeter £1500
 3586A selective level meter £1250
 3762A/3763A data generator/error detector, pair £2000
 4140B pA/meter, DC voltage source £1000
 415E swr meter £3250
 4275A multi-frequency icr meter £200
 432A/R486A uWave power meter waveguide 26-40GHz £4000
 432A/R486A uWave power meter waveguide 26-40GHz £500
 435B microwave power meter (analogue) (requires sensor) £500
 436A microwave power meter c/w 8481A detector HPIB opt £1000
 4951C protocol analyser with 18179A pod £1250
 5335A 200MHz frequency counter w/ops 20 & 40 £2000
 6012A power supply 0-60V 0-50A 1000W £850
 6033A system power supply 0-20V 0-30A £1250
 6038A system power supply 0-60V 0-10A £1250
 6253A dual power supply 0-20V 0-1A twice £250
 6443B power supply 0-120V 0-2.5A £400
 6825A bipolar power supply/amplifier -20V to +20V, 0-1A £350
 8011A pulse generator 0.1Hz-20MHz £500
 816A slotted line 1.8-18GHz with carriage 809C and 447B £500
 8444A tracking generator with option 059 £1500
 8505A 500kHz-1.3GHz RF network analyser £4500
 8671A synthesized signal generator 2-6.2GHz £2500
 8568A spectrum analyser 100Hz-1.5GHz £7500
 8656B synthesized signal generator 0.1-990MHz AM/FM £2950
 8901A modulation analyser with option 02/010 £400

URGENTLY REQUIRED - HIGHEST CASH PRICES PAID FOR 8566A/B/C, Spectrum/network analysers 8590/12/3 portable analysers. Please call us if you have high-end capital equipment being under-utilised.

PLEASE NOTE: ALL OUR EQUIPMENT IS NOW OPERATION-VERIFICATION TESTED BEFORE DESPATCH BY INDEPENDENT LABORATORY

We would be pleased to handle all grades of calibration or NAMAS certification by same laboratory at cost price. All items covered by our 90-day parts and labour guarantee and 7-day 'Right to Refuse' (money back) warranty.

CIRCLE NO. 144 ON REPLY CARD

ELECTRONIC UPDATE

Contact Malcolm Wells on
 0181-652 3620

A regular advertising feature enabling
 readers to obtain more information
 on companies' products or services.



Models S2200 and S2400



Gate and Set Programmers for
 24, 28 & 32 pin EPROMs, EEPROMs,
 FLASH, Emulators and OTPs up to 8M bit.

The system 2000 is an ideal programmer for the production environment. Fast programming results in high throughput and rigorous verification leads to improved quality control. Single key functions and checks against misoperation facilitates its use by unskilled staff.

MQP ELECTRONICS LTD.
 Tel: 0666 825146
 Fax: 0666 825141

CIRCLE NO. 145 ON REPLY CARD



VXI - EASY-TO-USE INSTRUMENTATION

Four page, colour brochure designed to teach users about VXI plug & play technology. Explains how standard frameworks, instrument drivers, soft front panels, and technical support can help end users build multivendor, VXIbus-based instrumentation systems. Gives information on the VXI plug & play vendor members, guiding principles, and how end-users can join the Alliance User Group.

**NATIONAL INSTRUMENTS
 FOR FURTHER INFORMATION
 CALL 01635 523545**

CIRCLE NO. 146 ON REPLY CARD

1995 MASTER PRODUCT CATALOGUE



1995 MASTER PRODUCT CATALOGUE NOW OUT!

Test and instrument control solutions. 48 pages of full description and technical data on our own range of solutions to your PC and PS2 interfacing problems: IEEE488 (GPIB) * DIO * Timer/Counters * RS232 * RS422/485 * A/D * D/A * plus Opto Isolated versions. New Parallel/Serial RS232, Opto Dual RS232, Motion Control, Converter and Repeater for 1995! ISO 9001 Quality guarantee ✓ UK design and manufacture ✓ 36 month no-quibble warranty ✓ Telephone hotline support ✓ Competitive pricing on the page ✓ Intelligent solutions - friendly service ✓

BRAIN BOXES
 Unit 3f Wavertree Boulevard South
 Wavertree Technology Park
 Liverpool L7 9PF

CIRCLE NO. 147 ON REPLY CARD



OLSON ELECTRONICS LIMITED is a leading manufacturer in the field of mains distribution panels of every shape and size to suit a variety of needs. For use in Broadcasting, Computing, Data Communications, Defence, Education, Finance, Health etc. All panels are manufactured to BS5733. BRITISH AMERICAN, FRENCH, GERMAN CEE22/IEC and many other sockets. Most countries catered for.

All panels are available ex-stock and can be bought direct from OLSON.

Olson Electronics Limited
 Tel: 081 885 2884
 Fax: 081 885 2496

CIRCLE NO. 148 ON REPLY CARD

MIXED-MODE SIMULATION. THE POWER OF VERSION 4.

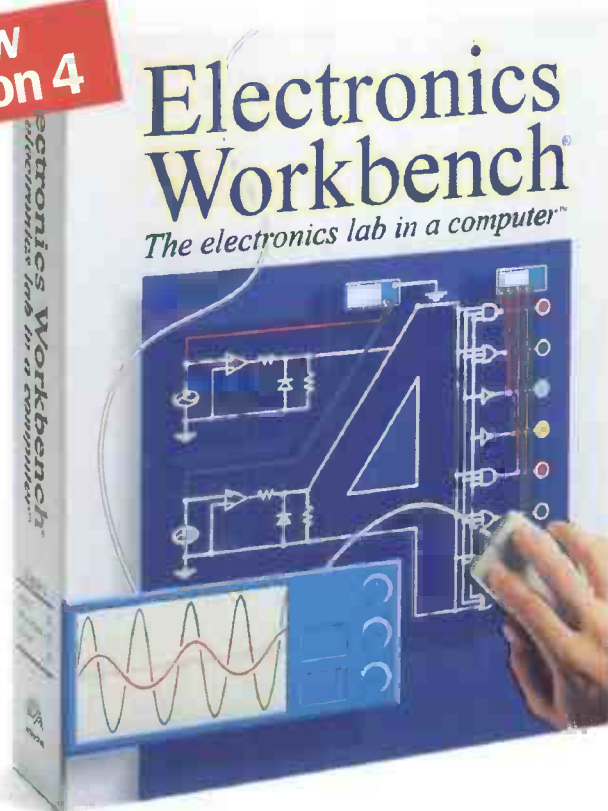
New
Version 4

Analog, Digital & Mixed Circuits

Electronics Workbench® Version 4 is a fully integrated schematic capture, simulator and graphical waveform generator. It is simple to mix analog and digital parts in any combination.

Design and Verify Circuits... Fast!

Electronics Workbench's simple, direct interface helps you build circuits in a fraction of the time. Try 'what if' scenarios and fine tune your designs painlessly.



More Power

Simulate bigger and more complex circuits. Faster. On average, Electronics Workbench Version 4 is more than 5 times faster than Version 3.

More Parts

Multiple parts bins contain over twice the components of Version 3.

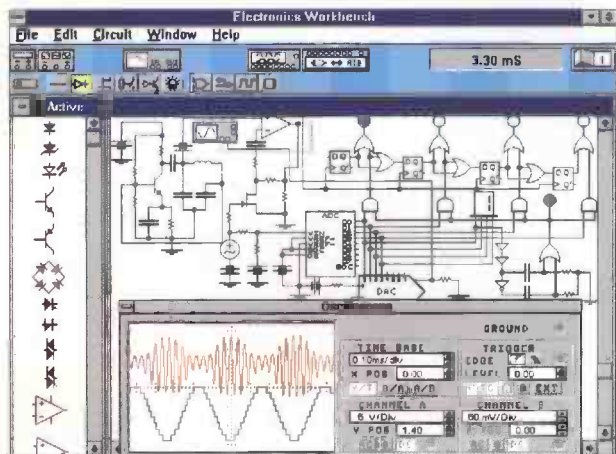
More Models

Over 350 real world analog and digital models are included free with Electronics Workbench. And, if you need more, an additional 2,000 models are available.

Incredibly Powerful. Incredibly Affordable.

If you need mixed-mode power at a price you can afford, take a look at this simulator and graphical waveform generator that mixes analog and digital with ease.

With over 20,000 users world-wide, Electronics Workbench has already been tried, tested and accepted as an invaluable tool to design and verify analog and digital circuits. With Version 4 true mixed-mode simulation is now a reality with incredible simplicity.



True mixed-mode simulation: Simultaneous AM transmission, digitization and pulse-code modulation of a signal.

Electronics Workbench™
The electronics lab in a computer™

Order Now! Just £199*
44-(0)1203-233-216

Robinson Marshall (Europe) Plc

Nadella Building, Progress Close,
Leofric Business Park,
Coventry, Warwickshire CV3 2TF
Fax: 44 (0)1203 233-210

E-mail: rme@cityscape.co.uk

Shipping charges UK £5.99. All prices are plus VAT.
All trade marks are the property of their respective owners.
Electronics Workbench is a trademark of Interactive Image Technologies Ltd., Toronto, Canada.
* 30 Day money-back guarantee.



Australia: 2-519-3933 • Brazil: 11-453-5588 • Cyprus: 2-62-1068 • Denmark: 33-25-0017 • Finland: 0-297-5033 • France: 14-908-9000 • Germany: 711-62-7740 • Greece: 1-524-9981
Hungary: 1-215-0082 • India: 11-544-1343 • Israel: 3-647-5613 • Italy: 11-437-5549 • Japan: 3-3382-3136 • Malaysia: 603-7778945 • Mexico: 5-396-3075 • Netherlands: 18-031-7666
New Zealand: 9-267-1756 • Norway: 22-16-70-45 • Portugal: 1-814-6609 • Singapore: 462-0006 • Slovenia: 61-317-830 • South Africa: 331-68309 • South Korea: 2-2-222-3431
Spain: 1-553-3234 • Sri Lanka: 1-86-5970 • Sweden: 8-740-5500 • Thailand: 66-2-398-6952 • United Kingdom: 203-23-3216

CIRCLE NO. 102 ON REPLY CARD

INTERACTIVE

iii

S4 The best by design!

Credit card holders call now for special bundle deals

S4'S VITAL STATISTICS:

- Totally handheld programmer/emulator
- Fast approved programming algorithms; eg. program and verify:
National 27C512 in 16 seconds
AMD 29F010 in only 90 seconds
- EPROMs to 8Mbit, 5v, 12v and **BOOT-BLOCK FLASH, EEPROMs and PEROMs**
- Three year parts and labour guarantee
- Free next day delivery (UK only)
- 30 day trial available (UK only)
- Full 24 byte on-screen editor
- Continuous programming whilst charging (nonstop operation)
- Moulded designer case - feels as good as it looks
- Rubberised colour-coded full travel keypad
- Big, easy-view 80 character supertwist LCD
- Optional modules available to program PICs, 8751, 16-bit EPROMs, Toshiba 4-bit, Hitachi H8
- Optional sockets for programming and emulating PLCC devices

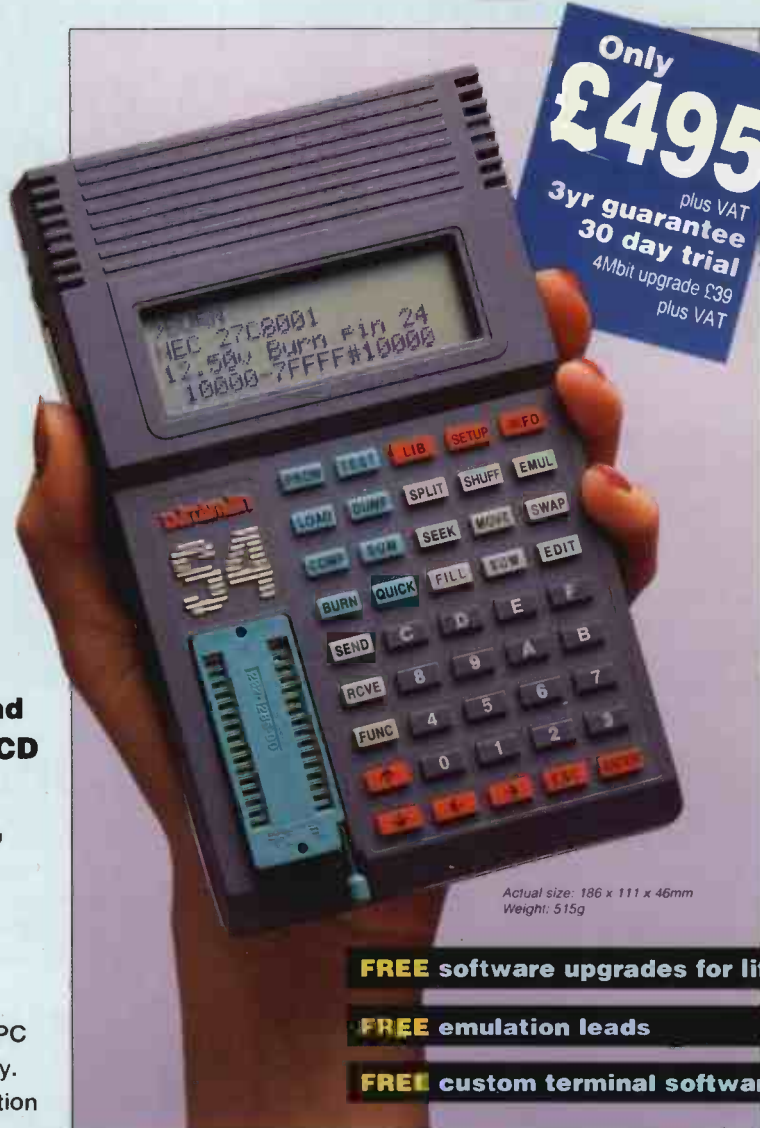
S4's 32 pin ZIF socket programs a huge library of 8 & 16bit EPROMs, EEPROMs, FLASH, PICs and other popular microcontrollers using manufacturers approved algorithms. Our free and easily updatable device library enables users to always have the latest software installed. During our sixteen years of designing and selling innovative and fast programming solutions to industry, Dataman has *never* charged for software updates or technical support.

Built in emulation enables you to see your code running before committing yourself to an EPROM. Load your program from an EPROM or download

code from your PC into S4's memory. Plug S4's emulation lead into the target system, press the emulation key and run the system. Changes can be made using S4's powerful editor, and you can re-run the code to test and confirm changes. When the code is proved to be working, it can then be programmed to a fresh ROM.

The S4 package comes complete with mains charger, emulation leads, organiser-style instruction manual, PC software and a three year guarantee.

S4 is always available off the shelf and we ship worldwide on a daily basis. Call now for delivery tomorrow!



Only **£495** plus VAT
3yr guarantee
30 day trial
4Mbit upgrade £39 plus VAT

Actual size: 186 x 111 x 46mm
Weight: 515g

- FREE** software upgrades for life
- FREE** emulation leads
- FREE** custom terminal software

Bona-fide UK customers can try S4 for thirty days without risk. 18,000 satisfied users worldwide can't be wrong!

Dataman
Dataman Programmers Ltd

Station Road, Malden Newton
Dorset, DT2 0AE, UK.
Tel: 01300 320719 Fax: 01300 321012
Telex: 418442 BBS: 01300 321095
Modem: V.34/V.FC/V.32bis

22 Lake Beauty Drive, Suite 101
Orlando, FL 32806, USA
Tel: (407) 649-3335 Fax: (407) 649-3310
BBS: (407) 649-3159 24hr
Modem V32bis/16.8K HST

CREDIT CARD HOTLINE **01300 320719** for same-day dispatch



CIRCLE NO. 103 ON REPLY CARD