

ELECTRONICS WORLD

MAY 2002 £2.95

Cable fault locator

Making your own PCBs

Setting LC oscillators

Super-regen applied

VHDL primer

Win a Hitachi
Worldspace radio
worth £149



Circuit ideas:

Circuit ideas: motorbike gear display, three-component voltage doubler and more...



Telnet

Quality second-user test & measurement equipment

Fluke 5700A Multifunction Calibrator with 5725A Amplifier	£17,000
Hewlett Packard 83640L (10MHz - 40 GHz) Synth. swept signal generator	£15000
Hewlett Packard 8349B (2 - 20 GHz) Microwave Amplifier	£2500
Hewlett Packard 8508A (with plug-in 85082A-2GHz) Vector Voltmeter	£2500
Hewlett Packard 3324A synth. function/sweep gen. (21MHz)	£2250
Hewlett Packard 3314A Function Generator 20MHz	£1250
Hewlett Packard 8904A Multifunction Synthesiser (opt 2+4)	£1950
Hewlett Packard 4278A 1kHz/1MHz Capacitance Meter	£3750
Hewlett Packard 53310A Modulation Domain Analyser (opts 1&31)	£6750
Hewlett Packard 4191A R/F Impedance Analyser (1-1000MHz)	£4995
Hewlett Packard ESG-D3000A (E4432A) 250 kHz-3GHz) Signal Gen.	£6995
Hewlett Packard (Agilent) ESG-4433B (opt UN8) Digital Signal Generator (0.25-4000MHz)	£8500
Hewlett Packard (Agilent) ESG-D4000A (opt UN3) Dig. Sig. Generator (0.25-4000MHz)	£8000
Marconi 6310 - programmable sweep generator (2 to 20GHz) - new	£2500
Marconi 6311 Prog'ble sig. gen. (10MHz to 20GHz)	£2995
Marconi 6313 Prog'ble sig. gen. (10MHz to 26.5GHz)	£4750
R&S SMG (0.1-1GHz) Sig. Generator (opts B1+2)	£2950
Rohde & Schwarz SM1Q-03B (opt1,12,14,20,B42) Vector Signal Generator (300kHz-3.3GHz)	£9950

OCSILLOSCOPES

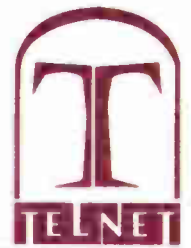
Gould 400 20MHz - DSO - 2 channel	£695
Gould 1421 20MHz - DSO - 2 channel	£425
Gould 4068 150MHz 4 channel DSO	£1250
Gould 4074 100MHz - 400 Ms/s - 4 channel	£1100
Hewlett Packard 54615B (opt1,2) - 500MHz - 1Gs/s 2 channel	£2500
Hewlett Packard 54201A - 300MHz Digitizing	£750
Hewlett Packard 54600A - 100MHz - 2 channel	£675
Hewlett Packard 54502A - 400MHz - 400 MS/s 2 channel	£1600
Hewlett Packard 54810A 'Infinium' 500MHz 2ch	£3500
Hewlett Packard 54520A 500MHz 2ch	£2750
Hameg 205-2 20MHz DSO	£495
Hitachi V152V/212/V222/V302B/V302F/V353F/V550BV650F	from £100
Hitachi V1 100A - 100MHz - 4 channel	£750
Intron 2020 - 20MHz. Dual channel D.S.O (new)	£450
Iwatsu SS 5710/SS 5702 -	from £125
Kikusui COS 5100 - 100MHz - Dual channel	£350
Lecroy 9314L 300MHz - 4 channels	£2750
Meguro MSO 1270A - 20MHz - D.S.O. (new)	£450
Philips PM3094 - 200MHz - 4 channel	£1500
Philips 3295A - 400MHz - Dual channel	£1400
Philips PM3392 - 200MHz - 200Ms/s - 4 channel	£1750
Philips PM3070 - 100MHz - 2 channel - cursor readout	£650
Tektronix 465 - 100MHz - Dual channel	£295
Tektronix 464/466 - 100MHz - (with AN. storage)	£295
Tektronix 475/475A - 200MHz/250MHz	from £400
Tektronix 468 - 100MHz D.S.O.	£500
Tektronix 2213/2215 - 60MHz - Dual channel	£300
Tektronix 2220 - 60MHz - Dual channel D.S.O	£850
Tektronix 2235 - 100MHz - Dual channel	£500
Tektronix 2221 - 60MHz - Dual channel D.S.O	£850
Tektronix 2245A - 100MHz - 4 channel	£700
Tektronix 2440 - 300MHz/500MS/s D.S.O.	£2100
Tektronix 2445/2445B - 150MHz - 4 channel	£800
Tektronix 2445 - 150MHz - 4 channel +DMM	£850
Tektronix TAS 475 - 100MHz - 4 channel	£850
Tektronix 7000 Series (100MHz to 500MHz)	from £200
Tektronix 7104 - 1GHz Real Time - with 7A29 x2, 7B10 and 7B15	from £1950
Tektronix 2465/2465A/2465B - 300MHz/350MHz 4 channel	from £1250
Tektronix 2430/2430A - Digital storage - 150MHz	from £1250
Tektronix TDS 310 50MHz DSO - 2 channel	£750
Tektronix TDS 320 100MHz 2 channel	£850

SPECTRUM ANALYSERS

Advantest R3361A (9kHz - 2.6GHz)	£4750
Advantest 4131 (10kHz - 3.5GHz)	£3750
Ando AC 8211 - 1.7GHz	£1500
Avcom PSA-65A - 2 to 1000MHz	£750
Advantest/TAKEDA RIKEN - 4132 - 100kHz - 1000MHz	£1350
Hewlett Packard 8596E (opt 41, 101, 105,130) 9kHz - 12.8GHz	£12000
Hewlett Packard 8756A/8757A Scaler Network Analyser	from £1090
Hewlett Packard 853A Mainframe + 8559A Spec.An. (0.01 to 21GHz)	£2500
Hewlett Packard 182T Mainframe + 8559A Spec.An. (0.01 to 21GHz)	£2000
Hewlett Packard 8568A (100Hz - 1500MHz) Spectrum Analyser	£3000
Hewlett Packard 8567A - 100Hz - 1500MHz	£3400
Hewlett Packard 8752A - Network Analyser (1.3GHz)	£5000
Hewlett Packard 8754A - Network Analyser 4MHz - 1300MHz)	£1500
Advantest R3272 Spectrum Analyser (9kHz-26.5GHz)	£12000
Anritsu 54154A Scaler Network Analyser (2-32GHz)+detectors+SWR	£9950
Anritsu 54111A Scaler Network Analyser (0.001-3GHz)+dets+SWR	£7000
Hewlett Packard 8753B+85046A Network An + S Param (3GHz)	£6500
Hewlett Packard 8713C (opt 1 E1) Network An. 3 GHz	£6000
Hewlett Packard 70001A/70900A/70906A/70902A/70205A - 26.5 GHz Spectrum Analyser	£7000
Hewlett Packard 3561A Dynamic signal analyser	£2950
Hewlett Packard 35660A - Dynamic signal analyser	£2500
Hewlett Packard 8753A (3000kHz - 3GHz) Network An.	£3250
Hewlett Packard 3582A (0.02Hz - 25.5kHz) dual channel	£1500
Hewlett Packard 8590A (opt 01, 021, 040) 1MHz-1.5MHz	£2500

Radio Communications Test Sets

Marconi 2955	£1250
Marconi 2955B/60B	£3500
Marconi 2955A	£1750
Marconi 2955R	£1995
Anritsu MT 8801C Radio Comms Analyser 300kHz - 3GHz (opt 1,4,7)	£6500
Hewlett Packard 8920B (opts 1,4,7,11,12)	£6750
Schlumberger Stabilock 4031	£2750
Schlumberger Stabilock 4040	£1300
Racal 6111 (GSM)	£1250
Racal 6115 (GSM)	£1750
Racal 6103 (GSM) Digital Radio Test Set	£6250
Rohde & Schwarz CMTA 94 (GSM)	£4500
Rohde & Schwarz CMT 55 (2GHz)	£7500
Rohde & Schwarz CMT 90 (2GHz) DECT	£3995
Rohde & Schwarz CMD 57 GSM test set (opts B1/34/6/7/19/42/43/61)	£7995
Wavetek 4103 (GSM 900) Mobile phone tester	£1500
Wavetek 4106 (GSM 900, 1800, 1900) Mobile phone tester	£2000



Hewlett Packard 8560A (50MHz-2.9GHz) High performance with Tracking Generator option (02)	£5500
IFR A7550 - 10KHz-GHz - Portable	£1750
Meguro - MSA 4901 - 30MHz - Spec Analyser	£600
Meguro - MSA 4912 - 1MHz - 1GHz Spec Analyser	£750
Tektronix 2712 Spec Analyser (9KHz - 1.8GHz)	£3250
Willtron 6409 - 10-2000MHz R/F Analyser	£1250

MISCELLANEOUS

Eaton 2075-2A - Noise Gain Analyser at	£1995
EIP 548A 26.5GHz Frequency Counter	£1995
ENI 440LA (150KHz-300MHz) 35 Watt Power Amp	£2500
ENI 1040 (10KHz- 500KHz) 400 Watt Power Amp	£2750
Gigatronics 8541C Power Meter + 80350A Peak Power Sensor	£1750
Gigatronics 8542C Dual Power Meter + 2 sensors 80401A	£2500
Hewlett Packard 53131A Universal Frequency counter (3GHz)	£850
Hewlett Packard 85024A High Frequency Probe	£1000
Hewlett Packard 8642A - high performance R/F synthesiser (0.1-1050MHz)	£2500
Hewlett Packard 3335A - synthesiser (200Hz-81MHz)	£1995
Hewlett Packard 436A power meter and sensor (various)	from £750
Hewlett Packard 339A Distortion measuring set	£750
Hewlett Packard 3457A multi meter 6 1/2 digit	£850
Hewlett Packard 3784A - Digital Transmission Analyser	£3750
Hewlett Packard 5385A - 1 GHz Frequency counter	£495
Hewlett Packard 6033A - Autoranging System PSU (20v-30a)	£750
Hewlett Packard 6622A - Dual O/P system p.s.u	£1250
Hewlett Packard 6624A - Quad Output Power Supply	£2000
Hewlett Packard 6632A - System Power Supply (20v-5A)	£695
Hewlett Packard 8350B - Sweep Generator Mainframe	£1500
Hewlett Packard 8656A - Synthesised signal generator	£750
Hewlett Packard 8656B - Synthesised signal generator	£995
Hewlett Packard 8657A - Synth. signal gen. (0.1-1040MHz)	£1500
Hewlett Packard 8901B - Modulation Analyser	£2250
Hewlett Packard 8603A, B and E - Distortion Analyser	from £1000
Hewlett Packard 37900D - Signalling test set	£2950
Hewlett Packard 8657B - 100MHz Sig Gen - 2060 MHz	£3950
Hewlett Packard 8657D - XX DQPSK Sig Gen	£3950
Hewlett Packard 4275A LCR Meter (10KHz-10MHz)	£2950
Hewlett Packard 4276A LCZ Meter (100MHz-20KHz)	£1400
Hewlett Packard 5350B 20KHz Microwave Freq.Counter	£2000
Hewlett Packard 11729B/C Carrier Noise Test Set	from £2500
Hewlett Packard 53151B Microwave Freq. Counter (26.5GHz)	£3400
Hewlett Packard 5351B (pt 1 & 6) Microwave Freq.Counter (26.5GHz)	£3000
Hewlett Packard 6626A / 6629A Quad O/P Power Supply	£3500
Hewlett Packard 6644A 60v - 3.5A Power Supply	£1000
Ballantine 1620A 100Amp Transconductance Amplifier	£1750
Kethley 486/487 Picoammeter (+volt.source)	£1350/£1850
Marconi 6950/6960/6960B Power Meters & Sensors	from £400
Marconi 2840A 2 Mbit/s Transmission Analyser	£1100
Philips 5515 - TN - Colour TV pattern generator	£1400
Philips PM 5193 - 50 MHz Function generator	£1350
Leader 3216 Signal generator 100KHz - 140MHz - AM/FM/CW with built in FM stereo modulator (as new) a snip at	£650
Rohde & Schwarz NRV dual channel power meter & NAV Z2 Sensor	£1000
Rohde & Schwarz FAM (opts 2,6 and 8) Modulation Analyser	£4250
Tektronix ASG100 - Audio Signal Generator	£750
Wavetek 178 Function generator (50MHz)	£750
Wayne Kerr 3245 - Precision Inductance Analyser	£1850
Wayne Kerr 6245 - Precision Component Analyser	£2250

All equipment is used - with 30 days guarantee and 90 days in some cases

Add carriage and VAT to all goods.

Telnet, 8 Cavans Way, Binley Industrial Estate, Coventry CV3 2SF.

Tel: 02476 650 702
Fax: 02476 650 773

3 COMMENT

Genesis of a Digital Utopia

5 NEWS

- Multiplier algorithm is twice as fast
- Mini speakers have low resonance
- Get a Master's on the Web
- One-stop PCB prototyping
- 1.3Tbit/s over 8400km fibre
- Disposable cardboard speakers
- Ultra-bright electroluminescence
- Disposable cardboard speakers
- Rad-hard processors
- IoW firm wins SMART award
- FM radio chips need no trimming
- Disposable cardboard speakers



12 CABLE FAULT LOCATOR

David Huddart's first coaxial-cable fault locator relied on an oscilloscope to display the signal reflection. This new version works from 5 to 200m and has built-in distance readout facilities.

18 APPLICATIONS FOR SUPER-REGENERATION

Complementing last month's article on how super-regenerative receivers work, **Eddie Insam** now discusses how you can apply the technique, and presents some practical examples.

22 TWO-STEP LC TUNING

Peter Fry explains his procedure for simplifying the tuning of LC oscillators.

25 REDUCING FLYBACK STAND-BY POWER

Jonathan Adams of International Rectifier looks at how to wind down the stand-by losses of flyback power supply circuits using the IRIS40 range of integrated switchers.

27 GANG YOUR OWN POTS

An alternative DIY method for ganging any number of potentiometers.

28 WIN A WORLDSPACE RADIO

30 LETTERS

- Doctor discussion
- Outlook alarm
- Superhet comments

32 CIRCUIT IDEAS

- Motorcycle gear indicator
- Switching EHT generator
- Three-component voltage step up

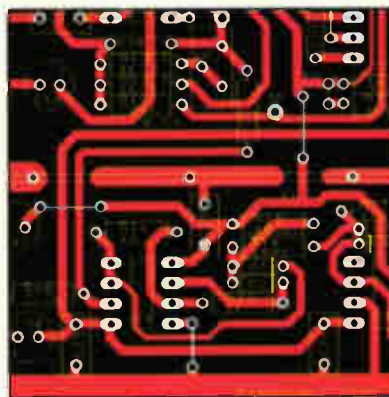
39 NEW PRODUCTS

The month's top new products, selected and edited by **Richard Wilson**.

47 DESIGNING WITH VHDL

In this second article on programmable logic, **Andrew Malcolm** looks at the standard language used for defining programmable devices.

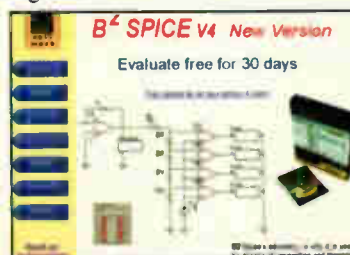
52 MAKING SINGLE-SIDED PCBs



Cyril Bateman runs through a multitude of tips and tricks for making your own printed circuit boards.

60 WEB DIRECTIONS

Useful web addresses for electronics engineers.



Turn to page 28 to find out how to win this Hitachi WorldSpace radio worth £149. It receives terrestrial broadcast bands as well as WorldSpace satellite transmissions.

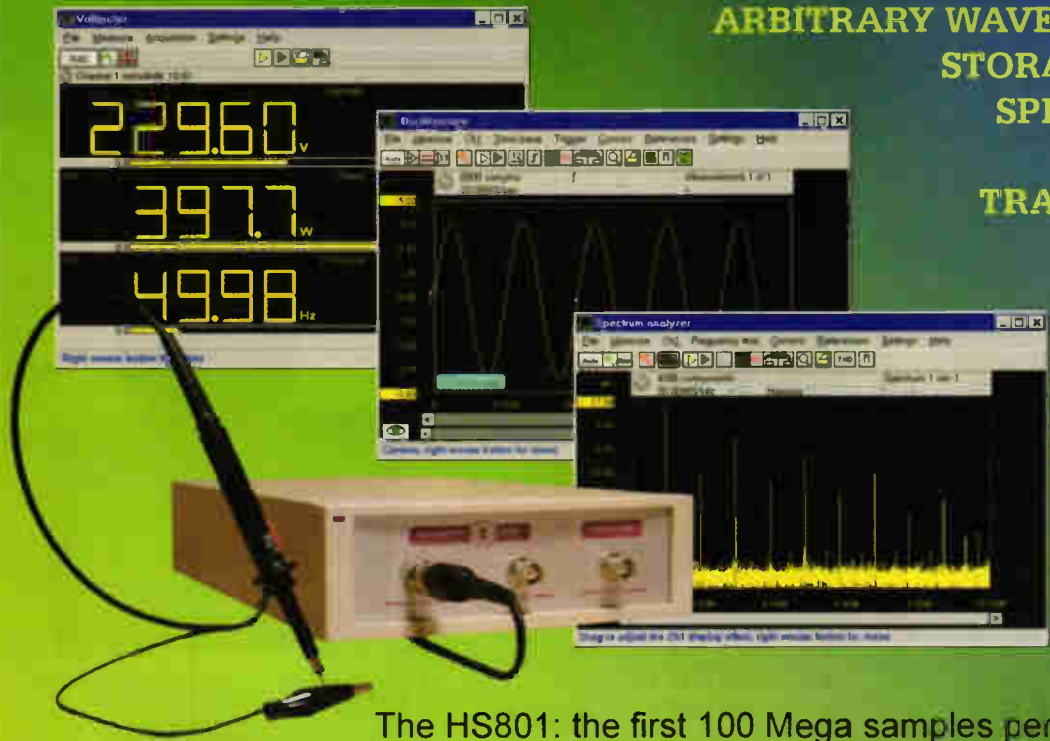


Find out at a glance which gear your motor bike's in with Pekka Ritamaki's gear indicator – Circuit Ideas, page 32.



This cable-fault locator allows you to locate faults in coaxial cables using time-domain reflectometry – page 12.

**ARBITRARY WAVEFORM GENERATOR-
STORAGE OSCILLOSCOPE-
SPECTRUM ANALYZER-
MULTIMETER-
TRANSIENT RECORDER-**



Reliability

The HS801: the first 100 Mega samples per second measuring instrument that consists of a MOST (Multimeter, Oscilloscope, Spectrum analyzer and Transient recorder) and an AWG (Arbitrary Waveform Generator). This new MOST portable and compact measuring instrument can solve almost every measurement problem. With the integrated AWG you can generate every signal you want.

- The versatile software has a user-defined toolbar with which over 50 instrument settings quick and easy can be accessed. An intelligent auto setup allows the inexperienced user to perform measurements immediately. Through the use of a setting file, the user has the possibility to save an instrument setup and recall it at a later moment. The setup time of the instrument is hereby reduced to a minimum.
- When a quick indication of the input signal is required, a simple click on the auto setup button will immediately give a good overview of the signal. The auto setup function ensures a proper setup of the time base, the trigger levels and the input sensitivities.
- The sophisticated cursor read outs have 21 possible read outs. Besides the usual read outs, like voltage and time, also quantities like rise time and frequency are displayed.
- Measured signals and instrument settings can be saved on disk. This enables the creation of a library of measured signals. Text balloons can be added to a signal, for special comments.
- The (colour) print outs can be supplied with three common text lines (e.g. company info) and three lines with measurement specific information.
- The HS801 has an 8 bit resolution and a maximum sampling speed of 100 MHz. The input range is 0.1 volt full scale to 80 volt full scale. The record length is 32K/64K samples. The AWG has a 10 bit resolution and a sample speed of 25 MHz. The HS801 is connected to the parallel printer port of a computer.
- The minimum system requirement is a PC with a 486 processor and 8 Mbyte RAM available. The software runs in Windows 3.xx / 95 / 98 or Windows NT / 2000 / XP and DOS 3.3 or higher.

TiePie engineering (UK), 28 Stephenson Road, Industrial Estate, St. Ives, Cambridgeshire, PE17 3WJ, UK
Tel: 01480-460028; Fax: 01480-460340

TiePie engineering (NL), Koperslagersstraat 37, 8601 WL SNEEK The Netherlands
Tel: +31 515 415 416; Fax +31 515 418 819

Web: <http://www.tiepie.nl>

COMPUTER CONTROLLED MEASURING INSTRUMENT



Genesis of a Digital Utopia

EDITOR
Martin Eccles

CONSULTANT
Ian Hickman

**EDITORIAL
ADMINISTRATION**
Jackie Lowe
020 8722 6054

EDITORIAL E-MAILS
J.lowe@cumulus
media.co.uk

GROUP SALES
020 8722 6028

**ADVERTISEMENT
E-MAILS**
j.thorpe@cumulus
media.co.uk

EDITORIAL FAX
020 8722 6098

CLASSIFIED FAX
020 8770 2016

NEWSTRADE ENQUIRIES
020 7907 7777

ISSN 0959-8332

SUBSCRIPTION HOTLINE
Tel (0) 1444 475662
Fax (0) 1444 445447

SUBSCRIPTION QUERIES
rbp.subscriptions@rbi.co.uk
Tel (0) 1444 445566
Fax (0) 1444 445447

Not in Eden was the tree of knowledge found, though its fruit may yet give us pause for thought. When in 1945, ENIAC was revealed to the world, few understood the profound changes that the electronic digital computer would have on almost every aspect of our daily lives. Similarly, although the announcement on 26 June 2000 giving notice of the first rough draft of the human genome made headline news, it was soon drowned out amidst the clamour of other world events all competing for media attention. But these two developments will not go away, and despite the apparent dissimilitude of their origins, the principle that unites them and makes them vitally different from every technological advancement that has gone before, is that of digital information.

Most of us are familiar, at least in principle, with the idea of the digital computer; its fundamental unit of information is the binary digit, or bit, and by combining bits in appropriate patterns we can represent code, data or information in any form we like. The possible combinations are infinite, and so too the possible applications of the technology.

At first sight, it might appear as if genetics does not fall into the realm of the digital, but indeed it does, although the basic unit of information here has one of four, rather than two, representations. To understand how this works, we need to review the rudiments of genetic science.

Each human being has 23 pairs of chromosomes, found within the nucleus of every cell. Each chromosome is made of a very long DNA (deoxyribonucleic acid) molecule, in the now familiar shape of the double helix. If we think of this double helix as a twisted ladder, then the rungs are made up from one of four possible bases: adenine, guanine, cytosine or thymine. These are normally referred to as AGC or T for short. Sequences of these bases, from a few thousand to a few hundred thousand, go to make up each gene. The human genome has approximately one hundred thousand genes, and there are about 3 billion bases within the total cellular DNA.

Genes determine almost everything about us, from the exact length of our ear lobes to the dexterity of our right hands. Geneticists will also tell you that they strongly influence such things as intelligence, character, susceptibility to disease and a host of other traits that were once very hard to define in terms of their biological origins.

It comes as little surprise to learn therefore, that vast amounts of money were spent in sequencing the human genome, under a united and international programme called the Human Genome Project, formally initiated in 1990 by the US Department of Energy and the National Institutes of Health. In a twist of fate that is no coincidence, its success would simply not have been possible without the involvement of automated, computerised sequencers. But the links between these two scientific achievements do not end here.

When ENIAC was first completed, it contained 18 000 valves, consumed 150 kilowatts of power and performed 5000 additions or 357 multiplications per second.

Recently, Motorola announced its latest *Starcore* DSP chip – little bigger than a 50p piece, and capable of

What a piece of work is man, how noble in reason, how infinite in faculties, In form and moving how express and admirable, in action how like an angel, in apprehension, how like a god;

-Hamlet, II, 2

nearly five billion multiplications and additions per second; all this, in the space of 57 years.

This degree of digital power represents not merely a quantitative, but a qualitative change in our relationships with scientific problems, enabling us to unlock the quantum secrets hidden within the very heart of our universe. Just as the currency of our brains is thought, so too the currency of digital computers is number.

So now we can effectively rewrite certainty, altering information in a way that was possible only conceptually forty years ago; an engineer or scientist from this time would be struck dumb by the feats we can now achieve. Despite all this, the digital computing revolution is still in its infancy.

And what of the science of genetics? We know that the sequence of bases on a gene is the code that instructs a cell how to manufacture a single protein; by altering this *digital code* of AGCT, we can alter the gene and change the organism, subtly or, if we wish, radically. We have indeed become as God. Mice have already been genetically modified with enhanced memory and problem-solving skills, and human medical applications are simply too numerous to list.

Make no mistake, this is just the start. The computer revolution has been with us for less than sixty years, and it has seen a billion-fold increase in power since it began. We can probably not even conceive of the advances that will be made in the science of human genomics over such a span; the idea of human immortality is no longer a wild and ridiculous fantasy.

Three things are however clear. First, both these digital revolutions represent a paradigm shift in our relationships with the physical world, for by altering code sequences, we can restructure our very reality. Second, developments in computing and genetics will continue exponentially and fuel the advances in almost all other sciences during the 21st century. Finally, and worryingly, our global political systems have not moved forward at a rate commensurate with the enormous leaps in these areas.

Hamlet correctly observed that in action, man can be as a god but he omitted to mention that he could also be the very Devil. The benefits or curses these things will bring us very much depend on our systems of government, which too often across our globe, are underpinned by greed and an all-consuming lust for power. It is up to us whether we create a hell, or sow a new Eden, and it is high time we gave this some thought.

Patrick Gaydecki

Electronics World is published monthly. Orders, payments and general correspondence to Jackie Lowe, Cumulus Business Media, Anne Boleyn House, 9-13 Ewell Road, Cheam, Surrey, SM3 8BZ.

Newstrade: Distributed by COMAG, Tavistock Road, West Drayton, Middlesex, UB7 7QE Tel 01895 444055.

Subscriptions: Quadrant Subscription Services, Oakfield House Perrymount Road, Haywards Heath, Sussex RH16 3DH. Telephone 01444 475631. Please notify change of address. Subscription rates 1 year UK £38.00 2 years £61.00 3 years £76.00. Europe/Eu 1 year £54.00 2 years £86.00 3 years £108.00

ROW 1 year £63.00 2 years £101.00 3 years £126
Overseas advertising agents: France and Belgium: Pierre Mussard, 18-20 Place de la Madeleine, Paris 75008. United States of America: Ray Barnes, Reed Business Publishing Ltd, 475 Park Avenue South, 2nd Fl New York, NY 10016 Tel: (212) 679 8888 Fax: (212) 679 9455
USA mailing agents: Mercury Airfreight International Ltd Inc, 10(b) Englehard Ave, Avenel NJ 07001. Periodicals Postage Paid at Rahway NJ Postmaster. Send address changes to above.
Printed by Polestar (Colchester) Ltd, Filmsetting by G&E 2000

A1 Parkway, Southgate Way, Orton Southgate, Peterborough, PE2 6YN
Cumulus Business Media is a division of Highbury Communications PLC

Cumulus
BUSINESS MEDIA

Analyse those semiconductors

atlas

component analyser

£60
fully inclusive*

What does it do?

- Automatic component identification
- Pinout identification
- Transistor gain measurement
- MOSFET gate threshold measurement
- PN junction characteristics measurement
- NEW! Shorted Junction identification
- Just connect the part anyway round and press the button!



Buy online!

What components are supported?

Bipolar transistors, Darlington transistors, Diode protected transistors, Resistor shunted transistors, Enhancement mode MOSFETs, Depletion mode MOSFETs, Junction FETs, Low power triacs and thyristors, Diodes and diode networks, LEDs including 2 lead and 3 lead bicolours.

**If you don't love it,
you get your money back!**

Save time testing CAT 5 network cables

Just plug one end of your cable into the Atlas IT and the other into the Atlas Terminator and press "test". In seconds the unit will identify the cable type (straight through, crossover or token ring) and verify every connection. If there are any faults then they are clearly explained on screen. Socket testing is possible too thanks to the special patch cables included in the outfit.

Swapped lines, missing lines, shorted lines are all uniquely identified together with the full connection pattern!



What's more, if you want to know how to make up a special network cable, the Atlas can instruct you, even down to cable colours!

The Atlas IT is supplied in a robust carry case complete with a spare terminator and spare battery.

atlasit

network cable analyser

New Product
Special Price!!!
For a limited time only

£99
fully inclusive*



Buy online!

* Quoted prices include UK delivery and VAT

Visit www.peakelec.co.uk to download the full data sheets and copies of independent reviews. Feel free to contact us for a comprehensive data pack.

You can pay using a cheque, postal order, credit or debit card and even pay online. Please contact us for overseas or volume orders - you will be pleasantly surprised.

PEAK
electronic design ltd

Atlas House, Kiln Lane
Harpur Ind. Est., Buxton
Derbyshire, SK17 9JL, UK

www.peakelec.co.uk
sales@peakelec.co.uk

Tel. 01298 70012 Fax. 01298 70046



New multiplier algorithm is twice as fast

A multiplier algorithm developed by Oxford start-up Automatic Parallel Designs is twice as fast as existing designs, the company claims.

AutoPD also has a floating-point multiplier that is currently being evaluated by "one of the largest CPU companies", and algorithms under test at two other "major" CPU manufacturers.

According to its chief technology officer Sunil Talwar, the firm's efficient arithmetic building blocks are based on "mathematics dating back to the Indians in 1000AD, developed by the Chinese in 1303, and coming together with Pascal's Triangle in 1709".

"People currently only know how to add three numbers efficiently in a

column," said Talwar. "If they want to add more numbers they build [adders] out of these basic count-up-to-three building blocks. It's very slow, lots of logic levels, plus very bad wiring." AutoPD's multiplier designs enable customers to choose between a one and-a-half times reduction in area or increased speed, versus existing multiplication schemes. The modular designs are optimised for silicon and available as either reference RTL or licensable IP.

"We are negotiating with one large FPGA company - they're chasing the DSP market at the moment," explained Talwar. "We're under evaluation at all the major DSP companies, but we've just seen a real slowdown in the industry there." As

well as the arithmetical building blocks, the company has also devised an encryption algorithm, for which it has a licensee. "Things are nice," mused Talwar.

A mathematician, Talwar founded AutoPD in 1998 with Tony Curzon Smith, an economist. Initially funded by a SMART award, last year they raised £2.5m from venture capital firm Quester, with a further £500,000 from the seed backers and £200,000 in DTI awards.

With 12 full-time staff, the company has a sales office in Austin, Texas, and does all its business in the US. Dr Earl Swartzlander, a leading authority on computer architecture, has recently been appointed as a technical adviser.

Mini speakers have low resonant frequency

Nothing escapes scrutiny in the effort to make mobiles smaller and better. With this in mind, Matsushita has announced a range of mini-loudspeakers for 3G phones.

The problem with existing designs, says the company, is the air gap between speaker and ear that ruins low-frequency reproduction.

Countering this, the new speakers do not rely on a seal between phone and user, but have an inherently low

resonant frequency on their own.

The key is a new diaphragm material, a special amorphous polymer with a low elastic modulus and high internal loss.

Three types are available, the best one achieving a 380Hz resonant frequency - close to the bottom of the spoken range.

The largest one in the picture is 10mm in diameter and 2.6mm thick. Mass is 0.52g. Production should begin this July.



Specifically designed for tracking plastic packaging assets, magnetic tagging company Flying Null has introduced a toughened tag. They can be "boiled, frozen, even run over by a forklift truck," said Flying Null. The new device is launched following life-cycle testing at Demes Logistics.

Get a Master's degree on the Web

Scotland's Institute for System Level Integration (ISLI) has extended its groundbreaking Master's degree in system level integration to Web users.

The online version of the degree will be aimed at part time students already working in the industry and those from overseas.

"We had a lot of interest in flexible learning from industry," said Professor Steve Beaumont, director of the ISLI. "We also have

a lot of interest from overseas."

Beaumont expects that most students would complete the course in around three years.

"We're going to provide a lot of e-mail, telephone and online support plus online library facilities," he said. Like many Open University courses, the ISLI degree will still have a residential element for some of the lab work.

Eventually the concept could be extended to the Institute's four year

long Engineering Doctorate, which took its first students in October 2000.

Located at the Alba Centre Campus in Livingston, the ISLI is an academic collaboration of four Scottish universities: Edinburgh, Glasgow, Heriot-Watt and Strathclyde. It opened its doors to students in March 1999 and offer both full and part time MSc degrees.

www.sli-institute.ac.uk

One-stop PCB prototyping

The Kwikboard division of Sigtronics, the Scottish PCB machine company, is launching its nation-wide UK network of one-stop prototyping outlets.

"The company is doing deals with PCB manufacturers around the country, leasing Kwikboard machines to them so they can offer rapid PCB prototyping," said a

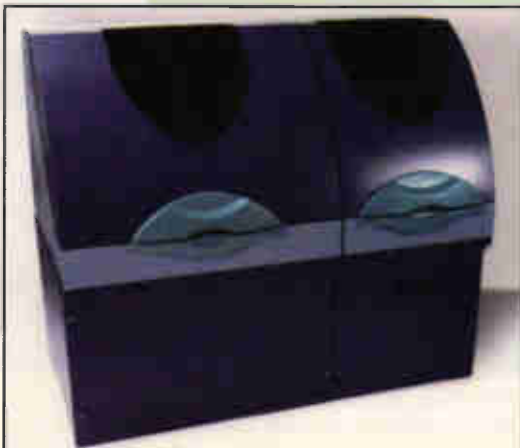
spokesman for the company. "Four have already signed up and we are looking to sign up 15 by the end of the year."

Kwikboard claims that a finished PCB can be produced in less than three hours.

The prototyping system is additive, rather than subtractive with a copper polymer being printed

onto the PCB. "You can still do all the normal soldering operations that you can do on conventional PCBs," said the spokesman.

Its printer is made up of four stations: micro engraving, polymer application, curing and laminating. Unlike the conventional PCB process, no acids or etchants are used said Kwikboard.



1.3Tbit/s over an 8400km optical fibre

In a test using a single optical fibre and 65 signals of 20Gbit/s each, Mitsubishi has succeeded in sending 1.3Tbit/s down 8400km of optical fibre.

"This is the highest transoceanic class transmission capacity achieved to date," said Takashi Mizuoichi, head researcher at Mitsubishi.

The record required four developments, said the company: effective fibre area management, symmetrically-collided transmission, 20Gbit/s equipment and hybrid optical repeaters.

With distributed Raman amplification, effective fibre area – A_{eff} in Fig. 1 – is an important parameter as amplification efficiency is proportional to the power density in the fibre core. Previous type of fibre design, Fig. 1a), arranges the smaller A_{eff} fibre in the final section. Raman gain is concentrated in the final section.

Mitsubishi shifted the smaller A_{eff} fibre to the middle section, Fig. 1b). The company says this improves the optical signal-to-noise ratio, because the smaller A_{eff} fibre provides the major part of the Raman gain in the middle section, light amplification becomes more closely ideal distributed amplification.

Symmetrically-collided transmission is important as higher bit-rate signals are easily degraded by fibre non-linearity induced by pulse collision between the different wavelength channels.

Once optical pulses having different wavelength collide with each other, Fig. 2a), fibre non-linearity causes significant signal distortion.

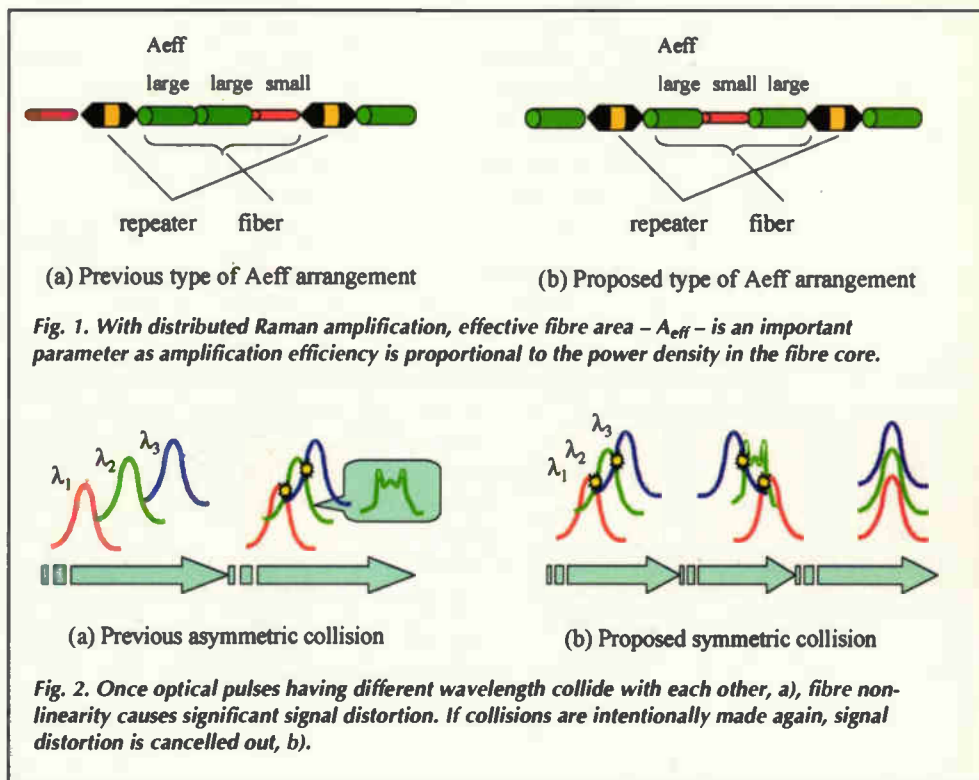


Fig. 1. With distributed Raman amplification, effective fibre area – A_{eff} – is an important parameter as amplification efficiency is proportional to the power density in the fibre core.

Fig. 2. Once optical pulses having different wavelength collide with each other, a), fibre non-linearity causes significant signal distortion. If collisions are intentionally made again, signal distortion is cancelled out, b).

If collisions are intentionally made again, signal distortion is cancelled out as shown in Fig. 2b).

Asymmetric collisions are the rule because the variations in fibre loss, dispersion and repeater gain along the transmission path combine to destroy the symmetry. Mitsubishi makes symmetric collisions by optimising the dispersion map and the ratio of distributed Raman amplifier to Erbium doped fibre amplifier gain. The resulting controlled pulse collisions reduce the pulse distortion

said the company.

'Fully engineered' 20Gbit/s optical sender and receiver equipment was used, including newly developed SiGe integrated circuits. Using multiplexing technology, the equipment is usable at 40Gbit/s said the firm.

The hybrid repeaters use distributed Raman amplification followed by an erbium-doped fibre amplifier (EDFA). Mitsubishi has started submarine grade reliability qualification.

NXT launches disposable cardboard speakers

Cheap, cardboard loudspeakers from Cambridge audio technology firm NXT perform as well as conventional models costing "three to four times" as much, according to the company.

The £30 'SoundpaX' speakers are delivered flat-packed, and fold into 700mm tall pyramids. NXT's marketing director Andrew Williams said the new speakers would be ideal for parties and barbecues: "if they have to be thrown away afterwards, it's no big deal."

Using the firm's SurfaceSound technology, an electromagnetic exciter coil on the inside of one face forces vibrations across the whole structure. The 8 Ω units can be produced with any pattern, although the first models have a picture of a traditional-looking speaker cone on the front. Eventually they will be supplied with their own 15W amplifier. Low-range frequency response, seen by some as the weakness of the NXT technology, is around 60Hz.



Rad-hard processor has hardware error protection

A French design firm has created a radiation-hardened processor that uses extra hardware to prevent errors occurring in logic and memory. Moreover, iRoC Technologies claims to have proven the extra circuitry does not impact performance.

iRoC designed error detection and correction circuits for memories and logic circuits to avoid single-event upsets (SEUs) caused by cosmic radiation.

The shift to more advanced processes means SEUs and other soft

errors, such as logic races and glitches, are appearing not just in space-borne equipment, but also in earth bound electronics.

"Today our solutions can eliminate the vulnerability of electronic systems to transient errors which affect their availability and reliability," said Eric Dupont, president and CEO of iRoC.

The firm built 0.25µm test chips of both its ROC S81 design and LEON, the Sparc V8 32-bit Risc processor on which it based its design.

Both devices were stressed by a cyclotron to stimulate soft errors, which were observed in LEON, but not in the S81 device. Moreover the extra circuits, around 17 per cent extra, needed to detect the transient pulses did not slow the chip, said Dupont.

"I've reviewed the test results and am convinced that this approach offers designers the ability to achieve cost savings while bringing a protected system to market much faster," said Joseph Borel, a VLSI expert and formerly director of design automation at STMicroelectronics.

At 0.13µm, iRoC reckons SEUs and other soft errors, such as glitches, races, crosstalk and ground bounce, can come at the rate of one every few hours. While other error correction systems concentrate on memory, iRoC claims logic is just as vulnerable. Memory can be checked through standard error correction schemes, logic has no such fallback. The aerospace solution of replicating logic several times over is unsuitable for modern electronics, especially in the price sensitive consumer world.

Processor works in highly radioactive environments

If you happen to be building a satellite, you may want to get hold of RAD750 – claimed by maker BAE Systems to be the most powerful radiation-hardened general purpose microprocessor ever developed for space.

"The processor has successfully passed manufacturing and environmental testing and is ready for civil, military and commercial satellite applications," said Dale Hutchinson, executive v-p at BAE.

Clock rate is 133MHz for this toughened version of the PowerPC 750, and at 240 million instructions per second, BAE said it has nearly ten times the processing capability of current space processors.

Radiation in a geostationary orbit should only cause one upset every 10 years.

A companion Asic, dubbed Power PCI, has been developed to provide a bridge between the CPU, main memory and a PCI bus.

Ultra-bright electroluminescent displays

Alternating current thin-film electroluminescent displays, demonstrated by Sharp as early as 1974 and subsequently forgotten by industry, are getting a new lease of life at Nottingham Trent University.

Together with the Rutherford Appleton Labs in Oxfordshire, the University has made a super-bright head-up display demonstrator.

The displays, called ACTFEL and shortened to TFEL, fell by the wayside as emphasis on full-colour side-lined this predominantly yellow-emitting technology.

The Nottingham researchers decided have taken another look – forgetting full-colour and pushing the technology for what it is really good at: high-intensity.

Essentially a sandwich of two conductors with an insulated phosphor between,

TFEL displays rely on exciting phosphors with capacitively-isolated AC fields - typically 250V 5kHz.

Dr Wayne Cranton of Nottingham said a problem with conventional TFELs is the high refractive index of the phosphor, which tends to trap light – up to 90 per cent – in the phosphor layer.

Light escape can be boosted by surface

treatments, but Cranton has turned the problem of trapping on its head and made a virtue of it. He increases the entrapment and uses the phosphor layer to guide emitted light to an angled micromirror. The mirror bounces light out of the display at right angles.

Intensities of 17 000cd/m² at 580nm have been demonstrated – compared with around 400cd/m² for a TV turned up to full brightness – using zinc sulphide doped with manganese (ZnS:Mn). This is the most efficient TFEL thin-film phosphor and 68 000cd/m² has been squeezed out of an array of mirrors and phosphor.

5000 fL at 5kHz (17,000Cd/m²)



Light is piped sideways to a mirror by a high refractive index emissive phosphor film between 0.5 and 1µm thick. Phosphor planes 100µm wide make the most effective use of light. For narrower angles of emission, lenses can be made in the passivation layer.



A laterally emitting thin film electroluminescent (LETTEL) chip 4mm across. Each line is an aperture with a mirror running down the centre. It is aimed at head-mounted displays where it appears to hang in space.

Now with
Atmel AVR model
and
C language debugging

PROTEUS

VSM

Virtual System Modelling

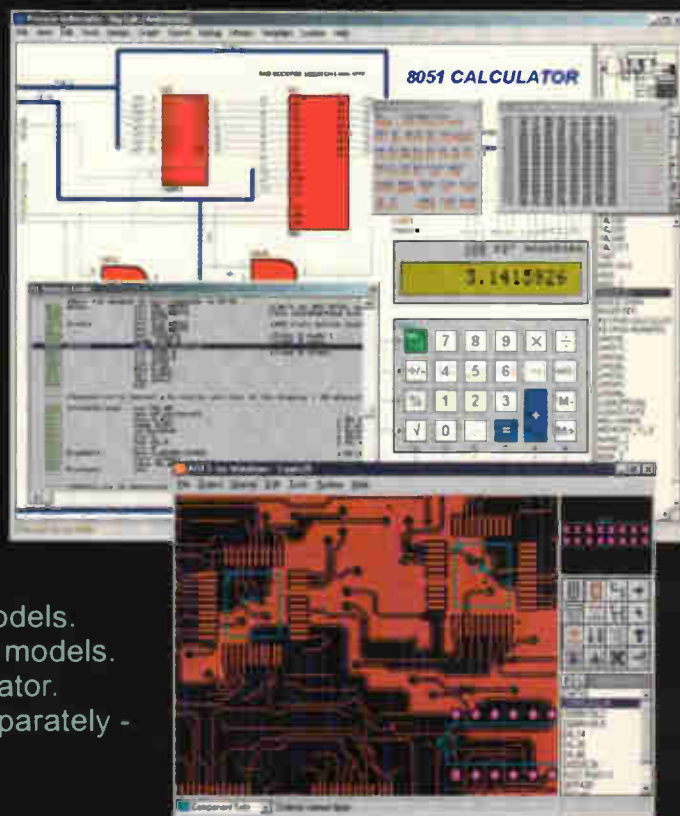
Build It In Cyberspace

www.labcenter.co.uk

CIRCLE NO. 105 ON REPLY CARD

Develop and test complete micro-controller designs without building a physical prototype. PROTEUS VSM simulates the CPU and any additional electronics used in your designs. And it does so in real time. *

- CPU models for PIC and 8051 and series micro-controllers available now. 68HC11 coming soon. More CPU models under development. See website for latest info.
- Interactive device models include LCD displays, RS232 terminal, universal keypad plus a range of switches, buttons, pots, LEDs, 7 segment displays and much more.
- Extensive debugging facilities including register and memory contents, breakpoints and single step modes.
- Source level debugging supported for selected development tools.
- Integrated 'make' utility - compile and simulate with one keystroke.
- Over 4000 standard SPICE models included. Fully compatible with manufacturers' SPICE models.
- DLL interfaces provided for application specific models.
- Based on SPICE3F5 mixed mode circuit simulator.
- CPU and interactive device models are sold separately - build up your VSM system in affordable stages.
- ARES Lite PCB Layout also available.



*E.g. PROTEUS VSM can simulate an 8051 clocked at 12MHz on a 300MHz Pentium II.

labcenter
Electronics

Write, phone or fax for your free demo CD - or email info@labcenter.co.uk.
Tel: 01756 753440. Fax: 01756 752857. 53-55 Main St, Grassington. BD23 5AA.

IoW firm wins second Government SMART award

Signal processing specialist RF Engines, based on the Isle of Wight, has won a second Government SMART award.

The company's first grant was used to develop a pipelined frequency transform (PFT) architecture, which

the firm has now patented. The PFT can perform broadband filtering and Fourier transformation in standard programmable logic chips.

The money from the latest SMART award will be used to develop a tuneable version of the transform.

"We qualified for the maximum award which is £45 000," said John Summers, sales and business development director at the firm. "The standard PFT operates by creating a filter bank, and filters are spread evenly across the bandwidth," he said.

"In the tuneable PFT the user can focus down on frequencies of interest. The user can create the shape and type of filter needed."

This enables Fourier analysis to concentrate on specific frequencies, throwing away unwanted data prior to processing.

The company said a tuneable PFT has applications in defence and communications. "It would apply in certain 3G applications but also in 4G," said Summer.

It could be useful in pulling signals out of low-power spread-spectrum comms, with implications for defence and security.

The firm also develops intellectual property for Fourier transforms particularly in complex front-end designs, where real time analysis is important. The standard cores include wide and narrow band designs.

RF Engines' chief executive John Lillington with the firm's second SMART award.



New FM radio chips remove the need for trimming

You can make an FM radio without having to trim it at all, following the release of two new chips from Philips.

The hi-tech radio devices are specifically aimed at adding FM reception to portable electronic devices including phones, MP3 players and PDAs. As such, they do need a host processor to operate.

"We have made a significant cut in the number of external components needed to build radio function into a cell phone," said Keef Joosse of Philips.

A complete radio from aerial

signal in to line level audio out, according to Joosse, can be built onto a 9 by 9mm patch of PCB if both sides are used. "Only 15 to 17 external components are needed," he said, and despite none of them being precision components no adjustment whatever is needed to make an FM radio.

The BiCMOS chip is a low-IF design, using an intermediate frequency somewhere between 100 and 200kHz. Quadrature mixing is used in the frequency conversion stages. The on-chip synthesiser gets its reference from the host processor,

several frequencies are supported including watch-chip crystals and 13MHz.

The new chip includes a fair amount of intelligence and will automatically scan up or down on command from the host processor. It includes station presets and all control it through a serial bus. One version of the chip is purely I²C, the other also includes a three-wire control bus.

The price is around \$3 in 10 000 quantities. The TEA5767 is due out very soon, the TEA5768 slightly later.

This is fuel injection in action. The nozzle is 178µm across and the fuel is moving at 345m/s.

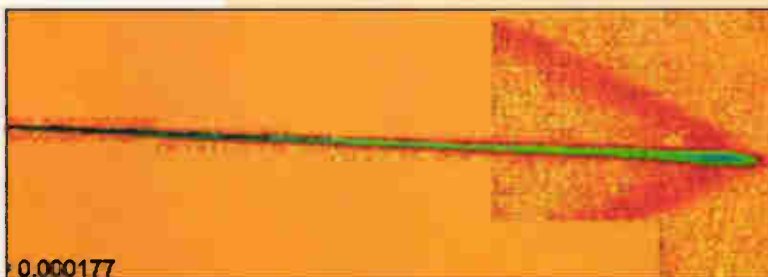
Normally this photo would be impossible because of a

dense fog of fuel particles that precludes normal photography.

To take it a special one-off X-ray camera was developed by researchers at Cornell University in New York capable of capturing a succession of microsecond.

The light sensor is a 9200 pixel two-layer custom chip. On top is a layer of 150µm X-ray conversion pixels. One solder bump per pixel connects signals to the second layer where the image is captured.

Eight images can be stored before the device has to be read. The university has now moved on to designed sensors with 45 000 pixels and experiments are under way to bump-bond four chips together to build larger area detectors with as many as 726 000 pixels.



0.000177

OLSON

19" RACK MOUNTING DISTRIBUTION PANELS WITH IEC 320 SOCKETS AND REAR CABLE MANAGEMENT



NEW

- 19" Front Panel 1U HIGH
- Sockets on the back
- 10A inlet on the back
- New Colour
- Up to 12 Sockets
- 22 Different types
- With cable support

This unique design offers cable tie slots for instant snap-in installation and stops plugs accidentally being disconnected.

Call for our
NEW products
catalogue today!

020 8905 7273

24 HOUR SERVICE. VISA, MASTERCARD AND SWITCH ACCEPTED



OLSON

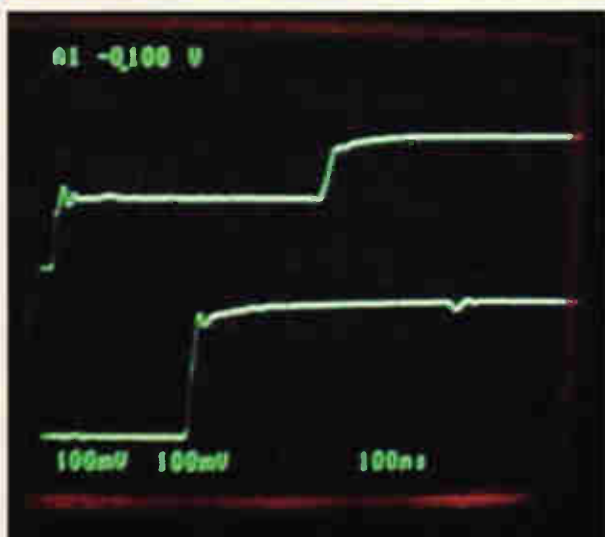
ELECTRONICS LIMITED

OLSON HOUSE, 490 HONEYPOT LANE,
STANMORE, MIDDX HA7 1JX
TEL: 020 8905 7273 FAX: 020 8952 1232
e-mail: sales@olson.co.uk
web site: <http://www.olson.co.uk>



Cable Fault locator

David Huddart's first fault locator, presented a few months ago, was remarkable in that it allowed you to pinpoint faults along the length of coaxial cable at very low cost. David's first reflectometer relied on a fairly fast oscilloscope for displaying its output. His latest version is stand-alone...



This cable-fault locator allows you to locate faults in coaxial cables using time-domain reflectometry. It is low cost, very portable and yet easy to use and reasonably accurate.

The design was developed from a previous time-domain reflectometry design¹ which, while very simple, needed access to a fast oscilloscope to use it – a little inconvenient in dusty loft spaces!

Background

A time-domain reflectometer sends a very fast-edged pulse into a cable and then looks for reflections. If the cable isn't correctly terminated by its characteristic impedance, a return echo will be observed that is delayed by twice the transit time of the cable (go and return).

If the cable is accurately terminated, no return echo will be seen. The extremes of cable faults are of course open or short circuit.

When a fast edge pulse enters a transmission line, the initial impedance is the characteristic impedance of the line. This is logical as, at that time, the electrons have no way of knowing what lies ahead of them at the end of the transmission line. Energy is therefore entering the line from $t = 0$ according to:

$$\frac{V}{I} = Z_0$$

Once the pulse reaches the end of the line an open or short circuit termination will dissipate no power so the energy stored in the line must now return to the start and be

Fig. 1. Reflections in an open-circuit line. Upper trace is the transmitted signal. Lower trace is the pulse at the far end of cable. Note how the voltage at the far end is twice the initial transmit voltage to the line.

dissipated in the signal generator output impedance.

In the case of an open circuit, this is seen as a doubling of the applied voltage. Energy is stored in the line capacitance to be returned to the signal source on the falling edge of the pulse, Fig. 1. In the case of a short circuit the transmit voltage drops to 0V, Fig. 2, and energy is stored in the line inductance until the falling edge of the pulse.

As no cable is totally without loss, the actual values may be reduced especially on long cable runs and for short-circuited lines.

How the TDR meter performs

This TDR meter generates the fast pulses needed, then measures the echo time delay and calculates the distance. It is capable of resolving distance to an accuracy of approximately 5%, if carefully calibrated. It has a maximum range of 200m and is usable down to about 5m.

The idea for the design came from comments made about my previous article and set me thinking of a low cost but self-contained solution. My initial thoughts centred on fast digital counters to measure time delay, with some form of high-speed sampling device such as a very fast comparator. After a few sums though, followed by a search for

Circuit boards

Details of double-sided PTH circuit boards can be obtained by sending an SAE to 'Reflectometer', Electronics World, Cumulus Business Media, Anne Boleyn House, 9-13 Ewell Road, Cheam, Surrey SM3 8BZ.

available fast CMOS logic devices, I decided that any resultant device would be expensive and possibly not as portable as I had in mind.

I then started to think how my oscilloscope measures time. Its time base consists of a linear ramp generator and trigger circuit. Some hours of contemplation later and I was on the track of a device that would generate a square-wave with fast edges and would sample the line voltage at an adjustable time period after the positive-going edge.

By adjusting the time delay, I could look for the sudden change in voltage on the line indicating a return echo. Once the echo point was located manually using a meter to display the sampled voltage, it was just a matter of displaying the time interval, or better still, the distance to the cable fault.

The final solution is a simple design that has performed well in the field. It is not the most accurate of instruments, but it is perfectly adequate for the intended application of locating cable faults to the nearest

couple of metres.

In my experience, by the time you are in the correct room, the source of the problem is usually only too obvious. In any case, if you knew the distance to the nearest 10cm, would you then use a tape measure to trace the path of the cable exactly anyway?

How it works

Figure 3 is a block diagram of the unit. An oscillator, V_1 , generates a square wave with fast edges of less than 3ns. These edges are coupled to the line via a buffer and 50Ω coupling network.

Sampling gate S_2 is switched on when the positive going pulse is transmitted to line and so allows the parasitic capacitance of a FET input buffer amplifier to charge to the actual line voltage.

A timing circuit comprising C_1 , RV_1 and IC_2 switches the sampling gate off. This timing circuit is varied from 0 to 3μs by RV_1 . When the gate turns off, the instantaneous voltage on C_2 is held. Capacitor C_1 is discharged every cycle by S_1 .

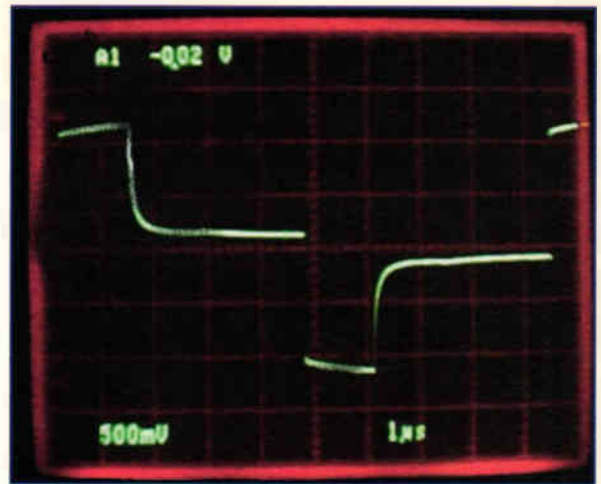


Fig. 2. Reflections in a short-circuit line.

In the final design the on duty cycle for the sample gate is very low – less than 1% – and so the average voltage across C_2 is very close to the sampled voltage.

To measure the distance to an echo, RV_1 is adjusted while observing the return echo voltage on the meter until a sudden drop or increase is seen. This will be the echo.

TABLE 1. Circuit operating conditions

Dielectric type	Velocity coefficient	$V_{full-scale}$ at C_{11} (mV)	10m range		25m range		50m range		100m range		200m range	
			t_{max}	F	t_{max}	F	t_{max}	F	t_{max}	F	t_{max}	F
Polyethylene	0.66	50.51	101.01ns	100kHz	252.53ns	40kHz	505.05ns	20kHz	1010.10ns	10kHz	2020.20ns	5kHz
Foamed polyethylene	0.78	42.74	85.47ns	100kHz	213.68ns	40kHz	427.35ns	20kHz	854.70ns	10kHz	1709.4ns	5kHz
Air-spaced polyethylene	0.84	39.68	79.37ns	100kHz	198.41ns	40kHz	396.83ns	20kHz	793.65ns	10kHz	1587.3ns	5kHz

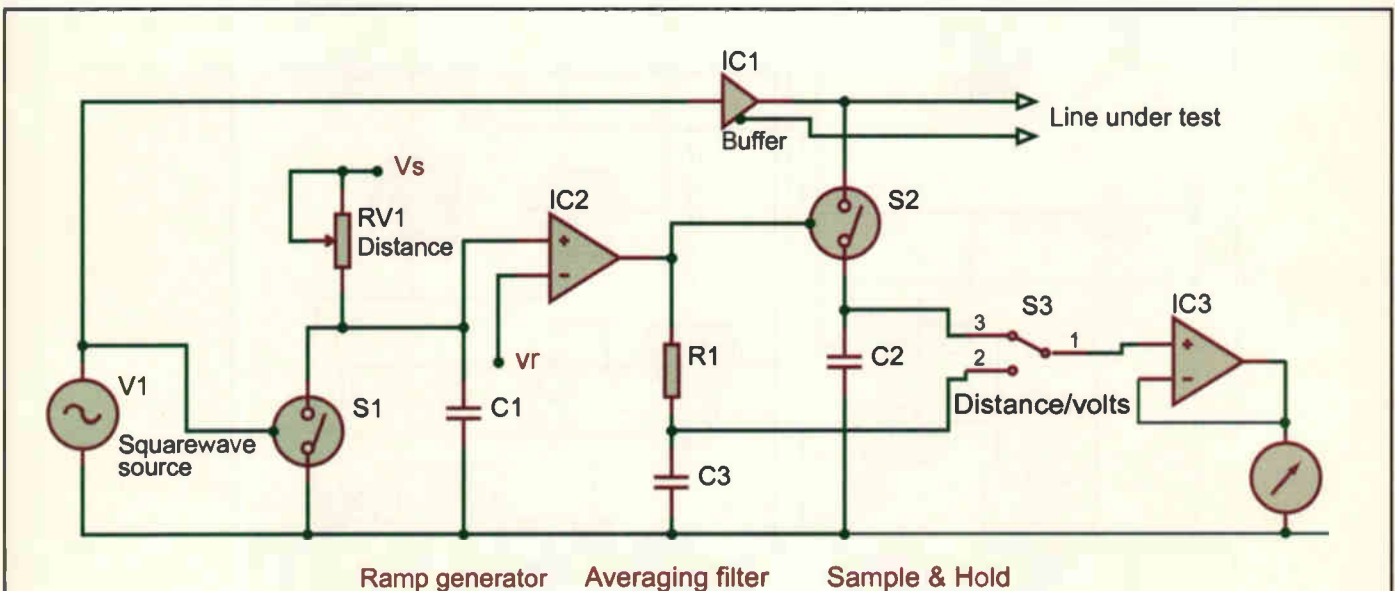
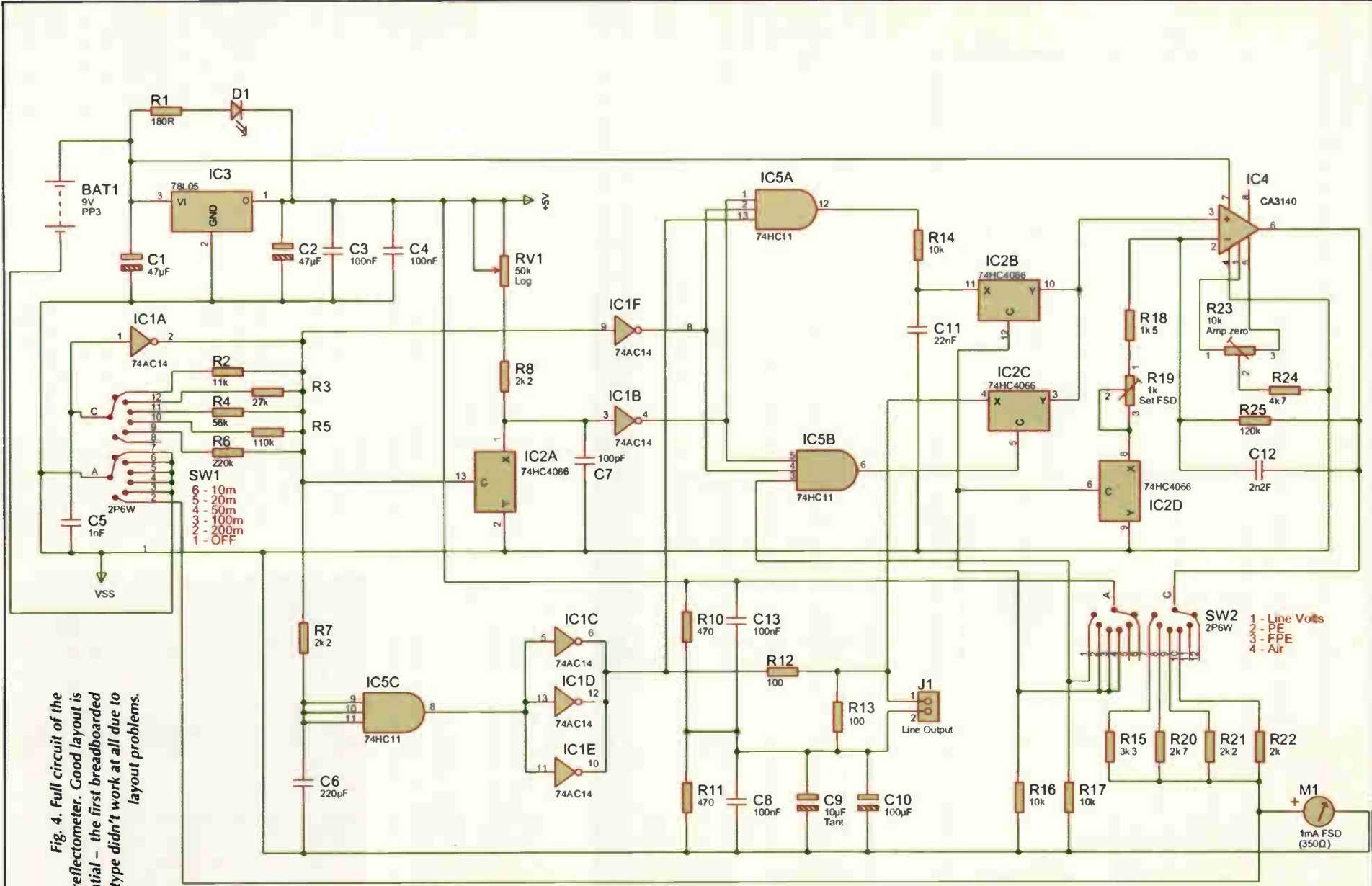


Fig. 3. Fast-edged square waves from V_1 are coupled to the line under test via buffer, IC_1 . Remaining circuitry samples and displays the reflection.

Fig. 4. Full circuit of the reflectometer. Good layout is essential - the first breadboarded prototype didn't work at all due to layout problems.



Switching S_3 to 'measure', i.e. position 2, allows the distance to be read off. Distance is proportional to the echo time but also depends on the velocity coefficient of the cable (more of this later).

The duration of the sample gate pulse is therefore proportional to distance. Provided voltage levels are stable, the DC derived from the filter. R_1 , C_3 , will also be proportional to distance. With S_3 in the 'measure' position, the distance setting of RV_1 is displayed on the meter.

In the final design, range is changed by switching the clock frequency. As the pulse width from IC_2 is controlled only by the echo delay, but the voltage across C_2 is a function of the pulse width and frequency, it is possible to change range by changing the clock frequency.

To compensate for the differing velocity coefficients of cable types, the gain of IC_3 is switched to give accurate distance measurements. Details of this are given in Table 1.

Circuit details

This section is a little hard going and may be safely skipped unless you wish to understand the finer details of how the reflectometer works.

Figure 4 shows the full circuit. The clock signal is generated by IC_{1A} , R_6 , and C_5 . Buffer IC_1 is a Schmitt trigger. Switch SW_1 controls the clock frequency and hence range indicated on the meter. Approximate clock frequencies for each range are given in Table 1.

The pulse stream, delayed by approximately 300ns, is transmitted to line via $IC_{1C,D\&E}$. Paralleled buffers provide a low-impedance and fast-rise-time edge to the network R_{10-13} , $C_{8-10,13}$. This network adjusts the drive impedance to 50Ω, to attenuate the signal to 2.5V pk-pk and to raise the logic-zero level to approximately 1.25V.

Matching at 50Ω is desirable to reduce the effects of returned echoes 'bouncing off' the cable locator due to mismatch and in effect causing an additional erroneous pulse. Having said that, the unit has been used with 75Ω cables very effectively as the mismatch is not too severe.

If you are considering using the meter with vastly different impedances – 120Ω for example – $R_{12,13}$ should be adjusted to equal twice the cable impedance.

The reason why the logic 0 level signal needs to be above ground is that the sampling gate IC_{2C} will only accept signal levels between 0 and 5V. Any ringing in the cable under test may exceed these limits unless

precautions are taken. It is important to appreciate that the coaxial connector earth is *not* connected to the circuit 0V though.

Turning now to the variable delay circuit, IC_{2A} holds C_7 shorted to ground while the transmitted pulse is at logic zero. Some 300ns before the pulse goes to logic one, IC_{2A} is turned off and C_7 is allowed to charge via RV_1 and R_8 . After 0.2-3μs, the threshold of IC_{1B} is reached its output drops to logic zero.

Note that as the pulse to line is delayed by 300ns, this will occur between -0.1 and +2.9μs after the rising edge of the transmitted pulse. This pulse is now gated with the clock from IC_{1A} such that IC_{5B} is only at logic one from the time the positive pulse is sent to line, until C_7 times out. This gives it a duty cycle of 0 – 1%.

This signal is used to switch off the sample gate – S_2 in Fig. 3 and IC_{2C} in Fig. 4. Voltage to line is frozen on the input capacitance of IC_4 . This voltage is displayed on the meter when SW_2 is in position 1.

In use, RV_1 is adjusted from 0 – noting the positive transmit pulse transition – until the echo is noted when there's a sudden rise or fall. Switch SW_2 is then turned to measure and the distance is read from the meter.

The range is measured by taking the average of the signal used to operate the sample gate. The off time is set to at least 99% by the frequency of the clock generator. The on time is set by the echo time as set above.

In Fig. 4, the averaging circuit is R_{14} , C_{11} or R_1 , C_3 in Fig. 3. When SW_2 is in the measure positions, namely 2, 3 or 4, IC_{2B} gates the voltage from C_{11} to be amplified by IC_4 and displayed on the meter.

Scaling for differing dielectrics is catered for by R_{20-22} . Range is set by SW_1 switching the frequency of the clock. The effect of this is to multiply the filtered DC voltage, V_{C3} in Fig. 3, by the ratio of the p.r.f.

For example, if the pulse-repetition frequency were 10kHz, on the 100m range, and the full-scale deflection direct voltage across C_{11} were 50mV, it would become 100mV if the frequency were switched to 20kHz. Capacitor C_{11} is the equivalent of C_2 in Fig. 3.

In order to display range in metres and not nanoseconds, it is necessary to take into account the velocity

Reflections into a mismatched 75Ω open-circuit cable show that measurements can still be made.

Parts List

Qty	Part ref.	Value
Resistors (all fixed value are 1/4W 2%)		
1	R_1	180R
1	R_2	11k
1	R_3	27k
1	R_4	56k
1	R_5	110k
1	R_6	220k
3	$R_{7,8,21}$	2.2k
2	$R_{10,11}$	470
2	$R_{12,13}$	100
4	$R_{14,16,17}$	10k
1	R_{23}	10k preset RS 187-113
1	R_{15}	3.3k
1	R_{18}	1.5k
1	R_{19}	1k preset RS 187-084
1	R_{20}	2.7k
1	R_{22}	2k
1	R_{24}	4.7k
1	R_{25}	120k
Capacitors		
2	$C_{1,2}$	47μF 16V elec.
4	$C_{3,4,8,13}$	100nF multi-layer ceramic
1	C_5	1nF ceramic NPO
1	C_6	220pF ceramic NPO
1	C_7	100pF ceramic NPO
1	C_9	10μF 10V tant. bead
1	C_{10}	100μF 10 V elec.
1	C_{11}	22nF ceramic multi-layer
1	C_{12}	2.2nF ceramic NPO
Integrated Circuits		
1	IC_1	74AC14 RS 169-0036
1	IC_2	74HC4066
1	IC_3	78L05
1	IC_4	CA3140
1	IC_5	74HC11
Diodes		
1	D_1	LED 5mm
Miscellaneous		
1	BAT_1	9V PP9
1		Battery connector RS 489-021
1	RV_1	50K log. RS 263-3236
2	$SW_{1,2}$	2P6W RS 665-196
1	M_1	1mA FSD (350/400Ω) Maplin RW94C
1	J_1	50Ω BNC socket
PCB, knobs etc.		
Case RS 343-9372		

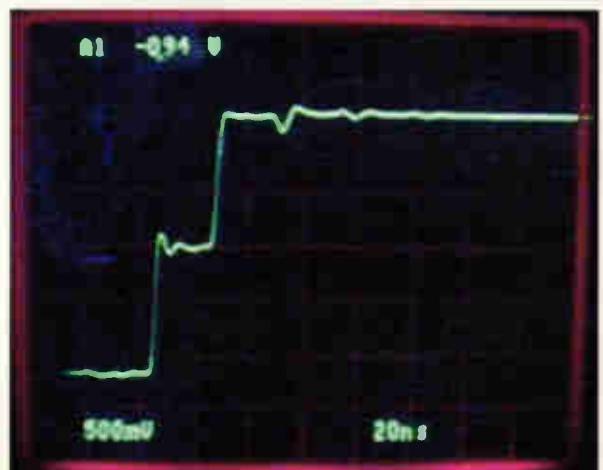


Table 2. Coaxial cable characteristics

Cable type	Manufacturer	Impedance	Velocity coefficient	Dielectric
RG8	Belden 9913	50	0.84	ASPE
RG59B	Belden 8263	75	0.66	PE
RG11	Belden 8213	75	0.78	FPE
RG58A	Belden 8219	50	0.78	FPE
RG58C	Belden 8262	50	0.66	PE
RG174	Belden 8216	50	0.66	PE
RG213	Belden 8267	50	0.66	PE
RG214	Belden 8268	50	0.66	PE
RG223	Belden 9273	50	0.66	PE

PE represents polyethylene, ASPE represents air-spaced polyethylene and FPE represents foamed polyethylene.

Velocity coefficient

The following formula gives the relationship between factors involved in measuring cable length using time-domain reflectometer.

$$l = \frac{t \times V_c \times C}{2}$$

Here, l is the length of cable in metres, t is the time from transmit pulse to echo in seconds, C is the speed of light and V_c is the cable's velocity coefficient. The speed of light is 3×10^8 m/s.

The velocity coefficient is the ratio of the speed of signals through cable to the speed of light. It varies depending on the dielectric used in the cable but is usually between 0.6 and 0.8.

coefficient of the cable being measured.

Table 2 gives specified velocity coefficients for different types of cable. Values are in the range 0.6 and 0.8. For coaxial cables, the controlling factor is the dielectric material used. On that basis, only three settings are available for velocity coefficients covering the common dielectrics used. The effect of changing setting on SW_2 is to adjust the DC gain of IC_4 so that the meter reads in metres.

One final point: in the off position,

Finished cable tester.



the meter is deliberately short-circuited. This is an age-old trick to provide mechanical shock protection to the meter movement. The theory is that any movement of the needle will cause an emf to be generated by the meter coil cutting the magnetic field (the reverse of normal operation of a moving-coil meter).

If the coil is shorted current flows and sets up an opposing magnetic field. This resists movement and so prevents damage to the mechanism. As an apprentice, this was drummed into me as essential good practice so I can't resist passing it on.

Putting it together

It is necessary to use good quality multi-layer ceramic capacitors for $C_{8,13,3,4}$ to reduce spurious ringing and use good high frequency layout practice. Any common impedance in power or signal rails increases ringing and this in turn will limit the range and accuracy of the unit. I have found to my cost that it is a false economy to use 'economy' grade single-plate capacitors for decoupling in fast logic circuits.

The effect of unwanted ringing would be to blur return the echo somewhat. In use the echo is very clearly seen as an almost instantaneous rise – or fall – in voltage as RV_1 is adjusted. This is possible only because of the very fast and clean edges generated by $IC_{1C,D,E}$.

I have used an AC rather than HC version of the 7414 for better performance. This performance increase will not be realised though unless good decoupling and layout are used. The breadboard version built on Vero board just would not work. A second breadboard built on a piece of copper-clad PCB performed well.

To assist those of you interested in building this design, I have designed and tested a double-sided plated-through hole PCB. Details on this are given separately.

Setting-up

Assuming that the circuit has been assembled correctly and is functioning, only calibration is necessary.

Firstly the offset voltage of IC_4 must be zeroed. Set SW_2 to position 2, RV_1 to minimum. Check that the voltage across C_{11} is less than 1mV. Now adjust R_{23} until a reading is obtained on the meter. Carefully adjust this to 0V but stop immediately when 0V is reached: as this is a single rail system, negative values cannot be displayed.

To calibrate the range, measure 50m of a known dielectric cable using the correct dielectric position on SW_2 and adjust R_{19} for FSD on the 50m range.

Alternatively, set the unit for 50m and poly dielectric, monitor pin 12 of IC_5 with an oscilloscope and adjust RV_1 to make the positive pulse width 505ns. Now set R_{19} for FSD.

All other ranges and dielectric settings should now be calibrated, but using Table 2, it is possible to check every range and dielectric setting.

Using the meter

Polarity of the echo indicates open or short circuit ($>$ or $<$ Z_0) in the cable. Positive echoes indicate high impedance and *vice versa*. The time delay can be used to estimate the distance down the cable where a fault is. The unit will indicate the distance to any echo caused by cable faults or poor joints.

Connect the cable under test and switch to the 100m range and measure volts. Turn RV_1 to zero and observe the reading. This is '0V' to line. Turn RV_1 clockwise and the reading will jump to a new level. This is the 1V to line signal at $t=0$.

Continue to turn RV_1 till the voltage doubles, representing an open circuit, or returns to 0V representing a short circuit. If this is the distance required to be measured, switch SW_2 to the appropriate dielectric position and SW_1 to obtain a reading.

The TDR has given good service in locating faults in coaxial cable runs, detecting dubious coaxial connections. It even allows you to measure the characteristic impedance of an unknown line by adjusting the termination impedance of a length until minimum reflections are observed.

As I mentioned earlier, it may be modified for use on other impedances by scaling $R_{12\&13}$. In practice, this has not been found necessary for use on 75Ω systems. ■

Reference

1. David Huddart, Cable Fault locator, Electronics World March 2001.

THE OSCILLOSCOPE IS MOVING ON...

Features:

- ▲ A fraction of the cost of benchtop scopes
- ▲ Save multiple setups, for ease of use
- ▲ Save, print and e-mail your traces
- ▲ FREE software and upgrades
- ▲ Automated measurements
- ▲ Large colour displays
- ▲ Scope, spectrum analyser & meter functions

Ask for a **FREE** catalogue and demo software, or visit:

www.picotech.com



...DON'T GET LEFT BEHIND

Tel: +44 (0) 1480 396395, Fax: +44 (0) 1480 396296, E-mail: post@picotech.com

The Phantom Power Box

48 volt microphone phantom powering unit

Professional portable units operating from an internal PP3 battery or external mains adaptor



- ★ Suitable for converting any microphone amplifier to P48 standard phantom power
- ★ High efficiency DC to DC converter for extended battery life
- ★ Accurate line balance for high common mode rejection
- ★ Low noise and distortion
- ★ Extensive RFI protection

The Balance Box (mic/line amplifier) – The Headphone Amplifier Box – The OneStop DIN rail mounting radio frequency interference filter and voltage transient protector for voltage and current loop process signal lines

Conford Electronics Conford Liphook Hants GU30 7QW

Information line: 01428 751469 Fax: 751223

E-mail contact@confordelec.co.uk

Web <http://www.confordelec.co.uk/>

Mail Order Suppliers Of ELECTRONIC COMPONENTS & SURPLUS STOCK

GREENWELD

12V & 24V Inverters

ATTENTION ALL CAR DRIVERS - MAINS POWER WHEN AWAY FROM HOME!

A complete range of regulated inverters to power 220-240V AC equipment via a car, lorry or boat battery. Ideal for camping, caravanning, boats, motor caravans and of course cars. Power up your laptop computers, TV's, lamps, recharge your mobile phone - dozens of uses!



Send Now For Our Latest FREE Catalogue!

ST651581	12V, 100W	£45.00	ST651583	12V, 600W	£109.00
ST651578	24V, 150W	£45.00	ST651593	24V, 600W	£109.00
ST651582	12V, 300W	£59.00	ST651587	12V, 1000W	£179.00
ST651585	24V, 300W	£59.00	ST651597	24V, 1000W	£179.00

We stock thousands of products. Low cost electronic components, bargains and great value surplus stock!

- SOLID STATE KITS
- TOOLS ● BATTERIES
- POWER SUPPLIES
- VALVE RADIO KITS
- HOBBY BOOKS ● ETC.



All Prices Include VAT
Carriage £3.00 Per Order

Visit our website: www.greenweld.co.uk



Greenweld Limited
Unit 24 Horndon Business Park - West Horndon
Brentwood - Essex - CM13 3XD
Tel: 01277 811042 - Fax: 01277 812419
Email: service@greenweld.co.uk

Office Hours: Mon - Fri 08.00 to 17.00 & Sat 08.00 to 12.00

Applications for super-regeneration

Complementing last month's article on how super-regenerative receivers work, Eddie Insam now discusses how you can apply the technique, and presents some practical examples.

At the end of last month's article, I mentioned that many tricks have been used to improve detector performance and that the general aim is to keep loop gain as small as possible at the onset of oscillations.

Most well known, standard oscillator configurations can be adapted to provide self quenching. **Figure 1** shows a simple circuit with two transistors back to back. Feedback is provided by connecting the collectors directly to each other's bases, ensuring a low amplitude limited signal. This results in low power consumption and low radiation.

Designing a receiver

If you want to develop your own circuit, start with a standard oscillator configuration. You can find many examples in the literature mentioned at the end of this article. Choose a circuit where you can understand the

purpose of each of the components. This is not so easy with many of the circuits.

Next, you must identify how the components control loop gain. You can do this by arranging the oscillator to be switched on and off from a square wave source: think of this as external quenching.

While switching is taking place, watch the rise and decay of the self-oscillations on an oscilloscope as you adjust components or bias values. The slower the rate of rise, the lower the loop gain, and the better the resulting receiver. Do not worry about self quenching until you have a reliable and efficient externally quenched design.

Feel free to use CAD programs to emulate the operation, but be aware that the step time of the emulation must be at the radio frequency. Some CAD programs cannot handle slow events (quenching) riding on top of fast ones (RF oscillations).

Figure 2 shows an interesting variation. A CMOS 4069 inverter is used as a gated oscillator with a ceramic resonator. This can be used in a simple radio control receiver or MSF time code receiver.

The external quenching action is provided by a microprocessor – the same one that may be used for processing the signal. The microprocessor starts the oscillator, and by sensing its Schmitt trigger input, measures the time period at which the oscillations have reached a threshold of about 1.5 volts. Then the micro resets the oscillator, and after a suitable delay period, starts again. This circuit could also be used with a crystal but the quench frequency will be too low for other than very low speed data recovery.

Figure 3 Shows a typical receiver circuit using a SAW delay line. I have not shown any component values, as these will strongly depend on layout and parts used. A SAW delay line has a much lower Q than a SAW resonator. I have found it quite difficult (although it is possible) to modify a standard key fob type SAW transmitter to act as a super regenerator receiver. The loop

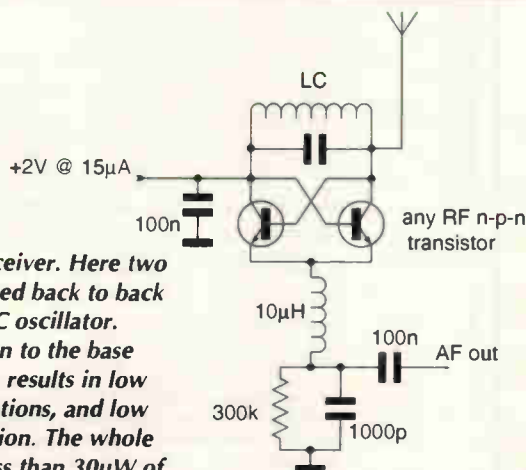


Fig. 1. Simple receiver. Here two transistors are used back to back in an inverting LC oscillator. Direct connection to the base emitter junctions results in low amplitude oscillations, and low power consumption. The whole radio requires less than 30µW of power.

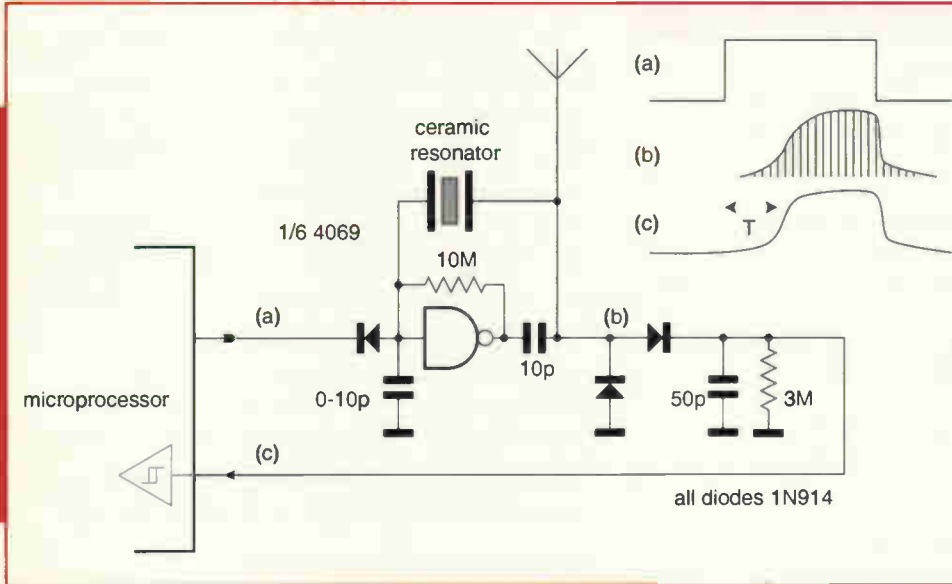


Fig. 2. Unconventional MSF receiver. A CMOS inverter can be used, together with a 60kHz ceramic resonator in an unorthodox, but rather simple time-code receiver. Here a microcontroller is used to control the quenching action by gating a CMOS inverter to enter the linear state. The gate will start oscillating after a time depending on input RF excitation at the antenna. Oscillations are rectified and fed back to the micro as pulse widths for detection. The circuit can work up to 30MHz with suitable components. A crystal could also be used in this design, but with a rather limited quench rate. See text.

gain of these devices is fairly high, and access to the SMD components is rather tricky.

Interesting applications

In theory, any active component that has negative resistance can oscillate. Therefore, there is no reason why such active component should not work in the super-regenerative mode.

Gunn diodes exhibit negative resistance characteristics, and can be used as the basis for receivers in the gigahertz range. The easiest way to get started is by commandeering an old domestic radar-intrusion detector. A popular model is the Mullard CL8960, although most modern types are very similar Fig 4a). This unit consists of a microwave cavity with two side by side internal sections; one with the Gunn diode, and the other with a mixer diode used for detecting the combined Doppler signal.

The cavities are designed to resonate at about 10.69GHz. By operating the Gunn diode in the negative resistance region, continuous wave oscillations are generated Fig 4b).

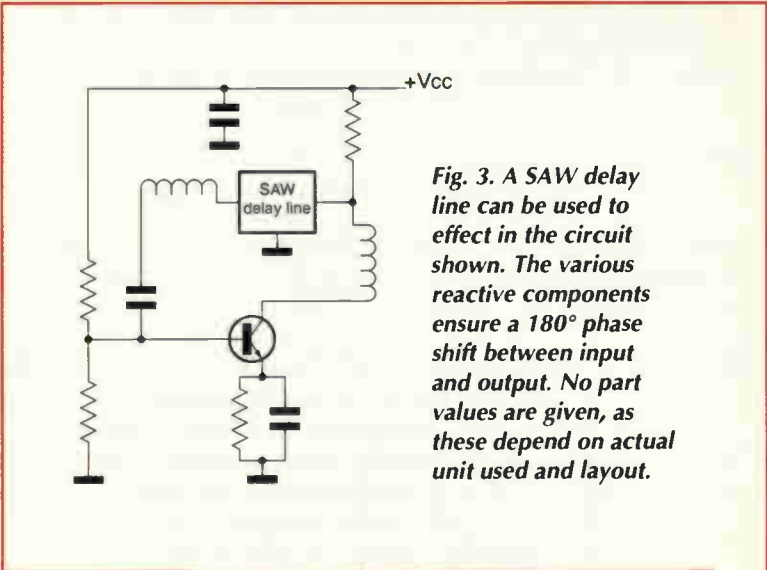
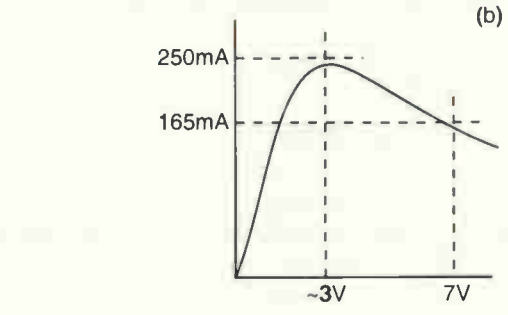
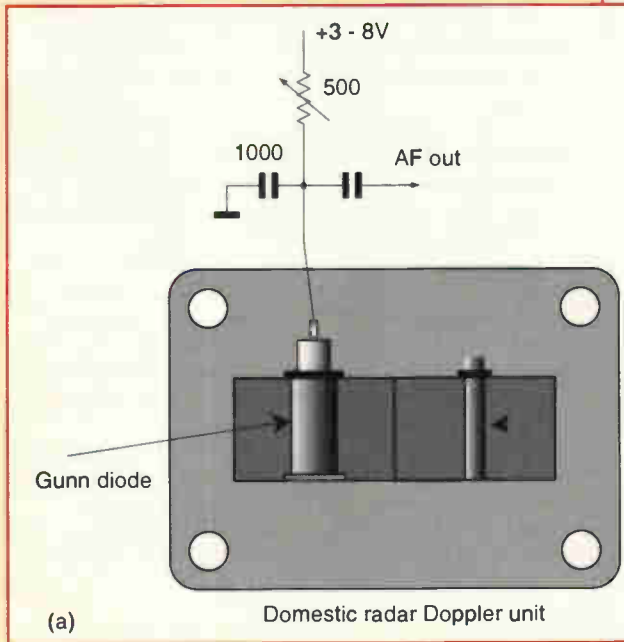


Fig. 3. A SAW delay line can be used to effect in the circuit shown. The various reactive components ensure a 180° phase shift between input and output. No part values are given, as these depend on actual unit used and layout.



Detector diode (not used)

Fig. 4. Another interesting application showing the use of a domestic radar Doppler module as a very sensitive 10GHz receiver. Using another module as the transmitter, range can be several tens of metres. The mixer diode is not used in this instance.

Further reading

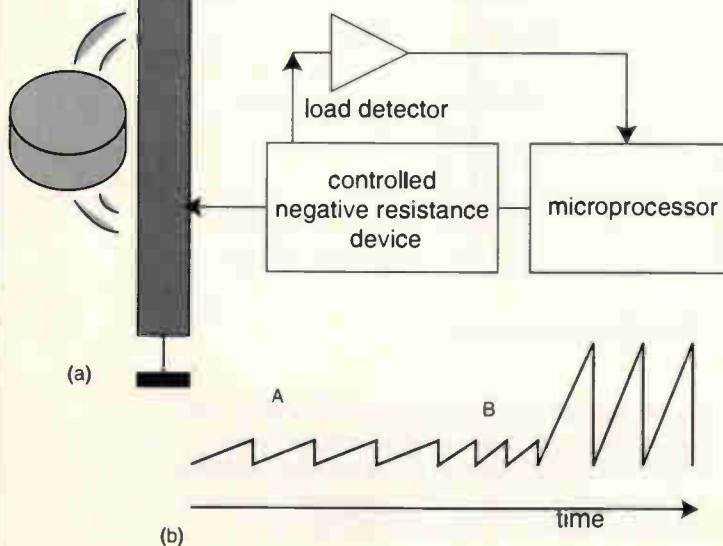
Most of the original work on super regenerative receivers was done in the early forties and during WW2. To my knowledge, there has been amazingly little published in terms of in depth coverage since then. The most interesting articles are:

- Frink, F., 'The Basic Principles of Super-Regenerative Reception', *Proceedings of the IRE*, Vol. 26, No 1, January 1938.
 Bradley W.E., 'Super-regenerative Detection Theory', *Electronics*, Vol 21, September 1948.
 Stafford F.R.W., 'The super-regenerative detector: an analytical and experimental investigation', *Proceedings of the IRE*, September 1948.
 MacFarlane G.G, and Whitehead J.R., 'The theory of the super-regenerative receiver in the linear mode', *Journal IEE*, Vol. 95, pt III, pp. 143-157, May 1946.

Recent articles and relevant literature on oscillators and associated components:

- Ian Hickman, 'Practical RF Handbook' 2nd Edition, 1997. Newnes Publications ISBN 0 7506 34472
 Ian Hickman, 'Superregen or superreplacement', *Electronics World*, February 1999. A recent article on receiver design that mentions super-regenerative receivers.
 Staff feature, 'Low Noise Microwave Oscillators', *Electronics World*, November 1990. A short note on the design of low noise oscillators.
 Martin Eccles, 'Applying Crystals', *Electronics World*, August 1994. Useful information on the workings of crystals and associated oscillator circuits.

Fig. 5. A concept for a micro-miniature code device or transponder. A dielectric resonator bead is coupled to a resonant cavity or micro strip line to stabilise its operating frequency. Controlled negative resistance bursts are applied at low level, A, when acting as a sampled time receiver, and at high level, C, when acting as a transponding reply radiator.



Self quenching can be obtained by starving the supply with a series resistor and storage capacitor to ground. Simply connect the device as shown in the figure. You may need to experiment with the values as different modules may have different characteristics. You should hear a loud 'hiss' from the amplifier and loudspeaker.

You will need another Gunn unit as the transmitter. The range can be quite impressive, especially if you attach antenna horns to the flanges. You can arrange for external quenching if the unit refuses to self-quench. Just switch the supply on and off at the desired quench rate. You may need a hefty switching transistor as the Gunn device can take up to 200mA.

One thing you cannot use this circuit for is as a Doppler radar module. The receiver only samples incoming radiation at the quench rate. It also radiates pulses at the same rate, but just after the detector was active, so the two signals do not meet.

Having said that, here is a simple experiment you might like to carry out. I have not tried it by the way.

An electronic tape measure?

You will only need one Gunn device for this test. Arrange for the quench rate to be around 10MHz or more. You may need to use a very small value for the quench capacitor C. Alternatively, use external quenching, and arrange to measure the current into the Gunn diode, say by measuring the voltage drop across a series resistor in the supply line.

Feed the two signals into an oscilloscope. The delay between the application of power and the current blip will indicate the oscillation trigger point.

Point the unit at a wall or solid object about 15 meters away. This distance should be such that a quench RF pulse will have enough time to travel to the wall and back to coincide with the exact time when the next RF quench pulse starts.

The echoed signal will then react with the detector at the exact points when the next oscillations start, and produce some kind of output on the oscilloscope. What we have here is a quite accurate distance measuring device. Again, I have not tried this, but it would be interesting to see how sensitive it can be.

Long-range transponder

Lastly, Fig. 5a) shows a concept for a long-range miniature key fob transponder device. A resonant 1/4-wave strip line is used as both receiving and transmitting antenna.

An active device source is used to sense incoming radiation by applying short duration, controlled negative conductance loads to the strip. This active source will have to be a very accurate, programmable device, such as a combined gyrator-controller in a chip.

The sense rate can be very slow to conserve power; say once every second. When radiation is detected – from a transponder enquiry source – sense ramps are applied more often to increase the sampling rate, and to decode any incoming addressing codes. When the unit is ready to reply, a much larger negative load is placed on the strip to provide power for radiation.

The diagram shows a dielectric resonator placed close to the micro strip. Such resonators are effectively stable, high-Q RF cavities constructed from solid dielectric material, and can be used to stabilise the frequency characteristics of the strip. Such a unit may work at a range of 30-50 meters. ■

The cream of 20 years of Electronics World articles (focusing on recent material)

A unique collection of design insights and projects - essential for all audio designers, amateur and professional alike.

Scientific electronics based on empirical data.

Douglas Self has been writing for Electronics World and Wireless World over the past 20 years, offering cutting-edge insights into scientific methods of electronics design.

This book is a collection of the essential Electronics World articles, covering twenty years of amplifier technology but with a very strong bias towards more recent material. The articles include self-build projects as well as design ideas and guidance for the professional audio designer. The result is a unique collection of design insights and projects - essential for all audio designers, whether amateur or professional.

Contents: Introduction; PRE-AMPLIFIERS: An advanced preamplifier MRPI; High-performance preamp MRP4; Precision preamp MRP10; Moving-coil head amp; Preamp '96 I; Preamp '96 II; "Overload Matters" (RIAA overload); Balanced line inputs and outputs, part 1; Balanced line inputs and outputs, part 2; POWER AMPLIFIERS: FETs less linear than BJTs; Distortion in power amplifiers 1-8; Distortion residuals; Trimodal part 1, 2; Load-invariant power amp
INVAR.DOC; Common-emitter amps; Two-stage amplifiers; SPEAKERS: Excess speaker currents; Class distinction (amp classification); Relay control; Power partition diagrams; Audio power analysis. Douglas Self has dedicated himself to demystifying amplifier design and establishing empirical design techniques based on electronic design principles and experimental data. His rigorous and thoroughly practical approach has established him as a leading authority on amplifier design.

Readership: Audio electronics enthusiasts;
Professional amplifier designers; Power amp users
Paperback
Pages: 416pp

ELECTRONICS
WORLD



Self
on
Audio
DOUGLAS SELF

Self on Audio

UK Price: £26.50 Europe £27.50 ROW £28.50

Return to Jackie Lowe, Cumulus Business Media
Anne Boleyn House, 9-13 Ewell Road, Cheam,
Surrey, SM3 8BZ

Please supply the following title:

SELF ON AUDIO

Total _____

Name _____

Address _____

Postcode _____

Telephone _____

Method of payment (*please circle*)

Mastercard/Visa/Cheque/PO

Cheques should be made payable to Electronics World

Credit card no. _____

Card expiry date _____

Signed _____

Two-step LC tuning

Peter Fry explains his method for simplifying the tuning of LC oscillators.

If, like me, you set up an LC oscillator by adjusting the L and C trimmers until the calibration is about right then you might find the following method not only saves time but also gives a better understanding into the processes involved.

At the outset, my aim was purely academic. I was taking frequency measurements from an out of calibration oscillator and then using these values to calculate the exact setting for the final C and L adjustments.

The results were worth the effort though in that I now have a method that is very satisfying to use. It also proves, before final calibration, that the capacitor values will produce the desired frequency maximum to minimum range. In addition, it minimises the times you have to touch the dust iron cores, which is always a good thing.

In the industrial instrumentation world, my background, we would normally expect to find non-interactive 'zero' and 'span' calibration adjustments rather than the highly interactive L and C trimmers on a typical LC oscillator.

With a few simple frequency checks and a pocket calculator, it is possible to break the interaction between the L and C trimmers. The final calibration then consists of a single adjustment of the C trimmer to a calculated frequency and then a single set of the inductor to achieve a close calibration of the radio or oscillator.

This method does assume that the instrument or radio has been correctly designed such that the variable capacitor characteristics match the printed scale.

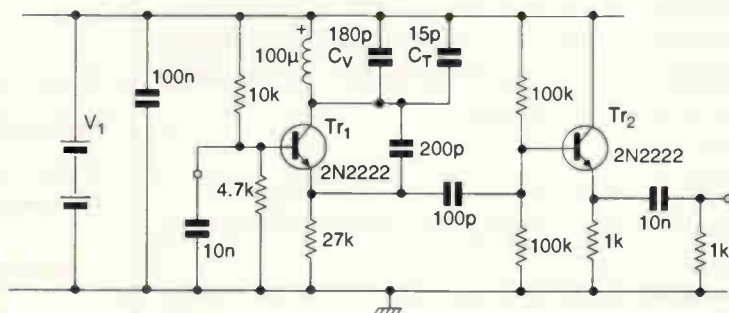
The method

Most LC oscillators can be simplified to the basic circuit as in Fig. 1. Here, calibration is achieved by setting C_T , the trimmer, and L the inductor, which is assumed to be variable. Other circuit capacitances, designated as 'stray' will always modify the actual



Fig 1. Simple L + parallel V_T and C_T .

Fig. 2. Simple medium-wave test oscillator, as used for the tests described in this article.



frequency downward from the theoretical values.

The frequency ratio of maximum f over minimum f is set by:

$$\sqrt{\frac{C_{V_{max}} + C_T + C_{stray}}{C_{V_{min}} + C_T + C_{stray}}}$$

The inductor controls the frequency with the capacitor but it plays no part in the max:min frequency ratio. This is fundamental to the calculations that follow. But first, take look at the actual circuit used in the practical tests, Fig. 2.

The circuit is from a simple AM signal generator that was used to check the calculations in this article. This schematic and traces were taken from a Micro Cap 5 simulation. The waveform in Fig. 3 is close to the actual generator signals, which gives good confidence.

I have not however included the modulation on the schematic. In the commercial generator, this is applied to the base of Tr_1 . This is not good practice as it modulates both the aptitude and the frequency however for 10-15% AM modulation. Considering that the generator was to be used for bench testing AM broadcast radios, then this is just about acceptable.

In order to cover 400kHz to 1600kHz, the generator had a waveband switch that brought in a second section on the variable capacitor and a second inductor. The section shown is the 925kHz to 1600kHz range. For clarity this is not shown.

Calibrating the oscillator

What needs to be done is to test the limits of the oscillator in its *uncalibrated* state and then determine if it will be possible to calibrate it without adding or subtracting extra capacitors. It is also necessary to determine a setting for C_T that will give a one off setting. Final calibration is by a single adjustment of the inductor, assuming that it can be varied in some way.

Step 1. The first step is to ensure that *all* mechanical parts of the tuning mechanism are in good order. Check that the scale pointer moves from end to end as the capacitor vanes fully mesh and un-mesh and that all shaft screws are tight. Any problems here must be solved first or the whole process will be invalidated. Be careful with any string and pulley type pointers as they can be very difficult if not impossible to re-string!

Step 2. Set up a frequency counter or calibrated receiver to measure the oscillator frequency. Counters should always be coupled via a buffer stage. Alternatively, they should be coupled as loosely as possible using a pick up coil of a few turns connected to the end of a probe or a x10 probe connected to a low impedance part of the oscillator.

Step 3. Choose two calibration points, near, but not right at the ends of the tuning scale. Depending on the quality of the oscillator there can be inaccuracies right at the extremities of the range.

Also remember that if this a a radio local oscillator then the IF frequency will need to be added or subtracted. Assuming a normal broadcast receiver that is basically functioning, this frequency can be determined by measuring at the detector stage with a strong broadcast or injected if signal peaked for max amplitude.

Step 4. Draw up or copy the table as Table 1.

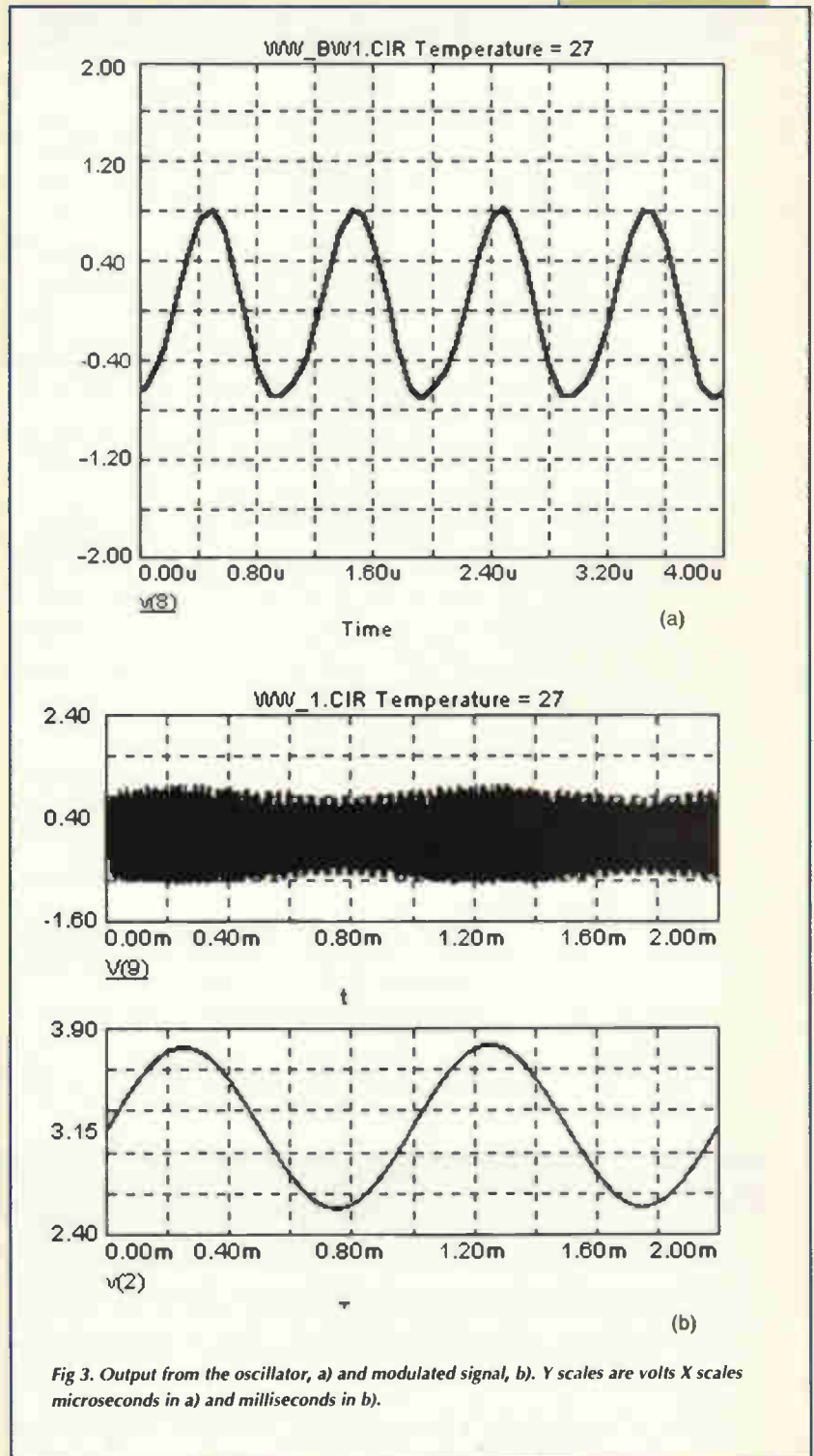


Fig 3. Output from the oscillator, a) and modulated signal, b). Y scales are volts X scales microseconds in a) and milliseconds in b).

Table 1. Use this table as an aid to calibrating your oscillator. See Table 2 for clarification.

	Chosen dial setting	±IF if applicable	Frequency at C_{Tmin}	Frequency at C_{Tmax}
F_{max}				
F_{min}				
Ratio				

Table 2. Setting-up table including values from a simple test oscillator.

	Chosen dial setting	±1F if applicable	Frequency at C_{Tmin}	Frequency at C_{Tmax}
F_{max}	1.400MHz		1.567MHz	1.3771MHz (FB)
F_{min}	0.950MHz		1.0274MHz	0.9674MHz
Ratio	1.4737 (Z)		1.525 (X)	1.4235 (Y)

Next set the dial to your upper chosen setting and with the trimmer capacitor set to minimum, i.e. if it's a compression type, slacken the compression screw or if small vane type, unmesh it. Measure the frequency and enter the value in the table at the maximum dial C_{Tmin} location (1.567 in the example).

Leaving the trimmer alone, set the dial to the chosen low point and enter the frequency into the minimum-dial C_{Tmin} location (1.0274 in the example).

Leaving the dial at the chosen low point, adjust the trimmer for maximum capacity. If it is a compression type nip the screw up, but not too tightly. If it's a vane type fully mesh it. Now measure the frequency and enter the value in the chosen low point C_{Tmax} position.

Set the main dial to the high chosen point and enter the value into the table in the remaining high-dial point and C_{Tmax} location.

Now divide each column highest frequency by the lowest to reveal the actual frequency ratios.

This bit is important. The actual ratio of minimum to maximum tuning range is set by the square root of the capacitor minimum to maximum values regardless of actual frequency. If you are designing the circuit yourself, this is of concern and is dealt with in basic *LC* theory.

In this example though, we are measuring frequency ratios. As a result, we do not need to be concerned with the mathematics of the *LC* oscillator.

If the ratio under the chosen dial settings is *not*

within the range of ratios in the Max and Min C_{Tmin} and C_{Tmin} columns, then it will *not* be possible to calibrate the oscillator without some change to the pad capacitors.

You may be able to squeeze a bit more out of the adjustment if you pull up the trimmer a bit harder and repeat the C_{Tmax} calculations but take care!

The values shown in Table 2 are those from my simple bench test oscillator. All that now remains is to set the dial to the high chosen value and to calculate the spot frequency that will be set by C_T . This will *not* be the dial setting frequency but will be a frequency that gives the precise frequency ratio, value Z in the table.

If the figures you entered into the table were accurate, you may not need to touch C_T again in this calibration. Referring to the table for the variable identifiers calculate the spot frequency using:

$$f_{spot} = \frac{z - y}{x - y} \times (f_A - f_B) + f_B$$

For my example this gives

$$f_{spot} = \frac{1.4737 - 1.4235}{1.525 - 1.4235} \times (1.567 - 1.377) + 1.377$$

$$= 1.471\text{MHz}$$

Using my example, set the dial to 1.400 and use the C_T trimmer to set the oscillator to 1.471MHz.

All that now remains is to set the inductor to give 1.400MHz precisely. This setting could equally be done at any point on the scale as it brings the whole scale calibration in line.

Providing that the dial scale matches the variable capacitor characteristics and the calculations were done accurately, then you should find the scale setting to be reasonably accurate and no further trimming may be required.

It is quite easy to set up a simple spread sheet to further simplify the procedure. Doing it this way also removes any chance for calculation errors. ■

Make sure of your copy of *Electronics World*

It can be difficult finding a copy of *Electronics World* at local newsagents. The number of magazines being published keeps increasing, which means that newsagents have less shelf space for the display of particular titles. Specialist magazines in particular get crowded out.

There's a solution to the problem. Most newsagents provide "shop-save" and/or home-delivery services. There's no charge for a shop save. You simply ask your newsagent to order a copy for you: it will be kept on one side each month ready for you to collect. Home-delivered copies are ordered in the same way, but generally incur a delivery charge.

A newsagent can order any magazine for you, whether or not the shop normally stocks it. If you buy your copies of *Electronics World* from a newsagent and want to make sure you get every issue, just ask at the counter.

power supply using IRIS40xx series integrated switchers. It involves using a circuit to change the mode of operation of the IRIS device depending on the load, quasi-resonant mode for higher loads, and pulse-ratio control, or PRC, mode for light load and no-load conditions.

Changing to PRC for light or no load conditions would set the circuit to operate in a frequency range of 15-20kHz. This would drop the no-load losses from a typical 2.5W with a 230V AC input to about 0.8W. Quasi-resonant mode at no-load though would cause the circuit to operate around 300-350kHz, which leads to higher switching losses.

Stand-by circuit operation

The circuit on the next page in Fig. 1 shows a typical single output flyback power supply using the IRIS40xx integrated switcher. It is different from the circuits in the other application notes in that circuitry has been added to facilitate lower-power operation at no-load and standby conditions.

This additional circuitry consists of $Q_1/R_{12}/R_{13}/C_{11}/D_8$. These five components form a switching circuit to either pass or disable the feedback of the quasi-resonant signal from the bias winding B to the feedback pin of the IRIS40xx.

Operation of the circuit in stand-by mode is fairly simple and will be explained here. Components

$D_3/R_5/C_4/D_4$ form the delay circuit which feeds back the quasi resonant information from the bias winding to the feedback pin. This allows the IRIS40xx to detect when all the energy has been transferred from the primary to the secondary, and detect when the drain voltage is at its lowest point for softer switching.

Transistor Tr_1 is placed in the path to act as a switch to enable or disable the feedback. This effectively changes the mode of operation of the IRIS40xx from quasi-resonant mode – when the feedback is enabled – to the lower-frequency pulse-ratio control mode – when the feedback is disabled.

The circuit monitors the bias winding voltage to determine when to switch between modes. At normal load, the bias winding voltage would be higher. Also, the mode-switching circuit would have its level set so that under these conditions Q_1 is on and the quasi-resonant feedback/delay circuit is enabled. When the circuit drops to a no load or light load condition the bias winding voltage will drop below the set level and disable the feedback/delay circuit.

Components $R_{12}/R_{13}/D_8$ form a voltage divider to set the switching level of the standby-mode switching circuit. The switching level is determined by the voltage across R_{13} and D_8 .

When the bias winding voltage is high enough current will pass through

$D_3/R_{12}/R_{13}$ and D_8 . This causes a voltage drop across R_{12} , which in turn is seen across the emitter-base junction of the p-n-p transistor, Tr_1 . As this voltage starts to rise above 0.6V, current is injected into the emitter-base junction of Tr_1 and it will turn on.

If the voltage across R_{12} – and in turn the emitter-base of Q_1 – is less than 0.6V due to a lower voltage at the bias winding, less or no current flows through R_{12} . As a result, Q_1 's collector-base junction is not sufficiently forward biased, so Q_1 cannot turn on and the feedback delay signal is disabled.

Design procedure

I'll present an example to show how you can design and implement this part of the circuit. I'll assume that the rest of the circuit has already been designed using the other application notes.

First, take an example where the normal designed V_{cc} is 17V. If the rectifier for the bias winding is something like a 1N4148, then the bias winding voltage would have been designed to be 18V. So under normal load conditions there is 18V at point X, during the energy transfer cycle.

Now it's time to select the voltage at point X to change the mode of operation. This will obviously be below 18V. Consequently, select a voltage that's a few volts below the expected bias voltage to ensure it will switch at light load, but can also start up into quasi-resonant mode when there is a full load condition. Let's select 15V. The bias winding voltage drops at light or no load, due to the higher feedback current from the output control circuit.

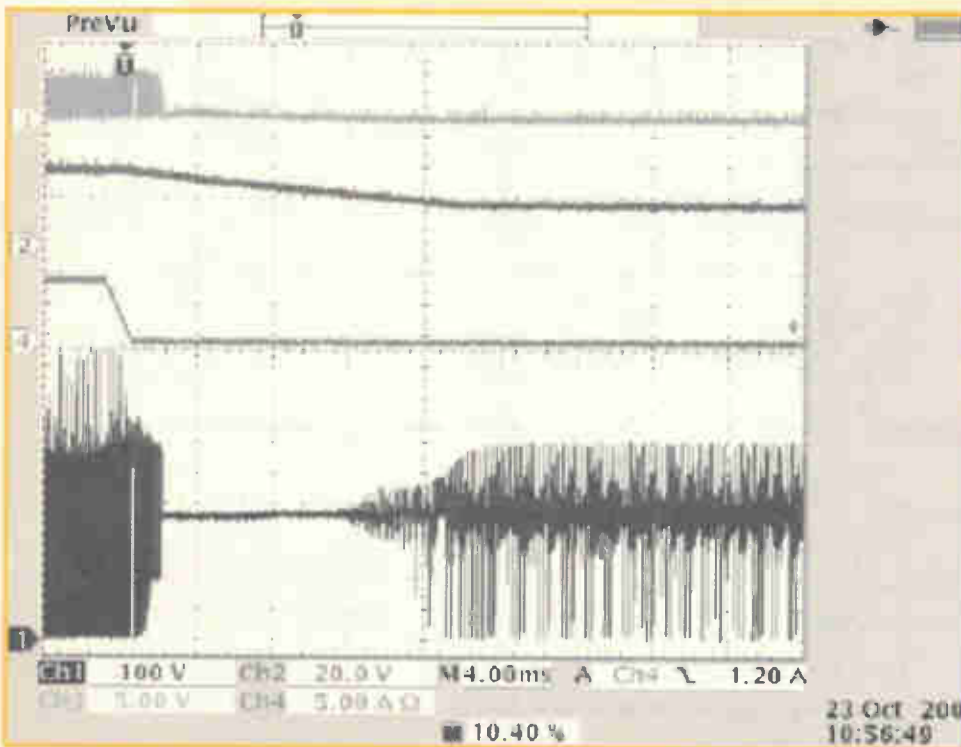
If there's 15V at point X, then the voltage at the emitter of Q_1 – point Y – will be 1V below this due to the forward voltage of D_3 . So at Y, there's 14V.

Transistor Tr_1 will turn on at the point when there is 0.6V across the emitter/base junction. Therefore set R_{12} to 620Ω. Now, Q_1 will turn on when there is 968μA through R_{12} . So if you want Q_1 to switch on when point Y is at 14V, you can set a zener voltage for D_8 and calculate R_{13} from:

$$R_{13} = \frac{V_Y - (V_{D8} + 0.6)}{I}$$

Here, V_Y is 14V in this example, and I is 968μA. If you make D_8 an 11V Zener diode, then R_{13} will be 2.4k. The circuit shown will be able to change modes to the low power

Fig. 2. Waveforms of drain (CH1)/Vcc(CH2)/FB (CH3) and load current (CH4) as the circuit changes from quasi-resonant mode to pulse-ratio control mode.



standby with a load change from any load above 1A to a load of 0.05A or less.

Circuit waveforms

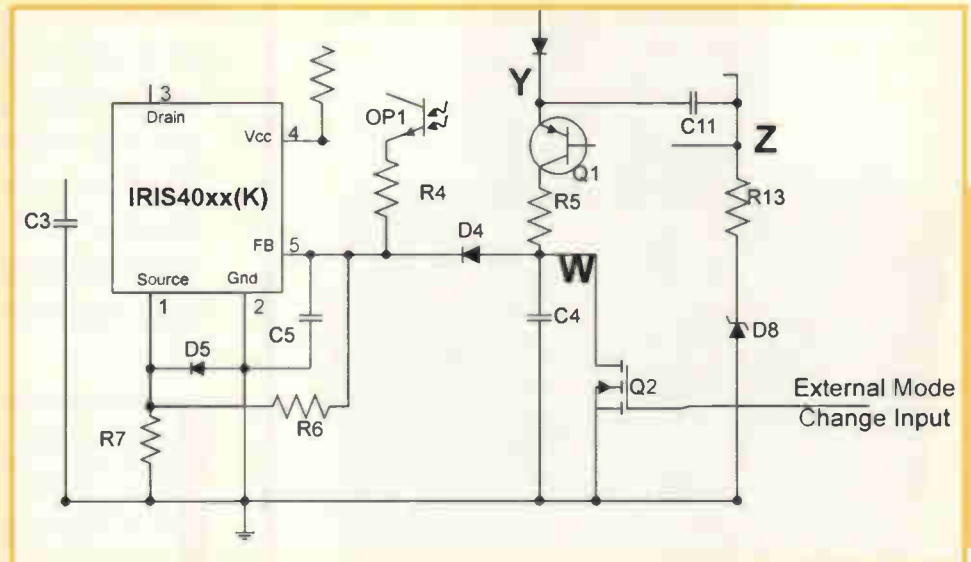
In Fig. 2, the waveform plots show what happens as the circuit changes from operating in the quasi-resonant mode to pulse-ratio control mode as a result of a load change.

When the load current changes from full load to no-load, as shown on CH4, the feedback level increases as the output voltage increases to try and move the energy stored.

Eventually, under this condition, the feedback level increases to a point where the FET stops switching as shown by the flat part of the drain waveform on CH1. At the same time the FB pin (CH3) no longer sees the quasi-resonant information. Also, the V_{cc} voltage, CH2, will fall as the bias winding is now not supplying energy.

After about 5ms, the circuit feedback level stabilises. The FET starts to switch again, but this time it is operating in the pulse-ratio control mode. This results in a reduced V_{cc} . Also, there is no quasi-resonant signal at the FB pin, shown by the reduced voltage on CH3.

During operation under these conditions, there is still a high feedback level. This is due to the no-



load condition at the output. As a result, the circuit only needs to transfer a very small amount of energy from the primary to the bias and output to keep the circuit in equilibrium until there is another load change.

Optional external override circuit

Figure 3 shows how an external override signal can be used to make the circuit go into the pulse-ratio control mode. FET Q_2 could be a

logic-level FET, which would allow a driving signal from a microcontroller or other source.

The implementation of this circuit is very simple. Transistor Q_2 is usually off, which allows the circuit to operate as normal where the mode of operation is determined by the load current. When Q_2 is turned on, point W is tied to ground which shorts out the quasi-resonant signal and prevents it from reaching the FB pin. Therefore the circuit will default to operating in the PRC mode. ■

Fig. 3. Part of an IRIS power supply circuit showing Q_2 added for mode-override circuit.

Gang your own pots

A very low-cost method for ganging multiple potentiometers.

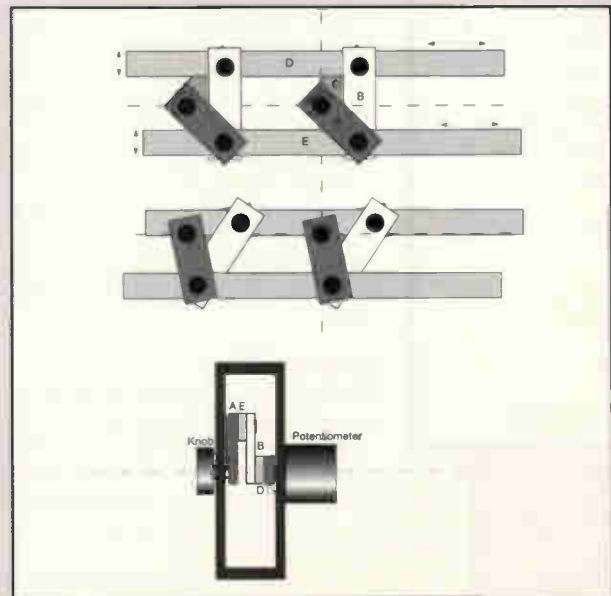
It is possible to gang potentiometers using just hardboard, a few strips of wood and some lengths of spindle. John Farbrother kindly sent a contraption to *Electronics World* to illustrate the point.

Strips A and C are identical. They're about 5mm thick on the prototype. Strip B is similar, but a little longer. Strips A and C are linkage arms from hardboard.

The drawing only shows the mechanism for two pots. Strip A is fixed to the potentiometer shaft at one end and to one of the linkage strip at the other. The potentiometer is fixed. Similarly, the knob fixes to one end of strip C, the other end of which connects to the other linkage strip.

Although the knob and potentiometer aren't directly linked, as you can see from the side view, the pot turns when the knob is turned due to the action of strip B and the linkage strips. The linkage strips cause any other A, B, C combinations connected to it to turn by the same amount.

Further pots can be added along the linkage strip. We couldn't detect any play in the prototype triple-ganged version by the way.





Want to win it? Simply send us the answer to the question, "How many WorldSpace satellites are operational?" on a postcard together with your name and address and your entry will go into the hat. Address the postcard to Electronics World, Cumulus Business Media, 9-13 Ewell Road, Cheam, Surrey SM3 8BZ. Please read the competition rules first though.

This competition is sponsored by Nevada Communications, UK distributor of the Worldspace radio. You can telephone Nevada 02392 313090 or visit www.worldspaceradios.co.uk for more information on the radio. Nevada Communications, Unit 1, Fitzherbert Spur, Farlington, Portsmouth PO6 1TT.

Win an Hitachi WorldSpace radio worth £149

What is a WorldSpace receiver?

Listen to over 40 channels of crystal clear, fade-free digital audio programming direct from geostationary satellites around the world with the Hitachi KH-WS1 WorldSpace Digital Receiver. In addition to the satellite WorldSpace programming, it receives regular terrestrial AM, FM and SW broadcasts.

Personalising available programs

The Hitachi KH-WS1 WorldSpace receiver displays a scrollable menu of available channels. You can then customise the types of channels the receiver shows by preselecting preferred language and program types.

For example, an Arabic speaking user who wants to receive a wide variety of global news can preset the receiver to display only the WorldSpace array of Arabic language news channels.

The WorldSpace satellites

When complete the WorldSpace network will consist of three geostationary satellites.

Afristar™ was successfully launched in late 1998 followed by Asiastar™ in early 2000. Ameristar™ is scheduled for launch in 2001.

WorldSpace satellites are located more than 35 000 kilometers above the equator. Using powerful spot beams, each of which can support more than 50 services, the satellites transmit to three overlapping coverage areas approximately 14 million square kilometers each!

Earth Stations

WorldSpace satellites use on-board processing to enable program reception from many stations. Content providers on the WorldSpace system can uplink their programs via the traditional hub method, sending broadcast signals to a central location for processing before transmitting them to the transparent part of the satellite.

A second mode enables use of a smaller, more mobile feeder link uplink stations. Onboard processing technology converts these multiple signals at the satellite, combining them into a single downlink signal before transmitting them back to earth.

Fade-free WorldSpace programs include:

- BBC World Service
- CNN News
- INTL Dance
- Multi-lingual
- European Classical
- African
- Latin
- Reggae
- Jazz
- Country
- Educational
- Pop
- Rock
- Sport
- Plus lots more

Hitachi's WorldSpace radio features:

- WorldSpace satellite PLUS FM/MW/SW1/SW2
- L-band satellite 1453.384-1490.644MHz
- FM: 87.5 - 108MHz
- MW: 522 - 1620kHz (9/10kHz)
- SW1: 2.3 - 7.3MHz
- SW2: 9.5 - 26.1MHz
- Memory: 10 WorldSpace
30 radio channels
Last station memory
- 3W output (PMPO)
- Built in monaural speaker 0.5W output
- Portable, battery power (6V 4xD cell batteries) with AC adaptor
- DC input jack - 6V DC
- AC mains - 110-127V, 220-240V
- Stereo headphone socket
- Stereo line out connectors for integration with your stereo or home theatre system
- Built-in easy to aim antenna
- Decryption and narrowcast capability
- Program selection by language and category
- Clock display/timer function
- 1-line 8 character LC display
- Port for easy attachment to the WorldSpace PC card to enjoy multimedia services - not yet available in Europe
- Easy to set up and operate
- 246.5 x 162.5 x 93mm (9.7 x 6.4 x 3.6in) including antenna and handle
- Weighs 1.5kg (4.1lbs) without batteries

Competition rules

No purchase is necessary. Strictly one entry only per household. Competition closing date 12 July 2002. No entries will be accepted after that date. The draw will be made within the next working week following 12 July and the winner announced as soon as possible thereafter. The prize is not negotiable. No correspondence will be entered into regarding this competition. No employee of Cumulus Business Media or Nevada of Hitachi may enter the competition.

WORLDSPACE®

Are you listening?

Fade-free WorldSpace Satellite programs include:

- BBC World Service
- CNN News
- International News
- Multi-lingual
- Educational
- Sport
- European Classical
- Bloomberg
- Pop
- Rock
- Country
- Latin
- Reggae
- African
- Jazz
- Plus lots more



HITACHI WorldSpace Radio

The Hitachi WorldSpace radio gives fade-free, crystal clear digital stereo programmes direct from WorldSpace satellites* around the world.

Receive over 40 channels of digital programmes from home or as you travel almost anywhere in **Europe, Africa, the Middle East and Asia.** The Hitachi is easy to use and maybe linked to your headphones or hi-fi system to give stunning digital stereo sound.

- WorldSpace satellite PLUS FM MW/SW
- L-band satellite
1453.384-1490.644MHz
- FM: 87.5 - 108MHz
MW: 522 - 1620kHz (9/10kHz)
SW1: 2.3 - 7.3MHz
SW2: 9.5 - 26.1MHz
- Portable, battery powered or AC adaptor
- Built-in easy to aim antenna
- Program selection by language and category
- 10 presets and last station memory
- Clock display/timer function
- Port for easy attachment to the WorldSpace PC card to enjoy multimedia services



Optional KH-YG1 Hi-Gain Outdoor Antenna
Includes 20m cable£49.95

£149.00

CHECK IT OUT
www.worldspaceradios.co.uk
Buy radios at our current price

*Afristar Asiastar Ameristar

available from NEVADA dealers throughout the UK or direct
ORDER HOTLINE: 023 9231 3090

Unit 1 • Fitzherbert Spur • Farlington • Portsmouth • PO6 1TT • website: www.nevada.co.uk

NEVADA - Official UK Distributors of WorldSpace Radio

NEVADA

Letters to the editor

Letters to "Electronics World" Cumulus Business Media, Anne Boleyn House,
9-13 Ewell Road, Cheam Road, Surrey SM3 8BZ
e-mail j.lowe@cumulusmedia.co.uk using subject heading 'Letters'.

Doctor, Doctor!

I was heartened at the start of Lawrence Jones' editorial† giving support to female graduate engineers. However the piece soon deteriorates, bemoaning the lot of postgraduate engineers generally and how poorly he feels society perceives their worth.

Though I have sympathy for his view, the engineering profession is ill served by castigating GPs with fashionable cheap shots and spiteful invective, with among other ludicrous implications, the well rehearsed arguments about the title doctor.

Crossing the Atlantic aboard a 747, I am certain that when the steward requests a doctor that Dr Jones will not be arguing issues of title ownership and to everyone's relief, including his own, will remain firmly in his seat.

Brian Judd
Paediatric Nephrologist
St Helens
Merseyside

† Editorial, *Electronics World*
108;1791 March 2001

Referring to Lawrence Jones' editorial, I have been an electronics hobbyist for nearly 30 years but I work as a GP. Having spent many years studying and working to become a GP, I generally appreciate the work that the author must have done to obtain his PhD but I was taken aback by the disrespect he showed to my profession.

As a scientist, I would have thought that he would have researched the validity of the headline figures released by the government before using them to denigrate the medical

profession.

Firstly, we would not have the current recruitment and retention crisis in medicine if we did indeed earn an average of £84.5k. Unfortunately, the government spin doctors forgot to mention that £20-25k of this is for business expenses such as staff, premises costs, equipment costs etc.

Also the real pay rise will be more like 4% in real terms, not really compensating for more than ten years of significantly below inflation pay rises. The 'bully boy' tactics of the BMA are more an act of desperation to move the government to rid us of Dickensian working conditions the likes of which cannot be fully appreciated by anyone outside medicine.

Finally, a cursory look at the definition of 'doctor' clearly gives both medicine and PhD equal validity to use the term and suggests the author may have a 'chip on his shoulder'.

The results of the reality of the above, which can be verified by a cursory glance at any of the medical press – 'Medeconomics' for example – are interesting and ironic. The only people interested in becoming GPs are women, who want to work part-time as a second income to their partners working outside the public sector.

Dr R A Wilkins MBCHB MRCP
Via e-mail

Superhet communication...

I have a minor correction to make to an otherwise excellent article: 'The Invention of the Superhet', by Ian Poole, in the March 2002 issue.

R. A. Fessenden, although working in America at the time, was Canadian born, and should probably be referred to as a 'Canadian engineer' rather than an 'American engineer'.

American writers tend to co-opt Alexander Graham Bell in the same way.

http://www.rcc.ryerson.ca/ccf/personal/hof/fessen_r.html

Michael Drolet
National Film Board of Canada
Montreal
Canada

Misleading?

I read Mr Chung's comment on my article about train safety. I am a bit disappointed that he thinks that I have unintentionally misled your readers by what I wrote.

I obtained much of the information from American sources on the internet. Nearly all the ones I used were official web sites dealing with accident reports produced by the railway safety authorities in several American states.

One or two sites I looked at were university sites. A quick search with Yahoo would give the impression that it is only the Americans who have railway accidents. I did not see any comparable reports about British railway accidents when I did my research for the article.

As American passenger trains are not so different from British trains, I used American data. I stated that I had used American data in the article so there can be nothing misleading about that.

Wilf James
Via e-mail

RMS converter chip

In his fine series of articles concerning RF probes, which I am trying to duplicate, Mr Bateman used the AD8361 RF 'True-power' RMS converter. I tried to locate this chip in the catalogues of major suppliers – RS and Farnell – but it is not listed.

Thanos Baxevanis
Athens
Greece

Farnell has kindly offered to stock this chip. The sales desk number is 0113 263 6311, fax 0113 263 3404, web www.farnell.co.uk. Ed.

Improved Outlook

Referring to Letters in the April issue, Mr Wiltshire does not say what version of Outlook he is using. My version (2000) does have an audible warning of an upcoming meeting. I would suggest that upgrading would be his quickest option.

Alternatively, Outlook does have an 'OLE' interface. This is a programmer's interface visible from Visual Basic, for instance.

It might be possible to detect appointment events from this interface, and then use VB to play a .WAV file or send a USB/RS232 message.

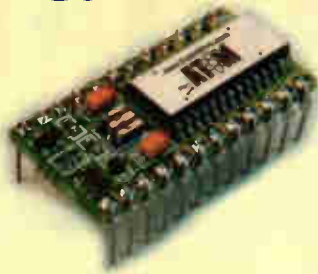
Andrew Malcolm CEng MIEE
Synchronous Designs Ltd
Camberley Surrey

TAKE YOUR PIC!



Parallax BASIC Stamp2

- Very easy to use
- No programmer required
- 500 lines Interpreted BASIC
- Windows Environment
- 16 I/O lines
- 4000 lines/sec
- 24-pin DIP package
- Ready-to-go module
- £39.00 each



BASICMICRO ATOM

- Easy to use
- No programmer required
- Compiled BASIC
- 99.99% Stamp2 Compatible
- Uses 16F876
- Very fast
- Interrupts/PWM/Timers/ADCs
- 32 bit Maths-Int/Floating Point
- £45.00 each



BASICMICRO Compiler

- Full spec BASIC Compiler for PICs
- Windows Environment
- 99.99% Stamp2 Compatible
- Requires programmer
- We use it!
- Full Debug facility
- Supports all 14-bit PICs (inc 16F84/87X/628 etc)

www.milinst.com

Milford Instruments Limited, Tel 01977 683665, Fax 01977 681465, sales@milinst.com

FRUSTRATED!

Looking for ICs TRANSISTORS?

A phone call to us could get a result. We offer an extensive range and with a World-wide database at our fingertips, we are able to source even more. We specialise in devices with the following prefix (to name but a few).



2N 2SA 2SB 2SC 2SD 2P 2SJ 2SK 3N 3SK 4N 6N 17 40 AD
 ADC AN AM AY BA BC BD BDT BDV BDW BDX BF
 BFR BFS BFT BFW BFX BFY BLY BLX BS BR BRX BRY BS
 BSS BSV BSW BSX BT BTA BTB BRW BU BUK BUT BUV
 BUW BUX BUY BUZ CA CD DX CXA DAC DG DM DS
 DTA DTC GL GM HA HCF HD HEF ICL ICM IRF J KA
 KIA L LA LB LC LD LF LM M M5M MA MAB MAX MB
 MC MDA J MJE MJF MM MN MPS MP5A M5SH MP5U
 MRF NJM NE OM OP PA PAL PIC PN RC S SAA SAB
 SAD SAJ SAS SDA SG SI SL SN SO STA STK STR STRD
 STRM STRS SV1 T TA TAA TAG TBA TC TCA TDA TDB
 TEA TIC TIP TIPL TEA TL TLC TMP TMS TPU U UA
 UAA UC UDN ULN UM UPA UPC UPD VN X XR Z ZN
 ZTX + many others

We can also offer equivalents (at customers' risk).
 We also stock a full range of other electronic components.
 Mail, phone, Fax, Credit Card orders & callers welcome.



Connect

Cricklewood Electronics Ltd

40-42 Cricklewood Broadway, London NW2 3ET
 Tel: 020 8452 0161 Fax: 020 8208 1441
 www.cricklewoodelectronics.co.uk
 E-mail: sales@cricklewoodelectronics.com

Springboard

low cost connectivity, I/O and control



- 8 x digital inputs
- 8 x open drain high current outputs
- 3 x analogue inputs (8 bit)
- 2 x 0 to 5 volt analogue outputs (8 bit)
- 1 x R8232 (TTL level) Tx/Rx
- 1 x LCD interface
- Power Supply - 7 to 24 volts (optional 9 volt battery backup (pp3))
- PCA Dimension 100 x 100
- Connector 37 Way D
- Accepts all Parallax 24 pin Stamps(not supplied)
- Accepts NetMedia BX24(not supplied)

Example software for Springboard includes a web server (written in Java to run on a PC or Dallas Semiconductor Tini) plus typical control applet allowing a web site to be established that will send control datagrams to "Springboard" and display received results.

Contact:

Pinecone Associates Ltd

office@pinecone.fsbusiness.co.uk
 Call: +44 (0) 161 776 4405 Fax: +44 (0) 161 776 4407
 Carrington Business Park, Carrington, Manchester M31 4DD

Motorcycle gear display

£100 winner

Many motorcycles have six gears – some models even have reverse – but they rarely, if ever, have a gear-position displays.

At first, making a display seems to be simple matter; on closer inspection, the problem turns out to be quite complicated for motorcycles that use mechanical levers. Using electronics and microprocessor logic though, this problem is easy to solve.

The problem and the sensors needed to solve it

My friend bought an old motorcycle with six gears. He wanted to be able to know which gear is selected via a seven segment display.

A motorcycle's gearbox is controlled using a rocker-type foot pedal. Pushing it down from its original neutral position selects first gear; pulling it up or pushing other end down toggles the gear box first back into neutral, then to second

gear, then third, fourth, fifth and sixth position.

For position sensors, we decided to use three micro switches: one for neutral, one for up and one for down. The gear lever operates these switches according to the sequence described above.

Microprocessor and display

A 25mm-high seven segment display is more than adequate for most motorcyclists in daylight and at night.

A Kingsbright SC10-21 display has seven segments and a decimal-point LED with its own anode. This display has common-anode connection. Its common-cathode counterpart requires a small modification for microprocessor program. The modification is explained later.

A flash PIC16F84A with 13 i/o pins is enough for eight display outputs and three micro switch inputs. Port B connects to the

display through a resistor network. Port A is used for micro switch inputs.

The processor and display use a 5V power supply. A standard 7805 regulator drops 12V battery input to 5V. Power supply wires should go through HF filters to the ignition switch and ground.

PIC microcontroller program

Although the logic might seem simple, the real-world interface adds complications. Switch bounces, possible overlapping timing and a special conditions like starting or stopping while the bike is in gear all have to be taken care of.

A program is a state machine in which the only way to get to the next state is to fulfil the right switch combination with the right amount of debouncing time.

After reset, the program goes to the zero state and shows a zero digit at the display. Between each state there must be a 50ms debounce time.

Each switch has also a hardware debounce timer involving an RC circuit. This precaution prevents problems from interference caused by the ignition system.

A seven-segment display is decoded directly by segment table that contains the values to turn the right combination of leds on. A CCS PIC-C compiler is used for the software. The software size is about 300 compiled words, List 1.

Because the program doesn't not use any interrupts, timers or any special PIC peripheral, it is easy to implement the code with any microcontroller, including Intel's 80C51 compatible processor.

Using an 80C51 would require a driver though in order to produce a bright display, so the PIC is right selection for this application.

An even better solution might be the PIC16F628. It has internal RC-oscillator, which removes one component. This part is not yet so readily available as the 'F84 or 'F84A though.

Putting the idea together

It is possible to make the whole unit on one double-sided circuit board. Because this was a spare-

List 1. A seven-segment display table with some test combinations together with a code snippet for using the table based on a PIC 'c' compiler.

```
const byte seg[25]={0x3f,6, 0x5b,0x5b, 0x4f,0x66,0x6D ,0x7c};
===== a code snippet for using a table
#include <16F84A.h> // select the right PIC
#define delay(clock=4000000, restart_wdt) // select right oscillator
#define fuses HS,NOPROTECT,WDT,PUT // use watchdog
#define byte PORTA = 5 // define IO-port address
#define byte PORTB = 6
#define bit UP = PORTA.3 // and IO-bits
#define bit DOWN = PORTA.2
#define bit FREE = PORTA.1
char dat,state,pre_state; // declare some variables
void set_display( void) {
    dat = seg[state]; // fetch a display bits according state table
    PORTB = ~dat; // Common anode display requires a inverted (-) bits,
    // common cathode display only PORTB = dat;
}
===== a pseudo program for first state =====
void main (void) {
    set_tris_a (0x3F); // set data direction register for PORTA, all in
    set_tris_b (0x00); // set data direction register for PORTB, all out

    test_display_digits( ); // go through each digit for testing
    state=0; // set the initial state
    while (1) { // forever loop
        restart_wdt(); // keep watchdog alive
        switch ( state) {
            case 0: if( !DOWN ) // if DOWN switch on and state is 0
                    state =1; // goto to mode 1 i.e. gear one
                    pre_state =0; // previous state for direction ops
                    break;
            state 1:
            ...
            state 6: // each state has some combination
                    // of pre_state and inputs
                    // end switch()
        }
        wait_debounce_delay(); // display the dot led during debounce wait time
        set_display(); // set state to decoded display
    } // end while ()
} // end main
===== end of snippet =====
```

Easy-PC For Windows V5.0, now available with SPICE based A/D mixed mode simulator

From Only

£97

NEW Easy-PC V5.0

Easy-PC for Windows is one of the biggest selling PCB systems in Europe. With prices starting from as little as £97 it represents exceptional price performance.

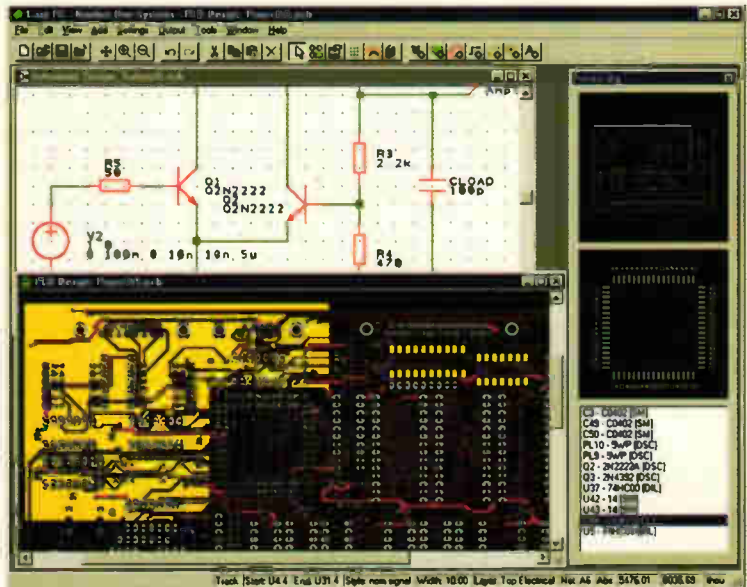
Only

£295

SPICE Based Simulator

Easy-Spice is a substantially enhanced version of SPICE3 and XSPICE with the underlying algorithms being reworked to significantly improve convergence and add new functionality.

Easy-Spice is integrated with Easy-PC Schematics and is supplied ready to use with SPICE libraries and models.



For more information or for a demo copy call us on +44 (0)1684 773662 fax +44 (0)1684 773664 or E-mail info@numberone.com

or download a demo copy from www.numberone.com

Number One Systems, Oak Lane, Bredon, Tewkesbury, Glos, GL20 7LR

TELFORD ELECTRONICS

Old Officers Mess, Hoo Farm, Humbers Lane, Horton, Telford, Shropshire TF6 6DJ, UK

Tel: (0044) 01952 605451 / 670178

Fax: (0044) 01952 677978

E-mail: telfordelectronics@btinternet.com / marc.007@btinternet.com / annie.007@btinternet.com

Web: <http://www.telford-electronics.com>

**Second User –
Electronic Test and Measuring
Instruments – DC to 100 GHz**

**FANTASTIC
BARGAINS
TO BE HAD**

Please visit our regularly updated web site for all your equipment needs.

We have a clearance/graveyard site with goods from as little as £15.00!!!

Embedded Ethernet TCP/IP Solutions

JK microsystems connects customers with cost-effective embedded solutions. Our DOS based controllers, peripherals and accessories integrate Ethernet, TCP/IP and control capabilities into data acquisition, networking and industrial applications. Consider one of our many solutions, the *LogicFlex*:

- Intel 386Ex @ 25MHz
- 10Base-T Ethernet & TCP/IP
- DOS & Webserver pre-installed
- 46 Digital I/O Lines
- 2 Serial Ports
- Programmable Xilinx CPLD
- 512K SRAM, 512K Flash standard
- Optional M-Systems DiskOnChip
- Expansion Bus for Peripheral Boards
- eRTOS available for Multitasking



Contact our UK distributor
Trionyx DSP Systems

Email: info@trionyx.co.uk

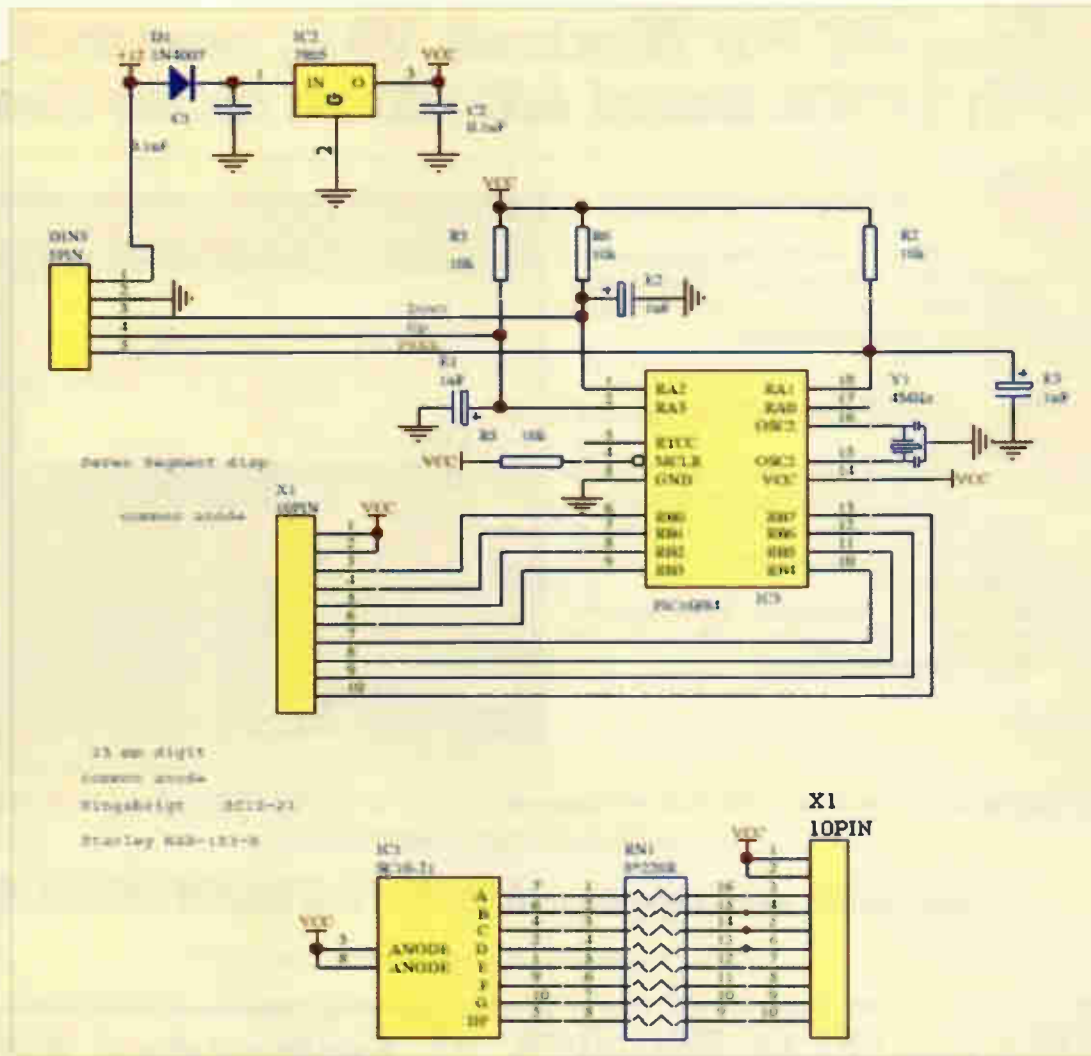
Call: +44 (0)20 8789 8775 Fax: +44 (0)20 8785 0764
81 Skeena Hill, Southfields, London, SW18 5PW, UK

• Free technical support available via email •

Visit us on the web at www.jkmicro.com
+1 530-297-6073 Fax: +1 530-297-6074 sales@jkmicro.com
1403 Fifth Street, Suite D, Davis, CA 95616 USA

JK microsystems

Complete circuit for the motorcycle gear-selection indicator.



time project for a friend though, a two-sided circuit board would have been too expensive. Besides, back-to-back connected single-sided circuit boards are easily made without too many compromises. Thanks to the microcontroller, the number of parts needed is so

low that hand wiring can be carried out in half a hour or so. The boards can be connected together by 0.1 in pins, but I used just a flat cable to make testing easier. The switches and power supply are connected by a five-pin audio DIN-connector. Such a connector is

easily obtained from the keyboard connector of an old PC motherboard. Making the unit removable ensures that it won't get stolen. The led display could be smaller, but you would need to modify the circuit board according to the display wiring. The unit fits into almost any small case.

Use twisted wires for switches and power supply. Turn power supply wires around a 12mm ferrite ring to reduce possible interference from the ignition circuitry.

Testing

Before you attach a new gear display to your motorcycle, test the display logic with three push button switches and a 12V power supply.

First, make sure that all digits are displayed in sequence. A zero digit represents neutral.

Push the down button and digit one comes on. Push the free button and then the up button and digit two should be displayed. Push the up again until the display shows digit six.

Now push the down button until digit two is shown. Push the free

Hex code for the PIC16F84A controller

```

:1001500000306600860164330930021208E018F01FB
:1000000000308A00A4280000A108A100A11820712
:100010003F34063406345B345B344F3466346D341D
:100020007C34013402340334043405340634073498
:10003000FF34FF34FF34FF34003400340034003424
:10004000034133084000080319372801308D0074
:10005000BF308C0064008C0B2A288D0B28284A3076
:100060008C008C0B31280006400800B26280034A3
:10007000C830930021203F30900010088600860988
:10008000C8309300212063309000100886008609B1
:10009000C8309300212063309000100886008609A1
:1000A000C830930021205B3090001008860086093C
:1000B000C830930021205B3090001008860086092C
:1000C000C830930021204F30900010088600860928
:1000D000C830930021206630900010088600860901
:1000E000C830930021206D309000100886008609EA
:1000F000C830930021207C309000100886008609CB
:100100002309200FA3093002120920B8228B1280D
:10011000323092001108FF3A7F39860012089203AC
:1001200000380319A32805080E398C000E300C0284
:1001300003199C28323092000130930021201108CD
:10014000860086098E28282984011F3083056500D2
;PIC16F84A
    
```

QUASAR ELECTRONICS LIMITED

(Dept EW), PO Box 6935, Bishops Stortford, CM23 4WP
TEL: 01279 467799 FAX: 07092 203496

ADD £2.00 P & P to all orders (1st class Recorded £4, Next day (Insured £250) £7, Europe £5.00, Rest of World £10.00). We accept all major credit cards. Make cheques/PD's payable to Quasar Electronics. Prices include 17.5% VAT. MAIL ORDER ONLY FREE CATALOGUE with order or sent 2 x 1st class stamps (refundable) for details of over 150 kits & publications.



Enhanced 'PICALL' ISP PIC Programmer

Kit will program virtually ALL 8 to 40 pin* serial and parallel programmed PIC microcontrollers. Connects to PC parallel port. Supplied with fully functional pre-registered PICALL DOS and WINDOWS AVR Software packages, all components and high quality DSPTH board. Also programs certain ATMEL AVR, SCENIX SX and EEPROM 24C devices. New devices can be added to the software as they are released. Blank chip auto detect feature for super-fast bulk programming. Hardware now supports ISP programming. *A 40 pin wide ZIF socket is required to program 0.3" devices (Order Code AZIF40 @ £15.00).



Order Ref	Description	inc. VAT ea
3144KT	Enhanced PICALL ISP PIC Programmer	£64.95
AS3144	Assembled Enhanced PICALL ISP PIC Programmer	£74.95
AS3144ZIF	Assembled Enhanced PICALL ISP PIC Programmer c/w ZIF socket	£89.95

ATMEL 89xxxx Programmer

Powerful programmer for Atmel 8051 micro controller family. All fuse and lock bits are programmable. Connects to serial port. Can be used with ANY computer and operating system. 4 LEDs indicate programming status. Programs 89C1051, 89C2051, 89C4051, 89C51, 89LV51, 89C52, 89LV52, 89C55, 89LV55, 89S8252, 89LS8252, 89S53 & 89LS53 devices. NO special software needed - uses any terminal emulator program (built into Windows).

Order Ref	Description	inc. VAT ea
3123KT	ATMEL 89xxx Programmer	£29.95
AS3123	Assembled 3123	£44.95

Atmel 89Cx051 and AVR programmers also available.

PC Data Acquisition & Control Unit

Use a PC parallel port as a real world interface. Unit can be connected to a mixture of analogue and digital inputs from pressure, temperature, movement, sound, light intensity, weight sensors, etc. (not supplied) to sensing switch and relay states. It can then process the input data and use the information to control up to 11 physical devices such as motors, sirens, other relays, servo motors & two-stepper motors.



FEATURES:

- 8 digital Outputs: Open collector, 500mA, 33V max.
 - 16 Digital Inputs: 20V max. Protection 1K in series, 5.1V Zener to ground.
 - 11 Analogue Inputs: 0-5V, 10 bit (5mV/step.)
 - 1 Analogue Output: 0.2-5V or 0-10V. 8 bit (20mV/step.)
- All components provided including a plastic case (140mm x 110mm x 35mm) with pre-punched and silk screened front/rear panels to give a professional and attractive finish (see photo). with screen printed front & rear panels supplied. Software utilities & programming examples supplied.

Order Ref	Description	inc. VAT ea
3093KT	PC Data Acquisition & Control Unit	£99.95
AS3093	Assembled 3093	£124.95

ABC Mini 'Hotchip' Board



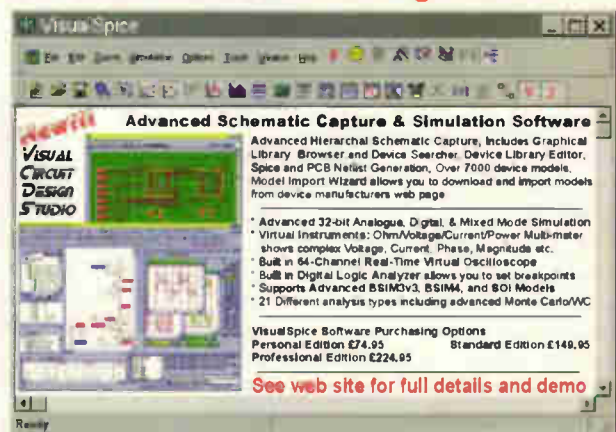
ABC Starter Pack

Currently learning about microcontrollers? Need to do something more than flash a LED or sound a buzzer? The ABC Mini 'Hotchip' Board is based on Atmel's AVR 8535 RISC technology and will interest both the beginner and expert alike. Beginners will find that they can write and test a simple program, using the BASIC programming language, within an hour or two of

connecting it up. Experts will like the power and flexibility of the Atmel microcontroller, as well as the ease with which the little Hot Chip board can be "designed-in" to a project. The ABC Mini Board 'Starter Pack' includes just about everything you need to get up and experimenting right away. On the hardware side, there's a pre-assembled micro controller PC board with both parallel and serial cables for connection to your PC. Windows software included on CD-ROM features an Assembler, BASIC compiler and in-system programmer. The pre-assembled boards only are also available separately.

Order Ref	Description	inc. VAT ea
ABCMINISP	ABC MINI Starter Pack	£64.95
ABCMINIB	ABC MINI Board Only	£39.95

Advanced 32-bit Schematic Capture and Simulation Visual Design Studio



See web site for full details and demo

Serial Port Isolated I/O Controller

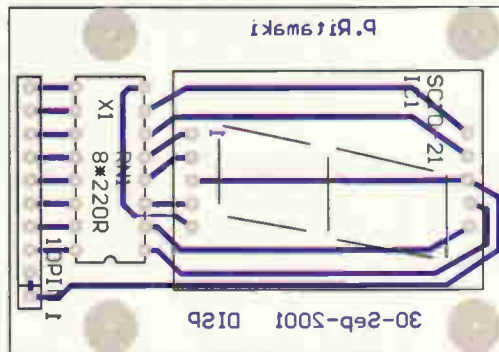
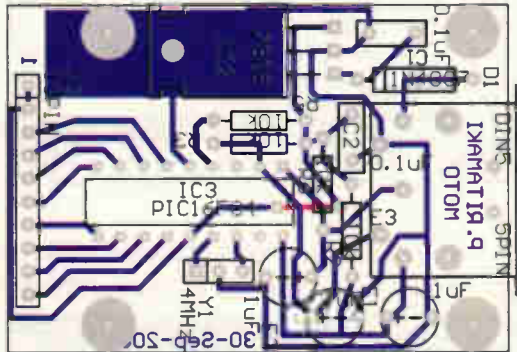
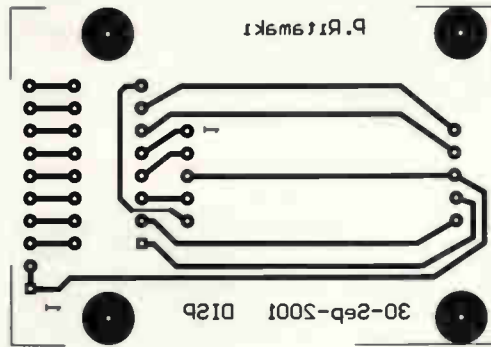
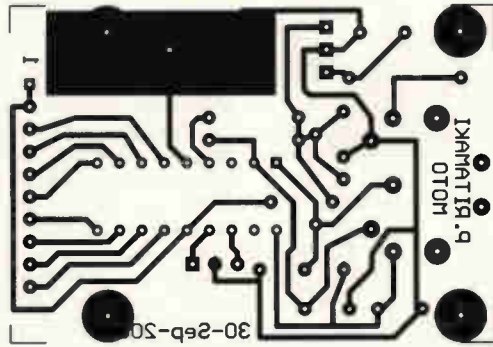
Kit provides eight relay outputs capable of switching 4 amps at mains voltages and four optically isolated inputs. Can be used in a variety of control and sensing applications including load switching, external switch input sensing, contact closure and external voltage sensing. Programmed via a computer serial port, it is compatible with ANY computer & operating system. After programming, PC can be disconnected. Serial cable can be up to 35m long, allowing 'remote' control. User can easily write batch file programs to control the kit using simple text commands. NO special software required - uses any terminal emulator program (built into Windows). Screw terminal block connections. All components provided including a plastic case with pre-punched and silk screened front/rear panels to give a professional and attractive finish (see photo).



Order Ref	Description	inc. VAT ea
3108KT	Serial Port Isolated I/O Controller Kit	£54.95
AS3108	Assembled Serial Port Isolated I/O Controller	£69.95

Full details of these items and over 200 other projects can be found at www.QuasarElectronics.com

QUASAR Number 1 For Kits



Parts list for motorcycle gear display.

Description	Quantity	Component ref.
Capacitor 0.1µF 50V	2	C ₁ , C ₂
Diode 1N4007	1	D ₁
Tantal capacitor 1µF 35V	3	E ₁ , E ₂ , E ₃
4MHz resonator, 3-wire	1	Y ₁
Connector DIN5 180, female	1	DIN5
Straight pins 10-row, 0.1in	1	X ₁
Resistor 10k	4	R ₂ , R ₃ , R ₅ , R ₆
Regulator 7805 TO-220	1	IC ₂
PIC16F84A-04/P Microchip	1	IC ₃
Resistor network 8x220R	1	RN ₁
Common anode SC10-21	1	IC ₁
7-seg LED display Kingbright 25mm or Stanley NAR-1R3-B		

button and then the down button again and digit one should be shown. Push the free button. The display should now show digit zero.

If the free switch is pushed during states 2... 6, the program forces the zero state. This prevents any lockout of different start ups and stop conditions with gear on.

If everything went well you can attach the unit to your motorcycle and show it to your friends.

Pekka Ritamaki
Nirvankatu
Tampere
Finland



Frugal pilot light – three-component voltage step up

This circuit uses the negative-resistance effect from a pair of JFETs to voltage double a 1.5V supply in order to light a

LED. Output voltage is 2.9V given a 1.5V supply.

The unusual feature of this oscillator is its

extremely low power consumption. I measured this at 250µA. If the LED is removed the circuit draws 60µA.

If a piezo transducer is added across L₁, it will produce a tone dependent on the series-resonant frequency of the inductor used.

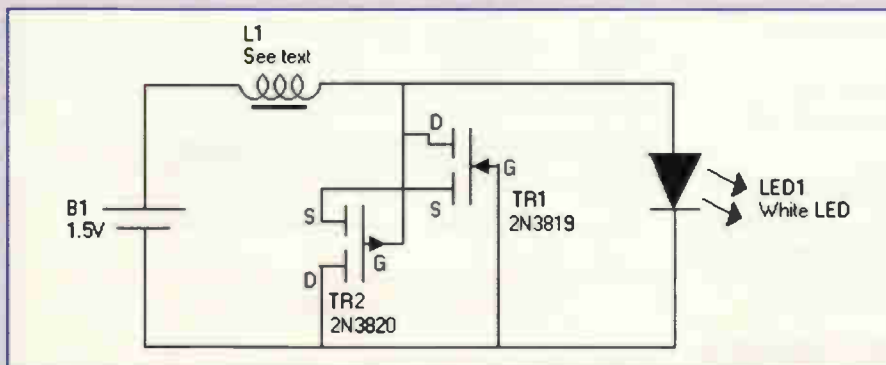
Inductor L₁ should be as large a value as possible to get a low frequency output.

Note that this circuit will also detect shorted turns in an inductor as it will not work if one is present.

One possible use of this circuit is a fishing float light for night fishing.

André de Guérin

Vale
Guernsey
G61



£50 winner

Switching EHT generator for ES loudspeakers

Originally developed to power an electrostatic loudspeaker, this circuit replaces the original 600V, 50Hz transformer.

A single-transistor ringing-choke oscillator forms the heart of the converter. This oscillator drives a pot core. Network R3/C7 forces the oscillator to start at power up. Resistor R6 limits base current to a safe value.

The transformer feeds a voltage multiplier to produce a final output of around 5200V. This voltage is divided by R4-R7 and compared to

the reference, D7, by IC1.

Output from IC1 drives power transistor Q2, hence altering the supply to the converter. To allow for supply regulation, the converter should give its maximum required output at a supply of 10V.

Components C7, C9 and R10 are there to keep the control loop stable.

I altered the core gap experimentally to achieve maximum efficiency. On the prototype, a gap of 0.1mm gave the best efficiency, with an operating frequency of about 30kHz. This gap was between the two

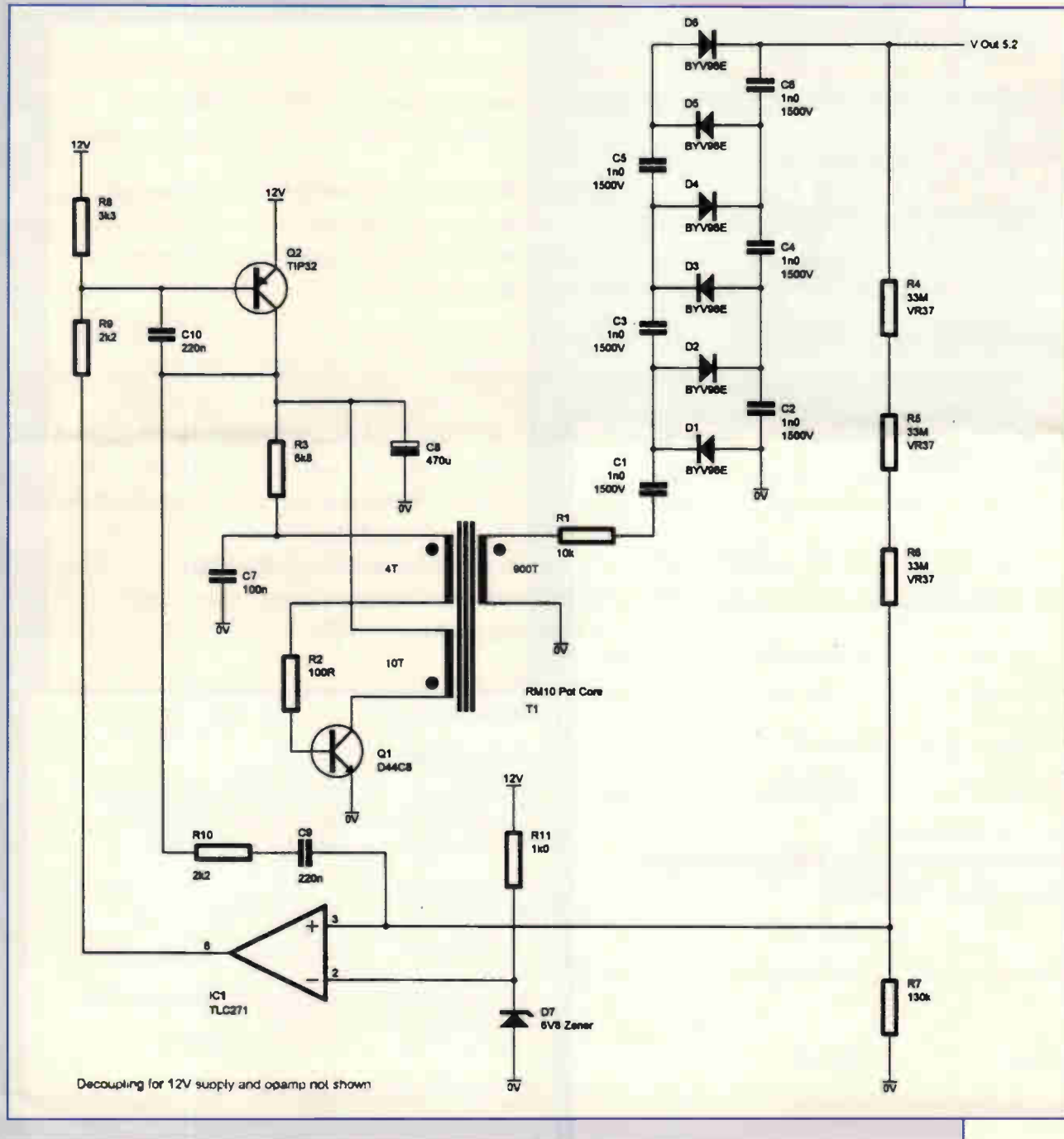
halves of the pot core, giving a total air gap of 0.2mm.

Due to the high reflected capacitance, the waveform at the collector of Q1 was a near sinusoid. Because of this, the usual suppression components around the power transistor were not required.

Resistor R1 reduces the effect of this capacitance on Q1.

John Vincent
Caterham
Surrey
G9

£50 winner





Electronics World reader offer:
x1, x10 switchable
oscilloscope probes,
only £21.74 a pair,
fully inclusive*

*Additional pairs as part of the same order, only £19.24 each pair.

Seen on sale for £20 each, these high-quality oscilloscope probe sets comprise:

- two x1, x10 switchable probe bodies
- two insulating tips
- two IC tips and two sprung hooks
- trimming tools

There's also two BNC adaptors for using the cables as 1.5m-long BNC-to-BNC links. Each probe has its own storage wallet.

To order your pair of probes, send the coupon together with £21.74 UK/Europe to Probe Offer, Jackie Lowe, Cumulus Business Media, Anne Boleyn House, 9-13 Ewell Road, Cheam, Surrey, SM3 8BZ

Readers outside Europe, please add £2.50 to your order.

Please supply the following:

Probes

Total _____

Name _____

Address _____

Postcode _____ Telephone _____

Method of payment (please circle)

Cheques should be made payable to ELECTRONICS WORLD

Access/Mastercard/Visa/Cheque/PO

Credit card no. _____

Card expiry date

Signed

Please allow up to 28 days for delivery

Specifications

Switch position 1

Bandwidth	DC to 10MHz
Input resistance	1MΩ – i.e. oscilloscope i/p
Input capacitance	40pF+oscilloscope capacitance
Working voltage	600V DC or pk-pk AC

Switch position 2

Bandwidth	DC to 150MHz
Rise time	2.4ns
Input resistance	10MΩ ±1% if oscilloscope i/p is 1MΩ
Input capacitance	12pF if oscilloscope i/p is 20pF
Compensation range	10-60pF
Working voltage	600V DC or pk-pk AC

Switch position 'Ref'

Probe tip grounded via 9MΩ, scope i/p grounded

NEW PRODUCTS

Please quote *Electronics World* when seeking further information

PIII card networks four 100 Ethernet ports

Advantech's PCM-9576 is a Socket 370 single-board computer which supports Pentium III/Celeron processors running at up to 850MHz and will supply 2, 3 or 4 10/100 Mbit/s Ethernet ports. The card is designed to be used as a dual Ethernet firewall device, triple Ethernet firewall/DMZ device or through its PCI expansion slot, a four Ethernet port device that allows centralised management of a Secure Virtual Network, including firewall security and VPNs or PCI add-on cards for encryption acceleration. With networking applications in mind the VGA/LCD controller is optional. It has two 144-pin SO DIMM sockets to support 256Mbyte SDRAM and 256KByte of flash memory.

Advantech
Tel: 01908 304800
www.advantech.com

3G transceiver chips eliminates IF devices

Qualcomm has introduced its latest 3G mobile CDMA2000 1X transceiver chip set based on a zero intermediate frequency (zero IF) architecture. Called

radioOne, the chip set consists of the RFT6100, RFR6000 chips. They are quad-mode devices, supporting CDMA and GPS-based position location technologies. They are designed to interface with the firm's existing MSM6000, MSM6050 and MSM6100 baseband processors. According to the supplier, the zero-IF architecture can reduce component count by eliminating the need for IF devices, IF surface acoustic wave (SAW) filters, or IF voltage controlled oscillators. One external ultra high frequency (UHF) single-band VCO is required for all CDMA frequency bands.

Qualcomm
Tel: 01844 260707
www.qualcomm.com

Quad-band GSM/GPRS transceiver blocks unwanted signals

Sony Semiconductor has announced its first Quad-band GSM/GPRS/Edge transceiver, the DuettoDC. It supports the four GSM frequency bands 850/900/1800/1900MHz and is GPRS/Edge compatible. Incorporating a direct conversion receiver and direct modulator on transmit, the device supports

GPRS class 12 and both Edge receive and transmit. The chip includes a fast hopping sigma-delta PLL enabling GPRS class 12. The low PLL spurious and phase noise result in improved receive blocking performance. Traditional direct conversion problems of static and dynamic DC offsets are minimised through a combination of high IP2 RF mixers and a programmable/automated DC offset correction routine. The latter stores the offsets digitally and corrects them through D-to-A converters for low drift.

Sony
Tel: 01932 817502
www.sde.eu.sony.com

Differential probe with 500MHz bandwidth

The new differential probe from Yokogawa Martron is capable of transforming a single-ended oscilloscope input into a balanced differential input with a bandwidth of 500MHz and very high common-mode rejection (typical CMRR is 60dB). The probe is designed to overcome the limitations of traditional single-ended inputs in accurately capturing high-speed signals at low power-supply voltages, particularly when



isolated probing is required to capture noise-resistant differential signals in leading-edge designs. The probe is powered with a $\pm 12V$ signal, which can be supplied independently but is available as standard on the latest oscilloscope in the Yokogawa range.

Yokogawa Martron Ltd
Tel: 01494 459200
www.martron.co.uk

ICs drive 12.5dBm for full-rate ADSL

Maxim's 4361/2/3 ADSL drivers and driver/receivers have rail-to-rail outputs and have a 280mA minimum peak output current and deliver up to 12.5dBm average line power for DMT modulated signals, meeting the requirement for full-rate ADSL. SFDR at 100kHz is a low

Flat-panel monitors with rotating screens

Planar Systems has launched a range of 15-inch and 17.4 inch flat-panel monitors that feature the ability to rotate the display from landscape to portrait viewing, providing users with a choice to fit their specific desktop application. Designed to appeal to both the business and consumer markets, the new models offer crisp, high-contrast images, large format viewing areas, USB hubs and built-in speakers. The units can be ordered in a range of exterior colours, including translucent red, blue and clear,

as well as classic white or professional black. With rotating screens, users can easily switch from landscape to portrait viewing with a simple twist of the display, allowing them to see an entire Web page, PDF, e-mail or word processing document without the need to scroll down. Software provided with the monitors easily switches the orientation of the displayed information with just a click of the mouse.

Planar Systems Ltd
Tel: 01844 276 900
www.planar.com



Please quote *Electronics World* when seeking further information

76dBc. The MAX4361 fixed-gain ADSL driver is available in 8-pin microMAX and SO packages. The Max4362 externally set gain ADSL driver with shutdown is available in 10-pin microMAX and 14-pin SO packages. The MAX4363 ADSL driver/receiver is available in 20-pin TSSOP and SO packages.

Maxim
Tel: 0800 585048
www.maxim-ic.com

16-bit flash micro lowers cost of debugging

Hitachi's latest flash micro-controller offers 128kbyte flash and 4kbyte RAM and features an on-chip debug interface that the company claims will enable low cost debugging in a target system. There is also a low cost E10T emulation option. The H8/3048BF is based on the H8/300H core with an 80ns minimum instruction cycle at 25MHz. It features an integrated timer unit (ITU) for motor control and a well-balanced peripheral set. The E10T emulator connects to the device via the on-chip debug interface and is available as a PCI or PCMCIA version. The emulator's features include

hardware breakpoint on address and data, software trace, single stepping at C and assembly level, and the ability to download applications and program on-chip flash. The H8/3048BF is available in a 100-pin QFP/TQFP (Quad Flat Pack) package. The H8/3048BF, E10T, EVB-3052F evaluation board and E63052 emulator support are all available.

Hitachi
www.hitachi-eu.com

In-system programmer for STAPL diet

Actel has teamed up with First Silicon Solutions to offer a programmer for in-system programming of its flash-based ProASIC field-programmable gate arrays (FPGAs), including the recently announced ProASIC Plus family.

The in-system programmability feature uses the IEEE standard 1149.1 JTAG interface, which permits devices to be programmed after they are mounted on the PCB. Called Flash Pro the programming system also supports the Standard Test and Programming Language (STAPL), which makes the

programmer independent of any specific programming algorithms. According to the firms, it will also support new devices immediately upon release with a new STAPL file. The portable programmer is currently available for use with Actel's flash-based ProASIC 500k and ProASIC Plus families.

Actel
Tel: 01276 401462
www.actel.com

PCI card for multifunction measurement

Measurement Computing's PCIM-DAS 1602/16 board is a multi-function measurement and control board designed to operate in computers with PCI Bus accessory slots, and it retains the same connector type and pin output of the established CIO-DAS 1602/16, making it suitable to migrate designs from ISA to PCI without being forced to change connected hardware or cabling. It uses a standard 37-way D-type connector.

Available from Adept Scientific, the board features 8 differential / 16 single-ended 16-bit inputs 160kHz sample rate, burst mode, two 12-bit analogue outputs, 3 counters and 32 digital I/O.



A software library provides a common set of functions that can be called from C, visual Basic, Delphi and Labview. The library also means full software compatibility with the CIO-DAS1602/16. UL provides a common set of functions that can be called from C, VB, Delphi or Labview.
Adept Scientific
Tel: 01462 480055
www.adeptstore.co.uk

Dual-View dual-LAN board for industrial applications

A feature-rich single-board computer (SBC), able to support two independent displays in various combinations of CRT, LCD and TV, is now available from Anders Electronics. Supporting Intel Socket 370, Coppermine Pentium-III and Celeron CPUs, the 5.25in board is ideal for a wide range of industrial applications. Featuring single and optionally dual-LAN (10/100M) as well as dual-view capability, the NC-640 offers a highly flexible display configuration, supporting simultaneous images and refresh rates on LCD/CRT, LCD/TV and CRT/TV. The product will drive 128-bit 3D CRT/LCDs with 8Mb SGRAM and support CRTs to 1200 x 1600 true colour and TFT/DSTN LCD panels up to 1280 x 1024 resolution. It also includes an integrated single-channel 110MHz LVDS transmitter, allowing connection to displays up to 10 metres away or to displays with an integral LVDS interface. Incorporating TV-out with Macrovision, CGMS-A and WSS for DVD copy protection, the NC-640 also offers MPEG-2 video textures and motion compensation for full-speed DVD playback. The product has advanced 3D audio capability and a wide range of connectivity options, including on-board USB (x2) and IrDA interfaces, 4COM ports, RS-232/422/485 (5V and 12V), PCI, PC/104, IDE and a bi-directional parallel port. GPS and touch-panel interfaces are available as options.

Anders Electronics
Tel: 020 7388 7171
www.anders.co.uk



Please quote *Electronics World* when seeking further information

Eurostyle terminal block is highly sprung

The Eurostyle plug terminal block from Molex incorporates a spring clamp which means it can be unplugged without un-wiring for replacement of faulty or damaged electronics.

Applications include automation, motion and process controls as well as telecommunications equipment, HVAC systems and power supplies.

A pre-loaded stainless steel spring clamp enables installers to secure terminations reliably and securely. With horizontal and perpendicular spring actuation slots, termination may be accomplished for many orientations.

Available in two to 24 circuits, these terminal blocks have 5.08mm (.200in) pitch and use 14 to 24 AWG. Field service rated at 300V for 10A with 14AWG wire, operating temperatures are -40°C to 140°C. The system uses phosphor bronze contacts and hot tin dip plating (also available in gold).

The insulator is also surface mount compatible (SMC), made of high temperature polyamide polymer with a 94 V-O high flammability rating, eliminating wave soldering.

Molex
Tel: 01252 720751
www.molex.com

Single-chip modem with caller ID

TDK Semiconductor has introduced a 3.3V single chip modem that combines all the controller (DTE) and data pump functions necessary to implement a V.22bis data modem. The 73M2901CL includes functions like caller ID, blacklisting, parallel phone detect (Line-In-Use and Parallel-Pick-Up/Line-Seize), long space disconnect, inactivity timeout and programmable call progress. The device is based on an 8032 microcontroller core with a proprietary multiply and accumulate (MAC) co-processor, analogue front end, Sigma Delta



A/D and D/A. The ROM and RAM necessary to operate the modem are contained on the device.

It is capable of data transmission and reception at 2400bit/s and power consumption is 9.5mA. The modem is available in a 32-pin PLCC, 32-pin TQFP or a 44-pin LQFP package.

TDK Semiconductor
Tel: 001 714 508 98821
www.tdksemiconductor.com

Current switch has 1.75A limit for cards

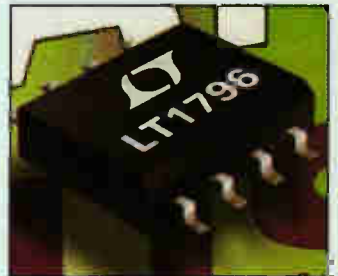
Maxim has introduced the MAX1922 high-side Mosfet current-limited 70mΩ power switch with built-in fault blanking. It has a preset 1.75A current limit (± 20 per cent maximum over the operating temperature range), which protects power distribution systems in PC cards, USBs and other hot-swap plug-in

applications. The narrow current limit (1.4 to 2.1A) allows for the use of smaller and lower cost power-supply components that can be sized to accommodate lower over-current fault conditions. Input voltage ranges from 2.7 to 5.5V. The device comes in an eight-pin SO package.

Maxim
observ.maxim.com

CAN transceiver survives loss of ground

Linear Technology has introduced the LT1796, a transceiver for controller-area network (CAN) bus applications. It is designed to withstand ± 15 kV ESD strikes and faults up to ± 60 V in automotive applications. In these applications, the loss of ground connection or cross-wiring faults can force DC voltages in excess of 24V in either polarity onto the bus pins. The device is designed



High-current bench power supplies

The newly upgraded TSX range of bench DC power supply units from TTI offers very high performance at significantly lower cost than other PSUs of comparable performance.

Models currently available include 35V, 10A and 18V, 20A units in both standard and programmable versions. The standard versions incorporate conventional analogue controls, while the programmable versions offer keyboard control along with RS-232 and IEEE-488 interfaces.

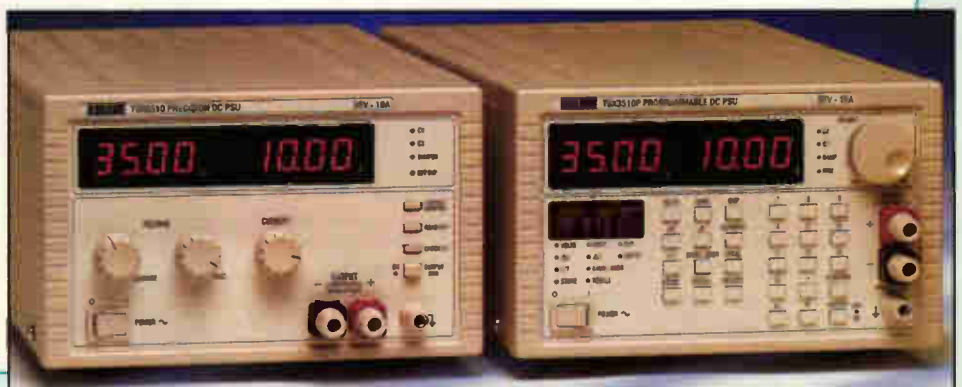
The heart of the TSX series PSUs is an advanced regulator design which combines switch-mode pre-regulation with linear post-regulation. The pre-regulator uses specially developed techniques to dramatically reduce the capacitance between input and output, thus eliminating the high levels of common-mode noise normally associated with switch mode PSUs. The linear post-regulator combines very low levels of output noise with

excellent load regulation and transient response, resulting in performance comparable with that of a pure linear design. The hybrid regulator design provides a PSU which is both smaller and lighter than competitive products. The high thermal efficiency also means that the PSUs are silent in operation, since fan cooling is unnecessary.

All TSX series PSUs can operate in both

constant-voltage and constant-current modes, with automatic crossover and automatic mode indication. They incorporate high-resolution digital meters for both voltage and current. Voltage and current levels can be set to high accuracy prior to connection to the load, and the limit settings can be checked at any time.

Thurby Thandar Instruments
Tel: 01480 412451
www.tti-test.com



Please quote *Electronics World* when seeking further information

to survive these faults without the need for external protection circuitry, said the company. The device matches the industry standard footprint in the SO-8 package including a combined slew rate control/standby pin. In standby, the supply current is reduced to 800µA. The slew rate control allows a maximum data rate of 500kbit/s or can be programmed for slower rates to minimise EMI and reduce reflections due to long stubs or improper termination. It is offered in the 8-pin SO and PDIP screened for both the commercial and industrial temperature ranges.

Linear Technology
Tel: 01276 677676
www.linear-tech.com

LCR meter is one touch for strays

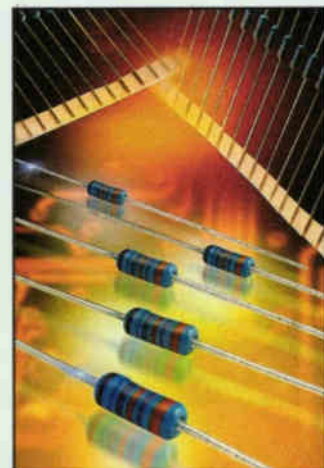
Available from Vann Draper, the RLC100 is a microprocessor controlled LCR meter capable of making four line measurements of R, L, C, QR, QL, DC and d using series or parallel connection. The unit can display deviations of measured values from reference components either absolutely or relatively in terms of percentage. Also included is an automatic self-diagnosis and one-touch stray capacitance compensation. The design of the instrument has reduced the number of front panel controls to four, plus a mains on-off, which enables the

instrument to be set or operated with little adjustment. A group of LEDs indicates control selection and a 16 x 1 alphanumeric backlit LCD provides enunciators and readout of the measured values.

Vann Draper
Tel: 01283 704706
www.vanndraper.co.uk

Precision resistors on a budget

The RE 0207 and RE 0204 from VTM are two ranges of precision metal-film resistors in 0207 and 0204 (0.25 and 0.125W) body sizes. According to the supplier, they are intended as a lower cost alternative to traditional precision resistors. The RE 0207 is available in a resistance range of 10Ω to 2MΩ, while the RE 0204 is available between 10Ω and 1MΩ, both with a standard



resistance tolerance of ±0.1% and a temperature coefficient of resistance of +15ppm/°C, although other tolerances and TCRs are available. The resistance element in these devices is a precisely controlled thin film of metal alloy deposited on a high quality alumina substrate. Plated caps are force-fitted before the assembly is trimmed using laser techniques.

VTM
Tel: 01494 738608
www.vtm.co.uk

Miniature joystick for movement in five directions

A five-direction miniature joystick from Tyco Electronics measures 10.4 x 12.0 x 5mm. A single pole, five throw configuration, the switch is rated at 1 to 50mA at 24V DC. It also provides a select function and scanning functions: Up/Down/Left/Right. Contact resistance is 200mΩ maximum and insulation resistance is a minimum of 100MΩ at 100V DC. Travel is 0.25 ±0.15mm for the select function with an operating force of 360 ±80g and a minimum release force of 100g. For the four scanning functions, travel is 0.35 ±0.15mm with an operating force of 110 ±45g and a minimum release force of 10g.

Tyco Electronics
Tel: 020 8954 2356
www.tycoelectronics.com

Capacitor array in 0612 package

The GNM314 capacitor array from Murata contains four individual capacitors, all of the same dielectric material, tolerance, capacitance value and voltage rating, in a single 0612 package. It includes temperature compensated arrays available from 10pF to 360pF, dielectric constant types from 220pF to 100nF (X7R) and 2.2nF to 150nF (Y5V). Rated voltages are from 16 to 100V.

Murata
Tel: 01252 811666
www.murata.co.uk

Polarity controller for EMC antennas

Hursley EMC Services has introduced a mast polarity controller for EMC testing in automated anechoic chambers. The controller has GPIB and RS232 interfaces with a manual over-ride facility. The MC4090 mast controller is suitable for all pneumatic masts, said the supplier. And at £4,500 + VAT



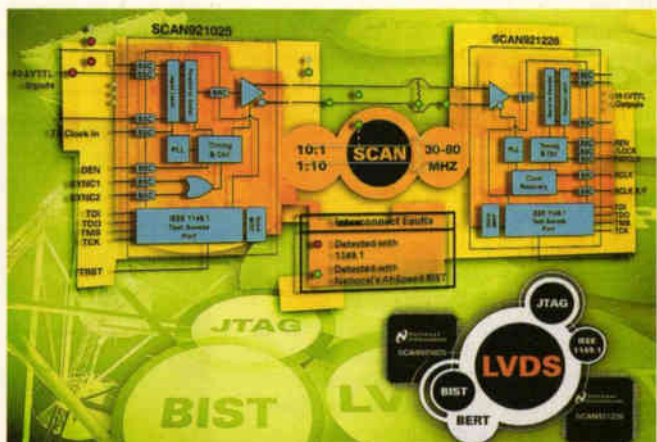
Fast LVDSs for 3G backplanes

National Semiconductor has announced a 10-bit bus low voltage differential signalling (LVDS) serializer/deserializer chip set for high-speed data transfer over a single differential pair. The SCAN921025 and SCAN921226 are designed to meet the high speed data transfer rates of third-generation wireless base station, video, and medical instrumentation markets, said the company. The chip sets were developed to address clock speeds over 66MHz, specifically 78.8MHz for telecom and 74.25MHz for video applications. The serializer input accepts as many as 10 parallel bits with the

associated transmit clock to latch the parallel bits into the device. It serialises them and embeds the clock for serial transport. The deserialiser accepts the serial stream, recovers the clock and data, and delivers both to the receiver parallel interface. The company has also introduced the SCAN921260UJB, which incorporates six 1:10 deserialisers with IEEE 1149.1 test capability and built-in-self-test mode that supports data rates up to 66MHz. The 10:1 (TTL to LVDS) serializer has a frequency operation of 30MHz to 80MHz. The deserialiser has

a random lock and frequency operation also of 30MHz to 80MHz.

National Semiconductor
Tel: 0870 2402171
www.national.com



Serial Comms

- Development
- Debugging
- Testing

Listen in with an

EARWIGG

the non-intrusive development and debugging tool

Tel: +44 (0)1692 500 777

www.earwigg.com

VIOM

Versatile Input Output Module

- 16 Digital Inputs
- 16 Open Collector Outputs
- 8 Counter Timers
- RS232 Serial Port
- Fully Programmable with over 100 commands



VIOM can be used either as a stand-alone module, as a general purpose serial I/O card or as a combination of both. Projects can be completed in minutes.

£49.35 (£42.00 ex VAT)

20% off this price: See EW March 2002 for details

Also available:

- 8 Way Display Module £8.82 (£7.50 ex VAT)
- 8 Way Relay Module £17.63 (15.00 ex VAT)

Order on line at:
www.phaedrusltd.co.uk



SOM1

Serial Output Module

- 4 Independent Relays on each module
- Up to 256 module addresses
- 100 metre module separation
- Free application software

£37.60 (£32.00 ex VAT)

Visit our Web site to download sample projects and PC based software including data logging and control applications.

www.phaedrusltd.co.uk

Phaedrus Limited
Unit 1, Darwin Enterprise Centre
Railway Road, Darwin BB3 3EH
Tel 01254 772622

SPECIAL OFFERS



TEKTRONIX 2445A 4 Ch 150MHz Delay, Cursors etc. Supplied with 2 Tektronix probes
ONLY £425

TEKTRONIX 2232 Digital Storage Scope. Dual Trace 100 MHz, 100m/s with probes. £525
H.P. 54501A Digitizing Oscilloscope 100MHz, 4Ch £425
H.P. 3312A Function Gen 0.1Hz-13MHz AM/FM Sweep/Trig/Gate/Burst etc. £300
FARNELL Dual PSU XA35-2T 0-35V 0-2A Twice GMD LCD Display. £180
CIRRUS CRL254 Sound Level Meter with Calibrator, 80-120dB, LED. £150
EDDYSTONE 1002 Receiver 150kHz-30MHz + Broadcast FM. £125
FARNELL AMM255 Automatic Mod Meter 1.5MHz/2GHz Unused. £300
FARNELL DSG1 Low Frequency Syn Sig Gen 0.001Hz to 99.99kHz, Low Distortion TTL/Square/Pulse Outputs etc. £95
FLUKE 8060A Handheld True RMS DMM 4 1/2 digit As new £150. Used £95
BECKMAN HD110 Handheld 3 1/2 digit DMM, 28 ranges with battery, leads and carrying case. £40

H.P. 3310A Function Gen 0.005Hz-5MHz Sine/Sq/Tr Ramp/Pulse. £125
FARNELL FLM4 Sine/Sq Oscillator 10Hz-1MHz low distortion, TTL Output, Amplitude Meter. £125
H.P. 545A Logic Probe with 548A Logic Puffer and 547A Current Tracer. £90
FLUKE 77 Multimeter 3 1/2 digit Handheld. £90
FLUKE 77 SERIES II. £70
HEME 1000 LCD Clamp Meter 0-1000A. In Carrying Case. £90

Racal 9888 ONLY £95
Automatic Modulation Meter AM/FM 1.5MHz - 2GHz

Datron 1061 £150
High Quality 5.5 Digit Bench Multimeter True RMS/4 wire Res/Current Converter/IEEE

Datron 1061A £225
High Quality 8 1/2 digit Bench Multimeter True RMS/4 wire/Current Converter

Racal Receiver RA1772 £250
50kHz - 30MHz LED Display, Basically Working.

MARCONI 2019A



AM/FM synthesised signal generator 80kHz - 1040MHz
NOW ONLY £400

MARCONI 893C AF Power Meter, Sinad Measurement. Unused £100 Used £80
MARCONI 893B - No Sinad. £30
MARCONI 2610 True RMS Voltmeter Autoranging 5Hz-25MHz. £195
GOULD J3B Sine/Sq Osc. 10Hz-100kHz. Low distortion £75-£125
AVO 8 Mk6 in Ever Ready Case, with leads etc. £80
Others Avos. from £50
GOODWILL GVT427 Dual Ch AC Millivoltmeter 10mV in 12 Ranges Freq 10Hz-1MHz. £100-£125
SOLARTRON 7150 DMM 6 1/2 digit True RMS - IEEE £95-£150
SOLARTRON 7150 PLUS. £200

HIGH QUALITY RACAL COUNTERS

9904 Universal Timer Counter, 50MHz. £50
9918 Counter, 10Hz-520MHz. £75
9916 Counter, 10Hz-560MHz, 9-digit. £50
WALYNE KERR B424 Component Bridge. £125
RACAL/AIM 9343M, LCR Databridge, Digital. £200
Automeasurements of R.C.L.Q.D.
HUNTRON TRACKER Model 1000. £125
MARCONI TP2015 AM/FM sig gen, 10-520MHz. £175
FLUKE 8050A 4.5 Digit, 2A True RMS. £75
FLUKE 8012A 3.5 Digit, 2A. £40

SOLARTRON 7045 Bench Multimeter 4.5 Digit Bright LED with Leads ONLY £30

Portable Appliance Tester Megger Pat 2 ONLY £180

H.P. 6012B DC PSU 0-60V; 0-50A 1000W. £1000
FARNELL AP80/50 1KW Autoranging. £1000
FARNELL H60-50 0-50V 0-50A. £750
FARNELL H60/25 0-60V; 0-25A. £400
Power Supply HPS3010 0-30V; 0-10A. £140
FARNELL L30-2 0-30V; 0-2A. £80
FARNELL L30-1 0-30V; 0-1A. £80
Many other Power Supplies available, Isolating Transformer 240V In/Out 500VA. £40

GOULD OS 300 OSCILLOSCOPE



DUAL TRACE 20MHz TESTED WITH MANUAL £95

OSCILLOSCOPES

TEKTRONIX TDS350 Dual Trace 200MHz 1G/S unused. £1500
TEKTRONIX TDS320 Dual Trace 100MHz 500M/S. £1200
TEKTRONIX TDS310 Dual Trace 50MHz 200M/S. £950
LECROY 9400A Dual Trace 175MHz 5G/S. £1500
HITACHI VC8523 Dual Trace 20MHz 20M/S etc unused. £900
PHILIPS PM3092 2+2Ch 200MHz Delay. £900 As New £950
PHILIPS PM3082 2+2Ch 100MHz Delay etc. £700 As New £900
TEKTRONIX TAS465 Dual Trace 100MHz Delay etc. £250
TEKTRONIX 2465B 4Ch 400MHz Delay Cursors etc. £1500
TEKTRONIX 2465 4Ch 300MHz Delay Cursors etc. £900
TEKTRONIX 468 Dig Storage Dual Trace 100MHz Delay. £450
TEKTRONIX 468 Analogue Storage Dual Trace 100MHz. £250
TEKTRONIX 485 Dual Trace 350MHz Delay Sweep. £550
TEKTRONIX 475 Dual Trace 200MHz Delay Sweep. £400
TEKTRONIX 465B Dual Trace 100MHz Delay Sweep. £325
PHILIPS PM3217 Dual Trace 50MHz Delay. £200 - £250
GOULD OS1100 Dual Trace 30MHz Delay. £150
HAMEG HM303 Dual Trace 30MHz Component Tester. £275
HAMEG HM203.7 Dual Trace 20MHz Component Tester. £200
FARNELL DTV20 Dual Trace 20MHz Component Tester. £125

MANY OTHER OSCILLOSCOPES AVAILABLE

MARCONI 2022E Synthesised AM/FM Sig Gen £525 - £750
10kHz - 1.01GHz LCD Display etc. £2000
H.P. 8657A Syn 100kHz - 1040MHz Sig Gen. £2000
H.P. 8656B Syn 100kHz - 890MHz Sig Gen. £1350
H.P. 8656A Syn 100kHz - 990 MHz Sig Gen. £995
R&S APN62 Syn 1Hz - 260kHz Sig Gen. £425
Balanced/Unbalanced Output LCD Display
PHILIPS PM5328 Sig Gen 100kHz - 180MHz with 200MHz Trigger. £550
RACAL 9081 Syn AM/FM Sig Gen 5kHz - 1024MHz £250
H.P. 3325A Syn Function Gen 21MHz. £900
MARCONI 6500 Amplitude Analyser. £1500
H.P. 4192A Impedance Analyser. £3000
H.P. 4275A LCR Meter 10kHz - 10MHz. £2750
H.P. 8950A Distortion Analyser. £1000
WAYNE KERR Inductance Analyser 3245. £2000
H.P. 8112A Pulse Generator 50MHz. £1250
MARCONI 2440 Freq Counter 20GHz. £1000
H.P. 5350B Freq Counter 20GHz. £2000
H.P. 5342A 10Hz - 18GHz Freq Counter. £900
H.P. 1650B Logic Analyser 80 Channel. £1000
MARCONI 2305 Mod Meter 500kHz - 2GHz. £750

RADIO COMMUNICATIONS TEST SETS

MARCONI 2955/2955A. from £1500
Rohde & Schwarz CMT 0.1 - 1000MHz. £2000
Schlumberger 4040. £900

JUST IN

H.P. 6063B DC Electronic Load 3-240V/0-10A 250W P.O.A. £400
H.P. 86312A PSU 0 - 20V/0-2A. £400
H.P. 86311B PSU 0 - 15V/0-3A. £400
H.P. 86309D PSU Dual 0 - 15V 0-3A/0-12V 0-1.5A. £750
H.P. 8632B PSU 0 - 20V/0-5A. £500
H.P. 8623A PSU Triple Output ranging from 0-850 0-7V 0-5A to 0-20V 0-4A. £400/£450
H.P./Agilent 34401A DMM 6 1/2 digit. £275
H.P. 3478A DMM 5 1/2 digit. £400
FLUKE 45 DMM Dual Display. £950
KEITHLEY 2010 DMM 7 1/2 digit. £1250
KEITHLEY 617 Programmable Electrometer. £1500
H.P. 4338B Milliohmmeter. £500
RACAL Counter type 1999 2.8 GHz. £850
H.P./Agilent 33121A 3GHz. £900/£1000
100microHz - 15MHz
SONY/TEKTRONIX AFG320 Arbitrary Function Gen. £1250
H.P. 8904A Syn Function Gen DC - 600kHz £1000/£1250
BLACK STAR JUPITOR 2010 Function Gen 0.2Hz - 2MHz with Frequency Counter. £140
H.P. 8116A Pulse Generator 1mH-50MHz. £1950
H.P. 8657B Syn Signal Gen 0.1-2080MHz. £2500
CO-AXIAL SWITCH 1.5GHz. £40
IEEE CABLES. £10

SPECTRUM ANALYSERS

H.P. 8561B 50Hz - 6.5GHz. £9500
H.P. 8560A 50Hz - 2.9GHz Synthesised. £5000
H.P. 8594E 9kHz - 2.9GHz. £4500/£5000
H.P. 8591E 1MHz - 1.8GHz 75 ohm. £3500
H.P. 853A with 8559A 100kHz - 21GHz. £2250
H.P. 8558B with Main Frame 100kHz - 1500MHz. £1250
H.P. 3585a 20Hz - 40MHz. £3000
H.P. 3580A 5Hz - 50kHz. £800
ADVANTEST R4131B 10kHz - 3.5GHz. £3500
EATON/AITECH 757 0.001 - 22GHz. £1500
MARCONI 2382 100Hz - 400MHz High Res. £2000
MARCONI 2370 30Hz - 110MHz. from £500
H.P. 182 with 8557 10kHz - 350MHz. £500
H.P. 141T Systems. from £500
8553 1kHz - 110MHz. from £500
8554 500kHz - 1250MHz. from £750
8555 10MHz - 18GHz. from £1000
TEKTRONIX 491 10MHz - 12.4 GHz. £500
H.P. 8443 Tring Counter/Counter 110MHz. £250
H.P. 8444 Opt 058. £750
B & K 2032R Signal Analyser. £750
H.P. 5372A Frequency & Time Interval Analyser. £2250
H.P. 8754A Network Analyser 4MHz - 1300MHz. £1250
H.P. 3577A Network Analyser 5Hz - 200MHz. £3000
H.P. 53310A Modulation Domain Analyser Opt 001/003. £5000

USED EQUIPMENT - GUARANTEED. Manuals supplied.

This is a VERY SMALL SAMPLE OF STOCK. SAE or telephone for lists. Please check availability before ordering. CARRIAGE all units £16. VAT to be added to total of goods and carriage.



STEWART OF READING
110 WYKEHAM ROAD, READING, BERKS RG6 1PL
Telephone: (0118) 9268041 Fax: (0118) 9351696
www.stewart-of-reading.co.uk



Callers welcome 9am-5.30pm Monday to Friday (other times by arrangement)

NEWPRODUCTS

Please quote *Electronics World* when seeking further information

can provide a relatively inexpensive method of upgrading manual EMC test chambers, said the company.

Hursley EMC Services
Tel: 023 8027 1111

Switch probes for automotive wiring test

The P201/GI from Peak Test Services is a range of switch probes for use in test modules for checking wiring harnesses in the automotive industry. According to the supplier, unlike traditional techniques that require the complete module to be removed, the probe and receptacle are fitted with a pin and a socket inside the receptacle. The wire is soldered directly on the connector pin of the receptacle, letting the switch probe be replaced

without re-wiring. The devices come in various tip styles, and have a working travel of 4mm and switch travel of 1.7mm. They can handle up to 5A. Peak Test Services
Tel: 0191 387 1923

Precision resistors up to 20GΩ

CTL Components has introduced a series of precision thick-film resistors which offer values from



10k up to 20GΩ. The CS series are radial-leaded and have a maximum voltage rating of 20kV. Non-standard resistances can be supplied. Surface mount versions are available for most of the range and there is also a range of metal-film axial leaded resistors covering the range 1 to 10MΩ.

CTL Components

Zippy interface speeds 68 HC08 debug

Available from Computer Solutions, the MON08 Cyclone is an automated programming and debugging interface unit for use with the 68HC08 microprocessor family. It links a PC serial port to the processor's MON08 monitor port for testing programs

and programming those chips containing flash memory or EEPROM. The interface provides programming transfers at up to 3kbyte/s and check-sum tests at up to 12kbyte/s. It operates with target voltages of 2 to 5V, and provides automatic detection of target frequency and baud rate as well as providing a clock for the target if required. Three operating modes are available. Windows-based user-driven or script-driven debugging and flash-programming software is supplied with the interface. Alternatively, the unit can be linked to a PC to download a program image and then disconnected for use as a stand-alone programmer. ■

Computer Solutions
Tel: 01932 829460

www.computer-solutions.co.uk

Build and Upgrade Your Own PC

Second Edition

- Save £100s by making your current PC last longer
- You can have a PC with a spec that matches your needs
- Discover the practical techniques of upgrading a PC and avoid the pitfalls



Ian Sinclair's Build Your Own books have established themselves as authoritative and highly practical guides for home PC users and advanced hobbyists alike. All aspects of building and upgrading a PC are covered: making this the book the computer retailers don't want you to read! By getting to grips with the world of PC hardware you can avoid the built-in obsolescence that seems to be part and parcel of the fast moving world of PCs, and escape the need to buy a new PC every year. You can also have a PC that keeps pace with the ever-increasing demands that new software applications place on your system.

The new edition of this book is based round building and upgrading to the latest systems such as Pentium III and dual-processor Celeron motherboards running Windows 95/98 or Windows 2000. As well as guiding you round the inside of your CPU Ian Sinclair also covers monitors, printers, high capacity disk and tape systems, DVD drives, parallel port accessories....

CONTENTS: Preface; Preliminaries, fundamentals and buying guide; Case, motherboard and keyboard; About disk drives; Monitors, standards and graphics cards; Ports; Setting up; Upgrading; Multimedia and other connections; Windows; Printers and modems; Getting more; Index

How to pay

(Build and Upgrade Your Own PC) paperback

- I enclose a cheque/bank draft for £ _____
(payable to ELECTRONICS WORLD)

Please charge my credit/charge card

- Mastercard American Express Visa Diners Club

Credit Card No: _____

Expiry Date: _____

Signature of Cardholder _____

Cardholder's statement address: (please use capitals)

Name _____

Address _____

Post Code _____ Tel: _____

Post your completed order form to:-

Jackie Lowe, Cumulus Business Media,
Anne Boleyn House, 9-13 Ewell Road, Cheadam,
Surrey, SM3 8BZ

Fax your completed order form to 020 8722 6098
UK Price: £22.50 Europe £24.00 ROW £26.00
Price includes delivery

WATCH SLIDES ON TV MAKE VIDEOS OF YOUR SLIDES DIGITISE YOUR SLIDES (using a video capture card)



"Liesgang diatv" automatic slide viewer with built in high quality colour TV camera. It has a composite video output to a phono plug (SCART & BNC adaptors are available). They are in very good condition with few signs of use. For further details see www.diatv.co.uk

Board cameras all with 512x582 pixels 8.5mm 1/3 inch sensor and composite video out. All need to be housed in your own enclosure and have fragile exposed surface mount parts. They all require a power supply of between 10 and 12v DC 150mA.

47MIR size 60x36x27mm with 6 infra red LEDs (gives the same illumination as a small torch but is not visible to the human eye).....£37.00 + vat = £43.48

30MP size 32x32x14mm spy camera with a fixed focus pin hole lens for hiding behind a very small hole.....£35.00 + vat = £41.13

40MC size 39x38x27mm camera for 'C' mount lens these give a much sharper image than with the smaller lenses.....£32.00 + vat = £37.60

Economy C mount lenses all fixed focus & fixed iris
VSL1220F 12mm F1.6 12x15 degrees viewing angle.....£15.97 + vat = £18.76

VSL4022F 4mm F1.22 63x47 degrees viewing angle.....£17.65 + vat = £20.74

VSL6022F 6mm F1.22 42x32 degrees viewing angle.....£19.05 + vat = £22.38

VSL8020F 8mm F1.22 32x24 degrees viewing angle.....£19.90 + vat = £23.38

Better quality C Mount lenses
VSL1614F 16mm F1.6 30x24 degrees viewing angle.....£26.43 + vat = £31.06

VWL813M 8mm F1.3 with iris 56x42 degrees viewing angle.....£77.45 + vat = £91.00

1206 surface mount resistors E12 values 10 ohm to 1M ohm 100 of 1 value £1.00 + vat 1000 of 1 value £5.00 + vat

866 battery pack originally intended to be used with an orbitec mobile telephone it contains 10 1.6Ah sub C batteries (42x22dia the size usually used in cordless screwdrivers etc.) the pack is new and unused and can be broken open quite easily.....£7.46+vat = £8.77



Please add 1.66 + vat = £1.95 postage & packing per order

JPG ELECTRONICS

Shaws Row, Old Road, Chesterfield, S40 2RB
Tel 01246 211202 Fax 01246 550959 Mastercard/Visa/Switch
Callers welcome 9:30 a.m. to 5:30 p.m. Monday to Saturday

PCB-POOL

SERVICING YOUR COMPLETE PROTOTYPE NEEDS

- Prototypes at a fraction of the cost
- Industry standard quality
- Tooling and setup included
- Follow up series runs
- Any contour
- CAM / CAD consulting
- Fr4 1.6mm, 35µm Cu

PRICE EXAMPLE
1 EUROCARD 05/PTM
+ Tooling
+ Photoplots
+ VAT

= £ 29.89*

*Sterling rates may vary. Price = € 49



FREE



Tel: +353 (0)61 701170
Fax: +353 (0)61 701164
E-Mail: sales@photo.koyneol.com

Freephone
0800-389 8560

Simply send your files and order ONLINE.

WWW.PCB-POOL.COM

Protel



orcad

EDWIN

GraphiCode

Ten year index: new update

TABLE OF CONTENTS

- Applications
 - Applications by description
 - Applications by part numbers
 - Company addresses
- Books
 - Circuit Ideas
 - Information
 - Subject Index
 - Analogue Design
 - Audio
 - Avionics
 - Broadcast
 - Communications
 - Components
 - Computing
 - Consumer Electronics
 - Control Electronics
 - Digital & DSP Design
 - History

The Electronics World SoftIndex runs from January 1988 to May 1998 and contains references to 1300 articles and 800 circuit ideas. There is a separate author index with full cross references. Reprints can be obtained for all the articles in this index - see the Information section for more details. For up to date information about Electronics World see our website at <http://www.softcopy.co.uk>

Search Report Note About Exit

www.softcopy.co.uk

Photo copies of Electronics World articles from back issues are available at a flat rate of £3.50 per article, £1 per circuit idea, excluding postage.

Hard copy Electronics World index
Indexes on paper for volumes 100,101, and 102 are available at £2 each, excluding postage.

Hard copies and floppy-disk databases both available

Whether as a PC data base or as hard copy, SoftCopy can supply a complete index of *Electronics World* articles going back over the past nine years.

The computerised index of *Electronics World* magazine covers the nine years from 1988 to 1996, volumes 94 to 102 inclusive and is available now. It contains almost 2000 references to articles, circuit ideas and applications - including a synopsis for each.

The EW index data base is easy to use and very fast. It runs on any IBM or compatible PC with 512K ram and a hard disk.

The disk-based index price is still only £20 inclusive. Please specify whether you need 5.25in, 3.5in DD or 3.5in HD format. Existing users can obtain an upgrade for £15 by quoting their serial number with their order.

Ordering details

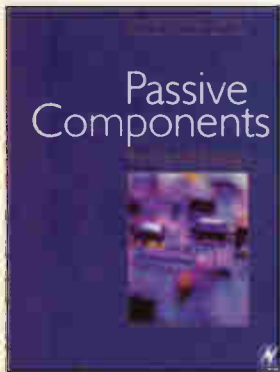
The EW index data base price of £20 includes UK postage and VAT. Add an extra £1 for overseas EC orders or £5 for non-EC overseas orders

Postal charges on hard copy indexes and on photocopies are 50p UK, £1 for the rest of the EC or £2 worldwide.

For enquires about photocopies etc please send an sae to SoftCopy Ltd. **Send your orders to SoftCopy Ltd, 1 Vineries Close, Cheltenham GL53 0NU.**

Cheques payable to SoftCopy Ltd, please allow 28 days for delivery.

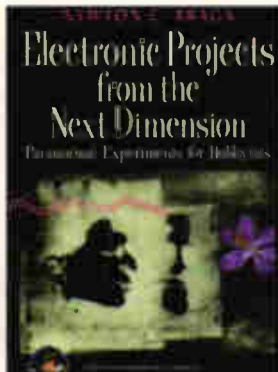
BOOKS TO BUY



PASSIVE COMPONENTS FOR CIRCUIT DESIGN
 Passive Components for Circuit Design is a unique introduction to this key area of analog electronics designed for technician engineers and anyone involved in circuit design. The coverage encompasses all component types capable of power amplification: resistors, capacitors, transformers, solenoids, motors and transducers. The behaviour of the components is explored along with the different types available and the principles of circuit design. Tolerances, stability, variation with temperature, reliability and manufacturing standards are all covered. Reading this book will improve your skills in component selection and analog circuit design. These are essential skills not only for the analog designer, but for all circuit designers, professional or amateur.

Contents: Preface; Fundamentals; Fixed resistors; Variable resistors, potentiometers and diodes; Capacitors; Inductors and inductive components; Inductive devices; Transducing components; SMT; Hardware; Index

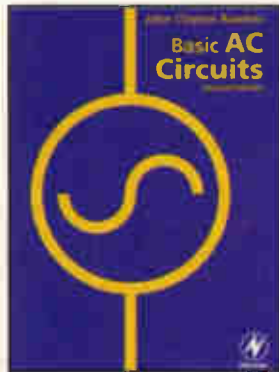
Readership: Technician engineers, circuit designers, advanced hobbyists
 Pages: 304pp
Price: UK £23.00
Europe £24.00
ROW £27.00



ELECTRONIC PROJECTS FROM THE NEXT DIMENSION
 For years paranormal scientists have explored the detection and documentation of spirits, auras, ESP, hypnosis, and many more phenomena through electronics. Electronic Projects from the Next Dimension provides useful information on building practical circuits and projects, and applying the knowledge to unique experiments in the paranormal field. The author writes about dozens of inexpensive projects to help electronics hobbyists search for and document their own answers about instrumental transcommunication (ITC), the electronic voice phenomenon (EVP), and paranormal experiments involving ESP, auras, and Kirlian photography.

Although paranormal studies are considered esoteric, Electronic Projects from the Next Dimension teaches the technical skills needed to make devices that can be used in many different kinds of experiments. Each section indicates how the circuit can be used in paranormal experiments with suggestions about procedures and how to analyze the results.

Contents: White noise generators for use in instrumental transcommunication (ITC) and electronic voice phenomenon (EVP) experiments; Practical circuits for image experimentation, such as a



wireless sparking image generator, horizontal bar generator, brontophic sound, magnetic field generator, high-voltage generators (Kirlian Machine's I & II); Paranormal skills experiments with temperature change, polygraph, electro-shock, random number generation, UFO detection, and ghost-finding.

Readership: Hobbyists, Electronics Enthusiasts
 Pages: 256pp
Price: UK £23.00
Europe £25.00
ROW £27.00

BASIC AC CIRCUITS
 This is the step-by-step approach for beginners. This self-paced individualized learning tool covers concepts, terms, and the mathematics required to understand AC circuit problems. It has been designed to improve analysis techniques for prediction and control development.

Readership: Beginners meeting AC circuits for the first time: students; technicians
 Pages: 921pp
Price: UK £28.00
Europe £30.00
ROW £32.00



INTERFACING WITH C
 A practical and painless way of becoming an expert C programme New edition also covers C++ and the Windows environment Get up to speed with the essential maths needed for C without having to buy a university maths text!

Price: UK £20.00
Europe £22.00
ROW £24.00

Post your completed order form to:-
Jackie Lowe, Cumulus Business Media,
Anne Boleyn House, 9-13 Ewell Road,
Cheam, Surrey, SM3 8BZ

Fax your order form to 020 8722 6098

How to order

Book Title _____

I enclose a cheque/bank draft for £ _____
 (payable to *ELECTRONICS WORLD*)

Please charge my credit/charge card
 Mastercard American Express Visa Diners Club

Credit Card No: _____ Expiry Date: _____

Signature of Cardholder _____

Cardholder's statement address: (please use capitals)
 Name _____
 Address _____

Post Code _____ Tel: _____

In this second article on programmable logic, **Andrew Malcolm** looks at the standard language used for defining programmable devices.

Designing with VHDL

In my last article I looked at the history of programmable logic devices, from their first, simple forms to the multi-million gate forms of today.

In those early days, programming these devices was more or less manual, using modified PROM programmers to write directly to the device's fuse-map. Device complexity increased and software support for other parts of the design cycle became available, including schematic capture and CAD layout programs. As a result, the tools available to programmable logic designers became more sophisticated.

Inevitably, device vendors implemented their own software to support their own devices. Soon there was a variety of incompatible packages, each with their own standard. Moving a design from one vendor's device to another often meant a complete redesign, and so designers became locked in to a particular vendor.

At the same time, the chip design industry was struggling with the growing complexity of fixed-logic devices, from microprocessors to LAN chips. A software industry grew up to support these design activities. Again, many proprietary languages and techniques came into being.

In the early 1980s, the IEEE – America's equivalent to our IEE – realised that standardisation across the industry would bring benefits by allowing all logic design concepts to be expressed in a common language. As part of the 'Very High Speed Integrated Circuit', or VHSIC, initiative, VHDL was born.

VHDL – an acronym for VHSIC Hardware Definition Language – is used for many purposes today. These range from specification to simulation, on device architectures from simple PAL devices to multi-million gate FPGAs. The key to VHDL's success here is its ability to express designs at many different levels of abstraction, and its modular approach to design.

Many vendors, both device vendors and independent design-tool companies, provide VHDL compilers and fitters. They also provide tools that generate device constants from schematics. These use VHDL internally. Some tools are prohibitively expensive, and can be dauntingly complex to set up and use.

There are simpler tools available however, and some of them can be downloaded from the Internet for limited-time use. A list of starting points is presented in a separate panel article.

Intellectual property

VHDL and its associated software tools have enabled a whole new industry: that of intellectual property.

Companies can write and sell device definitions from simple libraries that mimic TTL families and other MSI devices up to complete processor cores, complex peripherals and specialist memory arrays. OEMs can use this 'IP' to quickly assemble a product, using CPLDs and FPGAs as the target devices.

Alternatively, they can pass on their design to a silicon foundry for ASIC production. In this way, companies can take advantage of the high level of integration offered by FPGAs and ASIC technology, without having to design from scratch. They don't need to have the specialist knowledge required to produce the IP for some types of design either.

A good example might be a JPEG codec (encoder/decoder). A digital camera manufacturer may not have the mathematical expertise to implement a codec in hardware. However, that manufacturer could buy the IP as a 'black box', and would have the expertise to employ it.

Elements of the language-combinatorial logic

Lets take a look at a simple example: describing an AND gate, Fig. 1, in VHDL.



```
library ieee;
use IEEE.STD_LOGIC_1164.ALL;

entity and_gate is
  port ( a,b      : in std_logic;
         c        : out std_logic );
end entity;

architecture arch of and_gate is

begin
  c<=a and b;
end architecture;
```

An AND gate is described in the above VHDL extract. Taking the file line by line, I'll explain the what language features show here.

The first two lines a declare a reference to an external library. In

this case, it's a standard type library defined by the IEEE. The types it defines are the `std_logic` types, which I'll be discussing later.

The next four lines declare the entity. This is analogous to a schematic symbol, as it defines the inputs and outputs to a unit of functionality.

Note that these inputs and outputs may or may not correspond to physical pins on a device: This entity may be part of a larger hierarchical design, much in the way a TTL IC might form part of a larger board performing a more complex function.

In this case, the entity has two inputs, `a` and `b`. The entity has a single output, `c`. The entity is named `and_gate`, and this name is used to refer to the entity when it is incorporated into a larger design.

The remainder of the file describes the architecture of the entity. This is in effect, its desired functionality. In this case, the AND gate is fully describable in terms of simple Boolean algebra, and so the single line `c<=a and b` expresses the required functionality.

Port declarations

Returning to the entity description, let's look at the port declarations. Both input and output are declared as `std_logic`. This is an IEEE defined type from the IEEE library.

The type defines the legal states of the port. Although we think of logic pins as having only two states, 0 or 1, the reality is somewhat different: what about three-state or open collector outputs?

The `std_logic` type defines all the legal states of a port, and comes into play when entities are placed on a bus. It is also useful in describing unknown initialisation states in entities with bistable devices. These extra states make it possible for synthesis and simulation tools to detect conditions such as bus conflicts – i.e. two drivers driving a common line simultaneously – and floating, undriven inputs.

From the above example, and a few extra keywords such as `or`, `nor` and `nand`, you should now be able to write entities describing many of the standard TTL combinatorial functions. For example, by simply by adding extra input ports and extending the architecture like this: `c<= a and b and c and d...` etc; an N-input AND gate is easily described.

It is possible for an entity to have internal signals, those that are not visible from the entity declaration. In this way, the architecture may describe an arbitrarily complex logic function of N inputs:

```
library ieee;
use IEEE.STD_LOGIC_1164.ALL;

entity and_nor_func is
  port ( a,b,c : in std_logic;
        d      : out std_logic );
```

Internet resources

Major device vendors:

<http://www.latticesemi.com>

Lattice produces CPLDs and has a tool set called ispExpert.

It supports design and programming with their 'isp' family of devices. A limited-use form of this tool is available for download. (Be warned, the files are large, more than 30Mbytes and will take a long time to download).

<http://www.xilinx.com>

Xilinx produces arguably the largest and most versatile FPGAs

<http://www.altera.com>

Altera are close behind Xilinx, and indeed have the edge in terms of device clock speed.

```
end entity;

architecture arch of and_nor_func is
  signal e : std_logic;
begin
  e<=a and b;
  d<=c nor e;
end architecture;
```

Elements of the language-sequential logic

In the last section I showed that it is possible to describe arbitrary combinatorial functions and package them within an entity. Later I will describe how it is possible to combine those entities into a larger system, in much the same way that you might build a system from TTL gates.

Combinatorial systems alone are of limited use. The TTL designer is soon reaching for bistable devices and registers to create systems that have *state*, that is they remember the value of their inputs over time.

VHDL has constructs that allow the designer to describe sequential logic:



```
library ieee;
use IEEE.STD_LOGIC_1164.ALL;

entity d_type is
  port ( clk      : in std_logic;
        d        : in std_logic;
        q        : out std_logic );
end entity;

architecture arch of d_type is
begin
  process(clk)
  begin
    if rising_edge(clk) then
      q<=d;
    end if;
  end process;
end architecture;
```

As before, the entity describes the inputs and outputs to the function, in this case a simple bistable device. Inside the architecture block however, we encounter some new syntax.

The 'process' block describes an activity that takes place only when a signal or signals change state. These signals are described in a *sensitivity list* following the 'process' keyword, in this case `clk`.

So in this instance, new values only appear on the output port 'q' when the `clk` signal changes state. Within the 'process' block, it is possible to detect rising or falling edges of sensitivity list signals and act only on rising or falling edges. So in the current example, the `q` output is assigned the value at the `d` input on the rising edge of the `clk` input.

A more complete implementation of a bistable device might have a reset input, a clock enable and a `q-bar` output:

```
library ieee;
use IEEE.STD_LOGIC_1164.ALL;

entity d_type_full is
  port ( clk      : in std_logic;
        rst      : in std_logic;
```

```

    clk_en    : in std_logic;
    d         : in std_logic;
    q         : out std_logic;
    q_bar    : out std_logic );
end entity;

architecture arch of d_type_full is
begin
process(clk,rst)
begin
    if rst='1' then
        q<='0';
        q_bar<='1';
    elsif rising_edge(clk) then
        if clk_en='1' then
            q<=d;
            q_bar<=not d;
        end if;
    end if;
end process;
end architecture;

```

Note that the reset signal appears in the sensitivity list. This is to ensure that it operates asynchronously of the clock signal: remember, the process only 'runs' when signals in the sensitivity list change.

Note also that it is the *state* of the reset signal, and not an edge, that resets the *q* outputs. The clock-enable signal on the other hand, does not appear in the sensitivity list since it only modifies the operation of the clock input.

The state of *clk_en* is used to qualify assignment of new *d* values to the *q* outputs. Finally, the *q_bar* output is simply assigned to the inverse of the *d* input. This last statement shows that combinatorial logic – in this case a simple 'not' – can be employed within a process. If a more complex function were required, combinatorial logic could be used to achieve it.

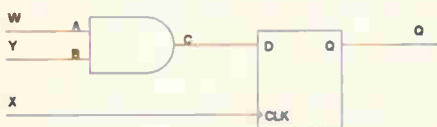
Elements of the language-structural VHDL

So far, I have shown how to generate descriptions for combinatorial and sequential logic functions. Later, I will illustrate how, simply by changing the input and output declarations, you can change a single bistable device into a 32-bit register – greatly extending the power of out functional block.

First though, I will discuss how structural VHDL allows you to interconnect blocks. Returning to the TTL analogy, structural VHDL provides the wires and PCB traces that interconnect gates in a traditional design. A structural block will of course have its own input and output ports, so it must contain an entity declaration.

Each design will have a master entity that corresponds to an actual CPLD or FPGA. This entity is used by 'fitter' software to assign physical pins to logical ports. Complete designs are built up as hierarchies of structural VHDL and functional blocks.

The next part of a structural block is a declaration of subcomponents described elsewhere. These declarations mirror the entity declarations of those subcomponents, but are called components, and are inserted, like signal declarations, after the architecture statement but before the *begin*:



```

library ieee;
use IEEE.STD_LOGIC_1164.ALL;

entity gated_flip_flop is

```

```

    port ( w    : in std_logic;
          x    : in std_logic;
          y    : in std_logic;
          z    : out std_logic );
end entity;

```

```

architecture arch of gated_flip_flop is

```

```

component d_type is
    port ( clk    : in std_logic;
          d      : in std_logic;
          q      : out std_logic );
end component;

```

```

component and_gate is
    port ( a,b    : in std_logic;
          c      : out std_logic );
end component;

```

```

end component;

```

```

signal p : std_logic;
begin

```

```

    U1: and_gate port map(x,y,p);
    U2: d_type  port map(w,p,z);
end architecture;

```

The architecture block itself consists of *port map* statements, one per functional block. These, as their name suggests, map the ports of the contained components to the ports of the containing entity.

Each element within brackets maps a single port from the component to a port or signal in the outer entity. Reading from left to right, these ports correspond with posts from first to last in the component declaration.

The functional blocks are given a reference, in the same way as on a circuit diagram – *IC₁*, *IC₂* – and the required block name follows that. So in this case the *w* and *y* inputs of the outer entity are mapped (connected) to an *and_gate* block, inputs *a* and *b*. Similarly, *IC₂*, a *d_type*, is connected to input *x* and output *q*.

Internally, the connection between the output of the AND gate and the *d* input of the bistable device is achieved via the signal *p*, as *p* appears in the *port map* statement for the *and_gate* and the *port map* statement for the *d_type*.

Glossary

FPGA	field programmable gate array
CPLD	complex programmable logic device
PAL	programmable array logic
VHDL	VHSIC hardware definition language
VHSIC	very high speed integrated circuit
IEE	Institution of Electrical Engineers (UK)
IEEE	Institution of Electrical and Electronic Engineering (US)
LAN	local-area network
CAD	computer-aided design
TTL	transistor-transistor logic
IC	integrated circuit
PROM	programmable read-only memory
PCB	printed circuit board
CPU	central processing unit
RAM	random access memory
PCI	personal computer interconnect
LED	light emitting diode

Elements of the language-vectors

So far, we have dealt with single signals only. In many systems – including microprocessor-based systems – data flows around on busses. These are simply groups of signals that have a collective meaning, and often share common timing characteristics.

Examples are a data bus between a CPU and a RAM array, an address bus in the same system, or a multiplexed bus carrying address, data and control signals in different time slots, such as a PCI bus. In all these cases, it would be tedious and error-prone to handle each signal separately. Also, circuit diagrams and VHDL listings alike would be unwieldy in this circumstance.

Circuit designers have become accustomed to collecting signals into busses to simplify the schematics, and VHDL has a powerful syntax that mirrors this technique. It defines a number of different signal vector types. One of them is:

```
signal data_bus: std_logic_vector(31 downto 0);
```

This statement declares a vector of 32 data signals that can be treated as a unit. The real power of this syntax becomes clear if we redefine the `d`-type bistable device as a 32-bit register simply by changing the `q` and `d` port declarations to be vectors:

```
library ieee;
use IEEE.STD_LOGIC_1164.ALL;

entity register_32 is
  port ( clk : in std_logic;
        d   : in std_logic_vector(31 downto 0);
        q   : out std_logic_vector(31 downto 0) );
end entity;

architecture arch of register_32 is
begin
  process (clk)
  begin
    if rising_edge(clk) then
      q<=d;
    end if;
  end process;
end architecture;
```

About the author

Andrew Malcolm is a Chartered Engineer with more than 20 years experience in the electronics, industrial control and software industries. He runs his own consultancy company, Synchronous Designs Ltd. www.synchronousdesigns.co.uk He may be contacted at info@synchronousdesigns.co.uk

Now you have a 32-bit register – without changing the architecture. As the `clk` signal was not declared as a vector, it will be used to clock all the registers – 32 of them – generated by the `process` block. This technique could equally be applied to our `d_type_full` block, giving a 32-bit register with reset, clock enable and `q-bar` signals.

Using a further technique, known as generics, it is also possible to parameterise the bus width in order to produce a register whose width may be determined by the user. Of course, when you compile this code in order to program a device, this register will take up precisely 32-bit bistable-device cells. As a result, it must be borne in mind that large structures will take up correspondingly large parts of the target device. This is a shorthand, like the schematic bus, but it doesn't magically save device space!

Once designed using this technique, bus-based subsystems like this can be connected with structural VHDL as before. Again, the vector syntax means a single port `map...` statement can deal with many signals at once.

What next?

In the next article on this topic, I will show how to apply the VHDL presented here to a practical application. This application is a high-speed frequency counter with LED display. I will also introduce a few more language constructs.

On the practical side, I will be looking at one vendor's tool set and at mapping a design into a particular device, along with programming tools and techniques. ■

Further reading

VHDL for Designers: Sjöholm and Lindh. Prentice Hall, 1997 ISBN 0134734149. This is an excellent book for newcomers and experienced users alike. It is very easy to read, covering all the topics touched on here in much greater depth.

PCBs for Class G

Circuit boards for Doug Self's Class-G amplifier, detailed in the December 2001 and January 2002 issues, are available. These PCBs are double-sided with full solder masks and roller-tinning. Full component identifications are also included. Their size is approximately 190mm by 175mm each. To order a pair of these boards, send a cheque or postal order for £43.50 to Jackie Lowe, Class-G PCBs, Anne Boleyn House, 9-13 Ewell Road, Cheam, Surrey SM3 8BZ. E-mail electronics.world@ntlworld.com for details of overseas postage. You can also fax your credit-card details – name and address of card holder and card type, number and expiry date – on 01782 878233 (+44 1782 878233). Please make cheques payable to *ELECTRONICS WORLD*.



£11.99

**Available exclusively from
Electronics World**

21 tracks – 72 minutes of recordings made between 1900 and 1929. These electronically derived reproductions are no worse than – and in many cases better than – reproductions of early 78rev/min recordings – some are stunning...

All tracks on this CD were recorded on DAT from cylinders produced in the early 1900s. Considering the age of the cylinders, and the recording techniques available at the time, these tracks are of remarkable quality, having been carefully replayed using modern electronic technology by historian Joe Pengelly.

Pandora's drums

Unique and atmospheric music recorded in the early 1900s – the days *before* 78s.

Use this coupon to order your copy of Pandora's drums

Please send me CD(s) at £11.99 each including VAT

Cheque

Credit card details tick as appropriate

Name

Address

Phone number

Total amount £.....

Make cheques payable to **ELECTRONIC WORLD**
Or, please debit my credit card.

Card type (Master/Visa)

Card No

Expiry date

Please mail this coupon to *Electronics World*, together with payment. Alternatively fax credit card details with order on **020 8722 6098**

Address orders and all correspondence relating to this order to Pandora's drums, Electronics World, Cumulus Business Media, Anne Boleyn House, 9-13 Ewell Road, Cheam, Surrey, SM3 8BZ

Track

- 1 **Washington Post March**, Band, 1909
- 2 **Good Old Summertime**, The American Quartet 1904
- 3 **Marriage Bells**, Bells & xylophone duet, Burckhardt & Daab with orchestra, 1913
4. **The Volunteer Organist**, Peter Dawson, 1913
5. **Dialogue For Three**, Flute, Oboe and Clarinet, 1913
6. **The Toymaker's Dream**, Foxtrot, vocal, B.A. Rolfe and his orchestra, 1929
- 7 **As I Sat Upon My Dear Old Mother's Knee**, Will Oakland, 1913
- 8 **Light As A Feather**, Bells solo, Charles Daab with orchestra, 1912
- 9 **On Her Pic-Pic-Piccolo**, Billy Williams, 1913
- 10 **Polka Des English's**, Artist unknown, 1900
- 11 **Somebody's Coming To My House**, Walter Van Brunt, 1913
- 12 **Bonny Scotland Medley**, Xylophone solo, Charles Daab with orchestra, 1914
- 13 **Doin' the Raccoon**, Billy Murray, 1929
- 14 **Luce Mia!** Francesco Daddi, 1913
- 15 **The Olio Minstrel**, 2nd part, 1913
- 16 **Peg O' My Heart**, Walter Van Brunt, 1913
- 17 **Auf Dem Mississippi**, Johann Strauss orchestra, 1913
- 18 **I'm Looking For A Sweetheart And I Think You'll Do**, Ada Jones & Billy Murray, 1913
- 19 **Intermezzo**, Violin solo, Stroud Haxton, 1910
- 20 **A Juanita**, Abrego and Picazo, 1913
- 21 **All Alone**, Ada Jones, 1911

Total playing time 72.09

21 tracks – 72 minutes of music.

Published by *Electronics World*. All recordings reproduced by Joe Pengelly.

Make single-side

PCBs

Cyril Bateman runs through a multitude of tips and tricks for making your own printed circuit boards.

One of the great attractions of *Electronics World* is the number and variety of desirable electronic circuits it publishes. Perhaps like me you have frequently said, "I would like to build this, if only a circuit board was available".

Many articles do include details and drawings of the printed circuit board used to build the prototype design. Because of the tooling and minimum order costs involved though, commercially produced circuit boards may simply not be viable. Yet for little equipment cost it is feasible to etch and drill your own PCB.

This article is not intended as a council of perfection. Instead it recounts various methods I have found to work – or not – for producing prototype PCBs.

A minimal-cost DIY approach

While it is nice to build a circuit on a solder resist and component legended printed circuit board, it is not essential. Reduced to the minimum, it is only necessary to etch the tracks, drill the holes and trim the board outline to size.

I produced my very first home-made PCB almost forty years ago. It was destined for the pulse counting FM tuner, then published in *Wireless World*. In those days photo-sensitive PCB materials were not readily available. Using carbon paper, adhesive tapes and etch-resistant transfers or etch resist pens, the artwork was often prepared directly on the copper surface. When

Commercial methods

The actions needed to provide commercially produced PCBs can be broken down into:

- Artwork design
- Preparation of suitable Gerber and NC drill files
- Photoplotting
- Board etching and drilling
- Solder resist and legend applications
- Sawing or routing to size
- Inspection and test

Of these stages, the board designer is responsible for the artwork design, Gerber and drill file preparation and accuracy. Checking the accuracy of the artwork design is relatively easy. Validating the Gerber and drill files can prove extremely difficult. Most low-cost PCB design software systems can output the required files, but do not provide any means to 'read back' for verification, prior to committing to production costs.

Gerber files are used to photoplot the masters used to etch circuit tracks. They are also used to produce the solder resist patterns and component legends. They must be in a format accepted by the photoplotter and error free.

Particular care is needed to avoid including extraneous,

duplicated or broken lines or tracks. Photo plotters do not recognise a track as such, but are simply triggered 'on' when crossing one light dark transition and 'off' when crossing the next.

Some of the smaller commercial PCB suppliers will agree to pre-vet these files for you before your costs escalate. For this they need your full drawing set, the same software package you used and copies of your design files.

I well recall feeling extremely nervous about the quality of the Gerber files for my tanδ meter boards. Fortunately my supplier⁶ had a copy of my software and would check my Gerber files.

In the event, while they did query one intentionally unterminated guard track, the first-off boards had one essential track missing. My boards had to be re-tooled and re-made, doubling costs.

Tooling charges vary, but typically each photoplot and drill file will cost some £15. Expect to pay £60 plus to production tool a single sided board, doubling these costs for two-sided boards.

Board manufacture and delivery costs are additional. All charges escalate rapidly if narrow track widths and spacings are used, so do check first before committing.

duplicate boards were needed they were screen printed, using artwork made from Reeves two part 'Profilm' stencil paper, affixed onto a silk screen using a hot iron.

Covering a board-sized polystyrene tile with 1in graph paper facilitated layout. The required components were easily pressed into position. With components positioned, the tracks were drawn on a duplicate piece of paper.

Alfac or Seno pre-printed, rub-down, etch resistant transfers for most IC types and component pads can still be bought for a few pounds. Self-adhesive, flexible, black crepe track tape is available in small reels. Two or three reels provide sufficient choice of track widths for most circuits.

Some designs were printed to scale in magazines' others had clearly identified board dimensions. For these I used overhead projector transparency foils in a dry toner photocopier to make a true-size foil. Any track that lacked density was easily overlaid using transfers or tape.

Needing no special equipment, the Seno GS 'etch in a bag'¹ method provides a clean, economical and safe method of etching a few boards. The supplied neutraliser converts exhausted etchant into an easily disposed of solid mass. Etching, washing and drying a PCB can be completed in less than thirty minutes.

Use plastic containers for developers and etchants. While glass is also suitable, accidental breakage presents

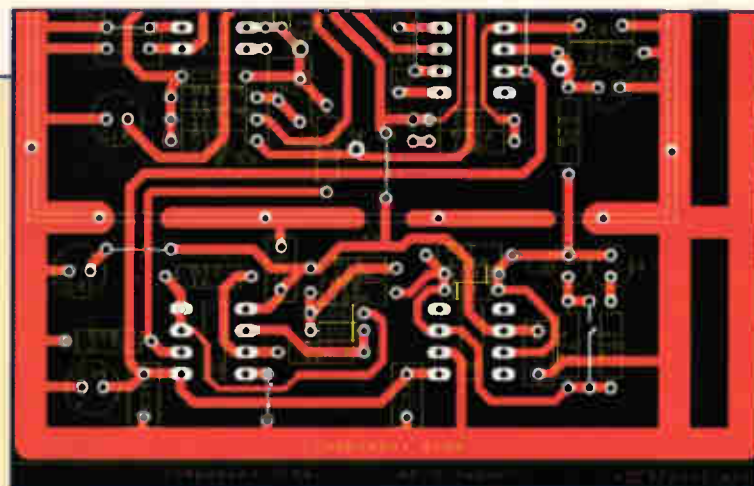


Fig. 1. When exposing a film to ultra-violet light, clear labelling as to the film's correct orientation will help to avoid making board wasting, reversed images.

an unnecessary hazard. Do not use metal tools or containers.

These low-equipment-cost methods are still valid today. However many alternatives have since been developed, most of which I have used at one time or another.

Other artwork options and methods

Assuming you have a laser printer available, you may find that it gives an adequate image on laser transparency film using just one print pass. However you may produce better images using Laserstar film, specially developed for printing PCB artwork.

Laserstar 100062 film³ is available direct from Mega in packs of 10 A4 sheets for about £6. Suitable for any laser printer it produces a good dense image. This film is also usable in many dry toner photocopiers, allowing artwork production from a pre-printed original.

Some readers have reported great success using the press-n-peel transfer system. This film is printable using a laser printer or suitable photocopier. The resulting image is transferred to your PCB laminate using heat from a domestic 'iron'. However I prefer re-usable artwork so this is one method I have not tried for myself.

The very best artwork is produced using a photoplotter and Lith photographic film. This is the method most used professionally even for small production runs. Provided you can output the appropriate Gerber file, an artwork photoplot can be received in three or four working days, for around £20. This may prove too expensive however when only a single PCB is required.

There's an even simpler method using the same Gerber and matching NC drill file. A number of PCB makers will provide a complete one-off prototype single-sided PCB complete with component legends and solder side resist for some £65. Of course for these last two routes, you must accept responsibility for any errors your files contribute.

Perhaps the safest route for one-off PCBs is to purchase a suitable flat-bed pen plotter, with pens and ink to match your film. This can provide excellent quality and low-cost artwork, but don't forget to clean your plotter pens properly when their work is finished.

Using etch resist ink, a flat-bed plotter can be used to plot

direct onto the copper laminate, completely bypassing the artwork film, UV exposure and developing stages.

While I print most of my artwork, occasionally for test jigs or RF strip line circuits I find the quickest method is to use stripping film and UV-proof red Sellotape. This method was used extensively 30 years ago to produce times ten master artwork. The large art work was reduced to size with a camera and used to manufacture precision thick-film circuits.

Called Autotype Ruby Automask film⁴, this film comprises a transparent red UV proof film, laminated to a clear base film. A sharp model knife cuts through this red film around any unwanted area. Unwanted red film is then easily peeled away. I still use this method to quickly produce artwork for jigs or ground planes. Being UV and etch resistant, the red Sellotape can be used for artwork as well as for direct etching.

In my pre-computer years – especially when a printed drawing had to be re-scaled – I cut short lengths from black and white high contrast 35mm document film. Loaded with five or six exposures, my 35mm camera produced excellent quality negatives. A correct sized positive enlargement onto 'Lith' cut film was then used as the final artwork.

Document and Lith films are orthochromatic, or insensitive to red light. They are easily handled using a bright red safe-light. Development can be by time and temperature, or more usually by inspection in a dish, as used to develop a black and white photographic print.

This method is valid today and is still used commercially. 'Lith' film is a very high contrast material that produces a sharp and extremely dense, archival quality image. I have some films I made more than twenty years ago that are still usable.

All materials can be obtained mail order from the Silverprint Company.⁵

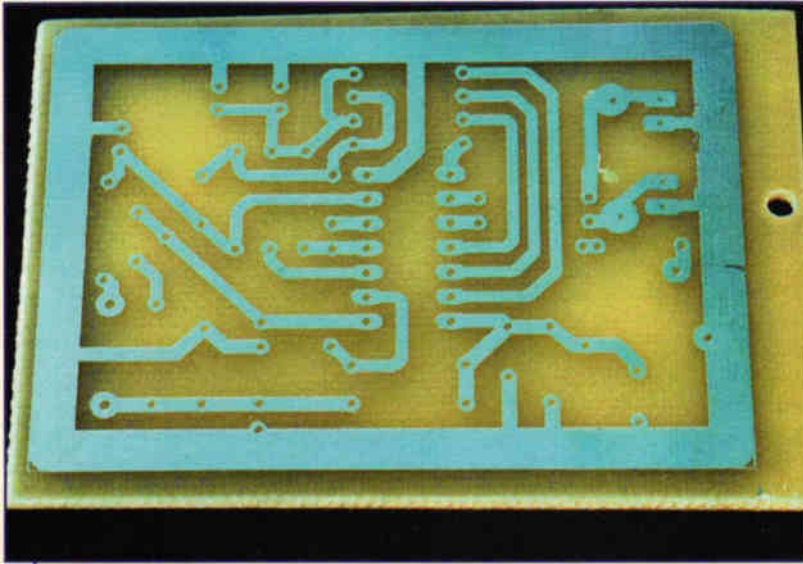


Fig. 2. Photograph of a small etched board made using triple printed artwork, shows ink jet printers can produce usable artwork images.

The following section assumes the use of photo-resist coated printed circuit boards with positive artwork on transparent film. Artwork will be produced using an ink jet or laser printer. A suitable UV light source is then used to expose the photo-resist.

Artwork preparation

Today, most PCB designs are originated using computer software. This provides the possibility of cross-linking both schematic and PCB layout files to flag up and minimise differences between them.

Take care to add text for 'component side' and reversed text for 'copper side'. It should be placed just off the board and form part of the copper layer print. It is also useful to add 'component side' text to the legend print, Fig. 1.

Double/triple printing

To accept ink from an ink jet printer, the overhead-projector transparency film has to be pre-treated on one side in manufacture. Some makers clearly indicate which side is supposed to take ink. If not, usually this side will exhibit either a softer finish which 'drags' a moistened finger. Alternately, one surface will feel much rougher to the touch.

Most films print with adequate density for text, but PCB designs require dense coverage of larger areas. When fully dried and held close to a light for inspection, variations in print density may be seen, requiring another print pass to become acceptable.

The UV light used to expose photosensitive resist, easily penetrates any location not covered by visibly opaque ink. Such locations are most noticeable at the peaks of a roughened film surface. At best this results in many tiny pinholes in the etched copper tracks.

Provided you are consistent when inserting your film into the printer you will find most ink jet

Once your PCB design has been completed the copper layer should be printed onto UV transparent film. This master will be used to expose the photosensitive-coated PCB material.

I hand write in capitals 'Copper Side' as appropriate, on the artwork film, ensuring it can easily be seen when registering PCB and artwork, for the exposure.

For many years, I used a Hewlett Packard Deskjet 500C ink jet printer with overhead-projector transparency foils. Using '3M CG3460' transparencies with this printer produces a very good image, provided the foil was overprinted three times, Fig. 2.

I have seen artwork produced using an unknown Epson ink jet printer and Epson film that looked sufficiently dense with a single printing. However many, like me, who need a PCL capable printer, will use HP ink jet printers. In this case, my methods may prove useful.

When I first started using surface-mount components, I evaluated a number of film/ink combinations. I changed to Hewlett Packard transparency film C3832A, used with re-manufactured ink cartridges. I bought these from 'System Insight'². This combination worked better, usually providing sufficient density after two print passes.

Both the 3M and HP foils include a white end label, clearly indicating the print side. This is essential when multiple print passes are needed.

Most recently I tried some Jetstar ink jet film, intended for Epson printers and bought from Mega Electronics³. This lacked any indication at all as to which side should be printed. However as with many photographic print papers, the print or emulsion side drags if a moistened thumb is applied to one corner.

Once identified I cut away a small portion of the bottom right-hand corner while the film was placed correctly in the printer to indicate how re- insert the film. Provided it is kept dry by storing in a warm location, this film with my ink produces excellent and dense images, using just one or at most two passes.

printers are remarkably repeatable. While great care reinserting the film is needed, provided the ink is fully dried, three print passes can be used with negligible blurring of the final artwork, Fig. 2.

My printer needs some help with paper handling. It has a spring-loaded sideways locating guide bar for the left top third of the film only. However a judiciously added spring clip, to control the left bottom third of the film, proves sufficient to triple print down to micro-SOIC size pads.

To fully dry the ink, I suspend the printed film over the warm air emerging from my monitor for at least 15 minutes before re-printing.

In the winter months, to avoid film shrinkage when drying the ink for a second pass, the pack of unprinted film is stored overnight in a warm location. If the film is not properly pre-dried, you can find tiny errors, negligible at the top but increasing toward the bottom of the page. These are sufficient to spoil the artwork when double or triple printing.

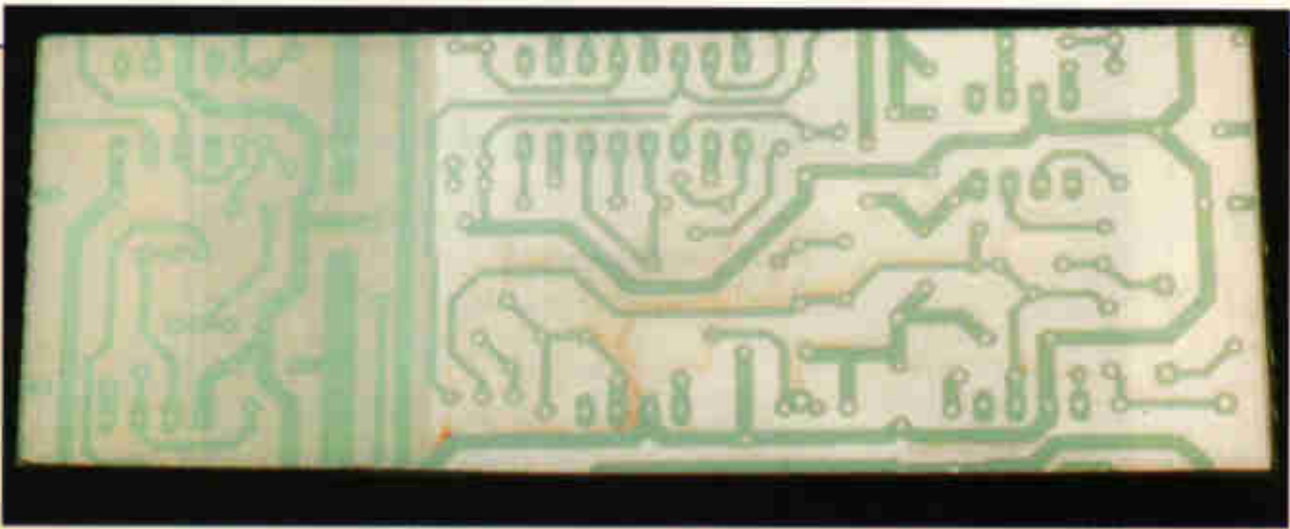


Fig. 3. Test strip made using 4, 8 and 12 minute exposures was developed but not etched. At 4 minutes (left) the resist was not properly exposed. Examining the original board with a times six magnifying glass, almost no difference between the 8 minutes (centre) and 12 minutes (right) exposures was visible.

Photoresist exposure

Most component distributors supply ultra-violet-exposure units, with prices starting from £90. Essentially these are just a small box containing two or more UV tubes, a timer, a glass window and padded lid.

With these, the artwork is pre-registered over the photosensitive PCB material then both are placed together, artwork down, onto the glass window. The closed lid retains their position and constrains the UV light.

More expensive UV units reverse this arrangement by having their tubes in the lid and a padded base. This makes for easier alignment of PCB material and artwork. These types usually provide a larger working area and prices start around £400.

More elaborate models are also available. These use a vacuum hold down method for artwork and PCB, which enables very narrow tracks to be printed. Some versions provide simultaneous exposure for double-sided boards.

Assuming a suitable light source that produces UV-A is available and you only occasionally make a PCB, a variation of the contact printing method is possible. This method has long been used for photographic prints.

The lamp is mounted downwards facing, above your work, in a desk stand. The artwork and photosensitive PCB are maintained in close contact, in a photographic contact print frame.

I prefer this method to using a conventional light box. It allows flexible working – especially when exposing two sided boards and test strips.

Most easily-obtained glass attenuates ultra violet light, but some plastics, e.g. UV transmitting Acrylic or Perspex attenuates much less. But take care, most easily-obtained Acrylic plastic sheets incorporate UV stabilisers. These attenuate UV even more than does window glass, extending your exposure time.

If you have a suitable UV light source, this method costs almost nothing to arrange, but do take proper care. Because the light source emits strong UV at around 400 nanometre, appropriate safety precautions are essential. I always vacate the room while my light is on.

If you do not already have a lamp, obtaining a suitable light source may prove more difficult. Problems resulting

from using the original halogen 'white-light' desk lamps resulted in legislation prohibiting almost all lamps from emitting UV light. You will find most lamps are now marked as 'UV Blocked'.

For a one-off trial, even simpler methods can be used. Some years ago, when no UV source was available and the work could not wait, I recall making a satisfactory exposure using sunlight. The sensitised PCB and artwork were simply left under a piece of glass for a few minutes outdoors on a sunny day.

Test exposures

Whichever method is used to expose your artwork, the exposure used should be determined experimentally.

Compared to photographic materials, photo-resist has a wide latitude. Because developing can be done in normal room lighting, under or overexposure is easily compensated by increasing or decreasing developing time. Remove the board when visibly fully developed.

This is not difficult. Once a ball-park exposure has been decided for a batch of PCB materials, that exposure can be used with little change for that batch. Although warnings are printed on each pack about storage and shelf life, I have used similar exposures on a batch of material after a year in storage.

When making a trial exposure for a new delivery it is important to use your 'standard' conditions for the UV light source and development. Standard time for many developers is two minutes at 20°C, but some need less time.

Depending on your UV unit and the glass window used, typical exposure times will range from some four to twelve minutes. For a new delivery of Fotoboard from Mega³, I made a test strip using four, eight and twelve minutes, Fig. 3.

Using spare material cut from one board, I removed the protective film and exposed for four minutes using scrap artwork. After four minutes one third of this material was covered by a piece of thin black card and the remainder exposed for a second four minutes. The card was moved to now cover two thirds and exposed for the final four minutes.

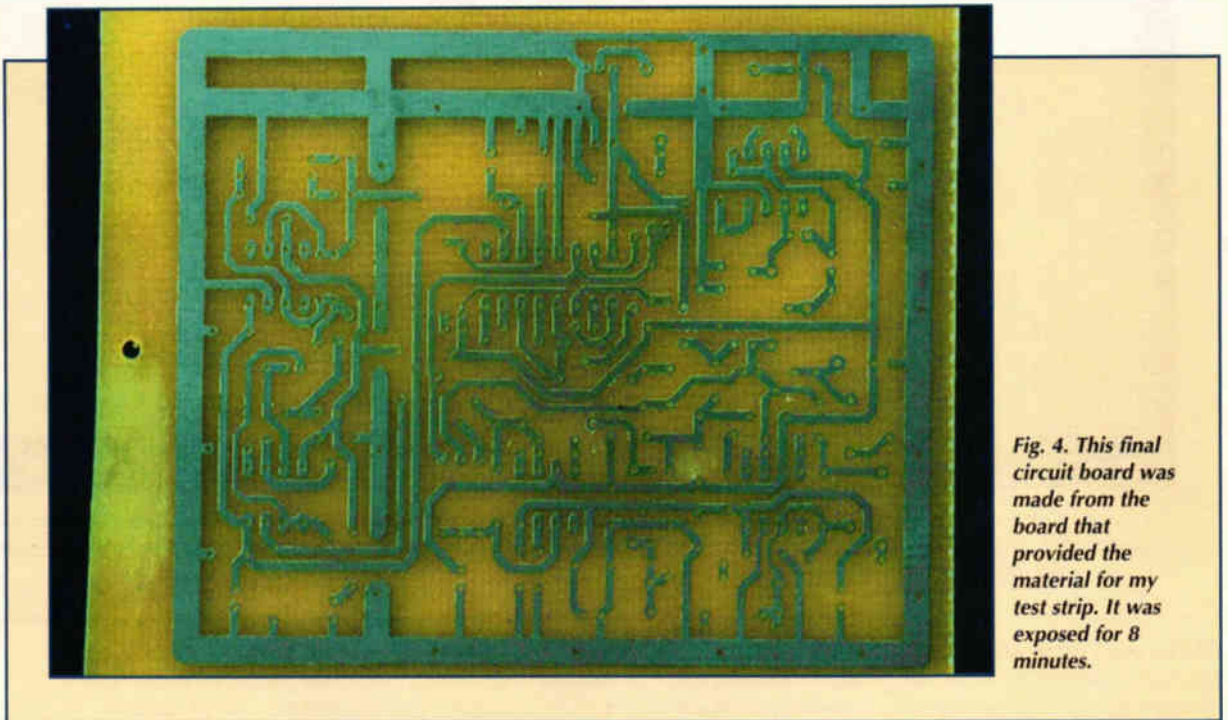


Fig. 4. This final circuit board was made from the board that provided the material for my test strip. It was exposed for 8 minutes.

Developed for exactly two minutes at 20°C then washed under cold running water, the board was dried and examined. If it is underexposed, an image may be seen but the copper will remain coated with a thin layer of resist. If overexposed too much resist will have been removed so the image will appear thin and washed out.

Correctly exposed, the image should show good contrast, with a visibly dense resist covering the wanted tracks, but no resist remaining elsewhere.

With all copper still covered by a thin layer of resist, the four minutes exposure clearly was not sufficient. Eight minutes looked perfect and the twelve-minute exposure was not too long. This batch of boards was then exposed for eight minutes. Fig. 4.

Developing the board

PCB development is extremely simple. The material has a wide latitude both for time and temperature. Because development can be done safely by inspection under normal room lighting, slightly longer or shorter time can be used to compensate for exposure time and developer temperature.

For occasional use, Seno supplies a universal PCB developer, SNI 10, contained in an applicator. The applicator sponge is simply wiped across the surface of your PCB. This combines a safe working method and a two-year shelf life.

Most materials and developers have standardised on two minutes and 20°C. Recently though, some much quicker developing PCB resist has been supplied. For this, the company Mega recommends diluting its developer with an equal volume of water.

Do not use metal containers. To develop a board I use a small A5 size plastic photographic developer tray. This floats in a larger tray containing water, as a water bath. This water bath can be used to raise developer temperature in the winter or lower its temperature in the summer, as required.

As part of my standard routine, I apply gentle developer agitation by rocking the developer tray in its water bath. This agitation ensures a constant supply of fresh developer to the

work, minimising uneven development of any large exposed areas.

Some commercial developers are based on a weak solution of caustic soda. Regardless of make, for safety, wear protective gloves and use plastic tongs to immerse and remove your board from the developer tray.

A PCB developer works by dissolving or removing the exposed, unwanted areas. If no agitation is used these areas become covered in stale developer, prolonging the required developing time.

With some PCB resists/developers, you may find it preferable to remove the board for a pre-wash under cold running water, when two thirds of the developing time has elapsed. Then return the pre-washed board to complete its development.

Etching

Etching is perhaps the simplest process for the amateur board maker. The etchants used are corrosive, can stain your hands or your clothes. Wear plastic gloves, handle with care and follow your supplier's precautions.

The most easily available etchant is a solution of ferric chloride in water. This produces an acid solution. When supplied full strength at 45 Baumé or a specific gravity around 1.43, it should be diluted by adding 30% water, before use.

Ferric-hydroxide liquid is initially a red brown and its etching efficiency improves after initial use. The etchant then changes to a muddy brown mixture of ferric and ferrous hydroxide.

When completely, exhausted it changes to a dark green solution with a black precipitate at the bottom. Before disposal, any remaining acid can be neutralised by slowly adding household washing soda crystals. When effervescence ceases, the etchant has been neutralised.

For best results, most etchant should be used at 40°C. With minimal agitation, etching then takes some twelve to fifteen minutes.

The Seno 'etch in a bag' provides all needed equipment and instructions for safe usage. Other methods will need more care.

Proprietary 'bubble-etch' tanks are designed to provide safe handling and economic etching. Injecting air into the etchant provides both agitation and the free oxygen needed to etch copper. These bubble tanks work well but may be too expensive for occasional use.

A minimal cost method – one that I have used for many years – involves a high-density plastic breakfast cereal storage container from a supermarket. Its securely fitting lid ensures freedom from handling splashes and safe storage of etchant.

Two ex ice-cream containers, one inside the other, provide an insulated water bath in which to use and store the cereal container of etchant.

I find my cereal container holds etchant sufficient for boards up to 160 by 120mm, with the board suspended vertically in the solution. I drill a 3mm hole along one longer side and use a short length of 2mm enamelled-copper wire as a hook.

To ensure initial 'wetting' of the board surface, I raise and lower the board a few times. This agitates and drags air into the etchant.

Use only plastic containers and tools when using or storing etchant. For safety avoid using metal or glass. The only exception is my enamelled copper wire PCB supporting hook.

Suspending the board vertically in the etchant provides good etching with acceptable undercut except when using very fine track widths. Bubble agitation would reduce undercut, but tracks down to 0.5mm do not need bubbles.

If bubbles are desired, a small fish tank pump with plastic piping connecting to an air diffusing stone submerged in the etchant, could be used.

With the etchant container in position I fill the water bath with hot but not boiling water. This heats the etchant and maintains working temperature sufficient to etch a few boards.

Washing

When the board is fully etched, I hold it by its copper wire hook then pre-wash it by dipping it in another ex ice-cream container, half filled with clean cold water. This removes sufficient etchant to permit a visual inspection, followed by a final wash in cold running water.

When dry the board is ready to be drilled and trimmed to size.

Trimming a board to size

Almost any convenient hack saw and file will suffice. All edges can be finished by hand finishing the board on a 100 grit abrasive-paper covered flat surface.

Drilling your PCB

Most component holes are best drilled 0.8mm. In principle any drilling method can be used but small drills are easily broken using a power drill or stand-drilling machine.

High-speed steel drills blunt extremely quickly when drilling FR4 fibreglass PCBs. The more expensive – and more easily broken – tungsten carbide drills seem to stay sharp forever*. To reduce drill breakage, your PCB should be supported on a scrap of plywood or PCB material.

Small hand-held drill motors are much easier to use than

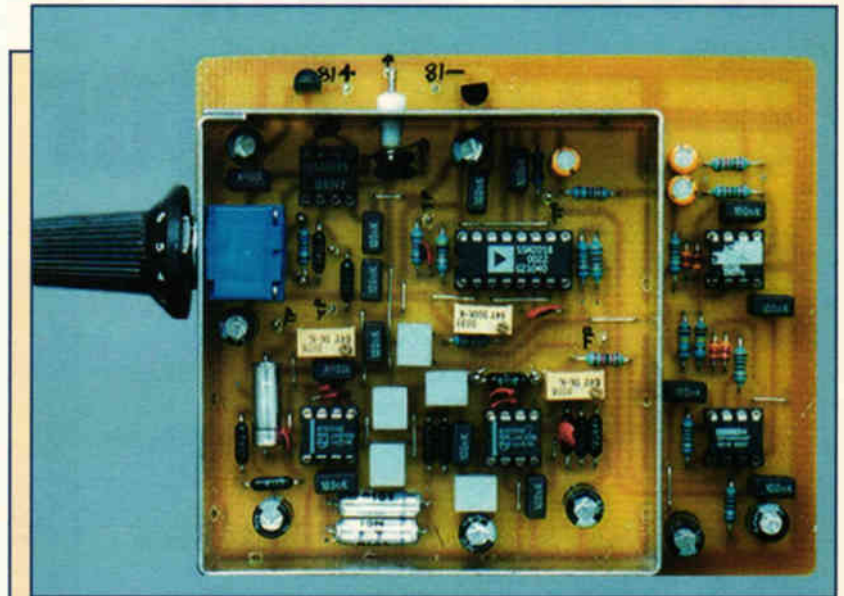


Fig. 5. Circuit assembled using the Fig. 4 printed board. This very low distortion 1kHz oscillator was specially developed to measure sound distortions caused by capacitors. Full design and construction details, together with capacitor test results, will be featured in future articles.

is a large power drill. For many years I regularly used a low cost 12V 'Reliant' drill¹, powered from 8V to reduce its speed. This allows time for the drill to almost self-centre itself in the etched pad, before drilling the hole.

Resist removal

The resist is best left in place until the board is to be assembled. It does not have to be removed. Left in place it helps to 'flux' the copper, Fig. 5.

However I prefer to remove this resist, to facilitate board inspection. Commercial resist removers can be used, but I use methylated spirits applied with a rag. The board is then finally cleaned and polished using water with a dab of household abrasive pumice cleaning powder, thoroughly washed and left to dry.

Double sided boards

This article has deliberately avoided discussing two sided PCBs. These – together with a much improved, very low cost, drilling method – will be covered in my next article. ■

References

1. Electrovalue, <http://www.electrovalue.co.uk>
2. System Insight, <http://www.systeminsight.co.uk>
3. Mega Electronics, <http://www.megauc.com>
4. Art Supplies, <http://www.artsuppliesonline.com>
5. Silverprint Company, <http://www.silverprint.co.uk>
6. One Way Circuits Ltd, <http://www.onewaycircuits.co.uk>

*They do seem to go on forever, but I find that after about 50 holes, although not blunt, tungsten carbide drills start to push the copper slightly around the edges of the hole. There's a special green whet stone for carbide drills. Normally, the rake of a drill is curved, but such small drills work effectively with a flat rake. Just make sure that you keep the point in the middle, i.e. make the two flats identical. Ed.

Real-time digital filter

RTDF – a unique, integrated hardware and software system for designing, downloading and running very high performance filters in real time. Available only from *Electronics World*.

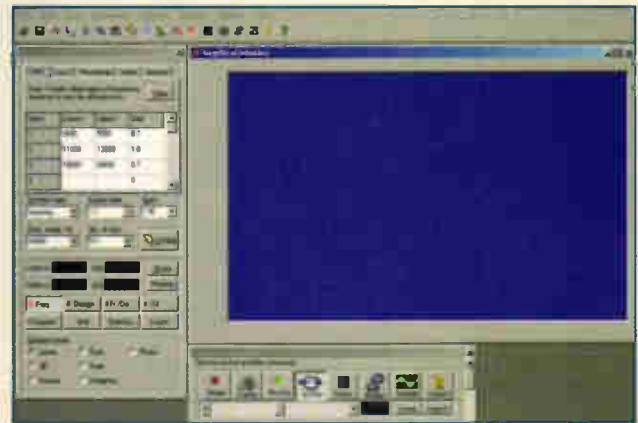
The RTDF 1.5 is a unique real-time audio-bandwidth digital filter with infinitely adjustable characteristics – all available at the click of a button. Filter design and execution is accomplished in two easy steps. In fact, you can have a no-compromise filter up and running within seconds.

If you want to change the filter completely – low-pass, band-pass, high-pass or arbitrary – just repeat the two steps.

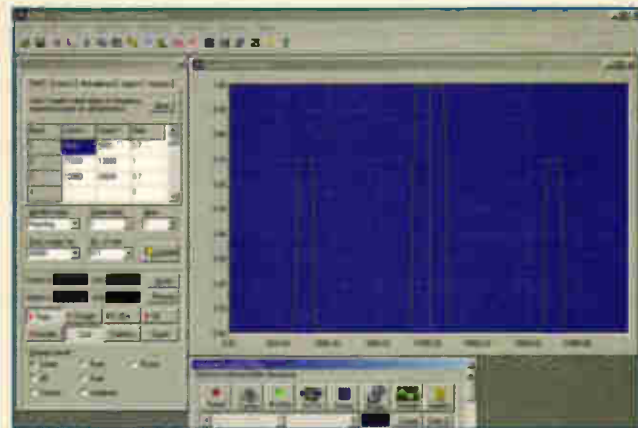
The RTDF filter system includes hardware based on an advanced digital signal processor, low-level firmware that implements the filtering operations, and a high-level PC-based software interface that designs the filter according to your requirements.

Once a filter is designed, the software interface is used to download the filter to the hardware system via a serial link, where it is executed on demand.

You don't need to know about digital signal processing theory or the mathematics associated with digital-filter design. But if you're a filter expert, you won't find yourself restricted by



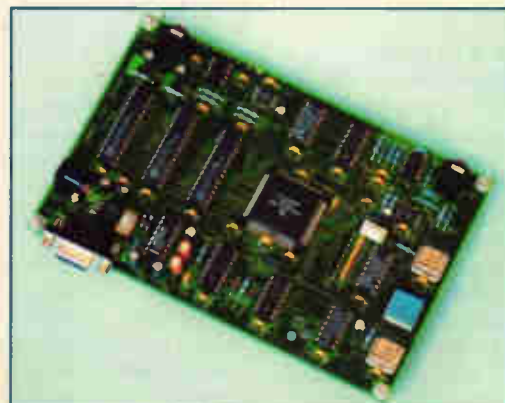
Step 1 – Enter the characteristics of your filter, such as cut-off points and sharpness, in the Filter Design Interface Window on the left of the display.



Step 2 – Click on the Update button to view your result in graphical form, download it to the hardware module and run the filter from the hardware control panel – done!

RTDF - key features

- Runs under Windows 95, 98 or ME
- Generates FIR filters with a maximum of 1024 coefficients.
- Multiple pass, stop or arbitrary filters.
- Lower -3dB frequency 3.7Hz at 48kHz sample rate and 1.2Hz at 12kHz sample rate.
- Filter operates in single or dual channel modes.
- Import mode – ASCII import of any frequency response.
- Hardware module holds up to 16 filters, instantly selectable with one mouse click.
- Zero-phase distortion in the pass, transition and stop bands, ignoring input and output coupling.
- Choice of rectangular, Bartlett, Hamming, Hanning, Blackman or Kaiser Windows.
- Virtual control panel allowing run-time changes to filter gain and sampling rate.
- Includes frequency and time domain plots of filter performance.
- Frequency response plotted as linear, dB, square, root, real, imaginary or phase.
- Impulse, frequency and phase response exportable in a variety of formats (dB, power etc) as ASCII files for incorporation into standard spreadsheets.
- 18-bit resolution in single, 16-bit in dual-channel mode.
- Normal or turbo speed, software selectable.
- User selectable sample rates of 48kHz, 24kHz, 16kHz, 12kHz, 9.6kHz, 8kHz, 6kHz, 4.8kHz, 4kHz, 3.2kHz or 3kHz.
- Maximum input and output level 4V pk-pk



Filter hardware: a DSP56002 board with RAM and 16/18bit oversampling analogue converters for stereo i/o at up to 48kHz sampling.



the easy-to-use interface. If you want to do it the hard way, you can even design your filter in long-hand then download the filter's frequency response as an ASCII file to the RTDF's control program!

The RTDF is a total filter solution. Due to its flexibility, it is particularly well suited to processing audio signals in real time. High-quality analogue signal conditioning and a dual-channel 16/18-bit resolution analogue-to-digital converter and digital-to-analogue converter provide a resolution sufficient for the most demanding applications.

In short, the RTDF brings the power of digital signal processing to any audio-bandwidth domain that requires high-performance electronic signal filtering. Applications include sensor linearisation, audio signal processing, signal analysis, vibration analysis, education and research in electrical, electronic and other physical sciences.

Low-pass, high-pass, multiple band-stop / band-pass filters may be combined to produce very complex filters for frequencies up to 24kHz.

The software can accept measured responses to define a filter template. This can be used for measurement equalisation or to search out signal signatures in noisy environments.

Since the filters are implemented using a symmetrical finite impulse response (FIR) method, no phase distortion occurs in the filtered signal – no matter how sharp the filter is. Because the processing module is so fast, it is possible to design filters with responses far beyond what is possible with traditional analogue techniques.

Windows software

The control program runs under Windows and provides a user-friendly filter-design tool that de-mystifies the process of specifying the filter. The filter design process simply becomes one of describing the desired frequency response.

The design package indicates the response that will be produced and any deviations from that specified. User designs may be stored for re-use and actual responses may be entered from measurements for simulation or equalisation purposes. Once designed, filters are calculated and downloaded to the hardware within seconds.

The software designs the filter according to the user's specifications. The filter is expressed as a set of FIR, zero-phase distortion coefficients or taps. Collectively, the coefficients of a filter are known as the *impulse response*.

The system's gain and sampling rate can be adjusted while the filter is running and you can switch instantaneously between a filtered or non-filtered signal.

Most importantly, the software includes a flexible filter design section. A window displays the frequency or impulse response of the realised filter in various formats. A hardware control section downloads a filter and provides for general communication with the filter module.

The DSP module

The hardware DSP module connects to the PC via a standard COM port using the cable supplied.

The 16/18-bit over-sampling dual-channel sigma-delta a-to-d and d-to-a conversion system can easily be set to any one of eleven sample rates, ranging from 48kHz down to 3kHz.

So how fast can the filter operate, and how many filter coefficients can it practically employ? The maximum number of taps at the highest frequency range of 24kHz, in single

channel mode, is 527. At this range, the system is sampling at 48kHz. This represents a very sharp filter indeed.

Using a frequency range of 12kHz – sample rate of 24kHz – in single-channel mode, the system can operate a filter with a maximum of 937 taps. At any range below this, it can operate a filter with a maximum of 1024 taps. The performance of a 1024-tap filter is so extremely sharp that it is quite unlikely that you would ever need to use it.

In dual-channel mode, the maximum number of taps permissible at the highest frequency range of 24kHz is 191. With a frequency range of 12kHz, it is 397. Full details concerning tap numbers, frequency ranges and operating modes are provided with the on-line documentation. ■

System includes:

- Filter DSP board
- Windows filter design software on CD plus demonstration-filters
- Fully-worked help files – featuring tutorial
- Installation instructions
- Analogue i/o cables
- RS232 COM port download cable
- Power supply

Use this coupon to order your RTDF filter

Please send me RTDF filter(s) at £499.00 excluding £7 shipping and UK special delivery and VAT (£595.14 fully inclusive: e-mail electronics.world@ntlworld.com for quantity discounts and o/s postage rates).

Name _____

Address _____

Phone number/fax _____

Total amount £.....

I enclose a cheque _____

Please charge to my credit/debit card.

Card type (Mastercard/Visa/Switch etc)

Card No _____

Expiry date ____/____

Please mail this coupon to *Electronics World*, together with payment. Alternatively fax credit card details with order on **020 8722 6098**

Address orders and all correspondence relating to this order to RTDF Offer, Electronics World, Anne Boleyn House, 9-13 Ewell Road, Cheam, Surrey, SM3 8BZ
email j.lowe@cumulusmedia.co.uk
Make cheques payable to Electronics World.

Minimum system requirements

100 MHz PC running Windows' 95, 98 or ME
SVGA display (800X600 pixels) or higher
CD ROM drive
10 Mbytes of free hard disc space
Serial port, capable of 19200 bit/s

TELNET SPECIAL OFFER

CONTACTS Telnet - Suppliers and Buyers of Quality Semiconductor Electronic Test and Measurement Equipment at AFFORDABLE Prices.

How to Telnet

Head Office To View - please ring for an appointment - 00 44 (0)24 7865 6772 - Telephone
00 44 (0)24 7865 6773 - Fax
00 44 (0)7864 400 002 - mobile

Head Office 2000 Green Way, Newmarket, Suffolk CB8 7JL
Tel: 024 7865 6772 Fax: 024 7865 6773

WEB DIRECTIONS

PROTEUS VSM Models

Professional PCB Design Made Easy

Introducing the new EDAForce VSM. This is a powerful and easy to use PCB design tool that can be used for the production and development of PCBs. It includes a fully functional freeware download, Schematics, Layout & Autorouting, and Free tech support.

Put your web address in front of 18,000 electronic fanatics.

Electronics World acknowledge your company's needs to promote your web site, which is why we are dedicating over 3 pages in every issue to WEB ADDRESSES.

Linage only will cost £150 + vat for a full year.

Linage with colour screen shot will cost £350 + vat for a full year, this will include the above plus 3cm shot of your web site which we can produce if required.

To take up this offer or for more information
Tel 0208 722 6028

E-mail
p.bunce@cumulusmedia.co.uk

ACQUIVISION
<http://www.acquivision.com>
AcquiVision solutions, including XY-Plotting, Oscilloscopes (with FFT), Data Logging and Custom Software, have been getting the most from computers since 1994. Download software. Telephone (01903)830502.

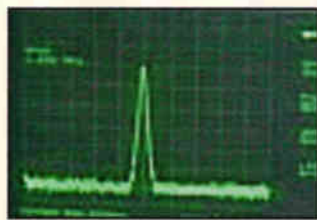
ANASOFT LTD
<http://www.anasoft.co.uk>
SuperSpice, the affordable, mixed-mode windows circuit simulator. Wrote by an analogue design engineer for those Teletubbies who like keeping things simple.

BEDFORD OPTO TECHNOLOGY LTD
<http://www.bot.co.uk>
Optoelectronic products UK design development manufacture standard and custom, LED bargraphs, circuit board indicators, stand offs, transmissive/reflective switches, baseefa optocouplers tubular and surfacemount, pannel mount LED assemblies.

COMPONENT KITS
<http://www.componentkits.com>

Component Kits LLC manufactures and distributes Electronic Component Kits used for professional engineering design, prototype, University lab, and hobbyist uses. Visit our website to review our current product line, request our Free CD-ROM, or join our newsletter.

COOKE INTERNATIONAL
<http://www.cooke-int.com>



info@cooke-int.com
Test & Measuring Equipment
Operating & Service Manuals.

Smart Card Solutions

CROWNHILL ASSOCIATES LTD
<http://www.crownhill.co.uk>
Crownhill supply low cost development tools for use with Micro-Controllers and Smart Cards. Products include Smart Card development tools, Smart cards, Micro Development tools and Bespoke Design Services.

DB TECHNOLOGY
<http://www.dbtechnology.co.uk/>

EMC Testing and Consultancy.
Anechoic chamber and open area test site.
● Compliance Tests
● Rapid, accurate pre-compliance tests.
● Fixes included. FCC Listed.
● Flexible, hourly booking available.

DESIGNER SYSTEMS CO.
<http://www.designersystems.co.uk>

Designer Systems

Hardware Design Services

Electronic product design company with over a decade of experience promoting it's own product range and designing and manufacturing innovative products for client companies/individuals.

EAGLE PCB DESIGN SOFTWARE
<http://www.puresoft.co.uk>

- Professional PCB design made easy!
- Fully functional freeware download.
- Schematics, Layout & Autorouting.
- Free tech support

EDAForce
<http://www.edaforce.co.uk>

EDAForce is a division of the independent specialist recruitment consultancy TelecomForce. We specialise in managing engineers and engineering managers, either contract or permanent, in the role that is right for them. Visit the web site, email us on ew@edaforce.co.uk or call +44(0)1628 850273 to find out how we could help you.

EQUINOX TECHNOLOGIES UK LTD
<http://www.equinox-tech.com>

Equinox Technologies UK Ltd., specialise in development tools for the embedded microcontroller market.

FELLER UK
<http://www.feller-at.com>

Feller (UK) Ltd. manufacture Fully approved cordsets (Moulded mains plugs and connectors) and Power Supply Cables for all industrial Countries to National and International Standards

FIELD ELECTRIC LTD
<http://www.fieldelectric.co.uk>

Field Electric Ltd has been successfully trading since 1958 in the re- sale of used test & measurement equipment & computer hardware. We buy and sell in

small or bulk quantities and can source equipment to particular requirements. Visit our web site or call 44 01837 83736.

FUTURE TECHNOLOGY DEVICES INTL. LTD.

<http://www.ftdichip.com>



FTDI designs and sells USB-UART and USB-FIFO interface i.c.'s. Complete with PC drivers these devices simplify the task of designing or upgrading USB peripherals

J W HARDY COMMUNICATIONS

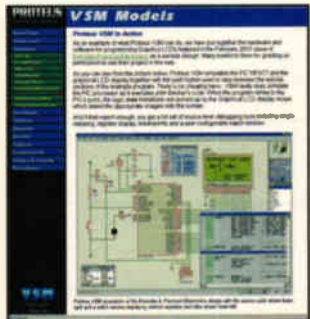
<http://www.jwhardy.co.uk>



R.F. Network Specialist. Shop online - for R.F. network components. We supply a full range of TV, radio reception equipment to receive analogue/digital signals from both terrestrial and satellite sources. We provide a free planning service for your R.F. networks, MATV and SMATV etc

LABCENTER

<http://www.labcenter.co.uk>



Download evaluation versions of our unique Proteus VSM mixed mode SPICE and CPU simulator, and also the full range of Proteus PCB Design products. Register the Proteus Lite shareware versions online for as little as £20.

LOW POWER RADIO SOLUTIONS

<http://www.lprs.co.uk>

LPRS markets low power radio transmitters, receivers and transceiver modules manufactured by ourselves, Radiometrix, Circuit Designs, RDT and Micrel. Applications for telemetry, video and remote control.

MATRIX MULTIMEDIA LTD

www.matrixmultimedia.co.uk



Matrix Multimedia publishes a number of highly interactive CD ROMs for learning electronics including: Complete electronics course, Analogue filter design, and PICmicro(R) microcontroller programming (C and assembly).

QUASAR ELECTRONICS

www.quasarelectronics.com



Over 250 electronic kits, projects and ready built units for hobby, educational & industrial applications. TEL: 01279 467799, FAX: 07092 203496 or EMAIL: ewsales@quasarelectronics.com

RADIOMETRIX

<http://www.radiometrix.co.uk>



Radiometrix specialises in the design and manufacture of VHF & UHF, RF data modules. We offer a broad range of PCB mounted miniature transmit, receive and transceiver modules for OEM use. They comply with European harmonised standards EN300 220-3 and EN301 489-3 and are CE certified by an independent Notified Body.

RADIO-TECH LIMITED

<http://www.radio-tech.co.uk>

Radio modules, modems, telemetry, audio transmitters, pagers, antenna, remote controls and much more. All UK designed and manufactured.

RALFE ELECTRONICS

professional test & measurement



www.raffe-electronics.co.uk

RD RESEARCH

<http://www.spice-software.com>



B2 Spice offers powerful simulation software for professional engineers and education establishments. All the software is available on a 30 day trial basis and comes with free technical support.

RIMO-AKD-PP

<http://www.art-decade.com>

We provide the following services: Systems design, test & analysis. Software design & coding. Avionics design. Document technical review, authoring & proof reading. Rig design. Hardware design.

RS COMPONENTS LTD

<http://rswww.com>

The award winning on-line services from RS



- 130,000 products stocked
- order today - with you tomorrow
- Full colour catalogue online
- Technical library online
- Check stock online before you order
- Credit card orders welcome

SOFTCOPY

<http://www.softcopy.co.uk>

As a PC data base or hard copy, SoftCopy can supply a complete index of Electronics World articles over the past ten years. Photo copies of articles from back issues are also available.

TEMWELL CORPORATION

<http://www.temwell.com.tw>

Manufacturer & Exporter of Heical BPF Filter, 30 Watts BPF Power Filter and Handset/Base Station Duplexers

TELNET

<http://www.telnet.uk.com>



Top quality second-user Test and Measurement Equipment
eMail telnetkm@msn.com

TELONIC

<http://www.telonion.uk.com>



Telonic, specialists in laboratory AC & DC Power Supplies, Electronic AC & DC Loads, Electrical Safety Testing and complete test systems. Plus RF Filters, Attenuators, Diesel Engine Smoke Measurement, Quartz Crystal Microbalances. Tel +44 (0) 118 9786911

TEST EQUIPMENT SOLUTIONS

<http://www.TestEquipmentHQ.com>



Test Equipment for rental or second user sale at the industry's lowest prices. All types of equipment from all leading manufacturers including general purpose, communications and industrial test. Items fully refurbished with 1 year warranty. Rental rebate given on purchases.



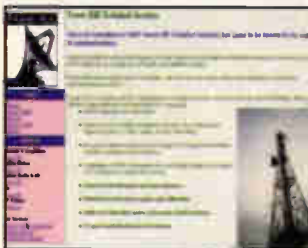
THOSE ENGINEERS LTD

<http://www.spiceage.com>

Working evaluations of SpiceAge mixed-mode simulator, Spicycle PCB design tools and Superfilter demo (synthesises passive, active, digital filters). Tech support, sales links and price list.

TOWER HILL TECHNICAL SERVICES

<http://www.towerhillaerials.com>



Everything you need for DIY Satellite & TV aerial installation. The one stop shop for TV, FM, Satellite, Amateur

Radio PMR Aerials, Distribution Equipment, Cable & Accessories.

TOTAL ROBOTS

<http://www.totalrobots.co.uk>

Robot Kits and Control Technology products, including OOPic the first Object-Oriented Programmable Integrated Circuit. Secure on-line ordering and fast delivery.

TECHNICAL AND SCIENTIFIC SUPPLIES

<http://www.technicalscientific.com>

Suppliers of pre-1985 equipment and components.

- Test/Measurement equipment
- Valves and semiconductors
- Transducers and pressure gauges
- Scientific books and catalogues
- Manuals and data sheets

ULTRACOM

<http://www.ultracom.fi>

Ultracom specializes in the design and manufacture of data radio products including Radio Modules, Radio Modems, Filters and Antennas for real-time data communication. In addition to our standard RF-products we provide tailored solutions for customers wireless communications requirements.

Our wireless data radios are used in the most varied applications: transferring environmental data in tropical conditions, locating moving targets,

remote-control of cranes, controlling pump stations in waterworks, monitoring real estates, transferring data in public transportation information systems. There are countless applications, what are yours?

VUTRAX PCB DESIGN SOFTWARE

<http://www.vutrax.co.uk>



Vutrax electronic schematic and pcb design system for Windows 95/98, ME, NT, 2000, XP and Linux. Limited Capacity FREE version downloads available, all upgradeable to various customised level.

WARWICK WIRELESS LTD

<http://www.radiotelemetry.co.uk>



Free data on Radio Modems, Radio Telemetry, Radio Modules and Wireless Video systems. The licence exempt radios can transmit data from 1 to 20Kbaud at baud rates of 19.2Kbaud to 128Kbaud. The UK based Company can offer customised derivatives of their products as well as turnkey RF Systems.

WILMSLOW AUDIO

<http://www.wilmslow-audio.co.uk>



"UK's largest supplier of high quality loudspeaker kits and drive units. Comprehensive range of components and accessories, including damping products, connectors and grilles materials. Demonstration facilities available."

WEB DIRECTIONS

Put your web address in front of 21,000 Electronics fanatics. Electronics World acknowledges your companys need to promote your web site, which is why we are now dedicating page's in every issue to WEB ADDRESSES.

This gives our readers the opportunity to look up your companys name, to find your web address and to browse the magazine page to find new sites.

We also understand that cost is an important factor, as web sites are an added drain on budgets. I am sure you will agree these rates make all the difference

FOR 12 ISSUES:

Lineage only will cost £150 for a full year just £12..50 per month. This includes your companys name, web address and a 25 word description.

Lineage with colour screen shot will cost £350 for a full year just £29.17 per month. This will include the above plus a 3cm screen shot of your site, which we can produce if required.

To take up this offer or for more information ring on 0208 722 6028.

E-mail: j.thorpe@cumulusmedia.co.uk

Company Name		Web address	

As an advertiser you can be certain that your sales message is going to be read by decision-making electronics professionals with the power to purchase your products.

Service Link

The pre-paid rate for semi-display setting is £17 per single column centimetre (maximum 4cm). Box number £22 extra. All prices plus 17½% VAT. All cheques, postal orders etc to be made payable to Cumulus Business Media. Advertisements together with remittance should be sent to Electronics World Classified, Cumulus Business Media, Anne Boleyn House, 9-13 Ewell Road, Cheam, Surrey SM3 8DZ. Tel: 020 8722 6028. Fax: 020 8770 2016.

ARTICLES WANTED

SURPLUS WANTED

WE BUY: ICs, Memory, Relays, Caps, PSUs, Semiconductors, Populated Boards, Computers + Test Equipment
ANYTHING CONSIDERED

For our wide range of Semiconductor + Passives List, please ring, fax or email

MAIL ELECTRONICS

TEL: 0161-761 4520 / FAX: 0161-763 6863

EMAIL: andrew@mailelectronics.com

www.mailelectronics.com

SERVICES

PCBs Conv/PTH/Multi-Layer/Flexible • UK & Far East production
• CAD Layout • Electronic Design • Assembly (prototype & production)
• SMD m/c Assy @ 18,500 cps/hr

Deliveries from
24 Hrs

Prototype
PTH PCBs
from just
£40.00

Tel: 01635 40347

Newbury Electronics Ltd

Faraday Road Newbury Berks RG14 2AD

Fax: 01635 36143

e-mail: circuits@newbury.tcom.co.uk

<http://www.newburyelectronics.co.uk>

Visit
www.pcbtrain.com

The low cost source for prototype PCBs
from 1 to 6 layers



BEST CASH PRICES PAID

For all valves KT88
PX4 and other
audio types

Wide range of valves
and CRT stocked

Tel: 01403 784961

Billington Export Ltd.

Fax: 01403 783519

Email: sales@bel-lubes.co.uk

Sussex RH14 9EZ

Visitors by appointment

FOR SALE

World first –
T. Network Capacitor

The Ultimate Electrolytic
Invented by DNM
Made by BHC Aerovox



Patent No. PCT/GB95/00213

advanced 4 terminal design

10,000µF 63 volts pcb mount

£22.00 + VAT in small quantity

full production quantity discounts

– trade enquiries welcome

www.dnm.co.uk follow links to

full details T Network Capacitor

DNM Design, 18 Hartford Road,

Huntingdon, Cambs

PE29 3QD

01480-457989 E-mail: denis.m@dnm.co.uk

From Concept To Production

48 HOUR SERVICE

Electronic design and manufacturing services for the new millennium:

- Embedded monitoring & control
- PSTN telephones and test equipment
- Datacom interfacing, line driving etc.
- Switch Mode & linear PSU and battery management
- Gas detection systems
- Printed Circuit Board design
- Technical documentation, schematic layout & language translation
- Wireless telemetry systems
- Audio & Video processing
- GSM telemetry via: SMS or data (TCP/IP)
- DVD player control systems
- GPS positioning systems
- Specialist cable looms
- Small, medium & large scale manufacturing

Email: sales@designersystems.co.uk

Tel/Fax: +44 (0) 1872 223306



for more information see our web site @
<http://www.designersystems.co.uk>

19" Rack Enclosures

New and Used – most sizes
16U to 50U side and rear panels
main distribution
19" Panel mounts
optima eurocraft

Prices from £45 + vat

M&B Radio

86 Bishopsgate Street, Leeds LS1 4BB

Tel. 0113 2702114 Fax. 0113 2426881

WANTED

WANTED Surplus or Obsolete Electronic Components

Turn your excess stock into instant cash!

SEND OR FAX YOUR LIST IN STRICTEST CONFIDENCE

Will collect anywhere in the UK



Mushroom
COMPONENTS

6a St. Marys St, Bedford, Bedfordshire, MK42 0AS

Tel: 01234 363611 Fax: 01234 326611

E-mail: sales@mushroomcomponents.com

Internet: www.mushroomcomponents.com

FOR SALE

RF DESIGN SERVICES

All aspects of RF
hardware development
considered from
concept to production.

WATERBEACH ELECTRONICS

www.rlaver.dial.pipex.com

TEL: 01223 862550

FAX: 01223 440853

POWER SUPPLY DESIGN

Switched Mode PSU

Power Factor Correction

designed to your specification

Tel/Fax: 01243 842520

e-mail: eugen_lus@cix.co.uk

Lomond Electronic Services

PRINTED CIRCUIT BOARDS

DESIGNED & MANUFACTURED agar
Circuits

• Prototype or production quantities

• Fast turnaround available

• PCBs designed from circuit diagrams

• Almost all computer files accepted

• PCB assembly - mechanical assembly

• Full product design-manufacture-test-repair

Unit 5, East Belfast Enterprise Park

308 Albertbridge Rd, Belfast BT5 4GX

TEL 028 9073 8897 FAX 028 9073 1802

agar@argonet.co.uk

MISC

TOP PRICES PAID

For all your valves,
tubes, semi conductors
and ICs.

Langrex Supplies Limited

1 Mayo Road, Croydon, Surrey CR0 2QP

TEL: 020 8684 1166 FAX: 020 8684 3056

SMART CARD SOLUTIONS

Crownhill Associates
smart electronic solutions



TOOLBOX

ChipDrive Starter pack

ChipDrive Micro - serial port card terminal
Samples of Smart cards (6 cards)
Source code examples on CD ROM
(VB3,4,5,6, Delphi & C)
Windows API Description, Windows DLL
Documentation on CD ROM (PDF format)

£69.95
+vat

Card Applications

SmartCard
Programmers
from £9.99

29.95
+Vat

SIM Card Editor for Mobile Phones

This advanced editor allows the user to modify, copy and print data held on any GSM SIM card. No longer do you have to battle with complicated programming sequences on the numeric keypad of your mobile phone. Simply connect the SIM card READER WRITER to your PC, install the easy to use software to:

- View and Print a detailed card profile
- Edit, Delete or Add phone book entries
- Edit, Delete or Add SMS messages
- PIN administration. Enable and Up-Date PIN1/2, unlock PIN's, Display the error counter for each PIN
- Archive SIM Card data to hard drive, copy Save and restore complete card data sets.
- Copy SIM card data from card to card
- Charge Control. set up charge counter limit, display current charge value, setup displayed price per unit.
- View and change preferred service providers

Includes:
SIM Card Reader Writer
Mini SIM Adapter
Software on CD-ROM
OnLine user Guide and Help
Requires Windows 95/98, NT, 2000 & Pentium Class PC

32, Broad Street, Ely
Cambridge, CB7 4AH

Tel: +44 (0) 1353 666709
Fax: +44 (0) 1353 666710

All prices exclude VAT postage and packing

Visit our web site: www.crownhill.co.uk

The Complete Solution!

**SPECIAL
MONEY-SAVING
OFFER!**
Valid Until
31st May 2002

Whether you're designing the occasional circuit board, or responsible for a large-scale PCB production facility, or anything in between - **Electronics Workbench has the solution you need!**

Multisim 2001 provides a comprehensive suite of tools for schematic capture, circuit simulation and waveform analysis, with a huge library of parts and models and a collection of virtual instruments so you can prototype, test and optimise without massive hardware costs. It's powerful, easy to use and very affordable.

Multisim is available in several configurations (Personal, Professional, Power Professional, and a special Education version, plus many add-on options) to meet your needs and your budget. As well as standard analogue and digital SPICE simulations, there are options for RF models, programmable logic devices and much more too. This combination of performance, flexibility and affordability has made **Multisim** a favourite solution among electronics designers all over the world.

Now here's an offer that you'll find hard to refuse!

Whichever configuration of **Multisim 2001** you chose, you can get the equivalent level version of **Ultiboard 2001** - the companion PCB layout and routing software that integrates seamlessly with Multisim - at a very special price.

You'll save 25% of the combined cost when you buy Multisim 2001 and Ultiboard 2001 together - but only while this offer lasts.

Call us today on 01462 480055, visit our website or return the coupon below for your FREE 20-page Electronics Workbench Product Guide.



YES! Please send me a FREE Electronics Workbench product guide

Name: _____ Email: _____

Position: _____ Organisation: _____

Address: _____

Postcode: _____

Tel: _____ Fax: _____

For more information fill out and return the coupon or contact Adept Scientific today...

Tel: **01462 480055** Fax: **01462 480213**

Adept Scientific plc, Amor Way, Letchworth, Herts SG6 1ZA

Email: ewb@adeptscience.co.uk WWW: www.adeptscience.co.uk Webstore: www.adeptstore.co.uk