

**Exclusive reader offer: £25 off a unique RS232 debugger**

# ELECTRONICS WORLD

APRIL 2002 £2.95

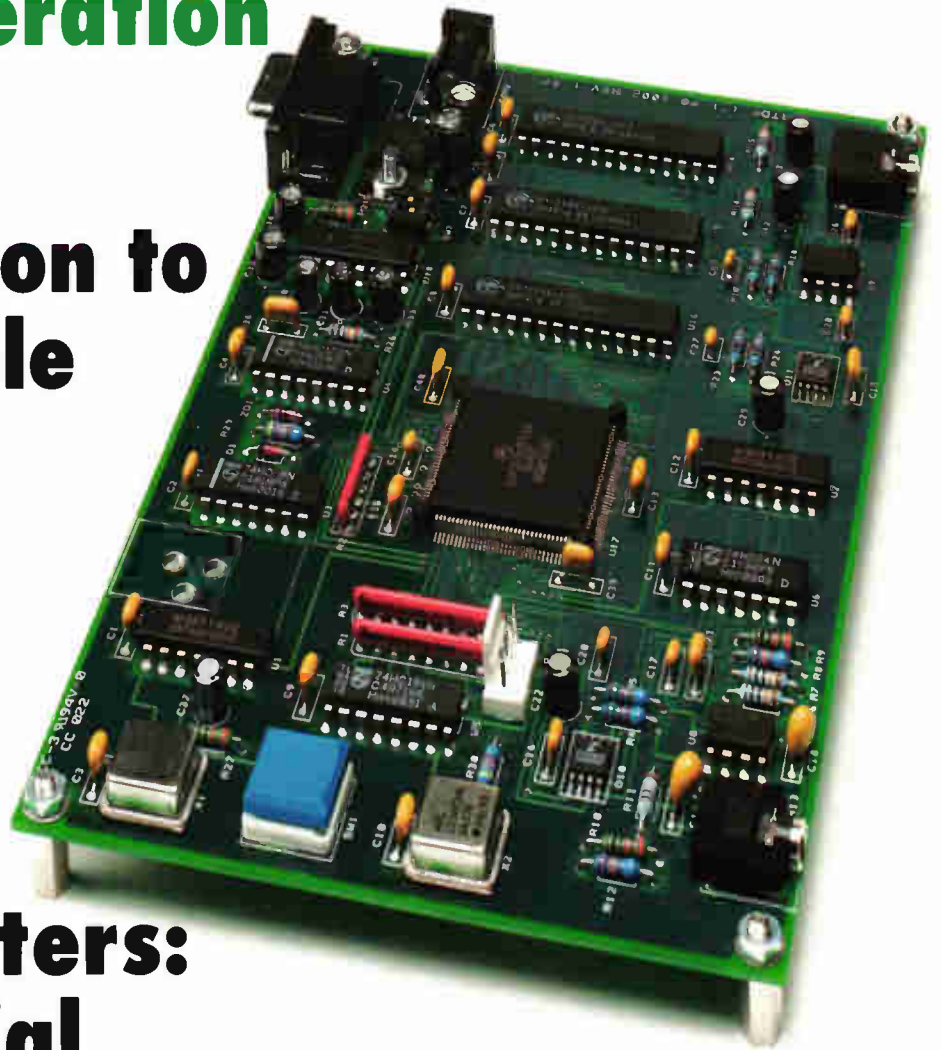
## Advanced filter design

**Super-regeneration explained**

**An introduction to programmable logic**

**16-bit i/o using USB**

**Readers' letters: 5-page special**



### **Circuit ideas:**

- Dynamic diode checker
- Measure Q at UHF
- Solar battery charger
- Digital tuning
- LDO regulator
- Phone answering circuit



# Telnet

## Quality second-user test & measurement equipment

<b>Fluke 5700A Multifunction Calibrator with 5725A Amplifier</b>	<b>£17,000</b>
<b>Hewlett Packard 83640L (10MHz - 40 GHz) Synth. swept signal generator</b>	<b>£15000</b>
<b>Hewlett Packard 8349B (2 - 20 GHz) Microwave Amplifier</b>	<b>£2500</b>
<b>Hewlett Packard 8508A (with plug-in 85082A-2GHz) Vector Voltmeter</b>	<b>£2500</b>
<b>Hewlett Packard 3324A synth. function/sweep gen. (21MHz)</b>	<b>£2250</b>
<b>Hewlett Packard 3314A Function Generator 20MHz</b>	<b>£1250</b>
<b>Hewlett Packard 8904A Multifunction Synthesiser (opt 2+4)</b>	<b>£1950</b>
<b>Hewlett Packard 4278A 1kHz/1MHz Capacitance Meter</b>	<b>£3750</b>
<b>Hewlett Packard 53310A Modulation Domain Analyser (opts 1&amp;31)</b>	<b>£6750</b>
<b>Hewlett Packard 4191A R/F Impedance Analyser (1-1000MHz)</b>	<b>£4995</b>
<b>Hewlett Packard ESG-D3000A (E4432A) 250 kHz-3GHz Signal Gen.</b>	<b>£6995</b>
<b>Hewlett Packard (Agilent) ESG-4433B (opt UN8) Digital Signal Generator (0.25-4000MHz)</b>	<b>£8500</b>
<b>Hewlett Packard (Agilent) ESG-D4000A (opt UN3) Dig. Sig. Generator (0.25-4000MHz)</b>	<b>£8000</b>
<b>Marconi 6310 - programmable sweep generator (2 to 20GHz) - new</b>	<b>£2500</b>
<b>Marconi 6311 Prog'ble sig. gen. (10MHz to 20GHz)</b>	<b>£2995</b>
<b>Marconi 6313 Prog'ble sig. gen. (10MHz to 26.5GHz)</b>	<b>£4750</b>
<b>R&amp;S SMG (0.1-1GHz) Sig. Generator (opts B1+2)</b>	<b>£2950</b>
<b>Rohde &amp; Schwarz SM1Q-03B (opt11,12,14,20,B42) Vector Signal Generator (300kHz-3.3GHz)</b>	<b>£9950</b>

### OCSILLOSCOPES

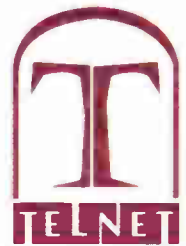
Gould 400 20MHz - DSO - 2 channel	£695
Gould 1421 20MHz - DSO - 2 channel	£425
Gould 4068 150MHz 4 channel DSO	£1250
Gould 4074 100MHz - 400 Ms/s - 4 channel	£1100
Hewlett Packard 54615B (opt1,2) - 500MHz - 1Gs/s 2 channel	£2500
Hewlett Packard 54201A - 300MHz Digitizing	£750
Hewlett Packard 54600A - 100MHz - 2 channel	£675
Hewlett Packard 54502A - 400MHz - 400 MS/s 2 channel	£1600
Hewlett Packard 54810A 'Infinium' 500MHz 2ch	£3500
Hewlett Packard 54520A 500MHz 2ch	£2750
Hameg 205-2 20MHz DSO	£495
Hitachi V152/V212/V222/V302B/V302F/V353F/V550BV650F	from £1100
Hitachi V1 100A - 100MHz - 4 channel	£750
Intron 2020 - 20MHz. Dual channel D.S.O (new)	£450
Iwatsu SS 5710/SS 5702 -	from £125
Kikusui COS 5100 - 100MHz - Dual channel	£350
Lecroy 9314L 300MHz - 4 channels	£2750
Meguro MSO 1270A - 20MHz - D.S.O. (new)	£450
Philips PM3094 - 200MHz - 4 channel	£1500
Philips 3295A - 400MHz - Dual channel	£1400
Philips PM3392 - 200MHz - 200Ms/s - 4 channel	£1750
Philips PM3070 - 100MHz - 2 channel - cursor readout	£650
Tektronix 465 - 100MHz - Dual channel	£295
Tektronix 464/466 - 100MHz - (with AN. storage)	£295
Tektronix 475/475A - 200MHz/250MHz	from £400
Tektronix 468 - 100MHz D.S.O.	£500
Tektronix 2213/2215 - 60MHz - Dual channel	£300
Tektronix 2220 - 60MHz - Dual channel D.S.O	£850
Tektronix 2235 - 100MHz - Dual channel	£500
Tektronix 2221 - 60MHz - Dual channel D.S.O	£850
Tektronix 2245A - 100MHz - 4 channel	£700
Tektronix 2440 - 300MHz/500MS/s D.S.O.	£2100
Tektronix 2445/2445B - 150MHz - 4 channel	£800
Tektronix 2445 - 150MHz - 4 channel +DMM	£850
Tektronix TAS 475 - 100MHz - 4 channel	£850
Tektronix 7000 Series (100MHz to 500MHz)	from £200
Tektronix 7104 - 1GHz Real Time - with 7A29 x2, 7B10 and 7B15	from £1950
Tektronix 2465/2465A /2465B - 300MHz/350MHz 4 channel	from £1250
Tektronix 2430/2430A - Digital storage - 150MHz	from £1250
Tektronix TDS 310 50MHz DSO - 2 channel	£750
Tektronix TDS 320 100MHz 2 channel	£850

### SPECTRUM ANALYSERS

Advantest R3361A (9kHz - 2.6GHz)	£4750
Advantest 4131 (10kHz - 3.5GHz)	£3750
Ando AC 8211 - 1.7GHz	£1500
Avcom PSA-65A - 2 to 1000MHz	£750
Advantest/TAKEDA RIKEN - 4132 - 100kHz - 1000MHz	£1350
Hewlett Packard 8596E (opt 41, 101, 105,130) 9kHz - 12.8GHz	£12000
Hewlett Packard 8756A/8757A Scaler Network Analyser	from £1000
Hewlett Packard 853A Mainframe + 8559A Spec.An. (0.01 to 21GHz)	£2500
Hewlett Packard 182T Mainframe + 8559A Spec.An. (0.01 to 21GHz)	£2000
Hewlett Packard 8568A (100Hz - 1500MHz) Spectrum Analyser	£3000
Hewlett Packard 8567A - 100Hz - 1500MHz	£3400
Hewlett Packard 8752A - Network Analyser (1.3GHz)	£5000
Hewlett Packard 8754A - Network Analyser 4MHz - 1300MHz)	£1500
Advantest R3272 Spectrum Analyser (9kHz-26.5GHz)	£12000
Anritsu 54154A Scaler Network Analyser (2-32GHz)+detectors+SWR	£9950
Anritsu 54111A Scaler Network Analyser (0.001-3GHz) +dets+SWR	£7000
Hewlett Packard 8753B+85046A Network An + S Param (3GHz)	£6500
Hewlett Packard 8713C (opt 1 E1) Network An. 3 GHz	£6000
Hewlett Packard 70001A/70900A/70906A/70902A/70205A - 26.5 GHz Spectrum Analyser	£7000
Hewlett Packard 3561A Dynamic signal analyser	£2950
Hewlett Packard 3560A - Dynamic signal analyser	£2500
Hewlett Packard 8753A (3000kHz - 3GHz) Network An.	£3250
Hewlett Packard 3582A (0.02Hz - 25.5kHz) dual channel	£1500
Hewlett Packard 8590A (opt 01, 021, 040) 1MHz-1.5MHz	£2500

### Radio Communications Test Sets

Marconi 2955	£1250
Marconi 2955B/60B	£3500
Marconi 2955A	£1750
Marconi 2955F	£1995
Anritsu MT 8801C Radio Comms Analyser 300kHz - 3GHz (opt 1,4,7)	£6500
Hewlett Packard 8920B (opts 1,4,7,11,12)	£6750
Schlumberger Stabilock 4031	£2750
Schlumberger Stabilock 4040	£1300
Racal 6111 (GSM)	£1250
Racal 6115 (GSM)	£1750
Racal 6103 (GSM) Digital Radio Test Set	£6250
Rohde & Schwarz CMTA 94 (GSM)	£4500
Rohde & Schwarz CMT 55 (2GHz)	£7500
Rohde & Schwarz CMT 90 (2GHz) DECT	£3995
Rohde & Schwarz CMD 57 GSM test set (opts B1/34/6/7/19/42/43/61)	£7995
Wavetek 4103 (GSM 900) Mobile phone tester	£1500
Wavetek 4106 (GSM 900, 1800, 1900) Mobile phone tester	£2000



Hewlett Packard 8560A (50MHz-2.9GHz) High performance with Tracking Generator option (02)	£5500
IFR A7550 - 10kHz-GHz - Portable	£1750
Meguro - MSA 4901 - 30MHz - Spec Analyser	£600
Meguro - MSA 4912 - 1MHz - 1GHz Spec Analyser	£750
Tektronix 2712 Spec Analyser (9kHz - 1.8GHz)	£3250
Wiltron 6409 - 10-2000MHz R/F Analyser	£1250

### MISCELLANEOUS

Eaton 2075-2A - Noise Gain Analyser at	£1995
EIP 548A 26.5GHz Frequency Counter	£1995
ENI 440LA (150kHz-300MHz) 35 Watt Power Amp	£2500
ENI 1040 (10kHz- 500kHz) 400 Watt Power Amp	£2750
Gigatronics 8541C Power Meter + 80350A Peak Power Sensor	£1750
Gigatronics 8542C Dual Power Meter + 2 sensors 80401A	£2500
Hewlett Packard 53131A Universal Frequency counter (3GHz)	£850
Hewlett Packard 85024A High Frequency Probe	£1000
Hewlett Packard 8642A - high performance R/F synthesiser (0.1-1050MHz)	£2500
Hewlett Packard 3335A - synthesiser (200Hz-81MHz)	£1995
Hewlett Packard 436A power meter and sensor (various)	from £750
Hewlett Packard 339A Distortion measuring set	£750
Hewlett Packard 3457A multi meter 6 1/2 digit	£850
Hewlett Packard 3784A - Digital Transmission Analyser	£3750
Hewlett Packard 5385A - 1 GHz Frequency counter	£495
Hewlett Packard 6033A - Autoranging System PSU (20v-30a)	£750
Hewlett Packard 6622A - Dual O/P system p.s.u	£1250
Hewlett Packard 6624A - Quad Output Power Supply	£2000
Hewlett Packard 6632A - System Power Supply (20v-5A)	£695
Hewlett Packard 8350B - Sweep Generator Mainframe	£1500
Hewlett Packard 8656A - Synthesised signal generator	£750
Hewlett Packard 8656B - Synthesised signal generator	£995
Hewlett Packard 8657A - Synth. signal gen. (0.1-1040MHz)	£1500
Hewlett Packard 8901B - Modulation Analyser	£2250
Hewlett Packard 8603A, B and E - Distortion Analyser	from £1000
Hewlett Packard 37900D - Signalling test set	£2950
Hewlett Packard 8657B - 100MHz Sig Gen - 2060 MHz	£3950
Hewlett Packard 8657D - XX DQPSK Sig Gen	£3950
Hewlett Packard 4275A LCR Meter (10kHz-10MHz)	£2950
Hewlett Packard 4276A LCZ Meter (100MHz-20kHz)	£1400
Hewlett Packard 5350B 20kHz Microwave Freq.Counter	£2000
Hewlett Packard 11729B/C Carrier Noise Test Set	from £2500
Hewlett Packard 53151B Microwave Freq. Counter (26.5GHz)	£3400
Hewlett Packard 5351B (pt 1 & 6) Microwave Freq.Counter (26.5GHz)	£3000
Hewlett Packard 6626A / 6629A Quad O/P Power Supply	£3500
Hewlett Packard 6644A 60v - 3.5A Power Supply	£1000
Ballantine 1620A 100Amp Transconductance Amplifier	£1750
Keithley 486/487 Picoammeter (+volt.source)	£1350/£1850
Marconi 6950/6960/6960B Power Meters & Sensors	from £400
Marconi 2840A 2 Mbit/s Transmission Analyser	£1100
Philips 5515 - TN - Colour TV pattern generator	£1400
Philips PM 5193 - 50 MHz Function generator	£1350
Leader 3216 Signal generator 100kHz-140MHz - AM/FM/CW with built in FM stereo modulator (as new) a snip at	£650
Rohde & Schwarz NRV dual channel power meter & NAV Z2 Sensor	£1000
Rohde & Schwarz FAM (opts 2,6 and 8) Modulation Analyser	£4250
Tektronix ASG100 - Audio Signal Generator	£750
Wavetek 178 Function generator (50MHz)	£750
Wayne Kerr 3245 - Precision Inductance Analyser	£1850
Wayne Kerr 6245 - Precision Component Analyser	£2250

All equipment is used - with 30 days guarantee and 90 days in some cases  
Add carriage and VAT to all goods.

Telnet, 8 Cavans Way, Binley Industrial Estate,  
Coventry CV3 2SF.

**Tel: 02476 650 702**  
**Fax: 02476 650 773**

## 3 COMMENT

Common sense

## 5 NEWS

- Electricity from the sea floor
- Satellite pictures have a resolution of less than 61cm
- New laser for free-space optical links
- First portable music-player to feature hard-drive storage
- Micromachined chain and sprocket
- Digital oscilloscope has 5GHz front end



The latest from the world of micromachining – a chain and sprocket drive – gets round the problem of misaligned gears. Read more about it on page 7.

## 12 16-BIT I/O VIA USB

**Colin Attenborough** describes how to get data in and out of a computer with the aid of an easy-to-use USB interface.

## 20 ADVANCED FILTER DESIGN

Using a real-time digital filter as an example, **Patrick Gaydecki** explores the benefits of digital filters over their analogue counterparts. Along the way, he describes how you can use a digital filter to make any old violin sound like a Strad.

## 25 PROGRAMMABLE LOGIC: AN INTRODUCTION

**Andrew Malcolm** looks at the evolution of programmable logic devices.

## 30 CIRCUIT IDEAS

- Electronic combination lock
- Solar charger works on cloudy days
- Tuner scanning add-on
- Dynamic diode checker/matcher

- Phone answering circuit
- Electroluminescent flasher
- Measuring Q at VHF & UHF
- Low drop-out regulator

## 39 NEW PRODUCTS

The month's top new products, selected and edited by **Richard Wilson**

## 46 DESIGNING SUPER-REGENERATIVES

Super-regenerative radio designs have been around for well over 60 years, and hundreds of circuits have been published – usually with little or no description of how they work. **Eddy Insam** dispels the myths.

## 55 LETTERS

- Homopolar reactions
- Amplifier output inductors
- Scope probes
- Star-point grounding



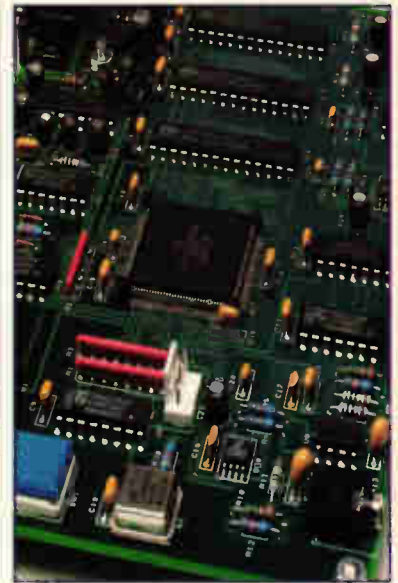
Among our extended letters pages this month are tips for designing and packaging active probes, and a discussion of Mosfet power amplifier design. Letters start on page 55.

- Train safety
- RIAA equalisation
- For a stronger DAB signal...
- Mosfet power
- Speed and direction sensing

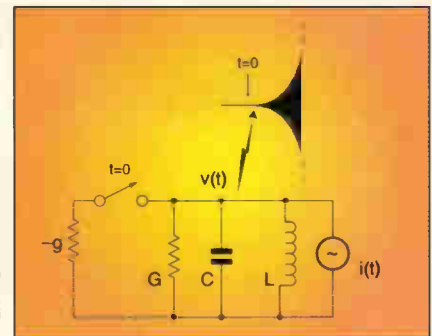
## 66 WEB DIRECTIONS



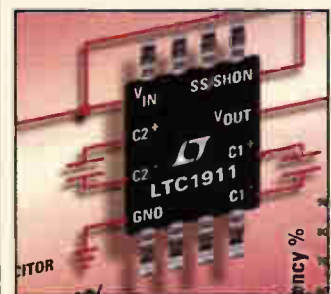
Useful web addresses for electronics engineers.



Cover shows the real-time digital filter that **Patrick Gaydecki** uses to illustrate his article on digital filters, page 20.



**Eddy Insam** provides a rare in-depth description of super-regeneration and its application in wireless design, page 46.

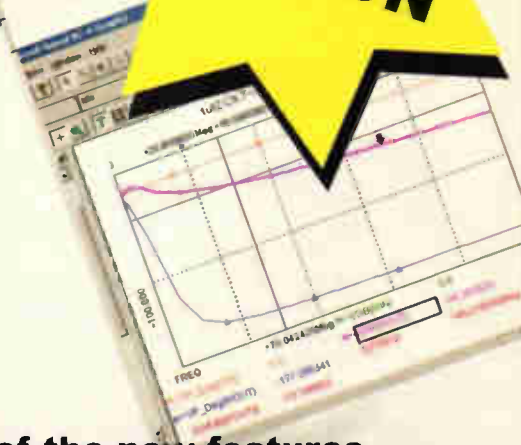
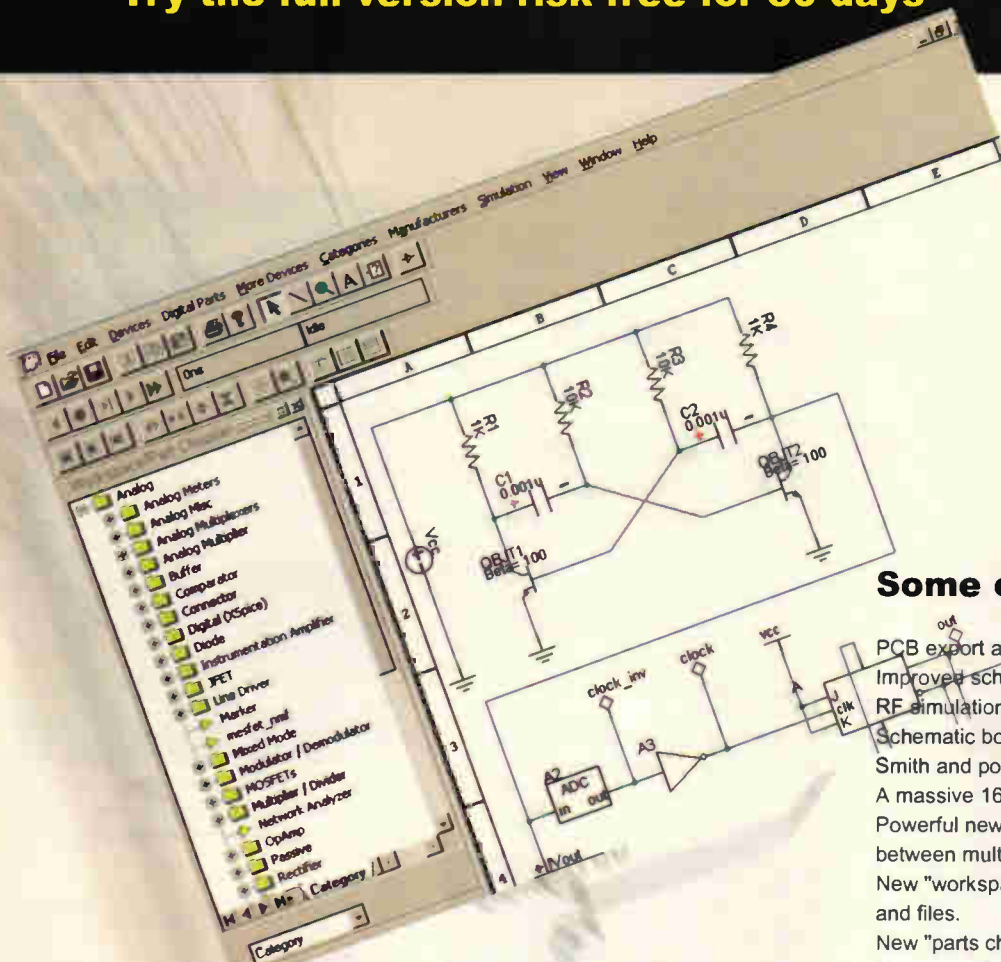


This inductorless step-down DC-DC converter produces a 1.5V or 1.8V regulated output from a 2.7V to 5.5V input voltage. It'll run from a single Lithium Ion cell. Read more about this and a multitude of other new products starting on page 39.

# B<sup>2</sup> Spice AD v4

Try the full version risk free for 30 days

**NEW  
VERSION**



## Some of the new features

- PCB export and bill of materials.
- Improved schematics with DIN and ANSI symbols.
- RF simulations and network analysis.
- Schematic borders and title-box for professional output.
- Smith and polar plots.
- A massive 16,000 parts as standard.
- Powerful new graphing and plotting - display & switch between multiple graphs easily.
- New "workspace" window to manage your projects and files.
- New "parts chooser" window to easily pick and place parts.
- Combined digital and analogue graphs.
- Even faster simulations.
- Unlimited undo / redo.
- Many new simulation models.
- Create new parts.
- Create and edit symbols.
- Create new PCB layout parts.
- New fully featured schematic editor.

## Results you can rely on

B<sup>2</sup> Spice's ease of use and above all, accuracy, is why it is used by dozens of universities and thousands of professional designers in the UK and US. B<sup>2</sup> Spice delivers simulations that accurately behave like the end result. This new version contains a plethora of additional features, from Radio Frequency simulation to PCB capabilities.

## More features and simulation options than ever before

Sinusoidal, constant, periodic pulse, exponential, RF, single frequency, FM, AM, DC voltage, AC voltage, VCO, Vcc, piecewise linear, polynomial / arbitrary source, voltage-controlled voltage, voltage-controlled current, current-controlled voltage, current-controlled current, lossy and ideal transmission line, MESFET, uniform RC, current and voltage controlled switches are all available.

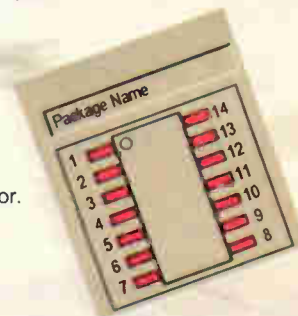
Fully mixed mode, single / dual parameter DC sweep, AC sweep, transient analysis, small signal transfer function, Fourier analysis, AC & DC sensitivity, Smith charts, pole zero, Monte Carlo analysis, noise, distortion operating point, temperature change, as well as generating component faults.

## There are NO limits

We set no limit on the size of your design or the number of nodes or parts. It can be as large or as complex as you want. The high quality graphics ensure that your results are easy to understand and interpret. Everything can be customised to suit your needs and preferences.

**30 Day no risk trial with free ongoing technical support. If it doesn't do what you want, then simply return it.**

From just £159 ex VAT for the standard version.  
Normal price - professional version £229 ex VAT.  
Upgrades from earlier versions £179 ex VAT.  
All libraries included - no hidden extra costs.  
Education discounts and site licences available.



**Tel: 01603 872331**

Research House, Norwich Road, Eastgate  
Norwich. NR10 4HA. Fax: 01603 879010

Email [info@looking.co.uk](mailto:info@looking.co.uk) [www.spice-software.com](http://www.spice-software.com)



Also order on-line through GREY MATTER

[www.greymatter.com/mcm/rdresearch](http://www.greymatter.com/mcm/rdresearch)

**EDITOR**  
**Martin Eccles**

**CONSULTANT**  
**Ian Hickman**

**EDITORIAL**  
**ADMINISTRATION**  
**Jackie Lowe**  
**020 8722 6054**

**EDITORIAL E-MAILS**  
**J.lowe@cumulus**  
**media.co.uk**

**GROUP SALES**  
**020 8722 6028**

**ADVERTISEMENT**  
**E-MAILS**  
**j.thorpe@cumulus**  
**media.co.uk**

**EDITORIAL FAX**  
**020 8722 6098**

**CLASSIFIED FAX**  
**020 8770 2016**

**NEWSTRADE ENQUIRIES**  
**020 7907 7777**

**ISSN 0959-8332**

**SUBSCRIPTION HOTLINE**  
Tel (0) 1444 475662  
Fax (0) 1444 445447

**SUBSCRIPTION QUERIES**  
rbp.subscriptions@rbi.co.uk  
Tel (0) 1444 445566  
Fax (0) 1444 445447

## Common sense

How many man-hours have we wasted waiting for a long, urgent e-mail or file to download? Why is the UK falling behind in the provision of broadband Internet access, when high speed Internet connections are clearly desirable?

BT offers ADSL over twisted-pair cables. The old twisted-pair cables are being touted because they are in the ground; there is no other reason to use this tired old copper. In many cases the cable runs are too long and of too poor quality to support ADSL.

After all the investment in stretching the bandwidth from these old cables the customers will soon demand more bandwidth. Just as we have seen the memory fitted in the PC go from a few kilobytes to many gigabytes, the need for extra bandwidth to enable complex data and photographs to be transmitted over the Internet will certainly follow.

Cable companies are ideally placed to provide broadband modems and deployment is beginning. These operators already have last mile links to the home capable of passing many megabits. The backbone structure is built using modern fibre optic technologies. However there is a problem: many areas are not yet passed by the cable companies

Why then is the deployment of broadband so slow? Why isn't BT investing in new broadband links to every home: why are the cable companies not rolling out cable as fast as they can?

Simply, I believe, because of a shortage of money. Many of the companies that should be providing the service are in a financial mess.

Telecom company managers today are trying to run companies that are already in deep financial trouble. Many are suffering from a legacy of wasted money, fuelled by raising as much cash as possible on ill-conceived plans. There is no money left to improve networks or expand networks to new areas. I fear that very serious debt write-offs and even bankruptcies will have to precede any future broadband progress.

Electronics is an undervalued industry. The cost of the plastic case for a portable calculator is greater than the cost of the sophisticated electronics inside it. Why are we giving our skills away? Mobile phones are not valued because they are too cheap. Computers would still sell if they were to cost 50% more. The extra profit could be used to cushion the companies involved against the inevitable dips in demand.

Too many companies have the, "I want to go out and kill the competition," attitude. We have seen the result. Everyone ends up wounded. Companies should build steadily on their strengths, build expertise and charge the right price for the skills they have.

With enough cash margin, good companies could



*We need to throw out the sheep that are herded by the management consultant brigade. And we need to throw away those endless meetings.*

leave the over aggressive companies to give away product and burn themselves out in an attempt to buy a market. In the current climate, with companies running on borrowed money, any downturn causes panic moves that de-stabilise markets even more.

Further down the corporate structure in the telecom/cable companies, it is not the technology that causes problems to many customers: it is the lack of attention to detail and the lack of trained and caring staff. I am upset at the way that keen and competent people are driven from their jobs because they are demotivated by office boys masquerading as their managers.

It is time to take very critical look at the telecom industry's management. There are excellent managers in the industry, but they are in the minority. We need to throw out the sheep that are herded by the management consultant brigade. And we need to throw away those endless meetings.

Good, dedicated engineers must be groomed to become managers and moved into top management positions. Engineers founded most of the successful companies in the electronics industry and continuing engineering knowledge is still of vital importance.

It is time to bring back common sense to management at all levels. If we do, the investors will return and help the telecom industry build a broadband broad-based future, and not the leaning tower of Babel that we have now.

Chris Swires, managing director of Swires Research

**Electronics World** is published monthly. Orders, payments and general correspondence to **Jackie Lowe, Cumulus Business Media, Anne Boleyn House, 9-13 Ewell Road, Cheam, Surrey, SM3 8BZ.**

**Newstrade:** Distributed by COMAG, Tavistock Road, West Drayton, Middlesex, UB7 7QE Tel 01895 444055.

**Subscriptions:** Quadrant Subscription Services, Oakfield House Perrymount Road, Haywards Heath, Sussex RH16 3DH. Telephone 01444 475631. Please notify change of address.

Subscription rates 1 year UK £38.00 2 years £61.00 3 years £76.00. Europe/Eu 1 year £54.00 2 years £86.00 3 years £108.00 ROW 1 year £63.00 2 years £101.00 3 years £126

**Overseas advertising agents:** France and Belgium: Pierre Mussard, 18-20 Place de la Madeleine, Paris 75008. United States of America: Roy Barnes, Reed Business Publishing Ltd, 475 Park Avenue

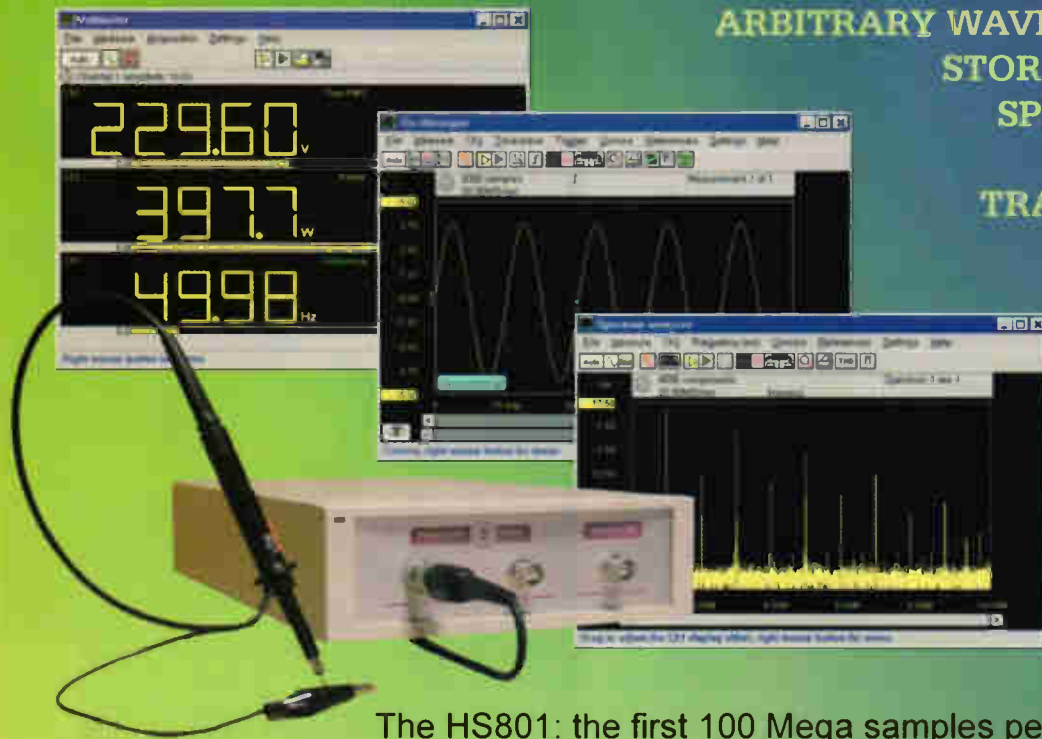
South, 2nd Fl New York, NY 10016 Tel; (212) 679 8888 Fax; (212) 679 9455

**USA mailing agents:** Mercury Airfreight International Ltd Inc, 10(b) Englehard Ave, Avenel NJ 07001. Periodicals Postage Paid at Rahway NJ Postmaster. Send address changes to above.

**Printed by** Polestar [Colchester] Ltd, **Filmsetting by** G&E 2000 A1 Parkway, Southgate Way, Orton Southgate, Peterborough, PE2 6YN **Cumulus Business Media** is a division of **Highbury Communications PLC**

**cumulus**  
BUSINESS MEDIA

ARBITRARY WAVEFORM GENERATOR-  
STORAGE OSCILLOSCOPE-  
SPECTRUM ANALYZER-  
MULTIMETER-  
TRANSIENT RECORDER-



Reliability

The HS801: the first 100 Mega samples per second measuring instrument that consists of a MOST (Multimeter, Oscilloscope, Spectrum analyzer and Transient recorder) and an AWG (Arbitrary Waveform Generator). This new MOST portable and compact measuring instrument can solve almost every measurement problem. With the integrated AWG you can generate every signal you want.

- The versatile software has a user-defined toolbar with which over 50 instrument settings quick and easy can be accessed. An intelligent auto setup allows the inexperienced user to perform measurements immediately. Through the use of a setting file, the user has the possibility to save an instrument setup and recall it at a later moment. The setup time of the instrument is hereby reduced to a minimum.
- When a quick indication of the input signal is required, a simple click on the auto setup button will immediately give a good overview of the signal. The auto setup function ensures a proper setup of the time base, the trigger levels and the input sensitivities.
- The sophisticated cursor read outs have 21 possible read outs. Besides the usual read outs, like voltage and time, also quantities like rise time and frequency are displayed.
- Measured signals and instrument settings can be saved on disk. This enables the creation of a library of measured signals. Text balloons can be added to a signal, for special comments.
- The (colour) print outs can be supplied with three common text lines (e.g. company info) and three lines with measurement specific information.
- The HS801 has an 8 bit resolution and a maximum sampling speed of 100 MHz. The input range is 0.1 volt full scale to 80 volt full scale. The record length is 32K/64K samples. The AWG has a 10 bit resolution and a sample speed of 25 MHz. The HS801 is connected to the parallel printer port of a computer.
- The minimum system requirement is a PC with a 486 processor and 8 Mbyte RAM available. The software runs in Windows 3.xx / 95 / 98 or Windows NT / 2000 / XP and DOS 3.3 or higher.

TiePie engineering (UK), 28 Stephenson Road, Industrial Estate, St. Ives, Cambridgeshire, PE17 3WJ, UK  
Tel: 01480-460028; Fax: 01480-460340

TiePie engineering (NL), Koperslagersstraat 37, 8601 WL SNEEK The Netherlands  
Tel: +31 515 415 416; Fax +31 515 418 819

Web: <http://www.tiepie.nl>

COMPUTER CONTROLLED MEASURING INSTRUMENT



## Electricity from the sea floor

Microbes on the sea-floor could be harnessed to generate electricity, say researchers at the University of Massachusetts.

Scientists at the University managed to create small amounts of energy from organic marine sediments and organic pollutants.

Graphite wires sunk into an anaerobic area of sediments formed anodes, while wires formed the cathodes in the overlying oxygenated seawater. Microbes in the mud oxidise the organic compounds and

provide around 16mW per square metre of electrode.

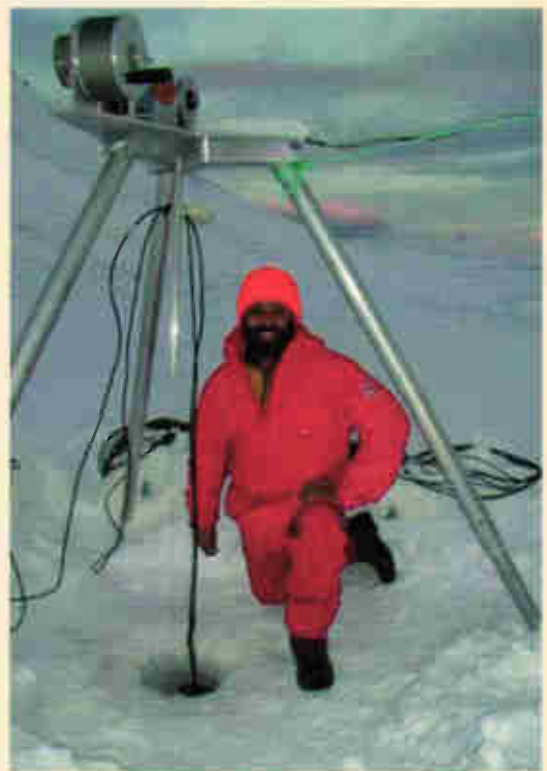
According to the scientists in the magazine *Science*, when the bacteria growing in the mud was analysed, one microbe tended to dominate – a member of the Geobacteraceae family. This is well known as an oxidiser of toluene.

Although the precise method of creating electrons is not yet known, the work could eventually lead to marine power sources and methods for reducing marine pollution.

## Satellite pictures have a resolution of less than 61cm

Satellite images with resolution of well under a metre have started to come back from the QuickBird satellite. The black and white images down to just 61cm resolution are the best commercially available. Test images of Bangkok Palace show the detail possible from the camera.

Until now such detail has been limited to military satellites. Operated by DigitalGlobe, QuickBird orbits 280 miles up in a 98 degree sun-synchronous orbit. The image swathe is over ten miles across. Full colour images reduce resolution to 2.44m.



*Deep in the ice on the island of Spitsbergen, a NASA robot is melting its way down through a glacier. The cylindrical robot reached 23m by expelling hot water at its front. Instruments on the robot measure ice characteristics, avoiding having to hoist ice cores up to a lab.*

## New laser for free-space optical links

A mid infra-red laser suitable for free space optical links has been developed by scientists at the University of Neuchâtel in Switzerland.

The quantum cascade laser (QCL) emits at 9.1µm, above the worst region for water absorption in the atmosphere. Using the laser in a free-space optical link could more than double the range of existing systems to 5km or more.

The beauty of the Swiss device is its continuous wave (CW) operation at room temperature. Current CW lasers at this wavelength need cryogenic coolant systems to operate.

In addition the QCL uses a semiconductor structure, unlike the gas lasers normally needed to reach this wavelength.

Molecular-beam epitaxy is used to grow the InGaAs InAlAs core on an indium

phosphide substrate. Electrons liberate photons as they cascade through the layered structure of the device.

The issue of heat, which usually burns such devices out, is handled by burying the laser inside the InP substrate, which is very thermally efficient. In CW mode, the QCL runs at up to 312K with an output power of 3mW. When cooled to 292K it can output 17mW of optical power.

## First portable music-player to feature hard-drive storage

SONICblue has unveiled its first hard drive-based portable music player – the Rio Riot. Designed to store an entire music collection, the Rio Riot is built around a 20Gbyte hard-drive that can hold over 5000 songs or 400 CDs worth of music.

The Riot also includes an FM tuner, lithium-ion battery and music management software. “To date, the most common feedback we’ve received regarding high capacity players is that the ability to store lots of music is great, but totally useless if you can’t find the music you want to hear, when you want to hear it,” said David Huffman, company v-p of marketing.

A 16Mbyte SDRAM buffer stores music during playback so the hard drive can be stopped to save power.



## Mass-storage flash memory density looks set to overtake DRAM

Flash memory is set to overtake DRAM as the density driver in the memory market, according to Chang-Gyu Hwang, chief executive of Samsung Semiconductor’s memory division.

In a speech at this year’s ISSCC, Hwang concluded that Moore’s Law is set to continue for at least ten years, but that the drive to smaller, faster, cheaper memory chips will be led by mass-storage flash memory.

Flash is riding the technology curve far more aggressively than DRAM, said Hwang. If current trends continue, NAND flash densities will overtake DRAM shortly after 2005.

Hwang also pointed out that as servers, PCs, set-top boxes, games and networks demand different

specifications, then the memory market will become more diversified. Bandwidth, latency, system performance, power and other metrics vary with each sector.

Other predictions made by Hwang include that servers will drive high density DRAM, 512Mbit DRAM will be widely available this year, while 16Gbit DRAM will hit the shelves within ten years, and that 1V DRAM will arrive within three years.

Technical innovations in the coming decade will include a shift to smaller memory cells in DRAM and flash, with areas of  $4F^2$  (four times the minimum feature size squared) compared to today’s  $8F^2$  and  $6F^2$  cells. Multi-bit cell will also become more common, Hwang claimed.



A 3D virtual glove has been shown off by US firm Essential Reality, which it claims will replace the mouse and joystick. The P5 is particularly suited to games with their 3D interfaces, said the firm. The glove uses a USB interface to communicate hand and finger movements to the PC. Cost is expected to be under \$150 when it is released later this year.

*This children’s development toy, created by Michael Cohen from Brunel University, has won the Toy Design Awards. Called the Rock ‘n’ Roll Ball, the toy has infra-red sensors in its 12 legs that allow it to create different musical notes when it is handled or placed on different surfaces. Fisher-Price, which organised the competition, said it is testing the ball and is planning for a Christmas 2004 release.*





## New micromachining first: a chain and sprocket

Albuquerque's Sandia Labs, famous for its micromachining stunts, has made a micro drive chain and sprocket set.

The lab is proposing chains to replace multiple motors in micro-

electromechanical systems (MEMS). "All those drives take up a lot of real estate on chips," said Sandia technician Ed Vernon, who has a patent on the microchain.

Vernon fabricated a chain, rather

than a belt, because belts are spring-like and produce too much torque on gears not aligned in a straight line. Each chain link can flex  $\pm 52^\circ$  with respect to the preceding link without putting force on the support structure.

The longest unsupported span is  $500\mu\text{m}$ . A microchain tensioner is needed to moderate longer stretches.

Sandia's Summit IV and Summit V processes were used in construction.



## Quick draw mobile phones

Mobile phones of the future will come in holsters containing methane powered fuel cells, if US technology firm Manhattan Scientifics has its way.

The fuel cell specialist has been awarded a patent covering a holster style design for charging mobile phones from its methanol and water powered cell.

Manhattan reckons the technology can also be used to power other mobile equipment such as laptop PCs, camcorders and power tools. Moreover, the firm reckoned the cells can be manufactured cheaply on a plastic film in a reel-to-reel process.

## Digital oscilloscope has 5GHz front end

LeCroy has introduced a new 5GHz machine right at the top end of the digital-storage oscilloscope tree.

To achieve its 10Gsample/s per channel performance, the company has had three custom silicon-germanium chips made by IBM. These are a 5GHz adjustable-gain front-end amplifier, a 10Gsample/s

8-bit flash A-to-D converter and a trigger chip.

Its four channels can act independently at 10Gsample/s each or be combined as two pairs, providing 2 by 20Gsample/s channels.

Possibly the most impressive feature of this machine is its high

speed sample acquisition memory. A whopping 24Msamples per channel can be acquired, even at full speed.

To keep screen update rate high, LeCroy has created a new internal architecture that passes data from the acquisition memories to the main processor bus in packet form through two 100Mbyte/s Ethernet links.

Once on the main bus, data is passed directly to the cache memory of the Pentium III-class processor for display processing.

40 automatic measurements can be made on waveforms, and user-defined routines can be added to this list. \$70 000 and it's yours.



### WaveMaster specifications

- 4 channels
- 5GHz/chan bandwidth
- 10Gsample/s/chan. (20 in 2-channel mode)
- 24Mpoint/chan. memory (48Mpoint/chan. in 2-channel mode)
- 5GHz trigger bandwidth
- 26cm 800-by-600 colour LCD
- 26 math tools
- 40 auto measurement tools
- Cost – around \$70 000

Now with  
Atmel AVR model  
and  
C language debugging

# PROTEUS VSM

Virtual System Modelling

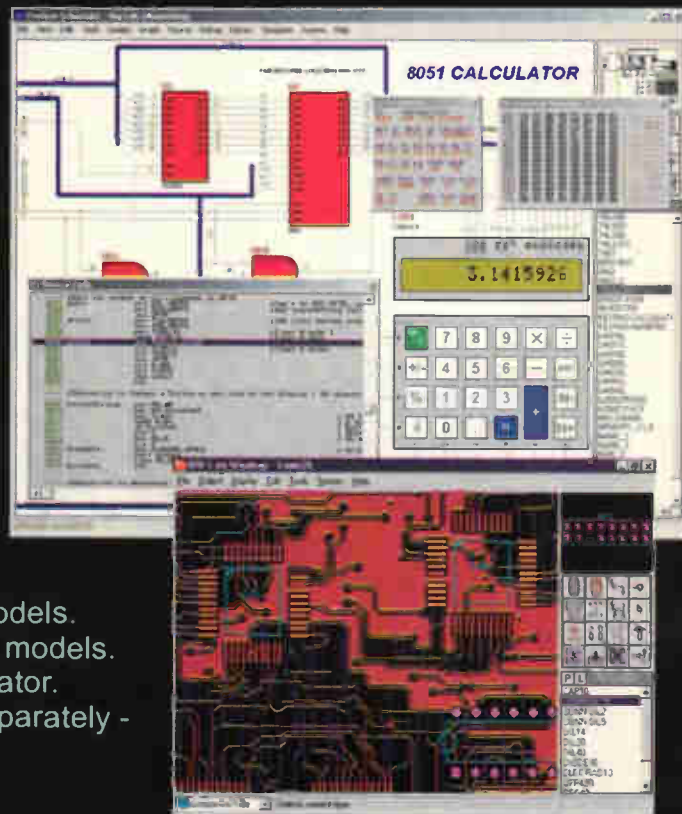
Build It In Cyberspace

[www.labcenter.co.uk](http://www.labcenter.co.uk)

CIRCLE NO. 105 ON REPLY CARD

**Develop and test complete micro-controller designs without building a physical prototype. PROTEUS VSM simulates the CPU and any additional electronics used in your designs. And it does so in real time. \***

- CPU models for PIC and 8051 and series micro-controllers available now. 68HC11 coming soon. More CPU models under development. See website for latest info.
- Interactive device models include LCD displays, RS232 terminal, universal keypad plus a range of switches, buttons, pots, LEDs, 7 segment displays and much more.
- Extensive debugging facilities including register and memory contents, breakpoints and single step modes.
- Source level debugging supported for selected development tools.
- Integrated 'make' utility - compile and simulate with one keystroke.
- Over 4000 standard SPICE models included. Fully compatible with manufacturers' SPICE models.
- DLL interfaces provided for application specific models.
- Based on SPICE3F5 mixed mode circuit simulator.
- CPU and interactive device models are sold separately - build up your VSM system in affordable stages.
- ARES Lite PCB Layout also available.



labcenter  
Electronics

\*E.g. PROTEUS VSM can simulate an 8051 clocked at 12MHz on a 300MHz Pentium II.

Write, phone or fax for your free demo CD - or email [info@labcenter.co.uk](mailto:info@labcenter.co.uk).  
Tel: 01756 753440. Fax: 01756 752857. 53-55 Main St, Grassington. BD23 5AA.

## Still not enough electronics graduates

Numbers of electronics graduates are expected to continue to fall short of industry needs, as college entrants move to arts and media subjects.

This conclusion comes from industry representatives as the number of students taking science and engineering subjects drops, despite a five per cent rise in university admissions this year, according to figures from UCAS.

For HND electronics the figures are worst, with a drop of 25 per cent in college entrants, while those starting degrees in electronics dropped several per cent as a percentage of the total.

Similar figures afflict other engineering subjects, maths and the physical sciences.

"It's a real concern for the electronics sector that potential supply in the labour market is declining at such an alarming rate," said Anthony Parish, director general of the Federation of the Electronics Industry (FEI).

"It's particularly disappointing given that, despite tough market conditions worldwide, demand for the right skills remains high," he added.

The Institution of Incorporated Engineers' head of professional development, Katy Turff, said: "It is disappointing that there's this continued decline in people going into engineering."

According to Turff, the newly formed Engineering and Technology

Board (ETB) will lead efforts to persuade more students to take maths and science subjects at school, leading to engineering at college.

"If the Board is successful we should see a reversal of this trend over the next few years," she said.

The ETB came into being this year, and was spun out of the Engineering Council to deal specifically with the promotion of engineering.

Science and engineering are suffering at the expense of 'trendy' subjects such as media studies, business and computer science. In fact six times as many people take either business management or computer science degrees as take electronics.

## So, you thought that your 2GHz Pentium was fast...

Blue Gene, the most powerful number cruncher under construction, has spawned a progeny.

To be called Blue Gene/L, it will be a 200Tflop machine – the original aims at 1Pflop – jointly developed with the US Lawrence Livermore National Laboratory.

IBM designed and is funding the original BlueGene to calculate how proteins fold into the special shapes that make them biologically active.

"Our initial exploration made us realise we can expand our Blue Gene

project to deliver more commercially viable architectures for a broad customer set, and still accomplish our original goal of protein science simulations," said Mark Dean, vice-president of systems at IBM Research.

Researchers plan to use Blue Gene/L, which should be finished by 2005, to simulate explosions, fires and the aging of materials, said IBM.

IBM and Livermore have worked together before, most significantly on the ASCI (Accelerated Strategic Computing Initiative) program. IBM

built ASCI White, the most powerful computer yet finished, for Livermore.

"Up until now, ASCI supercomputers have been designed to address the entire spectrum of numerical simulations required of the [nuclear] stockpile stewardship effort," said David Nowak, ASCI Program Leader at LLNL. "Blue Gene/L can address an important subset of those computational problems."

Unlike ASCI White, BlueGene is more calculator than general purpose computer.

## New package adds just 0.1mΩ to Mosfet on resistance

Cutting the package resistance of power Mosfets is a big driver for designers, so International Rectifier's 0.1mΩ design is something of an achievement.

IR's UK design team in Surrey carried out the development work that aims to double power densities.

The DirectFET package places the Fet upside-down inside a metal can, which forms the drain of the device. The source and gate on the top of the die – the base of the package – connect directly to the circuit board.

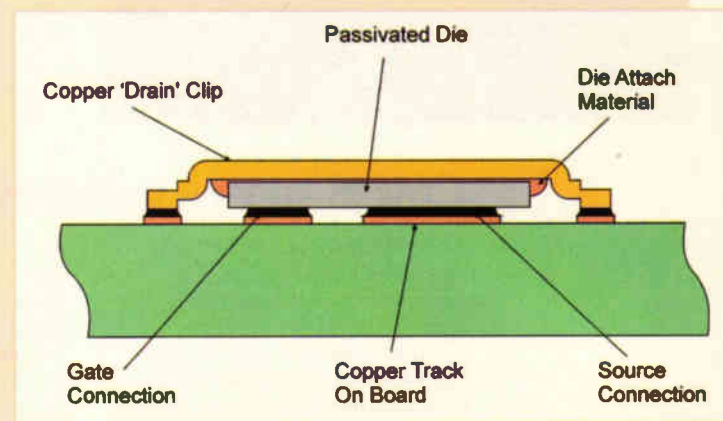
The firm claimed that a pair of the devices is enough to control a 30A DC-to-DC converter, which doubles power density over traditional SO-8 packaged Fets.

The team designed the package in this way to allow heat to be taken out of the device through the top, via a heat sink or chassis connection. "Today a lot of heat goes into the PCB and the board is saturated from the heat," said Odile Ronat, director of marketing at IR.

The large connection area to the drain substrate dramatically reduces the thermal resistance of the package to about 3°C/W. Similarly the base of the package has thermal resistance of 1°C/W or less, much lower than the SO-8's 20°C/W.

"We can remove 50 per cent more heat through the top of the device than the SO-8," said Ronat.

Four devices are available from IR in the DirectFET packaging,



two with 20V breakdown and two at 30V. One of each of the devices can source up to 28A with  $R_{DS(on)}$  of 2.8mΩ and are aimed at the synchronous FET position in a converter.

The two 14A devices for use as the control FET have higher  $R_{DS(on)}$  of 8 and 10mΩ, but offer better – i.e. lower – gate charge of 5nC or less.

The 0.7mm high devices contain no lead or bromide, said IR.

## International Solid-State Circuits Conference report

## 51GHz VCO in CMOS

At this year's International Solid State Circuits Conference, a team of engineers from Infineon outlined a 51GHz voltage-controlled oscillator made entirely in CMOS.

VCOs are an integral part of communications systems, but are becoming increasingly harder to

design as systems move to higher frequencies. Marc Tiebout from Infineon pointed out that to reach 51GHz would normally require an exotic process technology, such as gallium arsenide or silicon germanium, rather than standard CMOS, albeit a 0.12µm process.

Tiebout's design uses metal layers four to six to form a three winding, centre tapped inductor, while NMOS transistors form the varactor.

The 0.5 by 0.9mm chip is dominated by pads – the core is just 60 by 40µm. From a 1V supply the circuit has a power consumption of 1mW.

## Organic LEDs break new ground

An organic LED microdisplay was the subject of a paper presented by display company eMagin and chip designer Tality at the International Solid-State Circuits Conference (ISSCC) in San Francisco.

Organic LED (OLED) displays, as soon as the technology is reliable enough, will be a competitor to emissive colour LCDs.

The eMagin display is a silicon backplane device with a chip supporting the display material and providing drive and control logic.

Like all LEDs, organic LEDs have to be driven with a fixed current to get a fixed brightness. This differs from just about every other display technology, where brightness is dependent on pixel voltage.

This means that OLED display makers have to make up their own drive schemes as they go.

eMagin was faced with a particularly difficult drive problem because its extremely small pixels run at around 1nA – too low for reliable delivery by traditional MOS current sources operating in their saturation region, said the conference speaker.

To get over this the companies developed a sub-threshold driver where current sources operate in the sub-threshold region where they are almost off.

Controlling their gates in this mode is a tricky business and the engineers developed an ingenious self-adjusting sample-and-hold scheme to set the current.

The final driver reliably delivers currents between 250pA and 25nA per pixel.

Overall the display has 853 by 600 colour pixels covering 16 by 14mm.

The 10-million transistor chip

consumes 200mW and is made with conventional 0.35µm 3.3V CMOS.

Each column of pixels has a driver like this. Rows of pixels are loaded simultaneously. A current signal depending on the required pixel brightness sets the current mirror on the left hand side of the diagram to draw an appropriate current down the column bus.

In the sample phase, transistors  $M_2$  and  $M_3$  are on, and  $M_4$  is off. As all the other rows are off, this configuration forces the column current to be drawn through gate capacitor  $C$  and current source  $M_1$ . Capacitor  $C$  charges until the gate voltage of  $M_1$  sets the current source exactly to the bus current. The circuit has automatically set itself to supply the right current.

In hold mode,  $M_2$  and  $M_3$  turn off, fixing the gate voltage and therefore the current in  $M_1$ . Transistor  $M_4$  turns on and directs the current to the pixel.

To get the settling time right in hold mode, it was found that 100 times the pixel current had to be set in  $M_1$ . A step voltage, the right height to divide the source output by 100, is applied to the other side the capacitor during hold to compensate for this.



## CMOS sensor replaces film in SLR cameras

A CMOS image sensor, aimed at replacing film in standard, unmodified SLR camera bodies, has been developed by STMicroelectronics in Edinburgh. The firm hopes the device will allow it to break into the high performance digital stills camera market, at present dominated by CCD sensors.

Described at ISSCC, the sensor combines a 1808 by 1120 pixel array with an RGB colour filter. On-chip processing allows three frames a second to be output by the device.

However, operating in a conventional camera constrains the

sensor to work with the camera's shutter, thus its only knowledge of when a picture is being taken is when the shutter opens.

Rather than waiting for the shutter to open and then starting to integrate, the ST sensor continuously integrates, resetting on a regular basis if no light is present. During the time the camera's shutter is open, the reset pulses are inhibited.

To detect the opening of the shutter and inhibit reset pulses, 16 pairs of photo-transistors are arranged around the edge of the array. In case no light hits the edge, regular samples are also

taken from various points on the array itself. This is possible because the read from a pixel is non-destructive.

While the shutter is closed, the device's power consumption is under 250µW.

Because the sensor has to mimic 35mm film it is much larger than normal – the array itself is 36 by 22mm. Therefore several die are stitched together, the array being formed from two halves, while the analogue readout, shift registers and pads are made on another die. Only metal lines run across the boundary between die.

## Single-inductor, multiple-output switching PSUs

A development of a power supply topology first aired at last year's ISSCC was the subject of a paper from two Hong Kong universities at this year's conference.

The topology is called single-inductor, multiple-output (SIMO) and is a way to save cash and space by sharing an inductor, switching it between outputs one at a time.

SIMO regulators have a major shortcoming. Unless carefully controlled, a variable amount of current is left in the inductor at the end of an output's cycle. This gets passed to the next output and causes output interaction.

One method to prevent this interaction is to ensure current is always zero when the inductor is passed on.

This is called discontinuous mode operation, and unfortunately increases system noise and losses as higher peak currents are needed in the inductor to transfer a given amount of power.

In the new circuit, the extra switch is added across the inductor of a

discontinuous-mode SIMO regulator.

This is used to short out the inductor and maintain a fixed current after the output has finished using it. The same current is always passed on, so there is no output interaction, and current always flows in the inductor, so noisy and lossy

discontinuous operation is avoided.

A 550mW regulator was made on 0.5µm standard 3.3V CMOS. Power efficiency is 85 per cent at 310mW with 1.2-2V inputs and outputs at 2.5 and 3V with 20mV and 25mV ripple respectively. Operating frequency is 1MHz.

### What's that you're wearing?

Poma, the first wearable consumer computer from Xybernaut, got its public airing at the 2002 Consumer Electronics Show in Las Vegas. Based on Hitachi's SuperH 32bit 128 MHz Risc processor, it includes a Compact Flash slot, USB port, 32Mbyte RAM, 32Mbyte ROM, a custom optical mouse and a removable internal rechargeable battery. The 300g device runs Windows CE and includes instant on/off Internet, said Xybernaut. Hitachi contributed to development, has licensed the concept, and will also be making wearable computers. Poma costs \$1499 in the US. For this you get the computer itself and the head-mounted display.



### Researchers patent new organic LED enhancement

A new manufacturing process for organic light-emitting diodes, or OLEDs, has been developed and patented by Princeton University.

The technique extends the organic vapour-phase deposition (OVPD) process used to manufacture OLEDs by using low pressure gas. Atmospheric pressure OVPD can lead to rougher surfaces than desired, while the low pressure version produces smoother surfaces, essential for flexible substrates.

US flat panel display firm Universal Display Corporation (UDC), which developed the flexible OLED pictured, is expecting to use the process. ■

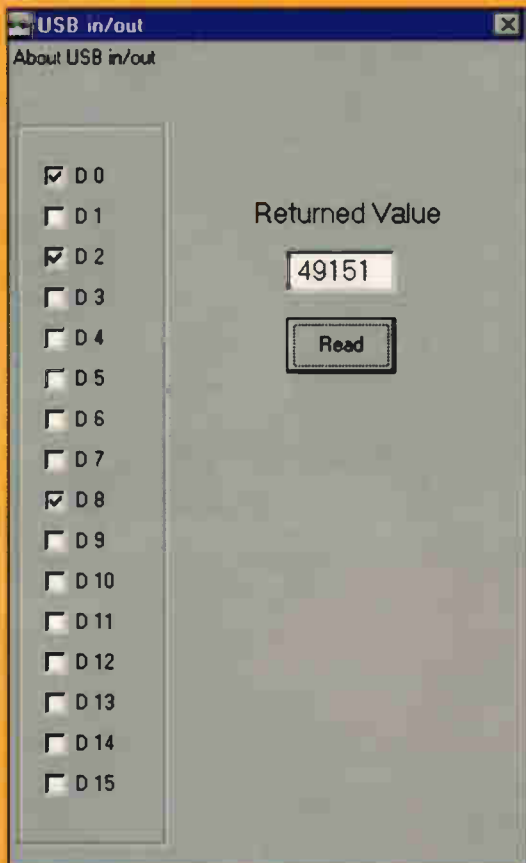
19.2k, easy installation  
mobility, license exempt,  
world wide approval  
no cabling....

Everyone is  
thinking about  
transmitting data  
by radio  
... are YOU?

[www.xls.co.uk](http://www.xls.co.uk)  
01883 622778

XL Systems Ltd

# 16-bit i/o via USB



## Programmable logic: an overview

I've dealt at length with Lattice programmable logic devices in two earlier articles in the February 1999 and November/December 2000 issues. For those of you who are unfamiliar with programmable logic, they represent a very attractive way of getting from logic idea to logic hardware.

All you have to do is enter the circuit using free software from Lattice, compile a file from the circuit, and download the file to the programmable logic device. Though free, the software is large – several tens of megabytes – and you'll need to apply for a licence. This can be done automatically and painlessly at the Lattice web site: <http://www.latticesemi.com/>.

**Colin Attenborough** has abandoned his love affair with the printer port and cosied up to USB instead. Here he shows how data can be received and sent via a USB port. Colin demonstrates how, with the aid of a programmable logic device and a USB interface module, you can make a 16-bit input and output port, controlled using Visual Basic.

**W**hy did I move over to USB for interfacing? Well, the newer Microsoft operating systems don't allow programmers to write to the printer port using `_outp(<printer port address>, <data>)`. That spoils the fun of those of us who like to get data into and out of PCs on the cheap.

Of the alternative i/o methods available, USB is an attractive approach from the user's point of view. But is complex from the interface and hardware viewpoint – and remember that it's not available under Windows NT.

## An easy way into USB

The FT8U245AM integrated circuit from Future Technology Devices International (<http://www.ftdichip.com>) contains the core circuitry for a USB interface. This IC is at the heart of the DLP-USB1 module made by DLP Design (<http://www.dlpdesign.com/>), and available through FTDI.

Costing a little less than £30 at the time of writing, this module allows the transfer of data through the USB port using a first-in-first-out-like structure. Its connections are on a 0.1in grid, allowing use by those of us lacking 20:20 vision.

Note that the pins of the module are sized for perforated boards rather than IC sockets. This article uses the module rather than the chip.

## Software options

FTDI offers two software approaches; the device can be addressed as if it were attached to a serial port, if 'virtual com port', or VCP, drivers are used. Alternatively, a dynamic-link library (DLL) allows direct drive.

Anticipating that you may want to use Visual Basic in conjunction with the module, and mindful of the fact that the cheaper versions of Visual Basic don't allow control of the serial ports, I've chosen to use the direct drive approach. FTDI also provides royalty-free USB port drivers for Windows 98 and Windows 2000.

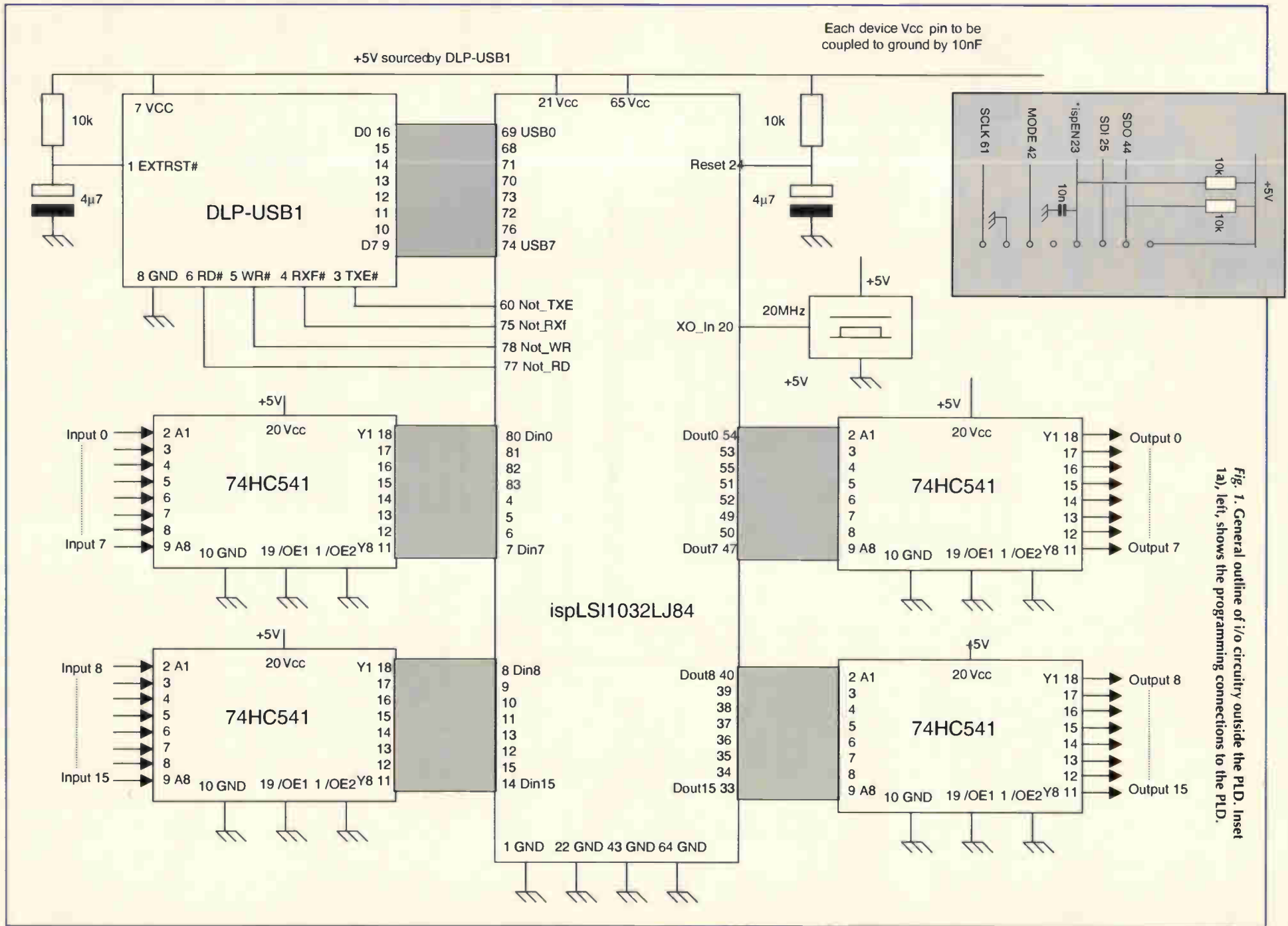


Fig. 1. General outline of i/o circuitry outside the PLD. Inset 1a), left, shows the programming connections to the PLD.

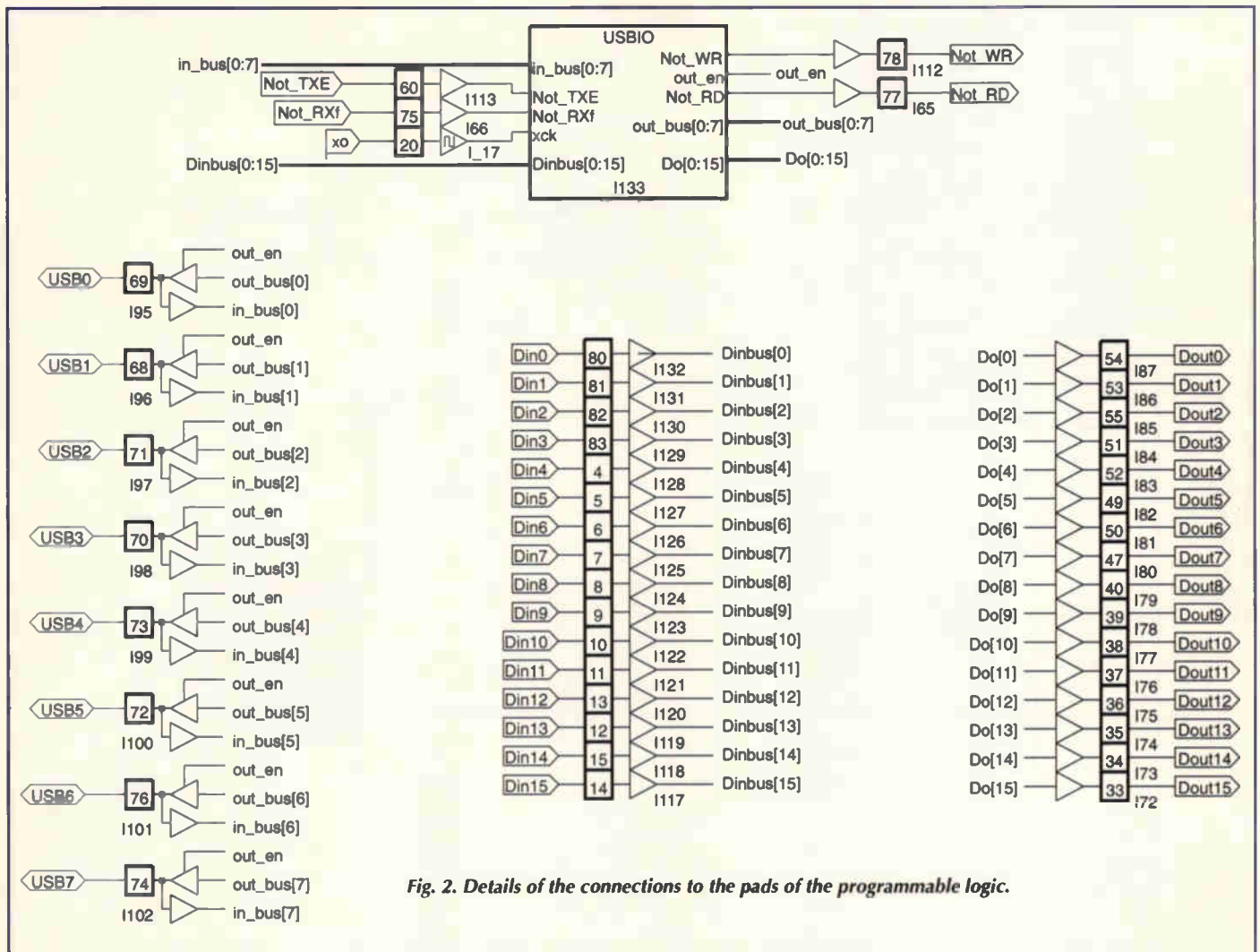


Fig. 2. Details of the connections to the pads of the programmable logic.

**DLP-USB1 module connections**

The module accepts a standard USB cable, and provides 5V and data signals to the computer.

**Power to peripheral.** 5V and 0V are provided, derived from the PC's power supplies; up to 500mA can be supplied to a peripheral.

**Reset.** The EXTRST# input resets the device when taken low.

**Data i/o.** Eight tristateable lines carry data in and out of the module. Activity on these lines is controlled by the four following lines.

**Data from PC ready.** RXF# is an output that goes low to show that data are present in the first-in-first-out register's 128-byte receive buffer.

**Acknowledge data from PC.** When RXF# has gone low, data may be read from the data i/o lines of the module by taking the RD# input low for at least 50ns. The data i/o lines then become outputs, and data can be read from them. They return to the high

impedance state when RD# is taken high again; RXF# returns to logic 1 in response to RD# rising.

**Read data from peripheral.** The module's WR# input is normally high. When taken low, it reads data on the module data i/o lines into the first-in-first-out register's 384 byte transmit buffer.

**Transmit-buffer full.** When the transmit buffer is full, the TXE# output goes low. This must be used to inhibit the writing of further data to the module.

**Using the module**

Having sung the praises of the module, I must admit that the interface provided is most appropriate to a system using a microprocessor. I set out to provide simple 16-bit input and output without recourse to a microprocessor, using a programmable-logic device (PLD) instead.

**Writing from the PC to the peripheral.** When RXF# goes low,

the PLD line holds RD# low for four clock cycles. Data from the USB module are latched during the third of the four clock cycles.

We want 16 output bits, but the bus from the module carries only eight. To get the 16 bits in the correct positions, I've chosen to send four words, with the lower nibble (four least-significant bits) as the data proper. The most-significant nibble is an address field that determines which of four four-bit latches stores the data proper.

Output from the four-bit latches can't be used directly. This is because the four-bit sections arrive sequentially rather than simultaneously. To ensure simultaneous changes in all output bits, a 16-bit register follows the four-bit registers, and is updated after data have been latched into the last of the four-bit registers.

**Writing from the peripheral to the PC.** To read from the peripheral, the PC must make the module's WR# input go low, once for each byte to be read. Take care to avoid the tristate lines of the PLD, and of the module,



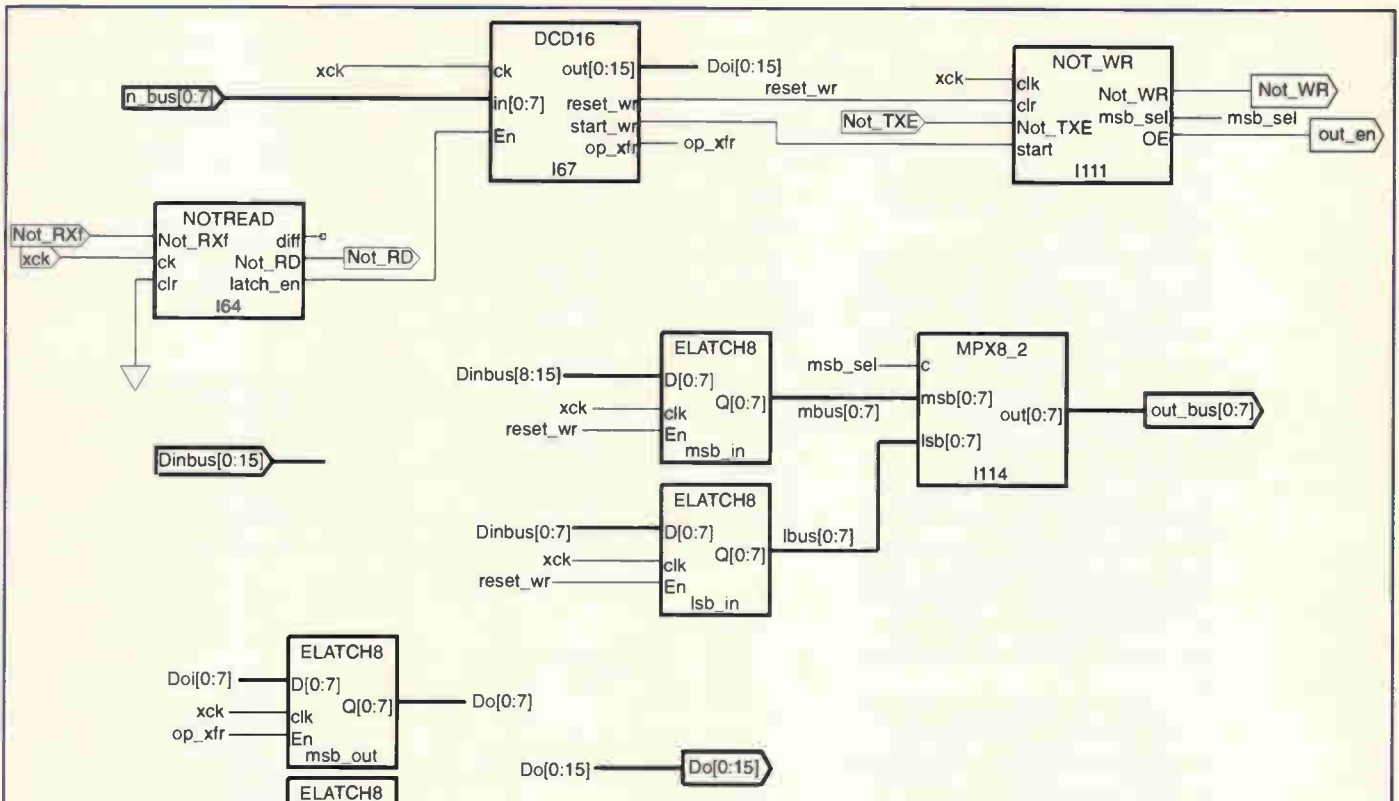


Fig. 3. PLD components for handling USB interfacing.

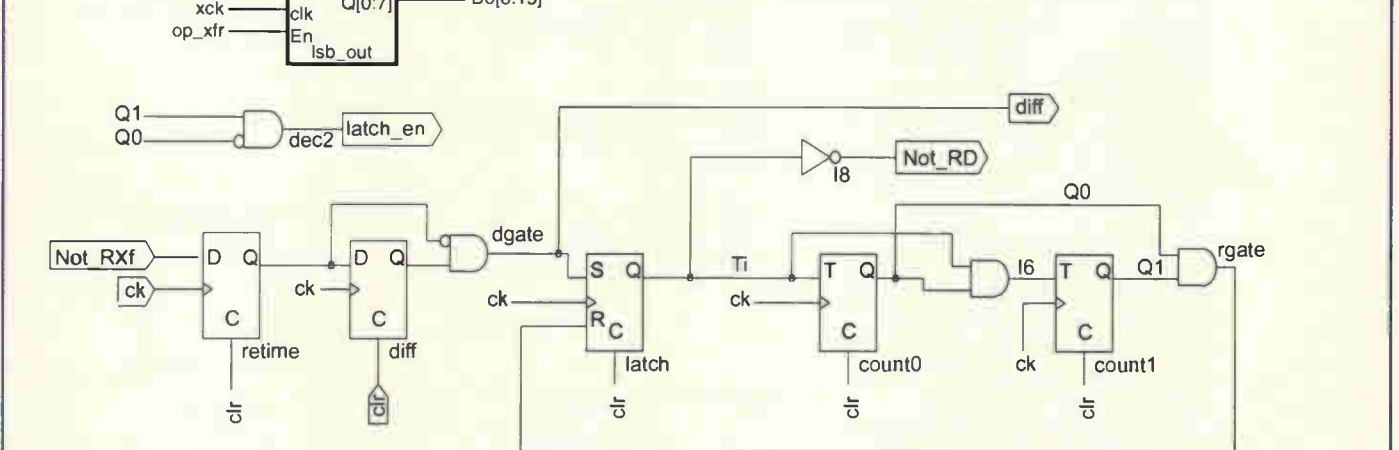


Fig. 4. The 'NotRead' area of the PLD. This circuit section responds to a low state on RXF# by generating a low level on RD# and providing a pulse to enable latches to catch data on the data bus.

both being in the output state at the same time.

A series of D-type flip-flops gives the necessary delay between sending the read instruction and the peripheral putting data on the module's i/o bus. At the start of the process, the 16 bits are latched into a register.

An eight bit wide multiplexer selects the bits eight at a time for feeding to the module's output; two read cycles (logic 1 to logic 0 transitions on WR#) are needed to transfer all 16 bits.

**Circuitry outside the PLD**

Figure 1 shows the general outline of the circuitry outside the PLD: Fig. 1a)

shows the programming connections to the PLD.

Power for the interface comes from the PC via the DLP-USB1 module. A 20MHz oscillator module provides a clock signal for the PLD.

On the assumption that, in the case of mishap, it's better to frazzle something cheap rather than something expensive, the inputs and outputs of the interface reach the PLD through 74HC541 buffers.

**Details of the PLD**

I've used a Lattice Semiconductors ispLSI1032E device; it has the necessary number of inputs and outputs. Also, when inserted into an

appropriate socket, it has a 0.1 in pin-out like the module.

Figure 2 illustrates the 'Top\_pads'. This level of the circuitry shows only the connections to the pins of the device. Representing the complexities of the circuit as the next layer down in the hierarchy allows a clearer view of the function of the circuit without the distraction of the (many) input and output connections – at least I think so...

All but one connection to the USB i/o module emerges through input and output pads to the pins of the device. The exception is the 'out\_en' signal, which controls whether the data connection to the USB module is an

input or an output.

Signals USB0 to USB7 are the bidirectional data lines to the DLP-USB1; Not\_TXE, Not\_RXf, Not\_WR and Not\_RD are the data control lines. Lines Din0 to Din15 and Dout0 to Dout15 are the interface's input and output lines respectively.

Figure 3 shows the USB i/o section. This circuit shows the top-level circuit elements and their interconnections. The function of the 'NotRead' circuit area, Fig. 4, is to respond to a low state on RXF# by generating a low level on RD# and providing a pulse to enable latches to catch data on the data bus.

The D-type flip-flop labelled 'retime' guarantees a pulse at least one clock pulse wide at the input of 'diff'. A one clock pulse wide signal is generated by 'dgate' at the falling edge of the 'diff' output. This sets 'latch', outputting the Not\_RD signal and allowing the four-state counter 'count1' and 'count2' to run.

Now that Not\_RD is low, valid data are output on the module's bus. To catch the data while it's valid, the signal latch\_en is generated by gate 'Dec2', which decodes state 2 of the counter (numbering the states 0 to 3). State 3 of the counter is decoded by gate rgate and used to reset latch, sending the Not\_RD signal back to logic 1.

In the DCD16, Fig. 5, data on the bus are latched by the latch\_en output of NotRead. Gates 'dec1' to 'dec5' decode the upper four bits of the data on the bus in(0:7).

During the latch\_en pulse, one of the four four bit latches '11' to '14' is enabled, capturing at its output the data the lower four bits on in(0:7). For example, if the four most significant bits are 0010<sub>2</sub>, this is decoded as 2 by gate 'dec2', and latch '12' is enabled.

The Visual Basic software that drives the interface is configured so that bits 0 to 3 of the 16 bit output are stored in latch '11', bits 4 to 7 in '12', bits 8 to 11 in '13', and bits 12 to 15 in '14'.

Gate 'dec4\_1' provides the pulse

which transfers the outputs of '11' to '14' to the 16-bit output latch. Gate 'dec5\_1' provides, via a series of D-type flip-flops to provide delay, clear and start pulses to the not\_wr area of the circuit.

In the Latch4 circuit element, shown in Fig. 6, there are four D flip-flops with enable inputs. A two-input AND gate feeds the enable input, so that the flip-flops are enabled when the latch\_en pulse and the decoder gates 'dec1' to 'dec4' output logic 1s.

There are four locations where the Elatch8 circuit of Fig. 6 is used – to latch the 16 bits of data into the PLD, and to clock out the four nibbles of data so that all data at the PLD output change simultaneously. The circuit of this element is simply a group of eight

D-type flip-flops with enable and data inputs. These have common clock and enable signals.

The last section of Fig. 6 is Mpx8\_2. To select which of the bytes of input data from Elatch8's 'msb\_in' and 'lsb\_in' inputs is fed to the USB module, an eight-pole two-way switch is needed. This function is provided by Mpx8\_2. It consists of eight two-to-one multiplexers with a common control line.

### Sending data to the PC

Writing the data from the peripheral to the USB module is controlled by the not\_wr area of the circuit, Fig. 7. Writing data with the most-significant nibble set to five generates two pulses. The first goes to the clr input and the

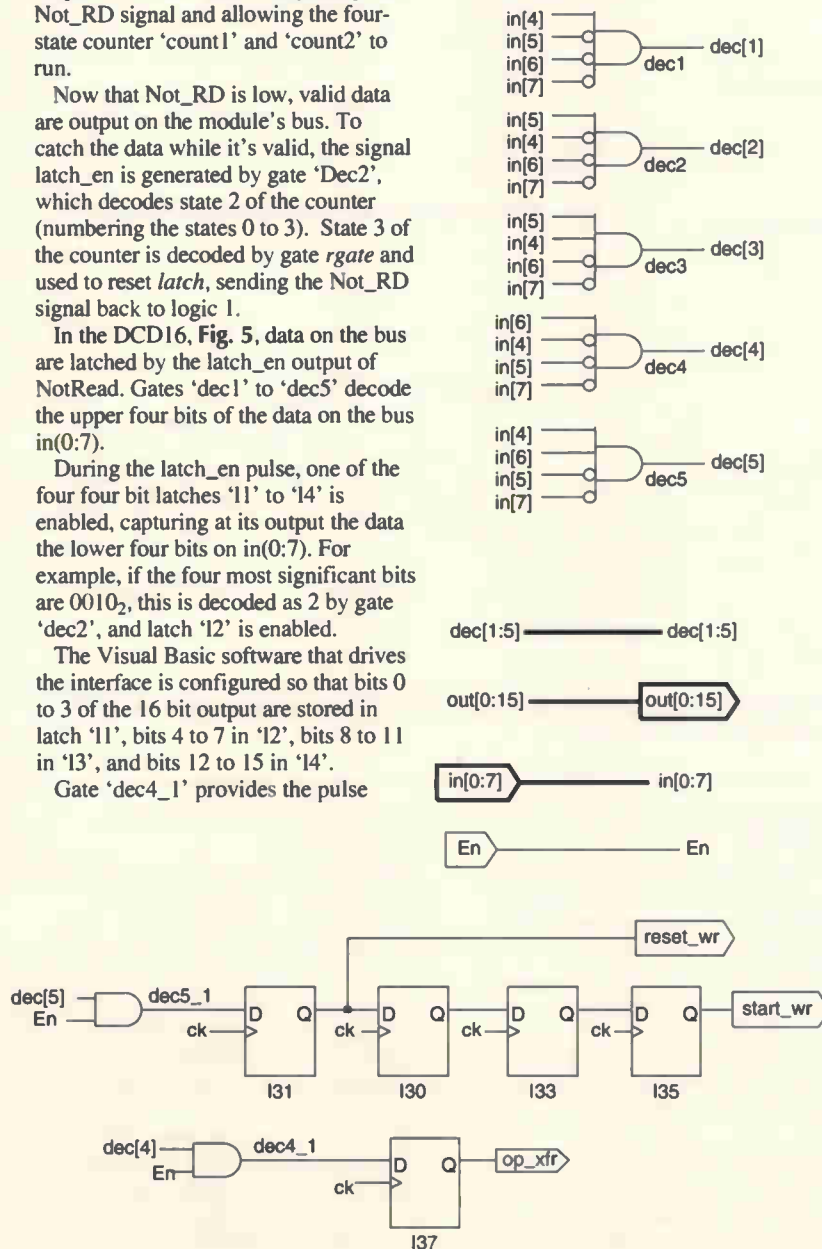
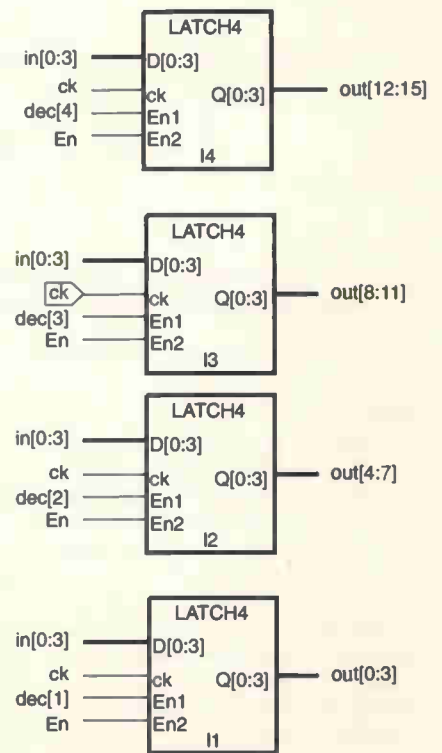


Fig. 5. In the DCD16 section of the PLD, data on the bus are latched by the latch\_en output of NotRead. Gates 'dec1' to 'dec5' decode the upper four bits of the data on the bus in(0:7).



second to the start input of not\_wr.

The clr signal resets not\_wr; it also latches input data into the Elatch8's 'msb\_in' and 'lsb\_in' inputs. The start input sets 'latch', allowing the counter composed of 'count1', 'count2' and 'count3' to run.

Setting 'latch' also puts a logic 1 on the OE output, which sets the tristate gates connected to the USB module's data lines in the output state. The connection to Not\_TXE inhibits the counter if the transmit buffer overflows.

The second clock pulse to the counter – after it has been enabled – generates a falling edge on the Not\_WR output; this is fed to the WR# input of the USB module, reading data on its data lines into its transmit buffer. At that time, the data are the least significant byte of the data being read, fed through the mpx8\_2 circuit.

Two further clock pulses return Not\_WR to logic 1, and also send msb\_select high. This drives the mpx8\_2 module, putting most significant byte of input data on the USB module's data lines. After two further clock pulses, Not\_WR again falls, and data are written to the USB module.

When the counter reaches the all-ones state, the next clock pulse resets 'latch', inhibiting the counter and returning the Not\_wr circuit to its initial state.

**Software**

There are three items of software to be considered; the USB drivers, the dynamic link library, or DLL, and the Visual Basic user-interface software. The DLL is called 'Ftd2xx.dll'. It adds the USB related functions, which can be called from Visual Basic.

The first two items can be downloaded from FTDI's web site.

**How to obtain the software**

A copy of the necessary Visual Basic and PLD software can be obtained by free of charge by e-mailing electronics.world@ntlworld.com. This does not include the source code. Bear in mind though that the files are 2.2Mbyte. Alternatively, you can receive a CD containing these files by sending £7 to 16bit i/o, Electronics World, Cumulus Business Media, Anne Boleyn House 9-13 Ewell Road, Cheam SM3 8BZ. The source code is available on CD for £25 fully inclusive. All remaining software is available from the web site: <http://www.ftdichip.com>

The DLL is embedded in the object-code version of the software; in the source code, it is already provided and in the correct position relative to other files. The USB driver must be downloaded from the ftdi web site.

The Visual Basic section doesn't so much draw heavily on the code sample on the FTDI web site; to paraphrase Terry Pratchett, it more scribbles all over it.

On the output side, the Visual Basic user interface consists of 16 check boxes to decide the state of the 16 output lines. Changing any of the 16 check boxes sends a series of four bytes out of the PC's USB interface.

Data are represented as a series of characters. As stated in the 'Details of the PLD' section, under DCD16, the first byte, latched into 'l1', has bits 0 to 3 as its least significant nibble, and 1 as its most significant nibble. Similarly, the second, third and fourth bytes, to be latched into 'l2', 'l3' and 'l4' have respectively bits 4 to 7, 8 to 11, and 12 to 15 as their least significant nibbles, and 2, 3 and 4 as their most significant nibbles.

The value representing the 16 input lines is read and displayed in a label when a command button is pressed. This process is initiated by sending a byte with 5 as its most significant nibble- see the Not\_wr under the

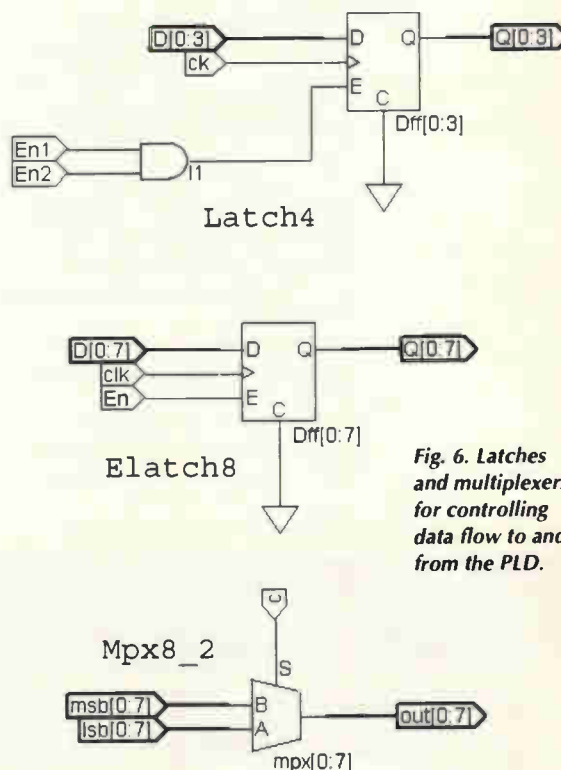


Fig. 6. Latches and multiplexers for controlling data flow to and from the PLD.

heading, 'Details of the PLD'.

Four functions are involved in the process of sending and receiving bytes via the USB module. These are called from the DLL provided by FTDI.

Firstly, FT\_Open(0, lngHandle)

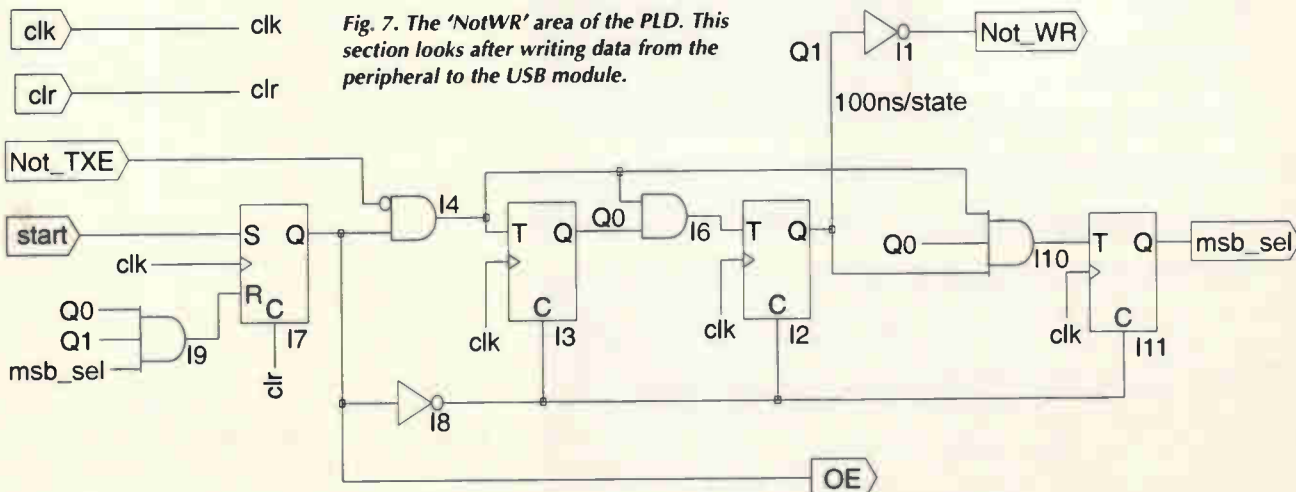


Fig. 7. The 'NotWR' area of the PLD. This section looks after writing data from the peripheral to the USB module.

opens the device, and allocates a handle called 'IngHandle' for use in subsequent communication. The actual write to the device is performed by FT\_Write(IngHandle, strWriteBuffer, Len(strWriteBuffer), IngBytesWritten). Here, strWriteBuffer is a string holding the characters representing the bytes to be sent.

The third parameter of the function is the length of the buffer, defining the number of bytes to be sent; the fourth parameter is the number of bytes which have been sent.

The device is closed by FT\_Close(IngHandle). All these three functions return the value FT\_OK if successful; failure is detected and used to open a warning message box.

Reading from the device uses FT\_Read(IngHandle, strReadBuffer, n, IngBytesRead) where 'strReadBuffer' is a string that receives the data that's been read, 'n' is the number of bytes to be

read, and 'IngBytesRead' is the number of bytes that have been read.

Bear in mind that when many bytes are being transferred rather than a few, there's something. The USB module sends data at 1ms intervals. Therefore, where there's a lot of data to be transmitted, it's important to send multi-byte strings rather than individual characters for best data transfer rate.

Whether or not you have Visual Basic on your machine, you'll need to install the USB drivers, which are for Windows 98 and Windows 2000 systems.

Extract the zipped driver file – downloaded from the ftdi web site – to a directory of your choosing (and remember where you put it...) When you first connect the interface to the computer, you'll get a "new device found" dialogue box. Browse your way to the directory where you've expanded the driver file; the system will find the necessary files and install the driver.

### In summary

Those of you with long memories or good filing systems may find yourselves referring back to the April 1997 edition of *EW*, where I achieved 16 bit input and output from the printer port, using just four CMOS ICs. The design presented here achieves the same result, but demands greater complexity. On the other hand, the output rate is higher.

Yes, maybe it's a bit like taking Concorde down to the corner shop, but this article will have achieved its purpose if it brings the DLP-USB1 module to your attention, and shows how it can be used. You may find yourself using it in designs that exploit its ability to transfer large quantities of data quickly; I certainly have something in mind.

I'm grateful to my employers, Cambridge Consultants, for permission to publish this article. FTDI must take the credit for the good bits of the software associated with this article; I take the blame for the bad bits. ■

## Ten year index: new update

[www.softcopy.co.uk](http://www.softcopy.co.uk)

**Photo copies** of *Electronics World* articles from back issues are available at a flat rate of £3.50 per article, £1 per circuit idea, excluding postage.

**Hard copy *Electronics World* index**  
Indexes on paper for volumes 100, 101, and 102 are available at £2 each, excluding postage.

## Hard copies and floppy-disk databases both available

Whether as a PC data base or as hard copy, SoftCopy can supply a complete index of *Electronics World* articles going back over the past nine years.

The computerised index of *Electronics World* magazine covers the nine years from 1988 to 1996, volumes 94 to 102 inclusive and is available now. It contains almost 2000 references to articles, circuit ideas and applications - including a synopsis for each.

The *EW* index data base is easy to use and very fast. It runs on any IBM or compatible PC with 512K ram and a hard disk.

The disk-based index price is still only £20 inclusive. Please specify whether you need 5.25in, 3.5in DD or 3.5in HD format. Existing users can obtain an upgrade for £15 by quoting their serial number with their order.

### Ordering details

The *EW* index data base price of £20 includes UK postage and VAT. Add an extra £1 for overseas EC orders or £5 for non-EC overseas orders

Postal charges on hard copy indexes and on photocopies are 50p UK, £1 for the rest of the EC or £2 worldwide.

For enquires about photocopies etc please send an sae to SoftCopy Ltd. **Send your orders to SoftCopy Ltd, 1 Vineries Close, Cheltenham GL53 0NU.**

Cheques payable to SoftCopy Ltd, please allow 28 days for delivery.

# Reader offer:

## Unique debugging monitor for RS232 comms: save £25

Laplace is offering its Earwigg serial comms debugging monitor to EW readers at £25 discount. Normally priced at £110.00 plus VAT (£129.25) in the UK, the Earwigg is available to you at a discount of 20% – a price of £88.00 plus VAT (£103.40). This represents a saving of over £25. Offer closes 7 June 2002.

This serial communications development and debugging tool provides the most powerful and easiest means to develop and debug any RS232 serial Link. It features two modes, namely standard terminal mode and 'earwigg' mode.

Earwigg mode provides non-intrusive monitoring of traffic on a serial link. The unit copes with 'unprintable' characters and allows display formats including hex, ASCII and decimal to be selected.

Unique 'Earwigg' allows you to monitor and record the traffic on a serial link, to indicate traffic content and direction, without imposing any timing problems or loading on the target link. This feature ensures that the target system operates as normal, avoiding the potential for faults to be masked by timing delays imposed by the test system.

Earwigg's software is exceptionally easy to use. You can control all the comms parameters, display formats and control strings at the click of a mouse. The 'Earwigg' hardware is provide with a 9-way D-type connectors for simple connection into the target link and host PC.

Earwigg is unique in its ability to 'listen-in' to serial traffic without affecting the target system. This makes Earwigg the ideal tool for all those involved in the development/design/test and debugging of serial comms links in industrial, communications, computing, scientific, instrumentation and laboratory environments.

### Earwigg...

Intercept and display RS232 traffic  
Data direction identified  
Non-intrusive technique.  
Copes with all standard baud rates.  
Fully Windows compatible software.

#### Benefits:

See the data: If you can see it, you can fix it!

Supplied complete with a hardware adaptor, user manual and PC software. This software run on Windows 95, 98 or 2000.



### Earwigg's specifications

Ports supported	Com 1 through to com 8.
Bit rates	150, 300, 600, 1200, 2400, 4800, 9600, 19200, 38400, 57600, 115200
Parity	None, odd, even, mark, space
Data bits	5, 6, 7, 8
Stop bits	1, 1.5, 2
Display format	ASCII, hex, decimal
End of line character	User choice
Time out delay	User choice
Transmission format:	
Bytes	Decimal, hex, ASCII
ASCII strings	Decimal and hex arrays
Controls	DTR, RTS
Capture	Free running or triggered on match
Display	Data in selected format
RS232 handshake lines	CTS, DSR, DCD, RI, DTR, RTS

### Hardware details:

Throughput delay	None
Imposed Load	100kΩ per line
Power	From host PC
Connections:	
Target link	9 way serial plug/socket
To host	1m lead with serial socket
Weight	80g

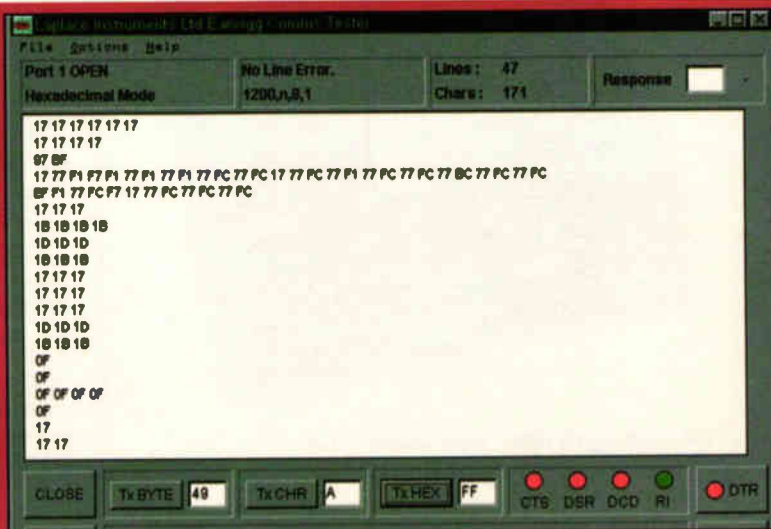
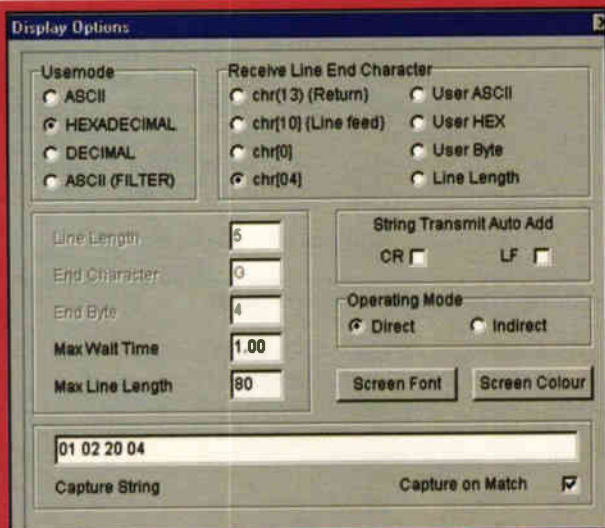
System requirements: 486 or above with Win 95, 98 or NT. At least one free RS232 port, 1.44 MB 3.5in disk drive.

### Payment details:

By cheque – payable in Pounds Sterling on a UK bank – for £103.40. By credit card, (VISA or Mastercard). Card details may be sent by post or telephoned to 01692 500 777. Shipment will be made same day as payment received.

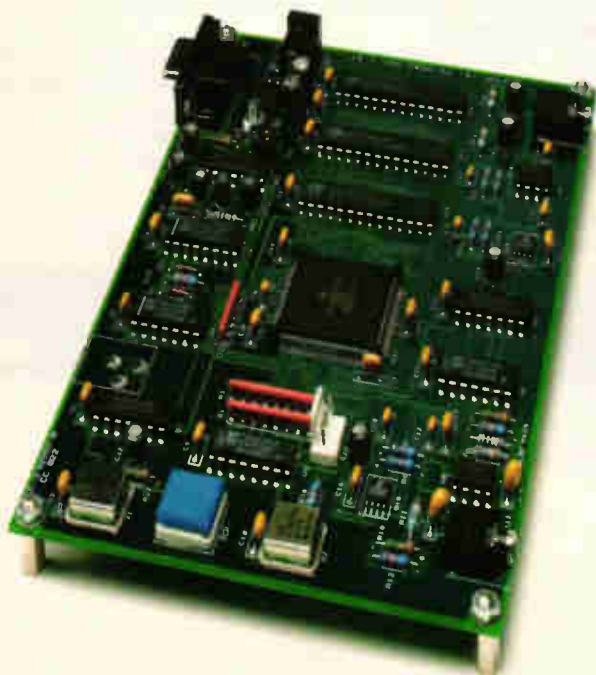
Non-UK customers please add £30.00 to cover the additional shipping costs. E-mail, tech@laplace.co.uk, web www.laplaceinstruments.com

Laplace Instruments Ltd, 3B Middlebrook Way, Cromer, Norfolk, NR29 9JR UK  
Telephone +44 (0) 1263 51 51 60 fax to +44 (0) 1263 51 25 32



# Advanced filter design

Using the RTDF as an example, Patrick Gaydecki explores the benefits of digital filters over their analogue counterparts. Along the way, he describes how you can use a digital filter to make any old violin sound like a Strad.



The RTDF digital filter – more details on page ???

One of the most interesting points of commonality between technology and the natural world is the number of things whose behaviour can be described by 'linear system mathematics'. A few from a myriad of examples include the behaviour of a loudspeaker, the reverberations in a concert hall, the body resonance of a violin, the action of an analogue filter or the echoes of whale songs in the Antarctic ocean.

Now to qualify for the definition of 'linear', the characteristics of a system must conform to some pretty strict mathematical rules. In general though, they all boil down to a few simple properties, chief of which are stability, causality, superpositionality and uniqueness of output.

Stability is self-evident; causality means that the output must depend only on present or previous inputs. Superpositionality means that if an input consisting of the sum of a number of signals is applied to the system, the output is the sum, or superposition, of the system's responses to each of those signals considered separately. Uniqueness of output means that the system will always produce a unique output to a unique input.

We could go on like this, but you probably have the picture by now.

Just because a system is linear, it does not necessarily follow that its behaviour is simple; indeed, many of the finest brains in physics are still trying to understand why an acoustic guitar sounds the way it does. But, no matter how complex linear system become, they are *all* united by a single equation that encapsulates their response. It is called the convolution integral, and looks like this:

$$y(t) = \int_{-\infty}^{\infty} h(\tau)x(t - \tau)d\tau \quad (1)$$

where  $y(t)$  is the system's output,  $x(t)$  is the incoming signal,  $\tau$  is a time-shift operator and  $h(\tau)$  is the 'impulse response' of the filter†. What this means is that the output is obtained by mixing the incoming signal with the impulse response of the system.

What is the impulse response? Very simply, it is the way the system rings, or responds, to a very short excitation pulse – such as a voltage spike in the case of an electronic filter, or a sharp tap in the case of a bell.

Electronics engineers call such transients 'impulse functions',

---

Dr Patrick Gaydecki is a Senior Lecturer at UMIST

† For the sake of brevity, we are here working with the one-dimensional definition of the convolution integral, although the argument holds true for n-dimensional systems. Also, here the independent variable  $t$  represents time, although it could equally be any other parameter, such as distance.

and the important point here is that they should be short time events in comparison to the impulse response.

It is also worth mentioning at this stage that the impulse response can be obtained by calculating the inverse Fourier transform of the system's frequency response.

In practice, the solution to equation (1) can take many forms. It is often done digitally. In this case, it is necessary to replace the integral with a summation, to get an equation of the form,

$$y[n] = \sum_{k=-\infty}^{\infty} h[k]x[n-k] \quad (2)$$

To use equation (2) in practice, you can either use a finite impulse response, or FIR, solution, of the form,

$$y[n] = \sum_{k=0}^M h[k]x[n-k] \quad (3)$$

Or you can make use of the infinite impulse response, or IIR,

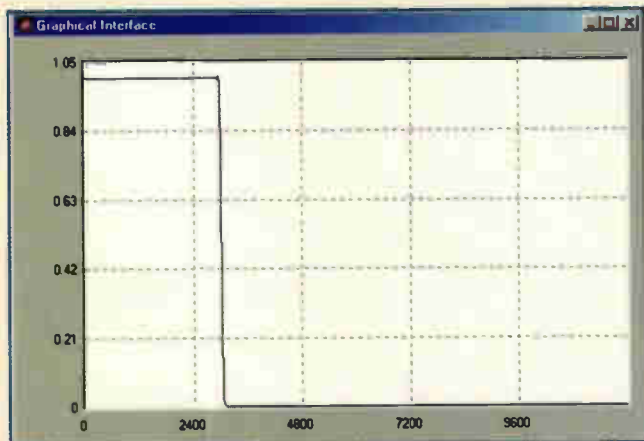


Fig. 1. Brick-wall filter (linear-linear plot).



Fig. 2. Signal masked by broadband noise starting at 3.2kHz.

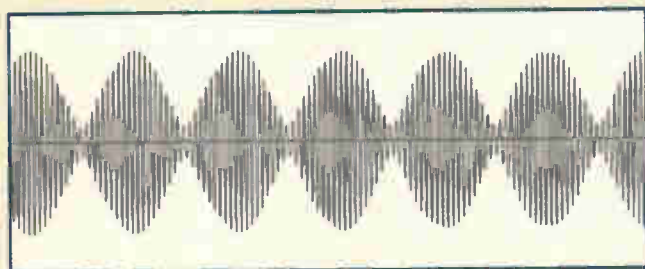


Fig. 3. Signal shown in Fig. 2 recovered after filtering using a brick-wall type, with no phase error.

which is expressed as:

$$y[n] = \sum_{k=0}^N a[k]x[n-k] - \sum_{k=1}^M b[k]y[n-k] \quad (4)$$

In this article, I will be using the RTDF real-time digital filter to illustrate the techniques discussed. This system can be described as a digital filter, but such a simple description limits our understanding of what can be done with it.

More appropriately, the RTDF is a universal linear systems emulator, since, by exploiting equation (3), it can be programmed with arbitrary impulse or frequency responses to behave in a particular manner, within the limits set by the calculation speed of its processor.

What is more, it can do these things either in real-time, or it can perform the processing off-line, on signals already stored on the computer, such as in WAV file format. It's important to bear this in mind when reading the examples given below.

Because it uses an FIR approach, the chosen response will always be unconditionally stable and have no phase distortion – something which is significant when designing high-order filters. OK, that's the background; let's see what we can actually do with it.

### Brick-wall filtering

To specify a low-pass brick-wall filter using the RTDF is very simple; just enter the cut-off point, select the number of taps and click on update. The number of taps determines how sharp the filter is.

Figure 1 for example, shows a 3kHz low-pass brick-wall filter using 901 taps, and a sampling frequency of 24kHz. To see how effective this is, look at Fig. 2. Buried in this seemingly random data is tone-burst signal; in this case, the noise was broadband, starting at 3.2kHz.

Using the brick-wall filter as designed, it is possible to recover the tone burst trace, shown in Fig. 3. This comprises a mix of two sinusoids at 2.85kHz and 3kHz.

Although the recovery looks impressive, digital filters do this job very easily. Since the bandwidth of the noise does not encroach on the signal bandwidth, total signal restoration is possible as long as the filter is sharp enough with pure phase linearity.

### Standard analogue filter responses

You may want to design a filter with a predictable analogue roll-off response – a Butterworth, for example. Again, a DSP system like the RTDF can handle this without difficulty.

What's more the output will always be stable and phase-error free, regardless of order. This argument applies to any filter type you like – Chebyshev, Bessel etc, but let's stick with the Butterworth for the moment.

The frequency response of this kind of filter is given by,

$$\frac{v_{out}(f)}{v_{in}(f)} = \frac{1}{\sqrt{1 + \left(\frac{f}{f_c}\right)^{2n}}} \quad (4)$$

where  $f_c$  represents the cut-off point. This kind of filter has a roll-off of  $6n$  decibels per octave, where  $n$  represents the order, or number of poles, of the filter.

Now, say you want to design a low-pass 18-pole Butterworth filter, i.e. with a roll-off of 108dB per octave, and a cut-off frequency of 4kHz. All you need to do is to enter equation (4) in a spreadsheet such as Excel or, if you're adventurous, code it as a

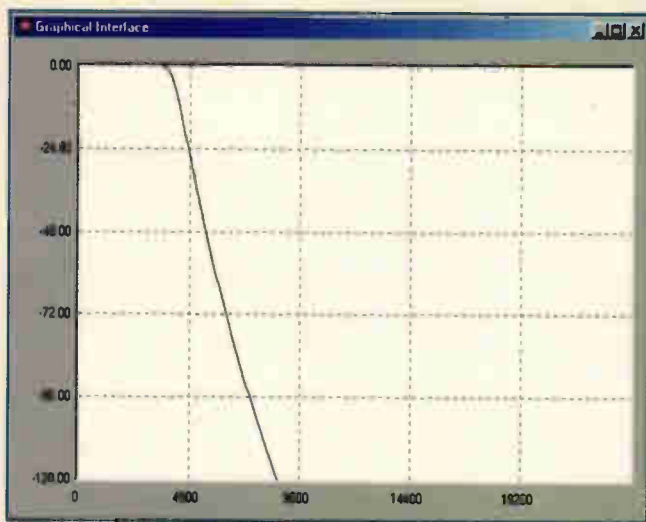


Fig. 4. Frequency response of an 18-pole Butterworth low-pass filter, designed by the RTDF – y-axis in decibels.

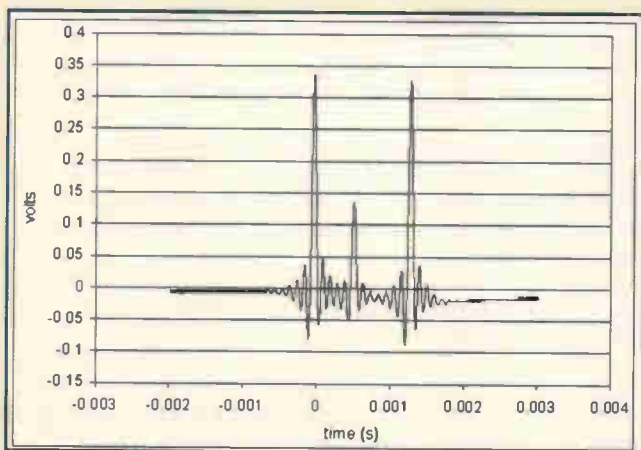


Fig. 5. A test signal sent to the RTDF by a sound card, comprising a group of three impulsive values. Ripples are due to the waveform synthesis software and sound card.

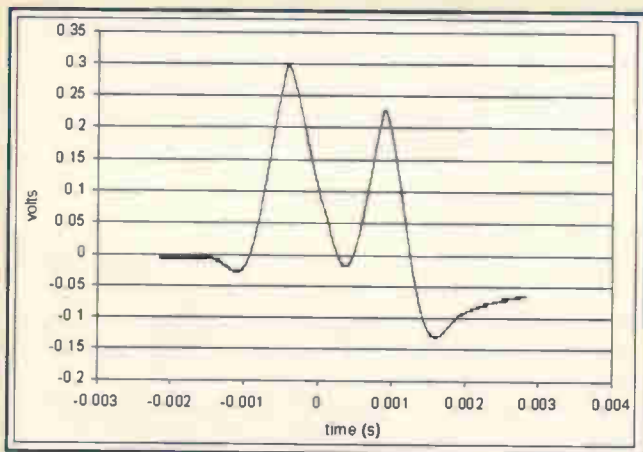


Fig. 6. Signal of Fig. 5 after degradation by a low-pass filter.

program. Now save the output as an ASCII file, which represents the frequency response of the filter.

Next, read in the file to the RTDF using the 'import' facility. The RTDF software will automatically calculate the impulse response, which can then be used for both real-time and off-line processing.

Figure 4 for example, shows the above filter within the RTDF design window. Note that the y-axis is specified in decibel, but the x-axis is shown as linear, which is why the trace looks slightly flared.

Close examination reveals a -3dB point of 3.984kHz and a -108dB point at 8.016kHz. Incidentally, what is most important here is that the hardware will follow the transition zone roll-off, not the final stop-band value. This is because the RTDF uses 18-bit converters. Any value less than -108dB coming out of the processor is simply too small for the D-to-A converter to see, i.e. it produces 0V.

The RTDF will happily handle much higher orders of filter – 50, 60, 70 poles or more – without complaining. In addition, you can actually design and use 'fractional' order filters, for example, a 7.3-order system; there is no law stating that  $n$  in equation (4) has to be an integer value. Digital systems can handle this because the impulse response calculation, and the filter implementation, is strictly a matter of software.

Moreover, using the above methodology, you can design any kind of filter you like – for passive as well as active circuits. A tuned LCR filter has a frequency response given by,

$$\frac{v_{out}(f)}{v_{in}(f)} = \frac{j\omega RC}{j\omega RC - \omega^2 LC + 1} \quad (5)$$

In this case, all you need to do is import the magnitude of the response, ignoring the phase. The RTDF will take care of everything else.

#### Signal shape recovery

A digital filter like the RTDF has the ability to import a frequency response, invert it, take its inverse Fourier transform and use the resulting (rather strange) impulse response as an 'inverse filter'. This may sound a rather esoteric function, but in fact it has real practical use.

For instance, imagine a signal that started life as a nice crisp waveform, but during its travels, due to parasitic capacitances and inductances, it arrived at its destination in a somewhat smeared form.

Figure 5 for example, shows three pulses generated by a sound card (the ripples are a function of the impulse generation software and the frequency response of the sound card). Figure 6 shows what happens when the pulses pass through a system with a low frequency cut-off point of around 1kHz.

The signal has been degraded so badly that it is impossible to distinguish the middle pulse, and the two remaining ones are spread out in time.

Figure 7 shows the restored signal; not only has the temporal relationship between the three values been precisely restored, but so too in large measure have their amplitudes. This was achieved by feeding the degraded signal into the RTDF and processing it with a real-time filter that represented the inverse of the frequency response of the degrading system.

In practice, inverse-filter restoration is a pretty fiddly business, and it often requires tweaking of offsets to achieve the desired result. There are entire scientific journals devoted to inverse problems.

The RTDF gives complete control over all the adjustment parameters, so a user can tailor a solution to his or her needs.



### From shoe box to Stradivarius

From the above discussion you have probably gathered that you can import any arbitrary frequency response you like into the RTDF, and it will reproduce it faithfully. You could even sketch out a signal by hand, convert it to ASCII and the software does the rest.

So what use is this? Plenty. Think for a moment about the way musical instruments work – take a violin for example. Whatever you may have heard, a violin is a linear system, whether it's the most expensive Strad or the cheapest school squawker.

The only non-linearity comes from the player, and how he or she moves the bow across the strings. When the bow is drawn across a string, it sticks to the hairs on the bow and is displaced. If the bow is moved at a constant velocity than the displacement is uniform with time.

At a certain point, the displacement force is overcome by the restoring force and the string flies back to its original position. Then the whole thing starts up again: this is known as the slip-stick regime. Thus the force acting on the bridge is actually a simple saw tooth – something you can prove by placing a transducer on the bridge and feeding its output to an oscilloscope.

Now a saw tooth sounds horrid and nasally, but that is not what you hear. The saw tooth – in other words the input signal – is mixed (scientists use the word convolved) with the impulse response of the bridge/body system, giving rise to the characteristic violin sound.

So if you can obtain the frequency or impulse response of the bridge/body, then you can dispense with the violin. Just keep a frame with strings and a bridge to mount the transducers, and program the RTDF as a virtual Strad. This sounds almost too good to be true, but it actually works.

Figure 8 for example, shows the frequency response of an acoustic violin, obtained by tapping the bridge with a delicate instrumented hammer (these weigh a few grams), and recording how the violin sang in response.

The frequency response is then converted by the RTDF into an impulse response, and can then be used to filter a saw tooth recorded from the bridge. If you visit the RTDF web site ([www.umist.ac.uk/dias/pag/rtdf.htm](http://www.umist.ac.uk/dias/pag/rtdf.htm)), you can listen to part of Bruch's Violin Concerto #1 in G minor, recorded from the bridge, and then to the same sound having been processed by the RTDF, programmed with an acoustic violin frequency response. The effect is pretty convincing.

In truth, to get a perfect reproduction you also need to take into account near and far acoustic sound fields. As it does with most instruments, the frequency response of violins varies with position. Nevertheless, linear system mathematics still apply and in any case, most people listen to a recording of a violin, taken at a specific point.

### Real-time and off-line processing; filter transpositions

As I mentioned earlier, the RTDF generates filter coefficients that can be used to process data both in real-time and off-line.

Off-line processing has its uses. For example, your data may already have been recorded and you need to filter it. In this case the RTDF is applied to design a filter, specifying a sample rate equal to the rate at which your data were sampled. Then export the filter coefficients as an ASCII file, and use them in an appropriate convolution algorithm (i.e., Equation (3)).

The RTDF design interface has eleven preset sample rates (since the hardware must be set to one of these), ranging from 48kHz down to 1.5kHz. If you want to design a filter outside of this range, you can of course do so – there are no restrictions – and export the

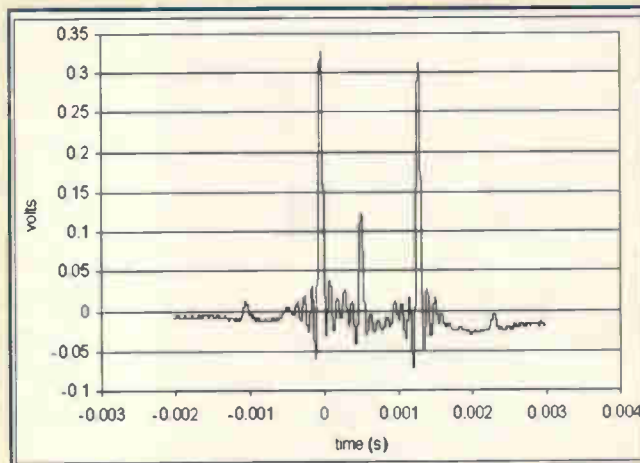


Fig. 7. Result of applying an inverse filter to the signal shown in Fig. 6. Although some noise is now present, precise temporal information of peaks has been restored.

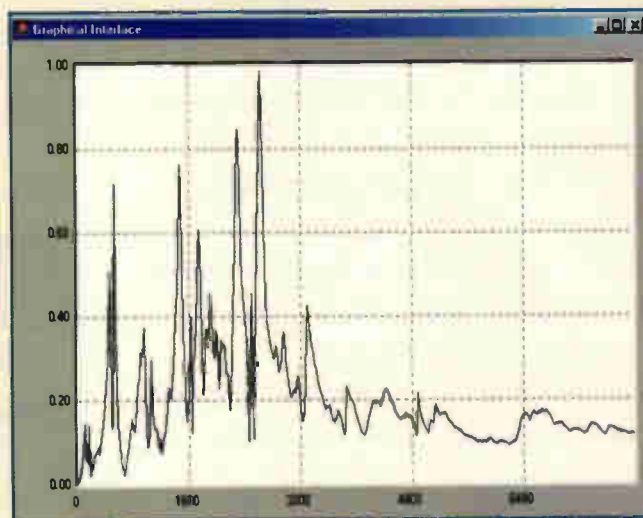


Fig. 8. Bridge-body frequency response of an acoustic violin. The RTDF will happily reproduce this if programmed appropriately.

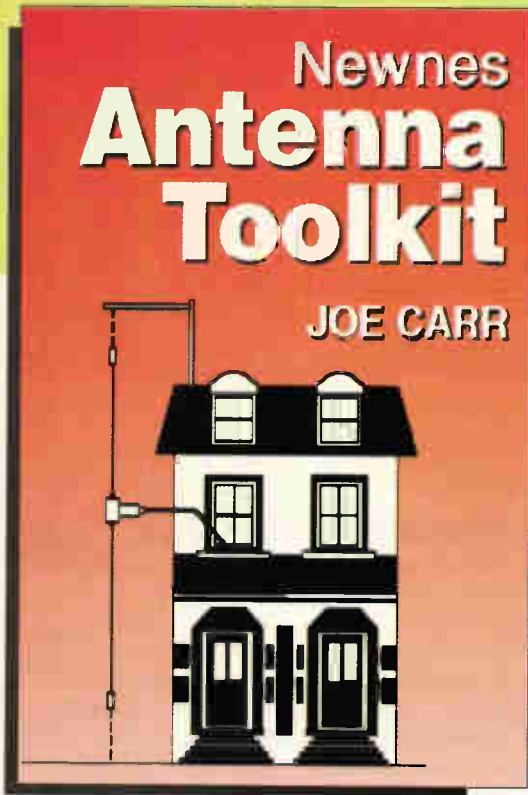
coefficients as described. However, you can only download filters to the hardware that have been designed using one of the eleven presets.

Talking of presets, it is quite possible to change the sample rate of the hardware during run time with a single mouse click. This means that if a filter is running, it is instantly transposed to a different bandwidth.

### The future

A host of new features are being planned for the RTDF, including musical effects such as all-pass filters, standard analogue emulations, echo, reverberation, virtual surround sound and so on. All of these software modules will link to the existing design interface. In the meantime, there is still a world to explore with the current system.

Finally, my special thanks go to Jim Woodhouse from the Engineering Department at Cambridge University for supplying the violin frequency response discussed in this article. ■



# Antenna Toolkit

by Joe Carr

Combined with antenna design software on CD-rom, Newnes' new book *Antenna Toolkit* provides a complete design solution. Prepared by antenna expert Joe Carr, this package is written for beginners and advanced users alike.

On the CD-rom is a suite of powerful software running on the pc. The software calculates the critical lengths and other parameters of the antennas in the book by having the user select the antenna type and set the frequency.

The main menu screen is in the form of tabs, one for each chapter of the book plus other topics.

This 220 page work includes 185 illustrations and 23 photographs.

## \*\* HF propagation predictor included \*\*

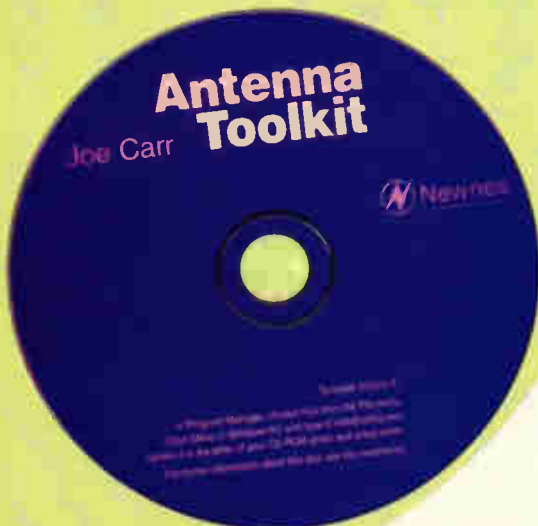
Also included is a Windows freeware package, from the Voice of America organization, called VOACAP. This is an hf propagation predictor which some commercial sources have offered unmodified for hundreds of dollars.

**UK Price: £27.50 Europe £30.00 ROW £32.50**

## What's in the book?

Radio Signals On The Move; Antenna Basics; Wire, Connections, Grounds And All That; Marconi and Other Unbalanced Antennas; Doublets, Dipoles And Other Hertzian Antennas; Limited Space Antennas; Large Loop Antennas; Wire Array Antennas; Impedance Matching; Simple Antenna Instrumentation & Measurements

**Includes free CD with antenna design software**



**Return to Jackie Lowe, Cumulus Business Media, Anne Boleyn House, 9-13 Ewell Road, Cheam, Surrey, SM3 8BZ**

Please supply the following title:

**Newnes Antenna Toolkit**

Total \_\_\_\_\_

Name \_\_\_\_\_

Address \_\_\_\_\_  
\_\_\_\_\_  
\_\_\_\_\_

Postcode \_\_\_\_\_ Telephone \_\_\_\_\_

Method of payment (*please circle*)

Access/Mastercard/Visa/Cheque/PO

**Cheques should be made payable to Electronics World**

Credit card no. \_\_\_\_\_

Card expiry date \_\_\_\_\_

Signed \_\_\_\_\_

**Please allow up to 28 days for delivery**

**Andrew Malcolm looks at the evolution of programmable logic devices.**

# Programmable logic – an introduction

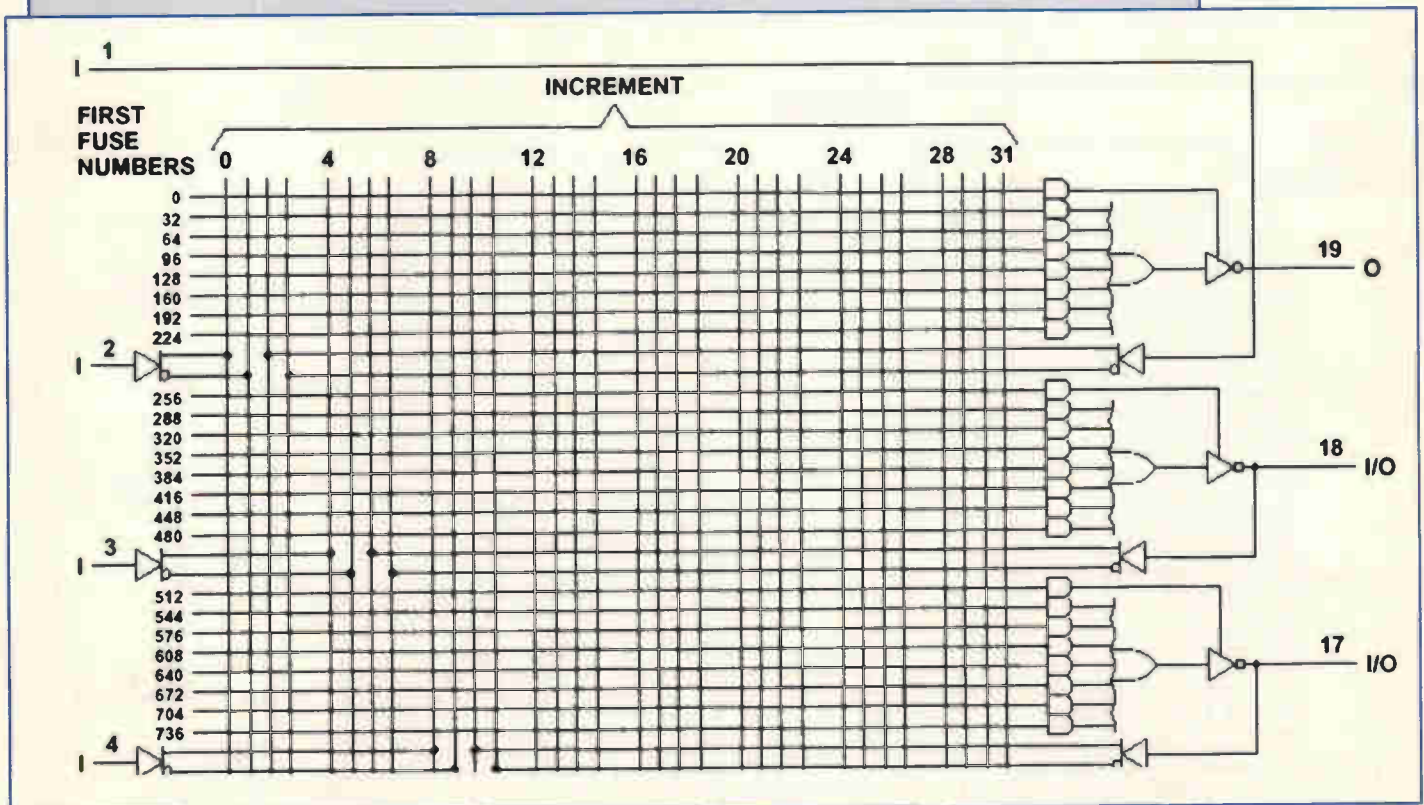
**P**rogrammability goes to the heart of electronics and computing. Computers, microprocessors and microcontrollers are all programmable, allowing the user to specify the action of the machine in terms of a program.

Computers such as these were at one time built from small logic units in the form of 'and' gates, 'or' gates and flip-flops. These units themselves were units built from vacuum tubes or transistors, and more recently integrated circuits.

Most of you will be familiar with the 74 series of TTL logic devices. Their life has stretched the last 25 years or so. Since then, we've seen all manner of high levels of integration, from the very first four-bit microprocessors, such as Intel's 4004 to today's multi-million gate devices, such as Intel's Pentium 4 and Motorola's PowerPC.

My career in electronics has encompassed most of that 25 years. In that time, I have worked with many microprocessor and logic families. At the start of that

*Fig. 1. A combinatorial programmable array-logic device, or PAL.*



period, supporting logic for microprocessors, bit-slice processors and memory systems was typically created using the available TTL devices. Gates, flip-flops and counters from these families were combined to produce the required function, such as address decoders, video RAM controllers or bus buffers.

The original design for the PC by IBM, for instance, had a printer port constructed from two TTL octal latches and a handful of other TTL gates. This approach still has a place in small designs and 'glue' logic today. Many examples can be found in the pages of the technical press. Such an approach is somewhat disparagingly known as 'random logic'.

Many functions implemented in this way do of course have a great deal of structure to them. This fact led many to realise quickly that programmable devices would lead to more efficient and flexible solutions.

**Programmable, read-only memories**

The first programmable devices I encountered were PROMs, or programmable read only memories. These were the forerunners of today's EPROMs, EEPROMs and FLASH memories.

Implemented in bipolar technology, PROMs were as fast as the corresponding bipolar TTL parts, and were compatible with those logic families. Typical device densities were 64, 128 and 256 bytes, packaged in 14 to 20 pin DIL packages.

Some of these are still available today. Used as look-up tables, these devices could implement any Boolean function of 'n' inputs and 'm' outputs, where 'n' is the number of address lines and 'm' the number of data bits.

The snag was that no development tools were available then. As a result, many engineers resorted to writing out the PROM contents long-hand from their Boolean equations and the typing them into the PROM programmer.

Of course, the devices were one-time programmable, so any mistake meant a useless device. As technology progressed, the devices became larger and faster.

Some gained 'registered' outputs, meaning that the outputs of the ROM array first passed through a register - i.e. a bank of flip-flops. This innovation allowed the engineer to implement Mealy or Moore state machines.

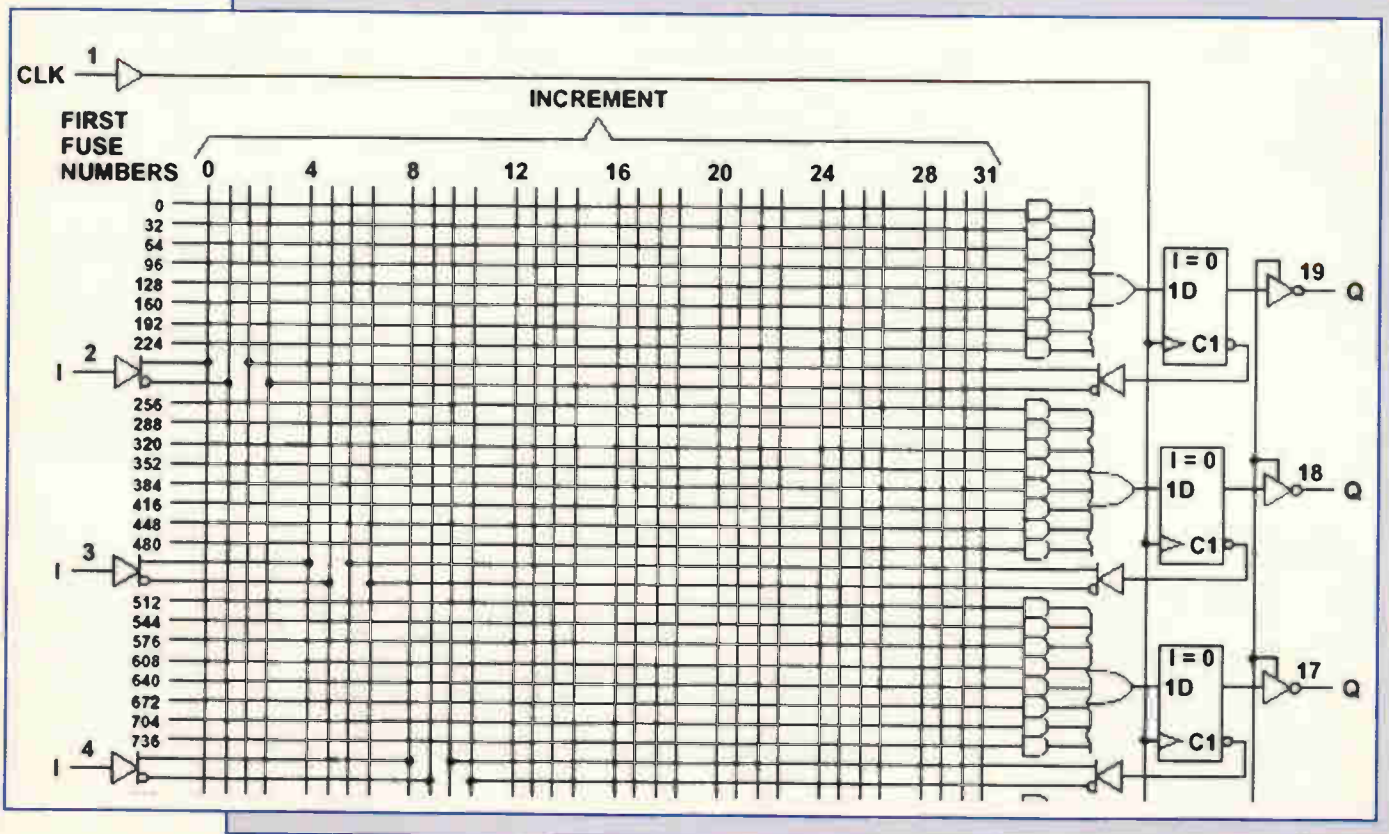
**Programmable array logic**

Around this time a company called MMI introduced the PAL, or programmable-array logic. These devices allowed the implementation of an 'and-or' array, sometimes with registered outputs.

Inputs to the device passed into a fuse array, the outputs of which went to several 'and-or' clusters. Figure 1 shows an extract from a data sheet for such a PAL while Fig. 2 shows a registered version. Often, an engineer would photocopy this page from the data sheet, and mark on it the fuses he required to remain intact.

Programming the device involved removing the unwanted fuses, leaving the required Boolean function intact. Device programmers initially displayed this fuse map on a CRT, and the user could edit the required fuses and 'burn' the device. Again, the first

Fig. 2 A programmable array-logic device featuring registers.



devices were one-time only.

These devices were still difficult to use. However, the added flexibility that they offered, coupled with the more intuitive and-or structure, ensured that they quickly became very popular. A whole family of devices evolved, ever increasing in speed, date density and feature sets.

The PAL concept survives today in various manufacturers' 'GAL', or generic-array logic, families. These families offer many features beyond those of the original PAL devices, including re-usability. Some can be erased using UV light, while others are electrically erasable. More recently, devices with in-system programmability have started to appear.

Perhaps the most popular and widely used architecture of this type is the 22V10 – a device which added asynchronous set and reset functions and many other features to the basic PAL architecture, Fig. 3.

The 22V10 introduced another important innovation. This innovation – the macrocell – has survived and been expanded in today's more sophisticated devices. The macrocell replaced the simple flip-flop that registered some or all of the outputs of a PAL device, and was itself programmable.

Fuses in the 22V10 allowed greater flexibility in the selection of signals destined for their associated output pins. The signal could be the direct output from the and-or array, a registered version of this, or an inverted version of the first two choices. Additionally, it was possible to feed the combinatorial or registered

version of the input back into the fuse map.

Figure 4 shows the macrocell's structure.

### Complex PLDs

It soon became apparent that the limitation of these devices was the restricted number of I/O pins. The largest package used by GAL devices in through-hole form had 24 pins and a 0.3in wide body.

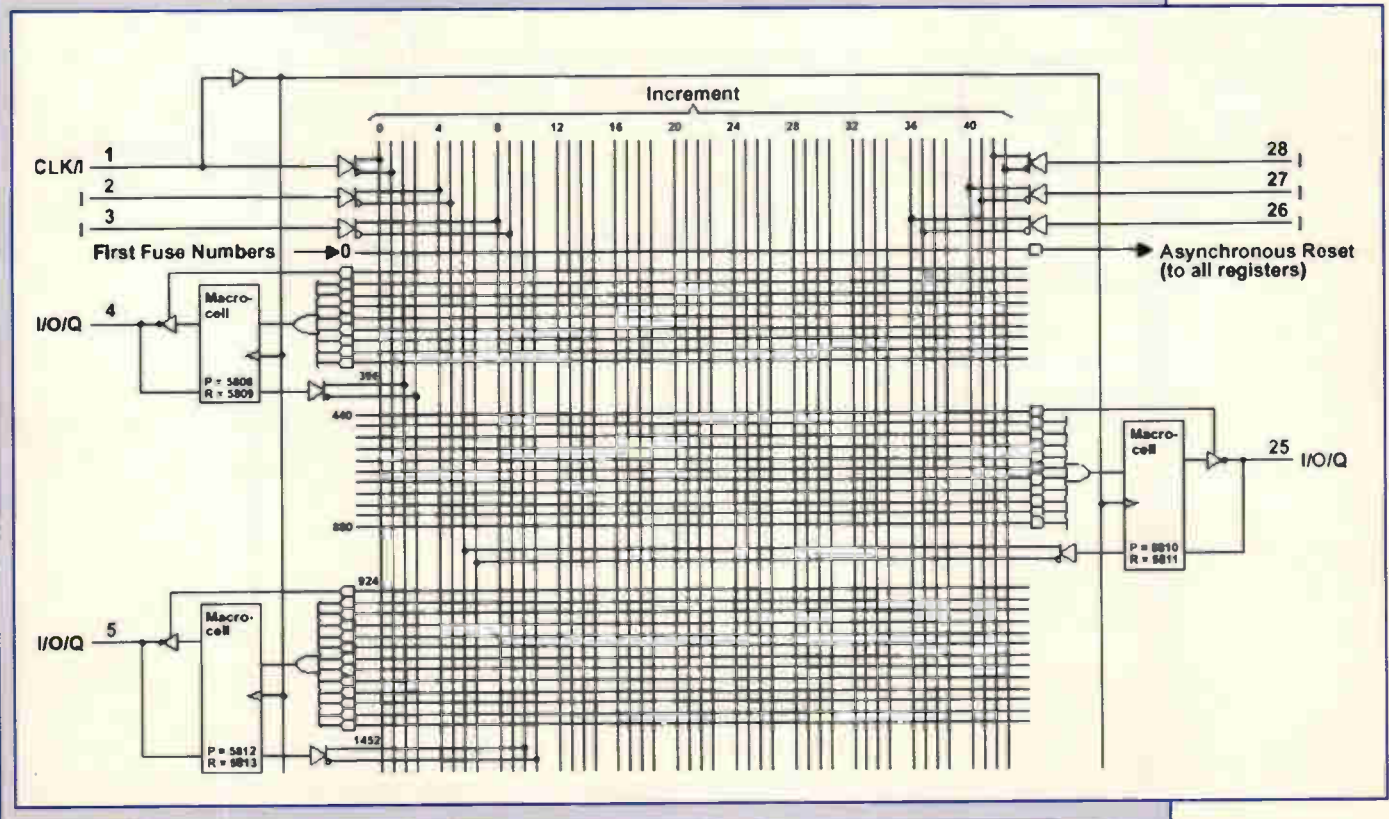
Some designs required more than one device and communications between a group of devices. An example is the state register in a state machine. In such designs, these signals soon began to eat into the inputs and outputs required for the core application function.

At this point, two things happened. Firstly, the advent of surface-mount technology, or SMT. This made packages with pin counts of 28, 44, 68 and 84 on PLCC (plastic, leaded chip carrier) possible without consuming large amounts of PCB area.

Secondly, device designers divorced the macrocell from the I/O pin to produce the 'buried' macrocell. This made possible the introduction of devices capable of supporting much more complex designs.

Set against the backdrop of ever increasing gate densities in the memory and processor products, the resulting devices became highly functional, and the complex programmable logic device, or CPLD, was born. These devices typically have hundreds, or perhaps thousands, of programmable gates and registers, and operate at clock rates of several hundred megahertz. Vendors include Lattice, Texas Instruments and National.

Fig. 3. Perhaps the most popular and widely used programmable array-logic architecture – the 22V10.



### Field-programmable gate arrays

The field-programmable gate array shares many characteristics with the CPLD, but its history is somewhat different.

In parallel with the developments described above, many manufacturers offered alternatives to full application-specific integrated circuits, or ASICs. This was achieved by applying programmability at the photolithography stage of chip manufacture.

Devices were designed with a 'sea of gates' – vast arrays of uncommitted gates and flip-flops. These devices were manufactured up to the final metallisation stage, the gates and flip-flops remaining unconnected.

A specific customer's design was implemented by producing custom lithography masks for the final metallisation layers, wiring up the device as required. This 'gate array' technology was very popular with high-end customers, but clearly required a great deal of investment both in time and technology. It was unsuitable for small production runs.

Designs had to be carefully validated in simulations before committing to silicon, as the consequence of failure could be expensive – maybe even resulting in a product's market window being missed.

To solve this problem, designers took a leaf out of the CPLD device's book, and replaced the photolithography with electronic programmability.

The resulting FPGA, or field-programmable gate array, tends to be RAM-based, that is its programmability is volatile. As a result, the required function has to be reloaded into the device at power up.

Because of their history, these devices use state-of-the-art semiconductor processes to produce truly awesome gate densities. Leading device vendors include Altera and Xilinx.

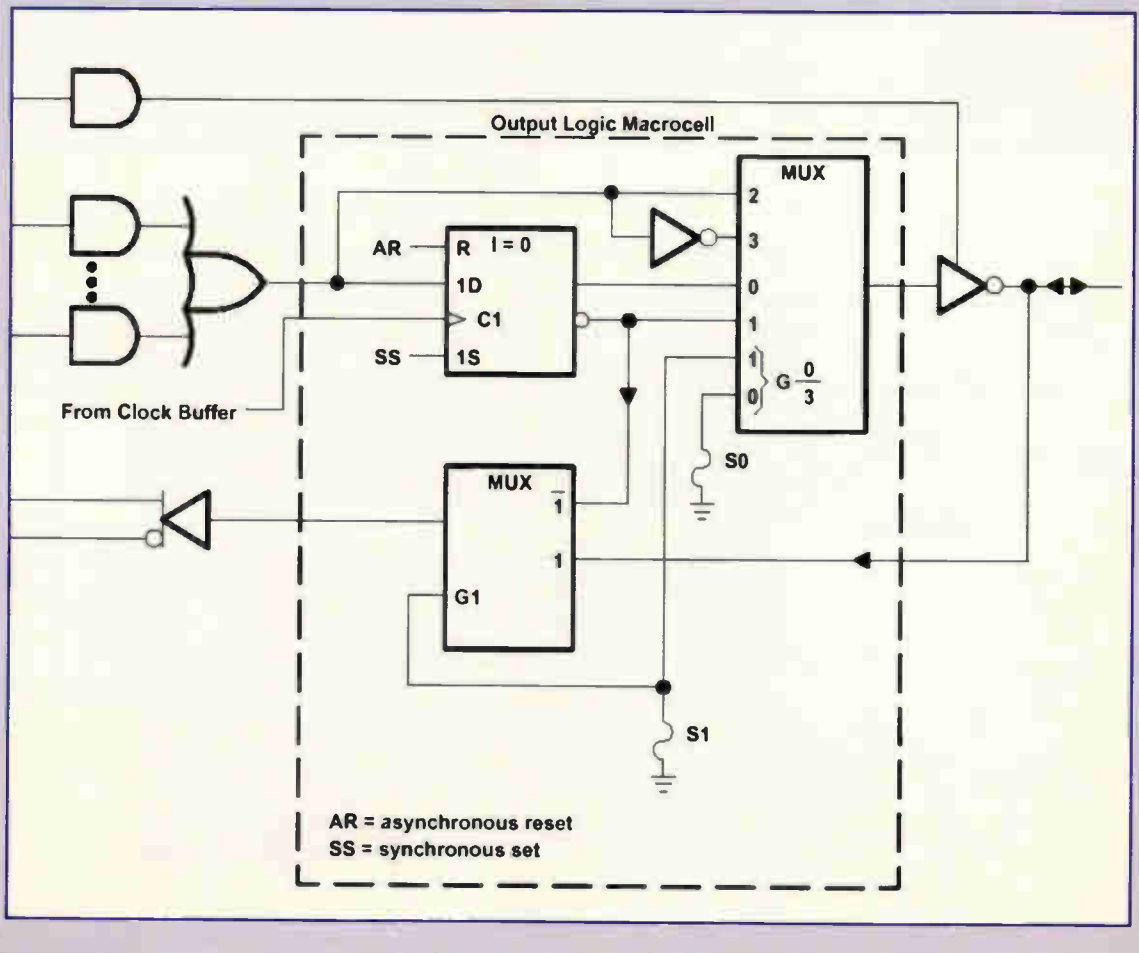
A typical Xilinx device from the company's Virtex-II family, has six million gates, four megabits of user RAM, as well as embedded high-level functions such as 18-by-18 multipliers and configurable I/O pins.

Ball-grid array packaging takes device pin counts up beyond one thousand. Again, they operate at clock rates of several hundred megahertz. It is perfectly possible to program these devices as complete 64 bit microprocessors.

### What's next?

In the next article in this set, I will be looking more closely at today's CPLD and FPGA architectures, as well as at practical applications and development tools. I will review some of the available software and hardware development kits, and introduce the industry standard language for describing FPGA functionality, VHDL. ■

Fig. 4. An important innovation in the 22V10 was the 'macrocell'. This cell replaced the simple flip-flop that registered some or all of the outputs of a PAL device.



The cream of 20 years of Electronics World articles (focusing on recent material)

A unique collection of design insights and projects - essential for all audio designers, amateur and professional alike.

Scientific electronics based on empirical data.

Douglas Self has been writing for Electronics World and Wireless World over the past 20 years, offering cutting-edge insights into scientific methods of electronics design.

This book is a collection of the essential Electronics World articles, covering twenty years of amplifier technology but with a very strong bias towards more recent material. The articles include self-build projects as well as design ideas and guidance for the professional audio designer. The result is a unique collection of design insights and projects - essential for all audio designers, whether amateur or professional.

**Contents:** Introduction; PRE-AMPLIFIERS: An advanced preamplifier MRPI; High-performance preamp MRP4; Precision preamp MRP10; Moving-coil head amp; Preamp '96 I; Preamp '96 II; "Overload Matters" (RIAA overload); Balanced line inputs and outputs, part 1; Balanced line inputs and outputs, part 2; POWER AMPLIFIERS: FETs less linear than BJTs; Distortion in power amplifiers 1-8; Distortion residuals; Trimodal part 1, 2; Load-invariant power amp  
INVAR.DOC; Common-emitter amps; Two-stage amplifiers; SPEAKERS: Excess speaker currents; Class distinction (amp classification); Relay control; Power partition diagrams; Audio power analysis. Douglas Self has dedicated himself to demystifying amplifier design and establishing empirical design techniques based on electronic design principles and experimental data. His rigorous and thoroughly practical approach has established him as a leading authority on amplifier design.

**Readership:** Audio electronics enthusiasts; Professional amplifier designers; Power amp users  
**Paperback**  
**Pages:** 416pp

**ELECTRONICS  
WORLD**



**Self  
on  
Audio**  
DOUGLAS SELF

# Self on Audio

**UK Price: £26.50 Europe £27.50 ROW £28.50**

Return to Jackie Lowe, Cumulus Business Media  
Anne Boleyn House, 9-13 Ewell Road, Cheam,  
Surrey, SM3 8BZ

Please supply the following title:

**SELF ON AUDIO**

Total \_\_\_\_\_

Name \_\_\_\_\_

Address \_\_\_\_\_

Postcode \_\_\_\_\_

Telephone \_\_\_\_\_

Method of payment (*please circle*)

Mastercard/Visa/Cheque/PO

**Cheques should be made payable to Electronics World**

Credit card no. \_\_\_\_\_

Card expiry date \_\_\_\_\_

Signed \_\_\_\_\_

## Electronic code lock

This is a simple but efficient code lock. First the user enters the correct code of eight digits. When the 'Enter' button is pressed, the relay activates and the lock will open. If an incorrect code is entered, the circuit will reset.

At the heart of the circuit is 4017 decade counter. At power up, the counter will be at zero count and only pin 3 of the counter will be high.

If switch  $S_1$  is pressed momentarily it will provide a clock pulse for the counter which will increment the count. After receiving the first pulse now the counter is now at 1, which means this time only pin 2 will be high.

Only by pressing  $S_2$  can the next clock pulse be generated. Hence by pressing  $S_1$  to  $S_8$  sequentially, the high level on the pins shifts from pins 3, to pins 2, 4, 7, 10, 1, 5, 6 and finally pin 9. While pin 9 is high, pressing the 'Enter' button will activate the relay, which will in turn open the lock. Any mis-entry

will reset the sequence.

The circuit can be intentionally reset by pressing the 'Reset' button,  $S_{10}$ . One or more than one parallel connection switches of  $S_{10}$  can be placed in between the switches  $S_1$  to  $S_8$  to increase the complexity of the code.

**Sandeep Gaurkar**  
Karnatak Regional Engineering College  
Karnatak  
India  
(F95)

### Fact: most circuit ideas sent to *Electronics World* get published

The best circuit ideas are ones that save time or money, or stimulate the thought process. This includes the odd solution looking for a problem – provided it has a degree of ingenuity. Your submissions are judged mainly on their originality and usefulness. Interesting modifications to existing circuits are strong contenders too – provided that you clearly acknowledge the circuit you have modified. Never send us anything that you believe has been published before though. Don't forget to say why you think your idea is worthy. Clear hand-written notes on paper are a minimum requirement: disks with separate drawing and text files in a popular form are best – but please label the disk clearly. Send your ideas to: Jackie Lowe, Cumulus Business Media, Anne Boleyn House, 9-13 Ewell Road, Cheam, Surrey SM3 8BZ

#### Components breakdown

##### Resistors

$R_1$	1k
$R_2$	100k
$R_3$	68k
$R_4$	68k
$R_5$	2.2k

##### Capacitors

$C_1$	2.2 $\mu$ F
$C_2$	1 $\mu$ F
$C_3$	2.2 $\mu$ F

##### Transistor

$T_1$	SL100 (n-p-n)
-------	---------------

##### Diodes

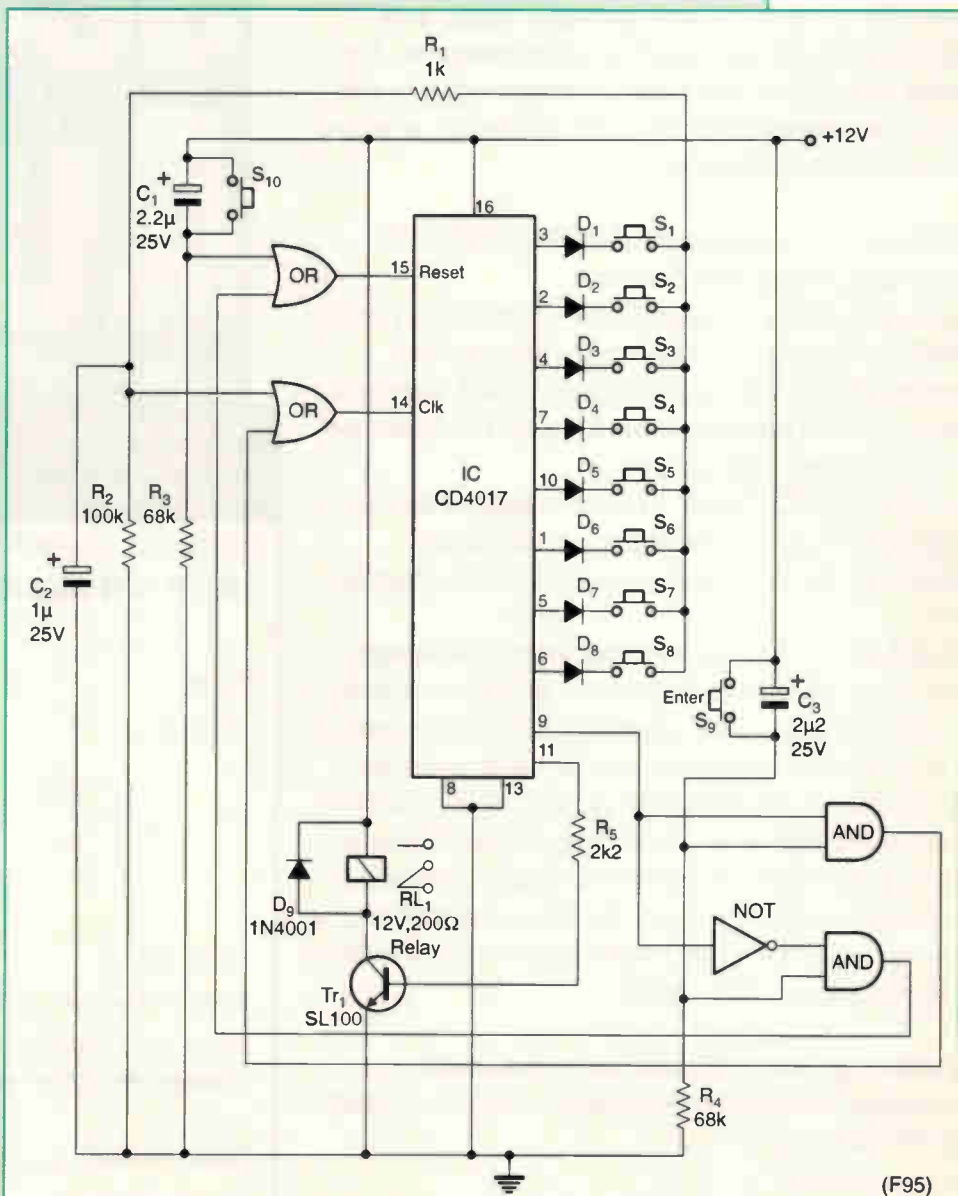
$D_{1-8}$	1N4148
$D_9$	1N4001

##### Misc

Relay	12V, 200 $\Omega$
$S_1$ to $S_{10}$	push buttons

##### ICs

$IC_1$	CD4017
$IC_2$	CD4071B
$IC_3$	CD4081B
$IC_4$	CD4069UB



To alter the code of this electronic combination lock, you simply rewire the switches. There is no unique code as such. Rather, this lock relies on each button being pressed sequentially, starting with  $S_1$ .



# The Complete Solution!

**SPECIAL  
MONEY-SAVING  
OFFER!**  
Valid Until  
31st May 2002

**Whether you're designing the occasional circuit board, or responsible for a large-scale PCB production facility, or anything in between - Electronics Workbench has the solution you need!**

**Multisim 2001** provides a comprehensive suite of tools for schematic capture, circuit simulation and waveform analysis, with a huge library of parts and models and a collection of virtual instruments so you can prototype, test and optimise without massive hardware costs. It's powerful, easy to use and very affordable.

**Multisim** is available in several configurations (Personal, Professional, Power Professional, and a special Education version, plus many add-on options) to meet your needs and your budget. As well as standard analogue and digital SPICE simulations, there are options for RF models, programmable logic devices and much more too. This combination of performance, flexibility and affordability has made **Multisim** a favourite solution among electronics designers all over the world.

## **Now here's an offer that you'll find hard to refuse!**

Whichever configuration of **Multisim 2001** you chose, you can get the equivalent level version of **Ultiboard 2001** - the companion PCB layout and routing software that integrates seamlessly with Multisim - at a very special price.

**You'll save 25% of the combined cost when you buy Multisim 2001 and Ultiboard 2001 together - but only while this offer lasts.**

**Call us today on 01462 480055, visit our website or return the coupon below for your FREE 20-page Electronics Workbench Product Guide.**



**YES!** Please send me a FREE Electronics Workbench product guide

Name: \_\_\_\_\_ Email: \_\_\_\_\_

Position: \_\_\_\_\_ Organisation: \_\_\_\_\_

Address: \_\_\_\_\_

Postcode: \_\_\_\_\_

Tel: \_\_\_\_\_ Fax: \_\_\_\_\_

For more information fill out and return the coupon or contact Adept Scientific today...

**Tel: 01462 480055 Fax: 01462 480213**

Adept Scientific plc, Amor Way, Letchworth, Herts SG6 1ZA

Email: ewb@adeptscience.co.uk WWW: www.adeptscience.co.uk Webstore: www.adeptstore.co.uk

**www.electronicsworkbench.co.uk**

Copyright © 2002 Adept Scientific plc. All rights reserved. All trademarks are registered.  
EWM02/03

# Solar-powered battery charger works on cloudy days

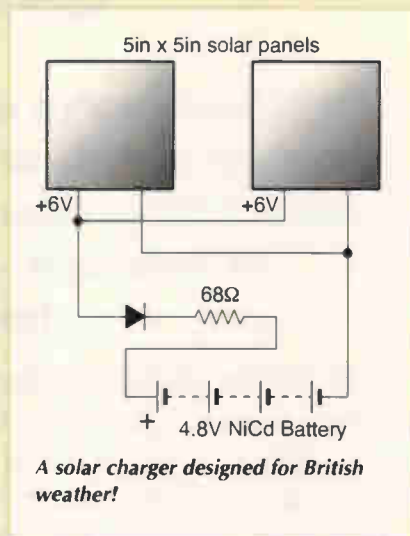
Since the late eighties, Maplin Electronics has been making a range of solar-powered battery chargers. I have been an owner of several of these devices.

The first was a little bigger than a cassette box, with an AA NiCd battery holder inside. The later charger was about the size of a human hand. Batteries could be put in a holder in the back or attached externally. Both of these circuits worked well in sunlight, but sunlight isn't something we have very often in the UK.

What actually happens to a solar panel in dim light is that the output voltage doesn't fall very much, but the internal resistance increases. A 100mA, 4.5V panel has an internal resistance of 45Ω. On an overcast day this internal resistance rises to, typically, 900Ω, reducing the output to 5mA, or, on an even duller day, to 4.5kΩ, reducing the output to 1mA. This is almost totally useless for charging anything.

A bigger solar panel has a lower internal resistance. By using two larger 6V 150mA panels, approximately the size of CD boxes, connected in parallel, currents of four or five times as much may be generated under cloudy conditions.

A typical overcast day can now produce 20mA, and even a relatively dull cloudy day produces 5mA – enough to be of some



use. Placing the apparatus on the windowsill to get plenty of light, a set of four NiCd AA batteries can be charged over a few days in the typical British weather.

This works for eight months of the year. In winter, daylight is not bright enough for the charger. Your eyes may notice little difference, but winter daylight is actually much dimmer.

This design creates another problem.

What happens when the sun comes out? Two 150mA panels will produce 300mA of current, enough to overcharge the batteries as they are only meant to be continually charged at 50mA. A resistor is used to limit the current to 50mA.

Panels that are nominally 6V typically produce 9V and the NiCd batteries are usually around 5.6V when fully charged. This makes the potential difference between batteries and panels 3.4V, and the resistance should be 68Ω.

The power dissipation of the resistor is only a sixth of a watt. It doesn't need to be high a power type. The circuit is incredibly wasteful in sunlight, producing only 40-50mA from quite large panels, but it wasn't really meant for sunlight.

A reverse-blocking diode was added to prevent current flowing back from the batteries into the solar panels during the night, when the battery voltage is higher than the voltage of the solar panel. With silicon solar panels there is actually only a very small current of a few microamps under these conditions, but I thought that this might be harmful to the solar cells.

Malcolm Lisle  
Gateshead  
Tyne and Wear

# Tuner scanning add-on

With so many radio receivers available on a chip these days, it takes little time to build a receiver for any application. But when faced with the ability to provide a scanning facility for an airband monitor it looked liked using a micro and PLL with display.

This add-on can be used with any IC radio chip with built-in local oscillator and employed a small piece of Vero about 60 by 40mm with miniature LEDs mounted above each preset pot in two rows of four, spaced behind the front panel with 6mm spacers at the corners.

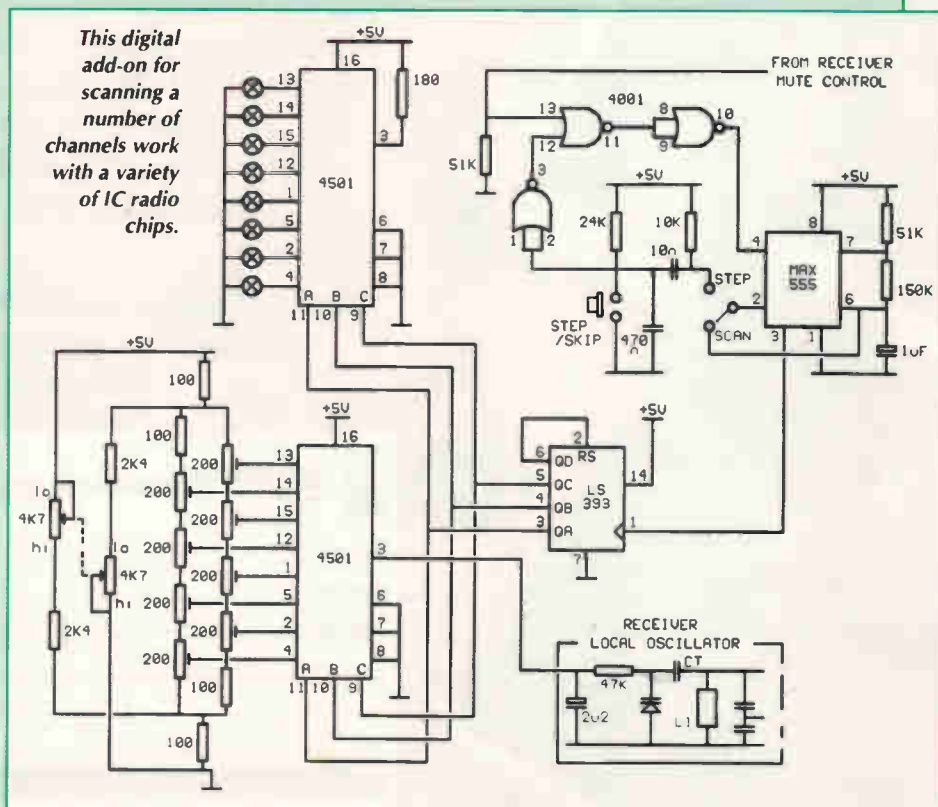
The dual linear 4.7kΩ potentiometer was mounted to the right hand side of the LED assembly to provide fine tuning by an equal amount irrespective of the preset selected and is normally left in mid position when setting up.

When using the scan mode the push button may be used to skip the active channel during which the 'mute' signal inhibits the scan.

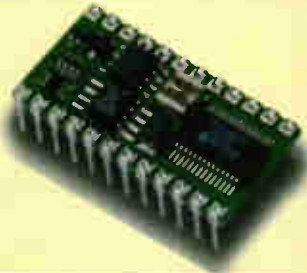
Placing the switch in 'step' mode allows single stepping and setting up. The bandwidth of interest is set by capacitor  $C_T$  and restored to mid-band by re-adjustment of  $L_1$

Ron Wheatley  
Birmingham  
(G11)

£50 winner



# TAKE YOUR PIC!



## Parallax BASIC Stamp2

- Very easy to use
- No programmer required
- 500 lines Interpreted BASIC
- Windows Environment
- 16 I/O lines
- 4000 lines/sec
- 24-pin DIP package
- Ready-to-go module
- £39.00 each



## BASICMICRO ATOM

- Easy to use
- No programmer required
- Compiled BASIC
- 99.99% Stamp2 Compatible
- Uses 16F876
- Very fast
- Interrupts/PWM/Timers/ADCs
- 32 bit Maths-Int/Floating Point
- £45.00 each



## BASICMICRO Compiler

- Full spec BASIC Compiler for PICs
- Windows Environment
- 99.99% Stamp2 Compatible
- Requires programmer
- We use it!
- Full Debug facility
- Supports all 14-bit PICs (inc 16F84/87X/628 etc)

# www.milinst.com

Milford Instruments Limited, Tel 01977 683665, Fax 01977 681465, sales@milinst.com

## WATCH SLIDES ON TV MAKE VIDEOS OF YOUR SLIDES DIGITISE YOUR SLIDES (using a video capture card)



"Liesgang diatv" automatic slide viewer with built in high quality colour TV camera. It has a composite video output to a phono plug (SCART & BNC adaptors are available). They are in very good condition with few signs of use. For further details see [www.diatv.co.uk](http://www.diatv.co.uk)

Board cameras all with 512x582 pixels 8.5mm 1/3 inch sensor and composite video out. All need to be housed in your own enclosure and have fragile exposed surface mount parts. They all require a power supply of between 10 and 12v DC 150mA.

47MIR size 60x36x27mm with 6 infra red LEDs (gives the same illumination as a small torch but is not visible to the human eye).....£37.00 + vat = £43.48

30MP size 32x32x14mm spy camera with a fixed focus pin hole lens for hiding behind a very small hole.....£35.00 + vat = £41.13

40MC size 39x38x27mm camera for 'C' mount lens these give a much sharper image than with the smaller lenses.....£32.00 + vat = £37.60

Economy C mount lenses all fixed focus & fixed iris

VSL1220F 12mm F1.6 12x15 degrees viewing angle.....£15.97 + vat = £18.76

VSL4022F 4mm F1.22 63x47 degrees viewing angle.....£17.65 + vat = £20.74

VSL6022F 6mm F1.22 42x32 degrees viewing angle.....£19.05 + vat = £22.38

VSL8020F 8mm F1.22 32x24 degrees viewing angle.....£19.90 + vat = £23.38

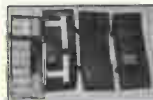
Better quality C Mount lenses

VSL1614F 16mm F1.6 30x24 degrees viewing angle.....£26.43 + vat = £31.06

VWL813M 8mm F1.3 with Iris 56x42 degrees viewing angle.....£77.45 + vat = £91.00

1206 surface mount resistors E12 values 10 ohm to 1M ohm 100 of 1 value £1.00 + vat 1000 of 1 value £5.00 + vat

866 battery pack originally intended to be used with an orbital mobile telephone it contains 10 1.6Ah sub C batteries (42x22dia the size usually used in cordless screwdrivers etc.) the pack is new and unused and can be broken open quite easily.....£7.46+vat = £8.77



Please add 1.66 + vat = £1.95 postage & packing per order

### JPG ELECTRONICS

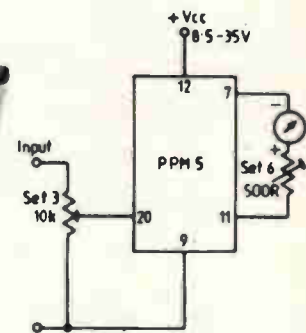
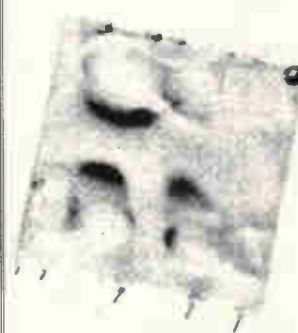
Shaws Row, Old Road, Chesterfield, S40 2RB

Tel 01246 211202 Fax 01246 550959 Mastercard/Visa/Switch

Callers welcome 9:30 a.m. to 5:30 p.m. Monday to Saturday

# PPM5

20 pin DIL Peak Programme Meter  
PROFESSIONAL MEASUREMENT OF AUDIO LEVEL



Mother Board MB1

Consumption 3mA.

Fully meets BS5428-9

- ★ PPM10 In-Vision PPM and Chart Recorder
- ★ Advanced Active Aerial 4kHz-30MHz
- ★ Stabilizer frequency shift units for howl reduction
- ★ Stereo Variable Emphasis Limiter
- ★ PPM9, PPM5 hybrid and PPM8 IEC/DIN -50/+6dB drives and movements
- ★ Broadcast Monitor Receiver 150kHz-30MHz

## SURREY ELECTRONICS LTD

The Forge, Lucks Green, Cranleigh GU6 7BG

Telephone: 01483 275997 Fax: 01483 276477

# Dynamic diode checker and matcher

I developed these two circuits some years ago to check for balance of characteristics of diodes, dynamically. The idea is based upon the fact that if two diodes, connected in a bridge circuit, are identical and fed via a repetitive ramp of voltage through identical value resistors, forming the bridge, then the instantaneous value of voltage across each diode will be identical.

The four resistors used for the differential amplifier and also the top resistive arms of the bridge, should be selected from batches of resistors, to match to 0.1% or better. The voltage drops across the diodes are compared using a true differential amplifier, as shown.

If the diodes are identical in performance, there is theoretically zero output from the differential amplifier. If the characteristics are different, then there is an output, as the bridge is then unbalanced. An oscilloscope will

show this difference quite easily, and also in which direction the difference lies.

It is also possible to detect the difference using a meter, but the oscilloscope shows more information. If a double-trace scope is available, then the output from the comparator, pin 7 of IC<sub>1</sub>, should be used to lock the oscilloscope time-base. The other channel will be used to monitor the output from the differential amplifier or the following amplifier.

The system is so sensitive that the changes caused by temperature may easily be seen when one of the diodes is touched with a finger, the difference being seen quite dramatically at the output of the differential amplifier.

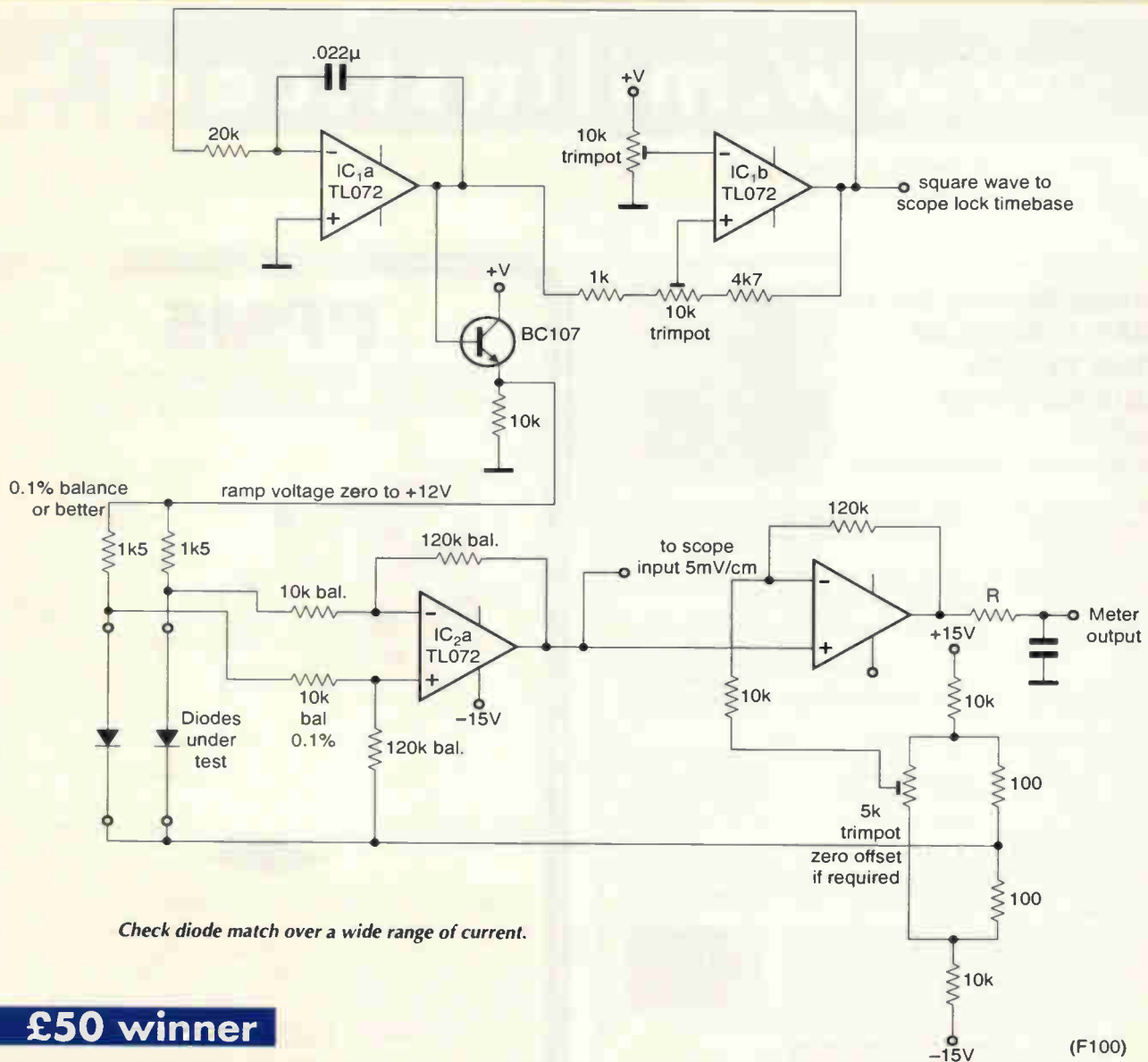
There are two parts to the circuit; the zero voltage-referenced ramp generator of 12 volts peak, and the bridge circuit. With component

values as in the diagram, the frequency of the ramp is of the order of 1200Hz. The ramp is quite linear, as the input resistor feeding the integrator sees a virtual earth.

Balanced diodes are required for various types of circuit, e.g. balanced mixers for radio detector/modulator circuits. The circuit may also be used to match resistors and capacitors, over limited ranges.

The idea may be modified with extra circuitry to allow the selection of dynamically balanced transistors and FETs. It is important in this case that the ramp is adjusted to run from zero, at the emitter of the BC107 ramp output buffer transistor, using the two trim-pots iteratively.

**Ivan J Eamus**  
Aylesbury  
Buckinghamshire  
F100



**£50 winner**

(F100)

# THE OSCILLOSCOPE IS MOVING ON...

## Features:

- ▲ A fraction of the cost of benchtop scopes
- ▲ Save multiple setups, for ease of use
- ▲ Save, print and e-mail your traces
- ▲ FREE software and upgrades
- ▲ Automated measurements
- ▲ Large colour displays
- ▲ Scope, spectrum analyser & meter functions

Ask for a **FREE** catalogue and demo software, or visit:

[www.picotech.com](http://www.picotech.com)



...DON'T GET LEFT BEHIND

Tel: +44 (0) 1480 396395, Fax: +44 (0) 1480 396296, E-mail: [post@picotech.com](mailto:post@picotech.com)

## TRANSFORMERS FOR BALANCED LINES IN HIGH PERFORMANCE AUDIO SYSTEMS



### E A SOWTER LTD

PO Box 36 IPSWICH IP1 2EL ENGLAND

Tel: +44(0)1473 252794

Fax: +44(0)1473 236188

E.Mail: [sales@sowter.co.uk](mailto:sales@sowter.co.uk)

Web: <http://www.sowter.co.uk>

Design and Manufacture  
of all types of Audio Transformer using  
Nickel and Grain Oriented cores

Free catalogue  
Free technical support service  
Popular types from stock

*There has never  
been a better time  
to go wire free!*

**NEW!**

- \*Faster data rates!
- \*PLL stabilised technology!
- \*Increased range!
- \*Lower unit cost!
- \*Off-the-shelf solutions!

#### XTR434 100Kbps Data Transceivers

1+	£ 29.95
10+	£ 25.00
100+	£ 20.00
1K+	£ POA

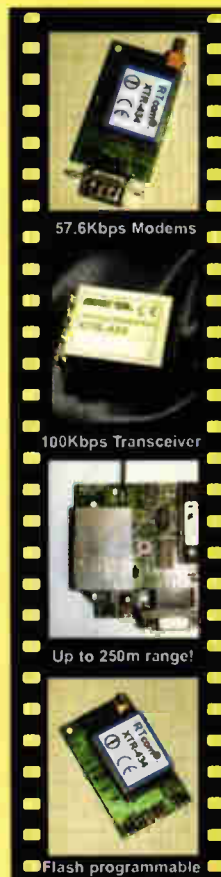
**RTcom™-IQradio-XTR 57.6Kbps  
modem:** With RS232 port, special EW  
reader price of £120.00 per pair.

**RTcom™-IQradio-XTR 57.6Kbps  
modem:** With TTL interface, special  
EW reader price of £120.00 per pair.

Aurel Transceivers from stock! All prices +VAT  
on a Cheque or Credit card payment basis.

Tel: +44(0)1992 576107

Fax: + 44(0)1992 561994



57.6Kbps Modems

100Kbps Transceiver

Up to 250m range!

Flash programmable

Why not visit:-

<http://www.radio-tech.co.uk>

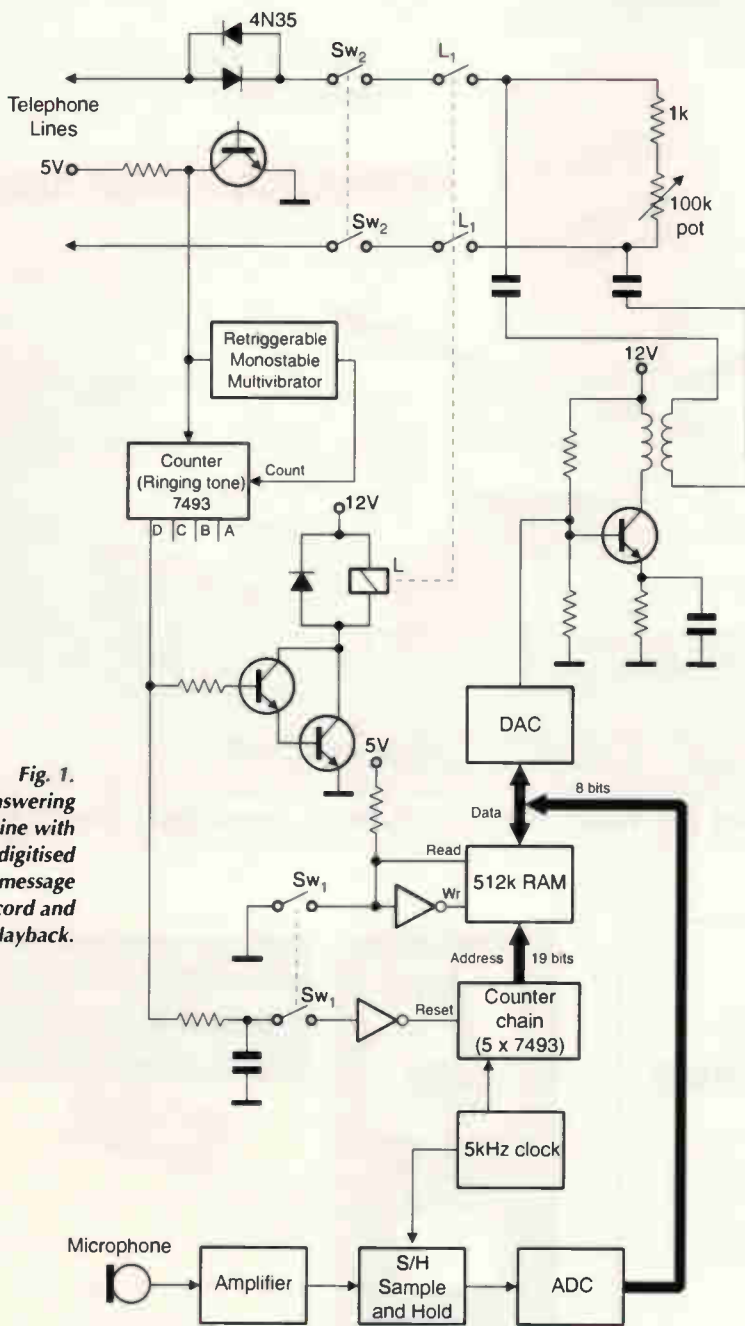


Fig. 1. Answering machine with digitised message record and playback.

## Answer-back unit for home telephone

In this addition to the telephone set, a recorded voice message is returned to the caller as soon as he or she completes dialling and ringing starts to originate from the exchange.

Referring to Fig. 1, an optocoupler connected to one arm of the incoming telephone line cable produces impulses when ringing tone arrives from the exchange. When eight pulses are counted, the most significant bit (D) of the counter becomes 'P'. This operates the relay 'L' which closes the contacts  $L_1$  to connect the telephone lines to a passive circuit (resistances).

The passive circuit simulates the conditions of taking the telephone transceiver from the cradle. Ringing stops at this moment. The passive circuit is disconnected when the user operates switch  $Sw_2$  so that normal calls can be received.

A voice message for answer-back is digitised at 5kHz sampling rate and stored at 512k RAM. The RAM is addressed by a binary counter chain that is reset by the 'D' output of the ringing tone counter.

The recorded message at the RAM is delivered automatically to the digital-to-analogue converter, which in turn produces the voice signal for the amplifier. This voice signal is relayed to the caller through the telephone circuit closed by the contacts  $L_1$ .

After about a minute – a period

## One-transistor electro-luminescent flasher

Some thirty years ago, the LED flasher was state-of-the-art, superseding the neon flasher. The neon flasher was in fact far more efficient than the average LED flasher, but disappeared with the demise of high-voltage valve radio batteries.

Only recently has a new

technology emerged, making possible the electro-luminescent flasher. The present circuit flashes a 5cm by 6cm electro-luminescent sheet at about 1.5 candelas' brightness, at a rate of just over 1Hz.

Although not as visible as a LED during the day, this flashes

very brightly at night, producing some three times as much light as a super-bright LED flasher, yet drawing little more than 2mA.

A unijunction transistor, or UJT, produces 9V pulses across the series-connected secondary of a small 230V to 5-0-5V mains transformer. The pulses are

determined by the monostable multivibrator – ringing tone counter is reset, causing relay *L* to open the contacts *L*<sub>1</sub>.

In recording mode, the user operates switch *Sw*<sub>1</sub> manually. This causes the address-generating counter to enter count mode from the reset status and puts the RAM into write mode. In this case, voice message of the user from the microphone passes is sampled and held then passed to the a-to-d converter. From there, the digitised voice is sampled into successive locations of the RAM.

The sampling rate is kept at 5kHz to allow only up to 2.5kHz of the voice frequency to minimise the storage space needed. After recording is over, the user returns *Sw*<sub>1</sub> to its answer back mode position.

An audio-cassette recorder and player could be used for recording the answer back message and injecting into the lines whenever a call originates. This alternative is shown in Fig. 2.

In this case, three relays are used to control various operations, *L* for closing the line contacts *L*<sub>1</sub> to the passive circuit, *P* for playing the message (*P*<sub>1</sub>) and *RS* for rewind and auto stop (*RS*<sub>1</sub>).

While in record mode, the user operates switch *Sw*<sub>1</sub> to extend the connection for recording from the starting position of the tape. In answer-back mode, the counter operates the *L* relay to close *L*<sub>1</sub> and the *P* relay for playing the cassette.

At the end, the monostable multivibrator operates *RS* relay for rewind and stop.

**K Balasubramanian and H Camar**

Mersin  
Turkish Republic of Northern  
Cyprus  
(F97)

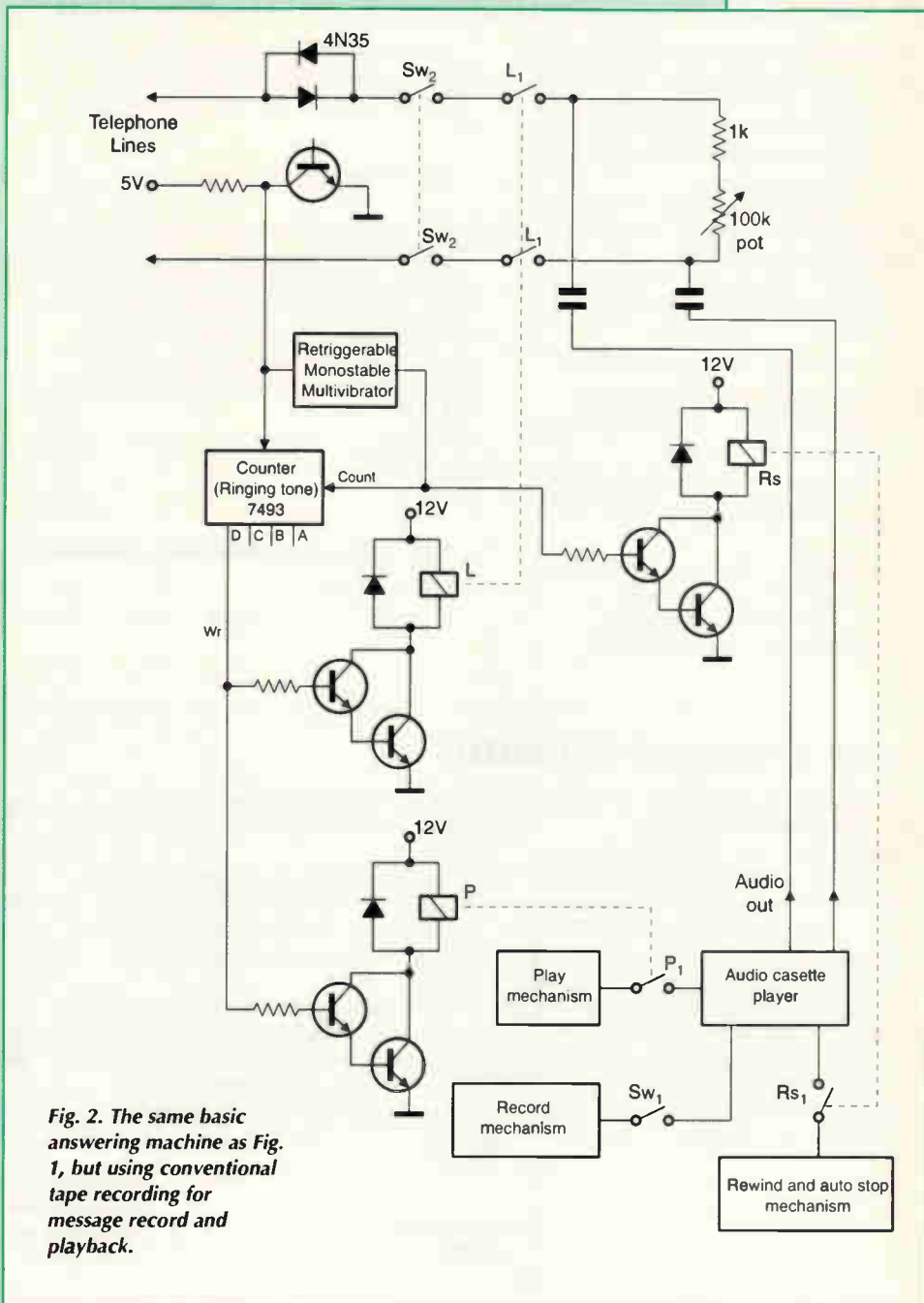


Fig. 2. The same basic answering machine as Fig. 1, but using conventional tape recording for message record and playback.

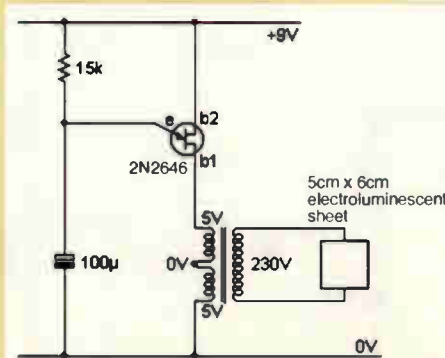
stepped up by the transformer to a voltage suitable for pulsing the electro-luminescent sheet, which typically requires 115V AC.

A relatively large value is chosen for C, so that sufficient current is available across the transformer's secondary windings. Should the electro-luminescent sheet fail to flash brightly, try other transformers, since the different characteristics

of transformers may affect brightness.

A red 5cm by 6cm electro-luminescent sheet is manufactured by Seikosha, and is available from RS Components, stock No 267-8762. Various colours are available, including white.

**Rev. Thomas Scarborough**  
Cape Town  
Republic of South Africa



This electro-luminescent sheet is highly visible at night, yet only needs 2mA of drive current.

# A method of measuring Q at VHF and UHF

Instrumentation to measure directly the Q of an LC resonant circuit at VHF and UHF frequencies hardly exists whereas instruments that measure return loss (reflection coefficient in decibels) at these frequencies are readily available.

The return loss measured at the input to an inductive loop coupled to a resonant circuit or line provides information from which  $Q_0$  – unloaded Q – is easily calculated. The method is well suited to measurement of resonant lines, Fig. 1.

The procedure consists of two steps:

1. Adjust the coupling of the loop to obtain maximum return loss ( $\pm 30\text{dB}$ ) at the resonant frequency.
2. Measure the return loss bandwidth (B) at several levels, e.g. 5, 7, and 10dB.

Fig. 2.

The effective Q of the coil or line is then calculated from  $Q_0 = f_0/B$  where:

$f_0$  = resonant frequency (MHz)

B = return loss bandwidth (MHz)

A = a parameter depending on the level at which B is measured. The relationship between return and loss and the parameter is:

$$\text{Return loss} = 10 \log \frac{a^2}{a^2 + 4}$$

Some values are given in the table gives. The calculation can be repeated for several different decibel levels and a mean value for  $Q_0$  obtained. The result is independent of the impedance of the return loss bridge, whether 50, 75Ω or another value (step 1 above takes account of bridge impedance.)

C J Hall

Giubiasco  
Switzerland  
(G10)

Fig. 1. Loop coupling to resonant circ. or line.

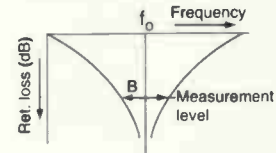
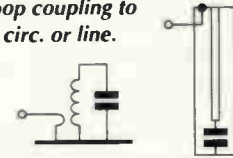


Fig. 2. Return loss graph.

Table. Values of return loss versus parameter A.

Return loss (dB)	5	7	10	15	20
Parameter A	1.360	1.00	0.667	0.361	0.201

# Low drop-out regulator

This circuit was developed to fill a need for a regulator, with low drop-out characteristics, that could be used over a wider range of voltages and current than conventional monolithic regulators.

The circuit shown above is for a 5V, 2.5A regulator running off a transformer driven from 190V to 264V. A standard regulator would go into thermal shutdown at full load at the upper end of this input range.

Output voltage is potted down by  $R_9$  and  $R_{10}$  and compared with the internal reference voltage of  $IC_1$ , a TL431 shunt

regulator. Standing current for  $IC_1$  is supplied by  $R_5$ . Capacitor  $C_1$  keeps the loop stable.

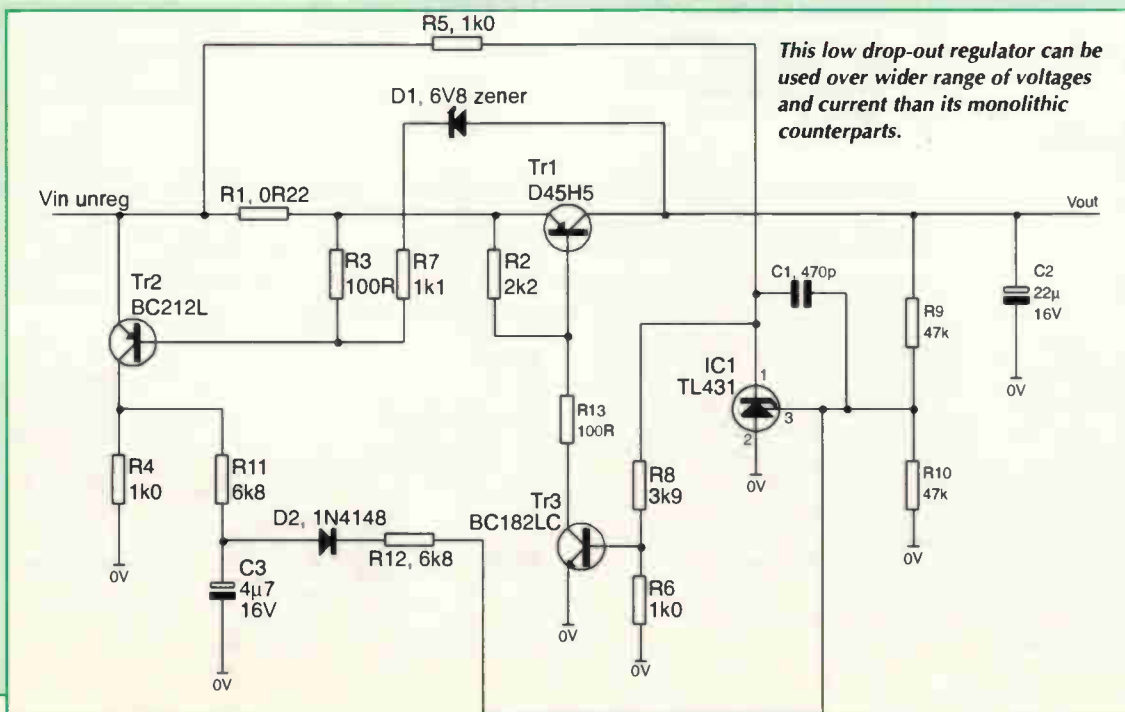
Output from the shunt regulator is amplified by  $Tr_3$  to drive the series pass transistor  $Tr_1$ . This transistor specified is a high gain device with a low saturation voltage.

Current is sensed by  $R_1$ . When the voltage across  $R_1$  is sufficient  $Tr_2$  will begin to turn on, feeding current into  $IC_1$ . This is seen by  $IC_1$  as an increase in output voltage, causing the control loop to reduce the

regulator output.

Diode  $D_1$  and  $R_7$  are fitted if a foldback current limit is required. The values of these will need adjusting for a different input voltage range. Components  $R_{11}$  and  $C_3$  keep the input ripple out of the control loop under current limit conditions. Diode  $D_2$  isolates the error amplifier from the filter network under normal, non-limit, conditions.

John Vincent  
Caterham  
Surrey



This low drop-out regulator can be used over wider range of voltages and current than its monolithic counterparts.



# NEW PRODUCTS

Please quote *Electronics World* when seeking further information

## Bluetooth baseband controller is 1.1 compliant

Ericsson Microelectronics has introduced a Bluetooth baseband controller IC pre-qualified to Bluetooth version 1.1. The controller is based on a scalable Ericsson Bluetooth 1.1 compliant core combined with an ARM7 TDMI processor and an AMBA bus. It supports up to 7 slaves, making it suitable for both point-to-point and point-to-multipoint applications. The PBM 990 90 offers 64kbytes of on-chip RAM, an external bus interface, variable input frequency and integral data security. Host controller interface (HCI) connectivity is



provided through UARTs or a USB port. One UART supports HCI connectivity up to 921kbit/s while a second can be used at up to 230kbit/s for production and debugging purposes. The USB port is a self-powered, USB 2.0 compliant, full-speed device interface.

*Ericsson Microelectronics*  
Tel: 01793 488300  
[www.ericsson.com](http://www.ericsson.com)

## Ferroelectric memory cell based on single transistor

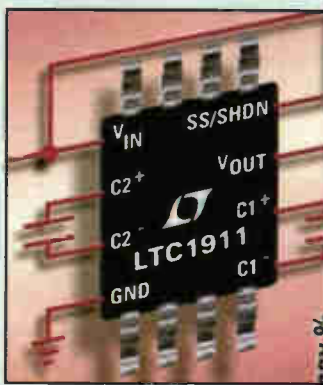
Ramtron has introduced what it claims to be the first 1-transistor, 1-capacitor ferroelectric random access memory (FRAM). The FM24C256-SE is a 256kbit two-wire, serial FRAM product that uses a one-transistor, one-capacitor memory cell.

According to the supplier, the architecture lays the groundwork for memories that can combine the density of DRAM and the low power, equal read/write speed of SRAM with the non-volatile storage capability of flash or EEPROM. The architecture uses a single capacitor as a common reference for each column in the memory

array, effectively cutting the required cell area in half compared to Ramtron's existing 2 transistor and 2 capacitor Read and writes are performed at bus speeds up to 1MHz. It operates from a 5V power supply and draws 75µA for reads and writes at 100kHz. The FM24C256 offers 10 years of data retention.  
*Ramtron*  
Tel: 001 719 481 7000  
[www.ramtron.com](http://www.ramtron.com)

## DC-DC converter is efficient without inductors

Linear Technology's inductorless step-down DC-DC converter produces a 1.5V



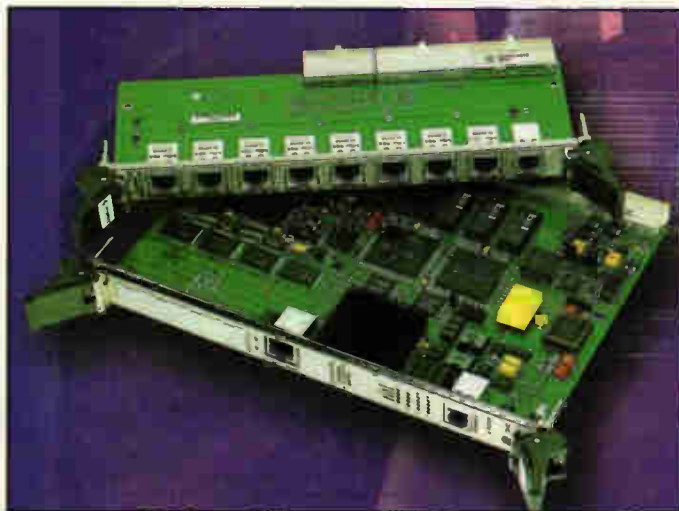
(LTC1911-1.5) or 1.8V (LTC1911-1.8) regulated output from a 2.7V to 5.5V input voltage. It is designed for applications that use a single cell Lithium Ion or multi-cell NiCd/NiMH batteries to power low voltage DSPs. The device uses switched capacitor fractional conversion to achieve its efficiency over the input voltage range. Efficiencies up to 85 per cent can be realised without an inductor. An internal switch network modifies the step-down conversion ratio to optimise efficiency as the input voltage and load conditions vary. The device can provide up to 250mA of output current while minimising operating current to 180µA. Input current is being further reduced to 10mA in shutdown mode. A constant frequency architecture provides a low noise regulated output as well as lower input noise than conventional charge pump regulators, thereby minimising any potential interference with wireless transceivers. High frequency operation (fosc=1.5MHz) simplifies output filtering and allows the use of small external ceramic capacitors to minimise

## Gigabit ethernet switches to PICMG2

Performance Technologies is offering its first Gigabit Ethernet products which are compliant with the bus standard designed to extend the life of PCI-based systems by moving traffic from a shared bus architecture to an embedded Ethernet backplane. The Ipnexus CPC5400 is a Layer3 Gigabit Ethernet switch which is compliant with the interface standard ratified by the PCI Industrial Computer Manufacturers Group (PICMG). Features include eight Gigabit Ethernet ports,

wire-speed layer2/layer3 switching and a number of availability features for carrier-grade operation. Other features include support for 802.3AD link aggregation, 802.1q VLANs and 802.1p QoS/CoS that is designed to ensure propriety traffic receives the necessary handling. The switch can be deployed in a fully redundant, non-blocking network.

*Performance Technologies*  
Tel: 01491 410066  
[www.pt.com](http://www.pt.com)



## NEWPRODUCTS

Please quote *Electronics World* when seeking further information

the footprint and profile, said the firm.

Linear Technology  
Tel: 01276 677676  
www.linear-tech.com

### Voltage regulator is rad-hard to 300krad

Intersil has announced a TO-39 can version of its 117-type linear voltage regulator for space power applications with electrical performance tested and guaranteed to 300krads.

Designated the HS-117RH, the 1.2 to 37V linear regulator has an 0.5A peak output current and a 40V maximum input voltage.

Intersil  
Tel: 01344 350250  
www.intersil.com

### Quartz crystal for Bluetooth transceivers

Epson's latest surface mount quartz device is the FA-248 AT-cut crystal which oscillates

in fundamental mode in a range between 12MHz and 32MHz. Maximum overall frequency deviation is  $\pm 20 \times 10^{-6}$  including first year aging. Aging or long-term stability reaches its highest value in the first year's use of the quartz. The value of  $\pm 2 \times 10^{-6}$ /year means a lower level in the following years. Better overall stability values are available on request. The series resistance ranges from 20 $\Omega$  for 32MHz to 70 $\Omega$  for 12MHz.

Epson  
Tel: 0049 891 4005 277  
www.epson-electronics.de

### Test probe with easy tip replacement

Pomona Electronics has introduced a range of test probes offering speedy tip replacement without tools. The SMD Microtip probe tips are designed for making contact on high density chip leads. It has a quick-

change chuck that allows the user to change tips and customise the probe for different uses, eliminating the need to keep many different types of probes on hand, said the firm. The probe is designed for use with a variety of DMMs.

Pomona Electronics  
Tel: 0031 40 2675 212  
www.pomonaelectronics.com

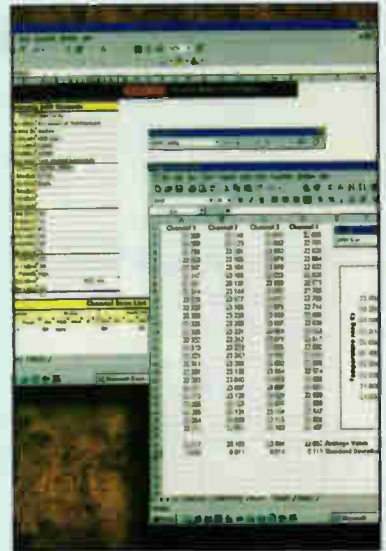
### Output diodes run at high temperature

International Rectifier has announced a 70A, 200V fast diode, with a 175°C operating temperature rating. It is for high frequency switching and output rectifier applications such as welding, switch-mode power supply (SMPS) and power conversion. Switching characteristics are optimised for high frequency applications. For example, the diode has a reverse recovery time of 26ns at full-rated current.

International Rectifier  
Tel: 020 8645 8003  
www.irf.com

### Data acquisition and analysis software excels

Keithley Instruments has added to its line of ExceLINX software products which collect, analyse, and chart test data from within Microsoft Excel, using the firm's



Model 2700 and Model 2750 DMM-based IEEE-488 benchtop instruments. Test data is imported into Excel in real time, without programming, separate applications, or importing and exporting data files. It enables Excel to control test hardware, and log data directly to a file, spreadsheet or graph. It will provide more power than start-up software often bundled with instruments and plug-in boards. The company says the software package will be suitable first time and occasional users who want to begin acquiring and viewing data quickly, without investing time in programming.  
Keithley  
Tel: 0118 957 5666  
www.keithley.com



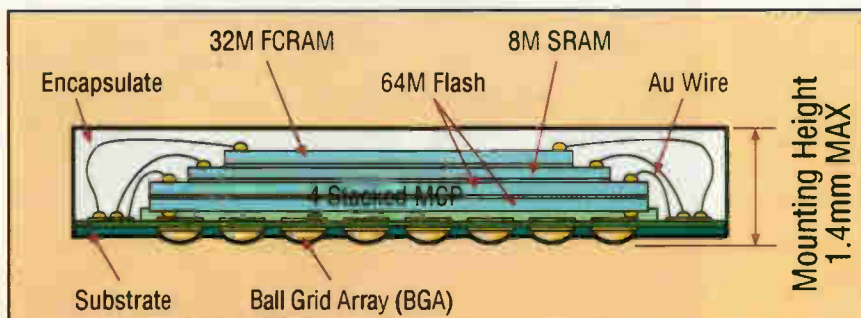
### Multi-chip device is well stacked with memory

Fujitsu has introduced its first four-stacked multi-chip package (MCP) incorporating a pair of 64Mbit NOR dual-operation flash memory chips, a 32Mbit mobile FCRAM with asynchronous SRAM interface and 8M SRAM. In addition, a two-stacked MCP incorporating 64Mbit FCRAM has also been announced, representing what the company terms the highest mobile

FCRAM on the market in a 9 x 9mm package. Samples of both are currently available with volume production expected during Q2. The package combines the memory used in two existing MCP products in a single four-chip stacked MCP with a 103-ball (10.0 x 9.0 x 1.4mm) plastic BGA package. Combining these chips into one package reduces the total

mounted surface area to about 63% of the previous combination of packages, said the company. According to the firm, it is the introduction of 2.5G and 3G mobile phones next year in Europe which is increasing demand for MCP memory that is physically smaller and runs on less power, but with more capacity and speed. The MCP includes two 64Mbit NOR-type dual-operation flash memory chips for storing programs and data. This flash memory, which was fabricated using of 0.17-micron process technology, runs faster than previous NOR-type flash products, performing sector erase operations in 0.2 seconds (one second for previous models), and has access speeds of 70ns.

Fujitsu  
Tel: 0049 6103 690257  
www.fme.fujitsu.com



Please quote **Electronics World** when seeking further information

### Viterbi decoder core is 802.16 compliant

Altera has released an enhanced version of its Viterbi decoder core, claimed to run over 185Mbit/s throughput. The Viterbi decoder version 3.0 is up to 50 per cent smaller and twice as fast as previous. It is powered with the firm's MegaWizard plug-in technology, enabling users to parameterise various features such as constraint length (3 to 9) and number of soft decision bits (2 to 16). It is fully compliant with the IEEE 802.16 specifications for air interface of fixed point-to-multipoint broadband wireless access (BWA) systems. These require a Viterbi block decoder with constraint length of 3, traceback length of 32, and minimum throughput requirement of 44.8Mbit/s.

Altera  
Tel: 01494 602000  
www.altera.com

### "Hole-less" Mosfets up the power

Ixys has introduced three Trench Power Mosfets for low voltage/high current applications. The IXUC100N055, IXUC200-N055 and IXUC160N075 have current ratings of 100A, 200A and 160A respectively. The IXUC100N055 and the IXUC200N055 are rated at  $V_{DS}$  (drain-source voltage) equal to 55V while the IXUC160N075 has a  $V_{DS}$  rating of 75V. The devices are housed in what the company terms a "hole-less" package conforming to the TO-220 outline with an electrically isolated mounting

tab. The elimination of the screw hole makes room for a larger die, which can carry higher current than the regular TO-220 package. Features include 2,500V (rms) isolation and maximum operating junction temperature rating of 175°C.

Ixys  
Tel: 001 408 982 0700  
www.ixys.com

### High-definition TV format conversion IC

Gennum is supporting HD-SD format conversion for the European broadcast market with its latest IC products aimed at broadcast, projector, plasma/LCD display and other professional applications. The GF9330 de-interlacer is a VDSP engine that performs de-interlacing of interlaced digital television signals and supports both SDTV and HDTV signal formats, including 1080P60. It includes edge directional adaptive filters, a motion adaptive vertical filter and a motion adaptive inter-field filter. The GF9331 motion co-processor can be used in conjunction with the GF9330 to implement a motion adaptive de-interlacer for both SDTV and HDTV digital television signals. The GF9331 contains pixel-based adaptive edge detectors that cover a number of different edge detections and a motion detector that covers special motions in the vertical direction. The GF9320 scaling processor performs scaling of video as well as graphic images up to 2k by 2k pixel resolution and provides pan, scan and zoom/shrink abilities. A fully programmable



### GSM test set simplifies AM modulation

IFR Systems is offering an AM signal modulator for use with its IFR2935 GSM radio test set. The aim is to replace the separate signal generators previously required for adjusting GSM mobiles for AM suppression and speed up test time by reducing the need continually 'make and break' RF connections. It features two modes of operations - Direct and AM. In Direct Mode, the GSM mobile is connected to the test set and can be left for the majority of the testing and aligning operation. In AM Mode, the signal is amplified and modulated for updating and operated for just a few seconds while the mobile's AM suppression is adjusted.

IFR Systems  
Tel: 01438 772087  
www.ifrsys.com

output matrix provides for YUV to RGB conversions, gain and hue controls. In addition, it offers colour background and output TRS insertion. Typical applications range from high-end broadcast through to professional display applications.

Gennum  
Tel: 01252 747001  
www.gennum.com

### 2.8GHz clock dividers

ON Semiconductor has introduced two low-voltage clock chips that generate, divide and distribute synchronous output clocks from a single master clock running at up to 2.8GHz. Both the MC100EP139 and MC100LVEP34 were designed specifically for low-

### Planar transformer

Pulse has announced a series of 30-watt planar transformers which it claims can offer a size and weight reduction of up to 60 per cent in DC power supplies or in discrete power supply systems. Primary applications for the new transformer series include telecom power systems, industrial control systems, or automotive and heavy equipment applications where high package density is required. Based upon planar technology, the transformers are formed from multi-layer printed circuit boards (PCBs) sandwiched between ferrite cores. EMC compliant, with operating frequencies from 150kHz to 750kHz, and various turns ratios to suit a wide range of product applications, the transformers are available in both tray, and tape and reel packaging.

Pulse  
Tel: 0033 384 350448  
www.pulseeng.com



Please quote *Electronics World* when seeking further information

skew and low-jitter applications, said the company. Both parts feature a master reset for synchronization of multiple chips and a synchronous enable/disable function. The MC100EP139 can generate four output clocks from a single master clock. This device gives designers the choice of programming a divide-by 2/4 on one pair of outputs, and a divide-by 4/5/6 on the other pair. The 3.3V to 5V EP139 can accept input clock frequencies up to 1.3GHz. Typical output skew is a mere 50ps. This device is offered in two 20-pin package options - the low profile TSSOP and the standard SOIC.

ON Semiconductor  
Tel: 0033 0534 611390  
www.onsemi.com

### Testing SoCs for set-top box and xDSL designs

Schlumberger Semiconductor has extended the capability of its EXA3000 system-on-chip (SoC) test system with a broadband channel that expands multi-site analogue capabilities when testing SoC devices in DVD, set-top box, HDTV, xDSL and cellular baseband applications. One broadband channel option can source and measure two channels in parallel with greater than 86dBc SFDR at 1MHz. This, with 100MHz of usable bandwidth at 14 bits of resolution, is designed to improve analogue test coverage. Each card has two independent channels embedded. MPEG video decoders, used in set-top box and DVD designs,

are the first targeted application for the Broadband Channel, said the company.  
Schlumberger  
Tel: 0033 1474 66943  
www.slb.com

### Clock buffer has over 40 I/O combinations!

IDT's latest family of fan-out clock buffers is for dual and single data-rate clock distributions. Called the TeraBuffer, the device can offer more than 40 I/O combinations. The devices are non-phase-locked loop (PLL) clock buffers and feature the industry's output-to-output skew specs. They are claimed to be the first clock management devices providing signal and voltage translation capabilities that include 1.8V TTL. They accept single-ended or differential 2.5V



TTL, 1.8V TTL, HSTL, eHSTL and LVEPECL input signals, and 2.5V LVTTTL, 1.8V LVTTTL, HSTL, and eHSTL output signals in various combinations.  
IDT  
Tel: 01372 366112  
www.idt.com

### PCB design tool with all the angles

Zuken's Cadstar radial design environment for printed circuit boards enables the design of radial boards, those with identical blocks of design centred around a single device or area.

## Antenna Toolkit

Second Edition

Joe Carr has provided radio amateurs and short-wave listeners with the definitive design guide for sending and receiving radio signals with Antenna Toolkit 2nd edition.

Together with the powerful suite of CD software, the reader will have a complete solution for constructing or using an antenna – bar the actual hardware! The software provides a simple Windows-based aid to carrying out the design calculations at the heart of successful antenna design. All the user needs to do is select the antenna type and set the frequency – a much more fun and less error prone method than using a conventional calculator to solve formulae. The new edition has been revised to include further cases of propagation, additional antennas and also two new chapters – Small Loop Antennas (a topic of considerable interest, which has been the subject of much recent debate in the amateur radio press); and Yagi Beam Antennas (widely used at HF and VHF). The CD software has also been updated.



Joe Carr's expertise in the area of antenna design is legendary. Antenna designers, whether hobbyist or technician, can be assured they need look no further than Antenna Toolkit for the complete guide to understanding the practicalities of using and designing antennas today.

Preface; Radio signals on the move; Antenna basics; Wire, connection, grounds; Marconi and other unbalanced antennas; Doublets, dipoles and other Hertzian antennas; Limited space antennas; Large loop antennas; Wire array antennas; Small loop antennas; Yagi beam antennas; Impedance matching; Simple antenna instrumentation and measurements; Getting a 'good ground'; Index.

## How to pay

(Antenna Toolkit) paperback

o I enclose a cheque/bank draft for £ \_\_\_\_\_  
(payable to ELECTRONICS WORLD)

Please charge my credit/charge card

Mastercard  American Express  Visa  Diners Club

Credit Card No: \_\_\_\_\_

Expiry Date: \_\_\_\_\_

Signature of Cardholder \_\_\_\_\_

Cardholder's statement address: (please use capitals)

Name \_\_\_\_\_

Address \_\_\_\_\_

Post Code \_\_\_\_\_ Tel: \_\_\_\_\_

Post your completed order form to:-

Jackie Lowe, Cumulus Business Media,  
Anne Boleyn House, 9-13 Ewell Road, Cheam,  
Surrey, SM3 8BZ

UK Price: £27.50 Europe £30.00 ROW £33.00  
Price includes delivery

# Serial Comms

- Development
- Debugging
- Testing

Listen in with an

# EARWIGG

the non-intrusive development and debugging tool

Tel: +44 (0)1692 500 777

[www.earwigg.com](http://www.earwigg.com)

# VIOM

Versatile Input Output Module

- 16 Digital Inputs
- 16 Open Collector Outputs
- 8 Counter Timers
- RS232 Serial Port
- Fully Programmable with over 100 commands

VIOM can be used either as a stand-alone module, as a general purpose serial I/O card or as a combination of both. Projects can be completed in minutes.

**£49.35 (£42.00 ex VAT)**

20% off this price: See EW March 2002 for details

Also available:

- 8 Way Display Module £8.82 (£7.50 ex VAT)
- 8 Way Relay Module £17.63 (15.00 ex VAT)

Order on line at:  
[www.phaedrusltd.co.uk](http://www.phaedrusltd.co.uk)



# SOM1

Serial Output Module

- 4 Independent Relays on each module
- Up to 256 module addresses
- 100 metre module separation
- Free application software

**£37.60 (£32.00 ex VAT)**

Visit our Web site to download sample projects and PC based software including data logging and control applications.

[www.phaedrusltd.co.uk](http://www.phaedrusltd.co.uk)

**Phaedrus Limited**  
Unit 1, Darwin Enterprise Centre  
Railway Road, Darwin BB3 3EH

Tel 01254 772622

## SPECIAL OFFERS



**TEKTRONIX 2445A 4 Ch 150MHz Delay, Cursors etc** £25  
Supplied with 2 Tektronix probes **ONLY £425**

**TEKTRONIX 2232 Digital Storage Scope. Dual Trace 100 MHz, 100ms with probes.** £25  
**H.P. 54501A Digitizing Oscilloscope 100MHz, 4Ch** £425  
**H.P. 3312A Function Gen 0.1Hz-13MHz AM/FM Sweep/Tri/Gate/Burst etc.** £300  
**FARNELL Dual PSU XA35-2T 0-35V 0-2A Twice QMD LCD Display.** £180  
**CIRRUS CRL254 Sound Level Meter with Calibrator, 80-120dB, LEQ.** £150  
**EDDYSTONE 1002 Receiver 150kHz-30MHz + Broadcast FM.** £125  
**FARNELL AMM255 Automatic Mod Meter 1.5MHz.** £300  
**FARNELL DS61 Low Frequency Syn Sig Gen 0.001Hz to 99.99kHz, Low Distortion TTL/Square/Pulse Outputs etc.** £95  
**FLUKE 8060A Handheld True RMS DMM 4 1/2 digit As new £150. Used £95**  
**BECKMAN HD110 Handheld 3 1/2 digit DMM, 28 ranges with battery, leads and carrying case** £40

**H.P. 3310A Function Gen 0.005Hz-5MHz Sine/Sq/Tri/Ramp/Pulse.** £125  
**FARNELL FLM4 Sine/Sq Oscillator 10Hz-1MHz low distortion, TTL Output, Amplitude Meter.** £125  
**H.P. 545A Logic Probe with 546A Logic Pulsar and 547A Current Tracer.** £90  
**FLUKE 77 Multimeter 3 1/2 digit Handheld.** £60  
**FLUKE 77 SERIES II.** £70  
**HEME 1000 LCD Clamp Meter 0-1000A In Carrying Case.** £60

**Racal 9008 Automatic Modulation Meter AM/FM, 1.5MHz - 2GHz** **ONLY £95**

**Datron 1061 High Quality 5.5 Digit Bench Multimeter True RMS/4 wire Res/Current Converter/IEE** **£150**

**Datron 1061A High Quality 6 1/2 digit Bench Multimeter True RMS/4 wire/Current Converter** **£225**

**Racal Receiver RA1772 50KHz - 30MHz LED Display Basically Working** **£250**

## MARCONI 2019A



**AM/FM synthesised signal generator 80kHz - 1040MHz** **NOW ONLY £400**

**MARCONI 893C AF Power Meter, Sinad Measurement, Unused £100 Used £60**  
**MARCONI 893B - No Sinad** £30  
**MARCONI 2610 True RMS Voltmeter Autorangin 5Hz-25MHz** £195-£125  
**GOULD J3B Sine/Sq Osc 10Hz-100kHz. Low distortion** £195  
**AVO 8 Mk6 in Ever Ready Case, with leads etc** £80  
**Others Avos** from £50  
**GOODWILL GVT427 Dual Ch AC Millivoltmeter 10mV In 12 Ranges Freq 10Hz-1MHz** £100-£125  
**SOLARTRON 7150 DMM 6 1/2 digit True RMS - IEEE** £95-£150  
**SOLARTRON 7150 PLUS** £200

**HIGH QUALITY RACAL COUNTERS**  
**9904 Universal Timer Counter, 50MHz** £50  
**9916 Counter, 10Hz-520MHz** £75  
**9916 Counter, 10Hz-560MHz, 9-digit** £50  
**WAYNE KERR B424 Component Bridge** £125  
**RACAL/AIM 9343M, LCR Databridge, Digital Automeasurements of R, L, C, Q, D.** £200  
**HUNTRON TRACKER Model 1000** £125  
**MARCONI TP2015 AM/FM sig gen, 10-520MHz** £175  
**FLUKE 8050A 4.5 Digit, 2A True RMS** £75  
**FLUKE 8012A 3.5 Digit, 2A** £40

**SOLARTRON 7045 Bench Multimeter 4.5 Digit Bright LED with Leads** **ONLY £30**

**Portable Appliance Tester Megger Pat 2** **ONLY £180**

**H.P. 6012B DC PSU 0-60V; 0-50A 1000W** £1000  
**FARNELL AP60/50 1KW Autoranging** £1000  
**FARNELL H60-50 0-60V 0-50A** £750  
**FARNELL H60/25 0-60V; 0-25A** £400  
**Power Supply HPS3010 0-30V; 0-10A** £140  
**FARNELL L30-2 0-30V; 0-2A** £80  
**FARNELL L30-1 0-30V; 0-1A** £60  
**Many other Power Supplies available.**  
**Isolating Transformer 240V In/Out 500VA** £40

## GOULD OS 300 OSCILLOSCOPE



**DUAL TRACE 20MHz TESTED WITH MANUAL** **£95**

**OSCILLOSCOPES**  
**TEKTRONIX TDS350 Dual Trace 200MHz 1G/S unused** £1500  
**TEKTRONIX TDS320 Dual Trace 100MHz 500M/S** £1200  
**TEKTRONIX TDS310 Dual Trace 50MHz 200M/S** £950  
**LECROY 9400A Dual Trace 175MHz SG/S** £1500  
**HITACHI VC6523 Dual Trace 20MHz 20M/S etc unused** £600  
**PHILIPS PM3092 2+2Ch 200MHz Delay** £800 As New £950  
**PHILIPS PM3082 2+2Ch 100MHz Delay etc** £700 As New £800  
**TEKTRONIX TA5465 Dual Trace 100MHz Delay etc** £750  
**TEKTRONIX 2465B 4Ch 400MHz Delay Cursors etc** £1500  
**TEKTRONIX 465B Dual Trace 100MHz Delay Sweep** £325  
**TEKTRONIX 468 Dig Storage Dual Trace 100MHz Delay** £450  
**TEKTRONIX 466 Analogue Storage Dual Trace 100MHz** £250  
**TEKTRONIX 485 Dual Trace 350MHz Delay Sweep** £550  
**TEKTRONIX 475 Dual Trace 200MHz Delay Sweep** £300  
**TEK S APN62 Syn 1Hz - 260KHz Sig Gen** £390  
**PHILIPS PM3217 Dual Trace 30MHz Delay** £200-£250  
**GOULD OS1100 Dual Trace 30MHz Delay** £150  
**HAMEG HM303 Dual Trace 30MHz Component Tester** £275  
**HAMEG HN203 7 Dual Trace 20MHz Component Tester** £200  
**FARNELL DTV20 Dual Trace 20MHz Component Tester** £125

**MANY OTHER OSCILLOSCOPES AVAILABLE**  
**MARCONI 2022E Synthesised AM/FM Sig Gen £525 - £750**  
**10kHz - 1.01GHz LCD Display etc**  
**H.P. 8657A Syn 100kHz - 1040MHz Sig Gen** £2000  
**H.P. 8656B Syn 100kHz - 890MHz Sig Gen** £1350  
**H.P. 8656A Syn 100kHz - 990 MHz Sig Gen** £995  
**R&S APN62 Syn 1Hz - 260KHz Sig Gen** £425  
**Balanced/Unbalanced Output LCD Display**  
**PHILIPS PM3228 Sig Gen 100kHz - 180MHz with 200MHz Freq Counter IEEE** £550

**RACAL 9081 Syn AM/FM Sig Gen 5kHz - 1024MHz** £250  
**H.P. 3325A Syn Function Gen 21MHz** £400  
**MARCONI 6500 Amplitude Analyser** £200  
**H.P. 4192A Impedance Analyser** £5000  
**H.P. 4275A LCR Meter 10kHz - 10MHz** £2750  
**H.P. 8903A Distortion Analyser** £1000  
**WAYNE KERR Inductance Analyser 3245** £2000  
**H.P. 8112A Pulse Generator 30MHz** £1250  
**MARCONI 2440 Freq Counter 20GHz** £1000  
**H.P. 5350B Freq Counter 20GHz** £2000  
**H.P. 5342A 10Hz - 18GHz Freq Counter** £800  
**H.P. 1650B Logic Analyser 80 Channel** £1000  
**MARCONI 2305 Mod Meter 500kHz - 2GHz** £750

**RADIO COMMUNICATIONS TEST SETS**  
**MARCONI 2355/2356A** from £1500  
**Rohde & Schwarz CMT 01 - 1000MHz** £2000  
**Schlumberger 4040** £900

## JUST IN

**H.P. 6063B DC Electronic Load 3-240V/0-10A 250W P.O.A** £400  
**H.P. 66312A PSU 0 - 20V/0-2A** £400  
**H.P. 66311B PSU 0 - 15V/0-3A** £400  
**H.P. 66309D PSU Dual 0 - 15V 0-3A/0-12V 0-1.5A** £750  
**H.P. 6632B PSU 0 - 20V/0-5A** £500  
**H.P. 6623A PSU Triple Output ranging from 0-7V 0-5A to 0-20V 0-4A** £850  
**H.P./Agilent 34401A OMM 6 1/2 digit** £400/£450  
**H.P. 3478A OMM 5 1/2 digit** £275  
**FLUKE 45 DMM Dual Display** £400  
**KEITHLEY 2010 OMM 7 1/2 digit** £950  
**KEITHLEY 617 Programmable Electrometer** £1250  
**H.P. 4338B Milliohmmer** £1500  
**RACAL Counter type 1999 2.6 GHz** £500  
**H.P. Counter type 53131A 3GHz** £850  
**H.P./Agilent 33120A Function Gen/ARB 100microwHz - 15MHz** £900/£1000  
**SONY/TEKTRONIX AFG320 Arbitrary Function Gen.** £1250  
**H.P. 8904A Syn Function Gen DC - 600kHz** £1000/£1250  
**BLACK STAR JUPITOR 2010 Function Gen 0.2Hz - 2MHz with Frequency Counter** £140  
**H.P. 8116A Pulse Generator 1mH-50MHz** £1950  
**H.P. 8657B Syn Signal Gen 0.1-2080MHz** £2500  
**CD-AXIAL SWITCH 1.5GHz** £40  
**IEEE CABLES** £10

## SPECTRUM ANALYSERS

**H.P. 8561B 50Hz - 6.5GHz** £6500  
**H.P. 8560A 50Hz - 2.9GHz Synthesised** £5000  
**H.P. 8594E 9kHz - 2.9GHz** £4500/£5000  
**H.P. 8591E 1MHz - 1.8GHz 75 ohm** £3500  
**H.P. 853A with 8559A 100kHz - 21GHz** £2250  
**H.P. 8558B with Main Frame 100kHz - 1500MHz** £1250  
**H.P. 3585A 20Hz - 40MHz** £3000  
**H.P. 3580A 5Hz - 50kHz** £800  
**ADVANTEST R4131B 10kHz - 3.5GHz** £3500  
**EATON/Alitech 757 0.001 - 22GHz** £1500  
**MARCONI 2382 100Hz - 400MHz High Res** £2000  
**MARCONI 2370 30Hz - 110MHz** from £500  
**H.P. 182 with 8557 10kHz - 350MHz** £500  
**H.P. 141T Systems**  
**8553 1kHz - 110MHz** from £500  
**8554 500kHz - 1250MHz** from £750  
**8555 10MHz - 18GHz - 12.4 GHz** from £1000  
**TEKTRONIX 491 10MHz - 12.4 GHz** £500  
**H.P. 8443 Tracking Gen/Counter 110MHz** £250  
**H.P. 8444 Opt 059** £750  
**B & K 2033R Signal Analyser** £750  
**H.P. 5372A Frequency & Time Interval Analyser** £2250  
**H.P. 8754A Network Analyser 4MHz - 1300MHz** £1250  
**H.P. 3577A Network Analyser 5Hz - 200MHz** £3000  
**H.P. 53310A Modulation Domain Analyser Opt 001/003** £5000  
**ONO SOKKI Portable FFT Analyser** £1500

## STEWART OF READING

110 WYKEHAM ROAD, READING, BERKS RG6 1PL  
Telephone: (0118) 9268041 Fax: (0118) 9351696  
[www.stewart-of-reading.co.uk](http://www.stewart-of-reading.co.uk)



Callers welcome 9am-5.30pm Monday to Friday (other times by arrangement)

USED EQUIPMENT - GUARANTEED. Manuals supplied.

This is a VERY SMALL SAMPLE OF STOCK. SAE or telephone for lists. Please check availability before ordering. CARRIAGE all units £16. VAT to be added to total of goods and carriage.

Please quote *Electronics World* when seeking further information



This can improve design efficiencies by introducing a degree of automation and conformance to pre-defined manufacturing rules.

Zuken  
Tel: 01454 207800  
www.zuken.com

### Schottky diodes for current protection

Schottky diodes from Shindengen provide secondary rectification in DC-DC converters and protect portable terminals against battery reverse current and short circuit conditions. These may be caused by incorrect connection of an AC adapter or battery charger. The M-series diodes for DC-DC converter applications are suitable for use in step-down, boost and inversion circuit topologies up to 30V maximum reverse voltage. Forward voltage drop is 0.4V, minimising in-circuit losses. The M1FM3 packs 3A continuous forward current handling into the industry standard M1F surface mount package measuring 1.8mm x

3.9mm x height 1.4 mm M1F. The 5A D1FM3 in industry standard D1F packaging measures 2.5 x 5.0 x height 2.0mm, and the M2FM3 for forward current up to 6A is packaged to M2F standard measuring 3.75 x 5.1 x 2.0mm. The device handles continuous forward current 1.5A in the small M1 outline, with the D1FH3 rated for 3A current and available in the D1F package. The M2FH3 in the M2F package protects equipment drawing up to 6A in normal operation.  
Shindengen  
Tel: 01707 332992  
www.shindengen.co.uk

**Digital TV conversion platform**  
STMicroelectronics has

introduced a hardware and software platform it claims can bridge the gap between PAL analogue television and digital-TV technology. The CTV100 platform comprises two chips (STV2310 and STV3500) and associated software for 100Hz or progressive scan TVs. It is designed to provide digital conversion for analogue TV input standards – PAL, NTSC, SECAM – and analogue RGB and YCrCb input formats which are converted into a digital CCIR 656/601/square pixel stream (D1 format). A VBI slicer is embedded and the STV2310 is programmable through an I<sup>2</sup>C interface. ■  
STMicroelectronics  
Tel: 01628 890800  
www.st.com

## Build and Upgrade Your Own PC

Second Edition

- Save £100s by making your current PC last longer
- You can have a PC with a spec that matches your needs
- Discover the practical techniques of upgrading a PC and avoid the pitfalls



Ian Sinclair's Build Your Own books have established themselves as authoritative and highly practical guides for home PC users and advanced hobbyists alike. All aspects of building and upgrading a PC are covered; making this the book the computer retailers don't want you to read! By getting to grips with the world of PC hardware you can avoid the built-in obsolescence that seems to be part and parcel of the fast moving world of PCs, and escape the need to buy a new PC every year. You can also have a PC that keeps pace with the ever-increasing demands that new software applications place on your system.

The new edition of this book is based round building and upgrading to the latest systems such as Pentium III and dual-processor Celeron motherboards running Windows 95/98 or Windows 2000. As well as guiding you round the inside of your CPU Ian Sinclair also covers monitors, printers, high capacity disk and tape systems, DVD drives, parallel port accessories....

**CONTENTS:** Preface; Preliminaries, fundamentals and buying guide; Case, motherboard and keyboard; About disk drives; Monitors, standards and graphics cards; Ports; Setting up; Upgrading; Multimedia and other connections; Windows; Printers and modems; Getting more; Index

## How to pay

(Build and Upgrade Your Own PC) paperback

I enclose a cheque/bank draft for £ \_\_\_\_\_  
(payable to **ELECTRONICS WORLD**)

Please charge my credit/charge card

Mastercard  American Express  Visa  Diners Club

Credit Card No: \_\_\_\_\_

Expiry Date: \_\_\_\_\_

Signature of Cardholder \_\_\_\_\_

Cardholder's statement address: (please use capitals)

Name \_\_\_\_\_

Address \_\_\_\_\_

Post Code \_\_\_\_\_ Tel: \_\_\_\_\_

**Post your completed order form to:-  
Jackie Lowe, Cumulus Business Media,  
Anne Boleyn House, 9-13 Ewell Road, Cheam,  
Surrey, SM3 8BZ**

**Fax your completed order form to 020 8722 6098  
UK Price: £22.50 Europe £24.00 ROW £26.00  
Price includes delivery**

# Easy-PC For Windows V5.0, now available with SPICE based A/D mixed mode simulator

From Only  
**£97**

## NEW Easy-PC V5.0

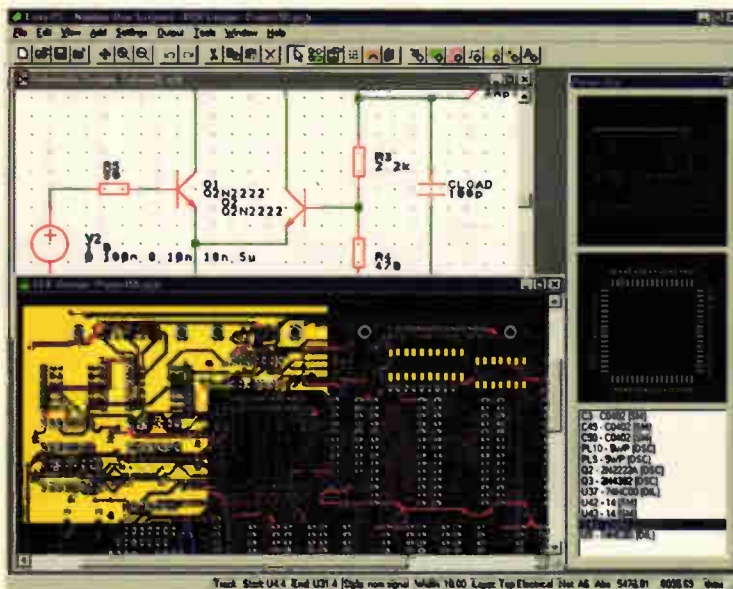
Easy-PC for Windows is one of the biggest selling PCB systems in Europe. With prices starting from as little as £97 it represents exceptional price performance.

Only  
**£295**

## SPICE Based Simulator

Easy-Spice is a substantially enhanced version of SPICE3 and XSPICE with the underlying algorithms being reworked to significantly improve convergence and add new functionality.

Easy-Spice is integrated with Easy-PC Schematics and is supplied ready to use with SPICE libraries and models.



For more information or for a demo copy call us on +44 (0)1684 773662 fax +44 (0)1684 773664 or E-mail [info@numberone.com](mailto:info@numberone.com)

or download a demo copy from [www.numberone.com](http://www.numberone.com)

Number One Systems, Oak Lane, Bredon, Tewkesbury, Glos, GL20 7LR

### UHF Helical B.P Filter (BW:2~350MHz)

You may specify any Fo & BW, quick delivery sample; No initial Charge; No limited Q'ty; with ISO9002 to serve Customer Satisfaction.

SMD / 5HR / 5HW / 7S / 7H / Notch Series



Fo:45~1800Mhz, -3 BW: 2~350Mhz

For Wireless/Cable Modem/Sate.STB/Fiber Filter

- 1)RF Front-End Filter. Fo=45~1800MHz
- 2)Sate.STB tuner /BS Tuner /DBS tuner
- 3)DAB Filter,;(Fo=1472Mhz)
- 4)Cable Modem:Fo=450~850Mhz/BW=60~300MHz
- 5)UHF Wireless & Security Home RF Filter.
- 6)Second IF Fo= 140MHz/BW:2~40M Filter
- 7)Fiber Filter: Fo=1.2~1.3G/BW=30~300Mhz
- 8)UHF Transceiver: Fo=66~88Mhz,380~520Mhz
- 9)LDMS Filter.(Fo=1060Mhz/BW=24Mhz)

Please visit Website show you all Performances.

Manufacturer & Exporter:

**TEMWELL** <http://www.temwell.com.tw>

Email:[temwell@ms12.hinet.net](mailto:temwell@ms12.hinet.net)

## RADIO MODEMS WIRELESS CCTV RADIO MODULES



No Licence

Range up  
to 20Km

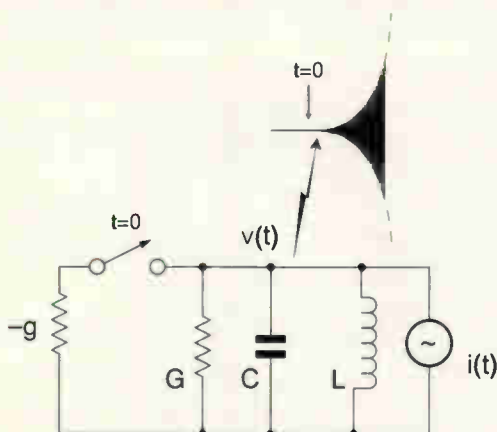
Data Rates  
up to  
50Kbps

[www.radiotelemetry.co.uk](http://www.radiotelemetry.co.uk)

Warwick Wireless Ltd  
The Manor, Aston Flamville, LE10 3AQ  
Tel: +44 (0) 1455 233616  
Fax: +44 (0) 1455 233179

# Designing super-regens

**Super-regenerative radio designs have been around for well over 60 years, and hundreds of circuits have been published – usually with little or no description of how they work. Eddy Insam dispels the myths.**



**Fig. 1.** Switching a negative resistance across an LC tank circuit causes positive exponential self-oscillations to be generated at its natural resonant frequency. The start-up time is a function of initial conditions – namely the tiny RF currents induced in the coil from an antenna. The resulting wave growth can be easily measured by external circuitry. The negative resistance is generated in practice by the active component used: transistor, FET, or other.

**A** few years ago, I was doing a short project for a cell-phone manufacturer. During lunch break, a number of the company's RF engineers were sitting around the table looking at a piece of paper with a little circuit drawn on it. "How does it work?" they asked me.

It was obviously a super-regenerative receiver, it said so underneath. It had one transistor, a few resistors, and some capacitors. "All this RF expertise, and not one of you knows how this works?" I said, saving myself from giving a direct answer, as I looked for the door.

Some of us have a box in the back of our minds where we put all those concepts that we cannot quite grasp. One might label this box, 'things that work by magic.' This circuit was certainly in there somewhere.

I decided I would find out how it worked. After all, the circuit only had one transistor. It can't be that difficult to crack, or can it? Soon, I found that most of the articles and manufacturers' literature I looked at were particularly short on theoretical descriptions. "Adjust  $R_4$  for best sensitivity," was the best I could get. I had to go quite a way back in time to find any publications that covered the subject in detail. I was also surprised to find how little had been published since then.

Nowadays, with so many alternative solutions available, super-regenerative radios appear to be outmoded and irrelevant. On the plus side, the concept has virtues; such radios are simple and consume little power. A better understanding of how they work may widen their applications into new areas. I would not be surprised if they make a come-back every so often under different guises – especially as new components such as stable hi-Q resonators are developed.

## Super-regen theory

One always gets a good feeling when the operation of an intricate physical process is made clearer by the use of simple maths. Equivalent circuits are a good case in point. Look at the circuit in Fig. 1. This describes the very basic operation of a super-regenerative receiver.

The circuit is a simple LC tank that includes a conductance  $G$  representing all the resistive losses in the circuit. I'll be using conductances rather than resistances as it simplifies the maths and the final analysis. To all extents,  $G=1/R$ , where  $R$  is the loss resistance.



A small RF source  $i(t)$  is also shown in parallel with the coil. This represents the external RF radiation that is somehow induced into the tank, maybe directly with the coil acting as an aerial, or coupled from an RF amplifier (not shown). Just assume for the moment that this signal has very small amplitude, and has a frequency similar to that of the self-resonance frequency of the tank:

$$i(t) = A \times \sin(\omega t) \quad \text{where} \quad \omega \equiv \sqrt{\frac{1}{LC}}$$

Before  $t=0$ , the switch is in the off position. The only voltage across the tank is that resulting from the RF excitation. I am calling this quiescent voltage  $V_o$ , which is basically  $V_o=i(t)/G$  at resonance. So far, so good.

The interesting bit happens when the switch is closed. At this point an extra conductance is added across the tank, and the total load is now the sum of the quiescent conductance  $G$  plus the new conductance just switched in.

To simplify the analysis, imagine replacing the two conductances by a single one that switches its value from  $G$  at time  $t<0$ , to a new value  $-g$  at  $t\geq 0$ . Notice that this new conductance is negative. In other words, at time  $t=0$  and beyond, the  $LC$  tank has a negative conductance  $-g$  applied across it. You cannot buy negative resistors at the shops. However, a negative resistance can be emulated with an active component, such as a transistor or FET. More on this later.

The corresponding equation for the circuit is:

$$C \frac{dV}{dt} + gV + \frac{1}{L} \int V dt = i(t) \quad (1)$$

And the solution, in terms of the resulting voltage across the tank, is of the general form:

$$v(t) = v_o \times k \times \exp\left(+t \frac{g}{2C}\right) \times \sin(\omega_o t) \quad (2)$$

where:

$$\omega_o = \sqrt{\left(\frac{1}{LC}\right) + \left(\frac{g}{2C}\right)^2}$$

Note the positive sign in the exponential. The output is an exponentially-rising, high-frequency oscillation. Figure 1 shows the shape.

Mathematical types among you will immediately notice that such an output requires non-zero initial conditions. This is provided in our circuit by the minute RF excitation. If the input RF signal had zero amplitude, there would be no drive, and the circuit would take an infinite time to start oscillating. This is not really an option. In practice, small disturbances such as thermal noise are enough to start the oscillations.

One peculiar characteristic of exponential waveforms is that two similar functions of different amplitudes look like the same two functions but time delayed. Figure 2a) shows the effect where two input signals of different amplitudes,  $e_1(t)$  and  $e_2(t)$ , are shown as apparent time delayed versions of each other. This time delay is a logarithmic function of the ratio of amplitudes, i.e.:

$$e_2(t) = k \times e_1(t) \times \exp\left(t \frac{g}{2C}\right)$$

$$e_2(t) = e_1(t) \times \exp\left((t + T) \frac{g}{2C}\right)$$

where:

$$k = \exp\left(\frac{g}{2C}\right) \quad \text{a constant}$$

What this means is that, no matter how small our input RF signal  $V_o$  is, sooner or later there will be a corresponding exponentially rising waveform generated across the coil. This waveform will always have the same 'shape' and amplitude, but its 'rise time' or delay – if we could define such a term – will vary. It will also be dependent on the amplitude of our minute source signal  $V_o$ .

Left to themselves, the oscillations would carry on increasing in amplitude for ever. In practice they will level out as nonlinearities in the associated circuits come into effect. The system then becomes a steady oscillator.

We are not interested in this however. We are only concerned about detecting the time between the switch closure and the time at which the self-oscillations rise to a specific level or threshold. Measure these times, and you have a radio receiver. Figure 2b) shows the principle.

One very important point is worth noting: The input RF excitation provides the starting conditions at time  $t=0$  and thereabouts. The input signal plays no part in the process much before, or after this time. In other words, this is a RF sampled data system.

Another important fact is that the resulting self-oscillations are at the natural frequency of the  $LC$  tank as given by equation, and not at the frequency of the input RF signal.

### The detector

How does all this translate into radio receiver designs? Going back to Fig 2b), you can see the principles of a possible detector scheme. A voltage-level comparator

### Further reading

*Most of the original work on super regenerative receivers was done in the early forties and during WW2. To my knowledge, there has been amazingly little published in terms of in depth coverage since then. The most interesting articles are:*

- Frink, F., 'The Basic Principles of Super-Regenerative Reception', *Proceedings of the IRE*, Vol. 26, No 1, January 1938.
- Bradley W.E., 'Super-regenerative Detection Theory', *Electronics*, Vol 21, September 1948.
- Strafford F.R.W., 'The super-regenerative detector: an analytical and experimental investigation', *Proceedings of the IRE*, September 1948.
- MacFarlane G.G, and Whitehead J.R., 'The theory of the super-regenerative receiver in the linear mode', *Journal IEE*, Vol. 95, pt III, pp. 143-157, May 1946.

*Recent articles and relevant literature on oscillators and associated components:*

- Ian Hickman, 'Practical RF Handbook' 2nd Edition, 1997. Newnes Publications ISBN 0 7506 34472
- Ian Hickman, 'Superregen or superreplacement', *Electronics World*, February 1999. A recent article on receiver design that mentions super-regenerative receivers.
- Staff feature, 'Low Noise Microwave Oscillators', *Electronics World*, November 1990. A short note on the design of low noise oscillators.
- Martin Eccles, 'Applying Crystals', *Electronics World*, August 1994. Useful information on the workings of crystals and associated oscillator circuits.

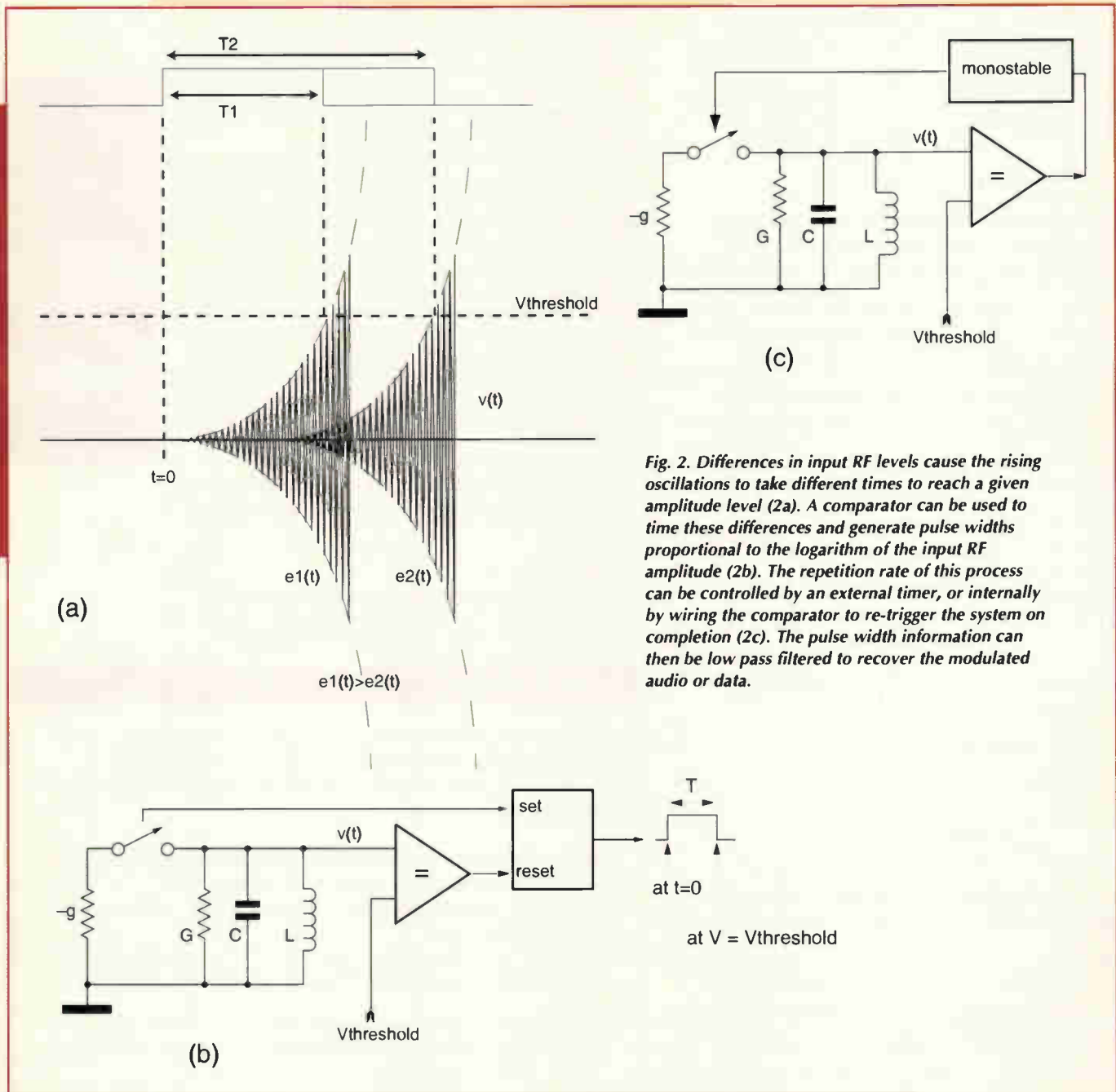


Fig. 2. Differences in input RF levels cause the rising oscillations to take different times to reach a given amplitude level (2a). A comparator can be used to time these differences and generate pulse widths proportional to the logarithm of the input RF amplitude (2b). The repetition rate of this process can be controlled by an external timer, or internally by wiring the comparator to re-trigger the system on completion (2c). The pulse width information can then be low pass filtered to recover the modulated audio or data.

senses voltage peaks across the coil. The detector triggers when the first peak reaches some fixed threshold. The actual value is not too important, as long as it occurs before saturation.

At time  $t=0$ , a latch flip-flop is set at the same time the switch is closed. Some time later, the comparator resets the latch when the first positive cycle of  $v(t)$  hits the threshold. We then take the pulse width generated by the latch. The general relationship between this width and the original RF input amplitude  $V_o$  is:

$$T = \log(kv_o)$$

That is, the resulting width is proportional to the logarithm of the input signal amplitude. In other words, linear microvolts are converted to logarithmic milliseconds. This logarithmic response is what gives super regenerators their intrinsic automatic gain control, or AGC, behaviour.

One thing may not be very clear at this point. The detector is a 'once only' device. It takes one sample of the input RF signal, generates a single pulse width, and then stops. In order to detect more samples, the switch has to be opened, oscillations across the tank have to be allowed to settle or decay to zero, and the operation has to be restarted by closing the switch again. The process is then repeated *ad infinitum*.

**Quenching**

The traditional name given to the process of stopping and restarting the detector after each sample is 'quenching'. It comes from the fact that the LC tank needs to be 'quenched', or stopped from oscillating, after it has reached full swing. Quenching rate is another word for sampling rate.

When the switch is opened, the self-oscillations

remaining across the tank will start to decay. The decay rate will be given by the original components in Fig. 1, that is:

$$v(t) = v_1 \times \exp\left(-t \frac{G}{2C}\right) \times \sin(\omega_o t)$$

Note that the conductance is now  $G$ , the original quiescent loss resistance of the tank, as opposed to the negative add-on  $-g$ , which has now been disconnected.

This waveform must be allowed to decay to as near zero as possible, and to less than the expected input RF signal level. If it isn't, the receiver may sample remainder signals from previous oscillations in preference to our wanted RF input, reducing the sensitivity.

This decay can take a considerable time – especially in low loss tank circuits. This places a limit on the receiver's repetition sampling rate.

Going back to the detector of Fig. 2b), a simple way to provide quenching is by driving the switch on and off using an external, fixed-rate, repetitive signal. The repetition rate of this external source must be low enough to allow sampling, and also to allow for full discharge of the  $LC$  tank. The final output from the detector will be a fixed rate, variable pulse-width modulated (PWM) signal. This method is traditionally known as external quenching.

The advantages of external quenching are that it is easy to implement, and produces predictable results. The disadvantages are that a large part of the pulse width cycle is wasted, resulting in low conversion gain when decoding pulse widths into analogue signals.

An alternative solution is one where the sampling is restarted as soon as the pulse width terminates. That is, we make the end of the detection pulse activate the next start. This is known as self-quenching.

Figure 2c) shows the concept. The falling edge of the comparator's output triggers a monostable that produces a pulse wide enough to discharge the  $LC$  tank, and is used to re-set the switch. The detector output is now a pulse train of variable width and variable frequency. No external repetitive source is required, as the circuit will self trigger. Self-quenching generally produces higher conversion pulse width recovery rates.

### Quench rate

Like any sampled data system, the quench or sample rate will place a limit on the recovered bandwidth: do not confuse this with radio selectivity. This rate must be at least twice that of the wanted recovered bandwidth. For example, for audio work, quench rate should be at least 10kHz.

There are three parts to the quench cycle, Fig. 3. These are RF rise, RF decay, and the device's relaxation time, which overlaps it. The RF rise is due to the effect of the negative resistance during sampling. RF decay is the time taken for the tank to drain its oscillations, and the relaxation time is the time taken for the circuit itself to 'recover'.

The minimum value for the quench rate is bound by the rise and decay times of oscillations in the tank circuit. It helps to visualise these quench times by relating the figures to the  $Q$  or merit figure of the circuits as follows:

$$\text{min quench } T = T_1 + T_2$$

$$T_1 > \frac{2Q_1}{\omega_o} \quad \text{where, } Q_1 = \frac{\omega_o C}{g}$$

$$T_2 \gg \frac{2Q_2}{\omega_o} \quad \text{where, } Q_2 = \frac{\omega_o C}{G}$$

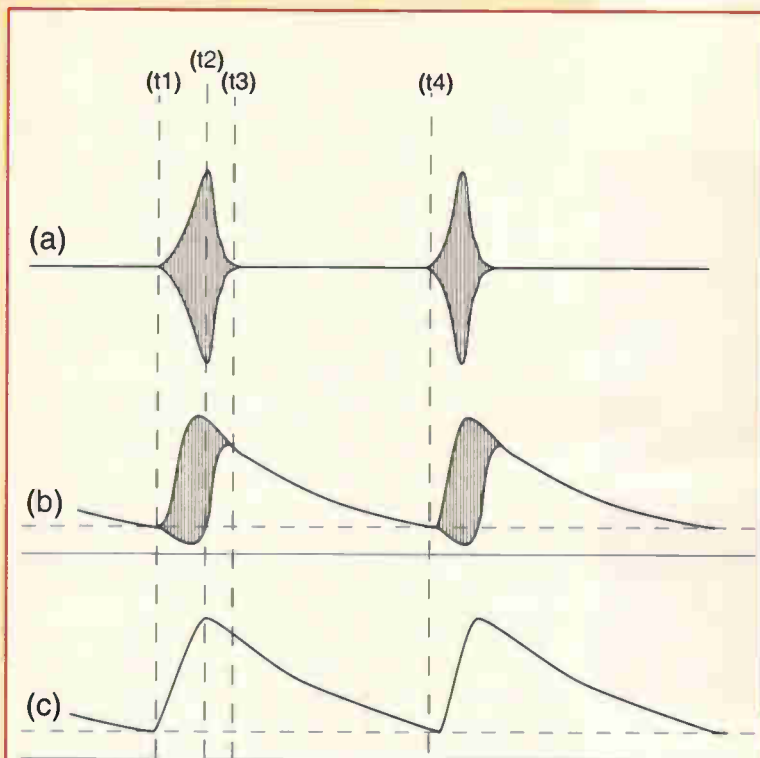


Fig. 3. Self-quenching action for the circuit in Fig. 4. Section a) is the voltage at the collector, b) at the emitter, and c) at the  $R_1/C_2$  junction. The horizontal dotted line represents the threshold voltage below which the transistor comes into conduction (about 1.4V). During conduction, i.e. between  $t_1$  and  $t_2$ , the transistor operates in class C, building up a charge that eventually causes the transistor to switch off suddenly at  $t_2$ . A slow discharge via  $R_1/C_2$  allows oscillations to start again at  $t_4$ .

Later on, I'll mention that best performance is achieved when the negative conductance is kept as low as possible around  $t=0$ . However, this would make  $T_1$  in the equation above too large.

A design compromise calls for a circuit in which  $g$  is kept very low at the start, but somehow is sharply increased in value after this time. Remember that the receiver sampling action only occurs around  $t=0$ .

Also, note that  $T_2$  is required to be much greater than the natural  $Q$  of the quiescent tank. You want the remaining self-oscillations built up in the tank to drop to as near zero as possible: The definition of  $Q$  is associated with a drop of only  $1/e$  of amplitude. This is the main reason why it is difficult to use high- $Q$  devices such as quartz crystals in super-regenerative receivers. For example, a 30MHz crystal may place a quench rate limit of less than 400Hz.

### Self-quenching in practice

One of the reasons why super-regenerative receivers were so popular in the past was that a single device – a valve or a transistor – could be used to perform detection and self-quenching all in one, and at the same time, thus saving on components.

The principle of self-quenching in active devices is based on the relaxation principle. The two operations, namely self-oscillation and self-quenching, are also linked. The active device behaves as a non-linear negative resistance device, converting DC power into AC power, stored as dynamic energy within the  $LC$  tank.

Design of the circuit is such that as energy in the  $LC$

tank is 'absorbed' and the wave amplitude increases, the average DC quiescent operating point of the active device shifts. Most active devices only support negative resistance over a short operating range. Therefore, as the DC operating point shifts, there comes a point at which the active device cannot provide any more negative resistance.

A normal oscillator will settle just below this operating point and provide constant oscillations. A relaxation system cannot, because it will have extra components added to prevent this.

When the limit operating point is reached, the active device will 'starve' and oscillations will just stop. The only option left is to discharge the circuit to its original DC conditions before starting all over again.

A common super-regenerative design uses the rising self-oscillation peaks to pump-charge a capacitor, taking advantage of some diode-like nonlinearity such as the base emitter junction of a transistor. This charging results in the increase of some related dc parameter such as base bias.

During build-up, the RF cycle peaks are always higher and higher, causing conduction of the transistor on the tip of every further cycle, and ahead of the rising DC bias, resulting in a form of pumped Class C device.

At some point – collector saturation for example – the rate of rise will flatten, causing no more pumping cycles. This leaves the transistor heavily negatively biased, and therefore switched off. The transistor can now only wait for the bias capacitor to discharge slowly, before it resumes conduction, allowing the cycle to start all over again.

Most of the cunning designs seen in super-regenerative receivers mainly relate to methods and techniques for self-quenching using the least of components. As I'll be mentioning later, there is usually a clash between circuit simplicity and ideal design objectives.

**Time-varying conductance**

In my simple analysis of Fig. 1, I have assumed that the negative conductance is applied suddenly. In practice, this is not the case.

A transistor, coming into active mode will present a load that varies with time. In other words, *g* is really a function

of time *g(t)*. Equation 1 needs to be written as:

$$C \frac{dV}{dt} + g(t)V + \frac{1}{L} \int V dt = i(t)$$

As the solution of this equation is a bit more complex, I am going to make some assumptions. The only area of interest is what happens at around *t=0*. You can also assume that *g(t)* is a simple function of time, for example a linear slope, and that the input RF signal is a short duration burst at around *t=0*.

A simplified solution for the resulting waveform at time *T*, where *T* is a short time after *t=0* is:

$$v(t) = v_o \times k \times \exp\left(\frac{1}{2C} \int_0^T g dt\right) \sin(\omega_o t)$$

Compare this with equation 2.

Some extra terms should be included because the RF input signal is present during the whole of the time. A more comprehensive result is as follows (still not including all the terms!):

$$v(t) = \left( v_o \times k \sqrt{\frac{1}{|g\Phi|}} \right) \times \left( \exp\left[ \frac{C(\omega - \omega_o)^2}{|g\Phi|} \right] \right) \times \left( \exp\left[ \frac{1}{2C} \int_0^T g dt \right] \right) \times \sin(\omega_o t) \tag{3}$$

where:

$$g \approx \frac{dg}{dt}$$

The significance of some of these terms will be covered in the following sections.

**Comments on sensitivity**

It may be a good idea to start by defining what is meant by sensitivity. Normally, this is the signal level a receiver must have at its input, in order to generate an output which can be recorded as a signal to noise ratio, or signal+noise

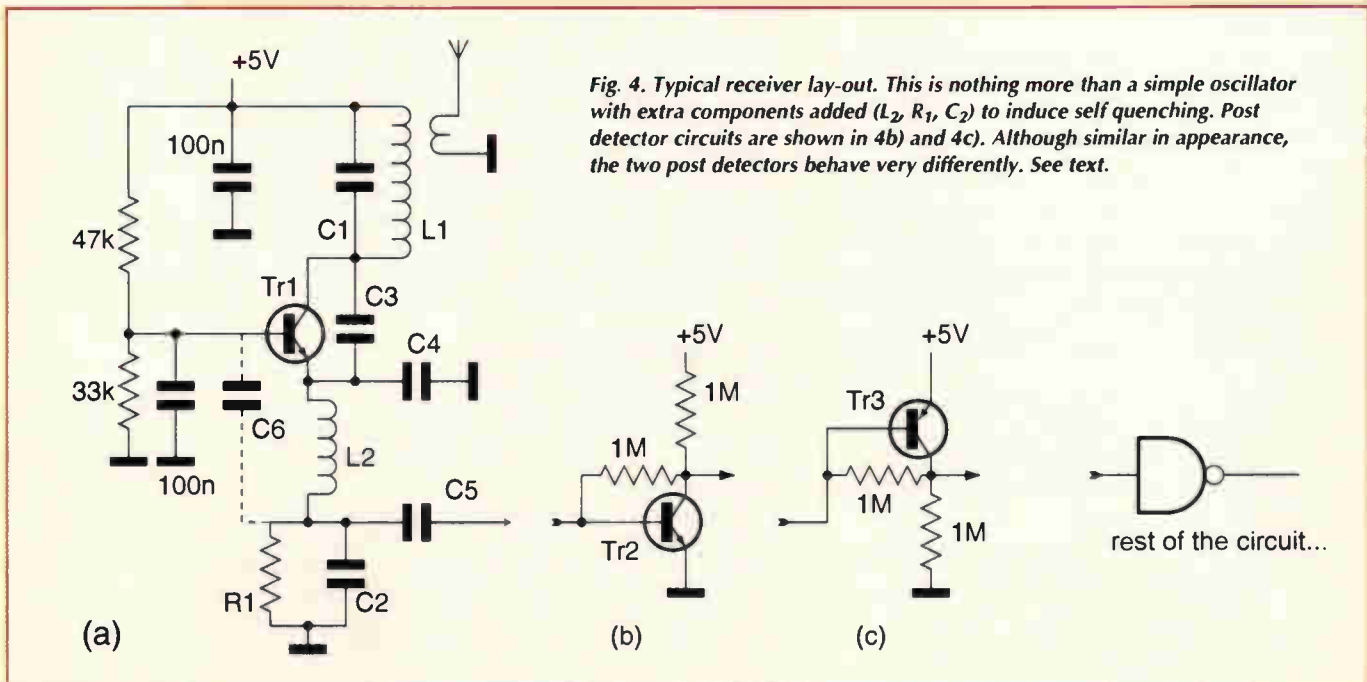


Fig. 4. Typical receiver lay-out. This is nothing more than a simple oscillator with extra components added (*L<sub>2</sub>*, *R<sub>1</sub>*, *C<sub>2</sub>*) to induce self quenching. Post detector circuits are shown in 4b) and 4c). Although similar in appearance, the two post detectors behave very differently. See text.

to noise ratio. In practical terms, this is determined by total gain, and by the various sources of noise that impart a floor to performance.

In a super-regenerative receiver, the 'instant' sensitivity goes through a maximum value at  $t=0$ , and falls off rapidly on each side. It is primarily a function of the negative conductance and its slope at this point.

During this time, the receiver has a very large gain. So large in fact, that noise level is the only limiting factor. You can work the gain out from equations 1 and 2. You will recall that self-oscillations are always generated, no matter how small the initial conditions, whether from a RF signal or from noise.

The main source of noise comes from the active component. A transistor operating as a negative resistance generator can be a very noisy device. A main design objective is to employ a circuit that generates the minimum amount of noise.

I am not going to cover details on how to design low-noise oscillators, except to say that this is a very important design consideration regarding sensitivity. The further reading matter mentioned in the separate panel contains some further information on this.

A number of other factors also contribute to sensitivity. Firstly, there is the necessity to couple the RF signal into the tank coil with the minimum of loss. In order to avoid radiation, the antenna should not be connected directly into the tank. A separate RF amplifier is preferable.

The RF amplifier does not need to have much gain; only enough to improve the signal to noise ratio and to provide for some RF isolation. As an aside, and to conserve power, the RF amplifier only needs to be powered during sampling time.

Secondly, there is the efficiency of the detector in converting the pulsed modulated train to useable analogue voltages. I have already covered the marginal advantages that self-quenching can provide. To maximise conversion, the PWM detector must have a wide dynamic range of mark to space ratios to RF input levels.

By means of an example, I'll be discussing in the next section how design choices in this area can have a large effect on performance.

Thirdly, a super-regenerative receiver can be made as sensitive as the noise floor level of the device will allow. It may appear that it can be as sensitive as you want it to be.

The fact is that a super regenerator does not 'capture' the entire incoming signal, but only samples a small part of it. In other words, the input RF signal is sampled for a very short time, whereas in a normal receiver the input signal is available all the time, and forms constructively in the tuned circuit.

Lastly, and because of the logarithmic performance nature of super-regenerative receivers, a small signal will produce about the same quieting levels as a loud one. A plot of signal-to-noise ratio against signal input will show a much flattened curve. This can make the 'perceived' sensitivity much less than it really is.

### And bandwidth?

Bandwidth can be nominally defined as the corner frequency points at which some useful response – such as a signal level, or sound out from a loudspeaker – drops by a certain value, usually 3dB.

In the case of an instantly switched, fixed value conductance,  $g$ , the equivalent circuit for bandwidth

calculation purposes is just that of a  $LC$  tuned circuit in parallel with the total conductance:

$$Q = \omega_0 \frac{C}{g}$$

and,

$$bw = \frac{f_0}{Q} = \frac{g}{2\pi C} \quad (4)$$

A more relevant situation is of course, when the conductance varies with time. One term from equation 3 will give the selectivity factor:

$$\exp \left[ \frac{C(\omega - \omega_0)^2}{|g\dot{\Phi}|} \right]$$

where,  $g \dot{\Phi} \frac{dg}{dt}$  (at or around  $t = 0$ )

The resulting frequency response 'shape' is rounded, and not too different from a gaussian bell curve. You can derive a measure for bandwidth using:

$$bw = \frac{1}{\pi} \sqrt{\frac{g\dot{\Phi}}{C}}$$

This bandwidth is specified at one neper down – i.e. approximately 8.7dB. Note the dependence of bandwidth on conductance slope at  $t=0$ . This bandwidth is significantly narrower than that defined in equation 4.

In order to maximise bandwidth, a design goal is to make the conductance slope as shallow as possible at  $t=0$ . You have some control over this slope in that you can adjust the loop gain of the oscillator. Circuits with low loop gains produce shallow slopes; circuits with high loop gains produce sharp slopes. Unfortunately with simple transistor circuits, it is not always possible to arrange for them to perform the way we want, so compromises will be necessary.

Finally, I should say that the above analysis does not fully answer the bandwidth question. Super-regenerative receivers have a logarithmic amplitude response, and the arguments above should only apply to very low level signals. At higher RF input levels, the bandwidth response will be flattened, and the perceived bandwidth will be much wider.

### Features of super-regeneration

I am not going to use the word 'problems' as this is not a fashionable word to use when talking about properties that do not work in our favour. Instead, I'll be positive, and refer to them as interesting challenges.

**RF Radiation.** The situation is simple: an antenna directly connected to an  $LC$  tank will radiate. This is because during those short moments after sampling, where the self-oscillations build up, the tank has considerable RF energy.

This energy will escape up into the antenna. In other words, the receiver is also a pulsed RF transmitter with narrow bursts of RF modulated at the quench repetition frequency. The radiated frequency spectrum will be spread over a bandwidth around  $w$  and at twice the quench frequency.

An obvious way to minimise radiation is to use a separate RF amplifier. Another effective way of capping the problem is to keep oscillation amplitudes and power consumption to a minimum. Most transistors will work

quite happily with only microamps of current. Using higher quench frequencies, and keeping the oscillation bursts very narrow also helps.

**Lack of frequency stability.** Simple designs normally use single LC coils with inherent limitations of mechanical construction and manufacturing spreads. Stability can be sharply improved by using crystals, ceramic resonators, SAW or mechanical resonators.

**Circuit stability.** This is the most difficult design topic to address. Ideal super-regenerator performance needs critical negative-conductances requirements. This cannot be met by simple one-transistor circuits using components with normal tolerances such as resistors and capacitors.

In practice, circuits need to be individually tweaked or adjusted during manufacture for the right bias conditions. One possible solution is to use substrate level negative resistance generators – gyrators for example – that can be accurately controlled and programmed.

### And now, some practical circuits

The circuit in Fig. 4 is typical. This is an otherwise standard feedback oscillator that has been modified for self-quenching by the addition of  $L_2$ ,  $R_1$  and  $C_2$ .

Here is how it works: The base voltage is fixed at some value, around 2V in this case; and because of the decoupling capacitor, at ground potential for AC purposes: Ignore  $C_6$  for the moment.

Lets start at time point  $t_1$  in Fig. 3a), where collector self-oscillations have just started and are increasing exponentially with time. The RF voltage at the emitter is derived from this via capacitor voltage divider  $C_3$ ,  $C_4$ . The clamping effect of the base-emitter junction also causes the DC average at the emitter to rise with time, resulting in the compound waveform shown in Fig. 3b).

The transistor conducts only for a short time at the very peak of every negative cycle. This causes the pumping action at the collector, which in turn energises the LC tank with ever rising oscillations. Note that the waveform at Fig. 3c) is just a 'filtered' version of Fig. 3b) at the 'cold' end of  $L_2$ , and that Fig. 3b) minus Fig. 3c) equals Fig. 3a).

These self-oscillations cannot carry on rising forever. At some point,  $t_2$  in Fig. 3a), the negative swings will cause the collector voltage to go below the base voltage causing the transistor to conduct in the reverse direction.

In a normal oscillator, this would cause signal into the emitter to be reduced, causing less collector current to flow, and making the whole system settle into a fixed amplitude level oscillator. However, the inclusion of  $L_2$  and  $C_3$  changes this drastically. As RF is fed from the collector to the emitter, the DC average at the emitter is slowly charging to ever increasing levels.

The transistor only conducts because each oscillation pulse cycle is always slightly larger than the previous, and enough to bring the emitter into conduction, slightly ahead of the DC rising level. This is between  $t_1$  and  $t_2$  in Fig. 3a). At the instant the collector oscillations start to clamp or level off at  $t_2$ , the base emitter junction stops conducting. This starts the stalling effect.

The higher than normal DC voltage at the emitter (about 3V in the circuit in question) ensures the transistor remains off from then on, and the oscillations stop completely. The transistor will remain completely switched off, and now can only wait for  $R_1/C_2$  to discharge, between  $t_2$  and  $t_4$  in Fig. 3a). This discharge has to go down to the base voltage minus 0.6V to re-

start conduction, i.e. to about 1.4V in this circuit.

Note that when the transistor switches off, the RF self-oscillations accumulated in the tank will also start to decay in their own time: This is between  $t_2$  and  $t_3$  in Fig. 3a). This time is much less than the relaxation discharge of the transistor, allowing the tank to discharge fully.

The real action happens now when the transistor begins to conduct again. This is now equivalent to  $t=0$  in Fig. 1. At  $t_4$  in Fig. 3a) – which is effectively the same as  $t_1$ , as this is a forever repeating cycle – the transistor slowly comes into conduction. As it comes into conduction, it starts presenting a negative resistance to the tank.

Self-oscillations will now start at a time depending on the tiny amount of signal RF present in the coil. You can see this on an oscilloscope connected to  $R_1$ . The time difference between  $t_1$  and  $t_4$  will be seen to vary depending on input signal level.

What do the components do? The base biasing resistor and decoupling capacitor are only there to provide a fixed bias: I'll cover  $C_6$  later on. Anything from 1.5 to 3V will do.

Adjusting the base voltage is a convenient way of controlling quench rate, so you can replace the resistors with a 100k $\Omega$  trimmer potentiometer divider for development purposes.

Capacitors  $C_3$  and  $C_4$  form a voltage divider to feed a proportion of the collector signal back to the emitter. The values are more or less the same as would be used for an oscillator at the same frequency, but tweaked to keep loop gain as near unity as possible, consistent with reliable starts.

Capacitor  $C_3$  should be made as small as possible; 2-10pF are common values for the 30-200MHz range. For the same reason,  $C_4$  should be made as high as possible, and 30-50pF values are common.

Resistor  $R_1$ , with  $C_2$ , determines the quench rate which is given very approximately by  $\tau=0.5R_1C_2$ . This resistor also determines the quiescent DC current for the transistor, which needs to be kept as low as possible. Values of 10-100k $\Omega$ , or even more, are common for low power solutions.

Typical values for  $C_2$  at a quench frequency of 30kHz – useful for audio work – are between 2-5nF. The purpose of  $L_2$  is to present a high impedance at the radio frequency and a low impedance at the quench frequency. Too large a value will cause extra ringing on the waveform at the  $R_1$  junction. Too small a value will reduce the loop gain of the circuit. Typical values are 4-50 $\mu$ H.

I have made no mention of the tuning tank components or the transistor. The respective values will, of course, depend on the frequency you want to operate at. I normally use a BFY90 for development, as it is good up to 800MHz, it is relatively cheap, and has decent gain characteristics at the lower frequencies. For 418/433MHz work, the coil is a one inch diameter half turn loop, and the tuning capacitor a 3-5pF trimmer. Capacitor  $C_3$  is 1pF, and  $C_4$  about 5pF.

You can check that the radio works by connecting  $C_5$  to an audio amplifier and adjusting bias and component values until you hear a loud hiss. Now, you only need a modulated signal generator as a RF source.

A spare key fob alarm or car door transmitter can be a good source of 418/433MHz signals. Be careful when using these, as some models use sequential encryption techniques which may render them out of sync with the car, if pressed too many times.

### Detecting the output

At the junction of  $R_1$ , the signal is a ramp wave of about 1-2V in amplitude at the quench rate, Fig. 3c).

Depending on various base bias settings and component values, you will notice the dependency of quench frequency on RF signal level. Sometimes you will get a very small change in quench frequency with the signal, sometimes a much larger one.

Notice how the most sensitive point needs very critical adjustments. A simple low-pass filter could be used to recover the modulation. Alternatively, you could subject the signal to a digital amplitude threshold and process the pulse widths as numerical values.

Figures 4b) and 4c) show two seemingly similar variations on a simple one transistor 'detector amplifier' theme. The interesting part is that one circuit works and the other does not.

To understand why, go back to Fig. 3a), at time  $t_1$ . With the circuit in Fig. 4b), the quickly rising wave at the emitter has to charge not only  $C_2$ , but also  $C_5$ . This is because the n-p-n transistor  $Tr_2$  is conducting all this time.

Such a situation is undesirable, as  $C_5$  would be generally too large – of the order of microfarads. Similarly, as  $R_1/C_2$  discharges, the extra combined effect of  $C_5$  and the base  $1M\Omega$  resistor may drive  $Tr_2$  into non conduction prematurely. Result? A pretty inefficient detector.

Consider now Fig. 4c). As the voltage in  $R_1/C_2$  rises quickly,  $Tr_3$  will be driven out of conduction, and  $C_5$  is not included in the charging cycle. More importantly, as  $R_1/C_2$  starts to discharge,  $C_5$  will slowly be brought into conduction as  $Tr_3$  starts to conduct. This has interesting effects.

The overall rate of decay of the emitter waveform slows down, and  $Tr_1$  comes into conduction more slowly, resulting in a smoother introduction of negative resistance. (Remember when I mentioned the advantages of low slope negative conductance). Result; the circuit in Fig. 4c actually increases the sensitivity of the detector.

Many other tricks have been used to improve detector performance. The general aim is to control the loop gain in order to keep it as small as possible at the onset of oscillations.

Capacitor  $C_6$  in Fig. 4a) is such an example. This is used to apply a small compensating 'pull' or bootstrap to the base voltage during the fast rise at  $t_1-t_2$  in Fig. 3a). Other variations are possible.

### In summary

The super-regenerative concept is certainly not dead. The principle is sound, although super-regeneration has had a bad image due to the use of simple designs and unstable components. By using more accurately defined components, and stable resonators, new circuits and applications are possible. ■

In a second article, Eddy looks at applications for super-regeneration.

### The Author

Dr Eddy Insam is a consultant in innovative applications of telecommunications and specialises in graphics and signal processing. He can be reached on [edinsam@eix.co.uk](mailto:edinsam@eix.co.uk).

# PCBs for Class G

Circuit boards for Doug Self's Class-G amplifier, detailed in the December 2001 and January 2002 issues, are available. These PCBs are double-sided with full solder masks and roller-tinning. Full component identifications are also included. Their size is approximately 190mm by 175mm each. To order a pair of these boards, send a cheque or postal order for £43.50 to Jackie Lowe, Class-G PCBs, Anne Boleyn House, 9-13 Ewell Road, Cheam, Surrey SM3 8BZ. E-mail [electronics.world@ntlworld.com](mailto:electronics.world@ntlworld.com) for details of overseas postage. You can also fax your credit-card details – name and address of card holder and card type, number and expiry date – on 01782 878233 (+44 1782 878233). Please make cheques payable to *ELECTRONICS WORLD*.



**£11.99**

**Available exclusively from  
Electronics World**

*21 tracks – 72 minutes of recordings made between 1900 and 1929. These electronically derived reproductions are no worse than – and in many cases better than – reproductions of early 78rev/min recordings – some are stunning...*

All tracks on this CD were recorded on DAT from cylinders produced in the early 1900s. Considering the age of the cylinders, and the recording techniques available at the time, these tracks are of remarkable quality, having been carefully replayed using modern electronic technology by historian Joe Pengelly.

# Pandora's drums

Unique and atmospheric music recorded in the early 1900s – the days *before* 78s.

## Use this coupon to order your copy of Pandora's drums

Please send me ..... CD(s) at £11.99 each including VAT

Cheque

Credit card details  tick as appropriate

Name

Address

Phone number

Total amount £.....

Make cheques payable to **ELECTRONIC WORLD**  
Or, please debit my credit card.

Card type (Master/Visa)

Card No

Expiry date

Please mail this coupon to *Electronics World*, together with payment. Alternatively fax credit card details with order on **020 8722 6098**

Address orders and all correspondence relating to this order to Pandora's drums, Electronics World, Cumulus Business Media, Anne Boleyn House, 9-13 Ewell Road, Cheam, Surrey, SM3 8BZ

## Track

- 1 **Washington Post March**, Band, 1909
- 2 **Good Old Summertime**, The American Quartet 1904
- 3 **Marriage Bells**, Bells & xylophone duet, Burckhardt & Daab with orchestra, 1913
4. **The Volunteer Organist**, Peter Dawson, 1913
5. **Dialogue For Three**, Flute, Oboe and Clarinet, 1913
6. **The Toymaker's Dream**, Foxtrot, vocal, B.A. Rolfe and his orchestra, 1929
- 7 **As I Sat Upon My Dear Old Mother's Knee**, Will Oakland, 1913
- 8 **Light As A Feather**, Bells solo, Charles Daab with orchestra, 1912
- 9 **On Her Pic-Pic-Piccolo**, Billy Williams, 1913
- 10 **Polka Des English's**, Artist unknown, 1900
- 11 **Somebody's Coming To My House**, Walter Van Brunt, 1913
- 12 **Bonny Scotland Medley**, Xylophone solo, Charles Daab with orchestra, 1914
- 13 **Doin' the Raccoon**, Billy Murray, 1929
- 14 **Luce Mia!** Francesco Daddi, 1913
- 15 **The Olio Minstrel**, 2nd part, 1913
- 16 **Peg O' My Heart**, Walter Van Brunt, 1913
- 17 **Auf Dem Mississippi**, Johann Strauss orchestra, 1913
- 18 **I'm Looking For A Sweetheart And I Think You'll Do**, Ada Jones & Billy Murray, 1913
- 19 **Intermezzo**, Violin solo, Stroud Haxton, 1910
- 20 **A Juanita**, Abrego and Picazo, 1913
- 21 **All Alone**, Ada Jones, 1911

**Total playing time 72.09**

21 tracks – 72 minutes of music.  
Published by *Electronics World*. All recordings reproduced by Joe Pengelly.



# Letters to the editor

Letters to "Electronics World" Cumulus Business Media, Anne Boleyn House,  
9-13 Ewell Road, Cheam Road, Surrey SM3 8BZ  
e-mail j.lowe@cumulusmedia.co.uk using subject heading 'Letters'.

## Homopolar reactions

In his article "Faraday's homopolar generator", Dom Di Mario makes a number of claims that I feel it necessary to take issue with. Homopolar machines are fascinating things, but their science is nowhere near as unexplained as he suggests.

Two of Di Mario's references cite information on the internet, at <http://depalma.pair.com>, relating to the late Bruce DePalma's work. I had a look at this site, and now quote from the home page:

*"We designed this page to disseminate knowledge and accurate data relating to the Pre-Existent Primordial Field of the Universe – a sea of 'free energy' which permeates all. The N-1 Homopolar Generator – invented by Bruce DePalma – is an example of the type of device which is able to "plug in" to this Free Energy and eliminate the "need" for the continued use of fossil fuels and the consequent destruction of our only home – Earth. This device – and many others like it – have been proven to possess "over-unity" characteristics, ie: the power output is more than 100% of the input.*

*It is our hope that in the near future Free Energy will enable mankind to progress from a state of dependence to one of abundance."*

For most *Electronics World* readers, I expect that says enough. The proponents of the miracle Faraday machine want us to believe that when the magnet rotates with the rotor, rather than being fixed to the stator, a homopolar machine can generate electrical power without the need for any torque to be applied to the rotor – other than that required to overcome the friction losses, mainly in the brushes.

The forces acting on a current carrying conductor in a magnetic field depend on the intensity of the current, the intensity of the magnetic field, and their directions. Movement of the magnetic field does not enter into it.

The strength and direction of the magnetic field are completely unaffected by rotation of the magnet, so rotation of the magnet cannot affect the forces acting on the conductors – regardless of whether or not rotation of the magnet results in rotation of the field. All this is conventional theory.

The voltage generated by the machine is the sum of its rotor and stator voltages. If the voltage generated in each part is calculated from the amount of flux cutting the conductors, the stator voltage depends directly on the difference between the angular velocities of the stator and the

magnetic field. The same applies to the rotor voltage, except the polarity is reversed.

When the two voltages thus obtained are added to get the total, the voltage components in the two parts due to the angular velocity of the magnetic field itself cancel exactly. As a result, the angular

velocity of the magnetic field has no effect and all that matters is the difference between the angular velocities of the rotor and stator. All this is conventional theory.

Rotation of the magnetic field does not result in any change to the flux density anywhere, or to the amount of flux passing

## Amplifier output inductors

I have just got round to reading, somewhat belatedly, Doug Self's dissertation on 'Crosstalk in amplifier output inductors'. This arises from the coupling between the coils and he says "I think I'm pretty safe in saying there is no published work on this..."

There is a short paragraph in Morecroft's "Elements of Radio Communication" (Editions I & II). It discusses the problem in connection with triode radio frequency

amplifiers. Not only does he show the same orientations of coils as Mr Self, but he also shows that there is a critical angle between coils, depending on their shape, which eliminates coupling.

I cannot confirm it but I think the suggestion may have been due to Hazeldine and was probably described in an early Proc. IRE.

Stan Brown  
Via e-mail

The magnetic coupling between the coils of the several tuned circuits can be effectually eliminated by either of the arrangements indicated in Fig. 146. In the scheme shown in (a) the three coils, of approximately the form shown, can be arranged to have zero mutual inductance if their axes are placed at an angle of about  $58^\circ$  to the common base line. The exact angle will depend upon the form of coil used.

In the arrangement shown in (b) the three coils have their axes respectively at  $90^\circ$  to each other. Neither of these arrangements will eliminate the electric (capacitive) coupling between the different circuits. One method of eliminating this, at the same time as the magnetic coupling is eliminated without either of the schemes shown in Fig. 146, is to enclose the coils entirely in individual,

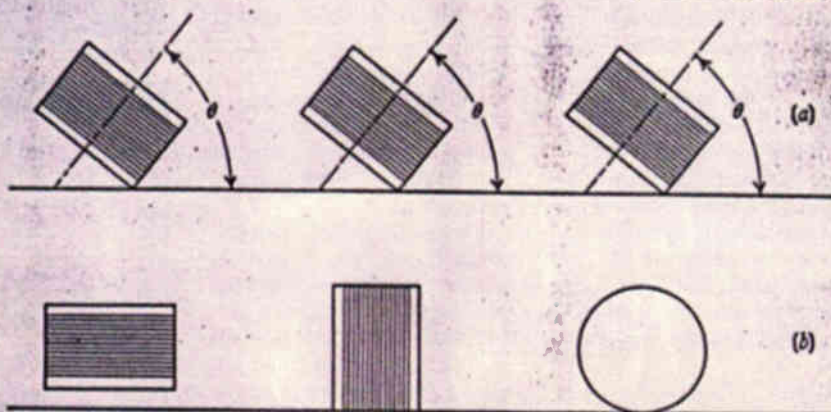


FIG. 146.—Two arrangements for eliminating mutual induction between three coils placed close to one another.

grounded, copper cans. These cans must not fit too closely around the coils as they would spoil the tuning qualities of the circuit if they did.

through any closed conducting loop, so it shouldn't be at all surprising that rotating the magnet makes no difference to the voltage generated by the machine.

If there were a difference, the amount of flux entering or leaving the loop via the rotor conductors would have to be different from the amount of flux leaving or entering the loop via the stator conductors. Again, all this is conventional theory.

However you look at it, conventional theory predicts that rotation or otherwise of the magnet in a homopolar machine is a complete non-issue. But Di Mario still manages to think that conventional theory can only explain the case where the magnet is fixed to the stator.

What he calls the "fundamental difference" between the Faraday and ordinary versions of the homopolar machine is actually nothing more than a gigantic red herring.

Di Mario also describes attempts to use a

form of "magnetic screening" which could not possibly have the effect apparently intended – an "AC generator" which is in fact not a homopolar machine at all. It would be grossly inefficient due to eddy currents induced in the disc.

He also seems to think that the voltage generated is due to the non-uniformity of the magnetic field at the contact point. Rot, rot, all of it.

Interestingly, Di Mario gets another thing wrong. If it really were true that a Faraday generator produces electricity without the need for any more input power than that needed to overcome friction losses, superconducting magnets and specially designed brushes would not be necessary to make a perpetual motion machine.

Larger homopolar machines than the ones he has been experimenting with can generate quite a few volts. Long before the arrival of

cheap rectifiers they were used in the electroplating industry, where their low-voltage high-current outputs were well suited to the job, and their lack of commutator sparking was a useful advantage.

These machines were not Faraday machines, because they used excitation coils fixed to the stator, but that was only because it was the easiest place to put them.

**Alan Robinson**

Holgate  
York

Fifteen years ago I was doing some research on homopolar machines and came across what at first glance appears to be a paradox involving the Faraday homopolar machine.

After some thought (more than I would care to admit) I came up with a method of viewing the machine which indicates that there is in fact no paradox and its behaviour

## Probing thoughts

I feel we should all thank Cyril Bateman for his articles on scope probes, which are a long awaited replacement for the usual probe sets.

However, at the risk of starting an interecine conflict I also feel that we should thank Ian Hickman for bringing the MAX4005 to our attention in his May 1996 article. As a result of trying to use this with his 500MHz scope add-on (March 2000) we had an exchange of mail and I was quickly shown that the input capacitance of the scope is the problem.

The -3dB bandwidth is given by,

$$f_{(bw)} = \frac{1}{2\pi RC}$$

With a 75Ω termination at the scope source resistance 37.5Ω and an input capacitance of, say, 30pF this gives a bandwidth of 141MHz.

To improve on this it was suggested that rather than tapping the terminating resistance, which would further increase the probe loss, a current feedback op-amp with a gain of two could be used at the scope end to give a unity gain probe.

A search of the catalogues and perusal of many data sheets (may I suggest trying [www.bgs.nu/sdw/a.html](http://www.bgs.nu/sdw/a.html)) convinced me this was easier said than done. One thing most of the sheets agree on is that driving capacitive loads results

in frequency-response peaking and possible oscillation. The cure is a resistor in series with the output, which of course is just what we are trying to avoid!

Data sheets all seem to give slightly different information so it is not easy to make direct comparisons between op-amps. Most show a marked drop in bandwidth as the output voltage is increased and some show aberrations in the output as the rise time of the input decreases.

In the end I settled on the CLC449, which has a 1.1 GHz small-signal bandwidth, and Cyril Bateman's tried and tested circuit layout; despite the many recommendations in the data sheets.

I used Ian Hickman's input arrangement for the MAX4005 and a 27Ω resistor in the CLC449 output operating at x1 gain. The waveform from a 40MHz crystal oscillator module is as shown in the screen capture. This module is quoted as having a 6ns rise/fall time so the waveform seems reasonable.

It would be nice if someone could show how to improve the rise/fall times to 1ns or less for more rigorous testing though. Unfortunately I do not have the use of any high-quality test gear that would enable me to determine the bandwidth and frequency response of this probe arrangement.

I had planned to apply gain to the signal before inputting to the a-to-d converter but the output from the 500MHz adaptor has a

lot of noise and as it stands this idea does not work well.

On the subject of noise, I should like to enquire if it is not the MAX4005 that determines the noise output of the probe as presumably this is amplified by the terminating gain stage. But I can find no figure quoted for this op-amp.

On the question of housing, I

have found that 22mm copper tubing makes a good alternative. End caps are available and it is easy to work - photo attached.

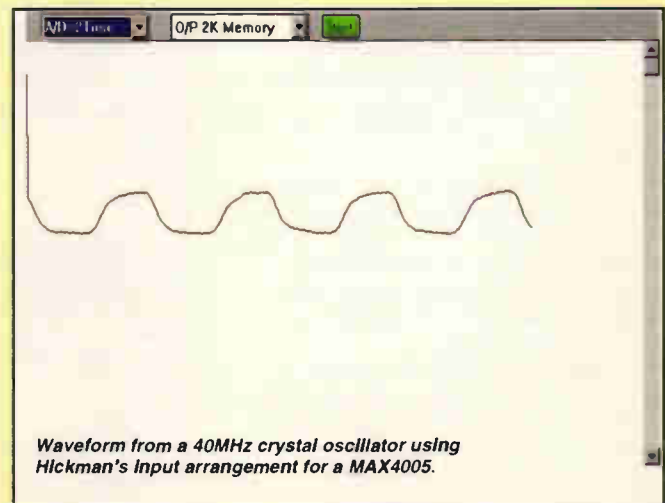
Many thanks for an interesting series of articles even if I do have to increase my dose of Beta-blockers to deal with the surface mount devices!

**John Kanaar**

Via e-mail



Copper pipe makes a convenient probe housing.



Waveform from a 40MHz crystal oscillator using Hickman's input arrangement for a MAX4005.

is identical to a normal homopolar machine.

Pretend that you, the viewer are sitting on the rotating magnet. What do you see?

You see stationary flux lines extending vertically above you.

If you look over your head while you are rotating, however, you will see a conductor (the wire from the voltmeter or load) passing through the stationary magnetic field. The Faraday voltage is generated in the wires connected to the load!

Any torque measured would affect these conductors. There is no mystery. The machine would behave identically to a normal homopolar machine.

As an aside, the US military had intense interest in homopolar machines.

If a homopolar generator is rotated at high speed and then suddenly stopped by a mechanical brake, huge currents may be placed through a load. These currents were to be used to vapourise a conducting fusible link, which would generate plasma that would accelerate a non-conducting projectile along a conducting rail to tremendous velocities.

In the vacuum of space these projectiles were to be used to shoot down enemy missiles and satellites.

**Martyn McKinney**  
Seneca College  
Toronto Canada

Superconductivity researchers at Philips in Eindhoven, working in the IIRC, developed a novel homopolar generator to test gauss limits.

The conceptual configuration was a lead disc, like a pizza, with a coil connected between the axis and the rim on one face. A rod magnet was 'stirred' around the axis on the other face, causing a monotonic increase in current and flux.

To shut down, they ran it in reverse until current was insignificant... No slip rings, no contacts, no intermittent resistances...

Topologically, it was but a toroid. The key seemed to lie in the change of topology around the 'legs', as seen by the current.

**Nik Kelly**  
Via e-mail

Dom Di Mario's article 'Faraday's homopolar generator' in the October 2001 issue makes some claims that, for the sake of scientific rigor, merit further investigation.

When it is claimed that the measured voltage cannot be "generated in the wire connected to the brush", it is not sufficient to observe that "this happens regardless of its orientation, its size, whether it is reduced to a needle - even with the wire magnetically shielded, except for the contact point."

In fact a physicist could well complain that you shouldn't look at the voltage induced in each single wire, but rather at the voltage induced around the loop area embraced by both wires.

In other words, before discounting this simple and conventional-physics-complying

## Star-point grounding

I read the article 'Shielding and EMI' in the December issue of *Electronics World* with a feeling of growing disbelief. Here we are in the 21st century, and the concept of the star point ground is still being advocated.

This concept was in vogue at the time of valve radios. The valves were mounted on an aluminium chassis. To avoid ground loops, all the return conductors for the chassis-mounted components were taken to a single terminal bolted in the middle of the chassis.

It didn't work. There was a perceptible hum from the speaker, traceable to interference from the valve heater circuits. If the star point ground is ineffective at 50Hz, then what is its value at 50MHz?

To implement the star point ground, it is necessary to hypothesise that all signals are processed with reference to a terminal, which is assigned a name such as 'zero volt reference'. There is no mention of this concept in any textbook on electromagnetic theory.

The idea for the star point comes from the desire to avoid ground loops in the circuit - a desire based on an irrational concern.

It is standard practice in the design of electronic instruments to enclose the circuitry in a conducting metal case, and to carry signals from one instrument to the other using coaxial cable. The screen of the cable is firmly connected to the metal case of each instrument.

In a set-up where there are several items of equipment, interconnected by a network of cables, it is inevitable that there will be many ground loops, caused by conducting paths along cable screens and instrument cases. The fact that such a practice provides a high degree of immunity to

interference should be sufficient to allay any fear of ground loops.

The reason is not difficult to explain.

Skin effect plays an important role in separating the desired signal from interference. Most of the return current in the coaxial cable flows on the inner surface of the screen.

Any transient interference caused by an external field will cause current to flow on the outer surface of the screen. This current flows in what is effectively a ground loop. If the cables are widely spaced, the inductance of this loop is high, and so the induced current will be relatively low.

Since the only coupling between signal and interference is caused by current in the resistance of the screen, since the resistance of the screen is relatively low, and since the current is relatively low, then the voltage induced by external interference in series with the screen will also be low. A reasonably high value of common-mode rejection is achieved.

Inside any instrument, most of the circuitry is mounted on printed circuit boards. Most of the return current of any signal flows in the ground plane immediately adjacent to the signal track. There is some stray field, and this is 'mopped up' by the creation of transient currents in the inner surface of the instrument case. These currents flow in a loop - a ground loop.

The existence of ground loops, both inside and outside the instrument cases, helps to minimise interference.

The star point concept is a thoroughly bad idea, and is based on a needless concern. If implemented, it will guarantee a set of intractable interference problems.

**Ian Darney**  
Bristol

explanation one should at least try these confirmation experiments:

- Repeat the experiment with the loop area reduced to the minimum feasible, by twisting the two wires together and, for the two short segments in proximity of the sliding contacts, running them very close and parallel to the disc surface (magnetically shielding each wire individually, as shown in Figs 4 and 5, cannot be effective as it does not screen said loop area). Verify whether the generated voltage is hence dramatically reduced.
- A second experiment could consist of allowing the voltmeter, sensing wires and contacts to rotate together with the magnet-disk assembly. Verify then that no voltage is generated (of course, measures will have to be taken to exclude the effect

of the Earth's magnetic field on said loop area, which will result in an alternating voltage).

Only when both conventional-physics-complying explanations fail, shall one feel encouraged to seek more complex explanations.

**Luca Ghislanzoni**  
Italy

## Train safety

I refer to the article on Train Safety by Wilf James on page 832 in the November 2001 issue, and I would like to offer the following comments.

While Mr James, as an outsider to the industry, has some valuable insight into the problem, there are statements in his article that deviate from the facts. I must declare I am in no way criticising the author in person, but facts must be set forth so that readers are

given the opportunity to judge for themselves.

Mr James suggests that trains stop slowly, in the order of 0.3m/s/s (I'll be using the metric system throughout this letter). This, I quote "uses 19th century technology". I believe this is plainly incorrect.

In fact, the law of physics rooted much much earlier than 19th century, of which both the train and a long distance coach are one of its many applications. I agree that a bus can stop closer to 0.8g (approximately 7.8m/s/s), but at this braking rate, passengers without a seat belt would be thrown through the windscreen.

Train passengers do not usually have the luxury of a restrainer – in a crowded commuter train, there are lots of people standing. The train uses a much lower rate of deceleration for the comfort of the travellers instead of an older generation technology.

The modern electric brakes and disc brakes on a high-speed electrical multiple unit (EMU) are designed to brake slowly, although they can do much better.

Furthermore, trains run on a steel-to-steel interface – wheels on rail – so the adhesion is much much lower than that of rubber tyres on asphalt.

Finally, I think it is comparing apples to oranges rating an over 500-tonne train against a 10-tonne coach.

Mr James is very insightful in his "nine-camera" system to check obstacles ahead of a train's path. However, this will only transfer the burden to the train driver, which is the exact opposite of what an automatic train control system will do.

In many studies on ergonomics (Railtrack and London Underground have commissioned similar studies), the same conclusion has been drawn. The concept was to relieve the train driver from decisions that would affect many people. Instead, such decisions are made by 'systems'. Humans, unfortunately, tend to make more mistakes under pressure than computers.

Installing nine monitors in the driving cab is, in my humble opinion, ergonomically flawed. Would the train driver's primary focus be on the screens instead of on the tracks ahead?

The transmission of video through the GSM

network would create another problem: security. There have been reports on hacking into the FBI network, I believe it is much much easier on GSM, even with additional security measures. Imagine what might happen if some teenage hacker replaced the dynamic screen with nine completely unoccupied tracks.

Another ergonomics issue is the repetitive action – every 20 seconds, as Mr James suggested – of cancelling the traction hold-off. This is exactly the problem with the Advanced Warning System (AWS).

I suggest that Mr James refers to the Honourable Sir Anthony Hidden QC's inquiry into the Clapham Junction collision, in which he clearly and repeatedly suggests that Automatic Train Protection (ATP) must be implemented within five years. That was in 1988. One can only argue that the then British Rail, and now Railtrack, have been too slow to act, but the direction is clear.

I understand that spending £3bn is a high price, but if one put Mr James' proposed solution with the appropriate security and safety measures into practice, the price would not be far off. Being a railway practitioner myself, I owe the public a duty of care to explain the subtleties with which Mr James may have unintentionally misled the readers.

*H Cheung  
Hong Kong*

## Engineering esteem

With reference to Lawrence Jones's 'Comment', in the March 2002 issue, if he was a doctor in South America he would be called Doctor Jones, if a lawyer he would be called Abogado Jones, and as an engineer, Ingeniero Jones. It's probably much the same in many other countries. Which again serves to illustrate the lack of esteem with which engineers are regarded here.

*David Bridgen  
Camberley*

## For a stronger DAB signal...

On reading Richard Barnes' letter 'DAB debate' in the February 2002 issue, I wondered if he bought the same make of five-element DAB antenna as me?

My Videologic tuner reported six sixteenths of full-scale signal strength even

though I can almost see the Hannington antenna. While looking for the coordinates of other transmitter sites I noticed that DAB signals are vertically polarised. My antenna was waterproof only when used horizontally.

I exchanged it for a single-element vertical antenna and I can now receive many more channels – mostly at thirteen sixteenths full scale.

*P. Robinson  
Via e-mail*

## RIAA equalisation

Designing low-noise RIAA amplifiers for moving-magnet cartridges is an interesting noise optimisation problem. It comes down to minimising the total noise level over a wide band with a frequency-dependent source impedance, a frequency-dependent amplifier gain and a frequency-dependent response of the ears of the listener.

Some of the people who responded to Dr Thagard's article about a RIAA amplifier simplified their equations by calculating at a single mid-range frequency, but none of them seems to know what frequency gives the most representative result.

I recommend 3852Hz. The proof is rather too long to put in this letter, but it can be shown that optimising the RIAA- and A-weighted integral noise of a RIAA amplifier is equivalent to optimising the spot noise at about 3852Hz, provided that the following assumptions are valid:

- The magnitude of the source (cartridge) impedance can be modelled with a simple L-R series network.
- The noise of the amplifier itself can be modelled with two noise sources, a white equivalent input noise voltage source in series with its input and an uncorrelated white equivalent input noise current source shunted across its input.

These assumptions are usually close enough to the truth to make the 3852Hz rule a useful approximation.

For a typical moving-magnet cartridge with 0.5H inductance, the effective source impedance is approximately 12kΩ. The noise current produced by a 47kΩ shunt resistor then adds about  $7nV/\sqrt{\text{Hz}}$  to the total noise.

Cartridges produce more thermal noise than could be expected from their DC resistances, because their effective series resistances increase substantially over the audio frequency range.

My former colleague Richard Visee made measurements of a Shure V15 III cartridge several years ago, and found that the ESR increased from 1338.8Ω at 0Hz to about 30.1kΩ at 20kHz. For this particular cartridge, the weighted average thermal noise of the cartridge itself and of the 47kΩ resistor were roughly equal. If one is foolish enough to actually play records on one's record player, the noise coming out of the cartridge

## Quiet Outlook

I've been using Microsoft Outlook as an appointments reminder/calendar for about three years. It has an 'alarm' built in to it which is extremely useful, but only gives an on-screen indication of an imminent appointment. And, since I don't spend my whole life in front of the screen, an external alarm would help.

I'd find the ability to output the 'alarm' to a serial or USB port really useful, as I could then drive external logic with it. I'm a 'hardware man', so a few chips, a bit of PCB and I'm away! But Microsoft tell me it can't be done, so that must be true, mustn't it?

Can any of you tell just how I can get at the guts of the 'Outlook' program so that I can prove them wrong?

*Trevor Wiltshire  
Via e-mail*

## MOSFET power

As noted by Dr White<sup>1</sup>, over the years there has been a number of designs based on the Hitachi MOSFET power amplifier, and I wonder about the rigour of the design process used for many of them – including the original.

For example, I note that the Maplin version applies Miller compensation to both halves of the second long-tail pair, whereas the original applied it only to one half. Another published design omitted it entirely – inviting the risk of fierce driver stage oscillation at 8 to 12MHz – no names, no pack drill!

It is interesting to note that the very similar all-FET design<sup>2</sup> that accompanied the Hitachi original had compensation on both halves of the driver, but of unequal value – why?

Dr White asks the question “can the design be enhanced”: I think the problem is that there is such a wealth of possibilities... but he has chosen the area where the design really feels a bit too lean. I wish he had gone further.

In particular, the absence of emitter degeneration resistors on the input pair, results in a linear range of approximately 50mV ( $\approx 2V_7$ ). This is somewhat at odds with the quoted input sensitivity of 1.28V rms in the modified amplifier. I would have expected some degeneration to be provided, to guard against the possibility of transient overload of the input stage<sup>3</sup>.

Of course the anonymous writer of the application note had only to worry about the static distortion reading, which would no doubt have worsened somewhat, had degeneration been provided! It is hazardous to compare dissimilar designs, but in my experience, a very different design with similar static distortion performance<sup>4</sup> is audibly cleaner than the Hitachi original. I suspect that this is due in part to the exemplary dynamic overload performance of the Blomley design.

As regards current sources, it may be appropriate to consider an alternative, which deserves to be better known.<sup>5,6</sup> Fig. 1. According to Baxandall this offers a 50M $\Omega$  dynamic resistance at 1mA, but more importantly “The effect of collector-base capacitance in  $T_1$ , which shunts the output [in a simple constant current source] is degenerated... and output capacitance values of well under 1pF are obtained.”

The significance of this is that the reactance modulator effects described by Cherry<sup>7</sup> can be kept to a very low level. Furthermore, complementary versions of the circuit may be connected together to form a genuine two-terminal device. Fig. 2.

It might be worth remarking that

application notes vary a lot in quality. In most cases though, the objective is to open up a market by demonstration of a device's capabilities.

Inclusion of features that any sensible user would take for granted is secondary. It follows that the most worthwhile modifications are additions. One particular addition that is missing from most versions of this circuit is comprehensive overload protection.

Remarkable faith in the ruggedness of MOSFETs does nothing to protect either

the amplifier or the speakers. Depending on the rating of the fuse, fusing the output line will result in either compressed dynamics (albeit at a low steady state distortion level – if the fuse is within the feedback loop!), or inadequate protection. Of course you have to be clear on whether it is the amplifier which is to be protected, or the speakers, or both.

Equipment reviews have thrown up numerous examples of protection, which has affected the sound quality of commercially produced amplifiers; protection is not just a simple addition, but an integral part of any finished amplifier design.

For my part I would not consider this design for a new project, because of the somewhat rudimentary output stage design, which limits the value of improvements elsewhere. Other output stage designs<sup>4, 8, 9, 10, 11</sup> are capable of achieving open-loop distortion well below 1% at similar overall cost, and would therefore be preferable.

In summary, thank-you for a worthwhile attempt to re-shoe an old war horse, which I feel owes its popularity mainly to the relative ease of uprating it, rather than to anything very special about the sound quality of the basic design. A little work may well revitalise an amplifier that has been languishing in the loft for the last 10 years, because despite the detailed criticisms above, the original design compromises seem to have stood the test of time.

Edward Kessler  
Via e-mail

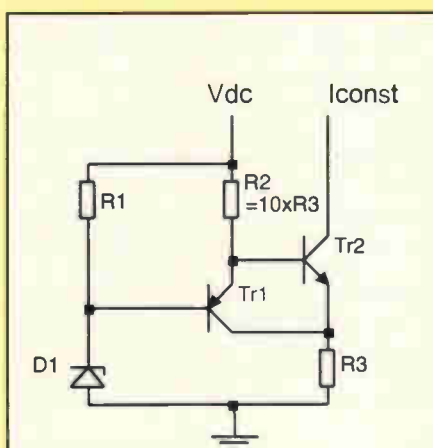


Fig. 1. Alternative current source. In this version, the effect of collector-base capacitance in  $T_1$  is degenerated.

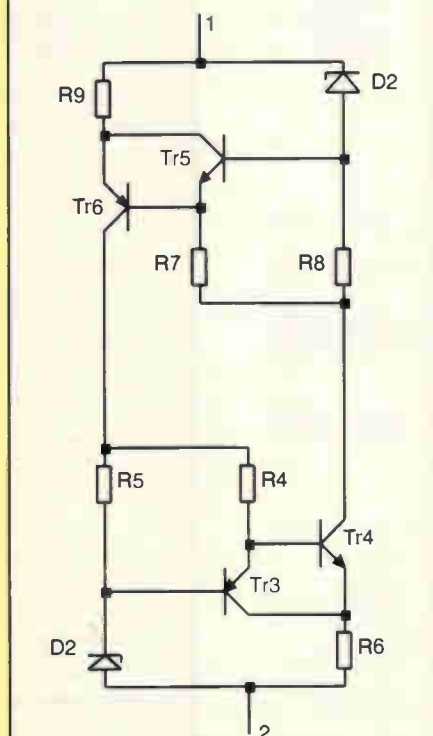


Fig. 2. Complementary versions of the circuit of Fig. 1 may be connected together to form a genuine two-terminal current source.

## References

- White, D. 'MOS power pure and simple'. *EW*, 2001, August, p. 578.
- Hitachi MOSFET Handbook, Section 6.1 p143.
- Cherry, E.M. 'Ironing out distortion'. *EW*, 1995, January, p. 14.
- Blomley, P. 'A new approach to class B'. *EW*, 1971, February, p. 57, March, p. 127.
- Baxandall, P.J. 'Constant current circuits'. *Letters, EW*, 1966, December, p. 609.
- Baxandall, P.J. and Shallow, E.W. 'Constant-current source with unusually high internal resistance and good temperature stability'. *IEE Electronics Letters*, 1966, September, Vol. 2, No 9, p. 351.
- Cherry, E.M. 'Ironing out distortion'. *EW*, 1997, July, p. 557.
- Margan, E. 'Crossover distortion in class B amplifiers'. *EW*, 1987, July, p. 739.
- Cherry, E.M. 'A high quality audio power amplifier'. *Monitor*, 1978, January/February, p. 1.
- Hegglun, I. 'Fast power amplifier for audio'. *EW*, 1995, March, p. 240.
- Hegglun, I. 'Square law rules in audio power'. *EW*, 1995, September, p. 754.

increases even more.

I intend to write an article about two RIAA amplifiers I designed and built, both featuring the 'electronic cooling' (double feedback loop) technique, and about the derivation of the 3852Hz-rule. I hope that it will be accepted.

**Marcel van de Gevel**  
Harlem  
The Netherlands

I think that Mr Underwood, in his February 2002 issue letter, has confused equalisation with tone control. Both carry out the same function of adjusting the frequency response. In general, they both use similar circuit configurations.

For this discussion I define equalisation as fixed frequency adjustment and tone control as variable frequency adjustment.

The RIAA equalisation curves – and the equivalent IEC-60098 published in Europe – were devised to overcome two problems in the recording medium. These were to preserve groove integrity at low frequencies and to overcome noise at the higher frequencies.

The curves have remained unchanged since first issued in the early sixties – apart from one change at the extreme low frequency end to IEC-60098 only. As a

result, it is fair to assume that the curves are about right and should not be altered.

Incidentally, IEC-60098 gives the tolerance for the recording curve as  $\pm 2\text{dB}$  of the appropriate characteristic. It specifically excludes any tolerance on the replay characteristic adding the comment that, 'record reproducers usually contain a tone control enabling the frequency characteristic to be varied over a wide range'.

However, in audio recording nothing is ever perfect. The frequency adjustment that Mr Underwood observed seems a very reasonable action to take to overcome acoustic problems or minor imperfections in the recording chain at the recording venue.

At the replay end, the average living room provides a less than ideal listening environment and the listener would probably make further tonal adjustments when playing the disc at home.

What is most sad is the number of musicians and vocalists who now feel the need to use sound enforcement during their performances. Much modern music is generated electronically so that it can only be heard via the imperfections of a speaker system. These two facts seriously reduce the opportunities to hear truly live music so the number of engineers who have a wide

experience of what music actually sounds like must be diminished.

I suspect that the 'golden-eared' engineers referred to by Mr Underwood are a dying breed.

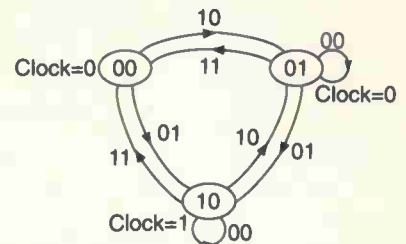
**Chris Gardiner**  
Chelmsford  
Essex

## Speed with direction

In the January 2002 Circuit Idea for a speed and direction indicator, the circuit diagram should use NOR gates as indicated in the text. The state diagram is as shown.

Also note that jitter of the X input with Y high will produce output pulses all indicating the same direction.

**John Crabtree**  
Via e-mail



Excitation diagram for the speed and direction

M 9000 MODULAR GANG PROGRAMMER





**MODULAR DESIGN**



**SPECIFICATIONS**

**DATA RATE**  
2, 6 or 20M bps

**INTERFACE CONTROLS**  
PC Windows 95, 98 & NT  
Also available with high-speed download facility for Winmodem and Modem Plus

**DATA FORMING CONTROLS**  
DIL, SMD, SMD, PL, Component and Custom-fit

**LINE SUPPLY**  
Removable, 240V/110V/220V  
Optional 1.5V/3.0V/5.0V

**PHYSICAL**  
11 CMOS & 10 TTL pins & 0.1mm pitch 28 pin

Lloyd Research Ltd has been designing gang programmers since the early 1980s. The M9000 is an improved version of the 'industry standard' L9000 which has been used extensively for high volume programming in the telecommunications, automation and TV manufacturing industries.

M9000 and L9000 modules are interchangeable.

For details of device support and module availability please visit our website.

**Lloyd Research Ltd**

T: 0174 24 8000 Fax: 0174 24 8001  
1 +44 (0) 1489 574240 F +44 (0) 1489 880463 E group@lloydresearch.co.uk W www.lloyd-research.com

## Embedded Ethernet TCP/IP Solutions

**JK microsystems** connects customers with cost-effective embedded solutions. Our DOS based controllers, peripherals and accessories integrate Ethernet, TCP/IP and control capabilities into data acquisition, networking and industrial applications. Consider one of our many solutions, the **LogicFlex**:

- Intel 386Ex @ 25MHz
- 10Base-T Ethernet & TCP/IP
- DOS & Webserver pre-installed
- 46 Digital I/O Lines
- 2 Serial Ports
- Programmable Xilinx CPLD
- 512K SRAM, 512K Flash standard
- Optional M-Systems DiskOnChip
- Expansion Bus for Peripheral Boards
- eRTOS available for Multitasking



**LogicFlex**  
Starts at only  
\$189USD

Contact our UK distributor  
**Trionyx DSP Systems**  
Email: [info@trionyx.co.uk](mailto:info@trionyx.co.uk)  
Call: +44 (0)20 8789 8775 Fax: +44 (0)20 8785 0764  
81 Skeena Hill, Southfields, London, SW18 5PW, UK  
• Free technical support available via email •

Visit us on the web at [www.jkmicro.com](http://www.jkmicro.com)  
+1 530-297-6073 Fax: +1 530-297-6074 [sales@jkmicro.com](mailto:sales@jkmicro.com)  
1403 Fifth Street, Suite D, Davis, CA 95616 USA

## JK microsystems

# QUASAR ELECTRONICS LIMITED

(Dept EW), PO Box 6935, Bishops Cleeve, CM23 4WP  
**TEL: 01279 467799 FAX: 07092 203496**

ADD £2.00 P & P to all orders (1<sup>st</sup> class Recorded £4, Next day (Insured £250) £7, Europe £5.00, Rest of World £10.00). We accept all major credit cards. Make cheques/PD's payable to Quasar Electronics. Prices include 17.5% VAT. **MAIL ORDER ONLY**  
 FREE CATALOGUE with order or sent 2 x 1<sup>st</sup> class stamps (refundable) for details of over 150 kits & publications.



## Enhanced 'PICALL' ISP PIC Programmer

Kit will program virtually ALL 8 to 40 pin serial and parallel programmed PIC microcontrollers. Connects to PC parallel port. Supplied with fully functional pre-registered PICALL DOS and WINDOWS AVR Software packages, all components and high quality DSPTH board. Also programs certain ATMEL AVR, SCENIX SX and EEPROM 24C devices. New devices can be added to the software as they are released. Blank chip auto detect feature for super-fast bulk programming. Hardware now supports ISP programming. \*A 40 pin wide ZIF socket is required to program 0.3" devices (Order Code AZIF40 @ £15.00).



Order Ref	Description	inc. VAT ea
3144KT	Enhanced PICALL ISP PIC Programmer	£64.95
AS3144	Assembled Enhanced PICALL ISP PIC Programmer	£74.95
AS3144ZIF	Assembled Enhanced PICALL ISP PIC Programmer c/w ZIF socket	£89.95

## ATMEL 89xxxx Programmer

Powerful programmer for Atmel 8051 micro controller family. All fuse and lock bits are programmable. Connects to serial port. Can be used with ANY computer and operating system. 4 LEDs indicate programming status. Programs 89C1051, 89C2051, 89C4051, 89C51, 89LV51, 89C52, 89LV52, 89C55, 89LV55, 89S8252, 89LS8252, 89S53 & 89LS53 devices. NO special software needed - uses any terminal emulator program (built into Windows).

Order Ref	Description	inc. VAT ea
3123KT	ATMEL 89xxxx Programmer	£29.95
AS3123	Assembled 3123	£44.95

Atmel 89Cx051 and AVR programmers also available.

## PC Data Acquisition & Control Unit

Use a PC parallel port as a real world interface. Unit can be connected to a mixture of analogue and digital inputs from pressure, temperature, movement, sound, light intensity, weight sensors, etc. (not supplied) to sensing switch and relay states. It can then process the input data and use the information to control up to 11 physical devices such as motors, sirens, other relays, servo motors & two-stepper motors.



### FEATURES:

- 8 digital Outputs: Open collector, 500mA, 33V max.
- 16 Digital Inputs: 20V max. Protection 1K in series, 5.1V Zener to ground.
- 11 Analogue Inputs: 0-5V, 10 bit (5mV/step.)
- 1 Analogue Output: 0.2-5V or 0-10V. 8 bit (20mV/step.)

All components provided including a plastic case (140mm x 110mm x 35mm) with pre-punched and silk screened front/rear panels to give a professional and attractive finish (see photo). with screen printed front & rear panels supplied. Software utilities & programming examples supplied.

Order Ref	Description	inc. VAT ea
3093KT	PC Data Acquisition & Control Unit	£99.95
AS3093	Assembled 3093	£124.95

## ABC Mini 'Hotchip' Board



ABC Starter Pack

Currently learning about microcontrollers? Need to do something more than flash a LED or sound a buzzer? The ABC Mini 'Hotchip' Board is based on Atmel's AVR 8535 RISC technology and will interest both the beginner and expert alike. Beginners will find that they can write and test a simple program, using the BASIC programming language, within an hour or two of

connecting it up. Experts will like the power and flexibility of the Atmel microcontroller, as well as the ease with which the little Hot Chip board can be "designed-in" to a project. The ABC Mini Board 'Starter Pack' includes just about everything you need to get up and experimenting right away. On the hardware side, there's a pre-assembled micro controller PC board with both parallel and serial cables for connection to your PC. Windows software included on CD-ROM features an Assembler, BASIC compiler and in-system programmer. The pre-assembled boards only are also available separately.

Order Ref	Description	inc. VAT ea
ABCMINISP	ABC MINI Starter Pack	£64.95
ABCMINIB	ABC MINI Board Only	£39.95

## Advanced 32-bit Schematic Capture and Simulation Visual Design Studio

**Advanced Schematic Capture & Simulation Software**

Advanced Hierarchical Schematic Capture. Includes Graphical Library Browser and Device Searcher, Device Library Editor, Spice and PCB Netlist Generation. Over 7000 device models. Model Import Wizard allows you to download and import models from device manufacturers web page.

- Advanced 32-bit Analogue, Digital, & Mixed Mode Simulation
- Virtual Instruments: Ohm/Voltage/Current/Power Multi-meter shows complex Voltage, Current, Phase, Magnitude etc
- Built in 64-Channel Real-Time Virtual Oscilloscope
- Built in Digital Logic Analyzer allows you to set breakpoints
- Supports Advanced 8-Bit/3.3, 8-Bit/5, and 801 Models
- 21 Different analysis types including advanced Monte Carlo/MC

VisualSpice Software Purchasing Options  
 Personal Edition £74.95      Standard Edition £149.95  
 Professional Edition £224.95

See web site for full details and demo

## Serial Port Isolated I/O Controller

Kit provides eight relay outputs capable of switching 4 amps at mains voltages and four optically isolated inputs. Can be used in a variety of control and sensing applications including load switching, external switch input sensing, contact closure and external voltage sensing. Programmed via a computer serial port, it is compatible with ANY computer & operating system. After programming, PC can be disconnected. Serial cable can be up to 35m long, allowing 'remote' control. User can easily write batch file programs to control the kit using simple text commands. NO special software required - uses any terminal emulator program (built into Windows). Screw terminal block connections. All components provided including a plastic case with pre-punched and silk screened front/rear panels to give a professional and attractive finish (see photo).



Order Ref	Description	inc. VAT ea
3108KT	Serial Port Isolated I/O Controller Kit	£54.95
AS3108	Assembled Serial Port Isolated I/O Controller	£69.95

Full details of these items and over 200 other projects can be found at [www.QuasarElectronics.com](http://www.QuasarElectronics.com)



# Real-time digital filter

RTDF – a unique, integrated hardware and software system for designing, downloading and running very high performance filters in real time. Available only from Electronics World.

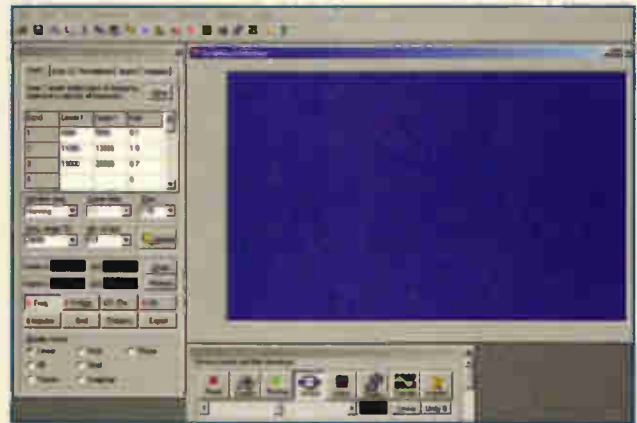
The RTDF 1.5 is a unique real-time audio-bandwidth digital filter with infinitely adjustable characteristics – all available at the click of a button. Filter design and execution is accomplished in two easy steps. In fact, you can have a no-compromise filter up and running within seconds.

If you want to change the filter completely – low-pass, band-pass, high-pass or arbitrary – just repeat the two steps.

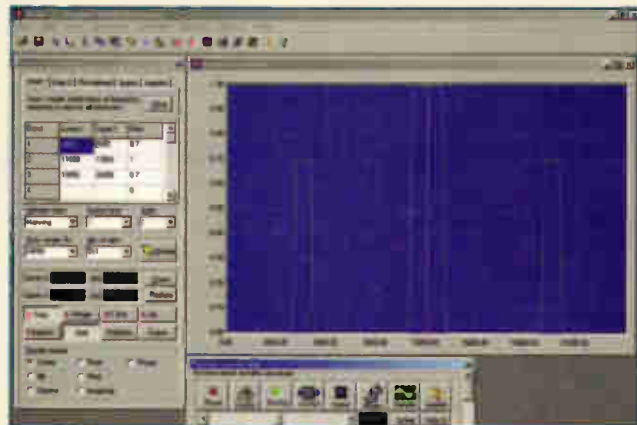
**T**he RTDF filter system includes hardware based on an advanced digital signal processor, low-level firmware that implements the filtering operations, and a high-level PC-based software interface that designs the filter according to your requirements.

Once a filter is designed, the software interface is used to download the filter to the hardware system via a serial link, where it is executed on demand.

You don't need to know about digital signal processing theory or the mathematics associated with digital-filter design. But if you're a filter expert, you won't find yourself restricted by



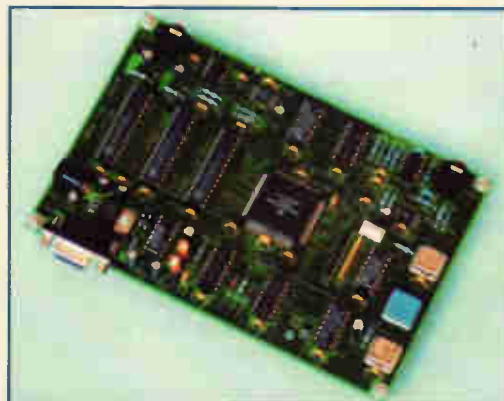
**Step 1** – Enter the characteristics of your filter, such as cut-off points and sharpness, in the Filter Design Interface Window on the left of the display.



**Step 2** – Click on the Update button to view your result in graphical form, download it to the hardware module and run the filter from the hardware control panel – done!

## RTDF - key features

- Runs under Windows 95, 98 or ME
- Generates FIR filters with a maximum of 1024 coefficients.
- Multiple pass, stop or arbitrary filters.
- Lower -3dB frequency 3.7Hz at 48kHz sample rate and 1.2Hz at 12kHz sample rate.
- Filter operates in single or dual channel modes.
- Import mode – ASCII import of any frequency response.
- Hardware module holds up to 16 filters, instantly selectable with one mouse click.
- Zero-phase distortion in the pass, transition and stop bands, ignoring input and output coupling.
- Choice of rectangular, Bartlett, Hamming, Hanning, Blackman or Kaiser Windows.
- Virtual control panel allowing run-time changes to filter gain and sampling rate.
- Includes frequency and time domain plots of filter performance.
- Frequency response plotted as linear, dB, square, root, real, imaginary or phase.
- Impulse, frequency and phase response exportable in a variety of formats (dB, power etc) as ASCII files for incorporation into standard spreadsheets.
- 18-bit resolution in single, 16-bit in dual-channel mode.
- Normal or turbo speed, software selectable.
- User selectable sample rates of 48kHz, 24kHz, 16kHz, 12kHz, 9.6kHz, 8kHz, 6kHz, 4.8kHz, 4kHz, 3.2kHz or 3kHz.
- Maximum input and output level 4V pk-pk



*Filter hardware: a DSP56002 board with RAM and 16/18bit oversampling analogue converters for stereo i/o at up to 48kHz sampling.*





Copyright © UMIST 1998

the easy-to-use interface. If you want to do it the hard way, you can even design your filter in long-hand then download the filter's frequency response as an ASCII file to the RTDF's control program!

The RTDF is a total filter solution. Due to its flexibility, it is particularly well suited to processing audio signals in real time. High-quality analogue signal conditioning and a dual-channel 16/18-bit resolution analogue-to-digital converter and digital-to-analogue converter provide a resolution sufficient for the most demanding applications.

In short, the RTDF brings the power of digital signal processing to any audio-bandwidth domain that requires high-performance electronic signal filtering. Applications include sensor linearisation, audio signal processing, signal analysis, vibration analysis, education and research in electrical, electronic and other physical sciences.

Low-pass, high-pass, multiple band-stop / band-pass filters may be combined to produce very complex filters for frequencies up to 24kHz.

The software can accept measured responses to define a filter template. This can be used for measurement equalisation or to search out signal signatures in noisy environments.

Since the filters are implemented using a symmetrical finite impulse response (FIR) method, no phase distortion occurs in the filtered signal – no matter how sharp the filter is. Because the processing module is so fast, it is possible to design filters with responses far beyond what is possible with traditional analogue techniques.

#### Windows software

The control program runs under Windows and provides a user-friendly filter-design tool that de-mystifies the process of specifying the filter. The filter design process simply becomes one of describing the desired frequency response.

The design package indicates the response that will be produced and any deviations from that specified. User designs may be stored for re-use and actual responses may be entered from measurements for simulation or equalisation purposes. Once designed, filters are calculated and downloaded to the hardware within seconds.

The software designs the filter according to the user's specifications. The filter is expressed as a set of FIR, zero-phase distortion coefficients or taps. Collectively, the coefficients of a filter are known as the impulse response.

The system's gain and sampling rate can be adjusted while the filter is running and you can switch instantaneously between a filtered or non-filtered signal.

Most importantly, the software includes a flexible filter design section. A window displays the frequency or impulse response of the realised filter in various formats. A hardware control section downloads a filter and provides for general communication with the filter module.

#### The DSP module

The hardware DSP module connects to the PC via a standard COM port using the cable supplied.

The 16/18-bit over-sampling dual-channel sigma-delta a-to-d and d-to-a conversion system can easily be set to any one of eleven sample rates, ranging from 48kHz down to 3kHz.

So how fast can the filter operate, and how many filter coefficients can it practically employ? The maximum number of taps at the highest frequency range of 24kHz, in single

channel mode, is 527. At this range, the system is sampling at 48kHz. This represents a very sharp filter indeed.

Using a frequency range of 12kHz – sample rate of 24kHz – in single-channel mode, the system can operate a filter with a maximum of 937 taps. At any range below this, it can operate a filter with a maximum of 1024 taps. The performance of a 1024-tap filter is so extremely sharp that it is quite unlikely that you would ever need to use it.

In dual-channel mode, the maximum number of taps permissible at the highest frequency range of 24kHz is 191. With a frequency range of 12kHz, it is 397. Full details concerning tap numbers, frequency ranges and operating modes are provided with the on-line documentation. ■

#### System includes:

- Filter DSP board
- Windows filter design software on CD plus demonstration-filters
- Fully-worked help files – featuring tutorial
- Installation instructions
- Analogue i/o cables
- RS232 COM port download cable
- Power supply

#### Use this coupon to order your RTDF filter

Please send me ..... RTDF filter(s) at £243 excluding £7 shipping and UK special delivery and VAT (£293.75 fully inclusive: e-mail [electronics.world@ntlworld.com](mailto:electronics.world@ntlworld.com) for quantity discounts and o/s postage rates). Note: normal price £499!

Name \_\_\_\_\_

Address \_\_\_\_\_  
\_\_\_\_\_  
\_\_\_\_\_  
\_\_\_\_\_

Phone number/fax \_\_\_\_\_

Total amount £.....

I enclose a cheque \_\_\_\_\_

Please charge to my credit/debit card.

Card type (Mastercard/Visa/Switch etc)

Card No \_\_\_\_\_

Expiry date \_\_\_\_ / \_\_\_\_

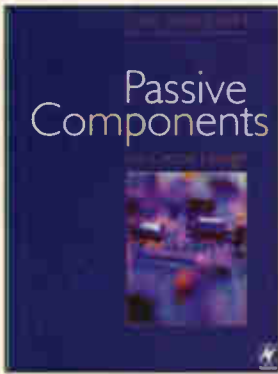
Please mail this coupon to Electronics World, together with payment. Alternatively fax credit card details with order on 020 8722 6098

Address orders and all correspondence relating to this order to RTDF Offer, Electronics World, Anne Boleyn House, 9-13 Ewell Road, Cheam, Surrey, SM3 8BZ  
email [j.lowe@cumulusmedia.co.uk](mailto:j.lowe@cumulusmedia.co.uk)  
Make cheques payable to Electronics World.

#### Minimum system requirements

100 MHz PC running Windows' 95, 98 or ME  
SVGA display (800X600 pixels) or higher  
CD ROM drive  
10 Mbytes of free hard disc space  
Serial port, capable of 19200 bit/s

# BOOKS TO BUY

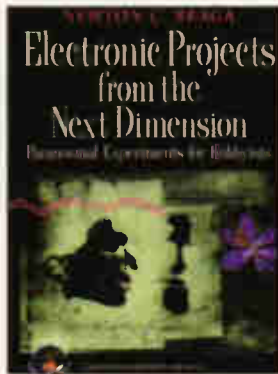


## PASSIVE COMPONENTS FOR CIRCUIT DESIGN

Passive Components for Circuit Design is a unique introduction to this key area of analog electronics designed for technician engineers and anyone involved in circuit design. The coverage encompasses all component types capable of power amplification: resistors, capacitors, transformers, solenoids, motors and transducers. The behaviour of the components is explored along with the different types available and the principles of circuit design. Tolerances, stability, variation with temperature, reliability and manufacturing standards are all covered. Reading this book will improve your skills in component selection and analog circuit design. These are essential skills not only for the analog designer, but for all circuit designers, professional or amateur.

**Contents:** Preface; Fundamentals; Fixed resistors; Variable resistors, potentiometers and diodes; Capacitors; Inductors and inductive components; Inductive devices; Transducing components; SMT; Hardware; Index

**Readership:** Technician engineers, circuit designers, advanced hobbyists  
**Pages:** 304pp  
**Price: UK £23.00**  
**Europe £24.00**  
**ROW £27.00**



## ELECTRONIC PROJECTS FROM THE NEXT DIMENSION

For years paranormal scientists have explored the detection and documentation of spirits, auras, ESP, hypnosis, and many more phenomena through electronics. Electronic Projects from the Next Dimension provides useful information on building practical circuits and projects, and applying the knowledge to unique experiments in the paranormal field. The author writes about dozens of inexpensive projects to help electronics hobbyists search for and document their own answers about instrumental transcommunication (ITC), the electronic voice phenomenon (EVP), and paranormal experiments involving ESP, auras, and Kirlian photography.

Although paranormal studies are considered esoteric, Electronic Projects from the Next Dimension teaches the technical skills needed to make devices that can be used in many different kinds of experiments. Each section indicates how the circuit can be used in paranormal experiments with suggestions about procedures and how to analyze the results.

**Contents:** White noise generators for use in instrumental transcommunication (ITC) and electronic voice phenomenon (EVP) experiments; Practical circuits for image experimentation, such as a



## BASIC AC CIRCUITS

This is the step-by-step approach for beginners. This self-paced individualized learning tool covers concepts, terms, and the mathematics required to understand AC circuit problems. It has been designed to improve analysis techniques for prediction and control development.

**Readership:** Beginners meeting AC circuits for the first time; students; technicians  
**Pages:** 921pp  
**Price: UK £28.00**  
**Europe £30.00**  
**ROW £32.00**

wireless sparking image generator, horizontal bar generator, brontophic sound, magnetic field generator, high-voltage generators (Kirlian Machine's I & II); Paranormal skills experiments with temperature change, polygraph, electro-shock, random number generation, UFO detection, and ghost-finding.

**Readership:** Hobbyists, Electronics Enthusiasts  
**Pages:** 256pp  
**Price: UK £23.00**  
**Europe £25.00**  
**ROW £27.00**



## Interfacing with C

### INTERFACING WITH C

A practical and painless way of becoming an expert C programme New edition also covers C++ and the Windows environment Get up to speed with the essential maths needed for C without having to buy a university maths text!

**Price: UK £20.00**  
**Europe £22.00**  
**ROW £24.00**

Post your completed order form to:-

**Jackie Lowe, Cumulus Business Media,  
 Anne Boleyn House, 9-13 Ewell Road,  
 Cheam, Surrey, SM3 8BZ**

**Fax your order form to 020 8722 6098**

## How to order

### Book Title \_\_\_\_\_

I enclose a cheque/bank draft for £ \_\_\_\_\_  
 (payable to *ELECTRONICS WORLD*)

Please charge my credit/charge card

Mastercard  American Express  Visa  Diners Club

Credit Card No: \_\_\_\_\_

Expiry Date: \_\_\_\_\_

Signature of Cardholder \_\_\_\_\_

Cardholder's statement address: (please use capitals)

Name \_\_\_\_\_

Address \_\_\_\_\_

Post Code \_\_\_\_\_

Tel: \_\_\_\_\_

Ring for Latest Reduced Prices on this advert

HP8444A Tracking Generator • 5-1300Mc/s - £450.  
 HP8444A OPT 059 Tracking Gen • 5-1500Mc/s - £650.  
 HP35601A Spectrum ANZ Interface - £300.  
 HP4953A Protocol Anz - 3400.  
 HP8970A Noise Figure Meter + 346B Noise Head - £3k.  
 HP8755A+B+C Scalar Network ANZ PI - £250 + MF 180C - Heads 11664 Extra - £150 each.  
 HP3709B Constellation ANZ £1,000.  
 FARNELL TVS70MKII PU 0-70V 10 amps - £150.  
 MARCONI 6500 Network Scalar Anz - £500. Heads available to 40GHz many types in stock.  
 Mixers are available for ANZs to 60GHz.  
 Marconi TF2374 Zero Loss Probe - £200.  
 Rascal/Dana 1250-1261 Universal Switch Controller + 200Mc/s PI Cards and other types.  
 Rascal/Dana 9303 True RMS Levelmeter + Head - £450.  
 TEKA6902A also A6902B Isolator - £300-£400.  
 TEK CT-5 High Current Transformer Probe - £250.  
 HP Frequency comb generator type 8406 - £400.  
 HP Sweep Oscillators type 8690 A+B + plug-ins from 20Mc/s to 18GHz also 18-40GHz.  
 HP Network Analyser type 8407A + 8412A + 8601A - 100Kc/s - 110Mc/s - £500 - £1000.  
 HP 8410-A-B-C Network Analyser 110Mc/s to 12 GHz or 18 GHz - plus most other units and displays used in this set - 8411A-8412-8413-8414-8418-8740-8741-8742-8743-8744-8745-8746-8747-8748-8749-8750-8751-8752-8753-8754-8755-8756-8757-8758-8759-8760-8761-8762-8763-8764-8765-8766-8767-8768-8769-8770-8771-8772-8773-8774-8775-8776-8777-8778-8779-8780-8781-8782-8783-8784-8785-8786-8787-8788-8789-8790-8791-8792-8793-8794-8795-8796-8797-8798-8799-8800-8801-8802-8803-8804-8805-8806-8807-8808-8809-8810-8811-8812-8813-8814-8815-8816-8817-8818-8819-8820-8821-8822-8823-8824-8825-8826-8827-8828-8829-8830-8831-8832-8833-8834-8835-8836-8837-8838-8839-8840-8841-8842-8843-8844-8845-8846-8847-8848-8849-8850-8851-8852-8853-8854-8855-8856-8857-8858-8859-8860-8861-8862-8863-8864-8865-8866-8867-8868-8869-8870-8871-8872-8873-8874-8875-8876-8877-8878-8879-8880-8881-8882-8883-8884-8885-8886-8887-8888-8889-8890-8891-8892-8893-8894-8895-8896-8897-8898-8899-8900-8901-8902-8903-8904-8905-8906-8907-8908-8909-8910-8911-8912-8913-8914-8915-8916-8917-8918-8919-8920-8921-8922-8923-8924-8925-8926-8927-8928-8929-8930-8931-8932-8933-8934-8935-8936-8937-8938-8939-8940-8941-8942-8943-8944-8945-8946-8947-8948-8949-8950-8951-8952-8953-8954-8955-8956-8957-8958-8959-8960-8961-8962-8963-8964-8965-8966-8967-8968-8969-8970-8971-8972-8973-8974-8975-8976-8977-8978-8979-8980-8981-8982-8983-8984-8985-8986-8987-8988-8989-8990-8991-8992-8993-8994-8995-8996-8997-8998-8999-9000-9001-9002-9003-9004-9005-9006-9007-9008-9009-9010-9011-9012-9013-9014-9015-9016-9017-9018-9019-9020-9021-9022-9023-9024-9025-9026-9027-9028-9029-9030-9031-9032-9033-9034-9035-9036-9037-9038-9039-9040-9041-9042-9043-9044-9045-9046-9047-9048-9049-9050-9051-9052-9053-9054-9055-9056-9057-9058-9059-9060-9061-9062-9063-9064-9065-9066-9067-9068-9069-9070-9071-9072-9073-9074-9075-9076-9077-9078-9079-9080-9081-9082-9083-9084-9085-9086-9087-9088-9089-9090-9091-9092-9093-9094-9095-9096-9097-9098-9099-9100-9101-9102-9103-9104-9105-9106-9107-9108-9109-9110-9111-9112-9113-9114-9115-9116-9117-9118-9119-9120-9121-9122-9123-9124-9125-9126-9127-9128-9129-9130-9131-9132-9133-9134-9135-9136-9137-9138-9139-9140-9141-9142-9143-9144-9145-9146-9147-9148-9149-9150-9151-9152-9153-9154-9155-9156-9157-9158-9159-9160-9161-9162-9163-9164-9165-9166-9167-9168-9169-9170-9171-9172-9173-9174-9175-9176-9177-9178-9179-9180-9181-9182-9183-9184-9185-9186-9187-9188-9189-9190-9191-9192-9193-9194-9195-9196-9197-9198-9199-9200-9201-9202-9203-9204-9205-9206-9207-9208-9209-9210-9211-9212-9213-9214-9215-9216-9217-9218-9219-9220-9221-9222-9223-9224-9225-9226-9227-9228-9229-9230-9231-9232-9233-9234-9235-9236-9237-9238-9239-9240-9241-9242-9243-9244-9245-9246-9247-9248-9249-9250-9251-9252-9253-9254-9255-9256-9257-9258-9259-9260-9261-9262-9263-9264-9265-9266-9267-9268-9269-9270-9271-9272-9273-9274-9275-9276-9277-9278-9279-9280-9281-9282-9283-9284-9285-9286-9287-9288-9289-9290-9291-9292-9293-9294-9295-9296-9297-9298-9299-9300-9301-9302-9303-9304-9305-9306-9307-9308-9309-9310-9311-9312-9313-9314-9315-9316-9317-9318-9319-9320-9321-9322-9323-9324-9325-9326-9327-9328-9329-9330-9331-9332-9333-9334-9335-9336-9337-9338-9339-9340-9341-9342-9343-9344-9345-9346-9347-9348-9349-9350-9351-9352-9353-9354-9355-9356-9357-9358-9359-9360-9361-9362-9363-9364-9365-9366-9367-9368-9369-9370-9371-9372-9373-9374-9375-9376-9377-9378-9379-9380-9381-9382-9383-9384-9385-9386-9387-9388-9389-9390-9391-9392-9393-9394-9395-9396-9397-9398-9399-9400-9401-9402-9403-9404-9405-9406-9407-9408-9409-9410-9411-9412-9413-9414-9415-9416-9417-9418-9419-9420-9421-9422-9423-9424-9425-9426-9427-9428-9429-9430-9431-9432-9433-9434-9435-9436-9437-9438-9439-9440-9441-9442-9443-9444-9445-9446-9447-9448-9449-9450-9451-9452-9453-9454-9455-9456-9457-9458-9459-9460-9461-9462-9463-9464-9465-9466-9467-9468-9469-9470-9471-9472-9473-9474-9475-9476-9477-9478-9479-9480-9481-9482-9483-9484-9485-9486-9487-9488-9489-9490-9491-9492-9493-9494-9495-9496-9497-9498-9499-9500-9501-9502-9503-9504-9505-9506-9507-9508-9509-9510-9511-9512-9513-9514-9515-9516-9517-9518-9519-9520-9521-9522-9523-9524-9525-9526-9527-9528-9529-9530-9531-9532-9533-9534-9535-9536-9537-9538-9539-9540-9541-9542-9543-9544-9545-9546-9547-9548-9549-9550-9551-9552-9553-9554-9555-9556-9557-9558-9559-9560-9561-9562-9563-9564-9565-9566-9567-9568-9569-9570-9571-9572-9573-9574-9575-9576-9577-9578-9579-9580-9581-9582-9583-9584-9585-9586-9587-9588-9589-9590-9591-9592-9593-9594-9595-9596-9597-9598-9599-9600-9601-9602-9603-9604-9605-9606-9607-9608-9609-9610-9611-9612-9613-9614-9615-9616-9617-9618-9619-9620-9621-9622-9623-9624-9625-9626-9627-9628-9629-9630-9631-9632-9633-9634-9635-9636-9637-9638-9639-9640-9641-9642-9643-9644-9645-9646-9647-9648-9649-9650-9651-9652-9653-9654-9655-9656-9657-9658-9659-9660-9661-9662-9663-9664-9665-9666-9667-9668-9669-9670-9671-9672-9673-9674-9675-9676-9677-9678-9679-9680-9681-9682-9683-9684-9685-9686-9687-9688-9689-9690-9691-9692-9693-9694-9695-9696-9697-9698-9699-9700-9701-9702-9703-9704-9705-9706-9707-9708-9709-9710-9711-9712-9713-9714-9715-9716-9717-9718-9719-9720-9721-9722-9723-9724-9725-9726-9727-9728-9729-9730-9731-9732-9733-9734-9735-9736-9737-9738-9739-9740-9741-9742-9743-9744-9745-9746-9747-9748-9749-9750-9751-9752-9753-9754-9755-9756-9757-9758-9759-9760-9761-9762-9763-9764-9765-9766-9767-9768-9769-9770-9771-9772-9773-9774-9775-9776-9777-9778-9779-9780-9781-9782-9783-9784-9785-9786-9787-9788-9789-9790-9791-9792-9793-9794-9795-9796-9797-9798-9799-9800-9801-9802-9803-9804-9805-9806-9807-9808-9809-9810-9811-9812-9813-9814-9815-9816-9817-9818-9819-9820-9821-9822-9823-9824-9825-9826-9827-9828-9829-9830-9831-9832-9833-9834-9835-9836-9837-9838-9839-9840-9841-9842-9843-9844-9845-9846-9847-9848-9849-9850-9851-9852-9853-9854-9855-9856-9857-9858-9859-9860-9861-9862-9863-9864-9865-9866-9867-9868-9869-9870-9871-9872-9873-9874-9875-9876-9877-9878-9879-9880-9881-9882-9883-9884-9885-9886-9887-9888-9889-9890-9891-9892-9893-9894-9895-9896-9897-9898-9899-9900-9901-9902-9903-9904-9905-9906-9907-9908-9909-9910-9911-9912-9913-9914-9915-9916-9917-9918-9919-9920-9921-9922-9923-9924-9925-9926-9927-9928-9929-9930-9931-9932-9933-9934-9935-9936-9937-9938-9939-9940-9941-9942-9943-9944-9945-9946-9947-9948-9949-9950-9951-9952-9953-9954-9955-9956-9957-9958-9959-9960-9961-9962-9963-9964-9965-9966-9967-9968-9969-9970-9971-9972-9973-9974-9975-9976-9977-9978-9979-9980-9981-9982-9983-9984-9985-9986-9987-9988-9989-9990-9991-9992-9993-9994-9995-9996-9997-9998-9999-10000-10001-10002-10003-10004-10005-10006-10007-10008-10009-10010-10011-10012-10013-10014-10015-10016-10017-10018-10019-10020-10021-10022-10023-10024-10025-10026-10027-10028-10029-10030-10031-10032-10033-10034-10035-10036-10037-10038-10039-10040-10041-10042-10043-10044-10045-10046-10047-10048-10049-10050-10051-10052-10053-10054-10055-10056-10057-10058-10059-10060-10061-10062-10063-10064-10065-10066-10067-10068-10069-10070-10071-10072-10073-10074-10075-10076-10077-10078-10079-10080-10081-10082-10083-10084-10085-10086-10087-10088-10089-10090-10091-10092-10093-10094-10095-10096-10097-10098-10099-10100-10101-10102-10103-10104-10105-10106-10107-10108-10109-10110-10111-10112-10113-10114-10115-10116-10117-10118-10119-10120-10121-10122-10123-10124-10125-10126-10127-10128-10129-10130-10131-10132-10133-10134-10135-10136-10137-10138-10139-10140-10141-10142-10143-10144-10145-10146-10147-10148-10149-10150-10151-10152-10153-10154-10155-10156-10157-10158-10159-10160-10161-10162-10163-10164-10165-10166-10167-10168-10169-10170-10171-10172-10173-10174-10175-10176-10177-10178-10179-10180-10181-10182-10183-10184-10185-10186-10187-10188-10189-10190-10191-10192-10193-10194-10195-10196-10197-10198-10199-10200-10201-10202-10203-10204-10205-10206-10207-10208-10209-10210-10211-10212-10213-10214-10215-10216-10217-10218-10219-10220-10221-10222-10223-10224-10225-10226-10227-10228-10229-10230-10231-10232-10233-10234-10235-10236-10237-10238-10239-10240-10241-10242-10243-10244-10245-10246-10247-10248-10249-10250-10251-10252-10253-10254-10255-10256-10257-10258-10259-10260-10261-10262-10263-10264-10265-10266-10267-10268-10269-10270-10271-10272-10273-10274-10275-10276-10277-10278-10279-10280-10281-10282-10283-10284-10285-10286-10287-10288-10289-10290-10291-10292-10293-10294-10295-10296-10297-10298-10299-10300-10301-10302-10303-10304-10305-10306-10307-10308-10309-10310-10311-10312-10313-10314-10315-10316-10317-10318-10319-10320-10321-10322-10323-10324-10325-10326-10327-10328-10329-10330-10331-10332-10333-10334-10335-10336-10337-10338-10339-10340-10341-10342-10343-10344-10345-10346-10347-10348-10349-10350-10351-10352-10353-10354-10355-10356-10357-10358-10359-10360-10361-10362-10363-10364-10365-10366-10367-10368-10369-10370-10371-10372-10373-10374-10375-10376-10377-10378-10379-10380-10381-10382-10383-10384-10385-10386-10387-10388-10389-10390-10391-10392-10393-10394-10395-10396-10397-10398-10399-10400-10401-10402-10403-10404-10405-10406-10407-10408-10409-10410-10411-10412-10413-10414-10415-10416-10417-10418-10419-10420-10421-10422-10423-10424-10425-10426-10427-10428-10429-10430-10431-10432-10433-10434-10435-10436-10437-10438-10439-10440-10441-10442-10443-10444-10445-10446-10447-10448-10449-10450-10451-10452-10453-10454-10455-10456-10457-10458-10459-10460-10461-10462-10463-10464-10465-10466-10467-10468-10469-10470-10471-10472-10473-10474-10475-10476-10477-10478-10479-10480-10481-10482-10483-10484-10485-10486-10487-10488-10489-10490-10491-10492-10493-10494-10495-10496-10497-10498-10499-10500-10501-10502-10503-10504-10505-10506-10507-10508-10509-10510-10511-10512-10513-10514-10515-10516-10517-10518-10519-10520-10521-10522-10523-10524-10525-10526-10527-10528-10529-10530-10531-10532-10533-10534-10535-10536-10537-10538-10539-10540-10541-10542-10543-10544-10545-10546-10547-10548-10549-10550-10551-10552-10553-10554-10555-10556-10557-10558-10559-10560-10561-10562-10563-10564-10565-10566-10567-10568-10569-10570-10571-10572-10573-10574-10575-10576-10577-10578-10579-10580-10581-10582-10583-10584-10585-10586-10587-10588-10589-10590-10591-10592-10593-10594-10595-10596-10597-10598-10599-10600-10601-10602-10603-10604-10605-10606-10607-10608-10609-10610-10611-10612-10613-10614-10615-10616-10617-10618-10619-10620-10621-10622-10623-10624-10625-10626-10627-10628-10629-10630-10631-10632-10633-10634-10635-10636-10637-10638-10639-10640-10641-10642-10643-10644-10645-10646-10647-10648-10649-10650-10651-10652-10653-10654-10655-10656-10657-10658-10659-10660-10661-10662-10663-10664-10665-10666-10667-10668-10669-10670-10671-10672-10673-10674-10675-10676-10677-10678-10679-10680-10681-10682-10683-10684-10685-10686-10687-10688-10689-10690-10691-10692-10693-10694-10695-10696-10697-10698-10699-10700-10701-10702-10703-10704-10705-10706-10707-10708-10709-10710-10711-10712-10713-10714-10715-10716-10717-10718-10719-10720-10721-10722-10723-10724-10725-10726-10727-10728-10729-10730-10731-10732-10733-10734-10735-10736-10737-10738-10739-10740-10741-10742-10743-10744-10745-10746-10747-10748-10749-10750-10751-10752-10753-10754-10755-10756-10757-10758-10759-10760-10761-10762-10763-10764-10765-10766-10767-10768-10769-10770-10771-10772-10773-10774-10775-10776-10777-10778-10779-10780-10781-10782-10783-10784-10785-10786-10787-10788-10789-10790-10791-10792-10793-10794-10795-10796-10797-10798-10799-10800-10801-10802-10803-10804-10805-10806-10807-10808-10809-10810-10811-10812-10813-10814-10815-10816-10817-10818-10819-10820-10821-10822-10823-10824-10825-10826-10827-10828-10829-10830-10831-10832-10833-10834-10835-10836-10837-10838-10839-10840-10841-10842-10843-10844-10845-10846-10847-10848-10849-10850-10851-10852-10853-10854-10855-10856-10857-10858-10859-10860-10861-10862-10863-10864-10865-10866-10867-10868-10869-10870-10871-10872-10873-10874-10875-10876-10877-10878-10879-10880-10881-10882-10883-10884-10885-10886-10887-10888-10889-10890-10891-10892-

**TELNET** SPECIAL OFFER

**CONTENTS**

**What's New:** Suppliers and Buyers of Quality Second-hand Electronic Test and Measurement Equipment at AFFORDABLE Prices.

**Background:** To View - please ring for an appointment -

**Telephone Numbers:** 02 44 2621 7963 8782 - Telephone  
02 44 2621 7963 8773 - Fax  
02 44 2621 7963 8881 - mobile

**Web Site:** [www.telnet.co.uk](http://www.telnet.co.uk)

**Working Information:** 1000 Churchfields, Churchfields Road, Lutterworth, Leics. LE17 4EJ

**Equipment Status:** In Stock - 1000's of items in stock - 1000's of items in stock

**Contact Us:**

# WEB DIRECTIONS

**PROTEUS VSM Models**

Professional PCB Design Made Easy

Comprehensive PCB Design Tools

Professional PCB Design Made Easy

Comprehensive PCB Design Tools

Professional PCB Design Made Easy

Comprehensive PCB Design Tools

Put your web address in front of 18,000 electronic fanatics.

Electronics World acknowledge your company's needs to promote your web site, which is why we are dedicating over 3 pages in every issue to WEB ADDRESSES.

Linage only will cost £150 + vat for a full year.

Linage with colour screen shot will cost £350 + vat for a full year, this will include the above plus 3cm shot of your web site which we can produce if required.

To take up this offer or for more information  
**Tel 0208 722 6028**

E-mail  
[p.bunce@cumulusmedia.co.uk](mailto:p.bunce@cumulusmedia.co.uk)

## ACQUIVISION

<http://www.acquivision.com>

AcquiVision solutions, including XY-Plotting, Oscilloscopes (with FFT), Data Logging and Custom Software, have been getting the most from computers since 1994. Download software. Telephone (01903)830502.

## ANASOFT LTD

<http://www.anasoft.co.uk>

SuperSpice, the affordable, mixed-mode windows circuit simulator. Wrote by an analogue design engineer for those Teletubbies who like keeping things simple.

## BEDFORD OPTO TECHNOLOGY LTD

<http://www.bot.co.uk>

Optoelectronic products UK design development manufacture standard and custom. LED bargraphs, circuit board indicators, stand offs, transmissive/reflective switches, baseefa optocouplers tubular and surface mount, pannel mount LED assemblies.

## COMPONENT KITS

<http://www.componentkits.com>



"Component Kits LLC manufactures and distributes Electronic Component Kits used for professional engineering design, prototype, University lab, and hobbyist uses. Visit our website to review our current product line, request our Free CD-ROM, or join our newsletter."

## COOKE INTERNATIONAL

<http://www.cooke-int.com>



[info@cooke-int.com](mailto:info@cooke-int.com)

Test & Measuring Equipment  
Operating & Service Manuals.



## CROWN HILL ASSOCIATES LTD

<http://www.crownhill.co.uk>

Crownhill supply low cost development tools for use with Micro-Controllers and Smart Cards. Products include Smart Card development tools, Smart cards, Micro Development tools and Bespoke Design Services.

## DB TECHNOLOGY

<http://www.dbtechnology.co.uk/>



EMC Testing and Consultancy. Anechoic chamber and open area test site.

- Compliance Tests
- Rapid, accurate pre-compliance tests.
- Fixes included. FCC Listed.
- Flexible, hourly booking available.

## DESIGNER SYSTEMS CO.

<http://www.designersystems.co.uk>



Electronic product design company with over a decade of experience promoting it's own product range and designing and manufacturing innovative products for client companies/individuals.

## EAGLE PCB DESIGN SOFTWARE

<http://www.puresoft.co.uk>



- Professional PCB design made easy!
- Fully functional freeware download.
- Schematics, Layout & Autorouting.
- Free tech support

## EDAForce

<http://www.edaforce.co.uk>

EDAForce is a division of the independent specialist recruitment consultancy TelecomForce. We specialise in placing engineers and engineering managers, either contract or permanent, in the role that is right for them. Visit the web site, email us at [ew@edaforce.co.uk](mailto:ew@edaforce.co.uk) or call +44(0)1628 850273 to find out how we could help you.

## EQUINOX TECHNOLOGIES UK LTD

<http://www.equinox-tech.com>



Equinox Technologies UK Ltd., specialise in development tools for the embedded microcontroller market.

## FELLER UK

<http://www.feller-at.com>

Feller (UK) Ltd. manufacture Fully approved cordsets (Moulded mains plugs and connectors) and Power Supply Cables for all industrial Countries to National and International Standards

## FIELD ELECTRIC LTD

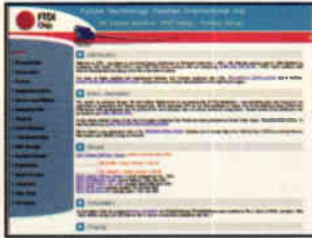
<http://www.fieldelectric.co.uk>

Field Electric Ltd has been successfully trading since 1958 in the re-sale of used test & measurement equipment & computer hardware. We buy and sell in

small or bulk quantities and can source equipment to particular requirements. Visit our web site or call 44 01837 83736.

## FUTURE TECHNOLOGY DEVICES INTL. LTD.

<http://www.ftdichip.com>



FTDI designs and sells USB-UART and USB-FIFO interface i.c.'s. Complete with PC drivers these devices simplify the task of designing or upgrading USB peripherals

## J W COMMUNICATIONS

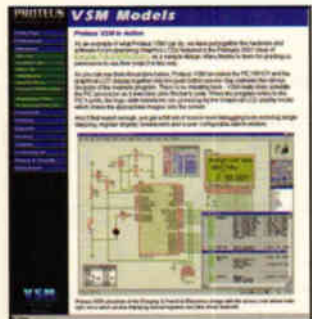
<http://www.jwhardy.co.uk>



R.S. Network Specialist. Shop online - for R.S.network components. We supply a full range of TV, radio reception equipment to receive analogue/digital signals from both terrestrial and satellite sources. We provide a free planning service for your R.S. networks, MATV and SMATV etc

## LABCENTER

<http://www.labcenter.co.uk>



Download evaluation versions of our unique Proteus VSM mixed mode SPICE and CPU simulator, and also the full range of Proteus PCB Design products. Register the Proteus Lite shareware versions online for as little as £20.

## LEVY/LATHAM GLOBAL

<http://www.levylatham.com>

U.S. Military Surplus meters, plug-ins, test sets, oscilloscopes, power supplies,

signal generators, spectrum analyzers and radio components from Tektronix, Hewlett Packard, Sony, Phillips and more!

## LOW POWER RADIO SOLUTIONS

<http://www.lprs.co.uk>

LPRS markets low power radio transmitters, receivers and transceiver modules manufactured by ourselves, Radiometrix, Circuit Designs, RDT and Micrel. Applications for telemetry, video and remote control.

## MATRIX MULTIMEDIA LTD

[www.matrixmultimedia.co.uk](http://www.matrixmultimedia.co.uk)



Matrix Multimedia publishes a number of highly interactive CD ROMs for learning electronics including: Complete electronics course, Analogue filter design, and PICmicro(R) microcontroller programming (C and assembly).

## QUASAR ELECTRONICS

[www.quasarelectronics.com](http://www.quasarelectronics.com)



Over 250 electronic kits, projects and ready built units for hobby, educational & industrial applications. TEL: 01279 467799, FAX: 07092 203496 or EMAIL: [ewsales@quasarelectronics.com](mailto:ewsales@quasarelectronics.com)

## RADIOMETRIX

<http://www.radiometrix.co.uk>



Radiometrix specialises in the design and manufacture of VHF & UHF, RF data modules. We offer a broad range of PCB mounted miniature transmit, receive and transceiver modules for OEM use. They comply with European harmonised standards EN300 220-3

and EN301 489-3 and are CE certified by an independent Notified Body.

## RADIO-TECH LIMITED

<http://www.radio-tech.co.uk>

Radio modules, modems, telemetry, audio transmitters, pagers, antenna, remote controls and much more. All UK designed and manufactured.

## RALFE ELECTRONICS

professional test & measurement



[www.ralfe-electronics.co.uk](http://www.ralfe-electronics.co.uk)

## RD RESEARCH

<http://www.spice-software.com>



B2 Spice offers powerful simulation software for professional engineers and education establishments. All the software is available on a 30 day trial basis and comes with free technical support.

## RIMO-AKD-PP

<http://www.art-decade.com>

We provide the following services: Systems design, test & analysis. Software design & coding. Avionics design. Document technical review, authoring & proof reading. Rig design. Hardware design.

## RS COMPONENTS LTD

<http://rswww.com>



The award winning on-line services from RS

- 130,000 products stocked
- order today - with you tomorrow
- Full colour catalogue online
- Technical library online
- Check stock online before you order
- Credit card orders welcome

## SOFTCOPY

<http://www.softcopy.co.uk>

As a PC data base or hard copy, SoftCopy can supply a complete index of Electronics World articles over the past ten years. Photo copies of articles from back issues are also available.

## TEMWELL CORPORATION

<http://www.temwell.com.tw>

Manufacturer & Exporter of Heelcal BPF Filter, 30 Watts BPF Power Filter and Handset/Base Station Duplexers

## TELNET

<http://www.telnet.uk.com>



Top quality second-user Test and Measurement Equipment  
eMail [telnetkm@msn.com](mailto:telnetkm@msn.com)

## TELONIC

<http://www.telonic.uk.com>



Telonic, specialists in laboratory AC & DC Power Supplies, Electronic AC & DC Loads, Electrical Safety Testing and complete test systems. Plus RF Filters, Attenuators, Diesel Engine Smoke Measurement, Quartz Crystal Microbalances. Tel +44 (0) 118 9786911

## TEST EQUIPMENT SOLUTIONS

<http://www.TestEquipmentHQ.com>



Test Equipment for rental or second user sale at the industry's lowest prices. All types of equipment from all leading manufacturers including general purpose, communications and industrial test. Items fully refurbished with 1 year warranty. Rental rebate given on purchases.



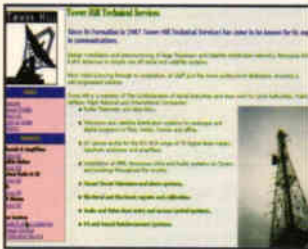
**THOSE ENGINEERS LTD**

<http://www.spiceage.com>

Working evaluations of SpiceAge mixed-mode simulator, Spicycle PCB design tools and Superfilter demo (synthesises passive, active, digital filters). Tech support, sales links and price list.

**TOWER HILL TECHNICAL SERVICES**

<http://www.towerhillaerials.com>



Everything you need for DIY Satellite & TV aerial installation. The one stop shop for TV, FM, Satellite, Amateur

Radio PMR Aerials, Distribution Equipment, Cable & Accessories.

**TOTAL ROBOTS**

<http://www.totalrobots.co.uk>

Robot Kits and Control Technology products, including OOPic the first Object-Oriented Programmable Integrated Circuit. Secure on-line ordering and fast delivery.

**TECHNICAL AND SCIENTIFIC SUPPLIES**

<http://www.technicalscientific.com>

Suppliers of pre-1985 equipment and components.

- Test/Measurement equipment
- Valves and semiconductors
- Transducers and pressure gauges
- Scientific books and catalogues
- Manuals and data sheets

**ULTRACOM**

<http://www.ultracom.fi>

Ultracom specializes in the design and manufacture of data radio products including Radio Modules, Radio Modems, Filters and Antennas for real-time data communication. In addition to our standard RF-products we provide tailored solutions for customers wireless communications requirements.

Our wireless data radios are used in the most varied applications: transferring environmental data in tropical conditions, locating moving targets,

remote-control of cranes, controlling pump stations in waterworks, monitoring real estates, transferring data in public transportation information systems. There are countless applications, what are yours?

**VUTRAX PCB DESIGN SOFTWARE**

<http://www.vutrax.co.uk>



Vutrax electronic schematic and pcb design system for Windows 95/98, ME, NT, 2000, XP and Linux. Limited Capacity FREE version downloads available, all upgradeable to various customised level.

**WARWICK WIRELESS LTD**

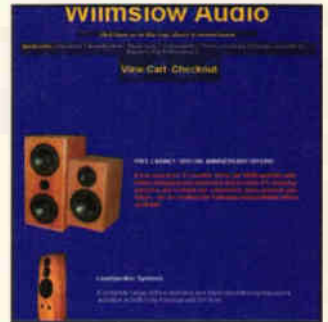
<http://www.radiotelemetry.co.uk>



Free data on Radio Modems, Radio Telemetry, Radio Modules and Wireless Video systems. The licence exempt radios can transmit data from 1 to 20Km at baud rates of 19.2Kbaud to 128Kbaud. The UK based Company can offer customised derivatives of their products as well as turnkey RF Systems.

**WILMSLOW AUDIO**

<http://www.wilmslow-audio.co.uk>



"Uk's largest supplier of high quality loudspeaker kits and drive units. Comprehensive range of components and accessories, including damping products, connectors and grilles materials. Demonstration facilities available."

**WEB DIRECTIONS**

Put your web address in front of 21,000 Electronics fanatics. Electronics World acknowledges your companys need to promote your web site, which is why we are now dedicating page's in every issue to WEB ADDRESSES.

This gives our readers the opportunity to look up your companys name, to find your web address and to browse the magazine page to find new sites.

We also understand that cost is an important factor, as web sites are an added drain on budgets. I am sure you will agree these rates make all the difference

**FOR 12 ISSUES:**

Lineage only will cost £150 for a full year just £12..50 per month. This includes your companys name, web address and a 25 word description.

Lineage with colour screen shot will cost £350 for a full year just £29.17 per month. This will include the above plus a 3cm screen shot of your site, which we can produce if required.

To take up this offer or for more information ring on 0208 722 6028.

E-mail: [j.thorpe@cumusmedia.co.uk](mailto:j.thorpe@cumusmedia.co.uk)

Company Name	Web address

Visit our website  
www.distel.co.uk

# THE ORIGINAL SURPLUS WONDERLAND!

THIS MONTH'S SELECTION FROM OUR VAST EVER CHANGING STOCKS

Surplus always  
wanted for cash!

## THE AMAZING TELEBOX

Converts your colour monitor into a QUALITY COLOUR TV!!



**TV SOUND & VIDEO TUNER**  
CABLE COMPATIBLE

The TELEBOX is an attractive fully cased mains powered unit, containing all electronics ready to plug into a host of video monitors or AV equipment which are fitted with a composite video or SCART input. The composite video output will also plug directly into most video recorders, allowing reception of TV channels not normally receivable on most television receivers\* (TELEBOX MB). Push button controls on the front panel allow reception of 8 fully tuneable 'off air' UHF colour television channels. TELEBOX MB covers virtually all television frequencies VHF and UHF including the HYPERBAND as used by most cable TV operators. Ideal for desktop computer video systems & PIP (picture in picture) setups. For complete compatibility - even for monitors without sound - an integral 4 watt audio amplifier and low level Hi Fi audio output are provided as standard. Brand new - fully guaranteed.

TELEBOX ST for composite video input type monitors £36.95  
TELEBOX STL as ST but fitted with integral speaker £39.50  
TELEBOX MB Multiband VHF/UHF/Cable/Hyperband tuner £69.95  
For overseas PAL versions state 5.5 or 6 mHz sound specification.  
\*For cable/hyperband signal reception Telebox MB should be connected to a cable type service. Shipping on all Telebox's, code (B)

**NEW** State of the art PAL (UK spec) UHF TV tuner module with composite TV pp video & NICAM hi fi stereo sound outputs. Micro electronics all on one small PCB only 73 x 160 x 52 mm enable full tuning control via a simple 3 wire link to an IBM pc type computer. Supplied complete with simple working program and documentation. Requires +12V & +5V DC to operate. **BRAND NEW - Order as MY00. Only £49.95 code (B)**  
See [www.distel.co.uk/data\\_my00.htm](http://www.distel.co.uk/data_my00.htm) for picture & full details

## FLOPPY DISK DRIVES 2 1/2" - 8"

All units (unless stated) are **BRAND NEW** or removed from often brand new equipment and are fully tested, aligned and shipped to you with a full 90 day guarantee. Call or see our web site [www.distel.co.uk](http://www.distel.co.uk) for over 2000 unlisted drives for spares or repair.

- 3 1/2" Mitsubishi MF355C-L 1.4 Meg. Laptops only £25.95(B)
- 3 1/2" Mitsubishi MF355C-D 1.4 Meg. Non laptop £18.95(B)
- 5 1/4" Teac FD-55GRF 1.2 Meg (for IBM pc's) RFE £18.95(B)
- 5 1/4" Teac FD-55F-03-U 720K 40/80 (for BBC's etc) RFE £29.95(B)
- 5 1/4" BRAND NEW Mitsubishi FM501B 360K £22.95(B)
- Table top case with integral PSU for HH 5 1/4" Floppy / HD £29.95(B)
- 8" Shugart 800/801 8" SS refurbished & tested £210.00(E)
- 8" Shugart 810 8" SS HH Brand New £195.00(E)
- 8" Shugart 851 8" double sided refurbished & tested £260.00(E)
- 8" Mitsubishi M2894-63 double sided NEW £295.00(E)
- 8" Mitsubishi M2896-63-02U DS slimline NEW £295.00(E)
- Dual 8" cased drives with integral power supply 2 Mb £499.00(E)

## HARD DISK DRIVES 2 1/2" - 14"

- 2 1/2" TOSHIBA MK1002MAV 1.1Gb laptop(12.5 mm H) New £79.95
  - 2 1/2" TOSHIBA MK2101MAN 2.16 Gb laptop (19 mm H) New £89.50
  - 2 1/2" TOSHIBA MK4309MAT 4.3Gb laptop (8.2 mm H) New £105.25
  - 2 1/2" TOSHIBA MK6409MAV 3.1Gb laptop (12.7 mm H) New £190.00
  - 2 1/2" to 3 1/2" conversion kit for PC's, complete with connectors £14.95
  - 3 1/2" FUJI FK-309-26 20mb MFM I/F RFE £59.95
  - 3 1/2" CONNER CP3024 20 mb IDE I/F (or equiv.) RFE £59.95
  - 3 1/2" CONNER CP3044 40 mb IDE I/F (or equiv.) RFE £69.00
  - 3 1/2" QUANTUM 405 Prodril ve 42mb SCSI I/F, New RFE £49.00
  - 5 1/4" MINISCRIBE 3425 20mb MFM I/F (or equiv.) RFE £49.95
  - 5 1/4" SEAGATE ST-238R 30 mb MFM I/F Refurb £69.95
  - 5 1/4" CDC 94205-51 40mb HH RLL I/F RFE tested £69.95
  - 5 1/4" HP 97548 850 Mb SCSI RFE tested £99.00
  - 5 1/4" HP C3010 2 Gbyte SCSI differential RFE tested £195.00
  - 8" NEC D2246 85 Mb SMD interface. New £199.00
  - 8" FUJITSU M2322K 160Mb SMD V/F RFE tested £195.00
  - 8" FUJITSU M2392K 2 Gb SMD I/F RFE tested £345.00
- Many other drives in stock - Shipping on all drives is code (C1)

## TEST EQUIPMENT & SPECIAL INTEREST ITEMS

- MITS. FA3445ETKL 14" Industrial spec SVGA monitors £245
- FARNELL 0-60V DC @ 50 Amps, bench Power Supplies £395
- FARNELL AP3080 0-30V DC @ 80 Amps, bench Supply £1850
- 1kW to 400 kW - 400 Hz 3 phase power sources - ex stock £POA
- IBM 8230 Type 1, Token ring base unit driver £760
- Wayne Kerr RA200 Audio frequency response analyser £2500
- IBM 53F5501 Token Ring ICS 20 port lobe modules £750
- IBM MAU Token ring distribution panel 8228-23-5050N £95
- AIM 501 Low distortion Oscillator 9Hz to 330KHz, IEEE £550
- ALLGON 8360.11805-1880 MHz hybrid power combiners £250
- Trend DSA 274 Data Analyser with G703(2M) 64 I/O £POA
- Marconi 6310 Programmable 2 to 22 GHz sweep generator £6500
- Marconi 2022C 10KHz-1GHz RF signal generator £1550
- Marconi 2030 opt 03 10KHz-1.3 GHz signal generator, New £4995
- HP1650B Logic Analyser £3750
- HP3781A Pattern generator & HP3782A Error Detector £POA
- HP6621A Dual Programmable GPIB PSU 0-7V 160 watts £1800
- HP6264 Rack mount variable 0-20V @ 20A metered PSU £675
- HP54121A DC to 22 GHz four channel test set £POA
- HP8130A opt 020 300 MHz pulse generator, GPIB etc £7900
- HP A1, A0 8 pen HPGL high speed drum plotters - from HP DRAFTMASTER 1 8 pen high speed plotter £550
- EG+G Brookdeal 95035C Precision lock in amp £750
- View Eng. MD 1200 computerised inspection system £1800
- Sony DXC-3000A High quality CCD colour TV camera £995
- Kelthley 590 CV capacitor / voltage analyser £POA
- Racal ICR40 dual 40 channel voice recorder system £3750
- Fiskers 45KVA 3 ph On Line UPS - New batteries £3500
- Emerson AP130 2.5KVA industrial spec UPS £2100
- Mann Tally MT645 High speed line printer £2200
- Intel SBC 486/133SE Multibus 486 system, 8Mb Ram £945
- Siemens K4400 64Kb to 140Mb demux analyser £2950

## IC's - TRANSISTORS - DIODES

OBsolete - Short Supply - Bulk  
10,000,000 items EX STOCK

For MAJOR SAVINGS  
CALL OR SEE OUR WEB SITE [www.distel.co.uk](http://www.distel.co.uk)

## VIDEO MONITOR SPECIALS

One of the highest specification monitors you will ever see -

At this price - Don't miss it!!

Mitsubishi FA3415ETKL 14" SVGA Multisync colour monitor with fine 0.28 dot pitch tube and resolution of 1024 x 768. A variety of inputs allows connection to a host of computers including IBM PC's in CGA, EGA, VGA & SVGA modes, BBC, COMMODORE (including Amiga 1200), ARCHIMEDES and APPLE. Many features: Etched faceplate, text switching and LOW RADIATION MPR specification. Fully guaranteed, in EXCELLENT little

used condition. Order as MITS-SVGA  
Tilt & Swivel Base £475  
VGA cable for IBM PC included. Only £119 (E)  
External cables for other types of computers available - CALL

Ex demo 17" 0.28 SVGA Mitsubishi Diamond Pro monitors, Full multisync etc.  
Full 90 day guarantee. Only £199.00 (E)

Just in - Microvitec 20" VGA (800 x 600 res.) colour monitors. Good SH condition - from £299 - CALL for Info

PHILIPS HCS35 (same style as CM8833) attractively styled 14" colour monitor with both RGB and standard composite 15.625 KHz video inputs via SCART socket and separate phono jacks. Integral audio power amp and speaker for all audio visual uses. Will connect direct to Amiga and Atari BBC computers. Ideal for all video monitoring / security applications with direct connection to most colour cameras. High quality with many features such as front concealed fan controls, VCR correction button etc. Good used condition - fully tested - guaranteed  
Dimensions: W14" x H12 3/4" x 15 1/2" D. Only £99.00 (E)

PHILIPS HCS31 Ultra compact 9" colour video monitor with standard composite 15.625 KHz video input via SCART socket. Ideal for all monitoring / security applications. High quality, ex-equipment fully tested & guaranteed (possible minor screen bums). In attractive square black plastic case measuring W10" x H10" x 13 1/2" D. 240 V AC mains powered. Only £79.00 (D)

KME 10" 15M10009 high definition colour monitors with 0.28" dot pitch. Superb clarity and modern styling. Operates from any 15.625 KHz sync RGB video source, with RGB analog and composite sync such as Atari, Commodore Amiga, Acorn Archimedes & BBC. Measures only 13 1/2" x 12" x 11". Good used condition. Only £125 (E)

## 20" 22" and 26" AV SPECIALS

Superbly made UK manufacture. PIL all solid state colour monitors, complete with composite video & optional sound input. Attractive teak style case. Perfect for Schools, Shops, Disco, Clubs, etc. In EXCELLENT little used condition with full 90 day guarantee.

20"....£135 22"....£155 26"....£185 (F)

We probably have the largest range of video monitors in Europe. All sizes and types from 4" to 42" call for info.

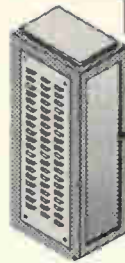
## DC POWER SUPPLIES

Virtually every type of power supply you can imagine. Over 10,000 Power Supplies Ex Stock  
Call or see our web site.

- HP6030A 0-200V DC @ 17 Amps bench power supply £1950
- Intel SBC 486/125C08 Enhanced Multibus (MSA) New £1150
- Nikon HFH-11 (Ephiphot) exposure control unit £1450
- PHILIPS PMS518 pro. TV signal generator £1250
- Motorola VME Bus Boards & Components List. SAE / CALL £POA
- Trio 0-18 vdc linear, metered 30 amp bench PSU. New £550
- Fujitsu M3041R 600 LPM high speed band printer £1950
- Fujitsu M3041D 600 LPM printer with network interface £1250
- Perkin Elmer 299B Infrared spectrophotometer £500
- Perkin Elmer 597 Infrared spectrophotometer £3500
- VG Electronics 1035 TELETEXT Decoding Margin Meter £3250
- LightBand 60 output high spec 2u rack mount video VDA's £495
- Sekonic SD 150H 18 channel digital Hybrid card recorder £1995
- B&K 2633 Microphone pre amp £300
- Taylor Hobson Talysurf amplifier / recorder £750
- ADC SS200 Carbon dioxide gas detector / monitor £1450
- BBC AM203 PPM Meter (Ernest Turner) + drive electronics £75
- ANRITSU 9654A Optical DC-2.5Gb/w waveform monitor £5650
- ANRITSU MS9001B1 0.6-1.7 uM optical spectrum analyser £900
- ANRITSU ML93A optical power meter £POA
- ANRITSU Fibre optic characteristic test set £POA
- R&S FTDZ Dual sound unit £775
- WILTRON E-1 Vision modulator £775
- WILTRON 6630B 12 / 20GHz RF sweep generator £5750
- TEK 2445 150 MHz 4 trace oscilloscope £1250
- TEK 2465 300 MHz 300 MHz oscilloscope rack mount £1955
- TEK TDS224A 400MHz digital real-time + disk drive, FFT etc £2900
- TEK TD524A 500MHz digital real-time + colour display etc £5100
- PH3585A Opt 907 20Hz to 40 MHz spectrum analyser £3950
- PHILIPS PW17300 10 60KV XRAY generator & accessories £POA
- CLAUDE LYONS 12A 240V single phase auto. volt. regs £325
- CLAUDE LYONS 100A 240/415V 3 phase auto. volt. regs £2900

## 19" RACK CABINETS

Superb quality 6 foot 40U  
Virtually New, Ultra Smart  
Less than Half Price!



Top quality 19" rack cabinets made in UK by Optima Enclosures Ltd. Units feature designer, smoked acrylic lockable front door, full height lockable half louvered back door and louvered removable side panels. Fully adjustable internal fixing struts, ready punched for any configuration of equipment mounting plus ready mounted integral 12 way 13 amp socket switched mains distribution strip make these racks some of the most versatile we require only two side panels to stand singly or in multiple bays. Order as:

OPT Rack 1 Complete with removable side panels £345.00 (G)  
OPT Rack 2 Rack Less side panels £245.00 (G)

Over 1000 racks, shelves, accessories  
19" 22" & 24" wide 3 to 46 U high.  
Available from stock !!

## 32U - High Quality - All steel RakCab

Made by Eurocraft Enclosures Ltd to the highest possible spec, rack features all steel construction with removable side, front and back doors. Front and back doors are hinged for easy access and all are lockable with five secure 5 lever barrel locks. The front door is constructed of double walled steel with a 'designer style' smoked acrylic front panel to enable status indicators to be seen through the panel, yet remain unobtrusive. Internally the rack features fully slotted reinforced vertical fixing members to take the heaviest of 19" rack equipment. The two movable vertical fixing struts (extras available) are pre punched for standard 'cage nuts'. A mains distribution panel internally mounted to the bottom rear, provides 8 x IEC 3 pin Euro sockets and 1 x 13 amp 3 pin switched utility socket. Overall ventilation is provided by fully louvered back door and double skinned top section with top and side louvers. The top panel may be removed for fitting of integral fans to the sub plate etc. Other features include: fitted castors and floor levelers, prepunched utility panel at lower rear for cable / connector access etc. Supplied in excellent, slightly used condition with keys. Colour Royal blue. External dimensions mm=1625H x 635D x 603W. (64" H x 25" D x 23 3/4" W)



Sold at LESS than a third of makers price !!

A superb buy at only £245.00 (G)  
42U version of the above only £345 - CALL

## 12V BATTERY SCOOP - 60% off !!

A special bulk purchase from a cancelled export order brings you the most amazing savings on these ultra high spec 12v DC 14 Ah rechargeable batteries. Made by Hawker Energy Ltd, type SBS15 featuring pure lead plates which offer a far superior shelf & guaranteed 15 year service life. Fully BT & BS6290 approved. Supplied BRAND NEW and boxed. Dimensions 200 wide, 137 high, 77 deep. Each bolt terminals. Fully guaranteed. Current makers price over £70 each  
Our Price £35 each (C) or 4 for £99 (E)

## RELAYS - 200,000 FROM STOCK

Save ££££'s by choosing your next relay from our Massive Stocks covering types such as Military, Octal, Crede, Hermetically Sealed, Continental, Contactors, Time Delay, Reed, Mercury Wetted, Solid State, Printed Circuit Mounting etc. CALL or see our web site [www.distel.co.uk](http://www.distel.co.uk) for more information. Many obsolete types from stock. Save ££££'s

## COLOUR CCD CAMERAS

Undoubtedly a miracle of modern technology & our special buying power! A quality product featuring a fully cased COLOUR CCD camera at a give away price! Unit features full autolight sensing for use in low light & high light applications. A 10 mm fixed focus wide angle lens gives excellent focus and resolution from close up to long range. The composite video output will connect to any composite monitor or TV (via SCART socket) and most video recorders. Unit runs from 12V DC so ideal for security & portable applications where mains power not available.

Overall dimensions 66 mm wide x 117 deep x 43 high. Supplied BRAND NEW & fully guaranteed with user data, 100's of applications including Security, Home Video, Web TV, Web Cams etc. etc.  
Web ref = LK33 ONLY £99.00 or 2 for £180.00 (B)

## SOFTWARE SPECIALS

NT4 WorkStation, complete with service pack 3 and licence - OEM packaged. ONLY £89.00 (B)  
ENCARTA 95 - CDROM. Not the latest - but at this price! £7.95  
DOS 5.0 on 3 1/2" disks with concise books c/w Basic £14.95  
Windows for Workgroups 3.11a. Dos 6.22 on 3 1/2" disks £55.00  
Wordperfect 6 for DOS supplied on 3 1/2" disks with manual £24.95  
shipping charges for software is code B

DISTEL on the web !! - Over 16,000,000 items from stock - [www.distel.co.uk](http://www.distel.co.uk)

**DISPLAY ELECTRONICS**

SWITCH

EST 26 YEARS

**ALL MAIL TO**  
Dept ww, 29/35 Osborne Rd  
Thornton Heath  
Surrey CR7 8PD  
Open Mon - Fri 9.00 - 5.30

**LONDON SHOP**  
Open Mon - Sat 9.00 - 5.30  
215 Whitehorse Lane  
South Norwood  
On 68A Bus Route  
N. Thornton Heath & Selhurst Park RR Rail Stations

**NEW DISTEL**  
Visit our web site  
[www.distel.co.uk](http://www.distel.co.uk)  
email = admin@distel.co.uk

**ALL ENQUIRIES**  
**0208 653 3333**  
FAX 0208 653 8888

All prices for UK Mainland. UK customers add 17.5% VAT to TOTAL order amount. Minimum order £10. Bona Fide account orders accepted from Government, Schools, Universities and Local Authorities - minimum account order £50. Cheques over £100 are subject to 10 working days clearance. Carriage charges (A)=£3.00, (A1)=£4.00, (B)=£5.00, (C)=£8.50, (D)=£12.50, (E)=£18.00, (F)=£20.00, (G)=CALL. Allow approx 6 days for shipping - faster CALL. All goods supplied to our Standard Conditions of Sale and unless stated guaranteed for 90 days. All guarantees on a return to base basis. All rights reserved to change prices / specifications without prior notice. Orders subject to stock. Discounts for volume. Top CASH prices paid for surplus goods. All trademarks, tradenames etc acknowledged. © Display Electronics 1999. E & O. 07/99.

**T & M EQUIPMENT**

**AGILENT TECHNOLOGIES (HEWLETT PACKARD)**



8753ES/010 3GHz network analyser. option 010 (TIME-OMAIN) (List over £28000) £15000.  
8653ES/06/010 network analyser with 006 & 010 (6GHz + time-domain options) (list £32k) £20000  
All above supplied with new Agilent calibration & 1 year warranty.

**ralfe electronics** *exclusively* professional T&M  
Unit 1, Olds Close, Olds Approach • WATFORD Herts  
WD1 8RU • ENGLAND  
Tel (+44) 0 1923 721396 • Fax (+44) 0 1923 721402



EST  
45  
YRS

**AGILENT TECHNOLOGIES**



8712ET 1.3GHz network analyser (list £8800) £5500  
16534A digitising oscilloscope card £2500  
16702A logic analyser system mainframe (£8k5) £4000  
33120A 15MHz function generator £850

**AGILENT TECHNOLOGIES (HEWLETT PACKARD) an 'as new condition' 8722ET 50mhz - 40GHz NETWORK ANALYSER with /010 & 1D5 Options (time-domain & high-stability). Current list is over £58k, asking £40,000 With new Agilent calibration & 1 year warranty.**



- 37718B communications analyser /001/12/106/200/602 (>£49k) £15000
- 37724A / 37776A SDH/PDH test set with optical (1310nm) plug-in £2000
- 437B microwave power meter (requires additional sensor) £1080
- 4396B /010/1D6/spectrum/ network/ impedance analyser (£25k) £15000
- 53310A modulation analyser /01/030 (>10k) £5000
- 54835A infinium oscilloscope 5Gsa/sec 4 channel (£16k) £9800
- 6623A quad output power supply unit £850
- 85053B 3.5mm verification kit £2000
- 85056D 2.4mm economy calibration kit (list £4904) £2500
- 85132F 7mm to 3.5mm flexible test port cable set (list £2862) £1750
- 85133F 2.4mm flexible test port cable set (list 4249) £2500
- 89441A 2.65GHz vector signal analyser, many options listing at >50k £call
- 2 in Stock
- 8164A lightwave measurement system with 81680A / 072 tunable laser module £20600
- 8657B synthesized signal generator 0.1 - 2080MHz £4000
- 8903B /10/51 audio analyser £2000
- 86142B /004/006 optical spectrum analyser (>£37k) £20800
- 8904A function generator £1000
- E8358A 300kHz - 9GHz network analyser (48k) £27500
- E4432B 250kHz-3GHz signal gen with /1ES/UN5/UN7/UN8/UND (£26k) £16000
- E4437B 250kHz-4 GHz signal gen with UN8/UN9/UND (27k) £17500
- E5200A broadband service analyser, options £5000
- /02/051/122/122/138/138/139/139 £1500
- J2171A ethernet interface module £2000
- J3458A fast ethernet lanprobe option 201 OR 202 and ANS £2000
- J3911A multipoint token-ring Lanprobe £2000
- J3914A E1 WanProbe £2000
- J3921A E3 ATM probe £6500
- J3935A Telegra D analyser /201 / 202 options (list £13250) £6500
- J3972A 3c / STM-1 performance enhanced ATM probe £6500
- N8973A 4GHz noise figure analyser (17k) £12500

All equipment sold calibration-checked by independent laboratories and carries un-conditional refund and 90-day guarantees.

**TEST EQUIPMENT WANTED.**

TOP PRICES PAID FOR PROFESSIONAL HIGH-END UNITS  
**AGILENT TECHNOLOGY SPECIALISTS.**  
FOR COMPLETE STOCK LISTING PLEASE CHECK OUR WEBSITE  
[www.ralfe-electronics.co.uk](http://www.ralfe-electronics.co.uk)



Certificate No.: 95/013  
**ISO9002 ACCREDITED STOCKIST**  
**MEASUREMENT & TEST EQUIPMENT**

**FRUSTRATED!**

Looking for ICs TRANSISTORS?

A phone call to us could get a result. We offer an extensive range and with a World-wide database at our fingertips, we are able to source even more. We specialise in devices with the following prefix (to name but a few).



- 2N 2SA 2SB 2SC 2SD 2P 2SJ 2SK 3N 3SK 4N 6N 17 40 AD
- ADC AN AM AY BA BC BD BDT BDV BDW BDX BF
- BFR BFS BFT BFW BFX BFY BLY BLX BS BR BRX BRY BS
- BSS BSV BSW BSX BT BTA BTB BRW BU BUK BUT BUV
- BUW BUX BUY BUZ CA CD DX CXA DAC DG DM DS
- DTA DTC GL GM HA HCF HD HEF ICL ICM IRF J KA
- KIA L LA LB LC LD LF LM M M5M MA MAB MAX MB
- MC MDA J MJE MJF MM MN MPS MPSA MPM MPST
- MRF NJM NE OM OP PA PAL PIC PN RC S SAA SAB
- SAD SAJ SAS SDA SG SI SL SN SO STA STK STR STRD
- STRM STRS SV1 T TA TAA TAG TBA TC TCA TDA TDB
- TEA TIC TIP TIPL TEA TL TLC TMP TMS TPU U UA
- UAA UC UDN ULN UM UPA UPC UPD VN X XR Z ZN
- ZTX + many others

We can also offer equivalents (at customers' risk).  
We also stock a full range of other electronic components.  
Mail, phone, Fax, Credit Card orders & callers welcome.



**Cricklewood Electronics Ltd**

40-42 Cricklewood Broadway, London NW2 3ET  
Tel: 020 8452 0161 Fax: 020 8208 1441  
[www.cricklewoodelectronics.co.uk](http://www.cricklewoodelectronics.co.uk)  
E-mail: sales@cricklewoodelectronics.com

**TELFORD ELECTRONICS**

Old Officers Mess, Hoo Farm, Humbers Lane, Horton,  
Telford, Shropshire TF6 6DJ, UK

Tel: (0044) 01952 605451 / 670178

Fax: (0044) 01952 677978

E-mail: telfordelectronics@btinternet.com /  
marc.007@btinternet.com / annie.007@btinternet.com

Web: <http://www.telford-electronics.com>

Second User -  
**Electronic Test and Measuring  
Instruments - DC to 100 GHz**

**FANTASTIC  
BARGAINS  
TO BE HAD**

Please visit our regularly updated web  
site for all your equipment needs.

We have a clearance/graveyard site  
with goods from as little as £15.00!!!



## £1 BARGAIN PACKS Selected items

**PIEZO ELECTRIC SOUNDER**, also operates efficiently as a microphone. Approximately 30mm diameter, easily mountable, 2 for £1. Order Ref: 1084.

**LIQUID CRYSTAL DISPLAY** on p.c.b. with i.c.s etc. to drive it to give 2 rows of 8 figures or letters with data. Order Ref: 1085.

**30A PANEL MOUNTING TOGGLE SWITCH**. Double-pole. Order Ref: 166.

**SUB MIN TOGGLE SWITCHES**. Pack of 3. Order Ref: 214.

**HIGH POWER 3in. SPEAKER** (11W 8ohm). Order Ref: 246.

**MEDIUM WAVE PERMEABILITY TUNER**. It's almost a complete radio with circuit. Order Ref: 247.

**HEATING ELEMENT**, mains voltage 100W, brass encased. Order Ref: 8.

**MAINS MOTOR** with gearbox giving 1 rev per 24 hours. Order Ref: 89.

**ROUND POINTER KNOBS** for flatted ¼in. spindles. Pack of 10. Order Ref: 295.

**REVERSING SWITCH**. 20A double-pole or 40A single pole. Order Ref: 343.

**LUMINOUS PUSH-ON PUSH-OFF SWITCHES**. Pack of 3. Order Ref: 373.

**SLIDE SWITCHES**. Single pole changeover. Pack of 10. Order Ref: 1053.

**PAXOLIN PANEL**. Approximately 12in. x 12in. Order Ref: 1033.

**CLOCKWORK MOTOR**. Suitable for up to 6 hours. Order Ref: 1038.

**TRANSISTOR DRIVER TRANSFORMER**. Maker's ref. no. LT44, impedance ratio 20k ohm to 1k ohm; centre tapped, 50p. Order Ref: 1/23R4.

**HIGH CURRENT RELAY**, 12V d.c. or 24V a.c., operates changeover contacts. Order Ref: 1026.

**3-CONTACT MICROSWITCHES**, operated with slightest touch, pack of 2. Order Ref: 861.

**HIVAC NUMICATOR TUBE**, Hivac ref XN3. Order Ref: 865 or XN11 Order Ref: 866.

**2IN. ROUND LOUDSPEAKERS**. 50Ω coil. Pack of 2. Order Ref: 908.

**5K POT**, standard size with DP switch, good length ¼in. spindle, pack of 2. Order Ref: 11R24.

**13A PLUG**, fully legal with insulated legs, pack of 3. Order Ref: GR19.

**OPTO-SWITCH** on p.c.b., size 2in. x 1in., pack of 2. Order Ref: GR21.

**COMPONENT MOUNTING PANEL**, heavy paxolin 10in. x 2in., 32 pairs of brass pillars for soldering binding components. Order Ref: 7RC26.

**HIGH AMP THYRISTOR**, normal 2 contacts from top, heavy threaded fixing underneath, think amperage to be at least 25A, pack of 2. Order Ref: 7FC43.

**BRIDGE RECTIFIER**, ideal for 12V to 24V charger at 5A, pack of 2. Order Ref: 1070.

**TEST PRODS FOR MULTIMETER** with 4mm sockets. Good length flexible lead. Order Ref: D86.

**LUMINOUS ROCKER SWITCH**, approximately 30mm square, pack of 2. Order Ref: D64.

**MES LAMP HOLDERS** slide on to ¼in. tag, pack of 10. Order Ref: 1054.

**HALL EFFECT DEVICES**, mounted on small heatsink, pack of 2. Order Ref: 1022.

**12V POLARISED RELAY**, 2 changeover contacts. Order Ref: 1032.

**PROJECT CASE**, 95mm x 66mm x 23mm with removable lid held by 4 screws, pack of 2. Order Ref: 876.

**LARGE MICROSWITCHES**, 20mm x 6mm x 10mm, changeover contacts, pack of 2. Order Ref: 826.

**COPPER CLAD PANELS**, size 7in. x 4in., pack of 2. Order Ref: 973.

**100M COIL OF CONNECTING WIRE**. Order Ref: 885.

**WHITE PROJECT BOX**, 78mm x 115mm x 35mm. Order Ref: 106.

**LEVER-OPERATED MICROSWITCHES**, ex-equipment, batch tested, any faulty would be replaced, pack of 10. Order Ref: 755.

**MAINS TRANSFORMER**, 12V-0V-12V, 6W. Order Ref: 811.

**QUARTZ LINEAR HEATING TUBES**, 306W but 110V so would have to be joined in series, pack of 2. Order Ref: 907.

**REELS INSULATION TAPE**, pack of 5, several colours. Order Ref: 911.

**LIGHTWEIGHT STEREO HEADPHONES**. Order Ref: 989.

**THERMOSTAT** for ovens with ¼in. spindle to take control knob. Order Ref: 857.

**MINI STEREO 1W AMP**. Order Ref: 870.

## SELLING WELL BUT STILL AVAILABLE

IT IS A DIGITAL MULTITESTER, complete with backrest to stand it and hands-free test prod holder. This tester measures d.c. volts up to 1,000 and a.c. volts up to 750; d.c. current up to 10A and resistance up to 2 megs. Also tests transistors and diodes and has an internal buzzer for continuity tests. Comes complete with test prods, battery and instructions. Price £6.99. Order Ref: 7P29.

**INSULATION TESTER WITH MULTIMETER**. Internally generates voltages which enable you to read insulation directly in megohms. The multimeter has four ranges: AC/DC volts, 3 ranges DC milliamps, 3 ranges resistance and 5 amp range. These instruments are ex-British Telecom but in very good condition, tested and guaranteed OK, probably cost at least £50 each, yours for only £7.50 with leads, carrying case £2 extra. Order Ref: 7.5P4.

**REPAIRABLE METERS**. We have some of the above testers but slightly faulty, not working on all ranges, should be repairable, we supply diagram, £3. Order Ref: 3P176.

**PHILIPS 9in. MONITOR**. Not cased, but it is in a frame for rack mounting. It is high resolution and was made to work with the IBM 'One per disk' computer. price £15. Order Ref: 15P1.

**METAL CASE FOR 9in. MONITOR**. Supplied as a flat pack, price £12. Order Ref: 12P3.

**ANOTHER PROJECT CASE**. Should be very suitable for a non-recognisable bug or similar hand-held device. It is 150mm long, 36mm wide and 15mm thick. Originally these were TV remote controls, price 2 for £1. Order Ref: 1068.

**A MUCH LARGER PROJECT BOX**. Size 216mm x 130mm x 85mm with lid and 4 screws. This is an ABS box which normally retails at around £6. All brand new, price £2.50. Order Ref: 2.5P28.

**BT TELEPHONE EXTENSION WIRE**. This is proper heavy duty cable for running around the skirting board when you want to make a permanent extension. Four cores properly colour coded, 25m length only £1. Order Ref: 1067.

**HEAVY DUTY POT**. Rated at 25W, this is 20 ohm resistance so it could be just right for speed controlling a d.c. motor or device or to contraol the output of a high current. Price £1. Order Ref: 1/33L1.

**1mA PANEL METER**. Approximately 80mm x 55mm, front engraved 0-100. Price £1.50 each. Order Ref: 1/16R2.

**VERY THIN DRILLS**. 12 assorted sizes vary between 0.6mm and 1.6mm. Price £1. Order Ref: 128.

**EVEN THINNER DRILLS**. 12 that vary between 0.1mm and 0.5mm. Price £1. Order Ref: 129.

**D.C. MOTOR WITH GEARBOX**. Size 60mm long, 30mm diameter. Very powerful, operates off any voltage between 6V and 24V D.C. Speed at 6V is 200 rpm, speed controller available. Special price £3 each. Order Ref: 3P108.

**FLASHING BEACON**. Ideal for putting on a van, a tractor or any vehicle that should always be seen. Uses a Xenon tube and has an amber coloured dome. Separate fixing base is included so unit can be put away if desirable. Price £5. Order Ref: 5P267.

**MOST USEFUL POWER SUPPLY**. Rated at 9V 1A, this plugs into a 13A socket, is really nicely boxed. £2. Order Ref: 2P733.

**MOTOR SPEED CONTROLLER**. These are suitable for D.C. motors for voltages up to 12V and any power up to 1/6h.p. They reduce the speed by intermittent full voltage pulses so there should be no loss of power. In kit form these are £12. Order Ref: 12P34. Or made up and tested, £20. Order Ref: 20P39.

**BALANCE ASSEMBLY KITS**. Japanese made, when assembled ideal for chemical experiments, complete with tweezers and 6 weights 0.5 to 5 grams. Price £2. Order Ref: 2P44.

**CYCLE LAMP BARGAIN**. You can have 100 6V 0.2A MES bulbs for just £2.50 or 1,000 for £20. They are beautifully made, slightly larger than the standard 6.3V pilot bulb so they would be ideal for making displays for night lights and similar applications.

**SOLDERING IRON**, super mains powered with long-life ceramic element, heavy duty 40W for the extra special job, complete with plated wire stand and 245mm lead, £3. Order Ref: 3P221.

**HIGH AMP THYRISTOR**. Normal two contacts from the top and heavy threaded fixing underneath. We don't know the amperage of this but think it to be at least 25A. Price 50p each. Order Ref: 1/7RC43.

**THREE LEVEL PRESSURE SWITCH**. All 3 are low pressures and the switch could be blow-operated. With a suitable tubing these switches could control the level of liquid, etc., price £1. Order Ref: 67.

**BREAKDOWN UNIT**, Order Ref: BM41001. This is probably the most valuable breakdown unit that you have ever been offered. It contains the items specified below, just 2 of which are currently selling at £3.50 each. Other contents are:  
Computer grade electrolytics, 330µF 250V DC, you get 4 of these, 4,700µF at 50V DC, you get 2 of these, 1,000µF at 16V DC, you get one of these, and 16A 250V double rocker switch, 115V to 250V selector switch. You also get a standard flat pin instrument socket, a 250V 5A bridge rectifier, 2 x 25A bridge rectifiers mounted on an aluminium heatsink but very easy to remove.  
2 NPN power transistors ref. BUJ47, currently listed by Maplins at £3.50 each, a power thyristor, Mullard ref. BTW69 or equivalent, listed at £3.  
All the above parts are very easy to remove. 100s of other parts not so easy to remove, all this is yours for £5. Order Ref: 1/11R8.



## RELAYS

We have thousands of relays of various sorts in stock, so if you need anything special give us a ring. A few new ones that have just arrived are special in that they are plug-in and come complete with a special base which enables you to check voltages of connections of it without having to go underneath. We have 6 different types with varying coil voltages and contact arrangements.

Coil Voltage	Contacts	Price	Order Ref:
12V DC	4-pole changeover	£2.00	FR10
24V DC	2-pole changeover	£1.50	FR12
24V DC	4-pole changeover	£2.00	FR13
240V AC	1-pole changeover	£1.50	FR14
240V AC	4-pole changeover	£2.00	FR15

Prices include base  
**MINI POWER RELAYS**  
For p.c.b. mounting, size 28mm x 25mm x 12mm, all have 16A changeover contacts for up to 250V. Four versions available, they all look the same but have different coils:

6V Order Ref: FR17

12V Order Ref: FR18

24V Order Ref: FR19

48V Order Ref: FR20

Price £1 each less 10% if

ordered in quantities of 10,

same or mixed values.

**4 CIRCUIT 12V RELAY**. Quite small, clear plastic enclosed

and with plug-in tags, £1. Order Ref: 205N.

**NOT MUCH BIGGER THAN AN OXO CUBE**. Another relay just arrived is extra small with a 12V coil and 6A

changeover contacts. It is sealed so it can be mounted in

any position or on a p.c.b. Price 75p each, 10 for £8 or 100

for £50. Order Ref: FR16.

**BIG POWER RELAY**. These are open type fixed by

screws into the threaded base. Made by Omron, their

ref: MM4. These have 4 sets of 25A changeover

contacts. The coil is operated by 50V AC or 24V DC, price

£6. Order Ref: 6P.

**SIMILAR RELAY** but smaller and with only 2 sets of

25A changeover contacts. Coil voltage 24V DC, 50V

AC, £4. Order Ref: 4P.

**BIG POWER LATCHING RELAY**. Again by Omron, their

ref: MM2K. This looks like a double relay, one on top of the

other. The bottom one has double-pole 20A changeover

contacts. The top one has no contacts but when energised

it will lock the lower relay either on or off depending on how

it is set. Price £6. Order Ref: 6P.

**RECHARGEABLE NICAD BATTERIES**. AA size, 25p

each, which is a real bargain considering many firms

charge as much as £2 each. These are in packs of 10,

coupled together with an output lead so are a 12V unit

but easily dividable into 2 x 6V or 10 x 1.2V. £2.50 per

pack, 10 packs for £25 including carriage. Order Ref:

2.5P34.

## BUY ONE GET ONE FREE

**ULTRASONIC MOVEMENT DETECTOR**. Nicely

cased, free standing, has internal alarm which can be

silenced. Also has connections for external speaker or

light. Price £10. Order Ref: 10P154.

**CASED POWER SUPPLIES** which, with a few small

extra components and a bit of modifying, would give

12V at 10A. Originally £9.50 each, now 2 for £9.50.

Order Ref: 9.5P4.

**3-OCTAVE KEYBOARDS** with piano size keys, brand

new, previous price £9.50, now 2 for the price of one.

Order Ref: 9.5P5.

## 1.5V-6V MOTOR WITH GEARBOX

Motor is mounted

on the gearbox which has

interchangeable gears giving a

range of speeds and motor

torques. Comes with full

instructions for changing gears

and calculating speeds, £7.

Order Ref: 7P26.

## MINI BLOWER HEATER

1kW, ideal for under desk or airing cupboard, etc., needs

only a simple mounting frame, price £5. Order Ref: 5P23.

**IT IS VERY POWERFUL**. In fact it is almost ¼h.p. and can

be driven by a 12V battery, so one on each wheel would

drive a go-kart and its passenger. Made by the famous

Smiths company, this motor should give a good, long, trouble-

free service. Offered at £12 each or if you order a pair,

then you can have the pair for £20. Order Ref: 12P41.

## TERMS

Send cash, PO, cheque or quote credit card number. If

order under £25 and for heavy items add £4.50 carriage. If

lightweight add postage which you think will cover.

## J & N FACTORS

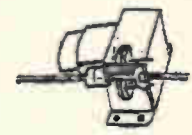
Pilgrim Works (Dept. WW)

Stairbridge Lane, Bolney

Sussex RH17 5PA

Telephone: 01444 881965

E-mail: jnfactors@aol.com



As an advertiser you can be certain that your sales message is going to be read by decision-making electronics professionals with the power to purchase your products.

## Service Link

The pre-paid rate for semi-display setting is £17 per single column centimetre (maximum 4cm). Box number £22 extra. All prices plus 17½% VAT. All cheques, postal orders etc to be made payable to Cumulus Business Media. Advertisements together with remittance should be sent to Electronics World Classified, Cumulus Business Media, Anne Boleyn House, 9-13 Ewell Road, Cheam, Surrey SM3 8DZ. Tel: 020 8722 6028. Fax: 020 8770 2016.

## ARTICLES WANTED

### SURPLUS WANTED

WE BUY: ICs, Memory, Relays, Caps, PSUs, Semiconductors, Populated Boards, Computers + Test Equipment  
**ANYTHING CONSIDERED**  
For our wide range of Semiconductor + Passives List, please ring, fax or email

#### MAIL ELECTRONICS

TEL: 0161-761 4520 / FAX: 0161-763 6863  
EMAIL: andrew@mailelectronics.com  
www.mailelectronics.com

### BEST CASH PRICES PAID

For all valves KT88 PX4 and other audio types

Wide range of valves and CRT stocked

Tel: 01403 784961

Minimum Order UK - £100+VAT+Freight

Billington Export Ltd. Fax: 01403 783519  
Email: sales@bel-tubes.co.uk  
Sussex RH14 9EZ  
Visitors by appointment

### 19" Rack Enclosures

New and Used - most sizes 16U to 50U side and rear panels mains distribution 19" Panel mounts optima eurocraft

Prices from £45 + vat

#### M&B Radio

86 Bishopsgate Street, Leeds LS1 4BB  
Tel. 0113 2702114 Fax. 0113 2426881

## WANTED

### WANTED Surplus or Obsolete Electronic Components

Turn your excess stock into instant cash!

SEND OR FAX YOUR LIST IN STRICTEST CONFIDENCE  
Will collect anywhere in the UK



**Mushroom**  
COMPONENTS

6a St. Marys St, Bedford, Bedfordshire, MK42 0AS  
Tel: 01234 363611 Fax: 01234 326611  
E-mail: sales@mushroomcomponents.com  
Internet: www.mushroomcomponents.com

## SERVICES

**PCBs** Conv/PTH/Multi-Layer/Flexible • UK & Far East production  
• CAD Layout • Electronic Design • Assembly (prototype & production)  
• SMD m/c assy @ 18,500 cps/hr

Deliveries from  
**24 Hrs**

Prototype  
PTH PCBs  
from just  
**£40.00**



Approvals: ISO 9002/UL  
SEE OUR WEB SITES

Tel: 01635 40347

Newbury Electronics Ltd  
Faraday Road, Newbury, Berks RG14 2AD  
Fax: 01635 36143  
e-mail: circuits@newbury.tcom.co.uk  
http://www.newburyelectronics.co.uk

Visit  
**www.pcbtrain.com**

The low cost source for prototype PCBs  
from 1 to 6 layers

## FOR SALE

### RF DESIGN SERVICES

All aspects of RF hardware development considered from concept to production.

WATERBEACH ELECTRONICS

www.rlaver.dial.pipex.com

TEL: 01223 862550  
FAX: 01223 440853

### From Concept To Production

48 HOUR SERVICE

Electronic design and manufacturing services for the new millennium:

- Embedded monitoring & control
- PSTN telephones and test equipment
- Datacom interfacing, line driving etc.
- Switch Mode & linear PSU and battery management
- Gas detection systems
- Printed Circuit Board design
- Technical documentation, schematic layout & language translation
- Wireless telemetry systems
- Audio & Video processing
- GSM telemetry via SMS or data (TCP/IP)
- DVD player control systems
- GPS positioning systems
- Specialist cable looms
- Small, medium & large scale manufacturing

Email: sales@designersystems.co.uk

Tel/Fax: +44 (0) 1872 223306



**Designer Systems**  
Design & manufacturing in the UK

for more information see our web site @  
<http://www.designersystems.co.uk>

### Test Equipment



### Service Manuals.

Contact

[www.cooke-int.com](http://www.cooke-int.com)

Tel:

+44 01243 55 55 90

### POWER SUPPLY DESIGN

Switched Mode PSU  
Power Factor Correction  
*designed to your specification*

Tel/Fax: 01243 842520

e-mail: eugen\_lus@cix.co.uk

Lomond Electronic Services

## MISC

### TOP PRICES PAID

For all your valves, tubes, semi conductors and ICs.

### Langrex Supplies Limited

1 Mayo Road, Croydon, Surrey CR0 2QP  
TEL: 020 8684 1166 FAX: 020 8684 3056

### PRINTED CIRCUIT BOARDS

DESIGNED & MANUFACTURED **agar**  
• Prototype or production quantities  
• Fast turnaround available  
• PCBs designed from circuit diagrams  
• Almost all computer files accepted  
• PCB assembly - mechanical assembly  
• Full product design-manufacture-test-repair

Unit 5, East Belfast Enterprise Park  
308 Albertbridge Rd, Belfast BT5 4GX  
TEL 028 9073 8807 FAX 028 9073 1802  
agar@argonet.co.uk

# SMART CARD SOLUTIONS

Crownhill Associates  
smart electronic solutions

TOOLBOX

## ChipDrive Starter pack

ChipDrive Micro serial port card terminal  
Samples of Smart cards (6 cards)  
Source code examples on CD ROM  
(VB3,4,5,6, Delphi & C)  
Windows API Description, Windows DLL  
Documentation on CD ROM (PDF format)

£69.95  
+Vat

SmartCard  
Programmers  
from £9.99

29.95  
+Vat

## SIM Card Editor for Mobile Phones

This advanced editor allows the user to modify, copy and print data held on any GSM SIM card. No longer do you have to battle with complicated programming sequences on the numeric keypad of your mobile phone. Simply connect the SIM card READER WRITER to your PC, install the easy to use software to:

- View and Print a detailed card profile
- Edit, Delete or Add phone book entries
- Edit, Delete or Add SMS messages
- PIN administration. Enable and Up-Date PIN1/2, unlock PIN's, Display the error counter for each PIN
- Archive SIM Card data to hard drive, copy Save and restore complete card data sets.
- Copy SIM card data from card to card
- Charge Control. set up charge counter limit, display current charge value, setup displayed price per unit.
- View and change preferred service providers

Includes:  
SIM Card Reader Writer  
Mini SIM Adapter  
Software on CD-ROM  
OnLine user Guide and Help  
Requires Windows 95/98, NT, 2000 & Pentium Class PC

32, Broad Street, Ely  
Cambridge, CB7 4AH

Tel: +44 (0) 1353 666709  
Fax: +44 (0) 1353 666710

All prices exclude VAT posatge and packing

Visit our web site: [www.crownhill.co.uk](http://www.crownhill.co.uk)

# TEST EQUIPMENT SOLUTIONS

**Quality Second User Test Equipment**  
*With 12 Month Warranty*

**The Industry's Most Competitive Test Equipment Rental Rates**

	Sale (GBP)	Rent (GBP)		Sale (GBP)	Rent (GBP)		Sale (GBP)	Rent (GBP)						
<b>AMPLIFIERS</b>														
Amplifier Research 10W1000B 1GHz 10W RF Amplifier	3950	150	HP 8941A 2-2650MHz Vector Signal Analyser	31500	1134	HP 8903B/10/S1 20Hz To 100KHz Audio Analyser	2450	133						
Amplifier Research 25W1000 1GHz 25W RF Amplifier	6500	233	<b>OPTICAL FIBRE TEST</b>			HP 8903E 20Hz-100KHz Distortion Analyser	1250	122						
Amplifier Research 100W1000M1 1GHz 100W RF Amplifier	18950	697	Anritsu MW9070B/001 OTDR Mainframe With Floppy Drive	2250	81	Marconi 2380/83/303G 4.2GHz Spectrum Analyser (no TG)	5500	313						
<b>CALIBRATORS</b>			HP E6000A/E6003A 1310/1550nm Single Mode Mini OTDR	6500	233	Tek 492/02 21GHz Spectrum Analyser	3950	142						
Fluke 5200A DMM Calibrator	1950	70	W&G OLP-15 800-1700nm Optical Power Meter	595	28	<b>SIGNAL GENERATORS</b>								
<b>COMPONENT ANALYSERS</b>			<b>OSCILLOSCOPES</b>			HP 83620A/001/008 10MHz-20GHz Synthesized Sweeper	15950	868						
HP 4084B Switching Matrix Controller	3950	169	HP 1152A 2.5GHz Active Probe	1150	68	HP 83732B/1E1/1E5/1E8 20GHz Syn Signal Generator	16500	666						
HP 4085A Switching Matrix	3950	169	HP 54502A 2 Channel 400MHz 400MS/s Digitising Scope	1795	78	HP 8642A/001 1GHz Synthesised Signal Generator	2250	90						
HP 4285A 30MHz Precision LCR Meter	8750	290	HP 54600B 2 Channel 100MHz 20MS/s Digitising Scope	1450	72	HP 8648C/1E5 9KHz-3.2GHz Synthesised Signal Generator	4500	210						
Tek 576 Curve Tracer	2750	110	HP 54645D 2 Channel 100MHz DSO + Logic Analyser	2950	106	HP 8656B 1GHz Signal Generator	1500	115						
<b>DATA COMMS</b>			HP 54845A 4 Channel 1.5GHz 8GS/s Infinium Scope	15950	574	HP 8657A/001 1GHz Synthesised Signal Generator	1750	134						
Fluke DSP4000 Cat 5 LAN Cable Tester	2650	148	Philips PM3295/40 2 Channel 350MHz Analogue Scope	1150	68	HP 8657B/001 2GHz Synthesised Signal Generator	4950	219						
HP J2300C Internet Advisor	7950	286	Philips PM97 2 Channel 50MHz 25MS/s Handheld Scope	595	32	HP 8657D/001/H01 1 GHz DQPSK Signal Generator	1750	135						
Microtest PENTA SCANNER+ Cat 5 Cable Tester	1250	51				HP 8672A 2-18GHz Synthesised Signal Generator	4950	469						
<b>ELECTRICAL NOISE</b>			<p><i>Should you choose to purchase any item you have on rent from us, we will refund 50% of the rental cost you have paid against our second user sale price, up to 90% of the sale price!!</i></p>											
HP 3468/001 18GHz M(fm) Noise Source	1195	48										Marconi 2017 10KHz-1024MHz Low Noise Signal Generator	950	88
HP 8970B/020 2GHz Noise Meter	8500	316										Marconi 2019A 1GHz Synthesised Signal Generator	1000	88
<b>ELECTRICAL POWER</b>						Marconi 2022 1GHz Signal Generator	750	69						
Megger FT6/12 Breakdown Leakage Tester	1250	58				Marconi 2031/001/002/102 2.7GHz Syn Signal Generator	6500	258						
Seaward PAT1000S Portable Appliance Tester	450	16				R&S SMO2 9KHz-2GHz Synthesised Signal Generator	4650	198						
Seaward PAT2000I Portable Appliance Tester	650	23				R&S SMH4 4.32GHz Synthesised Signal Generator	11950	405						
<b>EMC</b>			<b>POWER METERS</b>			<b>TELECOMS</b>								
Chase MFR2000 30MHz Measuring Receiver	1450	52	Tek 2465B 4 Channel 400MHz Analogue Scope	2500	110	Anritsu MD6420A Data Transmission Analyser	1950	70						
Chase LFR1000 150KHz Interference Measuring Receiver	1150	41	Tek A6302 / AMS03 / TMS01 Current Probe Set	700	32	GM Mettest LITE 3000 2MBPS Error & Signalling Analyser	1500	148						
Chase MN2050 30MHz LISN	650	23	Tek TDS3054 500MHz 5GS/s Digital Phosphor Scope	6950	216	HP 37717C/UKJ PDM Transmission Analyser	2950	149						
R&S EB100 20MHz-1000MHz EMC Test Receiver	2950	126	Tek TDS320 2 Channel 100MHz 500MS/s Digitising Scope	1150	82	HP 37722A/004/006 2MBPS Digital Telecom Analyser	5500	243						
R&S ESH3 30MHz EMI Test Receiver	7500	298	Tek TDS380P/14 2 Channel 400MHz 2GS/s Digitising Scope	2500	118	Marconi 2840A 2MB Handheld Transmission Analyser	1500	89						
Schaffner MSG200E EMC Mainframe	1150	41	Tek TDS420A 4 Channel 200MHz 100MS/s Digitising Scope	2950	106	Trend AURORA PLUS Basic Rate ISDN Tester	350	32						
Schaffner Various MSG2xx Plug-Ins (from)	1150	41				TTC Fireberd 4000/4004 Comms Analyser with GB21	3450	179						
Schaffner MSG332 Coupling Clamp	350	12	<b>POWER SUPPLIES</b>			TTC Fireberd 6000A Communication Analyser	4950	208						
Schaffner MSG401 AC Dropout Simulator	350	12	Large Range of DC PSUs (from)	100	10	W&G PFA-35 Digital Transmission Analyser	3950	162						
Schaffner MSG426 Data Line Interference Coupler	450	16	<b>SIGNAL &amp; SPECTRUM ANALYSERS</b>			<b>TV &amp; VIDEO</b>								
Schaffner MSG435 ESD Simulator	3500	125	Advantest R3361A 2.6GHz Spectrum Analyser (with TG)	6950	269	Minolta CA-100 CRT Colour Analyser	2650	127						
<b>ENVIRONMENTAL</b>			Advantest R4131D 3.5GHz Spectrum Analyser	3950	210	Philips PM5418TDS TV Pattern Generator	2350	126						
B&K 2231 Sound Level Meter (inc Bz7110)	1650	59	Advantest R9211A 100KHz Dual Channel FFT Analyser	3750	199	R&S SFQ/BS/B6/1B1/BS1 TV Test Transmitter	28950	1141						
<b>FREQUENCY COUNTERS</b>			Anritsu MS2602A/01/04 100Hz-8.5GHz Spectrum Analyser	10950	495	<b>WIRELESS</b>								
Marconi CPM46 46GHz Counter Power Meter	4950	210	Anritsu MS2651B 3GHz Spectrum Analyser	4500	231	Anritsu ME4510B Digital Microwave System Analyser	13950	568						
Racal 1998 1.3GHz Frequency Counter	695	38	Anritsu MS2667C/010 9KHz-30GHz Spectrum Analyser	15950	574	HP 3708A Noise & Interference Test Set	11950	449						
<b>FUNCTION GENERATORS</b>			Anritsu MS610B 2GHz Spectrum Analyser	2650	95	HP 83220E PCS/DCS1800 (1700-1900) MS Test Set	2500	188						
HP 33120A 15MHz Function/Arbitrary Waveform Generator	950	55	HP 3562A 100KHz Dual Channel Dynamic Signal Analyser	3950	377	HP 8920B/4/6/13/51/102 Radio Comms Test Set	6950	357						
HP 8116A 50MHz Function Generator	2950	79	HP 35660A 102.5KHz 2 Channel Dynamic Signal Analyser	3250	226	HP 8922M/001/006 1GHz GSM MS Test Set	8500	602						
<b>LOGIC ANALYSERS</b>			HP 70000 2.9GHz Spectrum Analyser System	10000	121	HP 8924C CDMA Mobile Station Test Set	16500	643						
HP 16500C Logic Analyser Mainframe	3750	198	HP 85024A 3GHz Active Probe	1450	58	Marconi 2945A Radio Comms Test Set	6950	250						
HP 16555A 68 Channel Timing Analysis Module	1950	252	HP 8560A/002/H03 2.9GHz Spectrum Analyser	8950	403	Marconi 2955B 1GHz Radio Comms Test Set	3500	178						
HP 1661C 102 Channel Logic Analyser	4950	227	HP 8562A 22GHz Spectrum Analyser	14950	553	Marconi 2965/012 1GHz Radio Communications Test Set	6950	278						
HP 1663C/015 34 Channel Logic Analyser	2250	142	HP 8590B/021 1.8GHz Spectrum Analyser	2500	141	Marconi 2966A/12 GSM Radio Comms Test Set	6950	278						
<b>MULTIMETERS</b>			HP 8591A/001 1.8GHz Spectrum Analyser 75 Ohm Version	5250	189	R&S CMD55/B3/B4/B6/B9/B19/B42/B43/B61/U18 Radio Comms Test Set	9500	542						
HP 34401A 6.5 Digit Digital Multimeter	550	38	HP 8592B 22GHz Spectrum Analyser	9500	322	R&S CMD57/B1/B3/B4/B6/B42/B43/B61/U5 GSM Mobile Base Station Tester (900/1800)	11500	513						
HP 3457A 6.5 Digit Digital Multimeter	1150	79	HP 8593E 22GHz Spectrum Analyser	15500	558	R&S CMS52/B1/B9/B20 1GHz Radio Comms Test Set	5750	266						
<b>NETWORK ANALYSERS</b>			HP 8594E/004/021/101/105 2.9GHz Spectrum Analyser	6950	367	R&S CMU200/B11/B21/B41/B52/K21/K22/K23 Universal Radio Communications Test Set (tri-band)	21500	773						
Anritsu S331A/01/05 3.3GHz Scalar Network Analyser	4750	188	HP 8901B 1.3GHz Modulation Analyser	1250	159	R&S CMTA84 1GHz Radio Comms Test Set	5950	296						
HP 35677A 200MHz 50 Ohm S Parameter Test Set	1895	93				Racal 6103/001/002/04T GSM/DCS Mobile Radio Test Set	7500	270						
HP 3577A 5Hz-200MHz Network Analyser	4750	323				Racal 6113E/01/02/04F/052 GSM Base Station Test Set	16950	610						
HP 85032B Type N Calibration Kit	1150	41				Schlumberger 4015 1GHz Radio Comms Test Set	4500	251						
HP 85046A 3GHz 50 Ohm S Parameter Test Set	2950	131				Schlumberger 4031 1GHz Radio Comms Test Set	3500	188						
HP 8752A/003 3GHz T/R Network Analyser	7500	298				W&G 4107S Mobile Phone Tester (GSM/DCS1800/PCN1900)	2850	148						
HP 8753B/006 6GHz Vector Network Analyser	8500	358												
HP 8753C 3GHz Vector Network Analyser	8500	371												

**If you don't see what you want, please CALL!**

See our extensive online catalogue at [www.TestEquipmentHQ.com](http://www.TestEquipmentHQ.com)

Flexible commercial solutions available on all products

**FREE**  
 Palm m100 shipped  
 with every order  
 over £10K

Prices shown are for guidance in £UK and are exclusive of VAT. Rental prices are per week for a rental period of 1 month. Free carriage to UK mainland addresses. This is just a selection of the equipment we have available - If you don't see what you want, please call. All items supplied fully tested and refurbished. All manuals and accessories required for normal operation included. Certificate of Conformance supplied as standard; Certificate of Calibration available at additional cost. Test Equipment Solutions Terms apply. E&OE.

**01753 596000**  
**Fax: 01753 59 6001**

[www.TestEquipmentHQ.com](http://www.TestEquipmentHQ.com)  
 email: [info@TestEquipmentHQ.com](mailto:info@TestEquipmentHQ.com)