

6 18 304
STICK 40 43 46 50

21 54
ADDRESS 57
CITY 61
25
32 PROBE

ELECTRONICS
TODAY INTERNATIONAL



ETI SAVES THE BIRDS



DIGITAL NOISE GENERATOR

PEDAL POWER

Guitar effects supply and pre-amp

REE!
COMPONENTS
TO BUILD A
SURVEILLANCE
BUG



SAFETY FIRST

The importance of proper power protection

'KODACHROME' TRANSPARENCY

PROCESSED BY **Kodak**

SLIDE/TAPE SYNC PROJECT

ISSN 0142-7229





POWER AMPLIFIER MODULES-TURNABLES-DIMMERS-LOUDSPEAKERS-19 INCH STEREO RACK AMPLIFIERS

OMP POWER AMPLIFIER MODULES

Supplied ready built and tested.

OMP POWER AMPLIFIER MODULES Now enjoy a world-wide reputation for quality, reliability and performance at a realistic price. Four models available to suit the needs of the professional and hobby market, i.e. Industry, Leisure, Instrumental and Hi-Fi etc. When comparing prices, NOTE all models include Toroidal power supply, Integral heat sink, Glass fibre P.C.B., and Drive circuits to power compatible Vu meter. Open and short circuit proof.

THOUSANDS OF MODULES PURCHASED BY PROFESSIONAL USERS



OMP100 Mk 11 Bi-Polar Output power 110 watts R.M.S. into 4 ohms, Frequency Response 15Hz - 30KHz - 3dB, T.H.D. 0.01%, S.N.R. -118dB, Sens. for Max. output 500mV at 10K, Size 355 x 115x65mm. **PRICE £33.99 + £3.00 P&P.**

NEW SERIES II MOS-FET MODULES



OMP/MF 100 Mos-Fet Output power 110 watts R.M.S. into 4 ohms, Frequency Response 1Hz - 100KHz - 3dB, Damping Factor, >300, Slew Rate 45V/uS, T.H.D. Typical 0.002%, Input Sensitivity 500mV, S.N.R. -125dB, Size 300 x 123 x 60mm. **PRICE £39.99 + £3.00 P&P.**



OMP/MF200 Mos-Fet Output power 200 watts R.M.S. into 4 ohms, Frequency Response 1Hz - 100KHz - 3dB, Damping Factor >300, Slew Rate 50V/uS, T.H.D. Typical 0.001%, Input Sensitivity 500mV, S.N.R. -130dB, Size 300 x 155 x 100mm. **PRICE £62.99 + £3.50 P&P.**



OMP/MF300 Mos-Fet Output power 300 watts R.M.S. into 4 ohms, Frequency Response 1Hz - 100KHz - 3dB, Damping Factor >300, Slew Rate 60V/uS, T.H.D. Typical 0.0008%, Input Sensitivity 500mV, S.N.R. -130dB, Size 330 x 175 x 100mm. **PRICE £79.99 + £4.50 P&P.**

NOTE— MOS-FET MODULES ARE AVAILABLE IN TWO VERSIONS, STANDARD — INPUT SENS. 500mV BAND WIDTH 100KHz, PEC (PROFESSIONAL EQUIPMENT COMPATIBLE) — INPUT SENS. 775mV, BAND WIDTH 50KHz, ORDER STANDARD OR PEC.



Vu METER Compatible with our four amplifiers detailed above. A very accurate visual display employing 11 L.E.D. diodes (7 green, 4 red) plus an additional on/off indicator. Sophisticated logic control circuits for very fast rise and decay times. Tough moulded plastic case, with tinted acrylic front. Size 84 x 27 x 45mm. **PRICE £8.50 + 50p P&P.**

LOUDSPEAKERS



LARGE SELECTION OF SPECIALIST LOUDSPEAKERS AVAILABLE, INCLUDING CABINET FITTINGS, SPEAKER GRILLES, CROSS-OVERS AND HIGH POWER, HIGH FREQUENCY BULLETS AND HORNS, LARGE S.A.E. (30p STAMPED) FOR COMPLETE LIST.

McKENZIE— INSTRUMENTS, P.A., DISCO, ETC.

- ALL McKENZIE UNITS 8 OHMS IMPEDANCE**
- 8" 100 WATT C8100GPM GEN. PURPOSE, LEAD GUITAR, EXCELLENT MID, DISCO. RES. FREQ. 80Hz, FREQ. RESP. TO 14KHz, SENS. 99dB. **PRICE £29.30 + £2.00 P&P**
 - 10" 100 WATT C10100GP GUITAR, VOICE, ORGAN, KEYBOARD, DISCO, EXCELLENT MID. RES. FREQ. 70Hz, FREQ. RESP. TO 8KHz, SENS. 100dB. **PRICE £35.58 + £2.50 P&P**
 - 10" 200 WATT C10200GP GUITAR, KEYBOARD, DISCO, EXCELLENT HIGH POWER MID. RES. FREQ. 45Hz, FREQ. RESP. TO 7KHz, SENS. 103dB. **PRICE £48.67 + £2.50 P&P**
 - 12" 100 WATT C12100GP HIGH POWER GEN. PURPOSE, LEAD GUITAR, DISCO. RES. FREQ. 45Hz, FREQ. RESP. TO 7KHz, SENS. 98dB. **PRICE £37.59 + £3.50 P&P**
 - 12" 100 WATT C12100TC (TWIN CONE) HIGH POWER WIDE RESPONSE, P.A., VOICE, DISCO. RES. FREQ. 45Hz, FREQ. RESP. TO 14KHz, SENS. 100dB. **PRICE £38.58 + £3.50 P&P**
 - 12" 200 WATT C12200B HIGH POWER BASS, KEYBOARDS, DISCO, P.A. RES. FREQ. 40Hz, FREQ. RESP. TO 7KHz, SENS. 100dB. **PRICE £65.79 + £3.50 P&P**
 - 12" 300 WATT C12300GP HIGH POWER BASS LEAD GUITAR, KEYBOARDS, DISCO, ETC. RES. FREQ. 45Hz, FREQ. RESP. TO 5KHz, SENS. 100dB. **PRICE £87.51 + £3.50 P&P**
 - 15" 100 WATT C15100BS BASS GUITAR, LOW FREQUENCY, P.A., DISCO. RES. FREQ. 40Hz, FREQ. RESP. TO 5KHz, SENS. 98dB. **PRICE £55.05 + £4.00 P&P**
 - 15" 200 WATT C15200BS VERY HIGH POWER BASS. RES. FREQ. 40Hz, FREQ. RESP. TO 4KHz, SENS. 99dB. **PRICE £75.10 + £4.00 P&P**
 - 15" 250 WATT C15250BS VERY HIGH POWER BASS. RES. FREQ. 40Hz, FREQ. RESP. TO 4KHz, SENS. 99dB. **PRICE £82.54 + £4.50 P&P**
 - 15" 400 WATT C15400BS VERY HIGH POWER, LOW FREQUENCY BASS. RES. FREQ. 40Hz, FREQ. RESP. TO 4KHz, SENS. 102dB. **PRICE £96.47 + £4.50 P&P**
 - 18" 400 WATT C18400BS EXTREMELY HIGH POWER, LOW FREQUENCY BASS. RES. FREQ. 27Hz, FREQ. RESP. TO 3KHz, SENS. 99dB. **PRICE £172.06 + £5.00 P&P**

EARBENDERS— HI-FI, STUDIO, IN-CAR, ETC.

- ALL EARBENDER UNITS 8 OHMS (Except EB8-50 & EB10-50 which are dual impedance tapped @ 4 & 8 ohms.)**
- BASS, SINGLE CONE, HIGH COMPLIANCE, ROLLED FOAM SURROUND**
- 8" 50 WATT EB8-50 DUAL IMPEDANCE, TAPPED @ 8 OHM BASS, HI-FI, IN-CAR. RES. FREQ. 40Hz, FREQ. RESP. TO 7KHz, SENS. 97dB. **PRICE £8.90 + £2.00 P&P**
 - 10" 50 WATT EB10-50 DUAL IMPEDANCE, TAPPED @ 8 OHM BASS, HI-FI, IN-CAR. RES. FREQ. 40Hz, FREQ. RESP. TO 5KHz, SENS. 99dB. **PRICE £12.00 + £2.50 P&P**
 - 10" 100 WATT EB10-100 BASS, HI-FI, STUDIO. RES. FREQ. 35Hz, FREQ. RESP. TO 3KHz, SENS. 96dB. **PRICE £27.76 + £3.50 P&P**
 - 12" 60 WATT EB12-60 BASS, HI-FI, STUDIO. RES. FREQ. 28Hz, FREQ. RESP. TO 3KHz, SENS. 92dB. **PRICE £21.00 + £3.00 P&P**
 - 12" 100 WATT EB12-100 BASS, STUDIO, HI-FI, EXCELLENT DISCO. RES. FREQ. 26Hz, FREQ. RESP. TO 3KHz, SENS. 93dB. **PRICE £38.75 + £3.50 P&P**
- FULL RANGE TWIN CONE, HIGH COMPLIANCE, ROLLED SURROUND**
- 5 1/2" 60 WATT EB5-60TC (TWIN CONE) HI-FI, MULTI-ARRAY DISCO ETC. RES. FREQ. 63Hz, FREQ. RESP. TO 20KHz, SENS. 92dB. **PRICE £9.99 + £1.50 P&P**
 - 6 1/2" 60 WATT EB6-60TC (TWIN CONE) HI-FI, MULTI-ARRAY DISCO ETC. RES. FREQ. 38Hz, FREQ. RESP. TO 20KHz, SENS. 94dB. **PRICE £10.99 + £1.50 P&P**
 - 8" 60 WATT EB8-60TC (TWIN CONE) HI-FI, MULTI-ARRAY DISCO ETC. RES. FREQ. 40Hz, FREQ. RESP. TO 18KHz, SENS. 89dB. **PRICE £12.99 + £1.50 P&P**
 - 10" 60 WATT EB10-60TC (TWIN CONE) HI-FI, MULTI-ARRAY DISCO ETC. RES. FREQ. 35Hz, FREQ. RESP. TO 12KHz, SENS. 86dB. **PRICE £16.49 + £2.00 P&P**

TRANSMITTER HOBBY KITS

PROVEN TRANSMITTER DESIGNS INCLUDING GLASS FIBRE PRINTED CIRCUIT BOARD AND HIGH QUALITY COMPONENTS COMPLETE WITH CIRCUIT AND INSTRUCTIONS

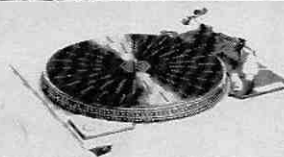
- 3W FM TRANSMITTER 80-108MHz, VARICAP CONTROLLED PROFESSIONAL PERFORMANCE, RANGE UP TO 3 MILES, SIZE 38 x 123mm, SUPPLY 12V @ 0.5AMP. **PRICE £14.49 + £1.00 P&P**
- FM MICRO TRANSMITTER (BUG) 100-108MHz VARICAP TUNED COMPLETE WITH VERY SENS FET MIC, RANGE 100-300m, SIZE 56 x 46mm, SUPPLY 9V BATT, PRICE **£8.62 + £1.00 P&P**



3 watt FM Transmitter

* PRICES INCLUDE V.A.T. * PROMPT DELIVERIES * FRIENDLY SERVICE * LARGE S.A.E., 30p STAMPED FOR CURRENT LIST.

OMP VARISPED TURNABLE CHASSIS



- * MANUAL ARM
- * STEEL CHASSIS
- * ELECTRONIC SPEED CONTROL 33 & 45
- * VARI PITCH CONTROL
- * HIGH TORQUE SERVO DRIVEN DC MOTOR
- * TRANSIT SCREWS
- * 12" DIE CAST PLATTER
- * NEON STROBE
- * CALIBRATED BAL WEIGHT
- * REMOVABLE HEAD SHELL
- * CARTRIDGE FIXINGS
- * CUE LEVER
- * POWER 220 240V 50/60Hz
- * 390x305mm
- * SUPPLIED WITH MOUNTING CUT-OUT TEMPLATE

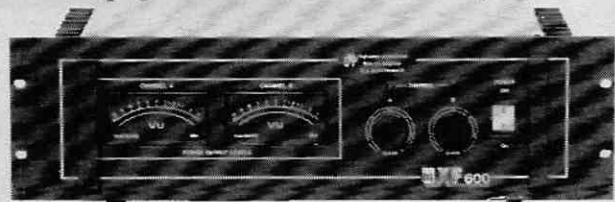
PRICE £59.99 + £3.50 P&P.

OPTIONAL MAGNETIC CARTRIDGES

- STANTON AL500 **PRICE £16.99 + 50p P&P**
- GOLDRING G850 **PRICE £6.99 + 50p P&P**

OMP MOS-FET POWER AMPLIFIERS, HIGH POWER, TWO CHANNEL 19 INCH RACK

THOUSANDS PURCHASED BY PROFESSIONAL USERS



NEW MXF SERIES OF POWER AMPLIFIERS

THREE MODELS:— MXF200 (100w + 100w) MXF400 (200w + 200w) MXF600 (300w + 300w)

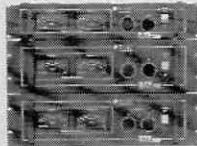
All power ratings R.M.S. into 4 ohms.

FEATURES: * Independent power supplies with two Toroidal Transformers * Twin L.E.D. Vu meters * Rotary indexed level controls * Illuminated on/off switch * XLR connectors * Standard 775mV inputs * Open and short circuit proof * Latest Mos-Fets for stress free power delivery into virtually any load * High slew rate * Very low distortion * Aluminium cases * MXF600 Fan Cooled with D.C. Loudspeaker and Thermal Protection.

USED THE WORLD OVER IN CLUBS, PUBS, CINEMAS, DISCOS ETC.

- SIZES:**— MXF 200 W19" x H3 1/2" (2U) x D11" MXF 400 W19" x H5 1/4" (3U) x D12" MXF 600 W19" x H5 1/4" (3U) x D13"

- MXF200 £171.35**
MXF400 £228.85
MXF600 £322.00
SECURICOR DELIVERY £12.00 EACH



OMP LINNET LOUDSPEAKERS

THE VERY BEST IN QUALITY AND VALUE



MADE ESPECIALLY TO SUIT TODAY'S NEED FOR COMPACTNESS WITH HIGH OUTPUT SOUND LEVELS. FINISHED IN HARDWEARING BLACK VINYL WITH PROTECTIVE CORNERS, GRILLE AND CARRYING HANDLE INCORPORATES 12" DRIVER PLUS HIGH FREQ. HORN FOR FULL FREQ. RANGE. 45Hz-20KHz BOTH MODELS 8 OHM. SIZE H18" x W15" x D12".

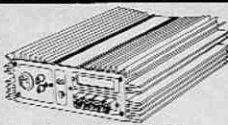
CHOICE OF TWO MODELS

POWER RATINGS QUOTED IN WATTS RMS FOR EACH CABINET

- OMP 12-100 (100W 100dB) **PRICE £159.99 PER PAIR**
- OMP 12-200 (200W 102dB) **PRICE £209.99 PER PAIR**

SECURICOR DEL.— £12.00 PER PAIR

IN CAR STEREO BOOSTER AMPLIFIER



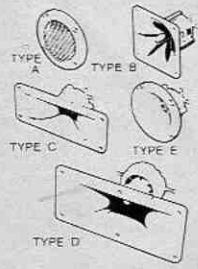
TWO SUPERB HIGH POWER CAR STEREO BOOSTER AMPLIFIERS

- 150 WATTS (75+75) INTO 4 OHMS
- 300 WATTS (150+150) INTO 4 OHMS
- FEATURES—
- * HIGH & LOW INPUT IMPEDANCES
- * HIGH & LOW INPUT SENSITIVITIES
- * VARIABLE INPUT GAIN CONTROL
- * SHORT CIRCUIT OUTPUT PROTECTION
- * POWER REQUIREMENT 12V D.C.
- PRICES: 150 WATT £43.00
- 300 WATT £95.00 + £3.00 P&P EACH

PIEZO ELECTRIC TWEETERS-MOTOROLA

PIEZO ELECTRIC TWEETERS— MOTOROLA

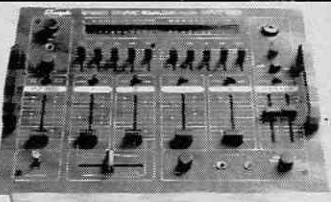
Join the Piezo revolution. The low dynamic mass (no voice coil) of a Piezo tweeter produces an improved transient response with a lower distortion level than ordinary dynamic tweeters. As a crossover is not required these units can be added to existing speaker systems of up to 100 watts (more if 2 put in series). **FREE EXPLANATORY LEAFLETS SUPPLIED WITH EACH TWEETER.**



- TYPE 'A' (KSN2036A)** 3" round with protective wire mesh, ideal for bookshelf and medium sized Hi-fi speakers. **Price £4.90 each + 50p P&P.**
- TYPE 'B' (KSN1005A)** 3 1/2" super horn. For general purpose speakers, disco and P.A. systems etc. **Price £5.99 each + 50p P&P.**
- TYPE 'C' (KSN6016A)** 2" x 5" wide dispersion horn. For quality Hi-fi systems and quality discos etc. **Price £6.99 each + 50p P&P.**
- TYPE 'D' (KSN1025A)** 2" x 6" wide dispersion horn. Upper frequency response retained extending down to mid range (2KHz). Suitable for high quality Hi-fi systems and quality discos. **Price £9.99 each + 50p P&P.**
- TYPE 'E' (KSN1038A)** 3 3/4" horn tweeter with attractive silver finish trim. Suitable for Hi-fi monitor systems etc. **Price £5.99 each + 50p P&P.**
- LEVEL CONTROL** Combines on a recessed mounting plate, level control and cabinet input jack socket. 85x85mm. **Price £3.99 + 50p P&P.**

STEREO DISCO MIXER

STEREO DISCO MIXER with 2 x 5 band L & R graphic equalisers and twin 10 segment L.E.D. Vu Meters. **Many outstanding features** 5 Inputs with individual faders providing a useful combination of the following:— 3 Turntables (Mag), 3 Mics, 4 Line including CD plus Mic with talk over switch Headphone Monitor, Pan Pot L & R, Master Output controls, Output 775mV. Size 360 x 280 x 90mm. Supply 220-240V. **Price £134.99 — £4.00 P&P**



B. K. ELECTRONICS Dept EE
UNIT 5, COMET WAY, SOUTHEND-ON-SEA, ESSEX, SS2 6TR
TEL: 0702-527572 FAX: 0702-420243



POSTAL CHARGES PER ORDER £1.00 MINIMUM. OFFICIAL ORDERS WELCOME FROM SCHOOLS, COLLEGES, GOVT. BODIES, ETC. PRICES INCLUSIVE OF V.A.T. SALES COUNTER. VISA ACCESS ACCEPTED BY POST, PHONE OR FAX.



THE EDITOR AND STAFF OF ETI WISH A MOST

MERRY CHRISTMAS

to all our readers, advertisers, writers,
newsagents, distributors, paper people, typesetters, printers,
schools, colleges, libraries, friends, relations, pets,
even PE and Elektor (tis the season of goodwill).

P. M. COMPONENTS LTD

SELECRON HOUSE, SPRINGHEAD ENTERPRISE PARK
SPRINGHEAD ROAD, GRAVESEND, KENT DA11 8HD

would like to thank all our customers for their support in
1989, and hope you will continue to support us.

*A Very Merry Christmas and a
Prosperous New Year*



PHONE

0474 560521

FAX

0474 333762



TELEX

966371

TOS—PM

Wizardry 1990 Wizardry 1990 Wizardry 1990

We would like to thank all our new customers of 1989 for
their support. By the way if you have a project you would like
to be manufactured, we are always on the lookout for new
Wizardry.

Sorry for the delay over the list, but we have put all our stock
on computers and this has taken time, this is the Wizard's
worst enemy!

WELL A HAPPY CHRISTMAS AND ALL THE BEST IN 1990
FROM JOHN THE WIZARD

By the way if you would like to see our Kits and Packs in
1990, we cover just about all the UK at Rallies and Exhibitions.
If you would like to see a list of these just give me a ring!

MERLIN SYSTEMS, MERLIN WAY, BOWERHILL TRG EST, MELKSHAM, WILTSHIRE SN12 6TJ
Tel: 0225 706886

Wizardry 1990 Wizardry 1990 Wizardry 1990

Maplin

ELECTRONICS PIC

would like to thank customers
for their continued support
over the past year and
wish customers
past, present and future
a

**HAPPY
CHRISTMAS**
and
**PROSPEROUS
NEW YEAR**

AUDIOKITS PRECISION COMPONENTS

*WISH CUSTOMERS A MERRY CHRISTMAS
AND A HAPPY NEW YEAR*

AND A GREAT DEAL OF PLEASURE IN BUILDING THEIR
OWN AMPLIFIER FROM THE SUPERB RANGE OF KITS:

CLASS ONE SOUND — 30+30 — APEX
AND THE EXCELLENT **ETI VIRTUOSO**

AUDIOKITS PRECISION COMPONENTS, 6 Mill Close, Borrowash, Derby DE7 3GU
Tel: 0332-674929

*Season's greetings to all ETI
readers from all at*



Cirkit



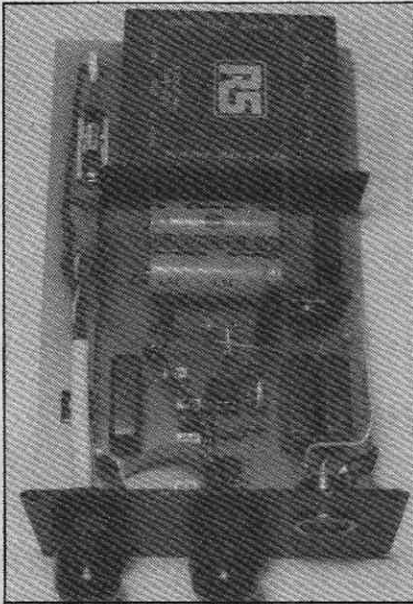
CIRKIT DISTRIBUTION LTD · PARK LANE · BROXBORNE · HERTS EN10 7NQ
Phone: (0992) 444111 · Fax: (0992) 464457

December
1989

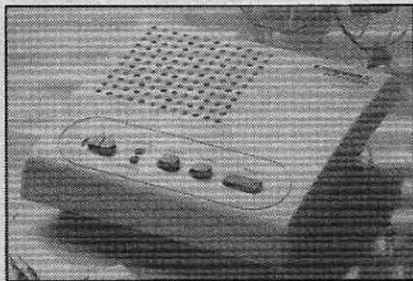
VOLUME 18 No 12

Jez Ford: Editor
Paul Freeman: Deputy Editor
Paul Chappell: Projects Editor
Mark Webb: Group Editor
Pete Baker: Design

Cass Gilroy: Ad Manager
John Brasier: Classified Sales
Julie Horsted: Production
Jerry Fowler: Technical Illustration
Mannie Cefai: Photography



Page 43



Page 66

ISSN
0142-7229

ABC

Member of the
Audit Bureau
of Circulation

ETI is normally published on the first Friday in the month preceding the cover date. The contents of this publication including all articles, designs, plans, drawings and programs and all copyright and other intellectual property rights therein belong to Argus Specialist Publications Limited. All rights conferred by the Law of Copyright and other intellectual property rights and by virtue of international copyright conventions are specifically reserved to Argus Specialist Publications Limited and any reproduction requires the prior written consent of the Company © 1989 Argus Specialist Publications Ltd. All reasonable care is taken in the preparation of the magazine contents, but the publishers cannot be held legally responsible for errors. Where mistakes do occur, a correction will normally be published as soon as possible afterwards. All prices and data contained in advertisements are accepted by us in good faith as correct at the time of going to press. Neither the advertisers nor the publishers can be held responsible, however, for any variations affecting price or availability which may occur after the publication has closed for press.

• Subscription rates — UK: £18.00. Europe: £22.20. Middle East: £22.40. Far East: £24.00. Rest: £22.70 or US\$39.00.

**ARGUS
PRESS
GROUP**

Argus House
Boundary Way,
Hemel Hempstead
HP2 7ST
Tel: (0442) 66551
Telex: 827797

REGULARS

News

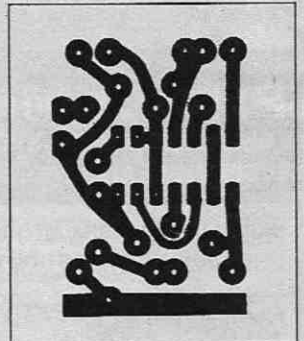
6

Special Offer

13

Subscriptions

8



PCB Foil
Patterns

Read/Write

9

Book Look

Bill Shaw reviews two volumes relating to the Challenger shuttle tragedy, including the latest set of memoirs from Richard Feynman

61

Classified Ads

63



Blueprint

Andrew Armstrong reports on the ETI custom amplifier he has designed to encourage Manx shearwater sea-birds to return to Cardigan Island

13

PCB Service

34

Next Month

66

Ad Index

10

Newsagent

56

66

Photocopies

11

Oops!

61

Competition!

Win Maplin's new mains-bourne FM intercom. Plus 100 Maplin catalogues to give away!

66

FEATURES/PROJECTS

CIRCUITS

Gaming Tech Tips

A recreational round-up of diverting designs to keep you amused as the winter evenings draw on. Robert Penfold rolls the dice.

- Countdown Timer
- Reaction Tester
- Quiz Monitor
- Electronic Die
- Heads Or Tails
- Touch-controlled Joystick

14

CIRCUITS

Making Waves

Ray Marston presents the first of a two part collection of circuits for sine-wave generation

21

Safety First

The misapplication of basic safety rules in some professional and amateur equipment can be, quite literally, shocking. Andrew R. Gayne pulls the plug

24

Testing Testing

Mike Barwise moves our test gear series to plot the rise of chart recorders and oscilloscopes

30

Project Index

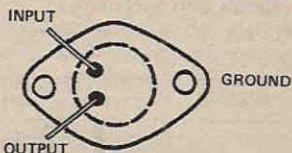
Your guide to every project featured in the pages of ETI over the past twelve months

34

Coming To Blows

Mike Bedford checks the specs of EPROM programmers for the PC

36



PROJECT References and Regulators

Smooth and reliable as ever, Paul Chappell runs through the possibilities when you're in search of pristine power supply

40

PROJECT Pedal Power

A quality input stage and power source for effects pedals. Guitarists need never trip over their cluttered cables again. Gordon Tomlinson takes the stage

43

Counter Surveillance

Paul Chappell previews next month's free PCB to go with this month's free components and sets forth with the construction of a bug detector

46

PROJECT Digital Noise Generator

Whether you require noise for test purposes or sound effects, Edward Barrow's generator can do the trick

50

PROJECT Mains Failure Alarm

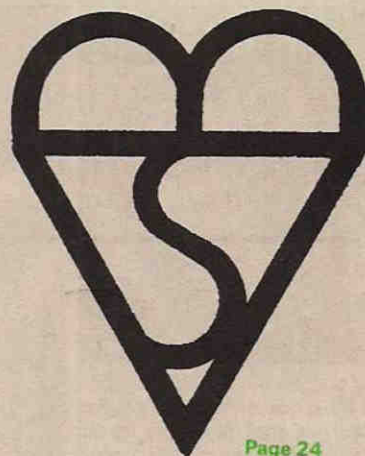
Continuing our inadvertent power theme, Keith Brindley presents a reliable unit to let you know when all is lost

54

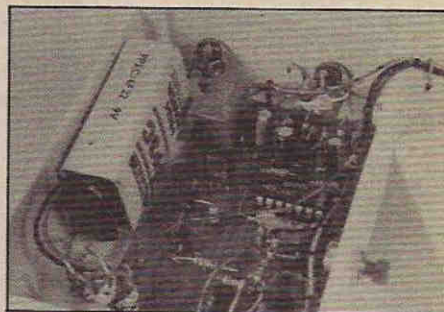
PROJECT Slide/Tape Synchroniser

The slide show is alive and well and appearing in AV presentations throughout the country. Chris Brown presents a system to simplify the switching

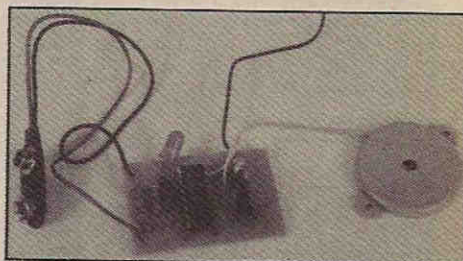
57



Page 24

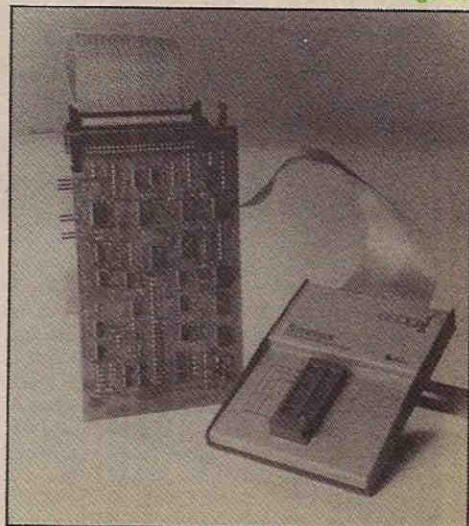


Page 57



Page 54

Page 36



NEWS

MORE LAP-TOP COMPUTERS



The portable and lap-top computer war has now started and the signs are that we shall see some fierce competition between manufacturers in the coming year.

Joining the battle in the marketplace is Psion, the UK based microcomputer manufacturer. Psion, well known for its pocket organisers, has announced a series of portable computers. They are about the size of A4 notepaper, have a full size keyboard and weigh in at just under 2kg. Psion's main advantage will be on the battery life giving up to 60 hours on one set of batteries. Prices will range from £626 to £1720.

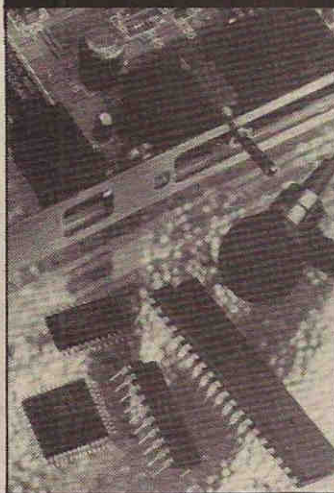
Apple Computers, hot on the trail, has announced the release of a new portable. It's distinct advantage will be in the display area.

Many liquid crystal displays lack high contrast and fast response, something which resulted in the user having to work in low level light conditions and waiting for the cursor to catch up. Apple's answer to this is an 'active matrix' LCD screen where every one of the 256,000 pixels is controlled by a transistor giving a more immediate response on the screen. The technology for making such a screen has been difficult and few Japanese manufacturers are undertaking the task.

With battery life of approximately 10 hours and weighing 16lbs, the complete Apple Mac portable should cost around £4,000.

A colour LCD screen laptop computer could steel the show in the next year and that's where Hitachi come in. They have released the HL4000C with an 'active matrix' 6.3in display that produces graphics and text in 8 colours. Plans are also underway for a 10in screen next year. This IBM-PC compatible machine can hold 1Mbyte of memory, and is expandable up to 20Mbytes with hard disc. Battery life is perhaps a slight drawback with only three hours of operation. The HC4000C will cost £3995.00.

SPEECH SYNTHESIZERS



VSI Electronics, distributor for NEC, has announced the 775X range of single chip speech synthesizers.

Higher quality is now achieved using an internal adaptive differential pulse code modulation algorithm. The algorithm produces a digital waveform as low as 16kb/s, a marked improvement over other methods of synthesis. Messages can be encoded faster and would involve simpler and cheaper hardware to augment the chip.

Support for the chips are available in the form of a PC plug in card which comes complete with a microphone and speaker for recording and reviewing.

For further information Tel: (0279) 35477.

PRIVATISATION DELAY

At last the Government has admitted the shortcomings of its plans to privatise the electricity industry. The entire operation has been delayed by six months in an attempt to formulate realistic schedules and a package that city investors will accept.

The two primary failings of Government plans have been the speed at which plans have been pushed through, and the inclusion of nuclear plants in the sale. The U-turn of removing Magnox reactors from the sale (ETI News October) has not been enough to reassure investors. The risk and apparent unpredictability of all nuclear operation (and decommissioning in particular) has rendered the whole enterprise open to doubt.

Further compromise has come with the announcement that the area distribution boards are to be granted a monopoly for four years. Originally the generating companies were to be allowed to poach customers from the boards and supply direct. Now this is to be abandoned, with only the largest companies being allowed to leave the area boards.

The junior energy minister Michael Spicer has explained that this monopoly is to allow more competition in the field of distribution, giving the area boards more security in placing contracts with independent generators.

Interviewed on the BBC's *Newsnight* programme he played down the delay, saying that the privatisation "is a massive reform with tremendous benefits. A delay of six months is neither here nor there in the wide sweep of history." The Government's target was originally, and remains

now, to privatise before the next election.

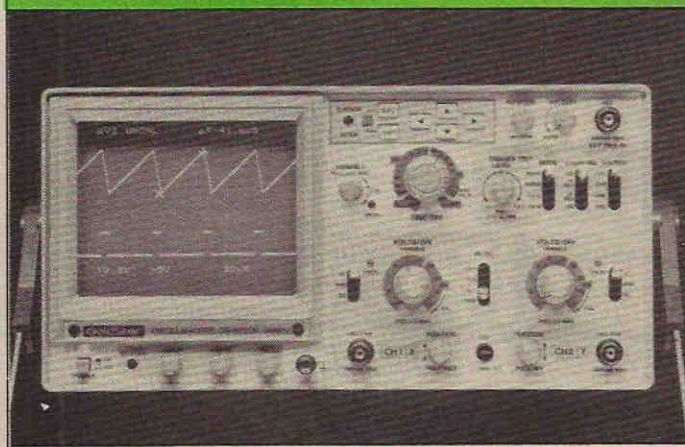
The monopoly of area boards will certainly make their floatation, now set for Autumn 1990, a more profitable proposition. It also ridicules the Government's cornerstone of competition and a free market.

Tony Blair, Labour's Energy Spokesman, points out that "the proposals are now totally different to those before parliament. There is no virtual competition at all. Domestic consumers remain captive to the monopoly area boards, not able to be pinched by generators as proposed. Most important, ordinary domestic customers were told there would be competition and there is none, no opportunity to change boards if dissatisfied. And all this on top of a 15% price increase, the nuclear tax and the huge cost of the sale."

The Government continues to assert that privatisation will still be completed during the lifetime of this parliament. Whether there is any hope of the huge number of generation contracts being signed before the area boards' sale remains to be seen, as the ground rules have only recently been set.

The new schedule puts the launch of National Power and Powergen well into the run-up for the next election, giving this privatisation (twice the size of the gas floatation) a huge electoral importance. Considering the widespread (some would say virtually unanimous) opinion that this sale is continuing solely under the steam of Conservative dogma, the Government appears to be risking its majority on a poorly prepared operation.

SCOPE FOR TEXT



The latest oscilloscope from Alpha Electronics enables waveform settings and measured values to be displayed on the screen.

Model OS8020R has mobile on screen cursors which make it easy to obtain a direct readout of voltage, time and frequency without the need for time consuming calculations.

Apart from this time saving

facility the dual trace scope has a 20MHz bandwidth, a sensitivity of 1mV/div and sweep speed of 100ns/div.

This latest scope, including two switched probes, retails for £563.50.

Further information from Quiswood Ltd, 3 Brackenley Court, Brackenley Lane, Embsay, Skipton, N. Yorks BD23 6PX Tel: (0756) 69737.

TALKBACK

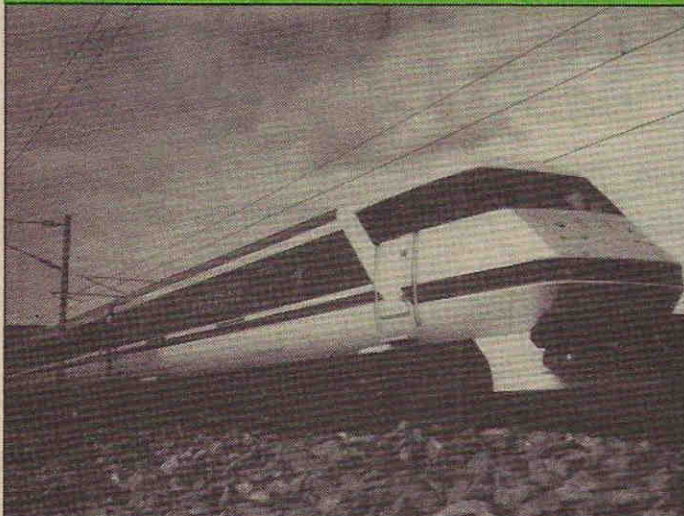
If you've wondered how an intercom could be set up in your home without the need to trail wires everywhere, then a Maplin FM wireless intercom could be the answer (you also have the chance to win one in this issue).

The 2-channel high quality intercom transmits and receives its signal through the mains household wiring using an FM signal on frequencies of 110kHz and 140kHz. The light beige units can be wall or desk mounted and are only available in pairs.

The (YT16S) 2 channel intercom retails at £24.95 inc VAT. A budget master/slave version, ideal for baby sitting is available at 9.95 inc VAT (Catalogue no. LB72P)



BR GETTING THERE



Rail travel speeds are scheduled for an increase. British Rail plans to start operating a 140mph service by 1993 on the London to Edinburgh route.

The high speeds have been brought about by the introduction of a new class of locomotive rolling stock.

The Intercity 225 as it's known has already started service on the King's Cross route but is limited at present to a maximum speed of 125mph and in also terminates at Leeds. BR engineers are still working on the electrification of the line from Leeds to Edinburgh, and the final phase is planned for completion by May 1991.

Full 140mph working will not commence until the Automatic Train Protection system (ATP) is installed into the locomotives. This will ensure that the train will automatically stop in the event of passing a red light without permission.

Experimental versions of ATP will be installed into locomotives on West country routes next year.

The speeds contemplated in this country stand in direct contrast to developments in Japan and West Germany where Maglev trains at great expense will reach speeds of 500kph (312mph).

Photo courtesy of InterCity.

WORLD'S SMALLEST CAMCORDER



Sony has launched the world's smallest and lightest video camera/recorder weighing just under 800g.

The CCD-TR55 is a 'palm-sized' camcorder ideally suited for travel use fitting easily into a travelbag.

Features include, a six times zoom lens, digital superimpose with scrolling, a variable speed shutter

down to 1/4000th of a second and a fader for both sound and picture.

Its small size is achieved using the latest computer aided design technology to ensure that no space was left unused. Even the microphone is an integral part of the body.

The CCD-TR55 will retail at £999.95.

CHANNEL 5



INTERIM FREQUENCY PLAN SUBJECT TO MODIFICATION

Channel 5, the new national television network could face difficulties from the commercial point of view when it opens in 1993.

The publication of transmitter area coverage from the DTI has revealed large gaps in populated regions of the south east and could lead to an unwillingness from the commercial world to advertise to a somewhat limited audience.

The reason for the limited coverage is one of interference from Irish, French and Belgian broadcasts but limited power output and careful channel selection would avoid this. An estimated 70% of the population can be covered with 25 transmitters on channels 35 and 37 but a problem remains because these channels will interfere with the standard video recorder on channel 36. This would mean that video cassette recorders would have to be retuned and the cost for an engineer to carry this out would have to be borne by the franchise holder.

LE PLUG

A Hertfordshire inventor has come up with a novel design for a mains adaptor converting the two pin Euro plug to a British three pin type.

Doubtless, there have been many times when you've cursed buying a piece of electrical equipment with a moulded two pin plug on the end. Kitchen-table surgery seems to be only answer involving the severance and reconnection of the normal three pin British device. Or it may have been resulted in the inevitable screwdriver job in the earth hole to allow the insertion of this new device.

The connection is beautifully simple. Open up the three pin plug, place the two pin moulded fitting in and screw up the back plate.

The adoption of such a plug could simplify production runs of electrical goods for internal and European markets.

Further information from Le Plug. Tel: (0763) 89268.

VIDEO EDITOR

A table-top video editor and image corrector is now available to give your home video a more professional finish.

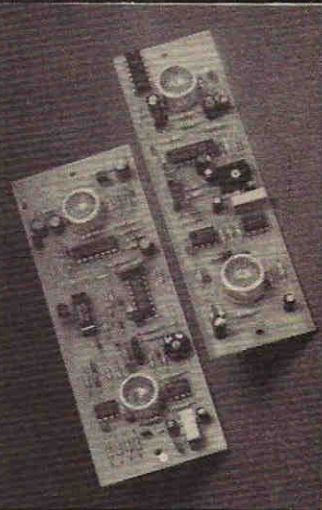
The Portax VEO-100, marketed by Hanimex, is a compact console which combines infra-red remote control, audio editing and image correction. It can store and recall up to 100 sequences and so would appeal to camcorder users and amateur film makers who can put their creative ideas into practice, cutting first and correcting on-stream.

The built in video corrector can be used independently to change colour, brightness, contrast, sharpness and sound. Other features include a frame-by-frame picture search with facilities to delete or interchange sequences, and a second audio track to mix down background music and voice overs.

When editorial of the tape is complete, as many copies can be taken as required. The retail price is £1,495.00.

For further information Tel: (0225) 783016.

ULTRASONIC DETECTORS



Autona has launched two new ultrasonic detectors which can be incorporated into many electrical applications to save energy or provide security.

Typical applications might be in the operation of light switches, automatic door opening, water control and as warning devices.

The devices will detect movement between five and seven metres, provide a high level of immunity with three levels of discrimination, incorporate an exit delay and timed alarm period and operate from 12V. The transmitters are crystal controlled for stability and this also allows several units to be operated without interaction.

For further information contact Autona Ltd. Tel: (08444) 5740.

Relative problems

I enjoyed your article on relativity in July's ETI, but isn't there a direct contradiction with Quantum Theory here? Quantum Theory states that atoms can change (energy) state instantly. Quantum Theory does not allow for one point of an atom to start changing first, and the rest to follow an 'all change' message permeating at the speed of light.

As atoms do occupy a measurable volume of space, I fail to understand. Doesn't the Big Bang theory depend on relativity and Quantum Mechanics, and where does this leave it?

Please explain.
Yours sincerely

Andrew Werner
Liverpool

The problem here perhaps is in even considering the change of state as somehow involving a motion in space. If the event is truly instantaneous then there is no communication between parts of the atom, there is no starting point from which the change spreads because it happens simultaneously at all points. Nothing travels — and going no distance in no time is certainly not excluded by relativity.

But the questioner is right to point out some of the uncertainties where relativity and quantum mechanics meet. There is a quantum interconnectedness in the universe that we cannot as yet explain.

This is demonstrated in the following experiment. First find a radioactive substance that gives out paired photons (gamma rays) in opposite directions (these paired photons have

exactly the same quantum numbers and a shared random polarization). This may sound a tall order but happily there is one.

Set up polarising filters either side of your source, the further away the better. With the filters in the same orientation measure the arriving photons. This will give you a random sequence of hits and misses: the photon either passes through or is blocked. Compare the sequences from the two ends and they're the same.

Nothing surprising so far. Now move one of the filters through 10° and check the sequences again. As you would expect there are now a few discrepancies between the two ends. But if we now alter the polarizer by 30° we find more discrepancies than we should. The paired photons are

somehow linked and what ever we do to one of the pair affects the outcome at the other end of the apparatus.

This would indeed be remarkable if it were of any use but once again this quantum fuzziness squeezes in through the gaps in relativity without endangering its stability at all. For though the paired photons appear to be in some sort of faster-than-light communication we cannot discover the discrepancy without comparing the two sets of results which involves slower than light communication (and who is to say that comparing the results is not part of the process itself). Without comparing the sequences, all we are left with is a random series of hits and misses that has been altered in some indeterminate way — ie a random series of hits and misses. Not much of a message in that.

Woolly information on Cardigan Island

Reading the October issue of ETI, page 10, I was very impressed by the thought that your magazine was devoting time, energy and money to the excellent conservation programme on Cardigan Island.

You can imagine how disappointed I became when I came across a piece in *Electronic Times*

(enclosed). I think it would be nice if you gave some of the credit where it is apparently due, ie Peter Lees and most of all Racal!

Yours faithfully

AP Kersey
Toddington, Beds.

Now hold on there! The equipment to be operated on Cardigan Island has many parts. Racal is providing only the recorder that will be used for sourcing the shearwater birdsong, Deta/Leda is donating the batteries, someone else the solar panels and so on. ETI with Andrew Armstrong has designed, built and donated the amplifier that uses the

power from the battery-backed cells to amplify Racal's cries. No easy task and all our work! Presumably the *Electronics Times* piece started life as a Racal press release, and all credit to them. Hopeful we have all enjoyed and benefitted from our involvement and with any luck the shearwaters will agree. But credit where credit is due!

Response from the cabinet

I eagerly turned to Jeff Macauley's article in July's ETI. It is always good to have design information on loudspeakers instead of the usual 'wood-work plans'. However, a few things do not make sense!

From the formulae in the article the optimum cabinet volume V_b is 0.517cu ft and the port length 7.55in. Note the maths for the port length uses f_1 and not f_b as published.

Now, if you go back to one of the best articles ever published in ETI, Barry Porter's bass design piece in April 1984, his formulae are not only different but the results are totally different!

V_b is now 0.42cu ft, $f_b = 49\text{Hz}$ and the port length 7.8in.

I would put it that the two boxes will sound completely different. The ports are similar but one 'optimum' cabinet is 20% bigger than the other! This would make tuning it a farce, and use an awful lot more wood. While manufacturing tolerance is to be expected, 20% seems very strange.

Who is right? Can you get either

writer to explain?

A footnote — I see Barry Porter used metric values. Five years on we go back to imperial — so much for 1992!

Let's have more practical audio articles especially on speaker design. Keep up the good work.

Regards,

Rick Hughes,
Clydach, Swansea.

Jeff Macauley replies: At first sight the equations do seem so totally different that they would produce entirely different enclosure performance.

Luckily I have at my disposal a complete Theille/Small program 'Boxresponse'. This predicts the response of any enclosure given appropriate parameters (as used by JBL amongst others).

Using both sets of equations I ran the Micromonitor woofer data to produce the alignments as follows:

Barry Porter's:

$$\begin{aligned} V_{opt} &= 0.143 \text{ cu ft} \\ f_{-3dB} &= 67.6\text{Hz} \\ f_b &= 63.73\text{Hz} \end{aligned}$$

Mine:

$$\begin{aligned} V_{opt} &= 0.0169 \text{ cu ft} \\ f_{-3dB} &= 62.1\text{Hz} \\ f_b &= 59\text{Hz} \end{aligned}$$

When run through the program there's about 1dB in it! Mine is about 1dB up on Barry's. More interestingly I used both sets of equations to see how the Micro Monitor comes out.

By Barry's:

$$\begin{aligned} f_{-3dB} &= 63.4\text{Hz} \\ f_b &= 60.8\text{Hz} \end{aligned}$$

By mine:

$$\begin{aligned} f_{-3dB} &= 64.7\text{Hz} \\ f_b &= 61\text{Hz} \end{aligned}$$

So close that the response predictions are within 0.1dB. It seems that both sets of equations are valid, the only difference being the predicted volumes.

As for dimensions, try asking your local wood merchant to cut imperial-sized wood into metric sizes. The reaction I got was unprintable! My formulae will in any case work with metric figures since they are based on the ratio of V_{as} to V_b .

Several port dimension formulae are available, none of which (in my experience) give the correct length. The one I've quoted has produced the best results for me.

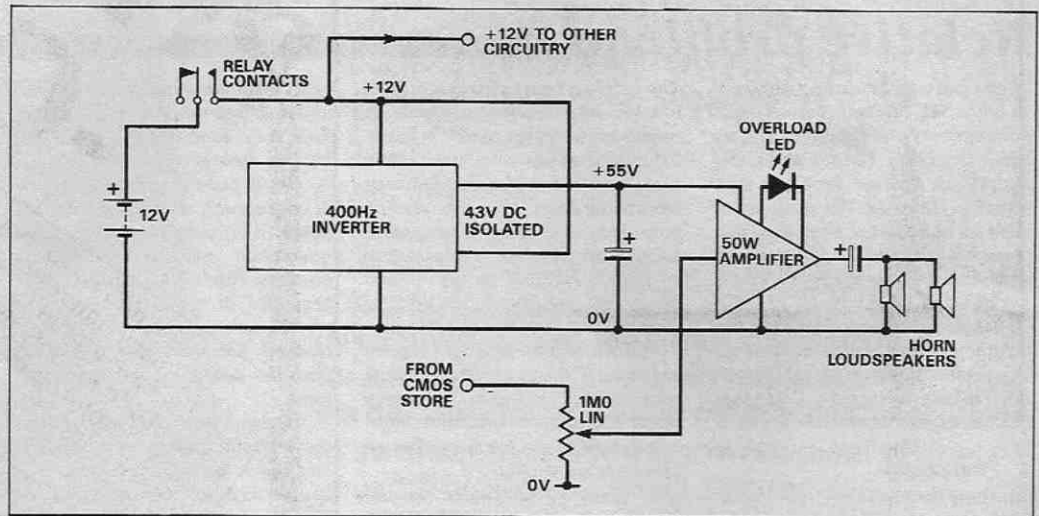
As a matter of interest the best method for really accurate results is to measure f_b by holding a sound level meter next to the cone and adjusting the input frequency for maximum output. To be effective the port has to be an inch or so longer than predicted to produce a slightly low f_b and then trimmed, repeating the measurement until the required result is produced. In practice this is unnecessary — quite small variations in temperature and air pressure will change the tuning by a Hz or so.

Lastly (but by no means leastly) one has to consider the effect of the listening room. Most of us have parallel walls so live in a naturally resonant environment. These resonances or eigentones occur mainly below 100Hz. The result is peaks and troughs of several dB in this range even assuming perfect speakers!

BLUEPRINT



The story so far: the Manx shearwater sea-birds were wiped from their colony on Cardigan Island when a shipwreck brought a plague of rats to the island. Now that the rats have been removed the shearwaters would be safe to return, but attempts to import them from another sanctuary have failed. Rod and his friends at the Dyfed Wildlife Trust decide that this is because the island is too quiet. They conceive a cunning plan to fool the birds into thinking there are flocks of mating shearwaters on the island. They get a recorder from Racal, batteries from Data/Leda and solar cells from BP. Now all they need is an amplifier. Enter ETI, the Blueprint column, and Andrew Armstrong.



This month I am able to report that the 12V powered high output amplifier is built and tested. It has been disassembled sufficiently to be sent to the Dyfed Wildlife Trust, where it can be mounted in its case and the final wiring attached.

Little change to the original design, by John Linsley Hood is required, because a timing circuit controlling a relay is already present in the system so that electronic switching is not needed. Protection for the battery is, as I had expected, provided in the charging control unit, so that the circuit need not have provision to switch itself off if the battery voltage falls.

Inverter

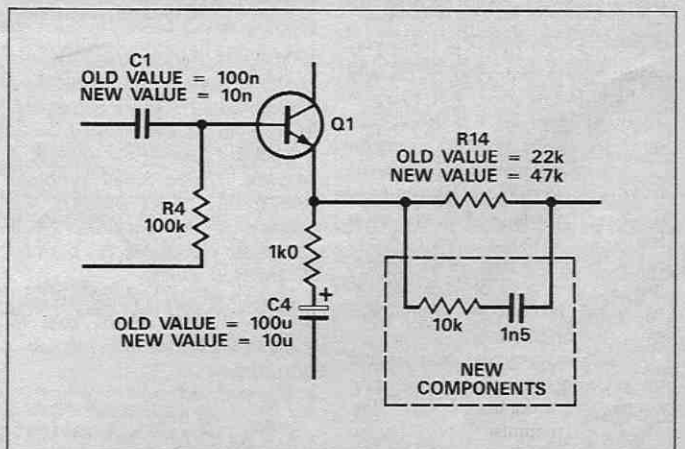
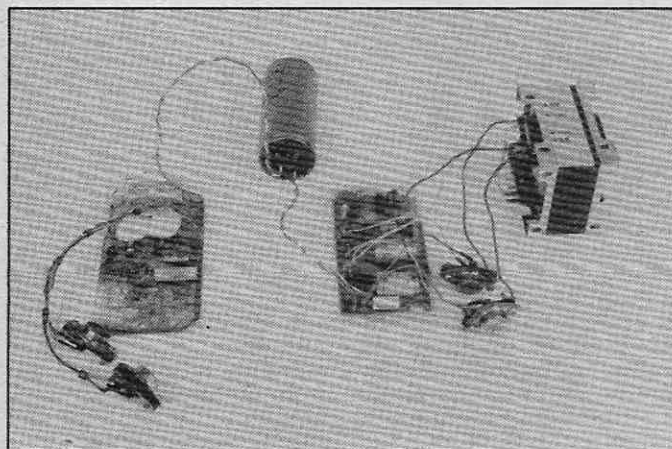
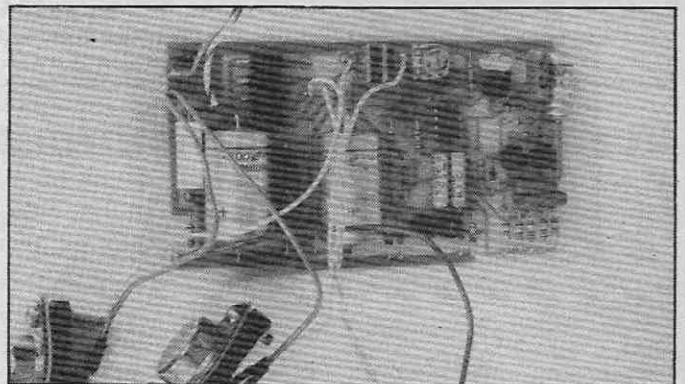
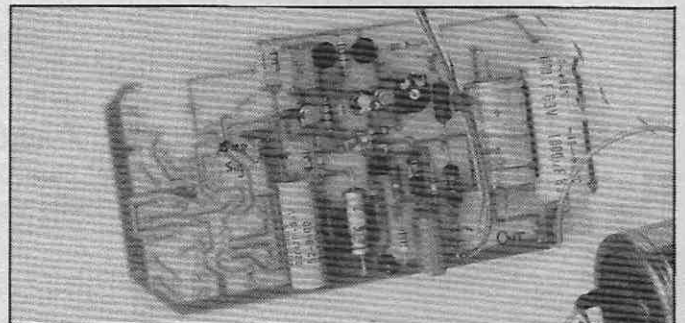
The 12V to 55V voltage converter was the first item to construct, because I have no 55V bench power supply to test the amplifier. I have, however, an adequate 12V supply to run the inverter.

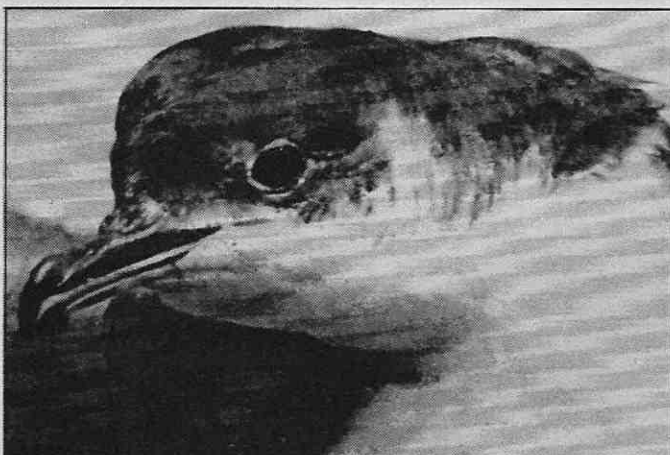
The design of the inverter is well

suited to its task, and needs no obvious modification. There is a progressive start-up capacitor in the circuit, so that switch-on transients will not be a problem. In building the unit, I made several trivial component substitutions, including the use of 4700 μ decoupling capacitors on the PCB instead of 2200 μ as specified, simply because this value was available at the time. The extra decoupling will cause no problem, and may improve the performance marginally.

The specified type of driver transistor, the BD537, does not appear in any of my catalogues, so I used TIP31A transistors which work very well and do not get hot.

On test the unit worked reliably into a dummy load consisting of a 100R metal clad resistor on a heatsink (drawing about 30W) for several hours. The 2N3055s, on a small temporary heatsink, ran cool. This is as it should be because they are switching and thus should dissipate





little power. When assembled into the case, the power transistor will rely on the case as a heatsink.

Power Amplifier

In some respects the specification of the power amplifier exceeds the requirement. The design, published in ETI May 1986, includes a two channel mixer/preamplifier which is not needed in this application, and which adds to wiring complexity. The power amplifier itself delivers marginally less than the requested 60W, and is of almost hi-fi quality. Given the limited bandwidth required to reproduce the call of the Manx shearwater, some reduction of bandwidth may be acceptable if it gives other advantages.

The amplifier was initially built as shown in the original design, with the exception that the preamplifier components were omitted, and a 100 μ capacitor was used to couple to the loudspeakers instead of the specified 2200 μ capacitor, because frequency response down to the normal lower audio limit is not required.

The amplifier worked correctly as first built, but the gain was not quite high enough to guarantee full output from the signal level expected from the CMOS audio store. However, because the full bandwidth of the amplifier is not needed it would be reasonable to increase its gain. This would increase distortion, particularly at high frequencies, but there is adequate gain at the lower frequencies required in this application.

The feedback resistor was increased from 22k to 47k, approximately doubling the voltage gain, and extra feedback components were added to roll off the gain at high frequencies to minimise the chance of unwanted out-of-band digital noise from the CMOS store causing problem.

Low frequency response was cut by reducing the value of the input coupling capacitor from 100n to 10n. This should minimise the effect of the

inevitable DC step applied to the input at switch on. To speed the settling of the amplifier at switch on, and because the 100 μ capacitor used for initial testing was physically too large for the PCB, the value of C4 was reduced to 10 μ . This further restricts the low frequency gain of the amplifier at frequencies too low to be of interest to our feathered friends.

Final Testing

The whole system was connected together, with a sinewave generator connected to the input and a dummy load connected to the output. The output waveform was displayed on an oscilloscope. First of all the quiescent current was adjusted to eliminate visible crossover distortion on a 2kHz waveform at full output. In order to see the effects of distortion clearly, the oscilloscope Y gain and timebase were adjusted to magnify a small portion of the waveform around the zero crossing. The quiescent current was then left at the minimum level for no visible distortion.

On full output signals it was observed that the signal clipped on negative half cycles earlier than on positive ones. The overload indicator detects clipping only on positive half cycles, so that negative half cycle distortion could occur without indication. In addition, asymmetrical clipping wastes power, because the output must be reduced until both half cycles do not clip. Fine adjustment of the output voltage of the inverter equalised the clipping levels, and completed the functional testing. An initial soak test of one day at 40W output was carried out to check reliability, and further soak testing will be carried out after assembly into the casework in Dyfed.

I look forward to being able to report, probably next year, on the success of the project.

Andrew Armstrong

PHOTO-COPIES

ETI has been published for over 15 years and in this time a great many interesting and valuable projects and features have graced its pages. Although backnumbers are available for only the past 12 months' issues we can supply photocopies of any individual article ever published in ETI.

Photocopies cost £1.50 per article regardless of their length. Please note that projects published over several issues must be ordered as a series of individual articles, each for £1.50.

PCB foil patterns (where published) and any errata are included with all photocopies as applicable.

Please supply photocopies of the following articles from ETI (complete in block capitals):

Month Year Page (if known)

Title

Month Year Page (if known)

Title

Month Year Page (if known)

Title

I enclose a cheque/postal order made out to ASP Ltd. to the value of £1.50 per photocopy ordered.

Total remittance £ Date

Name

Address

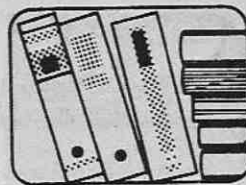
..... Postcode

Send the completed form and your remittance to:

ETI Photocopy Service
Argus House
Boundary Way
Hemel Hempstead
Herts HP2 7ST



BOOK LOOK



In January 1986, the space shuttle *Challenger* lifted off from the launch pad at Cape Canaveral in Florida. It was a cold morning — NASA had never launched in such cold conditions — and the cold was to be fatal to the crew. Seventy seconds after lift-off, the shuttle exploded.

In 1969, even before the first men had landed on the moon, NASA was planning to go to Mars. To do that, they needed a space station orbiting the Earth. To build that, they needed the space shuttle.

'Challenger — A Major Malfunction' is written by Malcolm McConnell, a journalist covering the Space programme. It goes right back to the conception of the shuttle. In a detailed (but never dull) account he explains that the theory was for cheap routine access to space. What NASA got was the result of compromise and politics. The shuttle was supposed to be cost-effective, so it had to fly frequently; this resulted in great pressure to launch. If future missions were not to be delayed (and these included observation of Halley's Comet), *Challenger* had to be launched in January. Safety criteria changed — in the previously relaxed flying schedules, the question was 'is it safe to launch?'. It now became 'is it unsafe to launch?'.
The importance of this change of emphasis was demonstrated by the Morton Thiokol company. They made the solid-fuel rocket boosters (SRBs) which were basically giant fireworks strapped on either side of the shuttle to give extra power at lift-off. Some engineers were concerned about the

joints between the sections of the SRB — under the pressures of launch, the joints deformed slightly. Two circular rubber rings were relied upon to expand and seal the gap that formed — but under extremely cold conditions, they might not expand quickly enough; hot exhaust gases could escape, and disaster could follow.

So the engineers argued. Tragically they were overruled by management. Morton Thiokol gave a 'go for launch'.

The Rogers Commission was set up to investigate the accident and Professor Richard Feynman was asked to join.

Richard Feynman (who died last year) was one of the great characters of science. He was a Nobel prizewinner (see ETI Sept 1988), and yet he never lost a childlike sense of wonder. His methods were unorthodox and he certainly did not fit in well with rules or committees. For these reasons, he was at first unwilling to join the commission. Then his wife pointed out that "if you don't do it, there will be twelve people all going round from place to place together. But if you do join the commission, there will be eleven people all in a group, going around from place to place together, while the twelfth one runs around all over the place, checking all kinds of unusual things". Feynman took up the position.

The first half of his book *'What Do You Care What Other People Think?'* is taken up with stories from his early life, illustrating the kind of person he was — a continuation of the earlier volume of dictated memoirs *'Surely You're Joking Mr Feynman'*. This is by

**Challenger —
A Major Malfunction**
Malcolm McConnell
Published by Unwin/Hyman
£3.95 paperback

**What Do You Care What
Other People Think?**
Richard Feynman
/ **Ralph Leighton**
Published by Unwin/Hyman
£11.95 hardback
(paperback due in February)



no means exclusively scientific — it includes Feynman's chat-up techniques and constant pranks (often at the expense of bureaucracy).

The other half is his account of his work on the Rogers Commission. Feynman writes in an informal, chatty style (he refers to Neil Armstrong as 'the moon man') which makes very easy reading, even when he is dealing with highly complex subjects. The book contains many photographs and diagrams and gives a very thorough

account of how the members of the Commission waded through ambivalence and double-talk to track down the cause of the shuttle disaster. Together, *'Challenger, A Major Malfunction'* and *'What Do You Care What Other People Think?'* provide a full account of the events leading up to, and the investigation of, the *Challenger* disaster.

Bill Shaw

Robert Penfold is pretty prolific with this processor and lately the world of MIDI music has been his principal topic. His two volumes — *Practical MIDI Handbook* and *Synthesizers For Musicians* might be expected to contain a fair amount of duplication. After all a synth design these days is unlikely to get further than the downtown Tokyo trash tip unless it has a comprehensive MIDI spec to present to the punters.

How could Mr Penfold attempt to separate the two subjects without making both books a few quavers short of a full bar? Let us see.

The Practical MIDI Handbook was reviewed in ETI August 1988. It attempts to be a catch-all study of the MIDI standard and its applications — a knowledge base on which to build the machine specifics.

The meat of the book is the chapters describing modes, codes and message formats where prospective MIDI software programmers can sink their teeth into the business of message

making.

The rest of the book goes downhill somewhat with somewhat basic explanations of microprocessors and controllers.

Overall then the novice will gain a good solid grounding in the world of MIDI. The expert might feel a bit short on technicalities and specifics but will nevertheless find the *Practical MIDI Handbook* a useful reference tool and teaching guide.

Synthesizers For Musicians
Robert Penfold
Published by PC Publishing

OK let's be honest now, raise your hand if you know how Casio's phase distortion synthesis actually works? And Roland's LA techniques? Yamaha's FM synthesis? How about good old fangled analogue synths... do you know your DFC from your VCO?

This really is an excellent book, it sorts everything out and leaves you wondering why on earth the manufacturers didn't just say this in the first place. It starts off very basic with sound and pitch in general, then goes on to analogue synthesis. Although one might regard analogue as old hat (though don't say that in front of Mr Oberheim), an understanding of the techniques here teaches you how sounds are shaped and added together. Armed with this knowledge you can progress to 'modern synthesis' and it all falls together with startling simplicity.

The style, as with the *MIDI Handbook*, is easily read and in a non-technical form of address while imparting quite technical wisdom. Plenty of pics (from the Penfold CAD workshop) keep the clarity constant and you come out wondering why there was such a fuss about FM being hard to handle. Of course there is no substitute for hands-on programming and it is likely that when you return to

your voice-editing package things will still go wrong, but at least you may now comprehend the reasons why!

Penfold also tackles samplers with consummate ease but then wastes a chapter on how to choose the keyboard you need. When this was followed by a description of different effects units I almost decided that the book has ended back with the samplers and the rest could be subtitled "Pad, pad, pad...". In actual fact the stuff on effects is most instructive, particularly with regard to the changeover from analogue footpedals to digital rack processors.

All in all then *Synthesizers For Musicians* is an excellent read and well worth the money. Oddly the almost total omission of MIDI (2 pages total) doesn't seem to matter at all. This makes the *Practical MIDI Handbook* an ideal companion volume, useful for reference although not quite such an interesting read.

Pip Loukes

SURVEILLANCE PROFESSIONAL QUALITY KITS

A range of high quality kits as supplied to leading UK security companies, all in-house designed and produced, not to be confused with cheap imports. All kits come fully documented with concise assembly and setting-up details, fibreglass PCB and all components. All transmitters are fully tuneable and can be monitored on a normal VHF radio or tuned higher for greater security. Build-up service available if required.

- MTX** Micro-miniature audio transmitter. 17mm x 17mm. 9V operation. 1000m range **£12.95**
VT500 Hi-power audio transmitter. 250mW output. 20mm x 40mm. 9-12V operation. 2-3000m range **£15.95**
VOX75 Voice activated transmitter. Variable sensitivity. 30mm x 40mm. 9V operation. 1000m range **£18.95**
CTX900 Sub-carrier scrambled audio transmitter. Cannot be monitored without decoder fitted to radio. 30mm x 40mm. 9V operation. 1000m range **£21.95**
DSX900 Sub-carrier decoder unit for monitoring CTX900. Connects to radio earphone socket. Provides output for headphones. 35mm x 50mm. 9-12V operation **£21.95**
HVX400 Mains powered audio transmitter. Connects directly to 240v AC supply. 30mm x 35mm. 500m range **£18.95**
XT89 Crystal controlled audio transmitter. High performance. 100mW output. Supplied with xtal for 108MHz. Others available to 116MHz. 85mm x 28mm. 9V operation. 2-3000m range **£36.95**
TKX900 Tracker/Beeper transmitter. Transmits continuous stream of audio pulses. Variable tone and rate. Powerful 200mW output. 63mm x 25mm. 9V operation. 2-3000m range **£21.95**
ATR2 Micro size telephone recording interface. Connects between telephone lines (anywhere) and cassette recorder. Tape switches automatically with use of phone. All conversations recorded. Powered from line. 10mm x 35mm **£12.95**
TLX700 Micro miniature telephone transmitter. Connects to line (anywhere) switches on and off with phone use. All conversations transmitted. 20mm x 20mm. Powered from line. 1000m range **£12.95**
XML900 RF bug detector. Variable sensitivity. Triggers LED and beeper when in presence of RF field. Detects MTX 15-20 feet. 55mm x 55mm. 9V operation **£26.95**
XL7000 Professional bug detector/locator. Variable sensitivity. Twin mode ten segment LED readout of signal strength with variable rate beeper. Second mode AUDIO CONFIRM distinguishes between localised bug transmission and normal legitimate signal such as pagers, cellular etc. 70mm x 100mm. 9V operation **£54.95**

UK customers please send cheques, PO's or registered cash. Please add £1.50 per order for P&P. Goods despatched ASAP allowing for cheque clearance. Overseas customers send sterling bank draft or Eurocheque and add £5.00 per order for shipment. Credit card orders accepted on 0827 714476. Full catalogue available on receipt of 28p stamp. Trade enquiries welcome.



THE WORKSHOPS
95 MAIN RD, BAXTERLEY
NR. ATHERSTONE
WARCS CV9 2LE



0827 714476

QUALITY...

SECURITY SUPPLIES

FOR
DIY &
TRADE

...AT LOWEST PRICES

CONTROL UNITS

- Automatic
- Modular
- Lighting
- Timer

SENSORS

- Passive Infra-Red
- Ultrasonic
- Infra-Red Beam

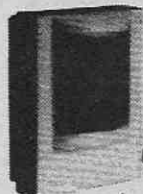
ACCESSORIES

- Contacts
- Pressure Pads
- Security Lighting
- Cable Etc. Etc.

**CARS &
VANS**

**HOMES &
FACTORIES**

PRODUCT OF THE MONTH



**MINIATURE PASSIVE INFRA-RED
SENSOR RP33**

Detects intruders up to 12 metres away.

- Size only 80x60x40mm.
- Switchable detection indicator.
- Wide 85° coverage.

■ Suitable for use with most security systems. **ONLY £23.95 +VAT**
Quantity discounts start at 3 units.

TELEPHONE
OR SEND FOR
FREE
LITERATURE
TODAY

The Security Specialist

RISCOMP LIMITED

Dept. ET111 51 Poppy Road
Princes Risborough, Bucks.
HP17 9DB

Callers by Appointment
Office hours Mon-Fri
9am-5pm

☎ (084 44) 6326



SPECIAL OFFER

With this special offer from ETI and DCP Microdevelopments, you can purchase one of DCP's highly successful computer interface packs for BBC/Master or Spectrum computers at our remarkably reduced rates, plus you get a wire remote-control buggy to be programmed and controlled by the computer through your interface. This offers an ideal way to get introduced to the thousands of programming possibilities provided by these powerful packs.

Both packs contain all the necessary plugs, cables and instructions complete with programs — everything (except buggy batteries) to get your computer in control this Christmas!

To order by post fill in the form here and send it with a cheque payable to ASP Ltd to: ETI READERS' SERVICES, ARGUS HOUSE, BOUNDARY WAY, HEMEL HEMPSTEAD HP2 7ST. Credit card orders on (0442) 66551. Allow 28 days for delivery.

ETI Interbeeb + Buggy Set £49.95 + 1.95 p&p

For BBC/Master owners, the Interbeeb can do much more than just control a buggy's motors! It is a general purpose control interface offering the following facilities:

- eight channel 8-bit analogue to digital converter
- four relay switched outputs rated at 12V/1A
- four switch/sensor inputs

- 8-bit input port
- 8-bit output port
- DCP expansion bus system

The Interbeeb is supplied with its own mains power pack and plugs into the 1MHz bus socket of the computer via the ribbon cable supplied. Further modules can be added later to the DCP BUS expansion socket including stepping motor packs, D-A converters and so on.

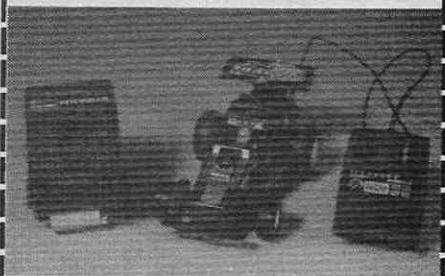
ETI ZX Interpack 2 + Buggy Set £59.95 + £1.95 p&p

This package also includes a wire remote control buggy with instructions and programs but the interface supplied is the Interpack 2 with a ZX intercard to allow use with all models of Spectrum computer. The ZX Interpack 2 is a power-control interface with many relay outputs and switch/sensor inputs, ideal for the control of motors, lamps, solenoids and so on for models or robotics. This interface has the following facilities:

- six changeover relay switched outputs each rated at 12V/1A
- eight switch/sensor inputs
- DCP expansion bus system

The Interpack 2 + ZX Interpack 2 plugs directly into the expansion bus of any ZX Spectrum computer and is supplied with comprehensive applications manual. Further DCP modules or your own electronics can be added to the DCP BUS expansion socket including stepping motor packs, D-A converters, etc.

COMPUTER INTERFACE PLUS BUGGY BONUS!



Buggy may vary from that shown in picture

Please rush me
 Interbeeb + buggy at £49.95 + £1.95 p&p
 Please rush me
 ZX Interpack 2 + buggy at £59.95 + £1.95 p&p

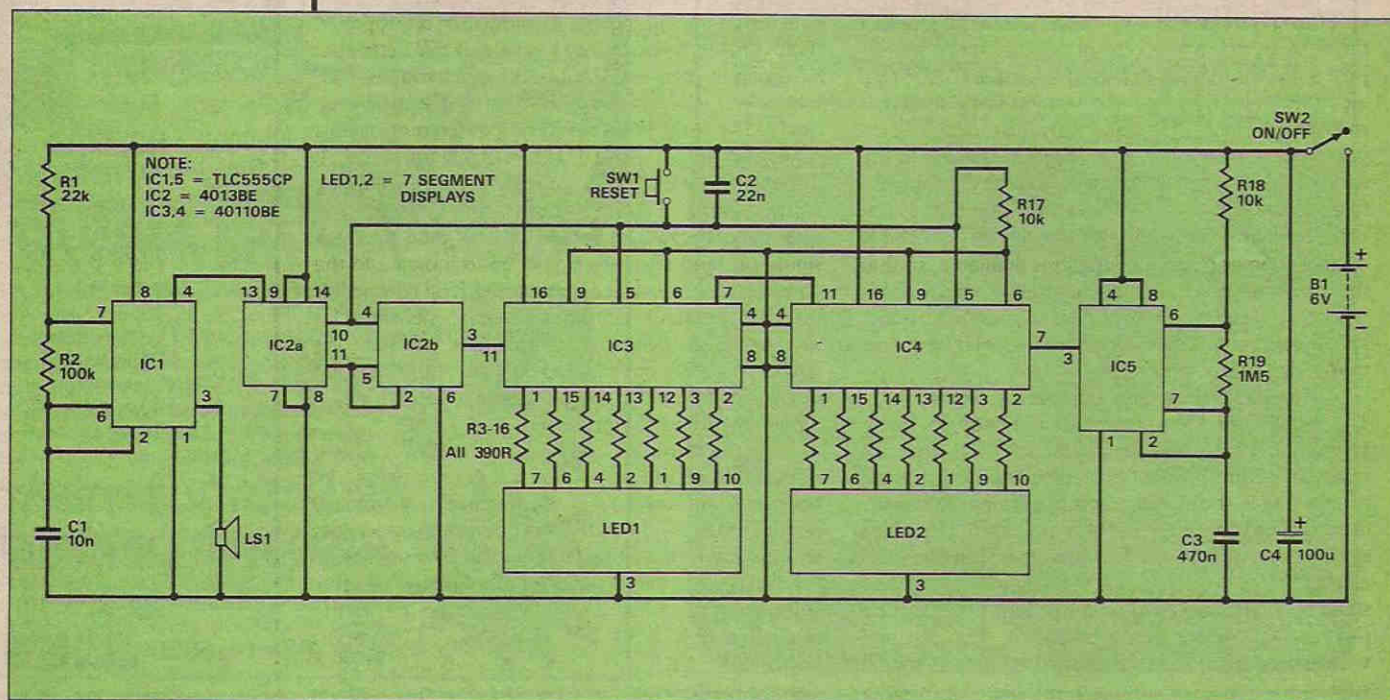
NAME
 ADDRESS

Credit Card No.
 Expiry date Signature

Please note these prices are UK and Europe only.
 Rest of world is £75 for either unit inc. postage.

GAMES TECH TIPS

COUNTDOWN GAMES TIMER



Robert Penfold creates a few electronic novelties for the festive season

CIRCUITS

A games timer can be used when playing any game that tends to drag sometimes due to players taking too long to make their moves. The basic idea is that when someone makes their move they reset the timer, and it starts a new timing run. The next player must make his or her move before the timing run ends, or a suitable penalty (loss of a turn, having to read E.T.I. from cover to cover, etc.) must be paid. This limited time approach may not meet the approval of games purists, but like one day cricket, it is not the real thing but is often more fun! This games timer is a fairly up-market type which has a two digit led display. This counts downwards at a suitable rate, and a buzzer is activated if a count of '00' is reached.

The circuit is based on a two digit down counter which has IC3 and IC4 to provide the counter, seven segment decoder, and display driver functions. The 40110BE also includes latches on the decoder outputs, but in this circuit these are set to the transparent mode by taking the latch enable input low, and they play no active role. Similarly, the unit counts continuously, and so the clock gating facility is not required. Accordingly, the toggle enable inputs are simply tied to the zero volt rail. SW1 is the reset switch, and it pulls the appropriate terminals of the counter chips high when it is activated. The 40110BE has the unusual feature of up and down clock inputs, plus carry and borrow outputs to drive subsequent counter stages. In this case it is a down counting action that is required, and it is therefore the down inputs and borrow outputs that are utilized. The up inputs are tied to the zero volt supply rail to avoid spurious operations.

The clock signal is provided by IC5 which is a low power 555 timer used in the normal astable mode.

With the specified values this gives a clock frequency of approximately 1Hz, giving a readout in seconds. If optimum accuracy is required, R19 should be replaced with a 2M2 preset which can then be used to set a count rate of exactly one per second. Alternatively, you can simply settle for arbitrary scaling and use a value for R19 that gives a suitable total countdown time for the particular game being played. The clock frequency is inversely proportional to the value of R19 (eg halving R19's value doubles the clock rate). A little experimentation should soon pinpoint the best value.

IC2 is a dual D type flip/flop, but in this circuit IC2b is used as a divide by two stage, and IC2a acts as a latch. The purpose of these stages is to provide an output that latches in the high state when the counter is allowed to count right down to zero. This signal is used to operate a simple beeper circuit that provides an audible warning that the unit had cycled through a zero count. The beeper function is provided by a second low power 555 astable (IC1) driving a ceramic resonator (LS1). Note that LS1 must be a ceramic resonator such as the PB2720 and not an ordinary moving coil loudspeaker. In this application high volume is not necessary or particularly desirable, and LS1 can be an uncased resonator glued to the interior of the case behind a simple grille of holes. Both halves of IC2 have their reset input controlled by SW1, and the beeper is silenced when SW1 is activated.

When building the unit remember that IC2, IC3 and IC4 are CMOS types, and that the standard anti-static handling precautions should be observed when dealing with them. The current consumption of the unit averages out at about 50mA. A fairly high capacity such as four HP7 cells in a plastic holder are suitable as the power source.

REACTION TESTER

While not exactly the most recent of ideas in the world of electronic amusements, a reaction tester remains a compulsive toy for anyone who encounters such a unit.

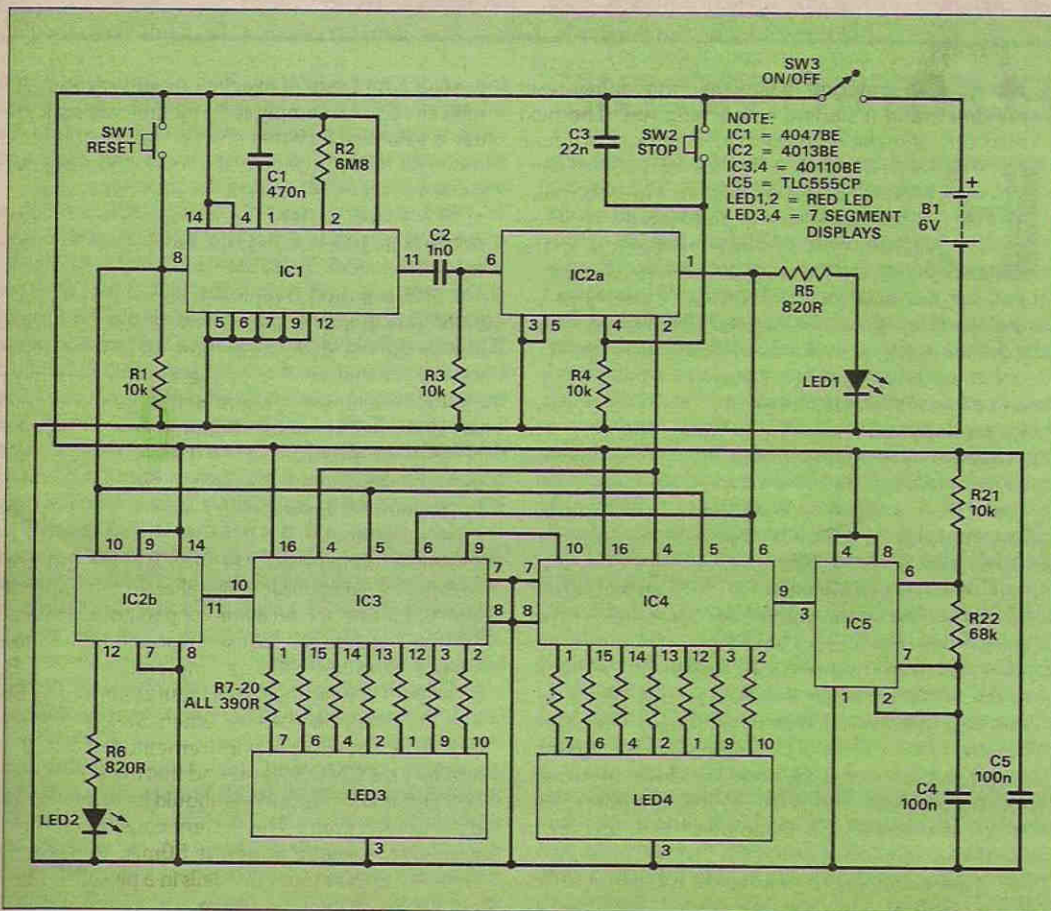
Why it is that everyone seems to be certain that their reactions are that bit faster than everyone else's, and they are always eager to prove it? Some people's reactions are certainly faster than others, but it is surprising how little difference there is in the reaction times of an average group of people. It is also surprising how much effect even quite small amounts of alcohol can lengthen reaction times (something that most constructors of this unit will presumably investigate very thoroughly!). This reaction tester is in the form of a simple timer having a two digit display. The display reads from 0 to .99 seconds, but it does not provide highly accurate results unless a suitable oscilloscope or frequency meter is available, so that the clock frequency can be accurately set up. Even without any calibration the unit is still perfectly usable for amusement purposes, where it is relative scores that are of primary interest.

The circuit is based on a simple two digit counter. This has IC3 and IC4 to provide the counter, seven segment decoder, and driver functions. The displays must be common cathode led types, and the pin numbering in the circuit diagram assumes that standard 0.5 or 0.56 inch displays are used. The clock signal is provided by IC5, which is a standard 555 astable. It is connected direct to the clock input of IC4 since IC3 and IC4 have built-in circuits that can be used to gate the clock signal on and off. The specified values give oscillation at approximately 100Hz. If suitable frequency measuring test gear is available, replace R22 with a 39k fixed resistor and a 47k preset wired in series. The preset is then adjusted for a clock

frequency of precisely 100Hz at pin 3 of IC5. The circuit uses a low power 555 for IC5 in order to minimise the battery drain, but an ordinary 555 should work just as well.

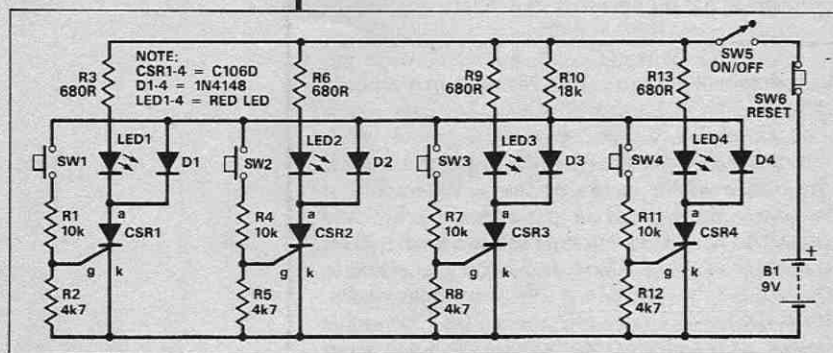
If the display should cycle right back to zero and go into a second count, this will be detected by IC2b. This is one section of a D type flip/flop. It is connected here to act as a simple latch, and it switches on LED 4 if an overflow occurs. Operating SW1 resets the circuit, with the counter going to zero and (when appropriate) IC2b is reset. A secondary function of SW1 is to start a new timing session. When activated it triggers IC1, which is a 4047BE astable/monostable. It is connected here to act as a positive triggered monostable having an output pulse duration of just under 8s. At the end of the pulse, C2 couples the positive going signal from the \bar{Q} output of IC1 to the set input of D type flip/flop, IC2a. This gates the clock signal on, and switches on LED3 to indicate to the competitor that the timer has started. The competitor then has to press SW2 as quickly as possible in order to reset IC2a, stop the counter, and produce the lowest possible count. The frozen count is then displayed, and held until SW1 is pressed again, when a new timing run commences.

The current consumption of the unit is largely dependent on the number of display segments that happen to be switched on at the time. It is typically about 75mA, and four HP7 size cells in a plastic holder should give a reasonable battery life. Connection to the holder is via an ordinary PP3 style battery clip. When constructing the unit bear in mind that all the integrated circuits are CMOS types, and that apart from IC5 (which has highly effective built-in protection circuits) they require the standard anti-static handling precautions to be observed.



QUIZ MONITOR

An essential part of any television style quiz game is an electronic unit to determine who was first on the button. Basically, all a unit of this type has to do is operate a separate indicator light from each contestant's push button switch, with all the other lights being frozen out once one of the lights has been activated. This avoids any arguments about who was first to press their button. A two button circuit of this type does not need to be particularly complex, and a form of flip/flop will do the job quite well. Units that have four or more push buttons can easily become quite complex if the circuit designer is not careful, with little prospect of being able to expand the system to cope with more switches if the need should arise. This circuit accommodates four push button switches, uses only a handful of inexpensive components, and is easily expanded to any desired number of push buttons.



The circuit is based on four thyristors, with each one being used as an electronic switch to control an indicator led. Operation of the circuit exploits the latching action of a thyristor. Unlike a transistor, once

a thyristor is turned on it will remain in the 'on' state until the current flow through the device falls to a low level (usually a few milliamps at most). Cutting off the input current to the gate of a thyristor will not switch it off. In this circuit each thyristor has a push button switch and a bias circuit in its gate circuit. Operating one of these push button switches will result in the respective thyristor and led indicator being turned on.

The hold-off on other lights, once one of them has been activated, is provided by the four diodes (D1, D2, D3, and D4). The gate bias signal is obtained via R10, but once one of the thyristors has turned on there will be a path of conduction from the lower end of R10 to ground, through one of the diodes and whichever of the thyristors has been activated. This pulls the lower end of R10 down to a potential of only about one volt or so. The potential divider in each gate circuit then ensures that the gate current and voltage can not be sufficient to trigger any of the thyristors. This gives the required hold-off, but the latching action of a thyristor ensures that the one which has been activated will remain switched on. In order to reset the circuit SW6 is momentarily operated. This cuts off the power so that the current through the activated thyristor is reduced to zero, and it turns off.

The standby current of the unit is negligible, but it is still a good idea to include on/off switch SW5. This ensures that any accidental activation of the unit while it is not in use will not cause the battery to run down. The current consumption with the led activated is about 10mA. Large high brightness leds are probably the best type to use for this application. Although the unit is shown here as having four stages, it should work perfectly well with as few as two stages, or as many as a few dozen. In theory there is no upper limit to the number of stages that can be used in the circuit. The circuit relies on the thyristors having quite high sensitivities. Many thyristors require much higher gate trigger current than the maximum of 0.2mA required by the C106D. The use of substitutes is therefore not recommended.

ELECTRONIC DIE

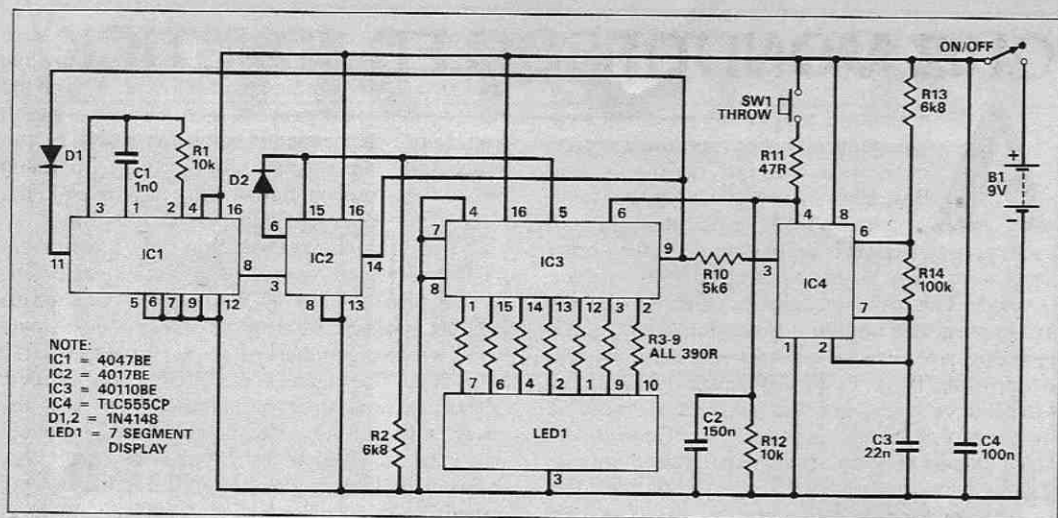
Electronic dice generally have either a seven segment led display, or use seven ordinary panel leds arranged in an 'H' pattern, with the appropriate led or leds being switched on to produce the required number patterns. For the sake of simplicity, I based this design on a seven segment led display. This enables the unit to be built around a standard counter, decoder, and display driver integrated circuit, but it leaves a few problems to be solved. Normal counter chips are designed to count from 0 to 9, whereas this application requires a count from 1 to 6. The counter must therefore be reset on the next clock pulse after a count of 6 is reached, which is not particularly difficult to achieve. It must be reset to 1 instead of 0, which is a bit more tricky.

This circuit is based on a CMOS 40110BE decade counter, seven segment decoder, latch, and display driver chip (IC3). The clock signal is provided by IC4 which is a low power 555 used in the standard astable mode. It is gated on and off via SW1. Operating this switch takes pin 4 of IC4 high and activates the oscillator. The counter then cycles through its 1 to 6 count sequence about one hundred times per second. This count is not visible on the display, not because it is too fast for the human eye to perceive what is happening, but because IC3 displays the previous count held in its latches until SW1 is released. The new final count is then fed to

the latches and displayed. It is, of course, purely a matter of chance as to which number in the 1 to 6 range is displayed. The unit therefore gives a good die simulation, and no significant weighting problems were apparent when testing the prototype.

IC3 is used to reset the counter after it reaches a count of 6. This is a 4017BE decade counter and one of ten decoder. In this case the 7 output is coupled to the reset inputs of both IC2 and IC3 via D2. Both counters are therefore reset to zero as the 7 output of IC2 goes high. In order to eliminate the zero and move the unit on to a count of one, an extra clock pulse must be generated immediately after the counters have been reset. This is the purpose of IC1, which is a 4047BE connected to operate as a positive edge triggered monostable. It is triggered when the counters are reset, and the pulse it generates is crowbarred onto the clock signal so that it has the desired effect. R10 provides a loose coupling from IC4 to the counters so that this crowbaring does not involve any risk of exploding chips! D1 ensures that the clock signal is allowed to pass through to the counter circuits normally at other times.

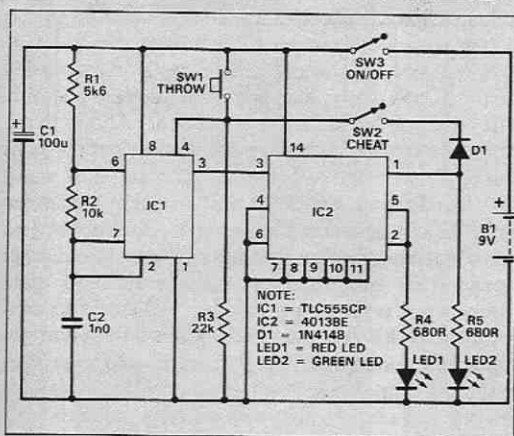
When building the unit remember that IC1 to IC3 need the usual anti-static handling precautions. Apparently one or two inputs of the 4047BE lack protection circuits, and this component therefore needs more care than usual. The current consumption of the circuit is about 30-75mA, depending on the number of display segments that are switched on. It therefore requires a fairly high capacity battery, such as a PP9 size or six HP7 size cells in a plastic holder.



Note that the display must be a common cathode led type, and that the pin numbering in the circuit diagram assumes that it is a standard 0.5 or 0.56 inch type. A high brightness type is preferable, but not essential.

When the unit is initially switched on it might display any number, including 0, 7, and 9. However, once SW1 has been activated it should only display numbers in the range 1 to 6 thereafter.

HEADS OR TAILS



or the other of the leds can be switched on at any one time.

To toss the coin SW1 is briefly activated. While it is operated it takes pin 4 of IC1 high, and enables this 555 oscillator to run normally. When SW1 is released, pin 4 of IC1 is taken low by R3, and oscillation ceases. The operating frequency of IC1 is quite high at about 20kHz, and while it is oscillating the leds flash on and off at a rate which is far too fast for the human eye to perceive properly. It appears that both leds are switched on continuously but at about half normal brightness. Consequently, unless you are superhuman, there is no way of releasing SW1 when the desired led is switched on. It is purely a matter of chance whether it is the heads or tails led which is switched on (and remains on) when SW1 is released, giving the required randomness.

The circuit does not seem to suffer from any problems with feedback through the supply lines weighting results. In the original design there was a simple R-C timer circuit included at pin 4 of IC1, but this seemed to cause some very heavily weighted results. The more simple and direct approach used in the final design seems to give much better randomness. Do not be surprised if the unit sometimes provides the same result several times in succession. This could easily happen when tossing a real coin. To test for true randomness you need to activate the unit about one thousand times, making a note of the results!

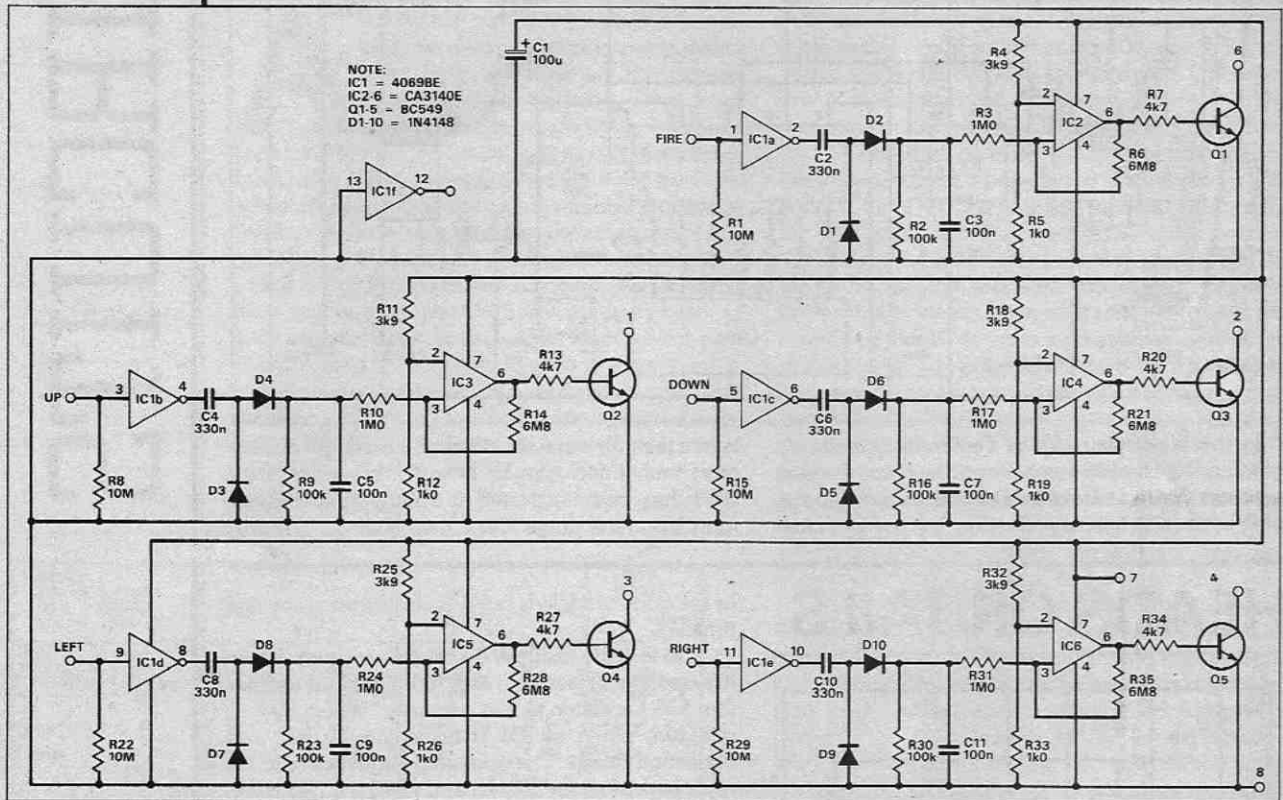
For those who would like a hi-tech practical joke, the unit has a built-in double-headed coin facility. If SW2 is closed the unit will function normally if a head is thrown. However, if the result is tails and pin 1 of IC2 is high, the coupling through D1 to pin 4 of IC1 keeps oscillation going for another cycle, when IC1 pin 1 goes low and oscillation is cut off. This effectively nudges the circuit from tails to heads, ensuring that the result is always heads. D1 prevents SW1 from pulling the Q output of IC2 high each time this switch is operated. It will be a bit obvious if SW2 is an ordinary switch. It should be some form of concealed switch, such as a tilt type mounted so that the double heads action is obtained only if the unit is held at a suitable angle.

The current consumption of the circuit is about 12mA, and any 9 volt battery should be suitable as the power source. The unit will also function with a 6 volt battery supply, but with slightly reduced led brightness.

T rue randomness is one of those things that seems to be easily achieved using electronic means, but which is actually quite hard to produce. Having tried various random number generators and heads/tails circuits over the years, it is surprising how many of them are perfectly plausible in theory, but actually produce heavily weighted results in practice. There can be various causes of this, but it is often just a design flaw, with a minor oversight resulting in the circuit not being quite as even-handed as it might at first appear. Probably the biggest problem is that of stray coupling, particularly via the power lines. Normal levels of supply decoupling seem to be ineffective at preventing this problem. It can often be so severe that in reality the supposedly random generator produces the same result every time!

In my (fairly considerable) experience of random generator circuits the best route to true randomness, or something very close to it, is to keep the circuit as simple and straightforward as reasonably possible. The heads and tails circuit featured here simulates the tossing of a coin, and is based on one of the D type flip/flops in a CMOS 4013BE. This has its \bar{Q} output connected back to its data input so that it provides a simple divide by two action. The second flip/flop is ignored, apart from some of its terminals which are wired to the 0V supply rail for static protection purposes. LED1 is the heads indicator led, and it is driven from the \bar{Q} output of IC2. The tails led (LED2) is driven from the \bar{Q} output. Consequently, only one

TOUCH CONTROLLED JOYSTICK



Most home computers can be used with switch type joysticks of the standard Atari/Commodore variety. There are a few exceptions which use potentiometer type sticks (notably the BBC model B and IBM compatible machines), but most require the switch variety and have the standard 9 pin D connector with the standard method of connection. This kind of joystick consists of what is basically five s.p.s.t. switches. One of these is the firebutton, and it pulls the appropriate input of the joystick port low when it is activated. The other four switches also pull their respective inputs low when they are activated, and they are controlled via the stick. Setting the stick left, right, up, or down activates the corresponding switch. In practice it is possible to operate two adjacent switches at once, such as the up and right switches by setting the stick at the half past one position. This arrangement therefore enables eight different directions to be indicated to the computer.

The basic simplicity of a switch type joystick raises the possibility of alternative methods of control, including do-it-yourself versions. A few alternatives forms of joystick have been made available commercially from time to time, but do-it-yourself units seem to be something of a rarity. This design is unusual in that it is a stickless joystick! It is controlled via five touch contacts which are the fire button plus left, right, up, and down controls. Like a conventional switch type joystick, eight directions can be indicated. With this touch controlled version the intermediate directions are obtained by simultaneously activating the appropriate pair of adjacent contacts.

The unit is essentially five identical touch switches, with a separate circuit for each input of the joystick port. Each switch circuit has a CMOS buffer/inverter at the input. The purpose of this is to provide a very high input impedance. The input impedance of each switch circuit is set at 10M by an input bias resistor (R1 in the case of the firebutton switch for example).

Touching one of the input contacts results in mains hum picked up in the operator's body activating the buffer/inverter, producing a 50Hz squarewave signal at its output. This signal is rectified and smoothed to produce a positive d.c. signal. The time constant of the smoothing circuit is kept as short as possible so that the unit has a suitably rapid response time. The output from the smoothing circuit is fed to the input of a trigger circuit based on an operational amplifier.

Each switch has an open collector output stage. This is important, as the joystick inputs are sometimes used as part of the keyboard scanning circuit. Driving the joystick inputs from ordinary logic outputs can result in an apparent malfunction of the keyboard. Open collector outputs should totally avoid any problems of this type.

The unit is powered from the +5V supply available from the joystick port. Its current consumption is only about 10mA or so, and any computer should be able to supply this without difficulty. The pin numbering on the outputs is correct for a standard Atari/Commodore games port. The unit should be usable with any computer that has a +5V output on its joystick port, and is intended for operation with switch type sticks. The computer's manual should give connection details for the games port. Note that IC1 is a hex buffer/inverter, but that in this circuit only five sections of the device are actually utilized. The input of the sixth inverter is connected to the zero volt rail to provide static protection. All six integrated circuits have MOS input incidentally, and therefore require the standard anti-static handling precautions to be observed.

Try to arrange the touch contacts in a sensible arrangement so that the unit will be quick and easy to use. Use a plastic case so that there is no difficulty in keeping the contacts insulated from each other. Touch contacts can be obtained from some of the larger component retailers or large panel head screws make a good low cost alternative to the real thing.

CIRCUITS

TK FOR KITS

ELECTRONIC WEIGHING SCALES



Kit contains a single chip micro-processor, PCB, displays and all electronics to produce a digital LED readout of weight in Kgs or Sts/lbs. A PCB link selects the scale—bathroom, two types of kitchen scales. A low cost digital ruler could also be made.

EST £7.20

BEGINNERS KITS



These kits are simple to build even for the complete novice. Kits include ALL components, printed circuit and full instructions and are powered by a 9v battery (not supplied).

SK1 DOORCHIME — plays 'For Alice' when button is pressed £3.90

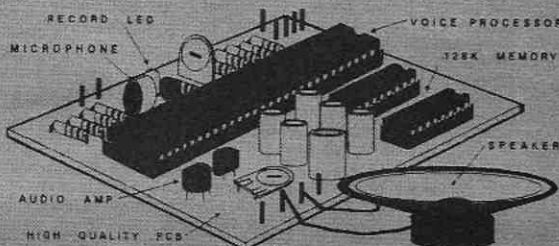
SK2 WHISTLE SWITCH — switches a relay on and off in response to a whistle. Switch your TV or radio on and off by whistling £3.90

SK3 SOUND GENERATOR — police, ambulance/fire engine siren plus machine gun sounds available at the touch of a switch. Just right for you BMX bike £3.90

XK113 MW RADIO — based on the ZN414 chip, builds into a super little radio with built in ferrite aerial and earpiece for personal listening £6.60

XK118 TEN EXCITING PROJECTS FOR BEGINNERS. This kit contains a solderless breadboard, components and a booklet with instructions to enable the absolute novice to build ten fascinating projects, including a light operated switch, intercom, burglar alarm and electronic lock. Each project includes a circuit diagram, description of operation and an easy to follow layout diagram. A section on component identification and function is included, enabling the beginner to build the circuits with confidence £15.00

VOICE RECORD/PLAYBACK KIT



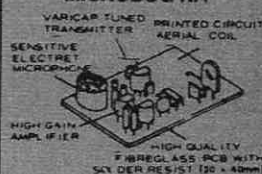
This simple to construct and even simpler to operate kit will record and playback short messages or tunes. It has many uses — seatbelt or lights reminder in the car, welcome messages to visitors at home or at work, warning messages in factories and public places, in fact anywhere where a spoken message is announced and which needs to be changed from time to time. Also suitable for toys — why not convert your daughter's £8 doll to an £80 talking doll!

Size 78 x 60 x 15 mm

Message time 1-5 secs normal speed, 2-10 secs slow speed

XK129 £22.50

SUPER-SENSITIVE MICROBUG KIT



Only 45 x 25 x 15mm, including built-in mic. 88-100MHz (standard FM radio). Range approx. 300m depending on terrain. Powered by 9V PP3 (7mA). Ideal for surveillance, baby alarm etc. £5.90

VERSATILE REMOTE CONTROL KIT

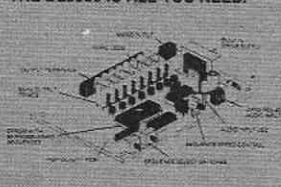


Includes all components (+transformer) for a sensitive IR receiver with 16 logic outputs (0-15V) which with suitable interface circuitry (relays, triacs, etc — details supplied) can switch up to 16 items of equipment on or off remotely. Outputs may be latched to the last received code or momentary (on during transmission) by specifying the decoder IC and a 15V stabilised supply is available to power external circuits. Supply: 240V AC or 15-24V DC at 10mA. Size (exc. transformer) 9x4x2 cms. Companion transmitter is the MK18 which operates from a 9V PP3 battery and gives a range of up to 60ft. Two keyboards are available — MK9 (4-way) and MK10 (16-way).

MK12 IR Receiver £17.00
 (inc transformer)
 Mk18 Transmitter £7.80
 Mk9 4-way Keyboard £2.40
 Mk10 16-way Keyboard £7.00
 601133 Box for Transmitter £2.60

DISCO LIGHTING KITS

DON'T CHASE AROUND FOR A LIGHT SEQUENCER FOR YOUR DISCO — THE DL8000 IS ALL YOU NEED.



The DL8000K is an 8-way sequencer kit complete with an EPROM containing EIGHTY — YES! 80! different flashing and chasing patterns which can be selected by means of two selector switches. The speed of the sequence can be controlled by a potentiometer or from the built in opto isolated audio input and each output triac can switch 300W of mains lighting (up to 1kW if heatsinks are fitted). Zero voltage switching is used to minimise interference with audio equipment and 8 mimic LEDs are included. The kit is supplied with full instructions, mains transformers, PCB, switches and electronic components — even the PCB connectors. The size is 130 x 85 x 35mm and the price is ONLY £34.60

XK124 POWER STROBE KIT



Designed to produce intense light pulses in the variable frequency of 1-15Hz this kit also includes circuitry to trigger the light from an external voltage source (eg. audio amplifier) via an opto isolator, making it ideal for disco use. Instructions are also supplied to modify the unit for manual triggering via a push button or as a slave flash in photographic applications. The unit operates directly from the 240V mains supply although for portable applications a simple inverter could be used. Order as XK124 £15.00

DL1000K A value for money 4-way CHASER kit featuring bidirectional sequence and dimming. 1kW/channel £21.00

DLZ1000K A lower cost CHASER with zero voltage switching and unidirectional sequence £11.80

DLA1 (for DL/DLZ1000K) Optional OPTO INPUT allowing for audio 'beat' light response 80

DL3000K A 3-channel SOUND-TO-LIGHT featuring zero voltage switching, auto level control, built-in microphone and 1kW/channel. Bass, mid and treble outputs £17.00

SOLID STATE RELAY BARGAIN



Zero voltage switching — no radio interference. 2.5KV input to output isolation. 4 KV terminals to heatsink isolation. 3V to 32V input voltage easily interfaced to TTL or CMOS logic. 24V to 240V rms load voltage inductive load switching. Built-in snubber network. 10A max. 4A with no heatsink at 40°C. CD240/10 £2.25

ELECTRONIC LOCK KIT



Don't lock yourself out! This high security lock kit will secure doors to sheds, garages or your front door and the built-in alarm will deter would be prowlers. Scores of uses including area access preventing unauthorised use of machinery or even disabling your car. One correct 4 digit code (out of 5000) will open the lock. Incorrect entries sound the alarm and disable the keyboard for up to 3 mins. Kit includes 12-way keypad, and operates from 9 to 15V (50mA) supply. Will drive relay or 701 150 lock mechanism.



XK121 £15.95

MICROPROCESSOR TIME

Kit controls 4 outputs independently switching on/off at 18 preset times over a 7-day cycle. LED display of time/day easily programmed. Includes box. CT6000K 49.50

XK114 Relay kit for CT6000 includes PCB, connectors and one relay. Will accept up to 4 relays. 3A/240V c/o contacts £4.75
 701115 Additional relays £1.80

TK ELECTRONICS

TK ELECTRONICS
 13 Boston Road
 London W7 3SJ
 Tel: 01-567 8910
 Fax: 01-566 1916

ORDERING INFORMATION. All prices exclude VAT. Free p&p on orders over £50 (UK only), otherwise add £1+VAT. Overseas p&p: Europe £3.50, elsewhere £10.00. Send cheque/PO/Barclaycard/Access No. with order. Giro No. 529314002. Local authority and export orders welcome. Goods by return subject to availability.



ORDERS: 01-5678910 24 HOURS

THE ORIGINAL SURPLUS WONDERLAND!

THIS MONTH'S SPECIAL!

Very high resolution, fully cased 14" green or amber screen monitor with non-glare screen and swivel/tilt base. The very latest technology at the very lowest price! Fully compatible and plug compatible with all IBM PCs and clones fitted with a high res Hercules or equivalent card. Enables superb graphics and resolution, all at a give away price. Has many extra features including aux +5 & 12v DC outputs to power at least 2 disk drives, if your PC power supply is getting hot! Supplied BRAND NEW and boxed. State whether amber or green screen required.

Amber£79 Green£69 (E)

COMPUTER SYSTEMS

TATUNG PC2000. Big brother of the famous Einstein. The TPC2000 Professional 3 piece system comprises: Quality high resolution Green 12" monitor. Sculptured 92 key keyboard and plinth unit containing Z80A CPU and all control circuits. PLUS 2 integral TEAC 5.25 80 track double sided disk drives. Generous other features include dual 8" IBM format disk drive support. Serial and parallel outputs, full expansion port, 64K ram and ready to run software. Supplied complete with CFM, Wordstar and Basic. Brand new and covered by our famous 90 day guarantee and backup. Normal price of this unit is over £1400!

Our price only£299 (E)

PC-AT 286 CLONE Lowest ever priced 8 mhz PC-AT clone complete with a 20mhz hard drive, a 5.25" 360k floppy, 640k of RAM plus Hercules card compatibility. The keyboard is NCR with 85 keys in an attractive beige, grey and cream finish to match the computer. The monitor is very high resolution 14" non-glare, with your choice of amber or green screen. A very nice package at a super price!

Our price only£799 (E)

SPECIAL PURCHASE V22 1200 baud modems

We got a tremendous buy on further stocks of this popular Master Systems 2/12micromicroprocessor controlled V22 full duplex 1200 baud modem - we can now bring them to you at half last advertised price! Fully BT approved unit, provides standard V22 high speed data comm, which at 120 cps, can save your phone bill and connect time by a staggering 75%! Ultra slim 45 mm high. Full featured with LED status indicators and remote error diagnostics. Sync or Async use; speech or data switching; built in 240v mains supply and 2 wire connection to BT. Units are in used but good condition. Fully tested prior despatch, with data and a full 90 day guarantee. What more can you ask for - and at this price!!

ONLY £69 (D)

Write to us today and get your name on our mailing list for our FREE eight weekly bargain flyer *The Display News* with thousands of unadvertised special offers.

MONITORS

COLOUR MONITORS

Decca 16" 80 series budget range colour monitors. Features include PIL tube, housed in a beautiful teak style case and guaranteed 80 colour resolution, features which are only normally seen on colour monitors costing 3 times our price! It is absolutely ready to connect to a host of computer or video outputs. Manufacturers fully tested surplus, sold in little or hardly used condition with 90 day full RTB guarantee. Decca 80 COMPO 75 ohm composite video input with integral audio amp & speaker. Ideal for use with video recorder or our Telebox ST, or any other audio visual use.

Only £99.00 (E)

HI-DEFINITION COLOUR MONITORS

Brand new Centronic 14" monitor for IBM PC and compatibles at a lower than ever price! Completely CGA equivalent. Hi-res Mitsubishi 0.42 dot pitch giving 669 x 507 pixels. Blg 28 Mhz bandwidth. A super monitor in attractive style moulded case. Full 90 day guarantee.

Only £149 (E)

20", 22" and 26" AV SPECIALS

Superbly made UK manufacture. PIL all solid state colour monitors, complete with composite video & sound inputs. Attractive teak style case. Perfect for Schools, Shops, Disco, Clubs. In EXCELLENT little used condition with full 90 day guarantee.

20"£155 22"£170 26"£185 (F)

MONOCHROME MONITORS

Wang green screen 12" chassis monitor with composite video input. Adjustable for tilt. Requires 12 vdc. Brand new and boxed in perfect condition.

Only £39 each or 2 for £75 (F)

Motorola M1000-100 5" black & white compact chassis measuring only 11.6H x 12W x 2.2D. Ideal for CCTV or computer applications. Accepts standard composite or Individual H & V syncs. Needs 12vdc at only 0.8a. Some units may have minor screen blemishes. Fully tested with 30 day guarantee and full data.

£29.00 (C)

Fully cased as above in attractive moulded desk standing swivel. Dim 12 x 14.5 x 26cm.

£39.00 (C)

JVC 751 ultra compact chassis monitor for 12vdc 0.7a. Dim 11 x 14 x 18cm. Simple DIY data included to convert to composite video input. Full data. BRAND NEW

£65.00 (B)

20" Black & white monitors by Aztek, Cotron & National. All solid state, fully cased monitors ideal for all types of AV or CCTV applications. Standard composite video inputs with integral audio amp and speaker. Sold in good used condition - fully tested with 90 day guarantee.

£85.00 (F)

FLOPPY DISK DRIVES

BARGAINS GALORE!

NEW 5 1/4 Inch from £29.95!

Massive purchases of standard 5 1/4" drives enables us to present prime product at industry beating low prices! All units (unless stated) are removed from often brand new equipment and are fully tested, aligned and shipped to you with a 90 day guarantee and operate from +5 & +12vdc, are of standard size and accept the standard 34 way connector.

SHUGART SA405. BRAND NEW £29.95 (B)
TANDON TM100-2A IBM compatible DS £39.95 (B)
TANDON TM101-4 80 Track DS £49.95 (B)
CANON, TEC etc. DS half height. State 40 or 80T £75.00 (B)
TEAC FD-55-F. 40-80 DS half height. BRAND NEW £99.00 (B)

3 1/2" INCH BRAND NEW AT £19.95!!

Never before seen price for a 3 1/2" drive. Standard size believed to be by Canon. Brand new and packaged - mint condition! 40 track SS, run from +5 & +12vdc with standard power connector.....Only..... £19.95 or 2 for £34.50 (B)

CHOOSE YOUR 8 INCH!

Shugart 800/801 SS refurbished & tested £125.00 (E)
Shugart 851 double sided refurbished & tested £195.00 (E)
Mitsubishi M2894-63 double sided switchable hard or soft sectors- BRAND NEW £250.00 (E)

SPECIAL OFFERS!!

Dual 8" drives with 2 megabyte capacity housed in a smart case with built in power supply! Only £499.00 (F)
Ideal as exterior drives!

End of line purchase scoop! Brand new NEC D2246 8" 85 megabyte of hard disk storage! Full CPU control and industry standard SMD interface. Ultra hi speed transfer and access time leaves the good old ST506 interface standing. In mint condition and comes complete with manual. Only.....£399 (E)

MAINS SUPPRESSORS & FILTERS

The "Flitan" from Crotan is a British made high current mains spike suppressor and RF filter in one, capable of handling up to 10 amps! The attractive case has an integral 13 amp socket for your equipment plug and a flying lead terminates in a quality plug (to BS 1363A standard) to go to the mains socket. There is an internal fuse plus one in the plug. Two LED indicators, one for power on and the other lights if the internal fuse fails. Dims: 6" x 3" x 2". Brand new. Normal distributor's price is £65.00!

Our price only£15.95 each or 2 for £29.95 (B)
Belling-Lee type L2127 mains RF filters rated at 250 volts 3 amps maximum. Comes complete with a built in mains cable (English coding), and a three pin miniature non-reversible socket and a mating plug, to go to the equipment. Ideal for those who are bugged by RF interference. Very compact. Dims 3-1/8" x 2-5/8" x 1-5/8".....£3.95 each or 3 for £10 (A)

COOLING FANS

Please specify 110 or 240 volts for AC fans.

3 inch AC 1 1/2" thick £ 8.50 (B)
3 1/2 inch AC ETRI slimline. Only 1" thick. £ 9.95 (B)
4 inch AC 110/240v 1 1/2" thick. £10.95 (B)
4 inch AC 1 1/2" thick £ 9.95 (B)
10 inch Round. 3 1/2" thick. Rotron 110v £10.95 (B)
62 mm DC 1" thick. No.812 for 6/12v. 814 24v. £15.95 (A)
92 mm DC 1 1/2" thick. No.812 for 6/12v. 814 24v. £10.95 (A)
4 inch DC 12v. 12w 1 1/2" thick £12.50 (B)
4 inch DC 24v 8w. 1" thick £14.50 (B)

RECHARGEABLE BATTERIES

LEAD ACID

Maintenance free sealed long life. Type A300.

12 volts 12 volts 3 amp/hours £13.95 (A)
6 volts 6 volts 3 amp/hours £ 9.95 (A)
6-0-6 volts Centre tapped 1.8 amp hours £ 5.95 (A)
12 volts 12 volts 24 amp hours. A200. RFE. £29.00 (B)

SPECIAL OFFER!

100 amp/hours at 6 volt! Brand new Chloride Powersafe 3VB11. Leakproof with additional snap-on security lid. Perfect for uninterruptible power supplies, portable power source, caravans etc. Normally costs £80! £39 (E)

NICKEL CADMIUM

Quality 12v 4ah cell pack. Originally made for the Technicolor video camera. Contains 10 GE top quality D nicad cells in a smart robust case with a DC output connector. Ideal for portable equipment. Brandnew. £19.95 (B)
Ex-equipment NICAD cells by GE. Removed from equipment and in good, used condition: D size 4ah 4 for £5 (B)
F size 7ah 6 for £8 (B)

SPECIAL INTEREST

Racal-Redac real time colour drafting PCB layout system. Includes furniture and huge monitor. Complete ready to go £3950
DEC VAX11/750 Inc. 2 Meg Ram DZ and full documentation, in brand new condition! £3900
Large Calcomp plotter £ 650
Tektronix RM529 Waveform Monitor £ 300
1.5kw 15v 60hz power source. £ 950
Wayne Kerr RA200 audio real time freq.res. analyser. £3000
VG Electronics 1033 Teletext Bridge £3750
Tektronics R140 NTSC TV test signal standard. £ 875
Sony KTX 1000 Videotex system - brand new £ 790
DEC LS11/02 CPU board £ 150
ADS 2020 VDU terminals - brand new £ 225



Microwave Speech / Data Links



Made for the US military to the highest possible spec, these units were originally designed as a highly rugged portable point to point distance measuring set. Inbuilt in the unit is a full duplex speech link which may be used as is, or adapted for use as a data link. Many features include 50 km point to point range, approx 10.5 GHz operation for max security, low power consumption (typ. 2 amps at 12 vdc), and small physical size 14w 15h x 13d including built in dish, fully portable weatherproof case. Supplied in used but tested condition complete with instructions and accessories.

Only £295 per pair (E)

Optional 12v integral nicad pack

(3 hours approximate duration).....£22

Limited quantity - don't miss out this time!!!

May require licence for UK use

POWER SUPPLIES

All PSUs 220-240vac input and are BRAND NEW unless stated. Many types ranging from 3v to 10kv always in stock.
Byte BD301 5vdc @ 1.6a. 12vdc @ 1.5a. Perfect for disk drives; with Molex sockets. Very attractively cased. Illum. sw. £19.50 (B)
Greendale 19A80E 60 watts switch mode +5v @ 6a, ±12v @ 1a, ±15v @ 1a. RFE and fully tested. 11 x 20 x 5.5cms. £24.95 (C)
Conver AC130. 130 watt hi-grade VDE spec. Switch mode +5v @ 15a, -5v @ 1a, ±12v @ 6a, 27 x 12.5 x 6.5cms £49.95 (C)
Boherl 13090. Switch mode. Ideal for drives & system. +5v @ 6a, +12v @ 2.5a, -12v @ 0.5a, -5v @ 0.5a. £29.95 (B)
Farnell G6/40A. Switch mode. 5v @ 40a. Encased £95.00 (C)
Farnell G24/5S. As above but 24v @ 5a. £65.00 (C)

IBM KEYBOARD DEAL

A replacement or backup keyboard, switchable for IBM PC, PC-XT or PC-AT. LED's for Caps, Scroll & Num Locks. Standard 85 keyboard layout. Made by NCR for the English & US markets. Absolutely standard. Brand new & boxed with manual and key template for user slogans on the function keys. Attractive beige, grey and cream finish, with the usual retractable legs underneath. A generous length of curly cord, terminating in the standard 5 pin DIN plug. A beautiful clean piece of manufacturer's surplus. What a deal!

BRAND NEW AND BOXED ONLY..... £49 (B)

THE AMAZING TELEBOX!

Converts your colour monitor into a
QUALITY COLOUR TV!!



TV SOUND
& VIDEO
TUNER!

Brand new high quality, fully cased, 7 channel UHF PAL TV tuner system. Unit simply connects to your TV aerial socket and colour video monitor turning same into a fabulous colour TV. Don't worry if your monitor doesn't have sound, the TELEBOX even has an integral audio amp for driving a speaker plus an auxiliary output for Headphones or Hi FI system etc. Many other features: LED Status indicator, Smart moulded case, Mains powered, Built to BS safety specs. Many other uses for TV sound or video etc. Supplied BRAND NEW with full 1 year guarantee.

Telebox ST for composite video input monitors.....£29.95 (B)
Telebox STL as ST but with integral speaker.....£34.95 (B)
Telebox RGB for analogue RGB monitors.....£59.95 (B)

NOT suitable for IBM or Clone type colour monitors.

BRAND NEW PRINTERS

Epson MX-80 FT One of the most popular printers around! Bi-directional printing with full logic seeking. 9 x 9 dot matrix for enlarged, bold, condensed etc. Standard parallel interface. Brand label removed from front. Handles tractor, fanfold and individual paper. OK with IBM PC and most others. A tremendous buy! £129.00 (E)

Hazeltine Esprint small desktop. 100 cps with RS232 and standard parallel. Full pin addressable and 6 user selectable fonts. Up to 9.5" paper. Sheet & tractor feed. £149.00 (C)
Centronics 150 series. Always known for their reliability in continuous use - real workhorses in any environment. Fast 150 cps with 4 fonts and choice of interfaces.
150-SM up to 9.5" paper.....£155.00 (E)
150-SW up to 14.5" paper.....£199.00 (E)

Specify whether serial or parallel required.

CALL FOR THE MANY OTHERS IN STOCK
INCLUDING DAISY WHEELS.

Visit our Shop - Technical help always on hand plus many un-advertised specials. You can buy a colour television for as little as £29! Come and join the gang at 215 Whitehorse Lane!

LARGE QUANTITIES OF OSCILLOSCOPES AND TEST GEAR ALWAYS AVAILABLE - CALL NOW!

DISPLAY

-Electronics-

MAIL ORDER & OFFICES

Open Mon-Fri 9.00-5.30
Dept. ET, 32 Biggin Way,
Upper Norwood,
London SE19 3XF.

LONDON SHOP

100's of bargains!
Open Mon-Sat 9-5.30
215 Whitehorse Lane,
South Norwood,
London, SE25 6RB.

DISTEL @ The Original

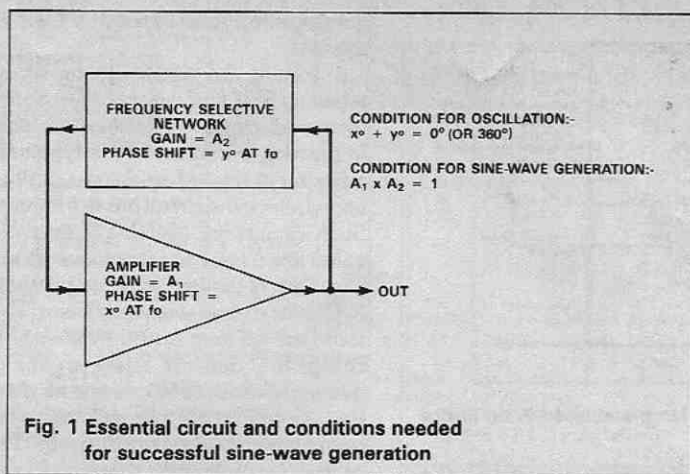
Free dial-up database!
1000's of items info On Line
300 bd 01-679-1888,
1200 75 bd 01-679-6183,
1200 1200 bd 01-679-8769

ALL ENQUIRIES

01-679-4414
Fax- 01-679-1927
Telex- 894502



All prices for UK Mainland. UK customers ADD 15% VAT to total order amount. Minimum order £10. PO orders from Government, Universities, Schools & Local Authorities welcome - minimum account order £25. Carriage charges (A)=£2.00, (B)=£4.50, (C)=£8.50, (D)=£10.00, (E)=£12.00 (F)=£17.00 (G)=Call. All goods supplied subject to our standard Conditions of Sale and unless otherwise stated guaranteed for 90 days. All guarantees given on a return to base basis. We reserve the right to change prices & specifications without prior notice. Orders accepted subject to stock. Quotations willingly given for higher quantities than those stated.



MAKING WAVES

The sine wave is the most fundamental and useful of all waveforms. There are various ways of putting together an oscillator to produce a sine wave output. The two basic passive component methods are the C-R combination and the L-C oscillator. However, sine wave outputs can also be synthesised via special waveform generator ICs. In this article we will look at each principle, in turn. This month we concentrate on the C-R principle.

C-R Oscillator Circuits

Two basic requirements must be fulfilled to produce a simple sine-wave oscillator, as shown in Fig. 1. First, the output of an amplifying device (A_1) must be fed back to its input via a frequency-selective network (A_2) in such a way that the sum of the amplifier and feedback-network phase-shifts equals zero (or 360° or a multiple of 360°) at the desired oscillation frequency, so that $x^\circ + y^\circ = 0^\circ$ (or 360°). Thus, if a transistor amplifier gives 180° of phase shift between input and output, an additional 180° of phase shift must be introduced by a frequency-selective network connected between input and output to meet the first requirement of a sine-wave oscillator.

The second requirement for sine-wave oscillation is that the gain of the amplifying device must exactly counter the loss (attenuation) of the frequency-selective feedback network at the desired oscillation frequency, to give an overall system gain of precisely unity, so that $A_1 \times A_2 = 1$. If the system gain is less than unity the circuit will not oscillate, and if greater than unity the system will be over-driven and will produce distorted (non-sinusoidal) waveforms.

The frequency-selective feedback network used in a sine-wave oscillator usually consists of either a C-R (capacitor-resistor) or an L-C (inductor-capacitor) filter network. Figure 2 shows the practical circuit of one of the crudest members of the C-R sine-wave oscillator family, the so-called *phase-shift* oscillator.

Here the output (collector) signal of transistor amplifier Q1 is fed back to its input (base) via a three-stage C-R ladder network, essentially comprising C1-R1, C2-R2 and C3-R3. Each C-R stage of the ladder produces a phase shift between its input and output terminals. The size of the shift depends on frequency and component values, but has a maximum value of 90° .

The phase shift of the complete ladder network

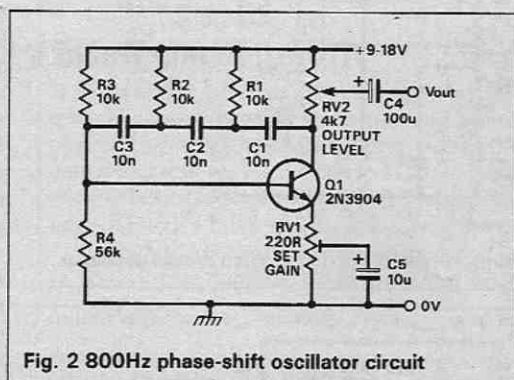


Fig. 2 800Hz phase-shift oscillator circuit

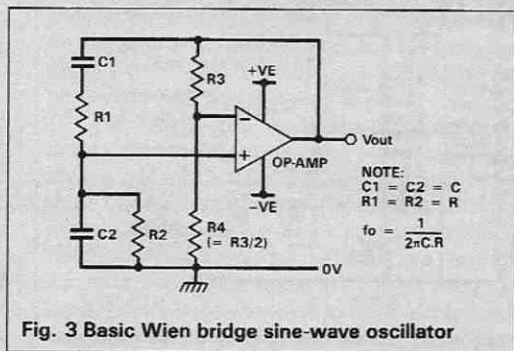


Fig. 3 Basic Wien bridge sine-wave oscillator

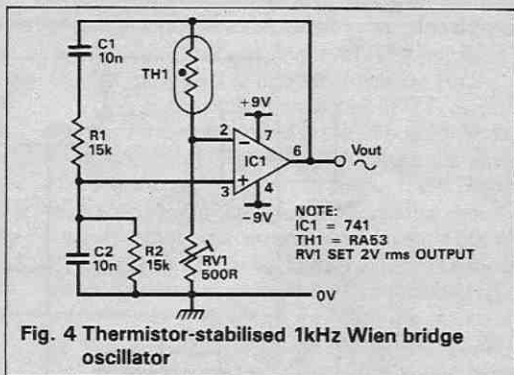


Fig. 4 Thermistor-stabilised 1kHz Wien bridge oscillator

equals the sum of the shifts of each stage. In Fig. 2, where $C_1 = C_2 = C_3 = C$, and $R_1 = R_2 = R_3 = R$, the total shift equals 180° at a frequency of $\frac{1}{14CR}$. Since Q1 itself produces a shift of 180° the circuit actually oscillates at that frequency. Note that the three-stage ladder network gives an attenuation factor of about 29 at the oscillation frequency so that a high-

Ray Marston presents the first of a two part selection of sine-wave generating circuits

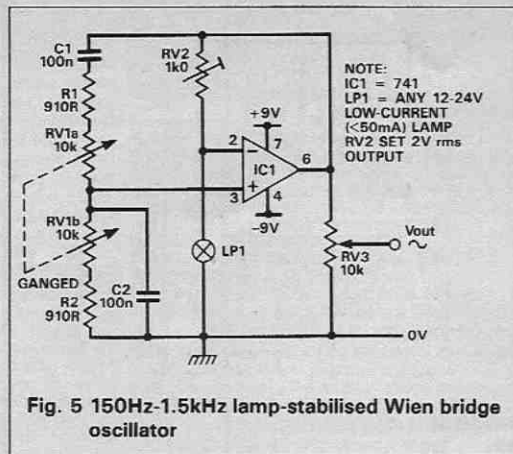


Fig. 5 150Hz-1.5kHz lamp-stabilised Wien bridge oscillator

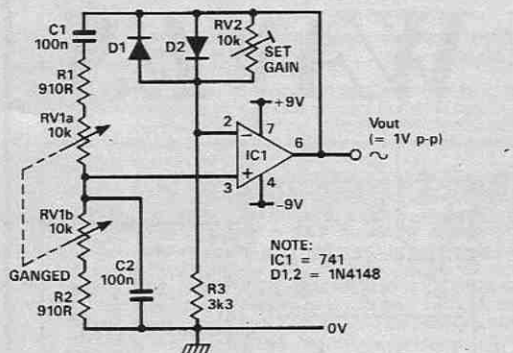


Fig. 6 Diode-regulated 150Hz-1.5kHz Wien bridge oscillator

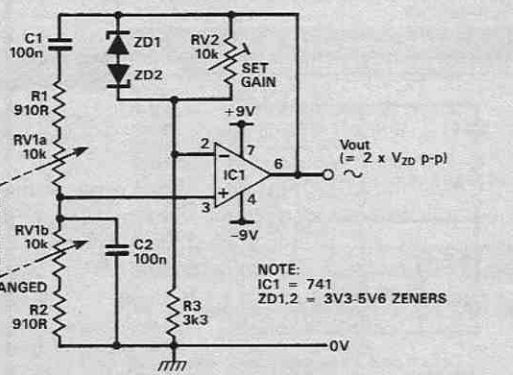


Fig. 7 Zener-regulated 150Hz-1.5kHz Wien bridge oscillator

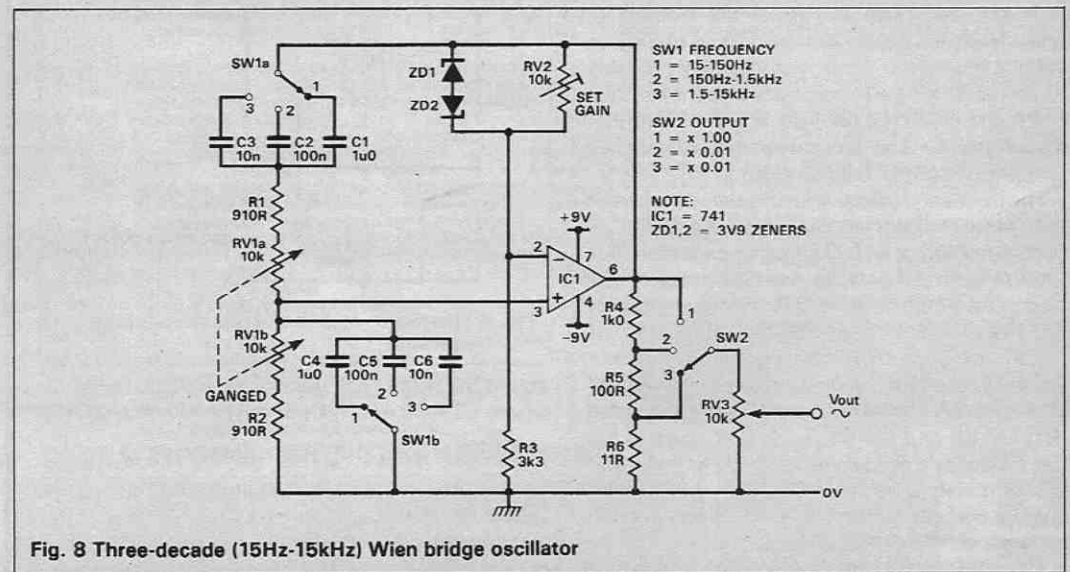


Fig. 8 Three-decade (15Hz-15kHz) Wien bridge oscillator

gain transistor must be used for Q1 to compensate for this loss.

In use, the circuit can be set up by carefully adjusting RV1 until the circuit just goes into oscillation, thus producing a reasonably pure sine-wave output. In practice, oscillators of this type need frequent re-adjustment if good sine-wave purity is to be maintained, since the circuit has no inherent gain stability. Such circuits are useful, however, as simple fixed-value low-frequency sine-wave generators.

One of the best and easiest ways of making an R-C based sine-wave oscillator is to connect a standard op-amp and a frequency-selective Wien Bridge R-C network as shown in Fig. 3. Here, the frequency-sensitive Wien network is constructed from R1-C1 and R1-C2, normally with symmetrical components as noted on the diagram. The main feature of the Wien network is that the phase relationship of its output input signals varies from -90° to $+90^\circ$, and is precisely zero at a centre frequency of $1/2\pi CR$, or $\frac{1}{6.28CR}$. At this centre frequency the network has a voltage gain of $\times 0.33$.

Thus the Wien network is connected between the output and the non-inverting input of the op-amp, so that the circuit gives zero overall phase shift at f_0 and the actual amplifier is given a voltage gain of $\times 3$ via feedback network R3-R4, for an overall gain of unity. The circuit thus provides the basic requirements for sine-wave oscillation. In practice, however, the ratios of R3-R4 must be carefully adjusted to give the overall voltage gain of precisely unity that is necessary for low-distortion sine-wave generation.

The above circuit can easily be modified to give automatic gain adjustment and amplitude stability by replacing the passive R3-R4 gain-determining network with an active gain-control network that is sensitive to the amplitude of the output signal, so that gain decreases as the mean output amplitude increases, and vice versa. Figures 4-8 show some practical versions of Wien Bridge oscillators with automatic amplitude stabilisation.

Thermistor Stabilisation

In the 1kHz fixed-frequency oscillator circuit of Fig. 4, the output amplitude is stabilised by an RA53 (or similar) negative-temperature-coefficient thermistor. TH1 and RV1 form a gain-determining feedback network.

The thermistor is heated by the mean power output of the op-amp, and at the desired output signal

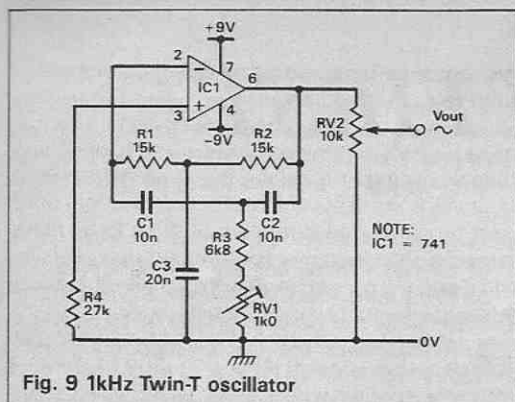


Fig. 9 1kHz Twin-T oscillator

level has a resistance value double that of RV1, giving the op-amp a gain of $\times 3$ and the overall circuit a gain of unity. If the oscillator output amplitude starts to rise, TH1 heats up and reduces its resistance (or vice versa) thereby automatically reducing the gain of the circuit and stabilising the amplitude of the output signal.

An alternative method of thermistor stabilisation is shown in Fig. 5. In this case a low-current lamp is used as a positive-temperature-coefficient thermistor, and is placed in the lower part of the gain-determining feedback network. As the lamp heats up, its resistance increases thereby reducing the circuit gain and providing automatic amplitude stabilisation. This circuit also shows how the Wien network can be modified by using a twin-gang pot to make the oscillator frequency variable over the range 150Hz to 1.5kHz, and how the sine-wave output amplitude can be made variable via RV3.

In Figs 4 and 5 the pre-set pot should be adjusted to set the maximum mean output level to about 2V rms. Under this condition the sine wave has a total harmonic distortion of about 0.1%. A slightly annoying feature of thermistor-stabilised circuits is that in variable-frequency applications, the output amplitude of the sine wave tends to judder or 'bounce' as the frequency control pot is swept up and down its range.

Diode Stabilisation

The amplitude 'bounce' problem of variable-frequency circuits can be minimised as in Figs 6 or 7, which rely on the onset of diode or zener conduction for automatic gain control. In essence, RV2 is set so that the circuit gain is slightly greater than unity when the output is close to zero, causing the circuit to oscillate. However as each half-cycle nears the desired peak value one or other of the diodes starts to conduct and thus reduces the circuit gain, automatically stabilising the peak amplitude of the output signal. This 'limiting' technique typically results in the generation of 1% to 2% distortion on the sine wave output.

The maximum peak-to-peak output of each circuit is roughly double the breakdown voltage of its diode regulator element. In the Fig. 6, the diodes start to conduct at about 500mV, so the circuit gives a peak-to-peak output of about 1V. In Fig. 7 zener diodes ZD1 and ZD2 are connected back-to-back and may have values as high as 5V6, giving a peak-to-peak output of about 12V. Each circuit is set up by adjusting RV2 to the maximum value (minimum distortion) at which oscillation is maintained across the frequency band.

The frequency ranges of the above circuits can be changed via the C1 and C2 values (increasing them by a decade reduces the frequency values by a decade).

Figure 8 shows a variable-frequency Wien oscillator that covers the range 15Hz to 15kHz in three switched decade ranges. The circuit uses zener diode amplitude stabilisation and its output is adjustable via both switched and fully variable attenuators. Note that

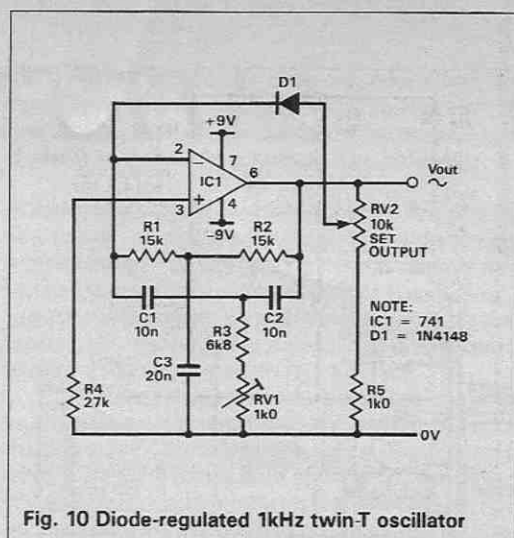


Fig. 10 Diode-regulated 1kHz twin-T oscillator

the maximum useful operating frequency of this type of circuit is restricted by the slew rate limitations of the op-amp. The limit is about 25kHz with a 741 op-amp or about 70kHz with a CA3140.

Twin-T Oscillators

Another way of making a sine wave oscillator is to wire a twin-T network between the output and input of an inverting op-amp, as shown in Fig. 9. The twin-T network comprises R1-R2-C3 and C1-C2-R3-RV1, and in a balanced circuit these components are in the ratios $R1=R2=2(R3+RV1)$, and $C1=C2=C3/2$.

When the network is perfectly balanced it acts as a frequency-dependent attenuator that gives zero output at a centre frequency f_0 of $\frac{1}{2\pi R1C1}$ and a

finite output at all other frequencies. When the network is imperfectly balanced it gives a minimal but finite output at f_0 and the phase of this output depends on the direction of the imbalance. If the imbalance is caused by $R3+RV1$ being low in value, the output phase is inverted relative to the input.

Here the twin-T network is wired between the output and the inverting input of the op-amp, and RV1 is critically adjusted so that the twin-T gives a small phase-inverted output at an f_0 of 1kHz. Zero overall phase inversion thus occurs around the feedback loop, and the circuit oscillates at a centre frequency of 1kHz. In practice, RV1 is adjusted so that oscillation is barely sustained, and under this condition the sine-wave output has less than 1% distortion. Automatic amplitude control occurs because of the progressive non-linearity of the op-amp as the output signal approaches clipping level. The output is fully variable from zero to about 5V rms via RV2.

Finally, to complete this look at C-R oscillators, Figure 10 shows a method of twin-T amplitude control that gives slightly less distortion. Here, D1 provides a feedback signal via potential divider RV2. This diode progressively conducts and reduces the circuit gain when the diode forward voltage exceeds 500mV.

To set up the circuit, first set the RV2 slider to the op-amp output and adjust RV1 so that oscillation is just sustained. Under this condition the output signal has an amplitude of about 500mV peak-to-peak. RV2 then enables the output signal to be varied between 170mV and 3V rms.

Note that these twin-T circuits make good fixed frequency oscillators, but are not recommended for variable-frequency use, due to the difficulties of simultaneously varying three or four network components.

Next month we will look at L-C oscillator and sine-wave synthesiser circuits.

SAFETY FIRST

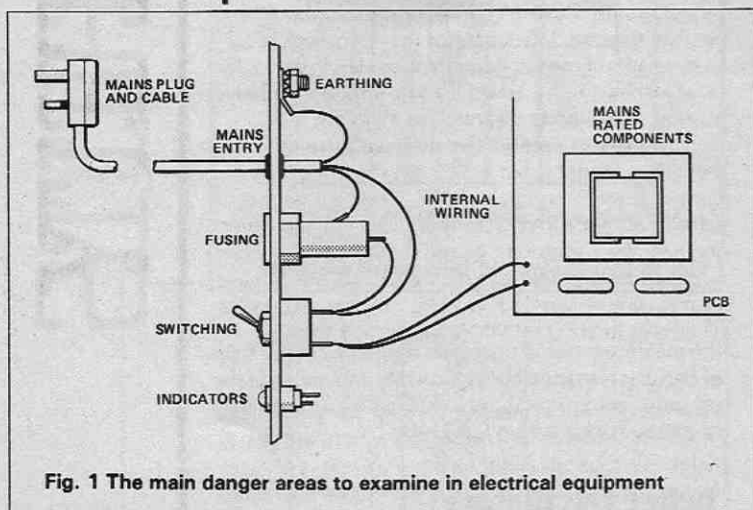


Fig. 1 The main danger areas to examine in electrical equipment

Andrew R Gayne is shocked by the amount of amateur and professional gear that ignores basic safety rules. Here he tells how to keep your power in place

SAFETY

The domestic mains supply is a fairly dangerous beast, yet because it is taken for granted, it is often the least considered part of a project's design. Manufacturers and hobbyists alike can be guilty of failing to observe safe constructional practices, mainly through not being aware of the relatively straightforward design rules which apply.

For instance, a surprisingly common place for error is in the wiring of a standard household mains plug. When stripping a three core cable it is all too easy to leave the three conductors the same length — many manufacturers do so when supplying equipment with pre-finned tails. If this is then wired into a standard layout plug and the cable then accidentally pulled, the conductor that will come under strain first will be the earth (a fibre-type or poorly fitted strain relief will give little protection if the cable is, for example, tripped upon). The earth could become detached within the plug, protection lost, and if the earth wire touches the live pin...

This example demonstrates the essence of electrical safety precautions — predicting how each part could fail or be misused, either accidentally or deliberately, and ensuring that the resultant failure will be 'fail safe'. In the example described, the three conductors should be stripped to such a length that the earth will be the last to detach if the cable is pulled. Simple really, but so easy to overlook.

Figure 1 shows a typical arrangement for a hobbyist project, each of the areas identified being a possible source of problems. We shall take each in turn, to see where improvements can be made.

- **Mains plug.** Unless you buy your plugs from 'Honest Joe' in the local market, all BS1363 plugs are now fitted with sleeved pins for live and neutral, which prevent the pins from being touched when the plug is partially inserted. This type of plug should be considered an essential part of household safety (especially if there are children around). Any of the older unsleeved types should be consigned to the dustbin (go on, have a purge and do the whole house).

- **Mains cable.** There are only two current ratings of mains cable that will be of interest to the home constructor (unless you are into DIY storage heaters

of course). These are 3A (0.5 sq mm) and 6A (0.75 sq mm). Use PVC-covered 3-core cable of an appropriate size for your project, keeping length to 1.5m maximum, the typical length required to get from a high level wall socket to the floor.

If an IEC type mains socket is being used, always make up the mains lead using 6A cable, the maximum rating of the socket itself. Your project may only require 3A cable, but there is no guarantee that a detachable mains lead will not be 'borrowed' to power up something else. Fusing of the mains plug should suit the cable (so 3A or 5A), your project itself being protected by an internally wired fuse of a suitable rating for the mains circuitry.

- **Mains entry.** To get mains into your project, either a plug and socket or a direct entry method can be used. Plug and socket is by far the safest, as long as a correctly rated type is used. The IEC type is the most common, similar in style to that found on the majority of domestic kettles. Beware of other types of 3-pin polarised connectors. Many are 240V rated but are intended for use inside equipment, where the use of a tool is required to access them. The general rule is that if you can see the conductor inside the socket (always the cable mounted half for mains input) then do not use it!

Direct cable entry methods for mains input are more commonplace than plug and sockets in home-built projects but have a greater tendency to suffer from poor assembly practices. The three essential features of direct cable entry are some method of preventing the cable from chaffing, anchorage to prevent the cable from twisting, and to use correct tail lengths. A snugly fitting grommet will prevent chaffing. Anchorage will have to be provided by a 'P' clip or similar internal clamp, because a cable that can freely rotate is likely to end up with broken or detached conductors. Strain relief bushes are available to perform both these functions, being a two part plastic clamp which fits into a square edged hole. Whatever method is used, your project should be subjected to some hefty pulling and twisting of the mains lead to prove the anchorage is secure. Correct tail lengths are required for the same reason as in the mains plug, and should the strain relief fail, the earth must be the last conductor to detach.

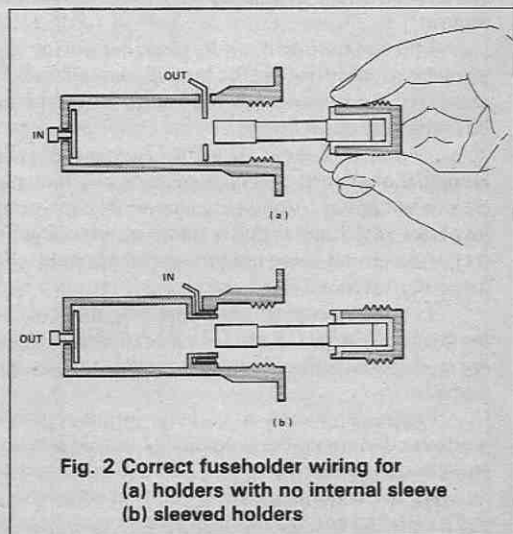


Fig. 2 Correct fuseholder wiring for (a) holders with no internal sleeve (b) sleeved holders

If it is required to supply mains to another unit via the main unit, then a shuttered outlet socket must be used. Direct connection via a permanently attached cable is poor practice in most situations. Suitable IEC types are available for this purpose.

● **The fuse.** All home built projects (and the majority of professional equipment) must be fitted with a fuse separate from that in the mains plug. It is unlikely that a 1in fuse with a suitable rating for the mains circuitry could be found — also an 'unauthorised' person may be tempted to throw any old fuse into the mains plug to get the unit going, but would be less likely to tamper with the unit itself.

The fuse holder should be externally accessible, but only releasable by the use of a tool. Finger releasable holders are a tempting fiddle for the young. Internal PCB-mounted spring clip types are not really suitable for home projects, because protective boots (fuse covers that is) and an unerring discipline to remove the mains plug from the wall would be required to use them safely. The rectangular, parallel entry type of fuse holder should not be used for mains, unless it forms part of a panel mounted IEC plug assembly, where the mains lead must be removed before the fuse can be accessed.

Safe wiring of the fuse holder must take into account the fact that mains could still be present, and will differ depending on the type of the fuse holder fitted. Older style fuse holders with two exposed internal contacts must have *live in* on the rear contact and *live out* on the side contact as in Fig. 2a. If it had been wired the other way round, the situation shown would be very dangerous if the fuse were good and the mains had been left on.

The most recent development in fuse holders is the shrouded type, where an internal plastic sleeve makes touching the side contact virtually impossible, see Fig. 2b. Where this type is used, live should be brought in on the side contact and taken out of the rear, the opposite to the older type. Never simultaneously fuse live and neutral, there is no need for it and if the neutral fuse blows the entire mains circuitry would remain live.

The fuse fitted should be of the sand filled ceramic cartridge type, which are preferred for their high breaking capacity (usually termed HBC fuses, previously known as high rupture capacity or HRC). Under extreme fault conditions a clear glass fuse can actually shatter, so their use on mains is to be avoided.

● **The switch.** Any equipment not intended to be permanently connected to the mains must be fitted with a mains on/off switch. For home projects it is good practice to fit a double-pole switch, to switch live and neutral together, as you are likely to poke around inside the unit whilst fault finding and so on. The practice of switching mains on one pole of a switch and the isolated low voltage on another is definitely bad practice.

If possible, mount the switch on the rear panel close to the rest of the mains circuitry, the convenience of a front panel mounted switch is countered by unnecessarily routing mains wiring to places where it would otherwise not go, increasing the number of potential failure points.

The question of which comes first, the switch or the fuse, is one that can cause great debates. It can be argued that the switch is a mains component, therefore it must be protected by the fuse. On the other hand, laziness (or inexperience) dictates that the unit might not be unplugged from the wall socket for a fuse change, except by the most safety conscious user.

Hence, if an unsleeved type fuse holder is used it may be safer to have the switch first. The answer to

the question should therefore be determined by considering who the end user will be and the type of fuse holder used. Fuse first is the recommended method, as is the use of sleeved fuse holders.

● **Internal wiring.** Use the correct colours, be neat and tidy, solder and sleeve every joint. This is the recipe for safe wiring. Push-on crimp connectors should not be used to terminate wiring as they can work loose, so permanently attach every joint, soldering being the most reliable method even if a 1/4in spade terminal is present. Sleeving is essential for all joints.

The mains section should have absolutely no touchable live parts, remember your fault finding with the power on is probably yet to come. Route mains wires in separate looms from any low voltage wires, and away from any components that may become hot — regulators, power transistors and so on. Secure looms using tie wraps or the like, and use grommets whenever internal metalwork is passed through.

● **Mains on PCB tracks.** Probably the most common place for errors to occur, even though the techniques for safe board layout are remarkably straightforward. Maintain a gap of no less than 3mm between each live, neutral and earth track — and a gap no less than 5mm between isolated low voltage and mains.

It is good practice to group mains circuitry into a separate area of the board, if only to make it easier to check the above distances. Also avoid running mains tracks close to mounting holes, as metal mounting pillars might get used. Include an earth

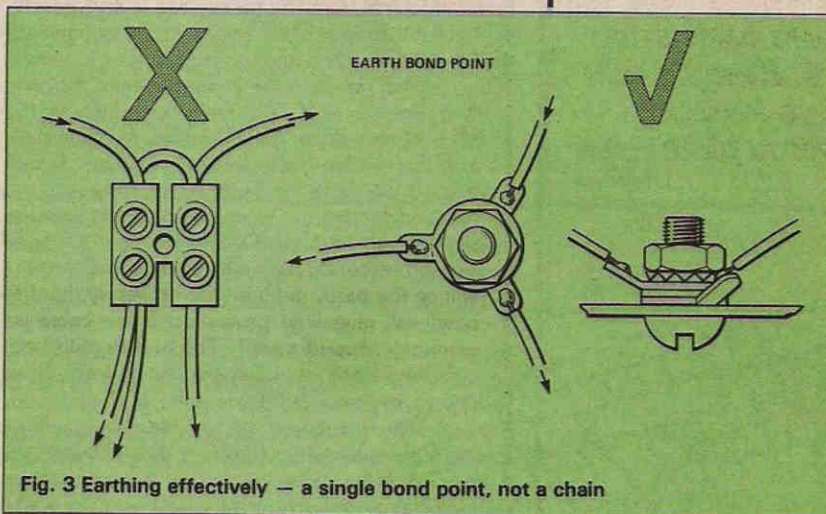


Fig. 3 Earthing effectively — a single bond point, not a chain

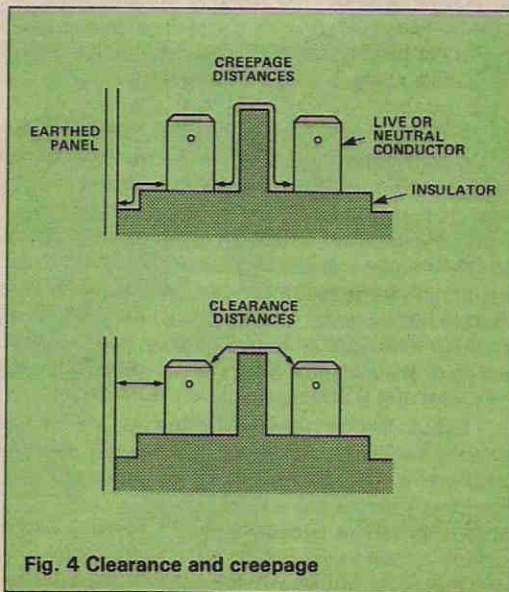


Fig. 4 Clearance and creepage

screen track between live/neutral and any low voltage circuitry wherever possible, to ensure that any flash over failure goes to earth and not the end user.

- **Indicators.** A bit of a 'catch 22' this one, because an indicator operating directly from the mains (such as a neon), should really be on all the time that mains is present in the unit, whether the unit is switched on or not. As most people want an indicator to show when the unit is switched on (arguably the safest form of indicator), and LED powered from the low voltage proves to be the most acceptable method of providing this. It avoids unnecessarily running mains wires to the front panel. Consequently, the advantage of having a true mains indicator is lost, because the LED can go out due to component failure with the mains voltage still present. Ideally then, all units should have two indicators, one for mains and one for power. Omitting the mains indicator is common enough to be acceptable, except on equipment that is not fitted with a mains on/off switch.

- **Earthing.** It is highly unlikely that a home constructor could correctly double insulate a project, therefore an earth will always be required. This front line protection for the equipment user has to be provided in a specific manner, otherwise a simple fault can make the unit more dangerous than if it were not earthed at all.

The basis for earthing correctly is a single Earth Bond Point, to which all items requiring an earth are connected by a direct wire link (see Fig. 3). The incoming earth from the mains lead is also directly connected to the earth bond point, therefore there will be a maximum of two physical connections (potential failure points) between the incoming earth and any earthed component. A daisy chain would increase the number of connections and risk of failure. The failure of one connection early in such a chain would disconnect the earth from many components.

All conducting components that could become live in the event of failure of a mains component must be earthed, which includes metal back panels, internal mounting metalwork, transformer casings, and so on. Project cases made up from a number of separate metal panels should have each panel individually earthed, assembly screws cannot be guaranteed to provide earth continuity due to paint, and other such unpredictable insulators. All earthing connections should be permanently attached to a clean metal surface. If bolted they must be locked with a shakeproof washer — push-on spade connectors are not a reliable earth. The rating of the wire used for earth connections must be equal to or greater than that of the live and neutral wiring. In the event of a catastrophic failure, the earth must be the last wire to burn out!

- **Creepage and clearance.** An electric current will flow through almost anything if the voltage is high enough, the breakdown of an insulator normally being in the form of a spark which can cause fires. Transients on the domestic mains extending into kV are not uncommon (especially in industrialised areas), so the effect of high voltages must be taken into account by ensuring minimum distances between live, neutral, and earth (the minimum distances described for PCB's form part of this requirement).

Figure 4 shows how clearance is the shortest distance between two conductors through air and creepage is the shortest distance between two conductors across the surface of an insulator. The latter is important because dust, coffee and other surface contaminants can reduce the effective resistance of the insulator. The minimum requirement

for both is 3mm and must be complied with throughout the entire mains circuit.

Normally creepage will be found to be equal to or greater than clearance, although one regularly overlooked exception is the PCB-mounted connector. A connector with a 0.2in pitch will have a clearance distance of around 5mm but the pad size required on the PCB will make the creepage distance on the solder side of the board less than 3mm, unless adjacent segments of the circular pads are removed as in Fig. 5.

Check all components in the mains circuit after assembly, individual components may be OK, but once mounted the creepage and clearance between mains conductors on adjacent components and to earthed metalwork is of equal importance. This is a criteria where 240V rating does not necessarily imply mains rating. For example some toggle switches are 240V rated but have a very small clearance distance between poles, so they are not suited to switching live and neutral together.

- **Mains-rated components.** All components connected to the mains must be mains-rated, which is not necessarily the same as being 240V rated, as seen previously for switches. A good example of confused ratings is the suppression capacitor, normally connected in a delta arrangement between live, neutral and earth. Capacitors with a rating of 300V AC would appear to be suitable but recall the mains transients mentioned earlier. The odd kV across a capacitor of this rating even for just a few milliseconds would do it no good at all — exploding capacitors or even fire could result. For this reason there exists mains rated capacitors, termed class X (live to neutral) and class Y (live or neutral to earth), which are self-healing following transient fault conditions.

Fluctuations in supply voltage should also be taken into account, all equipment being able to operate from a continuous supply voltage of 240V ±10%. Cheap continental transformers with a 220V rating may sound 'near enough' but when run off 264V for a short while overheating can become a serious problem.

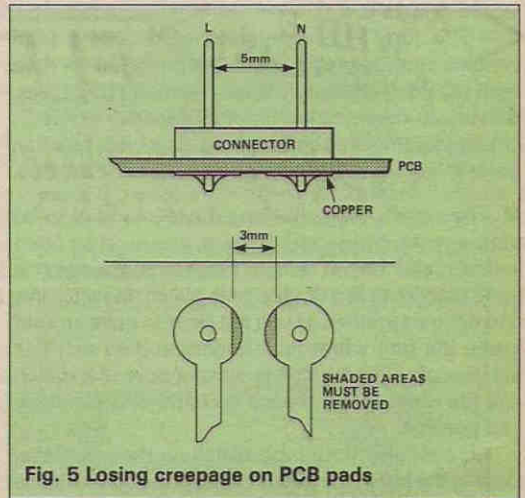


Fig. 5 Losing creepage on PCB pads



Fig. 6 International safety symbols

The suitability of the case for housing a mains-powered project must also be ascertained. Two-part plastic clip together types are not suitable, because if dropped they can fall apart. Ensure that access to the mains section requires the use of a tool and that panels which provide strain relief are strong enough not to flex when cables are pulled.

● **Labelling.** For home projects it is a good idea to provide a permanent reminder of the mains supply and fusing requirements of your project. For professional equipment it is an absolute necessity. The best method is an external label stating operating voltage, power consumption and type/rating of the fuse. The label should be permanently attached, so embossed tape is not really suitable. Use rub down transfers directly onto the rear panel, copiously laquered for protection.

Labelling of indicators is another common point of error because an indicator labelled 'mains' must operate directly from the mains to indicate when mains is present in the unit. If a low voltage or switched mains supply is used to provide the indication, then the indicator must be labelled 'power', 'on' — anything except 'mains'.

● **Standards and approvals.** Whilst all household mains plugs sold in British retail outlets must comply with BS1363, there is no absolute requirement for any other mains component to be similarly approved. It is therefore up to the buyer to determine whether the component is of suitable standard and quality.

The best indicators available to the home constructor are the approval marks of internationally recognised approval organisations. Most people are familiar with the British kite mark, which not only means that the item complies with a relevant standard (probably the best standards in the world, as Orson Welles might have said), but also that the entire

manufacturing process has been approved. Finding the kite mark on individual mains components is sadly uncommon, however there are other European approval marks which (although generally based on supply voltages less than 240V) are a reasonable indication of suitability for use on British soil as long as the component is rated at 240V or greater. It is better for a component to have a European approval than to have no approval at all.

A list of common approval marks and the countries of origin are given in Fig. 6. USA and Canada have been included for reference purposes only, as they are based upon the North American 120V supply. Obviously components carrying these cannot be considered as suitable for 240V unless another European mark is present.

FURTHER READING

For those who like to curl up at night with a good read, here are a couple of relevant British Standards documents to keep you enthralled:

BS 415: 1979 (1987) Specification for safety requirements for mains operated electronic and related apparatus for household and similar general use. (pew!)

BS 3456: 1987 Specification for safety of household and similar electrical appliances — part 101: General requirements.

Any engineer involved in the design of mains operated equipment would be well advised to obtain a copy of at least one of these, as they lay down the ground rules for all aspects of electrical safety as related to domestic equipment.

Armed with the data contained within this feature, the home constructor should be able to 'go forth and electrify' with a reasonable confidence that his project is safe. The information is by no means exhaustive, however, and situations will arise where common sense is the only guide. Remember — consider how it might fail, then ensure 'fail safe'.

SAFETY



NOW FREE
WHILE
STOCKS LAST

CRICKLEWOOD ELECTRONICS

1989 100 PAGE COMPONENT
CATALOGUE

SEND OFF FOR YOUR COPY TODAY...

- WE STOCK AN UNRIVALLED RANGE
- ALL OUR COMPONENTS ARE FIRST CLASS BRANDED ITEMS
- WE OFFER A SAME DAY SERVICE ON ALL STOCK ITEMS
- NO MINIMUM ORDER — IF YOU NEED ONE COMPONENT WE CAN SUPPLY ONE COMPONENT
- WE HAVE ADOPTED A NEW LOWER PRICING POLICY + QUANTITY DISCOUNTS

JUST FILL IN THE COUPON OPPOSITE OR PHONE US ON
01-452 0161 FOR YOUR FREE COPY!

CRICKLEWOOD ELECTRONICS LTD
40 CRICKLEWOOD BROADWAY, LONDON NW2 3ET
TEL: 01-450 0995/452 0161
FAX: 01-208 1441
TELEX: 914977

SEND OFF FOR YOUR FREE CATALOGUE TODAY

I WOULD LIKE TO RECEIVE COPY (COPIES) OF
THE 1989 CRICKLEWOOD ELECTRONICS
COMPONENT CATALOGUE.

NAME.....

ADDRESS.....

.....

.....

I WOULD LIKE TO RECEIVE A FREE COPY OF YOUR
1989 CATALOGUE.

CD DIGITRAP

Clean up your CD sound for even more in just
30 seconds

Hear 30 times more detail otherwise lost within
the CD digital noise.

The **SAGE AUDIO 'DIGITRAP'** is not just another filter or outboard DAC but a revolutionary new form of digital filter. The DIGITRAP simply plugs into your CD's audio output socket then the digitraps output feeds directly into your amplifier's input sockets.

- **TOTALLY PASSIVE** (no power required)
- **PATENT APPLIED SAGE DESIGNED** 'CYCLIC' FILTER
- **TOP QUALITY AUDIOPHILE COMPONENTS**
- **GOLD PLATED IN/OUT CONNECTIONS**
- **COMPLETE WITH CONNECTING LEADS**
- **SILVER LOADED SOLDERED CONNECTING LEADS**
- **SIMPLE TO FIT BY ANYONE IN JUST SECONDS**
- **LIFETIME PERFORMANCE GUARANTEE**
- **7 DAY MONEY BACK GUARANTEE**



IDEAL
XMAS
GIFT!

The DIGITRAP passes all audio signals totally unattenuated whilst the digital quantization noise inherent in the output of ALL CD players is attenuated by up to 30dBs by the action of a patent applied 'CYCLIC' digital filter. The result, ultra clean sound quality totally free from digital quantisation noise, hear up to 30 times more detail from signal levels otherwise buried in digital quantization hash.

DIGITRAP 1 Basic unit suitable for all CD players up to 4 times oversampling £39.95

DIGITRAP 2 High performance unit for all CD players from 0 to 32 times oversampling £59.95

Postage and packing £2.50 per order UK, overseas £6

Such is our confidence in the DIGITRAP to clean up all the digital noise that we are offering a 7 day, full retail price money back guarantee if you are not completely satisfied with it.

To order, simply send a cheque or postal order to **SAGE AUDIO Electronics, Construction House, Bingley, Yorks BD16 4JH, England.** Overseas orders please enclose a bankdraft in sterling including postage, alternatively travellers cheques or Eurocheques. Further information can be obtained by sending a 9x4 SAE, overseas please enclose 3 international reply coupons.

Labcenter Electronics



- **Intelligent**
- **Schematic**
- **Input**
- **System**

ISIS schematic capture complements our PCB PRO/AR circuit board layout software to give an integrated design system.

It features a workstation quality graphical user interface yet runs on an IBM PC and costs a very affordable £399.

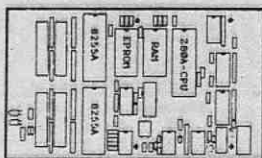
ISIS is packed with functionality too - major features include full support for hierarchical design, automatic wire routing and object oriented 2D drawing as well as a comprehensive library system.

If you've been put off CAD by near impenetrable user interfaces why not take a look at ISIS - call now for your free demo disk.

14 Marriner's Drive, Bradford, BD9 4JT
Telephone: 0274 542868

Interak 1

Bare Board
£17.50
(plus postage and VAT)



SINGLE BOARD COMPUTER "SBC-1"

A computer doesn't have to look like you'd expect a computer to look. It doesn't have to have a keyboard and a screen and floppy disks and so on.

The SBC-1 has the bare minimum of chips a Z80 computer can have and still be a computer: A 4MHz Z80A-CPU chip, an EPROM chip (up to 32K), a static RAM chip (up to 32K) and a pair of 8255A I/O (input/output) chips giving 48 individual lines to waggle up and down. There are one or two additional "glue" chips included, but these are simple "74LS" or "HC" parts.

A star feature is that no special or custom chips (ie PALs, ULAs, ASICs etc) are used — and thus there are no secrets. The Z80A is the fastest and best established of all the 8-bit microprocessors — possibly the cheapest too!

Although no serial interface is included, it is easy for a Z80A to waggle one bit up or down at the appropriate rate — the cost is a few pence worth of code in the program: why buy hardware when software will do?

Applications already identified include: Magnetic Card reader, mini printer interface, printer buffer, push button keypad, LCD alphanumeric panel interface, 40-zone security system, modem interface for auto sending of security alarms, code converter (eg IBM PC keyboard codes to regular ASCII), real time clock (with plug in module), automatic horticultural irrigation controller.

By disabling the on-board Z80A-CPU this card will plug into our Interak I CP/M Plus disk-based development systems, so if you don't fancy hand-assembling Z80 machine code you don't have to!

The idea is (if you are a manufacturer) you buy just one development system and then turn out the cheap SBC-1 systems by the hundred. If you are really lazy we can write the program for you and assemble the SBC-1 cards so you can get on with manufacturing your product, leaving all your control problems to us.

Greenbank

For more details write or phone us:
Greenbank Electronics, Dept. (T10E), 460 New Chester Road, Rock Ferry, Birkenhead, Merseyside L42 2AE. Tel: 051-645 3391.

TONICS FOR TIRED TRANSDUCERS

Cost-effective speaker upgrade kits

AUDAX TITANIUM TWEETER UPGRADE.

Change your 1" dome tweeters for these Titanium units and enjoy crisper, cleaner response. Suitable for replacing tweeters up to 91dB sensitivity. Kit includes constant impedance level controls so that you can adjust for optimum results without any crossover modifications.

order TITANIUM 100 (100mm round plate) £43.50 pair.
or TITANIUM 12x9 (120x90mm) +p&p £3.00

ELAC METAL DOME TWEETER UPGRADE.

As kit above but using the Elac tweeter which has had such rave reviews. To replace units up to 89dB sensitivity. order METAL 25DT30 (104mm round plate) £63.50 pair.
or METAL 25DT29 (120x90mm plate) +p&p £3.00

SEAS METAL DOME TWEETER UPGRADE

Direct replacement for the 3/4" (19mm) unit used in so many small speakers. Sensitivity 88dB (94mm round plate) £41.90 pair.
+ p&p £3.00

CONCERTO UPGRADE CROSSOVER

Replacing the DN12 network in speakers employing the Kef B139, B110, T27 combination, this crossover greatly improves detail and definition. (Screw terminal connections) £48.95 pair +p&p £3.00

WACOUSTIC PANELS inhibit panel resonance and limit cabinet-induced colouration. (Foam sandwiched between two layers of butyrum.) Self adhesive.

Size: 270x200x16mm.

Set of 8 (will treat pr. of small/med. speakers) £16 +p&p £3



telephone credit card orders

WILMSLOW AUDIO LTD

NEW ADDRESS AFTER SEPTEMBER 25TH

Wellington Close, Parkgate Trading Estate
Knutsford, Cheshire WA16 8DX Tel: 0565 50605
(Closed all day Mondays)

DIY Speaker Catalogue £1.50 post free (export \$6)

METEX & TEST LAB INSTRUMENTS YOU PAY TRADE PRICES!



3 1/2 AND 4 1/2 DIGIT Dmms

ALL WITH CONTINUITY TEST (★ With Capacitance + With Hfe ○ With Freq.)

PRO SERIES METEX 3 1/2 & 4 1/2 DIGIT

All With Case. 20A AC/DC
17mm Display (3800 12mm)

3800 32 Range 0.5% (+)	£30.69
3610 30 Range 0.3% (+)	£38.86
3630 30 Range 0.3% (**)	£46.90
3650 30 Range 0.3% (**+)	£50.90
3650B as 3650 with Bargraph	£57.60
4630 4 1/2 Digit 30 Range Data Hold 0.05% (**)	£69.68
4650 as 4630 Plus 2 Freq. Ranges	£72.36

STANDARD SERIES 3 1/2 DIGIT 12 mm DISPLAYS

2315B 17 Range 10 ADC	£19.45
2318B 23 Range 10ADC (+)	£22.78
2335 31 Range 10A AC/DC (+)	£25.25
2325 32 Range 10A AC/DC (**)	£29.40
2355 32 Range 10A AC/DC (**+)	£33.25
2365 38 Range 10A AC/DC (**+)	£36.00

Plus Logic Probe

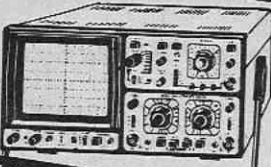
Also Metex M80 21mm Display
3 1/2 Digit Autorange. Datahold (°) £59.92

TEST INSTRUMENTS

3000 LCR AC Bridge	£102.30	TE220 1 MHz Audio Generator	£87.00
M3002A AC Millivolt Meter 1MHz	£85.80	3300 Autorange Digital Cap. Meter	£84.00
2020 500 KHZ Function Generator	£96.50	6100 Signal Tracer/Injector	£52.30
4162AD 150 MHz Fr Gen. Plus 6 Digit Counter	£172.86	5250 150 MHz 7 Digit Frequency Counter	£64.50
2603AD 1 MHz Af Gen. plus 6 Digit Counter	£166.16	08T5M 5 MHz Bench Scope	£166.16
TE200 150 MHz Rf Gen. (350 MHz Harmonic)	£80.00	243 0/24V 0/3A Variable PSU	£52.13
		245 0/24V 0/5A Variable PSU	£65.34
		154 4/15V 0/4A Variable PSU	£37.39

"POCKET" TEST INSTRUMENTS

F20 Dual Scale Sound Level Meter 120dB	£33.87	302K LCD Temperature Two 1/P	£34.74
225V VHS Video Head Tester	£30.39	3900TD LCD Dmm With Dwell And Tach Ranges	£49.58
1065 Digital Lux Meter - 3 Ranges	£48.00	KT50 LCD 8 Range Capacitance Meter	£34.84
07 Logic Probe	£6.10	6060 LCD Digital True Power Meter 6KW	£64.00
M625 Logic Probe/Pulsar	£14.74	2070 19 Range Multimeter 10ADC + Buzz	£11.35
300/310 AC Clamp Meter 600A/300V Resis	£33.50	2030ET 27 Range 10A AC/DC. Cap. Hfe Temp. Buzz	£35.30
M265 Add on AC Clamp Probe for Dmm's	£16.48	605DE 41 Range FET mm	£25.33
501 Electronic Insulation Tester 500V	£53.00	DMS Wallet Autorange Dmm	£18.69
504 Electronic Insulation Tester 1000V	£65.00	YF120 Pen Type Autorange Dmm	£32.70
K0M6 TR Dip Meter 1.5 to 250 MHz	£45.02	850 Mains Phase Tester	£21.20
1062 LCD Temperature & data hold	£35.50		



AUDIO-ELECTRONICS ARE INSTRUMENT DISTRIBUTORS FOR HAMEG • FLIGHT • BLACKSTAR • ALTAI • THURLBY • THANDAR • CROTECH • LEADER AND HITACHI PHONE FOR BEST PRICES.

TELEPHONE YOUR ORDER WITH VISA/ACCESS
OPEN 6 DAYS A WEEK FOR CALLERS

ADD 15% VAT (UK ONLY)

AUDIO ELECTRONICS

301 Edgware Road, London W2 1BN
Tel: 01-724 3564 Fax: 01-724 0322
Sales office 01-258 1831

TRADE/EDUCATION ORDERS ACCEPTED.
EDUCATION AND QUANTITY PRICES AVAILABLE

INSTRUMENT CATALOGUE WITH DISCOUNT VOUCHERS REF TG
Send A4 SAE (£1.00) or £2.00 UK for full CATALOGUE

Wizard Kit-Packs

THIS MONTH'S WIZARDRY
THE WIZARD PRECISION MAINS FILTER
250 volts AC 13 amp, On off switch, 4 IEC output sockets, Merlin made case and USA Potter Block RFI filter. Price £32.00 VAT paid P&P £1.70
LOOK AT THE SPEC ON THIS WIZARD BENCH POWER SUPPLY
Variable DC Voltage 3.5 to 22 volts at 8 amps continuous rating, twin meters volts and amps. Fine and coarse voltage adjustment, overload protection, mains input and DC output filtered, Merlin made case. Built and tested. Price £66.00 VAT paid P&P £3.00
GEC STEREO CASSETTE UNIT
Record/Playback, Dolby, speed 4.75cm (1.78in) per sec, 40-12,500Khz, Twin VU meters, with service manual. Brand New £12.00 or 2 for £20.00 P&P £3.00

THE WIZARD POWER CUBE

Specification

- 20 Amp Hour Dryfit Battery; 2 Inbuilt Mains Charger;
 - 3 RF Filtered; 4 Solar Cell Input (Cells optional);
 - 5 Compact Size/Portable; 6 Merlin Made
- Price £76.00 + P&P £8.00

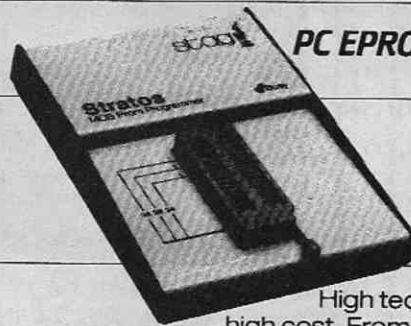
MORE DATA — Send a 19p Stamp for Latest List.
Ring the Wizard on 0225 708886 Fax 0225 708594 for more information or a visit to the works.
PAYMENT Access, Cheque, PO and Cash. Post and packing on components £1.50 or £1.00 for orders over £20.00. Please add VAT to total.

MERLIN SYSTEMS

Merlin Way, Bowerhill Trg Est, Melksham, Wiltshire SN12 6TJ

STRATOS

PC EPROM Programmer



£249 + VAT
£289 VAT and P&P incl.

High tech no longer means high cost. From the world's leading manufacturer comes the most powerful PC based EPROM programmer.

- Supports over 230 devices from 26 major manufacturers.
- Programs EPROMS in 24 to 32 pin DIPs including megabit parts.
- Context sensitive help menus and 'on screen' instructions in colour.
- Ten powerful editor functions.
- Full range of device/data integrity checks.
- Dedicated interface halfcard gives fastest data down load.
- Hardware fully protected.
- UK designed and manufactured. 1 year no-quibble guarantee.



(0707) 332148



Stag Microsystems Limited
Martinfield
Welwyn Garden City
Herts AL7 1JT
United Kingdom

Tel: (0707) 332148
Fax: (0707) 371503
Tx: 8953451



BINDERS

FOR YOUR VALUABLE COLLECTION OF ELECTRONICS TODAY INTERNATIONAL MAGAZINES
· SMART · EASY TO USE · TOP QUALITY ·
To ASP Readers Services,
Argus House, Boundary Way,
Hemel Hempstead HP2 7ST (0442 66551)

£6.20 inc. P&P

Please supply Electronic Today International Binders £6.20 inc. P&P

Total £..... (Please make cheques payable to ASP)

Years Required: 198..... 198..... 198..... 198.....

Name

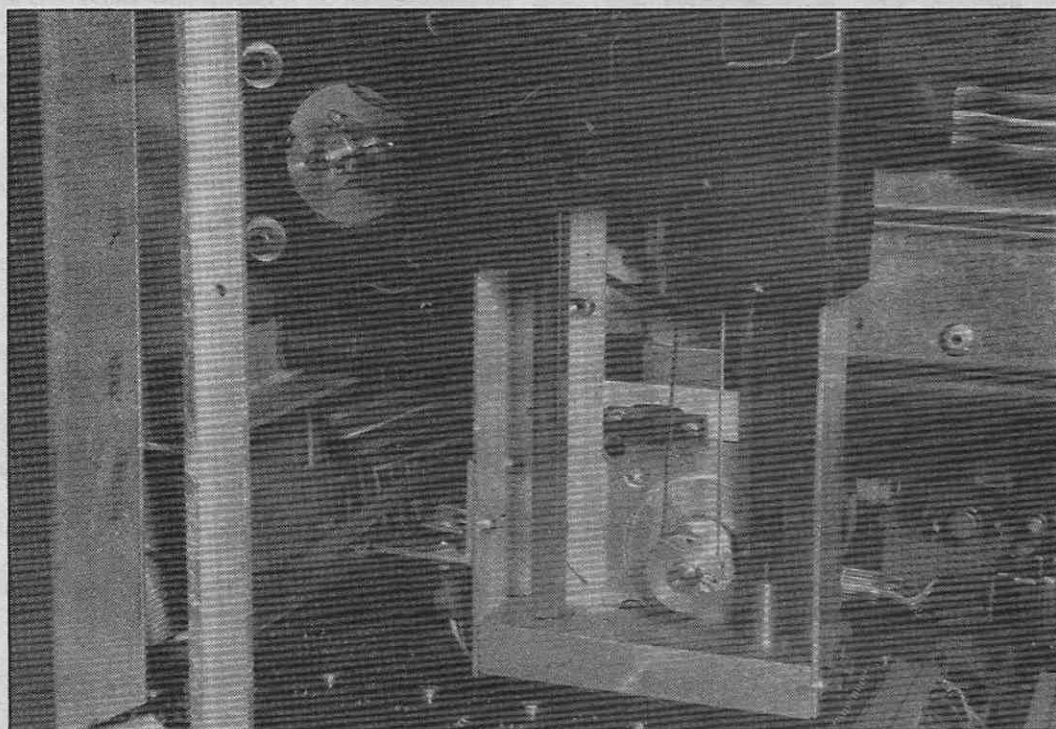
Address

.....

Please allow 21 days for delivery.



TESTING TESTING



Mike Barwise moves our test gear series on to continuous graph displays — chart recorders and oscilloscopes

TEST GEAR

Until now we have looked at gear designed for examination of steady states — DC and very slowly changing signals. Continuous AC and discontinuous transient signals require a different set of tools. These include oscilloscopes, chart recorders, logic analysers, digitisers, spectrum analysers and their increasingly common computer-based derivatives.

All these measurement tools have one common characteristic in which they differ from the meters and probes we have discussed to date. This is that they use two operative parameters: the experimental measurand (your unknown voltage or whatever) and a defined constant for a given measurement (time for the oscilloscope or chart recorder, frequency for the spectrum analyser and so on). Thus, instead of delivering an instantaneous 'snapshot' of your experiment, these instruments show you how conditions are *changing* over a range of values of time, frequency or other characteristic. In other words, these instruments *draw graphs*.

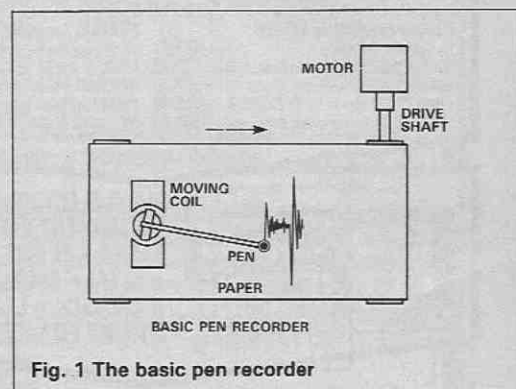
Chart Recorders

The very simplest of this type of instrument is the needle chart recorder (Fig. 1). This consists of a very chunky analogue (moving coil) meter movement with a pen on the end of a needle. Instead of the conventional scale, there is a band of paper which is driven along beneath the pen by a constant-speed motor. In practice, the meter movement may be driven by a buffer amplifier to supply the power required to compensate for pen drag on the paper. In the absence of a signal to the meter, a straight line is drawn on the paper along its axis of movement. Signals to the meter cause the needle to deflect, describing arcs of varying displacement on the paper.

A purely mechanical version of this instrument is the *barograph*. This is used in museums and libraries

to record changes in the air humidity and temperature (actually, this combined instrument should be called a thermo-humidigraph, but 'barograph' or air pressure recorder is generally accepted as shorthand). It is an ideal application, as neither the chart speed nor the pen speed are very high, and absolute accuracy and resolution requirements are relatively slack.

Improvements of this instrument use parallel pen movement and servo motors for positioning. Also, the pen carriage may move in both axes instead of the paper moving in one axis and the pen in the other. This opens the door to a minor improvement: instead of one axis being exclusively driven by a fixed speed motor, it may be supplied with a signal from a second



user defined source. The pen can now plot the relationship between any two changing quantities. The resulting instrument is then familiar to computer people as a *flat-bed plotter* (Fig. 2).

The flat bed plotter is characterised by reasonable resolution, generally good *repeatability* (the capacity to land in the same place more than once when the same input signals are present), and low drawing speed. These characteristics are fine for diagram drawing but the *limited system bandwidth* is unsuitable

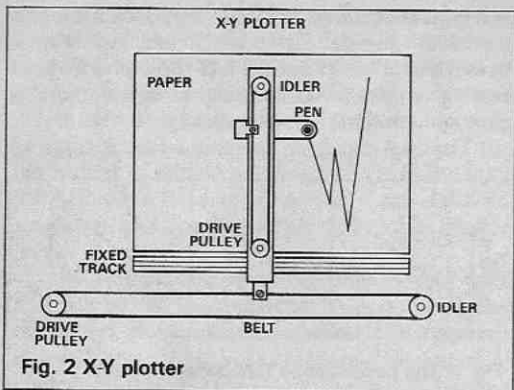


Fig. 2 X-Y plotter

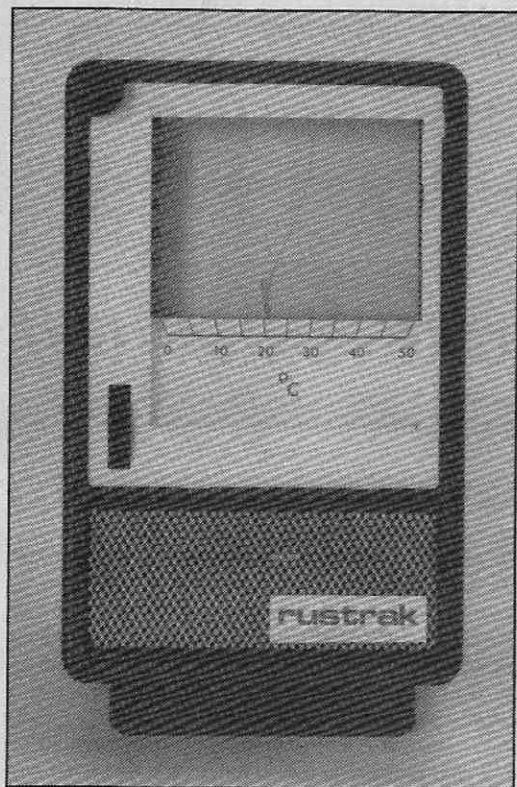


Chart Recorders vs Oscilloscopes

Instead of a pen, the oscilloscope uses a beam of electrons which strike a fluorescent screen. This electron beam can be steered very fast indeed but it suffers from certain limitations. These are that the image on the screen does not last very long and fades away very soon after the electron beam has moved on (it has low *persistence*), plus the *linearity* and *resolution* of the electron tube image are quite low compared with the flat bed plotter.

The limitations of each system (flat bed plotter drawing speed, scope trace persistence, resolution and linearity) and advantages (flat bed plotter permanent paper record, scope high *writing speed*) suggest the best application of each instrument. The flat bed plotter is most useful for recording *fairly slow one-off events* where high resolution is required. The oscilloscope is best at displaying *repetitive fast waveforms* which the pen recorders cannot keep up with, though the penalty is lower resolution.

I guess the flat-bed plotter (which has a lot in common with your computer dot-matrix printer) is a fairly familiar tool. ETI published a design for an intelligent plotter back in Feb-Apr 89 and readers can refer there for further information. The oscilloscope is worthy of examining in more detail. It contains several additional features which make it about the most generally useful piece of test gear you can own.

Oscilloscopes

Figure 3 is a block diagram of the guts of a simple oscilloscope. The most basic sections are the *timebase generator* and the *Y-amplifier*. These control the horizontal and vertical displacement of the electron beam.

The timebase generator produces an extremely repeatable linear voltage ramp (Fig. 4). It is not left to free run (which would produce a continuous sawtooth wave), but is *triggered*. This means that it sits and does nothing until an input signal is supplied to it, when it generates a single ramp and then stops, waiting for another trigger (rather like most of us on Friday afternoon — it needs a nudge every time you want it to do something).

The voltage ramp it generates is supplied via various amplification and conditioning circuits to the electrodes beam (and thus the bright spot) move from left to right. The *distance* the spot lands from the left hand side of the screen is *directly proportional* to the voltage applied to the electrodes, so the linear ramp

for recording fast events in the real world. Obviously, the 2-axis (*X-Y co-ordinate*) approach is a good one, but we need something which responds faster.

The answer is the *cathode ray oscilloscope*.

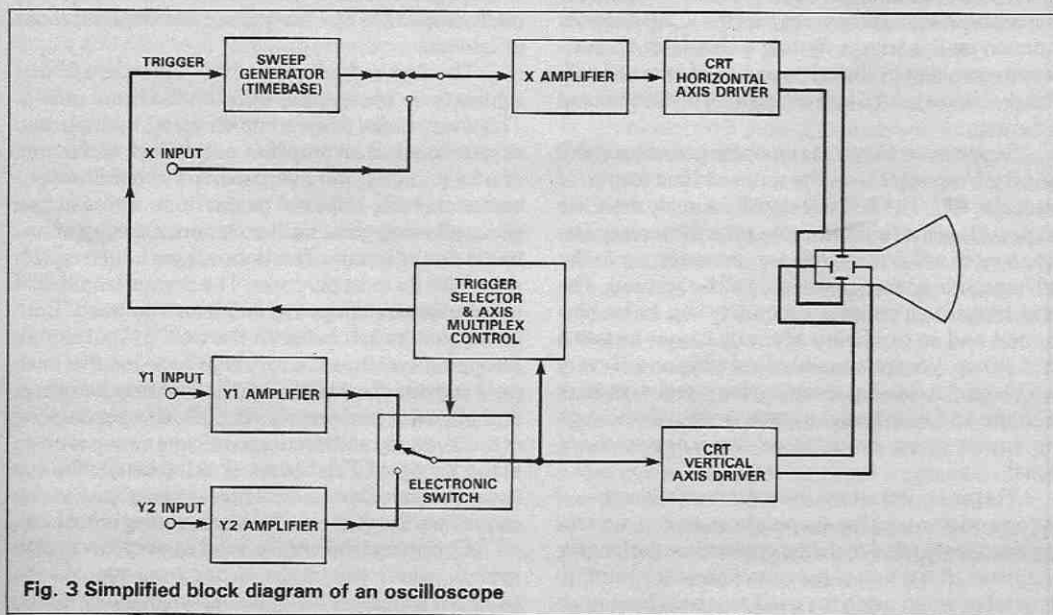


Fig. 3 Simplified block diagram of an oscilloscope

causes the spot to cross the screen (*sweep*) at a constant speed. However, it is essential that the start of the sweep is *synchronised* with the signal coming in to the vertical or Y input of the scope. This will become clear as we examine the Y-amplifier.

The Y-amplifier output causes a vertical deflection of the scope spot proportional to the voltage applied to its input. This signal may be *bipolar* (that is, a positive or negative voltage) so the vertical rest position of the scope spot is half way up the screen.

We can predict that in the absence of a Y input signal the scope spot will draw a horizontal line across the screen halfway up (provided trigger pulses are being applied to the input of the ramp generator). We can similarly predict that, in the absence of these trigger pulses, a varying signal applied to the Y-amplifier input will cause the spot to draw a vertical line at the left-hand edge of the screen.

Now let us consider a real signal applied to the Y input of the oscilloscope. A good choice would be the 50Hz mains frequency sinusoid obtained from the output of a small transformer (say 10V). Our basic scope needs a Y axis signal of $\pm 5V$ to swing the spot between the top and bottom of the screen and the screen is divided into ten 1cm divisions: it has a 1V per cm vertical sensitivity. It follows that the 50Hz 10V sinusoid will fill the vertical axis of the screen. With the timebase generator disabled, we get a vertical line the full height of the screen at its left-hand edge.

This is not very useful. We want to see the wave form of the signal. Indeed, we want to see one cycle of the 50Hz sinusoid on the screen. A simple calculation tells us that one cycle of 50Hz lasts 20ms. Just as an experiment, let's rig the timebase generator to be free-running (that is, not to require triggers but to generate a continuous sequence of voltage ramps). The resulting screen image is not at all what we want: it's a mess! The sinusoidal trace rolls constantly to the left of the screen — rather like the effect on your television if you fiddle with the vertical picture hold control (naughty!) only sideways instead of up and down. A single cycle of the 50Hz sinusoid is indeed displayed across the screen, but it starts at a constantly changing point on the waveform.

The problem lies in the difference between theory and practice. The sweep voltage ramp we showed in Fig. 4 rose from the base line to maximum voltage linearly and then returned *instantly* to the base line. The real system cannot do this. The electronics take a finite time to turn off the electron beam, return it to the left-hand edge of the screen and turn it on again. The total time between successive sweeps is more than 20ms. This means that the input sinusoid is drawn on the screen starting a little later on each sweep, resulting in the appearance of leftward roll. This problem is solved by the *triggering* of the timebase generator.

Suppose we trigger the timebase generator every time the Y signal crosses the zero volts line (centre of vertical scale). The first sweep will correctly draw the single cycle of the sinusoid we want on the screen. The next trigger will arrive *while we are returning to the left hand side of the screen* and will be ignored. The third trigger will cause a second sweep to be performed and so on. Every *alternate* trigger causes a valid sweep. We are thus only displaying one in every two Y signal cycles, but assuming the signal is constant in shape and amplitude, a stable trace will show on the screen — we have *locked* the scope to the Y signal.

This argument shows the importance of triggered sweep and also why the scope is best used to monitor *continuous* signals. I make no apology for the lengthy discussion, this is one of the most important points to remember when using the oscilloscope. There *must*

be a regular signal to lock onto if you want a stable (readable) display. Later on (when we discuss measurement techniques) I will show you ways of creating a suitable locking signal where there is apparently nothing suitable already.

The real timebase generator has a range of

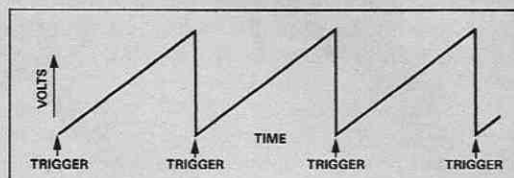


Fig. 4 The oscilloscope timebase or sweep generator output waveform

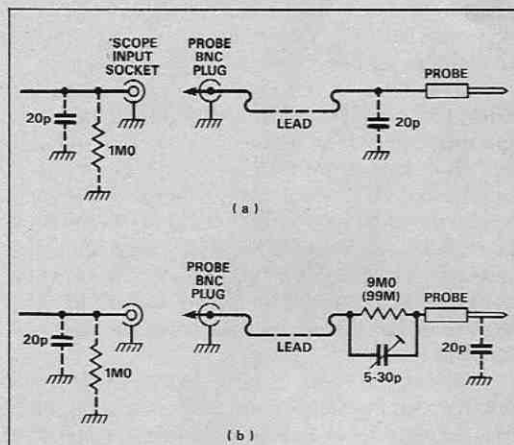


Fig. 5 (a) x1 scope probe (b) multiplier scope probe (x10 or x100)

switchable sweep speeds built in (and sometimes a continuously variable control as well), and can also frequently be switched out of circuit altogether, allowing an external signal (*X input*) to be substituted via a front panel socket. The source of triggers is normally selectable from

- the peak value of the incoming Y axis signal.
- a user-defined point on the Y axis signal (a user selected *threshold voltage*).
- a front panel socket for external trigger pulses.

The Y amplifier incorporates a range of switched *gains* (amplification factors) allowing signals with widely differing voltage swings to be displayed at maximal size on the screen.

So far we have discussed a theoretical basic oscilloscope. The real thing has several sophistications in addition.

The first is *dual trace* which allows two Y axis signals to be observed at once on the same screen. This is very useful when comparing, say, the input and output of a logic circuit. Very very expensive oscilloscopes sometimes use a special picture tube with electron guns, allowing genuine simultaneous writing of two traces on the screen. This is, however, unnecessarily expensive for most purposes. The normal (affordable) techniques are *chopping* and *alternate* trace. Both techniques switch between the two Y input signals 'chopping' switches at a very high speed so that each trace consists of a row of bright dots within one sweep, and 'alternate' performing a complete sweep looking at the Y₁ signal and the next complete sweep looking at the Y₂ signal. Persistence of vision causes the eye to see two simultaneous complete traces (just as you cannot see the domestic TV picture being refreshed).

Chopping is normally used at very low sweep speeds, where the image of one trace would fade while the other was being written in alternate mode,

and alternate is used at high sweep speeds where the chopping might interfere with detail in the trace. A necessary addition to the scope circuitry to allow dual-trace working is a means to move the horizontal position of each trace up and down the screen, so that the two traces can be displayed without overlap. This is performed by adding an *offset voltage* to the signal just before the last stage (the tube Y axis deflection amplifier), and is adjustable via a control on the front panel.

In a dual trace scope, internal triggering can normally be derived from either Y_1 or Y_2 at the push of a button. More sophisticated alternative triggers are also available: 50Hz mains triggering for use by TV engineers (locked to the TV frame rate); AC (capacitively coupled) trigger from Y input (ignores any DC offset when determining trigger voltage); low-pass and high-pass filtration to select desired trigger points out of complex signals.

The scope Y axis inputs can also be coupled direct (DC coupled), via capacitors (AC coupled) or grounded (to set reference levels on the screen).

The final sophistication common on good oscilloscopes is a *Y delay*. When a trigger is received by the timebase generator, it turns on the electron beam and starts a sweep. However (once again) this does not happen *instantly*. A short time elapses between the trigger and the start of a visible trace on the screen. Left to itself, the basic scope would always start too late.

The solution is the Y delay. A *delay line* (a circuit which makes the signal late for work without distorting it) is included between the output of the Y amplifier and the tube Y axis driver. The delay caused by this circuit is tuned to match the sweep delay of the X axis system, so that the signal which caused the trigger arrives at the tube Y deflection system just as the sweep starts instead of too early. Very sophisticated instruments frequently have an additional user adjustable delay which can be as much as 100ms, controlled from the front panel which allows the examination of signal detail which occurs long after the trigger event. More of this when we discuss applications.

Leads, Probes and Inputs

When we looked at meters, any old piece of wire of reasonable thickness would mostly do as a test lead. Its resistance shouldn't be significantly high, but that was about the only restriction.

Of course every piece of wire carrying a signal has series inductance (frequency dependent resistance) and parallel capacitance (frequency dependent leakage), but at very low frequencies from DC to 20kHz (audio band) these effects are so small for single straight wires as to be quite safely ignored.

This is not the case when we use the oscilloscope, as most often we are looking at signals in the frequency range of 50kHz to 150MHz. Therefore, test leads for scopes have to be much more carefully designed and are somewhat more complex than just bits of wire.

There are two main kinds of oscilloscope probe: *direct* or $\times 1$ probes and *multiplier* — frequently $\times 10$ or $\times 100$ probes. The standard scope connector plug for both types is the 50R BNC bayonet type. Very occasionally, the 50R UHF type (similar to the CB radio antenna plug) is used on older equipment.

The first kind is the simplest. They consist of a screened lead with a BNC plug for the scope socket at one end and a very carefully designed low capacitance probe at the other. Reference to Fig. 5a shows that there is still a small parallel self capacitance in the probe and this will limit the upper working

frequency of the probe. The *loss* through this capacitance increases as the frequency rises. Assuming the standard oscilloscope input (a 1M impedance roughly resistance to ground), the probe will reduce (*attenuate*) the input signal by 50% at the frequency where the self capacitance has an impedance of 1M Ω .

In addition to this upper frequency limit, the $\times 1$ probe input impedance of 1M Ω is too low for safe testing of many small-signal circuits. This type of probe is fine for audio testing but can cause problems with modern radio and digital systems such as CMOS.

The basic multiplier probe (Fig. 5b) is a bit more complicated. The probe tip includes a *series resistor* which defines the multiplier. A 9M Ω resistor gives us a $\times 10$ probe (as the scope input resistance is 1M Ω input impedance, and a 99M resistor gives us a $\times 100$ probe with a 100M input impedance).

However, this type of probe goes one stage further. Just as the probe and scope input form a *resistive divider*, so it is possible to create a *capacitive divider* which will compensate for the parallel self capacitance of the probe. This is done by positioning the probe resistor as near as possible to the probe tip, and wiring a small capacitor across it (Fig. 5b). This capacitor forms a second *potential divider* which applies a trim to the system to compensate for high frequency losses. The upper frequency limit of the probe is thus greatly extended.

In practice, this probe-tip capacitor is a small *adjustable* component to allow it to be set to match scope sockets with differing parallel self capacitance. A *calibrator* output (a very clean high-frequency square wave is generally available at the front panel of any good scope for setting the probe trim up).

The most commonly encountered probe is a *switched probe*: It is usable as a $\times 1$ or a $\times 10$ by setting a small switch on the probe body. This is a good general purpose probe with the advantage of convenience, but it does not perform in either mode as well as a dedicated $\times 1$ or $\times 10$ probe. For critical work it should be avoided.

The final point in this resume of the oscilloscope and its probes is to note that special precautions must be taken if the scope is connected to an experiment via *plain screened leads* with BNC connectors at each end. A cable like this is designed to have a *characteristic impedance* of 50R. The experimental signal will tend to be *reflected* back down the cable when it hits the 1M Ω impedance at the scope socket, severely messing up measurements, particularly at high frequencies. You are in essence adding a crude high frequency LC tuned circuit (an inductor and a capacitor in parallel) to the circuit under test.

If it is essential to use leads of this type (probably you have nothing else in the workshop 'cos somebody's nicked your probes), the answer is to put a *50R terminator* at the scope socket. In its simplest form, this consists of no more than a 50R resistor across the socket (centre pin to ground). A BNC 'T' piece can be used, with the lead coupled to one branch and the resistor soldered across a spare BNC plug. If you are rich, you can get 50R terminators ready made, either for use on a 'T' piece, or in tubular form with a plug one end and a socket the other for in-line connection. The one point to remember when using the BNC lead and terminator is that the scope will display the signal at *50% of its real amplitude* as the line impedance and the terminator resistor form equal value upper and lower halves of a potential divider.

That's about it for now. Next month we will look at *logic analysers*, *spectrum analysers* and ancillary measuring instruments such as *frequency meters* and *LCR bridges* before moving on to the various types of *signal generator*.



1989 PROJECT INDEX

INDEX

Aerial Amplifier, TV	July	54	Loudspeakers, Micro Monitors	August	56
AF Signal Generator	June	36	bi-amping	September	57
Alarm, Mains Failure	December	54	Mains Failure Alarm	December	54
Alarm, Smoke	November	40	Metal Locator, Twin-Loop	September	42
Alarm, System (EASi)	Part 1	April	MIDI Mapper	October	53
	Part 2	May	MIDI Patchbay	July	41
	Part 3	June		errata	November
		May	MIDI, Piano Conversion	June	60
Amplifier, JLH Audio Design	errata	November		errata	August
		November	MIDI Programmer	March	63
Amplifier, Virtuoso MOSFET Upgrade		36	Micro Monitor Loudspeakers	August	56
Audio Design MOSFET Amplifier	errata	May		September	57
		November	Modular Pre-Amp Disc Input Update	March	44
		60	Movement Detector (Trembler)	September	32
Bench Power Supply	errata	May	Multimeter	October	59
		August	Noise Gate/Limiter/Compressor	February	26
Bicycle Rev Rider	errata	32	Noise Generator, Digital	December	50
		January	Patchbay, MIDI	July	41
Bleeper	errata	March	Pedal Power	December	43
Bug Locator		57	Pet Scaring Ultrasonic Horn	February	38
Camera Controller	trigger	April	Piano, MIDI Conversion	June	26
	ultrasonic	May		errata	August
	infra-red	July	Plotter, Intelligent	Part 1	February
		46		Part 2	March
Caravan Water Heater		June		Part 3	April
Christmas Present for Granny	errata	January	Polybel	September	49
		33		software	October
		61	Power Supply, Bench	May	48
Chronoscope Upgrade		September		errata	August
Compressor/Limiter/Gate		30	Power Supply In-Car	January	36
Digital Doorbell		February	Power Supply, Spectrum 3	errata	August
Digital Joystick/Mouse Conversion		26		errata	September
Digitally Tuned Radio		April	Priority Quiz Switch	October	62
Digital Noise Generator		30	Quest-Ion	July	50
Doorbell, Digital		August	Radio, Digitally Tuned	February	40
Doorbell, Polyphonic Programmable (Polybel)		49	Reaction Timer	March	49
	software	September	Rev Rider Bike Effect	April	50
	Part 1	49		January	28
EASi Alarm System	Part 2	October	Quiz Switch	errata	March
	Part 3	50	RS232 Relay Board	July	50
	hardware	April	Serial Logic Scope	July	36
EPROM Programmer (Stand-Alone)	software	22	Smoke Alarm	November	46
EPROM Programmer (Stand-Alone)		54	Son of Variat-Ion	November	40
Frequency Meter		41	Spectrum 3 Field Power Supply	January	38
Guitar Effects Supply + Pre-Amp		33		September	36
Guitar Tuner		41	Stand-Alone EPROM Programmer	errata	October
Hearing Aid	errata	May		hardware	62
		61	Switchless Intercom	January	42
How To MIDI A Piano	errata	June	Tape/Slide Synchroniser	February	46
		26	Telephone Indicator	August	49
In-Car Power Supply	errata	August	Television Aerial Amplifier	December	57
		63	Tie, Really Silly	March	36
		January	Trembler Movement Detector	July	54
		36	Twin-Loop Metal Locator	April	35
Infra-Red Camera Trigger	errata	August	Ultrasonic Camera Trigger	September	32
Infra-Red Intruderbeam		63	Ultrasonic Horn	September	42
Intelligent Plotter	Part 1	July	Variat-Ion Upgrade	May	36
	Part 2	46	Virtuoso Power Amp MOSFET Upgrade	February	38
	Part 3	44	Warning Bleeper	January	38
		32	Water Heater, Caravan	November	36
Intercom, Switchless	Part 1	February		June	49
Intruderbeam	Part 2	March		June	54
Ion Counter (Quest-Ion)	Part 3	April			
Ioniser (Variat-Ion 2)		43			
Joystick/Mouse Conversion		49			
Kinetotie		49			
Limiter/Compressor/Gate		44			
Linsley Hood Audio Design Amp		44			
		40			
		38			
		41			
		35			
		26			
		25			
	errata	November			
		60			

FEATURES INDEX IN THE JANUARY ETI



PCB SERVICE December

TELEPHONE
ORDERS
may be made on
(0442)
66551
ACCESS or VISA

- E8912-1 Mains Failure Alarm D
- E8912-2 Surveillance PCB (Free Next Month) F
- E8912-3 Slide/Tape Synch E
- E8912-4 Pedal Power L
- E8912-5 Digital Noise Generator K

PCBs for the remaining projects are available from the companies listed in Buylines.

Use the form or a photocopy for your order. Please fill out all parts of the form. Make sure you use the board reference numbers. This not only identifies the board but also tells you when the project was published. The first two numbers are the year, the next two are the month.

Terms are strictly payment with order. We cannot accept official orders but we can supply a proforma invoice if required. Such orders will not be processed until payment is received.

E8811-1	NiCd Charger	E	E8909-1	Twin Loop Metal Locator	H
E8811-2	Chronoscope (3 bds)	P	E8909-2	Trembler movement detector	D
E8811-3	Digital Transistor Tester	G	E8909-3	Field power supply (spec 3)	C
E8812-1	Doppler Speed Gun (2 bds)	K	E8909-4	Micro monitors active filter	F
E8812-2	Small Fry Mini Amp	D	E8909-5	Chronoscope auto-reset	C
E8812-3	Thermostat	E	E8910-1	Multimeter	H
E8812-4	Burglar Buster Free PCB	D	E8910-2	MIDI Mapper	M
E8812-5	Burglar Buster Power/relay Board	E	E8911-1	Smoke Alarm main board	F
E8812-6	Burglar Buster Alarm Board	C	E8911-2	Smoke Alarm power supply	F
E8812-7	Burglar Buster Bleeper Board	C	E8911-3	Frequency Meter (3 boards)	O
E8901-1	EPROM Programmer mother board	M	E8911-4	Serial Logic Scope	L
E8901-2	Variat-Ion updated Main Board	H			
E8901-3	Variat-Ion Emitter Board	E			
E8901-4	In-car Power Supply	C			
E8901-5	Granny's Hearing Booster	E			
E8902-1	Compressor/Limiter/Gate	L			
E8902-2	Ultrasonic Horn	D			
E8902-3	Stepper Motor Driver Board	L			
E8902-4	Quest-Ion (2bds)	K			
E8903-1	Intelligent Plotter Solenoid Board	H			
E8903-2	MIDI Programmer	L			
E8903-3	Balanced Disc Input Stage	F			
E8903-4	Digitally Tuned Radio	G			
E8904-1	Camera Trigger	E			
E8904-3	Intelligent Plotter Main Board	O			
E8904-4	Kinetotie Tie Board	N			
E8904-5	Kinetotie Control Board	E			
E8905-1	Guitar Tuner	H			
E8905-2	Camera Trigger Ultrasonics (2 boards)	F			
E8905-3	Bench Power Supply (2 boards)	H			
E8906-1	PC edge connector	F			
E8906-2	MIDI converter CPU	N			
E8906-3	MIDI converter keyboard	N			
E8906-4	MIDI converter control	M			
E8906-5	AF signal generator	G			
E8906-6	Mini bleeper	C			
E8906-7	Caravan heater controller	G			
E8907-1	MIDI Patch Bay	G			
E8907-2	Priority Quiz Switch	E			
E8907-3	Camera Trigger Infra-reds (2 boards)	G			
E8907-4	Aerial Amplifier main board	E			
E8907-5	Aerial Amplifier power supply	E			
E8908-1	Intercom master station	L			
E8908-2	Intercom slave station	F			
E8908-3	Intercom power mixer	E			
E8908-4	Digital joystick-to-mouse conversion	H			

Price code	Price (inc. VAT)
C	£1.80
D	£2.50
E	£3.25
F	£4.00
G	£4.75
H	£5.50
J	£6.62
K	£7.20
L	£8.80
M	£10.60
N	£13.10
O	£15.80
P	£17.90
Q	£21.80
R	£23.90
S	£25.90
T	£29.00
U	£32.20
V	£35.80
W	£37.90
X	£40.70

**TO: ETI PCB SERVICE, READERS' SERVICES,
ARGUS HOUSE, BOUNDARY WAY,
HEMEL HEMPSTEAD HP2 7ST**

Please supply:

Quantity	Ref. no.	Price Code	Price	Total Price
----------	----------	------------	-------	-------------

Post and packing £0.75

Total enclosed £

Please send my PCBs to: (BLOCK CAPITALS PLEASE)

Name

Address

Postcode

CHEQUES SHOULD BE MADE PAYABLE TO ASP Ltd.

COMING TO BLOWS

Mike Bedford reviews a trio of EPROM programmers for the PC

REVIEW

In view of ETI's recent emphasis on the IBM PC and the readership's enthusiastic reception of this theme, Stag's recent introduction of the Stratos EPROM programmer seemed an ideal opportunity to investigate the field of PC compatible programmers. This article takes the form of a review in which the Stratos and a couple of Far Eastern products are compared as development tools for the home user and small scale business applications.

Before getting down to the nitty gritty, however, it would be appropriate to consider the pros and cons of stand alone machines compared to computer dedicated programmers. ETI has previously featured constructional articles on programmers for various home micros, has recently presented the ETI Stand Alone EPROM Programmer and now seems to have come full circle by advocating use of PC specific products. So, what is the ideal solution? As always, it's a case of 'horses for courses'. Table 1 is a feature by feature comparison of the two approaches to programming EPROMs.

	Stand Alone	Dedicated
Compatibility	May be connected to any computer with an RS232 interface.	Only interfaces to one computer family.
Local Functions	Copy, verify, edit, checksum etc. may be done locally.	Nothing can be done without the host computer
User Interface	Keypad and LED/LCD display	Host computer's keyboard and full screen display.
Upgrade Path	Software upgrade path normally provided to allow new devices to be supported	No upgrade path. (See note)
Price	>£500	<£250

Table 1 - Comparison of stand alone and dedicated programmers

I think that the following few comments adequately sum up the pros and cons of stand alone and machine specific programmers. In a dedicated industrial application where EPROMs are to be copied all day long, the stand alone programmer must win in terms of both simplicity of use and economics, since

the price of a machine specific programmer would immediately rise by the price of the PC which is fully utilised for this task.

If on the other hand, we are dealing with a development environment where a computer would not be fully used for programming it all comes down to whether there is a need to program from more than one type of computer. In the case of such a requirement then the cost of a stand alone machine could well be less than the price of a programmer for each of the various computers. A more common requirement, to be able to connect to a variety of machines, is to provide continuity when changing computers.

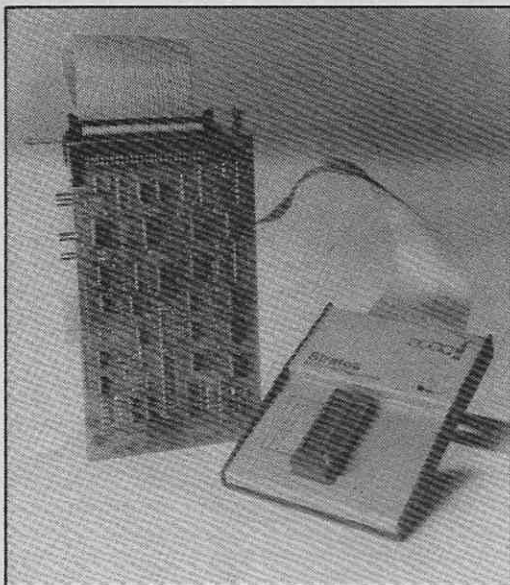
The lifetime of many of the early home micros was sufficiently limited to have made a stand alone programmer an attractive proposition. The PC, on the other hand, is a mature product with the promise of a long future and compatible upgrade path, all of which makes the use of an EPROM programmer specific to this range of computers a viable proposition.

So now to the specific products which are the subject of this article. Each programmer will be described individually and to close a table will compare salient features in order to allow easy comparison.

Stag Stratos

Initial impressions were favourable both in terms of presentation and of the quality of manufacture. The Stratos consists of the interface card, the programming site, a floppy disk and installation instructions which are attractively packaged in a moulded Styrofoam carton with cardboard outer sleeve. Surprisingly, no operating manual is included but the philosophy is that use of a pop-down menu presentation and on-line help obviates the need for such and I certainly wouldn't argue with this premise.

The PCB is a half length card designed to fit into an 8-bit expansion slot of a PC or PC/AT and everything is surface mounted except for one chip, an inductor and two user-configurable links. The programming site connects to the PCB via a 50-way ribbon cable which plugs into an IDC connector on the card's rear panel. It is of a robust metal construction and houses a 32-way ZIF socket and a single LED to indicate 'busy'. Unfortunately the ribbon cable isn't quite long enough to reach to the front of the PC but the programming site could be accommodated either on top of the PC cabinet or at its side. Installation of both the hardware and software was easily accomplished by following the instructions provided.



The Stag Stratos

Turning to the operation of the programmer, the menu driven approach with context-sensitive help meant that it took me all of 30 seconds to get to grips with it! The menu showing the supported devices was quite an eye opener with virtually every known EPROM up to the 1M-bit capacity (but excluding the 16-bit wide variants which are housed in a 40-pin package) being included. EEPROMs however, are not included. Unlike many of the home programmers which have had a single algorithm for each generic type of EPROM, the Stratos allows not only the device type but also the manufacturer to be selected. Even though the differences in the recommended manufacturers are subtle, use of the correct algorithm can increase the programming yield by a percent or so.

Another nice touch is detection of devices plugged in the wrong way round or offset in the socket, a situation which would otherwise be fatal to the EPROM. I suppose it is now a standard feature in newer programmers, but never having used a machine with flash programming algorithms before, burning a 27512 in 15 seconds proved quite a novelty. I should just point out here that with this type of programming method where the pulses are much shorter than previously used, the speed of the host processor becomes very significant to the overall programming time. The timing I quoted was on a 12MHz AT, it would take somewhat longer on a 4.77MHz PC.

On the reverse side of the coin (there always has to be something) is the fact that the software does not have a split facility for use with 16-bit code whereby odd addresses are directed to one EPROM and even addresses are programmed into the other. Of course this problem can be overcome by use of a dedicated software package on the PC (if you happen to have one) to split the object file into odd address and even address files before entering Stratos.

To finish my summary on this product, a word about importing data from disk. To provide compatibility with the output of most assemblers, files in either Motorola S-record or Intellec format may be accessed by the software. In both cases the standard and the extended (16-bit) variants are accepted. Data read from an EPROM and/or edited by the Stratos system software may be similarly dumped to disk.

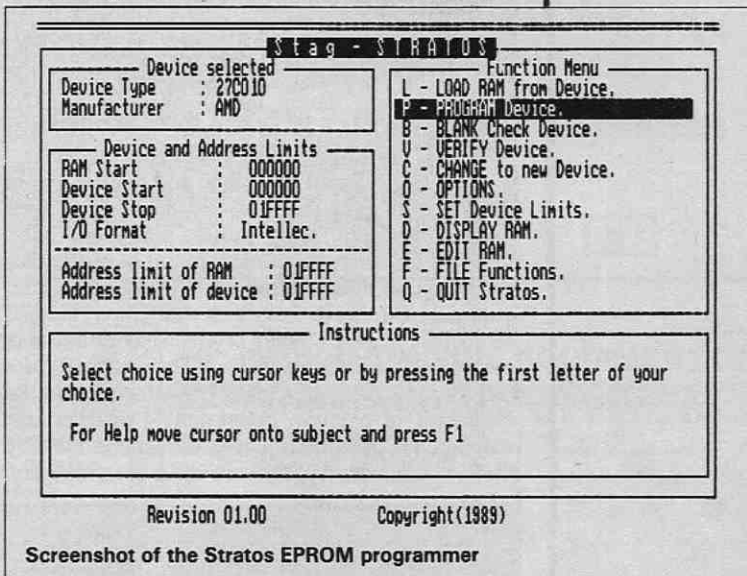
So, how much is this little lot going to set you back? The bottom line is £249 + VAT and Stratos is available directly from Stag Microsystems at Martinfield, Welwyn Garden City, Herts. AL7 1JT. Telephone: (0707) 332148.

EW-901BN

Manufactured by Sunshine Electronics Ltd, this is the first of two Far Eastern products distributed by Chipboards Ltd which are reviewed here. In passing it is also worth pointing out that Chipboards have a number of PC add-on cards which may be of interest to those with a hardware leaning, a welcome change from the run-of-the-mill memory expansion, RS232 interface and video cards normally encountered.

I have to admit that before using the EW-901BN, its price had led me to expect a very much less sophisticated product than the Stratos. Furthermore on first catching sight of the manual, which is typical of that of many Taiwanese products, having a slightly amateurish appearance and using a somewhat unconventional approach to the English language, I felt that my expectations were to be confirmed...

First impressions, however, can be quite misleading. The package contains the same constituent parts as the Stag programmer but with the addition of the aforementioned manual. The less than half length interface card has not been manufactured using up to the minute surface mounting techniques but is nevertheless of a high standard. The ribbon cable is a bit longer than that on the Stratos allowing the

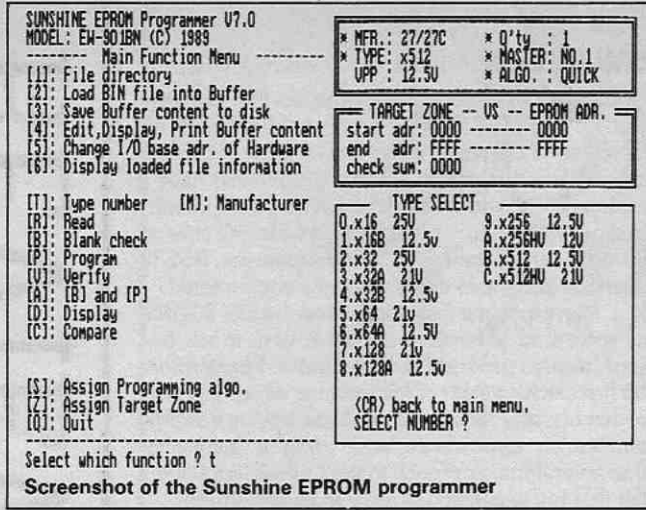


Screenshot of the Stratos EPROM programmer

programming site to be situated at the front of the PC. This extra length, coupled with the fact that there are less conductors in the ribbon, (something which hints at less screens), could mean this product is more prone to the occasional error — I haven't used it for long enough to say for sure. On the other hand, it could just be that Stag are exponents of the 'belt and braces' philosophy!

The acid test of course, is how it stands up in action, so armed with the manual the hardware and software were installed easily. Once again the software presents a menu format to the user and the principles of operation were quickly grasped. The programmer was proved on a number of EPROMs and once again I witnessed large devices being programmed at break-neck speeds. Not quite as fast as the Stratos, but as I've said before, Stag has the fastest algorithms and the sophistication of the software will make quite a speed difference. Stag does make the claim that theirs is the fastest programmer known to man.

So in what areas, if any, does the EW-901BN fail to match up to the Stratos? The major limitation is that the largest supported devices are 512K. So clearly if there is a need for 1Mbit devices then this doesn't fit the bill. There are also a few drop-offs among the smaller devices, in particular paged EPROMs like the 27513, 25-series devices (probably not a major



limitation) and EEPROMs (in common with the Stratos).

The other drawbacks really come into the bells and whistles category as far as the home user is concerned but may well be considered necessities by the corporate user. Firstly the careless user could well blow up his EPROM as no detection of reversed devices is provided. The other such drawback is that there is no way of specifying device manufacturer in order to exactly match the algorithm. There is a field labelled 'manufacturer' but this is misleading in that it really means device family, allowing 27/27C general EPROMs, 87C address latched EPROMs or NMC27C NS CMOS EPROMs to be selected.

Having selected the family and device, one of three algorithms can be used, they are normal (50ms fixed), intelligent (1ms pulses until verification followed by overprogramming pulse) or quickpulse (0.1ms pulses until verification). The algorithm is not automatically changed as the device type is changed so the user has to be aware of which algorithms may be used with a particular device. The results of these factors combine to give lower convenience and the likelihood of a lower programming success rate compared to the Stratos. Unlike the Stratos, the only file format accepted by the software is straight binary.

		Stratos	EW-901BN	EPP-01
Supported devices	Max size	1M-bit	512K-bit	1M-bit
	27-series	Yes	Yes	Yes
	87-series	Yes	Yes	Yes
	Paged EPROMs	Yes	No	No
	25-series	Yes	No	No
Programming method	EEPROMs	No	No	Yes
	Fixed pulse	Yes	Yes	Yes
	Intelligent	Yes	Yes	Yes
Use of manufacturer specific algorithms	Quick Pulse	Yes	Yes	Yes
	Reverse polarity check	Yes	No	Suspect not
	Split facility	No	*No	Yes
	On-line help facility	Yes	No	No
File format	Binary	No	Yes	Yes
	Motorola	Yes	*No	*No
	Intellec	Yes	*No	*No
	Tektronix	No	*No	*No
Produced by recognised market leader in device programmer industry	Yes	No	No	
Software upgrades available	No	No	No	
Price (VAT excluded)	£249	£89	£189	

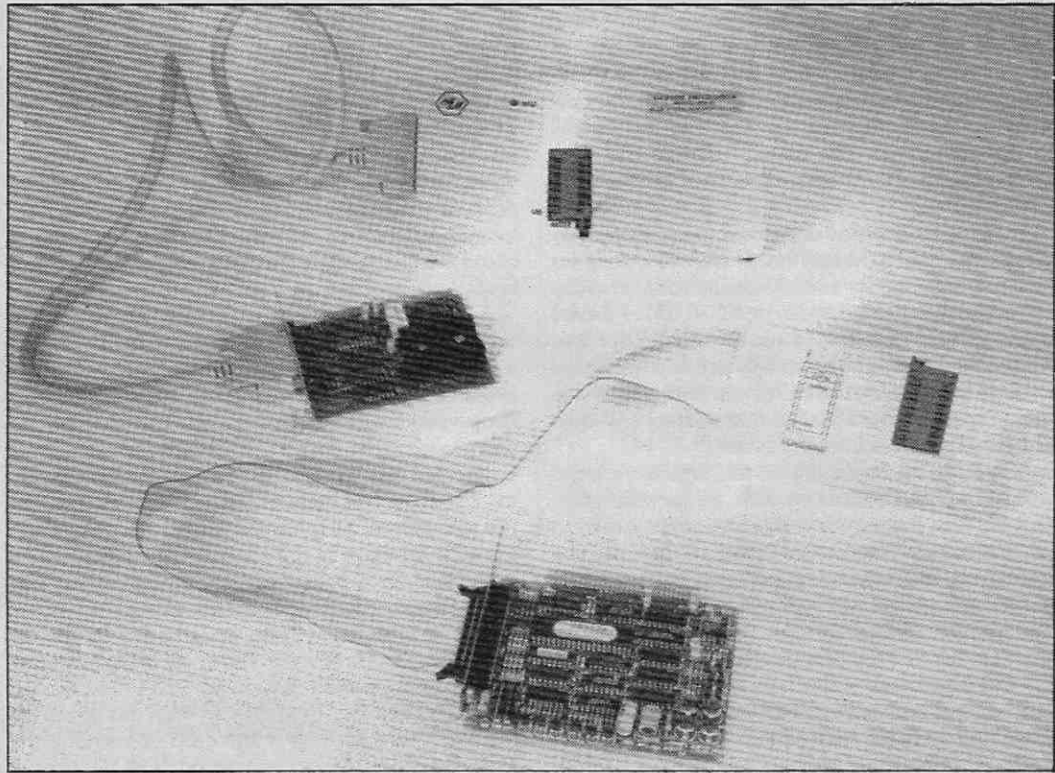
*External programs are provided to convert hex files to binary. The EW-901BN also includes an external program to carry out the missing split function.

Table 2 - Comparison of Stratos, EW-901BN and EPP-01

If your assembler cannot produce this output, all is not lost as a couple of external programs are provided to convert the various hex file formats (Motorola, Intellec and Tektronic) to binary.

I've already hinted at the low price of this product and in fact it can be yours for £89 + VAT. The address

REVIEW



Chipboard's EPP-01 (top) and EW-901BN (below)

of the importers is Chipboards Ltd., 65 High Street, Bagshot, Surrey GU19 5AH. Tel: (0276) 51441.

Tektools EPP-01

As the second offering from Chipboards, this Far Eastern product is manufactured by Hi-Lo System Research Co. Ltd. As will become obvious in the summary, this is my least favourite product.

One respect in which it does differ from the others however, is the distribution of electronics between the interface card and the programming site. In this one case the PCB has very few components with the result that the programming site contains most of the clever stuff and is therefore quite large. In many ways, the EPP-01 shares the EW-901BN's lack of sophistication. There is provision for selecting the device manufacturer but information in the manual leads me to suspect that, coupled with the device type selection, this is really only a shorthand way of selecting one of six programming algorithms. The six algorithms in question are normal 50ms, normal 10ms, normal 5ms, intelligent 1ms pulses, interactive 0.5ms pulses and quick pulse at 0.1ms. Unless I'm mistaken, what isn't taken into account is the differences in say a basic 1ms pulse algorithm to vary the maximum number of pulses allowed and the duration of the over-programming pulse, these parameters being the variant bits between manufacturers. The one area in which this product does win over the Sunshine machine is that it accepts 1M-bit devices but (in common with the Stag) only has a 32-pin ZIF socket and therefore excludes the 16-bit wide variants. Drop-offs in terms of supported devices in common with the EW901-BN are pagged

EPROMs. In the 25-series this is one area where the Stratos is overshadowed, EEPROMs are included. Another area in which the EPP-01 beats the Stag is provision for programming even or odd addresses only — essential for 16-bit use.

The price of the Tektools EPP-01 is £189 + VAT and once again is available from Chipboards at the address given earlier.

Recommendations

In order to ease comparison of these three products, Table 2 summarises key features of each. A few things are immediately obvious. For example, if a key requirement is programming of paged EPROMs then only the Stratos could be considered, the EPP-01 is the only one which does EEPROMs and the EW-901BM cannot be used for 1M-bit devices. These absolutes aside, it really comes down to weighing up the pros and cons of each, balancing price against sophistication.

In the small business environment I would expect the Stratos to be a clear favourite. The idiot-proofing and exact matching of programming algorithms with a consequential increase in programming yield are major considerations. The EPP-01 is certainly a bit cheaper but a few destroyed 27010s would soon eat up the difference and at £249 the Stag is undoubtedly a lot less expensive than the stand alone alternatives.

Although £249 is not a lot to most commercial concerns, it is enough to make most home users think twice. This being so, unless one of the drop-offs mentioned earlier excludes its use, I would be inclined to recommend the EW-901BN for amateur use as it must surely be considered excellent value for money.

REVIEW



WE HAVE THE WIDEST CHOICE OF USED OSCILLOSCOPES IN THE COUNTRY

H.P.1740A Dual Trace 100MHz Delay Sweep Trig	£500
TELEQUIPMENT 175 Dual Trace 50MHz Delay Sweep	£300
GOULD OS3000A Dual Trace 40MHz Delay Sweep TV Trig	£300
TELEQUIPMENT D755 Dual Trace 50MHz Delay Sweep	£275
KIKUSUI 5530A Dual Trace 35MHz	£250
COSSOR CDU150 Dual Trace 35MHz Delay Sweep	£180
GOULD OSY100 Dual Trace 30MHz TV Trig	£210
S.E. LABS SM111 Dual Trace 30MHz	£180
TRIO CS1565A Dual Trace 20MHz	£250
H.P.1220A Dual Trace 15MHz TV Trig	£200
GOULD OS255 Dual Trace 15MHz TV Trig	£210
PHILIPS PM3233 Dual Beam 10MHz TV Trig	£200
GOULD OS250A Dual Trace 10MHz TV Trig	£140
THIS IS JUST A SAMPLE — MANY OTHERS AVAILABLE	
MARCONI SANDERS 8058B Sig Source 8 — 12.5MHz	£550
MARCONI TF2005 AM/FM 10KHz-20MHz Sig Gen	£375
MARCONI TF2015 AM/FM 10KHz-20MHz Sig Gen with TF2171	£550
MARCONI TF2015 without Synchroniser TF2171	£425
MARCONI TF2016 AM/FM 10KHz-120MHz Sig Gen with TF2173	£400
MARCONI TF2015 without Synchroniser TF2173	£300
MARCONI MOD Meters TF2300; TF2300B; TF2303 from DYMAR 1525 AM/FM 0.1 — 184MHz Sig Gen	£200
H.P. 8208 Signal Generator 7 — 11GHz	£400
H.P. 6180 Signal Generator 3.8 — 7.6GHz	£400
H.P. 6188 Signal Generator 1.8 — 4.2GHz	£400
FERRIS RPT5 Recorder Test Set	£275
WOLKE Wow & Flutter Meter M106	£100
LEADER LMV186A Two Channel Millivoltmeter 5Hz-500KHz 100uV — 300V	£100
FEEDBACK FG601 Sig Gen 0.001Hz-1MHz Sine/Sqr/Tri	£150
MARCONI Automatic Distortion Meter TF237A	£100
40Hz or 1KHz Measures down to 0.01%	£75
LEVELL OSCILLATORS TG152/TG200 Series from MARCONI TF2700 UNIVERSAL LCR BRIDGE Battery from	£150
PHILIPS PM458 FM Stereo Generator	£85

HAMEG MODULAR SYSTEM

HM8001 Main Frame with HM8032 Sine Wave Generator 20Hz-20MHz; HM8030 2 Function Generator 0.1 — 1MHz Sine/Sqr/Triangle and HM8011.2 Digital Multimeter 4 1/2 digit	only £275
SADELA MC321 COLOUR BAR GENERATOR RF Bands 1.34 & Video 8 Functions Sound Carrier/Unused (P&P £7)	£125
SADELA COLOUR BAR GENERATOR PAL MC101.8 Patterns Pocket Size. Rechargeable Batteries. Complete with Battery Charger Adaptor/Unused (P&P £4)	£50
OPCCA WORTING Colour Bar Generator type 82514 Labgear Colour Bar Generator KGI 8 Test Patterns (P&P £4)	only £40 each
LABGEAR FIELD STRENGTH METERS LABGEAR CROSSHATCH GENERATOR Type CM8038.06 Crosshatch Grey Seale Blank Raster. Mains or BATTERY. Unused £18. Used £12 (P&P £3)	£80 (P&P £7)
TRIO TR7 SIGNAL GENERATOR Type SG402 100KHz-30MHz Unused (P&P £7)	only £50
ADVANCE S6628 AM 150KHz-220MHz	£45 (P&P £7)

TELEPHONES

Yes real dial type telephones that don't slide around the desk. Type no. 746 supplied with standard BT plug (used). Quantity discount only £5 (p&p £3)

Used equipment — with 30 days guarantee. Manuals supplied if possible. This is a VERY SMALL SAMPLE OF STOCK. SAE or telephone for lists. Please check availability before ordering. CARRIAGE all units £16. VAT to be added to Total of Goods & Carriage

STEWARTS OF READING
110 WYKEHAM ROAD, READING, BERKS RG6 1PL
Tel: 0734 68041. Fax: 0734 351696. Callers welcome 9am-5.30pm Mon-Fri (until 8pm Thurs)

19" RACK MOUNTING EQUIPMENT CASES

This range of 19" rack equipment cases have been designed with economy and versatility as their objective. These cases are supplied as a flat pack kit with assembly instructions. The ★ NEW IMPROVED DESIGN ★ now features a black powder coat 16SWG (1.5mm) steel front panel with the rear box constructed from 9mm PVC coated steel. All units are 10" (254mm) deep and are available in the following popular sizes:-

TYPE	HEIGHT	PRICE
U1	1" (44mm)	20.33*
U2	3" (88mm)	23.92
U3	5" (133mm)	22.72*
U4	7" (178mm)	25.48*

* Special Offer Price

DELIVERY INCLUDED (UK ONLY)
All prices INCLUDE VAT
Blanking Panels, Racking Consoles and Rack Cabinets are also available.
Please send S.A.E. for details.
★ TRADE ENQUIRIES WELCOME ★
TEL: 0275 823983 FOR ACCESS/VISA SALES OR CHEQUE WITH ORDER TO:-
RACKZ PRODUCTS
PO BOX NO. 1402, MANGOTSFIELD, BRISTOL, ENGLAND BS17 3RY

19" RACK CASES

★ Suitable for instruments, high quality amplifiers and many other applications that demand strength and professional finish ★ New improved construction and finish ★ Black anodised aluminium front panels ★ Separate front mounting plate, no fixing screws visible on the front and the side of the enclosure ★ Heavy gauge front panel is of brushed aluminium finish enhanced with two professional handles ★ With ventilation slots and plastic feet ★ Rear box manufactured from 1.1mm steel finished in black. Rack mounting or free standing. Comes in quick assembly flat package.

Order Code	Panel Size W x H (mm)	Rear Box W x H x D (mm)	Weight (kg)	Price (£)
U101	19 x 1.75	17 x 1.5 x 10	2.4kg	26.95
U103	19 x 5.25	17 x 5.0 x 10	3.5kg	29.95
U212	19 x 3.5	17 x 3.0 x 12	3.3kg	£29.75
U312	19 x 5.25	17 x 5.0 x 12	4.0kg	£31.95
U412	19 x 7.0	17 x 6.5 x 12	4.6kg	£34.95

Please add £3.00 P&P for the first item and £1.50 for each additional item.
Please add VAT to above prices. Overseas orders welcome.

CRICKLEWOOD ELECTRONICS LTD
40 CRICKLEWOOD BROADWAY, LONDON NW2 3ET
Tel: 01-452 0161 Fax: 01-208 1441
SOLE UK DISTRIBUTORS

REGULATORS AND REFERENCES

Paul Chappell
discusses the ins and
outs of regulators

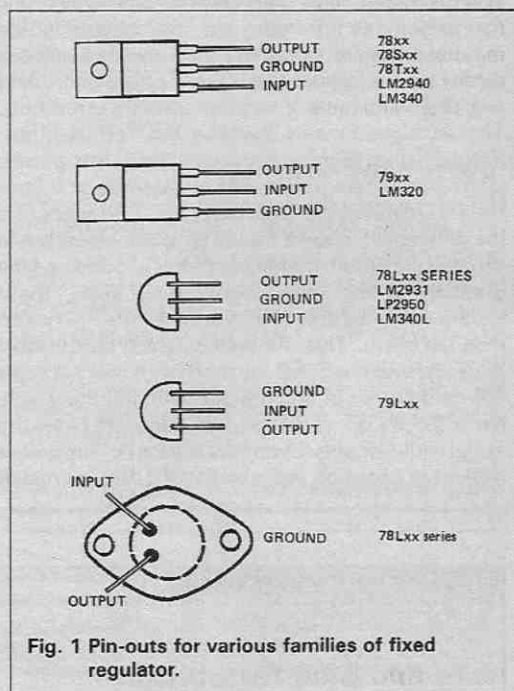
There was a time, and not so long ago either, when the inclusion of a voltage regulator in a power supply circuit was the exception rather than the rule. When regulators had to be cobbled together from discrete components it was only worthwhile to include one if the circuit to be powered would genuinely benefit from being provided with a specific voltage. Not so now. Regulator ICs are cheap and will be tossed into a circuit as a matter of course, whether it needs one or not. I believe that among linear ICs, regulators are second only to op-amps in volumes manufactured and sold. Which just goes to show.

Figure 1 shows the pin connections of some of the more popular types. First comes the ubiquitous 78xx series of fixed positive regulators, followed closely by the 79xx negative ones. The last two digits in each code tell you the output voltage of the regulator, so the 7805 will be a 5V positive regulator, the 7912 will be 12V negative, and so on. There's quite a wide range of voltages manufactured (you can get a 7808, for instance, to give +8V), but most suppliers limit their stocks to the most popular voltages. Both families will cope with circuits that draw up to 1A from the supply, as long as there's not too much of a voltage drop across the regulator. More about this later.

Close relations of the 78xx and 79xx series are the 78Lxx and 79Lxx low current versions, good for up to 100mA. These come in a TO92 (like a plastic small-signal transistor), so take up a lot less space than the 1A versions. Going up the scale, you can have the 'S' or the 'H' versions, giving 2A and 5A respectively. The 'S' versions are in a similar package to the 1A regulator; the 'H' types come in a TO3 style package. Some manufacturers also produce a 'T' series (3A) and a 'P' series (10A), although these are usually positive regulators only and available in a restricted range of output voltages. Just to complicate the issue, there's also an 'M' version, with the 'M' signifying different things according to who makes the IC. Sometimes it's nothing more than a 1A regulator in a TO3 package.

Figure 2 shows the reason for the popularity of regulators: they are so easy to use! With most brands of the 1A and 100mA families you can get away with just wiring the regulator itself, as shown in Fig. 2a, if the load is resistive.

Turning to Fig. 2a, any regulator IC will benefit from a bypass capacitor at the output to improve transient response and cut down on the output noise bandwidth. If you're using anything other than the various 78- and 79- types, it's as well to be aware that some of the older designs will actually be unstable without the output bypass capacitor, so put one in just to be on the safe side. The input bypass capacitor is needed if the regulator is located far from the power supply board. For the 78xx, 78Lxx and the corresponding negative regulators, non-electrolytic



capacitors of 470n at the input and 100n at the output will be more than enough. If you're using a regulator you're not familiar with, a 4 μ tant at the input and a 10 μ tant at the output will keep just about any regulator in the known universe happy.

Other Fixed Regulators

Most of the time there's not much point in looking beyond the various 78- and 79- families. They are cheap, readily available, and usually nothing more is needed. There are those few occasions, though. Here's a brief survey of the main parameters of regulator ICs.

Dropout Voltage

If you reduce the input voltage to a regulator, sooner or later the voltage drop between its input will not be enough to operate its internal circuitry, and the output voltage will drop too. With the 78- and 79- ICs, this happens at around 2.5 to 3V across the IC, so for a 7805 the output will be 5V only if the input is 7.5V or more. If the input drops below this, the output voltage will drop too. The smallest voltage you can have across the IC, below which it will stop regulating, is called the *dropout voltage*. Figure 3a shows what can happen if there's a lot of ripple or noise on the input: some of it can be passed through to the output, though by measuring the input voltage with a multimeter, you might reckon that the IC had plenty of headroom.

A regulator with a lower dropout voltage would cope with the input of Fig. 3a much better: one with a 1V dropout would regulate it perfectly. Another situation where a low dropout voltage would be an advantage might be in battery powered equipment.

If you want to regulate a 9V battery to give a constant 6V over the battery's life, a regulator with a 2.5V dropout is going to stop earning its living as soon as the battery voltage drops below 8.5V. One with a lower dropout voltage will give much longer usable life from the battery.

The LM2940 is an example of a low dropout voltage IC. The typical dropout is 0.5V, maximum 1V. Output current capability is 1A and the pin connections are the same as for the 78xx series. The LM2931 is a similar device for lower current supplies: up to 100mA output, maximum dropout voltage 0.6V, pin connections as for 78Lxx devices. Both of these regulators require a good quality 100 μ output bypass capacitor — exceptions to the rule that 10 μ will do for just about anything.

Quiescent Current

Not all the current entering the input terminal of a regulator finds its way to the output. Some is lost through the ground terminal. Most of the time 20mA or so going astray is no cause for concern, but for battery operated equipment this represents a considerable shortening of the battery's life. For low current standby supplies or any other circuit where drain on the supply has to be kept to a minimum, a low quiescent current regulator might be required.

The LM2931 is significantly better than most regulators with 1mA quiescent current for loads below 10mA. Beyond this you're into the realm of 'micro-power' regulators such as the National Semiconductor LP2950 with 140 μ A ground current (T092 package, same pin-out as 78Lxx) or the ICL7663 with around 4 μ A ground current.

Load and Line Regulation

These should really have been top of the list, since they describe how well the regulator actually does what you're paying for: how effective it is at maintaining a steady output voltage no matter what. Load regulation is the change you get in the output voltage as the load current varies. The lower the change, the better the regulator.

Line regulation is the change in output voltage caused by a change in input voltage. Once again, the lower it is, the better the IC. This is related to, but not necessarily the same as, ripple rejection. Line regulation shows how well the IC maintains its output voltage for different fixed inputs, or for slow changes in the input. Ripple rejection shows how well it copes with faster input voltage changes. In published figures a full-wave rectifying circuit will be assumed, so the figure will be quoted for 100Hz (120Hz in American publications).

For comparison, here are some figures for the 7805. Load regulation first. If the output current changes from 250mA to 750mA, the output voltage can vary as much as 25mV (this is for a respectable brand of 7805 — the figure could be much worse for a Korean sweat-shop import). For line regulation, over the input voltage range of 7V to 25V the output can change by up to 50mV. Ripple rejection will be 62dB at worst.

To tighten up on any of these figures, an improved range of replacements for the 78xx and 78Lxx regulators is available. The 340 series give improved performance on all counts over the 78xx devices, and the 340L series does the same for the

78Lxx ICs. Pin-outs are the same as for the corresponding 78- devices.

Some regulators have special characteristics to suit specific applications. The LM2931 and 2940, for instance, will both withstand all kinds of excessive voltages that will be found in car electrical systems. If anything really unpleasant happens they shut down to protect both themselves and the circuit they're powering. Other devices have error detection circuitry that will shut down the IC if the input is low or if any other fault in the supply is detected. Others will shut down on the command of an external logic signal (for computer supplies where the software checks for errors and turns off any circuit that isn't functioning properly). Some devices will even stand being connected back-to-front, for car circuits in case some brainy garage lad decides to swap a few wires around.

The other major category of regulators is the variable voltage type. Next month for those.

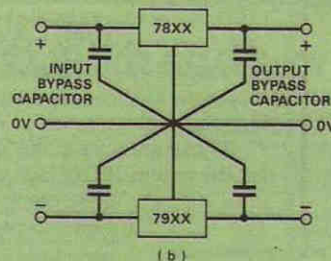
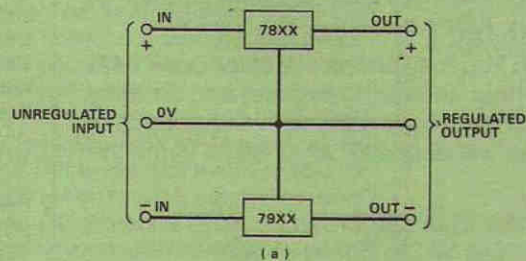


Fig. 2(a) Simplest possible regulator connection, for resistive loads.
Fig. 2(b) Regulator connection for any load. Capacitors should be wired as close as possible to the IC.

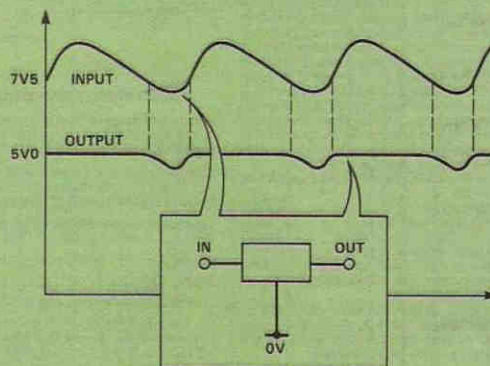


Fig. 3 Effect of dropout voltage: ripple below 7.5V is fed through to the output.



PHONE
0474 560521



FAX
0474 333762

P. M. COMPONENTS LTD
SELECTRON HOUSE, SPRINGHEAD ENTERPRISE PARK
SPRINGHEAD ROAD, GRAVESEND, KENT DA11 8HD

TELEX
966371
TOS-PM

VALVES

BRIMAR — COSSOR — EIMAC — GEC
— HIVAC — MAZDA — MULLARDS — RCA —
SIEMANS — SELECTRON — TEONEX — ETC

Over 3 million valves available from stock. Please phone for a competitive quote.

We offer: specially selected pre amp valves; a wide range of matched power valves; high quality CV and ruggedised valves; transmitting, receiving, industrial and rare vintage wireless valves and sockets.

We also offer: Semiconductors; Video Heads and Belts; Integrated Circuits; Diodes; Industrial Cathode Ray Tubes.

How to buy: You may phone our sales desk 0474 560521 (24 hour answering service) and order by credit card or send your order with cheque/postal order and we will despatch all ex stock items the same day.

UK orders p&p £1.00 per order.
Please add 15% VAT to prices shown.
Export orders welcome, carriage at cost.

A selection from our stock of branded valves

2A3	16.50	572B	59.00	7119	9.00	EF804S	19.50
5R4GY	4.95	805	59.00	7247	8.50	EF805S	25.00
5U4G	4.50	811	15.00	7551	8.50	EF806S	25.00
6CA7	3.50	812A	35.00	7581A	11.95	EL34	3.95
6CG7	4.50	813	27.50	7586	15.00	EL84	0.95
6CW4	8.50	845	59.50	7587	19.50	EL86	1.75
6DJ8	1.35	872A	20.00	7591A	8.95	EL519	6.95
6DK6	1.50	5636	5.50	7868	8.50	EY88	0.95
6EJ7	0.85	5642	9.50	8417	8.95	EZ80	0.75
6FQ7	4.50	5751	2.95	E81CC	5.50	GZ32	4.50
6GK6	3.95	5814A	3.25	E82CC	4.50	GZ34	4.50
6JB6A	9.50	5842	11.00	E83CC	4.50	KT66	5.00
6JS6C	9.50	5881	9.95	E88CC	3.50	KT67	9.00
6KD6	10.50	5899	4.50	E88CC01	6.95	KT77	15.00
6L6GC	3.50	5963	1.75	E182CC	9.00	KT88	15.00
6LQ6	9.50	5965	2.15	E188CC	7.50	M8136	7.00
6SN7GT	1.95	6057	3.75	EC801D	12.00	M8137	7.95
6U8A	1.50	6136	2.50	ECC81	1.50	M8162	5.50
6Y6GT	2.50	6146B	9.50	ECC82	0.85	M8195	6.50
6X4	1.50	6189	4.50	ECC83	0.95	PL504	1.25
12AT7	1.50	6201	6.45	ECC83.SP	3.50	PL519	4.95
12AT7WA	2.50	6267	5.00	ECC801S	6.95	TT21	45.00
12AU7	0.85	6360	4.50	ECC802S	6.95	QQV03.10	5.50
12AX7	0.95	6550	8.95	ECC803S	6.95	QQV03.20	25.00
12AX7WA	2.50	6550A	13.95	ECF82	1.50	QQV06.40A	27.50
12AY7	3.95	6870	11.50	ECF804	6.50	U19	9.50
12BH7A	4.95	6883B	9.95	ECF805	2.50	UCH41	2.50
12BY7A	3.50	6973	8.95	ECL82	1.00	UL84	1.95
12E1	19.50	7025	2.50	ECL86	1.50	VR150.30	2.50
211	25.00	7027A	10.00	EF86	2.50	Z759	15.00

THOUSANDS OF OTHER TYPES AVAILABLE



HART AUDIO KITS — YOUR VALUE FOR MONEY ROUTE TO ULTIMATE HI-FI

HART KITS give you the opportunity to build the very best engineered hi-fi equipment there is, designed by the leaders in their field, using the best components that are available. With a HART KIT you have direct access to the friendly HART service, you are not dealing through or paying for, any middlemen. Every HART KIT is not just a new equipment acquisition but a valuable investment in knowledge, giving you guided hands-on experience of modern electronic techniques.

Telephone or write for our FREE LISTS giving full details of all our Kits, components and special offers. Here are a few selected items.

AUDIO DESIGN 80 WATT POWER AMPLIFIER

This fantastic amplifier is the flagship of our range, and the ideal powerhouse for your ultimate hi-fi system. Featured on the front cover of the May issue of 'Electronics Today International' this complete stereo power amplifier offers World Class performance with the option of a stereo LED power meter and a versatile passive front end giving switched inputs, volume and balance controls. Tape, CD players, or indeed any 'flat' input may therefore be directly connected to bypass tone controls or give a 'stand-alone' facility. The amplifier can also be supplied in 'slave' and 'monobloc' versions without the passive input stage and power meter. All versions fit within the standard 420x260x75mm case to match our 400 Series Tuner range. ALL power supplies are stabilised, the heavy current supplies using the same mosfet devices as the amplifier. The power supply, using a toroidal transformer, is in fact a complete module contained within a heavy gauge aluminium chassis/heatsink and fitted with IEC mains input and output sockets. All the circuitry is on a proper printed circuit with low-resistance blade connectors for the six stabilised DC outputs. HART KITS don't leave you to fatten a few capacitors to the floor of the main chassis and wire the power supply the hard way! Remember with a HART KIT you get the performance you want at the price quoted through proper engineering design and the right components. We do not insult your intelligence by offering a kit at what seems a fair price and then tell you that you have to spend three times as much to get an upgraded model!

K1100 Complete Stereo Amplifier Kit with LED Power Meter and 3-input Passive Stage. Total cost of all parts is £418.88

Our Discount Price for the Complete Kit £365.98

K1100S Stereo Slave Version, with plain Front Plate £309.43

K1100M 'Monobloc' mono version, with plain Front Plate £224.15

RLH10 Reprints of latest 'Audio Design Amplifier' articles £2.70

K1100CM HART Construction Manual with full parts lists £4.50

Reprints and construction manual can be purchased separately and their cost credited against subsequent kit purchase.

All versions are supplied with dual primary mains transformers for use on 220/240V or 110/115V mains. Monobloc price does not include the construction manual.

SPECIAL OFFER until the end of November the K1100 kit will be supplied with the new ALPS low noise precision pots at NO EXTRA CHARGE.

LINSLEY-HOOD 400 SERIES SUPER HIGH QUALITY AM/FM TUNER SYSTEM

This is the ideal companion tuner to the 80W Audio Design Amplifier in any ultimate hi-fi system with case size, front plate layout and even control pitches unified for stacking. Like the 80W Audio Design Amplifier this is your route to EK+ performance for a few tenths of the cost! Two designs by John Linsley Hood make up this combination of his ultra high quality FM tuner and stereo decoder described in 'Electronics Today International' and the Synchronyde AM receiver described in 'Wireless World'. Novel circuit features in the FM section include ready built pre-aligned front end, phase locked loop demodulator with a response down to DC and advanced sample and hold stereo decoder together making a tuner which sounds better than the best of the high-priced exotica but, thanks to HART engineering, remains very easy to build and set up. The Synchronyde section with its selectable bandwidth provides the best possible results from Long and Medium wave channels, so necessary in these days of split programming. If you want the very best in real Hi-Fi listening then this is the tuner for you. Since all components are selected by the designer to give the very best sound this tuner is not cheap, but in terms of its sheer sound quality it is incredible value for money. To cater for all needs AM only and FM only versions are available as well as the full AM/FM model, with any unit being upgradable at any time. For further details see our full illustrated lists.

K400FM FM Only Version, total cost of all parts is £211.90

Our special Discount Price for complete Kit Only £169.52

K400AM/FM Full AM/FM version, Discount Price for complete Kit £249.08

ALPS PRECISION LOW-NOISE STEREO POTS

Square type range of famous precision audio pots all in 2-gang stereo format, with 20mm long 6mm dia. steel shafts. These are the smooth rotation type with no indentations.

Now you can throw out those noisy ill-matched carbon pots and replace with these, their improved track matching giving better tonal balance between channels and rock solid image stability.

Values available are 10K and 100K Log, 100K lin and 10K Special Balance. (Zero loss in centre position).

2-Gang Lin £6.30

2-Gang Log £7.20

2-Gang Special Balance, zero crosstalk and zero centre loss £7.80

Our Autumn '89 list gives full details of all our kits as well as our range of components, connecting leads, cassette decks and seasonal special offers. Write or telephone for your FREE copy.

HIGH QUALITY REPLACEMENT CASSETTE HEADS



Do your tapes lack treble? A worn head could be the problem. Fitting one of our replacement heads could restore performance to better than new! Standard inductances and mounting make fitting easy on nearly all machines and our TC1 Test Cassette helps you set the azimuth spot on. As we are the actual importers you get prime parts at lower prices, compare our prices with other suppliers and see! All our heads are suitable for use with any Dolby system and are normally available ex stock. We also stock a wide range of special heads for home construction and industrial users.

HS16 Sendust Alloy Stereo Head. High quality head with excellent frequency response and hyperbolic face for good tape to head contact **£17.86**

HC40 NEW RANGE High Beta Permalloy Stereo head. Modern space save design for easy fitting and low cost. Suitable for chrome metal and ferric tapes, truly a universal replacement head for hi-fi decks to car players and at an incredible price too! **£5.65**

HX100 Special Offer Stereo Permalloy Head **£2.86**

HR303 Downstream Monitor Stereo Combination Head **£44.39**

HQ551 4-Track Record & Play Permalloy Head for auto-reverse car players or quadraphonic recording **£16.79**

H524 Standard Erase Head **£2.59**

SM166 2/2 AC Erase Head, Standard Mount **£12.60**

HS9510 2/4 Stereo DC Erase Head **£8.70**

HQ751E 4/4 AC Erase Head, tracks compatible with HQ551 **£57.06**

We can supply card reader heads for OEMs at very keen prices.

REEL TO REEL HEADS

999R 2/4 Record/Play 110mH. Suits Stuart Tape Circuits **£13.34**

998E 2/4 Erase Head 1mH. Universal Mount. Suits Stuart **£11.96**

TAPE RECORDER CARE PRODUCTS

HART TC1 TEST CASSETTE Our famous triple purpose test cassette. Sets tape azimuth, VU level and tape speed **£5.36**

DEMI Mains Powered Tape Head Demagnetiser, prevents noise on playback due to residual head magnetisation **£4.08**

DEM115 Electronic, Cassette Type, demagnetiser **£8.61**

Our new AUTUMN '89 List is FREE. Send for your copy now. Overseas customers welcome, please send 2 IRCs to cover surface post, or 5 for Airmail.

We accept Access/Mastercharge orders by phone or post from Inland or Overseas. Visa facilities soon.

Please add part cost of carriage and insurance as follows:

INLAND: Orders up to £20 — £1; Orders over £20 — £2.50, Next day — £9.

OVERSEAS: Please see the ordering information with our lists.

QUALITY AUDIO KITS

24hr SALES LINE
(0691) 652894

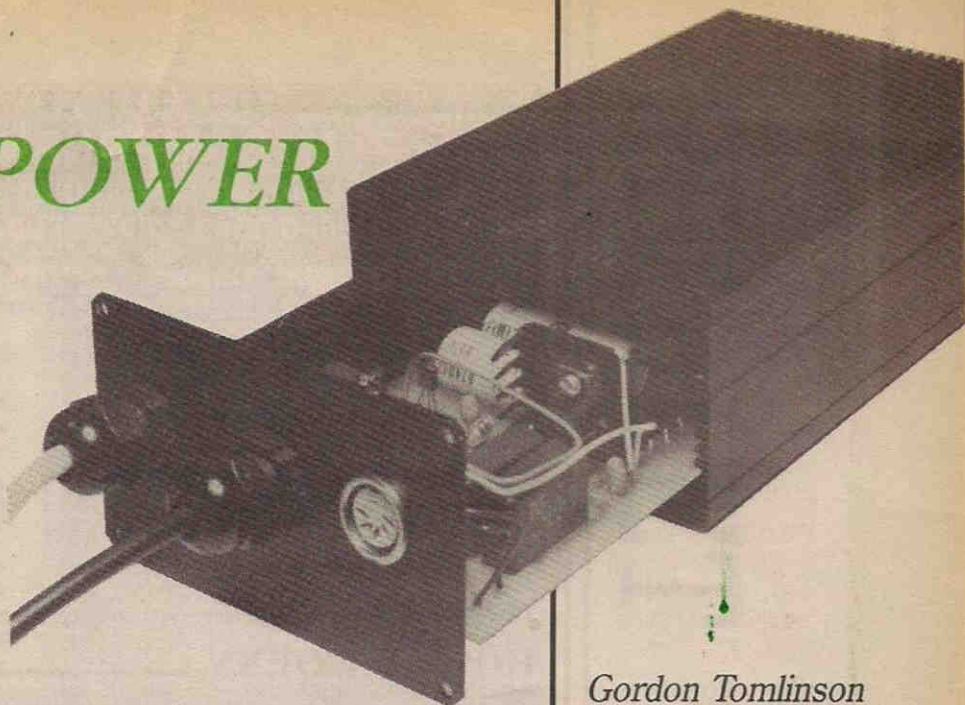
ALL PRICES INCLUDE VAT



HART ELECTRONIC KITS LTD
4 PENYLLAN MILL
OSWESTRY, SHROPSHIRE
SY10 9AF

PEDAL POWER

The background to this project is quite simple. A friend plays guitar semi-pro and uses several effects pedals. He had a problem with battery eliminators and cables cluttering his stage area and so he asked for help. The solution was equally simple. A small box fitted to the rear of the amplifier providing a 8V feed for the effects pedals. This power feed and signal return became combined into a single multi-way cable and the power supply box evolved into the form presented here.



Gordon Tomlinson shows how to cut the cabling on stage

A basic design consideration is that it should fit unobtrusively into the rear of an amplifier. The unit must be compact, yet robust and so the enclosure chosen is a very sturdy aluminium extrusion that neatly houses a single 100x160mm Eurocard-size PCB. All the components mount onto the card and this simply slots into the housing.

To ensure simple operation there are only three connections to the unit. Firstly, mains power is tapped from the amplifier, preferably after the on/off switch. A second lead carries the output to the main amplifier signal input. This is soldered to the circuit board inside the main amplifier but could be provided on a flying lead/jack plug. Finally, a multiway DIN socket provides a connection to the effects pedals.

As this is an 'add-on' in a critical position, it is vital that no compromises are made in component selection. Consequently high quality components are used throughout to ensure that the unit never becomes the 'weak link' in the chain.

The input stage uses a basic differentiation amplifier to accept the incoming signal and a voltage follower to buffer the output to the main amplifier.

The power supply is configured to supply approximately 9V for the effects pedals. With reference to the circuit diagram in Figure 1, the power supply follows traditional linear supply practice of

transformer/rectifier/capacitor/regulator. VDR1 is a voltage dependant resistor and zaps any large mains spikes. They are a good idea in any equipment.

The negative regulator supplies only two ICs and is a low-power type. Its output is 'shifted' from -5V to -8.9V by the application of a 3.9V zener diode to its earth terminal. This useful trick is also applied to the positive regulator. However this supplies the main power output and must be of the 7805 type.

If a good quality component with A1 amp rating is used and well heatsinked, it will happily supply 400/500mA, which is more than enough for five effects pedals. Note that regulators will only deliver their maximum rated current in cool conditions with a minimal input to output voltage drop (about 2V). The greater the voltage drop across the regulator, the lower its output current potential. Resistors R1 & R2 provide a constant load to ensure the regulators keep regulating. Capacitors C3 to C8 ensure that supplies are kept as clean as possible. It is very important to heatsink IC1 as it can become quite warm.

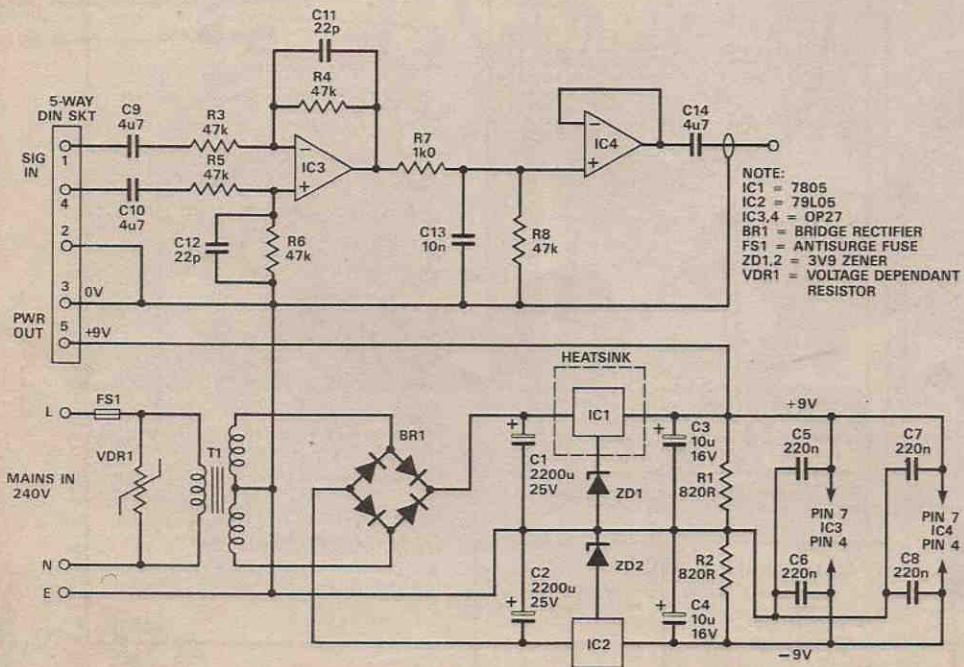


Fig. 1 Circuit diagram of power supply and input amplifier

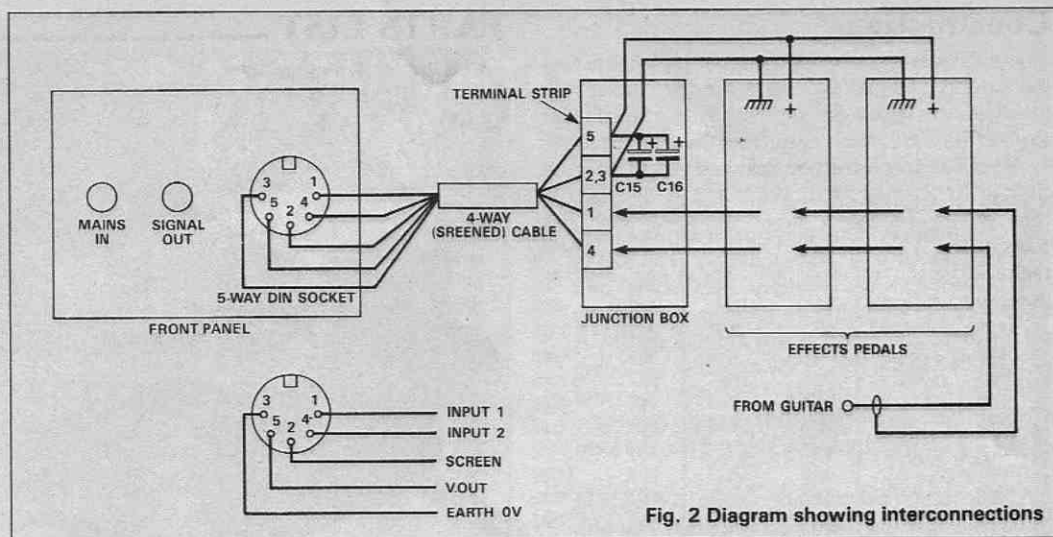


Fig. 2 Diagram showing interconnections

HOW IT WORKS

The signal handling circuitry is built around two OP27 operational amplifiers. These are quite expensive but you only need the lowest grade version.

The first stage is a basic differential amplifier. Many different formats of differential amplifier exist, and the most simple single chip version was chosen. The differential amplifier works by effectively looking at the signals presented to its inputs, and it acts in one of two ways. If the signals are different it amplifies the difference by a factor determined by $R4/R3$ (when $R4=R6$ and $R3=R5$). If the signals are the same then they are attenuated by the common mode rejection ratio (CMRR) of the circuit. The amount of CMRR is determined by the choice of op-amp, the auxiliary components used and circuit topology. If we had expected high levels of interference, we could have

exploited the 90+ dB CMRR capability of the OP27. But we would have been forced to use closely matched (0.01%) resistors and a trimmer for C12. However in our application we do not expect high levels of interference. We can happily use 1% standard resistors. With the values shown we have an overall gain of one.

A disadvantage of a single chip stage is that the inputs are presented with unequal impedances. However this is not important here.

The network $R5, C13$ serves as a passive low pass filter, progressively attenuating unwanted high frequency signals. Finally the second OP27 forms a simple voltage follower (its output follows its input) and this provides a low output impedance to drive into the standard amplifier.

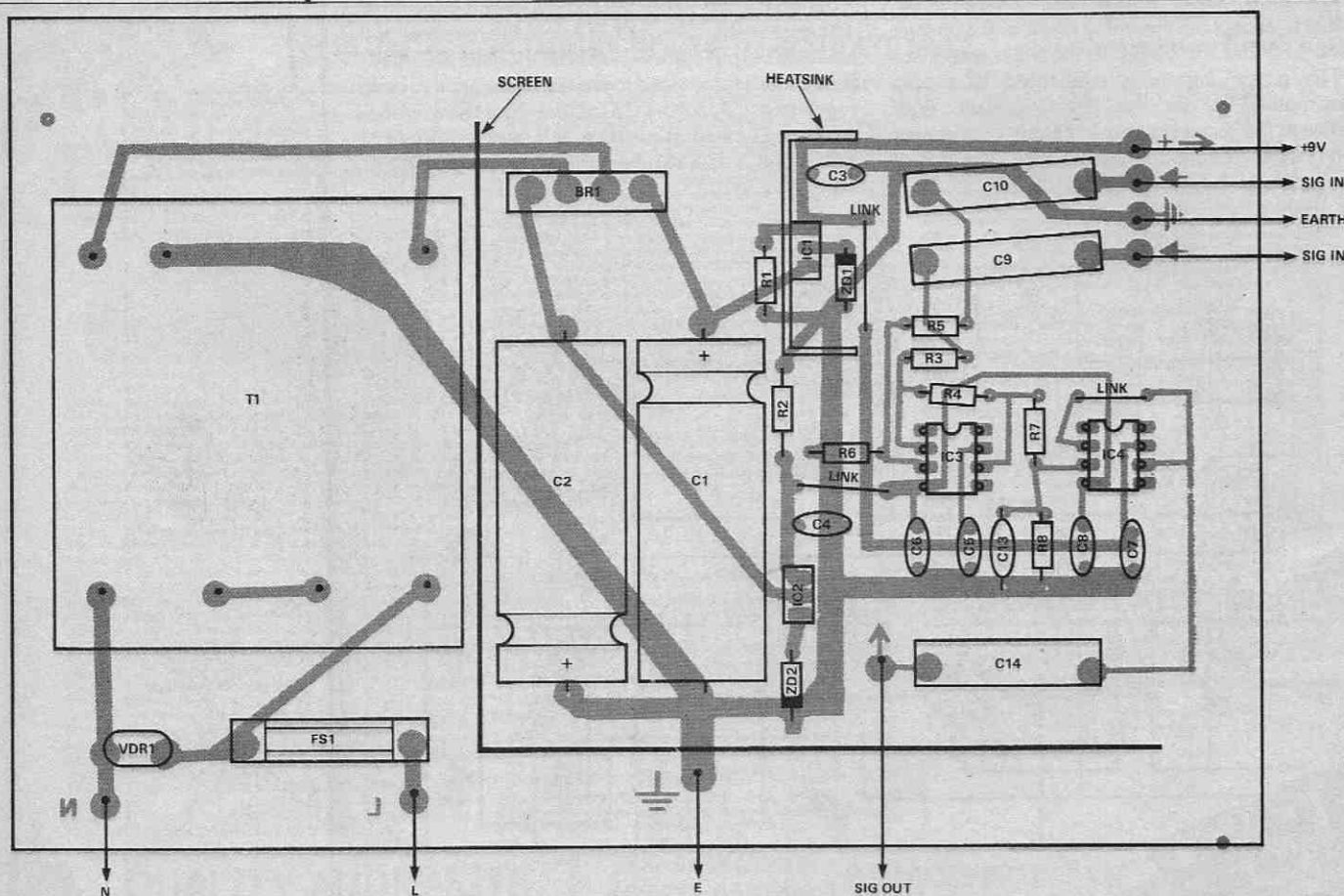


Fig. 3 Component overlay for input amplifier and power supply

Construction

The end cover of the housing must be drilled to accept the sockets and glands. This is the only metalwork involved unless you decide to make a small divider to keep the mains cable away from the other circuitry.

Basic board construction follows standard practice. Start with the small components and work your way through to the larger items, finishing with the transformer. When finished have a break and then recheck everything, especially components that are polarity conscious.

Wiring the unit to the outside world is quite straight forward and is just common sense as shown in Figure 2. The 9V power supply and signal returns are taken by a single multiway cable to the five pin din connector. You may prefer something more beefy and expensive such as an XLR connector.

How you interface the signals at the pedal end is up to you. Remember to keep cable lengths to a bare minimum. Two important points to note: capacitors C11 and C12 are soldered piggy back to resistors R4 and R6 and capacitors C15 and C16 are used at the pedal end of the line.

Getting Going

If you own a scope or signal generator then testing will probably be second nature. If you do not and run into a problem, the first thing to check is the power supply. Do you have mains? Are the regulators correctly oriented? Do you have voltage at the IC supply pins? If you are using IC sockets, have you plugged them in the wrong way? It is basically a simple circuit and should not be hard to fault find.

Where and how you fix it in the amplifier is up to you. Make sure that it is secure and not too close to the hot bits. Do not be tempted to compromise on component quality. If the main amplifier has a capacitor at its input it will be possible to remove capacitor C14. Over to you . . .

PARTS LIST

RESISTORS (all 1% metal film 1/4W)

R1,2	820R
R3-6,8	47k
R7	1k

CAPACITORS

C1,2	2200 μ 25V electrolytic
C3,4,16	10 μ 16V tant
C5-8	220n plastic film
C9,10,14	4 μ 7 polycarbonate/film
C11,12	22p polystyrene, close tolerance
C13	10n plastic film
C15	100 μ 16V electrolytic

SEMICONDUCTORS

IC1	7805
IC2	79L05
IC3,4	OP27
ZD1,2	zener diode 3.9V
VDR1	voltage dependant resistor

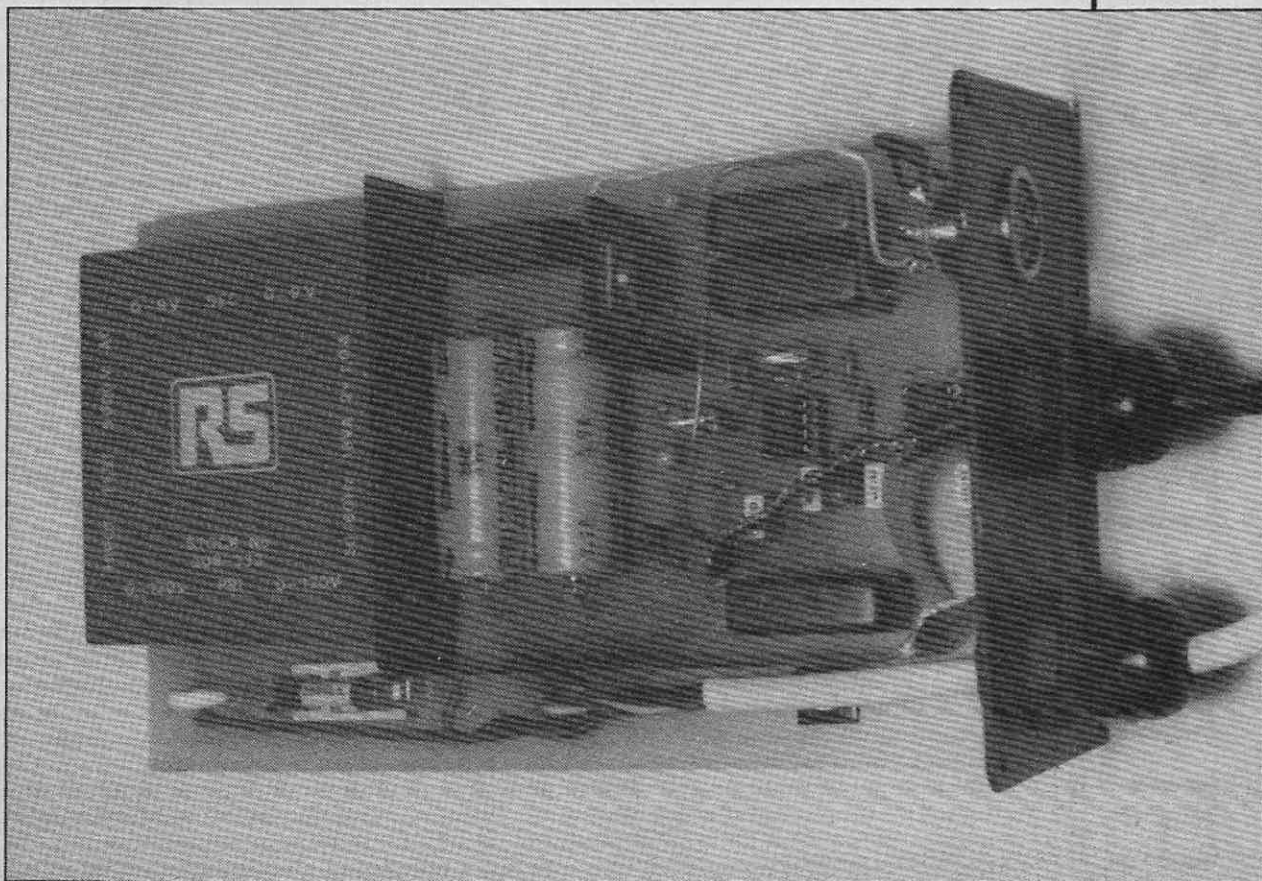
MISCELLANEOUS

BR1	diode bridge 1.5A
FS1	250mA anti-surge
T1	9-0-9V 18VA

Cable & glands. 5 pin din skt and plug. Heatsink for IC1. Alloy screen.
Fuse holder. Case.

BUYLINES

The parts are not cheap but they are easily available. The transformer is RS/Electromail catalogue number 208-333. Tel: (0636) 204555. The alloy case is available from West Hyde Developments Ltd. Tel: (0296) 20441.



UNDER SURVEILLANCE

4: Counter Surveillance

Paul Chappell sniffs out the bugs with this simple locator

SURVEILLANCE

On the cover of this month's mag you should have found a bag of components. Inside is a transistor, a 220 R resistor, a 220k resistor, a 27p ceramic, a 47p ceramic and a 2n2 ceramic (which might be marked '2200' — its value in pF).

On next month's cover there will be a PCB, and once you've got that you'll be set to build this year's free project: a VHF surveillance transmitter. A bug. Not only that, but by dividing the board into four pieces you'll have the PCBs for a complete surveillance and counter-surveillance outfit: a radio bug, a bug locator and two other radio devices. Want to know what they are? Just wait and see!

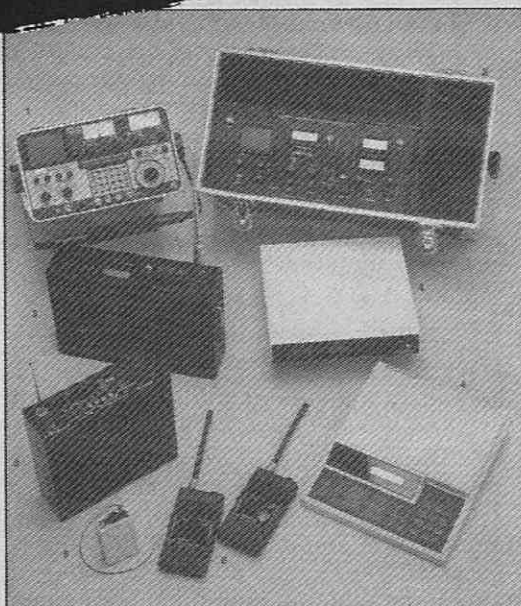
There's such a lot of ground to cover that I'll get underway this month with the construction of the bug locator. Those of you keen to get started on this can go out and buy the components and use the foil at the back of the magazine as a template. So put your transmitter components to one side and wait for the PCB next month.

Bug Locator

Once you've built next month's circuits and seen how very easy it is to bug a room or a telephone, some uncomfortable ideas might cross your mind. The first might be: 'If it's this easy for me to do it to someone else, wouldn't it be every bit as simple for someone else to bug me?' Followed by: 'Hell's teeth! What if somebody actually *is* bugging me?' There's one way to find out. Build a bug detector.

The circuit for this project is shown in Fig. 1. It's not the most sophisticated circuit in the world, but this can actually be an advantage. Since it detects the RF field without bothering to demodulate it, it matters not a jot if the bug's output is encrypted. The fact that it's broadly tuned means that it stands a fighting chance of tracking down the most hi-tech frequency-hopping bugs. And with judicious choice of diode and careful construction, it will cover not only the VHF broadcast and air bands but will extend well into the UHF bands. There's not a lot that will slip past it.

The antenna and tuning inductor of this circuit are one and the same: a strip of copper bent to a 'U' shape serves both purposes. CV1 tunes the antenna just enough to peak up the response over the chosen



Professional surveillance gear available from Lorraine Electronics' Systems-elite branch

band, without limiting it to a narrow range of frequencies. D1 and C1 form an RF peak detector, charging C1 to a voltage proportional to the peak voltage across the antenna. Q1 gives a current proportional to this voltage and provides the oomph to drive the meter. In short, it's an RF field strength meter: the closer you get to the bug, the higher the reading

There are two things to be aware of if you're going to get the circuit to work well, or for that matter to work at all. The first is that you can't use just any old diode. It has to be up to the job of coping with the high frequencies involved (around 1/2GHz if you're looking at the UHF band). Schottky barrier types like the BA481 seem to work well, and have the added advantage of a low forward voltage drop which makes the meter a little more sensitive.

The second thing to bear in mind is the three rules of UHF construction: (a) Keep all component leads as short as you possibly can. (b) Never, ever leave a lead the tiniest bit longer than it has to be. (c) Make absolutely certain you follow these two rules. And so to the construction.

Construction

The antenna first. The dimensions are shown in Fig. 2a, and if you have a sheet of copper to hand, off you go and bend it. If not, here are some alternatives.

First of all, you could pop down to your local hardware shop and try to get a length of phosphor bronze draught excluder strip. The seedier the shop, the more likely they are to have some. In a bright, modern shop you'll probably be offered an ozone-friendly aerosol of Draught Zap, which is no good for this project at all. Get a pair of metal shears while

you're there and a bottle of silver plating solution — there's nothing quite like a layer of silver for perking up UHF conductivity.

If the draught excluder is elusive, try to find some PCB off-cuts. Since the standard thickness of ordinary PCB laminate is 1/16in, two pieces back to back (with the copper on the outside) will give you two conductors spaced by 1/8in, which is just what's needed. The problem now is to complete the loop. Fig. 2b shows how it's done.

If there's no spare PCB material either, as a last resort you could cut the antenna from an old food can. The tin coating is nicely conductive and with its sharp edges the project will double as a potato peeler. Watch your fingers.

The tuning capacitor goes directly across the end of the antenna. No wires, OK? A trimmer may work better than a full variable cap, although it's less convenient for tuning. Fig. 3 shows one way of assembling the antenna and capacitor, together with D1 and C1 which must also be physically close to the antenna and have their leads cut right down to skinhead length.

The remainder of the components are mounted on the PCB, which itself is soldered to the tags of the meter. The component layout is shown in Fig. 4.

A screened box is required. A metal one is ideal from a screening point of view, but unless you're fairly well equipped with metal bashing tools it will be a lot of work to cut the hole for the antenna.

There are a number of other possibilities. Some suppliers stock plastic boxes with a nickel coating for RF shielding. You can also get aerosols of nickel loaded acrylic resin to give any old plastic box a conductive surface. As a last resort, you could even do a Blue Peter job on some kitchen foil and line a plastic box with that, although this will be the least effective method.

If you're using a metal or nickel coated box, the antenna entry hole must clear the antenna on all sides. If you're using the aerosol method, cut the hold before spraying the box. Cut it so that it fits the antenna snugly. Mask off an area of 1/8in around the hole with adhesive tape, then spray the inside of the box and lid. Remove the tape from around the hole and you'll have 1/8in of insulation all around the antenna. Once the rest of the circuit is assembled and the antenna is in its final position, you can give it extra support by gluing it to the box around the entry hold.

bugs operating in the VHF broadcast band account for by far the largest numbers sold. Then step up the frequency by opening out VC1 in four of five steps, repeating the search at each different setting. This is incredibly tedious, but the search can be speeded up no end by applying eyes and brain too.

Window frames should be inspected thoroughly: drilling a small hole through from outside will save a buggler the bother of gaining entry to your premises. Bottoms and backs of drawers, wardrobes and the undersides of any items of furniture are favourite hiding places. The fabric underside of beds: jealous lovers and spouses, blackmailers too, are large scale consumers of bugging gear, so check for any cuts or tears in the fabric where something might have been pushed inside. Ornaments, felt covered lamp bases, picture frames, and just about anything hollow could be hiding a bug. Use the meter to check anything that can't easily be opened.

Floors and ceilings and walls next. If you live in a house, the quickest way of checking the ceilings will be a physical search of the loft. If a flat or a bedsit, run the meter across the ceiling from one end of the room to the other at 2ft intervals. On floors you're looking for wires tucked under the carpet and any sign of tampering with floorboards. On walls, check for small holes, flaking paint at one point only (it's not much of a sign if *all* the paint is flaking!) or tiny cracks. If you find anything suspicious, check it out with the meter.

Now the electrical fittings: check out light switches, wall sockets, adapters, light fittings, and so on. Run the meter over the lot.

The telephone: check the phone itself, with the handset off the hook. Check out any internal fittings, junction boxes, and so on. Check the action of the hookswitch: press it down and make sure the dialling tone disappears completely. Follow the wiring from the phone and any extensions right back to the telegraph pole outside, looking for anything that

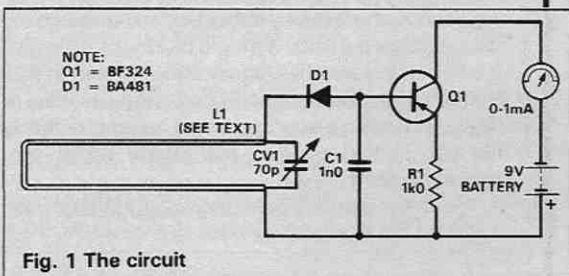


Fig. 1 The circuit

Testing And Using The Locator

About the only way to test the locator is to put it close to a bug and make sure that it does indeed register its presence. Unless you've already got one, this means waiting until next month when you can test it against the free bug. For the VHF broadcast band, the vanes of the tuning cap will have to be almost entirely enmeshed. Once tuned up against a bug transmitting in the centre of the broadcast band, the detector will cover the whole band without further adjustment.

If there's an object you think might contain a bug and you don't particularly want to break it open to find out, just hold the locator with its antenna close to the object and tune CV1 steadily from maximum down to minimum capacitance. If the needle moves at any point, set CV1 for maximum deflection and try moving the meter around. If it continues to register a signal no matter where you move it, the chances are you've picked up some strong signal from elsewhere and not a bug at all. If the deflection goes down as you move the meter away from the object and up again as you move it back, you've found a bug.

If you're going on a thorough bug-sniffing expedition, start off at the low frequency end since

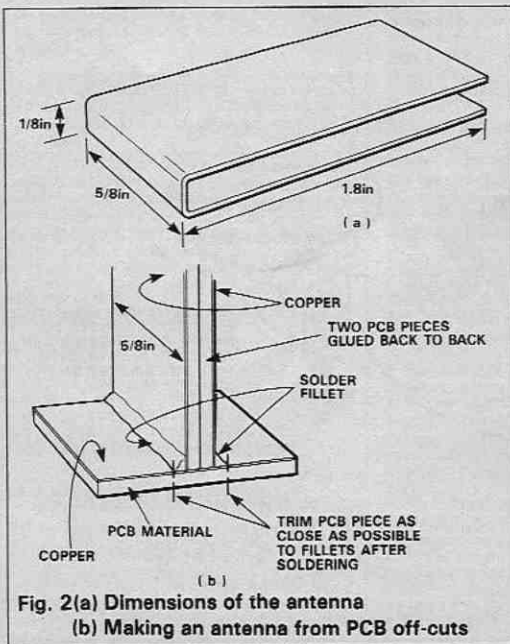


Fig. 2(a) Dimensions of the antenna
(b) Making an antenna from PCB off-cuts

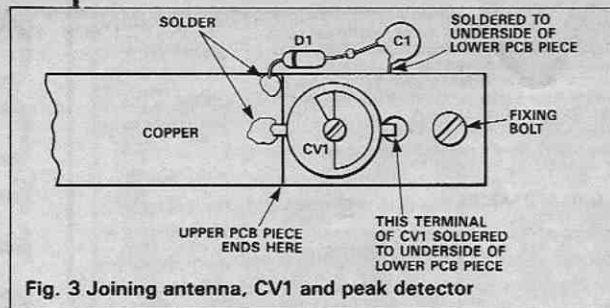


Fig. 3 Joining antenna, CV1 and peak detector

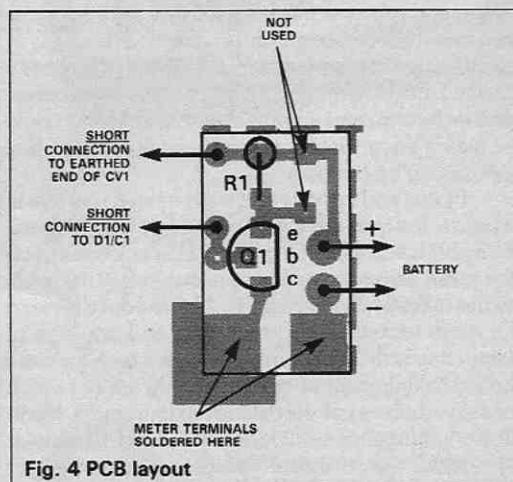


Fig. 4 PCB layout

seems out of place. Something attached to one of the wires with insulating tape, perhaps. No, other people's phones don't have those! Some phone bugs will only be activated when a call is in progress, so call the speaking clock and repeat the checks on the phone and junction boxes.

A few additional tests can be carried out with a voltmeter. Remove the cover to the box where the BT line enters your house (looking both ways for BT engineers as this is strictly forbidden) and measure the voltage across the lines. It should be around 48V, give or take a volt or two. If it's significantly lower than this, it might well indicate a parallel bug, drop-out relay or infinity transmitter across the lines. It certainly indicates that you should go over the phone circuit very carefully indeed.

With the handset lifted, the voltage should drop to around 5V. If the voltage is much above 10V, there

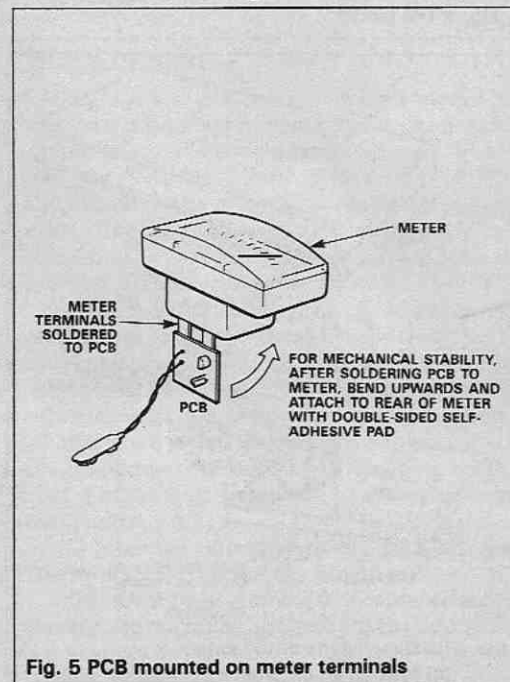


Fig. 5 PCB mounted on meter terminals

may be something unpleasant connected in series somewhere along the line. Check thoroughly.

If you have one of the older dial-type telephones, unscrew the mouthpiece and lift out the microphone. With the meter connected across the microphone terminals, press down the hookswitch. If there's any voltage whatsoever across the terminals, your phone has been tampered with.

Although not certain to remove every single bug, these tests will detect most of the common ones. If you do find one, before ripping it out or taking any other hasty action, it's a good idea to spend a few minutes deciding just what you want to do about it. Finding out who put it there will probably be uppermost in your mind so don't yell 'Hey! I've found a bug!' If anyone's listening in at the other end, it tends to give the game away.

With a battery operated device, you can test its freshness by checking out the supply voltage. Quietly. If the battery is dead, the bugger may be long gone. On the other hand, he may try to come back and change it. If it's a live one, the chances are it's been planted, or at least serviced, within the past day or two. Bugs tend to suck their batteries dry within a matter of days.

One ploy is to try to get the bugger to come back and change the battery. If he's been there once, and hasn't yet got what he wanted, the chances are he'll return. Removing the battery is not the best scheme — if the bug suddenly goes dead it will arouse suspicion. On the other hand, connecting a resistor of 100 R across the battery with a pair of croc clips will soon drain it, and the fading away of the signal will make it seem that the bug has died from natural causes.

With any kind of radio device, the listener won't be too far away. You can get a rough idea of the range of the transmitter by looking at the transistors used, the length of the antenna and the operating frequency. If you've discovered it with the meter, you can deduce from the tuning roughly which band the bug is operating on. A VHF bug with a short antenna points to your neighbour or someone listening in a parked car just down the road — it won't transmit far.

As for what you do when you find the bugger, you'll just have to ask him politely to stop it. Won't you?



PARTS LIST

RESISTORS (all 1/4W 5%)

R1 1k0

CAPACITORS

C1 1n0
CV1 5-70p variable

SEMICONDUCTORS

Q1 BF324
D1 BA481

MISCELLANEOUS

L1 4in x 1/2in copper strip (see text)
M1 1mA meter movement
Battery connector, PP3 battery, case, PCB (see next month's cover!), on/off switch.

BUYLINES

The Cirket catalogue is a useful one to have for RF gear and components. For details of how to get hold of one tel: (0992) 444111. Components specially related to this and next month's project are available from Highgrade Components. Tel: (0600) 3715 any afternoon for a list. It's free!

No. 1 LIST BAKERS DOZEN PACKS

All packs are £1 each, if your order 12 then you are entitled to another free. Please state which one you want. Note the figure on the extreme left is the pack ref number and the next figures is the quantity of items in the pack, finally a short description.

- BD2 5 13A spurs provide a fused outlet to a ring main where device such as a clock must not be switched off
- BD7 4 in flex switches with neon on/off lights, saves leaving things switched on
- BD9 2 6v. 1A mains transformers upright mounting with fixing clamps
- BD11 1 6 1/2" speaker cabinet ideal for extensions, takes your speaker. Ref BD137 + 50p.
- BD13 12 30 watt feed switches, it's surprising what you can make with these — burglar alarms, secret switches, relay etc. etc.
- BD22 2 25 watt loud speaker two unit cross-overs
- BD29 1 BO.A.C. stereo unit is wonderful breakdown value
- BD30 2 nicad constant current charges adapt to charge almost any nicad battery
- BD32 2 humidity switches, as the air becomes damper the membrane stretches and operates a microswitch
- BD42 5 13A rocker switch three tag so on/off, or change over with centre off
- BD45 1 24hr time switch, ex-Electricity Board, automatically adjust for lengthening and shortening day
- BD49 5 neon valves, with series resistors, these make good night lights
- BD56 1 mini uniselector, one use is for an electric jigsaw puzzle, we give circuit diagram for this. One pulse into motor, moves switch through on pole
- BD59 2 flat solenoids — you could make your multi-tester read AC amps with this
- BD67 1 suck or blow operated pressure switch, or it can be operated by any low pressure variations such as water level in water tanks
- BD103A 1 6v 750mA power supply, nicely cased with input and output leads
- BD120 2 stripger boards each contains a 400v 2A bridge rectifier and 14 other diodes and rectifiers as well as dozens of condensers etc
- BD128 10 very fine drills for p.c.b. boards etc. Normal cost about 80p each
- BD132 2 plastic boxes approx. 3" cube with square hole through top so ideal for interrupted beam switch
- BD134 10 motors for model aeroplanes, spin to start so needs no switch
- BD139 6 microphone inserts — magnetic 490 ohm also act as speakers
- BD149 4 read relay kits you get 16 feed switches and 4 coil sets with notes on making coil relays and other gadgets
- BD149 6 safety cover for 13A sockets — prevent those inquisitive little fingers getting nasty shocks
- BD180 6 neon indicators in panel mounting holders with lens
- BD193 6 5 amp 3 pin flush mounting sockets makes a low cost disco panel — need cable clips
- BD196 1 in flex immersion — keeps your soldering iron etc always at the ready
- BD199 1 mains solenoid very powerful has 1" pull or could push if modified
- BD201 8 keyboard switches — made for computers but have many other applications
- BD211 1 electric clock mains operated put this in a box and you need never be late
- BD221 5 12v alarms make a noise about as loud as a car horn. Slightly solid but OK
- BD242 2 6" x 4" speakers 4 ohm made from Radiomobile so very good quality
- BD252 1 panostat, controls output of boiling ring from simmer to boil
- BD259 50 leads with push on 1/4" tags — a must for hook ups — mains connections etc
- BD263 2 oblong push switches for bell or chiming, these can mains up to 5 amps so could be foot switch if fitted into pattress
- BD268 1 mini 1 watt amp for record player. Will also change speed of record player motor
- BD283 3 mild steel boxes approximately 3" x 3" x 1" deep — standard electrical
- BD293 50 mixed silicon diodes
- BD305 1 tubular dynamic mic with optional table rest
- BD667 2 4.7uf, non-polarised block capacitors, pcb mounting
- BD400 4 Books. Useful for beginners. Describes amplifiers, test equipment and kit sets
- BD653 2 Miniature driver transformers. Ref LT44. 20k to 1k, centre tapped
- BD553a 2 3.5 volt operated relays, each with two pairs CO contacts

There are over 1,000 items in our Bakers Dozen List. If you want a complete copy please request this when ordering.

EQUIPMENT WALL MOUNT It is a multi-adjustable metal bracket that could be used for mounting flood light, loudspeaker, TV camera, even a fan and on almost any sort of wall or ceiling even between wall and ceiling. The main fixing brackets rotate such that an inward or outward corner can be accommodated. Front panel also tilts upward or downwards to a reasonable angle and can be easily removed separately for wiring. A very useful bracket. Regular price would be around £6 each. Our price only £3. Our ref 3P72. or 2 for £5. Our ref 5P152.

EXTRA SPECIAL CROC CLIPS Medium size, just right for most hook-ups. Normally sell for around 10p to 15p each. These are insulated and have a length of wire connected to them but this is very easy to snip off if you do not need it. 20 for £1. Our ref BD117A.

COPPER CLAD PANEL For making PCB. Size approx 12in long x 8 1/2in wide. Double-sided on fibreglass middle which is quite thick (about 1/16in) so this would support quite heavy components and could even form a chassis to hold a mains transformer, etc. Price £1 each. Our ref BD633.

FET CAPACITOR MICROPHONE EAGLE CI.200 Output equivalent to a high class dynamic microphone while retaining the characteristics of a capacitor microphone. Price £1. Our ref BD646.

SUB-MIN TOGGLE SWITCH. Body size 8mm x 4mm x 7mm SBDT with chrome dolly fixing nuts. 3 for £1.00. Order ref BD649.

POWERFUL IONISER

Generates approx. 10 times more IONS than the ETI and similar circuits. Will refresh your home, office, workroom etc. Makes you feel better and work harder — a complete mains operated kit, case included. £12.50+£2 P&P. Our ref 12P51.

REAL POWER AMPLIFIER for your car, it has 150 watts output. Frequency response 20Hz to 20KHz and signal to noise ratio better than 60dB. Has built in short circuit protection and adjustable input level to suit your existing car stereo, so needs no pre-amp. Works into speakers ref. 30P7 described below. A real bargain at only £57.50. Order ref: 57P1.

REAL POWER CAR SPEAKERS. Stereo pair output 100w each. 4-ohm impedance and consisting of 6 1/2" woofer, 2" mid range and 1" tweeter. Each set in a compact purpose built shelf mounting unit. Ideal to work with the amplifier described above. Price per pair £29.96. Order ref: 30P7.

STEREO CAR SPEAKERS. Not quite so powerful — 70w per channel. 3" woofer, 2" mid range and 1" tweeter. Again, in a super purpose built shelf mounting unit. Price per pair: £27.95. Order ref: 28P1.

ELECTRONIC SPACESHIP. Sound and impact controlled, responds to claps and shouts and reverses when it hits anything. Kit with really detailed instructions. Ideal present for budding young electrician. A youngster should be able to assemble but you may have to help with the soldering of the components on the pcb. Complete kit £8. Our ref 8P30.

12" HIGH RESOLUTION MONITOR. Black and white screen, beautifully cased for free standing, needs only a 12v 1.5 amp supply. Technical data is on its way but we understand these are TTL input. Brand new in maker's cartons. Price: £25.00 plus £5 insured delivery. Order ref 28P1.

14" COLOUR MONITOR made by the American Display Tek company. Uses high resolution tube made by the famous Japanese Toshiba company. Beautifully made unit intended for console mounting, but top and sides adequately covered by plated metal panels. Full technical spec. on its way to us. We have limited number of these. All brand new still in maker's cartons. Price £88 each plus £6 insured carriage. Order ref 89P1.

BUSH RADIO MIDI SPEAKERS. Stereo pair. BASS reflex system, using a full range 4in driver of 4 ohms impedance. Mounted in very nicely made black fronted walnut finish cabinets. Cabinet size approx 8 1/2in wide, 14in high and 3 1/2in deep. Fitted with a good length of speaker flex and terminating with a normal audio plug. Price £5 the pair plus £1 post. Our ref 5P141.

3 1/2 IN FLOPPY DRIVES. We still have two models in stock: Single sided, 80 track, by Chiron. This is in the manufacturers metal case with leads and IDC connectors. Price £40, reference 40P1. Also a double sided, 80 track, by NEC. This is uncased. Price £59.50, reference 60P2. Both are brand new. Insured delivery £3 on each or both.

ATARI 65XE COMPUTER. At 64K this is most powerful and suitable for home and business. Brand new, complete with PSU, TV lead, owner's manual and six games. Can be yours for only £45 plus £3 insured delivery.

REMOTE CONTROL FOR YOUR 65XE COMPUTER. With this outfit you can be as much as 20 feet away as you will have a joystick that can transmit and receive to plug into and operate your computer and TV. This is also just right if you want to use it with a big screen TV. The joystick has two fire buttons and is of a really superior quality, with four suction cups for additional control and one handed play. Price £15 for the radio controlled pair. Our ref 15P27.

65XE COMPENDIUM. Contains: 65XE Computer, its data recorder XC12 and its joystick with 10 games. Price £62.50 + £4 Insurance Delivery.

ASTEC PSU. Mains operated switch mode, very compact. Outputs: +12v 2.5A, +5v 6A, -5v 5A, ±12v 5A. Size: 7 1/4in long x 4 3/8in wide x 2 3/4in high. Cased ready for use. Brand new. Normal price £30+, our price only £12.95. Our ref 13P2.

VERY POWERFUL 12 VOLT MOTORS. 1/3rd Horsepower. Made to drive the Sinclair C5 electric car but adaptable to power a go-kart, a mower, a rail car, model railway, etc. Brand new. Price £20 plus £2 postage. Our ref 20P22.

PHILIPS LASER

This is helium-neon and has a power rating of 2mW. Completely safe so long as you do not look directly into the beam when eye damage could result. Brand new, full spec. £30 plus £3 insured delivery. Mains operated power supply for this tube gives 8kv striking and 1.25kv at 5mA running. Complete kit with case £15. As above for 12v battery. Also £15. Our ref 15P22.

ORGAN MASTER is a three octave musical keyboard. It is beautifully made, has full size (piano size) keys, has gold plated contacts and is complete with ribbon cable and edge connector. Can be used with many computers, request information sheet. Brand new, only £15 plus 3 postage. Our ref 15P15.

FULL RANGE OF COMPONENTS at very keen prices are available from our associate company SCS COMPONENTS. You may already have their catalogue, if not request one and we will send it FOC with your goods.

HIGH RESOLUTION MONITOR. 9in black and white, used Philips tube M24/308W. Made up in a lacquered frame and has open side. Made for use with OPD computer but suitable for most others. Brand new, £16 plus £5 post. Our reference 16P1.

12 VOLT BRUSHLESS FAN. Japanese made. The popular square shape 4 1/2in x 4 1/2in x 13/4in. The electronically run fans not only consume very little current but also they do not cause interference as the brush type motors do. Ideal for cooling computers, etc., or for a caravan. £8 each. Our ref 8P26.

MINI MONO AMP on p.c.b. size 4" x 2" (app.) Fitted Volume control and a hole for a tone control should you require it. The amplifier has three transistors and we estimate the output to be 3W rms. More technical data will be included with the amp. Brand new, perfect condition, offered at the very low price of £1.15 each, or 13 for £12.00.



J & N BULL ELECTRICAL

Dept. E.T.I., 250 PORTLAND ROAD, HOVE, BRIGHTON, SUSSEX BN3 5QT.

MAIL ORDER TERMS: Cash, P.O. or cheque with orders. Orders under £20 add £2.50 service charge. Monthly account orders accept from schools and public companies. Access & Barclaycard orders are accepted — minimum £5. Phone (0273) 734648 or 203500.

POPULAR ITEMS—MANY NEW THIS MONTH

JOYSTICKS for BBC, Atari, Dragon, Commodore, etc. All £5 each. State which required.

TELEPHONE TYPE KEY PAD. Really first class rear mounting unit. While lettering on black buttons. Has conductive rubber contacts with soft click operation. Circuit arranged in telephone type array. Requires 70mm by 55mm cut out and is connected by 10-pin IDC socket. Price £2.00 each. Order ref 2P251.

TELESCOPIC FM AERIAL. Stands up or folds over. Solidly constructed and heavily nickel plated. Supplied complete with fixing nut. Price £1 each. Order ref BD717.

SUB-MIN PUSH SWITCHES Not much bigger than a plastic transistor but double pole. PCB mounting. Three for £1. Our ref BD688.

CARTRIDGES for the Double Microdrive. Price 4 for £5. Our ref 5P146.

NICAD CHARGER UNIT Metal pronged, plastic case contains mains transformer and rectifiers with output lead and plug — made to charge two cells but no doubt adaptable or wonderful spares value. Only 50p each, two for £1. Our ref BD385.

EDGEWISE PANEL METER If you are short of panel space then this may be the answer. It has a FSD of 100uA and a nice full vision scale. It fits through a hole approx 1 1/4in x 1/2in. Another feature is that it has an indicator lamp behind the scale which you could light up, it would then serve as an on/off indicator. Price £1. Our ref BD700.

AA CELLS Probably the most popular of the rechargeable NICAD types. 4 for £4. Our ref 4P44.

COMPUTER SPECIAL The perex 16meg Byte tape streamer. These are brand new and really an exceptional bargain. A few only so hurry. Only £15. Our ref 15P29.

20 WATT 4OHM SPEAKER With built in tweeter. Really well made unit which has the power and the quality for hi-fi reproduction. 6 1/2in diameter. Price £5. Our ref 5P155. It is heavy so please add £1 to cover postage if not collecting.

MINI RADIO MODULE Only about 2in square with ferrite aerial and solid dia tuner with its own knob. It is a superhet and it operates from PP3 battery and would drive a crystal headphone direct but be better with our mini mono amp. Price £1. Our ref BD716.

BULGIN MAINS PLUG AND SOCKET The old faithful 3 pin with screw terminals. The socket mounts through a 1 1/4in hole and the mains is brought in by the insulating plug. Used to be quite expensive but you can have 2 pairs for £1 or 4 of either plug or socket for £1. You could make yourself a neat and compact bench panel with these. Our ref BD715, BD715S or BD715P.

MICROPHONE If you want a low cost microphone then just arrived we have a very small hand-held dynamic mic with on/off switch in the handle. Its lead terminates with one 3.5 plug and the other a 2.5 plug for remote control. Price only £1. Our ref BD711.

EXTENSION CABLE WITH A DIFFERENCE It is flat on one side making it easy to fix and to look tidy. It is 4 core so suitable for telephone, bell, burglar alarms, etc. 50 yard coil for £5. Our ref 5P153.

MOSFETS FOR POWER AMPLIFIERS AND HIGH CURRENT DEVICES 140v 100w pair made by the famous Hitachi Company. Reference 25K413 and its component 25J118. Only £4 the pair. Our ref 4P42.

BATTERY OPERATED TRAVEL MECHANISM On a plastic panel measuring approx. 9in x 3 1/2in. Is driven by a reversible 12v battery motor, fitted with a pulley and belt which rotates through a threaded rod and causes a platform to travel backwards and forwards through a distance of approx. 5in. Price £5. Our ref 5P140.

MAINS OPERATED WATER VALVE with hose connection for inlet and outlet suitable for low pressure. Auto plant watering, etc. Only £1 each. Our ref BD370.

20 VOLT 4 AMP MAINS TRANSFORMER Upright mounting with fixing feet. Price £3. Our ref 3P59.

16 OHM PM SPEAKERS Approx. 7in x 4in. 5 watts. Offered at a very low price so you can use two in parallel to give you 10 watts at 8 ohms. £1 for two. Our ref BD684.

EHT TRANSFORMER 4kv 2mA Ex-unused equipment. £5. Our ref 5P139.

4 CORE TINSEL COPPER LEAD As fitted to telephones, terminating with flat BT plug. 2 for £1. Our ref BD639.

EHT TRANSFORMER 6kv 3mA. £10. Our ref 10P56.

VERY USEFUL MAGNETS Flat, about 1in long, 1/2in wide and 1/4in thick. Very powerful. 6 for £1. Our ref BD274(a).

ACORN COMPUTER DATA RECORDER Ref ALF03. Made for the Electron or BBC computers but suitable for most others. Complete with mains adaptor, leads and handbook. £10.00. Ref 10P44. Add £2 special packing.

SOLAR CELLS Will give good current (depending on size) from sunlight or bright daylight. Module A gives 100mA. Price £1. Our ref BD631. Model C gives 400mA. Price £2. Our ref 2P199. Model D gives 700mA. Price £3. Our ref 3P42.

SOLAR POWERED NI-CAD CHARGER 4 NI-CAD batteries AA (HPT) charged in eight hours or two in only 4 hours. It is complete, boxed ready for use unit. Price £6. Our ref 6P3.

METAL PROJECT BOX Ideal for battery charger, power supply etc., sprayed grey, size 8" x 1 1/4" x 4" high, ends are louvred for ventilation other sides are flat and undrilled. Price £3. Order ref 3P75.

CAPACITOR BARGAIN Axial ended — 4700uf at 25v. Jap made. Normally 50p each, but you will get 4 for £1. Ref 613.

SINLGE SCREENED FLEX 702 copper conductors, pvc insulated then with copper screen, finally outer insulation. In fact quite normal screened flex. 10m for £1. Our ref BD668.

3 CORE FLEX BARGAIN No. 1 Core size 5mm so ideal for long extension leads carrying up to 5 amps or short leads up to 10 amps. 15m £2. Ref 2P189.

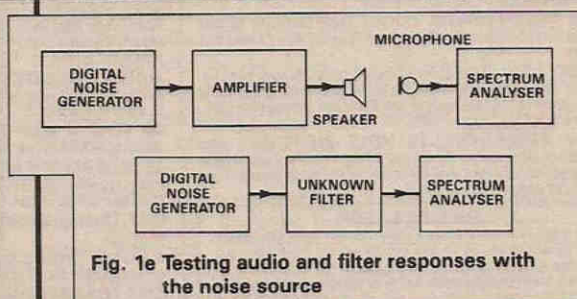
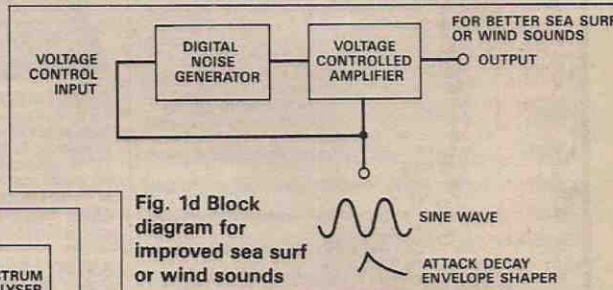
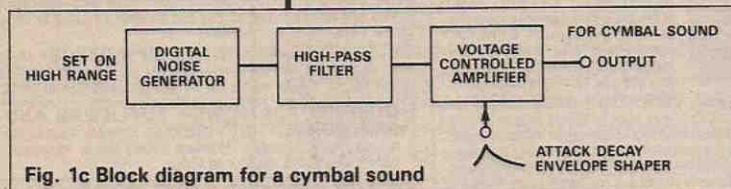
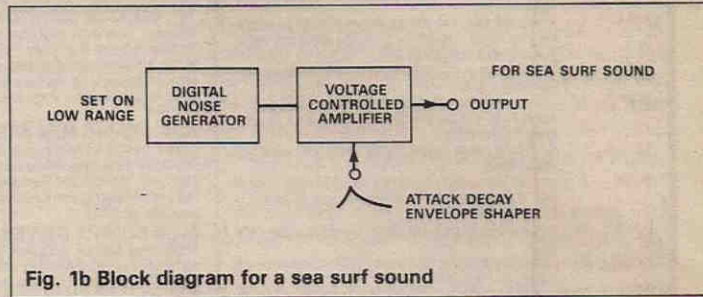
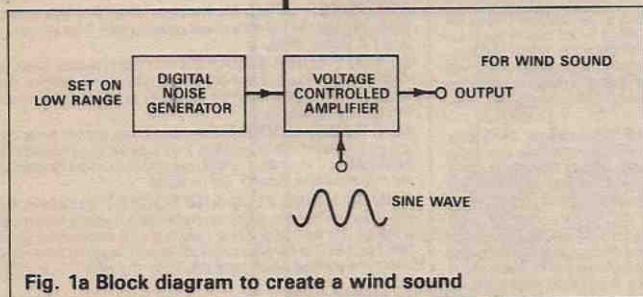
3 CORE FLEX BARGAIN No. 2 Core size 1.25mm so ideal for long extension leads carrying up to 13 amps or short leads up to 25A. 10m for £2. Order ref 2P190.

ALPHA-NUMERIC KEYBOARD This keyboard has 73 keys with contactless capacitance switches giving long trouble free life and no contact bounce. The keys are arranged in two groups, the main area field is a QWERTY array and on the right is a 15 key number pad, board size is approx. 13" x 4" — brand new but offered at only a fraction of its cost namely £3 plus £1 post. Ref 3P27.

1/2 HORSEPOWER 12 VOLT MOTOR Made by Smiths, the body length of this is approximately 3in., the diameter 3in. and the spindle 3/16th of an inch diameter. It has a centre flange for fixing or can be fixed from the end by means of 2 nuts. A very powerful little motor which runs at 3000rpm. We have a large quantity of them so if you have any projects in mind then you could rely on supplies for at least two year. Price £5. Our ref 6P1, discount for quantities of 10 or more.

DIGITAL NOISE GENERATOR

Edward Barrow creates a big noise for effect



Electronic noise sounds like hissing steam or the fuzz after the television station has been shut down. It is generated in all electronic circuits. Normally great efforts are made to reduce it to a minimum but this article shows how to create it.

Noise is analogous to light so noise containing all audible frequencies at equal power is called white noise, as white light contains all colours of the spectrum. Similarly pink noise contains more low frequency sound (equal power per octave) as red light has a lower frequency than other colours. So what use could noise have?

It is extensively used in synthesisers to produce a host of sounds ranging from wind and sea to cymbals. The block diagrams in Fig. 1 show the various combinations to produce these effects. More exotic effects can be achieved with Fig. 1d where the noise generator is voltage controlled.

Digital noise generation is popular as it gives a large and reliable output compared with its analogue counterpart which is usually made by deep fat frying a transistor or diode. If you want low frequency noise, high gains are required when creating analogue noise. Only the clock frequency has to be lowered to produce digital noise with a lower output.

The digital variety usually involves a shift register and one or two exclusive OR (XOR) gates. Two output taps from the shift register are usually XORed and the output is fed back to the input (see Fig. 2). For this type of generation, only certain lengths of register with specific taps can be used. These are listed in Table 1. This arrangement gives a series of pseudorandom 0s and 1s at the output. It is not truly random as the cycle is repeated every $2^n - 1$ clock cycles, where n is the length of the shift register.

It is important that the all zeros state is excluded as this will stop generation. This can be easily done by inverting the output of the XOR gate before feeding it back. In the project we use a 25 stage shift register so it repeats itself every 33554431 clock cycles.

At the maximum clock frequency (1 MHz) the repeat time is 33.5 seconds, and for the minimum clock frequency (100Hz) the repeat time will be 3.9 days.

The MF10cn switched capacitor filter is a mixed bag of analogue and digital circuitry. It contains two independent active filter blocks with independent clock inputs. To make it versatile, a few external connections are left to the user. All major types of responses can be formed with ease. They are: notch, bandpass, lowpass and highpass. Even variations on these themes can be easily made as in Bessel and Butterworth low pass filters.

As suggested by its name, the main work is done by a capacitor and an electronic switch. A few op-amps are used to tailor its performance to suit. The cut-off frequency of the filter block is dependent on the clock frequency and there are two ratios of clock

PROJECT

to cutoff frequency, 100:1 or 50:1. These can be selected by either tying pin 12 (IC4) low or high.

In this circuit it is set to 100:1, this allows us more room to manoeuvre in designing the anti-aliasing input and output filters. A maximum clock frequency of 1MHz will give us a maximum bandwidth of 10kHz and at a clock frequency of 100Hz, the bandwidth will be at its minimum of 100Hz.

From basic sampling theory we know that we must sample at least twice the maximum input frequency. The input filter therefore has to stop any frequency greater than half the clock frequency. The output also needs filtering as the clock appears on it in the form of steps (Fig.3). These are not fixed filters as they need to follow the clock frequency to prevent aliasing.

HOW IT WORKS

The heart of this circuit is the digital noise generator built around IC2 & IC3 (Fig 4). These form a 25 stage shift register in which outputs at 25 and 22 are XORed to form a pseudo random bit sequence generator. The registers are clock driven and it comes from IC1 (4046). Only the internal VCO is used. The clock frequency is controlled by the voltage present at pin 9 (IC1) and it can be adjusted by turning RV1.

Filtering is required to convert this digital output to an analogue one. This is done by a 4-pole lowpass filter built using IC4, MF10 dual filter block. This filter is driven from the same clock as the noise source, so the output amplitude is constant for all values of bandwidth.

Input and output filters are required to prevent the MF10 from distorting as it is a sampling filter. These filters are voltage controlled and they track the voltage from RV1. The filters are formed around transconductance amplifiers which act like current controlled resistors and their effective resistance is controlled by the bias current entering pin 1 and 16. This resistance, used in conjunction with a capacitor, forms a simple RC lowpass filter. The buffer (IC6a) and

Apart from the analogue output, a digital output has been made available for other applications that would use randomly generated binary.

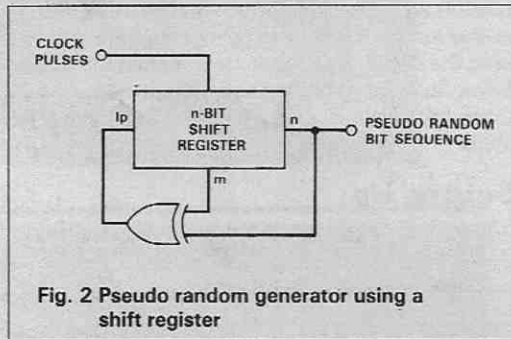


Fig. 2 Pseudo random generator using a shift register

resistor R13 act as voltage to current converters to drive the bias current. The filter output needs to be buffered to prevent loading, this is done by IC6b and IC6. The cutoff frequency of these filters is set to about 1/70th of the clock frequency. This is adequate as the MF10 is set at 100:1 clock to cutoff frequency.

The analogue output is buffered and amplified by IC6d. This produces an output voltage of 4V.

Range switching is done by using bi-lateral switches (IC8), these switch capacitors on the VCO and on the input output filters. This lowers the bandwidth of the output. On the high range the bandwidth can be varied from 100Hz to 10kHz and on the low range from 1Hz to 100Hz.

To prevent the op-amps from clipping, a regulated 12V supply would be required. The circuit here uses a 12V supply to drive the 5 volt regulators as well as the op-amps. If you don't have a 12V supply you can either use an unregulated supply or build a small one with 100mA regulators. This project does not include a power supply as it was the thought that constructors will already have this facility on other units.

PROJECT

N	M
11	9
15	14
17	14
18	11
20	17
21	19
22	21
23	18
25	22
28	25
29	27
31	28
33	20

TABLE 1. Number of bits required for shift register

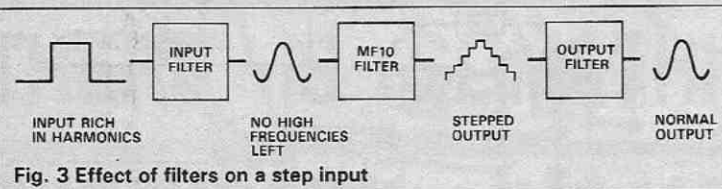


Fig. 3 Effect of filters on a step input

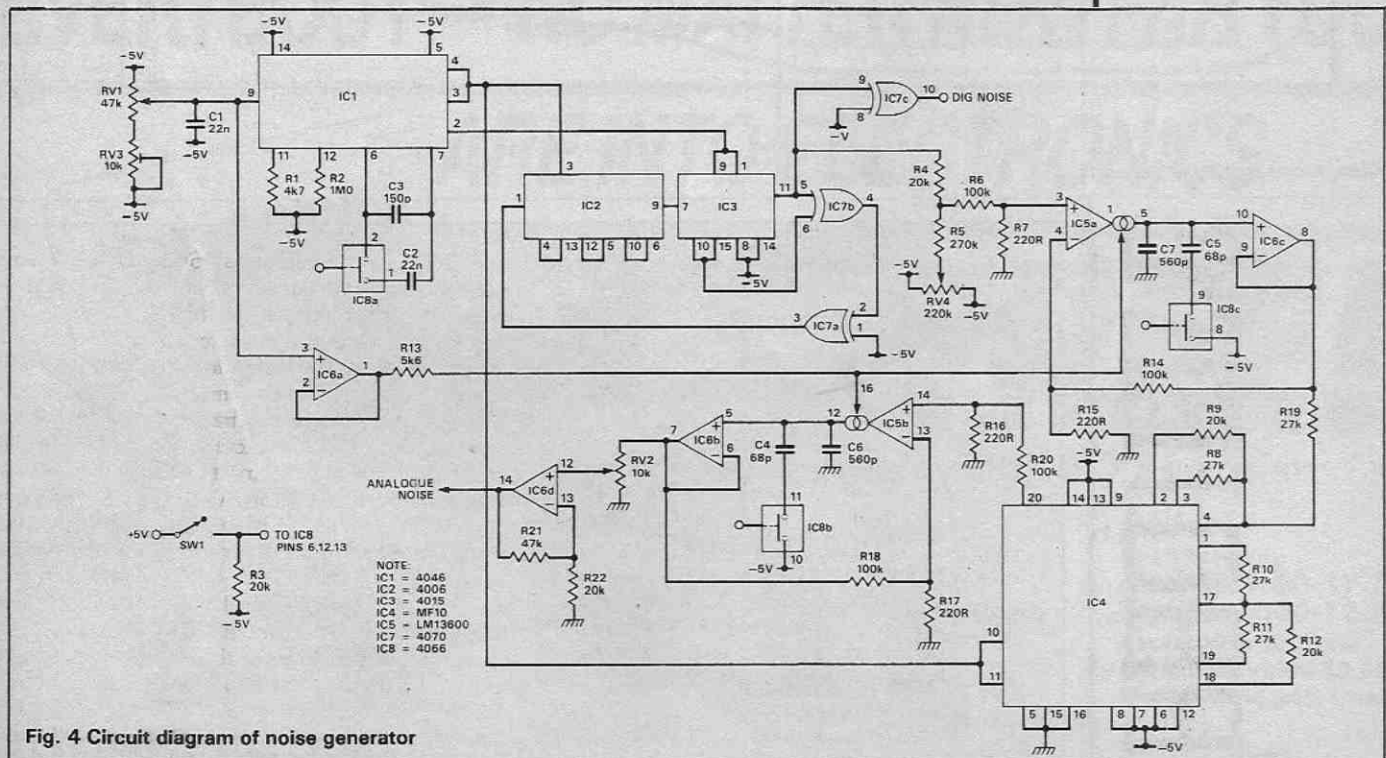


Fig. 4 Circuit diagram of noise generator

Construction

The project is a very simple one to put together. Wire links are soldered on to the board first. Next come the resistors and capacitors closely followed by the dual-in-line sockets. Flying lead connections are soldered onto the board. It can then be mounted in the case before final connections are made. Remember to take the usual precautions when handling and inserting the chips.

Setting Up

When setting up this project the following are useful:

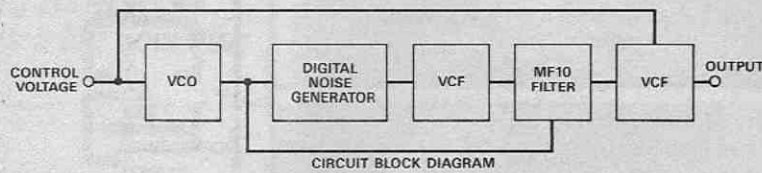


Fig. 5 Block diagram of noise generator

an oscilloscope, a frequency counter, and a sensitive voltmeter. If you don't have access to an oscilloscope do not despair as a pair of headphones with a 22 μ capacitor and a 1k series resistor will suffice.

Firstly set the noise generator to low range and check for oscillation with your headphones or oscilloscope (a clean square wave). Using headphones or a frequency counter adjust RV1 so that the minimum clock frequency is 100Hz (twice mains hum for headphone users). Turning RV1 fully clockwise — the clock frequency should rise to 10kHz (dog and cat owners — your pets will tell you when).

Connect a voltmeter to pin 1 on IC6 (TL084) and turning RV1 will give a varying voltage, $\pm 5V$.

Connecting your oscilloscope or headphones to the digital noise output you should see a random series of spikes or hear a hissing sound. The analogue output will be similar but spikes will be more rounded and the sound less harsh at low frequencies.

Finally any offset voltages can be removed by setting the bandwidth to maximum on the high range and connecting a sensitive DC voltmeter to the output and adjusting RV2 to zero the output.

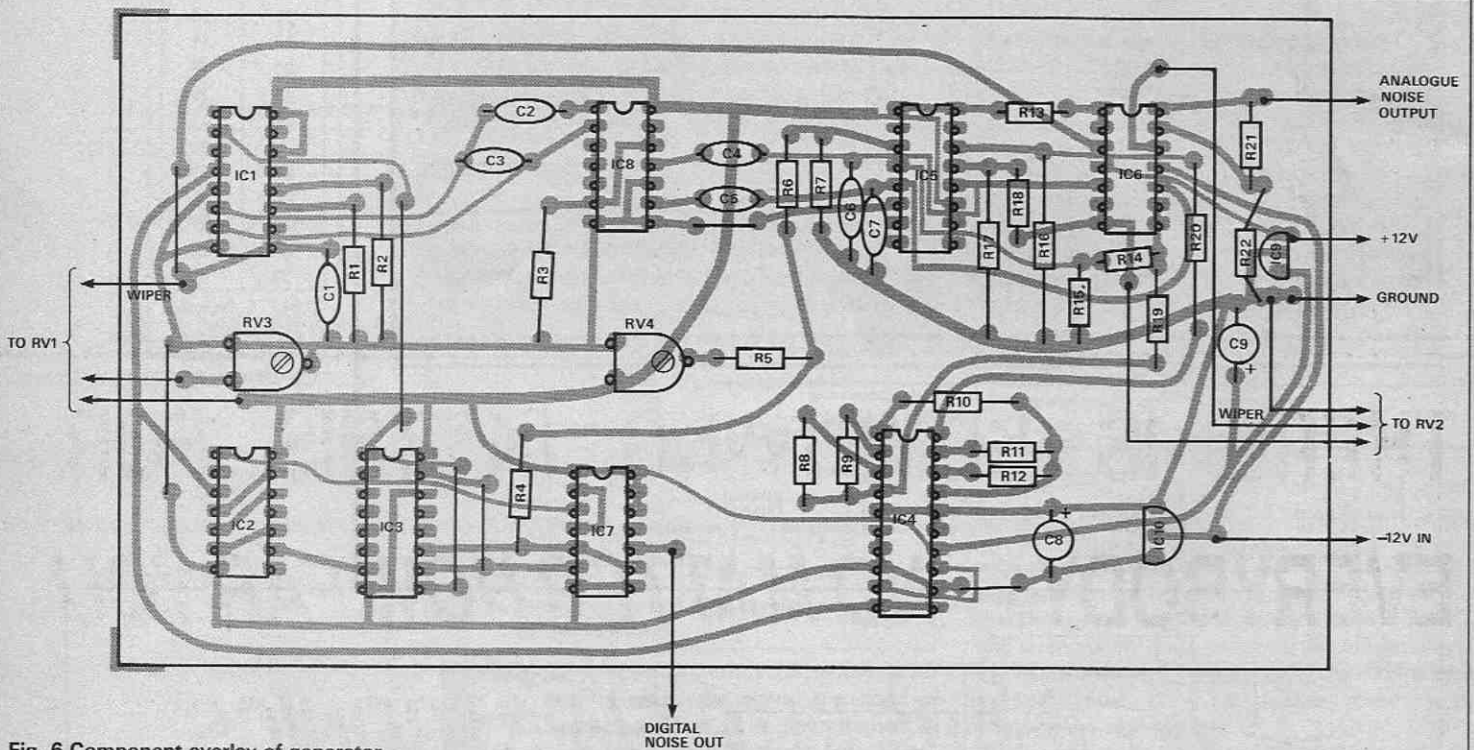
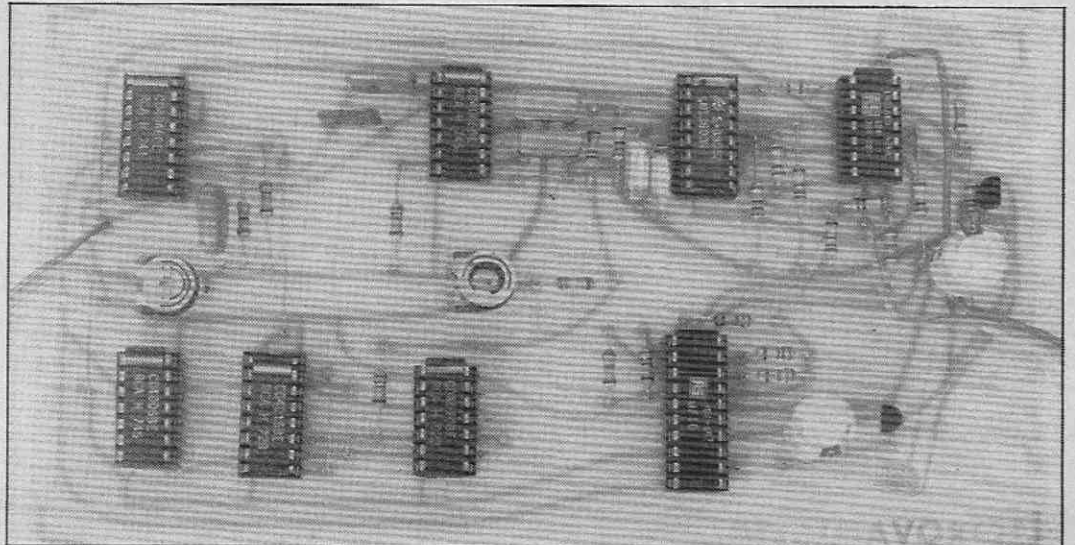


Fig. 6 Component overlay of generator

PROJECT





PROJECT

PARTS LIST

RESISTORS (all 1/4W 5%)

R1	4k7
R2	1M0
R3,4,9,11,22	20k
R5	270k
R6,14,18,20	100k
R7,15-17	220R
R8,10,12,19	27k
R13	5k6
R21	47k
RV1	47k lin
RV2	10k lin
RV3	10k horizontal mounted preset
RV4	220k horizontal mounted preset

CAPACITORS

C1,2	22n min polyester
C3	150p ceramic disc
C4,5	68n min layer polyester
C6,7	560n polyester
C8,9	100µ 16V radial electrolytic

Please note that all resistors are 1% metal oxide 0.25W.

SEMICONDUCTORS

IC1	4046
IC2	4006
IC3	4015
IC4	MF10cn dual-switched cap filter
IC5	LM13600 dual transconductance amps
IC6	TL084 quad op-amps
IC7	4070
IC8	4066
IC9	78L05 +5V regulator
IC10	79L05 -5V regulator

MISCELLANEOUS

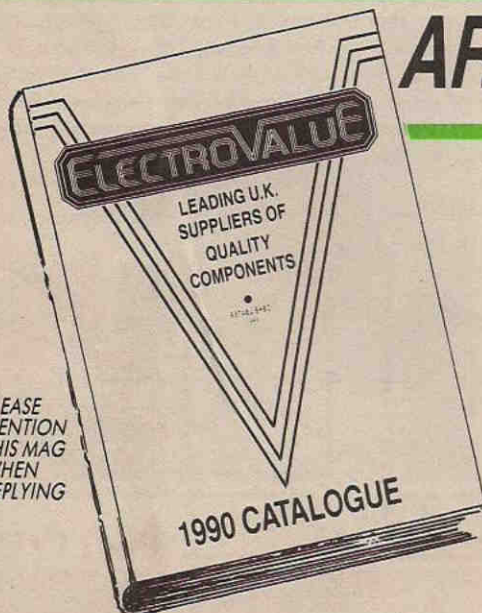
SW1	spst min toggle
SW2	dpdt min toggle

Red 4mm sockets (4). Black 4mm sockets (2). Knobs. Jack socket. Case.

BUYLINES

The 1% metal oxide resistors are generally available. Electromail have a new range of these. IC4 can also be obtained through Electromail. Tel: 0536 204555.

THERE IS SOMETHING IN THIS FOR EVERYBODY – NO MATTER HOW FAR YOU ARE INTO ELECTRONICS



and it's absolutely

FREE!

Getting your copy couldn't be easier

PHONE
0784 433 603
FAX 0784 435216
TELEX 264475
(For Manchester)
061 432 4945

WRITE
Electrovalue Ltd
FREEPOST
28A St Judes Road,
Englefield Green,
Egham,
Surrey TW20 8BR
(No stamp needed)

CALL
at either shop
Mon-Fri 9.00-17.30
Sat 9.00-13.00
Access Visa facilities
(minimum value £5.00)
Orders send post free
in UK

ELECTROVALUE LTD.,
28A St Jude's Rd., Englefield Green, Egham, Surrey TW20 0HB

CONNECTORS • CAPACITORS • RESISTORS • SWITCHES • OPTO-ELECTRONICS • DISTRIBUTORS OF SIEMENS FINE QUALITY PRODUCTS • METERS • TOOLS

ETC • POTS • FERRITES • SEMI-CONDUCTORS

MAINS FAILURE ALARM

Beware the power cut, the failed fuse, the broken connection! With his beginners' project, Keith Brindley is constantly alert.

There are some basic household appliances which must be connected to a mains power source at all times. For them, an uninterrupted supply of power is essential to maintain correct operation. A freezer, or even a fridge, must be permanently connected to the mains: the dread of many households must be to become suddenly aware of a wet patch underneath the freezer where foodstuffs are gradually thawing out, or even to detect a smell of decaying foodstuffs where power has been lost for a considerable time. Even your common-or-garden videocassette recorder requires a constant source of mains power if the evening's edition of *Neighbours* is not to be missed (though perhaps missing *Neighbours* is no bad thing). Away from the home, it is common for tests using laboratory equipment to depend on uninterrupted and constant mains power.

It's not that the National Grid system (or whatever it may be called post privatisation) is always to blame for power breakdown. Even a simple thing such as a blown fuse, accidental removal of the appliance's plug or merely switching the power outlet off can mistakenly cause removal of power to the appliance.

For instances like these some form of alarm is useful, to monitor the applied mains power, doing nothing until a break in the supply is detected at which point an audible and/or visible indication results. The ETI Mains Failure Alarm is just that. Under normal circumstances the project sits quite happily at or around the appliance's main cable, simply monitoring that mains power is present. If for any reason that mains power is broken, the project detects this and sounds the alarm — audibly and visibly.

Designing a circuit to monitor that mains power exists is, of course, not particularly a mind-boggling

feat. But the ETI Mains Failure Alarm has two features which raise it above the ordinary. First, as any circuit which is to monitor mains cannot derive its power from the mains ('cos if the mains goes off, how's the circuit going to work?), it is battery-powered. Its extremely low current consumption in the monitoring state (around 20A) means that a good quality alkaline PP3-sized battery will power the circuit for over two years — so problems regarding regular battery replacement are eliminated.

Second, the circuit does not require direct electrical connection with mains power. It monitors the fact that mains electric supply exists strictly by a non-electrical capacitive connection. This in-built safety feature ensures that at no point in the circuit does mains voltage exist.

Construction

Comprising less than a dozen components, the ETI Mains Failure Alarm really couldn't be much simpler or cheaper to build, as you'll see from the circuit in Fig. 1.

As usual in *ETI's* beginners' projects, two methods of construction are offered: PCB and stripboard. The choice of method is up to you. Details of construction don't actually vary that much. Follow the general rules for project construction whichever you decide on. Solder in all passive components first — the resistors and capacitors. Next solder in semiconductors: diodes D1-D3, followed by the LED. The integrated circuit IC1 may be soldered in but, if you prefer, an IC socket eases assembly. Finally the battery clip, piezo buzzer and 'aerial' should be soldered into your project.

Note that the aerial isn't strictly necessary if you

PROJECT

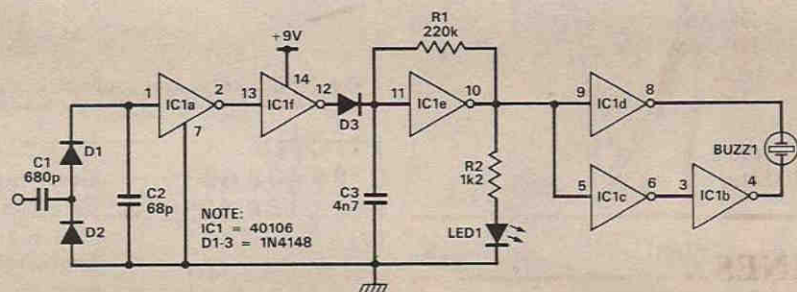


Fig. 1 Circuit of the ETI Mains Failure Alarm

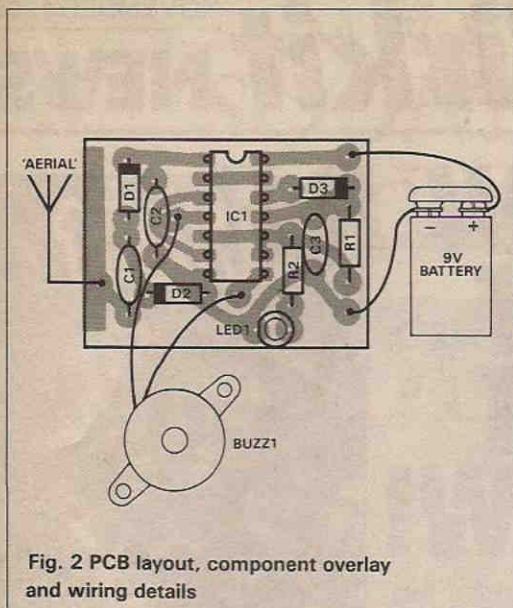


Fig. 2 PCB layout, component overlay and wiring details

mount the complete project onto your appliance's main cable. Pickup from the cable will, in such a situation, usually be sufficient to allow successful operation. Where your project is to be mounted a distance from the cable (say sitting on top of the appliance), then the 'aerial' will be needed. In this case, the loose end of the 'aerial' should be simply coiled a couple of times around the mains cable.

PCB layout and component overlay are shown in Fig. 2, along with wiring details of external and off-board components. Similarly the stripboard construction is shown in Fig. 3.

Bear in mind that the circuit's design is such that few of the components are particularly critical, so that you don't need to go out of your way to make sure you use the exact values stated — whatever you've got in your component box will do. In fact, apart from the integrated circuit, you can mess around with all the component values to see what the result is.

Frequency of the buzzer tone for example is set by the components resistor R1 and capacitor C3. Raising the value of either will lower the buzzer tone frequency.

Housing is left entirely to the reader. A small potting case will probably be sufficient, although there's no reason why the project can't even be built into the appliance to be monitored. Whatever you choose, just make sure the piezo buzzer is mounted outside the housing so that when it sounds it can be heard.

Setting Up

Fortunately there is very little to do here. A simple test will make sure your project is working properly. Place your project well away (at least 30cm) from any mains carrying cable or appliance. Connect the battery. The buzzer should sound. Now, move the project (or just the 'aerial' wire) towards a known mains carrying cable. As it gets within a few centimetres of the cable the buzzer should go quiet. If it does, your project is working. Just to check, switch off or unplug the mains cable from the mains socket outlet. Once again, the buzzer should sound.

HOW IT WORKS

Figure 4 shows a block diagram of project operation. For all the circuit's simplicity (refer to Fig. 1), you'll see that it comprises a large number of individual parts.

First part is a capacitive coupling to the mains cable, provided by capacitor C1 and the effective capacitance created by the proximity of the circuit to the mains cable. The metal of the input lead to capacitor C1 and the metal within the cable effectively form a capacitor (two metal plates separated by an insulator).

Next, the coupled AC voltage is rectified by diodes D1 & D2 to a stable DC voltage, detected by capacitor C2. When coupled to a mains cable carrying mains voltage, the voltage across capacitor C2 is sufficiently high to trigger gate IC1a. When a mains voltage is not in proximity, the voltage across capacitor C2 decreases to zero and gate IC1a is not triggered.

Gate IC1f forms a simple digital amplifying function, while gate IC1e and associated components form a gated oscillator. Component values of R1 and capacitor C3 as given create an oscillation of around 1kHz.

Remaining gates IC1b, c & d form an amplifier to drive the piezo buzzer in anti-phase.

PARTS LIST

RESISTORS (all 1/4W 5%)

R1	220k
R2	1k2

CAPACITORS

C1	680p
C2	68p
C3	4n7 polyester

SEMICONDUCTORS

IC1	40106 hex Schmitt gate
D1-3	1N4148 signal diode
LED1	red LED

MISCELLANEOUS

BUZZ1	piezo buzzer
PCB or stripboard. Battery clip. IC socket.	

BUYLINES

All components are easily obtained and will give no problems in procurement. If your local outlet can't help, try ETI's advertisers. The PCB is available from the PCB Service as detailed on p35.

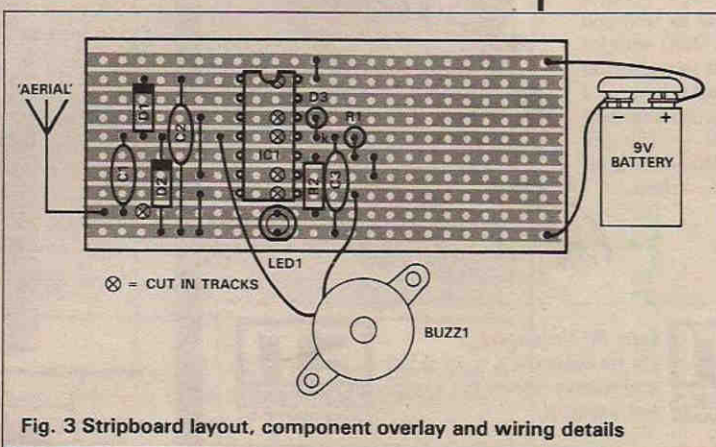


Fig. 3 Stripboard layout, component overlay and wiring details

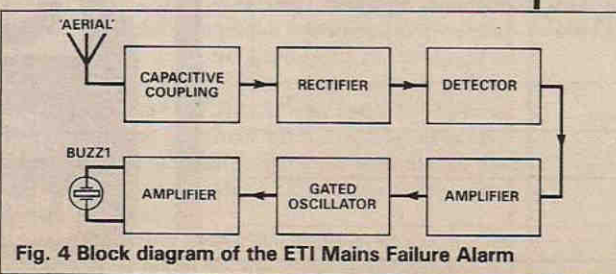


Fig. 4 Block diagram of the ETI Mains Failure Alarm

NATIONAL COMPONENT CLUB**SPECIAL OFFERS * SPECIAL OFFERS****SCANNER KIT(T)**

A complete, six channel LED chaser kit for less than a fiver! The kit comes complete with all components, including PCB and instructions simple enough for even a complete novice. Works from 6-15vdc.

Only £4**MAINS POWER SUPPLY FOR ABOVE £1****SPECIAL OFFER PACKS**

100	ASSORTED CAPACITORS	£1
30	ASSORTED TRANSISTORS	£1
25	ELECTROLYTIC CAPACITORS	£1
12	LED's (5mm red or green)	£1
5	555 TIMER IC's	£1
5	741 OP-AMPS	£1

FREE MYSTERY PACK WITH ALL ORDERS OVER £6

Please add £1 P&P, but do not add VAT.

P.O. or cheque to: NATIONAL COMPONENT CLUB, DEPT ETI,
BAILEY HILL, CASTLE CARY,
SOMERSET BA7 7AD

We now accept Access - phone (0963) 51171

*** FREE CLUB MEMBERSHIP ***

Just phone above number or write for details

PUT YOUR AGENT ON THE TRAIL

You need the facts, just the facts man. You need a steady source to feed you information. Don't settle for a second-rate squealer. You need ETI and you need it good. Put your newsagent on the trail — clip the coupon and hand it to your neighbourhood shop.



ETI
ELECTRONICS
TODAY INTERNATIONAL

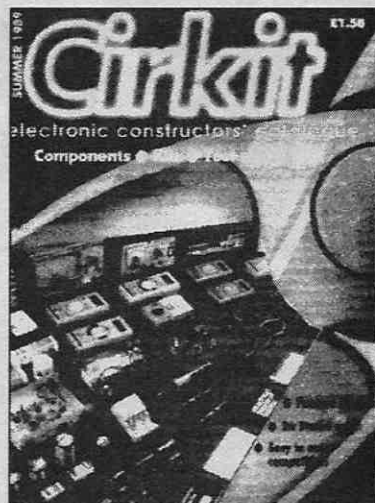
Dear Mr Newsagent
Please order me a copy of ETI
and reserve/deliver me a copy
every month.

ETI
ELECTRONICS
TODAY INTERNATIONAL

Note this magazine is available to your wholesaler through:
SM Distribution, 6 Leigham Court Road, Streatham, London
SW16 2PG. Tel: 01-677 8111.

Name _____

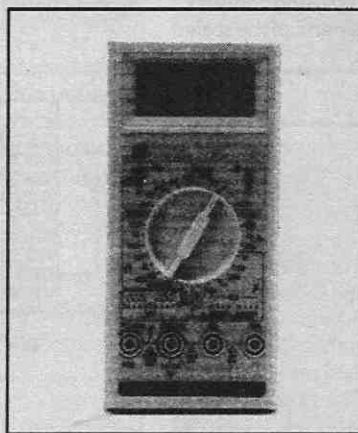
Address _____

NEW CAT OUT NOW!

Over 3,000 product lines feature in the Summer 1989 edition of the Cirkit Constructors' Catalogue.

available from most larger newsagents or direct from the company priced at £1.50. The latest books, an RF frequency meter, two new PSU designs and a 3.5MHz converter are among the innovative new kits this issue, while our construction project - a 2 Watt stereo amplifier - is bound to prove an absorbing activity for dedicated constructors. In the test equipment section there's a whole new range of multimeters, a bench DVM and a triple output PSU.

For eagle-eyed readers who enjoy a challenge of a different sort, there is the opportunity of winning an audio signal generator worth more than £180.00 in the latest fiendish competition. All prices now include VAT for quicker, easier ordering; and Cirkit's same-day despatch of all orders, combined with value-for-money discount vouchers, makes the line-up even more attractive.

D-MM GOOD VALUE!

Cirkit's six new digital multimeters are packed with sophisticated extra facilities: capacitance measurement, frequency measurement up to 20MHz, temperature reading, transistor test and logic test in addition to the usual volts, current (DC and AC) and resistance measurement - and all unbeatable value with prices ranging from £20.00 to £55.00!

Cirkit**Cirkit Distribution Ltd**

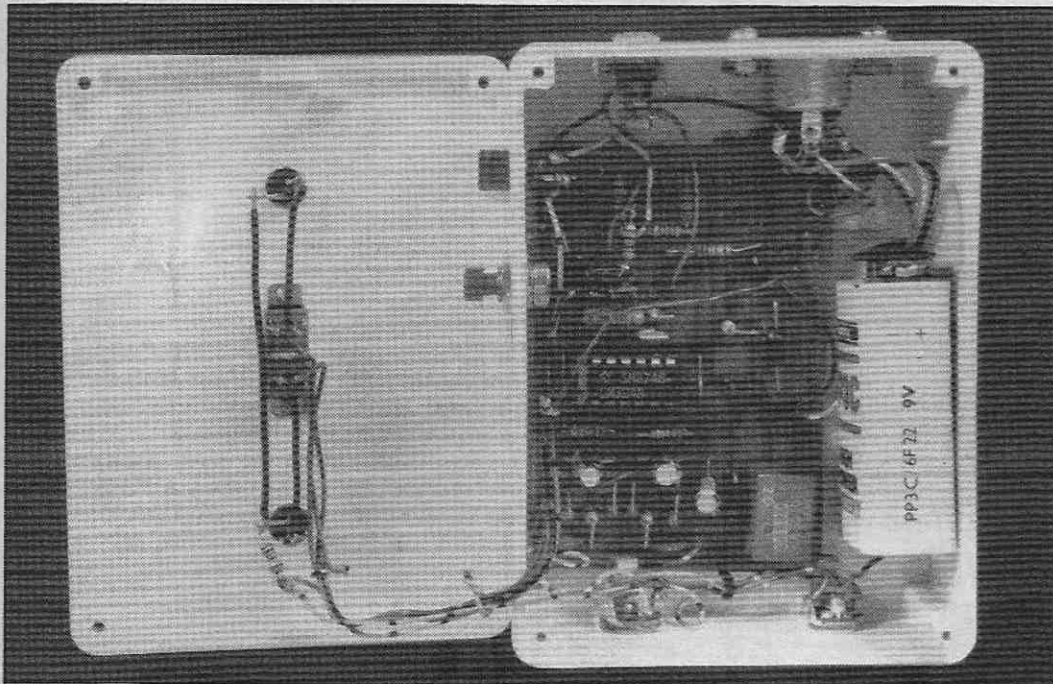
Park Lane Broxbourne Herts EN10 7NQ
Telephone (0992) 444111 Fax (0992) 669021

Also at

53 Burrfields Road Portsmouth Hants PO3 5EB
Telephone (0705) 669021 Fax (0705) 695485

SOUND-SLIDE SYNCHRONISER

PROJECT



It might not be as 'brill' as some of the new video effects, but there's still a small army of people around who get great pleasure from producing slide shows (or AV Presentations to give them the glossy title!). At the top end of the range, you've got the guy who uses two projectors and dissolves the slides into each other by using complex electronic gadgetry, whilst at the other end of the scale you have the chap who simply talks to his audience, and presses a button when he wants the slide to change. This unit falls somewhere between the two. It makes the slides change automatically as your pre recorded tape plays.

If you consider what's required, you'll realise it's a very basic piece of equipment. The circuit detects a reminder on the tape which tells it to change the slide. This reminder is nothing more complicated than a simple audio tone recorded onto the top track of the tape whilst the audio is recorded on the lower section. From this description, you can see that all we need is a device for (a) producing a tone, (b) replaying and amplifying this tone, and (c) a switch to control the projector.

We'll consider the playback mode first. There's two simple inverting op-amp amplifiers. The first is a pre amp for boosting low level signals, and the other is the main amp. Access to both amps is made possible via two 3.5mm jacks on the side of the case. The second amp is wired in such a way that the pre amp is normally connected to the main amp. However, when a jack is inserted into the socket, the output from the pre amp is cut off. The net result is to produce an output across C5 which oscillates in sympathy with the tone being replayed.

Any regular electronic buff will recognise a simple square wave generator built around IC1d (Fig. 1), but what is not so usual are the diodes connected to the

HOW IT WORKS

Normally, resistor R10 holds the inverting input of IC1c high. Since the non inverting input is also held high, the output of the op-amp goes low. When a tone is present, Q1 conducts as each positive peak hits its base. This does two things. Firstly, it pulls down R10 making the inverting input low, and also discharges C6. When Q1 switches off, C6 begins to recharge again via R10. However, before any significant charge develops, Q1 conducts again and so the inverting pin stays low. In other words, whilst Q1 is going on and off so many hundreds of times per second, the time constant of R10/C6 makes the op amp input stay low. Of course, once the tone stops being replayed, C6 charges fully, and the inverting input goes high once more.

When the inverting input is taken low, and kept low as explained, the output of IC1c becomes high. This provides base drive to Q2 which thus makes the relay operate. The contacts close, and make the projector change the slide. At the end of the tone burst which has just been replayed, the op amp swings low again cutting off Q2, and letting the relay turn off. However, a very very small current is still flowing through the coil via D2, D3, R13 and R14.

inverting input via R13. With the three components listed, the tone generator will work continuously generating one long tone. By connecting the diodes to the relay coil, a positive voltage travels along this path to C7. Because C7 is now held high it cannot function, and so the generator is rendered inoperative. Once Q2 conducts, the anode end of the diode is taken low. The diodes become reverse biased and no current travels to C7. IC1d can now oscillate. The tone travels to C8 and from here out to a tape recorder and also to the base Q3 via R6. Since you cannot hear the tone, Q3 and its associated LED indicate when a tone has been generated.

To produce a tone, SW1 must be in the record position. Now when SW2 is pressed, Q1 is made to

Chris Brown makes sure the sound always goes with the vision

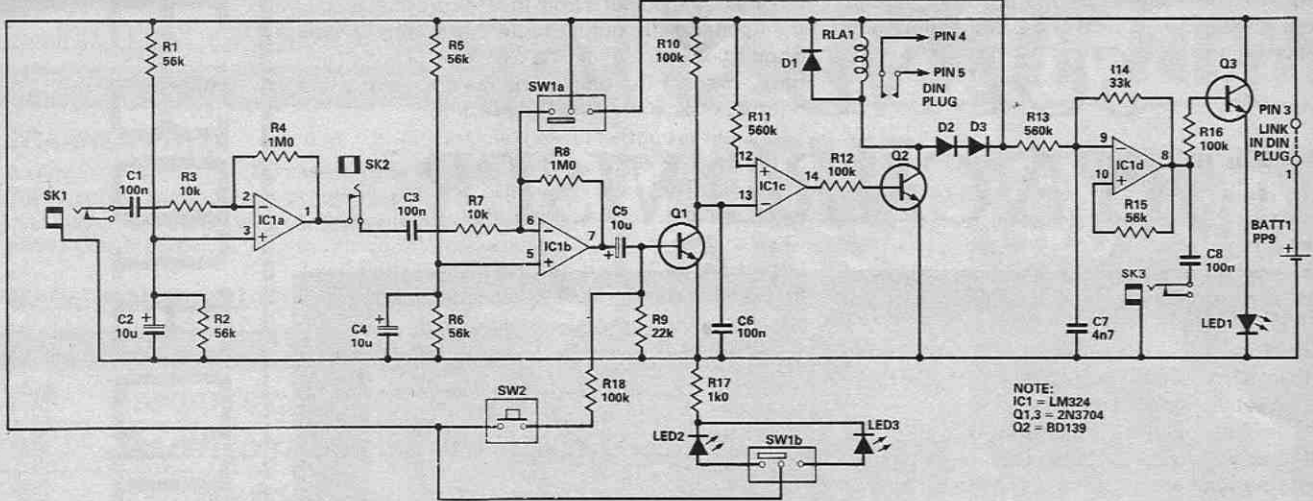


Fig. 1 Circuit diagram of sound-slide synchroniser

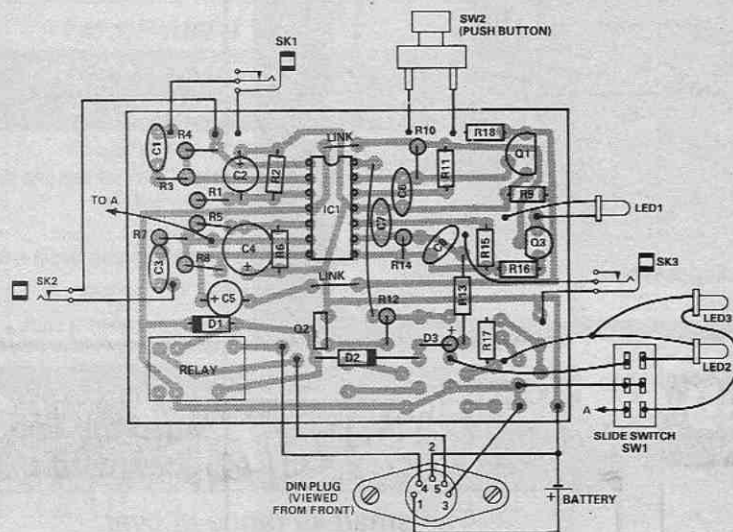


Fig. 2 Component overlay and wired connections

conduct pulling R10/C6 low making the op amp high, causing Q2 to conduct thus reverse biasing the diodes and allowing the tone to be produced. This makes the indicator LED3 light. If SW1 is in the play position, no tone will be produced, and the relay may chatter.

Switch SW1 actually switches off the tone section of the amp. Just as current travels via the relay and diodes to hold the generator off, so SW1 switches the positive line directly to R13, holding the section off. Similarly in record mode, a positive voltage is fed to the feedback network of the main amp causing its output to go low. Without this switch, the circuit forms a loop, where the tone section runs. This is fed back to the amp input and causes the tone to be produced at its output making the relay conduct. Switch SW1 also controls the two indicator LEDs on the front panel, to show which mode you're in. If LED3 lights, you're in the record mode. If LED2 lights, you're in playback mode (you only use the jacks on replay or the push button when recording!).

Construction

The board itself should present few problems, but care should be taken with all the interconnecting wires in the case. Fig. 2 shows the component overlay and external connections.

Because of the way the DIN has been laid out, no ON/OFF switch is required and an external power source can be used if required without having to take out the battery. Inside the plug which connects to the projector (SK3) is a wire link. This connects pin 1 (the battery positive) to 3 (power supply to board). So until this lead is inserted, no power travels anywhere and

PARTS LIST

RESISTORS (all ¼W 5%)

R1,2,5,6,15	56k
R3,7	10k
R4,8	1M0
R9	22k
R10,12,16	100k
R11,13	560k
R14	33k
R17	1k0

CAPACITORS

C1,3,8	100n
C2,4,5	10µ
C6	47n
C7	4n7

SEMICONDUCTORS

IC1	LM324
Q1,3	2N3704
Q2	BD139
D1,2,3	1N4001
LED1,2,3	High intensity LEDs

MISCELLANEOUS

SK1,2,3	miniature jack socket 3.5mm
SK4	5-pin DIN plug and socket
SW1	DPDT slide switch
SW2	push button switch
Case	PCB

BUYLINES

There should be no problems obtaining components for the Sound-slide synchroniser since everything can be ordered from the normal sources.

The case used for the prototype was from Maplin (tel: (0702) 554161), order code 3415. The PCB is available from the ETI PCB Service (see centre pages).

the unit is off. Similarly, an external power supply can be connected between pin 3 and 2, the positive and negative inputs respectively.

Operation

A lead is inserted into the tone output socket and connected to a spare track of the tape recorder. This can be either one track or a stereo recorder, an audio-visual head, or mono tape deck with an extra head added to record the top track. If using a stereo unit with VU meters, press the slide change switch (SW2) and hold down. The tone will be continuous allowing you to set a level of 0dB on the meter. With 'free head' units no setting up is needed.

There's various ways of producing your show, the most basic way being to simply chat into the mike, record your voice and press the button when you want a slide change. It has to be said this is the most amateurish way of doing it. A far better approach is to sit down, take your time and make a good master recording. If you make a mistake you can rewind that bit and do the take again. You can mix in music too if you wish. Tape made, rewind to the start, load projector and listen to the tape. When you know it's time for a slide change, hit the button. The tone will be recorded on tape, and the slide changes.

You've now got a good soundtrack, with tones recorded on the other track. Now connect the head to the playback section (remembering to flip SW1 over to playback). This is where a little care needs to be taken. If you're using a device which allows access directly to the head (without any amplification) connect this to SK2. If as is usually the case with stereo

recorders, the output is from the tape pre amp section then connect the output to the main amp section. Should you be in doubt as to what type of output you have, connect the unit to the main amp first. If it doesn't work, connect to the pre amp.

There is another reason why the pulses cannot be replayed, which I can only think of as impedance mismatch. The unit built, worked perfectly with one recorder but not with another. By experimenting, it was found that a resistor placed across the input wire helped matters. I should add that this was a 'free head' that needed correcting. A stereo unit replaying via a pre amp should give no problems.

ETI

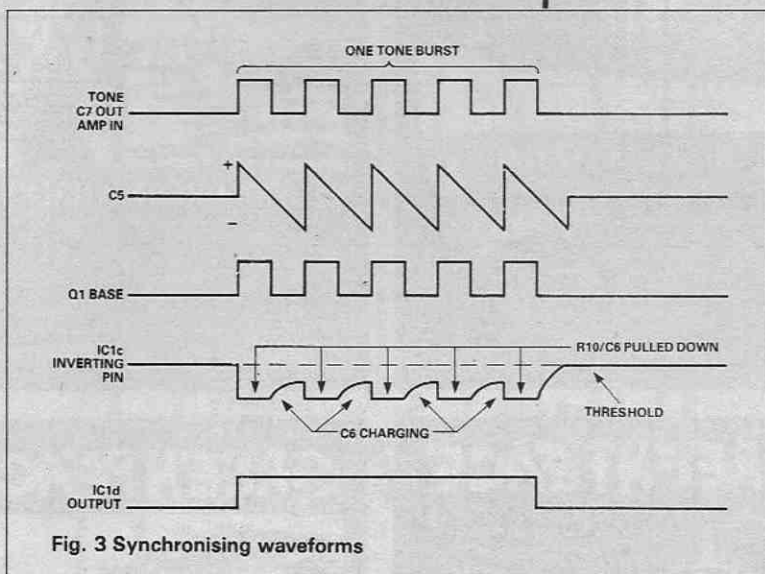


Fig. 3 Synchronising waveforms

JOIN UP WITH LITESOLD

Professional Soldering Equipment at Special Mail-Order Prices.

SK18 Soldering Kit. £18.34

Build or repair any electronic project. LC18 240v 18w iron with 3.2, 2.4, and 1.6mm bits. Pack of 18 swg flux-cored 60/40 solder. Tweezers. 3 soldering aids. Reel of De-Solder braid. In PVC presentation wallet.



ADAMIN Miniature Iron £8.58

Possibly smallest mains iron in the world. Ideal for fine work. Slim

nylon handle with finger grip. Interchangeable bits available 1.2, 1.6, 2.4, 3.4 and 4.7mm. Fitted with 2.4mm, 240v 12w (12v available). Presentation wallet.

'L' Series Lightweight Irons. 12w £8.57

High efficiency irons for all electronic hobby work. Non-roll handles with finger guards. Stainless steel element shafts. Screw-connected elements. Slip-on bits available from 1.6 to 4.7mm. LA12

model, 12w, 2.4mm bit. LC 18 Model, 18w, 3.2mm bit. 240v Std - 12v available. Presentation wallet.

Soldering Iron Stands 3&4 £6.65



Designed specially for LITESOLD irons. Heavy, solid-plastic base with non-slip pads. Won't tip over, holds iron safely. With wiping sponge and location for spare (hot) bits. No 5 stand for EC50 iron No 4 stand for ADAMIN miniature Iron No 3 stand for LA12 and LC18 Irons.

De-Solder Pumps £7.75

High Quality version of increasingly popular type of tool. Precision made anodised aluminium body, plunger guard and high-seal piston. Easy

thumb operation. Automatic solder ejection. Conductive PTFE nozzle - no static problems.

Prices include p&p and VAT. Send order with Cheque/PO. Ring for Access/Visa sales



LIGHT SOLDERING DEVELOPMENTS LTD. DEPT. ET
97-99 GLOUCESTER ROAD, CROYDON CR0 2DN. 01 689 0574

HOBBYKIT introduces

The smart kit range of over 120 electronic kits

Each smart kit has been tried and tested having been available in Europe for the last 8 years

**SMART KITS ARE EDUCATIONAL
SMART KITS ARE RECREATIONAL
NO PRIOR ELECTRONIC
KNOWLEDGE IS NECESSARY**

All you need is a soldering iron everything else is provided in each blister packed smart kit

Comprehensive catalogue available including special introductory offer

Credit Card tel. 01-205 7485


Please send 45p s.a.e. to:



HOBBYKIT LTD

UNIT 19 CAPITOL INDUSTRIAL PARK
CAPITOL WAY LONDON NW9 0EQ
FAX: 01-205 0603

GREENPEACE




NUCLEAR POWER

The possibility of future nuclear accidents is real. The probability is high. A core meltdown accident possibly resulting in Chernobyl scale releases of radiation can be expected within 20 years according to former US Nuclear Regulatory Commissioner Asselstine.

Greenpeace has raised fundamental questions on the safety of UK gas cooled reactors and is campaigning for their closure.

THANK GOD SOMEONE'S MAKING WAVES

GREENPEACE




THE GREAT WHALES

Since commercial whaling was banned in 1986, 11,000 whales have been slaughtered many for so called scientific research.

Ireland was the first whaling nation to side-step the commercial whaling ban. To make Ireland pay dearly for the whales she kills, Greenpeace is promoting a boycott of Icelandic fish. Meanwhile Greenpeace will work for a permanent ban on commercial whaling.

THANK GOD SOMEONE'S MAKING WAVES

GREENPEACE



NON-VIOLENCE

In 17 years of campaigning, Greenpeace's greatest achievement has been its refusal to resort to violence. Ever.

At least as important as opposing nuclear weapons, saving whales or trying to stop ocean pollution, is the way it has been done.

To Greenpeace, the peace is as important as the green: the means is as important as the end.

THANK GOD SOMEONE'S MAKING WAVES

GREENPEACE



THE IRISH SEA

The Irish Sea is the world's most radioactively contaminated seas as well as being one of the most poisoned by sewage and industrial wastes.


Many of its beaches are polluted, fish disease is widespread, seals are dying, dolphins and sea-birds have lost their destroyed habitats.

Now Greenpeace has launched a campaign to save the Irish Sea, demanding an end to radioactive discharges and to sea dumping of toxic wastes and sludges.

Greenpeace has sent its ship - the Moby Dick - to confront the polluters and press its demands for a clean Irish Sea.

THANK GOD SOMEONE'S MAKING WAVES

GREENPEACE




LOST DOLPHINS

Britain has lost many of her coastal dolphins and porpoises. Pollution, over-fishing and incidental catches are most likely to blame.

To stem the decline and protect existing stocks, Greenpeace has set up its Dolphin Look Out network and is working to establish protection zones in areas where dolphins and porpoises are still to be found.

THANK GOD SOMEONE'S MAKING WAVES

GREENPEACE



ACID RAIN

Acid rain causes death and damage to forests, lakes, wildlife, crops, buildings and ourselves.

Now scientists have calculated the reductions in acid-forming pollutants that must be made.

They are: 90% cuts in sulphur dioxide
75% cuts in nitrogen oxides
75% cuts in atmospheric ozone.

These are the cuts nature demands if it is to survive. They are the only cuts which Greenpeace will accept.

THANK GOD SOMEONE'S MAKING WAVES

GREENPEACE URGENTLY NEEDS YOUR SUPPORT.

Please send a personal donation of £12 or a family donation of £17.50. Or more. In return you will receive our quarterly newsletter and campaign updates. Remember, the more you can afford to send us, the more we can do to protect the natural world.

Please accept my donation of: £12 Single £17.50 Family Additional donation £ _____

I enclose cheque/P.O. for £ _____ payable to Greenpeace Ltd.

Please charge my Visa/Access a/c no: _____

Signature: _____ Date: _____

Name: Mr/Mrs/Ms _____

Address: _____

BC012

Postcode: _____

Please return to: Greenpeace, FREEPOST, 30-31 Islington Green, London N1 8BR.

**THANK GOD SOMEONE'S
MAKING WAVES
GREENPEACE**



Rev-Rider (January 1989)

In the Parts List RV2 is incorrectly given as 33k. It should be 22k as in the circuit diagram. A 'blob' went missing from the circuit diagram. RV2, R7, R4, C1 and D3 should all be connected.

In-car Power Supply (January 1989)

Fig. 3 shows the front view of the 317 regulator with the pin-outs reversed. The photograph, circuit and overlays are all correct showing the ledge at the front of the device.

Audio Design MOSFET Amp (May 1989)

For home constructors of the power amp PCB (Fig. 8), the copper area connecting the negative of C7, C14 and R20 is a 0V #2 connection and should be linked to the 0V #2 copper area at the junction of C16 and C18+. Hart's kit PCB has a ground plane and no mod is necessary. Note that the preset at the bottom right of Fig. 8 takes the place of an external RV3 rheostat when bench testing and is not normally required. In Fig. 7 R14 is not shown — it should be in series in the negative feedback line between C8 and D3. Also in the parts list C20 is 100uF and R9 is 2k2.

Bench Power Supply (May 1989)

In the Parts List, Q3,4 should be BC237 not BC307. The value in the circuit diagram is correct.

How To MIDI A Piano (June 1989)

In Fig. 5 the connection from pin 19 of IC8 (MREQ) should go to pin 12 of IC7a, not pin 13 as shown. The component overlay is correct.

MIDI Patchbay (July 1989)

Figure 3 shows Q1-6 as npn transistors. They should in fact be pnp and their emitters should be connected to R2-12 respectively (R12 is unlabelled). Although the bases are all connected together they should not be connected to their emitters.

Reflex Action (July 1989)

Two lines in the listing on page 30 need amendment. Line 180 should read
 180 PRINT "Enclosure volume = ";vb:PRINT"tuned to";fb;"Hz":PRINT" -3db at "; f3:PRINT "Ripple = ";r;"db"
 Line 280 should read
 $280 \text{ I} = (2700 * \text{a}) / (\text{vb} * \text{fb}^2) - 0.96 * (\text{a} \text{ } 0.5)$

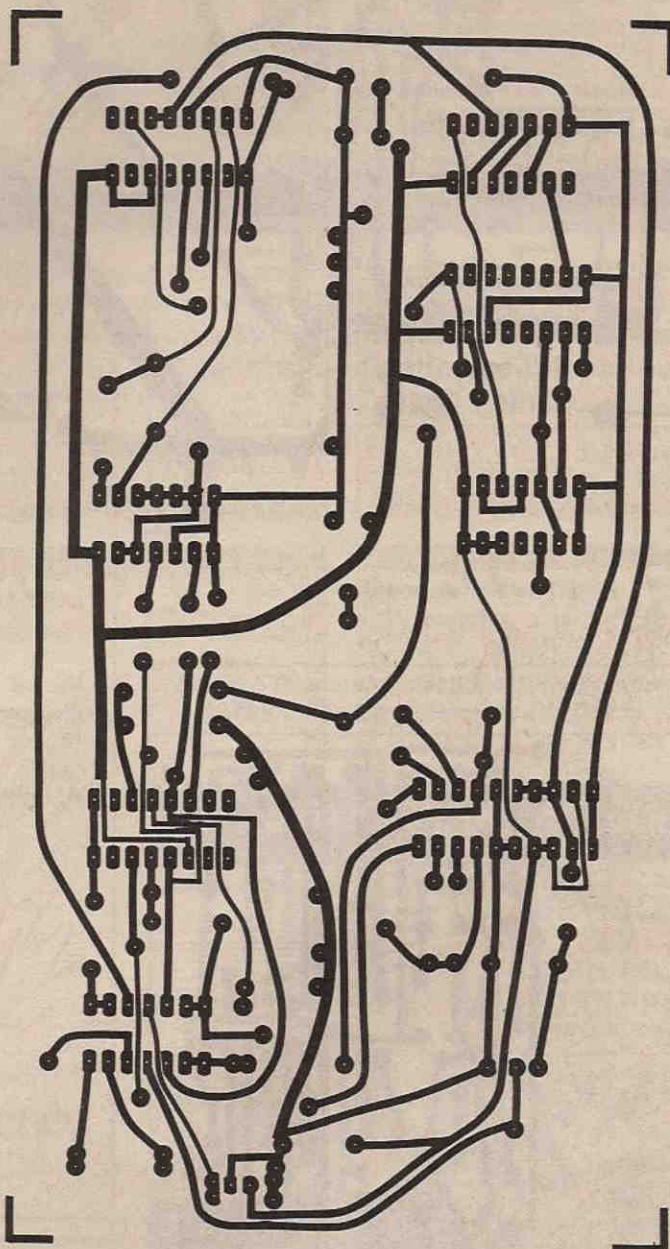
Chronoscope Revisited (September 1989)

In the paragraph headed 'Connections', D10 should read LED8 (on the sensor board). Also in Fig. 2, IC10 is shown reversed. The notch should be next to R49.

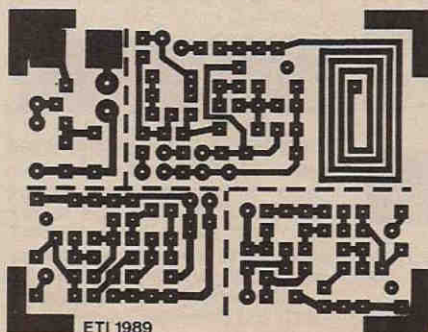
Field Power Supply (September 1989)

Figure 2 was printed with the artwork densities reversed, rendering a trifle tricky to interpret. It was reprinted together with a omitted col winding data on P62 of the October 1989 issue. A free photocopy is available from ETI Editorial on receipt of an SAE.

PCB FOIL PATTERNS

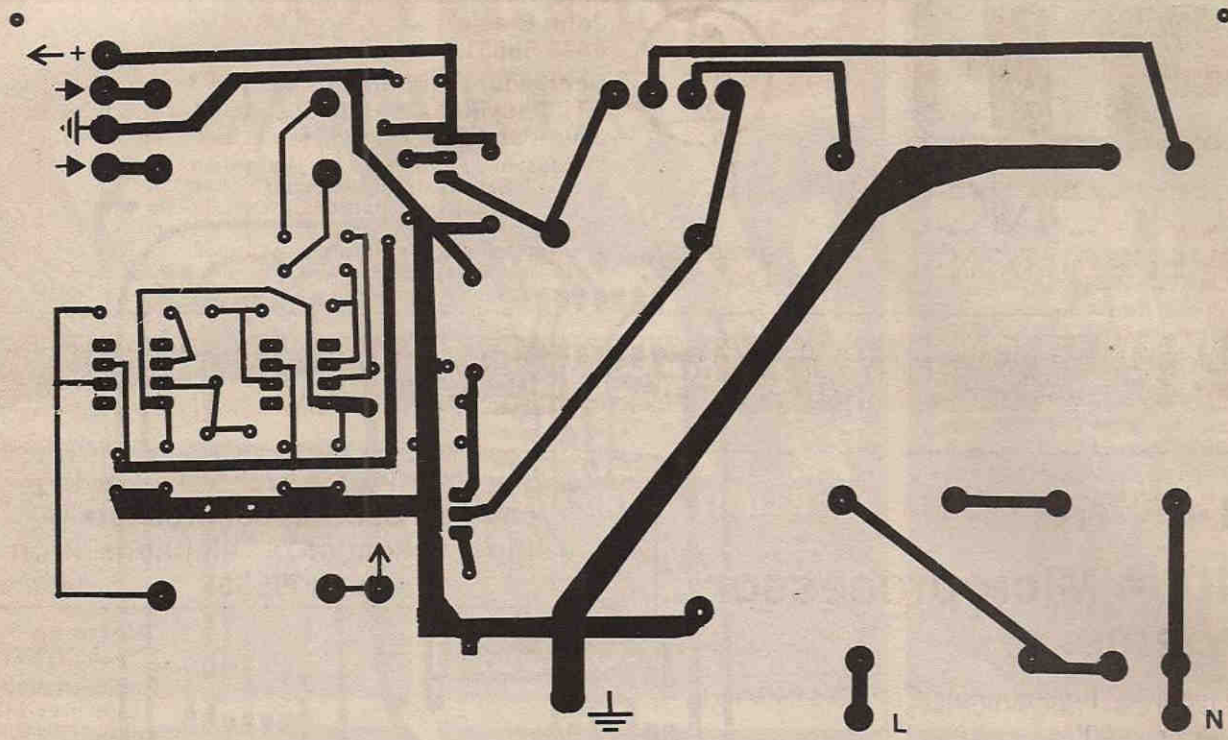


Noise generator foil

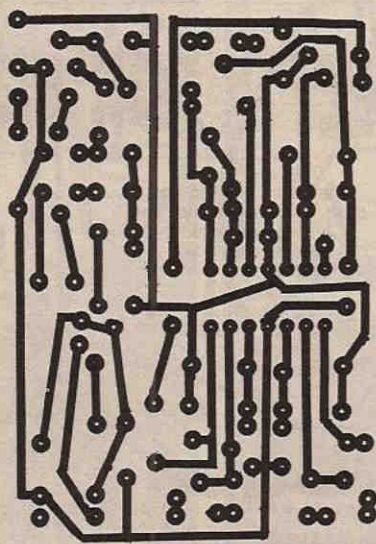


ETI 1989

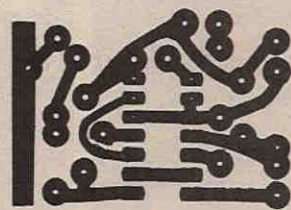
Next month's free PCB



Pedal Power main board



Slide/Tape Sync board



Mains failure alarm foil

ETI

ELECTRONICS TODAY INTERNATIONAL



CLASSIFIED

John Brasier
0442 66651 Ext 310

Send your requirements to:
ETI Classified Department, ASP, Argus House,
Boundary Way, Hemel Hempstead, HP2 7ST.

Lineage: 50p per word (+ VAT) (minimum 15 words)
Semi Display: (minimum 2 cms)
£13.50 per single column centimetre + VAT

Ring for information on series bookings/discounts.
All advertisements in this section must be prepaid.
Advertisements are accepted subject to the terms and conditions
printed on the advertisement rate card (available on request).

COURSES

TRAINING

HNC in Microprocessor Systems

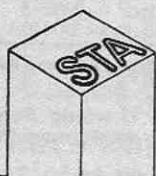
A one year full time course, is offered by Milton Keynes Skillcentre.

The course includes 20 weeks work placement in Industry.

This is a Training Agency funded equal opportunity course and training allowances will be paid.

Please telephone 0908 670001 for an application form or write to:

Milton Keynes Skillcentre
Chesney Wold
Bleak Hall
Milton Keynes
MK6 1LX



Skills Training Agency

Start training now for the following courses. Send for our brochure — without obligation or Telephone us on 0626 779398 (Ref: ETI 12/89)

Name _____	<input type="checkbox"/> Telecomms Tech C&G 271
_____	<input type="checkbox"/> Radio Amateur Licence C&G
_____	<input type="checkbox"/> Micro-processor
_____	<input type="checkbox"/> Introduction to Television

Radio & Telecommunications Correspondence School
12 Moor View Drive, Teignmouth, Devon TQ14 9UN

WANTED

Turn your surplus transistors, ICs etc, into cash. Immediate settlement. We also welcome the opportunity to quote for complete factory clearance.

Contact:
COLES HARDING & CO.
103 South Brink
Wisbech, Cambs.
NOW ESTABLISHED OVER 15 YEARS
Tel: 0945 584188
Fax Number: 0945 588844

SURVEILLANCE

SURVEILLANCE & COUNTER SURVEILLANCE EQUIPMENT

WE MANUFACTURE AND SUPPLY TOP QUALITY SURVEILLANCE AND SECURITY EQUIPMENT



CCTV AND SECURITY SYSTEMS SPECIALISTS

ESKAN ELECTRONICS LTD.
DEPT. ET, 172 CALEDONIAN ROAD, LONDON, N1

01-278 1768

MISCELLANEOUS

HEATHKIT U.K. Spares and service centre Cedar Electronics, (HR), Unit 12 Station Drive, Bredon, Tewkesbury, Glos. Tel: 0684-73127.

KITS

NEW VHF MICROTRANSMITTER kit, tuneable 80-115MHz, 500 metre range, sensitive electret microphone, high quality PCB. SPECIAL OFFER complete kit ONLY £5, assembled and ready to use £8.95 post free. Access/visa orders telephone 021-411 1821. Cheques/PO's to: Quantek Electronics Ltd, (Dept ETI), 45a Station Road, Northfield, Birmingham B31 3TE.

SWITCHES

VOICE/SOUND ACTIVATED SWITCHES easy to follow diagrams and uses only £1.00. Components and P.C.B's available. Herrington, 63 Home Farm Rd, Hanwell, London W7 1NL.

MAKE YOUR INTERESTS PAY!

More than 8 million students throughout the world have found it worth their while! An ICS home-study course can help you get a better job, make more money and have more fun out of life! ICS has over 90 years experience in home-study courses and is the largest correspondence school in the world. You learn at your own pace, when and where you want under the guidance of expert personal tutors. Find out how we can help YOU. Post or phone today for your FREE INFORMATION PACK on the course of your choice. (Tick one box only)

Electronics	<input type="checkbox"/>	Radio, Audio and TV Servicing	<input type="checkbox"/>
Basic Electronic Engineering (City & Guilds)	<input type="checkbox"/>	Radio Amateur Licence Exam (City & Guilds)	<input type="checkbox"/>
Electrical Engineering	<input type="checkbox"/>	Car Mechanics	<input type="checkbox"/>
Electrical Contracting/Installation	<input type="checkbox"/>	Computer Programming	<input type="checkbox"/>
GCE over 40 'O' and 'A' level subjects			



Name _____
Address _____ P. Code _____
International Correspondence Schools, 312/314 High St., Sutton, Surrey SM1 1PR.
Tel: 01-643 9588 or 041-221 2926 (24 hrs.) Dept EBSC9

FOR SALE

DO YOU WANT
SCOPES · GENERATORS
POWER SUPPLIES
POWER METERS
DVMs · OSCILLATORS
ATTENUATORS
TEST EQUIPMENT

Contact:

COOKE INTERNATIONAL
Unit 4, Fordingbridge Site,
Main Road, Barnham
Bognor Regis,
West Sussex PO22 0EB
Tel: 0243 545111
Fax: 0243 542457

Wide range of items available
Send for lists

CAMBRIDGE COMPUTERSCIENCE LIMITED

10MByte Winchester used 3 months wty	£42.00 each
5.25" Disk Drives, 80 Tk. DSD	£34.00 each
5.25" Disk Drives, 80 Tk. DSD, used, no wty	£15.00 each
5.25" Disk, DSD, 48K, boxes in 10	£3.00 /box
50W PSU, 5V/5A, 12V/2.5A, -5V/0.5A, -12V/0.5A	£18.00 each
Gould PSU 0-30V @ 5A, limited quantity only at	£45.00 each
Single Data lead (BBC Micro to Disk Drive)	£2.00 each
Dual Data lead (BBC Micro to 2 Disk Drives)	£4.00 each
Power lead (BBC Micro to Disk Drive)	£4.00 each
Dual Data lead (BBC Micro to 2 Disk Drives)	£4.00 each
88000 CPU Us (the first orders get 10MHz chips)	£3.50 each
74LS TTL, pick and mix, buy 10 or more for	10.12 each
Types available: 00 02 04 08 11 13 15 20 21 26	
27 30 32 38 42 75 85 98 107 109 122	
132 136 139 145 151 153 157 158 163 164	
166 191 193 298 365 670	
EPROMS 27128 used	£1.50 each
27128-25 new	£2.50 each
6284 8K Byte SRAM	-15 £3.00 each
	-12 £3.80 each
6556 32K Byte rams	£7.00 each
8KByte NV ram chips	£3.00 each
	£10.00 /lot
20-pin off low profile IC sockets	£0.50 /10
	£4.00 /100
40-pin off low profile IC sockets	£0.50 /10
	£5.00 /100
Keyboard, 100 keys on board, LCD & micro int	£8.00 each
Toroidal mains transformer, 12V, 4A & 0.4A, 12-0-12	£4.00 /1
0.1A & 0.2A, 9-0-9.0.2A	£6.00 /2
	£8.00 /3

Prices include postage. Add 50p to orders below £5.00.
All items new unless stated. Add 15% VAT to all prices.
Send an SAE for our latest list or for more info.

Dept ET1, 374 Milton Road, Cambridge, CB4 1SU
Tel: 0223 424602

SPECIAL OFFERS

FREE MAIL ORDER CATALOGUE OF

**ELECTRONIC COMPONENTS
VELLEMAN PROJECT KITS
TOOLS, ETC.**

Also available are:

**P.C.B. DESIGN/MANUFACTURE
ASSEMBLY**

**REPAIR/SERVICE COMMERCIAL
P.C.B.s & EQUIPMENT**

R.J.E. COMPONENTS
207 GODMAN ROAD
CHADWELL-ST-MARY, GRAYS
ESSEX RM16 4TR

FREE READERS' OFFER

K.I.A. SANTAFANTASTIC GIVE-AWAY!! 40 assorted capacitor giftpack!! Tantalum — Polystyrene — Ceramic's — Polycarbonates — Electrolytics — Polyesters — Plus Illustrated IC Wall Chart. Return advert with 50p coin, postage and packing, to 8 Cunliffe Road, Ilkley LS29 9DE.

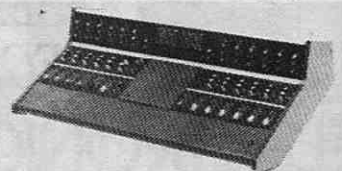
EQUIPMENT

**WOULD YOU BUY A CAR
WITHOUT A TEST DRIVE?
THEN WHY BUY A MIXER
WITHOUT A TEST DRIVE?**

Thinking about a new project — from a small Mixer to a large studio complex — come and talk over ideas with the people who offer manufacturing and user experience at our new premises:

**Unit D, 318 High Road,
Benfleet, Essex SS7 5HB**
TO TAKE THAT TEST DRIVE —
PHONE 0268-793381

(Weekend Committee visits
welcome by prior arrangement)



**PARTRIDGE
ELECTRONICS**

Head Office, 56 Fleet Road, Benfleet, Essex SS7 5JN
Telephone 0268-793256

SPECIAL OFFERS

JPG Electronics

Resistors 1/4w 5% carbon (E12) 1p, 1% metal film 3p
Resistor Pack 85 different E12 values + zero ohm link, total
content 1,000 resistor £8.95
LED's 3mm or 5mm red or green 5p each; Yellow, 11p each
Cable ties 75mm 1p each, £3.95 per 1,000; 48.50 per 10,000
Stepping motor 4 phase 12v 7.5 step 50ohms £8.95
SAA 1027 stepping motor driver chip £3.95
FM Transmitter kit good quality sound £7.94
High quality photo resist copper clad epoxy glass boards
Dimensions Single sided Double sided
3x4 inches £0.95 £1.07
4x8 inches £2.40 £2.68
6x12 inches £5.37
12x12 inches £10.66

Special offers
Computer grade capacitors with screw terminals 38000uf 20v £2.50
87000uf 10v £1.99 48000uf 15v £2.95 10000uf 16v £1.50
7 segment common anode LED display 12mm £0.45
LM2931AT5.0 low drop out 5v regulator TO220 package £0.65
BS250 P channel MOSFET £0.45
BC559 transistor TO92 PNP £3.95 per 100
74LS05 hex inverter £10.00 per 100; used 8148 Microntroller £3.50
Stereo LWMWFM tuner/pre-amp with volume/tone control and
tuning scale. Brand new in maker's carton CSSE, Faulty £2.50
Circuit etc for above £0.50; 5 digit 6v electromagnetic counter £1.95
Hour counter (used) 7 digit 240vac 50hz £0.95
LCD display 16 digit 7x5 dots dot matrix £2.50
DIWERTY keyboard 59 key good quality switches £5.00
Wide range of CMOS TTL 74HC 74F Linear Transistor kits,
capacitors, tools etc, always in stock.
Please add 75p p&p per order VAT included

JPG Electronics,
276 Chatsworth Road, Chesterfield S40 2BH
Access orders (0246) 212102 — Callers welcome

- Series X Mixer Kits
- up to 1,000 inputs
- on-board mic input
- 6 auxiliaries
- versions for recording PA, radio, disco
- From £9.92
- 100mm faders, circuit diagrams, equipment repair, tape line-ups, audio cables



Send 19p for catalogue to:
K. Tek, P.O. Box 172A, Surbiton,
Surrey KT6 6HN. Tel: 01-399 3990

FOR SALE

**Mail Order Electronic
Component Business**
T/O £22,000

High percentage profits and low overheads. Ideal for part time operation or expansion. Sale includes computer software, customer mailshot, stationery, packing and all stock including kits and vast quantity of components

Price £9,500
SALE DUE TO OTHER COMMITMENTS
Phone (0963) 51171

**TO ADVERTISE
IN ETI MAGAZINE
CALL
0442 66551**

PLANS

ELECTRONIC PLANS, laser designs, solar and wind generators, high voltage teslas, surveillance devices, pyrotechnics and computer graphics tablet, 150 projects. For catalogue. SAE to Plancentre Publications, Unit 7, Old Wharf Industrial Estate, Dymock Road, Ledbury, Herefordshire, HR8 2HS.

PCB'S

PRINTED CIRCUIT BOARDS. Low cost production service: 5p per square centimetre (less for orders of 10 plus) one offs, 100 offs. Enquiries: Watling Wires, 52 Watling Street, Nuneaton, Warwickshire CV11 6JL. Telephone (0203) 382296.

SCOPES

MENDASCOPE LTD
REPAIR & RECALIBRATE
OSCILLOSCOPES
ALL MAKES ALL MODELS
NATIONWIDE COLLECTION
& DELIVERY
FREE ESTIMATES
PHONE: 069 172 597

Sample Our Quality With

**A FREE
PRINTED CIRCUIT BOARD**

Single/Double Sided Circuits
or Plated Through Hole

Write to:
PAYNE ELECTROPRINT LTD
Marcus Road, Dunkswell,
Nr Honiton, Devon EX14 0RA

CLASSIFIED COUPON

ELECTRONICS TODAY INTERNATIONAL, CLASSIFIED ADVERTISEMENT DEPARTMENT, ARGUS HOUSE, BOUNDARY WAY, HEMEL HEMPSTEAD HP2 7ST

PLEASE DEBIT MY ACCESS/BARCLAYCARD No. _____

EXPIRY DATE

Or I enclose Cheque/PO £ _____

No. of insertions _____

FOR SALE COMPONENTS PLANS SERVICES PCB'S OTHERWISE STATE

Rates: Lineage 50p per word + VAT minimum 15 words. Semi-display £13.50 per single column cm plus VAT. No reimbursements for cancellations. All ads must be pre-paid.

Name _____

Address _____ Daytime Tel. No. _____

Signature _____ Date _____

RETAIL OUTLETS

*REPRESENT
YOUR REGION
AND ATTRACT
MORE CUSTOM*

LONDON

DIRECT ELECTRONICS
ELECTRONICS COMPONENT SPECIALISTS
627 ROMFORD RD,
MANOR PARK
LONDON E12 5AD
Tel: 01-553 1174
Mon-Sat 10-6 pm/Thurs 10-1pm
We stock a large range of TV & Video spares

FOR MORE INFORMATION
ON SERIES DISCOUNTS
CONTACT
JOHN BRASIER ON
0442 66551

BIRMINGHAM

"SUPERTRONICS"
Speakers, components and test equipment
(new and used) at very competitive prices
Come and see us at
BIRMINGHAM
65 HURST STREET,
BIRMINGHAM B5
TEL: 021-666 6504
9-6pm

TO ADVERTISE
YOUR RETAIL
OUTLET IN
ELECTROMART
TELEPHONE:
0442 66551
TODAY

WOLVERHAMPTON

**WALTONS OF
WOLVERHAMPTON**
Established since 1947
Offering a complete range — ICs, transformers,
switches, pots, capacitors, resistors, kits, speakers,
test equipment, books and lots, lots more!
Come and see us at:
55A Worcester Street, Wolverhampton
Mon-Sat: 9-6 pm Tel: 0902 22039

EDINBURGH

OMNI ELECTRONICS
stock a wide range of electronic components at
**174 Dalkeith Road,
Edinburgh EH16 5DX**
Tel: 031 667 2611
Open: Mon-Fri 9am-6pm, Sat 9am-5pm.
Send 2x18p stamps for latest catalogue.

LIVERPOOL

PROGRESSIVE RADIO
87/93 Dale Street Tel: 051 236 0154
47 Whitechapel. Tel: 051 236 5489
Liverpool 2
'THE ELECTRONICS SPECIALISTS'
Open: Tues-Sat 9.30-5.30

SOUTH COAST

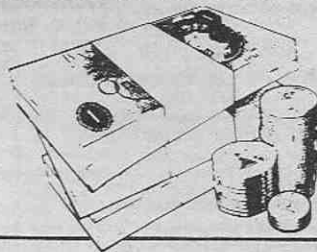
ELECTRONIC COMPONENTS
are best seen at
FRASER ELECTRONICS
42 ELM GROVE * SOUTHSEA * HANTS
Telephone (0705) 815584
Barclaycard Access
COME AND BROWSE BEFORE YOU BUY

FAME



&

FORTUNE



That's what an incredibly small number of people have achieved by contributing articles to ETI. The rest of us have had to make do with total obscurity and enough money for a couple of pints. Nevertheless it's all worthwhile and we need your contributions now!

FEATURES

If you know what you're talking about and it hasn't all been said before, we want you to add to our wide ranging and informative features. If you have a great idea for a feature or two, send in a brief resumé. If you don't have the ideas but you think you have a commanding knowledge of a suitable subject area we want to hear from you too.

PROJECTS

ETI has built its reputation on novel, worthwhile projects well designed and accurately presented. If you have recently designed and built a world-beater we want to hear from you. In the first instance send us a brief description of your masterpiece along with a circuit diagram.

Whatever you can contribute to ETI, take the plunge now. We can offer a modicum of fame and a very reasonable fortune.

Write in to:
The Editor ETI
Argus House
Boundary Way
Hemel Hempstead HP2 7ST

NEXT MONTH

Subtly attached to the January edition of ETI you will find a completely free PCB which not only puts this month's free components to use, but has additional PCB space for the counter surveillance device described in this month's issue, plus another bug and a device to watch over telephone wires. Definitely not to be missed!

But we have not been distracted from our editorial creativity by such wondrous freebies. Inside the magazine you will find Jeff Macauley returning to describe design optimisation for the infinite baffle loudspeaker enclosure.

You will find the low-down on patents and the art of invention.

You can get your soldering iron smoking building not only all the surveillance gear but a 20m amateur band radio receiver, a signal generator, a beginners' low voltage alarm — plenty of stuff worthy of the edition that takes ETI into the 1990s.

The January 1990 issue will be published on December 1st . . . 1989.

The above articles are in preparation but circumstances may prevent publication

Last Month

Last month due to an interesting editorial slippage the article on Neural Networks was credited to Mike Barwise, when it was in fact written by Mike Bedford. Apologies to both for this monumental oops.

Meanwhile, in the month that has elapsed we have tracked down some sources of neural stuff. Prices are high and we have little more than title and price, but for those who wish to pursue the subject:

Hardware:

MD/210 Fuzzy Set Comparator \$38 from Micro Devices, 5695b Beggs Road, Orlando, Florida 32810, USA.

Dendros-1 \$35 from Synotics Systems Inc., 20790 Northwest Quail Hollow Drive, Portland, Oregon 97229, USA.

Software:

Brain Simulator \$99 from Abbott, Foster & Hauserman, 44 Montgomery 5th Floor, San Francisco, California 94014, USA.

Brainmaker \$99.95 from California Scientific Software, 160 East Montecito Suite E, Sierra Madra, California 91204, USA.

Netzwerk \$79.95 from DAIR Computer Systems, 3440 Kenneth Drive, Palo Alto, California 94303, USA.

We strongly recommend an enquiry before sending money.

In addition PCW Magazine published a BASIC listing for a simple network back in March 1988, feature starting on p130, listing on p200. Photocopies are available (01-439 4242) but at £1 a page, its £7 for the listing alone. Backnumbers are still available for £1.80 — ask for extension 2070.

ADVERTISERS' INDEX

BK ELECTRONICS	IFC
CIRKIT HOLDINGS	56
CRICKLEWOOD ELECTRONICS	27, 39
DISPLAY ELECTRONICS	20
ELECTROVALUE	53
EMINENCE	39
GREENBANK ELECTRONICS	28
GREENPEACE	60
HART ELECTRONICS	42
HENRYS AUDIO	29
HOBBYKIT	59
J&N BULL ELECTRICAL	49
LABCENTRE ELECTRONICS	28
LIGHT SOLDER	59
MAPLIN ELECTRONICS	OBC
MERLIN SYSTEMS	29
NATIONAL COMPONENT CLUB	56
PM COMPONENTS	42
RADIO & TV COMPONENTS	IBC
RISCOMP	13
SAGE AUDIO	28
SOLEX INTERNATIONAL	Insert
STAG	29
STEWARTS OF READING	39
SUMA DESIGNS	13
TK ELECTRONICS	19
WILMSLOW AUDIO	28

TALK BACK COMPETITION

Never-ending streams of generosity are gushing forth from the combined efforts of ETI and Maplin Electronics.

Maplin's brand new catalogue for 1990 is now out, with a whopping 580 pages of goodies. Amongst the many new products is the Maplin mains-bourne FM intercom (see picture on the contents page). No wires required, just power from the mains. This retails at just £24.95, pretty impressive but not as good as getting one for nothing in this *Talk Back* quiz.

Words are the order of the month — below we've set down ten quotations from posterity. Just match the speaker with the speech and send the answers on a postcard to:

**ETI TALK BACK,
Argus House,
Boundary Way,
Hemel Hempstead HP2 7ST.**

The competition closes on December 12th when the Editor will draw the winning entries from the ETI Christmas conker bucket. Employees of ETI and Maplin may not enter, nor can Bonnie Langford or anyone called Neddy. Postcards and sealed envelopes only please.

But wait! Hot from the red Map-phone is the news that 100 entries will be rewarded with a FREE copy of that oh-so-hunky Maplin catalogue! So get scribbling!

THE QUOTES

- "Genius is one per cent inspiration and ninety-nine per cent perspiration."
A Edison B Bell C Frank Bruno
- "Hitler has missed the bus."
A Roosevelt B Chamberlain C Captain Mainwaring
- "Eureka!"
A Aristotle B Pythagorus C Archimedes
- "Power tends to corrupt and absolute power corrupts absolutely."
A Richard Nixon B Lord Acton C Napoleon
- "In the Country of the Blind, the One-eyed Man is King."
A H.G.Wells B Confucius C Lord Nelson
- "Publish and be damned."
A The Duke of Wellington B Rupert Murdoch C Julius Caesar
- "There is nothing — absolutely nothing — half so much worth doing as simply messing about in boats."
A Ted Heath B Francis Drake C Mr Rat
- "Mad dogs and Englishmen go out in the mid-day sun; The Japanese don't care to, the Chinese wouldn't dare to."
A Gilbert and Sullivan B Noel Coward C Quentin Crisp
- "'Excellent,' I cried. 'Elementary,' said he."
A Sherlock Holmes B Richard Feynman C Dr Watson
- "God may pardon you, but I never can."
A Gerald Ford B Henry VIII C Elizabeth I

Maplin
ELECTRONICS
TODAY INTERNATIONAL

THE RTC MONITOR II

100 WATT SPEAKER KIT £60.00 + £3.50 P&P (pair)
RESPONSE: 55Hz - 20kHz

BASS POLYMER CONE D: 22cm
DOME TWEETER: 14mm

OVERALL SIZE
(HWD): 382,252,204mm

RECOMMENDED AMP POWER:
10-100 watts per channel

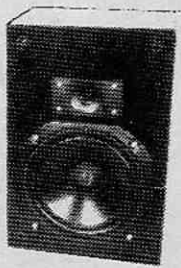
The performance standard achieved in this compact design is distinctively superior to anything else available at the price. The drive units used are of sophisticated design and have been carefully integrated with a

Complex Crossover.

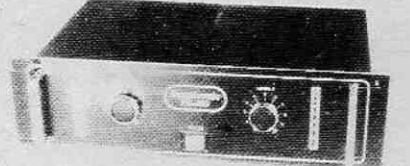
Stereo performance is exceptionally good with a well focussed sound stage and sharp resolution of detail. Distortion throughout the frequency range is low even at quite high power input and this gives a great sense of dynamic range and openness especially when used in bi-wired mode.

Supplied with: — 2 READY CUT BAFFLES, ALL CROSSOVER COMPONENTS, 2 BASS MID-RANGE, 2 DOME TWEETERS, HOOK UP WIRE, GRILLE CLOTH, SCREW TERMINALS AND SCREWS.

CROSSOVER KIT. To build 2 sets of crossovers £11+£1.75 post. (Featured in *Everyday Electronics*—May 1989 issue). Reprint Free with Kits



AMPHONIC 125+125 POWER AMPLIFIER



125 watt per channel stereo power amplifier with independent volume controls, professional 19" rack mount and silent running cooling fan for extra reliability.

Output power 125W RMS max. per channel

Output impedance 4 to 16 ohms

(max. power into 4 ohms)

Sensitivity 450V at 22K ohms

Protection Electronic short-circuit and fuses

Power 220-240V a.c. 50Hz

Chassis dim 435x125x280mm

£124.99 + £7.00 p&p

GOODMANS 60W CAR GRAPHIC EQUALIZER AMPLIFIER



As new condition but have been returned by customers or shops, so they may need some attention. Hence the price of only £8.00 each. Order six of these units and you get the seventh one free. Postage £2.90

ROSS DYNAMIC MICROPHONE BALL TYPE

General purpose in light weight case with wire mesh grill, and on/off switch fitted with lead and jack plug. These units have been returned and may need repairing. Price £2.50 each. Order ten of these units and you get one free. Postage 80p.

J.B.L. BOLIVAR COMPONENT SPEAKERS

4 1/2" 100W HI-FI MID RANGE 1" VOICE COIL, PAPER CONED AND DOPED CAMBRIC EDGE FITTED WITH A 3 1/2" MAGNET. 6Ω IMPEDANCE £5.33

4 1/2" HI-FI TWEETER 3/4" VOICE COIL, 1 1/4" CONE WITH FOAM EDGE, 2 1/4" MAGNET, 6Ω IMPEDANCE £6.33

POSTAGE £4.70 PER ORDER

52W 2-WAY COMPONENT SPEAKER SYSTEM £3.95

Comprises 8in rolled surround bass unit and 2 1/4in tweeter for In-Car or Hi-Fi use. 4 ohm. Made by Sanyo.

8 OHM HI-FI COMPONENT SPEAKER £4.95
6 1/2in. Audax 60w. Res freq. 45Hz bass-mid

8in SOUND LAB 60W £12.95
Res freq. 38Hz full range

12in DANTEX 100W £21.75
Res freq. 23Hz bass unit

Postage £3.20 each order

SPECIAL PURCHASES

Batteries C size NiCad 2.2 Ah EVERY-READY AN220 £1.98 each

Our most popular size of rechargeable battery: 4AA size Japanese made batteries — £3.90 for four.

HILLS KITS IN STOCK ★ SEND FOR CATALOGUE

£1 BARGAIN PACKS BUY 10 GET 1 FREE

Please state pack(s) required
No=Order No. Qty=Quantity per pack

No	Qty	
BP010	2	6 1/2" Speaker 8Ω 10 watt
BP012	2	6 1/2" Speaker 4Ω 10 watt
BP013	3	8" x 5" Speaker 4Ω 6 watt made by E.M.I.
BP015B	1	30 watt, dome tweeter. Size 90x66mm JAPAN made
BP016	6	2200µf can type Electrolytic 25V d.c. computer grade made in UK by PHILIPS
BP017	3	33000µf 16V d.c. electrolytic high quality computer grade UK made
BP018	3	2000µf 50V d.c. electrolytic high quality computer grade made in USA
BP019	20	20 ceramic trimmers
BP020	4	Tuning capacitors, 2 gang dielectric a.m. type
BP021	10	3 position, 8 tag slide switch 3 amp rated 125V a.c. made in USA
BP022	5	Push-button switches, push on push off, 2 pole change over, PC mount JAPAN made
BP023	6	2 pole 2 way rotary switch
BP024	2	Right angle, PCB mounting rotary switch, 4 pole, 3 way rotary switch UK made by LORLIN
BP025	4	3 pole, 3 way miniature rotary switch with one extra position off (open frame YAXLEY type)
BP026	4	4 pole, 2 way rotary switch UK made by LORLIN
BP027	30	Mixed control knobs
BP028	10	Slide potentiometers (popular values)
BP029	6	Stereo rotary potentiometers
BP030	2	100k wire wound double precision potentiometers UK made
BP031	6	Single 100k multitune pots, ideal for varicap tuners UK made by PHILIPS
BP032	4	UHF varicap tuner heads, unboxed and untested UK made by PHILIPS
BP033	2	FM stereo decoder modules with diagram UK made by PHILIPS
BP033A	4	6" x 3/8" High grade Ferrite rod. U.K. made.
BP034	3	AM IF modules with diagram UK made by PHILIPS
BP034A	2	AM-FM tuner head modules. UK made by MULLARD
BP034B	1	Hi-Fi stereo pre-amp module inputs for CD, tuner tape, magnetic cartridge with diagram. UK made by MULLARD
BP035	6	All metal co-axial aerial plugs
BP036	6	Fuse holders, panel mounting 20mm type JAPAN made
BP037	6	In line fuse holders 20mm type UK made by BULGIN
BP038	20	5 pin din, 180° chassis socket
BP039	6	Double phono sockets, Paxolin mounted
BP041	3	2.8m lengths of 3 core 5 amp mains flex
BP042	2	Large VU meters JAPAN made
BP043	30	4V miniature bulbs, wire ended, new untested
BP044	2	Sonotone stereo crystal cartridge with 78 and LP styli JAPAN made
BP045A	2	Mono Cassette Record and play heads. (Japan Made)
BP046	4	6-0-6 4VA mains transformers, P.C. mount UK made
BP047	1	24V 750mA mains power supply. Brand new boxed UK made by MULLARD
BP049	10	OC44 transistors. Remove paint from top and it becomes a photo-electric cell (or P12) UK made by MULLARD
BP050	30	Low signal transistors n.p.n., p.n.p. types
BP051	6	14 watt output transistors, 3 complimentary pairs in T066 case (Ideal replacement for AD161 and 162s)
BP052A	1	Tape deck pre-amp IC with record/replay switching No LM1818 with diagram
BP053	5	5 watt audio ICs. No TBA800 (ATEZ)
BP054	10	Motor speed control ICs, as used with most cassette and record player motors
BP055	1	Digital DVM meter I.C. made by PLESSEY as used by THANDAR with diagram
BP056	4	7 segment 0.3 LED display (R.E.D.)
BP057	8	Bridge rectifiers, 1 amp, 24V
BP058	200	Assorted carbon resistors
BP059	1	Power supply PCB with 30V 4VA transformer. MC7818CT IC & bridge rectifier. Size 4" x 2 3/4"
BP060	1	Transcription record player motor 1500rpm 240V a.c.
BP061	5	6.35mm Mono jack plugs
BP063	5	6.35mm stereo switched jack sockets
BP064	12	Coax chassis mount sockets
BP065	1	3mtr Euro-mains lead with a matching chassis socket

MULTIBAND RADIO

VHF 54-176 MHz + AM CB BANDS 1-80
Listen to: AIR TRAFFIC CONTROL, AIRCRAFT, RADAR PUBLIC UTILITIES RADIO AMATEURS AND MANY MANY MORE

£15.95

POSTAGE £2.85

SQUELCH CONTROL "RUBBER DUCK AERIAL"

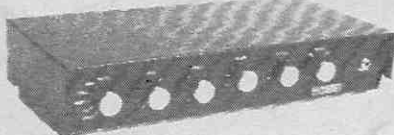
RADIO and TV COMPONENTS ACTON LTD

21 HIGH STREET, ACTON LONDON W3 6NG

MAIL ORDER TERMS. POSTAL ORDERS and/or CHEQUES with orders. Orders under £20 add £3.00 service charge. Nett monthly accounts to Schools, Colleges and P.L.C. only. ACCESS VISA. Phone orders between 9.30 & 12pm please Phone: 01-723 8432 or 01-992 8430

Callers 323 Edgware Road, London W2

30+30 WATT AMPLIFIER KIT



An easy to build amplifier with a good specification. All the components are mounted on the single P.C.B. which is already punched and backprinted.

■ 30W x 2 (DIN 4 ohm)
■ CD Aux, tape I, tape II, tuner and phono inputs.

■ Separate treble and bass

■ Headphone jack

Size (H.W.D.) 75x400x195mm

Kit enclosed: case, P.C.B., all components, scale and knobs £36.80. post £3.50

(Featured project in *Everyday Electronics* April 1989 issue). Reprint Free with kit.

TV SOUND TUNER



In the cut-throat world of consumer electronics, one of the questions designers apparently ponder over is "Will anyone notice if we save money by chopping this out?" In the domestic TV set, one of the first casualties seems to be the sound quality. Small speakers and no tone controls are quite common and that really is quite sad, as the TV companies do their best to transmit the highest quality sound. Given this background a compact independent TV tuner that connects direct to your Hi-Fi is a must for quality reproduction. The unit is mains operated. This TV SOUND TUNER offers full UHF coverage with 5 pre-selected tuning controls. It can also be used in conjunction with your video recorder.

£29.50 + £2.50 p&p

As above but with built-in stereo headphone amplifier for the hard of hearing

You can tune into the TV channel you want while still receiving the picture on your TV set. In fact it is rather like a second television, but without the screen. So that the ordinary TV can be placed for everyone to see, and the volume on it can be comfortable for others, while the sound tuner can be placed where you can control it. You will need to plug in one of your own listening aids such as headphones or an induction loop to hear the sound. The tuner is mains operated, has 5 pre-selected tuning controls and can be used in conjunction with a video recorder.

Size: 270x192x65mm. £35.90 + £2.50 p&p

TV SOUND TUNER KIT £11.50+£1.30 P&P

All parts including Varicap tuner, mains transformer, PCB with IC's capacitors and coils etc., to build the unit illustrated above; without case and scale.

SHURE HIFI STEREO MAGNETIC CARTRIDGE

Fitted with an elliptical diamond stylus supplied with fitting kit and instructions. A good quality unit made to sell for well over twenty pounds due to scoop purchase, we are able to offer these at a fraction of the manufacturers price. All units are brand new and boxed. £7.20 each. If you order in multiples of five you get one free. Postage £1.30 (Made in U.S.A.)

KOSS MINI SPEAKERS Use instead of headphones on your personal stereo, just plug in instead of headphones. Koss sound cells can be mounted on top of your personal stereo with the holder supplied or simply detach for shelf mounting. This quality unit was made to sell for over seventeen pounds by the KOSS professional headphone company of the U.S.A. Due to a massive scoop purchase we can offer these units for £4.30 each or buy in multiples of ten and you get one free. Postage £1.50.

KOSS STEREO HEADPHONES High quality light weight stereo headphones fitted 3.5mm jack with adaptor to 6.4mm jack. Ideal use HiFi or personal stereos made to sell for nine pounds. Our price for this unit £4.25. Postage 60p.

Hi-Fi stereo cassette deck transport mechanism, complete with 3 digit rev counter and tape heads, 12V d.c. operation. Unused manufacturers surplus JAPAN made

£6.20 + £1.50 P&P 2 for £10 + £2.50 P&P

EXTRACTABLE HOUSING FOR YOUR CAR STEREO ★ SIZE DIN E ★ HANDLE INCLUDED ★ SPACE FOR MEMORY BATTERY ★ 4 OR 2 SPEAKER SYSTEM.

ENABLES YOU TO REMOVE YOUR VALUED STEREO FROM YOUR CAR (WITHOUT THE AID OF A HAMMER AND CHISEL, CHAINSAW ETC). £9.95 postage £2.50

**ORDER
YOUR COPY
OF THE NEW
MAPLIN CATALOGUE
ON SALE NOW**

Pick up a copy from any W.H. Smith for just £2.25 or post this coupon now to receive your copy for just £2.25 + 50p p & p. If you live outside the U.K. send £4 or 17 International Reply Coupons. I enclose £2.75.

Name
Address

Send to Maplin Electronics, P.O. Box 3, Rayleigh, Essex SS6 8LR. Post Code.

AVAILABLE FROM 10th NOVEMBER 1989 IN ALL W.H. SMITH STORES

ETI 90



**OVER 580 PAGES WITH HUNDREDS OF NEW PRODUCTS AT SUPER LOW PRICES
THE NEW MAPLIN CATALOGUE - WORLDS APART!
1990 BUYER'S GUIDE TO ELECTRONIC COMPONENTS SEND FOR YOUR COPY TODAY**