

electronics today

INTERNATIONAL

ISSN. 0142-7229

SEPTEMBER 1982 75p

PUT SOME LIFE INTO YOUR MUSIC! COMPLETE active speaker system project

- **Crimson amplification**
- **Fully matched electronic crossovers**
- **Choose between 30W-100W power handling**



Robots on the move - Our mobile goes for a spin!

Digital test set to sort out the pulses

Measuring measurements and making sense of sensor readings



POWER PACKED — by POWERTRAN

THE FIRST WORDS AND THE LAST WORD IN ELECTRONIC KITS — SEE INSIDE BACK COVER OF THIS ISSUE!

Powertran's black boxes are packed with punch. Not only are they superb kits to buy and build they really do the job! Imaginative and ingenious design goes hand in hand with top quality materials and outstanding performance capability. With their smart black styling the kits harmonise visually as well as musically.

Your can built each unit independantly for its set task and then gradually increase your array until you have a complete bank of formidable controllable power.



Complete Kit — £49.90 + VAT

MPA 200 is a low price, high power 100W amplifier. Its smart styling, professional appearance and performance, make it one of our most popular designs. With adaptable inputs the mixer accepts a variety of sources yet straightforward construction makes it ideal for the first-time builder.



Complete Kit — £49.50 + VAT

CHROMATHEQUE 5000 — a 5-channel lighting system powerful enough for professional discos yet controllable for home-effects. Sound to light, strobe to music level, random or sequential effects — each channel can handle up to 500W yet minimal wiring is needed with our unique single-board design.



Complete Kit — £175.00 + VAT

ETI VOCODER — 14 channels, each with independent level control, for maximum versatility and intelligibility; Two input amplifiers — for speech/excitation — each with level control and tone control. The Vocoder is a powerful yet flexible machine that is interesting to build and thanks to our easy to follow construction manual, is within the capability of most enthusiasts.



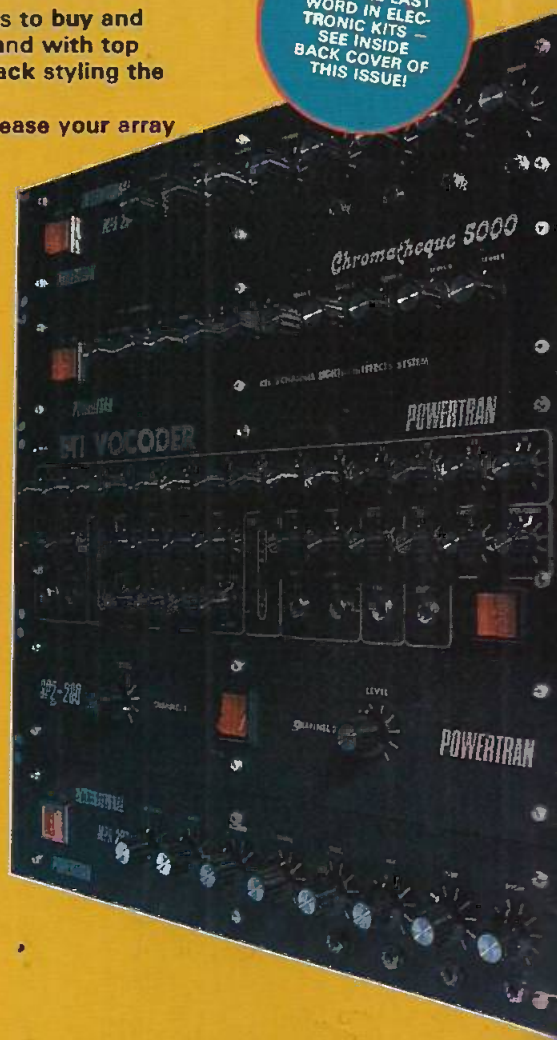
Complete Kit — £64.90 + VAT

SP2 200 twice the power with two of the reliable, durable and economic amps from the MPA200; fed by separate power supplies from a common toroidal transformer. Superb finish and quality components throughout — up to (even over!) the standard of high priced factory-built units.



DJ90 Stereo Mixer — this is a really versatile new mixer that enables the constructor DJ to produce a professional performance every time. There are two stereo inputs for magnetic cartridges, a stereo auxiliary input and mike input. Other 'plus' features are auto-panning for fast or slow, slider controls, multi-mixing, ducking, interrupt, input modulation, in short everything... the whole works — AND — under £100 complete! (We have illustrated the DJ90 teamed in our own console with the Chromatheque and an SP2 200 and speakers.

Complete Kit — £97.50 + VAT



Digital Delay Line — our latest kit! With its ability to give delay times from 1.6 mSecs to up to 1.6 secs. Many powerful effects including phasing, flanging, A.D.T., chorus, echo & vibrato are obtained. The basic kit is extended in 400 mS steps up to 1.6 secs. Simply by adding more parts to the PCB. Compare with units costing over £1,000! Complete kit (400 mS delay) £130 + VAT. Parts for extra 400 mS delay £9.50p.

..... Quite simply the best way to make music

POWERTRAN



PORTWAY INDUSTRIAL ESTATE, ANDOVER, HANTS SP10 3NM. (0264) 64455.

WORLD LEADERS IN ELECTRONIC KITS

- **Money Back Guarantee** — If you are not completely satisfied with your Powertran Kit return it in original condition within 10 days for full refund.
- **Free Soldering Practice Kit** — To assist the beginner we will supply, on request with your first kit order, a free soldering practice kit with useful tips and illustrations.
- **Component Packs** — Most kits are available as separate packs (e.g. PCB component sets, hardware sets etc). Prices in our FREE catalogue.
- **Ordering** — Full ordering details, delivery service, and sales counter opening — inside back of this issue.

ORDER BY PHONE
(0264) 64455
Simply telephone us with your order and your Access or Barclaycard number
82 CATALOGUE FREE — CONTAINS FULL DETAILS OF ALL OUR KITS

electronics today

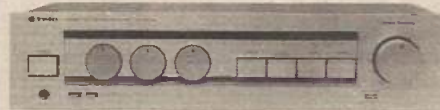
INTERNATIONAL SEPTEMBER 1982 VOL 11 NO 9

EDITORIAL AND ADVERTISEMENT OFFICE

145 Charing Cross Road, London WC2H 0EE. Telephone 01-437 1002/3/4/5.
Telex 8811896.

FEATURES

- DIGEST**9
Up-to-the-minute information from the world of electronics, as filtered through our ever-so-slightly warped sense of humour.
- TECH TIPS**22
Three more pages of designs submitted by our readers, containing a handful or so of ideas for experimenters.
- AUDIOPHILE**29
Our intrepid reviewer ventures lower down the price scale to put together a £500 system that sounds anything but. One for rock aficionados.
- DESIGNING MICRO SYSTEMS**34
Part 2 of this series looks at the way the microprocessor interprets and acts on the 'information received'.
- CONFIGURATIONS**53
This month Ian Sinclair looks at transistor amplifier feedback loops, with plenty of circuits (and design equations) for the home brewer.
- READ/WRITE**57
The place where you have your say — but luckily we get the last word! A page of letters from our readership.
- DESIGNER'S NOTEBOOK**59
Tim Orr takes over the helm for a while and reveals all about signal measurement techniques. A departure from music but definitely up to this usual standard.



PROJECTS

- PLAYMATE PART 2**16
This month we've got the overlays, parts list, construction notes and — oh the shame of it — a corrected circuit diagram.
- ROBOT CHASSIS**25
A tour round the metalwork of the Mobile 2, straight from the designer's mouth. Build a better chassis with ETI.
- RUGBY CLOCK PART 2**39
We conclude this excellent timepiece with full construction details and information for setting up and using it.
- ACTIVE SPEAKER**46
Why build a hi-fi with two power amps when you can build a hi-fi with four? It's cheaper than you think and gets rid of those nasty passive crossovers.
- AUTO VOLUME CONTROL**63
Why have a nervous breakdown fiddling with your PA controls when this little circuit will do all the work for you — automatically?
- DUAL LOGIC PROBE**68
Another workshop triumph! This clever little gadget not only functions as a logic probe with transition memory, but also has a logic pulser output.
- MICROTUTOR PART 2**72
Learn machine code the TANBUG way — here's more on the use of our cheap entry into the world of hexadecimal.
- FOIL PATTERNS**76



INFORMATION

- NEXT MONTH'S ETI**10
BOOKS15
- BREADBOARD '82**33
PCB SERVICE87



Ron Harris B.Sc : Editor
Peter Green : Assistant Editor
Nicola Trevett : Editorial Assistant
Rory Holmes : Project Editors
Phil Walker : Project Editors
Alan Griffiths : Divisional Advertisement Manager
T.J. Connell : Managing Director

PUBLISHED BY:
Argus Specialist Publications Ltd.,
145 Charing Cross Road, London WC2H 0EE.

DISTRIBUTED BY:
Argus Press Sales & Distribution Ltd.,
12-18 Paul Street, London EC2A 4JS
(British Isles)

PRINTED BY:
QB Limited, Colchester.
COVERS PRINTED BY:
Alabaster Passmore.

OVERSEAS EDITIONS EDITORS
AUSTRALIA — Roger Harrison
CANADA — Halvor Moorshead
GERMANY — Udo Wittig
HOLLAND — Anton Kriegsman



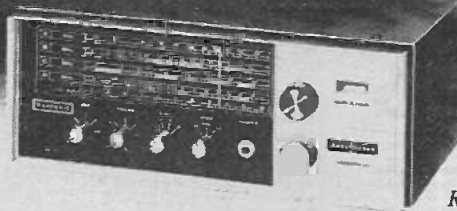
Member of the
Audit Bureau
of Circulation

Electronics Today is normally published on the first Friday in the month preceding cover date. □ The contents of this publication including all articles, designs, plans, drawings and programs and all copyright and other intellectual property rights therein belong to Argus Specialist Publications Limited. All rights conferred by the Law of Copyright and other intellectual property rights and by virtue of international copyright conventions are specifically reserved to Argus Specialist Publications Limited and any reproduction requires the prior written consent of the Company. ©1982 Argus Specialist Publications Ltd □ All reasonable care is taken in the preparation of the magazine contents, but the publishers cannot be held legally responsible for errors. Where mistakes do occur, a correction will normally be published as soon as possible afterwards. All prices and data contained in advertisements are accepted by us in good faith as correct at time of going to press. Neither the advertisers nor the publishers can be held responsible, however, for any variations affecting price or availability which may occur after the publication has closed for press.

□ **Subscription Rates.** UK £11.95 including postage. Airmail and other rates upon application to ETI Subscriptions Department, 513 London Road, Thornton Heath, Surrey CR4 6AR.

Beginners' luck

30% OFF
10 selected kits
for first-time
builders

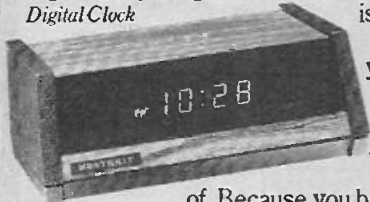


Shortwave
Listener's
Receiver

With Heathkit, you're all set for a great deal. And not just big savings.

Whichever kit you choose, you'll find it easy to build. Simple, but detailed instructions take you through every stage. Everything is included. Even the solder you need

Digital Clock



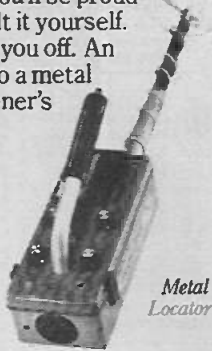
of. Because you built it yourself.

There are 10 great kits to start you off. An interesting choice of a digital clock to a metal locator, including a short wave listener's receiver, windspeed and direction indicator, digital readout electronic scale and five more useful kits.

All at 30% off to first-timers. Send for your catalogue right now for a start.



Windspeed and Direction
Indicator



Metal
Locator

To Heath Electronics
(UK) Limited, Dept (ET9)
Bristol Road, Gloucester GL2 6EE.

ET9

To start me off, please send me a copy of the Heathkit catalogue. I enclose 28p in stamps.

Name _____

Address _____



HEATH *Electronics* You build on our experience

HEATHKIT

TECHNOMATIC TECHNOMATIC TECHNOMATIC

CONNECTOR SYSTEMS

I.D. CONNECTORS

(Speedblock Type)

No. of Ways	Header Plug	Receptacle	Edge Conn.
10	90p	90p	200p
20	145p	125p	240p
26	175p	150p	300p
34	200p	180p	380p
40	220p	190p	550p
50	235p	200p	600p

D CONNECTORS

9 way 15way 25way 37way

MALE		FEMALE	
Solder	55p	135p	175p
Angled	100p	235p	275p
Solder	125p	200p	235p
Angled	175p	200p	275p
Hood	100p	100p	125p

IDC Type 25 way M £4.50 P £5.00

DIP PLUGS

Solder Type	IDC Type	Way	Price
14 pin	40p	90p	10 way 60p
16 pin	50p	100p	14 way 80p
24 pin	100p	175p	18 way 90p
40 pin	200p	225p	20 way 105p
			26 way 140p
			34 way 220p
			40 way 265p
			50 way 300p
			64 way 370p

FLAT CABLE

(Grey)

Way	Price
10 way	60p
14 way	80p
18 way	90p
20 way	105p
26 way	140p
34 way	220p
40 way	265p
50 way	300p
64 way	370p

JUMPER LEADS

24" Cable with DIP Headers

Ways	1 End	2 Ends	Price
14 pin	145p	165p	240p
20 pin	210p	230p	345p
26 pin	270p	290p	540p

Cable with Sockets

Ways	1 End	2 Ends	Price
20	160p	210p	270p
26	210p	270p	300p

Cable with D Connectors

Ways	1 End	2 Ends	Price
24"	Single End Male £5.50	Female £5	
36"	Double End Male £11	Female £11.50	
36"	Male/Female		£11.00

EDGE CONNECTORS

Way	0.1"	0.155"	Price
2 x 18 way	—	140p	
2 x 22 way	200p	170p	
2 x 23 way	210p	—	
2 x 25 way	225p	220p	
1 x 43 way	250p	—	
2 x 43 way	350p	—	
1 x 77 way	700p	—	
S-100	£5.00	—	

EURO CONNECTORS

Way	Plug	Socket	Price
DIN41612 2 x 32	280p	330p	
2 x 32 Angled	330p	400p	
3 x 32 way	250p	—	
IDC 2 x 32 way	a+b 475p	a+c 525p	
DIN 41617 31 way	180p	180p	
21 way	170p	170p	

★ SPECIAL OFFER ★

Part No.	1-24	25-99
2114L-200nS	100p	90p
2114L-450nS	85p	80p
2716 (+5v)	250p	225p
2532	375p	350p
2732	375p	350p
6116P-3	410p	375p

OFFICIAL BBC STOCKIST

UPGRADE KIT MODEL A → MODEL B CDS

MEMORY PACK
8 x 4816AP-100nS
£21.60

PRINTER & USER
PORTS

IC69.70 PL9, 10 £9.50
36" Printer Lead Complete £13.50

ANALOGUE PORT
IC73, SK6 £7.30

ALL BBC CONNECTORS AVAILABLE IN STOCK
SEND FOR OUR LEAFLET

Telephone for availability of Models A & B

PRINTERS

SEIKOSHA GP100A Dot Matrix Printer, Full Graphics, double-width characters, up to 10" wide paper, self-testing parallel interface. £109 + £6 Carr.

EPSON MX80 F/III. This is an upgrade of F/II featuring improved graphics, auto underline, super and subscripts. £340 + £8 carr.

NEC PC 8023 BE-C 80 Cols. 100 CPS bi-directional, Logic seeking printer with forward reverse line feed, Hi-Res & Block Graphics, International and Greek charc. Auto-underline. £375 + £8 carr.

FULL DETAILS ON REQUEST

FLOPPY DISC DRIVES

Single TEAC FD 50A in cabinet with PSU £190 + £6 Carr.
Two TEAC FD-50A in cabinet with PSU £360 + £8 Carr.

Single Drive for Apple II

Siemens FDD 100-5 Drive housed in attractive case. Drive complete with track zero micro switch, motor control pcb, read, write and control electronics + cable £270 + £6 carr.

MONITORS

BMC 12" Green Screen 18MHz Bandwidth £99 + £6 Carr.
BMC 14" Colour Monitor (25 x 40 chars.) £240 + £6 Carr.

SOFTY II EPROM PROGRAMMER

The complete microprocessor development system for both Engineers and Hobbyists. You can develop programs, debug, verify and commit them to EPROMs. Will accept most +5V EPROMs. Can also be used as a ROMULATOR. Full review in September, 1981 P.E. Built unit complete with PSU and TV lead £165.

MENTA

A sophisticated Z80 development system and trainer. Direct interface to TV & cassette recorder. Powerful keyboard assembler and program debugging facility - ideal for both engineers and students. Audible feedback on keyboard input. Menta + PSU + TV Lead £115.

UV ERASERS

UV1B up to 6 Eproms £47.50 UV1T with Timer £60
UV140 up to 14 Eproms £61.50 UV141 with Timer £78
(Carr. £2/eraser)

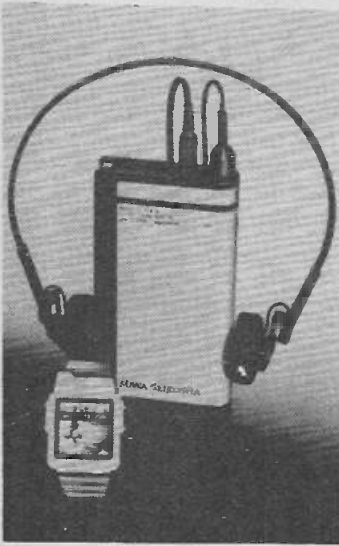
All erasers are fitted with mains switches and safety interlocks.

TECHNOMATIC TECHNOMATIC TECHNOMATIC

DIGEST

Watching TV!

We like to think we're fairly hardened journalists who can take the rapid advances in the electronics field in our stride, but a few days ago the office was echoing to the sound of jaws bouncing off



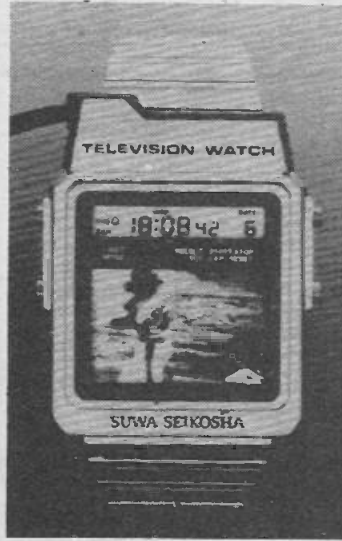
the carpet and cries of "I don't believe it!" The cause of all this excitement? A press release from Seiko announcing the world's first wristwatch TV (was that a strangled cry we heard from Clive Sinclair?). The watch face has a 17 x 25 mm LCD screen made up of approximately 32,000 dots, plus an LSI integrated circuit on the same silicon wafer. The rest of the electronics is contained in a pocket receiver, Walkman style, while the TV aerial is built into the headphones. As well as all VHF and UHF TV channels, the wearer can also listen to FM stereo.

Despite all this, the watch still has room inside for — well, the watch. There's a normal 24 hour display, (hours, minutes, seconds), day/date calendar, alarm and stop-watch facilities. The battery that drives the chronograph section has a life of approximately two years, while the TV screen can be expected to operate for more than seven years. The pocket receiver runs off two AA batteries, measures just 145 x 76 x 18 mm and weighs 190 g.

Still pinching ourselves to see if we were awake, we hurried down the corridor to the *Which Video* office, where we were told that such

a device was not, in fact, a belated April fool, but does exist, although it's going to be something like a year before we'll be able to get our hands on a production model. The price isn't yet decided but it's

estimated to be just over £200. The thing that really amazed us was the casual way Seiko presented the release for such an incredible piece of technology — no glossy brochure or folders full of advertising hype, just a couple of photocopied sheets and two indifferent black and white photos. We've had better-presented information on cable grommets.



Roadrunner Boards

In our review of the Roadrunner wiring system in the Breadboards article (ETI June 82), we described the boards as 'specially designed'. The manufacturers have asked us to point out that this is a bit ambiguous, and implies that their boards are only suitable for use with the Roadrunner system. In fact they are eminently suitable for circuit-building no matter what method you're using. Sorry about the possible misunderstanding.

Lascar Left Out

Our apologies are due to Lascar Electronics Ltd of Unit 1, Thomasin Road, Burnt Mills, Basildon, Essex SS13 1LK — we forgot to mention them as suppliers of the DPM200 LCD panel meter used in the Kitchen Scales project and Designer's Notebook last month. Now we've put the record straight, we're off to bed without our suppers...

Breadboard '82

In November the 5th Breadboard Exhibition hits London once again. This, the most successful show of its type, will offer the electronics enthusiast an opportunity to see for themselves what they've been reading about in their favourite magazines. There's also a chance to examine the wares of the mail order companies — in the silicon, as it were — and the latest hardware and software on offer from the companies that are a household name to the electronics buff.

This year a series of lectures and demonstrations are planned that will give the visitor the chance to learn at first hand how some of those projects and circuits work and how they may be modified to suit their own personal needs. A number of exciting competitions are also planned that should fire the interest, so don't miss BREADBOARD '82.

Prettier Daisy

CPU Peripherals Limited are introducing an upgraded version of their Daisywriter printer — the model 2000. Main differences between this and its little sister the Daisywriter 1000 are a larger buffer, greater baud range and more versatile print. Connectable to any of the usual serial or parallel interfaces, the Daisywriter 2000 has a 16 KByte or 48 KByte buffer memory, whichever the user feels

he needs, to avoid any chance of slowing down his computer or word processor's own operations. A '99 per cent full' signal is fitted to the buffer — just in case. Baud rates are selected automatically or by switch override from 50 to 19,200. The printer can be used with all the popular word processing packages — Wordstar, Applewriter, Easywriter, Spellbinder, Wordmaster and so on. A thumb-wheel selects page length and print settings of 10, 12 or 15 pitch are available, all with automatic proportional spacing.

Daisywriters are the first printers to use print wheels enclosed in their own dust-free plastic cassettes. These are available in over 100 different character sets and typesets covering 15 different language alphabets and they have a minimum life of 10 million impressions. Reliability of the printer itself is enhanced by a three-chip microprocessor, reducing the mechanical parts, and a linear motor for the drive mechanism.

Daisywriter 2000 is available from CPU's network of dealers in the UK, France and Germany at one-off recommended

end-user prices starting around £995 plus VAT. The

lady in the picture seems to be indicating you need your head examined if you don't get one.

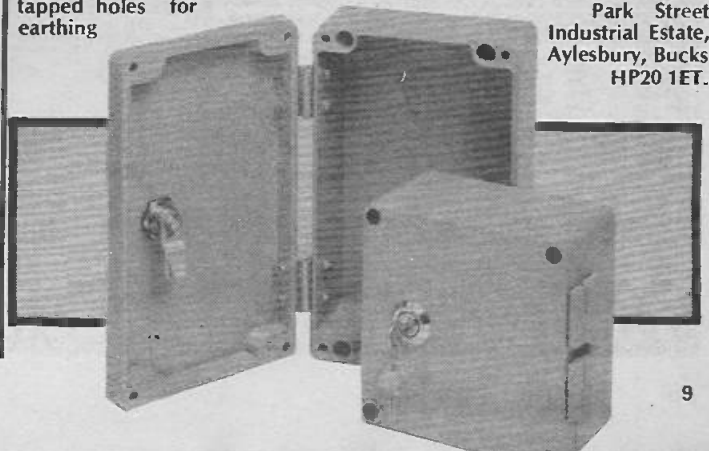


Lock-up Boxes

West Hyde Developments have a new range of housings for applications where security of installation is important, coupled with 'protection to IP65', whatever that is. The hinged lids are fitted with cylinder locks as standard (see the photograph); however, square key locks or slotted-head screws can be supplied to special order should the fancy take you. The enclosure will remain dustproof and hoseproof in temperatures up to 90° C due to a neoprene gasket. On the outside the alloy cases have a smart blue/grey stove enamel finish; inside, pads with tapped holes for earthing

and PCB-mounting purposes are provided at each end. West Hyde can supply the enclosures ex-stock in a range of six sizes, and can be contacted at Unit 9,

Park Street Industrial Estate, Aylesbury, Bucks HP20 1ET.



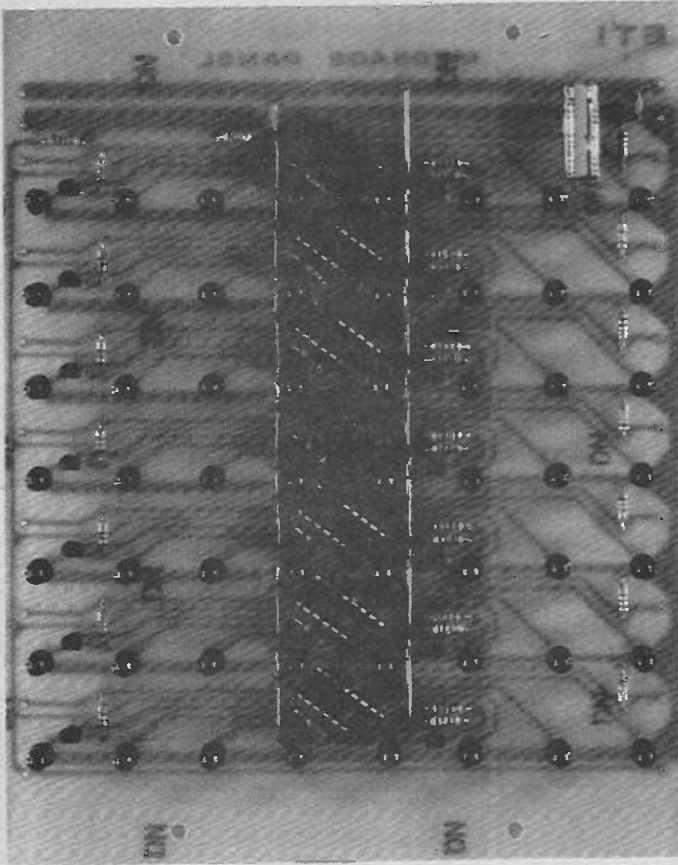
electronics today

INTERNATIONAL

NEXT MONTH

MESSAGE PANEL

Everyone must have seen moving message panels, even if you haven't been to Times Square. You know, the boxes in shop windows with messages in lights flowing across them. They're very useful gadgets for advertising displays, exhibitions and the like, but commercial units don't come cheap, so we decided to do something about it. Our giant message panel is composed of 6" by 6" character boards, and you can stack as many of them in a line as you wish. The boards can display the full ASCII character set on a 5" high 5 by 7 dot matrix (high brightness LEDs) and will scroll the message dot by dot from right to left (or backwards, if that's what you'd prefer!). The system is designed as a peripheral which can be driven from a computer — alternatively you can use our custom controller card. Get the message across with the October ETI.

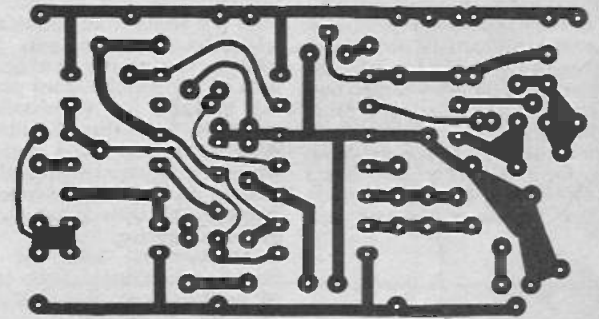


ROBOT ARM INTERFACE

Next month our robot gets the benefit of grope therapy when we publish the arm controller interface. This project will allow any computer to control up to four radio control servos. The servo timing is all done in hardware and the controller is memory mapped; simply POKE the position into memory and off goes the arm. The interface is cheap and can be used with any RC servo.

PCB PROJECTS

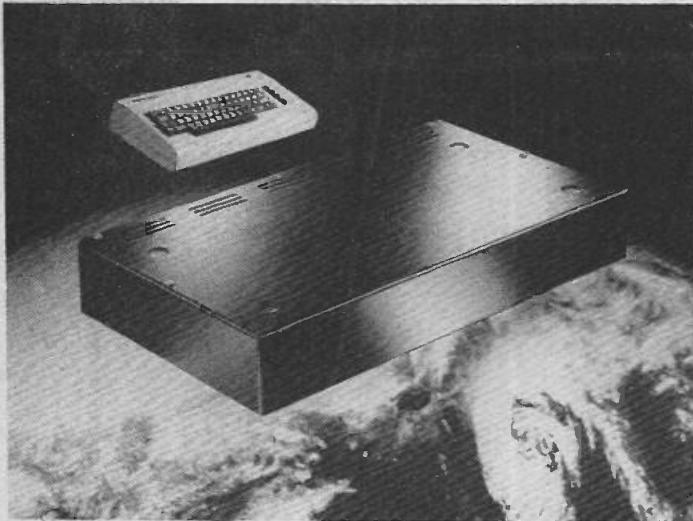
You're our readers, and we love you. Why else would we go to all the trouble of designing a printed circuit board that can be used to build up to six projects? Why else would we give it away when it's worth over £1? Why else would we sit up for night after night with a roll of sticky tape and a Black and Decker, drilling out the holes and sticking the boards on the cover? Not for us the little plastic screwdrivers that fall to pieces after two week's use — we believe in giving cover-mounted gifts that are useful. An IF strip tester, a touch switch, a thermostat, a sound-to-light unit, a doorbell, and a porch light controller — you can build them all on our free PCB. Watch out for it on the newsstands.



FREE PCB

LOOK OUT FOR THE OCTOBER
ISSUE ON SALE
SEPTEMBER 3rd

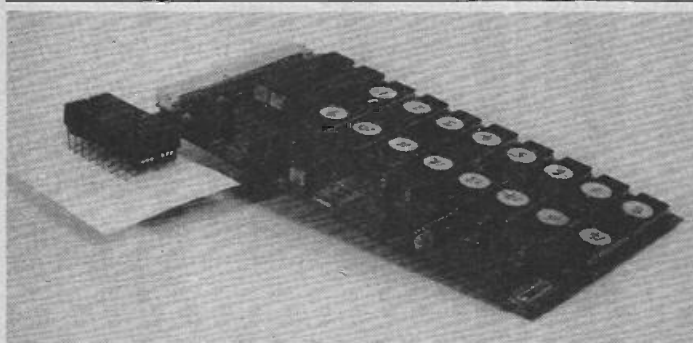
Articles described here are in an advanced state of preparation. However, circumstances may dictate changes to the final contents.



Making A Beeline

Expand a standard VIC computer from 5K to 32K memory, with 80 column display and word processing capability and the benefits are enormous. Beelines Ltd, the Bolton-based computer research and development specialists have done just that with the Beelines BeeBox System. The BeeBox unit also has RS232 capability, so it interfaces with printers or telephone modems, and it can be fitted with no loss to all the standard VIC features. Thus it will still support disk drives, games and business ROM cartridges, cassette deck, domestic TV output, printer and not impair use as a standard VIC.

Beelines sees the BeeBox as the answer to realising the full business potential of the VIC, with a package designed to give anyone a small, entirely portable viewdata business system at a sensible and competitive price. For around £650 plus VAT, you get the VIC-20, a BeeBox 40, modem and RS232 card, power supply, cassette deck and carrying case. If you don't want to buy everything at one go, you can buy in stages and build up the system to its full capacity — this also applies to current owners of the BeeBox 40. Beelines is the research and development wing of B & B Computers, one of the leading computer retailers in the North West. It has a mail order division on Freepost, Bolton BL3 6YZ and a 24-hour answer phone service on 0204 385299.



TUGging Away

Products designed for the Micro-tan 65 system are constantly emerging from the Tangerine Users Group, otherwise known as TUG, and the latest one is an EPROM Storage Card, otherwise known as ESC. This is built on a high quality PCB and has been specifically designed for mass EPROM storage. Don't let them run around your home messing up the carpets, keep them on this board where you know they're safe. The module accepts 32/64K of 2716 or 2732 EPROMs respectively, allowing very fast transfer of mass data or stored programmes into user RAM. Programmes can be accessed

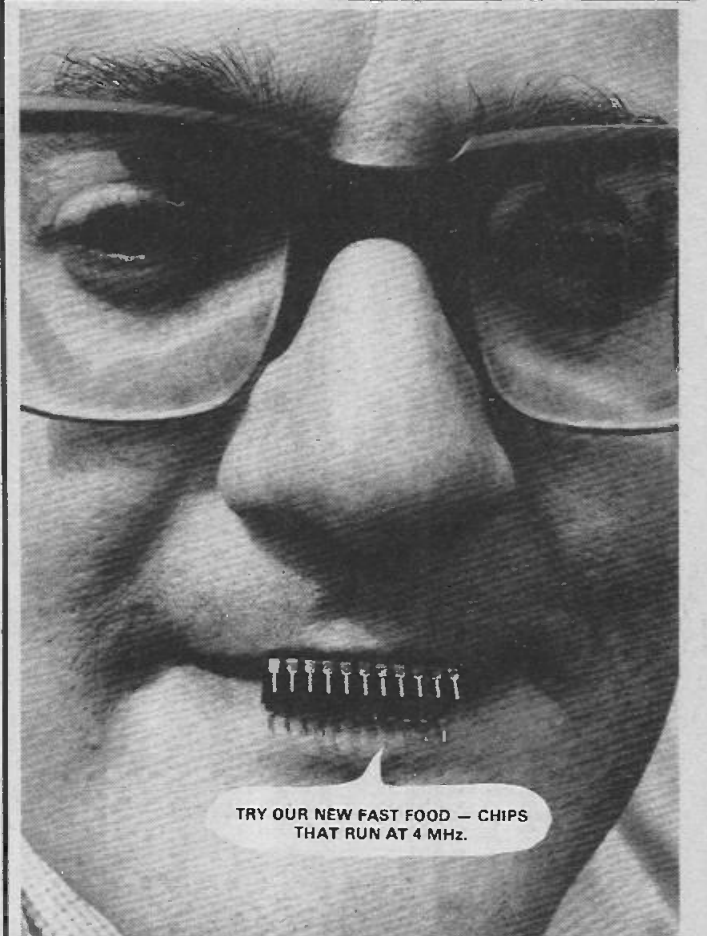
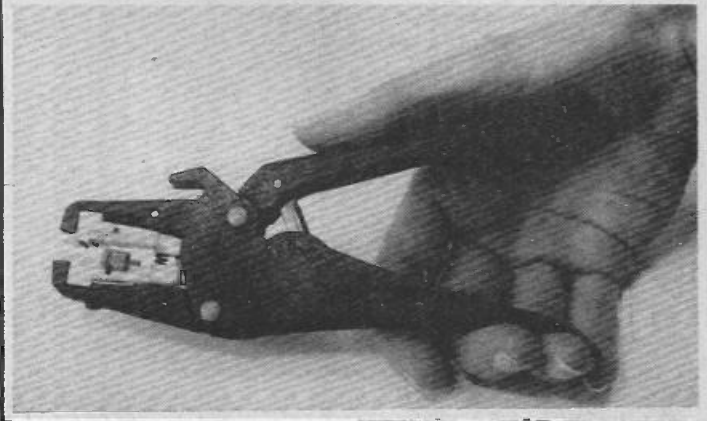
manually or automatically under software control, allowing repetitive calls to the data store for multiple programming menus. The initial design of the module allows for the banking of four of the cards on the system rack. Group members will pay £37-38 plus VAT due to their discount, but we weren't told the price for non-members. If you want to buy an ESC (or join TUG) the address is 16 Iddlesleigh Road, Charminster, Bournemouth, Dorset BH3 7JR. Incidentally there's a PS on the press release concerning the photo — it says "the young fellow looking on is Eric, he's not for sale". The first person to tell us what on earth they're talking about doesn't win a prize.

The Stripper

Wire strippers are wonderful things; every hobbyist should have one. Until you've actually used the things you don't realise how interwiring, though never actually being fun, can at least be made tolerable. Good news, then, from AB Engineering — their new wire stripper, the Micro-strip, is self-adjusting for depth of incision and gripping pressure, and can cope with all PVC insulations and some thermo-resisting insulation. A patented self-adjusting floating cam adjusts the stripper's jaws to the correct stripping depth and at the same time sets the gripping pressure exerted by the jaws to prevent damage to the insulation. Using the tool is simplicity itself; a

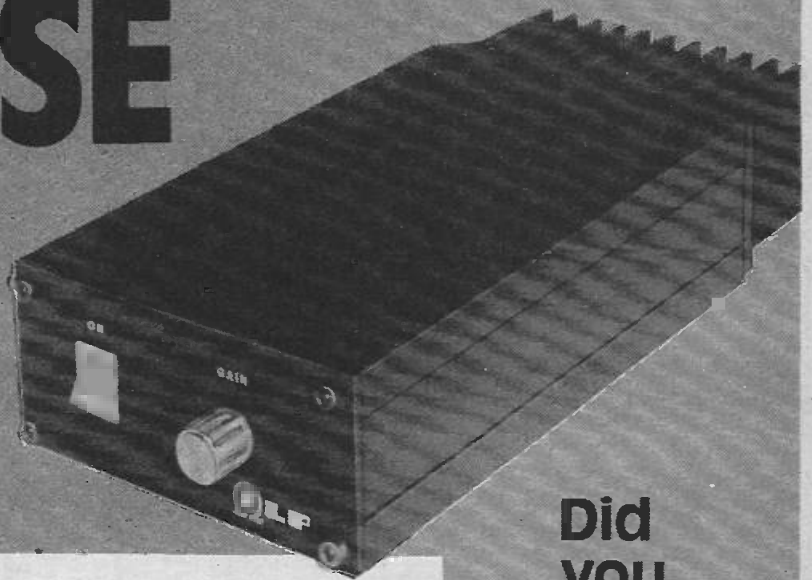
stop is set to the required stripping length, then the wire is fed through the front of the tool to the stop position and the handles squeezed. That's all — sheer luxury!

The Micro-strip will deal with all sizes of wire up to a maximum diameter of 1.5 mm without adjustment, although an adjustment mechanism is provided for very thick or thin insulation. It doesn't matter if the wire is single, stranded, flat or round. Blades can be replaced in less than two minutes; a self-sharpening wire cutter is also built into the tool at an ergonomic point, which roughly translated means you get maximum leverage. People who know what's good for them can find out more from AB Engineering, Timber Lane, Woburn, Milton Keynes MK17 9PL.

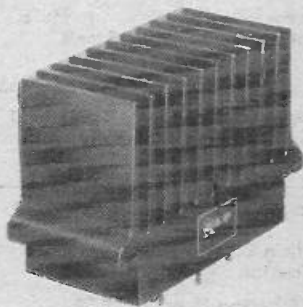


TRY OUR NEW FAST FOOD — CHIPS THAT RUN AT 4 MHz.

THE CASE FOR



It's the chance every constructor wants



POWER AMPS



P.S.U.'s



PRE-AMP MODULES

It's something you have always wanted... something to build your equipment into that's smart, modern, strong, adaptable to requirement and not expensive. The 'UniCase' is yet another triumph of I.L.P. design policy. It presents totally professional appearance and finish, ensuring easier and better assembly to make it equal to the most expensive cased equipment. The all-metal 'UniCase' is enhanced by precision aluminium extruded panels engineered for speedy and perfect aligned assembly within a mere five minutes. Designed in the first case to accommodate I.L.P. power amps with P.S.U.'s, the range will shortly be extended to house any other modular projects.

WHAT WE DO FOR CONSTRUCTORS

Our product range is now so vast we cannot possibly hope to show it all in our advertisements without overcrowding or abridging information to the point of uselessness. So we have devised a solution which we invite you to take advantage of without delay. ALL YOU NEED DO IS FILL IN AND FORWARD THE COUPON BELOW TO RECEIVE OUR NEWEST COMPREHENSIVE I.L.P. CATALOGUE POST FREE BY RETURN. It gives full details of all current I.L.P. products for the constructor together with prices, full technical and assembly details, wiring and circuit diagrams etc. and it's yours, FREE. You don't even have to stamp the envelope if you address it the way we tell you.



FREEPOST 4
GRAHAM BELL HOUSE, ROPER CLOSE, CANTERBURY CT2 7EP
Telephone Sales (0227) 54778 Technical Only (0227) 64723 Telex 965780

FREEPOST
Mark your envelope clearly **FREEPOST 4** and post it **WITHOUT** a stamp to I.L.P. at address above. We pay postage when your letter reaches us.

To: I.L.P. ELECTRONICS LTD.
PLEASE SEND ME I.L.P. CATALOGUE,
POST PAID BY RETURN

I HAVE/HAVE NOT PREVIOUSLY
BUILT WITH I.L.P. MODULES

Name: _____
Address: _____

Did you know

I.L.P. are the world's largest designers and manufacturers of hi-fi audio modules?

I.L.P. pioneered encapsulated power amps and pre-amps for enhanced thermal stability, mechanical protection and durability?

There are TWENTY power amplifiers from 15 to 240 watts RMS including the very latest super-quality Mosfets to choose from?

TWENTY pre-amp modules allow you to incorporate exciting professional applications to your equipment never before available to constructors and experimenters?

I.L.P. are suppliers to the B.B.C., I.B.A., N.A.S.A., British Aerospace, Marconi, Racal, Ferranti, G.E.C., Rolls Royce etc?

Goods are despatched within 7 days of your order reaching us and covered by our 5 year no-quibble guarantee?

SEND COUPON
(NO STAMP NECESSARY)
FOR YOUR FREE
I.L.P. CATALOGUE
AND OPEN UP
TO A
NEW WORLD OF
QUALITY & VALUE

I.L.P. products are available also from Henry's, Marshall's, Technomatic & Watford.

electronics today international BOOK SERVICE

How to order: indicate the books required by ticking the boxes and send this page, together with your payment, to: ETI Book Service, Argus Specialist Publications Ltd, 145 Charing Cross Road, London WC2 0EE. Make cheques payable to ETI Book Service. Payment in sterling only please. All prices include P & P. Prices may be subject to change without notice.

BEGINNERS

- Beginners Guide to Electronics Squires £4.50
- Beginners Guide to Transistors Reddihough £4.50
- Beginners Guide to Integrated Circuits Sinclair £4.50
- Beginners Guide to Radio King £4.50
- Beginners Guide to Audio Sinclair £4.50
- Introducing Amateur Electronics Sinclair £4.50
- Introducing Microprocessors £5.20
- Understanding Electronic Circuits Sinclair £5.30
- Understanding Electronic Components Sinclair £5.30

APPLICATIONS COOKBOOKS

- TV Typewriters Cookbook £9.35
- CMOS Cookbook £9.85
- Active Filter Cookbook £11.30
- IC Timer Cookbook £8.65
- IC Op-Amp Cookbook £12.20
- ITL Cookbook £9.15
- MC 6809 Cookbook Carl D. Warren £6.30
- PLL Synthesiser Cookbook Kinley £5.85
- 8085A Cookbook Titus £10.75
- How To Build Electronic Kits Chapel £3.45
- 110 Electronic Alarm Projects Marston £5.25
- 110 Semiconductor Projects for the Home Constructor Marston £5.25
- 110 Integrated Circuit Projects for the Home Constructor Marston £5.25
- 110 Thyristor Projects Using SCRs Marston £5.25
- 110 Waveform Generator Projects Marston £5.25
- 99 Practical Electronic Projects Friedman £4.20

COMPUTING & MICROPROCESSORS

- What is a Microprocessor? 2 cassette tapes plus a 72-page book £10.00
- Beginners Guide to Computers and Microprocessors with projects £6.05
- Basic Computer Games Ahl £6.05
- Basic for Home Computers Albrecht £6.60
- Illustrating Basic Alcock £4.25
- Troubleshooting Microprocessors and Digital Logic Goodman £6.10
- Z-80 Microcomputer Handbook £9.35
- Microprocessors in Instruments and Control Bibbero £15.30
- Basic Basic Coan £9.95
- Advanced Basic Coan £9.95
- 1001 Things to do with your Personal Computer Sawusch £6.00
- Microcomputers, Microprocessors, Hardware, Software and Applications Hilburn £17.40
- Microprocessor Systems Design Klingman £21.95
- Introduction to Microprocessors Leventhal £11.25
- Microprocessor Technology, Architecture and Applications £11.30
- Basic with Style Nagin £6.30
- Microcomputer Design Ogdin £9.25
- Hands on Basic with a PET Peckham £11.95
- 6800 Software Gourmet Guide and Cookbook Scelbi £9.30
- 8080 Software Gourmet Guide and Cookbook £9.30
- The 8080A Bugbook Rony £10.05
- 8080/8085 Software Design Titus £10.05
- How to Design, Build and Program your own Working Computer System £7.10
- Your Own Computer Waite £2.25
- Microcomputer Interfacing Handbook A/D & D/A £6.35
- Crash Course in Microcomputers Frenzel £14.95
- Musical Applications of Microprocessors Chamberlain £20.95
- The Pascal Handbook Tiberghien £12.45
- 60 Basic Exercises Lamoitier £11.10
- Learning Basic with the Sinclair ZX80 £4.95
- Microprocessors for Hobbyists Coles £4.25
- Introduction to Microcomputer Programming Sanderson £5.25

- Microprocessors and Microcomputers for Engineering Students and Technicians Woolland £5.95
- Using CP/M - Self Teaching Guide Ashley Fernandez £6.95
- Digital Counter Handbook Frenzel £8.65
- 33 Challenging Computer Games for TRS80-Apple-Pet Chance £5.75
- How to Build Your Own Working Robot Pet Dalesta £5.75
- Microprocessor and Digital Computer Technology £16.00
- Guidebook to Small Computers Barden £4.20
- How to Debug Your Personal Computer Huffman £5.30
- How to Troubleshoot and Repair Microcomputers Leuk £6.30
- 6809 Microcomputer Programmes and Interfacing with Experiments Staugaard £11.45
- Wordprocessors Programmed. Training Guide with Practical Application £
- Digital Circuits and Microcomputers Johnson £9.75
- Experiments in Artificial Intelligence for Small Computers £7.25

TEST

- The Oscilloscope In Use Sinclair NEW EDITION 1982
- How to Get More Out of Low-cost Electronic Test Equipment Tobery £5.50

THEORY

- Digital Signal Processing. Theory and Applications Rabiner £26.40
- Electronic Communication Systems Kennedy £8.95
- Principles of Communication Systems Taub £8.40
- Introduction to Digital Filtering Bognor £13.30
- Transistor Circuit Design Texas Instruments £10.95
- Electronic Circuit Design Handbook Design of active filters, with experiments: Berlin £6.80

REFERENCE

- Electronic Engineers Reference Book Turner £42.00
- Electronic Components Colwell £4.00
- Electronic Diagrams Colwell £4.00
- International Transistor Selector Towers New £10.70
- International FET Selector Towers £4.60
- International Op-Amp Linear IC Selector Towers £8.00
- International Microprocessor Selector Towers £16.00
- Dictionary of Audio - Radio and Video Roberts £16.00
- Dictionary of Electronics Amos £16.00
- Dictionary of Electrical Engineering Amos £16.00
- Dictionary of Telecommunications Amos £16.00
- Giant Book of Electronic Circuits Collins £12.75
- World Radio/TV Handbook Vol. 35 1981 £10.50
- How to Build Electronic Projects Malcolm £6.45
- Modern Electronic Circuit Reference Manual Marcus £33.50

Please send me the books indicated. I enclose cheque/postal order for £.....

I wish to pay by Access/Barclaycard. Please debit my account.

5	2	2	4						
4	9	2	9						

Signed

Name

Address

.....

.....

PLAYMATE PART 2

For aspiring artistes we conclude our portable guitar amp with added ingredients fuzz and wah. Design and development by Phil Walker.

Before we continue with our analysis of the circuit theory we have to apologise for the manpower shortage last month which meant that the Playmate circuit diagram missed out on our usual thorough checking. Naturally the perversity of the universe ensured that this was the project that had several errors, so we're reprinting the circuit diagram with mistakes corrected and all pots marked CW or CCW to tie up with the front panel wiring diagram. Meanwhile, back to the plot . . .



The State-variable Filter

Things start getting a bit heavy now! The following equations are the transfer equations for a state-variable filter such as that in Fig. 2:—

$$V_x = [(R1/R3) \times V_{in} + (R2/R3) \times V_y] + R5/(R4 + R5) \times [1 + R3(R1 + R3)/(R1R2)] \times V_o$$

If $R1 = R2 = R3 = R5$, then:

$$V_x = -(V_{in} + V_y) + R1(1 + 2)/(R4 + R1) \times V_o$$

$$V_x = \frac{3R1V_o}{R4 + R1} - (V_{in} + V_y) \quad (1)$$

$$V_o = -1/sCR \times V_x,$$

$$V_x = -sCR V_o \quad (2)$$

$$V_y = -1/sCR \times V_o \quad (3)$$

Substitute (2) and (3) in (1):—

$$-sCR V_o = \frac{3R1 V_o}{(R1 + R4)} - (V_{in} + (-1)/sCR V_o)$$

$$\frac{V_{in}}{V_o} = (sCR + 3R1/(R1 + R4) + 1/sCR)$$

$$= j\omega CR + \frac{3R1}{(R1 + R4)} + 1/j\omega CR$$

($s = j\omega$, $\omega = 2\pi f$, $f = \text{frequency}$)

Compare this with the equation for an LCR tuned circuit:—

$$V_{in} = (j\omega L + 1/(j\omega C) + R) I_{out} \quad (\text{Fig. 3})$$

$$\frac{V_{in}}{I_{out}} = j\omega L + R + 1/(j\omega C) \quad (\text{LCR circuit})$$

$$\frac{V_{in}}{V_{out}} = j\omega CR + \frac{3R1}{(R1 + R4)} + 1/(j\omega CR) \quad (\text{State variable filter})$$

From this it is apparent that these responses are similar except that the LCR circuit gives a current output rather than a voltage. For this type of LCR circuit, the frequency of minimum attenuation or maximum gain (the resonant frequency) is given by:—

$$f = \frac{1}{2\pi\sqrt{LC}}$$

For our circuit this is:—

$$\frac{1}{2\pi\sqrt{CR \cdot CR}} = \frac{1}{2\pi CR}$$

The 'Q' factor influencing the bandwidth is given by:—

$$Q = \frac{2\pi f L}{R} = \frac{2\pi \times (1/2\pi CR) \times CR}{3R1/(R1 + R4)} = \frac{\bar{R}1 + R4}{3R1}$$

Figure 4 shows the configuration necessary to use the LM13600 as a filter of this type. Last month

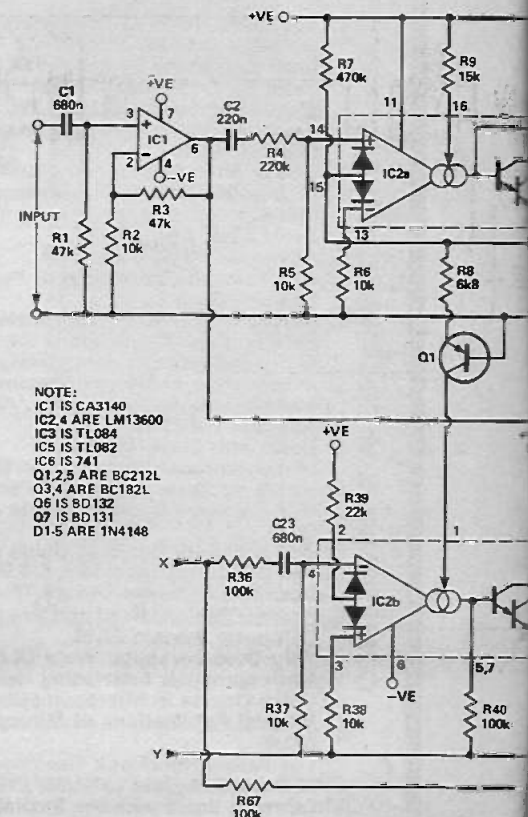


Fig. 1 The correct version of the circuit diagram — sorry . . .

we found that the transfer function of the LM13600 with no diode current is given by:—

$$I_{out} = \frac{I_{abc}}{26 \times 10^{-3}} \times V_{in}$$

As we are using a capacitive load this output current will generate a voltage of:—

$$V_{out} = I_{out} \times \frac{1}{j\omega C}$$

$$= V \times \frac{I_{abc}}{26 \times 10^{-3}} \times \frac{1}{j\omega C}$$

$$= V_{in} \frac{R1}{R1 + R} \times \frac{I_{abc}}{26 \times 10^{-3}} \times \frac{1}{j\omega C}$$

Since we are not dealing with a normal type of op-amp, analysis of the circuit is not as easy as the normal filter but the result is an equation of much the same form. We do not show all the derivation here as it would occupy most of a page. However, the end result is that the centre frequency of the filter pass band is proportional to the amplifier bias current. Therefore we have an easy way to control the wah wah effect.

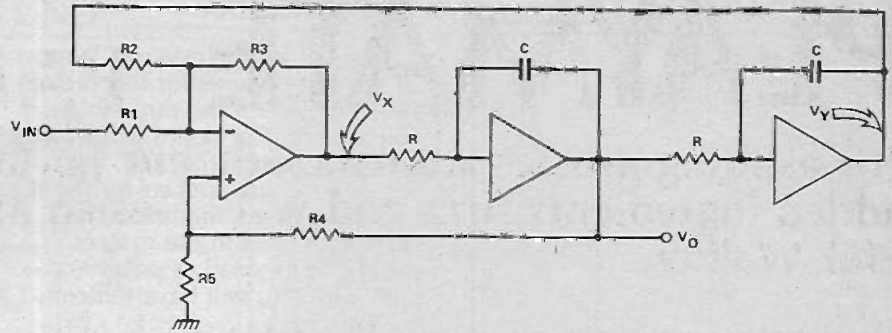


Fig. 2 (Above) Generalised state-variable filter.

Fig. 3 (Right) Generalised LCR tuned circuit.

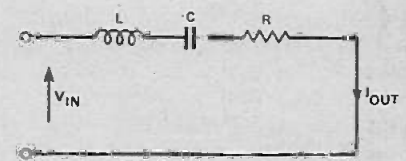
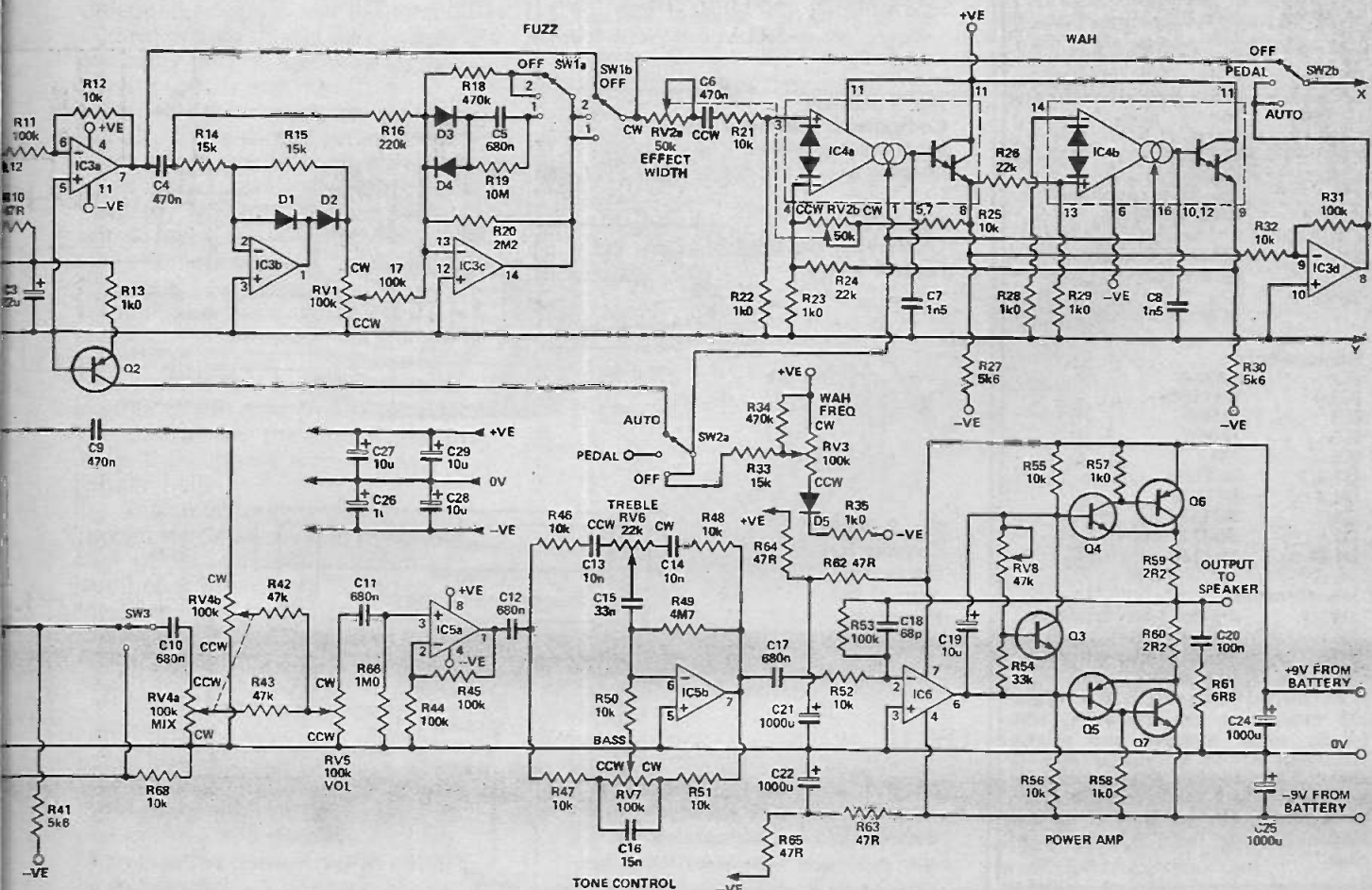
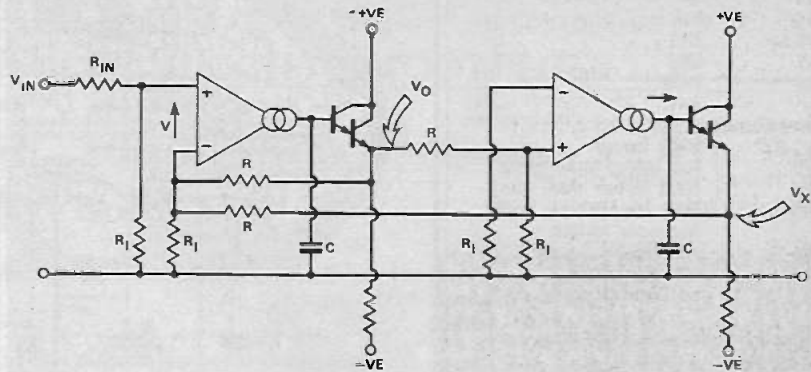


Fig. 4 (Below) Using the LM13600 as a state-variable filter.



PARTS LIST

Resistors (all $\frac{1}{4}$ W 5%)

R1,3,42,43	47k
R2,5,6,12,	
21,25,32,37,	
38,46-48,	
50-52,55,56,	
68	10k
R4,16	220k
R7,18,34	470k
R8	6k8
R9,14,15,33	15k
R10,62-65	47R
R11,17,31,	
36,40,44,45,	
53,67	100k
R13,22,23,	
28,29,35,57,	
58	1k0
R19	10M
R20	2M2
R24,26,39	22k
R27,30,41	5k6
R49	4M7
R54	33k
R59,60	2R2
R61	6R8
R66	1M0

Potentiometers

RV1,3,7	100k linear
RV2	50k linear dual gang
RV4	100k linear dual gang
RV5	100k logarithmic with two-pole switch
RV6	22k linear
RV8	47k miniature horizontal preset

Capacitors (all polycarbonate except where stated)

C1,5,10-12,	
17,23	680n
C2	220n
C3	22u 16 V tantalum
C4,6,9	470n
C7,8	1n5
C13,14	10n
C15	33n
C16	15n
C18	68p
C19	10u 35 V tantalum
C20	100n
C21,22,24,	
25	1000u 10 V axial electrolytic
26-29	47u 10 V PCB electrolytic

Semiconductors

IC1	CA3140
IC2,4	LM13600
IC3	TL084
IC5	TL082
IC6	741
Q1,2,5	BC212L
Q3,4	BC182L
Q6	BD132
Q7	BD131
D1-5	1N4148

Miscellaneous

SW1,2	2-pole, 3-way miniature slide switch
SW3	1-pole, 2-way miniature slide switch

PCBs (see Buylines); case (220 x 105 x 230 mm), Vero ref. 75-2443A; wire (single, single screened and double screened); 4" or 5" loudspeaker (8 ohms), 5 W); standard $\frac{1}{4}$ " jack socket for input; stereo jack socket for foot switch (if required); 75 mm of 12 x 12 mm aluminium angle; two PP9 batteries and clips.

Construction

Except for the controls, almost all the components for this project are mounted on the three PCBs. The preamplifier board is the largest and most densely packed. It is advisable to use sockets for the ICs and don't forget the links. The capacitors used in the project should be as small as possible otherwise you will have difficulty

fitting them. A fine tipped soldering iron will be useful when assembling the boards and care should be taken to avoid creating short circuits between tracks with accidental solder splashes.

Ensure that all the diodes, transistors and other polarised components (especially IC3) are fitted the correct way round. On the power amplifier board the output transistors are mounted on top of a

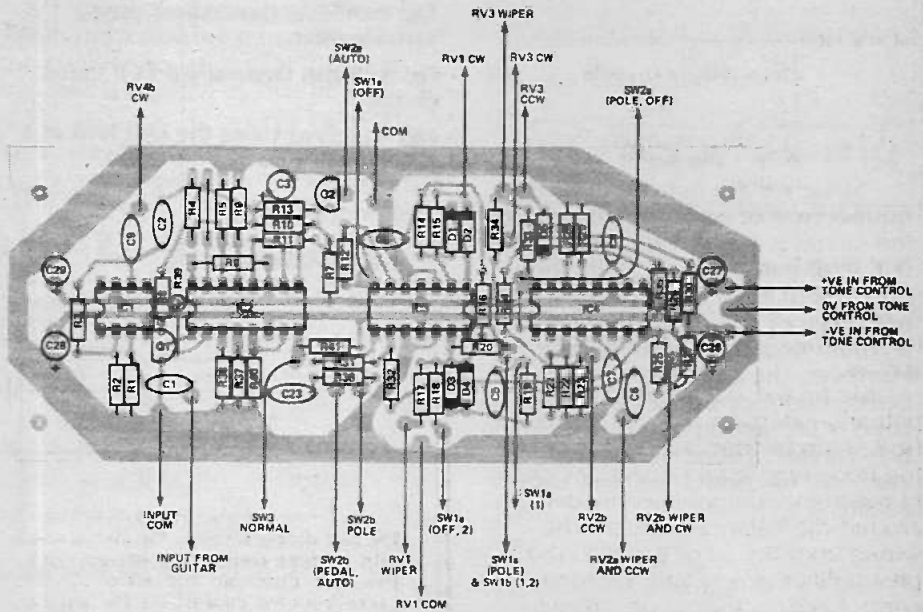


Fig. 5 (Above)
Component overlay
for the preamplifier
board.

Fig. 6 (Right)
Overlay for the tone
control board.

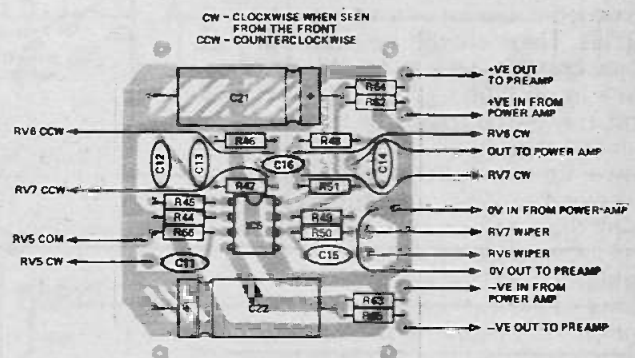
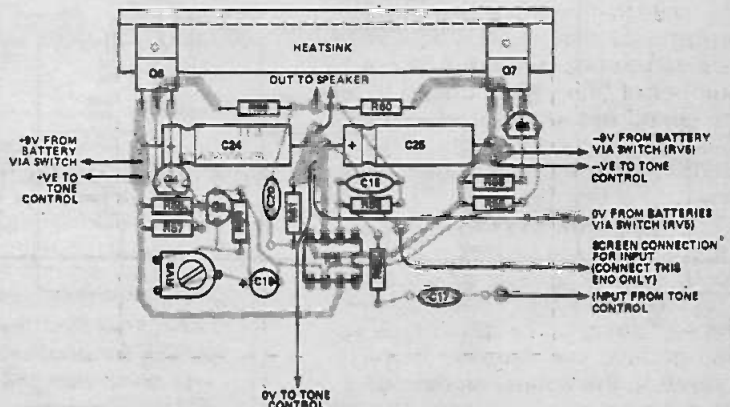
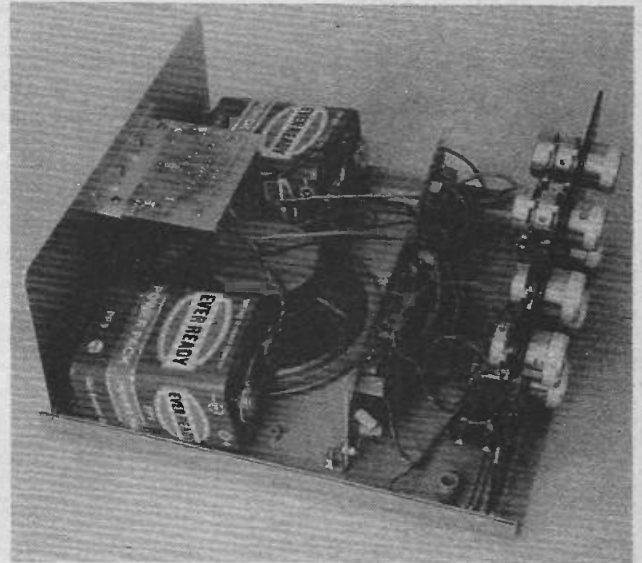
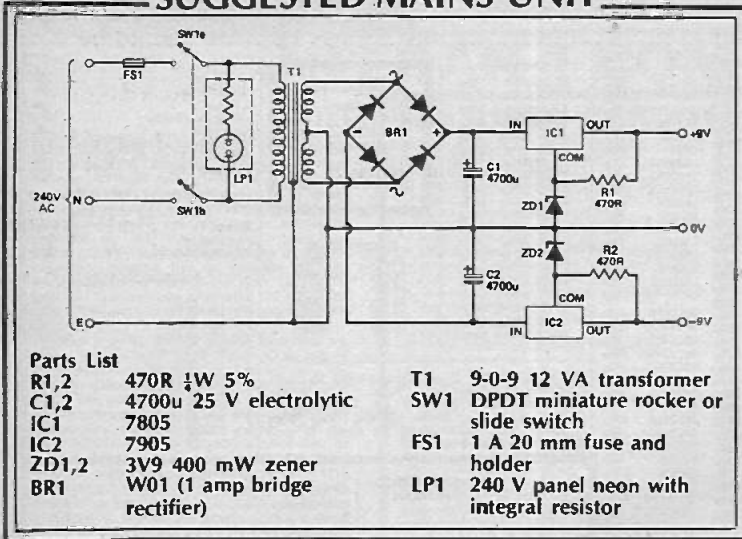


Fig. 7 (Right)
Overlay for the power
amp of the
Playmate.



SUGGESTED MAINS UNIT



short length of $\frac{1}{2}$ " \times $\frac{1}{2}$ " aluminium angle which acts as a heatsink. The transistors and the angle are held in position by the transistor mounting screws.

Mount the control switches and potentiometers on the front panel (see photo for our layout) and make the necessary interconnections and fit the three components needed around the balance control. The wiring from the front panel to the preamplifier/effects and the tone control boards should be carried out using thin flexible wire for control signals and miniature screened cable for any sound signals. These should be short but allow enough slack to be able to fit them in position easily. (It is probably easier to connect all the wires to the circuit boards first.) The power amplifier board was fitted to the metal base plate of our case using the angle on which the transistors were mounted. It was positioned so that it fitted neatly between the two batteries in the bottom of the case. Together with the loudspeaker the amplifier board holds the batteries without any further help.

The small loudspeaker for this project was mounted on the plastic case of the box through which a number of holes were drilled to let the sound out. If required a small mains power unit capable of 9-0-9 V at 100 mA or more may be used to power the unit.

A foot pedal control for controlling the wah wah effect could be plugged into a jack socket. This would need to be one of the three-connection or stereo type so that positive and negative supplies as well as the control signal could be connected.

SUGGESTED FOOT PEDAL

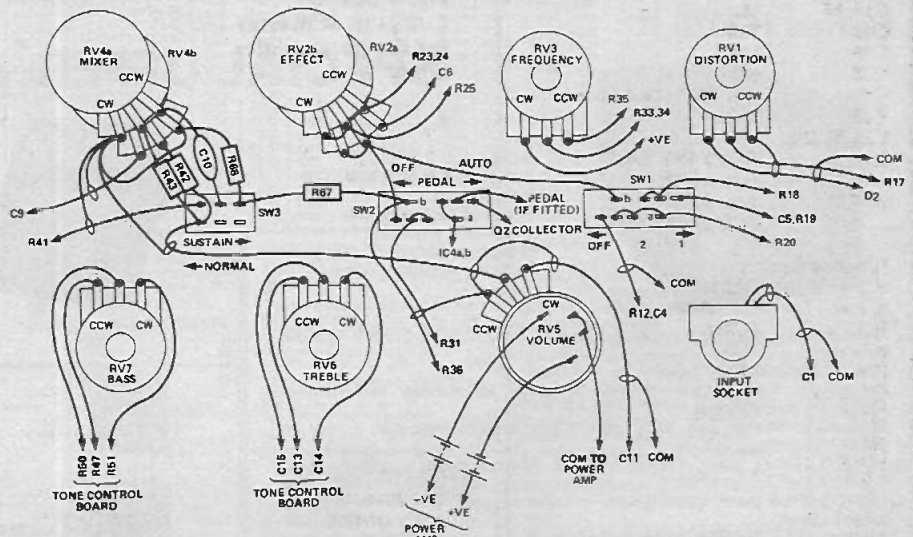
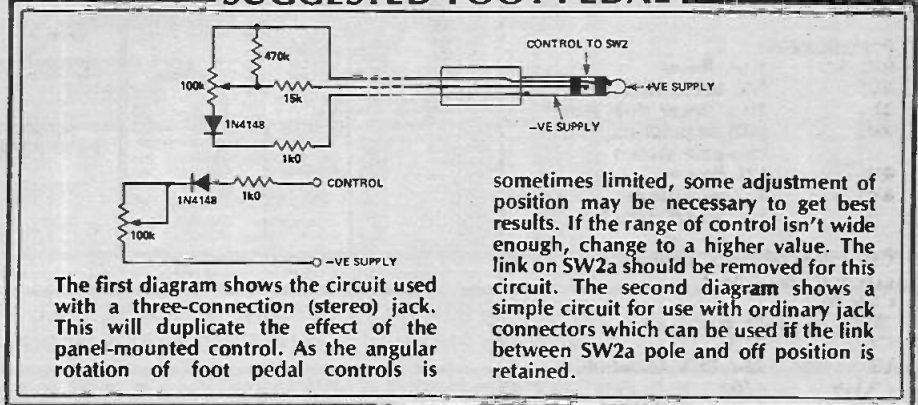


Fig. 8 How to wire the front panel. Compare with the front panel photo last month.

BUYLINES

There shouldn't be anything here to cause problems; most of the components are standard items and several mail order companies now stock the

LM13600. Shop around in our advertisements for the best price. The set of three PCBs can be ordered from our PCB Service as advertised on page 87, should you not wish to etch your own.

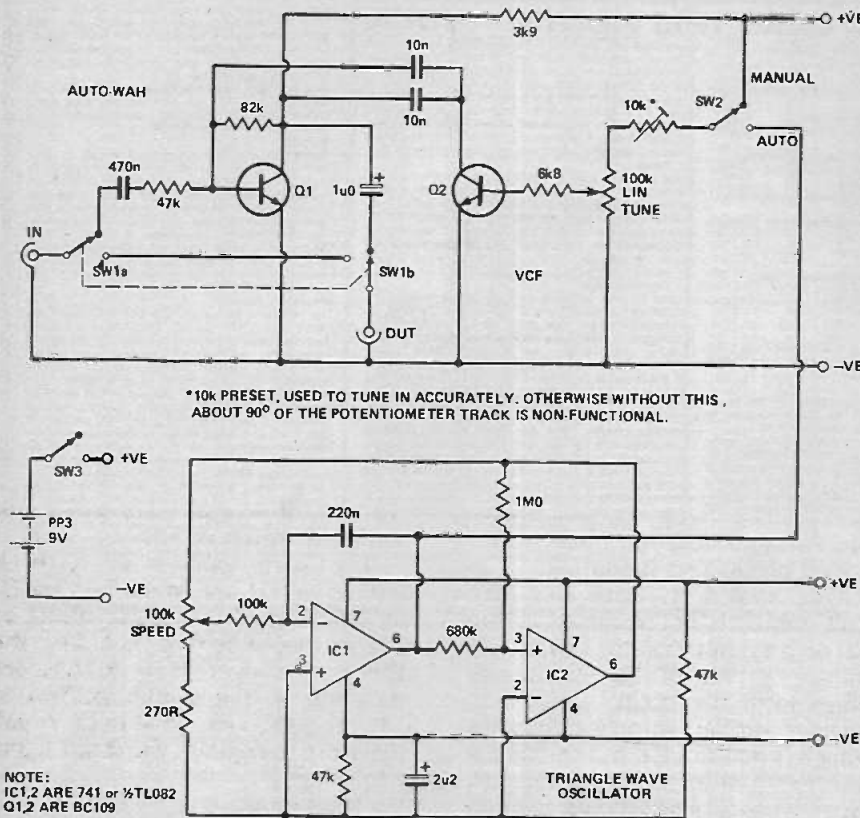
TECH TIPS

Cheap Auto-Waa Tony Allgood, Hornchurch

Although this unit is not capable of fulfilling the specifications of an expensive auto-waa, it has an advantage of being cheap and relatively simple. The basic idea is an expansion of ETI's Spot Design Waa-Waa unit from the November 1980 issue.

Q2 is used as a voltage controlled resistor connected to a simple filter network based around Q1. The controlling voltage is applied to the base of Q2 and can be varied manually or automatically through the use of a triangle wave generator consisting of a standard integrator and comparator oscillator. The frequency of the sweeps is determined by the 'speed' potentiometer and can be altered from 0.5 Hz to about 10 Hz.

A 9 V supply was used so the unit can be fully portable if a PP3 battery is used.



NOTE:
IC1,2 ARE 741 or 1/2TL082
Q1,2 ARE BC109

Tamper-proof Burglar Alarm

Iain S. Campbell, Paisley

Recently I have started to install a burglar alarm in my home and, while planning the installation, I realised that I would require some form of tamper-proof or 'self-activating' bell. In other words, I required the bell to ring if the wires leading to it were cut or short-circuited. I consequently designed the following circuit.

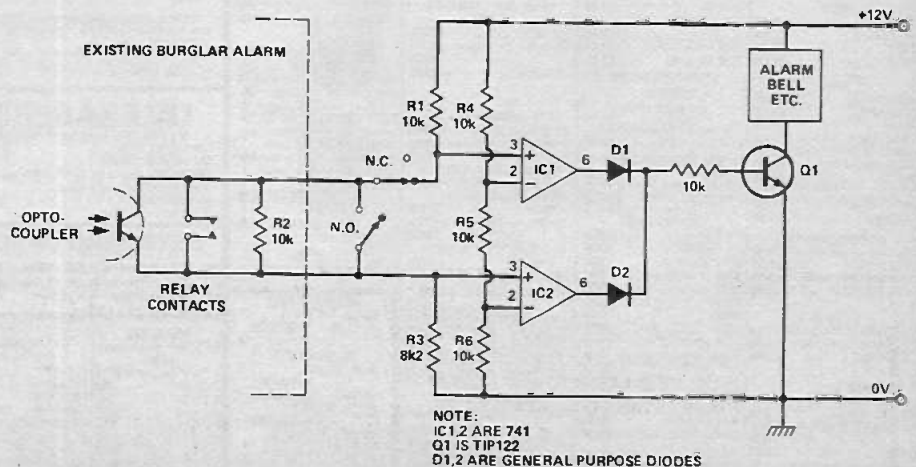
The circuit is a window comparator and works as follows. R4, R5 and R6 are voltage dividers with one-third of the supply voltage across each. R3 is chosen so that $R1 > R3 > \frac{1}{2}R1$, noting that $R1 = R2$ (in practice, for R3 I used the next lowest standard value from R1, R2). Both non-inverting inputs of the comparators are thus kept lower than their respective inverting inputs.

If R2 is open-circuited, ie the leads to it are cut, the non-inverting input of IC1 is pulled high, thus taking the output high. If R2 is short-circuited the voltage across the non-inverting input of IC2 and ground is between one-half supply voltage and

just over one-third of the supply (depending on the value of R3), thus taking the output of IC2 high. The two outputs may now be ORed using any general purpose diodes and the output used to drive a suitable load, in my case a TIP122 Darlington transistor and a $1\frac{1}{2}$ amp bell.

I would recommend other users to put a monostable between the diodes and the load as well as employing a battery back-up, although these were not necessary in my case. A five minute monostable

should be sufficient to keep the neighbours happy if the alarm is activated or tampered with. When installing this circuit, R2 should be situated inside the burglar alarm control unit across the existing relay contacts or an opto-coupler. When the alarm is activated, R2 is shorted. Tampering with the interconnecting cable can be detected and the bell enclosure may be protected with the appropriate normally-open or normally-closed microswitches.

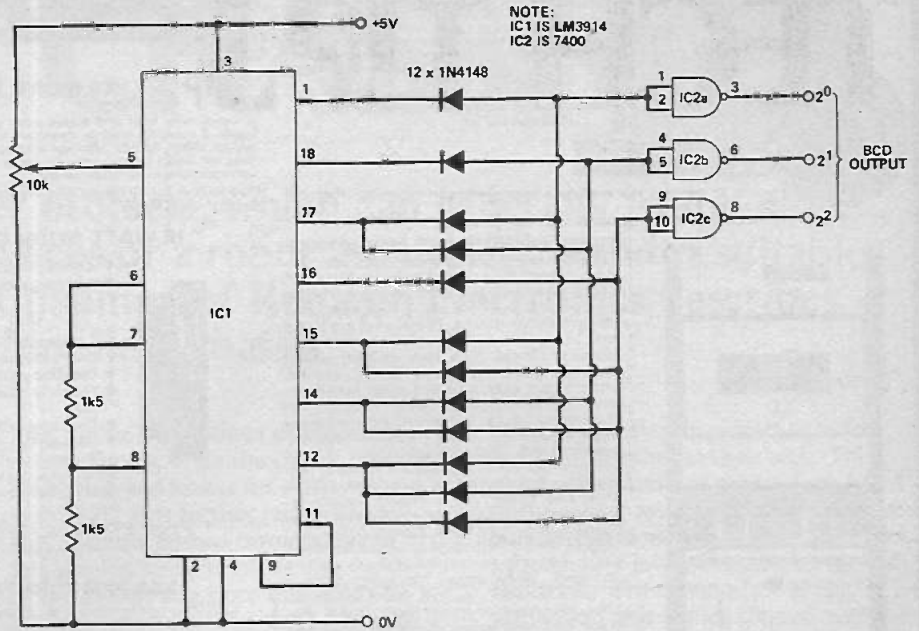


Low Resolution A-to-D Converter

Paul Hill, London

A simple, low-resolution analogue-to-digital converter (three-bit output) can be built using the LED bargraph driver IC, the LM3914. This ADC can be used in applications where more usual (and more expensive) eight-bit or greater ADCs would give unnecessary accuracy.

The bargraph IC converts the input voltage into a low signal on one of the 10 outputs, depending on its amplitude. The diodes code the outputs to binary-coded decimal, IC2 providing the ADC with TTL outputs.



NOTE:
IC1 IS LM3914
IC2 IS 7400

CMOS Fuzz/tremolo

S.P. Giles, Edmonton

Fuzz and tremolo have been around for years now in one form or another, but this circuit gives the guitar player the option of either effect, depending on how hard he plucks the strings. When a string is plucked hard, fuzz is

heard at the output, but softer plucking produces tremolo.

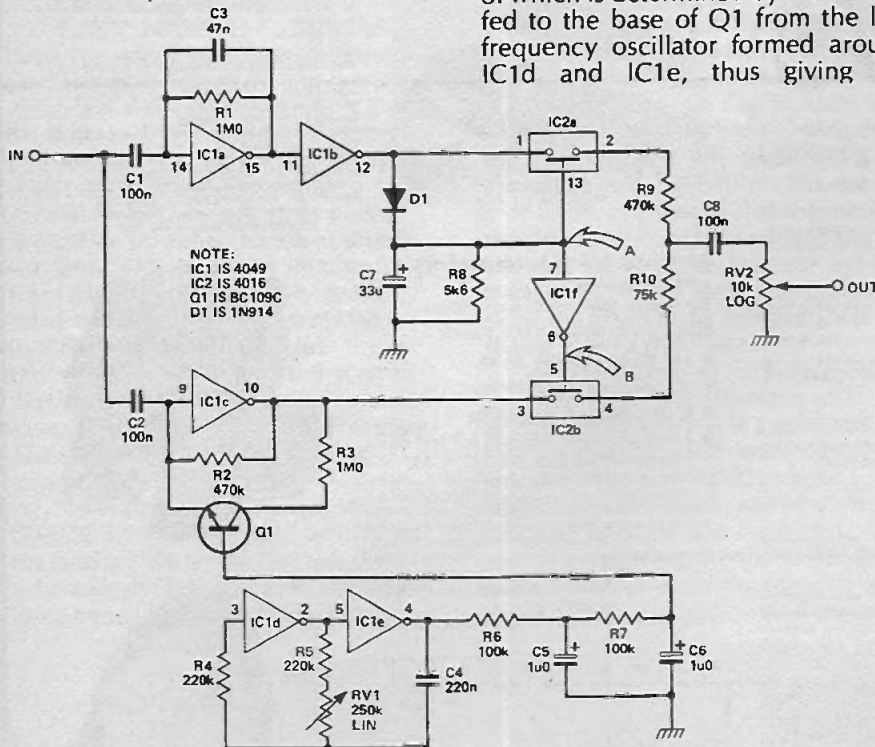
IC1a and IC1b form the fuzz circuit, which is not so harsh as the usual op-amp or transistor variety. C3 eliminates a lot of high-frequency rubbish from the output. IC1c is a voltage-controlled amplifier, the gain of which is determined by the voltage fed to the base of Q1 from the low frequency oscillator formed around IC1d and IC1e, thus giving the

required tremolo effect.

The fuzz output at IC1b is rectified by D1 and smoothed by C7 and R8. Part of this is fed direct to IC2a as the switch control, and the other part is inverted by IC1f before being fed as the switch control to IC2b. The DC voltage at point A will follow the strength of the input signal as follows:

- Low level input; A is low (IC2a is off)
- B is high (IC2b is on)
- Tremolo output.
- High level input; A is high (IC2a is on)
- B is low (IC2b is off)
- Fuzz output.

If a chord is played hard and allowed to decay naturally it will start as fuzz and change to tremolo as IC2a and IC2b alter state. There is no reason why this principle cannot be applied to any two effects chosen by the constructor.



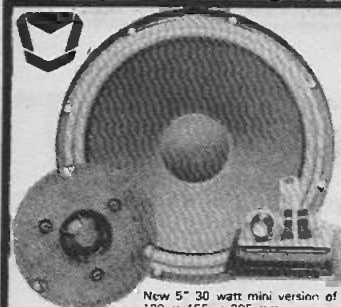
NOTE:
IC1 IS 4049
IC2 IS 4016
Q1 IS BC109C
D1 IS 1N914



Tech-Tips is an ideas forum and is not aimed at the beginner. We regret we cannot answer queries on these items. ITI is prepared to consider circuits or ideas submitted by readers for this page. All items used will be paid for at a competitive rate.

Drawings should be as clear as possible and the text should be typed. Text and drawings must be on separate sheets. Circuits must not be subject to copyright. Items for consideration should be sent to ETI TECH-TIPS,

Electronics Today International,
145 Charing Cross Road, London WC2H 0EE.



MULLARD SPEAKER KIT

A PURPOSELY DESIGNED 40 WATT R.M.S. 8 OHM SPEAKER SYSTEM RECENTLY DEVELOPED BY MULLARD'S SPECIALIST TEAM IN BELGIUM. Kit comprises a Mullard 8" Woofer with foam surround and aluminium voice coil, Mullard 3" high power dome tweeter, B.K.E. built and tested crossover, based on Mullard circuit combining low loss components, glass fibre board and recessed loudspeaker terminals. Recommended cabinet size 240 x 216 x 445 mm. A superb sound at a relatively low cost. Complete with instructions. Price £14.90 + £1.50 p&p per kit.

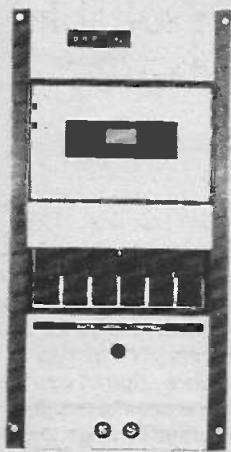
New 5" 30 watt mini version of above now available. Recommended cabinet size 180 x 155 x 295 mm. Price £13.90 + £1.00 p&p per kit.

STEREO CASSETTE TAPE DECK MODULE.

Comprising of a top panel and tape mechanism coupled to a record/play back printed board assembly. Supplied as one complete unit for horizontal installation into cabinet or console of own choice. These units are brand new, ready built and tested.

Features: Three digit tape counter. Auto-stop. Six piano type keys, record, rewind, fast forward, play, stop and eject. Automatic record level control. Main inputs plus secondary inputs for stereo microphones. Input Sensitivity: 100mV to 2V Input Impedance: 68K. Output level: 400mV to both left and right hand channels. Output Impedance: 10K. Signal to noise ratio: 45dB. Wow and flutter: 0.1%. Power Supply requirements: 18V DC at 300mA. Connections: The left and right hand stereo inputs and outputs are via individual screened leads, all terminated with phono plugs (phono sockets provided). Dimensions: Top panel 5 7/16" x 11 1/4". Clearance required under top panel 2 1/4". Supplied complete with circuit diagram and connecting diagram. Attractive black and silver finish.

Price £26.70 + £2.50 postage and packing. Supplementary parts for 18V D.C. power supply (transformer, bridge rectifier and smoothing capacitor) £3.50.



6 piano type keys

NEW RANGE QUALITY POWER LOUD-SPEAKERS (15", 12" and 8").

These loudspeakers are ideal for both hi-fi and disco applications. Both the 12" and 15" units have heavy duty die-cast chassis and aluminium centre domes. All three units have white speaker cones and are fitted with attractive cast aluminium (ground finish) fixing escutcheons. Specification and Price.

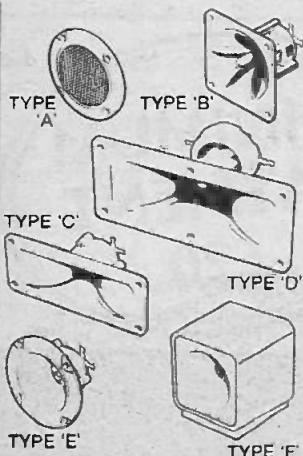
15" 109 watt R.M.S. Impedance 8ohm 59 oz. magnet, 2" aluminium voice coil. Resonant Frequency 20Hz. Frequency Response to 2.5KHz. Sensitivity 97dB. Price £32 each. £2.50 Packing and Carriage each.

12" 100 watt R.M.S. Impedance 8 ohm, 50 oz magnet, 2" aluminium voice coil. Resonant Frequency 25Hz. Frequency Response to 4KHz. Sensitivity 95dB. Price £23.70 each. £2.50 Packing and Carriage each.

8" 50 watt R.M.S. Impedance 8 ohms, 20 oz. 1 1/2" aluminium voice coil. Resonant Frequency 40Hz. Frequency Response to 6KHz. Sensitivity 92dB. Also available with black cone fitted with black metal protective grill. Price: White cone £8.90 each. Black cone/grill £9.50 each. P & P £1.25 each.

PIEZO ELECTRIC TWEETERS MOTOROLA

Join the Piezo revolution. The low dynamic mass (no voice coil) of a Piezo tweeter produces an improved transient response with a lower distortion level than ordinary dynamic tweeters. As a crossover is not required these units can be added to existing speaker systems of up to 100 watts (more if 2 put in series). FREE EXPLANATORY LEAFLETS SUPPLIED WITH EACH TWEETER.



TYPE 'A' (KSN2036A) 3" round with protective wire mesh, ideal for bookshelf and medium sized Hi-Fi speakers. Price £3.45 each.

TYPE 'B' (KSN1005A) 3 1/2" super horn. For general purpose speakers, disco and P.A. systems etc. Price £4.35 each.

TYPE 'C' (KSN6016A) 2" - 5" wide dispersion horn. For quality Hi-Fi systems and quality discos etc. Price £5.45 each.

TYPE 'D' (KSN1025A) 2" - 6" wide dispersion horn. Upper frequency response retained extending down to mid range (2KHz). Suitable for high quality Hi-Fi systems and quality discos. Price £6.90 each.

TYPE 'E' (KSN1038A) 3 3/4" horn tweeter with attractive silver finish trim. Suitable for Hi-Fi monitor systems etc. Price £4.35 each.

TYPE 'F' (KSN1057A) Cased version of type 'E'. Free standing satellite tweeter. Perfect add on tweeter for conventional loudspeaker systems. Price £10.75 each. U.K. post free for SAE for Piezo leaflets.



1000 MONO DISCO MIXER

A superb fully built and tested mixer/pre-amp with integral power supply, 4 Inputs 2 turntables (ceramic cartridge). Appl. for tape deck etc., plus Mic. with override switch, all with individual level controls. Two sets of active tone controls (bass and treble) for Mic. and main inputs. Master volume control. Monitor output with select switch and volume control. Outputs Main 750 mV Monitor 500 mV into 8 ohms. Supply 220/240V AC50/60Hz. Size 22 1/2" x 4 1/2" x 2 1/2". Price £39.99 + £2.50 P&P

1K.WATT SLIDE DIMMER

- Controls loads up to 1KW
- Compact size 4 3/4" x 1 3/16" x 2 1/2"
- Easy snap in fixing through panel/cabinet cut out
- Insulated plastic case
- Full wave control using 8amp triac
- Conforms to BS800
- Suitable for both resistance and inductive loads

Innumerable applications in industry, the home, and discos/theatres etc.

Price: £11.70 each + 50p P&P (Any quantity)

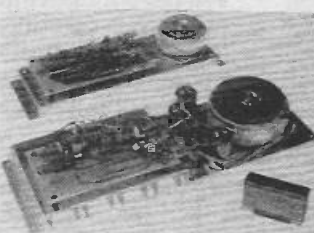
BSR P256 TURNTABLE

P256 turntable chassis • S shaped tone arm • Belt driven • Aluminium platter • Precision calibrated counter balance • Anti-skate (bias device) • Damped cueing lever • 240 volt AC operation (Hz) • Cut-out template supplied • Completely manual arm. This deck has a completely manual arm and is designed primarily for disco and studio use where all the advantages of a manual arm are required.

Price: £28.50 + £2.50 P&P



POWER AMPLIFIER MODULES



100 WATT R.M.S. AND 300 WATT R.M.S. MODULES

Power Amplifier Modules with integral toroidal transformer power supply and heat sink. Supplied as one complete built and tested unit. Can be fitted in minutes. An LED Vu meter is available as an optional extra.

SPECIFICATION:
Max Output Power: 110 watts R.M.S. (OMP 100) 310 watts R.M.S. (OMP 300)
Loads: Open and short circuit proof. 4-16 ohms.
Frequency Response: 20Hz - 25KHz ± 3dB.
Sensitivity for Max. Output: 500mV at 10K (OMP 100) 1V at 10K (OMP 300)
T.H.D.: Less than 0.1%
Supply: 240V 50Hz
Sizes: OMP 100 360 x 116 x 72mm
OMP 300 460 x 163 x 85mm
Prices: OMP 100 £29.99 each + £2.00 P&P
OMP 300 £89.00 each + £3.00 P&P
Vu Meter £6.50 each + 50p P&P

Matching 3-way loudspeakers and crossover

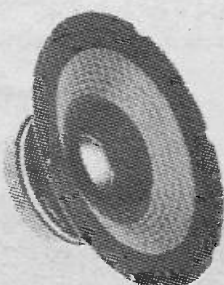
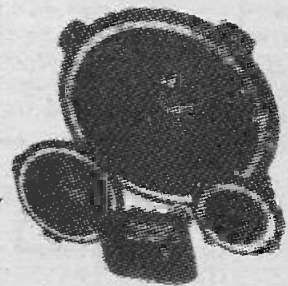
Build a quality 60watt RMS system 8ohms

Build a quality 60 watt R.M.S. system.

- ★ 10" Woofer 35Hz-4.5KHz
- ★ 3" Tweeter 2.5KHz-19KHz
- ★ 5" Mid Range 600Hz-8KHz
- ★ 3-way crossover 6dB/oct 1.3 and 6KHz

Recommended Cab-size 26" x 13" x 13"
Fitted with attractive cast aluminium fixing escutcheons and mesh protective grills which are removable enabling a unique choice of cabinet styling. Can be mounted directly on to baffle with or without conventional speaker fabrics. All three units have aluminium centre domes and rolled foam surround. Crossover combines spring loaded loudspeaker terminals and recessed mounting panel.
Price £22.00 per kit + £2.50 postage and packing. Available separately. prices on request.

12" 80 watt R.M.S. loudspeaker.
A superb general purpose twin cone loudspeaker. 50 oz magnet, 2" aluminium voice coil. Rolled surround. Resonant frequency 25Hz. Frequency response to 13KHz. Sensitivity 95dB. Impedance 8ohm. Attractive blue cone with aluminium centre dome.
Price £17.99 each + £2.50 P&P.



BK ELECTRONICS

Prompt Deliveries
VAT inclusive
prices
Audio Equipment
Test Equipment
by
Thandar
and
Leader

B.K. ELECTRONICS

37 Whitehouse Meadows, Eastwood, Leigh-on-Sea, Essex SS9 5TY

★ SAE for current lists. ★ Official orders welcome. ★ All prices include VAT. ★ Mail order only. ★ All items packed (where applicable) in special energy absorbing PU foam. Callers welcome by prior appointment, please phone 0702-527572.



ROBOT CHASSIS

Unlike most of our other projects, which can generally 'stand alone', the electronic bits and pieces of a robot are useless without suitable mechanics. Here Geoff Chapman of Remcon Electronics describes the construction of the Mobile 2 chassis.

This article describes the construction of the chosen chassis for the ET1 Mobile 2 (or Robot Tractor Unit RTU2, as Remcon describe it). Included in the kit from Remcon are all the aluminium body sections (ready punched and drilled), motors, gearboxes and injection moulded components for the tracks — the complete price is £125 including VAT and postage. A more detailed specification of the mechanics was included in last month's article — alternatively you can contact Remcon at 1 Church Road, Bexleyheath, Kent (telephone 01-304 2055).

Chassis Assembly

Taking the base and one of the sides, the side is introduced into the base so that it fits snugly into the notches at the top of this unit. It should be noted how the chassis fits in this position and it is aligned all the way round the base unit to maintain a parallel line. The chassis may be held in position by either the use of simple G cramps while the holes are transferred from the base plate into the chassis side using the special drill provided in the kit. It is recommended that this be carried out at this stage so that any swarf produced can be cleaned away before other assembly takes place. The second side is drilled in a like manner.

We suggest that, although self-tapping screws are going to be used for the final assembly, the two side pieces previously drilled should be 'pre-tapped' using one of the self-tapping screws.

This avoids the problem of the screw-driver slipping when the chassis is being assembled and makes for a generally easier job. It is further recommended that the burr pushed through by the self-tapping screw is left on the inside of the chassis side since this assists in locking the screw. The three pieces of the chassis are left disassembled until required at a later stage.

Assembly Of The Track

First separate the moulding from the sprues, using a sharp knife or side-cutters, then count out 47 track plates and 94 side connectors for each track. The track is assembled by slipping the side plates over the circular protrusions on the track plates and tightening up the nuts which are pushed onto the plastic and driven home with the spanner provided (see Fig. 2). Care should be exercised when screwing on the nuts; first to ensure the thread is cut square to the axis of the circular protrusion, and second that the nut is tightened sufficiently to remove any end-play between the side-plate and the track plate. At the same time, it should allow the plates to swing freely, ie it should make a good hinge.

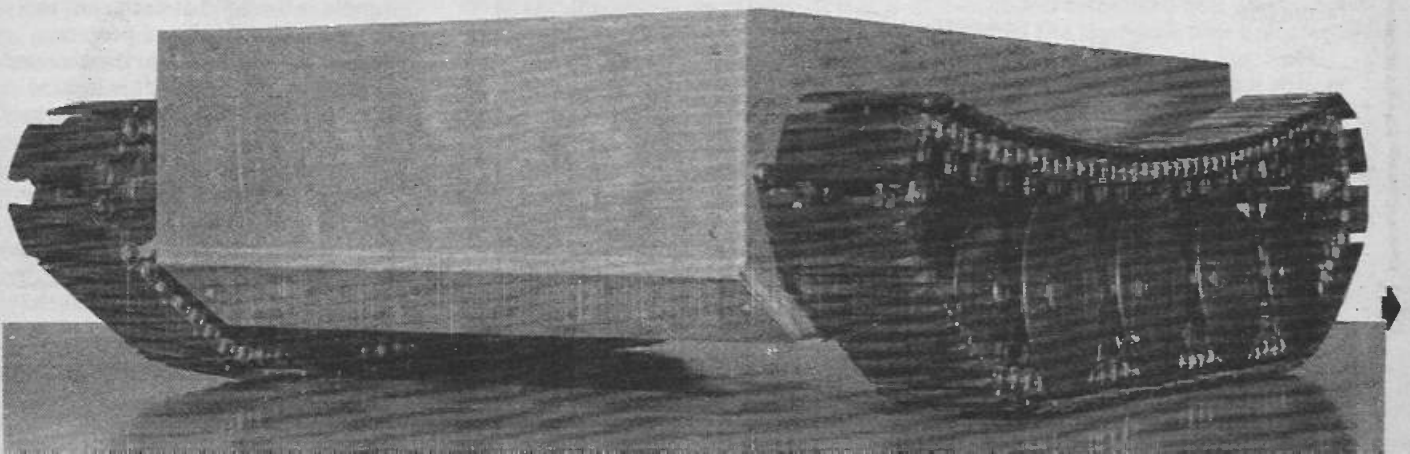
Having assembled both tracks in this fashion, they are then put aside until required later. It is a good idea to spray each of the joints with a small amount of Rocket WD40 to keep friction to a minimum, and to allow the lubricant to 'soak' into the plastic.

The mouldings for the suspension units are a four-piece moulding on one sprue. These pieces should be separated

by cutting with side-cutters as before, but kept together in their sets. The suspension blocks of each set are fitted to the side chassis members so that the bulk of the moulding goes through the side member into what may be termed the 'tray'. The clamp plate of the suspension unit is then slipped over the suspension block and the three self-tapping screws inserted through the holes, the clamp plate being pulled up tight by the screws to the inside face of the side-plate. The suspension units are fitted in eight positions; four on each of the side-plates.

The cranked bogey spindles are then inserted through the suspension blocks, and located in position by fitting a 6BA washer and a 6BA stiff nut. The stiff nuts are tightened so that the spindles may rotate without any end-play. The suspension springs are fitted to the spring retaining spacers — two spacers per spring. Note that there is a slot partially moulded across the retaining spacer just above its boring. The slot is blind at one end and it is through this blind portion that the end of the spring is pushed so that it is held in position while assembly takes place (see Fig. 6). The second spring retaining spacer is treated in a similar fashion.

With the two retaining spacers fitted to the spring, the spring is then fitted to the suspension unit over the two spindles which carry the bogies; the centre of the spring fits onto the centre stub of the suspension block. The centre coil of the spring is held into position with a 4BA nut and washer which is screwed over the stub and



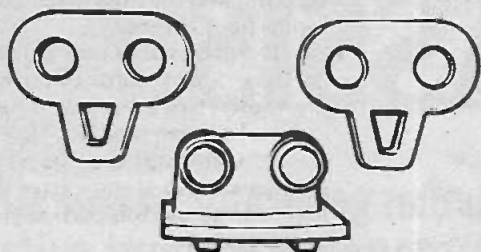


Fig. 1 The track plates and side connectors.

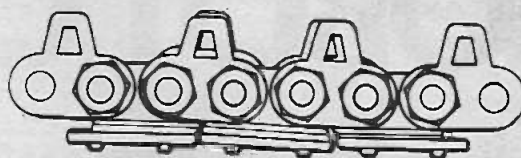


Fig. 2 The caterpillar track is assembled like this.

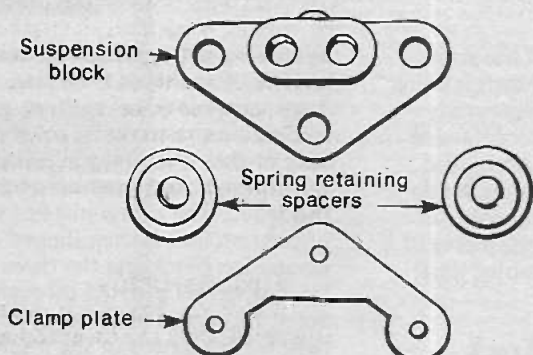


Fig. 3 Each suspension unit has a set of four mouldings.

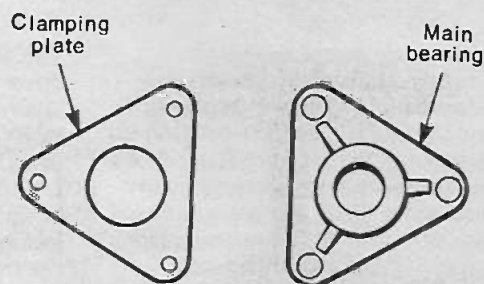


Fig. 4 The mouldings for the bearing unit.

tightened securely, but at the same time allowing the spring to move freely.

Assembly Of The Suspension Units

To retain the assembled smaller bogey on its spindle, the starlock washer is fitted to the shaft. This starlock washer is covered with a chrome button to give an attractive appearance. The other larger-diameter bogey wheel is completed in a similar manner together with the fitting of the star washer. This process is then repeated for all eight suspension units. This completes the suspension unit assembly.

The smaller diameter bogey is fitted to the other axle, again with the rivet side to the side of the chassis. The second smallest bogey is fitted to the same axle, this time with the simulated rivets to the outside.

The bogey wheels are fitted to the suspension units after having separated them from their sprues; note how each bogey wheel is moulded into two pieces. The bogey wheels are fitted to the suspension units by taking the larger diameter bogey wheel first and inserting it over one of the axles. The raised simulated rivets should be against the side member of the chassis.

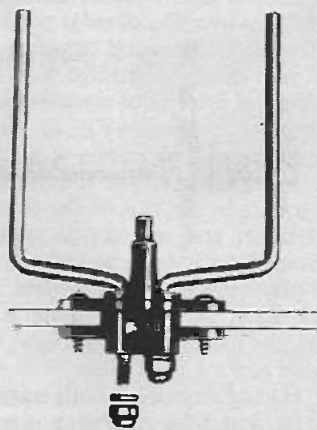


Fig. 5 Fitting the suspension units.

Assembly Of The Take-up And Shaft Encoder Brackets

There are two brackets in the kit together with two bearing units. Again, the bearing units are separated from their runners by cutting through the sprues with sharp side-cutters. Looking at the take-up brackets, you'll see that on one face there are five holes — three arranged on a pitch circle around a large diameter central hole. It is through these holes that the main bearing unit is fitted and retained by self-tapping screws onto the clamping plate. This is fitted inside the bearing bracket angle.

The two remaining holes are for the 4BA cap screws which retain the take-up bracket on the chassis. If the infra-red shaft encoder detector (not supplied in the kit) is to be fitted, it is recommended that it is fitted at this time; it locates through the three holes on the other face of the take-up bracket using the 6BA x 1/4" screws and nuts provided.

With both take-up brackets thus assembled, they are fitted to the chassis side-plates through the triangular holes which appear at one end. The bulk of the bracket is on the inside of the chassis, the bulk of the bearing is on the outside. The two 4BA Allen cap screws are inserted through the chassis into the brackets and are left untightened so that the brackets can slide freely along the slots located above and below the triangular aperture.

The 1/4" diameter spindles are next located through the main bearing. The spindle is threaded at each end; the longer portion of thread projects outside the chassis while the shorter remains inside. The shaft is located longitudinally within the bearing by the fitting of a nut at each end, these being tightened against the bearing face with a washer interposed to again allow rotation with a minimum of end-play. Two further nuts are fitted on the inside of the spindle; these are to retain the encoder disc which should be fitted now.

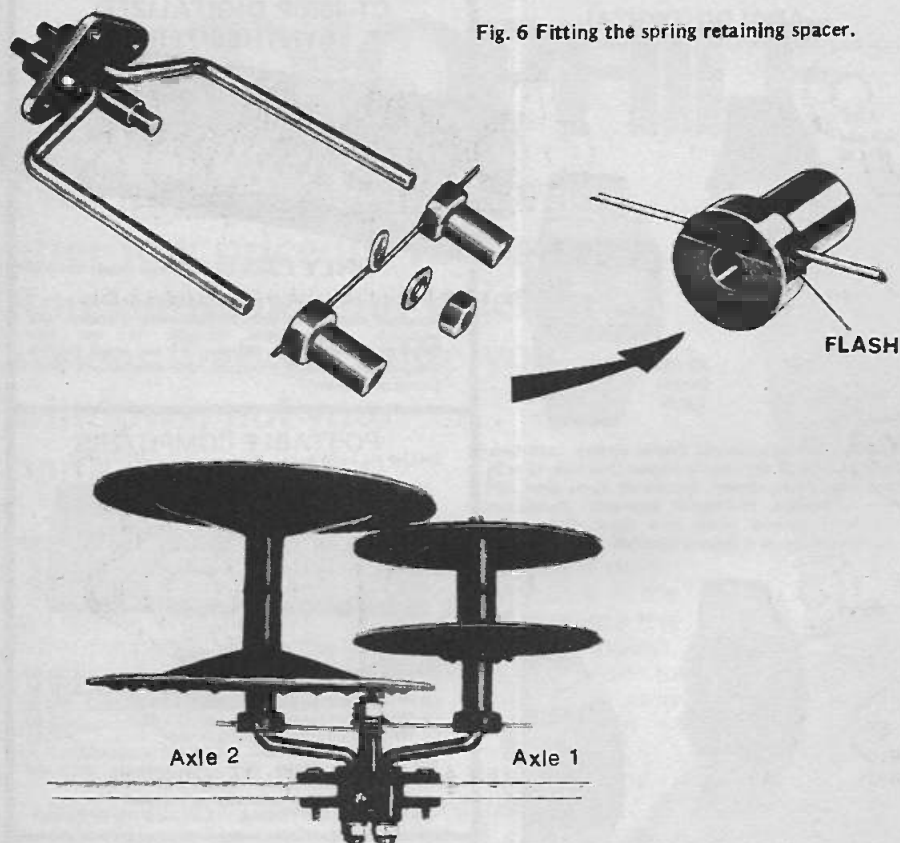


Fig. 6 Fitting the spring retaining spacer.

sections, and the nuts fitted on the inside and tightened.

It will be noted that the screws now protrude further through the nuts than previously; this is because the number 6 section has been omitted. However, it is not recommended that the screws be shortened since at some later stage you may wish to use this particular section of the gearbox.

Having thus fitted the screws through the gearbox and retained them, the sprocket wheel with the larger boring is fitted over the spindle which now protrudes through the outside of the chassis. A back nut is first fitted to the spindle and tightened up against the shoulder of the thread. The two halves of the sprocket wheel are then aligned and fitted on to the main drive spindle. The sprocket is retained in position by the fitting of the 8 mm nut on the outside.

Final Assembly

With both chassis side plates thus assembled, they can be introduced into the chassis pan and the 11 self-tapping screws used to hold each side plate to the pan. The previously assembled tracks are now wrapped around each set of sprockets and bogies and finally closed by fitting the closing nuts to the side plates and track plates.

It will be noted that the track tension is sloppy at this stage — this is adjusted by pulling on the take-up bracket sufficiently to take out the slop from the top of the track and, at the same time, holding the take-up bracket in this taut position while the cap head screws are tightened through the spokes of the idler sprocket.

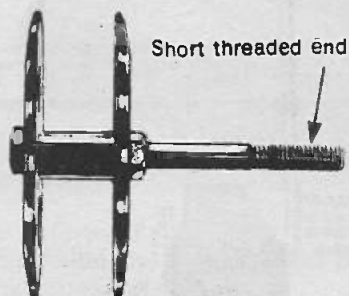
Do not take all the slack out of the track; experience and the first few runs will show exactly how tight it should be. The tension should be sufficient to give a good drive without too much noise and without too much 'flailing'.

It will also be found that when the track has been run for a few hours it will require further adjustment. This may happen on two or three occasions during its early life.

General Comments

It will be noticed that when you've finished the assembly, four holes remain at one end of the chassis pan. These are the holes which locate the custom box to carry the manipulator, which may be purchased as a separate item from Remcon. There are also some pieces of aluminium strip left over in the kit. These are for making suitable brackets to retain batteries, speed control units, and any other item that the constructor may wish to locate positively within the chassis.

Fig. 7 Mounting the bogey wheels.



The two idler sprocket wheels are those with the smaller diameter holes in their centre. They locate over the spindle and are arranged so that the two dog-couplings at the centre are engaged. The two sprocket wheels thus formed, with spokes and sprocket locations aligned, are tightened by a nut fitted on the outside of the spindle. At this stage, the nut should only be tightened lightly. It is recommended that all these nuts be finally locked into place with the use of one of the locking adhesives available, such as Screwlock. Do not use the more permanent adhesives since removal is then virtually impossible.

Setting Up The Gear Ratio

As supplied by Remcon, the drive units are set up with a ratio of 360:1. This we found to be too high and used a ratio of 60:1 for our Mobile 2. It is therefore necessary to carry out the simple operation of changing the ratio. Before doing this, or indeed opening up the gearbox for any particular reason, please ensure that the area in which you are working is clean and free from dust. The gears are pre-coated with grease and so easily pick up any pieces of swarf or dust which will cause irreparable damage if left in the gearbox.

The four long screws retaining the gearbox plates must first be removed, and the end cap with the output shaft taken off. Inside there are a series of planetary gear platforms, each one being

stamped with a number. The numbers are 3, 4, 5 and 6 and refer to the actual ratio of the platform.

Thus to set up the gearbox to a particular ratio, it is simply a question of choosing the multiples of the number to give that ratio. For example, to set up the required ratio of 60:1, then gear platforms 3, 4 and 5 are used, since $3 \times 4 \times 5$ equals 60:1. In the interests of quietness and operating efficiency it is advisable to put the highest step down, namely the largest numbered platform, nearest the motor drive unit.

The gearbox is reassembled but the screws are not fitted, the gear platforms being carefully held in place while they are fitted to the inside of the chassis member, at the opposite end to the take-up sprocket wheel. The long screws are then inserted through the four holes of the chassis and through the gearbox

NEW

CASIO WATCHES

100 METRE WATER RESISTANT

W-100
Resin
case/strap
£16.95



W-450
Stainless
steel
£22.95

Time and auto calendar. Alarm and hourly chimes. Count-down alarm timer with repeat memory function. Professional 1/100 second stopwatch. Time is always on display, regardless of display mode. Amazing 5 year lithium battery life. 12 or 24 hour display.

50M W/R

100M, W/R

200M W/R



W-35
£19.95

W-450C
£19.95

DW-1000
£39.95

W-35, W-450C and DW-1000 Divers watch. Identical functions to the W-450 above. They are all stainless steel (W-450, resin strap) DW-1000C (resin strap) £34.95

50 METRE WATER RESISTANT



AA-92W
Analog/
digital.
Stainless
steel
£25.95

W-23
(Right)
Resin
£14.95

AA-92W. LCD analog time, or digital time and calendar display (dual time). Countdown Alarm Timer and alarm have amazing moving graphics. Chimes and professional stopwatch. Night light. W-23 Identical specification to the W-450 above, but in a 50 metre W/R resin case.

WS-70 (left)
Stainless
steel
£22.95



SA-50
Chrome
Not W/R
£14.95

WS-70. Compact and ultra slim, only 5.7mm thick. Countdown alarm, professional stopwatch, alarm, hourly time signal, calendar, dual time (24 hour). SA-50. Non water resistant version, 4.6mm thick. SA-50G. Gold plated version of the SA-50 £19.95

NEW

LOWER PRICES

ANALOG/DIGITAL
The World's most versatile watches?

AX-5
Resin
£19.95



AX-250
Chrome
£24.95

Analog LCD hours/minutes. Digital display: Local time, 12 or 24 hour; 62 day calendar display; Dual time, 12 or 24 hour; Alarm time display; Countdown alarm timer with memory function; Professional stopwatch; Professional stopwatch; Optional hourly time signal; Daily alarm-electronic buzzer, or 3 optional melodies.

AQ-11
True analog
Chrome
£39.95



AQ-101
True analog
Chrome
£39.95

Classical analog with digital hours, minutes, seconds; Auto calendar; Alarm and hourly time signal; Professional stopwatch; Date memory.

MULTI ALARMS

MM-400
6 Melodies
Chrome
£29.95



CA-95 (right)
2 Melodies
Calculator
Resin
£19.95



Both have 12 or 24 hour time and calendar display; Professional stopwatch; Hourly time signal; Daily alarm with pre-alarm; Daily alarm with post-alarm; Weekly alarm/extra daily alarm. MM-400. Time is always on display. Dual time, 12 or 24 hour. Monthly alarm/extra daily alarm. CA-95 Calculator. CA-951 Metal version £29.95

OTHER WATCHES

J-100 Jogging pacer/computer; calculator; alarm; stopwatch. Elsewhere £18.95 Pricebeater £17.95
GM-10 invader game; alarm; stopwatch £14.95
GM-30 Battleships/Submarines version £19.95
A656A. Alarm; Dual/time; stopwatch, Chrome £9.95

NEW

KEYBOARDS

NEW

CT-1000P DIGITALIZED SYNTHESIZER



ONLY £325 Interest free credit available

10 pre-set instruments, 1,000 switchable sounds, with a protected memory for your ten favourites, 5-octave, split keyboard, programmable arpeggio or real time sequencer, transposition between -1 and +0.5 octaves. Integral amp/speaker, Output and Headphones jacks. Details on request.

PORTABLE COMPUTERS

SHARP PC-1500 Colour Computer



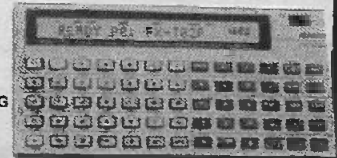
PRICEBEATERS

PC-1500 Computer (elsewhere £158.95) £157.50
CE-150 Printer/Interface (£139.95) £137.50
CE-151 4K RAM expansion module (£47.95) £46.95
CE-155 8K RAM expansion module (£77.95) £76.50
CE-15A 14 application programs on tape £14.95
16K ROM extended BASIC, 3.5K RAM (expandable), 7 x 150 dot matrix display. With clock, calendar, alarm and around 30 scientific functions on board.

Colour brochure on request
MICROL 1500 SOFTWARE - DETAILS ON REQUEST

CASIO POCKET COMPUTER

FX-702P
Usual Price
£99.95
Elsewhere
£97.95
PRICE-BEATING
£95.95



FX-702P PLUS MICROL Professional Programming Pack (worth £9.95 ONLY £99.95)

BASIC programming. Up to 1,680 program steps, up to 226 memories, 55 scientific functions.
MICROL PROCOS Visicalc type software on tape £24.95
FP-10 Printer for 702/602/601/502/501. Usually £44.95
Price elsewhere £43.95 PRICEBEATING £42.95
FA-2 Cassette interface for 702/602/1/502/1 £19.95

PROGRAMMABLES

FX-602
Usual price £74.95
Price elsewhere £71.95
PRICEBEATING £69.95
OR with MICROL Professional Programming Pack worth £9.95
ONLY £74.95
Up to 512 steps, up to 88 memories, 50 scientific functions.



CALCULATORS

Scientifics
FX-950 50 functions, 10 digits, SOLAR POWER £22.95
FX-900 8 digit version with less functions £19.95
FX-550 50f, 10d, Lithium battery. Wallet size £15.95
FX-8100 Clock, calendar, alarms, stopwatch £19.95
FX-82 £11.95, FX-100 £14.95, FX-7 £9.95, FX-5 £7.95
Calculating alarm clocks
FT-7 Fortune Teller £16.95; BG-15 Boxing game £16.95;
ML-75 Card size, 12 melody alarms £12.95; BQ-1100 Biorhythm £16.95; UC-365 Wallet £19.95; UC-360 Card size £19.95
Basic
LC-950 Metric conversions. Double display. £16.95
SL-801 SOLAR £8.95; MG-777 3 games, clock £14.95; MG-880 £10.95; MG-885 £10.95

Price includes VAT and P&P. Send cheques, PO, or phone your ACCESS, VISA or B'CARD number to:

TEMPUS

LEADING CASIO SPECIALISTS
Dept ETI
38 Burleigh Street, Cambridge CB1 1DG
Telephone: 0223 312866

DELIVERY
NORMALLY
BY RETURN

AUDIOPHILE

Ever mindful that people lust after low priced(?) hi-fi sound, Ron Harris has put together a system that will rattle your windows, not your bank manager.

There has been a distinct tendency to nag lately. I've noticed this rising tide of grumbling discourse, via the mail, sweep up the sides of my desk in the past month. When it gets to the top I'll have to open a few more, I suppose. Takes the surprise out of life, though, once you know what's in the envelopes. Far better to leave them closed and mysterious. Besides, it's good exercise climbing over them in the mornings to reach my chair.

Believe it or not this is my way of apologizing to readers for taking so long answering their letters recently. There has been something of a panic on around our offices of late and yours truly has been a little tardy in putting the letter-opener to work.

One clear request that has emerged from the SAE-laden wrappers, on more than one occasion, is for a reasonably priced system to play 'rock' music. I can only interpret that, being of soundly warped mind, as meaning a system NOT intended for classical.

The requirement would seem to be for a 'forward' presentation with a good dynamics and tight punchy bass(?). Detail is to be preserved wherever possible and the sound is not to be 'bright' or hard at high volume levels, at which the system should excel.

Doesn't sound much to ask, just the Earth and half the known Universe, is all. Anyway, never being one to refuse a challenge, here goes. Five hundred quids worth of window-rattling, cat-killing, neighbour-baiting, divorce-inducing rock. Loud, clean and detailed. I've tried to avoid the obvious few brand names that are consistently trotted out, on the grounds that it's high time we admitted that not all systems begin in Scotland and end up the same.

Lining Up For Lines

Our line-up is: Thorens TD166 II (with either Shure M97EJ or Coral MC88E cartridges), Trio KA-50 amplifier and JBL Radiance R82 loudspeakers. The option on cartridges is to allow a little 'fine-tuning' to individual taste. The two cartridges sound totally different, but both offer excellent compatibility with the JBLs.

The Shure provides a more forward and exciting presentation, while the Coral is better at retrieving mid-range detail and has a slightly better bass control. I was happy with both. Overall the system will cost you just under £500 if you shop prudently. Annoy a few retailers and see what discounts you can get on the whole system.

As both the cartridges in use have been previously reviewed in these pages little comment is needed upon



their various merits, save to quote test results and system balance findings.

All Decked Out

On the basis of starting at the beginning and going on to the end, let's look at the Thorens TD166 II first. This is a new addition to the '160' range of turntables and retails at around £100, complete with TP11 II pickup arm.

Mechanically, the deck has a lot in common with its big brother. The basic turntable assembly is sprung on a sub-chassis in a manner identical to that of the 160. I can find few differences beneath the base plate at all, in fact.

It would appear that the 166 II may well be in for a career of being purchased, only to have its arm amputated! Thorens decks in the past have often suffered this fate, right back to the faithful TD150, which performed sterling service in many a system (and still is in some). From my tests on the bench, and from listening to the deck in both this and a reference system, it seems that the 166 II would be excellent value even if it did not come complete with arm. The sound quality is very good, noise is low and unobtrusive and the floating chassis confers good isolation upon the pickup system as a whole.

The arm arrives packaged in a plastic holder, which turns out to be a mounting gauge as well. Two months ago no manufacturer did anything remotely like this, and now both Shure and Thorens have produced products which use the packaging to align the cartridge. To all things

under heaven there is a season . . . etc.

The Thorens gauge works fairly well, but being a cynic I'd still advise the use of an alignment protractor to check setting up on the turntable. These adjustments are so critical to the final sound that anything that remotely resembles a compromise should be viewed with curled lip and raised eyebrows.

Mat Matters

The TD166 is very well constructed, with a good 'feel' to it. The lift/lower control operates smoothly, if a little slowly. The arm appears to be a rigid enough structure to handle medium or high compliance cartridges and exhibited commendably low friction in both vertical and horizontal planes.

The headshell has an ingenious slotted arrangement to allow adjustment of the cartridge, but I'd like to see more contact area between cartridge body and arm, to allow better control of energy transmitted back from the stylus. This is unlikely to be problem with anything other than low compliance cartridges, however, and as you shouldn't be using these anyway, serve you right if you hit trouble.

Mustn't forget the standard gripe about the ribbed Thorens turntable mat. *Surely* it can't be easier to make these fancy indented things than a nice simple solid piece of rubber with *one* indent in the centre to accept the label?

After listening for a while with the standard mat, I replaced it with a 'Dumpa' from my own TD160S, to be returned an improved mid-range and cleaner top end. The Coral MC88E picked out the difference very clearly and suggests that if you go for this pickup, it might be worth raiding the piggy bank to get a better mat.



A de-grilled Radiance R82 — the acceptable face of hi-fi. On the backside, so to speak, you'll find the three-position treble control and some unusual rotary-locking speaker terminals.

Silk Purses Again?

The TD166 II is excellent value and is probably the best turntable and arm available in its price range. I wouldn't be suggesting all these little changes if it wasn't. No good fiddling with the listening apparatus of live pork in an attempt to generate natural fibre cash storage equipment, after all.

The arm is capable of carrying pickups of up to around £50 in value with distinction and the turntable is easily up to being used with a better arm, once the owner begins to aspire to a fi of greater elevation. The obvious candidate that comes to mind is the SME Series IIIS.

Overall a very good product indeed and a worthy addition to the Thorens range.

Briefs On Pickups

Just quickly past the two pickups, then: Shure's M97EJ features much of the technology of the V15 IV line, with its stylus damper and 'side-guard' protection system. An elliptical stylus is employed and tracking proved best at around 1.75 g (at the stylus — add 0.5 g for the stabiliser assembly). Compliance is fairly high (over 20 cu anyway) and gave no resonance problems with the Thorens.

Coral's MC88E is a low-cost high-output moving coil device, having a lot in common with the MC81, their best known pickup. The 88E also uses an elliptical stylus, but needed 2.2 g to track cleanly in the Thorens arm. Compliance is lower than that of the Shure and again produced no problems with bass resonance. Both are a good match for the deck.

There is little to choose between them in respect of output voltage either, and the Trio amplifier coped with both easily. Speaking of which . . .

Trio KA-50

With the high efficiency of the R82s, high volume levels need not demand hundreds of watts. Peak delivery still needs to be high, though, to ensure clean transients and that good bass control demanded as part of the initial specification.

A power of around 50-60 W was thought to be adequate, provided the PSU of the chosen unit did not pack up and go home when asked to play peaks.

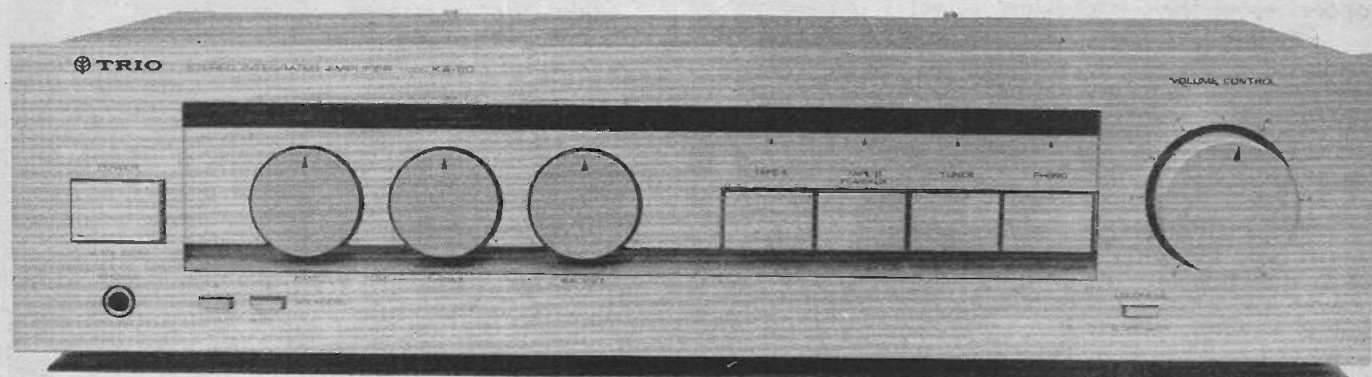
The eventual choice was the Trio KA-50, rated at 45 W RMS, but easily exceeding that on all counts. There is no shortage of good amplifiers in this price range and the Trio is a solid, well-made product with a creditable performance and sound quality. As you can see from the photos, the appearance is a little different and you will either love it or hate it. The seemingly inevitable peak meters (LEDs) are at least fairly well integrated to the front panel.

On test the KA-50 delivered 56 W into 8 R from 20 Hz to 20 kHz, both channels driven. Peak power output was around 85 W using my normal tests, although I did go through a few fuses getting that reading! Delivery is well maintained into low impedance loads and distortion is suitably non-existent (< 0.06% THD; < 0.03% IM). Output impedance wandered about a little with frequency, but the damping factor never fell below 30, even down into the bass (50 Hz).

Technically impeccable then — but since when have the Japs made something that wasn't?

Sound Stuff

In use the amp controlled the R82s well and contributed little to the overall sound of the system, as a good amp should. The mid-range, judged against absolute (and far more expensive) standards is a little muddy at times, and highly complex sounds can get a little



The front panel of the Trio amp has clean lines and a sort of classical simplicity. The photo below shows how tidy the inside is, too.

confused. For the money, though, a very good performance is offered, comparable to those NAD boxes which are (rightly) so highly rated.

There is little more to say about the KA-50 really; it did its job well, gave me no trouble and drove the speakers to budgie-killing levels. What more can one ask?

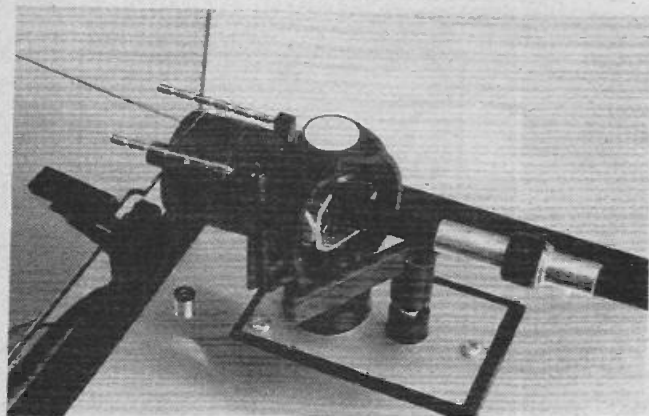
Speakers To Speak Up

JBL's Radiance series is well known by now, especially amongst those who like their music loud. The units chosen for this system, the R82s, are of reasonable proportion (21¼" high by 13½" wide by 11" deep), and are a two unit design filled with three position treble control. It was the JBL's I tried first, disconnecting my more stately KEF 105 IIs to wire them up. Rather like replacing Lord Denning with Perry Mason really — one can be relied on for the truth, the whole truth and nothing but. The other makes life interesting, if only at the expense of absolute honesty!

The R82 proved a good all-round speaker, with a very distinctive character. It is forward and a little inclined to aggression if fed low-quality material. The bass is outstanding for the size of enclosure and was cleaned-up considerably by employing open stands of around 12" height.

The treble control I never used anywhere except in 'normal' setting — it is only a marginal adjustment and makes little real difference to the final sound.

Being of the ported or bass reflex design, the R82 needs an amplifier which is capable of controlling it well. This normally means a high damping factor, to absorb the back EMF generated by the bass cone. The Trio coped well, although as would be expected, the vastly more expensive Denon PA 3000 showed that the JBLs are capable of truly outstanding bass response with an amp of very rigid control.



The pivot system of the Thorens arm — which you may wish to amputate!

In summary, the JBL can be described as an exciting speaker to listen to with good dynamics, well extended bass response and a clean top-end. The stereo image does seem to move about a bit unless you're exactly on-axis to the tweeter, however. Whether you consider this a problem will really depend on the room in which the R82 will be operating.



Systematically

Taken together I feel this system has a lot to offer for that £500. Lovers of 'middle-of-the-road' or chamber music are unlikely to get on with the presentation, which is difficult to ignore, to put it mildly! Anyone who *listens* to records will find a wealth of detail pushed out from the speakers in a very entertaining manner, which is neither bright nor hard (as some skeptics might suspect).

Ample Amplifiers

Next month it's back up the scale again, to look at some high-power (high-cost) amplifiers. We have been working on a comparison of some of the bigger beasts around for a while now and I hope to report in detail next time out.

The units concerned at present — and I will add more if Mission and others deliver in time — are: Hitachi 9500 II (a 150 W per side N-channel MOSFET design), Denon PA 3000 (a 180 W Class A monster that is huge and magnificently constructed), Crimson CK1000 (100 W of low-cost power), Carver's Cube (200 W and too small to believe) and hopefully our own System A amps for comparison. Enough people have asked why we don't review them for me to insert them into the blind listening test to see where they come out!

The same preamp is to be used for all the tests and I've chosen the Denon PRA 2000, which is my opinion is the best on the market, bar none. A detailed review of that next month, too.

The idea behind this assembly of high priced watts is to see just how far amplifier technology has come and to compare the different methods of obtaining high power.

God knows what's going to happen; I don't! I can only promise it will be interesting. The potential disasters are numerous and the chances of everything going smoothly, negligible!

ETI

THE MULTI-PURPOSE TIMER HAS ARRIVED

Now you can run your central heating, lighting, hi-fi system and lots more with just one programmable timer. At your selection it is designed to control four mains outputs independently, switching on and off at pre-set times over a 7 day cycle, e.g. to control your central heating (including different switching times for weekends), just connect it to your system programme and set it and forget it—the clock will do the rest.

FEATURES INCLUDE:-

- 0.5" LED 12 hour display.
- Day of week, am/pm and output status indicators.
- 4 zero voltage switched mains outputs.
- 50/60Hz mains operation.
- Battery backup saves stored programmes and continues time keeping during power failures. (Battery not supplied).
- Display blanking during power failure to conserve battery power.
- 18 programme time sets.
- Powerful "Everyday" function enabling output to switch every day but use only one time set.
- Useful "sleep" function—turns on output for one hour.
- Direct switch control enabling output to be turned on immediately or after a specified time interval.
- 20 function keypad for programme entry.
- Programme verification at the touch of a button.

(Kit includes all components, PCB, assembly and programming instructions).

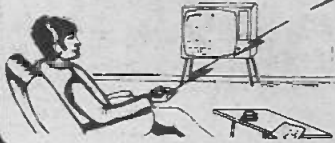


NOW ONLY £39 WITH SO MANY EXTRA FEATURES
OPTIONAL BLACK PLASTIC CASE, READY DRILLED
£2.50

HOME LIGHTING KITS

These kits contain all necessary components and full instructions & are designed to replace a standard wall switch and control up to 300w. of lighting

- TDR300K Remote Control Dimmer £14.30
- MK6 Transmitter for above £4.20
- TD300K Touchdimmer £7.00
- TDE/K Extension kit for 2-way switching for TD300K £2.00
- LD300K Rotary Controlled Dimmer £3.50



MINI KITS

MK1 TEMPERATURE CONTROLLER/THERMOSTAT
 Uses LM3911 IC to sense temperature (90°C max.) and triac to switch heater. 1KW
£4.00

MK2 Solid State Relay
 Ideal for switching motors, lights, heaters, etc. from logic. Opto-isolated with zero voltage switching. Supplied without triac
£2.60

MK3 BAR/DOT DISPLAY
 Displays an analogue voltage on a linear 10 element LED display as a bar or single dot. Ideal for thermometers, level indicators, etc. May be stacked to obtain 20 to 100 element displays. Requires 5-20V supply.
£4.50

MK4 PROPORTIONAL TEMPERATURE CONTROLLER
 Based on the SL441 zero voltage switch, this kit may be wired to form a "burst fire" power controller, enabling the temperature of an enclosure to be maintained to within 0.5°C. Max. load 3KW
£5.55

MK5 MAINS TIMER
 Based on the ZN1034E Timer IC this kit will switch a mains load on (or off) for a preset time from 20 mins. to 35 hrs. Longer or shorter periods may be realised by minor component changes. Max. load 1KW.
£4.50

3-NOTE DOOR CHIME

Based on the SAB050 IC the kit is supplied with all components, including loudspeaker, printed circuit board, a pre-drilled box (95 x 71 x 35mm) and full instructions. Requires only a PP3 9V battery and push-switch to complete. AN IDEAL PROJECT FOR BEGINNERS.
Order as XK102. £5.00

For a detailed booklet on remote control — send us 30p & SAE today.

"OPEN-SESAME"

The XK103 is a general purpose infra-red transmitter/receiver with one momentary (normally open) relay contact and two latched transistor output. Designed primarily for controlling motorised garage doors and two auxiliary outputs for drive/garage lights at a range of up to 40 ft. The unit also has numerous applications in the home for switching lights, TV, closing curtains, etc. Ideal for aged or disabled persons.

The kit comprises a mains powered receiver, a four button transmitter, complete with pre-drilled box, requiring a 9V battery and one opto-isolated solid state switch kit for interfacing the receiver to mains appliances. As with all our kits, full instructions are supplied.

Only £23.75

Extra Solid State Switch Kits (XK104) and transmitters (XK105) can be supplied.

XK104 £2.40 XK105 £10.50

THE HOME CONTROL CENTRE

This New Remote Control Kit enables you to control up to 16 different appliances anywhere in the house from the comfort of your armchair. The transmitter injects coded pulses into the mains wiring which are received by receiver modules connected to the same mains supply and used to switch on the appliance addressed. Receivers are addressed by means of a 16-way keyboard, followed by an on or off command. Since pushing buttons can become rather boring, the transmitter also includes a computer interface so you can programme your favourite micro to switch lights, heating, electric blanket, make your coffee in the morning, etc. without rewiring your house. **JUST THINK OF THE POSSIBILITIES.** The KIT includes all PCBs and components for one transmitter and two receivers plus a pre-drilled box for the transmitter.

Order as XK112 £42.00

ALL PRICES EXCLUDE VAT

DISCO LIGHTING KITS

DL 1000K
 This value-for-money kit features a bi-directional sequence, speed of direction and frequency of direction change, being variable by means of potentiometers and incorporates a master dimming control.
Only £14.60



A lower cost version of the above, featuring unidirectional channel sequence with speed variable by means of a pre-set pot. Outputs switched only at mains zero crossing points to reduce radio interference to a minimum.
Only £8.00

Optional opto input DLA1
 Allowing audio ("beat")
 —light response. **60p**

DVM/ULTRA SENSITIVE THERMOMETER KIT

This new design is based on the ICL7126 (a lower power version of the ICL7106 chip) and a 3 1/2 digit liquid crystal display. This kit will form the basis of a digital multimeter (only a few additional resistors and switches are required—details supplied), or a sensitive digital thermometer (-50°C to +150°C) reading to 0.1°C. The basic kit has a sensitivity of 200mV for a full scale reading, automatic polarity indication and an ultra low power requirement—giving a 2 year typical battery life from a standard 9V PP3 when used 8 hours a day, 7 days a week.
£15.50



REMOTE CONTROL KITS

- MK6 SIMPLE INFRA RED TRANSMITTER**
 Pulsed infra red source complete with hand-held plastic box. Requires a 9V battery. **£4.20**
- MK7 INFRA RED RECEIVER**
 Single channel, range approx. 20ft. Mains powered with a triac output to switch loads up to 500W at 240V ac. **£3.00** (RC500K—Special Price for MK6 and MK7 together: **£12.50**)
- MK8 CODED INFRA RED TRANSMITTER**
 Based on the SL490, the kit includes all components to make a coded transmitter and only requires a 9V (PP3) battery and keyboard. 8 x 2 x 1.3cm **£5.90**
- MK10 16-WAY KEYBOARD**
 For use with MK8 and MK18 to generate 16 different codes for decoding by the ML928 or ML926 receiver (MK12) kit. **£5.40**
- MK11 10-Channel + 3 Analogue a/p IR Receiver**
 Based on ML922 decoder IC. Functions include on/standby output, toggle, control of volume, tone and lamp brightness. Includes its own mains supply. **£12.00**
- MK12 16-CHANNEL IR RECEIVER**
 For use with MK8 kit with 16 on/off outputs, which with further interface circuitry, such as relays or triacs, will switch up to 16 items of equipment on or off remotely. Latched or momentary outputs—please specify when ordering. Includes its own mains supply. **£11.95**
- MK13 11-WAY KEYBOARD** For use with MK8, MK18 and MK11 kits. **£4.35**
- MK16 Mains Powered IR Transmitter**
 Mains powered for continuous operation—single channel, for applications such as burglar alarms, automatic door openers, etc. Range approx. 6ft. **£2.50**
- MK17 12V d.c. IR RECEIVER**
 For use with MK6 or MK16. Relay output with DP 3 Amp change-over contacts, may be used as latched, momentary or "break beam" receiver. Operates from 6-13V d.c. **£9.50**
- MK18 HIGH POWER IR TRANSMITTER**
 Similar to MK8 but with range of approx. 60ft. **£8.20**
- Auxiliary Kits: MK2 Solid State Relay**
 Opto-isolated with zero voltage switching. No triac supplied. **£2.60**
- MK15 DUAL LATCHED SOLID STATE RELAY**
 Comprises 2 x solid state relays, and latch for use with momentary version of the MK12. 2 output triacs required (not supplied). **£4.50**

We have the **SOFTY 2 EPROM programmer** in stock at **£169**

THE KEY TO YOUR SECURITY IS IN OUR LOCK

If the thought of car thieves, house breakers or people tampering with your electrical and electronic equipment upsets you, we have just the kit for you. Our **ELECTRONIC LOCK KIT** includes 10-way keyboard and a special IC which provides a 750mA output to drive a solenoid or relay (not supplied) when four keys are depressed in the correct sequence. This gives over 5,000 possible combinations! The sequence is wired and may be easily changed by means of a small plug and socket. A "SAVE" function is also available enabling the open code to be stored (especially useful in a car when it is left in a garage for servicing as the open code need not be disclosed). Size: 7x6x3 cms. Power Consumption is 40uA at 5V to 15V d.c.

At only **£10.50 + VAT**, it will make a smaller hole in your pocket than a bunch of keys!

Electric Lock Mechanism £13.50
 Suitable for use with existing door locks and above electronic lock kit.

24 HOUR CLOCK/APPLIANCE TIMER KIT

Switches any appliance up to 1kW on and off at present times once per day. Kit contains: AY-5-1239 IC, 0.5" LED display, mains supply, display drivers, switches, LEDs, triacs, PCBs and full instructions.

- CT1000K Basic Kit **£14.90**
- CT1000K with white box (56/131 x 71mm) **£17.40**
- (Ready Built) **£22.50**

Add 50p postage & packing +15% VAT to total.
 Overseas Customers:
 Add £1.50 (Europe), £4.00 (elsewhere) for p&p.
 Send S.A.E. for further STOCK DETAILS.
 Goods by return subject to availability.
OPEN 9am to 5pm (Mon to Fri)
 10am to 4pm (Sat)



FREE SHORT FORM CATALOGUE — send SAE (6" x 9"). We also stock Vero, Books, Resistors, Capacitors, Semi-Conductors etc.

FAST SERVICE - TOP QUALITY - LOW LOW PRICES

No circuit is complete without a call to

ELECTRONICS ETI

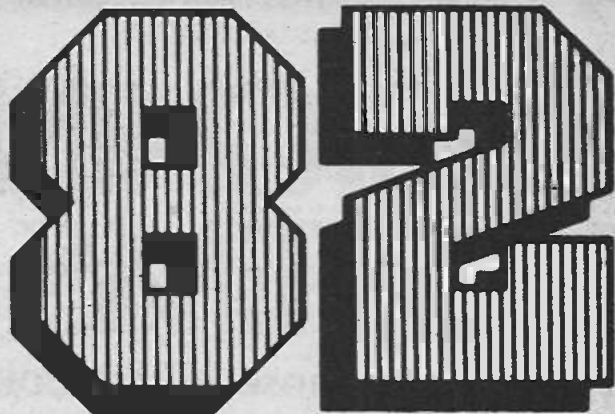
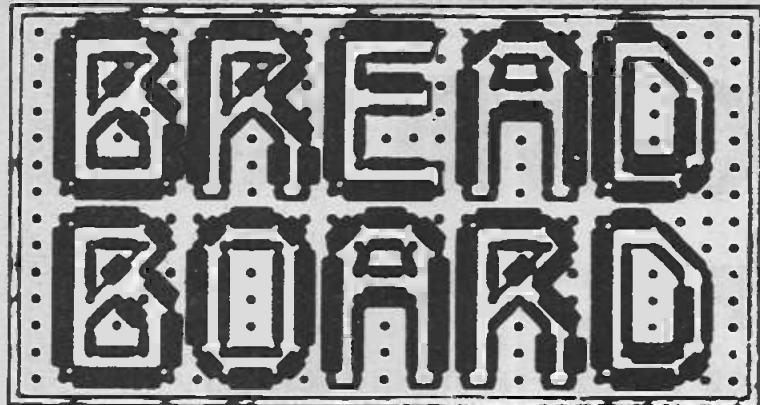
11 Boston Road
 London W7 3SJ



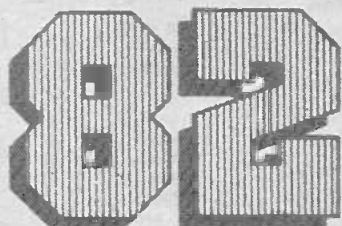
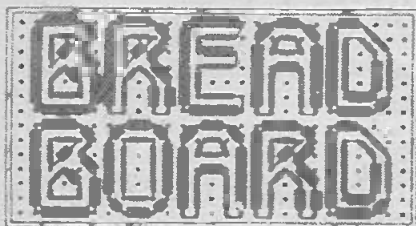
TEL: 01-567 8910 ORDERS
 01-579 2842 TECHNICAL AFTER 3PM

ENQUIRIES
 01-579 9794

BRITAIN'S LEADING EXHIBITION FOR ELECTRONICS ENTHUSIASTS



10-14 NOVEMBER 1982 at:
ROYAL HORTICULTURAL SOCIETY'S NEW HALL
GREYCOAT ST, WESTMINSTER, LONDON SW1.



MORE
COMPREHENSIVE
THAN EVER BEFORE:

- ★ COMPUTERS
- ★ AUDIO
- ★ RADIO
- ★ MUSIC
- ★ MAGAZINES
- ★ LOGIC
- ★ TEST GEAR
- ★ C.B.
- ★ GAMES
- ★ BOOKS
- ★ KITS
- ★ COMPONENTS
- ★ DEMONSTRATIONS
- ★ LECTURES
- ★ SPECIAL OFFERS

SPECIAL TICKET OFFER

For the fifth consecutive year BREADBOARD is back with even more to offer electronics enthusiasts.

This is the best opportunity to update yourself on all the latest equipment, ideas and developments.

COME AND SEE THEM IN ACTION.

Book your tickets now at this special low rate.

50^p OFF BOOK NOW

(OFFER ENDS SEPTEMBER 30th)

SPECIAL ADVANCE BOOKING PRICE
ADULTS £1.50 — STUDENTS/SENIOR CITIZENS £1.

PLEASE SEND tickets @£1.50 and tickets @£1.
I enclose cheque/P.O. for.....

NAME.....

ADDRESS

.....

.....

Send to: BB 82, Argus Specialist Publications Ltd,
145 CHARING CROSS ROAD, LONDON WC2H 0EE.



THE EXHIBITION YOU CAN'T AFFORD TO MISS

DESIGNING MICRO SYSTEMS PART 2

Bemused by those funny-looking groups of hexadecimal numbers that microprocessors use for a language? From voltages to binary, binary to hex, and hex to English — Owen Bishop does the translating.

In describing the many and complex circuits which go to make up the CPU and its peripheral devices we often refer to **information** being transferred from one to the other. Last month, it was explained that such information consists of either **instructions** or **data**. In order to understand how the several parts of a computer interact to form an operating system we need to go into more detail about these instructions and the data. In this month's instalment we pause from considering electronic aspects in order to discuss the nature of the information and the form in which it is transferred.

Information Technology?

The MPU and other integrated circuits composing the micro respond to only one kind of information. This is an electrical signal, a voltage level present on one of its input lines. To the input circuit of the IC, this level is either 0V (or so close to 0V that it counts as 0V), or +5V (or high enough to count as +5V). An instruction given to a Z80 MPU is received as a set of such voltages on each of the eight lines of the data bus. For example, the Z80 might receive a set of signals as set out in Table 1. When (and only when) these signals are present, internal logic within the Z80 is set and causes every flip-flop of the accumulator register to change state. Every 'set' flip-flop is reset, every 'reset' flip-flop is set.

The description above is in purely electronic terms, which is reasonable enough, for a Z80 MPU is a purely electronic device. When we use it in a computer and communicate with it through the agency of a keyboard, using a high-level language such as BASIC, we tend to forget that it is only a rather complicated electronic circuit. In order to make it do anything at all we have to communicate with it by sending it information (ie what we want it to do) in terms of electrical signals.

Coding For Clarity

Having looked at this from the MPU's point of view, let us look at it from ours. We are somewhat cleverer than CPUs and can take advantage of this to make things simpler for ourselves. For example, it is a cumbersome procedure to state: "To make each 'set' flip-flop become reset, and each 'reset' flip-flop become set, place +5V on line D0, +5V on line D1, . . . , and 0V on line D8." We need a way of symbolising the actions we want performed on the flip-flops, and we need a way of symbolising the signal levels to be applied to the data bus. In short, we need codes which will relate our requirements to the electronic activities of the computer. Mathematics provides us with ways of coding operations performed on the accumulator or other registers. The information sent on the

TABLE 1

DATA LINE	VOLTAGE LEVEL
D0	+5 V
D1	+5 V
D2	+5 V
D3	+5 V
D4	0 V
D5	+5 V
D6	0 V
D7	0 V

data bus is coded in another way, known as **machine code**. These codes make it much easier for us to follow the workings of the computer, to tell it what to do and to discover what it has done. They make it easier for us to discuss computer activities among ourselves. But keep in mind that these codes are used for *our* convenience to symbolise events which are essentially electronic.

Bits and Bytes

As mentioned last month, the actions of the electronic circuits of a computer are binary in nature. Voltage levels are 0V or +5V; intermediate voltages are not recognised. Flip-flops are either set or reset; there are no other stable states. Consequently, the simplest way of symbolising voltage levels is to represent them in binary form.

Conventionally, 0V is represented by the numeral '0', while +5V is represented by '1'. Using this convention, we only have to write out a row of eight such binary digits to represent the eight voltage levels on the data bus. In doing this we use another convention, that the digits refer to lines D0 to D7, in numerical order, written from right to left. We usually split the eight binary digits (or **bits**, a shortened form of the words 'BInary digiT') into two groups of four bits each. A group of eight bits is referred to as a **byte**. We can write out the voltage levels of Table 1 as a single byte:

0010 1111

A set of bits representing a set of voltage levels which are interpreted by the MPU as an instruction is called an **op code**.

The action of flip-flops is binary too — we can represent the state of the flip-flops of the accumulator or other registers as a set of bits. The accumulator of the commonly-used MPUs has eight flip-flops, so its contents may be represented by a byte. The Z80 and 6502 are of this type. If the contents of the accumulator are, say, '0101 1100', the op code 0010 1111 instructs the Z80 to change every '0' into a '1' and every '1' into a '0', so that the contents become '1010 0011'.

Such an operation has a mathematical name; we call it **complementing**. If we symbolise the accumulator contents as A, and the inverse of its contents as \bar{A} , the whole operation can be represented by the equation:

$$A - \bar{A}$$

(A is replaced by \bar{A}).

We can now state what happens in much simpler (to us!) terms:

Op code 0010 1111 causes operation $A - \bar{A}$

To the Z80, it is still a set of voltages causing a change of flip-flops.

Helpful Hexadecimal

Putting op codes into binary form is certainly simpler than referring to voltages in terms of their actual values, but it still has features which are inconvenient. For instance, writing out strings of 1s and 0s is tedious, and readily subject to error. It is not easy to notice the difference between 1001 1101 and 1001 1001, and the situation becomes worse when we are dealing with 16-bit codes. Although many of the early systems used switches to feed in a series of bits to the data lines, we prefer not to have to key in each bit separately. There is a simpler way of doing this.

TABLE 2

BINARY	HEXADECIMAL	DECIMAL
0	0	0
1	1	1
10	2	2
11	3	3
100	4	4
101	5	5
110	6	6
111	7	7
1000	8	8
1001	9	9
1010	A	10
1011	B	11
1100	C	12
1101	D	13
1110	E	14
1111	F	15

The hexadecimal code is a short-hand way of representing the binary code. More than this, it is a number scale in its own right. Whereas the binary scale is based on powers of two, and has only two kinds of figure (0 and 1), the hexadecimal scale is based on powers of 16 and has 16 kinds of figure. We already have 10 kinds of figure (0 to 9) available in our common decimal scale and, rather than invent six new symbols, we have adopted the first six letters of the alphabet for use as figures. Table 2 shows how this is done.

By using hexadecimal coding we are able to save time and confusion in writing out lists of instructions for the computer (programs). We are also able to make use of a 16-key keyboard for entering these instructions quickly. Against these advantages there is the disadvantage that we begin to lose sight of the binary nature of the operation of the computer. The individual 0s and 1s no longer appear in our reckoning and we are one stage further removed from the working procedures of the MPU.

One source of confusion in using several number scales is that we must be careful to state which scale we are using. For example, the digits '11' may represent 'three', if they are in the binary scale, 'eleven' if they are in the decimal scale, or 'seventeen' if they are in the hexadecimal scale. In this article we will write all binary numbers in blocks of four bits, and begin them with at least one zero. All hexadecimal numbers will be followed

by the letter H. Thus '0011' represents 'three', '11' represents 'eleven', while '11H' represents 'seventeen'.

Giving Instructions

A byte can represent any number from zero (0000) up to 255 (0000 1111 1111). It is therefore possible to specify up to 256 different instructions for the MPU, using just one byte. Such a set of op codes is called the **instruction set**. Examples of the instruction set of the Z80 are listed in Table 3. The Z80 can respond to more op codes than listed there; in fact, its instruction set contains over 500 different instructions. This is more than 256, so some of these are coded by using two bytes. Such a large instruction set makes it a very powerful MPU.

On the other hand, the 6502 has a relatively restricted set, consisting of only 148 instructions, yet remains a popular MPU in spite of this. There is no doubt that the limited set makes it easier for a programmer to get to know how to use the capabilities of the 6502 to the full. Needless to say, the op codes used by different types of MPU do not mean the same thing. When a Z80 receives the op code 25H it subtracts 1 from the contents of its H register; in other words, it decrements H. If you present this same op code to a 6502 it performs the logical AND operation on all bits in the accumulator.

Taking Several Bytes

The previous example raises the next point to be considered. An operation such as 'complement' or 'decrement' involves only the register concerned. When we ask the 6502 to AND its accumulator, the MPU must be given something to AND it with. The same applies for instructions such as 'add'. If something is to be added to the accumulator, we must tell the MPU what to add.

TABLE 3

Z80 OP CODE	INTERPRETATION
00	Do nothing
04	Increment register B
05	Decrement register B
25	Decrement register H
2F	Complement accumulator
5A	Load register E with contents of register D
5E	Load register E with the contents of a memory register, the address of which is stored in registers H and L.
76	Halt
FB	Enable interrupts

The instructions which have been mentioned earlier have consisted of a single op code. Most instructions require the op code to be followed by one or more bytes to supply the data upon which the MPU is to operate.

As an example, consider the op code 25H, which tells the 6502 to AND its accumulator with something. When the 6502 has received this instruction, the next byte fed to its data bus inputs must be a byte which specifies what to AND the accumulator with. The 25H op code is what is known as a **zero-page** op code in that the single byte which follows is to be taken as an address located in page zero of memory. Since the address bus has 16 bits, it requires a double-byte to specify any given address. Zero-page addresses in a 6502 system are those which begin with 00H, for example, the address 00 32H. With zero-page addressing we do not need to send the MPU the first byte (00H) for it already knows from the op code that a zero-page address is forthcoming. We need only send the second byte (32H). Thus the full instruction is '25 32', consisting of op code (25H) followed by a single **operand** (32H). On receiving the second byte the 6502 fetches the

contents of address 00 32H from RAM, and ANDs it with the contents of the accumulator, leaving the result of this logical operation in the accumulator.

Using The (Post?) Code

Zero-page addressing is a feature of the 6502 which allows a certain range of addresses to be passed to the MPU in an economical way. As a second example, suppose that the value to be ANDed with accumulator was stored not in page zero (00 32H), but at an address higher in memory, for example, 2D 32H. This address needs two bytes to specify it, so after the MPU has received the ANDing op code, it must wait for the next two bytes before proceeding to carry out the instruction. The op code for this procedure is now 2DH (0010 1101) instead of 25H (0010 0101) as before. Looking at the binary code (which is what the MPU is looking at), we see that data line 3 is at +5V now instead of at 0V, as before. The effect of this is to make the MPU wait for two bytes and put them together to make up the full 16-bit address. Then it addresses that unit of memory, fetches the value stored there and ANDs it with the value present in the accumulator.

This second example is a triple-byte instruction, and would be written out as '2D 2D 32'. The first byte (2DH) is interpreted by the MPU as an op code. The next, though it has the same hexadecimal value, is not taken as an op code but as the first byte of a double-byte address. The MPU is able to distinguish between instructions (op codes) and data (eg addresses) by their context. It is rather like our ability to distinguish between the meanings of the word 'lead' in these two sentences:

- 1) He mended the lead pipe from the kitchen sink.
 - 2) He played the lead guitar in the local pop group.
- We know which way to interpret the word 'lead' by its context; by its relation to the other words which occur with it in the same sentence. Similarly, the op code 2DH and the partial address 2DH give rise to precisely the same set of voltages on the data bus, but they are interpreted differently by the MPU according to what has gone before. Information on the data bus can therefore be an instruction (op code) or data (eg an address).

For Immediate Attention

An address is one kind of data, but this is not the only kind. We have mentioned that the MPU fetches a value from a location in memory in order to AND it with the accumulator. This value is transferred from that location to the MPU as a byte on the data bus. Data can include values of this kind, to be used in arithmetical or logical operations, or it might be a value which is part of an instruction. For example, the op code 29H is yet another instruction to perform the AND operation, but this one ANDs the accumulator with the next value to appear on the data bus. This is often called the **intermediate mode**. Thus the instruction '29 16' tells the MPU to AND the accumulator with the value 16H. The MPU knows that 16H is a value, not part of an address, because of its context: it follows the op code 29H.

The op code D0H causes the value which follows it to be added to the value held in the program counter register. The effect of this is to make the MPU jump from one part of its program to another. This op code is only obeyed if a given condition holds true. If the result of the most recent operation has left 00H in the accumulator, the jump is effected. If not, the instruction is ignored.

Talking To The Chips . . .

Ultimately, the only way of sending information to the MPU is by means of voltages on the data lines. The only way that the MPU can send information to other parts of

the micro, and to the world outside (including us) is the same. In the simpler micro systems, including most of those specialised systems used in control applications (eg automatic washing machines and other robots), all communication is at this level.

If the system has a keyboard, it is often a 16-key hexadecimal one with perhaps a few additional function keys. Readers may remember the Sinclair MK-14, the popular but primitive forerunner of the ZX80 and ZX81. This had a 16-key keypad and a reset button. Visual output was by means of an eight-digit seven-segment LED display, which displayed the figures 0 to 9 and the letters A to F. Unless you were using the tape-recorder input, one had to load a program by laboriously keying in machine code. To write one's own programs it was essential to master the machine code of the MPU, the National SC/MP 8060.

. . . In Machine Code . . .

Nowadays such systems are mainly used for industrial control applications (eg Acorn System 1) and for development of programs to run on other such systems (eg Softy). Most people prefer to be able to instruct the MPU by using a higher level language, such as BASIC, and to receive its output in graphical form on a monitor screen.

At the input and output to the MPU only machine code can be used. Since it is directly understandable by the MPU, a machine code program runs faster than one in a higher level language; it also takes up less storage space in memory. The monitor program stored in ROM (see next month's article) is in machine code. It is common for complex and lengthy software to be in code, simply to make it possible to cram it into RAM. An example is the SCRIPSIT word-processing program which is being used in preparing this article.

Many games programs such as Adventure games and the several versions of Chess are in code. Great complexity can be packed into a reasonable amount of memory and they do not take long to respond to the player's commands. Many utility programs (eg renumbering programs) are written in code because, although they are short and simple, they must be made as compact as possible in order

As an example of the MPU as a general purpose logic chip, we'll consider one operation. The logical operation called AND can be summarised like this:

INPUTS		OUTPUT
A	B	Z
0	0	0
0	1	0
1	0	0
1	1	1

Output Z is 1 if (and only if) both input A AND input B are 1, otherwise Z is 0. Many readers will be familiar with the TTL or CMOS logic gates which perform this operation for two (or more) inputs. The 74LS08 has four two-input AND gates; the CD4081 is its CMOS equivalent. When the Z80 CPU receives the instruction 29H, its logic circuits in the arithmetic logic unit (ALU, see last month) are configured as eight two-input AND gates. Each gate deals with one bit. The eight bits are ANDed simultaneously: if the accumulator holds

0010 1101

And the next byte on the data bus is

1011 0100

then the result of ANDing the corresponding bits is

0010 0100

This result then replaces the value previously held in the accumulator.

to leave plenty of vacant space in memory for the programs on which they are to operate.

... With An Interpreter ...

One factor in the rise in popularity of the microcomputer is the ease with which people unskilled in (or even totally ignorant of!) machine code are nevertheless able to program the MPU and make it do their bidding. This involves the use of a high-level language, the most popular of which is BASIC. When a BASIC program line is typed in, it is stored in memory. To save space, the words are usually coded so that each word or variable requires only one byte; the handbook usually lists the system of coding used. This gives yet another possible interpretation of a byte on the data line. For example, in the ZX81, the code FBH may be interpreted as:

- An opcode — enable interrupts
- A value — equivalent to 251 in decimal
- A code for the BASIC command 'CLS' (clear screen)

The code is interpreted according to context, which includes the mode in which the computer is operating at that time.

Once a BASIC program has been loaded and the RUN command given, the MPU reads the program from memory one byte at a time. It cannot operate directly on the bytes as it reads them. If the byte is FBH, for example, there is no way in which the MPU can directly clear the screen. At this stage the MPU is under the control of a special program called a BASIC **interpreter**. The interpreter contains the complete set of machine code instructions for the operation of clearing the screen. When FBH has been read, the MPU goes back to the interpreter program to find out what to do and how to do it.

Although the MPU is working just as fast as ever, it has to go back to the interpreter program at every step in order to find out what to do. This is why a program takes so much longer to run when it is written using a BASIC interpreter. The interpreting is done line by line and, moreover, has to be repeated every time the program is run.

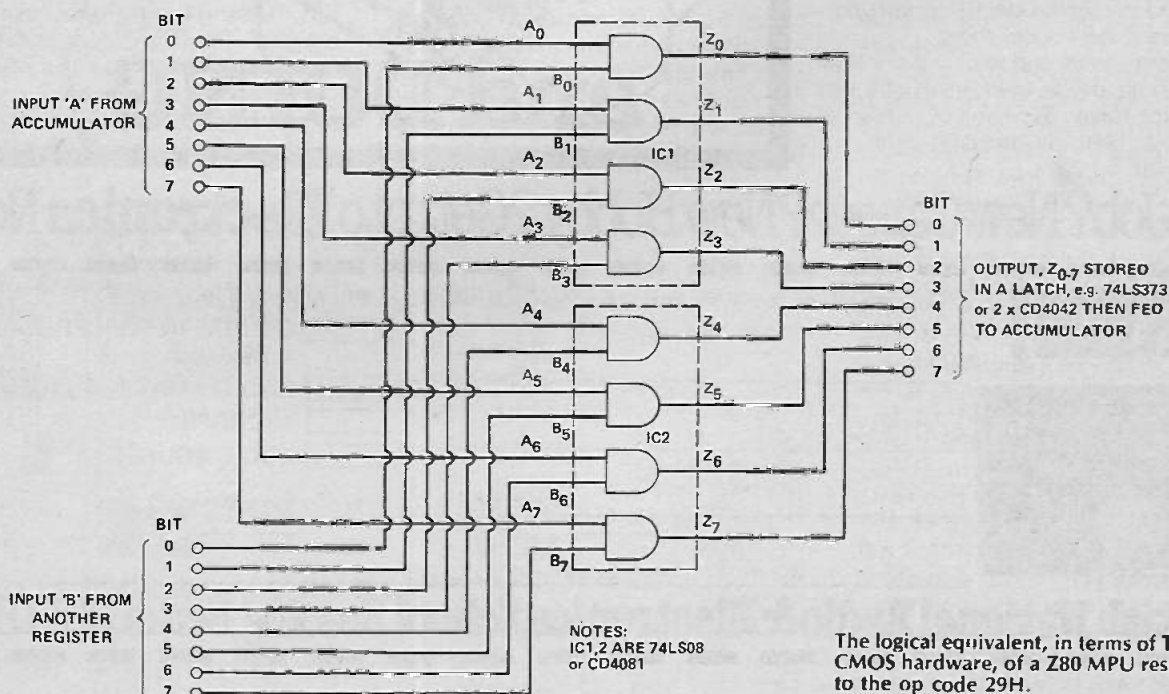
... Or By More Basic Means

A faster method is to use a BASIC compiler program. Once the program has been written, the compiler goes through it and converts it into machine code. This is done once and for all, after which only the machine code program is used. The difficulty with this approach is that the program must be recompiled if even a small change is to be made. For this reason most people prefer to put up with the slowness of an interpreter.

Many microcomputers have the BASIC interpreter already stored in ROM, so that it is available immediately the micro is switched on. Other micros have no resident language program. If you want to use a high level language, you have to load the interpreter or compiler program into RAM before you are able to enter your own programs in the high level language.

Those who prefer, or are forced for various reasons, to program in machine code can make use of yet another type of program called an **assembler**. Instructions to the MPU are typed out in a symbolic form, consisting mainly of abbreviations of the operations which are to be performed. These abbreviations are generally known as **mnemonics**, which means 'to help the memory'. For example, 'decrement register H' is written as 'DEC H'. When the assembler is run, the op code 25H is assembled into the machine code program. The assembler can convert decimal numbers to hexadecimal, removing a constant source of headaches for the programmer, and can calculate the hexadecimal values required in jumping from one part of memory to another. Provided it is well written, an assembler can be of great assistance, yet it is not too far removed from machine code. The programmer is dealing with particular registers within the MPU and specifying each step of operation of the MPU. If it is *not* well written (and some assemblers are not), then one might just as well learn the commonly-used op codes, have a table of op codes handy, and work out the hexadecimal values on a scrap of paper. Once you have gained a little insight into its peculiarities there is really nothing quite as satisfying as talking direct to your MPU in its own language!

LOGICAL OPERATIONS IN THE MPU



The logical equivalent, in terms of TTL or CMOS hardware, of a Z80 MPU responding to the op code 29H.

MASTER ELECTRONICS NOW! The PRACTICAL way!

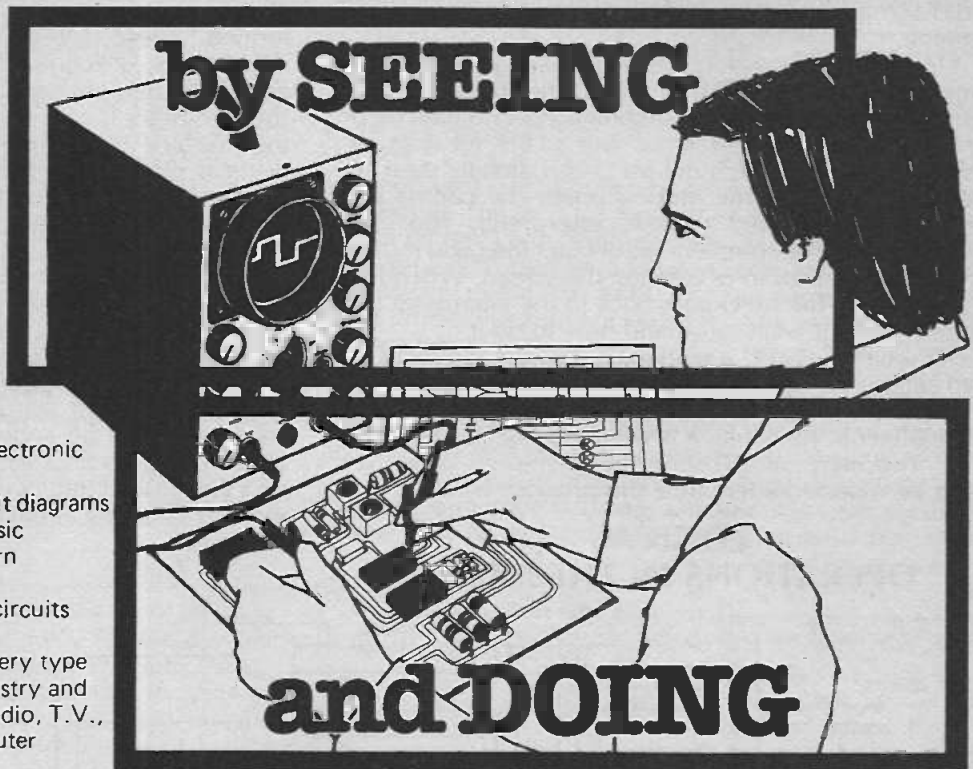
This new style course will enable anyone to have a real understanding of electronics by a modern, practical and visual method. No previous knowledge is required, no maths, and an absolute minimum of theory.

You learn the practical way in easy steps mastering all the essentials of your hobby or to start or further a career in electronics or as a self-employed servicing engineer.

All the training can be carried out in the comfort of your own home and at your own pace. A tutor is available to whom you can write personally at any time, for advice or help during your work. A Certificate is given at the end of every course.

You will do the following:

- Build a modern oscilloscope
- Recognise and handle current electronic components
- Read, draw and understand circuit diagrams
- Carry out 40 experiments on basic electronic circuits used in modern equipment
- Build and use digital electronic circuits and current solid state 'chips'
- Learn how to test and service every type of electronic device used in industry and commerce today. Servicing of radio, T.V., Hi-Fi and microprocessor/computer equipment.



New Job? New Career? New Hobby? Get into **Electronics Now!**

FREE!

COLOUR BROCHURE



POST NOW TO:

Please send your brochure without any obligation to

I am interested in:

ETI/9/82

NAME _____

ADDRESS _____

COURSE IN ELECTRONICS as described above

RADIO AMATEUR LICENCE

MICROPROCESSORS

LOGIC COURSE

OTHER SUBJECTS _____

BLOCK CAPS PLEASE

British National Radio & Electronics School Reading, Berks. RG1 1BR.

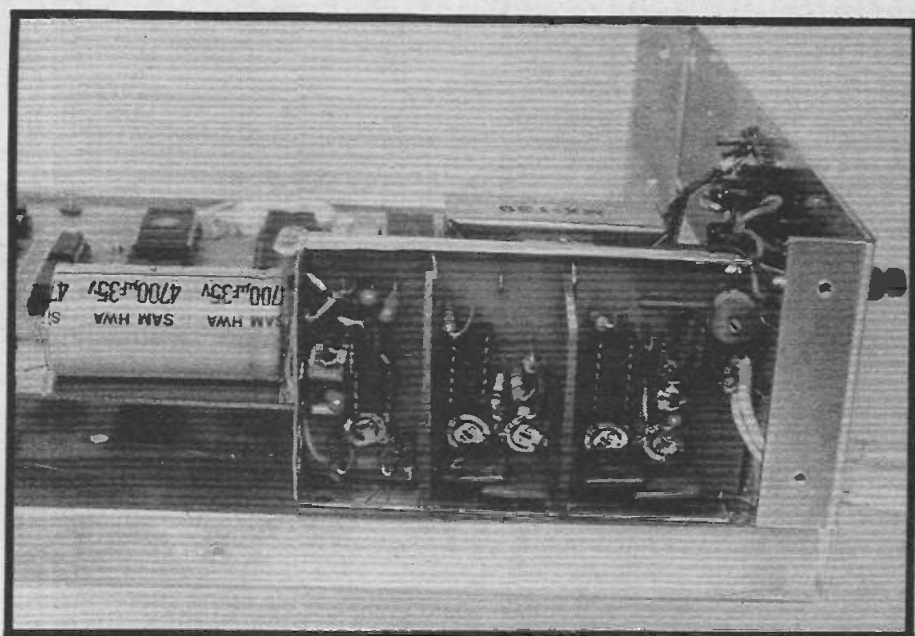
RUGBY CLOCK PART 2

MSF Rugby is your personal atomic clock/calendar. We conclude this project with the full circuit and construction details. Design and development by Stephen Makumbi.

Construction should be straightforward for a reasonably experienced constructor, but if you haven't constructed a kit before, it is recommended that you buy the ready-built version. The PCBs are double-sided and plated-through so you'll have to buy those even if you want to assemble the components yourself (see Buylines).

It is essential to use a low power soldering iron (15 W). When soldering plated-through holes it is not necessary to have small mountains on top of the joint; sometimes a little crater is satisfactory. The way to do this is to apply the soldering iron on the joint to be soldered, leave it there for about 3 seconds then apply a very small amount of solder. The solder will be drawn through the hole (capillary action), and provided the hole looks filled, the joint should be strong enough.

Starting with the main board, solder all IC sockets then the rest of the components, with the crystal last. Fit the transformer and attach the mains lead but do not insert the ICs yet. Note that one of the transformer fixing screws is attached to the chassis so you will only fit the other screw at this stage. Fit a mains plug with a 3 amp fuse and connect the earth lead to the wide earth track on the PCB round the



The receiver board, mounted in its screened enclosure.

transformer. Connect the mains and switch on. Check that all the voltages from the power supply are correct.

On Display

Next the display board. Follow Fig. 1a to fit the edge connector. Count off 25 soldercon pins and cut the strip; do not remove the top connecting bar yet. Solder the pins into one row and do the same for the

other. Now, using long nosed pliers carefully twist the top connecting bar of the pins from side to side until they snap off.

Follow Fig. 1b to fit the switches. They remain hanging in the air until fixed to the front panel of the enclosure.

Next comes the receiver. This should also be quite straightforward. Fit all components following the component overlay diagram, again starting off with the IC sockets.

The aerial is wound on a standard long wave ferrite rod; the long wave winding is wound round a cardboard former. Remove the winding and on the same cardboard wind 400 turns (over the entire length) using 26 swg wire. Use the metal tags of one end to secure the ends of the winding. Attach to this at least a one metre length of double core insulated cable, and solder the other end to the receiver board (secure the screen to an earth track). It is highly recommended that the receiver is fitted inside a metal box for screening purposes. Also two partitions made out of PCB board should be fitted inside (see overlay diagram). If a box is used then these should be soldered on to the sides of

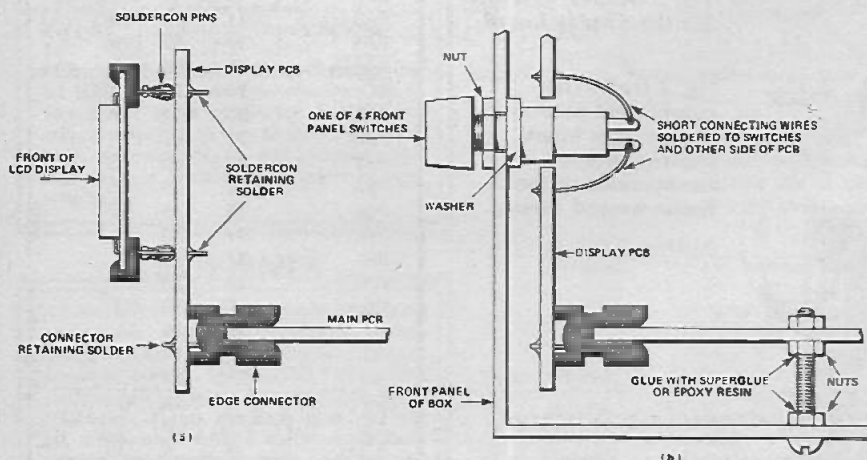


Fig. 1 How to mount the LCD display (a) and the switches (b).

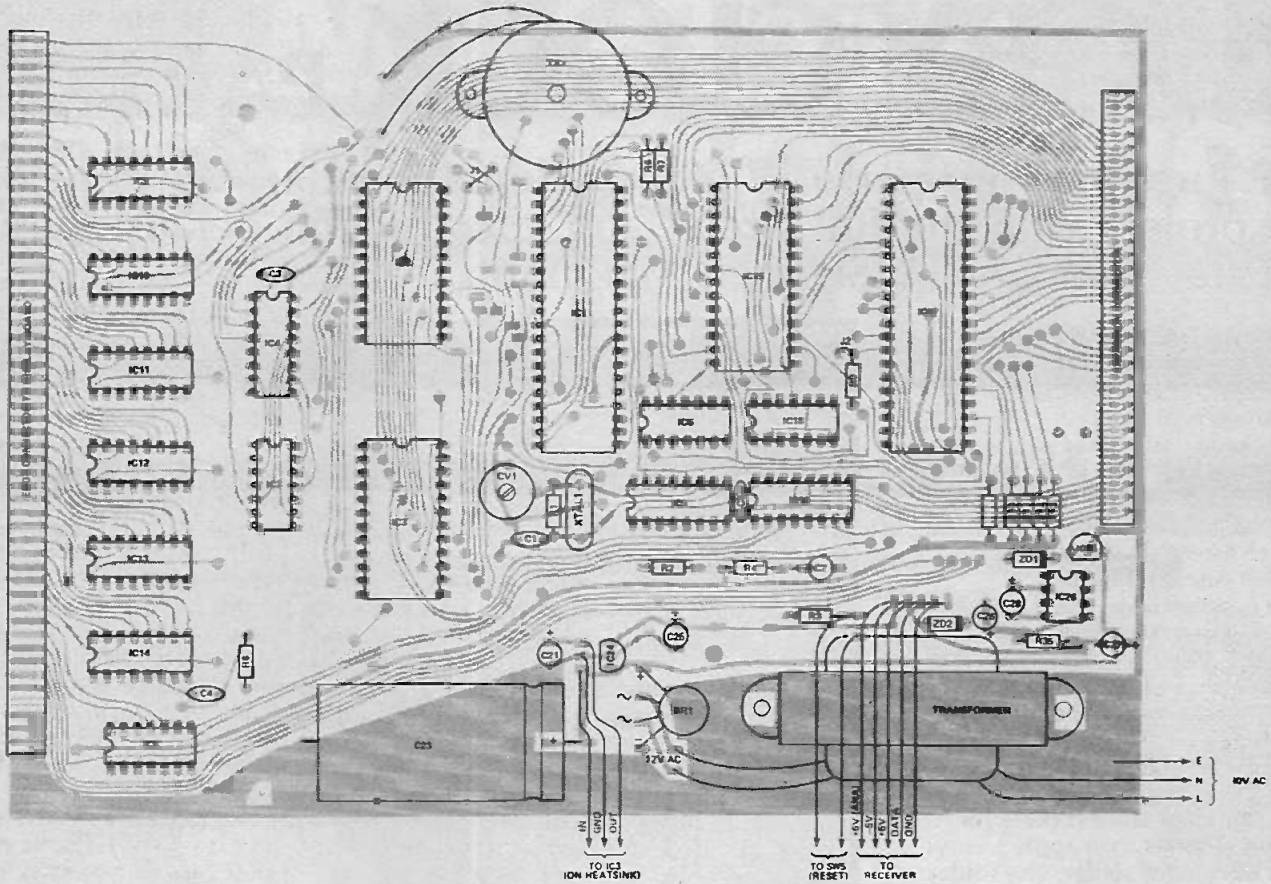


Fig. 2 Component overlay for the main board of the ETI Rugby Clock.

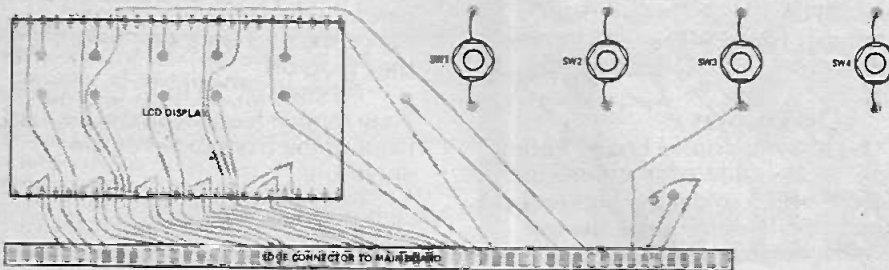


Fig. 3 (Above) Overlay for the display board.

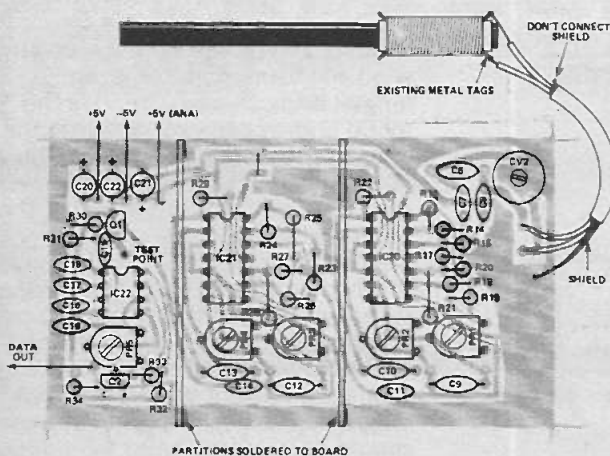


Fig. 4 (Left) The component overlay for the receiver board, showing the connections to the home-wound aerial.

EXPANSION SOCKET PINOUT

CS '0C'	63	64	CS '08'
CS '14'	61	62	CS '10'
CS '1C'	59	60	CS '18'
	57	58	
	55	56	
	53	54	+V (UNREG)
GND	51	52	
	49	50	
	47	48	RESET
B RDY	45	46	INT OUT
INT	43	44	B STB
PA3	41	42	PA4
PA5	39	40	PA6
IORQ	37	38	MT
RD	35	36	MREQ
NMI	33	34	WAIT
PB0	31	32	PB1
PB2	29	30	PB3
PB4	27	28	PB5
PB6	25	26	PB7
D0	23	24	D1
D2	21	22	D3
D4	19	20	D5
D6	17	18	D7
A0	15	16	A1
A2	13	14	A3
A4	11	12	A5
A6	9	10	A7
A8	7	8	A9
A10	5	6	A11
A12	3	4	A13
A14	1	2	A15

PARTS LIST

Resistors (all 1/4 W, 5%)	
R1,2	1M0
R3,31,33	1k0
R4-7,9-13,18-20,22,25-27,29	10k
RB,14-17	100k
R21	300k
R23,24,30	2M2
R28	470k
R32	2k2
R34	4k7
R35	10R
Potentiometers	
PR1-4	47k miniature horizontal preset
PR5	10k miniature horizontal preset
Capacitors	
C1	30p ceramic
C2,20-22,24,25	2u2 16 V tantalum
C3,5,14-16	22n ceramic
C4,18	10n ceramic
C6,9,10,11-13	100p silvered mica
C7,8	50p ceramic
C17,19	4n7 ceramic
C23	4700u 35 V axial electrolytic
C26	100u 16 V tantalum
C27,28	47u 16 V tantalum
CV1	30p trimmer
CV2	100p trimmer
Semiconductors	
IC1	Z80 CPU
IC2	2732
IC3	4118
IC4,19	74LS138
IC5	4049B
IC6	74C00
IC7	74C04
IC8	4070B
IC9-14	4056B
IC15	Z80 CTC
IC17	Z80 PIO
IC18	74C90
IC20,21	TL074
IC22	NE567
IC23	7805 (TO3)
IC24	78L05 (TO92)
IC25	78L12 (TO92)
IC26	ICL7660CPA
ZD1	2V7 400 mW zener
ZD2	5 V 400 mW zener
BR1	1A5 bridge rectifier
Miscellaneous	
XTAL1	2 MHz crystal
SW1-5	miniature push-buttons
TX1	PB-2720 buzzer
PCBs (see Buylines); LCD six-digit display; 12 V 500 mA mains transformer; single 54-way 0.1" edge connector; dual 32-way edge connector; 26 swg enamelled copper wire; long wave ferrite rod assembly (3/8" diameter); IC sockets and soldercon pins; case to suit.	

BUYLINES

A complete kit of parts including the PCBs and case will be available from Technomatic Ltd, 17 Burnley Road, London NW10 (phone 01-452 1500). Technomatic will also be supplying ready-built units. Prices are £120 plus VAT for kit, £145 plus VAT for the ready-built version. People who do not wish to buy the complete kit can get the EPROM for £12 and the set of three PCBs for £25.

the box, otherwise they should be connected to the edges of the PCB (earth track) with short pieces of solid core wire. Finally, make all the interconnections between receiver and main board.

Setting Up

You will need an oscilloscope and possibly an accurate signal generator. Insert all ICs, connect the display board and turn off your television. Move the aerial winding about 3 mm from the end of the ferrite core, and extend the cable fully. Turn PR1-4 to about "5 minutes past", then turn PR5 to about 1/4 turn from left (see layout diagram).

Switch on the mains. If the buzzer sounds press the reset button. The display should be filled with 6 dashes and two colons should be in the middle.

If you have an accurate signal generator, set it to precisely 60 kHz and wrap the output probe round the aerial. A very small amplitude indeed is all that is required. Then adjust PR1-4 for maximum amplitude with the probe at the test point. If you do not have access to a signal generator then put the oscilloscope probe at the test point and adjust PR1-4 until a pulsating signal appears. Adjust the position of

the aerial winding for maximum output, and then continue adjusting the presets for maximum amplitude.

The minimum signal should be about 200 mV peak-to-peak on the test point. Maximum is limited by the point at which the receiver starts oscillating. If this is the case at the point of optimum tuning then reduce the value of R21 slightly. On the other hand if the signal is below 200 mV after being tuned properly, then increase the value of R21 until it is above 200 mV peak-to-peak, say 300. When using a properly screened box amplitudes of above 3 V peak-to-peak are possible! The higher the amplitude the better the AGC effect.

Now carefully turn PR5 clockwise until clear blips are heard from the buzzer every time the carrier is turned off. If you have reached this far well done! — sit back and watch the display. The CPU is now searching for the synchronising pulse. When it thinks it has found one, it will generate a higher tone and an attempt will then be made to read the fast serial code. If it is validated then the right time will occur and the clock will be in Mode 1. If it's not OK (parity error, etc) then the lower tone blip will resume, meaning that it was a false synchronisation pulse (possibly noise).

SPECIFICATIONS

MODE 1 (TIME)

Face 1:	Hours, minutes, seconds (12/24 hour format), default is jumper-selectable.
Face 2:	Date, month, year.
Face 3:	Day of week, alarm tune on/off, AM/PM indicator.
Face 4:	Elapsed time since transition to automatic crystal back-up.
Face 5:	Time difference (GMT/UTC).
Back-up:	Automatic crystal clock back-up in the absence of a readable signal.
Error checking:	parity, comparison of atomic time with crystal clock, validation of max/min value of each unit where applicable.
Outputs:	All the above information is available on six decoded, unlatched ports.

MODE 2 (ALARM)

General:	Eight independent alarms with tune; eight programmable output lines in conjunction with the alarms.
Phase 1:	Display/set alarm times (eight faces).
Phase 2:	Display/set port lines (eight faces)
Phase 3:	Display/enable/disable alarms or ports (eight faces).

Outputs:	Eight TTL-compatible lines, each individually programmable; separate strobe logic available to enable multiplexing into maximum of 127 ports.
Tune:	12 bars of designer's composition, if alarm tone enabled.

MODE 3 (STOPCLOCK)

General:	Stack-orientated up-counter; up to 240 lap times may be stored; laps viewable while count is in progress.
Phase 1:	Advance top of stack and reset new top of stack (start/stop).
Phase 2:	View next time on stack (view laps).
Phase 3:	Advance top of stack and copy the previous one (latch lap).
Phase 4:	Display top of stack (view current count).
Resolution:	1/100th second
Maximum count:	99 minutes 59.99 seconds.
Output:	Current count is output on three decoded, unlatched ports every 10 mS.

COMPUTER CONTROL

It is possible to disable the switch debounce software, enabling the unit to be controlled by external logic or computer.

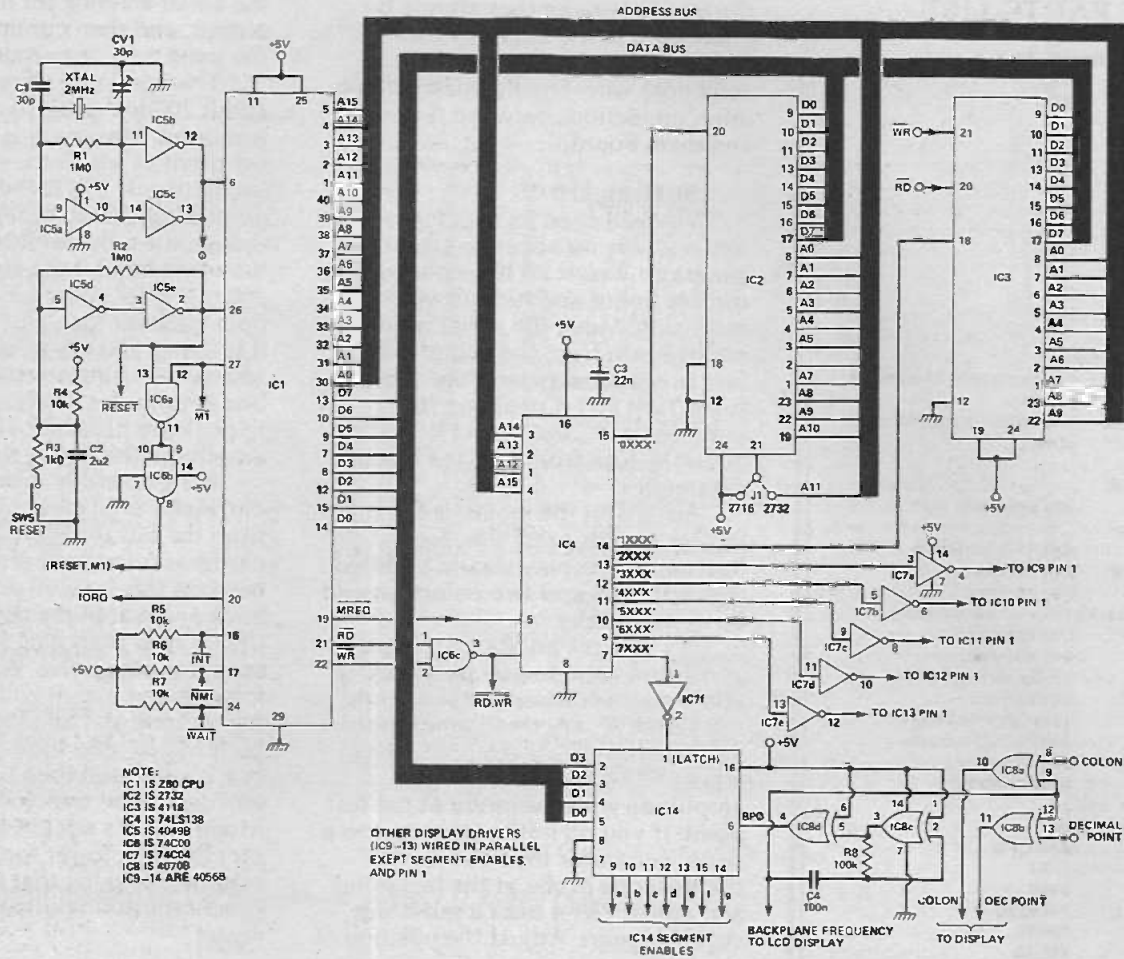


Fig. 5 Circuit diagram of the main logic section, with the master clock, address decoding and display driver circuitry.

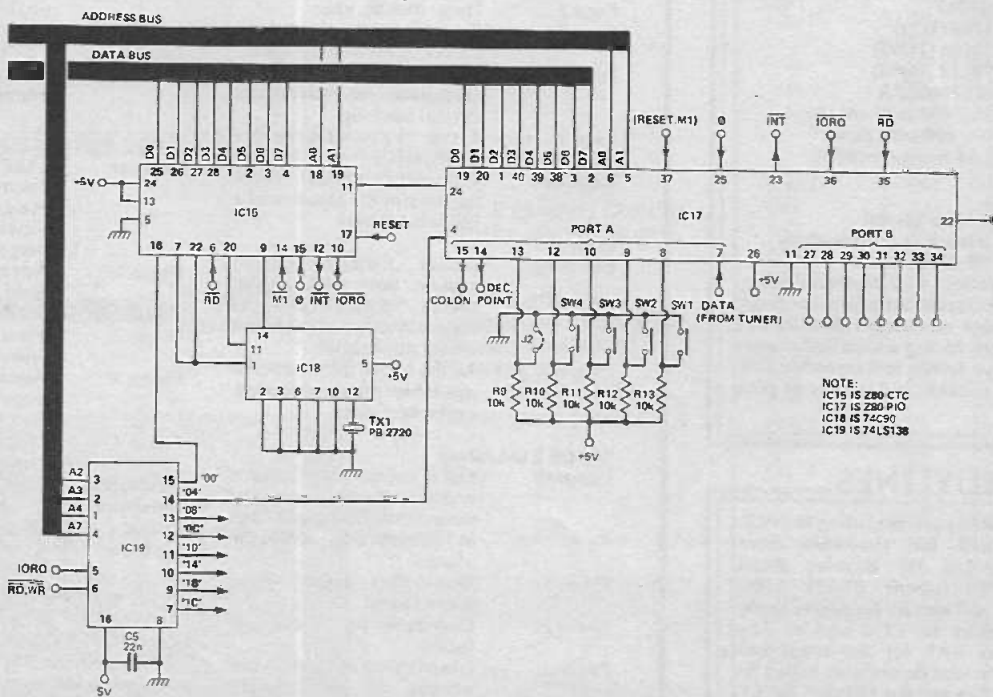


Fig. 6 The CTC and PIO section of the main board.

PROJECT : Rugby Clock

HOW IT WORKS

The first CTC in IC15 (CTC 0) generates pulses at rate of 1 kHz on its output pin (7). This is used by the unit as the main time-base. This 1 kHz is fed to the input of the second CTC, which generates an interrupt in multiples of 1 millisecond depending on the initial time constant loaded in its counter (1 count for 1 millisecond).

During the initial synchronization period, this varies considerably depending on the required delay. After synchronization the delay is set permanently to 50 mS (50 counts).

From now on every event occurs on a 50 mS boundary ie, the entire second is divided into 20 equal slots, each of 50 mS. Each slot has its own task. Some tasks are carried out at certain slot numbers in a certain second. For instance, in each second between 17 and 51, at the third slot (150 mS) the input data is sampled to get the time and date information. Since this slot is not shared by another task, the relevant software takes its time about it by implementing a software filter to reject all but the highest noise levels in the signal. This is done by taking samples over a period, counting separately the number of 1s (carrier on) and 0s (carrier off) and at the end using the greater of these two counts to decide if the bit is 1 or a 0.

To explain how the back-up function works we will start off when the clock synchronises on the fast time code on second 0 as described in the text. After verification (parity, BCD validity etc) the time is displayed and the seconds counter (and thus display) advanced every 20th slot (1 second). As it advances through the minute, one of the clock's tasks is to pick up the slow time signal and store it.

At the end of the 59th second, this saved time should equal to the current time plus 1 minute (remember it is still the 59th second). If this is so, then CTC 1 will be stopped. At this time the carrier level should be high, ready for a low which starts second '0'. The software loops until the carrier goes to a low level and initiates the

50 mS CTC, thereby synchronising with the radio time. The new time is then once again latched into the display.

If the two times don't match due to a noisy or non-existent signal, then CTC 1 won't be stopped and continues on counting as a normal crystal-controlled clock, until the next 59th second, when once again a comparison is made.

The CPU will respond to a switch request (a) if a time slot does not have a task delegated to it, (b) if a task is finished inside the 50 mS of allocated slot time, since in those two instances the CPU will be executing one of its only two instructions (!) in the whole of the main program, namely
 MAIN: EN ; Enable interrupt
 JR, MAIN ; Jump back to Main
 The rest of the program is comprised of interrupt routines which would interrupt this two instruction program.

When the alarm buzzer is active then every 50 mS is utilized by the tone generating software even if the next sound is silence! CTC2 times out at a rate which will be twice the required frequency of the tone, the pulses being output at pin 9 of IC15. These pulses are very short and would produce a harsh sound in the ceramic resonator; thus they are fed to IC18 pin 14 where they are divided by 2 to get the proper frequency as well as giving them an equal mark-space ratio. The other half of IC18 is a divide-by-5 counter with input from IC15 pin 7 (1 mS pulses) and output at pin 11 to the input of CTC 3. This division is not implemented in the present application.

CTC

The CTC contains four independent down-counters. The initial count is software-programmable and is automatically reloaded on reaching zero. The counters are decremented by one of two signals:

- The system clock after being divided by either 16 or 256
- An external clock applied on the clock/trigger input.

In either mode each channel (except channel 3) generates a short pulse on its output pin when it reaches zero. At the same time it can generate an interrupt request if programmed to do so (including channel 3).

PIO

The PIO provides 16 I/O pins divided into ports A and B, each having eight bits. If programmed to run under 'bit mode', a lot of wonderful tricks can be performed. For instance, each bit within a port can be programmed as an input or output; furthermore, all the bits that are programmed as inputs can be programmed to generate an interrupt request to the CPU, on either a negative or positive transition of the input signal. This proved handy in this application because it enabled the same port to be used for monitoring the condition of the switches as well as outputting control levels for the decimal point and colon on the display. This leaves port B completely free for mode 2 programming.

POWER SUPPLY

The 12V secondary is rectified by BR1 and smoothed by C23. IC23 produces 5V for all the logic and part of the receiver while IC24 produces 5V for the receiver's bandpass ICs.

IC26 is a DC-to-DC converter which produces an output voltage at pin 5 of opposite polarity to that present on pin 8. This IC was used instead of a conventional centre-tapped transformer splitter in order to reduce the size of the transformer, and save space which would have been taken up by another largish smoothing capacitor.

This IC has poor regulation and to overcome this problem, a higher voltage than is required is input at pin 8 (9V3) producing approximately 9V. This is then regulated by ZD2, a 5V zener diode. If the output of IC25 was connected directly to pin 8 of IC26, IC26 would be damaged since the maximum input voltage is 10V. ZD1 is added to drop this by 2V7 volts to a safe level.

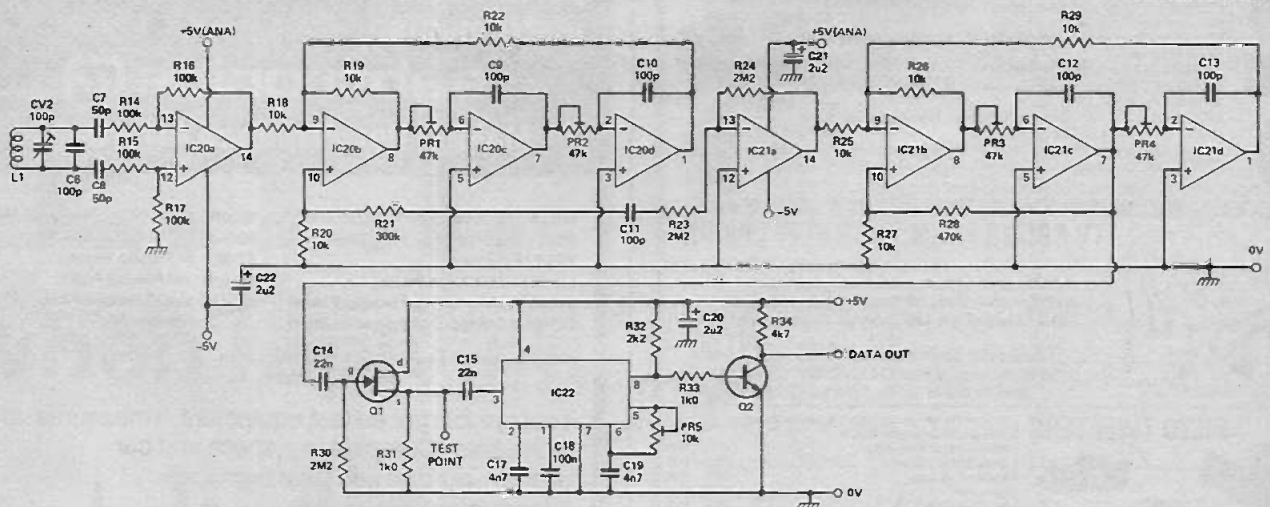


Fig. 7 The receiver board. Two positive supply rails are used to prevent switching spikes on the op-amp supply.

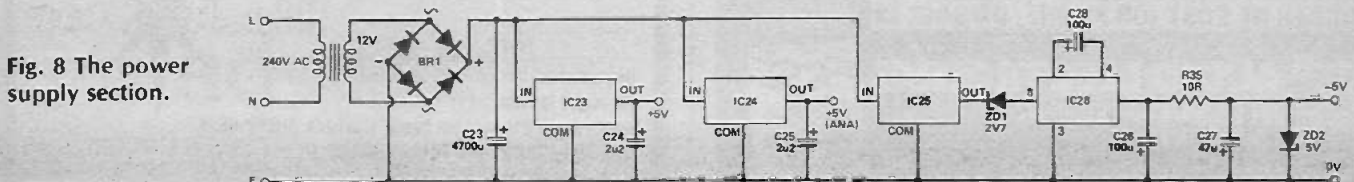


Fig. 8 The power supply section.

INFRA RED IMAGE CONVERTOR type 9696 (CV144) 1 1/2" dia. Requires single low current 3KV to 6KV supply. Individually boxed. With data £12.50 ea. 10 off £100.

INFRA RED QUARTZ LAMPS. 230V 620 Watts Size 1 3/4" x 1/4" dia. £1.50 ea. 10 off £10. 240V 1650 Watts Size 2 1/4" x 1/4" dia. £3 ea. 10 off £25.

FANS 115V 13 Watt Size 3 1/4" x 3 1/4" x 1 1/2". Secondhand £2.50 ea.

CENTAUR FANS 115V Size 4 1/2" x 4 1/2" x 1 1/2". New £4.50 ea. Secondhand £2.50 ea.

DELAY LINES 50 nanoseconds. Ground-in-out. Size 2 x 7/16 x 5/16". New 25p ea. 10 off £2.

PULSE TRANSFORMERS. Sub min size 1/2 x 5/16 x 1/4". Secondary centre tapped. New. Suitable for Thyristor triggering. 20p ea. 10 off £1.80. 100 off £15.

MOTORS 12V DC with pulley & semiconductor speed control. New £1 ea. 10 off £8.

DIAMOND H CONTROLS ROTARY SWITCH Single pole 10 way. Printed circuit mount. New 10p ea. 100 off £7. 1000 off £50.

STEPPING MOTORS — 200 Steps 20 oz/in torque. 12V/24V Input. 5 wire. £12 ea.

STEPPING MOTORS — 200 Steps 20 oz/in torque 120V Input 3 Wire. £4 ea.

STEPPING MOTORS — 5 Volt 3.3 Amp operation 2 Wire. PPS 0-220. RMP 0-250. Used £16 ea.

STEPPING MOTORS — 6/12 position can be used as a tach. 12/24V will work on 5V £1.50 ea. 5 for £8.

SINGLE PLY TELEPRINTER PAPER. Size 8 7/16" x 3 7/16". 1.25 each or 12 rolls for £12 P&P £5.60.

BLACK RIBBONS FOR TELEPRINTERS 75p each or 6 for £4.

MIN KEYBOARD Push contacts, marked 0-9 & A-F & 3 optional. £1.75 ea. 10 for £15.

KEYBOARD PAD Size 3 x 2 x 2" high with 12 Alma Reed Switches. Blue keys marked in green. 0-9 & a star with one blank. £4 ea. 5 off £15. P&P £2.50.

DON'T TAKE CHANCES Use the proper EHT Cable 10p metre. £7.50 100 metres P&P £2.

RAPID DISCHARGE CAPACITORS 8 mfd 4KV £5 each. P&P £2.

HUNTS CAPACITOR 0.1 mfd 3KV DC Wkg. Size 1 1/2" dia x 3". £1.25 ea. 10 for £10.

E. H. T. CAPACITOR 500 pf 8KV 20p each.

DECOUPLING CAPS 0.05mfd 10V; 0.01mfd; 0.047 250V; 330pf. 100 off one type £1.50

CAPACITORS at 5p each. 3300pf. 220nf 250V; 0.01mfd 180V; 0.1 uf 400V.

REMO TV Type MULTIPLIER. Two high voltage outputs & focus £1 each. 10 for £8.

RANCO 250V 18A THERMISTATS with Control Knob calibrated 50-200°C. £2.50 each.

MICROPHONE/EARPIECE INSERTS. Ex Min. Brand New wrapped. 75p ea. 10 off £6.

TRANSFORMERS — All Brand New.

Auto 240V Input 115V 1 Amp output £1.25 ea.

240V Input Sec 6V/7.95A. Size 2 1/4" x 2" x 2". Good quality £1.50 ea.

240V Input Sec 12V/100MA. Size 60 x 40 x 42mm 50p ea.

240V Input Sec 12-0-12V 50MA. Size 53 x 45 x 40mm £1 ea.

115V Input Sec 5V 250MA Size 1 1/16 x 1 1/4 x 1 1/4". 2 for 50p

240V Input Sec 2 windings 12V and 24V 1 Amp. Size 2 1/2" x 2" x 2". £2 ea.

Sub-Min 0-120-240V Input Sec 12-0-12V rated 4VA. 75p ea. 10 off £8. 100 off £46.

TOROIDAL 0-115-230V Input. Output 13.5-0-13.5V rated 8VA. £1.70 ea. 10 off £15.

TOROIDAL 0-120-240V Input. Output 0-12V; 10VA per winding. Encapsulated identical to R. S. Components at £9.40. OUR PRICE £5 ea.

TELEPHONES — P&P £1.50 ea. 5-10 units £5. Over by arrangements. 705 style Black, Grey, Blue, Green £5.50 ea. 10 off £45. Discoloured £4 ea. 10 off £27.50.

SOME EHT TRANSFORMERS & CAPACITORS always available — please enquire.

VARIACS — 2 Amp. Ex-equipment. Good condition. £12 ea. P&P £3.

TRANSISTOR INVERTOR. 115V AC 1.7 Amp input. Switching at 20KHZ. Output windings from Pot Core. Can be rewound or broken for components. Circuit Supplied. £1.25 ea. P&P £2. 10 off £10 Carriage £5.

Convert this unit to a **SUPER BATTERY CHARGER.** Attractive green military quality case — removable top/bottom plates — heavy duty power switches — high power resistors to control current — centre mounted amp meter — wing nut terminals on front panel for connecting leads. £3.50 ea. P&P £5 FOUR UNITS £12 Carriage £5.

Miniature **VARIAC** 0.5 amp in Blue Case size 10 1/2 x 6 1/4 x 6 1/4" with 20 coloured screw style 4mm sockets giving multiple voltage & current outputs. As new £12 P&P £4.

AMPLIFIER BOARD complete with Heat Sink & two output Transistors type 2N5283 Circuit supplied £1.50 ea.

CABLE TIES Black 13cm long or White 9cm. 50 for 50p.

TOGGLE SWITCH. Centre off. 20p each 10 for £1.80

4 CORE CURLY WIRE extending to 2 metres. 20p ea. 10 off £1.80; 100 off £16

Min Potentiometers — Erie, 1K Lin; 3.3K Lin; 4.7K Lin. All 15p each. 100 off £12.

WIRE WOUND RESISTORS 4 WATTS — all at 10p ea: 10 off 85p; 100 off £7

Values — 1R0; 2R2; 2R4; 750R; 22K — 1R5; 82R; 100R; 150R; 820R; 3K1; 15K.

MULTICORE CABLE. 18 Way. Multi colour. 75p per metre. 100 metre drum £55. Carr £6.

GEC 4 Button UHF TUNER £1.50 ea. 10 off £12.

GEC 6 Button UHF/VHF TUNER. £2 ea. 10 off £15.

SOLID STATE UHF TUNER 38MHz £1 ea. 10 off £8.

PHOTOMULTIPLIERS — All with information — P&P all tubes £1.50 ea.

British 2" window £2 ea; American 2" £3 ea; RCA type 2020 £4 ea. Special American by RCA £5 ea; HULLARD 180AVP Useful dia 22mm £4 ea.

HONEYWELL STRIP CHART PAPER 122r. rolls. Ref no 378528-0100

EVEN 12/68. 50p per roll, 10 rolls £4 P&P £3.50.

BLUE THERMAL PAPER 430ft roll 8 1/2" wide £1.50 per roll P&P £2. 6 rolls £6, Carr. £6.

FOR FULL COMPONENT & TEST EQUIPMENT LIST WRITE OR PHONE

MARCONI AM/FM SIGNAL GENERATOR type TF1066B/6S. 10-470MHz in 5 bands. £250 each. Carriage £5.

WAYNE KERR COMPONENT BRIDGE type B521 (CT375). Resistance 1mOhm-1000 Meg Ohm; Capacitance 5000Kuf-1pF; Inductance 1uH-500KHz. With copy of manual. ONLY £40 each. Carriage £5.

AVO VALVE TESTER type CT160 (22 valve bases) with copy of manual. £20 each. Carriage £5.

AVO TRANSISTOR ANALYSER type CT446 with copy of manual £20 each. Carriage £5.

AVO SIGNAL GENERATOR No 2 AM/FM. AM 0.45-225MHz; FM 20-100MHz. With copy of manual £75 each. Carriage £5.

MARCONI COUNTER/FREQUENCY METER TF1417/2 with Converter type TF2400/TM7265 - 500MHz. £35 each. Carriage £5.

TELETYPE PRINTERS KSR33-ASC11 Keyboard £60. ASR33 — as above with 8 bit punch and reader £75. Carriage £5 each unit.

DATA MODEM
Collins Tmx 202G
Complete 115/230 V operational
ONLY £25 each p&P £5

SINE & SQUARE WAVE AUDIO GENERATOR
Type TE22
20Hz-200KHz. Portable.
As new
ONLY £35 each P&P £4

SCOPE STYLE CASE size 7 1/2" x 7 1/8" x 13 1/4" deep with attractive blue covers & strap handle. As is a TACHIOSCOPE but ideal for the home constructor for parts. £4.50 each P&P £2.50.

PLEASE NOTE — WE WILL BE CLOSED TO CALLERS MONDAY AUGUST 9th UNTIL SATURDAY AUGUST 21st INCLUSIVE

MINIMUM ORDER OF GOODS £3. MINIMUM PACKAGING & POSTAGE £1.50. VAT at 15% MUST be added to TOTAL OF GOODS & PACKAGING, BUT PLEASE ensure sufficient monies is sent to cover PACKAGING and Postage to avoid delays in us dispatching your order. CALLERS VERY WELCOME STRICTLY BETWEEN 9am-1pm and 2-5pm Monday to Saturday inc. BARCLAYCARD (VISA) and ACCESS taken. Official orders welcome.

CHILMEAD LTD

NORWOOD ROAD, READING

TELEPHONE NO. READING 669656

(2nd turning left past Reading Technical College in King's Road then first right — look on right for door with "Spoked Wheel")

QUALITY DOES NOT HAVE TO COST VERY MUCH!



AUDAX HI-FI - SPECIAL PURCHASES

HD20B25H4C 8" Bass mid range Bextrene cone. 40/60 watt systems. £9.95

HD24S452C 10" high performance bass. Foam suspension. 60/80 watt systems. £12.95

HD13B25H4C 5 1/2" bass mid range Bextrene cone. 40/60 watt systems. Heavy magnet. £6.95

HD13B25J Smaller magnet version. £5.95

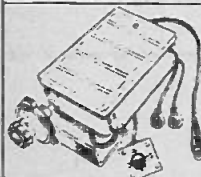
HIF20JSMC 8" bass mid range foam surround. "square" silver front. 30/50 watt system. £8.95

HIF20ESM 8" bass mid range. For 30/50 watt systems roll surround. treated cone. 4 ohm £6.95 8 ohm £7.95

HIF87BSM Q 4" closed back mid range for 30/50 watt systems. £5.50

HD100025HR 1" dome tweeter. 4" frame for 60/80 watt systems. £5.95

All models for 8 ohms unless stated. (UK Post etc. Speakers 70p, tweeters and mid range 50p).



TV SOUND FROM YOUR HI-FI (Mk III)

High quality TV sound converter, plugs into aerial socket of your FM tuner 9 volt battery operated (battery not supplied). Nothing to look at... but just listen! Covers all U.K. UHF Channels.

*Fitted slow-motion drive (Mk III) £11.50

Four button push-button version £14.50 c/p 65p. (UK Post etc. 65p)
On Demonstration for callers to 301 Edgware Road.

PIEZO TWEETERS

Clear sound. Very low distortion tweeters. No crossover required.

1. Suitable up to 100 watts — more in series
2. Mid-range horn for discoloration
3. Popular hi-fi and disco
4. Flat type hi-fi
5. Round version of No 3
6. Boxed free standing hi-fi piece

1025A £8.95
1015A £5.45
1005A £4.25
1036A £3.45
1038A £4.35
1067A £8.95

UK Post Free

On Demonstration to callers

ORDER BY POST (OR PHONE) OR CALL IN

ALL PRICES INCLUDE VAT



Cubegate Limited

AUDIO ELECTRONICS

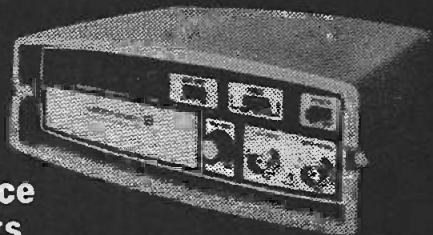
301 Edgware Rd. London W2 1BN

Tel: 01-724 3564

Also at Henry's Radio 404 Edgware Rd. W2

FREE
Catalogue
send large
20p SAE

An entire range of low-cost high-performance instruments



sabtronics

'Making Performance Affordable'

5020A 1Hz-200KHz Function Generator
2033 3 1/2-Digit L.C.D. Hand DMM
365-S Protoboard
LP-10 10MHz Logic Probe
8110A 100MHz 8-Digit Frequency Meter
8610B 600MHz 9-Digit Frequency Meter

8000B 1GHz 9-Digit Frequency Meter
PSC-65 600MHz Prescaler
AT-001 x1 Passive Probe
AT-010 x10 Passive Probe
AT-110 x1:x10 Passive Probe (Switchable)

Also Oscilloscopes 15-30MHz Single or Dual trace.

Test our low priced test equipment. It measures up to the best. Compare our specs and our prices — no-one can beat our price/performance ratio.



Illustrated brochure and price list from:

BLACK STAR LTD

9a Crown Street, St. Ives, Cambs. PE17 4EB

Tel: (0480) 62440. Telex: 32339

MAKE IT WITH
BRADLEY

Marshall's

OF LONDON

SPECIALIST ELECTRONIC COMPONENT DISTRIBUTORS
Tel: 723-4242

PROBABLY THE
LARGEST STOCK
OF ICs &
TRANSISTORS
IN-TIME SOUTH
TRY US FIRST

LARGE RANGE OF
ACCESSORIES

Plugs
Sockets
Audio Connectors
Veroboards
IC Sockets
Soldering equipment
Screw drivers
(BAHCO)
Sifam Knobs
etc.

LARGE RANGE OF
ICs

Transistors
Capacitors
Diodes
Triacs
Thyristors
Opto
Resistors
Potentiometers
Fuses
Bridges
Please send S.A.E. for list.

SPECIAL OFFER
STEINAL
MULTICHECK
£7.50
+ VAT
Normal price £10.26

BUY WITH ACCESS
BARCLAYCARD
A/EXPRESS
DINERS
Just phone we do the rest

MAIL ORDER FASTER SERVICE
PHONE
723-4242

40 WAY RIBBON
CABLE £2.20 metre
Header plugs 14 way,
16 way, 40 way

BAHCO TOOLS SIDE CUTTERS

2132 £7.10
2112 £3.40

END CUTTERS
2211 £16.43

PLIERS
2411 £6.75
2415 £6.78

ICE MULTIMETERS
Microtest 80 £16.00
Supertest 680 R £32.00
Supertest 680E £24.50

EXPERIMENTER BREADBOARD'S
EXP 325 EXP 600
EXP 350 EXP 650
EXP 300 EXP 4B

LOGIC PROBES
LP1 £31.00
LP2 £18.00

EXPERIMENTER KITS
PB6 £9.20
PB100 £11.80

PLEASE REMEMBER
To ADD 15% VAT

325 EGWARE ROAD LONDON W2 1BN

BARCLAYCARD * ACCESS * DINERS * A/EXPRESS

Please
mention

E.T.I.

when replying
to all
adverts

TOROIDALS

The toroidal transformer is now accepted as the standard in industry, overtaking the obsolete laminated type. Industry has been quick to recognise the advantages toroidals offer in size, weight, lower radiated field and, thanks to I.L.P., PRICE.

Our large standard range is complemented by our **SPECIAL DESIGN** section which can offer a prototype service within 7 DAYS together with a short lead time on quantity orders which can be programmed to your requirements with no price penalty.

- ★ 294 TYPES TO CHOOSE FROM!
- ★ ORDERS DESPATCHED WITHIN 7 DAYS OF RECEIPT FOR SINGLE OR SMALL QUANTITY ORDERS
- ★ 5 YEAR NO QUIBBLE GUARANTEE

TYPE	SERIES No.	SECONDARY VOLTS	RMS Current	PRICE
30 VA 70 x 30mm 0.45kg Regulation 18%	1a010	6-6	2.50	£5.12 -S/P £1.04 -VAT £0.92 TOTAL £7.38
	1a011	9-9	1.56	
	1a012	12-12	1.25	
	1a013	15-15	1.00	
	1a014	18-18	0.83	
	1a015	22-22	0.68	
	1a016	25-25	0.60	
1a017	30-30	0.50		
50 VA 80 x 35mm 0.9kg Regulation 13%	2a010	6-6	4.16	£5.70 -S/P £1.30 -VAT £1.05 TOTAL £8.05
	2a011	9-9	2.77	
	2a012	12-12	2.08	
	2a013	15-15	1.66	
	2a014	18-18	1.38	
	2a015	22-22	1.13	
	2a016	25-25	1.00	
2a017	30-30	0.83		
80 VA 90 x 30mm 1kg Regulation 12%	3a010	6-6	6.84	£6.08 -S/P £1.67 -VAT £1.16 TOTAL £8.61
	3a011	9-9	4.44	
	3a012	12-12	3.33	
	3a013	15-15	2.66	
	3a014	18-18	2.22	
	3a015	22-22	1.81	
	3a016	25-25	1.60	
3a017	30-30	1.33		
120 VA 90 x 40mm 1.2kg Regulation 11%	4a010	6-6	10.00	£6.90 -S/P £1.57 -VAT £1.23 TOTAL £9.80
	4a011	9-9	6.66	
	4a012	12-12	5.00	
	4a013	15-15	4.00	
	4a014	18-18	3.33	
	4a015	22-22	2.72	
	4a016	25-25	2.40	
4a017	30-30	2.00		
160 VA 110 x 40mm 1.8kg Regulation 9%	5a010	6-6	8.89	£7.91 -S/P £1.67 -VAT £1.44 TOTAL £11.00
	5a011	9-9	5.89	
	5a012	12-12	4.44	
	5a013	15-15	3.53	
	5a014	18-18	2.99	
	5a015	22-22	2.47	
	5a016	25-25	2.20	
5a017	30-30	1.86		

TYPE	SERIES No.	SECONDARY VOLTS	RMS Current	PRICE
225 VA 110 x 45mm 2.2kg Regulation 7%	6a012	12-12	9.38	£9.20 -S/P £2.00 -VAT £1.68 TOTAL £12.88
	6a013	15-15	7.50	
	6a014	18-18	6.25	
	6a015	22-22	5.11	
	6a016	25-25	4.50	
	6a017	30-30	3.75	
	6a018	35-35	3.21	
300 VA 110 x 50mm 2.6kg Regulation 6%	7a018	35-35	4.28	£10.17 -S/P £2.00 -VAT £1.83 TOTAL £14.00
	7a019	40-40	3.75	
	7a020	45-45	3.33	
	7a021	50-50	3.00	
	7a022	55-55	2.72	
	7a023	60-60	2.50	
	7a024	65-65	2.27	
500 VA 140 x 60mm 4kg Regulation 4%	8a016	25-25	10.00	£13.53 -S/P £2.20 -VAT £2.38 TOTAL £18.28
	8a017	30-30	8.33	
	8a018	35-35	7.14	
	8a019	40-40	6.25	
	8a020	45-45	5.55	
	8a021	50-50	5.00	
	8a022	55-55	4.54	
625 VA 140 x 75mm 5kg Regulation 4%	9a017	30-30	10.41	£16.13 -S/P £2.50 -VAT £2.79 TOTAL £21.47
	9a018	35-35	8.92	
	9a019	40-40	7.81	
	9a020	45-45	6.94	
	9a021	50-50	6.25	
	9a022	55-55	5.68	
	9a023	60-60	5.11	

IMPORTANT: Regulation - All voltages quoted are FULL LOAD. Please add regulation figure to secondary voltage to obtain off load voltage.

The benefits of ILP toroidal transformers

ILP toroidal transformers are only half the weight and height of their laminated equivalents, and are available with 110V, 220V or 240V primaries coded as follows:

For 110V primary insert "0" in place of "X" in type number.

For 220V primary (Europe) insert "1" in place of "X" in type number.

For 240V primary (UK) insert "2" in place of "X" in type number.

How to order Freepost:

Use this coupon, or a separate sheet of paper to order these products, or any products from other ILP Electronics advertisements. No stamp is needed if you address to Freepost. Cheques and postal orders must be crossed and payable to ILP Electronics Ltd. Access and Barclaycard welcome. All UK orders sent within 7 days of receipt of order for single and small quantity orders.

Also available at Electrovalue, Maplin and Technomatic.

Please send _____

Total purchase price _____

I enclose Cheque Postal Orders Int. Money Order

Debit my Access/Barclaycard No. _____

Name _____

Address _____

Signature _____

Post to: ILP Electronics Ltd, Freepost, 4 Graham Bell House, Roper Close, Canterbury CT2 7EP, Kent, England.
Telephone Sales (0227) 54778; Technical (0227) 64723; Telex 965780.



ILP TRANSFORMERS
(a division of ILP Electronics Ltd)

ACTIVE SPEAKER

Once upon a time ETI published a design for the most advanced DIY loudspeaker available. Now, history repeats itself . . . Design by Barry Hughes and Paul Hynes.

Although it is now some six or seven years since ETI published the ER II high quality loudspeaker system, Badger Sound Services, as suppliers of the more specialised bits for that design, still receives enquiries. The reason is not hard to find — ER II's combination of 8" bextrene coned bass drive units, 1" soft dome tweeter and carefully tailored crossover network were not only capable of seeing off commercially made speakers costing three times as much but the design was then bang up to date. The ER II was one of the earliest systems to exploit the 8" bextrene-plus-1" soft dome approach and the intervening years saw a plethora of commercially made speakers using that combination until it became almost an industry standard!

This adequately demonstrates ETI's policy of keeping that little bit ahead of up-to-date, and if we are to maintain our readers in that happy state then the time has come for an ER II replacement.

Design Philosophy

There can be little doubt that in balancing performance, domestic acceptability, simplicity of woodworking and cost, the medium size, two-way reflex system wins hands down. This particular format has been employed, for example, on several BBC monitors and if carefully designed can produce a very accurate performance.

The construction of a reflex enclosure is illustrated in Fig. 1, and it will be observed that a tubular duct extends into the enclosure. In operation the mass of air in the duct is acoustically coupled to the rear of the bass driver cone, and at low frequencies it becomes virtually a second radiator, reinforcing the output from the bass driver. Above the bass region this effect vanishes and the system behaves as a closed box. The benefits of this system are:

- slightly higher efficiency at the bottom end
- lower bass distortion since cone excursion is reduced



- ease of construction when compared with more exotic methods of bass loading.

If reflexing is to work properly, the system must carefully balance enclosure volume, port characteristics and certain drive unit properties, notably Q, free air resonance and the compliance or 'stiffness' of the suspension. It is not, as commonly thought, just a matter of tuning any old box to a given frequency and then sticking in a drive unit. Some drive units are incapable of satisfactory reflex operation and some would need enormous enclosures.

Advanced Driving

The 2040 II's bass driver is a new high performance unit by IMF Electronics, the 28/30. The 28/30 has a ribbed cone of engineered polymer (for rigid behaviour and reduced colouration), a high temperature voice coil, powerful magnet assembly and a free air resonance of typically 28 Hz. Having the right compliance characteristics, it reflexes nicely in our enclosure.

Our tweeter is also a new

product by IMF Electronics, the TW1500 soft dome unit with a foam diffraction ring. In the authors' view the TW1500 is capable of a subjective performance in advance of previous similar types, offering a smooth, detailed response to beyond audibility without the 'tizziness' of some older competitors. The new drive units are a welcome addition to the amateur's armoury and this design is the first magazine project to employ them.

On Active Service

The only item now left to consider is the crossover network. At the time of the ER II the passive crossover was universally used but the modern trend is towards the active system (known to our American friends as bi-amping).

As with a passive system, a good active crossover is dedicated to the speaker system for which it was designed. The response of the 2040 II active crossover is *not* flat and its benefits are not transferrable to other speaker systems. Sadly, therefore, and without wishing to be unhelpful, the authors cannot enter into correspondence regarding its application to other systems, the answers to which would involve extensive and expensive measurements.

Speaker Construction

The essential enclosure details and dimensions appear in Fig. 1. For two main reasons, we have not gone into very great detail: first, the precise method of construction is not critical so long as the three guiding principles set out below are observed, and second, every constructor has his own preferred way of going about things.

Every construction question which might arise can be answered by applying three guiding principles:

- The enclosure must be to the correct dimensions. Small mistakes in overall size will not matter, however, providing the internal volume does not vary more than 10% either way.



ZX Spectrum

BLUE EDIT	RED CAPS LOCK	MAGENTA TRUE VIDEO	GREEN INV. VIDEO	CYAN	YELLOW	WHITE	BLACK DELETE
1	2	3	4	5	6	7	8
DEF FN	FN	LINE	OPEN	CLOSE	MOVE	ERASE	POINT
SIN	COS	TAN	INT	RND	STR\$	CHR\$	CODE
Q	W	E	R	T	Y	U	O
ASN	ACS	ATN	VERIFY	MERGE	AND	OR	IN
READ	RESTORE	DATA	SGN	ABS	SQR	VAL	LEN
A	S	D	F	G	H	J	K
STOP NEW	NOT SAVE	STEP DIM	TO FOR	THEN GOTO	GOSUB	LOAD	LIST
LN	EXP	LPRINT	LLIST	BIN	CIRCLE	VAL\$	SCREENS
Z	X	C	V	B	INKEY\$	PI	ATTR
COPY BEEP	CLEAR INK	PAPER	FLASH	BORDER	OVER	INVERSE	PAUSE
ENTER	SPACE	SYMBOL SHIFT	BREAK	PRINT	LET	TAB	SPACE

Colour and sound...full-size 16K or 48K RAM...high-res

Proven pedigree

Following the world-beating success of the Sinclair ZX80/ZX81 – over 400,000 sold so far – comes the Sinclair ZX Spectrum. The ZX81 is, and will continue to be, the ideal introduction to computing – with up to 16K RAM available, and the ZX Printer. The ZX Spectrum offers even more computing capability, with colour and sound, up to 48K RAM, and high-resolution graphics.

Professional power... more capacity...personal computer price!

The power of the Sinclair ZX Spectrum comes from a new 16K BASIC ROM. So, in addition to the features of the ZX81, the ZX Spectrum gives you a full 8 colours, a sound generator, high-resolution graphics and many other features – including the facility to support separate data files.

The storage capacity of any computer is governed by the amount of RAM. The ZX Spectrum comes in two versions – with 16K, or a really massive 48K, of RAM. Yet even the 48K RAM version costs only £175 – compared to £125 for the 16K RAM model.

Many people will opt for the full 48K RAM from the outset, but if you do decide to start with the 16K version, you will be able to return your ZX Spectrum for a 48K RAM upgrade at a later date – at a cost of around £60.

A growing system

Your ZX Spectrum comes with a mains adaptor, all the necessary leads to connect to most cassette recorders and TVs (colour or black and white), and two manuals. If you're new to computing, you'll find both manuals of immense help.

Together, they represent a course in BASIC programming from first principles to advanced techniques. But if you already have experience of computers, you can skip much of the groundwork, and move straight into the colourful world of ZX Spectrum professional-level computing.

Either way, you don't have to stop there. The ZX Printer – available now – is fully compatible with the ZX Spectrum. And later this year there will be Microdrives for massive extra on-line storage, plus an RS232/ network interface board.

The ZX Printer – available now

Designed exclusively for use with the Sinclair ZX range of computers, the printer offers ZX Spectrum owners the full ASCII character set – including lower-case characters and high-resolution graphics.

A special feature is COPY, which prints out exactly what is on the whole TV screen without the need for further instructions. Printing speed is 50 characters per second, with 32 characters per line and 9 lines per vertical inch.

The ZX Printer connects to the rear of your ZX Spectrum and a roll of paper (65 ft long x 4 in wide) is supplied, along with full instructions. Further supplies of paper are available in packs of five rolls.

RS232/network interface board

For around £20, this interface – available later this year – will enable you to connect your ZX Spectrum to a whole range of printers, terminals and other computers. The astonishingly low price is possible only because the operating systems are already designed into the ROM.

Sinclair

ZX Spectrum

From only £125!

ze moving-key keyboard... solution graphics...

ZX Microdrive – coming soon

Designed exclusively for use with the ZX Spectrum, the new ZX Microdrives will revolutionise personal computing.

Each Microdrive can hold up to 100K bytes on a single interchangeable microfloppy – with a transfer rate of 16K bytes per second. And you'll be able to connect up to 8 ZX Microdrives to your ZX Spectrum – they're available later this year, for around £50.

Professional performance for only £125 – how's it done?

Quite simply, by commitment and design. Timex and ICL are adopting Sinclair technology and Sinclair BASIC under licence for future products. Sinclair is now world leader in personal computer production.

Key features of the Sinclair ZX Spectrum

Full colour – 8 colours each for foreground, background and border, plus flashing and brightness-intensity control.

Sound – BEEP command with variable pitch and duration.

Massive RAM – 16K or 48K.

Full-size moving-key keyboard – all keys at normal typewriter pitch, with repeat facility on each key.

High resolution – 256 dots horizontally x 192 vertically, each individually addressable for true high-resolution graphics.

ASCII character set – with upper- and lower-case characters.

Teletext-compatible – user software can generate 40 characters per line or other settings.

High speed LOAD & SAVE – 16K in 100 seconds via cassette, with VERIFY and MERGE for programs and separate data files.

Sinclair 16K extended BASIC – incorporating unique 'one-touch' keyword entry, syntax check, and report codes.



Do
slin
thr
Ad
thr

Co
ZX
am
16K
acc

The
set
per
om

Z
A
b
e
Si
St
Te

ZX Spectrum software: how good and how soon?

The ZX Spectrum uses an enhanced version of Sinclair BASIC, fast becoming a world standard, and unlikely to be superseded. Unique features, such as one-touch keyword entry and syntax check and report, are increasingly attracting software originators.

Building the software library is

already far advanced, and a complete catalogue will be available in the next few months. Subjects will include sophisticated games, education, 'housekeeping' and business management. The more complex packages can, of course, be used to their best advantage with the full 48K RAM version of the ZX Spectrum.



Double-manual system for the ZX Spectrum - slim introductory manual takes beginners through to programming proficiency. Advanced manual smoothes the way through difficult, complex programs.



Connect up to eight ZX Microdrives to your ZX Spectrum. Each holds up to 100K bytes on any one microfloppy. Each can transfer at 16K bytes per second - with an average access time of 3-5 seconds.



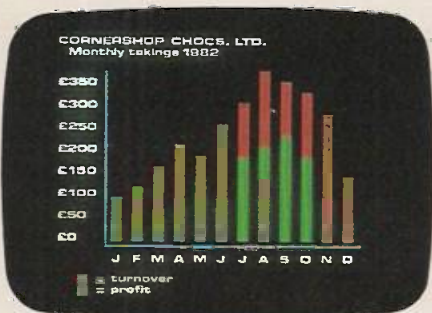
The proven ZX printer - full ASCII character set, printing at 50 cps, with 32 cpl and 9 lines per vertical inch. Reproduces exactly what's on the screen at the touch of a button.



The Sinclair ZX Spectrum can handle sophisticated games programs with high-resolution colour graphics and sound.



This major advance in computer technology maintains Britain's world-beating position in the field of personal computers.



A range of business software will soon be available, covering both specific applications (eg stock-control and payroll) and general business management systems (eg matrix models).



This second generation of Sinclair personal computers demonstrates continuing commitment. Advanced technology made the ZX80/81 family a price breakthrough: advanced technology makes the ZX Spectrum a breakthrough in price and performance.

How to order your ZX Spectrum

BY PHONE - Access, Barclaycard or Trustcard holders can call 01-200 0200 for personal attention 24 hours a day, every day.

BY FREEPOST - use the no-stamp-needed coupon below. You

can pay by cheque, postal order, Access, Barclaycard or Trustcard.

EITHER WAY - please allow up to 28 days for delivery. And there's a 14-day money-back option, of course. We want you to be satisfied beyond doubt - and we have no doubt that you will be.

To: Sinclair Research, FREEPOST, Camberley, Surrey, GU15 3BR.				Order
Qty	Item	Code	Item price £	Total £
	Sinclair ZX Spectrum - 16K RAM version	100	125.00	
	Sinclair ZX Spectrum - 48K RAM version	101	175.00	
	Sinclair ZX Printer	27	59.95	
	Printer paper (pack of 5 rolls)	16	11.95	
	Postage and packing: orders under £100	28	2.95	
	orders over £100	29	4.95	
TOTAL £				

Please tick if you require a VAT receipt

*I enclose a cheque/postal order payable to Sinclair Research Ltd for £

*Please charge to my Access/Barclaycard/Trustcard account no.

*Please delete/complete as applicable.

Please print

Signature _____

Name: Mr/Mrs/Miss _____

Address _____

ET1808

FREEPOST - no stamp needed. Prices apply to UK only. Export prices on application.

ZX Spectrum

Available only
by mail order
and only from

sinclair

Sinclair Research Ltd,
Stanhope Road, Camberley, Surrey, GU15 3PS.
Tel: Camberley (0276) 685311.

How the ZX Spectrum compares with other personal computers.

	ZX Spectrum	BBC micro model A	VIC 20	ATARI 400	TI 99/4A	TRS 80 Colour
Guide price—basic unit inc. VAT	£125	£300	£190	£300	£300	£450
Standard RAM	16K	16K	5K	16K	16K	16K
Standard RAM available using high-resolution graphics	9K	3K	N/A	7K	14K*	10K
Maximum RAM	48K	32K	29K	32K	48K	32K
Sound generator	✓	✓	✓	✓	✓	✓
Colours available	8	8	16	16	16	9
Maximum colours on screen at one time	8	4	16	5	16	8
FLASH	✓	✓				
BRIGHT—or equivalent	✓			✓		
High-resolution graphics (> 40000 pixels) available for PLOT & DRAW	✓	✓		✓		✓
User-definable graphics characters	✓				✓	
Full upper/lower case ASCII	✓	✓		✓		✓
User-definable character set	✓	✓	✓	✓	✓	
Screen display (columns x rows)	32 x 24	40 x 25	22 x 23	40 x 24	32 x 24	32 x 16
Auto-repeat on all keys	✓	✓		✓	✓	
Cassette interface for all normal recorders	✓	✓			✓	✓
Baud (data transfer) rate	1500	1200	300	1200	450	1200
LOAD & SAVE	✓	✓	✓	✓	✓	✓
VERIFY	✓	✓	✓		✓	
MERGE	✓			✓		

*But PLOT & DRAW not available

Elegant, effective, unique—the ZX Spectrum design.

'Less than half the price of its nearest competitor – and more powerful.'

'These two pictures show how it's done. On the right is the PCB from the BBC Model A Micro-computer. On the left is the PCB from the ZX Spectrum.

'It's obvious at a glance that the design of the Spectrum is more

elegant. What may not be so obvious is that it also provides more power.

'The ZX Spectrum has more usable RAM, and higher maximum RAM.

'It offers twice as many colours on the screen at any one time, plus a colour brightness control. It also offers user-definable graphics.

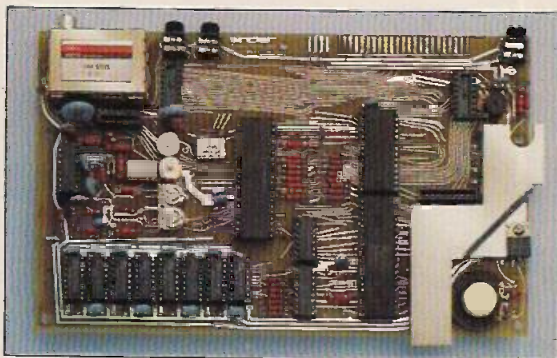
'It has data transfer rate 25%

faster, supported by a VERIFY facility.

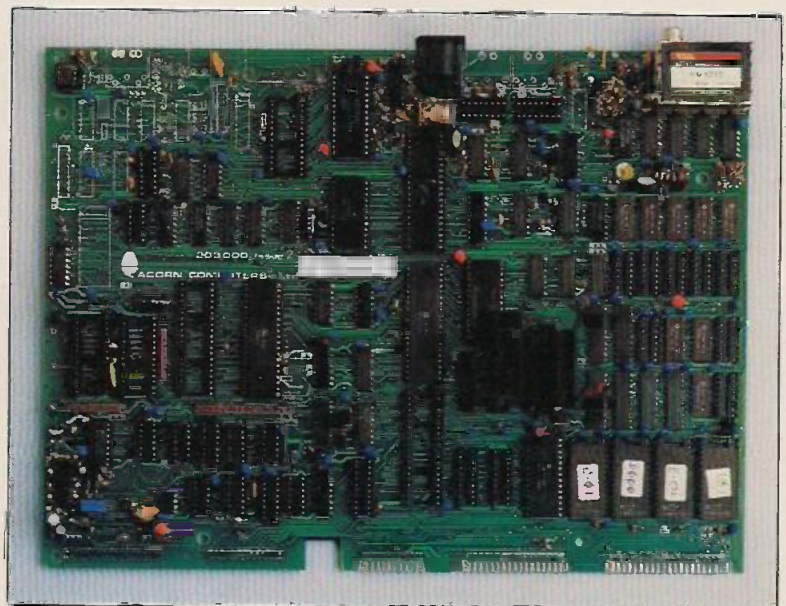
'And it employs a dialect of BASIC (Sinclair BASIC) already in use in over 400,000 computers worldwide.

'We believe the BBC make the world's best TV programmes—and that Sinclair make the world's best computers!'

— Clive Sinclair.



Above left: internal layout of Sinclair ZX Spectrum.



Right: internal layout of BBC Micro Model A.

The illustrations are to the same scale, and demonstrate the rate of advance in micro-computer design. The ZX Spectrum uses just 14 chips to provide more power and more user-available RAM.

Sinclair ZX Spectrum—technical data.

Dimensions

Width 233 mm
Depth 144 mm
Height 30 mm

CPU/ memory

Z80A microprocessor running at 3.5 MHz.
16K-byte ROM containing BASIC interpreter and operating system.

16K-byte RAM (plus optional 32K-byte RAM on internal expansion board) or 48K-byte RAM.

Keyboard

40-moving-key keyboard with full upper and lower case with capitals lock feature. All BASIC words obtained by single keys, plus 16 graphics characters, 22 colour control codes, and 21 user-definable graphics characters. All keys have auto repeat.

Display

Memory-mapped display of 256 pixels x 192 pixels; plus one attribute byte per character square, defining one of eight foreground colours, one of eight background colours, normal or extra brightness and flashing or steady. Screen border colour also settable to one of eight colours. Will drive a PAL UHF colour TV set, or black and white set (which will give a scale of grey), on channel 36.

Sound

Internal loudspeaker can be operated over more than 10 octaves (actually 130 semitones) via basic BEEP command. Jack sockets at the rear of computer allow connections to external amplifier/speaker.

Graphics

Point, line, circle and arc drawing commands in high-resolution graphics.
16 pre-defined graphics characters plus 21 user-definable graphics characters. Also functions to yield character at a given position, attribute at a given position (colours, brightness and flash) and whether a given pixel is set. Text may be written on the screen on 24 lines of 32 characters. Text and graphics may be freely mixed.

Colours

Foreground and background colours, brightness and flashing are set by BASIC INK, PAPER, BRIGHT and FLASH commands. OVER may also be set, which performs an exclusive-or operation to overwrite any printing or plotting that is already on the screen. INVERSE will give inverse video printing. These six commands may be set globally to cover all further PRINT, PLOT, DRAW or CIRCLE commands, or locally within these commands to cover only the results of that command. They may also be set locally to cover text printed by an INPUT statement. Colour-control codes, which may be accessed from the keyboard, may be inserted into text or program listing, and when displayed will override the globally set colours until another control code is encountered. Brightness and flashing codes may be inserted into program or text, similarly. Colour-control codes in a program listing have no effect on its execution. Border colour is set by a BORDER command. The eight colours available are black, blue, red,

magenta, green, cyan, yellow and white. All eight colours may be present on the screen at once, with some areas flashing and others steady, and any area may be highlighted extra bright.

Screen

The screen is divided into two sections. The top section – normally the first 22 lines – displays the program listing or the results of program or command execution. The bottom section – normally the last 2 lines – shows the command or program line currently being entered, or the program line currently being edited. It also shows the report messages. Full editing facilities of cursor left, cursor right, insert and delete (with auto-repeat facility) are available over this line. The bottom section will expand to accept a current line of up to 22 lines.

Mathematical operations and functions

Arithmetic operations of +, -, X, /, and raise to a power. Mathematical functions of sine, cosine, tangent and their inverses; natural logs and exponentials; sign function, absolute value function, and integer function; square root function, random number generator, and pi.

Numbers are stored as five bytes of floating point binary – giving a range of $+3 \times 10^{-39}$ to $+7 \times 10^{38}$ accurate to $9\frac{1}{2}$ decimal digits.

Binary numbers may be entered directly with the BIN function. =, >, <, >=, <= and <> may be used to compare string or arithmetic values or variables to yield 0 (false) or 1 (true). Logical operators AND, OR and NOT yield boolean results but will accept 0 (false) and any number (true).

User-definable functions are defined using DEF FN, and called using FN. They may take up to 26 numeric and 26 string arguments, and may yield string or numeric results.

There is a full DATA mechanism, using the commands READ, DATA and RESTORE.

A real-time clock is obtainable.

String operations and functions

Strings can be concatenated with +. String variables or values may be compared with =, >, <, >=, <=, <> to give boolean results. String functions are VAL, VAL\$, STR\$, and LEN. CHR\$ and CODE convert numbers to characters and vice versa, using the ASCII code.

A very powerful string slicing mechanism exists, using the form a\$(x TO y).

Variable names

Numeric – any string starting with a letter (upper and lower case are not distinguished between, and spaces are ignored).

String – A\$ to Z\$.

FOR-NEXT loops – A-Z.

Numeric arrays – A-Z.

String arrays – A\$ to Z\$.

Simple variables and arrays with the same name are allowed and distinguished between.

Arrays

Arrays may be multi-dimensional, with subscripts starting at 1. String arrays, technically character arrays, may have their last subscript omitted, yielding a string.

Expression evaluator

A full expression evaluator is called during program execution whenever an expression, constant or variable is encountered. This allows the use of expressions as arguments to GOTO, GOSUB, etc.

It also operates on commands allowing the ZX Spectrum to operate as a calculator.

Cassette interface

The ZX Spectrum incorporates an advanced cassette interface. A tone leader is recorded before the information to overcome the automatic recording level fluctuations of some tape recorders, and a Schmitt trigger is used to remove noise on playback.

All saved information is started with a header containing information as to its type, title, length and address information. Program, screens, blocks of memory, string and character arrays may all be saved separately.

Programs, blocks of memory and arrays may be verified after saving to confirm successful saving.

Programs and arrays may be merged from tape to combine them with the existing contents of memory. Where two line numbers or variables names coincide, the old one is overwritten.

Programs may be saved with a line number, where execution will start immediately on loading.

The cassette interface runs at 1500 baud, through two 3.5 mm jack plugs.

Expansion port

This has the full data, address and control busses from the Z80A, and is used to interface to the ZX Printer, the RS232 and NET Interfaces and the ZX Microdrives.

IN and OUT commands give the I/O port equivalents of PEEK and POKE.

ZX81 compatibility

ZX81 BASIC is essentially a subset of ZX Spectrum BASIC. The differences are as follows.

FAST and SLOW: the ZX Spectrum operates at the speed of the ZX81 in FAST mode with the steady display of SLOW mode, and does not include these commands.

SCROLL: the ZX Spectrum scrolls automatically, asking the operator "scroll?" every time a screen is filled.

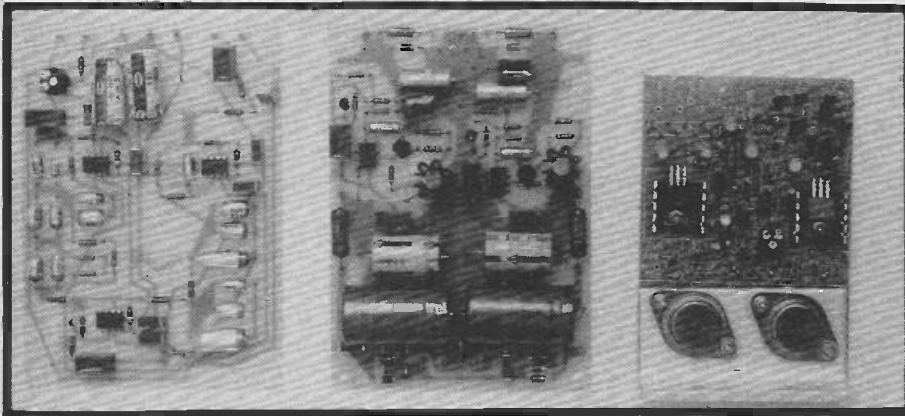
UNPLOT: the ZX Spectrum can unplot a pixel using PLOT OVER, and thus achieves unplot.

Character set: the ZX Spectrum uses the ASCII character set, as opposed to the ZX81 non-standard set.

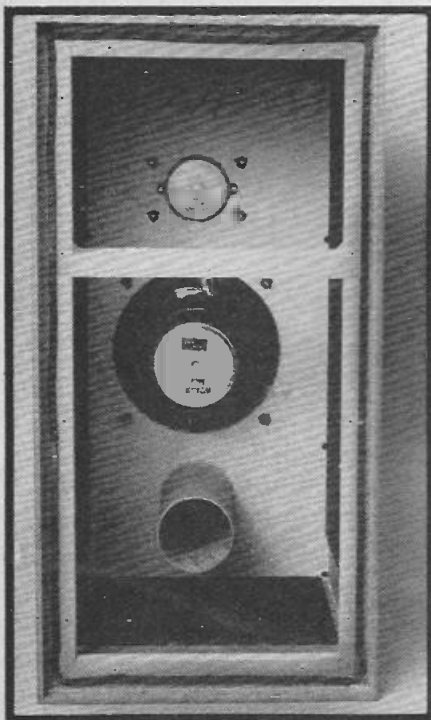
ZX81 programs may be typed into the ZX Spectrum with very little change, but may of course now be considerably improved. The ZX Spectrum is fully compatible with the ZX Printer, which can now print out a full upper and lower case character set, and the high resolution graphics; using LLIST, LPRINT and COPY. ZX81 software cassettes and the ZX 16K RAM pack will not operate with the ZX Spectrum.

sinclair ZX Spectrum

Sinclair Research Ltd, Stanhope Road, Camberley, Surrey, GU15 3PS. Tel: Camberley (0276) 685311.



From left to right we have a crossover, regulated PSU and Crimson Elektrik CE1008 power amp.



An internal view of the 2040 II.

- The enclosure must be rigid. Use only the specified timber and do not omit the bracing shelf.
- Despite the presence of a duct tube, the enclosure *must be airtight*, calling for straight cutting and plenty of glue. 90% of the battle here is to get the panels cut accurately to size by the supplier.

The timber used should be either good quality ply, chipboard of 600 or 750 grade (if offered 'roofing' grade or 'flooring' grade, take flooring grade), or solid timber if well seasoned. Chipboard will be the most readily available and the cheapest. Veneered chipboard such as 'Contiboard' is not suitable but that apart, none of the three timbers has proven sonic advantages.

The method of corner jointing is not important and can be decided by the constructor's skill. The panels can be butt jointed, dovetailed, screwed-and-glued-onto-corner-battens, pinned-and-glued — or any other method can be used which would produce rigid and airtight

results. If corner battens are used, these should be of about $\frac{1}{4}$ square section. The presence of such battening has no practical effect on performance.

Adhering To Principles

Oddly enough, a domestic loudspeaker does not need to be *strong* (as opposed to *rigid*). Many commercially made loudspeakers have glued butt-jointed or mitred corners, with no extra reinforcing, and if properly done this is adequate. Use only water-based adhesives such as Evostik Resin W or similar PVA types. Solvent-based adhesives should **not** be used since the vapours they release into the enclosure can attack the drivers. The warranty on drivers is void if other than the recommended adhesives are used.

The enclosure should be constructed as a sealed box which helps rigidity and airtightness. There is no need for either front or back to be detachable since all drivers are mounted from the front with wood screws for the tweeter, captive 'T nuts' and bolts for the bass driver. In the unlikely event of service attention being needed in the future, either driver can be removed without dismantling the enclosure.

Rebating the drivers is desirable but not essential. The treble driver will be fitted using small wood screws and appropriate pilot holes should be drilled. The bass driver will be installed with bolts and captive T nuts (supplied with the driver). To fit the T nuts, drill each fixing hole $\frac{1}{4}$ diameter. The T nut is fitted from the inside of the cabinet shell as shown in Fig. 3, the teeth being engaged in the wood and holding the nut in place. It is most easily fitted by pulling into place with a bolt and washer.

Fit two pairs of terminals (one pair for each drive unit) in the speaker back. Colour-coded screw terminals are probably best, but any type which could cause air leaks (eg jack sockets) must be avoided.

Dead Ends

To reduce bass colouration arising through enclosure wall vibration, self-adhesive damping (sound deadening) pads are fitted. Working through the bass driver hole, *carefully clean any dust or grease from inside the enclosure walls*. Prepare the self-adhesive damping pads by cutting to size (do not remove the backing paper yet). Cut to such sizes as will allow the

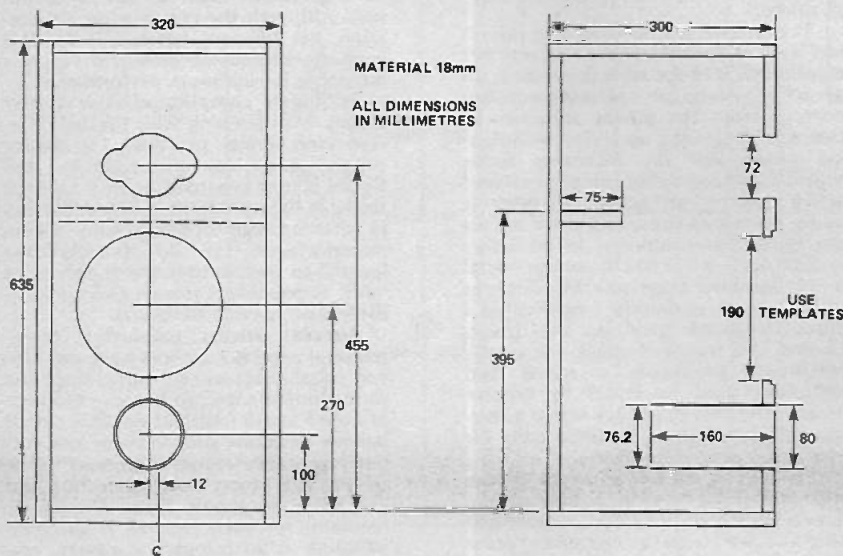
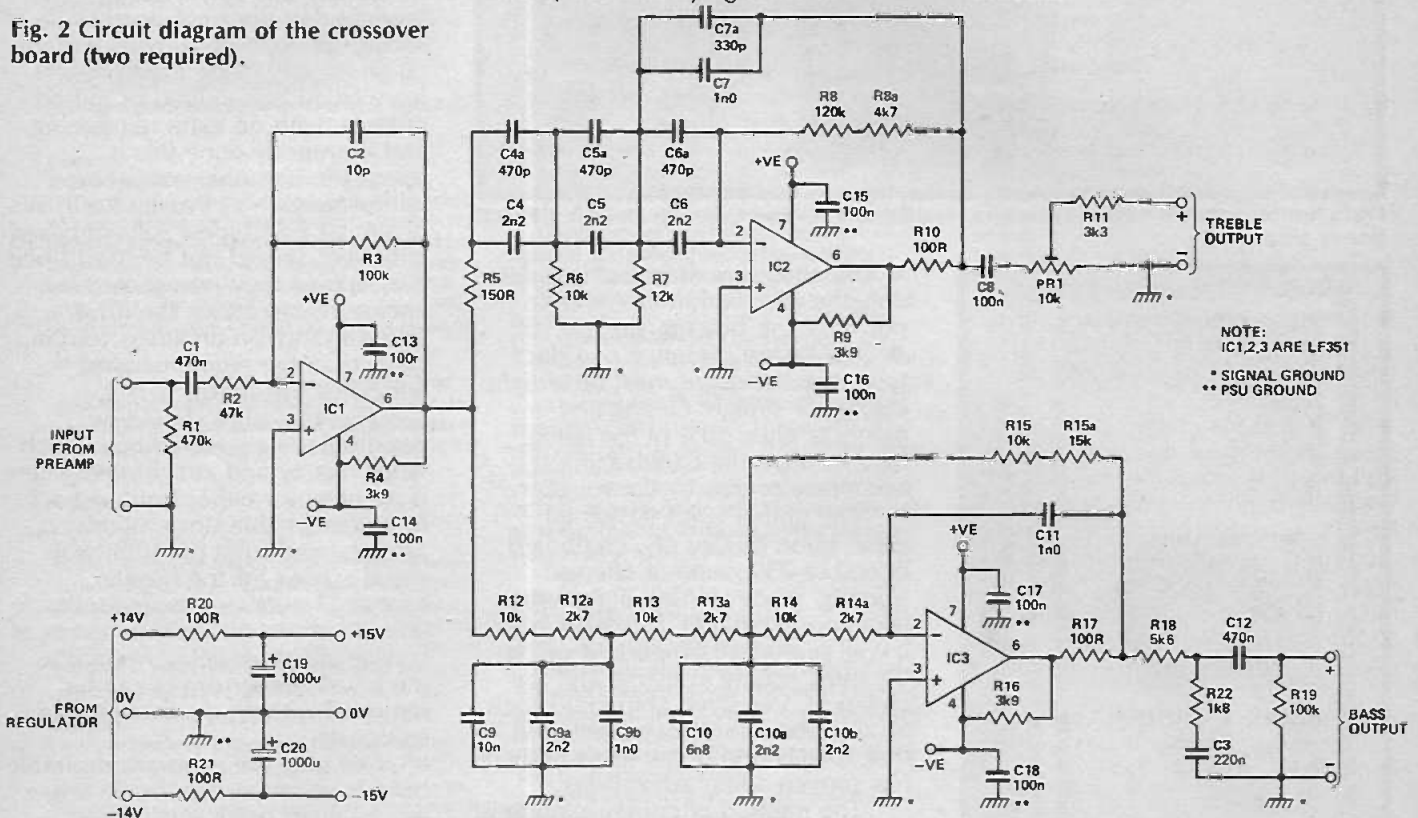


Fig. 1 Speaker dimensions. The front panel template is for the right hand speaker; it should be reversed for the left hand one. If a speaker grille is desired, the frame should be made from timber no larger than $1\frac{1}{2}$ " by $\frac{1}{2}$ ".

pads to be distributed as follows (double thicknesses are used, ie one piece of pad stuck on top of another, so 'one pad' means a full pad cut into two giving two layers):
 One and a half pads on the back panel
 One and a half pads on each

Fig. 2 Circuit diagram of the crossover board (two required).



HOW IT WORKS

THE ACTIVE CROSSOVER

The crossover network is usually a passive circuit (see Fig. 4), living in the loudspeaker, which takes the signal from the power amplifier and divides it into frequency hands (a crossover is sometimes called a dividing network). It passes to each speaker drive unit the appropriate band of frequencies; low to the bass driver, high to the treble. The crossover, however, is a much misunderstood animal which does more than just divide up the signals. It carries out all the compensation needed to obtain flat response from the drivers, adjusts for enclosure matters and generally integrates everything to produce optimum balance and performance.

Consequently there can be no such thing as a 'general purpose' crossover. It has to be dedicated to its particular speaker system and crossover design is very much an art in itself.

It will be observed that the passive crossover comes between the power amplifier and the drivers, so that what the crossover divides up is the power output of the amplifier. Although this relatively cheap and effective method has stood the test of time, and has been refined to remarkable precision, there are some disadvantages. Not only can the passive crossover present the amplifier with a sometimes difficult load but interaction can arise between the sections. More importantly, however, it

side panel

Half a pad on the top panel
 Half a pad on the bottom panel
 Neither exact size nor exact positioning are critical. Carefully fix the pads in place.

Using 6 amp colour-coded cable, connect flying leads to the

input terminals.

24" wide by 1" thick BAF wadding (bonded acetate fibre) is employed in the enclosures for acoustic damping. Place the wadding in position, working through the bass driver hole, as follows.

has to use inductors and capacitors of large value which produces energy storage. This is a form of electrical inertia, removing a lot of the immediacy of the music. At the risk of oversimplification, it is rather as though the driver cones are being moved by a piece of rubber!

The modern way to overcome this effect (and some other lesser effects not mentioned) is to use an active system. In an active system the crossover network comes before the power amplifier so that what is divided up is not the outgoing power but the incoming audio signal. Using low value components and active devices, an active crossover is under no power stress and there are no energy storage problems. In an active system, each driver has its own personal power amplifier stage with which it is in direct contact, so that the amplifier has a much improved 'grip' on the driver. Control and transient attack are greatly enhanced, producing a speed and definition hard to equal by passive means. The only drawback is that a two-way speaker system in stereo calls for two stereo power amplifiers.

The circuit of one channel of the crossover appears in Fig. 2. Basically we have a fairly textbook filter, operating at 18 dB/octave with a crossover point (-3 dB) of 2.5 kHz. The response shape has, however, been tailored to the 2040 II's characteristics in the mid/bass

area and so the filter alone does not produce flat results.

POWER SUPPLY

The crossover network needs a regulated dual rail supply of ± 12 to 15 V at 40 mA total (20 mA per channel). Although the constructor can certainly use his own pet supply for this purpose, the circuit shown in Fig. 6 is advisable for optimum performance.

Although complicated, our power supply is in keeping with the best current commercial practice. The power supply, even for preamplifiers and filters, is now regarded as an important factor in the resolution of fine detail and in securing wide dynamic range. Some manufacturers go to extraordinary lengths to ensure that the supply is as 'stiff' as possible (Crimson Elektrik have even gone back to batteries).

Simple circuits employing three-terminal regulator devices have not proved suitable for our purpose, since the source impedance can become too high at upper audio frequencies. Our circuit has the desirable properties of low output impedance across the audio bandwidth, high power supply rejection and low noise on supply lines. A separate regulator for each channel is specified although as an economy measure, one alone could power both channels if some crosstalk degradation is acceptable.

PROJECT : 2040 II Speaker

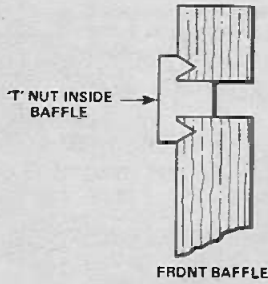


Fig. 3 Fitting the 'T' nuts to the baffle.

- Take a 6 ft length for each speaker.
- Cut into a 5 ft and a 1 ft length.
- Fold this 5 ft length into a 2½ ft x 2 ft piece.
- Place this piece into the bottom of the enclosure, laying it so that it covers the floor, lower sides and lower back.
- Take the remaining 1 ft x 2 ft piece and fold it into 1 ft x 1 ft. Roll this into a sausage and place vertically behind the treble driver hole. Ensure that the end of the duct tube has not been closed by the wadding — there should be a little free space around the inner end of the tube and the end should not be rammed into the wadding.

Making Connections

Connect the bass driver to the flying leads from the bass input

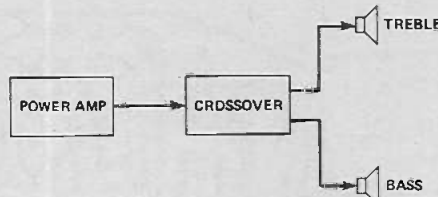


Fig. 4 Block diagram of a passive crossover.

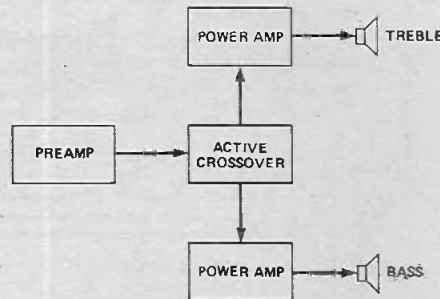


Fig. 5 Block diagram of an active crossover.

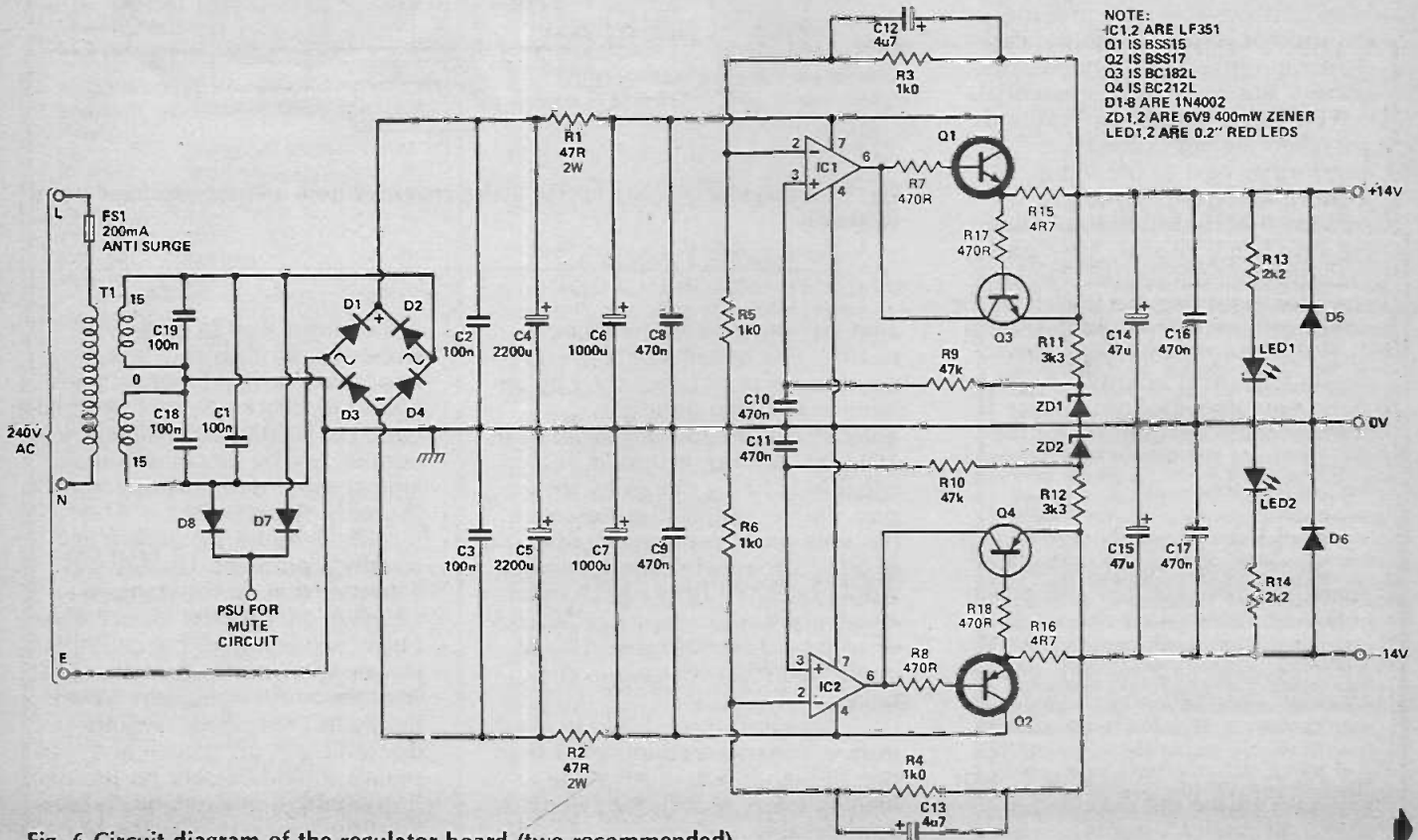
terminals, ensuring that the positive terminal connects to the red marked solder tag on the bass driver. Check that a foam gasket is in position on the inside face of the bass driver rim and bolt the driver evenly into place, ensuring that the connecting lead has not become trapped under the driver frame. Airtightness is just as important here as elsewhere. Repeat the process with the tweeter, again observing polarity and airtightness.

The Electronics

It is now generally accepted that high quality amplifiers can have individual sonic properties quite apart from paper specifications. A major consideration with the 2040 II's electronics has therefore been to ensure the best sonic performance *from the electronics*, not only as an end in itself but to ensure that we can interface the crossover with high performance pre and power amplifiers without subjectively degrading their performance. A suggested circuit board pattern appears in Fig. 7 — this layout is strongly advised if instability is to be avoided.

We have tried to specify generally available components and substitution is made at your peril! In particular, C12, C13, C14 and C15 MUST be solid tubular tantalum (not bead types) and IC1, IC2 must not be replaced by 741 types. R3, R4, R5 and R6 must be matched as specified. We know solid tantalum capacitors are expensive (sorry!) but they offer low impedance at high frequencies which low cost electrolytics and tantalum beads don't.

The mains transformer should be a good quality type providing 15-0-15 V secondaries at 10 VA with good regulation and an interwinding screen. If a small toroid can be



NOTE:
 IC1,2 ARE LF351
 Q1 IS BSS15
 Q2 IS BSS17
 Q3 IS BC182L
 Q4 IS BC212L
 D1-8 ARE 1N4002
 ZD1,2 ARE 6V9 400mW ZENER
 LED1,2 ARE 0.2" RED LEDS

Fig. 6 Circuit diagram of the regulator board (two recommended).

found, so much the better. Q1 and Q2 require heatsinks and the usual T05 push-fit type will serve.

Cross Over Components?

Construction on the specified board is straightforward but as with the power supply, certain component types should not be substituted. All ICs are FET op-amps which in combining wide bandwidth, low distortion, high slew rate and adequate noise performance with modest cost have proved admirably suited to our purpose.

Items asterisked in the parts list are frequency-determining components and must be close tolerance types. Although metal oxide resistors are not strictly essential they do represent one of the easier ways of getting hold of 2% resistors.

Mechanical Assembly

The two regulator boards, two crossover boards and mains transformer can be mounted in a single screened case. Having the mains transformer in the same case produced no hum problems in the prototype. We have deliberately avoided specifying a case since in our experience, case cost and availability are a major headache for the constructor. Considerable latitude is possible here and the constructor is free to adopt a case style appropriate to his needs and pocket; but screening is essential.

Providing sensible precautions are taken (eg not putting the transformer next to the input sockets) and overcrowding is avoided, board disposition within the case is not critical. Alternatively the advanced constructor could consider mounting the boards in the amplification and in the interests of such flexibility we have adopted separate channel boards. As with all audio equipment, earthing arrangements are critical and the arrangement shown in Fig. 8 is hum free and stable.

Picking Your Power Amp

Since the active crossover is connected between pre and power amplifiers, the system cannot be used with integrated amplifiers. The 2040 II system requires four power amplifier channels and so two stereo power amplifiers are called for. In many cases the constructor will be extending an existing system and so we have not specified a particular power amplifier. Essentially the chosen power

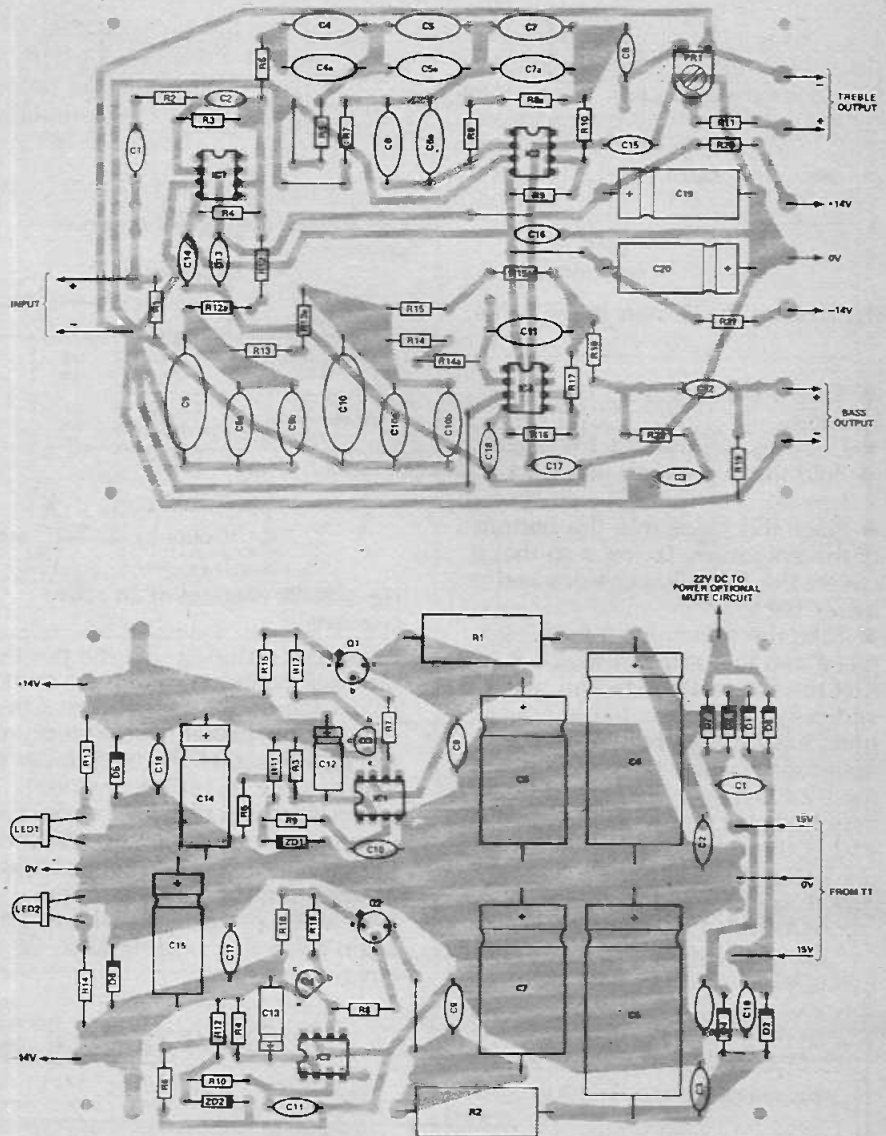


Fig. 7 Component overlays for the active crossover (top) and the regulator board (bottom).

amplifier must be of the highest quality. The benefits of active operation would be masked by an inferior amplifier and that germanium job you put together in 1963 will not do. It should be capable of being driven by the preamplifier (the active crossover has little more than unity gain), and of adequate power. The minimum would be 30 W RMS per channel into 8 ohms and a figure of 50-60 W or so would be desirable. 100 W could be used with care — see below.

Damage is more likely to result from a low-powered amplifier than one of higher output since the heating effect of a clipped signal is considerably in excess of a clean audio output. Too small an amplifier

is the surest way to destroy a tweeter. Unfortunately it is impossible to lay down wattage figures to guarantee against speaker damage. Speakers are killed by people, not by amplifiers, and a little commonsense in operation is the only safeguard.

Clean audio signals are not usually a problem. Usually it is extremes that do the damage — clipping, excess bass lift or treble boost, for example, concentrating power into one region rather than over the music spectrum. Within the figures specified, sensible domestic use on speech and music signals should present no problems. If in doubt, a 500 mA quick blow fuse in the tweeter line could help but does not offer a full guarantee.

PROJECT : 2040 II Speaker

PARTS LIST

CROSSOVER

Resistors (all $\frac{1}{4}$ W, 5% except where stated)

R1, 3, 19	100k
R2	47k
R4, 9, 16	3k9
R5	150R
R6, 12, 13, 14, 15*	10k 2% metal oxide
R7*	12k 2% metal oxide
R8*	120k 2% metal oxide
R8a*	4k7 2% metal oxide
R10, 17, 20, 21	100R
R11	3k3
R12a, 13a, 14a*	2k7 2% metal oxide
R15a*	15k 2% metal oxide
R18*	5k6 2% metal oxide
R22*	1k8 2% metal oxide

Potentiometer

PR1	10k miniature horizontal preset
-----	---------------------------------

Capacitors (all 2½% polystyrene except where stated)

C1, 12	470n polyester
C2	10p disc ceramic
C3	220n polyester
C4, 5, 6, 9a, 10a, 10b*	2n2
C4a, 5a, 6a*	470p
C7, 9b, 11*	1n0
C7a*	330p
C8	100n polyester
C9*	10n
C10*	6n8
C13-18	100n disc ceramic
C19, 20	1000µ 16 V axial electrolytic

Semiconductors

IC1-3	LF351
-------	-------

Miscellaneous

PCB (see Buylines)

REGULATOR

Resistors (all $\frac{1}{4}$ W, 5% except where stated)

R1, 2	47R 2 W
R3-6	1k0 2% metal oxide
R7, 8, 17, 18	470R
R9, 10	47k
R11, 12	3k3
R13, 14	2k2 $\frac{1}{2}$ W
R15, 16	4R7

Capacitors

C1-3	100n disc ceramic
C4, 5	2200µ 25 V axial electrolytic
C6, 7	1000µ 25 V axial electrolytic
C8-11, 16, 17	470n polyester
C12, 13	4u7 25 V solid tantalum
C14, 15	47u 25 V solid tantalum
C12-15	must not be substituted with other types

Semiconductors

IC1, 2	LF351
Q1	85S15
Q2	85S17
Q3	BC182L
Q4	BC212L
D1-8	1N4002
ZD1, 2	6V9 400 mW zener
LED1, 2	0.2" red LEDs

Miscellaneous

PCB (see Buylines)

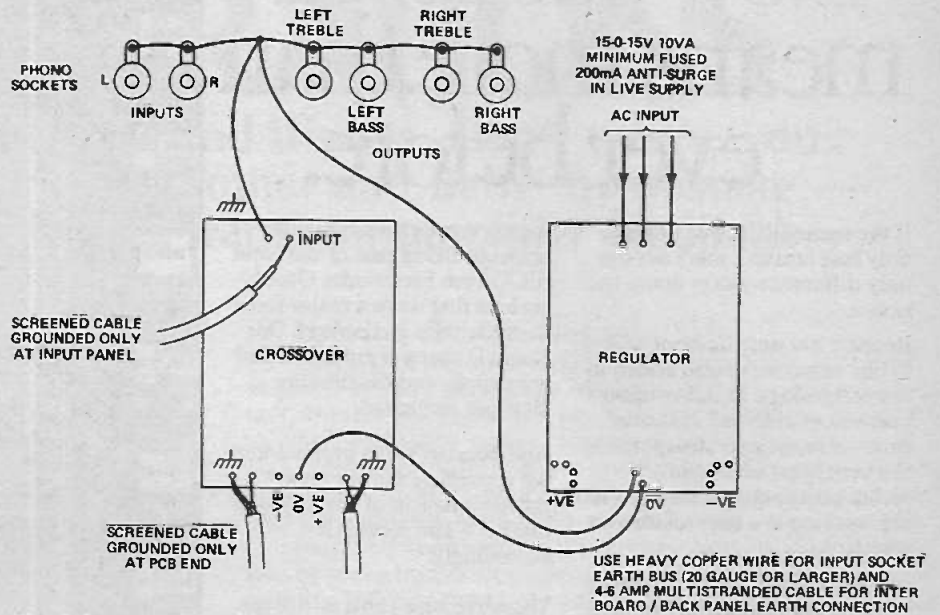


Fig. 8 Suggested earthing arrangement for the boards.

Unequal Partners

Oddly enough, the bass and treble amplifiers need to be of equal power. While the tweeter may not need as much power in wattage terms as the bass driver, it does need the same voltage swing availability. However, the two amps should be of equal gain. Small variations in power output between bass and treble amplifier would not matter but they must have the same gain, in terms of watts out for millivolts in. The safest course is to use the same amplifier throughout.

Finally the chosen power amps must be relatively free from switch-on thumps which could damage the tweeter. Aurak (listed among the suppliers) can supply a muting circuit.

Crimson Commended

To the constructor starting from scratch, we strongly advise the use of Crimson Elektrik components. Their amplifier kits are superb value for money (as was evidenced by the review in the February 1982 ETI), and offer a performance superior to most commercially made amplifiers. Those constructors who wisely have built a Crimson Elektrik kit amplifier need now only build a second power amplifier identical with the first. The constructor 'rolling his own' could well consider a project based on the CE1008 power amplifier module and Crimson Elektrik would be happy to advise.

For Your Listening Pleasure . . .

The speakers should be mounted clear of the floor,

preferably on conventional stands about 10" high. Corner positions should be avoided. PR1 is a preset allowing adjustment of treble output, enabling compensation for room characteristics and so on. With a two-way system it is a straightforward matter to set balance in this way in the light of personal preference. Normal position is likely to be about one-third of the way round its travel. The speakers will do justice to the very best signal sources but are fully capable of revealing shortcomings in a poor "front end". The computer dictum of "garbage in — garbage out" holds equally true in audio!!

ETI

BUYLINES

This project is a gestalt — the whole is greater than the sum of its parts — and the whole thing comes in various parts! The drive units, BAF wadding, damping pads, and Crimson Elektrik kits are available from Badger Sound Services Ltd, 46 Wood Street, Lytham St. Annes, Lancs FY8 1QG (telephone 0253 729247). The printed circuit boards and electronic components can be obtained from Aurak, 27 Derbe Road, Lytham St. Annes, Lancs FY8 1NJ (telephone 0253 728407 ext. 2). Crimson Elektrik components can be obtained from Crimson Elektrik, 9 Claymill Road, Leicester LE4 7JJ (telephone 0533 761920). Any enquiries regarding IMF Electronics drive units should please be made to Badger Sound Services and NOT direct to IMF Electronics. Continental customers could approach either Audio Sound 1/S, Bygvaenget, 8, 4900 Nakskov, Denmark or A & O Electronics, Lenbachstrasse 14, 8130 Starnberg, West Germany. The design is offered as a project for home construction and no licence for commercial manufacture is implied.

Now our name means more, than ever before.

If the name BICC-Vero sounds only half familiar, that's not the only difference you're going to notice.

Because not only have we added to our name we've also added to our technology. Building upon our well established industrial product range and incorporating the very latest ideas and techniques to ensure that you too are working at a state-of-the-art standard.

But you will of course still recognise the old favourites. Products like Veroboard, which pioneered in so many ways, today's thriving pastime of electronics.

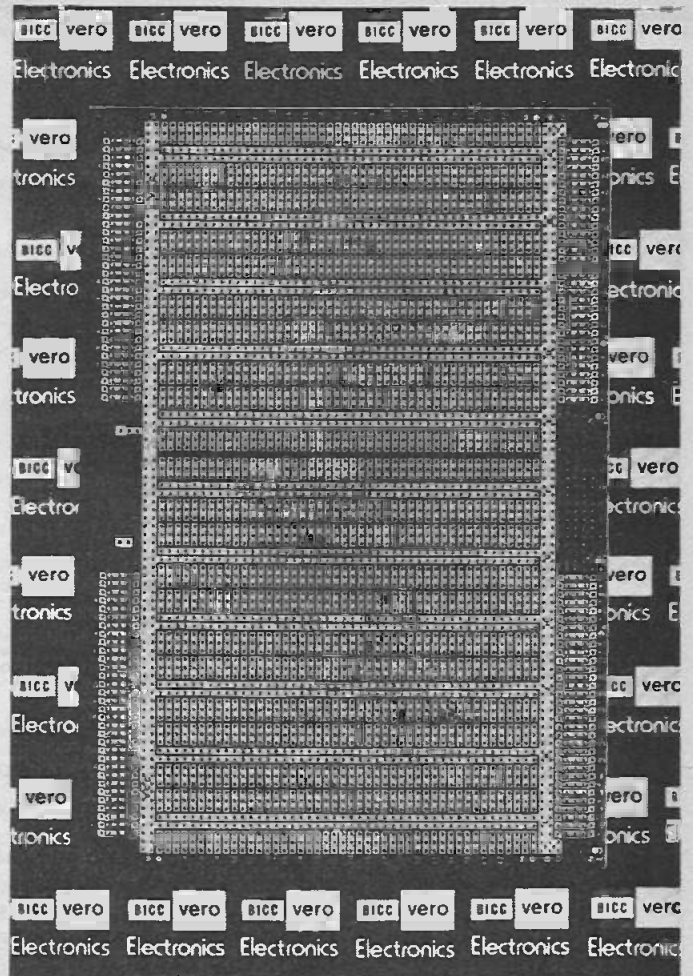
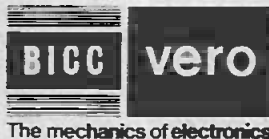
Bigger means better in other respects. Being part of the giant BICC-Vero Electronics Group ensures that we're a major force in electronics technology. Our R and D scope is enlarged, and our supply and distribution facilities improved.

And because we're professionals we appreciate the very real professionalism of the hobbyist market - and service it accordingly.

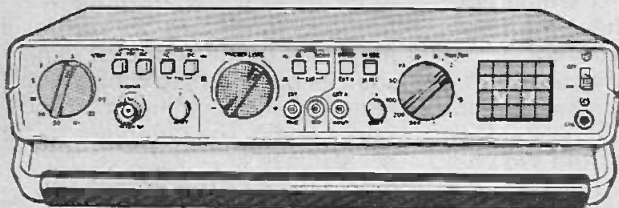
Yes, we're sure you'll notice the difference. As well as that pleasantly familiar personal touch.

BICC-VERO ELECTRONICS LTD.

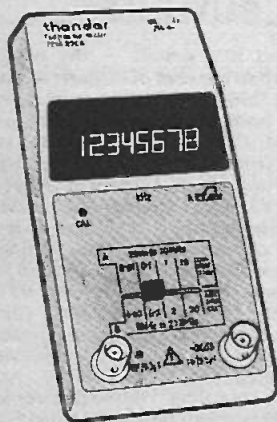
Industrial Estate, Chandlers Ford, Eastleigh, Hampshire SO5 3ZR.
Tel: Chandlers Ford (04215) 62829.



SC110A FULLY PORTABLE OSCILLOSCOPE



The new THANDAR SC110A represents a break through in Oscilloscope development. The SC110A is only 2" thick and weighs under 2 lbs yet it retains the standard features of a bench oscilloscope.



FULL-SIZED PERFORMANCE

- 10MHz band width
- 10mV per div. sensitivity
- Full trigger facilities are provided including bright line and auto, with T.V. line and frame filtering
- RUNS ON ORDINARY HP11 (four) batteries or rechargeables
- Basic price - £159 UK Post free

Optional extras -
AC Adaptor £5.69; Rechargeable batteries £8.63; X1 Probe £8.05; X10 Probe £9.20; X1/X10 Switched Probe £10.90; Carry Case £8.86.

PFM200A FREQUENCY METER

- Pocket size ● 8-Digit LED display ● Frequency range 20Hz-200MHz ● Resolution 0.1Hz ● Sensitivity typically 10mV rms
- Timebase accuracy 2ppm ● Battery life 10 hours ● Frequency: 2 ranges, 4 gate times
- Price £67.50 UK Post free

Optional extras - AC Adaptor £5.69

LARGE S.A.E. Brings details of: Oscilloscope, Frequency Meters, Signal Generators, Function Generators, Pulse Generators, Analogue and Digital Multimeters, Digital Thermometer, C.R.T. Tester, Logic Analyser etc.

All prices include VAT. Official orders welcome. Mail order only, or callers by prior appointment. Barclaycard/Access welcome. Cash/cheque, etc., with order. Government and Educational Establishments official orders welcome.

B.K. ELECTRONICS

37 Whitehouse Meadows, Eastwood, Leigh-on-Sea, Essex SS9 5TY
Tel: Southend 527572

CLEF ELECTRONIC MUSIC

ELECTRONIC PIANOS SPECIALISTS SINCE 1972



"SIX OR 7 OCTAVES"

Clef Stage 8 Domestic Pianos adopt the most advanced form of Touch Sensitive action which simulates piano Key inertia using a patented electronic technique.

Four intermixable Voice Controls may be used to obtain a wide variation of Piano Tone, including Harpsichord.

Both Soft and Sustain Pedals are incorporated in the Design and internal Effects are provided in the form of Tremolo, Honky-Chorus and Phase Flanger.

Component Kits, including Keyboard, are available from £234 and complete Kits including Amp, Speaker and Cabinets from £398. Sub-Kits may be purchased at no extra overall cost - full details in lists.

STRING ENSEMBLE

Versatile String Synthesiser with split keyboard facility and impressive voices

COMPONENT KIT £197.50

KEYBOARDS

Square front with two hole actuator.

30	£20.70	37	£23.00
49	£31.62	61	£41.97
73	£51.75	88	£62.67

Keyswitch hardware available - see lists.

"THE Programmable DRUM MACHINE"



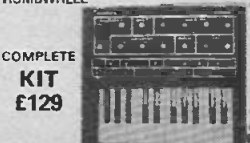
CLEF MASTER RHYTHM

EIGHT TRACK PROGRAMMING TWENTY FOUR PATTERNS TWENTY INSTRUMENTS SEQUENCE OPERATION

COMPLETE KIT £79
MANFD. £119

MICROSYNTH

THE COMPACT MUSIC SYNTHESIZER
24 OCTAVES TWO OSCILLATORS
2 SUB OCTAVES SWITCH ROUTING THUMBWHEEL



COMPLETE KIT £129

"THE COMPUTER BAND-BOX"



COMPLETE KIT £235
MANFD. £320

(MASTER RHYTHM ALSO REQUIRED)

A revolution in the field of Computer Music Generation! A musician's instrument for vocal & instrumental soloists - practice - live performance - recording

BAND-BOX provides an Electronic Backing Trio consisting of Drums, Bass, and a Chord Instrument (one of 16 Waveform/Envelope combinations), with the capacity to store over 3,000 User Programmable Chord Changes on more than 120 different Chords. Using advanced Microprocessor technology, Playback of 50-100 Scores can be executed in any Key and at chosen Tempo. Complete Music Pad is electronically indexed and stored on secondary battery back-up. Facility exists for composition of Intro, Repeat Chorus, and Code sections, including Multiple Score Sequences. Sockets are provided for Volume Pedal and Footswitch plus separate and raised instrument Outputs. Total size 18" x 11" x 4" incorporating Master Rhythm.

PRICES INCLUDE VAT, UK CARRIAGE & INSURANCE
Please send S.A.E. for our complete lists, or use our telephone VISA/ACCESS Service. Competitive quotations can be given for EXPORT orders. All Instruments on view in our Showroom.

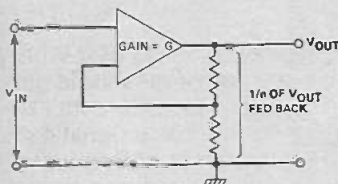
CLEF PRODUCTS (ELECTRONICS) LIMITED
(Dept ET1), 44A Bramhall Lane South, Bramhall, Stockport, Cheshire SK7 1AH 061-429 3297

CONFIGURATIONS

Our topic this month is twins and triplets. Don't worry, you haven't picked up a copy of 'Mother and Baby' by mistake — it's just Ian Sinclair explaining transistor amplifier feedback loops.

One of the major problems about the straightforward transistor amplifier is the calculation of gain. As we saw last month, the gain of the transistor itself is easily calculated, but if we are to allow for the effect of input and output resistance, we have to know a lot about the particular transistor we are using. The task becomes even more difficult when the amplifier operates at high frequencies, so that we have to deal with input and output impedances rather than with pure resistances.

Negative feedback is the main method that we use to get around this problem. To start with, imagine an amplifier whose voltage gain is G — this is sometimes called the 'open loop gain', the gain with no feedback loop connected (Fig. 1). The amplifier has an input connection and a feedback connection, and $1/n$ of the output signal is fed back to the input. Since the output signal is V_{OUT} , the amount fed back is V_{OUT}/n , and so the actual signal available to amplify is $V_{IN} - V_{OUT}/n$, the input voltage minus the feedback signal. This is the signal which appears at the inputs of the amplifier to be amplified, so that with gain G , the output from this must be $V_{OUT} = G(V_{IN} - V_{OUT}/n)$.



TOTAL INPUT = $V_{IN} - (1/n)V_{OUT}$
 OUTPUT = $G \times$ INPUT
 SO $V_{OUT} = G(V_{IN} - V_{OUT}/n)$
 THUS $V_{OUT}(1 + G/n) = G \cdot V_{IN}$
 AND $V_{OUT}/V_{IN} = G/(1 + G/n)$
 IF $G/n \gg 1$, THEN $V_{OUT}/V_{IN} \approx n$

Fig. 1 Principle of negative feedback.

An Open And Closed Case

When we collect terms in this equation and rearrange it to get V_{OUT}/V_{IN} (which is the gain with the feedback connected), we get this figure as $G/(1 + G/n)$. This is the gain-with-feedback or closed-loop gain, and this is the equation that should be used in calculations if G is small or n is large. If the ratio G/n is large compared with 1, however, we can ignore the 1 and rewrite the equation as $G/(G/n)$, which is simply n .

This important result shows that if the open-loop gain is large enough the gain when feedback is used is independent of anything except the potential divider that produces the $1/n$ of the signal which is fed back. This is the result that is often quoted in textbooks, but with a slightly different proof. One important point is that feedback is useful only if there is gain — if an amplifier has zero gain under certain circumstances, no amount of feedback can produce gain.

Looking On The Negative Side

Given that negative feedback can be useful, let's look at some circuits that make use of it. Since gain is important, there's not too much point in spending time looking at single-transistor stages, though both of the circuits in Fig. 2 are important and are widely used. The equations are approximations which apply to silicon transistors; no bias components have been shown.

Negative feedback really comes into its own when two or more transistor stages are used, and if the feedback path is a DC one then both gain and bias will be controlled by the feedback. This is seldom completely convenient, so that the basic circuits have to be modified to allow for separating bias and signal feedback paths. One of the most-widely-used of these circuits is the feedback pair circuit of Fig. 3. In this circuit, the transistors are direct-coupled, and the negative feedback path is from the emitter of Q_2 to the base of Q_1 . Because of the bypass capacitor C_2 , there is no signal voltage across R_6 , and the signal voltage that is fed back is the voltage across R_5 only. This value, along with the value of feedback resistor R_7 , can be chosen to produce the amount of gain that is

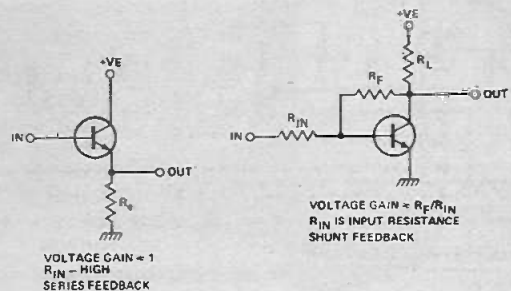
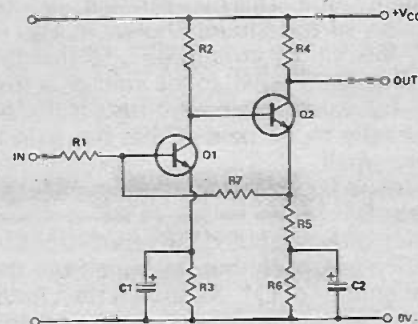


Fig. 2 Feedback over a single stage gives rise to these well-known circuits.



DESIGN EXAMPLE: $R_2 = 10k$, $R_4 = 4k7$, $V_{CC} = 12V$, $V_{E1} = 2V$, $V_{E2} = 7V$.
 MAKING $I_{B1} = I_{B2} = 1mA$, $V_{C2} = 1V4$.
 CHOOSE $R_3 = 220R$ SO THAT $V_{B1} = 1mA \times 0.22 = 0V22$ AND $V_{B2} = 0V82$.
 VOLTAGE ACROSS $R_7 = 1.6 - 0.82 = 0V78$.
 ASSUME $h_{FE} = 100$, THEN $1/100mA$ FLOWS THROUGH R_7 TO BASE OF Q_1 .
 VALUE OF R_7 MUST BE $0.58/(1/100) = 58k$. A $58k$ SHOULD DO NICELY!
 $R_5 - R_6$ HAS TO PROVIDE $1V4$ AT $1mA = 1k4$.
 IF WE MAKE $R_5 = 330R$, $R_6 = 1k0$, THEN GAIN = $56R1 \times 4.7/0.39 = 675/R1$
 (R1 MEASURED IN KILOHMS). WE CAN NOW SELECT THE GAIN WE NEED BY SPECIFYING A VALUE OF R_3 — WHICH WILL INCLUDE THE OUTPUT RESISTANCE OF THE PREVIOUS STAGE.

Fig. 3 A two-transistor negative feedback circuit using emitter-to-base feedback.

desired; providing of course, that the value is small compared to the open-loop gain which will be the product of the open-loop gain figure for each transistor multiplied by the loss for the potential divider effects of input and output resistances.

Getting Good Value(s)

Design of the circuit should start with the load and bias components. The values of the two load resistors R2 and R4 are fixed first; these should be fixed at values which will permit the transistor to operate at suitable currents. Values in the range 1kΩ to 12kΩ are usually suitable, though R2 can be in the range 15kΩ to 47kΩ if Q1 is operated at low current to reduce noise signals. If you prefer it, write down the desired collector voltages (Q2 must have a higher collector voltage than Q1) and choose current values, then use Ohm's law to calculate the load resistors.

Once the load resistor values, the currents and the voltage levels have been fixed, the bias components can be calculated. The voltage at the emitter of Q2 will be 0V6 less than the base voltage of Q2, and the voltage at the base of Q1 will be 0V6 higher than the emitter voltage of Q1. Subtracting these gives the voltage across R7, and we then have to pick a value which will allow the correct amount of base current to flow. Once this has been done, we can split the total resistance of R5 and R6 (which has to be calculated to produce the correct bias voltage) so as to allow for enough gain for Q2 (R4/R6). We can then choose the total figure of gain by selecting R1, which is the sum of a resistor and the output resistance of the circuit that is providing the signal.

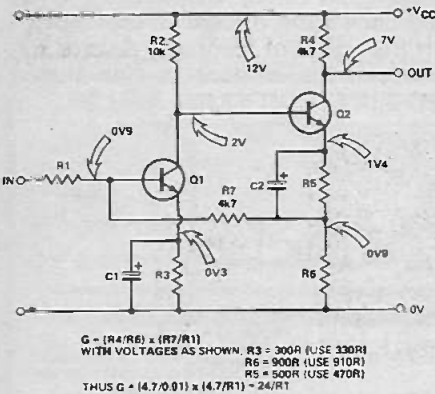


Fig. 4
A modified feedback circuit which is easier to design — sample voltages are shown.

$$G = (R4/R6) \times (R7/R1)$$

WITH VOLTAGES AS SHOWN, $R3 = 300\Omega$ (USE 330R)
 $R6 = 900\Omega$ (USE 910R)
 $R5 = 500\Omega$ (USE 470R)

$$\text{THUS } G = (4.7/0.91) \times (4.7/R1) = 24/R1$$

Though this circuit works well, it is never easy to get the bias spot on by calculation unless you know what base current Q2 requires, and the total gain is rather dependent on the source resistance value. The bias problem can be eased by a modification of the circuit shown in Fig. 4, where R7 has a fairly low value, around 4kΩ, so that the base voltage at Q1 is practically equal to the voltage across R6. This allows the h_{ie} value of the transistors to be neglected, but the penalty to be paid is that the gain is lower unless R1 is also small.

Further Feedback

Figure 5 is another direct-coupled two-transistor circuit which uses negative feedback, but this time from the collector of Q2 to the emitter of Q1. As shown the circuit is impractical (because there are no bias components) and a very useful compromise is to combine this circuit for AC feedback with the previous circuit for DC feedback (Fig. 6). The gain of this example is approximately $(R7 + R3)/R3$, and the bias is set by the DC network R3, R6, R5. The design procedure is to decide on operating currents and voltage levels as before, calculate load

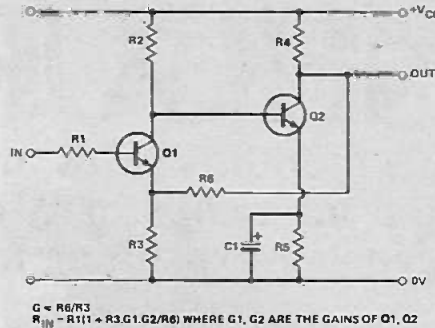


Fig. 5 An alternative two-transistor circuit, using collector-to-emitter feedback.

$$G = R6/R3$$

$$R_{IN} = R1 + R3 \cdot G1 \cdot G2/R6$$

WHERE G1, G2 ARE THE GAINS OF Q1, Q2

resistor values, and then assuming that V_{C2} will be 0V6 less than V_{C1} , find a value for R5. Make R6 a size that will suit its use as an input load (around 4kΩ) and calculate a value for R3 which will make the emitter voltage of Q1 0V6 less than the emitter voltage of Q2. You can then pick a value for R7 which will give you the gain you want, but remember that R1 (the source resistance of the signal supply stage) will form a potential divider with R6, so that the overall gain will be lower than the calculated gain from the stage.

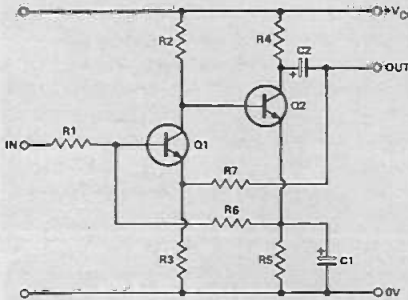


Fig. 6 Combining feedback systems, using one for DC and the other for AC.

After Twins, Triplets!

On the basis that negative feedback works best when there is plenty of gain, three-transistor amplifiers should perform better than twins. There's a catch, though, concerned with time constants. Each time constant in a signal path will cause phase shift at one of the extremes of frequency, high or low. Coupling capacitors will cause phase shift at low frequencies, as will emitter decoupling capacitors, and stray capacitances will cause phase shifts at high frequencies — usually beyond the audio limits. This phase shift in each time constant will cause a total phase shift over the whole amplifier circuit that can be quite large — and when it approaches 180° your negative feedback is in danger of turning into the opposite type — positive feedback. This converts your amplifier into an oscillator if the gain in the amplifying part is greater than the losses in the time constants at the frequency where the 180° phase shift occurs. Calculations on this are far from simple unless you use a computer (and if you ordered the BBC Model B, then it's quicker to work it out on an abacus anyway). Two useful points are (a) to use direct coupling as far as possible, and (b) if you must use time constants, don't use a set of identical time constants.

A Compromising Situation

A circuit which can be a useful compromise is shown in Fig. 7. It uses direct coupling, made possible by having a PNP transistor as the intermediate stage, and the negative feedback is used to stabilise the bias as well as the gain. Looking at bias first, the base voltage of Q1 is set by R1 and R2, and the feedback of bias is achieved by passing all the DC current from Q2 through the emitter resistor of Q1.

FEATURE : Configurations

This would cause the AC gain to be very low, but by using R8, which is coupled to the emitter of Q3 through C2, the amount of AC signal at the emitter of Q3 can be reduced, allowing the amount of AC signal fed back to be controlled. The gain of the stage is given by $(R7/R8) \times (R9/R4)$.

Design starts as usual with biasing. Assuming, as is reasonable, that the first transistor will be run at a lower current than the others to reduce noise, we can choose current levels of 100 μ A for Q1 and 1 mA each for the other two. We can then choose voltage levels, making the voltage of the collector of Q1 reasonably high, the collector voltage of Q2 reasonably low, and the collector voltage of Q3 about midway between V_{CC} and the collector voltage of Q2. These figures and our selected currents allow us to calculate values for load resistors and for R5.

With this done, we can start to look at R9 and R4. We have to allocate the total voltage at the emitter of Q3 bet-

ween these resistors, and a ratio of something like 5:1 is reasonable here — the voltage across R9 being about five times as much as the voltage across R4. I've used 6 in the example. Since R9 carries the allocated current of Q3, its value can be calculated right away, and the value of R4, which carries the current of Q1 as well as that of Q3 can be calculated.

The only remaining factor is R8, whose value then decides the total gain. Calculate the gain contribution of R9/R4, and divide this into the total gain required. This latter figure will then be the ratio R7/R8, and since you have already decided on a value for R7, a value of R8 can be calculated, followed by R1 and R2. C1 and C2 should have values which allow the gain to be maintained at the lowest frequencies at which the amplifier will be used, and the time constants R5-C1 and R8-C2 should be quite different.

Which Do You Prefer?

Finally, an important point. The resistor values which are obtained by calculation are seldom preferred values, so obviously you have to substitute the nearest preferred values. This is not a major worry, because feedback amplifiers are self-correcting, but there will be one resistor in each circuit whose value sets the gain and which will have to be adjusted — R8 is such a value in Fig 7. The other point which is often raised is — why bother about running Q1 at low current to reduce noise? Since this is a feedback amplifier, the feedback will do a pretty good job of noise reduction anyhow. The answer is that you use negative feedback to stabilise gain and operating conditions. It doesn't make a lousy amplifier into a good one; all it can do is to make a sound design easy to analyse and reliable to mass-produce, so you aim to start with a good amplifier and add negative feedback to it.

ETI

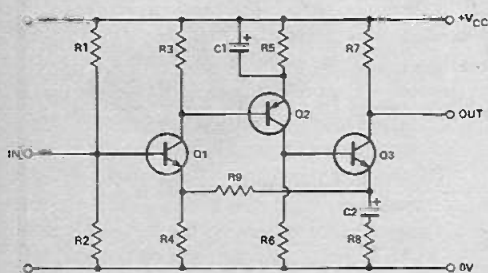


Fig. 7
A three-transistor circuit, making use of a PNP transistor to change DC voltage levels and contribute gain.

EXAMPLE: $V_{CC} = 9V$, $V_{c1} = 7V$, $V_{c2} = 3V$, $V_{c3} = 7V$.
MAKE $I_{c1} = 0.1mA$, $I_{c2} = I_{c3} = 1mA$.
THEN $R3 = 8k\Omega$, $R5 = 1k\Omega$, $R6 = 2k\Omega$, $R7 = 5k\Omega$ (USE NEAREST PREFERRED VALUES)
 $R9$ CARRIES $1mA$, SO $R9 = R4$ HAS A 2V/4 DROP.
ALLOW 0V4 AT THE EMITTER OF Q1 AND 2V ACROSS $R9$, SO THAT $R9 = 2k\Omega$.
0V4 ACROSS $R4$ FOR $1.1mA$ MEANS $R4 = 363\Omega$.
 $V_{b1} = 1V$ SO THAT $R1 = 8k\Omega$, $R2 = 1k\Omega$.
 $R9/R4 = 6$ SO FOR A GAIN OF 100, $R7/R8 = 100/6 = 16$.
THUS $R8 = 5k\Omega/16 = 300\Omega$.



5HZ TO 100MHZ

TOMORROW'S TOOLS TODAY

GLOBAL SPECIALTIES CORPORATION



G.S.C. (UK) Limited Dept 9D
Unit 1, Shire Hill Industrial Estate,
Saffron Walden, Essex. CB11 3AQ
Telephone: Saffron Walden (0799) 21682
Telex: 817477

Instant frequency indication from 5Hz to 100MHz; no range selection problems; a brilliant 8-digit LED display; mains or battery operation; an accuracy of 4 parts per million ± 1 count; and totally automatic operation — all this for only £85.00* with GSC's new Max-100 frequency counter.

Just take a look at our spec. Where else could you find anything similar at the price?
*Frequency range 5Hz - 100 MHz *Input impedance 1M shunted by 10pF *Sensitivity 30mV from 1KHz up to 50MHz; 120mV r.m.s. over full frequency range *Timebase accuracy ± 4 parts in 10^6 (from 5 to 45°C) *Maximum aging rate 10 parts in 10^6 per year *Over-frequency indication *Low-battery-power alarm *Operates from dry or rechargeable cells, an external 7.5 to 10VDC supply, or a car battery (via an adaptor)
*Dimensions: 45 x 187 x 143mm *Options: 12V adaptor; battery eliminator; r.f. antenna, low-loss r.f. tap, carrying case.

Fill in the coupon for further details . . .

*price excludes post, packing and VAT

G.S.C. (UK) Limited, Dept. 9D, Unit 1, Shire Hill Industrial Estate, Saffron Walden, Essex CB11 3AZ

MAX 100	FREQ. COUNTER	Unit price inc P & P 15% VAT £100.05	Only Repeat
---------	---------------	--------------------------------------	----------------

Name _____
Address _____

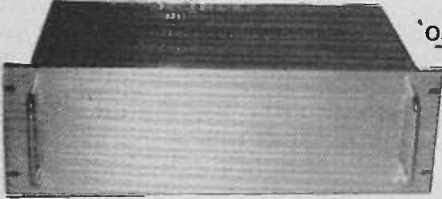
I enclose cheque/P.O. for £ _____ or debit my Barclaycard/Access/
American Express card no. _____ exp. date _____

FOR IMMEDIATE ACTION — The G.S.C. 24 hour, 5 day a week service.
Telephone (0799) 21682 and give us your Barclaycard, Access, American
Express number and your order will be in the post immediately.

For Free
catalogue
tick box

19" RACK MOUNTING CABINET. £23.95

Front Panel 480 x 150 mm Rear Case 425 x 250 x 140 mm **£19.50**



'Or Free Standing'

Brushed
Ali Front
with
'CHROME HANDLES'

This is a professional rack mounting cabinet that will allow you to get your equipment off the bench. Rack mounting provides security for your equipment and easy access for maintenance. This Precision rack mounting cabinet has all of the features you would expect from a professional unit.

★ Top, bottom and rear cover removable for access ★ Plates have heavy duty grey paint finish ★ Front panel is heavy gauge - 3mm aluminium ★ Strong, screwed construction throughout - screws included ★ Heavy gauge chassis mounting plate is pre-drilled and has four mounting positions to choose from ★ Front panel is of brushed aluminium finish enhanced with heavily chromed handles ★

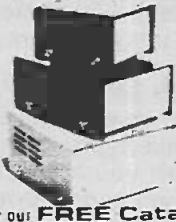
Many sold to 'TANGERINE' users, & INDUSTRY.

ADD V.A.T AT STD RATE & ORDERS UNDER £5.00. P & P 50p. ABOVE ITEM £2 P & P

metal cabinets

These are beautifully manufactured cabinets with an aluminium base and 18 gauge steel covers. They come fitted with rubber feet (to please the wife!), fanned for ventilation and finished in an attractive two tone finish. They make excellent cabinets for power supplies, remote control units and many more projects.

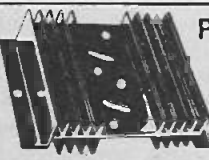
a - 102(d) x 56(h) x 83(w)mm	a	£1.70
b - 150(d) x 61(h) x 103(w)mm	b	£2.55
c - 150(d) x 76(h) x 134(w)mm	c	£3.04
d - 184(d) x 70(h) x 160(w)mm	d	£4.08



TRADE PRICES ON QTY ORDERS

Slide Switches

1p 2t	10p
2p 2t	12p
2p 3t	19p
4p 2t pcb	28p
4p 3t	35p
6p 3t	42p
1p 4t	26p
4p 4t	45p



POWERSINK £1.35p

Flag mounting type with fins top and bottom. Available either undrilled or drilled to accept two power transistors of most types including TO-3, TO-126, TO-220, TO-66. Size 75(l) x 102(w) x 25(d)mm. Thermal resistance mounting surface to ambient = 1°C/Watt (2.0W/sec air velocity). Mounting surface temperature rise above ambient 60°C @ 30W heat dissipation.

RELAY-A-QUIP

We EXPORT ✓

Moat Lodge, Stock Chase,
MALDON, Essex, U.K.

Tel 0621-57242 10am - 8pm. mon - sat

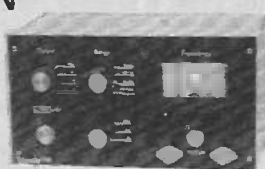


It's easy to complain about advertisements.

The Advertising Standards Authority. If an advertisement is wrong, we're here to put it right. ASA Ltd, Brook House, Torrington Place, London WC1E 7HN.

VERY LOW DISTORTION AUDIO SIGNAL GENERATORS. (.002%)

Model AO 149ba (battery model) £41.50 (p.p. £2.25)



Sine/square. 1v/600 ohms. Coarse & fine attenuation. 10hz-100khz. Battery or mains versions.

146ba Kit model	£35.65
150ba (illustrated) with freq. meter	£57.50
146ba Low cost model, Kit	£33.25

Full lists of audio and R.F. sig. generators. Function gen., distortion analyser. Frequency meters. Digital mmf.

TELERADIO ELECTRONICS,
325, Fore St., London N9 0PE.
01-807 3719. Closed Thursdays.

SECOND GENERATION POWERFET AMPLIFIERS

NEW DESIGNS

With the introduction of two new boards PANTECHNIC have pushed forward the performance and reliability of their powerfet amplifiers. Four key improvements have been incorporated in these second generation modules -

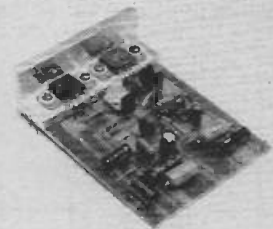
- 1.) The use of H-PAK powerfets, resulting in improved thermal efficiency and consequently enhanced power output capabilities.
- 2.) Low C_{OB} drivers now in power transistor packages, maintaining the superb HF performance and improving driver reliability.
- 3.) Separate driver and input supply rails allowing a 10% increase in available output power by increasing output stage efficiency.
- 4.) Bridge mode input pin allowing instant bridging between any two amplifiers without the need for extra circuitry.

PFA100 Specification

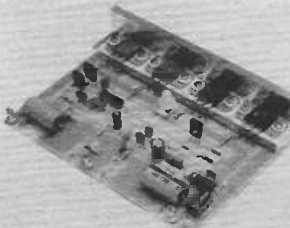
Bandwidth	10Hz-100KHz ± 1dB
Output Power into 8Ω	100W (Vs = ± 55V)
THD (20Hz-20KHz)	< 0.008%
THD (1KHz at 100W)	0.004% typ.
SNR	120dB
Slew rate	> 30 V/μs
Gain	x 23
Rin	30K
Vs max	± 70V

Price £18.45

Distortion figures worst case



PFA100 120W into 8Ω



PFA200 Specification

Bandwidth	10Hz-100KHz ± 1dB
Output power into 8Ω	150W (Vs = ± 60V)
THD (20Hz-20KHz)	< 0.005%
THD (1KHz at 150W)	0.002% typ.
SNR	120dB
Slew rate	> 30 V/μs
Gain	x 23
Rin	30K
Vs max	± 70V

Price £25.95

Distortion figures worst case

PFA200 180W into 8Ω
300W into 4Ω

POWER SUPPLY COMPONENTS

Toroidal Mains Transformers

Voltage	160VA	225 VA	300 VA	500 VA	625 VA
40-0-40	11-17	13-06	14-17	—	—
45-0-45	—	13-06	14-17	18-46	—
50-0-50	—	—	—	18-46	21-62

Special low flux windings. Carriage + VAT included

25A 400PIV Bridge rectifier	£2.50
10,000uF 80V Electrolytics	4.75
30,000 uF 75V Electrolytics	£11.50

Phone or write for advice on selecting the right components for your particular application.

All prices VAT inc. Carriage 75p. Trade lists available.

Ask about our preamps, protection boards and lower and higher power amp modules.

THE POWERFET SPECIALISTS
pantechnic
(incorporating J.W. Rimmer)

Dept ET1/9, 148 Quarry Street, Liverpool L25 6HQ

Telephone: 051-428 8485

Technical enquiries:

367 Green Lanes, London N4 1DY. Tel: 01-800 6667

READ/WRITE

Letters for this page should be addressed to Read/Write at our Charing Cross Road address.

Dear Sir,

I am a keen constructor and I find ETI an absolute must; however, there are a few points that I would like to mention.

First, I would like to draw your attention to the 'Rapid Electronics' advert in the July 82 issue. If you check this where it is headed 'free diodes' you will find a part which reads "... we give you £25 1N4148 signal diodes..." This offer being for orders for over £10, and having already decided to send away for some components for the ETI Fuzz/Sustain Unit (ETI October 80), Rapid Electronics seemed the natural choice as my order was indeed over £10 before VAT. There was only one item that I needed which Rapid Electronics did not list in their advert, a piece of Veroboard. I would have sent my order to a company that could supply this with my other components but £25 worth of diodes was tempting.

On receiving my order from Rapid Electronics (which arrived just 48 hours after I sent it), I found that there were only 25 1N4148 signal diodes and not, as I had supposed, 1250 diodes. From this I concluded that a misprint had occurred in the advert, and probably the £ sign in front of the 25 should not have been there. However the mistake occurred, I would just like to point it out so that it may be corrected.

I mentioned earlier that I am building the ETI Fuzz/Sustain Unit. In the text it reads "Note the orientation of IC1 and IC2; they are not mounted in the same direction". I have designed my own Veroboard layout and have put IC1 and IC2 fairly near to one another, so when the text says not in the same direction, does it mean that one chip has to be at 90° in relation to the other? Are the chips at right angles or can one be 180° in relation to the other?

Furthermore, on the actual circuit diagram, 'B' on IC3d is marked as pin 2. As pin 2 is already used elsewhere, and performs an entirely different function, this arrangement does not seem to make sense. Looking at your PCB layout plan I believe it confirms my suspicions that 'B' is in fact pin 12. Could you please tell me if this is so? Also, will any red LED be OK for LED1? You used TIL220 or similar. Is the negative end of C9 connected to IC2 pin 3 and the negative end of C10 connected to IC2 pin 2? The circuit has omitted these two numbers. Each half of IC2 has pin 5

marked on it. Is the pin connected to C15 negative on the lower half of IC2 meant to be pin 15?

Finally, I am going to build the effects unit on the same board as some others, and I am looking for a rack mounting box, preferably a sturdy metal one of about 20" by 7" and 10 to 12" deep. Are you in a position to tell me where I might be able to purchase one?

I would like to add that Rapid Electronics offer fine components, and I shall continue to order from them in the future.

Thank you for your help,
Yours sincerely,
John Swaine,
Rochester

You're right, it should have been 25 diodes — but even that's better than a poke in the eye etc. Not our fault, this time — we don't proof-read the ads — but the other errors are. 'B' is pin 12, C9 goes to pin 3 and C10 to pin 2 of IC2. C15 goes to pin 15 of IC2. The LED can be any red type; what's important is its voltage drop so don't use any other colour (this was mentioned in the How It Works box). As to IC orientation, there is no reason why they can't be at 60.5° to each other if you want; the caption was trying to indicate that on our board, pin 1 of the ICs pointed in opposite directions (the caption should have read IC2 and IC3). As for the case, try Relay-A-Quip Products, Moat Lodge, Stock Chase, Malden, Essex CM9 7AA; we used one of their racks for the MOSFET amplifier in the June 82 issue. Height is about 5½", depth is 12".

Dear Sir,

I have read and studied with interest the articles and discussion on robots. After some thought a couple of circuits have been designed and breadboard-checked for steering and 'target' attainment. But apart from very small and inadequate motors, railway model size, or very large motors, car size, there appears to be nothing available. Even scanning the radio control model magazines produced no avenues to try. So your listing, innocently no doubt, DC motors under 'Miscellaneous' in the Parts List has brought my attempts to a halt. Have you any suggestions for sources of suitable motors and gear trains?

None of your advertisers list such animals, Maplin, RS and Watford have nothing either. As it is a field of some potential widespread interest, perhaps a hint or dig in some appropriate ribs will bring a motor or two to light.

Yours sincerely,
John Boyd,
London

No sooner said than done. First of all, you mention RS so you presumably have their catalogue. What about the general purpose DC motors listed on page 140 of the July-October catalogue? Of course we don't know whether they have enough torque for your purposes; we aren't too sure what milliNewton-metres are in good old Anglo-Saxon terminology. Failing that (and for people without the trade connections to use RS), there are the units that Remcon Electronics are providing for use in our own Mobile 2. These are ideal since they also have a gearbox with variable gear ratios (see the robot article on page 25 for details). You can get in touch with Remcon at 1 Church Road, Bexleyheath, Kent (telephone 01-304 2055). Finally we can suggest J. Bull (Electrical) Ltd, 34-36 America Lane, Haywards Heath, Sussex RH16 3QU. They don't advertise with us, but in our sister magazine, Hobby Electronics, they have a goodly selection of DC motors on offer. Tell 'em ETI sent you!

Dear Sir,

Please forward this info to your correspondent, Mr. F. Mills of Dibden Purlieu (Read/Write July 82) with my sympathy — I know how bloody difficult it is to get hold of Plessey data and I work for them. Please leave me anonymous.

Data received and passed on, with grateful thanks, no doubt, from Mr. Mills. Ta very much from us, too; we took a few photocopies because it's bound to come in useful one day!

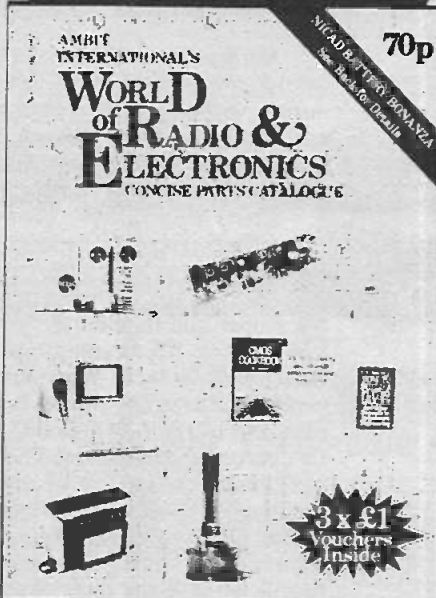
Finally we thought we'd share a little quip with you that was tacked onto the end of one of our contributors' letters. The name has been withheld to protect the guilty.

Idea of the Month: How about forming a BBC Computer Non-Users Group?

NICADS: UK's LOWEST PRICES

AMBIT'S NEW CONCISE COMPONENT CATALOGUE IS OUT NOW -

Price on the page



70p
NICAD BATTERY BRANDS
See Back for Details

Ambit's new style catalogue continues to lead the market with low prices, new items, info, 3 x £1 discount vouchers. Here's a few examples of some super low prices:

- 78XX 1A 37p
- BC237/8/9 8p
- 3SK51 54p
- 10MHz XTALS £2
- 8 Pole 10.7MHz XTAL filters £14.50
- 2GHz coax relay 150W £10.95

+ all the usual stuff at rock bottom prices + Toko coils, crystal and ceramic filters, micrometals toroids, Fairite ferrites, Alps switches, OKI LSI, Piezo sounders, RF, IF Modules + Kits etc.

Available at your newsagent or direct, for 70p inc.

RECHARGEABLE UP TO 400 TIMES PER CELL!

CAPACITY	TYPE	1-9	10-49
500 mAh	AA	80	74
2200 mAh	C	2.35	1.99
1200 mAh	D	2.14	2.06
4000 mAh	D	3.05	2.85
110 mAh	PP3	3.70	3.50

Prices shown EXCLUDE VAT. Access/Barclaycard may be used with written or telephone orders, official MA details on application. E & EO.
POSTAGE and PACKING 50p per order

AMBIT international TELEPHONE (STD 0277) 230909 TELEX 995194 AMBIT G POSTCODE CMI4 5G
200 North Service Road, Brentwood, Essex

ELECTROVALUE



A SPECIAL SUMMER PROMOTION

FREE VOUCHERS TO SAVE YOU UP TO

£2.10



THREE 70p REFUND VOUCHERS FREE for spending singly at any time on any one C.V.O. (U.K.) order minimum list value £10. This can quickly save you up to £2.10 in addition to the other benefits you enjoy by buying from Electrovalue. Send 70p for Catalogue 82 + 3 free vouchers by return now

ALSO ready latest quarterly price, new items and bargain lists - FREE send SAE now. HURRY! HURRY!!

+ USUAL DISCOUNTS + FREE POSTAGE

DISCOUNTS
5% on orders over £23 (inc. V.A.T.)
10% on orders over £57.50 (inc. V.A.T.)
on most catalogue items, but not on payments by credit cards.

FREE POSTAGE
Not charged on U.K. orders over £5.75 inc. V.A.T. If under, add 40p handling charge.

- SEMI-CONDUCTORS/ICs/OPTOs
 - COMPUTERS/SOFTWARE etc.
 - CAPACITORS/RESISTORS
 - CONNECTORS/SWITCHES/KNOBS
 - POTS/FERRITES/METERS
 - BOOKS/SOLDER TOOLS
- AND MORE AND MORE AND MORE

ELECTROVALUE LTD. 28E St. Junes Road, Englefield Green Egham, Surrey TW20 0HB
Phone: Egham 33603 (STD 0784); London 877; Telex: 264475
Northern Branch (Personal Shoppers only) 680 Burnage Lane, Burnage, Manchester M19 1MA. Phone: (061) 42 4345

<p>D.I.L. MINATURE ON/OFF SWITCHES Gold-plated contacts Sealed base ideal for programming. 6-position at less than half manufacturer's price</p> <p>ONLY 75p Will fit into 14-pin di socket. Ten at 65p ea; per 100 55p ea</p>	<p>HONEYWELL PROXIMITY DETECTOR integral amplifier, 8v D.C. £3.50 ea</p> <p>PHOTO CONDUCTIVE CELL. £1.25. High-power CdS cell, 500mW, for control circuits</p> <p>Resistance 800 ohm typ 4K Max volts 240 Size 1 1/2 x 1/2in</p> <p>RIBBON MICROPHONE with pre-amp on chassis. £1.75</p>	<p>MULLARD MODULES LP1171 LP1179 IF Stn AM, FM Front end Pair ES 75 Complete with Data</p> <p>LP1186 LP1157 varicap Med & Long Tuner £5.00 £2.50</p> <p>CRYSTALS COLOUR TV 4.43819 mcs £1.25 Miniature type sealed</p>	<p>ULTRA SONIC TRANSDUCERS 40KCS. Complete on 18in. Screen cable. £1.75 each, pairs £2.95</p> <p>ULTRA SONIC TRANSMITTER Complete unit (uncased) requires 15v. £3.25</p> <p>FOSTER DYNAMIC MICROPHONES 200 ohm impedance Moving coil. Complete on chassis. £1.75 pair</p>
<p>U.K.P. MODULATORS Lenses rise adjustable, ideal for computers with data Grant</p> <p>Size 3 x 7 1/2 x 1 inch Only £3.50 (in screened case)</p>	<p>LM380 Amplifier 85p LM318N Hi Stew Op Amp £1.50</p> <p>LM323K, 5v, 3-amp reg. £3.50</p> <p>LM310N Volt. Follower Amp £1.20</p> <p>LM311H High Perf Volt. Comparator. £1.00</p> <p>LM384N, 5-watt Amp £1.20</p> <p>LM383N Dual Com. 65p 7805 Reg 5v 75p</p>	<p>QUALITY FANS "Whisper Model" by Roton Low power consumption (less than 10 watts) Silent running 115v (two in series for 230v 50/60Hz) Size 4 1/2 x 4 1/2 x 1 1/2 Only £6.50 inc. VAT</p> <p>BRAND NEW 50% less than manufacturer's price</p>	<p>STEREO CASSETTE MECHANISMS 6 or 12 volt. Complete with Heads-Erase & Selenoid £5.50 each Brand new</p> <p>TV Convergence Pots (1 set) 50 ohm all 100 ohm 50p 200 ohm 50p 5K ohm each</p>
<p>MINIATURE EDGE SWITCHES with illuminated dial Scale 0-10 5 x 10mm mechanism See P. 12 for a data Only £1.65</p>	<p>MONSANTO Half-inch - 1 Display High Intensity £1 each set of 4 £3.50 Common anode 14 Pin. Di Package</p>	<p>STEREO CASSETTE TAPE HEADS Quality replacement for most recorders with mounting plate Record/Replay £2.80</p> <p>MARRIOTT TAPE HEADS Quarter track Type XRP518 Record/Replay (each) £2.00 XRP536 Record/Replay (each) £3.00 XES11 Erase (each) £1.00</p>	<p>EX-MOTOROLA 5+5-WATT CAR STEREO AMPLIFIERS Complete and tested units. Medium and Long Wave Supplied as two built units 15 x 2 x 2 1/2 inch with circuit and data. Only £5 pair. Includes pre-amp</p>
<p>NATIONAL PROMBA Chips £2.95 8216 £1.75</p>	<p>BRIDGE RECTIFIER 800 PIV 35 amps 1/2x1 1/2x1/2in £3.50</p>	<p>RECHARGEABLE BATTERIES VARIA 35 volts DEAL £22.00 M-AN 225 £1.50 DRYFIT 6-volt, 4.5 amp £7.50</p>	<p>"CHERRY" ADD-ON KEYPAD LIST PRICE £22.00 OUR PRICE ONLY £7.50 INC. VAT</p> <p>A compact 12-button keypad suitable for use with Cherry Keyboard to extend its functions plus four extra keys. Supplied brand new with data. A 3 x 4 non-encoded single mode keyboard</p>
<p>MINIATURE M.P.C. POTENTIOMETERS Model M2 High-quality, 5% tolerance, 2-watt, with 1m spanless. All values: 27 ohms-47k only 60p each or 10, 50p each per 100, 60p each</p>	<p>QUANTITY DISCOUNTS ON ALL items (unless stated), 15% per 10, 20% per 50, 25% per 100. All items BRAND NEW (unless otherwise stated). DELIVERY from stock - add post 35p per order, incl. VAT.</p>	<p>EXPORT enquiries invited.</p>	<p>TELEX 262284 Transonics Mono 1400</p>

HENRY'S

01-723 1008/9

Callers to: 404 EDGWARE ROAD, LONDON W2 1ED
All mail orders/export enquiries, 11/12 Paddington Green, London W2

DESIGNER'S NOTEBOOK

Tim Orr has taken time off from musical circuits to produce this article on instrumentation techniques. If you're one of those people who isn't quiet sure exactly what a decibel is, you'll find this feature particularly helpful.

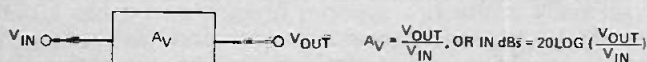
The following sections describe several electronic measurement techniques, and by adopting a modular approach it will be possible to construct a wide range of electronic measurement systems. First of all, though, we'll look at some of the units involved and try to clear up some of the confusion about them.

The Decibel

The decibel (dB) is a convenient way of expressing signal gain or loss in a system. When a signal passes through several amplifiers or filters the signal level may alter; the overall system gain is the product of all the individual gains. However, it is easier to add a series of numbers than to multiply them and so it is easier to convert the signal gains into a logarithmic equivalent which can then just be added or subtracted. This is equivalent to multiplying and dividing in the linear world. The calculation of gain in dBs is shown Table 1. The chart shows a range of dB values and their equivalent multiplier. These multipliers are often abbreviated by engineers (see rule of thumb), just to make life easy.

TABLE 1

dB	MULTIPLIER	RULE OF THUMB MULTIPLIER
+80	x10,000	10,000
+70	x3162	3,000
+60	x1000	1,000
+50	x316.2	300
+40	x100	100
+30	x31.6	30
+20	x10	10
+18	x7.94	8
+12	x3.98	4
+10	x3.16	3
+6	x1.99	2
+3	x1.41	1.4
0	x1.00	1.0
-3	x0.708	0.7
-6	x0.501	0.5
-10	x0.316	0.3
-12	x0.251	0.25
-18	x0.126	0.125
-20	x0.100	0.10
-30	x0.032	0.03
-40	x0.010	0.01
-50	x0.0032	0.003
-60	x0.001	0.001
-70	x0.00032	0.0003
-80	x0.0001	0.0001



0dBm IS USED AS A VOLTAGE MEASUREMENT.
0dBm IS A SINEWAVE LEVEL THAT DISSIPATES 1 MILLIWATT OF POWER INTO A 600R LOAD

$$\text{THE POWER DISSIPATED} = \frac{V_{pp}^2}{8 \times R}$$

$$\therefore \text{FOR 1mW, } V_{pp}^2 = 8 \times R \times 10^{-3}$$

$$V_{pp} = \sqrt{8 \times 600 \times 10^{-3}} = \sqrt{4.8}$$

$$V_{pp} = 2.1909V$$

\therefore 0dB IS EQUIVALENT TO 2.1909 V_{pp} OR 0.7746 V_{RMS}
THIS IS USUALLY ROUNDED OFF TO 2.2 V_{pp} OR 0.775 V_{RMS}

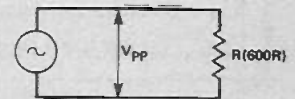


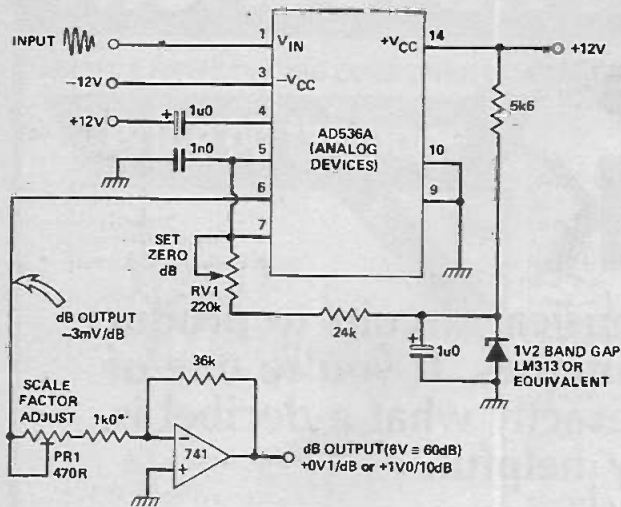
Fig. 1 Everything you ever wanted to know about the dBm!

The dBm

The dBm is used to describe a signal level and not signal gain and loss as for the dB (Fig. 1); it is widely used in audio and telecommunication engineering. For example, microphone amplifiers often have their equivalent input noise voltage expressed in dBm. If, say, this noise is -124 dBm and a microphone is being used that delivers a signal level of -40 dBm, then the signal-to-noise ratio at the output of the amplifier is 124 - 40 = 84 dB. Not exactly a difficult calculation! Table 2 shows a chart of dBm signal levels. The dBm is meant to be used for 600 ohm impedances; however the same signal level across any load is referred to as the dBu.

TABLE 2

dBm	V RMS	V _{pp}
+20	7V75	22V
+18	6V16	17V47
+12	3V08	8V76
+10	2V45	6V95
+6	1V55	4V39
+3	1V094	3V11
0	775 mV	2V2
-3	549 mV	1V56
-6	388 mV	1V1
-10	245 mV	695 mV
-12	197 mV	553 mV
-18	97.6 mV	277 mV
-20	77.5 mV	220 mV
-30	24.5 mV	69.5 mV
-40	7.75 mV	22 mV
-50	2.45 mV	6.95 mV
-60	775 uV	2.2 mV
-70	245 uV	695 uV
-80	77.5 uV	220 uV
-90	24.5 uV	69.5 uV
-100	7.75 uV	22 uV
-110	2.45 uV	6.95 uV
-120	775 nV	2.2 uV
-130	245 nV	695 nV



*USE A TEL LABS Q81 IF POSSIBLE. THIS HAS A T_C OF $+3500PPM/^{\circ}C$. IT COMPENSATES FOR DRIFT IN THE AD536A

Fig. 2 Circuit for a dB meter using an Analog Devices IC.

Measuring Decibels

The AD536A is an RMS-to-DC converter chip, which is made by Analog Devices. It contains an absolute value circuit, a squarer/divider and a current mirror. With these elements it can compute a true RMS value or a log (dB) equivalent of the input signal. The circuit in Fig. 2 has a useful operating range of 60 dB. PR1 sets the scale factor of the meter. Insert a 1 V peak-to-peak sine wave and then change it to 100 mV peak-to-peak; this is to a change of 20 dB and so the preset PR1 should be adjusted for a 2 V change in the output voltage. RV1 sets 0 dB by inserting a current that cancels the log output current from the squarer/divider. This can be used to measure absolute voltage in dBm by setting zero at an input voltage of 775 mV RMS. Alternatively it can be used to compute a dB ratio. Insert a signal, set zero and then change the input signal level — the resulting output change will represent the dB change in input level. Note that the input of the AD536A can accept DC signals, but a small DC offset on the input signal will add a large error to low level readings. For the computation of dBs for AC signals it is best to AC-couple the input with a 4u7 capacitor.

RMS To DC Conversion

The AD536A calculates the true RMS value of the input signal by converting it to an absolute value. It is then squared, averaged and then square rooted. The result is a DC voltage that is equal to the RMS value of the input signal (Fig. 3). Most moving coil AC voltmeters are

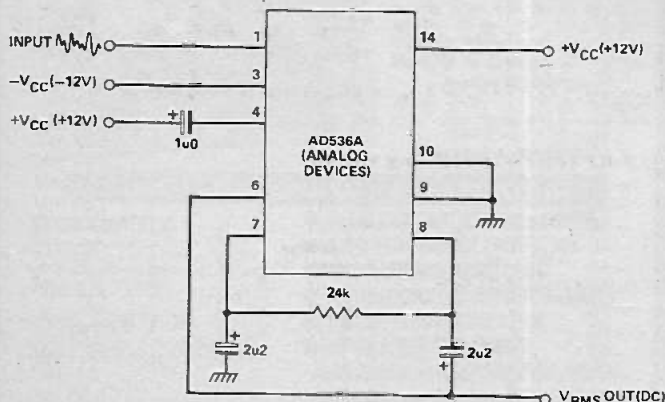


Fig. 3 The same chip can be used for an RMS to DC converter.

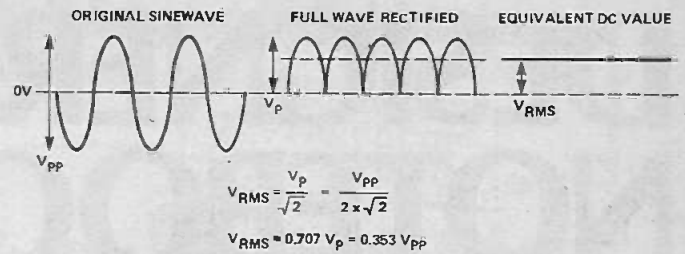


Fig. 4 Sine wave level measurement.

calibrated for sine wave operation only; the peak voltage of the sine wave is multiplied by 0.707 to produce the RMS value (Fig. 4). This type of meter will give wrong readings if noise, square waves, triangle waves or any non-sinusoidal signals are measured, as in Fig. 5. To measure any non-sinusoidal waveform a true RMS converter is needed, otherwise the reading could be wrong by a factor of 5!

WAVEFORM	RMS	CREST FACTOR*
SINEWAVE	$0.707 V_p$	$\sqrt{2} = 1.414$
SYMMETRICAL SQUAREWAVE	$1.0 V_p$	1.0
TRIANGLE WAVE	$\frac{V_p}{\sqrt{3}} = 0.577 V_p$	$\sqrt{3} = 1.732$
NOISE	TRUE RMS	3.0 TO 4.0 DEPENDS ON THE SPECTRUM
SPIKE	TRUE RMS	10.0 DEPENDS ON SHAPE!

*THE CREST FACTOR = $\frac{V_p}{V_{RMS}}$

Fig. 5 Measuring different waveforms.

Noise Annoys

All electronic components generate noise, and the combined effect of all the noise components in a system gives rise to the phenomena of a noise floor. This is a background noise signal that is forever present. The measurement that is often used to describe the noise performance of a system is called the signal-to-noise ratio which is expressed in dB. This is the ratio between the normal operating signal level and the residual noise level with the signal removed. Measurement of the signal is relatively straightforward; a sine wave signal can easily be measured with an AC voltmeter, to give the RMS value. The noise measurement is more difficult. First, the noise level will probably be very low and so it will need amplification. Second, we will only be interested in noise within a certain bandwidth. Noise outside our selected bandwidth will make the noise reading seem larger than it really is. Therefore we will need to band-limit our amplifier. For audio applications a bandwidth from 20 Hz to 20 kHz is often used.

Finally, noise is a random process and it has a constantly varying ratio between its peak and RMS voltage. A simple rectifying and smoothing process will give an erroneous reading and a true RMS-to-DC converter is need-

FEATURE: Designer's Notebook

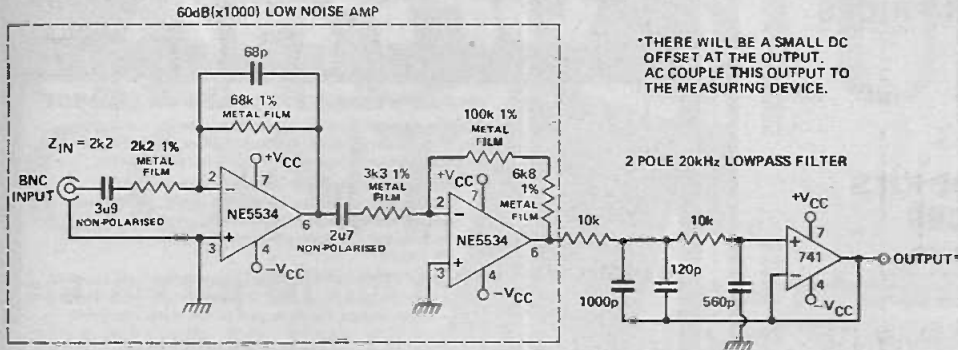
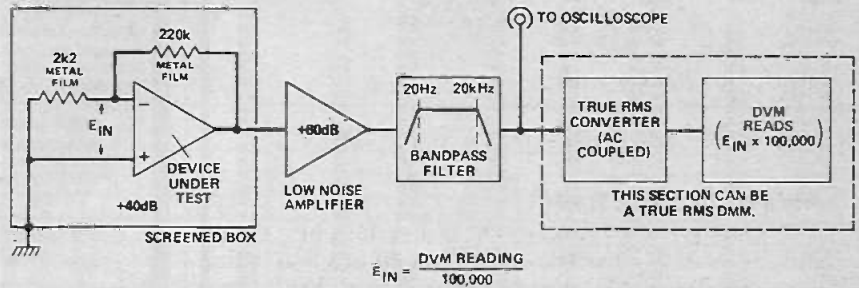


Fig. 6 (Above) A low noise 60 dB amplifier and 20 Hz to 20 kHz filter.

Fig. 7 (Right) Measuring noise in op-amps.



ed for correct readings. Thus by using a band-limited amplifier with a true RMS converter it is possible to accurately measure the residual noise level. A suitable amplifier and filter for audio work is shown in Fig. 6: The NE5534 op-amps are low noise devices, so they will contribute very little noise to the output signal. The amplifier has a voltage gain of 60 dB and so the output reading must be attenuated by the same amount; Table 1 shows the equivalent is $\times 1000$, so millivolts turn into microvolts. This calculation assumes a flat noise spectrum.

Figure 7 is a circuit that measures the equivalent input noise of op-amps. The circuit has an overall gain of 100 dB ($\times 100,000$) and so the DVM reading must be attenuated by this factor; additional filtering may be included to remove hum or to produce an A-weighting.

The noise often has an A-weighting frequency response applied to it before measurement (Fig. 8). This curve is similar to the frequency sensitivity of the human ear and so by A-weighting the noise measurement it becomes a subjective quantity. It also improves the apparent noise performance figure. Usually when you make a noise reading there is a mains hum component that is actually bigger than the noise. This can be removed with a 400 Hz high pass filter as in Fig. 10. This filter also removes some of the energy of the noise below 400 Hz, but even so

the noise reading is still useful. Sophisticated digital multimeters often give you the choice of 400 Hz high-pass, 30 kHz and 80 kHz low-pass and A-weighting filters; sometimes they also have the facility for true RMS, dB and dB ratio measurements.

Noise in op-amps is specified in nV/\sqrt{Hz} . The equivalent input noise voltage is:

$$E_{IN} = E_n \times \sqrt{\text{BANDWIDTH}}$$

$$= (E_n \times 141) \text{ nV for a 20 kHz bandwidth}$$

where E_{IN} is the equivalent input noise voltage in V RMS

E_n is the input noise in nV/\sqrt{Hz} .

The calculation assumes a flat noise spectrum.

Next month Tim Orr looks at the measurement of voltage, current, resistance and temperature.

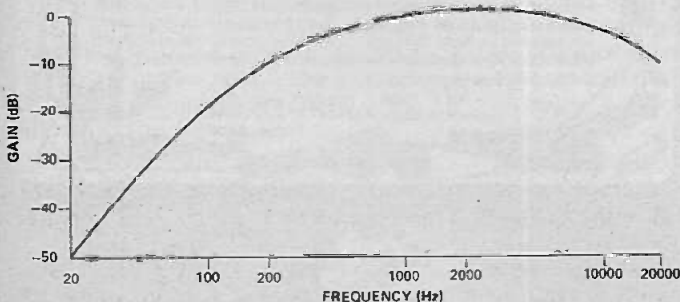


Fig. 8 The IEC 'A' weighted curve.

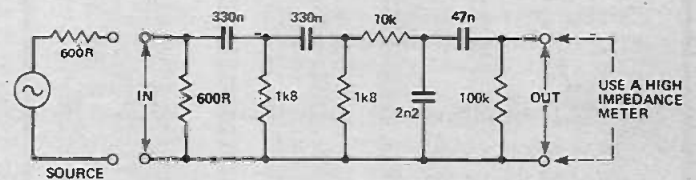


Fig. 9 An IEC 'A' weighting circuit.

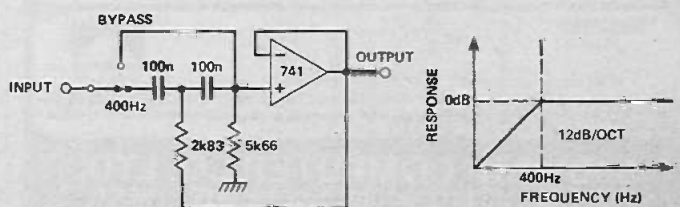


Fig. 10 A 400 Hz two pole high pass filter.

MICROCOMPUTER COMPONENTS
LOWEST PRICES - FASTEST DELIVERY

MEMORIES NEW LOWER PRICES

*2114 Low Power 200ns	0.80	*4116 200ns	0.70
*2708 450ns	2.70	*4116 150ns	0.84
*2716 450ns (SVI)	2.25	*4118 150ns	3.38
*2716 350ns (SVI)	3.58	*4164 200ns (T0)	3.05
*2716 450ns (B) (val)	5.85	*4164 150ns (T0ns)	3.25
*2732 450ns	3.90	*5616 200ns	3.98
*2732 350ns	4.40	*6116P3 150ns	4.30
*2532 450ns	3.90	*6116LP 3150ns	5.75

BBC MICRO UPGRADE KITS
NEW LOWER PRICES

As some parts are still in short supply please check availability before ordering

BBC1 4516 5416 x 8 100ns	25.50
BBC2 Printer U/O kit (IC69, 70 + PL9, 10)	8.45
BBC4 Analogue input kit (IC73, 77 + SK6)	6.75
BBC5 Serial I/O and RGB kit (IC74, 75 + SK3, 4)	11.45
BBC6 Expansion bus and tube kit (IC71, 72, 76 - PL11, 12)	6.25

BBC21 Printer cable complete	13.00
BBC22 Connector for user port with 36" cable	2.15
BBC44 Analogue input plug with cover	2.25
BBC55 5 and 6 pin DIN plugs for Serial I/O and RGB input	0.99
BBC56 Connector for Bus port with cable	3.50

*We've done it again! New even lower prices on many popular products.

Device	Price	Device	Price	Device	Price	Device	Price
Z80 Family		*AY5 2376	5.99	4070	0.17	221	0.54
*280CPU	3.15	*DP8304	4.90	4071	0.17	240	0.64
*280ACPU	3.55	*MC1488	0.55	4073	0.19	241	0.64
*280CTC	2.75	*MC1489	0.55	4075	0.17	242	0.78
*280ADCT	2.85	*MC32513L	2.95	4081	0.14	243	0.79
*280ADART	5.70	*MC3448A	4.25	4083	0.28	244	0.58
*280ADAMA	11.95	*MC3480	7.55	4508	1.90	245	0.75
*280ADIO	2.75	*MC3487	2.95	4511	0.45	251	0.40
*280ADPD	2.95	*MC14411	6.54	4512	0.60	257	0.40
*280ASIO-0	11.90	*MC75472	7.99	4518	0.40	259	0.78
*280ASIO-1	11.90	*N03 2513L	6.95	4520	0.59	256	0.22
*280ASIO-2	11.99	*N03 2513U	5.99	4526	0.70	273	0.70
*MK3886	11.00	DVM CHIPS		4528	0.70	279	0.38
*MK3826	11.00	*ZM450E	7.87	4541	0.99	283	0.44
*MK3886 4	14.47	*ZM450K	17.35	4543	0.98	285	0.34
9800 FAMILY		LINEARS		NB Other devices available		366	0.36
*6800	2.99	LN01AN	0.25			367	0.34
*6802	3.48	LM309N	0.89	74LS SERIES		373	0.59
*6803C	12.10	LM8311N	0.59	00	0.10	374	0.70
*6809	8.45	LN319N	2.14	01	0.11	377	0.70
*6810	1.12	LN324N	0.30	02	0.12	377	0.70
*6821	1.20	9LM348N	0.59	03	0.12	390	0.54
*6840	3.95	LM555N	0.16	04	0.12		
*6845	9.45	LM556CA	0.45	05	0.13		
*6850	1.40	LM7418 (8 pin)	0.54	08	0.14	8 PIN	0.07
6860	1.07	LM7474CN	0.90	09	0.12	14 PIN	0.40
6867	0.90	LM748 (8 pin)	0.90	10	0.12	16 PIN	0.09
*68488	9.11	LM725CN	3.20	12	0.12	18 PIN	0.13
6875	5.62	REGULATORS		13	0.22	20 PIN	0.14
6843	13.95	7805	0.39	14	0.34	22 PIN	0.17
*68800	6.30	7812	0.39	15	0.12	24 PIN	0.25
*68802	19.11	7815	0.39	20	0.12	40 PIN	0.29
*68821	2.25	78L05	0.29	21	0.12		
*68810	2.00	78L12	0.29	25	0.152	DIL SOCKETS	
*68840	4.70	78L15	0.29	27	0.12	LOW PROFILE GOLD	
*68850	2.86	7905	0.95	28	0.15	8 PIN	0.22
6500 FAMILY		7912	0.95	30	0.12	14 PIN	0.29
*6502	3.45	7915	0.95	32	0.12	16 PIN	0.31
*6522	4.45	LA309K	0.99	37	0.15	18 PIN	0.33
*6532	5.95	LM317K	3.20	38	0.15	20 PIN	0.35
		LM323K	4.95	40	0.12	22 PIN	0.40
		LM338K	POA	42	0.33	24 PIN	0.42
				47	0.39	28 PIN	0.54
8080 FAMILY		UHF MODULATORS		51	0.14	40 PIN	0.81
*8085A	4.40	*6M6Z (UMH111)	3.70	54	0.15	DIL JUMPERS	
8212	1.95	*8M6Z (UMH233)	4.40	74	0.16	Single ended 2"	
8216	0.60			75	0.24	14 PIN	1.40
*8251	3.19	CRYSTALS		76	0.20	15 PIN	1.40
*8255	2.95	1MHz	2.90	77	0.20	24 PIN	2.35
BUFFERS		1.00MHz	2.90	83	0.44	24 PIN	2.25
81LS85	0.90	1.5432MHz	2.20	85	0.80	40 PIN	3.25
81LS97	0.90	3.6864MHz	2.95	86	0.15	Double Ended 5"	
81LS98	0.90	4MHz	1.45	90	0.28	14 PIN	1.90
81LS99	0.90	6MHz	1.45	92	0.33	16 PIN	2.05
8175A	1.20	8MHz	1.70	93	0.33	24 PIN	3.10
8178A	1.20	CNOS 4000 "B"		109	0.21	40 PIN	3.85
8178L	1.35	4000	0.11	123	0.39	Double ended 12"	
8179	1.45	4001	0.11	125	0.24	14 PIN	2.15
8198	1.45	4002	0.15	126	0.25	24 PIN	3.25
DATA CONVERTERS		4011	0.12	132	0.39	40 PIN	5.10
*2N425	3.45	4012	0.15	135	0.39	Double Ended 18"	
*2N427	5.99	4013	0.29	138	0.31	14 PIN	2.05
2N428	4.75	4015	0.59	139	0.31	16 PIN	2.25
*2N432	13.00	4016	0.25	148	0.90	24 PIN	2.40
*2N433	25.90	*17	0.45	151	0.29	40 PIN	5.25
*2N447/8/9	POA	4020	0.59	153	0.29		
FLOPPY DISC		4023	0.17	155	0.39	ZERO INSERTION	
*FD1771	17.12	4024	0.35	156	0.36	FORCE SOCKETS	
*WD1391 Kit	46.50	4025	0.15	157	0.25	24 PIN	5.95
*WD1393 Kit	46.50	4027	0.30	158	0.31	28 PIN	7.40
*WD1395 Kit	46.50	4028	0.65	161	0.35	40 PIN	8.80
*WD1397 Kit	46.50	4040	0.54	163	0.39		
		4042	0.54	164	0.45	25 WAY "D" CONNECTORS	
		4045	0.68	165	0.75	Male-Male	10.15
		4046	0.68	166	0.85	36" Cable	10.13
		4049	0.25	173	0.89	Male Female	10.13
		4050	0.2	174	0.45	36" Cable	10.13
CHIPS		4051	0.59	192	0.43	Male S Ended	5.83
*AY3-1015	2.99	4052	0.59	193	0.45	(18" Cable)	
*AY3-1270	7.35	4060	0.79	194	0.39	Female	6.25
*AY3-8910	5.99	4066	0.34	194	0.39	S Ended (18" Cable)	
*AY5-1013	2.99	4069	0.37	195	0.39		
*AY5-3600	7.95						

Data available on asterisked components. Telephone for current prices

VISA 24 HOUR TELEPHONE SERVICE FOR CREDIT CARD SERVICES

* All prices exclude VAT and Carriage (0.75 + VAT) on orders under £10 *
* All orders despatched on day of receipt with full refund on Q/S items if requested *
* Order receipted & returned with goods. If full VAT invoice required please add 0.50 + VAT *

MIDWICH COMPUTER CO. LTD.
DEPT ETI, HEWITT HOUSE, NORTHGATE STREET,
BURY ST. EDMUNDS, SUFFOLK IP33 1HQ
TELEPHONE: (0284) 701321 TELEX: 817670

BI-PAK

BI-PAK'S COMPLETELY NEW CATALOGUE

Completely re-designed. Full of the type of components you require, plus some very interesting ones you will soon be using and of course, the largest range of semiconductors for the Amateur and Professional you could hope to find.

There are no wasted pages of useless information so often included in Catalogues published nowadays. Just solid facts i.e. price, description and individual features of what we have available. But remember, Bi-Pak's policy has always been to sell quality components at competitive prices and THAT WE STILL DO.

Bi-Pak's COMPLETELY NEW CATALOGUE is now available to you. You will be amazed how much you can save when you shop for Electronic Components with a Bi-Pak Catalogue. Have one by you all the time - it pays to buy BI-PAK.

To receive your copy send **75p** plus 25p p&p.

8 Bit MICROPROCESSOR
National INS8080AN 40 Pin DIL N. Channel Silicon GATE MOS TECHNOLOGY As used in Nationals

8080 Micro Computer Family
Instruction Cycle Time 2 µs
Supplied with functional Block Diagram
BRAND NEW — NOT seconds or reclaims
100% perfect ORDER NO. SX8080 only Normal Sell price £4.50 each. Our BI-PAK Special Price **£2.00** SO HURRY — LIMITED STOCKS

40 Pin IC Socket to fit SX8080 Offer price **30p** ORDER NO. 1609

5 watt (RMS) Audio Amp

High Quality audio amplifier Module. Ideal for use in record players, tape recorders, stereo amps and cassette players, etc. Full data and back-up diagrams with each module.

Specification:
Power: Output 5 watts RMS ● Load Impedance 8-16 ohms ● Frequency response 50Hz to 25 kHz—3db ● Sensitivity 70 mv for full output ● Input Impedance 50k ohms ● Size 85 x 64 x 30mm ● Total Harmonic distortion less than 5%
BI-PAK'S give away price

£2.25 each

You could not Build one for this price.

MW398 Ni-CAD CHARGER

Universal Ni-Cad battery charger. All plastic case with lift up lid. Charge/Test switch. LED indicators at each of the five charging points.

Charges: — Power: —
PP3 (9V) 220-240V AC
U12 (1.5V penlite) Dims: —
U11 (1.5V "C") 210 x 100 x 50mm
U2 (1.5V "D") **£16.95**

POWER SUPPLY OUR PRICE £3.25

Power supply fits directly into 13 amp socket. Fused for safety. Polarity reversing socket. Voltage switch. Lead with multi plug.
Input: — 240V AC. 50HZ Output: — 3, 4.5, 6, 7.5, 9 & 12V DC Rating: — 300 ma MW88

TRIACS — PLASTIC

4 AMP — 400v — T0202 — TAG 136G
1 OFF 10 OFF 50 OFF 100 OFF
40p £3.75 £17.50 £30.00
8 AMP 400v — T0220 — TAG 425
60p £5.75 £27.50 £50.00

2N3055 The best known Power Transistors in the World — 2N3055 NPN 115w.
Our BI-PAK Special Offer Price:
10 off 50 off 100 off
£3.50 £16.00 £30.00

B0312 COMPLEMENTARY PNP POWER TRANSISTORS TO 2N3055
Equivalent M12955 - B0312 - T03
SPECIAL PRICE £0.70 each
10 off £6.50

TECASBOTY

The Electronic Components and Semiconductor Bargain of the Year. A host of Electronic components including potentiometers — rotary and slider, presets — horizontal and vertical Resistors of mixed values 220ohms to 2MΩ — 1/8 to 2 Watt. A comprehensive range of capacitors including electrolytic and polyester types plus disc ceramics etcetera. Audio plugs and sockets of various types plus switches, fuses, heatlinks, wire, nuts/bolts, gromets, cable clips and ties, knobs and P.C. Board. Then add to that 100 Semiconductors to include transistors, diodes, SCR's opto's, all of which are current everyday usable devices. In all a Fantastic Parcel. No rubbish all identifiable and valued in current catalogues at well over £25.00. Our Fight Against Inflation — Beat the Budget — Down with Depression

Price — **JUST £6.50.** O/n0 SX85

Send your orders to Dept ET9 BI-PAK PO BOX 6 WAREHERTS SHOP AT 3 BALDOCK ST., WAREHERTS

Use your credit card. Ring us on Ware 3182 NOW and get your order even faster. Goods normally sent 2nd Class Mail. Remember you must add VAT at 15% to your order. Total Postage add 75p per Total order.



AUTO-VOLUME CONTROL

Having sorted out mike switching in July, we now turn our attention to the other PA nightmare, volume control. This clever little gadget will sort out your problems — automatically. Design by Vivian Capel. Development by Peter Green.

Automatic volume control has been used for years in broadcast radio receivers — at least it has been termed automatic volume control although it was actually automatic gain control. AGC responded not to changes in the audio frequency output, but fluctuations in the level of the RF carrier. Part of the carrier appearing at the last IF stage was rectified, applied to a circuit having a time constant sufficient to remove audio modulations, then fed as a DC control potential to the grid circuit of the first IF stage. Thus fading was reduced and strong local carriers did not produce overloading of later stages. This illustrates the rather confused manner in which the term is used.

Expanding On Compression

Another confusion often encountered is between automatic volume control and volume compression. Although both are concerned with audio levels and their control, there is an important difference that dictates which feature should be used in a particular application.

With volume compression, the dynamic range is reduced and the gain of the circuit varies according to the amplitude of the signal. This reduction may take place over the whole range of signal levels, or it may start at some predetermined threshold below which the circuit behaves normally with linear gain. Above it, the signal produces an output which is proportionally less as the amplitude increases.

Volume compression is used where the dynamic range (the range between the loudest and softest signals) is too great for the equipment or system to safely handle. Either the loud signals

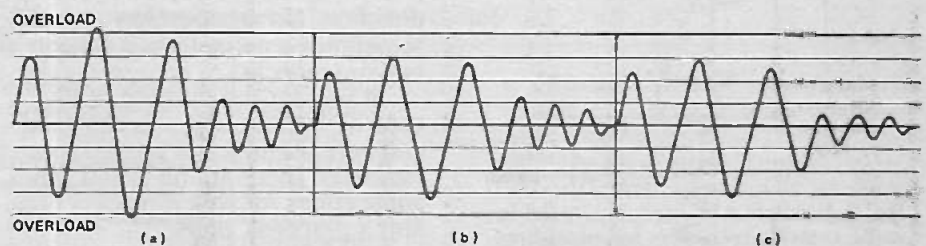


Fig. 1 A signal comprising successive loud and soft tones. The loud tone exceeds the overload level of the equipment (a). With volume compression, the loud tone is reduced more than the soft one, reducing dynamic range (b). With automatic volume control, all the signals are equally reduced (c).

would overload the circuit, overmodulate the carrier, or introduce unacceptable distortion, or the soft signals would approach the noise level so that a poor signal-to-noise ratio would result. Broadcast radio transmissions are an example of the use of compression, and the compressed result is generally considered satisfactory for domestic listening.

Orchestral Manoeuvres

It may be worth mentioning at this point that there is often a considerable 'overkill' in the range stipulated in hi-fi circles. Some quote figures around 70 dB as the range between the quietest and loudest sounds produced by a symphony orchestra. Measurements of sound levels made by the author at public symphony concerts failed to produce anything like this. The difference between the quietest passages (whispering strings) and full-blooded climaxes with percussion, brass and everything else playing flat out was little more than 45 dBA.

The opportunity has not arisen for measurements during large scale choral and orchestral works in which a somewhat wider span could be anticipated, but from

theoretical calculation it would not be a lot more. (For example if a choir and orchestra each generated 45 dB, together the combined sound level would be only 48 dB.)

Levelling Off

Automatic volume control does not reduce dynamic range by lessening the amplitude of loud signals more than that of quiet ones. It reduces the overall level (so that both loud and quiet sounds are affected equally) when the level is high, and increases it when the overall level is low. The operation is the same as that of a manual volume control, except it is automatically actuated by the signal.

One common use is the automatic recording level control that is incorporated in most portable cassette recorders. This permits recordings to be made without trial runs and careful watching of the recording level meter. Though very useful for spontaneous recordings it does have its drawbacks in being too inflexible in the form usually used. Fades, either up or down, cannot be executed as there is normally no recording level manual control. The effect is also less than satisfactory when recording music which has sudden changes of volume. The manual override which

accompanied the first automatic level circuits in recorders now seems to have disappeared completely.

PA Problems

Public address systems are another application for which auto level control is ideal. Many platform orators are notoriously bad microphone users; they turn away

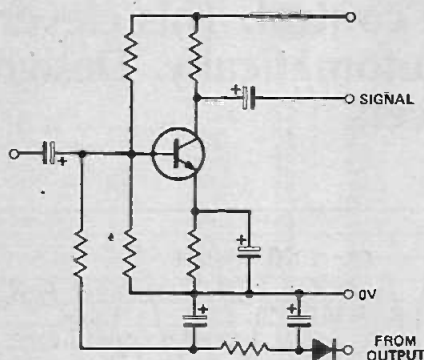


Fig. 2 A simple AVC circuit as used in some cassette recorders for recording level control. It can be overloaded as the forward bias is reduced by a strong signal.

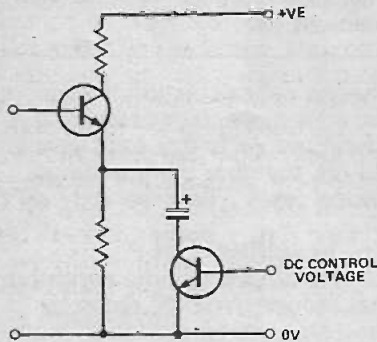


Fig. 3 Experimental circuit for controlling the gain of a stage by varying the negative feedback.

and often step away from the rostrum, while at other times some lean forward and shout into the microphone to emphasise a point. As the level varies according to the square of the distance between the lips of the speaker and the microphone, some pretty hefty volume changes take place. With interviews or forums there may be a variety of participants, some soft-spoken and some loud. Any of these may shift his position during the programme and wind up nearer or further from the microphone. The poor PA operator struggles manfully to compensate by rapid adjustment of the sliders, sometimes the wrong ones, and in the wrong direction. No wonder they sometimes emerge from a session as nervous wrecks!

It was for the purpose of PA control that our unit was designed, and very useful it has proved too. However, there are no doubt other applications for which readers may find it practical. Being comparatively small it could be built into most existing amplifiers or mixers, drawing only a small

amount of current from the power supply. However, if desired it could be mounted in a separate box with a battery supply.

Alternative Technology

Several methods were tried (and rejected) in order to achieve satisfactory auto-control. The simplest method (which has been frequently used for cassette recorder ALC circuits) is to rectify part of the output and apply it as negative bias to an early NPN transistor (or positive bias to a PNP device). Thus the forward bias is reduced, reducing the collector current and also the gain of the circuit (Fig. 2).

There are several snags with this arrangement. One is that with the reduction of base current on which the signal current is superimposed, the capability of the circuit to handle large signals is also reduced. Now this occurs precisely at the time when large signals are present at the base, which are not affected by the gain of the following circuit. Hence there is a strong possibility of overloading and distortion, as the

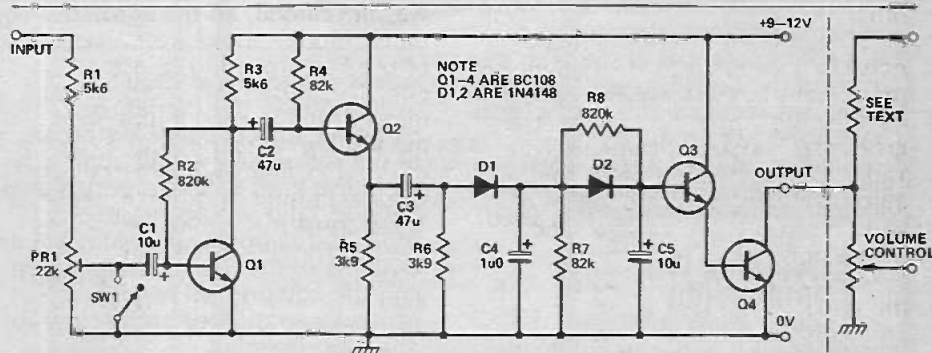


Fig. 4 The circuit of the AVC unit, showing the connections required when it's built into existing equipment.

HOW IT WORKS

The signal is sampled from the output of the mixer or some other convenient high-level point, and is applied to the potentiometer PR1. This permits the amount of AVC to be preset. SW1 shorts the preset wiper to earth, which allows the circuit to be switched out without disturbing the control setting.

Q1 amplifies the control signal and the output is applied to Q2; this is an emitter follower with a low impedance output and high current sourcing. The purpose of this is to ensure that the capacitors C4 and C5 charge rapidly at the onset of a sudden loud sound and so achieve a quick reaction. The capacitance of these components has been limited for the same reason.

After rectification by D1, the DC control signal charges C5 through D2 which offers a low impedance path. However, the capacitor cannot discharge back through D2 because of reverse polarity, but does so through R8 and R7. Thus the discharge is con-

siderably slower than the charge, so the control signal doesn't fluctuate with every change in amplitude of the original signal (which would result in volume compression). Instead it maintains a level which corresponds with the average level of the incoming signal; thus if a quiet signal follows immediately after a loud one, the same dynamic range is maintained and the gain drifts back only slowly to the previous level. Small changes in signal amplitude as in normal speech have little effect.

The rapid initial response greatly reduces the devastating effect of the explosive consonants P and B when spoken too close to the microphone. But because the general overall level is governed by the average input signal, the circuit evens out longer variations which arise when a speaker turns his head away from the microphone to address one section of his audience.

Transistor Q3 drives the control transistor Q4, which behaves as a variable

resistor and is connected as the bottom leg of a potentiometer across the signal source. The upper leg is a fixed resistor, and the tap between them is the variable point for feeding the following amplifier. A shunt resistor is connected across Q4 to maintain the load on the source when the transistor is cut off.

When a large signal is received, Q4 is made conductive and the resistance of the bottom leg reduced, changing the ratio between it and the top leg. When the signal is small the opposite happens and Q4 becomes less conductive, increasing the lower leg resistance. Thus the circuit operates in the same manner as a manual volume control, by reducing the signal applied to the controlled stage rather than changing the gain of the stage itself. Therefore it can't be overloaded and self-generated noise remains the same. Noise from earlier stages is reduced along with the signal, so the drawbacks of other control circuits are eliminated.

Project: Auto Volume Control

PARTS LIST

Resistors (all $\frac{1}{4}$ W, 5%)	
R1,3	5k6
R2,8	820k
R4,7	82k
R5,6	3k9
Potentiometer	
PR1	22k
Capacitors	
C1,5	10u 16 V PCB electrolytic
C2,3	47u 16 V PCB electrolytic
C4	1u0 16 V PCB electrolytic
Semiconductors	
Q1-4	BC108
D1,2	1N4148
Miscellaneous	
SW1	SPST or SPDT switch (see text)
PCB (see Buylines)	

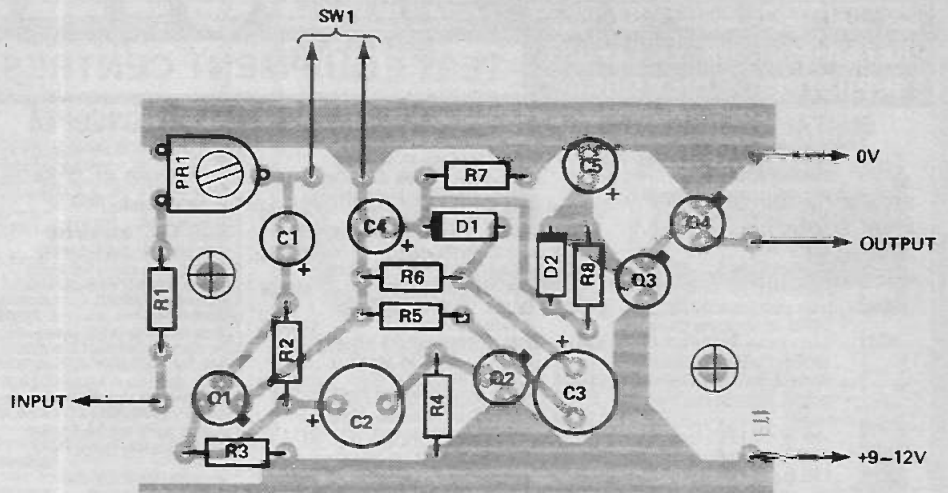


Fig. 5 Component overlay for the AVC unit.

stronger the signals are, the smaller the base current becomes.

Overloading is less likely in a cassette recorder when the internal microphone is being used, as close-talking is not usual under these circumstances. But it could occur if a high sensitivity external microphone or auxiliary input were being recorded. It could certainly occur when used as a general automatic volume control for PA or other purposes.

The other drawback is that noise in a transistor is dependent on the current in the base and collector circuits; the larger the current, the greater the noise. As the current varies with the operation of the automatic control, noise will also vary. However, the current, and hence noise, is greatest in the absence of a signal, and least when the signal is at a maximum. This of course is the opposite to what it should be, as noise is relatively unimportant in the presence of large signals which mask it.

Variable Variation

Another circuit which at first seemed promising (Fig. 3) consisted of a transistor used as a variable resistor controlled by a rectified voltage derived from the output, which was connected in series with an emitter bypass capacitor. The signal developed over the emitter resistor by the collector current is in opposition to the applied signal between base and emitter, hence it provides a form of negative feedback. When bypassed with a capacitor having a low reactance compared to the emitter resistor, the feedback disappears.

A variable resistor in series with the capacitor enables the gain of the stage to be varied in sympathy with the signal amplitude by changing the total impedance across the

emitter resistor and hence the amount of negative feedback.

Unfortunately, the circuit proved unsatisfactory in practice because the DC charge in the capacitor changed according to the value of the series resistance.

Design Developed

Finally, the circuit here given was developed, and with some minor modifications over a period of use has proved to be very effective. When the device is built into existing mixers or amplifiers, the top leg resistor of Fig. 4 can be inserted in series with the main volume control at its 'high' end. The transistor is connected across the control which therefore serves as the shunt described in the 'How It Works' section. The value of the top leg resistor should be about a tenth of that of the volume control, so a 25k control would need a 2k2 resistor. This will reduce the gain of the amplifier by an eleventh or less than 1 dB. If the unit is constructed in a separate control box, the shunt resistor can be 47k and the upper one rather less than a tenth at 3k3.

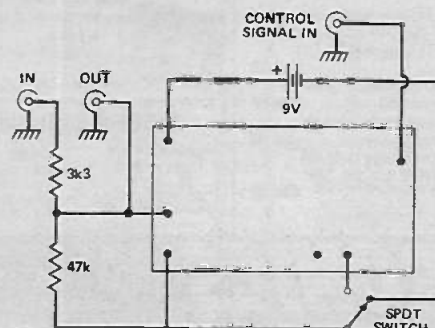


Fig. 6 Board connections to peripheral components when used as a separate control box. PR1 can be replaced by a manual control on the panel if desired.

Manual Mode

The AVC control is shown as a preset mounted on the circuit board, but if desired it could be an ordinary manual control fitted either to the control panel of the mixer or on the case of a separate unit.

A manual control is useful as different conditions call for different degrees of control. In the lowest positions, operation of the control automatic circuit is not noticeable to an audience, but the operator can see from his output meters that the loudest signals are restrained and kept within the range of the equipment. At the other extreme, if turned fully up, the loud sounds come out quieter than the soft ones! This degree of control would obviously never be used, and the setting will be somewhere well below that.

Modifications

A switch can be incorporated, if desired, to short the wiper of the control to earth. The same effect is obtained by turning down the control to zero, but the separate switch enables a particular control setting to be preserved when the circuit is switched out. Another optional feature is that the switch can be a double pole type with the second pole arranged to switch a LED on and off as an indication that the automatic circuit is in operation.

BUYLINES

All the components for this project are the common-or-garden variety so you should be able to get them from any of the companies advertising components in this issue like Rapid Electronics, Bi-Pak, Ace Mailtronix or Electrovalue. People unable to etch their own PCB can find our PCB Service order form on page 87.

AUDIO ELECTRONICS

ALL PRICES INCLUDE VAT

**RETAIL-MAIL ORDER-EXPORT
INDUSTRIAL-EDUCATIONAL**

TEST EQUIPMENT CENTRES

**CALL IN AND SEE FOR YOURSELF
OPEN SIX DAYS A WEEK** ALL MODELS ON DISPLAY

DIGITAL MULTIMETERS

- All models complete with leads and batteries
- | | | | |
|--|----------------|--|----------------|
| Hand Held Models 3 1/2 digit LCO (UK C/P 65p) | | Bench Models 3 1/2 digit LCO unless stated (UK C/P 90p) | |
| 601 26 range push button 2A AC/DC Basic 0.5% | £36.50 | 2010A LED 3 1/2 range 10A AC/DC basic 0.1% (Sabltronics) | £81.50 |
| 2033A Similar to above by Sabltronics | £39.95 | TM353 LCO 27 range 2A AC/DC basic 0.15% (Sinclair) | £86.25 |
| 703 As 601 but 0.2% basic | £54.00 | 2015A LCO 31 range 10A AC/DC basic 0.1% (Sabltronics) | £89.50 |
| 188m/6011A 15 range - Hle tester push button 10A DC | £43.50 | TM351 LCO 29 range 10A AC/DC basic 0.1% (Sinclair) | £113.85 |
| 189m 30 range plus Hle tester | | 2001 LCO 28 range plus 5 range capacitance meter 10A AC/DC Basic 0.1% (Pantec) | £108.00 |
| Rotary switch 10A AC/DC | £69.95 | 1503A 4 1/2 digit LCO 30 ranges 10A AC/DC 4 MHz counter, 4 KHz osc. 0.05% basic (Thurby) | £171.00 |
| 2035A 28 range 0.1% basic 2A AC/DC push button (Sabltronics) | £71.00 | 1503HA As above but 25A and 0.03% basic | £189.75 |
| 2037A As 2035A plus 2-imp. ranges | £77.00 | | |
| 129 25 range 0.8% basic 10A AC/DC rotary switches (Kellihay) | £79.35 | | |
| 130 As model 129 but 0.5% basic | £102.35 | | |
- ACCESSORIES**
- AC Adaptors (2010A & 2015A only) **£5.69** Cases TM351/353 **£6.84**
2001 **£7.50** 1503 **£20.45** Touch and hold probe THP20 **£14.95**

OSCILLOSCOPES

- (UK C/P Single trace £3 ea. Safgan £3 ea. Dual trace £4 ea. SC110 £1.00)
- TRIO CS1508A**
20 + 2 MHz dual trace triggered sweep. 5mV/0.5 us/CH 1mV/x10 mag. 10 sweep ranges. Limited offer **WAS £363.40 NOW £320.00 (UK C/P £4.00)**
- HM307** Single trace 10 MHz 5mV/0.5 micro sec. Plus built in component tester. 6 x 7cm display (HAMEG) **£158.70**
Optional case **£18.40**
- 3030** Single trace 15 MHz. 5mV/0.5 micro sec. Plus built in component tester. 95mm tube. Trig. to 20 MHz (CROTECH) **£172.50**
- 3035** Single trace 15 MHz. 5mV. Trig to 20 MHz plus built in component tester 0.2 µsec. 130mm tube (CROTECH) **£189.75**
- HM203** Dual 20 MHz. Trig to 30 MHz 5mV/0.5 micro sec. 8 x 10cm display. (HAMEG) **£253.00**
- CS1562A** Dual 10 MHz 10mV. 1 µsec. 140mm tube (TRIO) **£267.95**
- 3131** Dual trace 15 MHz trig. to 35 MHz 5mV/0.5 micro sec. 130mm tube, plus component tester. **£276.00**
- CS1575** Dual 5 MHz 1mV/0.5 µsec. 140mm tube. Phase display audio scope. (TRIO) **£312.80**
- CS1560AH** Dual 15 MHz 10mV. 0.5 µsec. (TRIO) **£341.55**
- 3034** Battery mains dual trace 15 MHz trig to 20 MHz built in Nicast. 5mV/0.5 micro sec. (CROTECH) **£356.50**
(Eliminator charger optional £28.75)
- HM412-5** Dual 20 MHz delayed sweep: trig to 40 MHz. 5mV/0.1 micro sec 8 x 10cm display (HAMEG) **£402.50**
(Optional case £21.85)
- SC110A** New Model 10 MHz battery portable. 10mV/0.1 µsec. 2" trace. All facilities (THANDAR). **£171.00**
(Options: Carry case £6.84, AC Adaptor £5.59, £12.86)
- CS1820** Dual 20 MHz 2.5mV/0.1 µsec. Delay sweep. 140mm tube (TRIO) **£483.00**
- CS1577A** Dual 35 MHz. 2mV. 0.1 µsec. Single sweep facility. 140mm tube (TRIO) **£523.25**
- CS1830H** Dual 30 MHz. 2mV. 0.2 µsec. fitted delay line. Delay sweep 140mm tube (TRIO) **£626.75**
- HM705** Dual 20 MHz delayed sweep. Single sweep. Delay time: Trig to 70 MHz. 2mV/0.1 micro sec. 8 x 10cm display (HAMEG) **£667.00**
Range of low cost Dual Trace Scopes mains operated. Made in UK to exacting standards. Available as 10 MHz. 15 MHz. or 20 MHz. All feature 5mV sensitivity. 0.5 micro sec. 6.4 x 8cm display. (SAFGAN)
- OPTIONS HM203/412/705**
View Heads **£6.90**
Component Tester **£28.75**
DT41D Dual 10 MHz **£205.85**
DT41S Dual 15 MHz **£217.35**
DT42D Dual 20 MHz **£226.85**
Scope probes all models - see below.



GENERATORS

- R-C Pulse: RF Function: Audio (UK C/P £1)
- All models 220/240 V AC
- AUDIO** 4 band Sine/SQ output
- TE22D** Max distortion 1% 20Hz/200KHz **£69.95**
- LAG27** Max distortion 0.5-1% (LEADER) 10Hz-1MHz **£86.25**
- AG202A** Max distortion 0.5% (TRIO) 20Hz-200KHz **£78.20**
- LAG120A** 5 band 10 Hz - 1 MHz. Sine/SQ 0.05-0.8% dist. **£146.00**
- LAG125** As LAG120A but 0.02% dist (LEADER) **£273.00**
- AG203** 10 Hz - 1 MHz 5 band 0.1% Sine/SQ (TRIO) **£126.50**
- RF [All with Int/Ext mod. variable output]
- TE20D** 100 KHz - 100 MHz 6 band (300 MHz harm) **£59.95**
- LS617** 100KHz-130MHz (390MHz harm) LEADER **£71.30**
- SG402** 100 KHz - 30 MHz 6 band (TRIO) **£68.00**
- FUNCTION** [All sine/SQ/Triangle/TTL etc.]
- 5020A** 1 Hz - 200 KHz (SABTRONICS) **£90.00**
- TG100** 1 Hz - 100 KHz (THANDAR) **£90.85**
- TG102** 0.2 Hz - 2 MHz (THANDAR) **£168.75**
- PULSE**
- TG105** 5 Hz - 5 MHz Various outputs (THANDAR) **£97.75**
- 4001** Ultra-variable 0.5Hz-5MHz [GSC] **£113.85**

INSULATION AND CLAMP METERS

- Multi-range clamps all with resistance range carry case and leads. Also digital and DC clamp in stock (UK C/P 55p)
- ST300** 300A 6000V AC 9 ranges **£28.95**
- K2806** 300A 6000V AC 8 ranges. (Optional 10amp probe £13.80)
- K2903** 900A 750V AC 9 ranges **£77.50**
- Electronic Insulation Testers**
- Battery operated complete with carry case (UK C/P £1)
- WFS01L** 500V/100 Meg Plus 0 100 ohm **£65.00**
- K3103** 800V/100 Meg Plus 0.2 6k ohm **£109.00**
- K3108** 500V & 1000V 1000 & 2000 Meg **£119.00**
- K4101** Earth resistance tester **£149.00**
- M500** Hand cranked insulation tester 500V/100 Meg **£79.50**
- K8031** 710V/500V phase tester **£23.50**

AMATEUR RADIO AND CB TESTING

- (Full lists send S.A.E.)
- KDM6** 1.5 to 250 MHz 6 range DIP meter (Illus) **£47.95**
- RC1000** 3 meters 0.1/0.100/1000 watts SWR etc. 150 MHz max (Illus) **£45.00**
- CB20** SWR/Power twin meter to 30 MHz. 1KW (Illus) **£ 8.95**
- HM20** 20K Volt multi-range multimeter. Plus SWR/Power meter 150 MHz Detachable Coupler **£22.95**
- LPM880** RF Power meter 5/20/120W. 1.8 - 600 MHz **£84.00**
- LPM885** SWR/Power. 20/200/1000W 1.8 - 54 MHz (Illus) **£54.00**

HAVE A BANANA!

- Low cost reliable meters (All supplied with batte/leads) (UK C/P 55p)
- BANANA** 15 range pocket 20K/Volt plus cont. buzzer (Illus) **£20.84**
- T10L** 12 range 1K/Volt + overload **£5.75**
- NM55** 10 range pocket 2K/Volt **£8.50**
- ST5** 11 range pocket 4K/Volt **£7.50**
- NM56R** 22 range pocket 20K/Volt **£11.50**
- YN360TR** 19 range plus Hle test 20K/Volt **£14.95**
- KRT5001** 16 range 10 amp DC range double 50K/Volt **£17.96**
- ST303TR** 21 range plus Hle Test 20K/Volt **£18.95**
- TMK500** 23 range plus 12A DC plus cont. buzzer 30K/Volt **£24.50**
- 168m** 36 range large scale 10A AC/DC 50K/Volt **£28.50**
- 360TR** 23 range large scale 10A AC/DC Hle test 50 meg ohm. 1KV AC/DC 100 K/Volt **£39.95**
- Choose from UK's largest range

FREQUENCY COUNTERS

- (All models battery operated) (UK C/P £1)
- PFM200A** Pocket 8 digit LED 200 MHz 10 mV (THANDAR) **£67.50**
Max 50 50 MHz 6 digit LED Pocket (GSC) **£56.35**
Max 550 6 digit LED Pocket (GSC) **£87.75**
- B110A** 8 digit LED 2 range 100 MHz. Bench (SABTRONICS) **£77.00**
- 961DA** 8 digit LED 3 range 600 MHz Bench (SABTRONICS) **£94.00**
Max 100 5Hz-100MHz 8 digit bench LED (GSC) **£97.75**
- 9610B** 9 digit LED 3 range 600 MHz Bench (SABTRONICS) **£113.85**
- 8000R** 9 digit LED 3 range 1000 MHz Bench (SABTRONICS) **£178.00**
- TFP40** 6 digit LCO 40 MHz (800 MHz with TP600) (THANDAR) **£126.50**
- TF200** 8 digit LCO 2 range 200 MHz (800 MHz with TP600) (THANDAR) **£166.75**
- TP600** 600 MHz prescaler (THANDAR) **£43.13**
- OPTION S**
TF carries carry case **£6.84**
AC adaptor **£5.59**
8 x test AC Adaptors **£5.89**
All models probe kits **£7.95**

TOP QUALITY ANALOGUE MULTIMETERS

- (UK C/P £1.20)
- All featuring AC/DC Volts/Current and Ohms ranges
- MAJ10R** 20K 20 range 20K/V. 25A DC 12V AC (PANTEC) **£33.90**
- MAJ10R** 50K 29 range 50K/V. 25A DC 12V AC (PANTEC) **£40.25**
- PAN3001** 34 range 40K/V. 5A AC/DC 50 Meg (PANTEC) **£59.80**
- Also 500KHz - 500 MHz signal injector and 3 range cap. meter.
- PAN3003** 42 range 1 Meg/V. 5A AC/DC. 1 µA FSD (PANTEC) **£66.70**
- (NOTE 3001 & 3003 Electronic Protection Mirror Scales)
- K1400** 26 range large scale 20K/Volt 10A AC/DC 20 Meg ohm 5KV AC/DC **£95.00**
- K200** 30 range 10 Meg. ohm input. 25 Hz - 1 MHz **£105.00**
- M1500** 43 range 20K/V. 9 range AC - 10A 12 range DC - 10A **£87.50**

DIRECT READ HV PROBE

(UK C/P 65p)
0/40 KV: 20K/Volt **£18.40**

OSCILLOSCOPE PROBE KITS

(UK C/P 50p per 1 to 3) BNC plug X1

X10 **£7.96**
X1 - X10 **£10.50**
X100 **£18.00**

DECADE BOXES

R8B2 32 value Resis. box. 1 ohm to 4 Meg. **£18.50**

CSB20 20 Value Cap. box. 470 pf to 1 µF **£21.00**

PORTABLE TV COLOUR GENERATOR

MC101 8 patterns/dots/lines etc. Built in nicade. Pal B UHF only. Complete with charger. case and leads. **£182.50**

DIRECT READ TEMPERATURE

TH301 -50°C to +750°C. LCO readout. Complete with battery and thermocouple. **£68.43**

LOGIC PROBES/MONITOR

Sabltronics LP10 10 MHz probe **£28.50**
GSC LP2 1.5 MHz probe **£19.95**
LEADER LPD78 50 MHz (with case) **£56.90**
GSC LM1 monitor (8 to 16 pin IC's) **£33.00**
GSC DPI Digital tester. Single/100 pps **£58.50**

VARIABLE POWER SUPPLIES

- Mains input - Volts/Amps meter (UK C/P £1)
- PP241** 0/12. 12/24 Volt. 0/1 amp **£35.00**
- PP243** 0/12. 12/24 Volt. 0/3 amp **£59.95**
- PS1307S** twin meter 8-15V 2-7A **£36.96**

'SCOPE ADD ON UNITS

LT0905 Semiconductor curve tracer (Illus) (LEADER) **£95.45** (UK C/P 85p)

NZ65 Component tester (HAMEG) (UK C/P 65p) **£27.95**

AUDIO ELECTRONICS

301 EDGWARE ROAD, LONDON, W2 1BN, ENGLAND. TEL 01-724 3564
ALSO AT HENRYS RADIO, 404/406 EDGWARE ROAD, LONDON W2

WE ARE OPEN 6 DAYS A WEEK - CALL IN AND SEE FOR YOURSELF!

CUBEGATE LIMITED

Order by Post with CHEQUES/ACCESS/VISA or Telephone your order

Allow up to 10 days for delivery (unless advised)

FREE CATALOGUE

Send large SAE (20p UK) Schools, Companies, etc. Please write in.

ALL PRICES INCLUDE VAT

USED EQUIPMENT

500V MEGGER

Transistorised Insulation Tester and four decade resistance bridge with four ranges. Invaluable piece of test gear. In case with carrying handle. Uses one PF9 batt. £15.00 £2 P&P

Recent Style P.O. Telephones £4.75 + £1.80 P&P
2 for £9 + £2.50, 5 for £20 + £5

COMPACT TELEPHONE
With wall-mount bell £6.50
Older style black telephones, £3.00 as above. Our leaflet explains how to use G.P.O. phones in home intercom systems.

5 Digit Counters 48V coil. Non resettable 75p

UNISELECTORS. 50v. 4 Bank + Horning Bank, 25 way £3.50

D CONNECTOR SOCKETS with cover, 50 way £2

60V 8A TRANSFORMER. Ideal for big power supply unit or amplifier £12 inc. p&p. **BEAT THAT!**

Various stabilised power supplies available - Excellent prices send for details.

FREE on request - Leaflet 'D.I.Y. Telephone Systems and Automatic Exchange Design'.



L.E.M. SERVICES
239 RUGBY ROAD
LEAMINGTON SPA CV32 6DY
WARWICKSHIRE

TEL: 0926 30622 FOR QUANTITY DISCOUNTS ETC.
ALL ITEMS - MONEY BACK IF NOT DELIGHTED.

LOW-COST, RUGGED TEMPERATURE CONTROL

HIGH QUALITY



TEMP. GAUGE 0° - 120°C
Remote sensor on 38" capillary, panel mounting dial 55mm. dia.

ONLY £2.50

16A 240V RANCO THERMOSTAT
Wide control range (low room temp. to over boiling point)
Sensor on 22" capillary. £2.30, including control knob

RANCO THERMAL CUT-OUT 100°C
15A 240V. Sensing coil on 41in. capillary panel mounting with reset button £1.20

BUY ONE EACH OF ABOVE FOR £5.50

LIGHT DEPENDENT RESISTORS in plastic housing with window, heavy-duty lead. Similar to ORP 61. You normally pay well over double for resistor alone. Only 30p or £2.35 for 10.

GEARED Synchronous motor, 8 r.p.m., 240V A.C. 3 Watt £2.

SOLENOID GAS VALVE. 240V A.C. 5 P.S.I. suitable for non-corrosive fluids. £2.20

BULGIN 3 pin free plug & panel socket. 2A 240V 50p

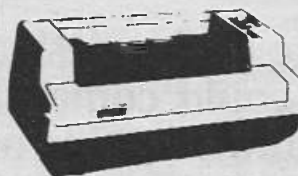
AUTOMATIC DIAL UNIT. (mains powered). These units connect into a telephone and dial a number when a punch-card is inserted. Card & instructions supplied. Cards readily available. Many uses. Only £8 + £1 p&p

SINCLAIR COMPUTERS

We are the leading world-wide Sinclair export specialist including Norway, Sweden, Finland and Denmark. Write for our surprisingly low prices.

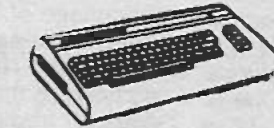
PRINTERS

Buy any of the below and get a free interface kit and word processor program for UK101 or Superboard.
Seikoshia GP100A £210. OKI Microline 80 £275. OKI Microline 82A £389. Epson MX70T £259. Epson MX80T/3 £319. Epson MX80F/3 £349. Epson MX100/3 £425.



VIC 20 COMPUTER

Two special offers - If it is bought with the Vic20 we can supply the cassette recorder for £30.43. Alternatively, we will supply a fre kit with each Vic20 to allow the use of an ordinary cassette recorder. Vic20 £165. Ordinary cassette conversion kit £8. Vic20 cassette recorder £38.50. High resolution cartridge £27.95. Machine code monitor £27.95. Vic printer £189. Floppy disc drive £309. Ram cartridges - 3K £24. 8K £36. 16K £57. Game cartridges - Sargon II £19. all others £15 each. Joystick £8.52. Intro to Basic Part 1 £13. New low cost memory board, no need for a mother-board, comes with 3K ram on board + socket for a rom + sockets for another 24K of low current Nmos ram (Just plug in chips to expand memory) £48. 27K version £109. Extra memory chips £8 per 2K.



UK101 AND SUPERBOARD

32 x 48 display, expansion kits UK101 £9. Series 1 Superboard £14. Guard band kit for Superboard only

SWANLEY ELECTRONICS

DEPT ET1, 32 GOLDSL RD., SWANLEY, KENT
BR8 8EJ
Tel Swanley (0322) 64851

£10. The below accessories suit both the UK101 and Superboard: - Extra ram £2.10 per K. Cegmon £22.50. Wemom £14.95. Word processor program £10. Contronics interface kit £10. 610 expansion board £179. Cased mini floppy disc drives with DOS single £275. dual £415. Stand alone floppy disc controller £85.

GENIE COMPUTERS

Genie 1.16K £299. 48K £330. EG3014 expander box 16K £179. 32K £189. Mini floppy disc drives with DOS £199, dual £369. Double density converter £72. Parallel printer interface £36. High resolution graphics unit £82.



BATTERY ELIMINATORS

3-way type 6/7.5/9V 300ma £3.50. Stabilised model 3/6/7.5/9V 400ma £7.95. 100ma radio types with press studs 9V £4.95. 9V + 9V £8.25. Car converter 12V input, output 3/4.5/6/7.5/9V 800ma £3.04.

BATTERY ELIMINATOR KITS

0100 ma radio types with press-studs 9V £1.79. 9 + 9V £2.50. Stabilised 8-way types 3/4.5/9/12/15/18V 100ma £3.12. 1A £3.50. Stabilised power kits 2-18V 100ma £3.12. 1-30V 1A £3.50. 1-30V 2A £15.30. TTL and computer supplies 5V stabilised 1.5A £3. 3A £14. 6A £24. 12V car converters 1A £1.62.

TV GAMES

AY-38550 + kit £9.28.

BI-PAK AUDIO MODULES

PS12 £1.76. 7538 £2.90. AL60 £5.82. BMT80 £6.36. Stereo 30 £15. AL80 £8.56.

Postage £3.50 on computers. £4.50 on printers and 50p on other orders. Please add VAT to all prices except those sections marked with a *. Overseas and official credit orders welcome.

HAPPY MEMORIES

Part type	1 off	25-29	100 up
4116 200ns	0.83	0.72	0.66
4116 250ns	0.75	0.65	0.60
4816 100ns For BBC comp	2.95	2.70	2.50
4164 200ns	6.15	5.25	4.65
2114 200ns Low power	1.15	1.00	0.90
2114 450ns Low power	0.95	0.85	0.80
4118 250ns	3.25	2.85	2.65
6116 150ns CMOS	4.25	3.65	3.35
2708 450ns	2.60	2.25	2.10
2716 450ns 5 volt	2.60	2.25	2.10
2716 450ns three rail	5.75	5.00	4.65
2732 450ns Intel type	3.95	3.45	3.25
2532 450ns Texas type	3.95	3.45	3.25

Z80A-CPU £4.35 Z80A-PIO £3.25 Z80A-CTC £3.25
6522 PIA £3.98 7805 res 0.50 7812 res 0.50

Low profile IC sockets:

Pins	8	14	16	18	20	22	24	28	40
Pence	9	10	11	14	15	18	19	25	33

Soft-sectored floppy discs per 10 in plastic library case: 5 inch SSSD £17.00; 5 inch SSDD £19.25; 5 inch DSDD £21.00; 8 inch SSSD £19.25; 8 inch SSDD £23.65; 8 inch DSDD £25.50

74LS series TTL, large stocks at low prices with DIY discounts starting at a mix of just 25 pieces.

Write or phone for list.

Please add 30p post & packing to orders under £15 and VAT to total. Access & Barclaycard welcome. 24 hour service on (054 422) 618. Government & Educational orders welcome, £15 minimum. Trade accounts operated, phone or write for details.

HAPPY MEMORIES (ETI)

Gladestry, Kinston, Herefordshire HR5 3NY
Telephone: (054 422) 618 or 628

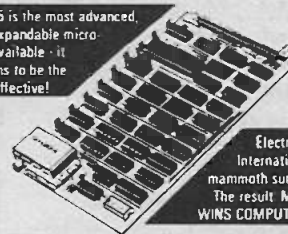
HENRY'S COMPUTER KIT DIVISION

404 EDGWARE RD, LONDON W2 1ED TEL: 01 402 6822

• TANGERINE • TANGERINE • TANGERINE

MICROTAN 65

Microtan 65 is the most advanced, powerful, expandable micro-computer available - it also happens to be the most cost effective!



Electronic Today International held a mammoth survey of kits. The result: Microtan 65 WINS COMPUTER CLASS!

MICROTAN 65 CONTENTS

High quality plated thru hole printed circuit board, solder resist and silk screened component identification 6502 microprocessor 1K monitor TANBUG Now with 'Y' Bug 1K RAM for user programme, stack and display memory. VDU alphanumeric display of 16 rows by 32 characters. MICROTAN 65 system file binder 136 page, bound, users hardware/software manual with constructional details and sample programmes. Logic and discrete components to fully expand MICROTAN 65.

The MICROTAN 65 kit has won widespread acclaim for its superb presentation. We pay attention to detail - Kit Form £69.00 + £10.35 VAT, total £79.35

MICROTAN 65 assembled and tested.

Specification as above, but assembled and fully bench tested by ourselves

£79.00 + £11.85 VAT, total £90.85

YOU MAY DEDUCT

£10

FROM MICROTAN 65 KITS AND ASSEMBLED UNITS LISTED HERE ONLY FROM US DELIVERY EX-STOCK POST PAID

Limited Quantity Available

DUAL LOGIC PROBE

With all the logic probe designs that have been published, you didn't think we could come up with an original design, did you? Oh ye of little faith . . . this one's cheap, compact, and clever. Design and development by Phil Walker.

This month's 'project par excellence' from the ETI workshop is a very useful dual purpose logic tester. It is designed with CMOS in mind and uses mostly logic ICs of that family. Our prototype gives results with pulses down to 200 nS wide at frequencies from DC to over 2 MHz.

The ETI Dicrobe is designed as a dual purpose test instrument. One half of it is a reasonably conventional logic probe giving indications for logic high, low, and pulsing states while also having a transition memory to store those events you might otherwise miss. All these conditions are displayed on a seven-segment LED display to give a practical representation of conditions at the probe tip.

Probing For Pulses

The other half of the unit is a logic pulser which automatically senses the logic level of the secondary probe and gives it a short pulse to the opposite state. This can either be a square wave drive at about 5 Hz or 2 μ S pulses, again repeated five times per second.

Two LEDs indicate the logic state on this probe but no indication of pulse conditions is given. The two parts of the instrument can be used independently or together. This enables a considerable amount of useful testing to be carried out with this unit alone.

For instance, the pulser could be applied to a clock input while the primary probe looks at the outputs to see if anything happens. Both probes could be applied to a part of the circuit to see if it is shorted to 0 V or the positive supply; in this case pulses will be seen if everything is OK (even if there is an output from a gate driving it).

On TTL circuits the probe may not operate so quickly due to the low supply voltage but a useful indication of functions should be possible. Bear in mind, however, that the logic high

and low levels for TTL are much lower relative to the supplies than for CMOS.

A Tour Round The Circuit

The primary probe circuit uses a 4049 to sense the input, with the advantage of high speed, high input impedance and CMOS logic thresholds. The output from three sections of this drives the edge detector and two segment drivers. The edge detector drives a set-reset latch (to store the fact that a transition occurred) and a monostable (to give indication of previous conditions).

The secondary probe circuit is a little simpler than the primary probe as it is not designed for high speed. Part of a hex Schmitt trigger senses the input and the result of this is stored on a set-reset latch. Another part of the Schmitt package works as an oscillator at about 5 Hz and drives two other sections via CR networks to provide reset pulses for the set-reset latch and enable pulses for the output circuit.

The output transistors are connected so that they are normally off. When a pulse is to be applied to the output the logic drivers apply base drive to one of the transistors. The particular transistor driven is the one which gives a pulse of the opposite polarity to the normal state

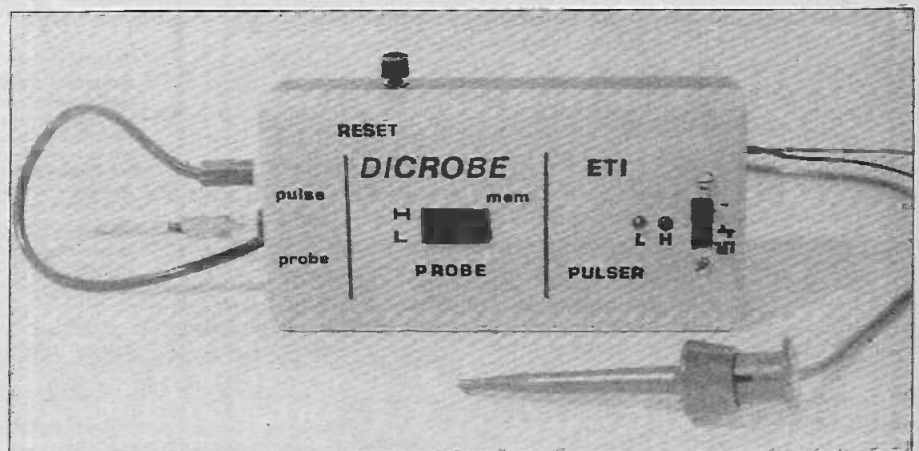
of the circuit point to which the probe is connected. After the pulse the state of the circuit is sensed ready for the next pulse.

The three-position switch allows the secondary probe to act as a straight logic probe or an automatic pulser with short duration or square wave pulsing.

Construction

The PCB for this project has been designed to fit inside a small plastic box made by BICC-Vero Packaging Ltd. There is very little room to spare inside the box so great care must be taken to use small components and make the connecting wires as thin and short as possible.

A fine tipped soldering iron is essential for this project and great care must be taken to avoid solder splashes between tracks. The ICs can be mounted in sockets of the low profile type and the seven-segment display should be mounted in a socket as well. For the display we used some Soldercon connectors; these are taller than the low profile sockets on the other ICs and held it higher above the board to project through the case lid when assembled. Apart from the LEDs and two resistors, all the other components mount normally on the PCB. Take care to get the diodes,



Using the case and construction techniques specified gives a neat little project.

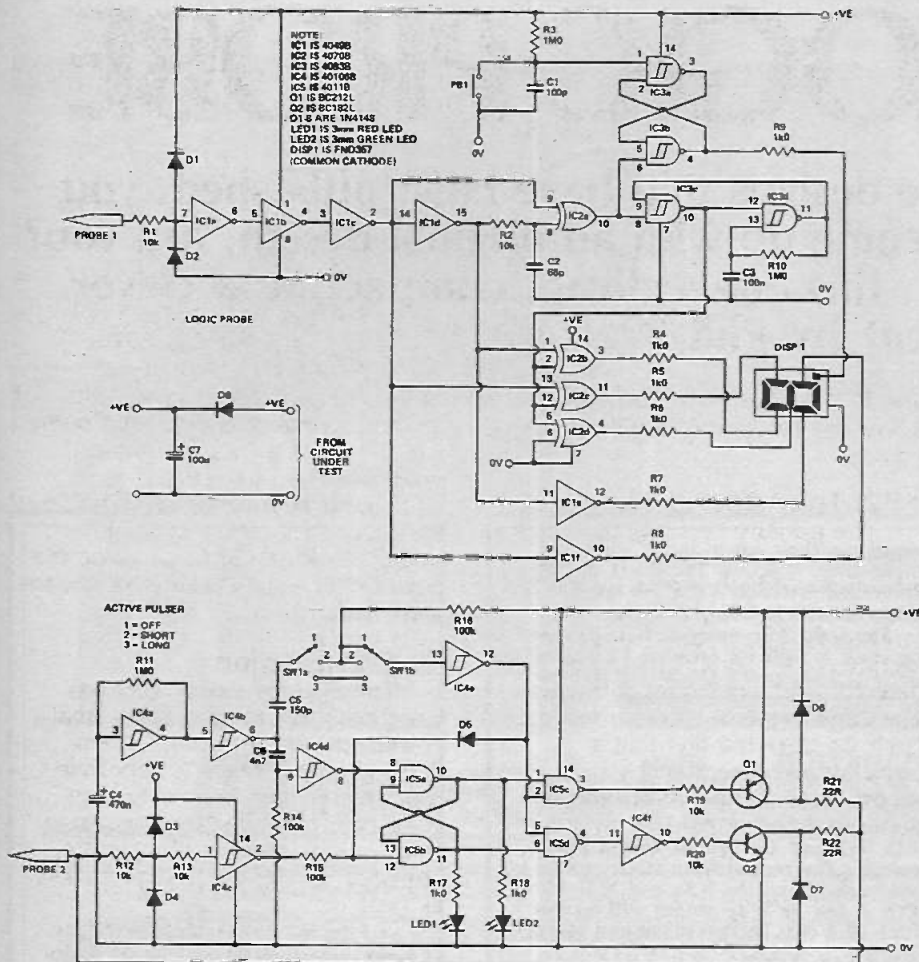


Fig. 1 Complete circuit diagram of the logic probe.

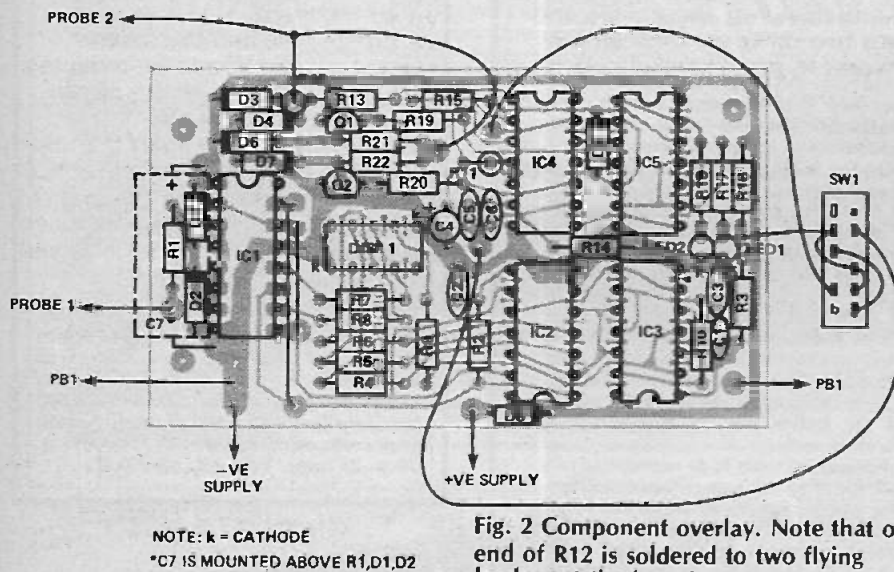


Fig. 2 Component overlay. Note that one end of R12 is soldered to two flying leads, not the board.

transistors, ICs and capacitor the correct way round. The LEDs are mounted so that they will project through the lid.

Two resistors have to be mounted on end so refer to the overlay to see where they should go. Two wire links are needed near IC1 so don't forget these either. The

links are close together and should be made with insulated wire. When wiring up, connect lengths of 6" or so to all the connection points indicated except the power supply, which should be 18" or so.

Fit the sockets for the probes into the end of the box where the board mounting pillars are closest

together. They must be as near to the bottom of the box as possible. Also fit the reset switch into the side of the box in a similar manner. This switch must be very small to fit in the space provided. If a suitable component cannot be obtained, increase the value of R3 to 10M and use two small bolts as a touch switch. This is suggested only as a last resort!

A small grommet should be inserted in the opposite end of the box to the probe connectors to take the power supply wires. The box lid must have holes cut or drilled in it to clear the display, LEDs and mode switch SW1. SW1 is bolted to the lid and the interpin connections made before wiring to the board.

When fitting the PCB into the box the wires from it must all pass over the ends as there is not enough clearance at the side for them. The probe and switch wires should be short or they will get in the way of the lid. Our prototype used small grommets cut in half as spacers between the PCB and the mounting pillars to get the correct height.

Probing Deeper

The probes themselves were very simple. The main one was a piece of brass threaded rod turned to a point in a drill with a file. This was soldered into a metal tube taken from a piece of plastic connector block. A small piece of thick wire was soldered into the 2 mm plug and then this was soldered into the other end of the metal tube. You may care to experiment with a sewing machine needle instead of the brass rod as these form very durable probe tips.

The other one was simply a piece of wire with a spring probe on the end terminated in another 1 mm plug.

The two probes are interchangeable as required. Power supply wires can be terminated in crocodile clips or anything convenient.

What's The Diagnosis?

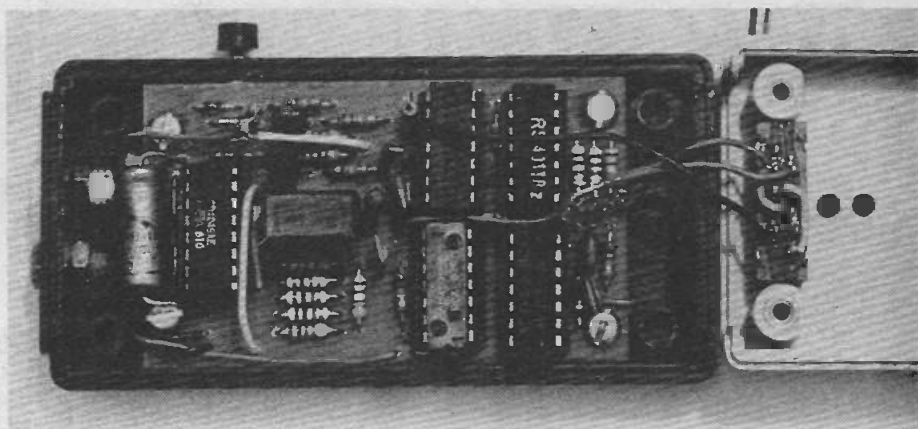
The probe is intended for diagnostic work on CMOS circuits where the main part is used to look for the effects caused by the pulser probe being applied to an earlier part of the circuit. This lets us find faults in components such as gates and many counters and other devices. By connecting both probes to the same point, a check can be made to see whether a short circuit

PROJECT : Dual Logic Probe

exists to either power rail (no pulses detected). It can also be used as a crude signal source if nothing else is available.

The pulser works best if the point to which it is attached is static, as it has a fairly slow response time. Note that when it is in the active pulsing mode, the LED display does not give a true picture of the logic level at the pulse probe.

The main probe will catch pulses down to 200 nS with a 9 V supply which should be adequate for a lot of test work.



PARTS LIST

MAIN LOGIC PROBE

This part of the circuit is based around IC1, 2 and 3. The input from the probe tip passes via a simple protection network R1, D1 and D2 to IC1a. This device senses the logic level at the probe tip while also presenting a very high impedance to the circuit under test. Two more sections of the device, IC1b and IC1c, are used to speed up the transition time when the logic state changes at the input. The output from IC1c is used by IC1f to drive one of the segments of the display. IC1c's output is inverted by IC1d and used by IC1e to drive another segment. These two display segments form the immediate logic state indicator.

The outputs from IC1c and IC1d go to IC2b and IC2c. IC2 is a quad exclusive-OR gate which in this case is being used as a controlled inverter. The outputs from these two sections drive two more segments of the display but these are the ones which indicate the previous logic state.

To detect a transition from one state to another, the output from IC1c is applied to one input of IC2a while the output from IC1d is applied to the other via R2 and C2. These components cause the inputs to IC2a to be slightly out of phase with each other. In their normal rest state the inputs to IC2a would be at opposite logic levels causing the output to be high, but for a short time after a transition the inputs to IC2a will be at the same level and the output will be low during this period.

This low pulse has two effects. The first is to set the latch formed by IC3a and IC3b such that the decimal point LED in the display is lit, indicating that a transition has occurred. The second is to force the output of IC3c high, enabling the astable oscillator formed around IC3d. In fact IC3c and IC3d form a monostable to effectively stretch input pulses and transitions so that they can be seen. The low pulse on IC3c input puts a high on IC3d input which, since C3 has been resting at a high level, will make the output of IC3d go low immediately. This forces IC3c output to remain high via its second input until C3 discharges enough to allow IC3d output to go high again.

The output of IC3c is connected to IC2d which acts as a buffer to drive the centre segment of the display. This flashes to indicate that a transition has occurred. IC3c output also drives IC2b and IC2c, causing them to invert the

signal on their other input while the monostable is active. The effect of this controlled inversion is that the last transition is mimicked on the display.

The transition memory, IC3a,b, can be reset at will by pressing PB1. The decimal point on the display will go dark until another transition occurs at the input.

PULSER PROBE

The input from the probe tip is sensed by IC4c, part of a hex Schmitt trigger. Some protection is provided by R12, R13, D3 and D4 against excess input voltage. The output from IC4c goes to the latch formed by IC5a and IC5b via R15. A low on IC4c output will set the latch such that LED1 is alight and LED2 is off.

IC4a, R11 and C4 form a slow speed oscillator which, via a buffer IC4b, drives the pulse generation circuits. On the rising edge of the output from IC4b, IC4d is driven by C6 and R14 to produce a low pulse of short duration. This pulse tries to reset the IC5a,b latch but will only succeed if IC4c output is high. This updates the latch every cycle of the slow clock.

On the falling edge of the slow clock a signal may be passed to IC4e via C5 and SW1. Position 1 of the switch does not allow the pulse to pass and the circuit acts as a slow logic probe only. Position 2 of the switch allows the signal through but connects R16 into the circuit such that it forms a differentiator with C5 and makes the output from IC4e appear as short pulses. In position 3 the output of IC4b is coupled to IC4e via C5 virtually without change. This means that the pulses will be approximately 50% duty cycle.

The output from IC4e (consisting of a low logic level with or without positive-going pulses) passes to IC5c and IC5d. The other inputs to these gates are taken from the outputs of the input sense latch, IC5a and IC5b. If the output of IC4e goes high, then one or other of the outputs of IC5c or IC5d will go low. A low level on IC5c will turn Q1 on via R19 and pull the probe to a high level via R21. If IC5d goes low instead, IC4f output will go high and turn Q2 on via R20. This will pull the pulser probe to the negative supply via R22. D6 and D7 provide a small amount of protection for this part of the circuit while D8 provides overall polarity protection for the probe supply.

HOW IT WORKS

Resistors (all $\frac{1}{4}$ W, 5%)

R1,2,12,13,	
19,20	10k
R3,10,11	1M Ω
R4-9,17,18	1k Ω
R14-16	100k
R21,22	22R

Capacitors (all miniature ceramic except where stated)

C1	100p
C2	68p
C3	100n
C4	470n 35 V tantalum bead
C5	150p
C6	4n7
C7	100u 25 V axial electrolytic

Semiconductors

IC1	4049B
IC2	4070B
IC3	4093B
IC4	40106B
IC5	4011B
Q1	BC212L
Q2	BC182L
D1-8	1N4148
LED1	3 mm red LED
LED2	3 mm green LED
DISP1	0.4" seven-segment common cathode display (FND357 or similar)

Miscellaneous

SW1	3-position miniature slide switch
PB1	subminiature push-button
PCB (see Buylines);	two off 2 mm sockets and plugs for probes; piece of brass rod or studding for probe; crocodile clips; 10-way Soldercon strip; low profile IC sockets (if used); small grommets, wire, screws etc; case (100 x 50 x 25 mm), Verobloc ref. 65-2514F.

BUYLINES

No unusual components on this one, but make sure capacitors, IC sockets and so on are the smallest types you can get if you want to fit the board into the case specified. The PCB can be obtained from the PCB Service — see page 87 for details.

ETI

ETI SEPTEMBER 1982

MEMOTECH Explores the Excellence of your ZX81

THIS MONTH -
**2 NEW
PAKS!**



MEMOPAK 32K RAM
Operates in tandem with Sinclair 16K Ram to give a full 48K!

Memotech's Memopak Range

All five of the currently available Memopaks are housed in elegant black anodised aluminium cases, and are styled to fit wobble-free onto the back of the ZX81, allowing more add-ons (from Memotech or Sinclair) to be connected.

<p>£ 68⁷⁰ plus VAT</p>	<p>MEMOPAK 64K MEMORY EXTENSION The 64K Memopak extends the memory of the ZX81 by 56K, and with the ZX81 gives 64K, which is neither switched nor paged and is directly addressable. The unit is user transparent and accepts commands such as 10 DIM A(9000). Breakdown of memory areas...0-8K-Sinclair ROM. 8-16K-This area can be used to hold machine code for communication between programmes or peripherals. 16-64K-A straight 48K for normal Basic use.</p>
<p>£ 43⁴³ / £ 26⁰⁰ plus VAT</p>	<p>MEMOPAK 32K and 16K MEMORY EXTENSIONS These two packs extend and complete the Memotech RAM range (for the time being!) A notable feature of the 32K pack is that it will run in tandem with the Sinclair 16K memory extension to give 48K RAM total.</p>
<p>£ 52⁰⁰ plus VAT</p>	<p>MEMOPAK HIGH RES GRAPHICS PACK HRG Main Features — • Fully programmable Hi-Res (192 x 248 pixels) • Video page is both memory and bit mapped and can be located anywhere in RAM. • Number of Video pages is limited only by RAM size (each takes about 6.5K RAM) • Instant inverse video on/off gives flashing characters • Video pages can be superimposed • Video page access is similar to Basic plot/unplot commands • Contains 2K EPROM monitor with full range of graphics subroutines controlled by machine code or USR function</p>
<p>£ 34⁷⁰ plus VAT</p>	<p>MEMOPAK CENTRONICS TYPE PARALLEL PRINTER INTERFACE Main Features — • Interfaces ZX81 and parallel printers of the Centronics type • Enables use of a range of dot matrix and daisy wheel printers with ZX81 • Compatible with ZX81 Basic, prints from LLIST, LPRINT and COPY • Contains firmware to convert ZX81 characters to ASCII code • Gives lower-case characters from ZX81 inverse character set</p>

Coming Soon...



A complete range of ZX81 plug-in peripherals
Digitising Tablet RS232 Interface

We regret we are as yet unable to accept orders or enquiries concerning the above products, but we'll let you know as soon as they become available.

Access Barclaycard holders
Please Tel Oxford
(0865) 722102
(24 hrs)

© R. Branton & G.A.C. Boyd 1982

Please make cheques payable to MEMOTECH Ltd.

Please Debit my Access/Barclaycard account number

*Please delete whichever does not apply

Please send me

64K RAM £68.70 + £10.30 VAT
32K RAM £43.43 + £6.52 VAT
16K RAM £26.00 + £3.90 VAT
HRG £52.00 + £7.80 VAT
CENTRONICS-I/F £34.70 + £5.20 VAT
Packaging & Postage £2.00 per unit

Price No Total

£79.00		
£49.95		
£29.90		
£59.80		
£39.90		

TOTAL ENC

SIGNATURE _____

DATE _____

NAME _____

ADDRESS _____

TELEPHONE _____

We want to be sure you are satisfied with your Memopak - so we offer a 14-day money back Guarantee on all our products. Memotech Limited, 3 Collins Street, Oxford OX4 1XL, England Tel: Oxford (0865) 722102 Telex: 837220 Orchid G

MICROTUTOR PART 2

This month we look at the remaining commands provided by the TANBUG monitor on our machine code trainer for easy programming. Design and development by Tangerine Computer Systems.

Having shown how to enter and run machine code programs last month, we now consider the commands which aid in debugging and program writing, and save/load operations using the cassette port.

Single Instruction Mode S

Single instruction mode is a very powerful debugging aid. When set, TANBUG executes the user program one instruction at a time, re-entering the monitor between each instruction and printing out the status of all the microprocessor's internal registers as they were after the last instruction executed in the user program. The S command is used in conjunction with the proceed command P and the normal mode command N.

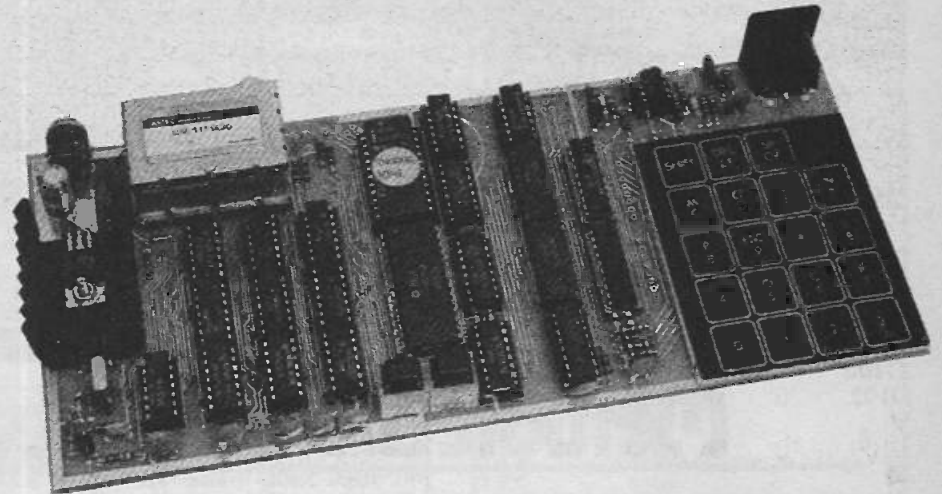
Normal Mode Command N

The N command is the complement of the S command and is used to cancel the S command so that the microprocessor executes the user program in the normal manner without returning to the monitor between each instruction. RESET automatically sets the normal mode of operation.

Proceed Command P

The P command is used to instruct TANBUG to execute the next instruction in the user program when in single instruction mode. Pseudo register contents are transferred into the microprocessor's internal registers and the next instruction in the user's program is executed with the monitor. P may also be used with an argument, thus: P <NUMBER> <CR> where NUMBER is less than or equal to FF. In this case the program executes the specified number of instructions before returning to the monitor.

Each time the monitor is re-entered after execution of an instruction or instructions, the status of the microprocessor internal registers as they were in the user program are printed across the



screen in the following order:

- Address of next instruction to be executed.
- Processor status word.
- Stack pointer.
- Index register X.
- Index register Y.
- Accumulator.

Note that these are in the same order as the pseudo registers described last month.

Whenever the user program is entered, the cursor is removed from the display. Whenever the monitor is entered, the cursor returns to the display as a user prompt. While in the monitor between user instructions, any monitor command can be typed. A program must always be started by the G command, then P used if in single instruction mode. A P command used before a G command is issued is likely to cause a program 'crash' and should not be attempted.

As an example consider the simple program which repeatedly adds 1 to the accumulator.

Address	Data	Mnemonic	Comment
100	69	ADC 1	: add 1 to acc.
101	01		
102	4C	JMP 100	
103	00		
104	01		

Set the single instruction mode and start the program. (The user may

wish to initially set the accumulator to 00 by using the M command).

```
S
G100
0102      20      FF      00      01
```

TANBUG then responds with the characters shown above.

```
0102      is the address of the next
           instruction to be executed.
20         is the processor status
           word value.
FF         is the low byte value of
           the stack pointer. The high
           byte is always set to 1, the
           stack is therefore pointing
           at location 1FF.
00         is the value of the index X
           register.
00         is the value of the index Y
           register.
01         is the value of the
           accumulator. It is a 1 as 1
           has been added to the
           accumulator and it is
           assumed that the user
           cleared the accumulator
           before starting the
           program.
```

Since the cursor has re-appeared, TANBUG is ready for any monitor command. For example, registers or memory locations can be modified, or the program may be re-started from scratch by typing G100<CR> again. If the user wishes to continue

```

TANBUG
LA3.9
00A3 A0 0F 20 73 FE 88 10 FA
00AB A9 E0 85 A0 A9 02 85 A1
00B3 A0 0F A9 20 8D E0 03 D0
00BB 3B 8A 48 98 48 20 FA FD
00C3 68 A8 68 AA 91 A0 A5 01
00CB C9 4C F0 4F C9 39 F0 13
00D3 C9 31 F0 29 C9 34 F0 38
00DB C9 36 F0 37 A9 4F 91 A0
00E3 AA D0 D6 A5 A0 38 E9 20
?
```

Fig. 1 Screen display after listing the first 72 bytes of a program which starts at address 00A3.

then type P<CR>. The resulting display is

```

S
G100
0102 20 FF 00 00 01
P
0100 20 FF 00 00 01
```

Since the instruction at location 102 was 'Jump to 100', the status printout shows that this has indeed occurred. Registers, since they were not modified by any program instruction, remain unchanged. To proceed further type P<CR> again:

```

S
G100
0102 20 FF 00 00 01
P
0100 20 FF 00 00 01
P
0102 20 FF 00 00 02
```

The add instruction has been executed again, so the accumulator has incremented by 1 to become 2. Now typing P4<CR> gives this display:

```

S
G100
0102 20 FF 00 00 01
P
0100 20 FF 00 00 01
P
0102 20 FF 00 00 02
P4
0102 20 FF 00 00 04
```

TANBUG allowed execution of four instructions before again returning to the monitor. The four instructions were two add instructions and two jump instructions thus giving the accumulator the value 4.

Typing N<CR> then P<CR> removes the single instruction mode

and causes the program to proceed. It now does not return to the monitor but continues to race around this small program loop continually adding and jumping back. To re-enter the monitor, either press the reset button or the interrupt button. The interrupt will cause the processor to break into the program and enter the monitor with the display as described above.

It can be seen that the S and P commands are particularly useful when tracing a program which contains instructions that transfer program control eg jumps, branches and subroutines, since these commands allow the user to interrogate the order of execution of his/her program.

Breakpoint Command B

A breakpoint is a complementary debugging aid to single instruction mode. Instead of stepping singly through all instructions in a program, the breakpoint facility allows the user to specify the address at which he requires the monitor to be re-entered from his/her program. As an example, consider a long program in which a fault is suspected to exist near the end. It would be very tedious and time consuming to single step through the program to

the problem area. A breakpoint can be set just previous to where the fault is suspected to exist and the program started with the G command. Normal execution occurs until the breakpoint is reached, then the monitor is re-entered with the same status print-out as for single instruction mode. Any monitor commands can then be used and the program continued.

The format of the breakpoint command is

```
B <ADDR>, <NUMBER> <CR>
```

where <ADDR> is the address of any instruction op code (but not argument), <NUMBER> is any number from 0-7 defining one of eight breakpoints. B<CR> removes all breakpoints. As an example consider the following program:

```

100 E8          LOOP: INX
101 C8          INY
102 69 01      ADC #1
104 4C 00 01   JMP LOOP
```

Firstly set index X, index Y and the accumulator to 00 using the R command. To set breakpoint 0 at the jump instruction and start the program type B104,0<CR>G100<CR>. The display will then be

```

B104,0
G100
0104 20 FF 01 01 01
```

The jump instruction was reached and the breakpoint re-directed control back to TANBUG. If it was required, single instruction mode could be set for further debugging. However, assume that we wish to execute the loop again by typing P<CR>.

```

B104,0
G100
0102 20 FF 01 01 01
P
0104 20 FF 02 02 02
```

The proceed command P has gone once through the breakpoint and then re-entered the monitor. If P<NUMBER> <CR> was typed it would have proceeded through the breakpoint <NUMBER> times.

Up to eight breakpoints can be set at eight different locations. The B<CR> command removes all

```

TANBUG
BA3.1
GA3
00A3 30 FF 22 03 03
?
```

Fig. 2 Setting the first breakpoint at the start address and running the program gives this register printout.

breakpoints. A single breakpoint can be removed by setting its address to 0. For example, imagine a breakpoint is set as follows; B102,2, and it is subsequently wished to remove it but leave any others unaltered; type B0,2<CR> to remove it.

Caution: The breakpoint system works by replacing the user's instruction with a special instruction (BRK) whose op code is 00.

Replacement is carried out when G or P is typed. On return to the monitor the original op code is replaced. It is therefore possible to corrupt the user program under some circumstances. The following points should therefore be observed:

- Breakpoints must only be set at the op code part of a user instruction and nowhere else.
- If the user program utilises the BRK instruction as part of the user code, then this will cause a break in the normal manner, but note that the BRK instruction will be interpreted by the monitor as a 1-byte no operation.
- If breakpoints are set in the user program and a reset is issued while the microprocessor is executing the user program rather than the monitor, the breakpoints are lost and those locations at which breakpoints were set in the user program will be corrupted. These locations must be re-entered using the M command before restarting the user program.
- Setting more than one breakpoint at the same address causes the user program to be corrupted.
- To use breakpoints, the user must not have modified the interrupt link, ie the interrupt code within TANBUG must be executed.

The status of breakpoints may be inspected by using the M command to examine the breakpoint status table. This is located in RAM locations 20-2F and are as in Table 1.

TABLE 1

Address	Contents
20	PCL B0
21	PCH B0
22	PCL B1
23	PCH B1
24	PCL B2
25	PCH B2
26	PCL B3
27	PCH B3
28	PCL B4
29	PCH B4
2A	PCL B5
2B	PCH B5
2C	PCL B6
2D	PCH B6
2E	PCL B7
2F	PCH B7

For example, typing M20<CR> followed by <LF> gives

```
M20,00,
M0021,01,■
```

This indicates that breakpoint 0 is set to location 100 by taking the contents of location 20 as PCL and of location 21 as PCH. If the breakpoint is set at location 0 then this particular breakpoint is disabled.

Offset Command O

The offset command O is a program writing aid. It calculates branch offsets for the user for incorporation as arguments in branch instructions. Consider the example:

```
100 E8 LOOP: INX
101 C8      INY
102 69      ADC #1
103 01      .
```

```
120 D0      BNE LOOP
121          (branch argument)
```

To calculate the number to enter into location 121 is quite tedious without a facility such as the O command. It is used with the following format.

```
O<ADDR OF BRANCH
  OP CODE>
  <ADDR OF DEST><CR>
and in this case it would be
necessary to type 0120,100<CR>.
The display would be
0120,100 = F0
```

F0 is the number that should be entered into location 121 such that if the BNE instruction is true the program counter will jump to the label LOOP.

Note that the maximum branch range is 7F forwards and backwards. If the range is exceeded a ? is displayed.

Copy Command C

The copy command allows copying of the contents of one block of memory to another. Its format is

```
C<START ADDR SOURCE>
  <END ADDR SOURCE>
  <START ADDR DEST><CR>
```

Suppose it is required to copy the block of data in locations C00-D00 into a block starting at location 200. This may be achieved by typing CC00,D00,200<CR>. The display will be

```
CC00,D00,200
■
As 200 is the starting address of the display memory the user will notice that the top half of the screen has been overwritten with all sorts of
```

weird and wonderful characters. What this example has done is to take the first 256 bytes of TANBUG and copy them into the top half of the display. The display then scrolled leaving the top seven rows filled with these characters.

The Interrupt Button

Depression of the interrupt button will cause a re-entry into the monitor from the user program. For example, if the trivial program

```
100 69          LOOP: ADC #1
101 01
102 4C          JMP LOOP
103 00
104 01
```

has been started by typing the G command the program continues to loop around continuously with no exit path to the monitor, except by issuing a reset. Instead of a reset the user can press the interrupt button, TANBUG responding thus

```
0100 20 FF 01 01 01
```

Using the interrupt button has caused a breakpoint to be executed and the monitor invoked. The register print-out above is only typical, the value of each being that when interrupt was depressed. Any monitor command may now be typed, for example P causes the user program to proceed once again.

The interrupt facility is most useful in debugging where the user program gets into an unforeseen loop where breakpoints have not been set. It enables the user to rejoin the monitor without using reset and losing the breakpoints that have been set. Notes:

- Interrupts must be enabled for the interrupt facility to operate. TANBUG enables interrupts when entering a user program, so don't disable interrupts if the interrupt facility is required.
- The user must not have modified the interrupt jump link. TANBUG's interrupt code must be executed.

ETI

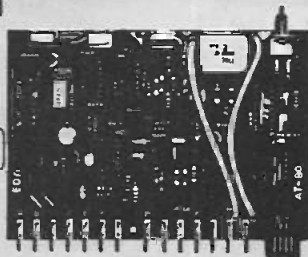
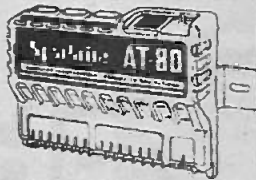
BUYLINES

A complete kit of parts for the ETI Microtutor, including the power supply, is available from Tangerine Computer Systems, The Science Park, Milton Road, Cambridge CB4 4BH for £39.95 plus VAT. A demonstration tape for the Microtutor is also available for £6.50 and contains four programs, including Life and a Rubik Cube simulation.

Step-by-step fully illustrated assembly and fitting instructions are included together with circuit descriptions. Highest quality components are used throughout.

Sparkrite

BRANDEADING ELECTRONICS
NOW AVAILABLE IN KIT FORM



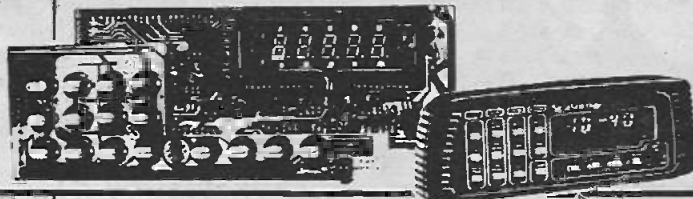
AT-80

Electronic Car Security System

- Arms doors, boot, bonnet and has security loop to protect fog/spot lamps, radio/tape, CB equipment
- Programmable personal code entry system
- Armed and disarmed from outside vehicle using a special magnetic key fob against a windscreen sensor pad adhered to the inside of the screen
- Fits all 12V neg earth vehicles
- Over 250 components to assemble

VOYAGER Car Drive Computer

- A most sophisticated accessory
- Utilises a single chip mask programmed microprocessor incorporating a unique programme designed by EDA Sparkrite Ltd
- Affords 12 functions centred on Fuel, Speed, Distance and Time
- Visual and Audible alarms, warning of Excess Speed, Frost/Ice, Lights-left-on
- Facility to operate LOG and TRIP functions independently or synchronously
- Large 10mm high 400ft-L fluorescent display with auto intensity
- Unique speed and fuel transducers giving a programmed accuracy of + or - 1%
- Large LOG & TRIP memories, 2,000 miles, 180 gallons, 100 hours
- Full Imperial and Metric calibrations
- Over 300 components to assemble
- A real challenge for the electronics enthusiasts!



SX1000

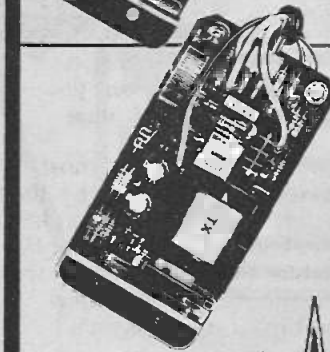
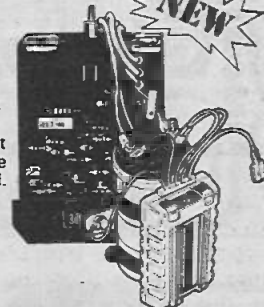
Electronic Ignition

- Inductive Discharge
- Extended coil energy storage circuit
- Contact breaker driven
- Three position changeover switch
- Over 65 components to assemble
- Patented clip-to-coil fitting
- Fits all 12v neg. earth vehicles

TX1002

Electronic Ignition

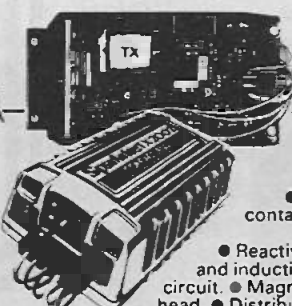
- Contactless or contact triggered
- Extended coil energy storage circuit
- Inductive Discharge
- Three position changeover switch
- Distributor triggerhead adaptors included
- Die cast weatherproof case
- Clip-to-coil or remote mounting facility
- Fits majority of 4 & 6 cyl. 12V. neg. earth vehicles
- Over 145 components to assemble



SX2000

Electronic Ignition

- The brandleading system on the market today
- Unique Reactive Discharge
- Combined Inductive and Capacitive Discharge
- Contact breaker driven
- Three position changeover switch
- Over 130 components to assemble
- Patented clip-to-coil fitting
- Fits all 12v neg. earth vehicles



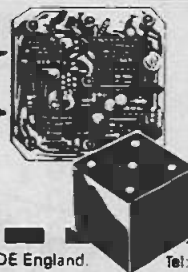
TX2002

Electronic Ignition

- The ultimate system
- Switchable contactless
- Three position switch with Auxiliary back-up inductive circuit
- Reactive Discharge. Combined capacitive and inductive
- Extended coil energy storage circuit
- Magnetic contactless distributor triggerhead
- Distributor triggerhead adaptors included
- Can also be triggered by existing contact breakers
- Die cast waterproof case with clip-to-coil fitting
- Fits majority of 4 and 6 cylinder 12v. neg. earth vehicles
- Over 150 components to assemble

SPECIAL OFFER

"FREE" MAGIDICE KIT WITH ALL ORDERS OVER £45.00



MAGIDICE

Electronic Dice

- Not an auto item but great fun for the family
- Total random selection
- Triggered by waving of hand over dice
- Bleeps and flashes during a 4 second tumble sequence
- Throw displayed for 10 seconds
- Auto display of last throw 1 second in 5
- Muting and Off switch on base
- Hours of continuous use from PP7 battery
- Over 100 components to assemble

EDA SPARKRITE LIMITED 82 Bath Street, Walsall, West Midlands, WS1 3DE England.

Tel: (0922) 614791 Allow 28 days for delivery

	SELF ASSEMBLY KIT	READY BUILT UNITS
SX 1000	£12.95	£25.90
SX 2000	£19.95	£39.90
TX 2002	£29.95	£59.90
TX 1002	£22.95	£45.90
AT 80	£29.95	£59.90
VOYAGER	£59.95	£119.90
MAGIDICE	£9.95	£19.90

PRICES INC. VAT, POSTAGE & PACKING

NAME _____ HE8
ADDRESS _____

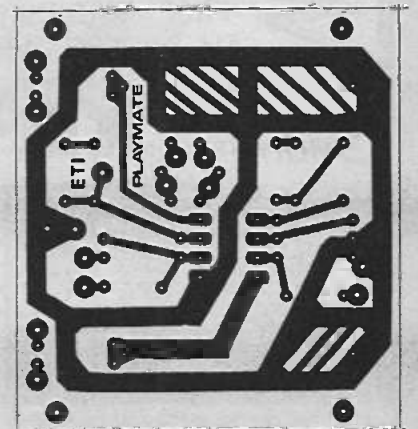
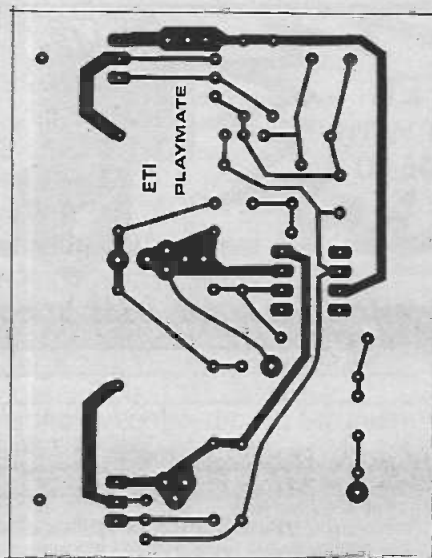
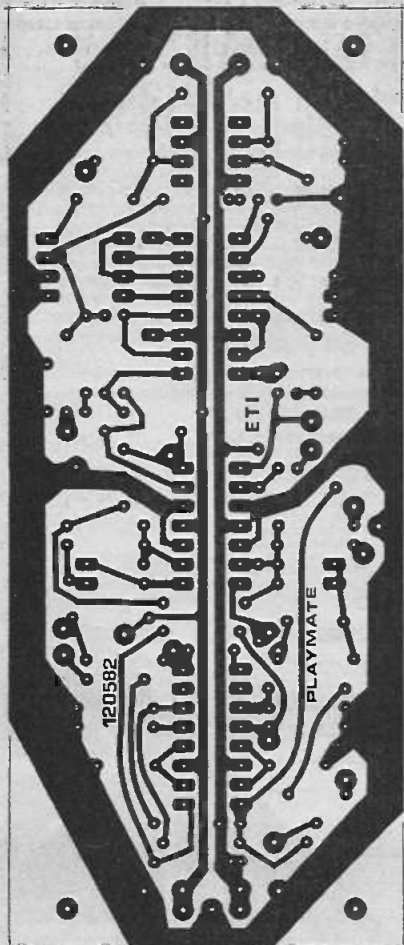
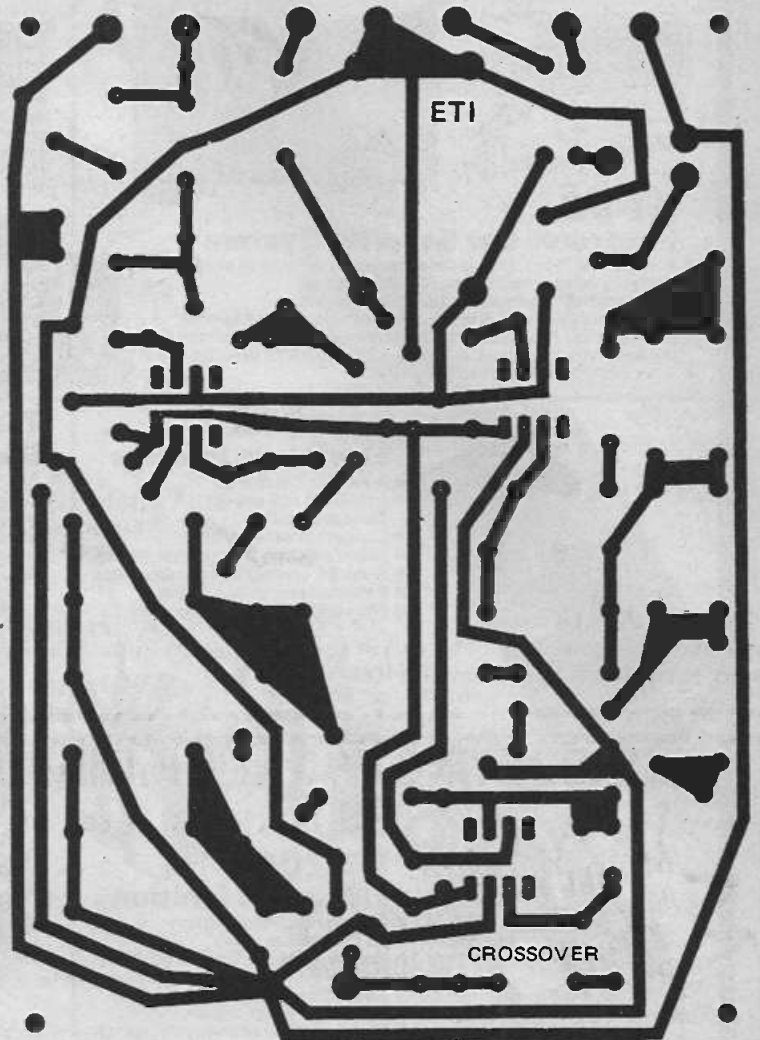
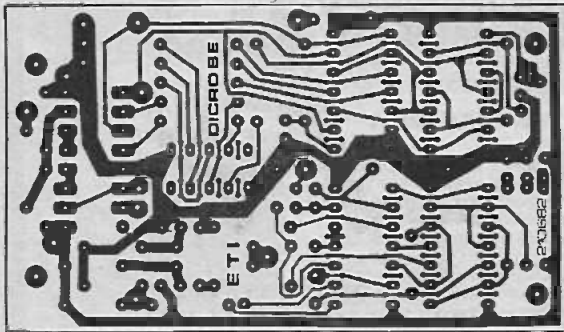
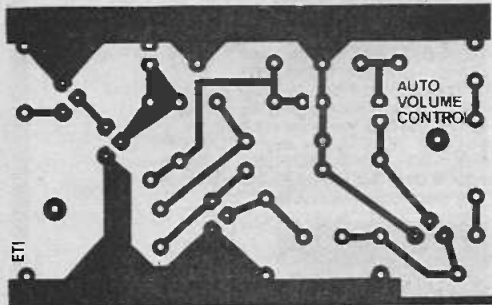
I ENCLOSE CHEQUE(S)/POSTAL ORDERS FOR

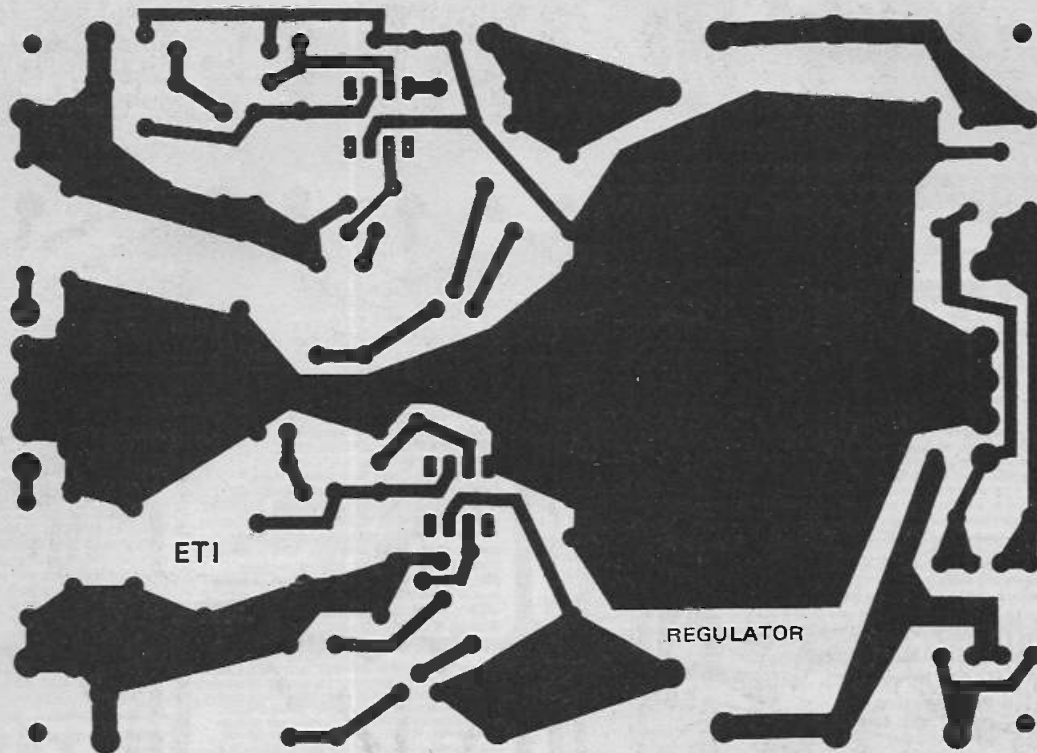
£ _____ KIT REF. _____

CHEQUE NO. _____
24 hr. Answerphone
PHONE YOUR ORDER WITH ACCESS/BARCLAYCARD
SEND ONLY SAE IF BROCHURE IS REQUIRED

BRANDEADING BRITISH ELECTRONICS
CUT OUT THE COUPON NOW!

PCB FOIL PATTERNS





Please note that the two boards for the Active Crossover are the copyright of Aurak and may not be manufactured by commercial companies. There were a couple of errors in the PCBs for the Playmate that we published last month, so we're reprinting them here, corrected.

INTRODUCING TWO NEW HANDHELD DIGITAL MULTIMETERS

28 Ranges each with full overload protection

MODEL 6010

DC accuracy 0.5%

£29.95
plus VAT

MODEL 7030

DC accuracy 0.1%

£35.95
plus VAT



200 μ A — 10 AMP AC-DC

SPECIFICATION 6010 & 7030

BATTERY: Single av dry cell

BATTERY LIFE: 200 hours

DIMENSIONS: 170 x 89 x 38mm

WEIGHT: 400g inc battery

MODE SELECT: Push button

AC DC CURRENT: 200 μ A to 10A

AC VOLTAGE: 200mV to 750V — 6 Ranges

DC VOLTAGE: 200mV to 1000V — 5 Ranges

RESISTANCE: 200 Ω to 20M Ω — 5 Ranges

INPUT IMPEDANCE: 10M Ω — 6 Ranges

DISPLAY: 3 $\frac{1}{2}$ Digit 13mm LCD

O/LOAD PROTECTION: All ranges

OTHER FEATURES:

Auto polarity, auto zero,

battery-low indicator,

ABS plastic case with tilt stand,

battery and test leads included,

optional carrying case.

Please add 15% to your order for VAT. Postage & Packing is free of charge. Trade prices available on application

ARMON ELECTRONICS LTD.



Cottrell House, 53-63 Wembley Hill Road, Wembley, Middlesex HA9 8BH, England

Telephone: 01-9024321 (3 lines)

TELEX No. 923985

LOOK

Kit includes tape transport mechanism, ready punched and back printed quality circuit board and all electronic parts, i.e. semiconductors, resistors, capacitors, hardware, top cover, printed scale and mains transformer. You only supply solder and hook-up wire. Self assembly simulated wood cabinet — only £4.50 + £1.50 p&p.

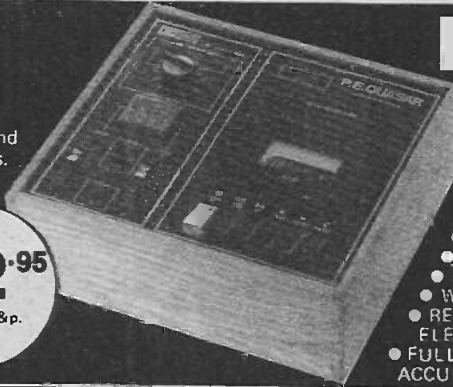
Featured in April issue of P.E. Reprint 50p. Free with kit.

ELECTRONICS ONLY!

Ideal for updating your existing cassette. Includes pcb diagram, all semiconductors, IC's, Capacitors, resistors. +£1.40p&p

£18-95

£32⁹⁵
+ £2.75 p&p.



HI-FI STEREO CASSETTE RECORDER KIT

- NOISE REDUCTION SYSTEM
- AUTO STOP
- TAPE COUNTER
- SWITCHABLE E.O.
- INDEPENDENT LEVEL CONTROLS
- TWIN V.U. METER
- WOW & FLUTTER 0.1%
- RECORD PLAYBACK I.C. WITH ELECTRONIC SWITCHING
- FULLY VARIABLE RECORDING BIAS FOR ACCURATE MATCHING OF ALL TAPES

125W HIGH POWER AMP MODULE

KIT: **£10-50** (E1.15 p&p) BUILT: **£14-25** (+£1.15 p&p)

The power amp kit is a module for high power applications — disco units, guitar amplifiers, public address systems and even high power domestic systems. The unit is protected against short circuiting of the load and is safe in an open circuit condition. A large safety margin exists by use of generously rated components, robust, a high powered rugged unit. The PC board is back printed, etched and ready to drill for ease of construction and the aluminium chassis is pre-formed and ready to use. Supplied with all parts, circuit diagrams and instructions.

ACCESSORIES: Suitable mains power supply kit with transformer. £7.50 plus £3.15 p&p.

SPECIFICATIONS: Max. output power (RMS): 125W. Operating voltage (DC): 50-80 max. Loads: 4-16 ohms. Frequency response measured @ 100 watts: 25Hz - 20KHz. Sensitivity for 100 watts: 400 mV @ 47K. Typical T.H.D. @ 50 watts, 4 ohms: 0.1%. Dimensions: 205 x 90 and 190 x 36 mm.

TV SOUND TUNER KIT

As featured in E.T.I. Dec. 81. Kit of parts including PCB, UHF tuner and selector switch with all components exc. case. **£11-45** (+£1.50 p&p) Transformer £1.50 + £1.50p&p (p&p free on transformer if ordered with kit). Ready built LP1183 Module for simulated stereo. £1.95 + 75p p&p.

Reprint 50p — FREE with kit!

P.E. STEREO TUNER KIT

This easy to build 3 band stereo AM/FM tuner kit is designed in conjunction with P.E. (July 81 issue). For ease of construction and alignment it incorporates three Mullard modules and an I.C. IF System. FEATURES: VHF, MW, LW bands, interstation muting and AFC on VHF. Tuning meter. Two back printed pcb's. Ready made chassis and scale. Aerial: AM — ferrite rod, FM — 75 or 300 ohms. Stabilised power supply with 'C' core mains transformer. All components supplied are to P.E. strict specification. Front scale size: 10 1/2" x 2 1/2" app. Complete with diagram and instructions. Self assembly simulated wood cabinet/sleeve to suit tuner only. Finish size: 11 1/2" x 8 1/2" x 3 1/2". £3.50 Plus £1.50 p&p. Reprint 50p — FREE with kit.



£17-95 + £2.50 p&p.

SPECIAL OFFER! TUNER KIT PLUS: Matching I.C. 10 watt per channel Power amp kit. Mullard LP1183 built pre-amp, suitable for ceramic pickup and aux. inputs. Matching power supply kit with transformer. Matching set of 4 slider controls for bass, treble + vols. £21.95 + £3.80 p&p.

All mail to: 21E HIGH STREET, ACTON, W3 6NG. Note: Goods despatched to U.K. postal addresses only. All items subject to availability. Prices correct at 30/6/82 and subject to change without notice. Please allow 7 working days from receipt of order for despatch. RTVC Limited reserve the right to update their products without notice. Send S.A.E. for full list of products. Telephone or mail orders by ACCESS are welcomed.

ALL CALLERS TO: 323 Edgware Rd, London W2. Tel: 01-723 8432. 9.30 - 5.30, closed all day Thurs. ALL PRICES INCLUDE VAT AT 15%.



POWER DIMMER MODULES

A range of electronic modular dimmers designed to suit your custom channel and facility requirement

- Considerable saving over commercial equipment
- All the commercial facilities and more
- Compatible special effects
- Preset/remote/master
- Easily installed and wired

SPC — Simple but effective 1000W controller	£15.70
SPU — Used in conjunction with RS units for Remote desks in 1000 and 2000W versions	£11.90
MC — Master dimmer for SPC/RS units	£23.90 (2K)
RS — Remote controller for SPU/SPC units	£7.90
SUP/REF — Supply/signals for up to 50 modules	£9.40
Discounts on above only (order £100 to £199 15% £200 to £299 20% £300 + 25% EFFECTS ACCESSORIES	£20.00
MXSL — Four channel sound to light	£36.90
MXLS — Four Channel Sequencer	£23.70
MXLC-S Four channel sound chaser	£26.70
PSU — Supply for MX	£7.20

3 CHANNEL SOUND/LIGHT CHASER £35.70 LB31000SLC



A high performance sound to light providing bass, mid and treble separation, employing active filters. Automatic switching to chase in the absence of a music signal 1000W/channel

3 CHANNEL SOUND/LIGHT LB31000SL



£22.70

All the advantages of the SLC without chase.

Controls: bass/mid/treble/master sensitivity.

Don't hesitate to write or phone for immediate information. All prices include VAT. Please include 75p post except power dimmer (£1.75). Cheques/PO/C.O.D./

Access all welcome
TEL 01 689 4138 (Mon to Fri, 9 to 5)

L & B ELECTRONIC 45 Wortley Road, W. Croydon, Surrey CR0 3EB

STEREO DISCO MIXER/PREAMP

Main supply £7.20
PFL supply £1.00



£36.70

Magnetic or ceramic deck versions — please state
All the requirements of a stereo disco preamp on one board, left and right deck mixers/tone controls/misc mixer/tones/mic. auto fade over decks and P.F.L. The unit can be used with virtually any power amp

BLUE FASCIA'S (White letters)

Type	Knobs	Leds	Sw	Price
MULTI	5	4	1	9.70
41000SLC	2	4	1	9.20
31000SLC	5	—	1	8.70
31000SL	4	—	1	7.70

ALARMS

DIY KITS 'N' BITS

PROFESSIONAL EQUIPMENT AT DISCOUNT PRICES!

- KITS £32, £50, £75, £85 including full instructions
- CONTROL PANELS £18, £23, £29, £37
- BELL BOXES £6.25, £7.50
- PRESSURE PADS £1.06, £1.45, £2.45
- 4 CORE CABLE (100m) £8
- SIRENS £7.50
- CONTACTS 72p, 74p, 76p
- ULTRASONIC £34.50
- DOOR PHONES £49.42

BUY A KIT OR DESIGN YOUR OWN SYSTEM

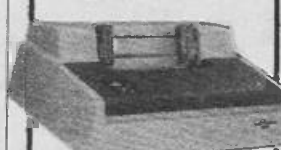
SEND SAE OR PHONE NOW FOR FREE FULLY ILLUSTRATED CATALOGUE. IT TELLS YOU ALL YOU NEED TO KNOW!

Carriage Included. VAT Extra 15%

A. D. Electronics, Dept ET1 7, 217 Warbeck Moor, Aintree, Liverpool L9 0HV 051 523 8440

Trade Enquiries Welcome

CENTRONICS 306



Superb professional quality fast compact line printer 80 columns 120 char/sec. Parallel I/f. Beautiful quality at a silly price. Vertical format unit. To include copy of operations manual. ONLY £149.00 Carriage (England) £17.50. Tech manual (230 pages) £10.00.

TEKTRONIX 545B/543 Oscilloscopes from ONLY £249.00 DISPLAY OSCILLOSCOPE. Neat unit but no data hence ONLY £55.00 + £10.00

ADVANCE LF oscillator type SG65. Sn/sq 10HZ-100KHZ. ONLY £37.50 + £10.00

MARCONI RC oscillator type TF1101 20HZ-200KHZ. ONLY £65.00 plus £6.00.

DATA RECORDING EQUIPMENT 4000A (258-9901) hard disc drives. 5 mbyte exchangeable. BRAND NEW boxed. only £800.00 plus carriage and insurance.

PLESSEY Static Inverters. 375VA 50Hz mains output from 48/66V DC input. ONLY £110.00

POWER SUPPLY. Modern multirail unit giving 5v at 4amp, 12v twice at 2.5 amp and 350mA. Toroidal transformer. Protection features. Ideal for micro applications. ONLY £17.50 + £1.80

5 volt 5 amp reg module. The perfect basis for your custom power supply ONLY £2.50 plus 60p carriage. DATA DYNAMICS R0390 printer 110 baud ascII 20mA/RS232. ONLY £76.00 + £17.80

MAWSON ASSOCIATES

124 Lennard Rd, Beckenham, Kent BR3 1QP

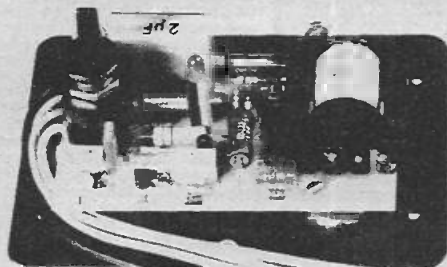
01-778 3600

Callers welcome by appointment and all 2nd hand goods sold as seen working but unguaranteed

WE ALSO BUY SELECTED COMPUTERS AND COMPUTER PERIPHERALS

ELECTRONIC IGNITION

Makes a good car better



As a
KIT
or
READY
BUILT

TOTAL ENERGY DISCHARGE electronic ignition gives all the well known advantages of the best capacitive discharge systems.

PEAK PERFORMANCE — higher output voltage under all conditions.

IMPROVED ECONOMY — no loss of ignition performance between services.

FIRES FOULED SPARK PLUGS no other system can better the capacitive discharge system's ability to fire fouled plugs.

ACCURATE TIMING — prevents contact wear and arcing by reducing load to a few volts and a fraction of an amp.

SMOOTH PERFORMANCE — immune to contact bounce and similar effects which can cause loss of power and roughness.

PLUS

SUPER POWER SPARK — 3½ times the energy of ordinary capacitive systems — 3½ times the power of inductive systems.

OPTIMUM SPARK DURATION 3 times the duration of ordinary capacitive systems — essential for use on modern cars with weak fuel mixtures.

BETTER STARTING — full spark power even with low battery.

CORRECT SPARK POLARITY unlike most ordinary C.D. systems the correct output polarity is maintained to avoid increased stress on the H.T. system and operate all voltage triggered tachometers.

L.E.D. STATIC TIMING LIGHT for accurate setting of the engine's most important adjustment.

LOW RADIO INTERFERENCE fully suppressed supply and absence of inverter 'spikes' on the output reduces interference to a minimal level.

DESIGNED IN RELIABILITY an inherently more reliable circuit combined with top quality components — plus the 'ultimate insurance' of a changeover switch to revert instantly back to standard ignition.

IN KIT FORM

it provides a top performance electronic ignition system at less than half the price of competing ready-built systems. The kit includes everything needed, even a length of solder and a tiny tube of heatsink compound. Detailed easy-to-follow instructions, complete with circuit diagram, are provided — all you need is a small soldering iron and a few basic tools.

AS REVIEWED IN

ELECTRONICS TODAY INTERNATIONAL June '81 Issue
and EVERYDAY ELECTRONICS December '81 Issue

FITS ALL NEGATIVE EARTH VEHICLES,
6 or 12 volt, with or without ballast

OPERATES ALL VOLTAGE IMPULSE TACHOMETERS
Some older current impulse types (Smiths pre '74) require an adaptor —
PRICE £2.95

STANDARD CAR KIT £14.85
Assembled and Tested £24.95

TWIN OUTPUT KIT £22.95
For MOTOR CYCLES and CARS with twin ignition systems
Assembled and Tested £34.70

PLUS
£1.00
U.K.
P. & P.
Prices
Include
VAT.

DIMENSIONS:
Length 12.5 cm
Width 8.9 cm
Height 4.3 cm
Lead length 100.0 cm

TECHNICAL DETAILS

The basic function of a spark ignition system is often lost among claims for longer 'burn times' and other marketing fantasies. It is only necessary to consider that, even in a small engine, the burning fuel releases over 5000 times the energy of the spark, to realise that the spark is only a trigger for the combustion. Once the fuel is ignited the spark is insignificant and has no effect on the rate of combustion. The essential function of the spark is to start that combustion as quickly as possible and that requires a high power spark.

The traditional capacitive discharge system has this high power spark but, due to its very short spark duration and consequential low spark energy, is incompatible with the weak air/fuel mixtures used in modern cars. Because of this most manufacturers have abandoned capacitive discharge in favour of the cheaper inductive system with its low power but very long duration spark which guarantees that sooner or later the fuel will ignite. However, a spark lasting 2000µs at 2000 rev/min. spans 24 degrees and 'later' could mean the actual fuel ignition point is retarded by this amount.

The solution is a very high power, medium duration, spark generated by the TOTAL ENERGY DISCHARGE system. This gives ignition of the weakest mixtures with the minimum of timing delay and variation for a smooth efficient engine.

SUPER POWER DISCHARGE CIRCUIT A brand new technique prevents energy being reflected back to the storage capacitor, giving 3½ times the spark energy and 3 times the spark duration of ordinary C.D. systems, generating a spark powerful enough to cause rapid ignition of even the weakest fuel mixtures without the ignition delay associated with lower power 'long burn' inductive systems.

HIGH EFFICIENCY INVERTER A high power, regulated inverter provides a 370 volt energy source — powerful enough to store twice the energy of other designs and regulated to provide sufficient output even with a battery down to 4 volts.

PRECISION SPARK TIMING CIRCUIT This circuit removes all unwanted signals caused by contact volt drop, contact shuffle, contact bounce, and external transients which, in many designs, can cause timing errors or damaging un-timed sparks. Only at the correct and precise contact opening is a spark produced. Contact wear is almost eliminated by reducing the contact breaker current to a low level — just sufficient to keep the contacts clean.

TYPICAL SPECIFICATION

	TOTAL ENERGY DISCHARGE	ORDINARY CAPACITIVE DISCHARGE
SPARK POWER (PEAK)	140 W	90 W
SPARK ENERGY (STORED ENERGY)	36 mJ	10 mJ
SPARK DURATION	135 mJ	65 mJ
OUTPUT VOLTAGE (LOAD 50pF EQUIVALENT TO CLEAN PLUGS)	500 µS	160 µS
OUTPUT VOLTAGE (LOAD 50pF + 500 KΩ EQUIVALENT TO DIRTY PLUGS)	38 KV	26 KV
VOLTAGE RISE TIME TO 20 KV (Load 50pF)	26 KV	17 KV
	25 µS	30 µS

TOTAL ENERGY DISCHARGE should not be confused with low power inductive systems or hybrid so called reactive systems.

ELECTRONIZE DESIGN

Dept. D Magnus Road, Wilnecote
Tamworth, B77 5BY
Phone: (0827) 281000



COMPUTER WAREHOUSE

THE 'ALLADINS' CAVE OF COMPUTER AND ELECTRONIC EQUIPMENT

HARD DISK DRIVES

Diablo/DRE Series 30 2.5 mb. fully refurbished DEC RK05 media and software compatible. Front load **£550**.
Top load **£295**.
PSU for 2 drives **£125**.
Diablo-Dre 44A-4000A or 4000B 10 mb 5+5 removable pack new and refurbished from **£995**.
CDC 80 mb removable pack DEC RM03 media and software compatible brand new from **£2,950**.
Honeywell 5+5 10 mb drives **£450** good s/h condition.
For more information on controllers, expansions and ready to go sub systems contact sales office.

DISTEL ©

The UK's FIRST free of charge, 24 hr. public access data base. Get information on 1000's of stock items and order via your computer and credit card. On line now, 300 baud. CCITT tones, full duplex, fully interactive.

DON'T MISS THOSE BARGAINS CALL NOW, IT'S FREE!
7 days per week 24 hrs. per day
01-683 1133

COMPUTER 'CAB'

All in one quality computer cabinet with integral switched mode PSU. Mains filtering and twin fan cooling. Originally made for the famous DEC PDP8 computer system costing 1000's of pounds, and designed to run 24 hours per day. The PSU is fully screened and will deliver a massive +5v DC at 17 amps, +15v DC at 1 amp and -15v DC at 5 amps. The unit is fully enclosed with removable top lid, twin fan cooling, mains filtering, trip switch, 'power on' and 'run' LEDs, aluminium front panel and rear cable entry. Give your system that professional finish for only **£49.95** + £9.50 carr. — Dim. 19" wide 16" deep 10.5" high. Usable area 16" w. 10.5" h 11.5" d. Units are in good but used condition 240 or 110 v working — complete with data. Large stocks of PDP 8 spares — enquire.



COOLING FANS

Keep your "Hot Parts" cool and reliable with our range of professional fans.
ETRI 99XU01 Miniature equipment fan 240 vac working DIM 92 x 25 mm BRAND NEW complete with finger guard. Makers price £16 our price **£9.95**
BUHLER 69.11.22 micro miniature 8-16 v DC reversible fan. Measures only 82 x 62 x 22 mm. Uses a brushless DC servo motor almost silent running ideal portable equipment, life in excess of 10,000 hours. BRAND NEW manufactures price **£32.00** our price **£12.95**
MUFFIN/CENTAUR cooling fans DIM 120 x 120 x 38 mm tested ex equipment 240v **£6.25** 115v **£4.95** + n.p. £1.20
KOOLTRONICS Powerful snail type blower gives massive air movement with centrifugal rotor DIM as a cube 8" x 8" x 6" air output 2.5" x 2.5" with flange fitting. BRAND NEW 110v 50Hz ac working ONLY **£9.95** + £1.90 p&p



8" FLOPPY DISK DRIVES

Unbelievable value the DRE 7100 & 7200 8" disk drives utilise the finest technology to give you 100% bus compatibility with most drives available today, the only difference being our PRICE and the superb manufacturing quality. The 7100 single sided & 7200 double sided drive accept hard or soft sectoring. IBM or ANSI standard giving a massive 0.8 MB (7100) & 1.6 MB (7200) of storage. Absolutely SHUGART, BASF, SIEMENS etc compatible. Supplied BRAND NEW with user manual and 90 day warranty.
7100 single sided **£225.00** + 9.50 + vat
7200 double sided **£295.00** + 9.50 carr + vat
full technical manual **£20.00** alone **£9.00** with drive, refund of difference on purchase of drive.
SHUGART s/h 800-28" Drive's 110v 50Hz motor **£160** + £9.50 carr.
Removed from working equipment but untested. SA120 Alignment disk's **£9.95**

9" Monitors

DTIO Monitor a complete **MOTOROLA 9"** video monitor housed in an attractive metal case DIM approx. 10" deep 16" wide and 11" high. The monitor has a 75 ohm composite video input with a bandwidth of 18 mhz. A separate internal PSU delivers 5v dc for external use and 12v DC for video monitor. The case has sufficient room inside for mounting other units such as 5" disk drives etc. Internal pots give full control over all monitor functions. Supplied in a tested, as new or little used condition. 240v AC operation **£55.00** Carriage and Insurance **£10.50**
MOTOROLA 9" open chassis monitor. Standard 240 v AC with composite 75 ohm video input, bandwidth in excess of 18 mhz. Monitors are ex equipment and although unguaranteed they are all tested prior to despatch, and have no visible burns on the screens. Dim approx 9" x 9" x 9". Supplied complete with mains and input lead. Ideal ZX81 etc or giving the tele back to the family!!
Black and White phosphor **£35.00** + £9.00 Carr.



SUPER SCOOP

CENTRONICS 739-2

The "Do everything Printer" at a price that will NEVER be repeated. Standard Centronics interface, full graphics, 4 type fonts with high definition & proportional spacing for word processor applications, 80-132 columns, single sheet, roll or sprocket paper handling plus much more. Available only from DISPLAY ELECTRONICS at a ridiculous price of only **£299.00**
Options: carriage & insurance **£10.00**
Interface Cable **£10.00**
RS232 Converter **£45.00**
SAVE £250



TELETYPE ASR33 I/O TERMINALS

FROM £195 + CAR. + VAT
Fully fledged industry standard ASR33 data terminal. Many features including ASCII keyboard and printer for data I/O auto data detect circuitry. RS232 serial interface. 110 baud, 8 bit paper tape punch and reader for off line data preparation and ridiculously cheap and reliable data storage. Supplied in good condition and in working order
Options: Floor stand **£12.50** + VAT
KSR33 with 20ma loop interface **£125.00** + Sound proof enclosure **£25.00** + VAT



SOFTY 2

The amazing SOFTY 2. The complete "toolkit" for the open heart software surgeon. Copies, Displays, Emulates ROM, RAM and EPROMS of the 2516, 2532 variety. Many other features include keyboard, UHF modulator. Cassette interface etc. Functions exceed capabilities of units costing 7 times the price! Only **£169.00** pp £1.95 Data sheet on request

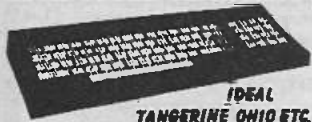
MAINS FILTERS

Professional type mains filters as used by "Main Frame" manufacturers. Ideal for curing those unerving hang ups and data glitches — fit one now and cure your problems.
Suppression Devices SA5A upto 5 amp load **£5.95**
Corcom Inc F1886 up to 20 amp load **£9.50**
Corcom Inc F1900 upto 30 amp load **£12.25**

RECHARGEABLE BATTERIES

CYCLON type D001 sealed lead acid maintenance free 2v 2.5 ah. will deliver over 300 amps on short circuit!! Brand new at only **£2.95**
SAFT VR2C size 'C' 1.2v 2 ah. nickel cadmium **£1.50** each 10 for **£11.50**

RCA FULLY CASED ASCII CODED KEYBOARDS



IDEAL TANGERINE OHIO ETC.
Straight from the USA made by the world famous RCA Co, the VP600 Series of cased freestanding keyboards meet all requirements of the most exacting user, right down to the price! Utilising the latest in switch technology. Guaranteed in excess of 5 million operations. The keyboard has a host of other features including full ASCII 128 character set, user definable keys, upper/lower case, rollover protection, single 5v rail, keyboard impervious to liquids and dust, TTL or CMOS outputs, even an on-board tone generator for keypress feedback and a 1 year full RCA backed guarantee.
VP601 7 bit fully coded output with delayed strobe, etc. **£43.95**
VP611 Same as VP601 with numeric pad **£54.95**
VP506 Serial, RS232, 20MA and TTL output with 6 selectable Baud Rates **£64.26**
VP616 Same as VP606, with numeric pad **£54.34**
Plug and cable for VP601, VP611 **£2.25**
Plug for VP606, VP616 **£2.10**
Post, Packing and Insurance **£1.95**
ORDER NOW OR SEND FOR DETAILS

D.C. POWER SUPPLY SPECIALS

Experimentors PSU Ex-GPO unit all silicon electronics. Outputs give +5v @ 2 amps, +12v @ 800 ma, -12v @ 800 ma, +24v @ 350 ma, 5v @ 50 ma, floating. Dim 160 x 120 x 350 mm. All outputs fully regulated and short circuit proof. Removed from working equipment, but untested. Complete with circuit. Transformer guaranteed. Only **£14.50** + £2.50 pp.
POWER ONE CP143 super compact unit giving continuous output of 5v @ 5 amps. dim. 215 x 67 x 80 mm. BRAND NEW and guaranteed Only **£21.00** + £1.50 pp.
CUSTOM POWER CO55 5v @ 3 amp. Very compact unit dim. approx 60 x 90 x 190 mm. Semi open chassis, full crowbar overvoltage protection. Tested Ex Equipment. **£11.95** + pp £1.25
MINI SYSTEM PSU Ex equipment unit ideal for the small micro. Outputs give 5v @ 3 amps, +12v @ 1 amp and -12v @ 300 ma. Crowbar overvoltage protection and current limit. Fully tested. Dim 70 x 165 x 320 mm. Complete with Circuit only **£12.95** + £2.00 pp.
PERIPHERAL SYSTEM SUPPLY. Fully cased unit supplied in a Brand new or little used condition. Outputs give 5v @ 11 amps, "+- 15-17v @ 8 amps, "- 15-17v @ 8 amps and "+ 24v @ 4 amps. All outputs are crowbar protected and the 5 volt output is fully regulated. Fan cooled. Supplied tested, with circuit **£55.00** + £8.50 carr.
MAIN FRAME SUPPLY. A real beefy unit designed for MINI or MAINFRAME use outputs give 5 volts @ 50 amps, +12v @ 5 amps, -12v @ 10 amps. All output are fully regulated with crowbar overvoltage protection on the 5v output. Supplied with circuit and tested. Ex-Equip. 110v AC input. Only **£49.95** + carr. £10.50.

300 BAUD DATA MODEMS

Join the communications revolution with our standard EX GPO 2a/b data MODEMS. Modem operates on standard CCITT tones with full auto answer facilities. Will switch to ANSWER or ORIGINATE. Standard RS232 i/o connections. Ideal networks. DISTEL etc. Complete with data. Untested but good condition **£55.00** carr. £8.50.

1200 BAUD DATA PUMP MODEMS

Compact unit for use with private or "Dial up lines" Designed to work in pairs at any baud rate upto 1200 full duplex (4 wire circuit) or half duplex (2 wire circuit). Features include remote test facilities. RS232 i/o lines etc. Supplied with data in working order, but less case cover **£65.00** + £4.50 carr.

66% DISCOUNT ELECTRONIC COMPONENTS & EQUIPMENT

Due to our massive bulk purchasing programme which enables us to bring you the best possible bargains, we have thousands of I.C.'s, Transistors, Relays, Caps, P.C.B.'s, Sub-assemblies, Switches, etc. etc. surplus to our requirements. Because we don't have sufficient stocks of any one item to include in our ads, we are packing all these items into the "BARGAIN PARCEL OF A LIFETIME" Thousands of components at giveaway prices! Guaranteed to be worth at least 3 times what you pay plus we always include something from our ads. For unbeatable value!! Sold by weight.
2.5kls **£4.25** + pp **£1.25**
10kls **£10.25** + pp **£2.25**
5kls **£5.90** + pp **£1.80**
20kls **£17.50** + pp **£4.75**

OLIVETTI TE300 REDUCED TO CLEAR

Complete input output terminal with integral 8 hole paper tape punch and reader. Unit operates at 150 baud in standard ASCII. Ideal as a cheap printer for a MICRO etc. 120 columns, Serial data i/o. Supplied complete with 1.50 data, untested, unguaranteed **£65.00** + £11.50 carr.



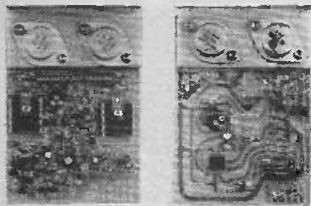
DISPLAY ELECTRONICS

All prices quoted are for U.K. Mainland, paid cash with order in Pounds Sterling PLUS VAT. Minimum order value **£2.00**. Minimum Credit Card order **£10.00**. Minimum BONA FIDE account orders from Government depts, Schools, Universities and established companies **£20.00** where post and packing not indicated please ADD 80p + VAT. Warehouse open Mon-Fri 9.30 — 5.30. Sat. 10.15 — 5.30. We reserve the right to change prices and specifications without notice. Trade, Bulk and Export enquiries welcome.

64-66 Melfort Road, Thornton Heath, Near Croydon, Surrey
01-689 7702 — 01-689 6800 Telex 27924



WHAT ARE YOU DRIVING?



INDUCTION LOOP TRANSMITTERS
VIBRATORS/SHAKERS
SERVOMOTORS MAGNETS

CRIMSON ELEKTRIC POWER AMP MODULES HAVE DONE IT ALL



CHOOSE our acclaimed Bipolar Modules for the best in Hi Fi. These modules have been widely used by professional bodies. They are high slew, low t.h.d. devices without need for the output fuses that spoil fidelity. they have instantly resenable 'electronic fuse' and are L-bracket mounting for flexible installation.



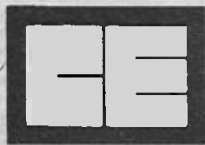
CHOOSE our Mosfet Modules for the most difficult loads. These modules are rugged and make ideal line step-up transformer drivers. They respond down to d.c. and make excellent servo-driving devices. They have low d.c. offset drift due to j fet inputs.



	BIPOLAR	MOSFET	MAX O/P POWER	SUPPLY TYP	VOLTAGE MAX	THD TYP	PRICE INC VAT & POST
	CE608	FE908	60W/80	±35	±40	01%	£21.50
	CE1004	FE1704	100W/40	±35	±40	018%	£25.00
	CE1008		120W/80	±45	±50	01%	£28.00
	CE1704		200W/40	±45	±63	015%	£35.50
	CE1708		180W/80	±60	±63	01%	£35.50
	CE3004		320W/40	±60	±63	02%	£49.50
			90W/80	±45	±60	01%	£30.00
			170W/40	±45	±60	025%	£39.00

Export — No problem.

Please write for quotation or quote your Visa/Master Charge card number.



Crimson Elektrik

FREEPOST 9 Claymill Road, Leicester LE4 7JJ England



Please
mention

E.T.I.

when replying
to all
adverts

BARGAINS GALORE Until Stocks are cleared

7492	5 for £1	74160	3 for £1
7495	5 for £1	74162	3 for £1
74124	80p	74163	3 for £1
74154	2 for £1	75491	3 for £1
74154	2 for £1	75492	2 for £1

TRIACS:

200V/4A	5 for £1
200V/12A	4 for £1
400V/16A	80p

THYRISTORS:

300V/5A	4 for £1
---------	----------

All above are TO 220 case

Diff Comparators (TL810C) 8 pin DIL 10 for £1
Op Amps uA748CL Metal Can 5 for £1
HAMLIN Reed Keyboards 11 Pos. (10 to 9 and spare) £4.50
HAMLIN Reed Keyboards 3 Pos. (1+ FE, M) £1.50

Timers (OMRON) 72 min. 240V, NSY MINY TIMER £20
TEMPERATURE CONTROLLER (PYE ETHER) 0 to 250 C, Series 1990B with thermocouple £30
Order from:

GRANGE ENTERPRISES,
22 Hampton Road, Town Moor,
Doncaster, South Yorkshire DN2 5DG

BEAT THESE PRICES

TOP QUALITY FULL SPEC GUARANTEED
QUICK DELIVERY

TTL N Series		LS	
74107	18p	74LS14	25p
74136	25p	74LS136	15p
7406	18p	74LS153	25p
7414	25p	74LS154	62p
7425	20p	74LS161	33p
7427	16p	74LS164	35p
7430	14p	74LS175	35p
7432	18p	74LS245	71p
7437	18p	LM339	45p
7442	25p	75452B	40p
7476	30p	75453	50p
7492	30p		
7493	30p		
7493	42p		
7493	45p		

THE IC-MAN, DEPT ETI, 60 HILLCREST
BALDOCK, HERTS, SG7 6NF

PRICES +15%
P&P 40p

M
A
I
L
O
R
D
E
R
O
N
L
Y

OPEN FRAME MONITORS AVAILABLE FOR OEM'S

The 'PRINCE' of Monitors

offers better Monitoring.

24MHz Bandwidth—ensures a clear crisp display.

Available with P4 White P31 Green AND L1 ORANGE



Scan: 625 lines/50 Hz Deflection: 110°. Active raster: 240 x 172mm. Bandwidth (3dB): 10 Hz-24 MHz (at 3dB points). Character display: 80 characters x 24 lines. Horizontal frequency: 15625 Hz ± 0.5 KHz. Vertical frequency: 50 Hz. Horizontal linearity: ± 3%. Vertical linearity: ± 2%. Geometric distortion: ± 1.5%. EHT (at zero beam current): 13kV ± 0.5kV. Power drain: 30 Watt approx. Voltage supply: 110V A.C. 50 Hz/220V A.C. - 50 Hz/240V A.C., 50Hz/± 10% upon request. Video input: 2 x BNC - or CINCH - or PL 259, (composite video) negative sync, input 0.5-4V p.p. across 75 Ohms. X-Ray radiation: conforms to I.E.C. Spec. No. 65. Overall dimensions: 320 x 270 x 265 mm. Weight: 7 Kg. approx. Ambient temperature: 0-45°C.

OTHER CROFTON PRODUCTS INCLUDE: Computer peripheral equipment, Frame grabber, Floppy disk drives, Floppy disks, Computer power supplies, C.C.T.V. monitors, Uncased monitors, Monitor P.C.B's, Cathode ray tubes, VHF/UHF modulators, Video switchers, Video distribution amplifiers, Camera housings, Pan and tilt units, Camera lens, Camera tubes, Printed circuit board service.

CROFTON ELECTRONICS LTD

35, Grosvenor Road, Twickenham, Middx, TW1 4AD.

Telephone: 01-891 1923/1513 Telex: 295093 CROFTN G

SUMMERTIME SALE!

All prices include VAT at 15% — just add 50p post
1982/3 CATALOGUE

- Bigger! Better!! Buy one!!!
Only 75p inc. post — Look what you get!!
- Vouchers worth 50p
 - 1st class reply paid envelope
 - Wholesale list for bulk buyers
 - Bargain List with hundreds of surplus lines.
 - Huge range of components
 - Low, low prices

Sent free to schools, colleges etc.

SOLENOIDS AND RELAYS

W921 Solenoid rated 48V at 25% duty cycle, but work well on 24V (700gm pull, 10mm travel) push or pull 27 x 18 x 15mm 56p

W922 Mains 240V ac solenoid, 10% duty cycle, push or pull, 16mm travel, 50 x 20 x 16mm. Only £1.50

W895 9V DC relay 500R SPCO 28 x 24 x 19. 60p

W733 11 pin plug in relay, 240V ac, 3PCO 5A contacts £2.50. Base £36p

W838 700R 24V 4PCO "continental" relay 35 x 30 x 18, only 84p; 10/£7.00

W847 37R 5-10V relay, SP 3A contact, PCB mntg 11 x 33 x 20. 95p; 10/£7.50

W893 Omron LY4 mains relay, 4PCO 5A contacts. £2.50

W896 24V ac coil, but works well on 6V DC. 2 x 10A c/o contacts. Ex-equip, only 60p

PACKS PACKS PACKS

K517 Transistor Pack. 50 assorted full spec marked plastic devices PNP NPN RF AF. Type numbers include BC114, 117, 172, 182, 183, 198, 239, 251, 214, 255, 320, BF198, 255, 394, 2N3904 etc etc. Retail cost £7+. Special low price 275p

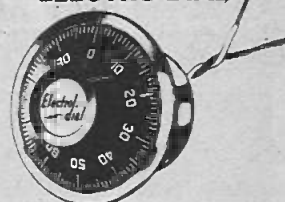
K520 Switch Pack. 20 different assorted switches — rocker, slide, push, rotary, toggle, micro etc. Amazing value at only 200p

K522 Copper clad board. All pieces too small for our etching kits. Mostly double sided fibreglass. 250g (approx 110 sq ins) for 100p

K541 It's back!! Our most popular pack ever — Vero offcuts. This has been restricted for some time, but we have now built up a reasonable stock and can once again offer 100 sq ins of vero copper clad offcuts, average size 4 x 3". Offered at around 1/2 the price of a new board 320p

DEDUCT 20% OFF ALL ORDERS OVER £10 FROM THIS ADVERT

ELECTRO-DIAL



Electrical combination lock for maximum security, absolutely pick-proof!! One million combinations!! Dial is turned to the right to one number, left to a second number, then right again to a third number. Only when this has been completed in the correct sequence will the electrical contacts close. These can be used to operate a relay or solenoid etc. Overall dia 65mm x 60mm deep. Finished in bright chrome. With combination the price is £9.95. Also available without combination, but instructions are provided on how to find it. Takes about 20mins £2.95

'COMPUTER BATTLESHIPS'

Probably one of the most popular electronic games on the market. Unfortunately the design makes it impractical to test the PCB as a working model, although it may well function perfectly. Instead we have tested the sound chip, and sell the board for its component value only (PCB may be chipped or cracked): SN76477 sound IC; TMS1000 u-processor; batt clips, R's, C's etc. Size 160 x 140mm. Only £1.50. Instruction book and circuit 30p extra.

10W AMP PANEL

Neat board 115 x .62mm with Class B output. Uses 2 x 2N5293, 2 x BFY50 BFX29. Supply can be either 36V or 18 0-18V Input sensitivity 1V for 10W output. Small H/S on board: £2.95. Suitable transformer, bridge rect, smoothing and o/p capacitor: £5.50. Supplied with circuit/connection data

GREENWELD

443A Millbrook Road Southampton SO1 0HX

HOME CONSTRUCTOR TURNTABLE KITS

from

INPUT DESIGN LTD

THE LEADING MANUFACTURERS OF TURNTABLES IN KIT FORM

NORMAL RETAIL PRICE £49.50

SPECIAL INTRODUCTORY OFFER TO READERS OF ETI

£44

inc VAT
(P & P £1.95)

This kit includes AC Synchronous motor (as used on £350 decks), Pulley, Belt, Drive Hub, Spindle, Bearing, Glass Platter, Felt Mat, Switch, Electronics, Cable and full instructions together with blueprint for plinth assembly.

Any other parts (ie Lid) available as optional extras.

5 YEAR GUARANTEE — MONEY BACK IF NOT SATISFIED

Pay by Barclaycard, Access or CWO. Export: Write for Pro-forma.

INPUT DESIGN LTD

Palace Street, Biggleswade Beds. SG18 8DP



Bigger and Better for 1982
the colourful Wilmslow Audio brochure
— the definitive loudspeaker catalogue!

Everything for the speaker constructor — kits, drive units, components for HiFi and PA.

50 DIY HiFi speaker designs including the exciting new dB Total Concept speaker kits, the Kef Constructor range, Wharfedale Speakercraft, etc.

Flatpack cabinet kits for Kef, Wharfedale and many others.

- ★ Lowest prices — Largest stocks ★
- ★ Expert staff — Sound advice ★
- ★ Choose your DIY HiFi Speakers in the comfort of our ★ two listening lounges (Customer operated demonstration facilities)
- ★ Ample parking ★

Send £1.50 for catalogue (cheque, M.O. or stamps — or phone with your credit card number)

★ Access — Visa — American Express accepted ★ also HiFi Markets Budget Card.



0625 529599

35/39 Church Street, Wilmslow, Cheshire SK9 1AS



Lightning service on telephoned credit card orders!



AS THINGS GET TOUGH

**WHAT DO YOU DESIRE?
UNFORTUNATELY, THIS PROGRAMME CAN ONLY
OFFER TOTAL WINNING KNOWLEDGE, THE BASIC
ELEMENT SO ABSOLUTELY NECESSARY FOR
POSITIVE HUMAN DEVELOPMENT**

As a man thinketh, so he will be
This is a major breakthrough programme in human development disciplines which is destined to effect the lives of thousands of thinking men and women. It engages a remarkable new concept —

**A MULTI-DIMENSIONAL
APPROACH TO HUMAN
SUCCESS AND TOTAL
ACHIEVEMENT**

**A must for the Listening Library of
every thoughtful man and woman
GROWTH and RENEWAL**

Develop The Action Qualities And Success Attitudes Of The Winner

POSITIVE SELF-IMAGE
POSITIVE SELF-CONTROL
POSITIVE SELF-DIRECTION
POSITIVE SELF-AWARENESS

Even the first instructional tape will return to you many times over in the form of valuable self-redirection and attitude reinforcement . your investment

POSITIVE SELF-DISCIPLINE POSITIVE SELF-ESTEEM

SELF-REALIZATION

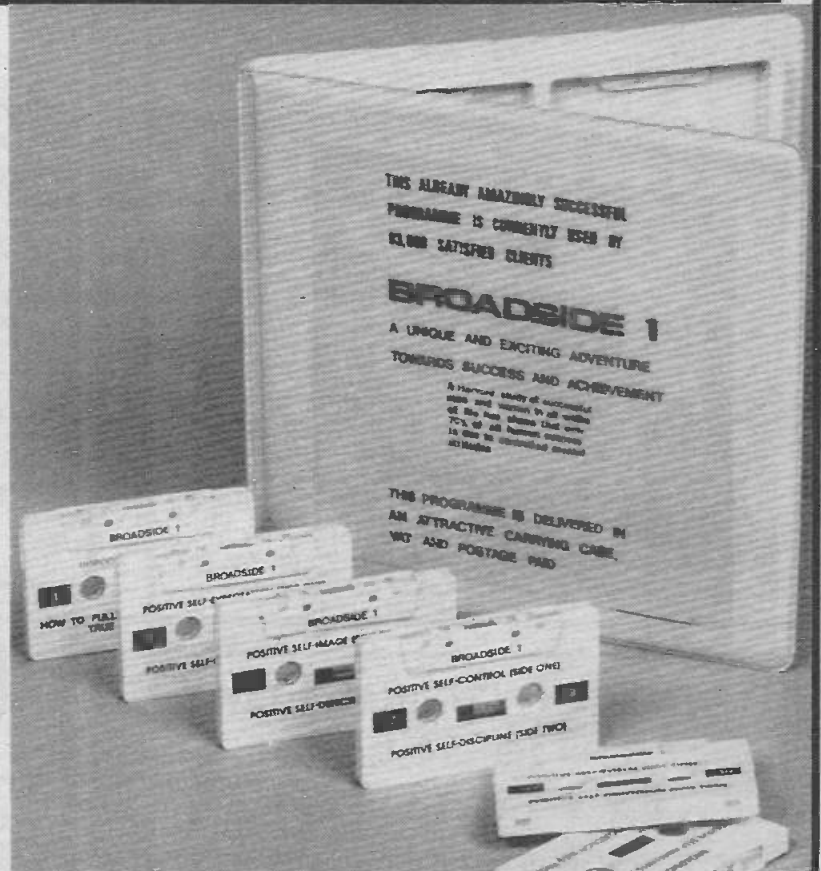
A lesson in winning — Broadside 1

is not a psychological gimmick but a profound professional in-depth study into the attitudes and the qualities that go into the formation of the total winner. It is a programme based upon years of exhaustive research, using clinically controlled feedback studies, into the every present human desire for success and achievement as the basic motivating winning force that brings men and women alike to the forefront of our society. It is a unique and masterful attempt to define and to formulate into a controlled audio pack, the exact guide lines for creating the winner.

The motivated need

Have you ever given thought as to why some people are more successful than others?

The secret of the successful lies in direct relation to their positive attitudes and their defined purpose control.



ACTION

Each unit of human life is composed greatly from dreams derived from the unconscious. He who has the ability and know-how to translate them into positive reality, will truly be placed amongst the great. Ana is Nin
BROADSIDE 1 — THE INSTRUMENT OF HUMAN DEVELOPMENT

To: Broadside Associates
2 The Spinney,
North Gray,
Kent.

GUARANTEE

I understand that if I am not fully satisfied, I can, within 15 days after despatch, return the complete programme and obtain a full refund.

Please send me the full Broadside 1 programme for which I enclose a cheque/postal order (crossed) for the sum of £25 (incl. VAT and Postage) made payable to BROADSIDE (allow a maximum 28 days for delivery)

PLEASE PRINT

Name

Address

Postcode County

E.T.I. KITS

Full kits include printed circuit boards, components, hardware, I.C. sockets, cases etc. unless stated (not batteries). If you do not have the issue of E.T.I. which

INSULATION TESTER May 82	£15.98
AUTORANGING CAPACITANCE METER Mar/April 82	£71.95
ACCURATE-VOLTAGE MONITOR Apr 82	£13.63
AUTOMATIC CONTRAST METER Apr 82 less extrusion	£26.77
HIGH QUALITY PHONO AMPLIFIERS Feb 82. Less case	£17.96
MOVING COIL STAGE	£17.68
MOVING MAGNET STAGE	£6.77
PEST CONTROL Feb 82	£28.98
GUITAR TUNER Jan 82	£7.98
COMPONENT TESTER Dec 81	£17.98
CAR ALARM Nov 81	£26.59
ENLARGER TIMER Oct 81	£20.76
SOUND BENDER Oct 81	Aug 81
WATCHDOG SECURITY ALARM	£43.33
RECHARGEABLE BATTERY extra	£19.96

includes the project - you will need to order the instruction reprint at an extra 45p each. PCBs included. Reprints available separately 45p each + p&p 45p.

HANDCLAP SYNTHESIZER Aug 81	£28.98
WAH PHASE June 81. Less pedal	£13.44
LED JEWELLERY June 81. Cross Star	£9.41, Spiral £7.20
GUITAR NOTE EXPANDER April 81	£16.47
DRUM MACHINE April 81	£59.98
ENGINEERS STETHOSCOPE Mar 81	£19.19
SOUND PRESSURE LEVEL METER Feb 81	£39.98
INFRA RED ALARM Feb 81	£54.98
4 INPUT MIXER Dec 80	£19.77
MUSICAL DOORBELL Dec 80	£11.61
METRONOME Nov 80	£5.88
ULTRASONIC BURGLAR ALARM Aug 80	£26.82
CAPACITANCE METER Aug 80	£20.26
CMOS LOGIC TESTER Aug 80	£10.97
CLICK ELIMINATOR Apr 79	£61.55. Or less case £46.57.

ADVENTURES WITH DIGITAL ELECTRONICS

New book by Tom Duncan in the popular 'Adventures' series.

This book of entertaining and instructive projects is designed for hobbyists, and students. It provides a stepping stone to the microprocessor.

The first part deals with the properties of some basic ICs used in digital electronics.

The second part gives details of how to build eight devices - shooting gallery, 2 way traffic lights, electronic adder, computer space invaders game, etc.

For each project there is an explanation of 'how it works' and also suggestions for 'things to try'.

No soldering - all circuits built on 2 Simboard 1 breadboards.

Adventures with Digital Electronics book £3.25. Component pack £42.50 ref. ETDC.

All the components needed including 2 breadboards and hexadecimal keyboard. Available less breadboards £29.98 ref. ETDF. Both less battery.

MAGENTA ELECTRONICS LTD

HM27, 135 HUNTER ST., BURTON-ON-TRENT, STAFFS,
DE14 2ST. 0283 65435. MON-FRI 9-5. MAIL ORDER ONLY
ADD 45p P&P TO ALL ORDERS

ADD 45p P&P TO ALL ORDERS
ACCESS and BARCLAYCARD (VISA)
ORDERS ACCEPTED BY PHONE OR
POST.
SAE ALL ENQUIRIES.

Prices inc. VAT
OFFICIAL ORDERS WELCOME
OVERSEAS Payment must be in sterling.
IRISH REPUBLIC and BFPO - UK PRICES
EUROPE - UK PRICES + 10%
ELSEWHERE - Write for Quote.

WATFORD TECHNICAL BOOKS

If you're into ROBOTS, the simplest is Buster, a sort of machine pet, in *Building Your Own Working Robot* by David L. Heiserman (£5.70). Or try *How to Build Your Own Self-Programming Robot* (£6.35) which is about Rodney who retains, says DLH, the essential character of Buster. *Robot Intelligence with Experiments* (£7.70) is about simulating self-programmed machine behaviour on a home computer, and DLH's latest book is *How to Design & Build Your Own Custom Robot*, 460 pages for just £9.95 by post. Also in stock, on the subject of robots, *Android Design - Practical Approaches for Robot Builders* (£10.60) by Martin Bradley Weinstein is "not so much a do-it-yourself book as it is a background on the tools, materials, and techniques necessary before designing your own android". (For the philosophical, MBW also tells you how to distinguish between automata, robots, androids, cyborgs, mandroids, bionics, mechanoids and robotoids.) Finally on robots, *How to Build a Computer Controlled Robot*, called Mike and controlled by a KIM-1, by Tod Loofbourrow (£9.60).

Watford Technical Books is new and different. We aim to stock all the books you need on electronics and computing, so why not come and browse in the only bookshop not to stock *Not the Edwardian Diary of a Country Parson?* There's all the usual collection of cookbooks (including some not always so readily available), vast assembly language programming books for this or that by Leventhal and co out of Osborne, and piles of project books from Tab, Babani, Newnes etc. If you can't visit Watford and save a little (the prices above include a little p&p), send SAE for lists or phone Watford (0923) 23324. We're open till 6.00 (except Weds) and Fridays till 7.00. Access & Barclaycard will do very nicely, thank you, including by phone.

105 St Albans Road, Watford WD1 1RD
(2 minutes from Watford Junction)

Tel: WATFORD (0923) 23324



Constructor Series Speakers



IT'S
SO
EASY

Have fun, save money, building a Kef design with a Wilmslow Audio CS Total kit. No electronic or woodworking knowledge necessary and the end result is a proven top-quality design that you'll be proud of.

Each kit contains all cabinet components, accurately machined for easy assembly, speaker drive units, crossovers, wadding, grille fabric, terminals, nuts, bolts, etc. The cabinets can be painted or stained or finished with iron-on veneer or self adhesive woodgrain vinyl. Easy foolproof assembly instructions supplied. Set of constructor leaflets sent free on receipt of large S.A.E.

Prices: CS1 (As 101)	£110 pr. inc. VAT, plus carr./ins. £ 5.50
CS1A (simplified LS3/5A)	£103 pr. inc. VAT, plus carr./ins. £ 5.50
CS3 (as 103.2)	£129 pr. inc. VAT, plus carr./ins. £10.00
CS5 (as Carlton II)	£192 pr. inc. VAT, plus carr./ins. £15.00
CS7 (as Cantata)	£250 pr. inc. VAT, plus carr./ins. £18.00



0625 529599

35/39 Church Street, Wilmslow, Cheshire SK9 1AS

1982 Catalogue - £1.50 post free

Lightning service on telephoned credit card orders!



It's easy to complain about advertisements.

The Advertising Standards Authority. ✓
If an advertisement is wrong, we're here to put it right.

ASA Ltd, Brook House, Torrington Place, London WC1E 7HN.

ELECTROMART

**MONTHLY IN
ELECTRONICS TODAY —
YOUR OWN 'WHERE TO
BUY IT' GUIDE**

**LOOKING FOR
COMPONENTS! HARDWARE!
CASES! TRY YOUR LOCAL
LISTED STOCKIST**

**FOR YOUR BUSINESS TO
BE INCLUDED, CALL
ELECTROMART ON
01-437-1002.**

AVON

ANNLEY ELECTRO

190 Bedminster Down Road
Bedminster Down, Bristol
Tel: 0272 632622
Open: Mon-Sat 9am-6.30 pm Wed 9am-2pm

LANCASHIRE

ETESON ELECTRONICS

E.E. 15B Lower Green,
Poulton-le-Fylde, Blackpool
Tel: (0253) 885107
Open: 9.30am-12.30, 1.30-5.30. Closed Wed & Sun.
Electronic Component Specialists.

S. WALES

CARDIGAN ELECTRONICS

Chancery Lane, Cardigan,
Tel: Cardigan (0239) 614483
Open: Mon-Sat 10am-5pm. Closed Wed.
Electronic components &
Acorn computer stockist.

DORSET

D.J. ELECTRONICS

64 Ensbury Park Road,
Bournemouth.
Tel: (0202) 515073.
Open: Mon-Sat 9am-6pm.

MERSEYSIDE

MYCA ELECTRONICS

2 VICTORIA PLACE
SEACOMBE FERRY SQUARE
WALLASEY L44 6NR
Tel: 051 638 8647
Open: Mon-Sat 10am-5.30pm

YORKSHIRE

ACE MAILTRONIX LTD.

3A Commercial Street,
Batley. Tel: (0924) 441129
Open: Mon-Fri 9am-5.30pm. (Sat 1pm)
Retail and wholesale.

HERTFORDSHIRE

GODDARDS COMPONENTS

110 London Road, St. Albans.
Tel: St. Albans 64162
Open: Mon-Sat 9.30am-5.30pm
(½ day Thur)

W. MIDLANDS

PATH ELECTRONIC SERVICES

369 Alum Rock Road, B'ham.
Tel: 021 327 2339.
Open: 10am-6pm weekdays.
Sat 9.30am-5pm. Contact Peter A.
Thomas. Wholesale and retail supplies.

**PLEASE MENTION
ELECTRONICS TODAY
WHEN USING THESE
SHOPS!**

**If you would like your business details to be included in Electromart —
please fill in the below coupon and post to: Electromart, Electronics Today
International, 145 Charing Cross Road, London WC2H 0EE**

Please include my business details in the next available issue of **ELECTRONICS TODAY INTERNATIONAL**:

BUSINESS NAME:

ADDRESS:

TEL. NO.:

OPENING HOURS:

RETAIL WHOLESALE MAIL ORDER (Please tick)

CONTACT: (FOR OFFICE USE ONLY)



BARCLAYCARD
VISA

CLASSIFIED

THE PATH TO
SUCCESSFUL SALES!

01-437 1002
Ext 213

ADVERTISEMENT RATES

Semi-Display (min 2 cms)
1-3 insertions £6.00 per cm
4-11 insertions £5.50 per cm
12+ insertions £5.00 per cm

Lineage 21p per word (min 15 words)
Box Nos. £2.00

Closing date 2nd Friday of the month
preceding publication date.

All advertisements in this section must be prepaid.
Advertisements are accepted subject to the terms and
conditions printed on the advertisement rate card (available
on request)

Send your requirements and cheque P.O. to:

HOBBY ELECTRONICS CLASSIFIED
ADVERTISING, 145, CHARING CROSS RD,
LONDON WC2H 0EE.

BRYSTEP ELECTRONICS

10 Camphill Industrial Estate
West Byfleet, Surrey KT14 6EW
Tel: Byfleet (09323) 51676

CMOS

4001 £0.10
4007 £0.15
4008 £0.47
4011 £0.11
4012 £0.16
4013 £0.24
4015 £0.50
4016 £0.19
4017 £0.40
4018 £0.45
4021 £0.48
4022 £0.48
4023 £0.16
4024 £0.32
4025 £0.16
4028 £0.48
4040 £0.48
4042 £0.48
4047 £0.58
4049 £0.24
4050 £0.24
4086 £0.28
4069 £0.15
4070 £0.15
4078 £0.18
4083 £0.14
4093 £0.28
4093 £0.28
4508 £1.44
4510 £0.48
4511 £0.46
4512 £0.50
4514 £1.19
4515 £1.20
4516 £0.59
4518 £0.26
4520 £0.58
4528 £0.54
4528 £0.70
4531 £0.65
4534 £3.98
4541 £0.88
4585 £0.30

Many, many other items held
in stock. S.A.E. for full stock
and price list. Also separate
list of items which are ex-
Surplus/Liquidator stock, all
bargain price. We fully
guarantee your money back
in FULL if any item fails,
whether old or new,
provided it is returned within
28 days of receipt. We have
never had to return money
yet.

D Connectors (Cannon Type)

9 Way	£0.80	£0.35	£0.30
15 Way	£1.10	-1.50	£0.32
25 Way	£1.50	£2.00	£0.32
37 Way	£2.20	£3.25	£1.28

Rt Angle P.C.B. Mtg

9 Way	£1.77	£1.80
15 Way	£1.53	£2.32
25 Way	£2.20	£2.20
37 Way	£2.97	£4.20

Volt Regulators	Diodes		
7805	£0.39	1N4002	£0.05
7815	£0.39	1N4148	£0.03
LM309K	£1.30	1N5401	£0.15
LM323K	£4.88	1N5406	£0.16

FREE With every order: 1 BDX42
(NPN Darlington)

Sorry: MAIL ORDER ONLY
Please add £0.30 p&p and V.A.T.
@ 15%

SPECIAL OFFER FOR THIS ISSUE
4011 £0.08 4017 £0.30 4534 £3.20

AMAZING ELECTRONICS PLANS. Lasers,
Super-powered Cutting Rifle, Pistol, Light,
Show, Ultrasonic Force fields, Pocket De-
fence Weaponry, Giant Tesla, Satellite TV
Pyrotechnics, 150 more projects. Catalogue
£1 - From Plancentre, 46, Bye Street,
Ledbury, HR8 2AA.

SOFTWARE ENGINEERING. Microproces-
sor/Analogue/Digital Systems/Circuits de-
signed. Prototype development to production
level. Assembly capacity available. Retreat
Electronics, c/o 19 First Avenue, Newport
Park, Countess Wear, Exeter, Devon EX2 7DX
Phone Topsham (039 287) 7166.

OSCILLOSCOPE £12. Easy built unit plugs
into T.V. aerial socket and converts it to
large screen oscilloscope. Costs approx.
£12 to make. Circuit and plans £3. J.
Bobker, 29 Chadderton Drive, Unsworth,
Bury, Lancs.

PARAPHYSICS JOURNAL (Russian trans-
lations); Psychotronic Generators, Kirliano-
graphy, gravity lasers, telekinesis. Details:
SAE 4 x 9". Paralab, Downton, Wilts.

FOR SALE. Maplin 5600S synthesiser parts.
Case, keyboard, panels, finished PCBs. Tel:
883 1598 (London).

DIGITAL WATCH REPLACEMENT parts
batteries, displays, backlights etc. Also
reports publications, charts. S.a.e. for full list
Profords Conersdrive, Holmergreen, Bucks,
HP15 6SGD

ELECTRONICS component shop in MAID-
STONE, KENT! Thyronics Control Systems,
8 Sandling Road, Maidstone, Kent.
Maidstone 675354.

BURGLAR alarm equipment. Ring Bradford
(0274) 308920 for our catalogue, or call at our
large showrooms opposite Odsal Stadium.
C.W.A.S. Ltd.

WANTED: ELECTRONIC COMPONENTS
and Test Equipment. Factories cleared. Good
prices given. Q Services, 29 Lawford
Crescent, Yateley, Camberley, Surrey. 0252
871048.

MOS-FET AUDIO MODULES

Hitachi devices, Hitachi spec., glass boards,
extruded heatsinks, tested, guaranteed 24
months.

120 watts/8 ohms; 120v/2A supply; £13.95.
240 watts/4 ohms; 120v/4A supply; £19.95.
400 watts/2 ohms; 120v/7A supply; £29.95.

Power supplies/pre-amps available. Post/
packing 80p. Stamp for details. Quantity
discount.

Audio-Tech., 8 Parsons Close, Church
Crookham, Aldershot, Hants GU13 0HL.
Tel: 02514 22303.

T. & J. ELECTRONICS COMPONENTS -
Quality components, competitive prices.
Illustrated catalogue 45p. 98 Burrow
Road, Chigwell, Essex.

CIRCUIT DESIGN, Prototype construction,
analogue or Digital, Single Circuits or
Complete Instruments/Systems. Write A. J.
ATTWOOD, C.Eng., MIERE, Heathercote,
Heatherton Park, Taunton, Somerset, TA4
1ET, or Phone Bradford-on-Tone (082-346)
536.

TRANSCENDED DPX, perfect. Plus extra
sounds £235. E.T.I. Reverberation board built
£25. Tel. Dartford 0322 24467.

AERIAL AMPLIFIERS Improve weak
television reception. Price £6.70, S.A.E.
for leaflets. Electronic Mailorder,
Ramsbottom, Lancashire BL0 9AGH.

CABINET FITTINGS

Fretcloths, Coverings, Handles, Castors,
Flight Case Locks & Parts, Jacks, XLRs,
Bulgins, Reverb Trays, P & N mic Stands,
ASS Glassfibre Horns,
CELESTION POWER
Speakers

ADAM HALL SUPPLIES LTD.

Send
30p cheque/
P.O. for illustrated
catalogue: Adam Hall (ET Supplies),
Unit B, Carlton Court, Grainger Road,
Southend-on-Sea.

PRINTED CIRCUITS. Make your own sim-
ply, cheaply and quickly! Golden Fotolac
light-sensitive lacquer - now greatly im-
proved and very much faster. Aerosol
cans with full instructions, £2.25. De-
veloper 35p. Ferric Chloride 55p. Clear
acetate sheet for master 14p. Copper-clad
fibreglass board, approx. 1mm thick
£1.75 sq. ft. Post/packing 75p. White
House Electronics, Castle Drive, Praa
Sands, Penzance, Cornwall.

ETI PCB SERVICE

Up until now PCBs were always the hardest component to obtain for a project. Of course you could make your own, but why bother anymore?

Now you can buy your boards straight from the designers — us! As of this issue all (non-copyright) PCBs will be available automatically from the ETI PCB Service. Each board is produced from the same master used to build our prototypes, so you can be sure it's accurate, and will be finished to the high standard you would expect from ETI.

In addition to the PCBs for this month's projects, we are making available some of the more popular designs from our recent past. See the list below for details. Please note that **NO OTHER BOARDS ARE AVAILABLE**. If it's not listed, we don't have it!

APRIL 79	<input type="checkbox"/> Guitar Effects Unit	£2.64	APRIL 81	<input type="checkbox"/> Musical Box	£2.64	MARCH 82	<input type="checkbox"/> Infinite Improbability Detector	£3.37
	<input type="checkbox"/> Click Eliminator	£6.64		<input type="checkbox"/> Drum Machine (two boards)	£5.60		<input type="checkbox"/> Capacitance Meter (two boards)	£14.19
				<input type="checkbox"/> Guitar Note Expander	£3.20		<input type="checkbox"/> Robot Motor Controller	£3.80
							<input type="checkbox"/> Light Wand	£1.87
JUNE 79	<input type="checkbox"/> Accentuated Beat Metronome	£3.60	JUNE 81	<input type="checkbox"/> Mini-drill Speed Controller	£2.93	APRIL 82	<input type="checkbox"/> Contrast Meter	£2.83
				<input type="checkbox"/> Antenna Extender	£3.20		<input type="checkbox"/> Sound Effects board	£2.40
FEBRUARY 80	<input type="checkbox"/> Tuning Fork	£2.64		<input type="checkbox"/> LED Jewellery: Cross	£1.47		<input type="checkbox"/> High Impedance Probe	£1.97
				<input type="checkbox"/> Spiral (two boards)	£2.64		<input type="checkbox"/> Guitar Practice Amp	£7.57
MARCH 80	<input type="checkbox"/> Signal Tracer	£2.27		<input type="checkbox"/> Star (two boards)	£2.65		<input type="checkbox"/> Accurate Voltage Monitor	£2.05
				<input type="checkbox"/> Waa-phase	£1.53			
AUGUST 80	<input type="checkbox"/> CMOS Logic Tester	£2.64	JULY 80	<input type="checkbox"/> System A A-MM/A-MC	£2.65	MAY 82	<input type="checkbox"/> DV Meg	£2.92
	<input type="checkbox"/> Capacitance Meter	£2.93		<input type="checkbox"/> System A A-PR	£5.17		<input type="checkbox"/> Analogue PWM	£3.37
	<input type="checkbox"/> Ultrasonic Burglar Alarm	£2.87		<input type="checkbox"/> Smart Battery Charger	£1.97		<input type="checkbox"/> Slot Car Controller	£4.96
				AUGUST 81			<input type="checkbox"/> Wattmeter	£4.53
OCTOBER 80	<input type="checkbox"/> Cassette Interface	£2.93		<input type="checkbox"/> System A Power Amp (A-PA)	£4.77	June 82	<input type="checkbox"/> Ion Generator (two boards)	£6.22
	<input type="checkbox"/> Fuzz/Sustain Box	£3.27		<input type="checkbox"/> Flash Sequencer	£3.44		<input type="checkbox"/> Ion 'Blinker'	£2.60
NOVEMBER 80	<input type="checkbox"/> Touch Buzzer	£1.93		<input type="checkbox"/> Hand-clap Synthesiser	£3.97		<input type="checkbox"/> MOSFET Amp Module	£6.99
	<input type="checkbox"/> Light Switch	£1.93		<input type="checkbox"/> Heartbeat Monitor	£1.83		<input type="checkbox"/> Logic Lock	£3.41
	<input type="checkbox"/> Metronome	£1.93		<input type="checkbox"/> Watchdog Home Security (two boards)	£5.31		<input type="checkbox"/> Digital PWM	£3.84
	<input type="checkbox"/> 2W Power Amp	£1.93	SEPTEMBER 81	<input type="checkbox"/> Mains Audio Link (three boards)	£7.35		<input type="checkbox"/> Optical Sensor	£1.98
	<input type="checkbox"/> RIAA Preamplifier	£1.93		<input type="checkbox"/> Laboratory PSU	£4.53		<input type="checkbox"/> Stylus Timer	£2.98
	<input type="checkbox"/> Audio Test Oscillator	£3.13	OCTOBER 81	<input type="checkbox"/> Enlarger Timer	£3.40		<input type="checkbox"/> Oscilloscope (four boards)	£13.19
DECEMBER 80	<input type="checkbox"/> Musical Doorbell	£2.80		<input type="checkbox"/> Sound Bender	£2.65	JULY 82	<input type="checkbox"/> Mike Switching Unit	£2.04
	<input type="checkbox"/> Bench Amplifier	£2.53		<input type="checkbox"/> Thermal Alarm	£2.63		<input type="checkbox"/> TV Bargraph (main board)	£4.85
	<input type="checkbox"/> Four Input Mixer	£2.64		<input type="checkbox"/> Micropower Pendulum	£2.21		<input type="checkbox"/> TV Bargraph (channel card)	£2.44
JANUARY 81	<input type="checkbox"/> LED Tacho	£4.13	NOVEMBER 81	<input type="checkbox"/> Music Processor	£7.35		<input type="checkbox"/> Hotwire	£2.99
	<input type="checkbox"/> Multi-Option Siren	£3.20		<input type="checkbox"/> Voice-Over Unit	£3.97		<input type="checkbox"/> Bridging Adaptor	£2.74
	<input type="checkbox"/> Universal Timer	£3.31		<input type="checkbox"/> Car Alarm	£2.81	AUGUST 82	<input type="checkbox"/> Playmate (three boards)	£7.92
FEBRUARY 81	<input type="checkbox"/> Infra-red Alarm (four boards)	£6.64		<input type="checkbox"/> Phone Bell Shifter	£2.96		<input type="checkbox"/> Kitchen Scales	£2.70
	<input type="checkbox"/> Pulse Generator	£3.57	JANUARY 82	<input type="checkbox"/> Parking Meter Timer	£2.37		<input type="checkbox"/> Sound Track	£4.38
				<input type="checkbox"/> Infant Guard	£1.80	SEPTEMBER 82	<input type="checkbox"/> Auto Volume Control	£2.07
MARCH 81	<input type="checkbox"/> Engineer's Stethoscope	£2.65		<input type="checkbox"/> Guitar Tuner (two boards)	£5.97		<input type="checkbox"/> Dual Logic Probe	£2.31

How to order: indicate the boards required by ticking the boxes and send this page, together with your payment, to: ETI PCB Service, Argus Specialist Publications Ltd, 145 Charing Cross Road, London WC2H 0EE. Make cheques payable to ETI PCB Service. Payment in sterling only please. Prices may be subject to change without notice.

Total for boards £.....
 Add 45p p&p 0.45
 Total enclosed £.....

I wish to pay by Access/Barclaycard. Please debit my account

BARCLAYCARD

VISA

5 2 2 4

4 9 2 9

Signed

Name

Address



COMPUTER CONTROLLED SOUND IS HERE!

This unique device receives serial data from any computer, baud rate up to 4800, responds only to its own address code (preset by on-board d.i.l. switch) and is capable of attenuating any audio signal in 1.5db steps from 0db to infinity. Once the device has been enabled, all other devices will ignore the commands until a new address has been transmitted. These devices can be built into amplifiers, mixers etc, or anywhere computer control of audio signals is required. The kit comes complete with all parts, sockets etc, and is supplied with instructions for use. A 5V power supply is required. Up to 127 devices can be individually addressed on one loop. Order ref: MED01.

Price £69.50 + VAT P&P £1.50

Cheques, postal orders crossed and payable to:

MEDIATRONICS

3 Alnwick Drive, Hollins, Bury, Lancs
061-796 6410

ANALYSE/DESIGN Complex filters/networks on your 2X81-16K friendly program from 129 Northam Road, Southampton SO2 0QH — £4.95.

COMPUTER KEYBOARD DUST COVERS. Made from transparent silicone rubber. Keys operate with COVER IN PLACE. Fits standard keyboard sizes, four inches by fifteen inches (eg Commodore Pet). Price per cover, £6.90 inclusive. DBM Products PO Box 6, Melton Mowbray Leics LE13 1YL. Telephone 0664 68415 after 2p.m. (other sizes can be made on request).

FULLTIME/PART TIME courses in analogue and digital electronics and electronic designing. City and Guild courses also available. Fees: Full-time £1300pa. Part time £350 for 6 months. £500 for 9 months. Please apply to London School of Electronics. 67-83 Seven Sisters Road, London N.7. Tel. 263 5937.

KIA AMAZEING AMPLIFICATION Opportunities *30W Fibreglass poweramps £12 = £199 + v.c. — *Musiccentre stereoamps £26 = £9 + preamps — 8 Cunliffe Rd, Ilkley — return ad for FREE Quality capacitor pak.

PSUs 5V5A £25.99. 1.2—27v 1.2A with volt-meter £24.99. (With Torodial transformers). Top brand VHS video cassettes: £120 £7.65, £180 £8.10. Prices include P&P. Mail order only. Edwards Electrics, 30 St James Square, London SW1.

TOP QUALITY - UNBEATABLE PRICES

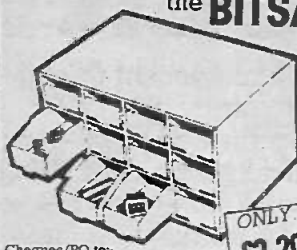
We specialise in top quality equipment for groups, disco and HiFi. High power amplifiers up to 600W, lighting units, consoles, power supplies, etc.

Send for catalogue 60p from:

SILVERQUEST LTD

21 Belmont Road, Luton LU1 1LL,
Bedfordshire
Tel: (0582) 37226

Save money on drawer sets with the **BITSABOX**



12 drawer
white
cardboard
bench set
for your
bits and
pieces
Drawer size
140x50x-
37mm

Cheques/PO to:-
DMW Boxes
81 Somerset Road London E17
Prop. R. E. Davidson

PERSONAL CALLERS & TRADE ENQUIRIES WELCOME

ONLY
£2.20
+90p P&P

STOCK CLEARANCE. Mixed Resistor Packs: 1/4w, pre-formed, un-used. 1-1lb pack (2500-plus) £2.50.50; 2lb pack £4.60; Exceeding 2lbs £2.00 per lb. 2A Mains Filters RS 238-435, £3.50 each. 16-pin Headers (without covers) 6 for £1. 8-pin i/c holders 12 for £1. 20mm Chassis Fuseholders 4 for £1. General Purpose Diodes 25v 50ma, 75 for £1. TTL Sale: 7412, 10 for £1; 7485, 2 for £1; 7491 4 for £1; 74122, 5 for £1; 74123, 5 for £1, 74188, £2 each. 2N 3055 (full-spec.) 2 for £1, Bridge Rect 26m B10A, 25A/100v, 11/10" sq., £2.50 each. All prices include VAT/P&P. Linway Electronics, 843 Uxbridge Road, HAyes End, Middx UB4 8HZ.

TWO BENCH LOGIC BOARD ENGINEERS FOR NORTH LONDON (NW2)

Must be experienced in computer logic board repairs.

The successful applicants will join a busy team of engineers within an established company in the coin-operated amusement trade. First class salary and conditions. All enquires regarding these positions will be treated in strict confidence.

Tel: 01-450 9077/8/9
asking for Bob Warrington

FIND-A-FRIEND through **FIND-A-FRIEND'S** new confidential, inexpensive service. Your ideal friendship/relationship — all ages — countrywide. SAE/Telephone: **FIND-A-FRIEND (ETI)**, Temple House, 43-48 New Street, Birmingham, B2 4LH. 021-429-6346.

PROXIMITY SENSORS infra red. 6 inch range 5 to 15v supply. Miniature design 6.5 x 5 x 2cm. Only £16.50. Leaflet. Cheshire Micro Design, 66 Close Lane, Alsager, Stoke-on-Trent, Staffs.

CENTURION ALARMS

We manufacture, you save £££'s
Send s.a.e. or phone for our Free list of professional D.I.Y. Burglar Alarm Equipment and accessories.

Discount up to 20% off list prices, e.g. Control Equipment from £15.98, Decoy Bell Boxes from £5.95 inc.

TRADE ENQUIRIES WELCOME

0484-21000

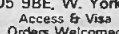
or 0484 35527 (24 hr. ans.)

CENTURION ALARMS (ETI)

1265 Wakefield Road, Huddersfield

HD5 9BE, W. Yorkshire

Access & Visa
Orders Welcomed



ETI 4600 SYNTH, uprated. Four patchboards each 20 x 11. Separate synth and keyboard cases. 2 x 16 sequencer with transpose facilities. £550 ono. Teac 3340 and Akai 4000D £500 ono. Rochdale 79081.

TELEPHONE MONITOR KIT, connects between telephone line and your cassette recorder and automatically records all phone usage. Complete kit including case and PCB only £9.95. Dept. ET2, UNITECH (Midlands), FREEPOST, Sutton Coldfield, West Midlands B74 3BR.

WORKBENCHES, secondhand. Ex-ITT TV factory. Open or cubicle style. Need space. Details: 042 486 3464.

TIME WRONG?

ALWAYS CORRECT with an MSF CLOCK — never gains or loses. SELF SETTING at switch-on, 8 digits show Date, Hours, Minutes and Seconds, auto GMT/BST, leap year and parallel BCD output (including WEEKDAY) for computer etc. Receives Rugby 60KHz atomic time signals, built-in antenna, good selectivity, 1000Km range. Fun-to-build kit includes all parts, printed cir. cuit, case, instructions, postage etc £69.60, money back assurance so GET the TIME RIGHT — now.

CAMBRIDGE KITS

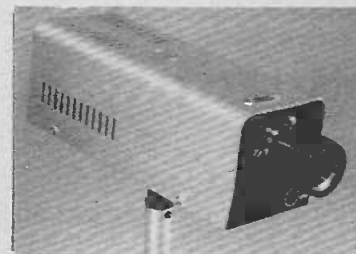
45 (TJ) Old School Lane, Milton, Cambridge

TRANSCENDENT DPX Electronic Piano/Organ £300 ono. Phone Manchester 061 437 3120.

BUILT TRANSMITTERS £2.90 88-110MHz. Range 150 yds. Refund guarantee (Unlicensed). P. Faherty 37, College Dr., Ruislip.

COPPER CLAD BOARD double sided fibre glass. 20 sheets 12 x 8" £10, 10 sheets 12 x 8" £6, 5 sheets 12 x 8" £4. including P&P. Davron, Box No. E.T. 202, 145 Charing Cross Road, London W.C.2.

OPTICAL FIBRES for use in communications, electrical isolation, remote sensing, illumination, etc. Introductory package contains five sample lengths of Silica, glass and plastic fibres totalling ten metres plus a forty page fibre optics guide with theory, uses, practical circuits, etc. Send £5.99 to Quantum Jump Ltd., 53 Marlborough Road, Liverpool 13.



A really compact high performance CCTV camera for only £130.00 plus VAT plus P/P, Total £152.95. Size 3" x 3" x 9". 240v operation. 1v p-p output. Lens extra.

CROFTON ELECTRONICS LIMITED

35 GROSVENOR ROAD, TWICKENHAM,
MIDDLESEX TW1 4AD
Telephone 01-891 1923/01 891 1513
Telex 295093 CROFTN G

USE ELECTRONICS TODAY INTERNATIONAL'S CLASSIFIED
 (35p per word, minimum 15 words. Box Nos. £2.50 extra or £10.00 per single column
 centimetre — all prepaid).

Just write the details on the form below and send it with your cheque, made payable to
 A.S.P. Ltd, to Electronics Today International Classified,
 145 Charing Cross Road, London WC2 0EE

1.	2.	3.	4.	5.
6.	7.	8.	9.	10.
11.	12.	13.	14.	15.

Please place my ad in the next available issue of E.T.I.:

Name

Address

Tel. No.

I enclose my cheque/P.O. for the value of £

IT LIVES AGAIN!

From the past it came, growing daily, striking terror into the hearts of lesser publications, and spreading its influence across the country in its quest to infiltrate every town, every home, every mind.

Not a horror story, but a success story. And if electronics theory strikes terror into you, then you need the help of **Electronics — It's Easy**. Originally a long-running series in Electronics Today International, **Electronics — It's Easy** was printed as a set of three books. They sold out. It was reprinted as a single volume. It sold out. Now this phenomenally successful publication is available again, in its third reprint. **Electronics — It's Easy** is a comprehensive and simply written guide which explains the theory (and the practice) of electronics step by step. Every aspect of the subject is covered, starting with the basic principles and working through to the how and why of today's technology.

You can obtain your copy of **Electronics — It's Easy** by mail order using the coupon below. Make cheques or postal orders payable to ASP Ltd; alternatively you may pay by Access or Barclaycard.

Send to: Sales Office (Specials),
 513 London Road, Thornton Heath
 Surrey CR4 6AR

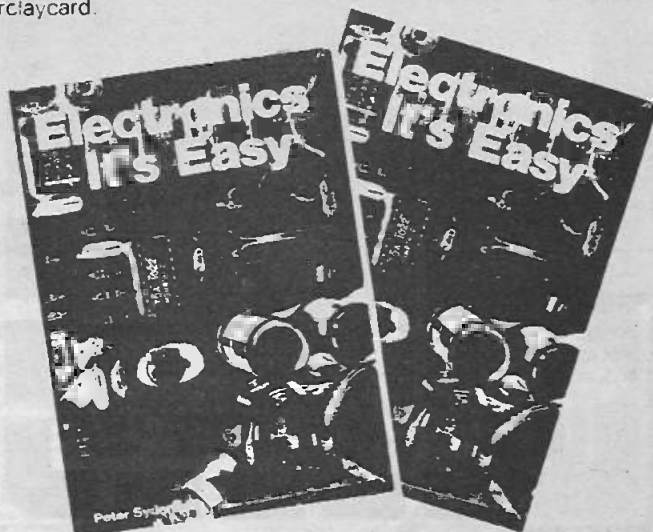
Please send me.....copies of Electronics —
 It's Easy. I have enclosed £..... (£4.95 each
 including p&rp).

NAME

ADDRESS

Please debit my account
 My Access/ Barclaycard No. is

Signature



TRAIN FOR SUCCESS

in Television, Radio & Electronics

ICS have helped thousands of ambitious people to move up into higher paid more secure jobs in the field of electronics — now it can be your turn. Whether you are a newcomer to the field or already working in the industry, ICS can provide you with the specialised training so essential to success.

Personal Tuition and Guaranteed Success

The expert and personal guidance by fully qualified tutors, backed by the ICS guarantee of tuition until successful, is the key to our outstanding record in the technical training field. You study at the time and pace that suits you best and in your own home. In the words of one of our many successful students: "Since starting my course, my salary has trebled and I am expecting a further increase when my course is completed."

City and Guilds Certificates

Excellent job prospects await those who hold one of these recognised certificates. ICS can coach you for:

Basic Electronic Engineering (IC&G/ICS)
Radio Amateurs

Certificate Courses

TV & Audio Servicing
TV, Radio and Audio Engineering
Radio & Amplifier Construction
Electronic Engineering*
Computer Electronics*
Industrial Electronics*
Radio Frequency Electronics*
Introduction to Microprocessing*
Electrical Engineering*
Electrical Contracting & Installation

*Qualify for IET Associate Membership



Approved by CACC



The National Education Corporation



Member of ABCC

POST OR PHONE TODAY FOR FREE BOOKLET

FREE BOOK

Please send your FREE School of Electronics Prospectus

Subject of Interest _____

Name _____

Address _____



Dept 265Y
ICS School of Electronics
160 Stewarts Road,
London SW8 4UJ



01-622 9911
(all hours)

ADVERTISEMENT INDEX

Active Comp	62
A.D. Elec	78
Ambit Int	58
Audio Elec.....	44, 46
Armon	77
BICC Vero	52
BI-Pak	62
BK Elec	24, 52
Black Star	44
BNRS	38
Bradley Marshall.....	45
Broadside Assoc	83
Chiltmead	44
Clef	52
Cricklewood Elec	12, 13
Crimson Elec	81
Crofton Elec	82
Display Elec	80
Electronize Design	79
Electrovalue	58
E.D.A. Sparkrite	75
Grange Enterprises.....	81
Greenbank	21
Greenweld	82
G.S.C.....	55
Happy Memories	67
Heath Elec.....	6
Hemmings	20
Henry's Radio	58, 67
ILP.....	14, 45
Input Design.....	82
L & B Elec	78
LEM.....	67
Magenta	84
Maplin	92
Marco Trading	20
Mawson Assoc	78
Memotech	71
Rapid Elec	8
Relay-A-Quip	56
R.T.V.C.....	78
Pantechnic	56
Powertran.....	2, 91
S. Baker	81
Swanley.....	67
Technomatic	6, 7
Teleradio	56
Tempus	28
T. K. Elec	32
Watford Elec	4, 5
Watford Tech Books	84
Wilmslow Audio	82, 84

PRECISION - by POWERTRAN

THE FIRST
WORDS AND
THE LAST
WORD IN
ELECTRONIC
KITS

For more than eleven years Powertran have been designing and manufacturing the finest quality electronic kits. All of our now considerable range have featured in the electronics press and literally thousands have been bought and built by contractors in the UK and World-wide.

Our philosophy is always the same — we offer ingenuity and originality in the construction phase by using only top class designers. We offer machines with power, versatility and performance — capability fully equal to their factory built rivals. We offer only the highest quality materials and components throughout to ensure years of useful and reliable service, we offer clear comprehensive and easy to follow construction manuals to place our kits within the scope of the careful first time builder as well as the dedicated enthusiast.

Our hallmark of success lies in the number of our clients who have built our whole range — many assembling several units for others to use often on the professional music scene.

We believe in taking every care throughout — months spent checking and testing the design and development. Vigorous checking of every component, constant pre-despatch quality control, careful packaging... even door to door delivery by Securicor!

We are naturally very proud of our Transcendent range of synthesizers designed by Tim Orr and regularly featured in ETI. They represent the best in constructional interest and in musical performance.

TRANSCENDENT POLYSYNTH — A four octave polyphonic synthesiser with outstanding design characteristics and versatility and performance to match.
Complete kit £275.00 plus VAT (single voice).
Extra voice (up to three more) 42.00 plus VAT.

EXPANDER — A new matching 4 voice expander to team up with your polysynth for even a greater range and capability.
Complete kit £249.00 plus VAT.

TRANSCENDENT DPX — Offers a five octave keyboard with power to match. Two audio outputs (can be used simultaneously) to give harpsichord and piano/honkytonk or reed with strings/brass and both are fully polyphonic. Other features include switchable touch sensitivity and a chorus ensemble unit with strong/mild effect switching. An advanced design made simple with our clearly laid out instruction manual.
Complete kit £295.00 plus VAT.

TRANSCENDENT 2000 — Although only a 3 octave keyboard the '2000' features the same design ingenuity, careful engineering and quality components of its larger brethren. The kit is well within the scope of the first time builder — buy it, build it... play it! You will know you have made the right choice.
Complete kit £165.00 plus VAT.

1024 COMPOSER — Come right up to the minute with this new design. It will control your synthesiser with a sequence of up to 1024 notes — or an equal selection of shorter sequences. The Composer is mains powered with automatically charged battery to preserve your programme after switch-off.
Complete kit £86.00 plus VAT

DEMONSTRATION TAPE — Demonstration tape now available of all three kits (30 minutes).
£2.00



T20 + 20 — Originally designed by Texas Engineers. This is a 20 watt amplifier with true Hi-Fi performance at a minimal cost. New features include true Toroidal transformer, new wiring, single circuit board and improved presentation. An ideal beginners project. Complete kit £29.50 plus VAT. Also T30 + 30 — 30 watt version complete kit £34.50 plus VAT

LINSLEY HOOD 75 DE LUXE — A 75 watt amplifier originally published in Hi-Fi News. Superb performance characteristics with less than .01% distortion. Modular construction with 14 interconnecting boards — virtually no wiring so assembly is easy as is subsequent checking and maintenance. Complete kit £75.00 plus VAT.

... Quite simply the best way to make music



WORLD LEADERS IN ELECTRONIC KITS.

PRICE STABILITY: Order with confidence irrespective of any price changes we will honour all prices in this advertisement until the end of the month following the month of publication of this issue. Errors and VAT rate changes excluded.
EXPORT ORDERS: No VAT. Postage charged at actual cost plus £1 handling and documentation.
U.K. ORDERS: Subject to 15% surcharge for VAT. No charge is made for carriage, or at current rate if changed. Cheques, Access, Barclaycard accepted.
SECURICOR DELIVERY: For this optional service (U.K. mainland only) add £2.50 (VAT inclusive) per kit. FREE ON ORDERS OVER £100.
SALES COUNTER: If you prefer to collect kit from the factory, call at Sales Counter. Open 9a.m.-12 noon, 1-4.30p.m. Monday-Friday

PORTWAY INDUSTRIAL ESTATE. ANDOVER, HANTS SP10 3NM (0264) 64455:

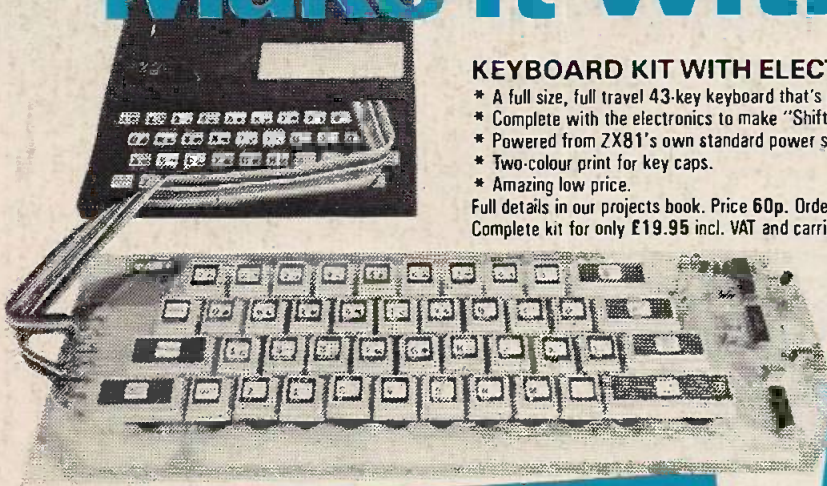
Order by phone
(0264) 64455
quote your Access or Barclaycard number
40 page catalogue free — contains
full details of all our kits.

Make it with MAPLIN

KEYBOARD KIT WITH ELECTRONICS FOR ZX81

- * A full size, full travel 43-key keyboard that's simple to add to your ZX81 (no soldering in ZX81).
- * Complete with the electronics to make "Shift Lock", "Function" and "Graphics 2" single key selections making entry far easier.
- * Powered from ZX81's own standard power supply - with special adaptor supplied.
- * Two-colour print for key caps.
- * Amazing low price.

Full details in our projects book. Price 60p. Order As XA03D.
Complete kit for only £19.95 incl. VAT and carriage. Order As LW72P.



25W STEREO MOSFET AMPLIFIER

A superb new amplifier at a remarkably low price.



- * Over 26W per channel into 8Ω at 1kHz both channels driven.
- * Frequency response 20Hz to 40kHz ±1dB
- * Low distortion, low noise and high reliability power MOSFET output stage.
- * Extremely easy to build. Almost everything fits on main pcb, cutting interwiring to just 7 wires (plus toroidal transformer and mains lead terminations).
- * Complete kit contains everything you need including pre-drilled and printed chassis and wooden cabinet.

Full details in our projects book. Price 60p. Order As XA03D
Complete kit for only £49.95 incl. VAT and carriage. Order As LW71N

MATINEE ORGAN

Easy-to-build, superb specification. Comparable with organs selling for up to £1,000. Full construction details in our book. Price £2.50. Order As XH55K.

Complete kits available:
Electronics - £299.95.
Cabinet - £99.50 (carriage extra).
Demo cassette price £1.99. Order As XX43W.



HOME SECURITY SYSTEM

Six independent channels - 2 or 4 wire operation. External horn. High degree of protection and long term reliability. Full details in our projects book. Price 60p. Order As XA02C.



MAPLIN'S FANTASTIC PROJECTS

Full details in our project books only 60p each.

- In Book 1 (XA01B) 120W rms MOSFET Combo-Amplifier · Universal Timer with 18 program times and 4 outputs · Temperature Gauge · Six Vero Projects
- In Book 2 (XA02C) Home Security System · Train Controller for 14 trains on one circuit. Stopwatch with multiple modes · Miles-per-Gallon Meter
- In Book 3 (XA03D) ZX81 Keyboard with electronics · Stereo 25W MOSFET Amplifier · Doppler Radar Intruder Detector · Remote Control for Train Controller
- In Book 4 (XA04E)* Telephone Exchange expandable up to 32 extensions · Ultrasonic Intruder Detector · Frequency Counter 10Hz to 650MHz · Remote Control for 25W Stereo Amplifier

*Projects for book 4 were in an advanced state at the time of writing, but contents may change prior to publication (due 14th Aug 1982).

MORE GREAT KITS FROM MAPLIN

- Matinée Organ (see box above)
- Spectrum Synthesiser. Full details in book XH56L. Price £1.00
- 3800 Synthesiser } Full details in book XF11M. Price £2.00
- 5600S Synthesiser }
- 150W Power Amp Kit LW32K. Price £17.95*
- 75W MOSFET Power Amp Kit LW51F. Price £11.49*
- 50W Power Amp Kit LW35Q. Price £14.95*
- 15W Power Amp Kit Y043W. Price £6.45*
- 8W Power Amp Kit LW36P. Price £4.45*

*Construction details with kit. (Power supply not included - details with kit).

MAPLIN ELECTRONIC SUPPLIES LTD.

All mail to:

P.O. Box 3, Rayleigh, Essex SS6 8LR
Tel: Sales (0702) 552911 General (0702) 554155

Shops at:

159 King St., Hammersmith, London W6. Tel: 01-748 0926
284 London Rd., Westcliff-on-Sea, Essex. Tel: (0702) 554000

Lynton Square, Perry Barr, Birmingham. Tel: (021) 356 7292

Note: Shops closed Mondays

Maplin launches MAPCARD

A new way of buying from Maplin!

Now Maplin have their own credit card. You could have one too!



APPLY NOW!

Write to our Rayleigh address for details or pick up a leaflet in our shops.

NEW SHOP IN BIRMINGHAM

Visit our brand new shop in Birmingham for our complete range of electronic components and computers.

Come and see us at Lynton Square, Perry Barr, Birmingham (just off the junction of the Outer Ring Road A4040 and Birchfield Road A34). Tel: 021-356-7292. Excellent free parking.

Opening Tuesday 24th August, 1982



Don't miss out - get a copy of our catalogue now! Over 140,000 copies sold already!

On sale now in all branches of WHSMITH price £1.

320 big pages packed with data and pictures of over 5,500 items



Post this coupon now!

Please send me a copy of your 320 page catalogue. I enclose £1.25 (inc. 25p p&p). If I am not completely satisfied I may return the catalogue to you and have my money refunded.

If you live outside the U.K. send £1.68 or 12 International Reply Coupons.

Name _____

Address _____

ET1 982