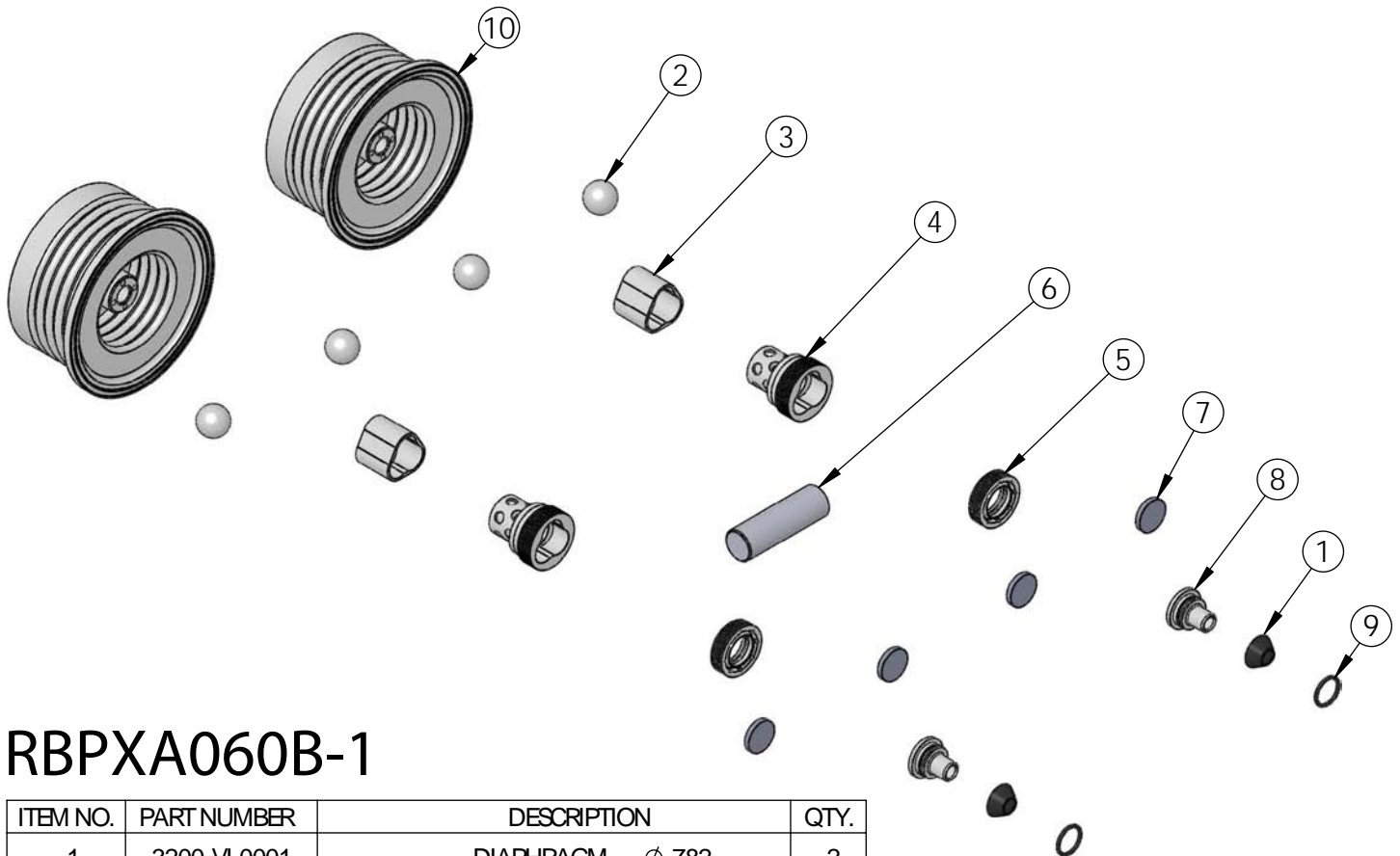




RBPXA060B-1 Rebuild Kit

Rebuild kit for PXA060B pump is RBPXA060B-1. Rebuild kit for dry-run PXASD060B pump is RBPXASD060B-1. To request rebuilds by White Knight, use RBPXA060B-5 or RBPXASD060B-5. Contact White Knight for details. Pump rebuilds require tool kit: 12200-XX-0029 (Legacy# PXA060B-170).

Note: Dry-run RBPXASD060B-1 pump rebuild kits include different shaft and shaft seals.



RBPXA060B-1

ITEM NO.	PART NUMBER	DESCRIPTION	QTY.
1	3200-VI-0001	DIAPHRAGM, ϕ .782	2
2	4100-MP-0001	CHECK BALL-3/4"	4
3	4135-MP-0001	BOTTOM CHECK SEAT- 10GPM HIGH FLOW	2
4	4142-MP-0001	TOP CHECK CAGE-10GPM HIGH FLOW	2
5	5143-MP-0012	SEAL, SHAFT, A&H, 60L	2
6	5144-PF-0023	SHAFT, SOLID, PFA, 60L	1
7	6140-FP-0002	BAFFLE, .800"	4
8	6150-UH-0001	SEAT, QEV EXHAUST, 30L & 60L	2
9	10080-VI-016-75	O-RING, 016 X .070	2
10	14300-MP-0044	PXA060B BELLOWS ASSEMBLY	2

