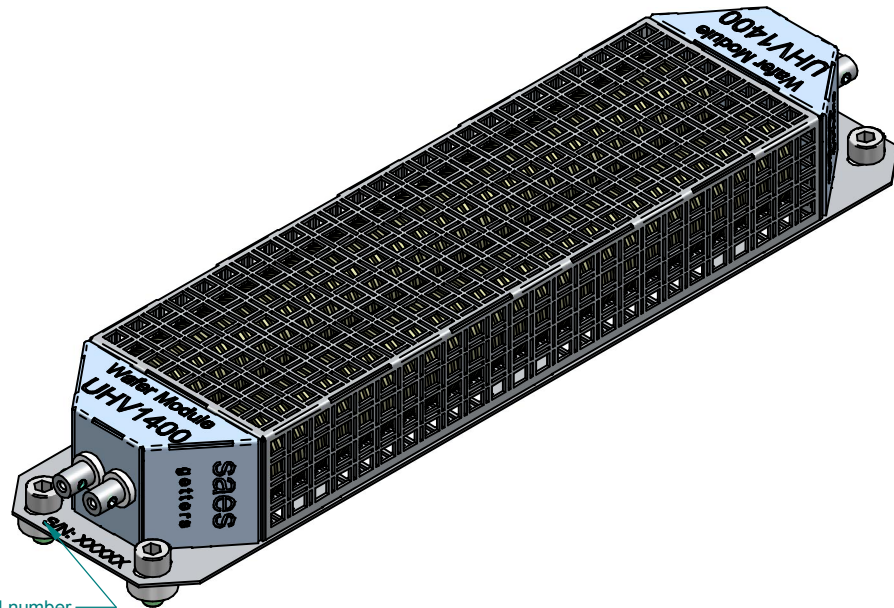
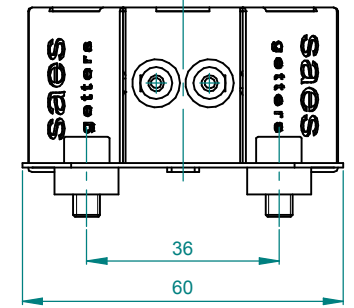
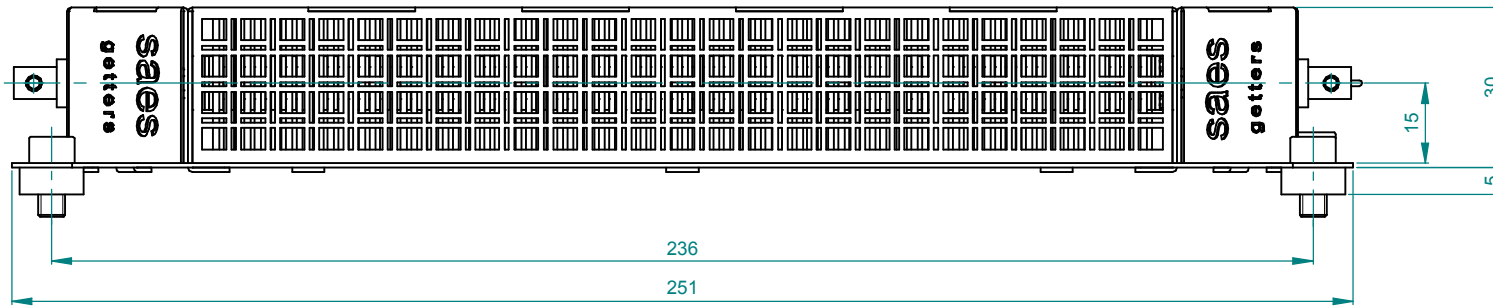
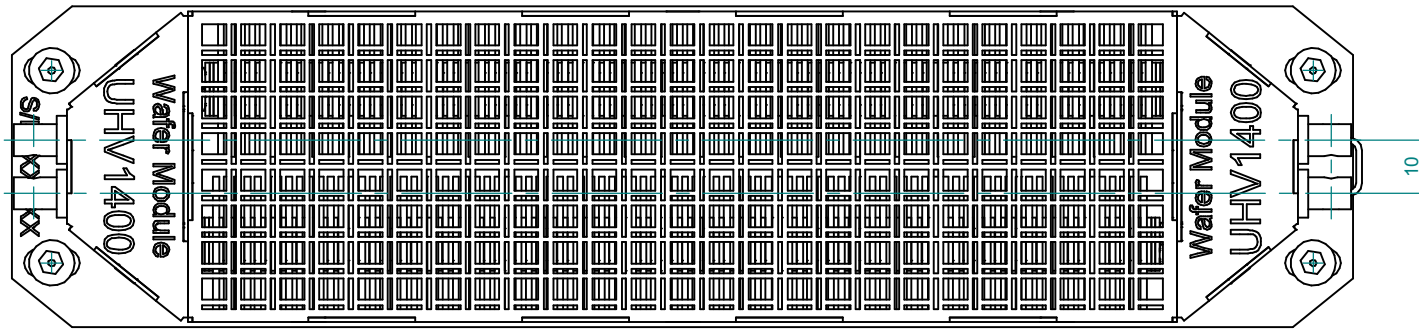


DESIGN AND PROPERTY OF
SAES GETTERS S.p.A.
Reproduction or Communication without
the company's written permission is Forbidden

| REV. | DESCRIPTION | DATE | SIGN |
|------|------------------------------|------|------|
| 1 | Nuova Emissione RdM - 18-015 | | |



PROVISIONAL

| PART LIST | | | | DATE |
|--|----------|----------|-------------|---------------------------|
| | DWN. VFA | CHK. DGL | APPD. GS | 30/01/2018 |
| | | | | SCALE 1:1 |
| UHV 1400 Wafer Module | | | | SIZE A3 |
| NEXT ASSY USED ON | | | | SHEET 1/2 |
| TOLL. <input checked="" type="checkbox"/> | | | ARCH. V1200 | CAD FILE 032022R1 |
| DIMENSIONS ARE IN MILLIMETERS INDICATIVE DIMENSIONS | | | | DRAWING N° M.H200.0320.22 |
| | | | | REV. CODE 1 5H0701 |

