

**FC33E (Explosion-Proof)
FC33U (Outdoor)
Full HD IP type
Pan Tilt Zoom CCTV Camera**

IM 85A7C03-16E



Safety Precautions

The precautions herein are intended to ensure the safe use of the product and prevention of possible injury and damage to the user.

The precautions are classified into “Warning” and “Caution,” depending on the results assumed to arise if neglected, to clarify the degree and urgency of the injury or damage.

Both are important for safety. Thus be sure to observe them.



WARNING

Denotes a possible hazard that could result in death or serious injury to personnel

Indique un danger potentiel pouvant entraîner la mort ou des blessures graves au personnel.



CAUTION


Denotes a possible hazard that could result in human injury or physical damage.

Indique un danger potentiel pouvant entraîner des blessures ou des dommages physiques.

■ Pictogram examples



Shock hazard

Pictogram  indicates a hazard, warning, or caution.

In the pictogram, a specific precaution is shown. (The pictogram on the left shows “shock hazard.”)



Disassembling prohibited

Pictogram  indicates a prohibited action.

In or near the pictogram, a specific precaution is shown. (The pictogram on the left shows “disassembling prohibited.”)



- This product has been certified as an explosion-proof type device. Severe restrictions are imposed on the structure, installation location, external wiring, maintenance, repair, etc. of this device. Be careful as dangerous conditions may occur if these restrictions are infringed. Prior to handling, be sure to read “Precautions on TIIS Explosion-Proof Type Devices” described at the end of this manual.
- In factories/facilities, this product should be handled only by persons who have completed appropriate training courses.
- When accessing a pressure-resistant and explosion-proof device and its peripheral equipment located in a hazardous area, prevent a spark to occur due to mechanical contact.
- *Ce produit a été certifié comme un appareil de type antidéflagrant. Des restrictions sévères sont imposées à la structure, au lieu d'installation, au câblage externe, à la maintenance, aux réparations, etc. De cet appareil. Faites attention car des conditions dangereuses peuvent survenir si ces restrictions ne sont pas respectées. Avant toute manipulation, veuillez à lire les « Précautions relatives aux appareils de type antidéflagrant TIIS » décrites à la fin de ce manuel.*
- *Dans les usines/installations, ce produit doit être manipulé uniquement par des personnes ayant suivi des formations complètes et appropriées.*
- *Lorsque vous accédez à un appareil résistant à la pression et antidéflagrant ainsi qu'à son équipement périphérique situé dans une zone dangereuse, évitez qu'une étincelle ne se produise en raison d'un contact mécanique.*

Possible explosion or fire



Use the explosion-proof CCTV camera (FC33E) in accordance with “Precautions on Explosion-Proof Type Devices” described at the end of this manual. Outdoor type CCTV camera FC33U is not explosion proof. Using it in a hazardous area with explosive gases present may result in an explosion or fire.

Utilisez la caméra CCTV antidéflagrante (FC33E) conformément aux « Précautions relatives aux appareils de type antidéflagrant » décrites à la fin de ce manuel. La caméra CCTV pour l'extérieur FC33U n'est pas antidéflagrante. Si vous l'utilisez dans une zone dangereuse avec des gaz explosifs, cela pourrait provoquer une explosion ou un incendie.



Disassembling
prohibited

Do not disassemble or modify the product.
Ne pas démonter ni modifier le produit

Possible electrical shock]



Shock hazard

Do not touch a connector or wiring with wet hands.
Do not touch the inside of the product with a piece of metal.
Do not splash water on the product.

*Ne touchez pas un connecteur ou un câblage avec les mains mouillées.
Ne touchez pas l'intérieur du produit avec un morceau de métal.
Ne projetez pas d'eau sur le produit.*



Disassembling
prohibited

Do not disassemble or modify the product.
Ne pas démonter ni modifier le produit.

Possible injury



Sharp edges

There are protrusions and sharp edges inside and outside of the product. Exercise care to avoid bruises or cuts.

Il y a des saillies et des arêtes vives à l'intérieur et à l'extérieur du produit. Faites attention afin d'éviter les ecchymoses ou les coupures..



Moving parts

There are moving parts inside and outside of the product. Exercise care to prevent your fingers from getting caught.

Il y a des pièces mobiles à l'intérieur et à l'extérieur du produit. Faites attention à ne pas vous coincer les doigts.

Possible turnover or falling off



Slip hazard

Do not step onto the product. You may slip and could turn over or fall off the product. *Ne marchez pas sur le produit. Vous pourriez glisser et retourner ou faire tomber le produit..*



Turnover hazard

Do not step onto the product. The product may fall over or deform, and you may consequently turn over and fall off the product.

Ne marchez pas sur le produit. Le produit pourrait tomber ou se déformer et, par conséquent, vous pourriez retourner ou faire tomber le produit..

Possible electrical shock or fire



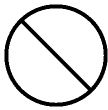
Shock hazard

Do not operate the product with wet hands.
Do not use damaged cables and wiring accessories

N'utilisez pas le produit avec les mains mouillées.

N'utilisez pas de câbles ni d'accessoires de câblage endommagés..

..



Prohibited

Do not use the product with a power supply voltage other than that specified.
Do not use damaged cables and wiring accessories.

N'utilisez pas le produit avec une tension d'alimentation autre que celle spécifiée. N'utilisez pas de câbles ni d'accessoires de câblage endommagés.

Possible injury due to falling over or off the product



Prohibited

Do not place the product on an unstable base or an level place, or the like (Be sure to secure the product with bolts of the specified size.)

Ne placez pas le produit sur une base instable, sur une surface inégale ou similaire (assurez-vous de fixer le produit avec des boulons de la taille spécifiée).

Possible damage to devices (common)



Do not install the product on an unstable base or a table of insufficient rigidity. Doing so may damage the product due to resonance, falling off, or another cause.

N'installez pas le produit sur une base instable ou sur une table de rigidité insuffisante. Cela pourrait endommager le produit en raison d'une résonance, d'une chute ou d'une autre cause.

Avoid subjecting the product to mechanical shock. Do not put anything on the product. Do not step on the product. This product does is not of a waterproof design. Do not dip or submerge it in water. Do not test the product using a megohmmeter. Such test may damage the product's semiconductor circuits.

Évitez de soumettre le produit à des chocs mécaniques. Ne posez rien sur le produit. Ne marchez pas sur le produit. Ce produit n'est pas étanche. Ne le plongez pas dans l'eau. Ne testez pas le produit avec un mégohmmètre. Le test peut endommager les circuits semi-conducteurs du produit.

Revision History

February 2018	1 st Edition: (Rev.00): Limited released
September 2018	2 nd Edition: Published newly
October 2018	3 rd Edition: Cable glands of main-body were changed
December 2018	4 th Edition: Name plate change due to factory's change
October 2020	5 th Edition: CSA Certification
June 2021	6 th Edition: Cable Terminal Treatment
July 2021	7 th Edition: 10RoHS directive compliance, and Software license terms
December 2021	8 th Edition: Change the notation of ATEX certification
May 2022	9 th Edition: Updated EMC and Safety standards
August 2022	10 th Edition: Support for Microsoft Edge

Trademarks:

Every trade or company name used in this document is a trademark or registered trademark of the company.



CAUTION

Do not disassemble or modify the product.

Ne démontez pas et ne modifiez pas le produit.

**FC33E (Explosion-proof type)
 FC33U (Outdoor type)
 Full HD IP type
 Pan Tilt Zoom CCTV color Camera**

IM 85A7C03-16E 10th Edition

Contents

Safety Precautions.....	i
1 Introduction	1-1
2 Handling Precautions	2-1
2.1 Transportation Precautions	2-1
2.2 Storage Precautions	2-1
2.3 Precautions for Installation Location	2-2
2.4 Precautions on pressure resistance and explosion prevention	2-2
3 Overview	3-1
3.1 Main Features.....	3-1
3.2 Component Names and Functions	3-2
3.3 Standard Specifications	3-3
3.4 External dimensions	3-9
4 Installation	4-1
4.1 Determining the Installation Location	4-1
4.2 Dimensions of and Distance to the Object.....	4-2
4.3 Installation	4-4
5 Cabling and Installing	5-1
5.1 Cables form FC33's main body	5-1
5.2 Cabling Precautions	5-2
5.3 Cable Terminal Treatment.....	5-2
5.4 Junction Box	5-3
5.5 Wiring Cables into Junction Box.....	5-5
5.5.1 Standard Cable Specification	5-5
5.5.2 Remove the Upper-lid.....	5-6
5.5.3 Power input/output connections at JB	5-7
5.5.4 Multiple Cable connections at JB.....	5-12
5.5.5 Optical fiber connection at JB	5-14
5.5.6 LAN connection of JB-TX.....	5-16
5.5.7 Electrical Check before Sealing	5-21
5.5.8 Closing the JB's Upper-lid	5-21
5.5.9 Connecting FG terminal	5-21
5.6 Cabling without JB	5-22
5.6.1 LAN communication	5-18
5.6.2 Composite cable treatment.....	5-18
5.6.3 Connecting FG terminal	5-20
5.7 Cable Glands of JB side(option).....	5-25
5.8 Return to Zero Position	5-27
5.9 Piping requirements for CSA Explosionproof.....	5-28
6 Accessing the Camera.....	6-1
6.1 Before use of the IP camera.....	6-1
6.2 System Requirements of PC	6-1
6.3 Installing Setup utility to thePC	6-2

6.4	First browser startup	6-3
6.5	Changing default password.....	6-6
7	Accessing the Video streams	7-1
7.1	Home (Viewer Screen)	7-1
7.1.1	Viewer setting-field	7-1
7.1.2	Viewer Console-field.....	7-1
7.1.3	Language setting-field.....	7-2
7.1.4	Title Bar	7-3
7.1.5	Status indicator.....	7-3
7.2	Camera Configuration	7-5
7.2.1	Preset.....	7-5
7.2.2	Camera Control.....	7-9
7.2.3	OSD	7-10
7.2.4	Video.....	7-12
7.2.5	Multi Screen	7-13
7.2.6	Detail	7-14
7.3	Network Configuration	7-18
7.3.1	LAN	7-18
7.3.2	Access IP.....	7-19
7.3.3	Stream Priority.....	7-19
7.3.4	Session List.....	7-20
7.3.5	NTP	7-20
7.3.6	FTP.....	7-21
7.3.7	SNMP	7-22
7.3.8	Protocols	7-23
7.4	System Configuration	7-24
7.4.1	Server Name.....	7-24
7.4.2	Users.....	7-24
7.4.3	Time	7-25
7.4.4	Configuration	7-26
7.4.5	Logs	7-27
7.4.6	Update.....	7-29
7.4.7	Reboot	7-29
7.5	ONVIF	7-30
7.5.1	Profile.....	7-30
7.5.2	WS-Discovery.....	7-30
8	Troubleshooting	8-1
8.1	Viewer screen	8-1
8.2	Login screen	8-2
8.3	Turning operation.....	8-2
9	Hardware Maintenance	9-1
9.1	Inspection of the Main body	9-1
9.2	Wiper Exchanging	9-2
9.3	Inspection of the JB	9-3
9.4	Part Exchanging / Adding.....	9-3
10	Repair	10-1
11	Warranty Rules	11-1
A	INSTALLATION - OPERATING PRECAUTIONS FOR FLAMEPROOF	A-1
B	ATEX/IECEx Certification.....	B-1
C	CSA Explosionproof.....	C-1
ZA	Terms and Conditions of the Software License	ZA-1
ZB	Terms and Conditions of Open Source Software.....	ZB-1

1. Introduction

Thank you for purchasing Pan-Tilt Zoom Type Camera FIELDEYE FC33E/FC33U.

This User's Manual describes handling precautions and the installation, cabling, and operation instructions. Read this manual to take full advantage of the product's functions and use it properly.

If any modifications of the specification, construction, or a part or component used may be expected to negatively affect the functionality or performance, such modifications will not be incorporated into this manual in some cases.

We assume no responsibility if this equipment may be unable to achieve the predetermined function due to a repair that you made without our prior approval.

If the product fails, contact our service network, presenting the specific details and development of the failure together with the model name, specification code, and the instrument code displayed on the product's nameplate.

Notice:

- The whole or any part of this manual may not be reprinted or reproduced without our prior written permission
- The information contained in this manual is subject to change without notice
- All reasonable effort has been made to ensure the accuracy of the contents of this manual. However, if you have any questions or find any errors, omissions and so on, please inform our representative from whom you purchased the product or us sales department.
- Regardless of the above mentioned, we assume no responsibility for any consequences resulting from product operation that is based on this manual.
- The specifications covered by this manual are limited to those for the standard type under the specified model number break-down and do not cover custom-made instruments. When products whose suffix code or optional codes contain code "Z" and an exclusive document is attached, please read it along with this manual.

Blank Page

2. Handling Precautions

This equipment is thoroughly inspected prior to shipping. Once you receive it, visually check the appearance of the equipment to ensure that it has not been damaged. In addition, check that the model name displayed on the equipment's nameplate is as ordered by referring to the "List of model names and codes" and "Specifications for options" tables included in Section 3.3.

The following table summarizes the components of this equipment:

Table 2-1 Standard attachment list

Name	Description
Pan-Tilt Type Camera Body	Check that the model name is that of the model being ordered.
Standard accessories (Supplied collectively in a single bag.)	<ul style="list-style-type: none"> • HEXAGON WRENCH (LARGE SIZE : 3mm) : 1 • HEXAGON WRENCH (SMALL SIZE :1.5mm) : 1. • Copper foil tape : 1 (length:3cm) • CABLE BUNDLED BAND : 4 • GUIDEAUNCE SHEET FOR NETWORK CONFIGURATION : 1 • List of accessories : 1
Software (CD-R)	FieldEye II ActiveX for client PC (K7500XN)
User's Manual (this document)	IM 85A7C03-16E

* The User's Manual may not be attached, depending on the requirements at the ordering.

Since this chapter describes cautions required for handling, Read it carefully and thoroughly first of all.

For any information not found in this chapter, see the relevant sections.

2.1. Transportation Precautions

To protect the equipment from damage that may arise due to a transportation accident, it should be transported to the installation site in its original state of shipment as far as possible.

2.2. Storage Precautions

2.2.1. Select a storage location meeting the following conditions:

- (1) There is no exposure to rain or water.
- (2) There is minimal vibration or shock
- (3) The temperature and humidity should be as close as possible to a normal temperature and humidity (approximately +25°C and 65% RH)
- (4) Temperature: -40°C to +60°C Humidity: 5% to 95% RH (at +40°C)
- (5) When storing this equipment, keep it in its original packing state as far as possible

2.3. Precautions for Installation Location

This camera is designed to withstand severe environmental conditions.

However, care should be taken for the followings to ensure long term stability of camera:

2.3.1. Ambient temperature

Avoid installing the camera in a location with severe temperature gradient or significant temperature fluctuation. If the camera is exposed to radiant heat, provide heat insulation or improve ventilation.

2.3.2. Atmospheric conditions

Avoid installing the camera in a corrosive atmosphere. If it is used in a corrosive atmosphere, ensure that it is well ventilated.

2.3.3. Shock and vibration

This camera is also designed to withstand shock and vibration. However, it should be installed in a location with minimal shock and vibration.

2.3.4. Natural disasters

Take measures for natural disasters including earthquakes, wind and flood damages, and lightning strikes. This camera contains a built-in arrester; however because it only constitutes the minimum configuration, it is recommended that an additional lightning protector such as an arrester be provided.

2.4. Precautions on pressure resistance and explosion prevention

The explosion-proof type FC33E has been produced so that it can be used in a hazardous atmosphere where explosive gases listed in the "Factory Electric Facility Explosion Prevention Guidance" occurs.

To retain safety, sufficient attention should be paid to installation, wiring, etc. with regard to a pressure-resistant and explosion-proof device. In addition, restrictions are imposed on maintenance and repair thereof for safety. Be sure to read "Attachment A: Precautions on Pressure-Resistant and Explosion-Proof Type Devices" described at the end of this manual.

3. Overview

FC33E (Explosion-Proof) / FC33U (Outdoor) Pan Tilt Zoom type Color Camera is small and lightweight, and allows for installation in a small space. A web camera server function for connecting to IP network is being installed inside. It has an intelligent panning-tilting movement and can store preset points. It is also available for wide-range applications, such as surveillance, monitoring and installation diagnosis and so on, with its excellent environmental resistance.

3.1 Main Features

Environmental resistance and downsizing

The product weight has been significantly reduced by (1) increasing the packaging density of the exterior and internal stainless structures of SUS316L that are superior, in strength and corrosion resistance, to the conventional models and thus decreasing the gross volume (ratio to the conventional company products: approximately 2/3), and (2) reducing the thickness through use of stainless casting for the exterior.

In addition, high corrosion resistance has been implemented by using electrolytic grinding for + surface treatment.

● High sensitivity and high magnification

The sensitivity of this camera is so high that it can shoot objects without its dedicated lighting even in a location where conventional models could not shoot them.

The zoom magnification has also been increased by a factor of 30 for optical zooming and 12 for electronic zooming, thereby shooting more remote, smaller objects clearly.

● Excellent environmental resistance

The operating temperature range of -40 to $+60^{\circ}\text{C}$ with waterproof (IP Grade: IP66) and dustproof features ensure that is available in severe environmental conditions in a process control plant or factory. In addition, both the camera case and body are made up of castings and have a robust construction.

3.2 Component Names and Functions

Model FC33 is capable of outputting image signals from the built-in camera block while performing actions such as panning, tilting, or zooming by using it in combination with various controllers. Figure 3.1 shows the FC33 component names.

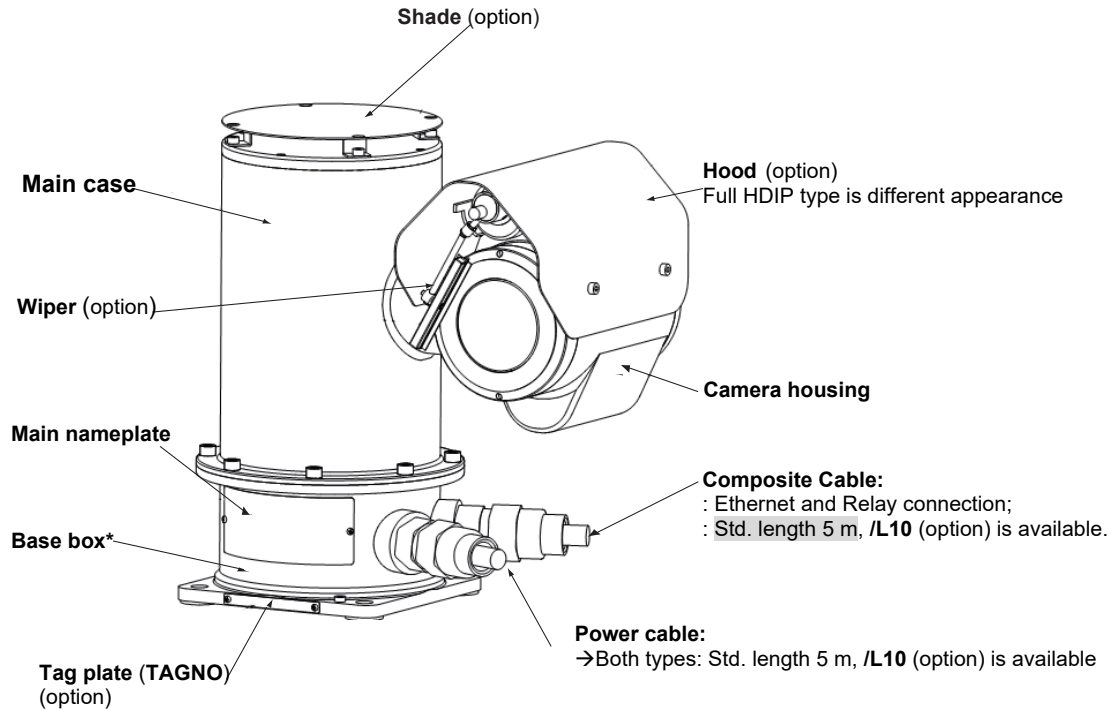


Figure 3.1 Components ame

Table 3-1 Components function

Name	Function
Base box	Equipped with a DC power supply and noise filter.
Main case	Made up of castings so that this is available in severe environmental conditions, including the waterproof and dustproof features. Houses main components such as the pulse motor, worm gear, and signal processing circuit. The case is rotated by panning.
Shade (option)	Installed on the top of the main case, and protects the top from direct sunlight.
Camera housing	Housing of camera block.
Hood (option)	Installed on the top of the camera housing, and protects the camera from wind, rain, and snow.
Wiper (selected in basic specification)	Cleans the window glass surface. Remotely operable.
Power cable	Cable through which power is supplied to FC33U (see Section 5, "Warning").
Composite cable	A collection of Ethernet and Relay contact signal

3.3 Standard Specifications

●Video

Image Sensor 1/2.8" CMOS
 Effective Pixels Up to 1920x 1080 pixels (2.13 Megapixels)
 Video S/N > 50 dB
 White Balance ATW (auto tracing white balance)
 Zoom Magnification (30x optical) x (12x digital)
 Lens f: 4.3 mm – 129 mm, F1.6 - 4.7 (with auto focus)
 Angle of View 63.7° (wide-angle) to 2.3° (telephoto)

Minimum illumination

Normal Sensitivity	ICR-Off mode	0.1lux (1/30 sec, 50%)
		0.013 lux (1/4 sec, 1/3 sec, 50%)
	CR-On mode	0.006 lux (1/30 sec, 50%)
High Sensitivity	ICR-Off mode	0.01 lux (1/30 sec, 50%)
		0.0013 lux (1/4 sec, 1/3 sec, 50%)
	ICR-On mode	0.0015 lux (1/30 sec, 50%)
		0.0008 lux (1/4 sec, 1/3 sec, 30%)

●I/O

Interface 10BASE-T/100BASE-TX, IEEE 802.3i/u
 Access control Administrator / User (when network login via PC)
 Communication ONVIF® (Profile S),
 Fieldeye command (Web application for Full HDIP type)
 Supported Protocols: IPv4, TCP/IP, UDP/IP, HTTP, HTTPS, RTSP, RTP, NTP, SNMP
 Delivery System Unicast/ Multicast
 Priority Stream Up to 2 client IP address (TCP/IP stream)

●Video encoding function

No.	Item	Description	Note
1	Video encode system	JPEG / H.264	
2	Image size	Refer to table 4.1 Image Size	
3	Frame rate	1 fps ~60 fps	
4	Bit rate	196kbps~20Mbps	CBR/VBR
5	Profile	Base Line/ Main / High	

●Main body

Housing Material Die Casted SS316L (Stainless steel) no welding parts
 Finish Electrolytic Polishing
 Weight 20kg (except cable(s))
 Cable Entry (2-port)
 - For Composite-cable input (LAN-cable and Relay-connection lines). (Std. length: 5m)
 - For Power-cable input (Std. length: 5m)

●Mechanical

Pan Operation 360° continuous
 Tilt Operation 180° (0±90°)
 Rotation Speed Up to Pan-tilt 40°/sec
 Installation style Upright/Inverted

●Electrical

Power Supply (rated value): 100VAC to 240VAC, 50Hz or 60Hz
 Power Consumption 30W (heater on) / 24W (heater off), 60VA (0.6A)
 Relay driving circuit Single (1) dry contact, Max: DC 48 V, 100mA

● **Environment**

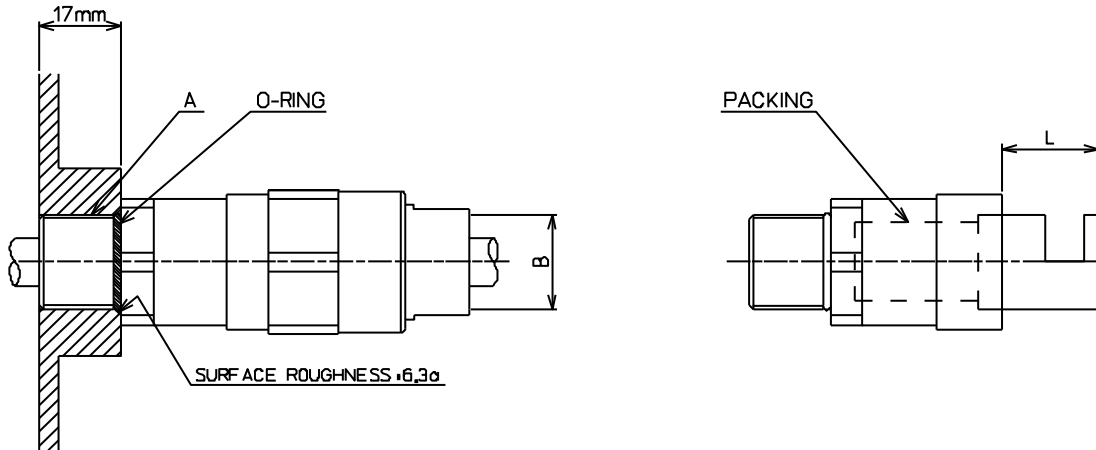
Operation Temperature/Humidity -40°C to +60°C (-40°F to +140°F) / 20 to 95 %RH (non-condensation)
 Storage Temperature/Humidity -40°C to +60°C / 5% to 95% RH (at 40°C)
 Installation altitude 2000 m (max)

● **Others**

Preset points 128 point, Preset Accuracy: ±0.25° (PAN/ TILT)
 Defroster Standard equipment

● **Cable Gland**

Type CGW-16 manufactured by Japan Safety Systems Inc. of 2 are being attached into the Base box, as shown below:



Specification: A, B and L of the **CGW-16** above:

A	B	Packing Internal Diameter [mm]	Range of Cable Outer diameter [mm]	Cable Outer diameter to be used [mm]	L <small>** (Note)</small>	Material
▶Nominal designation of screw thread: M20 ▶Pitch of thread: 1.5 mm ▶Quality of FIT: 6H6g	ATEX/IECEX (FC33E-D*E) ▶Nominal designation of screw thread: M20 ▶Pitch of thread: 1.5 mm ▶Threads engaged: 11.8 mm +1.8, -0 ▶Depth of engagement: 7.9 +1, -0	φ 10	φ 9 to φ 10	φ 9.4	16.56 mm	▶Body: SUS316L ▶Packing: SILICONE ▶O-ring: SILICONE
	JAPAN ▶Nominal designation of screw thread: G1/2 ▶Pitch of thread: 1.814 mm ▶Threads engaged: 11.8 mm +1.8, -0 ▶Depth of engagement: 6.5 +1, -0	φ 12	φ 11 to φ 12	φ 11.6	16.37 mm	

**** (Note) : PACKING TIGHTENING LENGTH**

Figure 3.2 Cable Glands on the Base box

● **Certifications (FC33E)**

ATEX Certified: CML 14 ATEX 1097X

Equipment intended for use in Potentially Explosive Atmospheres Directive 2014/34/EU

Equipment **FC33E*** Pan & Tilt CCTV Cameras**

EN IEC 60079-0:2018, EN 60079-1:2014, EN 60079-31:2014

Type of Protection and Marking code:

Ex db IIC T5 Gb

Ex tb IIIC T100°C Db

FC33E-***1*/*: Ambient Temperature: -40°C to +60°C

FC33E-***1*/*: Rating: 100VAC to 240VAC ~0.6A 50/60Hz

IECEx Certificate of Conformity IECEx CML 16.0096X

Equipment:

FC33E*** Pan & Tilt CCTV Cameras

Type of Protection:

Flameproof "db", Dust Ingestion "tb"

Marking

Ex db IIC T5 Gb

Ex tb IIIC T100°C Db

Ta = -40°C to +60°C

Standards:

IEC 60079-0:2017 Edition 7.0, IEC 60079-1:2014 Edition 7.0, IEC 60079-31:2013 Edition 2

CSA Explosion-proof approval: Certificate 80009215

Type Designation

FC33E - * a b c * /*

PRODUCTS

FC33E - ***2*/*:

(Where, 2 above: CSA CERTIFICATION)

CLASS 2258 02 - PROCESS CONTROL EQUIPMENT - For Hazardous Locations

Ex db IIC T5 Gb

Rated 100 Vac to 240 Vac, 50/60 Hz, ambient range: -40°C to 60°C

Pan Tilt Zoom Type CCTV Cameras Models FC33E***

APPLICABLE REQUIREMENTS:

CAN/CSA-C22.2 No. 60079-0:19, CAN/CSA-C22.2 No. 60079-1:16,

CAN/CSA-C22.2 No. 61010-1-12,

CSA C22.2 No. 94.2-15

CONDITIONS OF ACCEPTABILITY:

1. The above models are permanently connected,
 - Equipment Class I, Pollution Degree 2, Overvoltage Category II
2. Mode of operation: Continuous
3. Environmental Conditions: -40 to 60°C, 2000 m max., 20 to 95% RH
4. This equipment employs flamepath joints that have not been tested at the maximum joint dimensions and minimum flamepath lengths permitted by the standard.
When the equipment is to be repaired, maintained or inspected, contact the manufacturer for information on dimensions.
5. Installation must comply with Canadian Electrical Code wiring method for Zone 1.

NOTES:

1. For Canadian Installations, housing of the Base box must be bonded to ground according to Section 18 of the CEC, Part 1

*

● **Other Certifications (FC33E/U)**

Degree of Protection of enclosure:	IP66
LVD*	EN61010-1(2010) +A1:2019 (Indoor/Outdoor use) Pollution degree II, Overvoltage Category I
RoHS*	EN IEC 63000:2018

* Only for FC33U Cable Entries code is 0 or 1, or when FC33E Cable Entries code is 1.

CSA Certificate: 80012590:

Product CLASS 2252 06 – PROCESS CONTROL EQUIPMENT

Pan Tilt Zoom Type CCTV Camera,

Model nos. FC33U and FC33E series, rated 100-240 V ac, 50/60 Hz, 0.6 A maximum, Type 4X

Notes:

1. *The above models are permanently connected, Equipment Class I, Pollution Degree 2 Overvoltage Category II*
2. *Mode of operation: Continuous*
3. *Environmental Conditions: -40 to 60°C, 2000 m max., 20 to 95% RH*

● **EMC Conformity Standards(FC33E/U):**

CE*1	EN 55032:2015+A11: 2020 Class A EN 50130-4:2011+A1 :2014 EN 61000-3-2: 2014 EN IEC 61000-3-2: 2019 EN 61000-3-3: 2013 EN 61000-3-3:2013+A1:2019
RCM*1	EN 61326-1:2013 Class A Table 2 EN 55011:2016+A1:2017 Class A Group 1
FCC*2	FCC Part15.107(2016.10) Class A FCC Part15.109(2016.10) Class A
ICES*2	ICES-003 Issue 6(2016.01) Clause 6.1 Table 1 Class A ICES-003 Issue 6(2016.01) Clause 6.2.1 Table 4 Class A ICES-003 Issue 6(2016.01) Clause 6.2.2 Table 6 Class A

*1 Only for FC33U Cable Entries code is 0 or 1, or when FC33E Cable Entries code is 1.

*2 Only when Cable Entries code 2.

● **WEEE**

> ***This product is designed only for use in large-scale fixed installations only and, therefore, is out of scope of the WEEE Directive. The WEEE Directive does not apply.***

> ***This product should be disposed in accordance with local and national legislation/regulations. The WEEE Directive is only valid in the EU.***

- Full HDIP type. Figure 3.3
- Figure 3.3 contains internal block diagrams (overview and detailed diagrams)
<Configuration diagram, overview>

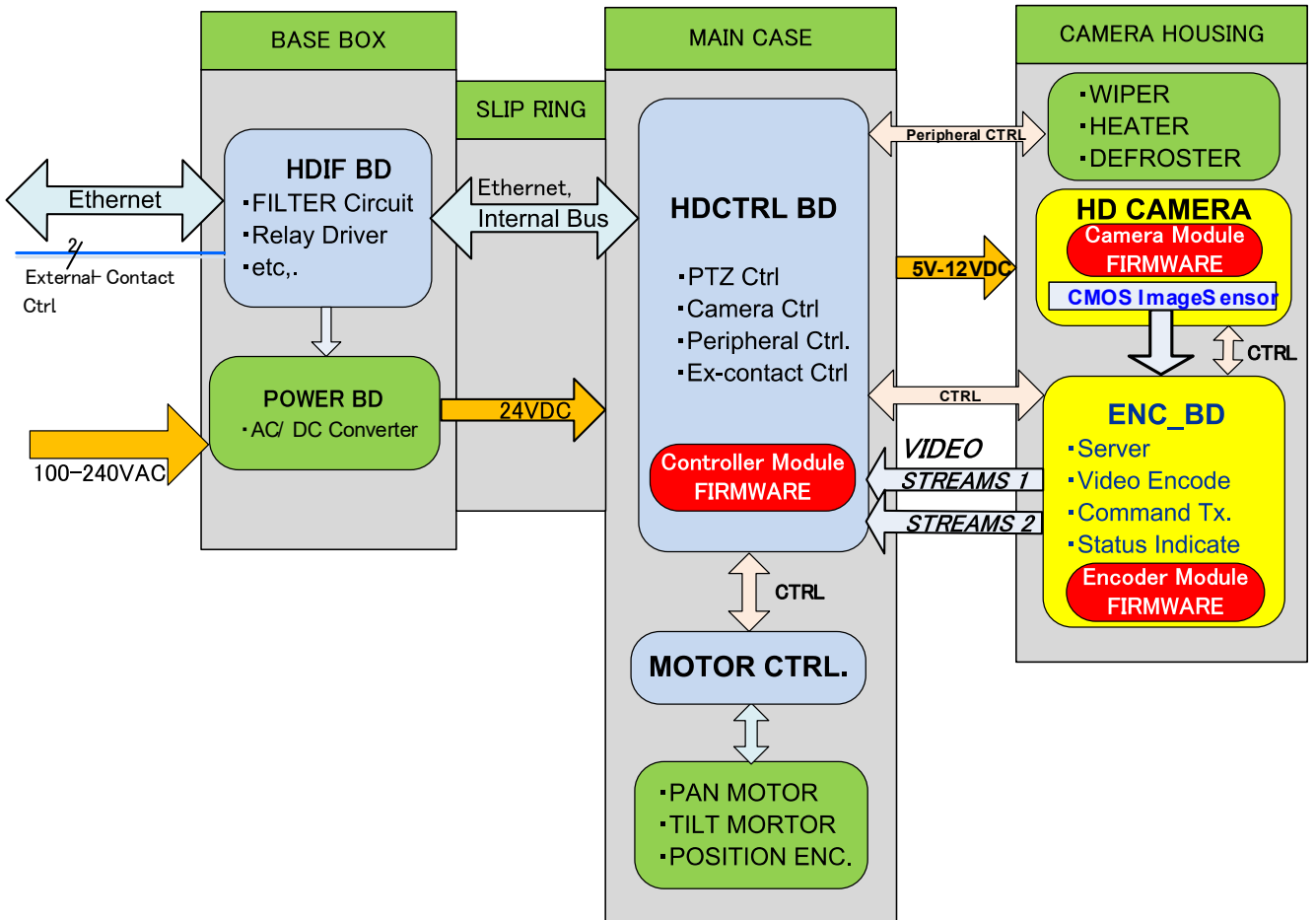


Figure 3.3 Block Diagram of FC33

● List of model names and codes

Table 3-2 Model codes

Model	Suffix Code	Description
FC33E		Explosion-proof pan-tilt zoom color camera
FC33U		Weather-proof pan-tilt zoom color camera
Camera type	-D	HDIP High-sensitivity 1/2.8" CMOS, 1920x1080 pixels ,30x optical zoom
Wiper	W	With wiper
	N	Without wiper
Control type	E	10BASE-T/100BASE-TX (at an "output-terminal-end" of internal Encoder Board)
Cable Entries (Explosion-proof Certification) *1	0	G1/2 female thread, Cable glands (Explosion Protection in Japan only) *2
	1	M20 female thread, at each Cable gland on the Base Box (ATEX/IECEX Certification)
	2	M20 female thread, at each Cable gland on the Base Box (CSA Explosionproof) *2
Installation	S	Upright
	U	Inverted

*1 For the cable entry code of FC33U (Outdoor), specify 0 for Japan and 1 or 2 for overseas.

*2 FC33E with cable connection port code 0 and cable connection port code 2 are not subject to CE marking.

● Specifications for options

Table 3-3 Option codes for the main body only

for FC33E/U	Option Code	Description
Cable extension	/L10	Cable length 10m
Installation of tag plate	/T	Installation of stainless-steel tag plate, Up to 15 letters (alpha-numeral combination codes) can be specified
With hood (upright)	/SHD	Hood (Upright) for Full HDIP type
With hood(inverted)	/UHD	Hood (Inverted) for Full HDIP type
With shade	/SD	Shade (for the main body)
Replacement adapter base	/ADP	Replacement adapter base

3.4 External dimension

- Body of model FC33-DWE1S
Upright type

Unit: mm

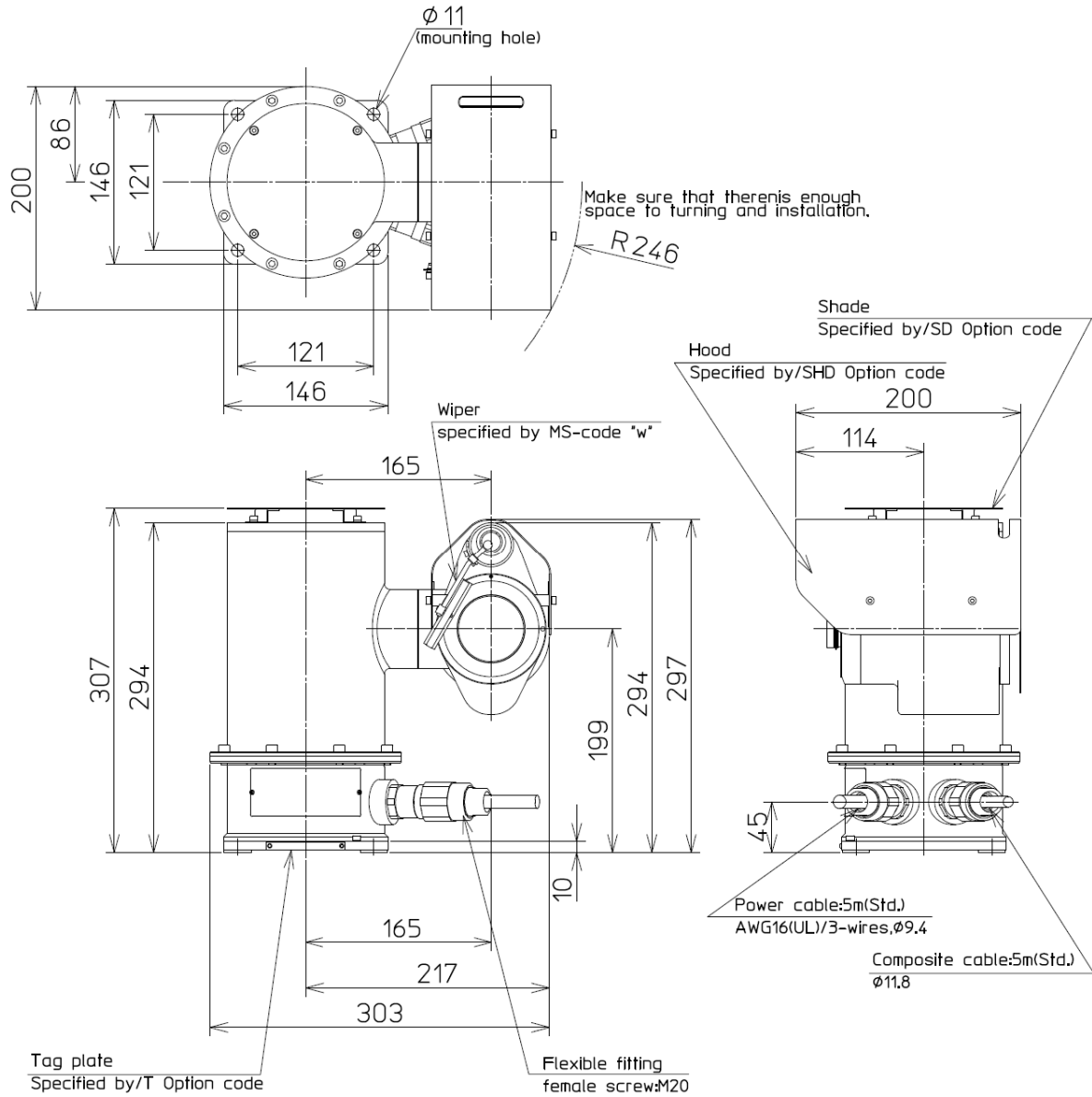


Figure 3.4 Upright type of FC33-DWE1S

● Body of model FC33-DWE1 U

Inverted type

Unit: mm

Note1: **Effective depth** 4 x M10-bolts within tapped-(threaded)-material: **6** or more
Note2: **Fix certainly** 2 cables form the main-body to the ceiling.

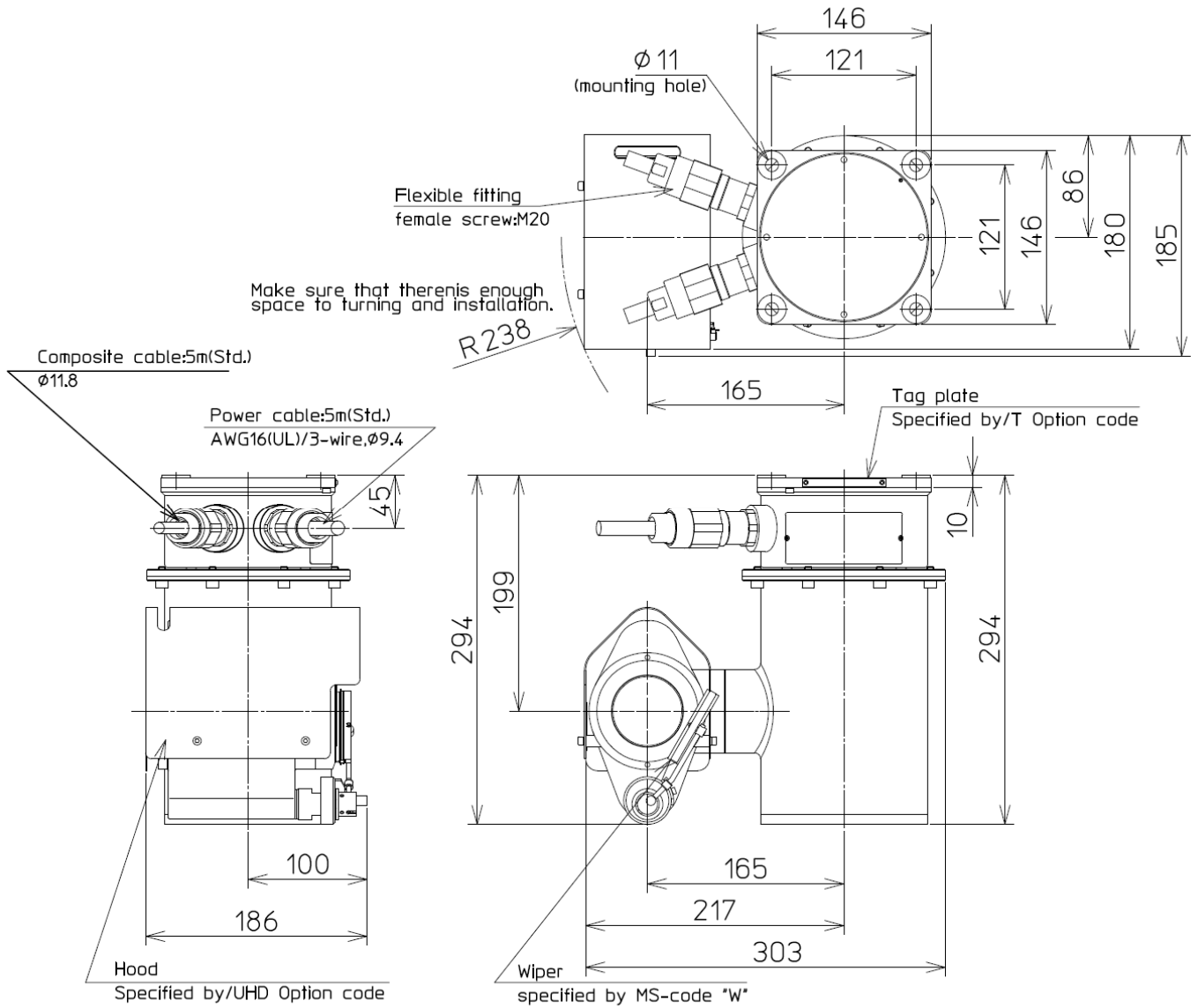


Figure 3.5 Inverted type of FC33-DWE1U

● Body of model FC33-DWE2S

Upright type

Unit: mm

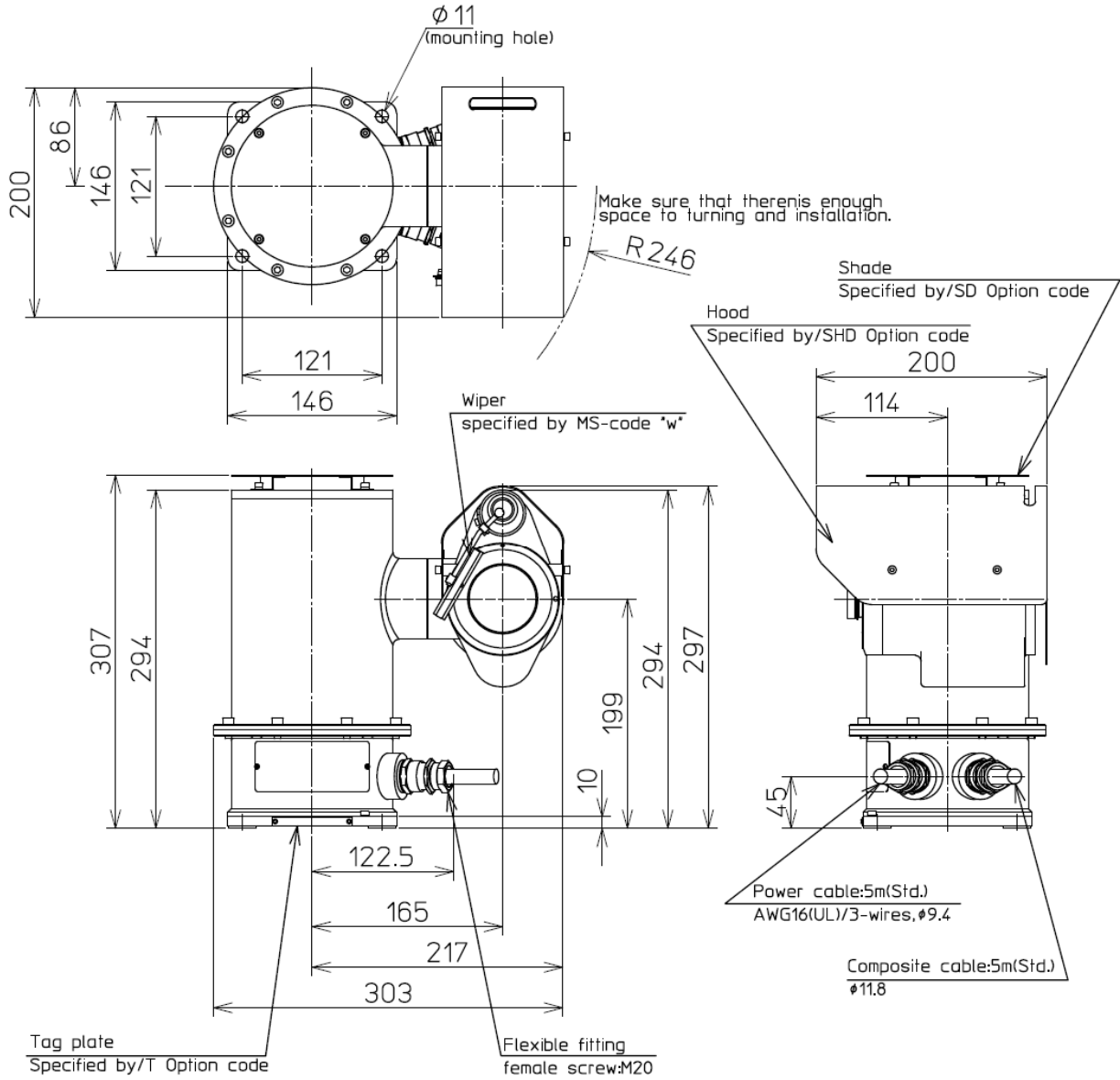


Figure 3.6 Upright type of FC33-DWE2S

● Body of model FC33-DWE2U

Inverted type

Unit: mm

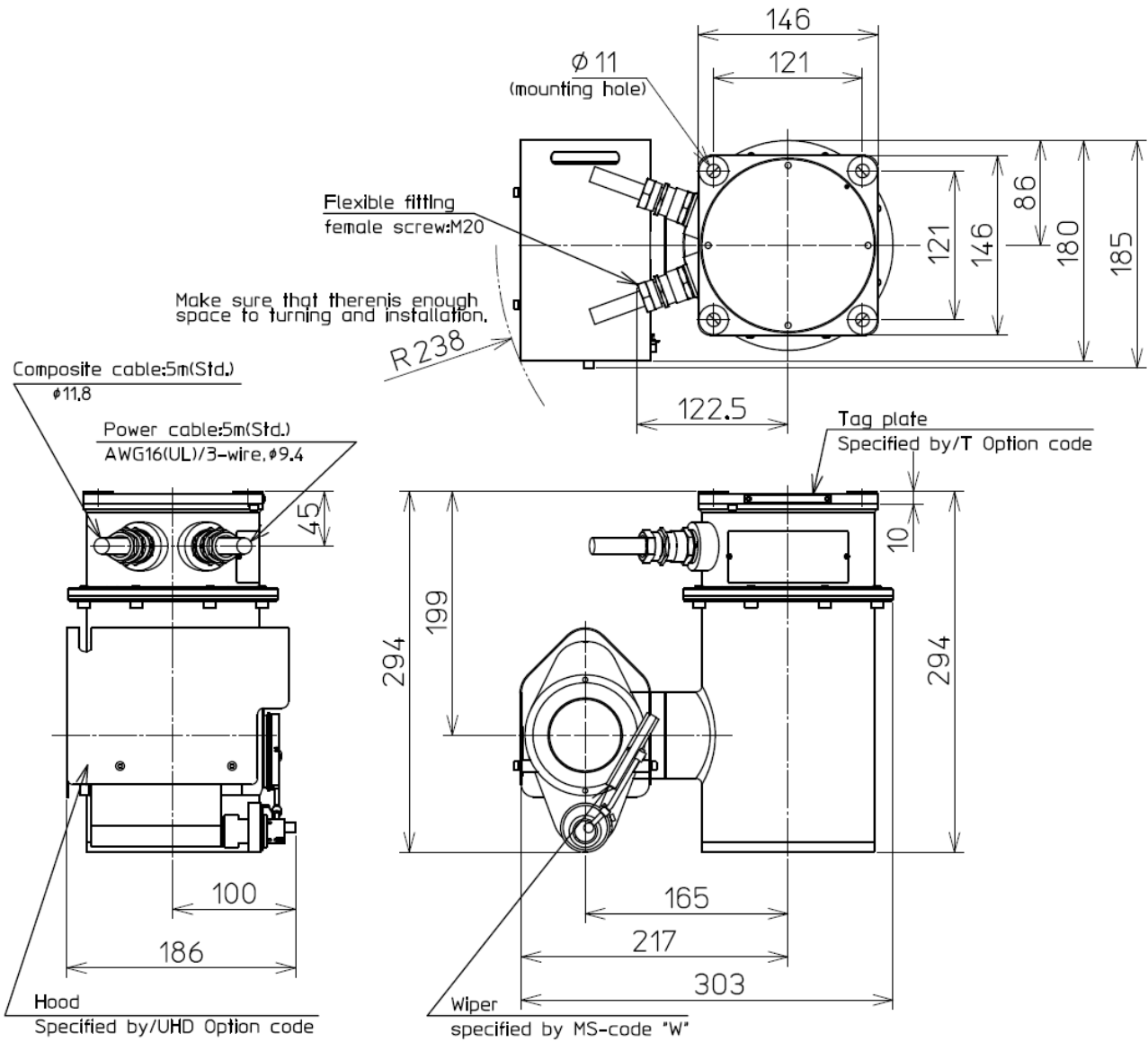


Figure 3.7 Inverted type of FC33-DWE2U

● Junction Box

- SUS 316L with electrolytic polished finish, excellent strength and corrosion resistance.
- FC33 Full HD IP dedicated option to be terminated the Composite cable (end cutoff).
- 1 of normal-open Relay connection for powering external / peripheral equipment. For more detail please refer to the instruction manual of JB(IM85A7C03-09E).

■ DRAWING (EXTERNAL DIMENSIONS) with accessories

JB having options (Bracket/BR, Shade/SD and Side cover /SH)

Unit [mm]

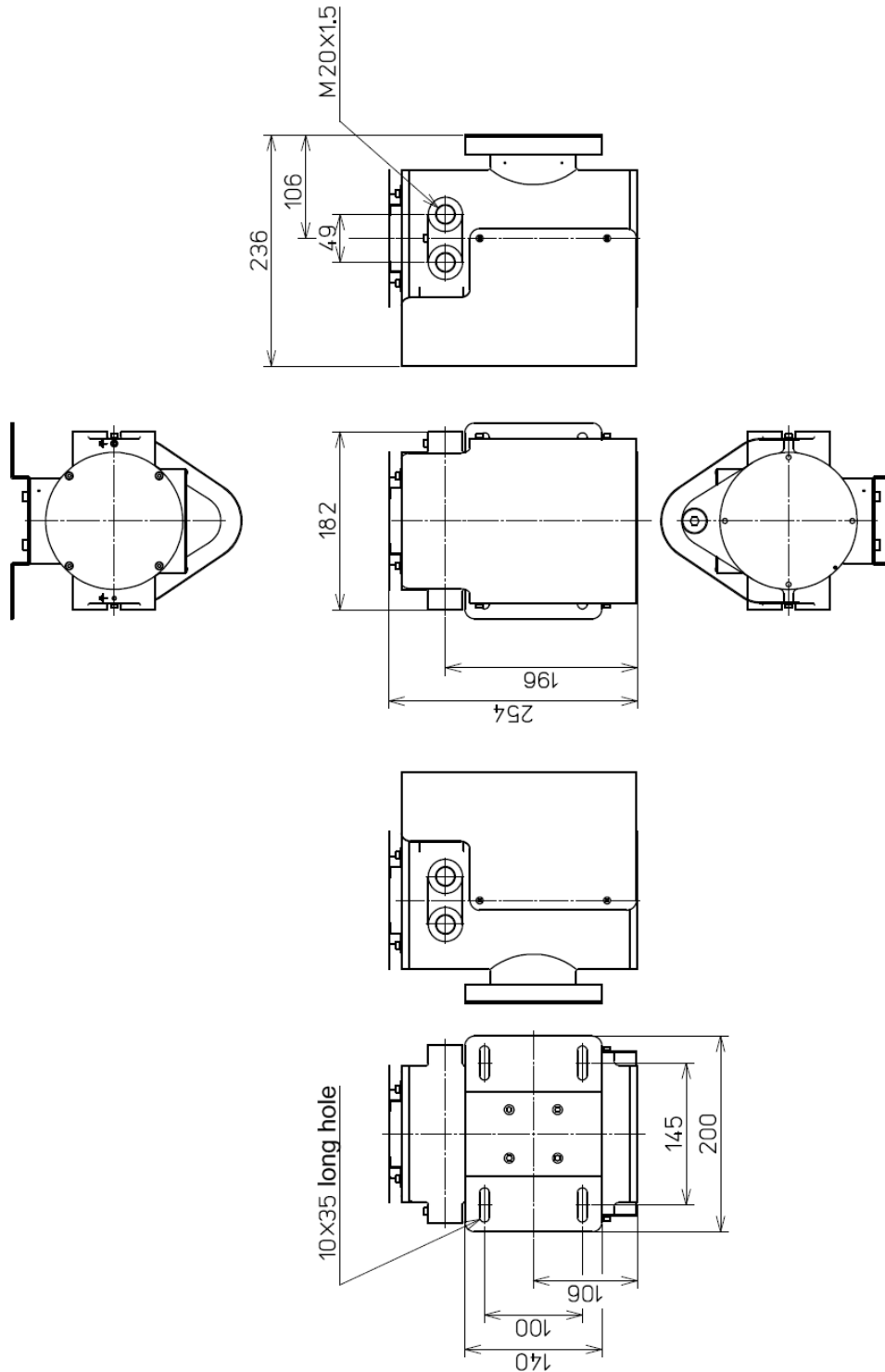


Figure 3.8 Junction Box having full options

4. Installation

4.1. Determining the Installation Location

First briefly determine the photographing area, and determine the installation location based on the photographing area shown in Figure 4.1 and the dimensions of the object and the distance between the camera and the object shown in Figure 4.2. The final determination of the location can be reliably achieved by photographing the location with actual use of the camera on a monitor screen. The brightness should also be checked at this time.

● Zoom lens specifications

	Focal length (f)	Angle of horizontal view (θ)	Iris	Focus
WIDE end	4.3 mm	Approx. 63.7°	Manual or auto	Manual or auto
TELE end	129 mm	Approx. 2.3°		

● Precautions for installation

- Use this camera at a temperature from -40 to +60°C.
- Install the camera so that direct sunlight or strong illumination light does not come into contact with the camera face.
- Take measures to protect the glass face of the camera from water drops or splashes as much as possible.

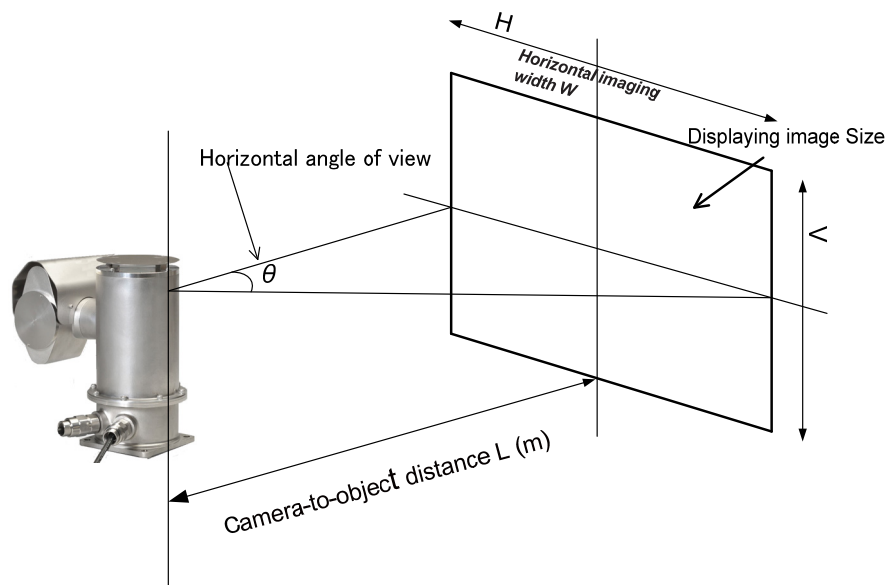


Figure 4.1 Imaging area

Table 4.1 Screen resolution

No	Resolution setting of the Stream 1 or 2	Description
1	1920 x 1080	Full-HD
2	1280 x 960	Quad VGA (Note)
3	1280 x 720	HD
4	1024 x 768	XGA (Note)
5	960 x 540	QFHD
6	640 x 480	VGA (Note)
7	640 x 360	QHD
8	480 x 270	QQFHD
9	320 x 240	Quarter VGA (Note)
10	320 x 180	QQHD

Note: Aspect Ratio H: V = 4: 3

4.2. Dimensions of and Distance to the Object

The optical zoom of FC33 has a magnifying power of up to 30. Since the electronic zoom has a magnifying power of 12, the zoom capability is a magnifying power of 360 in total.

The table shown below (object dimensions table) provides guidelines regarding the dimensions of objects and the camera-to-object distances based on the optical zoom. If the camera is installed within the range of wide end and telephoto end distances on the basis of the object's horizontal width dimensions, the object can be fully displayed across the screen.

	Focal length (f)	Angle of horizontal view (θ)	Iris	Focus
WIDE end	4.3 mm	Approx. 63.7°	Manual or auto	Manual or auto
TELE end	129 mm	Approx. 2.3°		

Horizontal imaging range (formula)	$W/2 = L \tan (1/2) \theta$
------------------------------------	-----------------------------

Table 4-2 Guidelines for object dimensions and camera-to-object distances

Object's horizontal width dimension W[m]	WIDE end Horizontal angle of view ≐ 63.7° f = 4.3 mm	TELE end Horizontal angle of view ≐ 2.3° f = 129 mm
	Full HDIP type: L [m]	
0.05	0.04	1.25
0.1	0.08	2.49
0.2	0.16	4.98
0.3	0.24	7.47
0.5	0.40	12.45
0.8	0.64	19.93
1	0.80	24.91
1.5	1.21	37.36
2	1.61	49.82
3	2.42	74.72
4	3.22	99.63
5	4.02	124.54
6	4.83	149.45
7	5.63	174.36
8	6.44	199.26
9	7.24	224.17
10	8.05	249.08
15	12.08	373.62
20	16.10	498.16
30	24.15	747.24
40	32.19	996.31
50	40.24	1245.39

Guidelines for object dimensions and camera-to-object distances

Figure 4.2 Object Dimensions and Camera-to-Object Distances

4.3. Installation

(1) FC33 E/U

For the details of installing this camera, see Section 2.3, "Precautions for Installation Location." For ambient conditions of the installation location, see Section 3.3, "Standard Specifications." To install the camera, prepare four mounting bolts and use the four mounting holes in reference to Section 3.4, "External Dimensions."

The oscillation angle of the camera housing is based on the turning range shown in Section 3.4, "External Dimensions," and has no restrictions regarding both the counterclockwise and clockwise panning direction. The tilting angle is up to approximately 90° both upward and downward. Make sure that the turning range contains no obstacles, before starting the installation. Before using the replacement adapter base (Figure 4.3), install it to the FC33 type camera. Then install the base to the already installed camera installation base.

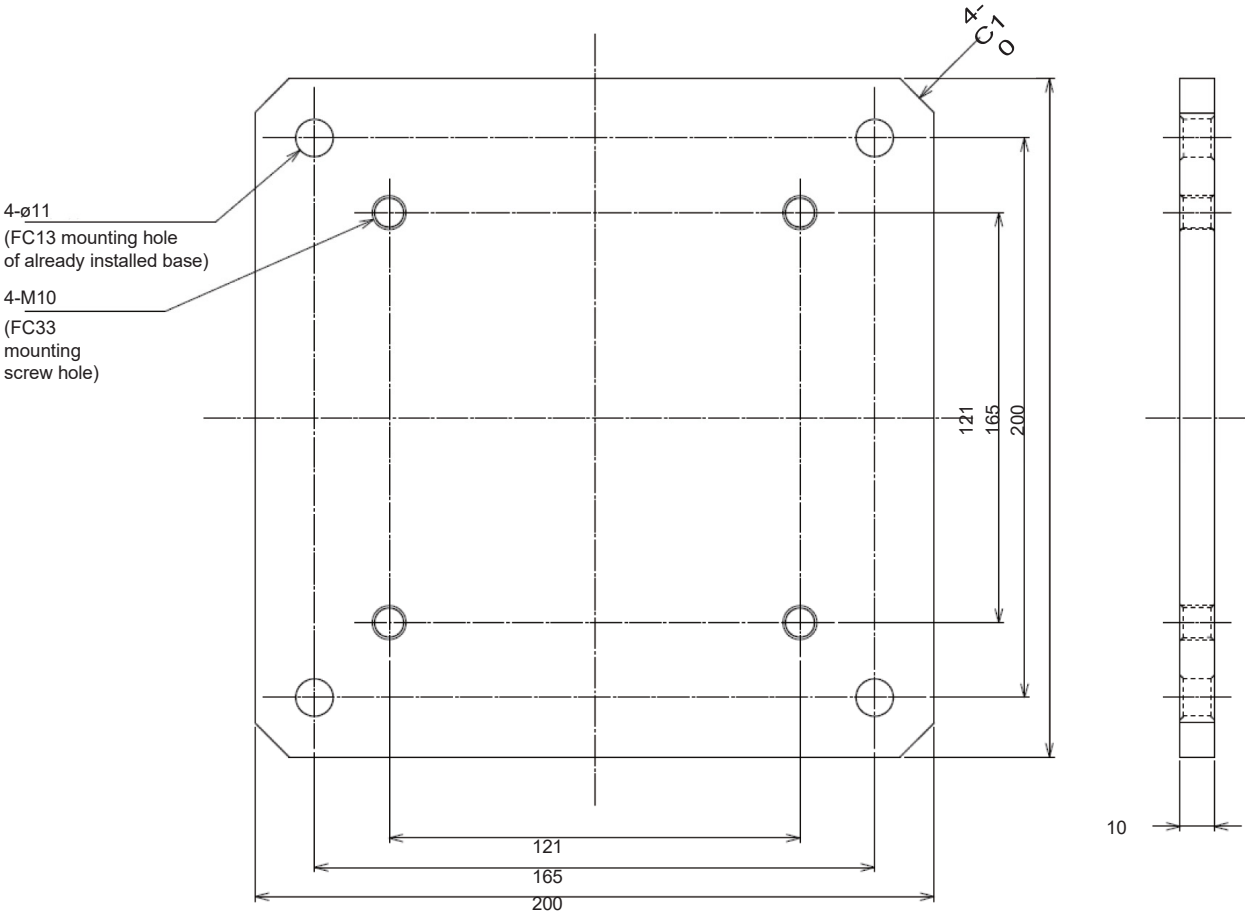


Figure 4.3 Replacement adapter base

(2) JB

For mounting or installation of the JB, select an appropriate position that is smooth, having enough thickness and strength, for example wall of stainless steel.

If the JB has no accessories, refer to the drawings of the Fig. 3.5. And please prepare 4-M6 screws having suitable length.



CAUTION

Be CAREFUL to mounting and installing because of heaviness and clinging 4 cables.

Faites ATTENTION au montage et à l'installation en raison de la lourdeur et de l'adhérence de 4 câbles

If the JB having a bracket as accessory by optional-code /BR Please refer to below:

Preparation: Set 4-M8 bolts at the installation surface, referring to the drawing of the Fig 3.6. An installation direction makes Upper-lid of the JB matched to upwards.

First Step: Connect the Bracket with JB's enclosure by 4-M6 screws (M6x10 hexagon socket head) which are attachment of the Bracket, so as to make an integration-body. ,

Second Step: Hook such integration-body (JB's enclosure with Bracket plate) on 4-M8 bolts at the installation wall. These M-8 bolts and also nuts are not attachment of the products.

Finally: Fasten each 4-M8 nut completely.

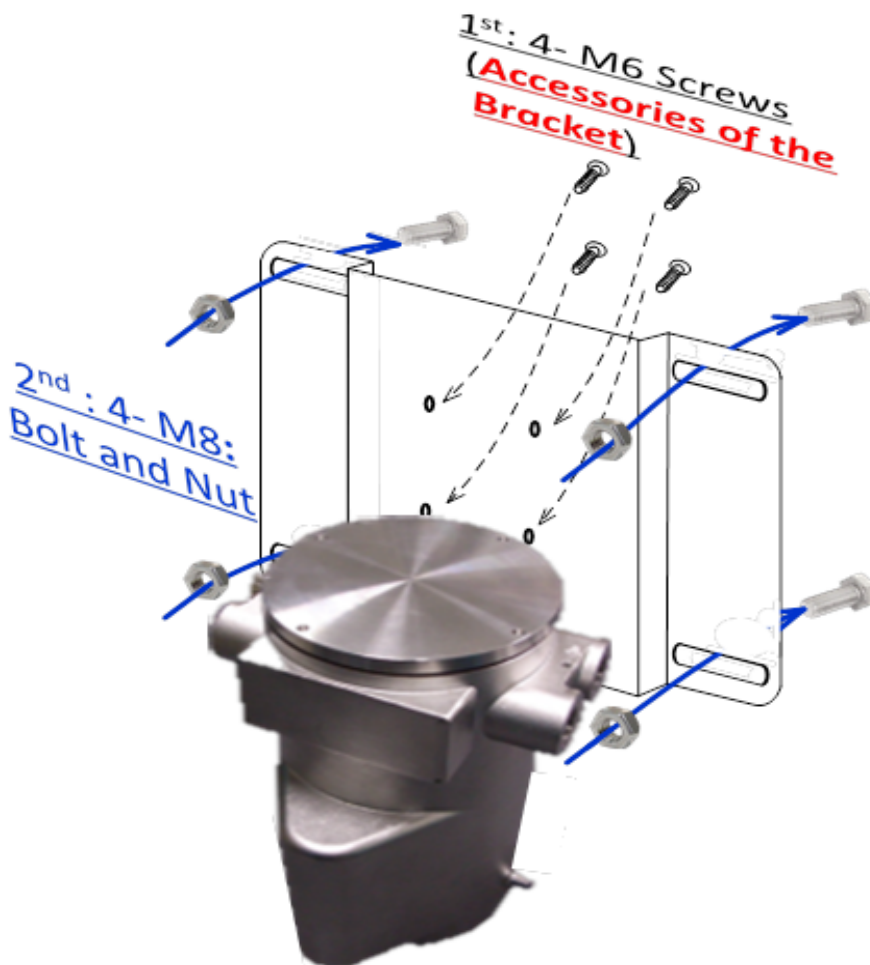


Figure 4.4 Installing JB with bracket

5. Cabling and Installing

5.1. Cables form FC33's main body

The FC33 camera body has 2- cable connections for external interface.

Note that the cable types vary with the specifications you designate at order time (see Figure 5.1). Perform the terminal treatment and cabling according to this chapter.



CAUTION

For the power cables, the brown or light blue one is LINE (brown = L:Live, light blue = N:Neutral), and the green/yellow one is the grounding line.

Pour les câbles d'alimentation, le marron ou bleu clair est LIGNE (marron = L:Live, bleu clair = N:Neutre) et le vert / jaune est la ligne de mise à la terre.

5.2. Cabling Precautions

For cabling, observe the following precautions:

- (1) When it is raining, do not connect cables outdoors to ensure insulation within the connecting Junction Box.
- (2) By performing the terminal treatment on the AC power cables with round solderless terminals, make sure that they are connected.
- (3) Conduit wiring is recommended for cabling. For conduit wiring, use Thick-Walled Steel Pipe 16 (JIS C8305) or Flexible Conduit 15 (JIS C8309).
If CSA explosionproof type, please refer to 5.9 of page 5-28.
- (4) Make sure that clamping glands in the wiring ports are fully tighten.
It is effective if non-hard enable sealant is applied to the threads to provide waterproof treatment.
If CSA explosionproof type, please refer to 5.9 of page 5-28.

5.3. Cable Terminal Treatment

The body is delivered to you with approximately 5 m cables connected to it. You should perform the terminal treatment at your convenience.

For making connection to the terminal box (or block), see the cable terminal treatment summarized in the following table. For more detail please refer to 5.4 after.

(1) Power Cable(3 core, 1.25mm²)

Power Cable	<ul style="list-style-type: none"> • In case of an extension the AC power line over 10 m from FC33E/U, please use cable equivalent of Φ 10.0(JIS C3312) or Φ 7.8(JIS C3306). • If the total length between the camera body and the AC power supply exceeds 10 m, be sure to check the grounding of the FG terminal on the body..
-------------	--

(2) Composite Cable : LAN cable (Ethernet), External relay contact driving signal (1 circuit)

LAN cable(Ethernet)	<ul style="list-style-type: none"> • Shield type adaptor of RJ45 modular plug (which is attached at the tip by the terminate treatment. Non-accessories) shall be used, at the LAN connection interface terminal. More detail please refer to 5.6.1. • Connection within 10m from the camera body by a Network equipment (JUNCTION BOX(JB), Media converter commercially available, and so on) which is driven by external power source is required. <ul style="list-style-type: none"> • In case using JB-TX (No internal media-converter type), the distance from FC33E/U to the Network Equipment or Repeater driven by external power shall be within 50 m due to wiring losses of FC33E/U inside (figure below).
External relay contact driving signal	<ul style="list-style-type: none"> • Terminate with the dedicated optional explosion-proof junction box (JB-FX or JB-TX). Terminating other than JB (sold separately) is not recommended.

5.4. Junction Box

By placing on a boundary of the user's LAN interface and FC33, Junction Box (after JB) provides a function of transmission-media Converter at the physical-layer. Also, JB provides a relay contact circuit to control an external device which works by AC-Power.

5.4.1. Housing Specifications

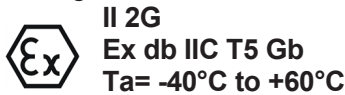
External dimensions	180 (W) x 240 (H) x 185 (D) mm
Weight	8kg or less than (w/o. cable glands and/or sealing plugs) 10kg or less than (with Bracket, Shade and Cover)
Operating temperature/Humidity	-40°C to +60°C / 20 to 95 %RH (non-consideration)
Altitude	Up to 2000 m
Housing Material	Die Casted SS316L Stainless steel (Finish: Electrolytic Polishing)
IP Rating	IP66 (ingress protection)

5.4.2. Explosion Proof

ATEX/IECEX Certificated CML 18ATEX1025X

Explosion-proof **Ex db IIC T5**

Marking:



CML 18ATEX1025X	IECEX CML 18.0019X
-----------------	--------------------

* Cable Entries code 1 only

5.4.3. Interface Specification

(1) Composite cable interface

Interface port for main body of FC33E/U

RJ-45 Modular Jack (internal port)

RJ-45 shielded modular plug is needed to make a connection to the FC33E/U main body.

(2) AC Power Output (by 1-a relay contact)

(3) AC Power Input

(4) User Interface port

Table 5-1 Specification of Optical fiber interface

Supporting Standards:	IEEE802.3u 100BASE-FX
Line speed	10Mbps / 100Mbps
Center wavelength	1310 nm
Optical fiber	single-mode (9/125μm)
Connecter	SC connecter, 2-core type
Transmitting level (maximum)	-8dBm
Transmitting level (minimum)	-15dBm
Receiving level (maximum)	0dBm
Receiving level (maximum)	-34dBm
Allowed loss	19dB

■ LAYOUT OF TERMINAL PORT

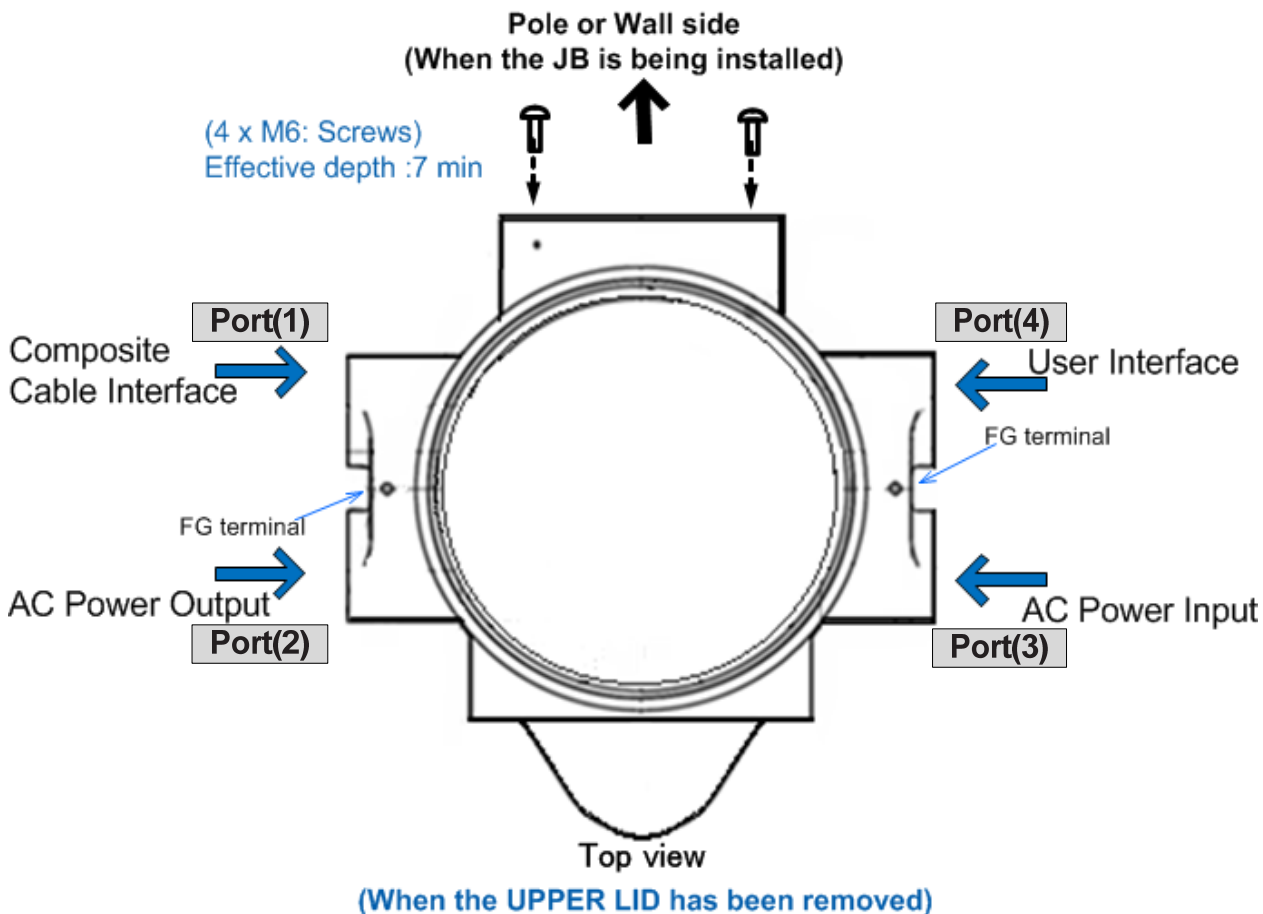


Figure 5.1 Ports of JB

■ ATTACHMENT LIST of JB

Table 5-2 optional attachment list

No.	PARTs NAME	PARTs No.	Description	QTY
1-1	CABLE GLAND(M20)	K7501JQ	Cables Terminal Treatment Parts	See below:
1-2	GASKET	K7501JM		
2	Sealing Plug (for installing only)	K7501JR	Put this (those) on Unused port(s).	

MS-CODE being coupled (when ordered the JB)	Combination of parts
ME4	Set of(M20 type)Cable Gland(ATEX/IECEX)of 4 and Sealing plug: 0
ME3	Set of(M20 type)Cable Gland(ATEX/IECEX)of 3 and Sealing plug: 1
ME2	Set of(M20 type)Cable Gland(ATEX/IECEX)of 2 and Sealing plug: 2

For more detail, please refer to an instruction manual (“FIELDEYE II JANCTION BOX” IM85A7C03-09E) of the JB.

5.5. Wiring Cables into Junction Box

5.5.1. Standard Cable Specification

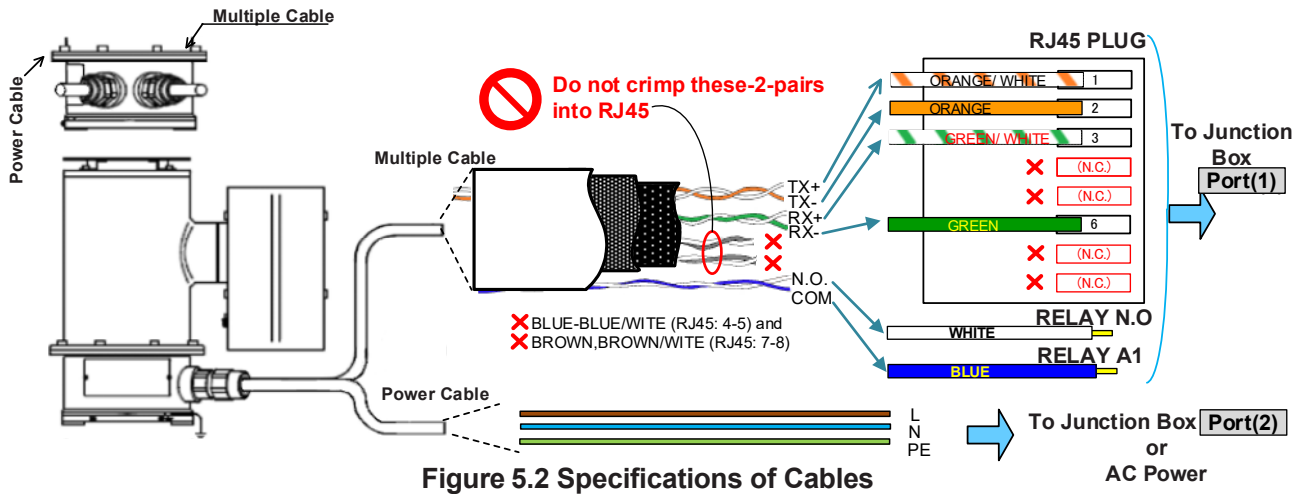


Table 5-3 Internal destinations at **Port(1)** and **Port(2)** /orAC-power

Function	Film Color (being covered)	Symbol / Type	Connected to	
Power Cable	Brown	L	AC100~240V Power line	
	Blue	N		
	Green yellow	PE		(AC GND)
Composite Cable	Orange/White	twisted pair cable	TX+	
	Orange		TX-	
	Green /White	twisted pair cable	RX+	
	Green		RX-	
	(annealed copper wire)	drain line	(Shield)	(RJ45-frame)
	Relay contact	White	twisted pair cable	N.O
Blue		twisted pair cable	COM.	(A-1 terminal)

! WARNING

Make sure there is no miss-wiring. It can cause serious accidents including explosion, fire, or an electrical shock. At un-used cabling-port(s), use sealing-plug(s) (being attached).

Assurez-vous qu'il n'y a pas de mauvais câblage. Cela peut provoquer des accidents graves, notamment une explosion, un incendie ou un choc électrique. Sur les ports de câblage non utilisés, utilisez des bouchons d'étanchéité (attachés).

! CAUTION

For maintenance and safety, it is recommend installing a power switch close to FC33U or FC33E and clearly indicating the OFF position of the switch.

5.5.2. Remove the Upper-lid

- (1) First, remove red plastic plugs (for transport only) from each port of JB
- (2) Next, using a Hexagon-wrench (FC33's attachment), **loosen** a Set-screw at an upper-right rim Reaching to surface of the Upper-lid at the Set-screw's head is enough. Never remove it from the Upper-lid.
- (3) Using a pin spanner (/CT option), move the upper-lid slowly to counterclockwise direction.

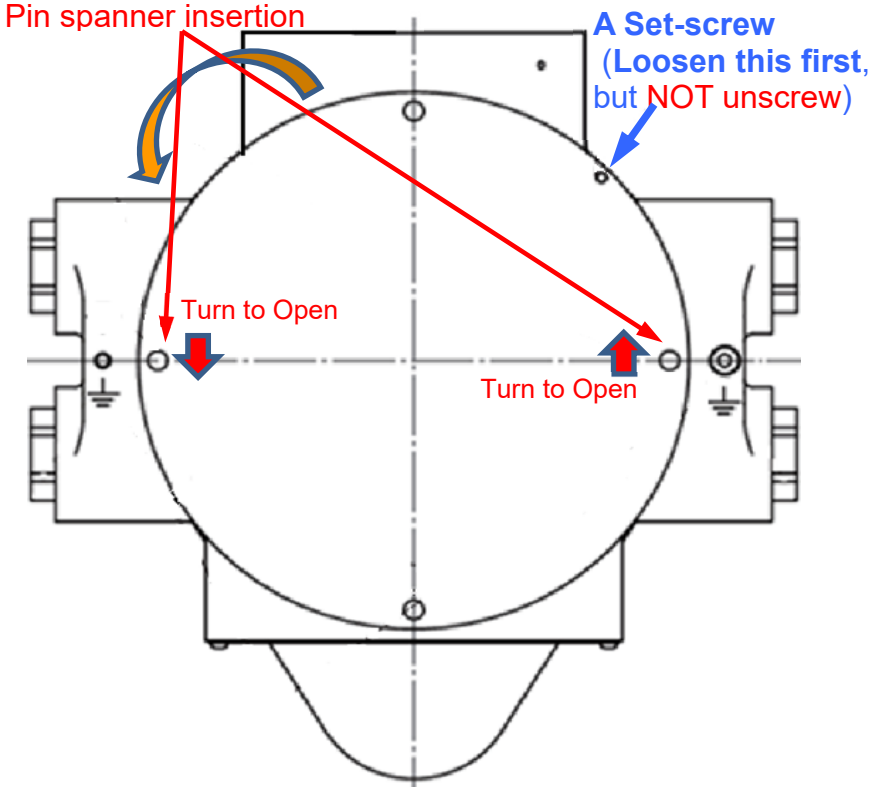


Figure 5.3 Upper-lid removing

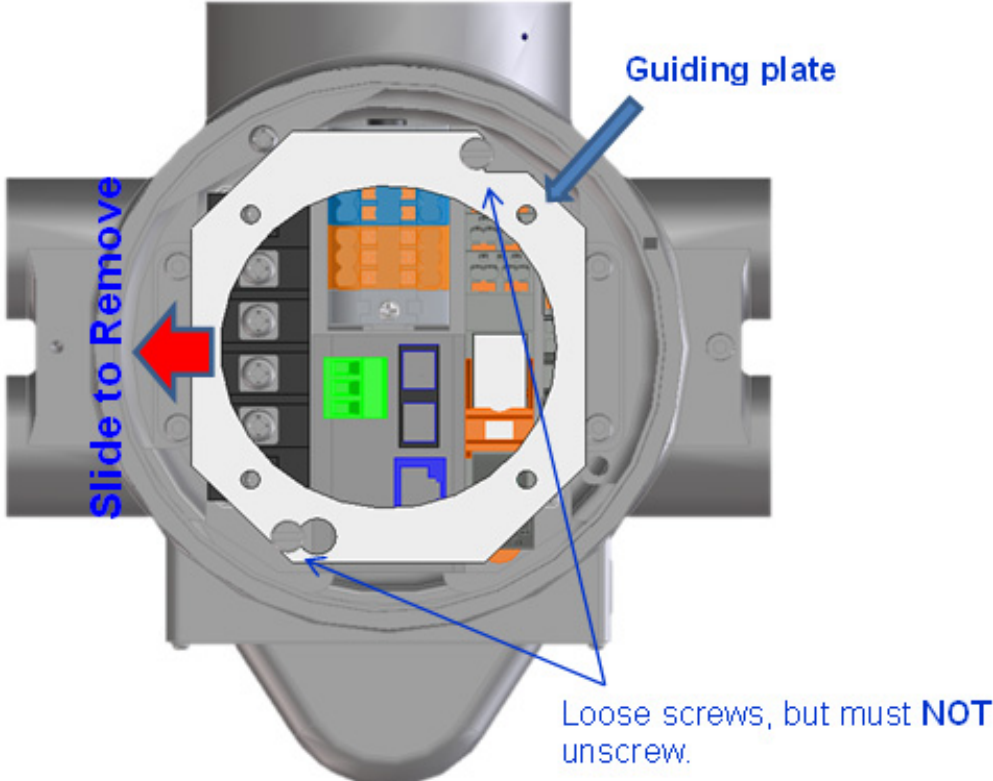


Figure 5.4 Guiding plate removing

5.5.3. Power input/output connections at JB

Subject to the case of using the Junction Box having no relay contact connection, this section describes steps of cable connections.

(1) Treatment of AC power cable at FC33

Pass through a cable gland (accessories of JB) into the ending of AC power cable from FC33 in advance, **but not fasten yet**. Next, carry out treatments each terminal at cables, as shown below. Recommended outside diameter of each wire is AWG16. For a solderless terminal, “4.3mm-fork-gap” type is recommended. Finally, insert 3 wires to port (2) of JB as “AC-power output”.

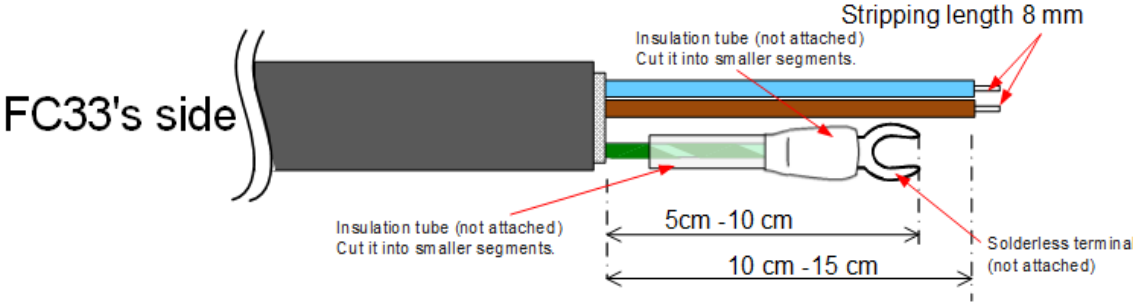


Figure 5.5 Power Cable from FC33

(2) Treatment of AC power cable at user side

Opposite side port of the JB (AC-power input) also, do same treatment as above. Next, insert 3 wires to port (3) of JB as “AC-power input”.

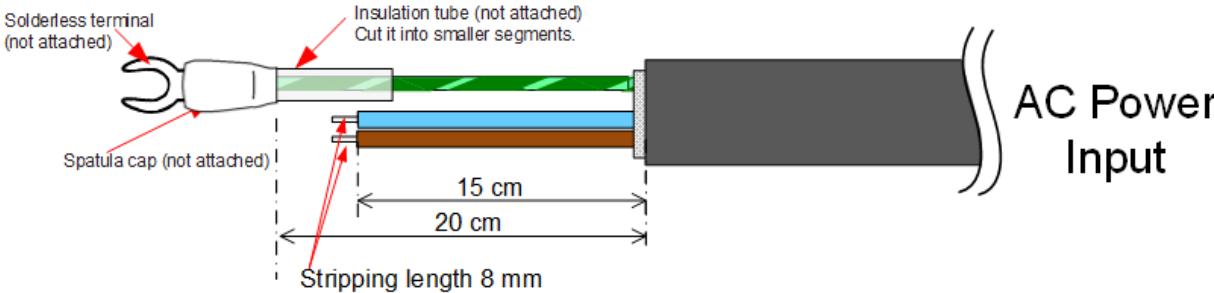


Figure 5.6 User side Power Cable

(3) Connection at JB without Relay control

If no external (peripheral) equipment is connected to AC-output of JB, AC-power configuration will become shown below:

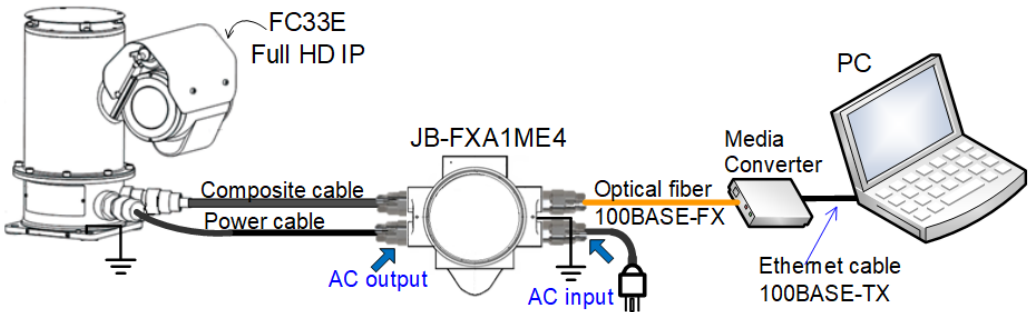
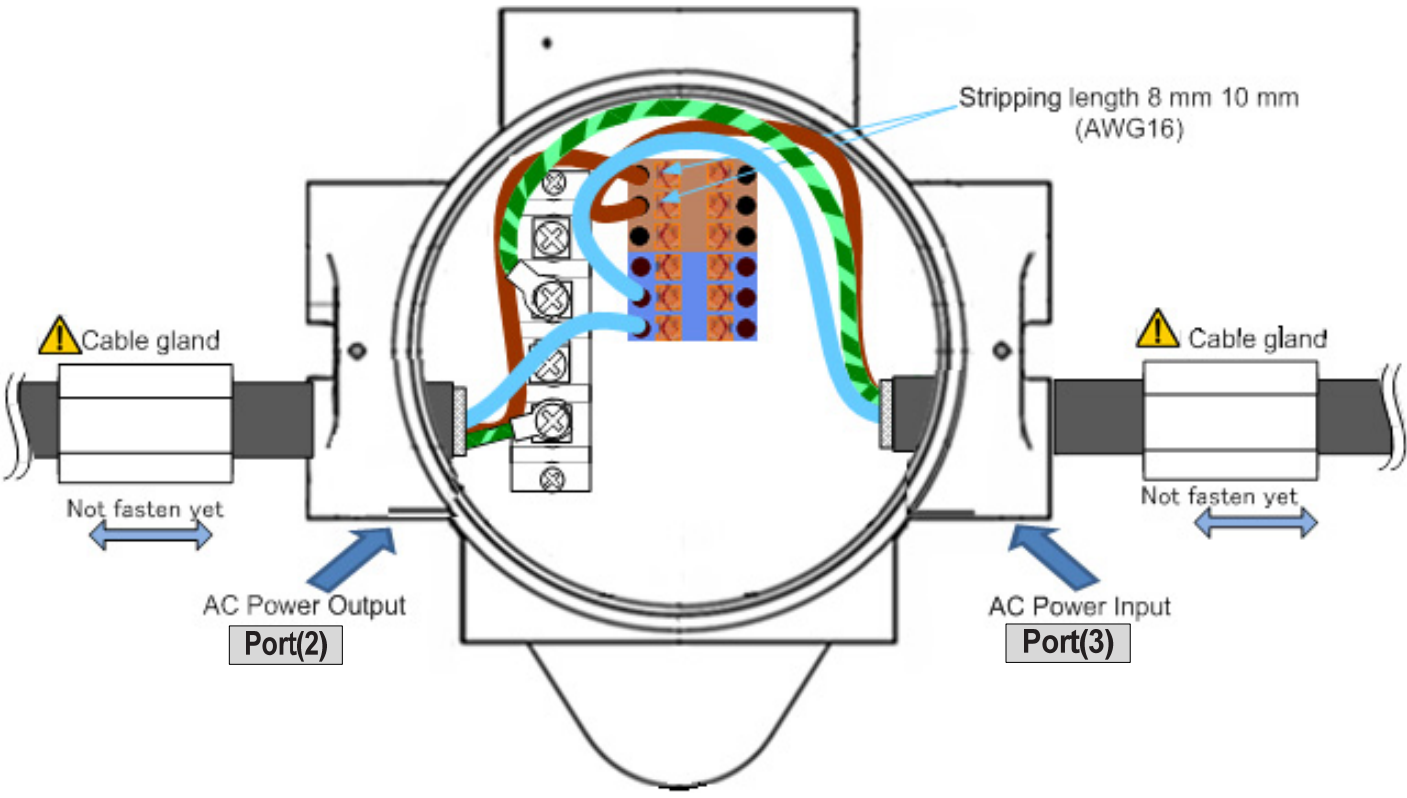


Figure 5.7 A connection example of JB relaying AC-Power without relay contact

Push in contact for blue-wire to blue-terminal, and brown-wire to brown terminal.
Connect each green-yellow-wire to one of 4-Block Terminal, using solderless terminal as shown below. Each "Push in contact" can remove by pushing side (unlock) button



Figurer 5.8 Std. connections having AC power relay without relay contact

CAUTION
A Cable gland at this port of the JB must use the M20 x1.5 type
Un bouchon d'étanchéité à ce port du JB doit utiliser le type M20 x1.5.

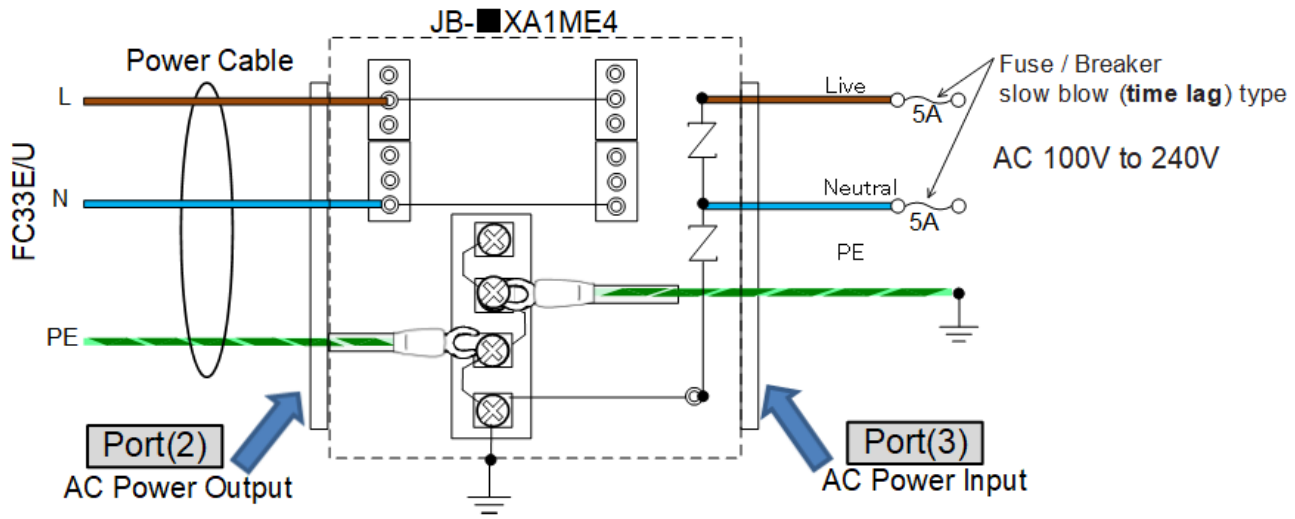


Figure 5.9 An equivalent circuit relaying AC power without relay contact

(4) Connection at JB without Relay control

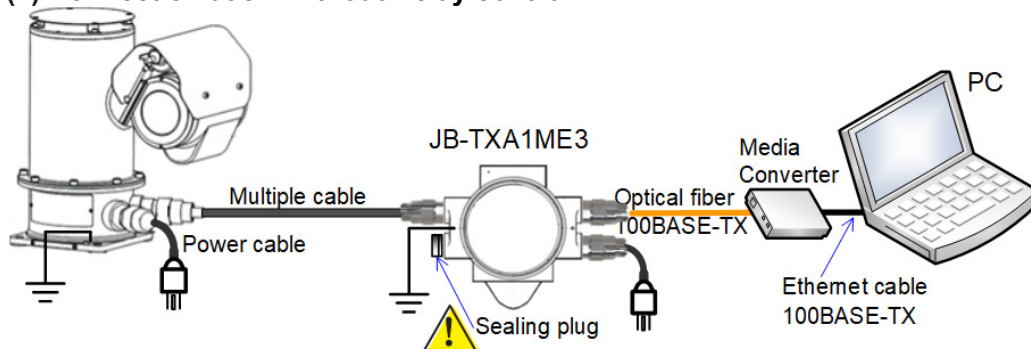


Figure 5.10 A Connection example of JB neither Relay-Control nor AC-Power output.



CAUTION

A Sealing plug at this port of the JB must use the M20 x1.5 type
Un bouchon d'étanchéité à ce port du JB doit utiliser le type M20 x1.5.

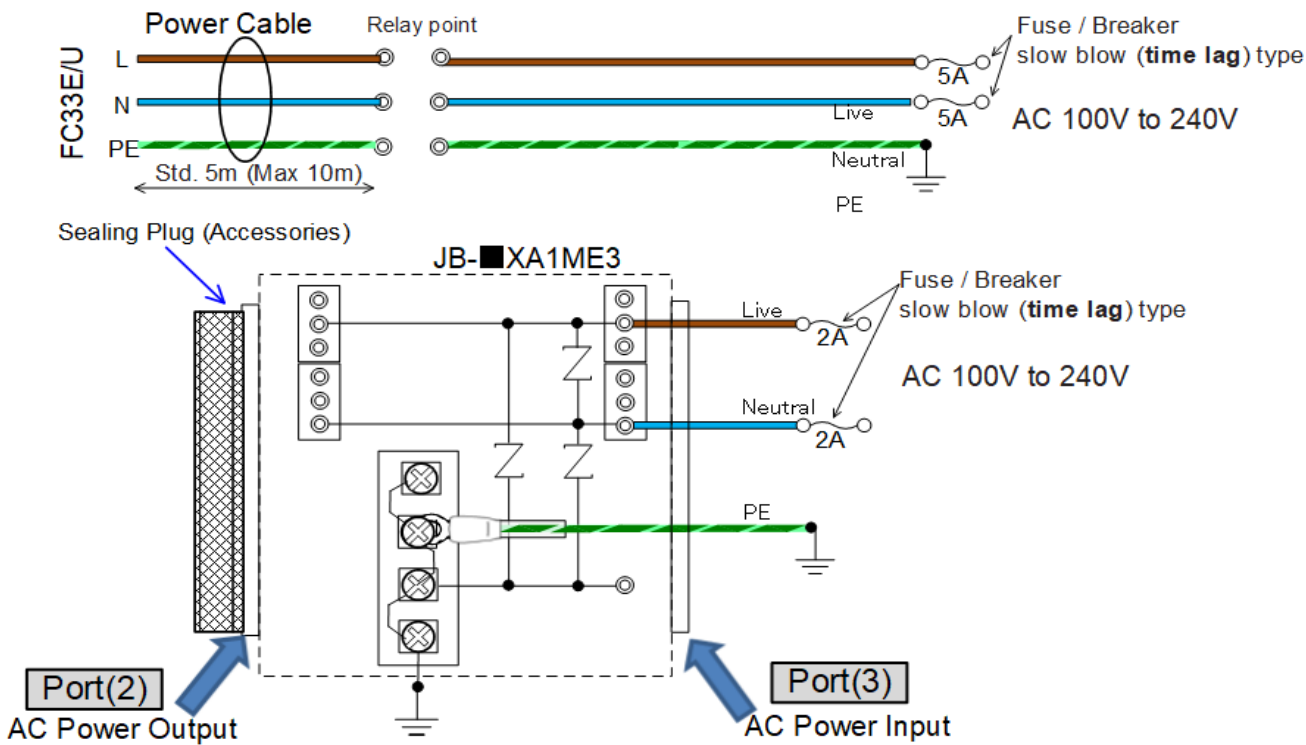


Figure 5.11 Equivalent circuit of JB neither controlling Relay-contact nor outputting AC-Power.

(5) Connection at JB with Relay control

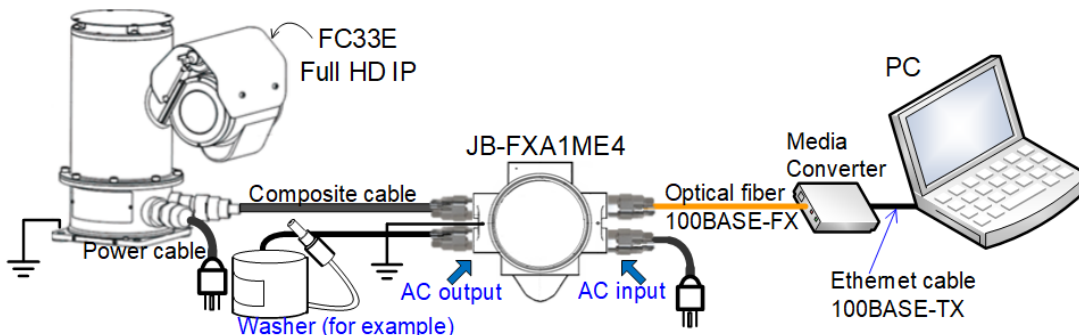


Figure 5.12 Connection example of JB having AC-Power-Output under the control of the inner Relay

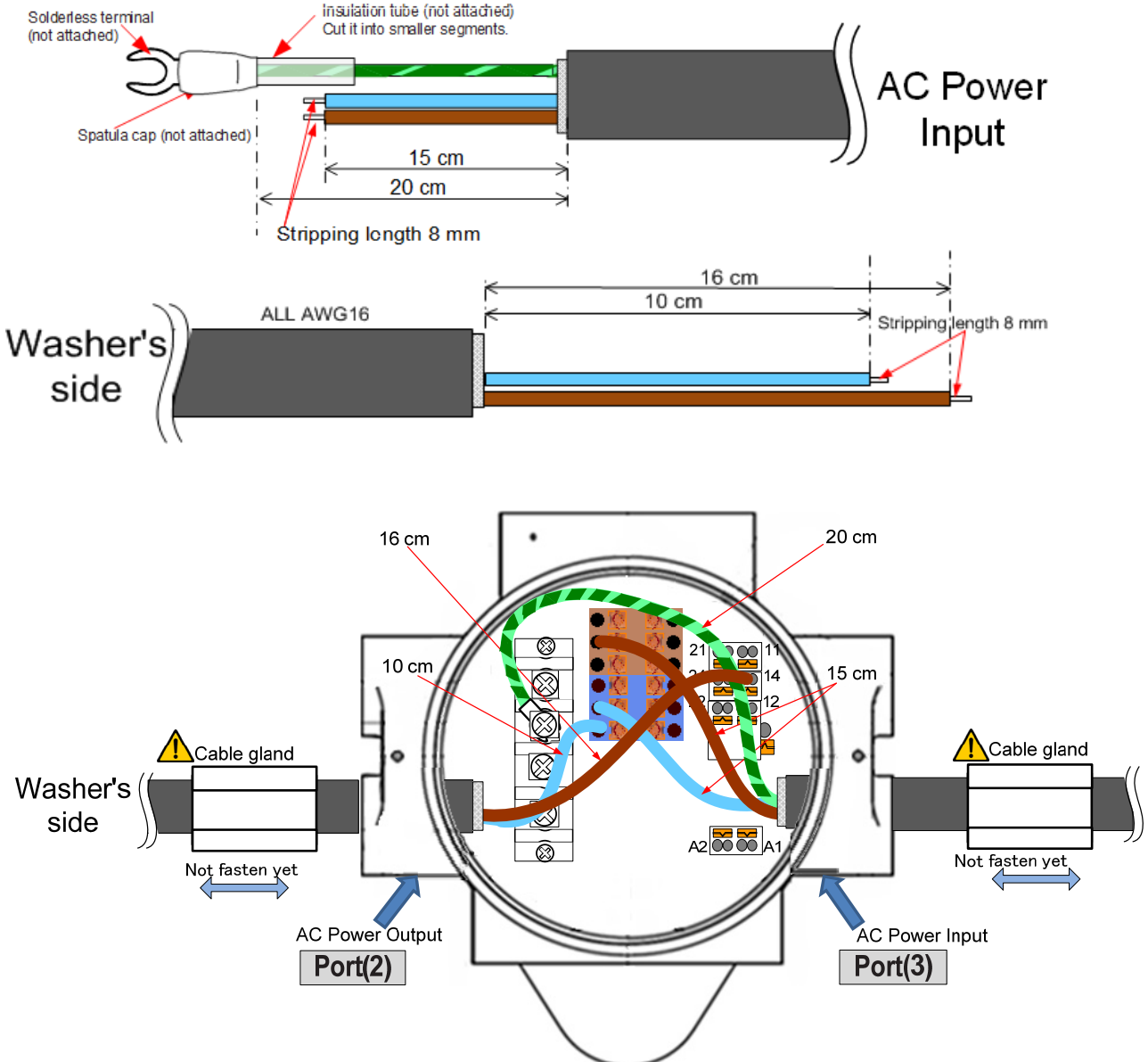


Figure 5.13 Standard connections of JB using the internal Relay contact



CAUTION
A Cable gland at this port of the JB must use the M20 x1.5 type
Un presse-étoupe à ce port du JB doit utiliser le type M20 x1.5.

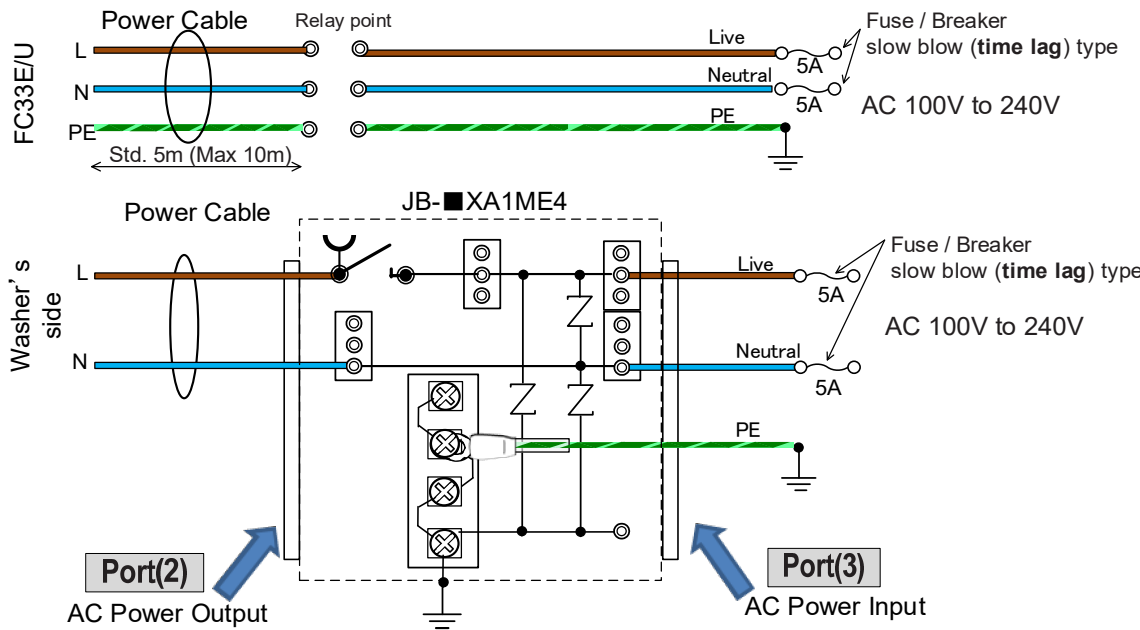


Figure 5.14 JB having AC-Power-Output under the control of the internal Relay.

(6) Fasten each cable gland

Fasten both side cable glands tightly to finish. For more detail information, please refer to section 5.7.

5.5.4.Composite Cable connections at JB

(1) Treatment of Composite cable for JB

Insert the Composite-cable (passing through a cable gland) as shown below to port (1) of JB (FC33 Interface).

CAUTION



The LAN cable must pass through Cable gland of Port (1) in advance. Otherwise, a terminated LAN cable having RJ45 modular plug can't pass through its inside.

Le câble LAN doit passer par le presse-étoupe du port (1) au préalable. Sinon, un câble LAN à terminaison doté d'une fiche modulaire RJ45 ne peut pas passer à l'intérieur.

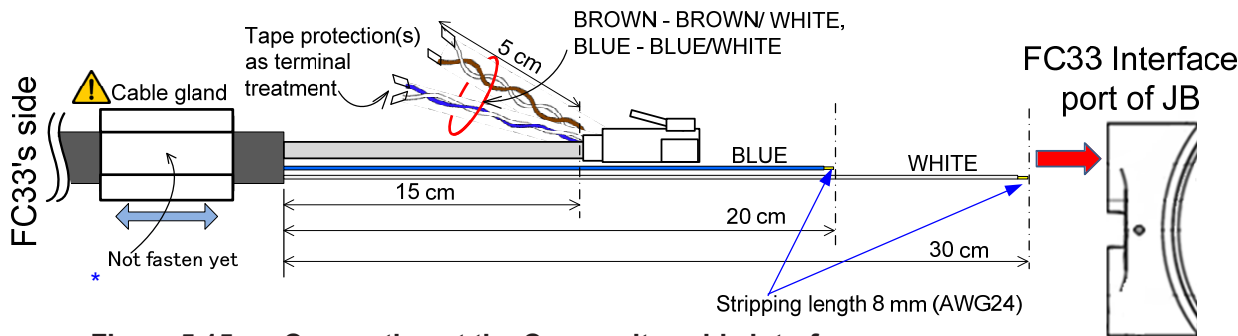


Figure 5.15 Connection at the Composite cable interface



CAUTION

A Cable gland at this port of the JB must use the M20 x1.5 type

Un presse-étoupe à ce port du JB doit utiliser le type M20 x1.5.

(2) Connections at JB

Push in contact for BLUE-wire to RELAY A1 and WHITE-wire to RELAY N.O.

Connect a Modular-Plug to RJ45 Socket as shown below. Each "Push in contact" can remove by pushing side (unlock) button. Treatment at end of the Composite cable, please see section 5.6.3 because of having more detail.

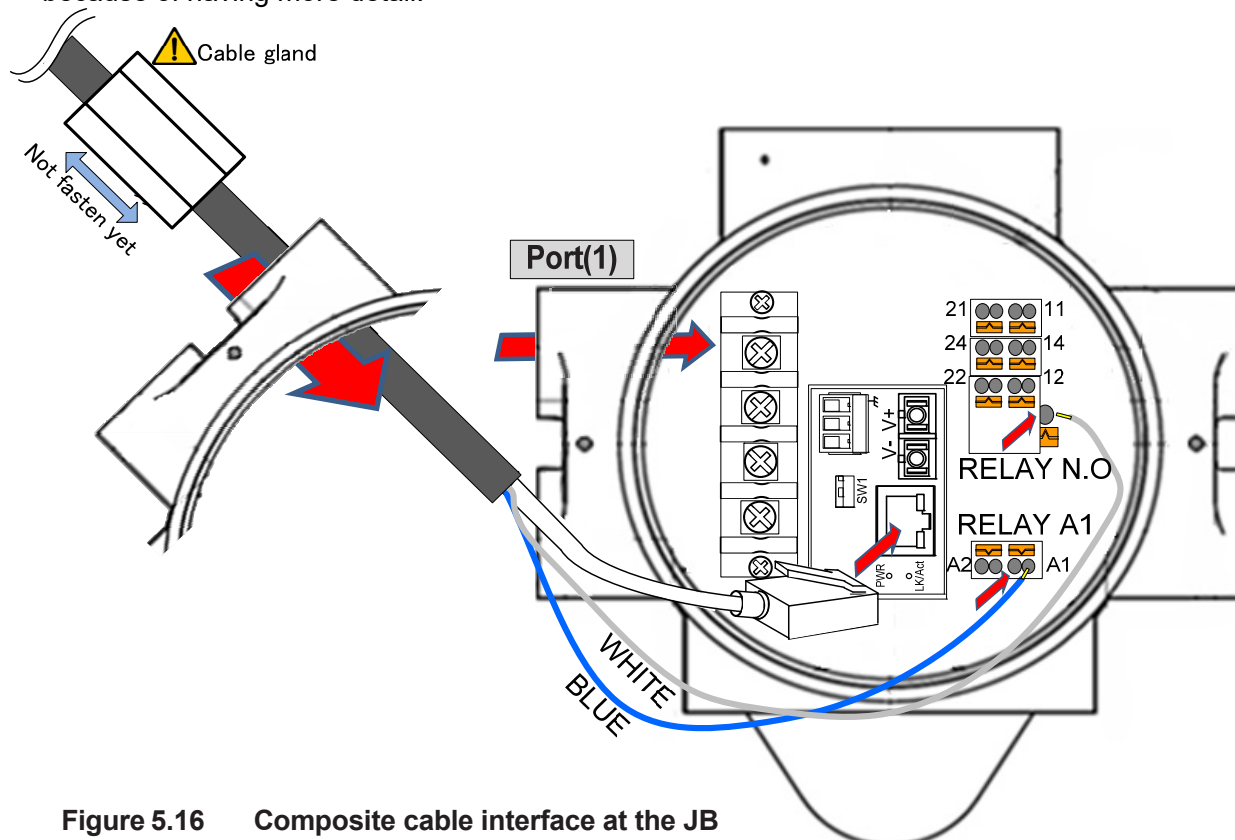


Figure 5.16 Composite cable interface at the JB

(3) Fasten a cable gland

Fasten the cable glands tightly to finish. For more detail information, please refer to section 5.7.

5.5.5. Optical fiber connection at JB

CAUTION



Assembling of SC connector housing should start after passing through the cable gland and JB's **Port (4)**

L'assemblage du boîtier du connecteur SC doit commencer après avoir traversé le presse-étoupe et le port (4) du JB.

(1) Treatment of User Interface port of JB

Guiding plate: Outer sheath should pass through this hole.

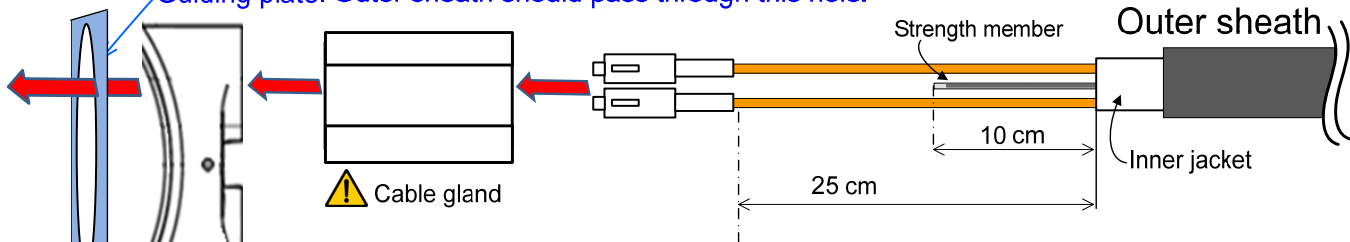


Figure 5.17 Connections at the User Interface Port

CAUTION



A Cable gland at this port of the JB must use the M20 x1.5 type

Un presse-étoupe à ce port du JB doit utiliser le type M20 x1.5.

SC connector housings do not attach to the JB. Joining and treatment of fibers, refer to the instruction manual of that connector's maker

CAUTION



The fiber cables must pass through Cable gland in advance. Otherwise, a terminated fiber cable having SC connector(s) can't pass through its inside.

Les câbles en fibre doivent passer à travers le presse-étoupe au préalable. Sinon, un câble en fibre à terminaison doté de connecteur(s) SC ne peut pas passer à l'intérieur.

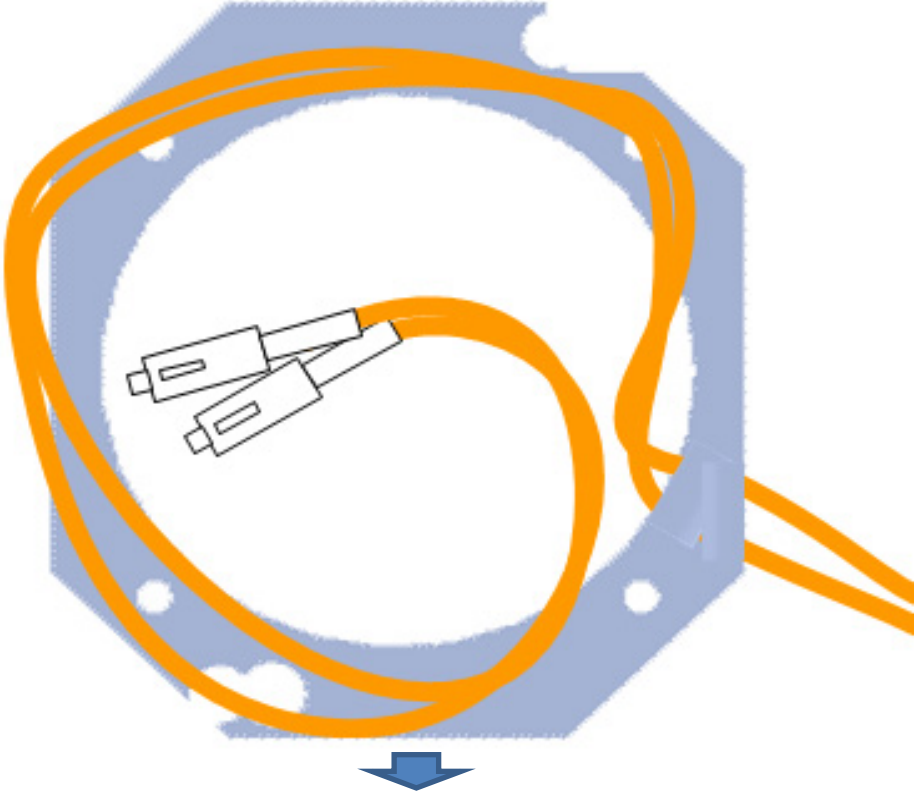


CAUTION

Invisible laser light might be outputted from fibers or connectors of the optical user interface. Do not look directly or indirectly into such beams or a specular reflection of the beams without protective tool. Do not aim an opening part of the optical fiber tip at the eye.

Une lumière laser invisible peut être émise par des fibres ou des connecteurs de l'interface utilisateur optique. Ne regardez pas directement ou indirectement de tels faisceaux ou réflexions spéculaires sans outil de protection. Ne dirigez pas une partie ouverte de la pointe de la fibre optique vers l'œil.

(2) Wind fiber cables along with round of the Guiding plate.



(3) Set Cable-ties at each "corner-hole" or "frame" against the Guiding plate with the fiber cables

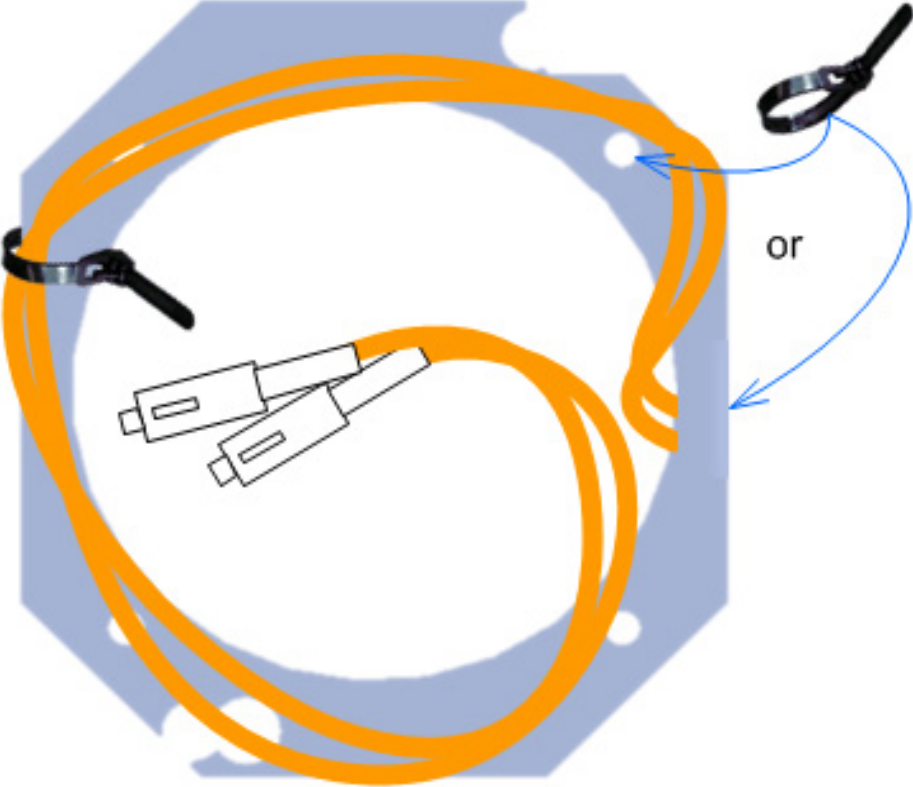


Figure 5.18 Guiding plate with the fiber cables

(4) Hook and infix a strength member to a terminal of the JB by M4 screw (being attached). If the strength member has metal, connect directly to the Chassis of JB and that-metal-part by the M4 screw at the terminal.

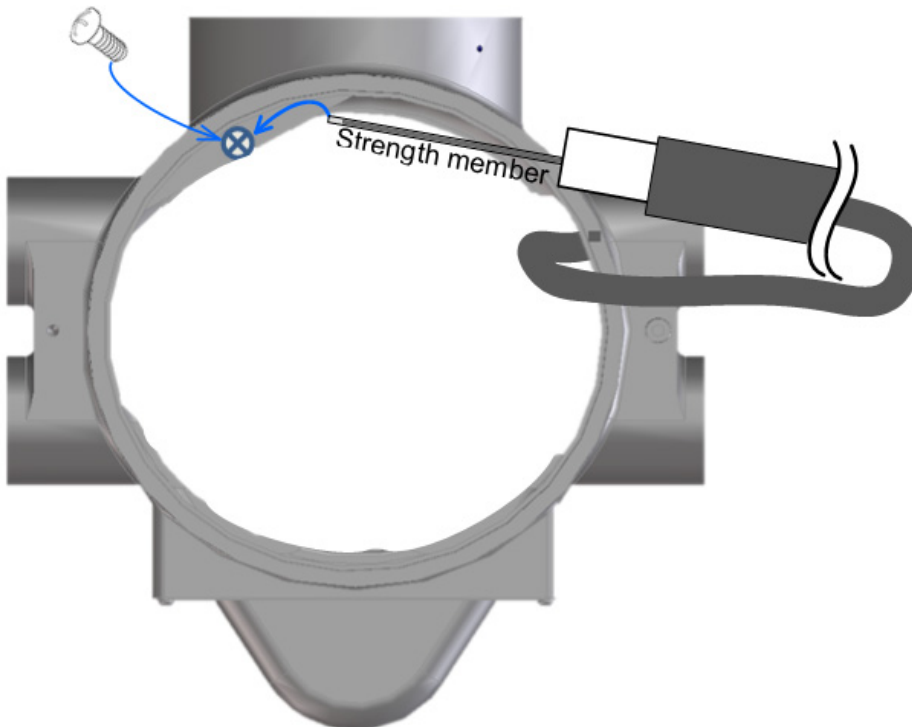


Figure 5.19 Infix a strength member

(5) Land on the JB and infix the Guiding-plate having the winding-fiber-cables on

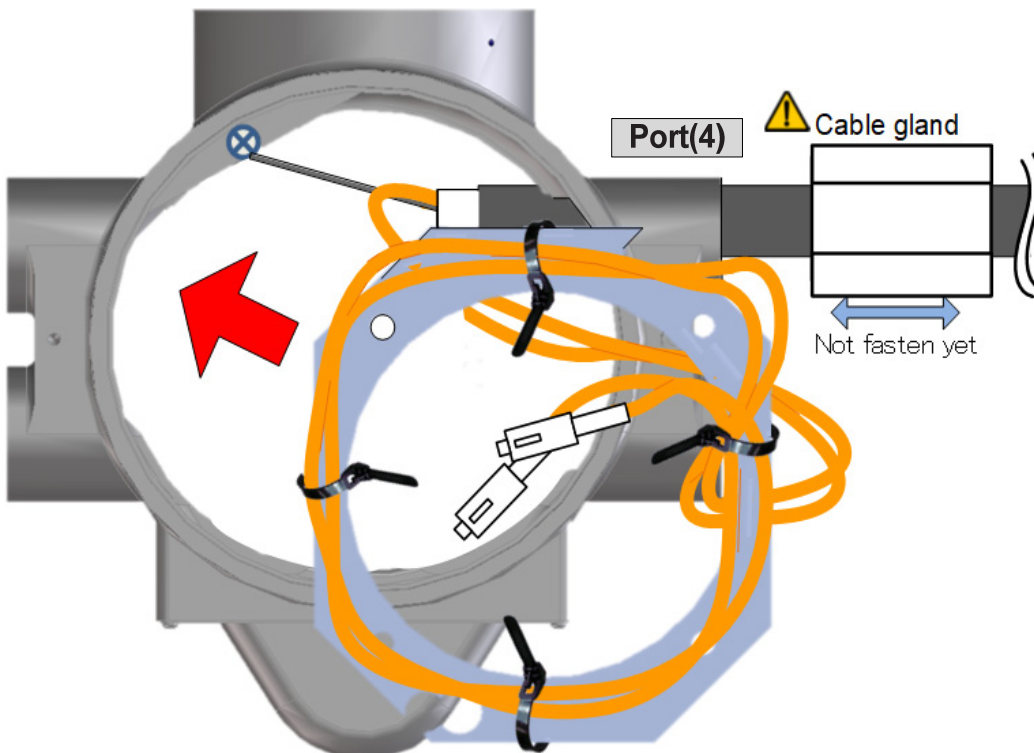


Figure 5.19 Infix a strength member

CAUTION



A Cable gland at this port of the JB must use the M20 x1.5 type

Un presse-étoupe à ce port du JB doit utiliser le type M20 x1.5.

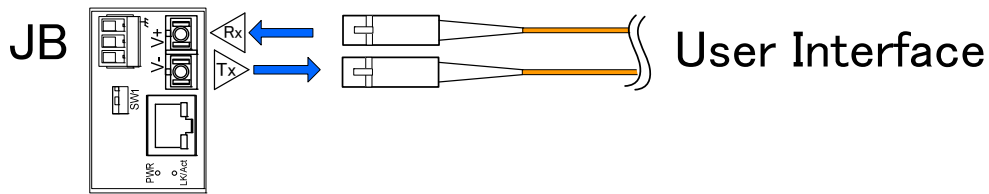


Figure 5.20 Internal User Interface port

NOTE

Operation check at **Port (4)** has been done using only the Optical Media Converter which is same Model-name. As for such Model name and its vender's name, please contact the customer support as inquiry.

La vérification du fonctionnement au port (4) a été effectuée en utilisant uniquement le convertisseur multimédia optique qui porte le même nom de modèle. Pour connaître le nom de ce modèle et le nom de son fournisseur, veuillez contacter le service clientèle.

(6) Fasten a cable gland

Fasten the cable gland tightly to finish. For more detail information, please refer to section 5.7.

5.5.6.LAN connection of JB-TX

(1) Treatment of Composite cable for JB-TX

Insert the Composite-cable (passing through a cable gland) as shown below to port (1) of JB/TX (FC33 Interface)

CAUTION



Assembling of a RJ45 modular plug should start after passing through the Cable Gland and JB's **Port (1)**

L'assemblage d'une fiche modulaire RJ45 doit commencer après avoir traversé le presse-étoupe et le port (1) du JB

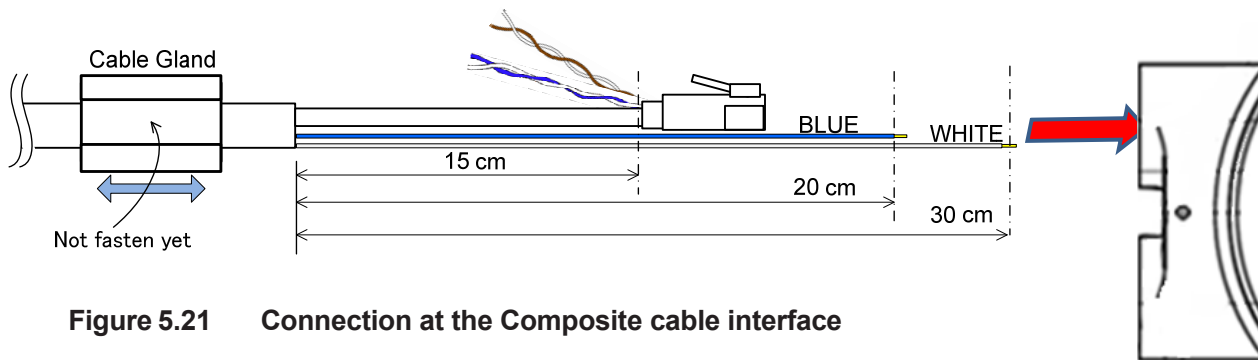


Figure 5.21 Connection at the Composite cable interface

CAUTION



A Cable gland at this port of the JB must use the M20 x1.5 type

Un presse-étoupe à ce port du JB doit utiliser le type M20 x1.5.

(2) Making a Connection of Relay Ctrl.

Push in contact for BLUE-wire to RELAY A1 and WHITE-wire to RELAY N.O.

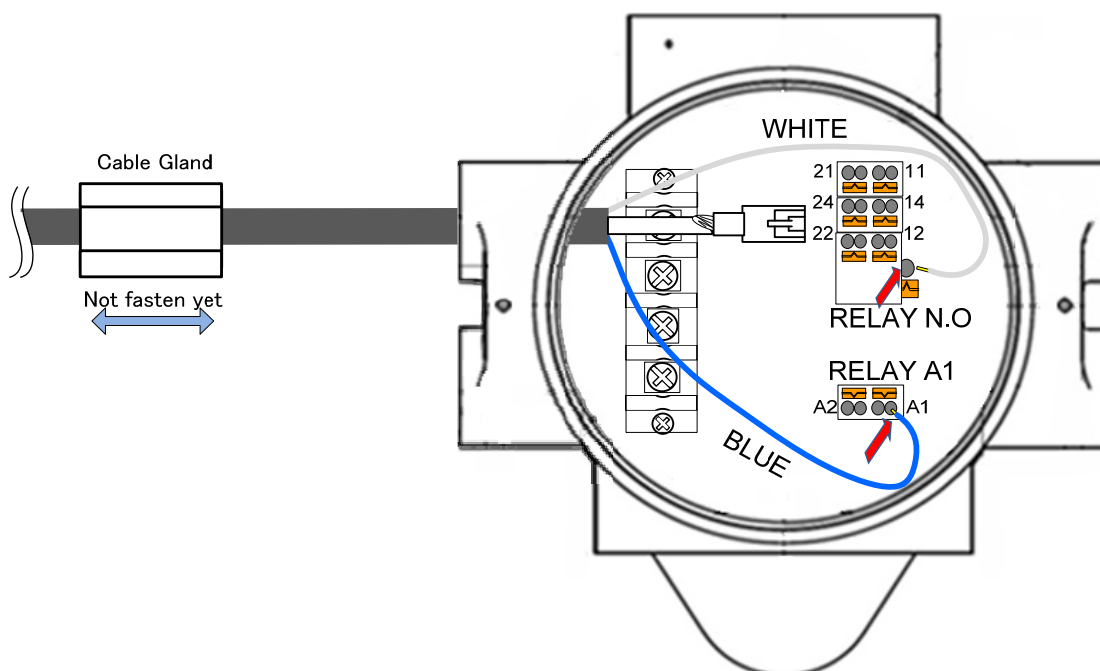


Figure 5.22 Connections for relay control

(3) Treatment of User Interface port of JB-TX

CAUTION

Assembling of a RJ45 modular plug should start after passing through the Cable Gland and JB's **Port (4)**

L'assemblage d'une fiche modulaire RJ45 doit commencer après avoir traversé le presse-étoupe et le port (4) du JB.

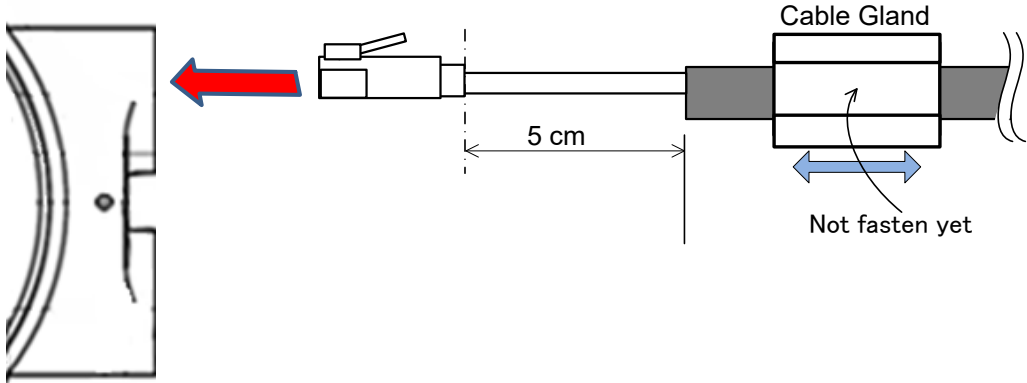


Figure 5.23 User Interface of JB-TX

CAUTION

A Cable gland at this port of the JB must use the M20 x1.5 type

Un presse-étoupe à ce port du JB doit utiliser le type M20 x1.5.

(4) Making a LAN connection inside JB-TX

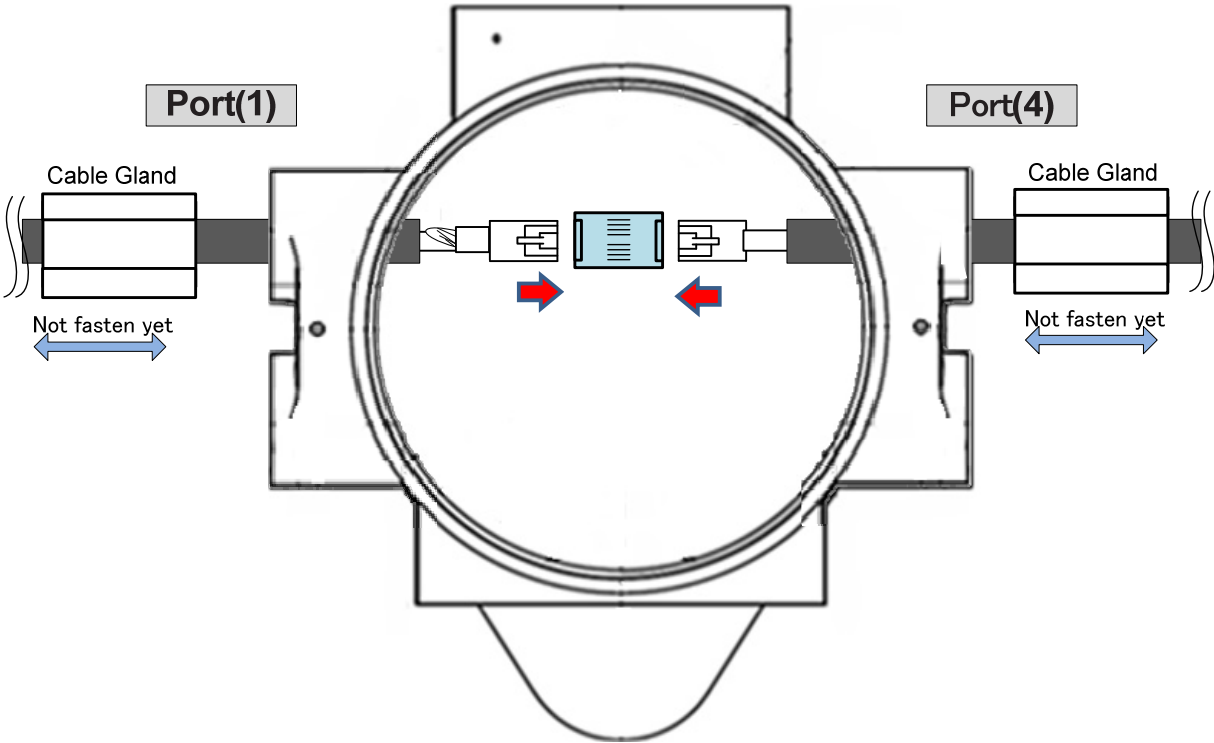


Figure 5.24 Internal Connection of JB/TX

Do not crimp (Blue-White/Blue) and (Brown-White/Brown) pairs into a RJ45 plug, at the **Port (1)**-side

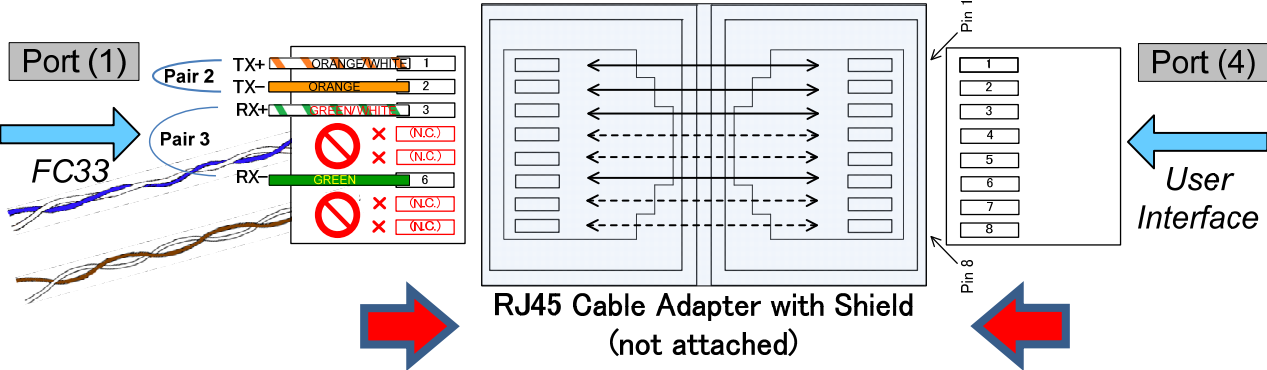


Figure 5.25 Internal Connection of JB-TX (Detail)

(5) Fasten each Cable Gland
Fasten the cable gland tightly to finish. For more detail information, please refer to section 5.7.

5.5.7. Electrical Check before Sealing



NOTE: RECOMMENDED

Before the Upper-lid closing, check the AC-line is being not short-circuited each other by tester.

5.5.8. Closing the JB's Upper-lid

After all cabling is completed, close the Upper-lid by a force of around 30N·m so as to become securely tight. Pin-spanner (/CT-option) will be needed.



DANGER:

Do **never** cabling work(s) against live wire(s), otherwise it can cause a serious accident.

Ne réalisez jamais de travaux de câblage avec des fils sous tension, sinon cela pourrait provoquer un accident grave.

5.5.9. Connecting FG terminal

The JB has two FG terminals externally. Connect one of the pair to the Frame Ground by **M4 screw** A cable and the screws for FG termination are not attached to the JB.

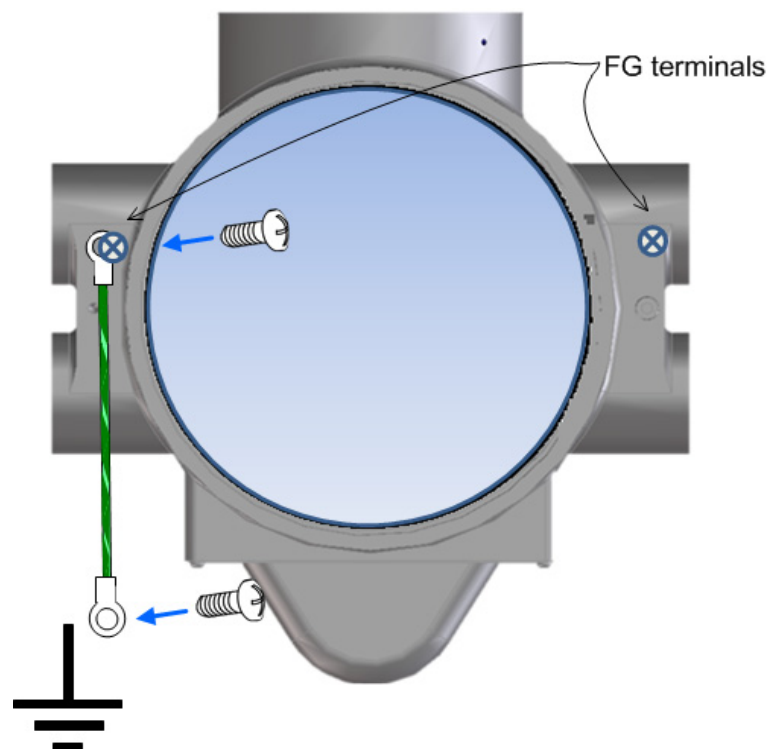


Figure 5.26 FG terminals of FC33

5.6. Cabling without JB

5.6.1. LAN communication

If the FC33's installation without JB, a treatment of the Composite cable will only be the Ethernet signals as shown below. Please prepare RJ45-shielded modular plug to make a LAN interface.

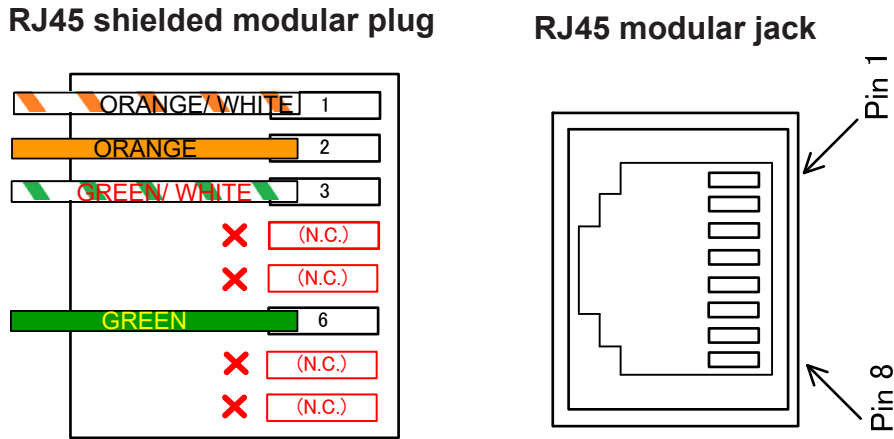


Figure 5.27 RJ45 interface



CAUTION!

In case of using the JB, the Composite cable must pass through a Cable gland in advance. Otherwise, a terminated Composite cable having RJ45 plug can't pass through it.

En cas d'utilisation du JB, le câble composite doit passer au préalable par un presse-étoupe. Sinon, un câble composite terminé avec une prise RJ45 ne peut pas le traverser

5.6.2. Composite cable treatment

Protect nonuse cables around the RJ45 plug by waterproof putty at the surface of the Composite cable. Using sealant to finishing step is more effective.

(1) Remove outer coating covering with aluminum foil from the Composite cable.

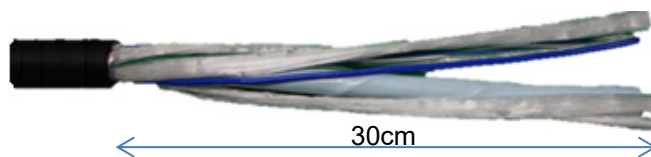


Figure 5.28 Step1 of 12

(2) Remove inner straps

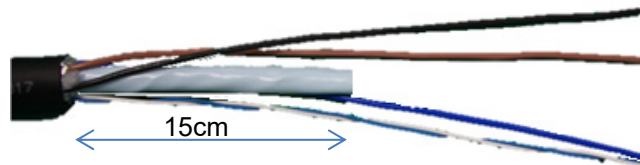


Figure 5.28 Step2 of 12

(3) Remove inner shield



Figure 5.28 Step3 of 12

(4) Remove inner rolled paper



Figure 5.28 Step4 of 12

(5) Wind a Copper foil (an attachment) to LAN cable coating



Figure 5.28 Step5 of 12

(6) Turn back a Drain line

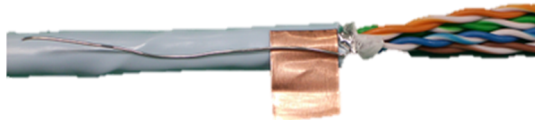


Figure 5.28 Step6 of 12

(7) Wind the Copper foil again (only one round), so as to clamp the Drain line.

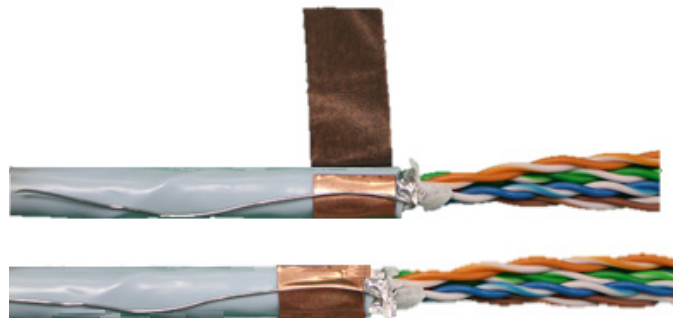


Figure 5.28 Step7 of 12

(8) Turn back 2 twist pair-cables (Blue-White/Blue and Brown-White/Brown).



Figure 5.28 Step8 of 12

(9) Put on a RJ-45-plug having a shield (not an attachment) at the end of remained cables



Figure 5.28 Step9 of 12

(10) Cut off the protruding drain line from the rim of Copper foil



Figure 5.28 Step10 of 12

(11) Become uneven tips of twist-pairs so as to prevent short circuit each other.

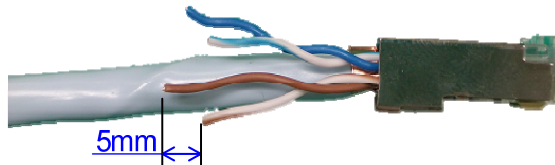


Figure 5.28 Step11 of 12

(12) Wind a tape (not an attachment) to clamp each twist pair cable.



Figure 5.28 Step12 of 12

 **Note**

Termination by network device (a media converter or a HUB etc.) within 40m from the user interface port above should be needed.

Veuillez vous assurer de toujours installer un périphérique réseau (comme un convertisseur multimédia ou un concentrateur, etc.) à moins de 40 m du port d'interface utilisateur ci-dess

5.6.3. Connecting FG terminal

For electrical safety of the Main body, connecting to FG terminal is recommended.

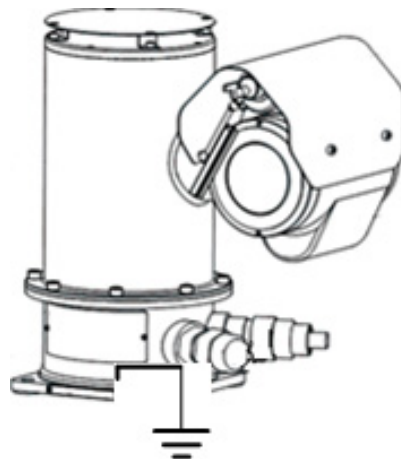


Figure 5.29 FG-termination of FC33

5.7. CABLE GLAND OF JB side(option)

(1) CABLE GLAND (M20) OF JB

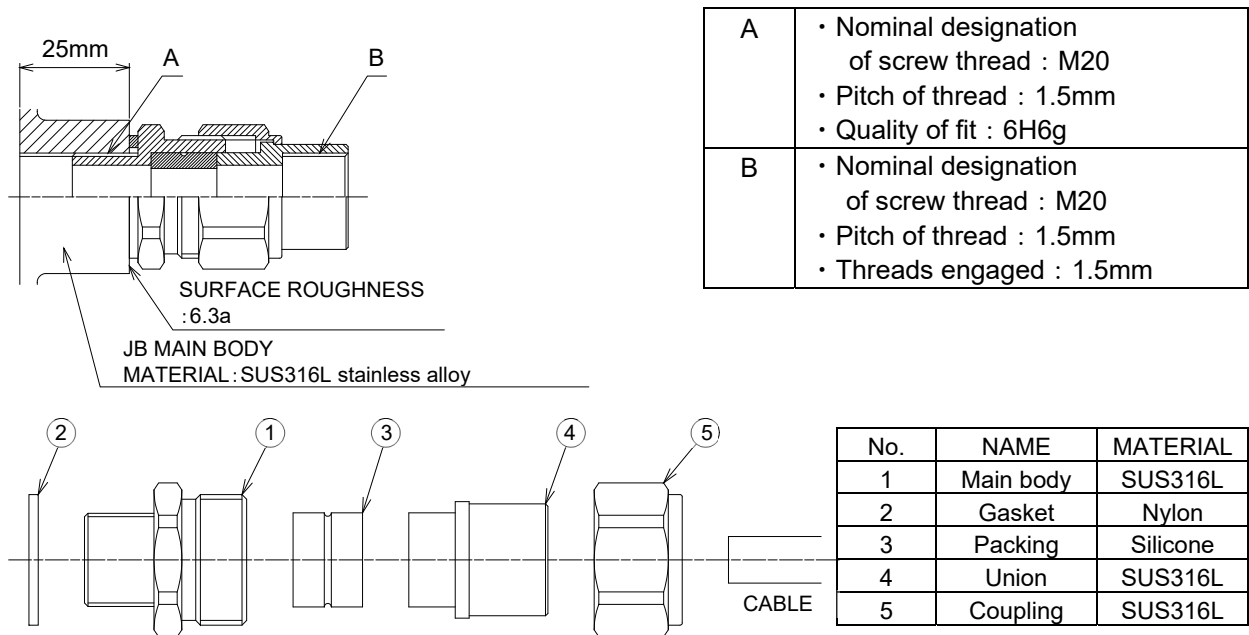


Figure 5.30 M20 Cable Gland for the JB

To install a cable gland for JB, steps are set forth as below:

Following shows the steps for connecting the pressure-resistant explosion-proof packing metal rig. Basic specification code EM2, EM3 and EM4 (ATEX overseas explosion-proof)

1. Remove 4 sealing plastic caps being sealed for transport from JB.
2. Tighten the connector Main Body 1(with GASKET2) to the cabling port where the sealing cap has been removed, at a torque of 30 to 40 N m

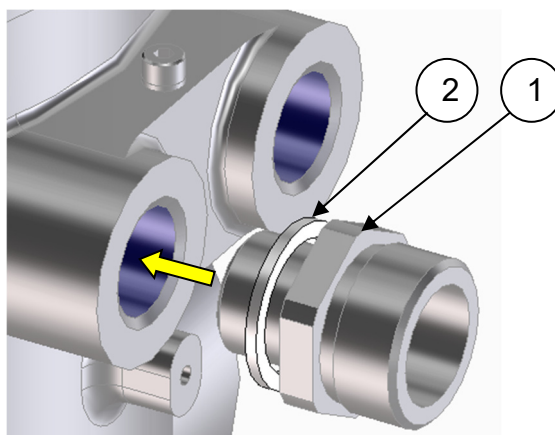


Figure 5.31 Connect Main Body1 with Gasket2

3. Insert the cable through the components as shown below:Union Coupling 4,5, and Packing 3
4. Insert that cable to the JB's inside by passing through the Main Body1
5. Keep a suitable length in the JB's inside to corresponding cabling work at the end of that cable.

- 6. While keeping the connector Main Body1 steady using a spanner etc., tighten the Coupling 5 once until the packing adheres, and then rotate it once and tighten it at a torque of approx. 25 N m.
- 7. If there are cabling ports with protruding sealing plugs, tighten them at a higher torque.

! CAUTION

The cable gland does not offer sufficient pull strength. Less a pull and/or a twist affect the main body connector, use an external component that has enough pull strength to secure the cable connection.

Le presse-étoupe n'offre pas une résistance à la traction suffisante. Moins de traction et/ou une torsion affectent le connecteur du corps principal, utilisez un composant externe qui a une force de traction suffisante pour sécuriser la connexion du câble.

(2) SEALING PLUG (M20) OF JB

➔ **Position for installing the sealing plug at the JB**

To install a sealing plug for JB: Please refer to Figure 5.10 and Figure 5-11 (regarding the JB neither Relay-Control nor AC-Power output), for the installing port.

➔ **Standard size and spec. of the Sealing plug are below:**

Type	M20
Nominal diameter	1.5 [mm]
Thread length	15 [mm]

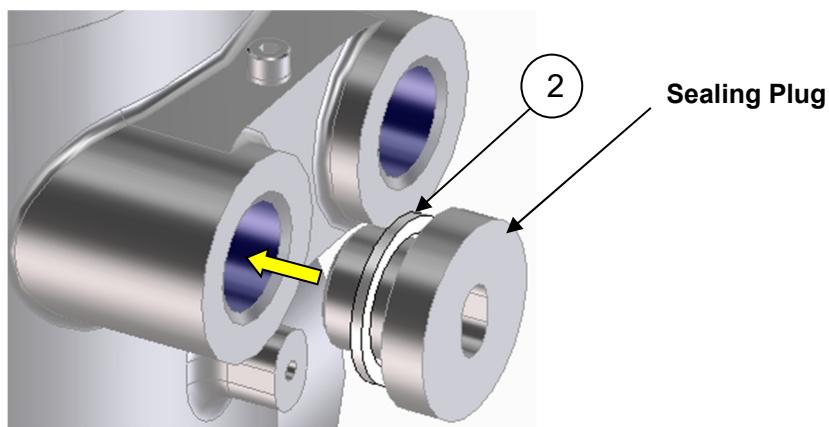


Figure 5.32 Connect Sealing Plug

5.8. Return to Zero Position

The camera can be returned to the zero position from the controller or PC. Figure 5-35 below shows the zero position. The camera automatically returns to the zero position by powering off and then on the camera body.

After the camera returns to the zero position, the zoom position comes to the wide end, the focus comes to Auto, and the Auto Exposure mode and the turning speed are maintained as previously set.

The turning speed is maintained if the specified Return to Zero Position command is used. The speed is fixed at 30°/sec immediately after the turning on the power.



CAUTION

During the camera returns to the zero position, do not remotely operate the camera from the PC(Client). If you attempt to do so, the camera may fail to normally returns to the zero position.

Pendant que la caméra revient à la position zéro, ne faites pas fonctionner la caméra à distance depuis le PC (client). Si vous essayez de le faire, la caméra risque de ne pas revenir normalement à la position zéro.

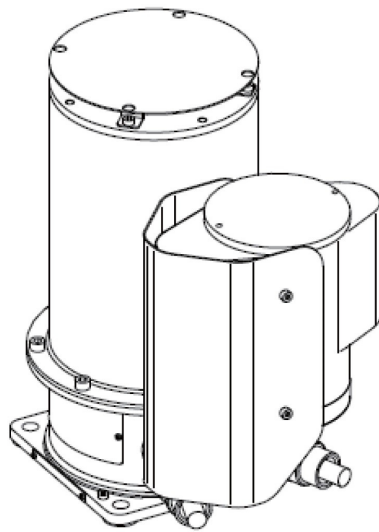


Figure 5.33 Zero position of FC33

5.9. Piping requirements for CSA Explosionproof

To comply with CSA Certification, each cable glands of FC33E should be covered by CONDUIT pipe (Refer to figure 5.34 below).

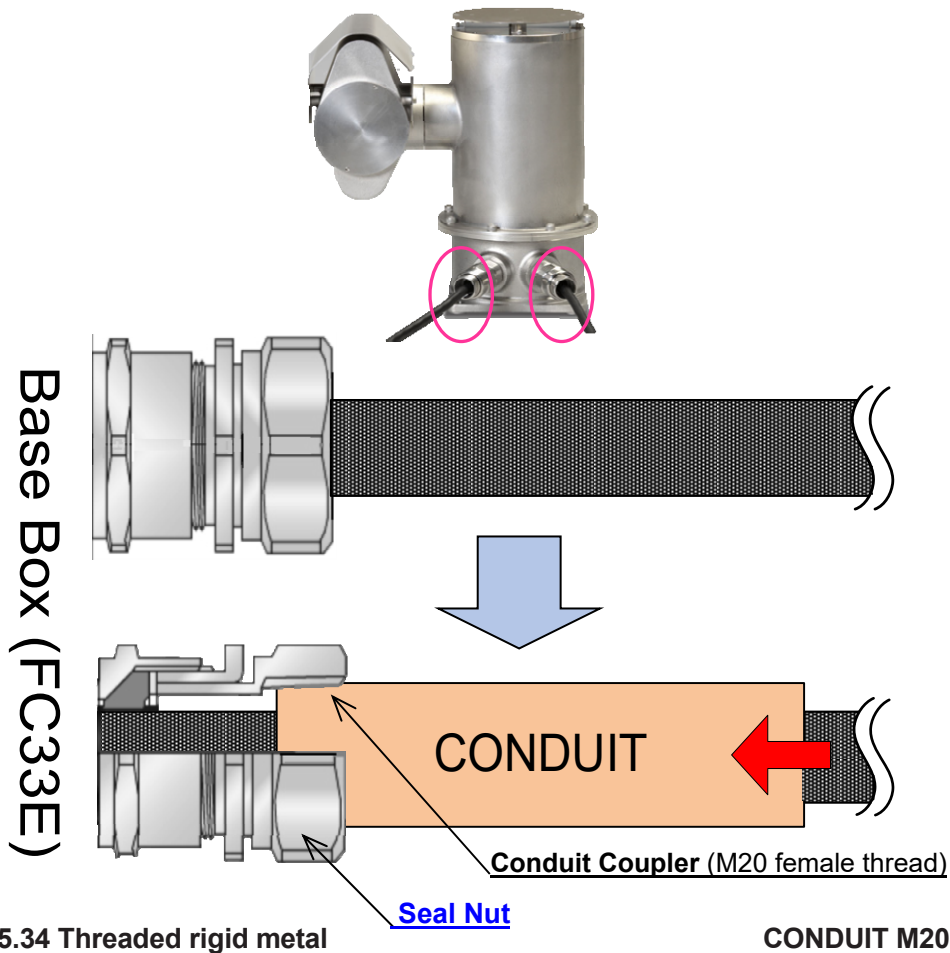


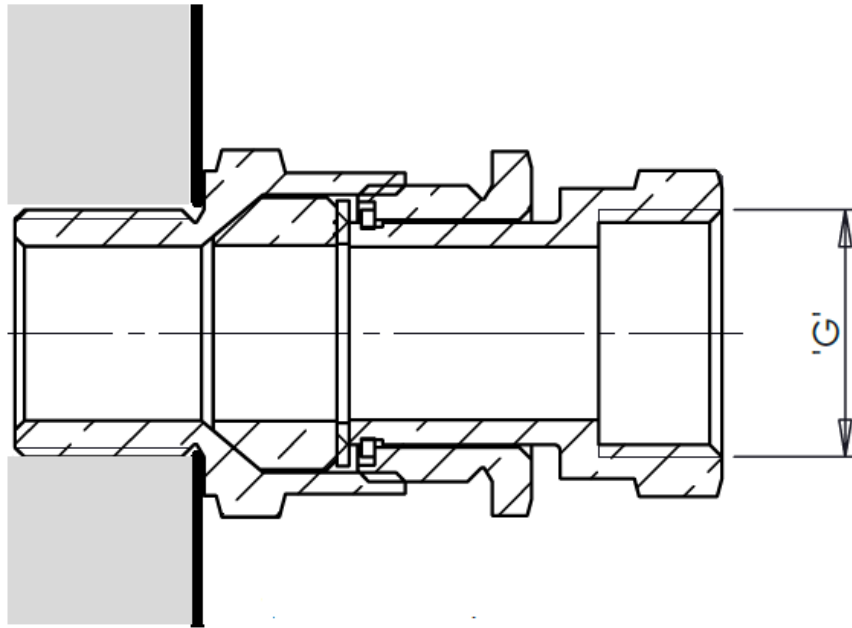
Figure 5.34 Threaded rigid metal

CONDUIT M20

Attach the **CONDUIT** to the Conduit Coupler (M20 female thread inside) and fully tighten it. Ensure that the **Seal Nut** does not come loose during this process by holding it with a spanner (not attached) For Canadian Installations, housing of the Base box must be bonded to ground according to Section 18 of the CEC(Canadian Electrical Code) Part I Safety Standard for Electrical Installations..

For Zone 1 field wiring, according to Canadian Electrical Code, must apply CSA certified cable gland with appropriate rating. (This product complies with already such requirement at the time of factory shipment.) And the final assembly shall be evaluated and subjected to acceptance of local authority having jurisdiction. (This requirement shall be customer jurisdiction.).

For Zone 2 field wiring, please refer to appropriate rule of CEC, and take a proper measures to sealing the conduit enter..



Hear, above 'G':		[Unit: mm]
PICHTH OF THREAD	1.5	
THREAD ENGAGED	15	
DEPTH PE RENGAGEMENT	10	

Figure 5.35 Connecting interface of CONDUIT



CAUTION

Do not touch the each 2 pigtail Cables if lower minus 10 celsius degree environment.

Ne touchez aucun des 2 câbles en queue de cochon si la température ambiante est inférieure à 10 °C.

6. Accessing the Camera

6.1. Before Use of the IP Camera

(1) Important Notice: to making a secure system



CAUTION

FC33 is not designed to be able to connect to the Internet directly. To make a connection of FC33 (Server) and PC (Client) by network, be sure that those are being a same network. Such network has to be isolated from the Internet by Firewall at least, or being disconnected actually and/or physically.

Le FC33 n'est pas conçu pour pouvoir se connecter directement à Internet. Pour établir une connexion de FC33 (serveur) et PC (client) par réseau, assurez-vous qu'il s'agit d'un même réseau. Ce réseau doit être isolé d'Internet par le pare-feu au moins, ou être déconnecté réellement et / ou physiquement.

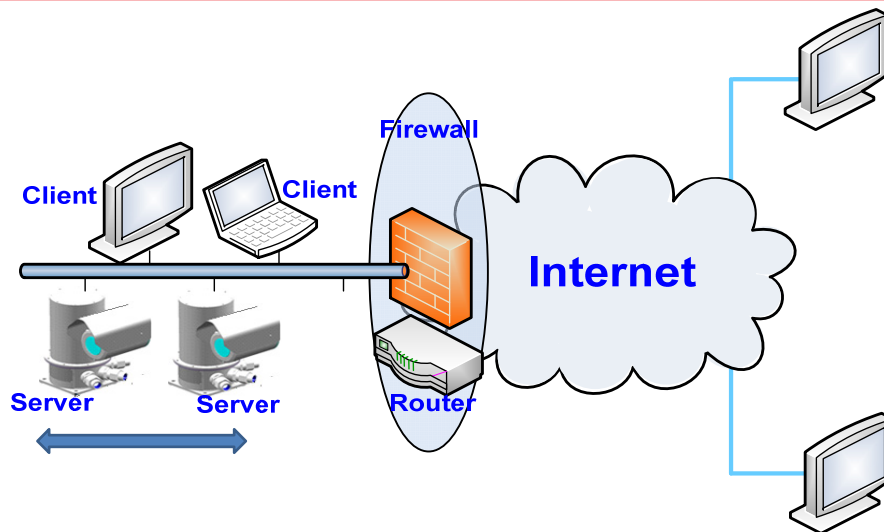


Figure 6-1 To making a Secure System

6.2. System Requirements of PC

The systems requirements of PC as a Client system for FC33E/U are shown below:

(1) OS requirement

Item	Specifications
Windows 10 *	English version, Japanese version,

Note: Operation has been confirmed with Windows 10 Pro 64bit version.

(2) Web browser

Microsoft Edge Chromium *

Note: Installation of ActiveX attached to the product and execution in Internet Explorer mode are required.

6.3. Installing Setup utility to the PC

(1) ActiveX installation

To display images using a Web browser, the following two types of software must be installed on the client PC.

ActiveX software for Web browser is included in the attached CD-R.

Microsoft Visual C++ may already be installed depending on the PC environment. In that case, installation is not required.

ActiveX software for Web browser

Item	File name	Remarks
1	rtspviewer_x.x.x.msi *1	ActiveX main module
2	vc_redist.x86.exe *2	Runtime

*1 RSTP RTSP Viewer ActiveX control

*2 Microsoft Visual C++ Runtime

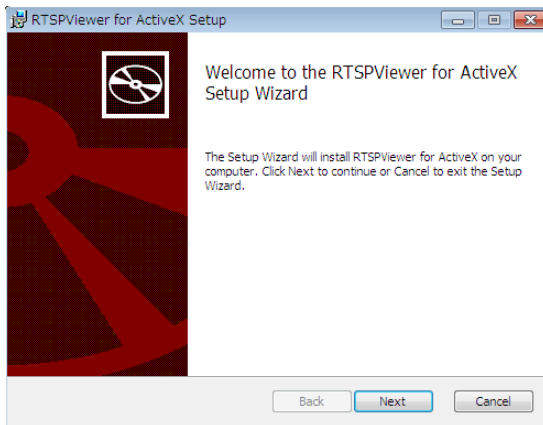


Figure 6-2 Item 1 installation

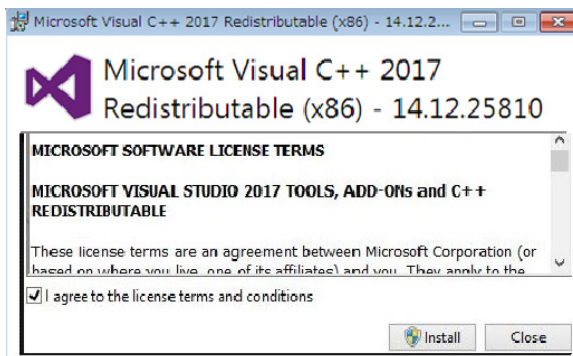


Figure 6-3 Item 2 installation

1. **Complete** the installation of the Runtime files
2. **Restart** (Reboot) the PC
3. **Once after the first installation mentioned above had been done, installing only one-software shown below is needed at the PC**

Item	File name	Remark
1	rtspviewer_x.x.x.msi	ActiveX main module
--	--	---

(Uninstalling of old version is needed before new version)

4. **Restart** (Reboot) the PC

6.4. First browser startup

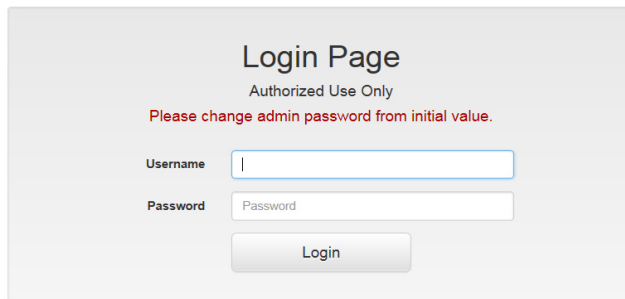
This FC33 Full HDIP type has an IPv4 address **192.168.127.100** as a factory default value (at the first time) or an inputted value of "IP Address"-field at Admin Menu > Network > LAN > IPv4>screen.

(1) IE mode settings

Microsoft Edge requires Internet Explorer mode (IE mode) settings in order to run the ActiveX that handles video streaming. Please follow the steps below to set IE mode. Steps 2. through 4. are not necessary the next time after setting once.

Step1.

Type `http://192.168.127.100` to the Address field of the Web browser, and press the Enter key. Then, login window as shown below will be opened.



© 2017 Yokogawa Denshikiki Co., Ltd.

Figure 6-4 Login Page at the first time

Step2.

Click the icon "... " in the menu display at the upper right of the Web browser and select "Settings".

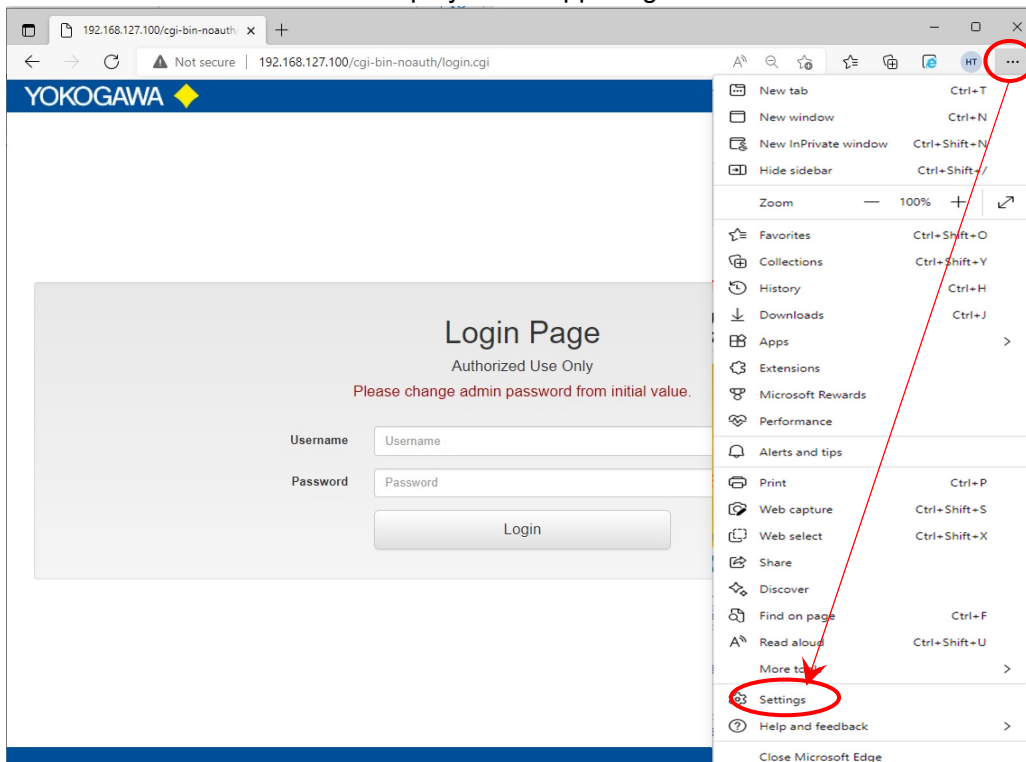


Figure 6-5 Settings menu selection screen

Step3.
Click on "Default Browser" from the settings menu on the left.

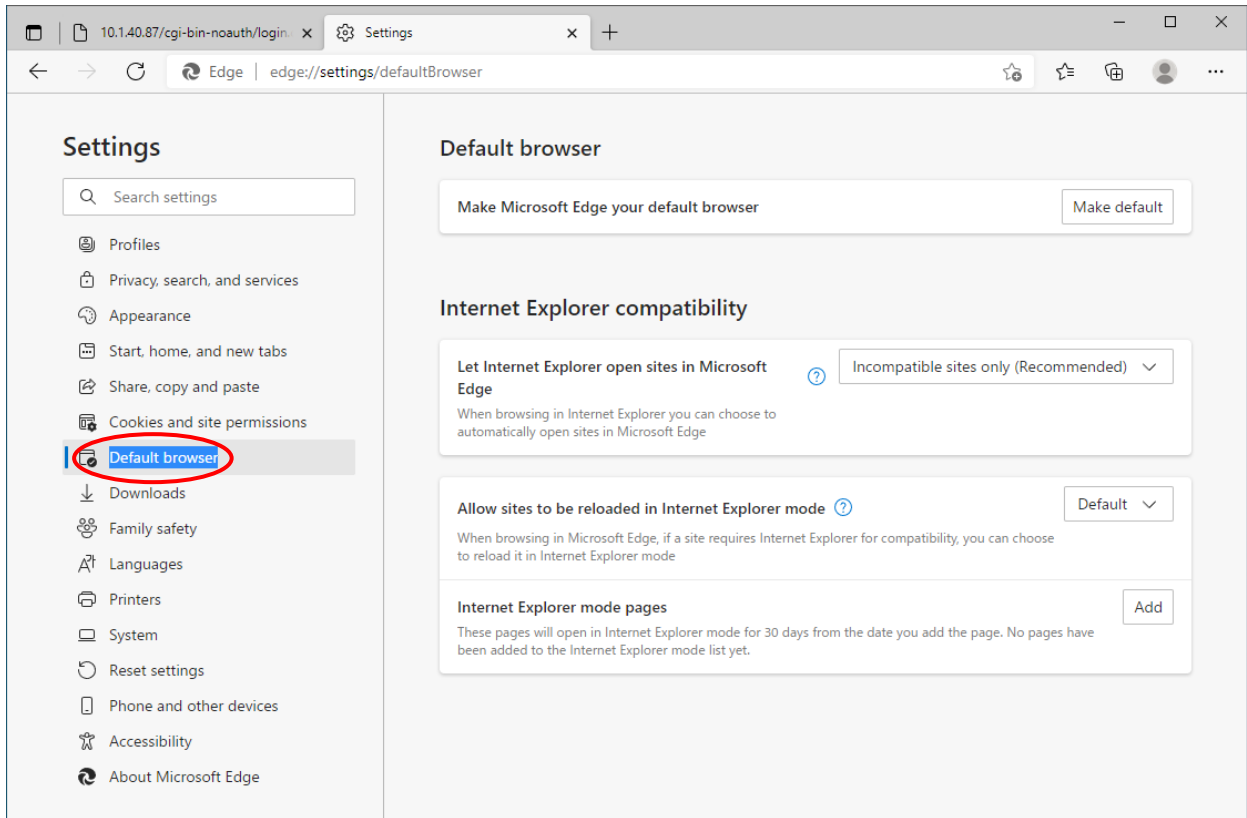


Figure 6-6 Default Browser Settings Screen

Step4.
Under "Allow sites to be reloaded in Internet Explorer mode," select "Allow," then click the "Restart" button below it to restart your browser.

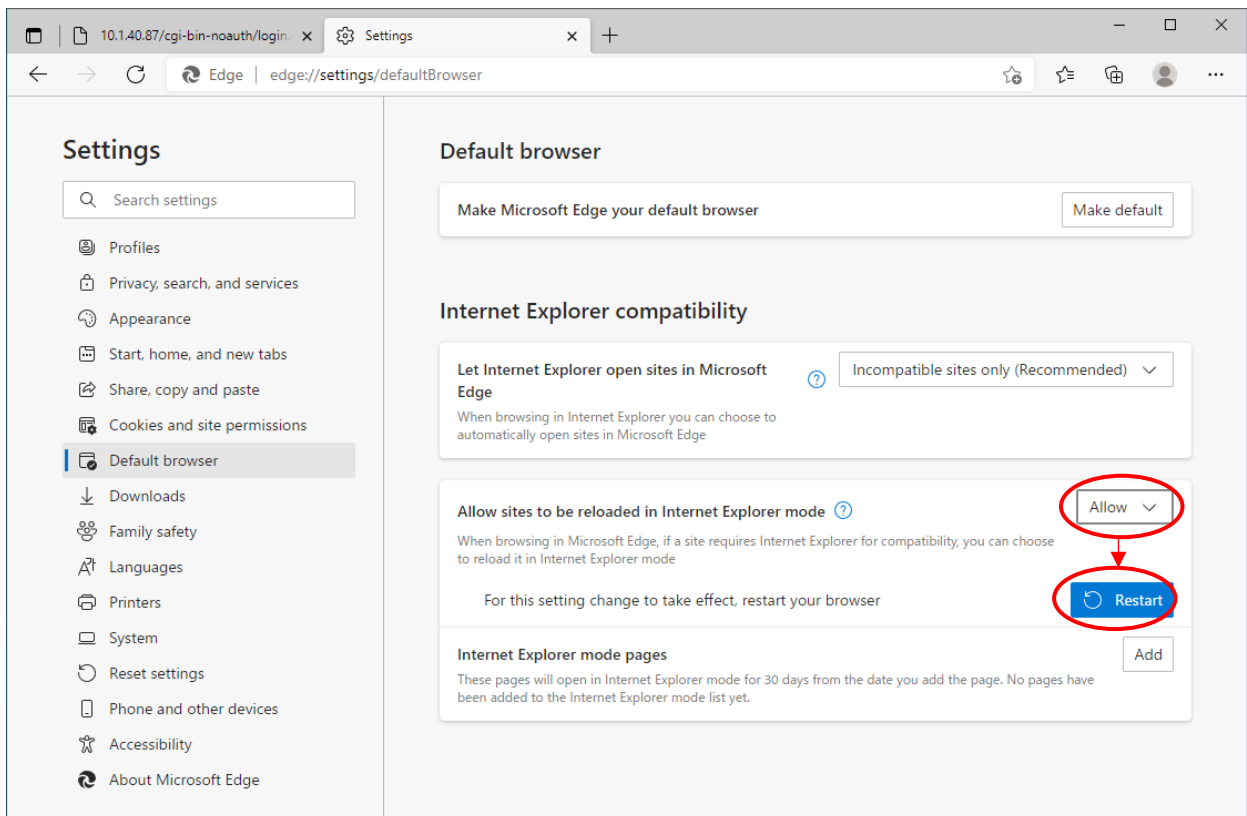


Figure 6-7 Internet Explorer mode settings

Step5.

After restarting, go to the tab that accesses Fieldeye, click again on the icon "..." in the menu display in the upper right corner, and select "Reload in Internet Explorer mode".

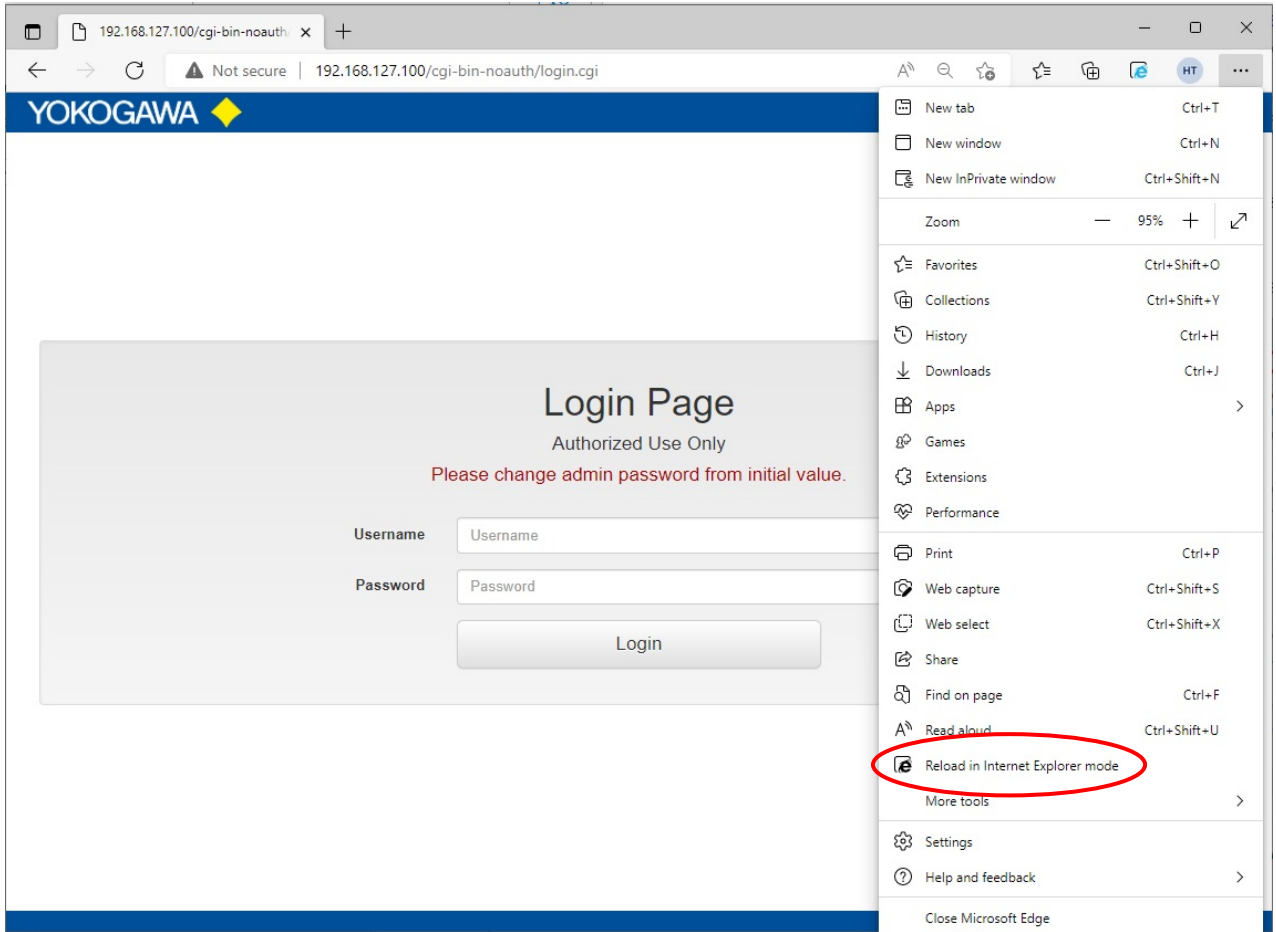


Figure 6-8 Reload Internet Explorer mode

In the pop-up menu , enable "Open this page in Internet Explorer mode next time" and click "Done".

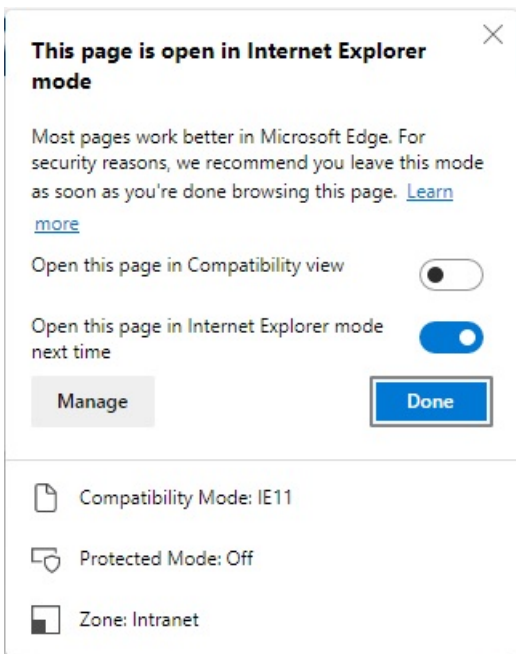


Figure 6-9 Internet Explorer mode reload settings

6.5. Changing default password

At a first log-in to FC33, default password of admin must be changed. Therefore, a screen of “changing admin's password” will be displayed at first time.

At Fill a default ID and pass-word in to the login screen, and click the Login button.

User name: **admin**
 Password : **fieldeye2**

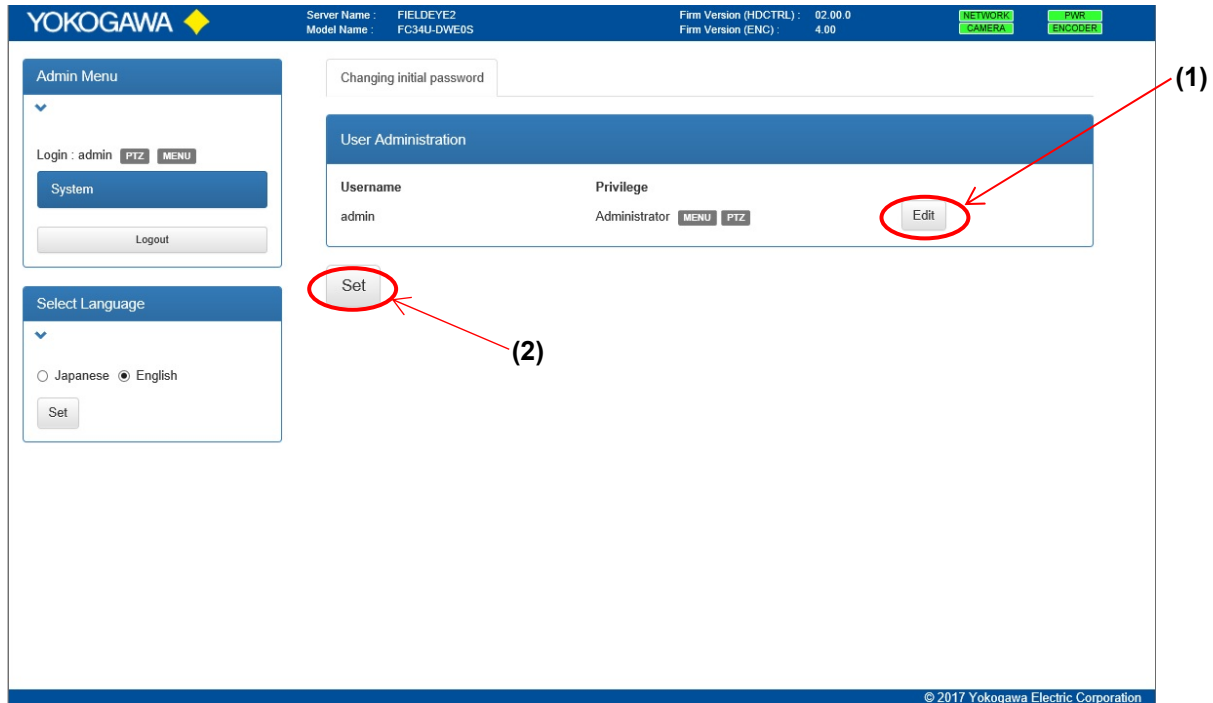


Figure 6-10 Change an initial password

(1) Press an “Edit” button

Then a dialog window for changing the initial password of admin will comes up.

Username:” admin” keep same

Password:” ■■■■■■■■■■”

Type in a new password of your own; DO NOT forget this-password.

As for the New Password:

➢ At least 8 characters in length, with a max length of 128 characters, Including at least 2 kinds of types within 1) - 3) shown below :

➢ 1) Alphabetic characters (distinguish between upper and lower-case).

➢ 2) Numbers

➢ 3) Codes, except 4 characters of [, “ / \]

Also, 3 characters are prohibited: **Space, Tab, Enter** in the Codes above



NOTE

Set a new administrator's New Password so that others cannot easily guess it...
 Do NOT forget the NEW Password please!

(2) Click a Set button

Then the screen of “changing admin's password” will be closed, instead a second login page will come up. However, the message of “Please change admin password from initial value” will be dis-appeared in this time.

(3) Do login by the New Password as admin.

Then, the Viewer screen as Home page will be come up like below:.

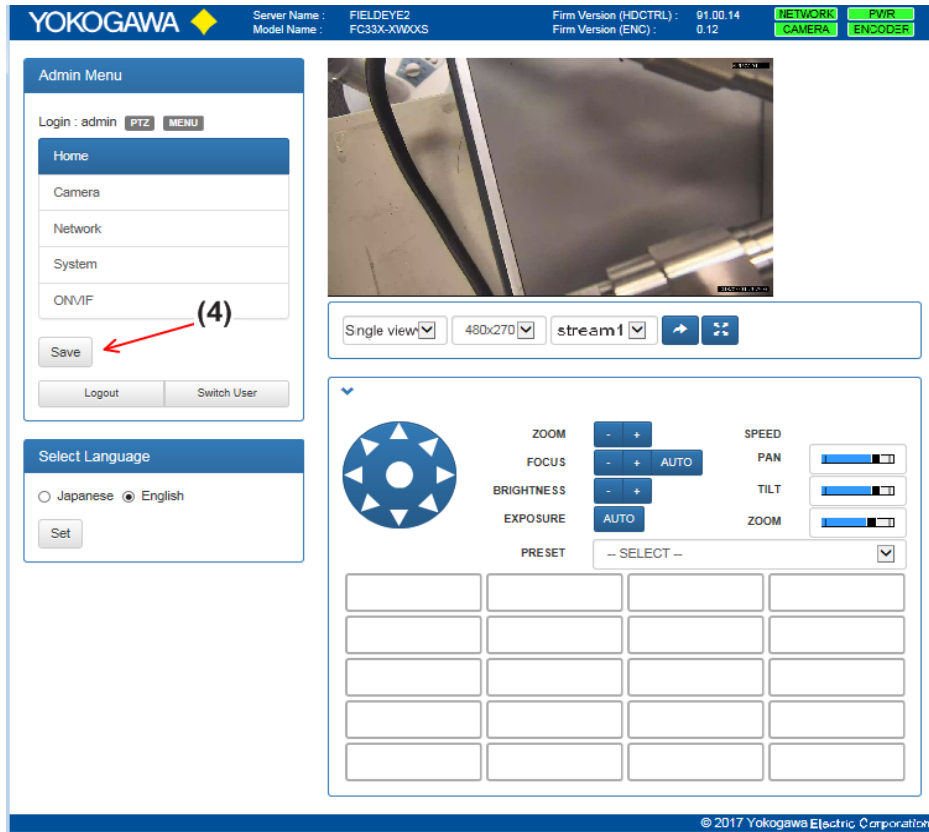


Figure 6-11 Save a New password

(4) Click a Save button

By clicking a Save-button, the **New Password** sets into this FC33.

Note:

If IE mode is not set correctly, "ActiveX control failed to load." is displayed in the video display area as shown below.

Please check the IE mode setting and perform step 5 [Reload in Internet Explorer mode].

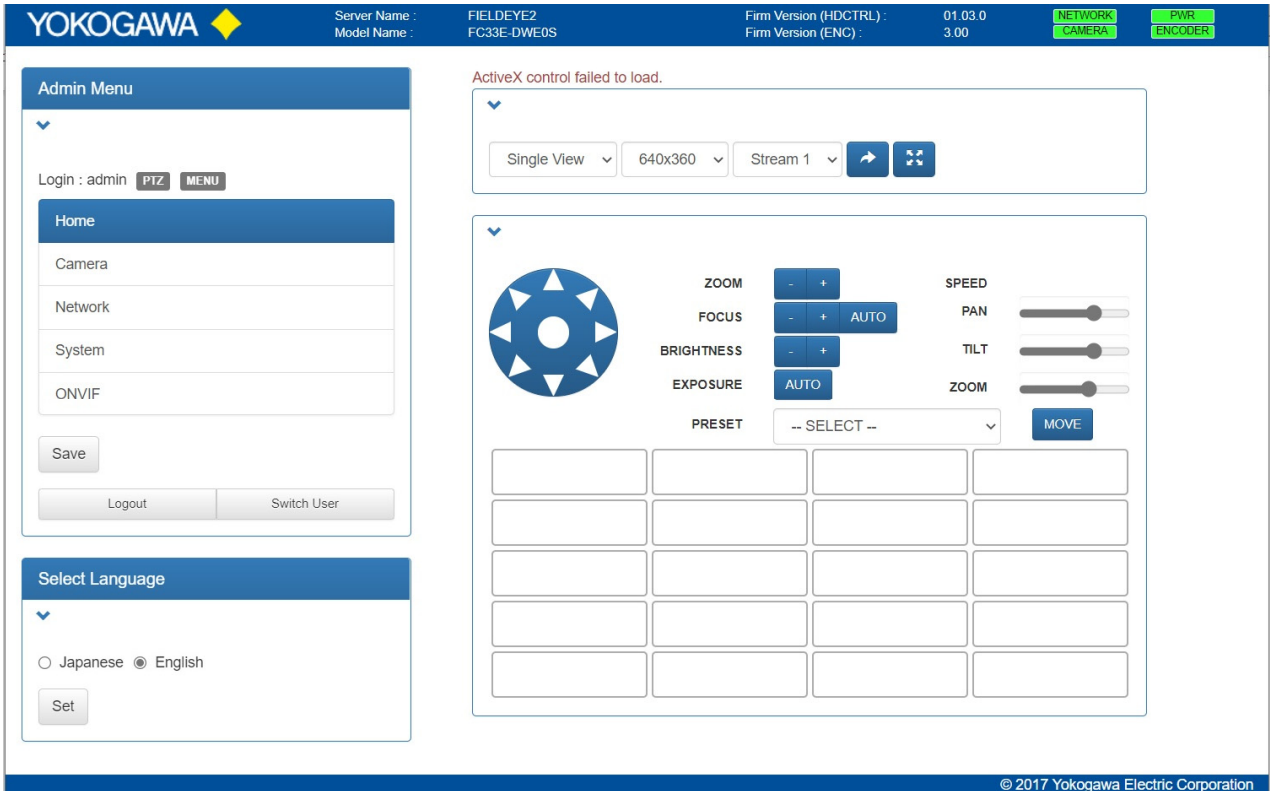


Figure 6-12 ActiveX loading error

This problem also occurs when ActiveX is not installed properly or when ActiveX execution is not permitted. Check your ActiveX settings.

7. Accessing the Video streams

An Operator and/or Client(s) can access FC33E/U via Webpage.

7.1. Home (Viewer screen)

7.1.1. Viewer setting-field

(1) Number of screens

Single View 1 screen display
 Multi View 4 screen display

(2) Size of screen(s)

Select one-size which want to from the pull down menu. (These sizes are unrelated to the resolution-setting in the video stream, at 7.2.4 Video)

960x540
640x360 :Default
480x270
320x180

(3) Video Stream selection

When the single view (1-screen) mode, selection of the "stream number-1 or 2" of the Live Viewer is available.

7.1.2. Viewer Console-field

A Console-field for the Live Viewer consists of PT (Pan and Tilt)-Direction Circle, Zoom controller, Preset position, Optical adjustment controller and Matrix table of function buttons.

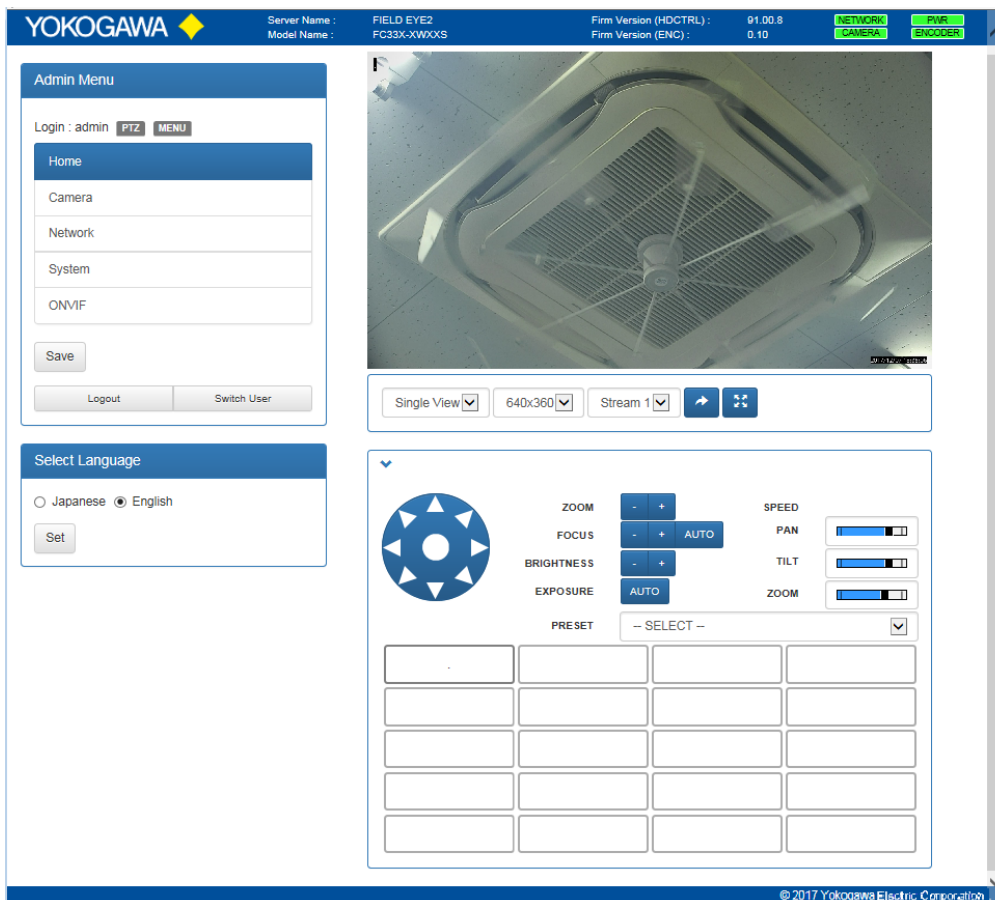


Figure 7-1 Viewer console

(1) PT-Direction Circle and Zoom Ctrl

Any triangle on the circumference can move to that direction. However if click a center button, camera will return to the Home position any time. Zoom-/+ button controls zooming function.

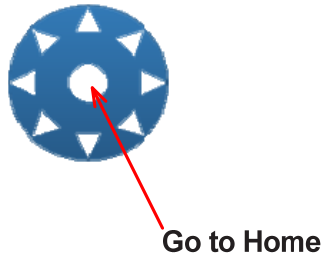


Figure 7-1A Console functions of the Viewer

(2) Optical adjustments and speed control

As for the Optical adjustment menu, manual/auto-focus and brightness are available. Speed bars can control PT speed by the PT direction circle and zoom +/- button respectively.

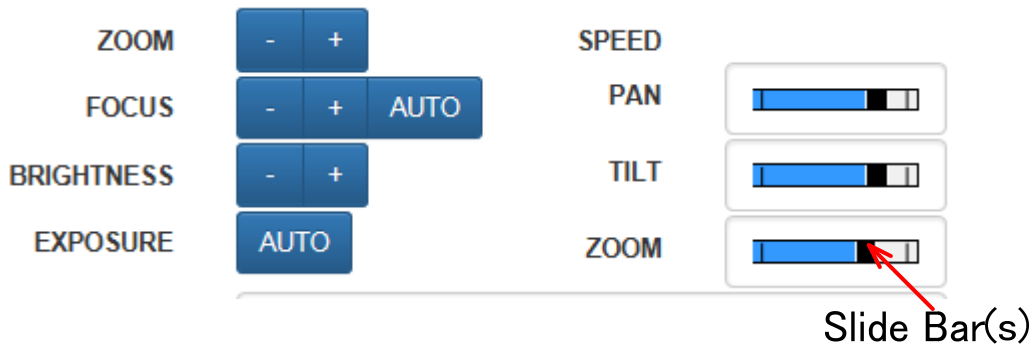


Figure 7-1B Console functions of the Viewer

(3) Moving to Preset-point

Preset positions configured in advance can display and select in a pull down menu.

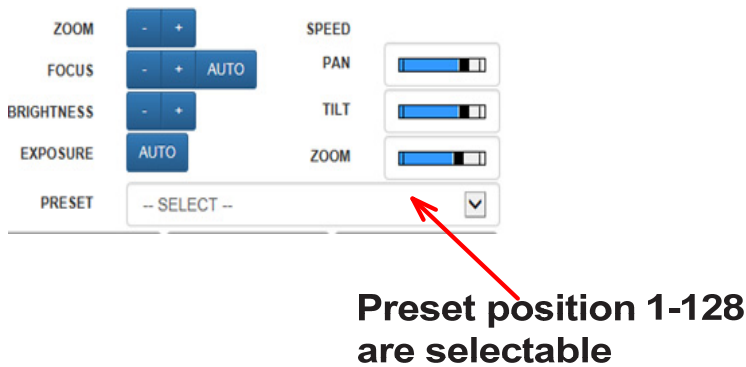


Figure 7-1C Console functions of the Viewer (2/2)

7.1.3. Language setting-field

Language of the browser can select by radio-buttons in this field. Clicking a button of "Set" below determines the selection.

7.1.4. Title Bar

Title Bar in the Home window shows fundamental information that are Server Name, Model Name, and firmware versions which are shown below: the Server Name can be changed(Please refer to 7.4.1).

(1) Firm Version (HDCTRL):

A displayed numbers of 6-columns: AB.CD.EF (where A to F are natural numbers) shows a version of Ctrl module firmware being embedded into HDCTRL_BD.

(2) Firm Version (ENC):

A displayed numbers of 3-columns: A.BC (where A, B and C are natural numbers) shows a version of Encoder module firmware being embedded into ENC_BD.

7.1.5. Status Indicator

Status indicators of 4 at an Upper-right-corner are updated every 60 seconds. These indicators are provided by an internal video encoder board (shown as **ENC_BD** of **Fig.3-2** in the block diagram).

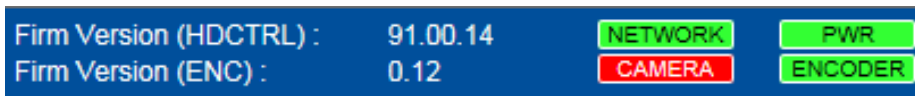


Figure 7-2 Example of the Status Indicator

(1) NETWORK

Displaying	Detected status(s)
RED:	CGI (Common Gateway Interface)-communication via the IP network failed Please check IP connection between FC33 and the PC which is executing Web browser. Next, reboot the camera and PC. If still the RED displayed, please contact Yokogawa's sales distributor or sales office.
GREEN:	A web access (CGI communication /CGI call) to this camera by Web browser has succeeded.

(2) PWR

Displaying	Detected status(s)
RED:	An error status(s) has been detected at the power unit of FC33. Voltage fluctuation exceeding 10 percent had been detected at DC5V or DC12V against the rated voltages Reboot the camera and check the indicator again. If the RED was still displayed, in spite of the normal AC power inputting, please confirm operation LOG file(s) and get it. To obtain such LOG file(s), please refer to section 7.5.4. And contact Yokogawa's sales distributor or sales office.
GREEN:	Each DC voltage output in the main body is being into the rated range ($\pm 10\%$).

(3) CAMERA

Displaying Detected status(s) _____:

RED: One or more error status enumerated below has been detected by Control module firmware of the HDCTRL_BD:

(a) A communication error has been detected between ENC BD and HD Camera module.

(For example, a control-command to the camera-module was not completed with successfully).

(b) Abnormal occurrence at the motor driven system or control system.

(c) Abnormal occurrence at the peripheral system

(d) Deviation from the preset temperature(s)

(e) Abnormal processing during system start-up sequence.

(f) Occurrence of read / write error at the flash memory.

Self-recovery might be possible by doing re-start of the camera in some case.

"Removing" each cause both inside and outside: being into over 60°C (140°F) as an outside temperature, and/or being into a status of high-load Image processor, and so on, each of those may have cancelation of the RED.

If the RED still remains even if such "removing", moreover after re-starting the camera, please confirm the operation LOG file(s) and get it. To obtain such LOG file(s), please refer to section 7.5.4.

And contact Yokogawa's sales distributor or a sales office.

PURPLE: Showing an under updating the FIRMWARE on the "Controller Module" (please refer to Figure 3.3). During such the period, ENCODER can't work. Please complete the updating to quit showing the Purple.

ORANGE Transition to the normal operation status is not completed yet. For example, during a boot sequence of the HD camera module, during the warm-up operation under low temperatures, and so on, this will be being displayed.

If some failure factors exist, indicating period will be extended because of re-try during the boot sequence.

GREEN: No abnormality enumerated above is detected.

(4) ENCODER

Displaying Detected status(s) _____:

RED: By internal anomaly detection, the Reboot-sequence occurred. ENC-BD executes a software watch dog timer (WDT) in case of the internal anomaly detection. As a result, the Reboot will occur by the encoder board (ENC-BD). Re-start of the camera can turn off the RED.

If the RED still remains even if Re-starting, please confirm the operation LOG file(s) and get it. To obtain such LOG file(s), please refer to section 7.5.4.

And contact Yokogawa's sales distributor or a sales office.

GREEN: Current start-up state of the ENC-BD is not a result of the internal anomaly detection..

7.2. Camera Configuration

7.2.1.Preset

(1) Preset Position

Up to 128 preset points can be configured in the Position table.

Click an "Edit" button first, then editing a dialog popup window will come up.

By Clicking "OK" in the dialog popup window, the current position being displayed on the screen now will be registered.

Once a registration have been done, by clicking "Go to", the camera starts movement for reproducing that preset position.

The screenshot displays the YOKOGAWA camera configuration web interface. At the top, the header shows the YOKOGAWA logo and system information: Server Name: FIELD EYE2, Model Name: FC33X-XWXXS, Firm Version (HDCTRL): 91.00.8, Firm Version (ENC): 0.10. Status indicators for NETWORK, CAMERA, PWR, and ENCODER are shown as green. The main interface is divided into several sections:

- Admin Menu:** A sidebar menu with options: Home, Camera (selected), Network, System, ONVIF. It includes a login field (admin), PTZ, MENU buttons, a Save button, and Logout/Switch User buttons.
- Live View:** A video feed showing a camera view of a ceiling. Below it are zoom and focus controls: a directional pad for zoom and buttons for zoom (-/+), focus (-/+), and an AUTO button.
- Preset Tab:** The active tab, containing two sub-panels:
 - Preset Position:** A table with 8 rows. Each row has a 'No.' column and a 'Name' column. To the right of each row are 'Go to', 'Edit', and 'Delete' buttons. A pagination bar at the bottom shows page 1 of 16.
 - Preset Function Assigns:** A table with 8 rows. Each row has a 'No.' column and a 'Function' column. To the right of each row is an 'Edit' button. The functions listed are: HOME POSITION: ON, No Function, No Function, No Function, No Function, No Function, No Function, No Function. A pagination bar at the bottom shows page 1 of 8.

Figure 7-3 Preset Tab


(2) Preset Function Assigns

Select and click the number to edit first, then editing a dialog popup window will come up. Select a function from the pull-down menu list. By Clicking "OK" in the dialog popup window, the selected function is assigned to that number.

Table 7-1 “Source functions” which can assign to the each number in the “Destination functions”

Function name	Description of function
No Function	
Auto ICR ON	AUTO-ICR: ON: Camera selects either an automatic control ON or OFF for the Color/Monochrome mode. AUTO-ICR:OFF: Camera is locked to color mode always, even if under low light intensity This Selection available when NightShot is "OFF"
Auto ICR OFF	
Backlight Compensation ON	Backlight correction ON
Backlight Compensation OFF	Backlight correction OFF
Night Shot ON	Image(s) will be changed to Monochrome mode compulsorily. IR cut filter is removed (ICR-ON) More high priority than “AUTO-ICR:ON”
Night Shot OFF	Image(s) will be changed to Color mode. IR cut filter is on (ICR-OFF)
AF-Fix ON	Retains the current focus mode setting during operation.
AF-Fix OFF	Auto Focus mode is entered during operation.
AE-Fix ON	Retains the current exposure mode setting during operation.
AE-Fix OFF	Exposure mode is set to Auto mode during operation.
Manual Focus	Change to Manual focus mode Focus value is fixed to a current value.
Shutter Speed UP	Shutter Speed setting :Total 22 steps (→Exposure mode will be changed to Manual) UP: Change to a (next) faster shutter speed DOWN: Change to a (next) slower shutter speed
Shutter Speed DOWN	
Gain UP	:Total 15 steps (→Exposure mode will be changed to Manual) UP: Change to a higher Gain DOWN: Change to a lower Gain
Gain DOWN	
Exposure Auto	Exposure mode will be changed to Auto

Table 7-1 (CONT.)

Function name	Description of function
Wiper ON	After the wiper goes on; It automatically goes off and the wiper blade stops in the predetermined position.
Wiper OFF	Break a wiping motion
Defroster ON	Enable a Preventing function for suppressing dew condensation or frost formation.
Defroster OFF	Disable the Preventing function for suppressing dew condensation or frost formation.
F3(Relay) ON	External relay contact control (for JB):  NOTE: Each setting status is being hold until a change by an opposite command.
F3(Relay) OFF	
Presetting Command SEQ START	Start a Preset Tour and STOP it
Presetting Command SEQ STOP	
PAN/TILT Speed UP	Pan/Tilt Speed control: UP: Change to a (next) faster step of speed settings DOWN: Change to a (next) slower step of speed settings
PAN/TILT Speed DOWN	
Reboot	FC33 executes a reboot sequence.
Function Command SEQ START	Start a SEQ Command and STOP it
Function Command SEQ STOP	
Go to HOME	Camera goes to the HOME position
Focus Speed UP	Focusing Speed control: UP: Change to a (next) faster step of speed settings DOWN: Change to a (next) slower step of speed settings Displaying Log date ON/OFF
Focus Speed DOWN	
Zoom Speed UP	Zooming Speed control: UP: Change to a (next) faster step of speed settings DOWN: Change to a (next) slower step of speed settings
Zoom Speed DOWN	
Log OSD ON	Displaying Log date ON/OFF
Log OSD OFF	
Slow Shutter ON	Slow shutter mode ON/OFF
Slow Shutter OFF	
Digital Zoom ON	Digital Zoom mode ON/OFF
Digital Zoom OFF	
Auto Focus	Set to Auto focus mode
Go To Last Preset Position	Move to a latest preset position (If no preset movement has been done, do nothing.)
Stabilizer ON	ON: Activate a digital Stabilizer function in the camera module. Tele-end is more effective than Wide-end. OFF: Default
Stabilizer OFF	
Defog ON	Enable a Defrosting device
Defog OFF	Disable the Defrosting device

**NOTE**

See section 7.2.6."Detail" also, for reference.

7.2.2. Camera Control

(1) Function Button Assigns

The screenshot shows the Yokogawa camera control interface. At the top, the status bar displays 'Server Name: FIELD EYE2', 'Model Name: FC33X-XWXXS', 'Firm Version (HDCTRL): 91.00.8', and 'Firm Version (ENG): 0.10'. The left sidebar contains an 'Admin Menu' with options like Home, Camera, Network, System, and ONVIF. The main content area is titled 'Function Button Assigns' and features a 'Function Button Align' grid with 20 numbered buttons (1-20). Below the grid is a 'Show Summary' link and a 'Set' button. A second section, 'SEQ Command Function Assigns', contains a table with 8 rows, each with a 'Command' number, a 'Function' (all 'No Function'), and a 'Wait' time (all '0'). Each row has an 'Edit' button. A 'Set' button is located at the bottom of this section.

Command	Function	Wait
1	No Function	0
2	No Function	0
3	No Function	0
4	No Function	0
5	No Function	0
6	No Function	0
7	No Function	0
8	No Function	0

Figure 7-4 Camera Control Tab

The Matrix table of Function buttons in the Console-field (with the Viewer screen) can be configured or customized by this tab-menu. If click any numbers, a dialogue window will open to configure the function of that number button. Those 20 function buttons are always displaying with / near the Live View screen. .

(2) SEQ Command Function Assigns

Sequential command can execute. To make a command sequence, click a number step by step. An interval time between next number command can be configured by wait-field as timeout timer. Up to 8 steps of command-function can be linked.



NOTE

To start an assigned command functions, move to Details-tab and click a "START" button of Command SEQ Control field.

7.2.3.OSD

Given texts up to 20 characters can be displayed respectively by overlapped form on the Screen by setting in those fields below. Clicking a check box of "Enable", a field for setting a text will open.

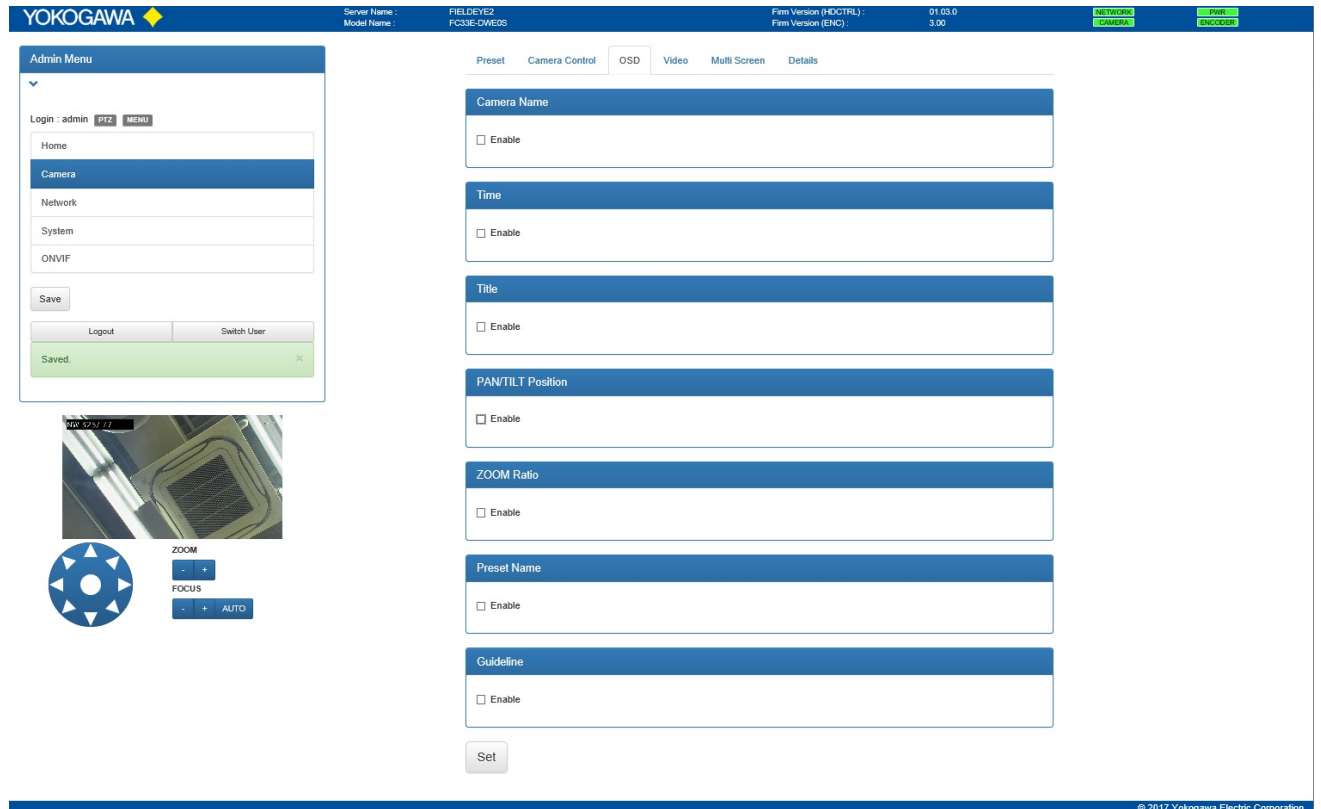


Figure 7-5 OSD Tab

(1) Camera name

Camera name (Server's name) on the screen(s) can describe by this field, instead of FIELDEYE2.

(2) Time

Current time can display on the screen overlapping.

(3) Title

This field does not work.

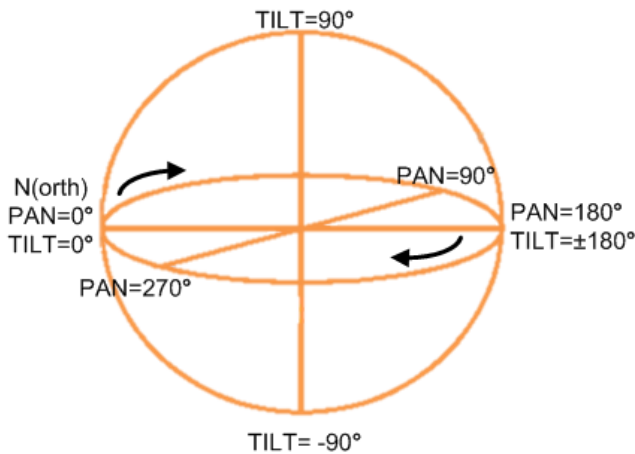
(4) PAN/TILT Position

Current camera pan and tilt position can display on the screen overlapping.
Position parameter means a displaying location on the each screen.
Font size can input values from 11 to 36.
Setting a "background-color" on, displaying text will have a background.
Clicking a "Set" button of this page bottom determines the all setting

- ON:** **Display a current P/T position (by degrees) always**
- OFF:** **No displaying.**

 **NOTE**

Zero position's coordinates: (Pan:0°,Tilt-90°), See 5.8, Fig.5.33



 **NOTE**

Those settings will be reflected only to the screen(s) connecting the Server Camera of the stream(s).

(5) Zoom ratio

Current camera zoom ratio can display on the screen overlapping.

- ON:** **When zoom ratio is changed, the current value is displayed on the viewer screen for about 2 seconds.**
- OFF:** **No displaying.**

(6) Preset name

Only when the camera reached to the preset point having a name, it will display on the screen overlapping.

(7) Guide line

Turn on an "Enable" button, to display a cross hairs on the screen.

7.2.4.Video

(1) Image Sensor Mode

Resolutions of 2M and 1.3M Pixels (16:9) are selectable at the CMOS image sensor. Clicking a “Set” button of this page bottom determines the all setting.

(2) Stream 1

The Video encoder board (see **ENC_BD** of **Fig.3-2** in the block diagram)) can provide up to 2 streams to the client(s).

Table 7-2 Stream 1 settings

Specification	Parameter	Description
Encoder	H.264 JPEG	Select an encoding format of the Stream1. Default setting is H.264.
Resolution	1920x1080 1280x 960 1280x 720 1024x 768 960x 540 640x 480 640x 360 480x 270 320x 240 320x 180	Default setting is 1280x 720.
Framerate (frame/sec)	60 - 1	Default setting is 30.
Bitrate	20Mbps-196k bps	Default setting is 8Mbps.
Rate Control	VBR / CBR	
GOP (Group Of Picture)	150 - 1	Default setting is 30, H.264 only
Profile	Base line Main High	Each specification parameters for H.264 will set to the encoder.
Session Timeout	0 – 7200	Time out timer of the Stream session. Unit is sec.
Multicast option menu		
Address		Group address setting
Port Number	0 - 65535	
TTL	0 - 255	Time to live setting
Auto Start Streaming	ON / OFF	Default setting is OFF. (No multicast streaming)

(3) Stream 2

Table 7-3 Stream 2 settings

Specification	Parameter	Description
Encoder	JPEG H.264	Select an encoding format of the Stream2. Default setting is JPEG.
Resolution	1920x1080 1280x 960 1280x 720 1024x 768 640x 480 640x 360 320x 240	Default setting is 640x 360.
Framerate (frame/sec)	60 - 1	
Quality	2 - 97	97: Highest image Quality– 2: Lowest image Quality (Note: this value is not proportionate to traffic data size.)
Session Timeout	0 – 7200	Time out timer of the Stream session. Unit is sec. Default setting is 60(sec).
Multicast option menu		
Address		Group address setting
Port Number	0 - 65535	
TTL	0 - 255	Time to live setting
Auto Start Streaming	ON / OFF	Default setting is OFF. (No multicast streaming)

7.2.5. Multi Screen

Clicking a “Set” button of this page bottom determines the all setting below.

(1) Streaming Protocol

To request a Streaming Protocol to the Video Encoder board (Server), use those buttons as the client. As the layer4 protocol, UDP, TCP and HTTP are selectable by radio buttons.

(2) Multi Screen

Displaying divide-by-four on the Live Viewer is the Multi-screen mode.

Configuration of the Multi-screen mode at the Home (Viewer screen(s)) is available at this tab page.

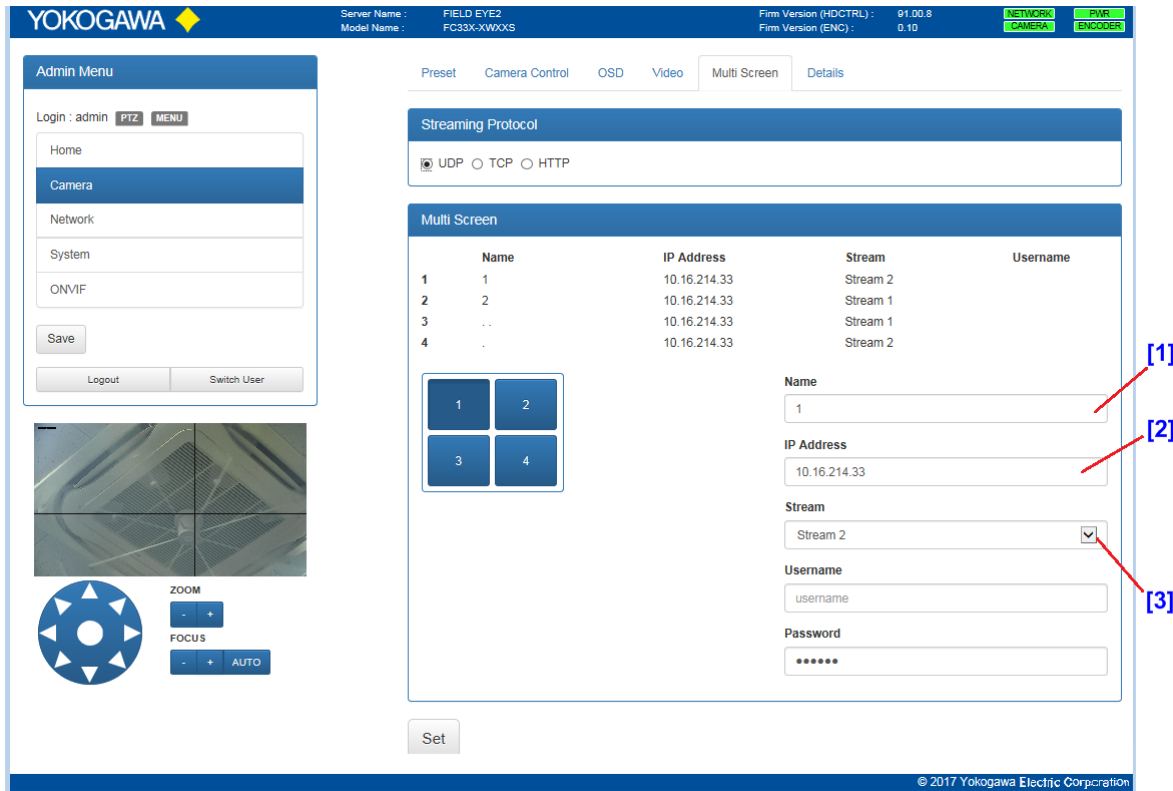
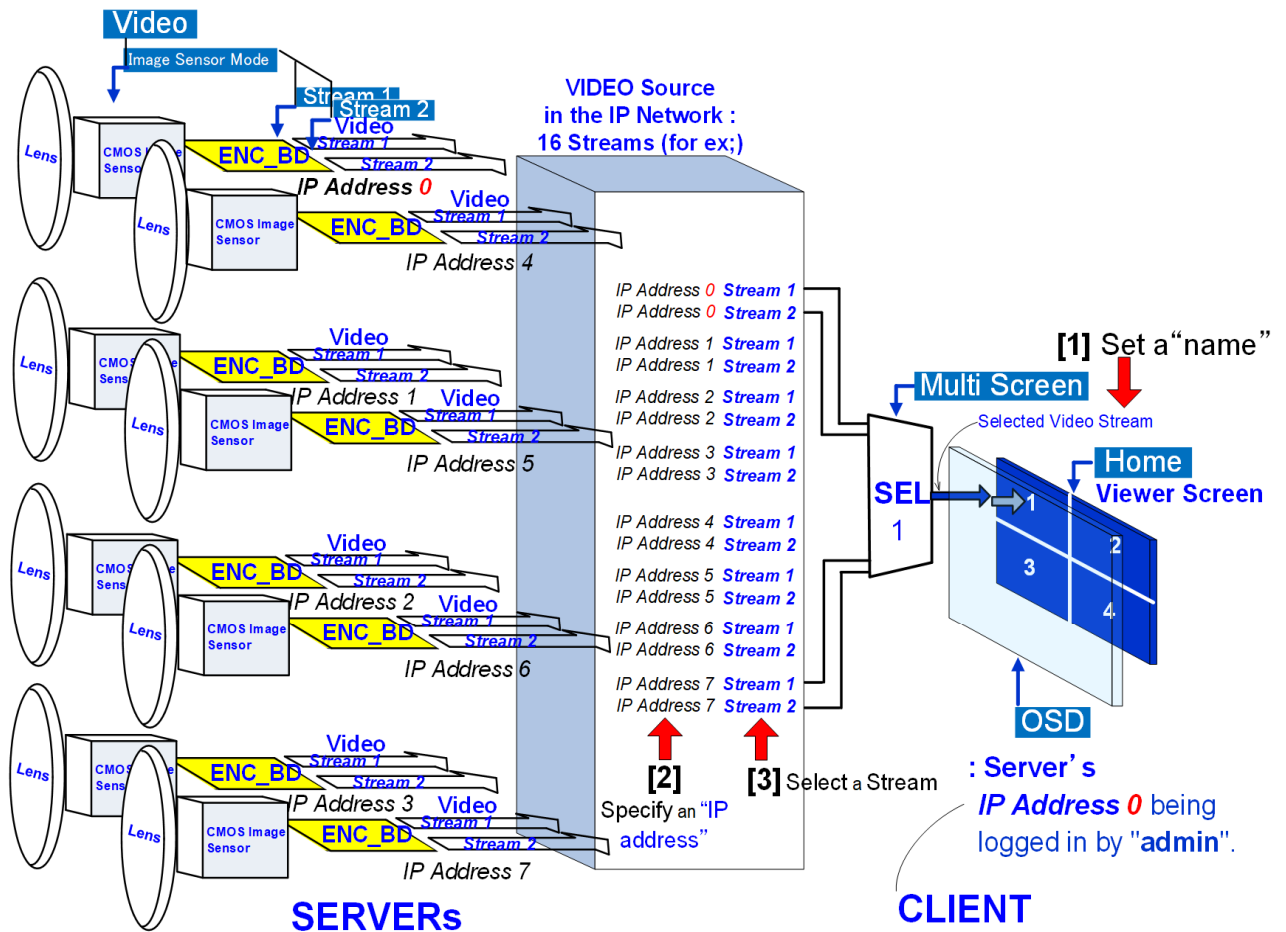


Figure 7-6 Multi Screen Tab

Select a screen number from 1 to 4. **[1]** Enter the “name” of the selected screen’s number for displaying. **[2]** Next, specify an “IP address” as the Server. **[3]** Select a stream number 1 or 2, at that IP encoder board (ENC_BD of Fig.3-2) of that specified server. Up to 4 streams (screens) are allocable. User name and pass-word for each of stream are available according to the need.



※If there are 8 FC33s in the local network for example, up to 16 streams are selectable per one Multi Screen.

Figure 7-7 Multi Screen configuration

(3) Set

By clicking a Set-button in the bottom of this tab-page, all allocations against each screen above will be defined.

7.2.6. Detail

Server's (Camera itself) resource management is executable at this page. There are 2 menus which are Control Commands and Configuration Commands.

(1) Control Commands

Any settings at this menu are not preserved after an AC-power-off/on.

Table 7-4 Controls

Specification	Parameter	Description / Action
Auto Focus	-	This command is issued by clicking Submit
Manual Focus	-	This command is issued by clicking Submit
White Balance Trigger	-	This command is issued by clicking Submit
Brightness	UP	By clicking a Submit button with selection of up or down, Brightness can be controlled step by step manually.
Shutter Speed	DOWN	Same as above, but replace a word having shaded to "Shutter Speed".
IRIS		Same as above, but replace a word having shaded part to "IRIS".
Gain		Same as above, but replace a word having shaded part to "Gain".

Table 7-4 (CONT.)

Specification	Parameter	Description / Action
Still Frame	ON , OFF	By clicking an ON button, Live viewer screen becomes a Still Picture display. Clicking an OFF, the display returns to Live viewer screen.
Pan/Tilt Speed	PAN TILT PANTILT 0.1deg/s 1deg/s	2-speed ranges of pan-tilt movement can select. Select a rotating-motor(s), and assigns it the speed-range (0.1 or 1 degree/sec). Finally, clicking a "Submit" to determine the setting.
Focus Speed	Value: 0-7	The speed-value of left is applied by clicking Submit
Zoom Speed		
Wiper	ON , OFF	Wiping can turn on or off. After the wiper goes on; then it automatically goes off and the wiper blade stops in the predetermined position.
Defroster	ON , OFF	Setting OFF is not recommended. The defroster is a prevention function for suppressing dew condensation, frost formation or freezing inside of the window glass.
*F key	F3 ON , OFF	Clicking "ON" with F3: Turn on the external contact point. Clicking "OFF" with F3: Turn off the external contact point <i>Note: F3 Relay: ON and F3 Relay: OFF are same function (See the table 7-1)</i>
Preset Move	Preset number :1-128	Camera goes to selected preset point by clicking Submit
Preset Tour	ON , OFF	ON: Start an endless (from minimum to maximum) tracing tour of along the registered Preset points OFF: Abort an itinerant tracing tour of along the registered Preset points.
Get Current Position	PAN TILT ZOOM FOCUS	0°-360°: 0000h-3AE3h (translate to decimal system) 0°-180°: 0000h-1D71h (translate to decimal system) Wide-Tele:1000h-7DFEh (translate to decimal system) Far-Near:1000h-C000h (translate to decimal system)
Submit		Clicking "Submit" go to a position (where are pointed by 4-columns, above) directly.
Original Position Adjusting	-	Execute an adjustment command when return to the zero position
Move to last Power Off Position	-	Camera goes to a position where the Power-off was executed previously.
Output Log to OSD	ON , OFF UP , DOWN	There are 2 files recording logs endlessly: <ul style="list-style-type: none"> ➤ Common time axis: running (machine) time Unit : [minutes] ➤ Events being recorded (logged) on the time line <u>Error info.</u> : Up to 100 events in the latest <u>Temperature info.</u> : Up to 50 record in the latest Unit : [degree, Celsius] Measurement Points: CPU board, Camera module ON: Displaying log data of internal Temperature information on the screen Displaying log data of internal Error information on the screen UP/DOWN button :Scrolling the display up/down
Output Status to OSD	ON , OFF	ON: Displaying current configuration list (settings) on the screen
Command SEQ Control	SATART STOP	➔See 7.2.2 (2) SEQ Command Function Assigns

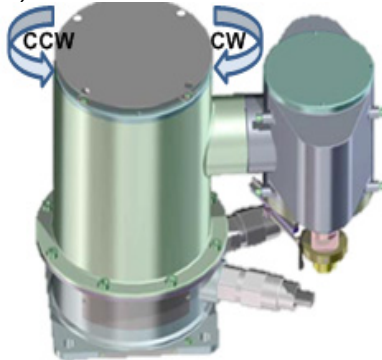
(2) **Configuration Commands**

Any settings at this menu are preserved even after an AC-power-off/on.

Table 7-5 Configurations

Specification	Parameter	Description / Action								
AutoICR	-	This command is issued by clicking ON								
Backlight Compensation (BLC)	-	This command is issued by clicking ON								
Slow Shutter	-	This command is issued by clicking ON								
Digital Zoom	-	This command is issued by clicking ON								
NightShot	-	This command is issued by clicking ON								
AF Fixed Mode	-	This command is issued by clicking ON								
AE Fixed Mode (Fixed Exposure)	-	This command is issued by clicking ON								
Exposure Mode	Auto Manual Shutter Priority IRIS Priority Brightness	By clicking each tab, a corresponding exposure mode will be applied.								
White Balance	Auto Indoor Outdoor One Push	By clicking each tab, a corresponding mode will be applied. Auto: Calculating the White Balance based on whole screen's color information(Default setting) Indoor: 3200K Std. mode Outdoor: 5800K Std. mode One Push: Locking on to the illumination condition of the target. If powered off, lock on will be released.								
Motion Detect	-	This command is issued by clicking ON ON: Detect a brightness changing when staying at the each preset point, excluding each PTZ-movement time between preset points.								
Gamma Correction	OFF ON SMART1 SMART2	No Correction Auto Correction Auto Correction (enhance contrast) Auto Correction (more enhance contrast)								
AGC MAX	0-11	Auto gain control level: 0(min)-11(max), 12 levels are selectable by value-setting-field, and it can determine by SET-button.								
Digital Zoom Ratio Limit	x12 - x2	By clicking each tab, a corresponding Ratio Limit value will be applied as a limited value when zoom-in (+).								
Stabilization	-	ON: Activate a digital Stabilizer function in the camera module. Tele-end is more effective than Wide-end. OFF: Default								
SD Control (Wide Dynamic Range Mode)	-	ON: Mitigate an Intensity of contrast. OFF: Default								
Zoom Speed Auto Change	-	ON: To apply zooming-speed of 3-stages automatically from Wide (faster) to Tele (slower). OFF:								
Defogger	-	This command is issued by clicking ON								
Speed 13 step Mode	-	ON: Each step of pan-tilt movement speed in the variable range makes rough.(for supporting older peripheral controllers) OFF: Default								
Motor Speed Limit of high Zoom	-	ON: Restrict Pan-tilt speeds according to current optical zoom magnification. <table border="1" style="width: 100%; border-collapse: collapse;"> <thead> <tr> <th>Zooming magnification:</th> <th>Pan-tilt speed limit</th> </tr> </thead> <tbody> <tr> <td>1 x – 9 x</td> <td>Same as each speed setting</td> </tr> <tr> <td>Over 9 x – 18 x</td> <td>3 degree /sec</td> </tr> <tr> <td>Over 18 x – 36 x</td> <td>1 degree /sec</td> </tr> </tbody> </table> OFF:	Zooming magnification:	Pan-tilt speed limit	1 x – 9 x	Same as each speed setting	Over 9 x – 18 x	3 degree /sec	Over 18 x – 36 x	1 degree /sec
Zooming magnification:	Pan-tilt speed limit									
1 x – 9 x	Same as each speed setting									
Over 9 x – 18 x	3 degree /sec									
Over 18 x – 36 x	1 degree /sec									

Table 7-5. (CONT.)

Specification	Parameter	Description / Action
PAN Swing Limit: Area	OFF ON-CW ON-CCW	<p>Default Limitation to go to CW-direction. Limitation to go to CCW-direction. <i>(Note: During return to zero-position is excluding, even if both ON mode.)</i></p> 
PAN Swing Limit: Position	Start-Position Stop-Position	Set a Panning Range inhibiting to turn by Positions from Start to Stop.
Preset Tour Stop Interval	Stop Interval: 1-99	Set a common interval time between each commands during sequence commands executing. 1 to 99 are selectable Default interval time 15. [second]
Preset Auto Restart	Idle Interval: 10 Second(s) - 99 Minute(s) Preset Position to move:0-128	<p>Start a Preset sequence tour just after THIS time out timer has finished.</p> <p>Idle Interval: Radio button with value setting field ON: set more than 10 second on to the radio-buttons. OFF: set s value of "0". If value "0" is selected at Minute(s) with "ON" setting, Stop an endless Preset sequence tour.</p> <p>Preset No value setting field Select a Preset Position from 1 to 128 to go. If value "0" is selected with "ON" setting, Start an endless Preset sequence tour.</p>
Back to last Power OFF Position	-	If an OFF-ON sequence of AC-power has executed with this ON button selected, the Camera returns to the position which was powered off previously.
Fixed Preset Move Speed	-	ON: Pan and Tilt speeds become fixed values to 30 degree/sec.
Precise Preset Stop Position	-	ON: A high positioning accuracy is preferentially controlled than the driving speed, at PAN and TILT motors.
Camera Configuration Init.		Initializing Camera module only

7.3. Network Configuration

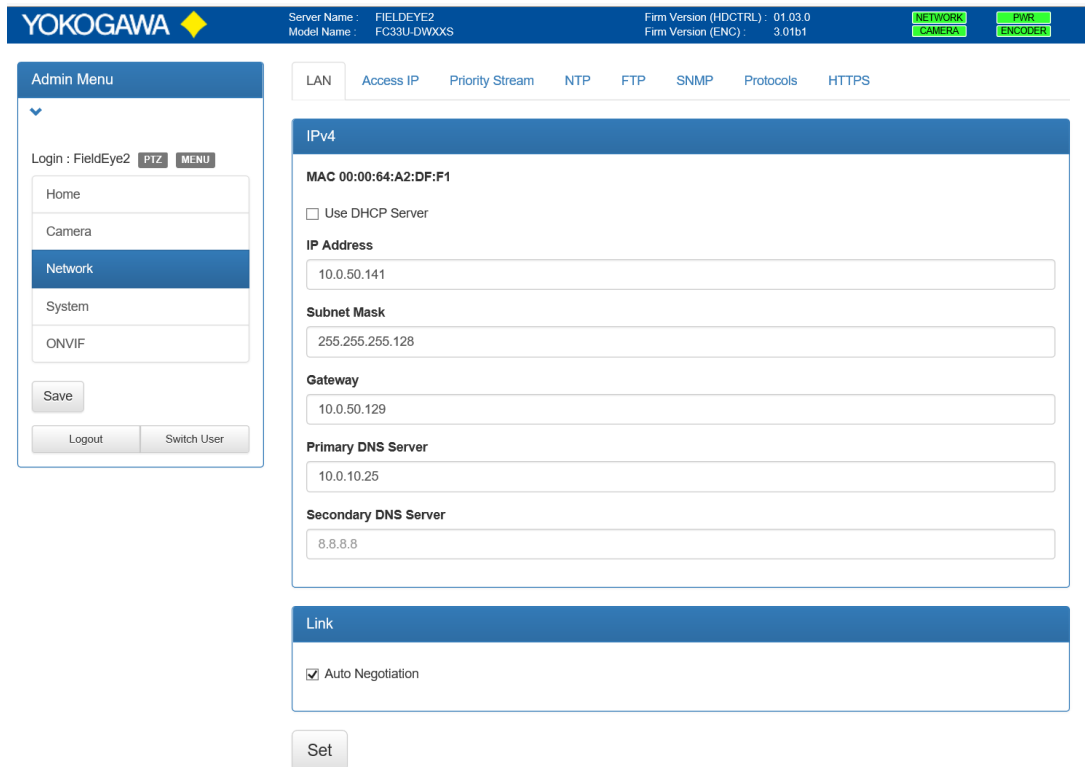
7.3.1. LAN

This clause describes IP address configuration for establishing session(s) of video stream(s) on the screen(s).FC33E/U supports only IP version 4.



NOTE

To the administrator, assigning a fixed IP address is strongly recommended, so as to be able to keep a permission of all functions of that log-in Server via that fixed IP address always.



© 2017 Yokogawa Electric Corporation

Figure 7-8 LAN tab

(1) IPv4

If a Check box of “Use DHCP Sever” is OFF, fixed IPv4 address can be set manually. Please type a Subnet Mask and a Gateway (address) in each field.

If the Check box of “Use DHCP Sever” is ON, and if you are going to use DHCP protocol, please consult your network manager in advance. Primary and/or Secondary DNS Sever address are able to type, if you need.

(2) Link

Select an auto negotiation setting of TCP/IP communication. If this check box is off, select physical layer’s aspects manually by radio buttons.

(3) Set

By clicking a set-button, returning a belt of green success, if no error.



NOTE

Each setting of this screen will be reflected after restarting this Server camera and rebooting the PC. When turn AC-power off, do not forget the inputted IP ddrss.

7.3.2. Access IP

An accessible IP list from other Clients is able to management at this screen. Using a radio button "Allow", accessible IP as a client can be appended to this field (White-list). Using a radio button "Deny", forbidden IP as a client can be appended to this field (Black-list)

By clicking a Set-button, returning a belt of green "Done" with a message. Each setting of this screen will be reflected after restarting of this Server camera.

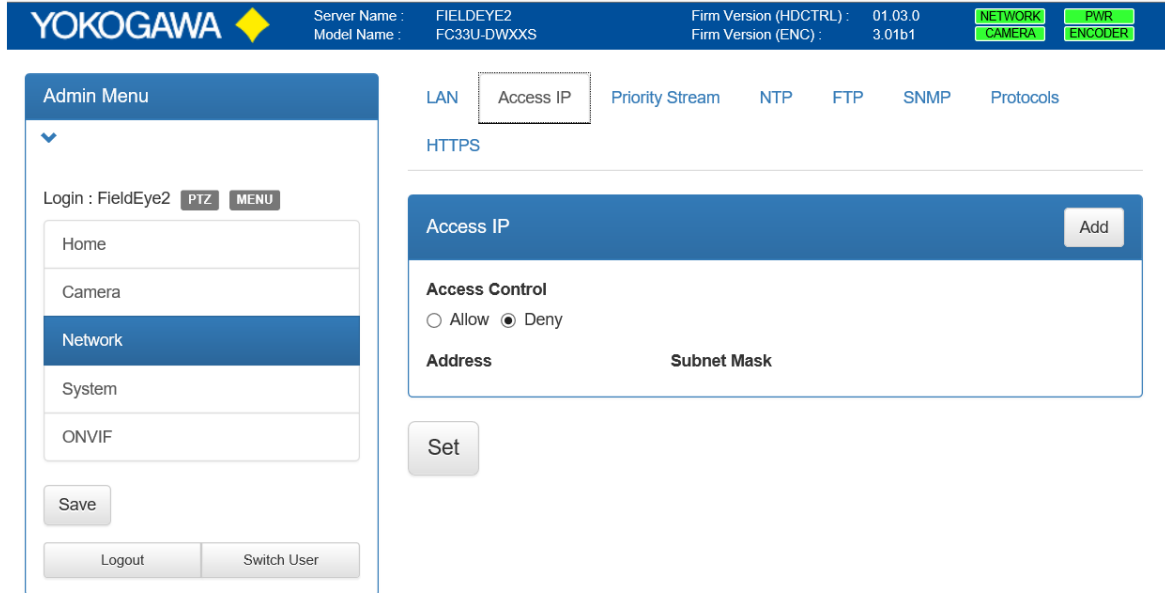
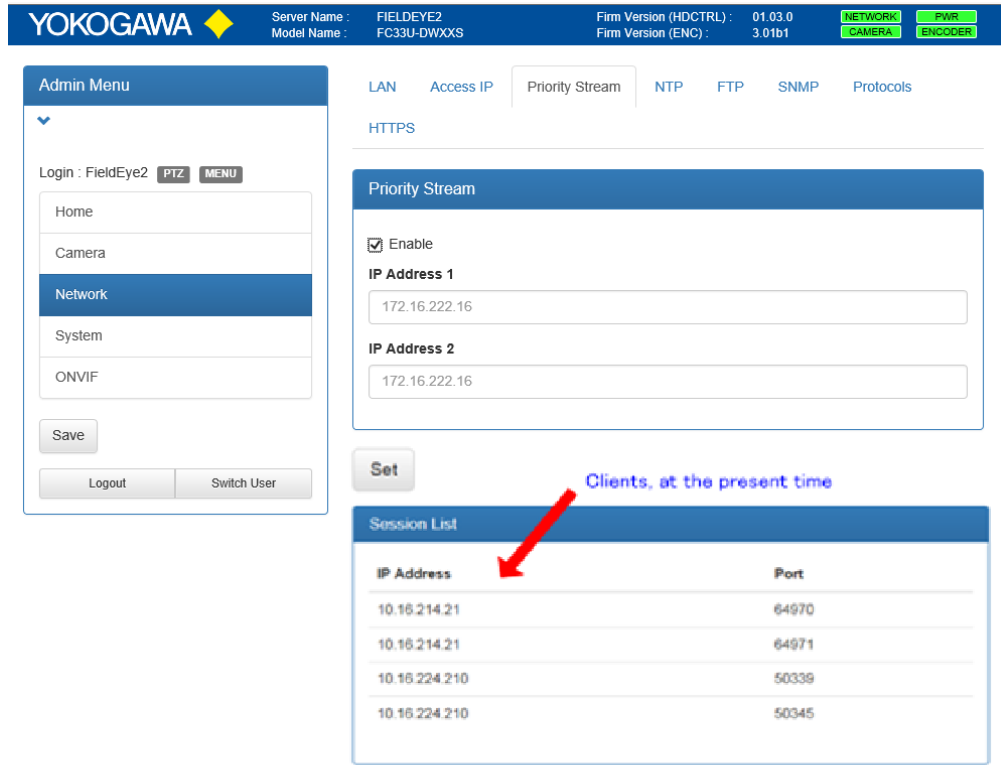


Figure 7-9 Access IP Tab

7.3.3. Stream Priority

Priority stream(s) can be set at this screen.

By clicking a Set-button, returning a belt of green success. Each setting of this screen will be reflected after restarting this Server camera.



© 2017 Yokogawa Electric Corporation

Figure 7-10 Priority Stream Tab

7.3.4. Session List

Clients which are connecting to this camera’s encoder to receive video stream will be shown.

Each Client in the List depicts its own IP Address and its destination Port number.

The encoder of this camera as a video server function, up to 14 sessions can be linked up at one time.

7.3.5. NTP

(1) NTP Server

NTP configuration can be set as this screen. If you use NTP server, set a radio button “Use” on. As for NTP server, IP address or domain name of primary and secondary can be typed in at each field.

(2) Sync Time

An execution time of NTP synchronization can be set at this field.

(3) Set

By clicking a set-button, returning a belt of green success.

7.3.6. FTP

(1) FTP

Uploading images ((2) Snapshot and (3) Motion-detect) can be executed by file transfer to a FTP server.

Fill a destination IP address into a first field, and fill the Path information of that IP address into a second field (this Path information of that FTP Server can describe a sub directory's information by using "/"). User name and password are usable as optional fields according to security needs.

(2) Snapshot

Regarding the image file format, snapshot are available.

If the box is enabled by checked, 2 types of cyclical transfer patterns are selectable.

Radio button	Periodical file transfer's pattern
Cycle	Daily based time-schedule
Fixed	Interval (time out) timer base, till a next transfer execution

(3) Motion detect

If the box is enabled by checked, motion detections are available. When the camera module detects brightness-changing over a certain threshold value, a report file will be created and transmitted to the designated FTP server.

The screenshot shows the Yokogawa FieldEye2 web interface. At the top, the header includes the Yokogawa logo and server information: Server Name: FIELDYE2, Model Name: FC33U-DWXXS, Firm Version (HDCTRL): 01.03.0, Firm Version (ENC): 3.01b1. There are also status indicators for NETWORK, CAMERA, and ENCODER. The main navigation bar includes LAN, Access IP, Priority Stream, NTP, FTP (selected), SNMP, and Protocols. On the left is an Admin Menu with options like Home, Camera, Network, System, and ONVIF. The main content area is divided into three sections: FTP, Snapshot, and Motion Detect. The FTP section has fields for Destination IP Address (172.16.222.252), File Transfer Path (/destdir), Username (username), and Password (password). The Snapshot section has an 'Enable' checkbox checked, File Identifier (snapshot), Transfer Type (Cyclic selected, Fixed unselected), and Transfer Interval (10s). The Motion Detect section has an 'Enable' checkbox checked and File Identifier (motionDetect). A 'Set' button is located at the bottom of the configuration area. Arrows labeled (1), (2), and (3) point to the FTP, Snapshot, and Motion Detect sections respectively.

Figure 7-11 FTP Tab

(4) Set

By clicking a Set-button, returning a belt of green success. Each setting of (1)-(3) will be reflected to this camera after restarting.

(5) Reaction when motion detect

When the camera module detects a motion, the frame of corresponding screen(s) on the Viewer screen will be flashing with red.

7.3.7.SNMP

(1) SNMP

If the checkbox is set by checking, Simple Network Management Protocol (SNMP) becomes to useable, and setting field shown below will unfold.

Community: fill in a "community name" for accessing MIB

Device name: fill in a "sysname" which is displaying at MIB list of the Client(s)..

Contact: fill in a e-mail address of "syscontact" which is displaying at MIB list

Mode: select a version of SNMP by checkbox.

The screenshot shows the Yokogawa FieldEye2 web interface. At the top, the status bar displays: Server Name: FIELDEYE2, Model Name: FC33U-DWXXS, Firm Version (HDCTRL): 01.03.0, Firm Version (ENC): 3.01b1. There are also status indicators for NETWORK, CAMERA, PWR, and ENCODER. The left sidebar contains an 'Admin Menu' with options: Home, Camera, Network (selected), System, ONVIF, Save, Logout, and Switch User. The main content area has tabs for LAN, Access IP, Priority Stream, NTP, FTP, SNMP (selected), and Protocols. Under the 'SNMP' tab, there is a sub-tab for 'HTTPS'. The 'SNMP' configuration section includes: an 'Enable' checkbox (checked), a 'Community' text field with 'public', a 'Device Name' text field with 'myhost', a 'Contact' text field with 'myname@mydomain', and a 'Mode' section with radio buttons for 'SNMPv1/SNMPv2' and 'SNMPv3'. A 'Set' button is located below the configuration fields.

© 2017 Yokogawa Electric Corporation

Figure 7-12 SNMP Tab

(2) Set

By clicking a Set-button, returning a belt of green success. Each setting will be reflected at once.

7.3.8. Protocols

As a network configuration on the IP-protocol-stack, protocols shown below are selectable, If the checkbox is set by checking, the corresponding Protocols become useable and assign a corresponding port number.

(1) HTTP

Default TCP/IP port number value is 80.

(2) HTTPS

Default TCP/IP port number value is 443. For detail, please refer to another instruction document as IM85A7C04-01E, via the Web.

(3) RTSP

For transport streams, default port number is 554

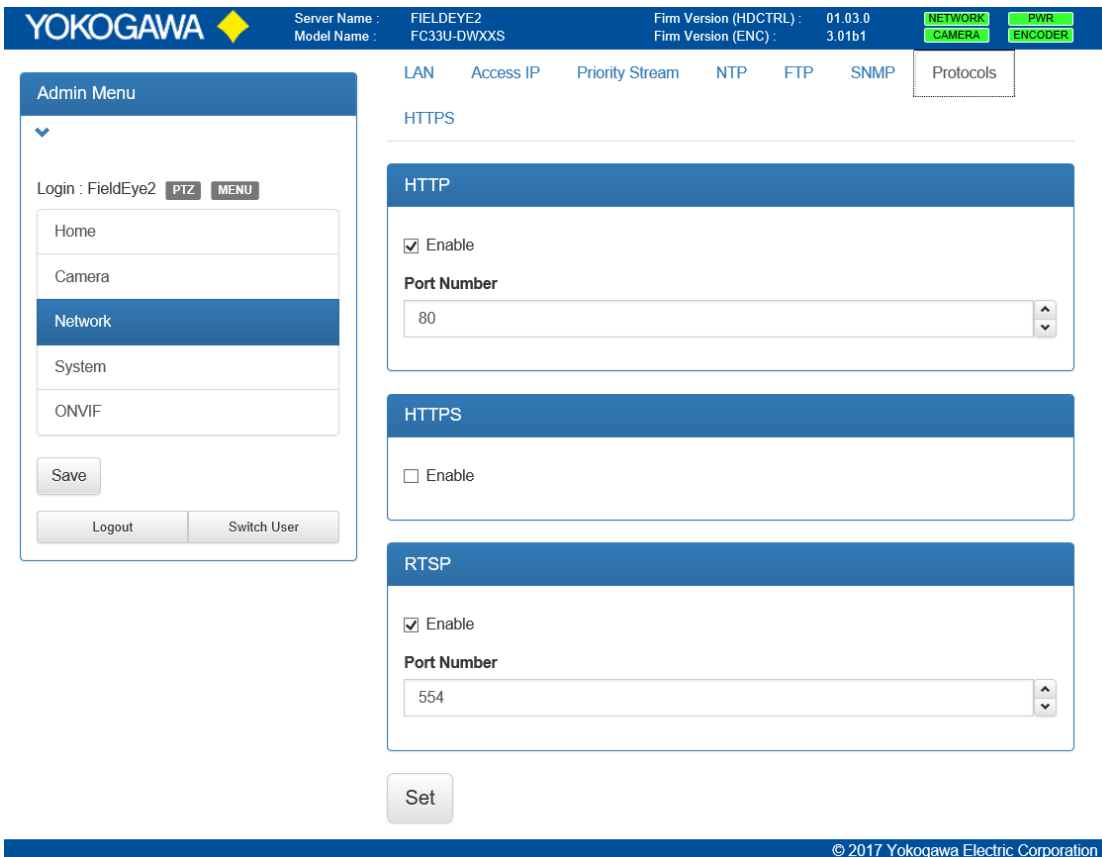


Figure 7-13 Protocols Tab

(4) Set

By clicking a Set-button, returning a belt of green success. Each setting of (1)-(3) will be reflected to this camera after restarting.

7.4. System Configuration

7.4.1. Server Name

(1) Server Name

Entering a server name is available at this field. Default setting is FIELDEYE2.

(2) Set

By clicking a Set-button, returning a belt of green success. Setting will be reflected at once.

7.4.2. Users

(1) User Administration

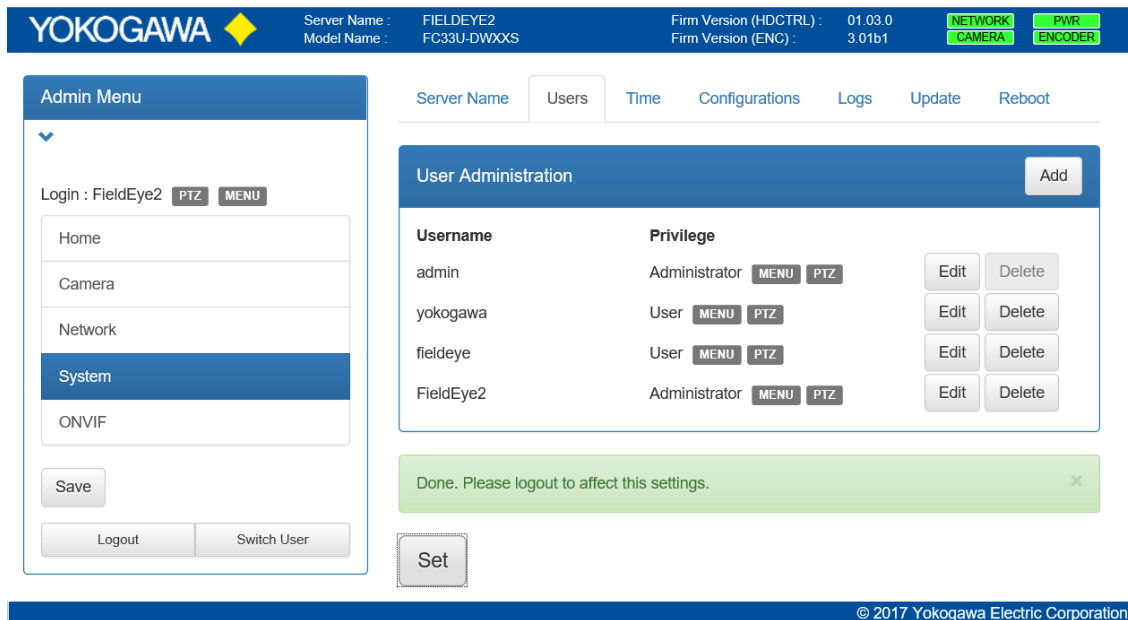
To log on to this camera as an allowed user becomes available by registering to this field.

To register a new user as a client of this camera, click an Add-button. An editing window will open.

There are 3 authorization-radio buttons, shown below:

MENU PTZ AUTO

Setting a password is usable as an optional field necessary of security needs or your policy.



© 2017 Yokogawa Electric Corporation

Figure 7-14 Users Tab

(2) Set

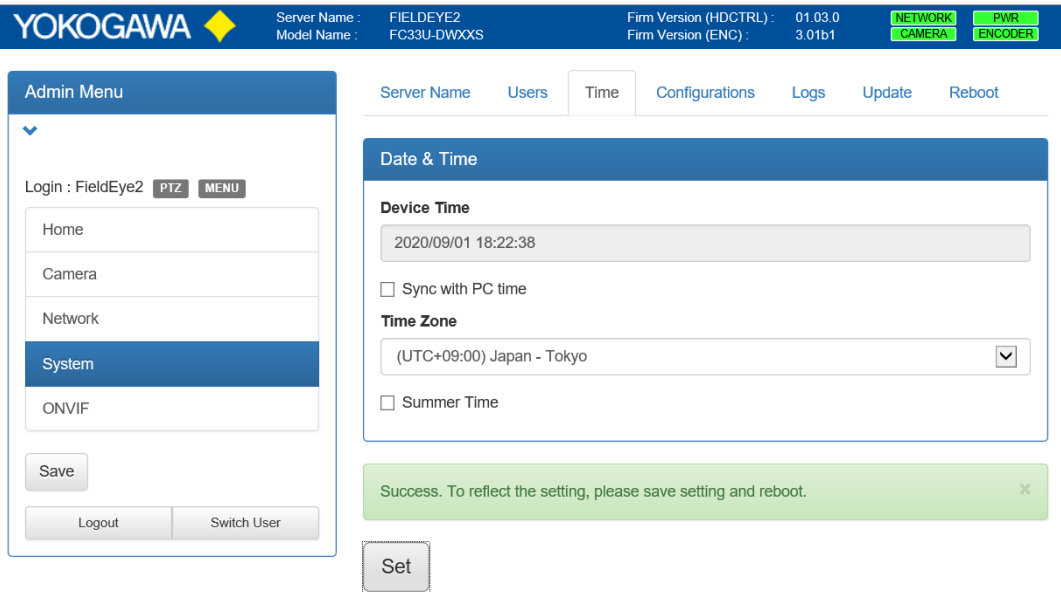
By clicking a Set-button, returning a belt of green success (as shown above). Each setting will be reflected to this camera after restarting.

7.4.3. Time

Time setting of the camera is available at this Time-tag.

(1) Date & Time

Current internal time is shown at this field and overwriting is also possible.



© 2017 Yokogawa Electric Corporation

Figure 7-15 Time Tab

(2) Set

By clicking a Set-button, returning a belt of green success (as shown above). Each setting will be reflected to this camera after restarting.

7.4.4. Configurations

Setup and maintenance information can be obtained from this Configuration-Tag.

(1) Backup Configurations

A system configuration file of this camera can be downloaded from this menu.

If click a Get-button, a file:config-yyyymmddhhmmss.bin becomes ready for download.

(Note: **yyyymmddhhmmss** comes from internal time information, on this file's name)

If this kind of file has been obtained, storing to a suitable folder or an external storage device is recommended as backup.

(2) Restore Configurations

The system configuration file of this camera can be up-loaded from this menu.

If click a File reference-button, a reference window for selecting (or searching) a target-up-load file will be opened. Select the target file:config-yyyymmddhhmmss.bin. And click a Submit-button for upload.

(3) Reset Configurations

If executing this menu, initialization setting to the factory default will be applied.

IPv4 configurations (see 7.3.1) can be reserved by a radio button setting shown below.

All configurations KeepIPv4 configurations

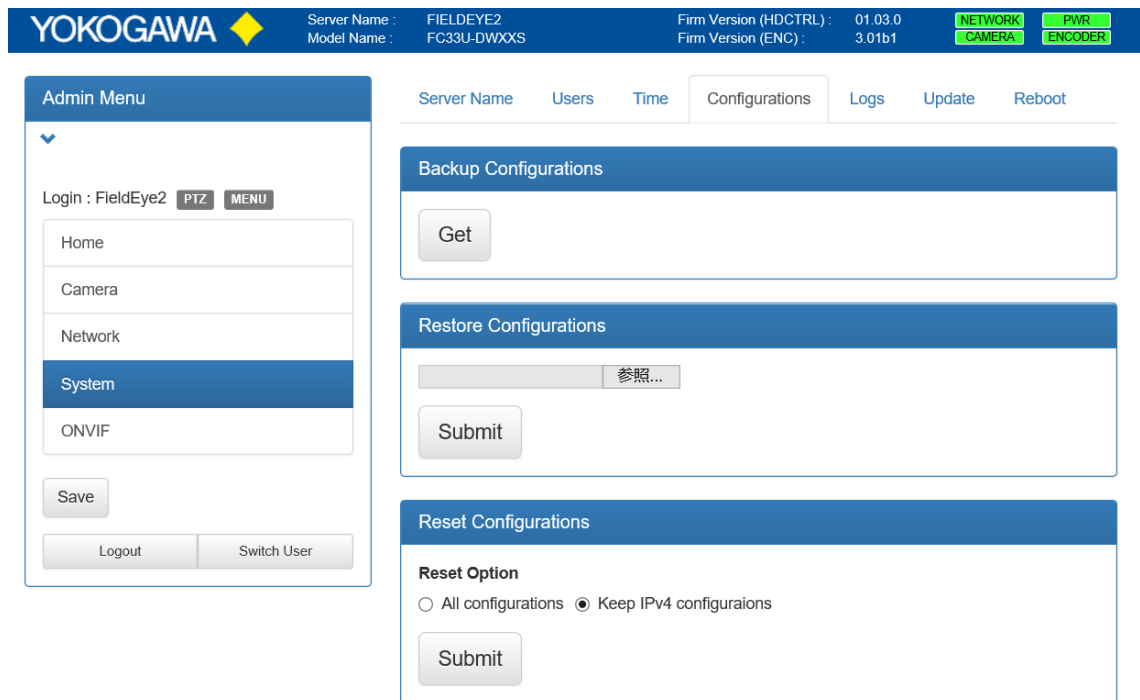


Figure 7-16 Configurations Tab

7.4.5.Logs

(1) Device Log

A log file of this camera can be downloaded from this menu.

If click a Get-button, a file:config-yyyymmddhhmmss.bin becomes ready for download.

(Note: “*yyyy mmddhhmmss*” comes from internal time information, on this file's name)

To enable decompression of this file, change a file extension from “bin” to “tar.gz”.

(2) Show log

Internal log files can display from this menu.

Select a log file name which is needed to view.

Search window can use for character string retrieval.

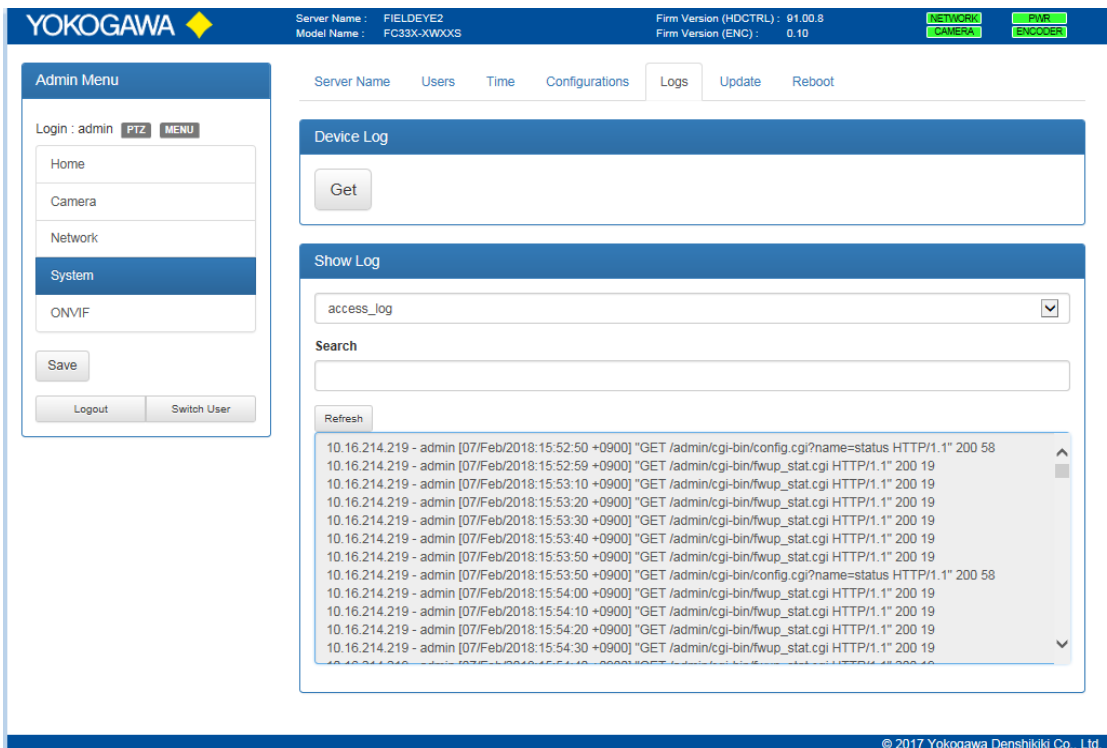


Figure 7-17 Logs Tab

(3) StorageLog

To obtain storage Log file(s), click Get button. If there is no storage log files, no file names will be displayed in the frame.

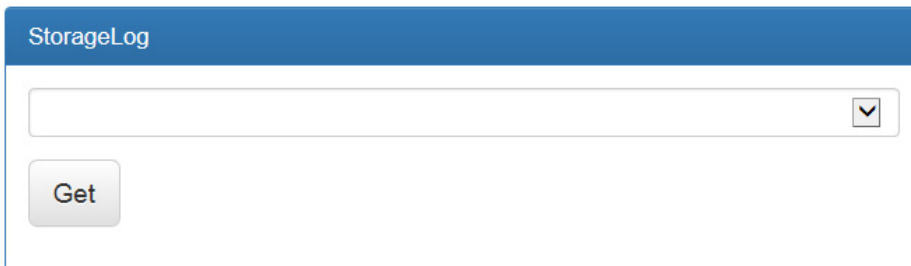


Figure 7-18 StrageLog Tab

(4) Acquisition of LOGs

In case of acquiring Log-files, select “error-log” from pull-down menu of the Show-Log (refer to item-(2) above). Current log will be displayed within the frame of Show Log. By clicking “Refresh”, displaying logs turn to latest.

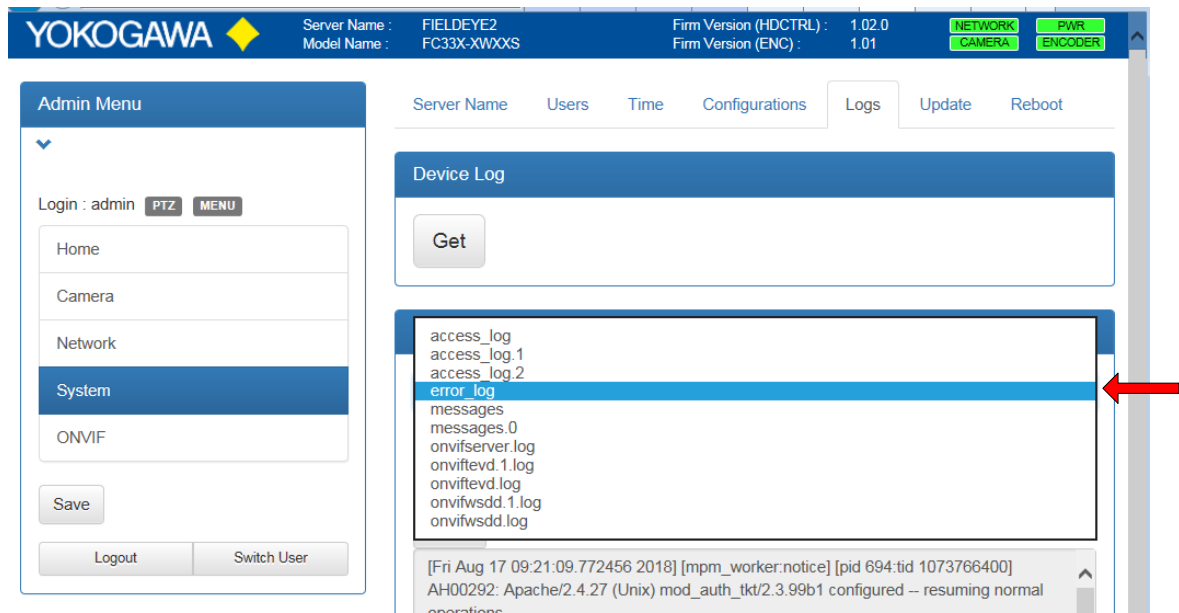


Figure 7-19 Show Log window

Put a cursor at the beginning of the 1st line of LOG, and copy by dragging a mouse from the top to end-line, with moving the scroll bar.

Next, paste all rows into an appropriate text file and save it. If another error-log (n) has been generated at directly under the original error-log, save its contents also in the same way. (where; (n) = natural number, for ex; starting from “1”) .

When inquiry, please prepare the error-log-text file and Device Log (refer to item-(1) above), in advance. .

7.4.6.Update

(1) Firmware Update for Camera Module

If click a File reference-button, a reference window for selecting (or searching) a Camera-update file will be opened. Select and click a Submit-button for upload.

(2) Firmware Update for Control Module

If click a File reference-button, a reference window for selecting (or searching) a Controller-update file will be opened. Select and click a Submit-button for upload.

(3) Firmware Update for Encoder Module

If click a File reference-button, a reference window for selecting (or searching) an Encoder-update file will be opened. Select and click a Submit-button for upload.

© 2017 Yokogawa Electric Corporation

Figure 7-20 Update Tab



NOTE

If executing the Upload, please be aware of the Risks of malware infection. Strict control of against Download resources and Upload destination is strongly recommended..

Si vous exécutez le téléchargement, veuillez être conscient des risques d'infection par des logiciels malveillants. Un contrôle strict des ressources téléchargées et de la destination du téléchargement est fortement recommandé.

7.4.7.Reboot

(1) Reboot

Restarting this camera can be executed from this menu.

(2) Submit

Click a Submit-button and reply to a confirmation-message, reboot sequence will be executed.

7.5. ONVIF

This FC33E/U is ONVIF® Profile S compliant.

7.5.1.Profile

Current setting profiles can be displayed at this menu.

If click a left-side-small triangle mark, detail-list will be deployed. .

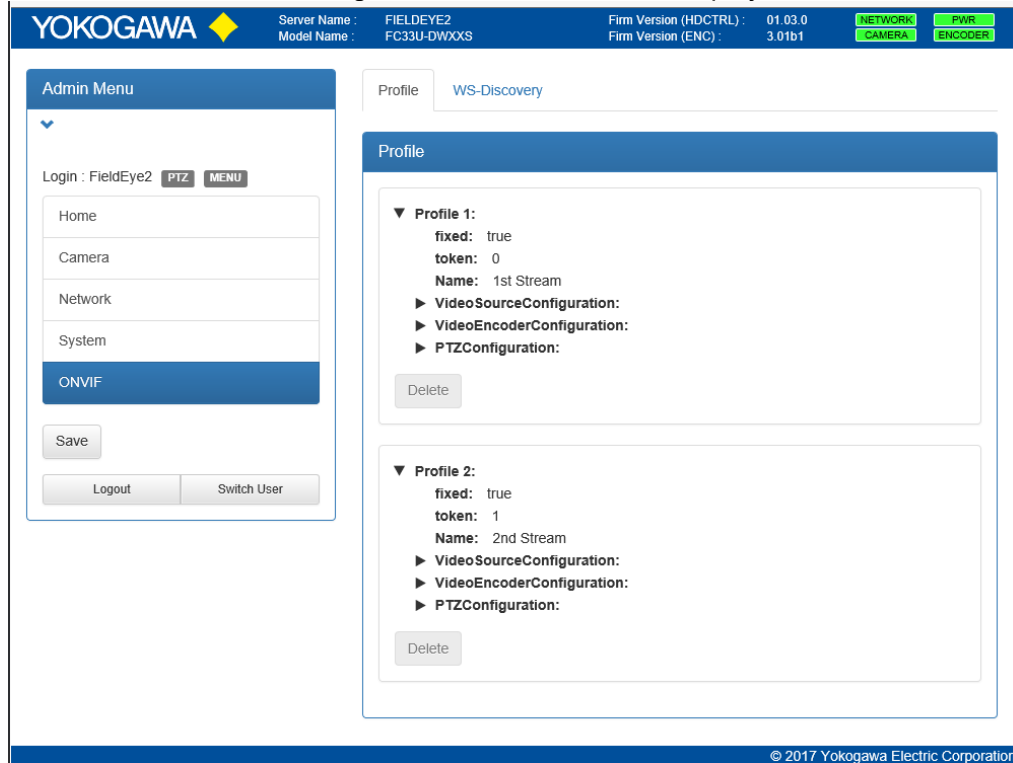


Figure 7-21 ONVIF Tab

7.5.2.WS-discovery

Enabling and disabling the WS-Discovery function can be switched at this menu. Default setting is an enable, so as to be able to detect by ONVIF Client.

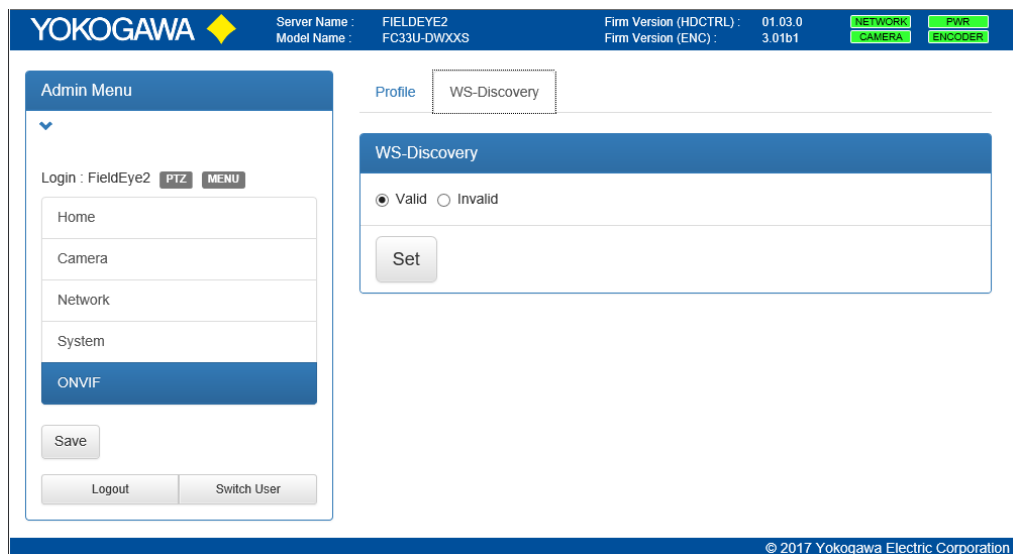


Figure 7-22 WS-Discovery Tab

8. Trouble Shooting

8.1. Viewer screen

(1) Video does not display on the screen

- ➔ Check the network(s) along the connection route.
- ➔ This occurs when the IE mode of your browser is not set correctly, ActiveX is not installed correctly, or the IE mode setting has expired. Please recheck your browser's IE mode setting.
- ➔ Delete the browser history data, close all browsers, and then open the browser again to access the site.

Try again at a new browser

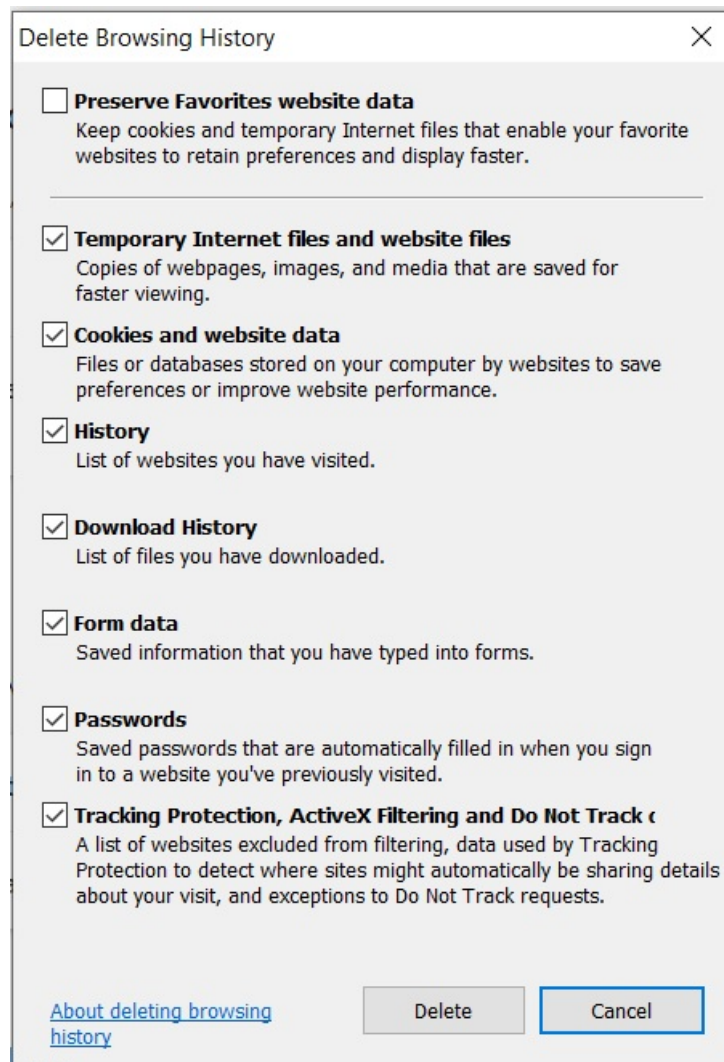



Figure 8-1

- ➔ If the Viewer screen shows a unified Blue totally though the Viewer window itself came up, **no** video stream(s) are coming in from the Camera module. Check the status indicators at the right end of the Title bar. And take a corresponding or suitable measure(s), with reference to description of the 7.1.5.

(2) Video does not work

- ➔ Check the button of **Still Image** in the Details tab. (Admin Menu Camera > Details >  Control Commands)
- ➔ Inspect the parameter settings of the stream(see 7.2.4 Video),if those are being suitable or not.

8.2. Login screen

(1) Login screen does not appear on the PC's browser.

- Check the IP address setting. Controller-(Client) PC and this Camera-(Server) should belong to a same local network and have an own different address each other.
- Execute a **Ping command** against this Camera's IP address.

8.3. Turning operation

(1) PAN motion does not work

- Check the Area and/or Position of “**PAN Swing Limit:**” in the Details tab (Admin Menu:

Camera > Details >  Configuration Commands)

- Try Power Off/On sequence using the AC-power-line, to check a mechanical function itself against the PAN motor. Does the camera return to the “Zero-position” (see **5.8** Return to Zero-Position)

9. Hardware Maintenance

9.1 Inspection of the Main body

Conduct the following inspection and handling depending on the situation to ensure that the camera remains in a good condition over a prolonged period. Particularly if you are using the camera continuously in a high temperature environment, inspecting and/or repairing the camera by Yokogawa at least once every two years is recommended in consideration of service lives of the components.

(1) Inspection and cleaning of contaminants on the window glass



CAUTION

Never remove the window glass from the front cover because the glass may cut the cables inside the camera.

Ne retirez jamais la vitre de la fenêtre du capot avant car la vitre pourrait couper les câbles à l'intérieur de la caméra.

(2) Inspection of image quality

Each operation (zoom focus, and brightness, etc.) in the Optical system works normally?

(3) Inspection of the Encoder board function

Are the video streams as good as it was in the past?

(4) Inspection of accuracy of the Preset-pointing

Is the accuracies reproducibility of each point as good as it was in the past?

(5) Inspection of installation status

(6) Inspection and replacement of wiper blade

- Can water droplets be wiped off by wiping?
- If necessary, replace the wiper blade as instructed below:

9.2 Wiper Exchanging

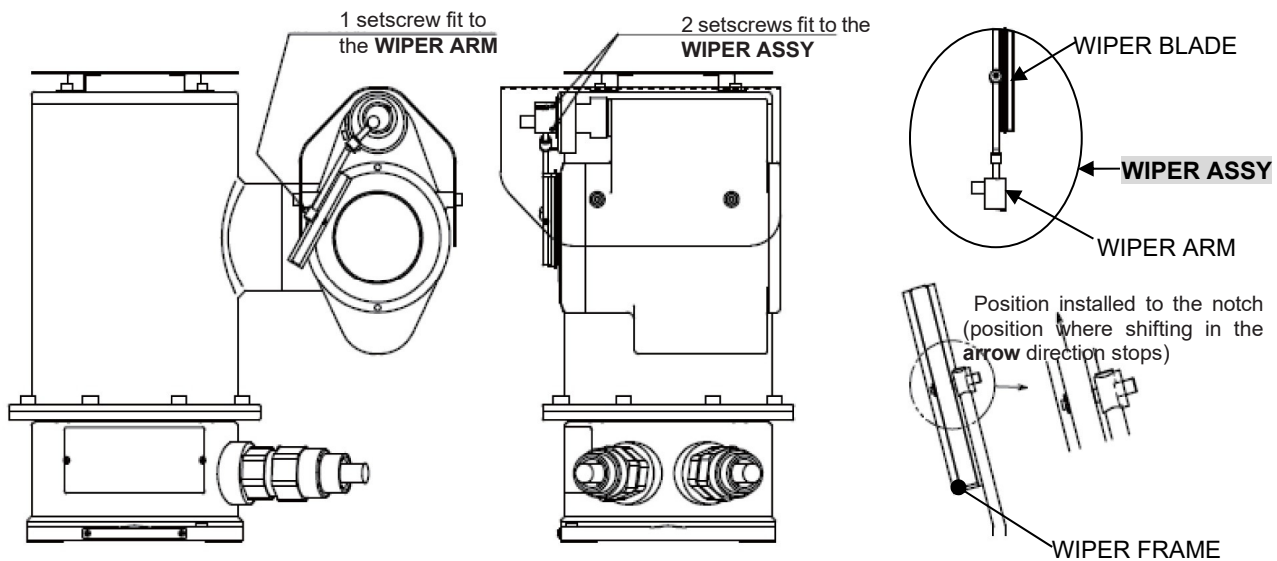


Figure 9-1 Wiper exchanging

CAUTION

Do not HOLD or INSERT any small hard foreign matters between front glass surface and the WIPER BLADE. If moving on as is, it may bruise front glass.

Ne PAS TENIR OU INSÉRER de petits corps étrangers durs entre la surface vitrée avant et la LAME D'ESSUIE-GLACE. Un déplacement dans cet état pourrait endommager la vitre avant.

[Method 1] (Exchange **WIPER ASSY**)

- 1) If a Hood is attached to the camera module, at first remove it by loosening four securing screws on both side
- 2) Remove the **WIPER ASSY** from the camera module. (Using the hexagon wrench of the accessories, loosen and remove the two setscrews securing the **WIPER ASSY**.)
- 3) Replace the WIPER BLADE with a new one.
- 4) Install the **WIPER ASSY** to the position to the camera module, shown in the figure.
- 5) Verify the wiper's swing range, and adjustment, however before operation see above (! **CAUTION**)
- 6) Reattach the installed Hood with its original screws.
- 7) During the steps of from 2) to 4), AC power-line **unplug**

[Method 2] (Exchange **WIPER BLADE**)

- 1) Loosen and remove the setscrew securing the WIPER FRAME's pin to the **WIPER ARM**, shown in the figure of far-left above.
- 2) Remove the WIPER FRAME holding old WIPER BLADE
- 3) Pluck out the old WIPER BLADE.
- 4) Insert the new WIPER BLADE (The position to install it is the apical end relative to the notch of the installing part of the **WIPER FRAME**, shown in the figure of far-right above..)
- 5) Reattach the WIPER FRAME holding new WIPER BLADE by plus pin, to the **WIPER ARM**

Table 9-1 Parts to be maintained in wiper replacement

Target to replace	Product name	Part number	Lot of order
Wiper blades	WIPER BLADE	K7500EN	10 Wiper Blades for 1 set
Whole of wiper assembly	WIPER ASSY (One of the Wiper blade is attaching)	K7500EA	1 piece

9.3 Inspection of the JB

(1) Inspection of mechanical-jointing

Inspection and check the Bracket and/or each mechanical-jointing parts of JB.

(2) Inspection of each port

Inspection watertight condition at each 4-connection-port

As for the other items, please refer to the ATEX Directive 2014/34/EU guidelines

9.4 Parts Exchanging / Adding

Table 9-2 Parts to be maintained at JB

No.	PART NAME	PART No.	Description	Lot of order
1	CABLE GLAND (M20)	K7501JQ	Cables Terminal Treatment Parts	1
2	Gasket	K7501JM	Cables Terminal Treatment Parts	1
3	Sealing Plug (for installing only)	K7501JR	Put this (those) on Unused port(s).	1
4	Bracket (with 4-M6 screws) /BR	K7500LE	4-M6 Screws are used for jointing with the JB	1
5	Cover /SH	K7500LF	Front cover for JB (with 4 set screws)	1
6	Shade /SD	K7500EC	Top Shade for Upper-lid of JB (with 4 set screws)	1
7	Pin Spanner /CT	K7501LL	Upper-lid opener	1



WARNING

Never open the Upper - lid of the JB when AN EXPLOSIVE ATMOSPHERE MAY BE PRESENT.

N'ouvrez jamais le couvercle supérieur du JB DANS UNE ATMOSPHÈRE EXPLOSIVE.

Blank Page

10. Repair

When this product needs to be repaired, it shall be delivered to and repaired in our factory. (Removal of the camera and transportation to our service site shall be at your cost). If repair is needed, contact the agent from whom you purchased the product, appropriate sales personnel, or our contact personnel of repair.

Blank Page

11. Warranty Rules

(1)The warranty period is one year from the date of purchase. Failures generated within the warranty period will be repaired free of charge.

(2)Warranty is limited to the body of the product.

(3)Repair carried out as a result of the following conditions will be charged even if the warranty period is still valid:

➤ Failure or damage caused by misuse, use out of the specification range, unauthorized repair or modifications.

➤ Failure or damage caused by transportation, movement, dropping of the product and so on after purchase.

➤ Failure or damage caused by a fire, natural disaster (damage from an earthquake, storm, flood, thunderbolt, etc.), salt, gas or abnormal voltage.

(4)Any other damage the cause of which is not considered our responsibility of excluded from the scope of warranty.

(5)Contact the agent from whom you purchased the product or our appropriate sales personnel.

INSTALLATION AND OPERATING PRECAUTIONS FOR TIIS FLAMEPROOF EQUIPMENT

Apparatus Certified Under Technical Criteria (IEC-compatible Standards)

1. General

The following describes precautions on electrical apparatus of flameproof construction (hereinafter referred to as flameproof apparatus) in explosion-protected apparatus.

Following the Labor Safety and Health Laws of Japan, flameproof apparatus is subjected to type tests to meet either the technical criteria for explosion proof electrical machinery and equipment (standards notification no. 556 from the Japanese Ministry of Labor) (hereinafter referred to as technical criteria), in conformity with the IEC Standards, or the “Recommended Practice for Explosion-Protected Electrical Installations in General Industries,” published in 1979. These certified apparatus can be used in hazardous locations where explosive or inflammable gases or vapors may be present.

Certified apparatus includes a certification label and an equipment nameplate with the specifications necessary for explosion requirements as well as precautions on explosion protection. Please confirm these precautionary items and use them to meet specification requirements.

For electrical wiring and maintenance servicing, please refer to “Internal Wiring Rules” in the Electrical Installation Technical Standards as well as “USER’S GUIDELINES for Electrical Installations for Explosive Gas Atmospheres in General Industry,” published in 1994.

To meet flameproof requirements, equipment that can be termed “flameproof” must:

- (1) Be certified by a Japanese public authority in accordance with the Labor Safety and Health Laws of Japan and have a certification label in an appropriate location on its case, and
- (2) Be used in compliance with the specifications marked on its certification label, equipment name plate and precautionary information furnished.

2. Electrical Apparatus of Flameproof Type of Explosion-Protected Construction

Electrical apparatus which is of flameproof construction is subjected to a type test and certified by the Japanese Ministry of Labor aiming at preventing explosion caused by electrical apparatus in a factory or any location where inflammable gases or vapors may be present. The flameproof construction is of completely enclosed type and its enclosure shall endure explosive pressures in cases where explosive gases or vapors entering the enclosure cause explosion. In addition, the enclosure construction shall be such that flame caused by explosion does not ignite gases or vapors outside the enclosure.

In this manual, the word “flameproof” is applied to the flameproof equipment combined with the types of protection “e”, “o”, “i”, and “d” as well as flameproof equipment.

3. Terminology

(1) Enclosure

An outer shell of an electrical apparatus, which encloses live parts and thus is needed to configure explosion-protected construction.

(2) Shroud

A component part which is so designed that the fastening of joint surfaces cannot be loosened unless a special tool is used.

(3) Enclosure internal volume

This is indicated by:— the total internal volume of the flameproof enclosure minus the volume of the internal components essential to equipment functions.

(4) Path length of joint surface

On a joint surface, the length of the shortest path through which flame flows from the inside to outside of the flameproof enclosure. This definition cannot be applied to threaded joints.

(5) Gaps between joint surfaces

The physical distance between two mating surfaces, or differences in diameters if the mating surfaces are cylindrical.

Note: The permissible sizes of gaps between joint surfaces, the path length of a joint surface and the number of joint threads are determined by such factors as the enclosure's internal volume, joint and mating surface construction, and the explosion classification of the specified gases and vapors.

4. Installation of Flameproof Apparatus

(1) Installation Area

Flameproof apparatus may be installed, in accordance with applicable gases, in a hazardous area in Zone 1 or 2, where the specified gases are present. Those apparatus shall not be installed in a hazardous area in Zone 0.

Note: Hazardous areas are classified in zones based upon the frequency of the appearance and the duration of an explosive gas atmosphere as follows:

Zone 0: An area in which an explosive gas atmosphere is present continuously or is present for long periods.

Zone 1: An area in which an explosive gas atmosphere is likely to occur in normal operation.

Zone 2: An area in which an explosive gas atmosphere is not likely to occur in normal operation and if it does occur it will exist for a short period only.

(2) Environmental Conditions

The standard environmental condition for the installation of flameproof apparatus is limited to an ambient temperature range from -20°C to $+40^{\circ}\text{C}$ (for products certified under Technical Criteria). However, some field-mounted instruments may be certified at an ambient temperature up to $+60^{\circ}\text{C}$ as indicated on the instrument name plates. If the flameproof apparatus are exposed to direct sunshine or radiant heat from plant facilities, appropriate thermal protection measures shall be taken.

5. External Wiring for Flameproof Apparatus

Flameproof apparatus require cable wiring for their electrical connections. For cable wiring, cable glands (cable entry devices for flameproof type) to wiring connections shall be attached. All non-live metal parts such as the enclosure shall be securely grounded. For details, refer to the "USER'S GUIDELINES for Electrical Installations for Explosive Gas Atmospheres in General Industry," published in 1994.

(1) Cable Wiring

- For cable wiring, cable glands (cable entry devices for flameproof type) specified or supplied with the apparatus shall be directly attached to the wiring connections to complete sealing of the apparatus.
- Screws that connect cable glands to the apparatus are those for G-type parallel pipe threads (JIS B 0202) with no sealing property. To protect the apparatus from corrosive gases or moisture, apply non-hardening sealant such as liquid gaskets to those threads for waterproofing.
- Specific cables shall be used as recommended by the "USER'S GUIDELINES for Electrical Installations for Explosive Gas Atmospheres in General Industry," published in 1994.
- In necessary, appropriate protective pipes (conduit or flexible pipes), ducts or trays shall be used for preventing the cable run (outside the cable glands) from damage.
- To prevent explosive atmosphere from being propagated from Zone 1 or 2 hazardous location to any different location or non-hazardous location through the protective pipe or duct, apply sealing of the protective pipes in the vicinity of individual boundaries, or fill the ducts with sand appropriately.
- When branch connections of cables is made, a flameproof or increased-safety connection box shall be used. In this case, flameproof or increased-safety cable glands meeting the type of connection box must be used for cable connections to the box.

6. Maintenance of Flameproof Apparatus To maintain the flameproof apparatus, do the following. (For details, refer to Chapter 10 “MAINTENANCE OF EXPLOSION-PROTECTED ELECTRICAL INSTALLATION” in the USER’S GUIDELINES for Electrical Installations for Explosive Gas Atmospheres in General Industry.)

(1) Maintenance servicing with the power on.

Flameproof apparatus shall not be maintenance-serviced with its power turned on. However, in cases where maintenance servicing is to be conducted with the power turned on, with the equipment cover removed, always use a gas detector to check that there is no explosive gas in that location. If it cannot be checked whether an explosive gas is present or not, maintenance servicing shall be limited to the following two items:

- (a) Visual inspection
Visually inspect the flameproof apparatus, metal conduits, and cables for damage or corrosion, and other mechanical and structural defects.
- (b) Zero and span adjustments
These adjustments should be made only to the extent that they can be conducted from the outside without opening the equipment cover. In doing this, great care must be taken not to cause mechanical sparks with tools.

(2) Repair

If the flameproof apparatus requires repair, turn off the power and transport it to a safety (non-hazardous) location. Observe the following points before attempting to repair the apparatus.

- (a) Make only such electrical and mechanical repairs as will restore the apparatus to its original condition. For the flameproof apparatus, the gaps and path lengths of joints and mating surfaces, and mechanical strength of enclosures are critical factors in explosion protection. Exercise great care not to damage the joints or shock the enclosure.
- (b) If any damage occurs in threads, joints or mating surfaces, inspection windows, connections between the sensor and terminal box, shrouds or clamps, or external wiring connections which are essential in flameproofness, contact Yokogawa Electric Corporation.

Note: Do not attempt to re-process threaded connections or refinish joints or mating surfaces.

- (c) Unless otherwise specified, the electrical circuitry and internal mechanisms may be repaired by component replacement, as this will not directly affect the requirements for flameproof apparatus (however, bear in mind that the apparatus must always be restored to its original condition). If you attempt to repair the flameproof apparatus, company-specified components shall be used.
- (d) Before starting to service the apparatus, be sure to check all parts necessary for retaining the requirements for flameproof apparatus. For this, check that all screws, bolts, nuts, and threaded connections have properly been tightened.

(3) Prohibition of specification changes and modifications

Do not attempt to change specifications or make modifications involving addition of or changes in external wiring connections.

7. Selection of Cable Entry Devices for Flameproof Type



CAUTION

The cable glands (cable entry devices for flameproof type) conforming to IEC Standards are certified in combination with the flameproof apparatus. So, Yokogawa-specified cable entry devices for flameproof type shall be used to meet this demand.

References:

- (1) Type Certificate Guide for Explosion-Protected Construction Electrical Machinery and Equipment (relating to Technical Standards Conforming to International Standards), issued by the Technical Institution of Industrial Safety, Japan
- (2) USER’S GUIDELINES for Electrical Installations for Explosive Gas Atmospheres in General Industry (1994), issued by the Japanese Ministry of Labor, the Research Institute of Industrial Safety

Blank Page

ATEX/IECEX Certification



WARNING

DO NOT OPEN WHEN AN EXPLOSIVE ATMOSPHERE MAY BE PRESENT

1. Technical Data

IECEX CML 16.0096X
 Type of protection: Flameproof, Dust Ignition
 STANDARDS:
 IEC 60079-0:2017 Ed 7.0, IEC 60079-1:2014 Ed 7.0
 IEC 60079-31:2013 Ed 2.0
 Marking: Ex db IIC T5 Gb, Ex tb IIIC T100°C Db
 Ta= -40°C to +60°C

EC Type Examination Certificate:
 CML 14 ATEX 1097X
 Equipment: FC33E pan and tilt CCTV camera
 Manufacture: Yokogawa Electric Corporation

Compliance with the Essential Health and Safety Requirements, with the exception of those listed in the confidential report, has been demonstrated through compliance with the following documents:
 (EN IEC 60079-0:2018, EN 60079-1:2014, EN 60079-31:2014)
 Explosion-proof class: Ex db IIC T5, Ex tb IIIC T100°C



II 2 GD
 Ex db IIC T5 Gb
 Ex tb IIIC T100°C Db
 Ta= -40°C to +60°C

2. Installation

- All the cabling should be conformed to the local installation requirement and electrical code of the country.
- Please use the cable glands satisfying the requirement of Ex "db".
- Please use the cable glands satisfying the requirement of IP grade.

3. Operation



CAUTION

Take care not to generate mechanical sparking when access to the instrument and peripheral devices in hazardous area.

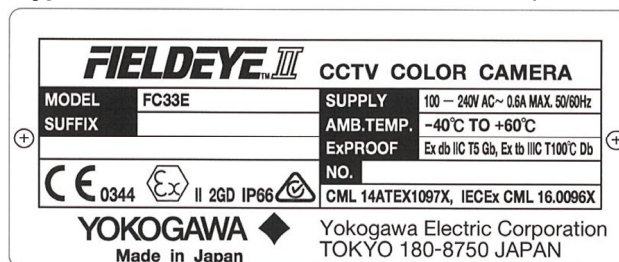
4. Repair and Maintenance



WARNING

Any parts replacing except for optional parts and/or modifying the housing cases are prohibited. In such a case certification becomes invalid.

5. Name plate FC33E (Explosion-Proof Full HD IP type Pan Tilt Zoom CCTV COLOR CAMERA)



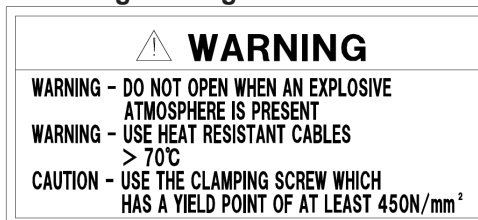
MODEL: Specified model code
 SUFFIX: --
 SUPPLY: Supply voltage
 AMB. TEMP: Ambient temperature
 CE: CE marking
 0344: The identification number of the notified body
 II 2GD: Group II, Category 2 Gas, Dust atmosphere
 NO.: Manufacturing serial number (NNYMnnnnn)

NN: Identification Code of Production Site
 Y: Completion Year: 2020AD :W, 2021AD :X, 2022AD: Y, 2023AD: Z, 2024AD :1, ... 2032AD :9, 2033AD:A, ...
 M: product Month,
 nnnnn: serial number

YOKOGAWA Tokyo 180-8750 JAPAN:
 The manufacturer name and the address *1
 Manufacturer: Yokogawa Electric Corporation.

*1: "180-8750" is a zip code which represents the following address:
 9-32 Nakacho, 2-chome Musashino-shi, Tokyo, Japan

6. Warning marking label



7.Effects to non-metal materials by chemical materials



WARNING

This FC33E enclosure incorporates a cemented part, manufactured using silicone adhesive and also an integral cable seal –rubber sealing ring – manufactured from silicone.

The end use should consider the effects of any chemicals or aggressive substances that may be present in the hazardous area that may affect the performance of these materials.

CSA Explosionproof



WARNING

A modification of the equipment would no longer comply with the construction described in the certificate documentation.

Une modification de l'équipement ne serait plus conforme à la construction décrite dans la documentation du certificat.

Certificate: **80009215**
Master Contract: 172608
Project: 80009215

Issued to: **Yokogawa Electric Corp.**

**2-9-32 Nakacho
Musashino-shi
Tokyo 180-8750
JAPAN**

The products listed below are eligible to bear the CSA Mark shown



1. PRODUCTS

CLASS 2258 02 - PROCESS CONTROL EQUIPMENT
- For Hazardous Locations

Ex db IIC T5 Gb

Pan Tilt Zoom Type CCTV Cameras Models FC33E***
Rated 100~240 Vac, 50/60 Hz, ambient range: -40°C to 60°C.

Type Designation
FC33E - * a b c * / *

a = Wiper
W: With wiper
N: Without wiper

b = Control signal
E: HDIP type

c = Type of protection

2: CSA certification

*: number or letter not relevant for the explosion safety properties

2. Installation

- All wiring shall comply with C22.1
- In order to prevent the earthing conductor from loosening, the conductor must be secured to the terminal, tightening the screw with appropriate torque. Care must be taken not to twist the conductor.

3. Operation



CAUTION

Take care not to generate mechanical sparking when access to the instrument and peripheral devices in hazardous area.

Veiller à ne pas générer d'étincelles mécaniques lors de l'accès à l'instrument et aux périphériques en zone dangereuse.

4. Repair and Maintenance

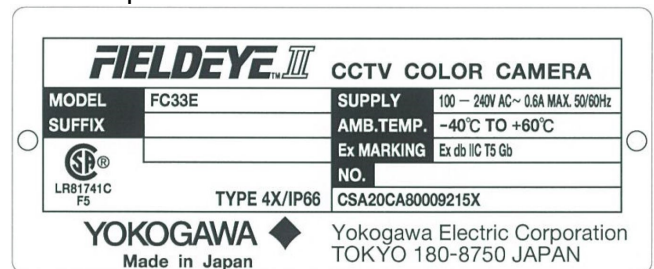


WARNING

Any parts replacing except for optional parts and/or modifying the housing cases are prohibited. In such a case certification becomes invalid.

Tout remplacement de pièces à l'exception des pièces optionnelles et/ou toute modification des boîtiers est interdit. Dans un tel cas, la certification devient invalide

5. Name plate FC33E



MODEL: Specified model code

SUFFIX: --

SUPPLY: Supply voltage

AMB. TEMP: Ambient temperature

NO.: Manufacturing serial number

(NNYMnnnnn)

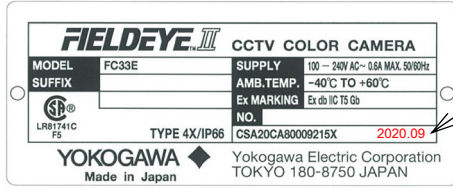
NN: Identification Code of Production Site

Y: product year

M: product month

nnnnn: serial number

※ year and month of production will be being depicted.

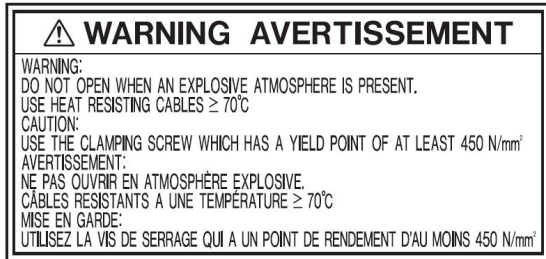


※ :for example.

YOKOGAWA ◆ Tokyo 180-8750 JAPAN:
The manufacturer name and the address *1
Manufacturer: Yokogawa Electric Corporation.

*1: "180-8750" is a zip code which represents the following address:
9-32 Nakacho, 2-chome Musashino-shi, Tokyo, Japan

6. Warning marking label



WARNING

USE HEAT RESISTING CABLE $\geq 70^{\circ}\text{C}$.

UTILISER UN CÂBLE RÉSISTANT À UNE CHALEUR $\geq 70^{\circ}\text{C}$.



CAUTION

USE THE CLAMPING SCREW WHICH HAS A YIELD POINT OF AT LEAST 450N/mm².

UTILISER LA VIS DE SERRAGE AYANT UNE LIMITE D'ÉLASTICITÉ D'AU MOINS 450 N/mm²

7. Conditions of Acceptability:

(1)The above models are permanently connected, Equipment Class I, Pollution Degree 2, Overvoltage Category II

(2)Mode of operation: Continuous

(3)Environmental Conditions: -40 to 60°C, 2000 m max., 20 to 95% RH

(4)This equipment employs flamepath joints that have not been tested at the maximum joint dimensions and minimum flamepath lengths permitted by the standard. When the equipment is to be repaired, maintained or inspected, contact the manufacturer for information on dimensions.

(5)For Zone 1 field wiring according to Canadian Electrical Code, must apply CSA certified Ex cable gland with appropriate rating. And the final assembly shall be evaluated and subjected to acceptance of local authority having jurisdiction.

(6) Certification information
Warning: A modification of the equipment would no longer comply with the construction described in the certificate documentation.

(7) 'Contact Output (Relay contact output):
Contact Rating: 48 DC., 100 mA (HDIP type Only)

(8) Take care not to generate mechanical spark when access to the equipment and the peripheral devices in hazardous locations.

(9) Maintenance and Repair
Only personnel authorized by Yokogawa Electric Corporation can repair the equipment.

ZA. Terms and Conditions of the Software License

Yokogawa Electric Corporation

NOTICE TO PURCHASERS (IMPORTANT)

Please carefully read the following license agreement. This FC33E-D or FC33U-D (FC33E/U-D) Software License Agreement ("LICENSE AGREEMENT") is a legal agreement between a purchaser and Yokogawa Electric Corporation ("**Yokogawa**"). You must agree to this LICENSE AGREEMENT to install or use the software product subject to the terms of this LICENSE AGREEMENT. By installing or otherwise loading the software product on hardware, you agree to be bound by the terms of this LICENSE AGREEMENT. If you do not agree to the terms of this LICENSE AGREEMENT, you may not install nor use the software product and return it to a sales representative at your place of purchase or supplier. If you are not the end user of the software product, you must oblige the actual end user to agree and comply with this LICENSE AGREEMENT and, if you are a lease company, you must oblige the lease users to agree and comply with this LICENSE AGREEMENT.

1 SCOPE

- 1.1 This LICENSE AGREEMENT applies to the following FC33E/U-D software product and associated documentation developed by Yokogawa("SOFTWARE PRODUCT").
- (a) FC33E/U-D software product installed on the FC33E-D / FC33U-D, FieldEye II Startup Utility or Plug-in Software.
 - (b) Documentation provided by Yokogawa with regard to the use of the FC33E/U-D software product, such as instruction manual.
 - (c) Computer programs, fonts, databases, blank fill-in forms, input data, images, photos, animations, videos, voice, music, text, applets (software linked to text and icons), and other related materials or objects used for each of (a) and (b) above.
- 1.2 The SOFTWARE PRODUCT also includes the updates (including any version or revision) of the SOFTWARE PRODUCT to the extent such updates are provided by Yokogawa.

2 GRANT OF LICENSE

- 2.1 Upon payment of the license fee separately agreed upon to Yokogawa Electric Corporation ("**Licensor**" hereinafter), here by grants to you(including the purchaser and lease users; "you" has the same definition hereinafter) a non-exclusive, non-transferable license ("LICENSE") to use the SOFTWARE PRODUCT for your internal business purposes, subject to the following conditions on use
- (a) FC33E/U-D software Product installed on the FC33E-D / FC33U-D. You may use this software on the FC33E-D /FC33U-D designated by the "**Licensor**".
 - (b) FieldEye II Startup Utility or Plug-in Software for setting up FC33E-D / FC33U-D -You may download or install and use this software on your computers only to the extent that it is necessary for setting up FC33E-D / FC33U-D designated by the "**Licensor**"
- 2.2 You may not resell, lease, distribute, transfer, pawn or sublicense the SOFTWARE PRODUCT or the License to any third party without prior written permission from the "**Licensor**".
- 2.3 You may make one copy of the SOFTWARE PRODUCT for backup or archival purposes with prior permission from the "**Licensor**"; however, you may not copy the entire SOFTWARE PRODUCT or part of it for any other reason. You shall reproduce the copyright, trademark or any other proprietary rights notices appearing on the SOFTWARE PRODUCT on each copy of the SOFTWARE PRODUCT made by you. You shall take appropriate care to store or maintain the copy of the SOFTWARE PRODUCT.
- 2.4 You may not, for any reason whatsoever, convert (including duplication) the SOFTWARE PRODUCT into source code or other human-readable forms by way of dumping, disassembling, decompiling, reverse-engineering or otherwise, or modify, translate into any other language or otherwise alter the SOFTWARE PRODUCT into a format other than that originally provided. Unless otherwise agreed to by the "**Licensor**", the source code will not be provided.
- 2.5 The SOFTWARE PRODUCT and all of the technologies, algorithms, know-how and processes contained therein (collectively, "Technologies") are the property and trade secrets of the "**Licensor**" or the third parties who grant to the "**Licensor**" a right to sublicense such Technologies. Nothing herein shall transfer or convey any part of such Technologies to you.
- 2.6 The property and trade secrets described in the preceding paragraph shall not be disclosed or divulged to any third party except for your employees or similar staff who have a legitimate need to know to use the SOFTWARE PRODUCT under this LICENSE AGREEMENT. You shall oblige such employees or staff to comply with the non-disclosure obligation hereabove.
- 2.7 The "**Licensor**" may use or add copy-protection mechanisms for or to the SOFTWARE PRODUCT. Removing or attempting to remove the mechanisms shall be prohibited.
- 2.8 The SOFTWARE PRODUCT and any copy thereof shall be returned to The "**Licensor**" upon termination of this LICENSE AGREEMENT. You shall dispose of or scrap the SOFTWARE PRODUCT and the storage media on which the SOFTWARE PRODUCT is stored; however, provided that all the contents on the media shall be completely deleted so that no one is able to read nor to restore it.
- 2.9 The SOFTWARE PRODUCT may contain software programs of third party licensors ("Third Party Programs"). The software programs produced by the "**Licensor**" affiliates and carrying such affiliates' trademarks shall fall under the Third Party Programs. The Third Party Programs may be subject to the terms and conditions imposed by such third party licensors, if any, which may differ from this LICENSE AGREEMENT.

2.10 The SOFTWARE PRODUCT for FC33E-D/FC33U-D contains open source software ("OSS"), for which the special terms and conditions separately provided by the "Licensor" (ZB. "Terms and Conditions of Open Source Software") shall take precedence over this LICENSE AGREEMENT.

3 RESTRICTIONS ON SPECIFIC APPLICATIONS

- 3.1 Unless otherwise agreed in writing between you and the "Licensor", the SOFTWARE PRODUCT is not intended, designed, produced or licensed for aircraft operation or control, ship navigation, or ground facility or device for support of the aforesaid operation or control, nor for planning, construction, maintenance or operation of any nuclear related facility.
- 3.2 If the SOFTWARE PRODUCT is used for the above-mentioned purposes, neither the "Licensor" nor its suppliers assume liability for any claim or damage arising from the said use and you shall indemnify and hold the "Licensor", its suppliers, their affiliates, subcontractors, officers, directors, employees, staff and agents harmless from any liability or damage whatsoever, including any court costs and attorney's fees, arising out of or related to the said use.

4 WARRANTY

4.1 The "Licensor" warrants that the SOFTWARE PRODUCT will function in accordance with the instruction manuals for the warranty period specified in Article 4.3, provided that it is used on hardware or its operation environment designated by the "Licensor", under the suitable environmental and other operating conditions designated by the "Licensor" or the hardware supplier. However, in no event shall the "Licensor" warrant the following items under any operating environment.

- (a) Operation of any software program will not be interrupted.
- (b) Software does not contain any errors such as bugs.
- (c) Software errors such as bugs will be completely corrected.
- (d) The SOFTWARE PRODUCT is compatible with or does not interfere with other software or hardware.
- (e) The SOFTWARE PRODUCT serves your current or scheduled particular purposes.
- (f) The SOFTWARE PRODUCT and its outcomes are optimum, accurate, reliable, or up-to-date.
- (g) The SOFTWARE PRODUCT is free of vulnerability (including but not limited to vulnerability to intrusion or attack caused by computer virus or unauthorized access or the like).

4.2 If the SOFTWARE PRODUCT does not work as described in the instruction manuals or the storage media are found to be broken or damaged during the warranty period specified in Article 4.3. The "Licensor" will, at its option, repair, replace or provide workaround for such defective SOFTWARE PRODUCT free of charge. Such repair work, replacement, or information provision shall be made by utilizing communication lines, sending substitute storage media from the "Licensor", or other procedures as the "Licensor" deems fit. Services other than the provision of the storage media or information, such as installation, setup, and others, shall be performed at your cost and responsibility. Any cost and expense incurred for the repair or replacement work shall be borne by you separately.

4.3 Unless otherwise agreed in writing, the warranty period of the SOFTWARE PRODUCT shall be one year from the shipment from the "Licensor's" factory.

5 DISCLAIMER OF WARRANTY

5.1 Notwithstanding the preceding Article 4, the "Licensor" shall not be held liable for any defect or error found in the SOFTWARE PRODUCT, if it is due to the following events:

- (a) The hardware on which the SOFTWARE PRODUCT is installed is no longer supported by the supplier of such hardware under the supplier's terms of warranty or the maintenance contract.
- (b) Upgrade, improvement, conversion, or other services have been provided by someone other than Yokogawa or the service providers designated by the "Licensor".
- (c) Improper use, conversion, addition of functions, or use for purposes not described in the general specifications has been performed by the purchaser or any third party except the service providers designated by the "Licensor".
- (d) The appropriate environmental conditions and other operating conditions specified by the "Licensor" or the hardware suppliers are not met.
- (e) You have not implemented appropriate remedies (including repair or replacement) as proposed by the "Licensor".
- (f) Other causes for which the "Licensor" is not responsible.

6 SERVICE AFTER WARRANTY PERIOD AND WARRANTY OF THIRD PARTY PROGRAMS

6.1 Subject to the separate maintenance contract mutually agreed upon, the "Licensor" may repair the defects or errors of the SOFTWARE PRODUCT on a chargeable basis after the warranty period. The "Licensor" shall perform such repair and maintenance services only on the latest and the second latest versions (the definition "versions" includes minor updates and revisions) of the SOFTWARE PRODUCT, unless otherwise mentioned in the catalogs or general specifications. Notwithstanding, in no event shall the "Licensor" provide any repair or maintenance service for the versions shipped more than five years before.

6.2 Notwithstanding Article 5 and the preceding Article 6.1, the warranty period and other warranty terms for the Third Party Programs (regardless of whether Yokogawa's trademarks or company name are shown on the program, or whether the program has been integrated into or used by the SOFTWARE PRODUCT) shall be subject to the terms and conditions imposed by third party licensors with respect to such Third Party Programs.

6.3 Notwithstanding Article 5 and the preceding Article 6.1, the warranty period and other warranty terms for the OSS shall be subject to the special terms and conditions separately provided by the "Licensor".

7 INFRINGEMENT

- 7.1 If you are warned or claimed by a third party that the SOFTWARE PRODUCT infringes any third party's patent, trade mark, copyright or other intellectual property rights ("IP rights"), you shall promptly notify Yokogawa Electric Corporation ("**Yokogawa**") thereof in writing.
- 7.2 In case it is finally judged by a court or otherwise accepted by **Yokogawa** out of court that the SOFTWARE PRODUCT (without any unauthorized modification and without any combination with non-Yokogawa products) infringes a previously issued or published IP rights of any third party, **Yokogawa** shall indemnify and hold you harmless from the damages or royalties finally granted by the court or otherwise agreed by Yokogawa out of court. Such indemnity shall be subject to that i) you comply with Article 7.1, ii) you grant to **Yokogawa** the authority to control the defense and settlement of such claim and ii) you give every and all reasonable assistance to Yokogawa.
- 7.3 If a final injunction is obtained against you, or if **Yokogawa** reasonably believes that such injunction is likely, **Yokogawa** may, at its option and its expense, either (i) procure for you the right to continue using the SOFTWARE PRODUCT, (ii) replace or modify the SOFTWARE PRODUCT or the infringing portions thereof so that they become non-infringing without any loss of substantial functionality, or (iii) if Yokogawa believes that (i) and (ii) are not practicable, refund you the price of the infringed SOFTWARE PRODUCT as depreciated according to the Generally Accepted Accounting Principles.
- 7.4 Notwithstanding the foregoing, **Yokogawa** shall have no obligation nor liability for, and you shall defend and indemnify **Yokogawa** and its suppliers from, the claim, if the infringement is arising from a) modification of the SOFTWARE PRODUCT made by a person other than **Yokogawa**, b) combination of the SOFTWARE PRODUCT with hardware or software not furnished by **Yokogawa**, c) design or instruction provided by or on behalf of you, d) not complying with **Yokogawa's** suggestion, or e) any other causes not attributable to **Yokogawa**.
- 7.5 This section states the entire liability of **Yokogawa** and its suppliers and the sole remedy of you with respect to any claim of infringement of a third party's intellectual property rights. Notwithstanding anything to the contrary stated herein, with respect to the claims arising from or related to the Third Party Programs, the terms and conditions imposed by third party licensors shall prevail and with respect to the claims arising from or related to the OSS, the special terms and conditions separately provided by **Yokogawa** shall prevail.

8 LIMITATION OF LIABILITY

IN NO EVENT SHALL YOKOGAWA BE LIABLE FOR (I) ANY LOSS OR DEFERMENT OF PROFIT OR INCOME, LOSS OF PRODUCTION, LOSS OF USE, OR BUSINESS INTERRUPTION, (II) ANY INDIRECT, INCIDENTAL, OR CONSEQUENTIAL DAMAGES, OR (III) ANY EXEMPLARY, SPECIAL, PUNITIVE, OR SIMILAR DAMAGES OF ANY KIND, WHETHER BASED IN CONTRACT, STRICT LIABILITY, TORT (INCLUDING NEGLIGENCE), WARRANTY (EXPRESS OR IMPLIED), OR ANY OTHER LEGAL OR EQUITABLE GROUNDS, EVEN IF YOKOGAWA HAS BEEN ADVISED OF THE POSSIBILITY OF SUCH DAMAGES. UNDER NO CIRCUMSTANCES SHALL YOKOGAWA'S LIABILITY IN CONNECTION WITH THIS LICENSE AGREEMENT WHETHER BASED IN CONTRACT, STRICT LIABILITY, TORT (INCLUDING NEGLIGENCE), WARRANTY (EXPRESS OR IMPLIED), OR ANY OTHER LEGAL OR EQUITABLE GROUNDS, EXCEED THE SUM OF THE PRICE PAID TO YOKOGAWA IN RELATION TO THE CONCERNED PART OF THE SOFTWARE PRODUCT. FURTHER, IF THE SOFTWARE PRODUCT IS CHANGED, ALTERED, COMBINED WITH ANY OTHER SOFTWARE WHICH HAS NOT BEEN APPROVED BY YOKOGAWA, OR OTHERWISE DIVERGED OR DIFFERED FROM THE GENERAL SPECIFICATIONS WITHOUT PRIOR WRITTEN CONSENT OF YOKOGAWA, YOKOGAWA SHALL BE RELEASED AND EXEMPTED FROM PART OF OR ALL OF ITS LIABILITIES.

9 TERM OF THE LICENSE AGREEMENT

This LICENSE AGREEMENT shall be effective from the day when the purchaser receives the media of or downloads the SOFTWARE PRODUCT until the purchaser gives one month's written notice to Yokogawa to terminate use of the SOFTWARE PRODUCT, or until the purchaser stops using the SOFTWARE PRODUCT.

10 INJUNCTION AGAINST USE OF THE PRODUCT

If, after the license of the SOFTWARE PRODUCT is granted hereunder, the operating environment has changed, an undesirable environmental condition that was not anticipated when the license was granted has been discovered, or any other event has occurred where Yokogawa considers that it is remarkably inappropriate to use the SOFTWARE PRODUCT, Yokogawa may suspend or withhold the license provided hereunder

11 TERMINATION

If you breach any part of this LICENSE AGREEMENT, Yokogawa may terminate this LICENSE AGREEMENT at any time without any prior notice. Upon termination of this LICENSE AGREEMENT, you shall, and make end users, promptly cease using the SOFTWARE PRODUCT and, in accordance with Article 2.8, return or irretrievably delete all copies of the SOFTWARE PRODUCT, certifying the same in writing. In this case the license fee paid by you for the SOFTWARE PRODUCT shall not be refunded. Article 2.6 and 2.8, 7, 8 and 12.2 shall survive any termination of this LICENSE AGREEMENT

12 GENERAL

- 12.1 You agree to comply with the export control and related laws, regulations and orders of Japan, the United States of America, and any other applicable countries and, if you export or reexport the SOFTWARE PRODUCT, to obtain export/import permit and take all necessary procedures under your own responsibility and at your own expense.
- 12.2 This LICENSE AGREEMENT shall be governed by the laws of Japan. All disputes which may arise in relation to this LICENSE AGREEMENT but is not amicably settled shall be finally settled by arbitration in Tokyo, Japan in accordance with the Commercial Arbitration Rules of the Japan Commercial Arbitration Association. The award rendered by the arbitrators shall be final and binding upon the parties hereto. The parties expressly agree to waive any applicable laws permitting appeal to court of law or any other body so that accordingly there shall be no appeal to any court or other body from the decision (or any interim decision) of the panel of arbitrators and neither party shall dispute nor question such decision before any judicial authority in your country, Japan or elsewhere.
- 12.3 This Agreement supersedes all prior oral and written understandings, representations and discussions between the parties concerning the subject matter hereof to the extent such understandings, representations and discussions should be discrepant or inconsistent with this LICENSE AGREEMENT.
- 12.4 If any part of this LICENSE AGREEMENT is found void or unenforceable, it will not affect the validity of the balance of the LICENSE AGREEMENT, which shall remain valid and enforceable according to its terms. The parties hereby agree to attempt to substitute for such invalid or unenforceable provision a valid or enforceable provision which achieves to the greatest extent possible the economic, legal and commercial objectives of the invalid or unenforceable provision.
- 12.5 You shall not assign or transfer any right or obligation under this Agreement to any third party without prior written consent of Yokogawa.
- 12.6 Yokogawa shall have the right to access and audit your facilities and any of your records, including data stored on computers, in relation to the use of the SOFTWARE PRODUCT as may be reasonably necessary in Yokogawa's opinion to verify that the requirements of this Agreement are being met.

End of document as TERM OF THE LICENSE AGREEMENT

ZB. Terms and Conditions of Open Source Software

Yokogawa Electric Corporation

1 Open Source License

FC33E-D or FC33U-D (FC33E/U-D) uses or contains software licensed or distributed under any of the following licenses ("Open Source Software"). Notwithstanding anything to the contrary stated in the FC33E/U-D Software License Agreement (**ZA**, "Terms and Conditions of the Software License"), installation or use of Open Source Software shall be subject to the terms and conditions of this FC33E/U-D Terms and Conditions of Open Source Software, which shall prevail over the FC33E/U-D Software License Agreement. Some of Open Source Software may, in its accompanying files, specify different version of the license terms and/or additional terms, which, if any, shall take precedence over the following license terms:

- 1) GNU GENERAL PUBLIC LICENSE Version 2
- 2) GNU LIBRARY GENERAL PUBLIC LICENSE Version 2
- 3) GNU LESSER GENERAL PUBLIC LICENSE Version 2.1
- 4) GNU LESSER GENERAL PUBLIC LICENSE Version 3
- 5) The 3-clause BSD License
- 6) Picojson license
- 7) Apache License Version 2.0
- 8) The FreeType Project LICENSE
- 9) zlib license
- 10) libexpat.so license
- 11) libffi license
- 12) libxml license
- 13) Net-SNMP license
- 14) OpenSSL license
- 15) PCRE LICENSE
- 16) jq license

The text of the above license terms is provided available in the relevant websites provided below:

<https://www.yokogawa.com/solutions/products-platforms/field-instruments/closed-circuit-television-cctv/fc33u-fc33e-ccd-color-camera/>

2 Limited Warranty

Each Open Source Software shall be provided on an "AS IS" basis without warranty of any kind, and any express or implied warranties, including without limitation, any warranties of title, non-infringement, merchantability or fitness for a particular purpose are disclaimed.

3 Limitation of Liability

IN ADDITION TO AND WITHOUT LIMITING THE GENERALITY OF THE LIMITATION OF LIABILITY PROVISIONS SET FORTH IN OPEN SOURCE LICENSES OR FC33E/U-D SOFTWARE LICENSE AGREEMENT, UNLESS OTHERWISE REQUIRED BY APPLICABLE LAW, IN NO EVENT SHALL YOKOGAWA, ITS AFFILIATES AND SUPPLIERS BE LIABLE, IN RELATION TO OPEN SOURCE SOFTWARE, FOR ANY CLAIM, LOSS OR DAMAGE BASED UPON OR RELATED TO, A THIRD PARTY CLAIM, ACTUAL OR ALLEGED INFRINGEMENT, MALFUNCTIONS OR LOSS OF DATA, OR ANY DIRECT, INDIRECT, INCIDENTAL, CONSEQUENTIAL, SPECIAL, EXEMPLARY OR PUNITIVE DAMAGES, WHETHER ARISING IN TORT, CONTRACT, OR OTHERWISE, EVEN IF YOKOGAWA, ITS AFFILIATES OR SUPPLIERS HAVE BEEN ADVISED OF THE POSSIBILITY OF SUCH CLAIMS OR DAMAGES.

4 How to Provide the Source Code

You may obtain the source code of such software to which you are entitled under the GNU General Public License Version 2, GNU Library General Public License Version 2, GNU Lesser General Public License Version 2.1 or GNU Lesser General Public License Version 3, and you may redistribute and/or modify it. The source code of corresponding software will be provided upon your request for a charge covering the costs and expenses incurred for providing the source code. Please be aware that Yokogawa is not able to provide any information for your source code-related questions. For the information how to get the source code, please contact YOKOGAWA

1) Programs to which GNU GENERAL PUBLIC LICENSE Version 2 applies

- kernelmodule
- busybox
- cgilib
- ethtool
- gst-plugins-bad
- gst-plugins-base
- iptables
- libuuid.so
- linux
- mtd-utils
- osa_kermod
- u-boot

<https://www.gnu.org/licenses/old-licenses/gpl-2.0.en.html>

GNU GENERAL PUBLIC LICENSE Version 2, June 1991

Copyright (C) 1989, 1991 Free Software Foundation, Inc.
59 Temple Place, Suite 330, Boston, MA 02111-1307 USA
Everyone is permitted to copy and distribute verbatim copies
of this license document, but changing it is not allowed.

Preamble

The licenses for most software are designed to take away your freedom to share and change it. By contrast, the GNU General Public License is intended to guarantee your freedom to share and change free software--to make sure the software is free for all its users. This General Public License applies to most of the Free Software Foundation's software and to any other program whose authors commit to using it. (Some other Free Software Foundation software is covered by the GNU Library General Public License instead.) You can apply it to your programs, too.

When we speak of free software, we are referring to freedom, not price. Our General Public Licenses are designed to make sure that you have the freedom to distribute copies of free software (and charge for this service if you wish), that you receive source code or can get it if you want it, that you can change the software or use pieces of it in new free programs; and that you know you can do these things.

To protect your rights, we need to make restrictions that forbid anyone to deny you these rights or to ask you to surrender the rights. These restrictions translate to certain responsibilities for you if you distribute copies of the software, or if you modify it

For example, if you distribute copies of such a program, whether gratis or for a fee, you must give the recipients all the rights that you have. You must make sure that they, too, receive or can get the source code. And you must show them these terms so they know their rights.

We protect your rights with two steps: (1) copyright the software, and (2) offer you this license which gives you legal permission to copy, distribute and/or modify the software.

Also, for each author's protection and ours, we want to make certain that everyone understands that there is no warranty for this free software. If the software is modified by someone else and passed on, we want its recipients to know that what they have is not the original, so that any problems introduced by others will not reflect on the original authors' reputations.

Finally, any free program is threatened constantly by software patents. We wish to avoid the danger that redistributors of a free program will individually obtain patent licenses, in effect making the program proprietary. To prevent this, we have made it clear that any patent must be licensed for everyone's free use or not licensed at all.

The precise terms and conditions for copying, distribution and modification follow.

GNU GENERAL PUBLIC LICENSE

TERMS AND CONDITIONS FOR COPYING, DISTRIBUTION AND MODIFICATION

0. This License applies to any program or other work which contains a notice placed by the copyright holder saying it may be distributed under the terms of this General Public License. The "Program", below, refers to any such program or work, and a "work based on the Program" means either the Program or any derivative work under copyright law: that is to say, a work containing the Program or a portion of it, either verbatim or with modifications and/or translated into another language. (Hereinafter, translation is included without limitation in the term "modification".) Each licensee is addressed as "you".

Activities other than copying, distribution and modification are not covered by this License; they are outside its scope. The act of running the Program is not restricted, and the output from the Program is covered only if its contents constitute a work based on the Program (independent of having been made by running the Program). Whether that is true depends on what the Program does.

1. You may copy and distribute verbatim copies of the Program's source code as you receive it, in any medium, provided that you conspicuously and appropriately publish on each copy an appropriate copyright notice and disclaimer of warranty; keep intact all the notices that refer to this License and to the absence of any warranty; and give any other recipients of the Program a copy of this License along with the Program.

You may charge a fee for the physical act of transferring a copy, and you may at your option offer warranty protection in exchange for a fee.

2. You may modify your copy or copies of the Program or any portion of it, thus forming a work based on the Program, and copy and distribute such modifications or work under the terms of Section 1 above, provided that you also meet all of these conditions:
- (a) You must cause the modified files to carry prominent notices stating that you changed the files and the date of any change
 - (b) You must cause any work that you distribute or publish, that in whole or in part contains or is derived from the Program or any part thereof, to be licensed as a whole at no charge to all third parties under the terms of this License.
 - (c) If the modified program normally reads commands interactively when run, you must cause it, when started running for such interactive use in the most ordinary way, to print or display an announcement including an appropriate copyright notice and a notice that there is no warranty (or else, saying that you provide a warranty) and that users may redistribute the program under these conditions, and telling the user how to view a copy of this License. (Exception: if the Program itself is interactive but does not normally print such an announcement, your work based on the Program is not required to print an announcement.)

These requirements apply to the modified work as a whole. If identifiable sections of that work are not derived from the Program, and can be reasonably considered independent and separate works in themselves, then this License, and its terms, do not apply to those sections when you distribute them as separate works. But when you distribute the same sections as part of a whole which is a work based on the Program, the distribution of the whole must be on the terms of this License, whose permissions for other licensees extend to the entire whole, and thus to each and every part regardless of who wrote it.

Thus, it is not the intent of this section to claim rights or contest your rights to work written entirely by you; rather, the intent is to exercise the right to control the distribution of derivative or collective works based on the Program.

In addition, mere aggregation of another work not based on the Program with the Program (or with a work based on the Program) on a volume of a storage or distribution medium does not bring the other work under the scope of this License.

3. You may copy and distribute the Program (or a work based on it, under Section 2) in object code or executable form under the terms of Sections 1 and 2 above provided that you also do one of the following:
 - (a) Accompany it with the complete corresponding machine-readable source code, which must be distributed under the terms of Sections 1 and 2 above on a medium customarily used for software interchange; or,
 - (b) Accompany it with a written offer, valid for at least three years, to give any third party, for a charge no more than your cost of physically performing source distribution, a complete machine-readable copy of the corresponding source code, to be distributed under the terms of Sections 1 and 2 above on a medium customarily used for software interchange; or,
 - (c) Accompany it with the information you received as to the offer to distribute corresponding source code. (This alternative is allowed only for noncommercial distribution and only if you received the program in object code or executable form with such an offer, in accord with Subsection b above.)

The source code for a work means the preferred form of the work for making modifications to it. For an executable work, complete source code means all the source code for all modules it contains, plus any associated interface definition files, plus the scripts used to control compilation and installation of the executable. However, as a special exception, the source code distributed need not include anything that is normally distributed (in either source or binary form) with the major components (compiler, kernel, and so on) of the operating system on which the executable runs, unless that component itself accompanies the executable.

If distribution of executable or object code is made by offering access to copy from a designated place, then offering equivalent access to copy the source code from the same place counts as distribution of the source code, even though third parties are not compelled to copy the source along with the object code.

4. You may not copy, modify, sublicense, or distribute the Program except as expressly provided under this License. Any attempt otherwise to copy, modify, sublicense or distribute the Program is void, and will automatically terminate your rights under this License. However, parties who have received copies, or rights, from you under this License will not have their licenses terminated so long as such parties remain in full compliance.
5. You are not required to accept this License, since you have not signed it. However, nothing else grants you permission to modify or distribute the Program or its derivative works. These actions are prohibited by law if you do not accept this License. Therefore, by modifying or distributing the Program (or any work based on the Program), you indicate your acceptance of this License to do so, and all its terms and conditions for copying, distributing or modifying the Program or works based on it.
6. Each time you redistribute the Program (or any work based on the Program), the recipient automatically receives a license from the original licensor to copy, distribute or modify the Program subject to these terms and conditions. You may not impose any further restrictions on the recipients' exercise of the rights granted herein. You are not responsible for enforcing compliance by third parties to this License.
7. If, as a consequence of a court judgment or allegation of patent infringement or for any other reason (not limited to patent issues), conditions are imposed on you (whether by court order, agreement or otherwise) that contradict the conditions of this License, they do not excuse you from the conditions of this License. If you cannot distribute so as to satisfy simultaneously your obligations under this License and any other pertinent obligations, then as a consequence you may not distribute the Program at all. For example, if a patent license would not permit royalty-free redistribution of the Program by all those who receive copies directly or indirectly through you, then the only way you could satisfy both it and this License would be to refrain entirely from distribution of the Program.

If any portion of this section is held invalid or unenforceable under any particular circumstance, the balance of the section is intended to apply and the section as a whole is intended to apply in other circumstances

It is not the purpose of this section to induce you to infringe any patents or other property right claims or to contest validity of any such claims; this section has the sole purpose of protecting the integrity of the free software distribution system, which is implemented by public license practices. Many people have made generous contributions to the wide range of software distributed through that system in reliance on consistent application of that system; it is up to the author/donor to decide if he or she is willing to distribute software through any other system and a licensee cannot impose that choice.

This section is intended to make thoroughly clear what is believed to be a consequence of the rest of this License.

8. If the distribution and/or use of the Program is restricted in certain countries either by patents or by copyrighted interfaces, the original copyright holder who places the Program under this License may add an explicit geographical distribution limitation excluding those countries, so that distribution is permitted only in or among countries not thus excluded. In such case, this License incorporates the limitation as if written in the body of this License.

9. The Free Software Foundation may publish revised and/or new versions of the General Public License from time to time. Such new versions will be similar in spirit to the present version, but may differ in detail to address new problems or concerns.

Each version is given a distinguishing version number. If the Program specifies a version number of this License which applies to it and "any later version", you have the option of following the terms and conditions either of that version or of any later version published by the Free Software Foundation. If the Program does not specify a version number of this License, you may choose any version ever published by the Free Software Foundation.

10. If you wish to incorporate parts of the Program into other free programs whose distribution conditions are different, write to the author to ask for permission. For software which is copyrighted by the Free Software Foundation, write to the Free Software Foundation; we sometimes make exceptions for this. Our decision will be guided by the two goals of preserving the free status of all derivatives of our free software and of promoting the sharing and reuse of software generally.

NO WARRANTY

11. BECAUSE THE PROGRAM IS LICENSED FREE OF CHARGE, THERE IS NO WARRANTY FOR THE PROGRAM, TO THE EXTENT PERMITTED BY APPLICABLE LAW. EXCEPT WHEN OTHERWISE STATED IN WRITING THE COPYRIGHT HOLDERS AND/OR OTHER PARTIES PROVIDE THE PROGRAM "AS IS" WITHOUT WARRANTY OF ANY KIND, EITHER EXPRESSED OR IMPLIED, INCLUDING, BUT NOT LIMITED TO, THE IMPLIED WARRANTIES OF MERCHANTABILITY AND FITNESS FOR A PARTICULAR PURPOSE. THE ENTIRE RISK AS TO THE QUALITY AND PERFORMANCE OF THE PROGRAM IS WITH YOU. SHOULD THE PROGRAM PROVE DEFECTIVE, YOU ASSUME THE COST OF ALL NECESSARY SERVICING, REPAIR OR CORRECTION.
12. IN NO EVENT UNLESS REQUIRED BY APPLICABLE LAW OR AGREED TO IN WRITING WILL ANY COPYRIGHT HOLDER, OR ANY OTHER PARTY WHO MAY MODIFY AND/OR REDISTRIBUTE THE PROGRAM AS PERMITTED ABOVE, BE LIABLE TO YOU FOR DAMAGES, INCLUDING ANY GENERAL, SPECIAL, INCIDENTAL OR CONSEQUENTIAL DAMAGES ARISING OUT OF THE USE OR INABILITY TO USE THE PROGRAM (INCLUDING BUT NOT LIMITED TO LOSS OF DATA OR DATA BEING RENDERED INACCURATE OR LOSSES SUSTAINED BY YOU OR THIRD PARTIES OR A FAILURE OF THE PROGRAM TO OPERATE WITH ANY OTHER PROGRAMS), EVEN IF SUCH HOLDER OR OTHER PARTY HAS BEEN ADVISED OF THE POSSIBILITY OF SUCH DAMAGES.

END OF TERMS AND CONDITIONS

How to Apply These Terms to Your New Programs

If you develop a new program, and you want it to be of the greatest possible use to the public, the best way to achieve this is to make it free software which everyone can redistribute and change under these terms

To do so, attach the following notices to the program. It is safest to attach them to the start of each source file to most effectively convey the exclusion of warranty; and each file should have at least the "copyright" line and a pointer to where the full notice is found.

<one line to give the program's name and a brief idea of what it does.>

Copyright (C) <year> <name of author>

This program is free software; you can redistribute it and/or modify it under the terms of the GNU General Public License as published by the Free Software Foundation; either version 2 of the License, or (at your option) any later version

This program is distributed in the hope that it will be useful, but WITHOUT ANY WARRANTY; without even the implied warranty of MERCHANTABILITY or FITNESS FOR A PARTICULAR PURPOSE. See the GNU General Public License for more details.

You should have received a copy of the GNU General Public License along with this program; if not, write to the Free Software Foundation, Inc., 51 Franklin St, Fifth Floor, Boston, MA 02110-1301 USA

Also add information on how to contact you by electronic and paper mail.

If the program is interactive, make it output a short notice like this when it starts in an interactive mode:

Gnomovision version 69, Copyright (C) year name of author Gnomovision comes with ABSOLUTELY NO WARRANTY; for details type `show w'. This is free software, and you are welcome to redistribute it under certain conditions; type `show c' for details.

The hypothetical commands `show w' and `show c' should show the appropriate parts of the General Public License. Of course, the commands you use may be called something other than `show w' and `show c'; they could even be mouse-clicks or menu items--whatever suits your program.

You should also get your employer (if you work as a programmer) or your school, if any, to sign a "copyright disclaimer" for the program, if necessary. Here is a sample; alter the names:

Yoyodyne, Inc., hereby disclaims all copyright interest in the program `Gnomovision' (which makes passes at compilers) written by James Hacker.

<signature of Ty Coon>, 1 April 1989
Ty Coon, President of Vice

This General Public License does not permit incorporating your program into proprietary programs. If your program is a subroutine library, you may consider it more useful to permit linking proprietary applications with the library. If this is what you want to do, use the GNU Library General Public License instead of this License.

2) Programs to which GNU LIBRARY GENERAL PUBLIC LICENSE Version 2 applies

- glib
- gst-plugins-bad
- gst-plugins-base
- gstreamer
- gst-rtsp-server

<https://www.gnu.org/licenses/old-licenses/lgpl-2.0.en.html>

GNU LIBRARY GENERAL PUBLIC LICENSE Version 2, June 1991

Copyright (C) 1991 Free Software Foundation, Inc.
59 Temple Place, Suite 330, Boston, MA 02111-1307 USA

Everyone is permitted to copy and distribute verbatim copies of this license document, but changing it is not allowed.

[This is the first released version of the library GPL. It is numbered 2 because it goes with version 2 of the ordinary GPL]

Preamble

The licenses for most software are designed to take away your freedom to share and change it. By contrast, the GNU General Public Licenses are intended to guarantee your freedom to share and change free software—to make sure the software is free for all its users.

This license, the Library General Public License, applies to some specially designated Free Software Foundation software, and to any other libraries whose authors decide to use it. You can use it for your libraries, too.

When we speak of free software, we are referring to freedom, not price. Our General Public Licenses are designed to make sure that you have the freedom to distribute copies of free software (and charge for this service if you wish), that you receive source code or can get it if you want it, that you can change the software or use pieces of it in new free programs; and that you know you can do these things.

To protect your rights, we need to make restrictions that forbid anyone to deny you these rights or to ask you to surrender the rights. These restrictions translate to certain responsibilities for you if you distribute copies of the library, or if you modify it.

For example, if you distribute copies of the library, whether gratis or for a fee, you must give the recipients all the rights that we gave you. You must make sure that they, too, receive or can get the source code. If you link a program with the library, you must provide complete object files to the recipients so that they can relink them with the library, after making changes to the library and recompiling it. And you must show them these terms so they know their rights.

Our method of protecting your rights has two steps: (1) copyright the library, and (2) offer you this license which gives you legal permission to copy, distribute and/or modify the library.

Also, for each distributor's protection, we want to make certain that everyone understands that there is no warranty for this free library. If the library is modified by someone else and passed on, we want its recipients to know that what they have is not the original version, so that any problems introduced by others will not reflect on the original authors' reputations.

Finally, any free program is threatened constantly by software patents. We wish to avoid the danger that companies distributing free software will individually obtain patent licenses, thus in effect transforming the program into proprietary software. To prevent this, we have made it clear that any patent must be licensed for everyone's free use or not licensed at all.

Most GNU software, including some libraries, is covered by the ordinary GNU General Public License, which was designed for utility programs. This license, the GNU Library General Public License, applies to certain designated libraries. This license is quite different from the ordinary one; be sure to read it in full, and don't assume that anything in it is the same as in the ordinary license.

The reason we have a separate public license for some libraries is that they blur the distinction we usually make between modifying or adding to a program and simply using it. Linking a program with a library, without changing the library, is in some sense simply using the library, and is analogous to running a utility program or application program. However, in a textual and legal sense, the linked executable is a combined work, a derivative of the original library, and the ordinary General Public License treats it as such.

Because of this blurred distinction, using the ordinary General Public License for libraries did not effectively promote software sharing, because most developers did not use the libraries. We concluded that weaker conditions might promote sharing better.

However, unrestricted linking of non-free programs would deprive the users of those programs of all benefit from the free status of the libraries themselves. This Library General Public License is intended to permit developers of non-free programs to use free libraries, while preserving your freedom as a user of such programs to change the free libraries that are incorporated in them. (We have not seen how to achieve this as regards changes in header files, but we have achieved it as regards changes in the actual functions of the Library.) The hope is that this will lead to faster development of free libraries.

The precise terms and conditions for copying, distribution and modification follow. Pay close attention to the difference between a "work based on the library" and a "work that uses the library". The former contains code derived from the library, while the latter only works together with the library.

Note that it is possible for a library to be covered by the ordinary General Public License rather than by this special one.

GNU LIBRARY GENERAL PUBLIC LICENSE
TERMS AND CONDITIONS FOR COPYING, DISTRIBUTION AND MODIFICATION

0. This License Agreement applies to any software library which contains a notice placed by the copyright holder or other authorized party saying it may be distributed under the terms of this Library General Public License (also called "this License"). Each licensee is addressed as "you".

A "library" means a collection of software functions and/or data prepared so as to be conveniently linked with application programs (which use some of those functions and data) to form executables.

The "Library", below, refers to any such software library or work which has been distributed under these terms. A "work based on the Library" means either the Library or any derivative work under copyright law; that is to say, a work containing the Library or a portion of it, either verbatim or with modifications and/or translated straightforwardly into another language. (Hereinafter, translation is included without limitation in the term "modification".)

"Source code" for a work means the preferred form of the work for making modifications to it. For a library, complete source code means all the source code for all modules it contains, plus any associated interface definition files, plus the scripts used to control compilation and installation of the library.

Activities other than copying, distribution and modification are not covered by this License; they are outside its scope. The act of running a program using the Library is not restricted, and output from such a program is covered only if its contents constitute a work based on the Library (independent of the use of the Library in a tool for writing it). Whether that is true depends on what the Library does and what the program that uses the Library does.

1. You may copy and distribute verbatim copies of the Library's complete source code as you receive it, in any medium, provided that you conspicuously and appropriately publish on each copy an appropriate copyright notice and disclaimer of warranty; keep intact all the notices that refer to this License and to the absence of any warranty; and distribute a copy of this License along with the Library.

You may charge a fee for the physical act of transferring a copy, and you may at your option offer warranty protection in exchange for a fee

2. You may modify your copy or copies of the Library or any portion of it, thus forming a work based on the Library, and copy and distribute such modifications or work under the terms of Section 1 above, provided that you also meet all of these conditions:
- (a) The modified work must itself be a software library.
 - (b) You must cause the files modified to carry prominent notices stating that you changed the files and the date of any change.
 - (c) You must cause the whole of the work to be licensed at no charge to all third parties under the terms of this License
 - (d) If a facility in the modified Library refers to a function or a table of data to be supplied by an application program that uses the facility, other than as an argument passed when the facility is invoked, then you must make a good faith effort to ensure that, in the event an application does not supply such function or table, the facility still operates, and performs whatever part of its purpose remains meaningful.

(For example, a function in a library to compute square roots has a purpose that is entirely well-defined independent of the application. Therefore, Subsection 2d requires that any application-supplied function or table used by this function must be optional: if the application does not supply it, the square root function must still compute square roots.)

These requirements apply to the modified work as a whole. If identifiable sections of that work are not derived from the Library, and can be reasonably considered independent and separate works in themselves, then this License, and its terms, do not apply to those sections when you distribute them as separate works. But when you distribute the same sections as part of a whole which is a work based on the Library, the distribution of the whole must be on the terms of this License, whose permissions for other licensees extend to the entire whole, and thus to each and every part regardless of who wrote it.

Thus, it is not the intent of this section to claim rights or contest your rights to work written entirely by you; rather, the intent is to exercise the right to control the distribution of derivative or collective works based on the Library.

In addition, mere aggregation of another work not based on the Library with the Library (or with a work based on the Library) on a volume of a storage or distribution medium does not bring the other work under the scope of this License.

3. You may opt to apply the terms of the ordinary GNU General Public License instead of this License to a given copy of the Library. To do this, you must alter all the notices that refer to this License, so that they refer to the ordinary GNU General Public License, version 2, instead of to this License. (If a newer version than version 2 of the ordinary GNU General Public License has appeared, then you can specify that version instead if you wish.) Do not make any other change in these notices.

Once this change is made in a given copy, it is irreversible for that copy, so the ordinary GNU General Public License applies to all subsequent copies and derivative works made from that copy.

This option is useful when you wish to copy part of the code of the Library into a program that is not a library.

4. You may copy and distribute the Library (or a portion or derivative of it, under Section 2) in object code or executable form under the terms of Sections 1 and 2 above provided that you accompany it with the complete corresponding machine-readable source code, which must be distributed under the terms of Sections 1 and 2 above on a medium customarily used for software interchange.]

If distribution of object code is made by offering access to copy from a designated place, then offering equivalent access to copy the source code from the same place satisfies the requirement to distribute the source code, even though third parties are not compelled to copy the source along with the object code.

5. A program that contains no derivative of any portion of the Library, but is designed to work with the Library by being compiled or linked with it, is called a "work that uses the Library". Such a work, in isolation, is not a derivative work of the Library, and therefore falls outside the scope of this License.

However, linking a "work that uses the Library" with the Library creates an executable that is a derivative of the Library (because it contains portions of the Library), rather than a "work that uses the library". The executable is therefore covered by this License. Section 6 states terms for distribution of such executables.

When a "work that uses the Library" uses material from a header file that is part of the Library, the object code for the work may be a derivative work of the Library even though the source code is not. Whether this is true is especially significant if the work can be linked without the Library, or if the work is itself a library. The threshold for this to be true is not precisely defined by law.

If such an object file uses only numerical parameters, data structure layouts and accessors, and small macros and small inline functions (ten lines or less in length), then the use of the object file is unrestricted, regardless of whether it is legally a derivative work. (Executables containing this object code plus portions of the Library will still fall under Section 6.)

Otherwise, if the work is a derivative of the Library, you may distribute the object code for the work under the terms of Section 6. Any executables containing that work also fall under Section 6, whether or not they are linked directly with the Library itself.

6. As an exception to the Sections above, you may also compile or link a "work that uses the Library" with the Library to produce a work containing portions of the Library, and distribute that work under terms of your choice, provided that the terms permit modification of the work for the customer's own use and reverse engineering for debugging such modifications.

You must give prominent notice with each copy of the work that the Library is used in it and that the Library and its use are covered by this License. You must supply a copy of this License. If the work during execution displays copyright notices, you must include the copyright notice for the Library among them, as well as a reference directing the user to the copy of this License. Also, you must do one of these things.

- (a) Accompany the work with the complete corresponding machine-readable source code for the Library including whatever changes were used in the work (which must be distributed under Sections 1 and 2 above); and, if the work is an executable linked with the Library, with the complete machine-readable "work that uses the Library", as object code and/or source code, so that the user can modify the Library and then relink to produce a modified executable containing the modified Library. (It is understood that the user who changes the contents of definitions files in the Library will not necessarily be able to recompile the application to use the modified definitions.)
- (b) Accompany the work with a written offer, valid for at least three years, to give the same user the materials specified in Subsection 6a, above, for a charge no more than the cost of performing this distribution.
- (c) If distribution of the work is made by offering access to copy from a designated place, offer equivalent access to copy the above specified materials from the same place.
- (d) Verify that the user has already received a copy of these materials or that you have already sent this user a copy.

For an executable, the required form of the "work that uses the Library" must include any data and utility programs needed for reproducing the executable from it. However, as a special exception, the source code distributed need not include anything that is normally distributed (in either source or binary form) with the major components (compiler, kernel, and so on) of the operating system on which the executable runs, unless that component itself accompanies the executable.

It may happen that this requirement contradicts the license restrictions of other proprietary libraries that do not normally accompany the operating system. Such a contradiction means you cannot use both them and the Library together in an executable that you distribute.

7. You may place library facilities that are a work based on the Library side-by-side in a single library together with other library facilities not covered by this License, and distribute such a combined library, provided that the separate distribution of the work based on the Library and of the other library facilities is otherwise permitted, and provided that you do these two things.
- (a) Accompany the combined library with a copy of the same work based on the Library, uncombined with any other library facilities. This must be distributed under the terms of the Sections above.
 - (b) Give prominent notice with the combined library of the fact that part of it is a work based on the Library, and explaining where to find the accompanying uncombined form of the same work.
8. You may not copy, modify, sublicense, link with, or distribute the Library except as expressly provided under this License. Any attempt otherwise to copy, modify, sublicense, link with, or distribute the Library is void, and will automatically terminate your rights under this License. However, parties who have received copies, or rights, from you under this License will not have their licenses terminated so long as such parties remain in full compliance.
9. You are not required to accept this License, since you have not signed it. However, nothing else grants you permission to modify or distribute the Library or its derivative works. These actions are prohibited by law if you do not accept this License. Therefore, by modifying or distributing the Library (or any work based on the Library), you indicate your acceptance of this License to do so, and all its terms and conditions for copying, distributing or modifying the Library or works based on it.
10. Each time you redistribute the Library (or any work based on the Library), the recipient automatically receives a license from the original licensor to copy, distribute, link with or modify the Library subject to these terms and conditions. You may not impose any further restrictions on the recipients' exercise of the rights granted herein. You are not responsible for enforcing compliance by third parties to this License.
11. If, as a consequence of a court judgment or allegation of patent infringement or for any other reason (not limited to patent issues), conditions are imposed on you (whether by court order, agreement or otherwise) that contradict the conditions of this License, they do not excuse you from the conditions of this License. If you cannot distribute so as to satisfy simultaneously your obligations under this License

and any other pertinent obligations, then as a consequence you may not distribute the Library at all. For example, if a patent license would not permit royalty-free redistribution of the Library by all those who receive copies directly or indirectly through you, then the only way you could satisfy both it and this License would be to refrain entirely from distribution of the Library.

If any portion of this section is held invalid or unenforceable under any particular circumstance, the balance of the section is intended to apply, and the section as a whole is intended to apply in other circumstances.

It is not the purpose of this section to induce you to infringe any patents or other property right claims or to contest validity of any such claims; this section has the sole purpose of protecting the integrity of the free software distribution system which is implemented by public license practices. Many people have made generous contributions to the wide range of software distributed through that system in reliance on consistent application of that system; it is up to the author/donor to decide if he or she is willing to distribute software through any other system and a licensee cannot impose that choice.

This section is intended to make thoroughly clear what is believed to be a consequence of the rest of this License.

12. If the distribution and/or use of the Library is restricted in certain countries either by patents or by copyrighted interfaces, the original copyright holder who places the Library under this License may add an explicit geographical distribution limitation excluding those countries, so that distribution is permitted only in or among countries not thus excluded. In such case, this License incorporates the limitation as if written in the body of this License.
13. The Free Software Foundation may publish revised and/or new versions of the Library General Public License from time to time. Such new versions will be similar in spirit to the present version, but may differ in detail to address new problems or concerns.

Each version is given a distinguishing version number. If the Library specifies a version number of this License which applies to it and "any later version", you have the option of following the terms and conditions either of that version or of any later version published by the Free Software Foundation. If the Library does not specify a license version number, you may choose any version ever published by the Free Software Foundation

14. If you wish to incorporate parts of the Library into other free programs whose distribution conditions are incompatible with these, write to the author to ask for permission. For software which is copyrighted by the Free Software Foundation, write to the Free Software Foundation; we sometimes make exceptions for this. Our decision will be guided by the two goals of preserving the free status of all derivatives of our free software and of promoting the sharing and reuse of software generally.

NO WARRANTY

15. BECAUSE THE LIBRARY IS LICENSED FREE OF CHARGE, THERE IS NO WARRANTY FOR THE LIBRARY, TO THE EXTENT PERMITTED BY APPLICABLE LAW. EXCEPT WHEN OTHERWISE STATED IN WRITING THE COPYRIGHT HOLDERS AND/OR OTHER PARTIES PROVIDE THE LIBRARY "AS IS" WITHOUT WARRANTY OF ANY KIND, EITHER EXPRESSED OR IMPLIED, INCLUDING, BUT NOT LIMITED TO, THE IMPLIED WARRANTIES OF MERCHANTABILITY AND FITNESS FOR A PARTICULAR PURPOSE. THE ENTIRE RISK AS TO THE QUALITY AND PERFORMANCE OF THE LIBRARY IS WITH YOU. SHOULD THE LIBRARY PROVE DEFECTIVE, YOU ASSUME THE COST OF ALL NECESSARY SERVICING, REPAIR OR CORRECTION.
16. IN NO EVENT UNLESS REQUIRED BY APPLICABLE LAW OR AGREED TO IN WRITING WILL ANY COPYRIGHT HOLDER, OR ANY OTHER PARTY WHO MAY MODIFY AND/OR REDISTRIBUTE THE LIBRARY AS PERMITTED ABOVE, BE LIABLE TO YOU FOR DAMAGES, INCLUDING ANY GENERAL, SPECIAL, INCIDENTAL OR CONSEQUENTIAL DAMAGES ARISING OUT OF THE USE OR INABILITY TO USE THE LIBRARY (INCLUDING BUT NOT LIMITED TO LOSS OF DATA OR DATA BEING RENDERED INACCURATE OR LOSSES SUSTAINED BY YOU OR THIRD PARTIES OR A FAILURE OF THE LIBRARY TO OPERATE WITH ANY OTHER SOFTWARE), EVEN IF SUCH HOLDER OR OTHER PARTY HAS BEEN ADVISED OF THE POSSIBILITY OF SUCH DAMAGES.

END OF TERMS AND CONDITIONS

How to Apply These Terms to Your New Libraries

If you develop a new library, and you want it to be of the greatest possible use to the public, we recommend making it free software that everyone can redistribute and change. You can do so by permitting redistribution under these terms (or, alternatively, under the terms of the ordinary General Public License).

To apply these terms, attach the following notices to the library. It is safest to attach them to the start of each source file to most effectively convey the exclusion of warranty; and each file should have at least the "copyright" line and a pointer to where the full notice is found.

<one line to give the library's name and a brief idea of what it does.>
Copyright (C) <year> <name of author>

This library is free software; you can redistribute it and/or modify it under the terms of the GNU Library General Public License as published by the Free Software Foundation; either version 2 of the License, or (at your option) any later version.

This library is distributed in the hope that it will be useful, but WITHOUT ANY WARRANTY; without even the implied warranty of MERCHANTABILITY or FITNESS FOR A PARTICULAR PURPOSE. See the GNU Library General Public License for more details.

You should have received a copy of the GNU Library General Public License along with this library; if not, write to the Free Software Foundation, Inc., 59 Temple Place - Suite 330, Boston, MA 02111-1307 USA.

Also add information on how to contact you by electronic and paper mail

You should also get your employer (if you work as a programmer) or your school, if any, to sign a "copyright disclaimer" for the library, if necessary. Here is a sample; alter the names

Yoyodyne, Inc., hereby disclaims all copyright interest in the library 'Frob' (a library for tweaking knobs) written by James Random Hacker.
<signature of Ty Coon>, 1 April 1990

Ty Coon, President of Vice
That's all there is to it!

3) Programs to which GNU LESSER GENERAL PUBLIC LICENSE Version 2.1 applies

- libgcc
- libstdc++
- qt

<https://www.gnu.org/licenses/old-licenses/lgpl-2.1.en.html>

GNU LESSER GENERAL PUBLIC LICENSE Version 2.1, February 1999

Copyright (C) 1991, 1999 Free Software Foundation, Inc.
51 Franklin St, Fifth Floor, Boston, MA 02110-1301 USA

Everyone is permitted to copy and distribute verbatim copies of this license document, but changing it is not allowed.

[This is the first released version of the Lesser GPL. It also counts as the successor of the GNU Library Public License, version 2, hence the version number 2.1.]

Preamble

The licenses for most software are designed to take away your freedom to share and change it. By contrast, the GNU General Public Licenses are intended to guarantee your freedom to share and change free software--to make sure the software is free for all its users.

This license, the Lesser General Public License, applies to some specially designated software packages--typically libraries--of the Free Software Foundation and other authors who decide to use it. You can use it too, but we suggest you first think carefully about whether this license or the ordinary General Public License is the better strategy to use in any particular case, based on the explanations below.

When we speak of free software, we are referring to freedom of use, not price. Our General Public Licenses are designed to make sure that you have the freedom to distribute copies of free software (and charge for this service if you wish); that you receive source code or can get it if you want it; that you can change the software and use pieces of it in new free programs; and that you are informed that you can do these things.

To protect your rights, we need to make restrictions that forbid distributors to deny you these rights or to ask you to surrender these rights. These restrictions translate to certain responsibilities for you if you distribute copies of the library or if you modify it.

For example, if you distribute copies of the library, whether gratis or for a fee, you must give the recipients all the rights that we gave you. You must make sure that they, too, receive or can get the source code. If you link other code with the library, you must provide complete object files to the recipients, so that they can relink them with the library after making changes to the library and recompiling it. And you must show them these terms so they know their rights.

We protect your rights with a two-step method: (1) we copyright the library, and (2) we offer you this license, which gives you legal permission to copy, distribute and/or modify the library.

To protect each distributor, we want to make it very clear that there is no warranty for the free library. Also, if the library is modified by someone else and passed on, the recipients should know that what they have is not the original version, so that the original author's reputation will not be affected by problems that might be introduced by others.

Finally, software patents pose a constant threat to the existence of any free program. We wish to make sure that a company cannot effectively restrict the users of a free program by obtaining a restrictive license from a patent holder. Therefore, we insist that any patent license obtained for a version of the library must be consistent with the full freedom of use specified in this license.

Most GNU software, including some libraries, is covered by the ordinary GNU General Public License. This license, the GNU Lesser General Public License, applies to certain designated libraries, and is quite different from the ordinary General Public License. We use this license for certain libraries in order to permit linking those libraries into non-free programs.

When a program is linked with a library, whether statically or using a shared library, the combination of the two is legally speaking a combined work, a derivative of the original library. The ordinary General Public License therefore permits such linking only if the entire combination fits its criteria of freedom. The Lesser General Public License permits more lax criteria for linking other code with the library.

We call this license the "Lesser" General Public License because it does Less to protect the user's freedom than the ordinary General Public License. It also provides other free software developers Less of an advantage over competing non-free programs. These disadvantages are the reason we use the ordinary General Public License for many libraries. However, the Lesser license provides advantages in certain special circumstances.

For example, on rare occasions, there may be a special need to encourage the widest possible use of a certain library, so that it becomes a de-facto standard. To achieve this, non-free programs must be allowed to use the library. A more frequent case is that a free library does the same job as widely used non-free libraries. In this case, there is little to gain by limiting the free library to free software only, so we use the Lesser General Public License.

In other cases, permission to use a particular library in non-free programs enables a greater number of people to use a large body of free software. For example, permission to use the GNU C Library in non-free programs enables many more people to use the whole GNU operating system, as well as its variant, the GNU/Linux operating system.

Although the Lesser General Public License is less protective of the users' freedom, it does ensure that the user of a program that is linked with the Library has the freedom and the wherewithal to run that program using a modified version of the Library.

The precise terms and conditions for copying, distribution and modification follow. Pay close attention to the difference between a "work based on the library" and a "work that uses the library". The former contains code derived from the library, whereas the latter must be combined with the library in order to run.

GNU LESSER GENERAL PUBLIC LICENSE
TERMS AND CONDITIONS FOR COPYING, DISTRIBUTION AND MODIFICATION

0. This License Agreement applies to any software library or other program which contains a notice placed by the copyright holder or other authorized party saying it may be distributed under the terms of this Lesser General Public License (also called "this License"). Each licensee is addressed as "you".

A "library" means a collection of software functions and/or data prepared so as to be conveniently linked with application programs (which use some of those functions and data) to form executables.

The "Library", below, refers to any such software library or work which has been distributed under these terms. A "work based on the Library" means either the Library or any derivative work under copyright law; that is to say, a work containing the Library or a portion of it, either verbatim or with modifications and/or translated straightforwardly into another language. (Hereinafter, translation is included without limitation in the term "modification".)

"Source code" for a work means the preferred form of the work for making modifications to it. For a library, complete source code means all the source code for all modules it contains, plus any associated interface definition files, plus the scripts used to control compilation and installation of the library.

Activities other than copying, distribution and modification are not covered by this License; they are outside its scope. The act of running a program using the Library is not restricted, and output from such a program is covered only if its contents constitute a work based on the Library (independent of the use of the Library in a tool for writing it). Whether that is true depends on what the Library does and what the program that uses the Library does.

1. You may copy and distribute verbatim copies of the Library's complete source code as you receive it, in any medium, provided that you conspicuously and appropriately publish on each copy an appropriate copyright notice and disclaimer of warranty; keep intact all the notices that refer to this License and to the absence of any warranty; and distribute a copy of this License along with the Library.

You may charge a fee for the physical act of transferring a copy, and you may at your option offer warranty protection in exchange for a fee.

2. You may modify your copy or copies of the Library or any portion of it, thus forming a work based on the Library, and copy and distribute such modifications or work under the terms of Section 1 above, provided that you also meet all of these conditions.
- (a) The modified work must itself be a software library.
 - (b) You must cause the files modified to carry prominent notices stating that you changed the files and the date of any change.
 - (c) You must cause the whole of the work to be licensed at no charge to all third parties under the terms of this License.
 - (d) If a facility in the modified Library refers to a function or a table of data to be supplied by an application program that uses the facility, other than as an argument passed when the facility is invoked, then you must make a good faith effort to ensure that, in the event an application does not supply such function or table, the facility still operates, and performs whatever part of its purpose remains meaningful.

(For example, a function in a library to compute square roots has a purpose that is entirely well-defined independent of the application. Therefore, Subsection 2d requires that any application-supplied function or table used by this function must be optional: if the application does not supply it, the square root function must still compute square roots.)

These requirements apply to the modified work as a whole. If identifiable sections of that work are not derived from the Library, and can be reasonably considered independent and separate works in themselves, then this License, and its terms, do not apply to those sections when you distribute them as separate works. But when you distribute the same sections as part of a whole which is a work based on the Library, the distribution of the whole must be on the terms of this License, whose permissions for other licensees extend to the entire whole, and thus to each and every part regardless of who wrote it.

Thus, it is not the intent of this section to claim rights or contest your rights to work written entirely by you; rather, the intent is to exercise the right to control the distribution of derivative or collective works based on the Library.

In addition, mere aggregation of another work not based on the Library with the Library (or with a work based on the Library) on a volume of a storage or distribution medium does not bring the other work under the scope of this License.

3. You may opt to apply the terms of the ordinary GNU General Public License instead of this License to a given copy of the Library. To do this, you must alter all the notices that refer to this License, so that they refer to the ordinary GNU General Public License, version 2, instead of to this License. (If a newer version than version 2 of the ordinary GNU General Public License has appeared, then you can specify that version instead if you wish.) Do not make any other change in these notices.

Once this change is made in a given copy, it is irreversible for that copy, so the ordinary GNU General Public License applies to all subsequent copies and derivative works made from that copy.

This option is useful when you wish to copy part of the code of the Library into a program that is not a library.

4. You may copy and distribute the Library (or a portion or derivative of it, under Section 2) in object code or executable form under the terms of Sections 1 and 2 above provided that you accompany it with the complete corresponding machine-readable source code, which must be distributed under the terms of Sections 1 and 2 above on a medium customarily used for software interchange.

If distribution of object code is made by offering access to copy from a designated place, then offering equivalent access to copy the source code from the same place satisfies the requirement to distribute the source code, even though third parties are not compelled to copy the source along with the object code

5. A program that contains no derivative of any portion of the Library, but is designed to work with the Library by being compiled or linked with it, is called a "work that uses the Library". Such a work, in isolation, is not a derivative work of the Library, and therefore falls outside the scope of this License.

However, linking a "work that uses the Library" with the Library creates an executable that is a derivative of the Library (because it contains portions of the Library), rather than a "work that uses the library". The executable is therefore covered by this License. Section 6 states terms for distribution of such executables.

When a "work that uses the Library" uses material from a header file that is part of the Library, the object code for the work may be a derivative work of the Library even though the source code is not. Whether this is true is especially significant if the work can be linked without the Library, or if the work is itself a library. The threshold for this to be true is not precisely defined by law.

If such an object file uses only numerical parameters, data structure layouts and accessors, and small macros and small inline functions (ten lines or less in length), then the use of the object file is unrestricted, regardless of whether it is legally a derivative work. (Executables containing this object code plus portions of the Library will still fall under Section 6.

Otherwise, if the work is a derivative of the Library, you may distribute the object code for the work under the terms of Section 6. Any executables containing that work also fall under Section 6, whether or not they are linked directly with the Library itself.

6. As an exception to the Sections above, you may also combine or link a "work that uses the Library" with the Library to produce a work containing portions of the Library, and distribute that work under terms of your choice, provided that the terms permit modification of the work for the customer's own use and reverse engineering for debugging such modifications.

You must give prominent notice with each copy of the work that the Library is used in it and that the Library and its use are covered by this License. You must supply a copy of this License. If the work during execution displays copyright notices, you must include the copyright notice for the Library among them, as well as a reference directing the user to the copy of this License. Also, you must do one of these things:

- (a) Accompany the work with the complete corresponding machine-readable source code for the Library including whatever changes were used in the work (which must be distributed under Sections 1 and 2 above); and, if the work is an executable linked with the Library, with the complete machine-readable "work that uses the Library", as object code and/or source code, so that the user can modify the Library and then relink to produce a modified executable containing the modified Library. (It is understood that the user who changes the contents of definitions files in the Library will not necessarily be able to recompile the application to use the modified definitions.
- (b) Use a suitable shared library mechanism for linking with the Library. A suitable mechanism is one that (1) uses at run time a copy of the library already present on the user's computer system, rather than copying library functions into the executable, and (2) will operate properly with a modified version of the library, if the user installs one, as long as the modified version is interface-compatible with the version that the work was made with.
- (c) Accompany the work with a written offer, valid for at least three years, to give the same user the materials specified in Subsection 6a, above, for a charge no more than the cost of performing this distribution.
- (d) If distribution of the work is made by offering access to copy from a designated place, offer equivalent access to copy the above specified materials from the same place.
- (e) Verify that the user has already received a copy of these materials or that you have already sent this user a copy.

For an executable, the required form of the "work that uses the Library" must include any data and utility programs needed for reproducing the executable from it. However, as a special exception, the materials to be distributed need not include anything that is normally distributed (in either source or binary form) with the major components (compiler, kernel, and so on) of the operating system on which the executable runs, unless that component itself accompanies the executable.

It may happen that this requirement contradicts the license restrictions of other proprietary libraries that do not normally accompany the operating system. Such a contradiction means you cannot use both them and the Library together in an executable that you distribute.

7. You may place library facilities that are a work based on the Library side-by-side in a single library together with other library facilities not covered by this License, and distribute such a combined library, provided that the separate distribution of the work based on the Library and of the other library facilities is otherwise permitted, and provided that you do these two things:
 - (a) Accompany the combined library with a copy of the same work based on the Library, uncombined with any other library facilities. This must be distributed under the terms of the Sections above.
 - (b) Give prominent notice with the combined library of the fact that part of it is a work based on the Library, and explaining where to find the accompanying uncombined form of the same work.
8. You may not copy, modify, sublicense, link with, or distribute the Library except as expressly provided under this License. Any attempt otherwise to copy, modify, sublicense, link with, or distribute the Library is void, and will automatically terminate your rights under this License. However, parties who have received copies, or rights, from you under this License will not have their licenses terminated so long as such parties remain in full compliance.

9. You are not required to accept this License, since you have not signed it. However, nothing else grants you permission to modify or distribute the Library or its derivative works. These actions are prohibited by law if you do not accept this License. Therefore, by modifying or distributing the Library (or any work based on the Library), you indicate your acceptance of this License to do so, and all its terms and conditions for copying, distributing or modifying the Library or works based on it.
10. Each time you redistribute the Library (or any work based on the Library), the recipient automatically receives a license from the original licensor to copy, distribute, link with or modify the Library subject to these terms and conditions. You may not impose any further restrictions on the recipients' exercise of the rights granted herein. You are not responsible for enforcing compliance by third parties with this License.
11. If, as a consequence of a court judgment or allegation of patent infringement or for any other reason (not limited to patent issues), conditions are imposed on you (whether by court order, agreement or otherwise) that contradict the conditions of this License, they do not excuse you from the conditions of this License. If you cannot distribute so as to satisfy simultaneously your obligations under this License and any other pertinent obligations, then as a consequence you may not distribute the Library at all. For example, if a patent license would not permit royalty-free redistribution of the Library by all those who receive copies directly or indirectly through you, then the only way you could satisfy both it and this License would be to refrain entirely from distribution of the Library.

If any portion of this section is held invalid or unenforceable under any particular circumstance, the balance of the section is intended to apply, and the section as a whole is intended to apply in other circumstances.

It is not the purpose of this section to induce you to infringe any patents or other property right claims or to contest validity of any such claims; this section has the sole purpose of protecting the integrity of the free software distribution system which is implemented by public license practices. Many people have made generous contributions to the wide range of software distributed through that system in reliance on consistent application of that system; it is up to the author/donor to decide if he or she is willing to distribute software through any other system and a licensee cannot impose that choice.

This section is intended to make thoroughly clear what is believed to be a consequence of the rest of this License.

12. If the distribution and/or use of the Library is restricted in certain countries either by patents or by copyrighted interfaces, the original copyright holder who places the Library under this License may add an explicit geographical distribution limitation excluding those countries, so that distribution is permitted only in or among countries not thus excluded. In such case, this License incorporates the limitation as if written in the body of this License.
13. The Free Software Foundation may publish revised and/or new versions of the Lesser General Public License from time to time. Such new versions will be similar in spirit to the present version, but may differ in detail to address new problems or concerns.

Each version is given a distinguishing version number. If the Library specifies a version number of this License which applies to it and "any later version", you have the option of following the terms and conditions either of that version or of any later version published by the Free Software Foundation. If the Library does not specify a license version number, you may choose any version ever published by the Free Software Foundation.
14. If you wish to incorporate parts of the Library into other free programs whose distribution conditions are incompatible with these, write to the author to ask for permission. For software which is copyrighted by the Free Software Foundation, write to the Free Software Foundation; we sometimes make exceptions for this. Our decision will be guided by the two goals of preserving the free status of all derivatives of our free software and of promoting the sharing and reuse of software generally.

NO WARRANTY

15. BECAUSE THE LIBRARY IS LICENSED FREE OF CHARGE, THERE IS NO WARRANTY FOR THE LIBRARY, TO THE EXTENT PERMITTED BY APPLICABLE LAW. EXCEPT WHEN OTHERWISE STATED IN WRITING THE COPYRIGHT HOLDERS AND/OR OTHER PARTIES PROVIDE THE LIBRARY "AS IS" WITHOUT WARRANTY OF ANY KIND, EITHER EXPRESSED OR IMPLIED, INCLUDING, BUT NOT LIMITED TO, THE IMPLIED WARRANTIES OF MERCHANTABILITY AND FITNESS FOR A PARTICULAR PURPOSE. THE ENTIRE RISK AS TO THE QUALITY AND PERFORMANCE OF THE LIBRARY IS WITH YOU. SHOULD THE LIBRARY PROVE DEFECTIVE, YOU ASSUME THE COST OF ALL NECESSARY SERVICING, REPAIR OR CORRECTION.
16. IN NO EVENT UNLESS REQUIRED BY APPLICABLE LAW OR AGREED TO IN WRITING WILL ANY COPYRIGHT HOLDER, OR ANY OTHER PARTY WHO MAY MODIFY AND/OR REDISTRIBUTE THE LIBRARY AS PERMITTED ABOVE, BE LIABLE TO YOU FOR DAMAGES, INCLUDING ANY GENERAL, SPECIAL, INCIDENTAL OR CONSEQUENTIAL DAMAGES ARISING OUT OF THE USE OR INABILITY TO USE THE LIBRARY (INCLUDING BUT NOT LIMITED TO LOSS OF DATA OR DATA BEING RENDERED INACCURATE OR LOSSES SUSTAINED BY YOU OR THIRD PARTIES OR A FAILURE OF THE LIBRARY TO OPERATE WITH ANY OTHER SOFTWARE), EVEN IF SUCH HOLDER OR OTHER PARTY HAS BEEN ADVISED OF THE POSSIBILITY OF SUCH DAMAGES.

END OF TERMS AND CONDITIONS How to Apply These Terms to Your New Libraries

If you develop a new library, and you want it to be of the greatest possible use to the public, we recommend making it free software that everyone can redistribute and change. You can do so by permitting redistribution under these terms (or, alternatively, under the terms of the ordinary General Public License).

To apply these terms, attach the following notices to the library. It is safest to attach them to the start of each source file to most effectively convey the exclusion of warranty; and each file should have at least the "copyright" line and a pointer to where the full notice is found.
<one line to give the library's name and a brief idea of what it does>.

Copyright (C) <year> <name of author>

This library is free software; you can redistribute it and/or modify it under the terms of the GNU Lesser General Public License as published by the Free Software Foundation; either version 2.1 of the License, or (at your option) any later version.

This library is distributed in the hope that it will be useful, but WITHOUT ANY WARRANTY; without even the implied warranty of MERCHANTABILITY or FITNESS FOR A PARTICULAR PURPOSE. See the GNU Lesser General Public License for more details.

You should have received a copy of the GNU Lesser General Public License along with this library; if not, write to the Free Software Foundation, Inc., 51 Franklin St, Fifth Floor, Boston, MA 02110-1301 USA

Also add information on how to contact you by electronic and paper mail.

You should also get your employer (if you work as a programmer) or your school, if any, to sign a "copyright disclaimer" for the library, if necessary. Here is a sample; alter the names:

Yoyodyne, Inc., hereby disclaims all copyright interest in the library `Frob' (a library for tweaking knobs) written by James Random Hacker.

<signature of Ty Coon>, 1 April 1990
Ty Coon, President of Vice
That's all there is to it!

4) Programs to which GNU LESSER GENERAL PUBLIC LICENSE Version 3 applies

- libgcc
- libstdc++
- qt

<https://www.gnu.org/licenses/lgpl-3.0.en.html>

GNU LESSER GENERAL PUBLIC LICENSE Version 3, 29 June 2007

Copyright (C) 2007 Free Software Foundation, Inc. <<http://fsf.org/>>

Everyone is permitted to copy and distribute verbatim copies of this license document, but changing it is not allowed.

This version of the GNU Lesser General Public License incorporates the terms and conditions of version 3 of the GNU General Public License, supplemented by the additional permissions listed below.

0. Additional Definitions

As used herein, "this License" refers to version 3 of the GNU Lesser General Public License, and the "GNU GPL" refers to version 3 of the GNU General Public License.

"The Library" refers to a covered work governed by this License, other than an Application or a Combined Work as defined below.

An "Application" is any work that makes use of an interface provided by the Library, but which is not otherwise based on the Library. Defining a subclass of a class defined by the Library is deemed a mode of using an interface provided by the Library.

A "Combined Work" is a work produced by combining or linking an Application with the Library. The particular version of the Library with which the Combined Work was made is also called the "Linked Version".

The "Minimal Corresponding Source" for a Combined Work means the Corresponding Source for the Combined Work, excluding any source code for portions of the Combined Work that, considered in isolation, are based on the Application, and not on the Linked Version.

The "Corresponding Application Code" for a Combined Work means the object code and/or source code for the Application, including any data and utility programs needed for reproducing the Combined Work from the Application, but excluding the System Libraries of the Combined Work.

1. Exception to Section 3 of the GNU GPL.

You may convey a covered work under sections 3 and 4 of this License without being bound by section 3 of the GNU GPL.

2. Conveying Modified Versions.

If you modify a copy of the Library, and, in your modifications, a facility refers to a function or data to be supplied by an Application that uses the facility (other than as an argument passed when the facility is invoked), then you may convey a copy of the modified version:

- (a) under this License, provided that you make a good faith effort to ensure that, in the event an Application does not supply the function or data, the facility still operates, and performs whatever part of its purpose remains meaningful, or

- (b) under the GNU GPL, with none of the additional permissions of this License applicable to that copy.

3. Object Code Incorporating Material from Library Header Files.

The object code form of an Application may incorporate material from a header file that is part of the Library. You may convey such object code under terms of your choice, provided that, if the incorporated material is not limited to numerical parameters, data structure layouts and accessors, or small macros, inline functions and templates (ten or fewer lines in length), you do both of the following:

- (a) Give prominent notice with each copy of the object code that the Library is used in it and that the Library and its use are covered by this License.
- (b) Accompany the object code with a copy of the GNU GPL and this license document.

4. Combined Works.

You may convey a Combined Work under terms of your choice that, taken together, effectively do not restrict modification of the portions of the Library contained in the Combined Work and reverse engineering for debugging such modifications, if you also do each of the following:

- (a) Give prominent notice with each copy of the Combined Work that the Library is used in it and that the Library and its use are covered by this License.
- (b) Accompany the Combined Work with a copy of the GNU GPL and this license document.
- (c) For a Combined Work that displays copyright notices during execution, include the copyright notice for the Library among these notices, as well as a reference directing the user to the copies of the GNU GPL and this license document.
- (d) Do one of the following:
 - 0) Convey the Minimal Corresponding Source under the terms of this License, and the Corresponding Application Code in a form suitable for, and under terms that permit, the user to recombine or relink the Application with a modified version of the Linked Version to produce a modified Combined Work, in the manner specified by section 6 of the GNU GPL for conveying Corresponding Source.
 - 1) Use a suitable shared library mechanism for linking with the Library. A suitable mechanism is one that (a) uses at run time a copy of the Library already present on the user's computer system, and (b) will operate properly with a modified version of the Library that is interface-compatible with the Linked Version.
- (e) Provide Installation Information, but only if you would otherwise be required to provide such information under section 6 of the GNU GPL, and only to the extent that such information is necessary to install and execute a modified version of the Combined Work produced by recombining or relinking the Application with a modified version of the Linked Version. (If you use option 4d0, the Installation Information must accompany the Minimal Corresponding Source and Corresponding Application Code. If you use option 4d1, you must provide the Installation Information in the manner specified by section 6 of the GNU GPL for conveying Corresponding Source.)

5. Combined Libraries

You may place library facilities that are a work based on the Library side by side in a single library together with other library facilities that are not Applications and are not covered by this License, and convey such a combined library under terms of your choice, if you do both of the following:

- (a) Accompany the combined library with a copy of the same work based on the Library, uncombined with any other library facilities, conveyed under the terms of this License.
- (b) Give prominent notice with the combined library that part of it is a work based on the Library, and explaining where to find the accompanying uncombined form of the same work.

6. Revised Versions of the GNU Lesser General Public License.

The Free Software Foundation may publish revised and/or new versions of the GNU Lesser General Public License from time to time. Such new versions will be similar in spirit to the present version, but may differ in detail to address new problems or concerns.

Each version is given a distinguishing version number. If the Library as you received it specifies that a certain numbered version of the GNU Lesser General Public License "or any later version" applies to it, you have the option of following the terms and conditions either of that published version or of any later version published by the Free Software Foundation. If the Library as you received it does not specify a version number of the GNU Lesser General Public License, you may choose any version of the GNU Lesser General Public License ever published by the Free Software Foundation.

If the Library as you received it specifies that a proxy can decide whether future versions of the GNU Lesser General Public License shall apply, that proxy's public statement of acceptance of any version is permanent authorization for you to choose that version for the Library.

5) Program to which The 3-Clause BSD License applies

- libfetch
- libpcap
- syslink
- tcpdump

<https://opensource.org/licenses/BSD-3-Clause>

Redistribution and use in source and binary forms, with or without modification, are permitted provided that the following conditions are met:

1. Redistributions of source code must retain the above copyright notice, this list of conditions and the following disclaimer
2. Redistributions in binary form must reproduce the above copyright notice, this list of conditions and the following disclaimer in the documentation and/or other materials provided with the distribution.
3. The names of the authors may not be used to endorse or promote products derived from this software without specific prior written permission.

THIS SOFTWARE IS PROVIDED "AS IS" AND WITHOUT ANY EXPRESS OR IMPLIED WARRANTIES, INCLUDING, WITHOUT LIMITATION, THE IMPLIED WARRANTIES OF MERCHANTABILITY AND FITNESS FOR A PARTICULAR PURPOSE

6) Picojson license

- Picojson

<https://github.com/kazuho/picojson/blob/master/LICENSE>

Copyright 2009-2010 Cybozu Labs, Inc.
Copyright 2011-2014 Kazuho Oku
All rights reserved.

Redistribution and use in source and binary forms, with or without modification, are permitted provided that the following conditions are met:

1. Redistributions of source code must retain the above copyright notice, this list of conditions and the following disclaimer.
2. Redistributions in binary form must reproduce the above copyright notice, this list of conditions and the following disclaimer in the documentation and/or other materials provided with the distribution.

THIS SOFTWARE IS PROVIDED BY THE COPYRIGHT HOLDERS AND CONTRIBUTORS "AS IS" AND ANY EXPRESS OR IMPLIED WARRANTIES, INCLUDING, BUT NOT LIMITED TO, THE IMPLIED WARRANTIES OF MERCHANTABILITY AND FITNESS FOR A PARTICULAR PURPOSE ARE DISCLAIMED. IN NO EVENT SHALL THE COPYRIGHT HOLDER OR CONTRIBUTORS BE LIABLE FOR ANY DIRECT, INDIRECT, INCIDENTAL, SPECIAL, EXEMPLARY, OR CONSEQUENTIAL DAMAGES (INCLUDING, BUT NOT LIMITED TO, PROCUREMENT OF SUBSTITUTE GOODS OR SERVICES; LOSS OF USE, DATA, OR PROFITS; OR BUSINESS INTERRUPTION) HOWEVER CAUSED AND ON ANY THEORY OF LIABILITY, WHETHER IN CONTRACT, STRICT LIABILITY, OR TORT (INCLUDING NEGLIGENCE OR OTHERWISE) ARISING IN ANY WAY OUT OF THE USE OF THIS SOFTWARE, EVEN IF ADVISED OF THE POSSIBILITY OF SUCH DAMAGE

7) Apache License Version 2.0

- Apache HTTP Server
<https://www.apache.org/licenses/LICENSE-2.0>

Apache License
Version 2.0, January 2004
<http://www.apache.org/licenses/>

TERMS AND CONDITIONS FOR USE, REPRODUCTION, AND DISTRIBUTION

1. Definitions.
"License" shall mean the terms and conditions for use, reproduction, and distribution as defined by Sections 1 through 9 of this document.

"Licensor" shall mean the copyright owner or entity authorized by the copyright owner that is granting the License.

"Legal Entity" shall mean the union of the acting entity and all other entities that control, are controlled by, or are under common control with that entity. For the purposes of this definition, "control" means (i) the power, direct or indirect, to cause the direction or management of such entity, whether by contract or otherwise, or (ii) ownership of fifty percent (50%) or more of the outstanding shares, or (iii) beneficial ownership of such entity.

"You" (or "Your") shall mean an individual or Legal Entity exercising permissions granted by this License.

"Source" form shall mean the preferred form for making modifications, including but not limited to software source code, documentation source, and configuration files.

"Object" form shall mean any form resulting from mechanical transformation or translation of a Source form, including but not limited to compiled object code, generated documentation, and conversions to other media types.

"Work" shall mean the work of authorship, whether in Source or Object form, made available under the License, as indicated by a copyright notice that is included in or attached to the work (an example is provided in the Appendix below).

"Derivative Works" shall mean any work, whether in Source or Object form, that is based on (or derived from) the Work and for which the editorial revisions, annotations, elaborations, or other modifications represent, as a whole, an original work of authorship. For the purposes of this License, Derivative Works shall not include works that remain separable from, or merely link (or bind by name) to the interfaces of, the Work and Derivative Works thereof.

"Contribution" shall mean any work of authorship, including the original version of the Work and any modifications or additions to that Work or Derivative Works thereof, that is intentionally submitted to Licensor for inclusion in the Work by the copyright owner or by an individual or Legal Entity authorized to submit on behalf of the copyright owner. For the purposes of this definition, "submitted" means any form of electronic, verbal, or written communication sent to the Licensor or its representatives, including but not limited to communication on electronic mailing lists, source code control systems, and issue tracking systems that are managed by, or on behalf of, the Licensor for the purpose of discussing and improving the Work, but excluding communication that is conspicuously marked or otherwise designated in writing by the copyright owner as "Not a Contribution."

"Contributor" shall mean Licensor and any individual or Legal Entity on behalf of whom a Contribution has been received by Licensor and subsequently incorporated within the Work.
2. Grant of Copyright License. Subject to the terms and conditions of this License, each Contributor hereby grants to You a perpetual, worldwide, non-exclusive, no-charge, royalty-free, irrevocable copyright license to reproduce, prepare Derivative Works of, publicly display, publicly perform, sublicense, and distribute the Work and such Derivative Works in Source or Object form
3. Grant of Patent License. Subject to the terms and conditions of this License, each Contributor hereby grants to You a perpetual, worldwide, non-exclusive, no-charge, royalty-free, irrevocable (except as stated in this section) patent license to make, have made, use, offer to sell, sell, import, and otherwise transfer the Work, where such license applies only to those patent claims licensable by such Contributor that are necessarily infringed by their Contribution(s) alone or by combination of their Contribution(s) with the Work to which such Contribution(s) was submitted. If You institute patent litigation against any entity (including a cross-claim or counterclaim in a lawsuit) alleging that the Work or a Contribution incorporated within the Work constitutes direct or contributory patent infringement, then any patent licenses granted to You under this License for that Work shall terminate as of the date such litigation is filed.
4. Redistribution. You may reproduce and distribute copies of the Work or Derivative Works thereof in any medium, with or without modifications, and in Source or Object form, provided that You meet the following conditions:

- (a) You must give any other recipients of the Work or Derivative Works a copy of this License; and
- (b) You must cause any modified files to carry prominent notices stating that You changed the files; and
- (c) You must retain, in the Source form of any Derivative Works that You distribute, all copyright, patent, trademark, and attribution notices from the Source form of the Work, excluding those notices that do not pertain to any part of the Derivative Works; and
- (d) If the Work includes a "NOTICE" text file as part of its distribution, then any Derivative Works that You distribute must include a readable copy of the attribution notices contained within such NOTICE file, excluding those notices that do not pertain to any part of the Derivative Works, in at least one of the following places: within a NOTICE text file distributed as part of the Derivative Works; within the Source form or documentation, if provided along with the Derivative Works; or, within a display generated by the Derivative Works, if and wherever such third-party notices normally appear. The contents of the NOTICE file are for informational purposes only and do not modify the License. You may add Your own attribution notices within Derivative Works that You distribute, alongside or as an addendum to the NOTICE text from the Work, provided that such additional attribution notices cannot be construed as modifying the License.

You may add Your own copyright statement to Your modifications and may provide additional or different license terms and conditions for use, reproduction, or distribution of Your modifications, or for any such Derivative Works as a whole, provided Your use, reproduction, and distribution of the Work otherwise complies with the conditions stated in this License.

- 5. Submission of Contributions. Unless You explicitly state otherwise, any Contribution intentionally submitted for inclusion in the Work by You to the Licensor shall be under the terms and conditions of this License, without any additional terms or conditions. Notwithstanding the above, nothing herein shall supersede or modify the terms of any separate license agreement you may have executed with Licensor regarding such Contributions.
- 6. Trademarks. This License does not grant permission to use the trade names, trademarks, service marks, or product names of the Licensor, except as required for reasonable and customary use in describing the origin of the Work and reproducing the content of the NOTICE file.
- 7. Disclaimer of Warranty. Unless required by applicable law or agreed to in writing, Licensor provides the Work (and each Contributor provides its Contributions) on an "AS IS" BASIS, WITHOUT WARRANTIES OR CONDITIONS OF ANY KIND, either express or implied, including, without limitation, any warranties or conditions of TITLE, NON-INFRINGEMENT, MERCHANTABILITY, or FITNESS FOR A PARTICULAR PURPOSE. You are solely responsible for determining the appropriateness of using or redistributing the Work and assume any risks associated with Your exercise of permissions under this License.
- 8. Limitation of Liability. In no event and under no legal theory, whether in tort (including negligence), contract, or otherwise, unless required by applicable law (such as deliberate and grossly negligent acts) or agreed to in writing, shall any Contributor be liable to You for damages, including any direct, indirect, special, incidental, or consequential damages of any character arising as a result of this License or out of the use or inability to use the Work (including but not limited to damages for loss of goodwill, work stoppage, computer failure or malfunction, or any and all other commercial damages or losses), even if such Contributor has been advised of the possibility of such damages.
- 9. Accepting Warranty or Additional Liability. While redistributing the Work or Derivative Works thereof, You may choose to offer, and charge a fee for, acceptance of support, warranty, indemnity, or other liability obligations and/or rights consistent with this License. However, in accepting such obligations, You may act only on Your own behalf and on Your sole responsibility, not on behalf of any other Contributor, and only if You agree to indemnify, defend, and hold each Contributor harmless for any liability incurred by, or claims asserted against, such Contributor by reason of your accepting any such warranty or additional liability.

END OF TERMS AND CONDITIONS

APPENDIX: How to apply the Apache License to your work.

To apply the Apache License to your work, attach the following boilerplate notice, with the fields enclosed by brackets "[]" replaced with your own identifying information. (Don't include the brackets!) The text should be enclosed in the appropriate comment syntax for the file format. We also recommend that a file or class name and description of purpose be included on the same "printed page" as the copyright notice for easier identification within third-party archives.

Copyright [yyyy] [name of copyright owner]

Licensed under the Apache License, Version 2.0 (the "License"); you may not use this file except in compliance with the License. You may obtain a copy of the License at <http://www.apache.org/licenses/LICENSE-2.0>

Unless required by applicable law or agreed to in writing, software distributed under the License is distributed on an "AS IS" BASIS, WITHOUT WARRANTIES OR CONDITIONS OF ANY KIND, either express or implied. See the License for the specific language governing permissions and limitations under the License

APACHE HTTP SERVER SUBCOMPONENTS:

The Apache HTTP Server includes a number of subcomponents with separate copyright notices and license terms. Your use of the source code for the these subcomponents is subject to the terms and conditions of the following licenses.

For the mod_mime_magic component:

- /*
- * mod_mime_magic: MIME type lookup via file magic numbers
- * Copyright (c) 1996-1997 Cisco Systems, Inc.
- *
- * This software was submitted by Cisco Systems to the Apache Group in July
- * 1997. Future revisions and derivatives of this source code must
- * acknowledge Cisco Systems as the original contributor of this module.
- * All other licensing and usage conditions are those of the Apache Group.

```
*
* Some of this code is derived from the free version of the file command
* originally posted to comp.sources.unix. Copyright info for that program
* is included below as required.
* -----
* - Copyright (c) Ian F. Darwin, 1987. Written by Ian F. Darwin.
*
* This software is not subject to any license of the American Telephone and
* Telegraph Company or of the Regents of the University of California.
*
* Permission is granted to anyone to use this software for any purpose on any
* computer system, and to alter it and redistribute it freely, subject to
* the following restrictions:
*
* 1. The author is not responsible for the consequences of use of this
* software, no matter how awful, even if they arise from flaws in it.
*
* 2. The origin of this software must not be misrepresented, either by
* explicit claim or by omission. Since few users ever read sources, credits
* must appear in the documentation.
*
* 3. Altered versions must be plainly marked as such, and must not be
* misrepresented as being the original software. Since few users ever read
* sources, credits must appear in the documentation.
*
* 4. This notice may not be removed or altered.
* -----
*/
For the modules\mappers\mod_imagemap.c component:
    "macmartinized" polygon code copyright 1992 by Eric Haines, erich@eye.com
For the server\util_md5.c component:
/*-----
* NCSA HTTPd Server
* Software Development Group
* National Center for Supercomputing Applications
* University of Illinois at Urbana-Champaign
* 605 E. Springfield, Champaign, IL 61820
* httpd@ncsa.uiuc.edu
*
* Copyright (C) 1995, Board of Trustees of the University of Illinois
*-----
* md5.c: NCSA HTTPd code which uses the md5c.c RSA Code
*
* Original Code Copyright (C) 1994, Jeff Hostetler, Spyglass, Inc.
* Portions of Content-MD5 code Copyright (C) 1993, 1994 by Carnegie Mellon
* University (see Copyright below).
* Portions of Content-MD5 code Copyright (C) 1991 Bell Communications
* Research, Inc. (Bellcore) (see Copyright below).
* Portions extracted from mpack, John G. Myers - jgm+@cmu.edu
* Content-MD5 Code contributed by Martin Hamilton (martin@net.lut.ac.uk)
*/
/* these portions extracted from mpack, John G. Myers - jgm+@cmu.edu */
/* (C) Copyright 1993,1994 by Carnegie Mellon University
* All Rights Reserved.
*
* Permission to use, copy, modify, distribute, and sell this software
* and its documentation for any purpose is hereby granted without
* fee, provided that the above copyright notice appear in all copies
* and that both that copyright notice and this permission notice
* appear in supporting documentation, and that the name of Carnegie
* Mellon University not be used in advertising or publicity
* pertaining to distribution of the software without specific,
* written prior permission. Carnegie Mellon University makes no
* representations about the suitability of this software for any
* purpose. It is provided "as is" without express or implied
* warranty.
*
* CARNEGIE MELLON UNIVERSITY DISCLAIMS ALL WARRANTIES WITH REGARD TO
* THIS SOFTWARE, INCLUDING ALL IMPLIED WARRANTIES OF MERCHANTABILITY
* AND FITNESS, IN NO EVENT SHALL CARNEGIE MELLON UNIVERSITY BE LIABLE
* FOR ANY SPECIAL, INDIRECT OR CONSEQUENTIAL DAMAGES OR ANY DAMAGES
* WHATSOEVER RESULTING FROM LOSS OF USE, DATA OR PROFITS, WHETHER IN
* AN ACTION OF CONTRACT, NEGLIGENCE OR OTHER TORTIOUS ACTION, ARISING
* OUT OF OR IN CONNECTION WITH THE USE OR PERFORMANCE OF THIS
* SOFTWARE.
*/
* Copyright (c) 1991 Bell Communications Research, Inc. (Bellcore)
*
* Permission to use, copy, modify, and distribute this material
* for any purpose and without fee is hereby granted, provided
```

```
* that the above copyright notice and this permission notice
* appear in all copies, and that the name of Bellcore not be
* used in advertising or publicity pertaining to this
* material without the specific, prior written permission
* of an authorized representative of Bellcore. BELLCORE
* MAKES NO REPRESENTATIONS ABOUT THE ACCURACY OR SUITABILITY
* OF THIS MATERIAL FOR ANY PURPOSE. IT IS PROVIDED "AS IS",
* WITHOUT ANY EXPRESS OR IMPLIED WARRANTIES.
*/
```

For the `src/lib/apr/include/apr_md5.h` component:

```
/*
* This is work is derived from material Copyright RSA Data Security, Inc.
*
* The RSA copyright statement and Licence for that original material is
* included below. This is followed by the Apache copyright statement and
* licence for the modifications made to that material.
*/
```

```
/* Copyright (C) 1991-2, RSA Data Security, Inc. Created 1991. All
rights reserved.
```

License to copy and use this software is granted provided that it is identified as the "RSA Data Security, Inc. MD5 Message-Digest Algorithm" in all material mentioning or referencing this software or this function.

License is also granted to make and use derivative works provided that such works are identified as "derived from the RSA Data Security, Inc. MD5 Message-Digest Algorithm" in all material mentioning or referencing the derived work. RSA Data Security, Inc. makes no representations concerning either the merchantability of this software or the suitability of this software for any particular purpose. It is provided "as is" without express or implied warranty of any kind.

These notices must be retained in any copies of any part of this documentation and/or software.

```
*/
```

For the `src/lib/apr/passwd/apr_md5.c` component:

```
/*
* This is work is derived from material Copyright RSA Data Security, Inc.
*
* The RSA copyright statement and Licence for that original material is
* included below. This is followed by the Apache copyright statement and
* licence for the modifications made to that material.
*/
```

```
/* MD5C.C - RSA Data Security, Inc., MD5 message-digest algorithm
*/
```

```
/* Copyright (C) 1991-2, RSA Data Security, Inc. Created 1991. All
rights reserved.
```

License to copy and use this software is granted provided that it is identified as the "RSA Data Security, Inc. MD5 Message-Digest Algorithm" in all material mentioning or referencing this software or this function.

License is also granted to make and use derivative works provided that such works are identified as "derived from the RSA Data Security, Inc. MD5 Message-Digest Algorithm" in all material mentioning or referencing the derived work.

RSA Data Security, Inc. makes no representations concerning either the merchantability of this software or the suitability of this software for any particular purpose. It is provided "as is" without express or implied warranty of any kind.

These notices must be retained in any copies of any part of this documentation and/or software.

```
*/
```

```
/*
```

```
* The apr_md5_encode() routine uses much code obtained from the FreeBSD 3.0
* MD5 crypt() function, which is licenced as follows:
```

```
* -----
* "THE BEER-WARE LICENSE" (Revision 42):
* <phk@login.dknet.dk> wrote this file. As long as you retain this notice you
* can do whatever you want with this stuff. If we meet some day, and you think
* this stuff is worth it, you can buy me a beer in return. Poul-Henning Kamp
* -----
```

```
*/
```

For the `src/lib/apr-util/crypto/apr_md4.c` component:

```
* This is derived from material copyright RSA Data Security, Inc.
* Their notice is reproduced below in its entirety.
```

```
* Copyright (C) 1991-2, RSA Data Security, Inc. Created 1991. All
rights reserved.
```



```
*
* License to copy and use this software is granted provided that it
* is identified as the "RSA Data Security, Inc. MD4 Message-Digest
* Algorithm" in all material mentioning or referencing this software
* or this function.
*
* License is also granted to make and use derivative works provided
* that such works are identified as "derived from the RSA Data
* Security, Inc. MD4 Message-Digest Algorithm" in all material
* mentioning or referencing the derived work.
*
* RSA Data Security, Inc. makes no representations concerning either
* the merchantability of this software or the suitability of this
* software for any particular purpose. It is provided "as is"
* without express or implied warranty of any kind.
*
* These notices must be retained in any copies of any part of this
* documentation and/or software.
*/
```

For the src/lib/apr-util/include/apr_md4.h component:

```
*
* This is derived from material copyright RSA Data Security, Inc.
* Their notice is reproduced below in its entirety.
*
* Copyright (C) 1991-2, RSA Data Security, Inc. Created 1991. All
* rights reserved.
*
* License to copy and use this software is granted provided that it
* is identified as the "RSA Data Security, Inc. MD4 Message-Digest
* Algorithm" in all material mentioning or referencing this software
* or this function.
*
* License is also granted to make and use derivative works provided
* that such works are identified as "derived from the RSA Data
* Security, Inc. MD4 Message-Digest Algorithm" in all material
* mentioning or referencing the derived work.
*
* RSA Data Security, Inc. makes no representations concerning either
* the merchantability of this software or the suitability of this
* software for any particular purpose. It is provided "as is"
* without express or implied warranty of any kind.
*
* These notices must be retained in any copies of any part of this
* documentation and/or software.
*/
```

For the src/lib/apr-util/test/testmd4.c component:

```
*
* This is derived from material copyright RSA Data Security, Inc.
* Their notice is reproduced below in its entirety.
*
* Copyright (C) 1990-2, RSA Data Security, Inc. Created 1990. All
* rights reserved.
*
* RSA Data Security, Inc. makes no representations concerning either
* the merchantability of this software or the suitability of this
* software for any particular purpose. It is provided "as is"
* without express or implied warranty of any kind.
*
* These notices must be retained in any copies of any part of this
* documentation and/or software.
*/
```

For the src/lib/apr-util/xml/expat/conf/tools/install-sh component:

```
#
# install - install a program, script, or datafile
# This comes from X11R5 (mit/util/scripts/install.sh).
#
# Copyright 1991 by the Massachusetts Institute of Technology
#
# Permission to use, copy, modify, distribute, and sell this software and its
# documentation for any purpose is hereby granted without fee, provided that
# the above copyright notice appear in all copies and that both that
# copyright notice and this permission notice appear in supporting
# documentation, and that the name of M.I.T. not be used in advertising or
# publicity pertaining to distribution of the software without specific,
# written prior permission. M.I.T. makes no representations about the
# suitability of this software for any purpose. It is provided "as is"
# without express or implied warranty.
#
```

For the test/zb.c component:

```
/*          ZeusBench V1.01
           =====
```

This program is Copyright (C) Zeus Technology Limited 1996.

This program may be used and copied freely providing this copyright notice is not removed.

This software is provided "as is" and any express or implied warranties, including but not limited to, the implied warranties of merchantability and fitness for a particular purpose are disclaimed. In no event shall Zeus Technology Ltd. be liable for any direct, indirect, incidental, special, exemplary, or consequential damaged (including, but not limited to, procurement of substitute good or services; loss of use, data, or profits; or business interruption) however caused and on theory of liability. Whether in contract, strict liability or tort (including negligence or otherwise) arising in any way out of the use of this software, even if advised of the possibility of such damage.

Written by Adam Twiss (adam@zeus.co.uk). March 1996

Thanks to the following people for their input:

Mike Belshe (mbelshe@netscape.com)

* Michael Campanella (campanella@stevms.enet.dec.com)

For the expat xml parser component:

Copyright (c) 1998, 1999, 2000 Thai Open Source Software Center Ltd and Clark Cooper.

Permission is hereby granted, free of charge, to any person obtaining a copy of this software and associated documentation files (the "Software"), to deal in the Software without restriction, including without limitation the rights to use, copy, modify, merge, publish, distribute, sublicense, and/or sell copies of the Software, and to permit persons to whom the Software is furnished to do so, subject to the following conditions:

The above copyright notice and this permission notice shall be included in all copies or substantial portions of the Software.

THE SOFTWARE IS PROVIDED "AS IS", WITHOUT WARRANTY OF ANY KIND, EXPRESS OR IMPLIED, INCLUDING BUT NOT LIMITED TO THE WARRANTIES OF MERCHANTABILITY, FITNESS FOR A PARTICULAR PURPOSE AND NONINFRINGEMENT. IN NO EVENT SHALL THE AUTHORS OR COPYRIGHT HOLDERS BE LIABLE FOR ANY CLAIM, DAMAGES OR OTHER LIABILITY, WHETHER IN AN ACTION OF CONTRACT, TORT OR OTHERWISE, ARISING FROM, OUT OF OR IN CONNECTION WITH THE SOFTWARE OR THE USE OR OTHER DEALINGS IN THE SOFTWARE.

8) The FreeType Project LICENSE

<https://git.savannah.gnu.org/cgit/freetype/freetype2.git/tree/docs/FTL.TXT>

The FreeType Project LICENSE

2006-Jan-27
Copyright 1996-2002, 2006 by
David Turner, Robert Wilhelm, and Werner Lemberg

Introduction
=====

The FreeType Project is distributed in several archive packages; some of them may contain, in addition to the FreeType font engine, various tools and contributions which rely on, or relate to, the FreeType Project.

This license applies to all files found in such packages, and which do not fall under their own explicit license. The license affects thus the FreeType font engine, the test programs, documentation and makefiles, at the very least.

This license was inspired by the BSD, Artistic, and IJG (Independent JPEG Group) licenses, which all encourage inclusion and use of free software in commercial and freeware products alike. As a consequence, its main points are that:

- o We don't promise that this software works. However, we will be interested in any kind of bug reports. ('as is' distribution)
- o You can use this software for whatever you want, in parts or full form, without having to pay us. ('royalty-free' usage)
- o You may not pretend that you wrote this software. If you use it, or only parts of it, in a program, you must acknowledge somewhere in your documentation that you have used the FreeType code. ('credits')

We specifically permit and encourage the inclusion of this software, with or without modifications, in commercial products. We disclaim all warranties covering The FreeType Project and assume no liability related to The FreeType Project.

Finally, many people asked us for a preferred form for a credit/disclaimer to use in compliance with this license. We thus encourage you to use the following text:

""""
Portions of this software are copyright © <year> The FreeType
Project (www.freetype.org). All rights reserved.
""""

Please replace <year> with the value from the FreeType version you actually use

Legal Terms
=====

0. Definitions

Throughout this license, the terms 'package', 'FreeType Project' and 'FreeType archive' refer to the set of files originally distributed by the authors (David Turner, Robert Wilhelm, and Werner Lemberg) as the 'FreeType Project', be they named as alpha, beta or final release..

You' refers to the licensee, or person using the project, where using' is a generic term including compiling the project's source code as well as linking it to form a 'program' or 'executable'. This program is referred to as 'a program using the FreeType engine'

This license applies to all files distributed in the original FreeType Project, including all source code, binaries and documentation, unless otherwise stated in the file in its original, unmodified form as distributed in the original archive. If you are unsure whether or not a particular file is covered by this license, you must contact us to verify this

The FreeType Project is copyright (C) 1996-2000 by David Turner, Robert Wilhelm, and Werner Lemberg. All rights reserved except as specified below:

1. No Warranty

THE FREETYPE PROJECT IS PROVIDED 'AS IS' WITHOUT WARRANTY OF ANY KIND, EITHER EXPRESS OR IMPLIED, INCLUDING, BUT NOT LIMITED TO, WARRANTIES OF MERCHANTABILITY AND FITNESS FOR A PARTICULAR PURPOSE. IN NO EVENT WILL ANY OF THE AUTHORS OR COPYRIGHT HOLDERS BE LIABLE FOR ANY DAMAGES CAUSED BY THE USE OR THE INABILITY TO USE, OF THE FREETYPE PROJECT

2. Redistribution

This license grants a worldwide, royalty-free, perpetual and irrevocable right and license to use, execute, perform, compile, display, copy, create derivative works of, distribute and sublicense the FreeType Project (in both source and object code forms) and derivative works thereof for any purpose; and to authorize others to exercise some or all of the rights granted herein, subject to the following conditions

- o Redistribution of source code must retain this license file ('FTL.TXT') unaltered; any additions, deletions or changes to the original files must be clearly indicated in accompanying documentation. The copyright notices of the unaltered, original files must be preserved in all copies of source files.

- o Redistribution in binary form must provide a disclaimer that states that the software is based in part of the work of the FreeType Team, in the distribution documentation. We also encourage you to put an URL to the FreeType web page in your documentation, though this isn't mandatory

These conditions apply to any software derived from or based on the FreeType Project, not just the unmodified files. If you use our work, you must acknowledge us. However, no fee need be paid to us.

3. Advertising

Neither the FreeType authors and contributors nor you shall use the name of the other for commercial, advertising, or promotional purposes without specific prior written permission.

We suggest, but do not require, that you use one or more of the following phrases to refer to this software in your documentation or advertising materials: 'FreeType Project', 'FreeType Engine', 'FreeType library', or 'FreeType Distribution'.

As you have not signed this license, you are not required to accept it. However, as the FreeType Project is copyrighted material, only this license, or another one contracted with the authors, grants you the right to use, distribute, and modify it. Therefore, by using, distributing, or modifying the FreeType Project, you indicate that you understand and accept all the terms of this license.

4. Contacts

There are two mailing lists related to FreeType:

- o freetype@nongnu.org

Discusses general use and applications of FreeType, as well as future and wanted additions to the library and distribution. If you are looking for support, start in this list if you haven't found anything to help you in the documentation.

- o freetype@nongnu.org

Discusses bugs, as well as engine internals, design issues, specific licenses, porting, etc.

Our home page can be found at
<https://www.freetype.org>

9) **Zlib license**

```
/* zlib.h -- interface of the 'zlib' general purpose compression library
   version 1.2.11, January 15th, 2017
   Copyright (C) 1995-2017 Jean-loup Gailly and Mark Adler
```

This software is provided 'as-is', without any express or implied warranty. In no event will the authors be held liable for any damages arising from the use of this software.

Permission is granted to anyone to use this software for any purpose, including commercial applications, and to alter it and redistribute it freely, subject to the following restrictions:

1. The origin of this software must not be misrepresented; you must not claim that you wrote the original software. If you use this software in a product, an acknowledgment in the product documentation would be appreciated but is not required.
2. Altered source versions must be plainly marked as such, and must not be misrepresented as being the original software.
3. This notice may not be removed or altered from any source distribution.

Jean-loup Gailly
jloup@gzip.org

Mark Adler
madler@alumni.caltech.edu

10) Libexpat.so license

Copyright (c) 1998, 1999, 2000 Thai Open Source Software Center Ltd
and Clark Cooper
Copyright (c) 2001, 2002, 2003, 2004, 2005, 2006 Expat maintainers

Permission is hereby granted, free of charge, to any person obtaining a copy of this software and associated documentation files (the "Software"), to deal in the Software without restriction, including without limitation the rights to use, copy, modify, merge, publish, distribute, sublicense, and/or sell copies of the Software, and to permit persons to whom the Software is furnished to do so, subject to the following conditions:

The above copyright notice and this permission notice shall be included in all copies or substantial portions of the Software

THE SOFTWARE IS PROVIDED "AS IS", WITHOUT WARRANTY OF ANY KIND, EXPRESS OR IMPLIED, INCLUDING BUT NOT LIMITED TO THE WARRANTIES OF MERCHANTABILITY, FITNESS FOR A PARTICULAR PURPOSE AND NONINFRINGEMENT. IN NO EVENT SHALL THE AUTHORS OR COPYRIGHT HOLDERS BE LIABLE FOR ANY CLAIM, DAMAGES OR OTHER LIABILITY, WHETHER IN AN ACTION OF CONTRACT, TORT OR OTHERWISE, ARISING FROM, OUT OF OR IN CONNECTION WITH THE SOFTWARE OR THE USE OR OTHER DEALINGS IN THE SOFTWARE.

11) Libffi license

libffi - Copyright (c) 1996-2014 Anthony Green, Red Hat, Inc and others.
See source files for details

Permission is hereby granted, free of charge, to any person obtaining a copy of this software and associated documentation files (the "Software"), to deal in the Software without restriction, including without limitation the rights to use, copy, modify, merge, publish, distribute, sublicense, and/or sell copies of the Software, and to permit persons to whom the Software is furnished to do so, subject to the following conditions:

The above copyright notice and this permission notice shall be included in all copies or substantial portions of the Software.

THE SOFTWARE IS PROVIDED "AS IS", WITHOUT WARRANTY OF ANY KIND, EXPRESS OR IMPLIED, INCLUDING BUT NOT LIMITED TO THE WARRANTIES OF MERCHANTABILITY, FITNESS FOR A PARTICULAR PURPOSE AND NONINFRINGEMENT. IN NO EVENT SHALL THE AUTHORS OR COPYRIGHT HOLDERS BE LIABLE FOR ANY CLAIM, DAMAGES OR OTHER LIABILITY, WHETHER IN AN ACTION OF CONTRACT, TORT OR OTHERWISE, ARISING FROM, OUT OF OR IN CONNECTION WITH THE SOFTWARE OR THE USE OR OTHER DEALINGS IN THE SOFTWARE.

12) Libxml license

Except where otherwise noted in the source code (e.g. the files hash.c, list.c and the trio files, which are covered by a similar licence but with different Copyright notices) all the files are:

Copyright (C) 1998-2003 Daniel Veillard. All Rights Reserved.

Permission is hereby granted, free of charge, to any person obtaining a copy of this software and associated documentation files (the "Software"), to deal in the Software without restriction, including without limitation the rights to use, copy, modify, merge, publish, distribute, sublicense, and/or sell copies of the Software, and to permit persons to whom the Software is furnished to do so, subject to the following conditions:

The above copyright notice and this permission notice shall be included in all copies or substantial portions of the Software.

THE SOFTWARE IS PROVIDED "AS IS", WITHOUT WARRANTY OF ANY KIND, EXPRESS OR IMPLIED, INCLUDING BUT NOT LIMITED TO THE WARRANTIES OF MERCHANTABILITY, FITNESS FOR A PARTICULAR PURPOSE AND NONINFRINGEMENT. IN NO EVENT SHALL THE DANIEL VEILLARD BE LIABLE FOR ANY CLAIM, DAMAGES OR OTHER LIABILITY, WHETHER IN AN ACTION OF CONTRACT, TORT OR OTHERWISE, ARISING FROM, OUT OF OR IN CONNECTION WITH THE SOFTWARE OR THE USE OR OTHER DEALINGS IN THE SOFTWARE,

Except as contained in this notice, the name of Daniel Veillard shall not be used in advertising or otherwise to promote the sale, use or other dealings in this Software without prior written authorization from him.

13) Net-SNMP license

Various copyrights apply to this package, listed in various separate parts below. Please make sure that you read all the parts.

---- Part 1: CMU/UCD copyright notice: (BSD like) ----

Copyright 1989, 1991, 1992 by Carnegie Mellon University
Derivative Work - 1996, 1998-2000
Copyright 1996, 1998-2000 The Regents of the University of California

All Rights Reserved

Permission to use, copy, modify and distribute this software and its documentation for any purpose and without fee is hereby granted, provided that the above copyright notice appears in all copies and that both that copyright notice and this permission notice appear in supporting documentation, and that the name of CMU and The Regents of the University of California not be used in advertising or publicity pertaining to distribution of the software without specific written permission.

CMU AND THE REGENTS OF THE UNIVERSITY OF CALIFORNIA DISCLAIM ALL WARRANTIES WITH REGARD TO THIS SOFTWARE, INCLUDING ALL IMPLIED WARRANTIES OF MERCHANTABILITY AND FITNESS. IN NO EVENT SHALL CMU OR THE REGENTS OF THE UNIVERSITY OF CALIFORNIA BE LIABLE FOR ANY SPECIAL, INDIRECT OR CONSEQUENTIAL DAMAGES OR ANY DAMAGES WHATSOEVER RESULTING FROM THE LOSS OF USE, DATA OR PROFITS, WHETHER IN AN ACTION OF CONTRACT, NEGLIGENCE OR OTHER TORTIOUS ACTION, ARISING OUT OF OR IN CONNECTION WITH THE USE OR PERFORMANCE OF THIS SOFTWARE.

----- Part 2: Networks Associates Technology, Inc copyright notice (BSD) -----

Copyright (c) 2001-2003, Networks Associates Technology, Inc
All rights reserved.

Redistribution and use in source and binary forms, with or without modification, are permitted provided that the following conditions are met:

- * Redistributions of source code must retain the above copyright notice, this list of conditions and the following disclaimer.
- * Redistributions in binary form must reproduce the above copyright notice, this list of conditions and the following disclaimer in the documentation and/or other materials provided with the distribution.
- * Neither the name of the Networks Associates Technology, Inc nor the names of its contributors may be used to endorse or promote products derived from this software without specific prior written permission.

THIS SOFTWARE IS PROVIDED BY THE COPYRIGHT HOLDERS AND CONTRIBUTORS "AS IS" AND ANY EXPRESS OR IMPLIED WARRANTIES, INCLUDING, BUT NOT LIMITED TO, THE IMPLIED WARRANTIES OF MERCHANTABILITY AND FITNESS FOR A PARTICULAR PURPOSE ARE DISCLAIMED. IN NO EVENT SHALL THE COPYRIGHT HOLDERS OR CONTRIBUTORS BE LIABLE FOR ANY DIRECT, INDIRECT, INCIDENTAL, SPECIAL, EXEMPLARY, OR CONSEQUENTIAL DAMAGES (INCLUDING, BUT NOT LIMITED TO, PROCUREMENT OF SUBSTITUTE GOODS OR SERVICES; LOSS OF USE, DATA, OR PROFITS; OR BUSINESS INTERRUPTION) HOWEVER CAUSED AND ON ANY THEORY OF LIABILITY, WHETHER IN CONTRACT, STRICT LIABILITY, OR TORT (INCLUDING NEGLIGENCE OR OTHERWISE) ARISING IN ANY WAY OUT OF THE USE OF THIS SOFTWARE, EVEN IF ADVISED OF THE POSSIBILITY OF SUCH DAMAGE.

----- Part 3: Cambridge Broadband Ltd. copyright notice (BSD) -----

Portions of this code are copyright (c) 2001-2003, Cambridge Broadband Ltd.
All rights reserved..

Redistribution and use in source and binary forms, with or without modification, are permitted provided that the following conditions are met:

- * Redistributions of source code must retain the above copyright notice, this list of conditions and the following disclaimer.
- * Redistributions in binary form must reproduce the above copyright notice, this list of conditions and the following disclaimer in the documentation and/or other materials provided with the distribution.
- * The name of Cambridge Broadband Ltd. may not be used to endorse or promote products derived from this software without specific prior written permission

THIS SOFTWARE IS PROVIDED BY THE COPYRIGHT HOLDER "AS IS" AND ANY EXPRESS OR IMPLIED WARRANTIES, INCLUDING, BUT NOT LIMITED TO, THE IMPLIED WARRANTIES OF MERCHANTABILITY AND FITNESS FOR A PARTICULAR PURPOSE ARE DISCLAIMED. IN NO EVENT SHALL THE COPYRIGHT HOLDER BE LIABLE FOR ANY DIRECT, INDIRECT, INCIDENTAL, SPECIAL, EXEMPLARY, OR CONSEQUENTIAL DAMAGES (INCLUDING, BUT NOT LIMITED TO, PROCUREMENT OF SUBSTITUTE GOODS OR SERVICES; LOSS OF USE, DATA, OR PROFITS; OR BUSINESS INTERRUPTION) HOWEVER CAUSED AND ON ANY THEORY OF LIABILITY, WHETHER IN CONTRACT, STRICT LIABILITY, OR TORT (INCLUDING NEGLIGENCE OR OTHERWISE) ARISING IN ANY WAY OUT OF THE USE OF THIS SOFTWARE, EVEN IF ADVISED OF THE POSSIBILITY OF SUCH DAMAGE.

---- Part 4: Sun Microsystems, Inc. copyright notice (BSD) -----

Copyright © 2003 Sun Microsystems, Inc., 4150 Network Circle, Santa Clara,
California 95054, U.S.A. All rights reserved.

Use is subject to license terms below:

This distribution may include materials developed by third parties.

Sun, Sun Microsystems, the Sun logo and Solaris are trademarks or registered trademarks of Sun Microsystems, Inc. in the U.S. and other countries.

Redistribution and use in source and binary forms, with or without modification, are permitted provided that the following conditions are met:

- * Redistributions of source code must retain the above copyright notice, this list of conditions and the following disclaimer.
- * Redistributions in binary form must reproduce the above copyright notice, this list of conditions and the following disclaimer in the documentation and/or other materials provided with the distribution.
- * Neither the name of the Sun Microsystems, Inc. nor the names of its contributors may be used to endorse or promote products derived from this software without specific prior written permission.

THIS SOFTWARE IS PROVIDED BY THE COPYRIGHT HOLDERS AND CONTRIBUTORS "AS IS" AND ANY EXPRESS OR IMPLIED WARRANTIES, INCLUDING, BUT NOT LIMITED TO, THE IMPLIED

WARRANTIES OF MERCHANTABILITY AND FITNESS FOR A PARTICULAR PURPOSE ARE DISCLAIMED. IN NO EVENT SHALL THE COPYRIGHT HOLDERS OR CONTRIBUTORS BE LIABLE FOR ANY DIRECT, INDIRECT, INCIDENTAL, SPECIAL, EXEMPLARY, OR CONSEQUENTIAL DAMAGES (INCLUDING, BUT NOT LIMITED TO, PROCUREMENT OF SUBSTITUTE GOODS OR SERVICES; LOSS OF USE, DATA, OR PROFITS; OR BUSINESS INTERRUPTION) HOWEVER CAUSED AND ON ANY THEORY OF LIABILITY, WHETHER IN CONTRACT, STRICT LIABILITY, OR TORT (INCLUDING NEGLIGENCE OR OTHERWISE) ARISING IN ANY WAY OUT OF THE USE OF THIS SOFTWARE, EVEN IF ADVISED OF THE POSSIBILITY OF SUCH DAMAGE.

---- Part 5: Sparta, Inc copyright notice (BSD) ----

Copyright (c) 2003-2013, Sparta, Inc
All rights reserved.

Redistribution and use in source and binary forms, with or without modification, are permitted provided that the following conditions are met:

- * Redistributions of source code must retain the above copyright notice, this list of conditions and the following disclaimer.
- * Redistributions in binary form must reproduce the above copyright notice, this list of conditions and the following disclaimer in the documentation and/or other materials provided with the distribution.
- * Neither the name of Sparta, Inc nor the names of its contributors may be used to endorse or promote products derived from this software without specific prior written permission.

THIS SOFTWARE IS PROVIDED BY THE COPYRIGHT HOLDERS AND CONTRIBUTORS "AS IS" AND ANY EXPRESS OR IMPLIED WARRANTIES, INCLUDING, BUT NOT LIMITED TO, THE IMPLIED WARRANTIES OF MERCHANTABILITY AND FITNESS FOR A PARTICULAR PURPOSE ARE DISCLAIMED. IN NO EVENT SHALL THE COPYRIGHT HOLDERS OR CONTRIBUTORS BE LIABLE FOR ANY DIRECT, INDIRECT, INCIDENTAL, SPECIAL, EXEMPLARY, OR CONSEQUENTIAL DAMAGES (INCLUDING, BUT NOT LIMITED TO, PROCUREMENT OF SUBSTITUTE GOODS OR SERVICES; LOSS OF USE, DATA, OR PROFITS; OR BUSINESS INTERRUPTION) HOWEVER CAUSED AND ON ANY THEORY OF LIABILITY, WHETHER IN CONTRACT, STRICT LIABILITY, OR TORT (INCLUDING NEGLIGENCE OR OTHERWISE) ARISING IN ANY WAY OUT OF THE USE OF THIS SOFTWARE, EVEN IF ADVISED OF THE POSSIBILITY OF SUCH DAMAGE.

---- Part 6: Cisco/BUPTNIC copyright notice (BSD) ----

Copyright (c) 2004, Cisco, Inc and Information Network
Center of Beijing University of Posts and Telecommunications.
All rights reserved.

Redistribution and use in source and binary forms, with or without modification, are permitted provided that the following conditions are met:

- * Redistributions of source code must retain the above copyright notice, this list of conditions and the following disclaimer.
- * Redistributions in binary form must reproduce the above copyright notice, this list of conditions and the following disclaimer in the documentation and/or other materials provided with the distribution.
- * Neither the name of Cisco, Inc, Beijing University of Posts and Telecommunications, nor the names of their contributors may be used to endorse or promote products derived from this software without specific prior written permission.

THIS SOFTWARE IS PROVIDED BY THE COPYRIGHT HOLDERS AND CONTRIBUTORS "AS IS" AND ANY EXPRESS OR IMPLIED WARRANTIES, INCLUDING, BUT NOT LIMITED TO, THE IMPLIED WARRANTIES OF MERCHANTABILITY AND FITNESS FOR A PARTICULAR PURPOSE ARE DISCLAIMED. IN NO EVENT SHALL THE COPYRIGHT HOLDERS OR CONTRIBUTORS BE LIABLE FOR ANY DIRECT, INDIRECT, INCIDENTAL, SPECIAL, EXEMPLARY, OR CONSEQUENTIAL DAMAGES (INCLUDING, BUT NOT LIMITED TO, PROCUREMENT OF SUBSTITUTE GOODS OR SERVICES; LOSS OF USE, DATA, OR PROFITS; OR BUSINESS INTERRUPTION) HOWEVER CAUSED AND ON ANY THEORY OF LIABILITY, WHETHER IN CONTRACT, STRICT LIABILITY, OR TORT (INCLUDING NEGLIGENCE OR OTHERWISE) ARISING IN ANY WAY OUT OF THE USE OF THIS SOFTWARE, EVEN IF ADVISED OF THE POSSIBILITY OF SUCH DAMAGE.

---- Part 7: Fabasoft R&D Software GmbH & Co KG copyright notice (BSD) ----

Copyright (c) Fabasoft R&D Software GmbH & Co KG, 2003
oss@fabasoft.com
Author: Bernhard Penz <bernhard.penz@fabasoft.com>

Redistribution and use in source and binary forms, with or without modification, are permitted provided that the following conditions are met:

- * Redistributions of source code must retain the above copyright notice, this list of conditions and the following disclaimer.
- * Redistributions in binary form must reproduce the above copyright notice, this list of conditions and the following disclaimer in the documentation and/or other materials provided with the distribution.
- * The name of Fabasoft R&D Software GmbH & Co KG or any of its subsidiaries, brand or product names may not be used to endorse or promote products derived from this software without specific prior written permission.

THIS SOFTWARE IS PROVIDED BY THE COPYRIGHT HOLDER "AS IS" AND ANY EXPRESS OR IMPLIED WARRANTIES, INCLUDING, BUT NOT LIMITED TO, THE IMPLIED WARRANTIES OF MERCHANTABILITY AND FITNESS FOR A PARTICULAR PURPOSE ARE DISCLAIMED. IN NO EVENT SHALL THE COPYRIGHT HOLDER BE LIABLE FOR ANY DIRECT, INDIRECT, INCIDENTAL, SPECIAL, EXEMPLARY, OR CONSEQUENTIAL DAMAGES (INCLUDING, BUT NOT LIMITED TO, PROCUREMENT OF SUBSTITUTE GOODS OR SERVICES; LOSS OF USE, DATA, OR PROFITS; OR BUSINESS INTERRUPTION) HOWEVER CAUSED AND ON ANY THEORY OF LIABILITY, WHETHER IN CONTRACT, STRICT LIABILITY, OR TORT (INCLUDING NEGLIGENCE OR OTHERWISE) ARISING IN ANY WAY OUT OF THE USE OF THIS SOFTWARE, EVEN IF ADVISED OF THE POSSIBILITY OF SUCH DAMAGE.

---- Part 8: Apple Inc. copyright notice (BSD) ----

Copyright (c) 2007 Apple Inc. All rights reserved.

Redistribution and use in source and binary forms, with or without modification, are permitted provided that the following conditions are met:

1. Redistributions of source code must retain the above copyright notice, this list of conditions and the following disclaimer
2. Redistributions in binary form must reproduce the above copyright notice, this list of conditions and the following disclaimer in the documentation and/or other materials provided with the distribution.
3. Neither the name of Apple Inc. ("Apple") nor the names of its contributors may be used to endorse or promote products derived from this software without specific prior written permission.

THIS SOFTWARE IS PROVIDED BY APPLE AND ITS CONTRIBUTORS "AS IS" AND ANY EXPRESS OR IMPLIED WARRANTIES, INCLUDING, BUT NOT LIMITED TO, THE IMPLIED WARRANTIES OF MERCHANTABILITY AND FITNESS FOR A PARTICULAR PURPOSE ARE DISCLAIMED. IN NO EVENT SHALL APPLE OR ITS CONTRIBUTORS BE LIABLE FOR ANY DIRECT, INDIRECT, INCIDENTAL, SPECIAL, EXEMPLARY, OR CONSEQUENTIAL DAMAGES (INCLUDING, BUT NOT LIMITED TO, PROCUREMENT OF SUBSTITUTE GOODS OR SERVICES; LOSS OF USE, DATA, OR PROFITS; OR BUSINESS INTERRUPTION) HOWEVER CAUSED AND ON ANY THEORY OF LIABILITY, WHETHER IN CONTRACT, STRICT LIABILITY, OR TORT (INCLUDING NEGLIGENCE OR OTHERWISE) ARISING IN ANY WAY OUT OF THE USE OF THIS SOFTWARE, EVEN IF ADVISED OF THE POSSIBILITY OF SUCH DAMAGE.

---- Part 9: ScienceLogic, LLC copyright notice (BSD) ----

Copyright (c) 2009, ScienceLogic, LLC
All rights reserved.

Redistribution and use in source and binary forms, with or without modification, are permitted provided that the following conditions are met:

- * Redistributions of source code must retain the above copyright notice, this list of conditions and the following disclaimer.
- * Redistributions in binary form must reproduce the above copyright notice, this list of conditions and the following disclaimer in the documentation and/or other materials provided with the distribution.
- * Neither the name of ScienceLogic, LLC nor the names of its contributors may be used to endorse or promote products derived from this software without specific prior written permission

THIS SOFTWARE IS PROVIDED BY THE COPYRIGHT HOLDERS AND CONTRIBUTORS "AS IS" AND ANY EXPRESS OR IMPLIED WARRANTIES, INCLUDING, BUT NOT LIMITED TO, THE IMPLIED WARRANTIES OF MERCHANTABILITY AND FITNESS FOR A PARTICULAR PURPOSE ARE DISCLAIMED. IN NO EVENT SHALL THE COPYRIGHT HOLDERS OR CONTRIBUTORS BE LIABLE FOR ANY DIRECT, INDIRECT, INCIDENTAL, SPECIAL, EXEMPLARY, OR CONSEQUENTIAL DAMAGES (INCLUDING, BUT NOT LIMITED TO, PROCUREMENT OF SUBSTITUTE GOODS OR SERVICES; LOSS OF USE, DATA, OR PROFITS; OR BUSINESS INTERRUPTION) HOWEVER CAUSED AND ON ANY THEORY OF LIABILITY, WHETHER IN CONTRACT, STRICT LIABILITY, OR TORT (INCLUDING NEGLIGENCE OR OTHERWISE) ARISING IN ANY WAY OUT OF THE USE OF THIS SOFTWARE, EVEN IF ADVISED OF THE POSSIBILITY OF SUCH DAMAGE.

---- Part 10: IETF copyright notice (BSD) ----

Copyright (c) 2013 IETF Trust and the persons identified as authors of the code. All rights reserved.

Redistribution and use in source and binary forms, with or without modification, are permitted provided that the following conditions are met:

- * Redistributions of source code must retain the above copyright notice, this list of conditions and the following disclaimer.
- * Redistributions in binary form must reproduce the above copyright notice, this list of conditions and the following disclaimer in the documentation and/or other materials provided with the distribution.
- * Neither the name of Internet Society, IETF or IETF Trust, nor the names of specific contributors, may be used to endorse or promote products derived from this software without specific prior written permission.

THIS SOFTWARE IS PROVIDED BY THE COPYRIGHT HOLDERS AND CONTRIBUTORS "AS IS" AND ANY EXPRESS OR IMPLIED WARRANTIES, INCLUDING, BUT NOT LIMITED TO, THE IMPLIED WARRANTIES OF MERCHANTABILITY AND FITNESS FOR A PARTICULAR PURPOSE ARE DISCLAIMED. IN NO EVENT SHALL THE COPYRIGHT OWNER OR CONTRIBUTORS BE LIABLE FOR ANY DIRECT, INDIRECT, INCIDENTAL, SPECIAL, EXEMPLARY, OR CONSEQUENTIAL DAMAGES (INCLUDING, BUT NOT LIMITED TO, PROCUREMENT OF SUBSTITUTE GOODS OR SERVICES; LOSS OF USE, DATA, OR PROFITS; OR BUSINESS INTERRUPTION) HOWEVER CAUSED AND ON ANY THEORY OF LIABILITY, WHETHER IN CONTRACT, STRICT LIABILITY, OR TORT (INCLUDING NEGLIGENCE OR OTHERWISE) ARISING IN ANY WAY OUT OF THE USE OF THIS SOFTWARE, EVEN IF ADVISED OF THE POSSIBILITY OF SUCH DAMAGE.

14) OpenSSL license

The OpenSSL toolkit stays under a double license, i.e. both the conditions of the OpenSSL License and the original SSLeay license apply to the toolkit. See below for the actual license texts. Actually both licenses are BSD-style Open Source licenses. In case of any license issues related to OpenSSL please contact openssl-core@openssl.org

OpenSSL License

/* =====

* Copyright (c) 1998-2017 The OpenSSL Project. All rights reserved.

* Redistribution and use in source and binary forms, with or without modification, are permitted provided that the following conditions are met:

* 1. Redistributions of source code must retain the above copyright

* notice, this list of conditions and the following disclaimer.

* 2. Redistributions in binary form must reproduce the above copyright

* notice, this list of conditions and the following disclaimer in


```
* the documentation and/or other materials provided with the
* distribution.
*
* 3. All advertising materials mentioning features or use of this
* software must display the following acknowledgment:
*
* "This product includes software developed by the OpenSSL Project
* for use in the OpenSSL Toolkit. (http://www.openssl.org/)"
*
* 4. The names "OpenSSL Toolkit" and "OpenSSL Project" must not be used to
* endorse or promote products derived from this software without
* prior written permission. For written permission, please contact
* openssl-core@openssl.org.
*
* 5. Products derived from this software may not be called "OpenSSL"
* nor may "OpenSSL" appear in their names without prior written
* permission of the OpenSSL Project.
*
* 6. Redistributions of any form whatsoever must retain the following
* acknowledgment:
* "This product includes software developed by the OpenSSL Project
* for use in the OpenSSL Toolkit (http://www.openssl.org/)"
*
* THIS SOFTWARE IS PROVIDED BY THE OpenSSL PROJECT ``AS IS" AND ANY
* EXPRESSED OR IMPLIED WARRANTIES, INCLUDING, BUT NOT LIMITED TO, THE
* IMPLIED WARRANTIES OF MERCHANTABILITY AND FITNESS FOR A PARTICULAR
* PURPOSE ARE DISCLAIMED. IN NO EVENT SHALL THE OpenSSL PROJECT OR
* ITS CONTRIBUTORS BE LIABLE FOR ANY DIRECT, INDIRECT, INCIDENTAL,
* SPECIAL, EXEMPLARY, OR CONSEQUENTIAL DAMAGES (INCLUDING, BUT
* NOT LIMITED TO, PROCUREMENT OF SUBSTITUTE GOODS OR SERVICES;
* LOSS OF USE, DATA, OR PROFITS; OR BUSINESS INTERRUPTION)
* HOWEVER CAUSED AND ON ANY THEORY OF LIABILITY, WHETHER IN CONTRACT,
* STRICT LIABILITY, OR TORT (INCLUDING NEGLIGENCE OR OTHERWISE)
* ARISING IN ANY WAY OUT OF THE USE OF THIS SOFTWARE, EVEN IF ADVISED
* OF THE POSSIBILITY OF SUCH DAMAGE.
* =====
*
* This product includes cryptographic software written by Eric Young
* (eay@cryptsoft.com). This product includes software written by Tim
* Hudson (tjh@cryptsoft.com).
*
*/
Original SSLeay License
-----
/* Copyright (C) 1995-1998 Eric Young (eay@cryptsoft.com)
* All rights reserved.
*
* This package is an SSL implementation written
* by Eric Young (eay@cryptsoft.com).
* The implementation was written so as to conform with Netscapes SSL.
*
* This library is free for commercial and non-commercial use as long as
* the following conditions are aheared to. The following conditions
* apply to all code found in this distribution, be it the RC4, RSA,
* lhash, DES, etc., code; not just the SSL code. The SSL documentation
* included with this distribution is covered by the same copyright terms
* except that the holder is Tim Hudson (tjh@cryptsoft.com).
*
* Copyright remains Eric Young's, and as such any Copyright notices in
* the code are not to be removed.
* If this package is used in a product, Eric Young should be given attribution
* as the author of the parts of the library used.
* This can be in the form of a textual message at program startup or
* in documentation (online or textual) provided with the package.
*
* Redistribution and use in source and binary forms, with or without
* modification, are permitted provided that the following conditions
* are met:
* 1. Redistributions of source code must retain the copyright
* notice, this list of conditions and the following disclaimer.
* 2. Redistributions in binary form must reproduce the above copyright
* notice, this list of conditions and the following disclaimer in the
* documentation and/or other materials provided with the distribution.
* 3. All advertising materials mentioning features or use of this software
* must display the following acknowledgement:
* "This product includes cryptographic software written by
* Eric Young (eay@cryptsoft.com)"
* The word 'cryptographic' can be left out if the rouines from the library
* being used are not cryptographic related :-).
* 4. If you include any Windows specific code (or a derivative thereof) from
* the apps directory (application code) you must include an acknowledgement:
*
* "This product includes software written by Tim Hudson (tjh@cryptsoft.com)"
*
* THIS SOFTWARE IS PROVIDED BY ERIC YOUNG ``AS IS" AND
* ANY EXPRESS OR IMPLIED WARRANTIES, INCLUDING, BUT NOT LIMITED TO, THE
* IMPLIED WARRANTIES OF MERCHANTABILITY AND FITNESS FOR A PARTICULAR PURPOSE
* ARE DISCLAIMED. IN NO EVENT SHALL THE AUTHOR OR CONTRIBUTORS BE LIABLE
```

* FOR ANY DIRECT, INDIRECT, INCIDENTAL, SPECIAL, EXEMPLARY, OR CONSEQUENTIAL DAMAGES (INCLUDING, BUT NOT LIMITED TO, PROCUREMENT OF SUBSTITUTE GOODS OR SERVICES; LOSS OF USE, DATA, OR PROFITS; OR BUSINESS INTERRUPTION) HOWEVER CAUSED AND ON ANY THEORY OF LIABILITY, WHETHER IN CONTRACT, STRICT LIABILITY, OR TORT (INCLUDING NEGLIGENCE OR OTHERWISE) ARISING IN ANY WAY OUT OF THE USE OF THIS SOFTWARE, EVEN IF ADVISED OF THE POSSIBILITY OF SUCH DAMAGE.
* The licence and distribution terms for any publically available version or derivative of this code cannot be changed. i.e. this code cannot simply be copied and put under another distribution licence [including the GNU Public Licence.]
*/

15) PCRE LICENCE

PCRE is a library of functions to support regular expressions whose syntax and semantics are as close as possible to those of the Perl 5 language.

Release 8 of PCRE is distributed under the terms of the "BSD" licence, as specified below. The documentation for PCRE, supplied in the "doc" directory, is distributed under the same terms as the software itself. The data in the testdata directory is not copyrighted and is in the public domain.

The basic library functions are written in C and are freestanding. Also included in the distribution is a set of C++ wrapper functions, and a just-in-time compiler that can be used to optimize pattern matching. These are both optional features that can be omitted when the library is built.

THE BASIC LIBRARY FUNCTIONS

Written by: Philip Hazel
Email local part: ph10
Email domain: cam.ac.uk

University of Cambridge Computing Service, Cambridge, England.

Copyright (c) 1997-2017 University of Cambridge
All rights reserved.

PCRE JUST-IN-TIME COMPILATION SUPPORT

Written by: Zoltan Herczeg
Email local part: hzmester
Email domain: freemail.hu

Copyright(c) 2010-2017 Zoltan Herczeg
All rights reserved.

STACK-LESS JUST-IN-TIME COMPILER

Written by: Zoltan Herczeg
Email local part: hzmester
Email domain: freemail.hu

Copyright(c) 2009-2017 Zoltan Herczeg
All rights reserved.

THE C++ WRAPPER FUNCTIONS

Contributed by: Google Inc.
Copyright (c) 2007-2012, Google Inc.
All rights reserved.

THE "BSD" LICENCE

Redistribution and use in source and binary forms, with or without modification, are permitted provided that the following conditions are met:

- * Redistributions of source code must retain the above copyright notice, this list of conditions and the following disclaimer.
- * Redistributions in binary form must reproduce the above copyright notice, this list of conditions and the following disclaimer in the documentation and/or other materials provided with the distribution.
- * Neither the name of the University of Cambridge nor the name of Google Inc. nor the names of their contributors may be used to endorse or promote products derived from this software without specific prior written permission.

THIS SOFTWARE IS PROVIDED BY THE COPYRIGHT HOLDERS AND CONTRIBUTORS "AS IS" AND ANY EXPRESS OR IMPLIED WARRANTIES, INCLUDING, BUT NOT LIMITED TO, THE IMPLIED WARRANTIES OF MERCHANTABILITY AND FITNESS FOR A PARTICULAR PURPOSE ARE DISCLAIMED. IN NO EVENT SHALL THE COPYRIGHT OWNER OR CONTRIBUTORS BE LIABLE FOR ANY DIRECT, INDIRECT, INCIDENTAL, SPECIAL, EXEMPLARY, OR CONSEQUENTIAL DAMAGES (INCLUDING, BUT NOT LIMITED TO, PROCUREMENT OF SUBSTITUTE GOODS OR SERVICES; LOSS OF USE, DATA, OR PROFITS; OR BUSINESS

INTERRUPTION) HOWEVER CAUSED AND ON ANY THEORY OF LIABILITY, WHETHER IN CONTRACT, STRICT LIABILITY, OR TORT (INCLUDING NEGLIGENCE OR OTHERWISE) ARISING IN ANY WAY OUT OF THE USE OF THIS SOFTWARE, EVEN IF ADVISED OF THE POSSIBILITY OF SUCH DAMAGE.

End

16) Jq license

jq is copyright (C) 2012 Stephen Dolan

Permission is hereby granted, free of charge, to any person obtaining a copy of this software and associated documentation files (the "Software"), to deal in the Software without restriction, including without limitation the rights to use, copy, modify, merge, publish, distribute, sublicense, and/or sell copies of the Software, and to permit persons to whom the Software is furnished to do so, subject to the following conditions: The above copyright notice and this permission notice shall be included in all copies or substantial portions of the Software.

THE SOFTWARE IS PROVIDED "AS IS", WITHOUT WARRANTY OF ANY KIND, EXPRESS OR IMPLIED, INCLUDING BUT NOT LIMITED TO THE WARRANTIES OF MERCHANTABILITY, FITNESS FOR A PARTICULAR PURPOSE AND NONINFRINGEMENT. IN NO EVENT SHALL THE AUTHORS OR COPYRIGHT HOLDERS BE LIABLE FOR ANY CLAIM, DAMAGES OR OTHER LIABILITY, WHETHER IN AN ACTION OF CONTRACT, TORT OR OTHERWISE, ARISING FROM, OUT OF OR IN CONNECTION WITH THE SOFTWARE OR THE USE OR OTHER DEALINGS IN THE SOFTWARE.

jq's documentation (everything found under the docs/ subdirectory in the source tree) is licensed under the Creative Commons CC BY 3.0 license, which can be found at: <https://creativecommons.org/licenses/by/3.0/>

The documentation website includes a copy of Twitter's Bootstrap and relies on Bonsai, Liquid templates and various other projects, look them up for detailed licensing conditions.

jq incorporates David M. Gay's `dtoa.c` and `g_fmt.c`, which bear the following notices:

`dtoa.c`:

The author of this software is David M. Gay.
Copyright (c) 1991, 2000, 2001 by Lucent Technologies.

Permission to use, copy, modify, and distribute this software for any purpose without fee is hereby granted, provided that this entire notice is included in all copies of any software which is or includes a copy or modification of this software and in all copies of the supporting documentation for such software.

THIS SOFTWARE IS BEING PROVIDED "AS IS", WITHOUT ANY EXPRESS OR IMPLIED WARRANTY. IN PARTICULAR, NEITHER THE AUTHOR NOR LUCENT MAKES ANY REPRESENTATION OR WARRANTY OF ANY KIND CONCERNING THE MERCHANTABILITY OF THIS SOFTWARE OR ITS FITNESS FOR ANY PARTICULAR PURPOSE.

`g_fmt.c`:

The author of this software is David M. Gay.
Copyright (c) 1991, 1996 by Lucent Technologies.

Permission to use, copy, modify, and distribute this software for any purpose without fee is hereby granted, provided that this entire notice is included in all copies of any software which is or includes a copy or modification of this software and in all copies of the supporting documentation for such software.

THIS SOFTWARE IS BEING PROVIDED "AS IS", WITHOUT ANY EXPRESS OR IMPLIED WARRANTY. IN PARTICULAR, NEITHER THE AUTHOR NOR LUCENT MAKES ANY REPRESENTATION OR WARRANTY OF ANY KIND CONCERNING THE MERCHANTABILITY OF THIS SOFTWARE OR ITS FITNESS FOR ANY PARTICULAR PURPOSE.

YOKOGAWA 

Yokogawa Electric Corporation
Headquarters

9-32 Nakacho, 2-chome, Musashino-shi Tokyo, 180-8750 JAPAN

<https://www.yokogawa.com/>

Printed in Japan