

**FIELD TESTS  
MODIFICATIONS**

SOFTWARE  
PROBLEMS

---

**HARDWARE  
PROBLEMS**

## SEL 810A COMPUTER REPAIR TIPS

### A. CHECK POWER SUPPLY VOLTAGES

- (1) There are (6) six power supplies that provide (22) twenty two separate voltages to the computer and interface. (Refer to the (2) two page listing under power supplies in your diagnostic (3) three ring binder).
- (2) If voltage is low - disconnect load leads to supply - Did voltage return to normal? If not, check power supply. Instructions for testing power supply load regulation, line regulation and ripple are provided in the Technical Manual, General Purpose Computer, Pages 5-3 to 5-9. If voltage returned to normal, check each load for low resistance.
- (3) Check AC ripple with flat meter. (Refer to specifications under power supply in your diagnostic (3) three ring binder).

### B. CHECK ALL MUFFIN FANS FOR OPERATION

### C. INTERMITTANT MAINFRAME AND MEMORY PROBLEMS

- (1) Check for spread card pins and appliance connector loose pins.
  - (A) Start mainframe exerciser program - with insulated tool, rake pins on rear of mainframe while someone is watching control panel for program halt. If program halts, remove card and very carefully close all pins on card.
  - (B) While running mainframe diagnostic vary 3.6 volts on Model 221 power supply from 3 to 4 volts. Vary voltage slowly. Let program run 5-10 minutes at 3 and 4 volts.
  - (C) Tap all appliance connectors while running mainframe diagnostic and observing control panel for a halt condition. Repair appliance connector or remove connector and solder leads.
  - (D) Memory problems - Refer to my memo of April 4, 1977 listing procedures for isolating memory problems. Read instructions carefully when using CLT # 10 Memory Diagnostic.

D. I/O HOLD CONDITION

Determine the interface to computer causing problem.

- (1) Teletype
  - (2) Input-Outputs
  - (3) Analog-Digital Converter
  - (4) Modem Interface
- (a). Check voltages to interface and hand shaking signals.
  - (b). One common problem to teletype is low voltage due to appliance connectors. Check voltage at teletype interface.

E. FIELD DC OFF

- (1) Check 12 volt power supply in computer interface cabinet.

F. TAPE READER PROBLEMS

- (1) If smoke from some source set off Halon in computer room, always clean smut from tape reader lamp.
- (2) Check low speed (teletype reader) reader on quarterly basis for proper operation.

CLT/rml

cc: D. J. Noerrlinger  
M. B. Roker  
V. E. Dake


**PARTS LIST**



DATE March 13, 1973

SUBJECT Computer &amp; Interface Spare Parts Revision.

TO R. D. Kelly E. L. Bergeson  
J. R. Saar J. J. Sneddeker  
V. E. Dake R. D. Pilcher  
Ed Skanes R. E. Praeuner  
L. G. Gillis F. E. Bailey  
T. C. Losh ✓ C. T. Lowman

FROM Mr. M. J. Findling 

Attached is a copy of the Computer and Interface spare parts with the newly revised Page 3 and a copy of the Computer and Interface semiconductor substitute List with the newly revised Page 2. Due to the actual circuits utilized in the Computer systems as received being of later design than indicated by the early Computer Manuals on which the original parts List was based, 2 I.C.'s were not included in the original Computer and Interface spare parts listing. Each District Technician will be receiving two each of the newly listed integrated circuits for addition to his Computer and Interface spare parts kit.

MJF/gr

cc: Mr. V. K. Patrick  
Mr. C. L. Thompson  
Mr. R. L. Jepsen  
Mr. M. G. Strasen  
Mr. M. B. Roker  
Mr. C. J. Langdale

Attach:

COMPUTER AND INTERFACE  
SPARE PARTS

<u>Quantity</u>	<u>Diode</u>	<u>Substitutes</u>	<u>Equipment</u>
1	1N192		C
1	1N482A		C
1	1N718		C
1	1N747		H
1	1N749A		C
1	1N752A		C
1	1N753A		C
1	1N754A		C
1	1N759A		C
1	1N825		C
3	1N914		C-P
1	1N958		H
1	1N966B		C
1	1N1183A		C
1	1N2069A		H
1	1N2977B		C
1	1N3022B	2A12B	P
1	1N3666		H
1	1N4001		C
1	1N4003	D142	M
4	1N4004	HC-70/SD-2	C-P-M
1	1N4009		C
1	1N4720A		C
1	1N4734		P
1	1N4740A		C
1	1N4744A		C
1	1N4747A		C
1	1N4750		C
1	FD333	RCA #SK3030	C
1	FD6666		C
2	MR1120		C
1	1D12A (12V Zenar)		M

<u>Quantity</u>	<u>Transistors</u>	<u>Substitutes</u>	<u>Equipment</u>
1	2N404		C
1	2N598		H
1	2N706A		M
1	2N718		M
1	2N930		C
1	2N1305		H
1	2N1309		H
1	2N1375		M
1	2N1499A		C
1	2N1539		P
1	2N1545		H
1	2N1808	2N3947	C
1	2N2063A		M
1	2N2102		C
1	2N2160		C
2	2N2369A		C

C = Computer and Interface  
H = High Speed Tape Reader

P = Parabam Digital Clock  
M = RFL Data Modem



COMPUTER AND INTERFACE  
SPARE PARTS

<u>Quantity</u>	<u>Transistors</u>	<u>Substitutes</u>	<u>Equipment</u>
1	2N2405	NS2129 (National)	C
1	2N2665		C
1	2N2714		C
1	2N3134		C
1	2N3251	Motorola No. SS678	C
1	2N3503	2N2905A	C
1	2N3566		P
1	2N3638		C-P
1	2N3641		P
1	2N3642		P
1	2N3643		P
1	2N3644		P
1	2N3645		C
1	2N3725	S18415/2N2846	C
1	2N3771		C
1	2N3772		C
1	2N3903		M
1	2N3904		C
1	2N3905		M
1	2N3906		C
2	2N3947	Motorola No. SS677	C
1	2N3958		C
1	2N4044		C
1	2N4168	MCR2305-2	C
1	2N5036		C
1	2N5458	MPF104	C
1	3N166	FS19385	C
1	MCR2918-1	MCR1308-1/MCR3918-1	C
1	MJ3701		C
1	40346 (RCA)		P
1	40250 (RCA)		C
1	40251 (RCA)		P
1	TA2651 (RCA)	2N4036/2N2904A	C
1	F1226 (Union Carbide)		C
1	BD1129 (Union Carbide)		C
1	F1465 (Union Carbide)		C
1	SDT9232 (Solitron)	2N3772	C
1	SDT9724 (Solitron)	2N3771	C
1	S18858 (Fairchild)	2N2405	C

C = Computer and Interface  
H = High Speed Tape Reader

P = Parabam Digital Clock  
M = RFL Data Modem

COMPUTER AND INTERFACE  
 SPARE PARTS

<u>Quantity</u>	<u>Integrated Circuits</u>	<u>Substitutes</u>	<u>Equipment</u>
2	U5B990029 (Fairchild)	MC700G (Motorola)	C
2	U5B990729 (Fairchild)	MC707G (Motorola)	C
2	U5B991429 (Fairchild)	MC714G (Motorola)	C
2	U5F991529 (Fairchild)	MC715G (Motorola)	C
2	U5F992629 (Fairchild)	MC726G (Motorola)	C
2	U5F992729 (Fairchild)	MC727G (Motorola)	C
2	U5B771039 (Fairchild)	MC1710CG (Motorola)	C
2	U5F771139 (Fairchild)		C
3	MC724P (Motorola)		C
3	MC725P (Motorola)		C
2	MC726P (Motorola)		C
2	MC785P (Motorola)		C
2	MC786P (Motorola)		C
2	MC789P (Motorola)		C
2	MC790P (Motorola)		C
2	MC792P (Motorola)		C
2	MC799P (Motorola)		C
2	SF113-03 (Sylvania)	RF113D (Ray)/MC474L (Motorola)	C
2	SG223-03 (Sylvania)	RG223D (Ray)/MC2051L (Motorola)	C
2	SG243-03 (Sylvania)	RG243D (Ray)/MC2053L (Motorola)	C
2	SM23-03 (Sylvania)	RM23-03 (Ray)/MC4029L (Motorola)	C
2	SM33-03 (Sylvania)	RM33-03 (Ray)/MC4031L (Motorola)	C
2	SM43-03 (Sylvania)	RM43-03 (Ray)/MC4032L (Motorola)	C
2	UC4001C (Union Carbide)		C
2	SG222 (Sylvania)	MC2001L (Motorola)	C
2	SG263 (Sylvania)	MC2055L (Motorola)	C

<u>Quantity</u>	<u>Special Modules</u>	<u>Substitutes</u>	<u>Equipment</u>
1	Flip-Flop Module-Parabam #23264		P

<u>Quantity</u>	<u>Relays</u>	<u>Substitutes</u>	<u>Equipment</u>
1	HGJ2MT51211501 (C.P. Clare)	HGQ2MT5104	C
1	HGJM51111501 (C.P. Clare)	HGQM5104	C
1	Clareed No. CRTN-1010		C
1	Adams & Westlake No. AWDA-15351		C

C = Computer and Interface  
 H = High Speed Tape Reader

P = Parabam Digital Clock  
 M = RFL Data Modem

COMPUTER AND INTERFACE  
SEMI CONDUCTOR  
SUBSTITUTE LIST

1. DIODES

<u>NUMBER</u>	<u>SUBSTITUTE</u>
2A12B	1N3022B
HC-70	1N4004
D142	1N4003
SD-2	1N4003/1N4004
1D12A	1N4406/1N4742

2. TRANSISTORS

<u>NUMBER</u>	<u>SUBSTITUTE</u>
2N1808	2N3947
2N3503	2N2905A
MCR2305-2	2N4168
MCR1308-1	MCR2918-1/MCR3918-1
MPF104	2N5458
NS2129	2N2405
S18415	2N3725/2N2846
S18858	2N2405
FS19385	3N166
SDT9232	2N3772
SDT9724	2N3771
SS677	2N3947
SS678	2N3251
TA2651	2N4036/2N2904A

COMPUTER AND INTERFACE  
SEMI CONDUCTOR  
SUBSTITUTE LIST Cont'd.

3. INTEGRATED CIRCUITS

<u>NUMBER</u>	<u>SUBSTITUTE</u>
U5B990029 (Fairchild)	MC700G (Motorola)
U5B990729 (Fairchild)	MC707G (Motorola)
U5B991429 (Fairchild)	MC714G (Motorola)
U5B991529 (Fairchild)	MC715G (Motorola)
U5B992629 (Fairchild)	MC726G (Motorola)
U5B992729 (Fairchild)	MC727G (Motorola)
U5B771039 (Fairchild)	MC1710CG (Motorola)
SF113-03 (Sylvania)	MC474L,P (Motorola)/RF113D (Raytheon)
SG223-03 (Sylvania)	MC2051L,P (Motorola)/RG223D (Raytheon)
SG243-03 (Sylvania)	MC2053L,P (Motorola)/RG243D (Raytheon)
SM23-03 (Sylvania)	MC4029L (Motorola)/RM23-03 (Raytheon)
SM33-03 (Sylvania)	MC4031L (Motorola)/RM33-03 (Raytheon)
SM43-03 (Sylvania)	MC4032L (Motorola)/RM43-03 (Raytheon)
SG222-03 (Sylvania)	MC2001L (Motorola)
SG263-03 (Sylvania)	MC2055L (Motorola)



**WATCHDOG  
DATA**

COMPUTER  
JUNCTION BOX  
WALL MOUNTED

WATCHDOG DRAWING  
STATION 191-199

TS1-1PS2-1	6A	24V FIELD DC (+)	LF2-P5
6		24V FIELD DC (-)	206 206
7	7A	TO NGPL PANEL W-DOG	106 106
		TO NGPL PANEL CONTACT	207 207
8	8A	FIELD ALARM IN	107 107
		SYSTEM ALARM IN	208 208
32	32A	DC ON-OFF OUT	108 108
		DC ON-OFF OUT TO NGPL PANEL	606 606
			506 506

ON D/C  
CONSOLE PANEL

2F1-P2

802	802
803	803
804	804
805	805
806	806
807	807
808	808

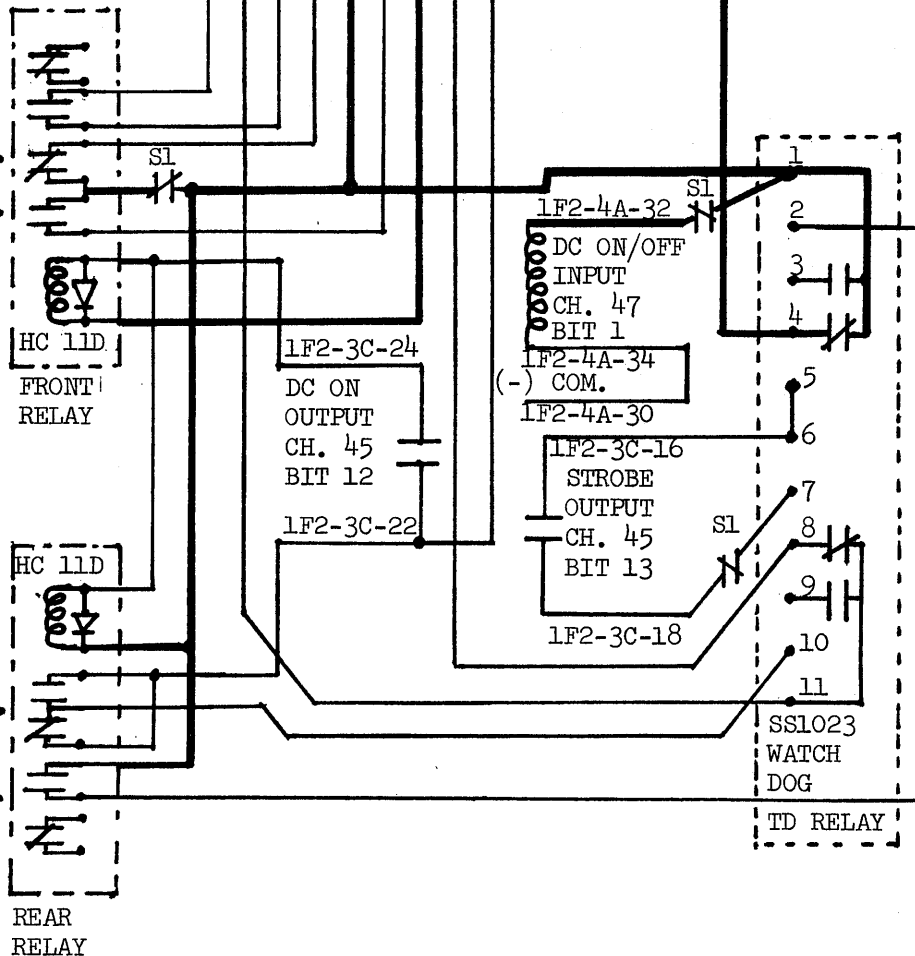
FIELD DC SW.  
D/C CONSOLE  
PANEL

TO AUTO MODE RELAYS  
IN NGPL PANEL →

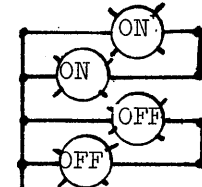
TO DC LIGHT OFF →

TO DC LIGHT ON →

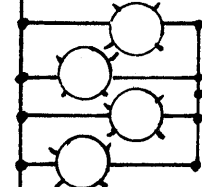
SL = TEST SWITCH  
BESIDE W-  
DOG RELAY



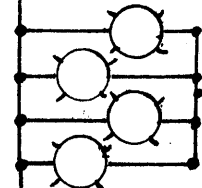
FIELD DC



SYSTEM ALARM



FIELD ALARM

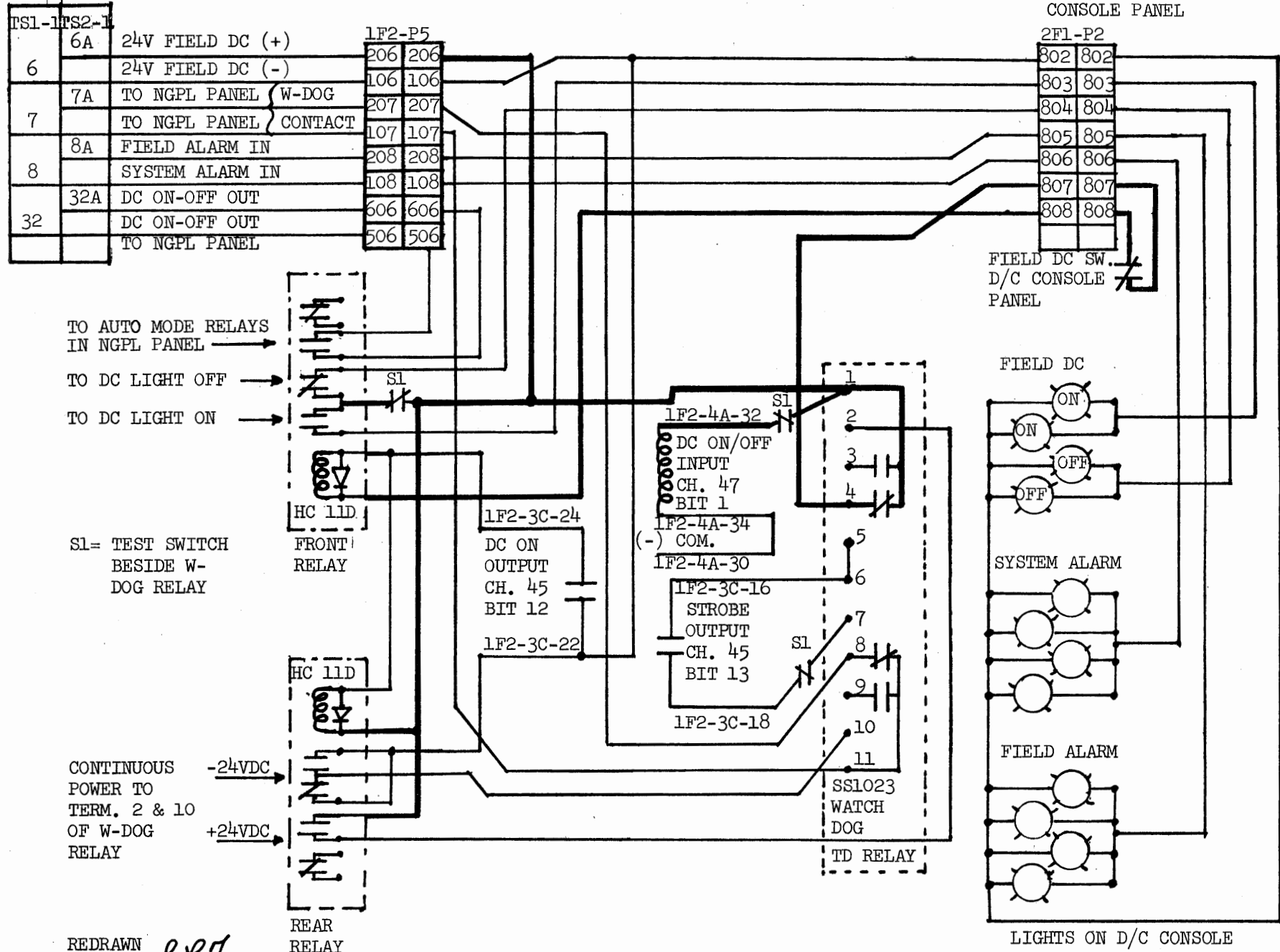


LIGHTS ON D/C CONSOLE

REDRAWN  
5/13/77 *622*

COMPUTER  
JUNCTION BOX  
WALL MOUNTED

WATCHDOG DRAWING  
STATION 191-199



REDRAWN  
5/13/77 *6827*



**THUMB IN  
DIAGNOSTICS**



INTER - OFFICE CORRESPONDENCE

DATE June 29, 1973

SUBJECT SEL 810A Computer, Short Loop,  
Test Programs.

TO R. D. Kelly R. D. Pilcher  
J. R. Saar R. E. Praeuner  
V. E. Dake F. E. Bailey  
Ed Skanes C. T. Lowman  
T. C. Losh P. C. Luce  
E. L. Bergeson G. L. Brannan  
J. J. Sneddeker W. J. Allen  
L. G. Gillis

*MJA*  
FROM Martin J. Findling

The following short loop "thumb-in" test programs and test procedures may be of assistance when trouble shooting the Computer.

1. Test all lights - light the Transfer Register and transfer to the Program Counter and "A", "B", and Instruction Registers.
2. Interchange "A" and "B".

<u>Memory Location</u>	<u>Instruction</u>	
	<u>Machine</u>	<u>Assembler</u>
0	000006	(IAB)
1	111000	(BRU*-1)

"A" Accumulator = 0's

"B" Accumulator = 1's

Single cycle and run to make sure 1's and 0's alternate in the accumulators.

3. Load Control Switches, Store "A", and Load "B".

<u>Memory Location</u>	<u>Instruction</u>	
	<u>Machine</u>	<u>Assembler</u>
0	000031	LCS
1	030004	STA 4
2	020004	LBA 4
3	110000	BRU 0

Start program and make sure all bits, 1's & 0's, will load into "B" accumulator using the Load Control Switches.

4. Output to the TTY Console.

<u>Memory Location</u>	<u>Instruction</u>	
	<u>Machine</u>	<u>Assembler</u>
0	000031	LCS
1	001016	LSL 8
2	170101	AOP 1,W
3	110000	BRU *-3

Set Load Control Switches for octal 000207 (TTY bell) and start program. The teletype console bell should sound.

- 5. Memory Test - Test Prog. Step #1 loads memory and test Prog. Step #2 checks memory.

Step #1.

<u>Memory Location</u>	<u>Machine</u>	<u>Instruction</u> <u>Assembler</u>
0	034004	STA 4,1
1	000026	IBS
2	110000	BRU *-2
3	110000	BRU *-3

Set desired test pattern in "A" accumulator and start program. The program will store the test pattern in all memory locations except 1 through 4.

Step #2.

<u>Memory Location</u>	<u>Machine</u>	<u>Instruction</u> <u>Assembler</u>
0	014010	LAA 10,1
1	150010	CMA 10
2	000000	HLT
3	110005	BRU *+2
4	000000	HLT
5	000026	IBS
6	000000	HLT
7	110000	BRU *-7
10	Same test pattern as "A" accumulator in STEP #1.	

Start the program, when the program stops, the "B" accumulator should contain octal 037770 for successful test. If a memory error occurs, the address of the memory location which failed will be the contents of the "B" accumulator plus octal 10.

- 6. Check Parity Light on Control Panel.
  - 1. Remove card 14F.
  - 2. Enter octal 000002 in memory location 0.
  - 3. Replace card 14F.
  - 4. Display memory location 0.
  - 5. Parity light should illuminate.
- 7. Check Overflow Light on Control Panel.

<u>Memory Location</u>	<u>Machine</u>	<u>Instruction</u> <u>Assembler</u>
0	010003	LAA 3
1	050003	AMA 3
2	000000	HLT
3	100000	DATA

Start program and overflow light should illuminate.

8. Test External Unit Test Loop.

<u>Memory Location</u>	<u>Instruction</u>	
	<u>Machine</u>	<u>Assembler</u>
0	000031	LCS
1	030003	STA 3
2	130240	TEU 40
3	000000	DATA
4	110006	BRU *+2
5	110000	BRU 0
6	170501	MOP 1
7	103400	TTY BELL (207)
10	110000	BRU 0

Start program. Raising each sense switch should cause the teletype bell to ring with the exception of sense switches 0, 1, & 3. To check sense switches 0, 1, & 3 use the following procedure.

1. Set sense switch "0" and push the Set Point Execute switch, the TTY bell should ring.
2. Set sense switch 1 and tap or otherwise trip the high room temperature alarm on the wall mounted alarm thermostat, the TTY bell should ring.
3. Set sense switch 3 and push the Active Alarm Recall switch, the TTY bell should ring.

The foregoing test loops with the exception of the TEU Test #8 were suggested by Mr. Tom McGovern of SEL. These tests check many of the gates and data links in the Computer and is especially useful for testing if the diagnostic tapes will not load properly.

If you have any questions please call me.

MJF/gr

cc: Mr. V. K. Patrick  
Mr. C. L. Thompson  
Mr. M. G. Strasen  
Mr. R. L. Jepsen  
Mr. W. H. Smith  
Mr. M. B. Roker  
Mr. C. J. Langdale


NGPL *Look*

INTER-OFFICE CORRESPONDENCE

DATE September 4, 1975

SUBJECT Computer Test Program

TO All Communications  
"Computer" Technicians

FROM Mr. C. L. Thompson 

Due to various problems occurring on the I/O bus and with teletype print out, the following thumb in program may be helpful in isolating the problem.

The program connects the teletype interrupts (input and output) to the standard priority interrupts in the computer. The program will input from any key on the teletype and print the character or number utilizing both interrupts.

After entering program, operate single cycle switch twice to turn off teletype motor.

Press start once and program should turn on teletype motor and advance to location '12-'13 and wait for an input from the teletype key board. Typing the character "0" and the number "0" will test data input bit lines 0-7 and output bits 8-15 on the I/O bus. If these characters do not print correctly, determine the data bit that is faulting. Following the print out of a character or a number, the octal representation will be displayed in the "A" accumulator.

If the program halts at a location other than '12 or '13 review the instruction causing the halt. The program will always return to this location unless a fault in hardware occurs.

Call me if you have trouble diagnosing a fault.

Place this information in the program binder under the tab labeled, Power Fail, A/D and TTy.

CLT/plb

cc: M. E. Nider  
M. J. Findling  
D. J. Noerrlinger  
C. J. Langdale  
M. B. Roker  
File

PROGRAM COUNTER	LOCATION	OPERATION	ADDRESS INDEX	OCTAL INSTRUCTION	COMMENTS
0		CEU	1,W	130101	
1		DATA	'400	000400	Turn Off TTy Motor
2		LAA	INPT	010032	
3		STA*	A1	032033	
4		LAA	OTPT	010034	
5		STA*	B1	032035	
6		CEU	1,W	130101	Enable TTy Interrupts,
7		DATA	'72200	072200	Key Board and Motor
10		PIE		130600	Enable Computer Inpt
11		DATA	'10001	010001	Interrupt (Loc 8A)
12		NOP		000033	
13		BRU	*-1	110012	Wait for Interrupt
14	TYPE	DAC	**	000000	
15		AIP	1,W	170301	
16		LSL	8	001016	
17		PIE		130600	Enable Computer OTPT
20		DATA	'10002	010002	Interrupt (Loc 8A).
21		TOI		000035	Turn Off Interrupt
22		BRU*	TYPE	112014	BRU to Loc 12-13
23	PRNT	DAC	**	000000	
24		AOP	1,W	170101	
25		RSL	8	001015	
26		PID		130601	Disable OTPT Interrupt
27		DATA		010002	(Loc 8A)
30		TOI		000035	Turn Off Interrupt
31		BRU*	PRNT	112023	BRU to Loc 12-13
32	INPT	DAC	TYPE	000014	
33	A1	DATA	'1016	001016	
34	OTPT	DAC	PRNT	000023	
35	B1	DATA	'1017	001017	

MEMORY REFERENCE  
TESTS

IDENTIFICATION: Memory Test Diagnostic Program *QCT #10*

AUTHOR: Carl L. Thompson  
Natural Gas Pipeline Company of America  
Communications Division

COMPLETED: March 18, 1977

PURPOSE: To assist the Communication Technicians  
with maintenance and repair of the com-  
puter memory section.

COMPUTER: 810A

STORAGE: 331 Octal Locations

This program should be loaded in the good memory section  
(lower 8K or upper 8K) to check the failing or defective sec-  
tion. Load as follows.

Locations '20000-'37777 Failing (Upper 8K)  
Enter '36060 in Program Counter  
'6000 in "A" Accumulator

Insert tape in reader and press start switch twice.

With upper 8K failing it may be necessary to enter manual  
bootstrap and load the 8K loader tape in the lower 8K of memory.

The bootstrap for the 8K loader is the same as for 16K  
except for instruction '16 and '17 as follows.

<u>Octal</u> <u>Location</u>	<u>8K</u> <u>Coding</u>	<u>16K</u> <u>Coding</u>
16	117671	137671
17	017673	037673

To load the diagnostic tape,  
Enter '16060 in Program Counter  
'6000 in "A" Accumulator

Insert tape in reader and press start switch twice.

Start program at '6000 location and select the bit pattern  
for test using control panel switches.

Location 0-'17777 Failing (Lower 8K)  
Enter '36060 in Program Counter  
'20000 in "A" Accumulator



Insert tape in reader and press start switch twice.

Start program at '20000 location and select the bit pattern for test using control panel switches.

To commence test for either memory you should place all 16 switches in the raised position.

The program writes data into one memory location at a time then reads (extracts) the data to compare with the data that was written. If a bit was added or dropped, the program will initiate the printing.

1. Memory location of failure
2. Data as read from memory (errors)
3. Data as written into memory (good data)  
(See sample printout attached)

Let the program print errors, 100 locations or more, then study printed data closely for:

1. Locations that are failing
2. Data - is same bit or bits failing each time?

Refer to the memory trouble shooting guide for the most common memory problems. The trouble shooting guide is attached.

A parity error will cause the program to halt without printing information. You may jumper 13F24 to ground to inhibit parity halt signal and permit printing of information to analyze.

Testing of the upper 8K of memory will destroy the 16K loader program. After tests are complete the manual bootstrap will be automatically loaded by pressing teletype key "B". After teletype prints; "Bootstrap Loaded, Enter 16K Loader" you may insert the 16K loader tape, master clear and then press start switch twice to load.

Memory Troubleshooting Guide

- A. Dropping all bits in all addresses
  - 1. Possible Cause: Missing +3.6 Volts
  - 2. Missing +28 Volts or +18.4 Volts. Check +28v and +18.4v outputs on card 8269 at 5K16 and 5K22 respectively.
  - 3. Missing or low read or write currents from current driver card (8959)
  
- B. Dropping one bit in all addresses
  - 1. Possible Cause: Memory Data Register circuit faulty. Check data register circuit (8272-1), cycle memory with ONE's. The output to inhibit driver or inhibit driver selector should be 0 volts.
  - 2. Inhibit driver circuit faulty. Check inhibit driver circuits on (8269-1) and (8272).
  - 3. Sense amplifier circuit faulty. Check sense amplifier (8962) outputs.
  
- C. Dropping one bit in all addresses of either the upper or lower 4K of an 8K memory
  - 1. Possible Cause: Inhibit driver circuit faulty. Check as prescribed in B1 above.
  - 2. Inhibit selector circuit faulty. Check inhibit selector circuit (8275)
  
- D. Picking up all bits in all addresses
  - 1. Possible Cause: Missing -6 volts
  
- E. Picking up one bit in all addresses
  - 1. Possible Cause: Data register faulty. Check data register circuit (8272) by depressing console clear switch. Output of circuit should be +V.
  - 2. Inhibit driver faulty.
    - (a) Check inhibit driver by cycling ZERO's throughout memory. The inhibit current should be sufficient to cancel the write current.
  - 3. Sense Amplifier faulty. Check sense amp (8962) output.
  
- F. Picks up one bit in all addresses of either the upper or lower 4K of an 8K Memory.
  - 1. Possible Cause: Inhibit driver faulty. Check inhibit driver circuit (8269-1) and (8272-1)
  - 2. Inhibit selector faulty. Check inhibit selector (8275) and (8272-1)
  
- G. Picks up or drops random bits at random addresses
  - 1. Possible Cause: Core stack line currents are too high or low. Check the core stack common line currents from the current driver circuits when loading all ones during consecutive addressing. The waveforms should appear as shown in Figure 4.

2. Threshold voltage high or low. Refer to the adjustment procedures for card 8277. Unload strobe monostable may require adjustment. Refer to the adjustment procedure for card 8270.

- H. Dropping bits in one address of every eighth address
  1. Possible Cause: The XWR line driver switch (8273) corresponding to the addresses that are dropping bits is faulty.
  2. Read/Write matrix corresponding to the XWR line driver circuits is faulty.

- I. Dropping bits in eight addresses of every 64 addresses.
  1. The XC line driver switch (8273) corresponding to the addresses that are dropping bits is faulty. Example: Addresses  $(0010)_8$  through  $(0017)_8$  or  $(0110)_8$  through  $(0117)_8$  etc. Line driver switch XC1. Replace or repair card.
  2. Read/Write matrix corresponding to the XC line driver circuits is faulty. Replace or repair card.

- J. Dropping bits in 64 addresses of every 512 addresses.
  1. The YWR line driver switch corresponding to the addresses that are dropping bits is faulty. Example: Addresses  $(0000)_8$  -  $(0077)_8$  -  $(1000)_8$  -  $(1077)_8$ , etc. Line driver switch YWR 0. Replace or repair card.
  2. Read/Write matrix corresponding to the YWR line driver circuits is faulty. Replace or repair card.

- K. Droppings bits in 512 addresses of every 4K or 8K of memory.
  1. The YC line driver switch corresponding to the addresses that are dropping bits is faulty. Example: Addresses  $(5000)_8$  through  $(5777)_8$ . Line driver switch YC 5 in the 4K. Addresses  $(15,000)_8$  through  $(15,777)_8$ . Line driver switch YC 13 in the 8K. Replace or repair card.
  2. Read/Write matrix corresponding to the YC line driver circuits is faulty. Replace or repair card.

- L. Droppings all bits in one address of every 64, or 64 addresses in every 4K or 8K of memory.
  1. Diode in core stack bad. With all bits in one address of 64 being dropped, the common line (XC) which has a bad diode, will not appear as normal when the address is selected. Normal read/write common line currents are shown in Figure 4.

With bits in 64 addresses, of a 4K memory unit or an 8K memory unit being dropped, the common line (YC) will not appear as normal.

SAMPLE PROGRAM PRINTOUT

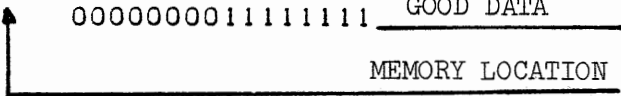
21204 0000000000100000  
0000000011111111

20764 0000000000100001  
0000000011111111

25504 0000000000011000  
0000000011111111

30675 0000000000000001  
0000000011111111

25617 0000000000100000 DATA W/ERRORS  
0000000011111111 GOOD DATA

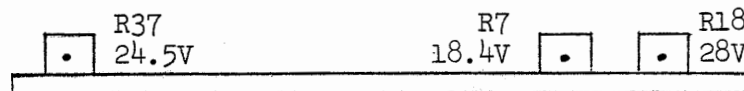


BOOTSTRAP LOADED, ENTER 16K LOADER

## MEMORY VOLTAGES - ADJUSTABLE

The common or ground lead to all voltages in memory are tied to a common ground block (copper bar) located between memory H and K card location, rear side.

The following voltages originate from Model 222 power supply. 8269 Line Driver, Current and Inhibit Driver Regulator, Location 6K



6K2 = 24.5V Adjust R37

6K10 = 28V Adjust R18

6K 18 = 18.4V Adjust R7

Other Cards that voltages affect

15H20 = 24.5V      8H8 = 28V      5K22 = 18.4V

16H20 = 24.5V      9H8 = 28V

17H20 = 24.5V      10H8 = 28V

18H20 = 24.5V      11H8 = 28V

19H20 = 24.5V      12H8 = 28V

19H24 = 24.5V      5K16 = 28V

8277, 12 Volt and Threshold Regulator, Location 6L



6L28 = 12V Adjust R11      6L6 = 11V Adjust R6

4K22 = 12V      1L15 = 11V

1L1 = 12V      2L15 = 11V

2L1 = 12V      4L15 = 11V

4L1 = 12V

6H24 = 12V

7H24 = 12V

20H14 = 12V

## MEMORY VOLTAGES - NON ADJUSTABLE

## MODEL 222 POWER SUPPLY

Use the common ground block (copper bar) between memory H and K card plane, rear side.

4K19 = (-)6V

4K20 = 16V

6K40 = 35V

Collector Case of Q1 (Inside Memory Cover) = 35V

## A. 8270 Memory Timing Adjustment

Cycle memory with all ones as follows

1. Place all ones in T Register
2. Raise memory enter switch
3. Ground 3C18 to 3C2 in computer mainframe
4. Depress memory step switch
5. Connect Chan. 1 scope probe to 6H30 and sync the scope (-). Connect Chan. 2 to 6H38.
6. Adjust R19 until a delay of approx. 520 nanoseconds occurs between the leading edge of negative going pulse at 6H30 and the leading edge of positive going pulse at 6H38.

Oscilloscope settings

V/D = .1V

Mode Trigger: Red = Ch 1 only

T/D = .1 microsec.

Black = Alternate



FIGURE 1

## B. 8962 Sense Amplifier

The adjustment of the 8270 card controls the strobing of the sense amplifiers during the read portion of a memory cycle. Check the output pulse of all sense amplifiers for a clean leading edge at the following terminals.

Terminal

1L4, 1L6, 1L8, 1L10, 1L12

2L4, 2L6, 2L8, 2L10, 2L12

3L4, 3L6, 3L8, 3L10, 3L12

4L4, 4L6

Terminal 1L4-1L12 = Bit 0-4

2L4-2L12 = Bit 5-9

3L4-3L12 = Bit 10-14

4L4 = Bit 15

4L6 = Parity Bit

Oscilloscope Settings

V/D = .1V

T/D = .1 microsecond

Mode trigger:

Red = Ch 1 only

Black = Ch 1

Sense Amp

Pulse

Clean Leading

Edge

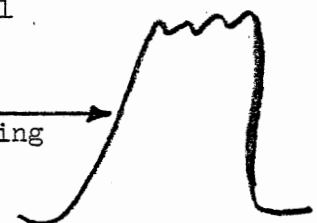


FIGURE 2

C. 8959 Dual Current Driver X and Y Read and Write Currents

Voltages on card 8269 must be adjusted before making adjustments on this card.

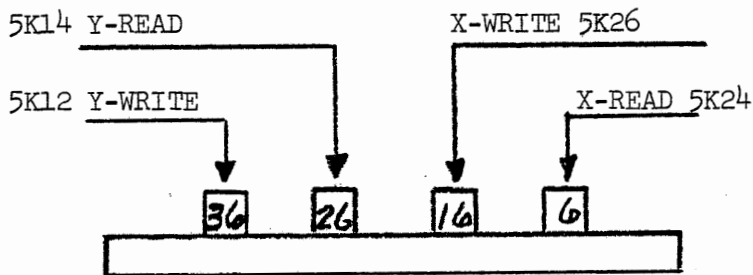


FIGURE 3

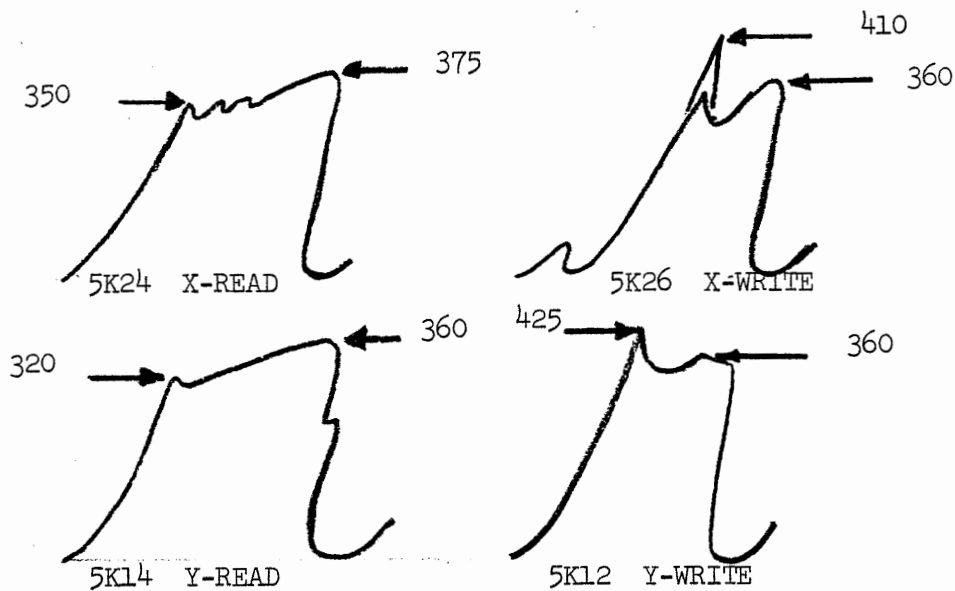
Oscilloscope Settings

Mode Trigger: Red = Ch 1 only  
Black = Ch 1

V/D = .1V

T/D = .2 microseconds

With current probe adjust amplitude for 360 ma while loading ones in memory. Refer to A for cycling ones.



The write and read currents at 106 are adjusted per the above sketch.



EJ  
 14064 00665  
 EJ  
 14655 00665  
 EJ  
 14655 00665

```

0001 * * * * *
0002 * MEMORY TEST DIAGNOSTIC PROGRAM CLT 10 *
0003 *
0004 * PRESS LETTER B TO AUTOMATICALLY LOAD *
0005 * MANUAL BOOT STRAP IF TESTING UPPER 8K. *
0006 *
0007 * PREPARED BY CARL L THOMPSON 3/18/77 *
0008 * * * * *
0009 00000 00000000 REL
0010 00000 01100257 LAA CNTQ DAC STRT
0011 00001 15100260 CMA CNTR INH INTRUP IN UPPER 8K
0012 00002 11100005 BRU *+3
0013 00003 11100004 BRU *+1
0014 00004 11100020 BRU UPER
0015 00005 01100276 LAA INPT DAC TYPE
0016 00006 03300275 STA* IRUP '1016
0017 00007 00130101 CEU 1,W
0018 00010 00062000 DATA '62000
0019 00011 00130600 PIE
0020 00012 00010001 DATA '10001
0021 00013 01100260 LAA CNTR '20000
0022 00014 03100243 STA CNTC LOWEST LOC TO TST
0023 00015 01100262 LAA CNTU '37777
0024 00016 03100244 STA CNTE HIGHEST LOC TO TST
0025 00017 11100024 BRU STRT
0026 00020 01100263 UPER LAA CNTV 1
0027 00021 03100243 STA CNTC LOWEST LOC TO TST
0028 00022 01100264 LAA CNTW '17777
0029 00023 03100244 STA CNTE HIGHEST LOC TO TST
0030 00024 00000033 STRT NOP
0031 00025 02100243 LBA CNTC
0032 00026 00000033 BEGN NOP
0033 00027 01100267 LAA NEG2
0034 00030 03100241 STA CNTA
0035 00031 00000031 LCS LCS
0036 00032 03100252 STA CNTK
0037 00033 03400000 STA 0,1
0038 00034 15400000 CMA 0,1
0039 00035 11100052 BRU ADRS
0040 00036 11100040 BRU *+2
0041 00037 11100052 BRU ADRS
0042 00040 00000033 NOP
0043 00041 00000026 IBS
0044 00042 00000033 NOP
0045 00043 00000004 TBA
0046 00044 15100244 CMA CNTE
0047 00045 11100050 BRU *+3 TST NXT LOC

```

0048	00046	11100024		BRU	STRT	TST 8K AGAIN
0049	00047	00000000		HLT		
0050	00050	00000033		NOP		
0051	00051	11100031		BRU	LCS	TST NXT LOC
0052	00052	12100140	ADRS	SPB	CRLF	PRNT ADRS OF FAILURE
0053	00053	04100274		STB	SAVE	
0054	00054	01100272		LAA	NEG5	
0055	00055	03100246		STA	CNTG	
0056	00056	00000003		CLA		
0057	00057	00000413		FLL	4	
0058	00060	11100063		BRU	**+3	
0059	00061	00000003	CLA	CLA		
0060	00062	00000313		FLL	3	
0061	00063	05100251		AMA	CNTJ	'260
0062	00064	00001016		LSL	8	
0063	00065	00170001		AOP	1	
0064	00066	11100065		BRU	*-1	
0065	00067	14100246		IMS	CNTG	-5 CNTR
0066	00070	11100061		BRU	CLA	
0067	00071	12100133		SPB	SPCE	
0068	00072	01300274		LAA*	SAVE	
0069	00073	02100242		LBA	CNTB	==16
0070	00074	00000021	SAS	SAS		ARANG-PRNT DATA
0071	00075	11100100		BRU	ONE	A1 IS NEG=1
0072	00076	11100107		BRU	ZERO	A1 AND A=0
0073	00077	11100107		BRU	ZERO	A1 IS 0 AND A GREATER/0
0074	00100	00170401	ONE	MOP	1	
0075	00101	00130400		DATA	'130400	
0076	00102	11100100		BRU	*-2	
0077	00103	00000116	SHFT	LSL	1	
0078	00104	00000026		IBS		
0079	00105	11100074		BRU	SAS	
0080	00106	11100113		BRU	TEST	TYPE GOOD-BAD DATA
0081	00107	00170401	ZERO	MOP	1	
0082	00110	00130000		DATA	'130000	ZERO
0083	00111	11100107		BRU	*-2	
0084	00112	11100103		BRU	SHFT	
0085	00113	12100140	TEST	SPB	CRLF	
0086	00114	14100241		IMS	CNTA	
0087	00115	11100117		BRU	**+2	
0088	00116	11100126		BRU	REPT	
0089	00117	02100273		LBA	NEG6	
0090	00120	12100133		SPB	SPCE	
0091	00121	00000026		IBS		
0092	00122	11100120		BRU	*-2	
0093	00123	00000033		NOP		
0094	00124	00000031		LCS		
0095	00125	11100073		BRU	SAS-1	

```

0096 00126 00000033 REPT NOP
0097 00127 02100274      LBA  SAVE
0098 00130 00000026      IBS
0099 00131 00000033      NOP
0100 00132 11100026      BRU  BEGN
0101 00133 00000000 SPCE HLT
0102 00134 00170401      MOP  1
0103 00135 00120000      DATA '120000
0104 00136 11100134      BRU  *-2
0105 00137 11300133      BRU* SPCE
0106 00140 00000000 CRLF HLT
0107 00141 00170401      MOP  1
0108 00142 00106400      DATA '106400
0109 00143 11100141      BRU  *-2
0110 00144 00170401      MOP  1
0111 00145 00105000      DATA '105000
0112 00146 11100144      BRU  *-2
0113 00147 11300140      BRU* CRLF
0114 00150 00000000 TYPE HLT
0115 00151 00170301      AIP  1,W
0116 00152 15100255      CMA  CNTN
0117 00153 11100204      BRU  RONG
0118 00154 11100156      BRU  *+2
0119 00155 11100204      BRU  RONG
0120 00156 01100247      LAA  CNTH          -17
0121 00157 03100250      STA  CNTI          INDEX CNTR
0122 00160 02100254      LBA  CNTM          0
0123 00161 01500221      LAA  BOOT,1        BOOTSTRAP
0124 00162 03400000      STA  0,1
0125 00163 00000026      IBS
0126 00164 00000033      NOP
0127 00165 14100250      IMS  CNTI          INDEX CNTR
0128 00166 11100161      BRU  *-5
0129 00167 02100247      LBA  CNTH          ==-17
0130 00170 12100140      SPB  CRLF
0131 00171 01500320      LAA  TBLA+17,1    ENTER 16K LOADER
0132 00172 12100214      SPB  TTY
0133 00173 00000026      IBS
0134 00174 11100171      BRU  *-3
0135 00175 12100140      SPB  CRLF
0136 00176 00130101      CEU  1,W
0137 00177 00001000      DATA '1000
0138 00200 00130601      PID
0139 00201 00010001      DATA '10001
0140 00202 00000035      TOI
0141 00203 11300265      BRU* CNTX
0142 00204 02100256 RONG LBA  CNTP          -9
0143 00205 12100140      SPB  CRLF

```

0144	00206	01500331	LAA	TBLB+9,1	WRONG KEY
0145	00207	12100214	SPB	TTY	
0146	00210	00000026	IBS		
0147	00211	11100206	BRU	*-3	
0148	00212	00000035	TOI		
0149	00213	11300261	BRU*	CNTS	
0150	00214	00000000	TTY	HLT	
0151	00215	00170101	AOP	1,W	
0152	00216	00001016	LSL	8	
0153	00217	00170101	AOP	1,W	
0154	00220	11300214	BRU*	TTY	
0155	00221	00130101	BOOT	CEU 1,W	BOOTSTRAP
0156	00222	00004000	DATA	'4000	
0157	00223	00170301	AIP	1,W	
0158	00224	00000022	SAZ		
0159	00225	00111006	DATA	'111006	
0160	00226	00111002	DATA	'111002	
0161	00227	00170301	READ	AIP 1,W	
0162	00230	00001016	LSL	8	
0163	00231	00174301	AIP	1,W,R	
0164	00232	00033016	DATA	'033016	
0165	00233	00000022	SAZ		
0166	00234	00000026	IBS		
0167	00235	00113017	DATA	'113017	
0168	00236	00111006	DATA	'111006	
0169	00237	00137671	DATA	'137671	
0170	00240	00037673	DATA	'037673	
0171	00241	00000000	CNTA	DATA 0	-2 CNTR
0172	00242	00177760	CNTB	DATA -16	
0173	00243	00020000	CNTC	DATA '20000	LOWEST MEM LOC F/TST
0174	00244	00037777	CNTE	DATA '037777	HIGHEST MEM LOC F/TST
0175	00245	35400274	CNTF	DAC SAVE	
0176	00246	00000000	CNTG	DATA 0	-5 CNTR
0177	00247	00177757	CNTH	DATA -17	
0178	00250	00000000	CNTI	DATA 0	
0179	00251	00000260	CNTJ	DATA '260	
0180	00252	00000000	CNTK	DATA 0	
0181	00253	00000000	CNTL	DATA 0	
0182	00254	00000000	CNTM	DATA 0	
0183	00255	00000302	CNTN	DATA '000302	B
0184	00256	00177767	CNTP	DATA -9	
0185	00257	35400024	CNTQ	DAC STRT	
0186	00260	00020000	CNTR	DATA '20000	
0187	00261	35400024	CNTS	DAC STRT	
0188	00262	00037777	CNTU	DATA '37777	
0189	00263	00000001	CNTV	DATA 1	
0190	00264	00017777	CNTW	DATA '17777	
0191	00265	35400266	CNTX	DAC CNTY	

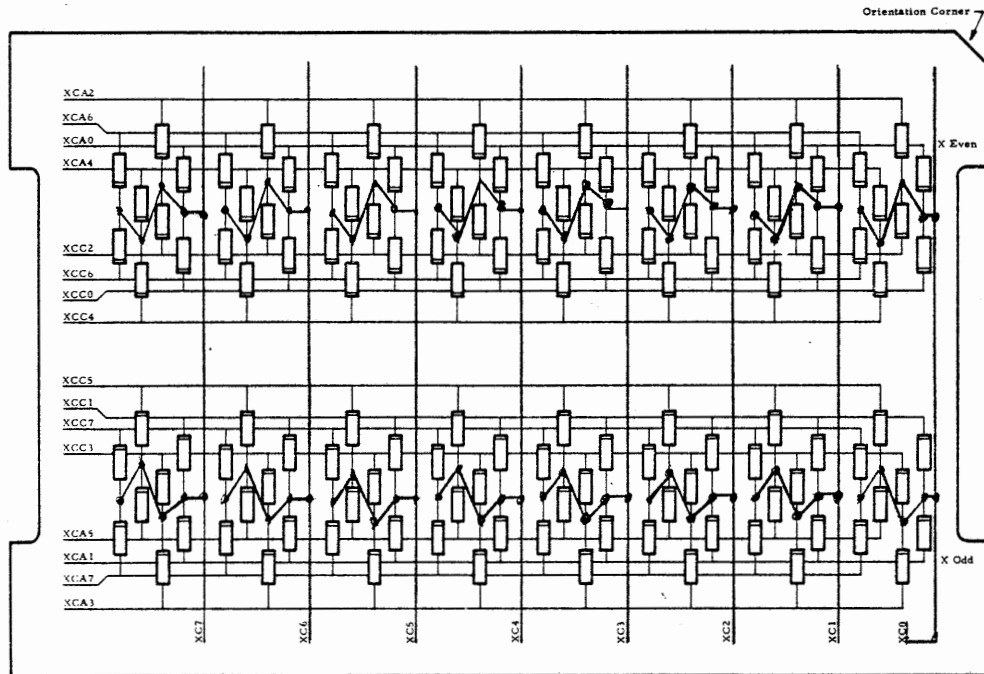
```

0192 00266 00000000 CNTY HLT
0193 00267 00177776 NEG2 DATA -2          TYPE 2 BINARY NOS
0194 00270 00177775 NEG3 DATA -3
0195 00271 00177774 NEG4 DATA -4
0196 00272 00177773 NEG5 DATA -5
0197 00273 00177772 NEG6 DATA -6
0198 00274 00000000 SAVE DATA 0          ADRS OF ERROR
0199 00275 00001016 IRUP DATA '1016
0200 00276 35400150 INPT DAC TYPE
0201 00277 00141317 TBLA DATA ''BOOTSTRAP LOADED, ENTER 16K LOADER''
0201 00300 00147724
0201 00301 00151724
0201 00302 00151301
0201 00303 00150240
0201 00304 00146317
0201 00305 00140704
0201 00306 00142704
0201 00307 00126240
0201 00310 00142716
0201 00311 00152305
0201 00312 00151240
0201 00313 00130666
0201 00314 00145640
0201 00315 00146317
0201 00316 00140704
0201 00317 00142722
0202 00320 00153722 TBLB DATA ''WRONG KEY, PRESS B''
0202 00321 00147716
0202 00322 00143640
0202 00323 00145705
0202 00324 00154654
0202 00325 00120320
0202 00326 00151305
0202 00327 00151723
0202 00330 00120302
0203 00331 70400000          END
      UPER      00020
      STRT      00024
      BEGN      00026
      LCS       00031
      ADRS      00052
      CLA       00061
      SAS       00074
      ONE       00100
      SHFT      00103
      ZERO      00107
      TEST      00113
      REPT      00126

```

6

SPCE	00133
CRLF	00140
TYPE	00150
RONG	00204
TTY	00214
BOOT	00221
READ	00227
CNTA	00241
CNTB	00242
CNTC	00243
CNTE	00244
CNTF	00245
CNTG	00246
CNTH	00247
CNTI	00250
CNTJ	00251
CNTK	00252
CNTL	00253
CNTM	00254
CNTN	00255
CNTP	00256
CNTQ	00257
CNTR	00260
CNTS	00261
CNTU	00262
CNTV	00263
CNTW	00264
CNTX	00265
CNTY	00266
NEG2	00267
NEG3	00270
NEG4	00271
NEG5	00272
NEG6	00273
SAVE	00274
IRUP	00275
INPT	00276
TBLA	00277
TBLB	00320
ERRORS	0000 00000



**X DIODE MATRIX DECODE BOARD ASSEMBLY**

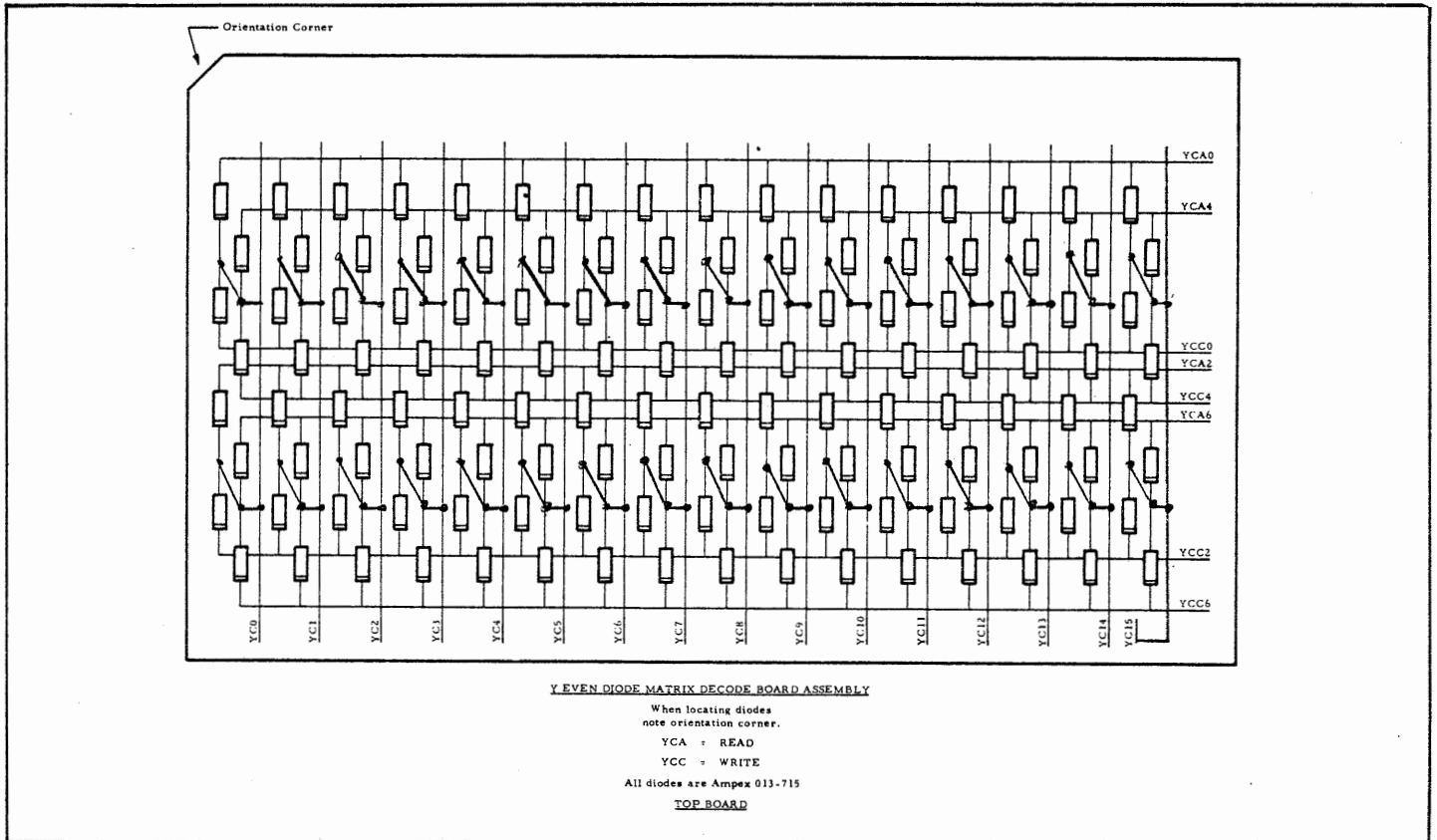
When locating diodes note orientation corner.

XCA = READ  
XCC = WRITE

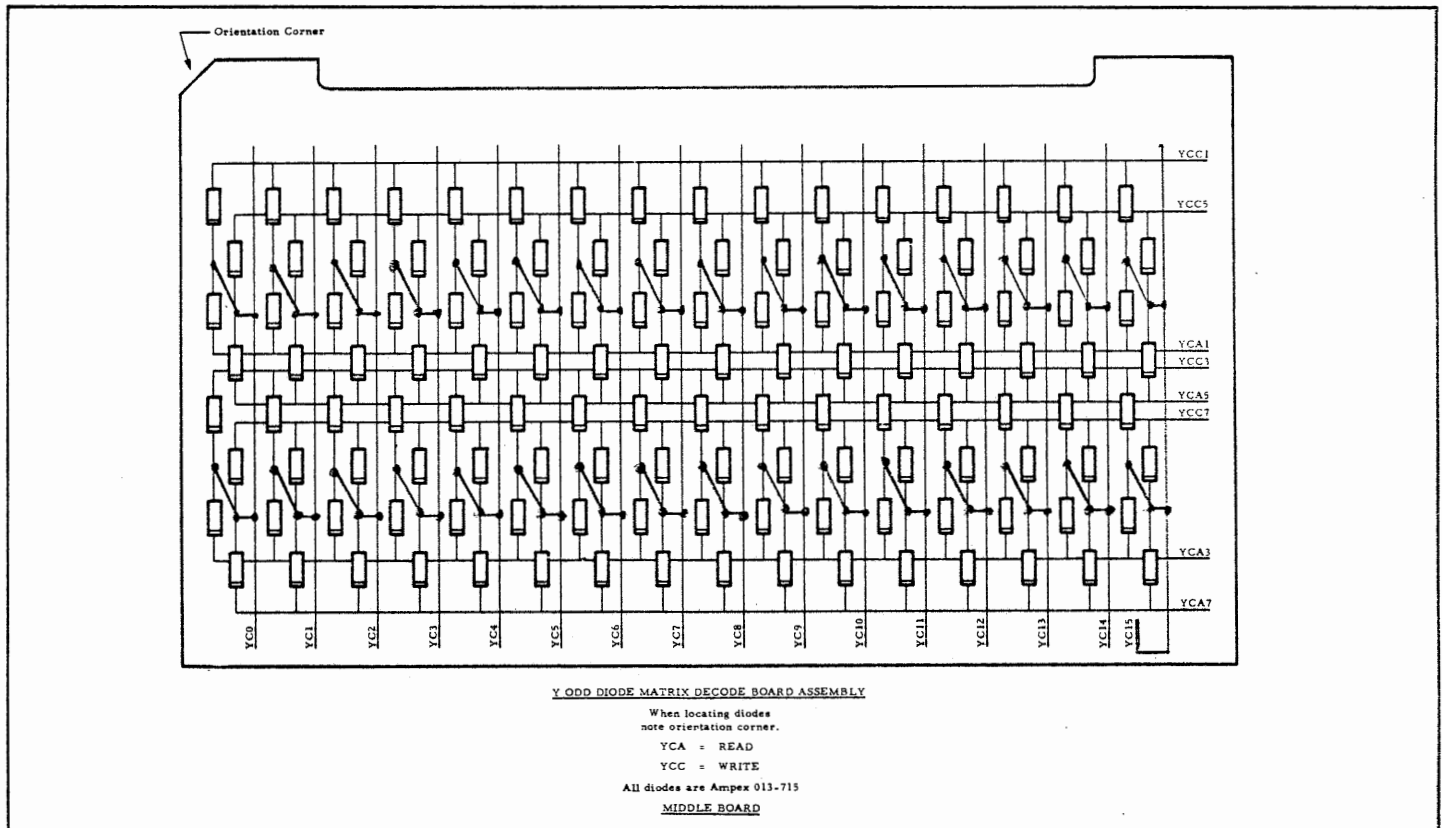
All diodes are Ampex 013-715

**BOTTOM BOARD**

X Diode Board Layout



Y Even Diode Board Layout

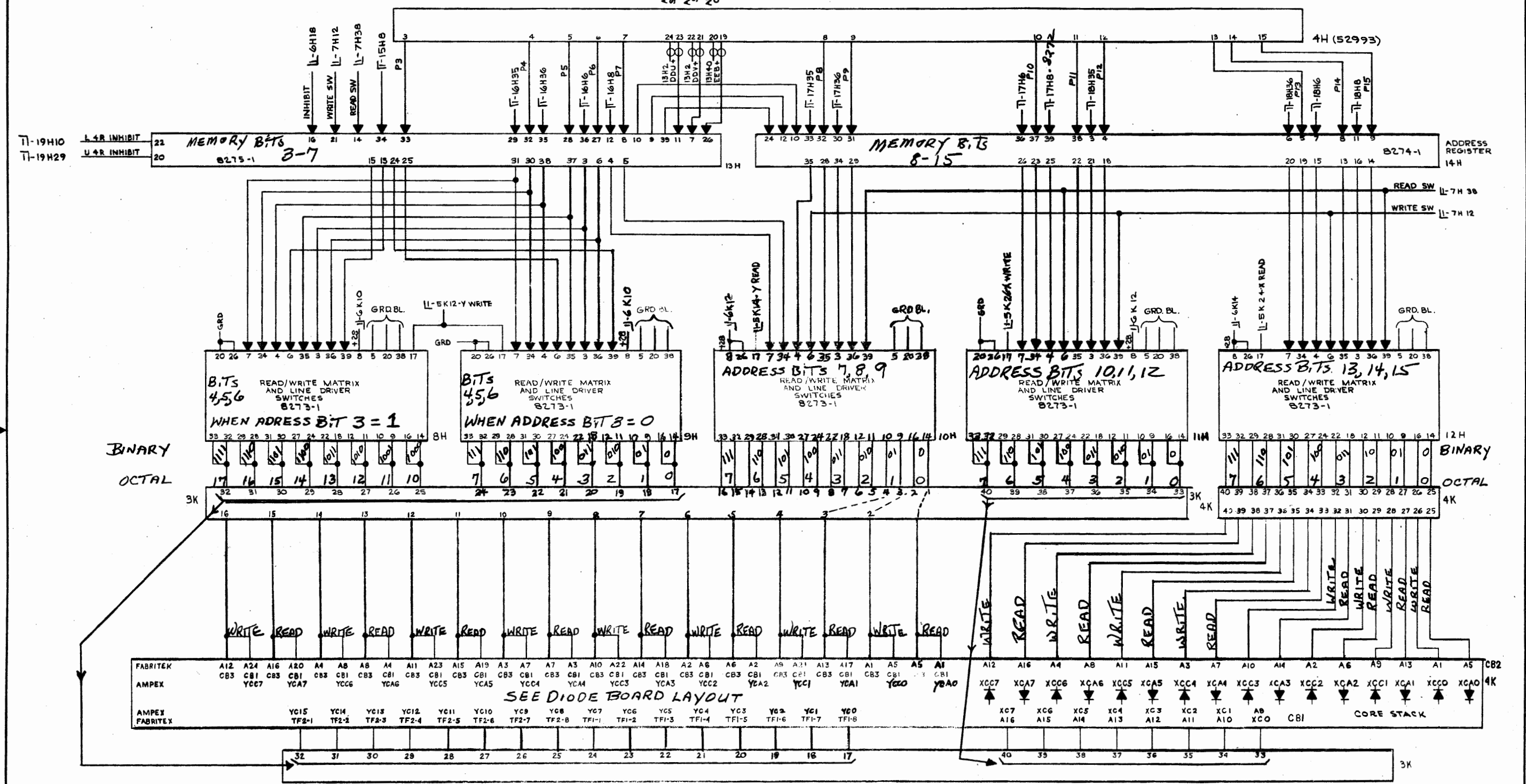


Y Odd Diode Board Layout



NOTES:  
1. CARD 8H NOT USED IN 4K MEMORY.

REV	DESCRIPTION	DATE	APP'D
D	53103		A
SEE SHEET 1			



BINARY  
OCTAL

BINARY  
OCTAL

SEE DIODE BOARD LAYOUT

ITEM	DWG. OR PART NO.	DESCRIPTION
AL SCHEKLER	4-11-67	LOGIC DIAGRAM 8Kx18 MEMORY ADDRESSING
AL SCHEKLER	10-31-67	
AL SCHEKLER	9-20-67	
AL SCHEKLER	9-20-67	
REV D		53103



MAINFRAME VOLTAGES

MODEL 221 POWER SUPPLY

3.6V Bus = 3.6V

17E1 = 5V

17E2 gnd

MODEL 222 POWER SUPPLY

9G26 = 40V

9G2 gnd

15G4 = 40V

9G2 gnd

9G20 = 16V

9G2 gnd

CONTROL PANEL

156 = 21V

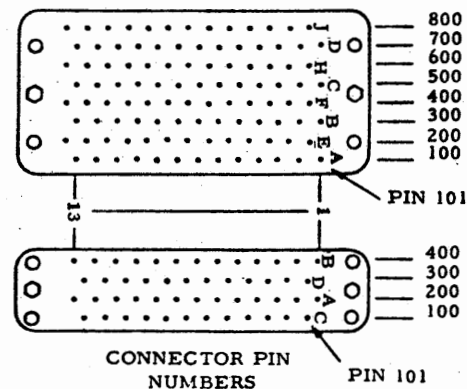
157 gnd

CHECK AND ADJUST  
VOLTAGE AT POWER  
SUPPLY



I/O BUS SIGNALS

COMPUTER												I/O BUS SIGNALS	COMM. SYN. MODEM					
LOGIC CARD INFORMATION											P1-P2 I/O Cable		P1-P2 I/O Cable	CARD				
Location	Signal Pin	Number	Signal Pin	Location	Signal Pin	Number	Signal Pin	Location	Signal Pin	Number				Signal Pin	Location			
				9E	11	Prog. Reg. 8217	3	9C	12	CD 8705	10	310	Data Trans Instr. MIP MOP AIP AOP	310	23	CT 100069	24	30A
				12C		I-O Instr. Dec. 8216	7	9C	13	CD 8705	9	410		410		CT		
											14	311	Test Instr. TEU	311	25	100069	26	30A
12C		I-O Instr. Dec. 8216	4	7C	8	Inverter 8545	6	9C	18	CD 8705	11	411		411		CT		
											15	312	Command Instr. CEU	312	29	100069	30	30A
				11C		I-O Instr. Dec. 8225	21	9C	26	CD 8705	17	412		412		CT		
											27	313	Command Inst. Sync	313	35	100069	36	30A
								2A			25	413		413		CD		
											3	503	Unit Input Interrupt	503	72	83278	67	28A
								2A			2	603		603		CD		
											27	504	Unit Output Interrupt	504	64	83278	63	28A
				12C		I-O Instr. Dec. 8216	15	9C	6	CD 8705	28	604		604		CT		
											8	509	Input Instruction	509	37	100069	38	30A
13D		Shift Cntr. 8209	18	24D	25	Dig. Buffer 8749	22	10C	24	CD 8705	7	609		609		CT		
											22	510	Wait Flag	510	39	100069	40	30A
				12C		I-O Instr. Dec. 8216	18	10C	26	CD 8705	23	610		610		CT		
											27	511	CL8-CL16Timing	511	41	100069	42	30A
				11C		I-O Instr. Timing 8225	20	9C	24	CD 8705	25	611		611		CT		
											22	512	Computer Data Here + CDH	512	43	100069	44	30A
				11C		I-O Instr. Timing 8225	12	9C	18	CD 8705	23	612		612				
											20	513	Computer Data Accepted + CDA	513	45	100069	46	30A
				19D	4	A Zero Detect 8232	8	9C	4	CD 8705	19	613		613				
											3	709	Master Clear ICB +	709	47	100069	48	30A
				11C		I-O Instr. Timing 8225	7	6C	21	CT 8615	5	809		809		CD		
											22	710	Unit Test Return UTR +	710	22	83278	21	28A
				11C		I-O Instr. Timing 8225	8	6C	23	CT 8615	26	810		810				
											24	711	Unit Sync Return USR +	711	26	83278	23	28A
				11C		I-O Instr. Timing 8225	9	6C	19	CT 8615	28	811		811				
											20	712	Unit Data Accepted UDA +	712	32	83278	31	28A
											25	812		812				



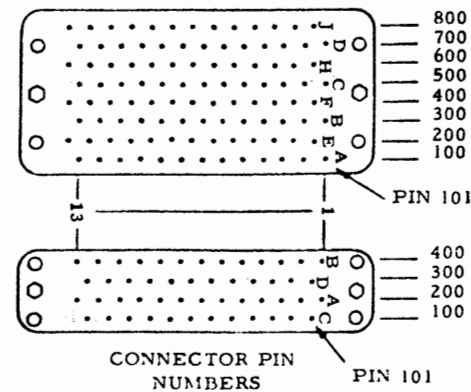
I/O BUS SIGNALS  
COMPUTER TO  
MODEM CLT

I/O BUS SIGNALS

COMPUTER					COMM SYN MODEM				
CARD			P1-P2 I/O Cable		P1-P2 I/O Cable	CARD			
Location	Number	Signal Pin Out				Signal Pin	Number	Signal Pin	Location
15F	8201	27	101	Data Bit 0 In-Out	101	7	100069	8	29A
			201						
15F	8201	3	102	Data Bit 1 In-Out	102	9	100069	10	29A
			202						
16F	8201	27	103	Data Bit 2 In-Out	103	11	100069	12	29A
			203						
16F	8201	3	104	Data Bit 3 In-Out	104	13	100069	14	29A
			204						
17F	8201	27	105	Data Bit 4 In-Out	105	15	100069	16	29A
			205						
17F	8201	3	106	Data Bit 5 In-Out	106	21	100069	22	29A
			206						
18F	8201	27	107	Data Bit 6 In-Out	107	23	100069	24	29A
			207						
18F	8201	3	108	Data Bit 7 In-Out	108	25	100069	26	29A
			208						
10C	8705	3	109	Unit Mach Bit 15	109	7	100069	8	30A
		5	209						
10C	8705	8	110	Unit Mach Bit 14	110	9	100069	10	30A
		7	210						
10C	8705	10	111	Unit Mach Bit 13	111	11	100069	12	30A
		9	211						
10C	8705	14	112	Unit Mach Bit 12	112	13	100069	14	30A
		11	212						
10C	8705	15	113	Unit Mach Bit 11	113	15	100069	16	30A
		17	213						
19F	8201	27	301	Data Bit 8 In-Out	301	29	100069	30	29A
			401						
19F	8201	3	302	Data Bit 9 In-Out	302	35	100069	36	29A
			402						
20F	8201	27	303	Data Bit 10 In-Out	303	37	100069	38	29A
			403						
20F	8201	3	304	Data Bit 11 In-Out	304	39	100069	40	29A
			404						
21F	8201	27	305	Data Bit 12 In-Out	305	41	100069	42	29A
			405						
21F	8201	3	306	Data Bit 13 In-Out	306	43	100069	44	29A
			406						
22F	8201	27	307	Data Bit 14 In-Out	307	45	100069	46	29A
			407						
22F	8201	3	308	Data Bit 15 In-Out	308	47	100069	48	29A
			408						
10C	8705	20	309	Unit Mach Bit 10	309	21	100069	22	30A
		19	409						

### I/O BUS SIGNALS

COMPUTER												I/O BUS SIGNALS		A/D CONVERTER				
LOGIC CARD INFORMATION											P1-P2 I/O Cable			CARD				
Location	Signal Pin	Number	Signal Pin	Location	Signal Pin	Number	Signal Pin	Location	Signal Pin	Number		Signal Pin	P1-P2 I/O Cable	Signal Pin	Number	Signal Pin	Location	
				9E	11	Prog. Reg. 8217	3	9C	12	CD 8705	10	310	Data Trans Instr. MIP MOP AIP AOP	310	19	83270	22	11A
				12C		I-O Instr. Dec. 8216	7	9C	13	CD 8705	9	410		410				
				12C		I-O Instr. Dec. 8216	4	9C	13	CD 8705	14	311	Test Instr. TEU	311	Not Used			
12C		I-O Instr. Dec. 8216	4	7C	8	Inverter 8545	6	9C	18	CD 8705	11	411		411				
				11C		I-O Instr. Dec. 8225	21	9C	26	CD 8705	15	312	Command Instr. CEU	312	17	83270	24	11A
				11C		I-O Instr. Dec. 8225	21	9C	26	CD 8705	17	412		412				
											27	313	Command Instr. Sync	313	16	83270	37	11A
								8A		8242	25	413		413				
								8A		8242	3	503	Unit Input Interrupt	503	24	83271	20	12A
								8A		8242	2	603		603				
								8A		8242	27	504	Unit Output Interrupt	504	21	83271	18	12A
				12C		I-O Instr. Dec. 8216	15	9C	6	CD 8705	28	604		604				
				12C		I-O Instr. Dec. 8216	15	9C	6	CD 8705	8	509	Input Instruction	509	14	83270	28	11A
13D		Shift Cntr. 8209	18	24D	25	Dig. Buffer 8749	22	10C	24	CD 8705	7	609		609				
				24D	25	Dig. Buffer 8749	22	10C	24	CD 8705	22	510	Wait Flag	510	13	83270	33	11A
				12C		I-O Instr. Dec. 8216	18	10C	26	CD 8705	23	610		610				
				12C		I-O Instr. Dec. 8216	18	10C	26	CD 8705	27	511	CL8-CL16Timing	511	12	83270	30	11A
				11C		I-O Instr. Timing 8225	20	9C	24	CD 8705	25	611		611				
				11C		I-O Instr. Timing 8225	20	9C	24	CD 8705	22	512	Computer Data Here + CDH	512	11	83270	31	11A
				11C		I-O Instr. Timing 8225	12	9C	18	CD 8705	23	612		612				
				11C		I-O Instr. Timing 8225	12	9C	18	CD 8705	20	513	Computer Data Accepted + CDA	513	10	83270	32	11A
				19D	4	A Zero Detect 8232	8	9C	4	CD 8705	19	613		613				
				19D	4	A Zero Detect 8232	8	9C	4	CD 8705	3	709	Master Clear ICB +	709	9	83270	29	11A
				11C		I-O Instr. Timing 8225	7	6C	21	CT 8615	5	809		809				
				11C		I-O Instr. Timing 8225	7	6C	21	CT 8615	22	710	Unit Test Return UTR +	710	19	83270	37	11A
				11C		I-O Instr. Timing 8225	8	6C	23	CT 8615	26	810		810				
				11C		I-O Instr. Timing 8225	8	6C	23	CT 8615	24	711	Unit Sync Return USR +	711	38	83270	20	11A
				11C		I-O Instr. Timing 8225	9	6C	19	CT 8615	28	811		811				
				11C		I-O Instr. Timing 8225	9	6C	19	CT 8615	20	712	Unit Data Accepted UDA +	712	39	83270	21	11A
				11C		I-O Instr. Timing 8225	9	6C	19	CT 8615	25	812		812				



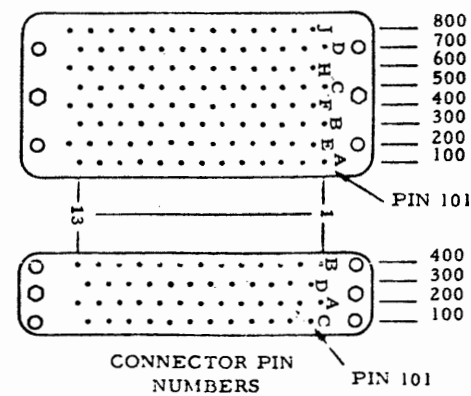
I/O BUS SIGNALS  
COMPUTER TO  
A/D CONV. CLT

COMPUTER				A/D CONVERTER					
CARD			P1-P2 I/O Cable		P1-P2 I/O Cable	CARD			
Location	Number	Signal Pin Out				Signal Pin	Number	Signal Pin	Location
15F	8201	27	101	Data Bit 0 In-Out	101	Not Used			
15F	8201	3	102	Data Bit 1 In-Out	102	Not Used			
16F	8201	27	103	Data Bit 2 In-Out	103	Not Used			
16F	8201	3	104	Data Bit 3 In-Out	104	Not Used			
17F	8201	27	105	Data Bit 4 In-Out	105	28	83271	9 12A	
17F	8201	3	106	Data Bit 5 In-Out	106	26	83271	22 12A	
18F	8201	27	107	Data Bit 6 In-Out	107	10	83271	35 12A	
18F	8201	3	108	Data Bit 7 In-Out	108	12	83271	23 12A	
10C	8705	3	109	Unit Mach Bit 15	109	8	83270	34 11A	
10C	8705	8	110	Unit Mach Bit 14	110	7	83270	27 11A	
10C	8705	10	111	Unit Mach Bit 13	111	6	83270	36 11A	
10C	8705	14	112	Unit Mach Bit 12	112	5	83270	25 11A	
10C	8705	15	113	Unit Mach Bit 11	113	4	83270	38 11A	
19F	8201	27	301	Data Bit 8 In-Out	301	14	83271	32 12A	
19F	8201	3	302	Data Bit 9 In-Out	302	16	83271	30 12A	
20F	8201	27	303	Data Bit 10 In-Out	303	39	83271	5 12A	
20F	8201	3	304	Data Bit 11 In-Out	304	38	83271	6 12A	
21F	8201	27	305	Data Bit 12 In-Out	305	8	83271	26 12A	
21F	8201	3	306	Data Bit 13 In-Out	306	6	83271	36 12A	
22F	8201	27	307	Data Bit 14 In-Out	307	4	83271	37 12A	
22F	8201	3	308	Data Bit 15 In-Out	308	3	83271	38 12A	
10C	8705	20	309	Unit Mach Bit 10	309	3	83270	23 11A	
		19	409						



I/O BUS SIGNALS

COMPUTER												I/O BUS SIGNALS	TTY AND READER					
LOGIC CARD INFORMATION											P1-P2 I/O Cable		P1-P2 I/O Cable	CARD				
Location	Signal Pin	Number	Signal Pin	Location	Signal Pin	Number	Signal Pin	Location	Signal Pin	Number				Signal Pin	Signal Pin	Location		
				9E	11	Prog. Reg. 8217	3	9C	12	CD 8705	10	310	Data Trans Instr. MIP MOP AIP AOP	310	16	CT 8615	15	5A
				12C		I-O Instr. Dec. 8216	7	9C	13	CD 8705	9	410	Test Instr. TEU	410	25	Not Used		
											14	311		311				
12C		I-O Instr. Dec. 8216	4	7C	8	Inverter 8545	6	9C	18	CD 8705	11	411	411	411	8	CT 8615	7	5A
											15	312	Command Instr. CEU	312				
				11C		I-O Instr. Dec. 8225	21	9C	26	CD 8705	17	412	412	412	3	CT 8615	13	5A
											27	313	Command Inst. Sync	313	14			
								8A			25	413	413	413	25	CD 8614	16	18A
											3	503	Unit Input Interrupt	503	15			
								8A			2	603	603	603	17	CD 8614	13	18A
											27	504	Unit Output Interrupt	504	14			
				12C		I-O Instr. Dec. 8216	15	9C	6	CD 8705	28	604	604	604	11	CT 8615	23	5A
											8	509	Input Instruction	509	24			
13D		Shift Cntr. 8209	18	24D	25	Dig. Buffer 8749	22	10C	24	CD 8705	7	609	609	609	27	CT 8615	19	5A
											22	510	Wait Flag	510	20			
				12C		I-O Instr. Dec. 8216	18	10C	26	CD 8705	23	610	610	610	26	CT 8615	17	5A
											27	511	CL8-CL16Timing	511	18			
				11C		I-O Instr. Timing 8225	20	9C	24	CD 8705	25	611	611	611	26	CT 8615	9	5A
											22	512	Computer Data Here + CDH	512	10			
				11C		I-O Instr. Timing 8225	12	9C	18	CD 8705	23	612	612	612	5	CT 8615	21	5A
											20	513	Computer Data Accepted + CDA	513	22			
				19D	4	A Zero Detect 8232	8	9C	4	CD 8705	19	613	613	613	27	CT 8615	11	5A
											3	709	Master Clear ICB +	709	12			
				11C		I-O Instr. Timing 8225	7	6C	21	CT 8615	5	809	809	809	5	CD 8614	26	18A
											22	710	Unit Test Return UTR +	710	27			
				11C		I-O Instr. Timing 8225	8	6C	23	CT 8615	26	810	810	810	25	CD 8614	24	18A
											24	711	Unit Sync Return USR +	711	22			
				11C		I-O Instr. Timing 8225	9	6C	19	CT 8615	28	811	811	811	23	CD 8614	18	18A
											20	712	Unit Data Accepted UDA +	712	20			
											25	812	812	812	19			



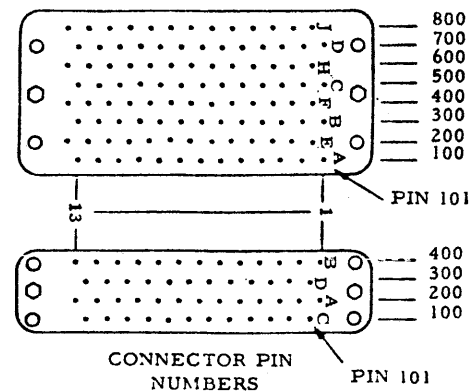
I/O BUS SIGNALS  
COMPUTER TO  
TELETYPE CLT

I/O BUS SIGNALS

COMPUTER				TTY AND READER					
CARD			P1-P2 I/O Cable		P1-P2 I/O Cable	CARD			
Location	Number	Signal Pin Out				Signal Pin	Number	Signal Pin	Location
15F	8201	27	101	Data Bit 0 In-Out	101	10	CT 8615	9	7A
			201			5			
15F	8201	3	102	Data Bit 1 In-Out	102	12	CT 8615	11	7A
			202			5			
16F	8201	27	103	Data Bit 2 In-Out	103	14	CT 8615	13	7A
			203						
16F	8201	3	104	Data Bit 3 In-Out	104	16	CT 8615	15	7A
			204						
17F	8201	27	105	Data Bit 4 In-Out	105	8	CT 8615	17	7A
			205						
17F	8201	3	106	Data Bit 5 In-Out	106	20	CT 8615	19	7A
			206						
18F	8201	27	107	Data Bit 6 In-Out	107	22	CT 8615	21	7A
			207						
18F	8201	3	108	Data Bit 7 In-Out	108	24	CT 8615	23	7A
			208						
10C	8705	3	109	Unit Mach Bit 15	109	22	U. DEC 8711	TP3 27	4A
		5	209						
10C	8705	8	110	Unit Mach Bit 14	110	20	U. DEC 8711		4A
		7	210						
10C	8705	10	111	Unit Mach Bit 13	111	17	U. DEC 8711		4A
		9	211						
10C	8705	14	112	Unit Mach Bit 12	112	15	U. DEC 8711		4A
		11	212						
10C	8705	15	113	Unit Mach Bit 11	113	12	U. DEC 8711		4A
		17	213						
19F	8201	27	301	Data Bit 8 In-Out	301	27	CD 8705	26	3A
			401			25			
19F	8201	3	302	Data Bit 9 In-Out	302	22	CD 8705	24	3A
			402			23			
20F	8201	27	303	Data Bit 10 In-Out	303	20	CD 8705	18	3A
			403			19			
20F	8201	3	304	Data Bit 11 In-Out	304	15	CD 8705	16	3A
			404			17			
21F	8201	27	305	Data Bit 12 In-Out	305	14	CD 8705	13	3A
			405			11			
21F	8201	3	306	Data Bit 13 In-Out	306	10	CD 8705	12	3A
			406			9			
22F	8201	27	307	Data Bit 14 In-Out	307	8	CD 8705	6	3A
			407			7			
22F	8201	3	308	Data Bit 15 In-Out	308	3	CD 8705	4	3A
			408			5			
10C	8705	20	309	Unit Mach Bit 10	309	9	U. DEC 8711		4A
		19	409						

I/O BUS SIGNALS

COMPUTER												I/O BUS SIGNALS		TEU AND DISPLAY CONTROL				
LOGIC CARD INFORMATION											P1-P2 I/O Cable	I/O BUS SIGNALS	P1-P2 I/O Cable	CARD				
Location	Signal Pin	Number	Signal Pin	Location	Signal Pin	Number	Signal Pin	Location	Signal Pin	Number				Signal Pin	Location	Signal Pin	Number	Signal Pin
				9E	11	Prog. Reg. 8217	3	9C	12	CD 8705	10	310	Data Trans Instr. MIP MOP AIP AOP	310	24	CT 8615	23	10B
				12C		I-O Instr. Dec. 8216	7	9C	13	CD 8705	9	410		410	28	CT 8615	9	12B
12C		I-O Instr. Dec. 8216	4	7C	8	Inverter 8545	6	9C	18	CD 8705	14	311	Test Instr. TEU	311	10			
				11C		I-O Instr. Dec. 8225	21	9C	26	CD 8705	11	411		411	3			
											15	312	Command Instr. CEU	312		Not Used		
											17	412		412		CT 8615	7	12B
											27	313	Command Inst. Sync	313	8			
											25	413		413	2			
											3	503	Unit Input Interrupt	503		Not Used		
											2	603		603				
											27	504	Unit Output Interrupt	504		Not Used		
				12C		I-O Instr. Dec. 8216	15	9C	6	CD 8705	28	604		604				
											8	509	Input Instruction	509		Not Used		
13D		Shift Cntr. 8209	18	24D	25	Dig. Buffer 8749	22	10C	24	CD 8705	7	609		609				
											22	510	Wait Flag	510		Not Used		
				12C		I-O Instr. Dec. 8216	18	10C	26	CD 8705	23	610		610		CT 8615	11	12B
				11C		I-O Instr. Timing 8225	20	9C	24	CD 8705	25	611		611	3	CT 8615	4	12B
				11C		I-O Instr. Timing 8225	12	9C	18	CD 8705	22	512	Computer Data Here + CDH	512	6	8615		
											23	612		612	2			
				19D	4	A Zero Detect 8232	8	9C	4	CD 8705	20	513	Computer Data Accepted + CDA	513		Not Used		
											19	613		613		CT 8615	21	10B
											3	709	Master Clear ICB +	709	22	8615		
				11C		I-O Instr. Timing 8225	7	6C	21	CT 8615	5	809		809	27	CD 8705	18	14B
											22	710	Unit Test Return UTR +	710	20	8705		
				11C		I-O Instr. Timing 8225	8	6C	23	CT 8615	26	810		810	23	CD 8705	26	14B
											24	711	Unit Sync Return USR +	711	27	8705		
				11C		I-O Instr. Timing 8225	9	6C	19	CT 8615	28	811		811	28	CD 8705	24	14B
											20	712	Unit Data Accepted UDA +	712	22	8705		
											25	812		812	25	8614		

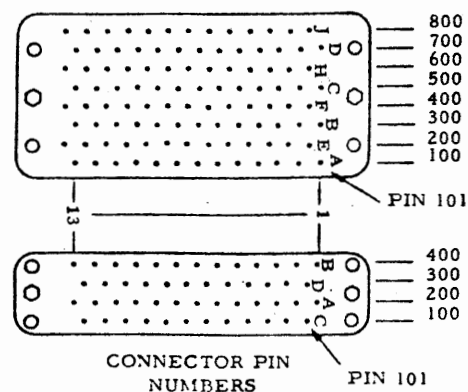


I/O BUS SIGNALS  
COMPUTER TO  
TEU & DISPLAY  
CONTROL

COMPUTER				TEU & DISPLAY CONTROL					
CARD			P1-P2 I/O Cable		P1-P2 I/O Cable	CARD			
Location	Number	Signal Pin Out				Signal Pin	Number	Signal Pin	Location
15F	8201	27	101	Data Bit 0 In-Out	101	24	CT 8615	23	11B
15F	8201	3	201	Data Bit 1 In-Out	102	28	CT 8615	21	11B
16F	8201	27	102	Data Bit 2 In-Out	103	22	CT 8615	19	11B
16F	8201	3	202	Data Bit 3 In-Out	104	27	CT 8615	17	11B
17F	8201	27	103	Data Bit 4 In-Out	105	20	CT 8615	15	11B
17F	8201	3	203	Data Bit 5 In-Out	106	26	CT 8615	13	11B
18F	8201	27	104	Data Bit 6 In-Out	107	25	CT 8615	11	11B
18F	8201	3	204	Data Bit 7 In-Out	108	16	CT 8615	9	11B
10C	8705	3	105	Unit Mach Bit 15	109	25	U. DEC 8711		13B
10C	8705	5	205	Unit Mach Bit 14	110	14	U. DEC 8711		13B
10C	8705	8	109	Unit Mach Bit 13	111	20	U. DEC 8711		13B
10C	8705	7	209	Unit Mach Bit 12	112	19	U. DEC 8711		13B
10C	8705	10	110	Unit Mach Bit 11	113	17	U. DEC 8711		13B
19F	8201	9	210	Data Bit 8 In-Out	301	14	CT 8615	7	11B
19F	8201	14	111	Data Bit 9 In-Out	302	15	CT 8615	4	11B
20F	8201	11	211	Data Bit 10 In-Out	303	2	CT 8615	23	12B
20F	8201	15	112	Data Bit 11 In-Out	304	24	CT 8615	21	12B
21F	8201	17	212	Data Bit 12 In-Out	305	28	CT 8615	19	12B
21F	8201	3	301	Data Bit 13 In-Out	306	22	CT 8615	17	12B
22F	8201	27	113	Data Bit 14 In-Out	307	27	CT 8615	15	12B
22F	8201	3	302	Data Bit 15 In-Out	308	20	CT 8615	13	12B
10C	8705	20	401	Unit Mach Bit 10	309	27	U. DEC 8711		13B
		19	402			11			

### I/O BUS SIGNALS

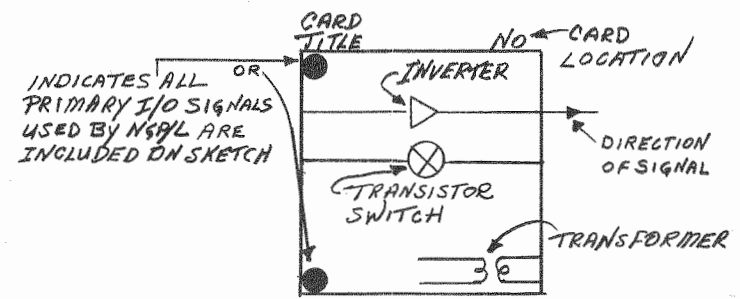
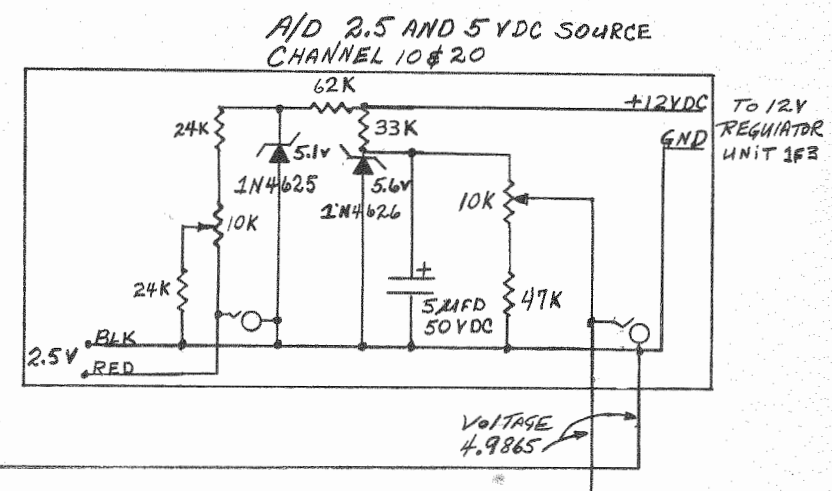
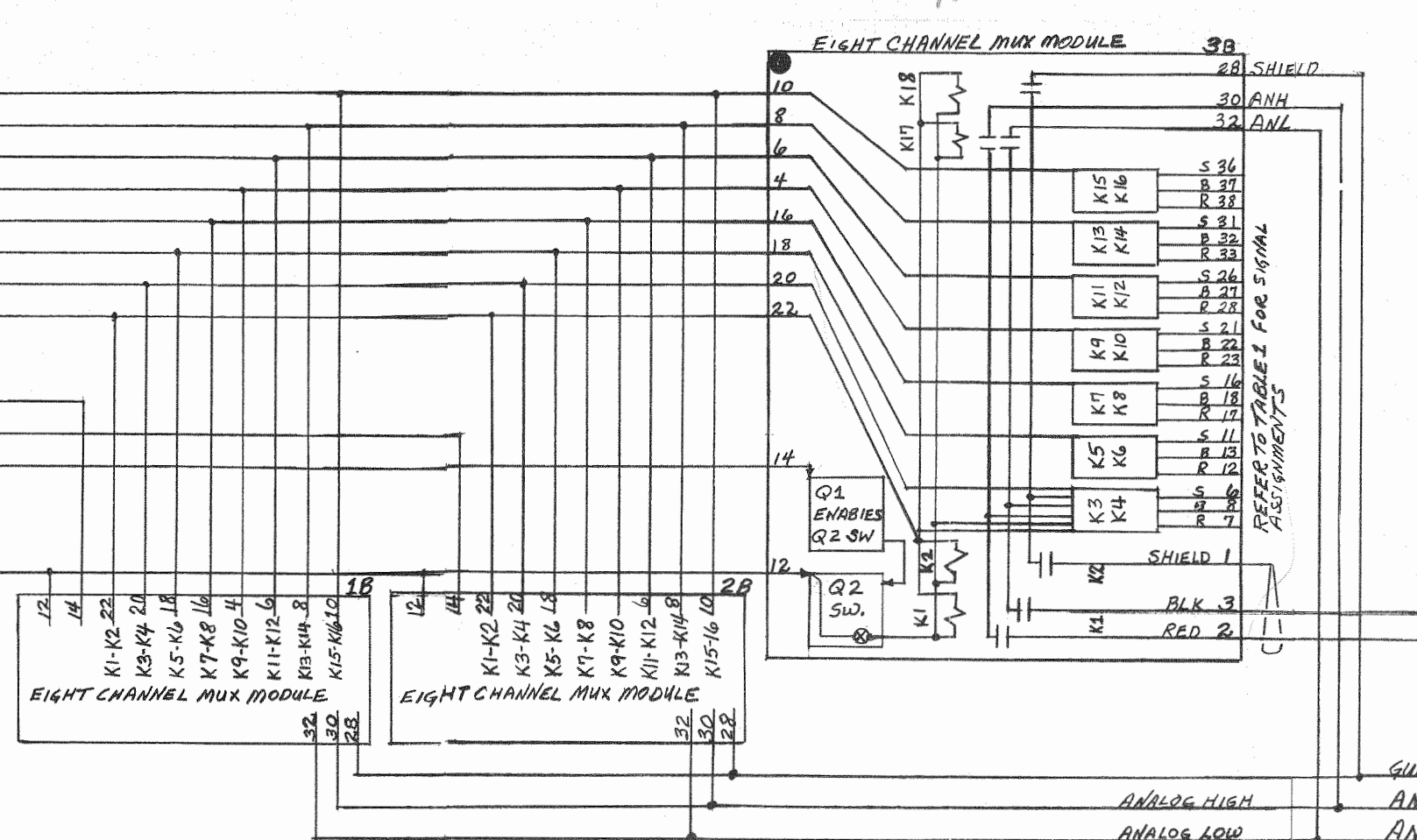
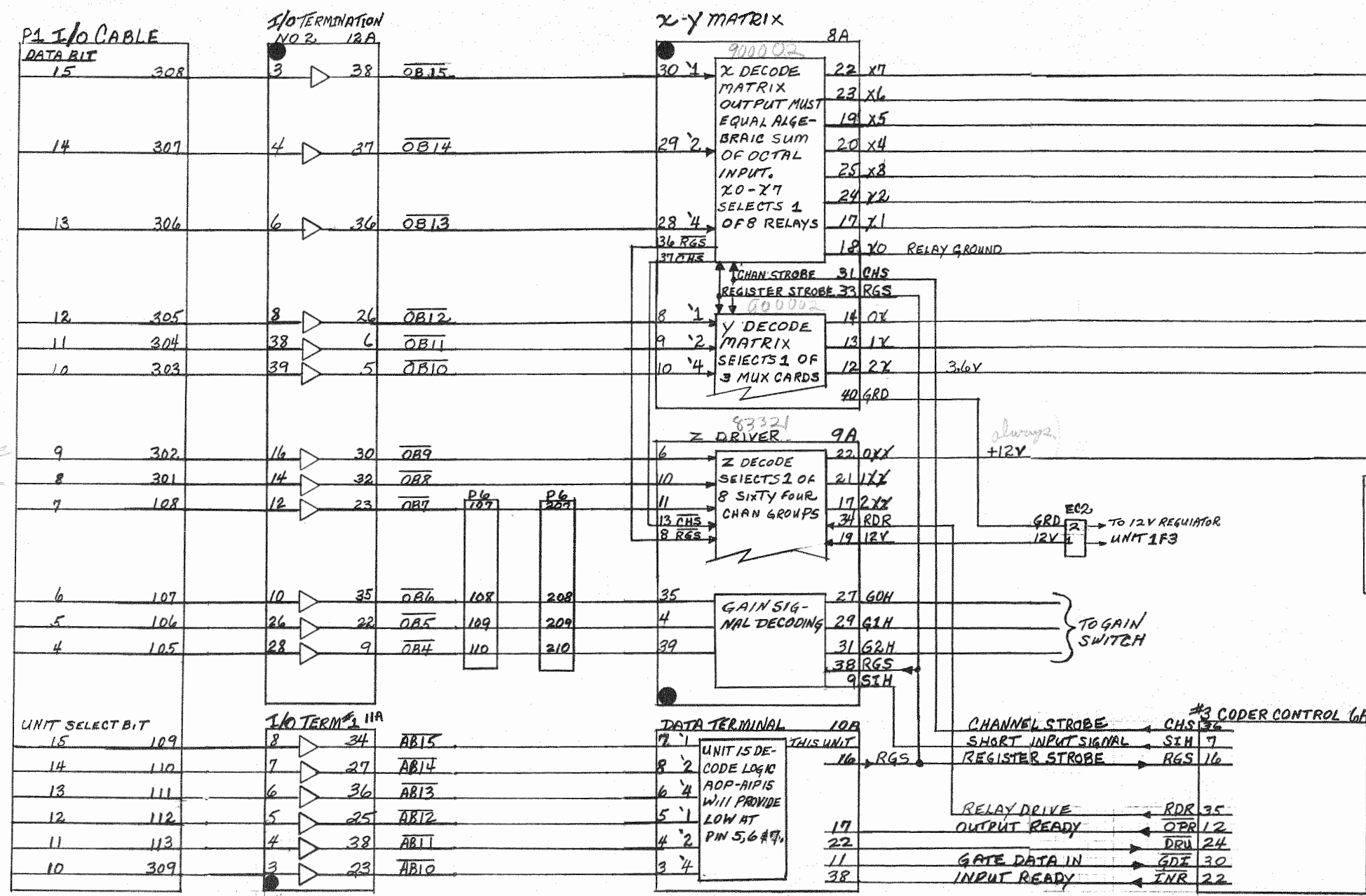
COMPUTER												I/O BUS SIGNALS		DIGITAL INPUT - OUTPUT				
LOGIC CARD INFORMATION											P1-P2 I/O Cable			CARD				
Location	Signal Pin	Number	Signal Pin	Location	Signal Pin	Number	Signal Pin	Location	Signal Pin	Number				Signal Pin	Location	Signal Pin	Number	Signal Pin
				9E	11	Prog. Reg. 8217	3	9C	12	CD 8705	10	310	Data Trans Instr. MIP MOP AIP AOP	310	22	83161		2B
				12C		I-O Instr. Dec. 8216	7	9C	13	CD 8705	9	410	Test Instr. TEU	410	19			
12C		I-O Instr. Dec. 8216	4	7C	8	Inverter 8545	6	9C	18	CD 8705	14	311		311	Not Used			
				11C		I-O Instr. Dec. 8225	21	9C	26	CD 8705	11	411	Command Instr. CEU	411	34	83161		2B
											15	312	Command Instr. Sync	412	37	83161		2B
											17	412		313	32			
											27	313	Unit Input Interrupt	413	37	Not Used		
											25	413	Unit Output Interrupt	503	Not Used			
												503		603				
												504		604	Not Used			
				12C		I-O Instr. Dec. 8216	15	9C	6	CD 8705	604		Input Instruction	509	24	83161		2B
13D		Shift Cntr. 8209	18	24D	25	Dig. Buffer 8749	22	10C	24	CD 8705	8	509		609	23			
											7	609	Wait Flag	510	28	83161		2B
				12C		I-O Instr. Dec. 8216	18	10C	26	CD 8705	22	510		610	29	83161		2B
				11C		I-O Instr. Timing 8225	20	9C	24	CD 8705	23	610	CL8-CL16Timing	511	20	83161		2B
											25	611	Computer Data Here + CDH	611	19	83161		2B
				11C		I-O Instr. Timing 8225	12	9C	18	CD 8705	22	512		612	29	83161		2B
											23	612	Computer Data Accepted + CDA	513	36	83161		2B
				19D	4	A Zero Detect 8232	8	9C	4	CD 8705	19	613		613	39	83161		2B
											3	709	Master Clear ICB +	809	39	83161		2B
				11C		I-O Instr. Timing 8225	7	6C	21	CT 8615	5	809		710	4	83161		2B
											22	710	Unit Test Return UTR +	810	5	83161		2B
				11C		I-O Instr. Timing 8225	8	6C	23	CT 8615	26	810		711	6	83161		2B
											24	711	Unit Sync ReturnUSR +	811	7	83161		2B
				11C		I-O Instr. Timing 8225	9	6C	19	CT 8615	28	811		712	8	83161		2B
											20	712	Unit Data Accepted UDA +	812				
											25	812		812				



**I/O BUS SIGNALS  
COMPUTER TO  
DIGITAL I/O**

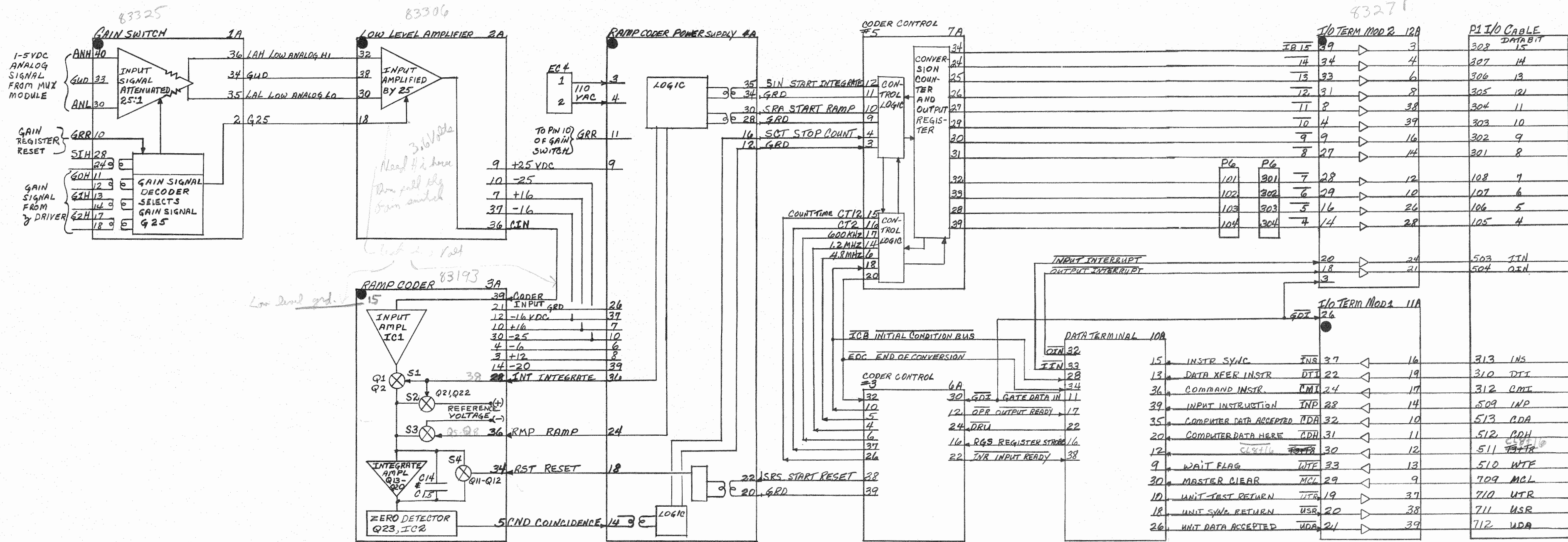
COMPUTER					DIGITAL INPUT-OUTPUT				
CARD			P1-P2 I/O Cable		P1-P2 I/O Cable	CARD			
Location	Number	Signal Pin Out				Signal Pin	Number	Signal Pin	Location
15F	8201	27	101	Data Bit 0 In	101	30	83160	32	1F1 4B
			201			31			
15F	8201	3	102	Data Bit 1 In	102	26	83160	33	4B
			202			27			
16F	8201	27	103	Data Bit 2 In	103	24	83160	34	4B
			203			25			
16F	8201	3	104	Data Bit 3 In	104	20	83160	35	4B
			204			21			
17F	8201	27	105	Data Bit 4 In	105	18	83160	5	4B
			205			16			
17F	8201	3	106	Data Bit 5 In	106	14	83160	4	4B
			206			15			
18F	8201	27	107	Data Bit 6 In	107	12	83160	7	4B
			207			13			
18F	8201	3	108	Data Bit 7 In	108	8	83160	6	4B
			208			9			
10C	8705	3	109	Unit Mach Bit 15	109	32	83137		1B
		5	209			33			
10C	8705	8	110	Unit Mach Bit 14	110	30	83137		1B
		7	210			31			
10C	8705	10	111	Unit Mach Bit 13	111	28	83137		1B
		9	211			29			
10C	8705	14	112	Unit Mach Bit 12	112	34	83137		1B
		11	212			35			
10C	8705	15	113	Unit Mach Bit 11	113	38	83137		1B
		17	213			39			
19F	8201	27	301	Data Bit 8 In	301	30	83160	32	3B
			401			31			
19F	8201	3	302	Data Bit 9 In	302	26	83160	33	3B
			402			27			
20F	8201	27	303	Data Bit 10 In	303	24	83160	34	3B
			403			25			
20F	8201	3	304	Data Bit 11 In	304	20	83160	35	3B
			404			21			
21F	8201	27	305	Data Bit 12 In	305	18	83160	5	3B
			405			16			
21F	8201	3	306	Data Bit 13 In	306	16	83160	4	3B
			406			15			
22F	8201	27	307	Data Bit 14 In	307	12	83160	7	3B
			407			13			
22F	8201	3	308	Data Bit 15 In	308	8	83160	6	3B
			408			9			
10C	8705	20	309	Unit Mach Bit 10	309	36	83137		1B
		19	409			37			

COMPUTER				DIGITAL INPUT-OUTPUT					
CARD			P1-P2 I/O Cable		P1-P2 I/O Cable	CARD			
Location	Number	Signal Pin Out				Signal Pin	Number	Signal Pin	Location
15F	8201	27	101	Data Bit 0 Out	101	30	83160	28	4B
			201			31			
15F	8201	3	102	Data Bit 1 Out	102	26	83160	29	4B
			202			27			
16F	8201	27	103	Data Bit 2 Out	103	24	83160	22	4B
			203			25			
16F	8201	3	104	Data Bit 3 Out	104	20	83160	23	4B
			204			21			
17F	8201	27	105	Data Bit 4 Out	105	18	83160	16	4B
			205			16			
17F	8201	3	106	Data Bit 5 Out	106	14	83160	17	4B
			206			15			
18F	8201	27	107	Data Bit 6 Out	107	12	83160	10	4B
			207			13			
18F	8201	3	108	Data Bit 7 Out	108	8	83160	11	4B
			208			9			
10C	8705	3	109	Unit Mach Bit 15	109	32	83137		1B
		5	209			33			
10C	8705	8	110	Unit Mach Bit 14	110	30	83137		1B
		7	210			31			
10C	8705	10	111	Unit Mach Bit 13	111	28	83137		1B
		9	211			29			
10C	8705	14	112	Unit Mach Bit 12	112	34	83137		1B
		11	212			35			
10C	8705	15	113	Unit Mach Bit 11	113	38	83137		1B
		17	213			39			
19F	8201	27	301	Data Bit 8 Out	301	30	83160	28	3B
			401			31			
19F	8201	3	302	Data Bit 9 Out	302	26	83160	29	3B
			402			27			
20F	8201	27	303	Data Bit 10 Out	303	24	83160	22	3B
			403			25			
20F	8201	3	304	Data Bit 11 Out	304	20	83160	23	3B
			404			21			
21F	8201	27	305	Data Bit 12 Out	305	18	83160	16	3B
			405			16			
21F	8201	3	306	Data Bit 13 Out	306	16	83160	17	3B
			406			15			
22F	8201	27	307	Data Bit 14 Out	307	12	83160	10	3B
			407			13			
22F	8201	3	308	Data Bit 15 Out	308	8	83160	11	3B
			408			9			
10C	8705	20	309	Unit Mach Bit 10	309	36	83137		1B
		19	409			37			



ACCURELAY ANALOG INPUT SYSTEM  
SIGNAL CONTINUITY DIAGRAM  
PRINT 1 OF 2  
8 RD 4-15-75





ACCURELAY ANALOG INPUT  
 SIGNAL CONTINUITY DIAGRAM  
 PRINT 2 OF 2  
 882 4-15-75

NO PRESS SETPOINT - ALRM CLR  
\*\*\* LOCAL SETPT \*\*\*  
DISCH PRESS 0712

12 11  
11 13 32

STA ON -REMOTE MODE  
LOC/STDRY CONTROL - ALRM CLR

12 11  
11 14 00

RESUME ALM TO MSTR

12 11  
13 38 54

UNAUTHORIZED ENTRY

12 11  
13 39 28

UNAUTHORIZED ENTRY- ALRM CLR

12 11  
14 12 41

UNAUTHORIZED ENTRY

12 11  
14 13 06

UNAUTHORIZED ENTRY- ALRM CLR

LD  
EJ

10061 00047

CHANNEL NO	TOTAL TESTS	IN RANGE	OUT OF RANGE
00	00051	00051	00000
01	00051	00000	00051
02	00051	00000	00051
03	00051	00000	00051
04	00031	00000	00031
05	00051	00000	00051
06	00051	00000	00051
07	00031	00000	00031
10	00051	00051	00000
11	00051	00000	00051
12	00051	00000	00051
13	00051	00000	00051
14	00051	00000	00051
15	00051	00000	00051
16	00051	00000	00051
17	00051	00000	00051
20	00051	00051	00000
21	00051	00000	00051
22	00051	00000	00051
23	00051	00000	00051
24	00051	00000	00051
25	00050	00000	00050
26	00050	00000	00050

**ACCEPTANCE TESTS**

---



DATE March 13, 1973  
SUBJECT Operating Instructions SEL 810A  
Computer Acceptance Test.

TO R. D. Kelly E. L. Bergeson  
J. R. Saar J. J. Sneddeker  
V. E. Dake R. D. Pilcher  
Ed Skanes R. E. Praeuner  
L. G. Gillis F. E. Bailey  
T. C. Losh ✓ C. T. Lowman

*MJF*  
FROM Mr. M. J. Findling

Each data control Station utilizing the SEL 810A Computer system should have a large Computer test program tape titled SEL 810A Acceptance Tests or Main Frame Diagnostic or Composite Diagnostics. This long diagnostic test program, which will be referred to as the Composite Diagnostic Test program, consists of the following individual diagnostic programs interconnected into one composite diagnostic program tape.

1. Main Frame Exerciser.
2. Load/Store/Register Change Test.
3. Arithmetic Test.
4. Multiply Test.
5. Divide Test.
6. Instruction Simulation & Comparison Test.
7. Compare Memory to A, a sign Test.
8. MEMDEX Test (Memory Test).
9. Memory Worst Case Test.

Each of these diagnostic tests as part of the Composite Diagnostic Test program runs for a specified length of time or specified number of cycles before going to the next diagnostic program on the tape resulting in a run time of approximately 3 hours for the entire Composite Diagnostic Program. The Load/Store/Register Change Test program runs for 46 successful cycles and the Instruction Simulation & Comparison Test runs for 15 successful cycles.

The Composite Diagnostic Test program tape is loaded via the standard (not modified) boot-strap listed below.

STANDARD BINARY BOOTSTRAP

Octal Loc.  
0

Coding  
130101

STANDARD BINARY BOOTSTRAP CONT'D

<u>Octal Loc.</u>	<u>Coding</u>
1	004000
2	170301
3	000022
4	111006
5	111002
6	170301
7	001016
10	174301
11	033016
12	000022
13	000026
14	113017
15	111006
16	107671
17	007673

After loading the Composite Diagnostic program will immediately type out the sense switch setting instructions and the start information. This type out also indicates a run time of approximately 1.5 hours which is in error. As indicated by the type out, sense switch 3 is set to test 8K of memory and sense switches 2 and 3 are set to test 16K of memory. The program is then started by simply depressing the start switch. From then on the program is completely automatic typing out which diagnostic test is being loaded and indicating when the test has been completed. After the last diagnostic test on the tape, memory worst case test, the program will type out " ABS loader will now be loaded" ; however, due to a quirk in the program, the loader programs are not loaded into memory.

If you have any questions regarding the operation of the Composite Diagnostic program or do not have a copy of the Composite Diagnostic program tape at the Data Control Stations please call me.

It is suggested that you place this Memo in the back of your program descriptions Manual for easy reference when you desire to run the long Composite Diagnostic program.

MJF/gr

cc: Mr. V. K. Patrick  
Mr. C. L. Thompson  
Mr. R. L. Jepsen  
Mr. M. G. Strasen  
Mr. C. J. Langdale  
Mr. M. B. Roker

#1 ANALOG-DIGITAL

PROGRAM DESCRIPTION

IDENTIFICATION: Analog-to-Digital Converter Diagnostic Program

AUTHOR: Carl L. Thompson, Natural Gas Pipeline Company of America, Communications Division

ISSUED: March 30, 1976 -- Revised August 1, 1976

PURPOSE: To assist the Communication Technicians with maintenance and repair of the analog-to-digital converter system.

COMPUTER: 810A

STORAGE: 1620 Octal Locations

LOADING PROCEDURE: Relocatable loader 16K modified  
 Program counter Enter '36060  
 "A" Accumulator Enter '6000  
 "B" Accumulator = 0

This program consists of four (4) diagnostics.

Insert tape in reader and press start twice.

1. Replace analog signal cable (104 pin connector) on rear of output relay panel with A/D jumper connector. Insert connector phone plug into the 2.5 volt test jack.

The A/D jumper connector parallels all A/D inputs with 2.5 volts for test purposes except for channel 00 and 20. Channel 00 is tested for ground potential and 20 is tested for 4.986 volts.

2. Start program at '7100 to adjust 2.5 and 4.9865 test voltage. Set sense switch 11 and adjust 5 volt pot. until teletype bell rings continuously. The "B" Accumulator should contain '7764. Reset switch 11. Set sense switch 12 and adjust 2.5 volt pot. until teletype bell rings continuously. The "B" Accumulator should contain '4000. Reset switch 12. Recheck 5 volt adjustment.

This completes the adjustment for the diagnostics. The following diagnostics utilize priority input interrupt.

2.

3. Program Location '6000.

This program automatically tests each of 24 relays once (Card Location 1B, 2B & 3B) each second. The voltage through each relay contact is tested for a range of 7 millivolts with the results stored in a table. To print results of test, momentarily set control panel switch 15. A relay that tests out of range should be replaced. Keep in mind, if several relays on the same card test out of range, inspect the common pair of relays K17 & K18 before replacement.

The program will automatically print the results after 8191 tests; a test period of approximately 2 hours and 15 minutes.

This program will display a value of all A/D channels in the nixie displays except for channel 00. Select an octal channel number 1-7, 10-17, 20-27 with switch under the display. Channel '20 should display a reading of 771 to 773. Channels 1-'27 should display a reading of 500 to 502. A variation from these readings will indicate errors for the channel displayed. The display will read zero if an illegal channel is selected. The displays are updated once per second.

4. Program Location '7200

This program tests individual relays once per second by selecting the channel number using control switches. If the relay tests out of range ( $\pm 7$  mv) the teletype bell will ring. The "B" Accumulator will display the octal value of test.

5. Program Location '7500

This program will print the octal and volts value of the signal using the control switches for channel selection. After starting the program the table heading will be printed. Select a channel number with control switches and press start. You must re-press start after each line is printed.

NOTE: When completed return A/D signal cable to original connector. Check the 2.500 and 4.986 test voltage with a differential voltmeter. The readings should not vary more than 10-15 millivolts if the A/D system is properly calibrated.



TABLE 7

ANALOG CHANNEL FUNCTION ASSIGNMENT

ANALOG CHANNEL	LOCATION RELAY	CARD	FUNCTION NUMBER	A/D RANGE	FUNCTION DESCRIPTION
00	K1-2	1B			Zero Test Voltage
01	K3-4	1B	41	200-400	Fuel Gas Pressure
02	K5-6	1B	21	400-800	Fuel Diff. Pressure - Unit 1
03	K7-8	1B	65	0-150	Suction Temperature - Unit 2
04	K9-10	1B	44	400-800	Suction Pressure - Unit 2
05	K11-12	1B			
06	K13-14	1B	22	400-800	Fuel Diff. Pressure - Unit 2
07	K15-16	1B	63	-20-200	Atmospheric Temperature
10	K1-2	2B			Half Scale Test Voltage (2.505 VDC)
11	K3-4	2B	56	0-150	Mainline Discharge Temperature
12	K5-6	2B	50	0-150	Mainline Suction Temperature
13	K7-8	2B	67	700-1100	Exhaust Temperature - Unit 1
14	K9-10	2B	68	700-1100	Exhaust Temperature - Unit 2
15	K11-12	2B	42	-20-200	Fuel Gas Temperature
16	K13-14	2B	11	0-6000	RPM - Unit 2
17	K15-16	2B	64	-20-200	Suction Temperature - Unit 1
20	K1-2	3B			Full Scale Test Voltage (4.986 VDC)
21	K3-4	3B	43	400-800	Suction Pressure - Unit 1
22	K5-6	3B			
23	K7-8	3B	07	400-800	Mainline Discharge Pressure
24	K9-10	3B	00	400-800	Mainline Suction Pressure
25	K11-12	3B	08	400-800	Station Discharge Pressure
26	K13-14	3B	10	0-6000	RPM - Unit 1
27	K15-16	3B			

Station program samples each function once per second. Test voltages are sampled every 10 seconds. If value is out of range, program will sample value each second for 5 seconds. If still out of range it will print A/D failure.

SAMPLE PRINTOUT OF A/D DIAGNOSTIC

CHANNEL NO	TOTAL TESTS	IN RANGE	OUT OF RANGE
00	00442	00442	00000
01	00442	00442	00000
02	00442	00442	00000
03	00442	00442	00000
04	00442	00442	00000
05	00442	00442	00000
06	00442	00442	00000
07	00442	00442	00000
10	00442	00442	00000
11	00442	00442	00000
12	00442	00442	00000
13	00442	00442	00000
14	00442	00442	00000
15	00442	00442	00000
16	00442	00442	00000
17	00441	00441	00000
20	00441	00441	00000
21	00441	00441	00000
22	00441	00441	00000
23	00441	00441	00000
24	00441	00441	00000
25	00441	00441	00000
26	00441	00441	00000
27	00441	00441	00000

CHAN NO	OCTAL VALUE	VOLTS VALUE	OCTAL VALUE	VOLTS VALUE	OCTAL VALUE	VOLTS VALUE	OCTAL VALUE	VOLTS VALUE
01	4002	2.503	4002	2.503	4002	2.503	4002	2.503
03	4002	2.503	4002	2.503	4002	2.503	4002	2.503
02	4002	2.503	4002	2.503	4002	2.503	4002	2.503
06	4002	2.503	4002	2.503	4002	2.503	4002	2.503
05	4002	2.503	4002	2.503	4002	2.503	4002	2.503
15	4002	2.503	4002	2.503	4002	2.503	4002	2.503
25	4002	2.503	4002	2.503	4002	2.503	4002	2.503
21	4002	2.503	4002	2.503	4002	2.503	4002	2.503
11	4002	2.503	4002	2.503	4002	2.503	4002	2.503
20	7764	4.986	7764	4.986	7764	4.986	7764	4.986
24	4002	2.503	4002	2.503	4002	2.503	4002	2.503

```

0001          **** *
0002          *   A-D DIAGNOSTIC
0003          *
0004          *   LOC '6000 TSTS EA OF 24 RLYS EA SECOND. VOL-
0005          *   TAGE THRU RLY TESTED F/RANGE OF 7 MV. RESULT
0006          *   STORED IN TBLE. SET SW 15 TO PRNT TABLE.
0007          *   PROGRAM WILL AUTOMATICALLY PRINT RESULTS
0008          *   AFTER 8191 TESTS.
0009          *   SELECT A-D CHAN FOR NIXIE DISPLAY. VOLTAGE
0010          *   IS SCALED                AT 7.4 MV PER
0011          *   UNIT. CH 00 WILL NOT BE DISPLAYED. CH 20
0012          *   SHOULD READ 771-773, ALL OTHERS TO READ
0013          *   500-502.
0014          *   LOC '7100 ADJ 2.5 AND 4.986 TST VOLTAGE. SET
0015          *   SW 12,ADJ 2.5V POT TILL TTY BELL RINGS.SET
0016          *   SW 11 ADJ 5V POT TILL TTY BELL RINGS. RE-
0017          *   CHECK 2.5 VOLTS.
0018          *   LOC '7200 SELECT CH NO W/CONTROL SW. RELAYS
0019          *   TESTED ONCE PER SEC. TTY BELL WILL RING IF
0020          *   OUT OF RANGE.
0021          *   LOC '7500 WILL PRINT OCTAL-VOLTS VALUE OF
0022          *   CHAN SELECTED BY CONTROL SW. PRESS START
0023          *   AFTER EACH LINE.
0024          *   PREPARED BY CARL L. THOMPSON 3-5-76
0025          *   REVISED 8-1-76
0026          **** *
0027 00000 00000000      REL
0028 00000 12100210      SPB  CLER          CLR ALL TBLS
0029 00001 01100772      LAA  CNTY          INTR SUBROUTINE ADDR
0030 00002 03300771      STA* CNTX          LOC '1016
0031 00003 00170240  STAR AIP  '40          INPT SEC
0032 00004 11100003      BRU  *-1
0033 00005 03100770      STA  CNTW          STORE F/COMPARE
0034 00006 00170240  SEC  AIP  '40          INPT SEC
0035 00007 11100006      BRU  *-1
0036 00010 15100770      CMA  CNTW          HAVE SEC CHANGED
0037 00011 11100013      BRU  *+2
0038 00012 11100006      BRU  SEC
0039 00013 03100770      STA  CNTW
0040 00014 14101000  BEGN IMS CTYP NOP
0041 00015 14101000      IMS  CTYP
0042 00016 11100020      BRU  *+2
0043 00017 12100142      SPB  PRNT          PRNT AFTER 8192 TSTS
0044 00020 00130417  STRT SNS  '17
0045 00021 12100142      SPB  PRNT
0046 00022 01100773      LAA  CNT1          CNT OF 1
0047 00023 05500602      AMA  TBLA,1

```

0048	00024	03500602	STA	TBLA,1	TOTAL TSTS EA CHANNEL
0049	00025	00130015	CEU	'15	
0050	00026	00060000	DATA	'60000	INPT INTR
0051	00027	11100025	BRU	*-2	
0052	00030	00130600	PIE		
0053	00031	00010001	DATA	'10001	GRP 1 LEVEL 1
0054	00032	01500551	LAA	CH1,1	
0055	00033	00170015	AOP	'15	
0056	00034	11100033	BRU	*-1	
0057	00035	00000033	NOP		
0058	00036	11100035	BRU	*-1	WT FOR INTRUP
0059	00037	25400000	INPT DAC	**	INTRUP SUBROUTINE CHK
0060	00040	00130015	CEU	'15	
0061	00041	00020000	DATA	'20000	
0062	00042	11100040	BRU	*-2	
0063	00043	00170215	AIP	'15	
0064	00044	11100043	BRU	*-1	
0065	00045	03100762	STA	CNTG	ANALOG VOL
0066	00046	03500451	STA	CH2,1	NIXI DSPLA MODE
0067	00047	01500551	LAA	CH1,1	
0068	00050	15000000	CMA	=0	CH 00
0069	00051	11100053	BRU	*+2	
0070	00052	11100070	BRU	ZERO	
0071	00053	15000020	CMA	= '20	CH 20
0072	00054	11100056	BRU	*+2	
0073	00055	11100057	BRU	TWTY	
0074	00056	11100101	BRU	UTER	TST OTHER CHS
0075	00057	01100762	TWTY LAA	CNTG	ANALOG VOL
0076	00060	15007772	CMA	= '7772	4.9938V
0077	00061	11100062	BRU	*+1	
0078	00062	11100064	BRU	*+2	
0079	00063	11100115	BRU	ERR	
0080	00064	15007756	CMA	= '7756	4.9792V
0081	00065	11100115	BRU	ERR	
0082	00066	11100067	BRU	*+1	
0083	00067	11100111	BRU	GOOD	
0084	00070	01100762	ZERO LAA	CNTG	
0085	00071	15077760	CMA	= '177760	
0086	00072	11100115	BRU	ERR	
0087	00073	11100074	BRU	*+1	
0088	00074	11100075	BRU	*+1	
0089	00075	15000017	CMA	= '17	
0090	00076	11100077	BRU	*+1	
0091	00077	11100111	BRU	GOOD	
0092	00100	11100115	BRU	ERR	
0093	00101	01100762	UTER LAA	CNTG	ANALOG VOL
0094	00102	15004007	CMA	= '4007	2.509V
0095	00103	00000033	NOP		OK

0096	00104	11100106		BRU	*+2	OK
0097	00105	11100107		BRU	*+2	OUT OF RANGE
0098	00106	15003771		CMA	= '3771	2.492V
0099	00107	11100115		BRU	ERR	
0100	00110	00000033		NOP		OK
0101	00111	01100773	GOOD	LAA	CNT1	OK CNT OF 1
0102	00112	05500632		AMA	TBLB,1	GOOD TSTS
0103	00113	03500632		STA	TBLB,1	TOTAL GOOD TSTS
0104	00114	11100120		BRU	NUCH	INITIALIZE F/NEW CHAN TST
0105	00115	01100773	ERR	LAA	CNT1	CNT OF 1
0106	00116	05500662		AMA	TBLC,1	TST OUT OF RANGE
0107	00117	03500662		STA	TBLC,1	
0108	00120	00000026	NUCH	IBS		
0109	00121	00000033		NOP		
0110	00122	01500551		LAA	CH1,1	CK FOR CH 24 '30
0111	00123	15100765		CMA	CNTT	CNT OF 24
0112	00124	11100134		BRU	NEXT	TST NEXT CH BRU TO STRT
0113	00125	00000033		NOP		RESTART TST OF CH 01
0114	00126	12100321		SPB	NIXN	DSPLA DATA IN NIXI
0115	00127	00000003		CLA		
0116	00130	00000005		TAB		
0117	00131	01100766		LAA	CNTU	GO TO SEC F/RESTRT
0118	00132	03100037		STA	INPT	
0119	00133	11100140		BRU	*+5	
0120	00134	01100764	NEXT	LAA	CNTS	BRU TO STRT TST NXT CHAN
0121	00135	03100037		STA	INPT	
0122	00136	00130601		PID		
0123	00137	00010001		DATA	'10001	
0124	00140	00000035		TOI		
0125	00141	11300037		BRU*	INPT	
0126	00142	25400000	PRNT	DAC	**	PRNT TBLE AND DATA
0127	00143	01060000		LAA	= '160000	= CNT OF 8191
0128	00144	03101000		STA	CTYP	
0129	00145	12100303		SPB	CRLF	
0130	00146	02077755		LBA	=-19	
0131	00147	01500735		LAA	TBLD+19,1	HEADING OF TBL
0132	00150	12100276		SPB	TTYO	
0133	00151	00000026		IBS		
0134	00152	11100147		BRU	*-3	
0135	00153	12100303		SPB	CRLF	
0136	00154	02077755		LBA	=-19	
0137	00155	01500760		LAA	TBLE+19,1	HEADING OF TBLE
0138	00156	12100276		SPB	TTYO	
0139	00157	00000026		IBS		
0140	00160	11100155		BRU	*-3	
0141	00161	12100303		SPB	CRLF	
0142	00162	12100303		SPB	CRLF	
0143	00163	01077750		LAA	=-24	

0144	00164	03100761		STA	CNTA	
0145	00165	01500551	AGAN	LAA	CH1,1	
0146	00166	12100251		SPB	CHNO	
0147	00167	01500602		LAA	TBLA,1	NO OF TESTS
0148	00170	12100223		SPB	TSTS	CONV AND PRNT DEC NO
0149	00171	01500632		LAA	TBLB,1	TESTS IN RANGE
0150	00172	12100223		SPB	TSTS	CONV AND PRNT DEC NO
0151	00173	01077777		LAA	=-1	
0152	00174	03100777		STA	CNT6	SKIP SPC3 IN TSTS
0153	00175	01500662		LAA	TBLC,1	TESTS OUT OF RANGE
0154	00176	12100223		SPB	TSTS	
0155	00177	00000026		IBS		
0156	00200	00000033		NOP		
0157	00201	12100303		SPB	CRLF	
0158	00202	14100761		IMS	CNTA	==24 ALL CHS
0159	00203	11100165		BRU	AGAN	
0160	00204	12100210		SPB	CLER	CLR ALL TBLS
0161	00205	01100763		LAA	CNTR	DAC STAR
0162	00206	03100142		STA	PRNT	
0163	00207	11300142		BRU*	PRNT	
0164	00210	25400000	CLER	DAC	**	CLR ALL TBLS
0165	00211	00000003		CLA		
0166	00212	03100760		STA	TEMP	CLR TEMP B INDEX
0167	00213	02077750		LBA	==24	
0168	00214	03500632		STA	TBLA+24,1	CLR TBLE
0169	00215	03500662		STA	TBLB+24,1	
0170	00216	03500712		STA	TBLC+24,1	
0171	00217	03500501		STA	CH2+24,1	
0172	00220	00000026		IBS		
0173	00221	11100214		BRU	*-5	
0174	00222	11300210		BRU*	CLER	
0175	00223	25400000	TSTS	DAC	**	CONVERT OCTAL TO DEC
0176	00224	04100760		STB	TEMP	
0177	00225	00000005		TAB		
0178	00226	01077773		LAA	==5	
0179	00227	03100776		STA	CNT5	PRINT 5 NOS
0180	00230	00000003		CLA		
0181	00231	11100234		BRU	*+3	
0182	00232	00000003	CNTH	CLA		
0183	00233	07000012		MPY	=10	'12
0184	00234	10023420		DIV	=10000	'23420
0185	00235	05000260		AMA	='260	
0186	00236	00001016		LSL	8	
0187	00237	00170101		AOP	1,W	
0188	00240	14100776		IMS	CNT5	
0189	00241	11100232		BRU	CNTH	
0190	00242	14100777		IMS	CNT6	-1 F/TBLC ONLY
0191	00243	11100245		BRU	*+2	

```

0192 00244 11100247 BRU *+3
0193 00245 12100311 SPB SPC3
0194 00246 12100311 SPB SPC3
0195 00247 02100760 LBA TEMP
0196 00250 11300223 BRU* TSTS
0197 00251 25400000 CHNO DAC ** NEXT 17 STATEMENTS ARRANGE
0198 00252 04100760 STB TEMP AND OUTPUT CH NO
0199 00253 00000005 TAB
0200 00254 01020240 LAA ='120240 2 SPCS
0201 00255 00170101 AOP 1,W
0202 00256 00001016 LSL 8
0203 00257 00170101 AOP 1,W
0204 00260 00000003 CLA
0205 00261 00001513 FLL 13
0206 00262 05000260 AMA ='260
0207 00263 00001016 LSL 8
0208 00264 00170101 AOP 1,W
0209 00265 00000003 CLA
0210 00266 00000313 FLL 3
0211 00267 05000260 AMA ='260
0212 00270 00001016 LSL 8
0213 00271 00170101 AOP 1,W
0214 00272 12100311 SPB SPC3
0215 00273 12100311 SPB SPC3
0216 00274 02100760 LBA TEMP
0217 00275 11300251 BRU* CHNO
0218 00276 25400000 TTYO DAC **
0219 00277 00170101 AOP 1,W
0220 00300 00001016 LSL 8
0221 00301 00170101 AOP 1,W
0222 00302 11300276 BRU* TTYO
0223 00303 25400000 CRLF DAC **
0224 00304 00170501 MOP 1,W
0225 00305 00106400 DATA '106400
0226 00306 00170501 MOP 1,W
0227 00307 00105000 DATA '105000
0228 00310 11300303 BRU* CRLF
0229 00311 25400000 SPC3 DAC ** OUTPUT 3 SPACES
0230 00312 01020240 LAA ='120240
0231 00313 00170101 AOP 1,W
0232 00314 00001016 LSL 8
0233 00315 00170101 AOP 1,W
0234 00316 00170501 MOP 1,W
0235 00317 00120000 DATA '120000
0236 00320 11300311 BRU* SPC3
0237 * NEXT 170 STATEMENTS DSPLA DATA IN NIXES.
0238 00321 00000000 NIXN HLT
0239 00322 01077776 LAA =-2

```

```

0240 00323 03100511 STA NIXJ CNTR F/AIP44,AOP41
0241 00324 01077775 LAA ='177775
0242 00325 03100504 STA NIXD DSPLA 3 NIX AND EXIT
0243 00326 02077750 NIXZ LBA =-24
0244 00327 00170243 AIP '43 INPT S5,6,7
0245 00330 11100327 BRU *-1
0246 00331 00001016 LSL 8
0247 00332 00001015 RSL 8
0248 00333 15500551 CMA CH3+24,1 CK SW F/CH NO
0249 00334 11100336 BRU *+2
0250 00335 11100342 BRU *+5
0251 00336 00000026 IBS
0252 00337 11100333 BRU *-4
0253 00340 00000003 CLA
0254 00341 11100415 BRU NIXI INVALID CH NO
0255 00342 01500501 LAA CH2+24,1 DATA F/CH SELECTED
0256 00343 00000022 SAZ
0257 00344 11100346 BRU NIXY
0258 00345 11100415 BRU NIXI NO DATA, CLR NIXI
0259 00346 00000316 NIXY LSL 3
0260 00347 00000005 TAB
0261 00350 00000003 CLA
0262 * TO SCALE AND DISPLAY VALUES AT 400-800 PSI
0263 * CHANGE DIV TO '122 AND AMA TO '621. 2.5V
0264 * WILL EQUAL 600 PSI.
0265 00351 10000074 DIV ='74
0266 00352 05000344 AMA ='344
0267 00353 03100503 STA NIXC
0268 00354 01077772 LAA =-6 CNTR
0269 00355 03100502 STA NIXB CONVERT 5 NOS
0270 00356 00000003 CLA
0271 00357 02100503 LBA NIXC DATA FOR NIXIE
0272 00360 11100363 BRU NIXQ
0273 00361 00000003 REPT CLA
0274 00362 07000012 MPY ='12
0275 00363 10023420 NIXQ DIV ='23420
0276 00364 14100502 IMS NIXB
0277 00365 00000033 NOP
0278 00366 03100513 STA NIXL
0279 00367 01100502 LAA NIXB CK CNTR F/UTH DIGIT
0280 00370 15100506 CMA NIXF 177775 HND DIGIT
0281 00371 11100361 BRU REPT
0282 00372 11100401 BRU LSL3
0283 00373 15100507 CMA NIXG 177776 TENS DIGIT
0284 00374 00000000 HLT
0285 00375 11100405 BRU LSL4
0286 00376 15100510 CMA NIXH 177777 UNITS DIGIT
0287 00377 00000000 HLT

```



0288	00400	11100412		BRU	LSL	
0289	00401	01100513	LSL8	LAA	NIXL	ARRANGE H DIGIT F/OPT
0290	00402	00001016		LSL	8	
0291	00403	03100512		STA	NIXK	
0292	00404	11100361		BRU	REPT	
0293	00405	01100513	LSL4	LAA	NIXL	ARRANGE T DIGIT F/OPT
0294	00406	00000416		LSL	4	
0295	00407	05100512		AMA	NIXK	
0296	00410	03100512		STA	NIXK	
0297	00411	11100361		BRU	REPT	
0298	00412	01100513	LSL	LAA	NIXL	ARRANGE U DIGIT F/OPT
0299	00413	05100512		AMA	NIXK	
0300	00414	03100512		STA	NIXK	
0301	00415	00170040	NIXI	AOP	'40	OPT TO LEFT,R AND C NIX
0302	00416	11100415		BRU	*-1	
0303	00417	14100504		IMS	NIXD	DSPLA 3 NIX THEN EXIT
0304	00420	11100422		BRU	*+2	
0305	00421	11100441		BRU	NIXM	EXIT DSPLA ROUTINE
0306	00422	14100511		IMS	NIXJ	AIP44,AOP41 C NIX
0307	00423	11100425		BRU	*+2	
0308	00424	11100434		BRU	NIXP	
0309	00425	01000001		LAA	=1	
0310	00426	05100327		AMA	NIXZ+1	CHG TO AIP44
0311	00427	03100327		STA	NIXZ+1	
0312	00430	01000002		LAA	=2	
0313	00431	05100415		AMA	NIXI	CHG TO AOP42
0314	00432	03100415		STA	NIXI	
0315	00433	11100326		BRU	NIXZ	CK NXT DSPLA
0316	00434	01100516	NIXP	LAA	NOP	
0317	00435	03100331		STA	NIXZ+3	
0318	00436	01100515		LAA	AOP1	AOP 41
0319	00437	03100415		STA	NIXI	
0320	00440	11100326		BRU	NIXZ	CK NXT DSPLA
0321	00441	00000033	NIXM	NOP		
0322	00442	01100514		LAA	LSLA	LSL 8
0323	00443	03100331		STA	NIXZ+3	
0324	00444	01100517		LAA	AIP	43
0325	00445	03100327		STA	NIXZ+1	
0326	00446	01100520		LAA	AOP	40
0327	00447	03100415		STA	NIXI	
0328	00450	11300321		BRU*	NIXN	
0329	00451	00000030	CH2	BSS	24	
0330	00501	00177773	NIXA	DATA	'177773	
0331	00502	00000000	NIXB	DATA	0	
0332	00503	00004000	NIXC	DATA	'4000	
0333	00504	00000000	NIXD	DATA	0	
0334	00505	00000000	NIXE	DATA	0	
0335	00506	00177775	NIXF	DATA	'177775	

0336 00507 00177776 NIXG DATA '177776  
 0337 00510 00177777 NIXH DATA '177777  
 0338 00511 00000000 NIXJ DATA 0  
 0339 00512 00000000 NIXK DATA 0  
 0340 00513 00000000 NIXL DATA 0  
 0341 00514 00001016 LSLA LSL 8  
 0342 00515 00170041 AOP1 AOP '41  
 0343 00516 00000033 NOP NOP  
 0344 00517 00170243 AIP AIP '43  
 0345 00520 00170040 AOP AOP '40  
 0346 00521 00000143 CH3 DATA 99,01,02,03,04,05,06,07,16,17,18,19,20  
 0346 00522 00000001  
 0346 00523 00000002  
 0346 00524 00000003  
 0346 00525 00000004  
 0346 00526 00000005  
 0346 00527 00000006  
 0346 00530 00000007  
 0346 00531 00000020  
 0346 00532 00000021  
 0346 00533 00000022  
 0346 00534 00000023  
 0346 00535 00000024  
 0347 00536 00000025 DATA 21,22,23,32,33,34,35,36,37,38,39  
 0347 00537 00000026  
 0347 00540 00000027  
 0347 00541 00000040  
 0347 00542 00000041  
 0347 00543 00000042  
 0347 00544 00000043  
 0347 00545 00000044  
 0347 00546 00000045  
 0347 00547 00000046  
 0347 00550 00000047  
 0348 00551 00000000 CH1 DATA 00,01,02,03,04,05,06,07,08,09,10,11,12  
 0348 00552 00000001  
 0348 00553 00000002  
 0348 00554 00000003  
 0348 00555 00000004  
 0348 00556 00000005  
 0348 00557 00000006  
 0348 00560 00000007  
 0348 00561 00000010  
 0348 00562 00000011  
 0348 00563 00000012  
 0348 00564 00000013  
 0348 00565 00000014  
 0349 00566 00000015 DATA 13,14,15,16,17,18,19,20,21,22,23,24

0349	00567	00000016						
0349	00570	00000017						
0349	00571	00000020						
0349	00572	00000021						
0349	00573	00000022						
0349	00574	00000023						
0349	00575	00000024						
0349	00576	00000025						
0349	00577	00000026						
0349	00600	00000027						
0349	00601	00000030						
0350	00602	00000030	TBLA BSS	'30		TOTAL NO OF TSTS		
0351	00632	00000030	TBLB BSS	'30		NO OF GOOD TST		
0352	00662	00000030	TBLC BSS	'30		NO OF BAD TST		
0353	00712	00141710	TBLD DATA	'CHANNEL	TOTAL	IN	OUT OF	
0353	00713	00140716						
0353	00714	00147305						
0353	00715	00146240						
0353	00716	00120240						
0353	00717	00152317						
0353	00720	00152301						
0353	00721	00146240						
0353	00722	00120240						
0353	00723	00120240						
0353	00724	00120240						
0353	00725	00144716						
0353	00726	00120240						
0353	00727	00120240						
0353	00730	00120240						
0353	00731	00120317						
0353	00732	00152724						
0353	00733	00120317						
0353	00734	00143240						
0354	00735	00120240	TBLE DATA	' NO	TESTS	RANGE	RANGE	
0354	00736	00147317						
0354	00737	00120240						
0354	00740	00120240						
0354	00741	00120240						
0354	00742	00152305						
0354	00743	00151724						
0354	00744	00151640						
0354	00745	00120240						
0354	00746	00120240						
0354	00747	00120322						
0354	00750	00140716						
0354	00751	00143705						
0354	00752	00120240						
0354	00753	00120240						

```

0354 00754 00120240
0354 00755 00151301
0354 00756 00147307
0354 00757 00142640
0355 00760 00000000 TEMP DATA 0          TEMP STORE OF B ACCUM
0356 00761 00000000 CNTA DATA 0
0357 00762 00000000 CNTG DATA 0
0358 00763 35400003 CNTR DAC STAR
0359 00764 35400020 CNTS DAC STRT
0360 00765 00000030 CNTT DATA 24
0361 00766 35400006 CNTU DAC SEC
0362 00767 00000000 CNTV DATA 0          TEMP CNTR UNIT SEC
0363 00770 00000000 CNTW DATA 0          UNITS OF TIME CNTR
0364 00771 00001016 CNTX DATA '1016    INPT INTRUP
0365 00772 35400037 CNTY DAC INPT      INTR SUBROUTINE ADDR
0366 00773 00000001 CNT1 DATA 1
0367 00774 00000000 CNT3 DATA 0          NEG 3
0368 00775 00000000 CNT4 DATA 0          NEG 4
0369 00776 00000000 CNT5 DATA 0          TEMP STA F/ -5
0370 00777 00000000 CNT6 DATA 0
0371 01000 00160000 CTYP DATA '160000  CNTR F/AUTO PRNT
0372 01100 70001100   ORG '1100
0373           *          FOR ADJUSTMENT OF TEST VOLTAGE SET
0374           *          SENSE SW 10,20 AND ADJUST POTS UNTIL
0375           *          TTY BELL RINGS CONTINUOUSLY. B ACCUM
0376           *          WILL CONTAIN '4000 FOR 2.5V AND '7764
0377           *          FOR 4.9865V
0378 01100 00000031 LCS LCS
0379 01101 00170115   AOP '15,W
0380 01102 00170315   AIP '15,W
0381 01103 03101135   STA LOCA
0382 01104 00000005   TAB
0383 01105 00000031   LCS
0384 01106 15101131   CMA C10
0385 01107 11101111   BRU *+2
0386 01110 11101115   BRU CM10
0387 01111 15101132   CMA C20
0388 01112 11101114   BRU *+2
0389 01113 11101121   BRU CM20
0390 01114 11101100   BRU LCS
0391 01115 01101135 CM10 LAA LOCA
0392 01116 15101133   CMA C400
0393 01117 11101121   BRU *+2
0394 01120 11101126   BRU BELL
0395 01121 01101135 CM20 LAA LOCA
0396 01122 15101134   CMA C776
0397 01123 11101125   BRU *+2
0398 01124 11101126   BRU BELL

```

```

0399 01125 11101100 BRU LCS
0400 01126 01003400 BELL LAA ='103400
0401 01127 00170101 AOP 1;W
0402 01130 11101100 BRU LCS
0403 01131 00000010 C10 DATA '10
0404 01132 00000020 C20 DATA '20
0405 01133 00004000 C400 DATA '4000
0406 01134 00007764 C776 DATA '7764
0407 01135 00000000 LOCA DATA 0
0408 * RELAY TESTED FOR RANGE OF 7MV EA SEC.
0409 * SELECT CHAN WITH CONTROL SWITCH. TTY
0410 * BELL WILL RING IF RELAY TESTS OUT OF
0411 * RANGE.
0412 01200 70001200 ORG '1200
0413 01200 01101321 LAA CNTK INTRUP ROUTINE ADDR
0414 01201 03300771 STA* CNTX LOC '1016
0415 01202 00170240 STRI AIP '40 INPT SEC
0416 01203 11101202 BRU *-1
0417 01204 03100770 STA CNTW STORE F/COMPARE
0418 01205 00170240 SECS AIP '40 INPT SEC
0419 01206 11101205 BRU *-1
0420 01207 15100770 CMA CNTW HAVE SEC CHANGED
0421 01210 11101212 BRU **2
0422 01211 11101205 BRU SECS
0423 01212 03100770 STA CNTW
0424 01213 00000033 BIGN NOP
0425 01214 00000033 NOP
0426 01215 00000033 NOP
0427 01216 00130015 CEU '15
0428 01217 00060000 DATA '60000 INPT INTR
0429 01220 11101216 BRU *-2
0430 01221 00130600 PIE
0431 01222 00010001 DATA '10001 GRP 1 LEVEL 1
0432 01223 00000031 LCS
0433 01224 03101322 STA CHAN CHAN NO
0434 01225 00170015 AOP '15
0435 01226 11101225 BRU *-1
0436 01227 00000033 NOP
0437 01230 11101227 BRU *-1 WT FOR INTRUP
0438 01231 00000033 NOP
0439 01232 00000033 NOP
0440 01233 25400000 ENPT DAC ** INTRUP SUBROUTINE
0441 01234 00130015 CEU '15
0442 01235 00020000 DATA '20000
0443 01236 11101234 BRU *-2
0444 01237 00170215 AIP '15
0445 01240 11101237 BRU *-1
0446 01241 03100762 STA CNTG ANALOG VOL

```

0447	01242	01101322		LAA	CHAN	
0448	01243	15000000		CMA	=0	CH 00
0449	01244	11101246		BRU	*+2	
0450	01245	11101264		BRU	ZZRO	
0451	01246	15000020		CMA	= '20	CH 20
0452	01247	11101251		BRU	*+2	
0453	01250	11101252		BRU	TWNY	
0454	01251	11101300		BRU	UTTR	
0455	01252	01100762	TWNY	LAA	CNTG	ANALOG VOL
0456	01253	00000005		TAB		
0457	01254	15007772		CMA	= '7772	4.9938V
0458	01255	11101256		BRU	*+1	
0459	01256	11101260		BRU	*+2	
0460	01257	11101312		BRU	EROR	
0461	01260	15007756		CMA	= '7756	4.9792V
0462	01261	11101312		BRU	EROR	
0463	01262	11101263		BRU	*+1	
0464	01263	11101314		BRU	OK	
0465	01264	01100762	ZZRO	LAA	CNTG	
0466	01265	00000005		TAB		
0467	01266	15077760		CMA	= '177760	
0468	01267	11101312		BRU	EROR	
0469	01270	11101271		BRU	*+1	
0470	01271	11101272		BRU	*+1	
0471	01272	15000017		CMA	= '17	
0472	01273	11101274		BRU	*+1	
0473	01274	11101314		BRU	OK	
0474	01275	11101312		BRU	EROR	
0475	01276	00000033		NOP		
0476	01277	00000033		NOP		
0477	01300	01100762	UTTR	LAA	CNTG	ANALOG VOL
0478	01301	00000005		TAB		
0479	01302	15004006		CMA	= '4006	2.5073V
0480	01303	00000033		NOP		OK
0481	01304	11101306		BRU	*+2	OK
0482	01305	11101307		BRU	*+2	OUT OF RANGE
0483	01306	15003772		CMA	= '3772	2.4926V
0484	01307	11101312		BRU	EROR	
0485	01310	00000033		NOP		OK
0486	01311	11101314		BRU	OK	
0487	01312	01003400	EROR	LAA	= '103400	BELL
0488	01313	00170101		AOP	1,W	
0489	01314	01101320	OK	LAA	CNTJ	GO TO SECS F/RESTR
0490	01315	03101233		STA	ENPT	
0491	01316	00000035		TOI		
0492	01317	11301233		BRU*	ENPT	
0493	01320	35401205	CNTJ	DAC	SECS	
0494	01321	35401233	CNTK	DAC	ENPT	

```

0495 01322 00000000 CHAN DATA 0
0496 * AFTER TABLE HEADING IS PRINTED SELECT
0497 * CHAN USING CONTROL SW AND PRESS START.
0498 * CONVERTS ANALOG VOL TO BINARY, PRINTS
0499 * OCTAL VALUE, CONVERTS AND PRINTS EQUIV-
0500 * ALENT VALUE IN VOLTAGE.
0501 * CARL L THOMPSON APRIL 24,1975
0502 01500 70001500 ORG '1500
0503 01500 01101752 LAA CNTB NPT ADDR
0504 01501 03300771 STA* CNTX 1016
0505 01502 01101760 LAA DIGT PRNT HEADING 1 TIME ONLY
0506 01503 00000022 SAZ
0507 01504 11101524 BRU DEGT
0508 01505 12100303 SPB CRLF
0509 01506 02077742 LBA =-30
0510 01507 01501714 LAA NUMA+30,1 HEADING FOR DATA
0511 01510 12100276 SPB TTYO
0512 01511 00000026 IBS
0513 01512 11101507 BRU *-3
0514 01513 12100303 SPB CRLF CARRIAGE RETURN LINE FEED
0515 01514 02077742 LBA =-30
0516 01515 01501752 LAA NUMB+30,1 HEADING FOR DATA
0517 01516 12100276 SPB TTYO
0518 01517 00000026 IBS
0519 01520 11101515 BRU *-3
0520 01521 01000001 LAA =1
0521 01522 03101760 STA DIGT PRNT HEADING 1 TIME ONLY
0522 01523 12100303 SPB CRLF
0523 01524 00000033 DEGT NOP
0524 01525 00000000 HLT
0525 01526 00000033 NOP
0526 01527 00000033 NOP
0527 01530 12100303 STR SPB CRLF
0528 01531 01077774 LAA =-4 CNTR FOR OUTPUTTING
0529 01532 03101753 STA CNTC DATA 4 TIMES
0530 01533 00000031 LCS ARRANGE AND OUTPUT
0531 01534 12101621 SPB CNO
0532 01535 01077775 OUPT LAA =-3
0533 01536 03101755 STA CNTE CNTR-CONVERT OCTAL NO B/A
0534 01537 00130115 CEU '15,W
0535 01540 00060000 DATA '60000 ENABLE INPUT INTERRUPT
0536 01541 00130600 PIE
0537 01542 00010001 DATA '10001 ENABLE GRP 1 LEVEL 1
0538 01543 00000031 LCS
0539 01544 00170115 AOP '15,W
0540 01545 00000033 NOP
0541 01546 11101545 BRU *-1
0542 01547 14101753 A101 IMS CNTC CNTR F/4 SETS OF DATA

```

0543	01550	11101535		BRU	OUPT	
0544	01551	00000000		HLT		
0545	01552	11101530		BRU	STR	
0546	01553	00000000	NPT	HLT		
0547	01554	00130115		CEU	'15,W	
0548	01555	00020000		DATA	'20000	RESET DISABLE INPT INTRUP
0549	01556	00130601		PID		
0550	01557	00010001		DATA	'10001	DISABLE GRP 1 LEVEL 1
0551	01560	00170715		MIP	'15,W	INPUT A/D VALUE
0552	01561	00000000	VALU	DATA	0	
0553	01562	02101561		LBA	VALU	PUT OCTAL DATA
0554	01563	00000003		CLA		
0555	01564	00000713		FLL	7	
0556	01565	12101642		SPB	TTY	
0557	01566	00000313	MORE	FLL	3	
0558	01567	12101642		SPB	TTY	
0559	01570	14101755		IMS	CNTE	
0560	01571	11101566		BRU	MORE	
0561	01572	12101650		SPB	SPC2	
0562	01573	01077775		LAA	=-3	NEXT 14 STATEMENTS CON-
0563	01574	03101756		STA	CNTF	VERT OCTAL DATA TO A-
0564	01575	02101561		LBA	VALU	VOLTAGE VALUE AND OUTPUT-
0565	01576	00000003		CLA		ON TTY
0566	01577	03101561		STA	VALU	CLEAR DATA REGISTER
0567	01600	10001463		DIV	'1463	
0568	01601	12101642		SPB	TTY	
0569	01602	01027000		LAA	'127000	LAA WITH A DECIMAL
0570	01603	00170101		AOP	1,W	
0571	01604	00000003		CLA		
0572	01605	07000012	AGN	MPY	'12	
0573	01606	10001463		DIV	'1463	
0574	01607	12101642		SPB	TTY	
0575	01610	14101756		IMS	CNTF	
0576	01611	11101605		BRU	AGN	
0577	01612	12101650		SPB	SPC2	
0578	01613	00170501		MOP	1,W	OUTPUT 1 SPACE
0579	01614	00120000		DATA	'120000	
0580	01615	01101757		LAA	A102	
0581	01616	03101553		STA	NPT	
0582	01617	00000035		TOI		
0583	01620	11301553		BRU*	NPT	
0584	01621	00000000	CNO	HLT		NEXT 16 STATEMENTS
0585	01622	00000005		TAB		ARRANGE AND OUPT CH NO
0586	01623	12101650		SPB	SPC2	OUTPUT 2 SPACES
0587	01624	00000003		CLA		
0588	01625	00001513		FLL	13	LEFT SHIFT 13 SPCS
0589	01626	05000260		AMA	'260	
0590	01627	00001016		LSL	8	



```

0591 01630 00170101 AOP 1,W
0592 01631 00000003 CLA
0593 01632 00000313 FLL 3 LEFT SHIFT 3 SPCS
0594 01633 05000260 AMA ='260
0595 01634 00001016 LSL 8
0596 01635 00170101 AOP 1,W
0597 01636 12101650 SPB SPC2 OUTPUT 2 SPACES
0598 01637 00170501 MOP 1,W OUTPUT 1 SPACE
0599 01640 00120000 DATA '120000
0600 01641 11301621 BRU* CNO
0601 01642 00000000 TTY HLT
0602 01643 05000260 AMA ='260
0603 01644 00001016 LSL 8
0604 01645 00170101 AOP 1,W
0605 01646 00000003 CLA
0606 01647 11301642 BRU* TTY
0607 01650 00000000 SPC2 HLT
0608 01651 01020240 LAA ='120240
0609 01652 00170101 AOP 1,W
0610 01653 00001016 LSL 8
0611 01654 00170101 AOP 1,W
0612 01655 11301650 BRU* SPC2
0613 01656 00141710 NUMA DATA ''CHAN OCTAL VOLTS OCTAL VOLTS OCTA
0613 01657 00140716
0613 01660 00120240
0613 01661 00147703
0613 01662 00152301
0613 01663 00146240
0613 01664 00120326
0613 01665 00147714
0613 01666 00152323
0613 01667 00120240
0613 01670 00147703
0613 01671 00152301
0613 01672 00146240
0613 01673 00120326
0613 01674 00147714
0613 01675 00152323
0613 01676 00120240
0613 01677 00147703
0613 01700 00152301
0613 01701 00146240
0613 01702 00120326
0613 01703 00147714
0613 01704 00152323
0614 01705 00120240 DATA '' OCTAL VOLTS''
0614 01706 00147703
0614 01707 00152301

```

```

0614 01710 00146240
0614 01711 00120326
0614 01712 00147714
0614 01713 00152323
0615 01714 00120240 NUMB DATA '' NO VALUE VALUE VALUE VALUE VALE
0615 01715 00147317
0615 01716 00120240
0615 01717 00153301
0615 01720 00146325
0615 01721 00142640
0615 01722 00120326
0615 01723 00140714
0615 01724 00152705
0615 01725 00120240
0615 01726 00153301
0615 01727 00146325
0615 01730 00142640
0615 01731 00120326
0615 01732 00140714
0615 01733 00152705
0615 01734 00120240
0615 01735 00153301
0615 01736 00146325
0615 01737 00142640
0615 01740 00120326
0615 01741 00140714
0615 01742 00152705
0615 01743 00120240 DATA '' VALUE VALUE''
0616 01744 00153301
0616 01745 00146325
0616 01746 00142640
0616 01747 00120326
0616 01750 00140714
0616 01751 00152705
0617 01752 35401553 CNTB DAC NPT
0618 01753 00177774 CNTC DATA -4 NEG 4 CNTR
0619 01754 00000000 CNTD DATA 0
0620 01755 00000000 CNTE DATA 0 CNTR-CONVERT OCTAL NO B/A
0621 01756 00000000 CNTF DATA 0 CONVERT OCTAL TO VOLTS
0622 01757 35401547 A102 DAC A101
0623 01760 00000000 DIGT DATA 0
0624 01761 70400000 END
STAR 00003
SEC 00006
BEGN 00014
STRT 00020
INPT 00037
TWTY 00057

```

ZERO	00070
UTER	00101
GOOD	00111
ERR	00115
NUCH	00120
NEXT	00134
PRNT	00142
AGAN	00165
CLER	00210
TSTS	00223
CNTH	00232
CHNO	00251
TTYO	00276
CRLF	00303
SPC3	00311
NIXN	00321
NIXZ	00326
NIXY	00346
REPT	00361
NIXQ	00363
L\$L8	00401
LSL4	00405
LSL	00412
NIXI	00415
NIXP	00434
NIXM	00441
CH2	00451
NIXA	00501
NIXB	00502
NIXC	00503
NIXD	00504
NIXE	00505
NIXF	00506
NIXG	00507
NIXH	00510
NIXJ	00511
NIXK	00512
NIXL	00513
L\$LA	00514
AOP1	00515
NOP	00516
AIP	00517
AOP	00520
CH3	00521
CH1	00551
TBLA	00602
TBLB	00632
TBLC	00662

TBLD	00712
TBLE	00735
TEMP	00760
CNTA	00761
CNTG	00762
CNTR	00763
CNTS	00764
CNTT	00765
CNTU	00766
CNTV	00767
CNTW	00770
CNTX	00771
CNTY	00772
CNT1	00773
CNT3	00774
CNT4	00775
CNT5	00776
CNT6	00777
CTYP	01000
LCS	01100
CM10	01115
CM20	01121
BELL	01126
C10	01131
C20	01132
C400	01133
C776	01134
LOCA	01135
STR1	01202
SECS	01205
BIGN	01213
ENPT	01233
TWNY	01252
ZZRO	01264
UTTR	01300
EROR	01312
OK	01314
CNTJ	01320
CNTK	01321
CHAN	01322
DEGT	01524
STR	01530
OUPT	01535
A101	01547
NPT	01553
VALU	01561
MORE	01566
AGN	01605

CNO	01621
TTY	01642
SPC2	01650
NUMA	01656
NUMB	01714
CNTB	01752
CNTC	01753
CNTD	01754
CNTE	01755
CNTF	01756
A102	01757
DIGT	01760
ERRORS	0000 00000

SIGNAL CONTINUITY DIAGRAM  
ACCURELAY ANALOG INPUT SYSTEM

The signal continuity diagram connects the input and output signals of all 14 individual logic cards. The brief description of signal flow and module operation will provide the maintenance technician with a working knowledge of system operation and assist in the expedient location of a defective module.

The following theory of operation is based on inputting data from Analog Channel '20 with the following program:

FIGURE 1.

<u>LOCATION</u>	<u>OPERATION</u>	<u>ADDRESS FIELD</u>	<u>16 BIT COMP. INSTRUCTION</u>	<u>DESCRIPTION</u>
0	LCS		000031	LOAD CONTROL SWITCH SET SWITCH NO.11 FOR CH.20
1	AOP	'15,W	170115	ACCUMULATOR WORD OUT PUT TO A/D
2	AIP	'15,W	170315	ACCUMULATOR WORD INPUT FROM A/D
3	TAB		000005	TRANSFER A ACCUMULATOR TO B ACCUMULATOR

Since all control and data signals between the computer and any peripheral device travel via the common I/O Bus, it is necessary to assign a separate address code to each unit (teletype unit, input-output unit, modem, A/D, etc.) to permit the exchange of data between units in a uniform and controlled manner.

A description of decoding the unit address and analog channel number follows:

A. Unit Address Decoding.

Octal 15 is the assigned unit address for the A/D system.

Refer to Signal Continuity Diagram Number 1 for the following theory of operation.

Using the program of Figure 1, addressed to Unit '15, a Logic 1 will appear on Unit Select Bits 12, 13 and 15 at Connector P1, Terminal 112, 111 and 109 as shown in Figure 2.

FIGURE 2.

<u>BIT NUMBER</u>	10	11	12	13	14	15
OCTAL 15 =	0	0	1	1	0	1

I/O TERMINATION MODULE

Each Logic 1 bit is inverted by the I/O Termination Module to a Logic 0. Any signal with a line drawn above it (as ABL2, ABL3, ABL5) is a Logic 0 if true.

DATA TERMINAL

Decoding of Unit '15 by this module connects the unit to the computer and initiates signal (RGS) Register Strobe to Coder Control No. 3 Pin 16, Z Driver Pin 38 and X-Y Matrix Modules Pin 33.

Signals developed in Coder Control No. 3, which are required to decode the analog channel numbers are:

Channel Strobe (CHS)	Pin 36
Short Input (SIH)	Pin 7
Relay Drive (RDR)	Pin 35

These signals will be referred to in the following discussion of decoding the analog channel number.

## B. Analog Channel Number Decoding

The analog channel number will not be decoded without the proper decoding of the unit address.

Referring to the four statement program, Figure 1, Sense Switch Number 11 has been set in order to address analog channel '20 as displayed in Figure 3.

FIGURE 3.

<u>BIT NUMBER</u>	7	8	9	10	11	12	13	14	15
OCTAL 20 =	0	0	0	0	1	0	0	0	0

A Logic 1 will appear on Data Bit 11, Terminal 304 of P1 Connector. The bit is inverted in I/O Termination Module 2 and appears at Pin 9 of the Y Decoder Logic in the X, Y Matrix Module.

Note that Figure 3 contains bits 7-15, a total of 9 bits. Each Octal Group (7, 8, 9) (10, 11, 12) (13, 14, 15) is significant and must be decoded to provide the proper signal to operate the relay assigned to Analog Channel '20.

#### X Decode Matrix

##### Octal Group, Bits 13, 14, 15

With reference to Figure 3, these bits are not set, therefore when signals CHS, Channel Strobe (Pin 31) and RGS, Register Strobe (Pin 33), strobe the contents of the X Decode Matrix a relay ground signal is applied at Pin 22 (X0). The output of the X Decode Matrix must always equal the sum of the Octal Input. A zero signal in produces a relay ground signal at X0 out. (a true signal at Bits 13, 14 and 15 = '7, would produce a relay ground at Pin 18, X7).

The output signal of the X Decode Matrix selects one of 8 relays on the Eight Channel Mux Module Card.

#### Y Decode Matrix

##### Octal Group, Bits 10, 11, 12

With reference to Figure 3, Bit 11 is true, therefore we have a low (0) at Pin 9 of the Y Decode Matrix. Signals CHS and RGS strobe the contents of the Y Decode Matrix, generating a Logic 1 (3.6v) at Pin 12 (2X). The output 2X equals the sum of the Octal 2 Input. The Y Decode Matrix selects one of the 3 Mux Relay Cards.

#### Z Decode Matrix

##### Octal Group, Bits 7, 8, 9

These bits are applied to the Z Decode Matrix and since Natural's capacity of analog channels does not exceed 64 channel groups, these bits are always zero (Ref. Figure 3). Signals CHS and RGS strobe the contents of the Z Decode Matrix into AND gates where the RDR, Relay Driver gates a 12 VDC signal to Output Terminal 22 (OXX).



The three signals required to operate the A/D Relay assigned to Channel '20 are now enabled.

1. Relay ground, Pin ~~18~~<sup>18</sup> of X Decode Matrix
2. Logic 1 (3.6v), Pin 12 of Y Decode Matrix
3. +12 VDC, Pin 22 of Z Decode Matrix

Tracing these signals, the Relay Ground is applied to Pin 22 on each Mux Module Card.

The Logic 1 (3.6v) is applied to Pin 14 of Mux Module Card location 3B only.

The +12 VDC is applied to Pin 12 of each Mux Module Card.

### 8 CHANNEL MUX MODULE

The analog signals are always present at the input of these cards regardless of the state of the computer.

Refer to Table 1 for input signal assignments.

To gate a signal to the A/D converter it is necessary to operate 4 relays on the Mux Module Card, two associated with each analog signal and a set of common relays, K17 and K18.

The three signals enabled above to input data from Channel '20 perform the following functions.

The 3.6v signal input to Pin 14 turns on transistor Q1 permitting Q2 transistor to turn on (close switch) applying 12 VDC from Input Pin 12 to coil of K1, K2, K17 and K18. The relay ground at Input Pin 22 completes continuity to the relay coils for operation.

The analog signal (4.9865 VDC) at Pin 2 and 3 is gated to Output Pins 30 and 32 and applied to the Gain Switch on Print Number 2. In addition, the Gain Signals GOH, GIH and G2H developed in the Z Driver Module are applied to the Gain Switch. The Gain Signals originate from Bits 4, 5 and 6 of the Analog Data instruction word. These bits enter the Z Driver at Pins 35, 4 and 39. Logic in the Gain Signal Decoder is strobed by (RGS) Register Strobe and (SIH) Short Input, initiating an output signal at Pins 27, 29 and 31. This data enters the Gain Switch, Print No. 2, at Pins 11, 13 and 17.

Refer to Print Number 2.

### GAIN SWITCH

Decoding the Gain Signals  $\overline{\text{GOH}}$ ,  $\overline{\text{GIH}}$  and  $\overline{\text{G2H}}$  in the Gain Switch provides a gain factor of 25 to the Low Level Amplifier at Input Pin 18.

The 4.9865V signal (ANL) Analog Low and (ANH) Analog High from the 8 Channel Mux Module is applied to Input Pins 30 and 40. The signal is attenuated 25:1 and appears on Output Pins 35 and 36 labeled as (LAL) Low Analog Lo and (LAH) Low Analog Hi.

LOW LEVEL AMPLIFIER

The Low Level Amplifier receives signal LAL and LAH at Pin 30 and 32 along with the Gain Signal of 25 at Pin 18.

The signal is amplified by a gain of 25 and applied to the input of the Ramp Coder Module at Pin 39.

RAMP CODER AND CODER CONTROL NO. 3

The Coder Control No. 3 will not be directly referred to although it provides timing and various signals as listed for coding and conversion.

The (CIN) Coder Input Signal from the Low Level Amplifier is applied to Input Amplifier ICl of Ramp Coder.

The (INT) Integrate Signal at Terminal 38 initiated at (CT2) Count Time 2 turns on (closes) Input Switch S1 (Q1 and Q2). In addition INT turns on (closes) the (+) Reference Voltage Switch S2 (Q21 and Q22).

The Integration Capacitors C14 and C15, are charged to a negative voltage by the Integration Amplifier summing the Analog Input and the Positive Reference Voltage.

The (RMP) Ramp Command at Terminal 36 is initiated at end of integration period at (CT12) Count Time 12 and generates two commands.

1. Opens Switch S1 and S2 (removing Analog and Positive Reference Voltage) and closing Switch S3, applying the Negative Reference Voltage to the Integration Amplifier.
2. Commands the Binary Counter in Coder Control #5 to start counting.

The Integration Capacitors C14 and C15 are now discharged (ramped) by the Integration Amplifier until the Zero Detector senses a zero volt potential. The ramp time is directly proportional to the relative amplitude of the Analog Input Voltage.

At zero volt the (CND) Coincidence Signal at Pin 5 in Ramp Coder is initiated through the Isolation Transformer in the Ramp Coder Power Supply generating (SCT) Stop Count Signal to Coder Control No. 5, Pin 4.

The SCT Signal stops the Conversion Counter and causes the initiation of (EOC) End of Conversion which in turn generates (SRS) Start Reset Signal in Coder Control No. 3.

The SRS Signal causes the RMP Signal to Ramp Coder to go low removing the Negative Reference Voltage from the Integration Amplifier.

The (RST) Reset Signal to Ramp Coder turns on (closes) Switch S4 connecting the input of Integration Amplifier to its output and remains in this condition until another (INT) Integrate Signal is received.

At the end of the conversion cycle, the Binary Counter in Coder Control #5 contains the digital representation of the Analog Input Signal within Bits 4 through 15. Referring to Figure 1, the AIP statement inputs the data to the computer and the TAB statement transfers the data to the B Accumulator. The B Accumulator should display an octal value of 7764 within a plus or minus of Octal 10.

Assuming the B Accumulator contains Octal 7764, a true low (0) would appear on output of Coder Control No. 5 at Pins 39, 28, 33, 32, 31, 30, 29, 27 and 25. These signals would be inverted in the I/O Termination Module No. 2 initiating a high (1) on Bits 4 through 11 and 13 to the P1 I/O Cable and then to the computer.

#### PRIORITY INTERRUPT

The station program utilizes the input interrupt which is generated in the Data Terminal Module at Pin 33, by the (EOC) End of Conversion signal from Coder Control No. 5.

The new A/D maintenance diagnostic program also incorporates this interrupt for test purposes.

#### DATA TERMINAL

This unit is designed to answer and return standard timing signals to the computer that occur for all Input/Output instructions.

The Terminal Pin locations for each signal are listed on the print for the I/O Cable, I/O Termination Module 1 and the Data Terminal unit.

Definition of each signal follows:

1. DTI, Data Transfer Instruction

This signal indicates an AIP, AOP, MIP, MOP instruction is being executed and is present for the duration of the instruction.

2. CMI, Command Instruction

This signal indicates that a CEU instruction is being executed and is present for the duration of the instruction.

3. INS, Instruction Sync

This signal permits the unit to interrogate its unit code lines and in turn answer via the USR line. The signal is present until the unit answers.

4. USR, Unit Sync Return

This signal indicates the unit has recognized the INS and remains until the computer removes the INS signal.

## 5. INP, Input Instruction

This signal identifies the direction of data transfer and is present for the duration of the DTI signal.

## 6. WTF, Wait Flag

This signal indicates the instruction being executed contains the wait flag. This flag inhibits the unit from answering via the USR signal until the unit is ready to perform the desired instruction. The signal is present for the duration of the instruction.

## 7. CDH, Computer Data Here

This signal indicates that the computer has recognized the USR and the UTR signals. The CDH signal notifies the unit that the data bits are present on the I/O Bus and can be interrogated or loaded into the output register. The CDH signal remains until the unit answers on its UDA line.

## 8. UTR, Unit Test Return

This signal indicates the status of the unit after receipt of the INS signal from computer. If the unit is capable of performing the required instruction, the UTR line is enabled permitting the computer program a "skip" on the next instruction. The UTR signal is present until the INS signal is removed.

## 9. UDA, Unit Data Accepted

This signal indicates the unit has accepted the data word present on the I/O Bus, and notifies the computer that the UTR is valid and can be interrogated. The signal is present until the CDH signal is removed.

## 10. CDA, Computer Data Accepted

This signal indicates the computer has accepted data from the unit as the result of an AIP or MIP instruction. The signal remains until the unit removes the UDA signal which caused it.

## 11. MCL, Master Clear

This signal is activated by the CLEAR switch on the computer control panel and also by the ICB (Initial Condition Bus) when power is turned on. In the case of the CLEAR switch, the line is a DC level and remains activated as long as the switch is depressed. The ICB condition enables the master clear line for approximately 1 second.

TABLE 1

ANALOG CHANNEL FUNCTION ASSIGNMENT

ANALOG CHANNEL	LOCATION RELAY	CARD	FUNCTION NUMBER	A/D RANGE	FUNCTION DESCRIPTION
00	K1-2	1B			Zero Test Voltage
01	K3-4	1B	41	200-400	Fuel Gas Pressure
02	K5-6	1B	21	400-800	Fuel Diff. Pressure - Unit 1
03	K7-8	1B	65	0-150	Suction Temperature - Unit 2
04	K9-10	1B	44	400-800	Suction Pressure - Unit 2
05	K11-12	1B			
06	K13-14	1B	22	400-800	Fuel Diff. Pressure - Unit 2
07	K15-16	1B	63	-20-200	Atmospheric Temperature
10	K1-2	2B			Half Scale Test Voltage (2.505 VDC)
11	K3-4	2B	56	0-150	Mainline Discharge Temperature
12	K5-6	2B	50	0-150	Mainline Suction Temperature
13	K7-8	2B	67	700-1100	Exhaust Temperature - Unit 1
14	K9-10	2B	68	700-1100	Exhaust Temperature - Unit 2
15	K11-12	2B	42	-20-200	Fuel Gas Temperature
16	K13-14	2B	11	0-6000	RPM - Unit 2
17	K15-16	2B	64	-20-200	Suction Temperature - Unit 1
20	K1-2	3B			Full Scale Test Voltage (4.986 VDC)
21	K3-4	3B	43	400-800	Suction Pressure - Unit 1
22	K5-6	3B			
23	K7-8	3B	07	400-800	Mainline Discharge Pressure
24	K9-10	3B	00	400-800	Mainline Suction Pressure
25	K11-12	3B	08	400-800	Station Discharge Pressure
26	K13-14	3B	10	0-6000	RPM - Unit 1
27	K15-16	3B			

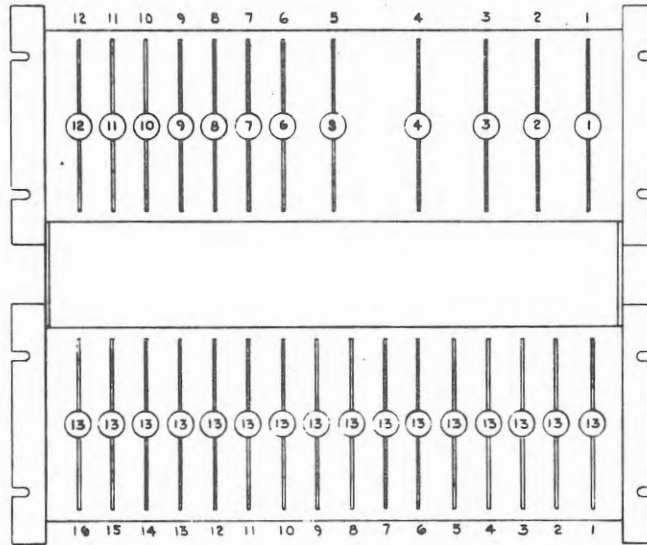
Station program samples each function once per second. Test voltages are sampled every 10 seconds. If value is out of range, program will sample value each second for 5 seconds. If still out of range it will print A/D failure.

INDEX AND  
CARD LOCATION

DESCRIPTION

PART  
NUMBER

2R4 -1	Gain Switch	160-083325-001
2R4 -2	Low Level Amplifier	160-083306-001
2R4 -3	Ramp Coder	160-083193-003
2R4 -4	Ramp Coder, Power Supply	160-083194-001
2R4 -5	Not Used	



2R4 -6	Coder Control Number 3	160-083326-001
2R4 -7	Coder Control Number 5	160-100009-003
2R4 -8	X, Y Matrix	160-900002-001
2R4 -9	Z Driver	160-083321-001
2R4 -10	Data Terminal	160-100003-048
2R4 -11	I/O Terminal Module 1	160-083270-001
2R4 -12	I/O Terminal Module 2	160-083271-001
2R4 -13	Mercury Relay Multiplexer	160-100015

Table 6-10. Three-Input NOR

Fig. & Index No.	Description	Reference Designator	Manufacturer	Part No.	Qty.
0-10	Schematic & Assembly Three NOR		SEL	8504-1	1
-1	● PCB (For Rev. See 149-051860-000)		SEL	704	1
-2	● Wire-Solid Copper, Tinned		SEL	AWG 24	AR
-3	● Terminal		CTC	2043B	7
-4	● Unipad		SEL	C11925	3
	● Capacitor-0.1 $\mu$ f +80-20%, 10V	C1	CRL	UK10-104	1
	● Integrated Circuit	IC1, IC2 IC3	Fairchild	91529	3
	● Integrated Circuit (Note 4)	IC1, IC2 IC3	SEL	A52040-65	X

#2 CONTROL PANEL  
TEU



IDENTIFICATION: Control Panel, TEU and Inhibit Alarm to Chicago, Diagnostic

AUTHOR: Carl L. Thompson  
 Communications Division  
 Natural Gas Pipeline Company of America

COMPLETED: ~~February 16, 1977~~ 1-21-77

COMPUTER: SEL 810A or 810B

STORAGE: 742 Octal Locations

LOADING PROCEDURE: Relocatable Loader, Program Counter = '36060  
 "A" Accumulator = '6000 "B" Accumulator = 0

This diagnostic consists of four programs as follows.

Test External Unit, TEU Channel  
 '40 Bits 0-3  
 '6000 Starting Location

The program continuously monitors for a "not ready" (abnormal) condition.

Pressing the set point execute switch will initiate the printing of "S" until released.

Pressing the recall switch will initiate the printing of "R" until released.

Pressing the warn switch (Hi Temp) beside watchdog relay will initiate the printing of "W" until released.

Pressing the OFF switch (Hi Temp Shutdown) beside watchdog relay will initiate the printing of "O".

Check Switch Contacts and Associated Logic for Nixie Switches S5, 6, 7 and S8  
 '6200 Starting Location

The program will display the switch position of S5, 6 and 7 in their associated nixie and update once per second.

To display one switch only, set sense switch corresponding to nixie switch number.

To display set point switch S8, set sense switch number 8. The units, tens and hundreds digit will appear in the right nixie and the thousand digit will appear in the center nixie.

Check Nixie Tubes  
'6400 Starting Location

The program will display seconds from the clock at one second intervals.

Inhibit Alarm Transmission to Chicago  
'6400 Starting Location  
'6430

After starting program enter function 72 under the right nixie and enter a count up to a maximum of 120 in the set point switch, SW8.

Press set point execute switch. The program will test for function 72 and a valid time (maximum of 120) in set point switch. If both are valid the program will turn on the alarm inhibit light and display the delay time in any nixie with a function of 72.

The time displayed in the nixie is tested in seconds rather than minutes. At the end of delay time the program will turn off the alarm inhibit light and initiate printing of;

"Alarms Will Be Transmitted To Chicago"

If a function other than 72 is selected under right nixie before start of the program, the program will initiate printing of;

"Select Function 72, Execute Set Point"

If a count more than 120 is displayed in the set point switch before start of the program, the program will initiate the printing of;

"Reduce Count In SW8 to 120, Execute Set Point"

```

0001 *****
0002 * TEST EXTERNAL UNIT, TEU.CH '40 BITS 0-3 *
0003 * LOCATION '6000 *
0004 * PRESS SETPOINT EXECUTE SW AND PROGRAM *
0005 * WILL PRINT S UNTIL RELEASED. *
0006 * PRESS RECALL SW AND PROGRAM WILL PRINT R *
0007 * UNTIL RELEASED. *
0008 * PRESS WARN SW (HI TEMP) BESIDE WATCH DOG *
0009 * RELAY AND PROGRAM WILL PRINT W. *
0010 * PRESS OFF SW (HI TEMP SHUTDOWN) BESIDE WATCH *
0011 * DOG RELAY AND PROGRAM WILL PRINT O. *
0012 * *
0013 * LOCATION '6200 *
0014 * CHECK SWITCH CONTACTS AND ASSOC. LOGIC *
0015 * FOR NIXIE SWITCHES S5,6,7 AND S8. *
0016 * PROGRAM WILL DISPLAY SW POSITION OF S5,6 *
0017 * AND S7 IN ASSOC. NIXIE ONCE EACH SECOND. *
0018 * TO DISPLAY ONE SWITCH ONLY, SET SENSE SW *
0019 * CORRESPONDING TO NIXIE SWITCH NO. *
0020 * TO DISPLAY SETPOINT SW S8, SET SENSE SW NO 8, *
0021 * THE UNITS TENS AND HNDS WILL APPEAR IN RIGHT *
0022 * NIXIE AND THOUS DIGIT WILL APPEAR IN CENTER*
0023 * NIXIE. *
0024 * *
0025 * LOCATION '6400 *
0026 * CHECK NIXIE TUBES *
0027 * PROGRAM WILL DISPLAY SECONDS FROM CLOCK IN *
0028 * NIXIES AT ONE SECOND INTERVALS. *
0029 * LOCATION '6430 *
0030 * INHIBIT ALARM TRANSMISSION TO CHICAGO *
0031 * *
0032 * PROG WILL TST FOR FUNCT 72 AND VALID TIME *
0033 * (MAX 120) IN SW8. IF BOTH VALID IT WILL *
0034 * TURN ON ALARM INHIBIT LIGHT AND DISPLAY *
0035 * DELAY TIME IN NIX WITH FUNCT 72. TIME IS *
0036 * TESTED IN SEC RATHER THAN MINUTES. *
0037 * *
0038 * PREPARED BY CARL L THOMPSON 1-21-77 *
0039 *****
0040 00000 00000000 REL
0041 00000 12100054 SPB CRLF
0042 00001 01077717 LAA ='177717 PRINT 60 CHAR PER LINE
0043 00002 03100062 STA CNTR
0044 00003 00000033 STRT NOP
0045 00004 00130240 TEU '40
0046 00005 00100000 DATA '100000 SET POINT EXEC
0047 00006 11100022 BRU SETP

```

```

0048 00007 00130240      TEU  '40
0049 00010 00040000      DATA '40000      HI TEMP SHUT DOWN
0050 00011 11100027      BRU  OFF
0051 00012 00130240      TEU  '40
0052 00013 00020000      DATA '20000      HI TEMP WARNING
0053 00014 11100016      BRU  *+2
0054 00015 11100032      BRU  WARN
0055 00016 00130240      TEU  '40
0056 00017 00010000      DATA '10000      ALARM RECALL
0057 00020 11100035      BRU  RECL
0058 00021 11100003      BRU  STRT
0059 00022 01051400  SETP LAA  ='151400      PRINT S
0060 00023 12100042      SPB  AOP
0061 00024 00170543      MOP  '43,W
0062 00025 00100000      DATA '100000     RESET ST PT EXEC
0063 00026 11100003      BRU  STRT
0064 00027 01047400  OFF  LAA  ='147400     PRINT O
0065 00030 12100042      SPB  AOP
0066 00031 11100003      BRU  STRT
0067 00032 01053400  WARN LAA  ='153400     PRINT W
0068 00033 12100042      SPB  AOP
0069 00034 11100003      BRU  STRT
0070 00035 01051000  RECL LAA  ='151000     PRINT R
0071 00036 12100042      SPB  AOP
0072 00037 00170543      MOP  '43,W
0073 00040 00004000      DATA '4000      RESET ALARM RECALL
0074 00041 11100003      BRU  STRT
0075 00042 00000000  AOP  HLT
0076 00043 14100063      IMS  CNTA      COUNTER F/DLY
0077 00044 11100045      BRU  *+1      CHANGE TO BRU -1 F/DLY
0078 00045 00170101      AOP  1,W
0079 00046 14100062      IMS  CNTR
0080 00047 11300042      BRU* AOP
0081 00050 01077717      LAA  ='177717
0082 00051 03100062      STA  CNTR
0083 00052 12100054      SPB  CRLF
0084 00053 11300042      BRU* AOP
0085 00054 00000000  CRLF HLT
0086 00055 00170501      MOP  1,W
0087 00056 00106400      DATA '106400
0088 00057 00170501      MOP  1,W
0089 00060 00105000      DATA '105000
0090 00061 11300054      BRU* CRLF
0091 00062 00000000  CNTR DATA 0
0092 00063 00000000  CNTA DATA 0
0093 *****
0094 00200 70000200      ORG  '200
0095 00200 00170340      AIP  '40,W      INPT SEC

```

0096	00201	03100271	STA	CMPR	STORE F/COMPARE
0097	00202	00170340	BEGN	AIP '40,W	INPT SEC
0098	00203	15100271	CMA	CMPR	
0099	00204	11100206	BRU	*+2	
0100	00205	11100202	BRU	BEGN	
0101	00206	03100271	STA	CMPR	
0102	00207	00130410	SNS	8	SETPOINT SW S8
0103	00210	11100233	BRU	STPT	
0104	00211	00130405	SNS	5	LEFT SW S5
0105	00212	11100242	BRU	LEFT	
0106	00213	00130406	SNS	6	CNTR SW S6
0107	00214	11100252	BRU	CNIX	
0108	00215	00130407	SNS	7	RIGHT SW S7
0109	00216	11100261	BRU	RITE	
0110	00217	00170343	AIP	'43,W	INPT S5 LEFT SW
0111	00220	00000416	L\$L	4	
0112	00221	00000415	R\$L	4	
0113	00222	00170140	AOP	'40,W	DSPLA S5 IN L NIX
0114	00223	00170344	AIP	'44,W	INPT S6 CNTR SW
0115	00224	00001015	R\$L	8	
0116	00225	00170141	AOP	'41,W	DSPLA S6 IN C NIX
0117	00226	00170344	AIP	'44,W	INPT S7 RIGHT SW
0118	00227	00001016	L\$L	8	
0119	00230	00001015	R\$L	8	
0120	00231	00170142	AOP	'42,W	DISPLA S7 IN R NIX
0121	00232	11100202	BRU	BEGN	
0122	00233	00000003	STPT	CLA	
0123	00234	00170140	AOP	'40,W	CLR LEFT NIX
0124	00235	00170345	AIP	'45,W	INPT S8 SETPT SW
0125	00236	00170142	AOP	'42,W	DSPLA UTH S8 IN R NIX
0126	00237	00001415	R\$L	12	
0127	00240	00170141	AOP	'41,W	DSPLA THOU OF S8 IN C NIX
0128	00241	11100202	BRU	BEGN	
0129	00242	00000003	LEFT	CLA	
0130	00243	00170141	AOP	'41,W	CLR C NIX
0131	00244	00170142	AOP	'42,W	CLR R NIX
0132	00245	00170343	AIP	'43,W	INPT S5
0133	00246	00000416	L\$L	4	
0134	00247	00000415	R\$L	4	
0135	00250	00170140	AOP	'40,W	OUPT TO L NIX
0136	00251	11100202	BRU	BEGN	
0137	00252	00000003	CNIX	CLA	
0138	00253	00170140	AOP	'40,W	CLR L NIX
0139	00254	00170142	AOP	'42,W	CLR R NIX
0140	00255	00170344	AIP	'44,W	INPT S6
0141	00256	00001015	R\$L	8	
0142	00257	00170141	AOP	'41,W	OUPT TO C NIX
0143	00260	11100202	BRU	BEGN	

```

0144 00261 00000003 RITE CLA
0145 00262 00170140 AOP '40,W CLR L NIX
0146 00263 00170141 AOP '41,W CLR C NIX
0147 00264 00170344 AIP '44,W INPT S7
0148 00265 00001016 LSL 8
0149 00266 00001015 RSL 8
0150 00267 00170142 AOP '42,W OUPT TO R NIX
0151 00270 11100202 BRU BEGN
0152 00271 00000000 CMPR DATA 0
0153 *****
0154 00400 70000400 ORG '400
0155 00400 00170340 AIP '40,W INPUT SEC
0156 00401 00001416 LSL 12 SAVE UNITS ONLY
0157 00402 03100424 STA DATA STA F/COMPARE
0158 00403 00170340 BIGN AIP '40,W
0159 00404 00001416 LSL 12
0160 00405 15100424 CMA DATA CK F/1 SEC CHNG
0161 00406 11100410 BRU *+2
0162 00407 11100403 BRU BIGN WAIT F/NXT SEC
0163 00410 03100424 STA DATA
0164 00411 00000415 RSL 4
0165 00412 03100423 STA TEMP
0166 00413 00000415 RSL 4
0167 00414 05100423 AMA TEMP
0168 00415 00000415 RSL 4
0169 00416 05100423 AMA TEMP
0170 00417 00170140 AOP '40,W
0171 00420 00170141 AOP '41,W
0172 00421 00170142 AOP '42,W
0173 00422 11100403 BRU BIGN
0174 00423 00000000 TEMP DATA 0
0175 00424 00000000 DATA DATA 0
0176 *****
0177 00430 70000430 ORG '430
0178 00430 00000003 CLA
0179 00431 03100650 STA LOCA
0180 00432 11100447 BRU RSET
0181 00433 14100652 HOME IMS LOCC
0182 00434 11100433 BRU *-1
0183 00435 00130240 TEU '40
0184 00436 00100000 DATA '100000 SET PT EXEC
0185 00437 11100441 BRU *+2
0186 00440 11100435 BRU HOME+2
0187 00441 00170344 AIP '44,W SW 7
0188 00442 00001016 LSL 8 SHIFT SW6 OFF
0189 00443 15071000 CMA ='71000 SW7=FUNCT 72
0190 00444 11100446 BRU *+2
0191 00445 11100456 BRU *+9

```

0192	00446	12100623		SPB	FNCT	WRONG FNCT NO
0193	00447	01000000	RSET	LAA	= '100000	
0194	00450	00170143		AOP	'43,W	RESET SET PT
0195	00451	00000003		CLA		
0196	00452	00170140		AOP	'40,W	
0197	00453	00170141		AOP	'41,W	CLR NIX
0198	00454	00170142		AOP	'42,W	CLR NIX
0199	00455	11100433		BRU	HOME	
0200	00456	00170345		AIP	'45,W	SW8 F/INHIBIT TIME
0201	00457	03100651		STA	LOCB	
0202	00460	00000021		SAS		ADD F/INQUISITIVE TECHN
0203	00461	11100467		BRU	EROR	
0204	00462	11100463		BRU	*+1	
0205	00463	11100464		BRU	*+1	
0206	00464	15000440		CMA	= '440	TIME MORE THAN 120
0207	00465	11100466		BRU	*+1	
0208	00466	11100471		BRU	*+3	= '440 OR 120
0209	00467	12100613	EROR	SPB	SORY	
0210	00470	11100447		BRU	RSET	
0211	00471	01001000		LAA	= '101000	
0212	00472	00170143		AOP	'43,W	RSET ST PT-TRN ON LIGHT
0213	00473	01100651		LAA	LOCB	
0214	00474	11100477		BRU	*+3	
0215	00475	01100651	AGAN	LAA	LOCB	
0216	00476	06000001		SMA	=1	SUBT 1 F/CNT
0217	00477	03100651		STA	LOCB	
0218	00500	00000022		SAZ		
0219	00501	11100503		BRU	*+2	
0220	00502	11100604		BRU	OFFF	TRN OFF LIGHT
0221	00503	00001016		LSL	8	
0222	00504	15077400		CMA	= '177400	CK F/INVALID BCD
0223	00505	11100507		BRU	*+2	
0224	00506	11100574		BRU	SUBX	SUBT '146
0225	00507	00000416		LSL	4	
0226	00510	15070000		CMA	= '170000	CK F/INVALID BCD
0227	00511	11100513		BRU	*+2	
0228	00512	11100600		BRU	SUB6	SUBT 6
0229	00513	00000033	AOPP	NOP		
0230	00514	00170343		AIP	'43,W	LFT NIX
0231	00515	00001016		LSL	8	
0232	00516	06071000		SMA	= '071000	
0233	00517	00000022		SAZ		
0234	00520	11100522		BRU	*+2	
0235	00521	11100525		BRU	A40	
0236	00522	00000003		CLA		
0237	00523	00170140		AOP	'40,W	CLR NIX
0238	00524	11100527		BRU	*+3	
0239	00525	01100651	A40	LAA	LOCB	

0240	00526	00170140	AOP	'40,W	
0241	00527	00170344	AIP	'44,W	CNTR NIX
0242	00530	00001015	RSL	8	
0243	00531	06000162	SMA	= '162	
0244	00532	00000022	SAZ		
0245	00533	11100535	BRU	*+2	
0246	00534	11100540	BRU	A41	
0247	00535	00000003	CLA		
0248	00536	00170141	AOP	'41,W	CLR NIX
0249	00537	11100542	BRU	*+3	
0250	00540	01100651	A41 LAA	LOCB	
0251	00541	00170141	AOP	'41,W	
0252	00542	00170344	AIP	'44,W	RT NIX
0253	00543	00001016	LSL	8	
0254	00544	06071000	SMA	= '071000	
0255	00545	00000022	SAZ		
0256	00546	11100550	BRU	*+2	
0257	00547	11100553	BRU	A42	
0258	00550	00000003	CLA		
0259	00551	00170142	AOP	'42,W	CLR NIX
0260	00552	11100555	BRU	*+3	
0261	00553	01100651	A42 LAA	LOCB	
0262	00554	00170142	AOP	'42,W	
0263	00555	01100650	LAA	LOCA	
0264	00556	00000022	SAZ		
0265	00557	11100563	BRU	TIME	
0266	00560	00170340	AIP	'40,W	INPT SEC
0267	00561	03100653	STA	LOCD	
0268	00562	14100650	IMS	LOCA	
0269	00563	00130240	TIME TEU	'40	
0270	00564	00100000	DATA	'100000	
0271	00565	11100441	BRU	HOME+6	
0272	00566	00170340	AIP	'40,W	
0273	00567	15100653	CMA	LOCD	
0274	00570	11100572	BRU	*+2	
0275	00571	11100563	BRU	TIME	
0276	00572	03100653	STA	LOCD	
0277	00573	11100475	BRU	AGAN	
0278	00574	01100651	SUBX LAA	LOCB	SUBT '146
0279	00575	06000146	SMA	= '146	
0280	00576	03100651	STA	LOCB	
0281	00577	11100513	BRU	AOPP	
0282	00600	01100651	SUB6 LAA	LOCB	SUBT 6
0283	00601	06000006	SMA	=6	
0284	00602	03100651	STA	LOCB	
0285	00603	11100513	BRU	AOPP	
0286	00604	00000003	OFFF CLA		TRN OFF LITE, CLR NIX
0287	00605	00170140	AOP	'40,W	



```

0288 00606 00170141 AOP '41,W
0289 00607 00170142 AOP '42,W
0290 00610 00170143 AOP '43,W
0291 00611 12100633 SPB RESM
0292 00612 11100447 BRU RSET
0293 00613 00000000 SORY HLT CNT IN SW 8 OVER 120
0294 00614 12100054 SPB CRLF
0295 00615 02077756 LBA =-18
0296 00616 01500676 LAA TBLA+18,1
0297 00617 12100643 SPB TTY
0298 00620 00000026 IBS
0299 00621 11100616 BRU *-3
0300 00622 11300613 BRU* SORY
0301 00623 00000000 FNCT HLT SW 7 NOT 72
0302 00624 12100054 SPB CRLF
0303 00625 02077757 LBA =-17
0304 00626 01500717 LAA TBLB+17,1
0305 00627 12100643 SPB TTY
0306 00630 00000026 IBS
0307 00631 11100626 BRU *-3
0308 00632 11300623 BRU* FNCT
0309 00633 00000000 RESM HLT
0310 00634 12100054 SPB CRLF
0311 00635 02077755 LBA =-19
0312 00636 01500742 LAA TBLC+19,1
0313 00637 12100643 SPB TTY
0314 00640 00000026 IBS
0315 00641 11100636 BRU *-3
0316 00642 11300633 BRU* RESM
0317 00643 00000000 TTY HLT
0318 00644 00170101 AOP 1,W
0319 00645 00001016 LSL 8
0320 00646 00170101 AOP 1,W
0321 00647 11300643 BRU* TTY
0322 00650 00000000 LOCA DATA 0
0323 00651 00000000 LOCB DATA 0
0324 00652 00000000 LOCC DATA 0
0325 00653 00000000 LOCD DATA 0
0326 00654 00151305 TBLA DATA ''REDUCE CNT IN SW8 TO 120,EXEC SET-PT''
0326 00655 00142325
0326 00656 00141705
0326 00657 00120303
0326 00660 00147324
0326 00661 00120311
0326 00662 00147240
0326 00663 00151727
0326 00664 00134240
0326 00665 00152317

```

8

```

0326 00666 00120261
0326 00667 00131260
0326 00670 00126305
0326 00671 00154305
0326 00672 00141640
0326 00673 00151705
0326 00674 00152255
0326 00675 00150324
0327 00676 00151705 TBLB DATA ''SELECT FUNCT 72, EXECUTE SET POINT''
0327 00677 00146305
0327 00700 00141724
0327 00701 00120306
0327 00702 00152716
0327 00703 00141724
0327 00704 00120267
0327 00705 00131254
0327 00706 00120305
0327 00707 00154305
0327 00710 00141725
0327 00711 00152305
0327 00712 00120323
0327 00713 00142724
0327 00714 00120320
0327 00715 00147711
0327 00716 00147324
0328 00717 00140714 TBLC DATA ''ALARMS WILL BE TRANSMITTED TO CHICAGO''
0328 00720 00140722
0328 00721 00146723
0328 00722 00120327
0328 00723 00144714
0328 00724 00146240
0328 00725 00141305
0328 00726 00120324
0328 00727 00151301
0328 00730 00147323
0328 00731 00146711
0328 00732 00152324
0328 00733 00142704
0328 00734 00120324
0328 00735 00147640
0328 00736 00141710
0328 00737 00144703
0328 00740 00140707
0328 00741 00147640
0329 00742 70400000 END
      STRT      00003
      SETP      00022
      OFF       00027

```

WARN	00032
RECL	00035
AOP	00042
CRLF	00054
CNTR	00062
CNTA	00063
BEGN	00202
STPT	00233
LEFT	00242
CNIX	00252
RITE	00261
CMPR	00271
BIGN	00403
TEMP	00423
DATA	00424
HOME	00433
RSET	00447
EROR	00467
AGAN	00475
AOPP	00513
A40	00525
A41	00540
A42	00553
TIME	00563
SUBX	00574
SUB6	00600
OFFF	00604
SORY	00613
FNCT	00623
RESM	00633
TTY	00643
LOCA	00650
LOCB	00651
LOCC	00652
LOCD	00653
TBLA	00654
TBLB	00676
TBLC	00717
ERRORS 0000	00000

#2

IDENTIFICATION: Inhibit Alarm Transmission To Chicago  
Diagnostic Program

AUTHOR: Carl L. Thompson  
Natural Gas Pipeline Company of America  
Communications Division

ACCEPTED: January 21, 1977

COMPUTER: SEL 810A or 810B

STORAGE: 305 Octal Locations

LOADING  
PROCEDURE: Relocatable Loader, Program Counter = '36060  
"A" Accumulator = "6000 "B" Accumulator = 0

Enter '6000 in the program counter and press start switch twice.

After starting program enter function 72 under the right nixie and enter a count up to a maximum of 120 in the set point switch, SW8.

Press set point execute switch. The program will test for function 72 and a valid time (maximum of 120) in set point switch. If both are valid the program will turn on the alarm inhibit light and display the delay time in any nixie with a function of *25.72*

The time displayed in the nixie is tested in seconds rather than minutes. At the end of delay time the program will turn off the alarm inhibit light and initiate printing of;

"Alarms Will Be Transmitted To Chicago"

If a function other than 72 is selected under right nixie before start of the program, the program will initiate printing of;

"Select Function 72, Execute Set Point"

If a count more than 120 is displayed in the set point switch before start of the program, the program will initiate the printing of;

"Reduce Count In SW8 to 120, Execute Set Point"

```

0001 *****
0002 *   INHIBIT ALARM TRANSMISSION TO CHICAGO   *
0003 *                                           *
0004 *   PROG WILL TST FOR FUNCT 72 AND VALID TIME *
0005 *   (MAX 120) IN SW8. IF BOTH VALID IT WILL  *
0006 *   TURN ON ALARM INHIBIT LIGHT AND DISPLAY  *
0007 *   DELAY TIME IN NIX WITH FUNCT 25. TIME IS  *
0008 *   TESTED IN SEC RATHER THAN MINUTES.      *
0009 *                                           *
0010 *   PREPARED BY. CARL L THOMPSON  1-21-77    *
0011 *****
0012 00000 00000000 REL
0013 00000 00000003 CLA
0014 00001 03100213 STA  LOCA
0015 00002 11100017 BRU  RSET
0016 00003 14100215 HOME IMS LOCC
0017 00004 11100003 BRU  *-1
0018 00005 00130240 TEU  '40
0019 00006 00100000 DATA '100000 SET PT EXEC
0020 00007 11100011 BRU  *+2
0021 00010 11100005 BRU  HOME+2
0022 00011 00170344 AIP  '44,W SW 7
0023 00012 00001016 LSL  8 SHIFT SW6 OFF
0024 00013 15071000 CMA  ='71000 SW7=FUNCT 72
0025 00014 11100016 BRU  *+2
0026 00015 11100022 BRU  *+5
0027 00016 12100160 SPB  FNCT WRONG FNCT NO
0028 00017 01000000 RSET LAA  ='100000
0029 00020 00170143 AOP  '43,W RESET SET PT
0030 00021 11100003 BRU  HOME
0031 00022 00170345 AIP  '45,W SW8 F/INHIBIT TIME
0032 00023 03100214 STA  LOCB TIME MORE THAN 120
0033 00024 15000440 CMA  ='440 = '440 OR 120
0034 00025 11100026 BRU  *+1
0035 00026 11100031 BRU  *+3
0036 00027 12100150 SPB  SORY
0037 00030 11100017 BRU  RSET
0038 00031 01001000 LAA  ='101000
0039 00032 00170143 AOP  '43,W RSET ST PT-TRN ON LIGHT
0040 00033 01100214 LAA  LOCB
0041 00034 11100037 BRU  *+3
0042 00035 01100214 AGAN LAA  LOCB
0043 00036 06000001 SMA  =1 SUBT 1 F/CNT
0044 00037 03100214 STA  LOCB
0045 00040 00000022 SAZ
0046 00041 11100043 BRU  *+2
0047 00042 11100141 BRU  OFFF TRN OFF LIGHT

```

0048	00043	00001016		LSL	8	
0049	00044	15077400		CMA	= '177400	CK F/INVALID BCD
0050	00045	11100047		BRU	*+2	
0051	00046	11100131		BRU	SUBX	SUBT '146
0052	00047	00000416		LSL	4	
0053	00050	15070000		CMA	= '170000	CK F/INVALID BCD
0054	00051	11100053		BRU	*+2	
0055	00052	11100135		BRU	SUB6	SUBT 6
0056	00053	00000033	AOP	NOP		
0057	00054	00170343		AIP	'43,W	LFT NIX
0058	00055	00001016		LSL	8	
0059	00056	06022400		SMA	= '022400	
0060	00057	00000022		SAZ		
0061	00060	11100062		BRU	*+2	
0062	00061	11100065		BRU	A40	
0063	00062	00000003		CLA		
0064	00063	00170140		AOP	'40,W	CLR NIX
0065	00064	11100067		BRU	*+3	
0066	00065	01100214	A40	LAA	LOCB	
0067	00066	00170140		AOP	'40,W	
0068	00067	00170344		AIP	'44,W	CNTR NIX
0069	00070	00001015		RSL	8	
0070	00071	06000045		SMA	= '45	
0071	00072	00000022		SAZ		
0072	00073	11100075		BRU	*+2	
0073	00074	11100100		BRU	A41	
0074	00075	00000003		CLA		
0075	00076	00170141		AOP	'41,W	CLR NIX
0076	00077	11100102		BRU	*+3	
0077	00100	01100214	A41	LAA	LOCB	
0078	00101	00170141		AOP	'41,W	
0079	00102	00170344		AIP	'44,W	RT NIX
0080	00103	00001016		LSL	8	
0081	00104	06022400		SMA	= '022400	
0082	00105	00000022		SAZ		
0083	00106	11100110		BRU	*+2	
0084	00107	11100113		BRU	A42	
0085	00110	00000003		CLA		
0086	00111	00170142		AOP	'42,W	CLR NIX
0087	00112	11100115		BRU	*+3	
0088	00113	01100214	A42	LAA	LOCB	
0089	00114	00170142		AOP	'42,W	
0090	00115	01100213		LAA	LOCA	
0091	00116	00000022		SAZ		
0092	00117	11100123		BRU	TIME	
0093	00120	00170340		AIP	'40,W	INPT SEC
0094	00121	03100216		STA	LOCD	
0095	00122	14100213		IMS	LOCA	

0096	00123	00170340	TIME	AIP	'40,W	INPT SEC
0097	00124	15100216		CMA	LOCD	
0098	00125	11100127		BRU	*+2	
0099	00126	11100123		BRU	TIME	
0100	00127	03100216		STA	LOCD	
0101	00130	11100035		BRU	AGAN	
0102	00131	01100214	SUBX	LAA	LOCB	SUBT '146
0103	00132	06000146		SMA	= '146	
0104	00133	03100214		STA	LOCB	
0105	00134	11100053		BRU	AOP	
0106	00135	01100214	SUB6	LAA	LOCB	SUBT 6
0107	00136	06000006		SMA	=6	
0108	00137	03100214		STA	LOCB	
0109	00140	11100053		BRU	AOP	
0110	00141	00000003	OFFF	CLA		TRN OFF LITE, CLR NIX
0111	00142	00170140		AOP	'40,W	
0112	00143	00170141		AOP	'41,W	
0113	00144	00170142		AOP	'42,W	
0114	00145	00170143		AOP	'43,W	
0115	00146	12100170		SPB	RESM	
0116	00147	11100003		BRU	HOME	
0117	00150	00000000	SORY	HLT		CNT IN SW 8 OVER 120
0118	00151	12100205		SPB	CRLF	
0119	00152	02077756		LBA	--18	
0120	00153	01500241		LAA	TBLA+18,1	
0121	00154	12100200		SPB	TTY	
0122	00155	00000026		IBS		
0123	00156	11100153		BRU	*-3	
0124	00157	11300150		BRU*	SORY	
0125	00160	00000000	FNCT	HLT		SW 7 NOT 72
0126	00161	12100205		SPB	CRLF	
0127	00162	02077757		LBA	--17	
0128	00163	01500262		LAA	TBLB+17,1	
0129	00164	12100200		SPB	TTY	
0130	00165	00000026		IBS		
0131	00166	11100163		BRU	*-3	
0132	00167	11300160		BRU*	FNCT	
0133	00170	00000000	RESM	HLT		
0134	00171	12100205		SPB	CRLF	
0135	00172	02077755		LBA	--19	
0136	00173	01500305		LAA	TBLC+19,1	
0137	00174	12100200		SPB	TTY	
0138	00175	00000026		IBS		
0139	00176	11100173		BRU	*-3	
0140	00177	11300170		BRU*	RESM	
0141	00200	00000000	TTY	HLT		
0142	00201	00170101		AOP	1,W	
0143	00202	00001016		LSL	8	

0144 00203 00170101 AOP 1,W  
0145 00204 11300200 BRU\* TTY  
0146 00205 00000000 CRLF HLT  
0147 00206 00170501 MOP 1,W  
0148 00207 00106400 DATA '106400  
0149 00210 00170501 MOP 1,W  
0150 00211 00105000 DATA '105000  
0151 00212 11300205 BRU\* CRLF  
0152 00213 00000000 LOCA DATA 0  
0153 00214 00000000 LOCB DATA 0  
0154 00215 00000000 LOCC DATA 0  
0155 00216 00000000 LOCD DATA 0  
0156 00217 00151305 TBLA DATA ''REDUCE CNT IN SW8 TO 120,EXEC SET-PT''  
0156 00220 00142325  
0156 00221 00141705  
0156 00222 00120303  
0156 00223 00147324  
0156 00224 00120311  
0156 00225 00147240  
0156 00226 00151727  
0156 00227 00134240  
0156 00230 00152317  
0156 00231 00120261  
0156 00232 00131260  
0156 00233 00126305  
0156 00234 00154305  
0156 00235 00141640  
0156 00236 00151705  
0156 00237 00152255  
0156 00240 00150324  
0157 00241 00151705 TBLB DATA ''SELECT FUNCT 72, EXECUTE SET POINT''  
0157 00242 00146305  
0157 00243 00141724  
0157 00244 00120306  
0157 00245 00152716  
0157 00246 00141724  
0157 00247 00120267  
0157 00250 00131254  
0157 00251 00120305  
0157 00252 00154305  
0157 00253 00141725  
0157 00254 00152305  
0157 00255 00120323  
0157 00256 00142724  
0157 00257 00120320  
0157 00260 00147711  
0157 00261 00147324  
0158 00262 00140714 TBLC DATA ''ALARMS WILL BE TRANSMITTED TO CHICAGO''



0158 00263 00140722  
0158 00264 00146723  
0158 00265 00120327  
0158 00266 00144714  
0158 00267 00146240  
0158 00270 00141305  
0158 00271 00120324  
0158 00272 00151301  
0158 00273 00147323  
0158 00274 00146711  
0158 00275 00152324  
0158 00276 00142704  
0158 00277 00120324  
0158 00300 00147640  
0158 00301 00141710  
0158 00302 00144703  
0158 00303 00140707  
0158 00304 00147640  
0159 00305 70400000

END

HOME 00003  
RSET 00017  
AGAN 00035  
AOP 00053  
A40 00065  
A41 00100  
A42 00113  
TIME 00123  
SUBX 00131  
SUB6 00135  
OFFF 00141  
SORY 00150  
FNCT 00160  
RESM 00170  
TTY 00200  
CRLF 00205  
LOCA 00213  
LOCB 00214  
LOCC 00215  
LOCD 00216  
TBLA 00217  
TBLB 00241  
TBLC 00262  
ERRORS 0000 00000

SELECT FUNCT 72, EXECUTE SET POINT

REDUCE CNT IN SW8 TO 120, EXEC SET-PT

ALARMS WILL BE TRANSMITTED TO CHICAGO

#3 PRIORITY INTERRUPT

PROGRAM DESCRIPTION

IDENTIFICATION: Interrupt Diagnostics  
A. Teletype Input-Output Interrupts  
B. A/D Input Interrupt  
C. Modem Receive-Transmit Interrupts  
D. Power Fail-Auto Restart Interrupt

AUTHOR: Carl L. Thompson  
Natural Gas Pipeline Company of America  
Communications Division

ISSUED: September 9, 1976

PURPOSE: To Assist the Communication Technicians with Maintenance and Repair of Peripheral and Mainframe Interrupt Problems. This Program Tests the Interrupt Logic of each Peripheral Device as well as the Interrupt Logic in the Computer Mainframe.

COMPUTER: 810A

STORAGE: 656 Octal Locations

LOADING PROCEDURE: Relocatable Loader 16K, Modified  
Program Counter --- Enter '36060  
"A" Accumulator --- Enter '6000  
"B" Accumulator --- Enter 0

Insert tape in reader and press start twice.

## PROGRAM LOCATION '6000

This program consists of three diagnostics. Each diagnostic is called up through the teletype keyboard as follows.

After starting program at location '6000, type the following characters for the interrupt to be tested.

- A. Type "T" for the teletype input and output interrupts. If both interrupts are operational the following data will be printed by the teletype each time the "T" is typed.  
T-----Input Interrupt Group 1, Level 1  
T-----Output Interrupt Group 1, Level 2

Typing the letter "T" generates the input interrupt and induces the program to branch to the input interrupt subroutine which initiates the printing of "T-----Input Interrupt Group 1, Level 1". This subroutine enables the output interrupt. The output interrupt induces the program to branch to the output interrupt subroutine which initiates the printing of "T-----Output Interrupt Group 1, Level 2". The program then returns to location '14, '15 and waits for another input from the teletype keyboard.

#### B. Type "A" for the A/D Interrupt

Typing the letter "A" induces the program to branch to the A/D subroutine. This routine enables the input interrupt, outputs channel '10 to the A/D (unit 15) and waits for an interrupt to be generated. Each time the interrupt is generated the program will print "A-----Input Interrupt Group 1, Level 1". The program permits the interrupt to be generated ten (10) times then branches back to location '14, '15 and waits for another input from the teletype keyboard.

#### C. Type "M" for the Modem Interrupt

The modem and interface equipment must be operational and receiving messages from the master station in Chicago to operate this program.

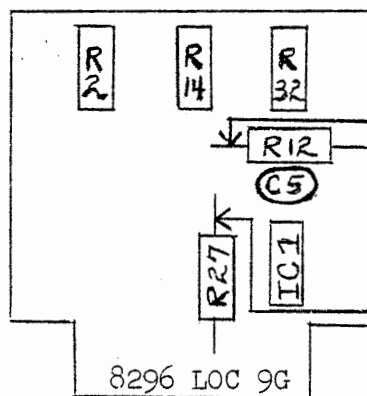
Typing the letter "M" permits the program to enable the modem receive interrupt. When a message, from the master station, is received and addressed to your station, the receive interrupt will be generated inducing the program to branch to the receive (input) interrupt subroutine which initiates the printing of "M-----Receive Interrupt Group 0, Level 1". After printing this information the program enables the transmit (output) interrupt. This interrupt is generated almost immediately, inducing the program to branch to the transmit subroutine which initiates the printing of "M-----\*\*\*xmit Interrupt Group 0, Level 2". The program permits the interrupt to be generated ten (10) times, then branches back to location '14, '15 and waits for another input from the teletype keyboard. The transmit program will not transmit data to Chicago.

This program will print the "Receive and "Transmit" interrupt ten (10) times.

## PROGRAM LOCATION '6500

## Power Fail-Auto Restart Adjustment Program.

1. Using an iron vane voltmeter, Weston Model 433 or equivalent, connected to the outlet in bottom of computer mainframe, adjust the solatron voltage regulator for a reading of 117 to 118 volts.
2. Turn power off to computer and install the powerstat variable transformer in series with the computer mainframe AC cord. Remove card 8296, location 9G, and re-install on an extender board. Turn power on and adjust potentiometer R2 and R14 as follows.



Set scope volts/Div to 50mv and Time Div & delay time to lms, Auto trigger.

Adj. R2 for a positive going pulse at this point with 110VAC to computer mainframe using powerstat variable transformer.

Adj. R14 for a positive going pulse at this point with 105VAC to computer mainframe using powerstat variable transformer.

R32 is not used by NGPL.

Start program at '6500 and slowly raise and lower AC voltage to computer with powerstat variable transformer to confirm that program halts at 105VAC input and starts or attempts to start at 110VAC.

3. Turn off AC power, disconnect powerstat variable transformer, turn on AC power and re-check for 117 to 118VAC.
4. Make adjustments on card 8245, location 10G as follows. Restart program at location '6500. Turn power off from computer and after 2-5 seconds turn power on. Check the "B" Accumulator for a reading of '100 to '105.

If the "B" Accumulator is less than '100 the teletype will print;

Increase R2 on 8245 at location G10.

If the "B" Accumulator is greater than '105 the teletype will print;

Decrease R2 on 8245 at location G10.

If the "B" Accumulator is equal to or between '100 to '105 the teletype will print;

R2 adjustment on 8245 is OK.

Turn power off and on a number of times (at least 10) after this adjustment is complete. If adjustments are correct and the power fail-auto restart logic is operational, the program should come up running without a failure.

Return system to normal operation.

```

0001 *****
0002 * INTERRUPT DIAGNOSTIC
0003 *
0004 * LOCATION '6000
0005 * TYPE T FOR TELETYPE IN-OUTPUT INTERRUPTS
0006 * PROGRAM SHOULD PRINT THE FOLLOWING EACH
0007 * TIME T IS TYPED
0008 * T----- INPUT INTERRUPT GROUP 1, LEVEL 1
0009 * T-----OUTPUT INTERRUPT GROUP 1, LEVEL 2
0010 * TYPE A FOR A/D INTERRUPT, PROGRAM SHOULD
0011 * PRINT THE FOLLOWING TEN TIMES.
0012 * A-----INPUT INTERRUPT GROUP 1, LEVEL 1
0013 * TYPE M FOR MODEM INTERRUPT, PROGRAM
0014 * SHOULD PRINT THE FOLLOWING TEN TIMES.
0015 * M-----RECEIVE INTERRUPT GROUP 0, LEVEL 1
0016 * M-----**XMIT INTERRUPT GROUP 0, LEVEL 2
0017 *
0018 * LOCATION '6500
0019 * POWER FAIL-AUTO RESTART
0020 * AFTER ADJUSTMENT OF 8296 START PROG. TURN
0021 * PWR OFF TO COMP, WT 1-5 SEC TURN PWR ON.
0022 * IF B ACCUM = (1) LESS THAN '100 (2) '100-
0023 * '105 (3) MORE THAN '105, THE TTY WILL PRINT
0024 * (1) INCREASE R2 ON 8245, LOC G10
0025 * (2) R2 ADJUSTMENT ON 8245 IS OK.
0026 * (3) DECREASE R2 ON 8245, LOC G10
0027 *
0028 * PREPARED BY CARL L THOMPSON 8-26-76
0029 *****
0030 00000 00000000 REL
0031 00000 01100200 BEGN LAA INPT DAC TYPE
0032 00001 03300201 STA* IRUP '1016
0033 00002 01100202 LAA OTPI DAC PRNT
0034 00003 03300203 STA* ORUP '1017
0035 00004 00130001 CEU 1
0036 00005 00072000 DATA '72000
0037 00006 11100004 BRU *-2
0038 00007 00000033 WATE NOP
0039 00010 01100215 LAA CNT4 TBLA
0040 00011 03100110 STA CHNG
0041 00012 00130600 PIE
0042 00013 00010001 DATA '10001 INPT INTRUP GRP 1 LEV 1
0043 00014 00000033 NOP
0044 00015 11100014 'BRU *-1 WT F/INTR F/TTY KEY BD
0045 00016 00000033 WAIT NOP
0046 00017 00130600 PIE
0047 00020 00010002 DATA '10002 OTPT INTRUP GRP 1 LEV 2

```



```

0048 00021 00000033      NOP
0049 00022 11100021      BRU  *-1      WT F/OTPT INTRUP
0050 00023 00000000      TYPE HLT
0051 00024 00170201      AIP  1
0052 00025 11100024      BRU  *-1
0053 00026 03100221      STA  CNT8
0054 00027 15100207      CMA  TMP1      '324 T F/TTY
0055 00030 11100032      BRU  *+2
0056 00031 11100043      BRU  A3
0057 00032 11100033      BRU  *+1
0058 00033 15100211      CMA  TMP3      '315 M F/MODEM
0059 00034 11100036      BRU  *+2
0060 00035 11100050      BRU  A4      INIT F/MODEM SUB
0061 00036 11100037      BRU  *+1
0062 00037 15100210      CMA  TMP2      '301 ALPHA A F/A-D
0063 00040 11100042      BRU  *+2
0064 00041 11100053      BRU  A2      INIT F/A-D SUBROUTINE
0065 00042 11100055      BRU  A1
0066 00043 00000033      A3  NOP
0067 00044 12100074      SPB  ITYP
0068 00045 01100212      LAA  CNT1      DAC WAIT
0069 00046 03100023      STA  TYPE
0070 00047 11100055      BRU  A1
0071 00050 01100412      A4  LAA  CNTJ      DAC MODEM
0072 00051 03100023      STA  TYPE
0073 00052 11100055      BRU  A1
0074 00053 01100217      A2  LAA  CNT6      DAC ALOG
0075 00054 03100023      STA  TYPE
0076 00055 00000035      A1  TOI
0077 00056 11300023      BRU* TYPE
0078 00057 00000000      PRNT HLT
0079 00060 00130601      PID
0080 00061 00010002      DATA '10002
0081 00062 00170401      MOP  1
0082 00063 00120000      DATA '120000      SPC
0083 00064 11100062      BRU  *-2
0084 00065 01100214      LAA  CNT3      TBLB
0085 00066 03100110      STA  CHNG      CHNG TBLA TO TBLB
0086 00067 12100074      SPB  ITYP
0087 00070 01100213      LAA  CNT2      DAC WATE
0088 00071 03100057      STA  PRNT
0089 00072 00000035      TOI
0090 00073 11300057      BRU* PRNT
0091 00074 00000000      ITYP HLT
0092 00075 12100170      SPB  CRLF
0093 00076 01100221      LAA  CNT8
0094 00077 00001016      LSL  8
0095 00100 00170001      AOP  1

```

0096	00101	11100100	BRU	*-1	
0097	00102	02077775	LBA	=-3	
0098	00103	01500207	LAA	DASH+3,1	6 DASHES
0099	00104	12100161	SPB	TTY0	
0100	00105	00000026	IBS		
0101	00106	11100103	BRU	*-3	
0102	00107	02077757	LBA	=-17	
0103	00110	01500244	CHNG LAA	TBLA+17,1	TBLA, TBLB, TBLC, TBLD
0104	00111	12100161	SPB	TTY0	
0105	00112	00000026	IBS		
0106	00113	11100110	BRU	*-3	
0107	00114	11300074	BRU*	ITYP	
0108	00115	00000033	ALOG NOP		
0109	00116	00130015	CEU	'15	
0110	00117	00060000	DATA	'60000	
0111	00120	11100116	BRU	*-2	
0112	00121	01100222	LAA	INP1	DAC B2
0113	00122	03300201	STA*	IRUP	'1016
0114	00123	01077765	LAA	=-11	
0115	00124	03100413	STA	CNTK	EXECUTE INTRUP 10 TIMES
0116	00125	00000033	B1 NOP		
0117	00126	14100413	IMS	CNTK	
0118	00127	11100131	BRU	*+2	
0119	00130	11100140	BRU	B3	
0120	00131	00130600	PIE		
0121	00132	00010001	DATA	'10001	GRP 1 LEV 1
0122	00133	01100216	LAA	CNT5	CH '10
0123	00134	00170015	AOP	'15	
0124	00135	11100134	BRU	*-1	
0125	00136	00000033	NOP		
0126	00137	11100136	BRU	*-1	WT F/INTRUP
0127	00140	00000033	B3 NOP		
0128	00141	00130015	CEU	'15	
0129	00142	00020000	DATA	'20000	DISCON A/D INTRUP
0130	00143	11100141	BRU	*-2	
0131	00144	00130601	PID		
0132	00145	00010001	DATA	'10001	
0133	00146	11100000	BRU	BEGN	
0134	00147	00000000	B2 HLT		
0135	00150	00130601	PID		
0136	00151	00010001	DATA	'10001	
0137	00152	01100215	LAA	CNT4	TBLA
0138	00153	03100110	STA	CHNG	
0139	00154	12100074	SPB	ITYP	
0140	00155	01100220	LAA	CNT7	DAC B1
0141	00156	03100147	STA	B2	
0142	00157	00000035	TOI		
0143	00160	11300147	BRU*	B2	

0144	00161	00000000	TTYO	HLT		
0145	00162	00170001		AOP	1	
0146	00163	11100162		BRU	*-1	
0147	00164	00001016		LSL	8	
0148	00165	00170001		AOP	1	
0149	00166	11100165		BRU	*-1	
0150	00167	11300161		BRU*	TTYO	
0151	00170	00000000	CRLF	HLT		
0152	00171	00170401		MOP	1	
0153	00172	00106400		DATA	'106400	
0154	00173	11100171		BRU	*-2	
0155	00174	00170401		.MOP	1	
0156	00175	00105000		DATA	'105000	
0157	00176	11100174		BRU	*-2	
0158	00177	11300170		BRU*	CRLF	
0159	00200	35400023	INPT	DAC	TYPE	
0160	00201	00001016	IRUP	DATA	'1016	
0161	00202	35400057	OTPI	DAC	PRNT	
0162	00203	00001017	ORUP	DATA	'1017	
0163	00204	00126655	DASH	DATA	'-----'	
0163	00205	00126655				
0163	00206	00126655				
0164	00207	00000324	TMP1	DATA	'324	T F/TTY
0165	00210	00000301	TMP2	DATA	'301	
0166	00211	00000315	TMP3	DATA	'315	M F/MODEM
0167	00212	35400016	CNT1	DAC	WAIT	
0168	00213	35400007	CNT2	DAC	WATE	
0169	00214	01500265	CNT3	LAA	TBLB+17,1	
0170	00215	01500244	CNT4	LAA	TBLA+17,1	
0171	00216	00000010	CNT5	DATA	'10	
0172	00217	35400115	CNT6	DAC	ALOG	
0173	00220	35400125	CNT7	DAC	B1	
0174	00221	00000000	CNT8	DATA	0	TEMP F/TYPED CHAR
0175	00222	35400147	INP1	DAC	B2	
0176	00223	00120311	TBLA	DATA	' INPUT INTERRUPT GROUP 1, LEVEL 1''	
0176	00224	00147320				
0176	00225	00152724				
0176	00226	00120311				
0176	00227	00147324				
0176	00230	00142722				
0176	00231	00151325				
0176	00232	00150324				
0176	00233	00120307				
0176	00234	00151317				
0176	00235	00152720				
0176	00236	00120261				
0176	00237	00126240				
0176	00240	00146305				

0176	00241	00153305	
0176	00242	00146240	
0176	00243	00130640	
0177	00244	00147725	TBLB DATA ''OUTPUT INTERRUPT GROUP 1, LEVEL 2''
0177	00245	00152320	
0177	00246	00152724	
0177	00247	00120311	
0177	00250	00147324	
0177	00251	00142722	
0177	00252	00151325	
0177	00253	00150324	
0177	00254	00120307	
0177	00255	00151317	
0177	00256	00152720	
0177	00257	00120261	
0177	00260	00126240	
0177	00261	00146305	
0177	00262	00153305	
0177	00263	00146240	
0177	00264	00131240	
0178	00265	00151305	TBLC DATA ''RECEIVE INTERRUPT GROUP 0, LEVEL 1''
0178	00266	00141705	
0178	00267	00144726	
0178	00270	00142640	
0178	00271	00144716	
0178	00272	00152305	
0178	00273	00151322	
0178	00274	00152720	
0178	00275	00152240	
0178	00276	00143722	
0178	00277	00147725	
0178	00300	00150240	
0178	00301	00130254	
0178	00302	00120314	
0178	00303	00142726	
0178	00304	00142714	
0178	00305	00120261	
0179	00306	00125252	TBLD DATA ''***XMIT INTERRUPT GROUP 0, LEVEL 2''
0179	00307	00125330	
0179	00310	00146711	
0179	00311	00152240	
0179	00312	00144716	
0179	00313	00152305	
0179	00314	00151322	
0179	00315	00152720	
0179	00316	00152240	
0179	00317	00143722	
0179	00320	00147725	

0179	00321	00150240			
0179	00322	00130254			
0179	00323	00120314			
0179	00324	00142726			
0179	00325	00142714			
0179	00326	00120262			
0180	00327	00000033	MODM	NOP	
0181	00330	01100402		LAA	CBTA
0182	00331	03300403		STA*	CBTB
0183	00332	01100404		LAA	CBTC
0184	00333	03300405		STA*	CBTD
0185	00334	01077765		LAA	=-11
0186	00335	03100413		STA	CNTK
0187	00336	00130014	STRT	CEU	'14
0188	00337	00001000		DATA	'1000
0189	00340	11100336		BRU	*-2
0190	00341	14100413		IMS	CNTK
0191	00342	11100344		BRU	*+2
0192	00343	11100000		BRU	BEGN
0193	00344	00130600		PIE	
0194	00345	00000001		DATA	1
0195	00346	00000033		NOP	
0196	00347	11100346		BRU	*-1
0197	00350	00000033		NOP	
0198	00351	00000033	C1	NOP	
0199	00352	00130600		PIE	
0200	00353	00000002		DATA	2
0201	00354	00000033		NOP	
0202	00355	11100354		BRU	*-1
0203	00356	00000000	RECV	HLT	
0204	00357	00130601		PID	
0205	00360	00000001		DATA	1
0206	00361	01100406		LAA	CBTF
0207	00362	03100110		STA	CHNG
0208	00363	12100074		SPB	ITYP
0209	00364	01100407		LAA	CNTG
0210	00365	03100356		STA	RECV
0211	00366	00000035		TOI	
0212	00367	11300356		BRU*	RECV
0213	00370	00000000	XMIT	HLT	
0214	00371	00130601		PID	
0215	00372	00000002		DATA	2
0216	00373	01100410		LAA	CNTH
0217	00374	03100110		STA	CHNG
0218	00375	12100074		SPB	ITYP
0219	00376	01100411		LAA	CNTI
0220	00377	03100370		STA	XMIT
0221	00400	00000035		TOI	

DAC REC  
'1002  
DAC XMIT  
'1003  
  
EXECUTE INTRUP 10 TIMES  
  
WT F/REC INTRUP  
  
WT F/XMT INTRUP  
  
TBLC  
  
DAC C1  
  
TBLD  
  
DAC STRT

```

0222 00401 11300370 BRU* XMIT
0223 00402 35400356 CBTA DAC RECV
0224 00403 00001002 CBTB DATA '1002
0225 00404 35400370 CBTC DAC XMIT
0226 00405 00001003 CBTD DATA '1003
0227 00406 01500306 CBTf LAA TBLC+17,1
0228 00407 35400351 CNTG DAC C1
0229 00410 01500327 CNTH LAA TBLD+17,1
0230 00411 35400336 CNTI DAC STRT
0231 00412 35400327 CNTJ DAC MODM
0232 00413 00000000 CNTK DATA 0 -10 CNTR
0233 00414 35400000 CNTL DAC BEGN
0234 *****
0235 * POWER FAIL DIAGNOSTIC
0236 *****
0237 00500 70000500 ORG '500
0238 00500 01100564 BIGN LAA PDN PWR DN SUBROUTINE
0239 00501 03300566 STA* INTR LOC '1000
0240 00502 00000003 CLA
0241 00503 03100570 STA CNTA TIMER F/PWR DN
0242 00504 00000033 NOP
0243 00505 11100504 BRU *-1 WT F/105V OR LESS
0244 00506 00000000 PRDN HLT 105V OR LESS
0245 00507 01100565 LAA PUP PWR UP SUBROUTINE
0246 00510 03300566 STA* INTR LOC '1000
0247 00511 14100570 IMS CNTA TIMER F/PWR DN
0248 00512 11100511 BRU *-1
0249 00513 00000000 HLT
0250 00514 00000000 PRUP HLT 110V OR MORE
0251 00515 01100564 LAA PDN
0252 00516 03300566 STA* INTR
0253 00517 01100567 LAA DAC DAC CHEK
0254 00520 03100514 STA PRUP
0255 00521 00000035 TOI
0256 00522 11300514 BRU* PRUP
0257 00523 00000033 CHEK NOP
0258 00524 01100570 LAA CNTA PWR DN TIMER
0259 00525 15100572 CMA CNTC '100
0260 00526 11100536 BRU INCR INCR CNT
0261 00527 11100530 BRU *+1 OK
0262 00530 15100571 CMA CNTB, '105
0263 00531 11100532 BRU *+1 OK
0264 00532 11100541 BRU OKAY OK
0265 00533 01100574 LAA CNTE DECREASE CNT
0266 00534 03100546 STA MSGE+3
0267 00535 11100543 BRU MSGE
0268 00536 01100573 INCR LAA CNTD INCR CNT
0269 00537 03100546 STA MSGE+3

```

0270	00540	11100543		BRU	MSGE	
0271	00541	01100575	OKAY	LAA	CNTF	CNT OK
0272	00542	03100546		STA	MSGE+3	
0273	00543	00000033	MSGE	NOP		
0274	00544	12100170		SPB	CRLF	
0275	00545	02077762		LBA	=-14	
0276	00546	00000000		HLT		INCR-DECR OR CNT OK
0277	00547	12100555		SPB	TTYO	
0278	00550	00000026		IBS		
0279	00551	11100546		BRU	*-3	
0280	00552	02100570		LBA	CNTA	PWR DN TIMER
0281	00553	12100170		SPB	CRLF	
0282	00554	11100500		BRU	BIGN	
0283	00555	00000000	TTYO	HLT		
0284	00556	00170001		AOP	1	
0285	00557	11100556		BRU	*-1	
0286	00560	00001016		LSL	8	
0287	00561	00170001		AOP	1	
0288	00562	11100561		BRU	*-1	
0289	00563	11300555		BRU*	TTYO	
0290	00564	35400506	PDN	DAC	PRDN	
0291	00565	35400514	PUP	DAC	PRUP	
0292	00566	00001000	INTR	DATA	'1000	
0293	00567	35400523	DAC	DAC	CHEK	
0294	00570	00000000	CNTA	DATA	0	
0295	00571	00000105	CNTB	DATA	'105	
0296	00572	00000100	CNTC	DATA	'100	
0297	00573	01500614	CNTD	LAA	TBL1+14,1	INCR CNT
0298	00574	01500632	CNTE	LAA	TBL2+14,1	DECR CNT
0299	00575	01500650	CNTF	LAA	TBL3+14,1	CNT OK
0300	00576	00144716	TBL1	DATA	''INCREASE R2 ON 8245, LOC G10''	
0300	00577	00141722				
0300	00600	00142701				
0300	00601	00151705				
0300	00602	00120322				
0300	00603	00131240				
0300	00604	00147716				
0300	00605	00120270				
0300	00606	00131264				
0300	00607	00132654				
0300	00610	00120314				
0300	00611	00147703				
0300	00612	00120307				
0300	00613	00130660				
0301	00614	00142305	TBL2	DATA	''DECREASE R2 ON 8245, LOC G10''	
0301	00615	00141722				
0301	00616	00142701				
0301	00617	00151705				

0301 00620 00120322  
0301 00621 00131240  
0301 00622 00147716  
0301 00623 00120270  
0301 00624 00131264  
0301 00625 00132654  
0301 00626 00120314  
0301 00627 00147703  
0301 00630 00120307  
0301 00631 00130660  
0302 00632 00151262 TBL3 DATA ''R2 ADJUSTMENT ON 8245 IS OK. ''  
0302 00633 00120301  
0302 00634 00142312  
0302 00635 00152723  
0302 00636 00152315  
0302 00637 00142716  
0302 00640 00152240  
0302 00641 00147716  
0302 00642 00120270  
0302 00643 00131264  
0302 00644 00132640  
0302 00645 00144723  
0302 00646 00120317  
0302 00647 00145656  
0303 00650 70400000 END  
BEGN 00000  
WATE 00007  
WAIT 00016  
TYPE 00023  
A3 00043  
A4 00050  
A2 00053  
A1 00055  
PRNT 00057  
ITYP 00074  
CHNG 00110  
ALOG 00115  
B1 00125  
B3 00140  
B2 00147  
TTYO 00161  
CRLF 00170  
INPT 00200  
IRUP 00201  
OTPI 00202  
ORUP 00203  
DASH 00204  
TMP1 00207



TMP2	00210
TMP3	00211
CNT1	00212
CNT2	00213
CNT3	00214
CNT4	00215
CNT5	00216
CNT6	00217
CNT7	00220
CNT8	00221
INP1	00222
TBLA	00223
TBLB	00244
TBLC	00265
TBLD	00306
MODM	00327
STRT	00336
C1	00351
RECV	00356
XMIT	00370
CBTA	00402
CBTB	00403
CBTC	00404
CBTD	00405
CBTF	00406
CNTG	00407
CNTH	00410
CNTI	00411
CNTJ	00412
CNTK	00413
CNTL	00414
BIGN	00500
PRDN	00506
PRUP	00514
CHEK	00523
INCR	00536
OKAY	00541
MSGE	00543
TTYO	00555
PDN	00564
PUP	00565
INTR	00566
DAC	00567
CNTA	00570
CNTB	00571
CNTC	00572
CNTD	00573
CNTE	00574

CNTF	00575
------	-------

TBL1	00576
------	-------

TBL2	00614
------	-------

TBL3	00632
------	-------

ERRORS	0000	00000
--------	------	-------



## PROGRAM DESCRIPTION

IDENTIFICATION: Input-Output Controller Diagnostic

AUTHOR: Carl L. Thompson  
Natural Gas Pipeline Company of America  
Communications Division

ISSUED: April 21, 1976

PURPOSE: To assist the Communication Technician  
with maintenance and repair of the I/O  
controller

COMPUTER: SEL 810A

STORAGE: 1156 Octal Locations

LOADING  
PROCEDURE: Relocatable Loader, 16K Modified  
Program Counter, Enter '36060  
"A" Accumulator, Enter '6000  
"B" Accumulator = 0

Insert program tape in reader and press  
start twice.

Review the following operating procedures  
before starting program at location '6000.

### I/O CONTROLLER PROGRAM

Program permits testing I/O controller  
logic, input and output relays without danger  
of upsetting station operation.

The I/O controller is located in interface  
cabinet number one (1) and contains logic and  
relay cards per the attached Exhibit Number 3.  
The input and output channel numbers vary at  
some stations, therefore your station may not  
contain the full complement of logic cards on  
the exhibit.

The program energizes each output relay,  
one relay at a time, in the auto mode. Utili-  
zing a special test jumper cable, the contacts  
of the output relay energize an input relay  
coil. The program records the closed or open  
contact of the input relay. A defective relay  
or logic circuit can be easily identified and  
repaired.

The program is modified through the teletype keyboard as follows:

As each number is typed, the program will print the channels under test.

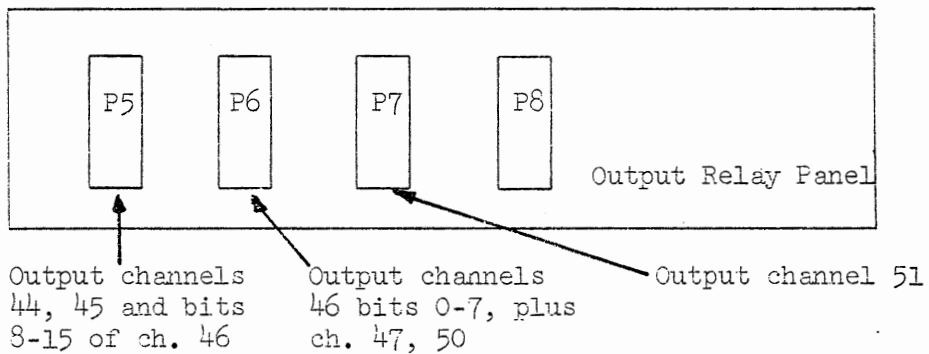
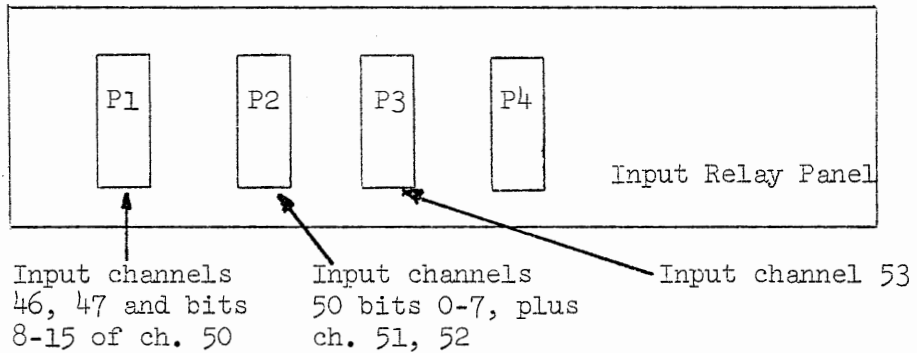
TABLE 1

<u>STATION APPLICABLE</u>	<u>TYPE CHARACTER</u>	<u>PROGRAM MODIFIED FOR TESTING AS FOLLOWS</u>
All	1	Test input chan. 46 with output chan. 44.
All	2	Test input chan. 47 with output chan. 45.
All	3	Test input chan. 50 with output chan. 46, Bits 8-15.
All	4	Test input chan. 50 with output chan. 46, Bits 0-7.
Sta. 191-199 & 113	5	Test input chan. 51 with output chan. 44.
Sta. 167, 168, 169 & Chicago	6	Test input chan. 51 with output chan. 47.
Station 169 & Chicago	7	Test input chan. 52 with output chan. 50.
Station 169 & Chicago	8	Test input chan. 53 with output chan. 51.
All	L	Convert from auto mode to LCS mode. Select bit number by setting corresponding control switch.
All	C	Convert from LCS to auto mode.
All	H	Program will halt on detecting an error and display the bit under test in the "A" Accumulator and the error in the "B" Accumulator.
All	G	Inhibit halt on error.
All	P	Print test results.

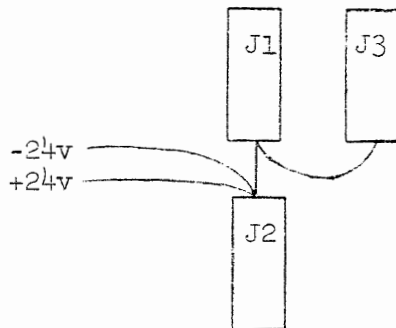
3.

To commence testing, proceed as follows:

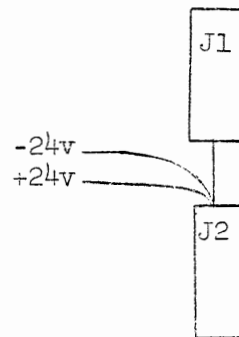
1. Remove 6, I/O cables connected to P1, P2, P3, P5, P6 and P7, from the rear of input and output relay panel. The cable connectors are labeled as follows:



2. Connect the special jumper cable as follows:



For Station  
191-199 & 113



For Station  
167, 168, 169 & Chicago

The jumper cable connectors are labeled J1-J3 as shown above.

4.

- a. Connect J1 to P1 and J2 to P5 for first sequence of tests.
- b. Connect the DC leads to 24 volts as labeled.
- c. Start program at location '6000.

3. Press Number 1 on teletype keyboard. The following message will be typed.

Test Input Ch. 46, Output Ch. 44.

The program will test the 16 I/O relays associated with these channels until a program change is made through the teletype keyboard.

To print log of tests press the letter "P" on teletype.

By typing the number 2 on the teletype keyboard (refer to Table 1) tests can be made for input channel 47, with output channel 45.

By typing the number 3, tests can be made for input channel 50 with output channel 46, bits 8-15. The test jumper cable must be changed to test remaining channels as follows:

4. For Station 191-199 and 113
  - a. Remove J1 from P1.
  - b. Connect J3 to P2.
  - c. Press number 5 on teletype keyboard to test input channel 51 with output channel 44. Following the completion of this test;
  - d. Remove J3 from P2.
  - e. Connect J1 to P2.
  - f. Move J2 to P6.
  - g. Press number 4 on teletype keyboard to test input channel 50 with output channel 46, bits 0-7.
5. For Station 167, 168, 169 & Chicago
  - a. Remove J1 from P1.
  - b. Connect J1 to P2.
  - c. Remove J2 from P5.
  - d. Connect J2 to P6.

Test remaining channels as listed in Table 1.

Please note that Station 169 utilizes input channel 53 and output channel 51. To test these channels the jumper cable must be moved to P3 and P7 respectively.

DETAIL OF PROGRAM MODIFICATION THROUGH TELETYPE KEYBOARD

L = Load Control Switch Mode

In this mode, one or more relays may be tested at one time. The "A" Accumulator will always display the bit position (relay) under test and the "B" Accumulator will display the results of the test. This mode is very useful in diagnosing a problem or testing a suspected faulty input or output operation.

Important Note: An output relay, once energized, will remain energized until you reset the bit for that relay or master clear the computer.

C = Auto Mode

This mode automatically tests each relay of the channel selected from Table 1. Each relay is tested individually at approximately  $\frac{1}{2}$  second intervals for an open or closed condition. The results of each relay test is stored in a table.

H = Halt

By typing the letter "H" the program will halt on detecting an error and will display the bit under test in the "A" Accumulator and the error in the "B" Accumulator.

G = Inhibit Halt on Error

Typing the letter "G" will inhibit the program from halting on an error.

P = Print

By typing the letter "P" the program will print the results of the test from the auto mode only. A sample of print-out is attached.

If a character is printed other than those listed in Table 1, the program will print "Invalid Request".

The program will normally operate in the auto mode and will not halt on an error after the initial loading of program. To change this mode of operation, type the characters described above.

INPUT-OUTPUT CONTROLLER INTERFACE UNIT

EXHIBIT NO. 3

1F1  
A

15	14	13	12	11	10	9	8	7	6	5	4	3	2	1
83142-005	83142-005	83142-005	83142-005	83142-005	83142-005	83142-006	83142-006	83142-006	83142-006					
0-7	8-15	0-7	8-15	0-7	8-15	0-7	8-15	0-7	8-15					
Ch50 51	Ch50 51	Ch46 47	Ch46 47	Ch44 45	Ch44 45	Ch42 43	Ch42	Ch40 41	Ch40 41					
Word Output Unit														

1F1  
B

15	14	13	12	11	10	9	8	7	6	5	4	3	2	1
83150-11D	83150-11D	83150-11D	83150-11D	83150-3D	83150-3D	83150-3D	83150-3D	83150-3D	83150-3D		83160 8 Bit Term	83160 8 Bit Term	83161 Sync Logic	83137 Unit Decode
0-7	8-15	0-7	8-15	0-7	8-15	0-7	8-15	0-7	8-15		0-7	8-15		
50-51	50-51	46-47	46-47	44-45	44-45	43	42-43	40-41	40-41					
Word Input Unit														

1F2  
A

12	11	10	9	8	7	6	5	4	3	2	1
100011	100011	100011	100011	100011	100011	100011	100011	100011	100011	100011	100011
Input Relay											
0-7	8-15	0-7	8-15	0-7	8-15	0-7	8-15	0-7	8-15	0-7	8-15
53	53	52	52	51	51	50	50	47	47	46	46

1F2  
C

12	11	10	9	8	7	6	5	4	3	2	1
100012	100012	100012	100012	100012	100012	100012	100012	100012	100012	100012	100012
Output Relay											
0-7	8-15	0-7	8-15	0-7	8-15	0-7	8-15	0-7	8-15	0-7	8-15
51	51	50	50	47	47	46	46	45	45	44	44



LC

EJ

07156 00107

TURN OFF SWITCH S1 NEXT TO WATCH DOG RELAY.  
UNPLUG DISPLAY RELAY CARDS ABOVE WATCH DOG RELAY.  
PRESS THE NUMBER ON TTY ASSIGNED TO THE CHANNEL FOR TEST.

1  
TEST INPUT CH 46, OUTPUT CH 44

2  
TEST INPUT CH 47, OUTPUT CH 45

3  
TEST IN CH 50 OUT CH 46 BITS 8-15

4  
TEST IN CH 50 OUT CH 46 BITS 0-7

5  
TEST INPUT CH 51, OUTPUT CH 44

6  
TEST INPUT CH 51, OUTPUT CH 47

7  
TEST INPUT CH 52, OUTPUT CH 50

8  
TEST INPUT CH 53, OUTPUT CH 51

9

INVALID REQUEST

1  
TEST INPUT CH 46, OUTPUT CH 44

P

TOTAL TESTS = 00009

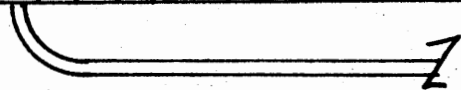
BIT	GOOD TESTS
0	00009
1	00009
2	00009
3	00009
4	00009
5	00009
6	00009
7	00009
8	00009
9	00008
10	00008
11	00008
12	00008
13	00008
14	00008
15	00008

# INPUT AND OUTPUT RELAY CARD LOCATIONS

## FIGURE I

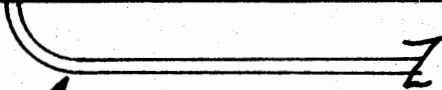
### INPUT RELAY UNIT

14	13	12	11	10	9	8	7	6	5	4	3	2	1	1F2
A	A	A	A	A	A	A	A	A	A	A	A	A	A	
TEST						CH	CH	CH	CH	CH	CH	CH	CH	
LOC						51	51	50	50	47	47	46	46	
						B	B	B	B	B	B	B	B	
						I	I	I	I	I	I	I	I	
						T	T	T	T	T	T	T	T	
						0	8	0	8	0	8	0	8	
						7	15	7	15	7	15	7	15	



### OUTPUT RELAY UNIT

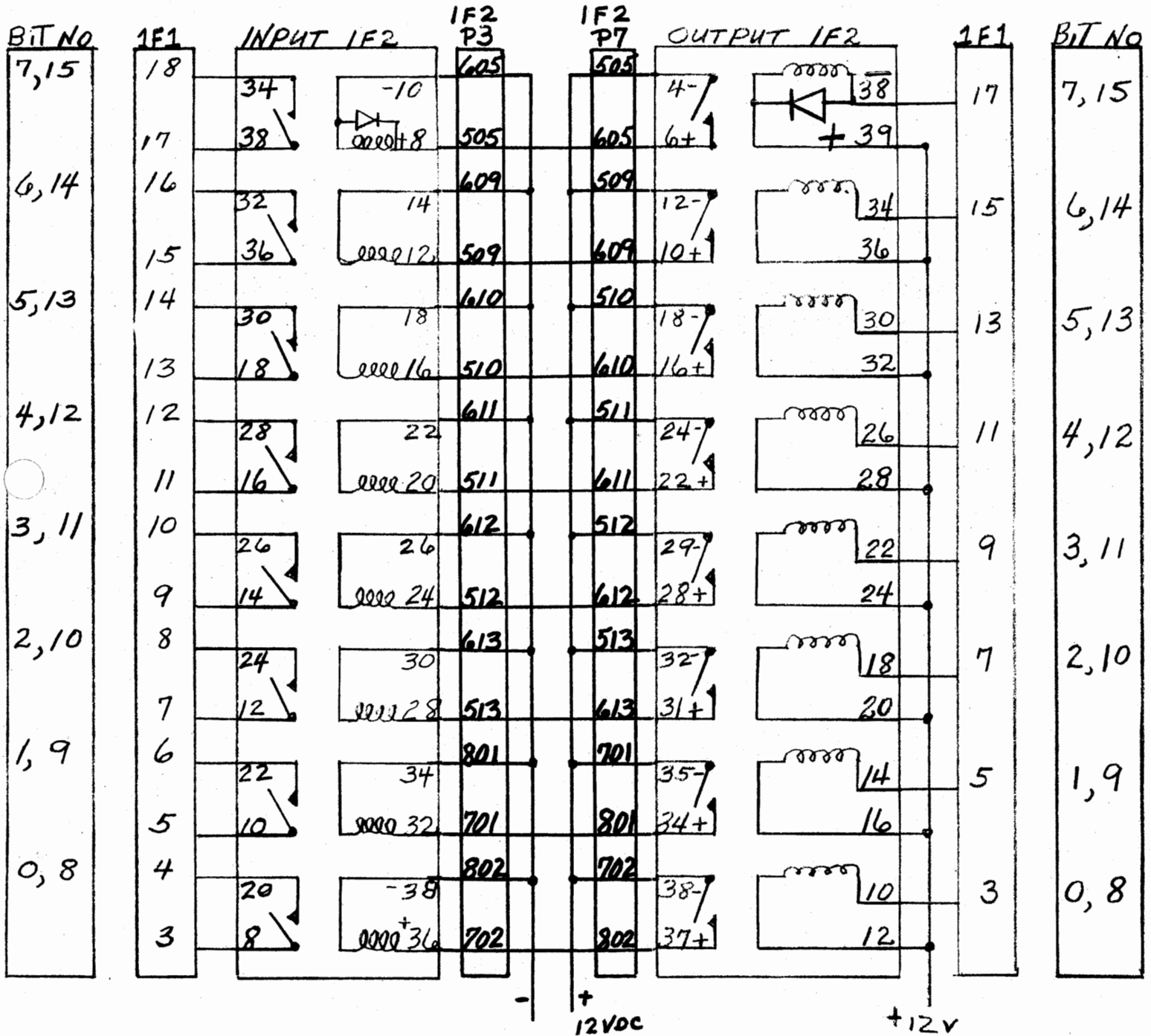
14	13	12	11	10	9	8	7	6	5	4	3	2	1	1F2
C	C	C	C	C	C	C	C	C	C	C	C	C	C	
TEST						CH	CH	CH	CH	CH	CH	CH	CH	
LOC						47	47	46	46	45	45	44	44	
						B	B	B	B	B	B	B	B	
						I	I	I	I	I	I	I	I	
						T	T	T	T	T	T	T	T	
						0	8	0	8	0	8	0	8	
						7	15	7	15	7	15	7	15	



CONNECT JUMPER CABLE BETWEEN CARD AT LOCATION 14 AND CONNECTER CABLE FROM CHANNEL NO. AND SWITCH POSITION UNDER TEST.

800  
6/17/74

# WIRING DIAGRAM OF INPUT AND OUTPUT RELAY CARD INCLUDING JUMPER CABLE FIGURE II



JUMPER CABLE FOR TEST  
LOCATION 14A AND 14C

827 6/17/74

```

0001 *****
0002 * CARL L THOMPSON *
0003 * COMMUNICATIONS DIVISION *
0004 * NATURAL GAS PIPELINE COMPANY OF AMERICA *
0005 * BEATRICE, NEBRASKA 68310 *
0006 * *
0007 * TEST OUTPUT AND INPUT LOGIC *
0008 * JUNE 6, 1974 *
0009 *****

```

```

0010 00000 00000000 REL
0011 00000A00000000 24 IDENTIFY # 24 CARD PUNCH
0012 00001 01040000 STRT LAA ='040000 TURN SYSTEM ON
0013 00002 00170143 AOP '43,W
0014 00003 01077774 LAA =-4
0015 00004 03100364 STA CNT6
0016 00005 01077770 LAA =-8
0017 00006 03100366 STA CNT8 CNT FOR FINAL TEST
0018 00007 01100367 LAA T1
0019 00010 03100356 STA CNTA
0020 00011 01100370 LAA T2
0021 00012 03100357 STA CNTB
0022 00013 12100276 SPB CRLF
0023 00014 02077736 LBA =-34
0024 00015 01500443 A1 LAA MSGA+34,1 SUBR F/TEST SPECIFIC CH
0025 00016 12100335 SPB TTY
0026 00017 00000026 IBS
0027 00020 11100015 BRU A1
0028 00021 02100662 LBA STRZ START ADDR SUBROUTINE
0029 00022 12100330 SPB MASK CLEAR START ADDRESS
0030 00023 12100342 SPB SUB CONV 3 DIGIT ADDRESS B/D
0031 00024 12100276 SPB CRLF
0032 00025 02077771 LBA =-7
0033 00026 01500451 A3 LAA MSGC+7,1 AOP 46,W AT 15XXX
0034 00027 12100335 SPB TTY
0035 00030 00000026 IBS
0036 00031 11100026 BRU A3
0037 00032 02100705 LBA A0 LOCATION AOP 46,W
0038 00033 12100330 SPB MASK CLR ADDRESS OF AOP 46,W
0039 00034 12100342 SPB SUB CONV 3 DIGIT ADDRESS B/D
0040 00035 12100276 SPB CRLF
0041 00036 02077771 LBA =-7
0042 00037 01500460 A4 LAA MSGD+7,1 AIP 51,W AT 15XXX
0043 00040 12100335 SPB TTY
0044 00041 00000026 IBS
0045 00042 11100037 BRU A4
0046 00043 02100716 LBA A1 LOCATION OF AIP 51,W
0047 00044 12100330 SPB MASK CLEAR ADDR OF AIP 51

0048 00045 12100342 SPB SUB CONV 3 DIGIT ADDRESS B/D
0049 00046 12100276 SPB CRLF
0050 00047 02077771 LBA =-7
0051 00050 01500467 A5 LAA MSGE+7,1 SWITCH TEST AT 15XXX
0052 00051 12100335 SPB TTY
0053 00052 00000026 IBS
0054 00053 11100050 BRU A5
0055 00054 02100740 LBA SW LOCATION OF SWITCH TEST
0056 00055 12100330 SPB MASK CLEAR ADDR OF SW TEST

```

CH NO BIT NO	PI-P2 T/O	8 BIT TERM	OUTPUT UNIT	OUTPUT RELAY	IF2 P5	TEST JUMPER CABLE	IF2 P2	INPUT RELAY	INPUT UNIT	8 BIT TERM	PI-P2 T/O	CH NO BIT NO
44	108	1F1-4B 8 11	R F 1F1-11A 4 17	F 1F2-2C 38 4	112		310	R 1F2-8A 12 38	F 1F1-5B 37 26	1F1-4B 6 8	108	51
7	107	12 10	35 15	34	113		410	12 34	38 -12V 35 -12V	7 12	107	6
6	106	14 17	32 13	30	213		411	34		4 14	106	5
5	105	18 16	18 11	32	401		412	30	34 -12V 31 -12V	5 18	105	4
4	104	30 23	36 9	22	302		413	16	32 -12V 29 -12V	8 20	104	3
3	103	24 22	33 7	28	402		501	22	30 -12V 27 -12V	34 24	103	2
2	102	36 29	34 5	24	403		502	26		33 26	102	1
1	101	30 28	31 3	16	404		503	32	28 -12V 25 -12V	32 26	101	0
0				10	405		603	36	26 -12V 23 -12V	32 30		
				12	409		604	38	24 -12V			

+12V  
+24V -24V  
GND

F = FRONT CONNECTOR  
R = REAR CONNECTOR  
TL = HIGH WHEN TRUE  
TL = LOW WHEN TRUE

I/O TEST JUMPER CABLE  
FOR TESTING OUTPUT  
CHANNEL 44 AND INPUT  
CHANNEL 51.

882 9-23-5

CH No BIT No	P1-P2 110	8-BIT TERM IF1-3B	OUTPUT UNIT R/FM/A	OUTPUT RELAY IF1-2-1C R	IF2 P5 TEST Jumper Cable	IF2 P2	INPUT RELAY R/IF2-7A F	INPUT UNIT IF1-4B R/26	8-BIT TERM IF1-3B	P1-P2 I/O	CH No BIT No
44	308	8 11	4 17	38	101	112	8 38	37 26	6	308	51
15	307	12 10	35 15	39	201	212	10 34	38 -12V	7 12	307	14
14	306	16 17	32 13	36	202	113	12 36	35 -12V	12	306	14
13	305	18 16	18 11	30	203	213	14 32	36 -12V	4 16	305	13
12	304	20 23	36 9	32	204	302	18 30	34 -12V	5 18	304	12
11	303	24 22	33 7	28	205	402	22 28	32 -12V	20 20	303	11
10	302	26 29	34 5	24	209	403	26 26	30	34 24	302	10
9	301	30 28	31 3	18	210	304	28 12	28 -12V	35 26	301	9
8				14	211	404	30 24	28	33 26		8
				10		405	34 8	25 -12V	32 30		
				12		409	38 20	24 -12V			

+12V  
+24V  
-24V  
GND

F = FRONT CONNECTOR  
R = REAR CONNECTOR  
H = HIGH WHEN TRUE  
L = LOW WHEN TRUE

I/O TEST JUMPER CABLE  
FOR TESTING OUTPUT  
CH. 44 AND INPUT  
CHANNEL 51.

862 9-3-76

```

0001 *****
0002 * I/O CONTROLLER DIAGNOSTIC
0003 *
0004 * 1= AOP 44, AIP 46 P1-P5
0005 * 2= AOP 45, AIP 47 P1-P5
0006 * 3= AOP 46, AIP 50 BITS 8-15 P1-P5
0007 * 4= AOP 46, AIP 50 BITS 0-7 P2-P6
0008 * 5= AOP 44, AIP 51 P2-P5
0009 * 6= AOP 47, AIP 51 P2-P6
0010 * 7= AOP 50, AIP 52 P2-P6
0011 * 8= AOP 51, AIP 53 P3-P7
0012 * C=CLEAR LCS MODE
0013 * G=INHIBIT HALT ON ERROR
0014 * H=HALT PROGRAM ON EROR 'A'=OK 'B'=EROR
0015 * L=LCS, TEST BIT WITH CONTROL PANEL SWITCH
0016 * P=PRINT TEST RESULTS
0017 * PREPARED BY CARL L THOMPSON 4-15-76
0018 *****
0019 00000 00000000 REL
0020 00000 00130600 PIE
0021 00001 00010001 DATA '10001
0022 00002 00130101 CEU 1,W
0023 00003 00062000 DATA '62000
0024 00004 01100576 LAA TTYI
0025 00005 03300617 STA* I016
0026 00006 01040000 LAA ='40000 TRN SYS ON
0027 00007 00170143 AOP '43,W
0028 00010 12100557 SPB CLIR
0029 00011 01101111 LAA ZERO
0030 00012 00000022 SAZ
0031 00013 11100042 BRU BEGN
0032 00014 12100433 SPB CRLF
0033 00015 12100433 SPB CRLF
0034 00016 02077752 LBA =-22 NXT 18 PRNT PRELIMINARY
0035 00017 01501023 LAA TBLH+22,1 INSTRUCTIONS
0036 00020 12100426 SPB TTY0
0037 00021 00000026 IBS
0038 00022 11100017 BRU *-3
0039 00023 12100433 SPB CRLF
0040 00024 02077747 LBA =-25
0041 00025 01501054 LAA TBLH+47,1
0042 00026 12100426 SPB TTY0
0043 00027 00000026 IBS
0044 00030 11100025 BRU *-3
0045 00031 12100433 SPB CRLF
0046 00032 02077743 LBA =-29
0047 00033 01501111 LAA TBLH+76,1

```

7-15

0048	00034	12100426		SPB	TTYO	
0049	00035	00000026		IBS		
0050	00036	11100033		BRU	*-3	
0051	00037	12100433		SPB	CRLF	
0052	00040	01000001		LAA	=1	TYPE INSTR 1 TIME ONLY
0053	00041	03101111		STA	ZERO	
0054	00042	00000033	BEGN	NOP		
0055	00043	00000033		NOP		
0056	00044	11100043		BRU	*-1	
0057	00045	00000033		NOP		
0058	00046	00000033	STRT	NOP		
0059	00047	00130001		CEU	1	
0060	00050	00062000		DATA	'62000	
0061	00051	00000033		NOP		
0062	00052	01040000		LAA	='40000	
0063	00053	00170143		AOP	'43,W	
0064	00054	02077760	LBA	LBA	=-16	OR LBA=-8
0065	00055	01000001		LAA	=1	
0066	00056	05100621		AMA	TBLA	NO OF TESTS
0067	00057	03100621		STA	TBLA	
0068	00060	01500666	LAA	LAA	BITS+16,1	
0069	00061	00000033	AGAN	NOP		OR LCS
0070	00062	03101155		STA	CHEK	
0071	00063	00170144	AOP	AOP	'44,W	
0072	00064	00000033		NOP		
0073	00065	14101114		IMS	NEG1	
0074	00066	11100065		BRU	*-1	
0075	00067	00000033		NOP		
0076	00070	00170346	AIP	AIP	'46,W	
0077	00071	03101113		STA	TEMP	
0078	00072	00000033		NOP		OR BRU LOCS F/LGS
0079	00073	01101155		LAA	CHEK	
0080	00074	15101113		CMA	TEMP	
0081	00075	11100077		BRU	*+2	
0082	00076	11100100		BRU	*+2	
0083	00077	11100104		BRU	EROR	
0084	00100	01000001		LAA	=1	
0085	00101	05500642	AMA	AMA	TBLB+16,1	
0086	00102	03500642	STA	STA	TBLB+16,1	STORE GOOD TSTS
0087	00103	11100112		BRU	DLY	
0088	00104	04100615	EROR	STB	CNTO	
0089	00105	02101113		LBA	TEMP	EROR
0090	00106	00000033	HALT	NOP		OR HALT F/H
0091	00107	02100615		LBA	CNTO	
0092	00110	00000033		NOP		
0093	00111	00000033		NOP		
0094	00112	00000033	DLY	NOP		



0096	00114	00000026		IBS		
0097	00115	11100060		BRU	LAA	
0098	00116	11100046		BRU	STRT	RE-STRT TST
0099	00117	00000033	LOCS	NOP		USED F/LCS ONLY
0100	00120	01040000		LAA	= '40000	
0101	00121	00170143		AOP	'43,W	
0102	00122	02101113		LBA	TEMP	
0103	00123	01101155		LAA	CHEK	
0104	00124	15101113		CMA	TEMP	
0105	00125	11100127		BRU	*+2	
0106	00126	11100132		BRU	*+4	
0107	00127	00000033		NOP		
0108	00130	00000033	HOLT	NOP		OR HALT F/H
0109	00131	00000033		NOP		
0110	00132	14101112		IMS	NTHO	
0111	00133	11100132		BRU	*-1	
0112	00134	11100060		BRU	LAA	
0113	00135	25400000	TTYR	DAC	**	
0114	00136	12100433		SPB	CRLF	
0115	00137	00170301		AIP	1,W	
0116	00140	03100577		STA	CNTA	
0117	00141	00001016		LSL	8	
0118	00142	00170101		AOP	1,W	
0119	00143	12100433		SPB	CRLF	
0120	00144	01100577		LAA	CNTA	
0121	00145	15000314		CMA	= '314	L=LCS
0122	00146	11100150		BRU	*+2	
0123	00147	11100220		BRU	LCSS	
0124	00150	15000303		CMA	= '303	C=CLEAR LCS MODE
0125	00151	11100153		BRU	*+2	
0126	00152	11100225		BRU	CLER	
0127	00153	15000320		CMA	= '320	P=PRINT TSTS
0128	00154	11100156		BRU	*+2	
0129	00155	11100215		BRU	PRNT	
0130	00156	15000307		CMA	= '307	G=GO
0131	00157	11100161		BRU	*+2	
0132	00160	11100231		BRU	GO	
0133	00161	15000310		CMA	= '310	H=HALT
0134	00162	11100164		BRU	*+2	
0135	00163	11100235		BRU	STOP	
0136	00164	15000261		CMA	= '261	=1 AOP 44, AIP 46
0137	00165	11100167		BRU	*+2	
0138	00166	11100241		BRU	ONE	
0139	00167	15000262		CMA	= '262	=2 AOP 45, AIP 47
0140	00170	11100172		BRU	*+2	
0141	00171	11100252		BRU	T00	
0142	00172	15000263		CMA	= '263	=3 AOP 46, AIP 50 0-7
0143	00173	11100175		BRU	*+2	

0144	00174	11100263		BRU	THRE	
0145	00175	15000264		CMA	= '264	=4 AOP 46, AIP 50 8-15
0146	00176	11100200		BRU	*+2	
0147	00177	11100276		BRU	FOUR	
0148	00200	15000265		CMA	= '265	=5 AOP 44, AIP 51
0149	00201	11100203		BRU	*+2	
0150	00202	11100315		BRU	FIVE	
0151	00203	15000266		CMA	= '266	=6 AOP 47, AIP 51
0152	00204	11100206		BRU	*+2	
0153	00205	11100326		BRU	SIX	
0154	00206	15000267		CMA	= '267	=7 AOP 50, AIP 52
0155	00207	11100211		BRU	*+2	
0156	00210	11100337		BRU	SEVN	
0157	00211	15000270		CMA	= '270	=8 AOP 51, AIP 53
0158	00212	11100214		BRU	*+2	
0159	00213	11100350		BRU	EGHT	
0160	00214	11100411		BRU	INVL	INVALID REQUEST
0161	00215	01101122	PRNT	LAA	CNTS	DAC PRIT
0162	00216	03100135		STA	TTYR	
0163	00217	11100423		BRU	TOI+3	
0164	00220	01101115	LCSS	LAA	LCS	
0165	00221	03100061		STA	AGAN	
0166	00222	01101116		LAA	BRU	
0167	00223	03100072		STA	AIP+2	
0168	00224	11100420		BRU	TOI	
0169	00225	01100616	CLER	LAA	NOP	
0170	00226	03100072		STA	AIP+2	
0171	00227	03100061		STA	AGAN	
0172	00230	11100420		BRU	TOI	
0173	00231	01100616	GO	LAA	NOP	
0174	00232	03100106		STA	HALT	
0175	00233	03100130		STA	HOLT	
0176	00234	11100420		BRU	TOI	
0177	00235	00000003	STOP	CLA		
0178	00236	03100130		STA	HOLT	
0179	00237	03100106		STA	HALT	
0180	00240	11100420		BRU	TOI	
0181	00241	01100607	ONE	LAA	CNTI	AOP 44
0182	00242	03100063		STA	AOP	
0183	00243	01100610		LAA	CNTJ	AIP '46,W
0184	00244	03100070		STA	AIP	
0185	00245	01101133		LAA	OU4	OUT CH 44
0186	00246	03100735		STA	TBLE+14	
0187	00247	01101144		LAA	IN6	IN CH 46
0188	00250	03100726		STA	TBLE+7	
0189	00251	11100372		BRU	ALL	TST 16 BITS
0190	00252	01100600	T00	LAA	CNTB	AOP 45
0191	00253	03100063		STA	AOP	

0192	00254	01100601	LAA	CNTC	AIP '47,W
0193	00255	03100070	STA	AIP	
0194	00256	01101134	LAA	OU5	OUT CH 45
0195	00257	03100735	STA	TBLE+14	
0196	00260	01101145	LAA	IN7	IN CH 47
0197	00261	03100726	STA	TBLE+7	
0198	00262	11100372	BRU	ALL	TST 16 BITS
0199	00263	01100602	THRE LAA	CNTD	AOP 46 8-15
0200	00264	03100063	STA	AOP	
0201	00265	01100603	LAA	CNTE	AIP 50 8-15
0202	00266	03100070	STA	AIP	
0203	00267	01101146	LAA	CNT2	8- F/BIT
0204	00270	03100715	STA	TBLD+15	TST IN CH OUT CH BIT 0-0
0205	00271	01101147	LAA	CNT3	15 F/BIT
0206	00272	03100716	STA	TBLD+16	
0207	00273	01101117	LAA	CNTP	LAA BITS+16,1
0208	00274	03100060	STA	LAA	
0209	00275	11100361	BRU	PART	
0210	00276	01101150	FOUR LAA	CNT4	AOP 46 0-7
0211	00277	03100063	STA	AOP	
0212	00300	01101151	LAA	CNT5	AIP 50 0-7
0213	00301	03100070	STA	AIP	
0214	00302	01101152	LAA	CNT6	0- F/BIT
0215	00303	03100715	STA	TBLD+15	TST IN CH OUT CH BIT 0-0
0216	00304	01101153	LAA	CNT7	7 SPC F/BIT
0217	00305	03100716	STA	TBLD+16	
0218	00306	01101154	LAA	CNT8	LAA BITS+8,1
0219	00307	03100060	STA	LAA	
0220	00310	01100605	LAA	CNTG	AMA TBLB +8,1
0221	00311	03100101	STA	AMA	
0222	00312	01100606	LAA	CNTH	STA TBLB+8,1
0223	00313	03100102	STA	STA	
0224	00314	11100361	BRU	PART	
0225	00315	01101124	FIVE LAA	CNTU	AOP 44
0226	00316	03100063	STA	AOP	
0227	00317	01101125	LAA	CNTV	AIP 51
0228	00320	03100070	STA	AIP	
0229	00321	01101133	LAA	OU4	OUT CH 44
0230	00322	03100735	STA	TBLE+14	
0231	00323	01101141	LAA	INI	IN CH 51
0232	00324	03100726	STA	TBLE+7	
0233	00325	11100372	BRU	ALL	TST 16 BITS
0234	00326	01101126	SIX LAA	CNTW	AOP 47
0235	00327	03100063	STA	AOP	
0236	00330	01101125	LAA	CNTV	AIP 51
0237	00331	03100070	STA	AIP	
0238	00332	01101136	LAA	OU7	OUT CH 43
0239	00333	03100735	STA	TBLE+14	

0240	00334	01101141	LAA	INI	IN CH 51
0241	00335	03100726	STA	TBLE+7	
0242	00336	11100372	BRU	ALL	TST 16 BITS
0243	00337	01101127	SEVN LAA	CNTX	AOP 50
0244	00340	03100063	STA	AOP	
0245	00341	01101130	LAA	CNTY	AIP 52
0246	00342	03100070	STA	AIP	
0247	00343	01101137	LAA	OU8	OUT CH 50
0248	00344	03100735	STA	TBLE+14	
0249	00345	01101142	LAA	IN2	IN CH 52
0250	00346	03100726	STA	TBLE+7	
0251	00347	11100372	BRU	ALL	TST 16 BITS
0252	00350	01101131	EGHT LAA	CNTZ	AOP 51
0253	00351	03100063	STA	AOP	
0254	00352	01101132	LAA	CNT1	AIP 53
0255	00353	03100070	STA	AIP	
0256	00354	01101140	LAA	OU9	OUT CH 51
0257	00355	03100735	STA	TBLE+14	
0258	00356	01101143	LAA	IN3	IN CH 53
0259	00357	03100726	STA	TBLE+7	
0260	00360	11100372	BRU	ALL	TST 16 BITS
0261	00361	00000033	PART NOP		
0262	00362	01100604	LAA	CNTF	LBA=-8
0263	00363	03100054	STA	LBA	LBA=-8
0264	00364	02077757	LBA	=-17	
0265	00365	01500717	LAA	TBLD+17,1	
0266	00366	12100426	SPB	TTYO	
0267	00367	00000026	IBS		
0268	00370	11100365	BRU	*-3	
0269	00371	11100420	BRU	TOI	
0270	00372	00000033	ALL NOP		
0271	00373	01100612	LAA	CNTL	STA TBLB+16,1
0272	00374	03100102	STA	STA	
0273	00375	01100611	LAA	CNTK	AMA TBLB+16,1
0274	00376	03100101	STA	AMA	
0275	00377	01100614	LAA	CNTN	LBA=-16
0276	00400	03100054	STA	LBA	
0277	00401	01101117	LAA	CNTP	LAA BITS+16,1
0278	00402	03100060	STA	LAA	
0279	00403	02077761	LBA	=-15	
0280	00404	01500736	LAA	TBLE+15,1	TST IN CH XX OUT CH XX
0281	00405	12100426	SPB	TTYO	
0282	00406	00000026	IBS		
0283	00407	11100404	BRU	*-3	
0284	00410	11100420	BRU	TOI	
0285	00411	12100433	INVL SPB	CRLF	
0286	00412	02077770	LBA	=-8	
0287	00413	01500676	LAA	TBLC+8,1	INVALID REQ

0288	00414	12100426	SPB	TTYO	
0289	00415	00000026	IBS		
0290	00416	11100413	BRU	*-3	
0291	00417	11100423	BRU	TOI+3	
0292	00420	12100557	TOI	SPB	CLIR
0293	00421	01100613	LAA	CNTM	BRU TO STRT
0294	00422	03100135	STA	TTYR	
0295	00423	12100433	SPB	CRLF	
0296	00424	00000035	TOI		
0297	00425	11300135	BRU*	TTYR	
0298	00426	00000000	TTYO	HLT	
0299	00427	00170101	AOP	1,W	
0300	00430	00001016	LSL	8	
0301	00431	00170101	AOP	1,W	
0302	00432	11300426	BRU*	TTYO	
0303	00433	00000000	CRLF	HLT	
0304	00434	00170501	MOP	1,W	
0305	00435	00106400	DATA	'106400	
0306	00436	00170501	MOP	1,W	
0307	00437	00105000	DATA	'105000	
0308	00440	11300433	BRU*	CRLF	
0309	00441	00000000	TSTS	HLT	CONV OCTAL TO DEC
0310	00442	04101113	STB	TEMP	
0311	00443	00000005	TAB		
0312	00444	01077773	LAA	=-5	
0313	00445	03100615	STA	CNT0	
0314	00446	00000003	CLA		
0315	00447	11100452	BRU	*+3	
0316	00450	00000003	CLA	CLA	
0317	00451	07000012	MPY	=10	
0318	00452	10023420	DIV	=10000	
0319	00453	05000260	AMA	='260	
0320	00454	00001016	LSL	8	
0321	00455	00170101	AOP	1,W	
0322	00456	14100615	IMS	CNT0	
0323	00457	11100450	BRU	CLA	
0324	00460	02101113	LBA	TEMP	
0325	00461	11300441	BRU*	TSTS	
0326	00462	00000000	BINO	HLT	ARRANGE AND OPT BIT NO
0327	00463	04101113	STB	TEMP	
0328	00464	00000005	TAB		
0329	00465	00000003	CLA		
0330	00466	01101120	LAA	CNTQ	F/PRNT 0-9 BITS
0331	00467	00000022	SAZ		
0332	00470	11100472	BRU	*+2	
0333	00471	11100505	BRU	TWO	F/PRINT 10-15 BITS
0334	00472	00000003	CLA		
0335	00473	00001513	FLL	13	

8

0336	00474	05000260	AMA	= '260	
0337	00475	00001016	LSL	8	
0338	00476	00170101	AOP	1,W	
0339	00477	00170501	MOP	1,W	
0340	00500	00120000	DATA	'120000	
0341	00501	14101120	IMS	CNTQ	
0342	00502	00000033	NOP		
0343	00503	02101113	LBA	TEMP	
0344	00504	11300462	BRU*	BINO	
0345	00505	00001513	TWO FLL	13	PRNT BITS 10-15
0346	00506	05000260	AMA	= '260	
0347	00507	00001016	LSL	8	
0348	00510	00170101	AOP	1,W	
0349	00511	00000313	FLL	3	
0350	00512	05000260	AMA	= '260	
0351	00513	00001016	LSL	8	
0352	00514	00170101	AOP	1,W	
0353	00515	02101113	LBA	TEMP	
0354	00516	11300462	BRU*	BINO	
0355	00517	00000033	PRIT NOP		
0356	00520	02077771	LBA	=-7	
0357	00521	01500745	LAA	TBLF+7,1	PRNT HEADING OF TBLF
0358	00522	12100426	SPB	TTYO	
0359	00523	00000026	IBS		
0360	00524	11100521	BRU	*-3	
0361	00525	01100621	LAA	TBLA	TOTAL TSTS
0362	00526	12100441	SPB	TSTS	
0363	00527	12100433	SPB	CRLF	
0364	00530	12100433	SPB	CRLF	
0365	00531	02077770	LBA	=-8	
0366	00532	01500755	LAA	TBLG+8,1	BIT GOOD TST
0367	00533	12100426	SPB	TTYO	
0368	00534	00000026	IBS		
0369	00535	11100532	BRU	*-3	
0370	00536	12100433	SPB	CRLF	
0371	00537	01077766	LAA	=-10	
0372	00540	03101120	STA	CNTQ	=-10 F/BITS 0-9
0373	00541	01077760	LAA	=-16	
0374	00542	03101121	STA	CNTR	
0375	00543	01500755	MORE LAA	TBLI,1	CHAN NO
0376	00544	12100462	SPB	BINO	
0377	00545	12100566	SPB	SPCS	
0378	00546	01500622	LAA	TBLB,1	GOOD TSTS
0379	00547	12100441	SPB	TSTS	
0380	00550	12100433	SPB	CRLF	
0381	00551	00000026	IBS		
0382	00552	00000033	NOP		
0383	00553	14101121	IMS	CNTR	

```

0384 00554 11100543 BRU MORE
0385 00555 12100557 SPB CLIR
0386 00556 11100046 BRU STRT
0387 00557 00000000 CLIR HLT
0388 00560 02077757 LBA =-17
0389 00561 00000003 CLA
0390 00562 03500642 STA TBLA+17,1 CLR TST TBLE
0391 00563 00000026 IBS
0392 00564 11100562 BRU *-2
0393 00565 11300557 BRU* CLIR
0394 00566 00000000 SPCS HLT 5 SPACES
0395 00567 01077773 LAA =-5
0396 00570 03101123 STA CNTT
0397 00571 01020000 LAA ='120000
0398 00572 00170101 AOP 1,W
0399 00573 14101123 IMS CNTT
0400 00574 11100571 BRU *-3
0401 00575 11300566 BRU* SPCS
0402 00576 35400135 TTYI DAC TTYR
0403 00577 00000000 CNTA DATA 0
0404 00600 00170145 CNTB DATA '170145
0405 00601 00170347 CNTC DATA '170347
0406 00602 00170146 CNTD DATA '170146
0407 00603 00170350 CNTE DATA '170350 AIP CH 50
0408 00604 02077770 CNTF LBA =-8
0409 00605 05500632 CNTG AMA TBLB+8,1
0410 00606 03500632 CNTH STA TBLB+8,1
0411 00607 00170144 CNTI DATA '170144
0412 00610 00170346 CNTJ DATA '170346
0413 00611 05500642 CNTK AMA TBLB+16,1
0414 00612 03500642 CNTL STA TBLB+16,1
0415 00613 35400046 CNTM DAC STRT
0416 00614 02077760 CNTN LBA =-16
0417 00615 00000000 CNTO DATA 0
0418 00616 00000033 NOP NOP
0419 00617 00001016 IO16 DATA '1016
0420 00620 00000000 HLT HLT
0421 00621 00000000 TBLA DATA 0 NO OF TSTS
0422 00622 00000024 TBLB BSS 20 STORE GOOD TSTS
0423 00646 00100000 BITS DATA '100000,'40000,'20000,'10000,'4000
0423 00647 00040000
0423 00650 00020000
0423 00651 00010000
0423 00652 00004000
0424 00653 00002000 DATA '2000,'1000,'400,'200,'100,'40,'20,'10
0424 00654 00001000
0424 00655 00000400
0424 00656 00000200

```

0424 00657 00000100  
 0424 00660 00000040  
 0424 00661 00000020  
 0424 00662 00000010  
 0425 00663 00000004 DATA 4,2,1  
 0425 00664 00000002  
 0425 00665 00000001  
 0426 00666 00144716 TBLC DATA ''INVALID REQUEST''  
 0426 00667 00153301  
 0426 00670 00146311  
 0426 00671 00142240  
 0426 00672 00151305  
 0426 00673 00150725  
 0426 00674 00142723  
 0426 00675 00152240  
 0427 00676 00120324 TBLD DATA '' TEST IN CH 50 OUT CH 46 BITS 0-7''  
 0427 00677 00142723  
 0427 00700 00152240  
 0427 00701 00144716  
 0427 00702 00120303  
 0427 00703 00144240  
 0427 00704 00132660  
 0427 00705 00120317  
 0427 00706 00152724  
 0427 00707 00120303  
 0427 00710 00144240  
 0427 00711 00132266  
 0427 00712 00120302  
 0427 00713 00144724  
 0427 00714 00151640  
 0427 00715 00130255  
 0427 00716 00133640  
 0428 00717 00152305 TBLE DATA ''TEST INPUT CH 46, OUTPUT CH 44''  
 0428 00720 00151724  
 0428 00721 00120311  
 0428 00722 00147320  
 0428 00723 00152724  
 0428 00724 00120303  
 0428 00725 00144240  
 0428 00726 00132266  
 0428 00727 00126240  
 0428 00730 00147725  
 0428 00731 00152320  
 0428 00732 00152724  
 0428 00733 00120303  
 0428 00734 00144240  
 0428 00735 00132264  
 TBLE DATA ''TOTAL TESTS = ''



0429 00737 00152301  
0429 00740 00146240  
0429 00741 00152305  
0429 00742 00151724  
0429 00743 00151640  
0429 00744 00136640  
0430 00745 00141311 TBLG DATA ''BIT GOOD TESTS''  
0430 00746 00152240  
0430 00747 00120240  
0430 00750 00143717  
0430 00751 00147704  
0430 00752 00120324  
0430 00753 00142723  
0430 00754 00152323  
0431 00755 00000000 TBLI DATA 0,'10','20','30','40','50','60','70','100  
0431 00756 00000010  
0431 00757 00000020  
0431 00760 00000030  
0431 00761 00000040  
0431 00762 00000050  
0431 00763 00000060  
0431 00764 00000070  
0431 00765 00000100  
0432 00766 00000110 DATA ''10,'10','11','12','13','14','15  
0432 00767 00000010  
0432 00770 00000011  
0432 00771 00000012  
0432 00772 00000013  
0432 00773 00000014  
0432 00774 00000015  
0433 00775 00152325 TBLH DATA ''TURN OFF SWITCH S1 NEXT TO WATCH''  
0433 00776 00151316  
0433 00777 00120317  
0433 01000 00143306  
0433 01001 00120323  
0433 01002 00153711  
0433 01003 00152303  
0433 01004 00144240  
0433 01005 00151661  
0433 01006 00120316  
0433 01007 00142730  
0433 01010 00152240  
0433 01011 00152317  
0433 01012 00120327  
0433 01013 00140724  
0433 01014 00141710  
0434 01015 00120304 DATA '' DOG RELAY. ''  
0434 01016 00147707

0434 01017 00120322  
 0434 01020 00142714  
 0434 01021 00140731  
 0434 01022 00127240  
 0435 01023 00152716  
 0435 01024 00150314  
 0435 01025 00152707  
 0435 01026 00120304  
 0435 01027 00144723  
 0435 01030 00150314  
 0435 01031 00140731  
 0435 01032 00120322  
 0435 01033 00142714  
 0435 01034 00140731  
 0435 01035 00120303  
 0435 01036 00140722  
 0435 01037 00142323  
 0435 01040 00120301  
 0435 01041 00141317  
 0435 01042 00153305  
 0436 01043 00120327  
 0436 01044 00140724  
 0436 01045 00141710  
 0436 01046 00120304  
 0436 01047 00147707  
 0436 01050 00120322  
 0436 01051 00142714  
 0436 01052 00140731  
 0436 01053 00127240  
 0437 01054 00150322  
 0437 01055 00142723  
 0437 01056 00151640  
 0437 01057 00152310  
 0437 01060 00142640  
 0437 01061 00147325  
 0437 01062 00146702  
 0437 01063 00142722  
 0437 01064 00120317  
 0437 01065 00147240  
 0437 01066 00152324  
 0437 01067 00154640  
 0437 01070 00140723  
 0437 01071 00151711  
 0437 01072 00143716  
 0437 01073 00142704  
 0438 01074 00120324  
 0438 01075 00147640  
 0438 01076 00152310

DATA ''UNPLUG DISPLAY RELAY CARDS ABOVE''

DATA '' WATCH DOG RELAY. ''

DATA ''PRESS THE NUMBER ON TTY ASSIGNED''

DATA '' TO THE CHANNEL FOR TEST. ''

0438	01077	00142640			
0438	01100	00141710			
0438	01101	00140716			
0438	01102	00147305			
0438	01103	00146240			
0438	01104	00143317			
0438	01105	00151240			
0438	01106	00152305			
0438	01107	00151724			
0438	01110	00127240			
0439	01111	00000000	ZERO DATA 0		
0440	01112	00000000	NTHO DATA 0		DLY CNTR
0441	01113	00000000	TEMP DATA 0		TEMP STORAGE
0442	01114	00000000	NEG1 DATA 0		
0443	01115	00000031	LCS LCS		
0444	01116	11100117	BRU BRU LOCS		
0445	01117	01500666	CNTP LAA BITS+16,1		
0446	01120	00000000	CNTQ DATA 0		PRNT
0447	01121	00000000	CNTR DATA 0		
0448	01122	35400517	CNTS DAC PRIT		
0449	01123	00000000	CNTT DATA 0		
0450	01124	00170144	CNTU AOP '44,W		
0451	01125	00170351	CNTV AIP '51,W		
0452	01126	00170147	CNTW AOP '47,W		
0453	01127	00170150	CNTX AOP '50,W		
0454	01130	00170352	CNTY AIP '52,W		
0455	01131	00170151	CNTZ AOP '51,W		
0456	01132	00170353	CNT1 AIP '53,W		
0457	01133	00132264	OU4 DATA '132264		CH 44
0458	01134	00132265	OU5 DATA ''45''		CH 45
0459	01135	00132266	OU6 DATA ''46''		CH 46
0460	01136	00132267	OU7 DATA ''47''		CH 47
0461	01137	00132660	OU8 DATA ''50''		CH 50
0462	01140	00132661	OU9 DATA ''51''		CH 51
0463	01141	00132661	IN1 DATA '132661		CH 51
0464	01142	00132662	IN2 DATA ''52''		CH 52
0465	01143	00132663	IN3 DATA ''53''		CH 53
0466	01144	00132266	IN6 DATA ''46''		CH 46
0467	01145	00132267	IN7 DATA ''47''		CH 47
0468	01146	00134255	CNT2 DATA '134255		8-
0469	01147	00130665	CNT3 DATA '130665		15 F/BIT
0470	01150	00170146	CNT4 AOP '46,W		
0471	01151	00170350	CNT5 AIP '50,W		
0472	01152	00130255	CNT6 DATA '130255		0-
0473	01153	00133640	CNT7 DATA '133640		7 SPC F/BIT
0474	01154	01500656	CNT8 LAA BITS+8,1		
0475	01155	00000000	CHEK DATA 0		
0476	01156	70400000	END		

BEGN	00042
STRT	00046
LBA	00054
LAA	00060
AGAN	00061
AOP	00063
AIP	00070
AMA	00101
STA	00102
EROR	00104
HALT	00106
DLY	00112
LOCS	00117
HOLT	00130
TTYR	00135
PRNT	00215
LCSS	00220
CLER	00225
GO	00231
STOP	00235
ONE	00241
TOO	00252
THRE	00263
FOUR	00276
FIVE	00315
SIX	00326
SEVN	00337
EGHT	00350
PART	00361
ALL	00372
INVL	00411
TOI	00420
TTYO	00426
CRLF	00433
TSTS	00441
CLA	00450
BINO	00462
TWO	00505
PRIT	00517
MORE	00543
CLIR	00557
SPCS	00566
TTYI	00576
CNTA	00577
CNTB	00600
CNTC	00601
CNTD	00602
CNTE	00603

CNTF	00604
CNTG	00605
CNTH	00606
CNTI	00607
CNTJ	00610
CNTK	00611
CNTL	00612
CNTM	00613
CNTN	00614
CNTO	00615
NOP	00616
IO16	00617
HLT	00620
TBLA	00621
TBLB	00622
BITS	00646
TBLC	00666
TBLD	00676
TBLE	00717
TBLF	00736
TBLG	00745
TBLI	00755
TBLH	00775
ZERO	01111
NTHO	01112
TEMP	01113
NEG1	01114
LCS	01115
BRU	01116
CNTP	01117
CNTQ	01120
CNTR	01121
CNTS	01122
CNTT	01123
CNTU	01124
CNTV	01125
CNTW	01126
CNTX	01127
CNTY	01130
CNTZ	01131
CNT1	01132
OU4	01133
OU5	01134
OU6	01135
OU7	01136
OU8	01137
OU9	01140
INI	01141

IN2	01142
IN3	01143
IN6	01144
IN7	01145
CNT2	01146
CNT3	01147
CNT4	01150
CNT5	01151
CNT6	01152
CNT7	01153
CNT8	01154
CHEK	01155
ERRORS 0000	00000

#5 MODEM

PROGRAM DESCRIPTION

IDENTIFICATION: Synchronous Modem and Modem Interface Diagnostic Program

AUTHOR: Carl L. Thompson  
Natural Gas Pipeline Company of America  
Communications Division

ACCEPTED: June 30, 1975, Revised December 1, 1976

PURPOSE: To assist the Communications Technician with maintenance and repair of the Modem and Modem Interface equipment.

COMPUTER CONFIGURATION: Standard SEL 810A Computer

STORAGE: 1677 Octal Locations

LOADING PROCEDURE: Relocatable Loader, Program Counter = '36060  
A Accumulator = '6000 B Accumulator = 0

Revisions to this program include the capability to test the modem with the sentry card in service. If the sentry card appears defective, remove card and re-install jumper "CC" in the RTS position to operate or test modem.

The transmission rate of speed can also be changed through the teletype keyboard. Follow instructions on Page 3.

Before starting program place the "ANALOG" switch on the rear of the Rixon Modem in the "LOOP BACK" position.

Enter '6000 in the program counter and press start switch twice. The program will then wait at location 6022-6023 for the stations sync word to be added through the teletype keyboard as follows.

Press the number or letter assigned this station below.

<u>Letter or Number</u>	<u>Station Number</u>	<u>Letter or Number</u>	<u>Station Number</u>
1	191	9	199
2	192	T	113
3	193	U	167
4	194	V	168
5	195	W	169
6	196	X	342
7	197	Y	343
8	198		

NOTE: Each time the program is re-started at location '6000, enter the station sync code or one of the following teletype keyboard functions in order to enable program.



The diagnostic consists of two programs.

### 1. COUNTING MODE

The sync word with one 16 bit data word is transmitted utilizing the transmit interrupt. Each data word is received utilizing the receive interrupt, then compared with the transmitted word and incremented before re-transmission. The program stores the number of transmissions, good received messages and errors for print-out by the operator. Following a print-out the memory location for each count is cleared.

The modem carrier sentry which monitors the carrier signal for approximately 32 seconds before removing carrier from circuit, is reset at 30 second intervals by program.

### 2. LCS, LOAD CONTROL SWITCH MODE

The sync word with one 16 bit data word is transmitted utilizing the transmit interrupt. Each data word is received utilizing the receive interrupt then compared with the transmitted word. Upon detection of an error the teletype bell will ring. No data is stored in this mode.

The transmitted word is formed by the panel control switches with the received word being displayed in the B Accumulator.

The teletype keyboard is utilized in changing the mode of the program including the print-out of data and control of the teletype motor. If an incorrect key is struck the program will print "INVALID KEY".

#### COUNTING MODE - KEY "C"

The program, on initial loading will operate in the counting mode. To return to the counting mode from LCS mode, press the letter "C".

#### LCS MODE - KEY "L"

To change the program from counting mode to LCS mode, press the letter "L".

#### DATA PRINT-OUT - KEY "D"

To print the number of transmissions, good messages and errors press the letter "D".

HALT PROGRAM ON ERROR - KEY "H"

To compare error with data word, press the letter "H". When the program detects an error it will halt and display the incorrect received word in the "A" Accumulator and the transmitted word in the "B" Accumulator. Press start to re-start program after a halt on error.

To remove the halt statement from the program press the "C" for counting mode or "L" if testing in the LCS mode.

INTERFACE TEST ONLY - KEY "I"

To test the interface equipment back-to-back, remove EIA modem cable from J1 and connect jumper plug. To utilize the modem clock, connect external leads of jumper plug to transmit (red wire to 104) and ground lead (white wire to 204).

TURN TELETYPE MOTOR OFF - KEY "O"

This is to be utilized in the counting mode only. Press the letter "O".

TURN TELETYPE MOTOR ON

Following turn off of motor, you must set panel control switch number 15 to turn motor on. The program will print data as under key "D" and disable the motor control function from switch 15.

NOTE: Upon completion of tests return "ANALOG" switch on the Rixon Modem to the operate position. Check with Gas Control to confirm that data is being received in Chicago.

PROGRAM TRANSMISSION RATE

To change the transmission rate of speed press the following keys.

Key "S" Slow Rate, 475 transmissions per minute.

Key "M" Medium Rate, 1900 transmissions per minute.

Key "F" Fast Rate, 3600 transmissions per minute.

DESCRIPTION OF POSSIBLE PROGRAM HALTS

1. Location '6022 - '6023. Program is waiting for the sync word or a program change via the teletype keyboard.
2. Location '6071 - '6073, '6074 - '6076. The TEU, "Test External Unit" statement tests if data modem is clear to send or if data carrier line is true. If these conditions are not true, the program will not advance. First check AC power to modem; analog test switch for loop back position; then review SEL manual, Volume 1, Paragraph 3-152 to 3-157 and 3-102 and 3-144.
3. Location '6101 - '6102. Transmit interrupt was not generated. Restart program at '6000. In order to enable program to continue testing for a transmit interrupt, change instruction at location '6101 from a NOP to an IMS as follows.  
  
NOP = '000033  
  
IMS = '141626 (Increment mem. at loc. '626 and skip). Restart program at '6000 and enter sync. code or an operation code via teletype. The program will continuously test for a transmit interrupt.
4. Location '6104 - '6105. Receive interrupt was not generated. Restart program at '6000. If a transmit interrupt is being generated but not a receive interrupt, change instruction at location '6104 from a NOP to an IMS using the same IMS instruction as noted for transmit interrupt under Item 3, and follow same instructions.

```

0001 *****
0002 * SYNCHRONOUS MODEM INTERFACE DIAGNOSTIC
0003 * PREPARED BY CARL L THOMPSON 6-2-75
0004 * COMMUNICATION DIVISION
0005 * NATURAL GAS PIPELINE COMPANY OF AMERICA
0006 * REVISED 12-1-76
0007 *****
0008 00000 00000000 REL
0009 00000 00130600 PIE
0010 00001 00010001 DATA '10001
0011 00002 00130101 CEU 1,W
0012 00003 00062000 DATA '62000 CON INPT INTRUP-KEY BRD
0013 00004 01100662 LAA TTYI ADDR OF TTYR SUBROUTINE
0014 00005 03301675 STA* I016
0015 00006 01101667 LAA PWR1 ADDR PWR FL SUB-RUTNE
0016 00007 03301670 STA* PWR2 LOC '1000
0017 00010 01100561 LAA CNTU ADDRESS XMT SUBROUTINE
0018 00011 03300562 STA* CNTV LOCATION '1003
0019 00012 01100545 LAA CNTA
0020 00013 03300544 STA* CNT9 LOC '1002
0021 00014 01100664 LAA PIE
0022 00015 03100214 STA A301
0023 00016 01100642 LAA A302 '10001
0024 00017 03100215 STA A301+1
0025 00020 00000003 CLA
0026 00021 03100666 STA ZERO MOTR CONTROL TTY
0027 00022 00000033 NOP
0028 00023 11100022 BRU *-1
0029 00024 00000033 A243 NOP
0030 00025 12101172 SPB CLR CLR TIME-XMISSION REG
0031 00026 00170642 BEGN MIP '42
0032 00027 00000000 MNTH DATA 0 STORE MONTH
0033 00030 11100026 BRU *-2
0034 00031 00170641 MIP '41
0035 00032 00000000 DAY DATA 0 STORE DAY
0036 00033 11100031 BRU *-2
0037 00034 00170641 MIP '41
0038 00035 00000000 HOUR DATA 0 STORE HOUR
0039 00036 11100034 BRU *-2
0040 00037 00170640 MIP '40
0041 00040 00000000 MISE DATA 0 STORE MIN AND SEC
0042 00041 11100037 BRU *-2
0043 00042 00000033 NOP
0044 00043 00000033 STRT NOP OR SNS 15
0045 00044 00000033 NOP OR BRU TO MOTR
0046 00045 12100120 SPB CARR RESET SENTRY
0047 00046 01100534 LAA CNT1 CNTR XMT DELAY

```

0048	00047	03100535		STA	CNT2	
0049	00050	00000003		CLA		
0050	00051	03100560		STA	CNTQ	CNTR SYNC WORD
0051	00052	01100552		LAA	CNTF	
0052	00053	03100626		STA	A136	
0053	00054	00000033		NOP		
0054	00055	00000033		NOP		
0055	00056	00000033		NOP		
0056	00057	00000033		NOP		
0057	00060	00000033		NOP		
0058	00061	00000033		NOP		
0059	00062	00000033		NOP		
0060	00063	00000033		NOP		
0061	00064	00000033		NOP		
0062	00065	00000033		NOP		
0063	00066	00130014		CEU	'14	
0064	00067	00005400		DATA	'5400	
0065	00070	11100066		BRU	*-2	
0066	00071	00130214	A123	TEU	'14	OR BRU +6
0067	00072	00040000		DATA	'40000	DATA SET CLR TO SND
0068	00073	11100071		BRU	*-2	
0069	00074	00130214		TEU	'14	
0070	00075	00020000		DATA	'20000	
0071	00076	11100074		BRU	*-2	
0072	00077	00130600	A124	PIE		
0073	00100	00000002		DATA	2	
0074	00101	00000033		NOP		WT F/XMT INTR IMS A136
0075	00102	11100101		BRU	*-1	
0076	00103	11100107		BRU	A241	
0077	00104	00000033	A135	NOP		WT F/REC INTR
0078	00105	11100104		BRU	*-1	
0079	00106	00000033		NOP		
0080	00107	00000033	A241	NOP		
0081	00110	14100537		IMS	CNT4	CHNG XMIT WORD
0082	00111	00000033		NOP		
0083	00112	14100557		IMS	CNTL	
0084	00113	00000033		NOP		
0085	00114	14100535		IMS	CNT2	
0086	00115	11100114		BRU	*-1	
0087	00116	00000033		NOP		
0088	00117	11100043		BRU	STRT	
0089	00120	00000000	CARR	HLT		RESET SENTRY
0090	00121	01070000		LAA	= '170000	
0091	00122	03100645		STA	A511	
0092	00123	01100601		LAA	A3	
0093	00124	00000022		SAZ		
0094	00125	11100150		BRU	A4	INH CARR TRN OFF
0095	00126	00170240		AIP	'40	MIN-SEC

```

0096 00127 11100126 BRU *-1
0097 00130 00001116 LSL 9 REMOVE MIN
0098 00131 00001115 RSL 9
0099 00132 15000051 CMA ='51
0100 00133 11100152 BRU A1
0101 00134 11100141 BRU A2
0102 00135 15000131 CMA ='131
0103 00136 11100152 BRU A1
0104 00137 11100141 BRU A2
0105 00140 11100152 BRU A1
0106 00141 00130014 A2 CEU '14
0107 00142 00002000 DATA '2000 CARRIER OFF
0108 00143 11100141 BRU *-2
0109 00144 14100645 IMS A511
0110 00145 11100144 BRU *-1
0111 00146 01077700 LAA ='177700
0112 00147 03100601 STA A3 INH CARR TRN OFF
0113 00150 14100601 A4 IMS A3
0114 00151 00000033 NOP
0115 00152 00000033 A1 NOP
0116 00153 11300120 BRU* CARR
0117 *****
0118 00154 00000000 XMIT HLT
0119 00155 03100656 STA ASAV
0120 00156 04100655 STB BSAV
0121 00157 00130601 PID
0122 00160 00010001 DATA '10001
0123 00161 01100560 LAA CNTQ EQUAL 0 FIRST ENTRY
0124 00162 00000022 SAZ
0125 00163 11100172 BRU LCS1
0126 00164 01100633 LAA A151 SYNC 46114
0127 00165 00170014 AOP '14
0128 00166 11100165 BRU *-1
0129 00167 01100632 LAA A150 ==-1
0130 00170 03100560 STA CNTQ
0131 00171 11100216 BRU A104
0132 00172 01100537 LCS1 LAA CNT4 DATA WORD OR LCS
0133 00173 03100557 STA CNTL CK DATA WORD
0134 00174 00170014 AOP '14
0135 00175 11100174 BRU *-1
0136 00176 00130601 PID
0137 00177 00000002 DATA 2
0138 00200 00130600 PIE
0139 00201 00000001 DATA 1
0140 00202 01100631 LAA A147 GO TO A135
0141 00203 03100154 STA XMIT
0142 00204 00000033 A103 NOP OR BRU TO A104 F/LCS ***
0143 00205 01100554 LAA CNTH DBLE PRECESSION

```

4

```

0144 00206 02100555      LBA  CNT1      TRANSMISSIONS
0145 00207 16100543      AMB  CNT8      DATA 1
0146 00210 00000007      CSB
0147 00211 05100536      AMA  CNT3      DATA 0
0148 00212 03100554      STA  CNTH
0149 00213 04100555      STB  CNTI
0150 00214 00130600 A301 PIE      OR NOP F/MTR OFF
0151 00215 00010001      DATA '10001  OR NOP
0152 00216 00000033 A104 NOP
0153 00217 01100656      LAA  ASAV
0154 00220 02100655      LBA  BSAV
0155 00221 00000035      TOI
0156 00222 11300154      BRU* XMIT
0157 *****
0158 00223 00000000 RECV HLT
0159 00224 03100654      STA  SAVA
0160 00225 04100653      STB  SAVB
0161 00226 01100640 A303 LAA  A242      OR NOP F/TTY INTR
0162 00227 03100223      STA  RECV
0163 00230 00130601      PID
0164 00231 00000001      DATA 1
0165 00232 00170214      AIP  '14
0166 00233 11100232      BRU  *-1
0167 00234 03100637      STA  A181
0168 00235 01100637      LAA  A181
0169 00236 00000033 A114 NOP      OR TAB F-LCS
0170 00237 15100557      CMA  CNTL
0171 00240 11100242      BRU  *+2
0172 00241 11100251      BRU  A106
0173 00242 02100557      LBA  CNTL
0174 00243 00000033 A141 NOP      OR HALT
0175 00244 00000033 ERR  NOP      OR LAA W/BELL F/LCS
0176 00245 00000033      NOP      O AOP 1,W F/LCS
0177 00246 14100540      IMS  CNT5
0178 00247 00000033      NOP
0179 00250 11100262      BRU  A116
0180 00251 00000033 A106 NOP      OR BRU A116 F/LCS
0181 00252 01100541      LAA  CNT6      DEL PREC GOOD REPLY
0182 00253 02100542      LBA  CNT7
0183 00254 16100543      AMB  CNT8
0184 00255 00000007      CSB
0185 00256 05100536      AMA  CNT3
0186 00257 03100541      STA  CNT6
0187 00260 04100542      STB  CNT7
0188 00261 01100654      LAA  SAVA
0189 00262 00000033 A116 NOP
0190 00263 00130014      CEU  '14
0191 00264 00001000      DATA '1000

```

```

0192 00265 11100263 BRU *-2
0193 00266 00000033 NOP
0194 00267 00000033 NOP
0195 00270 00000035 TOI TRN OFF INTRUP
0196 00271 11300223 BRU* RECV
0197 *****
0198 * SUBROUTINE TO CHANGE OPR MODE VIA TTY KEBRD
0199 00272 00000000 TTYR HLT
0200 00273 00130601 PID
0201 00274 00000001 DATA 1
0202 00275 03100651 STA KEPA
0203 00276 04100652 STB KEPB
0204 00277 01100663 LAA NOP
0205 00300 03100226 STA A303
0206 00301 03100227 STA A303+1
0207 00302 00130600 PIE
0208 00303 00000001 DATA 1
0209 00304 00000033 NOP
0210 00305 00000033 NOP
0211 00306 00130014 CEU '14
0212 00307 00003000 DATA '3000
0213 00310 11100306 BRU *-2
0214 00311 01100537 LAA CNT4 DATA
0215 00312 03100557 STA CNTL TEST LOC
0216 00313 00170201 A105 AIP 1
0217 00314 11100313 BRU *-1
0218 00315 03100547 STA CNTC
0219 00316 00001016 LSL 8
0220 00317 00170001 AOP 1
0221 00320 11100317 BRU *-1
0222 00321 12101214 SPB CRLF
0223 00322 01100547 LAA CNTC
0224 00323 15100532 CMA N271
0225 00324 11100461 BRU SNK
0226 00325 11100461 BRU SNK
0227 00326 15100533 CMA N323
0228 00327 00000033 NOP
0229 00330 11100332 BRU **2
0230 00331 11100461 BRU SNK
0231 00332 15100567 CMA I INTERFACE ONLY
0232 00333 11100335 BRU **2
0233 00334 11100336 BRU **2
0234 00335 11100341 BRU **4
0235 00336 01100623 LAA A125
0236 00337 03100071 STA A123
0237 00340 11100473 BRU A122
0238 00341 15100566 CMA H HLT FOR REC ERR
0239 00342 11100344 BRU **2

```



6

0240	00343	11100345	BRU	**2	
0241	00344	11100350	BRU	**4	
0242	00345	00000003	CLA		
0243	00346	03100243	STA	A141	
0244	00347	11100473	BRU	A122	
0245	00350	15100572	CMA	S	SLO XMT RATE
0246	00351	11100353	BRU	**2	
0247	00352	11100354	BRU	**2	
0248	00353	11100357	BRU	**4	
0249	00354	01040000	LAA	= '140000	
0250	00355	03100534	STA	CNT1	
0251	00356	11100473	BRU	A122	
0252	00357	15100571	CMA	M	MED XMT RATE
0253	00360	11100362	BRU	**2	
0254	00361	11100363	BRU	**2	
0255	00362	11100366	BRU	**4	
0256	00363	01070000	LAA	= '170000	
0257	00364	03100534	STA	CNT1	
0258	00365	11100473	BRU	A122	
0259	00366	15100565	CMA	F	FAST XMT RATE
0260	00367	11100371	BRU	**2	
0261	00370	11100372	BRU	**2	
0262	00371	11100375	BRU	**4	
0263	00372	01077000	LAA	= '177000	
0264	00373	03100534	STA	CNT1	
0265	00374	11100473	BRU	A122	
0266	00375	15100563	CMA	C	CNT MODE
0267	00376	11100400	BRU	**2	
0268	00377	11100404	BRU	A117	
0269	00400	15100570	CMA	L	LCS
0270	00401	11100443	BRU	A113	
0271	00402	11100422	BRU	A108	
0272	00403	11100443	BRU	A113	
0273	00404	01100663	A117 LAA	NOP	
0274	00405	03100243	STA	A141	
0275	00406	03100251	STA	A106	
0276	00407	03100204	STA	A103	
0277	00410	03100244	STA	ERR	
0278	00411	03100245	STA	ERR+1	
0279	00412	03100236	STA	A114	
0280	00413	01100650	LAA	TEU	
0281	00414	03100071	STA	A123	
0282	00415	01100621	LAA	A119	LAA CNT4
0283	00416	03100172	STA	LCS1	
0284	00417	01100641	LAA	A244	DAC A243
0285	00420	03100272	STA	TTYR	
0286	00421	11100475	BRU	A126	
0287	00422	01100614	A108 LAA	A109	BRU A104

0288	00423	03100204		STA	A103	
0289	00424	01100650		LAA	TEU	
0290	00425	03100071		STA	A123	
0291	00426	01100663		LAA	NOP	
0292	00427	03100243		STA	A141	
0293	00430	01100636		LAA	A167	BRU A116
0294	00431	03100251		STA	A106	
0295	00432	01100620		LAA	A118	LCS
0296	00433	03100172		STA	LCS1	
0297	00434	01100615		LAA	A111	LAA ='103400
0298	00435	03100244		STA	ERR	
0299	00436	01100616		LAA	A112	AOP 1,W
0300	00437	03100245		STA	ERR+1	
0301	00440	01100617		LAA	A115	TAB
0302	00441	03100236		STA	A114	
0303	00442	11100473		BRU	A122	
0304	00443	15100564	A113	CMA	D	TYPE DATA
0305	00444	11100452		BRU	A134	
0306	00445	11100447		BRU	*+2	
0307	00446	11100452		BRU	A134	
0308	00447	01100622		LAA	A121	DAC ABC
0309	00450	03100272		STA	TTYR	
0310	00451	11100475		BRU	A126	
0311	00452	15100647	A134	CMA	OFF	TTY OFF
0312	00453	11100455		BRU	*+2	
0313	00454	11100456		BRU	*+2	
0314	00455	11100465		BRU	A515	
0315	00456	01100625		LAA	A133	DAC MOTR
0316	00457	03100272		STA	TTYR	
0317	00460	11100475		BRU	A126	
0318	00461	12101015	SNK	SPB	SINK	
0319	00462	01100641		LAA	A244	DAC A243
0320	00463	03100272		STA	TTYR	
0321	00464	11100475		BRU	A126	
0322	00465	02077772	A515	LBA	=-6	
0323	00466	01500675		LAA	INVA+6,1	
0324	00467	12101224		SPB	TTYO	
0325	00470	00000026		IBS		
0326	00471	11100466		BRU	*-3	
0327	00472	11100473		BRU	A122	
0328	00473	01100640	A122	LAA	A242	DAC A241
0329	00474	03100272		STA	TTYR	
0330	00475	00000033	A126	NOP		
0331	00476	00000033		NOP		
0332	00477	00130601		PID		
0333	00500	00000001		DATA	1	
0334	00501	01100643		LAA	A304	
0335	00502	03100226		STA	A303	

0336	00503	01100644	LAA	A305	
0337	00504	03100227	STA	A303+1	
0338	00505	01100651	LAA	KEPA	
0339	00506	02100652	LBA	KEPB	
0340	00507	00130600	PIE		
0341	00510	00000001	DATA	1	
0342	00511	00000035	TOI		
0343	00512	11300272	BRU*	TTYR	
0344	00513	00170621	S191	DATA	'170621
0345	00514	00170622	S192	DATA	'170622
0346	00515	00170623	S193	DATA	'170623
0347	00516	00170624	S194	DATA	'170624
0348	00517	00170625	S195	DATA	'170625
0349	00520	00170626	S196	DATA	'170626
0350	00521	00170627	S197	DATA	'170627
0351	00522	00170630	S198	DATA	'170630
0352	00523	00170631	S199	DATA	'170631
0353	00524	00170547	S167	DATA	'170547
0354	00525	00170550	S168	DATA	'170550
0355	00526	00170551	S169	DATA	'170551
0356	00527	00171502	S342	DATA	'171502
0357	00530	00171503	S343	DATA	'171503
0358	00531	00170423	S113	DATA	'170423
0359	00532	00000271	N271	DATA	'271
0360	00533	00000323	N323	DATA	'323
0361	00534	00177000	CNT1	DATA	'177000
0362	00535	00000000	CNT2	DATA	0
0363	00536	00000000	CNT3	DATA	0
0364	00537	00000000	CNT4	DATA	0
0365	00540	00000000	CNT5	DATA	0
0366	00541	00000000	CNT6	DATA	0
0367	00542	00000000	CNT7	DATA	0
0368	00543	00000001	CNT8	DATA	1
0369	00544	00001002	CNT9	DATA	'1002
0370	00545	35400223	CNTA	DAC	RECV
0371	00546	00177777	CNTB	DATA	'177777
0372	00547	00000000	CNTC	DATA	0
0373	00550	00000000	CNTD	DATA	0
0374	00551	00000000	CNTE	DATA	0
0375	00552	00140000	CNTF	DATA	'140000
0376	00553	00000000	CNTG	DATA	0
0377	00554	00000000	CNTH	DATA	0
0378	00555	00000000	CNTI	DATA	0
0379	00556	00000000	CNTJ	DATA	0
0380	00557	00000000	CNTL	DATA	0
0381	00560	00000000	CNTQ	DATA	0
0382	00561	35400154	CNTU	DAC	XMIT
0383	00562	00001003	CNTV	DATA	'1003

					DATA XMISSION WORD
					ERRORS
					GOOD REPLIES
					GOOD REPLIES
					REC INTRUP LOC
					RECEIVE CNTR
					XMT INTR FAIL
					AIP RECV CNTR
					NO OF XMISSIONS
					NO OF XMISSIONS
					CNTR PRINT TESTS STRT-STP
					XMT INTERRUPT

0384 00563 00000303 C DATA '303  
 0385 00564 00000304 D DATA '304  
 0386 00565 00000306 F DATA '306  
 0387 00566 00000310 H DATA '310  
 0388 00567 00000311 I DATA '311  
 0389 00570 00000314 L DATA '314  
 0390 00571 00000315 M DATA '315  
 0391 00572 00000323 S DATA '323  
 0392 00573 00000324 T DATA '324  
 0393 00574 00000325 U DATA '325  
 0394 00575 00000326 V DATA '326  
 0395 00576 00000327 W DATA '327  
 0396 00577 00000330 X DATA '330  
 0397 00600 00000331 Y DATA '331  
 0398 00601 00000000 A3 DATA 0  
 0399 00602 00000261 A11 DATA '261  
 0400 00603 00000262 A12 DATA '262  
 0401 00604 00000263 A13 DATA '263  
 0402 00605 00000264 A14 DATA '264  
 0403 00606 00000265 A15 DATA '265  
 0404 00607 00000266 A16 DATA '266  
 0405 00610 00000267 A17 DATA '267  
 0406 00611 00000270 A18 DATA '270  
 0407 00612 00000271 A19 DATA '271  
 0408 00613 00000000 A101 DATA 0  
 0409 00614 11100214 A109 BRU A301  
 0410 00615 01003400 A111 LAA ='103400  
 0411 00616 00170101 A112 AOP 1,W  
 0412 00617 00000005 A115 TAB  
 0413 00620 00000031 A118 LCS  
 0414 00621 01100537 A119 LAA CNT4  
 0415 00622 35401423 A121 DAC ABC  
 0416 00623 11100077 A125 BRU A124  
 0417 00624 11101365 A132 BRU MOTR  
 0418 00625 35401365 A133 DAC MOTR  
 0419 00626 00000000 A136 DATA 0  
 0420 00627 00000000 A137 DATA 0  
 0421 00630 00000000 A142 DATA 0  
 0422 00631 35400104 A147 DAC A135  
 0423 00632 00177777 A150 DATA '177777  
 0424 00633 00046114 A151 DATA '46114  
 0425 00634 35400043 A161 DAC STRT  
 0426 00635 00000000 A165 DATA 0  
 0427 00636 11100262 A167 BRU A116  
 0428 00637 00000000 A181 DATA 0  
 0429 00640 35400107 A242 DAC A241  
 0430 00641 35400024 A244 DAC A243  
 0431 00642 00010001 A302 DATA '10001

WT FOR REC INTR  
 REC INTR FAIL  
 NO AIP FAULTS

0432	00643	01100640	A304	LAA	A242	
0433	00644	03100223	A305	STA	RECV	
0434	00645	00000000	A511	DATA	0	
0435	00646	00000000	SPAC	DATA	0	
0436	00647	00000317	OFF	DATA	'317	TTY OFF
0437	00650	00130214	TEU	TEU	'14	
0438	00651	00000001	KEPA	BSS	1	
0439	00652	00000001	KEPB	BSS	1	
0440	00653	00000001	SAVB	BSS	1	
0441	00654	00000001	SAVA	BSS	1	
0442	00655	00000001	BSAV	BSS	1	
0443	00656	00000001	ASAV	BSS	1	
0444	00657	00000000	NEG4	DATA	0	
0445	00660	00000000	NEG5	DATA	0	
0446	00661	00000000	SPC6	DATA	0	
0447	00662	35400272	TTYI	DAC	TTYR	
0448	00663	00000033	NOP	NOP		
0449	00664	00130600	PIE	PIE		
0450	00665	00130417	SNS	SNS	'17	
0451	00666	00000000	ZERO	DATA	0	
0452	00667	00144716	INVA	DATA	'INVALID KEY''	
0452	00670	00153301				
0452	00671	00146311				
0452	00672	00142240				
0452	00673	00145705				
0452	00674	00154640				
0453	00675	00000120	MEMO	BSS	80	
0454	01015	00000000	SINK	HLT		
0455	01016	15100602		CMA	A11	
0456	01017	11101021		BRU	**2	
0457	01020	11101022		BRU	**2	
0458	01021	11101025		BRU	**4	
0459	01022	01100513		LAA	S191	
0460	01023	03100633		STA	A151	
0461	01024	11101166		BRU	OUT	
0462	01025	15100603		CMA	A12	
0463	01026	11101030		BRU	**2	
0464	01027	11101031		BRU	**2	
0465	01030	11101034		BRU	**4	
0466	01031	01100514		LAA	S192	
0467	01032	03100633		STA	A151	
0468	01033	11101166		BRU	OUT	
0469	01034	15100604		CMA	A13	
0470	01035	11101037		BRU	**2	
0471	01036	11101040		BRU	**2	
0472	01037	11101043		BRU	**4	
0473	01040	01100515		LAA	S193	
0474	01041	03100633		STA	A151	

0475	01042	11101166	BRU	OUT
0476	01043	15100605	CMA	A14
0477	01044	11101046	BRU	*+2
0478	01045	11101047	BRU	*+2
0479	01046	11101052	BRU	*+4
0480	01047	01100516	LAA	S194
0481	01050	03100633	STA	A151
0482	01051	11101166	BRU	OUT
0483	01052	15100606	CMA	A15
0484	01053	11101055	BRU	*+2
0485	01054	11101056	BRU	*+2
0486	01055	11101061	BRU	*+4
0487	01056	01100517	LAA	S195
0488	01057	03100633	STA	A151
0489	01060	11101166	BRU	OUT
0490	01061	15100607	CMA	A16
0491	01062	11101064	BRU	*+2
0492	01063	11101065	BRU	*+2
0493	01064	11101070	BRU	*+4
0494	01065	01100520	LAA	S196
0495	01066	03100633	STA	A151
0496	01067	11101166	BRU	OUT
0497	01070	15100610	CMA	A17
0498	01071	11101073	BRU	*+2
0499	01072	11101074	BRU	*+2
0500	01073	11101077	BRU	*+4
0501	01074	01100521	LAA	S197
0502	01075	03100633	STA	A151
0503	01076	11101166	BRU	OUT
0504	01077	15100611	CMA	A18
0505	01100	11101102	BRU	*+2
0506	01101	11101103	BRU	*+2
0507	01102	11101106	BRU	*+4
0508	01103	01100522	LAA	S198
0509	01104	03100633	STA	A151
0510	01105	11101166	BRU	OUT
0511	01106	15100612	CMA	A19
0512	01107	11101111	BRU	*+2
0513	01110	11101112	BRU	*+2
0514	01111	11101115	BRU	*+4
0515	01112	01100523	LAA	S199
0516	01113	03100633	STA	A151
0517	01114	11101166	BRU	OUT
0518	01115	15100573	CMA	T
0519	01116	11101120	BRU	*+2
0520	01117	11101121	BRU	*+2
0521	01120	11101124	BRU	*+4
0522	01121	01100531	LAA	S113

0523	01122	03100633	STA	A151	
0524	01123	11101166	BRU	OUT	
0525	01124	15100574	CMA	U	
0526	01125	11101127	BRU	**2	
0527	01126	11101130	BRU	**2	
0528	01127	11101133	BRU	**4	
0529	01130	01100524	LAA	S167	
0530	01131	03100633	STA	A151	
0531	01132	11101166	BRU	OUT	
0532	01133	15100575	CMA	V	
0533	01134	11101136	BRU	**2	
0534	01135	11101137	BRU	**2	
0535	01136	11101142	BRU	**4	
0536	01137	01100525	LAA	S168	
0537	01140	03100633	STA	A151	
0538	01141	11101166	BRU	OUT	
0539	01142	15100576	CMA	W	
0540	01143	11101145	BRU	**2	
0541	01144	11101146	BRU	**2	
0542	01145	11101151	BRU	**4	
0543	01146	01100526	LAA	S169	
0544	01147	03100633	STA	A151	
0545	01150	11101166	BRU	OUT	
0546	01151	15100577	CMA	X	
0547	01152	11101154	BRU	**2	
0548	01153	11101155	BRU	**2	
0549	01154	11101160	BRU	**4	
0550	01155	01100527	LAA	S342	
0551	01156	03100633	STA	A151	
0552	01157	11101166	BRU	OUT	
0553	01160	15100600	CMA	Y	
0554	01161	11101163	BRU	**2	
0555	01162	11101164	BRU	**2	
0556	01163	11100313	BRU	A105	
0557	01164	01100530	LAA	S343	
0558	01165	03100633	STA	A151	
0559	01166	00000033	OUT	NOP	
0560	01167	00000033		NOP	
0561	01170	00000033		NOP	
0562	01171	11301015	BRU*	SINK	
0563	01172	00000000	CLR	HLT	CLEAR DATA REGISTERS
0564	01173	01100536	LAA	CNT3	ZERO DATA
0565	01174	03100540	STA	CNT5	CLEAR ERRORS
0566	01175	03100541	STA	CNT6	GOOD REPLY
0567	01176	03100542	STA	CNT7	GOOD REPLY
0568	01177	03100554	STA	CNTH	CLR XMISSIONS
0569	01200	03100555	STA	CNTI	CLR XMISSIONS
0570	01201	03100027	STA	MNTH	CLR MONTH

0571	01202	03100032		STA DAY	CLR DAY
0572	01203	03100035		STA HOUR	CLA HOUR
0573	01204	03100040		STA MISE	CLR MIN/SEC
0574	01205	03100627		STA A137	RI FAIL
0575	01206	03100551		STA CNTE	TI FAIL
0576	01207	11301172		BRU* CLR	
0577	01210	12101172	A139	SPB CLR	
0578	01211	00000033		NOP	
0579	01212	00000033		NOP	
0580	01213	11100026		BRU BEGN	
0581	01214	00000000	CRLF	HLT	CARRIAGE RET LINE FEED
0582	01215	00170401		MOP 1	
0583	01216	00106400		DATA '106400	
0584	01217	11101215		BRU *-2	
0585	01220	00170401		MOP 1	
0586	01221	00105000		DATA '105000	
0587	01222	11101220		BRU *-2	
0588	01223	11301214		BRU* CRLF	
0589	01224	00000000	TTYO	HLT	TYPE DATA
0590	01225	00170001		AOP 1	
0591	01226	11101225		BRU *-1	
0592	01227	00001016		LSL 8	
0593	01230	00170001		AOP 1	
0594	01231	11101230		BRU *-1	
0595	01232	11301224		BRU* TTYO	
0596	01233	00000000	TTY	HLT	CONV BINARY TO ASCII
0597	01234	05000260		AMA ='260	
0598	01235	00001016		LSL 8	
0599	01236	00170001		AOP 1	
0600	01237	11101236		BRU *-1	
0601	01240	00000003		CLA	
0602	01241	11301233		BRU* TTY	
0603	01242	00000000	SPC	HLT	1 SPACE
0604	01243	00170401		MOP 1	
0605	01244	00120000		DATA '120000	
0606	01245	11101243		BRU *-2	
0607	01246	00000003		CLA	
0608	01247	11301242		BRU* SPC	
0609	01250	00000000	FLL	HLT	ARRANGE TYPE CLK DATA
0610	01251	00000413		FLL 4	
0611	01252	12101233		SPB TTY	
0612	01253	00000413		FLL 4	
0613	01254	12101233		SPB TTY	
0614	01255	12101242		SPB SPC	
0615	01256	11301250		BRU* FLL	
0616	01257	00000000	SUB1	HLT	PRINT DATE
0617	01260	12101214		SPB CRLF	
0618	01261	02077776		LBA ==-2	



0619	01262	01501641	LAA	DATE+2,1	
0620	01263	12101224	SPB	TTY0	
0621	01264	00000026	IBS		
0622	01265	11101262	BRU	*-3	
0623	01266	12101242	SPB	SPC	
0624	01267	11301257	BRU*	SUB1	
0625	01270	00000000	SUB2	HLT	PRINT MONTHS
0626	01271	00001413	FLL	12	
0627	01272	12101233	SPB	TTY	
0628	01273	00000413	FLL	4	
0629	01274	12101233	SPB	TTY	
0630	01275	12101242	SPB	SPC	
0631	01276	11301270	BRU*	SUB2	
0632	01277	00000000	SUB3	HLT	PRINT DAY-YEAR
0633	01300	12101250	SPB	FLL	
0634	01301	02101676	LBA	YEAR	
0635	01302	12101250	SPB	FLL	
0636	01303	12101214	SPB	CRLF	
0637	01304	11301277	BRU*	SUB3	
0638	01305	00000000	SUB4	HLT	PRINT TIME
0639	01306	02077776	LBA	=-2	
0640	01307	01501643	LAA	TIME+2,1	
0641	01310	12101224	SPB	TTY0	
0642	01311	00000026	IBS		
0643	01312	11101307	BRU	*-3	
0644	01313	12101242	SPB	SPC	
0645	01314	11301305	BRU*	SUB4	
0646	01315	00000000	SUB5	HLT	PRINT HOURS
0647	01316	00001013	FLL	8	
0648	01317	00000003	CLA		
0649	01320	12101250	SPB	FLL	
0650	01321	11301315	BRU*	SUB5	
0651	01322	00000000	SUB6	HLT	PRINT MIN.-SEC.
0652	01323	12101250	SPB	FLL	
0653	01324	12101250	SPB	FLL	
0654	01325	12101214	SPB	CRLF	
0655	01326	11301322	BRU*	SUB6	
0656	01327	00000000	PWRF	HLT	PWR FAIL SUBROUTINE
0657	01330	03101671	STA	PWR3	SAVE A REG
0658	01331	04101672	STB	PWR4	SAVE B REG
0659	01332	14101673	IMS	PWR5	
0660	01333	00000033	NOP		
0661	01334	01101674	LAA	PWR6	ADDR PWR UP SUB RUTNE
0662	01335	03301670	STA*	PWR2	STORE AT '1000
0663	01336	00000000	HLT		
0664	01337	00000000	PWRU	HLT	PWR UP SUB RUTNE
0665	01340	01101667	LAA	PWR1	ADDR PWR FAIL SUB RUTNE
0666	01341	03301670	STA*	PWR2	STORE AT '1000

```

0667 01342 01100534 LAA CNT1 CNTR F/STABALIZE
0668 01343 03100550 STA CNTD
0669 01344 14100550 IMS CNTD
0670 01345 11101344 BRU *-1
0671 01346 01100640 LAA A242 DAC A241
0672 01347 03101327 STA PWRF
0673 01350 00000033 NOP
0674 01351 00000033 NOP
0675 01352 00000033 NOP
0676 01353 00130114 CEU '14,W
0677 01354 00005440 DATA '5440
0678 01355 00130600 PIE
0679 01356 00010001 DATA '10001
0680 01357 00130101 CEU 1,W
0681 01360 00062200 DATA '62200
0682 01361 01101671 LAA PWR3 RELOAD A REG
0683 01362 02101672 LBA PWR4 RELOAD B REG
0684 01363 00000035 TOI TURN OFF INTRUP
0685 01364 11301327 BRU* PWRF
0686 * NEXT 20 STATEMENTS CONTROL TTY MOTOR
0687 01365 00130601 MOTR PID
0688 01366 00010001 DATA '10001
0689 01367 01100666 LAA ZERO
0690 01370 00000022 SAZ
0691 01371 11101407 BRU A131
0692 01372 00130001 CEU 1
0693 01373 00001400 DATA '1400 TTY OFF-MODE CLR
0694 01374 11101372 BRU *-2
0695 01375 01100665 LAA SNS SNS17
0696 01376 03100043 STA STRT
0697 01377 01100624 LAA A132 BRU MOTR
0698 01400 03100044 STA STRT+1
0699 01401 01100663 LAA NOP
0700 01402 03100214 STA A301
0701 01403 03100215 STA A301+1
0702 01404 01077777 LAA =-1
0703 01405 03100666 STA ZERO
0704 01406 11100025 BRU BEGN-1
0705 01407 00130001 A131 CEU 1
0706 01410 00000200 DATA '200
0707 01411 11101407 BRU *-2
0708 01412 01100664 LAA PIE
0709 01413 03100214 STA A301
0710 01414 01100642 LAA A302 '10001
0711 01415 03100215 STA A301+1
0712 01416 01100663 LAA NOP
0713 01417 03100043 STA STRT
0714 01420 03100044 STA STRT+1

```

```

0715 01421 14100666      IMS ZERO
0716 01422 00000033      NOP
0717 01423 00130601 ABC  PID
0718 01424 00010001      DATA '10001
0719 01425 00130001      CEU 1
0720 01426 00001000      DATA '1000      MODE CLR
0721 01427 11101425      BRU *-2
0722 01430 12101214      SPB CRLF
0723 01431 00130014      CEU '14
0724 01432 00002000      DATA '2000      TURN CARRIER OFF
0725 01433 11101431      BRU *-2
0726 01434 01077776      LAA =-2
0727 01435 03100556      STA CNTJ
0728 01436 02077772      LBA =-6
0729 01437 01501631      LAA STAR+6,1      TEST STARTED
0730 01440 12101224      SPB TTYO
0731 01441 00000026      IBS
0732 01442 11101437      BRU *-3
0733      * NEXT 58 STATEMENTS FETCH AND PRINT TIME AND
0734      * TRANSMISSION DATA
0735 01443 12101257 SUBS SPB SUB1      FETCH-PRINT DATA
0736 01444 02100027      LBA MNTH      FETCH-PRINT MONTH
0737 01445 12101270      SPB SUB2
0738 01446 02100032      LBA DAY      FETCH-PRINT DAY-YEAR
0739 01447 12101277      SPB SUB3
0740 01450 12101305      SPB SUB4      FETCH-PRINT TIME
0741 01451 02100035      LBA HOUR      FETCH-PRINT HOUR
0742 01452 12101315      SPB SUB5
0743 01453 02100040      LBA MISE      FETCH-PRINT MIN-SEC
0744 01454 12101322      SPB SUB6
0745 01455 12101214      SPB CRLF
0746 01456 14100556      IMS CNTJ      PRINTED TEST STOPPED
0747 01457 11101464      BRU A306
0748 01460 00130001      CEU 1
0749 01461 00062000      DATA '62000
0750 01462 11101460      BRU *-2
0751 01463 11101210      BRU A139
0752 01464 02077754 A306 LBA =-20
0753 01465 01501667      LAA HDNG+20,1
0754 01466 12101224      SPB TTYO
0755 01467 00000026      IBS
0756 01470 11101465      BRU *-3
0757 01471 12101214      SPB CRLF
0758 01472 00170401      MOP 1
0759 01473 00120000      DATA '120000
0760 01474 11101472      BRU *-2
0761 01475 01100554      LAA CNTH      DBL PREC XMISSIONS
0762 01476 02100555      LBA CNTI

```

```

0763 01477 10023420 DIV =10000 STRT CONV BIN TO ASCII
0764 01500 04100555 STB CNT1
0765 01501 00000005 TAB
0766 01502 12101567 SPB CONV
0767 01503 02100555 LBA CNT1
0768 01504 12101606 SPB CONU
0769 01505 12101545 SPB SPCS
0770 01506 01100541 LAA CNT6 DBL PREC GOOD REPLY
0771 01507 02100542 LBA CNT7
0772 01510 10023420 DIV =10000 STRT CONV BIN TO ASCII
0773 01511 04100542 STB CNT7
0774 01512 00000005 TAB
0775 01513 12101567 SPB CONV
0776 01514 02100542 LBA CNT7
0777 01515 12101606 SPB CONU
0778 01516 12101545 SPB SPCS
0779 01517 02100540 LBA CNT5 ERRORS
0780 01520 12101567 SPB CONV
0781 01521 12101214 SPB CRLF
0782 01522 12101214 SPB CRLF
0783
0784 * NEXT 8 STATEMENTS FETCH AND PRINT TIME AND
* DATE TESTS STOPPED
0785 01523 00170242 AIP '42
0786 01524 11101523 BRU *-1
0787 01525 03100027 STA MNTH
0788 01526 00170241 AIP '41
0789 01527 11101526 BRU *-1
0790 01530 03100032 STA DAY
0791 01531 00170241 AIP '41
0792 01532 11101531 BRU *-1
0793 01533 03100035 STA HOUR
0794 01534 00170240 AIP '40
0795 01535 11101534 BRU *-1
0796 01536 03100040 STA MISE
0797 01537 02077772 LBA =-6
0798 01540 01501637 LAA STOP+6,1 TEST STOPPED
0799 01541 12101224 SPB TTY0
0800 01542 00000026 IBS
0801 01543 11101540 BRU *-3
0802 01544 11101443 BRU SUBS
0803 01545 00000000 SPCS HLT 8 SPACE SUB RUTNE
0804 01546 01077771 LAA =-7
0805 01547 03100661 STA SPC6
0806 01550 00170401 MOP 1
0807 01551 00120000 DATA '120000 SPACE
0808 01552 11101550 BRU *-2
0809 01553 14100661 IMS SPC6
0810 01554 11101550 BRU SPCS+3

```

```

0811 01555 11301545 BRU* SPCS
0812 01556 00000000 SPC4 HLT 4 SPACES
0813 01557 01077774 LAA =-4
0814 01560 03100646 STA SPAC
0815 01561 00170401 MOP 1
0816 01562 00120000 DATA '120000
0817 01563 11101561 BRU *-2
0818 01564 14100646 IMS SPAC
0819 01565 11101561 BRU SPC4+3
0820 01566 11301556 BRU* SPC4
0821 01567 00000000 CONV HLT CONVERT BINARY TO ASCII
0822 01570 01077773 LAA =-5
0823 01571 03100660 STA NEG5
0824 01572 00000003 CLA
0825 01573 11101576 BRU *+3
0826 01574 00000003 CLA
0827 01575 07000012 MPY =10
0828 01576 10023420 DIV =10000
0829 01577 05000260 AMA ='260
0830 01600 00001016 LSL 8
0831 01601 00170001 AOP 1
0832 01602 11101601 BRU *-1
0833 01603 14100660 IMS NEG5
0834 01604 11101574 BRU CONV+5
0835 01605 11301567 BRU* CONV
0836 01606 00000000 CONU HLT CONVERT BIN TO ASCII
0837 01607 01077774 LAA =-4
0838 01610 03100657 STA NEG4
0839 01611 00000003 CLA
0840 01612 07000012 MPY =10
0841 01613 10023420 DIV =10000
0842 01614 05000260 AMA ='260
0843 01615 00001016 LSL 8
0844 01616 00170001 AOP 1
0845 01617 11101616 BRU *-1
0846 01620 14100657 IMS NEG4
0847 01621 11101611 BRU CONU+3
0848 01622 11301606 BRU* CONU
0849 01623 00152305 STAR DATA ''TEST STARTED''
0849 01624 00151724
0849 01625 00120323
0849 01626 00152301
0849 01627 00151324
0849 01630 00142704
0850 01631 00152305 STOP DATA ''TEST STOPPED''
0850 01632 00151724
0850 01633 00120323
0850 01634 00152317

```

```

0850 01635 00150320
0850 01636 00142704
0851 01637 00142301 DATE DATA ''DATE''
0851 01640 00152305
0852 01641 00152311 TIME DATA ''TIME''
0852 01642 00146705
0853 01643 00152322 HDNG DATA ''TRANSMISSIONS GOOD REPLY''
0853 01644 00140716
0853 01645 00151715
0853 01646 00144723
0853 01647 00151711
0853 01650 00147716
0853 01651 00151640
0853 01652 00120240
0853 01653 00120307
0853 01654 00147717
0853 01655 00142240
0853 01656 00151305
0853 01657 00150314
0853 01660 00154640
0854 01661 00120240 DATA '' ERRORS''
0854 01662 00120240
0854 01663 00120305
0854 01664 00151322
0854 01665 00147722
0854 01666 00151640
0855 01667 35401327 PWR1 DAC PWRF
0856 01670 00001000 PWR2 DATA '1000 PI ADDR
0857 01671 00000001 PWR3 BSS 1 ASAV
0858 01672 00000001 PWR4 BSS 1 BSAV
0859 01673 00000000 PWR5 DATA 0 NO OF PWR FAILURES
0860 01674 35401337 PWR6 DAC PWRU
0861 01675 00001016 IO16 DATA '1016
0862 01676 00073400 YEAR DATA '73400
0863 01677 70400000 END

A243 00024
BEGN 00026
MNTN 00027
DAY 00032
HOUR 00035
MISE 00040
STRT 00043

A123 00071
A124 00077
A135 00104
A241 00107
CARR 00120
A2 00141

```

#6 TELETYPE

PROGRAM DESCRIPTION

IDENTIFICATION: Teletype, I/O Bus, Mainframe Interface and  
Receive Interrupt Diagnostic

AUTHOR: Carl L. Thompson, Natural Gas Pipeline Company  
of America, Communications Division

ISSUED: May 16, 1976

PURPOSE: To assist the Communication Technicians with  
maintenance and repair of the teletype logic,  
I/O cable continuity, and the modem input  
interrupt logic. Program utilizes the input  
and output standard interrupts as well as the  
special modem receive input interrupt.

COMPUTER: 810A

STORAGE: 375 Octal Locations

LOADING  
PROCEDURE: Relocatable Loader, 16K modified  
Program counter, Enter '36060  
"A" Accumulator, Enter '6000  
"B" Accumulator = 0

Insert tape in reader and press start twice

This diagnostic consists of 2 programs

Program A

Start program at '6000

Program will print numbers continuously,  
60 per line, until halted. An interrupt is  
generated for printing each number. After  
each line is printed the output interrupt is  
disabled and the teletype motor is turned off  
for approximately one second before re-initial-  
izing to print next line.

To print one character continuously, type  
the letter L. This will enable the load control  
switch mode permitting the selection of a char-  
acter with control switches (0-7).

Example; to print the letter "A", set  
switches 0, 1, 7, which = '140400. All char-  
acters must be left justified as the "A" above  
for the load control switch mode. (Refer to  
table on Sheet 4).



To return to the auto mode of printing numbers, press the letter "A" on teletype.

To enable the modem receive interrupt, press the letter "R" on teletype. This function will permit testing the teletype output interrupt and the modem receive input interrupt together. Upon receipt of a valid addressed message, the receive interrupt will be generated. Since the receive interrupt has priority over the teletype interrupt, the following program change will be initiated.

1. The interrupt logic will initiate a hardware store place and branch through the memory interface cards (8201).
2. Service to the teletype interrupt will be discontinued.
3. The modem receive interrupt will be serviced. Each time the receive interrupt subroutine is serviced, the teletype bell will ring. After completion of the receive interrupt routine the program will branch back to the teletype program location at the address of interruption and continue processing until completed.

The program should never halt until halted manually and there should never be a misprinted character if operating properly.

To disable the receive interrupt press the letter "S".

#### Program B

Start program at '6500

This program prints a character that is typed from the teletype keyboard.

Both the input and output standard interrupt is generated to print a character. By printing the letter "O" and the number "0" all 16 data bit lines will be utilized on the I/O bus.

Program Modifications Via Teletype Keyboard

<u>TYPE CHARACTER</u>	<u>DESCRIPTION OF PROGRAM CHANGE</u>
A = Auto Mode	Program will type numbers 1-9 continuously, 60 per line, until halted.
L = LCS Mode	Program will print one character continuously. The character must be selected by setting control switches 0-7. See attached list labeled LCS Mode for proper switch setting.
R = Rec. Interrupt	The receive interrupt will be enabled permitting the program to service the standard teletype output interrupt and the special receive input interrupt.
S = Rec. Interrupt	The receive interrupt will be disabled. The program will continue to operate in the "Auto" or "LCS" mode, whichever is selected.

The program will initiate a print-out of "invalid request" if a character is typed other than the 4 characters above.

## LCS Mode Control Panel Switch Setting

A = '140400	0 = '130000
B = '141000	1 = '130400
C = '141400	2 = '131000
D = '142000	3 = '131400
E = '142400	4 = '132000
F = '143000	5 = '132400
G = '143400	6 = '133000
H = '144000	7 = '133400
I = '144400	8 = '134000
J = '145000	9 = '134400
K = '145400	
L = '146000	Space 120000
M = '146400	Bell 103400
N = '147000	Carriage
O = '147400	Return 106400
P = '150000	Line
Q = '150400	Feed 105000
R = '151000	
S = '151400	
T = '152000	
U = '152400	
V = '153000	
W = '153400	
X = '154000	
Y = '154400	
Z = '155000	



```

0001 *****
0002 *
0003 * TELETYPE PROGRAM
0004 * PROGRAM WILL TYPE CONTINUOUSLY UNTIL
0005 * HALTED. AN INTERRUPT IS GENERATED
0006 * AFTER EACH CHARACTER IS PRINTED. TYPE
0007 * LETTER L TO CHANGE PROG TO LCS MODE.
0008 * TYPE LETTER A TO RETURN TO AUTO MODE.
0009 * TYPE LETTER R TO ENABLE REC INTERRUPT
0010 * TYPE LETTER S TO DISABLE REC INTERRUPT
0011 * PREPARED BY CARL L THOMPSON 5-15-76
0012 *****
0012 00000 00000000 REL
0013 00000 01100241 LAA CNTD
0014 00001 03300257 STA* I017
0015 00002 01100242 LAA CNTE
0016 00003 03300256 STA* I016
0017 00004 01100252 LAA RECI
0018 00005 03300253 STA* RECL
0019 00006 00130600 PIE
0020 00007 00010001 DATA '10001
0021 00010 00000033 NOP
0022 00011 00000033 NOP
0023 00012 00000033 STRT NOP
0024 00013 00000033 NOP OR PIE F/REC INTRUP
0025 00014 00000033 NOP OR DATA I REC INTRUP
0026 00015 00130014 CEU '14
0027 00016 00001000 DATA '1000
0028 00017 11100015 BRU *-2
0029 00020 14100236 IMS CNTA
0030 00021 11100020 BRU *-1
0031 00022 14100237 IMS CNTB
0032 00023 11100022 BRU *-1
0033 00024 00130001 CEU 1
0034 00025 00072200 DATA '72200
0035 00026 11100024 BRU *-2
0036 00027 12100071 SPB CRLF
0037 00030 02077705 LBA =-59
0038 00031 01500353 LA0 LAA TBLA+59,1
0039 00032 00130600 PIE
0040 00033 00010002 DATA '10002
0041 00034 00000033 NOP
0042 00035 11100034 BRU *-1
0043 00036 00000000 PRNT HLT
0044 00037 00130601 PID
0045 00040 00010001 DATA '10001
0046 00041 05000260 AMA ='260
0047 00042 00001016 LSL 8

```

```

0048 00043 00170001 AOP 1
0049 00044 11100043 BRU *-1
0050 00045 00000026 IBS
0051 00046 11100062 BRU LAA
0052 00047 00130601 PID
0053 00050 00000001 DATA 1
0054 00051 00130601 PID
0055 00052 00010002 DATA '10002
0056 00053 01100240 LAA CNTC DAC STRT
0057 00054 03100036 STA PRNT
0058 00055 14100251 IMS CNTL
0059 00056 11100055 BRU *-1
0060 00057 00130001 CEU 1
0061 00060 00072400 DATA '72400
0062 00061 11100057 BRU *-2
0063 00062 01500353 LAA LAA TBLA+59,1
0064 00063 00000033 NOP
0065 00064 00000033 NOP
0066 00065 00130600 PIE
0067 00066 00010001 DATA '10001
0068 00067 00000035 TOI
0069 00070 11300036 BRU* PRNT
0070 00071 00000000 CRLF HLT
0071 00072 00170401 MOP 1
0072 00073 00106400 DATA '106400
0073 00074 11100072 BRU *-2
0074 00075 00170401 MOP 1
0075 00076 00105000 DATA '105000
0076 00077 11100075 BRU *-2
0077 00100 11300071 BRU* CRLF
0078 00101 00000000 TYPE HLT INPT INTERRUPT ROUTINE
0079 00102 00130601 PID
0080 00103 00010002 DATA '10002
0081 00104 00000033 NOP
0082 00105 00000033 NOP
0083 00106 00130001 CEU 1
0084 00107 00062200 DATA '62200 CON INPT-TTY ON
0085 00110 11100106 BRU *-2
0086 00111 00170201 AIP 1
0087 00112 11100111 BRU *-1
0088 00113 00001016 LSL 8
0089 00114 00170001 AOP 1
0090 00115 11100114 BRU *-1
0091 00116 15046000 CMA ='146000
0092 00117 11100121 BRU *+2
0093 00120 11100133 BRU LCSS
0094 00121 15051000 CMA ='151000
0095 00122 11100124 BRU *+2

```

0096	00123	11100142		BRU	REC	
0097	00124	15051400		CMA	'151400	
0098	00125	11100127		BRU	*+2	
0099	00126	11100150		BRU	INHR	
0100	00127	15040400		CMA	'140400	
0101	00130	11100132		BRU	*+2	
0102	00131	11100156		BRU	AUTO	
0103	00132	11100166		BRU	INVL	INVALID REQUEST
0104	00133	01100235	LCSS	LAA	LCS	CHG TO LCS MODE
0105	00134	03100031		STA	LAO	
0106	00135	03100062		STA	LAA	
0107	00136	01100234		LAA	NOP	
0108	00137	03100041		STA	PRNT+3	
0109	00140	03100042		STA	PRNT+4	
0110	00141	11100174		BRU	TOI	
0111	00142	00000033	REC	NOP		
0112	00143	01100250		LAA	CNTK	PIE
0113	00144	03100013		STA	STRT+1	
0114	00145	01000001		LAA	=1	
0115	00146	03100014		STA	STRT+2	
0116	00147	11100174		BRU	TOI	
0117	00150	00130601	INHR	PID		
0118	00151	00000001		DATA	1	
0119	00152	01100234		LAA	NOP	
0120	00153	03100013		STA	STRT+1	
0121	00154	03100014		STA	STRT+2	
0122	00155	11100174		BRU	TOI	
0123	00156	01100243	AUTO	LAA	CNTF	CHG TO AUTO MODE
0124	00157	03100031		STA	LAO	LAA TBLA+59,1
0125	00160	03100062		STA	LAA	
0126	00161	01100244		LAA	CNTG	AMA='260
0127	00162	03100041		STA	PRNT+3	
0128	00163	01100245		LAA	CNTH	LSL 8
0129	00164	03100042		STA	PRNT+4	
0130	00165	11100174		BRU	TOI	
0131	00166	12100071	INVL	SPB	CRLF	
0132	00167	02077770		LBA	--8	
0133	00170	01500371		LAA	TBLC+8,1	INVALID REQ
0134	00171	12100227		SPB	TTYO	
0135	00172	00000026		IBS		
0136	00173	11100170		BRU	*-3	
0137	00174	00000033	TOI	NOP		
0138	00175	01100240		LAA	CNTC	DAC STRT
0139	00176	03100101		STA	TYPE	
0140	00177	00000033		NOP		
0141	00200	00000033		NOP		
0142	00201	00000033		NOP		
0143	00202	00000035		TOI		

```

0144 00203 11300101 BRU* TYPE
0145 00204 00000000 RECV HLT
0146 00205 03100254 STA SAVA
0147 00206 04100255 STB SAVB
0148 00207 00130101 CEU 1,W
0149 00210 00072200 DATA '72200
0150 00211 00000033 NOP
0151 00212 00000033 NOP
0152 00213 00170214 AIP '14
0153 00214 00000033 NOP
0154 00215 14100246 IMS CNTI
0155 00216 00000033 NOP
0156 00217 01003400 LAA ='103400
0157 00220 00170101 AOP 1,W
0158 00221 01100254 LAA SAVA
0159 00222 02100255 LBA SAVB
0160 00223 00000033 NOP
0161 00224 00000033 NOP
0162 00225 00000035 TOI
0163 00226 11300204 BRU* RECV
0164 00227 00000000 TTYO HLT
0165 00230 00170101 AOP 1,W
0166 00231 00001016 LSL 8
0167 00232 00170101 AOP 1,W
0168 00233 11300227 BRU* TTYO
0169 00234 00000033 NOP NOP
0170 00235 00000031 LCS LCS
0171 00236 00000000 CNTA DATA 0
0172 00237 00000000 CNTB DATA 0
0173 00240 35400012 CNTC DAC STRT
0174 00241 35400036 CNTD DAC PRNT
0175 00242 35400101 CNTE DAC TYPE
0176 00243 01500353 CNTF LAA TBLA+59,1
0177 00244 05000260 CNTG AMA ='260
0178 00245 00001016 CNTH LSL 8
0179 00246 00000000 CNTI DATA 0
0180 00247 35400010 CNTJ DAC STRT-2
0181 00250 00130600 CNTK PIE
0182 00251 00000000 CNTL DATA 0
0183 00252 35400204 RECI DAC RECV
0184 00253 00001002 RECL DATA '1002
0185 00254 00000000 SAVA DATA 0
0186 00255 00000000 SAVB DATA 0
0187 00256 00001016 IO16 DATA '1016
0188 00257 00001017 IO17 DATA '1017
0189 00260 00000001 TBLA DATA 1,2,3,4,5,6,7,8,9,1,2,3,4,5,6,7,8,9
0189 00261 00000002
0189 00262 00000003

```



0189 00263 00000004  
0189 00264 00000005  
0189 00265 00000006  
0189 00266 00000007  
0189 00267 00000010  
0189 00270 00000011  
0189 00271 00000001  
0189 00272 00000002  
0189 00273 00000003  
0189 00274 00000004  
0189 00275 00000005  
0189 00276 00000006  
0189 00277 00000007  
0189 00300 00000010  
0189 00301 00000011  
0190 00302 00000001  
0190 00303 00000002  
0190 00304 00000003  
0190 00305 00000004  
0190 00306 00000005  
0190 00307 00000006  
0190 00310 00000007  
0190 00311 00000010  
0190 00312 00000011  
0190 00313 00000001  
0190 00314 00000002  
0190 00315 00000003  
0190 00316 00000004  
0190 00317 00000005  
0190 00320 00000006  
0190 00321 00000007  
0190 00322 00000010  
0190 00323 00000011  
0191 00324 00000001  
0191 00325 00000002  
0191 00326 00000003  
0191 00327 00000004  
0191 00330 00000005  
0191 00331 00000006  
0191 00332 00000007  
0191 00333 00000010  
0191 00334 00000011  
0191 00335 00000001  
0191 00336 00000002  
0191 00337 00000003  
0191 00340 00000004  
0191 00341 00000005  
0191 00342 00000006

DATA 1,2,3,4,5,6,7,8,9,1,2,3,4,5,6,7,8,9

DATA 1,2,3,4,5,6,7,8,9,1,2,3,4,5,6,7,8,9



0220	00525	00010002	DATA	'10002	
0221	00526	00000035	TOI		
0222	00527	11300521	BRU*	PRNN	
0223	00530	35400512	INPT	DAC	TIPE
0224	00531	35400521	OUPT	DAC	PRNN
0225	00532	70400000	END		
	STRT	00012			
	LAO	00031			
	PRNT	00036			
	LAA	00062			
	CRLF	00071			
	TYPE	00101			
	LCSS	00133			
	REC	00142			
	INHR	00150			
	AUTO	00156			
	INVL	00166			
	TOI	00174			
	RECV	00204			
	TTYO	00227			
	NOP	00234			
	LCS	00235			
	CNTA	00236			
	CNTB	00237			
	CNTC	00240			
	CNTD	00241			
	CNTE	00242			
	CNTF	00243			
	CNTG	00244			
	CNTH	00245			
	CNTI	00246			
	CNTJ	00247			
	CNTK	00250			
	CNTL	00251			
	RECI	00252			
	RECL	00253			
	SAVA	00254			
	SAVB	00255			
	IO16	00256			
	IO17	00257			
	TBLA	00260			
	TBLC	00361			
	TIPE	00512			
	PRNN	00521			
	INPT	00530			
	OUPT	00531			
ERRORS	0000	00000			

HIGH SPEED READER MODEL 2500  
MAINTENANCE AND ADJUSTMENT PROCEDURES

POWER SUPPLY OUTPUT VOLTAGES

- + 15 Volts  $\pm$  1.0 Volt
- 15 Volts  $\pm$  1.0 Volt.
- + 8.6 Volts  $\pm$  0.5 Volt

Refer to Figure 2 for checking the 15 Volts.

DC ground is not tied to chassis therefore connect ground 0v on Figure 2 or pin 19 of the test jumper plug.

The 8.6 Volts must be measured at the exciter lamp.

The slide wire adjusting resistor for lamp voltage is located on the right side of the drive motor. Adjust with an accurate meter.

LUBRICATION

Drive Motor - Add 2-3 drops of non detergent oil in front and rear holes semi-annually.

Clean pinch roller and capstan with lint free brush and N-AMYL alcohol.

PHOTO AMPLIFIER ADJUSTMENTS

Neutral Density Filter Method

- 1a. Remove cable connector 25A from teletype and connect high speed reader jumper plug to the cable.
- 1b. Remove cover from reader.
- 1c. Jumper S2, ready/load switch contacts under cover.
- 1d. Apply AC power to reader.
- 1e. Check lamp voltage (8.6v) and 15 volts as listed under power supply voltages then replace reader cover.
- 1f. Cover all nine photo diodes with neutral density filter.
- 1g. Adjust oscilloscope or DC volt meter for -15 volts, connect ground lead to jumper plug, pin 19 and probe to pin 9, sprocket signal.
- 1h. Adjust potentiometer R23 of sprocket channel circuit (see Figure 1 for R23) for an output of -15 volts.
- 1i. Slowly readjust R23 to point where sprocket output goes to 0 volts. Seek this point as accurate as possible.
- 1j. Repeat steps g, h and i for each data channel output located at pins 20 - 27 (Chan. 1 - 8).
- 1k. Perform output signal coincidence check, refer to 21.

DUTY CYCLE METHOD ( FULLY PUNCHED CIRCULAR TAPE)

- 2a. Remove cable connector 25A from teletype and connect high speed reader jumper plug to the cable.
- 2b. Remove cover from high speed reader.

- 2c. Apply AC power to reader.
- 2d. Check lamp voltage (8.6v) and 15 volts as listed under power supply voltages, then replace reader cover.
- 2e. Insert circular fully punched test tape\* in reader. Tape should run when you enable ready load switch.
- 2f. Connect scope ground lead to jumper plug pin 19 and probe to pin 9, sprocket channel. Adjust scope for one full cycle of signal equal to 10 divisions of oscilloscope scale.
- 2g. Adjust potentiometer R23, sprocket channel for -15 volts 40% of cycle and zero 0 volts for 60% of cycle. (See Figure 3a.)
- 2h. Move scope probe to data channel 1, output signal at pin 27 of H.S. reader jumper plug.
- 2i. Adjust scope for one full cycle of signal equal to 10 divisions of scope scale.
- 2j. Adjust potentiometer R23 of data channel 1. (See Figure 1) so that signal is -15 volts 70% of cycle and 0 volts for 30% of cycle as displayed in Figure 3b.
- 2k. Repeat steps h, i and j for the seven remaining data channels on test plug.
- 2l. Output Signal Coincidence Check  
This check verifies that the relative coincidence between the sprocket channel and data channel outputs is within the specified tolerance. Perform this test following any amplifier adjustments.

Connect the B channel of scope to the sprocket channel and move the A channel from data channel 1 through 8, observing the sprocket and data channel waveforms and compare the relative coincidence between the two while the reader is slewing a fully punched tape. See Figure 3c for allowable variations. If unable to meet these tolerances you may not be able to load the station program. Repair or return the reader to Station 106. Use the slow speed teletype reader for loading programs in the computer.

\*NOTE: Test tape should be checked with tape gauge for correct hole spacing. If spacing is off, readjust tape punch and punch another tape by pressing Rept key then rub out (in this order). To adjust tape punch (Mod. 33 TTY) remove cover from punch and move spring, attached to on-off assembly, forward or backward on the knotted arm.

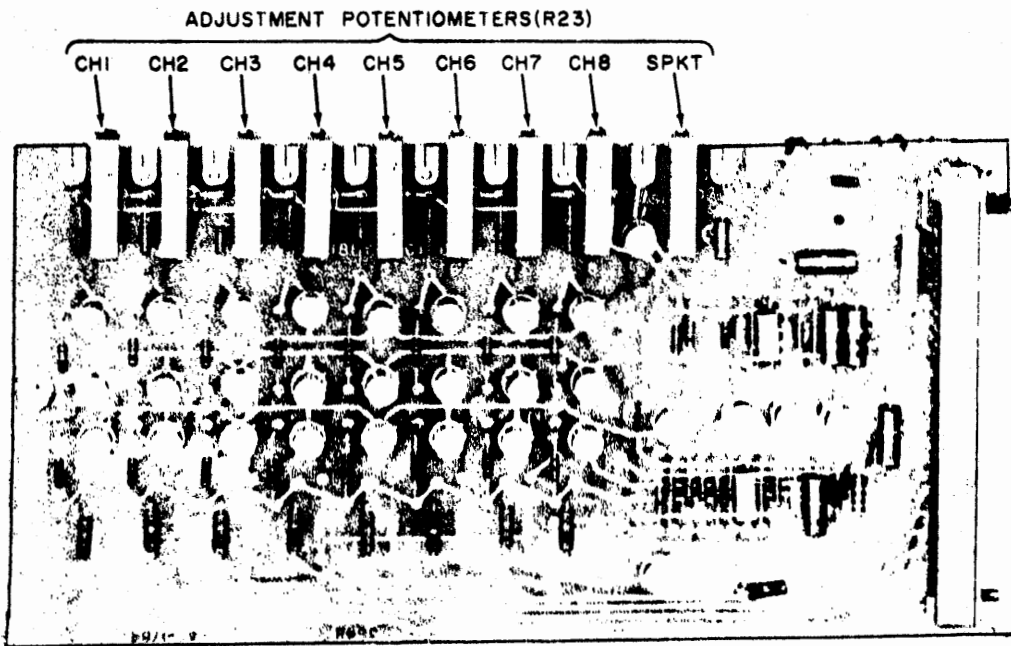


Figure 1. Amplifier Adjustment Locations

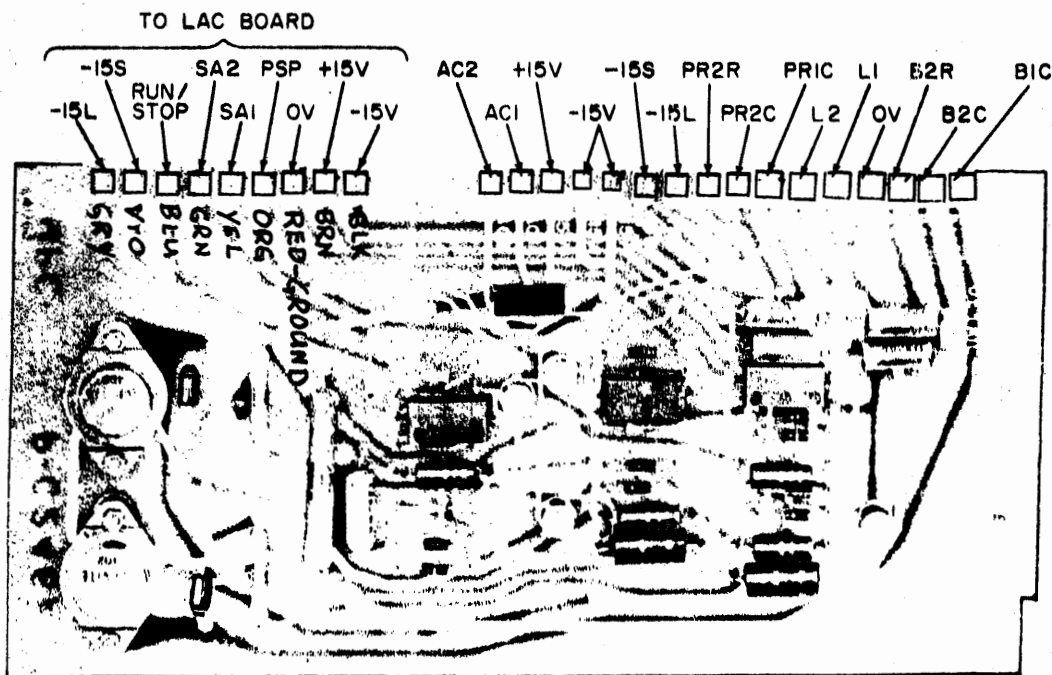


Figure 2. MPC Board Edgeboard Connections

FIGURE 3a.

Adjust the Oscilloscope to trigger on negative slope.  
 Uncalibrate the "Time Div., Delay Time" in order to display one full cycle on 10 divisions of scope scale.

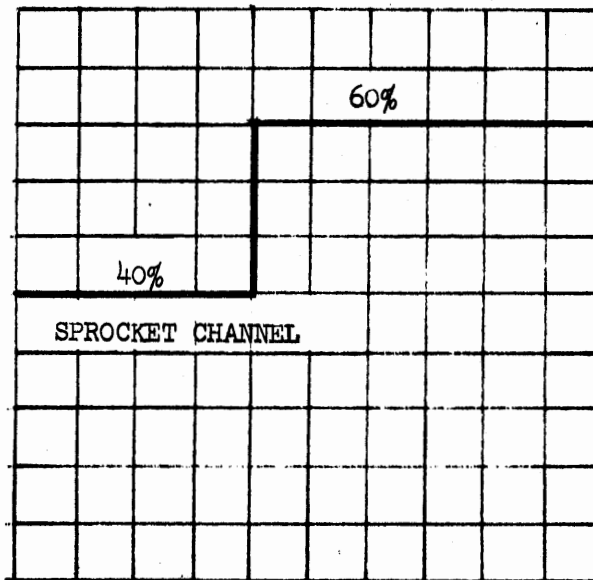


FIGURE 3b.

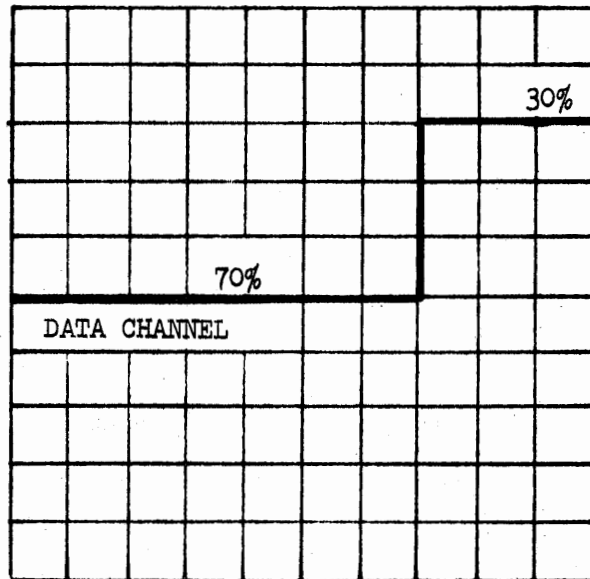
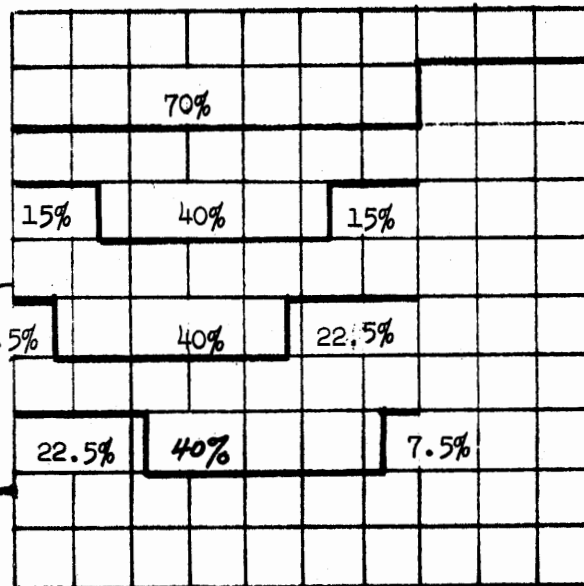


FIGURE 3c.

Relative coincidence of sprocket and data channel outputs.

DATA CHANNEL  
 SPROCKET CHANNEL  
 IDEAL



10  
2/26

#7 TRANSMISSION  
MONITOR





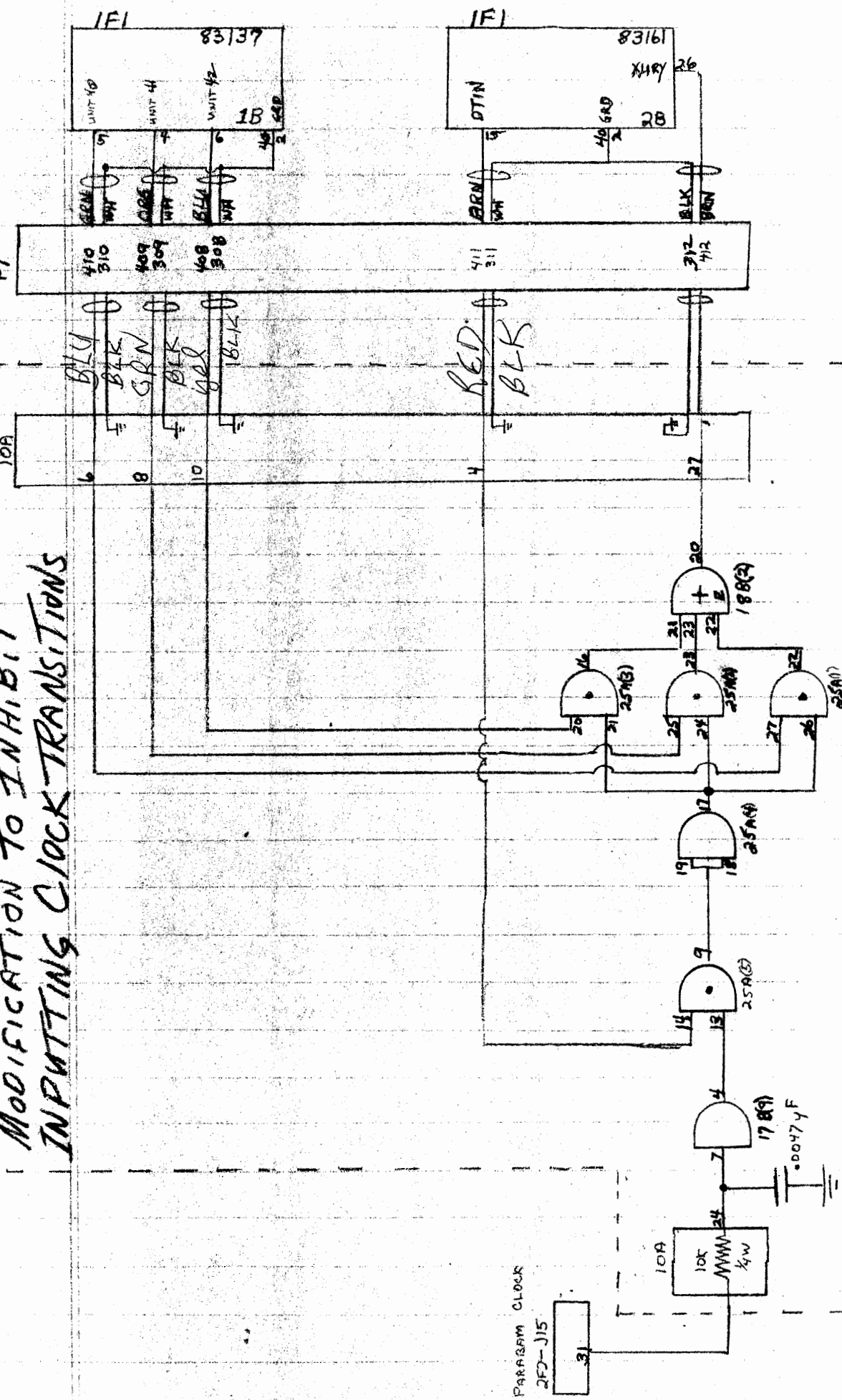
2F2

2K3

1F1

EXHIBIT 5

# MODIFICATION TO INHIBIT INPUTTING CLOCK TRANSITIONS



RJK.  
RLP.  
CLT.

25A-8520-1



PROGRAM DESCRIPTION

IDENTIFICATION: Input Status Monitor Program

AUTHOR: Carl L. Thompson  
 Natural Gas Pipeline Company of America  
 Communications Division

ISSUED: December 15, 1976

PURPOSE: To monitor and identify the status of  
 fifty nine (59) inputs to the computer.

COMPUTER: SEL 810A

STORAGE: 3240 Octal Locations

LOADING  
 PROCEDURE: Relocatable Loader, 16K Modified  
 Program Counter, Enter '36060  
 "A" Accumulator, Enter '6000  
 "B" Accumulator = 0

Insert program tape in reader and  
press start switch twice.

START PROGRAM AT LOCATION '6000

The program will identify and cause the teletype to print all true input signals associated with channel 46-51. Following the printing of input data, the program will then continuously monitor each true input for a change. If a change occurs, the program will print the channel and bit number that changed. EXAMPLE, "CHANNEL 46-14 INPUT MISSING".

This program will be useful in trouble shooting intermittent computer input signals, but will only check true inputs. For example, unauthorized entry. The program will not check this input unless you initiate the alarm to create a true input to the computer.

Following the initial print out of alarms gently tap and rake your finger across the input relay and logic cable connectors at location 1F2A and 1F1B. If an active input signal connector pin is loose or spread, the program will identify and print the channel and bit number of the signal. Remove card from cabinet and gently close the connector pin with a pair of long nose pliers. Be very careful with the fragile connector pins.

24 D OPEN 46-14  
26 D OPEN 46-12  
36 D OPEN 46-10  
4-36 D OPEN 46-8  
4-36 S OPEN 46-6  
24 S OPEN 46-4  
26 S OPEN 46-2  
36 S OPEN 46-0  
4-36 B OPEN 47-14

FUEL NO 2 ON 47-4

RECY VAL CLSE 47-3

DC PWR ON 47-1

SURGE V OPEN 47-0

MODE SELECT 2 50-15

V SHUT DN POS 50-12

INC STR SEQ 2 50-11

IN STRT SEQ 2 50-10

PERMIS STRT 2 50-9

MALF SHT DN 2 50-6

FUEL NO 1 OFF 50-5

MODE SELECT 1 51-15

BLK SIG RETRN 51-14

26 B CLOSED 51-3

36 BLOCK OPEN 51-0

-14 INPT MISSING

```

0001          * * * * *
0002          *   INPUT SIGNAL MONITOR DIAGNOSTIC   *
0003          *                                     *
0004          *   PROGRAM IDENTIFIES AND PRINTS ALL   *
0005          *   TRUE INPUT SIGNALS FOR CHANNEL 46-51 *
0006          *   THEN MONITORS EACH INPUT FOR A CHANGE. *
0007          *   IF A CHANGE OCCURS PROGRAM WILL IDEN- *
0008          *   TIFY AND PRINT CHANNEL WITH BIT NO OF *
0009          *   INPUT SIGNAL.                         *
0010          *                                     *
0011          *   PREPARED BY CARL L THOMPSON 12-15-76 *
0012          * * * * *
0013 00000 00000000      REL
0014 00000 01077760  BEGN LAA  =-16
0015 00001 03100226      STA  CT16
0016 00002 00000003      CLA
0017 00003 03500715      STA  BB1,1
0018 00004 03500735      STA  CC1,1
0019 00005 03500755      STA  DD1,1
0020 00006 03501007      STA  EE1,1
0021 00007 00000026      IBS
0022 00010 00000033      NOP
0023 00011 14100226      IMS  CT16
0024 00012 11100003      BRU  *-7
0025 00013 11100162      BRU  C46
0026 00014 00000003  STRT CLA
0027 00015 03100225      STA  CT15
0028 00016 01077760      LAA  =-16
0029 00017 03100226      STA  CT16          16 BIT CNTR
0030 00020 01000001      LAA  =1
0031 00021 03100224      STA  A2          BIT TST
0032 00022 00170246  AIP  AIP  '46
0033 00023 11100022      BRU  *-1
0034 00024 03100223      STA  A1
0035 00025 01100223  MORE LAA  A1
0036 00026 02100224      LBA  A2
0037 00027 00000027      ABA
0038 00030 00000022      SAZ          NO PRNT IF 0
0039 00031 11100046      BRU  B1A
0040 00032 02100225      LBA  CT15          INDEX CNTR
0041 00033 12100065      SPB  TEST          TST F/MISSING INPT
0042 00034 03500715      STA  BB1,1        PRNT NXT CHNG
0043 00035 01100224  HERE LAA  A2
0044 00036 00000116      LSL  1          CK NXT BIT
0045 00037 03100224      STA  A2
0046 00040 14100225      IMS  CT15
0047 00041 14100226      IMS  CT16

```

0048	00042	11100025		BRU	MORE	
0049	00043	14100234		IMS	CT4	
0050	00044	11100076		BRU	CHNG	
0051	00045	11100162		BRU	C46	
0052	00046	02100225	B1A	LBA	CT15	INDEX CNTR
0053	00047	01500715		LAA	BB1,1	FLAG F/PRNT
0054	00050	00000022		SAZ		PRNT IF 0
0055	00051	11100035		BRU	HERE	ARRANGE-TST NXT BIT
0056	00052	14500715		IMS	BB1,1	
0057	00053	01500255	THE	LAA	B1,1	ALRM MSGE PRNT OUT
0058	00054	03100057	PRNT	STA	TABL	
0059	00055	12100212		SPB	CRLF	
0060	00056	02077766		LBA	=-10	
0061	00057	01500715	TABL	LAA	TBLA+10,1	
0062	00060	12100203		SPB	TTYO	
0063	00061	00000026		IBS		
0064	00062	11100057		BRU	*-3	
0065	00063	12100212		SPB	CRLF	
0066	00064	11100035		BRU	HERE	ARRANGE-TST NXT BIT
0067	00065	00000000	TEST	HLT		TST F/ MISSING INPT
0068	00066	01500715		LAA	BB1,1	
0069	00067	00000022		SAZ		NO PRNT IF 0
0070	00070	11100072		BRU	*+2	
0071	00071	11300065		BRU*	TEST	
0072	00072	00000003		CLA		
0073	00073	03500715	TESS	STA	BB1,1	
0074	00074	01500355		LAA	B1B,1	INPT MISSING,PRNT MSGE
0075	00075	11100054		BRU	PRNT	
0076	00076	01000001	CHNG	LAA	= '1	
0077	00077	05100022		AMA	AIP	
0078	00100	03100022		STA	AIP	
0079	00101	15070247		CMA	= '170247	
0080	00102	11100104		BRU	*+2	
0081	00103	11100113		BRU	C47	
0082	00104	15070250		CMA	= '170250	
0083	00105	11100107		BRU	*+2	
0084	00106	11100130		BRU	C50	
0085	00107	15070251		CMA	= '170251	
0086	00110	00000000		HLT		
0087	00111	11100145		BRU	C51	
0088	00112	00000000		HLT		
0089	00113	01100252	C47	LAA	CCCC	
0090	00114	03100074		STA	TESS+1	
0091	00115	01100230		LAA	C1A	CH47 DATA
0092	00116	03100053		STA	THE	STA ALRM TO PRNT
0093	00117	01100240		LAA	CCC1	LAA CC1,1
0094	00120	03100047		STA	B1A+1	
0095	00121	03100066		STA	TEST+1	

0096	00122	01100241	LAA	CCC2	IMS CC1,1
0097	00123	03100052	STA	B1A+4	
0098	00124	01100242	LAA	CCC3	STA CC1,1
0099	00125	03100034	STA	HERE-1	
0100	00126	03100073	STA	TESS	
0101	00127	11100014	BRU	STRT	
0102	00130	01100253	C50	LAA	DDDD
0103	00131	03100074	STA	TESS+1	
0104	00132	01100231	LAA	D1A	CH50 DATA
0105	00133	03100053	STA	THE	STA ALRM TO PRNT
0106	00134	01100243	LAA	DDD1	LAA DD1,1
0107	00135	03100047	STA	B1A+1	
0108	00136	03100066	STA	TEST+1	
0109	00137	01100244	LAA	DDD2	IMS DD1,1
0110	00140	03100052	STA	B1A+4	
0111	00141	01100245	LAA	DDD3	STA DD1,1
0112	00142	03100034	STA	HERE-1	
0113	00143	03100073	STA	TESS	
0114	00144	11100014	BRU	STRT	
0115	00145	01100254	C51	LAA	EEEE
0116	00146	03100074	STA	TESS+1	
0117	00147	01100232	LAA	E1A	CH51 DATA
0118	00150	03100053	STA	THE	STA ALRM TO PRNT
0119	00151	01100246	LAA	EEE1	LAA EE1,1
0120	00152	03100047	STA	B1A+1	
0121	00153	03100066	STA	TEST+1	
0122	00154	01100247	LAA	EEE2	IMS EE1,1
0123	00155	03100052	STA	B1A+4	
0124	00156	01100250	LAA	EEE3	STA EE1,1
0125	00157	03100034	STA	HERE-1	
0126	00160	03100073	STA	TESS	
0127	00161	11100014	BRU	STRT	
0128	00162	01100251	C46	LAA	BBBB
0129	00163	03100074	STA	TESS+1	
0130	00164	01100227	LAA	A1A	
0131	00165	03100053	STA	THE	STA ALRM TO PRNT
0132	00166	01100233	LAA	AIP1	CH46
0133	00167	03100022	STA	AIP	
0134	00170	01100235	LAA	BBB1	LAA BB1,1
0135	00171	03100047	STA	B1A+1	
0136	00172	03100066	STA	TEST+1	
0137	00173	01100236	LAA	BBB2	IMS BB1,1
0138	00174	03100052	STA	B1A+4	
0139	00175	01100237	LAA	BBB3	STA BB1,1
0140	00176	03100034	STA	HERE-1	
0141	00177	03100073	STA	TESS	
0142	00200	01077774	LAA	=-4	
0143	00201	03100234	STA	CT4	



4

0144	00202	11100014		BRU	STRT
0145	00203	00000000	TTYO	HLT	
0146	00204	00170001		AOP	1
0147	00205	11100204		BRU	*-1
0148	00206	00001016		LSL	8
0149	00207	00170001		AOP	1
0150	00210	11100207		BRU	*-1
0151	00211	11300203		BRU*	TTYO
0152	00212	00000000	CRLF	HLT	
0153	00213	00170401		MOP	1
0154	00214	00106400		DATA	'106400
0155	00215	11100213		BRU	*-2
0156	00216	00170401		MOP	1
0157	00217	00105000		DATA	'105000
0158	00220	11100216		BRU	*-2
0159	00221	11300212		BRU*	CRLF
0160	00222	11100255	BRU	BRU	B1
0161	00223	00000000	A1	DATA	0
0162	00224	00000000	A2	DATA	0
0163	00225	00000000	CT15	DATA	0
0164	00226	00000000	CT16	DATA	0
0165	00227	01500255	A1A	LAA	B1,1
0166	00230	01500275	C1A	LAA	C1,1
0167	00231	01500315	D1A	LAA	D1,1
0168	00232	01500335	E1A	LAA	E1,1
0169	00233	00170246	AIP1	AIP	'46
0170	00234	00177774	CT4	DATA	-4
0171	00235	01500715	BBB1	LAA	BB1,1
0172	00236	14500715	BBB2	IMS	BB1,1
0173	00237	03500715	BBB3	STA	BB1,1
0174	00240	01500735	CCC1	LAA	CC1,1
0175	00241	14500735	CCC2	IMS	CC1,1
0176	00242	03500735	CCC3	STA	CC1,1
0177	00243	01500755	DDD1	LAA	DD1,1
0178	00244	14500755	DDD2	IMS	DD1,1
0179	00245	03500755	DDD3	STA	DD1,1
0180	00246	01501007	EEE1	LAA	EE1,1
0181	00247	14501007	EEE2	IMS	EE1,1
0182	00250	03501007	EEE3	STA	EE1,1
0183	00251	01500355	BBBB	LAA	B1B,1
0184	00252	01500375	CCCC	LAA	C1C,1
0185	00253	01500415	DDDD	LAA	D1D,1
0186	00254	01500435	EEEE	LAA	E1E,1
0187	00255	01500715	B1	LAA	TBLA+10,1
0188	00256	01500703	B2	LAA	TBLB+10,1
0189	00257	01500671	B3	LAA	TBLC+10,1
0190	00260	01500657	B4	LAA	TBLD+10,1
0191	00261	01500645	B5	LAA	TBLE+10,1

0192	00262	01500633	B6	LAA	TBLF+10,1
0193	00263	01500621	B7	LAA	TBLG+10,1
0194	00264	01500607	B8	LAA	TBLH+10,1
0195	00265	01500575	B9	LAA	TBLI+10,1
0196	00266	01500563	B10	LAA	TBLJ+10,1
0197	00267	01500551	B11	LAA	TBLK+10,1
0198	00270	01500537	B12	LAA	TBLL+10,1
0199	00271	01500525	B13	LAA	TBLM+10,1
0200	00272	01500513	B14	LAA	TBLN+10,1
0201	00273	01500501	B15	LAA	TBLO+10,1
0202	00274	01500467		LAA	TBLP+10,1
0203	00275	01501267	C1	LAA	TBA+10,1
0204	00276	01501255	C2	LAA	TBB+10,1
0205	00277	01501243	C3	LAA	TBC+10,1
0206	00300	01501231	C4	LAA	TBD+10,1
0207	00301	01501217	C5	LAA	TBE+10,1
0208	00302	01501205	C6	LAA	TBF+10,1
0209	00303	01501173	C7	LAA	TBG+10,1
0210	00304	01501161	C8	LAA	TBH+10,1
0211	00305	01501147	C9	LAA	TBI+10,1
0212	00306	01501135	C10	LAA	TBJ+10,1
0213	00307	01501123	C11	LAA	TBK+10,1
0214	00310	01501111	C12	LAA	TBL+10,1
0215	00311	01501077	C13	LAA	TBM+10,1
0216	00312	01501065	C14	LAA	TBN+10,1
0217	00313	01501053	C15	LAA	TBO+10,1
0218	00314	01501041		LAA	TBP+10,1
0219	00315	01501527	D1	LAA	TAA+10,1
0220	00316	01501515	D2	LAA	TAB+10,1
0221	00317	01501503	D3	LAA	TAC+10,1
0222	00320	01501471	D4	LAA	TAD+10,1
0223	00321	01501457	D5	LAA	TAE+10,1
0224	00322	01501445	D6	LAA	TAF+10,1
0225	00323	01501433	D7	LAA	TAG+10,1
0226	00324	01501421	D8	LAA	TAH+10,1
0227	00325	01501407	D9	LAA	TAI+10,1
0228	00326	01501375	D10	LAA	TAJ+10,1
0229	00327	01501363	D11	LAA	TAK+10,1
0230	00330	01501351	D12	LAA	TAL+10,1
0231	00331	01501337	D13	LAA	TAM+10,1
0232	00332	01501325	D14	LAA	TAN+10,1
0233	00333	01501313	D15	LAA	TAO+10,1
0234	00334	01501301		LAA	TAP+10,1
0235	00335	01501766	E1	LAA	TA+10,1
0236	00336	01501754	E2	LAA	TB+10,1
0237	00337	01501742	E3	LAA	TC+10,1
0238	00340	01501730	E4	LAA	TD+10,1
0239	00341	01501716	E5	LAA	TE+10,1

0240	00342	01501704	E6	LAA	TF+10,1
0241	00343	01501672	E7	LAA	TG+10,1
0242	00344	01501660	E8	LAA	TH+10,1
0243	00345	01501647	E9	LAA	TI+10,1
0244	00346	01501635	E10	LAA	TJ+10,1
0245	00347	01501623	E11	LAA	TK+10,1
0246	00350	01501611	E12	LAA	TL+10,1
0247	00351	01501577	E13	LAA	TM+10,1
0248	00352	01501565	E14	LAA	TN+10,1
0249	00353	01501553	E15	LAA	TO+10,1
0250	00354	01501541		LAA	TP+10,1
0251	00355	01502012	B1B	LAA	UBLA+10,1
0252	00356	01502024		LAA	UBLB+10,1
0253	00357	01502036		LAA	UBLC+10,1
0254	00360	01502050		LAA	UBLD+10,1
0255	00361	01502062		LAA	UBLE+10,1
0256	00362	01502074		LAA	UBLF+10,1
0257	00363	01502106		LAA	UBLG+10,1
0258	00364	01502120		LAA	UBLH+10,1
0259	00365	01502132		LAA	UBLI+10,1
0260	00366	01502144		LAA	UBLJ+10,1
0261	00367	01502156		LAA	UBLK+10,1
0262	00370	01502170		LAA	UBLL+10,1
0263	00371	01502202		LAA	UBLM+10,1
0264	00372	01502214		LAA	UBLN+10,1
0265	00373	01502226		LAA	UBL0+10,1
0266	00374	01502240		LAA	UBLP+10,1
0267	00375	01502252	C1C	LAA	UBA+10,1
0268	00376	01502264		LAA	UBB+10,1
0269	00377	01502276		LAA	UBC+10,1
0270	00400	01502310		LAA	UBD+10,1
0271	00401	01502322		LAA	UBE+10,1
0272	00402	01502334		LAA	UBF+10,1
0273	00403	01502346		LAA	UBG+10,1
0274	00404	01502360		LAA	UBH+10,1
0275	00405	01502372		LAA	UBI+10,1
0276	00406	01502404		LAA	UBJ+10,1
0277	00407	01502416		LAA	UBK+10,1
0278	00410	01502430		LAA	UBL+10,1
0279	00411	01502442		LAA	UBM+10,1
0280	00412	01502454		LAA	UBN+10,1
0281	00413	01502466		LAA	UB0+10,1
0282	00414	01502500		LAA	UBP+10,1
0283	00415	01502512	D1D	LAA	UAA+10,1
0284	00416	01502524		LAA	UAB+10,1
0285	00417	01502536		LAA	UAC+10,1
0286	00420	01502550		LAA	UAD+10,1
0287	00421	01502562		LAA	UAE+10,1

7

0288	00422	01502574	LAA	UAF+10,1		
0289	00423	01502606	LAA	UAG+10,1		
0290	00424	01502620	LAA	UAH+10,1		
0291	00425	01502632	LAA	UAI+10,1		
0292	00426	01502644	LAA	UAJ+10,1		
0293	00427	01502656	LAA	UAK+10,1		
0294	00430	01502670	LAA	UAL+10,1		
0295	00431	01502702	LAA	UAM+10,1		
0296	00432	01502714	LAA	UAN+10,1		
0297	00433	01502726	LAA	UAO+10,1		
0298	00434	01502740	LAA	UAP+10,1		
0299	00435	01503012	E1E LAA	UA+10,1		
0300	00436	01503024	LAA	UB+10,1		
0301	00437	01503036	LAA	UC+10,1		
0302	00440	01503050	LAA	UD+10,1		
0303	00441	01503062	LAA	UE+10,1		
0304	00442	01503074	LAA	UF+10,1		
0305	00443	01503106	LAA	UG+10,1		
0306	00444	01503120	LAA	UH+10,1		
0307	00445	01503132	LAA	UI+10,1		
0308	00446	01503144	LAA	UJ+10,1		
0309	00447	01503156	LAA	UK+10,1		
0310	00450	01503170	LAA	UL+10,1		
0311	00451	01503202	LAA	UM+10,1		
0312	00452	01503214	LAA	UN+10,1		
0313	00453	01503226	LAA	UO+10,1		
0314	00454	01503240	LAA	UP+10,1		
0315	00455	00131666	TBLP DATA	' '36 S OPEN	46-0	' '
0315	00456	00120323				
0315	00457	00120317				
0315	00460	00150305				
0315	00461	00147240				
0315	00462	00120240				
0315	00463	00120240				
0315	00464	00132266				
0315	00465	00126660				
0315	00466	00120240				
0316	00467	00131666	TBL0 DATA	' '36 S CLOSED	46-1	' '
0316	00470	00120323				
0316	00471	00120303				
0316	00472	00146317				
0316	00473	00151705				
0316	00474	00142240				
0316	00475	00120240				
0316	00476	00132266				
0316	00477	00126661				
0316	00500	00120240				
0317	00501	00131266	TBLN DATA	' '26 S OPEN	46-2	' '

0317 00502 00120323  
0317 00503 00120317  
0317 00504 00150305  
0317 00505 00147240  
0317 00506 00120240  
0317 00507 00120240  
0317 00510 00132266  
0317 00511 00126662  
0317 00512 00120240  
0318 00513 00131266 TBLM DATA ''26 S CLOSED 46-3 ''  
0318 00514 00120323  
0318 00515 00120303  
0318 00516 00146317  
0318 00517 00151705  
0318 00520 00142240  
0318 00521 00120240  
0318 00522 00132266  
0318 00523 00126663  
0318 00524 00120240  
0319 00525 00131264 TBLL DATA ''24 S OPEN 46-4 ''  
0319 00526 00120323  
0319 00527 00120317  
0319 00530 00150305  
0319 00531 00147240  
0319 00532 00120240  
0319 00533 00120240  
0319 00534 00132266  
0319 00535 00126664  
0319 00536 00120240  
0320 00537 00131264 TBLK DATA ''24 S CLOSED 46-5 ''  
0320 00540 00120323  
0320 00541 00120303  
0320 00542 00146317  
0320 00543 00151705  
0320 00544 00142240  
0320 00545 00120240  
0320 00546 00132266  
0320 00547 00126665  
0320 00550 00120240  
0321 00551 00132255 TBLJ DATA ''4-36 S OPEN 46-6 ''  
0321 00552 00131666  
0321 00553 00120323  
0321 00554 00120317  
0321 00555 00150305  
0321 00556 00147240  
0321 00557 00120240  
0321 00560 00132266  
0321 00561 00126666

0321 00562 00120240  
0322 00563 00132255 TBLI DATA ''4-36 S CLOSED 46-7 ''  
0322 00564 00131666  
0322 00565 00120323  
0322 00566 00120303  
0322 00567 00146317  
0322 00570 00151705  
0322 00571 00142240  
0322 00572 00132266  
0322 00573 00126667  
0322 00574 00120240  
0323 00575 00132255 TBLH DATA ''4-36 D OPEN 46-8 ''  
0323 00576 00131666  
0323 00577 00120304  
0323 00600 00120317  
0323 00601 00150305  
0323 00602 00147240  
0323 00603 00120240  
0323 00604 00132266  
0323 00605 00126670  
0323 00606 00120240  
0324 00607 00132255 TBLG DATA ''4-36 D CLOSED 46-9 ''  
0324 00610 00131666  
0324 00611 00120304  
0324 00612 00120303  
0324 00613 00146317  
0324 00614 00151705  
0324 00615 00142240  
0324 00616 00132266  
0324 00617 00126671  
0324 00620 00120240  
0325 00621 00131666 TBLF DATA ''36 D OPEN 46-10''  
0325 00622 00120304  
0325 00623 00120317  
0325 00624 00150305  
0325 00625 00147240  
0325 00626 00120240  
0325 00627 00120240  
0325 00630 00132266  
0325 00631 00126661  
0325 00632 00130240  
0326 00633 00131666 TBLE DATA ''36 D CLOSED 46-11''  
0326 00634 00120304  
0326 00635 00120303  
0326 00636 00146317  
0326 00637 00151705  
0326 00640 00142240  
0326 00641 00120240

0326 00642 00132266  
0326 00643 00126661  
0326 00644 00130640  
0327 00645 00131266 TBLD DATA ''26 D OPEN 46-12''  
0327 00646 00120304  
0327 00647 00120317  
0327 00650 00150305  
0327 00651 00147240  
0327 00652 00120240  
0327 00653 00120240  
0327 00654 00132266  
0327 00655 00126661  
0327 00656 00131240  
0328 00657 00131266 TBLC DATA ''26 D CLOSED 46-13''  
0328 00660 00120304  
0328 00661 00120303  
0328 00662 00146317  
0328 00663 00151705  
0328 00664 00142240  
0328 00665 00120240  
0328 00666 00132266  
0328 00667 00126661  
0328 00670 00131640  
0329 00671 00131264 TBLB DATA ''24 D OPEN 46-14''  
0329 00672 00120304  
0329 00673 00120317  
0329 00674 00150305  
0329 00675 00147240  
0329 00676 00120240  
0329 00677 00120240  
0329 00700 00132266  
0329 00701 00126661  
0329 00702 00132240  
0330 00703 00131264 TBLA DATA ''24 D CLOSED 46-15''  
0330 00704 00120304  
0330 00705 00120303  
0330 00706 00146317  
0330 00707 00151705  
0330 00710 00142240  
0330 00711 00120240  
0330 00712 00132266  
0330 00713 00126661  
0330 00714 00132640  
0331 00715 00000020 BB1 BSS 16  
0332 00735 00000020 CC1 BSS 16  
0333 00755 00000020 DD1 BSS 16  
0334 00775 00000012 DATA BSS 10  
0335 01007 00000020 EE1 BSS 16

0336 01027 00151725 TBP DATA ''SURGE V OPEN 47-0 ''  
0336 01030 00151307  
0336 01031 00142640  
0336 01032 00153240  
0336 01033 00147720  
0336 01034 00142716  
0336 01035 00120240  
0336 01036 00132267  
0336 01037 00126660  
0336 01040 00120240  
0337 01041 00142303 TBO DATA ''DC PWR ON 47-1 ''  
0337 01042 00120320  
0337 01043 00153722  
0337 01044 00120317  
0337 01045 00147240  
0337 01046 00120240  
0337 01047 00120240  
0337 01050 00132267  
0337 01051 00126661  
0337 01052 00120240  
0338 01053 00151305 TBN DATA ''RECY VAL OPEN 47-2 ''  
0338 01054 00141731  
0338 01055 00120326  
0338 01056 00140714  
0338 01057 00120317  
0338 01060 00150305  
0338 01061 00147240  
0338 01062 00132267  
0338 01063 00126662  
0338 01064 00120240  
0339 01065 00151305 TBM DATA ''RECY VAL CLSE 47-3 ''  
0339 01066 00141731  
0339 01067 00120326  
0339 01070 00140714  
0339 01071 00120303  
0339 01072 00146323  
0339 01073 00142640  
0339 01074 00132267  
0339 01075 00126663  
0339 01076 00120240  
0340 01077 00143325 TBL DATA ''FUEL NO 2 ON 47-4 ''  
0340 01100 00142714  
0340 01101 00120316  
0340 01102 00147640  
0340 01103 00131240  
0340 01104 00147716  
0340 01105 00120240  
0340 01106 00132267

//



0340 01107 00126664  
0340 01110 00120240  
0341 01111 00143325 TBK DATA ''FUEL NO 2 OFF 47-5 ''  
0341 01112 00142714  
0341 01113 00120316  
0341 01114 00147640  
0341 01115 00131240  
0341 01116 00147706  
0341 01117 00143240  
0341 01120 00132267  
0341 01121 00126665  
0341 01122 00120240  
0342 01123 00141317 TBJ DATA ''BOILER ALARM 47-6 ''  
0342 01124 00144714  
0342 01125 00142722  
0342 01126 00120301  
0342 01127 00146301  
0342 01130 00151315  
0342 01131 00120240  
0342 01132 00132267  
0342 01133 00126666  
0342 01134 00120240  
0343 01135 00144311 TBI DATA ''HI D GAS PRES 47-7 ''  
0343 01136 00120304  
0343 01137 00120307  
0343 01140 00140723  
0343 01141 00120320  
0343 01142 00151305  
0343 01143 00151640  
0343 01144 00132267  
0343 01145 00126667  
0343 01146 00120240  
0344 01147 00144716 TBH DATA ''INVALID 47-8 ''  
0344 01150 00153301  
0344 01151 00146311  
0344 01152 00142240  
0344 01153 00120240  
0344 01154 00120240  
0344 01155 00120240  
0344 01156 00132267  
0344 01157 00126670  
0344 01160 00120240  
0345 01161 00144716 TBG DATA ''INVALID 47-9 ''  
0345 01162 00153301  
0345 01163 00146311  
0345 01164 00142240  
0345 01165 00120240  
0345 01166 00120240

0345 01167 00120240  
0345 01170 00132267  
0345 01171 00126671  
0345 01172 00120240  
0346 01173 00144716 TBF DATA ''INVALID 47-10''  
0346 01174 00153301  
0346 01175 00146311  
0346 01176 00142240  
0346 01177 00120240  
0346 01200 00120240  
0346 01201 00120240  
0346 01202 00132267  
0346 01203 00126661  
0346 01204 00130240  
0347 01205 00144716 TBE DATA ''INVALID 47-11''  
0347 01206 00153301  
0347 01207 00146311  
0347 01210 00142240  
0347 01211 00120240  
0347 01212 00120240  
0347 01213 00120240  
0347 01214 00132267  
0347 01215 00126661  
0347 01216 00130640  
0348 01217 00146317 TBD DATA ''LO STROKE GAS 47-12''  
0348 01220 00120323  
0348 01221 00152322  
0348 01222 00147713  
0348 01223 00142640  
0348 01224 00143701  
0348 01225 00151640  
0348 01226 00132267  
0348 01227 00126661  
0348 01230 00131240  
0349 01231 00146317 TBC DATA ''LO CONTR GAS 47-13''  
0349 01232 00120303  
0349 01233 00147716  
0349 01234 00152322  
0349 01235 00120307  
0349 01236 00140723  
0349 01237 00120240  
0349 01240 00132267  
0349 01241 00126661  
0349 01242 00131640  
0350 01243 00132255 TBB DATA ''4-36 B OPEN 47-14''  
0350 01244 00131666  
0350 01245 00120302  
0350 01246 00120317

0350 01247 00150305  
0350 01250 00147240  
0350 01251 00120240  
0350 01252 00132267  
0350 01253 00126661  
0350 01254 00132240  
0351 01255 00132255 TBA DATA ''4-36 B CLOSED 47-15''  
0351 01256 00131666  
0351 01257 00120302  
0351 01260 00120303  
0351 01261 00146317  
0351 01262 00151705  
0351 01263 00142240  
0351 01264 00132267  
0351 01265 00126661  
0351 01266 00132640  
0352 01267 00141325 TAP DATA ''BURGLAR ALARM 50-0 ''  
0352 01270 00151307  
0352 01271 00146301  
0352 01272 00151240  
0352 01273 00140714  
0352 01274 00140722  
0352 01275 00146640  
0352 01276 00132660  
0352 01277 00126660  
0352 01300 00120240  
0353 01301 00143311 TAO DATA ''FIRE MAIN BLD 50-1 ''  
0353 01302 00151305  
0353 01303 00120315  
0353 01304 00140711  
0353 01305 00147240  
0353 01306 00141314  
0353 01307 00142240  
0353 01310 00132660  
0353 01311 00126661  
0353 01312 00120240  
0354 01313 00143701 TAN DATA ''GAS DETECTION 50-2 ''  
0354 01314 00151640  
0354 01315 00142305  
0354 01316 00152305  
0354 01317 00141724  
0354 01320 00144717  
0354 01321 00147240  
0354 01322 00132660  
0354 01323 00126662  
0354 01324 00120240  
0355 01325 00144716 TAM DATA ''INVALID 50-3 ''  
0355 01326 00153301

0355 01327 00146311  
0355 01330 00142240  
0355 01331 00120240  
0355 01332 00120240  
0355 01333 00120240  
0355 01334 00132660  
0355 01335 00126663  
0355 01336 00120240  
0356 01337 00143325 TAL DATA ''FUEL NO 1 ON 50-4 ''  
0356 01340 00142714  
0356 01341 00120316  
0356 01342 00147640  
0356 01343 00130640  
0356 01344 00147716  
0356 01345 00120240  
0356 01346 00132660  
0356 01347 00126664  
0356 01350 00120240  
0357 01351 00143325 TAK DATA ''FUEL NO 1 OFF 50-5 ''  
0357 01352 00142714  
0357 01353 00120316  
0357 01354 00147640  
0357 01355 00130640  
0357 01356 00147706  
0357 01357 00143240  
0357 01360 00132660  
0357 01361 00126665  
0357 01362 00120240  
0358 01363 00146701 TAJ DATA ''MALF SHT DN 2 50-6 ''  
0358 01364 00146306  
0358 01365 00120323  
0358 01366 00144324  
0358 01367 00120304  
0358 01370 00147240  
0358 01371 00131240  
0358 01372 00132660  
0358 01373 00126666  
0358 01374 00120240  
0359 01375 00146701 TAI DATA ''MALF WARN 2 50-7 ''  
0359 01376 00146306  
0359 01377 00120327  
0359 01400 00140722  
0359 01401 00147240  
0359 01402 00120240  
0359 01403 00131240  
0359 01404 00132660  
0359 01405 00126667  
0359 01406 00120240

0360 01407 00147317 TAH DATA ''NO 2 LOADED 50-8 ''  
0360 01410 00120262  
0360 01411 00120314  
0360 01412 00147701  
0360 01413 00142305  
0360 01414 00142240  
0360 01415 00120240  
0360 01416 00132660  
0360 01417 00126670  
0360 01420 00120240  
0361 01421 00150305 TAG DATA ''PERMIS STRT 2 50-9 ''  
0361 01422 00151315  
0361 01423 00144723  
0361 01424 00120323  
0361 01425 00152322  
0361 01426 00152240  
0361 01427 00131240  
0361 01430 00132660  
0361 01431 00126671  
0361 01432 00120240  
0362 01433 00144716 TAF DATA ''IN STRT SEQ 2 50-10''  
0362 01434 00120323  
0362 01435 00152322  
0362 01436 00152240  
0362 01437 00151705  
0362 01440 00150640  
0362 01441 00131240  
0362 01442 00132660  
0362 01443 00126661  
0362 01444 00130240  
0363 01445 00144716 TAE DATA ''INC STR SEQ 2 50-11''  
0363 01446 00141640  
0363 01447 00151724  
0363 01450 00151240  
0363 01451 00151705  
0363 01452 00150640  
0363 01453 00131240  
0363 01454 00132660  
0363 01455 00126661  
0363 01456 00130640  
0364 01457 00153240 TAD DATA ''V SHUT DN POS 50-12''  
0364 01460 00151710  
0364 01461 00152724  
0364 01462 00120304  
0364 01463 00147240  
0364 01464 00150317  
0364 01465 00151640  
0364 01466 00132660

0364 01467 00126661  
0364 01470 00131240  
0365 01471 00143311 TAC DATA ''FIRE AUX BLDG 50-13''  
0365 01472 00151305  
0365 01473 00120301  
0365 01474 00152730  
0365 01475 00120302  
0365 01476 00146304  
0365 01477 00143640  
0365 01500 00132660  
0365 01501 00126661  
0365 01502 00131640  
0366 01503 00151724 TAB DATA ''ST PAN C MODE 50-14''  
0366 01504 00120320  
0366 01505 00140716  
0366 01506 00120303  
0366 01507 00120315  
0366 01510 00147704  
0366 01511 00142640  
0366 01512 00132660  
0366 01513 00126661  
0366 01514 00132240  
0367 01515 00146717 TAA DATA ''MODE SELECT 2 50-15''  
0367 01516 00142305  
0367 01517 00120323  
0367 01520 00142714  
0367 01521 00142703  
0367 01522 00152240  
0367 01523 00131240  
0367 01524 00132660  
0367 01525 00126661  
0367 01526 00132640  
0368 01527 00131666 TP DATA ''36 BLOCK OPEN 51-0 ''  
0368 01530 00120302  
0368 01531 00146317  
0368 01532 00141713  
0368 01533 00120317  
0368 01534 00150305  
0368 01535 00147240  
0368 01536 00132661  
0368 01537 00126660  
0368 01540 00120240  
0369 01541 00131666 TO DATA ''36 B CLOSED 51-1 ''  
0369 01542 00120302  
0369 01543 00120303  
0369 01544 00146317  
0369 01545 00151705  
0369 01546 00142240

0369 01547 00120240  
0369 01550 00132661  
0369 01551 00126661  
0369 01552 00120240  
0370 01553 00131266 TN DATA ''26 BLOCK OPEN 51-2 ''  
0370 01554 00120302  
0370 01555 00146317  
0370 01556 00141713  
0370 01557 00120317  
0370 01560 00150305  
0370 01561 00147240  
0370 01562 00132661  
0370 01563 00126662  
0370 01564 00120240  
0371 01565 00131266 TM DATA ''26 B CLOSED 51-3 ''  
0371 01566 00120302  
0371 01567 00120303  
0371 01570 00146317  
0371 01571 00151705  
0371 01572 00142240  
0371 01573 00120240  
0371 01574 00132661  
0371 01575 00126663  
0371 01576 00120240  
0372 01577 00131264 TL DATA ''24 BLOCK OPEN 51-4 ''  
0372 01600 00120302  
0372 01601 00146317  
0372 01602 00141713  
0372 01603 00120317  
0372 01604 00150305  
0372 01605 00147240  
0372 01606 00132661  
0372 01607 00126664  
0372 01610 00120240  
0373 01611 00131264 TK DATA ''24 B CLOSED 51-5 ''  
0373 01612 00120302  
0373 01613 00120303  
0373 01614 00146317  
0373 01615 00151705  
0373 01616 00142240  
0373 01617 00120240  
0373 01620 00132661  
0373 01621 00126665  
0373 01622 00120240  
0374 01623 00146701 TJ DATA ''MALF SHT DN 1 51-6 ''  
0374 01624 00146306  
0374 01625 00120323  
0374 01626 00144324

0374 01627 00120304  
0374 01630 00147240  
0374 01631 00130640  
0374 01632 00132661  
0374 01633 00126666  
0374 01634 00120240  
0375 01635 00146701 TI DATA ''MALF WARN 1 51-7 ''  
0375 01636 00146306  
0375 01637 00120327  
0375 01640 00140722  
0375 01641 00147240  
0375 01642 00120261  
0375 01643 00120265  
0375 01644 00130655  
0375 01645 00133640  
0376 01646 00147317 TH DATA ''NO 1 LOADED 51-8 ''  
0376 01647 00120261  
0376 01650 00120314  
0376 01651 00147701  
0376 01652 00142305  
0376 01653 00142240  
0376 01654 00120240  
0376 01655 00132661  
0376 01656 00126670  
0376 01657 00120240  
0377 01660 00150305 TG DATA ''PERMIS STRT 1 51-9 ''  
0377 01661 00151315  
0377 01662 00144723  
0377 01663 00120323  
0377 01664 00152322  
0377 01665 00152240  
0377 01666 00130640  
0377 01667 00132661  
0377 01670 00126671  
0377 01671 00120240  
0378 01672 00144716 TF DATA ''IN STRT SEQ 1 51-10''  
0378 01673 00120323  
0378 01674 00152322  
0378 01675 00152240  
0378 01676 00151705  
0378 01677 00150640  
0378 01700 00130640  
0378 01701 00132661  
0378 01702 00126661  
0378 01703 00130240  
0379 01704 00144716 TE DATA ''INC STR SEQ 1 51-11''  
0379 01705 00141640  
0379 01706 00151724



0379 01707 00151240  
0379 01710 00151705  
0379 01711 00150640  
0379 01712 00130640  
0379 01713 00132661  
0379 01714 00126661  
0379 01715 00130640  
0380 01716 00153240 TD DATA ''V SHUT DN POS 51-12''  
0380 01717 00151710  
0380 01720 00152724  
0380 01721 00120304  
0380 01722 00147240  
0380 01723 00150317  
0380 01724 00151640  
0380 01725 00132661  
0380 01726 00126661  
0380 01727 00131240  
0381 01730 00151724 TC DATA ''STA BLOW DN 51-13''  
0381 01731 00140640  
0381 01732 00141314  
0381 01733 00147727  
0381 01734 00120304  
0381 01735 00147240  
0381 01736 00120240  
0381 01737 00132661  
0381 01740 00126661  
0381 01741 00131640  
0382 01742 00141314 TB DATA ''BLK SIG RETRN 51-14''  
0382 01743 00145640  
0382 01744 00151711  
0382 01745 00143640  
0382 01746 00151305  
0382 01747 00152322  
0382 01750 00147240  
0382 01751 00132661  
0382 01752 00126661  
0382 01753 00132240  
0383 01754 00146717 TA DATA ''MODE SELECT 1 51-15''  
0383 01755 00142305  
0383 01756 00120323  
0383 01757 00142714  
0383 01760 00142703  
0383 01761 00152240  
0383 01762 00130640  
0383 01763 00132661  
0383 01764 00126661  
0383 01765 00132640  
0384 01766 00000012 DOTA BSS 10

0385 02000 00141710 UBLA DATA ''CH46-15 INPT MISSING''  
0385 02001 00132266  
0385 02002 00126661  
0385 02003 00132640  
0385 02004 00144716  
0385 02005 00150324  
0385 02006 00120315  
0385 02007 00144723  
0385 02010 00151711  
0385 02011 00147307  
0386 02012 00141710 UBLB DATA ''CH46-14 INPT MISSING''  
0386 02013 00132266  
0386 02014 00126661  
0386 02015 00132240  
0386 02016 00144716  
0386 02017 00150324  
0386 02020 00120315  
0386 02021 00144723  
0386 02022 00151711  
0386 02023 00147307  
0387 02024 00141710 UBLC DATA ''CH46-13 INPT MISSING''  
0387 02025 00132266  
0387 02026 00126661  
0387 02027 00131640  
0387 02030 00144716  
0387 02031 00150324  
0387 02032 00120315  
0387 02033 00144723  
0387 02034 00151711  
0387 02035 00147307  
0388 02036 00141710 UBLD DATA ''CH46-12 INPT MISSING''  
0388 02037 00132266  
0388 02040 00126661  
0388 02041 00131240  
0388 02042 00144716  
0388 02043 00150324  
0388 02044 00120315  
0388 02045 00144723  
0388 02046 00151711  
0388 02047 00147307  
0389 02050 00141710 UBLE DATA ''CH46-11 INPT MISSING''  
0389 02051 00132266  
0389 02052 00126661  
0389 02053 00130640  
0389 02054 00144716  
0389 02055 00150324  
0389 02056 00120315  
0389 02057 00144723

0389 02060 00151711  
0389 02061 00147307  
0390 02062 00141710 UBLF DATA ''CH46-10 INPT MISSING''  
0390 02063 00132266  
0390 02064 00126661  
0390 02065 00130240  
0390 02066 00144716  
0390 02067 00150324  
0390 02070 00120315  
0390 02071 00144723  
0390 02072 00151711  
0390 02073 00147307  
0391 02074 00141710 UBLG DATA ''CH46-9 INPT MISSING''  
0391 02075 00132266  
0391 02076 00126671  
0391 02077 00120240  
0391 02100 00144716  
0391 02101 00150324  
0391 02102 00120315  
0391 02103 00144723  
0391 02104 00151711  
0391 02105 00147307  
0392 02106 00141710 UBLH DATA ''CH46-8 INPT MISSING''  
0392 02107 00132266  
0392 02110 00126670  
0392 02111 00120240  
0392 02112 00144716  
0392 02113 00150324  
0392 02114 00120315  
0392 02115 00144723  
0392 02116 00151711  
0392 02117 00147307  
0393 02120 00141710 UBLI DATA ''CH46-7 INPT MISSING''  
0393 02121 00132266  
0393 02122 00126667  
0393 02123 00120240  
0393 02124 00144716  
0393 02125 00150324  
0393 02126 00120315  
0393 02127 00144723  
0393 02130 00151711  
0393 02131 00147307  
0394 02132 00141710 UBLJ DATA ''CH46-6 INPT MISSING''  
0394 02133 00132266  
0394 02134 00126666  
0394 02135 00120240  
0394 02136 00144716  
0394 02137 00150324

0394 02140 00120315  
0394 02141 00144723  
0394 02142 00151711  
0394 02143 00147307  
0395 02144 00141710 UBLK DATA ''CH46-5 INPT MISSING''  
0395 02145 00132266  
0395 02146 00126665  
0395 02147 00120240  
0395 02150 00144716  
0395 02151 00150324  
0395 02152 00120315  
0395 02153 00144723  
0395 02154 00151711  
0395 02155 00147307  
0396 02156 00141710 UBLM DATA ''CH46-4 INPT MISSING''  
0396 02157 00132266  
0396 02160 00126664  
0396 02161 00120240  
0396 02162 00144716  
0396 02163 00150324  
0396 02164 00120315  
0396 02165 00144723  
0396 02166 00151711  
0396 02167 00147307  
0397 02170 00141710 UBLM DATA ''CH46-3 INPT MISSING''  
0397 02171 00132266  
0397 02172 00126663  
0397 02173 00120240  
0397 02174 00144716  
0397 02175 00150324  
0397 02176 00120315  
0397 02177 00144723  
0397 02200 00151711  
0397 02201 00147307  
0398 02202 00141710 UBLN DATA ''CH46-2 INPT MISSING''  
0398 02203 00132266  
0398 02204 00126662  
0398 02205 00120240  
0398 02206 00144716  
0398 02207 00150324  
0398 02210 00120315  
0398 02211 00144723  
0398 02212 00151711  
0398 02213 00147307  
0399 02214 00141710 UBLO DATA ''CH46-1 INPT MISSING''  
0399 02215 00132266  
0399 02216 00126661  
0399 02217 00120240

0399 02220 00144716  
0399 02221 00150324  
0399 02222 00120315  
0399 02223 00144723  
0399 02224 00151711  
0399 02225 00147307  
0400 02226 00141710 UBLP DATA ''CH46-0 INPT MISSING''  
0400 02227 00132266  
0400 02230 00126660  
0400 02231 00120240  
0400 02232 00144716  
0400 02233 00150324  
0400 02234 00120315  
0400 02235 00144723  
0400 02236 00151711  
0400 02237 00147307  
0401 02240 00141710 UBA DATA ''CH47-15 INPT MISSING''  
0401 02241 00132267  
0401 02242 00126661  
0401 02243 00132640  
0401 02244 00144716  
0401 02245 00150324  
0401 02246 00120315  
0401 02247 00144723  
0401 02250 00151711  
0401 02251 00147307  
0402 02252 00141710 UBB DATA ''CH47-14 INPT MISSING''  
0402 02253 00132267  
0402 02254 00126661  
0402 02255 00132240  
0402 02256 00144716  
0402 02257 00150324  
0402 02260 00120315  
0402 02261 00144723  
0402 02262 00151711  
0402 02263 00147307  
0403 02264 00141710 UBC DATA ''CH47-13 INPT MISSING''  
0403 02265 00132267  
0403 02266 00126661  
0403 02267 00131640  
0403 02270 00144716  
0403 02271 00150324  
0403 02272 00120315  
0403 02273 00144723  
0403 02274 00151711  
0403 02275 00147307  
0404 02276 00141710 UBD DATA ''CH47-12 INPT MISSING''  
0404 02277 00132267

0404	02300	00126661		
0404	02301	00131240		
0404	02302	00144716		
0404	02303	00150324		
0404	02304	00120315		
0404	02305	00144723		
0404	02306	00151711		
0404	02307	00147307		
0405	02310	00141710	UBE	DATA ''CH47-11 INPT MISSING''
0405	02311	00132267		
0405	02312	00126661		
0405	02313	00130640		
0405	02314	00144716		
0405	02315	00150324		
0405	02316	00120315		
0405	02317	00144723		
0405	02320	00151711		
0405	02321	00147307		
0406	02322	00141710	UBF	DATA ''CH47-10 INPT MISSING''
0406	02323	00132267		
0406	02324	00126661		
0406	02325	00130240		
0406	02326	00144716		
0406	02327	00150324		
0406	02330	00120315		
0406	02331	00144723		
0406	02332	00151711		
0406	02333	00147307		
0407	02334	00141710	UBG	DATA ''CH47-9 INPT MISSING''
0407	02335	00132267		
0407	02336	00126671		
0407	02337	00120240		
0407	02340	00144716		
0407	02341	00150324		
0407	02342	00120315		
0407	02343	00144723		
0407	02344	00151711		
0407	02345	00147307		
0408	02346	00141710	UBH	DATA ''CH47-8 INPT MISSING''
0408	02347	00132267		
0408	02350	00126670		
0408	02351	00120240		
0408	02352	00144716		
0408	02353	00150324		
0408	02354	00120315		
0408	02355	00144723		
0408	02356	00151711		
0408	02357	00147307		

0409 02360 00141710 UBI DATA ''CH47-7 INPT MISSING''  
0409 02361 00132267  
0409 02362 00126667  
0409 02363 00120240  
0409 02364 00144716  
0409 02365 00150324  
0409 02366 00120315  
0409 02367 00144723  
0409 02370 00151711  
0409 02371 00147307  
0410 02372 00141710 UBJ DATA ''CH47-6 INPT MISSING''  
0410 02373 00132267  
0410 02374 00126666  
0410 02375 00120240  
0410 02376 00144716  
0410 02377 00150324  
0410 02400 00120315  
0410 02401 00144723  
0410 02402 00151711  
0410 02403 00147307  
0411 02404 00141710 UBK DATA ''CH47-5 INPT MISSING''  
0411 02405 00132267  
0411 02406 00126665  
0411 02407 00120240  
0411 02410 00144716  
0411 02411 00150324  
0411 02412 00120315  
0411 02413 00144723  
0411 02414 00151711  
0411 02415 00147307  
0412 02416 00141710 UBL DATA ''CH47-4 INPT MISSING''  
0412 02417 00132267  
0412 02420 00126664  
0412 02421 00120240  
0412 02422 00144716  
0412 02423 00150324  
0412 02424 00120315  
0412 02425 00144723  
0412 02426 00151711  
0412 02427 00147307  
0413 02430 00141710 UBM DATA ''CH47-3 INPT MISSING''  
0413 02431 00132267  
0413 02432 00126663  
0413 02433 00120240  
0413 02434 00144716  
0413 02435 00150324  
0413 02436 00120315  
0413 02437 00144723

0413 02440 00151711  
0413 02441 00147307  
0414 02442 00141710 UBN DATA ''CH47-2 INPT MISSING''  
0414 02443 00132267  
0414 02444 00126662  
0414 02445 00120240  
0414 02446 00144716  
0414 02447 00150324  
0414 02450 00120315  
0414 02451 00144723  
0414 02452 00151711  
0414 02453 00147307  
0415 02454 00141710 UBO DATA ''CH47-1 INPT MISSING''  
0415 02455 00132267  
0415 02456 00126661  
0415 02457 00120240  
0415 02460 00144716  
0415 02461 00150324  
0415 02462 00120315  
0415 02463 00144723  
0415 02464 00151711  
0415 02465 00147307  
0416 02466 00141710 UBP DATA ''CH47-0 INPT MISSING''  
0416 02467 00132267  
0416 02470 00126660  
0416 02471 00120240  
0416 02472 00144716  
0416 02473 00150324  
0416 02474 00120315  
0416 02475 00144723  
0416 02476 00151711  
0416 02477 00147307  
0417 02500 00141710 UAA DATA ''CH50-15 INPT MISSING''  
0417 02501 00132660  
0417 02502 00126661  
0417 02503 00132640  
0417 02504 00144716  
0417 02505 00150324  
0417 02506 00120315  
0417 02507 00144723  
0417 02510 00151711  
0417 02511 00147307  
0418 02512 00141710 UAB DATA ''CH50-14 INPT MISSING''  
0418 02513 00132660  
0418 02514 00126661  
0418 02515 00132240  
0418 02516 00144716  
0418 02517 00150324



0418 02520 00120315  
0418 02521 00144723  
0418 02522 00151711  
0418 02523 00147307  
0419 02524 00141710 UAC DATA ''CH50-13 INPT MISSING''  
0419 02525 00132660  
0419 02526 00126661  
0419 02527 00131640  
0419 02530 00144716  
0419 02531 00150324  
0419 02532 00120315  
0419 02533 00144723  
0419 02534 00151711  
0419 02535 00147307  
0420 02536 00141710 UAD DATA ''CH50-12 INPT MISSING''  
0420 02537 00132660  
0420 02540 00126661  
0420 02541 00131240  
0420 02542 00144716  
0420 02543 00150324  
0420 02544 00120315  
0420 02545 00144723  
0420 02546 00151711  
0420 02547 00147307  
0421 02550 00141710 UAE DATA ''CH50-11 INPT MISSING''  
0421 02551 00132660  
0421 02552 00126661  
0421 02553 00130640  
0421 02554 00144716  
0421 02555 00150324  
0421 02556 00120315  
0421 02557 00144723  
0421 02560 00151711  
0421 02561 00147307  
0422 02562 00141710 UAF DATA ''CH50-10 INPT MISSING''  
0422 02563 00132660  
0422 02564 00126661  
0422 02565 00130240  
0422 02566 00144716  
0422 02567 00150324  
0422 02570 00120315  
0422 02571 00144723  
0422 02572 00151711  
0422 02573 00147307  
0423 02574 00141710 UAG DATA ''CH50-9 INPT MISSING''  
0423 02575 00132660  
0423 02576 00126671  
0423 02577 00120240

0423	02600	00144716		
0423	02601	00150324		
0423	02602	00120315		
0423	02603	00144723		
0423	02604	00151711		
0423	02605	00147307		
0424	02606	00141710	UAH	DATA ''CH50-8 INPT MISSING''
0424	02607	00132660		
0424	02610	00126670		
0424	02611	00120240		
0424	02612	00144716		
0424	02613	00150324		
0424	02614	00120315		
0424	02615	00144723		
0424	02616	00151711		
0424	02617	00147307		
0425	02620	00141710	UAI	DATA ''CH50-7 INPT MISSING''
0425	02621	00132660		
0425	02622	00126667		
0425	02623	00120240		
0425	02624	00144716		
0425	02625	00150324		
0425	02626	00120315		
0425	02627	00144723		
0425	02630	00151711		
0425	02631	00147307		
0426	02632	00141710	UAJ	DATA ''CH50-6 INPT MISSING''
0426	02633	00132660		
0426	02634	00126666		
0426	02635	00120240		
0426	02636	00144716		
0426	02637	00150324		
0426	02640	00120315		
0426	02641	00144723		
0426	02642	00151711		
0426	02643	00147307		
0427	02644	00141710	UAK	DATA ''CH50-5 INPT MISSING''
0427	02645	00132660		
0427	02646	00126665		
0427	02647	00120240		
0427	02650	00144716		
0427	02651	00150324		
0427	02652	00120315		
0427	02653	00144723		
0427	02654	00151711		
0427	02655	00147307		
0428	02656	00141710	UAL	DATA ''CH50-4 INPT MISSING''
0428	02657	00132660		

0428	02660	00126664			
0428	02661	00120240			
0428	02662	00144716			
0428	02663	00150324			
0428	02664	00120315			
0428	02665	00144723			
0428	02666	00151711			
0428	02667	00147307			
0429	02670	00141710	UAM	DATA	'CH50-3 INPT MISSING'
0429	02671	00132660			
0429	02672	00126663			
0429	02673	00120240			
0429	02674	00144716			
0429	02675	00150324			
0429	02676	00120315			
0429	02677	00144723			
0429	02700	00151711			
0429	02701	00147307			
0430	02702	00141710	UAN	DATA	'CH50-2 INPT MISSING'
0430	02703	00132660			
0430	02704	00126662			
0430	02705	00120240			
0430	02706	00144716			
0430	02707	00150324			
0430	02710	00120315			
0430	02711	00144723			
0430	02712	00151711			
0430	02713	00147307			
0431	02714	00141710	UAO	DATA	'CH50-1 INPT MISSING'
0431	02715	00132660			
0431	02716	00126661			
0431	02717	00120240			
0431	02720	00144716			
0431	02721	00150324			
0431	02722	00120315			
0431	02723	00144723			
0431	02724	00151711			
0431	02725	00147307			
0432	02726	00141710	UAP	DATA	'CH50-0 INPT MISSING'
0432	02727	00132660			
0432	02730	00126660			
0432	02731	00120240			
0432	02732	00144716			
0432	02733	00150324			
0432	02734	00120315			
0432	02735	00144723			
0432	02736	00151711			
0432	02737	00147307			

0433 02740 00000040 DETA BSS 32  
0434 03000 00141710 UA DATA ''CH51-15 INPT MISSING''  
0434 03001 00132661  
0434 03002 00126661  
0434 03003 00132640  
0434 03004 00144716  
0434 03005 00150324  
0434 03006 00120315  
0434 03007 00144723  
0434 03010 00151711  
0434 03011 00147307  
0435 03012 00141710 UB DATA ''CH51-14 INPT MISSING''  
0435 03013 00132661  
0435 03014 00126661  
0435 03015 00132240  
0435 03016 00144716  
0435 03017 00150324  
0435 03020 00120315  
0435 03021 00144723  
0435 03022 00151711  
0435 03023 00147307  
0436 03024 00141710 UC DATA ''CH51-13 INPT MISSING''  
0436 03025 00132661  
0436 03026 00126661  
0436 03027 00131640  
0436 03030 00144716  
0436 03031 00150324  
0436 03032 00120315  
0436 03033 00144723  
0436 03034 00151711  
0436 03035 00147307  
0437 03036 00141710 UD DATA ''CH51-12 INPT MISSING''  
0437 03037 00132661  
0437 03040 00126661  
0437 03041 00131240  
0437 03042 00144716  
0437 03043 00150324  
0437 03044 00120315  
0437 03045 00144723  
0437 03046 00151711  
0437 03047 00147307  
0438 03050 00141710 UE DATA ''CH51-11 INPT MISSING''  
0438 03051 00132661  
0438 03052 00126661  
0438 03053 00130640  
0438 03054 00144716  
0438 03055 00150324  
0438 03056 00120315

0438 03057 00144723  
0438 03060 00151711  
0438 03061 00147307  
0439 03062 00141710 UF DATA ''CH51-10 INPT MISSING''  
0439 03063 00132661  
0439 03064 00126661  
0439 03065 00130240  
0439 03066 00144716  
0439 03067 00150324  
0439 03070 00120315  
0439 03071 00144723  
0439 03072 00151711  
0439 03073 00147307  
0440 03074 00141710 UG DATA ''CH51-9 INPT MISSING''  
0440 03075 00132661  
0440 03076 00126671  
0440 03077 00120240  
0440 03100 00144716  
0440 03101 00150324  
0440 03102 00120315  
0440 03103 00144723  
0440 03104 00151711  
0440 03105 00147307  
0441 03106 00141710 UH DATA ''CH51-8 INPT MISSING''  
0441 03107 00132661  
0441 03110 00126670  
0441 03111 00120240  
0441 03112 00144716  
0441 03113 00150324  
0441 03114 00120315  
0441 03115 00144723  
0441 03116 00151711  
0441 03117 00147307  
0442 03120 00141710 UI DATA ''CH51-7 INPT MISSING''  
0442 03121 00132661  
0442 03122 00126667  
0442 03123 00120240  
0442 03124 00144716  
0442 03125 00150324  
0442 03126 00120315  
0442 03127 00144723  
0442 03130 00151711  
0442 03131 00147307  
0443 03132 00141710 UJ DATA ''CH51-6 INPT MISSING''  
0443 03133 00132661  
0443 03134 00126666  
0443 03135 00120240  
0443 03136 00144716

0443 03137 00150324  
0443 03140 00120315  
0443 03141 00144723  
0443 03142 00151711  
0443 03143 00147307  
0444 03144 00141710 UK DATA ''CH51-5 INPT MISSING''  
0444 03145 00132661  
0444 03146 00126665  
0444 03147 00120240  
0444 03150 00144716  
0444 03151 00150324  
0444 03152 00120315  
0444 03153 00144723  
0444 03154 00151711  
0444 03155 00147307  
0445 03156 00141710 UL DATA ''CH51-4 INPT MISSING''  
0445 03157 00132661  
0445 03160 00126664  
0445 03161 00120240  
0445 03162 00144716  
0445 03163 00150324  
0445 03164 00120315  
0445 03165 00144723  
0445 03166 00151711  
0445 03167 00147307  
0446 03170 00141710 UM DATA ''CH51-3 INPT MISSING''  
0446 03171 00132661  
0446 03172 00126663  
0446 03173 00120240  
0446 03174 00144716  
0446 03175 00150324  
0446 03176 00120315  
0446 03177 00144723  
0446 03200 00151711  
0446 03201 00147307  
0447 03202 00141710 UN DATA ''CH51-2 INPT MISSING''  
0447 03203 00132661  
0447 03204 00126662  
0447 03205 00120240  
0447 03206 00144716  
0447 03207 00150324  
0447 03210 00120315  
0447 03211 00144723  
0447 03212 00151711  
0447 03213 00147307  
0448 03214 00141710 UO DATA ''CH51-1 INPT MISSING''  
0448 03215 00132661  
0448 03216 00126661

0448 03217 00120240  
0448 03220 00144716  
0448 03221 00150324  
0448 03222 00120315  
0448 03223 00144723  
0448 03224 00151711  
0448 03225 00147307  
0449 03226 00141710 UP DATA 'CH51-0 INPT MISSING'  
0449 03227 00132661  
0449 03230 00126660  
0449 03231 00120240  
0449 03232 00144716  
0449 03233 00150324  
0449 03234 00120315  
0449 03235 00144723  
0449 03236 00151711  
0449 03237 00147307  
0450 03240 70400000 END  
BEGN 00000  
STRT 00014  
AIP 00022  
MORE 00025  
HERE 00035  
B1A 00046  
THE 00053  
PRNT 00054  
TABL 00057  
TEST 00065  
TESS 00073  
CHNG 00076  
C47 00113  
C50 00130  
C51 00145  
C46 00162  
TTYO 00203  
CRLF 00212  
BRU 00222  
A1 00223  
A2 00224  
CT15 00225  
CT16 00226  
A1A 00227  
C1A 00230  
D1A 00231  
E1A 00232  
AIP1 00233  
CT4 00234  
BBB1 00235

BBB2	00236
BBB3	00237
CCC1	00240
CCC2	00241
CCC3	00242
DDD1	00243
DDD2	00244
DDD3	00245
EEE1	00246
EEE2	00247
EEE3	00250
BBBB	00251
CCCC	00252
DDDD	00253
EEEE	00254
B1	00255
B2	00256
B3	00257
B4	00260
B5	00261
B6	00262
B7	00263
B8	00264
B9	00265
B10	00266
B11	00267
B12	00270
B13	00271
B14	00272
B15	00273
C1	00275
C2	00276
C3	00277
C4	00300
C5	00301
C6	00302
C7	00303
C8	00304
C9	00305
C10	00306
C11	00307
C12	00310
C13	00311
C14	00312
C15	00313
D1	00315
D2	00316
D3	00317



D4	00320
D5	00321
D6	00322
D7	00323
D8	00324
D9	00325
D10	00326
D11	00327
D12	00330
D13	00331
D14	00332
D15	00333
E1	00335
E2	00336
E3	00337
E4	00340
E5	00341
E6	00342
E7	00343
E8	00344
E9	00345
E10	00346
E11	00347
E12	00350
E13	00351
E14	00352
E15	00353
B1B	00355
C1C	00375
D1D	00415
E1E	00435
TBLP	00455
TBLO	00467
TBLN	00501
TBLM	00513
TBLL	00525
TBLK	00537
TBLJ	00551
TBLI	00563
TBLH	00575
TBLG	00607
TBLF	00621
TBLE	00633
TBLD	00645
TBLC	00657
TBLB	00671
TBLA	00703
BB1	00715

CC1	00735
DD1	00755
DATA	00775
EE1	01007
TBP	01027
TBO	01041
TBN	01053
TBM	01065
TBL	01077
TBK	01111
TBJ	01123
TBI	01135
TBH	01147
TBG	01161
TBF	01173
TBE	01205
TBD	01217
TBC	01231
TBB	01243
TBA	01255
TAP	01267
TAO	01301
TAN	01313
TAM	01325
TAL	01337
TAK	01351
TAJ	01363
TAI	01375
TAH	01407
TAG	01421
TAF	01433
TAE	01445
TAD	01457
TAC	01471
TAB	01503
TAA	01515
TP	01527
TO	01541
TN	01553
TM	01565
TL	01577
TK	01611
TJ	01623
TI	01635
TH	01646
TG	01660
TF	01672
TE	01704

TD	01716
TC	01730
TB	01742
TA	01754
DOTA	01766
UBLA	02000
UBLB	02012
UBLC	02024
UBLD	02036
UBLE	02050
UBLF	02062
UBLG	02074
UBLH	02106
UBLI	02120
UBLJ	02132
UBLK	02144
UBLL	02156
UBLM	02170
UBLN	02202
UBLO	02214
UBLP	02226
UBA	02240
UBB	02252
UBC	02264
UBD	02276
UBE	02310
UBF	02322
UBG	02334
UBH	02346
UBI	02360
UBJ	02372
UBK	02404
UBL	02416
UBM	02430
UBN	02442
UBO	02454
UBP	02466
UAA	02500
UAB	02512
UAC	02524
UAD	02536
UAE	02550
UAF	02562
UAG	02574
UAH	02606
UAI	02620
UAJ	02632
UAK	02644

UAL	02656
UAM	02670
UAN	02702
UAO	02714
UAP	02726
DETA	02740
UA	03000
UB	03012
UC	03024
UD	03036
UE	03050
UF	03062
UG	03074
UH	03106
UI	03120
UJ	03132
UK	03144
UL	03156
UM	03170
UN	03202
UO	03214
UP	03226
ERRORS 0000	00000

#30001E/F  
LOAD-DUMP

PROGRAM DESCRIPTION

CATALOG NO. 300001E Modified

DATE 1 September 1970

REVISED 17 May 1972

PROGRAM TITLE: SYSTEMS 810A/B STANDARD LOAD/DUMP PACKAGE MODIFIED  
8K OR 16K MEMORY

PURPOSE: To provide capability for:  
(1) loading relocatable object programs generated  
by the SYSTEMS 810A/B Macro-Assembler or SYSTEMS  
810A/B FORTRAN IV Compiler;  
(2) dumping selected areas of memory in absolute  
binary format;  
(3) loading object modules generated by the abso-  
lute dump function.

CONFIGURATION: SYSTEMS 810A/B with ASR-33 and High Speed Paper  
Tape Reader.

PROGRAM LANGUAGE: SYSTEMS 810A/B Assembly Language

SIZE: 2000<sub>8</sub>

## LOADING PROCEDURE:

The 300001E Modified Standard Load/Dump program is loaded directly into upper 8K or upper 16K of memory via the modified bootstrap program. The modified 300001E Load/Dump program made for upper 8K will not function or load in upper 16K and the 300001E Load/Dump program modified for upper 16K will not function or load in upper 8K memory.

The procedure required to load this package includes:

- (1) MASTER CLEAR the computer;
- (2) Manually enter the modified Binary Bootstrap Loader (below) at locations 0-17<sub>8</sub>:

<u>OCTAL LOCATION</u>	<u>8K OCTAL CODING</u>	<u>16K OCTAL CODING</u>
0	130101	130101
1	004000	004000
2	170301	170301
3	000022	000022
4	111006	111006
5	111002	111002
6	170301	170301
7	001016	001016
10	174301	174301
11	033016	033016
12	000022	000022
13	000026	000026
14	113017	113017
15	111006	111006
16	117671	137671
17	017673	037673

- (3) Position the appropriate 8K or 16K Modified Standard Load/Dump program (300001E Modified) on the high speed tape reader
- (4) Master Clear and depress "START" twice

The 300001E Standard Load/Dump Package (program) is in the upper portion of the 8K or 16K memory at the following addresses:

	<u>8K</u>	<u>16K</u>
Relocatable Loader	016060 <sub>8</sub>	036060 <sub>8</sub>
Absolute Dump	017561 <sub>8</sub>	037561 <sub>8</sub>
Absolute Loader	017673 <sub>8</sub>	037673 <sub>8</sub>

## USE:

The SYSTEMS 810A/B STANDARD LOAD/DUMP PACKAGE may be used to load object programs in relocatable binary format; to dump selected areas of memory in absolute binary format; and to load object modules in absolute binary format.

I - RELOCATABLE LOADER

The procedure required to use the relocatable loader portion of the STANDARD LOAD/DUMP PACKAGE includes:

- (1) Position the relocatable binary object program to be loaded in the desired input device (High Speed Tape Reader):
  
- (2) Make the following manual entries:
  - A - Accumulator = Relocation Base for program  
(Starting location of program)
  - B - Accumulator = Map Zero Starting Location
  - P - Counter = Relocatable Loader Starting Location
    - 8K 016060
    - 16K 036060
  
- (3) Depress START twice - the program will be loaded;
  
- (4) If "EJ" only is printed on the ASR-33 teletypewriter, the relocatable loader is awaiting further input to satisfy external subroutines referenced by the loaded program. In this instance, position the unloaded external program (s) in the proper input device and repeat step (3) above;

NOTE

Do not MASTER CLEAR the computer prior to loading external subroutines.



- (5) When loading is complete, the following will be printed on the ASR-33 teletypewriter:

LC = LOAD COMPLETE

EJ = END OF JOB

XXXX YYYYY, where

XXXX - indicates the highest memory location used by the program;

YYYY - indicates the next available map zero location

- (6) To execute the loaded program:
- (a) MASTER CLEAR the computer;
  - (b) Enter the starting location of the program into the P-Counter;
  - (c) Depress START twice to begin program execution.

### II - ABSOLUTE DUMP

The procedure required to use the Absolute Dump portion of the STANDARD LOAD/DUMP PACKAGE includes:

- (1) Set the appropriate control switches as follows:
  - Control Switches Reset (Normal)
  - Control Switch 1 Set = Dump Intermap References after dumping program
- (2) Make the following manual entries:

8K	16K	<u>Entry</u>
<u>Location</u> 017776 <sub>8</sub>	<u>Location</u> 037776 <sub>8</sub>	End of Dump Address
017777 <sub>8</sub>	037777 <sub>8</sub>	Start of Dump Address

- (3) Enter 017561<sub>8</sub> for 8K or 037561<sub>8</sub> for 16K into the P-Counter. This is the start address for the Absolute Dump portion of the STANDARD LOAD/DUMP PACKAGE:
- (4) Depress START once - a dump of the specified memory locations will be generated in absolute binary format acceptable to the Absolute Loader portion of this package (below)

III - ABSOLUTE LOADER

The procedure required to use the Absolute Loader portion of the STANDARD LOAD/DUMP PACKAGE includes:

- (1) Position the absolute binary object module to be loaded in the desired input device (High Speed Tape Reader).
- (2) Set the appropriate control switches as follows:
  - Control Switch 1 Set = Load intermap references after loading program
- (3) Enter 017673<sub>8</sub> for 8K or 037673<sub>8</sub> for 16K into the P-Counter. This is the start address for the Absolute Loader portion of the STANDARD LOAD/DUMP PACKAGE;
- (4) Depress START twice - the core-image contents of the absolute binary input module will be loaded into the same portion of memory from which originally dumped.

## METHOD:

## (1) RELOCATABLE LOADER

- (a) Tape format consists of blocks of 111 frames. Each block contains a start code, thirty-six 24-bit words, and a 16-bit check sum. A complete block is read by the loader before the first word in the block is processed;

If a parity error occurs during input, five attempts are made to read the record before the loader message "R" is printed on the ASR-33 teletypewriter, and the computer HALTS. Clearing the HALT will cause the record to be accepted.

- (b) The following messages are output by the relocatable loader:

- CK - Check Sum Error
- MO - Memory Overflow into Area of Core Used by Loader
- CM - Common Request prior to Common Definition
- LC - Loading Process Complete
- EJ - End of Job

(2) **ABSOLUTE DUMP**

Tape format consists of a start code, a 16-bit starting address, and a 16-bit negative word count followed by blocks of 66 frames each. The last block may have less than 66 frames. Each block is terminated with a 16-bit check sum.

(3) **ABSOLUTE LOADER**

- (a) Tape format consists of a start code, a 16-bit starting address, and a 16-bit negative word count followed by blocks of 66 frames each. The last block may have less than 66 frames. Each block is terminated with a 16-bit check sum. Words are stored into core as they are read.
- (b) If a check sum error is encountered during the loading process, the loader message "K" will be printed on the ASR-33 teletypewriter, and the computer will HALT. Clearing the HALT will cause the record to be accepted.

#303001B  
MAINFRAME EXERCISER

#303001C

1-23-78

PROGRAM DESCRIPTION

IDENTIFICATION: 810A/B Mainframe Exerciser Number 303001C

ISSUED: Modified January 23, 1978 to eliminate the Keytran option and to include indexing and testing of IMS, SAP and DIV instructions. Changed starting address to keep program resident in computer.  
Carl L. Thompson

PURPOSE: A fast no-loop program designed to use each of the mainframe instructions in such a way that if a halt occurs, the Technician can determine from the program listing the instruction that is failing.

STORAGE: 462 Octal Locations

LOADING  
PROCEDURE: Relocatable Loader  
Program Counter, Enter '36060  
"A" Accumulator, Enter 0  
"B" Accumulator, Enter 0

Insert tape in reader and press start switch twice.

To start program, enter '34000 in program counter and press start switch twice.

The program will continue to run until manually halted or until an instruction fails. If the program halts due to an instruction failure, the program counter will point to the second instruction following the last halt. Place a programmers halt at approximately 10 instructions preceding the halt location. Restart program and following the programmers halt, single cycle the computer, carefully noting the execution of each instruction in the control panel until you find the instruction that failed to execute properly.

Continue the program to determine if other instructions fail. The relationship of several instruction failures may provide a clue to the area of failure.

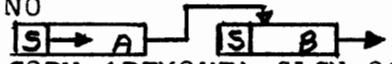
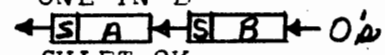
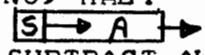
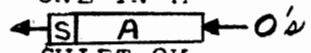
To trouble shoot a failure, thumb in the shortest program loop possible with the failing instruction to permit tracing the failure with the oscilloscope.

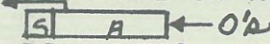
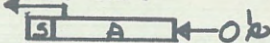
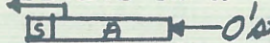
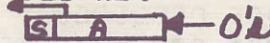
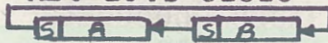
To test the divide instruction place a NOP ('000033) instruction at location '34374.

```

0001          * * * * *
0002          *      810A/B MAINFRAME EXERCISER NO 303001C      *
0003          *      PROGRAM MODIFIED TO TEST INDEXING, IMS,    *
0004          *      SAP, DIV. REMOVED KEYTRAN OPTION, MOVED    *
0005          *      STARTING ADDRESS TO '34000 TO MAINTAIN     *
0006          *      PERMANENT RESIDENCE IN COMPUTER.           *
0007          *      CARL L THOMPSON JANUARY 23, 1978           *
0008          * * * * *
0009 00000 00000000      REL
0010 34000 70034000      ORG '34000          START LOCATION OF PROG
0011 34000 01134422 STAR LAA TES6          LOAD A W/077777
0012 34001 05134424      AMA TE10          ADD 1 TO A
0013 34002 00000025      SOF              OVERFLOW
0014 34003 11134005      BRU **2          YES, GO ON
0015 34004 00000000      HLT              NO, HALT
0016 34005 00000020      ASC              CHANGE SIGN OF A
0017 34006 00000022      SAZ              IS A ZERO
0018 34007 00000000      HLT              NO, HALT
0019 34010 01134416      LAA TES2          LOAD ALL ONES IN A
0020 34011 02134422      LBA TES6          LOAD SEVENS IN B = 077777
0021 34012 16134424      AMB TE10          ADD 1 TO B
0022 34013 00000004      TBA              TRANSFER B TO A
0023 34014 00000025      SOF              OVERFLOW
0024 34015 11134017      BRU **2          YES, GO ON
0025 34016 00000000      HLT              NO HALT
0026 34017 00000020      ASC              CHANGE SIGN OF A
0027 34020 00000022      SAZ              IS A ZERO
0028 34021 00000000      HLT              NO
0029 34022 01134424      LAA TE10          ONE IN A
0030 34023 00001716      LSL 15          ← S A ← 0's
0031 34024 00000023      SAN              SHIFT OK
0032 34025 00000000      HLT              NO, HALT
0033 34026 00001710      FSA 15          S → A →
0034 34027 06134416      SMA TES2          SUBTRACT ALL ONES
0035 34030 00000022      SAZ              IS A ZERO
0036 34031 00000000      HLT              NO, HALT
0037 34032 01134424      LAA TE10          YES, ONE IN A
0038 34033 02134424      LBA TE10          ONE IN B
0039 34034 00001713      FLL 15          ← S A ← S B ← 0's
0040 34035 00000023      SAN              SHIFT OK
0041 34036 00000000      HLT              NO, HALT
0042 34037 00000006      IAB              YES, CHECK B
0043 34040 00000023      SAN              IS A NEGATIVE
0044 34041 00000000      HLT              NO
0045 34042 00001712      FRA 15          S → A → S B →
0046 34043 00000007      CSB              COPY (REMOVE) SIGN OF B
0047 34044 05134415      AMA TES1          ADD ZERO TO A

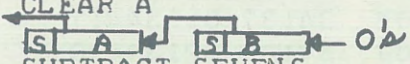
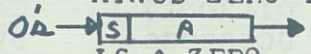
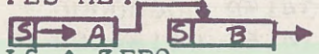
```



0048	34045	00000022	SAZ	IS A ZERO
0049	34046	00000000	HLT	NO, HALT
0050	34047	00000006	IAB	YES
0051	34050	00000022	SAZ	IS B ZERO
0052	34051	00000000	HLT	NO, HALT
0053	34052	01134424	LAA TE10	YES, ONE IN A
0054	34053	00000111	LSA 1	
0055	34054	00000022	SAZ	IS A ZERO
0056	34055	11134057	BRU **2	NO
0057	34056	00000000	HLT	YES HLT
0058	34057	00001611	LSA 14	
0059	34060	00000022	SAZ	IS A ZERO
0060	34061	00000000	HLT	NO
0061	34062	01134422	LAA TES6	SEVENS IN A
0062	34063	00000111	LSA 1	
0063	34064	00000022	SAZ	IS A ZERO
0064	34065	11134067	BRU **2	NO
0065	34066	00000000	HLT	YES HLT
0066	34067	00001611	LSA 14	
0067	34070	00000022	SAZ	IS A ZERO
0068	34071	00000000	HLT	NO
0069	34072	01134416	LAA TES2	ALL ONES IN A
0070	34073	00000003	CLA	DOES CLEAR A WORK
0071	34074	00000022	SAZ	IS A ZERO
0072	34075	00000000	HLT	NO
0073	34076	00000033	NOP	
0074	34077	00000033	NOP	
0075	34100	01134416	LAA TES2	ALL ONES 177777
0076	34101	02134420	LBA TES4	ALT BITS 52525
0077	34102	00001714	FRL 15	
0078	34103	06134417	SMA TES3	SUBT 125252 F/A
0079	34104	00000022	SAZ	IS A ZERO
0080	34105	00000000	HLT	NO HLT
0081	34106	00000004	TBA	TRANSFER B TO A
0082	34107	06134416	SMA TES2	SUBT ALL ONES FROM A
0083	34110	00000022	SAZ	IS A ZERO
0084	34111	00000000	HLT	NO
0085	34112	01134415	LAA TES1	ZERO IN A
0086	34113	15134424	CMA TE10	COMPARE ZERO TO ONE
0087	34114	11134117	BRU **3	A LESS THAN M, OK.
0088	34115	00000000	HLT	NO
0089	34116	00000000	HLT	NO
0090	34117	01134424	LAA TE10	ONE IN A
0091	34120	15134424	CMA TE10	COMPARE ONE TO ONE
0092	34121	00000000	HLT	NO
0093	34122	11134124	BRU **2	A = M, OK.
0094	34123	00000000	HLT	NO
0095	34124	05134424	AMA TE10	2 IN A

0096	34125	15134424	CMA	TE10	COMPARE 2 TO 1
0097	34126	00000000	HLT		
0098	34127	00000000	HLT		
0099	34130	02134416	LBA	TES2	A IS MORE THAN M
0100	34131	04134432	STB	LOC1	
0101	34132	00000006	IAB		
0102	34133	15134432	CMA	LOC1	WAS B STORED PROPERLY
0103	34134	00000000	HLT		NO
0104	34135	11134137	BRU	**2	YES
0105	34136	00000000	HLT		NO
0106	34137	01134417	LAA	TES3	ALT. BITS IN A
0107	34140	02134420	LBA	TES4	ALT. BITS IN B
0108	34141	00000027	ABA		AND A AND B
0109	34142	00000022	SAZ		ANDED CORRECTLY
0110	34143	00000000	HLT		NO
0111	34144	01134417	LAA	TES3	YES
0112	34145	00000030	OBA		OR A + B
0113	34146	06134416	SMA	TES2	SUBTRACT ALL ONES
0114	34147	00000022	SAZ		A ZERO
0115	34150	00000000	HLT		NO
0116	34151	01134422	LAA	TES6	ALL SEVENS 077777
0117	34152	03134432	STA	LOC1	CK STORE A
0118	34153	01134432	LAA	LOC1	
0119	34154	06134422	SMA	TES6	SUBT 077777 F/A
0120	34155	00000022	SAZ		IS A ZERO
0121	34156	00000000	HLT		NO HLT
0122	34157	01134415	LAA	TES1	ZERO IN A
0123	34160	03134433	STA	LOC2	STORE A
0124	34161	14134433	IMS	LOC2	MAKE ZERO A ONE
0125	34162	01134433	LAA	LOC2	A=1
0126	34163	00000022	SAZ		IS A ZERO
0127	34164	11134166	BRU	**2	NO
0128	34165	00000000	HLT		YES HLT
0129	34166	00000002	NEG		CHNG A TO 177777
0130	34167	06134416	SMA	TES2	SUBT 177777 F/A
0131	34170	00000022	SAZ		IS A ZERO
0132	34171	00000000	HLT		NO HLT
0133	34172	01134416	LAA	TES2	ALL ONES 177777
0134	34173	00000034	CNS		CHNG A TO 100000
0135	34174	06134424	SMA	TE10	SUBTRACT ONE
0136	34175	00000023	SAN		NEGATIVE SIGN LEFT
0137	34176	00000000	HLT		NO
0138	34177	01134416	LAA	TES2	ONES IN A
0139	34200	00000021	SAS		IS A -, 0, +
0140	34201	11134204	BRU	**3	A IS -
0141	34202	00000000	HLT		0, HALT
0142	34203	00000000	HLT		+, HALT
0143	34204	05134424	AMA	TE10	ZERO IN A



0144	34205	00000021	SAS		IS A -, 0, +
0145	34206	00000000	HLT		
0146	34207	11134211	BRU	**2	A IS ZERO
0147	34210	00000000	HLT		
0148	34211	05134422	AMA	TES6	SEVENS IN A
0149	34212	00000021	SAS		IS A -, 0, +
0150	34213	00000000	HLT		
0151	34214	00000000	HLT		
0152	34215	00000033	NOP		A IS +
0153	34216	02134422	LBA	TES6	SEVENS IN B
0154	34217	00000003	CLA		CLEAR A
0155	34220	00001717	FLA	15	
0156	34221	06134422	SMA	TES6	SUBTRACT SEVENS
0157	34222	00000022	SAZ		IS A ZERO
0158	34223	00000000	HLT		NO
0159	34224	01134421	LAA	TES5	MINUS ZERO IN A
0160	34225	00001715	RSL	15	
0161	34226	00000022	SAZ		IS A ZERO
0162	34227	11134231	BRU	**2	NO
0163	34230	00000000	HLT		YES HLT
0164	34231	00000112	FRA	1	
0165	34232	00000022	SAZ		IS A ZERO
0166	34233	00000000	HLT		NO HLT
0167	34234	00000001	RNA		INCR A BY 1 IF B1 IS 1
0168	34235	00000022	SAZ		IS A ZERO
0169	34236	11134240	BRU	**2	NO
0170	34237	00000000	HLT		YES HLT
0171	34240	00000005	TAB		TRANSFER A TO B
0172	34241	00000003	CLA		CLEAR A
0173	34242	00000006	IAB		INTERCHANGE A AND B
0174	34243	00000022	SAZ		IS A ZERO
0175	34244	11134246	BRU	**2	NO
0176	34245	00000000	HLT		YES HLT
0177	34246	00000033	NOP		
0178	34247	00000020	ASC		COMPLEMENT SIGN BIT OF A
0179	34250	00000001	RNA		INCREASE A BY 1 IF B1 IS 1
0180	34251	06134424	SMA	TE10	SUBTRACT 1 FROM A
0181	34252	00000021	SAS		IS A -, 0, +
0182	34253	11134256	BRU	**3	(-)
0183	34254	00000000	HLT		
0184	34255	00000000	HLT		
0185	34256	00000020	ASC		COMPLEMENT SIGN BIT OF A
0186	34257	00000022	SAZ		IS A ZERO
0187	34260	00000000	HLT		NO
0188	34261	01134423	LAA	TES7	'146314 IN A
0189	34262	00000032	SNO		DOES BIT A1 EQUAL A0
0190	34263	11134265	BRU	**2	YES
0191	34264	00000000	HLT		NO

0192	34265	00000116	LSL	1	SHIFT LEFT
0193	34266	00000032	SNO		DOES BIT A1 EQUAL A0
0194	34267	00000000	HLT		YES
0195	34270	01134416	LAA	TES2	ALL ONES 177777
0196	34271	02134416	LBA	TES2	LOAD B WITH ALL ONES
0197	34272	00000036	LOB		BRU TO LOC 35000
0198	34273	35435000	DAC	CATO	SECOND WORD OF LOB
0199	34274	00000000	HLT		
0200	34275	12334436	RTN	SPB* CHAR	GO TO CHAR FOR ADDRESS
0201	34276	06134424	SMA	TE10	SUBTRACT 1 FROM A
0202	34277	00000022	SAZ		IS A ZERO
0203	34300	00000000	HLT		NO
0204	34301	00000005	TAB		TRANS A TO B
0205	34302	00000026	IBS		INCR B, SKIP IF 0 OR +
0206	34303	00000000	HLT		
0207	34304	00000004	TBA		TRANSFER B TO A
0208	34305	06134426	SMA	TE12	SUBTRACT '400 FROM A
0209	34306	00000022	SAZ		IS A ZERO
0210	34307	02134425	LBA	TE11	200 IN B
0211	34310	07134426	MPY	TE12	MULTIPLY BY 400
0212	34311	06134424	SMA	TE10	SUBTRACT ONE
0213	34312	00000022	SAZ		IS A ZERO
0214	34313	00000000	HLT		NO
0215	34314	00000004	TBA		TRANSFER B TO A
0216	34315	00000022	SAZ		IS A ZERO
0217	34316	00000000	HLT		NO
0218	34317	02134424	LBA	TE10	ONE IN B
0219	34320	00000117	FLA	1	TWO IN A
0220	34321	07134422	MPY	TES6	MULTIPLY BY SEVENS
0221	34322	06134424	SMA	TE10	SUBTRACT ONE
0222	34323	00000022	SAZ		IS A ZERO
0223	34324	00000000	HLT		
0224	34325	00000004	TBA		TRANSFER B TO A
0225	34326	05134424	AMA	TE10	ADD 1 TO A
0226	34327	06134422	SMA	TES6	SUBT 077777 FROM A
0227	34330	00000022	SAZ		IS A ZERO
0228	34331	00000000	HLT		NO
0229			* * *		* * * * * * * * * * * * *
0230			* * *		* * * * * * * * * * * * *
0231			*		MODIFICATIONS MADE BY CLT TO INCLUDE
0232			*		TEST FOR INDEXING, IMS, SAP AND DOUBLE
0233			*		DIVIDEND DIVIDE INSTRUCTIONS.
0234	34332	02134427	* * *		* * * * * * * * * * * * *
0235	34333	01534433	LBA	TE13	'177775 IN B
0236	34334	00000022	LAA	TE14+3,1	ADD ONE TO A
0237	34335	11134337	SAZ		IS A ZERO
0238	34336	00000000	BRU	**2	NO
0239	34337	00000026	HLT		A IS ZERO
			IBS		INCREMENT B

6

0240	34340	11134342	BRU	**2	B STILL NEGATIVE
0241	34341	00000000	HLT		B IS / OR +
0242	34342	01534433	LAA	TE14+3,1	A = 0
0243	34343	00000022	SAZ		IS A ZERO
0244	34344	00000000	HLT		A IS NOT ZERO
0245	34345	01334434	LAA*	LOC3	ADD ONE TO A
0246	34346	00000022	SAZ		IS A ZERO
0247	34347	11134351	BRU	**2	NO
0248	34350	00000000	HLT		A IS ZERO
0249	34351	00000026	IBS		INCREMENT B SKIP IF 0/+
0250	34352	00000026	IBS		
0251	34353	00000000	HLT		B NOT 0 OR +
0252	34354	01134416	LAA	TES2	ALL ONES 177777
0253	34355	00000024	SAP		IS A POS
0254	34356	11134360	BRU	**2	NO
0255	34357	00000000	HLT		YES HLT
0256	34360	00000003	CLA		CLEAR A
0257	34361	00000024	SAP		IS A POS
0258	34362	00000000	HLT		NO HLT
0259	34363	01134427	LAA	TE13	A = 177775
0260	34364	03134435	STA	LOC5	STORE A
0261	34365	14134435	IMS	LOC5	INCREMENT-ADD 1 TO LOC5
0262	34366	01134435	LAA	LOC5	A=177776
0263	34367	14134435	IMS	LOC5	INCREMENT-ADD 1 TO LOC5
0264	34370	11134372	BRU	**2	LOC5 STILL NO ZERO
0265	34371	00000000	HLT		
0266	34372	14134435	IMS	LOC5	INCREMENT-ADD 1 TO LOC5
0267	34373	00000000	HLT		HLT IF LOC5 NOT ZERO
0268			**	*****	*****
0269			* TO	TEST DIVIDE	CHANGE NEXT LOCATION TO NOP '33
0270			**	*****	*****
0271	34374	11134000	BRU	STAR	RETEST INSTRUCTIONS
0272	34375	01134410	LAA	DIV	DIVIDEND '72345
0273	34376	02134411	LBA	DIVB	DIVIDEND '54321
0274	34377	10134412	DIV	DIVC	DIVISOR '74074
0275	34400	06134413	SMA	DIVD	SUBT QUO F/'76162
0276	34401	00000022	SAZ		IS A ZERO
0277	34402	00000000	HLT		NO HLT
0278	34403	00000004	TBA		XFER REMAINDER TO A
0279	34404	06134414	SMA	DIVE	SUBT REM F/'37031
0280	34405	00000022	SAZ		IS A ZERO
0281	34406	00000000	HLT		NO HLT
0282	34407	11134000	BRU	STAR	REPEAT COMPLETE PROGRAM
0283	34410	00072345	DIV	DATA	'72345
0284	34411	00054321	DIVB	DATA	'54321
0285	34412	00074074	DIVC	DATA	'74074
0286	34413	00076162	DIVD	DATA	'76162
0287	34414	00037031	DIVE	DATA	'37031

```

0288 34415 00000000 TES1 DATA 0
0289 34416 00177777 TES2 DATA -1
0290 34417 00125252 TES3 DATA '125252
0291 34420 00052525 TES4 DATA '52525
0292 34421 00100000 TES5 DATA '100000
0293 34422 00077777 TES6 DATA '77777
0294 34423 00146314 TES7 DATA '146314
0295 34424 00000001 TE10 DATA 1
0296 34425 00000200 TE11 DATA '200
0297 34426 00000400 TE12 DATA '400
0298 34427 00177775 TE13 DATA -3
0299 34430 00000001 TE14 DATA 1,0
0299 34431 00000000
0300 34432 00000000 LOC1 ZZZ **
0301 34433 00000000 LOC2 ZZZ **
0302 34434 35635023 LOC3 DAC LOC4,1 ADDR OF LOC4 + B INDX
0303 34435 00000000 LOC5 ZZZ **
0304 34436 35435003 CHAR DAC RED SUBROUTINE 'RED'
0305 35000 70035000 ORG '35000 STORE BAL IN MAP '35000
0306 35000 11335001 CATO BRU* **+1 BRU INDIR + 1 TO RTN
0307 35001 35434275 DAC RTN ADDR OF BRU
0308 35002 00000000 HLT
0309 35003 00000000 RED ZZZ ** STORE ADDR OF RTN+1
0310 35004 00000025 SOF IF OVERFLOW GO TO NOP
0311 35005 00000033 NOP
0312 35006 00000003 CLA CLEAR A
0313 35007 00000005 TAB TRANSFER A TO B
0314 35010 05135020 AMA PSEV ADD '77777 TO A
0315 35011 00000025 SOF IF OVERFLOW GO TO HLT
0316 35012 00000000 HLT
0317 35013 16135020 AMB PSEV ADD '77777 TO B
0318 35014 00000025 SOF IF OVERFLOW GO TO HLT
0319 35015 00000000 HLT
0320 35016 01135021 LAA ONE LOAD A WITH 1
0321 35017 11335003 BRU* RED BRU INDIRECT TO RED
0322 35020 00077777 PSEV DATA '77777
0323 35021 00000001 ONE DATA 1
0324 35022 00000001 DATA 1 ADD TO A F/LAA* LOC3
0325 35023 00000000 LOC4 DATA 0
0326 35024 70400000 END
STAR 34000
RTN 34275
DIV 34410
DIVE 34411
DIVC 34412
DIVD 34413
DIVE 34414
TES1 34415

```



#303002B  
INSTR. SIMU. & COMP.

---

SYSTEMS ENGINEERING LABORATORIES PROGRAM LIBRARY

SOFTWARE DESCRIPTION

CATALOG NO. 303002B

DOCUMENTATION REV\*           

DATE June 15, 1970

PROGRAM TITLE                    810A/B Instruction Simulation and Comparison  
                                      (IS&C)

PURPOSE:                            Executes mainframe instructions and simulates  
                                      them if possible by software. The results are  
                                      compared and an error condition occurs on an  
                                      error. Some instructions cannot be simulated  
                                      easily so they are executed and the results com-  
                                      pared to a constant.

CONFIGURATION:                    Basic SYSTEMS 810A/B Computer

SOFTWARE ENVIRONMENT:           Stand-Alone

PROGRAM LANGUAGE:                SYSTEMS 810A/B Assembly Language

SIZE: 2000<sub>g</sub> - 4163<sub>g</sub>

TIMING: Approx 20 Seconds/Cycle

Note:

*When using the upper 16K load/dump  
program the relocatable loader,  
program counter 36060 should  
be utilized to load the program  
rather than the 16060*

**Relocatable Loader  
Prog. Counter 16060  
A-Accum 0 B-Accum 0  
After Load Start At '2000**

SYSTEMS 303002B

REASON FOR CHANGE:

Changes were made to allow this program to run with the Keytran System and output all messages to the selectric typewriter by setting Sense Switch 13.

USE:

Start at location 2000<sub>g</sub>, the program will run until manually halted.

When running under the Keytran System, the Diagnostic Number for this program is four (4). The program will automatically be started at location 2000<sub>g</sub> and will run continuously until the Index Key is depressed on the selectric typewriter at which time control will be returned to the Keytran Diagnostic Loader.

If an error occurs, consult the routine description to find what instruction failed.

Sense Switch Settings:

SSW 0 up - A successful cycle type-out will occur approximately every 25 seconds only if there have been no errors during that cycle.

SSW 1 up - Errors will be ignored.

SSW 2 up - No error type-out will occur, the machine will halt and the A-Accumulator may be displayed for the error location.

SSW 3 up - A halt will occur after the error type-out.

SSW 13 up - Indicates program is being run with the Keytran System and that all output will be via the selectric typewriter.

Type-Out Formats

Successful Cycles - NNNN

NNNN = Decimal number of cycles in which no errors occurred.



## SYSTEMS 303002B

Machine error preceeding location XXXXX

XXXXX = Octal location from which a SPB occurred after an error condition found by the program.

### METHOD:

#### Clear A-Accumulator (CLAT)

The A-Accumulator is loaded with the counter and cleared. A is then checked for zero. The counter is then incremented.

The test is repeated for every case. An error at location 2053<sub>g</sub> indicates a CLA error.

#### Skip if A-Accumulator is Zero (SAZT)

The B-Accumulator is incremented and transferred to A. A is checked for zero by the SAZ and then A is checked for zero by the CMA. An error will occur at location 2071<sub>g</sub> if a skip occurs when A is not zero and at location 2074<sub>g</sub> if there is not a skip when A is zero. An error can also occur at 2100<sub>g</sub> if a skip does not occur when A is zero, and if a skip occurs but A is not zero there will be an error indication at 2102<sub>g</sub> or 2104<sub>g</sub>.

#### Skip if A-Accumulator is Positive (SAPT)

B is incremented in the same manner as the zero test. An error at location 2114<sub>g</sub> means a skip should have occurred. An error at location 2125<sub>g</sub> indicates a skip occurred when A was not positive. A counter is used to test every case.

## SYSTEMS 303002B

### Skip A-Accumulator is Negative (SANT)

Operates in the same manner as the A positive Test. An error at location 2140<sub>g</sub> indicates an illegal skip and an error at 2150<sub>g</sub> indicates no skip occurred.

### Skip on A-Accumulator Sign (SAST)

Runs similar to the previous tests except that there are three possibilities instead of two. An error at 2164<sub>g</sub> or 2166<sub>g</sub> indicates A was zero and the SAS did not detect this condition. An error at 2173<sub>g</sub> will occur when the SAS did not detect a positive sign. If a negative sign if not sensed, an error will occur at 2200<sub>g</sub>.

### Compare Memory to A-Accumulator (CMAT)

The A-Accumulator is loaded with the counter, a CMA to zero is executed and according to the skip after the CMA, the A-Accumulator is tested for more, less, or equal to zero.

An illegal skip to n+1 will cause an error at location 2214<sub>g</sub>. An illegal skip to n+2 will cause an error at location 2217<sub>g</sub>. An illegal skip to n+3 will cause an error at location 2226<sub>g</sub>.

### Load and Store Instructions (LASA, LBSB)

The Accumulator is loaded with the counter and then stored in the location tagged STOP. A comparison between the stored data and the accumulator is then executed. The data is then compared with the counter. Errors at 2237<sub>g</sub> or 2241<sub>g</sub> indicate a bad STA, errors at 2243<sub>g</sub> or 2245<sub>g</sub> indicate a bad LAA. If an error occurs at location 2257<sub>g</sub> or 2261<sub>g</sub> the STB instruction failed, errors at 2264<sub>g</sub> or 2266<sub>g</sub> indicate LBA failed.

SYSTEMS 303002B

Transfer and Interchange A & B (TATB)

A is loaded with the counter and transferred to B, B is then stored and compared to A. An error at 2301<sub>g</sub> or 2303<sub>g</sub> indicates this phase failed.

B is loaded with the counter and is then transferred to A. A is compared to the counter and an error will occur at location 2310<sub>g</sub> or 2312<sub>g</sub> if TBA fails.

IAB is tested by loaded A with the counter and B with minus one. After an IAB, A is compared to minus one, B is stored and A is loaded with STOR. A comparison then takes place. Errors at location 2317<sub>g</sub> or 2321<sub>g</sub> indicate a bad LAA. If an error occurs at location 2257<sub>g</sub> the STB instruction failed, errors at 2264<sub>g</sub> or 2266<sub>g</sub> indicate LBA failed.

Transfer and Interchange A & B (TATB)

A is loaded with the counter and transferred to B, B is then stored and compared to A. An error at 2301<sub>g</sub> or 2303<sub>g</sub> indicates this phase failed.

B is loaded with the counter and is then transferred to A. A is compared to the counter and an error will occur at location 2310<sub>g</sub> or 2312<sub>g</sub> if TBA fails.

IAB is tested by loading A with the counter and B with minus one. After an IAB, A is compared to minus one, B is stored and A is loaded with STOR. A comparison then takes place. Errors at location 2317<sub>g</sub> or 2321<sub>g</sub> indicate A did not contain a minus one. If B did not contain the proper information errors will occur at 2325<sub>g</sub> or 2327<sub>g</sub>.

Negate A-Accumulator (NEGT)

The counter is subtracted from zero in A and stored. A is then loaded with the counter and negated. The results are compared and an error will occur at location 2343<sub>8</sub> or 2345<sub>8</sub> if they are not equal.

Shift Instructions (BEG1)

The RSA is tested extensively by loading A with a constant and shifting zero positions the first time. A comparison through an indirect address (DAT1, location 2412<sub>8</sub>), checks the proper constant. The shift is incremented along with the indirect address. After all tests are completed, the shift and indirect address are returned to their original quantities. An error at 2355<sub>8</sub> or 2357<sub>8</sub> indicate an RSA error.

The rest of the shift instructions (SHTE) are tested two to six times, each shifting one position at a time. The results are compared to the proper constants.

Errors will occur at the following locations:

2421 <sub>8</sub>	}	LSA	2520 <sub>8</sub>	}	RSL	2472 <sub>8</sub>	}	RSA
2423 <sub>8</sub>			2522 <sub>8</sub>			2474 <sub>8</sub>		
2426 <sub>8</sub>			2525 <sub>8</sub>			2477 <sub>8</sub>		
2430 <sub>8</sub>			2527 <sub>8</sub>			2501 <sub>8</sub>		
2434 <sub>8</sub>			}	LSL	2455 <sub>8</sub>	2505 <sub>8</sub>		
2436 <sub>8</sub>					2460 <sub>8</sub>	2507 <sub>8</sub>		
2441 <sub>8</sub>					2463 <sub>8</sub>	2512 <sub>8</sub>		
2443 <sub>8</sub>					2466 <sub>8</sub>	2514 <sub>8</sub>		
2447 <sub>8</sub>								
2451 <sub>8</sub>								

SYSTEMS 303002B

2534 <sub>8</sub>	2720 <sub>8</sub>	2642 <sub>8</sub>
2536 <sub>8</sub>	2722 <sub>8</sub>	2644 <sub>8</sub>
2541 <sub>8</sub>	2725 <sub>8</sub>	2647 <sub>8</sub>
2543 <sub>8</sub>	2727 <sub>8</sub>	2651 <sub>8</sub>
2547 <sub>8</sub>	2733 <sub>8</sub>	2655 <sub>8</sub>
2551 <sub>8</sub>	2735 <sub>8</sub>	2657 <sub>8</sub>
2554 <sub>8</sub>	2740 <sub>8</sub>	2662 <sub>8</sub>
2556 <sub>8</sub>	2742 <sub>8</sub>	2664 <sub>8</sub>
2563 <sub>8</sub>		2671 <sub>8</sub>
2565 <sub>8</sub>	2607 <sub>8</sub>	2673 <sub>8</sub>
2570 <sub>8</sub>	2611 <sub>8</sub>	2676 <sub>8</sub>
2572 <sub>8</sub>	2614 <sub>8</sub>	2700 <sub>8</sub>
2600 <sub>8</sub>	2616 <sub>8</sub>	2704 <sub>8</sub>
2602 <sub>8</sub>	2623 <sub>8</sub>	2706 <sub>8</sub>
	2630 <sub>8</sub>	2711 <sub>8</sub>
	2635 <sub>8</sub>	2713 <sub>8</sub>

FLA

FRL

FRA

FLL

Add (ADD1, ADD3)

ADD1 - A is cleared, one is added to A and the counter is incremented, the results are compared and an error will occur at location 3006<sub>8</sub> or 3011<sub>8</sub> if there is a failure. This test is repeated in the B-Accumulator. A failure in B is indicated by an error at location 3023<sub>8</sub> or 3025<sub>8</sub>.

ADD3 - The next test adds the counter to itself in A and B, the registers are then loaded with the counter and shifted left one position. The sums are compared and errors will occur at location 3040<sub>8</sub> or 3042<sub>8</sub> for an error in A and 3057<sub>8</sub> or 3061<sub>8</sub> for an error in B.

Subtract (SUB1, SUB2, SUB3)

SUB1 - A is loaded with the counter, it is then subtracted, the A-Accumulator is then checked for zero, a typeout at location 3072<sub>8</sub> indicates an error.

## SYSTEMS 303002B

SUB2 - Zero is subtracted from the counter, A is then compared to the counter, if there is an error, a typeout will occur at location 3102g or 3104g.

SUB3 - The counter is multiplied by two, it is then subtracted. A should then be equal to the counter, a halt at location 3115g or 3117g indicates A is not equal to the counter.

### And A & B Or A & B (ANOR)

Constants are and'ed and or'ed, the results are compared to constants. Error indications at locations 3144g, 3146g, 3162g, 3164g, and 3200g or 3202g are errors in the ABA instruction. Error indications at locations 3134g, 3136g, 3152g, 3154g, 3170g, 3172g, and 3206g or 3208g are errors in the OBA instruction. All worst cases are tested.

### Increment B and Skip (IBST)

B is loaded with minus one and incremented, the counter is operated in the same fashion. The B-Accumulator and the counter are compared. If no skip occurs while B is positive, an error will occur at location 3244g. If B skips when it is negative, an error will occur at location 3257g. An unequal comparison between B and the counter will cause an error at location 3247g or 3251g when B is positive and at location 3262g or 3264g when B is negative.

### Copy Sign of B - (CSBN, CSBP)

The CSB instruction is tested with the B sign bit on and off. With the bit on a CSB, NEG gets the bit into A, the counter is then negated and one is subtracted from it. The two answers are then compared. Error indications on this test are at locations 3303g and 3305g.

## SYSTEMS 303002B

With the B sign bit off a CSB, NEG is used again but the counter is only negated. After the comparison the error indications are at locations 3320<sub>g</sub> and 3322<sub>g</sub>.

### Complement Sign of A (ASCT)

The counter is loaded in A, the sign is changed by adding a minus sign. The counter's sign is then complemented. The two results are compared and if they are not equal, an error will occur at location 3336<sub>g</sub> or 3340<sub>g</sub>.

### Change Number Systems (CNST)

If the counter is negative, the data is checked, if the data is zero, nothing is done. All other cases the counter is changed by a CNS and a ASC, the counter is then negated. The results are compared and if they are not equal, an error will occur at location 3362<sub>g</sub> or 3364<sub>g</sub>.

The remaining part of memory contains the cycle counter, error routine, and typeout routines.



Small, faint, illegible markings or text located at the bottom center of the page.



#303003B  
COMPARE MEM. TO "A"

SYSTEMS ENGINEERING LABORATORIES PROGRAM LIBRARY

SOFTWARE DESCRIPTION

CATALOG NO. 303003B

DOCUMENTATION REV\*           

DATE June 15, 1970

PROGRAM TITLE: 810A/B Compare Memory to A, A Sign Test (CMASAS)

PURPOSE: CMASAS tests every memory location with a CMA and SAS for every type of condition, except the first 1014<sub>g</sub> locations.

CONFIGURATION: Basic SYSTEMS 810A/B Computer

SOFTWARE ENVIRONMENT: Stand-Alone

PROGRAM LANGUAGE: SYSTEMS 810A/B Assembly Language

SIZE: 0 - 1014<sub>g</sub> plus every other memory location

Not Relocatable

TIMING: Dependent on Memory Size

**Relocatable Loader**

**Prog. Counter 16060**

**A-Accum 0 B-Accum 0**

**After Load Enter Bit 3**

**In Memory Location '753**

**Start At '0 Prog. Cntr.**

*When using the upper 16K loader program, after load enter bits 2 + 3 in memory location '753*

*Note!*

*When using the upper 16K load/dump program the relocatable loader program counter 36060 should be utilized to load the program rather than the 16060.*

SYSTEMS 303003B

REASON FOR CHANGE:

Changes were made to allow this program to run on the KEYTRAN System and output all messages to the selectric typewriter by setting Sense Switch 13.

USE:

After loading, set location 753g (TOP) with bits 2-3 dependent on memory size.\*

Start at location zero, the program will run until manually halted.

When running under the KEYTRAN System the Diagnostic Number for this program is five (5). The program will automatically be started at location zero and will continuously run until the Index Key is depressed on the selectric typewriter at which time a halt will occur. At this time the operator must mount the KEYTRAN disc pack and depress start. The program will then seek home and halt. The operator must depress start to load the KEYTRAN System back into memory. The program will then halt at location 407g. At this time the operator must enter 2000g in the program counter and depress Start.

Sense Switch Setting:

SSW 13 up - Indicates Program being run with the KEYTRAN System and that all output will be via the selectric typewriter.

\*Note

For a 4K memory -- set no bits in location 753g.  
8K - bit 3  
12K - bit 2  
16K - bits 2 & 3

SYSTEMS 303003B

Type-Out Formats

L xxxxxx n

where:

L = Letter C for CMA error

Letter S for SAS error

xxxxxx = The location of the erroneous instruction

n = A number, if a CMA error the number indicates the operand in memory, A is always zero. If an SAS error the number is what was contained in A. There are three possible numbers: 1, 0, -1.

Note

This program will clear every memory location above (1014)<sub>8</sub>.

#30304A  
MEMORY TEST

SEL PROGRAM LIBRARY

PROGRAM DESCRIPTION

Page 1 of 3

Catalog No. 303004A

IDENTIFICATION: MEMDEX

AUTHOR: Systems Engineering Laboratories, Incorporated

ACCEPTED: 13 January 1967

PURPOSE: Under sense switch control, the program will load into all memory locations; all zeros and ones, indirect and indirect indexed; alternate bits, indirect and indirect indexed; walking one, indirect; walking zero, indirect indexed. Each location is checked for the proper information stored.

SOURCE PROGRAM LANGUAGE: MNEMBLER 810A

COMPUTER CONFIGURATION: Standard SEL 810A

STORAGE: 0000 to 0502g, plus every other memory location. Not relocatable.

SUBROUTINES REQUIRED: 810A Mainframe Diagnostic Loading Procedure

TIMING: Dependent on memory size.

USE: After loading, set the location tagged FIN (227g) with the most significant four bits of the highest memory address (see note). Start at location zero. The program will run continuously until halted manually.

**Absolute Loader**  
**Prog. Counter '17673**  
**A-Accum 0 B-Accum 0**  
**After Load Enter Bit 3**  
**In Memory Location '227**  
**Start At 0 Prog. Cntr.**

NOTE: For a 4K memory, no bits should be set in FIN.  
8K - set bit 3  
12K - set bit 2  
16K - set bits 2 and 3

Sense Switches:

SSW 0 up - the all ones, all zeros test will run.  
SSW 1 up - the alternate bit pattern test will be run.

**Absolute Loader**  
**Prog. Counter '17673**  
**A-Accum 0 B-Accum 0**  
**After Load Enter Bit 3**  
**In Memory Location '227**  
**Start At '0 Prog. Cntr.**

*Prog. Cntr. 37673  
when using the upper 16K loader program*

*Note: When using the upper 16K loader program:  
- After load enter bits 2 + 3 in memory location '227*

SSW 2 up - the walking one and walking zero test will run.  
SSW 3 up - a halt will occur after an error type-out.

Any combination of sense switches may be used.

Type-Out Format:

12345 WORD aaaaaa  
Memory Error  
12345 - location at which the error occurred.

WORD - what the location should contain.  
ZERO - if the location should contain a zero.  
ONES - if the location should contain a zero.

1010 or 0101 - the sequence of binary bits for  
the alternate bit patterns.

1 or Z and XX - a walking one or zero error  
where XX = the left shift count from the  
farthest right position.

aaaaaa - the octal contents of the memory location in  
error.

NOTE: This program will destroy the contents of  
every memory location.

To restart this program, start at location 15<sub>8</sub>.

METHOD:

Setup Routine

Sets the various addresses used to correspond with the  
highest memory address which is loaded into the location  
tagged FIN (227<sub>8</sub>). FIN does not have to be changed if the  
machine in which the program is to be run has a 4096  
location memory.

Sense Switch Routine (EXEC):

Checks the sense switches that are up and branches to  
the routine indicated by the sense switch settings.

All Ones, All Zeros Test (ALL1)

The zeros are obtained by clearing the A-Register. The

zeros are then stored and checked indirectly through the location tagged STAR (225<sub>g</sub>). Ones are stored and checked indirectly through the location tagged FIN (227<sub>g</sub>) which has its index bit set.

#### Alternate Bits Test (WORS)

The constant tagged ONEO (234<sub>g</sub>) is stored and checked indirectly through STAR. The constant OH1 (235<sub>g</sub>) is stored and checked indirectly through FIN.

#### Walking One and Zero Test (WALK)

The Walk One routine is executed first. A one is loaded in A and shifted zero times. The A-Register is then stored and checked indirectly through STAR. After all of memory is tested, the shift instruction is incremented and the test is repeated. When all bit positions are tested, the Walk Zero routine will be executed.

The Walk Zero routine is executed in the same manner as the Walk One routine except that FIN is used as an indirect address.

#### Ping Pong Routine (PIPO)

The starting addresses are changed to include the map not exercised previously. The routine then moves the entire program to either the top or bottom map and modifies itself to return the program to the map from which it was moved.

#### Address Reset Routine (REST)

This routine is executed after every test to reset STAR and the index count contained in the B-Register.



0001	00000	00000000	*					00100
0002	00000	00000000	*	MEMDEX	REV-1			00000100
0003	00000	00000000	*	MEMORY TEST	- USES INDEXED AND INDIRECT			00000200
0004	00000	00000000	*	ALL LOADERS MUST BE RELOADED AFTER				00000300
0005	00000	00000000	*	RUNNING THIS PROGRAM				00000400
0006	00000	00000000	*					00000500
0007	00000	00000000	*					00000800
0008	00000	00000000		REL				
0009	01000	70001000		ORG	'1000			
0010	01000	01101247		LAA	T0P	SET UP ROUTINE		00000900
0011	01001	05101227		AMA	FIN	FIN CONTAINS HIGH BIT FOR MORE THAN 4K.		00001000
0012	01002	03101247		STA	T0P	T0P IS THE HIGH LOCATION FOR PING-PONG		00001100
0013	01003	01101227		LAA	FIN	FIN BECOMES AN INDIRECT ADDRESS		00001200
0014	01004	05101224		AMA	END	FOR USE IN THE INDIRECT-INDEXED		00001300
0015	01005	03101224		STA	END	OPERATIONS, MINZ SETS THE INDEX BIT		00001400
0016	01006	05101244		AMA	MINZ	ON IN FIN		00001500
0017	01007	03101227		STA	FIN			00001600
0018	01010	01101224		LAA	END	END BECOMES THE INDEX COUNT		00001700
0019	01011	06101225		SMA	STAR			00001800
0020	01012	00000002		NEG		FOR ALL OPERATIONS		00001900
0021	01013	03101224		STA	END			00002000
0022	01014	00000005		TAB				00002100
0023	01015	00000000	*					00002200
0024	01015	00000000	*		EXECUTIVE ROUTINE			00002300
0025	01015	00000000	*					00002400
0026	01015	00130400	EXEC	SNS	0	SENSE SWITCH ZERO		00002500
0027	01016	12101026		SPB	ALL1	ALL ONES, ALL ZEROS		00002600
0028	01017	00130401		SNS	1	SENSE SWITCH ONE		00002700
0029	01020	12101050		SPB	W0RS	WORST BIT PATTERN		00002800
0030	01021	00130402		SNS	2	SENSE SWITCH TWO		00002900
0031	01022	12101072		SPB	WALK	WALKING ONE AND ZERO		00003000
0032	01023	12101151		SPB	PIP0-1	PING-PONG		00003200
0033	01024	12101144		SPB	REST			00003250
0034	01025	11101015		BRU	EXEC			00003300
0035	01026	00000000	*					00003400
0036	01026	00000000	ALL1	ZZZ	**	ALL ONES, ALL ZEROS TEST		00003500
0037	01027	00000003		CLA				00003600
0038	01030	03301225		STA*	STAR	STORE ZEROS INDIRECT		00003700

0039	01031	15301225	CMA*	STAR	ZERØS STØRED	00003800
0040	01032	12101254	SPB	ERRZ		00003900
0041	01033	11101035	BRU	**2	YES	00004000
0042	01034	12101254	SPB	ERRZ		00004100
0043	01035	01101243	LAA	ØNES		00004200
0044	01036	03301227	STA*	FIN		00004300
0045	01037	15301227	CMA*	FIN		00004400
0046	01040	12101265	SPB	ERR1		00004500
0047	01041	11101043	BRU	**2	YES	00004600
0048	01042	12101265	SPB	ERR1		00004700
0049	01043	14101225	IMS	STAR	INCREMENT INDIRECT ADDRES	00004800
0050	01044	00000026	IBS			00004900
0051	01045	11101027	BRU	ALL1+1	NØ, REPEAT TEST	00005000
0052	01046	12101144	SPB	REST		00005100
0053	01047	11301026	BRU*	ALL1		00005400
0054	01050	00000000	*			00005450
0055	01050	00000000	WØRS	ZZZ **	ALTERNATE BITS TEST	00005500
0056	01051	01101234	LAA	ØNEØ		00005600
0057	01052	03301225	STA*	STAR	STØRE INDIRECT	00005700
0058	01053	15301225	CMA*	STAR	STØRED PROPERLY	00005800
0059	01054	12101276	SPB	ER1Ø		00005900
0060	01055	11101057	BRU	**2	YES	00006000
0061	01056	12101276	SPB	ER1Ø		00006100
0062	01057	01101235	LAA	ØH1		00006200
0063	01060	03301227	STA*	FIN		00006300
0064	01061	15301227	CMA*	FIN		00006400
0065	01062	12101307	SPB	ERØ1		00006500
0066	01063	11101065	BRU	**2	YES	00006600
0067	01064	12101307	SPB	ERØ1		00006700
0068	01065	14101225	IMS	STAR	INCREMENT INDIRECT ADDRES	00006800
0069	01066	00000026	IBS		INDEX = ZERØ	00006900
0070	01067	11101051	BRU	WØRS+1	NØ, RETURN TØ REPEAT	00007000
0071	01070	12101144	SPB	REST		00007100
0072	01071	11301050	BRU*	WØRS	EXIT	00007400
0073	01072	00000000	*			00007450
0074	01072	00000000	WALK	ZZZ **		00007500
0075	01073	01101230	LAA	ØNE	WALK ØNE RØUTINE	00007600
0076	01074	00000016	LSL	Ø	SHIFT ØNE	00007700
0077	01075	03301225	STA*	STAR	STØRE INDIRECT	00007800

0078	01076	15301225	CMA*	STAR	STØRED PRØPERLY	00007900
0079	01077	12101320	SPB	ERWA		00008000
0080	01100	11101102	BRU	**2	YES	00008100
0081	01101	12101320	SPB	ERWA		00008200
0082	01102	14101225	IMS	STAR	INCREMENT INDIRECT ADDRES	00008300
0083	01103	00000026	IBS			00008400
0084	01104	11101073	BRU	WALK+1	AND RETURN	00008500
0085	01105	00000000 *				00008600
0086	01105	01101074	LAA	WALK+2	CHANGE SHIFT INSTRUCTION	00009000
0087	01106	05101231	AMA	ØNEH		00009100
0088	01107	03101074	STA	WALK+2		00009200
0089	01110	12101144	SPB	REST		00009200
0090	01111	14101236	IMS	SHCN		00009300
0091	01112	11101073	BRU	WALK+1		00009600
0092	01113	00000000 *				00009700
0093	01113	01101233 WA1	LAA	Ø01	WALK ZERO ROUTINE	00009800
0094	01114	03301227	STA*	FIN		00009900
0095	01115	15301227	CMA*	FIN		00010000
0096	01116	12101330	SPB	EWA1		00010100
0097	01117	11101121	BRU	**2		00010200
0098	01120	12101330	SPB	EWA1		00010300
0099	01121	14101225	IMS	STAR		00010350
0100	01122	00000026	IBS			00010400
0101	01123	11101113	BRU	WA1		00010500
0102	01124	01101233	LAA	Ø01		00010600
0103	01125	02101243	LBA	ØNES		00010700
0104	01126	00000113	FLL	1		00010800
0105	01127	03101233	STA	Ø01		00010900
0106	01130	12101144	SPB	REST		00011000
0107	01131	14101240	IMS	RSCN		00011100
0108	01132	11101113	BRU	WA1		00011200
0109	01133	01101253	LAA	LSL		00011500
0110	01134	03101074	STA	WALK+2		00011600
0111	01135	01101237	LAA	NEW		00011700
0112	01136	03101236	STA	SHCN		00011800
0113	01137	01101241	LAA	NECN		00011900
0114	01140	03101240	STA	RSCN		00012000
0115	01141	01101242	LAA	NEWK		00012100
0116	01142	03101253	STA	Ø01		00012200

0117	01143	11301072	BRU*	WALK		00012400
0118	01144	00000000	*			00012446
0119	01144	00000000	REST	*** **	RESET INDIRECT AND INDEX.	00012447
0120	01145	01101226	LAA	BEG		00012450
0121	01146	03101225	STA	STAR		00012451
0122	01147	02101224	LBA	END		00012452
0123	01150	11301144	BRU*	REST		00012453
0124	01151	00000000	*			00012500
0125	01151	00000000	*		PING PONG ROUTINE	00012600
0126	01151	00000000	*			00012700
0127	01151	00000000	ZZZ	**	EXIT ADDRESS.	00012800
0128	01152	01101225	PIPØ	LAA STAR	RESET ALL ADDRESSES SO PRØGRAM CAN	00012900
0129	01153	03101245	STA	SAVE	BE MOVED TO TOP MAP TO EXERCISE	00013000
0130	01154	01101227	LAA	FIN	LOWER PORTION OF MEMORY	00013100
0131	01155	03101246	STA	STØR		00013200
0132	01156	06101245	SMA	SAVE		00013300
0133	01157	03101227	STA	FIN		00013400
0134	01160	00000003	CLA			00013500
0135	01161	03101226	STA	BEG		00013600
0136	01162	03101225	STA	STAR		00013700
0137	01163	01101251	LAA	BRJ		00013800
0138	01164	03101152	STA	PIPØ		00013900
0139	01165	01101224	LAA	END		00014000
0140	01166	00000002	NEG		SET EXIT ADDRESS TO GO TO TOP MAP	00014100
0141	01167	05101230	AMA	ØNE		00014200
0142	01170	05101151	AMA	PIPØ-1	AFTER MOVE IS COMPLETE	00014300
0143	01171	03101151	STA	PIPØ-1		00014400
0144	01172	02101232	LBA	IDX		00014500
0145	01173	01301250	LAA*	BØT	MOVE PRØGRAM TO TOP MAP	00014600
0146	01174	03301247	STA*	TØP	TO EXERCISE LOWER PART OF	00014700
0147	01175	00000026	IBS		MEMORY	00014800
0148	01176	11101173	BRU	*-3		00014900
0149	01177	11301151	BRU*	PIPØ-1	EXIT TO TOP MAP	00015000
0150	01200	01101245	PØNG	LAA SAVE	RESET ALL ADDRESSES SO PRØGRAM CAN	00015100
0151	01201	03101225	STA	STAR	BE MOVED BACK TO THE BØTTØM MAP	00015200
0152	01202	03101226	STA	BEG		00015300
0153	01203	01101246	LAA	STØR		00015400
0154	01204	03101227	STA	FIN		00015500
0155	01205	01101252	LAA	LAA		00015600

0156	01206	03101152	STA	PIP0		00015700
0157	01207	01101224	LAA	END		00015800
0158	01210	00000002	NEG			00015900
0159	01211	05101230	AMA	ONE		00016000
0160	01212	03101246	STA	STOR		00016100
0161	01213	01101151	LAA	PIP0-1		00016200
0162	01214	06101246	SMA	STOR		00016300
0163	01215	03101151	STA	PIP0-1		00016400
0164	01216	02101232	LBA	IDX		00016500
0165	01217	01301247	LAA*	TOP	M0VE PR0GRAM BACK T0 B0TT0M MAP	00016600
0166	01220	03301250	STA*	B0T	AND C0NTINUE	00016700
0167	01221	00000026	IBS			00016800
0168	01222	11101217	BRU	*-3		00016900
0169	01223	11301151	BRU*	PIP0-1	EXIT T0 B0TT0M MAP	00017000
0170	01224	00000000	*			00017100
0171	01224	25407777	END	DAC	'7777	00017200
0172	01225	25401000	STAR	DAC	'1000	00017300
0173	01226	25401000	BEG	DAC	'1000	00017400
0174	01227	00000000	FIN	ZZZ	**	00017500
0175	01230	00000001	ONE	DATA	1	00017600
0176	01231	00000100	ONEH	DATA	'100	00017700
0177	01232	00177275	IDX	DATA	-323	00017800
0178	01233	00177776	001	DATA	-2	00017900
0179	01234	00125252	ONE0	DATA	'125252	00018000
0180	01235	00052525	0H1	DATA	'52525	00018100
0181	01236	00177760	SHCN	DATA	-16	00018200
0182	01237	00177760	NEW	DATA	-16	00018300
0183	01240	00177760	RSCN	DATA	-16	00018400
0184	01241	00177760	NECN	DATA	-16	00018500
0185	01242	00177776	NEWK	DATA	-2	00018600
0186	01243	00177777	ONES	DATA	-1	00018700
0187	01244	00100000	MINZ	DATA	'100000	00018800
0188	01245	00000000	SAVE	ZZZ	**	00018900
0189	01246	00000000	STOR	ZZZ	**	00019000
0190	01247	25607503	T0P	DAC	3907,1	00019100
0191	01250	25600503	B0T	DAC	323,1	00019200
0192	01251	11101200	BRU	BRU	P0NG	00019300
0193	01252	01101225	LAA	LAA	STAR	00019400
0194	01253	00000016	LSL	LSL	0	00019500

0195	01254	00000000	*					00019600
0196	01254	00000000	ERRZ	***	**	ZERØS STØRED ERRØR		0019700
0197	01255	12101355	SPB	SAB				0019800
0198	01256	01101456	LAA	LETØ		SET UP TYPE ØUT MESSAGE		0019900
0199	01257	03101470	STA	MESS				0020000
0200	01260	01101457	LAA	LETØ+1				0020100
0201	01261	03101471	STA	MESS+1				0020200
0202	01262	12101365	SPB	TPØ				0020300
0203	01263	12101361	SPB	LAB				0020400
0204	01264	11301254	BRU*	ERRZ				0020500
0205	01265	00000000	*					0020600
0206	01265	00000000	ERR1	***	**	ØNES STØRED ERRØR		0020700
0207	01266	12101355	SPB	SAB				0020800
0208	01267	01101460	LAA	LET1		SET UP TYPE ØUT MESSAGE		0020900
0209	01270	03101470	STA	MESS				0021000
0210	01271	01101461	LAA	LET1+1				0021100
0211	01272	03101471	STA	MESS+1				0021200
0212	01273	12101365	SPB	TPØ				0021300
0213	01274	12101361	SPB	LAB				0021400
0214	01275	11301265	BRU*	ERR1				0021500
0215	01276	00000000	*					0021600
0216	01276	00000000	ERRØ	***	**	ØNE-ZERØ STØRED ERRØR		0021700
0217	01277	12101355	SPB	SAB				0021800
0218	01300	01101462	LAA	LE10		SET UP TYPE ØUT MESSAGE		0021900
0219	01301	03101470	STA	MESS				0022000
0220	01302	01101463	LAA	LE10+1				0022100
0221	01303	03101471	STA	MESS+1				0022200
0222	01304	12101365	SPB	TPØ				0022300
0223	01305	12101361	SPB	LAB				0022400
0224	01306	11301276	BRU*	ERRØ				0022500
0225	01307	00000000	*					0022600
0226	01307	00000000	ERRØ	***	**	ZERØ-ØNE STØRED ERRØR		0022700
0227	01310	12101355	SPB	SAB				0022800
0228	01311	01101464	LAA	LEØ1		SET UP TYPE ØUT MESSAGE		0022900
0229	01312	03101470	STA	MESS				0023000
0230	01313	01101465	LAA	LEØ1+1				0023100
0231	01314	03101471	STA	MESS+1				0023200
0232	01315	12101365	SPB	TPØ				0023300
0233	01316	12101361	SPB	LAB				0023400

0234	01317	11301307	BRU*	ER01			0023500
0235	01320	00000000	*				0023550
0236	01320	00000000	ERWA	*** **	WALKING ONE STORED ERROR		0023600
0237	01321	12101355	SPB	SAB			0023700
0238	01322	01101466	LAA	#1	SET UP TYPE OUT MESSAGE		0023800
0239	01323	03101470	STA	MESS			0023900
0240	01324	01101237	LAA	NEW			0024000
0241	01325	06101236	SMA	SHCN			0024100
0242	01326	12101340	SPB	GSCN			0024200
0243	01327	11301320	BRU*	ERWA			0024300
0244	01330	00000000	*				0024400
0245	01330	00000000	EWA1	*** **	WALKING ZERO STORED ERROR		0024500
0246	01331	12101355	SPB	SAB			0024600
0247	01332	01101467	LAA	WZ	SET UP TYPE OUT MESSAGE		0024700
0248	01333	03101470	STA	MESS			0024800
0249	01334	01101241	LAA	NECN			0024900
0250	01335	06101240	SMA	RSCN			0025000
0251	01336	12101340	SPB	GSCN			0025100
0252	01337	11301330	BRU*	EWA1			0025200
0253	01340	00000000	*				0025300
0254	01340	00000000	GSCN	*** **	GET SHIFT COUNT FOR WALK-		0025400
0255	01341	00000002	NEG		ING ONE AND ZERO ERRORS		0025500
0256	01342	00000312	FRA	3			0025600
0257	01343	05101472	AMA	TW00			0025700
0258	01344	00000113	FLL	1			0025800
0259	01345	00000115	RSL	1			0025900
0260	01346	00000516	LSL	5			0026000
0261	01347	00000313	FLL	3			0026100
0262	01350	05101472	AMA	TW06			0026200
0263	01351	03101471	STA	MESS+1	FINISH TYPE OUT MESSAGE		0026300
0264	01352	12101365	SPB	TP0			0026400
0265	01353	12101361	SPB	LAB			0026500
0266	01354	11301340	BRJ*	GSCN			0026600
0267	01355	00000000	*				0026700
0268	01355	00000000	SAB	*** **	SAVE A AND B REG.		0026800
0269	01356	03101473	STA	SAVA			0026900
0270	01357	04101474	STB	SAVB			0027000
0271	01360	11301355	BRU*	SAB			0027100
0272	01361	00000000	*				0027200

0273	01361	00000000	LAB	*** **	LOAD A AND B REG.	0027300
0274	01362	01101473		LAA SAVA		0027400
0275	01363	02101474		LBA SAVB		0027500
0276	01364	11301361		BRU* LAB		0027600
0277	01365	00000000	*			0027700
0278	01365	00000000	TP0	*** **	TYPE 0UT MESSAGE	0027800
0279	01366	02101225		LBA STAR		0027900
0280	01367	12101422		SPB SHFT	LOCATION	0028000
0281	01370	12101452		SPB SPAC		0028100
0282	01371	12101452		SPB SPAC		0028200
0283	01372	02101470		LBA MESS	ERROR MESSAGE	0028300
0284	01373	12101414		SPB B0UT		0028400
0285	01374	02101471		LBA MESS+1		0028500
0286	01375	12101414		SPB B0UT		0028600
0287	01376	12101452		SPB SPAC		0028700
0288	01377	02301225		LBA* STAR	0UTPUT C0NTENT 0F L0C.	0028800
0289	01400	00000003		CLA		0028900
0290	01401	00000113		FLL 1		0029000
0291	01402	12101437		SPB TYPE		0029100
0292	01403	00000007		CSB		0029200
0293	01404	00000002		NEG		0029300
0294	01405	00000002		NEG		0029400
0295	01406	00000112		FRA 1		0029500
0296	01407	12101422		SPB SHFT		0029600
0297	01410	12101446		SPB CRLF		0029700
0298	01411	00130403		SNS 3	SWITCH 3 UP, HALT	0029800
0299	01412	00000000		HLT		0029900
0300	01413	11301365		BRU* TP0		0030000
0301	01414	00000000	*			0030100
0302	01414	00000000	B0UT	*** **	B REG. 0UTPUT	0030200
0303	01415	00001013		FLL 8		0030300
0304	01416	12101437		SPB TYPE		00030400
0305	01417	00001013		FLL 8		0030500
0306	01420	12101437		SPB TYPE		00030600
0307	01421	11301414		BRU* B0UT		0030700
0308	01422	00000000	*			0030800
0309	01422	00000000	SHFT	*** **	0UTPUT 5 0CTAL DIGITS	0030900
0310	01423	00000003		CLA		0031000
0311	01424	12101432		SPB SHFS		0031100



0312	01425	12101432	SPB	SHF3					0031200
0313	01426	12101432	SPB	SHF3					0031300
0314	01427	12101432	SPB	SHF3					0031400
0315	01430	12101432	SPB	SHF3					0031500
0316	01431	11301422	BRU*	SHFT					0031600
0317	01432	00000000	*						0031700
0318	01432	00000000	SHF3	***	**		ØUTPUT ØNE ØCTAL DIGIT		0031800
0319	01433	00000317	FLA	3					0031900
0320	01434	05101472	AMA	TW06					0032000
0321	01435	12101437	SPB	TYPE					0032100
0322	01436	11301432	BRU*	SHF3					0032200
0323	01437	00000000	*						0032300
0324	01437	00000000	TYPE	***	**		ØUTPUT A REG.		0032400
0325	01440	00130101	DATA	'130101		CEU	1,W		
0326	01441	00001000	DATA	'1000					
0327	01442	00001016	LSL	8					
0328	01443	00170101	DATA	'170101		AØP	1,W		
0329	01444	00000003	CLA						0033000
0330	01445	11301437	BRU*	TYPE					0033400
0331	01446	00000000	*						0033500
0332	01446	00000000	CRLF	***	**		ØUTPUT CAR. RTN.,LN. FD.		0033600
0333	01447	02101475	LBA	LFØR					0033700
0334	01450	12101414	SPB	ØØT					0033800
0335	01451	11301446	BRU*	CRLF					0033900
0336	01452	00000000	*						0034000
0337	01452	00000000	SPAC	***	**		ØUTPUT A SPACE		0034100
0338	01453	01101476	LAA	SPCE					0034200
0339	01454	12101437	SPB	TYPE					0034300
0340	01455	11301452	BRU*	SPAC					0034400
0341	01456	00000000	*						0034500
0342	01456	00000000	*						0034600
0343	01456	00155305	LETØ	DATA	'ØZERØ''				0034700
0343	01457	00151317							
0344	01460	00147716	LET1	DATA	'ØNES''				0034800
0344	01461	00142723							
0345	01462	00150660	LE10	DATA	'Ø1010''				0034900
0345	01463	00150660							
0346	01464	00150261	LE01	DATA	'Ø101''				0035000
0346	01465	00150261							

0347	01466	00130640	W1	DATA	'1	'	0035100
0348	01467	00155240	WZ	DATA	'7	'	0035200
0349	01470	00000000	MESS	DATA	0,0		0035300
0349	01471	00000000					
0350	01472	00000260	TW06	DATA	176		0035400
0351	01473	00000000	SAVA	DATA	0		0035500
0352	01474	00000000	SAVB	DATA	0		0035600
0353	01475	00106612	LFGR	DATA	-29302		0035700
0354	01476	00000240	SPCE	DATA	160		0035800
0355	01477	00000000	*				0035900
0356	01477	70400000	END				
	EXEC	01015					
	ALL1	01026					
	W0RS	01050					
	WALK	01072					
	WA1	01113					
	REST	01144					
	PIP0	01152					
	P0NG	01200					
	END	01224					
	STAR	01225					
	BEG	01226					
	FIN	01227					
	ONE	01230					
	ONEH	01231					
	IDX	01232					
	001	01233					
	ONE0	01234					
	0H1	01235					
	SHCN	01236					
	NEW	01237					
	RSCN	01240					
	NECN	01241					
	NEWK	01242					
	0NES	01243					
	MIVZ	01244					
	SAVE	01245					
	STAR	01246					
	T0P	01247					

BØT	01250
BRU	01251
LAA	01252
LSL	01253
ERRZ	01254
ERR1	01265
ER1Ø	01276
ERØ1	01307
ERWA	01320
EWA1	01330
GSCN	01340
SAB	01355
LAB	01361
TPØ	01365
BØUT	01414
SHFT	01422
SHF3	01432
TYPE	01437
CRLF	01446
SPAC	01452
LETØ	01456
LET1	01460
LE1Ø	01462
LEØ1	01464
W1	01466
WZ	01467
MESS	01470
TWØ6	01472
SAVA	01473
SAVB	01474
LFCR	01475
SPCE	01476

#303005B

LOAD-STORE-REG.-TEST

---

SYSTEMS ENGINEERING LABORATORIES PROGRAM LIBRARY

SOFTWARE DESCRIPTION

CATALOG NO. 303005B

DOCUMENTATION REV\*                     

DATE June 15, 1970

PROGRAM TITLE: 810A/B Load/Store/Register Change Test  
(LSRCT)

PURPOSE: LSRCT uses each of the load, store and register  
change instructions except the LCS and CSB  
instruction. The data used is a counter, so all  
bit combinations are used. Errors are indicat-  
ed by a type-out, as are successful cycles.

CONFIGURATION: Basic SYSTEMS 810A/B Computer

SOFTWARE ENVIRONMENT: Stand-Alone

PROGRAM LANGUAGE: SYSTEMS 810A/B Assembly Language

SIZE: 2000<sub>8</sub> - 2710<sub>8</sub>

TIMING: Approx. 2.5MS/Cycle

Note:

*When using the upper 16K load/  
dump program the relocatable  
loader program counter 36060  
should be utilized to load the  
program rather than the 16060.*

**Relocatable Loader  
Prog. Counter 16060  
A-Accum 0 B-Accum 0  
After Load Start At '2000**

SYSTEMS 303005B

REASON FOR CHANGE:

Changes were made to allow this program to run with the KeyTran System and output all messages to the selectric typewriter by setting sense switch 13.

USE:

Start at location 2000<sub>8</sub>, the program will run until manually halted.

When running under the KeyTran System the diagnostic number for this program is six (6). The program will automatically be started at location 2000<sub>8</sub> and will continuously run until the Index key is depressed on the selectric typewriter at which time control will be returned to the KeyTran Diagnostic Loader.

If a halt occurs, consult the listing or halt log using the P-Counter location to find the instruction that failed.

Sense Switches Settings:

SSW 0 up - The cycle count will not be typed.

SSW 1 up - Errors are ignored.

SSW 2 up - No error type-out will occur, the machine will halt. The A-Accumulator will contain the error location and locations 2603<sub>8</sub>, 2604<sub>8</sub> and 2576<sub>8</sub> will contain the A&B Accumulators and the counter respectively.

SSW 13 up - Indicates program being run with the KeyTran System and that all output will be via the selectric typewriter.

Type-Out Formats:

Successful Cycles - NNNN

NNNN = The number of cycles completed without error.

Machine Error Preceding Loc XXXXX

AAAAAA BBBBBB CCCCCC

SYSTEMS 303005B

XXXXXX = The location plus one form which an SPB occurred following an error condition.

AAAAAA = The contents of the A-Accumulator.

BBBBBB = The contents of the B-Accumulator.

CCCCCC = The contents of the counter.

HALT LOG:

<u>P-Counter</u>	<u>Instruction In Error</u>
2041	CLA
2045, 2047	LBA, TBA
2052, 2054	IAB
2057, 2061	LAA
2065, 2067	TAB, STB
2072, 2074	STA

#303006B  
ARITHMETIC TEST



SYSTEMS ENGINEERING LABORATORIES PROGRAM LIBRARY

SOFTWARE DESCRIPTION

CATALOG NO. 303006B

DOCUMENTATION REV \_\_\_\_\_

DATE June 15, 1970

PROGRAM TITLE: 810A/B Arithmetic Test (ADDO)

PURPOSE: This program exercises the adder using the AMA, AMB and SMA instructions, RNA is also tested. A random bit pattern generator is used to generate operands. Memory is added to A and B, the results are compared. Memory is subtracted from A using the same operands, one in A, one in memory, then vice-versa. The differences are compared ignoring the signs. RNA is tested by a software round A simulation. Overflow is checked and an error condition will be generated if the overflow latch is not set at the proper time.

CONFIGURATION: Basic SYSTEMS 810A/B Computer

SOFTWARE: ENVIRONMENT: N/A

PROGRAM LANGUAGE: SYSTEMS 810A/B Assembly Language

SIZE: 2000<sub>8</sub> - 2751<sub>8</sub>

TIMING: Approx. 400 microseconds/cycle

Note:

When using the upper 16K load/dump program the relocatable loader program counter 36060 should be utilized to load the program rather than the 16060.

Relocatable Loader  
Prog. Counter 16060  
A-Accum 0 B-Accum 0  
After Load Start At '2000

SYSTEMS 303006B

REASON FOR CHANGE:

Changes were made to allow this program to run with the KEYTRAN System and output all messages to the selectric typewriter by setting Sense Switch 13.

USE:

Start at location 2000<sub>g</sub>, the program will run until manually halted.

When running under the KEYTRAN System the Diagnostic Number for this program is seven (7). The program will automatically be started at location 2000<sub>g</sub> and will continuously run until the Index Key is depressed on the selectric typewriter at which time control will be returned to the KEYTRAN Diagnostic Loader.

Sense Switch Settings:

SSW 0 up - Errors are ignored.

SSW 1 up - A halt will occur after an error type-out.

SSW 2 up - No error type-out, a halt will occur.

SSW 13 up - Indicates program being run with the KEYTRAN System and that all output will be via the selectric typewriter.

Note

With SSW 2 up a halt at location 2167<sub>g</sub> indicates an RNA error. An add error will cause a halt at 2251<sub>g</sub> and a subtract error halts at 2321<sub>g</sub>.

Type-Out Formats:

aaaaaa      bbbbbb  
A nnnnnn OVFL  
B mmmmmm OVFL

SYSTEMS 303006B

Indicates add error:

aaaaaa = operand in A for AMA, in memory for AMB  
bbbbbb = operand in memory for AMA, in B for AMB  
nnnnnn = the AMA sum  
mmmmmm = the AMB sum

Note

If both sums are the same and the letters OVFL (indicating overflow) are not typed next to both sums this indicates an overflow error. The letters will not always be typed, only if an overflow occurred.

aaaaaa bbbbbb  
S A nnnnnn OVFL  
B mmmmmm OVFL

Indicates an SMA error:

nnnnnn = difference of a-b  
mmmmmm = difference of b-a

Note

Only the signs should be unlike. As in the add test overflow should occur on both subtracts.

aaaaaa bbbbbb  
R nnnnnn mmmmmm

Indicates an RNA error:

a's = A-Accumulator  
b's = B-Accumulator  
nnnnnn = software RNA  
mmmmmm = hardware RNA

#303007C  
MULTIPLY TEST

SYSTEMS ENGINEERING LABORATORIES PROGRAM LIBRARY

SOFTWARE DESCRIPTION

CATALOG NO. 303007C

DOCUMENTATION REV                     

DATE June 15, 1970

PROGRAM TITLE: 810A/B Multiply Test (MTPY)

PURPOSE: MTPY uses a random operand generator to generate two operands. The two operands are multiplied by the hardware, the product is then compared to the product of a software multiply. An inequality causes a typeout. The software multiply arrives at a product by adding and shifting.

CONFIGURATION: Basic SYSTEMS 810A/B Computer

SOFTWARE ENVIRONMENT: Stand-Alone

PROGRAM LANGUAGE: SYSTEMS 810A/B Assembly Language

SIZE: 2000<sub>8</sub> - 3351<sub>8</sub>

TIMING: Approx. 0.75 microseconds/product

*Note!*

*When using the upper 16K load/dump program the relocatable loader, program counter 36060 should be utilized to load the program rather than the 16060.*

**Relocatable Loader**  
**Prog. Counter 16060**  
**A-Accum 0 B-Accum 0**  
**After Load Start At '2000**

## SYSTEMS 303007C

### REASON FOR CHANGE:

Changes were made to allow this program to run with the Keytran System and output all messages to the selectric typewriter by setting Sense Switch 13.

### USE:

Start at location 2000<sub>8</sub>, the program will run until manually halted.

When running under the Keytran System the Diagnostic Number for this program is eight (8). The program will automatically be started at location 2000<sub>8</sub> and will continuously run until the Index Key is depressed on the selectric typewriter at which time control will be returned to the Keytran Diagnostic Loader.

### Sense Switch Settings:

SSW 0 up - Errors are ignored.

SSW 1 up - No error typeout, a halt will occur.

SSW 2 up - The same operands will be used continuously.

SSW 3 up - A halt will occur after an error typeout.

SSW 4 up - A bit pattern will be typed out.

SSW 13 up - Indicates program being run with the Keytran System and that all output will be via the selectric typewriter.

### Typeout Format:

Multiply Error

aaaaaa

bbbbbb

nnnnnn

mmmmm

xxxxxx

yyyyyy

SYSTEMS 303007C

aaaaaa = Multiplier (In Memory)  
bbbbbb = Multiplicand (In B-Accumulator)  
nnnnnn = Software Product in A  
mmmmmm = Software Product in B  
xxxxxx = Product in A  
yyyyyy = Product in B

Example of a Bit Typeout

```
TTTTTT BBBB
T x xxx xxx xxx xxx xxx - T y yyy yyy yyy yyy yyy
S z zzz zzz zzz zzz zzz - S w www www www www www atc l23 t
a a aaa aaa aaa aaa aaa b b bbb bbb bbb bbb bbb          atc def g
```

where:

TTTTTT	= T-Register
BBBBBB	= B-Register
x xxx xxx ...	= Bit Pattern of T-Register
y yyy yyy ...	= Bit Pattern of -T
z zzz zzz ...	= Bit Pattern of T Shifted
w www www..	= Bit Pattern of -T Shifted
a aaa aaa ...	= Bit Pattern of A-Register
b bbb bbb ...	= Bit Pattern of B-Register
a	= Sign of A
t	= Sign of T
c	= Carry
d	= 1X
e	= 2X
f	= -1X
g	= Toggle

Note

If it is desired to find two operands that fail continuously set sense switch three up, after the typeout and halt set sense switches zero up and two up and three down. The program will run continuously using the operands that failed and the error condition will be ignored allowing easier troubleshooting. To get a bit pattern, after the halt, set sense switches two up and four up. When it starts typing out, lower four to discontinue typeout.

SEL #303007C  
810A MULTIPLY TEST  
SPECIAL OPERATION DESCRIPTION  
TESTING SPECIFIC NUMBERS

1. After loading the program enter the desired multiplicand in memory location '2126 and the desired multiplier in memory location '2127.
2. Set Sense Switch (SSW) #2 and start the program (Program Counter '2000).
3. The program will continue to test multiply the specific numbers entered in the two memory locations until manually halted, Sense Switch (SSW) #2 is reset, or a program halt occurs (Sense Switch #1 or #3 program options).

NOTE: The multiplier corresponds to the number located in the "B" accumulator and the multiplicand to the number in memory ("T" register during the multiply).



#303008C  
DIVIDE TEST

SYSTEMS ENGINEERING LABORATORIES PROGRAM LIBRARY

SOFTWARE DESCRIPTION

CATALOG NO. 303008C

DOCUMENTATION REV\*           

DATE June 15, 1970

PROGRAM TITLE: 810A/B Divide Test

PURPOSE: Divide uses a software divide which simulates the hardware exactly. Both hardware and software divide operands in single and double precision forms, the quotients and remainder are compared for accuracy

CONFIGURATION: Basic SYSTEMS 810A/B Computer

SOFTWARE ENVIRONMENT: Stand-Alone

PROGRAM LANGUAGE: SYSTEMS 810A/B Assembly Language

SIZE: 2000<sub>8</sub> - 3327<sub>8</sub>

TIMING: Approx. 1050 microseconds/cycle

*Note!*

*When using the upper 16K load/dump program the relocatable loader program counter 36060 should be utilized to load the program rather than the 16060*

**Relocatable Loader  
Prog. Counter 16060  
A-Accum 0 B-Accum 0  
After Load Start At '2000**

SYSTEMS 303008C

REASON FOR CHANGE:

Changes were made to allow this program to run with the KEYTRAN System and output all messages to the selectric typewriter by setting Sense Switch 13.

USE:

Start at location 2000<sub>g</sub>, the program will run until manually halted.

When running under the KEYTRAN System the Diagnostic Number for this program is nine (9). The program will automatically be started at location 2000<sub>g</sub> and will continuously run until the Index Key is depressed on the selectric typewriter at which time control will be returned to the KEYTRAN Diagnostic Loader.

Sense Switch Settings:

SSW 0 up - Errors are ignored.

SSW 1 up - No error typeout, a halt will occur.

SSW 2 up - The same operands will be used continuously.

SSW 3 up - A halt will occur after an error typeout.

SSW 4 up - A bit pattern will be typed out.

SSW 13 up - Indicates program being run with the KEYTRAN System and that all output will be via the selectric typewriter.

Typeout Format:

Divide Error

xxxxxxx	yyyyyy
aaaaaa	bbbbbb
cccccc	dddddd

*\*  
Line 18 is the answer.*

SYSTEMS 303008C

Single Precision Divide Error

xxxxxx = B-Accumulator Operand  
yyyyyy = Memory Operand  
aaaaaa = Quotient, Software  
bbbbbb = Remainder, Software  
cccccc = Quotient, Hardware  
dddddd = Remainder, Hardware

mmmmmm nnnnnn xxxxxx  
aaaaaa bbbbbb  
cccccc dddddd

Double Precision Divide Error

mmmmmm = A-Accumulator Operand  
nnnnnn = B-Accumulator Operand  
xxxxxx = Memory Operand  
a's, b's, c's, d's = Same as Single Precision

Note

If the letters "OVFL" are typed out on a double precision divide error in place of a quotient and remainder, this indicates that operation causes a divide overflow. The hardware should get overflow when the software does and the hardware should not get overflow when the software does not.

Example of Bit Pattern Type Out

AAAAAA BBBBBB MMMMMM  
01 X XXX XXX XXX XXX XXX Y YYY YYY YYY YYY YYY (C)

where   AAAAAA   = A-Register  
         BBBBBB   = B-Register  
         MMMMMM = Memory  
         X XXX XXX= Bit-Pattern of A  
         Y YYY YYY= Bit-Pattern of B  
                  C= Optional Typeout if Correction Has Been Made

## SYSTEMS 303008C

### Note

To find operands that fail, set sense switch three. After the halt, set sense switches zero and two. This will repeat the operands and errors will be ignored which will aid troubleshooting. To get a bit pattern, after the halt, set sense switches two and four. When typeout begins, lower four to discontinue typeout.

SEL #303008C  
810A DIVIDE TEST  
SPECIAL OPERATION DESCRIPTION  
TESTING SPECIFIC NUMBERS

1. After loading the program enter the desired dividend (double length-A & B accumutators) in memory locations '3312 ("A" accum.) and '3313 ("B" accum.) and the desired divisor in memory location '3314.
2. Set Sense Switch (SSW) #2 and start the program (Program Counter '2000).
3. The program will continue to test divide the specific numbers entered in Step #1 until manually halted, Sense Switch (SSW) #2 is reset, or a program halt occures (Sense Switch #1 or 3 program options).

NOTE: The dividend corresponds to the number located in the A & B accumulator and the divisor to the number in memory ("T" register during the divide.)

---

#303010A  
MEMORY WORST CASE

SEL PROGRAM LIBRARY

PROGRAM DESCRIPTION

Page 1 of 2

Catalog No. 303010A

IDENTIFICATION: Memory Worst Case Test (MEMTES)

AUTHOR: SEL

ACCEPTED: 13 January 1967

PURPOSE: MEMTES analyzes the program counter bits in conjunction with a Boolean expression to find which locations should be loaded with ones or zeros. After all memory is loaded, each location is unloaded sequentially. While unloading memory, the worst case pattern will cause additive noise in the sense windings possibly causing bits to be dropped or picked up.

**Absolute Loader  
Prog. Counter '17673  
A-Accum 0 B-Accum 0  
After Load Enter Bit 3  
In Memory Location '420  
Start At '0 Prog. Cntr.**

All of memory is tested through the use of a ping-pong routine. After the upper portion of memory has been exercised (location 1000g and up), the program is modified to exercise the lower portion of memory (location 0 up to, but not including the highest map) and transferred to the highest map in memory. Once the lower portion is exercised, the program is reset to exercise upper memory and moved back to the lowest map.

*Note:  
Sense switch No. 2 must be set  
before the program is started.*

SOURCE PROGRAM LANGUAGE:

MNEMLER 810A

COMPUTER CONFIGURATIONS:

Standard SEL 810A

STORAGE:

0000 to 0467g, plus every other location - Not relocatable

SUBROUTINES REQUIRED:

810A Mainframe Diagnostic Loading Procedure

TIMING:

Dependent on memory size.

**Absolute Loader  
Prog. Counter '17673  
A-Accum 0 B-Accum 0  
After Load Enter Bit 3  
In Memory Location '420  
Start At 0 Prog. Cntr.**

*Prog. Cntr. 37673 when using the upper 16K loader program  
Note: When using the upper 16K loader program:  
- after load enter bits 2 + 3 in memory location '420.*



USE: After loading, set the location tagged FIN (420<sub>g</sub>) with the four (4) most significant bits of the highest memory address (see note).

Set the sense switches to the desired combination before starting.

Start at location zero. The program will run continuously until halted manually.

NOTE: For a 4K memory, no bits should be set in FIN  
8K - set bit 3  
12K - set bit 2  
16K - set bit 2 and 3

Sense Switches:

~~Set - No switches for: Ferroxcube, 4K Memory  
SSW 0 up for: Ferroxcube, 8K Memory  
SSW 0 and 1 up for: Ampex Mod 1, 8K Memory  
SSW 1 up for: Ampex Mod 1, 4K Memory  
SSW 2 up for: Ampex Mod 2, All Memories - Use this one.~~ } *don't use these.*

NOTE: Be sure the proper sense switches are set before the program is started, otherwise the wrong worst case will be used.

Type-Out Format:

aaaaa b ccccccccccccccc

Memory Unload Error

- a's = octal memory location in error.
- b = a one or a zero, what every bit position of the error location should contain.
- c's = sixteen binary bits which were unloaded from the error location.

NOTE: A parity error may also be caused when unloading a location. If a parity error occurs, there may not be an error type-out. The A-Register may be displayed and if it does not contain either all ones or all zeros, the parity error may be cleared and the program started where it has stopped, the error type-out will follow. If, however, the A register does contain all ones or all zeros, the B Register may be displayed to find the location that caused the parity error.

*Pin 24 on 13F to gen. will give you a type out.*

0001	00000	00000000	*	MEMTES	REV-0		00000200
0002	00000	00000000	*	WORST CASE MEMORY TEST			00000300
0003	00000	00000000	*	ALL LOADERS AND OTHER PROGRAMS MUST BE			00000500
0004	00000	00000000	*	RELOADED AFTER RUNNING THIS PROGRAM.			00000600
0005	00000	00000000	*				00000700
0006	00000	00000000	*	SENSE SWITCH SETTINGS			00000800
0007	00000	00000000	*	NØ SWITCHES UP - FERRØXCUBE 4K CORE STACK			00000900
0008	00000	00000000	*	WORST CASE IS USED.			00001000
0009	00000	00000000	*	SWITCH ZERO UP - FERRØXCUBE 8K CORE STACK			00001100
0010	00000	00000000	*	WORST CASE IS USED.			00001200
0011	00000	00000000	*	SWITCHES ZERO			00001300
0012	00000	00000000	*	AND ONE UP - AMPEX MØD-1,8K CORE STACK			00001400
0013	00000	00000000	*	WORST CASE IS USED			00001500
0014	00000	00000000	*	SWITCH ONE UP - AMPEX MØD-1,4K CORE STACK			00001600
0015	00000	00000000	*	WORST CASE IS USED.			00001700
0016	00000	00000000	*	SWITCH TWO UP - AMPEX MØD-2, ALL STACKS			00001800
0017	00000	00000000	*	WORST CASE IS USED			00001900
0018	00000	00000000	*				00002000
0019	00000	00000000	*				00002100
0020	00000	00000000	*	ADDRESS SET UP ROUTINE FOR ALL CORE STACKS.			00002200
0021	00000	00000000	*				00002300
0022	00000	00000000		REL			
0023	01000	70001000		ØRG	'1000		
0024	01000	01101455		LAA	TØP		00002400
0025	01001	05101420		AMA	FIN	FIN HAS HIGH BIT FOR MORE THAN 4K	00002500
0026	01002	03101455		STA	TØP	TØP IS THE HIGH LOC. FOR PING-PONG	00002600
0027	01003	01101420		LAA	FIN	FIN AND INDX ARE COMBINED WITH	00002700
0028	01004	05101421		AMA	INDX	STAR TØ ØBTAIN A NEGATIVE	00002800
0029	01005	06101422		SMA	STAR	CØUNT FOR MEMORY ADDRESSING	00002900
0030	01006	00000002		NEG			00003000
0031	01007	03101420		STA	FIN	THE ABOVE IS EXECUTED ØNCE.	00003100
0032	01010	03101421		STA	INDX		00003200
0033	01011	00000000	*				00003300
0034	01011	00000000	*	SENSE SWITCH TEST FOR CORE STACK TYPE			00003400
0035	01011	00000000	*				00003500
0036	01011	00130402		SNS	2	TWØ	00003600
0037	01012	11101243		BRU	MØD2	AMPEX MØD-2	UP
0038	01013	00130401		SNS	1	ØNE	DOWN

0039	01014	11101020	BRU	**4			UP:	00003900
0040	01015	00130400	SNS	0		ZERØ W/ ØNE DØWN		00004000
0041	01016	11101236	BRU	FRB8		FERRØXCUBE 8K	UP:	00004100
0042	01017	11101231	BRU	FRB4		FERRØXCUBE 4K	DØWN	00004200
0043	01020	00130400	SNS	0		ZERØ W/ ØNE UP		00004300
0044	01021	11101252	BRU	MD18		AMPEX MØD 1-8K	UP:	00004400
0045	01022	11101261	BRU	MD14		AMPEX MØD 1-4K	DØWN	00004500
0046	01023	00000000	*					00004600
0047	01023	00000000	*		FERRØXCUBE TEST, EARLY MØDEL 810			00004700
0048	01023	00000000	*		MØDIFIED FØR ØTHER CØRE STACKS:			00004800
0049	01023	00000000	*					00004900
0050	01023	12101173	FRCB	SPB	REST	RESET CNTRS. AND INDIRECT ADDR.		00005000
0051	01024	12101061		SPB	FML1	LØGICAL FØRMULA FØR WØRST CASE:		00005100
0052	01025	00000000	*					00005200
0053	01025	12101205		SPB	LØD1	STØRE ØNES AS WØRST CASE:		00005300
0054	01026	11101030	BRU	**2				00005400
0055	01027	00000000	*					00005500
0056	01027	12101201		SPB	LØD0	STØRE ZERØS AS WØRST CASE:		00005600
0057	01030	00000000	*					00005700
0058	01030	14101422		IMS	STAR	NEXT CØRE LØCATION		00005800
0059	01031	14101421		IMS	INDX			00005900
0060	01032	11101024	BRU	FRCB+1		NEGATIVE CØUNT NØT ZERØ		00006000
0061	01033	12101173		SPB	REST	RESET		00006100
0062	01034	00000000	*					00006200
0063	01034	12101061	ULØD	SPB	FML1	FØRMULA		00006300
0064	01035	00000000	*					00006400
0065	01035	12101221		SPB	UL1	UNLØAD ØNES		00006500
0066	01036	11101040	BRU	**2				00006600
0067	01037	00000000	*					00006700
0068	01037	12101211		SPB	UL0	UNLØAD ZERØS		00006800
0069	01040	00000000	*					00006900
0070	01040	14101422		IMS	STAR	NEXT LØC.		00007000
0071	01041	14101421		IMS	INDX			00007100
0072	01042	11101034	BRU	ULØD		NEG. CNT. NØT ZERØ		00007200
0073	01043	00000000	*					00007300
0074	01043	01101025	LAA	FRCB+2		INTERCHANGE LØAD AND		00007400
0075	01044	02101027	LBA	FRCB+4		UNLØAD INSTRUCTIONS		00007500
0076	01045	03101027	STA	FRCB+4				00007600
0077	01046	04101025	STB	FRCB+2				00007700

0078	01047	01101035	LAA	UL00+1		00007800
0079	01050	02101037	LBA	UL00+3		00007900
0080	01051	03101037	STA	UL00+3		00008000
0081	01052	04101035	STB	UL00+1		00008100
0082	01053	14101423	IMS	TW0		00008200
0083	01054	11101023	BRU	FRCB	MEMORY NOT EXERCISED TWICE	00008300
0084	01055	01101424	LAA	NTW0		00008400
0085	01056	03101423	STA	TW0		00008500
0086	01057	12101273	SPB	PIP0	M0VE PR0GRAM T0 T0P MAP	00008600
0087	01060	11101023	BRU	FRCB	REPEAT TEST	00008700
0088	01061	00000000	*			00008800
0089	01061	00000000	*		LOGICAL FORMULA FOR WORST CASE FERROXCUBE CORE STACKS	00008900
0090	01061	00000000	*		WC = (A+B) AND NOT (A AND B)	00009000
0091	01061	00000000	*			00009300
0092	01061	00000000	FML1	*** **		00009400
0093	01062	02101422	LBA	STAR		00009500
0094	01063	01101461	LAA	A		00009600
0095	01064	00000027	ABA			00009700
0096	01065	00000022	SAZ			00009800
0097	01066	11101074	BRU	AASS		00009900
0098	01067	01101462	LAA	B	NOT A	00010000
0099	01070	00000027	ABA			00010200
0100	01071	00000022	SAZ			00010300
0101	01072	11101103	BRU	ANBA	AND B, STORE ONES	00010400
0102	01073	11101101	BRU	AA3A		00010500
0103	01074	00000000	*			00010600
0104	01074	01101462	AASS	LAA B	A	00010700
0105	01075	00000027	ABA			00010900
0106	01076	00000002	NEG			00011000
0107	01077	00000023	SAN			00011100
0108	01100	11101103	BRU	ANBA	AND NOT B, STORE ONES	00011200
0109	01101	00000000	*			00011300
0110	01101	14101061	AABA	IMS FML1	AND B, STORE ZEROS	00011400
0111	01102	14101061	IMS	FML1		00011500
0112	01103	11301061	ANBA	BRU* FML1		00011600
0113	01104	00000000	*			00011700
0114	01104	00000000	*			00011800
0115	01104	00000000	*			00011900
0116	01104	00000000	*		LOGICAL FORMULA FOR WORST CASE AMPEX CORE STACKS	00012000

0117	01104	00000000	*			NC = A AND NOT B AND NOT C	00012100
0118	01104	00000000	*			OR NOT A AND B AND NOT C	00012200
0119	01104	00000000	*			OR NOT A AND NOT B AND C	00012300
0120	01104	00000000	*			OR A AND B AND C	00012400
0121	01104	00000000	*				00012500
0122	01104	00000000	FØRM	***	**		00012600
0123	01105	02101422		LBA	STAR		00012700
0124	01106	01101463		LAA	C		00012800
0125	01107	00000027		ABA			00012900
0126	01110	00000022		SAZ			00013000
0127	01111	11101122		BRU	PRT2		00013100
0128	01112	01101462		LAA	B	NOT C	00013200
0129	01113	00000027		ABA			00013400
0130	01114	00000022		SAZ			00013500
0131	01115	11101122		BRU	PRT2		00013600
0132	01116	01101461		LAA	A	AND NOT B	00013700
0133	01117	00000027		ABA			00013900
0134	01120	00000022		SAZ			00014000
0135	01121	11301104		BRU*	FØRM	AND A, STORE ONES	00014100
0136	01122	00000000	*				00014200
0137	01122	01101461	PRT2	LAA	A	ØR	00014300
0138	01123	00000027		ABA			00014500
0139	01124	00000022		SAZ			00014600
0140	01125	11101136		BRU	PRT3		00014700
0141	01126	01101463		LAA	C	NOT A	00014800
0142	01127	00000027		ABA			00015000
0143	01130	00000022		SAZ			00015100
0144	01131	11101136		BRU	PRT3		00015200
0145	01132	01101462		LAA	B	AND NOT C	00015300
0146	01133	00000027		ABA			00015500
0147	01134	00000022		SAZ			00015600
0148	01135	11301104		BRU*	FØRM	AND B, STORE ONES	00015700
0149	01136	00000000	*				00015800
0150	01136	01101461	PRT3	LAA	A	ØR	00015900
0151	01137	00000027		ABA			00016100
0152	01140	00000022		SAZ			00016200
0153	01141	11101152		BRU	PRT4		00016300
0154	01142	01101462		LAA	B	NOT A	00016400
0155	01143	00000027		ABA			00016600

0156	01144	00000022	SAZ			00016700
0157	01145	11101152	BRU	PRT4		00016800
0158	01146	01101463	LAA	C	AND NOT B	00016900
0159	01147	00000027	ABA			00017100
0160	01150	00000022	SAZ			00017200
0161	01151	11301104	BRU*	F0RM	AND C, STORE ONES	00017300
0162	01152	00000000	*			00017400
0163	01152	01101461	PRT4 LAA	A	ØR	00017500
0164	01153	00000027	ABA			00017700
0165	01154	00000002	NEG			00017800
0166	01155	00000023	SAN			00017900
0167	01156	11101170	BRU	EXIT		00018000
0168	01157	01101462	LAA	B	A	00018100
0169	01160	00000027	ABA			00018300
0170	01161	00000002	NEG			00018400
0171	01162	00000023	SAN			00018500
0172	01163	11101170	BRU	EXIT		00018600
0173	01164	01101463	LAA	C	AND B	00018700
0174	01165	00000027	ABA			00018900
0175	01166	00000022	SAZ			00019000
0176	01167	11301104	BRU*	F0RM	AND C, STORE ONES	00019100
0177	01170	00000000	*			00019200
0178	01170	14101104	EXIT	IMS	F0RM	ØTHERWISE STORE ZEROØ
0179	01171	14101104	IMS	F0RM		00019400
0180	01172	11301104	BRU*	F0RM		00019500
0181	01173	00000000	*			00019600
0182	01173	00000000	*			00019700
0183	01173	00000000	*			00019800
0184	01173	00000000	*		RESET INDIRECT ADDRESS AND NEGATIVE COUNT	00019900
0185	01173	00000000	*			00020000
0186	01173	00000000	REST	***	**	00020100
0187	01174	01101427	LAA	BEG		00020200
0188	01175	03101422	STA	STAR		00020300
0189	01176	01101420	LAA	FIN		00020400
0190	01177	03101421	STA	INDX		00020500
0191	01200	11301173	BRU*	REST		00020600
0192	01201	00000000	*			00020700
0193	01201	00000000	*		LOAD ZEROØ INDIRECTLY THRU STAR	00020800
0194	01201	00000000	*			00020900

0195	01201	00000000	L0D0	***	**		00021000
0196	01202	00000003		CLA			00021100
0197	01203	03301422		STA*	STAR		00021200
0198	01204	11301201		BRU*	L0D0		00021300
0199	01205	00000000	*				00021400
0200	01205	00000000	*			LOAD ONES INDIRECTLY THRU STAR	00021500
0201	01205	00000000	*				00021600
0202	01205	00000000	L0D1	***	**		00021700
0203	01206	01101425		LAA	0NES		00021800
0204	01207	03301422		STA*	STAR		00021900
0205	01210	11301205		BRU*	L0D1		00022000
0206	01211	00000000	*				00022100
0207	01211	00000000	*			UNLOAD ZER0S INDIRECTLY THRU STAR	00022200
0208	01211	00000000	*				00022300
0209	01211	00000000	ULO	***	**		00022400
0210	01212	00000003		CLA			00022500
0211	01213	01301422		LAA*	STAR		00022600
0212	01214	15101426		CMA	ZER0		00022700
0213	01215	12101334		SPB	ER00		00022800
0214	01216	11301211		BRU*	ULO		00022900
0215	01217	12101334		SPB	ER00		00023000
0216	01220	11301211		BRU*	ULO		00023100
0217	01221	00000000	*				00023200
0218	01221	00000000	*			UNLOAD ONES INDIRECTLY THRU STAR	00023300
0219	01221	00000000	*				00023400
0220	01221	00000000	UL1	***	**		00023500
0221	01222	00000003		CLA			00023600
0222	01223	01301422		LAA*	STAR		00023700
0223	01224	15101425		CMA	0NES		00023800
0224	01225	12101342		SPB	ER01		00023900
0225	01226	11301221		BRU*	UL1		00024000
0226	01227	12101342		SPB	ER01		00024100
0227	01230	11301221		BRU*	UL1		00024200
0228	01231	00000000	*				00024300
0229	01231	00000000	*				00024400
0230	01231	00000000	*				00024400
0231	01231	00000000	*			FERR0XCUBE 4K CORE STACK TEST	00024450
0232	01231	00000000	*				00024500
0233	01231	01101433	FRB4	LAA	B11	SET CONSTANT FOR WORST	00024550

0234	01232	03101461	STA	A	CASE EQUATION	00024600
0235	01233	01101466	LAA	B5		00024650
0236	01234	03101462	STA	B		00024700
0237	01235	11101023	BRU	FRCB		00024750
0238	01236	00000000	*			00024800
0239	01236	00000000	*		FERRAXCUBE 8K CORE STACK TEST	00024850
0240	01236	00000000	*			00024900
0241	01236	01101434	FRBB	LAA	B10	SET CONSTANTS FOR W.C.
0242	01237	03101461	STA	A		00025100
0243	01240	01101437	LAA	B4		00025200
0244	01241	03101462	STA	B		00025300
0245	01242	11101023	BRU	FRCB		00025400
0246	01243	00000000	*			00025500
0247	01243	00000000	*		AMPEX MOD-2, ALL CORE STACKS TEST	00025600
0248	01243	00000000	*			00025700
0249	01243	01101430	MOD2	LAA	B15	SET CONSTANTS FOR W.C.
0250	01244	03101461	STA	A		00025900
0251	01245	01101431	LAA	B14		00026000
0252	01246	03101462	STA	B		00026100
0253	01247	01101435	LAA	B8		00026200
0254	01250	03101463	STA	C		00026300
0255	01251	11101267	BRU	STA		00026400
0256	01252	00000000	*			00026500
0257	01252	00000000	*		AMPEX MOD 1 - 8K CORE STACK TEST	00026600
0258	01252	00000000	*			00026700
0259	01252	01101436	MD18	LAA	B5	SET CONSTANTS FOR W.C.
0260	01253	03101461	STA	A		00026900
0261	01254	01101437	LAA	B4		00027000
0262	01255	03101462	STA	B		00027100
0263	01256	01101434	LAA	B10		00027200
0264	01257	03101463	STA	C		00027300
0265	01260	11101267	BRU	STA		00027400
0266	01261	00000000	*			00027500
0267	01261	00000000	*		AMPEX MOD 1 - 4K CORE STACK TEST	00027600
0268	01261	00000000	*			00027700
0269	01261	01101432	MD14	LAA	B12	SET CONSTANTS FOR W.C.
0270	01262	03101461	STA	A		00027900
0271	01263	01101433	LAA	B11		00028000
0272	01264	03101462	STA	B		00028100



0273	01265	01101436	LAA	B5		00028200
0274	01266	03101463	STA	C		00028300
0275	01267	00000000	*			00028400
0276	01267	01101456	STA	LAA	BFØR	00028500
					MØDIFY FRCB TØ USE AMPEX.	
0277	01270	03101024	STA	FRCB+1	WØRST CASE FØRMULA	00028600
0278	01271	03101034	STA	ULØD		00028700
0279	01272	11101023	BRU	FRCB		00028800
0280	01273	00000000	*			00028900
0281	01273	00000000	*			00029000
0282	01273	00000000	*			00029100
0283	01273	00000000	*		PING-PØNG RØUTINE	00029200
0284	01273	00000000	*			00029300
0285	01273	00000000	PIPØ	***	**	00029400
0286	01274	01101427	LAA	BEG	SAVE ADDRESSES	00029500
0287	01275	03101440	STA	SAVE		00029600
0288	01276	01101420	LAA	FIN		00029700
0289	01277	00000002	NEG			00029800
0290	01300	05101273	AMA	PIPØ		00030000
0291	01301	03101273	STA	PIPØ		00030100
0292	01302	00000003	CLA			00030200
0293	01303	03101427	STA	BEG		00030300
0294	01304	01101457	LAA	BRU	SET ENTRANCE TØ RESET ABOVE ØN RETURN	00030800
0295	01305	03101274	STA	PIPØ+1		00030900
0296	01306	00000000	*			00031000
0297	01306	02101417	LBA	IDX		00031100
0298	01307	01301454	LAA*	BØT	MØVE PRØGRAM TØ TØP MAP	00031200
0299	01310	03301455	STA*	TØP		00031300
0300	01311	00000026	IBS			00031400
0301	01312	11101307	BRU	*-3		00031500
0302	01313	11301273	BRU*	PIPØ	EXIT TØ UPPER MEMØRY	00031600
0303	01314	00000000	*			00031700
0304	01314	00000000	*			00031800
0305	01314	01101440	PØNG	LAA	SAVE	00031900
					RE-SET ADDRESSES	
0306	01315	03101427	STA	BEG		00032000
0307	01316	01101420	LAA	FIN		00032100
0308	01317	00000002	NEG			00032200
0309	01320	03101441	STA	STØR		00032400
0310	01321	01101273	LAA	PIPØ		00032500
0311	01322	06101441	SMA	STØR		00032600

0312	01323	03101273	STA	PIP0		00032700
0313	01324	01101460	LAA	LAA	RESET ENTRANCE	00033000
0314	01325	03101274	STA	PIP0+1		00033100
0315	01326	00000000	*			00033200
0316	01326	02101417	LBA	IDX		00033300
0317	01327	01301455	LAA*	TP	M0VE PR0GRAM T0 L0WEST MAP	00033400
0318	01330	03301454	STA*	BT		00033500
0319	01331	00000026	IBS			00033600
0320	01332	11101527	BRU	*-3		00033700
0321	01333	11301273	BRU*	PIP0	EXIT T0 L0WER MEM0RY	00033800
0322	01334	00000000	*			00033900
0323	01334	00000000	*			00034000
0324	01334	00000000	*			00034100
0325	01334	00000000	*		ZER0S UNL0ADED ERR0R	00034200
0326	01334	00000000	*			00034300
0327	01334	00000000	ERR0	***	**	00034400
0328	01335	03101447	STA	NUM2	ST0RE MEM0RY C0NTENTS	00034500
0329	01336	01101442	LAA	TW06	SET-UP TYPE 0UT	00034600
0330	01337	03101443	STA	NUM1		00034700
0331	01340	12101350	SPB	TP0		00034800
0332	01341	11301334	BRU*	ERR0	RETURN	00034900
0333	01342	00000000	*			00035000
0334	01342	00000000	*		0NES UNL0ADED ERR0R	00035100
0335	01342	00000000	*			00035200
0336	01342	00000000	ERR01	***	**	00035300
0337	01343	03101447	STA	NUM2	ST0RE MEM0RY C0NTENTS	00035400
0338	01344	01101444	LAA	T01	SET-UP TYPE 0UT	00035500
0339	01345	03101443	STA	NUM1		00035600
0340	01346	12101350	SPB	TP0		00035700
0341	01347	11301342	BRU*	ERR01	RETURN	00035800
0342	01350	00000000	*			00035900
0343	01350	00000000	*			00036000
0344	01350	00000000	*			00036100
0345	01350	00000000	*		TYPE-0UT SUBR	00036200
0346	01350	00000000	*			00036300
0347	01350	00000000	TP0	***	**	00036400
0348	01351	00000003	CLA			00036500
0349	01352	00000317	FLA	3		00036700
0350	01353	05101442	AMA	TW06		00036750

0351	01354	12101410	SPB	TYPE				00036800
0352	01355	14101450	IMS	M5				00036900
0353	01356	11101352	BRU	*-4				00037000
0354	01357	01101451	LAA	NM5				00037100
0355	01358	03101450	STA	M5				00037200
0356	01361	01101452	LAA	SPAC				00037300
0357	01362	12101410	SPB	TYPE				00037400
0358	01363	12101410	SPB	TYPE				00037500
0359	01364	12101410	SPB	TYPE				00037600
0360	01365	01101443	LAA	NUM1	OUTPUT WHAT LOCATION SHOULD CONTAIN			00037700
0361	01366	12101410	SPB	TYPE				00037800
0362	01367	01101452	LAA	SPAC				00037900
0363	01370	12101410	SPB	TYPE				00038000
0364	01371	12101410	SPB	TYPE				00038100
0365	01372	02101447	LBA	NUM2	OUTPUT CONTENTS IN BINARY			00038200
0366	01373	00000113	FLL	1				00038300
0367	01374	05101442	AMA	TW06				00038350
0368	01375	12101410	SPB	TYPE				00038400
0369	01376	14101445	IMS	WCNT				00038500
0370	01377	11101373	BRU	*-4				00038600
0371	01400	01101446	LAA	NCNT				00038700
0372	01401	03101445	STA	WCNT				00038800
0373	01402	02101453	LBA	CRLF	CAR. RTN., LN. FD.			00038900
0374	01403	00001013	FLL	8				00038950
0375	01404	12101410	SPB	TYPE				00039000
0376	01405	00001013	FLL	8				00039100
0377	01406	12101410	SPB	TYPE				00039200
0378	01407	11301350	BRU*	TP0	EXIT			00039300
0379	01410	00000000	*					00039400
0380	01410	00000000	*		TYPE A REG. SUBR.			00039500
0381	01410	00000000	*					00039600
0382	01410	00000000	TYPE	***	**			00039700
0383	01411	00130101	DATA	'130101	CEU	1,W		
0384	01412	00001000	DATA	'1000				
0385	01413	00001016	LSL	8				
0386	01414	00170101	DATA	'170101	A0P	1,W		
0387	01415	00000003	CLA					00040300
0388	01416	11301410	BRU*	TYPE				00040700
0389	01417	00000000	*					00040800

0390	01417	00000000	*						00040900
0391	01417	00000000	*						00041000
0392	01417	00000000	*						00041100
0393	01417	00177001	IDX	DATA	-511				00041200
0394	01420	00000000	FIN	DATA	0				00041300
0395	01421	00010000	INDX	DATA	4096				00041400
0396	01422	00001000	STAR	DATA	512				00041500
0397	01423	00177776	TW0	DATA	-2				00041600
0398	01424	00177776	NTW0	DATA	-2				00041700
0399	01425	00177777	ONES	DATA	-1				00041800
0400	01426	00000000	ZER0	DATA	0				00041900
0401	01427	00001000	BEG	DATA	512				00042000
0402	01430	00000001	B15	DATA	1				00042100
0403	01431	00000002	B14	DATA	2				00042200
0404	01432	00000010	B12	DATA	8				00042300
0405	01433	00000020	B11	DATA	16				00042400
0406	01434	00000040	B10	DATA	32				00042500
0407	01435	00000200	B8	DATA	128				00042600
0408	01436	00002000	B5	DATA	1024				00042800
0409	01437	00004000	B4	DATA	2048				00042900
0410	01440	00000000	SAVE	DATA	0				00043000
0411	01441	00000000	STOR	DATA	0				00043100
0412	01442	00000260	TW06	DATA	175				00043200
0413	01443	00000000	NUM1	DATA	0				00043300
0414	01444	00000261	T61	DATA	177				00043400
0415	01445	00177760	WCNT	DATA	-15				00043500
0416	01446	00177760	NCNT	DATA	-16				00043600
0417	01447	00000000	NUM2	DATA	0				00043700
0418	01450	00177773	M5	DATA	-5				00043800
0419	01451	00177773	NM5	DATA	-5				00043900
0420	01452	00000240	SPAC	DATA	160				00044000
0421	01453	00106612	CRLF	DATA	'106612				00044100
0422	01454	25600777	B0T	DAC	511,1				00044200
0423	01455	25607777	T0P	DAC	4095,1				00044300
0424	01456	12101104	BF0R	SPB	F0RM				00044400
0425	01457	11101314	BRU	BRU	P0NG				00044500
0426	01460	01101427	LAA	LAA	BEG				00044600
0427	01461	00000000	A	DATA	0				00044649
0428	01462	00000000	B	DATA	0				00044650

0429 01463 00000000 C DATA 0  
0430 01464 00000000 \*  
0431 01464 00000000 \*  
0432 01464 70400000 END

00044651  
00044700  
00044800

FRCB 01023

UL00 01034

FML1 01061

AASS 01074

AABA 01101

ANBA 01103

F0RM 01104

PRT2 01122

PRT3 01136

PRT4 01152

EXIT 01170

REST 01173

L0D0 01201

L0D1 01205

UL0 01211

UL1 01221

FRB4 01231

FRB8 01236

M0D2 01243

MD16 01252

MD14 01261

STA 01267

PIP0 01273

P0NG 01314

ER00 01334

ER01 01342

TP0 01350

TYPE 01410

IDX 01417

FIN 01420

INDX 01421

STAR 01422

TW0 01423

NTW0 01424

0NES 01425

ZERØ 01426  
 BEG 01427  
 B15 01430  
 B14 01431  
 B12 01432  
 B11 01433  
 B10 01434  
 B8 01435  
 B7 01436  
 B4 01437  
 SAVE 01440  
 STØR 01441  
 TWØ6 01442  
 NUM1 01443  
 T61 01444  
 WCNT 01445  
 NCNT 01446  
 NUM2 01447  
 M5 01450  
 NM5 01451  
 SPAC 01452  
 CRLF 01453  
 BØT 01454  
 TØP 01455  
 BFØR 01456  
 BRU 01457  
 LAA 01460  
 A 01461  
 B 01462  
 C 01463

0001 00000 00000000 \*

0002 00000 00000000 \*      SELF-LØADER

0003 14000 60014000      ØRG '14000

0004 14000 00130401 LØAD SNS 1

0005 14001 11014006      BRU \*\*5

0006 14002 00130101      CEU 1,W

0007 14003 00004000      DATA '004000

0008 14004 00170301      AIP 1,W

0009 14005 11014011      BRU \*\*4

CKA

CKA

#303012B  
TELETYPE TEST

SYSTEMS ENGINEERING LABORATORIES PROGRAM LIBRARY

PROGRAM DESCRIPTION

Page 1 of 3

Catalog Number 303012B

IDENTIFICATION: SEL 810A Teletypewriter Test

AUTHOR: Systems Engineering Laboratories

ACCEPTED: July 19, 1968

PURPOSE: To provide a diagnostic program for the ASR-33 and ASR-35 Teletypewriters

COMPUTER CONFIGURATION: Basic SEL 810A Computer

SUBROUTINES REQUIRED: None

STORAGE: Relocatable with a bias of  $2000_8$ ;  $454_8$  memory locations

TIMING: N/A

LOADING PROCEDURE: Load the relocatable object tape by means of the SEL 810A Relocatable Loader (Catalog No. 300001B)

USE:

**Relocatable Loader  
Prog. Counter 16060  
A-Accum 0 B-Accum 0  
After Load Start At '2000  
Prog. Cntr.**

1. Set program counter to 2000.
2. Turn on punch.
3. Set sense switch 0 (Test 1).
4. Depress start twice (Test 1a).
5. A halt will occur at location 2056 to load punched tape into reader.
6. Depress start (Test 1b).
7. A halt will occur at location 2145 to load duplicated tape into reader.

**Relocatable Loader  
Prog. Counter 16060  
A-Accum 0 B-Accum 0  
After Load Start At '2000  
Prog. Cntr.**

*Note:*

*When using the upper 16060 load/dump program the relocatable loader, program counter 36060 should be utilized to load the program rather than the 16060.*



USE: (Cont'd)

8. Turn off punch.
9. Depress start (Test 1c).
10. A halt will occur at location 2223 to indicate end of Test 1.

NOTE

Test 1b can be restarted at 2057. Test 1c can be restarted at 2146.

11. Reset sense switch 0 and set sense switch 1 (Test 2).
12. Depress start.
13. Reset sense switch 1 and enter one more character to end turn-around test.
14. Load tape punched in Test 1 into reader and turn on punch.
15. Set sense switch 2 (Test 3).
16. A halt will occur at location 2315 to indicate end of Test 3.

ERROR INDICATIONS

A program halt at location 2354 indicates a data comparison error has occurred. The A-Register contains the input character, and the B-Register contains the expected character.

NOTE

Sense switch 3 up - all errors will be ignored, and a continuous loop will be executed during test 1b and test 1c.

## METHOD:

Test 1 (Sense switch 0 Up)

Test 1a - A binary progression will be punched and printed.

Test 1b - The tape just punched will be read, compared, and duplicated.

Test 1c - The tape just punched will be read and compared.

Test 2 (Sense switch 1 Up)

Keyboard turn-around test. Input from keyboard is typed out on the console printer.

Test 3 (Sense switch 2 Up)

The tape punched in Test 1 will be read and duplicated on an interrupt basis.

1	PAGE	0001	TELETYPEWRITER TEST (303012B) 19JUL68			
0002	00000	00000000	*	START AT	'2000	
0003	00000	00000000	*	SNS 0 UP	TEST 1 WILL BE EXECUTED	
0004	00000	00000000	*	SNS 1 UP	TEST 2 WILL BE EXECUTED	
0005	00000	00000000	*	SNS 2 UP	TEST 3 WILL BE EXECUTED	
0006	00000	00000000	*	SNS 3 UP	CONTINUOUS LOOP WITH ERRORS IGNORED	
0007	00000	00000000	*	TEST 1	'2000-PUNCH BINARY PROGRESSION	
0008	00000	00000000	*		'2057-READ(SLAVED TO OUTPUT), COMPARE AND PUNCH	*B
0009	00000	00000000	*		'2146-READ(HIGH SPEED)COPIED TAPE AND COMPARE	*B
0010	00000	00000000	*	TEST 2	'2000-KEYBOARD TURNAROUND	
0011	00000	00000000	*	TEST 3	'2000-INPUT AND OUTPUT WITH INTERRUPT	
0012	00000	00000000		REL		
0013	00000	00000001	UNIT	EQU	1	
0014	02000	70002000		ORG	'2000	
0015	02000	01102441		LAA	ADD3	JPB
0016	02001	03302437		STA*	ADD1	STORE INTERRUPT ADDRESS IN '10.6
0017	02002	01102442		LAA	ADD4	JPB
0018	02003	03302440		STA*	ADD2	STORE INTERRUPT ADDRESS IN '10.7
0019	02004	00130400		SNS	0	
0020	02005	12102013		SPB	TES1	
0021	02006	00130401		SNS	1	
0022	02007	12102227		SPB	TES2	
0023	02010	00130402		SNS	2	
0024	02011	12102240		SPB	TES3	
0025	02012	11102004		BRU	*-6	
0026	02013	00000000	TES1	ZZZ	**	
0027	02014	12102430		SPB	LEDR	
0028	02015	01102443		LAA	K1	JPB
0029	02016	03102225		STA	NUM0	STORE FIRST NO. IN CELL
0030	02017	02102444		LBA	N64	LOAD INDEX WITH CHAR. COUNT
0031	02020	01102225	ADD	LAA	NUM0	LOAD NEW NO. IN A
0032	02021	00001016		LSL	8	
0033	02022	00170101		AOP	UNIT,W	
0034	02023	00000026		IBS		64 CHARACTERS TYPED
0035	02024	11102027		BRU	*+3	NO, CONTINUE
0036	02025	12102414		SPB	CR0	YES, CARRIAGE RETURN
0037	02026	02102444		LBA	N64	RELOAD INDEX
0038	02027	14102225		IMS	NUM0	JPB
0039	02030	01102445		LAA	K377	LOAD A WITH BINARY 255

0040	02031	15102225	CMA	NUM0	COMPARE COUNT	
0041	02032	11102035	BRU	*+3	A < MEMORY, BRU TO DOWNCOUNT	
0042	02033	00000033	N0P		A = MEMORY, ONE MORE CYCLE	
0043	02034	11102020	BRU	ADD	A > MEMORY, MORE CYCLES	
0044	02035	12102414	SPB	CR0		
0045	02036	02102444	LBA	N04		JPB
0046	02037	01102446	SUBT	LAA	NI	SUBTRACT 1 FROM MEMORY
0047	02040	05102225	AMA	NUM0		
0048	02041	03102225	STA	NUM0		
0049	02042	00001016	LSL	8		
0050	02043	00170101	ADP	UNIT,W		
0051	02044	00000026	IBS		64 CHARACTERS TYPED	
0052	02045	11102050	BRU	*+3	N0, CONTINUE	
0053	02046	12102414	SPB	CR0	YES, CARRIAGE RETURN	
0054	02047	02102444	LBA	N04	RELOAD INDEX	JPB
0055	02050	00000003	CLA		LOAD ZEROS FOR COMPARE	
0056	02051	15102225	CMA	NUM0		
0057	02052	11102037	BRU	SUBT	A<MEMORY CONTINUE	
0058	02053	00000033	N0P		A=M HALT	
0059	02054	00000033	N0P		A>M HALT	
0060	02055	12102430	SPB	LEDR		
0061	02056	00000000	HLT		HALT TO LOAD PUNCHED TAPE	
0062	02057	12102430	SPB	LEDR		
0063	02060	00130101	CEU	UNIT,W		
0064	02061	25404000	DAC	'4000	READER MODE	
0065	02062	01102443	INLS	LAA	K1	JPB
0066	02063	03102225	STA	NUM0	STORE FIRST N0. IN CELL	
0067	02064	02102444	LBA	N04		JPB
0068	02065	00170301	INPA	AIP	UNIT,W	
0069	02066	00000022	SAZ			
0070	02067	11102071	BRU	*+2		
0071	02070	11102065	BRU	*-3		
0072	02071	00130403	SNS	3	IGNORE ANY ERRORS	
0073	02072	11102077	BRU	*+5		
0074	02073	15102225	CMA	NUM0	CHECK INPUT	
0075	02074	12102351	SPB	CLER		
0076	02075	11102077	BRU	*+2	N0 ERRORS, CONTINUE	
0077	02076	12102351	SPB	CLER		
0078	02077	00001016	LSL	8		

1	PAGE	0003	TELETYPEWRITER TEST (303012B) 19JUL68	
0079	02100	00170101	AOP	UNIT,W
0080	02101	00000026	IBS	
0081	02102	11102105	BRU	++3
0082	02103	12102363	SPB	CRLF
0083	02104	12102414	SPB	CR0
0084	02105	14102225	IMS	NUM0 ADVANCE MEMORY
0085	02106	01102445	LAA	K37/ JPB
0086	02107	15102225	CMA	NUM0 COMPARE COUNT
0087	02110	11102113	BRU	++3 A < MEMORY, BRU TO DOWNCOUNT
0088	02111	00000033	NOP	A = MEMORY, ONE MORE CYCLE
0089	02112	11102065	BRU	INPA A > MEMORY, MORE CYCLES
0090	02113	12102363	SPB	CRLF
0091	02114	12102414	SPB	CR0
0092	02115	01102446	INPS LAA	N1 JPB
0093	02116	05102225	AMA	NUM0 SUBTRACT 1 FROM MEMORY
0094	02117	03102225	STA	NUM0
0095	02120	00170301	AIP	UNIT,W
0096	02121	00130403	SNS	3 IGNORE ANY ERRORS
0097	02122	11102127	BRU	++5
0098	02123	15102225	CMA	NUM0 CHECK INPUT
0099	02124	12102351	SPB	CLER
0100	02125	11102127	BRU	++2 NO ERROR, CONTINUE
0101	02126	12102351	SPB	CLER
0102	02127	00001016	LSL	8
0103	02130	00170101	AOP	UNIT,W
0104	02131	00000026	IBS	
0105	02132	11102135	BRU	++3
0106	02133	12102363	SPB	CRLF
0107	02134	12102414	SPB	CR0
0108	02135	00000003	CLA	
0109	02136	15102225	CMA	NUM0 CHECK COUNT
0110	02137	11102115	BRU	INPS A L.T. MEM, CONTINUE
0111	02140	00000033	NOP	A = MEMORY HALT
0112	02141	00000033	NOP	A > MEMORY HALT
0113	02142	00130403	SNS	3 GO INTO LOOP
0114	02143	11102062	BRU	INLS
0115	02144	12102430	SPB	LEDR
0116	02145	00000000	HLT	
0117	02146	01102443	INHS LAA	K1 JPB

0118	02147	03102225	STA	NUM0	
0119	02150	02102444	LBA	N64	JPB
0120	02151	00130101	CEU	UNIT,W	
0121	02152	25404000	DAU	*4000	READER MODE
0122	02153	00170301	IN31 AIP	UNIT,W	
0123	02154	00000022	SAZ		LEADER LOOP
0124	02155	11102157	BRU	++2	
0125	02156	11102153	BRU	*-3	
0126	02157	00130403	SNS	3	
0127	02160	11102165	BRU	++5	
0128	02161	15102225	CMA	NUM0	
0129	02162	12102351	SPB	CLER	ERROR
0130	02163	11102165	BRU	++2	
0131	02164	12102351	SPB	CLER	ERROR
0132	02165	00000026	IBS		
0133	02166	11102170	BRU	++2	
0134	02167	12102363	SPB	CHLF	
0135	02170	14102225	IMS	NUM0	
0136	02171	01102445	LAA	K37/	JPB
0137	02172	15102225	CMA	NUM0	
0138	02173	11102176	BRU	++3	A<NUM0
0139	02174	00000033	N0P		A=NUM0
0140	02175	11102153	BRU	IN31	A>NUM0
0141	02176	12102363	SPB	CHLF	
0142	02177	01102446	IN32 LAA	N1	JPB
0143	02200	05102225	AMA	NUM0	
0144	02201	03102225	STA	NUM0	
0145	02202	00170301	AIP	UNIT,W	
0146	02203	00130403	SNS	3	
0147	02204	11102211	BRU	++5	
0148	02205	15102225	CMA	NUM0	
0149	02206	12102351	SPB	CLER	ERROR
0150	02207	11102211	BRU	++2	
0151	02210	12102351	SPB	CLER	ERROR
0152	02211	00000026	IBS		
0153	02212	11102214	BRU	++2	
0154	02213	12102363	SPB	CHLF	
0155	02214	00000003	CLA		LOAD ZEROS FOR COMPARE
0156	02215	15102225	CMA	NUM0	

1	PAGE	0005	TELETYPEWRITER TEST (303012B) 19JUL68			
0157	02216	11102177	BRU	IN32	A<NUM0	
0158	02217	00000033	N0P		A=NUM0	
0159	02220	00000033	N0P			
0160	02221	00130403	SNS	3	G0 INTO LOOP	
0161	02222	11102146	BRU	INHS		
0162	02223	00000000	HLT		A>NUM0	
0163	02224	11302013	BRU*	TES1		
0164	02225	00000000	NUM0	ZZZ	**	
0165	02226	00000000	CHAR	ZZZ	**	
0166	02227	00000000	TES2	ZZZ	**	
0167	02230	00130101	CEU	UNIT,W		
0168	02231	25402000	DAC	'2000	KEYBOARD MODE	
0169	02232	00170301	AIP	UNIT,W		
0170	02233	00001016	LSL	8		
0171	02234	00170101	ADP	UNIT,W		
0172	02235	00130401	SNS	1		
0173	02236	11102232	BRU	*-4		
0174	02237	11302227	BRU*	TES2		
0175	02240	00000000	TES3	ZZZ	**	
0176	02241	12102430	SPB	LEDR		
0177	02242	01102447	LAA	N24		JPB
0178	02243	03102226	STA	CHAR		
0179	02244	00000003	CLA			
0180	02245	00130101	CEU	UNIT,W		
0181	02246	25404000	DAC	'4000	READER MODE	
0182	02247	00170301	AIP	UNIT,W		
0183	02250	00000022	SAZ		LEADER LOOP	
0184	02251	11102253	BRU	*+2		
0185	02252	11102247	BRU	*-3		
0186	02253	02102450	LBA	N10		JPB
0187	02254	03502351	STA	BL0K,1		
0188	02255	00000026	IBS			
0189	02256	00000033	N0P			
0190	02257	11102261	BRU	*+2		
0191	02260	02102450	INPU	LBA	N10	JPB
0192	02261	00130101	CEU	UNIT,W		
0193	02262	00031000	DATA	'31000	CLEAR INTERRUPTS AND READER	
0194	02263	00130101	CEU	UNIT,W		
0195	02264	00064000	DATA	'64000	ENABLE INPUT INTERRUPT AND READER	*B

1	PAGE	0006	TELETYPEWRITER TEST (3030128) 19JUL68		
0196	02265	00130601	PIU	DISABLE GROUP 1, LEVEL 2	*B
0197	02266	00010002	DATA	'10002	
0198	02267	00130600	PIE	ENABLE GROUP 1, LEVEL 1	*B
0199	02270	00010001	DATA	'10001	
0200	02271	11102271	BRU	*	
0201	02272	11102271	BRU	*-1	
0202	02273	00130101	OUT CEU	UNIT,W	
0203	02274	00031000	DATA	'31000	CLEAR ALL INTERRUPTS
0204	02275	00130101	CEU	UNIT,W	
0205	02276	00050000	DATA	'50000	
0206	02277	00130601	PIU	DISABLE GROUP 1, LEVEL 1	*B
0207	02300	00010001	DATA	'10001	
0208	02301	00130600	PIE	ENABLE GROUP 1, LEVEL 2	*B
0209	02302	00010002	DATA	'10002	
0210	02303	02102450	LBA	N10	JPB
0211	02304	00000000	* REMOVED	LAA BL0K,1	*B
0212	02304	00000000	* REMOVED	LSL 8	*B
0213	02304	00000000	* REMOVED	ADP UNIT,W	*B
0214	02304	00000000	* REMOVED	IBS	*B
0215	02304	00000000	* REMOVED	N0P	*B
0216	02304	11102304	BRU	*	
0217	02305	11102304	BRU	*-1	
0218	02306	14102226	CNT	IMS CHAR	
0219	02307	11102260	BRU	INPU	
0220	02310	00000000	HLT		
0221	02311	11302240	BRU*	YES3	
0222	02312	00000000	INT1	ZZZ **	
0223	02313	00170301	AIP	UNIT,W	
0224	02314	03502351	STA	BL0K,1	STORE A INDEXED
0225	02315	00000026	IBS		
0226	02316	11102321	BRU	*+3	
0227	02317	00000035	T0I		
0228	02320	11302335	BRU*	C0N1	BRANCH TO OUTPUT ENABLE
0229	02321	00000035	T0I		
0230	02322	11302312	BRU*	INT1	RETURN TO INPUT LOOP
0231	02323	00000000	INT2	ZZZ **	
0232	02324	01502351	LAA	BL0K,1	LOAD A
0233	02325	00001016	LSL	8	
0234	02326	00170101	ADP	UNIT,W	



1	PAGE	000/	TELETYPEWRITER TEST (303012B) 19JUL68		
0235	02327	00000026	IBS		
0236	02330	11102333	BRU	++3	
0237	02331	00000035	T01		
0238	02332	11302336	BRU*	C0N2	
0239	02333	00000035	T01		
0240	02334	11302323	BRU*	INT2	
0241	02335	35402273	C0N1	DAC	ZUT
0242	02336	35402306	C0N2	DAC	CNT
0243	02351	70002351	BL0K	BES	10
0244	02351	00000000	CLER	ZZZ	**
0245	02352	00130101	CEU	UNIT,W	
0246	02353	25401000	DAC	*1000	CLEAR MODE
0247	02354	04102427	STB	SVB	*B
0248	02355	02102225	LBA	NUM0	*B
0249	02356	00000000	HLT		
0250	02357	02102427	LBA	SVB	*B
0251	02360	00130101	CEU	UNIT,W	
0252	02361	25404000	DAC	*4000	READER MODE
0253	02362	11302351	BRU*	CLER	
0254	02363	00000000	CRLF	ZZZ	**
0255	02364	01102225	LAA	NUM0	SAVE LAST FRAME
0256	02365	03102426	STA	SVA	
0257	02366	01102451	LAA	K215	JPB
0258	02367	03102225	STA	NUM0	
0259	02370	00170301	AIP	UNIT,W	
0260	02371	00130403	SNS	3	
0261	02372	11102377	BRU	++5	
0262	02373	15102225	CMA	NUM0	
0263	02374	12102351	SPB	CLER	
0264	02375	11102377	BRU	++2	
0265	02376	12102351	SPB	CLER	
0266	02377	01102452	LAA	K212	JPB
0267	02400	03102225	STA	NUM0	
0268	02401	00170301	AIP	UNIT,W	
0269	02402	00130403	SNS	3	
0270	02403	11102410	BRU	++5	
0271	02404	15102225	CMA	NUM0	
0272	02405	12102351	SPB	CLER	
0273	02406	11102410	BRU	++2	

1	PAGE	0008	TELETYPEWRITER TEST (303012B) 19JUL68			
0274	02407	12102351	SPB	CLER		
0275	02410	01102426	LAA	SVA		
0276	02411	03102225	STA	NUM0		
0277	02412	02102444	LBA	N64		JPB
0278	02413	11302363	BRU*	CRLF		
0279	02414	00000000	CR0	ZZZ	**	***** CARRIAGE RETURN/LINE FEED SUBROUTINE *****
0280	02415	03102426	STA	SVA		
0281	02416	01102451	LAA	K215		JPB
0282	02417	00001016	LSL	8		
0283	02420	00170101	A0P	UNIT,W		
0284	02421	01102452	LAA	K212		JPB
0285	02422	00001016	LSL	8		
0286	02423	00170101	A0P	UNIT,W		
0287	02424	01102426	LAA	SVA		
0288	02425	11302414	BRU*	CR0		
0289	02426	00000000	SVA	ZZZ	**	
0290	02427	00000000	SVB	ZZZ	**	*B
0291	02430	00000000	LEDR	ZZZ	**	LEADER ROUTINE
0292	02431	02102453	LBA	N50		JPB
0293	02432	00000003	CLA			
0294	02433	00170101	A0P	UNIT,W		
0295	02434	00000026	IBS			
0296	02435	11102432	BRU	*-3		
0297	02436	11302430	BRU*	LEDR		
0298	02437	25401016	ADD1	DAC	'1016	JPB
0299	02440	25401017	ADD2	DAC	'1017	JPB
0300	02441	35402312	ADD3	DAC	INT1	JPB
0301	02442	35402323	ADD4	DAC	INT2	JPB
0302	02443	00000001	K1	DATA	1	JPB
0303	02444	00177700	N64	DATA	-64	JPB
0304	02445	00000377	K377	DATA	'377	JPB
0305	02446	00177777	N1	DATA	-1	JPB
0306	02447	00177712	N54	DATA	-54	JPB
0307	02450	00177766	N10	DATA	-10	JPB
0308	02451	00000215	K215	DATA	'215	JPB
0309	02452	00000212	K212	DATA	'212	*B
0310	02453	00177716	N50	DATA	-50	JPB
0311	02454	70400000	END			
ERRORS		0000	00000			

#303013A

PRIORITY INTERRUPT

SEL PROGRAM LIBRARY

PROGRAM DESCRIPTION

Page 1 of 2

Catalog No. 303013A

IDENTIFICATION: 810A Priority Interrupt Checkout Program

AUTHOR: J. B. Boyer, SEL

ACCEPTED: 29 June 1967

PURPOSE: To verify the proper execution of the PIE, PID and TOI hardware instructions. This program is designed to operate with either a "black box" to generate the interrupt or by manually applying the proper voltage to generate the interrupt.

COMPUTER CONFIGURATION: 810A Computer with teletype.

SUBROUTINES REQUIRED: None

STORAGE: Locations octal 00000 through 01375

TIMING: N/A

USE:

1. Loading Procedures  
Load the program into memory by using the standard relocatable loader. The intermap references must be relocated by octal '0743. This value must be placed in the B accumulator prior to starting the load procedure.
2. Program Starting Location  
The starting address of the program is location octal 00002. However, the teletype messages may be checked by starting at location octal 00036. When all messages have been output to the teletype the program will halt. (location octal 63) The program may then be initialized by entering the starting location of the program into the program counter and pressing start.

**Relocatable Loader  
Prog. Counter 16060  
A-Accum 0 B-Accum '743  
After Load Start At '2  
Prog. Cntrl.**

*Note:*  
When using the upper 16K load/dump program, the relocatable loader, program counter 36060 should be utilized to load the program rather than the 16060.

3. Console Switches

Control Switch 14

SET - The program will disable the interrupt once it has been serviced. If the interrupt occurs again without program reinitialization the conditions indicate a faulty PID instruction.

RESET - The interrupt will not be disabled after the output of the message to the teletype.

Control Switch 15

SET - The program will suppress the print out of any messages. This control switch may be set to avoid teletype output when trouble shooting a faulty interrupt.

METHOD:

This program is designed to verify that the PIE, PID and TOI instructions are functioning properly. The program is designed to test the interrupt instructions and cannot be operated with any input/output devices, nor is it intended to act as a subroutine for any other program. The power-down interrupt may be verified by turning off the power while the program is active. The program may be restarted by turning the power switch to on and pressing start on the console. The program automatically stores in location zero a branch instruction to the power up subroutine.

Teletype Output

The program will output the group and level of the interrupt which has occurred.

Interrupt Generation

Priority Interrupt Card Type 8634-2 810A

Plus voltage applied to the proper pin connector will cause a disable or no request condition. Zero voltage applied to the proper pin will cause the request latch to be set.

Priority Interrupt Card Type 8634-3 810A, 8242-1 810a

The opposite voltages indicated in the above paragraph must be applied to set the proper condition.

1

```

0001 00000 00000000 *          810A PRIORITY INTERRUPT CHECKOUT PROGRAM  CAT. NO. 303013A
0002 00000 00000000 *          J B BOYER   JUNE 29, 1967
0003 00000 00000000          REL
0004 00000 00000000 ****
0005 00000 00000000 ****PRIORITY INTERRUPT TEST
0006 00000 00000000 ****
0007 00000 00000000 ****ENTER PROGRAM AT LOCATION '2
0008 00000 00000000 ****
0009 00000 00000000 **** ENTER TEST OF PROGRAM AT LOCATION '36
0010 00000 00000000 ****
0011 00000 00000000 **** SET CS 15 TO SUPPRESS PRINT OUT
0012 00000 00000000 ****
0013 00000 00000000 **** SET CS 14 TO DISABLE INTERRUPT AFTER
0014 00000 00000000 **** INTERRUPT SIGNAL IS GENERATED
0015 00000 00000000 ****
0016 00002 70000002          BRG '2
0017 00002 12100014          SPB PI          ENABLE ALL GROUPS AND LEVELS
0018 00003 00000000 *          WHEN THE PROGRAM IS INITIALIZED THIS SUBROUTINE
0019 00003 00000000 *          IS USED AS A LOOP UNTIL AN INTERRUPT IS GENERATED
0020 00003 02100065 BGN LBA DT1          '100000
0021 00004 01100066          LAA DT2          -10000
0022 00005 03101363          STA CHCK
0023 00006 00000003          CLA
0024 00007 14101363          IMS CHCK
0025 00010 11100006          BRU *-2
0026 00011 00000026          IBS
0027 00012 11100004          BRU BGN+1
0028 00013 11100003          BRU BGN
0029 00014 00000000 *          THIS SUBROUTINE ENABLES ALL GROUPS AND LEVELS OF PRIORITY SYSTEM
0030 00014 00000000 PI ZZZ **
0031 00015 00130600          PIE
0032 00016 00007777          DATA '7777          ENABLE
0033 00017 00130600          PIE
0034 00020 00017777          DATA '17777          ALL
0035 00021 00130600          PIE
0036 00022 00027777          DATA '27777          AVAILABLE
0037 00023 00130600          PIE
0038 00024 00037777          DATA '37777          INTERRUPTS
0039 00025 00130600          PIE

```

0040	00026	00047777	DATA	'47777	TD
0041	00027	00130600	PIE		
0042	00030	00057777	DATA	'57777	TEST
0043	00031	00130600	PIE		
0044	00032	00067777	DATA	'67777	COMPUTER
0045	00033	00130600	PIE		
0046	00034	00077777	DATA	'77777	
0047	00035	11300014	BRU	PI	
0048	00036	00000000 *			THIS SUBROUTINE IS USED TO OUTPUT THE MESSAGES THAT WILL BE OUTPUT TO THE TELETYPE WHEN A PRIORITY INTERRUPT IS GENERATED. THIS IS NOT PART OF THE MAIN PROGRAM.
0049	00036	00000000 *			
0050	00036	00000000 *			
0051	00036	01100067	TEST LAA	DT3	TEST OF PROGRAM '41000
0052	00037	03100046	STA	L0C	DATA
0053	00040	01100070	LAA	DT4	'41100
0054	00041	03100056	STA	L0C	
0055	00042	01100071	LAA	DT5	-60
0056	00043	03100064	STA	TEMP	
0057	00044	12300046	TES1	SPB*	**2
0058	00045	11100047	BRU	**2	
0059	00046	00000000	L0C	ZZZ	**
0060	00047	14100046	IMS	L0C	
0061	00050	14100064	IMS	TEMP	
0062	00051	11100044	BRU	TES1	
0063	00052	01100071	LAA	DT5	-60
0064	00053	03100064	STA	TEMP	
0065	00054	12300056	TES2	SPB*	**2
0066	00055	11100057	BRU	**2	
0067	00056	00000000	L0C	ZZZ	**
0068	00057	14100056	IMS	L0C	
0069	00060	14100064	IMS	TEMP	
0070	00061	11100054	BRU	TES2	
0071	00062	00000000	HLT		
0072	00063	11100036	BRU	TEST	
0073	00064	00000001	TEMP	BSS	1
0074	00065	00100000	DT1	DATA	'100000
0075	00066	00154360	DT2	DATA	-10000
0076	00067	00041000	DT3	DATA	'41000
0077	00070	00041100	DT4	DATA	'41100
0078	00071	00177720	DT5	DATA	-'60
0079	00072	00000000 *			POWER DOWN ROUTINE

0080	00072	00000000	PDR1	ZZZ	**	
0081	00073	01100134		LAA	FLAG	
0082	00074	00000022		SAZ		
0083	00075	11100102		BRU	**+5	
0084	00076	01100072		LAA	PDR1	
0085	00077	03100135		STA	RTN	
0086	00100	01101371		LAA	BNE	
0087	00101	03100134		STA	FLAG	
0088	00102	04100104		STB	PDR2	
0089	00103	11100105		BRU	**+2	
0090	00104	00000000	PDR2	ZZZ	**	B ACC.
0091	00105	00000033		NBP		TBV CHANGE *43
0092	00106	04100110		STB	PDR3	
0093	00107	11100111		BRU	**+2	
0094	00110	00000000	PDR3	ZZZ	**	VBR
0095	00111	03100113		STA	PDR4	
0096	00112	11100114		BRU	**+2	
0097	00113	00000000	PDR4	ZZZ	**	A ACC.
0098	00114	01100121		LAA	LBB	
0099	00115	03000000		STA	0	
0100	00116	01100122		LAA	DAC	
0101	00117	03000001		STA	1	
0102	00120	00000000	HLT	HLT		
0103	00121	00000036	LBB	LBB		
0104	00122	35400123	DAC	DAC	PDR5	
0105	00123	01100113	PDR5	LAA	PDR4	
0106	00124	02100110		LBA	PDR3	
0107	00125	00000033		NBP		TBV CHANGE *42
0108	00126	02100104		LBA	PDR2	
0109	00127	12100014		SPB	PI	
0110	00130	00000003		CLA		
0111	00131	03100134		STA	FLAG	
0112	00132	00000035		TBI		
0113	00133	11300135		BRU*	RTN	
0114	00134	00000000	FLAG	DATA	0	
0115	00135	00000001	RTN	BSS	1	
0116	00136	00000000	STAL	***	**	
0117	00137	04101367		STB	TMPB	
0118	00140	00000031		LCS		IF CS 15 IS
0119	00141	00001713		FLL	15	SET



Line No.	Code	Address	Label	Operation	Value	Suppress Output
0120	00142	00000024	SAP			
0121	00143	11100152	BRU	ST2		
0122	00144	02077772	LBA	=-6		
0123	00145	01501236	ST1	LAA	M5+6,1	
0124	00146	12101324	SPB	TYPE		
0125	00147	00000026	IBS			
0126	00150	11100145	BRU	ST1		
0127	00151	12101330	SPB	CRLF		
0128	00152	02101367	ST2	LBA	TMP8	
0129	00153	00000035	TBI			
0130	00154	11300136	BRU*	STAL		
0131	00155	00000000	ZE1	*** **	0,1	
0132	00156	12101236	SPB	MESS		
0133	00157	00000001	DATA	'1		
0134	00160	11300155	BRU*	ZE1		
0135	00161	00000000	ZE2	*** **	0,2	
0136	00162	12101236	SPB	MESS		
0137	00163	00000002	DATA	'2		
0138	00164	11300161	BRU*	ZE2		
0139	00165	00000000	ZE3	*** **	0,3	
0140	00166	12101236	SPB	MESS		
0141	00167	00000003	DATA	'3		
0142	00170	11300165	BRU*	ZE3		
0143	00171	00000000	ZE4	*** **	0,4	
0144	00172	12101236	SPB	MESS		
0145	00173	00000004	DATA	'4		
0146	00174	11300171	BRU*	ZE4		
0147	00175	00000000	ZE5	*** **	0,5	
0148	00176	12101236	SPB	MESS		
0149	00177	00000005	DATA	'5		
0150	00200	11300175	BRU*	ZE5		
0151	00201	00000000	ZE6	*** **	0,6	
0152	00202	12101236	SPB	MESS		
0153	00203	0000000	DATA	'6		
0154	00204	11300201	BRU*	ZE6		
0155	00205	00000000	ZE7	*** **	0,7	
0156	00206	12101236	SPB	MESS		
0157	00207	00000007	DATA	'7		
0158	00210	11300205	BRU*	ZE7		
0159	00211	00000000	ZE8	*** **	0,8	

0160	00212	12101236		SPB	MESS	
0161	00213	00000010		DATA	'10	
0162	00214	11300211		BRU*	ZE8	
0163	00215	00000000	ZE9	***	**	0,9
0164	00216	12101236		SPB	MESS	
0165	00217	00000011		DATA	'11	
0166	00220	11300215		BRU*	ZE9	
0167	00221	00000000	ZE10	***	**	0,10
0168	00222	12101236		SPB	MESS	
0169	00223	00000012		DATA	'12	
0170	00224	11300221		BRU*	ZE10	
0171	00225	00000000	ZE11	***	**	0,11
0172	00226	12101236		SPB	MESS	
0173	00227	00000013		DATA	'13	
0174	00230	11300225		BRU*	ZE11	
0175	00231	00000000	ZE12	***	**	0,12
0176	00232	12101236		SPB	MESS	
0177	00233	00000014		DATA	'14	
0178	00234	11300231		BRU*	ZE12	
0179	00235	00000000	BN1	***	**	1,1
0180	00236	12101236		SPB	MESS	
0181	00237	00010001		DATA	'10001	
0182	00240	11300235		BRU*	BN1	
0183	00241	00000000	BN2	***	**	1,2
0184	00242	12101236		SPB	MESS	
0185	00243	00010002		DATA	'10002	
0186	00244	11300241		BRU*	BN2	
0187	00245	00000000	BN3	***	**	1,3
0188	00246	12101236		SPB	MESS	
0189	00247	00010003		DATA	'10003	
0190	00250	11300245		BRU*	BN3	
0191	00251	00000000	BN4	***	**	1,4
0192	00252	12101236		SPB	MESS	
0193	00253	00010004		DATA	'10004	
0194	00254	11300251		BRU*	BN4	
0195	00255	00000000	BN5	***	**	1,5
0196	00256	12101236		SPB	MESS	
0197	00257	00010005		DATA	'10005	
0198	00260	11300255		BRU*	BN5	
0199	00261	00000000	BN6	***	**	1,6

0200	00262	12101236		SPB	MESS	
0201	00263	00010006		DATA	'10006	
0202	00264	11300261		BRU*	BN6	
0203	00265	00000000	BN7	***	**	1,7
0204	00266	12101236		SPB	MESS	
0205	00267	00010007		DATA	'10007	
0206	00270	11300265		BRU*	BN7	
0207	00271	00000000	BN8	***	**	1,8
0208	00272	12101236		SPB	MESS	
0209	00273	00010010		DATA	'10010	
0210	00274	11300271		BRU*	BN8	
0211	00275	00000000	BN9	***	**	1,9
0212	00276	12101236		SPB	MESS	
0213	00277	00010011		DATA	'10011	
0214	00300	11300275		BRU*	BN9	
0215	00301	00000000	BN10	***	**	1,10
0216	00302	12101236		SPB	MESS	
0217	00303	00010012		DATA	'10012	
0218	00304	11300301		BRU*	BN10	
0219	00305	00000000	BN11	***	**	1,11
0220	00306	12101236		SPB	MESS	
0221	00307	00010013		DATA	'10013	
0222	00310	11300305		BRU*	BN11	
0223	00311	00000000	BN12	***	**	1,12
0224	00312	12101236		SPB	MESS	
0225	00313	00010014		DATA	'10014	
0226	00314	11300311		BRU*	BN12	
0227	00315	00000000	TW1	***	**	2,1
0228	00316	12101236		SPB	MESS	
0229	00317	00020001		DATA	'20001	
0230	00320	11300315		BRU*	TW1	
0231	00321	00000000	TW2	***	**	2,2
0232	00322	12101236		SPB	MESS	
0233	00323	00020002		DATA	'20002	
0234	00324	11300321		BRU*	TW2	
0235	00325	00000000	TW3	***	**	2,3
0236	00326	12101236		SPB	MESS	
0237	00327	00020003		DATA	'20003	
0238	00330	11300325		BRU*	TW3	
0239	00331	00000000	TW4	***	**	2,4

0240	00332	12101236	SPB	MESS	
0241	00333	00020004	DATA	'20004	
0242	00334	11300331	BRU*	TW4	
0243	00335	00000000	TH5	*** **	2,5
0244	00336	12101236	SPB	MESS	
0245	00337	00020005	DATA	'20005	
0246	00340	11300335	BRU*	TW5	
0247	00341	00000000	TH6	*** **	2,6
0248	00342	12101236	SPB	MESS	
0249	00343	00020006	DATA	'20006	
0250	00344	11300341	BRU*	TW6	
0251	00345	00000000	TH7	*** **	2,7
0252	00346	12101236	SPB	MESS	
0253	00347	00020007	DATA	'20007	
0254	00350	11300345	BRU*	TW7	
0255	00351	00000000	TH8	*** **	2,8
0256	00352	12101236	SPB	MESS	
0257	00353	00020010	DATA	'20010	
0258	00354	11300351	BRU*	TW8	
0259	00355	00000000	TH9	*** **	2,9
0260	00356	12101236	SPB	MESS	
0261	00357	00020011	DATA	'20011	
0262	00360	11300355	BRU*	TW9	
0263	00361	00000000	TH10	*** **	2,10
0264	00362	12101236	SPB	MESS	
0265	00363	00020012	DATA	'20012	
0266	00364	11300361	BRU*	TW10	
0267	00365	00000000	TH11	*** **	2,11
0268	00366	12101236	SPB	MESS	
0269	00367	00020013	DATA	'20013	
0270	00370	11300365	BRU*	TW11	
0271	00371	00000000	TH12	*** **	2,12
0272	00372	12101236	SPB	MESS	
0273	00373	00020014	DATA	'20014	
0274	00374	11300371	BRU*	TW12	
0275	00375	00000000	TH1	*** **	3,1
0276	00376	12101236	SPB	MESS	
0277	00377	00030001	DATA	'30001	
0278	00400	11300375	BRU*	TH1	
0279	00401	00000000	TH2	*** **	3,2

0280	00402	12101236		SPB	MESS	
0281	00403	00030002		DATA	'30002	
0282	00404	11300401		BRU*	TH2	
0283	00405	00000000	TH3	***	**	3.3
0284	00406	12101236		SPB	MESS	
0285	00407	00030003		DATA	'30003	
0286	00410	11300405		BRU*	TH3	
0287	00411	00000000	TH4	***	**	3.4
0288	00412	12101236		SPB	MESS	
0289	00413	00030004		DATA	'30004	
0290	00414	11300411		BRU*	TH4	
0291	00415	00000000	TH5	***	**	3.5
0292	00416	12101236		SPB	MESS	
0293	00417	00030005		DATA	'30005	
0294	00420	11300415		BRU*	TH5	
0295	00421	00000000	TH6	***	**	3.6
0296	00422	12101236		SPB	MESS	
0297	00423	00030006		DATA	'30006	
0298	00424	11300421		BRU*	TH6	
0299	00425	00000000	TH7	***	**	3.7
0300	00426	12101236		SPB	MESS	
0301	00427	00030007		DATA	'30007	
0302	00430	11300425		BRU*	TH7	
0303	00431	00000000	TH8	***	**	3.8
0304	00432	12101236		SPB	MESS	
0305	00433	00030010		DATA	'30010	
0306	00434	11300431		BRU*	TH8	
0307	00435	00000000	TH9	***	**	3.9
0308	00436	12101236		SPB	MESS	
0309	00437	00030011		DATA	'30011	
0310	00440	11300435		BRU*	TH9	
0311	00441	00000000	TH10	***	**	3.10
0312	00442	12101236		SPB	MESS	
0313	00443	00030012		DATA	'30012	
0314	00444	11300441		BRU*	TH10	
0315	00445	00000000	TH11	***	**	3.11
0316	00446	12101236		SPB	MESS	
0317	00447	00030013		DATA	'30013	
0318	00450	11300445		BRU*	TH11	
0319	00451	00000000	TH12	***	**	3.12

0320	00452	12101236		SPB	MESS	
0321	00453	00030014		DATA	'30014	
0322	00454	11300451		BRU*	TH12	
0323	00455	00000000	F01	***	**	4.1
0324	00456	12101236		SPB	MESS	
0325	00457	00040001		DATA	'40001	
0326	00460	11300455		BRU*	F01	
0327	00461	00000000	F02	***	**	4.2
0328	00462	12101236		SPB	MESS	
0329	00463	00040002		DATA	'40002	
0330	00464	11300461		BRU*	F02	
0331	00465	00000000	F03	***	**	4.3
0332	00466	12101236		SPB	MESS	
0333	00467	00040003		DATA	'40003	
0334	00470	11300465		BRU*	F03	
0335	00471	00000000	F04	***	**	4.4
0336	00472	12101236		SPB	MESS	
0337	00473	00040004		DATA	'40004	
0338	00474	11300471		BRU*	F04	
0339	00475	00000000	F05	***	**	4.5
0340	00476	12101236		SPB	MESS	
0341	00477	00040005		DATA	'40005	
0342	00500	11300475		BRU*	F05	
0343	00501	00000000	F06	***	**	4.6
0344	00502	12101236		SPB	MESS	
0345	00503	00040006		DATA	'40006	
0346	00504	11300501		BRU*	F06	
0347	00505	00000000	F07	***	**	4.7
0348	00506	12101236		SPB	MESS	
0349	00507	00040007		DATA	'40007	
0350	00510	11300505		BRU*	F07	
0351	00511	00000000	F08	***	**	4.8
0352	00512	12101236		SPB	MESS	
0353	00513	00040010		DATA	'40010	
0354	00514	11300511		BRU*	F08	
0355	00515	00000000	F09	***	**	4.9
0356	00516	12101236		SPB	MESS	
0357	00517	00040011		DATA	'40011	
0358	00520	11300515		BRU*	F09	
0359	00521	00000000	F010	***	**	4.10

0360	00522	12101236	SPB	MESS	
0361	00523	00040012	DATA	'40012	
0362	00524	11300521	BRU*	F#10	
0363	00525	00000000	F#11	*** **	4,11
0364	00526	12101236	SPB	MESS	
0365	00527	00040013	DATA	'40013	
0366	00530	11300525	BRU*	F#11	
0367	00531	00000000	F#12	*** **	4,12
0368	00532	12101236	SPB	MESS	
0369	00533	00040014	DATA	'40014	
0370	00534	11300531	BRU*	F#12	
0371	00535	00000000	F#11	*** **	5,1
0372	00536	12101236	SPB	MESS	
0373	00537	00050001	DATA	'50001	
0374	00540	11300535	BRU*	F#11	
0375	00541	00000000	F#12	*** **	5,2
0376	00542	12101236	SPB	MESS	
0377	00543	00050002	DATA	'50002	
0378	00544	11300541	BRU*	F#12	
0379	00545	00000000	F#13	*** **	5,3
0380	00546	12101236	SPB	MESS	
0381	00547	00050003	DATA	'50003	
0382	00550	11300545	BRU*	F#13	
0383	00551	00000000	F#14	*** **	5,4
0384	00552	12101236	SPB	MESS	
0385	00553	00050004	DATA	'50004	
0386	00554	11300551	BRU*	F#14	
0387	00555	00000000	F#15	*** **	5,5
0388	00556	12101236	SPB	MESS	
0389	00557	00050005	DATA	'50005	
0390	00560	11300555	BRU*	F#15	
0391	00561	00000000	F#16	*** **	5,6
0392	00562	12101236	SPB	MESS	
0393	00563	00050006	DATA	'50006	
0394	00564	11300561	BRU*	F#16	
0395	00565	00000000	F#17	*** **	5,7
0396	00566	12101236	SPB	MESS	
0397	00567	00050007	DATA	'50007	
0398	00570	11300565	BRU*	F#17	
0399	00571	00000000	F#18	*** **	5,8

0400	00572	12101236	SPB	MESS	
0401	00573	00050010	DATA	'50010	
0402	00574	11300571	BRU*	F18	
0403	00575	00000000	F19	*** **	5,9
0404	00576	12101236	SPB	MESS	
0405	00577	00050011	DATA	'50011	
0406	00600	11300575	BRU*	F19	
0407	00601	00000000	F110	*** **	5,10
0408	00602	12101236	SPB	MESS	
0409	00603	00050012	DATA	'50012	
0410	00604	11300601	BRU*	F110	
0411	00605	00000000	F111	*** **	5,11
0412	00606	12101236	SPB	MESS	
0413	00607	00050013	DATA	'50013	
0414	00610	11300605	BRU*	F111	
0415	00611	00000000	F112	*** **	5,12
0416	00612	12101236	SPB	MESS	
0417	00613	00050014	DATA	'50014	
0418	00614	11300611	BRU*	F112	
0419	00615	00000000	S11	*** **	6,1
0420	00616	12101236	SPB	MESS	
0421	00617	00060001	DATA	'60001	
0422	00620	11300615	BRU*	S11	
0423	00621	00000000	S12	*** **	6,2
0424	00622	12101236	SPB	MESS	
0425	00623	00060002	DATA	'60002	
0426	00624	11300621	BRU*	S12	
0427	00625	00000000	S13	*** **	6,3
0428	00626	12101236	SPB	MESS	
0429	00627	00060003	DATA	'60003	
0430	00630	11300625	BRU*	S13	
0431	00631	00000000	S14	*** **	6,4
0432	00632	12101236	SPB	MESS	
0433	00633	00060004	DATA	'60004	
0434	00634	11300631	BRU*	S14	
0435	00635	00000000	S15	*** **	6,5
0436	00636	12101236	SPB	MESS	
0437	00637	00060005	DATA	'60005	
0438	00640	11300635	BRU*	S15	
0439	00641	00000000	S16	*** **	6,6



0440	00642	12101236		SPB	MESS	
0441	00643	00060006		DATA	'60006	
0442	00644	11300641		BRU*	SI6	
0443	00645	00000000	SI7	***	**	6.7
0444	00646	12101236		SPB	MESS	
0445	00647	00060007		DATA	'60007	
0446	00650	11300645		BRU*	SI7	
0447	00651	00000000	SI8	***	**	6.8
0448	00652	12101236		SPB	MESS	
0449	00653	00060010		DATA	'60010	
0450	00654	11300651		BRU*	SI8	
0451	00655	00000000	SI9	***	**	6.9
0452	00656	12101236		SPB	MESS	
0453	00657	00060011		DATA	'60011	
0454	00660	11300655		BRU*	SI9	
0455	00661	00000000	SI10	***	**	6.10
0456	00662	12101236		SPB	MESS	
0457	00663	00060012		DATA	'60012	
0458	00664	11300661		BRU*	SI10	
0459	00665	00000000	SI11	***	**	6.11
0460	00666	12101236		SPB	MESS	
0461	00667	00060013		DATA	'60013	
0462	00670	11300665		BRU*	SI11	
0463	00671	00000000	SI12	***	**	6.12
0464	00672	12101236		SPB	MESS	
0465	00673	00060014		DATA	'60014	
0466	00674	11300671		BRU*	SI12	
0467	00675	00000000	SE1	***	**	7.1
0468	00676	12101236		SPB	MESS	
0469	00677	00070001		DATA	'70001	
0470	00700	11300675		BRU*	SE1	
0471	00701	00000000	SE2	***	**	7.2
0472	00702	12101236		SPB	MESS	
0473	00703	00070002		DATA	'70002	
0474	00704	11300701		BRU*	SE2	
0475	00705	00000000	SE3	***	**	7.3
0476	00706	12101236		SPB	MESS	
0477	00707	00070003		DATA	'70003	
0478	00710	11300705		BRU*	SE3	
0479	00711	00000000	SE4	***	**	7.4

0480	00712	12101236	SPB	MESS	
0481	00713	00070004	DATA	'70004	
0482	00714	11300711	BRU*	SE4	
0483	00715	00000000	SE5	*** **	7.5
0484	00716	12101236	SPB	MESS	
0485	00717	00070005	DATA	'70005	
0486	00720	11300715	BRU*	SE5	
0487	00721	00000000	SE6	*** **	7.6
0488	00722	12101236	SPB	MESS	
0489	00723	00070006	DATA	'70006	
0490	00724	11300721	BRU*	SE6	
0491	00725	00000000	SE7	*** **	7.7
0492	00726	12101236	SPB	MESS	
0493	00727	00070007	DATA	'70007	
0494	00730	11300725	BRU*	SE7	
0495	00731	00000000	SE8	*** **	7.8
0496	00732	12101236	SPB	MESS	
0497	00733	00070010	DATA	'70010	
0498	00734	11300731	BRU*	SE8	
0499	00735	00000000	SE9	*** **	7.9
0500	00736	12101236	SPB	MESS	
0501	00737	00070011	DATA	'70011	
0502	00740	11300735	BRU*	SE9	
0503	00741	00000000	SE10	*** **	7.10
0504	00742	12101236	SPB	MESS	
0505	00743	00070012	DATA	'70012	
0506	00744	11300741	BRU*	SE10	
0507	00745	00000000	*	THE FOLLOWING DAC LOCATIONS SHOW THE SYMBOLIC TAG ASSOCIATED	
0508	00745	00000000	*	WITH EACH INTERRUPT LOCATION.	
0509	00745	00000000	*	WHENEVER AN INTERRUPT IS RECEIVED THE PROGRAM BRANCHES TO THE	
0510	00745	00000000	*	LOCATION SPECIFIED.	
0511	01000	70001000	WRG	'1000	
0512	01000	35400072	DAC	PDR1	POWER DOWN
0513	01001	35400136	DAC	STAL	STALL ALARM
0514	01002	35400155	DAC	ZE1	0,1
0515	01003	35400161	DAC	ZE2	0,2
0516	01004	35400165	DAC	ZE3	0,3
0517	01005	35400171	DAC	ZE4	0,4
0518	01006	35400175	DAC	ZE5	0,5
0519	01007	35400201	DAC	ZE6	0,6

0520	01010	35400205	DAC	ZE7	0,7
0521	01011	35400211	DAC	ZE8	0,8
0522	01012	35400215	DAC	ZE9	0,9
0523	01013	35400221	DAC	ZE10	0,10
0524	01014	35400225	DAC	ZE11	0,11
0525	01015	35400231	DAC	ZE12	0,12
0526	01016	35400235	DAC	BN1	1,1
0527	01017	35400241	DAC	BN2	1,2
0528	01020	35400245	DAC	BN3	1,3
0529	01021	35400251	DAC	BN4	1,4
0530	01022	35400255	DAC	BN5	1,5
0531	01023	35400261	DAC	BN6	1,6
0532	01024	35400265	DAC	BN7	1,7
0533	01025	35400271	DAC	BN8	1,8
0534	01026	35400275	DAC	BN9	1,9
0535	01027	35400301	DAC	BN10	1,10
0536	01030	35400305	DAC	BN11	1,11
0537	01031	35400311	DAC	BN12	1,12
0538	01032	35400315	DAC	TW1	2,1
0539	01033	35400321	DAC	TW2	2,2
0540	01034	35400325	DAC	TW3	2,3
0541	01035	35400331	DAC	TW4	2,4
0542	01036	35400335	DAC	TW5	2,5
0543	01037	35400341	DAC	TW6	2,6
0544	01040	35400345	DAC	TW7	2,7
0545	01041	35400351	DAC	TW8	2,8
0546	01042	35400355	DAC	TW9	2,9
0547	01043	35400361	DAC	TW10	2,10
0548	01044	35400365	DAC	TW11	2,11
0549	01045	35400371	DAC	TW12	2,12
0550	01046	35400375	DAC	TH1	3,1
0551	01047	35400401	DAC	TH2	3,2
0552	01050	35400405	DAC	TH3	3,3
0553	01051	35400411	DAC	TH4	3,4
0554	01052	35400415	DAC	TH5	3,5
0555	01053	35400421	DAC	TH6	3,6
0556	01054	35400425	DAC	TH7	3,7
0557	01055	35400431	DAC	TH8	3,8
0558	01056	35400435	DAC	TH9	3,9
0559	01057	35400441	DAC	TH10	3,10

0560	01100	70001100	WRG	*1100	
0561	01100	35400445	DAC	TH11	3,11
0562	01101	35400451	DAC	TH12	3,12
0563	01102	35400455	DAC	F01	4,1
0564	01103	35400461	DAC	F02	4,2
0565	01104	35400465	DAC	F03	4,3
0566	01105	35400471	DAC	F04	4,4
0567	01106	35400475	DAC	F05	4,5
0568	01107	35400501	DAC	F06	4,6
0569	01110	35400505	DAC	F07	4,7
0570	01111	35400511	DAC	F08	4,8
0571	01112	35400515	DAC	F09	4,9
0572	01113	35400521	DAC	F010	4,10
0573	01114	35400525	DAC	F011	4,11
0574	01115	35400531	DAC	F012	4,12
0575	01116	35400535	DAC	F11	5,1
0576	01117	35400541	DAC	F12	5,2
0577	01120	35400545	DAC	F13	5,3
0578	01121	35400551	DAC	F14	5,4
0579	01122	35400555	DAC	F15	5,5
0580	01123	35400561	DAC	F16	5,6
0581	01124	35400565	DAC	F17	5,7
0582	01125	35400571	DAC	F18	5,8
0583	01126	35400575	DAC	F19	5,9
0584	01127	35400601	DAC	F110	5,10
0585	01130	35400605	DAC	F111	5,11
0586	01131	35400611	DAC	F112	5,12
0587	01132	35400615	DAC	S11	6,1
0588	01133	35400621	DAC	S12	6,2
0589	01134	35400625	DAC	S13	6,3
0590	01135	35400631	DAC	S14	6,4
0591	01136	35400635	DAC	S15	6,5
0592	01137	35400641	DAC	S16	6,6
0593	01140	35400645	DAC	S17	6,7
0594	01141	35400651	DAC	S18	6,8
0595	01142	35400655	DAC	S19	6,9
0596	01143	35400661	DAC	S110	6,10
0597	01144	35400665	DAC	S111	6,11
0598	01145	35400671	DAC	S112	6,12
0599	01146	35400675	DAC	SE1	7,1

0600	01147	35400701	DAC	SE2	7,2
0601	01150	35400705	DAC	SE3	7,3
0602	01151	35400711	DAC	SE4	7,4
0603	01152	35400715	DAC	SE5	7,5
0604	01153	35400721	DAC	SE6	7,6
0605	01154	35400725	DAC	SE7	7,7
0606	01155	35400731	DAC	SE8	7,8
0607	01156	35400735	DAC	SE9	7,9
0608	01157	35400741	DAC	SE10	7,10
0609	01200	70001200	ORG	'1200	
0610	01200	00000000	****		
0611	01200	00000000	****		
0612	01200	00000307	M1	DATA	'307,'322,'317,'325,'320,'240
0612	01201	00000322			
0612	01202	00000317			
0612	01203	00000325			
0612	01204	00000320			
0612	01205	00000240			
0613	01206	00000000	****		
0614	01206	00000314	M2	DATA	'314,'305,'326,'305,'314,'240
0614	01207	00000305			
0614	01210	00000326			
0614	01211	00000305			
0614	01212	00000314			
0614	01213	00000240			
0615	01214	00000000	****		
0616	01214	00000000	****		
0617	01214	00000260	M3	DATA	'260,'261,'262,'263,'264,'265,'266,'267,'270,'271
0617	01215	00000261			
0617	01216	00000262			
0617	01217	00000263			
0617	01220	00000264			
0617	01221	00000265			
0617	01222	00000266			
0617	01223	00000267			
0617	01224	00000270			
0617	01225	00000271			
0618	01226	00000215	M4	DATA	'215,'212
0618	01227	00000212			
0619	01230	00000000	****		

S T A L L

0620	01230	00000323	M5	DATA	'323,'324,'301,'314,'314,'240
0620	01231	00000324			
0620	01232	00000301			
0620	01233	00000314			
0620	01234	00000314			
0620	01235	00000240			
0621	01236	00000000	*		TELETYPE MESSAGE OUTPUT SUBROUTINE
0622	01236	00000000	MESS	***	**
0623	01237	03101366		STA	TMPA
0624	01240	04101367		STB	TMPB
0625	01241	00000031		LCS	
0626	01242	00001613		FLL	14
0627	01243	00000024		SAP	
0628	01244	11101336		BRU	DABL
0629	01245	00000031		LCS	IF CS 15 IS
0630	01246	00001713		FLL	15
0631	01247	00000024		SAP	
0632	01250	11101320		BRU	MESS
0633	01251	01301236	LA	LAA*	MESS
0634	01252	02101370		LBA	ZER0
0635	01253	00000414		FRL	4
0636	01254	04101364		STB	S1
0637	01255	01301236		LAA*	MESS
0638	01256	02101372		LBA	MSK1
0639	01257	00000027		ABA	
0640	01260	03101365		STA	S2
0641	01261	14101236		INS	MESS
0642	01262	02077772		LBA	=-6
0643	01263	01501206	MES1	LAA	M1+0,1
0644	01264	12101324		SPB	TYPE
0645	01265	00000026		IBS	
0646	01266	11101263		BRU	MESS1
0647	01267	02101364		LBA	S1
0648	01270	01501214	MES2	LAA	M3,1
0649	01271	12101324		SPB	TYPE
0650	01272	01000240		LAA	= '240
0651	01273	12101324		SPB	TYPE
0652	01274	01000240		LAA	= '240
0653	01275	12101324		SPB	TYPE
0654	01276	02077772		LBA	=-6

OUTPUT

PRINT 'GROUP'

PRINT NUMBER

TYPE TWO  
SPACES

0655	01277	01501214	MESS	LAA	M2+6,1	PRINT 'LEVEL'
0656	01300	12101324		SPB	TYPE	
0657	01301	00000026		IBS		
0658	01302	11101277		BRU	MESS	
0659	01303	01101365		LAA	S2	
0660	01304	15000012		GMA	#10	
0661	01305	11101314		BRU	MESS	
0662	01306	00000033		ABP		
0663	01307	06000012		SMA	#10	
0664	01310	03101365		STA	S2	
0665	01311	01101215		LAA	M3+1	PRINT '1'
0666	01312	12101324		SPB	TYPE	
0667	01313	01101365		LAA	S2	
0668	01314	00000005	MESS	TAB		
0669	01315	01501214		LAA	M3,1	PRINT SECOND DIGIT
0670	01316	12101324		SPB	TYPE	
0671	01317	12101330		SPB	CRLF	
0672	01320	02101367	MESS	LBA	TMPB	
0673	01321	01101366		LAA	TMPA	
0674	01322	00000035		TBI		
0675	01323	11301236		BRU*	MESS	
0676	01324	00000000	TYPE	***	**	
0677	01325	00001016		LSL	8	
0678	01326	00170101		ABP	1,W	
0679	01327	11301324		BRU*	TYPE	
0680	01330	00000000	CRLF	***	**	CARRIAGE RETURN
0681	01331	01101226		LAA	M4	AND
0682	01332	12101324		SPB	TYPE	LINE FEED
0683	01333	01101227		LAA	M4+1	
0684	01334	12101324		SPB	TYPE	
0685	01335	11301330		BRU*	CRLF	
0686	01336	01301236	DABL	LAA*	MESS	
0687	01337	02101373		LBA	MSK2	'70000
0688	01340	00000027		ABA		
0689	01341	03101374		STA	AAA	
0690	01342	01301236		LAA*	MESS	
0691	01343	02101372		LBA	MSK1	'17
0692	01344	00000027		ABA		
0693	01345	00000002		NEG		
0694	01346	00000005		TAB		

0695	01347	01101371		LAA	ONE
0696	01350	00000026	IBS	IBS	
0697	01351	11101353		BRU	**2
0698	01352	11101355		BRU	**3
0699	01353	00000116		LSL	1
0700	01354	11101350		BRU	IBS
0701	01355	02101374		LBA	AAA
0702	01356	00000030		DBA	
0703	01357	03101361		STA	**2
0704	01360	00130601		PIU	0
0705	01361	00000000		DATA	0
0706	01362	11101251		BRU	LA
0707	01363	00000001	CHCK	BSS	1
0708	01364	00000001	S1	BSS	1
0709	01365	00000001	S2	BSS	1
0710	01366	00000001	TMPA	BSS	1
0711	01367	00000001	TMPB	BSS	1
0712	01370	00000000	ZER0	DATA	0
0713	01371	00000001	ONE	DATA	1
0714	01372	00000017	MSK1	DATA	'17
0715	01373	00070000	MSK2	DATA	'70000
0716	01374	00000001	AAA	BSS	1
0717	01375	70400000		END	



#303014A  
INTER MAP VERIFY

SYSTEMS ENGINEERING LABORATORIES PROGRAM LIBRARY

PROGRAM DESCRIPTION

Page 1 of 10

Catalog No. 303014A

IDENTIFICATION: Inter-Map Verification Check Program

AUTHOR: Systems Engineering Laboratories

ACCEPTED: August 30, 1967

PURPOSE: This program is designed to verify the proper execution of specific memory reference instructions which are located on the memory boundary between Map 2 and Map 3.

COMPUTER CONFIGURATION: SEL 810A Computer

SUBROUTINES REQUIRED: Not applicable.

STORAGE: '02470-'2515, '2773-'3005, '3470-'3505, '4000-'4504, '5000-'5372 locations.

TIMING: Not applicable.

LOADING PROCEDURE:

1. Load the program into memory by using the Standard Relocatable Loader. When loading is complete the computer will halt. The program should not be relocated.
2. Enter the starting address of the program ('05000) into the program counter.
3. Press the START switch on the console twice.
4. The program will remain in a test loop until a program halt is detected or the CPU is manually halted. The program performs all 18 tests listed in the Method section of this document.

USE: The program is designed to check the proper execution of specific memory reference instructions located on the map boundary between Map 2 and Map 3. The program also checks several skip instructions to determine if the CPU has functioned correctly.

**Relocatable Loader**  
**Prog. Counter 16060**  
**A-Accum 0 B-Accum 0**  
**After Load Start At '5000**  
**Prog. Cntr.**

**Relocatable Loader**  
**Prog. Counter 16060**  
**A-Accum 0 B-Accum 0**  
**After Load Start At '5000**  
**Prog. Cntr.**

*Note*  
When using the upper 16K load/dump program, the relocatable loader, program counter 36060, should be utilized to load the program rather than the 16060

## METHOD:

1. INSTRUCTIONS

The following list shows the instructions used by the program to verify the proper execution of the CPU on the map boundary and the halt locations associated with each test.

Test No.	Halt (PC location)	Instruction
Test 1	'5022	Store B accumulator
" 2	'5040	Store A accumulator
" 3	'5051	Load A accumulator
" 4	'5063	Load B accumulator
" 5	'5076	Add memory to A
" 6	'5111	Add memory to B
" 7	'5122	Subtract memory from A accumulator
" 8	'3002	Skip A zero (A NQ zero) B accumulator equal 1
" 9	'3002	Skip A negative (A not negative) B accumulator equal 2
" 10	'3002	Skip A positive (A not positive) B accumulator equal 3
" 11	'3006	Skip A negative (A not negative) B accumulator equal 4
" 12	'3006	Skip A positive (A not positive) B accumulator equal 5
" 13	'3006	Skip A zero (A NQ zero) B accumulator equal 6
" 14	'5225	Add memory to A accumulator (Indirect) B accumulator equal 7
" 15	'5241	Subtract memory from A accumulator (Indirect) B accumulator equal 10
" 16	'3003 '5265	Increment memory and skip B accumulator equal 11
" 17	'3474	Store place and branch B accumulator equal 12
" 18	'3003 '5311	Skip no overflow B accumulator equal 13

2. TEST DESCRIPTION

The program is designed to use locations '2774 thru '3004 as test locations. The program will insert the operands that are to be checked into the test locations from the main program starting at location '5000.

The primary purpose of the program is to ensure that memory reference instructions on a map boundary use the memory location within the same map as the

METHOD (CONT'D):

2. TEST DESCRIPTION (CONT'D)

instruction itself. A malfunction will be detected if the memory address accessed is in the next map instead of the map containing the instruction.

Test 1. Store B Accumulator.

The program will execute a Store B Accumulator instruction with the memory reference address in the same map as the instruction. The program location of the Store B Accumulator command is location '02777 and the memory address is '02504. The test locations are as follows:

Location	OP Code	Address	Comment
'02776	NOP		Augmented instruction.
'02777	STB	T5	T5 location is '02504
'03000	BRU*	Test	Return to main program

Halt Location..

If the CPU has functioned properly the program will proceed to Test 2, otherwise a halt will occur at location '05022. This indicates that the memory address of the Store B instruction was in location '03505 of the next map rather than in location '02504 of the map that contained the instruction.

The A accumulator contains the data from location '02504, the B accumulator contains the data from location '03504.

Test 2. Store A Accumulator.

The program will execute a Store A Accumulator instruction with the memory reference address in the same map as the instruction. The program will Store the contents of the A accumulator from location '02777. The memory address is '02504. The test locations are as follows:

Location	OP Code	Address	Comment
'02776	NOP		Augmented instruction
'02777	STA	T5	T5 location is '2504
'03000	BRU*	Test	Return to main program

Halt Condition.

If the CPU has functioned properly the program will proceed to Test 3, otherwise a halt will occur at location '05040. This indicates that the memory address of

## METHOD (CONT'D):

Test 2. Store A Accumulator (Cont'd)

the Store A instruction was in location '3504 of the next map rather than in location '2504 of the map that contained the instruction.

The A accumulator contains the contents of location '2504 which should be '177777. The B accumulator contains the contents of location '3504 which should be '000000. If the data in A is '000000 and the B accumulator contains '177777 the CPU has a malfunction.

Test 3. Load A Accumulator.

The program will execute a Load A Accumulator instruction with the memory reference address in the same map as the instruction. The A accumulator should contain 177777. If the memory address was in the next map the A accumulator will contain zero's which indicate a CPU malfunction. The test locations are as follows:

Location	OP Code	Address	Comment
'02776	NOP		Augmented instruction
'02777	LAA	T1	T1 location is '2500
'03000	BRU*	Test	Return to main program

Halt Location.

If the CPU has functioned properly the program will proceed to Test 4, otherwise the program will halt at location '05051.

This indicates that the memory address of the Load A instruction was in location '3500 of the next map rather than in location '02500 of the map that contained the instruction. The A accumulator has the incorrect data.

Test 4. Load B Accumulator.

The program will execute a Load B Accumulator instruction with the memory reference address in the same map as the instruction. The B accumulator should contain '177777. If the memory address was in the next map the B accumulator will contain zeros which indicate a CPU malfunction. The test locations are as follows:

Location	OP Code	Address	Comment
'02776	NOP		Augmented instruction
'02777	LBA	T1	T1 location is '3500
'03000	BRU*	Test	Return to main program

## METHOD (CONT'D):

Test 4. Load B Accumulator (Cont'd)

Halt Location.

If the CPU has functioned properly the program will proceed to Test 5, otherwise the program will halt at location '05063.

This indicates that the memory address of the Load B Accumulator instruction was in location '3500 of the next map rather than in location '2500 of the map that contained the instruction. The A accumulator has the incorrect data.

Test 5. Add Memory to A Accumulator.

The program will execute an Add Memory to A Accumulator instruction with the memory reference address in the same map as the instruction. The A accumulator should contain '177777. If the memory address was from the next map the A accumulator will contain '077777.

Halt Location.

If the CPU has functioned properly the program will proceed to Test 6, otherwise the program will halt at location '05076. This indicates that the memory address of the Add Memory to A accumulator was in location '03502 of the next map rather than in location '02502 of the map that contained the instruction. The test locations are as follows:

Location	OP Code	Address	Comment
'02776	NOP		Augmented instruction T3 EQ T1 000001
'02777	AMA	T3	
'03000	BRU*	Test	

Test 6. Add Memory to B Accumulator.

The program will execute an Add Memory to B Accumulator instruction with the memory address in the same map as the instruction. The B accumulator after execution of the instruction should contain '177777. If the memory address was in the next map, the B accumulator will contain '077777 indicating a malfunction in the CPU. The test locations are as follows:

Location	OP Code	Address	Comment
02776	NOP		Augmented instruction T3 EQ 000001 Return
02777	AMB	T3	
03000	BRU*	Test	

## METHOD (CONT'D):

Test 6. Add Memory to B Accumulator (cont'd).

## Halt Location.

If the CPU has functioned properly, the program will proceed to Test 7, otherwise a halt will occur at location '05111. The A accumulator will contain the incorrect data.

Test 7. Subtract Memory from A Accumulator.

The program will execute Subtract Memory from A Accumulator instruction with the memory address in the same map as the instruction. The test locations are as follows:

Location	OP Code	Address	Comment
'02776	NOP		A contains 177777
'02777	SMA	T4	T4 EQ to '100000
'03000	BRU*	Test	Return

## Halt Location..

If the CPU has functioned properly the program will proceed to Test 8, otherwise a halt will occur at location '05122. The A accumulator will display the incorrect data value of '177777. The correct data value is '077777.

Test 8. Skip A Zero.

The augmented instruction SAZ will be executed from location '02776. The data in the A accumulator is not equal to zero, therefore the program should not cross the map boundary.

## Halt Locations.

If the CPU has functioned properly the program will proceed to Test 9, otherwise a halt will occur at location '03002. This indicates that the CPU has crossed the map boundary which is an error. The B accumulator will contain '000001 indicating the error number.

Test 9. Skip A Negative.

The augmented instruction SAN will be executed from location '02776. The data in the A accumulator is not negative, therefore the program should not cross the map boundary.

METHOD (CONT'D):

Test 9. Skip A Negative (cont'd).

Halt Locations.

If the CPU has functioned properly the program will proceed to Test 10, otherwise a halt will occur at location '03002. This indicates that the CPU has crossed the map boundary which is an error. The B accumulator will contain '000002 indicating the error number.

Test 10. Skip A Positive.

The augmented instruction SAP will be executed from location '02776. The data in the A accumulator is not positive, therefore the program should not cross the map boundary.

Halt Location.

If the CPU has functioned properly the program will proceed to Test 11, otherwise a halt will occur at location '03002. This indicates that the CPU has crossed the map boundary which is an error. The B accumulator will contain '000003 indicating the error number.

Test 11. Skip A Negative.

The augmented instruction SAN will be executed from location '02777. The data in the A accumulator will be a positive number, therefore the program will cross the map boundary to the first location of the next map.

Halt Location.

If the CPU has functioned properly the program will proceed to Test 12, otherwise a halt will occur at location '03006. This indicates that the CPU has crossed the map boundary but skipped incorrectly. The B accumulator will contain '000004 indicating the error number.

Test 12. Skip A Positive.

The augmented instruction SAP will be executed from location '02777. The data in the A accumulator will be negative, therefore the program will cross the map boundary and execute the first instruction of the next map.

Halt Location.

If the CPU has functioned properly the program will proceed to Test 13, otherwise a halt will occur at location '03006. This indicates that the CPU has skipped on A positive when the data in A was negative. The B accumulator will contain '000005 indicating the error number.



## METHOD (CONT'D):

Test 13. Skip A Zero.

The augmented instruction SAZ will be executed from location '027777. The data in the A accumulator will not be zero, therefore the program will cross the map boundary and execute the first instruction of the next map.

Halt Location.

If the CPU has functioned properly the program will proceed to Test 14, otherwise a halt will occur at location '03006. This indicates that the CPU has skipped on A zero when the data in A was positive. The B accumulator will contain 000006 indicating the error number.

Test 14. Add Memory to A (Indirect)

The program will execute an Add Memory to A Accumulator instruction with the indirect-bit set. The memory address will be indirect thru the map which contains the instruction. When the command has been executed the value in A should be '177777. If the memory address was in the next map the value in A will be '100000. The test locations are as follows:

Location	OP Code	Address	Comment
'02776	NOP		Augmented instruction
'02777	AMA*	T2	A EQ 177777
'03000	BRU*	Test	Return

Halt Location.

If the CPU has functioned properly the program will proceed to Test 15, otherwise a halt will occur at location '05225. The operator may visually observe the contents of A accumulator. The data value should be '177777. Any other value indicates an error. The B accumulator will contain 000007 indicating the error number.

Test 15. Subtract Memory from A (Indirect).

The program will execute a Subtract Memory from A Indirect instruction with the indirect address in the same map as the instruction. When the command has been executed, the data in the A accumulator should be '077777. If the memory address was in the next map the value will be '177777. The test locations are as follows:

Location	OP Code	Address	Comment
'02776	FRA		A EQ 177777
'02777	SMA*	T4	T4 EQ 100000
'03000	BRU*	Test	Return

## METHOD (CONT'D):

Test 15. Subtract Memory from A (Indirect) (cont'd)

Halt Location.

If the CPU has functioned properly the program will proceed to Test 16, otherwise a halt will occur at location '05241. The operator may visually observe the contents of the A accumulator. The data should be '077777. Any other data indicates an error. The B accumulator will contain 000010 indicating the error number.

Test 16. Increment Memory and Skip.

The program will execute an Increment Memory and Skip instruction with the memory address in the same map as the instruction. The A accumulator after execution of the instruction should contain 000000. If the memory address was in the next map, the data in A will be 000001. The test locations are as follows:

Location	OP Code	Address	Comment
'02776	NOP		Augmented Code T6 EQ 177777
'03000	IMS	T6	
'03001	HLT		
'03002	BRU*		

Halt Location.

If the CPU has functioned properly the program will proceed to test 17, otherwise a halt will occur at location '03003 or '05265. The B accumulator contains the error number count which is equal to 000011. The halt at '03003 indicates that the IMS instruction didnot skip properly. The halt at '05265 indicates that the incremented memory address was in the next map rather than in the same map as the instruction.

Test 17. Store Place and Branch.

The program will execute a Store Place and Branch instruction with the branch location in the same map as the SPB instruction. The subroutine in the same map will clear the A accumulator indicating that the subroutine was entered. The test locations are as follows:

Location	OP Code	Address	Comment
'02776	NOP		Augmented instruction location is 2470 Return
'02777	SPB	THMP	
'03000	BRU*	Test	

## METHOD (CONT'D):

Test 17. Store Place and Branch (cont'd).

## Halt Location.

If the CPU has functioned properly the program will proceed to Test 18, otherwise a halt will occur at location '03474. The operator may visually observe the contents of the A accumulator. The data value should be 177777, which indicates an error. The B accumulator should have a value of 000012. This verifies that the SPB test is the one which caused the failure.

Test 18. Skip No Overflow Test.

The program will execute a Skip No Overflow instruction. The skip instruction crosses an intermap boundary. The overflow latch is not set. The test locations are as follows:

Location	OP Code	Address	Comment
02776	SOF		Overflow not set
02777	HLT		Incorrect skip
03000	BRU*	Test	Return

## Halt Location..

If the CPU has functioned properly, the progra will reset all counters and begin with Test 1, otherwise the program will halt at location '3003 or '05311. The B accumulator should contain a value of 000013. The halt at location '03003 indicates that the SOF didnt skip properly to the next map.

1

0001	00000	00000000	***		INTER-MAP VERIFICATION CHECK PROGRAM: 810A	303014A
0002	00000	00000000	***		J.B. BOYER	AUG 30, 1967
0003	02470	60002470		ORG	'2470	
0004	02470A	00000000	THMP	ZZZ		THIS MAP
0005	02471	00000033		NBP		
0006	02472	00000003		CLA		
0007	02473	11202470		BRU*	THMP	
0008	02500	60002500		ORG	'2500	
0009	02500	00177777	T1	DATA	'177777	
0010	02501	00077777	T2	DATA	'077777	
0011	02502	00000001	T3	DATA	'000001	
0012	02503	00100000	T4	DATA	'100000	
0013	02504	00000000	T5	DATA	0	
0014	02505	00000000	T6	DATA	0	SAME MAP
0015	02506	14002505	IMS	IMS	T6	
0016	02507	05202510	AMAA	AMA*	T6D	
0017	02510	25402502	T6D	DAC	T3	
0018	02511	06202512	SMAA	SMA*	T7D	
0019	02512	25402503	T7D	DAC	T4	
0020	02513	12002470	SPB	SPB	THMP	
0021	02514	11002515	BRUB	BRU	T7	
0022	02515	11202773	T7	BRU*	TEST	
0023	02773	60002773		ORG	'2773	
0024	02773	00000000	TEST	ZZZ	**	
0025	02774	00000033		NBP		LOCATION 2774
0026	02775	00000033		NBP		LOCATION 2775
0027	02776	00000033		NBP		LOCATION 2776
0028	02777	00000033		NBP		LOCATION 2777
0029	03000	00000033		NBP		LOCATION 3000
0030	03001	00000033		NBP		LOCATION 3001
0031	03002	00000033		NBP		LOCATION 3002
0032	03003	00000033		NBP		LOCATION 3003
0033	03004	00000033		NBP		LOCATION 3004
0034	03005	00000000	*			
0035	03005	11202773		BRU*	TEST	
0036	03006	11202773	BRUA	BRU*	TEST	
0037	03007	00002777	TES1	EQU	TEST+4	
0038	03470	60003470		ORG	'3470	
0039	03470A	00000000	NTMP	ZZZ		NEXT MAP IF PROGRAM COUNTER ADVANCED

0040	03471	00000033		NBP		
0041	03472	00000000		HLT		INDICATES INCORRECT BRANCH
0042	03473	11203470		BRU*	NTMP	
0043	03500	60003500		BRB	'3500	
0044	03500	00000000	TA	DATA	0	
0045	03501	00000000	TB	DATA	0	
0046	03502	00000000	TC	DATA	0	
0047	03503	00000000	TD	DATA	0	
0048	03504	00000000	TE	DATA	0	
0049	03505E	00000000	TF	DATA		NEXT MAP
0050	04000	60004000		BRB	'4000	
0051	04000	01004500	LAA	LAA	T1D	T1D EQ 177777
0052	04001	02004500	LBA	LBA	T1D	
0053	04002	05004502	AMA	AMA	T3D	T3D EQ 000001
0054	04003	16004502	AMB	AMB	T3D	T3D EQ 000001
0055	04004	06004503	SMA	SMA	T4D	T4D EQ 100000
0056	04005	04004504	STB	STB	T5D	
0057	04006	03004504	STA	STA	T5D	T5D EQ 0
0058	04007	00000022	SAZA	SAZ		
0059	04010	00000024	SAP	SAP		
0060	04011	00000023	SAN	SAN		
0061	04012	00001712	FRA	FRA	15	
0062	04013	00001716	LSL	LSL	15	
0063	04014	00000025	SBF	SBF		
0064	04015	25405372	LC04	DAC	L304+1	
0065	04016	25405365	LC00	DAC	L300	
0066	04500	60004500		BRB	'4500	
0067	04500	00177777	T1D	DATA	'177777	
0068	04501	00077777	T2D	DATA	'077777	
0069	04502	00000001	T3D	DATA	'000001	
0070	04503	00100000	T4D	DATA	'100000	
0071	04504	00000000	T5D	DATA	'0	
0072	05000	60005000		BRB	'5000	
0073	05000	12005335	TAR	SPB	STBS	
0074	05001	00000000	****S			STORE B INSTRUCTION
0075	05001	00000003		CLA		
0076	05002	03005332		STA	CNT	COUNTER
0077	05003	01004005		LAA	STB	STB INSTRUCTION
0078	05004	03002777		STA	TES1	STORED INTO TEST LOCATION
0079	05005	00000003		CLA		

0080	05006	03002504	STA	T5	LOCATION IN SAME MAP AS STB
0081	05007	03003504	STA	TE	LOCATION IN NEXT MAP
0082	05010	14005332	IMS	CNT	COUNTER
0083	05011	02002500	LBA	T1	T1 EQ TO 177777
0084	05012	12002773	SPB	TEST	TEST SUBROUTINE
0085	05013	01002504	LAA	T5	T5 IS IN SAME MAP AS STB
0086	05014	15002500	CHA	T1	T1 EQ 177777
0087	05015	11005017	BRU	**2	NO
0088	05016	11005021	BRU	0T	YES GO TO NEXT TEST
0089	05017	02003504	LBA	TE	GET VALUE INTO B
0090	05020	00000000	HLT		A CONTAINS DATA OF SAME MAP LOCATION
0091	05021	00000000	*		B CONTAINS DATA OF NEXT MAP LOCATION
0092	05021	00000000	*		CORRECT DATA VALUE SHOULD BE 177777
0093	05021	01004006	BT	LAA STA	STORE A INSTRUCTION
0094	05022	03002777	STA	TES1	
0095	05023	00000000	*****		CHECK STORE A INSTRUCTION
0096	05023	00000003	CLA		
0097	05024	03002504	STA	T5	SAME MAP AS STA
0098	05025	03003504	STA	TE	NEXT MAP
0099	05026	14005332	IMS	CNT	COUNTER INCREMENTED
0100	05027	01002500	LAA	T1	T1 EQ TO 177777
0101	05030	12002773	SPB	TEST	
0102	05031	01002504	LAA	T5	CHECK SAME MAP FOR DATA
0103	05032	15002500	CHA	T1	T1 EQ 177777
0104	05033	11005035	BRU	**2	
0105	05034	11005037	BRU	0A	
0106	05035	02003504	LBA	TE	
0107	05036	00000000	HLT		A CONTAINS VALUE FROM SAME MAP AS STA
0108	05037	00000000	****		B CONTAINS DATA FROM NEXT MAP
0109	05037	00000033	BA	NOP	
0110	05040	01004000	LAA	LAA	
0111	05041	03002777	STA	TES1	LAA SET TO LOAD FROM SAME MAP
0112	05042	14005332	IMS	CNT	COUNTER
0113	05043	00000003	CLA		
0114	05044	03003504	STA	TE	
0115	05045	12002773	SPB	TEST	TEST SUBROUTINE
0116	05046	00000023	SAN		
0117	05047	00000000	HLT		
0118	05050	14005332	IMS	CNT	COUNTER INCREMENTED
0119	05051	01004001	LAA	LBA	LBA CHECK

0120	05052	03002777	STA	TES1	SET TEST LOCATION TO LBA INSTRUCTION
0121	05053	00000003	CLA		SET A+B TO ZEROS
0122	05054	03003504	STA	TE	
0123	05055	00000005	TAB		
0124	05056	12002773	SPB	TEST	TEST SUBROUTINE
0125	05057	00000004	TBA		
0126	05060	00000023	SAN		CHECK A FOR NEGATIVE VALUE
0127	05061	00000000	HLT		
0128	05062	00000000	*****		CHECK ADD MEMORY TO A
0129	05062	01004002	LAA	AMA	
0130	05063	03002777	STA	TES1	STORE AMA INSTRUCTION INTO TEST LOCATION
0131	05064	14005332	IMS	CNT	COUNTER FOR INSTRUCTION
0132	05065	01002501	LAA	T2	T2 EQUAL TO 077777
0133	05066	12002773	SPB	TEST	TEST
0134	05067	00000025	SBF		
0135	05070	11005071	BRU	**1	TURN OFF OVERFLOW
0136	05071	15002503	CMA	T4	T4 EQ 100000
0137	05072	11005074	BRU	**2	
0138	05073	11005075	BRU	**2	
0139	05074	00000000	HLT		VALUE OF INCORRECT DATA IS IN A ACCUMULATOR
0140	05075	00000000	*****		CHECK ADD MEMORY TO B
0141	05075	14005332	IMS	CNT	COUNTER
0142	05076	01004003	LAA	AMB	AMB INSTRUCTION USES T3 EQ TO
0143	05077	03002777	STA	TES1	STORE AMB INSTRUCTION INTO TEST LOCATION
0144	05100	00000003	CLA		
0145	05101	02002501	LBA	T2	T2 VALUE IS 077777
0146	05102	12002773	SPB	TEST	TEST ROUTINE
0147	05103	00000004	TBA		
0148	05104	15002503	CMA	T4	T4 EQ TO 100000
0149	05105	11005107	BRU	**2	
0150	05106	11005110	BRU	**2	
0151	05107	00000000	HLT		
0152	05110	00000000	*****		CHECK SMA INSTRUCTION
0153	05110	01004004	LAA	SMA	SMA USES T4 EQ TO 100000
0154	05111	03002777	STA	TES1	STORE SMA INTO TEST LOCATION
0155	05112	14005332	IMS	CNT	
0156	05113	01002500	LAA	T1	T1 VALUE IS 177777
0157	05114	12002773	SPB	TEST	TEST SUBROUTINE
0158	05115	15002501	CMA	T2	T2 VALUE IS 077777
0159	05116	11005120	BRU	**2	

0160	05117	11005121	BRU	**2	
0161	05120	00000000	HLT		A CONTAINS INCORRECT VALUE SHOULD BE 077777
0162	05121	00000000	****		SAZ TEST A ACCUMULATOR NOT EQ ZERO
0163	05121	00000000	*		SHOULD NOT CROSS MAP BOUNDARY LAST LOCATION OF
0164	05121	00000000	*		TEST MAP HAS A BRU* TEST WHICH SHOULD RETURN TO
0165	05121	00000000	*		MAIN PROGRAM
0166	05121	00000000	*		B ACC CONTAINS ERROR NUMBER
0167	05121	01005334	LAA	HLT	
0168	05122	03205365	STA*	L300	TEST LOCATION
0169	05123	14005332	IMS	CNT	INCREMENT COUNTER
0170	05124	00000003	CLA		
0171	05125	00000005	TAB		
0172	05126	03005333	STA	STBT	STBT WILL BE TEMPORARY STORAGE FOR COUNTER
0173	05127	03005372	STA	L304+1	TEST LOCATION
0174	05130	01004007	LAA	SAZA	
0175	05131	03205363	STA*	L276	TEST LOCATION
0176	05132	01003006	LAA	BRUA	
0177	05133	03205364	STA*	L277	TEST LOCATION
0178	05134	00000026	IBS		INCREMENT COUNTER
0179	05135	00000033	NOP		
0180	05136	04005333	STB	STBT	SAVE ERROR COUNTER
0181	05137	12002773	SPB	TEST	
0182	05140	14005332	IMS	CNT	
0183	05141	00000000	****		SAN TEST A ACCUMULATOR EQ POSITIVE NUMBER
0184	05141	00000000	*		WHICH IS THE AUGMENTED INSTRUCTION
0185	05141	12005353	SPB	BUPD	INCREMENT B SUBROUTINE
0186	05142	01004011	LAA	SAN	
0187	05143	03205363	STA*	L276	TEST LOCATION
0188	05144	12002773	SPB	TEST	TEST SUBROUTINE
0189	05145	00000000	****		SAP TEST A ACCUMULATOR EQ NEGATIVE NUMBER
0190	05145	14005332	IMS	CNT	INCREMENT COUNTER
0191	05146	12005353	SPB	BUPD	INCREMENT B SUBROUTINE
0192	05147	01004010	LAA	SAP	SAP SET TO TEST LOCATION
0193	05150	03205363	STA*	L276	TEST LOCATION
0194	05151	01004503	LAA	T4D	T4D EQ 10000
0195	05152	12002773	SPB	TEST	TEST SUBROUTINE
0196	05153	01005331	LAA	SAZ	
0197	05154	03205365	STA*	L300	
0198	05155	01003006	LAA	BRUA	TEST LOCATION
0199	05156	03205372	STA*	L304+1	



0200	05157	12005335	SPB	STBS	RESET COUNTERS
0201	05160	01004011	LAA	SAN	
0202	05161	03205364	STA*	L277	TEST LOCATION
0203	05162	01003006	LAA	BRUA	
0204	05163	03205365	STA*	L300	NEXT MAP
0205	05164	01005334	LAA	HLT	HALT
0206	05165	03205371	STA*	L304	HALT SHOULD OCCUR
0207	05166	12005353	SPB	BUPD	INCREMENT COUNTER SUBROUTINE
0208	05167	01004011	LAA	SAN	POSITIVE NUMBER IN A
0209	05170	12002773	SPB	TEST	
0210	05171	00000000 *			SAP TEST OVER MAP
0211	05171	14005332	IMS	CNT	COUNTER
0212	05172	12005353	SPB	BUPD	INCREMENT B COUNTER
0213	05173	01004010	LAA	SAP	
0214	05174	03205364	STA*	L277	TEST LOCATION
0215	05175	01004503	LAA	T4D	T4D EQ 100000
0216	05176	12002773	SPB	TEST	TEST SUBROUTINE
0217	05177	00000000 *			
0218	05177	14005332	IMS	CNT	COUNTER
0219	05200	12005353	SPB	BUPD	INCREMENT B COUNTER
0220	05201	01004007	LAA	SAZA	
0221	05202	03205364	STA*	L277	TEST LOCATION
0222	05203	01004503	LAA	T4D	T4D EQ 100000
0223	05204	12002773	SPB	TEST	TEST SUBROUTINE
0224	05205	00000000 *			
0225	05205	12005335	SPB	STBS	RESET ALL TEST LOCATIONS TO NOP
0226	05206	00000000 ****			
0227	05206	00000000 *			MAP
0228	05206	00000000 *****			AAA* TEST INSTRUCTION IS LOCATED IN LAST
0229	05206	00000000 *			MEMORY CELL OF THE MAP
0230	05206	14005332	IMS	CNT	INCREMENT COUNTER
0231	05207	12005353	SPB	BUPD	
0232	05210	01005331	LAA	SAZ	
0233	05211	03205363	STA*	L276	RESET TEST LOCATION TO NOP
0234	05212	01002507	LAA	AAAA	
0235	05213	03002777	STA	TES1	TES1 IS THE TEST LOCATION
0236	05214	01002501	LAA	T2	T2 EQ 077777
0237	05215	12002773	SPB	TEST	GO TO TEST
0238	05216	00000025	SOP		
0239	05217	00000033	NOP		

0240	05220	15002503	CMA	T4	T4 EQ 100000
0241	05221	11005223	BRU	**2	
0242	05222	11005224	BRU	**2	
0243	05223	00000000	HLT		A HAS INCORRECT DATA SHOULD BE 100000
0244	05224	00000000	****		SMA TEST
0245	05224	00000000	*		INSTRUCTION LOCATED IN LAST CELL OF THE MAP
0246	05224	12005353	SPB	BUPD	
0247	05225	01004012	LAA	FRA	
0248	05226	03002776	STA	TES1-1	SHIFT THRU ALL BITS
0249	05227	01002511	LAA	SMAA	
0250	05230	03002777	STA	TES1	TEST LOCATION
0251	05231	14005332	IMS	CNT	COUNTER INCREMENT
0252	05232	01004503	LAA	T4D	T4D EQ 100000
0253	05233	00000000	*		FRA WILL SET ALL BITS TO N
0254	05233	00000000	*		FRA WILL SET ALL BITS TO ONES PRIOR TO
0255	05233	00000000	*		SUBTRACT INDIRECT
0256	05233	12002773	SPB	TEST	TEST SUBROUTINE
0257	05234	02005333	LBA	STBT	
0258	05235	15002501	CMA	T2	
0259	05236	11005240	BRU	**2	
0260	05237	11005241	BRU	**2	DATA EQ
0261	05240	00000000	HLT		A EQ TO INCORRECT DATA
0262	05241	01005331	LAA	SAZ	
0263	05242	03002776	STA	TES1-1	
0264	05243	00000000	****		IMS TEST
0265	05243	12005353	SPB	BUPD	
0266	05244	01004500	LAA	T1D	
0267	05245	03002505	STA	T6	T6 EQ 177777
0268	05246	00000003	CLA		
0269	05247	03005505	STA	TF	ZERO IN TF
0270	05250	00000000	*		INCREMENT B COUNTER
0271	05250	03205365	STA*	L300	HLT WILL OCCUR IF MEMORY NOT ZERO
0272	05251	01002506	LAA	IMS	
0273	05252	03205364	STA*	L277	
0274	05253	14005332	IMS	CNT	COUNTER
0275	05254	01005006	LAA	BRUA	BRU* SET TO 2ND LOCATION OF MAP
0276	05255	03205366	STA*	L301	
0277	05256	12002773	SPB	TEST	TEST SUBROUTINE
0278	05257	01002505	LAA	T6	
0279	05260	00000023	SAN		

0280	05261	11005270	BRU	BPR	
0281	05262	01002505	LAA	T6	
0282	05263	00000000	HLT		
0283	05264	01002505	LAA	T6	
0284	05265	02003505	LBA	TF	
0285	05266	00000033	NOP		
0286	05267	02005333	LBA	STBT	
0287	05270	00000003	BPR	CLA	
0288	05271	03002505	STA	T6	RESET TEST LOCATION TO ZERO
0289	05272	03003505	STA	TF	RESET
0290	05273	00000000	*		A CONTAINS SAME MAP LOCATION WHICH SHOULD BE
0291	05273	00000000	*		ZERO ORIGINAL DATA WAS 177777
0292	05273	00000000	*		CHECK FOR VALUE
0293	05273	00000000	*		
0294	05273	00000000	*****		SPB TEST ROUTINE
0295	05273	01004013	LAA	LSL	LSL IS TO LOCATION X776
0296	05274	03205363	STA	L276	NEXT TO LAST LOCATION OF THE MAP
0297	05275	01002513	LAA	SPB	
0298	05276	03205364	STA	L277	SET SPB INSTRUCTION TO TEST LOCATION
0299	05277	01005334	LAA	HLT	
0300	05300	03205366	STA	L301	SET HALT TO
0301	05301	12005353	SPB	BUPD	INCREMENT COUNTER FOR ERROR DISPLAY
0302	05302	01003006	LAA	BRU	
0303	05303	03205365	STA	L300	RETURN BRU OUT OF TEST PROGRAM
0304	05304	01002500	LAA	T1	T1 EQ TO 000001
0305	05305	12002773	SPB	TEST	
0306	05306	00000022	SAZ		
0307	05307	00000000	HLT		CHECK B ACCUMULATOR FOR ERROR NUMBER
0308	05310	00000000	*		IF SPB FUNCTIONED PROPERLY A SHOULD BE CLEAR
0309	05310	00000000	*		
0310	05310	00000003	CLA		
0311	05311	03002470	STA	THMP	CLEAR SUBROUTINE ENTRANCE LOCATION
0312	05312	03003470	STA	NTHP	CLEAR SUBROUTINE ENTRANCE LOCATION
0313	05313	12005335	BK1A	SPB	STBS
0314	05314	00000000	*****		SOF TEST
0315	05314	12005353	SPB	BUPD	INCREMENT B COUNT
0316	05315	12005335	SPB	STBS	
0317	05316	01004014	LAA	SOF	OVERFLOW CHECK OVERFLOW WILL BE SET
0318	05317	03205363	STA	L276	2776 CONTAINS SOF INSTRUCTION
0319	05320	00000003	CLA		

0320	05321	03205364	STA*	L277	SET TEST LOCATION 2777 TO HALT
0321	05322	01003006	LAA	BRUA	
0322	05323	03205365	STA*	L300	
0323	05324	14005332	IMS	CNT	INCREMENT COUNTER
0324	05325	01002502	LAA	T3	T3 EQ 000001
0325	05326	05002502	ANA	T3	NO OVERFLOW
0326	05327	12002773	SPB	TEST	
0327	05330	11005000	BRU	TAR	
0328	05331	00000033	SAZ	NBP	
0329	05332	00000000	CNT	DATA 0	
0330	05333	00000000	STBT	DATA 0	TEMP STORAGE FOR ERROR COUNTER
0331	05334	00000000	HLT	HLT	
0332	05335	00000000	STBS	ZZZ **	
0333	05336	04005333	STB	STBT	
0334	05337	02077773	STRT	LBA =-5	
0335	05340	01005331	LAA	SAZ	
0336	05341	03605372	STA*	L304+1.1	SET TEST LOCATIONS TO NBP
0337	05342	00000026	IBS		
0338	05343	11005340	BRU	=-3	
0339	05344	02077774	LBA	=-4	
0340	05345	01005331	LAA	SAZ	
0341	05346	03605365	STA*	L300+1	SET TEST LOCATIONS TO NBP
0342	05347	00000026	IBS		
0343	05350	11005345	BRU	=-3	
0344	05351	02005333	LBA	STBT	
0345	05352	11205335	BRU*	STBS	
0346	05353	00000000	BUPD	ZZZ **	COUNTER UPDATE SUBROUTINE
0347	05354	00000000	*		
0348	05354	02005333	LBA	STBT	
0349	05355	00000026	IBS		INCREMENT ERROR COUNTER
0350	05356	00000033	NBP		
0351	05357	04005333	STB	STBT	SAVE NEW ERROR NUMBER
0352	05360	11205353	BRU*	BUPD	
0353	05361	00000000	*		
0354	05361	25402774	L274	DAC	'2774
0355	05362	25402775	L275	DAC	'2775
0356	05363	25402776	L276	DAC	'2776
0357	05364	25402777	L277	DAC	'2777
0358	05365	25403000	L300	DAC	'3000
0359	05366	25403001	L301	DAC	'3001

0360	05367	25403002	L302	DAC	'3002
0361	05370	25403003	L303	DAC	'3003
0362	05371	25403004	L304	DAC	'3004
0363	05372	25403005	L305	DAC	'3005
0364	05373	60400000		END	

#31002B  
PAPER TAPE REPRODUCER

SEL PROGRAM LIBRARY

PROGRAM DESCRIPTION

Page 1 of 4

Catalog No. 310002B

IDENTIFICATION: Paper Tape Reproducer/Verifier  
AUTHOR: S. R. Brandt, SEL  
ACCEPTED: 3 March 1967  
PURPOSE: To reliably reproduce paper tape of any size, within a minimum amount of core storage.

COMPUTER CONFIGURATION: Any 810A computer; High Speed Paper Tape optional.

SUBROUTINES REQUIRED: None

STORAGE: 1465<sub>10</sub>

TIMING: N/A

- USE:
1. Load with Relocatable Loader
  2. Options

SNS 0 - Input Option

a. OFF - read from ASR-33

~~b. ON - read from High Speed Paper Tape~~

SNS 1 - Output Option

a. OFF - punch on ASR-33

~~b. ON - punch on H.S.P.T.~~

Above two switches may be used in any combination.

SNS 2 - ON to read source tape through continuously (no stopping) to obtain accurate verification counts.

A REGISTER - clear it and press start to re-verify a tape that did not verify correctly the first time.

**Relocatable Loader**

Prog. Counter 16060

A-Accum '2000 B-Accum 0

After Load Start At '2000

Prog. Cntr.

**Relocatable Loader**

Prog. Counter 16060

A-Accum '2000 B-Accum 0

After Load Start At '2000

Prog. Cntr.

*Note!*  
When using the upper 16K load/dumps program the relocatable loader, program counter 36060 should be utilized to load the program rather than the 16060

3. It is a requirement of this program that the input or source tape contain a stop code at the very end. This stop code consists of three (3) consecutive "colon" characters (full ASCII code 272). This stop code is reproduced into the new tape.

4. Operating Procedure:

- a. Load the Tape Copy/Verify Program with relocatable loader.
- b. Set Sense Switches 0 and 1 as desired.
- c. Set Sense Switch 2 ON to read the original tape through to obtain verification counts.
- d. Ready the original tape on the appropriate device.
- e. Press START; tape will read through continuously until the Stop Code is encountered.
- f. Reset Sense Switch 2 to OFF.
- g. Ready the original tape again.
- h. Press START and new tape will be punched out; when punching is completed, the program compares verification counts taken when reading the original tape in continuously against the same counts taken when alternately reading and punching 1000 frame segments. This verifies, effectively, the original tape. If the counts agree, the message "READY TO VERIFY" will type out. If the counts disagree the message "INPUT TAPE DOES NOT VERIFY" types out. If this occurs, throw away the newly punched tape and return to step e. Otherwise, continue.
- i. Ready the newly punched tape on the reader and press START. The tape will read through continuously until the Stop Code is encountered and counts will be taken. If these counts agree with the counts taken from the original tape, the message "NO ERR" types out.
- j. If tape does not verify, a message as to the kind of error will type out, i.e., FR ERR for frame error or T1 ERR, T2 ERR etc. up to T8 ERR for from one to eight longitudinal track errors, or A1 ERR, A2 ERR etc. up to A8 ERR, or B1 ERR, B2 ERR, etc. up to B8 ERR for from one to sixteen possible diagonal or bias count errors.

A frame error occurs when the frame count has been reached and the character just read in was



not the Stop Code. The other errors occur when any one of twenty-four different counts taken on the source tape disagrees with its corresponding count taken on the new tape during verification.

- k. If the tape did not verify correctly and it is desired to re-verify the tape, clear the A-register to all zeros and return to step f.
- l. To make another copy of the same original, return to step g.
- m. To copy a different tape return to step c.

#### METHOD:

The source tape is first read in continuously with no stopping, until the stop code is reached. High Speed Tape Reader errors most commonly occur when the read operation is completed and the tape motion must come to an abrupt halt. If the tape does not stop quickly enough a frame can slip by the read station. Therefore, the tape is read through continuously to avoid this type of error and obtain accurate verification counts. These counts are taken as follows: as each character is read, one is added to an input frame count. Then, the eight character bits are added into eight longitudinal track counts, bit one in track count one, bit two in track count two, etc. The eight character bits are also added into eight arbitrarily defined "A-Bias" counts and eight "B-Bias" counts, so that altogether the eight character bits are added into twenty-four separate counts, any given track bit adding into three different counts. (The A and B Bias counts are explained subsequently.) When the stop code has been read in and counted, this phase is completed.

The source tape is then read back in, a thousand characters at a time; as each character is read, it is shifted to the left and stored in a thousand word buffer. When the buffer is filled, it is then punched out. As each character is punched, one is added to a frame count and eight character bits are counted the same as above. When the Stop Code has been punched out, the two frame counts and the two sets of twenty-four counts are compared and appropriate messages issued.

Once the output tape has been completed, it is verified by reading it back in and keeping a frame count plus another twenty-four counts, the same as above. Then,

when the Stop Code has been reached, the frame counts are compared and, if not equal, a frame error message is issued. This will catch the adding or dropping of all-zero frames. If this check is passed, each of the original twenty-four counts is compared against its corresponding verify count. Each unequal comparison is noted via the typewriter.

The A and B Bias counts are kept as follows: each A-Bias count has all eight track bits added to it every eight frames, one different track bit per frame and the pattern repeating again on every ninth frame. For example, A-Bias counter A1 has successively added to it track bits 8, 7, 6, 5, 4, 3, 2, 1, 8, 7, 6, ... etc. on down the tape. Counter A2 begins with track bit 7, counter A3 with track bit 6, etc. to counter A8 beginning with track bit 1. The B-Bias counters are kept the same, except that the progression of track bit order is reversed, i.e., counter B1 has successively added to it track bits 1, 2, 3, 4, 5, 6, 7, 8, 1, 2, 3, ... etc. By this method, any given bit on the tape is added into three different counts; which three particular counts out of the twenty-four depends upon the frame count. The purpose of these bias counts is to catch the dropping and adding of punches within the same track, which just the track counts alone would not detect.

```

0001 00000 00000000 REL
0002 00000 00000000 *
0003 00000 00000000 *      810-A TAPE COPY/VERIFY PROGRAM
0004 00000 00000000 *      * * * AUTHØR- S.R. BRANDT * * *
0005 00000 00000000 *
-----
0006 00000 01100713 STRT LAA AIP1 * PICK UP INSTRUC- AIP 1,W
0007 00001 00130400 SNS 0 * INPUT ØPTION SWITCH
0008 00002 11100006 BRU *+4
0009 00003 00130101 CEU 1,W * SELECT ASR-33 READER MØDE
0010 00004 00004000 DATA '4000
0011 00005 11100011 BRU *+4
-----
0012 00006 00130102 CEU 2,W * ENABLE HSPT READER
0013 00007 00001000 DATA '1000
0014 00010 00000001 AMA =1 * CHANGE TØ AIP 2,W
0015 00011 00100002 STA AIP * STØRE IN READ SUBRTNE.
0016 00012 01100714 LAA AØP1 * PICK UP INSTRUC- AØP 1,W
0017 00013 00130401 SNS 1 * ØUTPUT ØPTION SWITCH
-----
0018 00014 11100016 BRU *+2
0019 00015 11100021 BRU *+4
0020 00016 00130102 CEU 2,W * TURN ØN HSPT PUNCH
0021 00017 00004000 DATA '4000
0022 00020 00000001 AMA =1 * CHANGE TØ AØP 2,W
0023 00021 00100005 STA AØP * STØRE IN PUNCH SUBRTNE.
-----
0024 00022 00130402 SNS 2
0025 00023 11100025 BRU *+2
0026 00024 11100133 BRU STR2
0027 00025 02077746 LBA =-26
0028 00026 00000003 CLA
0029 00027 00000063 STA RF+26,1 * RESET MASTER VERIFIC. CØUNTS
-----
0030 00030 00000026 IBS
0031 00031 11100027 BRU *-2
0032 00032 01077770 LAA =-8
0033 00033 00100710 STA HLØ1
0034 00034 00100711 STA HLØ2
0035 00035 12100001 SPB READ
-----
0036 00036 00000022 SAZ
0037 00037 11100042 BRU *+3
0038 00040 11100035 BRU *-3

```

0039	00041	12100501	STRI	SPB	READ	
0040	00042	03001016		LSL	8	
0041	00043	14100531		IMS	RF	* INCRMNT INPUT FRAME CNT
0042	00044	11100046		BRU	*+2	
0043	00045	14100532		IMS	RF+1	
0044	00046	03100712		STA	TEMP	
0045	00047	02077770		LBA	=-8	
0046	00050	00000024	ØUT6	SAP		
0047	00051	14500543		IMS	RT1+8,1	* ADD INTØ 8 LONGITUDINAL TRACK CØUNTS
0048	00052	00000033		NØP		* FØR ØVFLØ
0049	00053	00000116		LSL	1	
0050	00054	00000026		IBS		
0051	00055	11100050		BRU	ØUT6	
0052	00056	01077770		LAA	=-8	
0053	00057	03100664		STA	LØØP	
0054	00060	01100712		LAA	TEMP	
0055	00061	02100710		LBA	HLD1	
0056	00062	00000024	ØT1A	SAP		
0057	00063	14500553		IMS	RA1+8,1	* ADD TØ A-BIAS CNTS
0058	00064	00000033		NØP		* FØR ØVFLØ
0059	00065	00000116		LSL	1	
0060	00066	14100664		IMS	LØØP	
0061	00067	11100071		BRU	*+2	
0062	00070	11100075		BRU	ØT2A	
0063	00071	00000026		IBS		
0064	00072	11100062		BRU	ØT1A	
0065	00073	02077770		LBA	=-8	
0066	00074	11100062		BRU	ØT1A	
0067	00075	04100710	ØT2A	STB	HLD1	
0068	00076	01077770		LAA	=-8	
0069	00077	03100664		STA	LØØP	
0070	00100	02100711		LBA	HLD2	
0071	00101	00000026		IBS		
0072	00102	11100104		BRU	*+2	
0073	00103	02077770		LBA	=-8	
0074	00104	04100711		STB	HLD2	
0075	00105	01100712		LAA	TEMP	
0076	00106	00000024	ØT1B	SAP		
0077	00107	14500563		IMS	RØB+8,1	* ADD TØ B-BIAS CNTS

0078	00110	00000033	NOP		* FØR ØVFLØ
0079	00111	00000116	LSL	1	
0080	00112	14100664	IMS	LØØP	
0081	00113	11100115	BRU	*+2	
0082	00114	11100121	BRU	*+5	
0083	00115	00000026	IBS		
0084	00116	11100106	BRU	ØT1B	
0085	00117	02077770	LBA	=-8	
0086	00120	11100106	BRU	ØT1B	
0087	00121	01100712	LAA	TEMP	
0088	00122	15100663	CMA	STØP	* CHK FØR CØLØN CHARAC.
0089	00123	11100125	BRU	*+2	
0090	00124	11100130	BRU	*+4	
0091	00125	01077775	LAA	=-3	
0092	00126	03100616	STA	SCNT	
0093	00127	11100041	BRU	STR1	
0094	00130	14100616	IMS	SCNT	
0095	00131	11100041	BRU	STR1	
0096	00132	00000000	HLT		
0097	00133	02077745	STR2 LBA	=-27	
0098	00134	00000003	CLA		
0099	00135	03500616	STA	VF+27,1	
0100	00136	00000026	IBS		
0101	00137	11100135	BRU	*-2	
0102	00140	01100707	LAA	ØR1	
0103	00141	03100212	STA	ØUT3	
0104	00142	01077770	LAA	=-8	
0105	00143	03100710	STA	HØ1	
0106	00144	03100711	STA	HØ2	
0107	00145	00000003	CLA		
0108	00146	02077160	LBA	=-400	
0109	00147	12100504	SPB	PNCH	* RUN ØUT LEADER
0110	00150	00000026	IBS		
0111	00151	11100147	BRU	*-2	
0112	00152	12100501	SPB	READ	* READ LEADER
0113	00153	00000022	SAZ		
0114	00154	11100156	BRU	*+2	
0115	00155	11100152	BRU	*-3	
0116	00156	02076030	LBA	=-1000	

0117	00157	11100164	BRU	INP2	
0118	00160	00000026	INP4	IBS	
0119	00161	11100163	BRU	INP1	
0120	00162	11100201	BRU	OUT1	
0121	00163	12100501	INP1	SPB	READ
0122	00164	00001016	INP2	LSL	8
0123	00165	03502665	STA	BUF+1000,1	
0124	00166	15100663	CMA	STOP	* CHK FOR COLON CHARAC.
0125	00167	11100171	BRU	++2	
0126	00170	11100174	BRU	++4	
0127	00171	01077775	LAA	=-3	
0128	00172	03100616	STA	SCNT	
0129	00173	11100160	BRU	INP4	
0130	00174	14100616	IMS	SCNT	* CHK FOR 3 CONSECUTIVE COLON CHARACS.
0131	00175	11100160	BRU	INP4	
0132	00176	01102670	LAA	NOB	* SNS 3 ON- FIX TO END COPYING
0133	00177	03100212	STA	OUT3	
0134	00200	04100705	STB	TMP1	* CONTROLS INCOMPLETE BUFFER WHEN PUNCHING
0135	00201	01076030	OUT1	LAA	=-1000
0136	00202	03102667	STA	IR1	
0137	00203	02102667	OUT2	LBA	IR1
0138	00204	01502665	LAA	BUF+1000,1	* FETCH NEXT CHARACTER
0139	00205	12100504	SPB	PNCH	* PUNCH A FRAME
0140	00206	14100563	IMS	VF	
0141	00207	11100211	BRU	++2	
0142	00210	14100564	IMS	VF+1	
0143	00211	12100422	SPB	VFCT	
0144	00212	11100220	OUT3	BRU	OUT4
0145	00213	01102667	LAA	IR1	* SEE IF DONE PROCESSING INCOMPLETE BUFFER
0146	00214	06100705	SMA	TMP1	
0147	00215	00000022	SAZ		
0148	00216	11100220	BRU	++2	
0149	00217	11100224	BRU	OUT5	
0150	00220	14102667	OUT4	IMS	IR1
0151	00221	11100203	BRU	OUT2	
0152	00222	02076030	LBA	=-1000	* BUFFER EXHAUSTED
0153	00223	11100163	BRU	INP1	
0154	00224	02077470	OUT5	LBA	=-200
0155	00225	00000003	CLA		

0156	00226	12100504	SPB	PUNCH	* TRAILER
0157	00227	00000026	IBS		
0158	00230	11100226	BRU	*-2	
0159	00231	01100563	LAA	VF	
0160	00232	15100531	CMA	RF	* VERIFY INPUT TAPE
0161	00233	11100242	BRU	ERR1	
0162	00234	11100236	BRU	*+2	
0163	00235	11100242	BRU	ERR1	
0164	00236	01100564	LAA	VF+1	
0165	00237	15100532	CMA	RF+1	
0166	00240	11100242	BRU	*+2	
0167	00241	11100254	BRU	CHK1	
0168	00242	12100523	ERR1 SPB	CRLF	
0169	00243	02077763	LBA	=-13	
0170	00244	01500661	LAA	MSG2+13,1	
0171	00245	00170101	AOP	1,W	
0172	00246	00001016	LSL	8	
0173	00247	00170101	AOP	1,W	
0174	00250	00000026	IBS		
0175	00251	11100244	BRU	*-5	
0176	00252	12100523	SPB	CRLF	
0177	00253	11100351	BRU	HALT-1	
0178	00254	12100365	CHK1 SPB	CHK	
0179	00255	01100615	LAA	ECNT	
0180	00256	00000022	SAZ		
0181	00257	11100242	BRU	ERR1	
0182	00260	00130401	SNS	1	
0183	00261	11100263	BRU	*+2	
0184	00262	11100275	BRU	PAWS	
0185	00263	12100523	SPB	CRLF	
0186	00264	02077770	LBA	=-8	
0187	00265	01500644	LAA	HMSG+8,1	
0188	00266	00170101	AOP	1,W	* MESSAGE- "READY TO VERIFY"
0189	00267	00001016	LSL	8	
0190	00270	00170101	AOP	1,W	
0191	00271	00000026	IBS		
0192	00272	11100265	BRU	*-5	
0193	00273	00130102	CEJ	2,W	
0194	00274	00002000	DATA	'2000	

0195	00275	00000000	PAWS	HLT		
0196	00276	00000000	*			
0197	00276	00000000	*	VERIFICATION	SEGMENT	
0198	00276	00000000	*			
0199	00276	00000003		CLA		
0200	00277	0207745	AGAN	LBA	=-27	* RESET ONLY VERIFY COUNTS
0201	00300	03500616		STA	VF+27,1	
0202	00301	00000026		IBS		
0203	00302	11100300		BRU	*-2	
0204	00303	0107770	VRFY	LAA	=-8	
0205	00304	03100710		STA	HLD1	
0206	00305	03100711		STA	HLD2	
0207	00306	12100501		SPB	READ	* READ LEADER
0208	00307	00000022		SAZ		
0209	00310	11100313		BRU	*+3	
0210	00311	11100306		BRU	*-3	
0211	00312	12100501	NXT	SPB	READ	
0212	00313	00001016	VR1	LSL	8	
0213	00314	14100563		IMS	VF	
0214	00315	11100317		BRU	*+2	
0215	00316	14100564		IMS	VF+1	
0216	00317	12100422		SPB	VFCT	
0217	00320	01100712		LAA	TEMP	
0218	00321	15100663		CMA	STOP	
0219	00322	11100324		BRU	*+2	
0220	00323	11100327		BRU	*+4	
0221	00324	01077775		LAA	=-3	
0222	00325	03100616		STA	SCNT	
0223	00326	11100312		BRU	NXT	
0224	00327	14100616		IMS	SCNT	
0225	00330	11100312		BRU	NXT	
0226	00331	01100632		LAA	ERRK	
0227	00332	03100630		STA	MHLD+1	* STORE CNSTANT- ERR - IV MSSGE HOLD
0228	00333	01100633		LAA	ERRK+1	
0229	00334	03100631		STA	MHLD+2	
0230	00335	01100563		LAA	VF	
0231	00336	15100531		CMA	RF	
0232	00337	11100346		BRU	ERR2	
0233	00340	11100342		BRU	*+2	



0234	00341	11100346		BRU	ERR2	
0235	00342	01100564		LAA	VF+1	
0236	00343	15100532		CMA	RF+1	
0237	00344	11100346		BRU	*+2	
0238	00345	11100356		BRU	FCOK	
0239	00346	01100661	ERR2	LAA	FR	
0240	00347	03100627		STA	MHLD	
0241	00350	12100507		SPB	MSG	
0242	00351	01100277		LAA	AGAN	* MAKE A-REG NON-ZERO
0243	00352	00000000	HALT	HLT		
0244	00353	00000022		SAZ		* RE-VERIFY OPTION
0245	00354	11100000		BRU	STRT	
0246	00355	11100277		BRU	AGAN	
0247	00356	12100365	FCOK	SPB	CHK	
0248	00357	01100615		LAA	ECVT	
0249	00350	00000022		SAZ		* TEST ERROR FLAG
0250	00361	11100352		BRU	HALT	
0251	00362	01100662		LAA	NØ	
0252	00363	03100627		STA	MHLD	
0253	00364	11100350		BRU	HALT-2	
0254	00365	25400000	CHK	DAC	**	
0255	00366	0207770	ØK1	LBA	=-8	* CHK LONGITUDINAL TRACK CNTS
0256	00367	01500543		LAA	RT1+8,1	
0257	00370	15500575		CMA	VT1+8,1	
0258	00371	11100373		BRU	*+2	
0259	00372	11100377		BRU	CHKA	
0260	00373	01500627		LAA	MT1+8,1	
0261	00374	03100627		STA	MHLD	
0262	00375	12100507		SPB	MSG	
0263	00376	14100615		IMS	ECVT	
0264	00377	01500553	CHKA	LAA	RA1+8,1	* CHK A-BIAS CNTS
0265	00400	15500605		CMA	VA1+8,1	
0266	00401	11100403		BRU	*+2	
0267	00402	11100407		BRU	CHKB	
0268	00403	01500675		LAA	MA1+8,1	
0269	00404	03100627		STA	MHLD	
0270	00405	12100507		SPB	MSG	
0271	00406	14100615		IMS	ECVT	
0272	00407	01500563	CHKB	LAA	RB8+8,1	* CHECK B-BIAS CNTS

0273	00410	15500615		CMA	VB8+8,1	
0274	00411	11100413		BRU	*+2	
0275	00412	11100417		BRU	ØK2	
0276	00413	01500705		LAA	MB1+8,1	
0277	00414	03100627		STA	MHLD	
0278	00415	12100507		SPB	MSG	
0279	00416	14100615		IMS	ECNT	
0280	00417	00000026	ØK2	IBS		
0281	00420	11100367		BRU	ØK1+1	
0282	00421	11300365		BRU*	CHK	
0283	00422	25400000	VFCT	DAC	**	
0284	00423	03100712		STA	TEMP	
0285	00424	04102666		STB	SAVB	
0286	00425	02077770	CØNT	LBA	=-8	* ADD TO LONGITUDINAL TRACK CNTS
0287	00426	01100712		LAA	TEMP	
0288	00427	00000024	VR2	SAP		
0289	00430	14500575		IMS	VT1+8,1	
0290	00431	00000033		NØP		
0291	00432	00000116		LSL	1	
0292	00433	00000026		IBS		
0293	00434	11100427		BRU	VR2	
0294	00435	01077770		LAA	=-8	* ADD TO A-BIAS CNTS
0295	00436	03100664		STA	LØØP	
0296	00437	01100712		LAA	TEMP	
0297	00440	02100710		LBA	HLD1	
0298	00441	00000024	VR3	SAP		
0299	00442	14500605		IMS	VA1+8,1	
0300	00443	00000033		NØP		* FOR ØVFLØ
0301	00444	00000116		LSL	1	
0302	00445	14100664		IMS	LØØP	
0303	00446	11100450		BRU	*+2	
0304	00447	11100454		BRU	VAD2	
0305	00450	00000026		IBS		
0306	00451	11100441		BRU	VR3	
0307	00452	02077770		LBA	=-8	
0308	00453	11100441		BRU	VR3	
0309	00454	04100710	VAD2	STB	HLD1	
0310	00455	01077770		LAA	=-8	* ADD TO B-BIAS CNTS
0311	00456	03100664		STA	LØØP	

0312	00457	02100711	LBA	HLD2		
0313	00460	00000026	IBS			
0314	00461	11100463	BRU	#+2		
0315	00462	02077770	LBA	=-3		
0316	00463	04100711	STB	HLD2		
0317	00464	01100712	LAA	TEMP		
0318	00465	00000024	VR4	SAP		
0319	00466	14000615	IMS	VBB+3,1		
0320	00467	00000033	NØP			* FØR ØVFLØ
0321	00470	00000116	LSL	1		
0322	00471	14100604	IMS	LØØP		
0323	00472	11100475	BRU	#+3		
0324	00473	02102666	LBA	SAVB		
0325	00474	11300422	BRU*	VFCT		
0326	00475	00000026	IBS			
0327	00476	11100465	BRU	VR4		
0328	00477	02077770	LBA	=-8		
0329	00000	11100465	BRU	VR4		
0330	00001	25400000	READ	DAC	**	
0331	00002	00170302	AIP	AIP	2,N	* INPUT A CHAR
0332	00003	11300001	BRU*	READ		* EXIT
0333	00004	25400000	PNCH	DAC	**	
0334	00005	00170102	AØP	AØP	2,N	* ØUTPUT A CHAR
0335	00006	11300004	BRU*	PNCH		* EXIT
0336	00007	25400000	MSG	DAC	**	
0337	00010	04102666	STB	SAVB		
0338	00011	12100023	SPB	CRLF		
0339	00012	02077775	LBA	=-3		
0340	00013	01000632	MSG1	LAA	MHLD+3,1	
0341	00014	00170101	AØP	1,N		
0342	00015	00001016	LSL	8		
0343	00016	00170101	AØP	1,N		
0344	00017	00000026	IBS			
0345	00020	11100013	BRU	MSG1		
0346	00021	02102666	LBA	SAVB		
0347	00022	11300007	BRU*	MSG		* EXIT
0348	00023	25400000	CRLF	DAC	**	
0349	00024	00170001	MØP	1,N		
0350	00025	00106400	DATA	'106400		

0351	00526	00170501	MOP	1,4		
0352	00527	00105000	DATA	'105000		
0353	00530	11300523	BRU#	CRLF		
0354	00531	00000002	RF	BSS	2	
0355	00533	00000010	RT1	BSS	8	* 8 INPUT LONGITUDINAL TRACK CNTS
0356	00543	00000010	RA1	BSS	8	* INPUT A-BIAS CNTS
0357	00553	00000001	RB8	BSS	1	* INPUT B-BIAS CNTS
0358	00554	00000001	RB7	BSS	1	*
0359	00555	00000001	RB6	BSS	1	
0360	00556	00000001	RB5	BSS	1	
0361	00557	00000001	RB4	BSS	1	
0362	00560	00000001	RB3	BSS	1	
0363	00561	00000001	RB2	BSS	1	
0364	00562	00000001	RB1	BSS	1	
0365	00563	00000002	VF	BSS	2	
0366	00565	00000010	VT1	BSS	8	* 8 VERIFY LONGITUDINAL TRACK CNTS
0367	00575	00000010	VA1	BSS	8	* VERIFY A-BIAS CNTS
0368	00605	00000001	VB8	BSS	1	* VERIFY B-BIAS CNTS
0369	00606	00000001	VB7	BSS	1	
0370	00607	00000001	VB6	BSS	1	
0371	00610	00000001	VB5	BSS	1	
0372	00611	00000001	VB4	BSS	1	
0373	00612	00000001	VB3	BSS	1	
0374	00613	00000001	VB2	BSS	1	
0375	00614	00000001	VB1	BSS	1	
0376	00615	00000000	ECNT	DATA	0	
0377	00616	00000001	SCNT	BSS	1	
0378	00617	00152270	MT1	DATA	'T8T7T6T5T4T3T2T1''	
0378	00620	00152267				
0378	00621	00152266				
0378	00622	00152265				
0378	00623	00152264				
0378	00624	00152263				
0378	00625	00152262				
0378	00626	00152261				
0379	00627	00000003	MHLU	BSS	3	
0380	00632	00120305	ERRK	DATA	'ERR''	
0380	00633	00151322				
0381	00634	00151305	HMSG	DATA	'READY TO VERIFY''	

0381	00635	00140704	
0381	00636	00154640	
0381	00637	00152317	
0381	00640	00120326	
0381	00641	00142722	
0381	00642	00144706	
0381	00643	00154640	
0382	00644	00144716	MSG2 DATA ''INPUT TAPE DOES NOT VERIFY''
0382	00645	00150325	
0382	00646	00152240	
0382	00647	00152301	
0382	00650	00150305	
0382	00651	00120304	
0382	00652	00147705	
0382	00653	00151640	
0382	00654	00147317	
0382	00655	00152240	
0382	00656	00153305	
0382	00657	00151311	
0382	00660	00143331	
0383	00661	00143322	FR DATA ''FR''
0384	00662	00147317	NØ DATA ''NØ''
0385	00663	00135000	STØP DATA '135000
0386	00664	00000000	LØØP DATA 0
0387	00665	00140661	MA1 DATA ''A1A2A3A4A5A6A7A8''
0387	00666	00140662	
0387	00667	00140663	
0387	00670	00140664	
0387	00671	00140665	
0387	00672	00140666	
0387	00673	00140667	
0387	00674	00140670	
0388	00675	00141270	MB1 DATA ''B8B7B6B5B4B3B2B1''
0388	00676	00141267	
0388	00677	00141266	
0388	00700	00141265	
0388	00701	00141264	
0388	00702	00141263	
0388	00703	00141262	

0388	00704	00141261			
0389	00705	00000000	TMP1	DATA	0
0390	00706	00000000	TMP2	DATA	0
0391	00707	11100220	BR1	BRU	0JT4
0392	00710	00177770	HLD1	DATA	-8
0393	00711	00177770	HLD2	DATA	-8
0394	00712	00000000	TEMP	DATA	0
0395	00713	00170301	AIP1	AIP	1,W
0396	00714	00170101	A0P1	A0P	1,W
0397	00715	00001751	BUF	BSS	1001
0398	02666	00000001	SAVB	BSS	1
0399	02667	00000000	IR1	DATA	0
0400	02670	00000033	N0P	N0P	
0401	02671	70400000	END	STRT	

AGAN	0200	0242	0246						
AIP	0331	0015							
AIP1	0395	0006							
AOP	0334	0023							
AOP1	0396	0016							
BR1	0391	0102							
BUF	0397	0123	0138						
CHKA	0264	0259							
CHKB	0272	0267							
CHK	0254	0178	0247	0282					
CHK1	0178	0167							
CNT	0286								
CRLF	0348	0168	0176	0185	0338	0353			
ECNT	0376	0179	0248	0263	0271	0279			
ERRK	0380	0226	0228						
ERR1	0168	0161	0163	0181					
ERR2	0239	0232	0234						
FCOK	0247	0238							
FR	0383	0239							
HALT	0243	0177	0250	0253					
HLD1	0392	0033	0055	0067	0105	0297	0309		
HED2	0393	0034	0070	0074	0106	0206	0312	0316	
HMSG	0381	0187							
INP1	0121	0119	0153						
INP2	0122	0117							
INP4	0118	0129	0131						
IR1	0399	0136	0137	0145	0150				
L0OP	0386	0053	0050	0069	0080	0295	0302	0311	0322
MA1	0387	0268							
MB1	0388	0276							
MHLD	0379	0227	0229	0240	0252	0261	0269	0277	0340
MSG	0336	0241	0252	0270	0278	0347			
MSG1	0340	0345							
MSG2	0382	0170							
MT1	0378	0260							
N0P	0400	0132							
N0	0384	0251							
NXT	0211	0223	0225						









SYSTEMS ENGINEERING LABORATORIES PROGRAM LIBRARY  
SOFTWARE DESCRIPTION

CATALOG NO. 393007B

DATE: 30 March 1972

PROGRAM TITLE: 810A/B Variable Base Register Checkout Program

PURPOSE: To provide a test of the operation of the variable base register with the following instructions: LAA, STA, LBA, STB, AMA, AMB, SMA, CMA, IMS, and Store VBR.

CONFIGURATION: SYSTEMS 810A/B With Variable Base Register

SOFTWARE ENVIRONMENT: Stand-Alone

PROGRAM LANGUAGE: 810A/B Assembly Language

SIZE: 630<sub>8</sub>

- REASON FOR CHANGE:
- (1) To provide a correctly printed error message;
  - (2) To remove an extraneous branch that occasionally caused program failure.

- USE:
- (1) Load the program into memory using the Standard Load/Dump Package (Catalog Number 300001)
  - (2) Enter the starting location of the program ('02005) into the program counter.
  - (3) Depress START on the console.
  - (4) The program will output "VBR TEST" to the teletypewriter.
  - (5) Set the console switches which will determine whether a typeout or tight loop is needed when an error is detected.
  - (6) Depress Start on the console.

METHOD:

CONSOLE SWITCH SETTINGS

Switch Zero

SET - The program will not output any messages when an error is detected.

RESET - When an error is detected, the program will output the instruction in error and the current bit status of the Variable Base Register.

Switch Two

SET - The program will continue to cycle in the test which generated the error. To eliminate the typeout of errors, sense switch zero should be set. Otherwise, the program will output the error message for the unsuccessful test.

RESET - If an error is detected, the program will not remain in a tight loop executing the instructions which generated the error.

SYSTEMS 393007B

Switch Three

SET - The program will print the number of successful cycles which were completed by the program.

RESET - Upon the completion of a successful cycle, the program will output to the teletype the following message:

SUCCESSFUL CYCLES XXX

where XXX equals the octal number of complete error free cycles.

USAGE:

The program is designed to perform all tests listed below into each map up to the maximum memory map.

Test One

Indirect Test

The program will verify that the indirect instruction will not be modified by the contents of the VBR. The starting and ending test locations are '2073-'2117.

Test Two

Load A-Accumulator

Zero will be stored into location zero modified by the value in the index register. The data in the index register should be equal to the value of the VBR. The program will store '10101 into location zero modified by the index register. The program will then perform a load A-Accumulator from the location specified by the bits in the variable base register appended to the least significant 9 bits of the program counter. The data value of the A-Accumulator should be '010101. The starting and ending locations of the test are '2120-'2136.

Test Three

Store A-Accumulator

The program will store '010101 into the location specified by the contents of the VBR plus the least significant 9 bits of the program counter. The program will then add the contents of the previously stored memory location to the A-Accumulator using the same VBR data in the index register. The contents of the A-Accumulator should equal '020202. The starting and ending locations of the program are '2137-'2155.

Test Four

Load B-Accumulator

The program will perform a Load B-Accumulator from the location specified by the bits in the variable base register appended to the least significant 9 bits of the program counter. The program will then add '010101 to the A-Accumulator. The value in the A-Accumulator should equal '020202. The starting and ending locations of the test are '2156-'2172.

Test Five

Store B-Accumulator

The program will perform a Store B-Accumulator into the location specified by the bits in the variable base register. The constant will then be loaded into the A-Accumulator and the data from the stored location will be added to the accumulator. The value of the A-Accumulator should equal '020202. The starting location of the test is '2173-'2210.

Test Six

Add Memory to A-Accumulator

The data value of '010101 will be stored in location zero modified by the contents of the index register. The index register data and the VBR data should be equal. The program will then add memory to the A-Accumulator using location zero modified by the contents of the VBR. The data value of A should be '020202. The starting and ending locations of the test are '2211-'2227.

Test SevenAdd Memory to B-Accumulator

The data value of '010101 will be stored in location zero modified by the contents of the index register. The data in the index register and the VBR should be equal. The B-Accumulator will then be set to '010101. The program will then add memory to the B-Accumulator using location zero modified by the contents of the VBR. The data in the B-Accumulator should equal '020202. The starting and ending locations of the test are '2230-'2250.

Test EightSubtract Memory From A-Accumulator

The data value of '010101 will be stored in location zero modified by the contents of the index register. The data in the index register and the VBR should be equal. The A-Accumulator will then be set to '020202.

The program will Subtract Memory from the A-Accumulator using location zero modified by the contents of the VBR. The data in the A-Accumulator should equal '010101. The starting and ending locations of the test are '2251-'2270.

Test NineCompare Memory To A-Accumulator

The data value of '010101 will be stored in location zero modified by the contents of the index register. The data in the index register and the VBR should be equal. The program will then compare memory to the A-Accumulator. The memory location specified in the CMA will be zero modified by the contents of the VBR. The data in the A-Accumulator should equal '010101. The starting and ending locations of the program are '2271-'2306.

Test TenIncrement Memory and Skip Test

The data value of '010101 will be stored in location zero modified by the contents of the index register. The data in the index register and the VBR should be equal. The data previously stored will be incremented by one using the VBR as a modifier. The contents of the A-Accumulator will be added by one and a comparison made to the data using location zero modified by the contents of the B register. The starting and ending location of the test are '2307-'2326.

## SYSTEMS 393007B

### Test Eleven

#### Transfer Variable Base Register To B-Accumulator

The variable base register will be transferred to the B-Accumulator and a comparison will be made to the temporary core storage location or the VBR. The starting and ending locations of the test are '2327-'2341.

### VBR Console Display

The VBR register may be displayed during the execution of any test to visually verify that the VBR contents are equal to the B register, as follows:

- HALT the computer.
- Place the PROGRAM HALT switch in the raised position.
- Set a program stop via control switches to '2124.
- Raise the program counter ENTER switch.
- Depress START on the console.

For each program cycle, the contents of the VBR and the index register will be incremented by one. To continuously cycle the program, place the program HALT switch in the center position.



**Error Detection**

The following messages will be output to the teletypewriter when an error condition is detected. Error output is applicable to all tests:

```
IND ERROR VBR BIT XXXXXX  
LAA ERROR VBR BIT XXXXXX  
STA ERROR VBR BIT XXXXXX  
LBA ERROR VBR BIT XXXXXX  
STB ERROR VBR BIT XXXXXX  
AMA ERROR VBR BIT XXXXXX  
AMB ERROR VBR BIT XXXXXX  
SMA ERROR VBR BIT XXXXXX  
CMA ERROR VBR BIT XXXXXX  
IMS ERROR VBR BIT XXXXXX  
TXB ERROR VER BIT XXXXXX
```

XXXXXX will represent the expected contents of the variable base register. The program may be placed into a tight loop by setting console switch 2. The contents of the VBR may be visually observed by raising the program counter ENTER switch.

00001

VARIABLE BASE REGISTER CHECKOUT PROGRAM 03/30/72 CATALOG = 393007B  
\* VARIABLE BASE REGISTER CHECKOUT PROGRAM CATALOG = 393007B

```

00003          *      SEL
00004 00000 00000000 VAR1 ZZZ **
00005 00001 00000000 VAR2 ZZZ **
00006 00002 35500003 INDT DAC* INDC
00007 00003 35400001 INDC DAC VAR2
00008 02005 70002005 ØRG '2005
00009 02005 12102613 SPB CRØ
00010 02006 12102535 SPB DPHD
00011 02007 35402444 DAC LØ1
00012 02010 00000004 DATA 4
00013 02011 02102425 LBA BIT2
00014 02012 01102426 SRCH LAA NEG1
00015 02013 03400000 STA 0,1
00016 02014 01400000 LAA 0,1
00017 02015 00000022 SAZ
00018 02016 11102020 BRU **2
00019 02017 11102024 BRU **5
00020 02020 16102425 AMB BIT2
00021 02021 00000004 TBA
00022 02022 00000023 SAN
00023 02023 11102012 BRU SRCH
00024 02024 16102427 AMB NMAP
00025 02025 04102342 STB MAX
00026 02026 01102421 LAA CØN3
00027 02027 03102473 STA CYCT
00028 02030 01102423 XYØ LAA N1K
00029 02031 03102461 STA LØ3
00030 02032 00000003 CLA
00031 02033 03102434 STA ERFL
00032 02034 02102424 ØUT LBA STRT
00033 02035 00000042 TRAN TBV
00034 02036 04102440 STB SAVB
00035 02037 12102072 SPB TEST
00036 02040 02102440 LBA SAVB
00037 02041 16102343 AMB ØNYA
00038 02042 04102440 STB SAVB
00039 02043 01102342 LAA MAX
00040 02044 15102440 CMA SAVB
00041 02045 11102051 BRU ØKK
00042 02046 00000033 NØP
00043 02047 02102440 LBA SAVB
00044 02050 11102035 BRU TRAN
00045 02051 01102434 ØKK LAA ERFL
00046 02052 00000022 SAZ
00047 02053 11102032 BRU ØUT-2
00048 02054 14102461 IMS LØ3
00049 02055 11102032 BRU XYØ+2
00050 02056 00130403 SNS 3
00051 02057 11102061 BRU **2
00052 02060 11102067 BRU **7
00053 02061 12102613 SPB CRØ
00054 02062 12102535 SPB DPHD
00055 02063 35402450 DAC LØ2
00056 02064 00000011 DATA 9
    
```

BEGIN VBR TEST

ØUT PUT TEST NAME

CLEAR ERROR FLAG

LOAD B WITH STARTING MODIFIER  
 TBV, TRANSFER MODIFIER TO VBR  
 SAVE MODIFIER  
 GO TO TEST ROUTINE

INCREMENT TEMP STORAGE OF VBR  
 MAX COUNT FOR VBR  
 COMPARE TO PRESENT VBR CONTENTS

ERROR FLAG CHECK

ØUTPUT SUCCESSFUL CYCLES

00057	02065	12102563	SPB	CYØT	OUTPUT CYCLE CØUNT
00058	02066	35402473	DAC	CYCT	IN ØCTAL
00059	02067	14102473	IMS	CYCT	
00060	02070	00000033	NØP		*B
00061	02071	11102030	BRU	XYØ	
00062	02072	00000000	TEST	ZZZ	**
00063			*****	IND	
00064	02073	02102440	INDV	LBA	SAVB
00065	02074	01102430	LAA	INDX-2	
00066	02075	05102440	AMA	SAVB	
00067	02076	03400002	STA	2,1	
00068	02077	01102431	LAA	INDX-1	
00069	02100	05102440	AMA	SAVB	
00070	02101	03400003	STA	3,1	
00071	02102	01102417	LAA	CØN1	
00072	02103	03400001	STA	1,1	
00073	02104	00000003	CLA		
00074	02105	00000005	TAB		
00075	02106	01600002	LAA*	2,1	
00076	02107	15102417	CMA	CØN1	
00077	02110	11102113	BRU	**3	
00078	02111	11102120	BRU	LAÄV	GØ TØ LØAD A TEST
00079	02112	11102113	BRU	**1	
00080	02113	01102474	LAA	IND	
00081	02114	03102462	STA	LØ4	
00082	02115	12102344	SPB	ERR	
00083	02116	00130402	SNS	2	IS SENSE 2 SET IF TIGHT LØØP IS NEEDED RESET SS1
00084	02117	11102073	BRU	INDV	YES REPEAT TEST
00085			*****	LAA	
00086	02120	00000003	LAÄV	CLA	LØAD A TEST
00087	02121	03400000	STA	0,1	
00088	02122	02102440	LBA	SAVB	
00089	02123	01102417	LAA	CØN1	
00090	02124	03400000	STA	0,1	
00091	02125	01100000	LAA	VAR1	LØAD A FRØM VARIABLE
00092	02126	15102417	CMA	CØN1	
00093	02127	11102132	BRU	**3	ERRØR
00094	02130	11102137	BRU	STÄV	STØRE A TEST
00095	02131	11102132	BRU	**1	ERRØR
00096	02132	01102477	LAA	LAA	
00097	02133	03102462	STA	LØ4	
00098	02134	12102344	SPB	ERR	
00099	02135	00130402	SNS	2	SENSE TWØ SET
00100	02136	11102120	BRU	LAÄV	REPEAT LØAD A TEST RESET ØNE FØR TIGHT LØØP
00101			*****	STÄ	
00102	02137	02102440	STÄV	LBA	SAVB
00103	02140	00000003	CLA		
00104	02141	03400000	STA	0,1	
00105	02142	01102417	LAA	CØN1	LØAD A FRØM FIRST CØNSTÄNT LØCÄTIØN
00106	02143	03100000	STA	VAR1	STØRE A IN VARIABLE LØCÄTIØN
00107	02144	05400000	AMA	0,1	
00108	02145	15102420	CMA	CØN2	CØMPÄRE TØ SECONÐ CØNSTÄNT LØCÄTIØN
00109	02146	11102151	BRU	**3	ERRØR
00110	02147	11102156	BRU	LBAV	CHECK LBA INSTRUCTIØN
00111	02150	11102151	BRU	**1	ERRØR

00112	02151	01102502	LAA	STA	
00113	02152	03102462	STA	L04	
00114	02153	12102344	SPB	ERR	
00115	02154	00130402	SNS	2	SENSE TWO SET
00116	02155	11102137	BRU	STAV	YES REPEAT STORE A TEST RESET ONE FOR TIGHT LOOP
00117			*****	LBA	
00118	02156	02100000	LBAV	LBA	VARIABLE LOCATION
00119	02157	00000004	TBA		
00120	02160	02102440	LBA	SAVB	
00121	02161	05400000	AMA	0,1	
00122	02162	15102420	CMA	C0N2	
00123	02163	11102166	BRU	**3	ERROR
00124	02164	11102173	BRU	STBV	G0 TO STORE B TEST
00125	02165	11102166	BRU	**1	ERROR
00126	02166	01102505	LAA	LBA	
00127	02167	03102462	STA	L04	
00128	02170	12102344	SPB	ERR	
00129	02171	00130402	SNS	2	
00130	02172	11102156	BRU	LBAV	REPEAT TEST RESET SENSE ONE FOR TIGHT LOOP
00131			*****	STB	
00132	02173	02102417	STBV	LBA	C0N1
00133	02174	04100000	STB	VAR1	STORE B TEST
00134	02175	02102440	LBA	SAVB	
00135	02176	01102417	LAA	C0N1	
00136	02177	05400000	AMA	0,1	
00137	02200	15102420	CMA	C0N2	COMPARE VARIABLE TO CONSTANT
00138	02201	11102204	BRU	**3	ERROR
00139	02202	11102211	BRU	AMAV	ADD MEMORY TO A TEST
00140	02203	11102204	BRU	**1	ERROR
00141	02204	01102510	LAA	STB	
00142	02205	03102462	STA	L04	
00143	02206	12102344	SPB	ERR	
00144	02207	00130402	SNS	2	SENSE TWO SET
00145	02210	11102173	BRU	STBV	REPEAT STORE B TEST RESET ONE FOR TIGHT LOOP
00146			*****	AMA	
00147	02211	00000003	AMAV	CLA	ADD MEMORY TO A TEST
00148	02212	03100000	STA	VAR1	
00149	02213	02102440	LBA	SAVB	
00150	02214	01102417	LAA	C0N1	
00151	02215	03400000	STA	0,1	
00152	02216	05100000	AMA	VAR1	D0 A VARIABLE ADD TO A
00153	02217	15102420	CMA	C0N2	
00154	02220	11102223	BRU	**3	ERROR
00155	02221	11102230	BRU	AMBV	G0 TO NEXT TEST ADD MEMORY TO B
00156	02222	11102223	BRU	**1	ERROR
00157	02223	01102513	LAA	AMA	
00158	02224	03102462	STA	L04	
00159	02225	12102344	SPB	ERR	
00160	02226	00130402	SNS	2	IS SENSE TWO SET
00161	02227	11102211	BRU	AMAV	REPEAT TEST
00162			*****	AMB	
00163	02230	00000003	AMBV	CLA	ADD MEMORY TO B TEST
00164	02231	03100000	STA	VAR1	
00165	02232	02102440	LBA	SAVB	
00166	02233	01102417	LAA	C0N1	

00167	02234	03400000	STA	0,1	
00168	02235	02102417	LBA	C0N1	
00169	02236	16100000	AMB	VAR1	D0 A VARIABLE ADD TO B
00170	02237	00000004	TBA		
00171	02240	15102420	CMA	C0N2	
00172	02241	11102244	BRU	++3	ERROR
00173	02242	11102251	BRU	SMAV	G0 TO SUBTRACT MEMORY FROM A TEST
00174	02243	11102244	BRU	++1	ERROR
00175	02244	01102516	LAA	AMB	
00176	02245	03102462	STA	L04	
00177	02246	12102344	SPB	ERR	
00178	02247	00130402	SNS	2	SENSE TWO SET
00179	02250	11102230	BRU	AMBV	REPEAT ADD MEMORY TO A RESET ONE FOR TIGHT LOOP
00180			***** SMA		
00181	02251	00000003	SMAV	CLA	SUBTRACT MEMORY FROM A
00182	02252	03100000	STA	VAR1	
00183	02253	02102440	LBA	SAVB	
00184	02254	01102417	LAA	C0N1	
00185	02255	03400000	STA	0,1	
00186	02256	01102420	LAA	C0N2	
00187	02257	06100000	SMA	VAR1	SUBTRACT MEMORY
00188	02260	15102417	CMA	C0N1	COMPARE TO CONSTANT
00189	02261	11102264	BRU	++3	ERROR
00190	02262	11102271	BRU	CMAY	G0 TO COMPARE MEMORY TO A TEST
00191	02263	11102264	BRU	++1	ERROR
00192	02264	01102521	LAA	SMA	
00193	02265	03102462	STA	L04	
00194	02266	12102344	SPB	ERR	
00195	02267	00130402	SNS	2	
00196	02270	11102251	BRU	SMAV	
00197			***** CMA		
00198	02271	00000003	CMAY	CLA	COMPARE MEMORY TO A TEST
00199	02272	03100000	STA	VAR1	
00200	02273	02102440	LBA	SAVB	
00201	02274	01102417	LAA	C0N1	
00202	02275	03400000	STA	0,1	
00203	02276	15100000	CMA	VAR1	
00204	02277	11102302	BRU	++3	ERROR
00205	02300	11102307	BRU	IMSV	
00206	02301	11102302	BRU	++1	ERROR
00207	02302	01102524	LAA	CMA	
00208	02303	03102462	STA	L04	
00209	02304	12102344	SPB	ERR	
00210	02305	00130402	SNS	2	SENSE TWO SET
00211	02306	11102271	BRU	CMAY	REPEAT COMPARE MEMORY TO A TEST RESET FOR LOOP
00212			***** IMS		
00213	02307	01102417	IMSV	LAA	C0N1
00214	02310	02102440	LBA	SAVB	
00215	02311	03400000	STA	0,1	
00216	02312	14100000	IMS	VAR1	
00217	02313	00000033	N0P		
00218	02314	01102417	LAA	C0N1	
00219	02315	05102421	AMA	C0N3	ADD ONE TO A
00220	02316	15400000	CMA	0,1	COMPARE VARIABLE TO A
00221	02317	11102322	BRU	++3	ERROR

00222	02320	11102327	BRU	TVBV	
00223	02321	11102322	BRU	**1	ERRØR
00224	02322	01102527	LAA	IMS	
00225	02323	03102462	STA	LØ4	
00226	02324	12102344	SPB	ERR	
00227	02325	00130402	SNS	2	
00228	02326	11102307	BRU	IMSV	IF SET USE TIGHT LOOP RESET SENSE ØNE
00229			*****	TVB	
00230	02327	00000043	TVBV	TVB	TRANSFER V TØ B
00231	02330	00000004		TBA	
00232	02331	15102440	CHA	SAVB	
00233	02332	11102334	BRU	**2	
00234	02333	11102341	BRU	BRØØ	
00235	02334	01102532	LAA	TVB	
00236	02335	03102462	STA	LØ4	
00237	02336	12102344	SPB	ERR	
00238	02337	00130402	SNS	2	
00239	02340	11102327	BRU	TVBV	
00240	02341	11302072	BRØØ	BRU* TEST	
00241	02342	00000000	MAX	DATA 0	
00242	02343	00001000	ØNTA	DATA '001000	
00243	02344	00000000	ERR	ZZZ **	ERRØR SUBROUTINE SET ERRØR FLAG
00244	02345	14102434	IMS	ERFL	
00245	02346	00000033		NØP	
00246	02347	00130400	SNS	0	SENSE SWITCH ZERØ SET NØ ERRØR TYPEØUT
00247	02350	11302344	BRU*	ERR	
00248	02351	12102613	SPB	CRØ	
00249	02352	12102374	SPB	INME	
00250	02353	35502462	DAC*	LØ4	
00251	02354	00000002		DATA 2	
00252	02355	12102535	SPB	DPHD	ØUTPUT ERRØR VBR BIT
00253	02356	35402463	DAC	LØ5	
00254	02357	00000007		DATA 7	
00255	02360	02102440	LBA	SAVB	LØAD VBR STATUS NEGATIVE BIT CØUNT
00256	02361	01102433	LAA	NBCT	
00257	02362	03102443	STA	NBC	
00258	02363	00000113	FLL	1	
00259	02364	00000003	BITØ	CLA	
00260	02365	00000113	FLL	1	
00261	02366	05102422	AMA	ASC	CØNVERT TØ ASCII SHIFT FØR ØUTPUT ØUTPUT TØ TTY
00262	02367	00001016	LSL	8	
00263	02370	00170101	AØP	1,W	
00264	02371	14102443	IMS	NBC	
00265	02372	11102364	BRU	BITØ	
00266	02373	11302344	BRU*	ERR	
00267	02374	00000000	INME	ZZZ **	RØUTINE TØ DUMP INSTRUCTION MESSAGE
00268	02375	03102436	STA	INSA	
00269	02376	04102437	STB	INSB	
00270	02377	01302374	LAA*	INME	
00271	02400	03102435	STA	STMS	
00272	02401	14102374	IMS	INME	
00273	02402	01302374	LAA*	INME	
00274	02403	00000002	NEG		
00275	02404	00000005	TAB		
00276	02405	14102374	IMS	INME	

\*B

VARIABLE BASE REGISTER CHECKOUT PROGRAM 03/30/72 CATALOG = 393007B

```

00277 02406 01302435 LAA* STMS
00278 02407 12102623 SPB TC0
00279 02410 00000026 IBS
00280 02411 11102415 BRU **4
00281 02412 01102436 LAA INSA
00282 02413 02102437 LBA INSB
00283 02414 11302374 BRU* INME
00284 02415 14102462 IMS L04
00285 02416 11102406 BRU **8
00286 02417 00010101 C0N1 DATA '10101
00287 02420 00020202 C0N2 DATA '20202
00288 02421 00000001 C0N3 DATA '1
00289 02422 00000260 ASC DATA '260
00290 02423 00176030 N1K DATA '176030
00291 02424 00000000 STRT DATA '0
00292 02425 00020000 BIT2 DATA '020000
00293 02426 00177777 NEG1 DATA '177777
00294 02427 00177000 NMAP DATA '177000
00295 02430 00040003 DATA '040003
00296 02431 00000001 CNT DATA '1
00297 02432 00177774 INDX DATA '177774 -4
00298 02433 00177772 NBCT DATA '177772 -6
00299 02434 00000000 ERFL ZZZ **
00300 02435 00000000 STMS ZZZ **
00301 02436 00000000 INSA ZZZ **
00302 02437 00000000 INSB ZZZ **
00303 02440 00000000 SAVB ZZZ **
00304 02441 00000000 SVB ZZZ **
00305 02442 00000000 INSV ZZZ **
00306 02443 00000000 NBC ZZZ **
00307 02444 00153302 L01 DATA 'VBR TEST''
00307 02445 00151240
00307 02446 00152305
00307 02447 00151724
00308 02450 00151725 L02 DATA 'SUCCESSFUL CYCLES''
00308 02451 00141703
00308 02452 00142723
00308 02453 00151706
00308 02454 00152714
00308 02455 00120303
00308 02456 00154703
00308 02457 00146305
00308 02460 00151640
00309 02461 00000000 L03 ZZZ **
00310 02462 00000000 L04 ZZZ **
00311 02463 00142722 L05 DATA 'ERROR VBR BIT ''
00311 02464 00151317
00311 02465 00151240
00311 02466 00153302
00311 02467 00151240
00311 02470 00141311
00311 02471 00152240
00311 02472 00120240
00312 02473 00000000 CYCT DATA '0
00313 02474 35402475 IND DAC INDD

```



```

00314 02475 00144716 INDD DATA ''IND ''
00314 02476 00142240
00315 02477 35402500 LAA DAC LAAD
00316 02500 00146301 LAAD DATA ''LAA ''
00316 02501 00140640
00317 02502 35402503 STA DAC STAD
00318 02503 00151724 STAD DATA ''STA ''
00318 02504 00140640
00319 02505 35402506 LBA DAC LBAD
00320 02506 00146302 LBAD DATA ''LBA ''
00320 02507 00140640
00321 02510 35402511 STB DAC STBD
00322 02511 00151724 STRD DATA ''STR ''
00322 02512 00141240
00323 02513 35402514 AMA DAC AMAD
00324 02514 00140715 AMAD DATA ''AMA ''
00324 02515 00140640
00325 02516 35402517 AMB DAC AMBD
00326 02517 00140715 AMBD DATA ''AMB ''
00326 02520 00141240
00327 02521 35402522 SMA DAC SMAD
00328 02522 00151715 SMAD DATA ''SMA ''
00328 02523 00140640
00329 02524 35402525 CMA DAC CMAD
00330 02525 00141715 CMAD DATA ''CMA ''
00330 02526 00140640
00331 02527 35402530 IMS DAC IMSD
00332 02530 00144715 IMSD DATA ''IMS ''
00332 02531 00151640
00333 02532 35402533 TVB DAC TVBD
00334 02533 00152326 TVBD DATA ''TVB ''
00334 02534 00141240
00335
00336 02535 00000000 DPHD ZZZ **
00337 02536 03102560 STA DPSA
00338 02537 04102561 STB DSVB
00339 02540 02302535 LBA* DPHD
00340 02541 04102562 STB L0C6
00341 02542 14102535 IMS DPHD
00342 02543 01302535 LAA* DPHD
00343 02544 00000002 NEG
00344 02545 03102557 STA DNCT
00345 02546 14102535 IMS DPHD
00346 02547 01302562 LAA* L0C6
00347 02550 12102623 SPB TC0
00348 02551 14102562 IMS L0C6
00349 02552 14102557 IMS DNCT
00350 02553 11102547 BRU *-4
00351 02554 01102560 LAA DPSA
00352 02555 02102561 LBA DSVB
00353 02556 11302535 BRU* DPHD
00354 02557 00000000 DNCT ZZZ **
00355 02560 00000000 DPSA ZZZ **
00356 02561 00000000 DSVB ZZZ **
00357 02562 00000000 L0C6 ZZZ **
    
```

DUMP HEADING

PICK UP CALLING SEQUENCE

SET UP NEGATIVE WORD COUNT

OUTPUT TWO CHARACTERS

RETURN

VARIABLE BASE REGISTER CHECKOUT PROGRAM 03/30/72 CATALOG = 3930078

```

00358
00359
00360 02563 00000000 CYØT ZZZ ** TYPE NUMBER ØF CYCLES [3 ØCTAL DIGITS
00361 02564 03102611 STA CSVA SAVE ACCUMULATØRS
00362 02565 04102612 STB CSVB
00363 02566 02302563 LBA* CYØT PICK UP CALLING SEQUENCE
00364 02567 04102610 STB CADD
00365 02570 02302610 LBA* CADD
00366 02571 14102563 IMS CYØT
00367 02572 00000713 FLL 7
00368 02573 00000003 CLA
00369 02574 00000313 FLL 3
00370 02575 00000516 LSL 5
00371 02576 00000313 FLL 3
00372 02577 05102607 AMA C10
00373 02600 12102623 SPB TCØ OUTPUT FIRST TWO CHARACTERS
00374 02601 00001313 FLL 11
00375 02602 05102607 AMA C10
00376 02603 00170101 AØP 1,W
00377 02604 01102611 LAA CSVA
00378 02605 02102612 LBA CSVB
00379 02606 11302563 BRU* CYØT
00380 02607 00130260 C10 DATA '130260
00381 02610 00000000 CADD ZZZ **
00382 02611 00000000 CSVA ZZZ **
00383 02612 00000000 CSVB ZZZ **
00384
00385
00386 02613 00000000 CRØ ZZZ ** CARRIAGE RETURN AND LINE FEED
00387 02614 03102621 STA CRSA SAVE A ACCUMULATØR
00388 02615 01102622 LAA C20
00389 02616 12102623 SPB TCØ OUTPUT TWO CHARACTERS
00390 02617 01102621 LAA CRSA RESTØRE A ACC
00391 02620 11302613 BRU* CRØ RETURN
00392 02621 00000000 CRSA ZZZ **
00393 02622 00106612 C20 DATA '106612
00394
00395
00396 02623 00000000 TCØ ZZZ ** TWO CHARACTERS ØUT
00397 02624 00170101 AØP 1,W
00398 02625 00001016 LSL 8
00399 02626 00170101 AØP 1,W
00400 02627 11302623 BRU* TCØ RETURN
00401 02630 70400000 END

```



...SYMBOLICS...

AMA	157	*	323																		
AMAD	323	*	324																		
AMAV	139	*	147			161															
AMB	175	*	325																		
AMBD	325	*	326																		
AMBV	155	*	163			179															
ASC	261	*	289																		
BIT2	13		20	*	292																
BIT0	* 259		265																		
BRU0	234	*	240																		
C10	372		375	*	380																
C20	388	*	393																		
CADD	364		365	*	381																
CMA	207	*	329																		
CMAD	329	*	330																		
CMAV	190	*	198		211																
CNT	* 296																				
C0N1	71		76		89		92		105		132		135		150		166				
	168		184		188		201		213		218	*	286								
C0N2	108		122		137		153		171		186	*	287								
C0N3	26		219	*	288																
CR0	9		53		248	*	386		391												
CRSA	387		390	*	392																
CSVA	361		377	*	382																
CSVB	362		378	*	383																
CYCT	27		58		59	*	312														
CY0T	57	*	360		363		366		379												
DNCT	344		349	*	354																
DPHD	10		54		252	*	336		339		341		342		345		353				
DPSA	337		351	*	355																
DSVB	338		352	*	356																
ERFL	31		45		244	*	299														
ERR	82		98		114		128		143		159		177		194		209				
	226		237	*	243		247		266												
IMS	224	*	331																		
IMSD	331	*	332																		
IMSV	205	*	213		228																
IND	80	*	313																		
INDC	6	*	7																		
INDD	313	*	314																		
INDT	* 6																				
INDV	* 64		84																		
INDX	65		68	*	297																
INME	249	*	267		270		272		273		276		283								
INSA	268		281	*	301																
INSB	269		282	*	302																
INSV	* 305																				
LAA	96	*	315																		
LAAD	315	*	316																		
LAAV	78	*	86		100																
LBA	126	*	319																		
LBAD	319	*	320																		
LBAV	110	*	118		130																
L01	11	*	307																		
L02	55	*	308																		
L03	29		48	*	309																
L04	81		97		113		127		142		158		176		193		208				

...EXTERNALS...

	225	236	250	284	* 310					
L05	253	* 311								
L006	340	346	348	* 357						
MAX	25	39	* 241							
N1K	28	* 290								
NBC	257	264	* 306							
NBCT	256	* 298								
NEG1	14	* 293								
NMAP	24	* 294								
ØKK	41	* 45								
ØNTA	37	* 242								
PUT	* 32	47								
SAVB	34	36	38	40	43	64	66	69	88	
	102	120	134	149	165	183	200	214	232	
	255	* 303								
SMA	192	* 327								
SMAD	327	* 328								
SMAV	173	* 181	196							
SRCH	* 14	23								
STA	112	* 317								
STAD	317	* 318								
STAV	94	* 102	116							
STB	141	* 321								
STBD	321	* 322								
STBV	124	* 132	145							
STMS	271	277	* 300							
STRT	32	* 291								
SVB	* 304									
TCØ	278	347	373	389	* 396	400				
TEST	35	* 62	240							
TRAN	* 33	44								
TVB	233	* 333								
TVBD	333	* 334								
TVBV	222	* 230	239							
VAR1	* 4	91	106	118	133	148	152	164	169	
	182	187	199	203	216					
VAR2	* 5	7								
W	263	376	397	399						
XYØ	* 28	49	61							