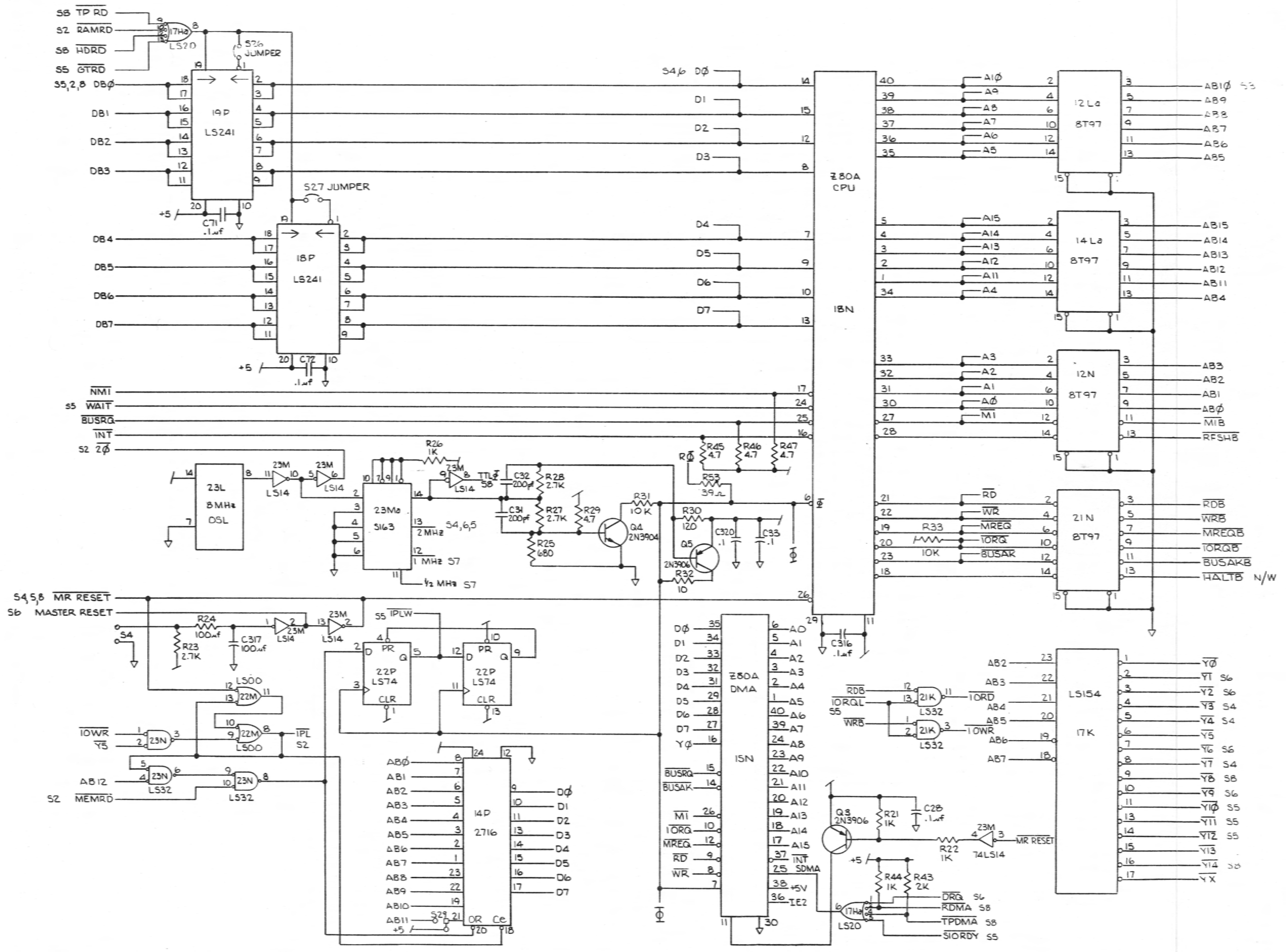


Matrix Position	Purpose
12A/B	Operating System Selection Jumper Block
13 1/2A	High Speed Serial Connector
17A	SIO IC Console #4, Printer #2
15C/D	RS232 Connector to Rear Panel
16 1/2C/D	High Speed Networking Jumper Block
17C	SIO IC Consoles #2 and #3
20A	FDC IC 1797
20C	FDC PIO IC
17E	SIO IC Console #1, Printer #1
25C/D	FDC Connector
20E	PIP IC Memory Bank Select
24E/F	Power Connector
21F	SI System Configuration Block
20H	PIO IC Parallel Printer
25J/K	Parallel Printer Port
15H	MTU Connector
20J	AMD 9511 FPP
20L	CTC IC
17J	Address Decoder IC
17K	CTC IC
18N	Z80
15J	HDC Connector
15N	DMA IC
14P	EPROM IC
8H	16K Ram Common Bank

Figure 2-1. 8500 CPU PCB Matrix Map

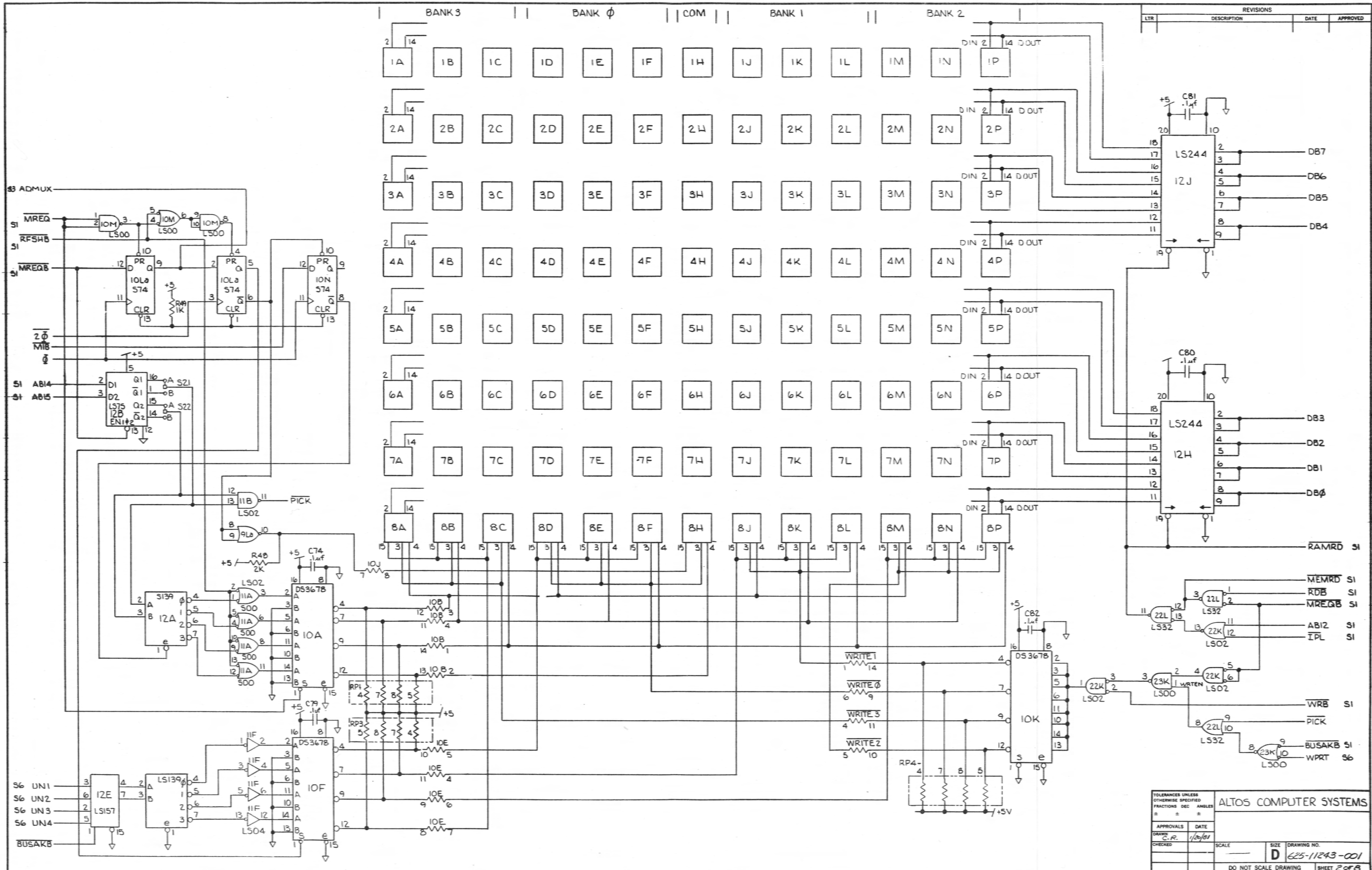
REVISIONS			
LTR	DESCRIPTION	DATE	APPROVED
A	PROMPTER		
B	REVISED BD.		
C	REVISED BD. 1ST RUN	1/13/81	E.G.
D	REVISED BD. 2ND RUN	2/11/81	C.N.
E	ADD # 0007	4/9/81	C.N.
F	ADD # 0008	4/9/81	E.G.



- SPARE GATES
- 23N LS32 2SP
  - 21K LS32 2SP
  - 10N 574 1SP
  - 12B LS75 2SP
  - 12A S139 1SP
  - 10M LS00 1SP
  - 22L LS32 1SP
  - 22K LS02 1SP
  - 23K LS00 2SP
  - 16L LS04 3SP
  - 15L LS32 1SP
  - 16L LS02 1SP
  - 14L LS08 1SP
  - 13C LS74 1SP
  - 21H LS02 3SP
  - 22C LS32 3SP

NOTE: S INDICATES SHEET NUMBER

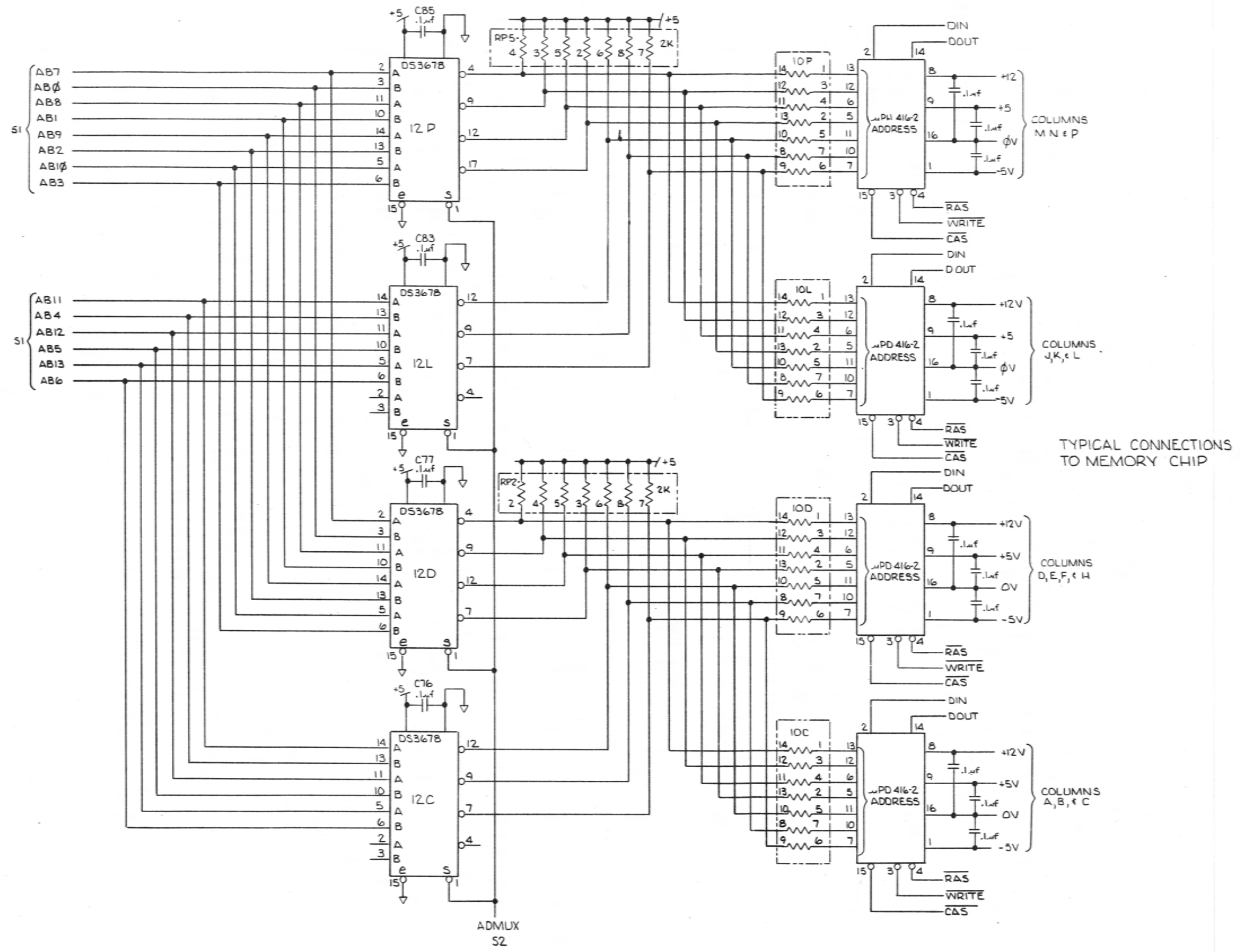
TOLERANCES UNLESS OTHERWISE SPECIFIED			
FRACTIONS	DEC	ANGLES	
±	±	±	±
APPROVALS	DATE	ALTOS COMPUTER SYSTEMS	
DRAWN	1/25/81	SCHEMATIC CPU P.C. BD.	
CHECKED		SCALE	SIZE D
			DRAWING NO. 605-11243-001
			DO NOT SCALE DRAWING SHEET 1 OF 3



REVISIONS			
LTR	DESCRIPTION	DATE	APPROVED

TOLERANCES UNLESS OTHERWISE SPECIFIED			
FRACTIONS	DEC	ANGLES	
=	=	=	
APPROVALS	DATE	SCALE	SIZE
DRAWN C.R.	1/20/81		D
CHECKED			
DRAWING NO.			625-11243-001
DO NOT SCALE DRAWING			SHEET 2 OF 8

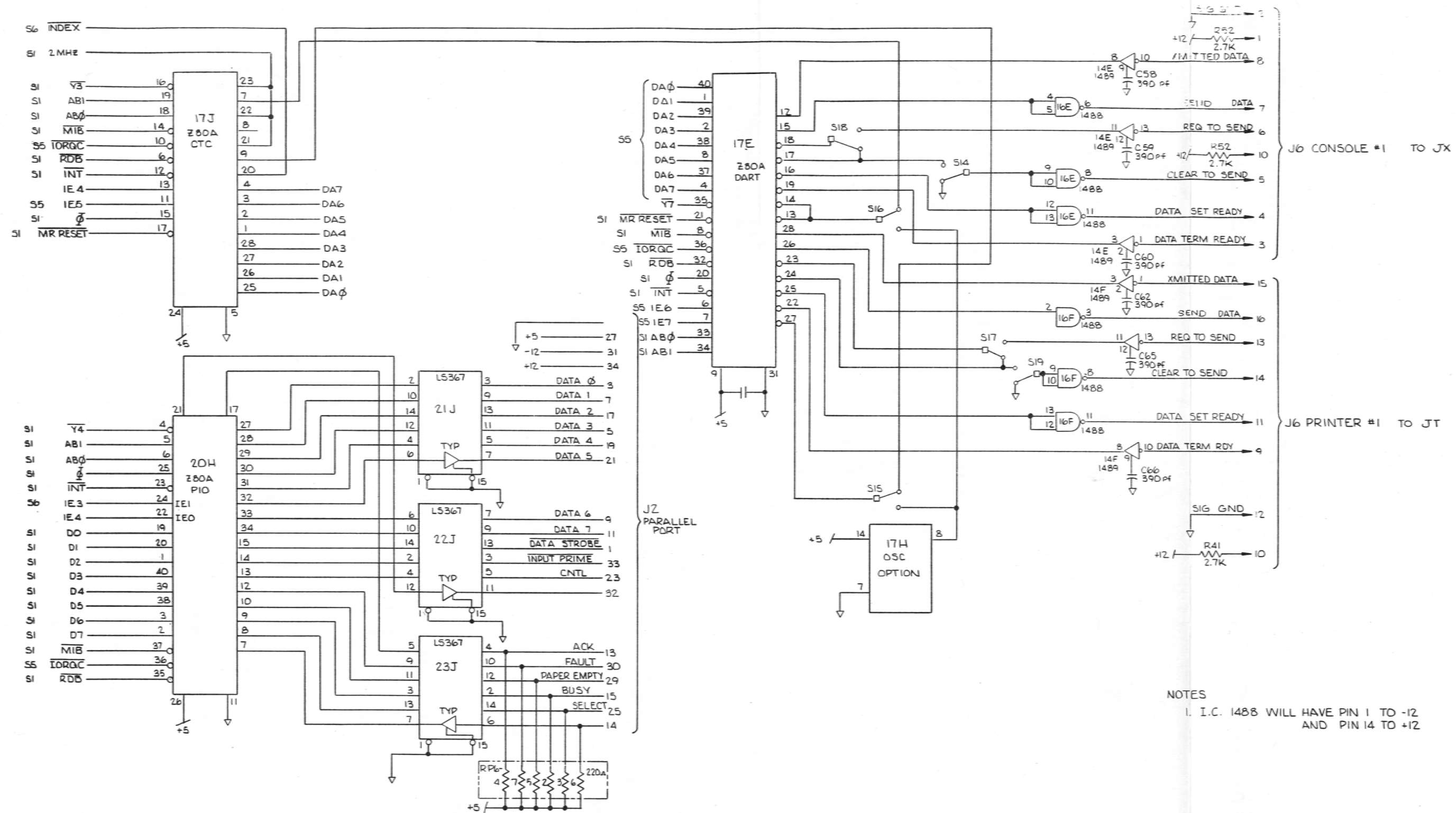
REVISIONS			
LTR	DESCRIPTION	DATE	APPROVED



TYPICAL CONNECTIONS TO MEMORY CHIP

TOLERANCES UNLESS OTHERWISE SPECIFIED		ALTO'S COMPUTER SYSTEMS	
±	±	±	±
APPROVALS	DATE		
C. R.	1/20/61		
CHECKED		SCALE	SIZE D
			DRAWING NO. 625-11243-001
DO NOT SCALE DRAWING		SHEET 3 OF 8	

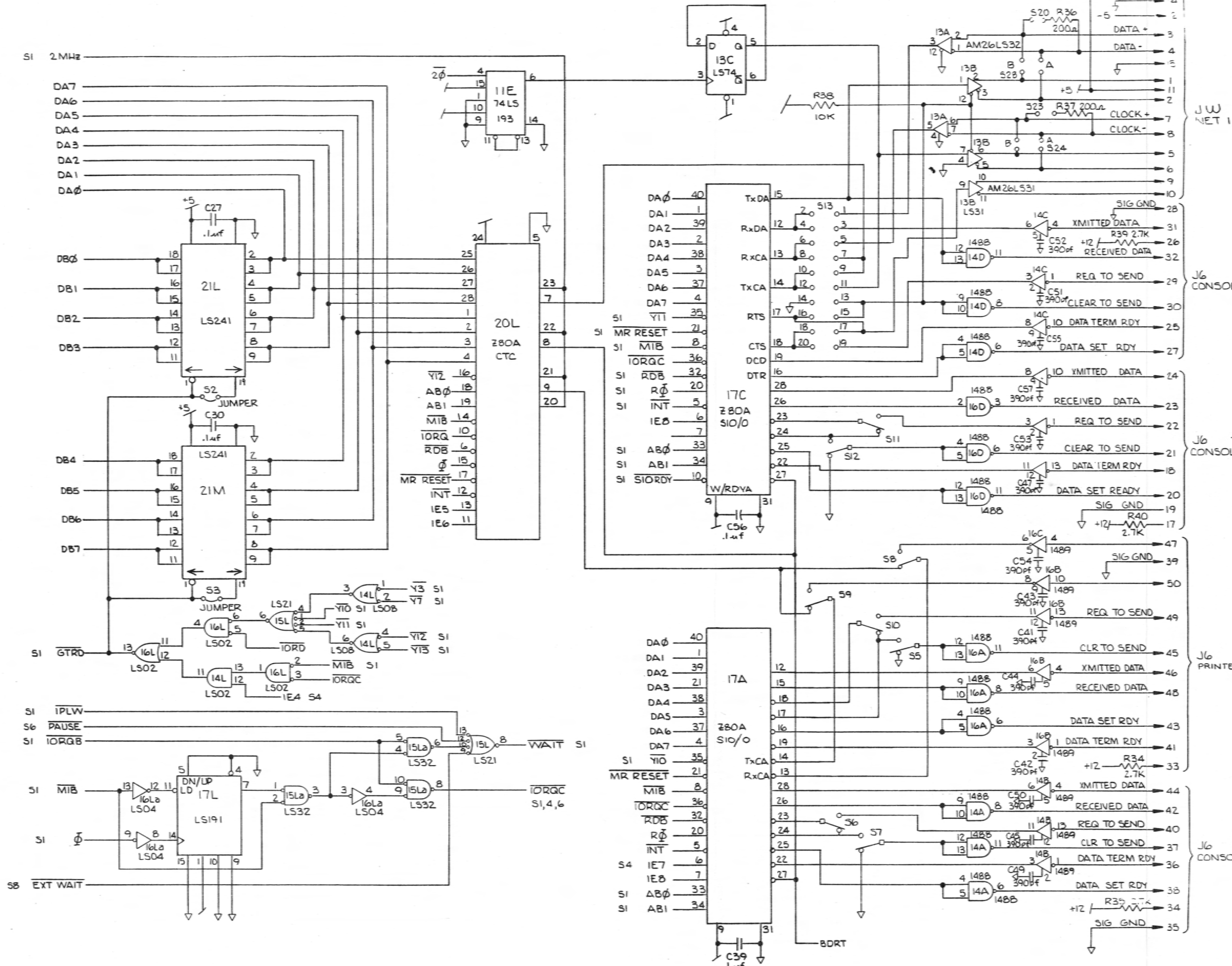
REVISIONS			
LTR	DESCRIPTION	DATE	APPROVED



NOTES  
 1. I.C. 1488 WILL HAVE PIN 1 TO -12  
 AND PIN 14 TO +12

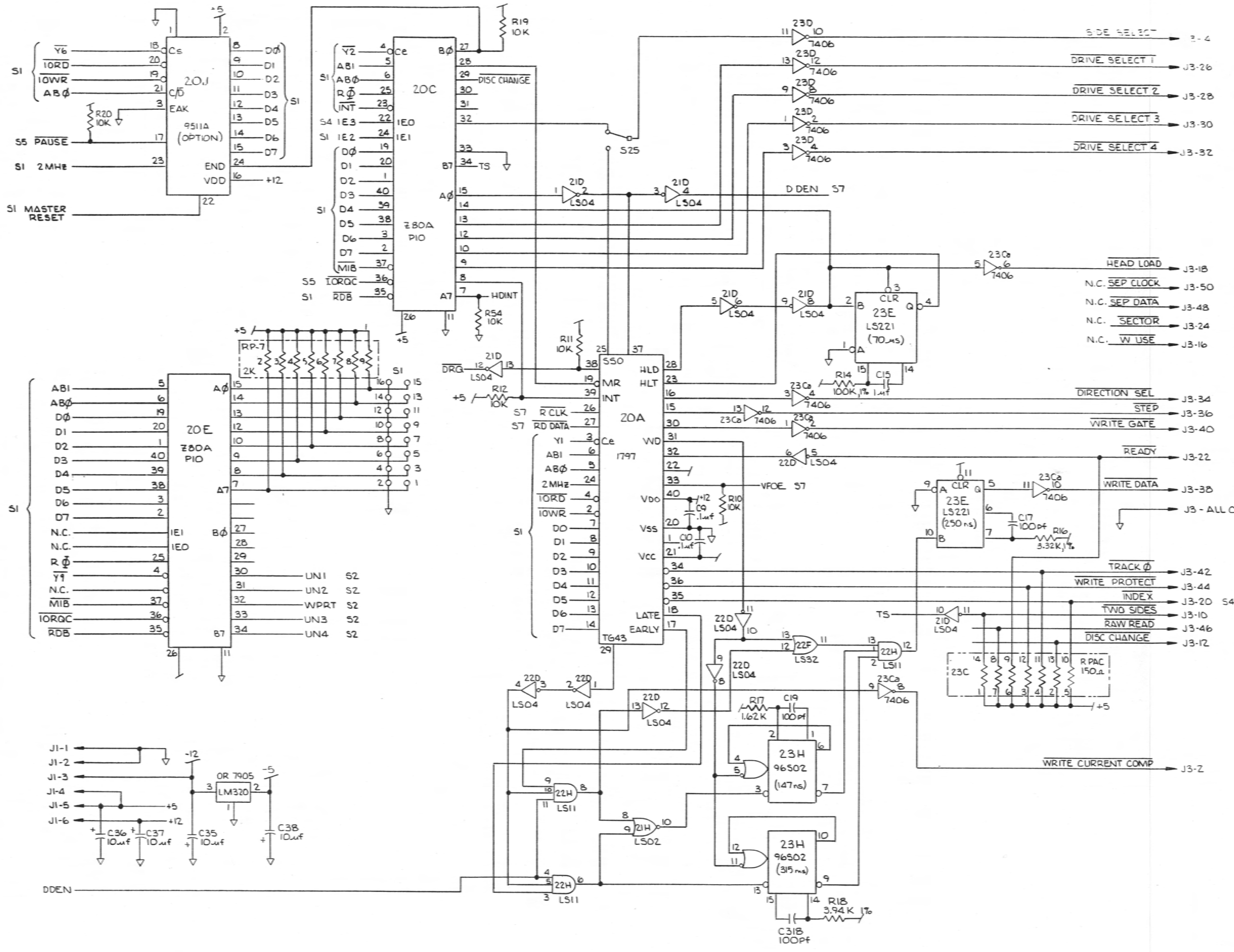
TOLERANCES UNLESS OTHERWISE SPECIFIED		ALTOS COMPUTER SYSTEMS	
FRACTIONS	DEC		
APPROVALS	DATE		
DRAWN			
CHECKED			
		SCALE	
		SIZE	D
		DRAWING NO.	625-11243-001 4
		DO NOT SCALE DRAWING	SHEET 4 OF 8

REVISIONS			
LTR	DESCRIPTION	DATE	APPROVED



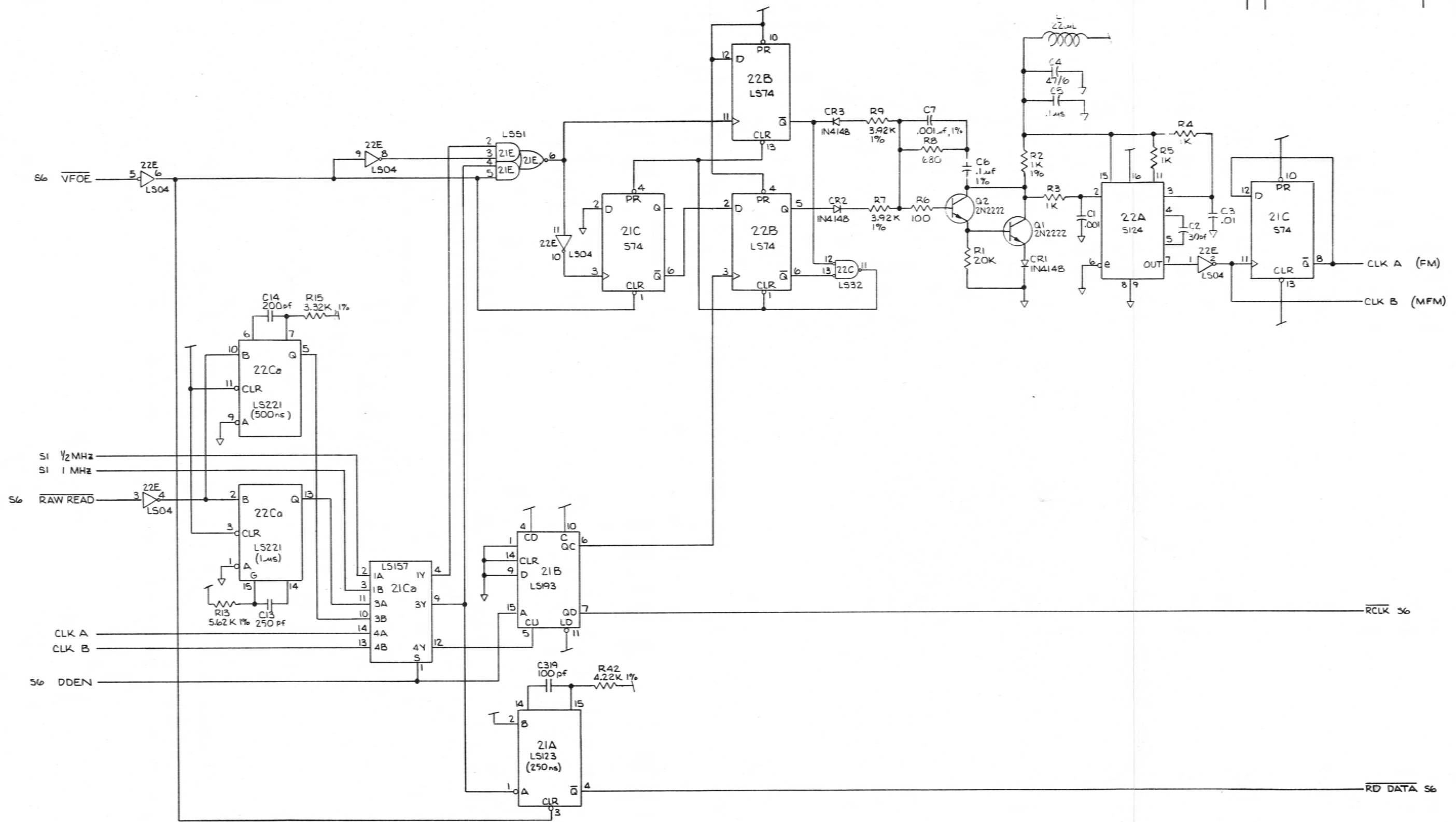
TOLERANCES UNLESS OTHERWISE SPECIFIED		FRACTIONS DEC ANGLES	
±	±	±	±
APPROVALS	DATE	SCALE	SIZE
DRAWN C.R.	1/29/61		D
CHECKED			625-11243-001
DO NOT SCALE DRAWING		SHEET 5 of 8	

REVISIONS			
LTR	DESCRIPTION	DATE	APPROVED



TOLERANCES UNLESS OTHERWISE SPECIFIED		ALTCO COMPUTER SYSTEMS	
FRACTIONS	DEC	ANGLE	
±	±	±	
APPROVALS	DATE	SCALE	SIZE DRAWING NO.
C.R.	1/20/81		D 675-11243-001
CHECKED			
DO NOT SCALE DRAWING		SHEET 6 OF 8	

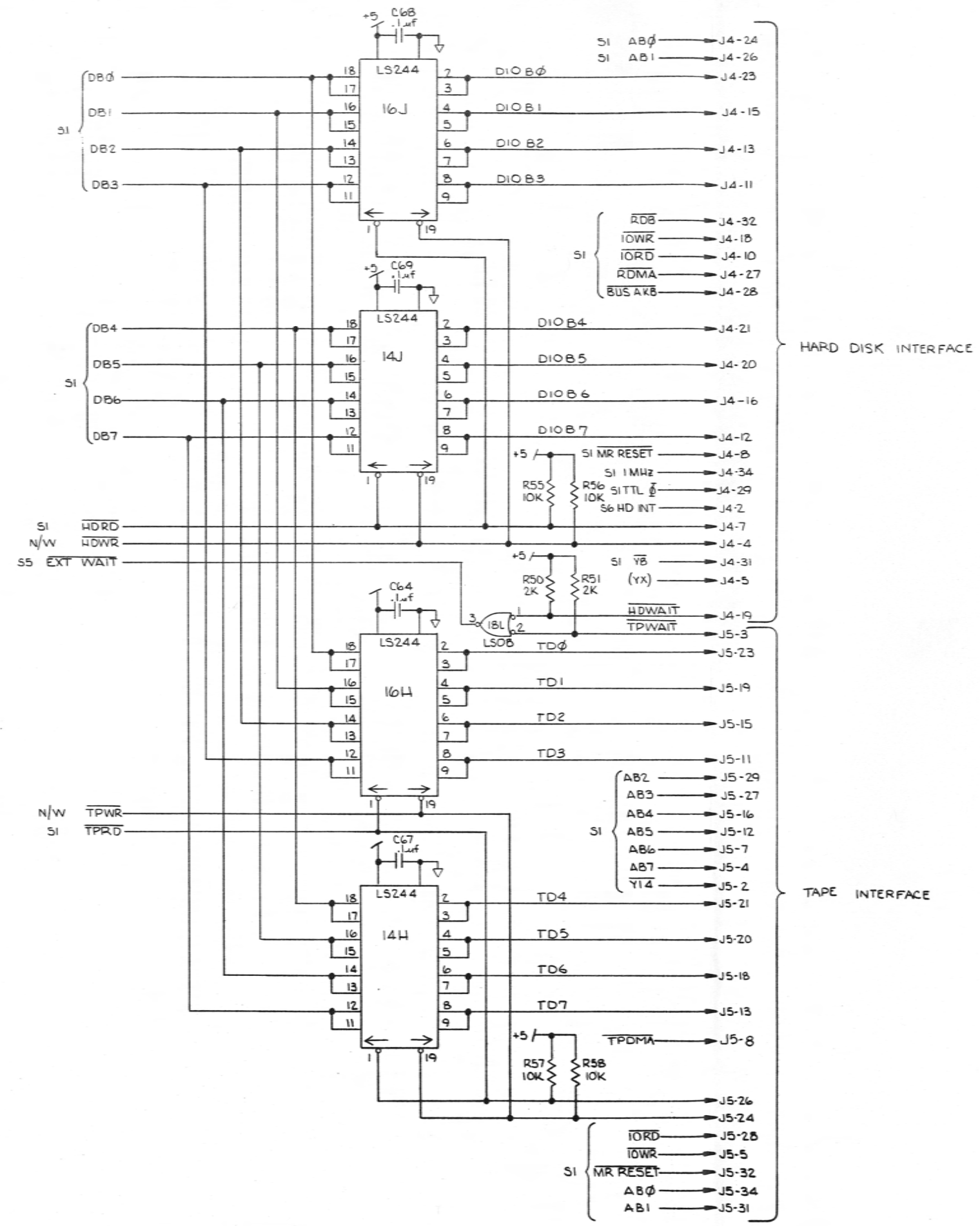
REVISIONS			
LTR	DESCRIPTION	DATE	APPROVED



TOLERANCES UNLESS OTHERWISE SPECIFIED		ALTOS COMPUTER SYSTEMS	
FRACTIONS	DEC	ANGLES	
±	±	±	
APPROVALS	DATE	SCALE	SIZE DRAWING NO.
DRIVER	1/2/81		D 5-11243-001 4
CHECKED			DO NOT SCALE DRAWING SHEET 7 OF 8



REVISIONS			
LTR	DESCRIPTION	DATE	APPROVED

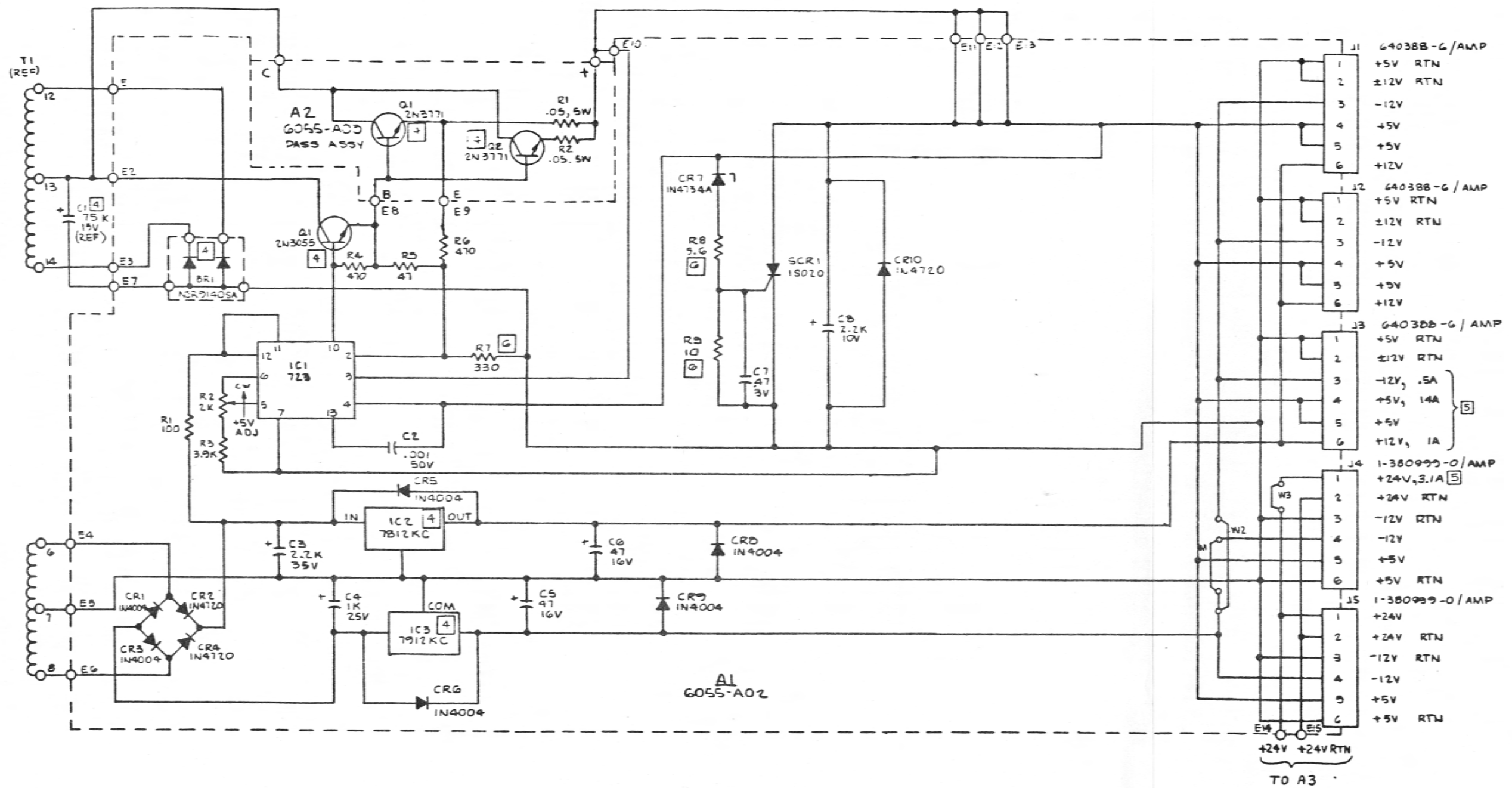


HARD DISK INTERFACE

TAPE INTERFACE

TOLERANCES UNLESS OTHERWISE SPECIFIED		FRACTIONS DEC ANGLES		ALTOS COMPUTER SYSTEMS	
±	±	±	±		
APPROVALS	DATE				
DRAWN C.R.	1/20/81				
CHECKED		SCALE		SIZE	DRAWING NO.
				D	625-11243-001-4
DO NOT SCALE DRAWING				SHEET	3 of 4

REVISIONS			APPR	DATE
REV	BY	DESCRIPTION		
1	BZ	INITIAL RELEASE		
2	BZ	REVISED. ADDED CONNECTORS J1-J5		

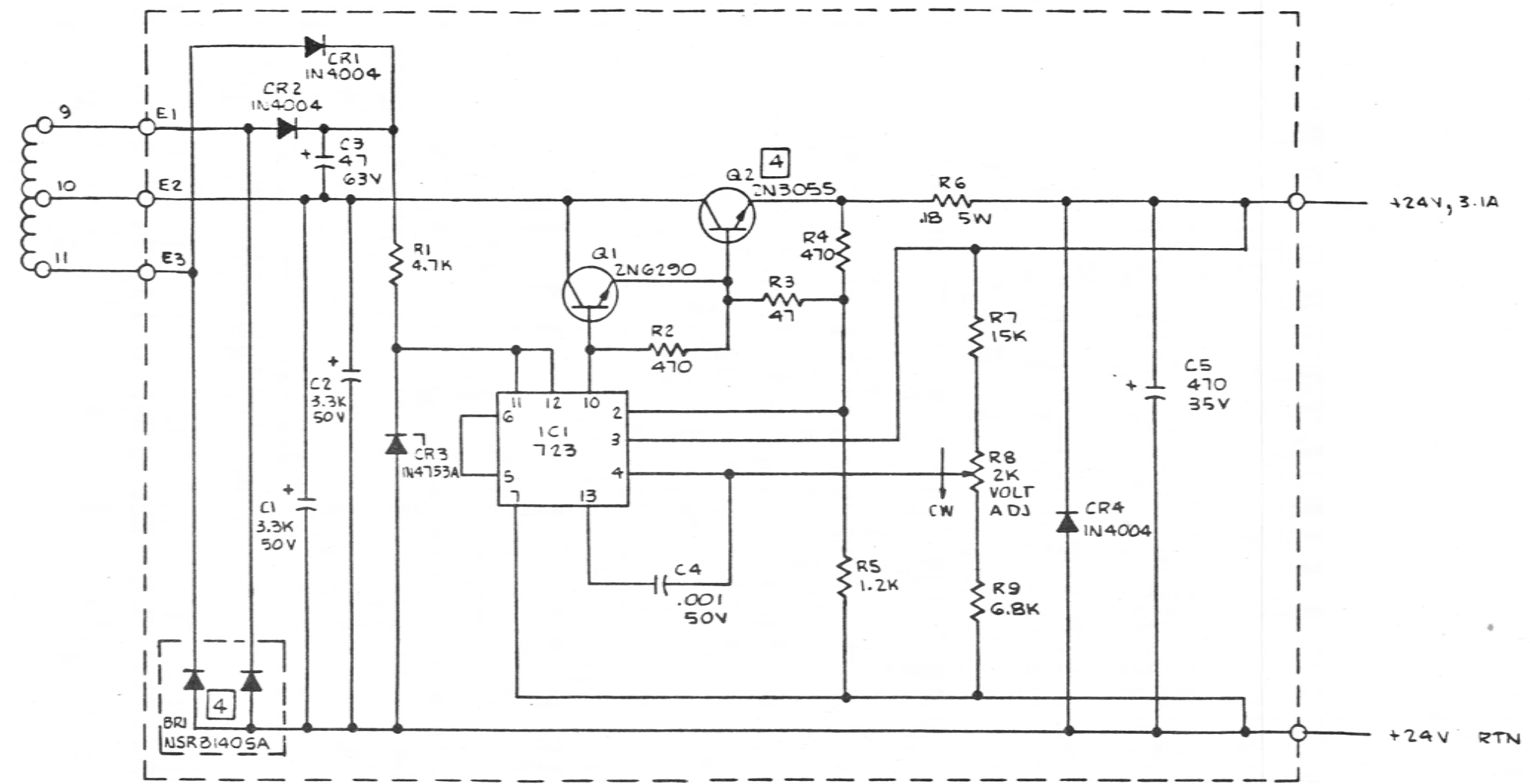


- ⓐ COMPONENT TEST SELECT
  - ⓔ TOTAL CURRENT SUPPLIED BY ALL CONNECTORS.
  - ⓓ COMPONENT MOUNTED ON HEATSINK OR CHASSIS.
  - 3. ALL RESISTANCE VALUES IN OHMS ±5% 1/2W.
  - 2. ALL CAPACITANCE VALUES IN MICROFARADS.
  - 1. REF. DOCUMENTS: 6055-B02, 6055-B03, 6055-S01.
- NOTES: UNLESS OTHERWISE SPECIFIED.

QTY REQ'D	DESCRIPTION	PART NO.	MATERIAL	MANUFACTURER	ITEM NO.
LIST OF MATERIAL					
UNLESS OTHERWISE SPECIFIED DIMENSIONS ARE IN INCHES		SIGNATURES		DATES	
TOLERANCES		DWN. B. Galt		10/16/80	
FRAC.	DEC.	ANGLES	CHK.	TITLE	
±1/32	.XX ±.02	±1/2°	ENGR. A.P.T.	XENTEK INCORPORATED	
	.XXX ±.010		APPR. A. Galt	San Marcos, California	
MATERIAL:		PROPRIETARY NOTICE			
FINISH:		ALL PATENT OR OTHER PROPRIETARY RIGHTS PERTAINING TO THE ITEMS SOLD HEREUNDER SHALL REMAIN THE SOLE PROPERTY OF XENTEK INCORPORATED EXCEPT THAT THE PURCHASER SHALL HAVE THE RIGHT TO USE SUCH ITEMS FOR THEIR INTENDED PURPOSE.			
		CODE IDENT	SIZE	DWG. NO.	REV.
		53279	D	6055-S02	A
		DO NOT SCALE DWG		SCALE: NONE	WEIGHT: SHEET OF 1

6055-S02 | A

REVISIONS			APPR. DATE
REV.	BY	DESCRIPTION	
NC	32	INITIAL RELEASE	1/1

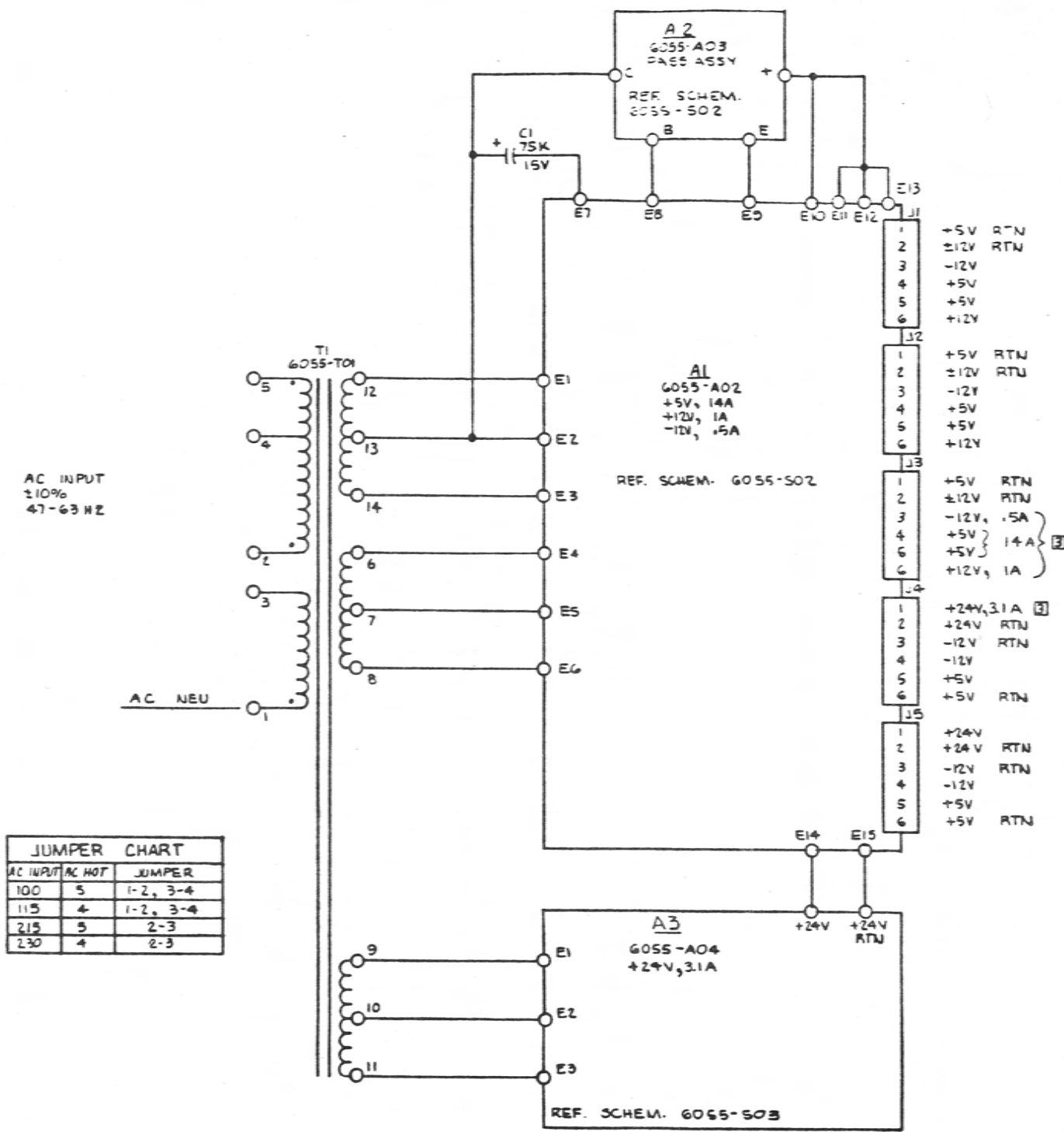


- 4. COMPONENT MOUNTED ON HEATSINK
  - 3. ALL RESISTANCE VALUES IN OHMS  $\pm 5\%$ , 1/2W.
  - 2. ALL CAPACITANCE VALUES IN MICROFARADS.
  - 1. REF. DOCUMENTS: G055-804, G055-501.
- NOTES: UNLESS OTHERWISE SPECIFIED.

QTY REQ'D	DESCRIPTION	PART NO.	MATERIAL	MANUFACTURER	ITEM NO.
LIST OF MATERIAL					
UNLESS OTHERWISE SPECIFIED DIMENSIONS ARE IN INCHES		SIGNATURES		DATES	
TOLERANCES		DWN. <i>[Signature]</i>		25-80	
FRAC. $\pm 1/32$	DEC. $\pm .02$	ANGLS $\pm 1/2^\circ$	CHK.		
		DSGN. <i>[Signature]</i>		18th	
		ENGR. <i>[Signature]</i>		31	
		APPR. <i>[Signature]</i>			
MATERIAL:			PROPRIETARY NOTICE		
FINISH:			ALL PATENT OR OTHER PROPRIETARY RIGHTS PERTAINING TO THE ITEMS SOLD HEREUNDER SHALL REMAIN THE SOLE PROPERTY OF XENTEK INCORPORATED EXCEPT THAT THE PURCHASER SHALL HAVE THE RIGHT TO USE SUCH ITEMS FOR THEIR INTENDED PURPOSE.		
			XENTEK INCORPORATED San Marcos, California		
			TITLE REGULATOR SCHEMATIC (ALTOS)		
CODE IDENT	SIZE	DWG. NO.	REV.		
53279	C	G055-503	NC		
DO NOT SCALE DWG.			SCALE: NONE	WEIGHT: ~	SHEET 1 OF 1

G055-503 INC

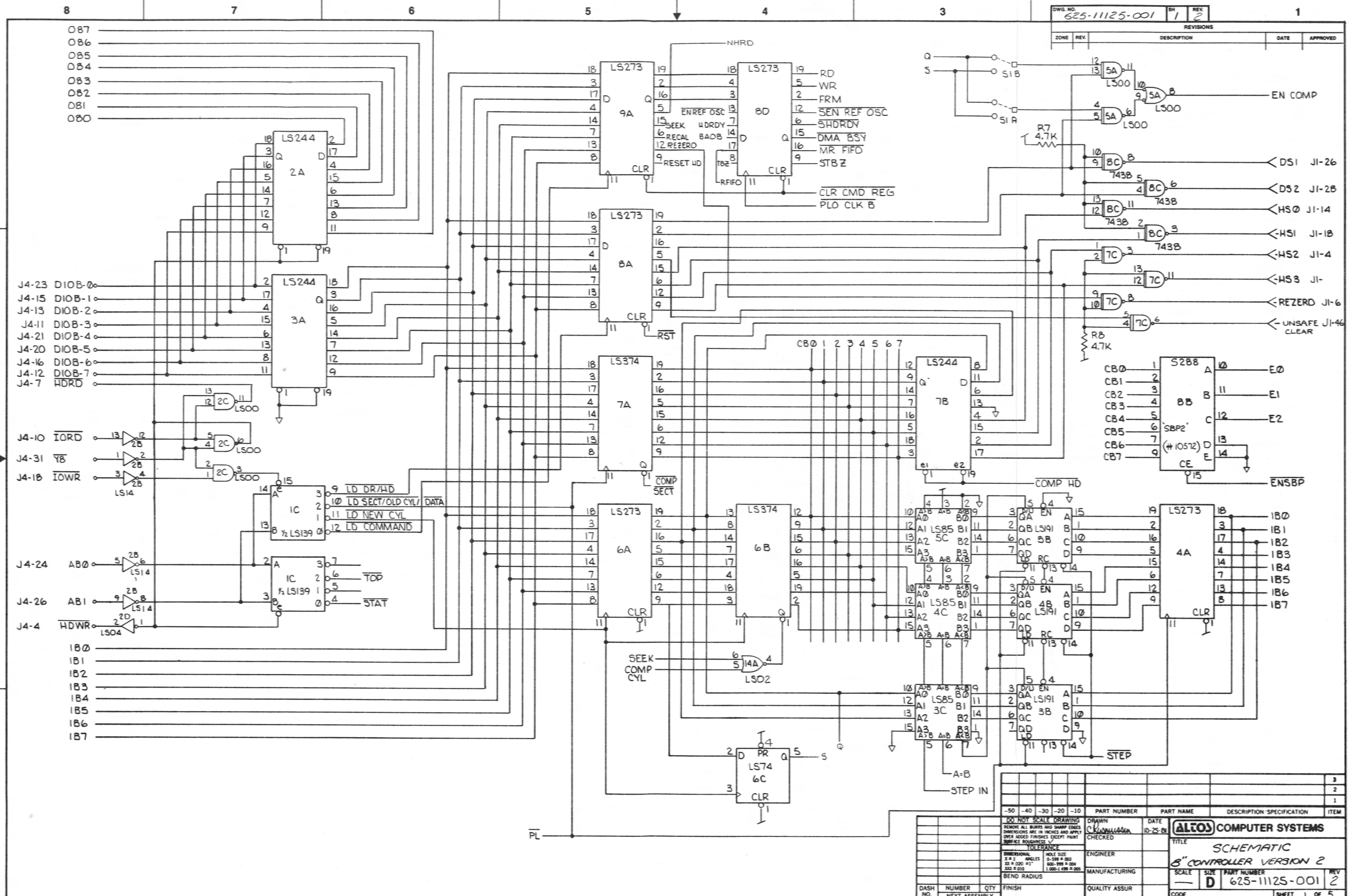
REVISIONS			
REV	BY	DESCRIPTION	APPR. DATE
A	B2	INITIAL RELEASE	8-50



AC INPUT	AC HOT	JUMPER
100	5	1-2, 3-4
115	4	1-2, 3-4
215	5	2-3
230	4	2-3

③ TOTAL CURRENT SUPPLIED BY ALL CONNECTORS.  
 ④ ALL CAPACITANCE VALUES IN MICROFARADS  
 1. REF. DOCUMENTS: 6055-B01, 6055-S02, 6055-S03  
 NOTES: UNLESS OTHERWISE SPECIFIED.

QTY REQ'D	DESCRIPTION	PART NO.	MATERIAL	MANUFACTURER	ITEM NO.
LIST OF MATERIAL					
UNLESS OTHERWISE SPECIFIED DIMENSIONS ARE IN INCHES		SIGNATURES		DATES	
TOLERANCES		DWN. <i>[Signature]</i>		12-18-50	
FRAC. DEC. ANGLES		CHK.		TITLE	
±1/32 .XX ±.02 ±1/2		DSEN.		XENTEK INCORPORATED	
.XXX ±.010		ENGR. <i>[Signature]</i>		San Marcos, California	
		APPR. <i>[Signature]</i>		POWER SUPPLY SCHEMATIC (ALTO'S COMP)	
MATERIAL:		PROPRIETARY NOTICE			
FINISH:		ALL PATENT OR OTHER PROPRIETARY RIGHTS PERTAINING TO THE ITEMS SOLD HEREUNDER SHALL REMAIN THE SOLE PROPERTY OF XENTEK INCORPORATED EXCEPT THAT THE PURCHASER SHALL HAVE THE RIGHT TO USE SUCH ITEMS FOR THE INTENDED PURPOSE.			
CODE IDENT	SIZE	DWG. NO.	REV.		
53279	D	6055-S01	A		
DO NOT SCALE DWG.		SCALE: NONE	WEIGHT: ~	SHEET 1 OF 1	



D

C

B

A

DASH NO.	NUMBER	QTY	FINISH	QUALITY ASSUR	SCALE	SIZE	PART NUMBER	REV
							625-11125-001	2

DO NOT SCALE DRAWING	DATE	TITLE
REMOVE ALL DIMENSIONS AND SHARP EDGES DIMENSIONS ARE IN INCHES AND APPLY OVER ADDED FINISHES EXCEPT PRINT SURFACE ROUGHNESS	10-25-81	SCHEMATIC 6" CONTROLLER VERSION 2

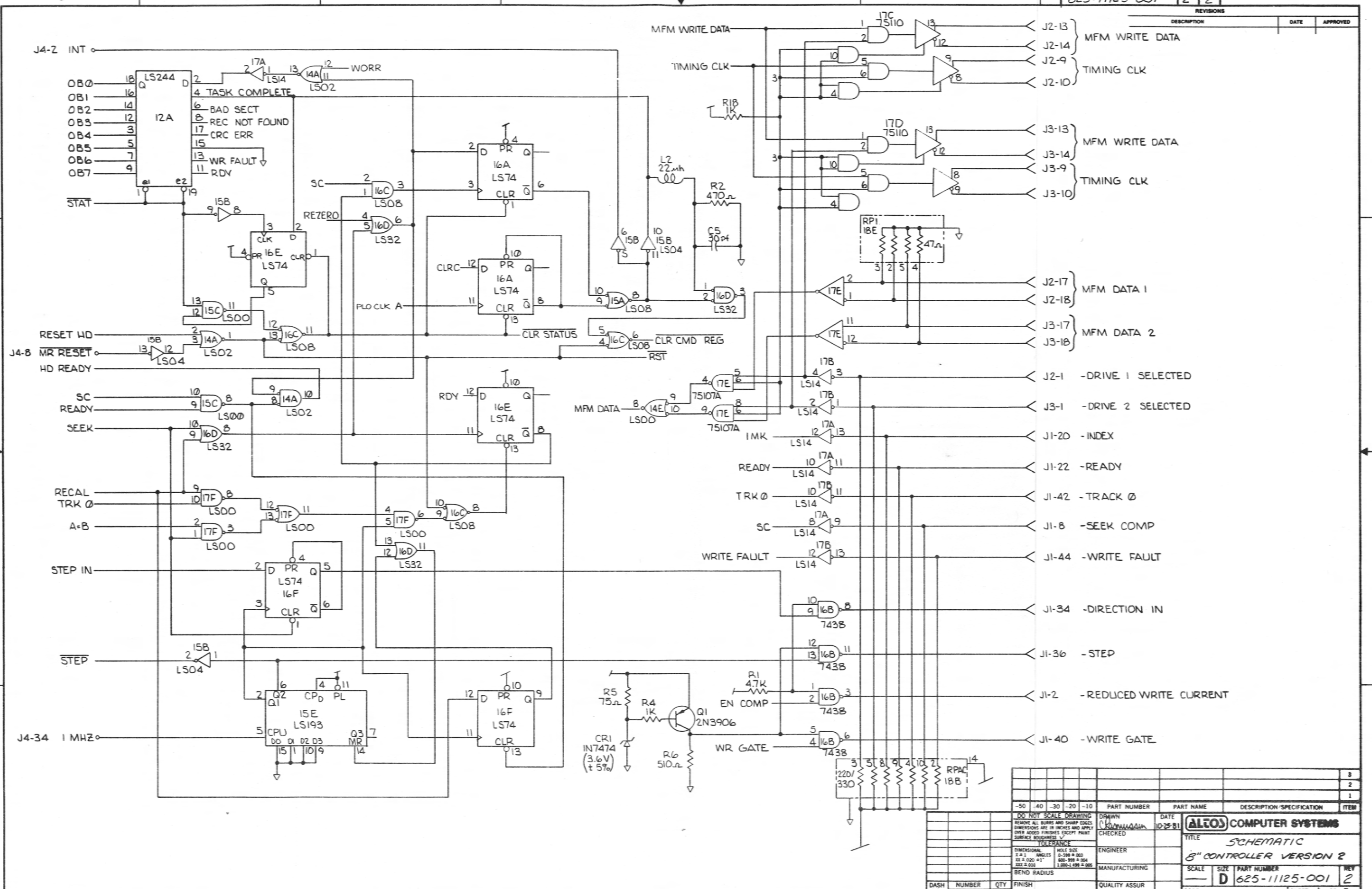
  

ALCOS COMPUTER SYSTEMS	SCALE	SIZE	PART NUMBER	REV
	D		625-11125-001	2

ITEM	DESCRIPTION	PART NUMBER
1		
2		
3		

REV.	DATE	APPROVED
2		



REV.	DATE	APPROVED
3		
2		
1		

DESCRIPTION	DATE	APPROVED

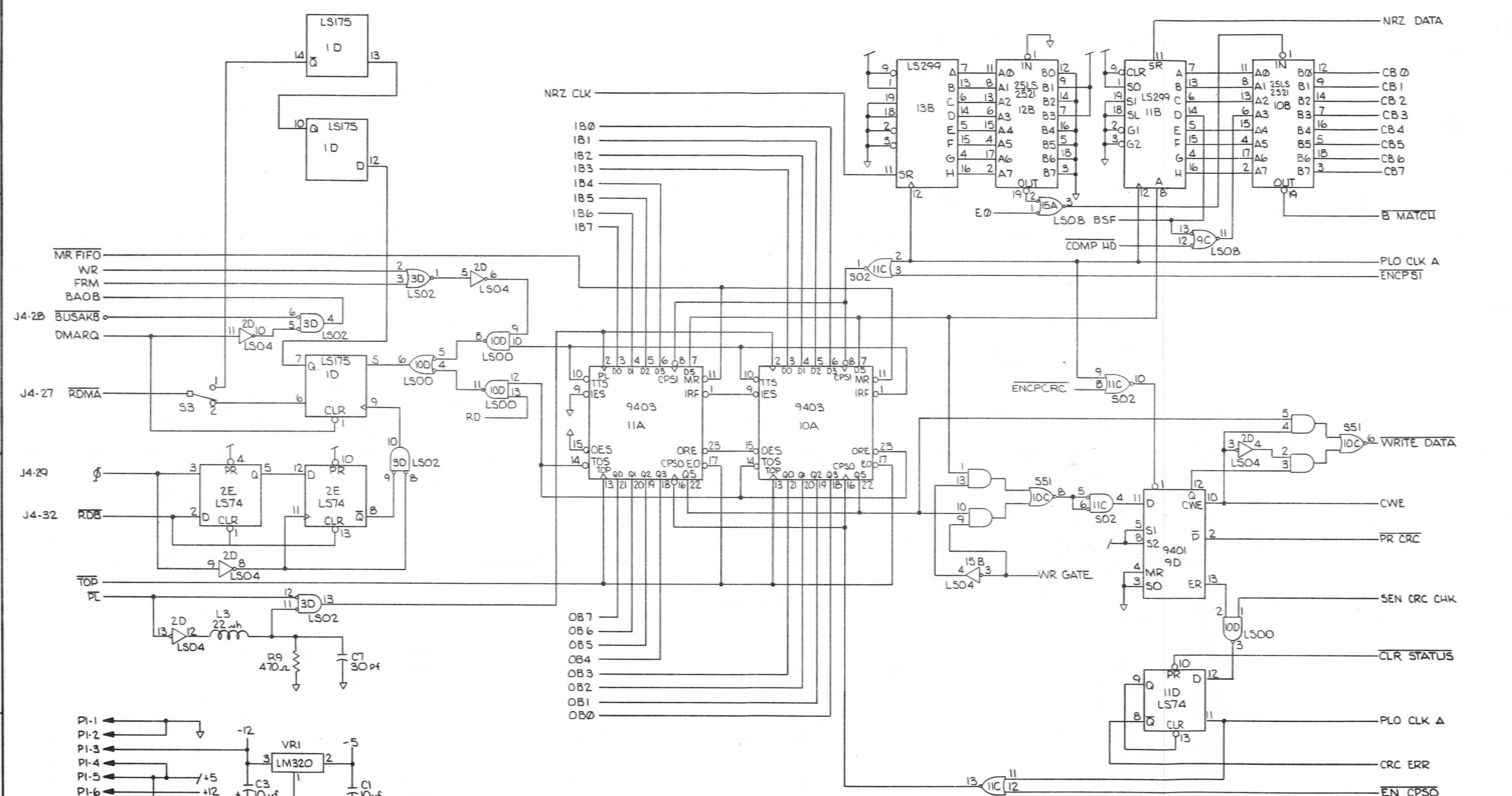
PART NUMBER	PART NAME	DESCRIPTION/SPECIFICATION	ITEM

DO NOT SCALE DRAWING		DRAWN	DATE
REMOVE ALL BURRS AND SHARP EDGES		CK	10-25-81
DIMENSIONS ARE IN INCHES AND APPLY OVER ADDED FINISHES EXCEPT PAINT		CHECKED	
SURFACE FINISH: V		ENGINEER	
TOLERANCE		MANUFACTURING	
DIMENSIONAL		QUALITY ASSUR	
HOLE SIZE			
1 = 1			
ANGLES 0-59° ± 30'			
30-89° ± 1'			
90° ± 30'			
BEND RADIUS			
1.000-1.499 ± .005			

TITLE	SCALE	SIZE	PART NUMBER	REV
8" CONTROLLER VERSION 2	—	D	625-11125-001	2
DASH NO.	NUMBER	QTY	FINISH	
	NEXT ASSEMBLY			



DASH NO.	NUMBER	QTY	FINISH	QUALITY ASSUR	CODE

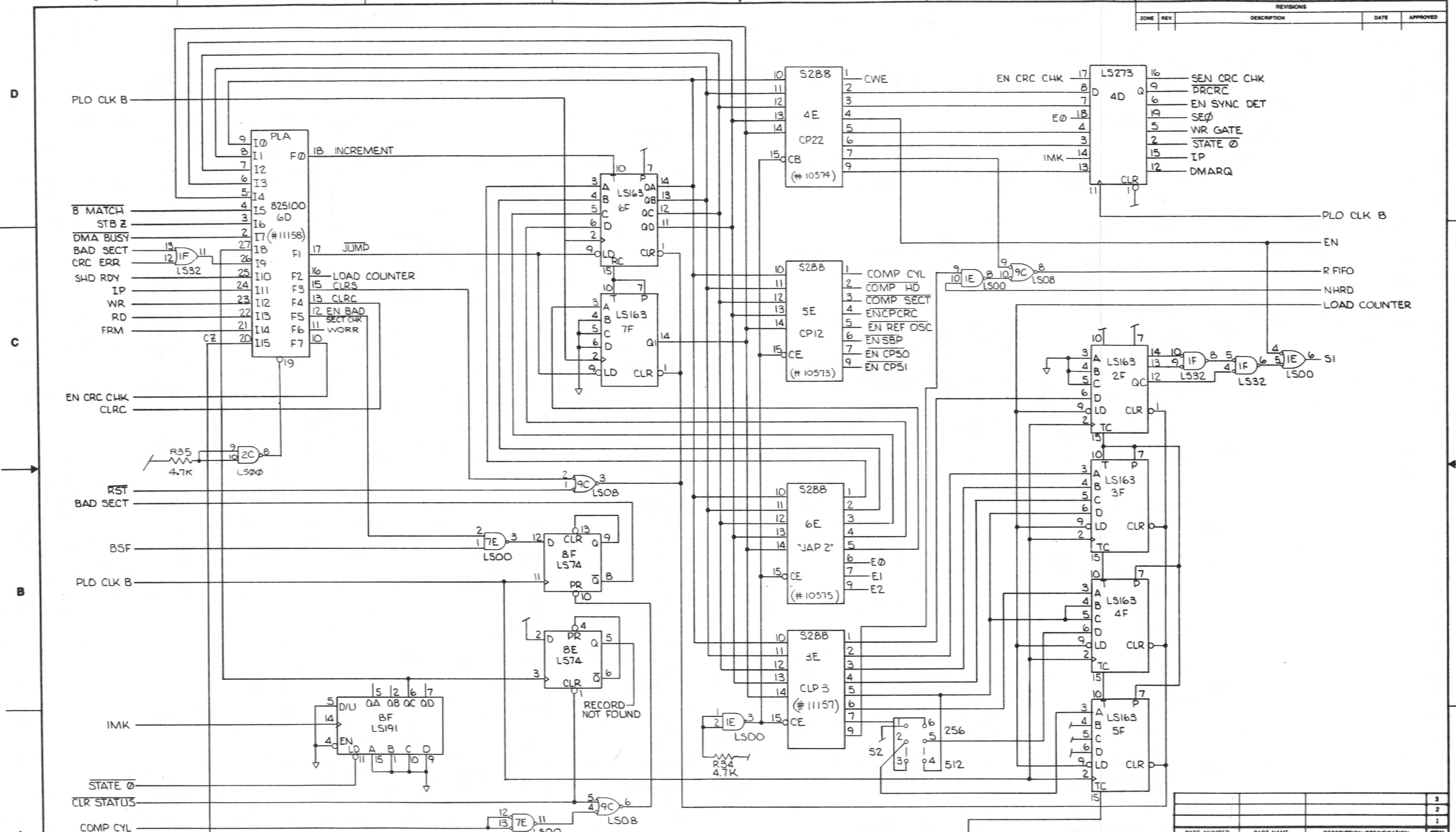
DR	DATE	ENGINEER	MANUFACTURING	QUALITY ASSUR

PART NUMBER	PART NAME	DESCRIPTION / SPECIFICATION	ITEM
			3
			2
			1

<b>ALCO COMPUTER SYSTEMS</b> TITLE: SCHEMATIC SCALE: D SIZE: 8 1/2" X 11" PART NUMBER: 625-1125-001 REV: 2 SHEET 3 OF 5			
---	--	--	--

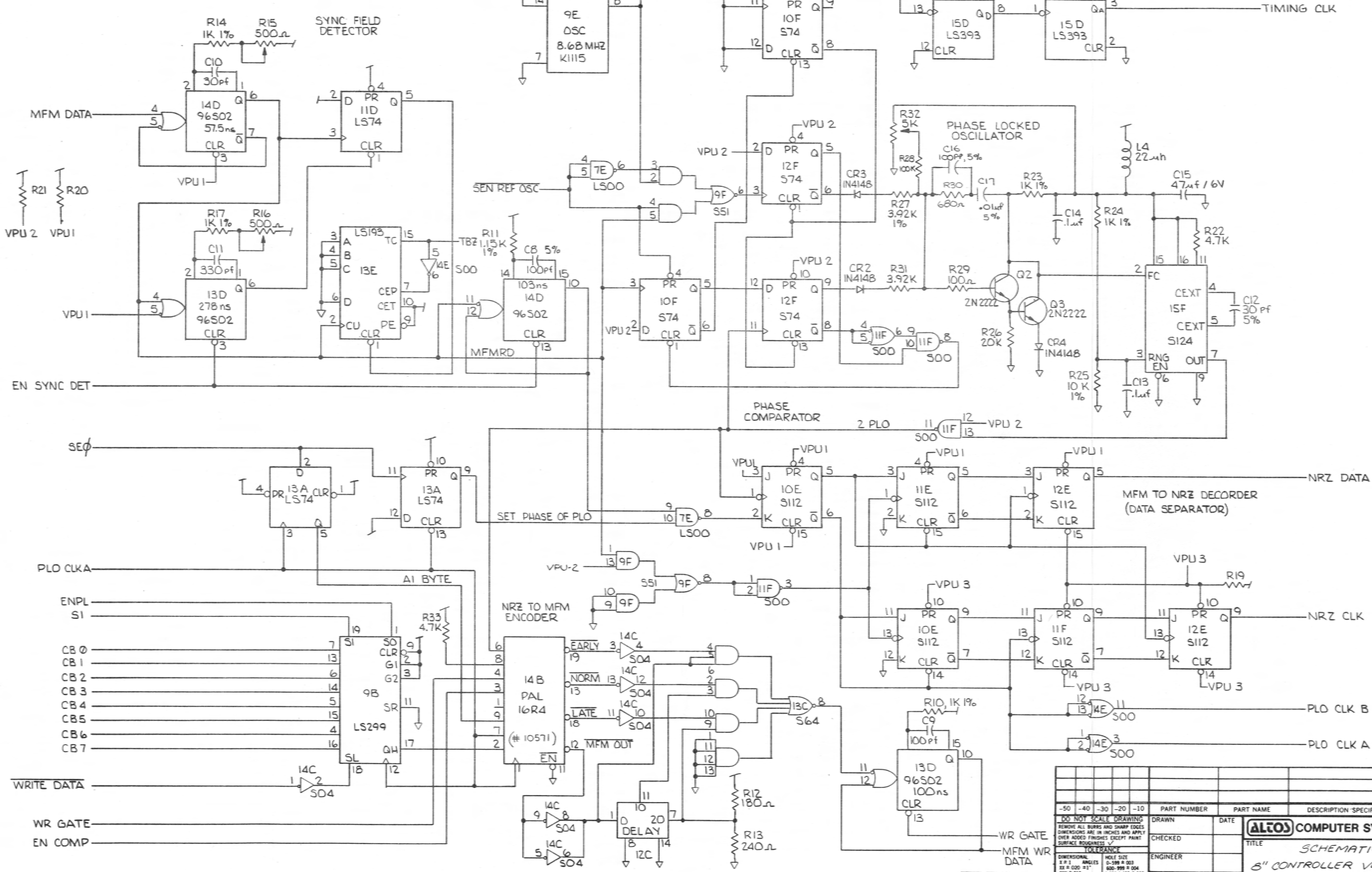


PART NUMBER	PART NAME	DESCRIPTION-SPECIFICATION	ITEM
			3
			2
			1

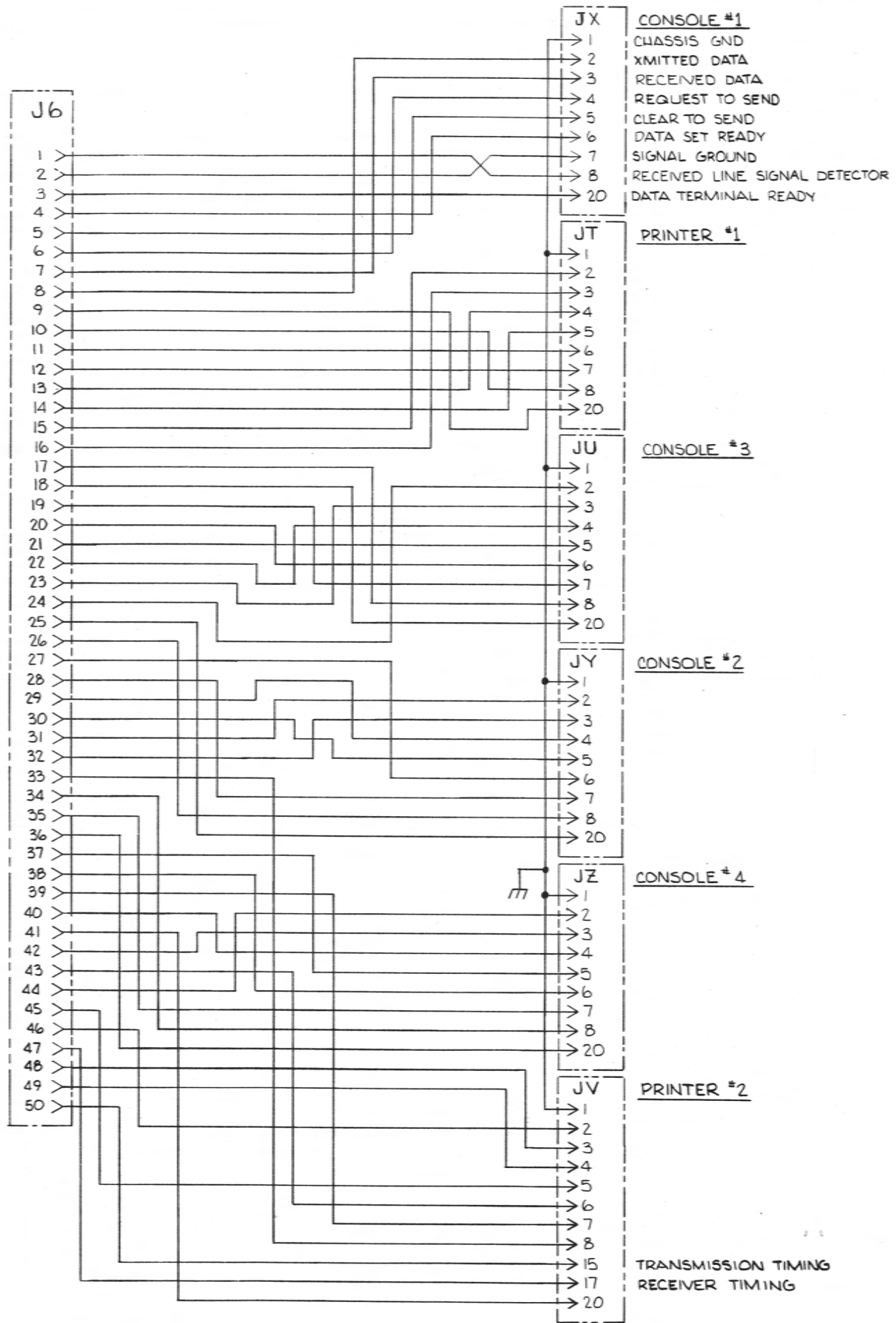
DO NOT SCALE DRAWING		DRAWN	DATE	ALLOS COMPUTER SYSTEMS
REMOVE ALL BURRS AND SHARP EDGES		10/25/81	10-25-81	
DIMENSIONS ARE IN INCHES AND APPLY OVER ADDED FINISHES EXCEPT PAINT		CHECKED		TITLE
SURFACE ROUGHNESS				SCHEMATIC
FINISH		ENGINEER		8" CONTROLLER VERSION 2
BEND RADIUS		MANUFACTURING		SCALE
		QUALITY ASSUR		SIZE
DASH NO.	NUMBER	QTY	FINISH	PART NUMBER
	NEXT ASSEMBLY			625-11125-001
				REV
				2
				SHEET 4 OF 5



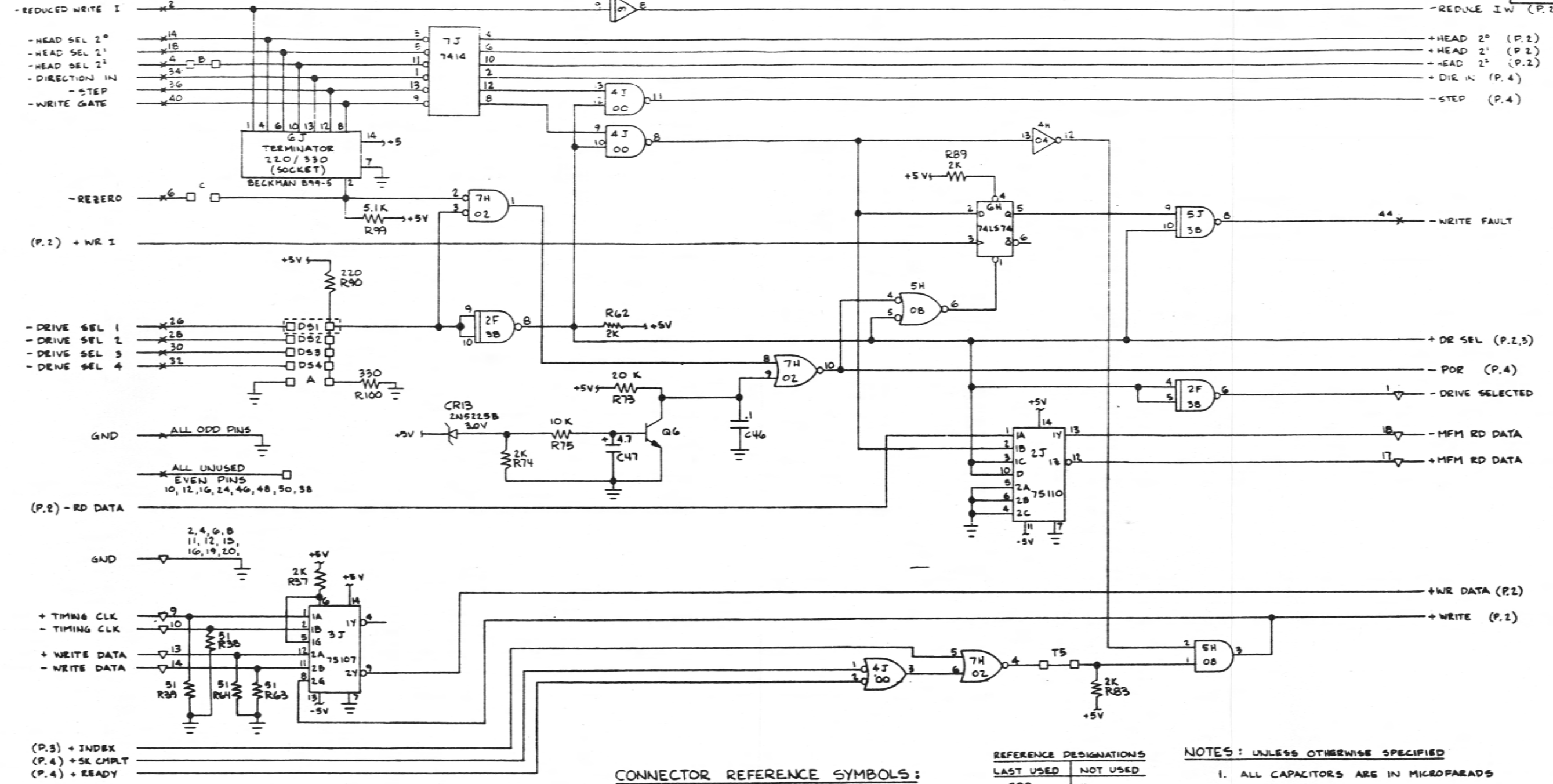


DIMENSIONAL TOLERANCES		PART NUMBER		PART NAME		DESCRIPTION / SPECIFICATION		ITEM
-50	-40	-30	-20	-10				3
								2
								1
DO NOT SCALE DRAWING								
REMOVE ALL BURRS AND SHARP EDGES								
DIMENSIONS ARE IN INCHES AND APPLY								
OVER UNLESS OTHERWISE SPECIFIED								
SURFACE ROUGHNESS								
TOLERANCE								
DIMENSIONAL								
HOLE SIZE								
FINISH								
BEND RADIUS								
QUALITY ASSUR								
ALTO'S COMPUTER SYSTEMS								
TITLE								
8" CONTROLLER VERSION 2								
SCALE								
SIZE								
PART NUMBER								
REV								
CODE								
625-11125-001								
SHEET 5 OF 5								

REVISIONS			
LTR	DESCRIPTION	DATE	APPROVED



TOLERANCES UNLESS OTHERWISE SPECIFIED		FRACTIONS DEC ANGLES		ALTOS COMPUTERS	
APPROVALS	DATE	SCALE	SIZE	DRAWING NO.	SHEET 1 OF 1
DRAWN	CHECKED	~	D	8500-0016	
DO NOT SCALE DRAWING					



REV.	BY	DATE	SIGN.
B	0008	1-81	
C	0073	2-81	
D	0078	2-81	
E	0082	3-81	
F	0100	3-81	
G	0106	7-81	
H	0126	6-81	
J	0149	7-81	774
K	0174	8-81	771
L	0203	7-81	774
N	0211	9-81	774

- CONNECTOR REFERENCE SYMBOLS:**
- ✕ = J1, 50 PIN - SIGNAL I/O CONNECTOR
  - ▽ = J2, 20 PIN - DATA I/O CONNECTOR
  - ▷ = J3, 44 PIN - R/W CONNECTOR
  - = J4, 8 PIN - INDEX TRANSDUCER CONNECTOR
  - = J5, 6 PIN - DC INPUT CONNECTOR
  - = J6, 6 PIN - TRANSISTOR DRIVER CONNECTOR

**REFERENCE DESIGNATIONS**

LAST USED	NOT USED
C9B	-
CR73	-
L16	-
Q8	-
R154	R111
TP16	-
VR2	-
RP1	-

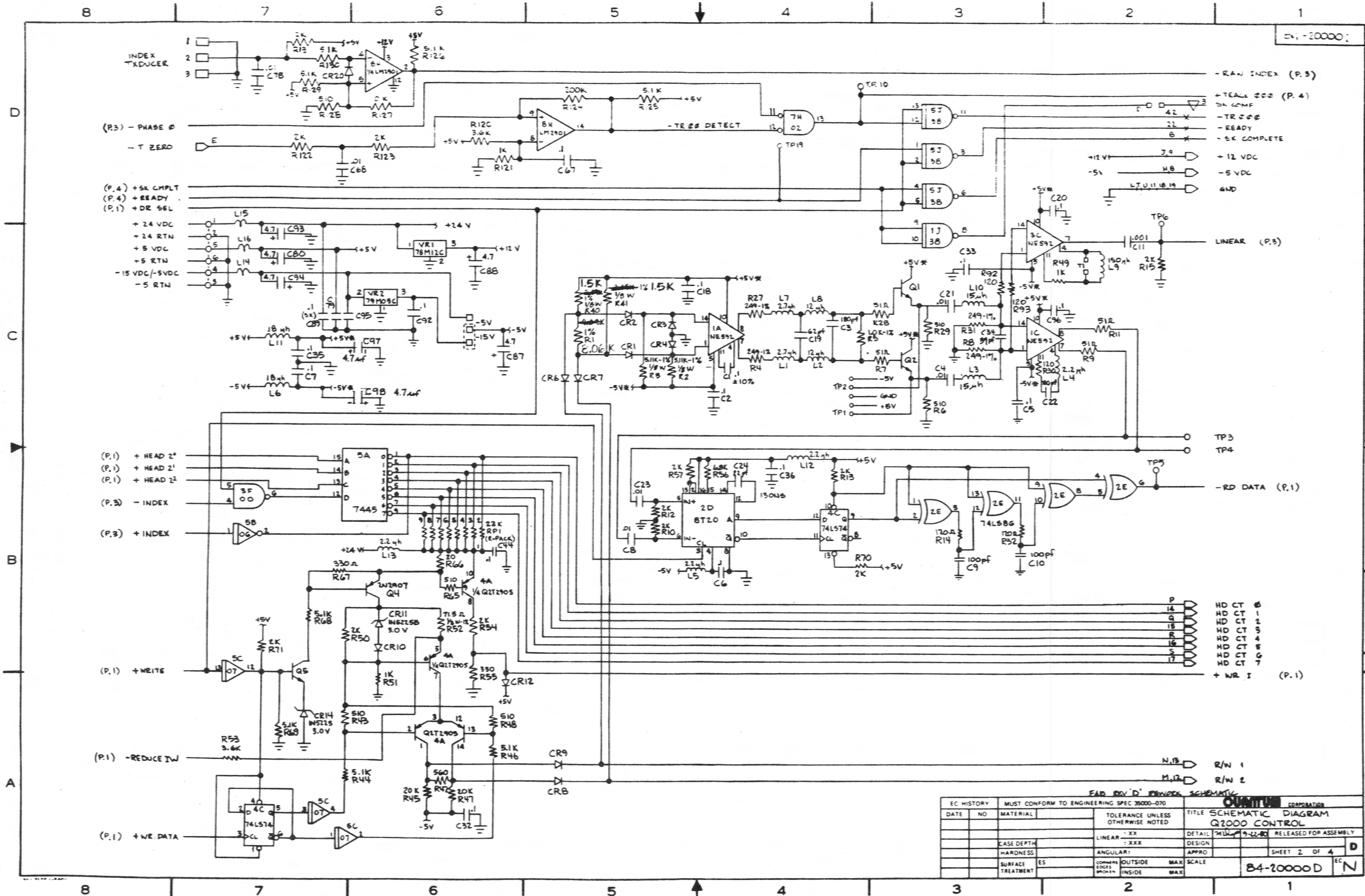
- NOTES: UNLESS OTHERWISE SPECIFIED**
- ALL CAPACITORS ARE IN MICROFARADS
  - ALL RESISTORS ARE IN OHMS, 1/4 W, 5%
  - ALL DIODES ARE IN4148
  - ALL TRANSISTORS ARE 2N2222A
  - - INDICATES JUMPER OPTION
  - - INDICATES NORMAL POSITION FOR SHORTING PLUG.
  - ALL .1μF CAPACITORS ARE +80%, -20%

FAB REV 'D' RERWORK SCHEMATIC

EC HISTORY		MUST CONFORM TO ENGINEERING SPEC 36000-070		TOLERANCE UNLESS OTHERWISE NOTED		TITLE	
DATE	NO	MATERIAL		LINEAR	: XX	DETAIL	RELEASED FOR ASSEMBLY
				ANGULAR <td>: XXX <td>DESIGN <td></td> </td></td>	: XXX <td>DESIGN <td></td> </td>	DESIGN <td></td>	
				SURFACE TREATMENT <td>ES</td> <td>SCALE <td></td> </td>	ES	SCALE <td></td>	
				CORNERS	OUTSIDE	MAX	
				INSIDE	MAX		

SHEET 1 OF 4

B4-20000D



50: -20000:

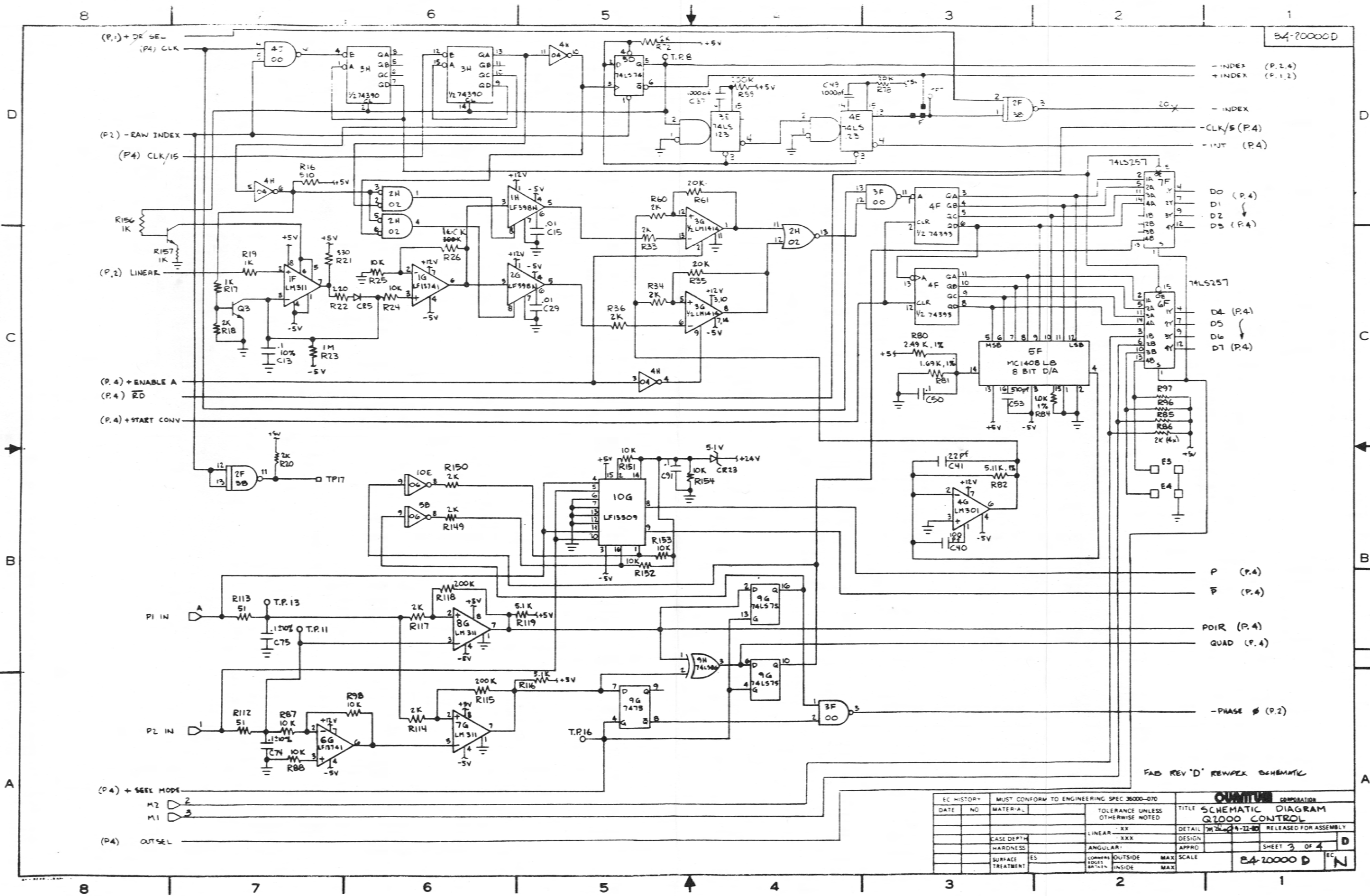
INDEX XDUCCER  
 (P.3) - PHASE 0  
 - T ZERO  
 (P.4) +5K CMPLT  
 (P.4) +READY  
 (P.1) +DR SEL  
 +24 VDC  
 +24 RTN  
 +5 VDC  
 +5 RTN  
 -15 VDC/-5VDC  
 -5 RTN  
 -RAW INDEX (P.3)  
 +TEALC 202 (P.4)  
 5K COMF  
 -TR 202  
 -READY  
 -EK COMPLETE  
 +12 VDC  
 -5 VDC  
 GND  
 +12 V  
 -5 V  
 L7, U11, U14, U19  
 TP6  
 LINEAR (P.3)

(P.1) + HEAD 2'  
 (P.1) + HEAD 2'  
 (P.1) + HEAD 2'  
 (P.3) - INDEX  
 (P.3) + INDEX  
 TP3  
 TP4  
 -RD DATA (P.1)  
 + WR I (P.1)

(P.1) +WRITE  
 (P.1) -REDUCE I/W  
 (P.1) +WR DATA  
 N.B.  
 M.I.2  
 R/W 1  
 R/W 2

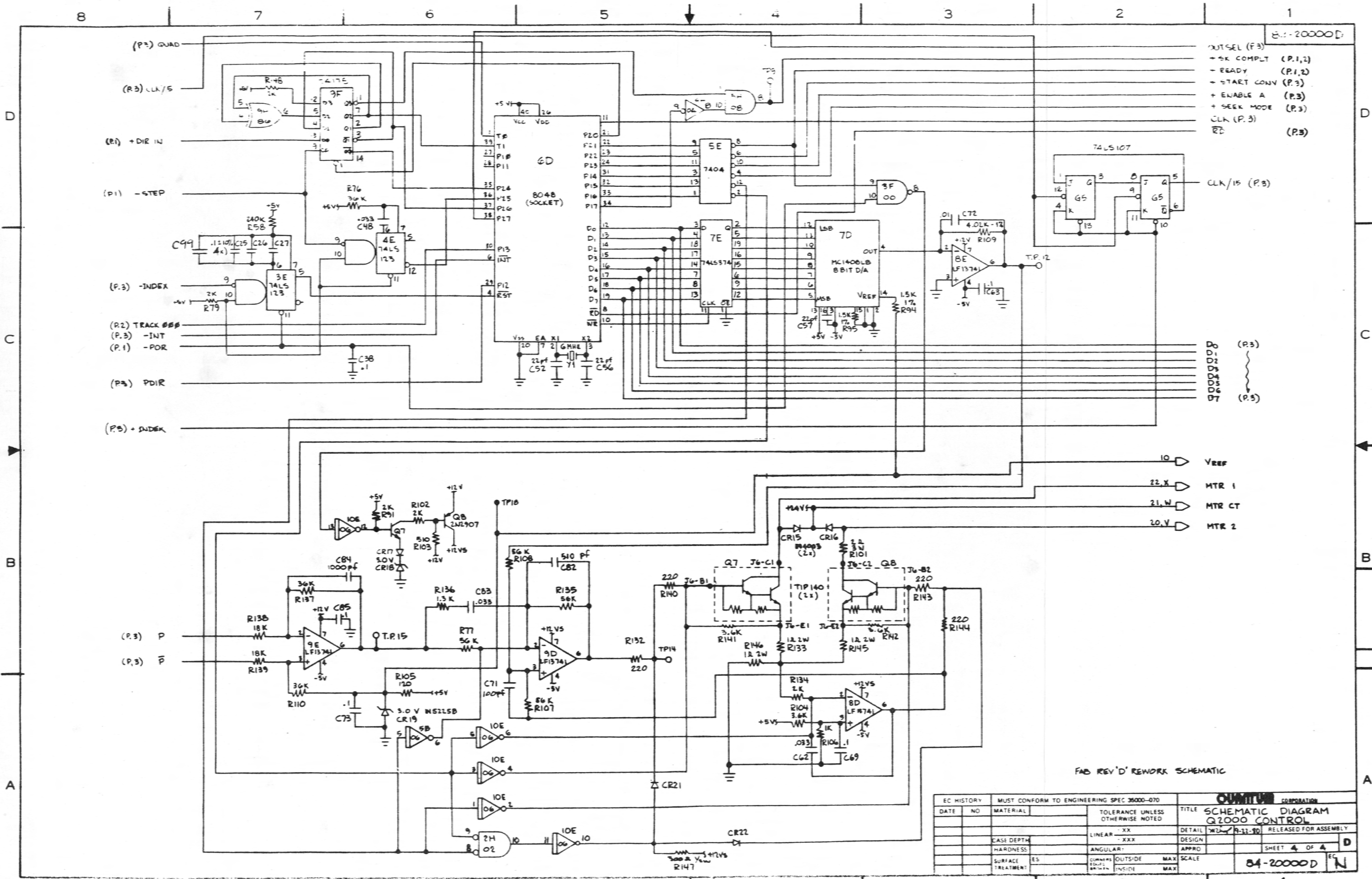
FAB REV'D REVISIONS SCHEMATIC

EC HISTORY		MUST CONFORM TO ENGINEERING SPEC 35000-070		TOLERANCE UNLESS OTHERWISE NOTED		TITLE SCHEMATIC DIAGRAM Q2000 CONTROL	
DATE	NO	MATERIAL		LINEAR - XX	DETAIL	W/D	RELEASED FOR ASSEMBLY
				CASE DEPTH	- XXX	DESIGN	
				HARDNESS	ANGULAR:	APPRO	SHEET 2 OF 4
				SURFACE TREATMENT	ES	COMMON EDGES BROKEN	SCALE
					OUTSIDE	MAX	84-20000D
					INSIDE	MAX	N



FAB REV 'D' REWPK SCHEMATIC

EC HISTORY		MUST CONFORM TO ENGINEERING SPEC 36000-070		TITLE	
DATE	NO	MATERIAL	TOLERANCE UNLESS OTHERWISE NOTED	SHEET 3 OF 4	
				RELEASED FOR ASSEMBLY	
		CASE DEPTH	ANGULAR	SCALE	
		HARDNESS	OUTSIDE	MAX	
		SURFACE TREATMENT	INSIDE	MAX	
				EA 20000 D N	



FAB REV'D REWORK SCHEMATIC

EC HISTORY		MUST CONFORM TO ENGINEERING SPEC 35000-070		QUANTUM CORPORATION	
DATE	NO	MATERIAL	TOLERANCE UNLESS OTHERWISE NOTED	TITLE	RELEASED FOR ASSEMBLY
			LINEAR - XX	SCHEMATIC DIAGRAM	
			ANGULAR: - XXX	Q2000 CONTROL	
			SURFACE TREATMENT: ES	DETAIL: 7/11/70	SHEET 4 OF 4
				SCALE: OUTSIDE MAX INSIDE MAX	D
					84-20000D