

# Single-Axis Co-Locating Mount for Meraki APs and Wi-Fi Antennas



Ventev's Single-Axis Co-Locating Mount for Meraki access points (APs) and antennas simplifies deployments, improves network performance, and presents an aesthetically pleasing appearance.

*Every Ventev mount is RoHS compliant and is covered by Ventev's two-year TerraNet warranty program.*

**For more information or to purchase, contact Ventev:** 800.851.4965 or [sales@ventev.com](mailto:sales@ventev.com).

## SPECIFICATIONS

**SKU:** 294263

**Product Number:** TW-COLOMOUNT-MER

**Dimensions:** 15" X 10.07" X 5.41"

**Weight:** 2.5 lbs

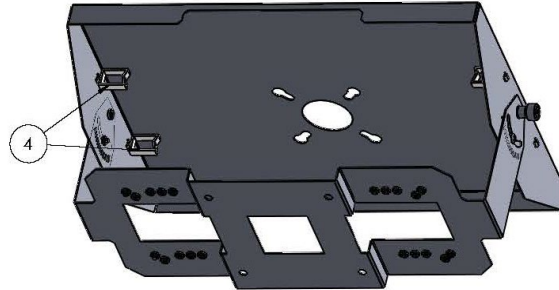
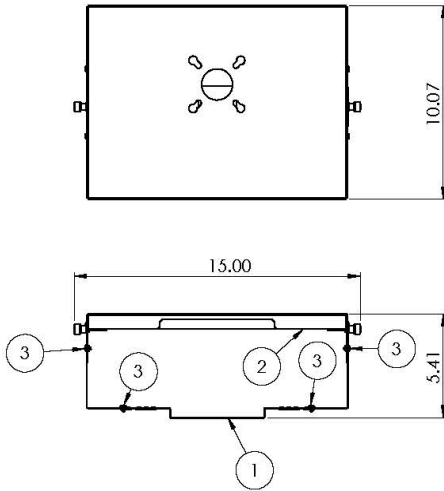
**Materials:** Powder-Coated Aluminum

Compatible Ventev Antennas
261287
Compatible Meraki Antennas
MA-ANT-3-C5, MA-ANT-3-C6, MA-ANT-3-E5, MA-ANT-3-E6, MA-ANT-3-F5, MA-ANT-3-F6

## FEATURES AND BENEFITS

- Installs AP and antenna together, making it an ideal choice for difficult locations, such as high ceilings
- Antenna mounting tray articulates +/-45 degrees for precise beam positioning
- Conceals the AP and cables
- Ideal for Auditoriums, Convention Centers, Aisles in Industrial Venues

# Single-Axis Co-Locating Mount for Meraki APs and Wi-Fi Antennas



ITEM NO.	DESCRIPTION	QUANTITY
1	Meraki Co-Lo Base PEM Assy	1
2	Antenna Tray PEM Assy	1
3	#6-32 Truss Head Screw	6
4	Holder, Cable, Push-In Mount for Max 5/8" Diameter Wire Bundle	4