

DATE 03-21-75

MST-1

PCARD DISCRETE WIRE EQUIVALENT LIST SEQUENCED BY NET NUMBER

PAGE 1

PART NO. 55548C2 E.C. NO. 824895 VERSION OCC SIZE SINGLE MACHINE 14C3SM15 LOCATION 01A-E1

PIN ID: #-I/O PIN *-I/O & LOGIC T-TERMINATING RES. V-VOLTAGE/GROUND NOTES: WIRE LENGTH IS IN TENTHS OF AN INCH. YELLOW WIRE LENGTH INCLUDES WIRE FOR WRAP. PLANES: 1-CARD SIDE SHALLOW 2-PCB SIDE SHALLOW 3-PCORE SIDE SHALLOW 4-PCORE SIDE SHALLOW WIRE TYPES: YEL-YELLOW, 3C-AG TWL-TWIN LEAD WRAP TH-TWIST PR CONNECT FIR-5C CHM TRI-LEAD NTR-90 CHM TRI-LEAD FTW-5C CHM TWIN LEAD RTW-5C CHM TWIN LEAD CX-CCAX CONNECTOR

Table with columns: NET NO., FROM PIN, P L, TO PIN, P L, WIRE TYP, WIRE LENGTH, FROM PIN, P L, TO PIN, P L, WIRE TYP, WIRE LENGTH, FROM PIN, P L, TO PIN, P L, WIRE TYP, WIRE LENGTH. Contains multiple columns of wire connection data.

PART NO. 5554802 E.C. NO. 824895 VERSION 000 SIZE SINGLE MACHINE 1403SM15 LOCATION 01A-B1

PIN ID: *-I/O PIN PLANES: 1-CARD SIDE SHALLO W 3-PCRE SIDE SHALLO W WIRE TYPES: YEL-YELLOW, 3C, AG NTR-SC CHM TPI-LEAD *-I/O & LOGIC 2-PCRE SIDE SHALLO W 4-PCRE SIDE SHALLO W THL-TWIN LEAD WRAP FTW-50 CHM THIN LEAD T-TERMINATING RES. W-DISCRETE OVERFLOW TH -TWIST PR CONNECT NTH-SC CHM THIN LEAD V-VOLTAGE/GROUND FTR-50 CHM TRI-LEAD CX -CCAX CONNECTOR

NOTES: WIRE LENGTH IS IN TENTHS OF AN INCH. YELLOW WIRE LENGTH INCLUDES WIRE FOR WRAP.

Table with columns: NET NO., FROM PIN, P L, TO PIN, P L, WIRE TYP, WIRE LNPTH, FROM PIN, P L, TO PIN, P L, WIRE TYP, WIRE LNPTH, FROM PIN, P L, TO PIN, P L, WIRE TYP, WIRE LNPTH. It lists wire connections for various components like FC752BK4, FC753AE2, etc.

DATE 03-21-75

MST-1

PCARD DISCRETE WIRE EQUIVALENT LIST SEQUENCED BY NET NUMBER

PAGE 3

PART NO. 5554802 E.C. NO. 824895 VERSICN CCC SIZE SINGLE MACHINE 14C3SM15 LOCATION CIA-E1

PIN ID: #-I/O PIN *-I/O & LOGIC T-TERMINATING RES. V-VOLTAGE/GROUND PLANES: 1-CARD SIDE SHALLOW 3-PCBE SIDE SHALLOW WIRE TYPES: YEL-YELLOW, 3C, AC NTR-5C CFM TRI-LEAD FTW-5C CFM TWIN LEAD MTH-5C CFM TWIN LEAD WTR-5C CFM TRI-LEAD GX-CCAX CONNECTOR

NOTES: WIRE LENGTH IS IN TENTHS OF AN INCH. YELLOW WIRE LENGTH INCLUDES WIRE FOR WRAP.

Table with 17 columns: NET NO., FROM PIN, P, TO PIN, P, WIRE L TYP, WIRE LNPTH, FROM PIN, P, TO PIN, P, WIRE L TYP, WIRE LNPTH, FROM PIN, P, TO PIN, P, WIRE L TYP, WIRE LNPTH. It contains a dense list of wire connections and their specifications.

DATE 03-21-75

PART NO. 5554802 E.C. NO. 824895 VERSION 000 SIZE SINGLE MACHINE 1403SM15 LOCATION CIA-E1

PIN ID: #-I/O PIN PLANES: 1-CARD SIDE SHALLOW 3-PCB SIDE SHALLOW WIRE TYPES: YEL-YELLOW, 30 GA. NTR-50 CFM TRIP-LEAD
*-I/O & LOGIC 2-PCB SIDE SHALLOW 4-PCB SIDE SHALLOW TWL-TWIN LEAD WRAP FTW-50 CFM TWIN LEAD
T-TERMINATING RES. W-DISCRETE OVERFLOW TH-TWIST PR CONNECT NTH-50 CFM TWIN LEAD
V-VOLTAGE/GROUND W-DISCRETE OVERFLOW FIR-50 CFM TRI-LEAD CY-CCAX CONNECTOR

NOTES: WIRE LENGTH IS IN TENTHS OF AN INCH. YELLOW WIRE LENGTH INCLUDES WIRE FOR WRAP.

Table with columns: NET NO., FROM PIN, P L, TO PIN, P L, WIRE TYP, WIRE LNTH, FROM PIN, P L, TO PIN, P L, WIRE TYP, WIRE LNTH, FROM PIN, P L, TO PIN, P L, WIRE TYP, WIRE LNTH. Contains multiple columns of wire connection data.

DATE 03-21-75

MST-1

BCARD DISCRETE WIRE EQUIVALENT LIST SEQUENCED BY NET NUMBER

PAGE 5

PART NO. 5554802

E.C. NO. 824895

VERSION 000

SIZE SINGLE

MACHINE 1403SM15

LOCATION 01A-E1

PIN ID: #-I/O PIN

*-I/O & LOGIC

T-TERMINATING RES.

V-VOLTAGE/GROUND

PLANES: 1-CARD SIDE SHALLOW

2-PCB SIDE SHALLOW

3-PCB SIDE SHALLOW

4-PCB SIDE SHALLOW

W-DISCRETE OVERFLOW

WIRE TYPES: YEL-YELLOW, 30, AG

TWL-TWIN LEAD WRAP

TH-TWIST FR CONNECT

FIR-50 CHM TRI-LEAD

NTR-90 CHM TRI-LEAD

FTW-50 CHM TWIN LEAD

NTH-90 CHM TWIN LEAD

CX-CCAX CONNECTOR

NOTES: WIRE LENGTH IS IN TENTHS OF AN INCH. YELLOW WIRE LENGTH INCLUDES WIRE FOR WRAP.

NET NO.	FROM PIN	P L	TO PIN	P L	WIRE TYP	WIRE LNPTH	FROM PIN	P L	TO PIN	P L	WIRE TYP	WIRE LNPTH	FROM PIN	P L	TO PIN	P L	WIRE TYP	WIRE LNPTH	
WPC10AD4	A6DC2#	W	B2B11	W	YEL	10.0	WP132AC4	U2B12	2	V3B02#	2	YEL	4.5						
	B2B11	2	A2D02#	2	YEL	5.0	WP132AC6	V3B04#	2	U3B03	2	YEL	4.5						
WPC10AD6	A2DC3#	1	B5D04	2	YEL	10.0	WP132AF2	U2B13	1	V3B05#	1	YEL	4.5						
	A6EC2#	1	B5D04	1	YEL	5.5	WP132AE4	U3B02	1	V3B06#	1	YEL	4.5						
WPC10AE2	A2DC5#	2	B5D03	2	YEL	9.0	WP132AE6	U3B05	2	V3B08#	2	YEL	4.5						
	B6BC2#	1	B5D03	2	YEL	7.0	WP132AF2	U3B09	2	V3B09#	2	YEL	4.5						
WPC10AE4	A2DC6#	2	B5B03	1	YEL	10.0	WP132AF4	U3B07	2	V3B10#	2	YEL	4.5						
	B5BC3	2	B6C02#	1	YEL	7.0	WP132AF6	U3C12	2	V3B12#	2	YEL	4.5						
WPC10AE6	A2DC7#	2	B4D13	2	YEL	9.0	WP132AG2	U3B13	2	V3B13#	2	YEL	4.5						
	B4C13	2	B6D02#	2	YEL	8.0	WP132AC4	U2C12	2	V3C02#	2	YEL	4.5						
WPC10AF2	A2DC9#	1	B3B07	2	YEL	5.5	WP132AC6	U2C13	2	V5C02#	2	YEL	6.0						
	C6AC2#	1	B3B07	1	YEL	9.0	WP132AF2	U5B03	2	V3C05#	2	YEL	6.0						
WPC10AF4	B3DC5	2	A2D10#	2	YEL	5.0	WP132AF4	U4B12	2	V3C06#	2	YEL	7.0						
	C6BC2#	1	B3D05	1	YEL	9.0	WP132AH6	U3B04	2	V3C07#	2	YEL	5.0						
WPC10AF6	C6CC2#	2	B3D04	2	YEL	10.0	WP132AJ2	U3C09	2	V3C09#	2	YEL	4.5						
	A2D11#	2	B3D04	1	YEL	7.0	WP132AJ4	U4C12	2	V3C10#	2	YEL	6.0						
WPC10AG2	B3BC2	2	C6E02#	1	YEL	10.0	WP132AJ6	U3B11	2	V3C11#	2	YEL	4.5						
	B3BC2	2	A2D13#	2	YEL	4.5	WP132AK2	U4C13	2	V3C13#	2	YEL	6.0						
WPC10AG4	A6DC4#	1	B2D02	2	YEL	13.0	WP132AL2	U5B02	2	V5B13#	2	YEL	5.5						
	B2DC2	2	A2B02#	2	YEL	4.5													
WPC10AG6	J2BC9	1	A3B06#	1	YEL	10.0													
	E6DG4#	1	J2B09	1	YEL	12.0													
WPC10AH2	J2C12	2	A3B08#	2	YEL	10.0													
	F6AC4#	1	J2D12	1	YEL	12.0													
WPC10AH4	A3BC9#	2	J2D10	2	YEL	11.0													
	F6BC4#	1	J2D10	1	YEL	12.0													
WPC10AH6	A3BC4#	2	M4D10	2	YEL	13.0													
	M4D10	1	E6B04#	1	YEL	11.0													
WPC10AJ2	B6AG4#	W	F3D07	W	YEL	10.0													
	F3DC7	1	A2B04#	2	YEL	9.0													
WPC10AJ4	F3BC7	W	B6B04#	W	YEL	9.0													
	A2BC5#	W	F3B07	W	YEL	8.0													
WPC10AJ6	G2B10	1	B6C04#	1	YEL	13.0													
	G2B10	2	A2B06#	1	YEL	9.0													
WPC10AK2	G2DC9	2	B6E04#	1	YEL	13.0													
	G2DC9	2	A2B08#	2	YEL	8.0													
WPC10AK4	F6CC4#	2	J5D06	2	YEL	7.0													
	A3B10#	2	J5D06	2	YEL	12.0													
WPC10AK6	A3B12#	1	F6E04#	1	YEL	11.0													
WPC10AL2	A3BC5#	W	F5D11	W	YEL	9.0													
	F5D11	2	E6C04#	1	YEL	7.0													
WPC10AL4	J5DC7	W	N6E04#	W	YEL	7.0													
	A5B13#	W	J5D07	W	YEL	9.0													
WPC10AL6	F3BC8	W	C6A04#	W	YEL	9.0													
	A2BC9#	W	F3B08	W	YEL	8.0													
WPC10AM2	A2B10#	W	F3B13	W	YEL	8.0													
	F3B13	2	C6B04#	1	YEL	10.0													
WPC10AM4	A2B12#	2	F3D12	2	YEL	9.0													
	C6DC4#	1	F3D12	1	YEL	10.0													
WPC10AM6	F3D13	1	C6E04#	1	YEL	10.0													
	F3D13	2	A2B13#	2	YEL	10.0													
WPC10AN2	G6A04#	1	E4B03	2	YEL	8.0													
	A3B13#	2	E4B03	2	YEL	7.0													
WP132AB2	U5B04	2	V5D06#	2	YEL	4.5													
WP132AB4	U5B05	2	V5D05#	2	YEL	4.5													
WP132AB6	U5DC9	2	V5D07#	2	YEL	4.5													
WP132AC1	U5BC9	2	V5D09#	2	YEL	4.5													
WP132AC3	U5B11	2	V5D10#	2	YEL	4.5													
WP132AC5	U5D12	2	V5D11#	2	YEL	4.5													
WP132AC7	U5B13	2	V5D13#	2	YEL	4.5													

END OF LIST

DATE C3-21-75

MST-1

BOARD DISCRETE WIRE EQUIVALENT LIST SEQUENCED BY PIN NUMBER

PAGE 1

PART NO. 5554802 E.C. NO. 824895 VERSION OCC SIZE SINGLE MACHINE 1403SM15 LOCATION C1A-B1

PIN ID: #-I/O PIN
*-I/O & LCGIC
V-VOLTAGE/GROUND

NOTE: *T FOLLOWING PIN LOCATION INDICATES TERMINATING RESISTOR

Table with 14 columns: PIN, NET NO., PIN, NET NO., PIN, NET NO., PIN, NET NO., PIN, NET NO., PIN, NET NO., PIN, NET NO. The table lists discrete wire equivalents for various components, including resistors and capacitors, organized by pin number and net number.

DATE 03-21-75

MST-1

BCARD DISCRETE WIRE EQUIVALENT LIST SEQUENCED BY PIN NUMBER

PAGE 2

PART NO. 5554802

E.C. NO. 824895

VERSION 000

SIZE SINGLE

MACHINE 14C3SM15

LOCATION C1A-E1

PIN ID: *-I/O PIN
*-I/O & LCGIC
V-VOLTAGE/GROUND

NOTE: *T* FOLLOWING PIN LOCATION INDICATES TERMINATING RESISTOR

Table with 14 columns: PIN, NET NO., PIN, NET NO., PIN, NET NO., PIN, NET NO., PIN, NET NO., PIN, NET NO., PIN, NET NO. It lists wire connections between various components like resistors (R), capacitors (C), inductors (L), and integrated circuits (IC).

DATE C3-21-75

PART NO. 5554802 E.C. NO. 824895 VERSION OCC SIZE SINGLE MACHINE 1403SM15 LOCATION C1A-B1

PIN ID: #-I/O PIN
*-I/O & LOGIC
V-VOLTAGE/GROUND

NOTE: *T* FOLLOWING PIN LOCATION INDICATES TERMINATING RESISTOR

PIN	NET NO.	PIN	NET NO.	PIN	NET NO.	PIN	NET NO.	PIN	NET NO.	PIN	NET NO.	PIN	NET NO.
T5C05	FQ785AS6	U4B09	FC722AK6	V2D04	FC922AM3	V4C11#	FC276BV4						
T5C06	FQ891AQ6	U4B10	FC722BG2	V2D05#	FC274AR4	V4C12	FC922AP6						
T5C07	FQ275BU4	U4B11	FC722BA2	V2D06#	FC274BB4	V4C13#	FC276BX4						
T5C10	FQ276AP4	U4B12	WP132AH4	V2C07#	FC275AJ4	V5B02#	FC276BF4						
T5C11	FQ276BB4	U4B13	FC931BK4	V2C09#	FC275A4	V5B03	FC922AC2						
T5C12	FQ276BS4	U4C06	FC922BS4	V2C10#	FC275AC4	V5B04#	FC275BU4						
T5C13	FQ276AH4	U4D02	FC721AM6	V2C11#	FC275AR4	V5B05#	FC275BH4						
U2B02	FC711AH6	U4D03	FC721BH6	V2C12	FC922AM6	V5B06#	FC275BX4						
U2B03	FQ711AK6	U4D04	FC721BH2	V2D13#	FC275BB4	V5B07	FC922AC4						
U2B04	FC711AK2	U4D05	FC721AM2	V3B02#	WP132AC4	V5PC8#	FC275BZ4						
U2B05	FQ711AH2	U4D06	FC722BA6	V3B03	FC922AN2	V5B11	FC922AC5						
U2B06	FC922BN4	U4C07	FC722AH6	V3B04#	WP132AC6	V5P13#	WP132AL2						
U2B07	FQ712BG6	U4D09	FC932AN4	V3B05#	WP132AE2	V5C03	FC922AQ2						
U2B09	FQ712AK6	U4D10	FC932AN4	V3B06#	WP132AE4	V5C04	FC922AC3						
U2B10	FQ712BG2	U4D11	FC722AH2	V3B07	FC922AN4	V5C07	FC922AC4						
U2B11	FQ712BA2	U4D12	WP132AJ4	V3B08#	WP132AE6	V5C11	FC922AC5						
U2B12	WP132AD4	U4D13	WP132AK2	V3B09#	WP132AF2	V5C12	FC922AC6						
U2B13	WP132AE2	U5B02	WP132AL2	V3B10#	WP132AF4	V5C02#	WP132AG6						
U2C06	FC922BN4	U5B03	WP132AH2	V3B11	FC922AN5	V5C04	FC922AC3						
U2C02	FQ711AM6	U5B04	WP132AB2	V3B12#	WP132AF6	V5C05#	WP132AB4						
U2C03	FQ711BH6	U5B05	WP132AB4	V3B13#	WP132AG2	V5C06#	WP132AB2						
U2C04	FQ711BH2	U5B06	FC922BU4	V3C03	FC922AN2	V5C07#	WP132AB6						
U2C05	FC711AM2	U5B07	FC931BK4	V3C04	FC922AN3	V5C09#	WP132AC1						
U2C06	FQ712BA6	U5B08	FC721BF2	V3C07	FC922AN4	V5C10#	WP132AC3						
U2C07	FQ712AH6	U5B09	WP132AC1	V3C11	FC922AN5	V5C11#	WP132AC5						
U2C09	FC932AL4	U5B10	FC771AX4	V3C12	FC922AN6	V5C12	FC922AC6						
U2C10	FQ932AL4	U5E11	WP132AC3	V3C02#	WP132AG4	V5C13#	WP132AC7						
U2C11	FQ712AH2	U5B12	FC721BD2	V3C04	FC922AN3								
U2C12	WP132AG4	U5B13	WP132AC7	V3C05#	WP132AF2								
U2C13	WP132AG6	U5C06	FC922BL4	V3C06#	WP132AF4								
U3B02	WP132AE4	U5D02	FC722BE6	V3C07#	WP132AF6								
U3B03	WP132AD6	U5D03	FC722BE2	V3C09#	WP132AJ2								
U3B04	WP132AH6	U5D04	FC722BC2	V3D10#	WP132AJ4								
U3B05	WP132AE6	U5D05	FC721BF6	V3D11#	WP132AJ6								
U3B06	FC922BQ4	U5D06	FC722AM6	V3C12	FC922AN6								
U3B07	WP132AF4	U5D07	FC722AM2	V3C13#	WP132AK2								
U3B08	FQ711BF2	U5D09	WP132AB6	V4B02#	FC275BC4								
U3B09	WP132AF2	U5D10	FC721BB6	V4B03	FC922AP2								
U3B10	FQ881BS4	U5D11	FC721BD6	V4B04#	FC275BF4								
U3B11	WP132AJ6	U5D12	WP132AC5	V4B05#	FC275BJ4								
U3B12	FC711BD2	U5D13	FC721BB2	V4B06#	FC274BM4								
U3B13	WP132AG2	V2B02#	FC273AJ4	V4BC7	FC922AP4								
U3CC6	V	FQ922BQ4	FC922AM2	V4B08#	FC274BJ4								
U3CC2	FQ712BE6	V2B04#	FC273AM4	V4B09#	FC274BG4								
U3CC3	FQ712BE2	V2B05#	FC273AC4	V4B10#	FC274BE4								
U3CC4	FQ712BC2	V2B06#	FC273AR4	V4B11	FC922AP5								
U3CC5	FQ711BF6	V2B07	FC922AM4	V4B12#	FC276AF4								
U3CC6	FQ712AM6	V2B08#	FC273BB4	V4B13#	FC276AL4								
U3CC7	FQ712AM2	V2B09#	FC273BC4	V4C03	FC922AP2								
U3C09	WP132AJ2	V2B10#	FC273RE4	V4C04	FC922AP3								
U3C10	FQ711BB6	V2B11	FC922AM5	V4C07	FC922AP4								
U3C11	FQ711BD6	V2B12#	FC273BH4	V4C11	FC922AP5								
U3C12	WP132AF6	V2B13#	FC274AJ4	V4C12	FC922AP6								
U3C13	FQ711BB2	V2C03	FC922AM2	V4C02#	FC276AP4								
U4B02	FQ721AH6	V2C04	FC922AM3	V4C03#	FC276AY4								
U4B03	FQ721AK6	V2C07	FC922AM4	V4D04	FC922AP3								
U4B04	FQ721AK2	V2C11	FC922AM5	V4C05#	FC276BA4								
U4B05	FQ721AH2	V2C12	FC922AM6	V4C06#	FC276BB4								
U4B06	FQ922BS4	V2D02#	FC274AM4	V4D07#	FC276BC4								
U4B07	FQ722BG6	V2D03#	FC274AC4	V4D10#	FC276BS4								

PART NO. 5554802

E.C. NO. 824895

VERSION CCG

SIZE SINGLE

MACHINE 14C3SM15

LOCATION CIA-B1

A2C06 -4.0
 B2C06 -4.0
 B4C06 -4.0
 C3C06 -4.0
 D2B06 -4.0
 D6C02 -4.0
 F2B06 -4.0
 G1D10 -4.0
 G6C05 -4.0
 H5B06 -4.0
 K1E13 -4.0
 K6E05 -4.0
 L5B06 -4.0
 M5B06 -4.0
 P1B13 -4.0
 P5B06 -4.0
 Q4B06 -4.0
 R5B06 -4.0
 S4B06 -4.0
 T3C06 -4.0
 U3A14 -4.0
 U4E01 -4.0
 V4C06 -4.0
 A1E13 GND
 A2C12 GND
 A3C11 GND
 A4C07 GND
 A5C04 GND
 A6E04 GND
 B2C04 GND
 B2E14 GND
 B3C11 GND
 B4C03 GND
 B4C08 GND
 B5C07 GND
 B6C04 GND
 C2C04 GND
 C3C03 GND
 C3D08 GND
 C4C12 GND
 C5C11 GND
 D1B10 GND
 D5C08 GND
 E1E13 GND
 E6A04 GND
 F1E11 GND
 F6A02 GND
 G2D08 GND
 G6C05 GND
 H4C08 GND
 J1B11 GND
 J5C08 GND
 K1E10 GND
 K6A02 GND
 L3D08 GND
 M1A11 GND
 M4C08 GND
 N1C13 GND
 N5C08 GND
 P2C08 GND

A3C06 -4.0
 B3A14 -4.0
 B4E01 -4.0
 C4C06 -4.0
 D3B06 -4.0
 E2B06 -4.0
 F3B06 -4.0
 G2B06 -4.0
 G6D02 -4.0
 J2B06 -4.0
 K2B06 -4.0
 L1A10 -4.0
 L6A02 -4.0
 N2B06 -4.0
 P1C10 -4.0
 P6B05 -4.0
 Q5B06 -4.0
 S1C13 -4.0
 S5B06 -4.0
 T4C06 -4.0
 U3C06 -4.0
 U5C06 -4.0
 V5C06 -4.0
 A2C03 GND
 A2D08 GND
 A3C12 GND
 A4C11 GND
 A5C07 GND
 B1A11 GND
 B2C07 GND
 B3A01 GND
 B3C12 GND
 B4C04 GND
 B4E14 GND
 B5C11 GND
 B6E02 GND
 C2C07 GND
 C3C04 GND
 C4C03 GND
 C4D02 GND
 C5C12 GND
 D1C13 GND
 J6B02 GND
 E2D08 GND
 E6B02 GND
 F2D08 GND
 F6D04 GND
 G3D08 GND
 H1B13 GND
 H5D08 GND
 J1E13 GND
 J6A04 GND
 K2D08 GND
 K6E02 GND
 L4D08 GND
 M1D13 GND
 M5D08 GND
 N1D11 GND
 N6C04 GND
 P3D08 GND

A4C06 -4.0
 B3C06 -4.0
 B5C06 -4.0
 C5C06 -4.0
 D4B06 -4.0
 E3B06 -4.0
 F4B06 -4.0
 G3B06 -4.0
 H2B06 -4.0
 J3B06 -4.0
 K3B06 -4.0
 L2B06 -4.0
 M2B06 -4.0
 N3B06 -4.0
 P2B06 -4.0
 P6C02 -4.0
 R2B06 -4.0
 S1C10 -4.0
 S6C05 -4.0
 T5C06 -4.0
 U3E01 -4.0
 U5E01 -4.0
 A2C04 GND
 A3C03 GND
 A3C08 GND
 A4C12 GND
 A5C11 GND
 B1C13 GND
 B2C11 GND
 B3C03 GND
 B3D08 GND
 B4C07 GND
 B5A01 GND
 B5C12 GND
 C1C13 GND
 C2C11 GND
 C3C07 GND
 C4C04 GND
 C5C03 GND
 C5D08 GND
 D2C08 GND
 D6C05 GND
 E3C08 GND
 E6E04 GND
 F3C08 GND
 F6E02 GND
 G4C08 GND
 H1C11 GND
 H6B04 GND
 J2C08 GND
 J6B02 GND
 K3C08 GND
 L1A13 GND
 L5C08 GND
 M1E11 GND
 M6A02 GND
 N2C08 GND
 N6D02 GND
 P4C08 GND

VCLTAGE PINS

A5C06 -4.0
 B3E01 -4.0
 B5E01 -4.0
 C1B13 -4.0
 D5B06 -4.0
 E4B06 -4.0
 F5B06 -4.0
 G4B06 -4.0
 H3B06 -4.0
 J4B06 -4.0
 K4B06 -4.0
 L3B06 -4.0
 M3B06 -4.0
 N4B06 -4.0
 P3B06 -4.0
 Q2B06 -4.0
 R3B06 -4.0
 S2B06 -4.0
 S6C02 -4.0
 L2A14 -4.0
 L4A14 -4.0
 V2C06 -4.0
 A2C07 GND
 A3C04 GND
 A4C03 GND
 A4C06 GND
 A5C12 GND
 B1E11 GND
 B2C12 GND
 B3C04 GND
 B3E14 GND
 B4C11 GND
 B5C03 GND
 B5D08 GND
 C1D11 GND
 C2C12 GND
 C3C11 GND
 C4C07 GND
 C5C04 GND
 C6C04 GND
 D3D08 GND
 E1A13 GND
 E4D08 GND
 F1A11 GND
 F4D08 GND
 G1C10 GND
 G5C08 GND
 H2D08 GND
 J6C02 GND
 J6E04 GND
 K4D08 GND
 L1E13 GND
 L6A05 GND
 M2D08 GND
 M6D04 GND
 N3D08 GND
 P1B10 GND
 P5D08 GND

B2A14 -4.0
 B4A14 -4.0
 C2C06 -4.0
 D1C10 -4.0
 D6B05 -4.0
 E5B06 -4.0
 G1C13 -4.0
 G5B06 -4.0
 H4B06 -4.0
 J5B06 -4.0
 K5B06 -4.0
 L4B06 -4.0
 M4B06 -4.0
 N5B06 -4.0
 P4B06 -4.0
 Q3B06 -4.0
 R4B06 -4.0
 S3B06 -4.0
 T2C06 -4.0
 L2C06 -4.0
 L4C06 -4.0
 V3C06 -4.0
 A2C11 GND
 A3C07 GND
 A4C04 GND
 A5C03 GND
 A5C08 GND
 B2C03 GND
 B2C08 GND
 B3C07 GND
 B4A01 GND
 B4C12 GND
 B5C04 GND
 B6A02 GND
 C2C03 GND
 C2C08 GND
 C3C12 GND
 C4C11 GND
 C5C07 GND
 C6C02 GND
 D4D08 GND
 E1B11 GND
 E5C08 GND
 F1C13 GND
 F5C08 GND
 G1C13 GND
 G6C02 GND
 H3C08 GND
 J1A13 GND
 J4C08 GND
 K1A11 GND
 K5C08 GND
 L2C08 GND
 L6E04 GND
 M3E08 GND
 M6E02 GND
 N4C08 GND
 P1C13 GND
 P6B02 GND

PART NO.	5554802	E.C. NO.	824895	VERSION	000	SIZE	SINGLE	MACHINE	14C3SM15	LOCATION	CIA-B1
P6C05	GND	C1A13	GND	C1B11	GND	VOLTAGE PINS		C1E13	GND	C2C08	GND
Q3C08	GND	Q4D08	GND	C5C08	GND			C6AC4	GND	C6B02	GND
Q6E04	GND	R1A11	GND	R1C13	GND			R1E11	GND	R2C08	GND
R3C08	GND	R4D08	GND	R5C08	GND			R6AC2	GND	R6C04	GND
R6E02	GND	S1C10	GND	S1C13	GND			S2C08	GND	S3C08	GND
S4C08	GND	S5D08	GND	S6C02	GND			S6C05	GND	T1B13	GND
T1C11	GND	T2C03	GND	T2C04	GND			T2C07	GND	T2C11	GND
T2C12	GND	T2D08	GND	T3C03	GND			T3C04	GND	T3C07	GND
T3C11	GND	T3C12	GND	T3C08	GND			T4C03	GND	T4C04	GND
T4C07	GND	T4C11	GND	T4C12	GND			T4D0E	GND	T5C03	GND
T5C04	GND	T5C07	GND	T5C11	GND			T5C12	GND	T5C08	GND
T6B04	GND	T6C02	GND	U1A13	GND			U1B11	GND	U1E13	GND
U2C03	GND	U2C04	GND	U2C07	GND			U2C11	GND	U2C12	GND
U2C08	GND	U2E14	GND	U3A01	GND			U3C03	GND	U3C04	GND
U3C07	GND	U3C11	GND	U3C12	GND			U3D0E	GND	U3E14	GND
U4A01	GND	U4C03	GND	U4C04	GND			U4C07	GND	U4C11	GND
U4C12	GND	U4D03	GND	U4E14	GND			U5AC1	GND	U5C03	GND
U5C04	GND	U5C07	GND	U5C11	GND			U5C12	GND	U5C08	GND
U6A04	GND	U6B02	GND	U6E04	GND			V1A11	GND	V2C03	GND
V2C04	GND	V2C07	GND	V2C11	GND			V2C12	GND	V2C08	GND
V3C03	GND	V3C04	GND	V3C07	GND			V3C11	GND	V3C12	GND
V3C08	GND	V4C03	GND	V4C04	GND			V4C07	GND	V4C11	GND
V4C12	GND	V4D08	GND	V5C03	GND			V5C04	GND	V5C07	GND
V5C11	GND	V5C12	GND	V5C08	GND			V6AC2	GND		

FOR ANY VOLTAGE PIN NOT INDICATED IN THE VOLTAGE PIN LIST, USE THE NET NUMBER TO LOCATE THE ALC PAGE FOR DETERMINING THE VOLTAGE INFORMATION

END OF LIST

Table listing components for L6, including connectors (D02, D04, E02), cards (C02, C04), and various pin configurations (e.g., FQ756 00 01 03 04 05 06).

Table listing components for L6, including connectors (D02, D04, E04), cards (C02, C04), and various pin configurations (e.g., FQ881 00 01 02 03 04 05).

Table listing components for L6, including connectors (D02, D04, E02), cards (C02, C04), and various pin configurations (e.g., FQ884 01 02 03 04 05 06).

Table listing components for L6, including connectors (D02, D04, E04), cards (C02, C04), and various pin configurations (e.g., FQ902 00 01 02 03 04 05 06 07).

Table listing components for L6, including connectors (D02, D04, E04), cards (C02, C04), and various pin configurations (e.g., FQ905 10 11 12 13 14 15 16 17 18).

Table listing components for L6, including connectors (D02, D04, E04), cards (C02, C04), and various pin configurations (e.g., FQ421 01).

Table listing components for L6, including connectors (D02, D04, E04), cards (C02, C04), and various pin configurations (e.g., FQ272 04 05).

Table listing components for L6, including connectors (D02, D04, E04), cards (C02, C04), and various pin configurations (e.g., FQ722 10 11 12 13 14 15 16 17 18).

Table listing components for L6, including connectors (D09, D10, D11, D13).

Table listing components for L6, including connectors (D02, D04, D05, D06, D07, D08, D09, D10, D11, D12, D13).

Table listing components for L6, including connectors (D02, D04, D05, D06, D07, D08, D09, D10, D11, D12, D13).

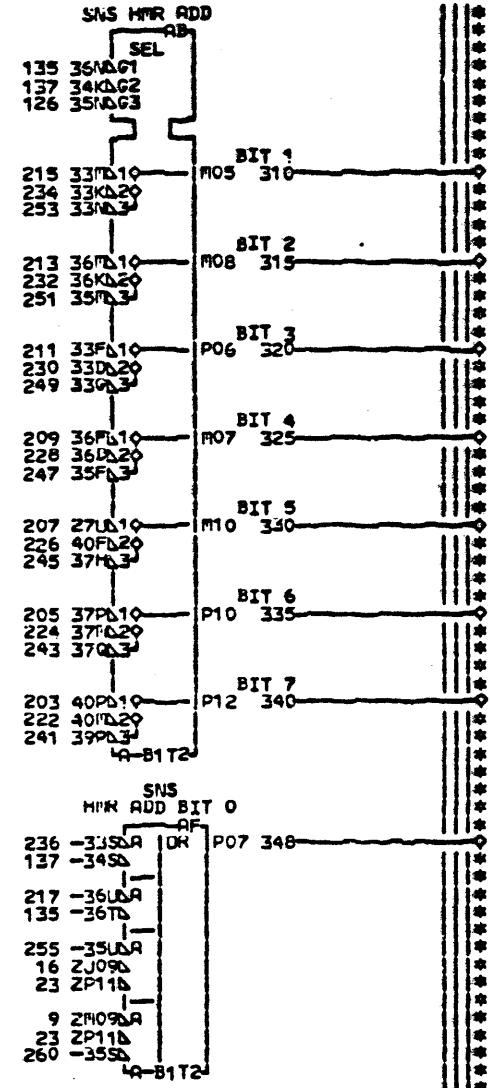
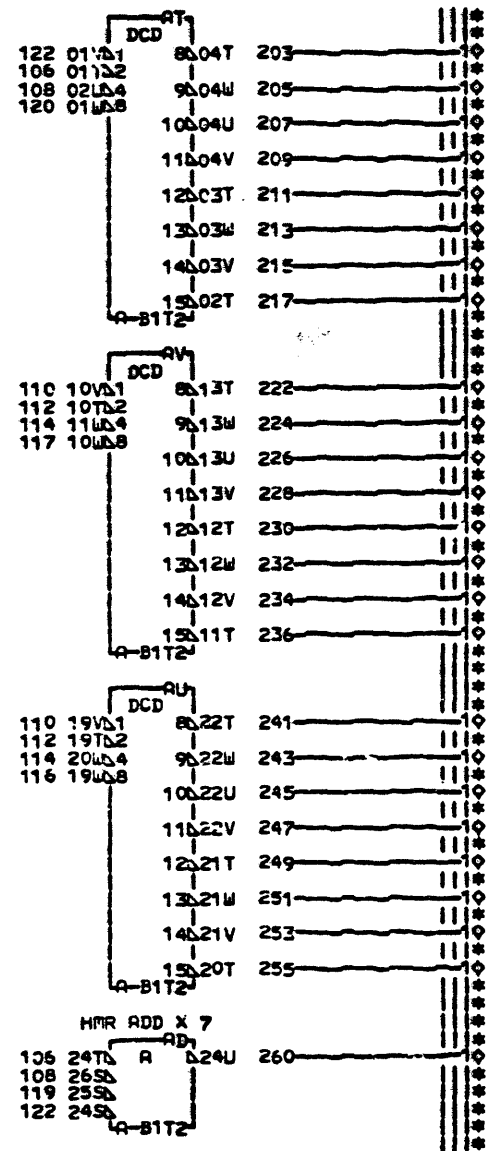
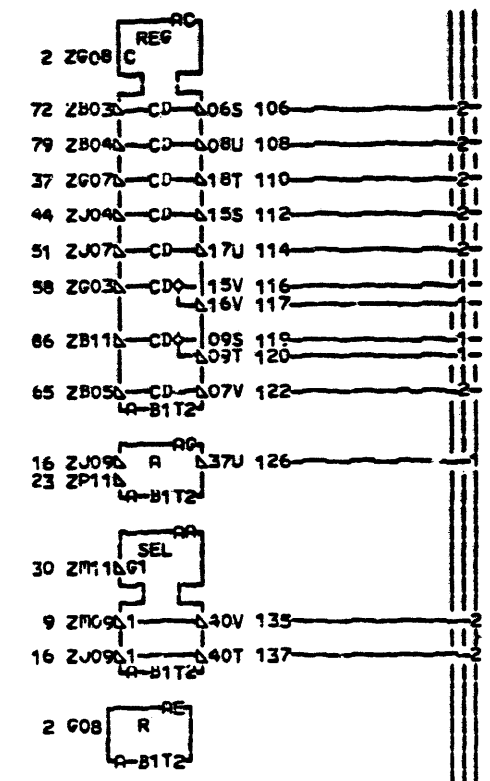
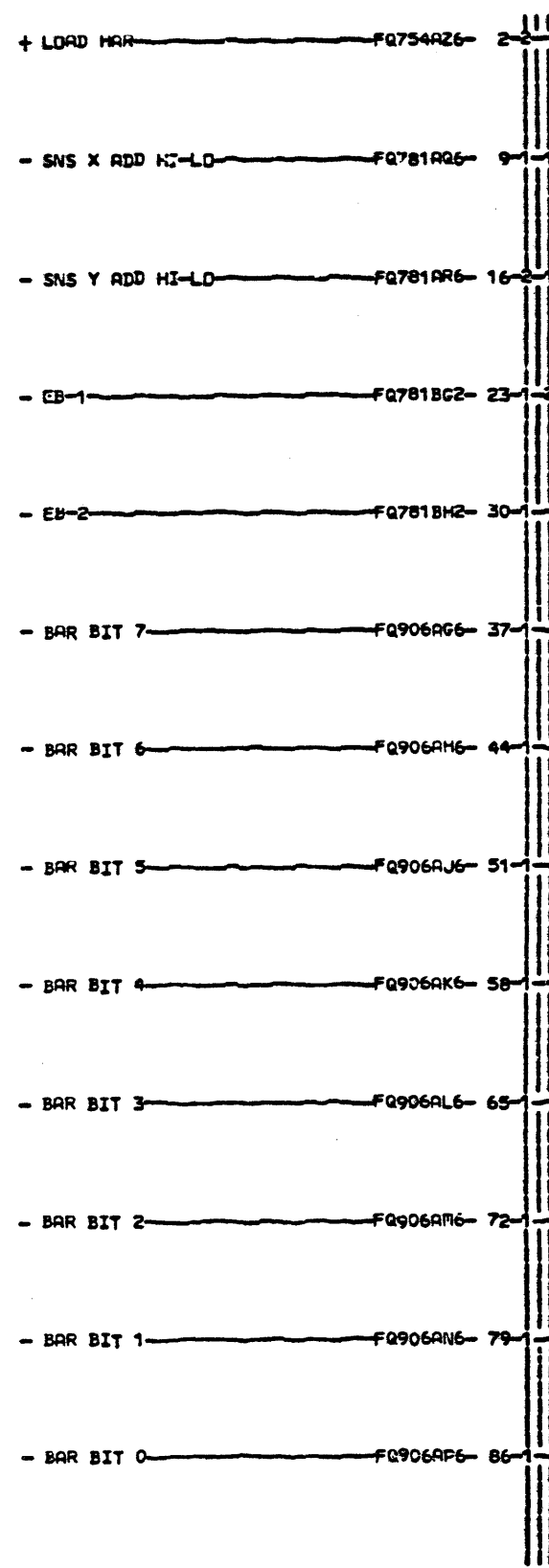
Table listing components for L6, including connectors (D02, D04, D05, D06, D07, D08, D09, D10, D11, D12, D13).

Table listing components for L6, including connectors (D02, D04, D05, D06, D07, D08, D09, D10, D11, D12, D13).

Table listing components for L6, including connectors (D02, D04, D05, D06, D07, D08, D09, D10, D11, D12, D13).

PLUG LIST table with columns: PART NO, ACC, TYPE, SOCKETS, TOTAL. Lists various part numbers and their corresponding socket counts.

SOCKET LISTING
DATE 01-22-75
LOG 0337 BOARD 01A-01
PREP ENGR 07-16-73 821659
PRES ENGR 12-31-74 824895
Pete 5555774
IBM CORP. SDD BLK.



*** FQ271 ***	000 FQ271 FQ272
260 - HRR ADD X 7	FQ273-AS6
217 - HRR ADD X F	FQ274-AT0
203 - HRR ADD X 8	FQ273-AT3
205 - HRR ADD X 9	FQ273-AT4
207 - HRR ADD X A	FQ273-AT5
209 - HRR ADD X B	FQ273-AT6
211 - HRR ADD X C	FQ273-AT7
213 - HRR ADD X D	FQ273-AT8
215 - HRR ADD X E	FQ273-AT9
255 - HRR ADD Y 7	FQ275-AU0
241 - HRR ADD Y 0	FQ274-AU3
243 - HRR ADD Y 1	FQ274-AU4
245 - HRR ADD Y 2	FQ274-AU5
247 - HRR ADD Y 3	FQ274-AU6
249 - HRR ADD Y 4	FQ275-AU7
251 - HRR ADD Y 5	FQ275-AU8
253 - HRR ADD Y 6	FQ275-AU9
236 - HRR ADD Y F	FQ274-AV0
222 - HRR ADD Y 8	FQ275-AV3
224 - HRR ADD Y 9	FQ275-AV4
226 - HRR ADD Y A	FQ275-AV5
228 - HRR ADD Y B	FQ275-AV6
230 - HRR ADD Y C	FQ274-AV7
232 - HRR ADD Y D	FQ274-AV8
234 - HRR ADD Y E	FQ274-AV9
*** FQ272 ***	
320 + SNS HRR ADD BIT 3	FQ841-AA2
325 + SNS HRR ADD BIT 4	FQ842-AB2
335 + SNS HRR ADD BIT 6	FQ842-AC2
348 + SNS HRR ADD BIT 0	FQ841-AD2
310 + SNS HRR ADD BIT 1	FQ841-AE2
315 + SNS HRR ADD BIT 2	FQ841-AF2
340 + SNS HRR ADD BIT 7	FQ842-AG2
330 + SNS HRR ADD BIT 5	FQ842-AQ4

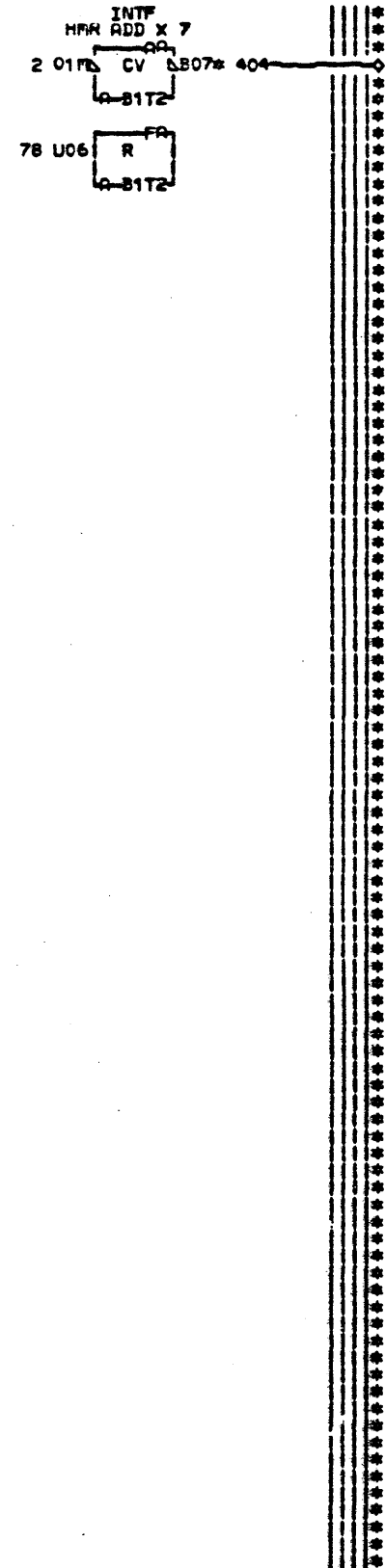
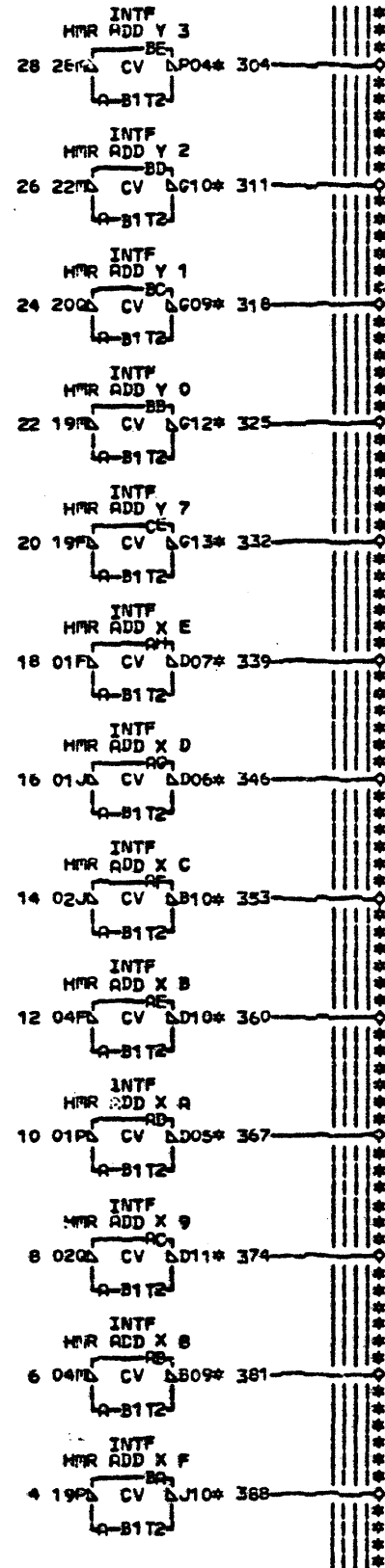
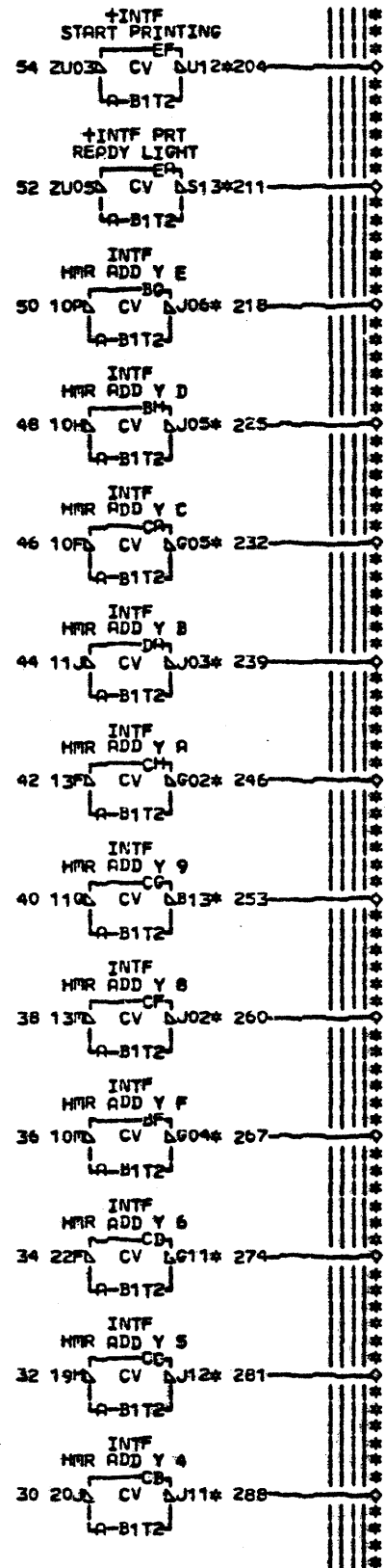
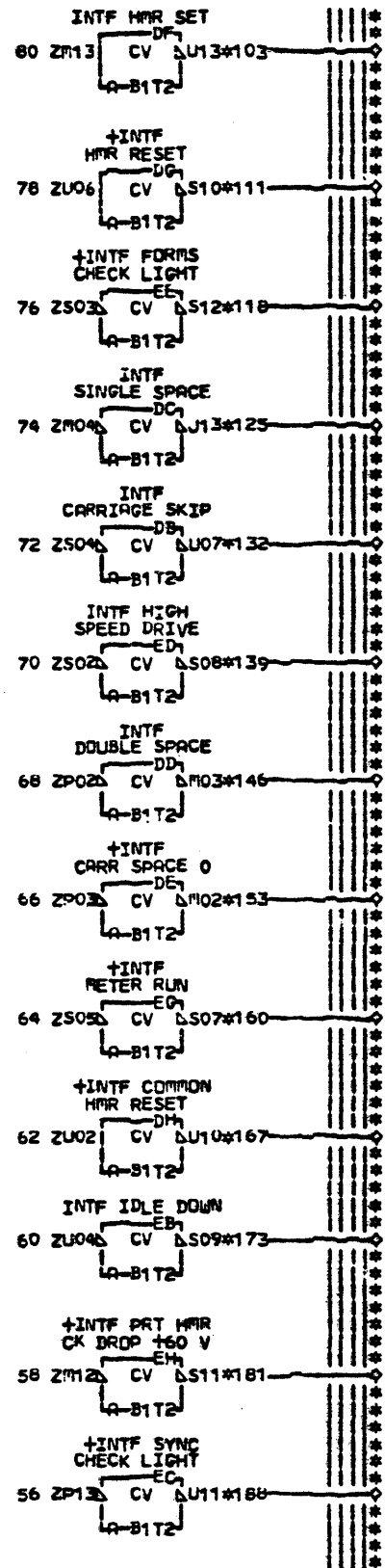
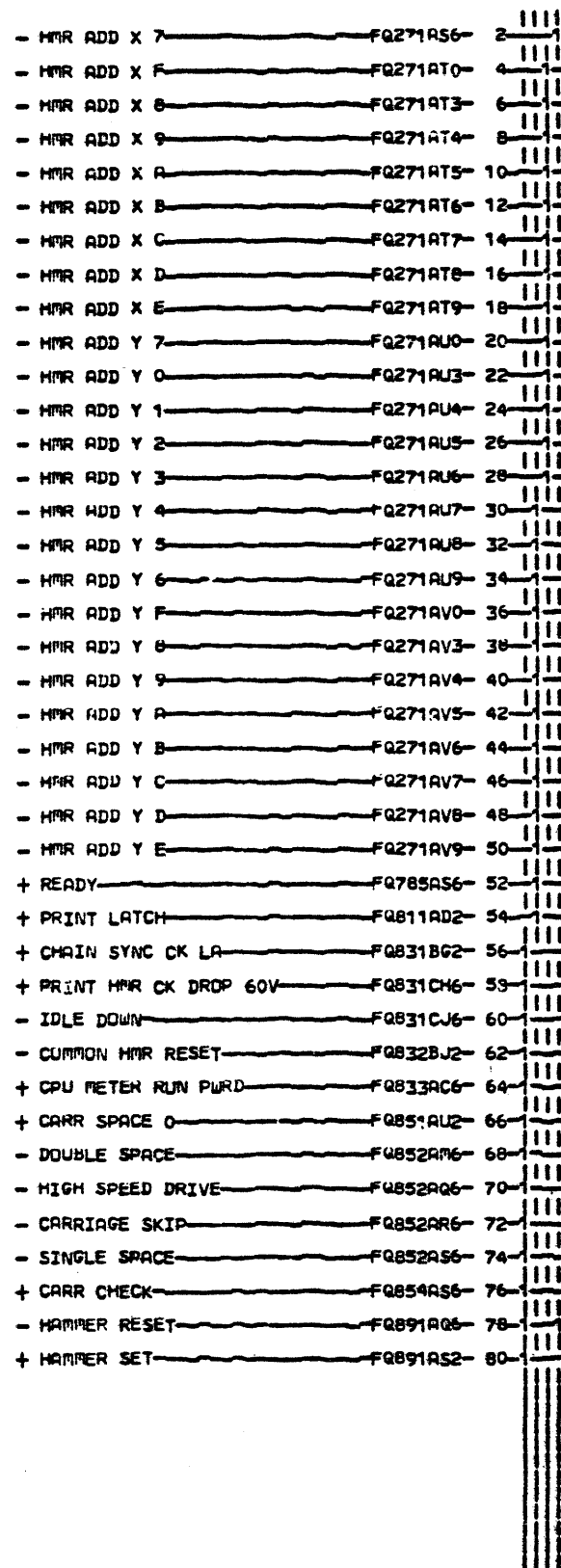
FQ271
FQ272
000

LUC. TYPE
R-81T2 8427

PAGE VER EC LEV
FQ271 000 821457
FQ272 000 821457

THIS DOCUMENT IS IBM CONFIDENTIAL
UNTIL ANNOUNCEMENT DECLASSIFY
THEREAFTER.

HRR AND HRR DCD	FRAME 01	FQ271
SNS HRR ADDR BITS 0 TO 7	IBM CORP. GSD	FQ272
E.C. HISTORY	MAC# 1403SR15	
DATE LAST EC	PaN. 5555778	000
06-01-73 821457		



000 FQ273 FQ276

404 - INTF MMR ADD X 7	WP130-AJ4
381 - INTF MMR ADD X 8	WP130-AM4
374 - INTF MMR ADD X 9	WP130-AQ4
367 - INTF MMR ADD X A	WP130-AR4
360 - INTF MMR ADD X B	WP130-BB4
353 - INTF MMR ADD X C	WP130-BC4
346 - INTF MMR ADD X D	WP130-BE4
339 - INTF MMR ADD X E	WP130-BH4
*** FQ274 ***	
388 - INTF MMR ADD X F	WP130-AJ4
325 - INTF MMR ADD Y 0	WP130-AM4
318 - INTF MMR ADD Y 1	WP130-AQ4
311 - INTF MMR ADD Y 2	WP130-AR4
304 - INTF MMR ADD Y 3	WP130-BB4
267 - INTF MMR ADD Y F	WP130-BE4
218 - INTF MMR ADD Y E	WP130-BG4
225 - INTF MMR ADD Y D	WP130-BJ4
232 - INTF MMR ADD Y C	WP130-BM4
*** FQ275 ***	
288 - INTF MMR ADD Y 4	WP130-AJ4
281 - INTF MMR ADD Y 5	WP130-AM4
274 - INTF MMR ADD Y 6	WP130-AQ4
332 - INTF MMR ADD Y 7	WP130-AR4
260 - INTF MMR ADD Y 8	WP130-BB4
253 - INTF MMR ADD Y 9	WP130-BC4
246 - INTF MMR ADD Y A	WP130-BF4
239 - INTF MMR ADD Y B	WP130-BJ4
132 - INTF CARRIAGE SKIP	WP130-BU4
125 - INTF SINGLE SPACE	WP130-BV4
146 - INTF DOUBLE SPACE	WP130-BX4
153 + INTF CARR SPACE 0	WP130-BZ4
*** FQ276 ***	
103 - INTF MMR SET	WP130-AM4
111 + INTF MMR RESET	WP130-AL4
167 + INTF COMMON MMR RESET	WP130-AP4
211 + INTF PRT READY LIGHT	WP130-AY4
173 - INTF IDLE DOWN	WP130-BA4
188 + INTF SYNC CHECK LIGHT	WP130-BB4
139 - INTF HIGH SPEED DRIVE	WP130-BF4
118 + INTF FORMS CHECK LIGHT	WP130-BQ4
204 + INTF START PRINTING	WP130-BS4
160 + INTF METER RUN	WP130-BV4
181 + INTF PRT MMR CK DROP +60 V	WP130-BX4

FQ273	FQ276	000	EDGE CONN.	167	A-B1V4D2	246	A-B1V4B04	325	A-B1V2D02	404	A-B1V2B02
			103	A-B1V4E12	173	A-B1V4D05	253	A-B1V4B02	332	A-B1V2D11	
			111	A-B1V4B13	181	A-B1V4D13	260	A-B1V2D13	339	A-B1V2B12	
			118	A-B1V4D07	188	A-B1V4D06	267	A-B1V4B10	346	A-B1V2B10	
			125	A-B1V5E08	204	A-B1V4D10	274	A-B1V2D10	353	A-B1V2B09	
			132	A-B1V5E04	211	A-B1V4D03	281	A-B1V2D09	360	A-B1V2B08	
			139	A-B1V5B02	218	A-B1V4B09	288	A-B1V2D07	367	A-B1V2B06	
			146	A-B1V5B06	225	A-B1V4B08	294	A-B1V2D06	374	A-B1V2B05	
			153	A-B1V5B08	232	A-B1V4B06	301	A-B1V2D05	381	A-B1V2B04	
			160	A-B1V4D11	239	A-B1V4B05	318	A-B1V2D03	388	A-B1V2B13	

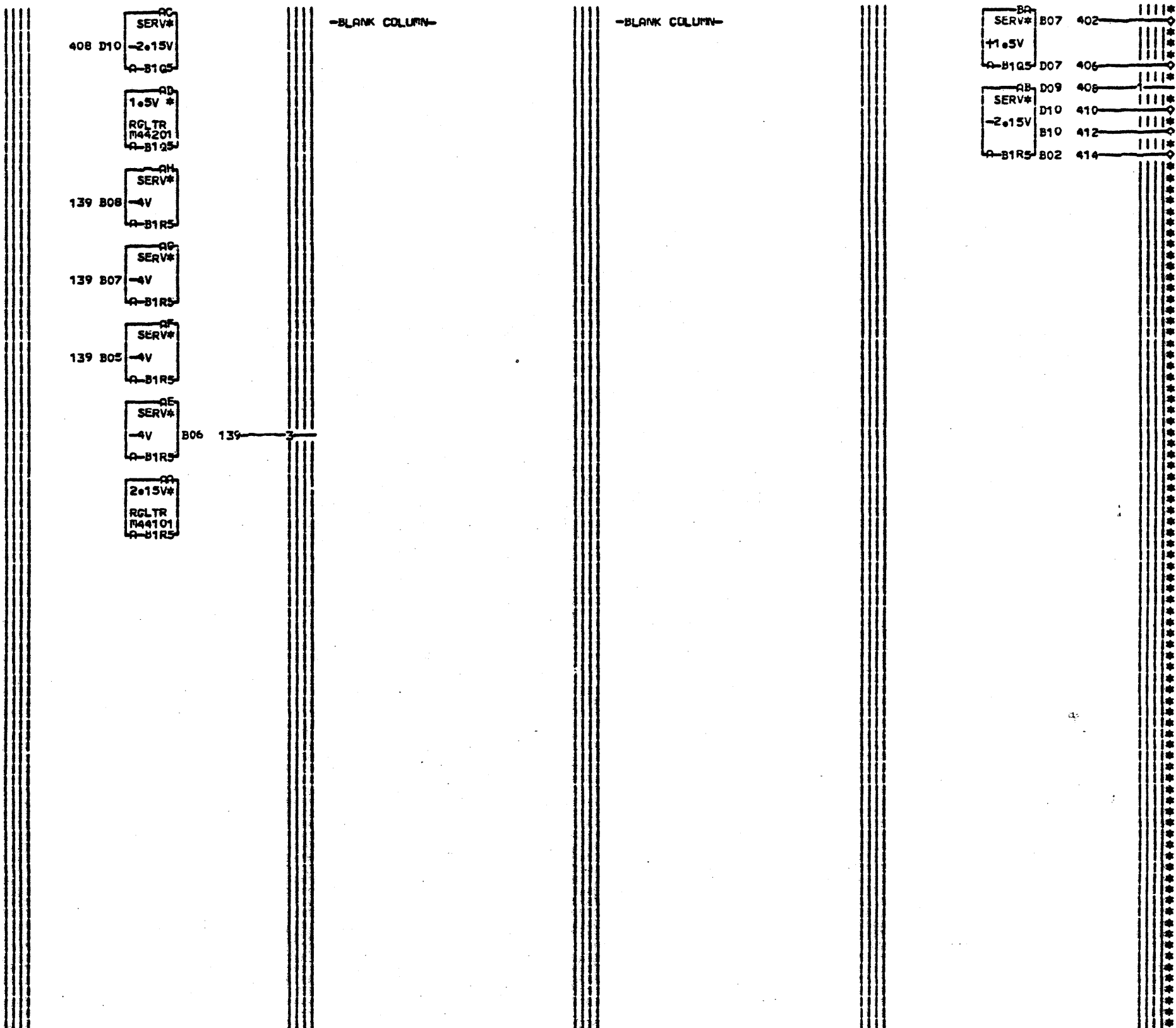
LUC TYPE
A-B1T2 8427

PAGE VER EC LEV
FQ273 000 821457
FQ274 000 821457
FQ275 000 821457
FQ276 000 821457

THIS DOCUMENT IS IBM CONFIDENTIAL
UNTIL ANNOUNCEMENT DECLASSIFY
THEREAFTER.

MMR ADDR	MST	TU	SLD	CONVERSION
E.C.	HISTORY	C.	MACH.	14035M15
DATE	LAST EC	IBM CORP.	OSD	FQ276
06-01-73	821457	P.No.	5555779	000

*** FQ411 ***



-BLANK COLUMN-

-BLANK COLUMN-

410 - 2.15 VOLTS FQ512-AB3

412 - 2.15 VOLTS FQ512-AB5

414 - 2.15 VOLTS FQ512-AB7

*** FQ421 ***

402 + 1.5 VOLTS FQ512-AB2

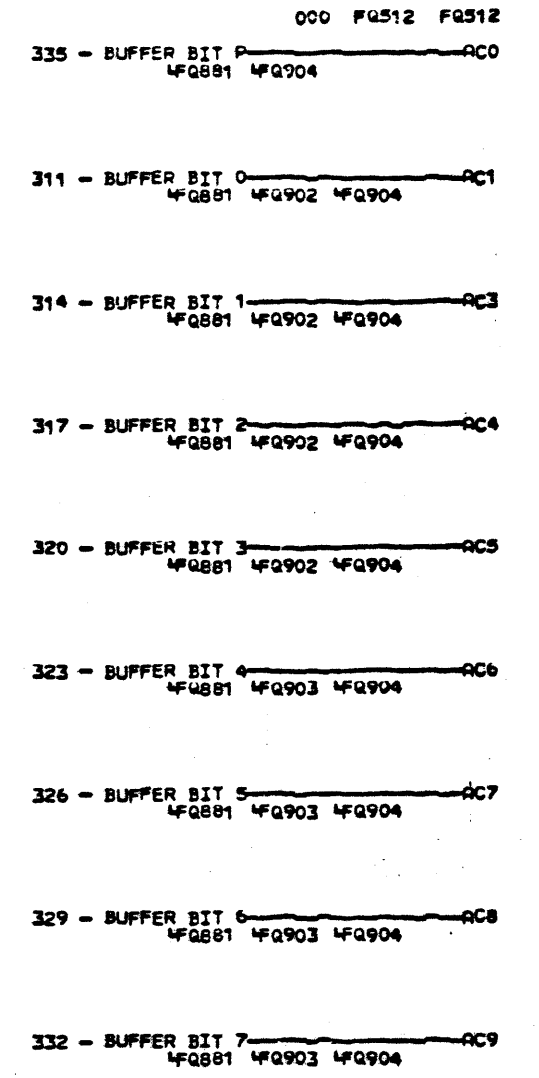
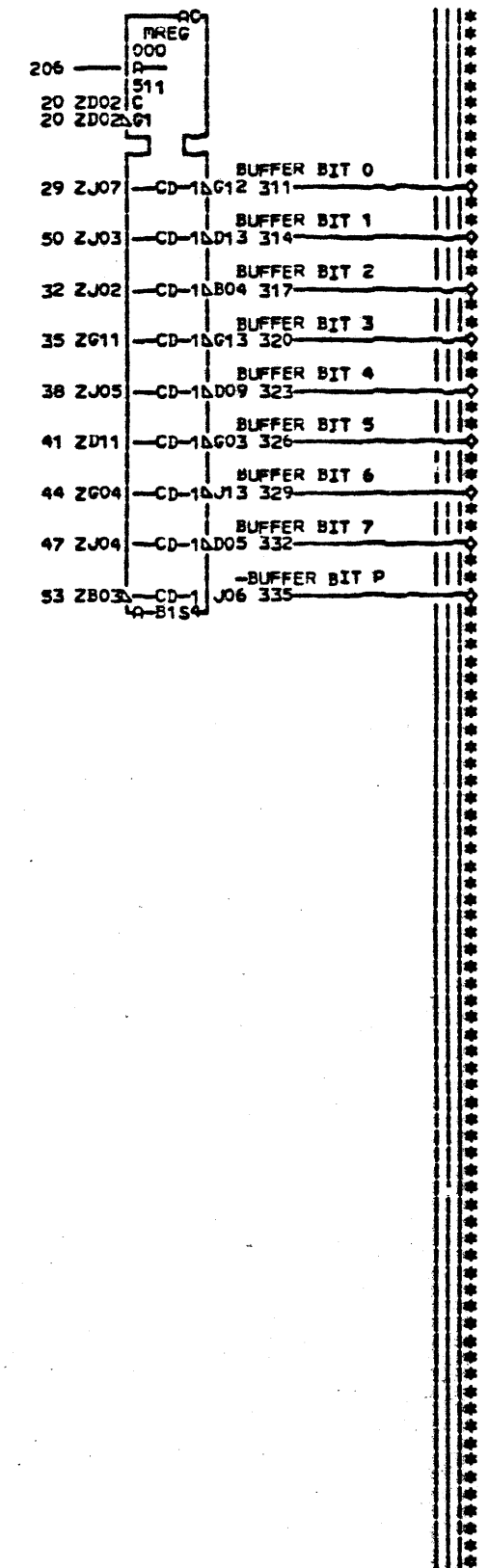
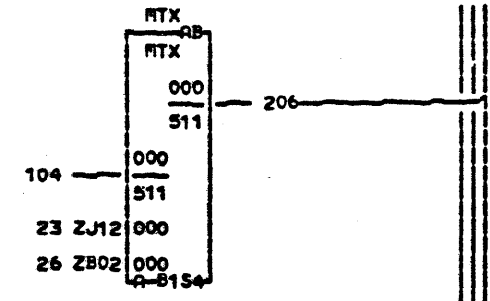
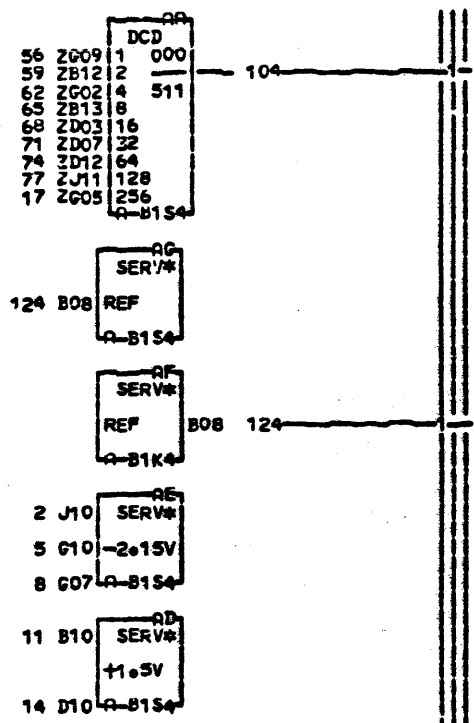
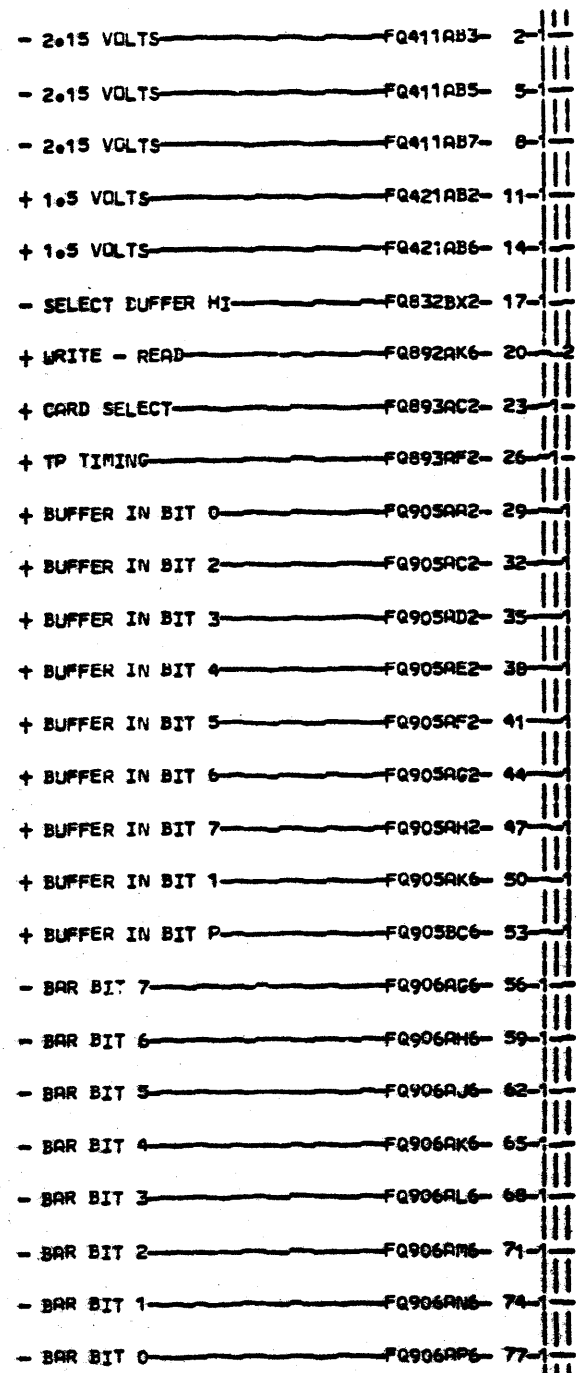
406 + 1.5 VOLTS FQ512-AB6

LOC. TYPE

PAGE VER EC LEV
FQ411 000 821457
FQ421 000 821457

THIS DOCUMENT IS IBM CONFIDENTIAL
UNTIL ANNOUNCEMENT DECLASSIFY
THEREAFTER.

+1.5V AND -2.15V REGULATORS			
E.C. HISTORY		C. MACH. 14035M15	
DATE	LAST EC	FRAME	01 FQ411
06-01-73	821457	IBM CORP. GSD	FQ421
		IP#N.	5555780 000



LUC TYPE
A-B154 A834

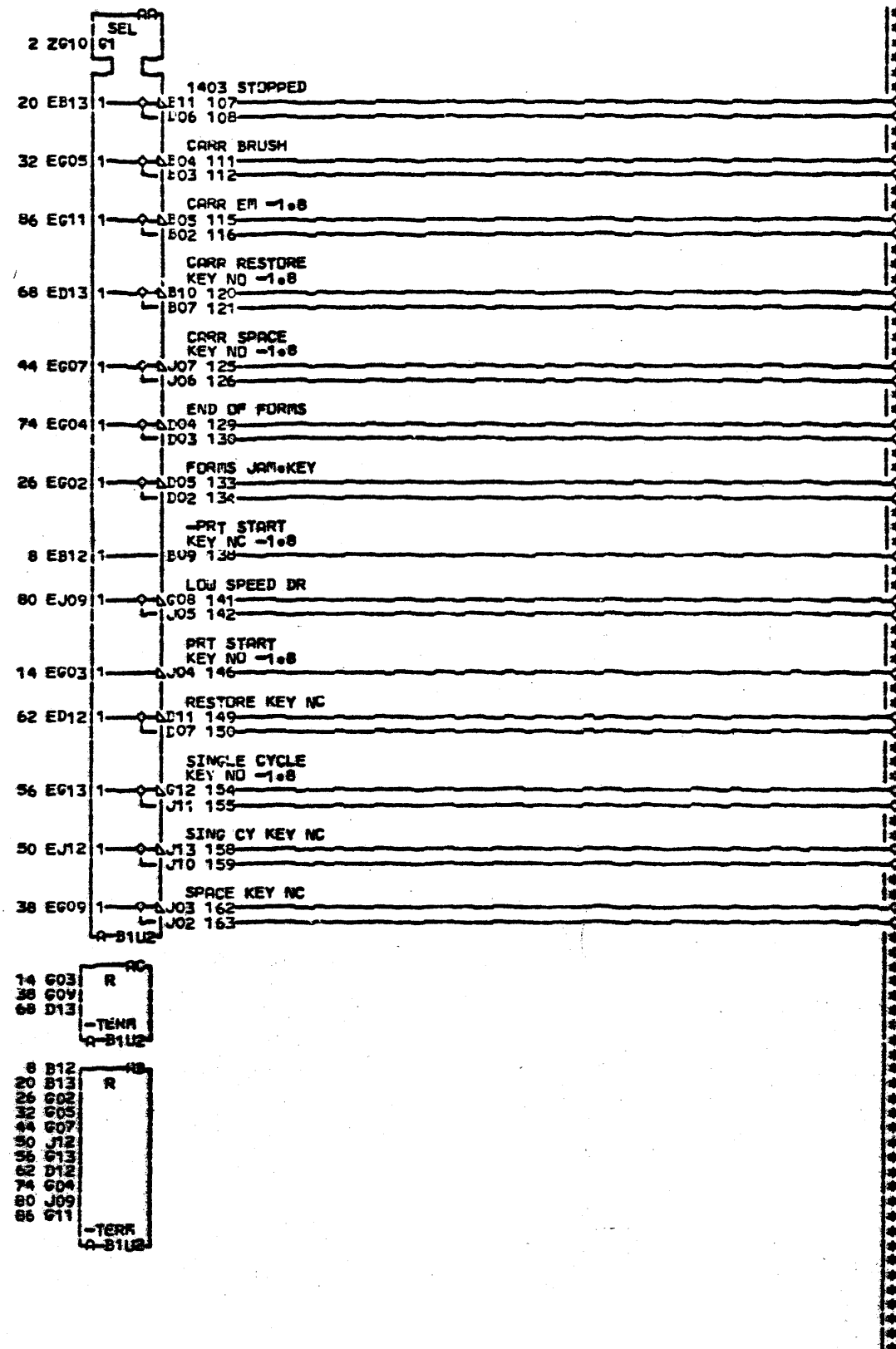
PAGE VER EC LEV
FQ512 000 821457

THIS DOCUMENT IS IBM CONFIDENTIAL
UNTIL ANNOUNCEMENT DECLASSIFY
THEREAFTER.

SMT-1 512X9 ARRAY CARD			
E.C. HISTORY	C. MACH#14035M15	FRAME 01	FQ512
DATE LAST EC	IBM CORP.GSD		FQ512
06-01-73 821457	P.N. 5555781		000

FQ512
FQ512
000

+ TIE UP CONVERSION 1 — FQ881B54 — 2-1
 - INTF PRT START KEY NC — WP132AD4 — 8-2
 + INTF PRT START KEY NO — WP132AD6 — 14-2
 + INTF 1403 STOPPED — WP132AE2 — 20-2
 - INTF CARR STOP KEY — WP132AE4 — 26-2
 + INTF CARR BRUSH — WP132AE6 — 32-2
 - INTF SPACE KEY NC — WP132AF2 — 38-2
 + INTF SPACE KEY NO — WP132AF4 — 44-2
 - INTF SINGLE CY KEY NC — WP132AF6 — 50-2
 + INTF SINGLE CY KEY NO — WP132AG2 — 56-2
 - INTF RESTORE KEY NC — WP132AG4 — 62-2
 + INTF RESTORE KEY NO — WP132AG6 — 68-2
 - INTF END OF FORMS — WP132AH6 — 74-2
 - INTF LOW SPEED DRIVE — WP132AJ2 — 80-2
 + INTF CARR EM — WP132AJ6 — 86-2



*** FQ711 *** 000 FQ711 FQ712 ***
 115 - CARR EM -1.0 — FQ863-AH2
 116 + CARR EM T.P. -0.9 — AH6
 111 - CARR BRUSH -0.9 — FQ854-AK2
 112 + CARR BRUSH T.P. -1.0 — AK6
 113 + FORMS JAM AND KEY -0.9 — FQ785-AM2
 114 - FORMS JAM AND KEY -1.0 — FQ831-AM6
 118 + SINGLE CYCLE KEY NC TP -0.9 — BB2
 119 - SINGLE CYCLE KEY NC -1.0 — BB6
 115A - SINGLE CYCLE KEY NO -1.0 — BD2
 115B + SINGLE CYCLE KEY NO TP -0.9 — BD6
 141 + LOW SPEED DRIVE T.P. -0.9 — BF2
 142 - LOW SPEED DRIVE -1.0 — BF6
 129 + END OF FORMS T.P. -0.9 — BM2
 130 - END OF FORMS -1.0 — BM6
 *** FQ712 ***
 149 + CARR RESTORE KEY NC TP -0.9 — AN2
 150 - CARR RESTORE KEY NC -1.0 — AN6
 138 - PRT START KEY NC -1.0 — FQ785-AK6
 125 - CARR SPACE KEY NO -1.0 — FQ852-AM2
 126 + CARR SPACE KEY NO TP -0.9 — AM6
 107 - 1403 STOPPED T.P. -1.0 — BA2
 108 + 1403 STOPPED -0.9 — BA6
 146 - PRT START KEY NO -1.0 — FQ785-BC2
 162 + CARR SPACE KEY NC TP -0.9 — BE2
 163 - CARR SPACE KEY NC -1.0 — FQ852-BE6
 120 - CARR RESTORE KEY NO -1.0 — BG2
 121 + CARR RESTORE KEY NO TP -0.9 — BG6

LOC. TYPE
 A-B1U2 2649

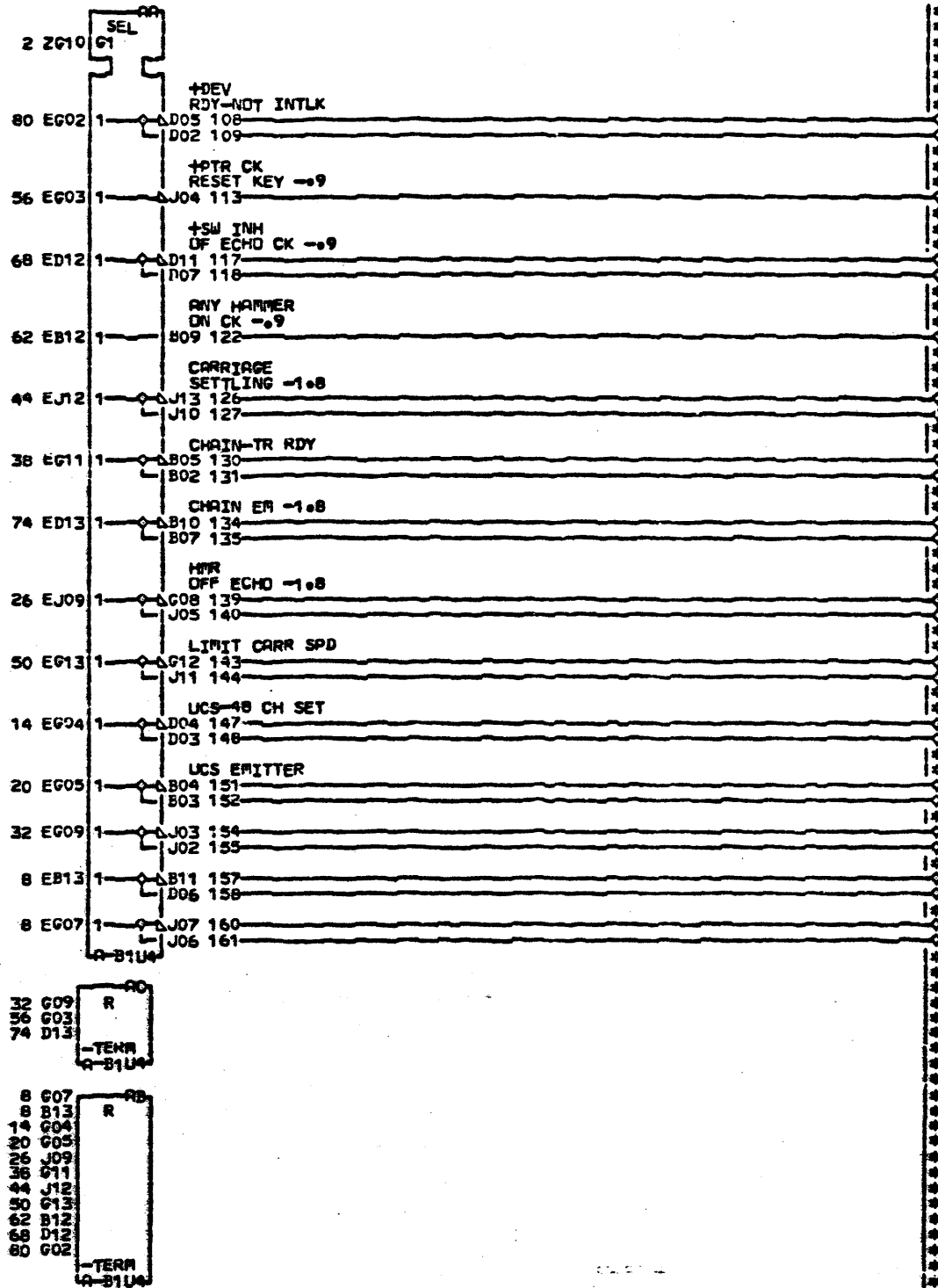
PAGE VER EC LEV
 FQ711 000 821457
 FQ712 000 821457

THIS DOCUMENT IS IBM CONFIDENTIAL
 UNTIL ANNOUNCEMENT DECLASSIFY
 THEREAFTER.

SLD TO MST CONVERSION			
E.C.	HISTORY	C	MACH. 1403SM15
		FRAME	01 FQ711
		IBM CORP.	GSD FQ712
DATE	LAST EC	P.No.	555782 000
06-01-73	821457		

FQ711
 FQ712
 000

+ TIE UP CONVERSION 2 FQ771AK4 2-1
 SPARE SLD TO MST CONV FQ931BK4 8-1
 + INTF UCS MODE WP132AB2 14-2
 - INTF UCS EM WP132AB4 20-2
 + INTF MMR OFF ECHO WP132AB6 26-2
 + INTF ANY MMR ON WP132AC1 32-2
 - INTF CHAIN-TRAIN READY WP132AC3 38-2
 + INTF CARRIAGE SETTLING WP132AC5 44-2
 - INTF LIMIT CARR SPEED WP132AC7 50-2
 - INTF CHECK RESET KEY WP132AH2 56-2
 + INTF ANY MMR ON CHECK WP132AH4 62-2
 - INTF INHIBIT ECHO CHECK WP132AJ4 68-2
 + INTF CHAIN EM WP132AK2 74-2
 - INTF DEV RDY-NOT INTLK WP132AL2 80-2



*** FQ721 ***
 130 + CHAIN-TRAIN READY T.P. AK2
 131 - CHAIN-TRAIN READY FQ811 FQ831 FQ841
 151 + UCS EMITTER T.P. -0.9 AK2
 152 - UCS EMITTER -1.0 FQ731-AK6
 108 + DEV RDY-NOT INTLK FQ831-AK2
 109 - DEV RDY-NOT INTLK FQ831-AK6
 126 - CARRIAGE SETTLING -1.0 BB2
 FQ842 FQ853
 127 + CARRIAGE SETTLING -0.9 FQ853-BB6
 143 + LIMIT CARR SPEED -0.9 T.P. BD2
 144 - LIMIT CARR SPEED T.P. -1.0 BD6
 FQ852
 139 - MMR OFF ECHO -1.0 BF2
 FQ832 FQ842
 140 + MMR OFF ECHO -0.9 T.P. BF6
 147 - UCS CH SET -1.0 BH2
 FQ731 FQ732
 148 - 48 CH SET -1.0 BH6
 FQ732 FQ761 FQ812 FQ842
 FQ884
 *** FQ722 ***
 117 + SW INH OF ECHO CK -0.9 FQ832-AK2
 118 - SW INH OF ECHO CK T.P. -1.0 AK6
 122 + ANY HAMMER ON CK -0.9 FQ832-AK6
 160 SPARE AK2
 161 SPARE AK6
 157 SPARE BA2
 158 SPARE BA6
 113 + PTR CK RESET KEY -0.9 FQ813-BC2
 154 - ANY HAMMER ON T.P. -1.0 BE2
 155 + ANY HAMMER ON -0.9 FQ832-BE6
 134 - CHAIN EM -1.0 FQ731-BG2
 135 + CHAIN EM T.P. -0.9 BG6

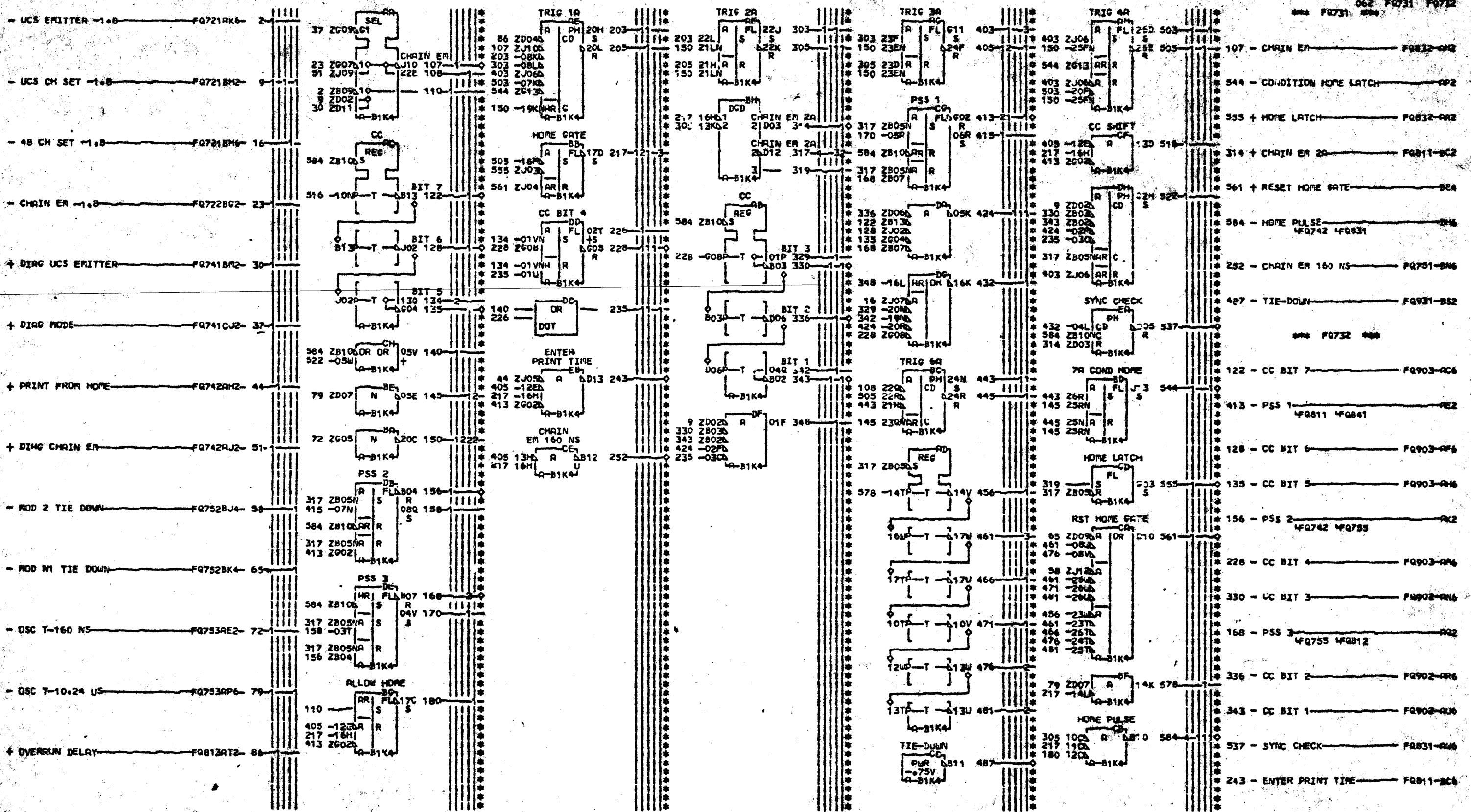
LUCs TYPE
A-51U4 2649

PAGE VER EC LEV
 FQ721 000 82:457
 FQ722 000 821:457

THIS DOCUMENT IS IBM CONFIDENTIAL
 UNTIL ANNOUNCEMENT DECLASSIFY
 THEREAFTER.

FQ721
 FQ722
 000

SLD TO MST CONVERSION			
E-C-HISTORY	C-PACH	14035M15	
DATE	LAST EC	IBR CURR. QSD	FQ721
06-01-73	921457	P.N. 5555783	000



A-SIA TO PN EC 821457

LOC. TYPE A-B1K4 0773

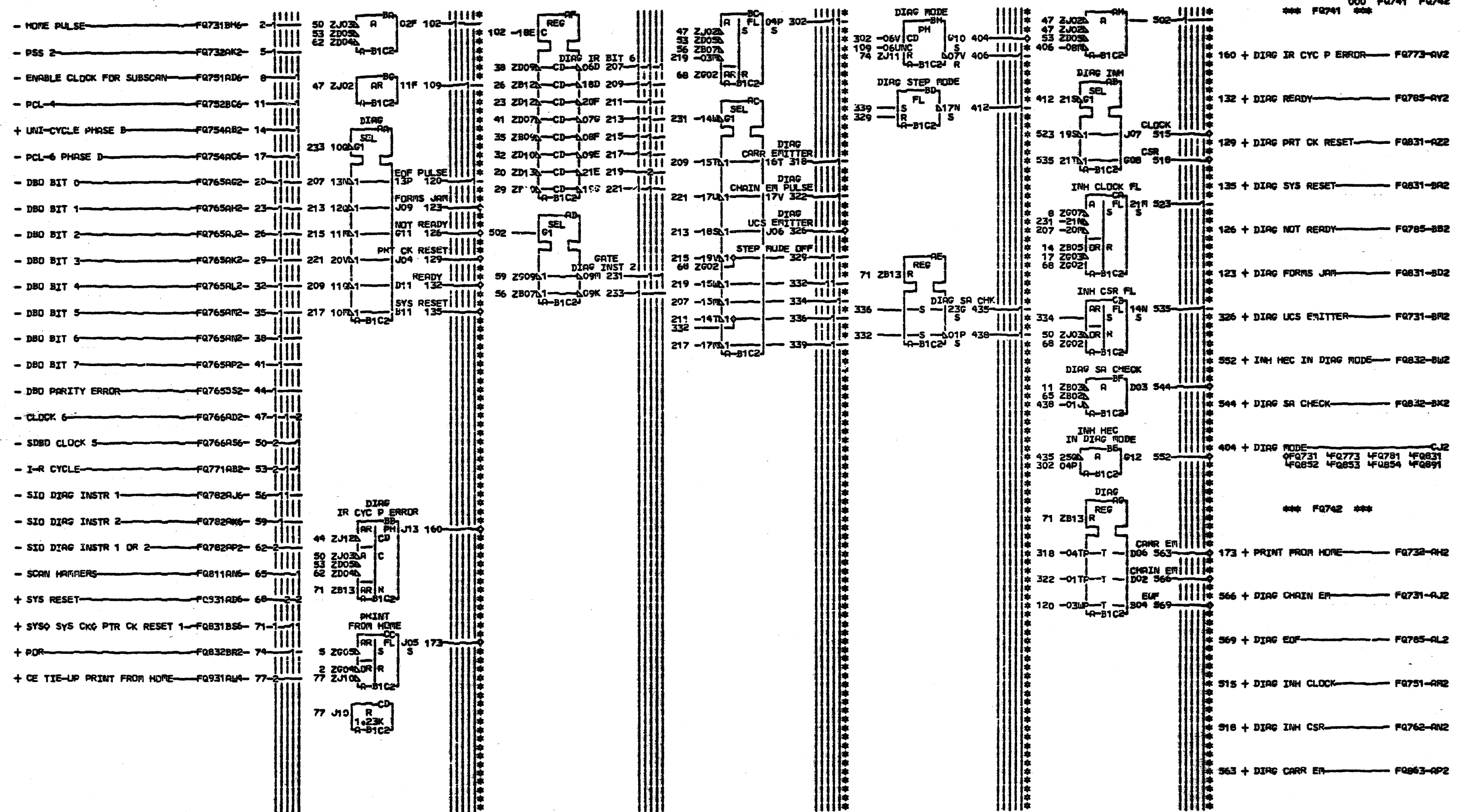
PAGE VER EC LEV FQ731 062 821457 FQ732 000 821457

THIS DOCUMENT IS IBM CONFIDENTIAL UNTIL ANNOUNCEMENT DECLASSIFY THEREAFTER.

SHAPED CHAIN EMIT AND HOME PSS COUNTER AND CHAR COUNTER
 -E-C-HISTORY- C-MACH-14035M15

FRAME 01 FQ731
 IBM CORP. GSD FQ732
 DATE LAST EC 06-01-73 821457 P.N. 5555786 042

FQ731
FQ732
062



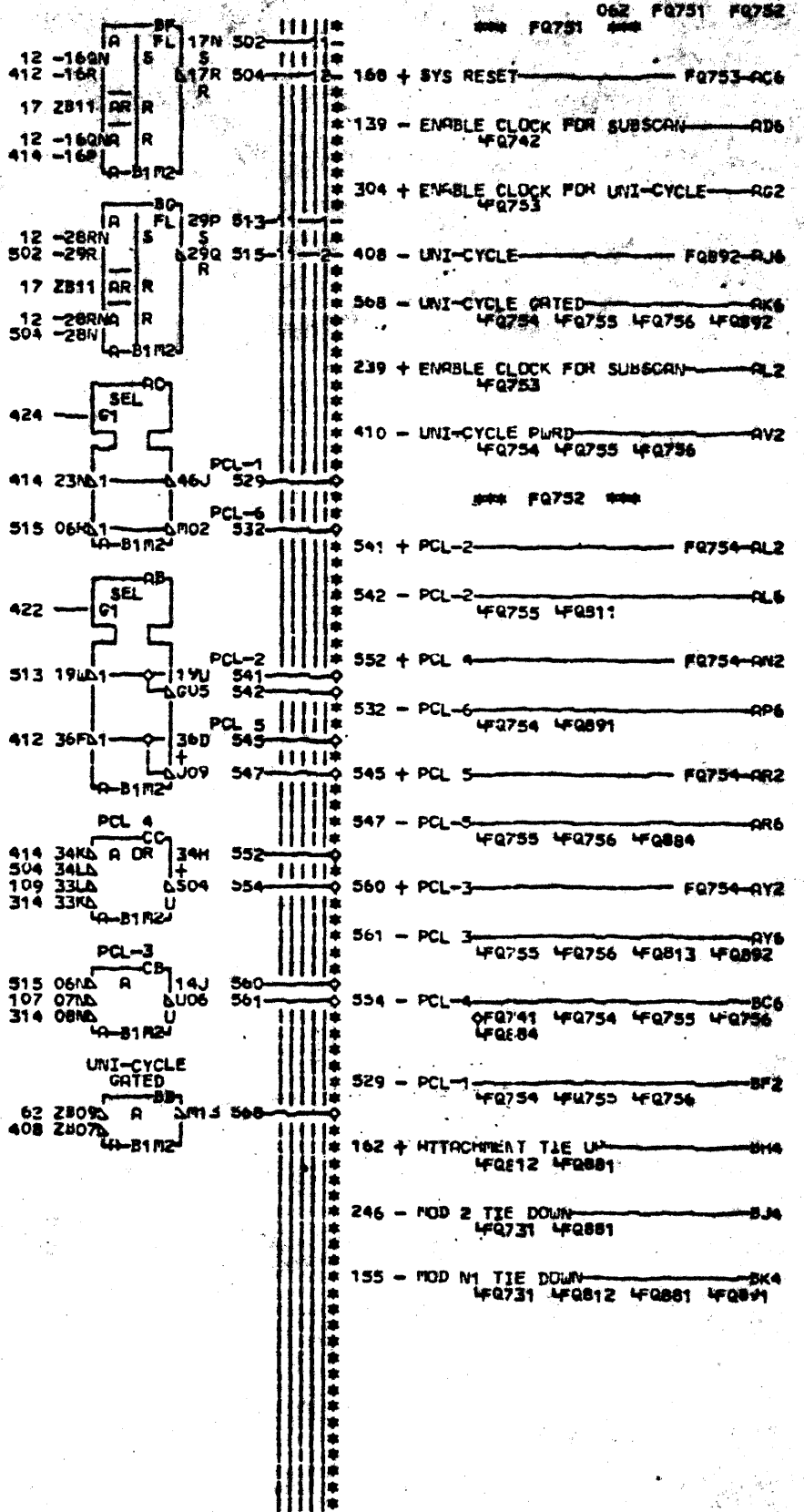
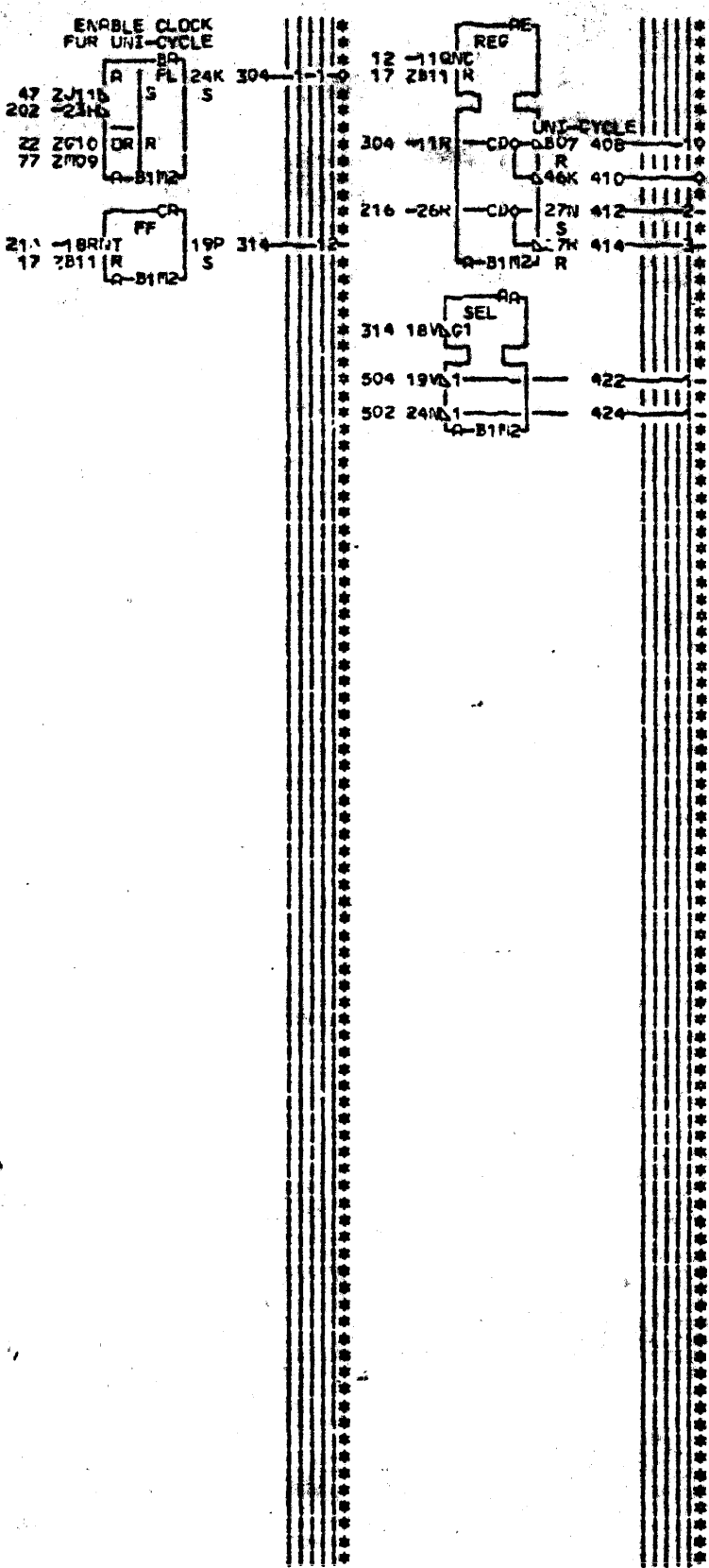
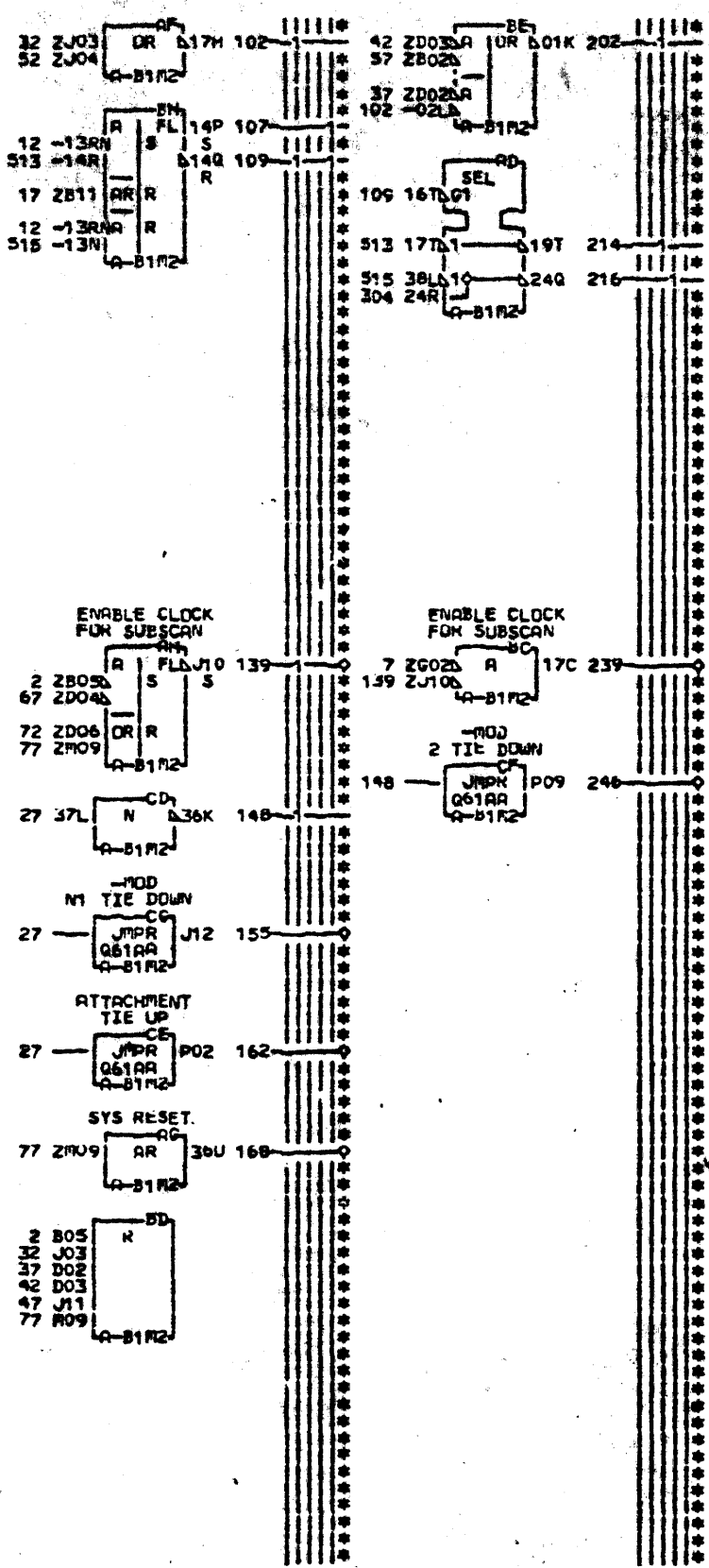
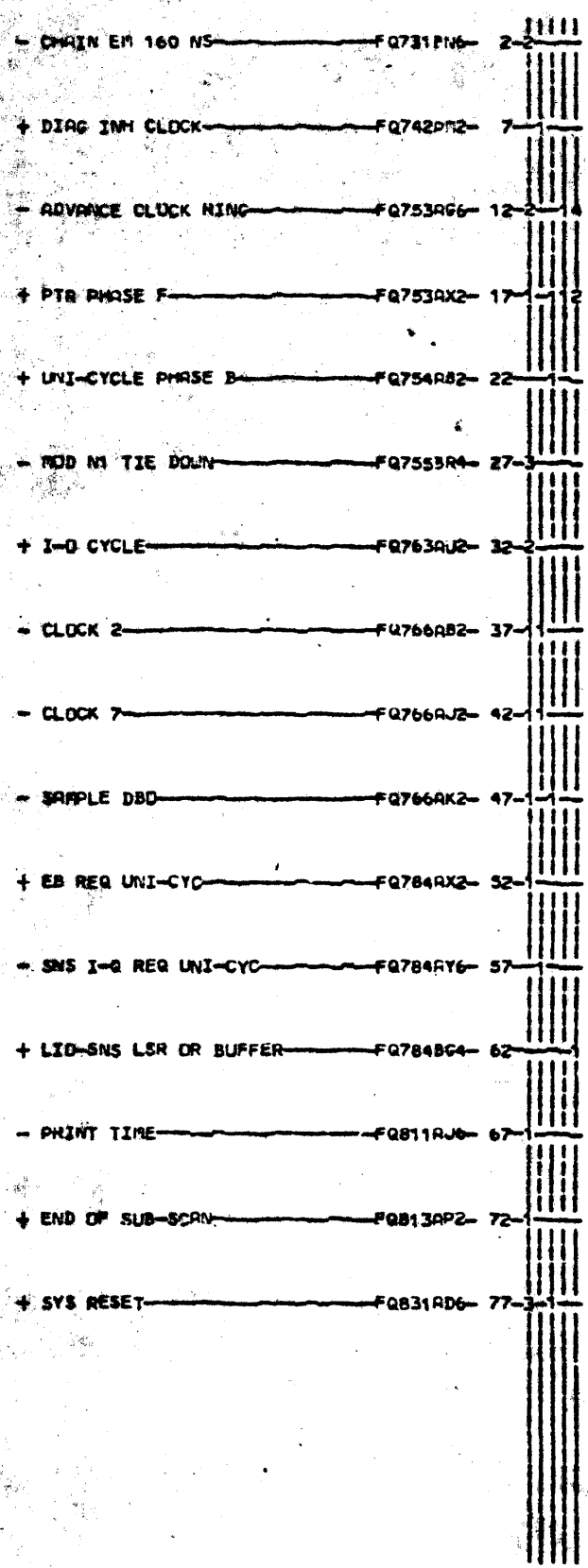
LDC TYPE
 A-B1C2 0774

PAGE VER EC LEV
 FQ741 000 821457
 FQ742 000 821457

THIS DOCUMENT IS IBM CONFIDENTIAL
 UNTIL ANNOUNCEMENT DECLASSIFY
 THEREAFTER.

DIAGNOSTIC DECODE			
E.C. HISTORY	C. RACH. 14033M15		
FRAME	01	FQ741	
DATE	LAST EC	IBM CORP. GSD	FQ742
06-01-73	821457	P.N. 5555787	000

FQ741
 FQ742
 000



Rev MOD 2
SIA TO PN
B-SIA TO PN

EC 821457
EC 821457

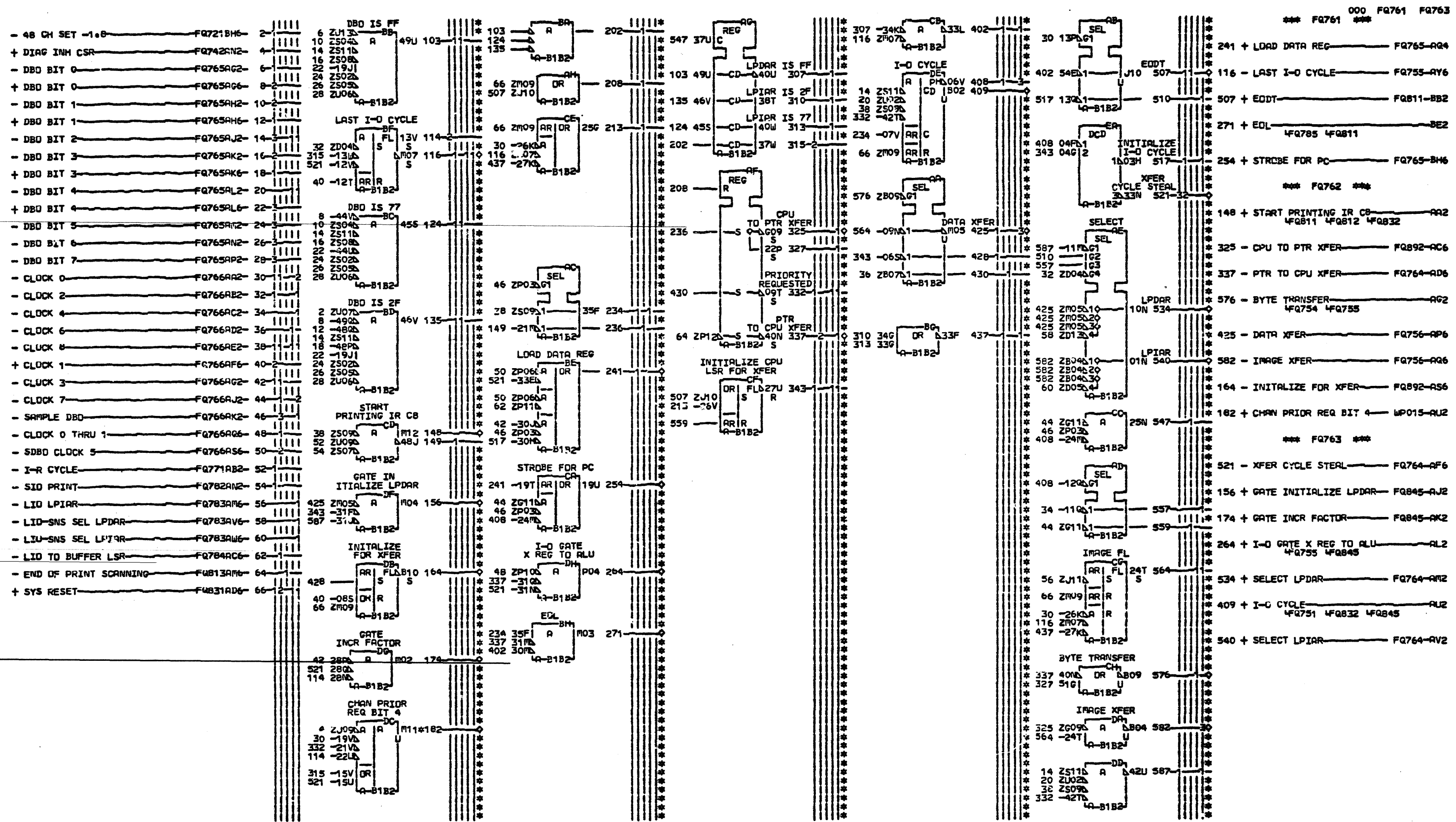
LOC. TYPE
A-B1M2 0775

PAGE VER EC LEV
FQ751 062 821457
FQ752 062 821457

FQ751
FQ752
062

THIS DOCUMENT IS IBM CONFIDENTIAL
UNTIL ANNOUNCEMENT DECLASSIFY
THEREAFTER.

PRINTER CLOCK CONTROLS		C-MACH: 14035A1B	
PRINTER CLOCK RING		FRAME 01	FQ751
E.C.-HISTORY		IBM COMP. 05D	FQ752
DATE	LAST EC	P.No.	5555790 062
06-01-73	821457		



FQ761
FQ763
000

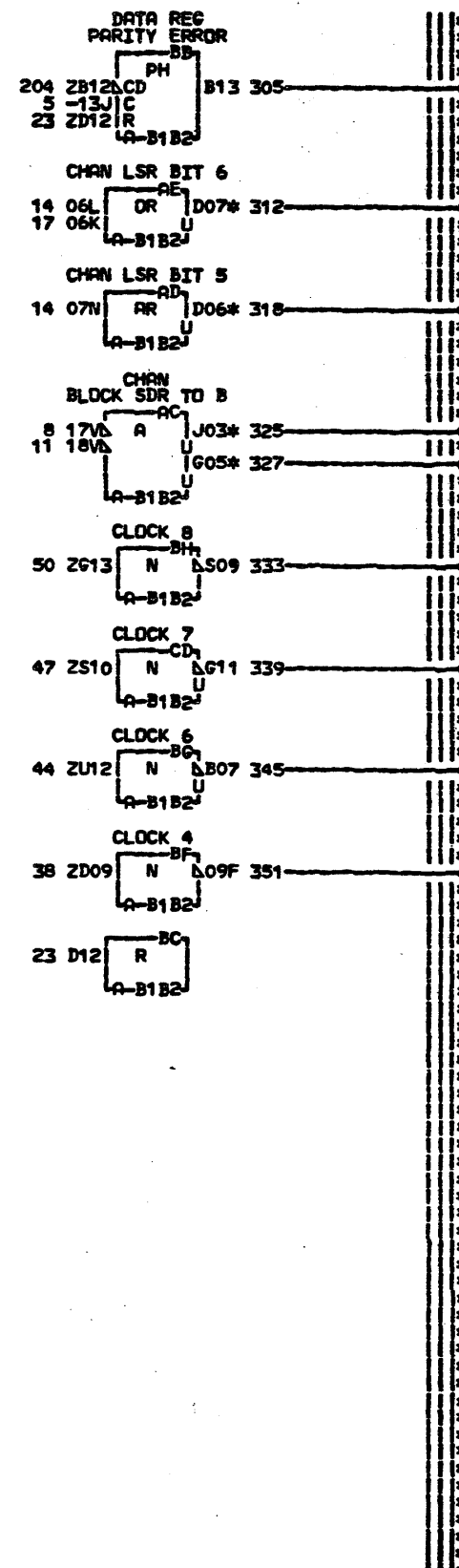
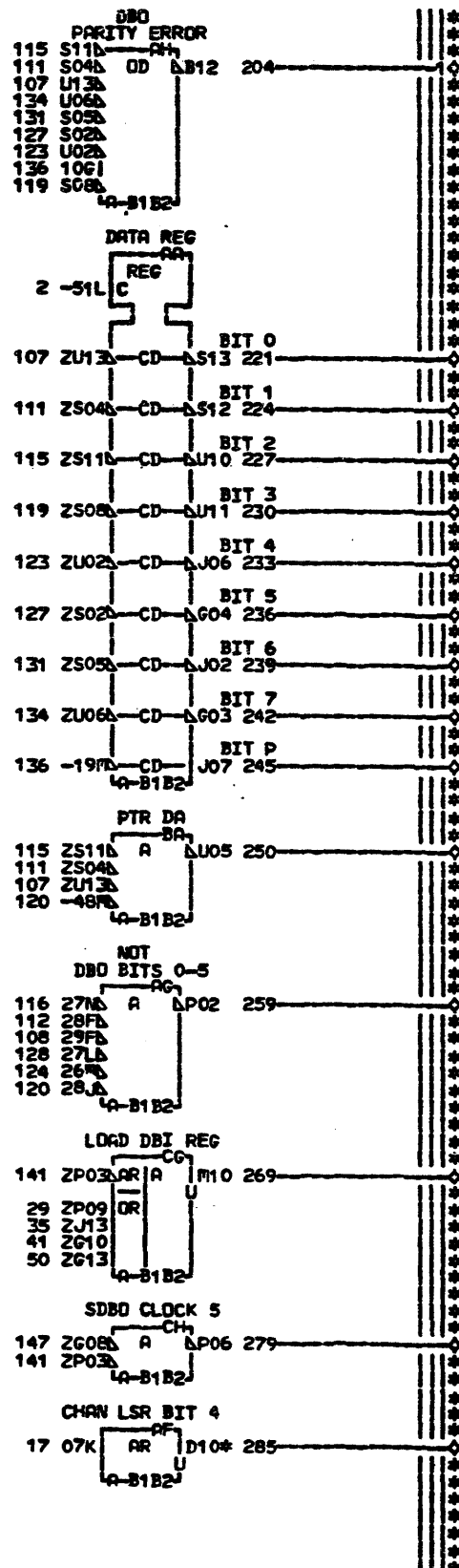
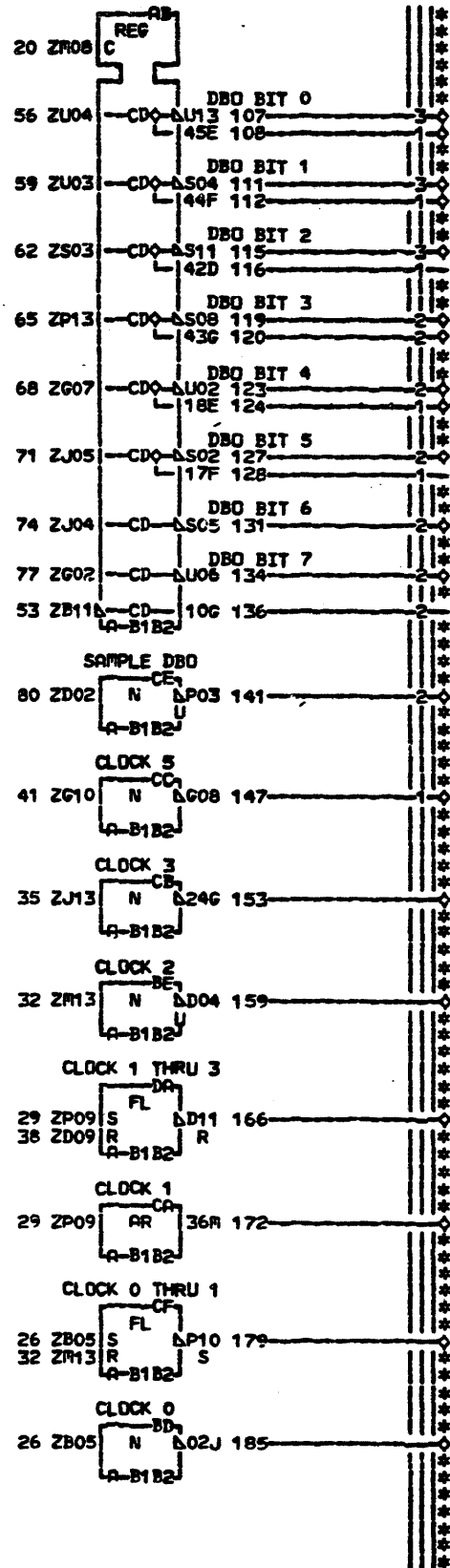
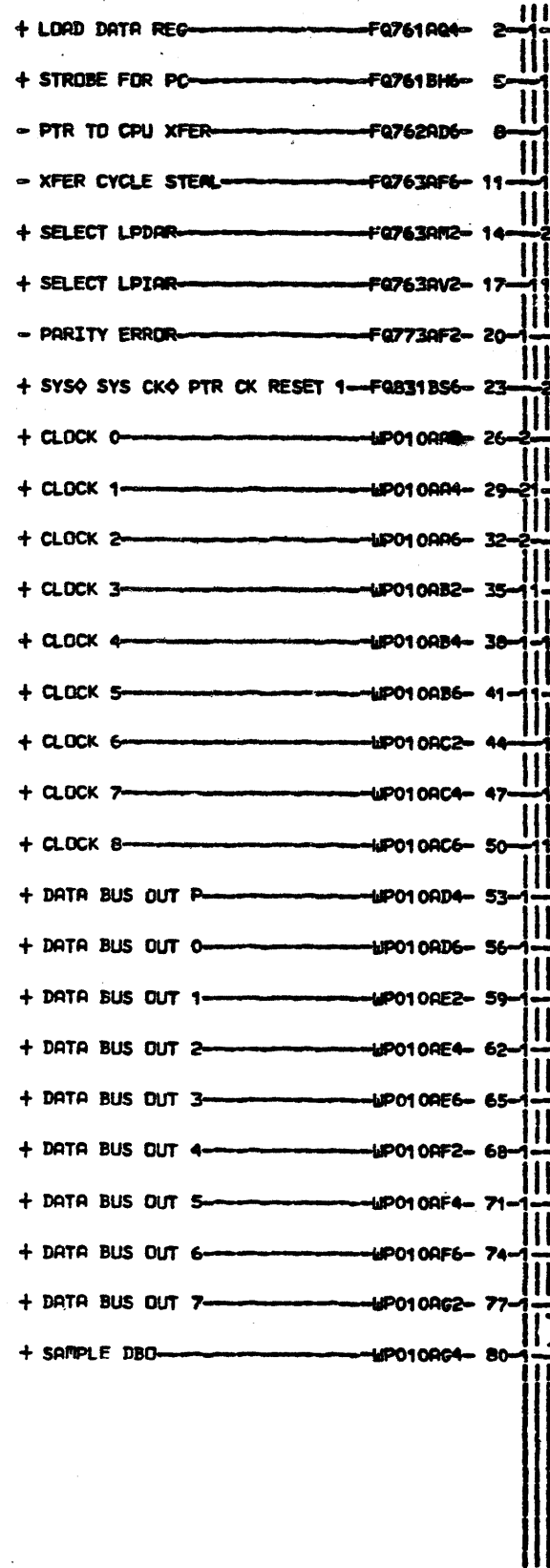
EDGE CONN.
182 A-B1L6E02
01A-B1A5D03

LUC. TYPE
A-B1B2 0776

PAGE VER EC LEV
FQ761 000 821457
FQ762 000 821457
FQ763 000 821457

THIS DOCUMENT IS IBM CONFIDENTIAL
UNTIL ANNOUNCEMENT DECLASSIFY
THEREAFTER.

CS CNTRL - CPU LSR SELECT			
E-C-HISTORY	C-MACH-1403SM15	FRAME	01 FQ761
DATE	LAST EC	IBM CORP-GSD	FQ763
C6-01-73	821457	P.No.	5555796 000



000 FQ764 FQ766

*** FQ764 ***

325	+ CHAN BLOCK SDR TO B	WP015-AC2
327	+ CHAN STORE DATA	WP015-AD2
318	+ CHAN LSR BIT 5	WP015-AG6
312	+ CHAN LSR BIT 6	WP015-AH6
285	+ CHAN LSR BIT 4	WP015-AJ6

*** FQ765 ***

107	- DBO BIT 0	AG2
108	+ DBO BIT 0	FQ761-AG6
111	- DBO BIT 1	AG2
112	+ DBO BIT 1	FQ761-AH6
115	- DBO BIT 2	AG2
119	- DBO BIT 3	AK2
120	+ DBO BIT 3	FQ761-AK6
123	- DBO BIT 4	AL2
124	+ DBO BIT 4	FQ761-AL6
127	- DBO BIT 5	AG2
131	- DBO BIT 6	AG2
134	- DBO BIT 7	AP2
259	- NOT DBO BITS 0-5	FQ851-AM4
221	- DATA REG BIT 0	BQ6
224	- DATA REG BIT 1	BH6
227	- DATA REG BIT 2	BJ6
230	- DATA REG BIT 3	BK6
233	- DATA REG BIT 4	BL6
236	- DATA REG BIT 5	BM6
239	- DATA REG BIT 6	BN6
242	- DATA REG BIT 7	BP6
204	- DBO PARITY ERROR	BS2
250	- PTR DA	FQ771-BT6
245	+ DATA REG BIT P	FQ905-BV2
305	+ DATA REG PARITY ERROR	FQ773-BW2

*** FQ766 ***

185	- CLOCK 0	AR2
159	- CLOCK 2	AB2
351	- CLOCK 4	FQ763-AC2
345	- CLOCK 6	AD2
333	- CLOCK 8	AE2
172	+ CLOCK 1	AF6
153	- CLOCK 3	AG2
147	- CLOCK 5	FQ851-AH2
339	- CLOCK 7	AI2
141	- SAMPLE DBO	AK2
179	- CLOCK 0 THRU 1	AG6
269	+ LOAD DBI REG	FQ843-AR2
279	- SDBO CLOCK 5	AS6
166	- CLOCK 1 THRU 3	FQ761-AT2

EDGE CONN.
 285 A-B1J6C04
 01A-B1A4B09
 312 A-B1K6A04
 01A-B1A4B12
 318 A-B1J6D04
 01A-B1A4B10
 325 A-B1H6C04
 01A-B1A4B04
 327 A-B1H6A04

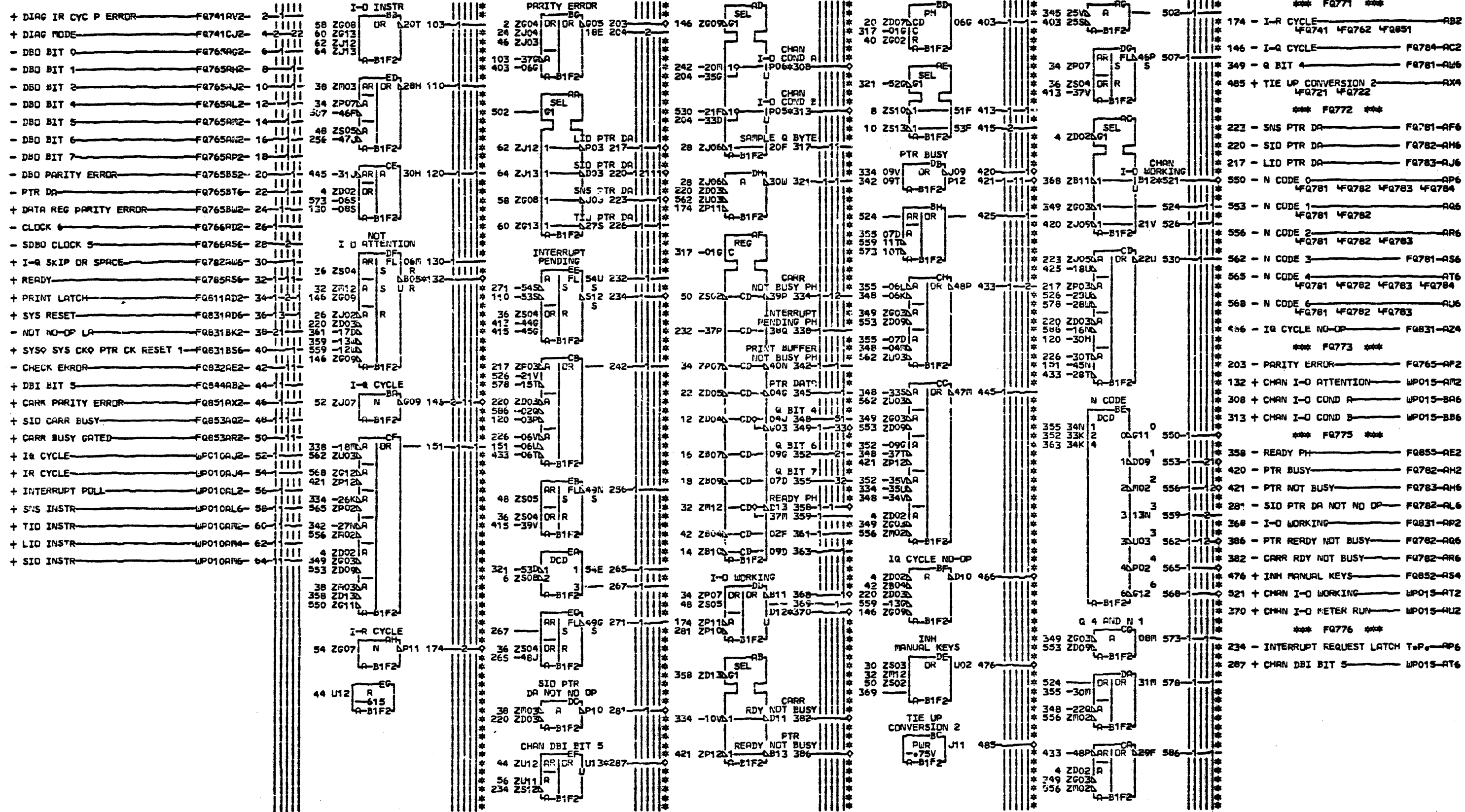
01A-B1A4B02

LOC. TYPE
 A-B1B2 0776

PAGE VER EC LEV
 FQ764 000 821457
 FQ765 000 821457
 FQ766 000 824895

CHAN IN - CLK0DB0DATA REG			
E.C. - HISTORY - C. MACH. 1403SM15			
821457			
DATE		LAST EC	
12-31-74		824895	
IPeNo		5555797	
FRAME		01 FQ764	
IBN CORP.		GSD FQ766	

FQ764
 FQ766
 000



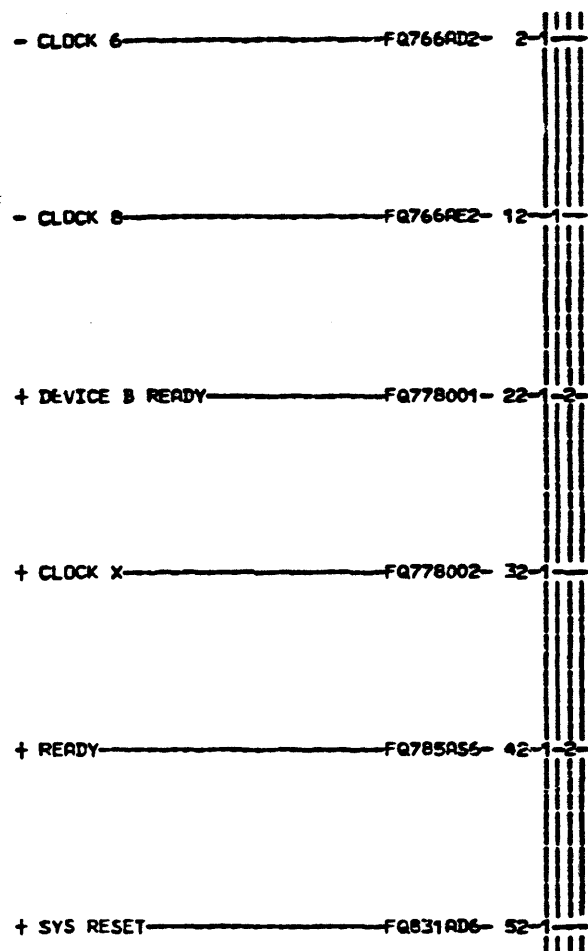
FQ771
FQ776
000

EDGE CONN.
132 A-B1L6D04
01A-B1A5B02
287 A-B1J6D02
01A-B1A4U10
308 A-B1N6A02
01A-B1A5D09
313 A-B1N6B02
01A-B1A5U10
370 A-B1A6A04

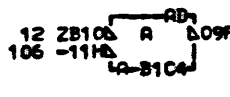
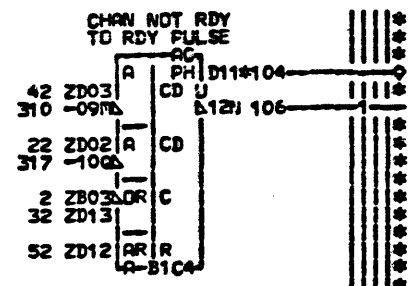
LOC. TYPE
A-B1F2 Y576

PAGE VER EC LEV
FQ771 000 821457
FQ772 000 821659
FQ773 000 821659
FQ774 000 821457
FQ775 000 821457
FQ776 000 821457

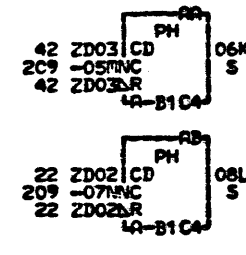
TAG LINE DECODE
Q-N-SIG-SNS-TID-LIO-STATUS-INT
E-C-HISTORY C-MACH-14035M15
821457
DATE LAST EC
07-16-73 821659
FRAME 01 FQ771
IBR CORP. GSD FQ776
Page 5555798 000



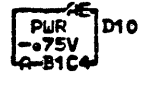
EDGE CONN.
104 A-B1N6B34
01A-B1ASB10



LDC. TYPE
A-B1C- Y663



PAGE VER EC LEV
FQ778 000 824855



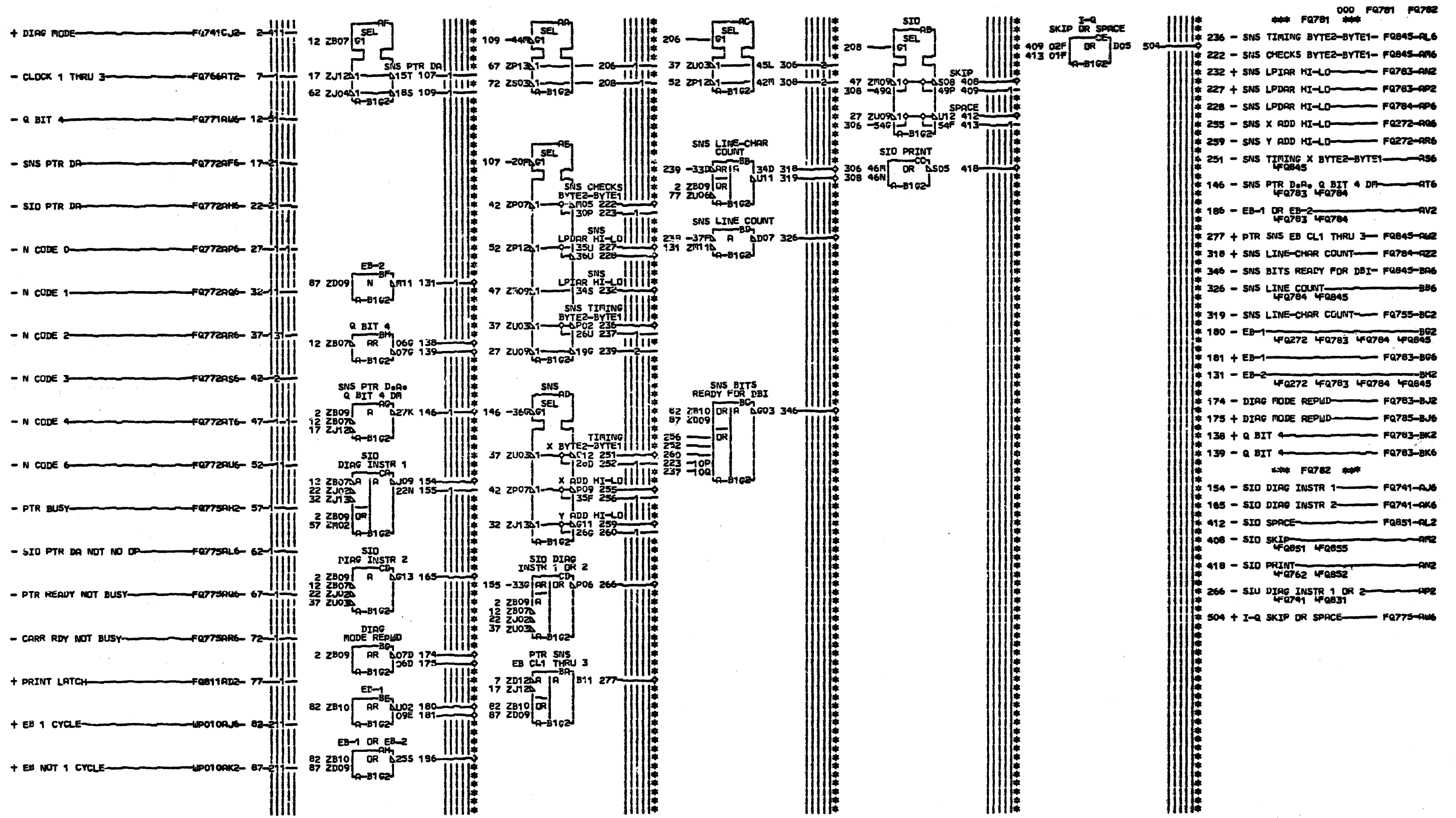
000 FQ778 FQ778

104 + CHAN NOT RDY TO RDY PULSE -> 0A6
44P015

423 + TIEUP -> 0A4

FQ778
FQ778
000

NOT READY TO READY DETECT			
E.C. HISTORY		C. RACH. 14035R15	
FRAME	01	FQ778	
DATE	LAST EC	IBA CORP. RD FQ778	
12-31-74	824855	IP. No. 1607840 000	

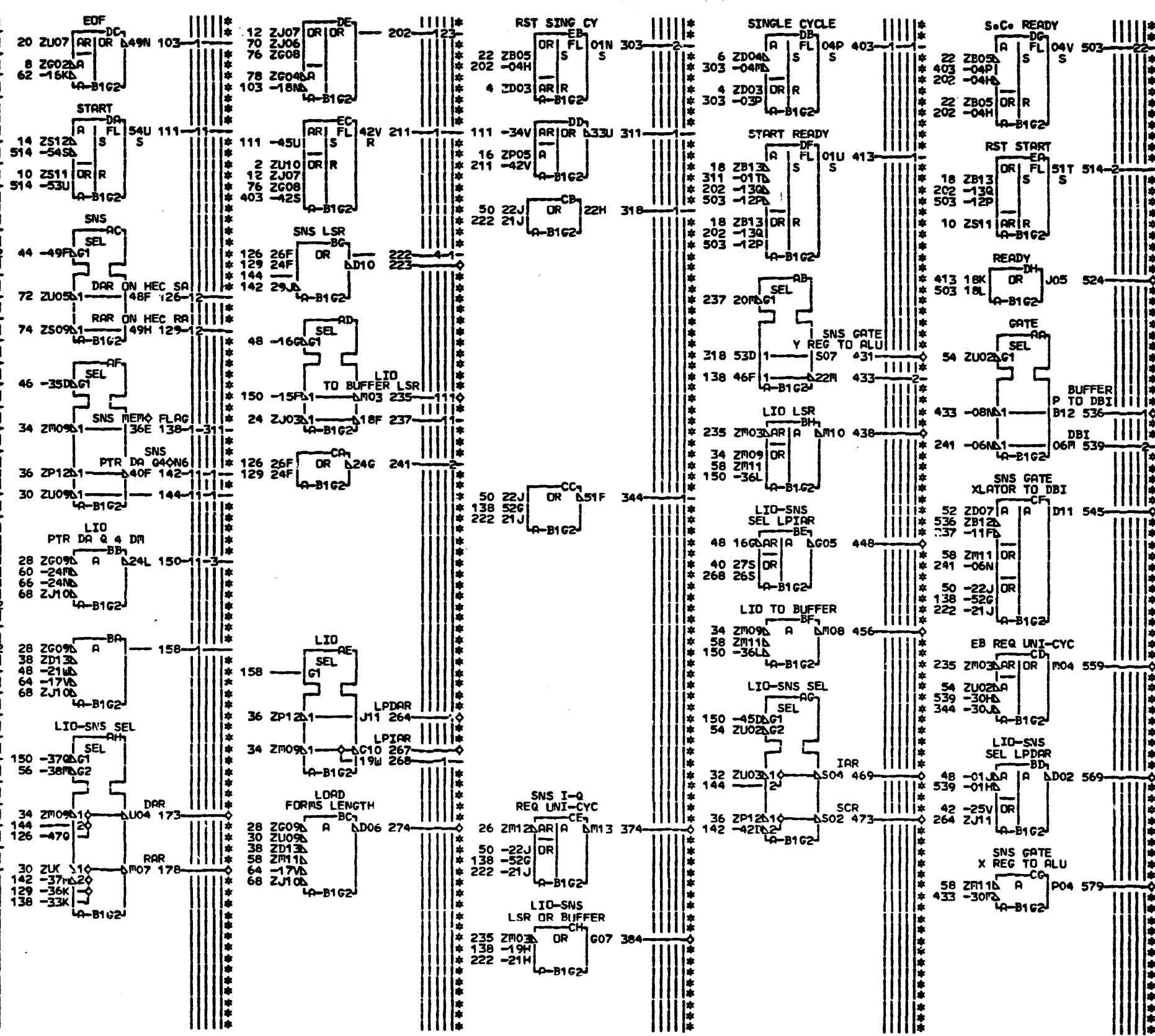


FQ781
FQ782
000

THIS DOCUMENT IS IBM CONFIDENTIAL
UNTIL ANNOUNCEMENT DECLASSIFY
THEREAFTER.

SNS AND SID DECODE	
—EoC—HISTORY—	—C—MACH—14038A15
DATE LAST EC	FRAME 01 FQ781
06-01-73 821457	IBM CORP. GSD FQ782
	PoN 5555799 000

† FORMS JAM AND KEY -09 FQ711AR2 2
 - SINGLE CYCLE KEY NC -1.0 FQ711BR2 4
 - SINGLE CYCLE KEY ND -1.0 FQ711BU2 6
 - END OF FORMS -1.0 FQ711BU6 8
 - PRT START KEY NC -1.0 FQ712AR6 10
 † 1403 STOPPED -09 FQ712BR6 12
 - PRT START KEY ND -1.0 FQ712BU2 14
 † DIAG READY FQ711AR2 16
 † DIAG NOT READY FQ711BR2 18
 † DIAG EOF FQ712AR2 20
 - CLOCK 0 THRU 1 FQ766AR6 24
 - I-Q CYCLE FQ771AR2 26
 - LIO PTR DA FQ772AR6 28-29
 - M CODE 0 FQ772AR6 30-31
 - M CODE 2 FQ772AR6 32
 - M CODE 4 FQ772AR6 34-35
 - M CODE 6 FQ772AR6 36-37
 - PTR NOT BUSY FQ775AR6 38-39
 † SNS LPIAR HI-LO FQ781AR2 40
 † SNS LPDAR HI-LO FQ781AR2 42
 - SNS LPDAR HI-LO FQ781AR6 44
 - SNS PTR DA. Q BIT 4 DA FQ781AR6 46
 - EB-1 OR EB-2 FQ781AR2 48-49
 † SNS LINE-CHAR COUNT FQ781AR2 50
 - SNS LINE COUNT FQ781BR6 52
 - EB-1 FQ781BC2 54
 † EB-1 FQ781BC6 56
 - EB-2 FQ781BU2 58
 - DIAG MODE REPWD FQ781BU2 60
 † DIAG MODE REPWD FQ781BU6 62
 † Q BIT 4 FQ781BU2 64
 - Q BIT 4 FQ781BU6 66
 - NOT NO-OP LA FQ831BU2 68-69
 † CHECK ERROR FQ832AR6 70
 - HEC ON SFT FQ832AR6 72
 - HEC ON RST FQ832AR6 74
 † POR FQ832AR2 76
 - LINE CME FQ861AR6 78



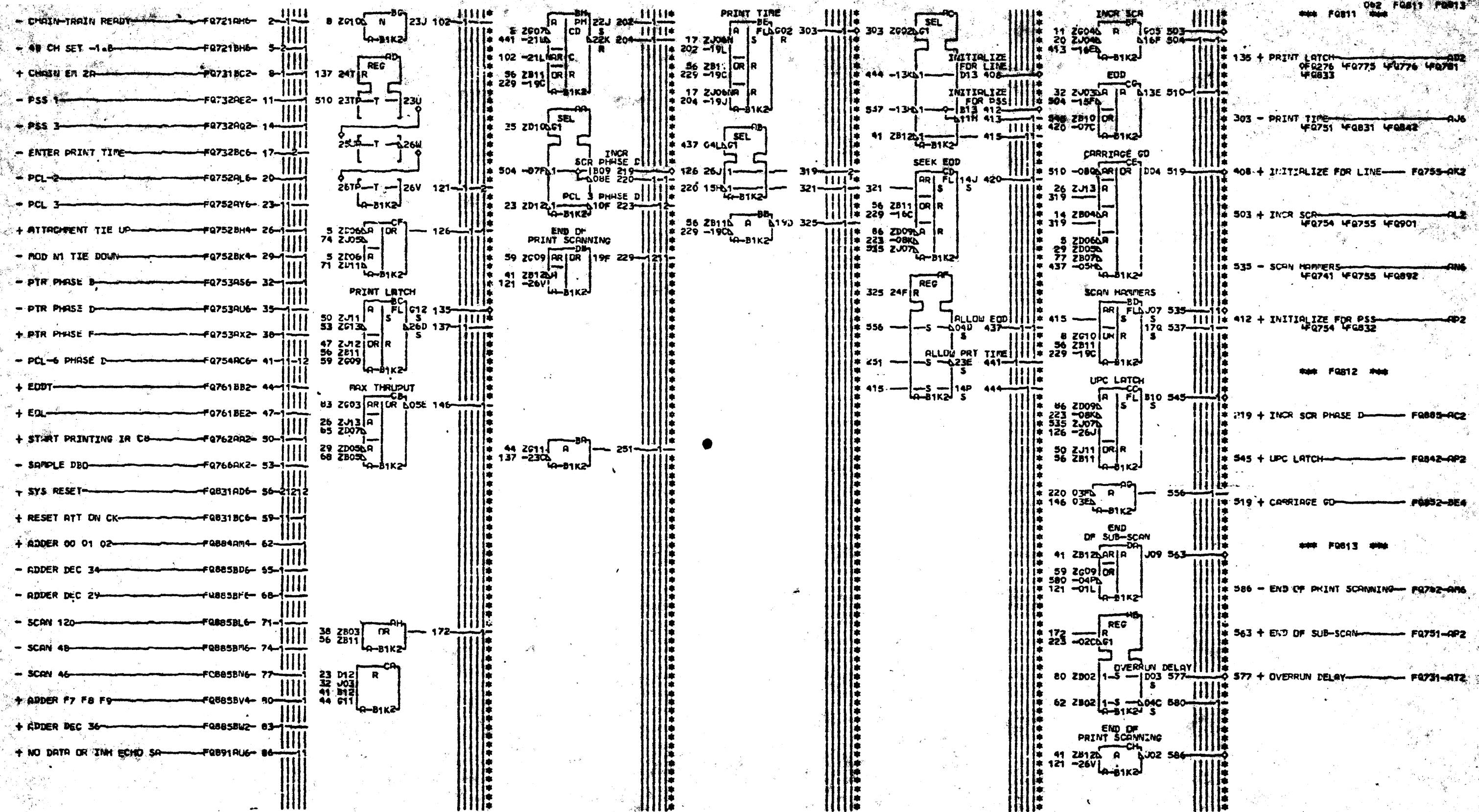
000 FQ783 FQ785
 *** FQ783 ***
 274 - LOAD FORMS LENGTH FQ851-AR6
 264 + LIO LPDAR FQ832-AL2
 267 - LIO LPIAR FQ762-AR6
 173 - LIO-SNS SEL DAR FQ756-AQ2
 569 - LIO-SNS SEL LPDAR FQ763-AR6
 448 - LIO-SNS SEL LPIAR FQ763-AR6
 178 - LIO-SNS SEL RAR FQ756-AZ2
 469 - LIO-SNS SEL IAR FQ756-BU6
 473 - LIO-SNS SEL SCR FQ756-BK6
 *** FQ784 ***
 235 - LIO TO BUFFER LSR FQ761-AR6
 456 - LIO TO BUFFER FQ892-AD6
 438 - LIO LSR AK6
 LFQ754 LFQ892
 536 + GATE BUFFER P TO DBI FQ845-AT2
 223 - SNS LSR FQ755-AV2
 431 + SNS GATE Y REG TO ALU FQ755-AR2
 559 + EB REQ UNI-CYC FQ751-AX2
 374 - SNS I-Q REQ UNI-CYC FQ751-AY6
 545 + SNS GATE XLATOR TO DBI FQ845-AZ2
 579 + SNS GATE X REG TO ALU FQ755-BE2
 384 + LIO-SNS LSR OR BUFFER FQ751-BG4
 *** FQ785 ***
 524 + READY LFQ276 LFQ775 LFQ778

LOC. TYPE
A-B1G2 0778

PAGE VER EC EV
 FQ783 000 821457
 FQ784 000 821457
 FQ785 000 824895

LIO AND SNS DECODE		E.C. HISTORY		MACH-1403SR15	
READY CONTROLS		821457			
DATE	LAST EC	FRAME	01	FQ783	
12-31-74	824895	IBN CORP.	GSD	FQ785	
P.No. 555800			000		

FQ783
 FQ785
 000



A-SIR TO PN EC 821457
 B-SIR TO PN EC 821457
 C-SIR TO PN EC 821457

LOC. TYPE
 A-B1K2 0781

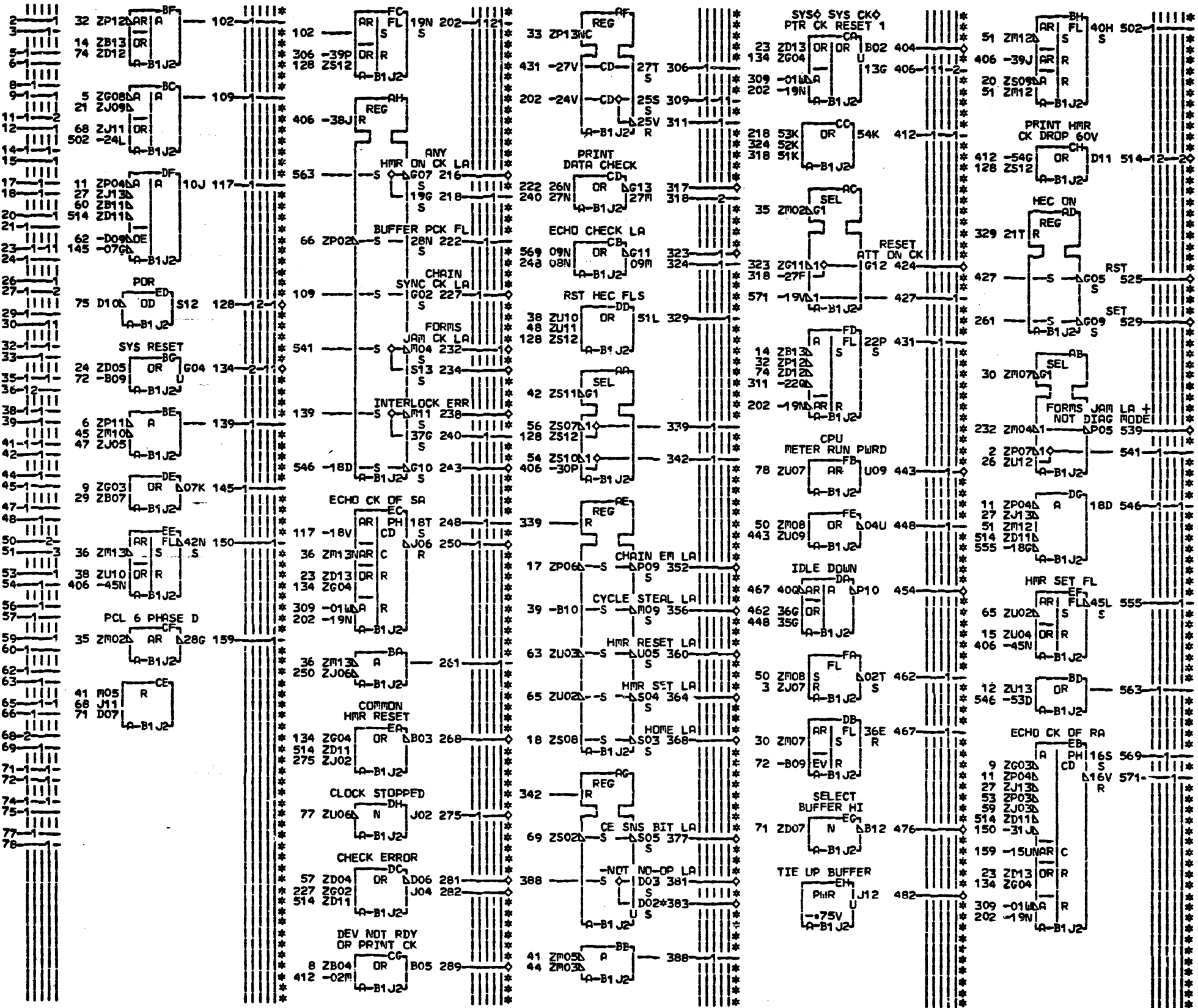
PAGE VER EC LEV
 F0811 062 821457
 F0812 062 821457
 F0813 062 821457

PNT CHLTS-END OF DATA DETECT
 UPC-END OF SUBSCAN/PRINT SCANS
 E-C-HISTORY-C-PACH-14033M15
 FRAME 01 F0811
 IBM COMP. SER F0813
 DATE LAST EC 06-01-73 821457
 P.N. 555803 062

THIS DOCUMENT IS IBM CONFIDENTIAL
 UNTIL ANNOUNCEMENT DECLASSIFY
 THEREAFTER.

F0811
 F0813
 062

- FORMS JAM AND KEY -1.8 FQ711AM6
 + 1403 STOPPED -.9 FQ712BA6
 - CHAIN-TRAIN READY FQ721AH6
 + DEV RDY-NOT INTLK FQ721AM2
 - DEV RDY-NOT INTLK FQ721AM6
 - HMR OFF ECHO -1.8 FQ721BF2
 + SW INH OF ECHO CK -.9 FQ722AH2
 + ANY HAMMER ON CK -.9 FQ722AK6
 + PTR CK RESET KEY -.9 FQ722BC2
 + ANY HAMMER ON -.9 FQ722BE6
 - CHAIN EM FQ731AH2
 + HOME LATCH FQ731AR2
 - HOME PULSE FQ731BH6
 - SYNC CHECK FQ732AW6
 + DIAG PRT CK RESET FQ741AZ2
 + DIAG SYS RESET FQ741BA2
 + DIAG FORMS JAM FQ741BD2
 + INH HEC IN DIAG MODE FQ741BU2
 + DIAG SA CHECK FQ741BX2
 + DIAG RUDE FQ741CJ2
 - ODD OSC T-81.92 US FQ753BK6
 - EVEN OSC T-81.92 US FQ753BL6
 - PCL-6 PHASE D FQ754AC6
 - SAMPLE HEC SET FQ754AL6
 + START PRINTING IR CB FQ762AA2
 + I-O CYCLE FQ763AU2
 - CLOCK 6 FQ766AD2
 - CLOCK 7 FQ766AJ2
 - IQ CYCLE ND-OP FQ772AZ4
 - I-O WORKING FQ775AP2
 - SID DIAG INSTR 1 OR 2 FQ782AP2
 + LIO LPDR FQ783AL2
 + PRINT LATCH FQ811AD2
 - PRINT TIME FQ811AJ6
 + INITIALIZE FOR PSS FQ811AP2
 - GATE CHECKS BYTE 2 FQ845AC6
 - GATE TIMING BYTE 2 FQ845AN6
 + CARR CHECK FQ854AS6
 - ECHO CK RA FOR ON FQ891AD6
 + I.H ECHO CK OF SA FQ891AJ2
 - ECHO CK SA FOR ON FQ891AM6
 - HAMMER RESET FQ891AQ6
 - HAMMER SET FQ891AR6
 - PARITY CK OF BUFFER FQ904AS6
 + CE TIE-UP UNLIMITED SYNC CK FQ931AZ4
 - CE SNS BIT LATCHED FQ931BG2
 + CE TIE UP BUFFER FQ931SC4
 - SYSTEM RESET WP010AG6
 + CHECK RESET WP010AH2
 - POWER ON RESET WP010AM4
 + CLOCK RUN WP010AK4
 + CPU METER RUN WP010AL4



000 FQ831 FQ833
 *** FQ831 ***
 134 + SYS RESET AD6
 OFQ741 LFQ751 LFQ762 LFQ775
 OFQ776 LFQ778 LFQ811 LFQ852
 LFQ854
 238 - INTERLOCK ERR FQ842-AL6
 216 - ANY HMR ON CK LA FQ842-AN6
 323 - ECHO CHECK LA FQ842-BA2
 424 + RESET ATT ON CK BC6
 LFQ811 LFQ813
 317 - PRINT DATA CHECK FQ841-BF2
 227 + CHAIN SYNC CK LA BC2
 LFQ276 LFQ841
 243 - AND CK CKT FAILURE LA TP BH6
 381 - NOT NO-OP LA BK2
 OFQ774 LFQ775 LFQ776 LFQ783
 LFQ842
 383 + CHAN CHECK STOP WP015-BL6
 377 - CE SNS BIT LA FQ842-BM6
 404 + SYS CK PTR CK RESET 1 BS6
 OFQ741 LFQ765 LFQ772 LFQ851
 LFQ854
 232 - FORMS JAM CK LA FQ841-BW2
 234 + FORMS JAM CK LA FQ854-BW6
 539 - FORMS JAM LA + NOT DIAG MODE CB6
 LFQ852
 289 + DEV NOT RDY OR PRINT CK FQ852-CE6
 514 + PRINT HMR CK DROP 60V CH6
 LFQ276 LFQ854
 454 - IDLE DOWN FQ276-CJ6
 *** FQ832 ***
 356 - CYCLE STEAL LA FQ841-AB6
 281 - CHECK ERROR FQ772 LFQ775
 282 + CHECK ERROR FQ785-AE6
 352 - CHAIN EM LA FQ841-AH6
 368 - HOME LA FQ842-AR6
 364 - HMR SET LA FQ841-BB6
 275 + CLOCK STOPPED FQ855-BC2
 529 - HEC ON SET FQ784-BF6
 525 - HEC ON RST FQ784-BG6
 360 - HMR RESET LA FQ841-BH6
 268 - COMMON HMR RESET FQ276-BJ2
 250 - ECHO CK OF SA FQ841-BM6
 128 + POR OFQ741 LFQ785 LFQ854 LFQ855
 LFQ864
 476 - SELECT BUFFER HI FQ512-BX2
 482 + TIE UP BUFFER FQ931-CA6
 *** FQ833 ***
 443 + CPU METER RUN PHRD FQ276-AC6

EDGE CONN.
383 A-B1M6C04
01A-B1P5T76

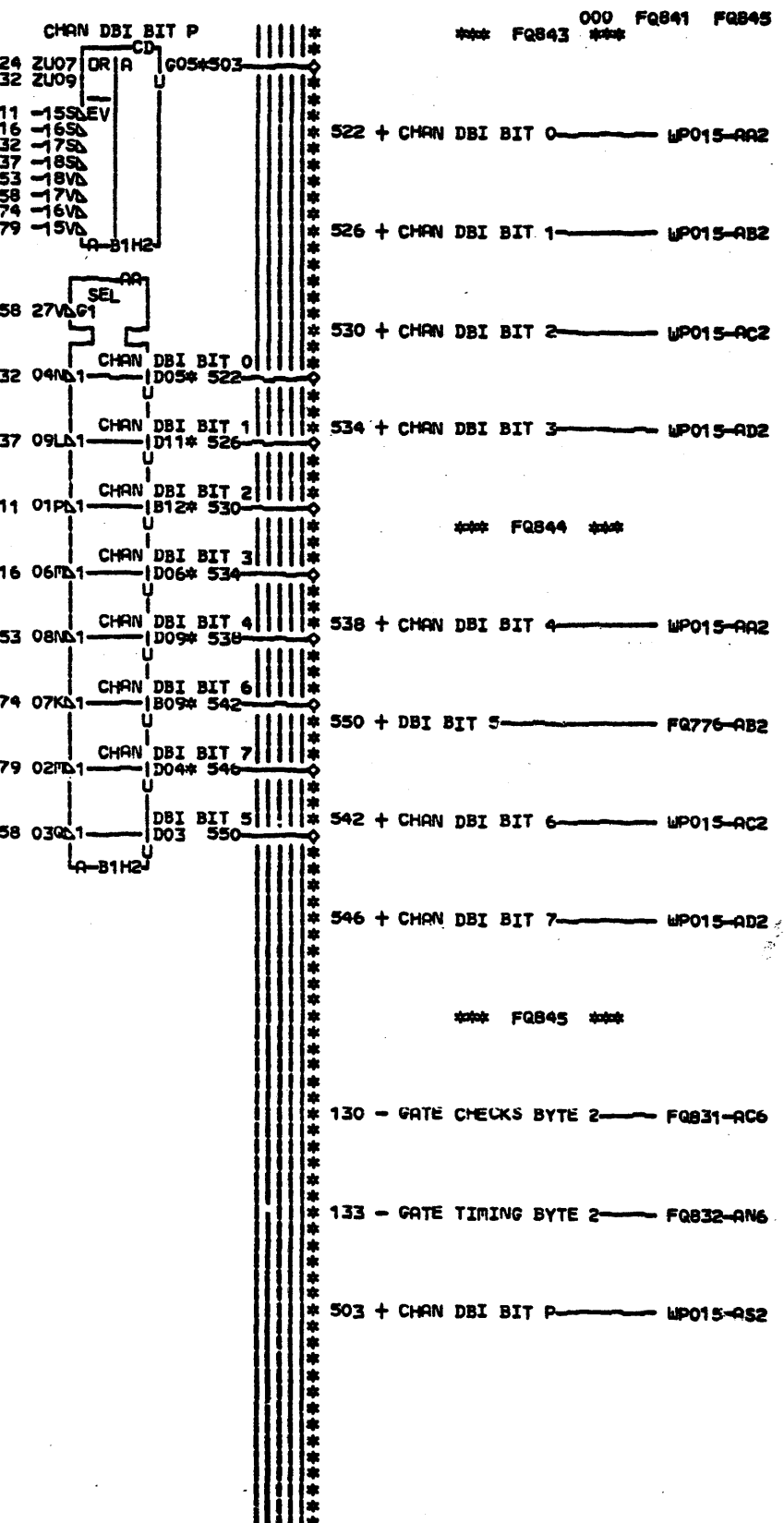
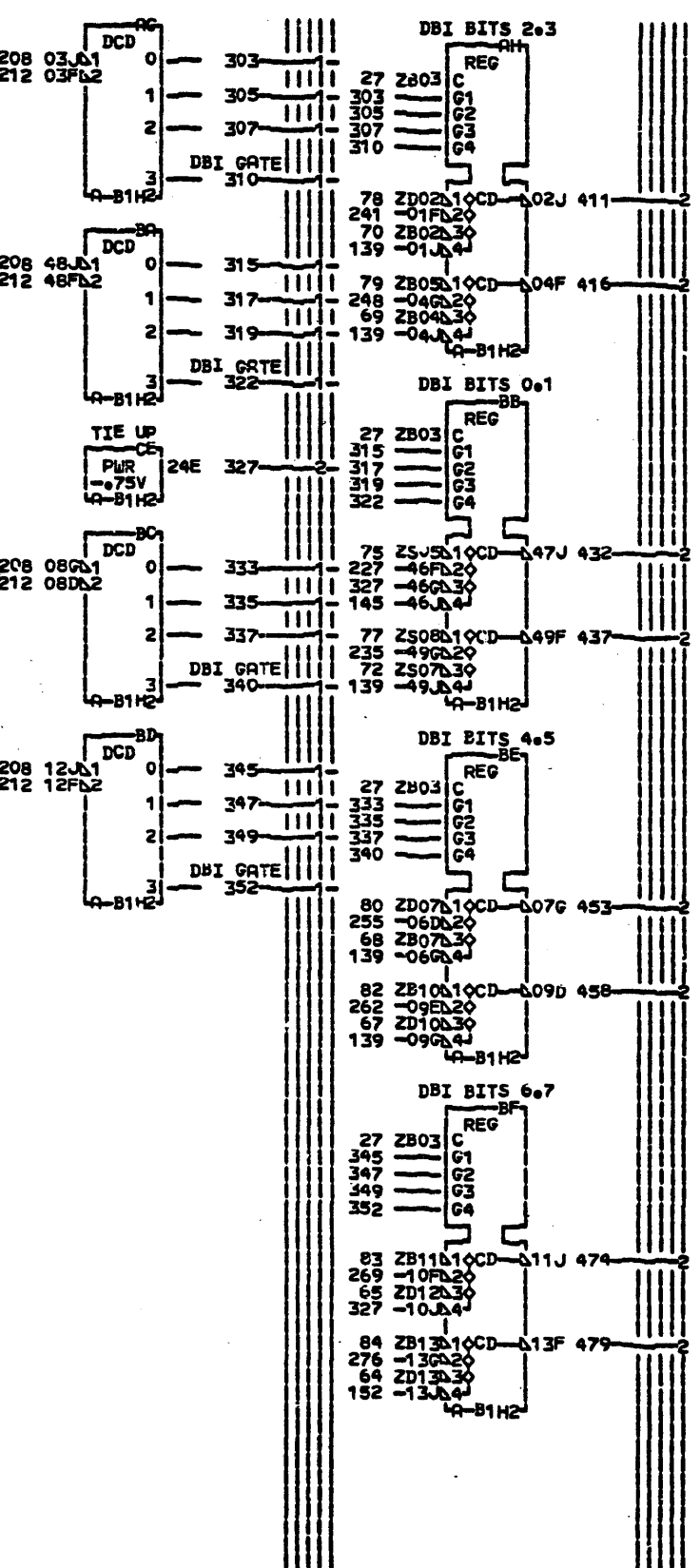
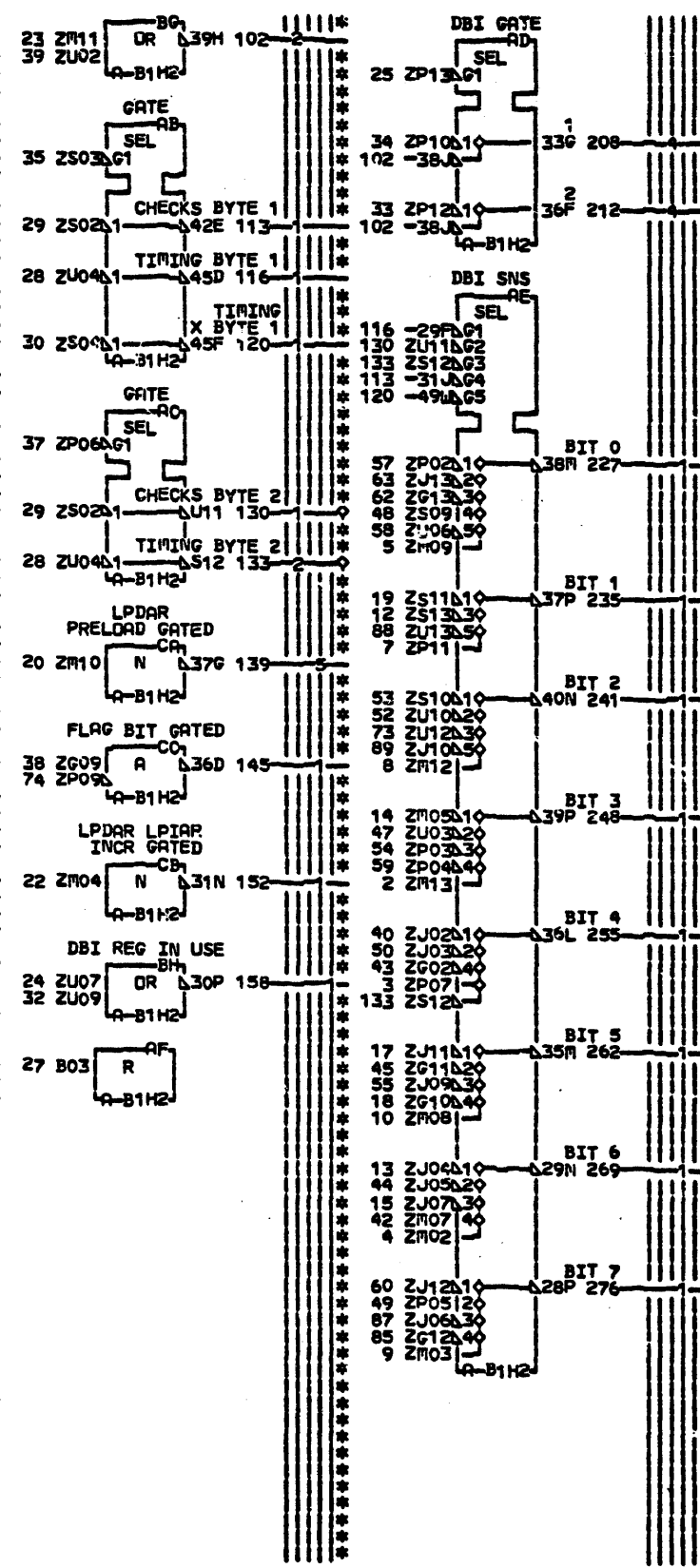
LDC TYPE
A-B1J2 0783

PAGE VER I.C. LEV
FQ831 000 824895
FQ832 000 821457
FQ833 000 821457

LATCH CHECKS FOR SNS-IDLE DOWN AND ECHO CHECKING	
E.C. HISTORY	C. MACH. 1403SR15
821457	
DATE LAST EC	IBN CORP. GSD
12-31-74 824895	PoN. 5555804
	000

FQ831
FQ833
000

† SNS HMR ADD BIT 3 FQ272AA2
 † SNS HMR ADD BIT 4 FQ272AB2
 † SNS HMR ADD BIT 6 FQ272AC2
 † SNS HMR ADD BIT 0 FQ272AD2
 † SNS HMR ADD BIT 1 FQ272AE2
 † SNS HMR ADD BIT 2 FQ272AF2
 † SNS HMR ADD BIT 7 FQ272AG2
 † SNS HMR ADD BIT 5 FQ272AH2
 - LOW SPEED DRIVE -1.0 FQ711BF6
 - END OF FORMS -1.0 FQ711BH6
 - CHAIN-TRAIN READY FQ721AH6
 - CARRIAGE SETTling -1.0 FQ721BB2
 - HMR OFF ECHO -1.0 FQ721BF2
 - 48 CYCLES SET -1.0 FQ721BH6
 - PSS 1 FQ732AE2
 † GATE INITIALIZE LPDAR FQ763AJ2
 † GATE INCR FACTOR FQ763AK2
 † I-O GATE X REG TO ALU FQ763AL2
 † I-O CYCLE FQ763AU2
 † CLOCK 0 THRU 1 FQ766AG6
 † LOAD DBI REG FQ766AR2
 - SNS TIMING BYTE2-BYTE1 FQ781AL6
 - SNS CHECKS BYTE2-BYTE1 FQ781AM6
 - SNS TIMING X BYTE2-BYTE1 FQ781AS6
 † PTR SNS EB CL1 THRU 3 FQ781AW2
 - SNS BITS READY FOR DBI FQ781BA6
 - SNS LINE COUNT FQ781BB6
 - EB-1 FQ781BG2
 - EB-2 FQ781BH2
 † GATE BUFFER P TO DBI FQ784AT2
 † SNS GATE XLATOR TO DBI FQ784AZ2
 - PRINT TIME FQ811AJ6
 † UPC LATCH FQ812AP2
 - INTERLOCK ERR FQ831AL6
 - ANY HMR ON CK LA FQ831AV6
 - ECHO CHECK LA FQ831BA2
 - PRINT DATA CHECK FQ831BF2
 † CHAIN SYNC CK LA FQ831BG2
 - NOT NO-OP LA FQ831BK2
 - CE SNS BIT LA FQ831BM6
 - FORMS JAM CK LA FQ831BW2
 - CYCLE STEAL LA FQ832AB6
 - CHAIN EM LA FQ832AH6
 - HOME LA FQ832AR6
 - HMR SET LA FQ832BB6
 - HMR RESET LA FQ832BH6
 - ECHO CK OF SA FQ832BM6
 - INHIBIT CARRIAGE FQ852AK6
 - HIGH SPEED DRIVE FQ852AQ6
 - CARR SYNC CK FQ854AP2
 - LC BIT 7 FQ861AA6
 - LC BIT 6 FQ861AB2
 - LC BIT 5 FQ861AC2
 - LC BIT 4 FQ861AD2
 - LC BIT 3 FQ861AE2
 - LC BIT 2 FQ861AF2
 - LC BIT 1 FQ861AG2
 - ALL CARR EMS FQ863AP2
 - X REG BIT P FQ881AG6
 - ADDER XLATOR BIT 0 FQ882AP2
 - XLATOR BIT 1 FQ884AR2
 - XLATOR BIT 2 FQ884AS2
 - XLATOR BIT 3 FQ884AT2
 - XLATOR BIT 4 FQ884AU2
 - XLATOR BIT 5 FQ884AV2
 - XLATOR BIT 6 FQ884AW2
 - XLATOR BIT 7 FQ884AX2
 - CE SNS BIT FQ931BG4
 - CE SNS TAP BIT FQ931BG6
 - SPARE SNS BIT FQ931BH2
 - SPARE SNS BIT FQ931BH4



EDGE CONN: 01A-B1A4D07
 503 A-B1H6A02 530 A-B1J6C02
 31A-B1A4D02 01A-B1A4D09
 522 A-B1H6B02 542 A-B1J6E02
 01A-B1A4D03 01A-B1A4D11
 526 A-B1H6D02 546 A-B1K6B02
 01A-B1A4D05 01A-B1A4D13
 530 A-B1H6EC2
 01A-B1A4D06
 534 A-B1J6A02

THIS DOCUMENT IS IBM CONFIDENTIAL
 UNTIL ANNOUNCEMENT DECLASSIFY
 THEREAFTER.

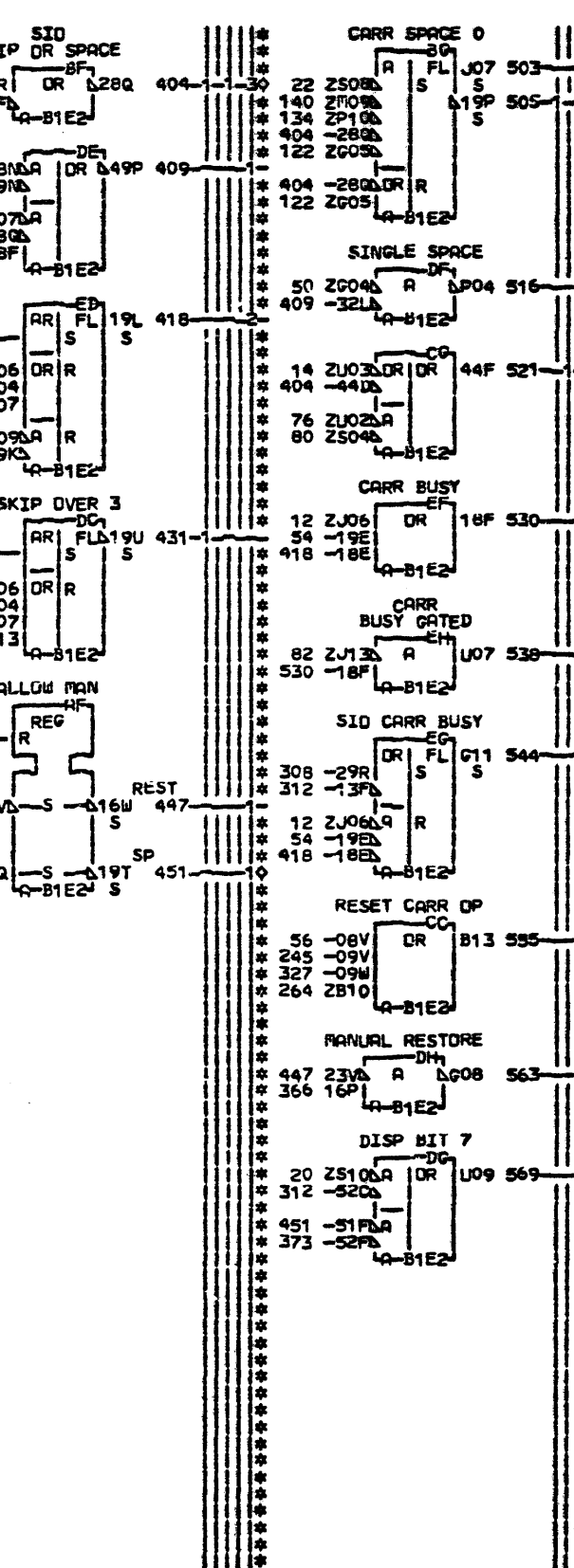
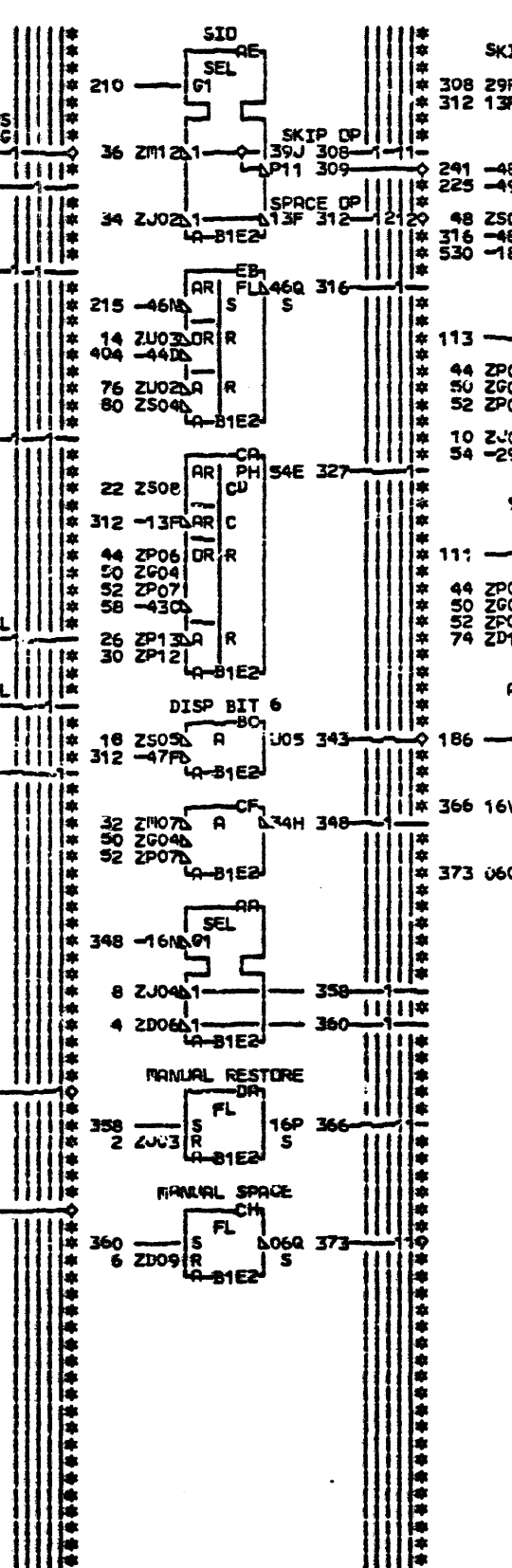
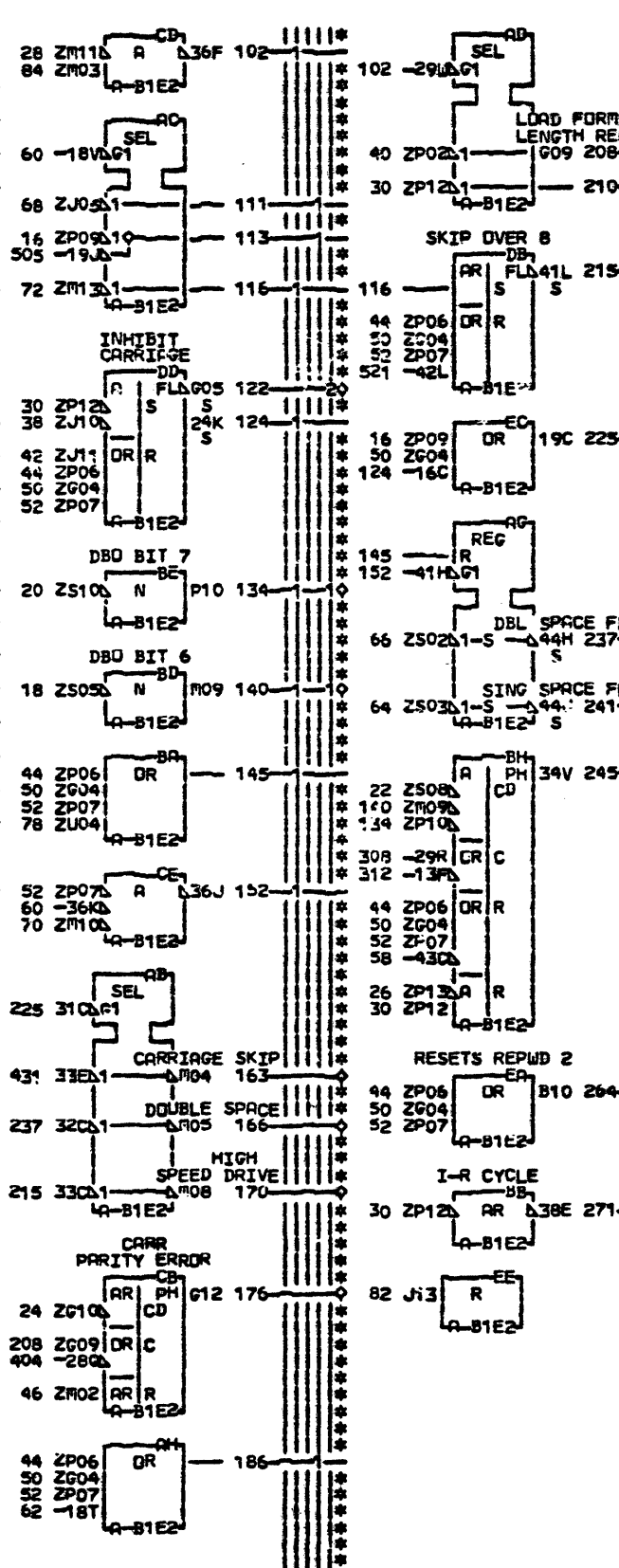
LUC TYPE
 A-B1H2 0794

PAGE VER EC LEV
 FQ841 000 821457
 FQ842 000 821457
 FQ843 000 821457
 FQ844 000 821457
 FQ845 000 821457

DBI GATES-DBI BITS 0 TO 7		
E-C-HISTORY	C-MACH#14033/15	
DATE	LAST EC	FRAME 01 FQ841
06-01-73	821457	IBM COMP#65D FQ845
		P#N 5555805 000

FQ841
 FQ845
 000

- CARR RESTORE KEY NC -1.0 FQ712AM6
 - CARR SPACE KEY NO -1.0 FQ712AM2
 - CARR SPACE KEY NC -1.0 FQ712BE6
 - CARR RESTORE KEY NO -1.0 FQ712BF2
 - CARRIAGE SETTling -1.0 FQ7218B2
 + CARRIAGE SETTling -0.9 FQ7218B6
 - LIMIT CARR SPEED T.O. -1.0 FQ7218D6
 + DIAG MODE FQ741CJ2
 - DBO BIT 6 FQ765AN2
 - DBG BIT 7 FQ765AP2
 - NOT DBO BITS 0-5 FQ765AW4
 - DBO PARITY ERROR FQ765BS2
 - CLOCK 2 FQ766AB2
 - CLOCK 5 FQ766AH2
 - I-R CYCLE FQ771AB2
 + INH MANUAL KEYS FQ775AS4
 - SID SPACE FQ782AL2
 - SID SKIP FQ782AM2
 - SID PRINT FQ782AN2
 - LOAD FORMS LENGTH FQ783AK6
 + CARRIAGE GO FQ812BF4
 + SYS RESET FQ831AD6
 + SYSO SYS CKO PTR CK RESET 1 FQ831BS6
 - FORMS JAM LA + NOT DIAG MODE FQ831CB6
 + DEV NOT RDY OR PRINT CK FQ831CE6
 + CARR CHECK FQ854AS6
 + CARR OP LATCH FQ855AE2
 + COMPARE RESET FQ855AF2
 + TIE UP FQ855AK4
 - START CARRIAGE FQ855AX6
 + RESET MANUAL LTHS FQ855BF2
 - UDC BIT 7 FQ862AB6
 - UDC BIT 6 FQ862AH6
 - DISP GREATER THAN 3 FQ863AD2
 + DISP GREATER THAN 3 FQ863AD6
 - DISP GREATER THAN 9 FQ863AE2
 + STOP CARRIAGE FQ863AF2
 - DISP IS 8 FQ863AG6
 + VERIFIED EM A 20.4BUS FQ863BR2
 - VERIFIED EM B 20.4BUS FQ863BB6
 + CE TIE-UP PRINT WHEN BUSY FQ931AX4
 + EARLY PHASE C WP01CAN2



000 FQ851 FQ853
 *** FQ851 ***
 271 - I-R CYCLE FQ855-AB6
 309 - LOAD DEST CNTR WITH DBO AD6
 FQ865 FQ866
 312 - SID SPACE OP FQ855-AP6
 208 + LOAD FORMS LENGTH REG FQ864-A62
 343 + DISP BIT 6 FQ862-AH2
 140 + DBO BIT 6 FQ865-AJ2
 134 + DBO BIT 7 FQ865-AK2
 404 - SID SKIP OR SPACE FQ855-AL2
 503 + CARR SPACE 0 FQ275-AU2
 176 + CARR PARITY ERROR FQ773-AX2
 555 + RESET CARR OP FQ855 FQ865
 *** FQ852 ***
 373 - MANUAL SPACE ON FQ855-AP6
 122 - INHIBIT CARRIAGE FQ842-AK6
 166 - DOUBLE SPACE FQ275-AM6
 451 + MANUAL SPACE OFF FQ855-AN6
 170 - HIGH SPEED DRIVE FQ863-AR6
 FQ841
 163 - CARRIAGE SKIP FQ275-AR6
 516 - SINGLE SPACE FQ275-AS6
 569 + DISP BIT 7 FQ862-AT2
 563 - MANUAL RESTORE FQ854 FQ855 FQ866
 264 + RESETS REPWD 2 FQ863-AW2
 *** FQ853 ***
 530 + CARR BUSY FQ854-AM6
 544 + SID CARR BUSY FQ775 FQ776
 538 + CARR BUSY GATED FQ775-AR2

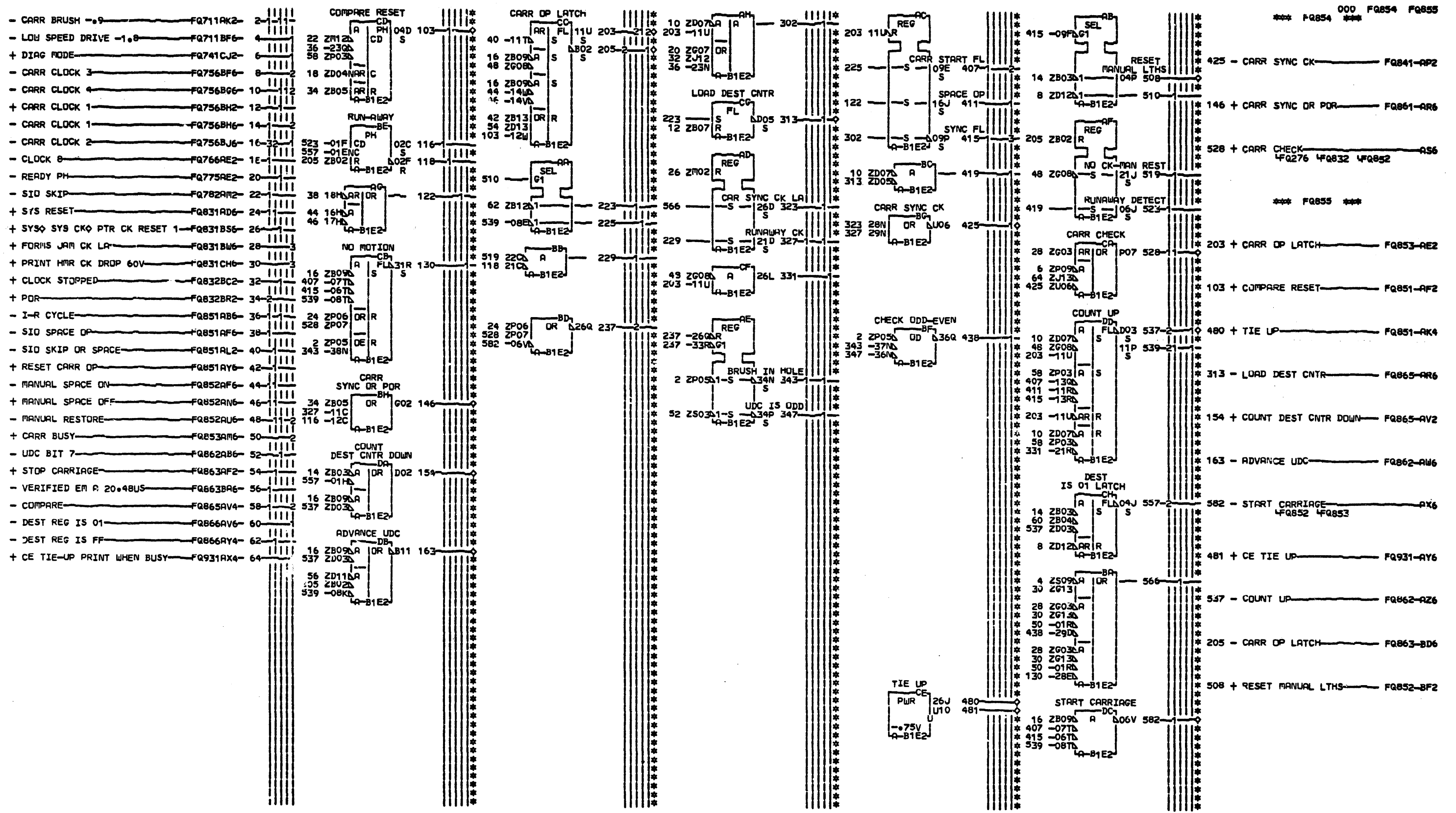
LOC. TYPE
A-B1E2 0785

PAGE VER EC LEV
FQ851 000 821457
FQ852 000 821457
FQ853 000 821457

CARRIAGE CONTROLS		FRAME 01 FQ851
LOAD - DRIVE - BUSY		IBN CORP. GSD FQ853
E.C. HISTORY	C. MACH. 1403SM15	
DATE LAST EC	P.No. 5555806	000
06-01-73 821457		

THIS DOCUMENT IS IBM CONFIDENTIAL
UNTIL ANNOUNCEMENT DECLASSIFY
THEREAFTER.

FQ851
FQ853
000



000 FQ854 FQ855
 *** FQ854 ***

425 - CARR SYNC CK FQ841-AP2

146 + CARR SYNC DR POR FQ861-AR6

528 + CARR CHECK FQ832 FQ852

*** FQ855 ***

203 + CARR OP LATCH FQ853-AE2

103 + COMPARE RESET FQ851-AP2

480 + TIE UP FQ851-AK4

313 - LOAD DEST CNTR FQ865-AR6

154 + COUNT DEST CNTR DOWN FQ865-AV2

163 - ADVANCE UDC FQ862-AR6

582 - START CARRIAGE FQ852 FQ853

481 + CE TIE UP FQ931-AY6

537 - COUNT UP FQ862-AZ6

205 - CARR OP LATCH FQ863-BD6

508 + RESET MANUAL LTHS FQ852-BF2

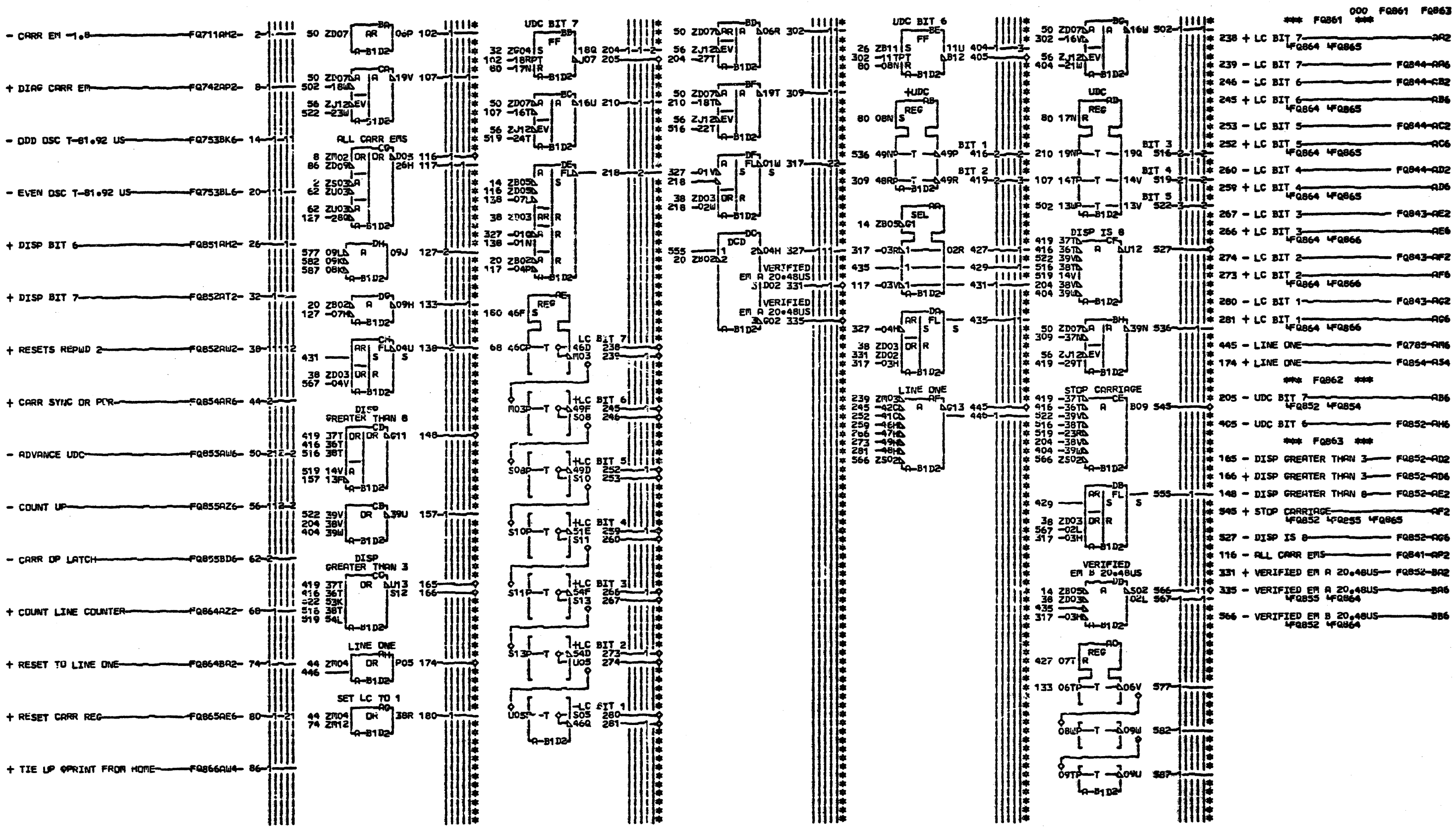
LDC TYPE
 A-B1E2 0785

PAGE VER EC LEV
 FQ854 000 521457
 FQ855 000 8C1457

CARR CHK-CARR REG CONTROLS			
E.C.	HISTORY	C	MACH.14035R15
		FRAME	01 FQ854
		IBM CUMP.	GSD FQ855
DATE	LAST EC	P.N.	5355807 000
06-01-73	821457		

THIS DOCUMENT IS IBM CONFIDENTIAL
 UNTIL ANNOUNCEMENT DECLASSIFY
 THEREAFTER.

FQ854
 FQ855
 000



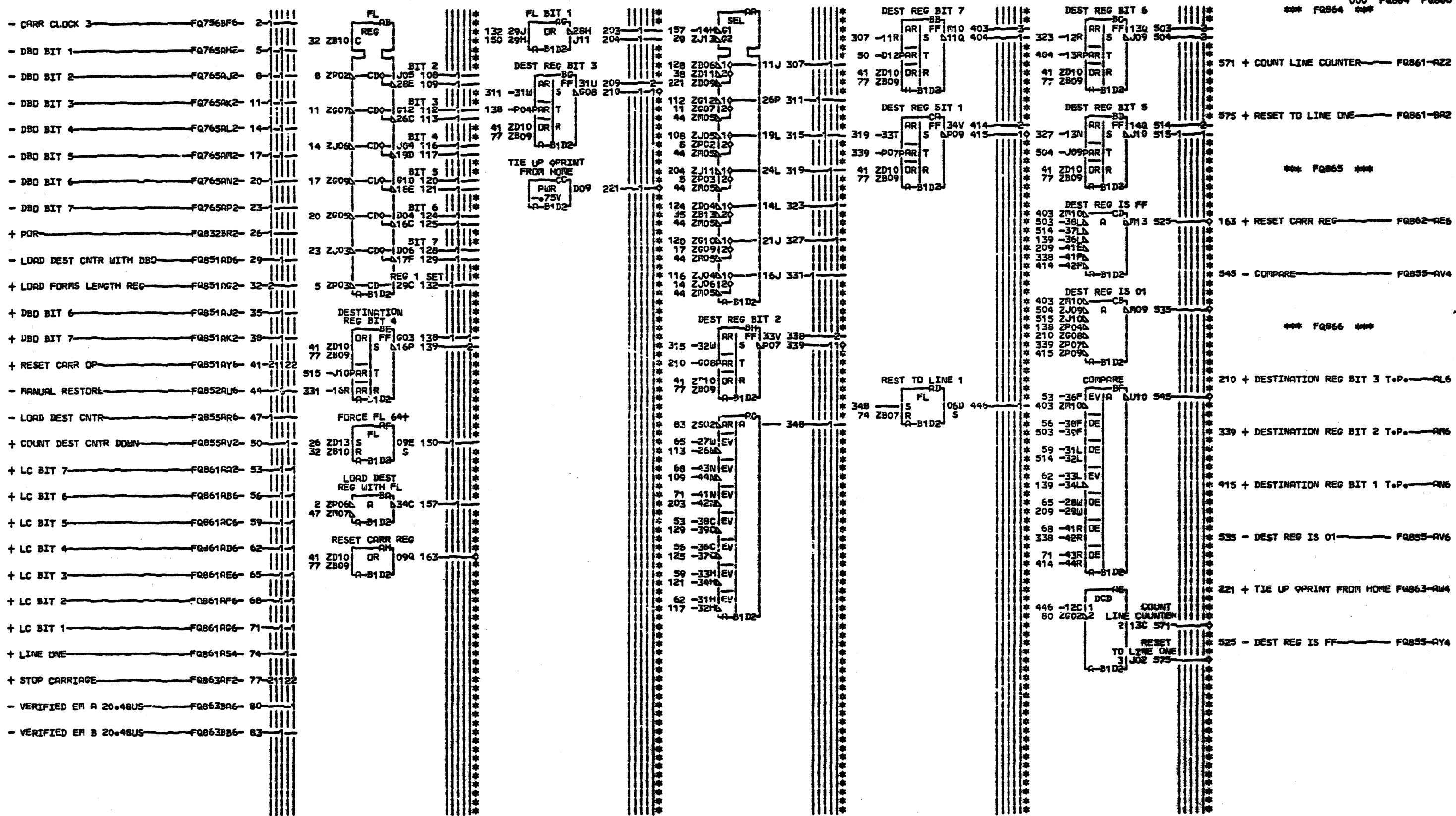
FQ861
FQ863
000

LOC. TYPE
A-81M2 0786

PAGE VER EC LEV
FQ861 000 821457
FQ862 000 821457
FQ863 000 821457

THIS DOCUMENT IS IEM CONFIDENTIAL
UNTIL ANNOUNCEMENT DECLASSIFY
THEREAFTER.

LINE COUNTER REGISTER UP-DOWN COUNTER AND DECODE -E.C.-HISTORY-C-RACK-14035M15		FRAME 01 FQ861
DATE LAST EC 06-01-73 821457	IEM CORP.GSD FQ863	IP.No. 555508 000



DEST REG BIT IS ACTIVE
WHEN FF IS RESET

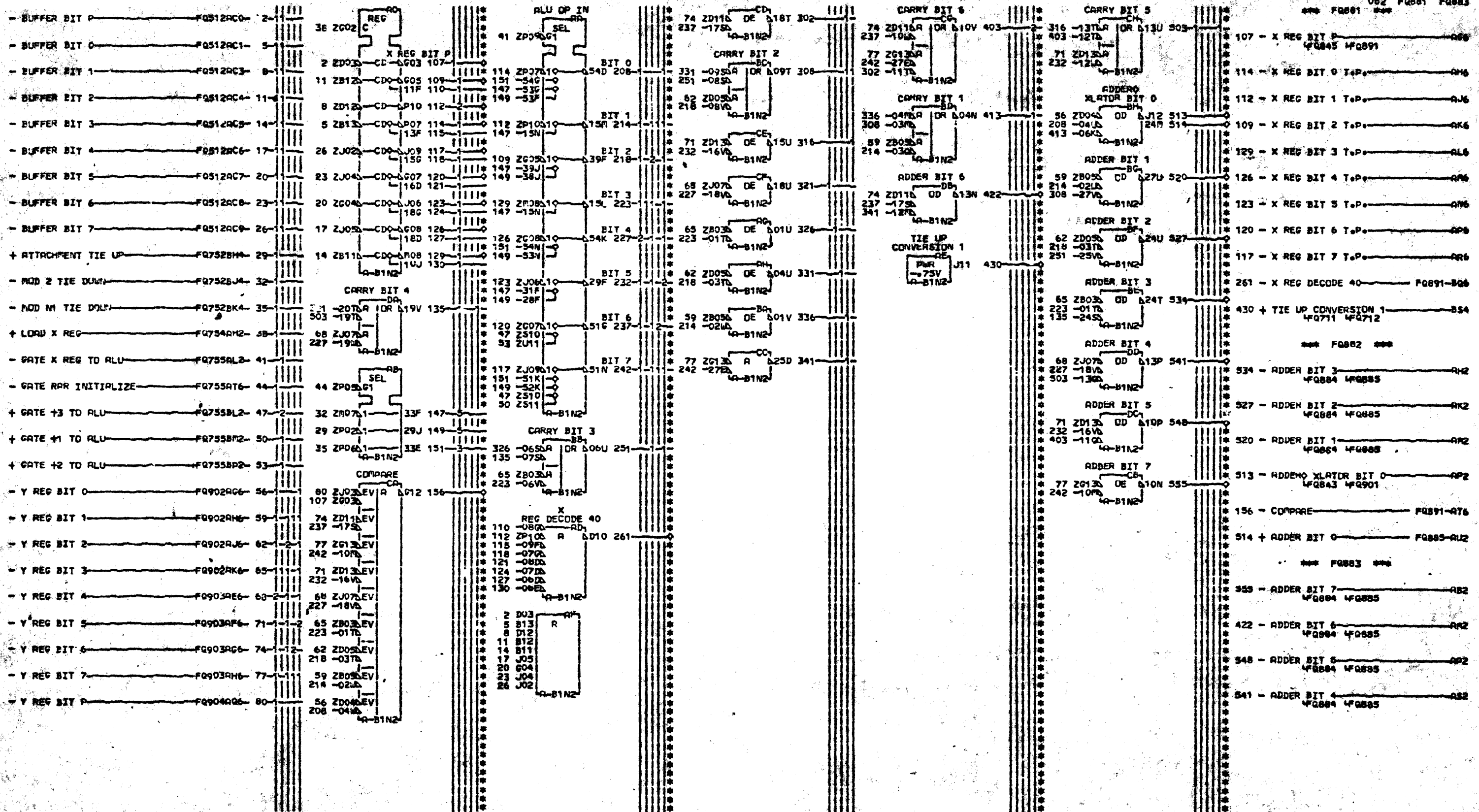
FQ864
FQ866
000

LOC. TYPE
A-B1D2 0786

PAGE VER EC LEV
FQ864 000 821457
FQ865 000 821457
FQ866 000 821457

THIS DOCUMENT IS IBM CONFIDENTIAL
UNTIL ANNOUNCEMENT DECLASSIFY
THEREAFTER.

FORMS LENGTH REGISTER DESTINATION COUNTER	
E.C. HISTORY	C. MACH. 1403SR15
DATE LAST EC	FRAME 01 FQ864
06-01-73 821457	IBM CORP. OSD FQ866
	IP.No. 555809 000



A-SIA TO PW EC 821457

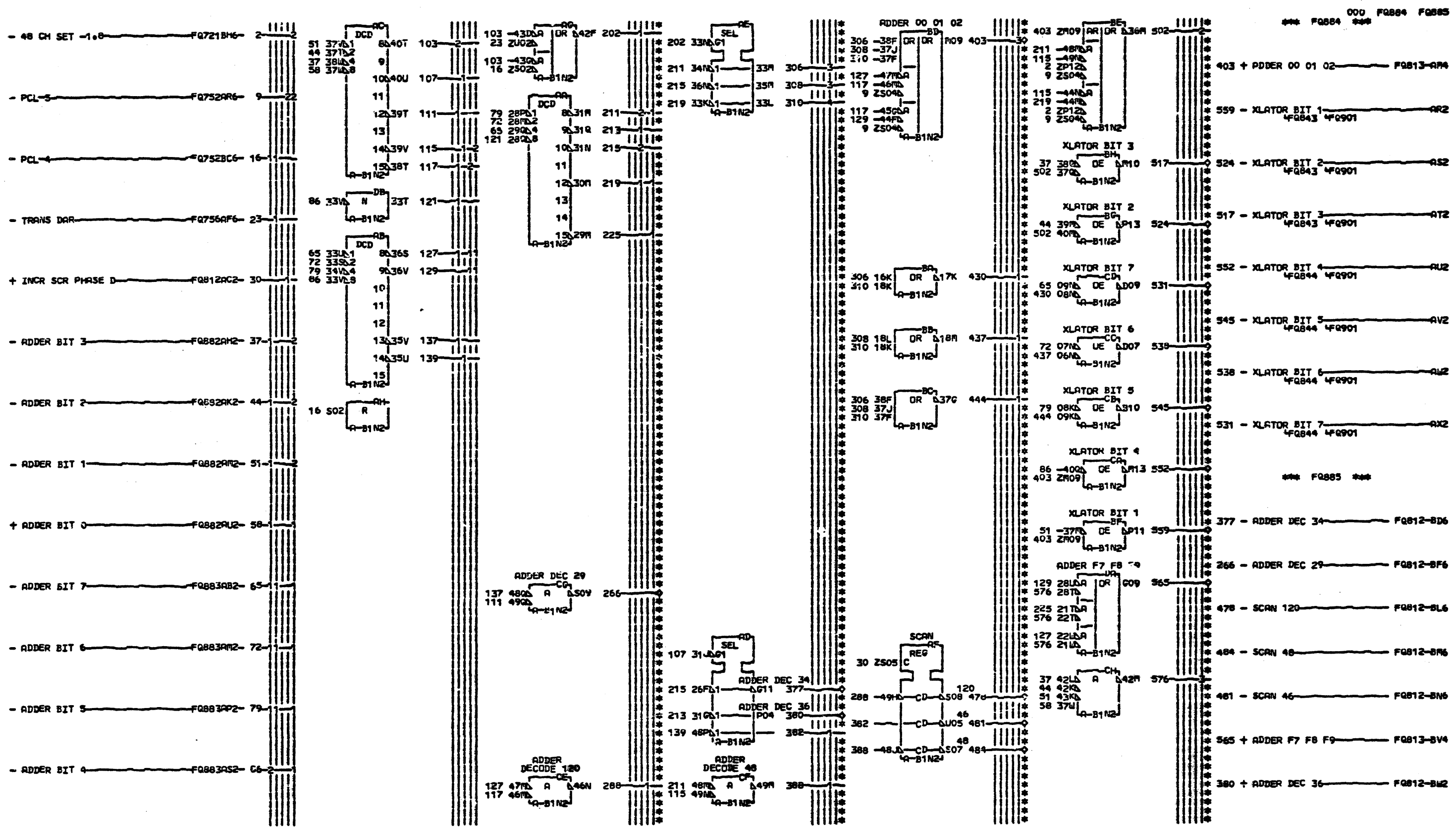
LOC. TYPE A-B1N2 0988

PAGE VER EC LEV FQ881 062 821457 FQ882 000 821457 FQ883 000 821457

THIS DOCUMENT IS IBM CONFIDENTIAL UNTIL ANNOUNCEMENT DECLASSIFY THEREAFTER.

X REG AND ALU-OP INPUT	
E-C-HISTORY	C-RACH-1403SM5
DATE	LAST EC
06-07-73 821457	PaNo 5355812 062
FRAME 01	FQ881
IBM COMP-658	FQ882

FQ881 FQ882 062



000 FQ884 FQ885
 *** FQ884 ***

*** FQ885 ***

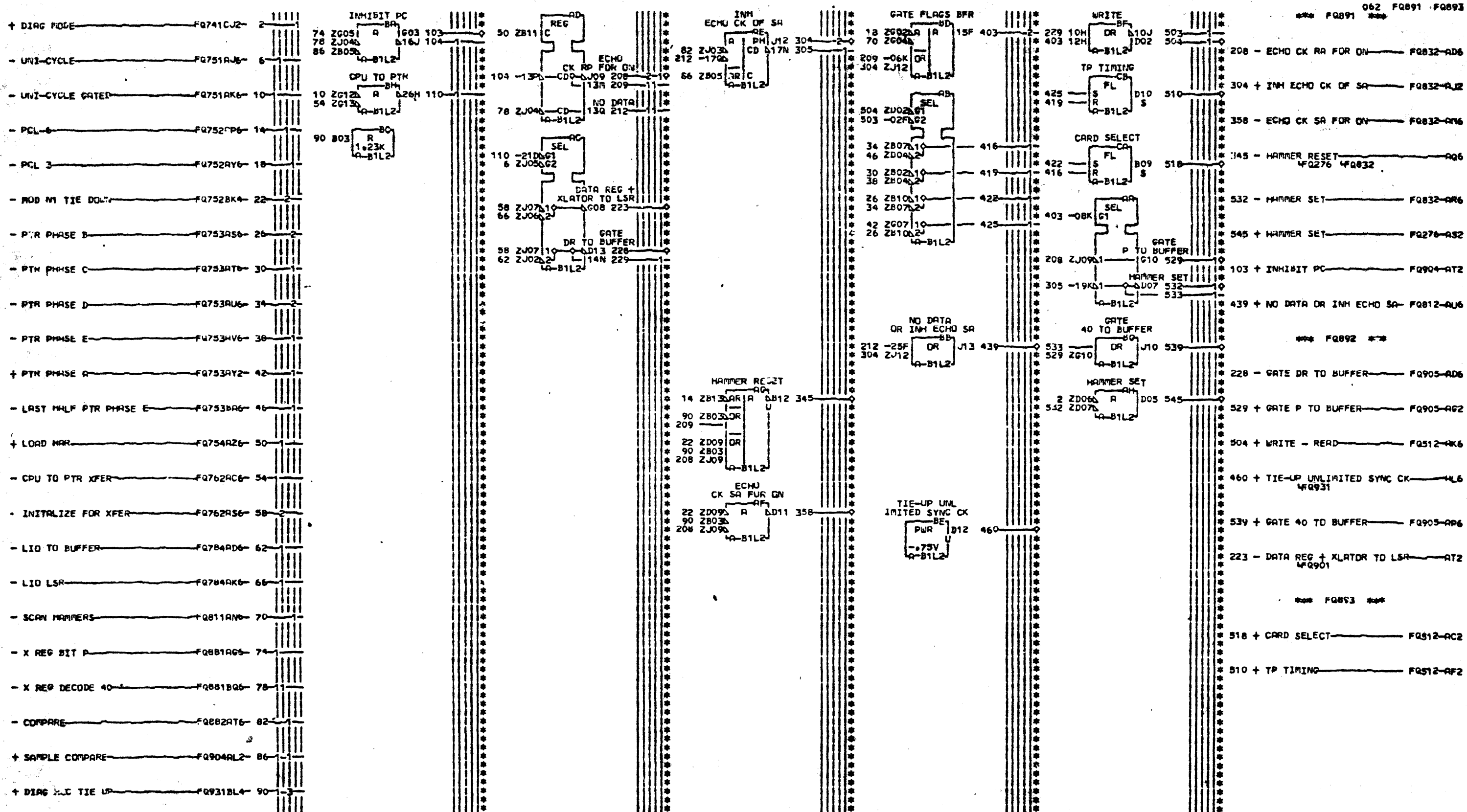
LOC. TYPE
 A-81N2 0988

PAGE VER EC LEV
 FQ884 000 821457
 FQ885 000 821457

THIS DOCUMENT IS IBM CONFIDENTIAL
 UNTIL ANNOUNCEMENT DECLASSIFY
 THEREAFTER.

TRANSLATOR-ADDER DECODE			
E.C.	HISTORY	C	FRAME 01 FQ884
			IBM CORP. 65D FQ885
DATE	LAST EC	P.No.	5555813 000
06-01-73	821457		

FQ884
 FQ885
 000



A-SIA TO PH EC 821457
 B-SIA TO PH EC 821457
 C-SIA TO PH EC 821457

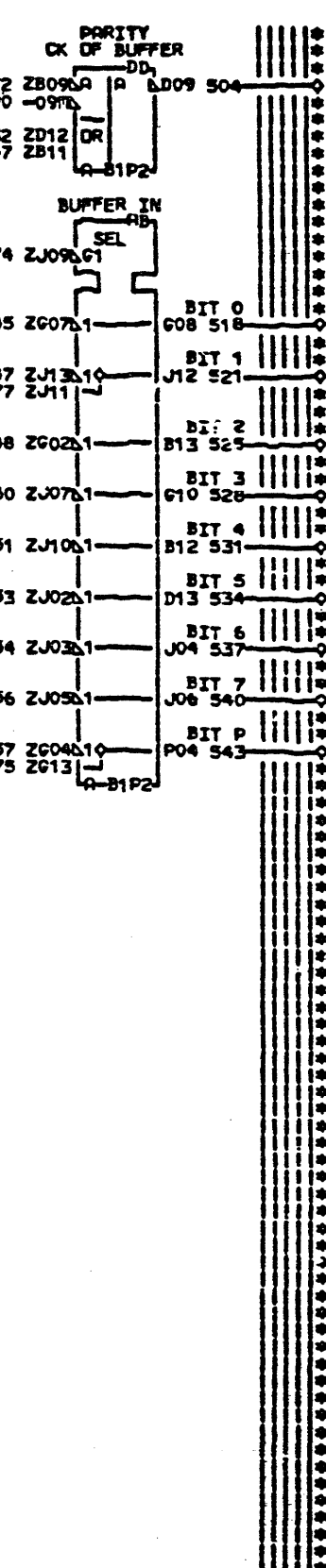
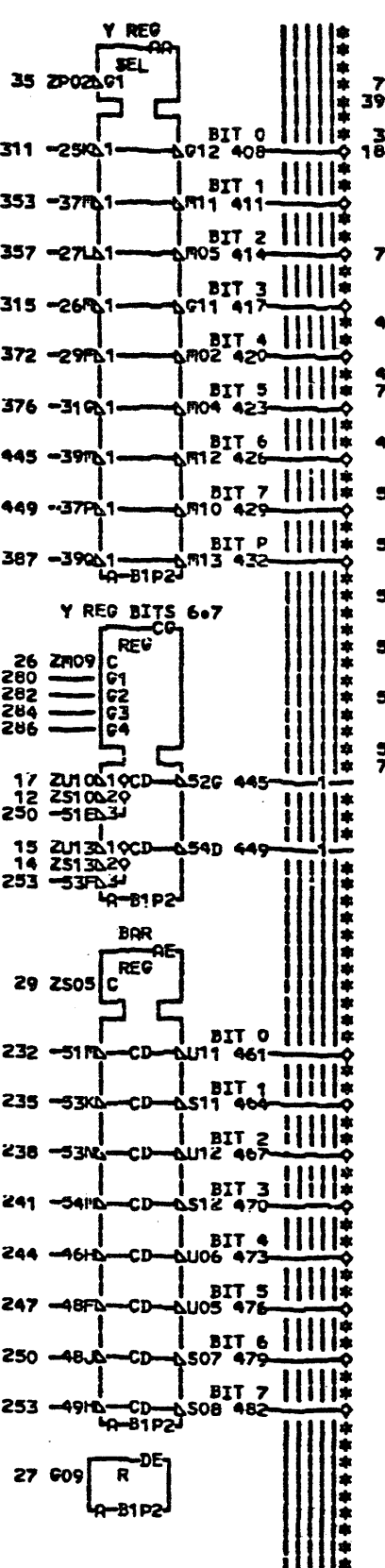
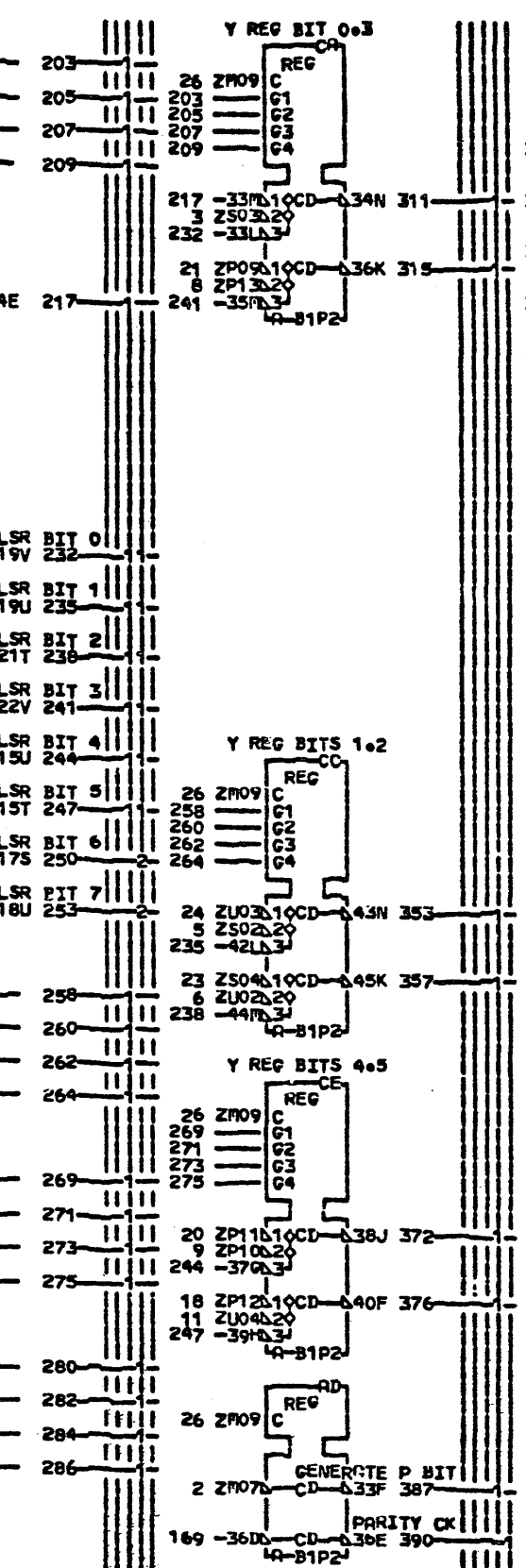
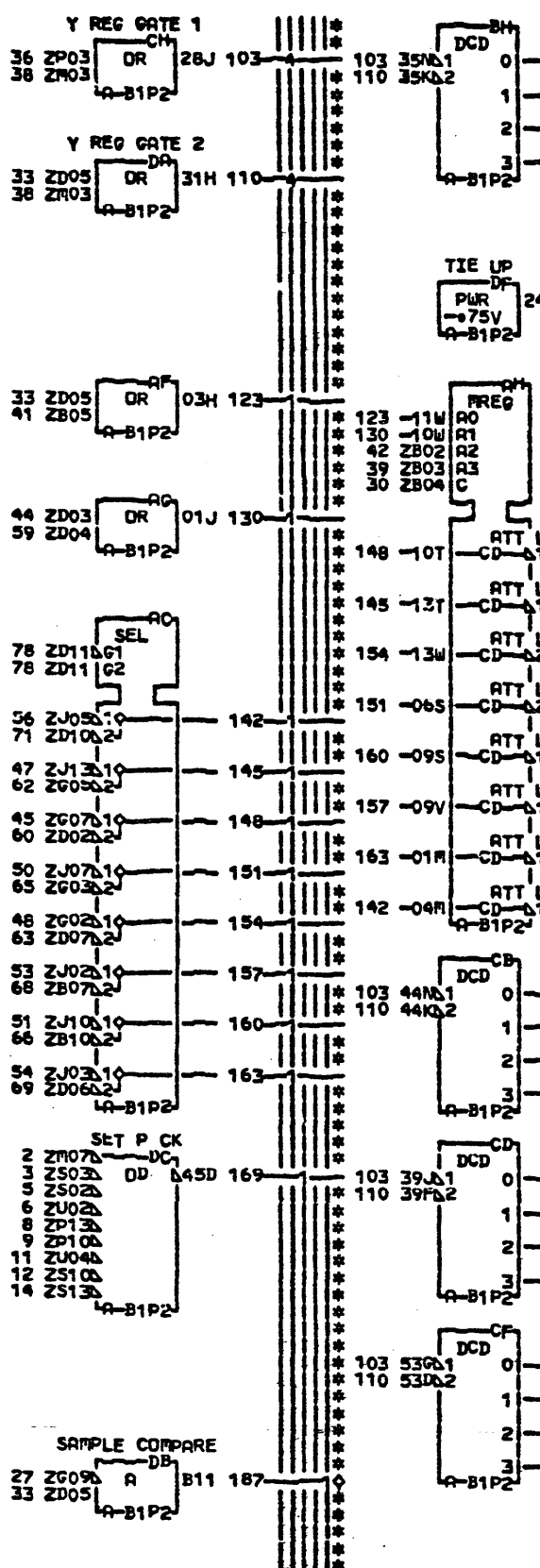
LOC. TYPE
 A-B1L2 0989

PAGE VER EC LEV
 FQ891 062 821457
 FQ892 062 821457
 FQ893 062 821457

FLAG BITS AND BUFFER CONTROLS		
E.C.-HISTORY	C	MACN.14035915
DATE	LAST EC	FRAME 01 FQ891
06-01-73	821457	IBM CURP.650 FQ893
		P.No. 5555816 062

THIS DOCUMENT IS IBM CONFIDENTIAL
 UNTIL ANNOUNCEMENT DECLASSIFY
 THEREAFTER.

- BUFFER BIT P FQ512AC0
 - BUFFER BIT 0 FQ512AC1
 - BUFFER BIT 1 FQ512AC3
 - BUFFER BIT 2 FQ512AC4
 - BUFFER BIT 3 FQ512AC5
 - BUFFER BIT 4 FQ512AC6
 - BUFFER BIT 5 FQ512AC7
 - BUFFER BIT 6 FQ512AC8
 - BUFFER BIT 7 FQ512AC9
 - CC BIT 7 FQ732AC6
 - CC BIT 6 FQ732AF6
 - CC BIT 5 FQ732AH6
 - CC BIT 4 FQ732AM6
 - CC BIT 3 FQ732AN6
 - CC BIT 2 FQ732AR6
 - CC BIT 1 FQ732AU6
 + PTR PHASE B FQ753AS2
 - PTR PHASE B FQ753AU6
 + PTR PHASE A FQ753AY2
 + WRITE LSR FQ754AP2
 + LOAD HAR FQ754AZ6
 + SCAN HAMMERS PCL 2 FQ755AH2
 - GATE Y REG TO ALU FQ755BE2
 + GATE ATT LSR TO Y REG FQ755BF4
 + GATE CC TO Y REG FQ755BG4
 + SELECT DAR FQ756AL4
 + SELECT IAR FQ756AY2
 + SELECT RAR FQ756AZ2
 + SELECT SCR FQ756BA2
 - DATA REG BIT 0 FQ756BG6
 - DATA REG BIT 1 FQ756BH6
 - DATA REG BIT 2 FQ756BJ6
 - DATA REG BIT 3 FQ756BK6
 - DATA REG BIT 4 FQ756BL6
 - DATA REG BIT 5 FQ756BM6
 - DATA REG BIT 6 FQ756BN6
 - DATA REG BIT 7 FQ756BP6
 + DATA REG BIT P FQ756BV2
 + INCR SCR FQ811A2
 - ADDEN XLATOR BIT 0 FQ882AP2
 - XLATOR BIT 1 FQ884AR2
 - XLATOR BIT 2 FQ884AS2
 - XLATOR BIT 3 FQ884AT2
 - XLATOR BIT 4 FQ884AU2
 - XLATOR BIT 5 FQ884AV2
 - XLATOR BIT 6 FQ884AW2
 - XLATOR BIT 7 FQ884AX2
 + INHIBIT PC FQ891AT2
 - GATE DR TO BUFFER FQ892AD6
 + GATE P TO BUFFER FQ892AG2
 + GATE 40 TO BUFFER FQ892AP6
 - DATA REG + XLATOR TO LSR FQ892AT2



*** FQ902 ***
 408 - Y REG BIT 0 FQ882-AR6
 411 - Y REG BIT 1 FQ882-AR6
 414 - Y REG BIT 2 FQ882-AJ6
 417 - Y REG BIT 3 FQ882-AK6
 *** FQ903 ***
 420 - Y REG BIT 4 FQ883-AE6
 423 - Y REG BIT 5 FQ883-AF6
 426 - Y REG BIT 6 FQ883-AQ6
 429 - Y REG BIT 7 FQ883-AM6
 *** FQ904 ***
 187 + SAMPLE COMPARE FQ891-AL2
 432 - Y REG BIT P FQ883-AG6
 504 - PARITY CK OF BUFFER FQ831-AS6
 *** FQ905 ***
 518 + BUFFER IN BIT 0 FQ512-AR2
 525 + BUFFER IN BIT 2 FQ512-AC2
 528 + BUFFER IN BIT 3 FQ512-AD2
 531 + BUFFER IN BIT 4 FQ512-AE2
 534 + BUFFER IN BIT 5 FQ512-AF2
 537 + BUFFER IN BIT 6 FQ512-AG2
 540 + BUFFER IN BIT 7 FQ512-AH2
 521 + BUFFER IN BIT 1 FQ512-AK6
 543 + BUFFER IN BIT P FQ512-BC6
 *** FQ906 ***
 482 - BAR BIT 7 FQ271 WFQ512
 479 - BAR BIT 6 FQ271 WFQ512
 476 - BAR BIT 5 FQ271 WFQ512
 473 - BAR BIT 4 FQ271 WFQ512
 470 - BAR BIT 3 FQ271 WFQ512
 467 - BAR BIT 2 FQ271 WFQ512
 464 - BAR BIT 1 FQ271 WFQ512
 461 - BAR BIT 0 FQ271 WFQ512

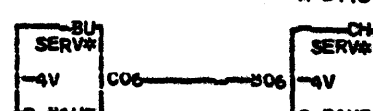
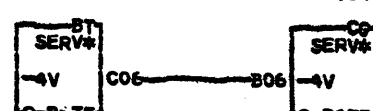
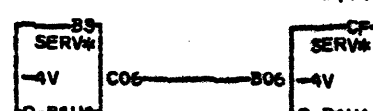
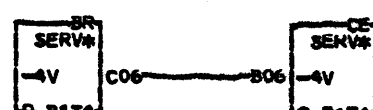
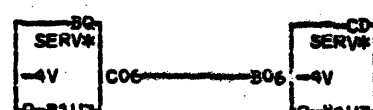
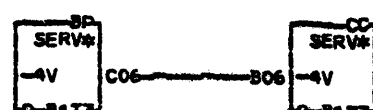
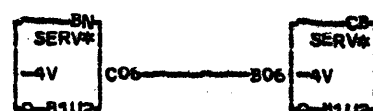
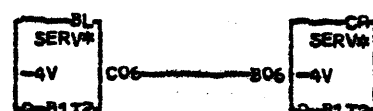
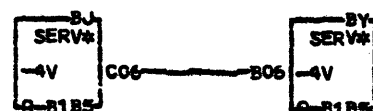
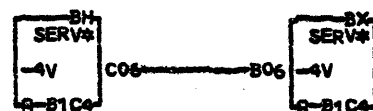
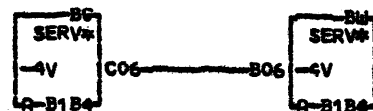
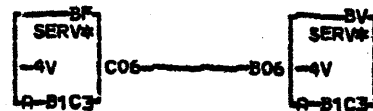
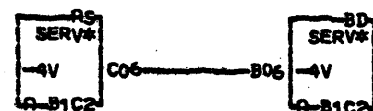
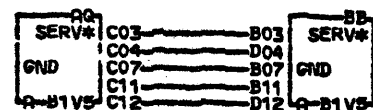
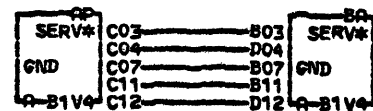
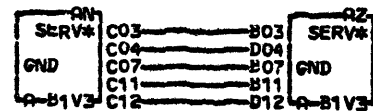
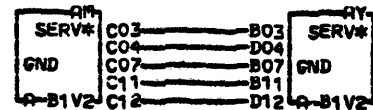
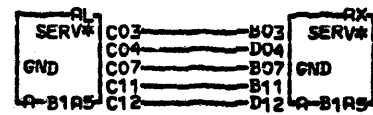
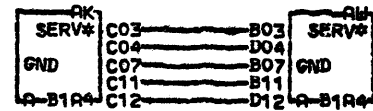
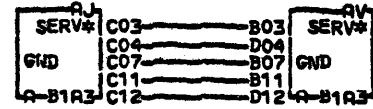
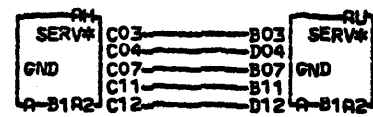
FQ901
 FQ905
 000

THIS DOCUMENT IS IBM CONFIDENTIAL
 UNTIL ANNOUNCEMENT DECLASSIFY
 THEREAFTER.

LDC TYPE
 A-B1P2 0490

PAGE VER EC LEV
 FQ901 000 821457
 FQ902 000 821457
 FQ903 000 821457
 FQ904 000 821457
 FQ905 000 821457
 FQ906 000 821457

Y REG-BAR-LSRS
 E-C-HISTORY C-MACH.1403SM15
 FRAME 01 FQ901
 DATE LAST EC IBM CORP.GSD FQ906
 06-01-73 821457 P.N. 5555817 000

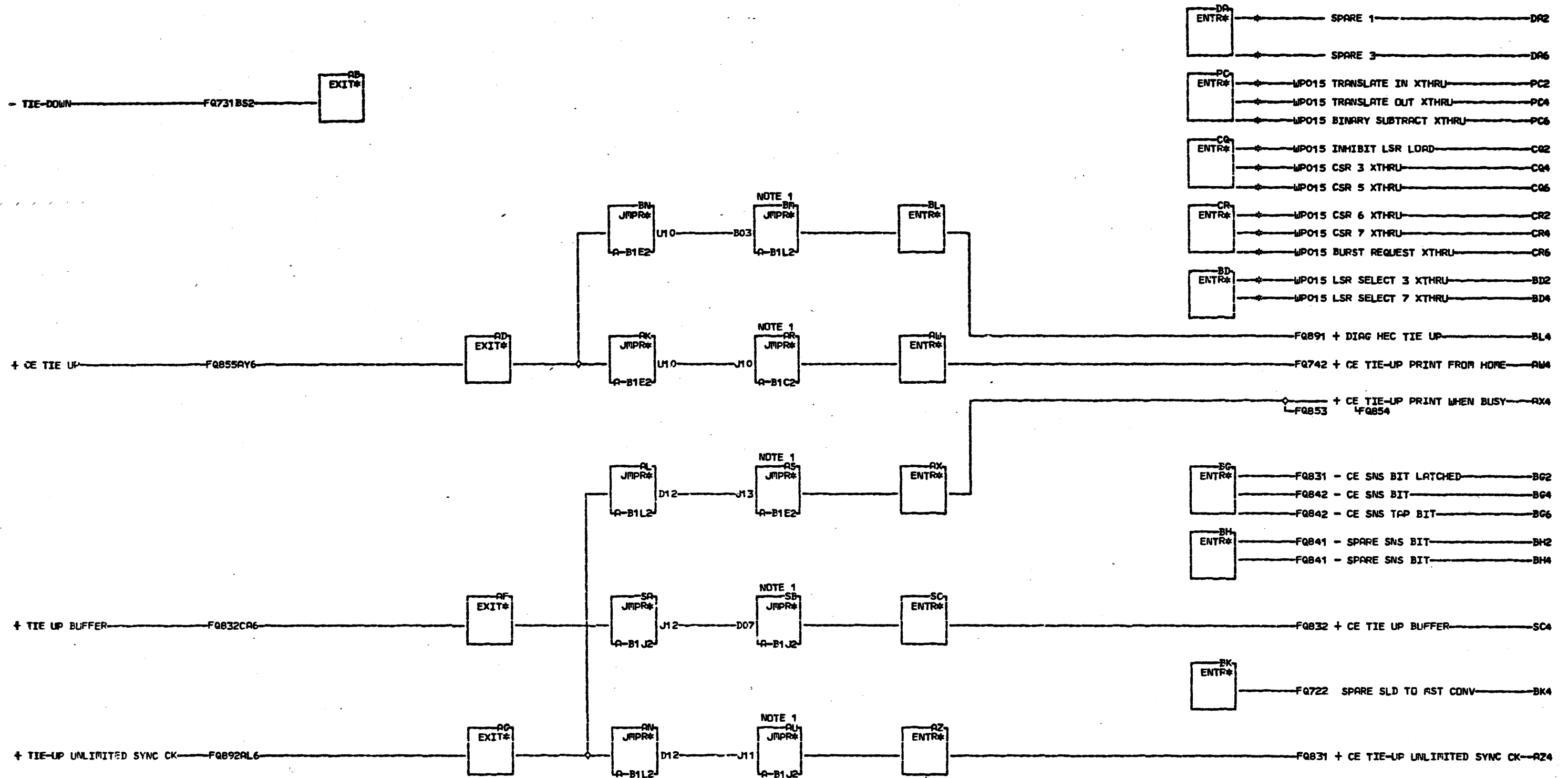


LOC. TYPE

THIS DOCUMENT IS IBM CONFIDENTIAL UNTIL ANNOUNCEMENT DECLASSIFY THEREAFTER.

BOARD 01A-B1 SERVICE	
001	
E.C. HISTORY	FRAG# 1403SR15
	FRAGE 01
	IBM CORP. GSD
DATE LAST EC	P.No. 5558618
106-01-73 821457	

222000



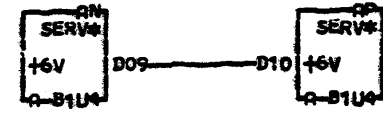
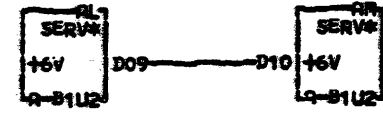
NOTE 1 UNDER NORMAL OPERATION THIS JUMPER IS NOT INSTALLED. IF INSTALLING THIS JUMPER FORCES THE FUNCTION INDICATED BY THE 9 LINE NAME.

BD2 A-B1J6B04	01A-B1A5D05	DA6 A-B1N6D04
01A-B1A4B08	CP2 A-B1M6C02	01A-B1A5E12
BD4 A-B1K6B04	01A-B1A5D06	PC2 A-B1N6C02
01A-B1A4B13	CR4 A-B1M6D02	01A-B1P5D11
CQ2 A-B1H6E04	01A-B1A5D07	PCA A-B1N6E02
01A-B1A4B06	CF6 A-B1M6E04	01A-B1A5D13
CQ4 A-B1L6D02	01A-B1A5B08	PC6 A-B1A4B05
01A-B1A5D02	DA2 A-B1N6A04	01A-B1H6D04
CQ6 A-B1M6B02	01A-B1A5B09	

000

LOC. TYPE

CHAN IN LINES THRU BOARD TIE-UP TIE-DOWN FUNCTION		F Q 9 3 1
EoC-HISTORY 821457	C-PACH#1403SM15	
DATE 12-31-74	LAST EC 824895	IBR CORP. GSD P.No 5555819
000		



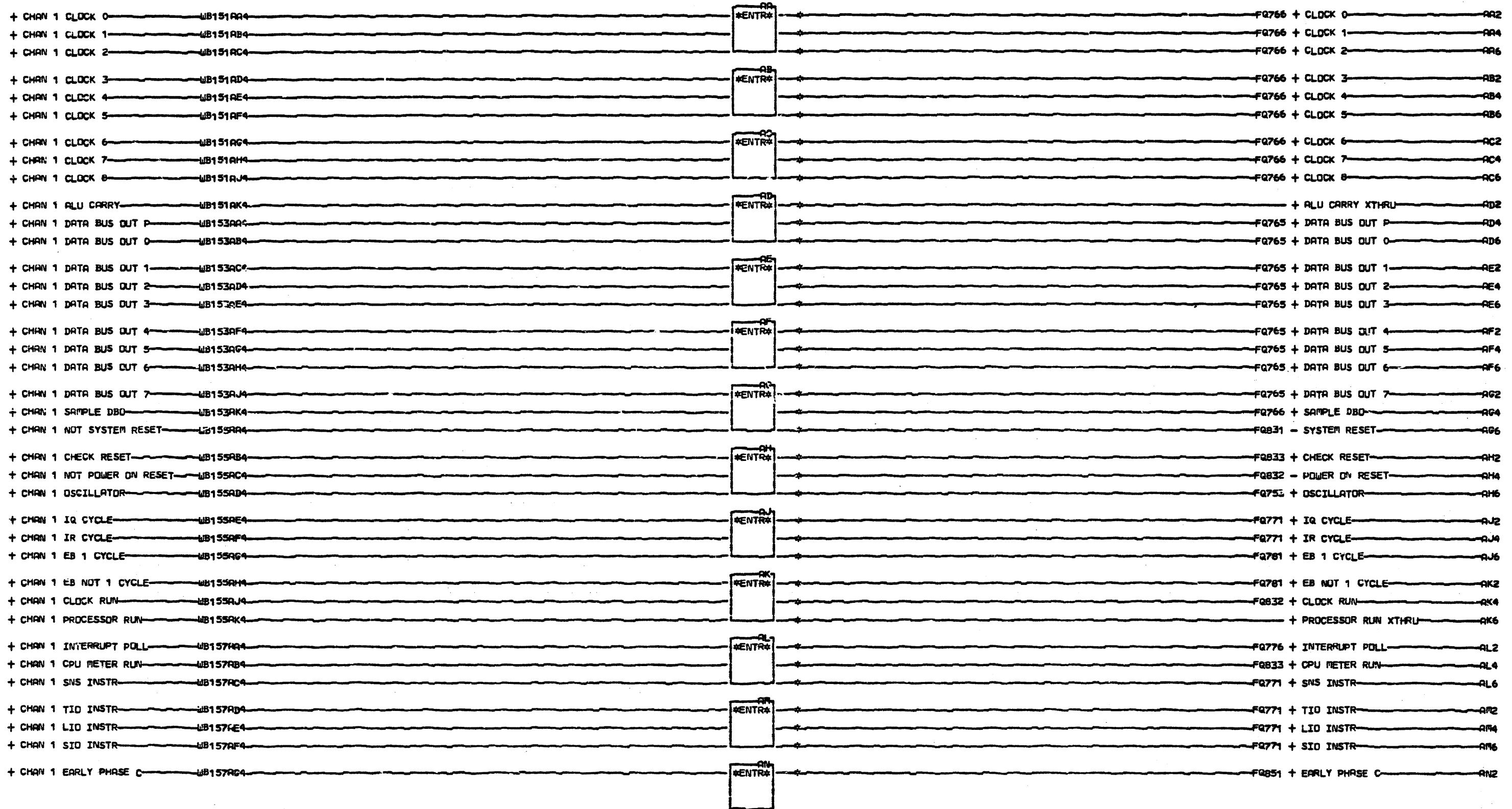
000

THIS DOCUMENT IS IBM CONFIDENTIAL UNTIL ANNOUNCEMENT DECLASSIFY THEREAFTER.

LUC TYPE

BOARD MINIBUS SERVICING	
E.C. HISTORY	C. MACH. 1403SM15
DATE	LAST EC
106-01-73	821457
FRAME	01
IBM COMP. GSD	
IP.N. 5555820	

F 0000



M
P
O
1
0

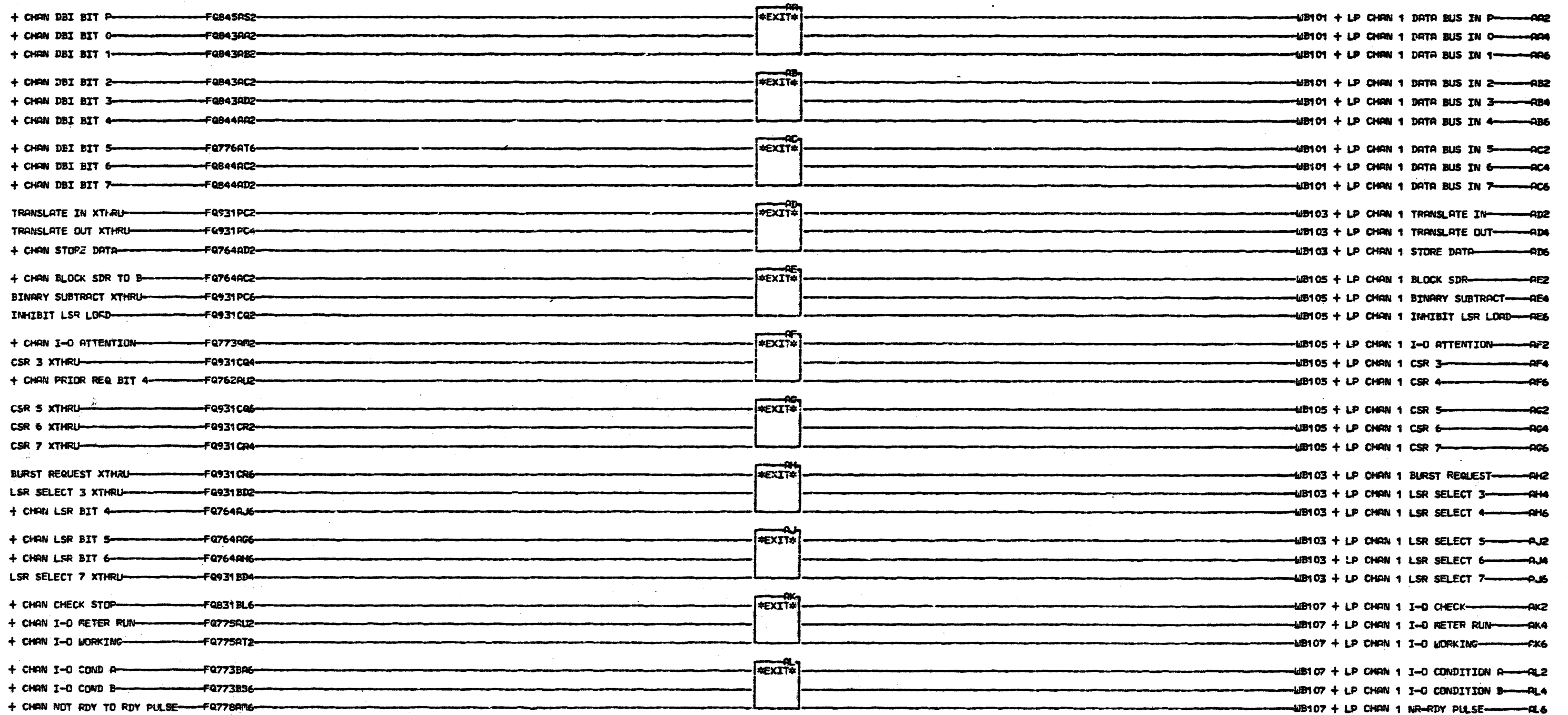
000

AA2 A-B1D6E02	01A-B1A3D07	AD2 A-B1D6E04	01A-B1A2D06	AG2 A-B1C6E02	01A-B1A3B09	AK2 A-B1B6E04	01A-B1A5B13	AN2 A-B1G6A04
01A-B1A3D02	AB6 A-B1F6B02	01A-B1A3B02	AE6 A-B1B6D02	01A-B1A2D13	AH6 A-B1E6B04	01A-B1A2B08	AL6 A-B1C6A04	01A-B1A3B13
AA4 A-B1E6A02	01A-B1A3D09	AD4 A-B1A6D02	01A-B1F2D07	AG4 A-B1A6D04	01A-B1A3B04	AK4 A-B1F6C04	01A-B1A2B09	
01A-B1A3D03	AC2 A-B1F6C02	01A-B1A2B02	AF2 A-B1C6A02	01A-B1A2B02	AJ2 A-B1B6A04	01A-B1A3B10	AM2 A-B1C6B04	
AA6 A-B1E6C02	01A-B1A3D10	AD6 A-B1A6E02	01A-B1A2D09	AG6 A-B1E6D04	01A-B1A2B04	AK6 A-B1F6E04	01A-B1A2B10	
01A-B1A3D05	AC4 A-B1F6D02	01A-B1A2D03	AF4 A-B1C6B02	01A-B1A3B06	HJ4 A-B1B6B04	01A-B1A3B12	AM4 A-B1C6D04	
AB2 A-B1E6D02	01A-B1A4D11	AE2 A-B1B6B02	01A-B1A2D10	AH2 A-B1F6A04	01A-B1F2B05	AL2 A-B1E6C04	01A-B1A2B12	
01A-B1A3D06	AC6 A-B1G6A02	01A-B1A2D05	AF6 A-B1C6C02	01A-B1A3B08	HJ6 A-B1B6C04	01A-B1A3B05	AM6 A-B1C6E04	
AB4 A-B1E6E02	01A-B1A3D13	AE4 A-B1B6C02	01A-B1A2D11	AH4 A-B1F6B04	01A-B1A2B06	AL4 A-B1N6E04	01A-B1A2B13	

LOC. TYPE

THIS DOCUMENT IS IBM CONFIDENTIAL
UNTIL ANNOUNCEMENT DECLASSIFY
THEREAFTER.

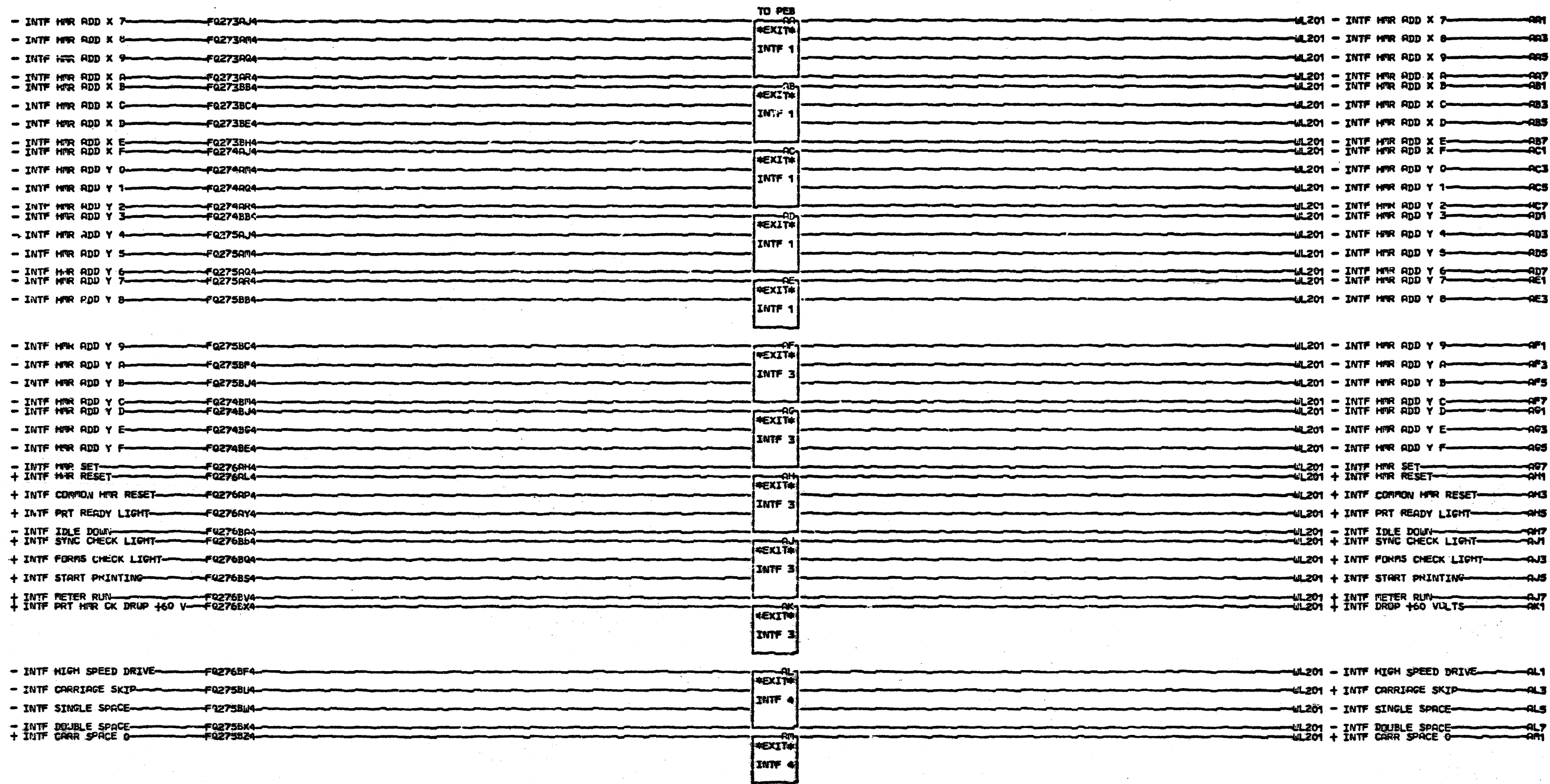
INTERFACE ENTRY PAGE 001		M P O 1 0 000
CHANNEL TO 1403 ATTACHMENT		
E=C-HISTORY	C-MACH-1403SM15	
DATE	LAST EC	FRAME 01
06-01-73	821457	IBM CORP. GSD
		P.No. 5555821



LOC. TYPE

000

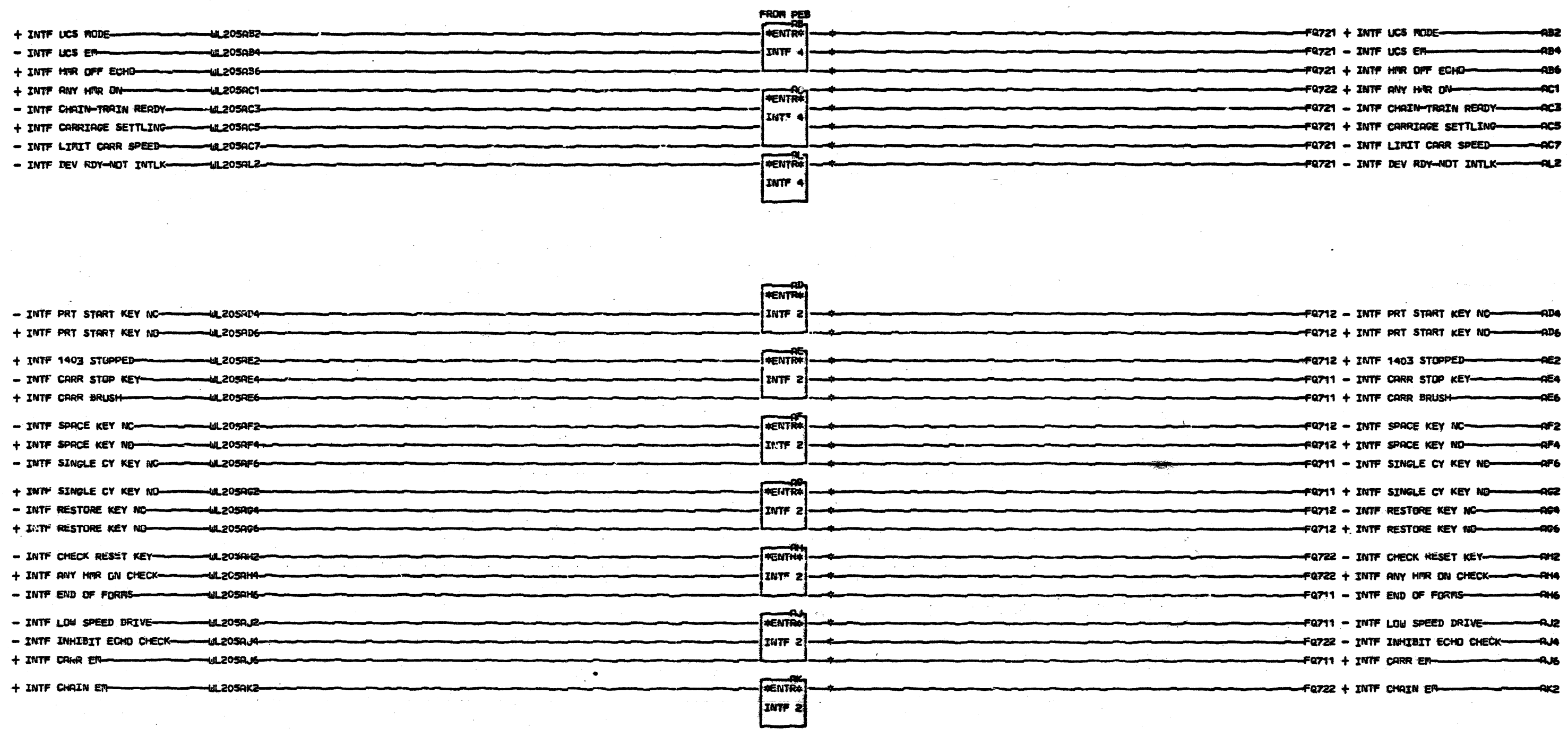
INTERFACE EXIT PAGE 001		M P O 1 5
1403 ATTACHMENT TO CHANNEL		
E.O. HISTORY	FRAC# 14035M15	IBR CORP. GSD
821457		
DATE	LAST EC	IP# 5555822
12-31-74	824895	



LOC. TYPE

THIS DOCUMENT IS IBM CONFIDENTIAL UNTIL ANNOUNCEMENT DECLASSIFY THEREAFTER.

ATTACHMENT TO PEB INTERFACE
 EXIT 001
 E.C. HISTORY C. PACH. 14035M15
 FRAME 01
 IBM CORP. GSD
 DATE LAST EC 05-01-73 821457
 P.N. 555823



AB2	A-B1V5D06	AE2	A-B1V3B05	AH2	A-B1V3D05
AB4	A-B1V5D07	AE4	A-B1V3B06	AH4	A-B1V3D06
AB6	A-B1V5D07	AE6	A-B1V3B06	AH6	A-B1V3D07
AC1	A-B1V5D09	AF2	A-B1V3B09	AJ2	A-B1V3D09
AC3	A-B1V5D10	AF4	A-B1V3B10	AJ4	A-B1V3D10
AC5	A-B1V5D11	AF6	A-B1V3B12	AJ6	A-B1V3D11
AC7	A-B1V5D13	AG2	A-B1V3B13	AK2	A-B1V3D13
AD4	A-B1V3B02	AG4	A-B1V3D02	AL2	A-B1V3B13
AD6	A-B1V3B04	AG6	A-B1V3D02		

LOC. TYPE

THIS DOCUMENT IS IBM CONFIDENTIAL
UNTIL ANNOUNCEMENT DECLASSIFY
THEREAFTER.

PEB TO ATTACHMENT INTERFACE	
001 ENTER	
E-C-HISTORY	C MACH-1403SM15
FRAME	01
DATE	LAST EC
06-01-73	821457
IBM CORP. CED	000
P.No. 3555824	