

# ***GAL.CO S.r.l.***

## **COSTRUZIONI MACCHINE AGRICOLE**

Via Centallo, 136 - 12044 CENTALLO (CN) - ITALIA

Tel. 0171.718005 Fax 0171.718004 Internet: [www.galfre.net](http://www.galfre.net) E-mail: [info@galfre.net](mailto:info@galfre.net)

# **GALFRE**

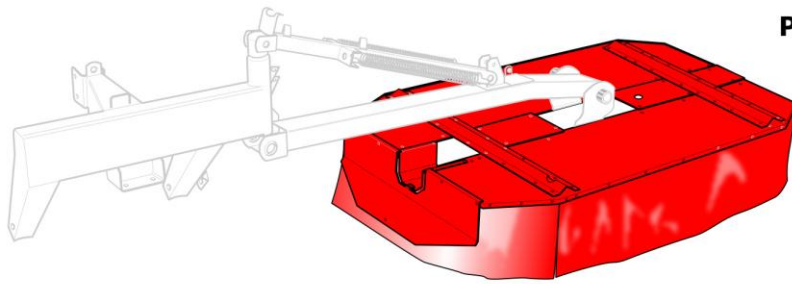
## **PART LIST / LISTA RICAMBI**



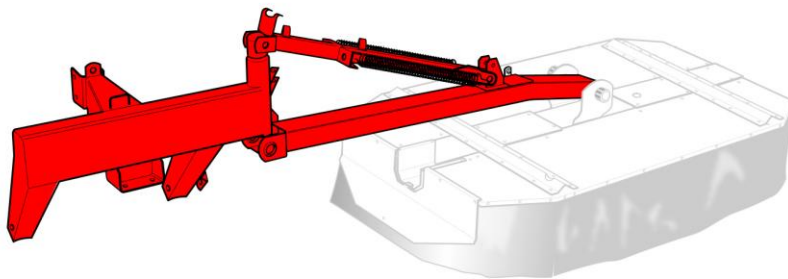
## **DRUM MOWER FALCIATRICE A TAMBURI**

### **FRG170 – FRG190 – FRG210**

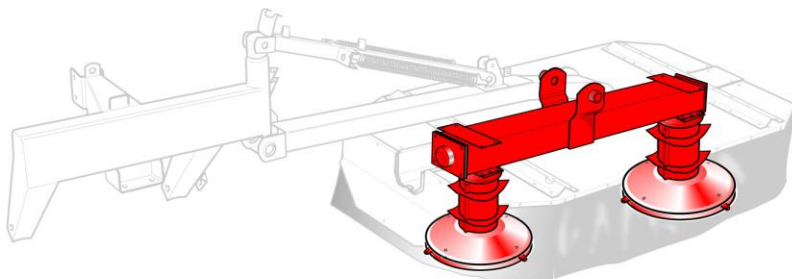




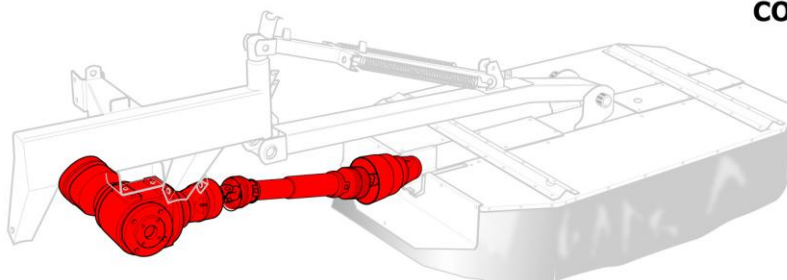
**PROTEZIONI - tav 1**



**TIRO - tav 2**

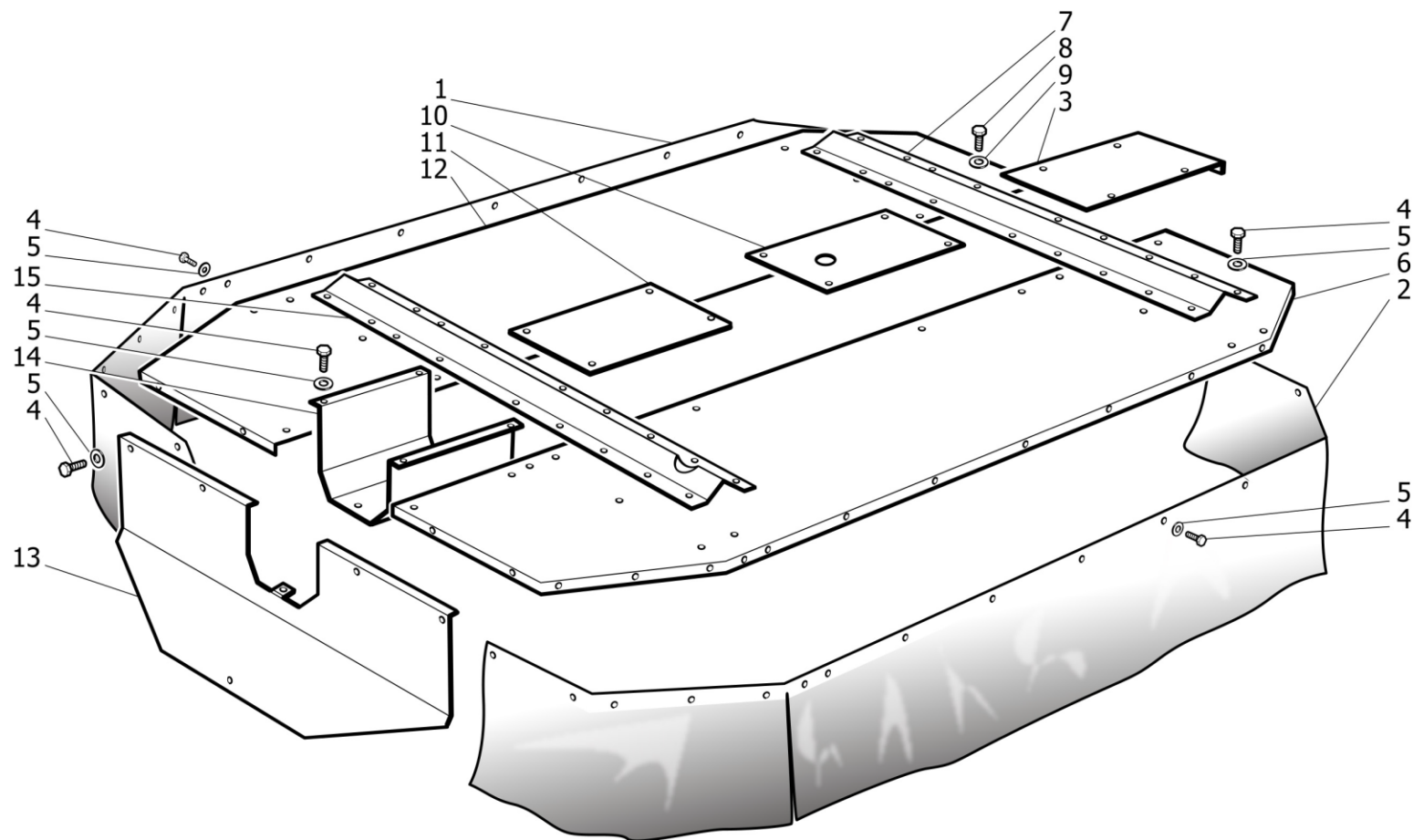


**CORPO MACCHINA - tav 3**



**CORPO BARRA - tav 4**

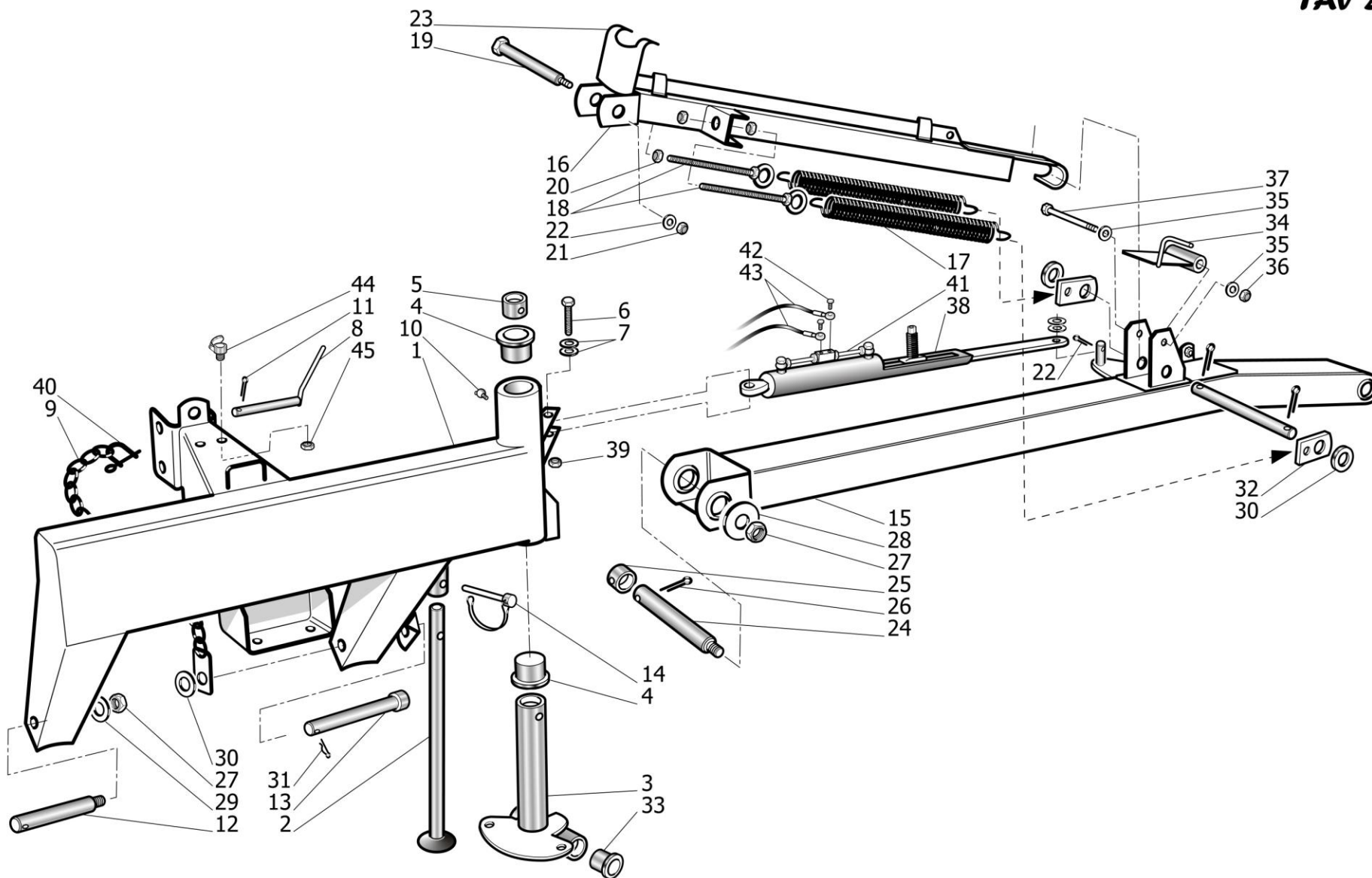
**TAV 1**



**TAV. 1**

<b>POS.</b>	<b>P/N</b>	<b>DESCRIPTION</b>	<b>Q.TY</b>
1	0108FR170/190/210	Canvas protective front	1
2	0050FR170/190/210	Canvas protective rear	1
3	0048FR	Sheet protection DX	1
4	0056FR	Screw T.E. M8x20	24
5	0053FR	Flat washer 8	24
6	0051FR170/190/210	Rear guard	1
7	0055FR	Omega door guards	1
8	0029FR	Screw T.E. M12x30	8
9	0028FR	Flat washer 12	8
10	0120FR	Sheet protection center-DX	1
11	0121FR	Sheet protection center-SX	1
12	0107FR170/190/210	Front guard	1
13	0105FR	Lateral protection	1
14	0106FR	Omega ptoshaft protection	1
15	0055FR	Omega door guards	1

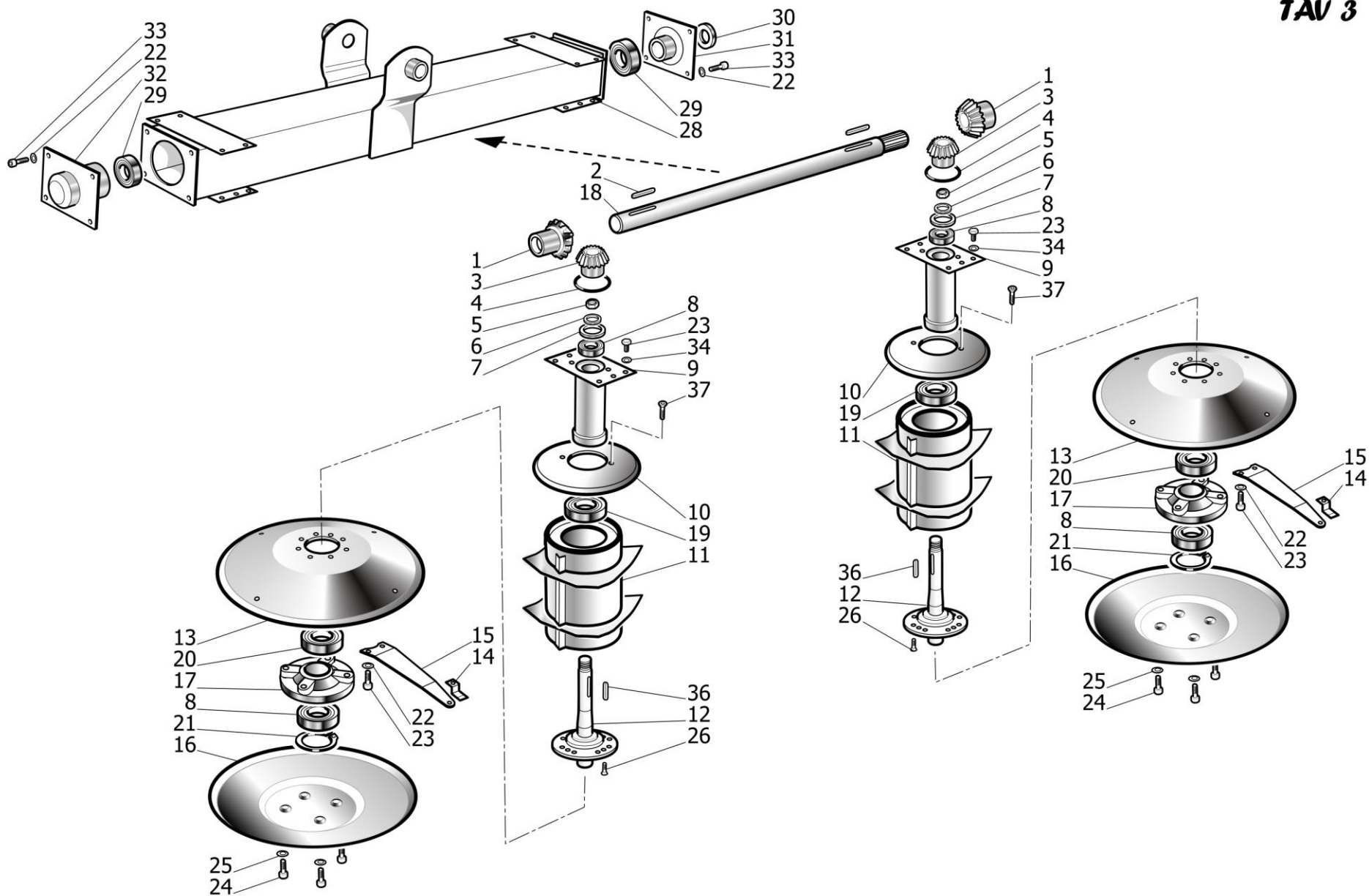
**TAV 2**



## TAV. 2

POS.	P/N	DESCRIPTION	Q.ty 170	Q.ty 190	Q.ty 210
1	0088FR	3-point frame	1	1	1
2	0098FR	Stand	1	1	1
3	0077FR	Pierced-square	1	1	1
4	0080FR	Plastic bushing	2	2	2
5	0078FR	Cap	1	1	1
6	0093FR	Screw T.E. M20x110	1	1	1
7	0065FR	Washer 20	2	2	2
8	0122FR	Pin with handle	1	1	1
9	0123FR	Chain	1	1	1
10	0124FR	Graser M8	1	1	1
11	0099FR	Pin "R" da 6	1	1	1
12	0089FR	Threaded pin M18	1	1	1
13	0125FR	Pivot	1	1	1
14	0126FR	Pin half-moon da 10	1	1	1
15	0064FR170	Support arm FRG-170	1	/	/
15	0064FR190	Support arm FRG-190	/	1	/
15	0064FR210	Support arm FRG-210	/	/	1
16	0072FR	Rod for springs	1	1	1
17	0070FR	Spring F=10 L=500	2	2	2
18	0127FR	Threaded rod eyelet M18	2	2	2
19	0079FR	Pivot	1	1	1
20	0128FR	Nut M18	6	6	6
21	0073FR	Self-locking nut M16	1	1	1
22	0074FR	Washer 16	1	1	1
23	0075FR	Blades mounting wrench	1	1	1
24	0091FR	Trafitta	1	1	1
25	0062FR	Bush for trafitta	1	1	1
26	0063FR	Elastic Pin 10x50	1	1	1
27	0058FR	Self-locking nut M18	1	1	1
28	0059FR	Washer 18x48x3	1	1	1
29	0129FR	Split pin 6x50	3	3	3
30	0310FR	Washer 27x47x5	1	1	1
31	0131FR	Copiglia a scatto d=8	1	1	1
32	0132FR	Plate for spring	2	2	2
33	0060FR	Plastic bushing	2	2	2
34	0068FR	Handle-release	1	1	1
35	0133FR	Washer 12	2	2	2
36	0067FR	Self-locking nut M12	1	1	1
37	0092FR	Screw T.E. M12x110	1	1	1
38	0134FR	Hydraulic cylinder	1	1	1
39	0135FR	Self-locking nut M20	1	1	1
40	0136FR	Shackle for chain	1	1	1
41	0137FR	Valve per cylinder	1	1	1
42	0138FR	Hollow screw 3/8" gas	2	2	2
43	0139FR	Hydraulic hose	2	2	2
44+45	0140FR	Threaded cap + nut	2	2	2
46	0141FR	Pivot 22x200	1	1	1

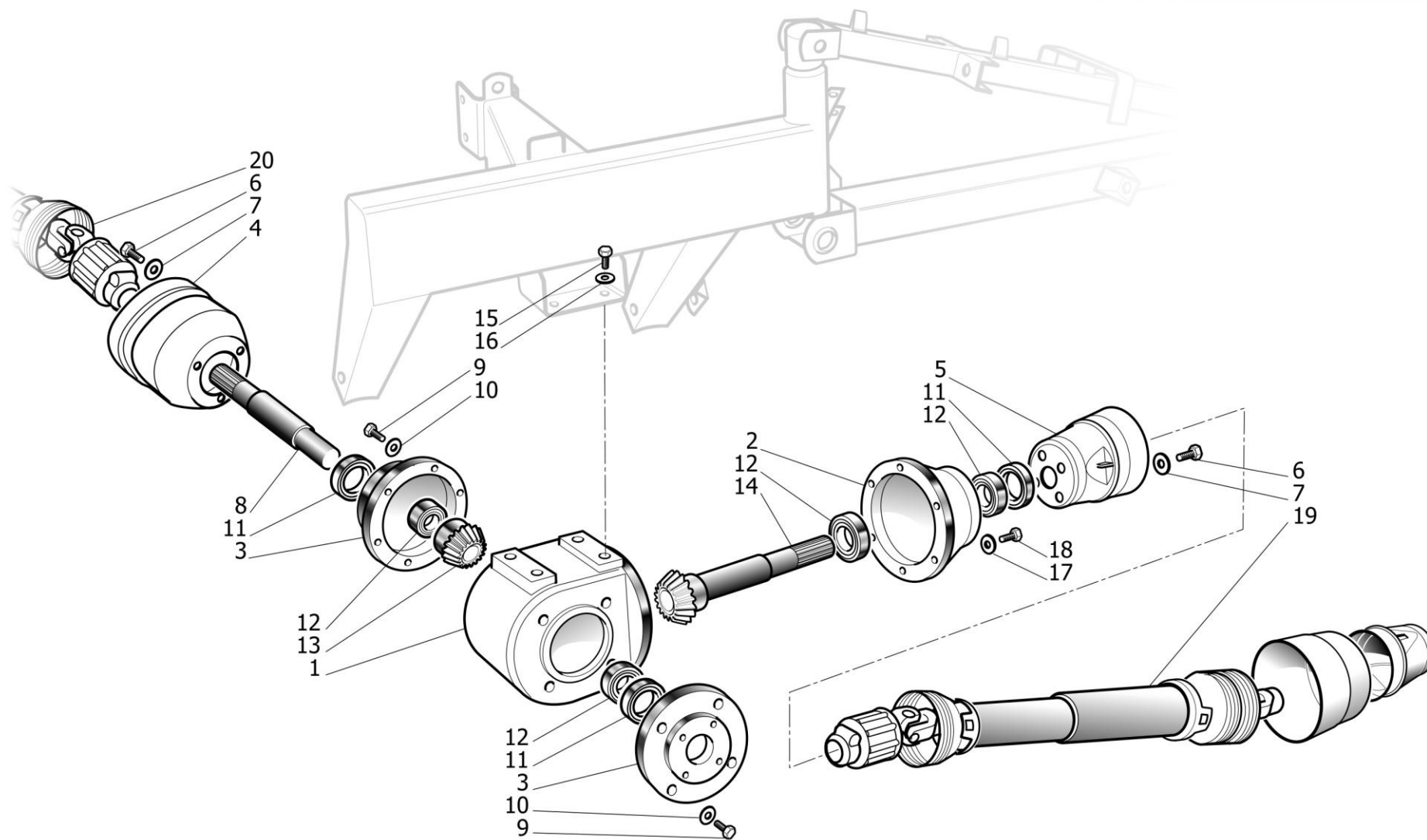
**TAV 3**





**TAV. 3**

<b>POS.</b>	<b>P/N</b>	<b>DESCRIPTION</b>	<b>Q.TY</b>
1	0005FR	Crown Z=35	2
2	0007FR	Key 10x8x45	2
3	0014FR	Pinion Z=20	2
4	0026FR	Ring "OR" 107.54x3.53	4
5	0142FR	Self-locking bolt M27x2	2
6	0013FR	Washer 27	2
7	0015FR	Corteco55x90x10	2
8	0016FR	Bearing 40x90x23 -6308	4
9	0159FR	Support	2
10	0110FR	Flange Protection	2
11	0019FR	Cylinder conveyor	2
12	0020FR	Shaft door drum	2
13	0022FR170/190/210	Cutting disc	2
14	0034FR D	Blade	8
15	0032FR	Spring for blade	8
16	0027FR170/190/210	Free disc	2
17	0024FR	Support for free disc	2
18	0008FR	Shaft	1
19	0143FR	Bearing 60x110x22 -6212-	2
20	0023FR	Bearing 55x100x21 -6211-	2
21	0025FR	Ring seeger per Est 40x2.5	2
22	0031FR	Washer 14	16
23	0144FR	Screw T.E. M14x20	28
24	0145FR	Screw T.E. M12x45	8
25	0028FR	Washer 12	8
26	0021FR	Screw T.S. M12x30	8
28	0146FR	Central gearbox	1
29	0004FR	Bearing 35x72x17 -6207-	3
30	0002FR	Corteco 35x72x10	1
31	0147FR	Closing plate Left	1
32	0148FR	Closing plate Right	1
33	0001FR	Screw M14x35	8
34	0006FR	Washer grained 14	12
36	0149FR	Key 40x10x8	2
37	0150FR	Screw T.E. 10x30	4
11/A	0151FR	Cylinder conveyor Black Hole	2
	0152FR	Edges	16
	0153FR	Screw	48



**TAV. 4**

<b>POS.</b>	<b>P/N</b>	<b>DESCRIPTION</b>	<b>Q.TY</b>
1	0043FR	Housing	1
2	0041FR	Flange	1
3	0046FR	Flange	1
3/A	0036FR	Flange	1
4	0037FR	Protection cap	1
5	0010FR	Protection cap	1
6	02.0057.0181.00	Screw T.E. M6x16	6
7	0154FR	Washer 6x24	6
8	0035FR	Shaft	1
9	0155FR	Screw T.E. M12x35	12
10	0028FR	Washer 12	12
11	0002FR	Corteco 35x72x10	3
12	0004FR	Bearing 6207-2RS	4
13	0157FR	Crown Z=21	1
14	0158FR	Pinion shaft Z=12	1
15	0001FR	Screw T.E. M14x35	4
16	0031FR	Washer 14	4
17	0045FR	Washer 8	6
18	0044FR	Screw T.E. M8x25	6
19	0011FR	Pto shaft	1
20	0156FR	Pto shaft	1
21	0039FR/G260B	Seeger est 35x2,5	1

**SPARE PARTS - RICAMBI  
DRUM MOWER /  
FALCIATRICI A TAMBURI  
FRG170 – FRG190 – FRG210**

**GAL. CO S.r.l.**

Via Centallo, 136 - ROATA CHIUSANI  
12044 CENTALLO (CN) – ITALY  
Tel. +39 (0)171 718005 – Fax +39 (0)171 718004  
[www.galfre.net](http://www.galfre.net)  
[info@galfre.net](mailto:info@galfre.net)