

QUBE Modular FRL System

Catalog 0304



 **WARNING**

FAILURE OR IMPROPER SELECTION OR IMPROPER USE OF THE PRODUCTS AND/OR SYSTEMS DESCRIBED HEREIN OR RELATED ITEMS CAN CAUSE DEATH, PERSONAL INJURY AND PROPERTY DAMAGE.

This document and other information from Parker Hannifin Corporation, its subsidiaries and authorized distributors provide product and/or system options for further investigation by users having technical expertise. It is important that you analyze all aspects of your application including consequences of any failure, and review the information concerning the product or system in the current product catalog. Due to the variety of operating conditions and applications for these products or systems, the user, through its own analysis and testing, is solely responsible for making the final selection of the products and systems and assuring that all performance, safety and warning requirements of the application are met.

The products described herein, including without limitation, product features, specifications, designs, availability and pricing, are subject to change by Parker Hannifin Corporation and its subsidiaries at any time without notice.

Offer of Sale

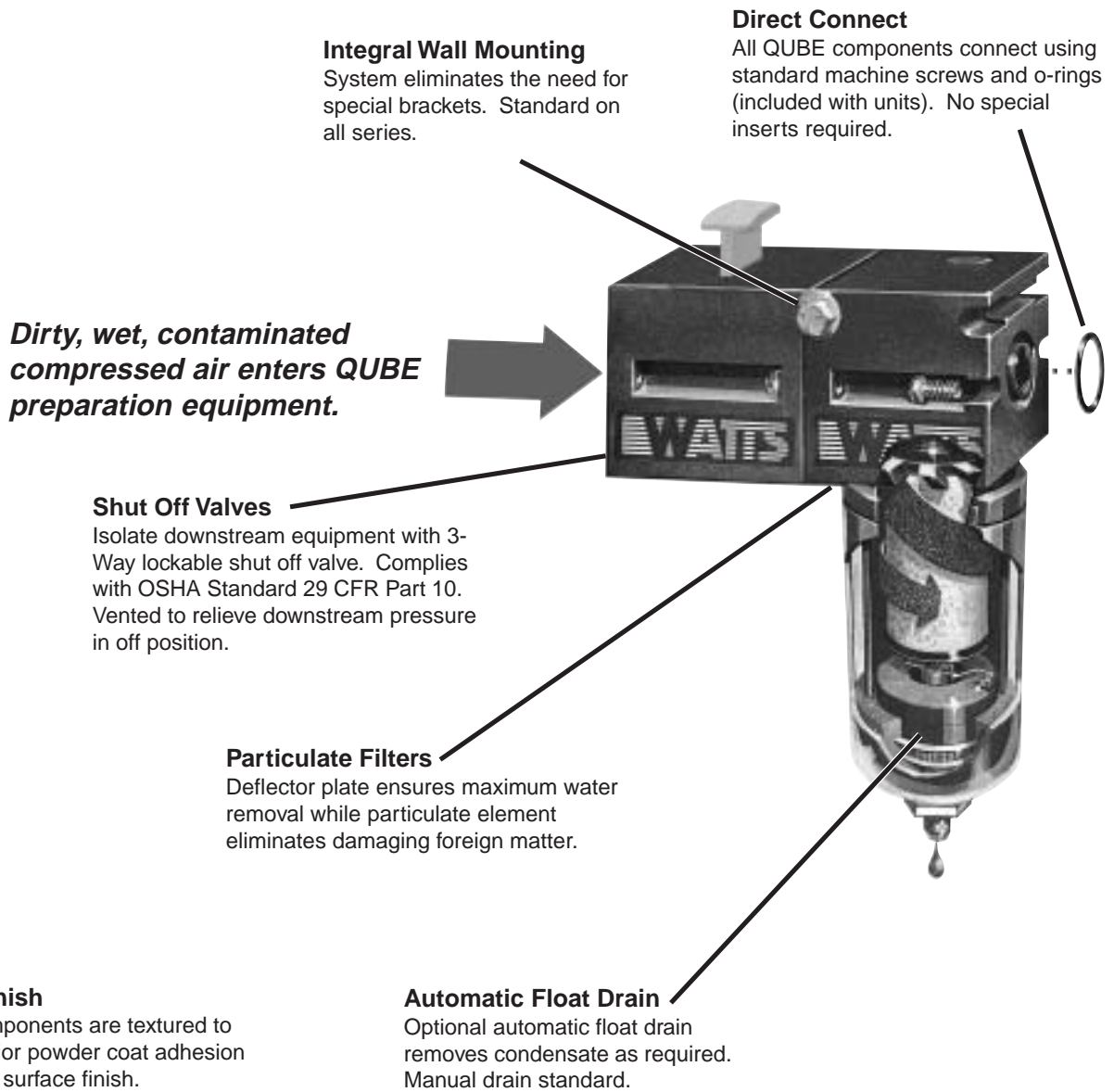
The items described in this document are hereby offered for sale by Parker Hannifin Corporation, its subsidiaries or its authorized distributors. This offer and its acceptance are governed by the provisions stated on the separate page of this document entitled "Offer of Sale".

Table of Contents

QUBE Modular FRL System	2-3
Filters	
F35	4-5
F75	6-7
F105	8-9
F255	10-11
Coalescing Filters	
F31	12-13
F71	14-15
F101	16-17
F251	18-19
Regulators	
R35	20-21
R75	22-23
R105	24-25
R255	26-27
Lubricators	
L35	28-29
L75	30-31
L105	32-33
L255	34-35
Integral Filter Regulators	
B35	36-37
B75	38-39
B105	40-41
B255	42-43
Combination Units	
C35	44-45
C75	46-47
C105	48-49
C255	50-52
Accessories	53-55
Soft Start Valves	56-61
Pressure Switches	62-63
Pressure Sensor	64-66
Mounting Brackets	67
Offer of Sale	69

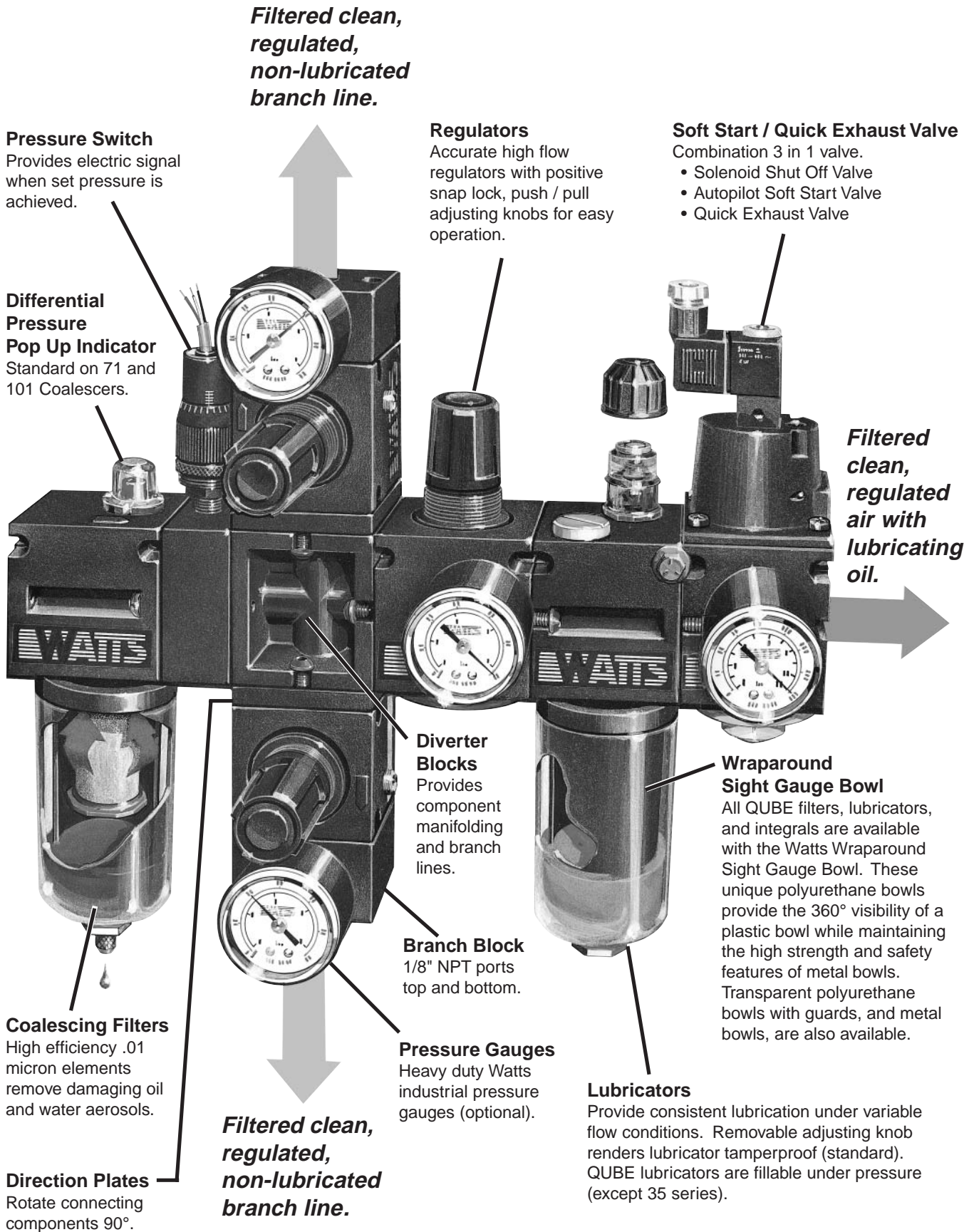
QUBE Connects you to the Most Advanced Modular Air Preparation Equipment. Designed for Total Flexibility, High Performance and Unlimited Expandability.

Polyurethane Bowls and Sight Gauges Offer Improved Chemical Compatability.

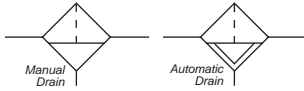


Textured Finish
All QUBE components are textured to provide superior powder coat adhesion and a durable surface finish.

End Plates (not shown)
Mountable to all components. Allow basic component removal without disconnecting pipes.



F35 Filter



Features

- Compact Size Allows Greater Design Flexibility
- Nearly Double the Flow Capacity of Standard Miniature Filters; Reduces Costly Pressure Drop
- Connects to Other QUBE Units Using Just Screws and O-rings (Included)
- Integral Mounting Slots Eliminate Need for Mounting Brackets
- Excellent Water Removal Efficiency
- Unique Deflector Plate that Creates Swirling of the Air Stream Ensuring Maximum Water and Dirt Separation
- Large Filter Element Surface Guarantees Low Pressure Drop and Increased Element Life
- 20 Micron Filter Element Standard, 5 Micron Available
- Transparent Polyurethane Bowl Standard
- Metal Bowl with Wraparound Sight Gauge Optional
- Manual Drain as Standard, Optional Auto Pulse Drain
- Large Bowl Capacity
- High Flow: 1/8" - 32 SCFM[§], 1/4" - 38 SCFM[§]

§ SCFM = Standard Cubic Feet Per Minute at 100 PSIG Inlet, and 5 PSIG Pressure Drop with 20 Micron Element.

Polyurethane Bowls and Sight Gauges Offer Improved Chemical Compatibility.



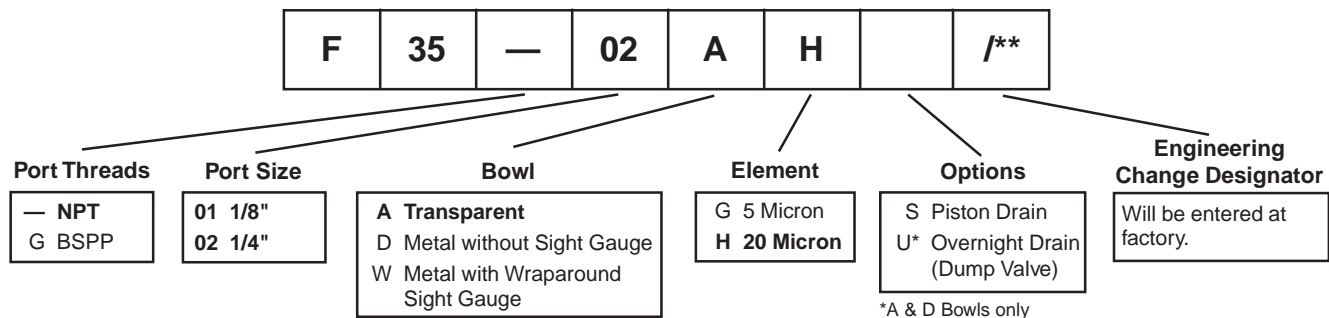
Wraparound Sight Gauge Bowl

All QUBE filters, lubricators, and integrals are available with the Watts Wraparound Polyurethane Sight Gauge Bowl. These unique bowls provide the 360° visibility of a plastic bowl while maintaining the high strength and safety features of metal bowls. Polyurethane bowls with guards, and metal bowls, are also available.

Port Size	NPT		BSPP	
	Manual Twist Drain	Piston Drain	Manual Twist Drain	Piston Drain
Polyurethane Bowl				
1/8"	F35-01AH	F35-01AHS	F35G01AH	F35G01AHS
1/4"	F35-02AH	F35-02AHS	F35G02AH	F35G02AHS
Zinc Bowl / Sight Gauge				
1/8"	F35-01WH	F35-01WHS	F35G01WH	F35G01WHS
1/4"	F35-02WH	F35-02WHS	F35G02WH	F35G02WHS

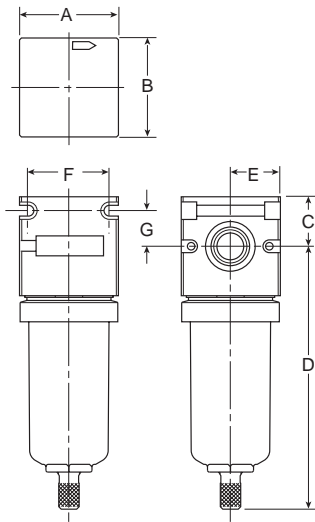
Standard part numbers shown bold.
 For other models refer to ordering information below.

Ordering Information



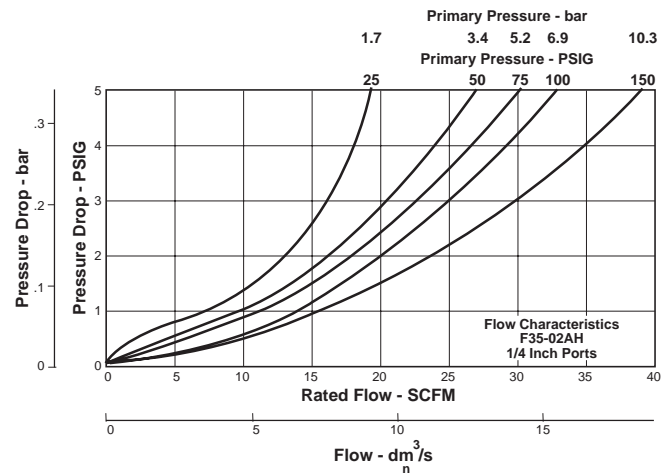
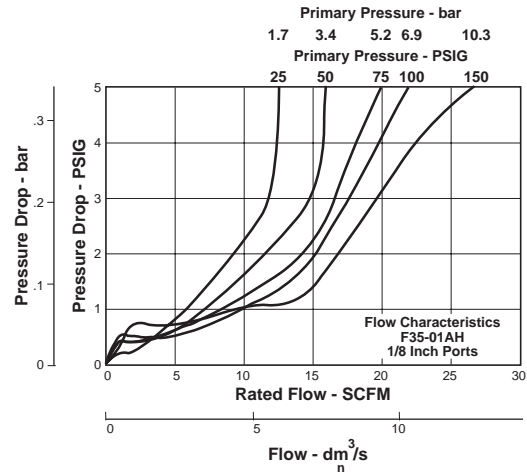
NOTE: BOLD OPTIONS ARE STANDARD.

Technical Information



F35 Filter Dimensions						
A	B	C	D	E	F	G
F35-AH, F35-DH						
1.59 (40,5)	1.59 (40,5)	0.81 (20,6)	4.25 (107,9)	0.80 (20,2)	1.31 (33,3)	0.58 (14,7)
F35-WH						
1.59 (40,5)	1.59 (40,5)	0.81 (20,6)	4.27 (108,3)	0.80 (20,2)	1.31 (33,3)	0.58 (14,7)

Inches
(mm)



F35 Filter Kits & Accessories

Bowl Kits –

- Polyurethane (A)BKF35A
- Zinc (D) BKF35D
- Zinc (W) Wraparound Sight Gauge..... BKF35W

Drain Kits –

- Manual Twist Drain SA600Y7-1
- Piston (Max. Pressure: 175 PSIG) PKF35
- Semi-Automatic "Overnight" Drain SA602A7
 (Drains automatically under zero pressure)

Filter Element Kits –

- 5 Micron (All) EK504VY
- 20 Micron (All) EK504Y

Repair Kit –

- Deflector, Retainer (All)..... RFK30

Specifications

- Bowl Capacity** 1.5 Ounce
- Port Threads** 1/8, 1/4 Inch
- Pressure & Temperature Ratings –**
- Polyurethane Bowl 0 to 150 PSIG (0 to 10.2 bar)
 40°F to 125°F (4.4°C to 52°C)

- Zinc Bowl 0 to 300 PSIG (0 to 20.4 bar)
 40°F to 180°F (4.4°C to 82.2°C)
- With Piston Drain 175 PSIG Max. Press. (11.9 bar)
 40°F to 150°F (4.4°C to 65.6°C)
- Zinc Bowl w/ Sight Gauge 0 to 250 PSIG (0 to 17.2 bar)
- With Piston Drain 175 PSIG Max. Press. (11.9 bar)
 40°F to 150°F (4.4°C to 65.6°C)

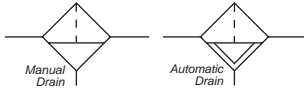
Weight –

- Polyurethane Bowl 0.7 lb. (0.3 kg) / Unit
 18.9 lb. (8.6 kg) / 24-Unit Master Pack
- Zinc Bowl 0.9 lb. (0.4 kg) / Unit
 23.9 lb. (10.8 kg) / 24-Unit Master Pack
- Zinc Bowl W/ Sight Gauge 0.96 lb. (0.4 kg) / Unit
 25.1 lb. (11.4 kg) / 24-Unit Master Pack

Materials of Construction

- Body** Zinc
- Bowls** Polyurethane
 Metal (Zinc)
- Drains** Brass
- Filter Elements** Polypropylene
- Seals** Nitrile

F75 Filter



Features

- Compact Size Allows Greater Design Flexibility
- Connects to Other QUBE Units Using Just Screws and O-rings (Included)
- Integral Mounting Slots Eliminate Need for Mounting Brackets
- Excellent Water Removal Efficiency
- For Applications Requiring Minimum Pressure Drop
- Unique Deflector Plate that Creates Swirling of the Air Stream Ensuring Maximum Water and Dirt Separation
- Large Filter Element Surface Guarantees Low Pressure Drop and Increased Element Life
- 40 Micron Filter Element Standard, 5 Micron Available
- Transparent Polyurethane Bowl with Bowl Guard as Standard
- Metal Bowl with Wraparound Sight Gauge Optional
- Manual Drain as Standard, Optional Auto Float Drain
- Large Bowl Capacity
- High Flow: 1/4" - 43 SCFM[§], 3/8" - 1/2" - 73 SCFM[§]

§ SCFM = Standard Cubic Feet Per Minute at 100 PSIG Inlet, and 5 PSIG Pressure Drop with 40 Micron Element.

Polyurethane Bowls and Sight Gauges Offer Improved Chemical Compatibility.

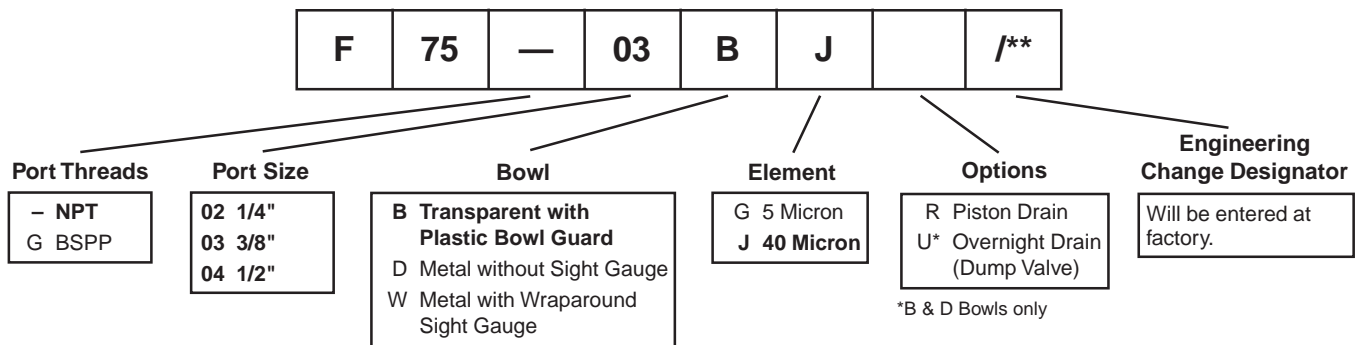


Port Size	NPT		BSPP	
	Manual Twist Drain	Automatic Float Drain	Manual Twist Drain	Automatic Float Drain
Polyurethane Bowl / Plastic Guard				
1/4"	F75-02BJ	F75-02BJR	F75G02BJ	F75G02BJR
3/8"	F75-03BJ	F75-03BJR	F75G03BJ	F75G03BJR
1/2"	F75-04BJ	F75-04BJR	F75G04BJ	F75G04BJR
Zinc Bowl / Sight Gauge				
1/4"	F75-02WJ	F75-02WJR	F75G02WJ	F75G02WJR
3/8"	F75-03WJ	F75-03WJR	F75G03WJ	F75G03WJR
1/2"	F75-04WJ	F75-04WJR	F75G04WJ	F75G04WJR

Standard part numbers shown bold.
 For other models refer to ordering information below.

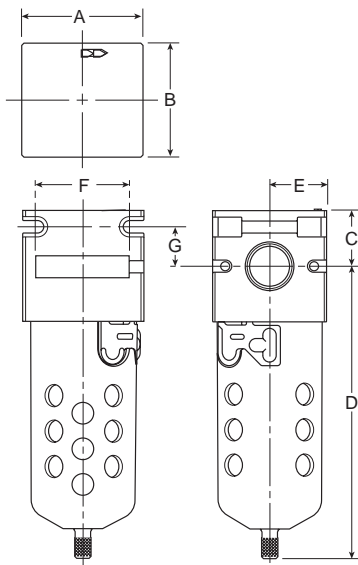
Wraparound Sight Gauge Bowl
 All QUBE filters, lubricators, and integrals are available with the Watts Wraparound Polyurethane Sight Gauge Bowl. These unique bowls provide the 360° visibility of a plastic bowl while maintaining the high strength and safety features of metal bowls. Polyurethane bowls with guards, and metal bowls, are also available.

Ordering Information



NOTE: BOLD OPTIONS ARE STANDARD.

Technical Information



F75 Filter Dimensions						
A	B	C	D	E	F	G
F75-BJ, F75-DJ						
2.19 (55,6)	2.19 (55,6)	1.01 (25,4)	5.19 (131,8)	1.09 (27,8)	1.66 (42,1)	0.70 (17,9)
F75-WJ						
2.19 (55,6)	2.19 (55,6)	1.01 (25,4)	5.31 (134,9)	1.09 (27,8)	1.66 (42,1)	0.70 (17,9)

Inches
(mm)

F75 Filter Kits & Accessories

Bowl Kits –

- Polyurethane (B) BKF55B
- Metal (D) BKF55D
- Metal (W) Wraparound Sight Gauge BKF55W

Drain Kits –

- Internal Auto (Max. Pressure: 175 PSIG) (B & D) SA602MD
- Internal Auto (Max. Pressure: 175 PSIG) (W) SAF105MD
- Manual Twist Drain SA600Y7-1
- Semi-Automatic "Overnight" Drain SA602A7
 (Drains automatically under zero pressure)

Filter Element Kits –

- 5 Micron (All) EK55G
- 40 Micron (All) EK55J

Repair Kits –

- Deflector, Retainer RFK55
- Internal Float Drain RK602MD

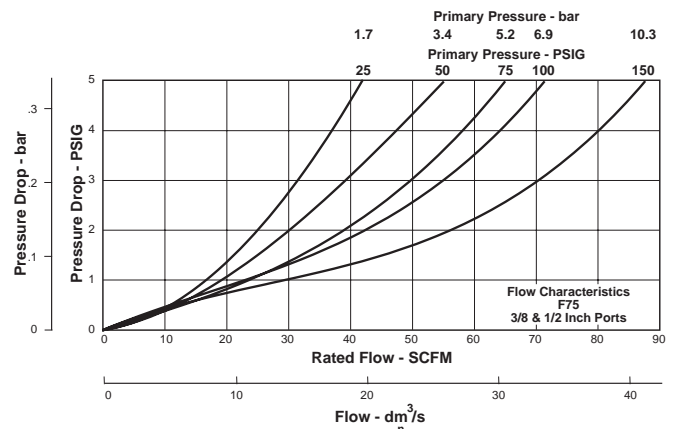
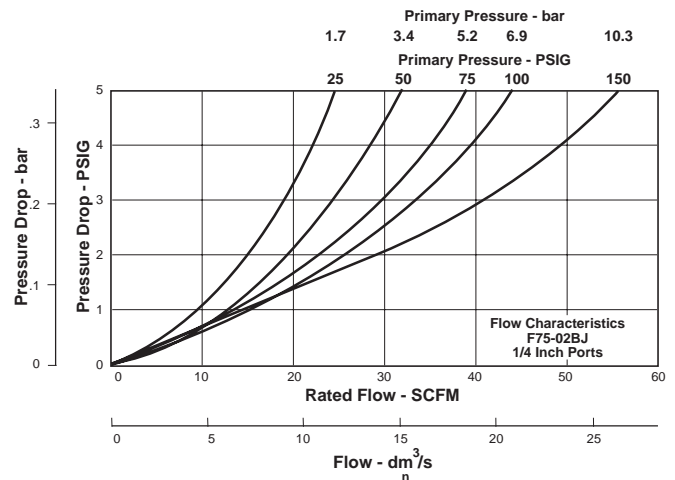
Specifications

Bowl Capacity 3.8 Ounce

Port Threads 1/4, 3/8, 1/2 Inch

Pressure & Temperature Ratings –

- Polyurethane Bowl 0 to 150 PSIG (0 to 10.2 bar)
 40°F to 125°F (4.4°C to 52 °C)



- Zinc Bowl 0 to 300 PSIG (0 to 20.4 bar)
 40°F to 180°F (4.4°C to 82.2°C)
- With Automatic Float Drain 175 PSIG Max. Press. (11.9 bar)
 40°F to 125°F (4.4°C to 52°C)
- Zinc Bowl w/ Sight Gauge 0 to 250 PSIG (0 to 17.2 bar)
 40°F to 150°F (4.4°C to 65.6°C)
- With Automatic Float Drain 175 PSIG Max. Press. (11.9 bar)
 40°F to 125°F (4.4°C to 52°C)

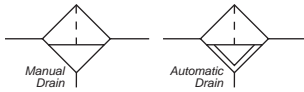
Weight –

- Polyurethane Bowl 1.25 lb. (0.57kg) / Unit
 25 lb. (11.3 kg) / 20-Unit Master Pack
- Zinc Bowl 1.50 lb. (0.68 kg) / Unit
 30 lb. (13.6 kg) / 20-Unit Master Pack
- Zinc Bowl W/ Sight Gauge 1.60 lb. (0.73 kg) / Unit
 32 lb. (14.5 kg) / 20-Unit Master Pack

Materials of Construction

- Body** Zinc
- Bowls** Polyurethane
 Metal (Zinc)
- Drains** Brass
- Filter Elements** Polyethylene
- Seals** Nitrile

F105 Filter



Features

- Connects to Other QUBE Units Using Just Screws and O-rings (Included)
- Integral Mounting Slots Eliminate Need for Mounting Brackets
- Excellent Water Removal Efficiency
- For Applications Requiring Minimum Pressure Drop
- Unique Deflector Plate that Creates Swirling of the Air Stream Ensuring Maximum Water and Dirt Separation
- Large Filter Element Surface Guarantees Low Pressure Drop and Increased Element Life
- 40 Micron Filter Element Standard, 5 Micron Available
- Transparent Polyurethane Bowl with Bowl Guard as Standard
- Metal Bowl with Wraparound Sight Gauge Optional
- Manual Drain as Standard, Optional Auto Float Drain
- Large Bowl Capacity
- High Flow: 3/8" - 110 SCFM[§], 1/2" - 120 SCFM[§], 3/4" - 160 SCFM[§]

§ SCFM = Standard Cubic Feet Per Minute at 100 PSIG Inlet, and 5 PSIG Pressure Drop with 40 Micron Element.

Polyurethane Bowls and Sight Gauges Offer Improved Chemical Compatibility.

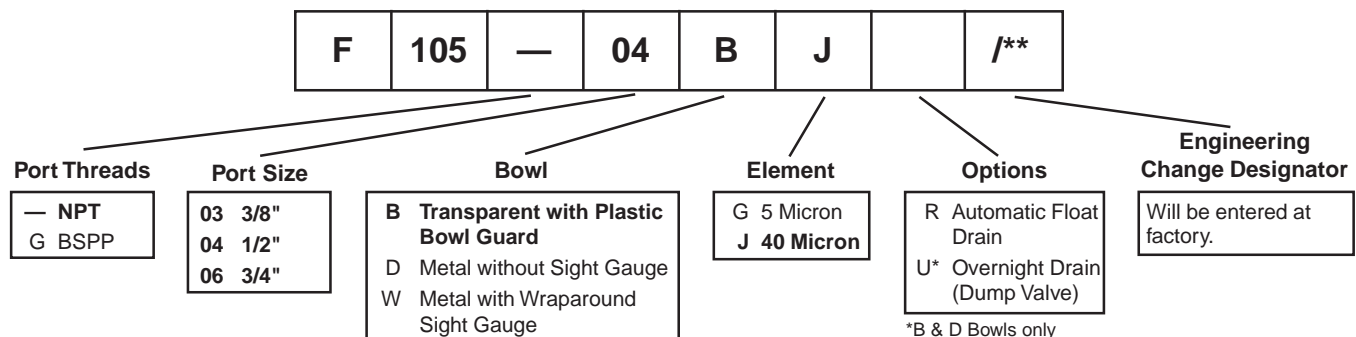


Port Size	NPT		BSPP	
	Manual Twist Drain	Automatic Float Drain	Manual Twist Drain	Automatic Float Drain
Polyurethane Bowl / Plastic Guard				
3/8"	F105-03BJ	F105-03BJR	F105G03BJ	F105G03BJR
1/2"	F105-04BJ	F105-04BJR	F105G04BJ	F105G04BJR
3/4"	F105-06BJ	F105-06BJR	F105G06BJ	F105G06BJR
Metal Bowl / Sight Gauge				
3/8"	F105-03WJ	F105-03WJR	F105G03WJ	F105G03WJR
1/2"	F105-04WJ	F105-04WJR	F105G04WJ	F105G04WJR
3/4"	F105-06WJ	F105-06WJR	F105-G06WJ	F105G06BWR

Standard part numbers shown bold.
 For other models refer to ordering information below.

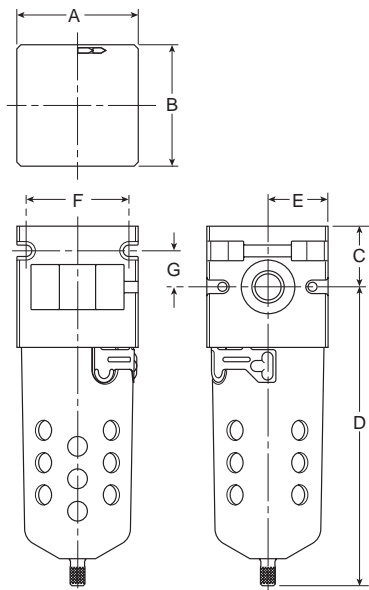
Wraparound Sight Gauge Bowl
 All QUBE filters, lubricators, and integrals are available with the Watts Wraparound Polyurethane Sight Gauge Bowl. These unique bowls provide the 360° visibility of a plastic bowl while maintaining the high strength and safety features of metal bowls. Polyurethane bowls with guards, and metal bowls, are also available.

Ordering Information



NOTE: BOLD OPTIONS ARE STANDARD.

Technical Information



F105 Filter Dimensions								
A*	A†	B	C	D	E	F*	F†	G
F105-BJ and F105-DJ								
2.69 (68,3)	3.03 (77,0)	2.69 (68,3)	1.34 (34,1)	6.66 (169,1)	1.35 (34,3)	2.27 (57,6)	2.55 (64,8)	0.88 (22,2)
F105-WJ								
2.69 (68,3)	3.03 (77,0)	2.69 (68,3)	1.34 (34,1)	6.66 (169,1)	1.35 (34,3)	2.27 (57,6)	2.55 (64,8)	0.88 (22,2)

Inches (mm)
 * 3/8 and 1/2 Inch Ports
 † 3/4 Inch Ports

F105 Filter Kits & Accessories

Bowl Kits –

- Polyurethane (B) BKF105B
- Metal (D) BKF105D
- Metal (W) Wraparound Sight Gauge BKF105W

Drain Kits –

- Manual Twist Drain SA600Y7-1
- Internal Auto (Max. Pressure: 175 PSIG) (B & D) SA602MD
- Internal Auto (Max. Pressure: 175 PSIG) (W) SAF105MD
- Semi-Automatic “Overnight” Drain SA602A7
 (Drains automatically under zero pressure)

Filter Element Kits –

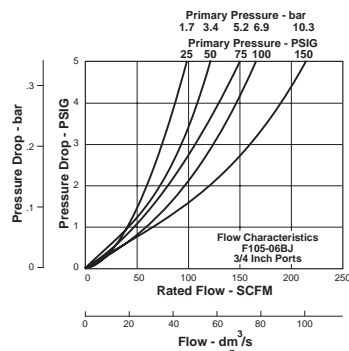
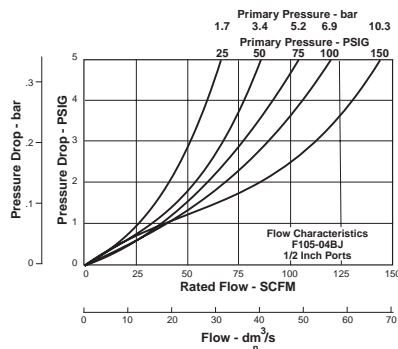
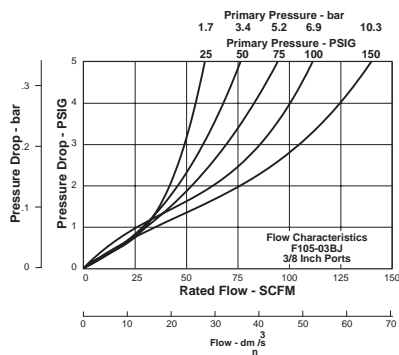
- 5 Micron (All) EKF100G
- 40 Micron (All) EKF100J

Repair Kits –

- Deflector, Retainer RFK100
- Internal Float Drain RK602MD

Specifications

- Bowl Capacity** 8.5 Ounce
- Port Threads** 3/8, 1/2, 3/4 Inch
- Pressure & Temperature Ratings –**
- Polyurethane Bowl 0 to 150 PSIG (0 to 10.2 bar)
 40°F to 125°F (4.4°C to 52°C)

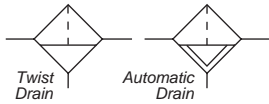


- Zinc Bowl 0 to 300 PSIG (0 to 20.4 bar)
 40°F to 180°F (4.4°C to 82.2°C)
- With Automatic Float Drain 175 PSIG Max. Press. (11.9 bar)
 40°F to 125°F (4.4°C to 52°C)
- Zinc Bowl w/ Sight Gauge 0 to 250 PSIG (0 to 17.2 bar)
 40°F to 150°F (4.4°C to 65.6°C)
- With Automatic Float Drain 175 PSIG Max. Press. (11.9 bar)
 40°F to 125°F (4.4°C to 52°C)
- Weight –**
- Polyurethane Bowl 1.10 lb. (0.50 kg) / Unit
 10.8 lb. (4.9 kg) / 8-Unit Master Pack
- Zinc Bowl 1.54 lb. (0.70 kg) / Unit
 14.3 lb. (6.5 kg) / 8-Unit Master Pack
- Zinc Bowl W/ Sight Gauge 1.74 lb. (0.79 kg) / Unit
 15.9 lb. (7.2 kg) / 8-Unit Master Pack

Materials of Construction

- Body** Aluminum
- Bowls** Polyurethane
 Metal (Zinc)
- Drains** Brass
- Filter Elements** Polypropylene
- Seals** Nitrile

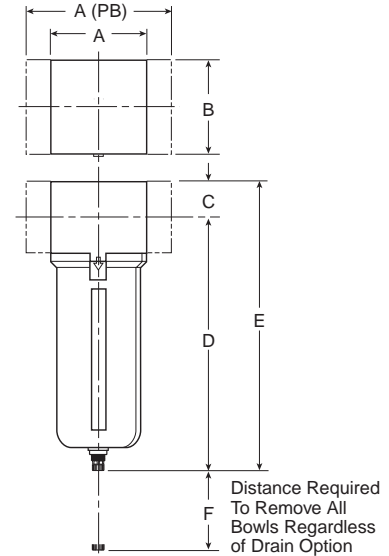
F255 Filters – Hi-Flow



Features

- Port Blocks (PB) Available to Provide 1-1/2" Port Extension to 1" Ported Bodies
- Excellent Water Removal Efficiency
- Metal Bowl with Sight Gauge
- Large Filter Element Surface Guarantees Low Pressure Drop and Increased Element Life
- Manual Drain as Standard, Optional Internal Auto Drain
- All Hardware Necessary for Modular Connection to Other QUBE 255 Series is Included
- High Flow: 3/4" - 270 SCFM[§], 1" - 300 SCFM[§]

[§] SCFM = Standard Cubic Feet Per Minute at 90 PSIG Inlet and 5 PSIG Pressure Drop, with 40 Micron Element.



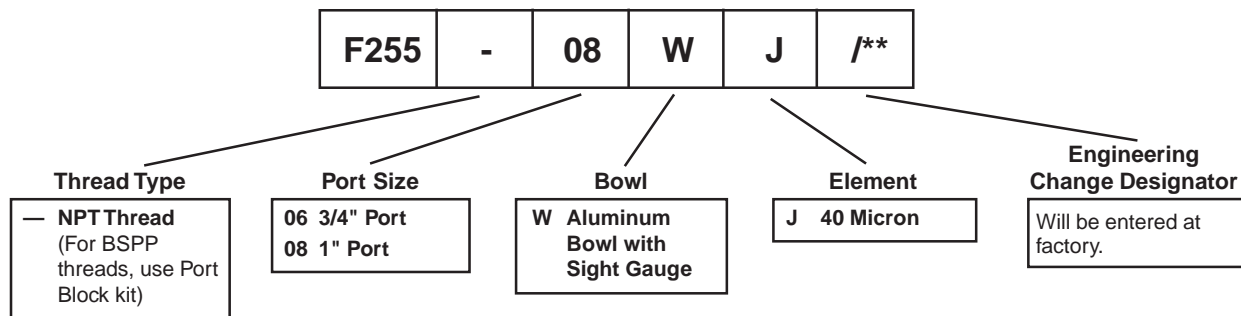
Port Size	NPT
	Metal Bowl / Sight Gauge / Manual Drain
3/4"	F255-06WJ
1"	F255-08WJ

Standard part numbers shown bold.
 For other models refer to ordering information below.

F255 Filter Dimensions				
A	A (PB)	B	C	D [†]
3.62 (92)	5.91 (150)	3.62 (92)	1.38 (35)	9.57 (243)
E [†]	F			
10.95 (278)	4.92 (125)			

[†] With Manual Drain or Internal Auto Drain
 Inches
 (mm)

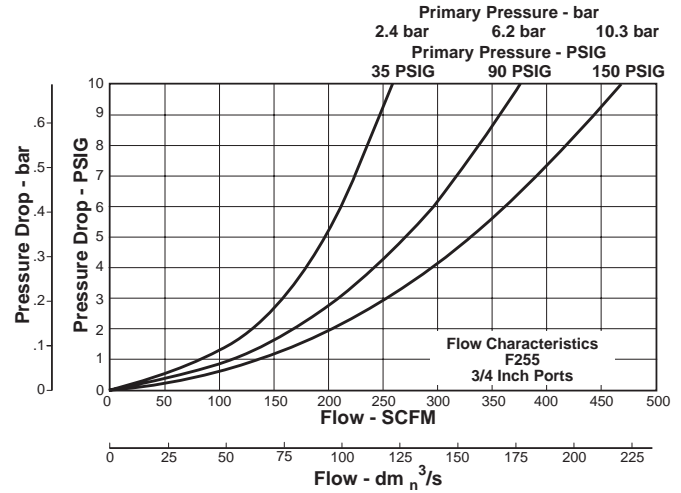
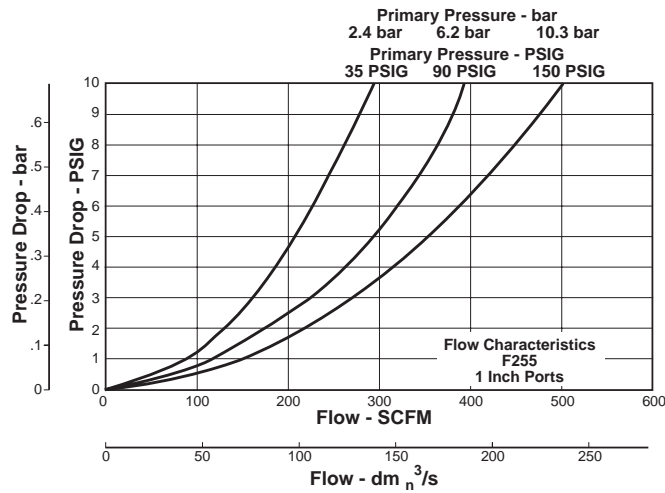
Ordering Information



NOTE: BOLD OPTIONS ARE STANDARD.

Internal Automatic Drains must be purchased separately as PS506.

Technical Information



F255 Filter Kits & Accessories

Bowl Kits –

- Metal Bowl –
- Sight Gauge / Internal Auto Drain P3NKA00BSA
- Sight Gauge / Manual Drain P3NKA00BSM

Drain Kit –

- Internal Auto Drain PS506
- Manual Drain PS512

Filter Elements –

- 40 Micron P3NKA00ESG
- 5 Micron P3NKA00ESE
- Adsorber P3NKA00ESA

Sight Gauge Kit P3NKA00PE

Mounting Bracket Kit P3NKA00MW

Port Block Kit (1-1/2" NPT Ports) P3NKB9BCL

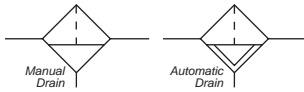
Specifications

- Bowl Capacity 18.0 Ounces
- Sump Capacity 6.8 Ounces
- Pressure & Temperature Rating 0 to 250 PSIG (0 to 17 bar)
32°F to 175°F (0°C to 80°C)
- Internal Auto Drain – 10 to 250 PSIG (0.7 to 17 bar)
at 125°F (52°C) or less
- Weight –
- 3/4 Inch 3.5 lb. (1.6 kg)
- 1 Inch 3.5 lb. (1.6 kg)

Materials of Construction

- Body Aluminum
- Deflector Plastic
- Drain Plastic
- Filter Elements –
- 40 Micron (Standard) Plastic
- 5 Micron (Optional) Plastic
- Adsorber (Optional) Activated Charcoal
- Seals Nitrile
- Sight Gauge Polyamide (Nylon)

F31 Coalescing Filter



Features

- Compact Size Allows Greater Design Flexibility
- Connects to Other QUBE Units Using Just Screws and O-rings (Included)
- Integral Mounting Slots Eliminate Need for Mounting Brackets
- Removes Oil and Water Aerosols, as Well as Particulate Matter Down To 0.01 Micron.
- Pleated Element for Longer Life and Lower Pressure Drop
- Large Filter Element Surface Guarantees Low Pressure Drop and Increased Element Life
- Activated Carbon Elements Available for Oil Vapor Removal
- Transparent Polyurethane Bowl Standard
- Metal Bowl with Wraparound Sight Gauge Optional
- Manual Drain as Standard, Optional Auto Pulse Drain
- Large Bowl Capacity
- High Flow: 1/8" & 1/4" - 20 SCFM[§]

§ SCFM = Standard Cubic Feet Per Minute at 100 PSIG Inlet, and 5 PSIG Pressure Drop

Polyurethane Bowls and Sight Gauges Offer Improved Chemical Compatibility.

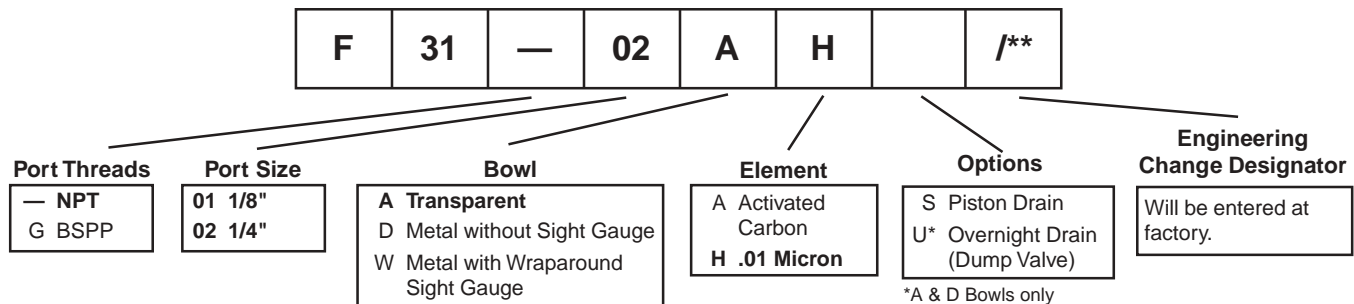


Port Size	NPT		BSPP	
	Manual Twist Drain	Piston Drain	Manual Twist Drain	Piston Drain
Polyurethane Bowl				
1/8"	F31-01AH	F31-01AHS	F31G01AH	F31G01AHS
1/4"	F31-02AH	F31-02AHS	F31G02AH	F31G02AHS
Zinc Bowl / Sight Gauge				
1/8"	F31-01WH	F31-01WHS	F31G01WH	F31G01WHS
1/4"	F31-02WH	F31-02WHS	F31G02WH	F31G02WHS

Standard part numbers shown bold.
 For other models refer to ordering information below.

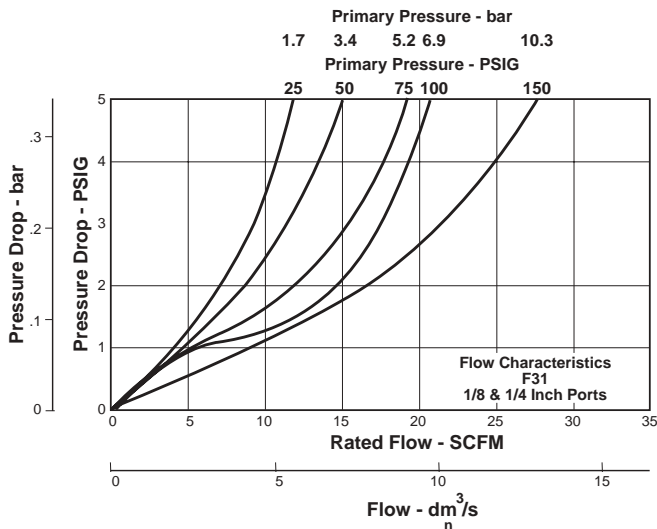
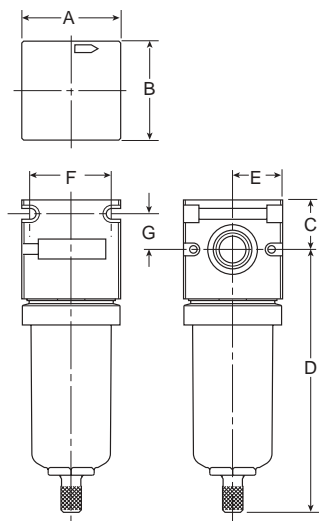
Wraparound Sight Gauge Bowl
 All QUBE filters, lubricators, and integrals are available with the Watts Wraparound Polyurethane Sight Gauge Bowl. These unique bowls provide the 360° visibility of a plastic bowl while maintaining the high strength and safety features of metal bowls. Polyurethane bowls with guards, and metal bowls, are also available.

Ordering Information



NOTE: BOLD OPTIONS ARE STANDARD.

Technical Information



F31 Coalescing Filter Dimensions						
A	B	C	D	E	F	G
F31-AH, F31-DH						
1.59 (40,5)	1.59 (40,5)	0.81 (20,6)	4.25 (107,9)	0.80 (20,2)	1.31 (33,3)	0.58 (14,7)
F31-WH						
1.59 (40,5)	1.59 (40,5)	0.81 (20,6)	4.27 (108,3)	0.80 (20,2)	1.31 (33,3)	0.58 (14,7)

Inches
 (mm)

F31 Coalescing Filter Kits & Accessories

Bowl Kits –

- Polyurethane (A) BKF35A
- Zinc (D) BKF35D
- Zinc (W) Wraparound Sight Gauge BKF35W

Drain Kits –

- Manual Twist Drain SA600Y7-1
- Piston (Max. Pressure: 175 PSIG) RK504SY
- Semi-Automatic "Overnight" Drain SA602A7
 (Drains automatically under zero pressure)

Filter Element Kits –

- Activated Carbon EKF31A
- Coalescing EKF31H

Specifications

Bowl Capacity 1.5 Ounce

Port Threads 1/4, 3/8 Inch

Pressure & Temperature Ratings –

- Polyurethane Bowl 0 to 150 PSIG (0 to 10.2 bar)
 40°F to 125°F (4.4°C to 52°C)

Zinc Bowl 0 to 300 PSIG (0 to 20.4 bar)
 40°F to 180°F (4.4°C to 82.2°C)

With Piston Drain 175 PSIG Max. Press. (11.9 bar)
 40°F to 150°F (4.4°C to 65.6°C)

Zinc Bowl w/ Sight Gauge 0 to 250 PSIG (0 to 17.2 bar)

With Piston Drain 175 PSIG Max. Press. (11.9 bar)
 40°F to 150°F (4.4°C to 65.6°C)

Weight –

Polyurethane Bowl 0.7 lb. (0.31 kg) / Unit
 7 lb. (3.18 kg) / 24-Unit Master Pack

Zinc Bowl 0.9 lb. (0.41 kg) / Unit
 23.9 lb. (10.8 kg) / 24-Unit Master Pack

Zinc Bowl W/ Sight Gauge 0.96 lb. (0.44 kg) / Unit
 25.1 lb. (11.4 kg) / 24-Unit Master Pack

Materials of Construction

Body Zinc
Bowls Polyurethane
 Metal (Zinc)

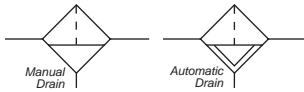
Coalescing Element Borosilicate Fiber & Polyamide Foam

Carbon Element Acetal 30% Glass Filled Activated Carbon

Drain Brass

Seals Buna-N

F71 Coalescing Filter



Features

- Compact Size Allows Greater Design Flexibility
- Connects to Other QUBE Units Using Just Screws and O-rings (Included)
- Integral Mounting Slots Eliminate Need for Mounting Brackets
- Removes Oil and Water Aerosols, as Well as Particulate Matter Down To 0.01 Micron.
- Pleated Element for Longer Life and Lower Pressure Drop
- Integral Pop-up Style Element Service Life Indicator
- Large Filter Element Surface Guarantees Low Pressure Drop and Increased Element Life
- Activated Carbon Elements Available for Oil Vapor Removal
- Transparent Polyurethane Bowl with Bowl Guard as Standard
- Metal Bowl with Wraparound Sight Gauge Optional
- Manual Drain as Standard, Optional Auto Float Drain
- Large Bowl Capacity
- High Flow: 1/4", 3/8", 1/2" - 43 SCFM[§]

§ SCFM = Standard Cubic Feet Per Minute at 100 PSIG Inlet, and 5 PSIG Pressure Drop

Polyurethane Bowls and Sight Gauges Offer Improved Chemical Compatibility.

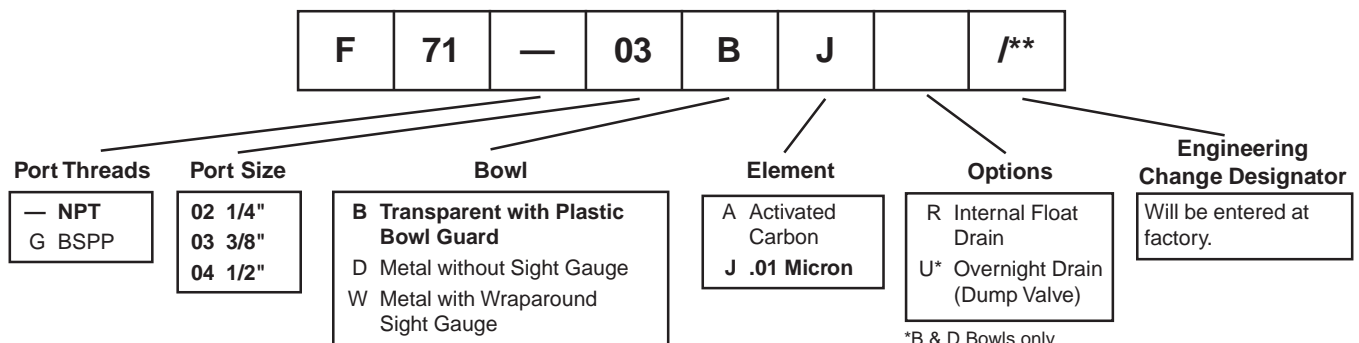


Port Size	NPT		BSPP	
	Manual Twist Drain	Internal Float Drain	Manual Twist Drain	Internal Float Drain
Polyurethane Bowl / Plastic Guard				
1/4"	F71-02BJ	F71-02BJR	F71G02BJ	F71G02BJR
3/8"	F71-03BJ	F71-03BJR	F71G03BJ	F71G03BJR
1/2"	F71-04BJ	F71-04BJR	F71G04BJ	F71G04BJR
Zinc Bowl / Sight Gauge				
1/4"	F71-02WJ	F71-02WJR	F71G02WJ	F71G02WJR
3/8"	F71-03WJ	F71-03WJR	F71G03WJ	F71G03WJR
1/2"	F71-04WJ	F71-04WJR	F71G04WJ	F71G04WJR

Standard part numbers shown bold.
 For other models refer to ordering information below.

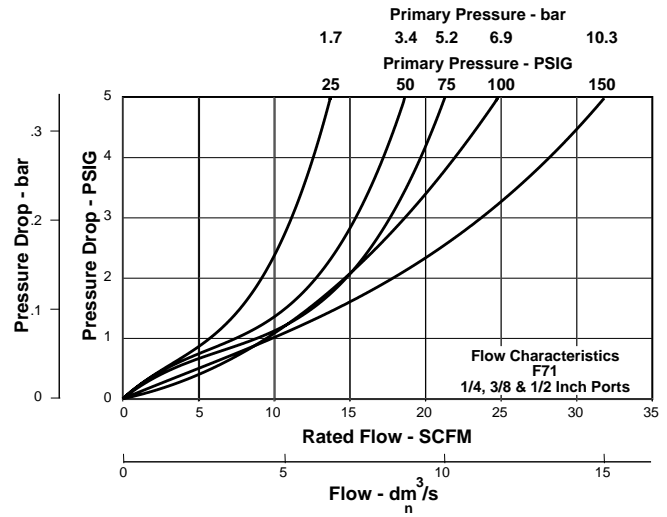
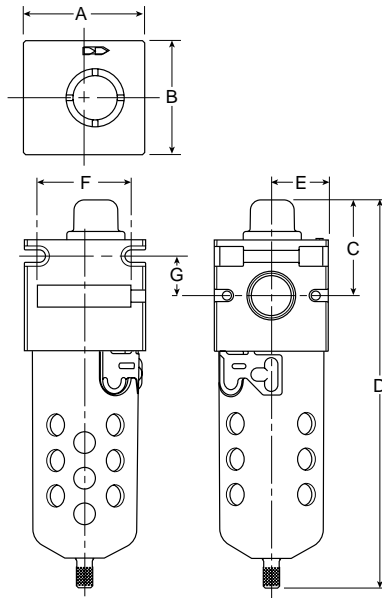
Wraparound Sight Gauge Bowl
 All QUBE filters, lubricators, and integrals are available with the Watts Wraparound Polyurethane Sight Gauge Bowl. These unique bowls provide the 360° visibility of a plastic bowl while maintaining the high strength and safety features of metal bowls. Polyurethane bowls with guards, and metal bowls, are also available.

Ordering Information



NOTE: BOLD OPTIONS ARE STANDARD.

Technical Information



F71 Coalescing Filter Dimensions						
A	B	C	D	E	F	G
F71-BJ, F71-DJ						
2.19 (55,6)	2.06 (52,4)	1.72 (43,7)	6.91 (175,4)	1.03 (26,2)	1.66 (42,1)	0.71 (17,9)
F71-WJ						
2.19 (55,6)	2.06 (52,4)	1.72 (43,7)	7.16 (181,8)	1.03 (26,2)	1.63 (41,3)	0.71 (17,9)

Inches
(mm)

F71 Coalescing Filter Kits & Accessories

Bowl Kits –

- Polyurethane (B)..... BKF55B
- Metal (D)BKF55D
- Metal (W) Wraparound Sight Gauge BKF55W

Drain Kits –

- Manual Twist Drain SA600Y7-1
- Internal Auto (Max. Pressure: 175 PSIG) (B & D)..... SA602MD
- Internal Auto (Max. Pressure: 175 PSIG) (W).....SAF105MD
- Semi-Automatic “Overnight” Drain SA602A7
(Drains automatically under zero pressure)

Filter Element Kits –

- Activated Carbon EKF71A
- CoalescingEKF71H

Repair Kits –

- Internal Float DrainRK602MD

Specifications

- Bowl Capacity3.8 Ounce
- Port Threads 1/4, 3/8, 1/2 Inch
- Pressure & Temperature Ratings –
- Polyurethane Bowl..... 0 to 150 PSIG (0 to 10.2 bar)
 40°F to 125°F (4.4°C to 52°C)
- Zinc Bowl 0 to 300 PSIG (0 to 20.4 bar)
 40°F to 150°F (4.4°C to 65.6°C)

- With Automatic Float Drain..... 175 PSIG Max. Press. (11.9 bar)
 40°F to 125°F (4.4°C to 52°C)
- Zinc Bowl w/ Sight Gauge 0 to 250 PSIG (0 to 17.2 bar)
 40°F to 150°F (4.4°C to 65.6°C)
- With Automatic Float Drain..... 175 PSIG Max. Press. (11.9 bar)
 40°F to 125°F (4.4°C to 52°C)

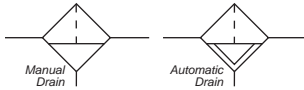
Weight –

- Polyurethane Bowl..... 1.25 lb. (0.57kg) / Unit
 25 lb. (11.3 kg) / 20-Unit Master Pack
- Zinc Bowl..... 1.50 lb. (0.68 kg) / Unit
 30 lb. (13.6 kg) / 20-Unit Master Pack
- Zinc Bowl W/ Sight Gauge..... 1.60 lb. (0.73 kg) / Unit
 32 lb. (14.5 kg) / 20-Unit Master Pack

Materials of Construction

- BodyZinc
- Bowls Polyurethane
 Metal (Zinc)
- Coalescing ElementBorosilicate Fiber & Polyamide Foam
- Carbon Element Acetal 30% Glass Filled Activated Carbon
- Drain Brass
- Seals Buna-N

F101 Coalescing Filter



Features

- Connects to Other QUBE Units Using Just Screws and O-rings (Included)
- Integral Mounting Slots Eliminate Need for Mounting Brackets
- Removes Oil and Water Aerosols, as Well as Particulate Matter Down To 0.01 Micron.
- Pleated Element for Longer Life and Lower Pressure Drop
- Integral Pop-up Style Element Service Life Indicator
- Large Filter Element Surface Guarantees Low Pressure Drop and Increased Element Life
- Activated Carbon Elements Available for Oil Vapor Removal
- Transparent Polyurethane Bowl with Bowl Guard as Standard
- Metal Bowl with Wraparound Sight Gauge Optional
- Manual Drain as Standard, Optional Auto Float Drain
- Large Bowl Capacity
- High Flow: 3/8", 1/2", 3/4" - 85 SCFM[§]

§ SCFM = Standard Cubic Feet Per Minute at 100 PSIG Inlet, and 5 PSIG Pressure Drop

Polyurethane Bowls and Sight Gauges Offer Improved Chemical Compatibility.

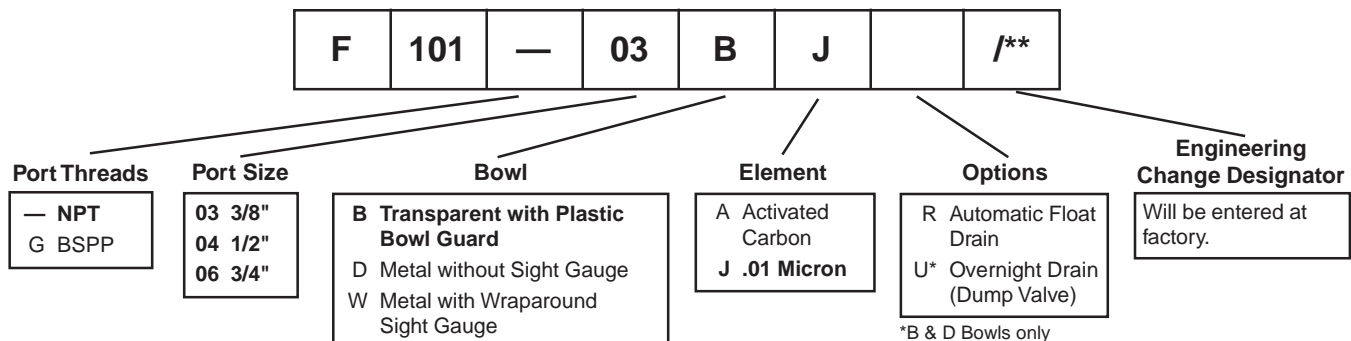


Port Size	NPT		BSPP	
	Manual Twist Drain	Automatic Float Drain	Manual Twist Drain	Automatic Float Drain
Polyurethane Bowl / Plastic Guard				
3/8"	F101-03BJ	F101-03BJR	F101G03BJ	F101G03BJR
1/2"	F101-04BJ	F101-04BJR	F101G04BJ	F101G04BJR
3/4"	F101-06BJ	F101-06BJR	F101G06BJ	F101G06BJR
Metal Bowl / Sight Gauge				
3/8"	F101-03WJ	F101-03WJR	F101G03WJ	F101G03WJR
1/2"	F101-04WJ	F101-04WJR	F101G04WJ	F101G04WJR
3/4"	F101-06WJ	F101-06WJR	F101G06WJ	F101G06WJR

Standard part numbers shown bold.
 For other models refer to ordering information below.

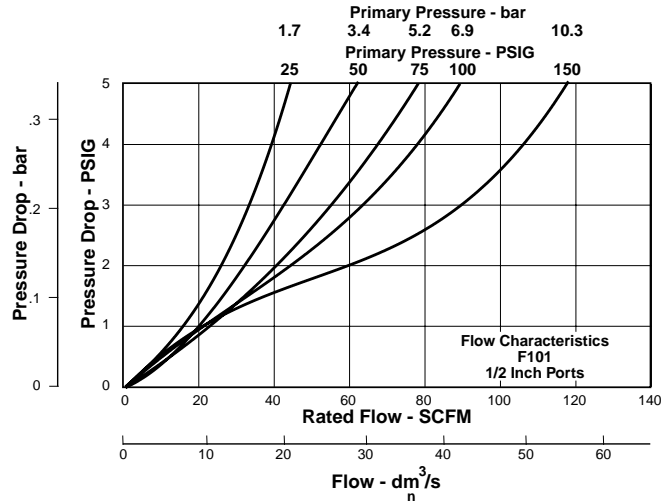
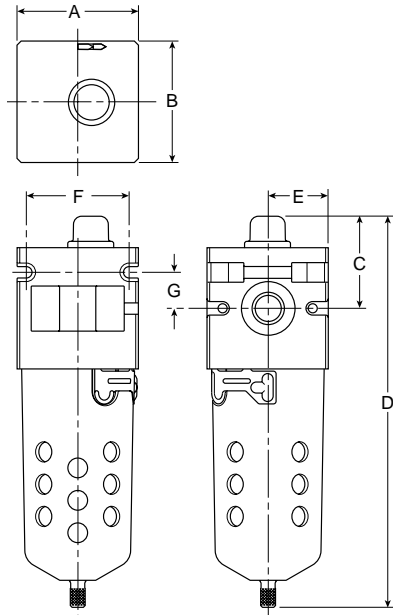
Wraparound Sight Gauge Bowl
 All QUBE filters, lubricators, and integrals are available with the Watts Wraparound Polyurethane Sight Gauge Bowl. These unique bowls provide the 360° visibility of a plastic bowl while maintaining the high strength and safety features of metal bowls. Polyurethane bowls with guards, and metal bowls, are also available.

Ordering Information



NOTE: BOLD OPTIONS ARE STANDARD.

Technical Information



F101 Coalescing Filter Dimensions								
A*	A†	B	C	D	E	F*	F†	G
F101-BJ, F101-DJ								
2.69 (68,4)	3.03 (77,0)	2.69 (68,4)	2.06 (52,2)	8.59 (218,3)	1.35 (34,3)	2.18 (56,4)	2.55 (64,8)	0.81 (20,6)
F101-WJ								
2.69 (68,4)	3.03 (77,0)	2.69 (68,4)	2.06 (52,2)	8.75 (222,6)	1.35 (34,3)	2.18 (56,4)	2.55 (64,8)	0.81 (20,6)

Inches (mm)
 * 3/8 and 1/2 Inch Ports
 † 3/4 Inch Ports

F101 Coalescing Filter
Kits & Accessories

- Bowl Kits –**
 Polyurethane (B)..... BKF105B
 Metal (D)..... BKF105D
 Metal (W) Wraparound Sight Gauge BKF105W
- Drain Kits –**
 Manual Twist Drain SA600Y7-1
 Internal Auto (Max. Pressure: 175 PSIG) (B & D)..... SA602MD
 Internal Auto (Max. Pressure: 175 PSIG) (W)..... SAF105MD
 Semi-Automatic “Overnight” Drain..... SA60 2A7
 (Drains automatically under zero pressure)
- Filter Element Kits –**
 Activated Carbon EKF101A
 Coalescing..... EKF101
- Repair Kits –**
 Deflector, Element, Retainer RFK100
 Internal Auto Drain..... RK602MD

Specifications

- Filter Capacity**8.5 Ounce
Port Threads3/8, 1/2, 3/4 Inch
Pressure & Temperature Ratings –
 Polyurethane Bowl..... 0 to 150 PSIG (0 to 10.2 bar)
 40°F to 125°F (4.4°C to 52°C)

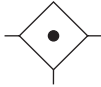
- Zinc Bowl..... 0 to 300 PSIG (0 to 20.4 bar)
 40°F to 150°F (4.4°C to 65.6°C)
 With Automatic Float Drain..... 175 PSIG Max. Press. (11.9 bar)
 40°F to 125°F (4.4°C to 52°C)
 Zinc Bowl w/ Sight Gauge 0 to 250 PSIG (0 to 17.2 bar)
 With Automatic Float Drain..... 175 PSIG Max. Press. (11.9 bar)
 40°F to 125°F (4.4°C to 52°C)

- Weight –**
 Polyurethane Bowl..... 1.10 lb. (0.50kg) / Unit
 10.8 lb. (4.9 kg) / 8-Unit Master Pack
 Zinc Bowl..... 1.54 lb. (0.70 kg) / Unit
 14.3 lb. (6.5 kg) / 8-Unit Master Pack
 Zinc Bowl W/ Sight Gauge..... 1.74 lb. (0.79 kg) / Unit
 15.9 lb. (7.2 kg) / 8-Unit Master Pack

Materials of Construction

- Body**Zinc
Bowls Polyurethane
 Metal (Zinc)
Coalescing ElementBorosilicate Fiber & Polyamide Foam
Carbon Element Acetal 30% Glass Filled Activated Carbon
Drains Brass
Seals Buna-N

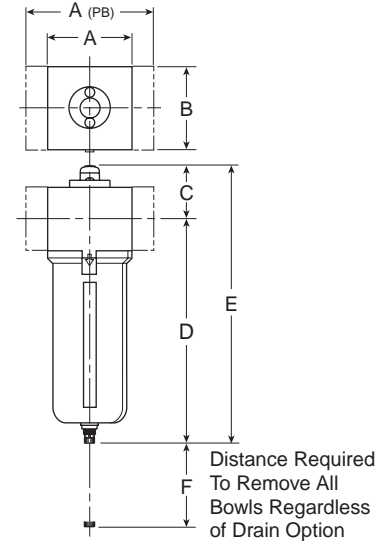
F251 Coalescing Filters – Hi-Flow



Features

- Port Blocks (PB) Available to Provide 1-1/2" Port Extension to 1" Ported Bodies
- Metal Bowl with Sight Gauge
- Large Filter Element Surface Guarantees Low Pressure Drop and Increased Element Life
- Manual Drain as Standard, Optional Internal Auto Drain
- Grade 6 Element Removes Oil and Water Aerosols within ISO 8573-1 Class 1 Standards. Particulate Removal Down to 0.01 Micron, with Maximum Remaining Oil Aerosol Content: 0.008 PPM@70°F.
- High Flow:
 Flow – Dry Element* 120 SCFM[§]
 Flow – Saturated Element* 100 SCFM[§]

§ SCFM = Standard Cubic Feet Per Minute at 90 PSIG Inlet, and 3 PSIG Pressure Drop



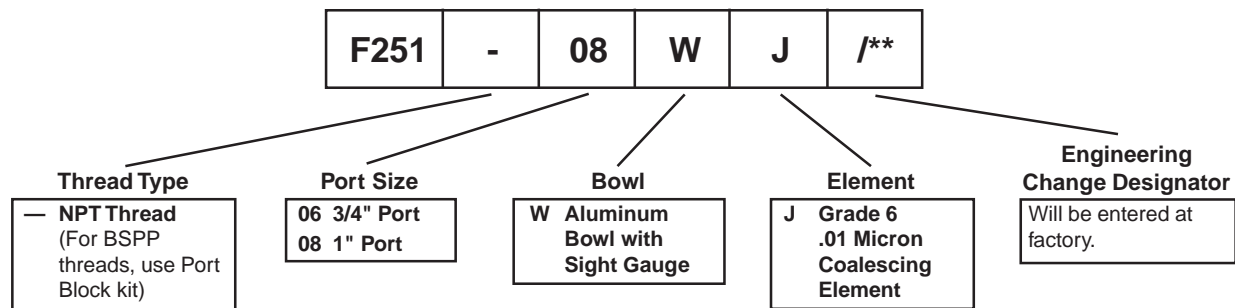
Port Size	NPT
	Metal Bowl / Sight Gauge / Manual Drain
3/4"	F251-06WJ
1"	F251-08WJ

Standard part numbers shown with Grade 6 Elements. For other models refer to ordering information below.

F251 Coalescing Filter Dimensions				
A	A (PB)	B	C	D [†]
3.62 (92)	5.91 (150)	3.62 (92)	2.30 (58.5)	9.57 (243)
E [†]	F			
11.90 (302)	4.92 (125)			

† With Manual Drain or Internal Auto Drain
 Inches
 (mm)

Ordering Information

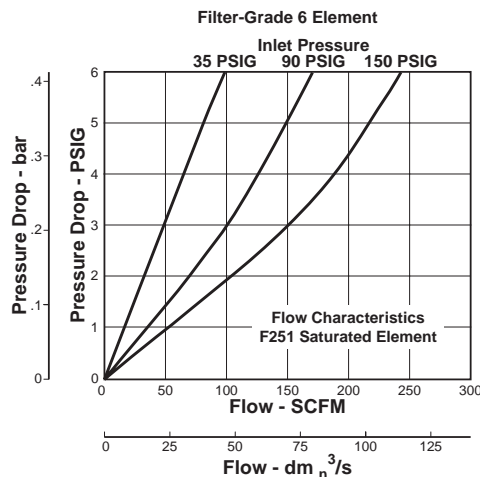
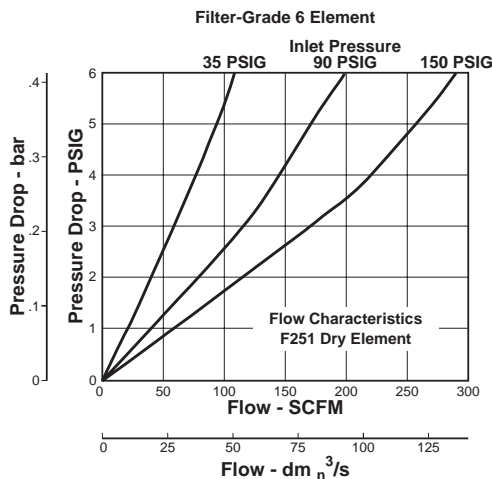


NOTE: BOLD OPTIONS ARE STANDARD.

Internal Automatic Drains must be purchased separately as PS506.

Technical Information

Grade 6



Filter Element Specifications

Grade	D.O.P. Coalescing Efficiency .3 to .6 Micron Particles	Maximum Oil Carryover ¹ PPM w/w	Pressure Drop (PSID) ² @ Rated Flow		Particulate Micron Rating
			Media Dry	Media Wet With 10-20 wt. oil	
6	99.97%	.008	1.0	2-3	.01
10	95%	.85	.5	.5	.7

¹ Tested per BCAS 860900 at 40 ppm inlet.
² Add dry + wet for total pressure drop.

D.O.P. = Dioctylphthalate

F251 Coalescing Filter Kits & Accessories

- Bowl Kits –**
 - Metal Bowl –
 - Sight Gauge / Internal Auto Drain P3NKA00BSA
 - Sight Gauge / Manual Drain P3NKA00BSM
- DPI Replacement Kit** PS781
- Drain Kit –**
 - Internal Auto Drain PS506
 - Manual Drain PS512
- Filter Elements –**
 - Grade 6 (Standard) P3NKA00ESC
 - Grade 10 (Optional) P3NKA00ES9
- Sight Gauge Kit** P3NKA00PE
- Mounting Bracket Kit** P3NKA00MW
- Port Block Kit (1-1/2" NPT Ports)** P3NKB9BCL

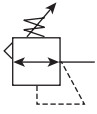
Specifications

- Bowl Capacity** 18.0 Ounces
- Sump Capacity** 6.8 Ounces
- Pressure & Temperature Rating** 0 to 250 PSIG (0 to 17 bar)
 - Internal Auto Drain – 10 to 250 PSIG (0.7 to 17 bar) at 125°F (52°C) or less
- Weight –**
 - 3/4 Inch 3.5 lb. (1.6 kg)
 - 1 Inch 3.5 lb. (1.6 kg)

Materials of Construction

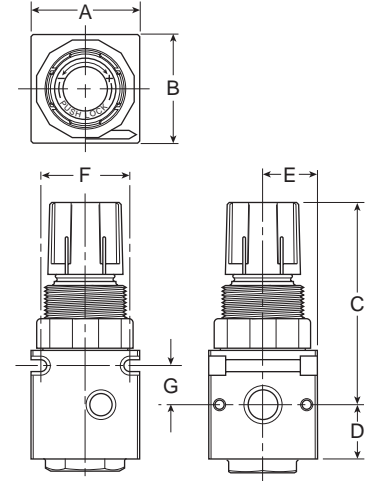
- Body & Bowl** Aluminum
- Deflector** Plastic
- Drain** Plastic
- Filter Elements** Borosilicate & Felt Glass Fibers
- Seals** Nitrile
- Sight Gauge** Polyamide (Nylon)

R35 Regulator



Features

- Compact Size Allows Greater Design Flexibility
 - Nearly Double the Flow Capacity of Standard Miniature Regulators; Reduces Costly Pressure Drop
 - Connects to Other QUBE Units Using Just Screws and O-rings (Included)
 - Integral Mounting Slots Eliminate Need for Mounting Brackets
 - Piston Operated for High Flow and Low Pressure Drop
 - Panel Mountable
 - High Flow: 1/8" - 30 SCFM[§], 1/4" - 40 SCFM[§]
- § SCFM = Standard Cubic Feet Per Minute at 100 PSIG Inlet, 75 PSIG No Flow Secondary Setting, and 20 PSIG Pressure Drop.



Port Size	NPT	BSPB
	Relieving	Relieving
Without Gauge 0-125 PSIG Reduced Pressure		
1/8"	R35-01C	R35G01C
1/4"	R35-02C	R35G02C
With Gauge 0-125 PSIG Reduced Pressure		
1/8"	R35-01CG	—
1/4"	R35-02CG	—

R35 Regulator Dimensions						
A	B	C	D	E	F	G
1.59 (40,6)	1.59 (40,6)	2.98 (75,7)	1.11 (28,2)	0.80 (20,3)	1.31 (33,3)	0.58 (14,6)

Inches
(mm)

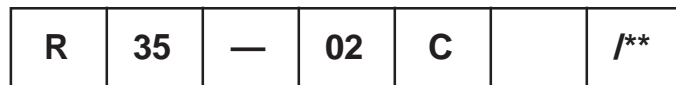
NOTE: 1.25 Dia. (32mm) hole required for panel mounting.

⚠ WARNING

**Product rupture can cause serious injury.
Do not connect regulator to bottled gas.
Do not exceed maximum primary pressure rating.**

Standard part numbers shown bold.
 For other models refer to ordering information below.

Ordering Information



Port Threads

— NPT
G BSPB

Port Size

01 1/8"
02 1/4"

Reduced Pressure Range

A 0-25 PSIG
B 0-60 PSIG
C 0-125 PSIG

Options

G Gauge
K Non-relieving
P Panel Mount Nut (Plastic)
T Tamperproof Adjustment

Engineering Change Designator

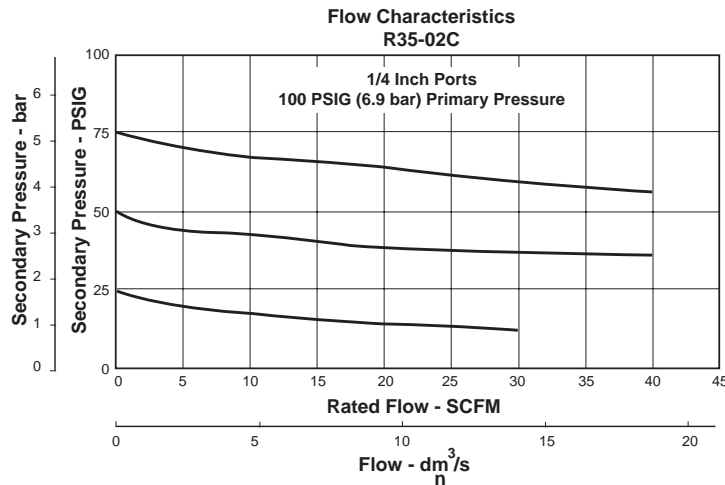
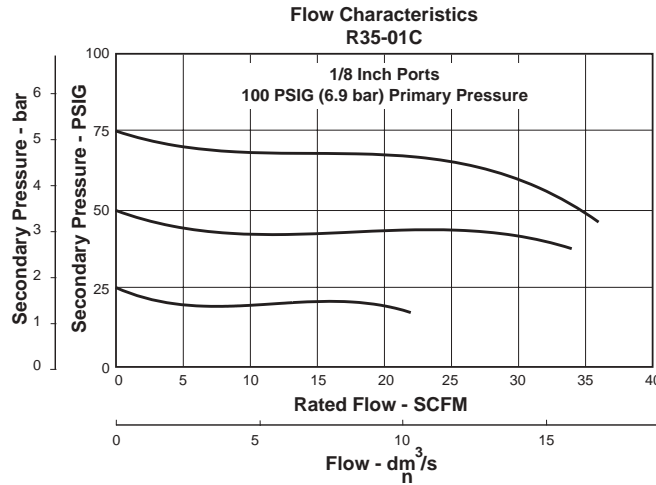
Will be entered at factory.

CAUTION:

REGULATOR PRESSURE ADJUSTMENT – The working range of knob adjustment is designed to permit outlet pressures within their full range. Pressure adjustment beyond this range is also possible because the knob is not a limiting device. This is a common characteristic of most industrial regulators, and limiting devices may be obtained only by special design.

NOTE: BOLD OPTIONS ARE STANDARD.

Technical Information



R35 Regulator Kits & Accessories

Cage Kits –

- A Range CKR35A
- B & C Range CKR35BC

Control Knob R35-0545P

Gauges –

- 1-1/2" Dial Size, 1/8" Back Connection
 0 to 60 PSIG (0 to 4 bar) K4515N18060
- 1-1/2" Dial Size, 1/8" Back Connection
 0 to 160 PSIG (0 to 11 bar) K4515N18160

Panel Mounting Bracket Kit (Bonnet Threads) SA161X57

Face Mounting Bracket Kit (See Page 45) SAR35Y57

Panel Mount Nut –

- Plastic R05X51-P
- Aluminum R05X51-A

Repair Kits –

- Non-Relieving Diaphragm,
 Valve Assembly RKR30K
- Relieving Diaphragm,
 Valve Assembly RKR30

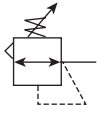
Specifications

- Gauge Ports (2)** 1/8 Inch
- Port Threads** 1/8 & 1/4 Inch
- Supply Pressure** 300 PSIG Max. (20.4 bar)
- Temperature Rating** 40°F to 125°F (4.4°C to 52°C)
- Weight** 0.82 lbs. (.37 kg) / Unit
 19.8 lbs. (8.98 kg) / 24-Unit Master Pack

Materials of Construction

- Adjusting Knob** Acetal
- Body** Zinc
- Bottom Plug** Glass-Filled Acetal
- Cage** Plastic
- Elastomers** Buna N

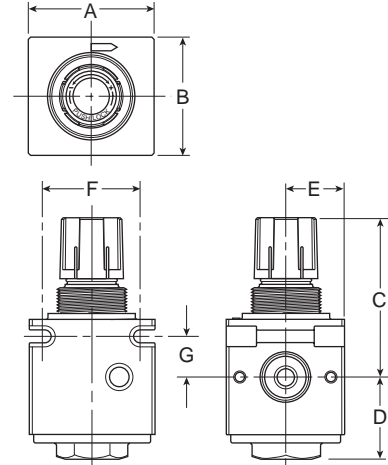
R75 Regulator



Features

- Compact Size Allows Greater Design Flexibility
- Connects to Other QUBE Units Using Just Screws and O-rings (Included)
- Integral Mounting Slots Eliminate Need for Mounting Brackets
- Diaphragm Operated Design with Balanced Poppet Design for Quick and Accurate Regulation
- Panel Mountable
- High Flow: 1/4" - 25 SCFM[§], 3/8" - 45 SCFM[§], 1/2" - 60 SCFM[§]

§ SCFM = Standard Cubic Feet Per Minute at 100 PSIG Inlet, 75 PSIG No Flow Secondary Setting, and 20 PSIG Pressure Drop.



Port Size	NPT	BSPP
	Relieving	Relieving
Without Gauge 0-125 PSIG Reduced Pressure		
1/4"	R75-02C	R75G02C
3/8"	R75-03C	R75G03C
1/2"	R75-04C	R75G04C
With Gauge 0-125 PSIG Reduced Pressure		
1/4"	R75-02CG	—
3/8"	R75-03CG	—
1/2"	R75-04CG	—

R75 Regulator Dimensions						
A	B	C	D	E	F	G
2.19 (55,6)	2.06 (52,4)	2.75 (70,7)	1.38 (34,9)	1.09 (27,8)	1.66 (42,1)	0.69 (17,5)

Inches
(mm)

NOTE: 1.25 Dia. (32mm) hole required for panel mounting.

⚠ WARNING
Product rupture can cause serious injury. Do not connect regulator to bottled gas. Do not exceed maximum primary pressure rating.

Standard part numbers shown bold.
 For other models refer to ordering information below.

Ordering Information

R	75	—	03	C	/**
----------	-----------	----------	-----------	----------	------------

Port Threads

— NPT
G BSPP

Port Size

02 1/4"
03 3/8"
04 1/2"

Reduced Pressure Range

A 0-25 PSIG
B 0-60 PSIG
C 0-125 PSIG

Options

G Gauge
K Non-relieving
P Panel Mount Nut (Plastic)
T Tamperproof Adjustment

Engineering Change Designator

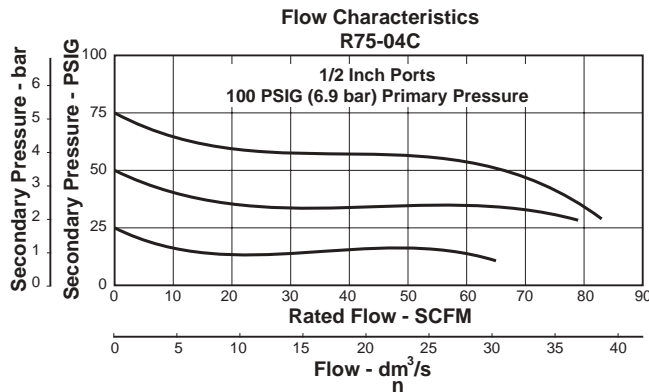
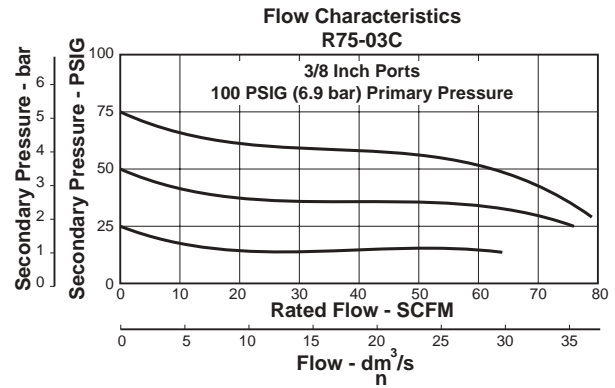
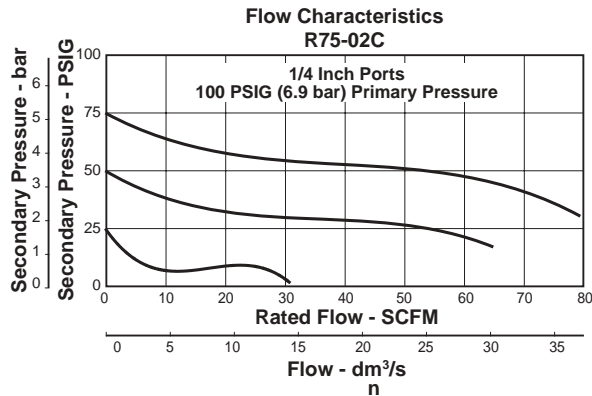
Will be entered at factory.

CAUTION:

REGULATOR PRESSURE ADJUSTMENT – The working range of knob adjustment is designed to permit outlet pressures within their full range. Pressure adjustment beyond this range is also possible because the knob is not a limiting device. This is a common characteristic of most industrial regulators, and limiting devices may be obtained only by special design.

NOTE: BOLD OPTIONS ARE STANDARD.

Technical Information



R75 Regulator Kits & Accessories

- Cage Kits–**
 - Standard CKR75
 - Tamperproof CKR75T
- Control Knob** R35-0545P
- Gauges –**
 - 1-1/2" Dial Size, 1/8" Back Connection
 0 to 60 PSIG (0 to 4 bar) K4515N18060
 - 1-1/2" Dial Size, 1/8" Back Connection
 0 to 160 PSIG (0 to 11 bar) K4515N18160
- Panel Mounting Bracket Kit (Bonnet Threads)** SA161X57
- Face Mounting Bracket Kit (See Page 47)** SAR75Y57
- Panel Mount Nut –**
 - Plastic R05X51-P
 - Aluminum R05X51-A
- Repair Kits –**
 - Non-Relieving Diaphragm,
 Valve Assembly RKR75K
 - Relieving Diaphragm,
 Valve Assembly RKR75

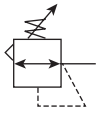
Specifications

- Gauge Ports (2)** 1/8 Inch
- Port Threads** 1/4, 3/8 & 1/2 Inch
- Supply Pressure** 300 PSIG Max. (20,4 bar)
- Temperature Rating** 40°F to 125°F (4.4°C to 52°C)
- Weight** 1.35 lbs. (.61 kg) / unit
 27 lbs. (12.24 kg) / 20-Unit Master Pack

Materials of Construction

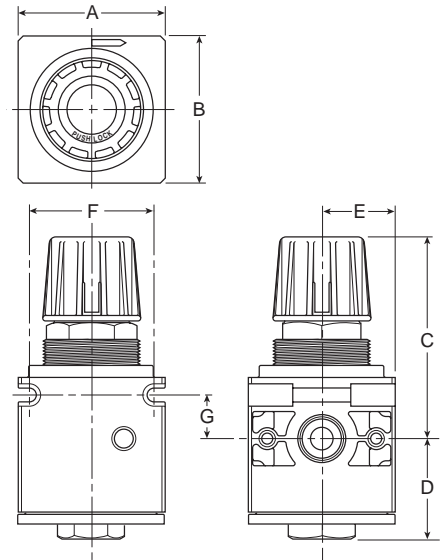
- Adjusting Knob** Acetal
- Body** Zinc
- Bottom Plug** Glass-Filled Acetal
- Cage** Glass-Filled Acetal
- Elastomers** Buna N

R105 Regulator



Features

- Connects to Other QUBE Units Using Just Screws and O-rings (Included)
 - Integral Mounting Slots Eliminate Need for Mounting Brackets
 - Diaphragm Operated Design with Balanced Poppet Design for Quick and Accurate Regulation
 - Panel Mountable
 - High Flow: 3/8" - 125 SCFM[§], 1/2" - 150 SCFM[§], 3/4" - 150 SCFM[§]
- § SCFM = Standard Cubic Feet Per Minute at 100 PSIG Inlet, 75 PSIG No Flow Secondary Setting, and 20 PSIG Pressure Drop.



Port Size	NPT	BSPP
	Relieving	Relieving
Without Gauge 0-125 PSIG Reduced Pressure		
3/8"	R105-03C	R105G03C
1/2"	R105-04C	R105G04C
3/4"	R105-06C	R105G06C
With Gauge 0-125 PSIG Reduced Pressure		
3/8"	R105-03CG	—
1/2"	R105-04CG	—
3/4"	R105-06CG	—

R105 Regulator Dimensions								
A*	A†	B	C	D	E	F*	F†	G
2.69 (68,3)	3.03 (77,0)	2.69 (68,3)	3.75 (95,4)	1.81 (46,1)	1.35 (34,1)	2.30 (58,3)	2.55 (64,8)	0.81 (20,6)

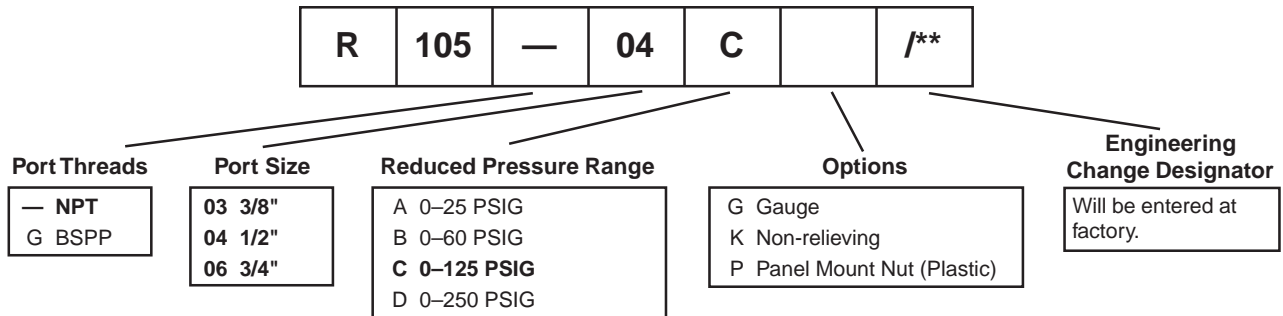
Inches (mm)
 * 3/8 and 1/2 inch ports
 † 3/4 inch ports

NOTE: 1.75 Dia. (44mm) hole required for panel mounting.

⚠ WARNING
Product rupture can cause serious injury. Do not connect regulator to bottled gas. Do not exceed maximum primary pressure rating.

Standard part numbers shown bold.
 For other models refer to ordering information below.

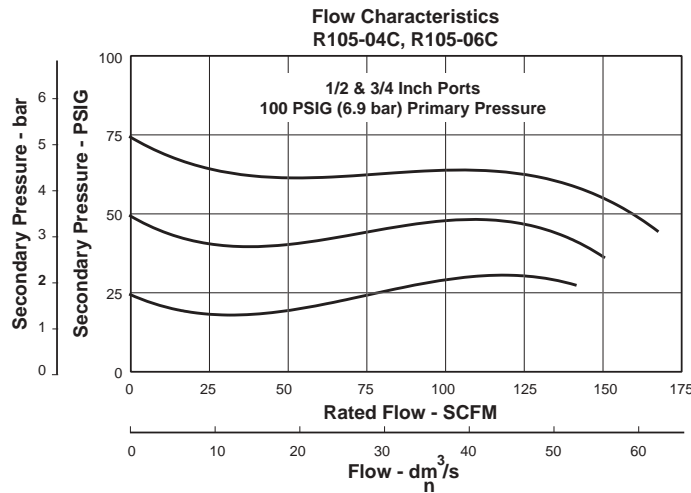
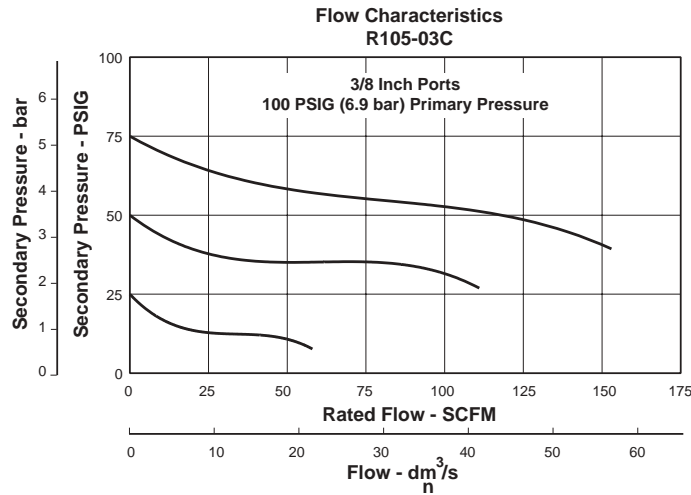
Ordering Information



CAUTION:
REGULATOR PRESSURE ADJUSTMENT – The working range of knob adjustment is designed to permit outlet pressures within their full range. Pressure adjustment beyond this range is also possible because the knob is not a limiting device. This is a common characteristic of most industrial regulators, and limiting devices may be obtained only by special design.

NOTE: BOLD OPTIONS ARE STANDARD.

Technical Information



R105 Regulator Kits & Accessories

- Cage Kit –**
 Cage Assembly with Knob CKR105
- Control Knob** R105-0542P
- Gauges –**
 2" Dial Size, 1/4" Back Connection
 0 to 60 PSIG (0 to 4 bar) K4520N14060
 2" Dial Size, 1/4" Back Connection
 0 to 160 PSIG (0 to 11 bar) K4520N14160
 2" Dial Size, 1/4" Back Connection
 0 to 300 PSIG (0 to 20,7 bar) K4520N14300
- Panel Mounting Bracket Kit (Bonnet Threads)** SAR10Y57
- Face Mounting Bracket Kit (See Page 49)** SAR105Y57
- Panel Mount Nut –**
 Plastic R10X51-P
 Aluminum R10X51-A
- Repair Kits –**
 Non-Relieving Diaphragm,
 Valve Assembly RKR105K
 Relieving Diaphragm,
 Valve Assembly RKR105

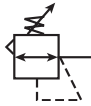
Specifications

- Gauge Ports (2)** 1/4 Inch
- Port Threads** 3/8, 1/2 & 3/4 Inch
- Supply Pressure** 300 PSIG Max. (20,4 bar)
- Temperature Rating** 40°F to 125°F (4.4°C to 52°C)
- Weight** 1.64 lbs. (.74 kg) / unit

Materials of Construction

- Adjusting Knob** Acetal
- Body** Aluminum
- Bottom Plug** Zinc
- Cage** Glass-Filled Acetal Plastic
- Elastomers** Buna N

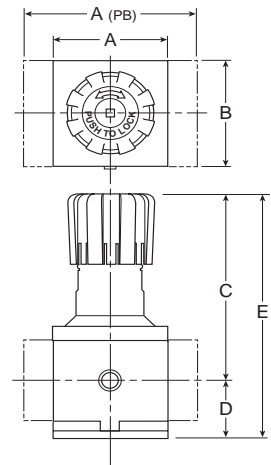
R255 Regulators – Hi-Flow



Features

- Port Blocks (PB) Available to Provide 1-1/2" Port Extension to 1" Ported Bodies
- Self Relieving Feature Plus Balanced Poppet Provides Quick Response and Accurate Pressure Regulation
- Solid Control Piston for Extended Life
- High Flow: 3/4" - 200 SCFM[§], 1" - 300 SCFM[§]

§ SCFM = Standard Cubic Feet Per Minute at 100 PSIG inlet, 90 PSIG No Flow Secondary Setting and 10 PSIG Pressure Drop.



Port Size	NPT
	Without Gauge
3/4"	R255-06C
1"	R255-08C

Standard part numbers shown bold.
For other models refer to ordering information below.

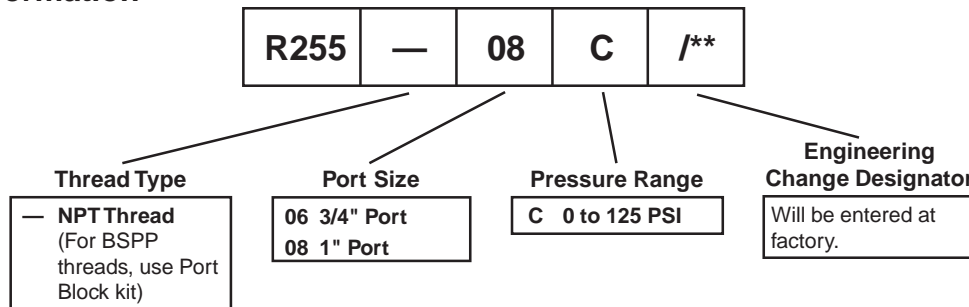
R255 Regulator Dimensions		
A	A (PB)	B
3.62 (92)	5.91 (150)	3.62 (92)
C	D	E
6.38 (162)	2.08 (53)	8.46 (215)

Inches
(mm)

⚠ WARNING

**Product rupture can cause serious injury.
Do not connect regulator to bottled gas.
Do not exceed maximum primary pressure rating.**

Ordering Information

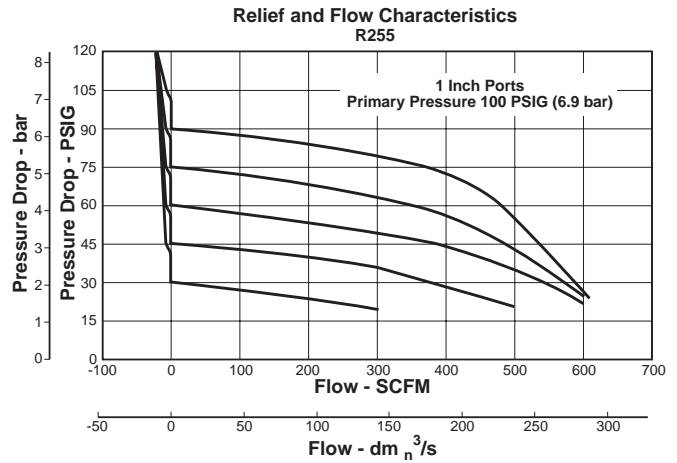
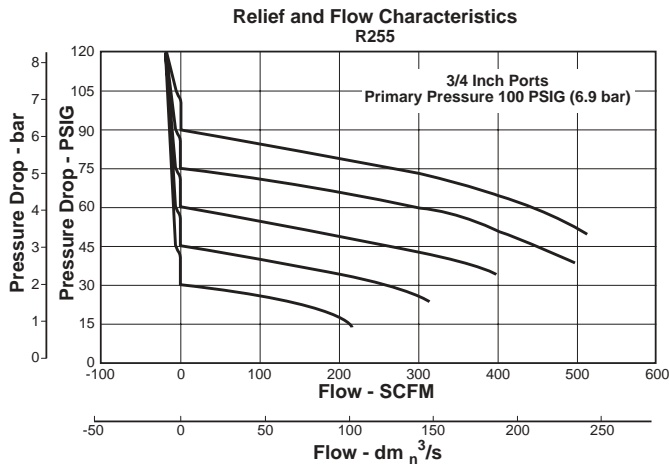


CAUTION:

REGULATOR PRESSURE ADJUSTMENT – The working range of knob adjustment is designed to permit outlet pressures within their full range. Pressure adjustment beyond this range is also possible because the knob is not a limiting device. This is a common characteristic of most industrial regulators, and limiting devices may be obtained only by special design.

NOTE: BOLD OPTIONS ARE STANDARD.

Technical Information



R255 Regulator Kits & Accessories

- Gauges –**
- 60 PSIG (0 to 4.1 bar) K4520N14060
- 160 PSIG (0 to 11.0 bar) K4520N14160
- 300 PSIG (0 to 20.7 bar) K4520N14300
- Service Kit –**
- Relieving P3NKA00RR
- Non-Relieving P3NKA00RN
- Springs –**
- 1 to 60 PSIG Range C10A1304
- 2 to 125 PSIG Range C10A1308
- 5 to 250 PSIG Range C10A1317
- Mounting Bracket Kit** P3NKA00MW
- Port Block Kit (1-1/2" NPT Ports)** P3NKB9BCL

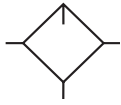
Specifications

- Gauge Ports** Two Ports 1/4"
(Can be used as additional High Flow 1/4 Inch Outlet Ports)
- Port Threads** 3/4", 1"
- Primary Pressure Rating –**
- Maximum Primary Pressure 250 PSIG (17.2 bar)
- Temperature Rating** 32°F to 175°F (0°C to 80°C)
- Weight –**
- 3/4 Inch 4.2 lb. (1.9 kg)
- 1 Inch 4.2 lb. (1.9 kg)

Materials of Construction

- Adjusting Stem** Steel
- Body** Aluminum
- Bonnet** Aluminum
- Knob** Plastic
- Piston** Plastic
- Poppet Assembly** Brass
- Seals** Nitrile
- Springs: Poppet & Control** Steel

L35 Lubricator

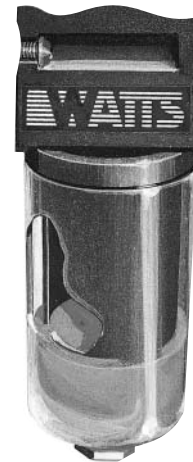


Features

- Compact Size Allows Greater Design Flexibility
- Nearly Double the Flow Capacity of Standard Miniature Filters; Reduces Costly Pressure Drop
- Connects to Other QUBE Units Using Just Screws and O-rings (Included)
- For Applications Requiring Minimum Pressure Drop
- Transparent Polyurethane Bowl Standard
- Metal Bowl with Wraparound Sight Gauge Optional
- Precision Needle Valve Assures Repeatable Oil Delivery and Provides Simple Adjustment of Delivery Rate.
- Large Capacity Bowl
- High Flow: 1/8" - 23 SCFM[§], 1/4" - 45 SCFM[§]

§ SCFM = Standard Cubic Feet Per Minute at 100 PSIG Inlet, and 5 PSIG Pressure Drop

Polyurethane Bowls and Sight Gauges Offer Improved Chemical Compatibility.

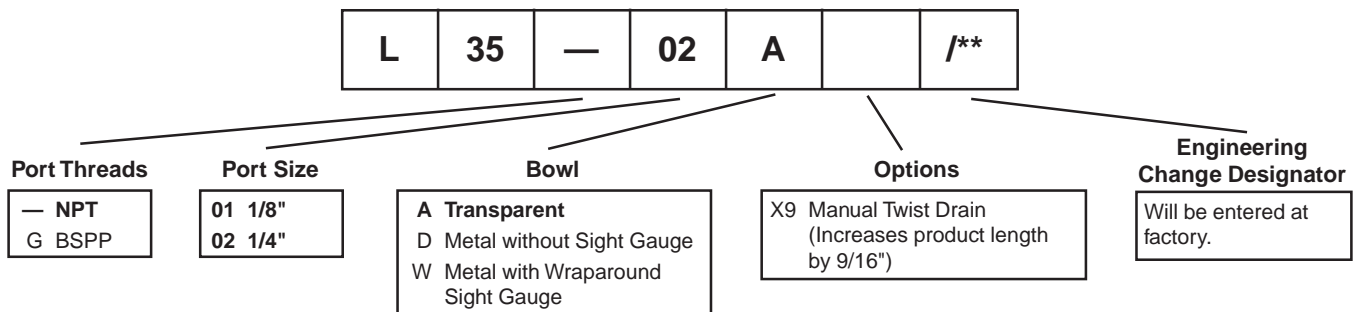


Port Size	NPT		BSPP	
	No Drain	Manual Twist Drain	No Drain	Manual Twist Drain
Polyurethane Bowl				
1/8"	L35-01A	L35-01AX9	L35G01A	L35G01AX9
1/4"	L35-02A	L35-02AX9	L35G02A	L35G02AX9
Zinc Bowl / Sight Gauge				
1/8"	L35-01W	L35-01WX9	L35G01W	L35G01WX9
1/4"	L35-02W	L35-02WX9	L35G02W	L35G02WX9

Standard part numbers shown bold.
 For other models refer to ordering information below.

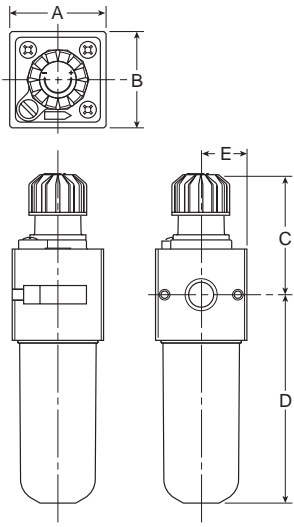
Wraparound Sight Gauge Bowl
 All QUBE filters, lubricators, and integrals are available with the Watts Wraparound Polyurethane Sight Gauge Bowl. These unique bowls provide the 360° visibility of a plastic bowl while maintaining the high strength and safety features of metal bowls. Polyurethane bowls with guards, and metal bowls, are also available.

Ordering Information



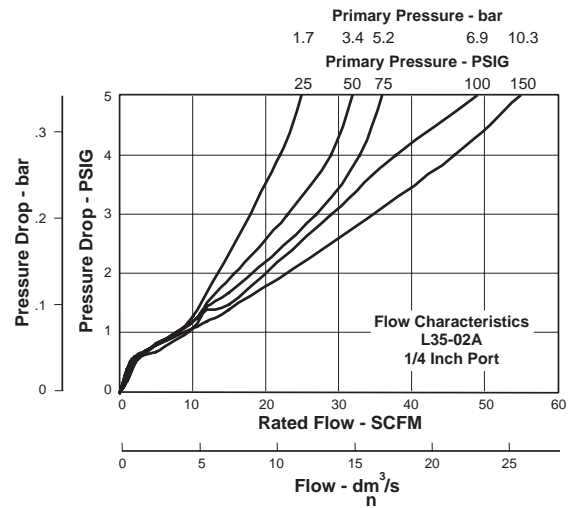
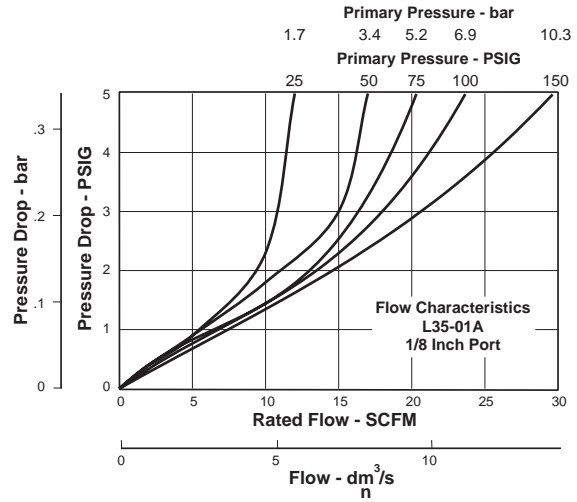
NOTE: BOLD OPTIONS ARE STANDARD.

Technical Information



L35 Lubricator Dimensions				
A	B	C	D	E
L35-A,				
1.59 (40,6)	1.59 (40,6)	2.09 (53,5)	3.66 (92,8)	0.80 (20,3)
L35-D				
1.59 (40,6)	1.59 (40,6)	2.09 (53,5)	3.63 (92,3)	0.80 (20,3)
L35-W				
1.59 (40,6)	1.59 (40,6)	2.09 (53,5)	3.84 (97,6)	0.80 (20,3)

Inches
(mm)



L35 Lubricator Kits & Accessories

Bowl Kits –

- Polyurethane (A) BKL35A
- Zinc (D) BKL35D
- Zinc (W) Wraparound Sight Gauge BKL35W

Oil –

- 1 Gal. F442002
- 12 Quart Case F442003
- 4 Gallon Case F442005

Repair Kit –

- Tamper-resistant Sight Dome (All) RKL100

Specifications

Bowl Capacity 1.5 Ounce

Port Threads 1/8, 1/4 Inch

Pressure & Temperature Ratings –

- Polyurethane Bowl 0 to 150 PSIG (0 to 10.2 bar)
 40°F to 125°F (4.4°C to 52°C)
- Zinc Bowl 0 to 300 PSIG (0 to 20.4 bar)
 40°F to 150°F (4.4°C to 65.6°C)
- Zinc Bowl w/ Sight Gauge 0 to 250 PSIG (0 to 17.2
 40°F to 150°F (4.4°C to 65.6°C)

Suggested Lubricant F442 Oil
 Petroleum-based oil of 100 to 200 SUS viscosity at 100°F and an aniline point greater than 200°F

(DO NOT USE OILS WITH ADDITIVES, COMPOUNDED OILS CONTAINING SOLVENTS, GRAPHITE, DETERGENTS, OR SYNTHETIC OILS.)

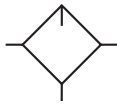
Weight –

- Polyurethane Bowl 0.7 lb. (0.3 kg) / Unit
 18.9 lb. (8.6 kg) / 24-Unit Master Pack
- Zinc Bowl 0.94 lb. (0.4 kg) / Unit
 24.7 lb. (11.2 kg) / 24-Unit Master Pack
- Zinc Bowl W/ Sight Gauge 1.00 lb. (0.5 kg) / Unit
 26.1 lb. (11.8 kg) / 24-Unit Master Pack

Materials of Construction

- Body** Zinc
- Bowls** Polyurethane
 Metal (Zinc)
- Drains** Brass
- Seals** Nitrile

L75 Lubricator



Features

- Compact Size Allows Greater Design Flexibility
- Connects to Other QUBE Units Using Just Screws and O-rings (Included)
- Integral Mounting Slots Eliminate Need for Mounting Brackets
- For Applications Requiring Minimum Pressure Drop
- Transparent Polyurethane Bowl with Bowl Guard as Standard
- Metal Bowl with Wraparound Sight Gauge Optional
- Can be Filled While Unit is Under Pressure
- Precision Needle Valve Assures Repeatable Oil Delivery and Provides Simple Adjustment of Delivery Rate.
- Large Capacity Bowl
- High Flow: 1/4" - 15 SCFM[§], 3/8" - 80 SCFM[§], 1/2" - 80 SCFM[§]

§ SCFM = Standard Cubic Feet Per Minute at 100 PSIG Inlet, and 5 PSIG Pressure Drop

Polyurethane Bowls and Sight Gauges Offer Improved Chemical Compatibility.



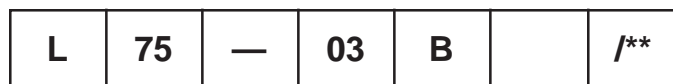
Port Size	NPT		BSPP	
	No Drain	Manual Twist Drain	No Drain	Manual Twist Drain
Polyurethane Bowl / Plastic Guard				
1/4"	L75-02B	L75-02BX9	L75G02B	L75G02BX9
3/8"	L75-03B	L75-03BX9	L75G03B	L75G03BX9
1/2"	L75-04B	L75-04BX9	L75G04B	L75G04BX9
Zinc Bowl / Sight Gauge				
1/4"	L75-02W	L75-02WX9	L75G02W	L75G02WX9
3/8"	L75-03W	L75-03WX9	L75G03W	L75G03WX9
1/2"	L75-04W	L75-04WX9	L75G04W	L75G04WX9

Standard part numbers shown bold.
 For other models refer to ordering information below.

Wraparound Sight Gauge Bowl

All QUBE filters, lubricators, and integrals are available with the Watts Wraparound Polyurethane Sight Gauge Bowl. These unique bowls provide the 360° visibility of a plastic bowl while maintaining the high strength and safety features of metal bowls. Polyurethane bowls with guards, and metal bowls, are also available.

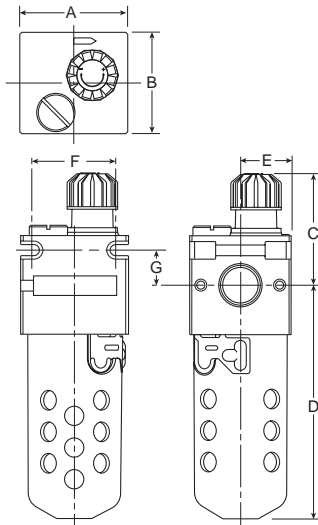
Ordering Information



Port Threads	Port Size	Bowl	Options	Engineering Change Designator
— NPT G BSPP	02 1/4" 03 3/8" 04 1/2"	B Transparent with Plastic Bowl Guard D Metal without Sight Gauge W Metal with Wraparound Sight Gauge	Q Buttonhead Fill Fitting X9 Manual Twist Drain (Increases product length by 9/16")	Will be entered at factory.

NOTE: BOLD OPTIONS ARE STANDARD.

Technical Information



L75 Lubricator Dimensions						
A	B	C	D	E	F	G
L75-B						
2.19 (55,6)	2.00 (52,1)	2.44 (56,3)	4.72 (119,8)	1.00 (25,4)	1.66 (42,1)	0.72 (17,9)
L75-D						
2.19 (55,6)	2.00 (52,1)	2.44 (56,3)	4.59 (116,4)	1.00 (25,4)	1.66 (42,1)	0.70 (17,9)
L75-W						
2.19 (55,6)	2.00 (52,1)	2.44 (56,3)	4.81 (122,5)	1.00 (25,4)	1.66 (42,1)	0.70 (17,9)

Inches
(mm)

L75 Lubricator Kits & Accessories

Bowl Kits –

- Polyurethane (B) BKL55B
- Zinc (D) BKL55D
- Zinc (W) Wraparound Sight Gauge BKL55W

Button Head Fill Fitting (All) – SAA606C109-1

Drain Kits –

- Manual Twist Drain SA600Y7-1

Oil –

- 1 Gal. F442002
- 12 Quart Case F442003
- 4 Gallon Case F442005

Repair Kit –

- Tamper-resistant Sight Dome (All) RFL100

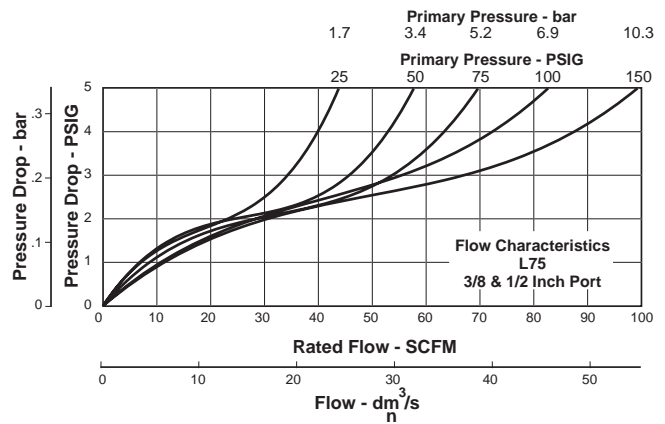
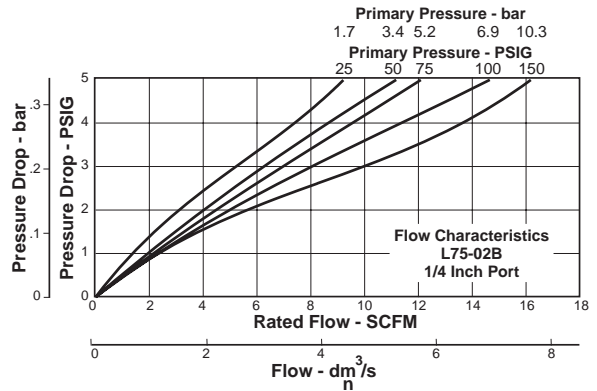
Specifications

Bowl Capacity 3.8 Ounce

Port Threads 1/4, 3/8 & 1/2 Inch

Pressure & Temperature Ratings –

- Polyurethane Bowl 0 to 150 PSIG (0 to 10.2 bar)
 40°F to 125°F (4.4°C to 52°C)
- Zinc Bowl 0 to 300 PSIG (0 to 20.4 bar)
 40°F to 150°F (4.4°C to 65.6°C)



Zinc Bowl w/ Sight Gauge 0 to 250 PSIG (0 to 17.2 bar)
 40°F to 150°F (4.4°C to 65.6°C)

Suggested Lubricant F442 Oil
 Petroleum-based oil of 100 to 200 SUS viscosity at 100°F and an aniline point greater than 200°F

(DO NOT USE OILS WITH ADDITIVES, COMPOUNDED OILS CONTAINING SOLVENTS, GRAPHITE, DETERGENTS, OR SYNTHETIC OILS.)

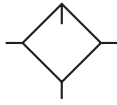
Weight –

- Polyurethane Bowl 1.25 lb. (0.6 kg) / Unit
 25 lb. (11.3 kg) / 20-Unit Master Pack
- Zinc Bowl 1.50 lb. (0.7 kg) / Unit
 30 lb. (13.6 kg) / 20-Unit Master Pack
- Zinc Bowl W/ Sight Gauge 1.60 lb. (0.7 kg) / Unit
 32 lb. (14.5 kg) / 20-Unit Master Pack

Materials of Construction

- Body** Zinc
- Bowls** Polyurethane
 Metal (Zinc)
- Drains** Brass
- Fill Fitting** Brass
- Seals** Nitrile

L105 Lubricator



Features

- Connects to Other QUBE Units Using Just Screws and O-rings (Included)
- Integral Mounting Slots Eliminate Need for Mounting Brackets
- For Applications Requiring Minimum Pressure Drop
- Transparent Polyurethane Bowl with Bowl Guard as Standard
- Metal Bowl with Wraparound Sight Gauge Optional
- Can be Filled While Unit is Under Pressure
- Precision Needle Valve Assures Repeatable Oil Delivery and Provides Simple Adjustment of Delivery Rate.
- Large Capacity Bowl
- High Flow: 3/8" - 75 SCFM[§], 1/2" - 110 SCFM[§], 3/4" - 125 SCFM[§]

§ SCFM = Standard Cubic Feet Per Minute at 100 PSIG Inlet, and 5 PSIG Pressure Drop

Polyurethane Bowls and Sight Gauges Offer Improved Chemical Compatibility.

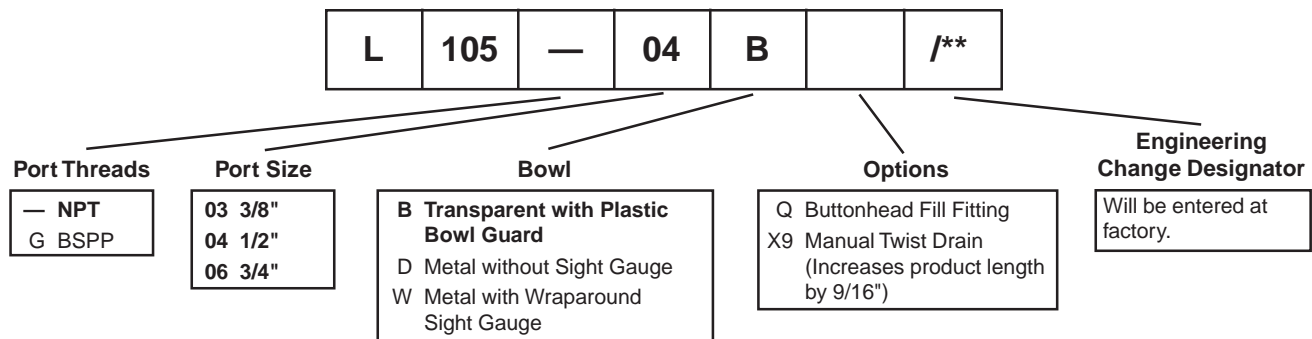


Port Size	NPT		BSPP	
	No Drain	Manual Twist Drain	No Drain	Manual Twist Drain
Polyurethane Bowl / Plastic Guard				
3/8"	L105-03B	L105-03BX9	L105G03B	L105G03BX9
1/2"	L105-04B	L105-04BX9	L105G04B	L105G04BX9
3/4"	L105-06B	L105-06BX9	L105G06B	L105G06BX9
Zinc Bowl / Sight Gauge				
3/8"	L105-03W	L105-03WX9	L105G03W	L105G03WX9
1/2"	L105-04W	L105-04WX9	L105G04W	L105G04WX9
3/4"	L105-06W	L105-06WX9	L105G06W	L105G06WX9

Standard part numbers shown bold.
 For other models refer to ordering information below.

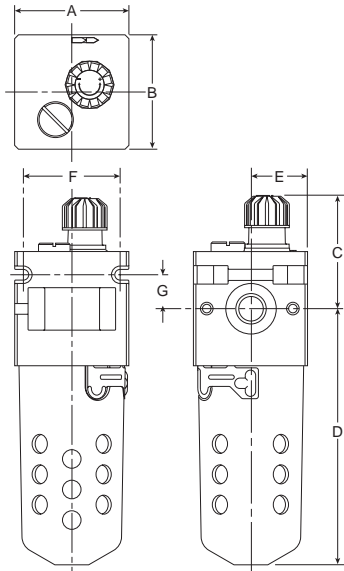
Wraparound Sight Gauge Bowl
 All QUBE filters, lubricators, and integrals are available with the Watts Wraparound Polyurethane Sight Gauge Bowl. These unique bowls provide the 360° visibility of a plastic bowl while maintaining the high strength and safety features of metal bowls. Polyurethane bowls with guards, and metal bowls, are also available.

Ordering Information



NOTE: BOLD OPTIONS ARE STANDARD.

Technical Information



L105 Lubricator Dimensions								
A*	A†	B	C	D	E	F*	F†	G
L105-B								
2.69 (68,4)	3.03 (77,0)	2.69 (68,4)	3.00 (64,3)	6.03 (153,4)	1.34 (34,1)	2.25 (56,1)	2.55 (64,8)	0.81 (20,3)
L105-D								
2.69 (68,4)	3.03 (77,0)	2.69 (68,4)	3.00 (64,3)	6.06 (153,7)	1.34 (34,1)	2.25 (56,1)	2.55 (64,8)	0.81 (20,3)
LF105-W								
2.69 (68,4)	3.03 (77,0)	2.69 (68,4)	3.00 (64,3)	6.34 (161,1)	1.34 (34,1)	2.25 (56,1)	2.55 (64,8)	0.81 (20,3)

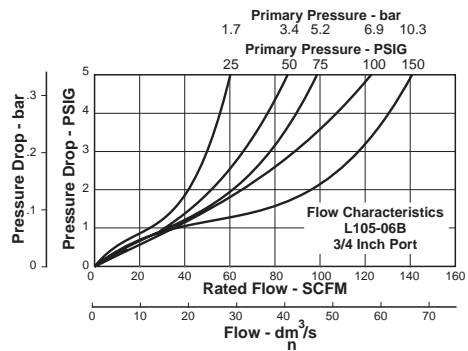
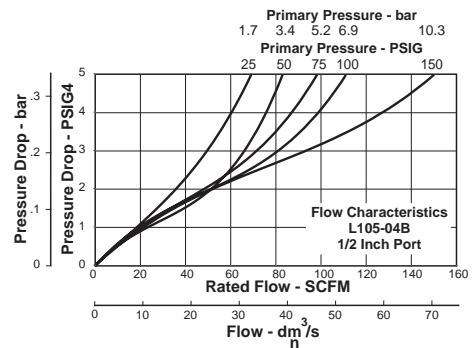
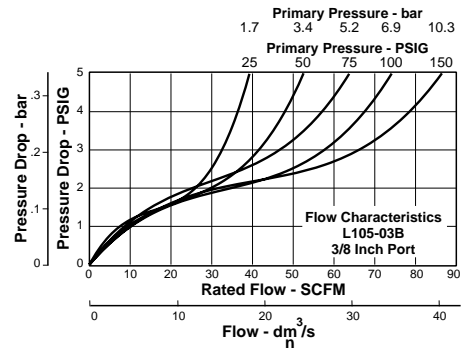
Inches (mm)
 * 3/8 and 1/2 inch ports
 † 3/4 inch ports

L105 Lubricator Kits & Accessories

- Bowl Kits –**
 Polyurethane (B) BKL105B
 Zinc (D) BKL105D
 Zinc (W) Wraparound Sight Gauge BKL105W
- Button Head Fill Fitting (All)** SAA606C109-1
- Drain Kits –**
 Manual Twist Drain SA600Y7-1
- Oil –**
 1 Gal. F442002
 12 Quart Case F442003
 4 Gallon Case F442005
- Repair Kit –**
 Tamper-resistant Sight Dome (All) RKL100

Specifications

- Bowl Capacity** 8.5 Ounce
Port Threads 3/8, 1/2 & 3/4 Inch
Pressure & Temperature Ratings –
 Polyurethane Bowl 0 to 150 PSIG (0 to 10.2 bar)
 40°F to 125°F (4.4°C to 52°C)
 Zinc Bowl 0 to 300 PSIG (0 to 20.4 bar)
 40°F to 150°F (4.4°C to 65.6°C)

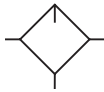


- Zinc Bowl w/ Sight Gauge 0 to 250 PSIG (0 to 17.2 bar)
 40°F to 150°F (4.4°C to 65.6°C)
- Suggested Lubricant** F442 Oil
 Petroleum-based oil of 100 to 200 SUS viscosity at 100°F and an aniline point greater than 200°F
- (DO NOT USE OILS WITH ADDITIVES, COMPOUNDED OILS CONTAINING SOLVENTS, GRAPHITE, DETERGENTS, OR SYNTHETIC OILS.)
- Weight –**
 Polyurethane Bowl 1.09 lb. (0.5 kg) / Unit
 10.7 lb. (4.9 kg) / 8-Unit Master Pack
 Zinc Bowl 1.53 lb. (0.7 kg) / Unit
 14.2 lb. (6.4 kg) / 8-Unit Master Pack
 Zinc Bowl W/ Sight Gauge 1.71 lb. (0.8 kg) / Unit
 15.7 lb. (7.1 kg) / 8-Unit Master Pack

Materials of Construction

- Body** Aluminum
Bowls Polyurethane
 Metal (Zinc)
Drains Brass
Fill Fitting Brass
Seals Nitrile

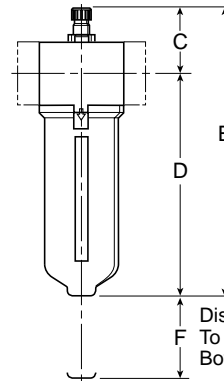
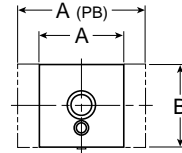
L255 Mist Lubricators – Hi-Flow



Features

- Port Blocks (PB) Available to Provide 1-1/2" Port Extension to 1" Ported Bodies
- Proportional Oil Delivery Over a Wide Range of Air Flows
- Bowl Can be Filled While Air Line is Under Pressure
- Transparent Sight Dome for 360° Visibility
- All Hardware Necessary for Modular Connection to Other QUBE 255 Series is Included
- High Flow: 3/4" - 230 SCFM[§], 1" - 250 SCFM[§]

[§] SCFM = Standard Cubic Feet Per Minute at 90 PSIG Inlet and 5 PSIG Pressure Drop.



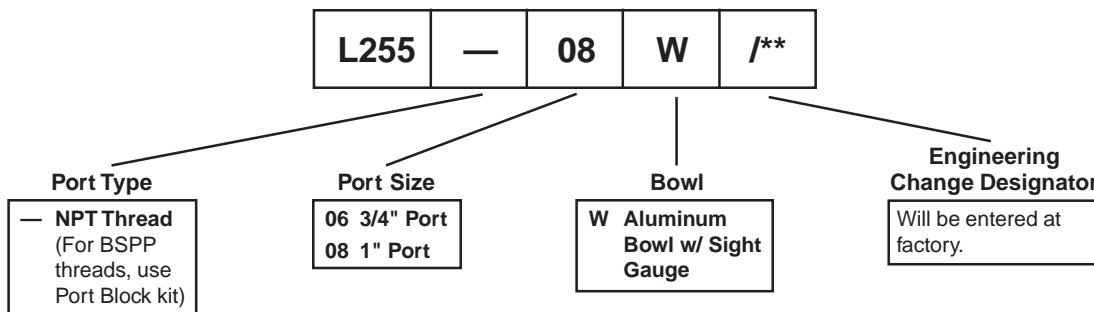
Port Size	NPT
	Metal Bowl / Sight Gauge / Manual Drain
3/4"	L255-06W
1"	L255-08W

Standard part numbers shown bold.
 For other models refer to ordering information below.

L255 Lubricator Dimensions			
A	A (PB)	B	C
3.62 (92)	5.91 (150)	3.62 (92)	2.81 (71)
D	E	F	
9.00 (229)	11.81 (300)	4.92 (125)	

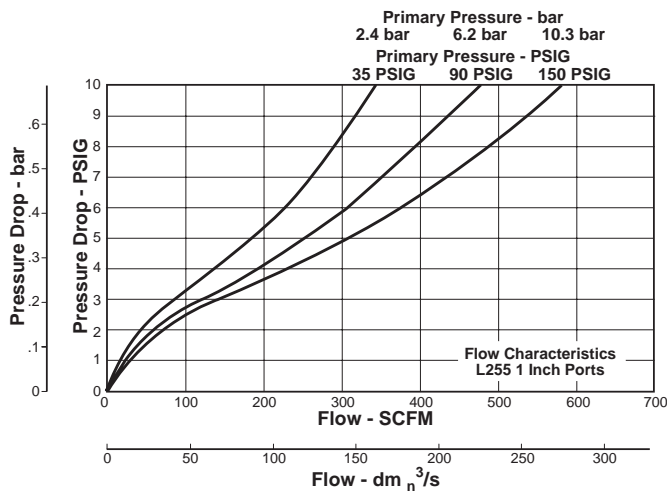
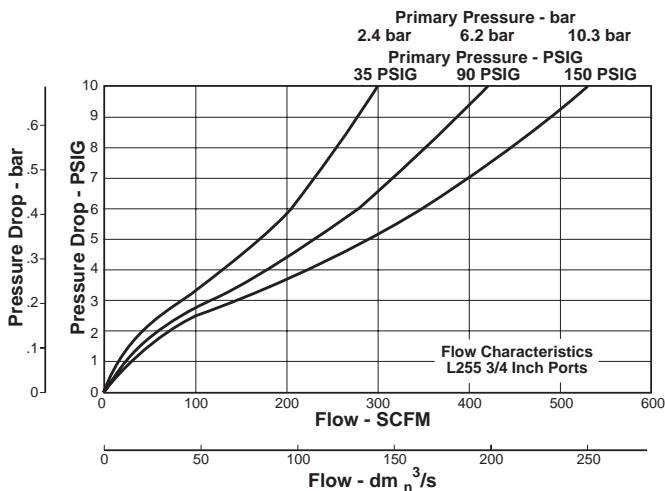
Inches
(mm)

Ordering Information



NOTE: BOLD ITEMS ARE STANDARD.

Technical Information



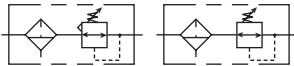
L255 Lubricator Kits & Accessories

- Adjustment Knob P04121
- Bowl Kits –
 - Metal Bowl – Sight Gauge / Manual Drain P3NKA00BSM
- Drain Kit –
 - Manual Drain PS512
- Fill Cap Kit P3NKA00PL
- Sight Dome Kit –
 - Polycarbonate PS740
 - Nylon PS740N
- Sight Gauge Kit P3NKA00PE
- Oil –
 - 1 Gal. F442002
 - 12 Quart Case F442003
 - 4 Gallon Case F442005
- Pressure Fill Adapter Kit P3NKA00PK
- Service Kit P3NKA00RL
- Mounting Bracket Kit P3NKA00MW
- Port Block Kit (1-1/2" NPT Ports) P3NKB9BCL

Specifications

- Bowl Capacity 18.0 Ounces
- Minimum Flow for Lubrication 6.6 SCFM At 100 PSIG
- Pressure & Temperature Rating 0 to 250 PSIG (0 to 17.2 bar)
32°F to 175°F (0°C to 80°C)
- Suggested Lubricant F442 Oil
Petroleum-based oil of 100 to 200 SUS viscosity at 100°F and an aniline point greater than 200°F
(DO NOT USE OILS WITH ADDITIVES, COMPOUNDED OILS CONTAINING SOLVENTS, GRAPHITE, DETERGENTS, OR SYNTHETIC OILS.)
- Weight –
 - 3/4" 3.5 lb. (1.6 kg)
 - 1" 3.5 lb. (1.6 kg)
- Materials of Construction
 - Body, Bowl Aluminum
 - Drains: Manual Drain Plastic
 - Injector Meter Block & Base Assembly Plastic
 - Seals Nitrile
 - Sight Dome Polycarbonate
 - Sight Gauge Polyamide (Nylon)

B35 Integral Filter / Regulator

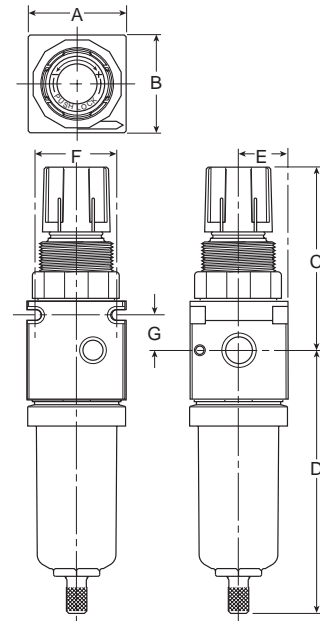


Features

- Compact Size Allows Greater Design Flexibility
- Nearly Double the Flow Capacity of Standard Miniature Filters; Reduces Costly Pressure Drop
- Connects to Other QUBE Units Using Just Screws and O-rings (Included)
- Integral Mounting Slots Eliminate Need for Mounting Brackets
- Piston Operated Regulator for High Flow and Low Pressure Drop
- Panel Mountable
- Excellent Water Removal Efficiency
- Unique Deflector Plate that Creates Swirling of the Air Stream Ensuring Maximum Water and Dirt Separation
- Large Filter Element Surface Guarantees Low Pressure Drop and Increased Element Life
- 20 Micron Filter Element Standard, 5 Micron Available
- Transparent Polyurethane Bowl Standard
- Metal Bowl with Wraparound Sight Gauge Optional
- Manual Drain as Standard, Optional Auto Pulse Drain
- Large Bowl Capacity
- High Flow: 1/8" & 1/4" - 35 SCFM§

§ SCFM = Standard Cubic Feet Per Minute at 100 PSIG Inlet, 75 PSIG No Flow Secondary Setting, and 20 PSIG Pressure Drop with 20 Micron Element.

Polyurethane Bowls and Sight Gauges Offer Improved Chemical Compatibility.



Port Size	NPT		BSPP	
	Manual Twist Drain	Piston Drain	Manual Twist Drain	Piston Drain
Polyurethane Bowl				
1/8"	B35-01AHC	B35-01AHCS	B35G01AHC	B35G01AHCS
1/4"	B35-02AHC	B35-02AHCS	B35G02AHC	B35G02AHCS
Zinc Bowl / Sight Gauge				
1/8"	B35-01WHC	B35-01WHCS	B35G01WHC	B35G01WHCS
1/4"	B35-02WHC	B35-02WHCS	B35G02WHC	B35G02WHCS

Standard part numbers shown bold.
 For other models refer to ordering information below.

B35 Integral Filter / Regulator Dimensions						
A	B	C	D	E	F	G
B35-A						
1.59 (40,6)	1.59 (40,6)	2.98 (75,7)	4.23 (107,5)	0.80 (20,3)	1.31 (33,3)	0.58 (14,6)
B35-D						
1.59 (40,6)	1.59 (40,6)	2.98 (75,7)	4.25 (107,9)	0.80 (20,3)	1.31 (33,3)	0.58 (14,6)
B35-W						
1.59 (40,6)	1.59 (52,6)	2.98 (75,7)	4.45 (113,2)	0.80 (20,3)	1.31 (33,3)	0.58 (14,6)

Inches (mm) NOTE: 1.25 Dia. (32mm) hole required for panel mounting.

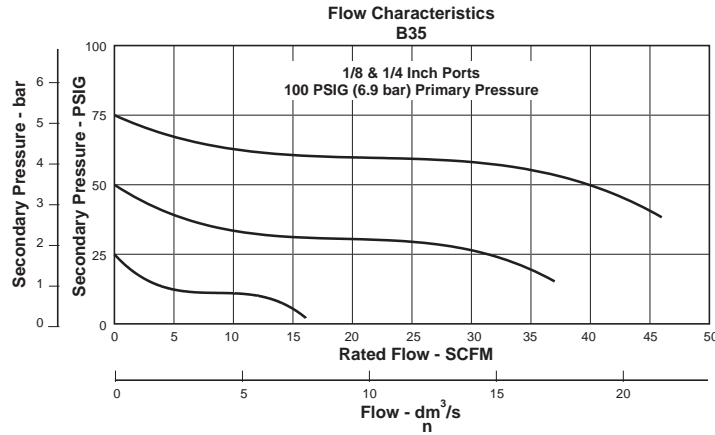
Ordering Information

B	35	—	02	A	H	C	/**
Port Threads	Port Size	Bowl		Element	Reduced Pressure Range	Options	Engineering Change Designator
— NPT G BSPP	01 1/8" 02 1/4"	A Transparent D Metal without Sight Gauge W Metal with Wraparound Sight Gauge		G 5 Micron H 20 Micron	A 0-25 PSIG B 0-60 PSIG C 0-125 PSIG	G Gauge K Non-relieving P Panel Mount Nut S Piston Drain T Tamperproof Adjustment U* Overnight Drain (Dump Valve)	Will be entered at factory.

NOTE: BOLD OPTIONS ARE STANDARD.

*A & D Bowls only

Technical Information



⚠ WARNING

**Product rupture can cause serious injury.
 Do not connect regulator to bottled gas.
 Do not exceed maximum primary pressure rating.**

CAUTION:
REGULATOR PRESSURE ADJUSTMENT – The working range of knob adjustment is designed to permit outlet pressures within their full range. Pressure adjustment beyond this range is also possible because the knob is not a limiting device. This is a common characteristic of most industrial regulators, and limiting devices may be obtained only by special design.

B35 Integral Filter / Regulator Kits & Accessories

- Bowl Kits –**

 - Polyurethane (A) BKF35A
 - Zinc (D) BKF35D
 - Zinc (W) Wraparound Sight Gauge BKF35W

- Cage Kits –**

 - Push / Pull Adjusting Knob Kit (A Range) CKR35A
 - Push / Pull Adjusting Knob Kit (B & C Range) CKR35BC

- Control Knob** R35-0545P
- Drain Kits –**

 - Manual Twist Drain SA600Y7-1
 - Piston Drain (Maximum Pressure - 175 PSIG) PKF35
 - Semi-Automatic "Overnight" Drain SA602A7
 (Drains automatically under zero pressure)

- Filter Element Kits –**

 - 5 Micron (All) EK504VY
 - 20 Micron (All) EK504Y

- Gauges –**

 - 1-1/2" Dial Size, 1/8" Back Connection
 0 to 60 PSIG (0 to 4 bar) K4515N18060
 - 1-1/2" Dial Size, 1/8" Back Connection
 0 to 160 PSIG (0 to 11 bar) K4515N18160

- Panel Mounting Bracket Kit (Bonnet Threads)** SA161X57
- Face Mounting Bracket Kit (See Page 45)** SAR35Y57
- Panel Mount Nut –**

 - Plastic R05X51-P
 - Aluminum R05X51-A

- Repair Kits –**

 - Deflector, Element Retainer (All) RKF30
 - Non-Relieving Diaphragm,
 Valve Assembly RKR30K
 - Relieving Diaphragm,
 Valve Assembly RKR30

Specifications

- Bowl Capacity** 1.5 Ounce
- Gauge Ports (2)** 1/8 Inch
- Port Threads** 1/8, 1/4 Inch
- Pressure & Temperature Ratings –**

 - Polyurethane Bowl 0 to 150 PSIG (0 to 10.2 bar)
 40°F to 125°F (4.4°C to 52°C)
 - Zinc Bowl 0 to 300 PSIG (0 to 20.4 bar)
 - With Piston Drain 175 PSIG Max. Press. (11.9 bar)
 40°F to 150°F (4.4°C to 65.6°C)
 - Zinc Bowl w/ Sight Gauge 0 to 250 PSIG (0 to 17.2 bar)
 - With Piston Drain 175 PSIG Max. Press. (11.9 bar)
 40°F to 150°F (4.4°C to 65.6°C)

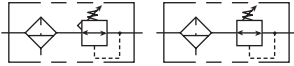
- Weight –**

 - Polyurethane Bowl 0.78 lb. (0.4 kg) / Unit
 20.8 lb. (9.4 kg) / 24-Unit Master Pack
 - Zinc Bowl 0.98 lb. (0.4 kg) / Unit
 25.6 lb. (11.6 kg) / 24-Unit Master Pack
 - Zinc Bowl W/ Sight Gauge 1.03 lb. (0.5 kg) / Unit
 26.8 lb. (12.2 kg) / 24-Unit Master Pack

Materials of Construction

- Body** Zinc
- Bowls** Polyurethane
 Metal (Zinc)
- Cage** Acetal Plastic
- Drains** Brass
- Filter Elements** Polyethylene
- Seals** Nitrile

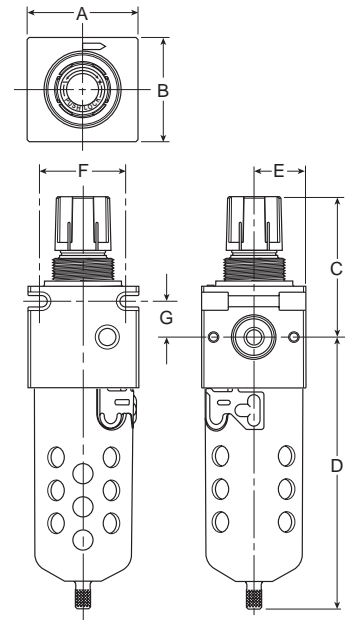
B75 Integral Filter / Regulator



Features

- Compact Size Allows Greater Design Flexibility
- Connects to Other QUBE Units Using Just Screws & O-rings (Included)
- Integral Mounting Slots Eliminate Need for Mounting Brackets
- Diaphragm Operated Design with Balanced Poppet Design for Quick And Accurate Regulation
- Panel Mountable
- For Applications Requiring Minimum Pressure Drop
- Excellent Water Removal Efficiency
- Unique Deflector Plate that Creates Swirling of the Air Stream Ensuring Maximum Water and Dirt Separation
- Large Filter Element Surface Guarantees Low Pressure Drop and Increased Element Life
- 40 Micron Filter Element Standard, 5 Micron Available
- Transparent Polyurethane Bowl with Bowl Guard as Standard
- Metal Bowl with Wraparound Sight Gauge Optional
- Manual Drain as Standard, Optional Auto Float Drain
- Large Bowl Capacity
- High Flow: 1/4" - 40 SCFM[§], 3/8" - 60 SCFM[§], 1/2" - 80 SCFM[§],

§ SCFM = Standard Cubic Feet per Minute at 100 PSIG Inlet, 75 PSIG No Flow Secondary Setting, and 20 PSIG Pressure Drop with 20 Micron Element.



Port Size	NPT		BSPP	
	Manual Twist Drain	Automatic Float Drain	Manual Twist Drain	Automatic Float Drain
Polyurethane Bowl / Plastic Guard				
1/4"	B75-02BJC	B75-02BJCR	B75G02BJC	B75G02BJCR
3/8"	B75-03BJC	B75-03BJCR	B75G03BJC	B75G03BJCR
1/2"	B75-04BJC	B75-04BJCR	B75G04BJC	B75G04BJCR
Zinc Bowl / Sight Gauge				
1/4"	B75-02WJC	B75-02WJCR	B75G02WJC	B75G02WJCR
3/8"	B75-03WJC	B75-03WJCR	B75G03WJC	B75G03WJCR
1/2"	B75-04WJC	B75-04WJCR	B75G04WJC	B75G04WJCR

B75 Integral Filter / Regulator Dimensions						
A	B	C	D	E	F	G
B75-B, B75-D						
2.00 (50,8)	2.00 (50,8)	2.78 (70,6)	5.19 (131,8)	1.00 (25,4)	1.64 (41,7)	0.70 (17,9)
B75-W						
2.00 (50,8)	2.00 (50,8)	2.78 (70,6)	5.44 (138,2)	1.00 (25,4)	1.64 (41,7)	0.70 (17,9)

Inches (mm) NOTE: 1.25 Dia. (32mm) hole required for panel mounting.

Polyurethane Bowls and Sight Gauges Offer Improved Chemical Compatibility.

Standard part numbers shown bold.
 For other models refer to ordering information below.

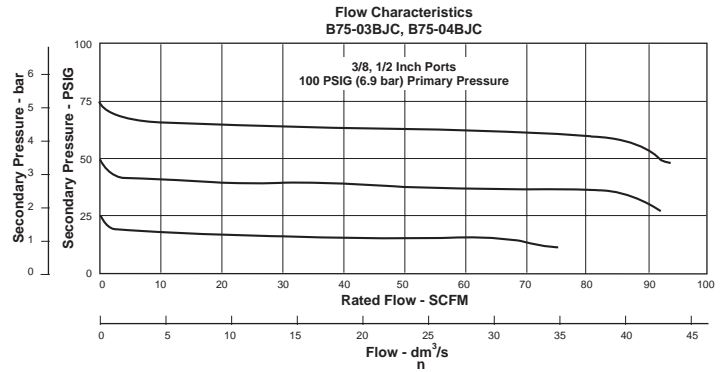
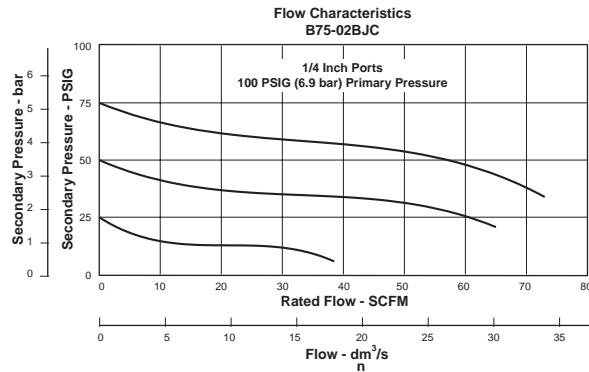
Ordering Information

B	75	—	02	B	J	C	/**
Port Threads	Port Size	Bowl	Element	Reduced Pressure Range	Options	Engineering Change Designator	
— NPT G BSPP	02 1/4" 03 3/8" 04 1/2"	B Transparent with Plastic Bowl Guard D Metal without Sight Gauge W Metal with Wraparound Sight Gauge	G 5 Micron J 40 Micron	A 0-25 PSIG B 0-60 PSIG C 0-125 PSIG	G Gauge K Non-relieving P Panel Mount Nut S Piston Drain T Tamperproof Adjustment U* Overnight Drain (Dump Valve)	Will be entered at factory.	

*B & D Bowls only

NOTE: BOLD OPTIONS ARE STANDARD.

Technical Information



⚠ WARNING

**Product rupture can cause serious injury.
 Do not connect regulator to bottled gas.
 Do not exceed maximum primary pressure rating.**

CAUTION:
REGULATOR PRESSURE ADJUSTMENT – The working range of knob adjustment is designed to permit outlet pressures within their full range. Pressure adjustment beyond this range is also possible because the knob is not a limiting device. This is a common characteristic of most industrial regulators, and limiting devices may be obtained only by special design.

**B75 Integral Filter / Regulator
 Kits & Accessories**

- Bowl Kits –**
 Polyurethane (B) BKF55B
 Zinc (D) BKF55D
 Zinc (W) Wraparound Sight Gauge BKF55W
- Cage Kits –**
 Glass-Filled Acetal Plastic CKR75
 Tamperproof CKR75T
- Control Knob** R35-0545P
- Drain Kits –**
 Manual Twist Drain SA600Y7-1
 Internal Auto (Max. Pressure: 175 PSIG) (B & D) SA602MD
 Internal Auto (Max. Pressure: 175 PSIG) (W) SAF105MD
 Semi-Automatic “Overnight” Drain SA602A7
 (Drains automatically under zero pressure)
- Filter Element Kits –**
 5 Micron (All) EK55G
 40 Micron (All) EK55J
- Gauges –**
 1-1/2" Dial Size, 1/8" Back Connection
 0 to 60 PSIG (0 to 4 bar) K4515N18060
 1-1/2" Dial Size, 1/8" Back Connection
 0 to 160 PSIG (0 to 11 bar) K4515N18160
- Panel Mounting Bracket Kit (Bonnet Threads)** SA161X57
- Face Mounting Bracket Kit (See Page 47)** SAR75Y57
- Panel Mount Nut –**
 Plastic R05X51-P
 Aluminum R05X51-A
- Repair Kits –**
 Automatic Float Drain (Maximum Pressure - 175 PSIG) ... RK602MD
 Deflector, Element Retainer (All) RKF55
 Non-Relieving Diaphragm,
 Valve Assembly RKR75K
 Relieving Diaphragm,
 Valve Assembly RKR75

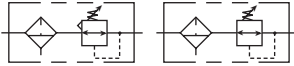
Specifications

- Bowl Capacity** 3.8 Ounce
- Gauge Ports (2)** 1/8 Inch
- Port Threads** 1/4, 3/8 & 1/2 Inch
- Pressure & Temperature Ratings –**
 Polyurethane Bowl 0 to 150 PSIG (0 to 10.2 bar)
 40°F to 125°F (4.4°C to 52°C)
 Zinc Bowl 0 to 300 PSIG (0 to 20.4 bar)
 40°F to 150°F (4.4°C to 65.6°C)
 With Automatic Float Drain 175 PSIG Max. Press. (11.9 bar)
 40°F to 125°F (4.4°C to 52°C)
 Zinc Bowl w/ Sight Gauge 0 to 250 PSIG (0 to 17.2 bar)
 40°F to 150°F (4.4°C to 65.6°C)
 With Automatic Float Drain 175 PSIG Max. Press. (11.9 bar)
 40°F to 125°F (4.4°C to 52°C)
- Weight –**
 Polyurethane Bowl 1.50 lb. (0.7 kg) / Unit
 18 lb. (8.2 kg) / 12-Unit Master Pack
 Zinc Bowl 1.75 lb. (0.8 kg) / Unit
 21 lb. (9.5 kg) / 12-Unit Master Pack
 Zinc Bowl W/ Sight Gauge 1.85 lb. (0.8 kg) / Unit
 22 lb. (10 kg) / 12-Unit Master Pack

Materials of Construction

- Body** Zinc
- Bowls** Polyurethane
 Metal (Zinc)
- Cage** Glass-Filled Acetal Plastic
- Drains** Brass
- Filter Elements** Polyethylene
- Seals** Nitrile

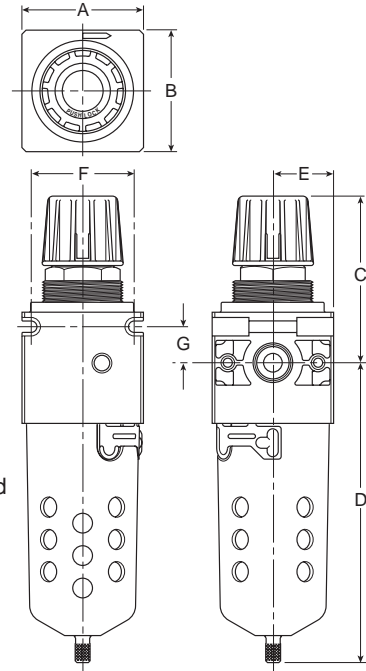
B105 Integral Filter / Regulator



Features

- Connects to Other QUBE Units Using Just Screws & O-rings (Included)
- Integral Mounting Slots Eliminate Need for Mounting Brackets
- Diaphragm Operated Design with Balanced Poppet Design for Quick And Accurate Regulation
- Panel Mountable
- For Applications Requiring Minimum Pressure Drop
- Excellent Water Removal Efficiency
- Unique Deflector Plate that Creates Swirling of the Air Stream Ensuring Maximum Water and Dirt Separation
- Large Filter Element Surface Guarantees Low Pressure Drop and Increased Element Life
- 40 Micron Filter Element Standard, 5 Micron Available
- Transparent Polyurethane Bowl with Bowl Guard as Standard
- Metal Bowl with Wraparound Sight Gauge Optional
- Manual Drain as Standard, Optional Auto Float Drain
- Large Bowl Capacity
- High Flow: 3/8" - 125 SCFM[§], 1/2" - 150 SCFM[§], 3/4" - 150 SCFM[§],

§ SCFM = Standard Cubic Feet per Minute at 100 PSIG Inlet, 75 PSIG No Flow Secondary Setting, and 20 PSIG Pressure Drop with 20 Micron Element.



Port Size	NPT		BSPB	
	Manual Twist Drain	Automatic Float Drain	Manual Twist Drain	Automatic Float Drain
Polyurethane Bowl / Plastic Guard				
3/8"	B105-03BJC	B105-03BJCR	B105G03BJC	B105G03BJCR
1/2"	B105-04BJC	B105-04BJCR	B105G04BJC	B105G04BJCR
3/4"	B105-06BJC	B105-06BJCR	B105G06BJC	B105G06BJCR
Zinc Bowl / Sight Gauge				
3/8"	B105-03WJC	B105-03WJCR	B105G03WJC	B105G03WJCR
1/2"	B105-04WJC	B105-04WJCR	B105G04WJC	B105G04WJCR
3/4"	B105-06WJC	B105-06WJCR	B105G06WJC	B105G06WJCR

Standard part numbers shown bold.
 For other models refer to ordering information below.

B105 Integral Filter / Regulator Dimensions								
A*	A†	B	C	D	E	F*	F†	G
B105-B, B105-D								
2.69 (68,2)	3.03 (77,0)	2.69 (68,2)	3.66 (92,8)	6.66 (169)	1.34 (34,1)	2.27 (57,5)	2.55 (64,8)	0.70 (17,9)
B105-W								
2.69 (68,2)	3.03 (77,0)	2.69 (68,2)	3.66 (92,8)	6.78 (172,2)	1.34 (34,1)	2.27 (57,5)	2.55 (64,8)	0.70 (17,9)

Inches (mm)
 * 3/8 and 1/2 inch ports
 † 3/4 inch ports

NOTE: 1.75 Dia. (44mm) hole required for panel mounting.

Polyurethane Bowls and Sight Gauges Offer Improved Chemical Compatibility.

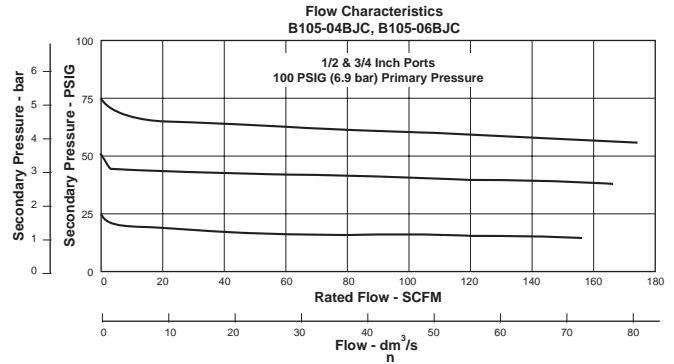
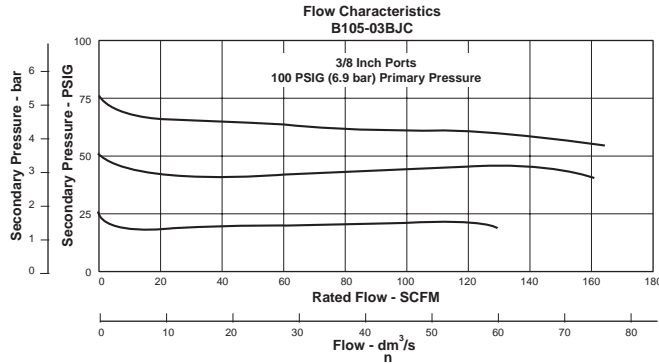
Ordering Information

B	105	—	04	B	J	C	/**
Port Threads	Port Size	Bowl		Element	Reduced Pressure Range	Options	Engineering Change Designator
— NPT G BSPB	03 3/8" 04 1/2" 06 3/4"	B Transparent with Plastic Bowl Guard D Metal without Sight Gauge W Metal with Wraparound Sight Gauge		G 5 Micron J 40 Micron	A 0-25 PSIG B 0-60 PSIG C 0-125 PSIG D 0-250 PSIG	G Gauge K Non-relieving P Panel Mount Nut R Automatic Float Drain U* Overnight Drain (Dump Valve)	Will be entered at factory.

NOTE: BOLD OPTIONS ARE STANDARD.

*B & D Bowls only

Technical Information



⚠ WARNING

**Product rupture can cause serious injury.
 Do not connect regulator to bottled gas.
 Do not exceed maximum primary pressure rating.**

CAUTION:
REGULATOR PRESSURE ADJUSTMENT – The working range of knob adjustment is designed to permit outlet pressures within their full range. Pressure adjustment beyond this range is also possible because the knob is not a limiting device. This is a common characteristic of most industrial regulators, and limiting devices may be obtained only by special design.

B105 Integral Filter / Regulator Kits & Accessories

- Bowl Kits –**
 - Polyurethane (B) BKF105B
 - Zinc (D) BKF105D
 - Zinc (W) Wraparound Sight Gauge BKF105W
- Cage Kit –**
 - Spring Cage Assembly with Knob CKR105
- Control Knob** R105-0542P
- Drain Kits –**
 - Manual Twist Drain SA600Y7-1
 - Internal Auto (Max. Pressure: 175 PSIG) (B & D) SA602MD
 - Internal Auto (Max. Pressure: 175 PSIG) (W) SAF105MD
 - Semi-Automatic “Overnight” Drain SA602A7
 (Drains automatically under zero pressure)
- Filter Element Kits –**
 - 5 Micron (All) EK100G
 - 40 Micron (All) EK100J
- Gauges –**
 - 2" Dial Size, 1/4" Back Connection
 0 to 60 PSIG (0 to 4 bar) K4520N14060
 - 2" Dial Size, 1/4" Back Connection
 0 to 160 PSIG (0 to 11 bar) K4520N14160
 - 2" Dial Size, 1/4" Back Connection
 0 to 300 PSIG (0 to 11 bar) K4520N14300
- Panel Mounting Bracket Kit (Bonnet Threads)** SAR10Y57
- Face Mounting Bracket Kit (See Page 49)** SAR105Y57
- Panel Mount Nut –**
 - Plastic R10X51-P
 - Aluminum R10X51-A
- Repair Kits –**
 - Auto Float Drain (Maximum Pressure - 175 PSIG) RK602MD
 - Deflector, Element Retainer (All) RKF100
 - Non-Relieving Diaphragm,
 Valve Assembly RKR105K
 - Relieving Diaphragm,
 Valve Assembly RKR105

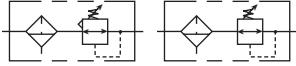
Specifications

- Bowl Capacity** 8.5 Ounce
- Gauge Ports (2)** 1/4 Inch
- Port Threads** 3/8, 1/2 & 3/4 Inch
- Pressure & Temperature Ratings –**
 - Polyurethane Bowl 0 to 150 PSIG (0 to 10.2 bar)
 40°F to 125°F (4.4°C to 52°C)
 - Zinc Bowl 0 to 300 PSIG (0 to 20.4 bar)
 40°F to 150°F (4.4°C to 65.6°C)
 - With Automatic Float Drain 175 PSIG Max. Press. (11.9 bar)
 40°F to 125°F (4.4°C to 52°C)
 - Zinc Bowl w/ Sight Gauge 0 to 250 PSIG (0 to 17.2 bar)
 40°F to 150°F (4.4°C to 65.6°C)
 - With Automatic Float Drain 175 PSIG Max. Press. (11.9 bar)
 40°F to 125°F (4.4°C to 52°C)
- Weight –**
 - Polyurethane Bowl 2.21 lb. (1.0 kg) / Unit
 19.7 lb. (8.9 kg) / 8-Unit Master Pack
 - Zinc Bowl 2.66 lb. (1.2 kg) / Unit
 23.3 lb. (10.6 kg) / 8-Unit Master Pack
 - Zinc Bowl W/ Sight Gauge 2.86 lb. (1.3 kg) / Unit
 24.9 lb. (11.3 kg) / 8-Unit Master Pack

Materials of Construction

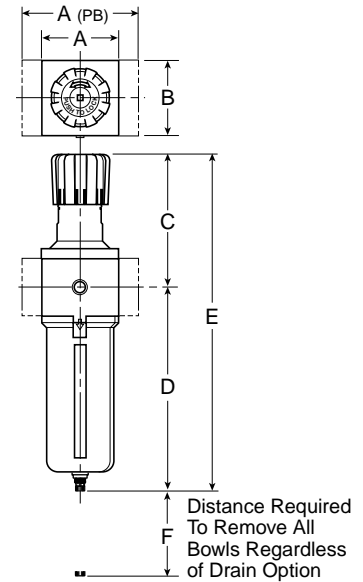
- Body** Aluminum
- Bowls** Polyurethane
 Metal (Zinc)
- Cage** Glass Filled Acetal
- Drains** Brass
- Filter Elements** Polyethylene
- Knob** Plastic
- Seals** Nitrile

B255 Integral Filter / Regulator – Hi-Flow



Features

- Port Blocks (PB) Available to Provide 1-1/2" Port Extension to 1" Ported Bodies
- Excellent Water Removal Efficiency
- Metal Bowl with Sight Gauge
- Large Filter Element Surface Guarantees Low Pressure Drop and Increased Element Life
- Manual Drain as Standard, Optional Auto Drain
- Self Relieving Feature Plus Balanced Poppet Provides Quick Response and Accurate Pressure Regulation
- Solid Control Piston for Extended Life
- High Flow: 3/4" - 270 SCFM[§], 1" - 270 SCFM[§]
[§] SCFM = Standard Cubic Feet Per Minute at 90 PSIG Inlet and 10 PSIG Pressure Drop, with 40 Micron Element.



Port Size	NPT
	Metal Bowl / Sight Gauge / Manual Drain
3/4"	B255-06WJC
1"	B255-08WJC

Standard part numbers shown bold.
For other models refer to ordering information below.

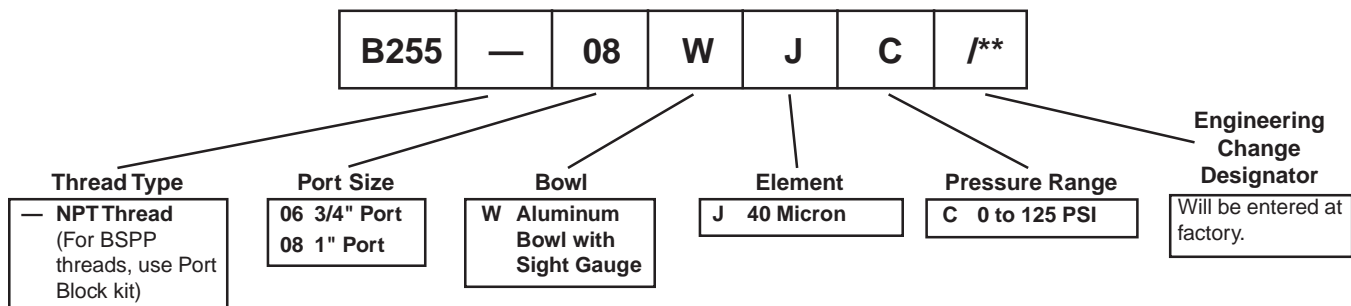
B255 Filter / Regulator Dimensions			
A	A (PB)	B	C
3.62 (92)	5.91 (150)	3.62 (92)	6.38 (162)
D [†]	E [†]	F	
9.57 (243)	15.95 (405)	4.92 (125)	

[†] With Manual Drain or Internal Auto Drain
Inches
(mm)

⚠ WARNING

**Product rupture can cause serious injury.
Do not connect regulator to bottled gas.
Do not exceed maximum primary pressure rating.**

Ordering Information



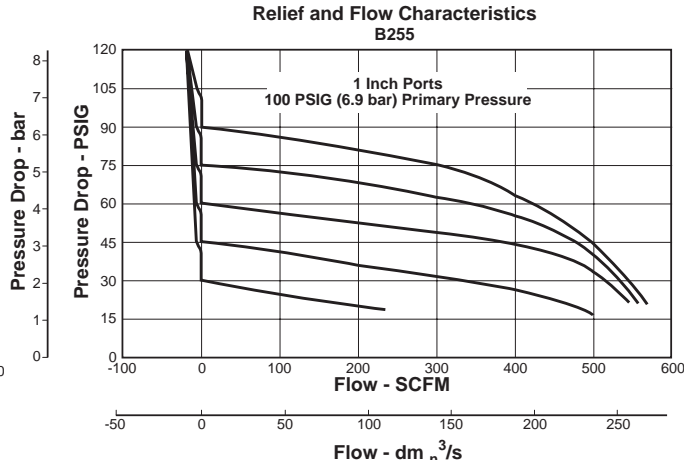
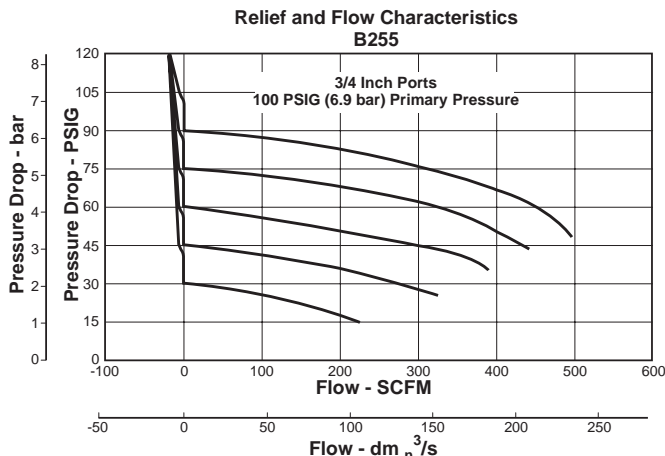
Internal automatic drains must be purchased separately as PS506.

CAUTION:

REGULATOR PRESSURE ADJUSTMENT – The working range of knob adjustment is designed to permit outlet pressures within their full range. Pressure adjustment beyond this range is also possible because the knob is not a limiting device. This is a common characteristic of most industrial regulators, and limiting devices may be obtained only by special design.

NOTE: BOLD ITEMS ARE STANDARD.

Technical Information



**B255 Integral Filter / Regulator
Kits & Accessories**

Bowl Kits:

- Metal Bowl –
- Sight Gauge / Internal Auto Drain P3NKA00BSA
- Sight Gauge / Manual Drain P3NKA00BSM

Drain Kit –

- Internal Auto Drain PS506
- Manual Drain PS512

Filter Element Kits –

- 40 Micron P3NKA00ESG
- 5 Micron P3NKA00ESE
- Adsorber P3NKA00ESA

Gauges –

- 60 PSIG (0 to 4.1 bar) P781641
- 160 PSIG (0 to 11.0 bar) P781642
- 300 PSIG (0 to 20.7 bar) P781643

Service Kit –

- Relieving P3NKA00RR
- Non-Relieving P3NKA00RN

Sight Gauge Kit P3NKA00PE

Springs –

- 1 to 60 PSIG Range C10A1304
- 2 to 125 PSIG Range C10A1308
- 5 to 250 PSIG Range C10A1317

Mounting Bracket Kit P3NKA00MW

Port Block Kit (1-1/2" NPT Ports) P3NKB9BCL

Specifications

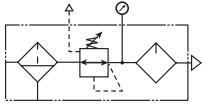
- Bowl Capacity** 18.0 Ounces
- Port Threads** 3/4", 1"
- Pressure & Temperature Rating** 0 to 250 PSIG (0 to 17 bar)
32°F to 175°F (0°C to 80°C)
- Internal Auto Drain – 10 to 250 PSIG (0.7 to 17 bar)
at 125°F (52°C) or less
For Secondary Pressure Ranges, see above charts.
- Sump Capacity** 6.8 Ounces
- Weight –**
- 3/4" 5.3 lb. (2.4 kg)
- 1" 5.3 lb. (2.4 kg)

Materials of Construction

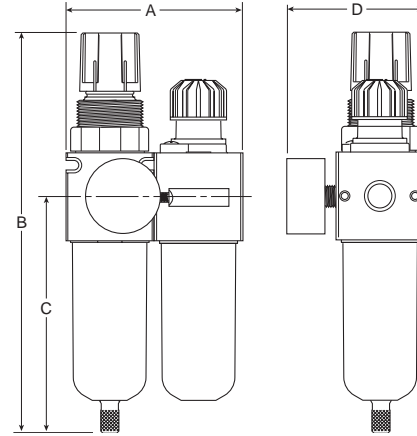
- Adjusting Stem** Steel
- Body, Bonnet, Bowl** Aluminum
- Drain** Plastic
- Filter Elements –**
- 40 Micron (Standard) Plastic
- 5 Micron (Optional) Plastic
- Adsorber (Optional) Activated Charcoal
- Knob** Plastic
- Piston** Plastic
- Seals** Nitrile
- Sight Gauge** Polyamide (Nylon)
- Springs –** Poppet & Control Steel

C35 Combination Units

Two Unit Combo



- 20 Micron Filter Element
- Manual Twist Drain
- Relieving Regulator
- 125 PSI (8.6 bar)
- Gauge Included



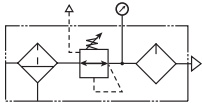
Port Size	Model Numbers
1/8"	C35-01BLAHCA
1/4"	C35-02BLAHCA

A	B	C	D
3.19 (80,9)	7.00 (177,8)	4.25 (107,9)	2.88 (73)

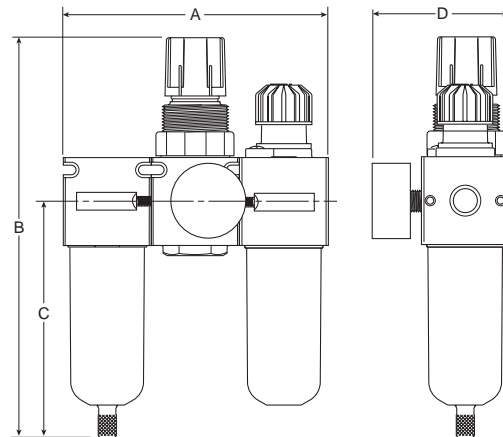
Inches
(mm)

For other models refer to ordering information on next page.

Three Unit Combo



- 20 Micron Filter Element
- Manual Twist Drain
- Relieving Regulator
- 125 PSI (8.6 bar)
- Gauge Included



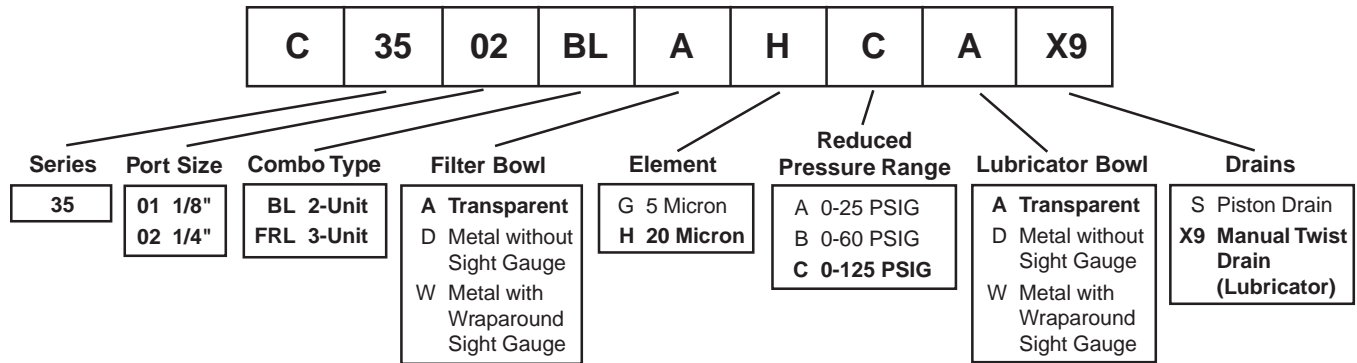
Port Size	Model Numbers
1/8"	C35-01FRLAHCA
1/4"	C35-02FRLAHCA

A	B	C	D
4.78 (121,4)	7.00 (177,8)	4.25 (107,9)	2.88 (73)

Inches
(mm)

For other models refer to ordering information on next page.

Ordering Information



NOTE: BOLD OPTIONS ARE STANDARD.

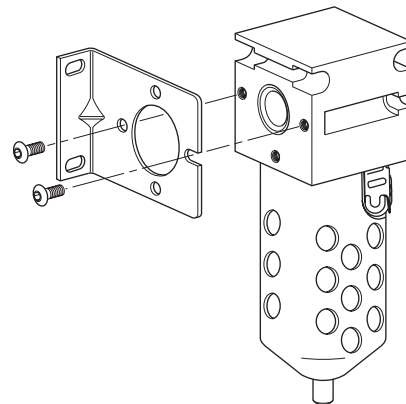
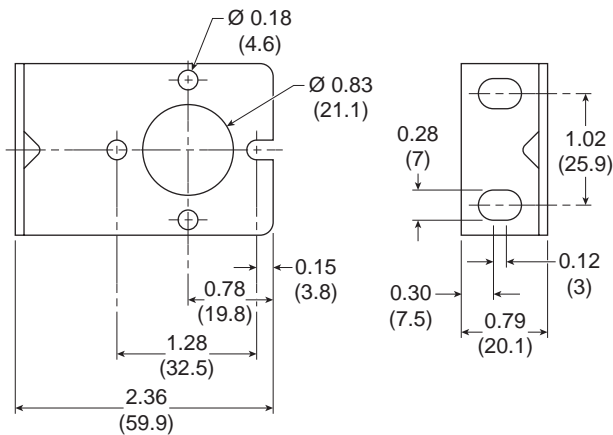
WARNING
Product rupture can cause serious injury. Do not connect regulator to bottled gas. Do not exceed maximum primary pressure rating.

Polyurethane Bowls and Sight Gauges Offer Improved Chemical Compatibility.

**C35 Combination Units
 Kits & Accessories**

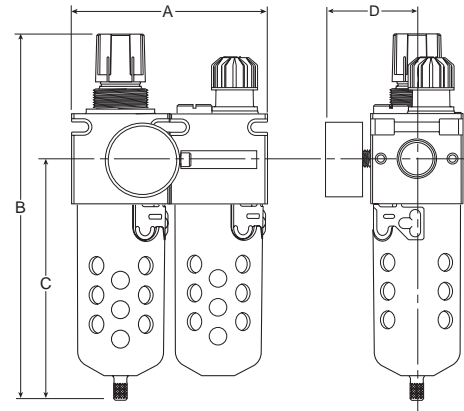
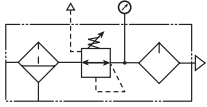
Mounting Bracket Kit (2 Required) SAR35Y57
 See individual component sections for other kits and accessories.

Bracket Installation



C75 Combination Units

Two Unit Combo



- 40 Micron Filter Element
- Manual Twist Drain
- Relieving Regulator
- 125 PSI (8.6 bar)
- Gauge Included

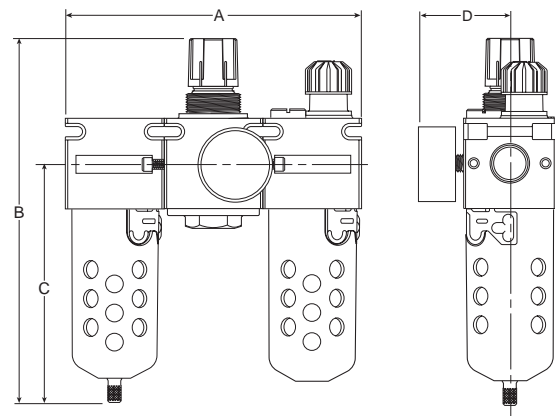
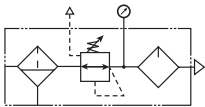
Port Size	Model Numbers
1/4"	C75-02BLBJCB
3/8"	C75-03BLBJCB
1/2"	C75-04BLBJCB

C75-BL - B & D Bowls			
A	B	C	D
4.19 106,4	7.97 (202,4)	5.19 (131,8)	3.44 (81,7)
C75-BL - W Bowls			
A	B	C	D
4.19 106,4	8.23 (208,9)	5.44 (138,2)	3.44 (87,3)

For other models refer to ordering information on next page.

Inches
(mm)

Three Unit Combo



- 40 Micron Filter Element
- Manual Twist Drain
- Relieving Regulator
- 125 PSI (8.6 bar)
- Gauge Included

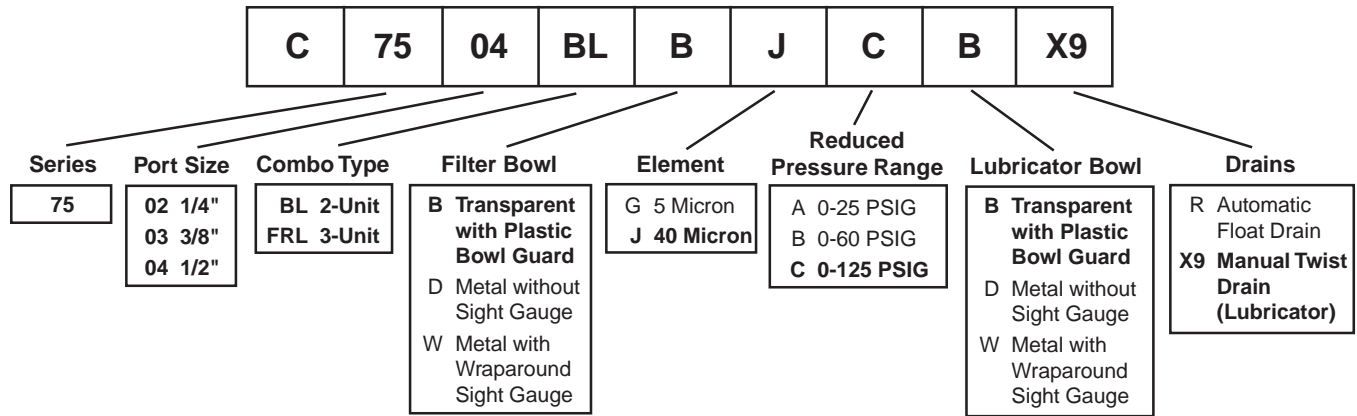
Port Size	Model Numbers
1/4"	C75-02FRLBJCB
3/8"	C75-03FRLBJCB
1/2"	C75-04FRLBJCB

C75-FRL - B & D Bowls			
A	B	C	D
6.57 166,9	7.94 (201,7)	5.19 (131,8)	3.44 (87,3)
C75-FRL - W Bowls			
A	B	C	D
6.57 166,9	8.06 (204,7)	5.31 (134,9)	3.44 (87,3)

For other models refer to ordering information on next page.

Inches (mm)

Ordering Information



NOTE: BOLD OPTIONS ARE STANDARD.

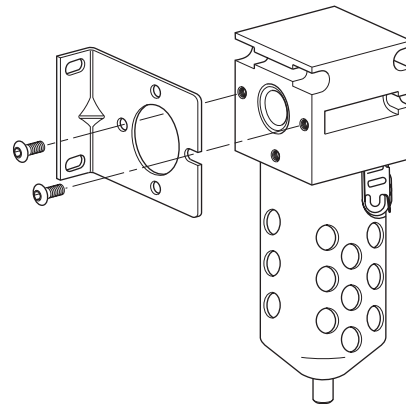
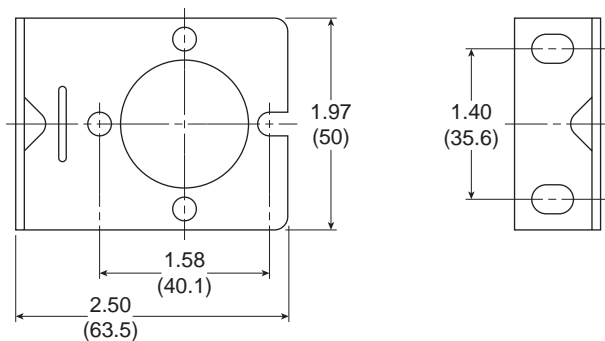
WARNING
Product rupture can cause serious injury. Do not connect regulator to bottled gas. Do not exceed size maximum primary pressure rating.

Polyurethane Bowls and Sight Gauges Offer Improved Chemical Compatibility.

**C75 Combination Units
 Kits & Accessories**

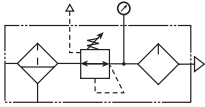
Mounting Bracket Kit (2 Required) SAR75Y57
 See individual component sections for other kits and accessories.

Bracket Installation



C105 Combination Units

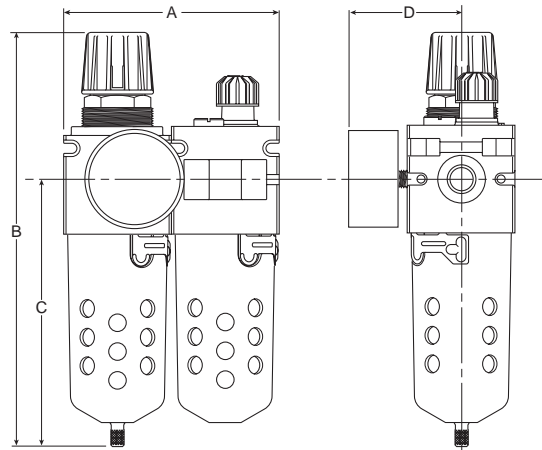
Two Unit Combo



- 40 Micron Filter Element
- Manual Twist Drain
- Relieving Regulator
- 125 PSI (8.6 bar)
- Gauge Included

Port Size	Model Numbers
3/8"	C105-03BLBJCB
1/2"	C105-04BLBJCB
3/4"	C105-06BLBJCB

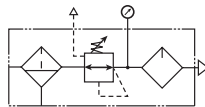
For other models refer to ordering information on next page.



C105-BL - B & D Bowls				
A*	A†	B	C	D
5.38 (136,6)	6.06 (153,9)	10.32 (262,1)	6.66 (169,2)	4.20 (106,7)
C105-BL - W Bowls				
A*	A†	B	C	D
5.38 (136,6)	6.06 (153,9)	10.44 (265,2)	6.78 (172,2)	4.20 (106,7)

Inches (mm)
 * 3/8 and 1/2 inch ports
 † 3/4 inch ports

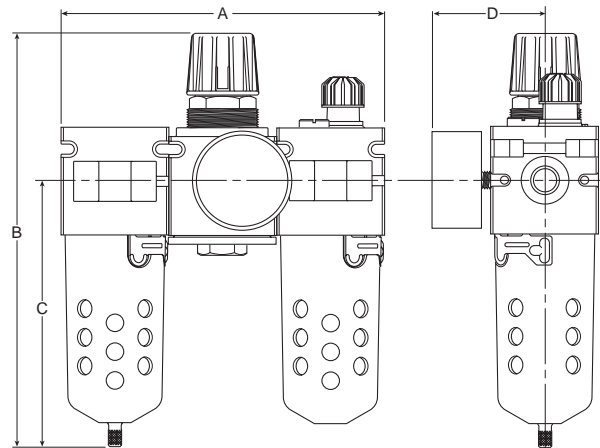
Three Unit Combo



- 40 Micron Filter Element
- Manual Twist Drain
- Relieving Regulator
- 125 PSI (8.6 bar)
- Gauge Included

Port Size	Model Numbers
3/8"	C105-03FRLBJCB
1/2"	C105-04FRLBJCB
3/4"	C105-06FRLBJCB

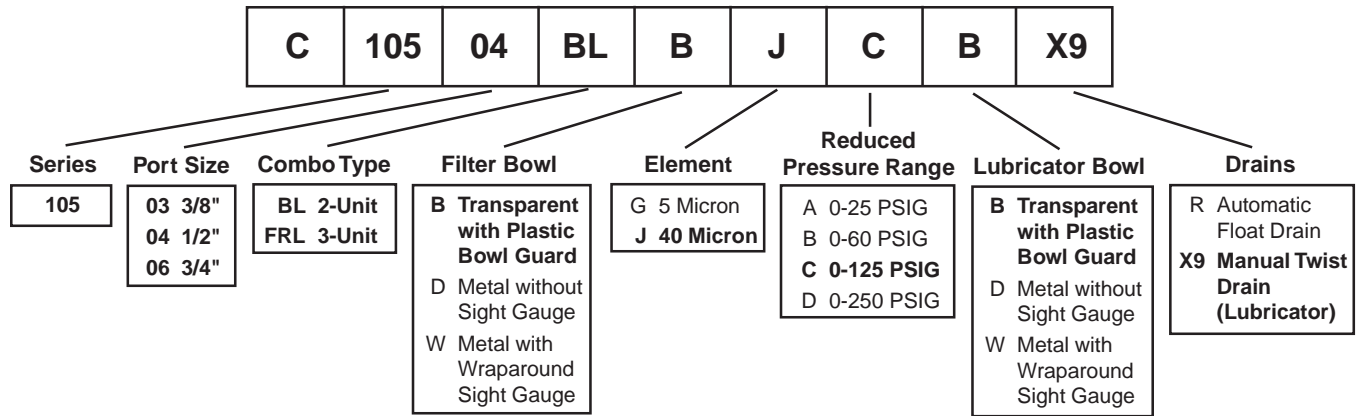
For other models refer to ordering information on next page.




C105-FRL - B Bowls				
A*	A†	B	C	D
8.07 (204,9)	9.09 (230,9)	10.31 (261,8)	6.56 (167)	4.20 (106,7)
C105-FRL - D & W Bowls				
A*	A†	B	C	D
8.07 (204,9)	9.09 (230,9)	10.41 (264,4)	6.66 (169,2)	4.20 (106,7)

Inches (mm)
 * 3/8 and 1/2 inch ports
 † 3/4 inch ports

Ordering Information



NOTE: BOLD OPTIONS ARE STANDARD.

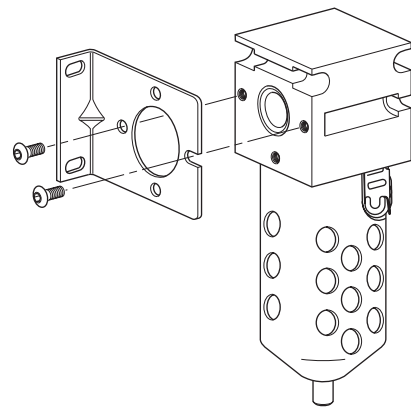
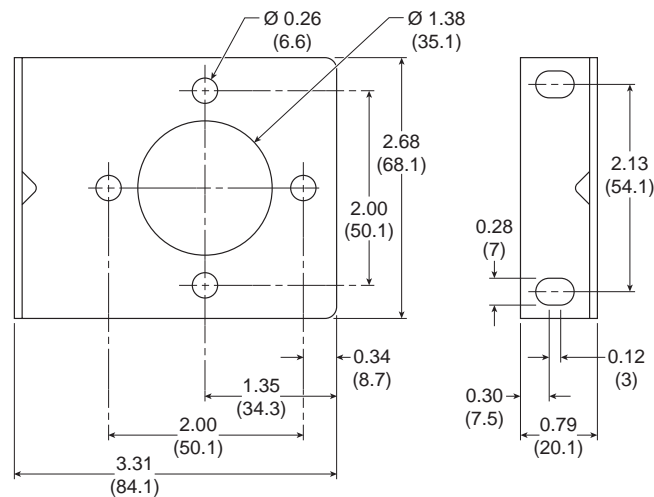
 WARNING
Product rupture can cause serious injury. Do not connect regulator to bottled gas. Do not exceed maximum primary pressure rating.

Polyurethane Bowls and Sight Gauges Offer Improved Chemical Compatability.

**C105 Combination Units
 Kits & Accessories**

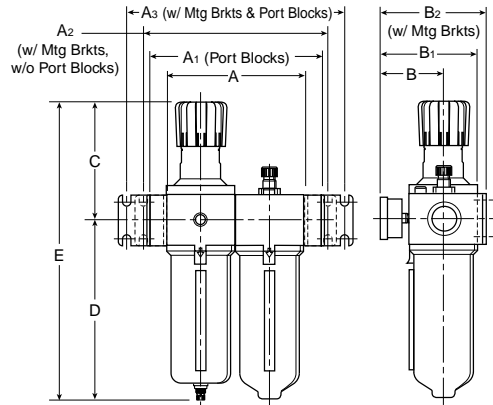
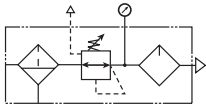
Mounting Bracket Kit (2 Required) SAR105Y57
 See individual component sections for other kits and accessories.

Bracket Installation



C255 Combination Units

Two-Unit Combo



- 40 Micron Filter Element
- Manual Twist Drain
- Relieving Regulator
- 125 PSI (8.6 bar)
- Gauge Included

Series	Port	Model Numbers
C255	3/4"	C255-06BLWJCW
	1"	C255-08BLWJCW

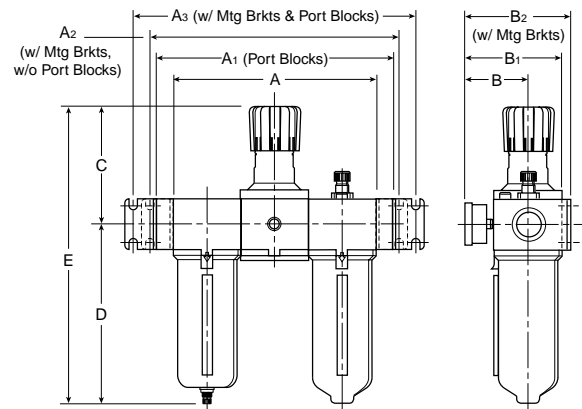
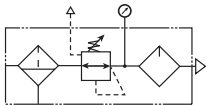
A	A ₁	A ₂	A ₃	B	B ₁	B ₂
7.24 (184)	9.53 (242)	9.84 (250)	12.13 (308)	3.62 (92)	5.20 (132)	5.74 (146)
C	D	E				
6.38 (162)	9.57 (243)	15.95 (405)				

Inches (mm)

Mounting Brackets Not Included.

For other models, refer to Ordering Information on next page.

Three Unit Combo



- 40 Micron Filter Element
- Manual Twist Drain
- Relieving Regulator
- 125 PSI (8.6 bar)
- Gauge Included

Series	Port	Model Numbers
C255	3/4"	C255-06FRLWJCW
	1"	C255-08FRLWJCW

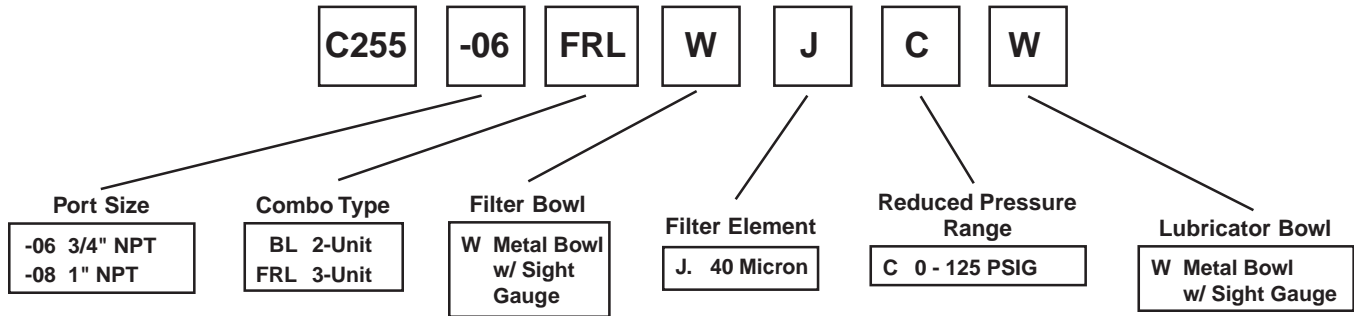
A	A ₁	A ₂	A ₃	B	B ₁	B ₂
10.87 (276)	13.15 (334)	13.46 (342)	15.75 (400)	3.62 (92)	5.20 (132)	5.74 (146)
C	D	E				
6.38 (162)	9.57 (243)	15.95 (405)				

Inches (mm)

Mounting Brackets Not Included.

For other models, refer to Ordering Information on next page.

Ordering Information



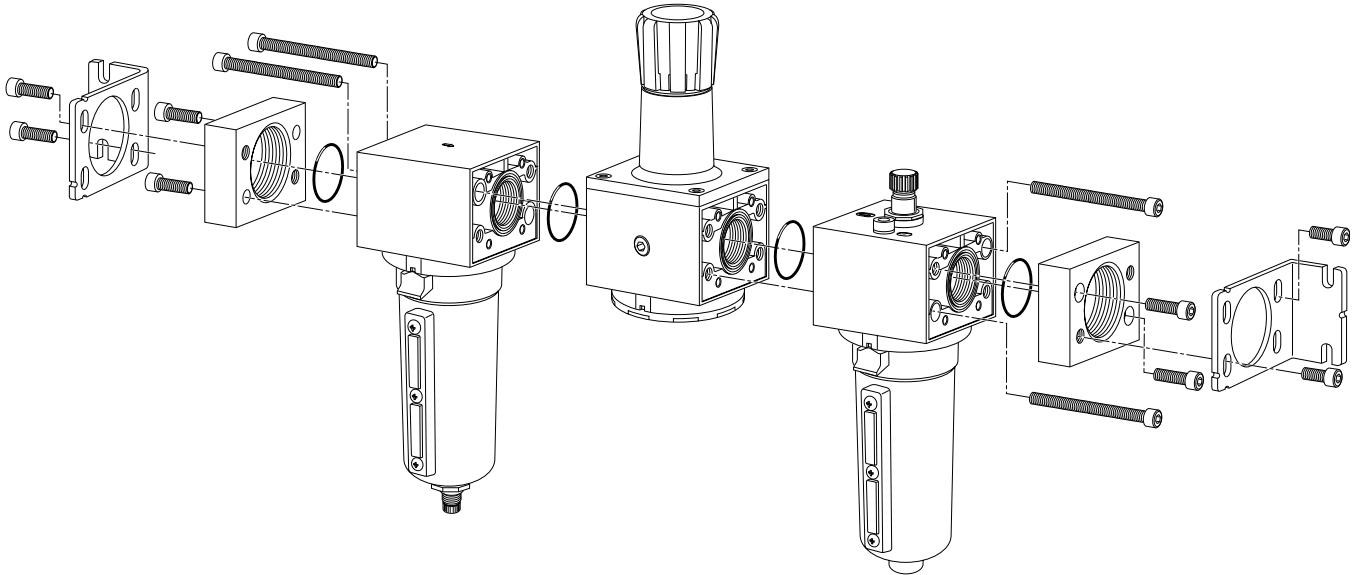
NOTE: BOLD OPTIONS ARE STANDARD.

CAUTION:

REGULATOR PRESSURE ADJUSTMENT – The working range of knob adjustment is designed to permit outlet pressures within their full range. Pressure adjustment beyond this range is also possible because the knob is not a limiting device. This is a common characteristic of most industrial regulators, and limiting devices may be obtained only by special design.

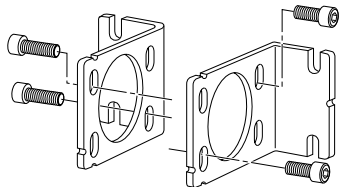
C255 Combination Accessories

(See individual component sections for other kits and accessories.)



Mounting Brackets

P3NKA00MW



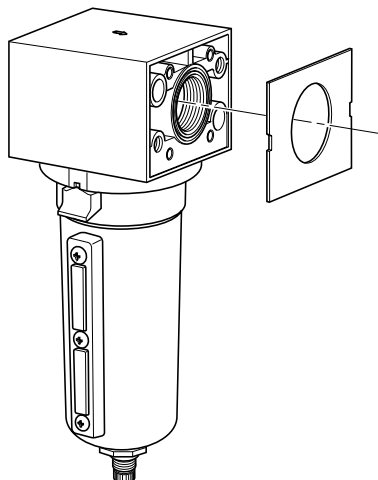
For 1-1/2" BSPP Port Block with E02 Fitting Application, use **Mounting Bracket Kit P3NKA00MW**

For modular combinations, one side has groove and the mating side is flat. Use the o-ring seal provided in the groove. For some modular combinations, both surfaces may have grooves. In those applications, use o-ring in one groove and square seal provided in the other.

Replacement Body Covers

P3NKA00PM

Each Kit contains two covers.
 All units are shipped with body covers.

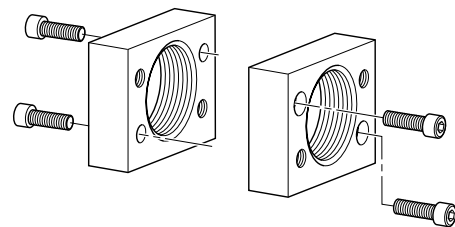


Port Block Kits

	3/4"	1"	1-1/2"
Individual Units:			
NPT	P3NKB96CP	P3NKB98CP	P3NKB9BCP
BSPP	P3NKB16CP	P3NKB18CP	P3NKB1BCP
Modular Combinations:			
NPT	P3NKB96CL	P3NKB98CL	P3NKB9BCL
BSPP	P3NKB16CL	P3NKB18CL	P3NKB1BCL

Port Block Kits allow units to be installed or removed as modular components.

Each Kit includes all the necessary pieces to make two port connections.



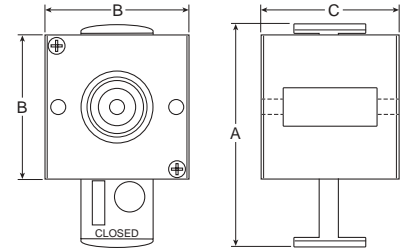
SV Shut-off Valve



SV75 Shown

Features

- Threaded Ports Allows Use In-line or with Other QUBE Modular FRL Components
- Accepts Customer Supplied Standard Single Padlock or Safety Lock for Multiple Lockout
- Conforms to OSHA Standard 29 CFR Part 10
- 3-Port, 2-Position Shutoff Valve Relieves Downstream Pressure when Closed
- SV Valves Can be Locked in the Closed Position Only
- Maximum Pressure: 300 PSIG



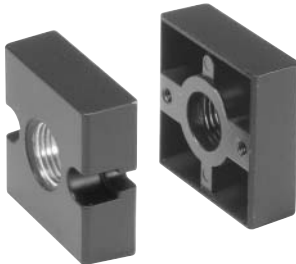
Port Size	SV35 Part Number	SV75 Part Number	SV105 Part Number
1/8	SV35-01	—	—
1/4	SV35-02	SV75-02	—
3/8	—	SV75-03	SV105-03
1/2	—	SV75-04	SV105-04
3/4	—	—	SV105-06

Kit Includes: (2) Machine Screws & (2) O-rings for mounting.

Series	A	B	C	Weight
SV35	2.50 (63,5)	1.63 (41,3)	1.56 (39,7)	.78 lb .35 kg
SV75	3.06 (77,8)	2.00 (50,8)	1.75 (44,5)	.95 lb .43 kg
SV105	4.19 (106,3)	2.69 (68,2)	2.13 (53,9)	1.7 lb .77 kg

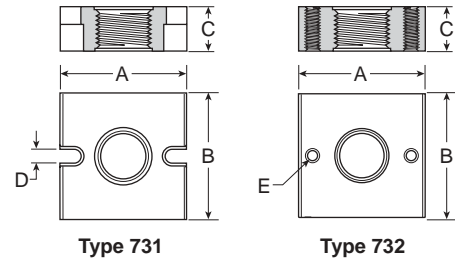
Inches
(mm)

End Plates



Features

- Design Allows Removal or Installation of Basic Components without Direct Pipe Connections to the Components
- Each Series has End Plates One Port Size Larger than the Basic Units



Part Number	Type 0731	Type 0732	Contains		Application
			Screws	O-Rings	
PK3500-**	0	1	0	0	Shut-Off
PK3510-**	1	1	2	1	Filter or Lubricator
PK3520-**	1	—	2	1	R, B, FRL, BL with Shut-off
PK3530-**	2	—	4	2	R, B, FRL, BL
PK7500-**	0	1	0	0	Shut-Off
PK7510-**	1	1	2	1	Filter or Lubricator
PK7520-**	1	—	2	1	R, B, FRL, BL with Shut-off
PK7530-**	2	—	4	2	R, B, FRL, BL
PK1050-**	0	1	0	0	Shut-Off
PK1051-**	1	1	2	1	Filter or Lubricator
PK1052-**	1	—	2	1	R, B, FRL, BL with Shut-off
PK1053-**	2	—	4	2	R, B, FRL, BL

** 01 (1/8"); 02 (1/4"); 03 (3/8"); 04 (1/2"); 06 (3/4")

Series	Type	A	B	C	D	E
35	0731	1.59 (40,5)	1.59 (40,5)	0.90 (22,9)	0.17 (4,4)	—
35	0732	1.59 (40,5)	1.59 (40,5)	0.90 (22,9)	—	#8-32UNC-2B
75	0731	2.00 (50,8)	2.00 (50,8)	0.70 (17,9)	0.22 (5,6)	—
75	0732	2.00 (50,8)	2.00 (50,8)	0.70 (17,9)	—	#10-32UNF-2B
105	0731	2.69 (68,3)	2.69 (68,3)	1.00 (25,49)	0.27 (6,8)	—
105	0732	2.00 (50,8)	2.00 (50,8)	1.00 (25,4)	—	1/4-20UNC-2B

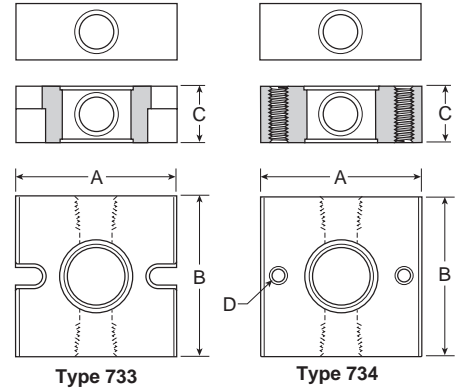
Inches
(mm)

105 Series Porting Blocks



Features

- Designed to Fit within Any 105 Series Combination, Providing Two 3/8" Branch Ports



Part Number	Type 0733	Type 0734	Contains		Application
			Screws	O-Rings	
PK1054	1	—	2 (Long)	1	Between Filter & Reg.; Reg. & Lub.; End Plate & Filter; Lub. & End Plate
PK1055	—	1	4 (Short)	2	Between Filter & Coalescer; Filter & Lubricator

Type	A	B	C	D
0733	2.69 (68,4)	2.69 (68,3)	1.00 (25,4)	N/A
0734	2.69 (68,4)	2.69 (68,3)	1.00 (25,4)	1/4-20-UNC-2B

Inches
(mm)

35 & 75 Series Branch Blocks



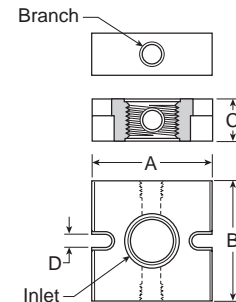
BB35



BB75

Features

- Blocks Function as End Plates with 1/8" NPT Branch Lines Available Top and Bottom
- Also Used in Conjunction with Direction Plates and Regulators to Provide Outlets for Gauges

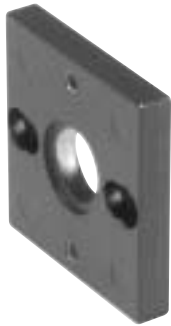


Part Number	Inlet Port	Branch Port
BB35-1-1	1/8"	1/8"
BB35-2-1	1/4"	1/8"
BB75-2-1	1/4"	1/8"
BB75-3-1	3/8"	1/8"
BB75-3-2	3/8"	1/4"

Part Number	A	B	C
BB35-1-1	1.61 (40,9)	1.61 (40,9)	0.90 (22,9)
BB35-2-1	1.61 (40,9)	1.61 (40,9)	0.90 (22,9)
BB75-2-1	2.00 (50,8)	2.00 (50,8)	0.94 (23,9)
BB75-3-1	2.00 (50,8)	2.00 (50,8)	0.94 (23,9)
BB75-3-2	2.00 (50,8)	2.00 (50,8)	0.94 (23,9)

Inches
(mm)

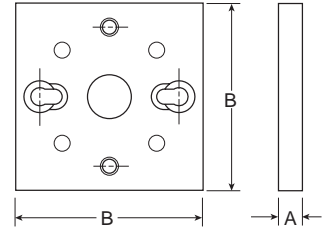
Direction Plates



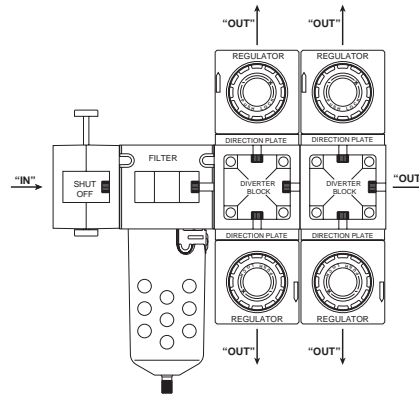
DP75

Features

- Designed to Allow 90° Rotation of QUBE Components Allowing Manifolding of Units and Resulting in Great Space and Cost Savings
- Also Used to Mount Units from Different Series to One Another



Application



Part Number	A	B
DP35	0.20 (5,1)	1.59 (40,5)
DP75	0.30 (7,6)	2.00 (50,8)
DP105	0.34 (8,6)	2.69 (68,3)

Inches
(mm)

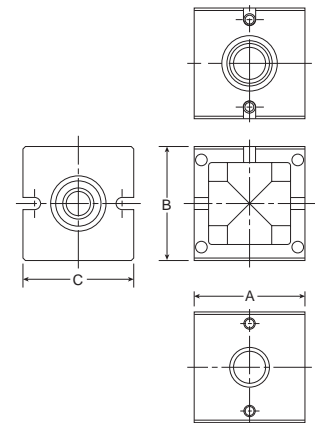
Diverter Blocks



DK7510-3-2

Features

- Designed to Mount in a Variety of Configurations with the Capability of having Branch Line Components Mounted Directly, Giving Multiple Air Lines with Minimal Pressure Drop
- Use Untapped Blocks within Components, Either at the Beginning or End of System

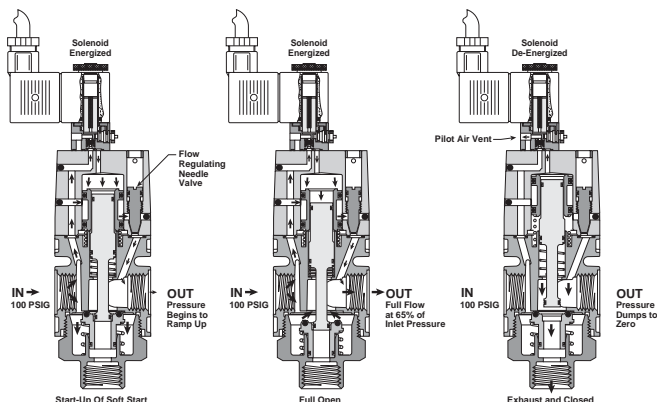
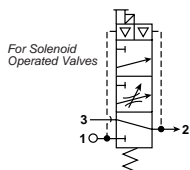


Part Number	A	B	C	D	E
DK3510-3-2	1.93 (49)	1.69 (42,9)	1.69 (42,9)	3/8" NPT	1/4" NPT
DK3510	2.00 (50,8)	2.00 (50,8)	2.00 (50,8)	N/A	1/4" NPT
DK7510-3-2	2.00 (50,8)	2.00 (50,8)	2.00 (50,8)	3/8" NPT	1/4" NPT
DK7510-3-3	2.00 (50,8)	2.00 (50,8)	2.00 (50,8)	3/8" NPT	3/8" NPT
DK1051-6-4	2.75 (69,9)	2.69 (68,3)	2.69 (68,3)	3/4" NPT	1/2" NPT

Inches
(mm)

Part Number	Application
DK3510-3-2	Tapped 3/8" In & Out, Two 1/4" Branches
DK7510	In & Out Not Tapped, Two 1/4" Branches
DK7510-3-2	Tapped 3/8" In & Out, Two 1/4" Branches
DK7510-3-3	Tapped 3/8" In & Out, Two 3/8" Branches
DK1051-6-4	Tapped 3/4" In & Out, Two 1/2" Branches

QUBE SC75 & SC105 Series Solenoid Soft Start / Quick Dump Valves



Features

- Connects to Other QUBE Units Using Just Screws and O-Rings (Included)
- Integral Mounting Slots Eliminate Need for Mounting Brackets
- Combines Soft Start and Quick Dump Valve in the Same Body
- Unit is Installed Downstream of Lubricator (If Used)
- Large Flow Capacities up to 4.2 Cv
- Inline or Modular Mounting
- Soft Start Flow Easily Adjusted

Operation

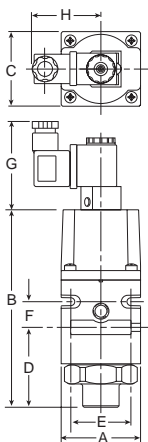
When the valve is installed into the pneumatic system, and pilot operator receives no signal, the air is blocked at Port 1. When a pilot signal is received at pilot operator, the valve shifts, closing the connection between Ports 2 and 3. At the same time, air flow begins between Ports 1 and 2 at a slow rate controlled by the needle valve, located on the top of the valve. When the downstream pressure reaches approximately 60% of the supply pressure, the main valve spool opens allowing full flow through the valve into the system. If pilot signal or system pressure is lost, the valve returns to its initial state, venting the downstream pressure through Port 3.

⚠ CAUTION
Do not use synthetic, reconstituted, or oils with an alcohol content or detergent additive.

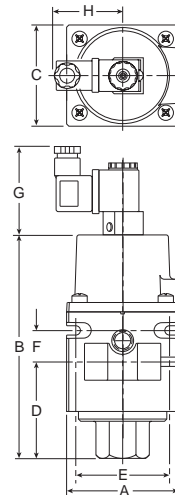
⚠ CAUTION
Do not restrict the inlet of valves having an internal pilot supply. Pressure supply piping must be the same size as the inlet port or larger to insure that the pilot valve receives sufficient pressure supply during high flow conditions.

Ordering Information / Dimensions

75 Series		
Model Number	Port (NPT)	Flow* Cv
24VDC / 48VAC		
SC75-02M	1/4"	3.6
SC75-03M	3/8"	4.1
SC75-04M	1/2"	4.2
12VDC / 24VAC		
SC75-02Z	1/4"	3.6
SC75-03Z	3/8"	4.1
SC75-04Z	1/2"	4.2
120VAC		
SC75-02K	1/4"	3.6
SC75-03K	3/8"	4.1
SC75-04K	1/2"	4.2



105 Series		
Model Number	Port (NPT)	Flow* Cv
24VDC / 48VAC		
SC105-03M	3/8"	5.2
SC105-04M	1/2"	5.3
SC105-06M	3/4"	5.7
12VDC / 24VAC		
SC105-03Z	3/8"	5.2
SC105-04Z	1/2"	5.3
SC105-06Z	3/4"	5.7
120VAC		
SC105-03K	3/8"	5.2
SC105-04K	1/2"	5.3
SC105-06K	3/4"	5.7



*Exhaust Flow

Model	A	B	C	D	E	F	G	H
SC75	2.19 (56)	5.43 (138)	2.06 (52)	1.50 (38)	1.66 (42)	.72 (18)	2.56 (65)	1.91 (48)

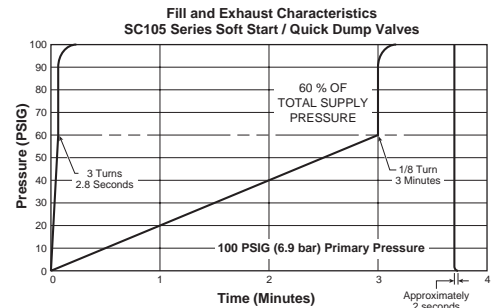
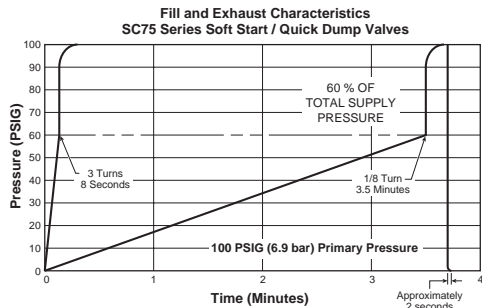
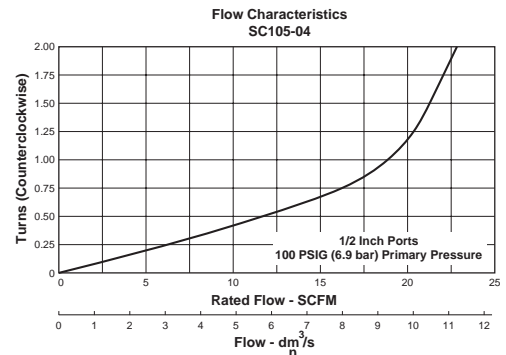
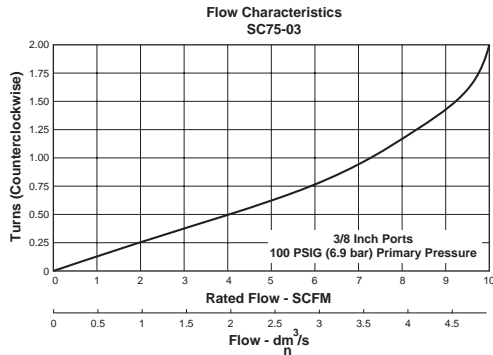
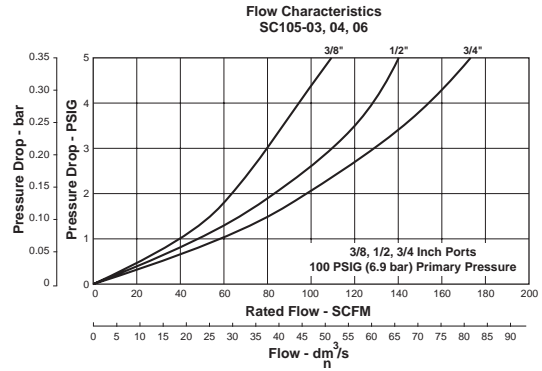
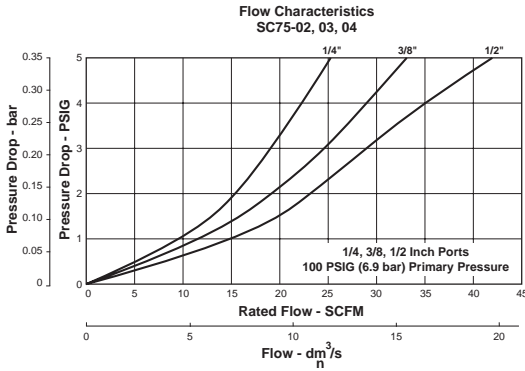
Inches (mm)

*Exhaust Flow

Model	A	B	C	D	E	F	G	H
SC105	3.03 (77)	6.03 (153)	2.75 (70)	1.84 (47)	2.53 (64)	.84 (21)	2.56 (65)	1.90 (48)

Inches (mm)

Technical Information



QUBE SC75 & SC105 Series Kits & Accessories

- Coil Kits –**
 24VDC / 48VAC Coil 2EV103
 12VDC / 24VAC Coil 2EV102
 120 VAC Coil 2EV105

- Seal Repair Kits –**
 SC75 Series RKSC75
 SC105 Series RKSC105

- Exhaust Mufflers**
 SC75 (1/2" Exhaust) M60-04
 SC105 (3/4" Exhaust) M60-06

Specifications

- Exhaust Ports –**
 SC75 1/2 Inch NPT
 SC105 3/4 Inch NPT

- Gauge Ports –**
 SC75 (2) 1/8 Inch NPT
 SC105 (2) 1/4 Inch NPT

Inlet & Outlet Port Threads –

- SC75 3/8 Inch NPTF
 SC105 1/2 Inch NPTF
 (BSPF and BSPT port threads are available through the use of Modular Port Block Kits)

Pressure & Temperature Ratings –

- Solenoid 60 to 145 PSIG (4.1 to 10.0 bar)
 32°F to 140°F (0°C to 60°C)

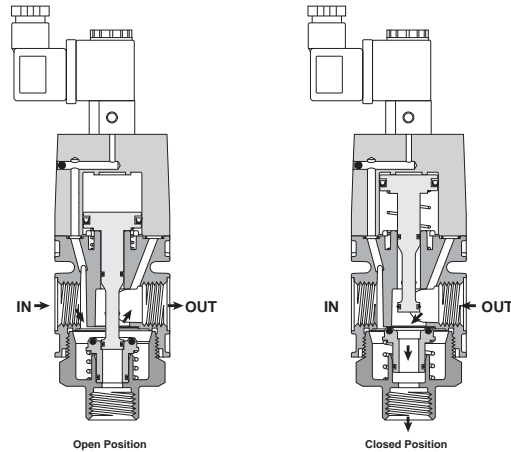
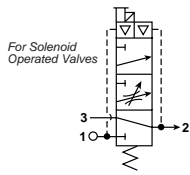
Weight –

- SC75 3.25 lb. (1.47 kg)
 SC105 5.5 lb. (2.49 kg)

Materials of Construction

- Body** Zinc
Bottom Plug Brass
Seals Nitrile
Springs Stainless Steel
Internal Components Brass / Aluminum
Top Cover Aluminum

QUBE S75 & S105 Solenoid Quick Dump Valves



Features

- Connects to Other QUBE Units Using Just Screws & O-Rings (Included)
- Integral Mounting Slots Eliminate Need for Mounting Brackets
- Shuts Off Incoming Pressure While Rapidly Exhausting Downstream Pressure
- Unit is Installed Downstream of Lubricator (If Used)
- Large Exhaust Flow Capacities Up to 5.7 Cv
- Solenoid Operation
- Non-locking Manual Override
- Inline or Modular Mounting

Operation

The solenoid quick dump valves are high flow, normally closed, 3-Port, 2-Position directional control valves. Upon energizing the solenoid, inlet air is applied to the top of the piston. The piston pushes against the spring and opens the main valve providing full flow air to the downstream. When the solenoid is de-energized, the main valve closes allowing downstream air to exhaust rapidly through the bottom plug. The bottom plug is tapped so that exhaust may be piped away or fitted with a muffler.

⚠ CAUTION

Do not use synthetic, reconstituted, or oils with an alcohol content or detergent additive.

⚠ CAUTION

Do not restrict the inlet of valves having an internal pilot supply. Pressure supply piping must be the same size as the inlet port or larger to insure that the pilot valve receives sufficient pressure supply during high flow conditions.

Ordering Information / Dimensions

S75 Series		
Model Number	Port (NPT)	Flow* Cv
24VDC / 48VAC		
S75-02M	1/4"	3.6
S75-03M	3/8"	4.1
S75-04M	1/2"	4.2
12VDC / 24VAC		
S75-02Z	1/4"	3.6
S75-03Z	3/8"	4.1
S75-04Z	1/2"	4.2
120VAC		
S75-02K	1/4"	3.6
S75-03K	3/8"	4.1
S75-04K	1/2"	4.2

S105 Series		
Model Number	Port (NPT)	Flow* Cv
24VDC / 48VAC		
S105-03M	3/8"	5.2
S105-04M	1/2"	5.3
S105-06M	3/4"	5.7
12VDC / 24VAC		
S105-03Z	3/8"	5.2
S105-04Z	1/2"	5.3
S105-06Z	3/4"	5.7
120VAC		
S105-03K	3/8"	5.2
S105-04K	1/2"	5.3
S105-06K	3/4"	5.7

*Exhaust Flow

Model	A	B	C	D	E	F	G	H
S75	2.19 (56)	5.43 (138)	2.06 (52)	1.50 (38)	1.66 (42)	.72 (18)	2.56 (65)	1.91 (48)

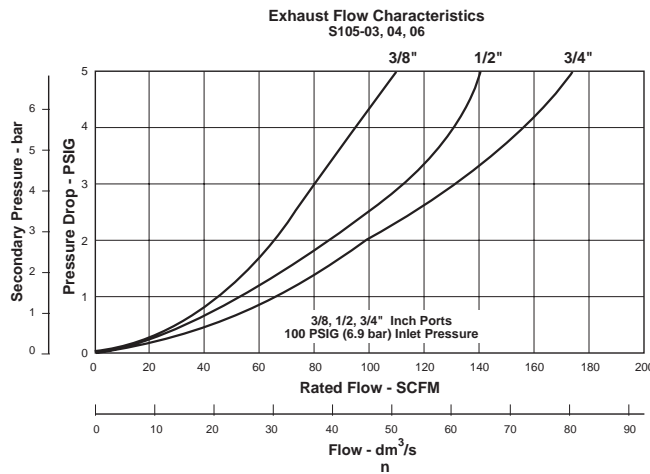
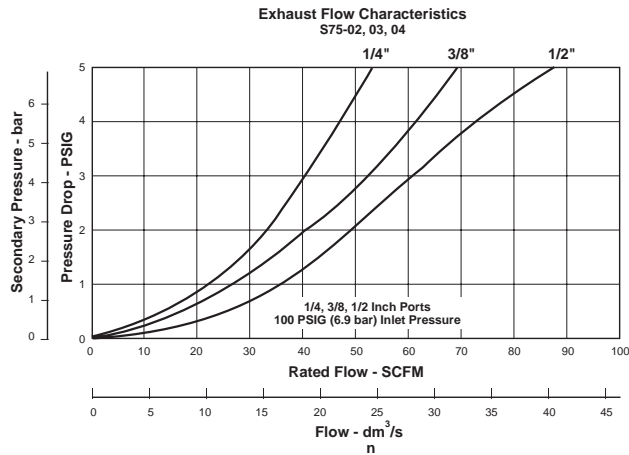
Inches (mm)

*Exhaust Flow

Model	A	B	C	D	E	F	G	H
S105	3.03 (77)	6.03 (153)	2.75 (70)	1.84 (47)	2.53 (64)	.84 (21)	2.56 (65)	1.90 (48)

Inches (mm)

Technical Information



QUBE S75 & S105 Series Kits & Accessories

Coil Kits –

- 24VDC / 48VAC Coil 2EV103
- 12VDC / 24VAC Coil 2EV102
- 120 VAC Coil 2EV105

Seal Repair Kits –

- S75 Series RKS75
- S105 Series RKS105

Exhaust Mufflers

- S75 (1/2" Exhaust) M60-04
- S105 (3/4" Exhaust) M60-06

Specifications

Exhaust Ports

- S75 1/2 Inch
- S105 3/4 Inch

Gauge Ports (Downstream pressure)

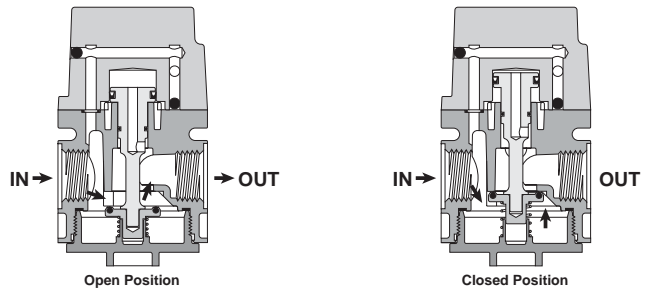
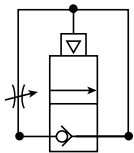
- S75 (2) 1/8 Inch
- S105 (2) 1/4 Inch

- Maximum Pressure** 145 PSIG (9.9 bar)
- Minimum Operating Pressure** 30 PSIG (2.1 bar)
- Temperature Ratings** 40°F to 120°F (4°C to 49°C)
- Weight –**
- S75 3.25 lb. (1.47 kg)
- S105 5.50 lb. (2.49 kg)

Materials of Construction

- Body** Zinc
- Bottom Plug** Brass
- Internal Components** Brass
- Seals** Nitrile
- Springs** Stainless Steel
- Top Cover** Aluminum

SSA75 & SSA105 Auto Pilot Soft Start Valve



Features

- Connects to Other QUBE Units Using Just Screws & O-Rings (Included)
- Integral Mounting Slots Eliminate Need for Mounting Brackets
- Smooth Start-up of Pneumatic System
- Unit is Installed Downstream of Lubricator (If Used)
- Air Pilot Operation
- Large Flow Capacities Up to 5.5 Cv
- Inline or Modular Mounting

Operation

When pressure is supplied to the inlet port, gradual filling of the downstream system occurs through the adjustable needle valve. The piston opens the main valve when the downstream side of the valve reaches approximately 60% of the supply pressure. The ramp up time to reach the switch over pressure is adjustable via the needle valve in the cover.

The Auto pilot soft start valve is not intended to be used as a shut off valve and should always be placed after a shut off valve.

⚠ CAUTION

Do not use synthetic, reconstituted, or oils with an alcohol content or detergent additive.

⚠ CAUTION

Do not restrict the inlet of valves having an internal pilot supply. Pressure supply piping must be the same size as the inlet port or larger to insure that the pilot valve receives sufficient pressure supply during high flow conditions.

Ordering Information / Dimensions

SSA75 Series			C		
Model Number	Port (NPT)	Flow Cv			
SSA75-02	1/4"	2.2			
SSA75-03	3/8"	3.4			
SSA75-04	1/2"	3.8			

Model	A	B	C	D	E	F
SSA75	2.19 (56)	4.72 (120)	2.06 (52)	1.50 (38)	1.66 (42)	.72 (18)

Inches (mm)

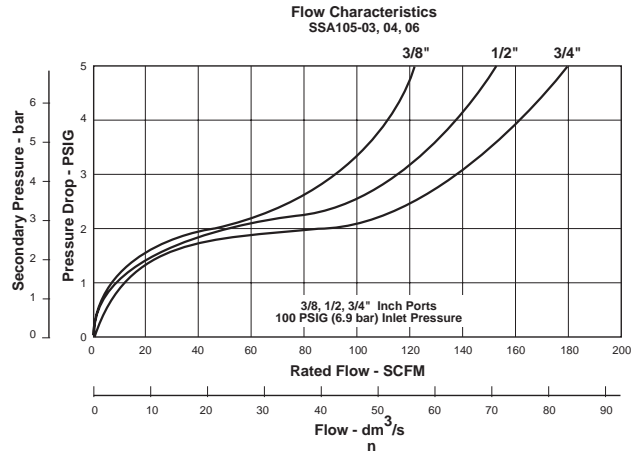
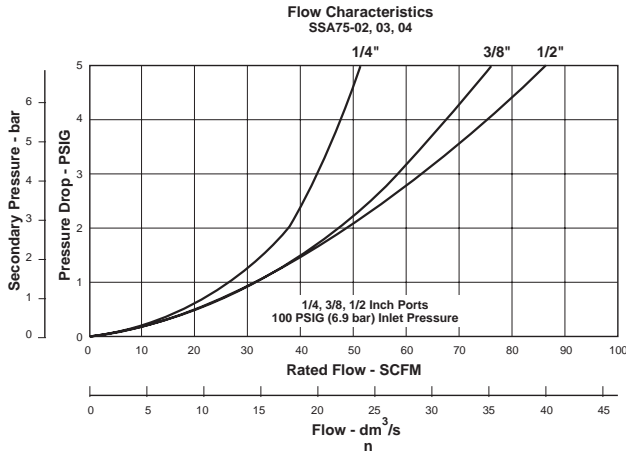
SSA105 Series			C		
Model Number	Port (NPT)	Flow Cv			
SSA105-03	3/8"	5.1			
SSA105-04	1/2"	6.8			
SSA105-06	3/4"	8.1			

Model	A	B	C	D	E	F
SSA105	3.03 (77)	5.25 (133)	2.75 (70)	1.50 (38)	2.53 (64)	.84 (21)

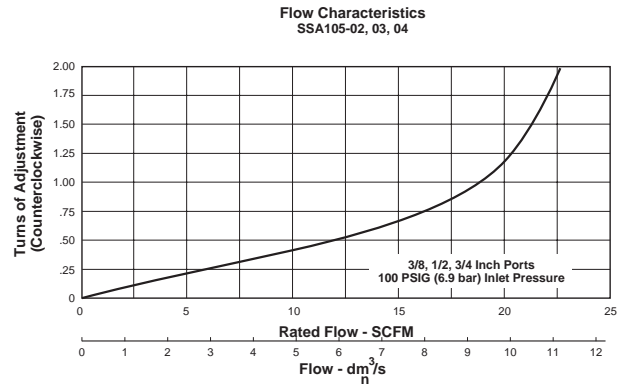
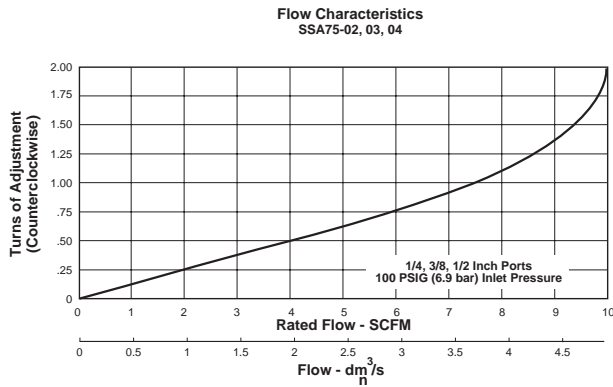
Inches (mm)

Technical Information

Flow Characteristics



Soft Start Adjustment



QUBE SSA75 & SSA105 Series Kits & Accessories

Repair Kits

- SSA75 Series RKSS75
- SSA105 Series RKSS105

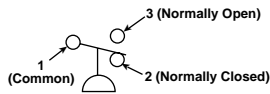
Specifications

- Gauge Ports (Downstream Pressure)
 - SSA75 (2) 1/8 Inch
 - SSA105 (2) 1/4 Inch
- Maximum Pressure 300 PSIG (20.7 bar)
- Minimum Operating Pressure 30 PSIG (2.1 bar)
- Temperature Ratings 40°F to 120°F (4°C to 49°C)
- Opens to Full Flow 60% Supply Pressure
- Weight –
 - SSA75 2.75 lb. (1.25 kg)
 - SSA105 4.50 lb. (2.04 kg)

Materials of Construction

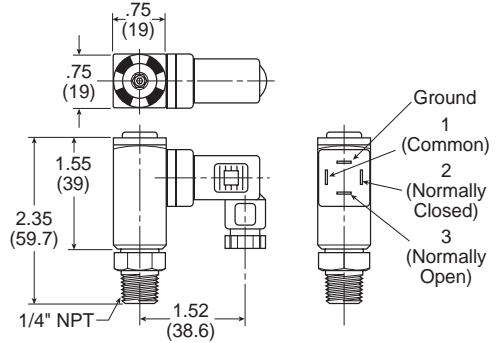
- Body Zinc
- Bottom Plug –
 - SSA75 Brass
 - SSA105 Zinc
- Internal Components Brass
- Seals Nitrile
- Springs Stainless Steel
- Top Cover Aluminum

Pressure Switch – P01909



Features:

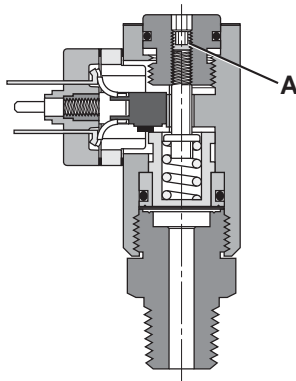
- Inline Mounting
- Dial Indicator for Easy Pressure Setting
- 5 amp Rated Snap Action Micro Switch
- Heavy Duty Aluminum Components
- Compact Size
- DIN 43650HCM Connector
- IP65 Rated
- Field Adjustable 30-150 PSIG
- +/- 2% Repeatability
- Single Pole / Double Throw Switch



Operation

The pressure switch monitors the air pressure in your pneumatic system. When the pressure in your system either drops below or exceeds the set point pressure, an electrical output is given.

Using a 0.125" (3mm) hex wrench, turn the adjusting screw (A) clockwise to increase the pressure set point and counterclockwise to decrease the pressure setting. One complete revolution of the adjusting screw covers the complete adjustment range of 30 to 150 PSIG (2 to 10 bar).



Definitions and Terminology

Repeatability — Accuracy is the maximum allowable set point deviation of a single pressure or temperature switch under one given set of environmental and operational conditions.

Single Pole / Double Throw (SPDT) Switching Element — A SPDT switching element has one normally open, one normally closed and one common terminal. Three terminals mean that the switch can be wired with the circuit either normally open (NO), or normally closed (NC), or both.

Dead Band — The dead band, sometimes referred to as “differential” or “hysteresis”, is the change in pressure between actuation and deactuation set points.

Kits and Accessories

Bushing 1/4" to 3/8"	209P-6-4
Bushing 1/4" to 1/2"	209P-8-4

Specifications

Electrical	5 AMP, 12/24VDC, 125/250VAC
Maximum Inlet Pressure	300 PSIG (20 bar)
Mechanical Life	10 ⁶ at standard operating conditions
Electrical Connection	DIN 43650HCM
Electrical Protection	IP65
Pressure Differential “Dead Band” ..	15 to 20 PSIG (1.03 to 1.39 bar)
Repeatability	±2% at 70°F (20°C) Ambient
Temperature Range	-40°F to 180°F (-40°C to 80°C)
Weight	0.13 lb. (0.06 Kg)

Materials of Construction

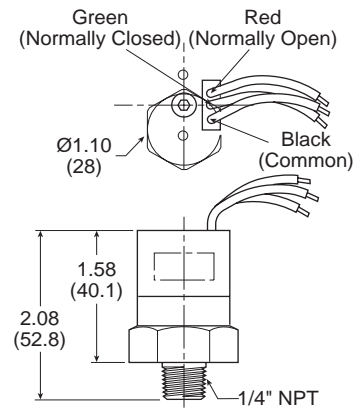
Diaphragm	Nitrile
Housing	Anodized Aluminum

Pressure Switch – P01908



Features:

- Inline Mounting
- 5 amp Rated Snap Action Micro Switch
- Brass Body
- Compact Size
- Flying Leads Electrical Connection
- IP65 Rated
- Field Adjustable 25-100 PSIG
- +/- 2% Repeatability
- Single Pole / Double Throw Switch



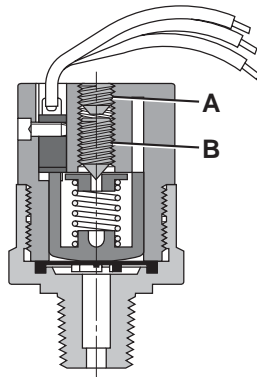
Operation

The pressure switch monitors the air pressure in your pneumatic system. When the pressure in your system either drops below or exceeds the set point pressure, an electrical output is given.

Remove screw **(A)** from the top of the switch. Using a 0.125" (3mm) hex wrench, turn the adjusting screw **(B)** clockwise to increase the pressure set point and counterclockwise to decrease the pressure setting, replace screw **(A)**. Adjustment range of 25 to 100 PSIG (1.7 to 7.5 bar).

Standard Electrical Circuit

- Black Common
- Green Normally Closed
- Red Normally Open



Definitions and Terminology

Repeatability — Accuracy is the maximum allowable set point deviation of a single pressure or temperature switch under one given set of environmental and operational conditions.

Single Pole / Double Throw (SPDT) Switching Element — A SPDT switching element has one normally open, one normally closed and one common terminal. Three terminals mean that the switch can be wired with the circuit either normally open (NO), or normally closed (NC), or both.

Dead Band — The dead band, sometimes referred to as “differential” or “hysteresis”, is the change in pressure between actuation and deactuation set points.

Kits and Accessories

- Bushing 1/4" to 3/8" 209P-6-4
- Bushing 1/4" to 1/2" 209P-8-4

Specifications

- Electrical 5 AMP, 12/24VDC, 125/250VAC
- Maximum Inlet Pressure 300 PSIG (20 bar)
- Mechanical Life 2x10⁶ at 75 PSIG (5 bar)
- Electrical Connection 18" Flying Leads
- Electrical Protection IP65
- Pressure Differential “Dead Band” .. 15 to 20 PSIG (1.03 to 1.39 bar)
- Repeatability ±2% at 70°F (20°C) Ambient
- Temperature Range -40°F to 180°F (-40°C to 80°C)
- Weight 0.23 lb. (0.11 Kg)

Materials of Construction

- Diaphragm Nitrile
- Housing Brass

WMPS31 Digital Pressure Gauge / Sensor



Model Numbers

Model Number	Output	Pressure Range
WMPS31NPCI	4 to 20mA	0 to 145 PSI
WMPS31NNC	NPN	0 to 145 PSI
WMPS31NPC	PNP	0 to 145 PSI

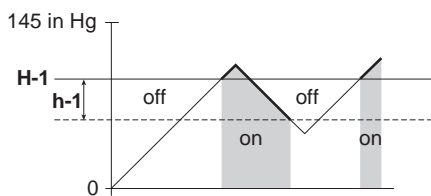
Note: Included with Sensor: 2 Meter, M8 Cable; Regulator Port Mounting Adaptors (1/4 Male to 1/8 Male, 1/8 Male to 1/8 Male); 1/8 Male Plug; Standard Mounting Bracket.

Output Modes

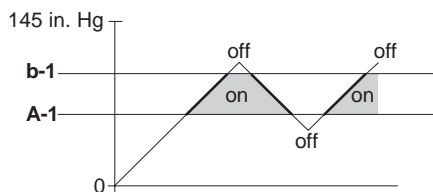
The WMPS31 Series Sensor has one independent NPN or PNP open collector output signal. The WMPS-31 Series Sensor has one independent NPN or PNP open collector signal, with optional 4-20ma output. The Switch Output Mode has a switch point programmed by the user at a specific pressure. The Hysteresis Range (**h**) adjustment controls the output signal 0 to 100% below the Switch Point (**H**).

The Window Comparator Mode provides two Switchpoint Settings (**A**) and (**b**) that control the output signals (NPN / PNP) between two pressures. This is referred to as the "High / Low" setting.

Switch Output



Window Comparator Output



⚠ Cautions

The WMPS31 Pressure Sensor is designed to monitor pressure and is not a safety measure to prevent accidents.

The compatibility of the sensor is the responsibility of the designer of the system and specifications.

Features

- **Sensor Output:**
1 NPN or PNP Open Collector Transistor Output, 30VDC, 125mA
Optional Analog Output, 4 to 20mA
- **Output Field Adjustable from Passing to Non-Passing**
- **Switch Point and High-low Programming**
- **4 Selectable Units of Measure (kgf/cm², PSI, bar, kPa)**
- **Output Response Time Less Than 2.0 Milliseconds**
- **Air and Non-Corrosive Gases**
- **Error Message**

Operating Environment

- Parker / Convum Sensors have not been investigated for explosion-proof construction in hazardous environments.
- Do not use with flammable gases, liquids, or in hazardous environments.
- Avoid installing the sensor in locations where excessive voltage surges could damage or affect the performance of the sensor.

Operations

- Dedicate a power supply of 10.8 to 30VDC to the sensor and set the ripple to Vp-p10% or less. Avoid excessive voltage. Avoid voltage surges.
- A small amount of internal voltage drop is possible. Ensure the power supply minus any internal voltage drop exceeds the operating load.
- Verify the operating media is compatible with the specified sensor. Check the chemical make-up, operating temperatures, and maximum pressure ranges of the system before installing.
- Installation of air dryer system is recommended to remove moisture.

Installation

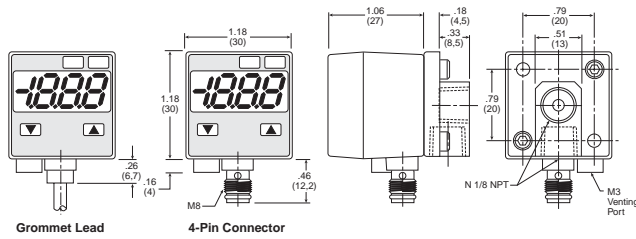
- Never insert an object into the pressure port other than an appropriate fluid connector.
- Avoid short-circuiting the sensor. Connect the brown lead to V+ and blue lead to 0V.
- Do not connect the output lead wires (black / white) to the power supply.
- Outputs not being used should be trimmed and insulated.
- Install as shown using the metal mounting bracket.



Error Messages

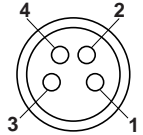
Display	Description	Solutions
Err	Zero Reset Error	Reset Zero Below 3% of F.S.
Er1	System Error (Internal)	Contact Factory
CE1	Over current of Output 1	Load current exceeds
FFF -FF	Applied pressure exceeds pressure range	Apply pressures with the rating of the sensor

Dimensions

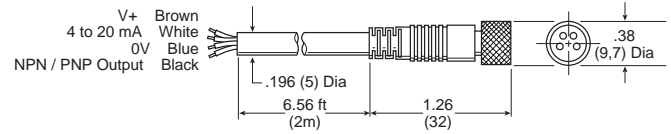


Sensor Pin Out with Analog Output

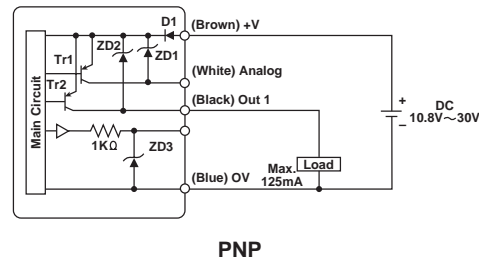
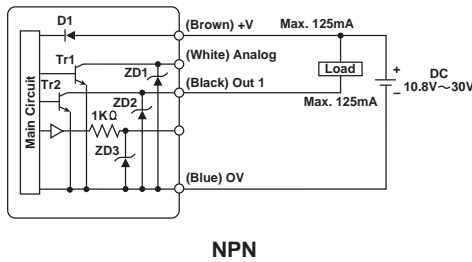
- Pin #**
- 1 Brown: 24VDC
 - 2 White: 4 to 20mA
 - 3 Blue: 0VDC
 - 4 Black: NPN / PNP Open Collector Output



CB-M8-4P-2M, Female to Open Lead



Internal Circuit for Open Collector and Analog Output Wiring

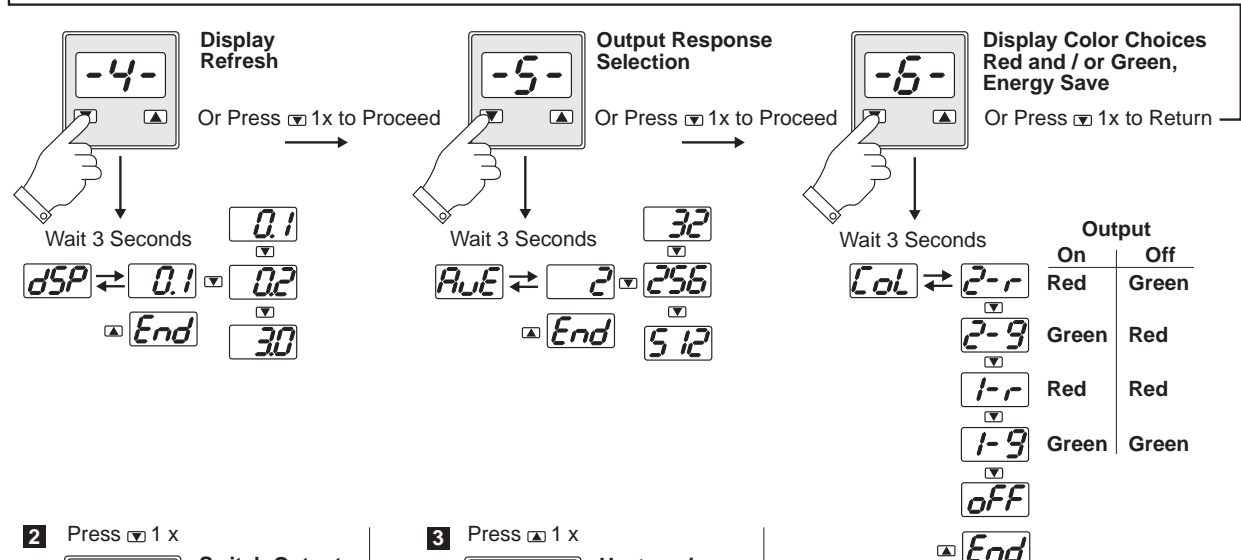
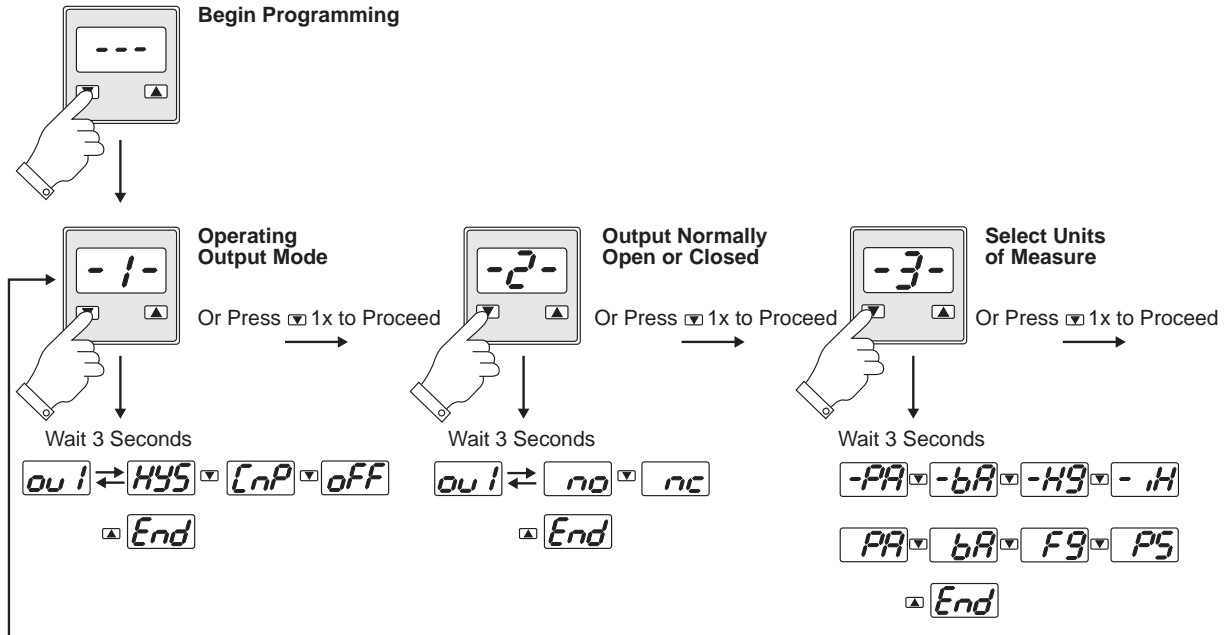


Specifications

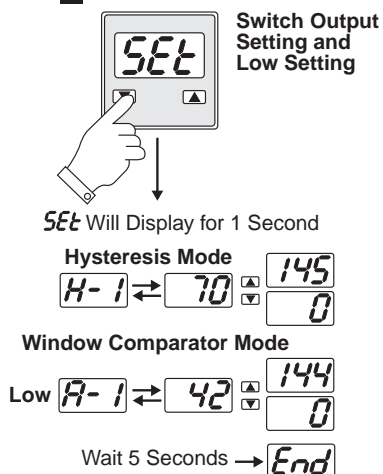
Pressure Range		Positive (P)
Units of Measure		bar: 0.01
Display Resolution		MPa: 0.001
		kgf/cm ² : 0.01
		PSI: 1
Media		Air and Non-Corrosive Gases
Pressure Port		N: 1/8" NPSF
Proof Pressure		P: 217.5 PSI
Operating Temperature		32 to 122°F (0 to 50°C)
Storage Temperature		14 to 140°F (-10 to 60°C)
Humidity		35 to 85% RH
Electrical Connection		4-Pin, M8 Connector, with 2 meter Cable
Power Supply		10.8 to 26.4VDC, Ripple Vp-p 10% Max., Reverse Voltage Protection
Display		3-Digit, 7-Segment LED
Display Refresh		.1 to 3.0 sec. (Factory set at 0.1)
Output Circuit		NPN (Sinking), PNP (Sourcing) Open Collector Transistor, 30VDC, 125mA
Switch Output		Output Signal, NPN or PNP, Normally Open or Closed, LED Indicator
Output Modes		Hysteresis or Window Comparator
Output Response Time		< 2ms, 32, 256, 512ms Programmable (Factory set 2ms)
Repeatability		± 0.2% F.S.
Analog Output	Current Output	Output Current: 4 to 20mA Linearity: ±0.5% F.S. or less Maximum Load Impedance: 300Ω with power supply voltage of 12V; 600Ω with power supply voltage of 12V; Minimum Load Impedance: 50Ω
Thermal Error		1% over ±25°C (77°C) Temperature Change: Range 32 to 122°F (0 to 50°C)
General Protection		IP40, CE Marked, EMC-EN55011 Class B, EN 50082-2
Current Consumption		< 70mA
Vibration Resistance		10 to 55Hz, 1.5mm, XYZ, 2 hrs.
Shock Resistance		10 G, XYZ
Material		Housing: Polycarbonate, Pressure Port: Zinc Die-cast, Diaphragm: Silicon
Mass		1.7 oz. (45g)

WMPS31 Programming

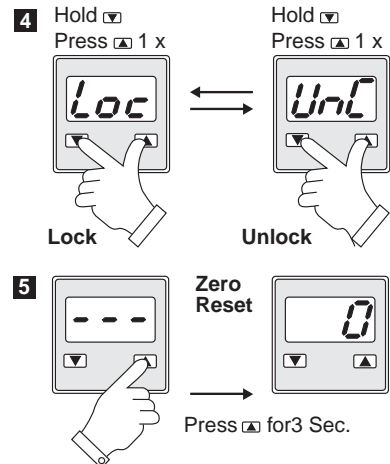
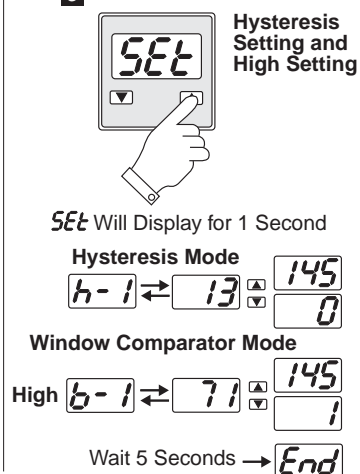
1 Press \square for 3 Seconds



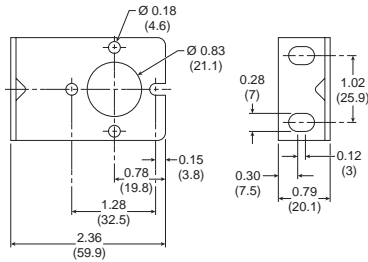
2 Press \square 1 x



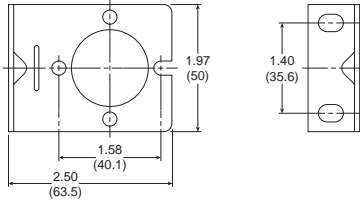
3 Press \square 1 x



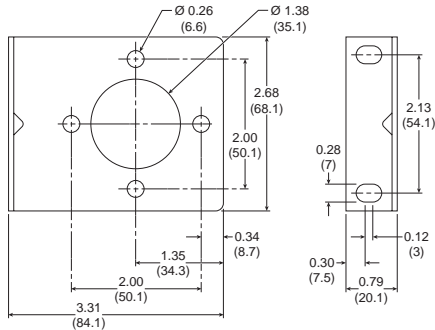
QUBE Series End / Wall Mount Brackets



35 Series Bracket - SAR35Y57



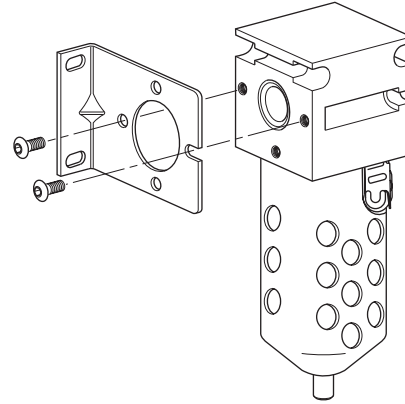
75 Series Bracket - SAR75Y57



105 Series Bracket - SAR105Y57

QUBE FRL components have integral mounting slots that usually eliminate the need for mounting brackets. However, some applications may require the use of mounting brackets:

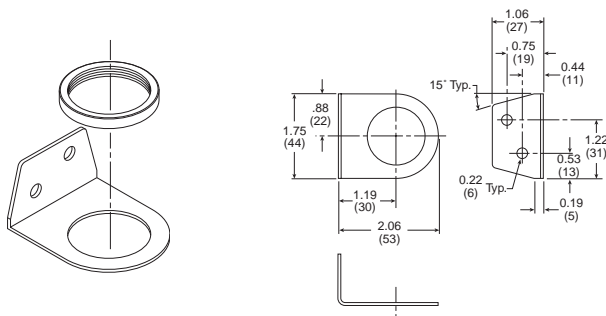
- Assemblies incorporating components from multiple series.
- Applications where the FRL needs to be spaced away from the machine.



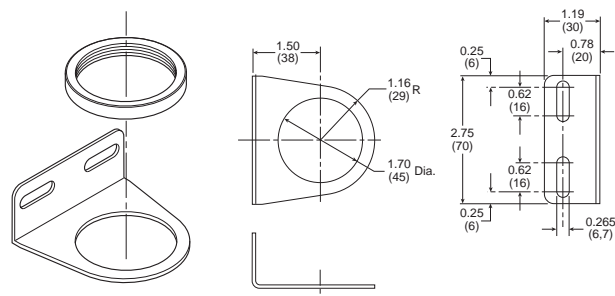
Bracket Installation

QUBE Series Panel Mount Brackets

These brackets are designed to mount regulators and integral filter / regulators using panel mount threads on spring cage.



35 & 75 Series QUBE



105 Series QUBE

Part Number: **SA161X57**
 (Comes complete with R05X51-P Plastic Panel Nut)

Part Number: **SAR10Y57**
 (Comes complete with R10X51-P Plastic Panel Nut)

Offer of Sale

The items described in this document and other documents or descriptions provided by Parker Hannifin Corporation, its subsidiaries and its authorized distributors, are hereby offered for sale at prices to be established by Parker Hannifin Corporation, its subsidiaries and its authorized distributors. This offer and its acceptance by any customer ("Buyer") shall be governed by all of the following Terms and Conditions. Buyer's order for any such item, when communicated to Parker Hannifin Corporation, its subsidiaries or an authorized distributor ("Seller") verbally or in writing, shall constitute acceptance of this offer.

1. Terms and Conditions of Sale: All descriptions, quotations, proposals, offers, acknowledgments, acceptances and sales of Seller's products are subject to and shall be governed exclusively by the terms and conditions stated herein. Buyer's acceptance of any offer to sell is limited to these terms and conditions. Any terms or conditions in addition to, or inconsistent with those stated herein, proposed by Buyer in any acceptance of an offer by Seller, are hereby objected to. No such additional, different or inconsistent terms and conditions shall become part of the contract between Buyer and Seller unless expressly accepted in writing by Seller. Seller's acceptance of any offer to purchase by Buyer is expressly conditional upon Buyer's assent to all the terms and conditions stated herein, including any terms in addition to, or inconsistent with those contained in Buyer's offer. Acceptance of Seller's products shall in all events constitute such assent.

2. Payment: Payment shall be made by Buyer net 30 days from the date of delivery of the items purchased hereunder. Amounts not timely paid shall bear interest at the maximum rate permitted by law for each month or portion thereof that the Buyer is late in making payment. Any claims by Buyer for omissions or shortages in a shipment shall be waived unless Seller receives notice thereof within 30 days after Buyer's receipt of the shipment.

3. Delivery: Unless otherwise provided on the face hereof, delivery shall be made F.O.B. Seller's plant. Regardless of the method of delivery, however, risk of loss shall pass to Buyer upon Seller's delivery to a carrier. Any delivery dates shown are approximate only and Seller shall have no liability for any delays in delivery.

4. Warranty: Seller warrants that the items sold hereunder shall be free from defects in material or workmanship for a period of 18 months from date of shipment from Parker Hannifin Corporation. THIS WARRANTY COMPRISES THE SOLE AND ENTIRE WARRANTY PERTAINING TO ITEMS PROVIDED HEREUNDER. SELLER MAKES NO OTHER WARRANTY, GUARANTEE, OR REPRESENTATION OF ANY KIND WHATSOEVER. ALL OTHER WARRANTIES, INCLUDING BUT NOT LIMITED TO, MERCHANTABILITY AND FITNESS FOR PURPOSE, WHETHER EXPRESS, IMPLIED, OR ARISING BY OPERATION OF LAW, TRADE USAGE, OR COURSE OF DEALING ARE HEREBY DISCLAIMED. NOTWITHSTANDING THE FOREGOING, THERE ARE NO WARRANTIES WHATSOEVER ON ITEMS BUILT OR ACQUIRED WHOLLY OR PARTIALLY, TO BUYER'S DESIGN OR SPECIFICATIONS.

5. Limitation of Remedy: SELLER'S LIABILITY ARISING FROM OR IN ANY WAY CONNECTED WITH THE ITEMS SOLD OR THIS CONTRACT SHALL BE LIMITED EXCLUSIVELY TO REPAIR OR REPLACEMENT OF THE ITEMS SOLD OR REFUND OF THE PURCHASE PRICE PAID BY BUYER, AT SELLER'S SOLE OPTION. IN NO EVENT SHALL SELLER BE LIABLE FOR ANY INCIDENTAL, CONSEQUENTIAL OR SPECIAL DAMAGES OF ANY KIND OR NATURE WHATSOEVER, INCLUDING BUT NOT LIMITED TO LOST PROFITS ARISING FROM OR IN ANY WAY CONNECTED WITH THIS AGREEMENT OR ITEMS SOLD HEREUNDER, WHETHER ALLEGED TO ARISE FROM BREACH OF CONTRACT, EXPRESS OR IMPLIED WARRANTY, OR IN TORT, INCLUDING WITHOUT LIMITATION, NEGLIGENCE, FAILURE TO WARN OR STRICT LIABILITY.

6. Changes, Reschedules and Cancellations: Buyer may request to modify the designs or specifications for the items sold hereunder as well as the quantities and delivery dates thereof, or may request to cancel all or part of this order, however, no such requested modification or cancellation shall become part of the contract between Buyer and Seller unless accepted by Seller in a written amendment to this Agreement. Acceptance of any such requested modification or cancellation shall be at Seller's discretion, and shall be upon such terms and conditions as Seller may require.

7. Special Tooling: A tooling charge may be imposed for any special tooling, including without limitations, dies, fixtures, molds and patterns, acquired to manufacture items sold pursuant to this contract. Such special tooling shall be and remain Seller's property notwithstanding payment of any charges by Buyer. In no event will Buyer acquire any interest in apparatus belonging to Seller which is utilized in the manufacture of the items sold hereunder, even if such apparatus has been specially converted or adapted for such manufacture and notwithstanding any charges paid by Buyer. Unless otherwise agreed,

Seller shall have the right to alter, discard or otherwise dispose of any special tooling or other property in its sole discretion at any time.

8. Buyer's Property: Any designs, tools, patterns, materials, drawings, confidential information or equipment furnished by Buyer, or any other items which become Buyer's property, may be considered obsolete and may be destroyed by Seller after two (2) consecutive years have elapsed without Buyer placing an order for the items which are manufactured using such property. Seller shall not be responsible for any loss or damage to such property while it is in Seller's possession or control.

9. Taxes: Unless otherwise indicated on the face hereof, all prices and charges are exclusive of excise, sales, use, property, occupational or like taxes which may be imposed by any taxing authority upon the manufacture, sale or delivery of the items sold hereunder. If any such taxes must be paid by Seller or if Seller is liable for the collection of such tax, the amount thereof shall be in addition to the amounts for the items sold. Buyer agrees to pay all such taxes or to reimburse Seller therefore upon receipt of its invoice. If Buyer claims exemption from any sales, use or other tax imposed by any taxing authority, Buyer shall save Seller harmless from and against any such tax, together with any interest or penalties thereon which may be assessed if the items are held to be taxable.

10. Indemnity For Infringement of Intellectual Property Rights: Seller shall have no liability for infringement of any patents, trademarks, copyrights, trade dress, trade secrets or similar rights except as provided in this Part 10. Seller will defend and indemnify Buyer against allegations of infringement of U.S. patents, U.S. trademarks, copyrights, trade dress and trade secrets (hereinafter "Intellectual Property Rights"). Seller will defend at its expense and will pay the cost of any settlement or damages awarded in an action brought against Buyer based on an allegation that an item sold pursuant to this contract infringes the Intellectual Property Rights of a third party. Seller's obligation to defend and indemnify Buyer is contingent on Buyer notifying Seller within ten (10) days after Buyer becomes aware of such allegations of infringement, and Seller having sole control over the defense of any allegations or actions including all negotiations for settlement or compromise. If an item sold hereunder is subject to a claim that it infringes the Intellectual Property Rights of a third party, Seller may, at its sole expense and option, procure for Buyer the right to continue using said item, replace or modify said item so as to make it noninfringing, or offer to accept return of said item and return the purchase price less a reasonable allowance for depreciation. Notwithstanding the foregoing, Seller shall have no liability for claims of infringement based on information provided by Buyer, or directed to items delivered hereunder for which the designs are specified in whole or part by Buyer, or infringements resulting from the modification, combination or use in a system of any item sold hereunder. The foregoing provisions of this Part 10 shall constitute Seller's sole and exclusive liability and Buyer's sole and exclusive remedy for infringement of Intellectual Property Rights.

If a claim is based on information provided by Buyer or if the design for an item delivered hereunder is specified in whole or in part by Buyer, Buyer shall defend and indemnify Seller for all costs, expenses or judgements resulting from any claim that such item infringes any patent, trademark, copyright, trade dress, trade secret or any similar right.

11. Force Majeure: Seller does not assume the risk of and shall not be liable for delay or failure to perform any of Seller's obligations by reason of circumstances beyond the reasonable control of Seller (hereinafter "Events of Force Majeure"). Events of Force Majeure shall include without limitation, accidents, acts of God, strikes or labor disputes, acts, laws, rules or regulations of any government or government agency, fires, floods, delays or failures in delivery of carriers or suppliers, shortages of materials and any other cause beyond Seller's control.

12. Entire Agreement/Governing Law: The terms and conditions set forth herein, together with any amendments, modifications and any different terms or conditions expressly accepted by Seller in writing, shall constitute the entire Agreement concerning the items sold, and there are no oral or other representations or agreements which pertain thereto. This Agreement shall be governed in all respects by the law of the State of Ohio. No actions arising out of sale of the items sold hereunder or this Agreement may be brought by either party more than two (2) years after the cause of action accrues.



Parker Hannifin Corporation
Pneumatic Division
8676 E. M89
P.O. Box 901
Richland, MI 49083 USA

Customer/Technical Service

Tel: (269) 629-5575
Fax: (269) 629-5385
Website: www.wattsfluidair.com
E-mail: wattsfluidair@parker.com